

JEEP PARTS CATALOG

ILLUSTRATION AND TEXT
BODY-CHASSIS-TRIM

YJ - WRANGLER
XJ - CHEROKEE
ZJ - GRAND CHEROKEE



81-690-1792
SUPERSEDES
81-690-1785

GET REAL . GET MOPAR .

CHRYSLER • PLYMOUTH • DODGE • JEEP AND EAGLE

This publication contains Parts Information for all 1991-93 Jeeps.

The use of this Parts Catalog and the arrangement of information herein is explained in the General Information Section as indexed below.

INDEX TO INFORMATION PAGES

- ABBREVIATIONS INF-12-17
- ALPHABETICAL INDEX. INF- 5
- BODY PLATE INTERPRETATION. INF- 8
- BODY CODE PLATE. INF- 8
- BUILD DATE MO. AND YR. INF- 9
- CALIF. ARB. IDENTIFICATION INF- 18-30
- CATALOG AND PARTS BULLETINS. INF- 5
- COLOR CODED OR COMBINED PART NUMBERS. INF- 6
- ENGINE IDENTIFICATION NUMBERS. INF- 6
- GROUP CONTENTS. INF- 3
- GROUP CONTENTS ENGINE INF- 32
- GROUP CONTENTS TRANSMISSION & TRANSFER CASE INF- 33
- GROUP CONTENTS BODY INDEX. INF- 31
- HOW TO LOCATE PARTS. INF- 2
- ILLUSTRATION INDEX. INF- 5
- INTERIOR TRIM. INF- 6
- METRIC CONVERSION TABLE INF-11
- NEWPART INDEX. INF- 5
- NUMERICAL INDEX. INF- 5
- PAGE NUMBERING INF- 4
- PARTS CATALOG REVISION SERVICE. INF- 5
- PARTS PACKAGES. INF- 5
- PRICE CLASS (SERIES) INFORMATION. INF- 9
- REAR AXLE IDENTIFICATION. INF- 7
- RIGHT AND LEFT PART NUMBERS INF- 4
- SALES CODES. INF-10
- SPECIFYING INFORMATION. INF- 4
- STANDARD PARTS INF- 5
- SYMBOLS USED IN THIS CATALOG. INF- 4
- TRANSFER CASE IDENTIFICATION. INF- 7
- TRANSMISSION MODEL & SERIAL NUMBER. INF- 6
- VEHICLE IDENTIFICATION NUMBER. INF- 9

HOW TO USE THIS CATALOG AND LOCATE PARTS

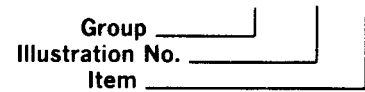
This Catalog is divided into Part Groups in which illustrations for parts of a similar function and/or location are published. The Group Contents listing on the next page shows the type of parts contained in each group. Tabs are provided or available to separate each group.

Several methods may be used to locate a specific part:

Option 1: From the Group Contents listing, select the group which would most logically contain the part to be found. Or open the catalog to Group 1, Master Group Illustration Index. Select the illustration group most likely to contain the parts associated. Turn to the Illustration Index in front of that group to select illustration and locate the part item numbers and associated text information.

Option 2: If the "noun" name of the part you seek is known, an alphabetical index of Nouns and illustration titles is provided to assist in finding the part. Several keys may be found in this index.

RESERVOIR Power Strng. Oil Pump. Group 19 Group Reference
ALTERNATOR, 3.3L Engine. 8-200 Illustration Reference
STARTER. 08-105-1 Illustration/Item Reference



Option 3: If the part number is known but the applications need to be determined, refer to the numerical index. This index shows the group, illustration number and item for each part listed in the catalog. Multiple references mean the part is listed more than once.

Option 4: From Parts Catalog Group Index INF-3, select the Group that parts most logically would be found in.

Example:

- Group 9** Contains Engine by Type
9A ENGINE = 2.5L (4 Cyl.)
9P ENGINE = 2.0L (4 Cyl.)
9B ENGINE = 3.3L & 3.8L, 2.5L (V6)
- Group 23** Contains Exterior Ornamentation (E = Exterior Ornamentation)
YJ = Ext. Orn. Wrangler
XJ = Ext. Orn. Cherokee
ZJ = Ext. Orn. Grand Cherokee
- Group 23A** Contains Sheet Metal Body (S = Sheet Metal Body)
YJ = Sheet Metal Wrangler
ZJ = Sheet Metal Grand Cherokee
- Group 23D** Contains Doors (D = Doors & Related Parts)
YJ = Doors Wrangler
ZJ = Doors Grand Cherokee

PART GROUP — TITLES & CONTENTS

GROUP	CONTENTS
INF	Information Section
AL	Alphabetical Index
NE	Newpart Index
IL	Illustration Index (All Groups)
1	Master Illustration Index
2	Front Suspension & Drive Front Suspension Components ... Steering Knuckles Front Drive Shafts, Axles, Locking Hubs ... Front Differential
3	Rear Axle Rear Axle and Component Parts ... Rear Axle Mountings
4	Parking Brake Controls
5	Service Brakes Brake Controls and Mechanism ... Brake Warning Switch, Park Brake Components within the Wheel ... Wheel Hardware Bearings and Seals
6	Clutch Clutch Unit and Components ... Clutch Pedal, Controls
7	Cooling Front Grille, Grille Support, Radiator Supports, Headlamp Supports ... Radiators, Fans and Fan Motors, Hoses, Thermostats ... Transmission Cooling ... Water Pumps ... Drive Belts and Pulleys ... Turbocharger Cooling
8	Electrical Switches, Relays, Solenoids, Sensors, ... Battery Trays ... Engine Electrical ... Starters, Alternators, Distributors ... Front, Rear, Interior Lamp ... Body Wiring ... Horn
8A	Instrument Panel and Consoles Instrument Panel and Console Electrical Parts, Clusters, Switches, Wiring ... All Hard and Soft Trim Parts ... Radio, Speakers and Antenna
9	Engine (By Engine Type)
9A (2.5L)	Engine Components ... Engine Oil System ...
9B (4.0L)	Flywheels, Torque Converters ... Engine Mounting
9C (5.2L)	
9D (2.1L)	
11	Exhaust Exhaust System Components ... Heat Shields
13	Frame, Bumper & Fascia Frame Components, Crossmembers ... Bumper and Fascia Components ... Snow Plow Parts
14	Fuel Accelerator Pedal, Linkage, Throttle Control ... Air Cleaner ... Carburetors, Throttle Body and Injection Components ... Fuel Lines, Fuel Tank ... Fuel Pump ... Turbocharger Components ... Speed Control

GROUP	CONTENTS
16	Prop, Shaft and Universal Joint
17	Rear Suspension Rear Suspension Components
18	Service Bulletin Parts
19	Steering Steering Wheels, Column ... Power Steering Pump ... Steering Gear ... Steering Linkage, Tie Rods
21M 21M Aisin 21N-3500 21O-4500	Manual Transmission and Transfer Cases Manual Transmission, Transaxle and Components ... Gearshift Controls ... Transfer Case, Controls, Mountings ...
21R-Transfer Case 231	21T-Transfer Case 242
21S-Transfer Case 241	21U-Transfer Case 249
21P	Speedometer Pinion and Cable
21A 21A-30RH 21B-31RH 21C-42RE 21D 46RH 21E-Aisin	Automatic Transmission Automatic Transmission, Transaxle and Components ... Gearshift Controls ...
22	Wheels Wheel Rims ... Wheel Covers, Hubcaps ... Jack and Spare Tire Storage
(23) E	Exterior Ornamentation Exterior Ornamentation, Tape Stripes, Decals ... Exterior Moldings ... Vinyl Roof and Trim Ground Effects Pkgs.
EYJ WRANGLER EXJ CHEROKEE EZJ GRAND CHEROKEE	E = EXTERIOR ORNAMENTATION
(23A) S	Body-Sheet Metal Except Doors Body Metal ... Stationary Glass ... Sunroof ... Convertible Top ... Hood and Deck Release
SYJ WRANGLER SXJ CHEROKEE SZJ GRAND CHEROKEE	S = SHEET METAL EXCEPT DOORS
(23C) D	Body-Doors and Related Parts Door Metal ... Door Hardware ... Door Glass ... and Regulator ... Door Mirrors ... Weatherstrips
DYJ WRANGLER DXJ CHEROKEE DZJ GRAND CHEROKEE	D = DOORS AND EXTERIOR MIRRORS
23D	Body-Miscellaneous Lock Cylinders and Keys ... Windshield Washer/Wiper System
IT IYJ WRANGLER IXJ CHEROKEE	Interior Trim (By Body Code) All Interior Trim Except Dash and Console ... Seats and Seat Belts ... Seat Adjusters, Manual and Power ... Carpet ... Interior Panels and Moldings ... Security/Tonneau Covers
IYJ GRAND CHEROKEE	I = INTERIOR TRIM
24	Heater and Air Heater, Air Conditioning System and Controls
25	Emission Systems Air Pump ... EGR System ... Vapor Canister
NU	Numerical Index

PAGE NUMBERING

Two-part page numbers are used throughout this catalog. The first part of the page designation indicates one major group or section. The second part indicates the actual page number in the group. For example:

2-1 indicates Group 2, Front Suspension, Page 1
3-4 indicates Group 3, Axle Rear, Page 4

In the maintenance of the Loose Leaf Parts Catalog Revision Service, it may become necessary to add information beyond the capacity of the page. In this event, an "A" page will be used. For example, if it becomes necessary, because of change, to add several part numbers to page 2-1 and space does not permit the addition, you will be given Page 2-1A. Page 2-1A should be filed immediately following Page 2-1

Figure and Item Numbers are also commonly used to identify locations in this Catalog, i.e., 14-910/8 refers to Group 14, illustration 910, Item Number 8. Illustration Numbers are always ascending sequential within the Groups

RIGHT AND LEFT PART NUMBERS

Right and Left part numbers are frequently combined on one line, e.g., 3514 444-5. Such numbers are interpreted as 3514 444 Right side application and 3514 445 Left Side. Right and Left Sides are always determined by their relationship to the driver when normally seated and looking forward.

SYMBOLS USED IN THIS PARTS CATALOG

The following symbols are commonly used with Part Number and quantity information in this Catalog:

- Precedes a new part number to the catalog and remains in subsequent issues until stock is available for shipment.

AR - Indicates the quantity required may vary or is to be determined by the user.

PAR - Indicates Paint As Required.

SPECIFYING INFORMATION

The following information is included in this Parts Catalog:

- | | |
|---|--|
| 1. Part Name. | 7. Effective points of model year running changes are indicated by vehicle serial number, engine number or body number where applicable. |
| 2. Part Number. | When serial number effective points are not available, production effective dates are used. (Refer to the Federal Certification Label for the build date.) |
| 3. Model Application. | 8. Parts designated as CANADA or EXPORT are not available through U.S. parts outlets. |
| 4. Quantity used per vehicle. | |
| 5. Description and dimensions necessary for proper identification of parts where necessary. | |
| 6. Model or Engine Column:
Engine by Displacement or Vehicle Model
Code Body Style Code or Price Class. | |

In the event replacement parts not listed herein are required due to a special service situation, Chrysler Dealers should contact their factory specifier for assistance. Problems encountered with particular part specifications can be resolved in the same manner.

ILLUSTRATION NUMBERING INDEX

Illustration numbers in this Catalog are group STANDARDS. Which indicates group and CONSISTENT Content. EXAMPLE: 8-100 means Group 8 from 8-101 to 8-199 will always contain starters in all of our Parts Catalogs for 1994. 8-200 means Group 8 from 8-201 to 8-299 will always contain alternators in all of our Parts Catalogs for 1994. Refer to Group-1 Master Group Illustration Index or the first page of each group for parts information contained within that group.

ILLUSTRATION INDEX

This index is a compilation of catalog parts description data with reference to illustrations, figures and key numbers as shown:

ILLUSTRATION INDEX	GROUP	ILLUS. NO.
THROTTLE BODY	_____	14-600

The first page of each group contains a listing of all illustrations within that group. Also refer to illustrations alphabetically listed in information section.

ALPHABETICAL INDEX

This index is a compilation of catalog parts description data with a reference to the location of the item by group - Figure and key number as shown in the following example:

Housing, w/Pump YJ	7 - 410/ 18
Group _____	_____
Illustration No. _____	_____
Item _____	_____

The index will be expanded progressively as data is added to computer files. To locate a part by name, refer to the Alphabetical Index. This index indicates the group and illustration and item number where the part is located. Alphabetical Index can be found in INF section of catalog.

NUMERICAL INDEX

A listing of Part Numbers contained in the catalog. The numbers are in numerical sequence with reference to the group and illustration and item number where the part is located.

PARTS PACKAGES

Service Parts Packages, containing all parts needed for specific service operation, are listed in their respective groups with related parts. The listing will show adaptability and model application.

STANDARD PARTS

Important attaching standard parts such as bolts, nuts, etc. are generally listed in the text of the respective major parts groups.

CATALOG AND PARTS BULLETINS

BULLETINS are issued when important changes are made in production or when corrections are to be made in the Parts Catalog between regular revisions. All catalogs should be noted and changed accordingly to remain current between revisions.

PARTS CATALOG REVISION SERVICE

Subscribers to the Viper Parts Catalog Revision Service will be periodically provided with revised copy incorporating the latest information. Revisions may be provided by Group or complete book copy.

NEWPART INDEX

A listing of new part numbers contained in the catalog. The numbers are in group sequence with reference to the illustration and item number where the part is located.

COLOR CODED OR COMBINED PART NUMBERS

Appearing throughout this catalog are part numbers containing both letters and numbers. For example: D500 KB7. These are good serviceable part numbers. The combination of letters and numbers merely indicates the parts are keyed to the interior color of the vehicles on which they are used.

In addition, Right and Left part numbers are frequently combined on one line; e.g., D500-1 KB7. Such numbers are interpreted as D500 KB7, Right Side application, and D501 KB7 Left Side. Right and Left Sides are always determined by their relationship to the driver when normally seated and looking forward

INTERIOR TRIM

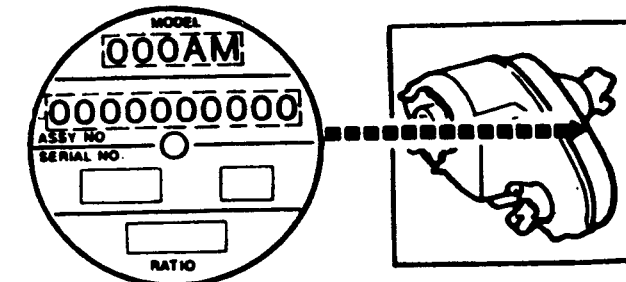
Refer to the Group IT, Interior Trim section of the catalog, for information relative to Interior Soft and Hard Trim, Rolled Stock, etc.

DESIGNATION SCHEME **AUTOMATIC TRANSMISSION IDENTIFICATION** (Ex. 41TE)

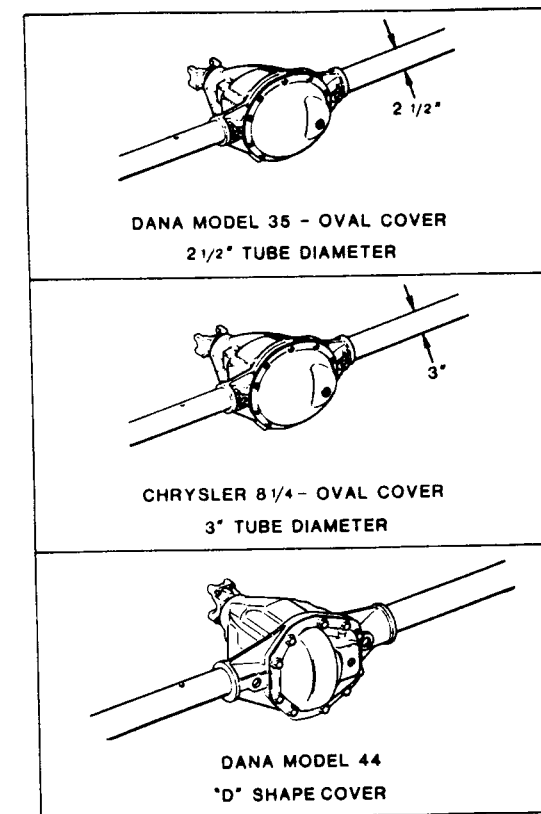
NO. OF FWD RATIO	TORQUE CAPACITY	DRIVE	CONTROLS
1 digit 4=4 Speed	1 digit 0=Base Light	1 letter R=Rear, T=Transverse L=Longitudinal Ft. Dr.	1 letter E=Electronic H=Hydraulic A=All Wheel Dr.
30RH = A904 32RH = A999	42RH = A500/Chrys (A999 Body) 42RE = A500 SE 46RH = A518		

TRANSFER CASE IDENTIFICATION

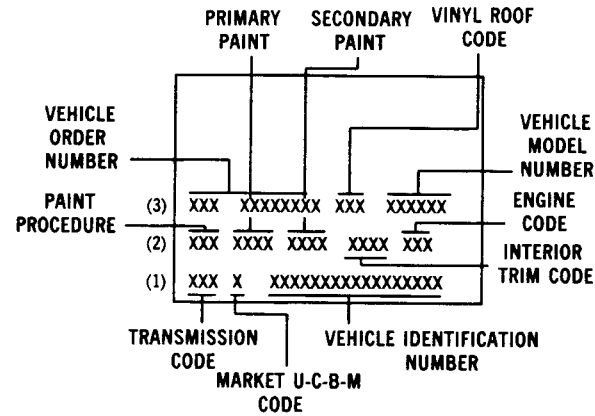
The Model Number and Part Number of the Transfer Case Assembly.



REAR AXLE IDENTIFICATION



1991-93
I.D. PLATES

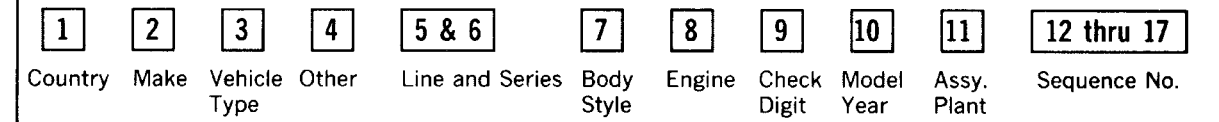


NOTE: For Trim Codes see Trim Section "Trim Code Defined".

BODY CODE DECODING

Line #1	Digit 1-3	Transmission Sales Code
	Digit 4	Open Space
	Digit 5	Market Code - U-C-B-M
	Digit 6	Open Space
	Digit 7-23	Vehicle Identification No.
Line #2	Digit 1-3	Paint Procedure
	Digit 4	Open Space
	Digit 5-8	Primary Paint
	Digit 9	Open Space
	Digit 10-13	Secondary Paint
	Digit 14	Open Space
	Digit 15-18	Trim Code
	Digit 19	Open Space
	Digit 20-22	Engine Sales Code
	Digit 23	Open Space
Line #3	Digit 1-12	Vehicle Order Number
	Digit 13	Open Space
	Digit 14-16	Vinyl Roof Code (Door Combo Code - Pillette)
	Digit 17	Open Space
	Digit 18-23	Model

VIN PLATE IDENTIFICATION



Beginning with 1981 model vehicles, the Vehicle Identification Number (VIN) was revised to conform with U.S. Government regulations. The number can be found on an embossed plate mounted on the left-hand side of the instrument panel.

- 1 COUNTRY**
1 = U.S.
2 = Canada
- 2 MAKE**
J = Jeep
- 3 VEHICLE TYPE**
4 = Multipurpose Passenger Vehicle
7 = Truck
6 = Incomplete Vehicle
- 4 OTHER**
E = 3001 - 4000 GVW
F = 4001 - 5000 GVW
G = 5001 - 6000 GVW
H = 6001 - 7000 GVW
- 5 & 6 LINE AND SERIES**
1991 LINE AND SERIES
J = Cherokee - 4WD
T = Cherokee - 2WD
N = Cherokee Briarwood
Y = Wrangler - 4WD
S = Grand Wagoneer - 4WD
J = Comanche - 4WD
T = Comanche - 2WD
1 = "S" (E)
2 = Base (L)
3 = Pioneer/Islander (M)
4 = Sahara (H)
5 = Renegade/Grand (P)
6 = Sport (S)
7 = Limited (Box) (X)
1992 & 1993 Line and Series
J = Cherokee - 4WD
T = Cherokee - 2WD
N = Briarwood - 4WD
Y = Wrangler - 4WD
J = Comanche - 4WD
T = Comanche - 2WD
1 = S (YJ)
2 = Base (Wrangler/Wrangler Sport)
3 = Pioneer/Islander
4 = Sahara
5 = Laredo (BUX)
6 = Renegade
7 = Briarwood/Limited (BUX)
8 = Sport
1993 Line and Series
X = Grand Cherokee (4x2)
Z = Grand Cherokee (4x4)
5 = Laredo
6 = Sport
7 = Limited
8 = Grand Wagoneer
- 7 BODY STYLE**
6 = Truck
7 = 2-Door Sport Utility
8 = 4-Door Sport Utility
9 = Open Body
- 8 ENGINE**
B = 2.1L 4 cyl. (Turbo Diesel)(ENA)
P = 2.5L 4 cyl. (Gas) Unleaded Fuel(EPE)
S = 4.0L 6 cyl. (Gas) Unleaded Fuel(ERH)
7 = 5.9L 8 cyl. Unleaded Fuel(EQA)
Y = 5.2L 8 cyl. Unleaded Fuel
- 9 CHECK DIGIT**
0, 1, 2, 3, 4, 5, 6, 7, 8, 9, X
- 10 MODEL YEAR**
M = 1991
N = 1992
P = 1993
- 11 ASSEMBLY PLANT**
J = Brampton
L = Toledo #1
P = Toledo #2
C = Jefferson Assembly
- 12 thru 17 SEQUENCE NO.**
Six Digit Number

NOTE: VIN information for 1993 ZJ Grand Cherokee/Grand Wagoneer. When servicing a 1993 ZJ, it is IMPORTANT to understand differences between the early 1993 vehicles and later built vehicles. To determine which vehicle you are servicing, check the 12th character of the VIN. Early vehicles have a "1" in the 12th position. Later vehicles have a "5" or higher in the 12th position.

SALES CODES

Due to the increase complexity of qualifications required to describe the application of some replacement parts; particularly those related to the Emission Control System, Sales Codes are used on a selected basis in some areas of this publication.

Normally, Sales Codes will be employed as secondary qualifiers and are for the express purpose of providing positive identification of parts applicable to vehicle components or systems so complex in nature that normal methods of written qualification are either inadequate or confusing.

The Sales code will always appear after the written description of the part; will be enclosed in parenthesis; will be prefixed S/C, and will follow a hyphen appended to the S/C, e.g.: (S/C-HAO).

To determine whether or not the vehicle for which the part is being specified was built with a particular Sales Code it will be necessary to refer to the Body Code Plate depicted on page INF-10. Sales Codes are also listed on vehicle invoices and on the Maroney label which is affixed to the side glass on new units.

METRIC CONVERSION TABLE

LINEAR MEASUREMENT

1 foot (ft.) = 12 inches (in.)
 1 yard (yd.) = 3 ft. = 36 in.
 1 mile (statute) = 5,280 ft.

To convert	Into	Multiply by
inches	centimeters	2.5400
inches	millimeters	25.4000
feet	meters	0.3048
feet	millimeters	304.8000
yards	meters	0.9144
miles	kilometers	1.6093

AREA MEASUREMENT

1 square foot (sq.ft) = 144 square inches (sq.in.)
 1 square yard (sq.yd.) = 9 square feet
 1 acre = 4,840 sq. ft.
 1 square mile = 640 acres

To convert	Into	Multiply by
square inches	sq. centimeters	6.4516
square feet	sq. meters	0.0929
square yards	sq. meters	0.8361
acres	sq. meters	4.0470
square miles	sq. kilometers	2.5900

CUBIC MEASUREMENT (VOLUME)

1 cubic foot (cu. ft.) = 1.728 cubic inches (cu. in.)
 1 cubic yard (cu. yd.) = 27 cubic feet

To convert	Into	Multiply by
cubic inches	cu. centimeters	16.3872
cubic feet	cubic meters	0.0283
cubic yards	cubic meters	0.7646

LIQUID MEASUREMENT (CAPACITY)

1 pint (pt.) = 28.875 cubic inches
 1 quart (qt.) = 2 pints = 57.75 cu. in.
 1 gallon (gal.) = 4 qts. = 231 cu. in.

To convert	Into	Multiply by
cubic inches	liters	0.0164
pints	liters	2.1132
quarts	liters	0.9463
gallons	liters	3.7853
cubic feet	liters	28.3162

WEIGHT MEASUREMENT

1 ounce (oz.) = 16 drams
 1 pound (lb.) = 16 ounces
 1 short ton = 2000 pounds
 1 long ton = 2240 pounds

To convert	Into	Multiply by
drams	grams	1.7718
ounces	drams	28.3495
pounds	kilograms	0.4536
tons (short)	tons (metric)	0.9072

POWER MEASUREMENT

1 horsepower (hp) = 746 watts = 745.7 kilowatts (kw)

To convert	Into	Multiply by
horsepower (U.S.)	horsepower (met.)	1.0139
horsepower (U.S.)	kilowatts	0.7457
kilowatts	horsepower (U.S.)	1.3405

1 centimeter (cm) = 10 millimeters (mm)
 1 meter (m) = 100 cm = 1000 mm
 1 kilometer (km) = 1000 meters

To convert	Into	Multiply by
centimeters	inches	0.3937
millimeters	inches	0.0394
meters	feet	3.2808
millimeters	feet	0.0033
meters	yards	1.0936
kilometers	miles	0.6214

1 sq. centimeter (cm²) = 100 sq. millimeters (mm²)
 1 sq. meter (m²) = 10,000 cm²
 1 are (a) = 100 m²
 1 sq. kilometer (km²) = 1,000,000 m²

To convert	Into	Multiply by
sq. centimeters	sq. inches	0.1550
sq. meters	sq. feet	10.7639
sq. meters	sq. yards	1.1960
sq. meters	acres	0.0002
sq. kilometers	sq. miles	0.3861

1 cu. centimeter (cm³) = 1000 cu. millimeters (mm³)
 1 cubic meter (m³) = 1,000,000 cm³

To convert	Into	Multiply by
cu. centimeters	cubic inches	0.0610
cubic meters	cubic feet	35.3145
cubic meters	cubic yards	1.3079

1 centimeter (cl.) = 10 milliliters (ml.)
 1 liter (l) = 100 cl. = 1000 ml.
 1 kiloliter (kl) = 1000 liters

To convert	Into	Multiply by
liters	cubic inches	61.0250
liters	pints	0.4732
liters	quarts	1.0566
liters	gallons	0.2642
liters	cubic feet	0.0353

1 centigram (cg.) = 10 milligrams (mg.)
 1 gram (g.) = 100 cg. = 1000 mg.
 1 kilogram (kg.) = 1000 grams
 1 metric ton (t.) = 1000 kg.

To convert	Into	Multiply by
grams	drams	0.5644
grams	ounces	0.0353
kilograms	pounds	2.2046
tons (metric)	tons (short)	1.1023

1 horsepower (ps) = 736 watts = 735.5 kw

To convert	Into	Multiply by
horsepower (met.)	horsepower (U.S.)	0.9863
kilowatts	horsepower (met.)	0.7355
horsepower (met.)	kilowatts	1.2596

ABBREVIATIONS

Abbreviations as used throughout this catalog are interpreted as follows:

AAV AMERICAN ARAB VEHICLE	CARB CARBURETOR
ABS ABSORBER	CATA CATALYTIC
ACC ACCESSORY	C/BAR CROSS BAR
ACCEL ACCELERATOR	CBL CABLE
A/CLNR AIR CLEANER	C/BRD CIRCUIT BOARD
A/COND AIR CONDITIONING	C.BRKR CIRCUIT BREAKER
ACTG ACTUATING	CCW COUNTERCLOCKWISE
ACTR ACTUATOR	CDN CANADA
ADAPT ADAPTER-ADAPTATION	C/E COMMUTATOR END
ADJ ADJUSTING-ADJUSTOR- ADJUSTABLE-ADJUSTMENT	CH SWITZERLAND
ADR AUSTRALIAN DESIGN RULE	CHAM CHAMFRED
A/INL AIR INLET	CHMBR CHAMBER
ALT U.S.A. HIGH ALTITUDE AREAS	CHR CHROMIUM
ALTR ALTERNATOR	C.I. CUBIC INCH
ALUM ALUMINUM	C/IRON CAST IRON
AMP AMPERE	C/CASE CRANKCASE
AMPL AMPLIFIER	CK/CHFT CRANKSHAFT
AMTR AMMETER	CKD COMPLETE KNOCK-DOWN (KDX)
ANCH ANCHOR	CL CLEANER
& AND	CL/NUT CLINCH NUT
A/OUT AIR OUTLET	C/LP COURTESY LAMP
APPROX APPROXIMATE, APPROXIMATELY	CLSR CLOSURE
AR AS REQUIRED	C/LTR CIGAR OR CIGARETTE LIGHTER
A/RATLR ANTI RATTLER	C/MBR CROSSMEMBER
A REST ARM REST	COE CAB OVER ENGINE
ARM ARMATURE	COL COLUMN
A/SQK ANTISQUEAK	COMB COMBINATION
ASSY ASSEMBLY	COMBN COMBUSTION
A/SUSP AIR SUSPENSION	COMP COMPLETE, COMPONENT
A.T.C. AUTOMATIC TEMPERATURE CONTROL	COMPN COMPRESSION
ATT ATTACHING	COMPR COMPRESSOR
A/TRANS AUTOMATIC TRANSMISSION	COMPT COMPARTMENT
AUTO AUTOMATIC	COMTR COMMUTATOR
AUX AUXILIARY	COND CONDENSER
B BELGIUM	CONDT CONDUIT
BAL BALANCE	CONDTG CONDITIONING
BATT BATTERY	CONN CONNECTING-CONNECTION- CONNECTOR
BBL BARREL	CONT CONTINUED-CONTROL
B/BRK BOOSTER BRAKE	CONT'D CONTINUED
B/CRK BELL CRANK	CONV CONVERTER
B.E. BLACK ENAMEL	COP COPPER
B/JNT BALL JOINT	CO/SHFT COUNTERSHAFT
BLK BLOCK	CO/WT COUNTERWEIGHT
BLT BUILT	CP CANDLEPOWER
BLWR BLOWER	C/PILLAR CENTER PILLAR
BMPR BUMPER	CPLG COUPLING
BOLT / RET BOLT / RETAINER	C/SHFT CROSS SHAFT
BOLT / WA. BOLT / WASHER	CSTG CASTING
BR BRASS	CTR CENTER
BRD BOARD	CU CUBIC
BRG BEARING	CUSH CUSHION
BRK BRAKE	CUST CUSTOM
BRKT BRACKET	CV CONVERTIBLE
BRKR BREAKER	C/VAL CONTROL VALVE
BRT BRIGHT	CVR COVER
BRZ BRONZE	C/WT COUNTERWEIGHT
BSTR BOOSTER	CYL CYLINDER
B/STUD BALL STUD	DBL DOUBLE
BTM BOTTOM	D/CVR DUST COVER
BTN BUTTON	D/E DRIVE END
B/UP BACK UP	DECAL DECALCOMANIA
BUSH BUSHING	DEFL DEFLECTOR
CAD CADMIUM	DEFGR DEFOGGER
CAN CANADA-CANADIAN	DEFR DEFROSTER
CAP CAPACITY	DEG (°) DEGREE
C.A.S. CLEANER AIR SYSTEM	D/EXH DUAL EXHAUST

ABBREVIATIONS (Cont'd)

DIA DIAMETER	FLR FLOOR
DIAG DIAGONAL	F/MLDG FINISH MOULDING
DIAPH DIAPHRAGM	FNDR FENDER
DIFF DIFFERENTIAL	F/PAN FLOOR PAN
DIM DIMENSION	F/PUMP FUEL PUMP
DIR DIRECT-DIRECTIONAL	FREQ FREQUENCY
DIR CL DIRECT CLUTCH	FRT FRONT
DIST DISTRIBUTOR-DISTRIBUTING	FT FOOT-FEET
DIV DIVISION-DIVISIONAL	F/TANK FUEL TANK
D/LINK DRAG LINK	FTG FITTING
D/LP DOME LAMP	F/TOP FOLDING TOP
DMPR DAMPER	GA GAUGE-GAGE
DOM DOMESTIC	GALV GALVANIZED
D/PINION DRIVE PINION	GARN GARNISH
DR DOOR	GCC GULF COAST COUNTRIES
D/R SHAFT DOUBLE ROCKER SHAFT	G/BOX GLOVE BOX
DRIV DRIVE	GEN GENERATOR
DRVN DRIVEN	GLA GLASS
D/SEAL DUST SEAL	G/MLDG GARNISH-MOULDING
D/SHLD DUST SHIELD	GND GROUND
D/SW DIMMER SWITCH	GOV GOVERNOR
EBL ELECTRIC HEATED BACK LIGHT	GR GEAR
ECE ECONOMIC COMMISSION OF EUROPE	G/REG GENERATOR-REGULATOR
ECC ECCENTRIC	GRL GRILLE
ECS EVAPORATE EMISSION CONTROL SYSTEM	GRMT GROMMET
EDR ENGLAND DESIGN RULE	G/SHIFT GEARSHIFT
EEC EUROPEAN ECONOMIC COMMUNITY	GSKT GASKET
E.F.I. (M) ELECTRONIC FUEL INJECTION (METERING)	GVW GROSS VEHICLE WEIGHT
E.G.R. EXHAUST GAS RECIRCULATION	H/BRK HAND BRAKE
ELECT ELECTRIC	H/C HIGH COMPRESSION
ELIM ELIMINATOR	HD HEAD
EMR ENGINE MAINTENANCE REMINDER	H/D HEAVY DUTY
ENG ENGINE	HDL HANDLE
EQ EQUIPMENT	H/LIN HEAD LINING
ESC ESCUTCHEON	HDLS HEADLESS
ET EGYPT	HDR HEADER
ETC ET CETERA	HEMI HEMISPHERICAL
EVAP EVAPORATION-EVAPORATOR	HEX HEXAGON
EX EXTRA	HGE HINGE
EXC EXCLUDE	H/GUIDE HYDRAGUIDE
EXH EXHAUST	H/LP HEADLAMP
EXP EXPORT	H/PERF HIGH PERFORMANCE
EXPN EXPANSION	H/REST HEAD REST
EXT EXTENSION	HSG HOUSING
EXTL EXTERNAL	H/SNK HEAT SINK
EXTR EXTRUDED	H/SHLD HEAT SHIELD
F FRANCE	HT HEATER
F FAHRENHEIT	HVY HEAVY
FACT FACTORY	HYD HYDRAULIC
F/AIR FRESH AIR	I/ARM IDLER ARM
FAST FASTENING-FASTENER	I.D. INSIDE DIAMETER
F/AXLE FRONT AXLE	IDENT IDENTIFICATION
F/BRD FLOOR BOARD	IGN IGNITION
F/CPLG FLUID COUPLING	IN INCH
F/DR FRONT DOOR	INCL INCLUSIVE-INCLUDES
F/FILT FUEL FILTER	IND INDUSTRIAL
F/GA FUEL GAGE	INDIC INDICATOR
F/IDLE FAST IDLE	INL INLET
FIL HD FILLISTER HEAD	INR INNER
FIN FINISH	INS INSULATING-INSULATION- INSULATOR
F/INJ FUEL INJECTION	INST INSTRUMENT-INSTRUCTION
FLD FIELD	INT INTAKE
FLEX FLEXIBLE	INTER INTERMITTENTLY- INTERMEDIATE
FLG FLANGE	INTL INTERNAL
FL HD FLAT HEAD	INTLK INTERLOCK

ABBREVIATIONS (Cont'd)

I/PNL INSTRUMENT PANEL	NUT / WA NUT AND WASHER
I/PULLEY IDLER PULLEY	O/CTR OVER CENTER
I/S INSIDE	O.D. OUTSIDE DIAMETER
J JAPAN	O/DRV OVER DRIVE
J/BLK JUNCTION BLOCK	O/GA OIL GAUGE
JNT JOINT	OPER OPERATING
K/DN KICKDOWN	OPNG OPENING
KDX KNOCK DOWN EXPORT	OPP OPPOSITE
KILO KILOMETER	OPT OPTIONAL
KNU KNUCKLE	O/PUMP OIL PUMP
K/UP KICKUP	ORN ORNAMENT
LBS POUNDS	O/RUNN OVERRUNNING
L/C LOW COMPRESSION	O/S OUTSIDE
LCF LOW CAB FORWARD	O/SIZE OVERSIZE
L/COMPT LUGGAGE COMPARTMENT	OTR OUTER
LEA LEATHER	OUTL OUTLET
LED LIGHT EMITTING DIODE	OV OVAL
LGH LENGTH	O/W OPTIONAL WITH
LHD LEFT HAND DRIVE	O/WRAP OVERWRAP
L.H. THD LEFT HAND THREAD	OZ OUNCE
LIC LICENSE	P PITCH
LIN LINING-LINER	PACK PACKING
LK LOCK	PARK PARKING
LKG LOCKING	PART PARTIAL PARTITION
LK/NUT LOCK NUT	PASS PASSENGER
LK/WA LOCK WASHER	P/BRK POWER BRAKE
LOC LOCATING	P/BTN PUSH BUTTON
LP LAMP	PC/BRD PRINTED CIRCUIT BOARD
LPG LIQUID PROPANE GAS	PED PEDAL
L.S.H. LOW SECTION HEIGHT	PERF PERFORMANCE
LT LEFT	PIST PISTON
LUB LUBRICANT-LUBRICATING	PIV PIVOT
LUGG LUGGAGE	PKG PACKAGE
LVR LEVER	PL PLAIN
LWR LOWER	P/LAMP PARKING LAMP
M / I MARINE / INDUSTRIAL	PLR PILLAR
M/ADJ MANUAL ADJUSTING	PLT PLATE-PLATED
MAN MANUAL	PLUNG PLUNGER
MANF MANIFOLD	PL/WA PLAIN WASHER
MAR MARINE	P/MTR POTENTIOMETER
MAX MAXIMUM	PNL PANEL
MAX PERF ... MAXIMUM PERFORMANCE	PNTD PAINTED
M/BRK MANUAL BRAKE	POS POSITIVE
MBR MEMBER	POLY POLYESTER
M/CYL MASTER CYLINDER	P/PNL POCKET PANEL
MECH MECHANISM	PRESS PRESSURE
MED MEDIUM	PRI PRIMARY
MEDAL MEDALLION	PROD PRODUCTION
MIL MILITARY	P/ROD PUSH ROD
MIN MINIMUM	PROP PROPELLER
MDLG MOULDING	PRPG PROPORTIONING
MOD MODEL	PSF POUNDS PER SQUARE FOOT
M/MTRG MAIN METERING	PSI POUNDS PER SQUARE INCH
M.P.H. MILES PER HOUR	P/STRG POWER STEERING
MT MOUNT	PT POINT
MTG MOUNTING	PTO POWER TAKE OFF
MTR MOTOR	PWR POWER
M/TRANS MANUAL TRANSMISSION	Q/PNL QUARTER PANEL
MTRG METERING	QTR QUARTER
NEG NEGATIVE	Q/WDO QUARTER WINDOW
NEUT NEUTRAL	R RADIUS
NI NICKEL	R/A REAR AXLE
NO. OR # ... NUMBER	R/AXLE REAR AXLE
NOM NOMINAL	RAD RADIATOR
NO NITROGEN OXIDE EMISSION CONTROL	RC CHINA
N/PLT NAME PLATE	R/CONT REMOTE CONTROL
NRM NON-REGULATED MARKETS	RC/SHIFT ... ROCKER SHAFT

ABBREVIATIONS (Cont'd)

RD ROUND	STAB STABILIZER
R/DR REAR DOOR	STD STANDARD
REC RECEIVER	STGHT STRAIGHT
RECIR RECIRCULATING	STL STEEL
RECT RECTANGULAR	STRG STEERING
RECTR RECTIFIER	STRKR STRIKER
RED REDUCTION	STRNR STRAINER
REFL REFLECTOR	STRTR STARTER
REG REGULATOR	SUCT SUCTION
REINF REINFORCEMENT	SUPT SUPPORT
REL RELEASE	SUSP SUSPENSION
REM REMOTE	SW SWITCH
REQ REQUIRED	SYNCH SYNCHRONIZER
RES RESISTOR	T TEETH
RET RETAINER	TAP TAPPING
RETG RETAINING	TBI THROTTLE BODY INJECTION
REV REVERSE	T/BKL TURN BUCKLE
REVERB REVERBERATOR	T/BLK TERMINAL BLOCK
R/FLR REAR FLOOR	T/COMP TRIMMED COMPLETE
RHD RIGHT HAND DRIVE	T/CONT THROTTLE CONTROL
RHEO RHEOSTAT	T/CONV TORQUE CONVERTER
R.H. THD RIGHT HAND THREAD	TEMP TEMPERATURE
R/L RIGHT AND LEFT	TERM TERMINAL
RPM REVOLUTIONS PER MINUTE	T/GA TEMPERATURE GAUGE
R/QTR REAR QUARTER	T-GATE TAILGATE
RR REAR	THD THREAD
RSVR RESERVOIR	THK THICK
RT RIGHT	THERMO THERMOSTAT
R/WDO REAR WINDOW	3RD THIRD
S SWEDEN	THR THRUST
S/ABS SHOCK ABSORBER	THROT THROTTLE
S/C SALES CODE	T.I.C. THERMOSTATIC IGNITION CONTROL
S/COMPT SIDE COMPARTMENT	T/LP TAIL LAMP
S/DEFL STONE DEFLECTOR	TORQ TORQUE
SECT SECTION	TORS TORSION
SER SERIAL-SERVICE	TPI THREADS PER INCH
S/EXH SINGLE EXHAUST	T/PIPE TAIL PIPE
S-FIN SEMI-FINISHED	T/PLT TAPPING PLATE
S/GR STEERING GEAR	T/PNL TRIM PANEL
SHFT SHIFT	TPR TAPER
SHLD SHIELD	TRANS TRANSMISSION
SIG SIGNAL	TRANSF TRANSFER
S/KNU STEERING KNUCKLE	TRIMD TRIMMED
SLD SLIDE	T/SIG TURN SIGNAL
SLDG SLIDING	TRUN. TRUNNION
S/LP STOP LAMP	TST TAIL STOP / TURNING
SLTD SLOTTED	TR TURKEY
SLV SLEEVE	T/STRIP TACKING STRIP
S/MBR SIDE MARKER	TUB TUBULAR
SOC SOCKET	U/BODY UNDERBODY
SOL SOLENOID	U/DRV UNDERDRIVE
SPD SPEED	U/JNT UNIVERSAL JOINT
SPEEDO SPEEDOMETER	UNIV UNIVERSAL
SPKR SPEAKER	UPR UPPER
SPL SPECIAL	US UNITED STATES (ALL 50 STATES)
SPL EQUIP ... SPECIAL EQUIPMENT	US-49 UNITED STATES (49 STATES, NOT CALIFORNIA)
SPRG SPRING	US-CA UNITED STATES (CALIFORNIA ONLY)
S/PNL SIDE PANEL	U/S UNDERSIZE
SP/SHLD SPLASH SHIELD	U/SEAT UNDERSEAT
SQ SQUARE	U/W USED WITH
S/R SHAFT .. SINGLE ROCKER SHAFT	V VENTUR (QTY OF CARB BBL)
S/RAIL SIDE RAIL	VAC VACUUM
S/RING SNAP RING	VAL VALVE
S/SHLD SIDE SHIELD	V/DMPR VIBRATION DAMPER
S/SILL SIDE SILL	VENT VENTILATOR-VENTILATING
S/SPD SINGLE SPEED	VERT VERTICAL
STA STATION-STATIONARY	

ABBREVIATIONS (Cont'd)

VOL CONT ...	VOLUME CONTROL	W/HSE	WHEELHOUSE
V/REG	VOLTAGE REGULATOR	W/LIFT	WINDOW LIFT
V/SPD	VARIABLE SPEED	W/O	WITHOUT
V/WING	VENT WING	W/PUMP	WATER PUMP
W	WATT	W/REG	WINDOW REGULATOR
WA	WASHER	W/SHLD	WINDSHIELD
WAG	WAGON	W/STRIP	WEATHERSTRIP
WB	WHEELBASE	WT	WEIGHT
W/BRG	WHEEL BEARING	W/WASHER	WINDSHIELD WASHER
W/CORD	WEATHERCORD	W/WPR	WINDSHIELD WIPER
WDO	WINDOW	X/MBR	X MEMBER
WHL	WHEEL	YV	VENEZUELA

ABBREVIATIONS (Cont'd)

VOL CONT ...	VOLUME CONTROL	W/HSE	WHEELHOUSE
V/REG	VOLTAGE REGULATOR	W/LIFT	WINDOW LIFT
V/SPD	VARIABLE SPEED	W/O	WITHOUT
V/WING	VENT WING	W/PUMP	WATER PUMP
W	WATT	W/REG	WINDOW REGULATOR
WA	WASHER	W/SHLD	WINDSHIELD
WAG	WAGON	W/STRIP	WEATHERSTRIP
WB	WHEELBASE	WT	WEIGHT
W/BRG	WHEEL BEARING	W/WASHER	WINDSHIELD WASHER
W/CORD	WEATHERCORD	W/WPR	WINDSHIELD WIPER
WDO	WINDOW	X/MBR	X MEMBER
WHL	WHEEL	YV	VENEZUELA

CALIF. ARB COMMON EMISSION CONTROL COMPONENT
NOMENCLATURE REQUIREMENT

SRC	OLD TERM	NEW TERM	ABBRV
C	2 Connector Speed Sensor	Vehicle Speed Sensor	VSS
C	2 Speed Radiator Fan Motor	2 Speed Fan Control Motor	
C	3 Connector Speed Sensor	Hall Effect Vehicle Speed Sensor	
K	Absolute Pressure	Absolute Pressure	
C	AC Clutch	A/C Compressor Clutch	
H	AC Evap Switch	A/C Compressor Clutch	
C	AC Low Press. Switch	A/C Low Pressure Switch	
I	Accelerator	Accelerator Pedal	AP
J	Accelerator Pedal	Accelerator Pedal	AP
K	Accumulator	Accumulator	
K	Actuator	Actuator	
H	Aftermarket A/C Interconnect	A/C Aftermarket Interconnect	
A	Air Cleaner	Air Cleaner	ACL
L	Air Cleaner Assembly	Air Cleaner Assembly	
A	Air Cleaner - Carbon Element	Carbon Element Air Cleaner	
A	Air Cleaner - Dual Snorkel	Dual Snorkel Air Cleaner	
A	Air Cleaner - Fresh Air	Fresh Air - Intake Air Cleaner	
A	Air Cleaner - Vapor Containment Door	Vapor Containment Door Air Cleaner	
J	Air Conditioning	Air Conditioning	A/C
I	Air Flow Meter	Mass Air Flow	MAF
I	Air Flow Meter	Volume Air Flow	VAF
A	Air Injection	Secondary Air Injection	AIR
A	Air Injection Location - Downstream	Down Stream AIR	
A	Air Injection Location - Upstream	Up Stream AIR	
A	Air Pump	AIR Pump	
A	Air Pump Relief Valve	AIR Pump Relief Valve	
A	Air Pump - CID	AIR Pump CID	
A	Air Pump - Drive Ratio	AIR Pump Drive Ratio	
A	Air Shutoff Valve	TC Bypass Valve	
E	Air Switch Relief Valve	AIR Switching/Relief Valve	
H	Air Switching Solenoid	AIR Switching Solenoid	
A	Air Switching Valve	AIR Switching Valve	
H	Air Temp Sensor	Intake Air Temperature Sensor	
A	AIS Motor	Idle Air Control Motor	
E	AIS Stepper Motor	Stepper Idle Air Control	
I	Alternator	Generator	GEN
C	Alternator Field	Generator Field	
H	Alternator Lamp	Generator Malfunction Lamp	
C	Alt. Field	Generator Field	
C	Ambient Temp. Switch	A/C Ambient Temperature Switch	A/C ATS
A	Angle Spray Injectors	Angle Spray Fuel Injector	
C	ASD Relays	Automatic Shut Down Relay	
G	ASD Sense	ASD Sense Circuit	
A	Aspirator	Pulsed Secondary Air Injection	PAIR
L	Aspirator Ck Vlv (&Pulsair)	Pulsed Secondary Air Injection	PAIR
F	ASRV Solenoid	AIR Switching/Relief Valve Solenoid	
K	Atmospheric Pressure	Atmospheric Pressure	
C	Auto. Shutdown Relay	Automatic Shut Down Relay	
L	Axle Assembly - Drive	Drive Axle Assembly	
C	A.C. Switch	Instrument Panel A/C Switch	
I	A/C	Air Conditioning	A/C
C	A/C Clutch	A/C Compressor Clutch	
C	A/C Clutch Relay	A/C Compressor Clutch Relay	
H	A/C Control Head	A/C Control Head	
C	A/C Cycling Switch	A/C Cycling Switch	
C	A/C High Press Sw	A/C High Pressure Switch	

C	A/C High Pressure Output Switch	A/C High Pressure Switch	
C	A/C High Press. Switch	A/C High Pressure Switch	
C	A/C Low Pressure Switch	A/C Low Pressure Switch	
C	A/C Low Press. Switch	A/C Low Pressure Switch	
C	A/C Pressure Transducer	A/C Pressure Transducer	
A	Back Pressure EGR Valve	Back Pressure EGR Valve	
H	Ballast By-Pass Relay	Ballast Resistor By-Pass Relay	
H	Ballast Resistor	Ballast Resistor	
I	BARO	Barometric Pressure	BARO
D	Baro Read Solenoid	Barometer Solenoid	
B	Barometer Solenoid	Barometer Solenoid	
K	Barometric Pressure	Barometric Pressure	BARO
G	Battery	Battery	
C	Battery +	Battery Positive Voltage	B+
L	Belt - Acces Drv	Accessory Drive Belt	
K	Blower	Blower	
K	Body	Body	
D	Boost Gage	Intake Charge Pressure Gage	
I	BP Sensor	Barometric Pressure Sensor	
B	BPEGR Valve and EET Assembly	BPEGR Valve/EET Assembly	
L	Brackets - Acces Drv	A/C Brackets	
L	Brackets - Acces Drv	AIR Pump Brackets	
K	Brake	Brake	
C	Break Switch	Break Switch	
C	Brake Sw.	Brake Switch	
F	Breather Cap	Engine Oil Filter Cap	
G	Bypass Air	Idle Air Control	IAC
A	B/P Transducer	EGR Back Pressure Transducer	
L	Cable, Pedal & Linkage - Trans	Clutch Cable	
L	Cable, Pedal & Linkage - Trans	Clutch Pedal	
L	Cable, Pedal & Linkage - Trans	Clutch Linkage	
A	Cam Reference Sensor	Camshaft Position Sensor	CMP
A	Cam Sensor	Camshaft Position Sensor	CMP
E	Camshaft	Camshaft	
H	Camshaft Sync Sensor	Camshaft Position Sensor	CMP
E	Canister Assembly	EVAP Canister Assembly	
E	Canster Tank Vent Rest.	Fuel Tank Vent/EVAP Canister Restrictor	
A	Canister (Bi-Level Purge)	Bi-Level Purge EVAP Canister	
A	Canister (Duty Cycle Purge) 3 - Port	3 - Port EVAP Canister	
A	Canister (Duty Cycle Purge) 3 - Port	Duty Cycle Purge EVAP Canister	
A	Canister (Tri - Level Purge) 4 - Port	Tri - Level Purge EVAP Canister	
A	Canister (Tri - Level Purge) 4 - Port	4 - Port EVAP Canister	
L	Canister - Fuel Vapor Storage	EVAP Storage Canister	
L	Canister - Fuel Vapor Storage	EVAP Canister Pressure Purge Switch	
A	Canister - Fuel Vapor Storage - Single Port	Single Port EVAP Canister	
A	Canister - Purge	Single EVAP Canister	
A	Canister - Twin Purge	Dual EVAP Canister	
L	Cap - Fuel Filter	Fuel Tank Filter Tube Cap	
L	Cap - Oil Breather	Engine Oil Filler Cap	
A	Cap - Fuel Filler	Fuel Tank Filler Tube Cap	
I	CARB	Carburetor	CARB
K	Carburetor	Carburetor	CARB
K	Catalyst	H.D. Truck Rt. Side Catalyst	
L	Catalyst	Catalyst	
L	Catalyst	H.D. Truck Lt. Side Catalyst	
A	Catalyst Front (Close Coupled)	Close Coupled Front Catalyst	
A	Catalyst (underfloor)	Underfloor Catalyst	
A	Catalyst - Front	Front Catalyst	
A	Catalyst - Rear	Rear Catalyst	
K	Catalytic Converter	Catalytic Converter	
C	CCD Bus (+)	Chrysler Collision Detection Bus (+) CCD (+)	
C	CCD Bus (-)	Chrysler Collision Detection Bus (-) CCD (-)	

C	CCD (+)	Chrysler Collision Detection Bus (+)	CCD (+)
C	CCD (-)	Chrysler Collision Detection Bus(-)	CCD (-)
C	CCD +	CCD (+)	CCD (+)
C	CCD -	CCD (-)	CCD (-)
I	CDROM	Elct. Erasable P/rogrammable ROM	EEPROM
E	Charge Air Temp Sensor	Charge Air Temperature Sensor	
C	Charge T S (NTC)	Charge Air Temperature Sensor	
G	Charge Temp	Charge Air Temperature Sensor	
A	Charge Temperature Sensor	Charge Air Temperature Sensor	
K	Chassis	Chassis	
C	Check Engine	Mailfunction Indicator Lamp	MIL
I	Check Engine	Service Reminder Indicator	SRI
I	Check Engine	Malfunction Indicator Lamp	MIL
C	Check Engine Lamp	Malfunction Indicator Lamp	MIL
A	Check Valve	Check Valve	
B	Check Valve w/Orifice (purge)	EVAP Purge Harness Chk.Vlv.W/Orifice	
L	Check Valve - Exhaust	Exhaust Check Valve	
A	Check Valve/Orifice Assembly to Throttle Body (Ported)	EVAP Purge Harness Chk.Vlv.W/Orifice	
I	CID Sensor	Canshaft Position Sensor	CMP
K	Circuit	Circuit	
L	Ck Valve - Vacuum (W/Orifice)	Vacuum Orifice/Check Valve	
L	Ck Vlv - Air Deliv (W/O Tube)	AIR Delivery Check Valve	
L	Ck Vlv - Air Deliv (W/Tube)	AIR Delivery Check Valve/Tube Assy	
I	CL	Closed Loop	CL
K	Cleaner	Cleaner	
K	Closed Loop	Closed Loop	CL
I	Closed Throttle Position	Closed Throttle Position	CTP
I	Closed Throttle Switch	Closed Throttle Position	CTP
K	Clutch	Clutch	
L	Clutch Assembly	Clutch	
I	Clutch Engage Switch	Clutch Pedal Position (Switch)	CPP
H	Clutch Interlock Switch	Clutch Pedal Position (Switch)	CPP
C	Clutch Safety Sw.	Clutch Pedal Position (Switch)	CPP
K	Code	Code	
C	Coil	Distributor Ignition Coil	
A	Combined Air Switching/Relief Valve	AIR Switching/Relief Valve	
C	Comp Bypass	TC Bypass Solenoid	
A	Compressor Air Bypass Sys Integral W/ACL Cover Assy	TC Bypass System/ACL Cover Assy.	
A	Compressor Air Bypass System	TC Bypass System	
A	Compressor Air Shut Off Valve	TC Bypass Valve	
B	Compressor Bypass Check Valve/Bleed Assy	TC Bypass System	
B	Compressor Bypass Solenoid	TC Bypass Solenoid	
B	Compressor Bypass Valve	TC Bypass Valve	
J	Continuous Fuel Injection	Continuous Fuel Injection	CFI
J	Continuous Trap Oxidizer	Continuous Trap Oxidizer	CTOX
K	Control	Control	
E	Control Vacuum Orifice	BPEGR Control Vacuum Orifice	
L	Controllor - Engine (ECU)	Engine Control Module	ECM
L	Controllor - Engine (SBEC)	Powertrain Control Module (I)	PCM I
L	Controllor - Engine (SMEC)	Powertrain Control Module	PCM
A	Controllor - Engine (SBEC II)	Powertrain Control Module (II)	PCM II
K	Coolant	Coolant	
C	Coolant T S (NTC)	Engine Coolant Temperature Sensor	ECT
G	Coolant Temp	Engine Coolant Temperature Sensor	ECT
E	Coolant Temp Sensor	Engine Coolant Temperature Sensor	ECT
C	Coolant Temp Sensor (NTC)	Engine Coolant Temperature Sensor	ECT
A	Coolant Temperature Sensor	Engine Coolant Temperature Sensor	ECT
A	Coolant Temperature Sensor - Faster Acting	Engine Coolant Temperature Sensor	ECT
A	Coolant Temperature Sensor - NTC	Engine Coolant Temperature Sensor	ECT
H	Coolant Thermo Switch	Engine Coolant Temperature Switch	
K	Cooler	Cooler	
L	Cover - Valve Rocker	Engine Valve Cover	

H	Crank Pos P/U	Crankshaft Position Sensor	CKP
E	Crank Position Sensor	Crankshaft Position Sensor	CKP
A	Crank Sensor	Crankshaft Position Sensor	CKP
A	Crank Timing Sensor	Crankshaft Position Sensor	CKP
K	Crankshaft	Crankshaft	
I	Crankshaft Speed Sensor	Engine Speed Sensor	
C	Cruise	Vehicle Speed Control	VSC
B	Cruise Control	Vehicle Speed Control System	
B	Cruise Control Unit	Vehicle Speed Control Assembly	
I	CTS	Engine Coolant Temperature	ECT
E	Cylinder Head	Engine Cylinder Head	
L	Cylinder Head	Engine Cylinder Head	
C	C/C Cruise Control	Vehicle Speed Control System	
C	C/C Mode Select	VSC Mode Select	
C	C/C Relay	Vehicle Speed Control Relay	
C	C/C Select	VSC Mode Select	
C	C/C Vac Sol	VSC Vacuum Solenoid	
C	C/C Vac Solenoid	VSC Vacuum Solenoid	
C	C/C Vent Sol	VSC Vent Solenoid	
C	C/C Vent Solenoid	VSC Vent Solenoid	
C	C/C (Speed Control)	Vehicle Speed Control	VSC
K	Data	Data	
B	DCP Solenoid	Duty Cycle Purge Solenoid	
A	Detonation Sensor	Knock Sensor	KS
A	Detonation Sensor (knock)	Knock Sensor	KS
K	Device	Device	
I	DI	Direct Fuel Injection	DFI
C	Diag Connect	Data Link Connector	DLC
C	Diag Connector	Data Link Connector	DLC
J	Diagnostic Test Mode	Diagnostic Test Mode	DTM
J	Diagnostic Trouble Code	Diagnostic Trouble Code	DTC
K	Diagnostics	Diagnostics	
K	Differential	Differential	
K	Differential Pressure	Differential Pressure	
J	Direct Fuel Injection	Direct Fuel Injection	DFI
C	DIS	Electronic Ignition	EI
D	DIS Ignition	Electronic Ignition	EI
D	DIS Ignition Coil	Electronic Ignition Coil	
E	Distance Sensor	Vehicle Speed Sensor	VSS
A	Distributor	Distributor	
K	Distributor	Distributor	
A	Distributor Electronic - Optical	Optical Sensor Distributor Ignition	
J	Distributor Ignition	Distributor Ignition	DI
G	Distributor Pick - Up	Distributor Ignition Sensor	
A	Distributor - Electronic Hall Effect	Hall Effect Sensor Distributor Ignition	
A	Distributor - Electronic - Hall	Hall Effect Sensor Distributor Ignition	
A	Diverter Valve	Secondary Air Injection Diverter Valve	
I	DRB	Scan Tool	ST
I	DRB II	Scan Tool	ST
K	Drive	Drive	
L	Drive Pinion - Speedometer	Speedometer Drive Pinion	
I	Dual Bed	Three Way+Oxidation Cat.Convertor TWC+OC	
L	Duct - Air Cleaner	Air Cleaner Fresh Air Duct	
H	Dump Solenoid	VSC Dump Solenoid	
B	Duty Cycle Purge Solenoid	Duty Cycle Purge Solenoid	
C	D.C. (Diagnostic Connector)	Data Link Connector	DLC
C	D.I.S. Coil	Electronic Ignition Coil	
I	E2PROM	Elct.Erasable Programmable ROM	EEPROM
I	Early Fuel Evaporation	Early Fuel Evaporation	EFE
D	EATX	Transmission Control Module	TCM
A	EATX Controller	Transmission Control Module	TCM
C	EATX Torque Mgmt.	TCM Torque Management	

I	EEPROM	Elct.Erasable Programmable ROM	EEPROM
C	EET Solenoid	Electric EGR Transducer Solenoid	EETS
C	EET (EGR) Solenoid	Electric EGR Transducer Solenoid	EETS
A	EET - Electric EGR Transducer	Electronic EGR Transducer	EET
I	EFI	Throttle Body Fuel Injection	TBI
A	EGR	Exhaust Gas Recirculation	EGR
A	EGR Control Hardware-Solenoid on Transducer	EGR System	
A	EGR Diagnostic	EGR Diagnostic	
I	EGR Diagnostic Valve	EGR Diagnostic Valve	
A	EGR Diagnostics Hardware	EGR Diagnostic System	
A	EGR Diagnostics Hardware-Solenoid on Transducer	EGR Diagnostic System	
C	EGR EET	Electronic EGR Transducer	EET
B	EGR Solenoid	EGR Solenoid	
B	EGR Solenoid/Transducer Assembly	EGR Solenoid/Transducer Assembly	
L	EGR Tube	EGR Tube	
F	EGR Valve	EGR Valve	
A	EGR Valve and EET Assembly	EGR Valve/EET Assembly	
A	EGR Valve Assembly	EGR Valve Assembly	
L	EGR Valve Assembly	EGR Valve Assembly	
A	ERG Valve BPO	ERG Valve Back Pressure Orifice	
A	EGR Valve (B/P Transducer)	ERG Valve Back Pressure Transducer	
A	EGR Valve (on Intake Manifold)	EGR Valve	
E	EGR Valve + Trans Assy	EGR Valve/Transducer Assy.	
A	EGR Valve - Back Pressure	Back Pressure EGR Valve	
L	Ejector - Vacuum	VSC Vacuum Ejector	
J	Electly. Erasable Programmable ROM	Elct. Erasable Programmable ROM	EEPROM
A	Electric Timer (Engine Controller)	PCM Timer	
A	Electric Timer (Engine Controller):Barometer	PCM Barometric Timer	
A	Electric Timer (Engine Controller):EGR	PCM EGR Timer	
A	Electric Timer (Engine Controller):EGR Diagnostic	PCM EGR Diagnostic Timer	
A	Electric Timer (Engine Controller):EVAP Canister	PCM EVAP Timer	
A	Electric Timer (Engine Controller):Waste Gate	PCM Waste Gate Timer	
K	Electrical Link	Electrical Link	
K	Electrical Module	Electrical Module	
K	Electrical Signal	Electrical Signal	
A	Electronic Cycling Switch (AC)	A/C Electronic Cycling Switch	
J	Electronic Ignition	Electronic Ignition	EI
K	Electronic Link	Electronic Link	
K	Electronic Module	Electronic Module	
K	Electronic Signal	Electronic Signal	
L	Element - Air Cleaner	Carbon Element Air Cleaner	
L	Element - Air Cleaner	Non-Carbon Element Air Cleaner	
I	EMR	Service Reminder Indicator	SRI
C	EMR Lamp	Service Reminder Indicator Lamp	
K	Engine	Engine	
J	Engine Control Module	Engine Control Module	ECM
I	Engine Coolant Fan	Fan Control	FC
J	Engine Coolant Level	Engine Coolant Level	ECL
J	Engine Coolant Temperature	Engine Coolant Temperature	ECT
K	Engine Knock	Engine Knock	
J	Engine Modification	Engine Modification	EM
L	Engine Mount/s	Engine Mount/s	
J	Engine Speed	Engine Speed	RPM
G	Epoxy Ignition Coil	Distribution Ignition Coil	
J	Erasable Programmable Memory	Erasable Programmable Memory	EPROM
D	ESA	Ignition Control Module	ICM
A	Evaporative Canister	EVAP Canister	
J	Evaporative Emission	Evaporative Emission	EVAP
J	Exhaust Gas Recirculation	Exhaust Gas Recirculation	EGR
E	Exhaust Manifold	Engine Exhaust Manifold	
K	Fan	Fan	
J	Fan Control	Fan Control	FC

C	Fan Cut-Out Switch	Fan Control Switch	
L	Fan Drive - Viscous	Viscous Fan Drive	
L	Fan Shroud	Fan Shroud	
D	Fault Code	Diagnostic Trouble Code	DTC
J	Fault Code	Diagnostic Trouble Code	DTC
I	FBC	Mixture Control	MC
I	FEEPROM	Flash Elct. Erasable Prog. ROM	FEEPROM
I	FEPROM	Flash Erasable Programmable ROM	FEPROM
D	FFV	Flexible Fuel Vehicle	FFV
I	Flash EEPROM	Flash Elct. Erasable Prog. ROM	FEEPROM
I	Flash EPROM	Flash Erasable Programmable ROM	FEPROM
J	Flexible Fuel	Flexible Fuel	FF
A	Flexible Fuel Vehicle	Flexible Fuel Vehicle	FFV
L	Flywheel	Engine Flywheel	
J	Fourth Gear	Fourth Gear	4GR
I	FP	Fuel Pump	FP
L	Front Pipe (Take - Down)	Front Exhaust Pipe	
L	Front Pipe (Take - Down)	Exhaust Y Pipe	
K	Fuel	Fuel	
C	Fuel Comp Sensor	Flexible Fuel Sensor	
D	Fuel Feed Line	Fuel System Supply Line	
E	Fuel Filler Cap	Fuel Tank Filler Tube Cap	
E	Fuel Filler Neck	Fuel Tank Filler Tube	
E	Fuel Filter	Fuel Filter	
L	Fuel Filter	Fuel Filter	
A	Fuel Injector	Fuel Injector	
A	Fuel Injectors - Bendix	Bendix Fuel Injector	
A	Fuel Injectors - Bosch	Bosch Fuel Injector	
A	Fuel Injectors - Siemens	Siemens Fuel Injector	
A	Fuel Injectors: Bosch w/Chimney	Bosch Chimney Fuel Injector	
A	Fuel Injectors: NIKK (joint venture)	NIKK Fuel Injector	
A	Fuel Injectors: (Sequential)	Fuel Injector	
A	Fuel Pressure Regulator	Fuel Pressure Regulator	
A	Fuel Pump	Fuel Pump	FP
C	Fuel Pump Relay	Fuel Pump Relay	
E	Fuel Rail	Fuel Rail	
L	Fuel Rail Asm - W/ Inj. Reg	Fuel Rail Assembly	
E	Fuel Rail Assembly	Fuel Rail Assembly	
L	Fuel Rail Only - W/O Inj. Reg	Fuel Rail	
E	Fuel Return Line	Fuel System Return Line	
C	Fuel Sync Pickup	Camshaft Position Sensor	CMP
A	Fuel Tank Assembly	Fuel Tank Assembly	
A	Fuel Tank Assembly (Plastic)	Plastic Fuel Tank Assembly	
A	Fuel Tank Plastic	Plastic Fuel Tank	
A	Fuel Tank Steel	Steel Fuel Tank Assembly	
A	Fuel Tank (Complete Assembly)	Fuel Tank Assembly	
K	Gage Pressure	Gage Pressure	
A	Gas Cap	Fuel Tank Filler Tube Cap	
L	Gasket - Throttle Body	Throttle Body Base Gasket	
I	Generator	Generator	GEN
J	Ground	Ground	GND
K	Ground	Ground	GND
L	Heat Shield	Exhaust Heat Shield	
L	Heat Shield - Starter	Starter Heat Shield	
L	Heat Stove - Air Intake Syst	Heated Intake Air System	
C	Heated Air Diaph	Heated Intake Air Diaphragm	
C	Heated Air Intake Sensor	Intake Air Temperature Sensor	
C	Heated Air Temp Sensor	Intake Air Temperature Sensor	
C	Heated O2 Sensor	Heated Oxygen Sensor	HO2S
J	Heated Oxygen Sensor	Heated Oxygen Sensor	HO2S
H	Heater Relay	Heated Intake Air Relay	
L	Heater - Engine (Cold Wthr Opt)	Engine Heater	

F	HEVAC Cruise Control	HEVAC Vehicle Speed Control	
C	High Speed Fan Rela	High Speed Fan Relay	
C	High Speed Ground Relay	High Speed Fan Ground Relay	
C	High Speed Power Relay	High Speed Fan Power RelayH	
C	High Speed Relay	High Speed Fan Relay	
C	Hi/Low Press. Switch	A/C High/Low Pressure Switch	
L	Hose Harness (Vac or Vapor)	Vacuum Hose Harness	
L	Hose Harness (Vac or Vapor)	Vapor Hose Harness	
L	Hoses - Radiator & Heater	Radiator Hose	
L	Hoses - Radiator & Heater	Heater Hose	
D	HPTBI	High Pressure TBI	HPTBI
K	Idle	Idle	
I	Idle Air Bypass Control	Idle Air Control	IAC
J	Idle Air Control	Idle Air Control	IAC
J	Idle Speed Control	Idle Speed Control	ISC
E	Idle Speed Nominal	Nominal Idle Speed	
K	Ignition	Ignition	
L	Ignition Coil	Ignition Coil	
J	Ignition Control Module	Ignition Control Module	ICM
H	Ignition Module Harness Conn.	ICM Electrical Harness Connector	
C	Ignition Reference P/U	Camshaft Position Sensor	CMP
C	Ignition Ref. P/U	Camshaft Position Sensor	CMP
C	Ignition Switch	Ignition Switch	
L	Ignition Wires - Secondary	Secondary Ignition Wires	
K	Indicator	Indicator	
J	Indirect Fuel Injection	Indirect Fuel Injection	IFI
J	Inertial Fuel Shutoff	Inertial Fuel Shutoff	IFS
E	Initial Timing	Basic Ignition Timing	
K	Injector	Injector	
L	Injector - Fuel	Fuel Rail Assembly	
L	Injector - Fuel	Throttle Body	TB
A	Injector - Fuel	Fuel Injector	
B	Inlet Air Surge Tank	Intake Manifold Plenum	
K	Intake Air	Intake Air	
H	Intake Air Heater	Heated Intake Air System	
H	Intake Air Temp	Intake Air Temperature Sensor	
J	Intake Air Temperature	Intake Air Temperature	IAT
E	Intake Manifold	Intake Manifold	
A	Inter Cooler	Charge Air Cooler	CAC
A	Intercooler	Charge Air Cooler	CAC
L	Intercooler - Charge Air	Charge Air Cooler	CAC
C	I/P A/C Switch	Instrument Panel A/C Switch	
C	I/P Switch	Instrument Panel A/C Switch	
L	Kickdown Cable - Trans	Transmission Kickdown Cable	
L	Kickdown Rod - Trans	Transmission Kickdown Rod	
E	Knock Sensor	Knock Sensor	KS
H	K.S.B. Solenoid		
K	Level	Level	
I	Light Off Catalyst	Warm Up Therr Way Cat Converter	WU-TWC
I	Light Off Catalyst	Warm Up Oxidation Cayalytic Convert	WU-OC
L	Line - Fuel	Fuel Return Line	
L	Line - Fuel	Fuel Supply Line	
L	Linkage/Brkts - Trans	Transmission Brackets	
L	Linkage/Brkts - Trans	Transmission Linkage	
L	Linkage/Brkts - Trans	Transmission Linkage Bracket	
H	Lock-Up and Overdrive Solenoid	Transmission TCC LU/OD Solenoid	
G	Lock/Un-lock Solenoid	Transmission TCC Lock-Up Solenoid	
D	Logic Module	Powertrain Control Module	PCM
C	Low Speed Fan Relay	Low Speed Fan Relay	
D	LPTBI	Low Pressure TBI	LPTBI
A	Make-Up Air Restrictor	Make-Up Air Restrictor	
J	Malfunction Indicator Lamp	Malfunction Indicator Lamp	MIL

K	Manifold	Manifold	
J	Manifold Absolute Pressure	Manifold Absolute Pressure	MAP
J	Manifold Differential Pressure	Manifold Differential Pressure	MDP
F	Manifold Source	Intake Manifold Vacuum Source	
J	Manifold Surface Temperature	Intake Manifold Surface Temperature	MST
B	Manifold Tuning Valve	Intake Manifold Tuning Valve	MTV
C	Manifold Tuning Valve Solenoid	Intake Manifold Tuning Valve Solenoid	
B	Manifold Vacuum	Intake Manifold Vacuum	
B	Manifold Vacuum Source	Intake Manifold Vacuum Source	
J	Manifold Vacuum Zone	Manifold Vacuum Zone	MVZ
L	Manifold - Exhaust	Exhaust Manifold	
L	Manifold - Intake	Engine Intake Manifold	
H	Manual Shift Lamp	Shift Indicator Lamp	SIL
A	MAP Sensor	MAP Sensor	
C	MAP Sensor (Underhood)	Underhood MAP Sensor	
J	Mass Air Flow	Mass Air Flow	MAF
K	Memory	Memory	
I	MFI	Multipoint Fuel Injection	MFI
E	Minimum Air Flow	Throttle Body Minimum Air Flow	
J	Mixture Control	Mixture Control	MC
K	Mode	Mode	
C	Mode Select	VSC Mode Select	
L	Module - Cooling	Radiator Fan Assembly	
L	Module - Fan (Brkt, Motor, Blade)	Fan Assembly	
L	Module - Logic	Powertrain Control Module	PCM
L	Module - Transmission (ETAX,TCU)	Transmission Control Module	TCM
A	Module - Transmission (EATX) Controller	Transmission Control Module	TCM
K	Motor	Motor	
L	Motor - AIS or IdleBypassVlv	Idle Air Control Motor	
A	Motor - AIS	Idle Air Control Motor	
D	MPI	Multipoint fuel Injection	MFI
B	MTV	Intake Manifold Tuning Valve	MTV
E	Muffler	Muffler	
J	Multipoint Fuel Injection	Multipoint Fuel Injection	MFI
C	Neutral Safety Switch	Park/Neutral Position Switch	
I	Neutral Safety Switch	Park/Neutral Position (Switch)	PNP
I	NVM	Non-Volital Random Access Memory	NVRAM
I	NVRAM	Non-Volital Random Access Memory	NVRAM
I	O2	Oxygen Sensor	O2S
G	O2 Sensor	Oxygen Sensor	O2S
I	OBD	On-Board Diagnostic	OBD
L	Oil Cooler - Engine	Engine Oil Cooler	
A	Oil Pressure Switch: Switch/Sender	Engine Oil Pressure Switch	
A	Oil Pressure Switch: Switch/Sender	Engine Oil Pressure Sending Unit	
L	Oil Pump	Engine Oil Pump	
J	On-Board Diagnostic	On-Board Diagnostic	OBD
I	Open Loop	Open Loop	OL
K	Open Loop	Open Loop	OL
C	ORC Dog. Vacuum Solenoid (AWD)	AWD ORC Vaccum Solenoid	
L	Orifice	PCV Orifice	
L	Orifice	TC Wastegate Actuator Orifice	
L	Orifice	Secondary Throttle Vacuum Orifice	
L	Orifice	EGR Vacuum Compensation Orifice	
L	Orifice	Pressure Purge Orifice	
L	Orifice	EVAP Canister Purge Flow Orifice	
L	Orifice	EVAP Cnaister Purge Control Orifice	
L	Orifice	Secondary EGR Vacuum Orifice	
F	Orifice Check Valve	Check Valve W/Orifice	
A	Orifice to Intake Manifold	Intake Manifold/EVAP Can. Purge Orifice	
A	Orifice to Throttle Body (Man Vac)w/Ck Vlv	TB (Man.Vac.) Check Valve W/Orifice	
A	Orifice to Throttle Body (Port Vac) w/Ck Vlv	TB (Venturi Vac.) Check Valve W/Orifice	
A	Orifice - Canister Purge Flow	EVAP Canister Purge Flow Orifice	

A	Orifice-Westegate Actuator Compressor	TC Wastegate Actuator Orifice	
A	OSAC	Orifice Spark Advance Control Valve	
G	Overdrive Over-Ride Switch	Transmission Overdrive Switch	
H	Overdrive Set/Reset Module	Trnasmission Overdrive Module	
H	Overdrive Solenoid	Transmission Overdrive Solenoid	
I	Oxidation Catalytic Converter	Oxidation Catalytic Converter	OC
A	Oxygen Sensor	Oxygen Sensor	O2S
A	Oxygen Sensor Plug	Exhaust Manifold O2S Hole Plug	
A	Oxygen Sensor (4 wire) (Thick Film)	Heated Oxygen Sensor	HO2S
C	Oxygen Sensor - Left	Left Exhaust Manifold O2S	
C	Oxygen Sensor - Right	Right Exhaust Manifold O2S	
A	Oxygen Sensor-Heated 4-Wire	Heated Oxygen Sensor	HO2S
H	O/D Sol	Transmission Overdrive Solenoid	
H	O/D-O/R Lamp	Transmission Overdrive Indicator Lamp	
H	O/D-O/R Switch	Transmission Overdrive Switch	
K	Park/Neutral	Park/Neutral	
J	Park/Neutral Position	Park/Neutral Position	PNP
C	Park/Neutral Safety Switch	Park/Neutral Switch	
A	PCV Valve	PCV Valve	
A	PCV Valve Orifice to Air Cleaner-6mm	PCV Valve/Air Cleaner Orifice	
J	Periodic Trap Oxidizer	Periodic Trap Oxidizer	PTOX
L	Plate - EGR Orifice	EGR Orifice Plate	
B	Ported Vacuum	Venturi Vacuum	
C	Power and Signal Grd	Power Ground	
C	Power and Signal Grd	Signal Ground	
K	Power Steering	Power Steering	
L	Power Steering Hose	Power Steering Return Hose	
L	Power Steering Hose	Power Steering Pressure Hose	
J	Power Steering Pressure	Power Steering Pressure	PSP
H	Power Steering Pressure Sw	Power Steering Pressure Switch	
C	Power Steering Switch	Power Steering Pressure Switch	
K	Powertrain	Powertrain	
J	Powertrain Control Module	Powertrain Control Module	PCM
K	Pressure	Pressure	
B	Pressure Gage	Intake Charge Pressure Gage	
A	Pressure Relief/Rollover Valve	Fuel Tank Pressure Relief/Rollover Valve	
I	PRNDL	Transmission Range	TR
I	Programable Read Only Memory	Programable Read Only Memory	PROM
I	PROM	Programable Read Only Memory	PROM
G	PTU and Overdrive Solenoid	Transmission TCC LU/OD Solenoid	
L	Pulley - Acces Drv	Power Steering Pump Drive Pulley	
L	Pulley - Acces Drv	Alternator Drive Pulley	
L	Pulley - Acces Drv	Accessory Drive Pulley	
L	Pulley - Acces Drv	Idler Pulley	
L	Pulley - Acces Drv	Water Pump Drive Pulley	
L	Pulley - Acces Drv	Fan Drive Pulley	
L	Pulley - Acces Drv	Crankshaft Accesory Drive Pulley	
L	Pulley - Acces Drv	AIR Drive Pulley	
J	Pulsed Secondary Air	Pulsed Secondary Air	PAIR
K	Pump	Pump	
A	Purge Check Valve	EVAP Purge Check Valve	
E	Purge Orifices-Idle/Timed	Timed EVAP Purge Orifice	
E	Purge Orifices-Idle/Timed	Idle EVAP PurgeOrifice	
A	Purge Orifice-Throttle Body	TB EVAP Purge Orifice	
A	Purge Orifice-to Intake Manifold	Intake Manifold EVAP Purge Orifice	
B	Purge Solenoid	EVAP Purge Solenoid	
A	Purge Solenoid (Duty Cycle)	Duty Cycle Purge Solenoid	
E	Purge System Type/Size - Bi-Level	Bi-Level EVAP Purge System	
G	P/N Switch	Park/Neutral Switch	
H	P/S Press Sw	Power Steering Pressure Switch	
C	P/T Unlock (ATX only)	Transmission TCC LU Solenoid	
C	Rad Fan Low Speed Relay	Low Speed Fan Control Relay	

K	Radiator	Radiator	
L	Radiator	Radiator	
C	Radiator Fan Motor	Radiator Fan Motor	
C	Radiator Fan Relay	Fan Control Relay	
C	Rad. Fan Relay	Fan Control Relay	
K	Rail	Rail	
J	Random Access Memory	Random Access Memory	RAM
J	Read Only Memory	Read Only Memory	ROM
K	Refrigerant	Refrigerant	
A	Regulator-Fuel Pressure	Fuel Pressure Regulator	
K	Relay	Relay	
L	Relay	Transmission Control Relay	
L	Relay	Ignition Relay	
L	Relay	A/C Compressor Clutch Relay	
L	Relay	Engine Starter Motor Relay	
L	Relay	Relay	
L	Relay	Fuel Pump Relay	
J	Relay Module	Relay Module	RM
L	Relay - A/C Fan	A/C Fan Control Relay	
L	Relay - A/C WOT Cut Out	A/C Compressor Clutch Relay	
L	Relay - Radiator Fan	Fan Control Relay	
F	Remote Vent Filter Assembly	Remote Solenoid Vent Filter Assembly	
L	Reservoir - Vacuum (Vac Strg)	Vacuum Reservoir	
L	Resonator	Exhaust Resonator	
I	SBEC	Powertrain Control Module (I)	PCM (I)
A	SBEC II	Powertrain Control Module (II)	PCM (II)
A	SBEC IIA	Powertrain Control Module (IIA)	PCM (IIA)
I	SC	Supercharger	SC
J	Scan Tool	Scan Tool	ST
K	Scan Tool	Scan Tool	ST
I	SCB	Supercharger Bypass	SCB
H	SCI Rec	SCI Receive	
H	SCI Recieve	SCI Recieve	
H	SCI Trans	SCI Transmit	
H	SCI Trans	SCI Transmit	
L	Seal Ring	Exhaust Seal Ring	
E	Seat/Ctl Orif/Sto Pt	BPEGR Control Orifice Diameter	
E	Seat/Ctl Orif/Sto Pt	BPEGR Seat Diameter	
E	Seat/Ctl Orif/Sto Pt	BPEGR Star-to-Open Point	
K	Secondary Air	Secondary Air	
A	Secondary Air Injection	Secondary Air Injection	AIR
L	Sending Unit - Fuel Tank Gauge	Fuel Tank Level Gauge Sending Unit	
K	Sensor	Sensor	
L	Sensor - Camshaft	Camshaft Position Sensor	CMP
L	Sensor - Charge Temperature	Intake Charge Temperature Sensor	
L	Sensor - Coolant Temperature	Engine Coolant Temperature Sensor	ECT
L	Sensor - Crapkshaft	Crankshaft Position Sensor	CKP
L	Sensor - Detonation (Spk Knock)	Knock Sensor	KS
L	Sensor - Distance	Vehicle Speed Sensor	VSS
L	Sensor - Dual Coolant Temperature	Engine Coolant Temperature Sensor	ECT
L	Sensor - Htd Air Intake Temp	Heated Intake Air Temperature Sensor	
L	Sensor - M.A.P.	MAP Sensor	
L	Sensor - Oxygen	Oxygen Sensor	O2S
L	Sensor - Throt Pos'n (Potentiom)	Throttle Position (Sensor)	TP
L	Sensor - Throttle Body Temperature	TB Surface Temperature Sensor	
A	Sensor - Coolant Temperature	Engine Coolant Temperature Sensor	ECT
A	Sensor - Fuel (FFV)	Flexible Fuel Sensor	
A	Sensor - Heated Air Intake Temperature	Heated Intake Air Temperature Sensor	
A	Sensor - MAP	MAP Sensor	
A	Sensor - Oxygen-Heated (4 Wire)	Heated Oxygen Sensor	HO2S
A	Sensor - Throttle Body Temperature	TB Surface Temperature Sensor	
A	Sensor - Throttle Position	Throttle Position (Sensor)	TP

L	Sensor - Vehicle Speed	Vehicle Speed Sensor	VSS
A	Sensor - Vehicle Speed-Hall Effect	Hall Effect Vehicle Speed Sensor	
I	Sequential Multiport Fuel Injection	Sequential Multiport Fuel Injection	SFI
L	Serial Number - Engine	Engine Serial Number	
J	Service Reminder Indicator	Service Reminder Indicator	SRI
H	Shift Lamp	Shift Indicator Lamp	SIL
L	Shift Lever - Trans	Transmission Shift Lever	
D	SIL	Shift Indicator Lamp	SIL
L	Silencer - Aspirator Ck Vlv	PAIR Check Valve Silencer	
A	Single Board Engine Controller	Powertrain Control Module (I)	PCM (I)
D	Single Module Engine Controller	Powertrain control Module	PCM
I	SMEC	Powertrain Control Module	PCM
J	Smoke Puff Limiter	Smoke Puff Limiter	SPL
D	SMPI	Sequential Multiport Fuel Injection	SFI
K	Solenoid	Solenoid	
A	Solenoid Valve Assembly - Purge (DCP)	Duty Cycle Purge Solenoid	
L	Solenoid - Vac Sw (Elec Activ)	Vacuum Solenoid	
E	Solenoid - Canister Purge	EVAP Canister Purge Solenoid	
A	Solenoid - EGR Diagnostic	EGR Diagnostic Solenoid	
A	Spark Advance Check Valve (OSAC)	Orifice Spark Advance Control Valve	
A	Spark Plug	Spark Plug	
K	Speed	Speed	
G	Speed Control	Vehicle Speed Control System	
A	Speed Sensor	Vehicle Speed Sensor	VSS
A	Speed Sensor (vehicle) 3-wire	Hall Effect Vehicle Speed Sensor	
A	Speed Sensor - Vehicle	Vehicle Speed Sensor	VSS
G	Start Relay	Engine Starter Relay	
L	Starter Motor - Engine	Engine Starter Motor	
D	Stepper AIS	Stepper Idle Air Control	
J	Supercharger	Supercharger	SC
J	Supercharger Bypass	Supercharger Bypass	SCB
L	Switch - Coolant Temperature	Engine Coolant Temperature Switch	
L	Switch - Coolant Vacuum (CTO)	3-Port Coolant Vacuum Switch	
L	Switch - Coolant Vacuum (CTO)	Cold Open Coolant Vacuum Switch	
L	Switch - Coolant Vacuum (CTO)	Cold Close Coolant Vacuum Switch	
L	Switch - Coolant Vacuum (CTO)	Coolant Vacuum Switch	
L	Switch - Coolant Vacuum (CTO)	5-Port Coolant Vacuum Switch	
L	Switch - Oil Pressure	Oil Pressure Switch	
L	Switch - Thermal Air Temp	Air Temp Switch	
L	Switch- Vacuum Purge (Canister)	EVAP Canister Vacuum Purge Switch	
G	Sync Pick-Up	Camshaft Position Sensor	CMP
H	Sync Sensor	Camshaft Position Sensor	CMP
H	Sync Sensor-Distributor	Camshaft Position Sensor	CMP
J	System Readiness Test	System Readiness Test	SRT
C	Tachometer	Tachometer	
L	Tailpipe	Exhaust Tailpipe	
L	Tailpipe Extension	Exhaust Tailpipe Extension	
E	Tank Rollover Valve	Fuel Tank Rollover Valve	
F	Tank Vent	Fuel Tank Vent	
D	TBI	Throttle Body Fuel Injection	TBI
D	TBO I	TURBO I	TC I
D	TBO II	TURBO II	TC II
D	TBO III	TURBO III	TC III
D	TBO IV	TURBO IV	TC IV
K	Test	Test	
J	Thermal Vacuum Valve	Thermal Vacuum Valve	TVV
A	Thermostat	Engine Thermostat	
L	Thermostat	Engine Thermostat	
J	Third Gear	Third Gear	3GR
H	THR Sensor	Throttle Position (Sensor)	TP
I	Three Way Catalytic Converter	Three Way Catalytic Converter	TWC
J	Three Way + Oxidation Cat. Convertor	Three Way + Oxidation Cat. Conv.	TWC+OC

B	Vacuum Reservoir	VSC Vacuum Reservoir	
A	Vacuum Solenoid	Vacuum Solenoid	
A	Vacuum Solenoid Control Function	EGR Solenoid	
A	Vacuum Solenoid Diagnostic Function	EGR Diagnostic Solenoid	
A	Vacuum Solenoid-EGR	EGR Solenoid	
I	Vacuum Switches	Manifold Vacuum Zone	MVZ
B	Vac Res.	VSC Vacuum Restrictor	
I	VAF	Volume Air Flow	VAF
K	Valve	Valve	
L	Valve Body - Transmission	Transmission Valve Body	
L	Valve - Air Switchg/Relief Comb	AIR Switching/Relief Valve	
L	Valve - Air Switching	AIR Switching Valve	
L	Valve - Delay	Purge Delay Valve	
L	Valve - Delay	EGR Delay Valve	
L	Valve - Delay	Power Heat Delay Valve	
L	Valve - Delay	Heated Air Delay Valve	
L	Valve - Delay	Vapor Containment Delay Valve	
L	Valve - Diverter	AIR Diverter Valve	
L	Valve - Diverter	AIR Pump Diverter Valve	
L	Valve - Heat	Power Heat Riser Valve	
L	Valve - PCV (Postv C'Case Vent)	PCV Valve	
L	Valve - Roll Over	Fuel Tank Roll Over Valve	
L	Valve - Shutoff (Turbo)	TC Wastegate Actuator	
L	Valve - Tank/Pres Relief R'Over	Fuel Tank Pressure Relief/Rollover Valve	
K	Vapor	Vapor	
B	Vapor Canister	EVAP Canister	
L	VECI	VECI	
A	VECI Label	VECI Label	
A	VECI Label Type	VECI Label Type	
G	Vehicle Speed Sensor	Vehicle Speed Sensor	VSS
L	Vent Assembly - Remote	Remote Solenoid Vent Assembly	
E	Venturi	Venturi	
L	Venturi - Air Cleaner	Air Cleaner Venturi	
K	Volatile	Volatile	
C	Volt Output	Voltage Output	
I	Voltage Regulator	Voltage Regulator	VR
K	Voltage Regulator	Voltage Regulator	
C	Voltage Sense	Voltage Sense Circuit	
J	Volume Air Flow	Volume Air Flow	VAF
H	Wait-to-Start Lamp	Deisel Wait-to-Start Indicator Lamp	
I	Warm Up Oxidation Cat. Conv.	Warm Up Oxidation Cat. Conv.	WU-OC
I	Warm Up Three Way Cat. Conv.	Warm Up Three Way Cat. Conv.	WU-TWC
A	Waste Gate Actuator	TC Waste Gate Actuator	
B	Waste Gate Solenoid	TC Waste Gate Solenoid	
H	Water in Fuel Lamp	Diesel Water-in-Fuel Indicator Lamp	
H	Water In Fuel Sensor	Diesel Water-in-Fuel Sensor	
L	Water Pump	Engine Water Pump	
K	Wheel	Wheel	
I	Wide Open Throttle	Wide Open Throttle	WOT
H	WIF Sensor	Diesel Water-in-Fuel Sensor	
L	Wiring - Electrical Harness	Wiring Harness	
I	WOT	Wide Open Throttle	WOT
I	WU-OC	Warm Up Oxidation Cat. Conv.	WU-OC
I	WU-TWC	Warm Up Three Way Cat. Conv.	WU-TWC

GROUP 23 BODY INDEX**GROUP 23 EXTERIOR ORNAMENTATION****GROUP 23A SHEET METAL****GROUP 23C DOORS & RELATED PARTS**

23	GROUP 23 EXTERIOR ORNAMENTATION (E BY MODEL)	
	EYJ	EXTERIOR ORNAMENTATION WRANGLER
	EXJ	EXTERIOR ORNAMENTATION CHEROKEE
	EZJ	EXTERIOR ORNAMENTATION GRAND CHEROKEE

23A	GROUP 23A BODY SHEET METAL (S BY MODEL)	
	SYJ	BODY SHEET METAL WRANGLER
	SXJ	BODY SHEET METAL CHEROKEE
	SZJ	BODY SHEET METAL GRAND CHEROKEE

23C	GROUP 23C BODY DOORS AND EXT. MIRRORS (D)	
	DYJ	DOORS/RELATED PARTS WRANGLER
	DXJ	DOORS/RELATED PARTS CHEROKEE
	DZJ	DOORS/RELATED PARTS GRAND CHEROKEE

**GROUP 09
ENGINES**

GROUP	ENGINE	SALES CODE	VIN
9A	2.5L ENGINE 4 CYL. (GAS) TBI	EDA	G
	2.5L ENGINE 4 CYL. (GAS) LEADED	EPE	H
	2.5L ENGINE 4 CYL. (GAS) UNLEADED	EPE	P
	2.5L ENGINE 4 CYL. (GAS) MPI	EPB	F
9B	4.0L ENGINE 6 CYL. (GAS) MPI	ERH Unleaded	S
	4.0L ENGINE 6 CYL. (GAS) MPI	ERH Leaded	V
9C	5.2L ENGINE 8 CYL. MPI	ELF	Y
9D	2.1L ENGINE 4 CYL. DIESEL	ENA	B
9E	2.5L ENGINE 4 CYL. DIESEL	ENC	M

GROUP 21

MANUAL & AUTOMATIC TRANSMISSIONS

MANUAL TRANSMISSION SECTIONS

GROUP 21M CONSISTS OF (AISIN MODEL TRANS)
GROUP 21R CONSISTS OF (MODEL 231) MANUAL TRANS.
GROUP 21T CONSISTS OF (MODEL 242)MANUAL TRANS.
GROUP 21U CONSISTS OF (MODEL 249)MANUAL TRANS.

AUTOMATIC TRANSMISSION SECTIONS

GROUP 21A CONSISTS OF (MODEL 30RH) AUTO TRANS.
GROUP 21B CONSISTS OF (MODEL 31RH) AUTO TRANS.
GROUP 21C CONSISTS OF (MODEL 42RE) AUTO TRANS.
GROUP 21D CONSISTS OF (MODEL 46RH) AUTO TRANS.
GROUP 21E CONSISTS OF (MODEL AISIN) AUTO TRANS.
GROUP 21F CONSISTS OF (MODEL 46RE) AUTO TRANS.

NOTE: 21P CONSISTS OF SPEEDOMETER PINIONS AND GEARS.
FOR BOTH AUTOMATIC AND MANUAL TRANS.

GROUP 2 - FRONT SUSPENSION & DRIVE

ILLUSTRATION TITLE

GROUP-FIG. NO.

FRONT SUSPENSION

BAR, FRONT STABILIZER WRANGLER, YJ	Fig. 2-100
BAR, FRONT STABILIZER CHEROKEE, BRIARWOOD, COMANCHE GRAND CHEROKEE (ZJ)	Fig. 2-200
BAR, FRONT STABILIZER GRAND WAGONEER	Fig. 2-300
FRONT SPRING AND SHOCK ABSORBER WRANGLER, YJ	Fig. 2-400
FRONT SPRING AND SHOCK ABSORBER CHEROKEE, BRIARWOOD, COMANCHE	Fig. 2-500
SUSPENSION, FRONT SPRING WITH CONTROL ARMS AND TRACK BAR GRAND CHEROKEE (ZJ)	Fig. 2-550
SUSPENSION ARMS, FRONT CHEROKEE, BRIARWOOD, COMANCHE	Fig. 2-600
FRONT SPRING AND SHOCK ABSORBER GRAND WAGONEER	Fig. 2-700

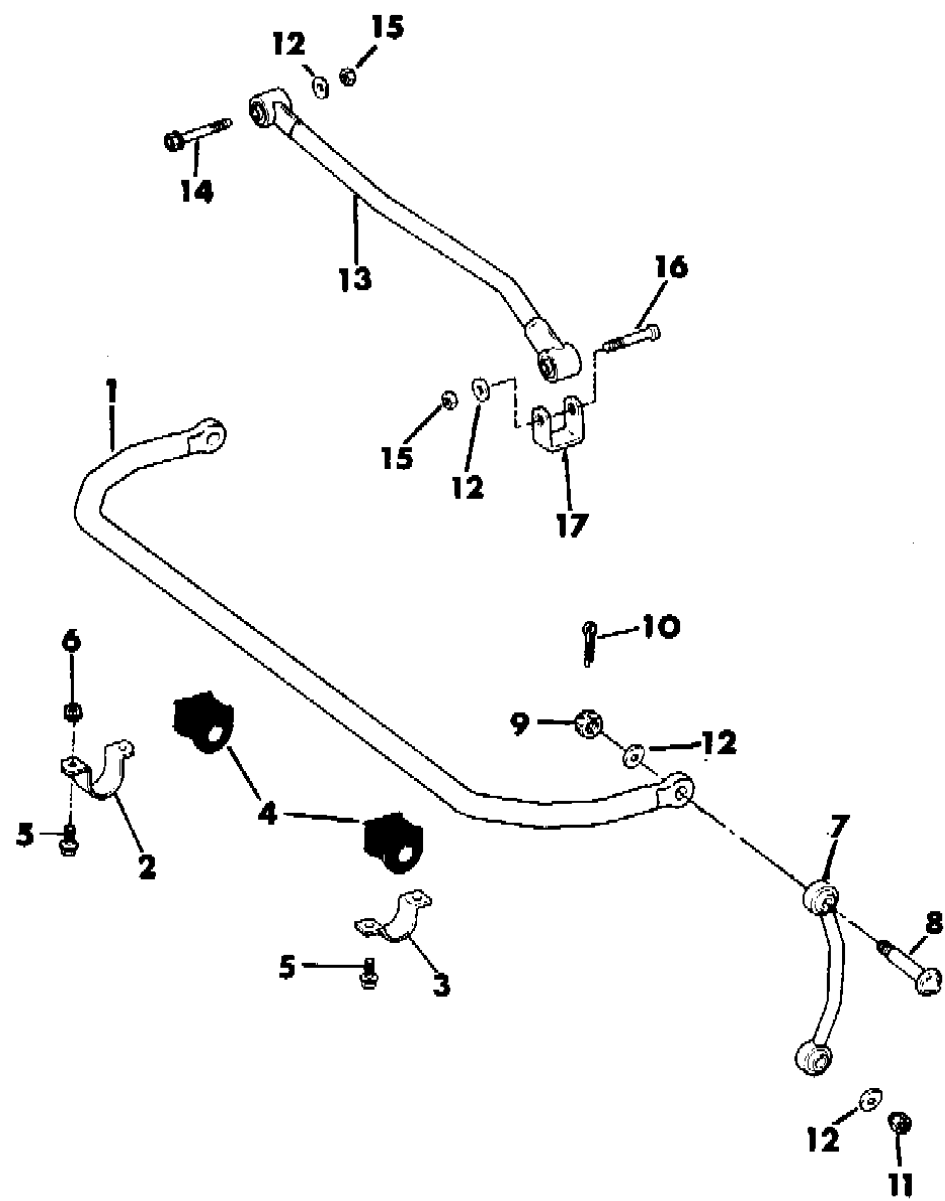
FRONT AXLES

AXLE ASSEMBLY, FRONT WRANGLER, YJ	Fig. 2-800
HOUSING, FRONT AXLE W/DISCONNECT WRANGLER, YJ	Fig. 2-900
HOUSING, FRONT AXLE - KDX W/O DISCONNECT WRANGLER, YJ	Fig. 2-950
DIFFERENTIAL, FRONT AXLE WRANGLER, YJ	Fig. 2-1000
SHAFTS, FRONT AXLE W/DISCONNECT WRANGLER, YJ	Fig. 2-1100
SHAFTS, FRONT AXLE - KDX W/O DISCONNECT WRANGLER, YJ	Fig. 2-1150
AXLE ASSEMBLY, FRONT 4 WHEEL DRIVE CHEROKEE, BRIARWOOD, COMANCHE, GRAND CHEROKEE (ZJ)	Fig. 2-1200
HOUSING, FRONT AXLE 4 WHEEL DRIVE W/O DISCONNECT CHEROKEE, BRIARWOOD, COMANCHE, GRAND CHEROKEE (ZJ)	Fig. 2-1300
HOUSING, FRONT AXLE 4 WHEEL DRIVE W/DISCONNECT CHEROKEE, BRIARWOOD, COMANCHE	Fig. 2-1400
HOUSING, FRONT AXLE 2 WHEEL DRIVE CHEROKEE, BRIARWOOD, COMANCHE, GRAND CHEROKEE (ZJ)	Fig. 2-1500
DIFFERENTIAL, FRONT AXLE CHEROKEE, BRIARWOOD, COMANCHE GRAND CHEROKEE (ZJ)	Fig. 2-1600
SHAFTS, FRONT AXLE W/O DISCONNECT CHEROKEE, BRIARWOOD, COMANCHE, GRAND CHEROKEE (ZJ)	Fig. 2-1700
SHAFTS, FRONT AXLE W/DISCONNECT CHEROKEE, BRIARWOOD, COMANCHE	Fig. 2-1800
AXLE ASSEMBLY, FRONT GRAND WAGONEER	Fig. 2-1900
HOUSING, FRONT AXLE GRAND WAGONEER	Fig. 2-2000
DIFFERENTIAL, FRONT AXLE GRAND WAGONEER	Fig. 2-2100
SHAFTS, FRONT AXLE GRAND WAGONEER	Fig. 2-2200

ILLUSTRATION NOT AVAILABLE AT TIME OF PUBLICATION

BAR, FRONT STABILIZER WRANGLER, YJ
Figure 2-100

91J02 100



ITEM	PART NUMBER	QTY	BODY	MODEL	DESCRIPTION
1	5200 3142	1			BAR, Stabilizer
2	5200 1085	1			CLAMP
3	5204 0047	1			CLAMP
4	5200 3143	2			CUSHION
5	J812 4191	4			BOLT
6	J400 5142	2			NUT
7	5200 2609	2			LINK
8	J535 2787	2			PIN
9	J027 4428	2			NUT
10	S011 9120	2			PIN, Cotter
11	J400 4311	2			NUT
12	S012 0390	10			WASHER
13	5204 0403	1			BAR, Track
14	3420 2415	1			BOLT
15	1150 2723	4			NUT
16	6502 248	3			BOLT
17	5200 1989	2			SPACER

MODEL CODES:
 61=Pickup-6 Ft Box 74=4 Door Wagon T=2WD
 62=Pickup-7 Ft Box 77=Open Body 93" Wheelbase J,N,U=4WD
 72=2 Door Wagon 78=Open Body 103" Wheelbase

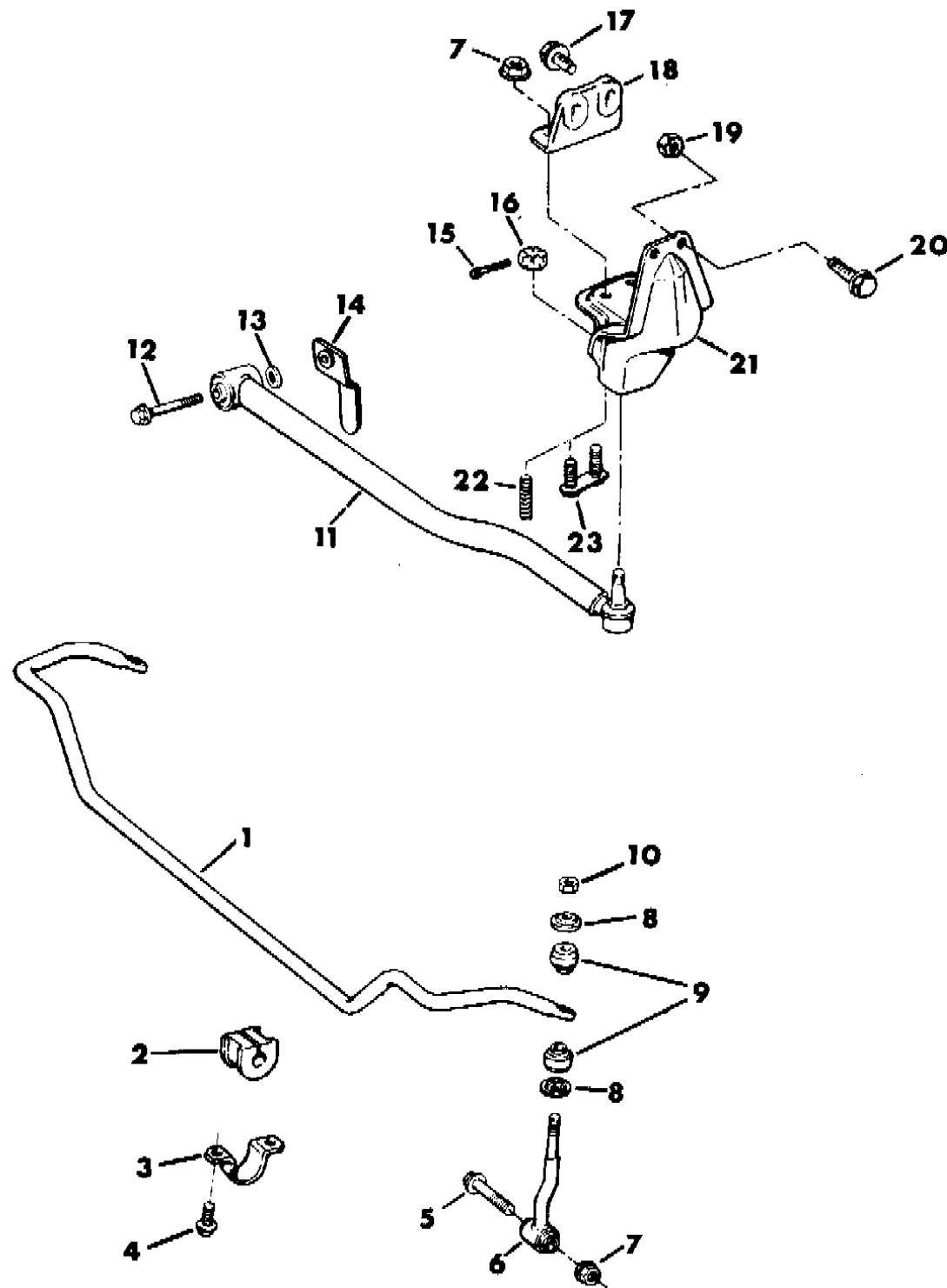
BODY STYLES:
 MJ=Comanche Pickup ZJ=Grand Cherokee/Grand Wagoneer KDX VEHICLES
 SJ=Grand Wagoneer M1=Comanche
 XJ=Cherokee, Briarwood X1=Cherokee, Briarwood
 YJ=Wrangler Y1=Wrangler

AR = Use as Required - = Non Illustrated Part P.A.R. = Paint as Required

BAR, FRONT STABILIZER CHEROKEE, BRIARWOOD, COMANCHE GRAND CHEROKEE (ZJ)

Figure 2-200

91J02 200



ITEM	PART NUMBER	QTY	BODY	MODEL	DESCRIPTION
1	5203 7722	1			BAR, Stabilizer Diameter = 24mm
	5203 7721	1			Diameter = 28mm
	5200 5233	1	ZJ		
2	5200 6495	2			CUSHION, Stabilizer Orange (Up To 12-5-90)
	5203 7548	2			Purple (After 12-5-90) (23.4 Dia)
	J536 5098	2			Yellow (23.3 Dia)
	5200 3232	2			Brown
	5200 5653	2	ZJ		
3	5200 1085	2			CLAMP
	5200 5654	2	ZJ		
4	3420 1321	4			BOLT
	6502 467	2	ZJ		Rt.
	6502 792	2	ZJ		Lt.
5	3420 1949	2			BOLT
	6502 930	2	ZJ		
6	5200 3360	2			LINK, (Up to 5-20-91)
	5203 7849	2			(After 5-20-91)
7	1150 2813	AR			NUT
	6502 697	2	ZJ		
8	5200 3361	4			RETAINER, 1991-92
	5208 7668	4			1993
9	5200 1132	4			GROMMET
10	1150 0424	2			NUT
	6101 687	2	ZJ		
11	5200 7118	1			BAR, Track
	5200 6509	1			w/RHD
12	3420 2640	1			BOLT
13	S243 6163	1			WASHER
14	3420 2463	1			RETAINER
15	1101 0069	1			PIN
16	J027 4428	1			NUT
17	3420 1869	2			BOLT, w/Diesel Eng.
18	5200 1275	1			REINFORCEMENT, w/Diesel Eng.
	5203 7507	1			w/RHD
19	1150 1033	2			NUT, M10
	1150 2813	2			M12
20	1150 2606	2			BOLT, M10x1.5
	3420 2472	2			M12x1.75
21	5200 7121	1			BRACKET, Track Bar

MODEL CODES:

61=Pickup-6 Ft Box 74=4 Door Wagon T=2WD
 62=Pickup-7 Ft Box 77=Open Body 93" Wheelbase J,N,U=4WD
 72=2 Door Wagon 78=Open Body 103" Wheelbase

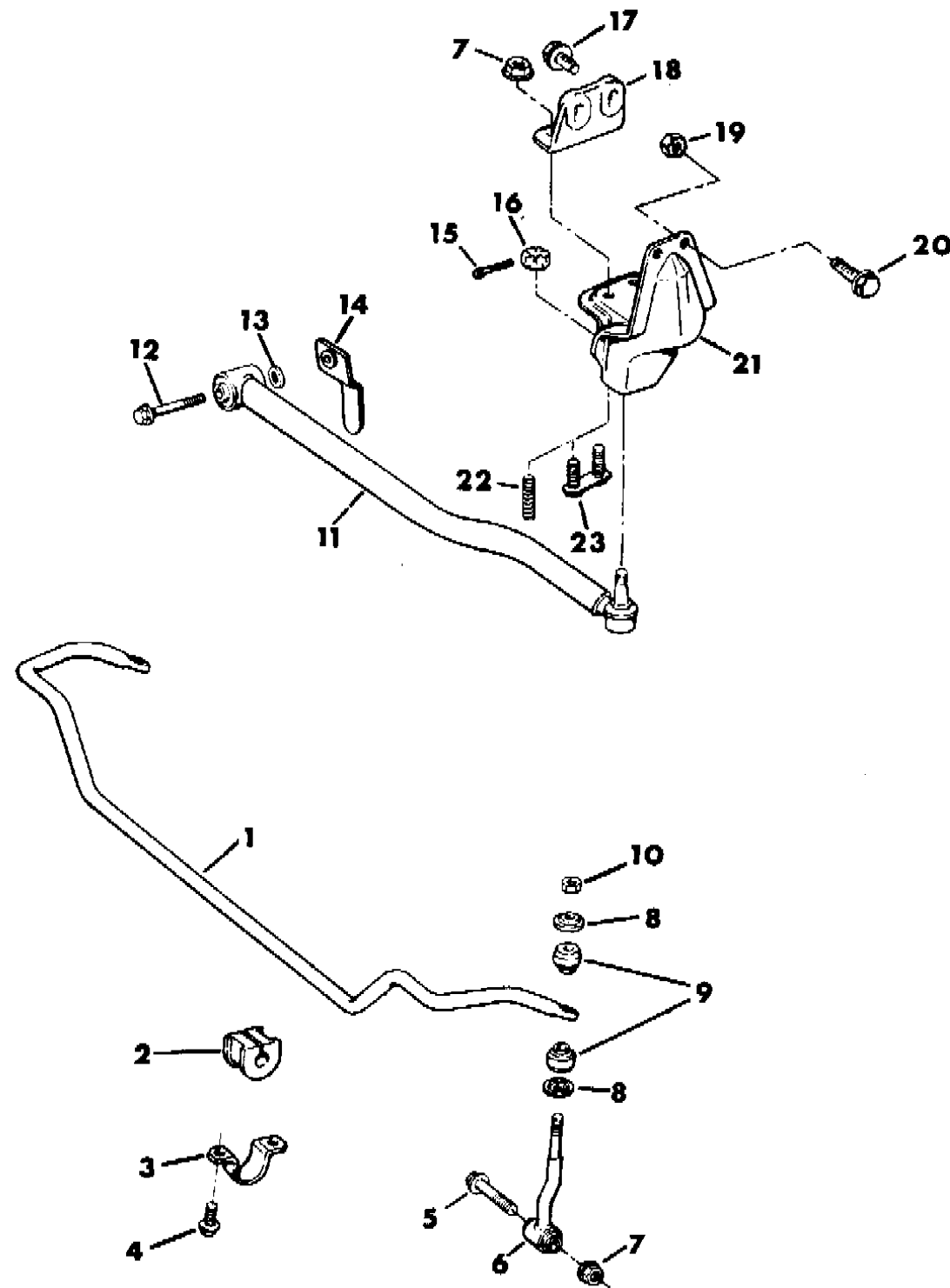
BODY STYLES:

MJ=Comanche Pickup ZJ=Grand Cherokee/Grand Wagoneer KDX VEHICLES
 SJ=Grand Wagoneer M1=Comanche
 XJ=Cherokee, Briarwood X1=Cherokee, Briarwood
 YJ=Wrangler Y1=Wrangler

AR = Use as Required - = Non Illustrated Part P.A.R. = Paint as Required

BAR, FRONT STABILIZER CHEROKEE, BRIARWOOD, COMANCHE GRAND CHEROKEE (ZJ)
Figure 2-200

91J02 200



ITEM	PART NUMBER	QTY	BODY	MODEL	DESCRIPTION
	5200 6508	1			w/RHD
22	3420 2742	2			STUD, w/o 2.5L Eng.
23	5200 1493	1			PLATE, Track Bar, w/2.5L Eng.

MODEL CODES:

61=Pickup-6 Ft Box 74=4 Door Wagon T=2WD
62=Pickup-7 Ft Box 77=Open Body 93" Wheelbase J,N,U=4WD
72=2 Door Wagon 78=Open Body 103" Wheelbase

BODY STYLES:

MJ=Comanche Pickup ZJ=Grand Cherokee/Grand Wagoneer KDX VEHICLES
SJ=Grand Wagoneer M1=Comanche
XJ=Cherokee, Briarwood X1=Cherokee, Briarwood
YJ=Wrangler Y1=Wrangler

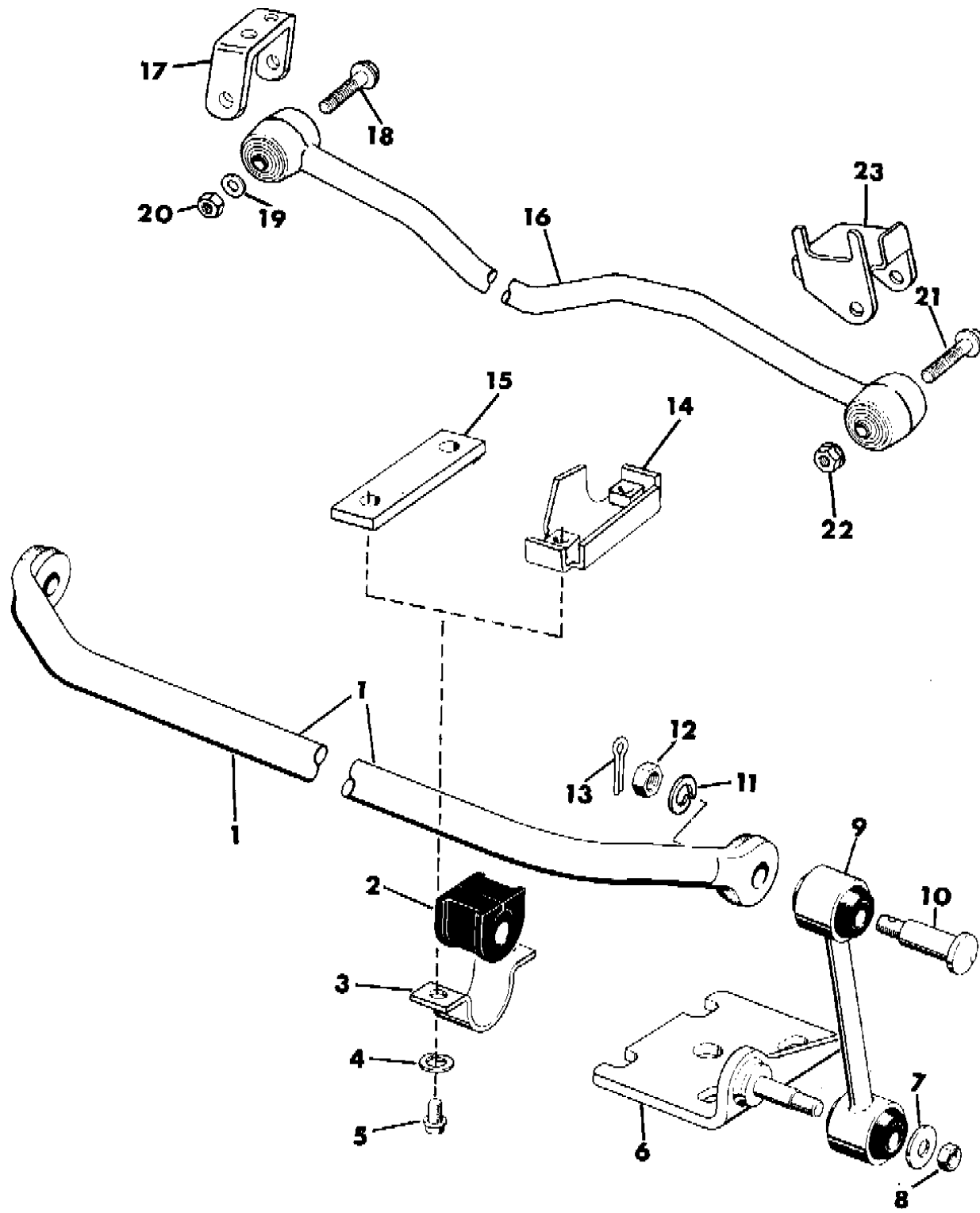
AR = Use as Required - = Non Illustrated Part P.A.R. = Paint as Required

BAR, FRONT STABILIZER GRAND WAGONEER

Figure 2-300

91JQ2 300

ITEM	PART NUMBER	QTY	BODY	MODEL	DESCRIPTION
1	5200 1995	1			BAR, Stabilizer
2	5200 1996	2			CUSHION, Stabilizer
3	J535 2703	2			CLAMP
4	J012 0383	4			WASHER
5	J027 4902	4			SCREW, Length = .75"
6	J400 5824	4			BOLT, Length = 2.00"
					BRACKET
	J535 9584	1			Rt.
	J535 9585	1			Lt.
7	J012 0389	2			WASHER
8	J027 4655	2			NUT
9	J535 5594	2			LINK
10	J535 2787	2			PIN
11	J535 0644	2			WASHER
12	J942 1085	2			NUT
13	J013 7190	2			PIN
14					BRACKET
	J535 5597	1			Rt.
	J535 5596	1			Lt.
15	J099 4880	2			SPACER
16	5200 1985	1			BAR, Track
17	5200 1989	1			SPACER
18	3420 1465	1			BOLT
19	S012 0390	1			WASHER
20	1150 2723	1			NUT
21	T310 1054	1			BOLT
22	1150 2812	1			NUT
23	5200 2084	1			BRACKET, Track Bar



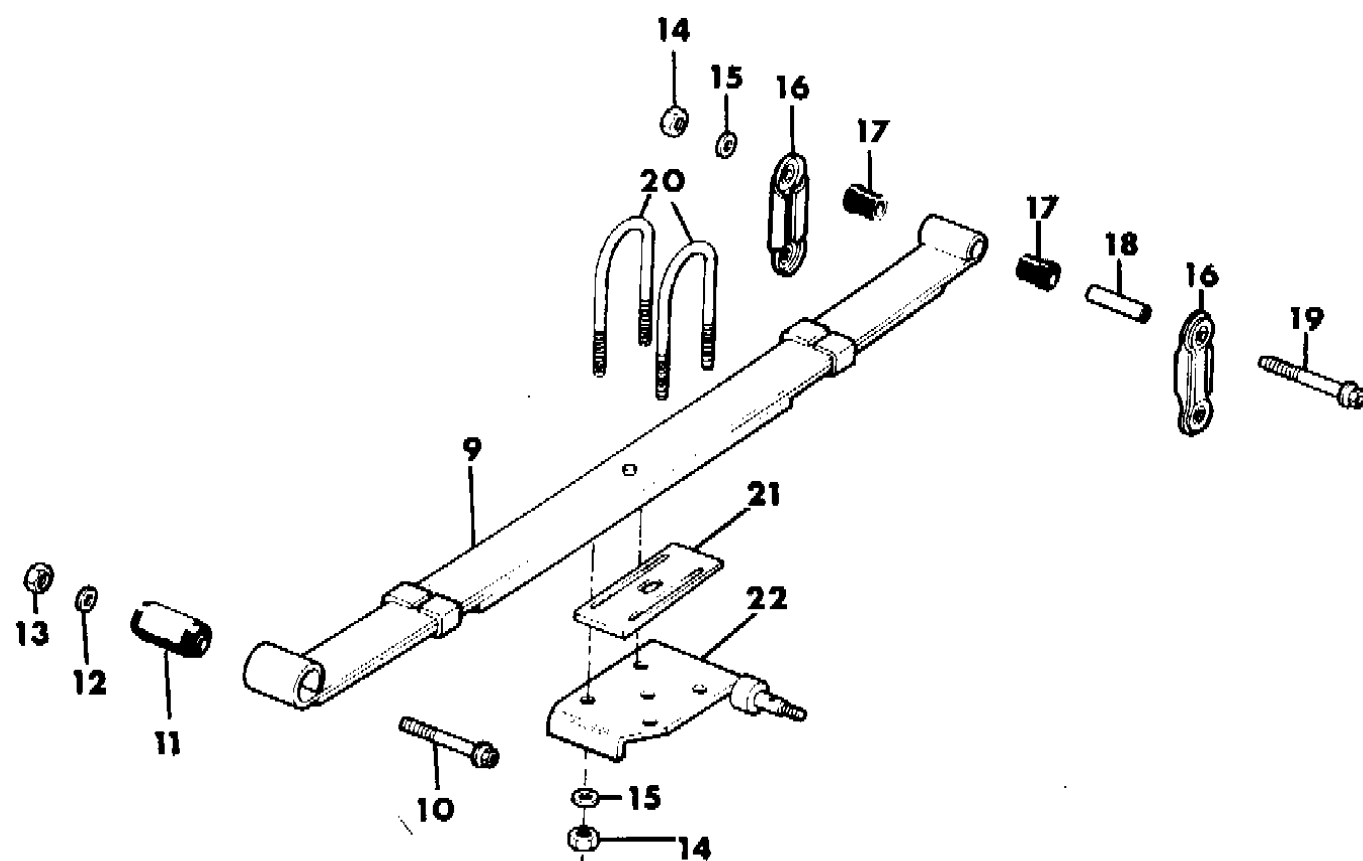
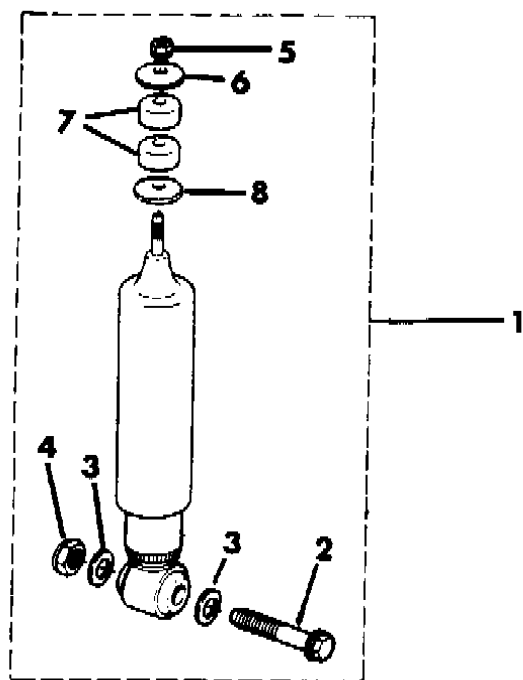
MODEL CODES:
 61=Pickup-6 Ft Box 74=4 Door Wagon T=2WD
 62=Pickup-7 Ft Box 77=Open Body 93" Wheelbase J,N,U=4WD
 72=2 Door Wagon 78=Open Body 103" Wheelbase

BODY STYLES:
 MJ=Comanche Pickup ZJ=Grand Cherokee/Grand Wagoneer KDX VEHICLES
 SJ=Grand Wagoneer M1=Comanche
 XJ=Cherokee, Briarwood X1=Cherokee, Briarwood
 YJ=Wrangler Y1=Wrangler

AR = Use as Required - = Non Illustrated Part P.A.R. = Paint as Required

FRONT SPRING AND SHOCK ABSORBER WRANGLER, YJ
Figure 2-400

91J02 400



ITEM	PART NUMBER	QTY	BODY	MODEL	DESCRIPTION
1					SHOCK ABSORBER
	8350 2866	2			w/Std. Duty, (SFA)(Stamped 52500034)
	4638 208	2			w/Special Sport Susp. (SFE) w/EGYPT
	8350 2836	2			w/H.D., (SFB)(Stamped 52002610)
2	J018 1709	2			BOLT
3	S012 0390	4			WASHER
4	J400 4311	2			NUT
5	J012 0369	2			NUT
6	J316 5076	2			RETAINER
7	J321 6638	4			GROMMET
8	J314 6809	2			RETAINER
9					SPRING, Front
	5200 3207	2			w/2.5L Eng. Std. Susp.
	5200 3206	2			w/4.0L Eng. Std. Susp. 1991
	4636 975	2			w/4.0L Eng. Std. Susp. 1992-93
	5200 3448	2			w/H.D. Susp.
10	J400 7547	2			BOLT
11	5200 2551	2			BUSHING
12	J400 6884	2			WASHER
13	J400 3979	2			NUT
14	J400 4311	12			NUT
15	S012 0390	12			WASHER
16	5204 0415	4			PLATE
17	5200 2552	8			BUSHING
18	5200 2553	4			SPACER
19	J400 7393	4			BOLT
20					U-BOLT ***
	J813 0369	4			Width = 3.06"
	J813 0370	4			Width = 3.75"
21	5200 3408	2			SHIM
22					PLATE ***
	5204 0407	1			Lt.
	5204 0348	1			Rt.

MODEL CODES:

61=Pickup-6 Ft Box 74=4 Door Wagon T=2WD
 62=Pickup-7 Ft Box 77=Open Body 93" Wheelbase J,N,U=4WD
 72=2 Door Wagon 78=Open Body 103" Wheelbase

BODY STYLES:

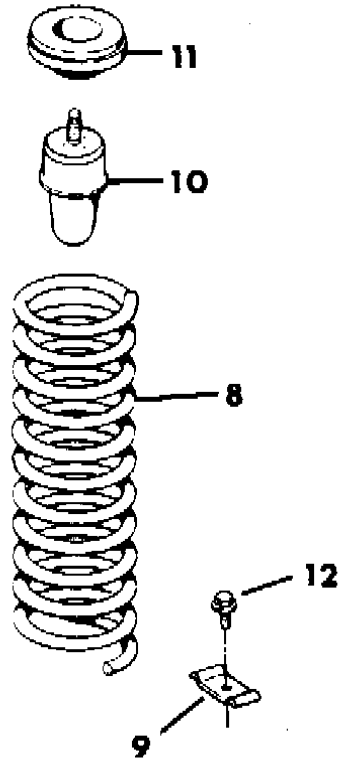
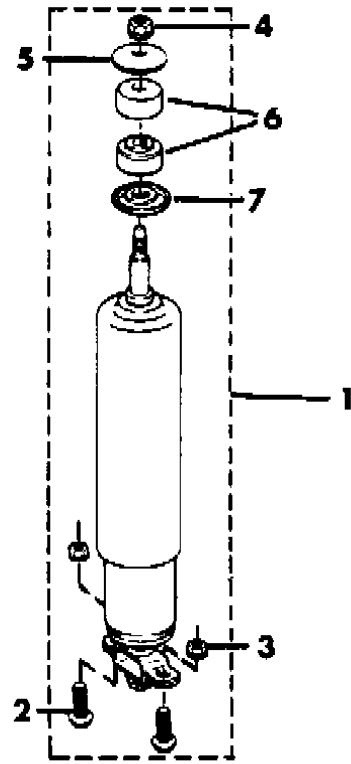
MJ=Comanche Pickup ZJ=Grand Cherokee/Grand Wagoneer KDX VEHICLES
 SJ=Grand Wagoneer M1=Comanche
 XJ=Cherokee, Briarwood X1=Cherokee, Briarwood
 YJ=Wrangler Y1=Wrangler

AR = Use as Required - = Non Illustrated Part P.A.R. = Paint as Required

FRONT SPRING AND SHOCK ABSORBER CHEROKEE, BRIARWOOD, COMANCHE

Figure 2-500

91J02 500



ITEM	PART NUMBER	QTY	BODY	MODEL	DESCRIPTION
1					SHOCK ABSORBER
	4637 102	2	XJ		w/Std. Susp. (SFA) (Casting #52037726)
	4637 525	2	XJ		w/H.D. Susp. (SFE)
	4637 525	2	X1		w/H.D. Susp. (SFE) w/KDX
	8350 2509	2	MJ		w/Std. Susp. (SFA)
	8350 2510	2	MJ		w/H.D. Susp. (SFB)
	8350 4211	2			w/H.D. Susp., w/Off Road Package(SFD)
2	J420 0402	4			SCREW
3	1150 2811	4			NUT
4	J012 0369	2			NUT
5	J316 5076	2			RETAINER
6	J321 6638	4			GROMMET
7	J314 6809	2			RETAINER
8					SPRING, Front
	5200 1107	AR	MJ		Light Duty, Coded EF (#655)
	5200 1108	AR	MJ		Light Duty, Coded EG (#690)
	5200 1109	AR	MJ		Light Duty, Coded EH (#727)
	5200 1110	AR	MJ		Light Duty, Coded EJ (#765)
	5200 1111	AR	MJ		Light Duty, Coded EK (#806)
	5200 1784	AR	MJ		Light Duty, Coded EL
	5200 1785	AR	MJ		Light Duty, Coded EM
	5200 1786	AR	MJ		Light Duty, Coded EN
	5200 1787	AR	MJ		Light Duty, Coded EP
	5200 1788	AR	MJ		Light Duty, Coded ER
	5200 1789	AR			Standard Duty, Coded FL
	5200 1114	AR			Std. Duty, Coded FE (#607)
	5200 1115	AR			Std. Duty, Coded FF (#646)
	5200 1116	AR			Std. Duty, Coded FG (#688)
	5200 1117	AR			Std. Duty, Coded FH (#733)
	5200 1118	AR			Std. Duty, Coded FJ (#780)
	5200 1119	AR			Std. Duty, Coded FK (#831)
	5200 1790	AR			Std. Duty, Coded FM
	5200 1791	AR			Std. Duty, Coded FN
	5200 1792	AR			Std. Duty, Coded FP
	5200 1120	AR			H.D., Coded GD (#578)
	5200 1122	AR			H.D., Coded GF (#670)
	5200 1121	AR			H.D., Coded GE (#622)
	5200 1123	AR			H.D., Coded GG (#720)
	5200 1124	AR			H.D., Coded GH (#775)
	5200 1125	AR			H.D., Coded GJ (#834)
	5200 1793	AR			H.D., Coded GK

MODEL CODES:

61=Pickup-6 Ft Box 74=4 Door Wagon T=2WD
 62=Pickup-7 Ft Box 77=Open Body 93" Wheelbase J,N,U=4WD
 72=2 Door Wagon 78=Open Body 103" Wheelbase

BODY STYLES:

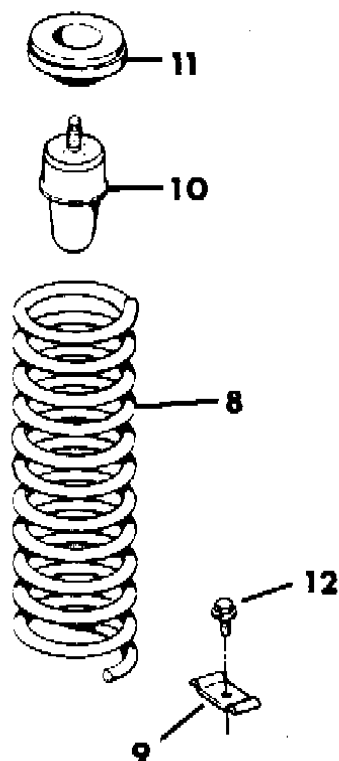
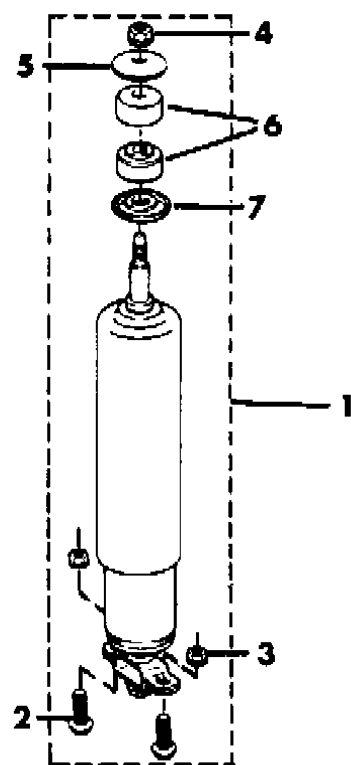
MJ=Comanche Pickup ZJ=Grand Cherokee/Grand Wagoneer KDX VEHICLES
 SJ=Grand Wagoneer M1=Comanche
 XJ=Cherokee, Briarwood X1=Cherokee, Briarwood
 YJ=Wrangler Y1=Wrangler

AR = Use as Required - = Non Illustrated Part P.A.R. = Paint as Required

FRONT SPRING AND SHOCK ABSORBER CHEROKEE, BRIARWOOD, COMANCHE

Figure 2-500

91J02 500



ITEM	PART NUMBER	QTY	BODY	MODEL	DESCRIPTION
	5200 1794	AR			H.D., Coded GL
	5200 1795	AR			H.D., Coded GM
	5200 1796	AR			H.D., Coded GN
9	5300 0899	2			BRACKET
10	5200 4749	2			CUSHION
11	5200 0229	2			ISOLATOR
12	S150 0086	2			SCREW

MODEL CODES:

61=Pickup-6 Ft Box 74=4 Door Wagon T=2WD
 62=Pickup-7 Ft Box 77=Open Body 93" Wheelbase J,N,U=4WD
 72=2 Door Wagon 78=Open Body 103" Wheelbase

BODY STYLES:

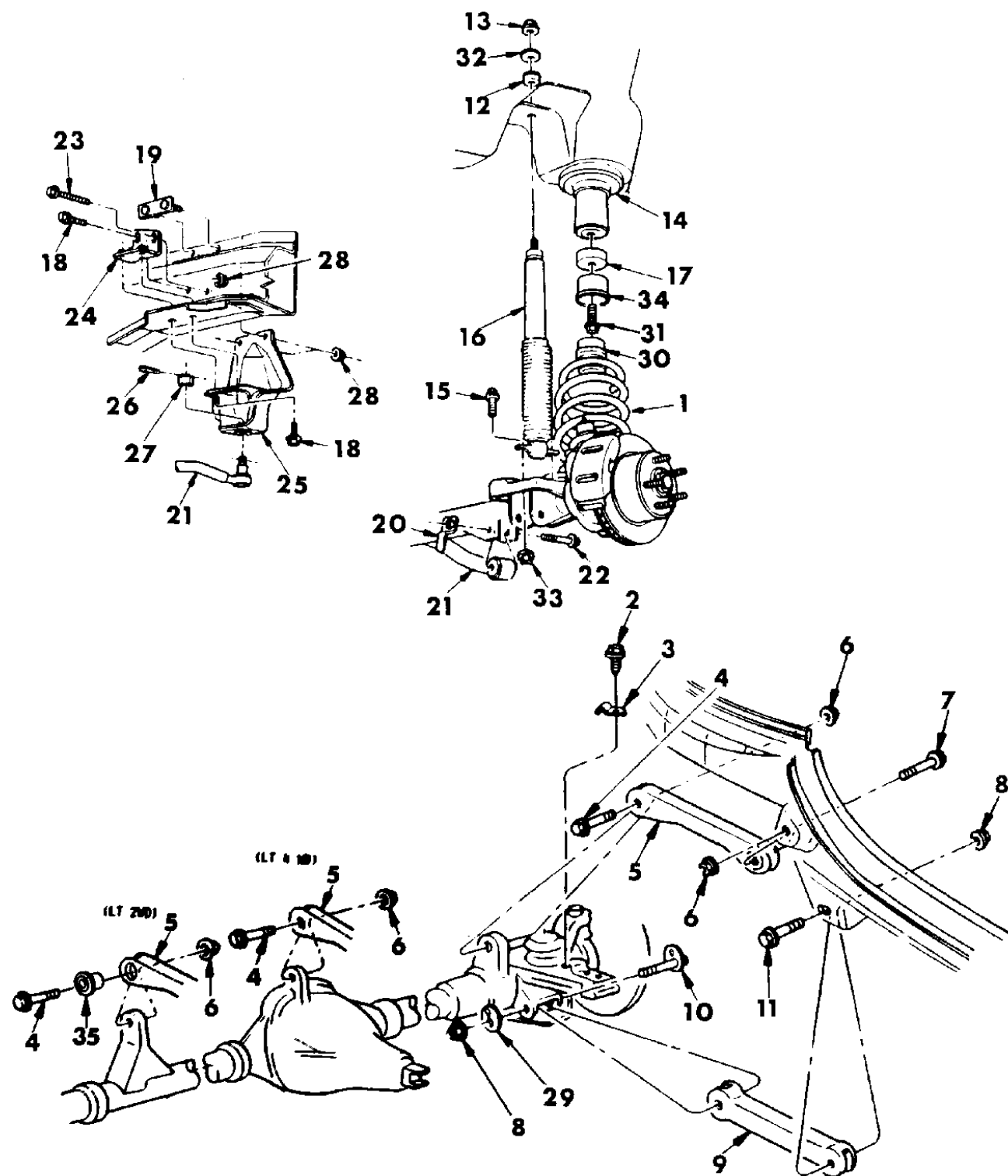
MJ=Comanche Pickup ZJ=Grand Cherokee/Grand Wagoneer KDX VEHICLES
 SJ=Grand Wagoneer M1=Comanche
 XJ=Cherokee, Briarwood X1=Cherokee, Briarwood
 YJ=Wrangler Y1=Wrangler

AR = Use as Required - = Non Illustrated Part P.A.R. = Paint as Required

SUSPENSION, FRONT SPRING WITH CONTROL ARMS AND TRACK BAR GRAND CHEROKEE (ZJ)

Figure 2-550

91J02 550B



ITEM	PART NUMBER	QTY	BODY	MODEL	DESCRIPTION
1					SPRING, Front Coil
	5208 8102	AR			w/Std. Susp. Coded (FJ)
	5208 8103	AR			w/Std. Susp. Coded (FK)
	5208 8181	AR			w/Std. Susp. Coded (FL)
	5208 8361	AR			w/Std. Susp. Coded (FM)
	5208 8362	AR			w/Std. Susp. Coded (FN)
	5208 8104	AR			w/H.D. Susp. Coded (GK)
	5208 8105	AR			w/H.D. Susp. Coded (GL)
	5208 8363	AR			w/H.D. Susp. Coded (GN)
	5208 9141	AR			w/H.D. Susp. Coded (GP), w/AWE (Up Country Pkg.)
2	6502 468	2			SCREW
3	5200 5917	2			BRACKET, Spring Retainer
4	6502 469	2			BOLT
5	5203 8130	2			ARM, Control Upper w/4.0L Eng. (Up To 7-16-92)
	5208 7710	2			w/4.0L Eng. (After 7-16-92) ***
	5208 7711	2			w/5.2L Eng. w/Bushings ***
6	6502 696	4			NUT
7	6502 472	2			BOLT, w/4.0L Eng.
	6502 759	2			w/5.2L Eng.
8	6502 698	4			NUT
9	5203 7868	2			ARM, Control Lower
-	5203 7830	2			BUSHING, Control Arm
10	6503 332	2			BOLT, Cam
11	6502 470	2			BOLT
12	5203 8019	2			GROMMET
13	6502 556	2			NUT
14	5200 0229	2			ISOLATOR, Front Spring Upper
-	5208 7670	AR			SPACER, Coil Spring Isolator
15	J420 0402	4			BOLT, Shock Mtg. Lwr.
16		2			SHOCK ABSORBER, Front
	4638 190	2			w/Std. Susp. w/4.0L Eng.
	4740 231	2			w/Std. Susp. w/5.2L Eng.
	4638 192	2			w/AWE (Up Country Pkg.) w/4.0L Eng.
	4741 675	2			w/AWE (Up Country Pkg.) w/5.2L Eng.
	4741 676	2			w/Off Road Pkg.
17	5200 5645	2			SPACER
18	6502 557	3			BOLT
19	5200 1493	1			PLATE, Track Bar
20	6502 561	1			RETAINER, Nut
21	5200 7118	1			BAR, Track
22	6502 554	1			BOLT

MODEL CODES:

61=Pickup-6 Ft Box 74=4 Door Wagon T=2WD
 62=Pickup-7 Ft Box 77=Open Body 93" Wheelbase J,N,U=4WD
 72=2 Door Wagon 78=Open Body 103" Wheelbase

BODY STYLES:

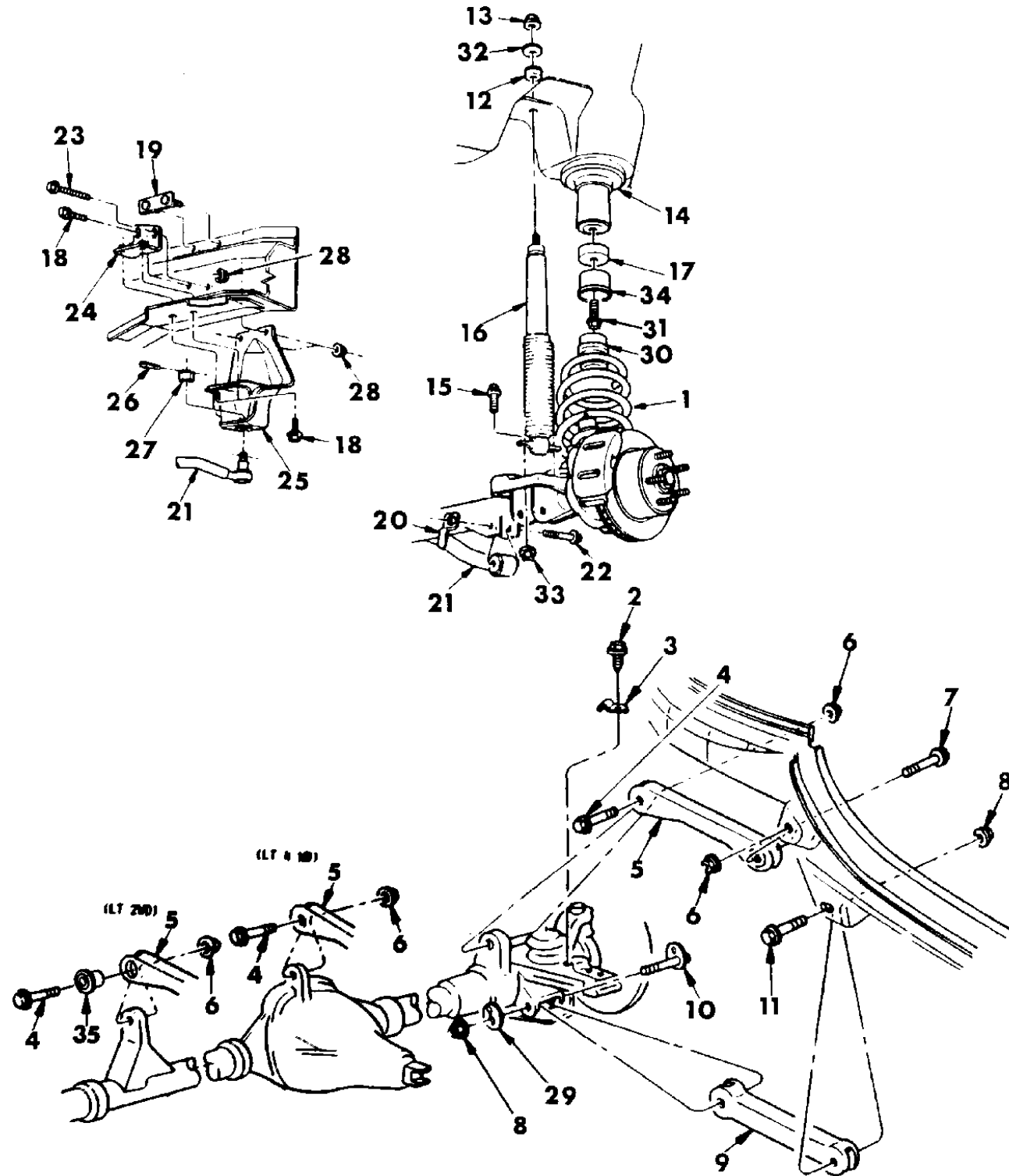
MJ=Comanche Pickup ZJ=Grand Cherokee/Grand Wagoneer KDX VEHICLES
 SJ=Grand Wagoneer M1=Comanche
 XJ=Cherokee, Briarwood X1=Cherokee, Briarwood
 YJ=Wrangler Y1=Wrangler

AR = Use as Required - = Non Illustrated Part P.A.R. = Paint as Required

SUSPENSION, FRONT SPRING WITH CONTROL ARMS AND TRACK BAR GRAND CHEROKEE (ZJ)

Figure 2-550

91J02 550B



ITEM	PART NUMBER	QTY	BODY	MODEL	DESCRIPTION
23	6502 560	1			BOLT
24	5200 7120	1			BRACKET, Track Bar Mtg.
25	5200 7121	1			BRACKET, Track Bar Mtg.
26	1101 0069	AR			PIN, Cotter
27	6034 358	1			NUT
28	6502 697	3			NUT
29	6503 021	2			WASHER, Cam
30	5208 7636	2			BUMPER, Jounce
31	6100 402	2			BOLT, M10x1.5x35.00
32	5200 5574	2			RETAINER
	5200 5575	2			w/AWE (Up Country Pkg.)
33	6101 695	4			NUT
34	5208 7635	2			CUP, Jounce Bumper
35	5203 8025	2			BUSHING, Control Arm w/4.0L Eng
-	5208 7709	2			w/5.2L Eng.

MODEL CODES:

61=Pickup-6 Ft Box 74=4 Door Wagon T=2WD
 62=Pickup-7 Ft Box 77=Open Body 93" Wheelbase J,N,U=4WD
 72=2 Door Wagon 78=Open Body 103" Wheelbase

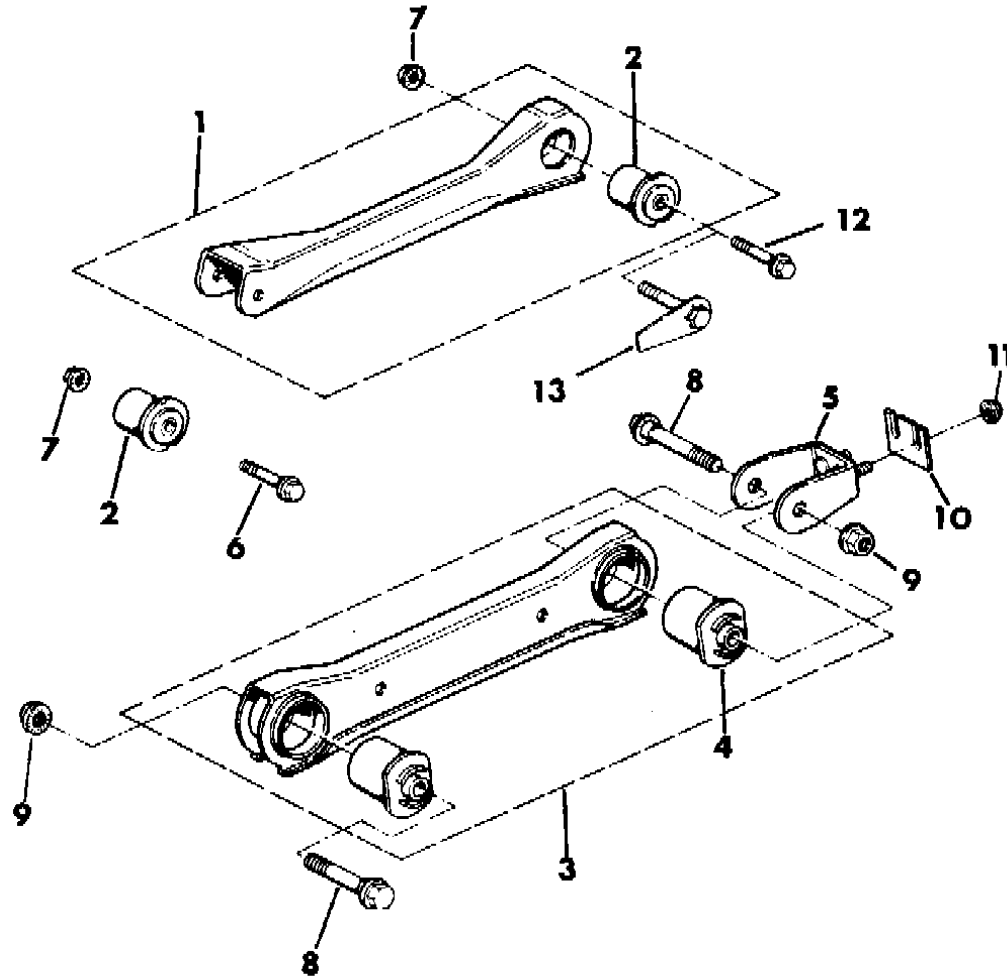
BODY STYLES:

MJ=Comanche Pickup ZJ=Grand Cherokee/Grand Wagoneer KDX VEHICLES
 SJ=Grand Wagoneer M1=Comanche
 XJ=Cherokee, Briarwood X1=Cherokee, Briarwood
 YJ=Wrangler Y1=Wrangler

AR = Use as Required - = Non Illustrated Part P.A.R. = Paint as Required

SUSPENSION ARMS, FRONT CHEROKEE, BRIARWOOD, COMANCHE
Figure 2-600

91J02 600



ITEM	PART NUMBER	QTY	BODY	MODEL	DESCRIPTION
1	5200 0213	2			ARM, Suspension Upper 1991
	5203 8130	2			1992
	5208 7710	2			1993
2	5200 3636	4			BUSHING
	5203 8025	2	XJ		1992-93
3	5200 1162	2			ARM, Suspension Lower
4	5200 1161	4			BUSHING
5	5200 0532	2			CLEVIS, Suspension ***
6	3420 2640	2			BOLT
7	1150 6007	4			NUT
8	3420 2118	4			BOLT
9	1150 2814	4			NUT
10	5200 0234	AR			Thickness = .95mm
	5200 3976	AR			Thickness = 4.00mm
11	1150 2811	4			NUT
12	3420 2641	2			BOLT
13	3420 3013	2			BOLT

MODEL CODES:

61=Pickup-6 Ft Box 74=4 Door Wagon T=2WD
 62=Pickup-7 Ft Box 77=Open Body 93" Wheelbase J,N,U=4WD
 72=2 Door Wagon 78=Open Body 103" Wheelbase

BODY STYLES:

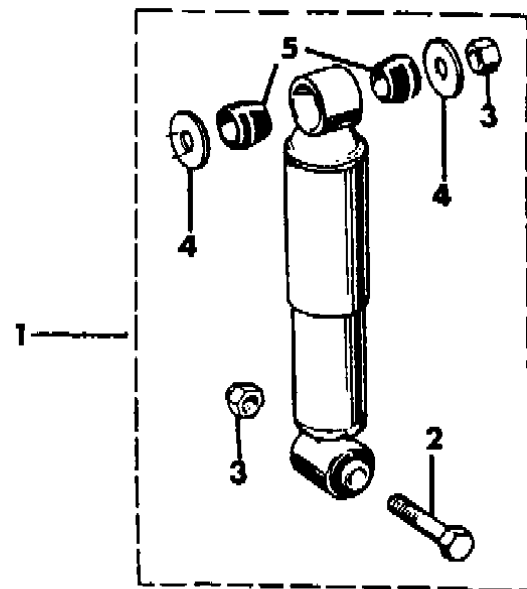
MJ=Comanche Pickup ZJ=Grand Cherokee/Grand Wagoneer KDX VEHICLES
 SJ=Grand Wagoneer M1=Comanche
 XJ=Cherokee, Briarwood X1=Cherokee, Briarwood
 YJ=Wrangler Y1=Wrangler

AR = Use as Required - = Non Illustrated Part P.A.R. = Paint as Required

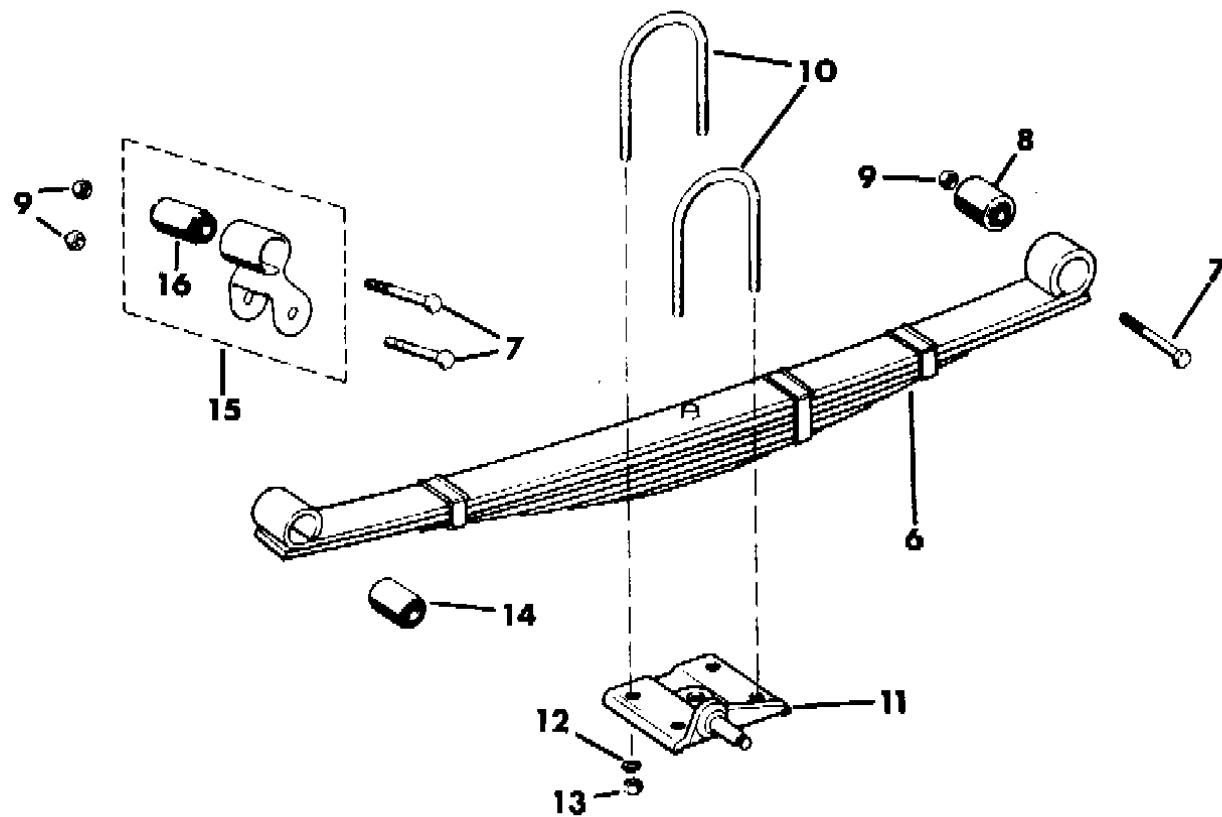
FRONT SPRING AND SHOCK ABSORBER GRAND WAGONEER

Figure 2-700

91J02 700



ITEM	PART NUMBER	QTY	BODY	MODEL	DESCRIPTION
1					SHOCK ABSORBER
	8350 1877	2			Standard
	8350 3694	2			Heavy Duty
2	J018 1709	2			BOLT
3	J400 4311	4			NUT
4	S012 0390	4			WASHER
5	J063 7936	4			BUSHING
6					SPRING, Front
	J536 2950	2			5 Leaf
	J536 2949	2			6 Leaf
	J536 2953	2			7 Leaf
7	J400 4120	6			BOLT
8	J535 8985	2			BUSHING
9	J400 3979	6			NUT
10	J812 9474	4			U-BOLT ***
11					BRACKET
	J535 9585	1			Rt.
	J535 9584	1			Lt.
12	J400 4806	8			WASHER
13	J942 0350	8			NUT
14	J094 4870	2			BUSHING
15	J535 2863	2			SHACKLE
16	J535 2079	2			BUSHING



MODEL CODES:

61=Pickup-6 Ft Box 74=4 Door Wagon T=2WD
 62=Pickup-7 Ft Box 77=Open Body 93" Wheelbase J,N,U=4WD
 72=2 Door Wagon 78=Open Body 103" Wheelbase

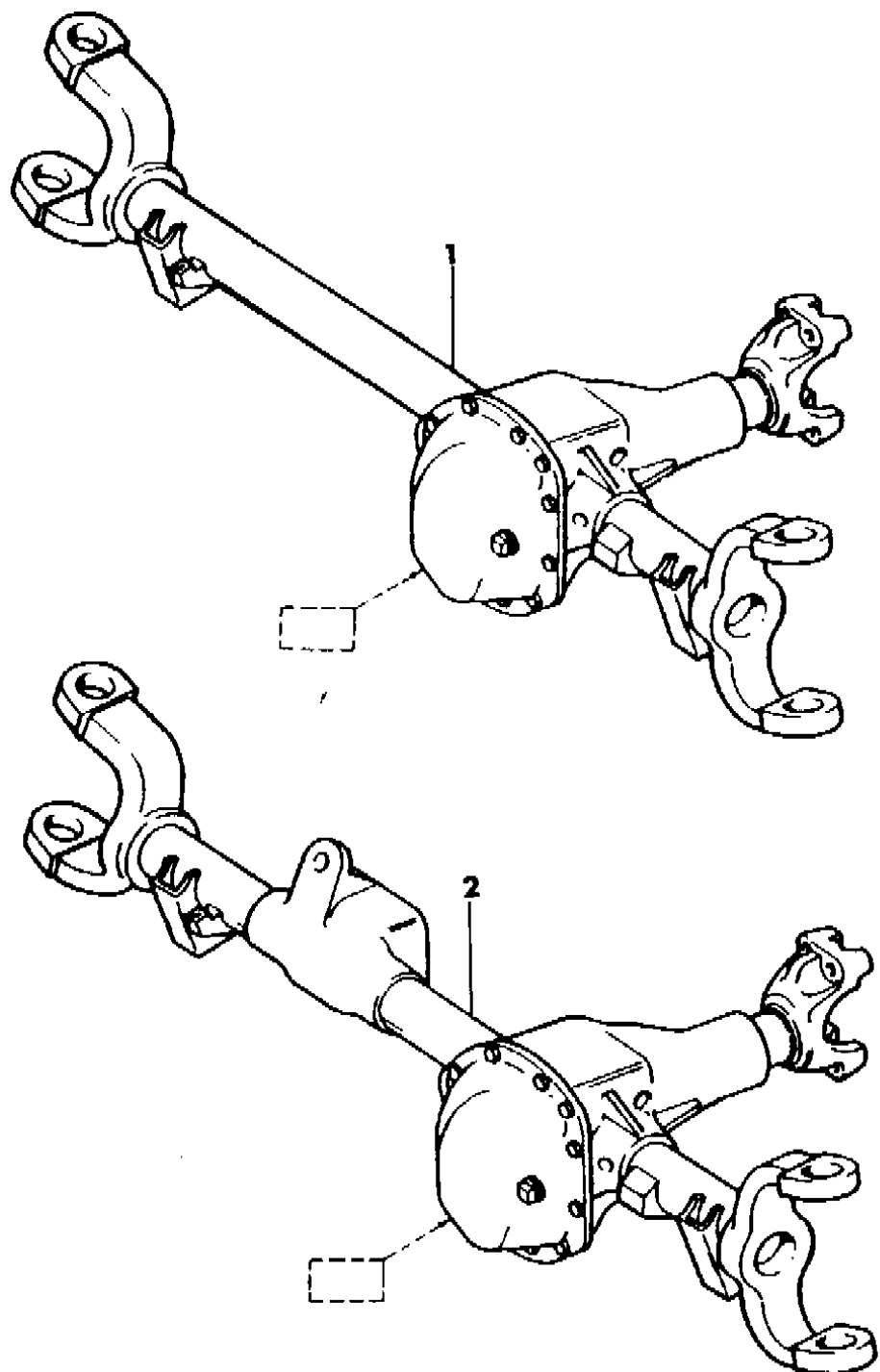
BODY STYLES:

MJ=Comanche Pickup ZJ=Grand Cherokee/Grand Wagoneer KDX VEHICLES
 SJ=Grand Wagoneer M1=Comanche
 XJ=Cherokee, Briarwood X1=Cherokee, Briarwood
 YJ=Wrangler Y1=Wrangler

AR = Use as Required - = Non Illustrated Part P.A.R. = Paint as Required

AXLE ASSEMBLY, FRONT WRANGLER, YJ
Figure 2-800

91J02 800



ITEM	PART NUMBER	QTY	BODY	MODEL	DESCRIPTION
1					AXLE ASSEMBLY, w/o Disconnect, KDX ***
	4741 047	1			4.11 Ratio, Tagged 52068206
	4741 046	1			3.55 Ratio, Tagged 52068205
2					AXLE ASSEMBLY, w/Disconnect ***
	5252 962	1			3.07 Ratio, Tagged 53009327, 52068201 or 52068637
	5252 964	1			3.55 Ratio, Tagged 53009328, 52068202 or 52068638
	4637 925	1			4.10 Ratio, Tagged 53009329 or 52068203

MODEL CODES:
61=Pickup-6 Ft Box 74=4 Door Wagon T=2WD
62=Pickup-7 Ft Box 77=Open Body 93" Wheelbase J,N,U=4WD
72=2 Door Wagon 78=Open Body 103" Wheelbase

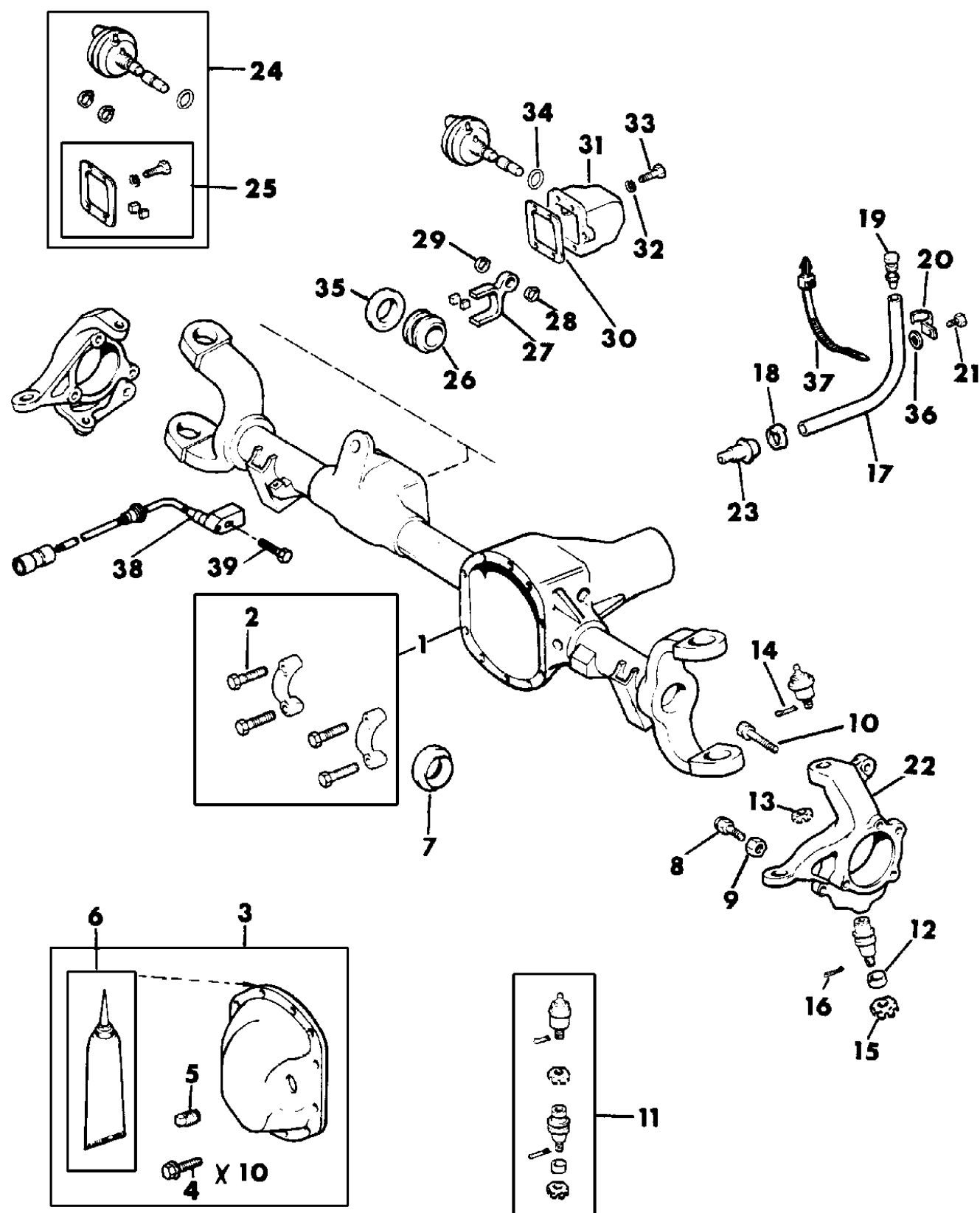
BODY STYLES:
MJ=Comanche Pickup ZJ=Grand Cherokee/Grand Wagoneer KDX VEHICLES
SJ=Grand Wagoneer M1=Comanche
XJ=Cherokee, Briarwood X1=Cherokee, Briarwood
YJ=Wrangler Y1=Wrangler

AR = Use as Required - = Non Illustrated Part P.A.R. = Paint as Required

HOUSING, FRONT AXLE W/DISCONNECT WRANGLER, YJ

Figure 2-900

91J02 900A



ITEM	PART NUMBER	QTY	BODY	MODEL	DESCRIPTION
1	5252 963	1			HOUSING, Front Axle
2	S017 9890	4			BOLT
3	5252 583	1			COVER PACKAGE
4	J027 3573	10			BOLT
5					PLUG
	S010 3869	1			3/4"-14
	J400 4751	1			1/2"-14
6	J899 3317	1			SEALER, Gasket in a Tube ***
7	J812 1781	1			SEAL, Left
8	1791 701	1			BOLT, Jam
9	S011 4494	1			NUT, Jam
10	3420 1535	6			BOLT
11	8350 0202	1			SOCKET PACKAGE ***
12	8350 0203	1			RING, Split
13	J012 5258	1			NUT
14	J812 1392	1			PIN, Cotter
15	J812 3318	1			NUT
16	1101 0069	1			PIN, Cotter
17	J812 5823	1			HOSE, Vent (Bulk)
18	J322 7851	1			CLAMP
19	J535 2955	1			BREATHER ***
20	J014 0780	1			CLIP
21	J018 0121	1			SCREW
22	5300 5602-3	1			KNUCKLE, Steering 1991
	5206 7574-5	1			1992-93 w/o ABS
	5206 7576-7	1			1993 w/ABS
23	8350 4653	1			VENT
24	4506 116	1			MOTOR PACKAGE, Front Axle Vacuum ***
25	J813 3708	1			CLIP PACKAGE ***
26	8350 4813	1			COLLAR, Axle Shaft Shifter
27	5252 599	1			FORK, Axle Shift
	4137 731	1			CLIP, Shift Fork
	5600 3999	1			SWITCH, w/Wire, Shift Ind. (Dana #44060)
	5209 912	1			GASKET, Switch
28	4137 729	1			RING, Snap
29	4137 728	1			RING, Snap
30	4137 732	1			GASKET, Cover
31	4384 169	1			COVER, Axle Shift
32	4137 733	4			WASHER
33	4137 734	4			BOLT
34	4137 726	1			O-RING

MODEL CODES:

61=Pickup-6 Ft Box 74=4 Door Wagon T=2WD
 62=Pickup-7 Ft Box 77=Open Body 93" Wheelbase J,N,U=4WD
 72=2 Door Wagon 78=Open Body 103" Wheelbase

BODY STYLES:

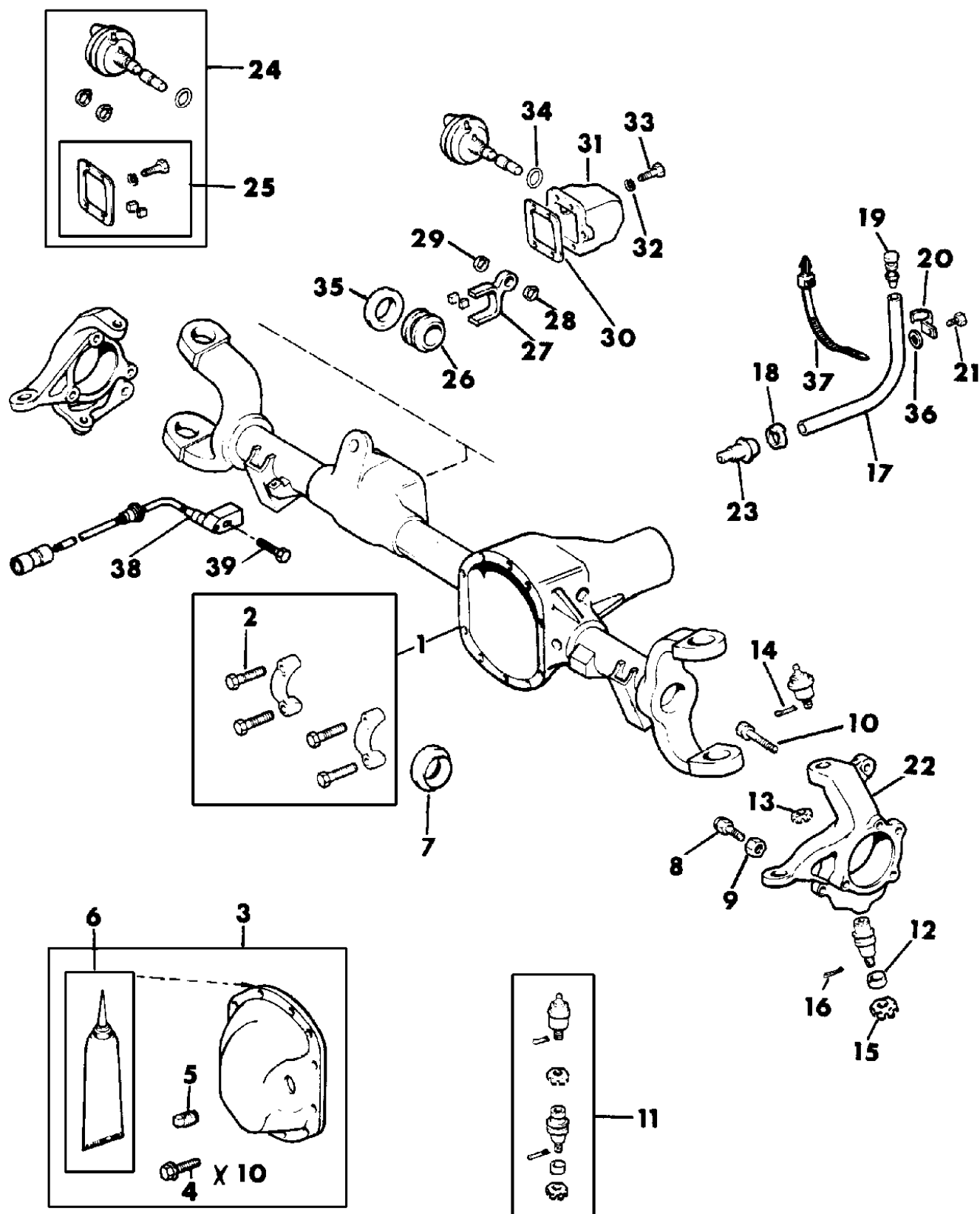
MJ=Comanche Pickup ZJ=Grand Cherokee/Grand Wagoneer KDX VEHICLES
 SJ=Grand Wagoneer M1=Comanche
 XJ=Cherokee, Briarwood X1=Cherokee, Briarwood
 YJ=Wrangler Y1=Wrangler

AR = Use as Required - = Non Illustrated Part P.A.R. = Paint as Required

HOUSING, FRONT AXLE W/DISCONNECT WRANGLER, YJ

Figure 2-900

91J02 900A



ITEM	PART NUMBER	QTY	BODY	MODEL	DESCRIPTION
35					SEAL, Rt.
	8350 0199	1			2.290"
	8350 3504	1			2.125"
36	J400 3084	1			NUT, Push
37	3420 1788	2			STRAP
38	5200 5940	2			SENSOR, w/ABS
	5602 6996-7	1			BRACKET
39	8350 4920-1	2			BOLT

MODEL CODES:

61=Pickup-6 Ft Box 74=4 Door Wagon T=2WD
 62=Pickup-7 Ft Box 77=Open Body 93" Wheelbase J,N,U=4WD
 72=2 Door Wagon 78=Open Body 103" Wheelbase

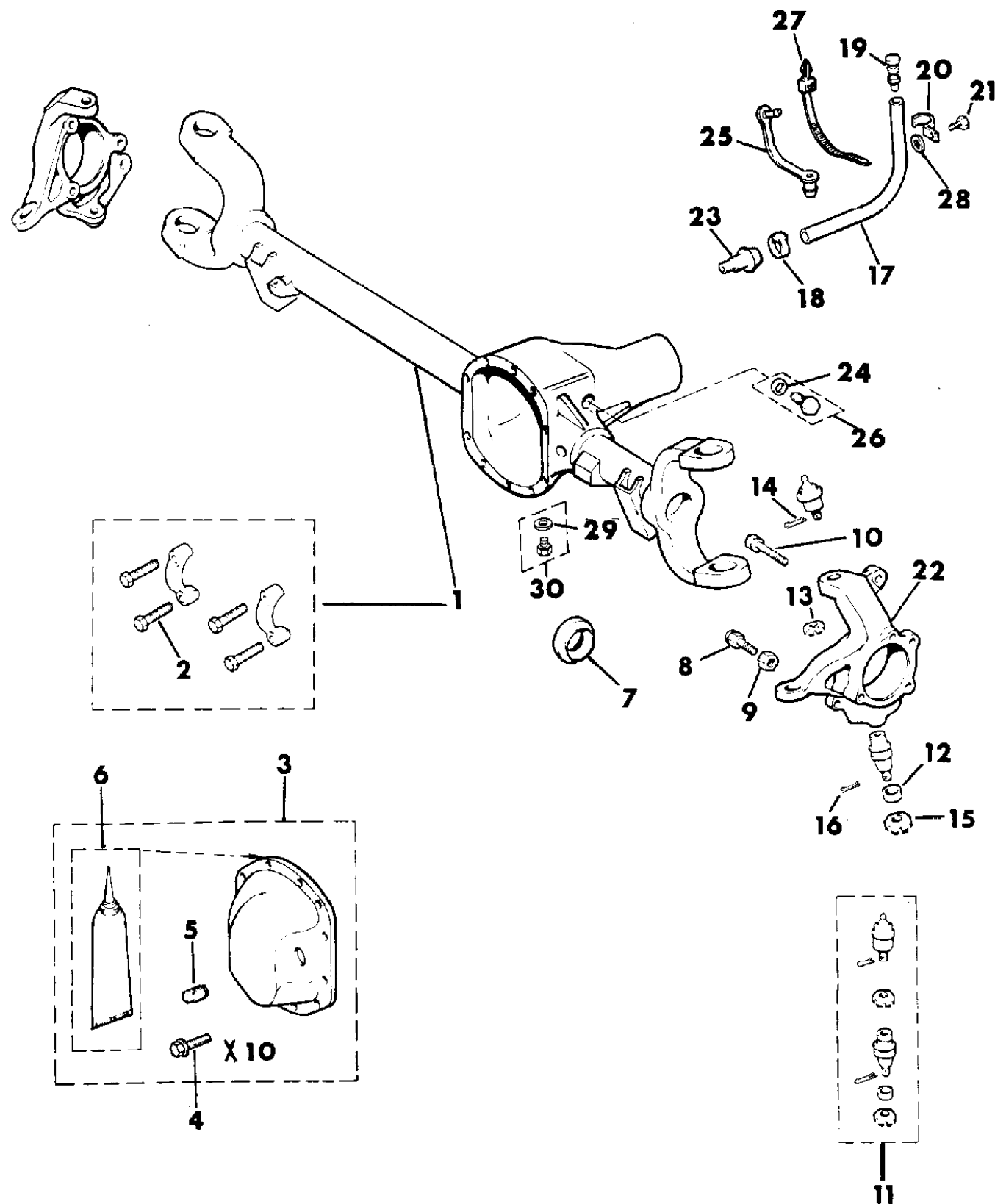
BODY STYLES:

MJ=Comanche Pickup ZJ=Grand Cherokee/Grand Wagoneer KDX VEHICLES
 SJ=Grand Wagoneer M1=Comanche
 XJ=Cherokee, Briarwood X1=Cherokee, Briarwood
 YJ=Wrangler Y1=Wrangler

AR = Use as Required - = Non Illustrated Part P.A.R. = Paint as Required

HOUSING, FRONT AXLE - KDX W/O DISCONNECT WRANGLER, YJ
Figure 2-950

91J02 950



ITEM	PART NUMBER	QTY	BODY	MODEL	DESCRIPTION
1	8350 5516	1			HOUSING, Front Axle
2	S017 9890	4			BOLT
3	8350 0194	1			COVER PACKAGE
4	J027 3573	10			BOLT
5					PLUG
	S010 3869	1			3/4"-14
	J400 4751	1			1/2"-14
6	J899 3317	1			SEALER, Gasket in a Tube ***
7	J812 1781	2			SEAL
8	1791 701	1			BOLT, Jam
9	S011 4494	1			NUT, Jam
10	3420 1535	6			BOLT
11	8350 0202	1			SOCKET PACKAGE ***
12	8350 0203	1			RING, Split
13	J012 5258	1			NUT
14	J812 1392	1			PIN, Cotter
15	J812 3318	1			NUT
16	1101 0069	1			PIN, Cotter
17	J812 5823	1			HOSE, Vent (Bulk)
18	J322 7851	1			CLAMP
19	J535 2955	1			BREATHER ***
20	J014 0780	1			CLIP
21	1150 1608	1			SCREW
22	5206 7576-7	1			KNUCKLE, Steering
23	8350 4653	1			VENT
24	3300 0322	1			GASKET, Sensor
25	J400 1712	1			STRAP
26	8350 1425	1			PLUG PACKAGE ***
27	3420 1788	2			STRAP
28	J400 3084	1			NUT, Push
29	J317 0271	1			GASKET
30	J812 1449	1			PLUG PACKAGE ***

MODEL CODES:

61=Pickup-6 Ft Box 74=4 Door Wagon T=2WD
62=Pickup-7 Ft Box 77=Open Body 93" Wheelbase J,N,U=4WD
72=2 Door Wagon 78=Open Body 103" Wheelbase

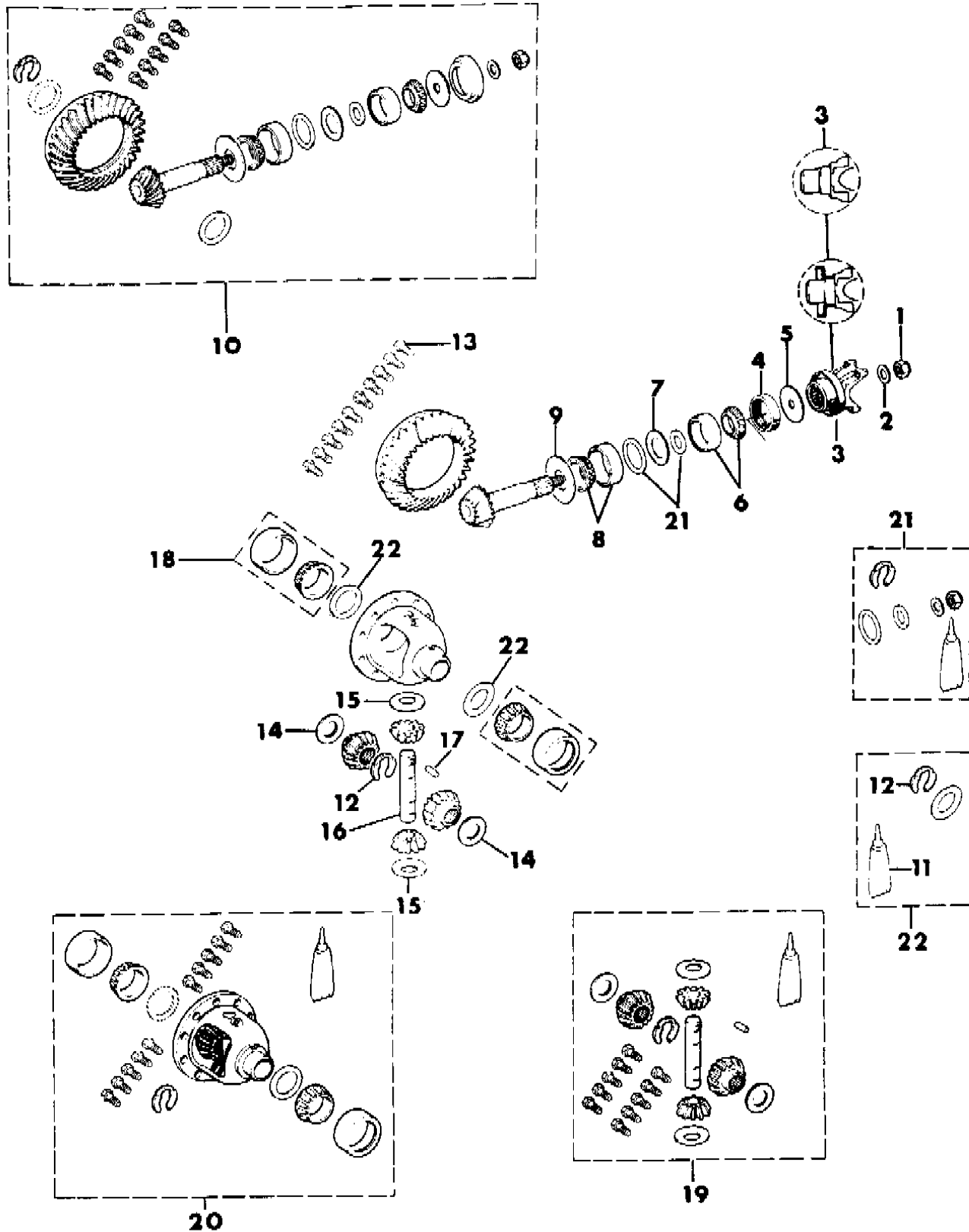
BODY STYLES:

MJ=Comanche Pickup ZJ=Grand Cherokee/Grand Wagoneer KDX VEHICLES
SJ=Grand Wagoneer M1=Comanche
XJ=Cherokee, Briarwood X1=Cherokee, Briarwood
YJ=Wrangler Y1=Wrangler

AR = Use as Required - = Non Illustrated Part P.A.R. = Paint as Required

DIFFERENTIAL, FRONT AXLE WRANGLER, YJ
Figure 2-1000

91J02 1000



ITEM	PART NUMBER	QTY	BODY	MODEL	DESCRIPTION
1	J080 1367	1			NUT, Pinion
2	J063 6570	1			WASHER, Pinion
3	J813 3241	1			YOKE, Pinion w/Slinger
4	8350 3388	1			w/o Slinger
5	J099 8092	1			SEAL, Pinion w/Slinger
	8350 3390	1			w/o Slinger
6	J063 6566	1			SLINGER, Dust
7	J812 4052	1			BEARING PACKAGE
8	J093 4937	1			BAFFLE ***
9	J812 6499	1			BEARING PACKAGE
10	3893 982	1			SLINGER, Oil
	8350 0187	1			GEAR SET, Front Axle Ring And Pinion
	8350 5480	1			3.07 Ratio
	8350 2353	1			3.55 Ratio
11	J899 3317	1			4.10 Ratio
12	4137 739	1			SEALER, RTV ***
13	J064 9454	10			SNAP RING
14	J813 3724	2			BOLT
15	J812 0831	2			WASHER
16	J094 6384	1			WASHER
17	J063 6360	1			SHAFT, Differential
18	J812 6500	2			PIN
19	5252 591	1			BEARING PACKAGE
20	5252 582	1			GEAR SET, Front Axle Differential
	5252 590	1			CASE, Front Axle Differential
	8350 0192	1			3.07 & 3.55 Ratios
	8350 0191	1			4.10 Ratio
21					SHIM PACKAGE
22					SHIM PACKAGE

MODEL CODES:

61=Pickup-6 Ft Box 74=4 Door Wagon T=2WD
 62=Pickup-7 Ft Box 77=Open Body 93" Wheelbase J,N,U=4WD
 72=2 Door Wagon 78=Open Body 103" Wheelbase

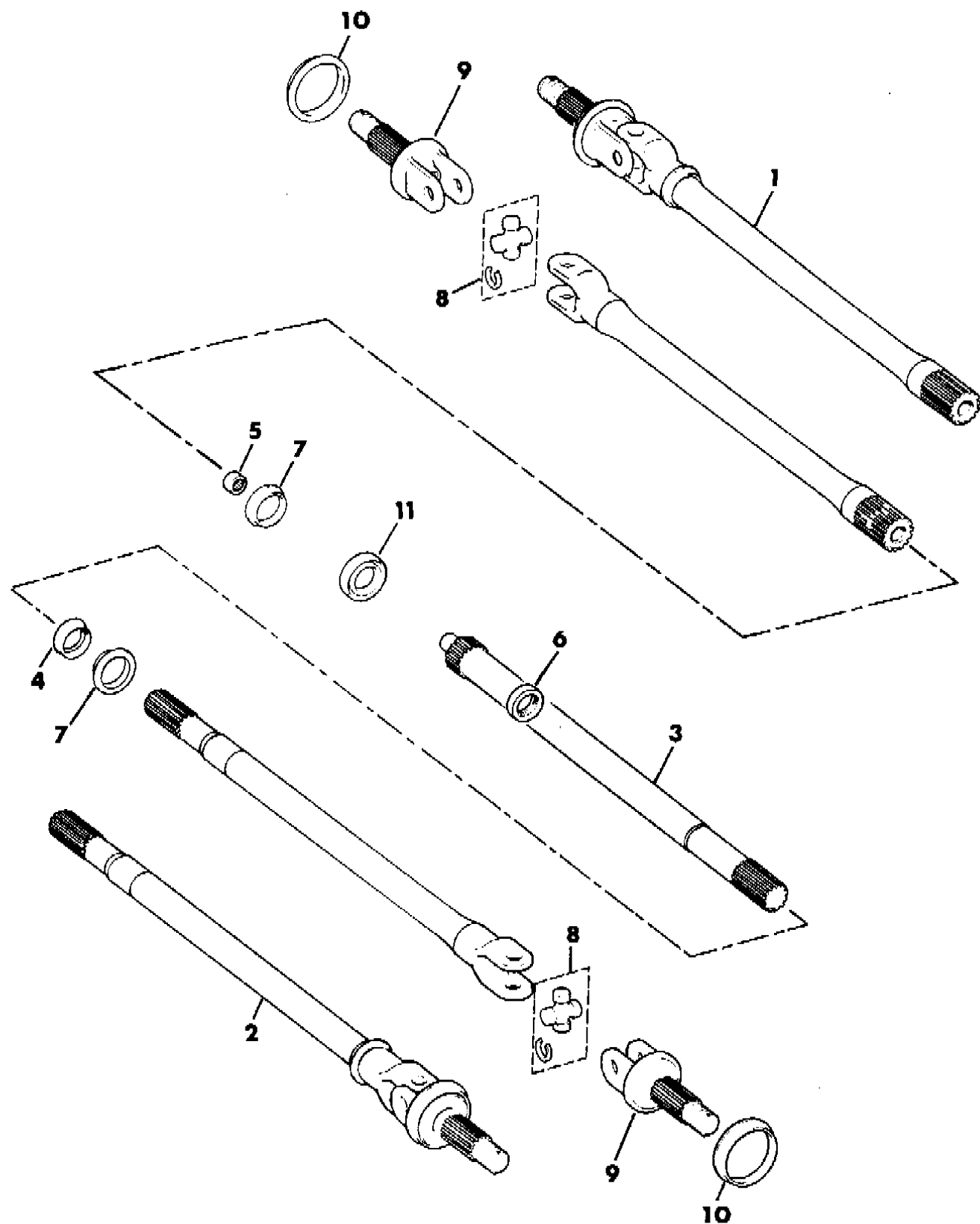
BODY STYLES:

MJ=Comanche Pickup ZJ=Grand Cherokee/Grand Wagoneer KDX VEHICLES
 SJ=Grand Wagoneer M1=Comanche
 XJ=Cherokee, Briarwood Y1=Cherokee, Briarwood
 YJ=Wrangler Y1=Wrangler

AR = Use as Required - = Non Illustrated Part P.A.R. = Paint as Required

SHAFTS, FRONT AXLE W/DISCONNECT WRANGLER, YJ
Figure 2-1100

91J02 1100



ITEM	PART NUMBER	QTY	BODY	MODEL	DESCRIPTION
1					SHAFT ASSEMBLY, Axle
	5252 145	1			Rt. w/o ABS
	4741 033	1			Rt. w/ABS
2					SHAFT ASSEMBLY, Axle
	5252 585	1			Lt. w/o ABS
	4713 189	1			Lt. w/ABS
3	5252 594	1			SHAFT, Intermediate
4	J812 1781	1			SEAL
5	5252 686	1			BUSHING
6	5252 687	1			BUSHING
7	8350 7105	1			SLINGER, Oil
8					JOINT, Universal
	J812 6637	AR			w/o ABS
	4137 757	AR			w/ABS
9					SHAFT, Outer w/o ABS
	8350 0184	2			w/o ABS
	8350 0184	2			w/o ABS
	4713 190	2			w/ABS
10		2			SLINGER, Dust (N/A w/1991-93)
11	8350 3504	1			SEAL

MODEL CODES:

61=Pickup-6 Ft Box 74=4 Door Wagon T=2WD
62=Pickup-7 Ft Box 77=Open Body 93" Wheelbase J,N,U=4WD
72=2 Door Wagon 78=Open Body 103" Wheelbase

BODY STYLES:

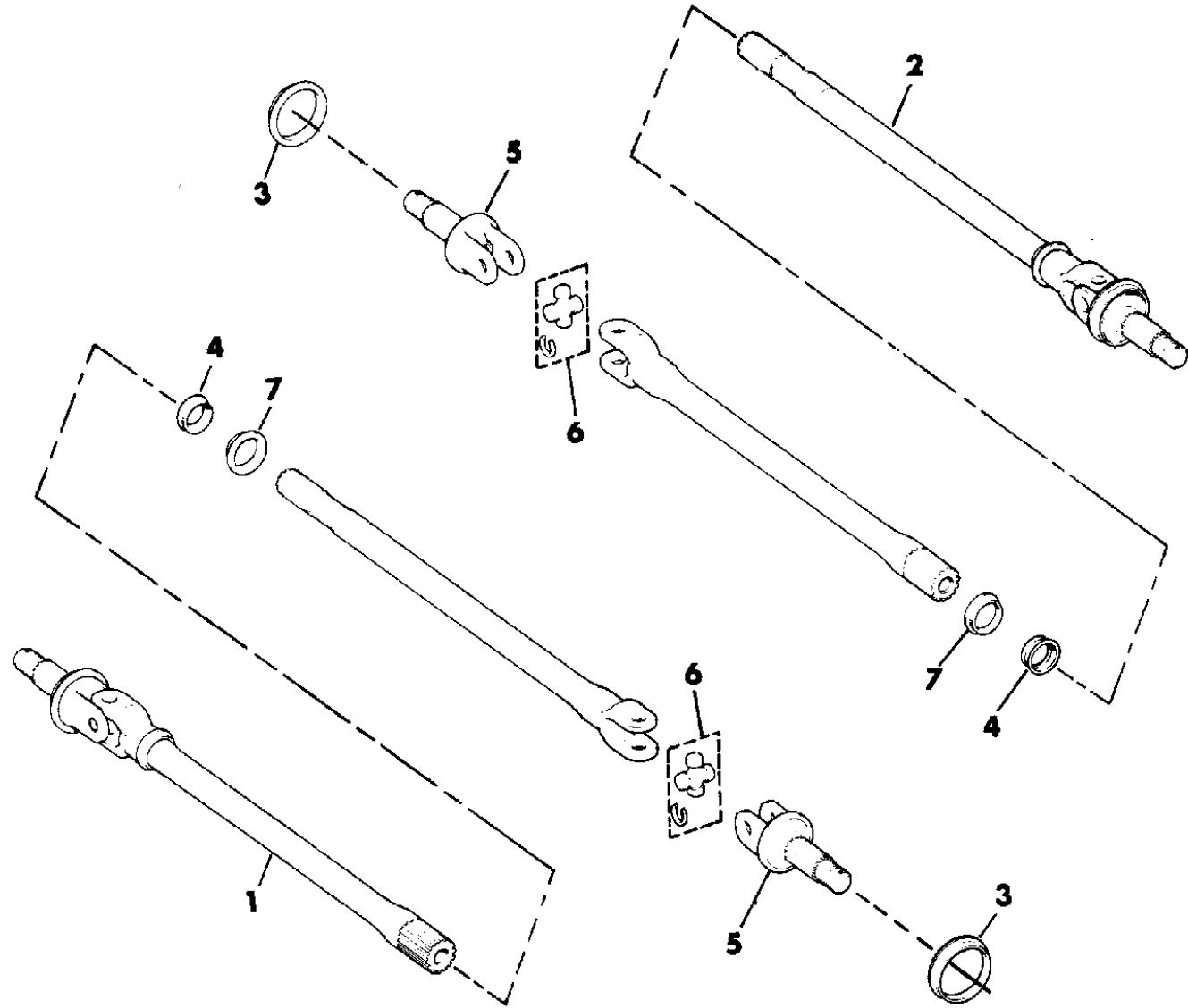
MJ=Comanche Pickup ZJ=Grand Cherokee/Grand Wagoneer KDX VEHICLES
SJ=Grand Wagoneer M1=Comanche
XJ=Cherokee, Briarwood X1=Cherokee, Briarwood
YJ=Wrangler Y1=Wrangler

AR = Use as Required - = Non Illustrated Part P.A.R. = Paint as Required

SHAFTS, FRONT AXLE - KDX W/O DISCONNECT WRANGLER, YJ
Figure 2-1150

91J02 1150

ITEM	PART NUMBER	QTY	BODY	MODEL	DESCRIPTION
1	5252 584	1			SHAFT, Axle Rt.
2	5252 585	1			SHAFT, Axle Lt.
3	8350 0201	AR			SLINGER, Dust
4	J812 1781	2			SEAL
5	8350 0184	2			SHAFT, Outer 1991
	4636 059	2			1992-93
6	J812 6637	2			JOINT, Universal
7	8350 7105	2			SLINGER, Oil



MODEL CODES:

61=Pickup-6 Ft Box 74=4 Door Wagon T=2WD
62=Pickup-7 Ft Box 77=Open Body 93" Wheelbase J,N,U=4WD
72=2 Door Wagon 78=Open Body 103" Wheelbase

BODY STYLES:

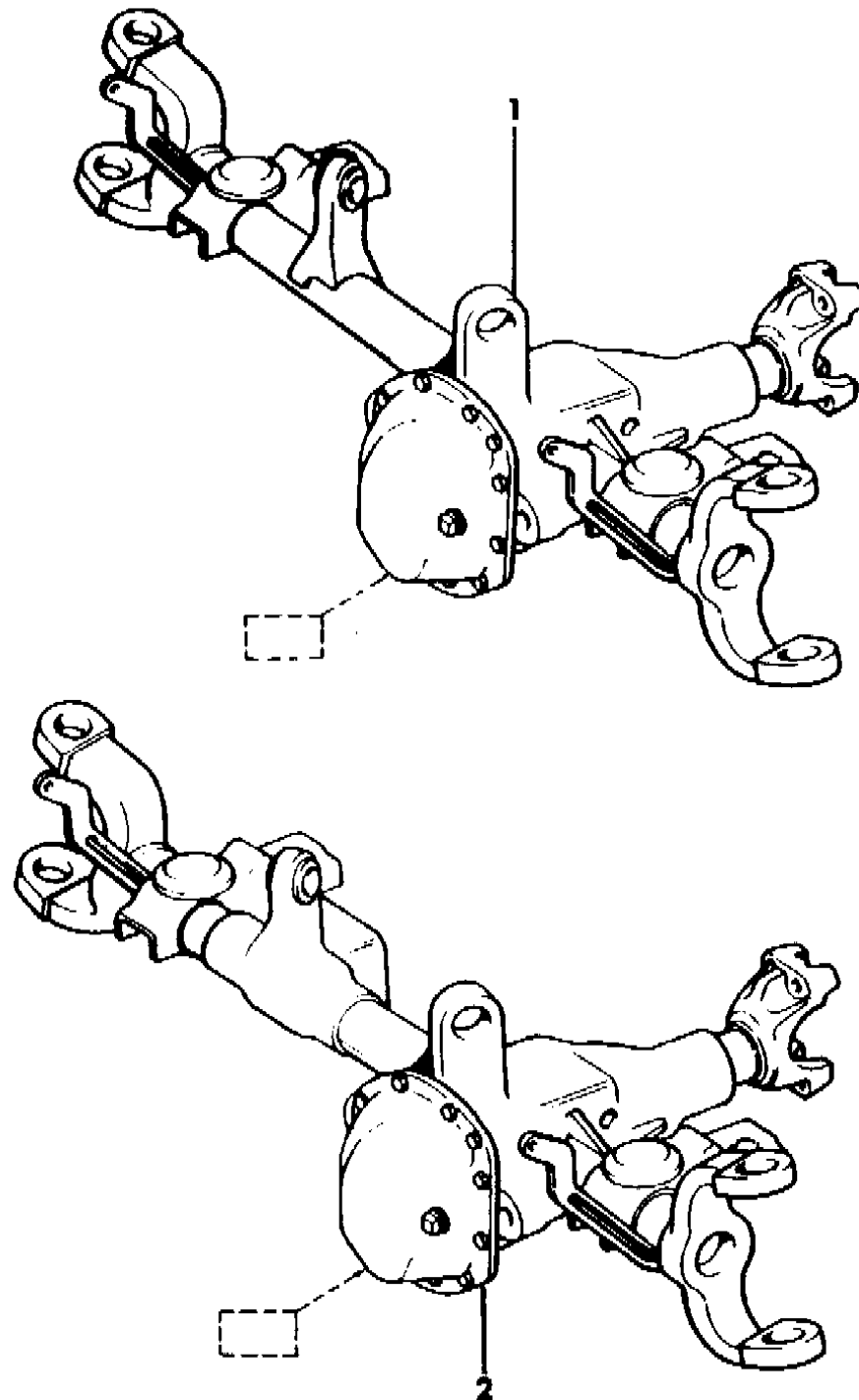
MJ=Comanche Pickup ZJ=Grand Cherokee/Grand Wagoneer KDX VEHICLES
SJ=Grand Wagoneer M1=Comanche
XJ=Cherokee, Briarwood X1=Cherokee, Briarwood
YJ=Wrangler Y1=Wrangler

AR = Use as Required - = Non Illustrated Part P.A.R. = Paint as Required

AXLE ASSEMBLY, FRONT 4 WHEEL DRIVE CHEROKEE, BRIARWOOD, COMANCHE, GRAND CHEROKEE (ZJ)

Figure 2-1200

91J02 1200



ITEM	PART NUMBER	QTY	BODY	MODEL	DESCRIPTION
1					AXLE ASSEMBLY, Front - w/Disconnect Front Axle ***
	4638 818	1	XJ,MJ		3.07 Ratio, Tagged 53009321
	5252 970	1	XJ		3.07 Ratio, Tagged 53009322 EUROPE
	4638 821	1	XJ,MJ		3.55 Ratio, Tagged 53009323 or 53005576
	4638 816	1	XJ,MJ		4.10 Ratio, Tagged 53009324
	5252 969	1	XJ		4.10 Ratio, Tagged 53009325 EUROPE
2					AXLE ASSEMBLY, Front - w/o Disconnect Front Axle ***
	4720 810	1	XJ,MJ		3.07 Ratio, Tagged 52068047, 52067664, 52068634 or 52068641
	4720 808	1	XJ,MJ		4.10 Ratio, Tagged 52068048, 52067663, 52068643
	4741 067	1	XJ		4.10 Ratio, Tagged 52068054 w/RHD
	4713 340	1	XJ		3.55 Ratio, Tagged 52068051 w/RHD
	4741 057	1	XJ		3.55 Ratio, Tagged 52067968 w/RHD
	4638 822	1	XJ,MJ		3.55 Ratio, Tagged 53005581, 52067761, 52068642, 52068423
	4741 055	1	XJ		3.55 Ratio, w/Anti-Lock Brakes, Tagged 53005582, 52067662, 52068635 or 52068264
	5252 959	1	XJ		3.55 Ratio, Tagged 53005580, 53005581 EUROPE
	4720 384	1	ZJ		3.55 Ratio, w/4.0L Eng. Tagged 53007549, 52068042, 52069286 or 52069289
	4741 014	1	ZJ		3.73 Ratio, w/4.0L Eng. Tagged 52068146 or 52069295
	4741 014	1	ZJ		3.73 Ratio, w/5.2L Eng., w/231,242 Transfer Case Tagged 52068145 or 52069290
	4741 034	1	ZJ		3.73 Ratio, w/5.2L Eng., w/249 Transfer Case Tagged 52068507 or 52069299
	4741 035	1	ZJ		3.55 Ratio, w/5.2L Eng., Tagged 52068515 or 52069297

MODEL CODES:

61=Pickup-6 Ft Box 74=4 Door Wagon T=2WD
 62=Pickup-7 Ft Box 77=Open Body 93" Wheelbase J,N,U=4WD
 72=2 Door Wagon 78=Open Body 103" Wheelbase

BODY STYLES:

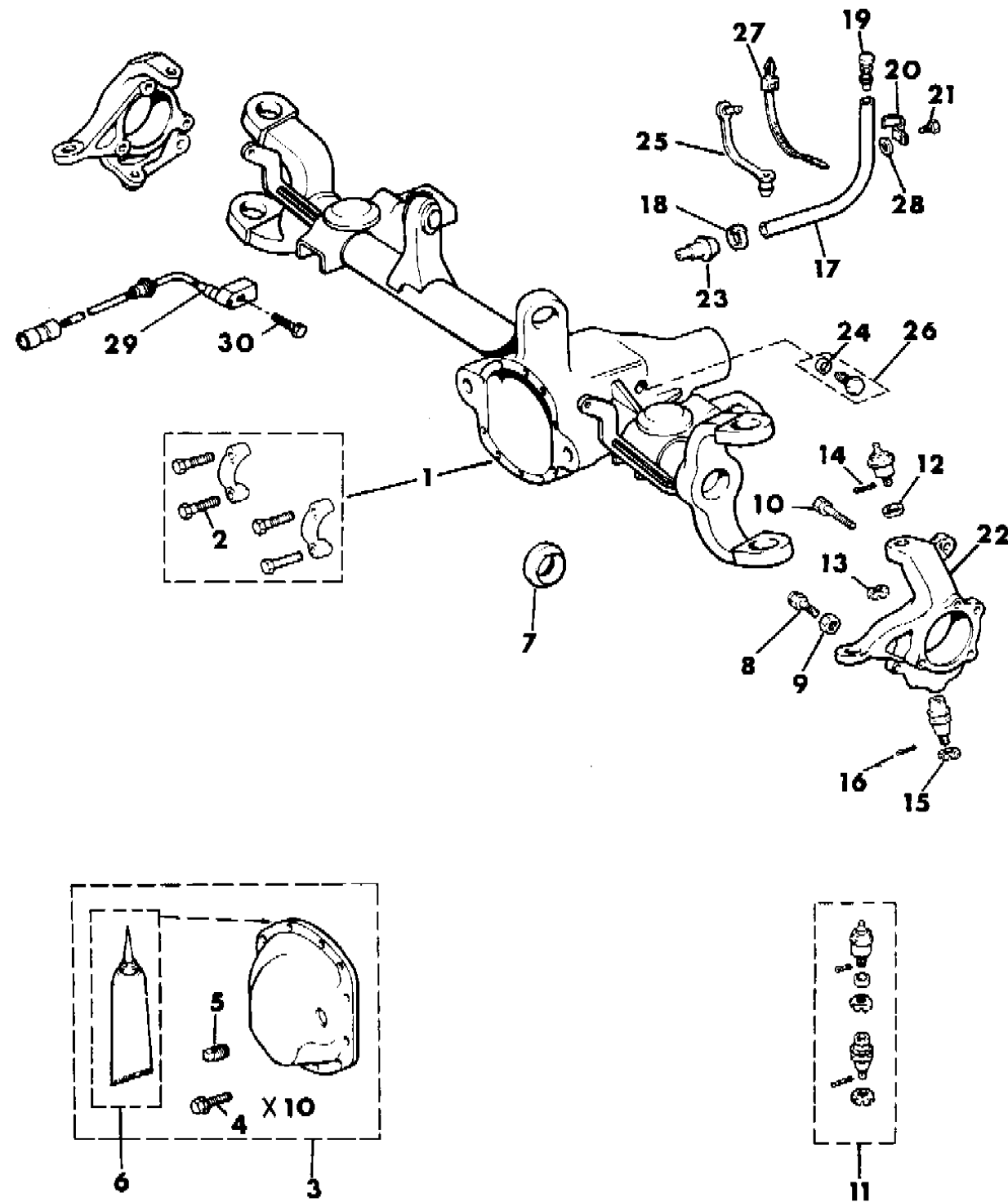
MJ=Comanche Pickup ZJ=Grand Cherokee/Grand Wagoneer KDX VEHICLES
 SJ=Grand Wagoneer M1=Comanche
 XJ=Cherokee, Briarwood X1=Cherokee, Briarwood
 YJ=Wrangler Y1=Wrangler

AR = Use as Required - = Non Illustrated Part P.A.R. = Paint as Required

HOUSING, FRONT AXLE 4 WHEEL DRIVE W/O DISCONNECT CHEROKEE, BRIARWOOD, COMANCHE, GRAND CHEROKEE (ZJ)

Figure 2-1300

91J02 1300



ITEM	PART NUMBER	QTY	BODY	MODEL	DESCRIPTION
1					HOUSING, Front Axle
	4638 812	1	XJ,MJ		w/o ABS
	4720 809	1	XJ		w/ABS
	4720 382	1	ZJ		w/4.0L Eng.
	4741 016	1	ZJ		w/5.2L Eng.
	4713 341	1	XJ,MJ		w/RHD, w/o ABS
	4728 403	1	XJ,MJ		w/RHD, w/ABS
2	S017 9890	4			BOLT
3	5252 583	1	XJ,MJ		COVER PACKAGE
	4713 451	1	ZJ		
4	J027 3573	10			BOLT
5					PLUG
	S010 3869	1			3/4"-14
	J400 4751	1			1/2"-14
6	J899 3317	1			SEALER, Gasket in a Tube ***
7	J812 1781	2			SEAL
8	1791 701	1			BOLT, Jam
9	S011 4494	1			NUT, Jam
10	3420 1535	6			BOLT
11	8350 0202	1			SOCKET PACKAGE ***
12	8350 0203	1			RING, Split
13	J012 5258	1			NUT
14	J812 1392	1			PIN, Cotter
15	J812 3318	1			NUT
16	1101 0069	1			PIN, Cotter
17	J812 5823	1			HOSE, Vent (Bulk)
18	J322 7851	1			CLAMP
19	J535 2955	1			BREATHER ***
20	J014 0780	1			CLIP
21	1150 1608	1			SCREW
22					KNUCKLE, Steering
	5300 5602	1			Rt. w/o Anti-Lock Braking System 1991
	5206 7574	1			Rt. w/o Anti-Lock Braking System 1992-93
	5300 5974	1			Rt. w/Anti-Lock Braking System 1991
	5206 7576	1			Rt. w/Anti-Lock Braking System 1992-93
	5300 5603	1			Lt. w/o Anti-Lock Braking System 1991
	5206 7575	1			Lt. w/o Anti-Lock Braking System 1992-93
	5300 5975	1			Lt. w/Anti-Lock Braking System 1991
	5206 7577	1			Lt. w/Anti-Lock Braking System 1992-93
23	8350 4653	1	XJ,MJ		VENT
	4720 944	1	ZJ		

MODEL CODES:

61=Pickup-6 Ft Box 74=4 Door Wagon T=2WD
 62=Pickup-7 Ft Box 77=Open Body 93" Wheelbase J,N,U=4WD
 72=2 Door Wagon 78=Open Body 103" Wheelbase

BODY STYLES:

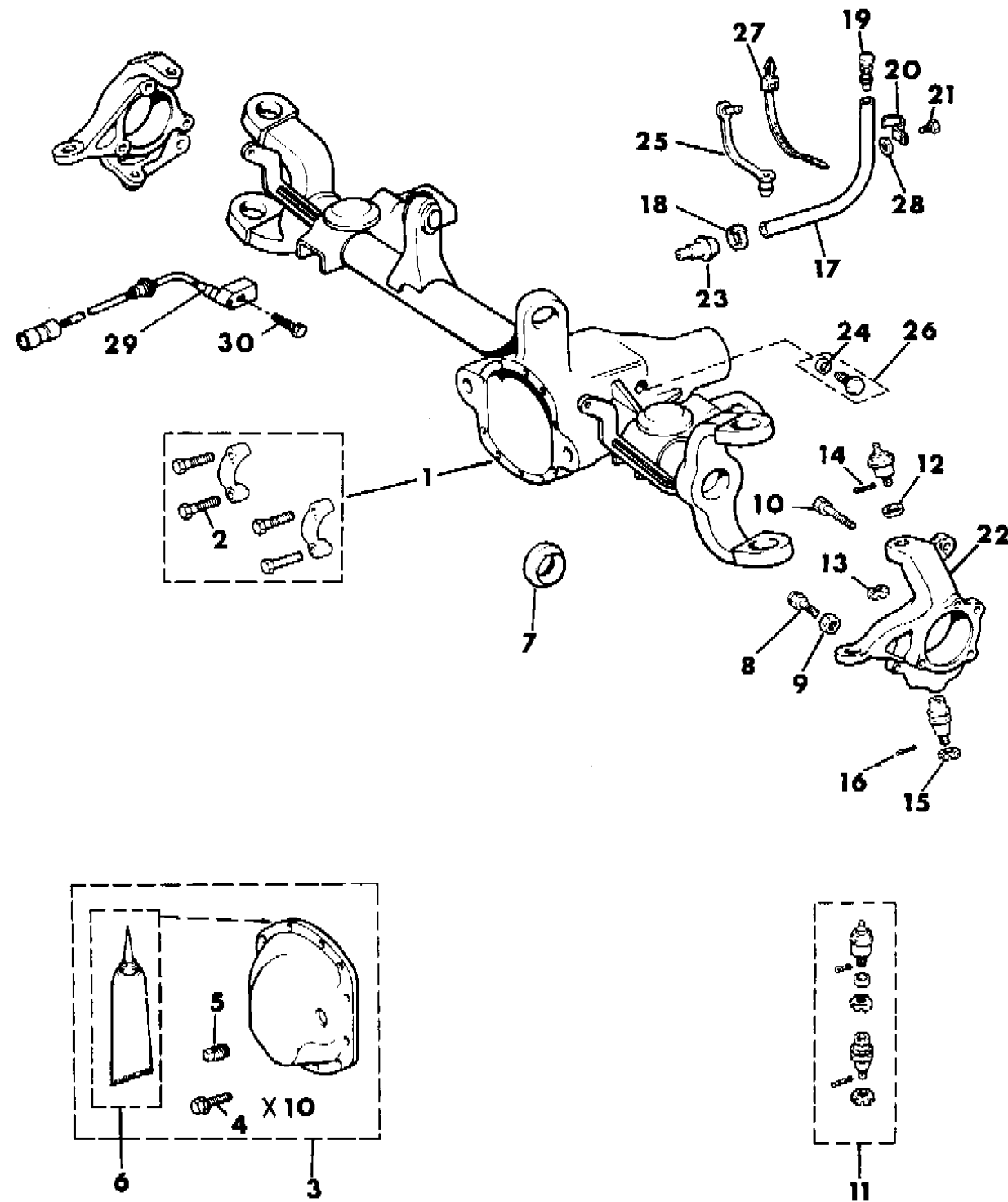
MJ=Comanche Pickup ZJ=Grand Cherokee/Grand Wagoneer KDX VEHICLES
 SJ=Grand Wagoneer M1=Comanche
 XJ=Cherokee, Briarwood X1=Cherokee, Briarwood
 YJ=Wrangler Y1=Wrangler

AR = Use as Required - = Non Illustrated Part P.A.R. = Paint as Required

HOUSING, FRONT AXLE 4 WHEEL DRIVE W/O DISCONNECT CHEROKEE, BRIARWOOD, COMANCHE, GRAND CHEROKEE (ZJ)

Figure 2-1300

91J02 1300



ITEM	PART NUMBER	QTY	BODY	MODEL	DESCRIPTION
24	3300 0322	1			GASKET
25	J400 1712	1			STRAP
26	8350 1425	1			PLUG PACKAGE ***
27	3420 1788	2			STRAP
28	J400 3084	1			NUT, Push
29	5600 3678	2	XJ		SENSOR, w/Anti-Lock Braking System 1991
	5600 5217	2	XJ		1992-93
	5600 5216	2	ZJ		
-	5602 6766-7	1	XJ		BRACKET, Sensor 1991
	5602 6755	2	XJ		1992-93
	5602 6996-7	1	ZJ		
30	8350 4920	2			BOLT w/Anti-Lock Braking System
31					BRACKET, ABS Sensor
	5602 6766	1			Rt.
	5602 6767	1			Lt.

MODEL CODES:

61=Pickup-6 Ft Box 74=4 Door Wagon T=2WD
 62=Pickup-7 Ft Box 77=Open Body 93" Wheelbase J,N,U=4WD
 72=2 Door Wagon 78=Open Body 103" Wheelbase

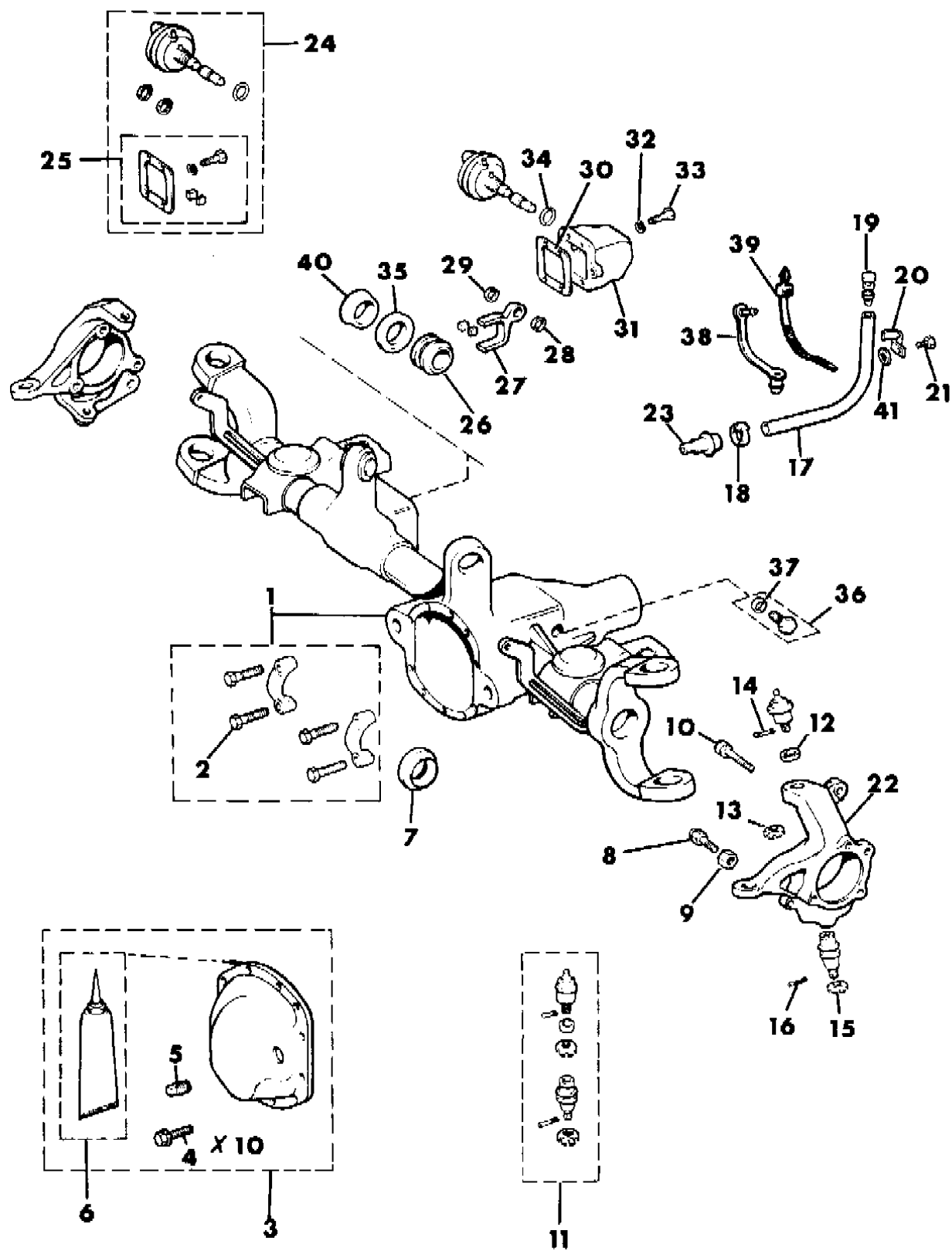
BODY STYLES:

MJ=Comanche Pickup ZJ=Grand Cherokee/Grand Wagoneer KDX VEHICLES
 SJ=Grand Wagoneer M1=Comanche
 XJ=Cherokee, Briarwood X1=Cherokee, Briarwood
 YJ=Wrangler Y1=Wrangler

AR = Use as Required - = Non Illustrated Part P.A.R. = Paint as Required

HOUSING, FRONT AXLE 4 WHEEL DRIVE W/DISCONNECT CHEROKEE, BRIARWOOD, COMANCHE
Figure 2-1400

91J02 1400



ITEM	PART NUMBER	QTY	BODY	MODEL	DESCRIPTION
1	4638 810	1			HOUSING, Front Axle
2	S017 9890	4			BOLT
3	5252 583	1			COVER PACKAGE
4	J027 3573	10			BOLT
5					PLUG
	S010 3869	1			3/4"-14
	J400 4751	1			1/2"-14
6	J899 3317	1			SEALER, Gasket in a Tube ***
7	J812 1781	1			SEAL, Lt.
8	1791 701	1			BOLT, Jam
9	S011 4494	1			NUT, JAM
10	3420 1535	6			BOLT
11	8350 0202	1			SOCKET PACKAGE ***
12	8350 0203	1			RING, Split
13	J012 5258	1			NUT
14	J812 1392	1			PIN, Cotter
15	J812 3318	1			NUT
16	1101 0069	1			PIN, Cotter
17	J812 5823	1			HOSE, Vent, Bulk
18	J322 7851	1			CLAMP
19	J535 2955	1			BREATHER ***
20	J014 0780	1			CLIP
21	J018 0121	1			SCREW
22	5300 5602-3				KNUCKLE, Steering
23	8350 4653	1			VENT
24	4506 116	1			MOTOR PACKAGE, Front Axle Vacuum ***
25	J813 3708	1			CLIP PACKAGE ***
26	8350 4813	1			COLLAR, Axle Shaft
27	5252 599	1			FORK, Axle Shift
	4137 731	2			CLIP, Shift Fork
	5600 3999	1			SWITCH, w/Wire, Shift Ind.
	5209 912	1			GASKET, Switch
28	4137 729	1			RING, Snap
29	4137 728	1			RING, Snap
30	4137 732	1			GASKET, Cover
31	4384 169	1			COVER, Axle Shift
32	4137 733	4			WASHER
33	4137 734	4			BOLT
34	4137 726	1			O-RING
35	8350 3504	1			SEAL, O.D.= 2.12" (Casting #NOK-UB0441E)
	8350 0199	1			O.D.= 2.29" (Casting #CR-16083)

MODEL CODES:

61=Pickup-6 Ft Box 74=4 Door Wagon T=2WD
 62=Pickup-7 Ft Box 77=Open Body 93" Wheelbase J,N,U=4WD
 72=2 Door Wagon 78=Open Body 103" Wheelbase

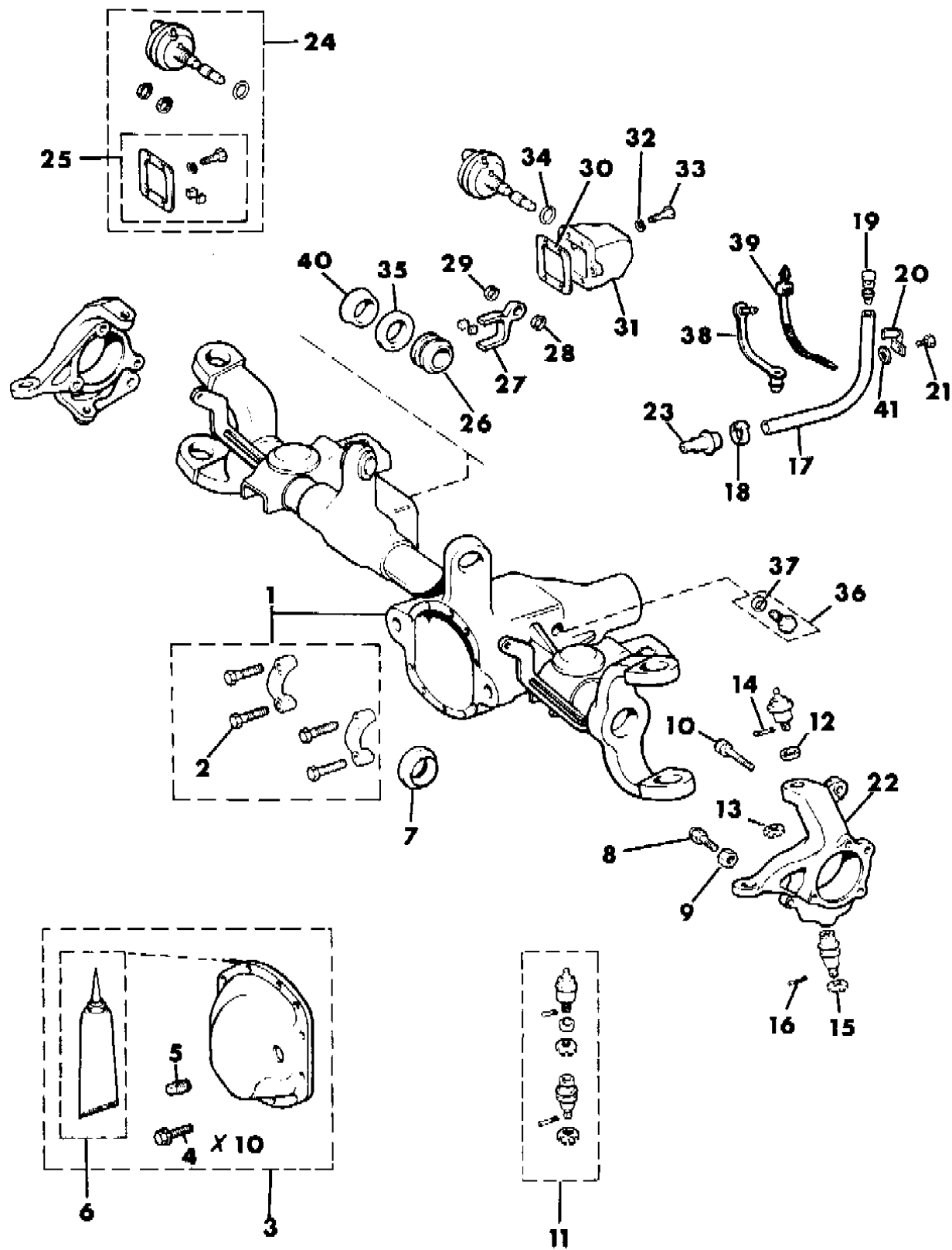
BODY STYLES:

MJ=Comanche Pickup ZJ=Grand Cherokee/Grand Wagoneer KDX VEHICLES
 SJ=Grand Wagoneer M1=Comanche
 XJ=Cherokee, Briarwood X1=Cherokee, Briarwood
 YJ=Wrangler Y1=Wrangler

AR = Use as Required - = Non Illustrated Part P.A.R. = Paint as Required

HOUSING, FRONT AXLE 4 WHEEL DRIVE W/DISCONNECT CHEROKEE, BRIARWOOD, COMANCHE
Figure 2-1400

91J02 1400



ITEM	PART NUMBER	QTY	BODY	MODEL	DESCRIPTION
36	8350 1425	1			PLUG PACKAGE ***
37	3300 0322	1			GASKET
38	J400 1712	1			STRAP
39	3420 1788	2			STRAP
40	8350 4375	1			GUIDE, Axle Shaft
41	J400 3084	1			NUT, Push

MODEL CODES:

61=Pickup-6 Ft Box 74=4 Door Wagon T=2WD
 62=Pickup-7 Ft Box 77=Open Body 93" Wheelbase J,N,U=4WD
 72=2 Door Wagon 78=Open Body 103" Wheelbase

BODY STYLES:

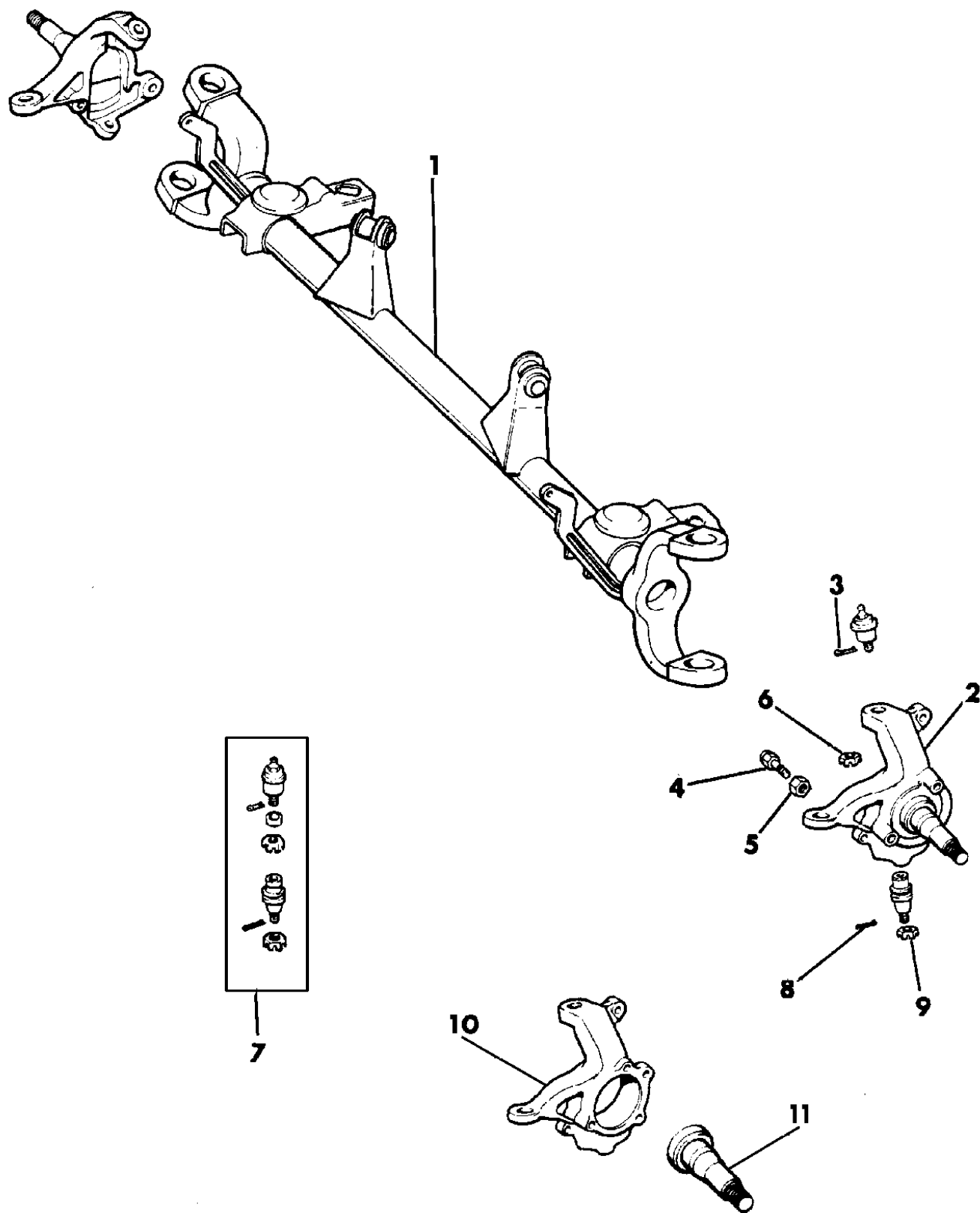
MJ=Comanche Pickup ZJ=Grand Cherokee/Grand Wagoneer KDX VEHICLES
 SJ=Grand Wagoneer M1=Comanche
 XJ=Cherokee, Briarwood X1=Cherokee, Briarwood
 YJ=Wrangler Y1=Wrangler

AR = Use as Required - = Non Illustrated Part P.A.R. = Paint as Required

HOUSING, FRONT AXLE 2 WHEEL DRIVE CHEROKEE, BRIARWOOD, COMANCHE, GRAND CHEROKEE (ZJ)

Figure 2-1500

91J02 1500A



ITEM	PART NUMBER	QTY	BODY	MODEL	DESCRIPTION
1	5252 685	1	XJ,MJ		HOUSING, Front Axle 1991
	4713 184	1	XJ,MJ		w/o ABS, 1992-93
	4741 056	1	XJ		w/ABS, 1992-93
	4741 010	1	ZJ		
2					KNUCKLE, Steering
	5300 2932	1	XJ,MJ		Rt. w/o ABS, 1991-92
	5300 2931	1	XJ,MJ		Lt. w/o ABS, 1991-92
	5206 7576-7	1	XJ		w/o ABS, 1993
3	J812 1392	1			PIN, Cotter
4	1791 701	1			BOLT, Jam
5	S011 4494	1			NUT, Jam
6	J012 5258	1			NUT
7	8350 0202	1			SOCKET PACKAGE ***
8	1101 0069	1			PIN, Cotter
9	J812 3318	1			NUT
10		1			KNUCKLE, Steering
	5206 7576-7	1	XJ		1992, w/ABS
	5206 7576-7	1	XJ,ZJ		1993, w/ABS
11	4741 011	1			SHAFT, 2WD Dummy (Tone Ring Serv. w/Spindle)

MODEL CODES:

61=Pickup-6 Ft Box 74=4 Door Wagon T=2WD
 62=Pickup-7 Ft Box 77=Open Body 93" Wheelbase J,N,U=4WD
 72=2 Door Wagon 78=Open Body 103" Wheelbase

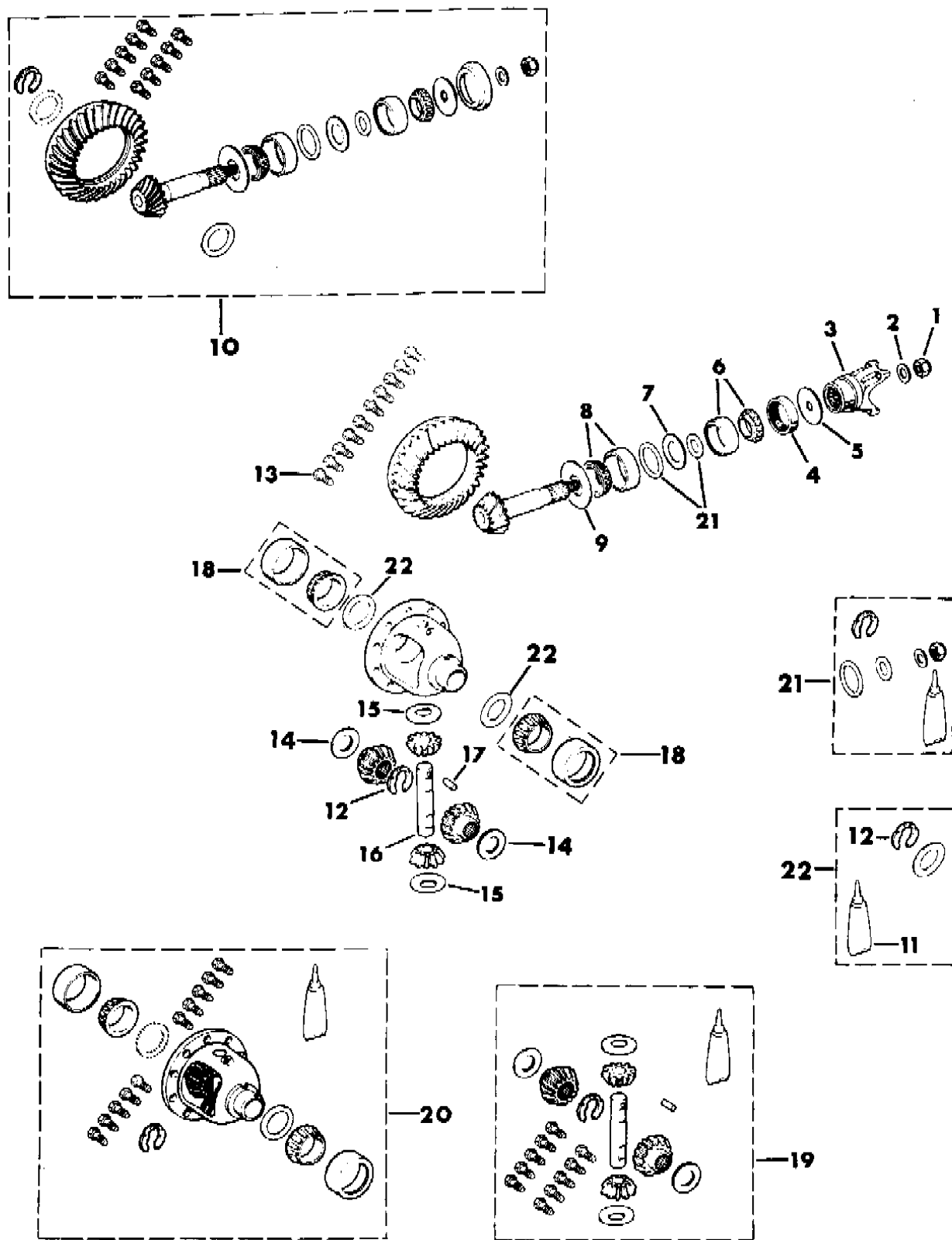
BODY STYLES:

MJ=Comanche Pickup ZJ=Grand Cherokee/Grand Wagoneer KDX VEHICLES
 SJ=Grand Wagoneer M1=Comanche
 XJ=Cherokee, Briarwood X1=Cherokee, Briarwood
 YJ=Wrangler Y1=Wrangler

AR = Use as Required - = Non Illustrated Part P.A.R. = Paint as Required

DIFFERENTIAL, FRONT AXLE CHEROKEE, BRIARWOOD, COMANCHE GRAND CHEROKEE (ZJ)
Figure 2-1600

91J02 1600



ITEM	PART NUMBER	QTY	BODY	MODEL	DESCRIPTION
1	J080 1367	1			NUT, Pinion
2	J063 6570	1			WASHER, Pinion
3	8350 3388	1			YOKE, Pinion
4	8350 3390	1			SEAL, Pinion
5	J063 6566	1			SLINGER, Dust
6	J812 4052	1	XJ,MJ		BEARING PACKAGE
	5252 508	1	ZJ		
7	J093 4937	1	XJ,MJ		BAFFLE ***
-	#4720 865	1	ZJ		SPACER, Pinion Crush
8	J812 6499	1			BEARING PACKAGE
9	3893 982	1			SLINGER, Oil
10					GEAR SET, Front Axle Ring And Pinion
	8350 0187	1	XJ,MJ		3.07 Ratio
	8350 5480	1	XJ,MJ		3.55 Ratio
	4720 864	1	ZJ		3.55 Ratio
	4741 015	1	ZJ		3.73 Ratio
	8350 2353	1	XJ,MJ		4.10 Ratio
	8350 3424	1	XJ,MJ		4.56 Ratio
11	J899 3317	1			SEALER, RTV
12	4137 739	1			SNAP RING
13	J064 9454	10			BOLT
14	J813 3724	2			WASHER
15	J812 0831	2			WASHER
16	J094 6384	1			SHAFT, Differential
17	J063 6360	1			PIN
18	J812 6500	2			BEARING PACKAGE
19	5252 591	1			GEAR SET, Front Axle Differential
20					CASE, Front Axle Differential
	5252 582	1			3.07 or 3.55 Ratio
	5252 590	1			3.73, 4.10 or 4.56 Ratio
21	8350 0192	1	XJ,MJ		SHIM PACKAGE
	4720 862	1	ZJ		
22	8350 0191	1	XJ,MJ		SHIM PACKAGE
	4720 863	1	ZJ		

MODEL CODES:
 61=Pickup-6 Ft Box 74=4 Door Wagon T=2WD
 62=Pickup-7 Ft Box 77=Open Body 93" Wheelbase J,N,U=4WD
 72=2 Door Wagon 78=Open Body 103" Wheelbase

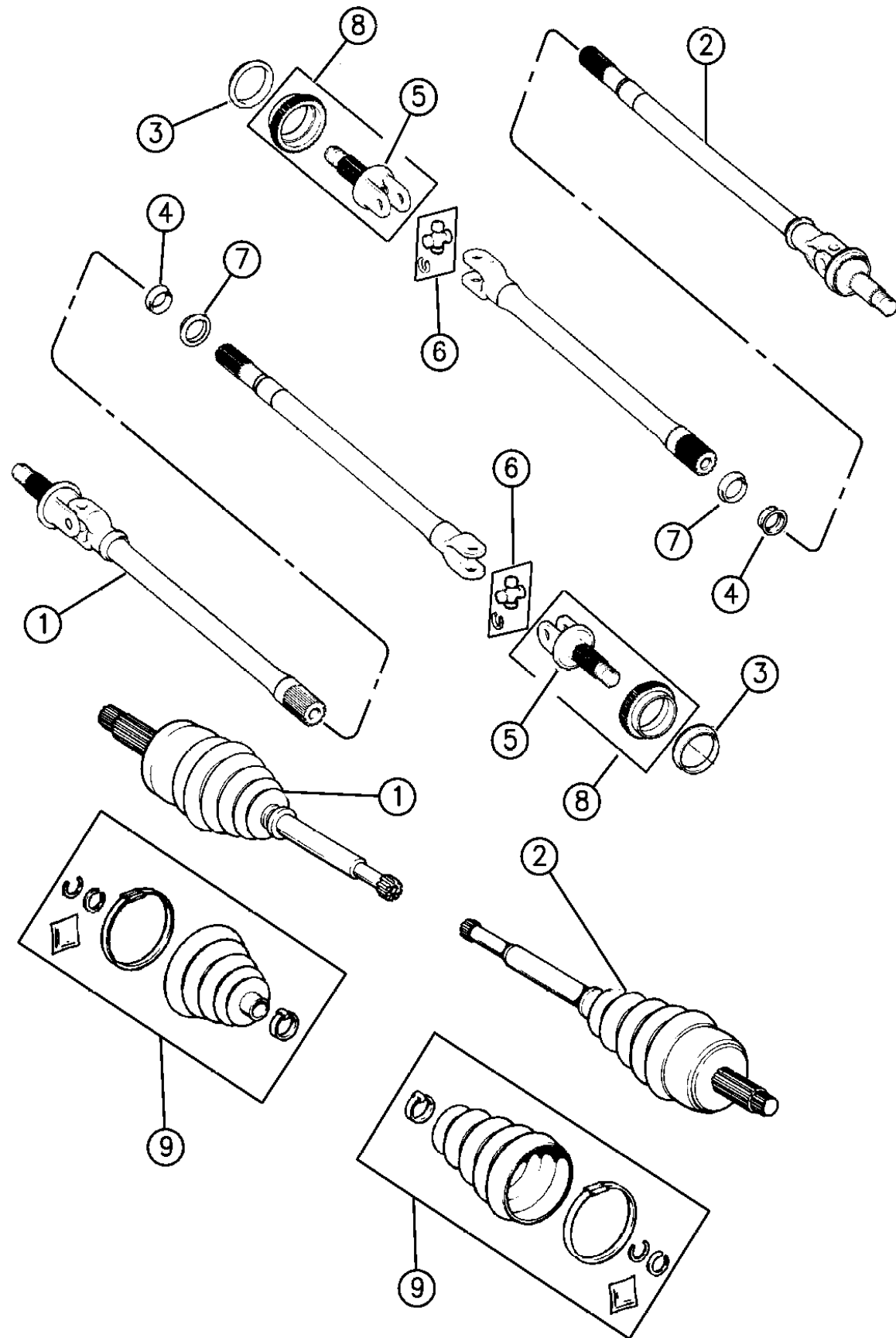
BODY STYLES:
 MJ=Comanche Pickup ZJ=Grand Cherokee/Grand Wagoneer KDX VEHICLES
 SJ=Grand Wagoneer M1=Comanche
 XJ=Cherokee, Briarwood X1=Cherokee, Briarwood
 YJ=Wrangler Y1=Wrangler

AR = Use as Required - = Non Illustrated Part P.A.R. = Paint as Required

SHAFTS, FRONT AXLE W/O DISCONNECT CHEROKEE, BRIARWOOD, COMANCHE, GRAND CHEROKEE (ZJ)

Figure 2-1700

91J02 1700A



ITEM	PART NUMBER	QTY	BODY	MODEL	DESCRIPTION
1					SHAFT, Axle
	5252 584	1	XJ,MJ		Rt., w/o Anti-Lock Braking System
	5252 586	1	XJ		Rt., w/Anti-Lock Braking System 1991
	4713 188	1	XJ		Rt., w/Anti-Lock Braking System 1992-93
	4740 970	1	ZJ		Rt., w/Carden U-Joint Assy.
	4720 380	1	ZJ		Rt. w/C/V Joint (Assy. Includes C/V, Boot, Clamps, Tripod and Shaft)(Boot Pkg. 4796233)
2					SHAFT, Axle
	5252 585	1	XJ,MJ		Lt., w/o Anti-Lock Braking System
	5252 587	1	XJ		Lt., w/Anti-Lock Braking system 1991
	4713 189	1	XJ		Lt., w/Anti-Lock Braking system 1992-93
	4740 971	1	ZJ		Lt., w/Carden U-Joint Assy.
	4720 381	1	ZJ		Lt. w/C/V Joint (Assy. Includes C/V, Boot, Clamps, Tripod and Shaft)(Boot Pkg. 4796233)
3	8350 0201	2			SLINGER, Dust
4	J812 1781	2			SEAL
5	8350 0184	2			SHAFT, Outer w/o ABS Braking System 1991
	4636 059	1			1992-93
6					JOINT, Universal
	J812 6637	AR	XJ		1991
	J812 6637	AR	XJ		1992-93 w/o ABS
	4137 757	AR	XJ		1992-93 w/ABS
	4137 757	AR	ZJ		
7	8350 7105	2			SLINGER, Oil
8					SHAFT, Outer w/Anti-Lock Braking System, (w/o ABS Brakes Use Shaft Assemble)
	8350 5572	2	XJ		1991
	4713 190	2	XJ		1992-93
	4728 984	2	ZJ		
9	4796 233	2	ZJ		BOOT PACKAGE, Outer C.V.

MODEL CODES:

61=Pickup-6 Ft Box 74=4 Door Wagon T=2WD
 62=Pickup-7 Ft Box 77=Open Body 93" Wheelbase J,N,U=4WD
 72=2 Door Wagon 78=Open Body 103" Wheelbase

BODY STYLES:

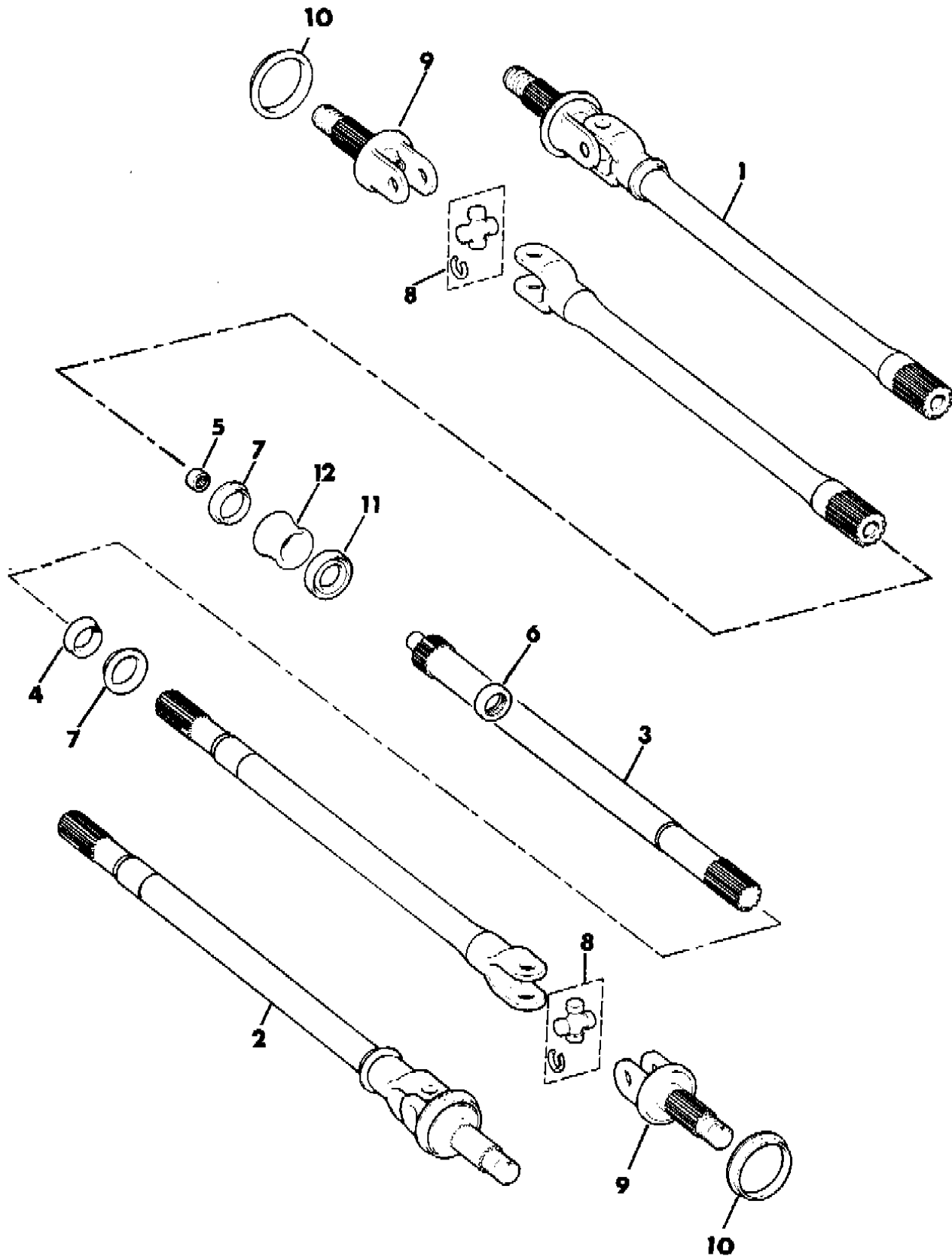
MJ=Comanche Pickup ZJ=Grand Cherokee/Grand Wagoneer KDX VEHICLES
 SJ=Grand Wagoneer M1=Comanche
 XJ=Cherokee, Briarwood X1=Cherokee, Briarwood
 YJ=Wrangler Y1=Wrangler

AR = Use as Required - = Non Illustrated Part P.A.R. = Paint as Required

SHAFTS, FRONT AXLE W/DISCONNECT CHEROKEE, BRIARWOOD, COMANCHE
Figure 2-1800

91J02 1800

ITEM	PART NUMBER	QTY	BODY	MODEL	DESCRIPTION
1	5252 145	1			SHAFT ASSEMBLY, Axle Rt.
2	5252 585	1			SHAFT ASSEMBLY, Axle Lt.
3	5252 594	1			SHAFT, Intermediate
4	J812 1781	1			SEAL
5	5252 686	1			BUSHING
6	5252 687	1			BEARING
7	8350 7105	2			SLINGER, Oil
8	J812 6637	2			JOINT, Universal
9	8350 0184	2			SHAFT, Outer
10	8350 0201	2			SLINGER, Dust (N/A 1991)
11					SEAL
	8350 0199	1			O.D. = 2.29"
	8350 3504	1			O.D. = 2.12
12	8350 4375	1			GUIDE



MODEL CODES:

61=Pickup-6 Ft Box 74=4 Door Wagon T=2WD
62=Pickup-7 Ft Box 77=Open Body 93" Wheelbase J,N,U=4WD
72=2 Door Wagon 78=Open Body 103" Wheelbase

BODY STYLES:

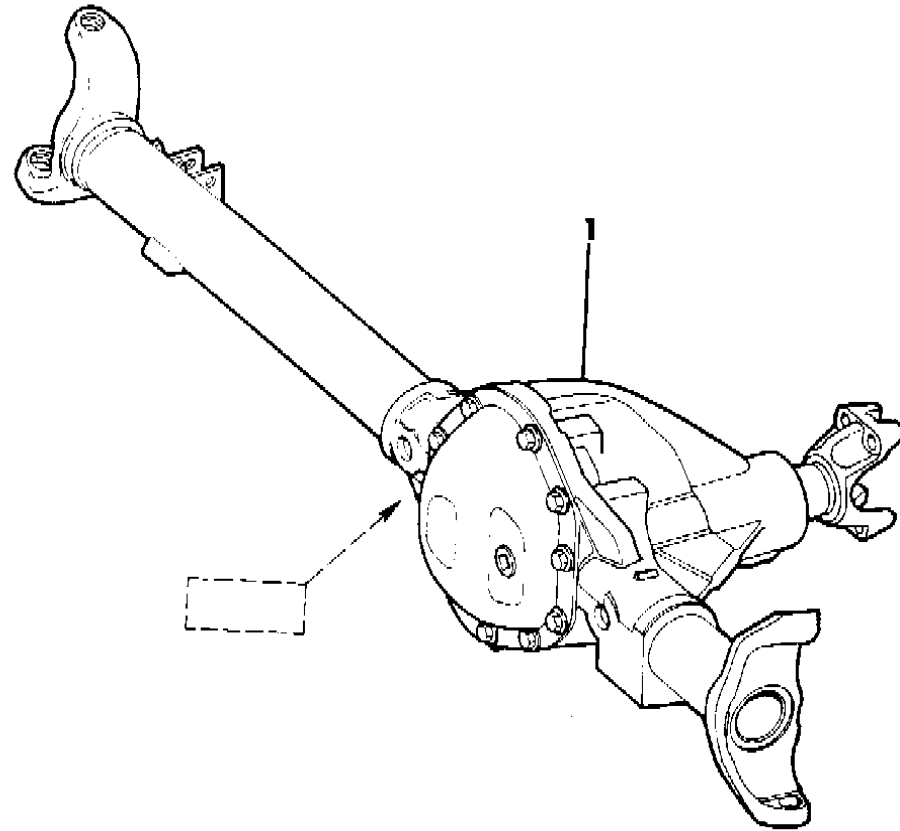
MJ=Comanche Pickup ZJ=Grand Cherokee/Grand Wagoneer KDX VEHICLES
SJ=Grand Wagoneer M1=Comanche
XJ=Cherokee, Briarwood X1=Cherokee, Briarwood
YJ=Wrangler Y1=Wrangler

AR = Use as Required - = Non Illustrated Part P.A.R. = Paint as Required

AXLE ASSEMBLY, FRONT GRAND WAGONEER
Figure 2-1900

91J02 1900

ITEM	PART NUMBER	QTY	BODY	MODEL	DESCRIPTION
1					AXLE ASSEMBLY, Front ***
	8350 1399	1			2.72 Ratio, Tagged 89 53 004 206 or 89 53 004 003
	8350 5525	1			3.31 Ratio, Tagged 89 53 004 208 or 89 53 004 004



MODEL CODES:

61=Pickup-6 Ft Box	74=4 Door Wagon	T=2WD
62=Pickup-7 Ft Box	77=Open Body 93" Wheelbase	J,N,U=4WD
72=2 Door Wagon	78=Open Body 103" Wheelbase	

BODY STYLES:

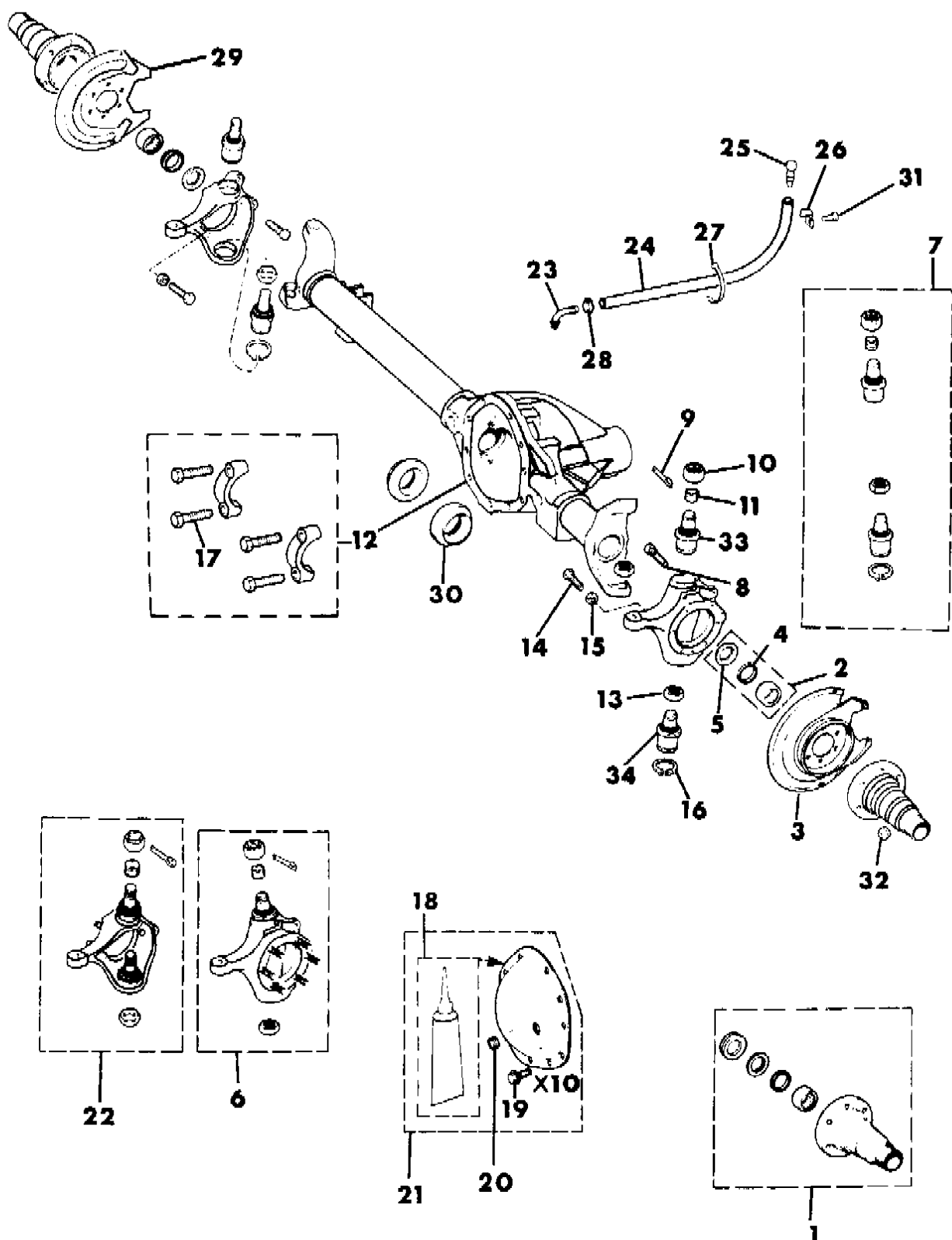
MJ=Comanche Pickup	ZJ=Grand Cherokee/Grand Wagoneer	KDX VEHICLES
SJ=Grand Wagoneer		M1=Comanche
XJ=Cherokee, Briarwood		X1=Cherokee, Briarwood
YJ=Wrangler		Y1=Wrangler

AR = Use as Required - = Non Illustrated Part P.A.R. = Paint as Required

HOUSING, FRONT AXLE GRAND WAGONEER

Figure 2-2000

91J02 2000



ITEM	PART NUMBER	QTY	BODY	MODEL	DESCRIPTION
1	4219 121	2			SPINDLE ASSEMBLY ***
2	J812 7356	2			BEARING PACKAGE
3	8350 1982	1			SHIELD, Splash Lt.
4	J812 1397	2			SEAL
5	8350 1113	2			SPACER
6	J812 8611	1			KNUCKLE, Lt.
7	3894 976	2			SOCKET PACKAGE ***
8	J812 4847	12			STUD
9	J812 1392	2			PIN, Cotter
10	J812 1364	2			NUT
11	J812 1365	2			Ring, Split ***
12	8350 5499	1			HOUSING, Front Axle
13	J812 1391	2			NUT, Jam
14	1791 701	2			BOLT
15	S011 4494	2			NUT
16	J812 4362	2			RING, Snap
17	S017 9890	4			BOLT
18	J899 3317	1			SEALER, Gasket in a Tube ***
19	J027 3573	10			BOLT
20	S010 3869	1			PLUG
21	J812 4352	1			COVER PACKAGE
22	J812 8610	1			KNUCKLE, Rt.
23	J535 3495	1			VENT
24	J812 5823	1			HOSE, Vent, Bulk 1 Foot
25	J535 2955	1			BREATHER ***
26	J014 0780	1			CLIP
27	J322 3227	1			STRAP
28	J322 7851	1			CLAMP
29	8350 1982				SHIELD, Splash Rt.
30	8350 1009	2			SEAL
31	J400 3556	1			SCREW
32	J941 1783	12			NUT
33	J812 2495	1			SOCKET
34	J812 2496	1			SOCKET

MODEL CODES:

61=Pickup-6 Ft Box 74=4 Door Wagon T=2WD
 62=Pickup-7 Ft Box 77=Open Body 93" Wheelbase J,N,U=4WD
 72=2 Door Wagon 78=Open Body 103" Wheelbase

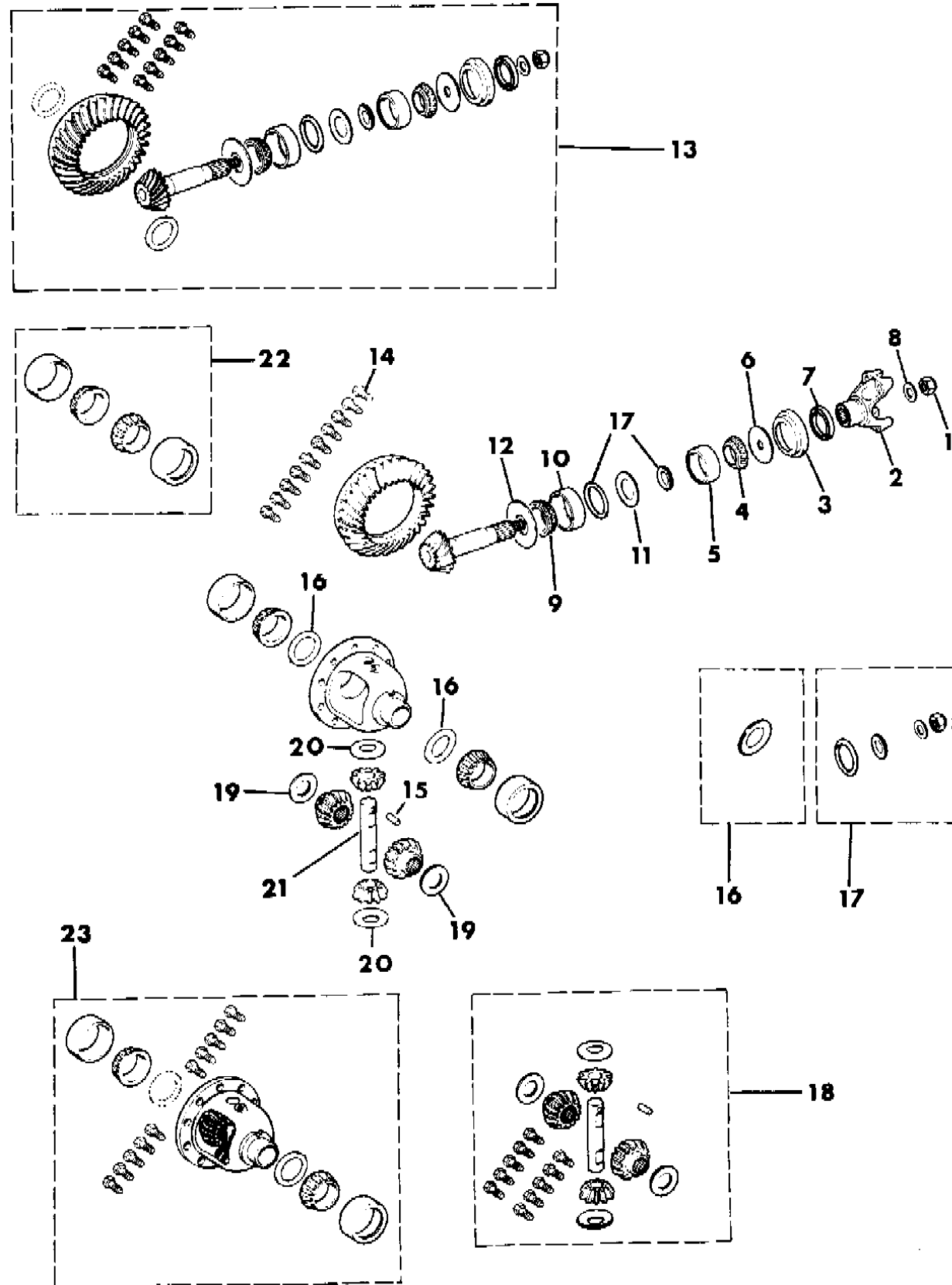
BODY STYLES:

MJ=Comanche Pickup ZJ=Grand Cherokee/Grand Wagoneer KDX VEHICLES
 SJ=Grand Wagoneer M1=Comanche
 XJ=Cherokee, Briarwood X1=Cherokee, Briarwood
 YJ=Wrangler Y1=Wrangler

AR = Use as Required - = Non Illustrated Part P.A.R. = Paint as Required

DIFFERENTIAL, FRONT AXLE GRAND WAGONEER
Figure 2-2100

91J02 2100



ITEM	PART NUMBER	QTY	BODY	MODEL	DESCRIPTION
1	J080 1367	1			NUT, Pinion
2	8350 3388	1			YOKE, Pinion
3	8350 3390	1			SEAL, Pinion
4	J005 2878	1			BEARING
5	J005 2879	1			CUP, Bearing
6	J063 6566	1			SLINGER, Dust
7	J063 6568	1			SHEILD, Dust
8	J063 6570	1			WASHER, Pinion
9	J080 7266	1			BEARING
10	0698 413	1			CUP, Bearing
11	J091 6373	1			BAFFLE
12	3893 982	1			SLINGER, Oil
13					GEAR SET, Front Axle Ring And Pinion
	J813 4222	1			2.73 Ratio
	J813 4219	1			3.31 Ratio
	J812 4777	1			3.73 Ratio
14	J064 9454	10			BOLT
15	J063 6360	1			PIN
16	J812 9222	1			SHIM PACKAGE
17	J812 9221	1			SHIM PACKAGE
18	J812 9228	1			GEAR SET, Front Axle Differential
19	J064 5789	2			WASHER
20	J064 5790	2			WASHER
21	J080 5327	1			SHAFT, Differential
22	J812 4071	1			BEARING PACKAGE
23	J812 9226	1			CASE, Front Axle Differential

MODEL CODES:

61=Pickup-6 Ft Box 74=4 Door Wagon T=2WD
 62=Pickup-7 Ft Box 77=Open Body 93" Wheelbase J,N,U=4WD
 72=2 Door Wagon 78=Open Body 103" Wheelbase

BODY STYLES:

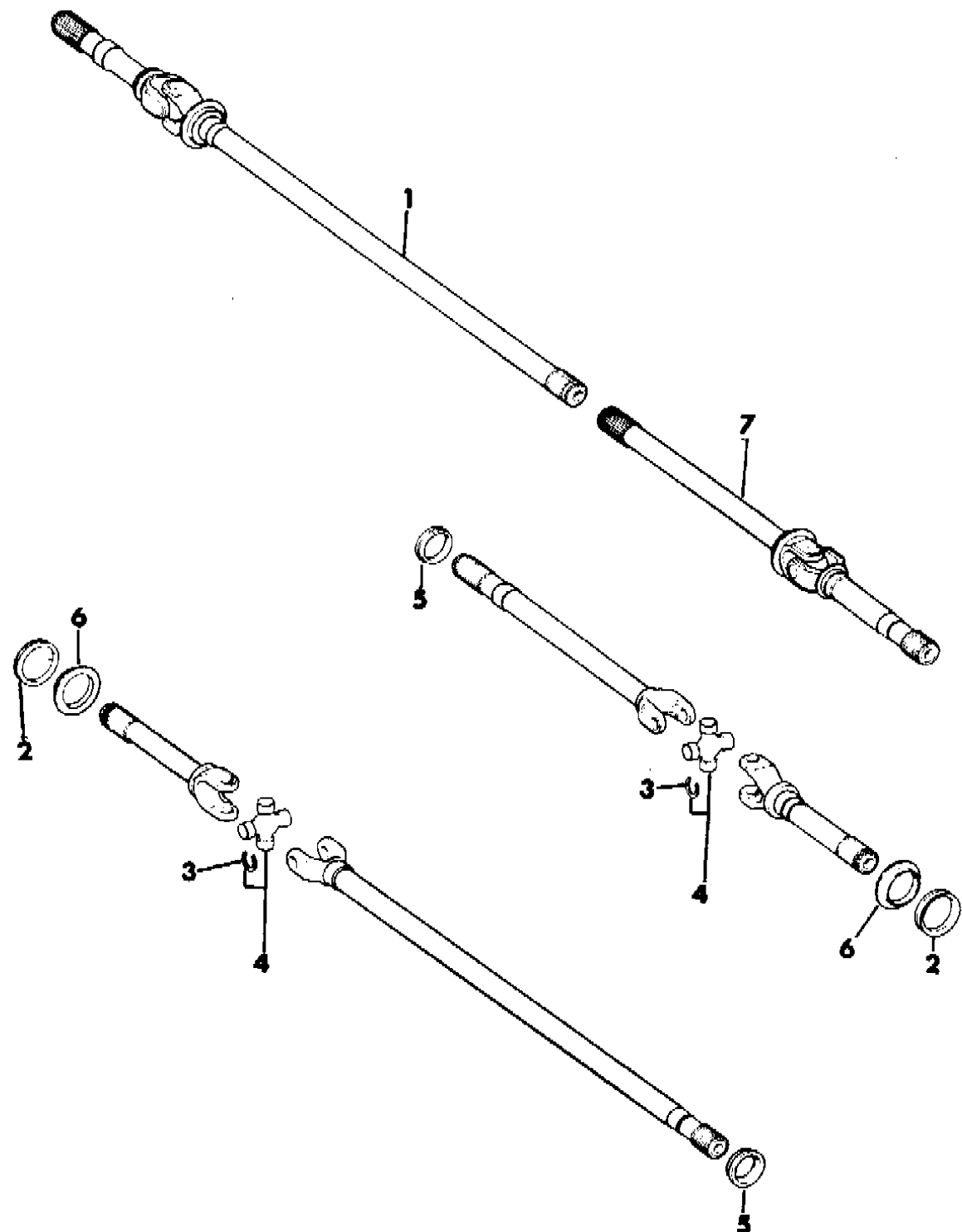
MJ=Comanche Pickup ZJ=Grand Cherokee/Grand Wagoneer KDX VEHICLES
 SJ=Grand Wagoneer M1=Comanche
 XJ=Cherokee, Briarwood X1=Cherokee, Briarwood
 YJ=Wrangler Y1=Wrangler

AR = Use as Required - = Non Illustrated Part P.A.R. = Paint as Required

SHAFTS, FRONT AXLE GRAND WAGONEER

Figure 2-2200

91J02 2200



ITEM	PART NUMBER	QTY	BODY	MODEL	DESCRIPTION
1	J813 2912	1			SHAFT, Axle Rt.
2	J812 7350	2			SEAL
3	J090 9453	8			RING, Snap
4	J812 6638	2			SPIDER ***
5	J812 9096	2			SEAL
6	J812 8285	2			RETAINER
7	J813 2913	1			SHAFT, Axle Lt.

MODEL CODES:
 61=Pickup-6 Ft Box 74=4 Door Wagon T=2WD
 62=Pickup-7 Ft Box 77=Open Body 93" Wheelbase J,N,U=4WD
 72=2 Door Wagon 78=Open Body 103" Wheelbase

BODY STYLES:
 MJ=Comanche Pickup ZJ=Grand Cherokee/Grand Wagoneer KDX VEHICLES
 SJ=Grand Wagoneer M1=Comanche
 XJ=Cherokee, Briarwood X1=Cherokee, Briarwood
 YJ=Wrangler Y1=Wrangler

AR = Use as Required - = Non Illustrated Part P.A.R. = Paint as Required

GROUP 3 - REAR AXLE

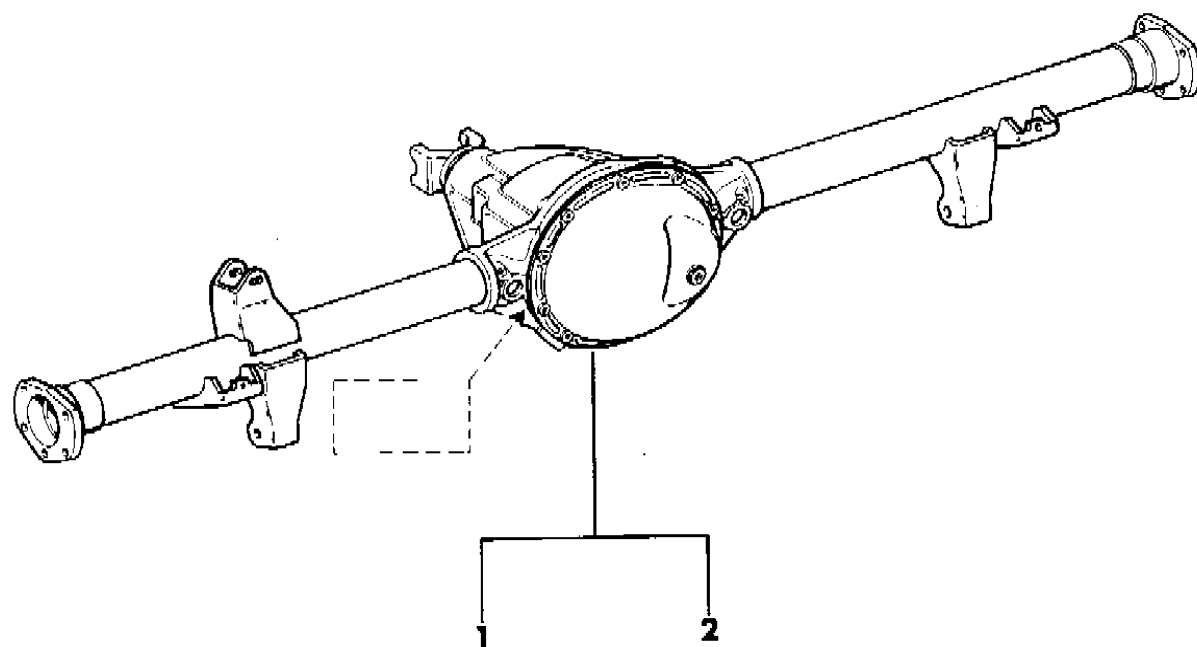
ILLUSTRATION TITLE	GROUP-FIG. NO.
WRANGLER, YJ	
AXLE ASSEMBLY, REAR DANA MODEL 35, DANA MODEL 44 KDX WRANGLER, YJ	Fig. 3-100
HOUSING AND DIFFERENTIAL, REAR AXLE DANA MODEL 35 W/O LOCKING DIFFERENTIAL WRANGLER, YJ	Fig. 3-200
HOUSING AND DIFFERENTIAL, REAR AXLE DANA MODEL 35 W/LOCKING DIFFERENTIAL WRANGLER, YJ	Fig. 3-300
SHAFT, REAR AXLE DANA MODEL 35 WRANGLER, YJ	Fig. 3-400
HOUSING AND DIFFERENTIAL, REAR AXLE DANA MODEL 44 KDX W/O LOCKING DIFFERENTIAL WRANGLER, YJ	Fig. 3-410
HOUSING AND DIFFERENTIAL, REAR AXLE DANA MODEL 44 KDX W/LOCKING DIFFERENTIAL WRANGLER, YJ	Fig. 3-420
SHAFT, REAR AXLE DANA MODEL 44 KDX WRANGLER, YJ	Fig. 3-430
CHEROKEE, BRIARWOOD, GRAND CHEROKEE, COMANCHE	
AXLE ASSEMBLY, REAR CHRYSLER 8 1/4 CHEROKEE	Fig. 3-450
AXLE ASSEMBLY, REAR DANA MODEL 35 CHEROKEE, BRIARWOOD, GRAND CHEROKEE, COMANCHE	Fig. 3-500
HOUSING, REAR AXLE DANA MODEL 35 CHEROKEE, BRIARWOOD, GRAND CHEROKEE, COMANCHE .	Fig. 3-600
DIFFERENTIAL, NON-LOCKING DANA MODEL 35 CHEROKEE, BRIARWOOD, GRAND CHEROKEE, COMANCHE	Fig. 3-700
DIFFERENTIAL, LOCKING DANA MODEL 35 CHEROKEE, BRIARWOOD, GRAND CHEROKEE, COMANCHE	Fig. 3-800
SHAFT, REAR AXLE DANA MODEL 35 CHEROKEE, BRIARWOOD, GRAND CHEROKEE, COMANCHE . . .	Fig. 3-900
AXLE ASSEMBLY, REAR DANA MODEL 44 COMANCHE	Fig. 3-1000
HOUSING AND DIFFERENTIAL, REAR AXLE DANA MODEL 44 W/O LOCKING DIFFERENTIAL COMANCHE	Fig. 3-1100
HOUSING AND DIFFERENTIAL, REAR AXLE DANA MODEL 44 W/LOCKING DIFFERENTIAL COMANCHE .	Fig. 3-1200
SHAFT, REAR AXLE DANA MODEL 44 COMANCHE	Fig. 3-1300
GRAND WAGONEER	
REAR AXLE ASSEMBLY DANA MODEL 44 GRAND WAGONEER	Fig. 3-1400
HOUSING AND DIFFERENTIAL, REAR AXLE DANA MODEL 44 W/O LOCKING DIFFERENTIAL GRAND WAGONEER	Fig. 3-1500
HOUSING AND DIFFERENTIAL, REAR AXLE DANA MODEL 44 W/LOCKING DIFFERENTIAL GRAND WAGONEER	Fig. 3-1600
SHAFT, REAR AXLE DANA MODEL 44 GRAND WAGONEER	Fig. 3-1700

ILLUSTRATION NOT AVAILABLE AT TIME OF PUBLICATION

AXLE ASSEMBLY, REAR DANA MODEL 35, DANA MODEL 44 KDX WRANGLER, YJ
Figure 3-100

91J03 100

ITEM	PART NUMBER	QTY	BODY	MODEL	DESCRIPTION
1					DANA MODEL 35 - w/o LOCKING DIFFERENTIAL
	5252 933	1			3.07 Ratio, 1991 Tagged 52068008
	4740 874	1			3.07 Ratio, 1992-93 w/o ABS, Tagged 52068008
	4746 949	1			3.07 Ratio, 1993 w/o ABS, Tagged 52068898
	4740 879	1			3.07 Ratio, 1993 w/ABS, Tagged 52067351
	4746 952	1			3.07 Ratio, 1993 w/ABS, Tagged 52068899
	5252 934	1			3.55 Ratio, 1991 Tagged 52068011
	4740 875	1			3.55 Ratio, 1992-93 w/o ABS, Tagged 52068011
	4746 947	1			3.55 Ratio, 1993 w/o ABS, Tagged 52068891
	4740 880	1			3.55 Ratio, 1993 w/ABS, Tagged 52067352
	4746 960	1			3.55 Ratio, 1993 w/ABS, Tagged 52068900
	5252 935	1			4.11 Ratio, 1991 Tagged 52068010
	4740 876	1			4.11 Ratio, 1992-93, Tagged 52068010
	4746 939	1			4.11 Ratio, 1993, Tagged 52068903
					DANA MODEL w/LOCKING DIFFERENTIAL ***
	5252 936	1			3.55 Ratio, 1991, Tagged 52068007
	4740 877	1			3.55 Ratio, 1992-93 w/o ABS, Tagged 52068007
	4746 943	1			3.55 Ratio, 1993 w/o ABS, Tagged 52068890
	4740 881	1			3.55 Ratio, 1993 w/ABS, Tagged 52067353
	4746 961	1			3.55 Ratio, 1993 w/ABS, Tagged 52068885
	5252 937	1			4.11 Ratio, 1991, Tagged 52068006
	4740 878	1			4.11 Ratio, 1992-93, Tagged 52068006
	4746 934	1			4.11 Ratio, 1993, Tagged 52068999
					DANA MODEL 44 KDX W/O LOCKING DIFFERENTIAL ***
	8350 5406	1			3.54 Ratio, Tagged 53005124
					DANA MODEL 44 KDX W/LOCKING DIFFERENTIAL ***
	8350 5441	1			3.07 Ratio, Tagged 53005414
	8350 5442	1			3.54 Ratio, Tagged 53005415
	4741 097	1			4.09 Ratio, Tagged 53005265



MODEL CODES:

61=Pickup-6 Ft Box 74=4 Door Wagon T=2WD
 62=Pickup-7 Ft Box 77=Open Body 93" Wheelbase J,N,U=4WD
 72=2 Door Wagon 78=Open Body 103" Wheelbase

BODY STYLES:

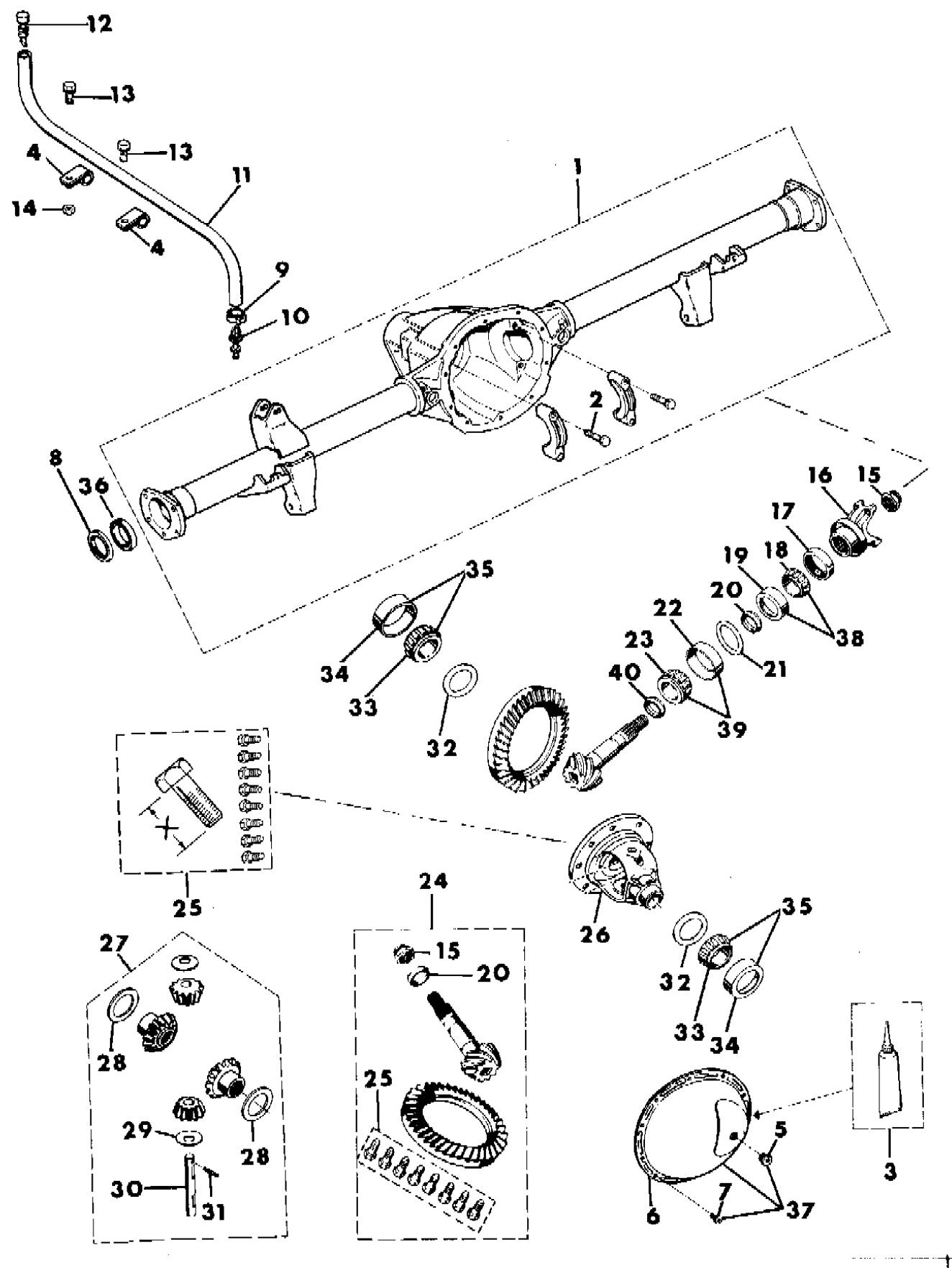
MJ=Comanche Pickup ZJ=Grand Cherokee/Grand Wagoneer KDX VEHICLES
 SJ=Grand Wagoneer M1=Comanche
 XJ=Cherokee, Briarwood X1=Cherokee, Briarwood
 YJ=Wrangler Y1=Wrangler

AR = Use as Required - = Non Illustrated Part P.A.R. = Paint as Required

HOUSING AND DIFFERENTIAL, REAR AXLE DANA MODEL 35 W/O LOCKING DIFFERENTIAL WRANGLER, YJ

Figure 3-200

91J03 200 A



ITEM	PART NUMBER	QTY	BODY	MODEL	DESCRIPTION
1	5252 519	1			HOUSING, Axle
2	J400 6553	4			BOLT
3	J899 3317	1			SEALER, Gasket-in-a-Tube
4	J014 0780	2			CLIP
5	5252 504	1			PLUG, Rubber
6					COVER (Serviced in Item #37) ***
7	J400 6708	10			BOLT
8	5252 499	2			SEAL, Rear Axle Dana Model 35
9	J322 7851	1			CLAMP
10	J318 7999	1			VENT
11	J812 5823	1			HOSE (1')
12	J535 2955	1			BREATHER
13	J400 5063	2			SCREW
14	J012 0361	1			NUT
15	J318 2601	1			NUT, Pinion
16					YOKE, Pinion
	8350 3318	1			1310 Series (3.469"OD)
	4746 835	1			1330 Series (3.875"OD)
17	8350 4946	1			SEAL, Pinion
18	J315 6063	1			CONE, Bearing
19	J315 6062	1			CUP, Bearing
20	J317 5779	1			SPACER, Pinion
21	4720 922	1			SHIM KIT, (8) ***
22	J315 6065	1			CUP, Bearing
23	J317 0947	1			CONE, Bearing
24					GEAR SET, Ring and Pinion
	8350 5472	1			3.07 Ratio
	8350 4376	1			3.55 Ratio
	8350 4938	1			4.11 Ratio
25	8350 4374	1			BOLT PACKAGE ***
26					CASE PACKAGE, Differential, Also Includes Items#32, 33 and 34. ***
	5252 510	1			3.07 Ratio, w/o ABS
	4740 833	1			3.07 Ratio, w/ABS
					3.55 or 4.11 Ratio
	5252 494	1			w/4 Cylinder Engine
	5252 517	1			w/6 Cylinder Engine, w/o ABS
	4740 834	1			w/6 Cylinder Engine, w/ABS
27	4637 393	1			GEAR SET, Differential w/o ABS
	4740 670	1			w/ABS
28	J323 7817	2			WASHER, Side

MODEL CODES:

61=Pickup-6 Ft Box 74=4 Door Wagon T=2WD
 62=Pickup-7 Ft Box 77=Open Body 93" Wheelbase J,N,U=4WD
 72=2 Door Wagon 78=Open Body 103" Wheelbase

BODY STYLES:

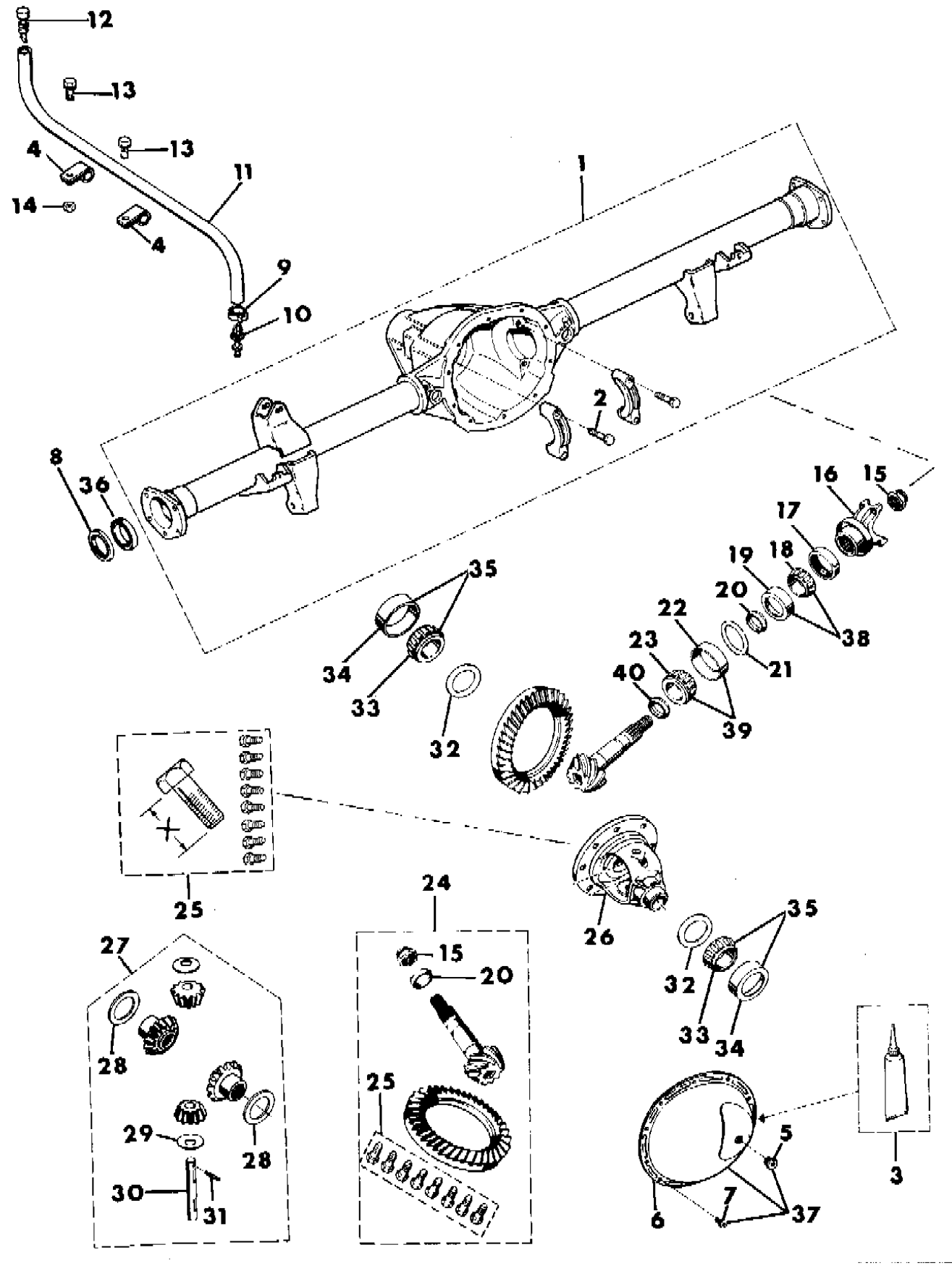
MJ=Comanche Pickup ZJ=Grand Cherokee/Grand Wagoneer KDX VEHICLES
 SJ=Grand Wagoneer M1=Comanche
 XJ=Cherokee, Briarwood Y1=Wrangler
 YJ=Wrangler

AR = Use as Required - = Non Illustrated Part P.A.R. = Paint as Required

HOUSING AND DIFFERENTIAL, REAR AXLE DANA MODEL 35 W/O LOCKING DIFFERENTIAL WRANGLER, YJ

Figure 3-200

91J03 200 A



ITEM	PART NUMBER	QTY	BODY	MODEL	DESCRIPTION
29	J323 7818	1			WASHER, Pinion
30		1			SHAFT, Differential (Serviced in Package Only)
31	5252 502	1			PIN, Retaining
32	8350 3004	1			SHIM PACKAGE (16)
33	1937 771	2			CONE, Bearing
34	J317 1166	2			CUP, Bearing
35	J812 6500	1			BEARING PACKAGE, Differential Side ***
36	J813 4586	2			BEARING ASSEMBLY, Axle Shaft
37	5252 493	1			COVER ASSEMBLY PACKAGE, w/Rubber Plug ***
38	5252 508	1			BEARING PACKAGE, Pinion Outer ***
39	5252 507	1			BEARING PACKAGE, Pinion Inner ***
40		1			SPACER, Serviced by Item #21.

MODEL CODES:

61=Pickup-6 Ft Box 74=4 Door Wagon T=2WD
 62=Pickup-7 Ft Box 77=Open Body 93" Wheelbase J,N,U=4WD
 72=2 Door Wagon 78=Open Body 103" Wheelbase

BODY STYLES:

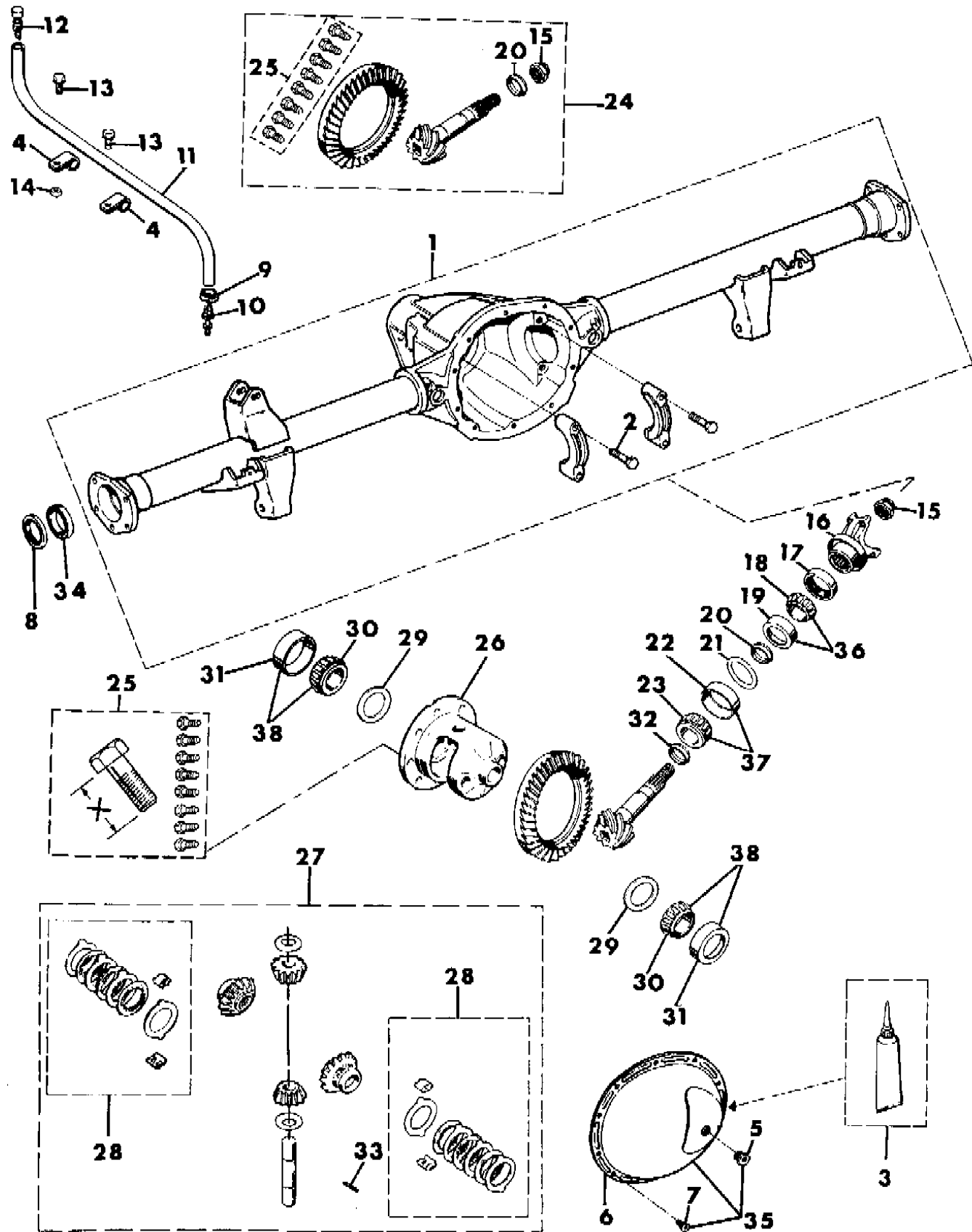
MJ=Comanche Pickup ZJ=Grand Cherokee/Grand Wagoneer KDX VEHICLES
 SJ=Grand Wagoneer M1=Comanche
 XJ=Cherokee, Briarwood Y1=Cherokee, Briarwood
 YJ=Wrangler Y1=Wrangler

AR = Use as Required - = Non Illustrated Part P.A.R. = Paint as Required

HOUSING AND DIFFERENTIAL, REAR AXLE DANA MODEL 35 W/LOCKING DIFFERENTIAL WRANGLER, YJ

Figure 3-300

91J03 300A



ITEM	PART NUMBER	QTY	BODY	MODEL	DESCRIPTION
1	5252 519	1			HOUSING, Axle
2	J400 6553	4			BOLT
3	J899 3317	1			SEALER, Gasket-in-a-Tube
4	J014 0780	2			CLIP
5					PLUG
	J400 7344	1			1/2"-14
	5252 504	1			Rubber
6	8350 5125	1			COVER, w/Threaded Plug Hole
7	J400 6708	10			BOLT
8	5252 499	2			SEAL
9	J322 7851	1			CLAMP
10	J318 7999	1			VENT
11	J812 5823	1			HOSE (1')
12	J535 2955	1			BREATHER
13	J400 5063	2			SCREW
14	J012 0361	1			NUT
15	J318 2601	1			NUT, Pinion
16					YOKE, Pinion
	8350 3318	1			1310 Series (3.469"OD)
	4746 835	1			1330 Series (3.875"OD)
17	8350 4946	1			SEAL, Pinion
18	J315 6063	1			CONE, Bearing
19	J315 6062	1			CUP, Bearing
20	J317 5779	1			SPACER, Pinion
21	8350 3003	1			SHIM PACKAGE
22	J315 6065	1			CUP, Bearing
23	J317 0947	1			CONE, Bearing
24					GEAR SET
	8350 4376	1			3.55 Ratio
	8350 4938	1			4.11 Ratio
25	8350 4374	1			BOLT PACKAGE ***
26	5252 496	1			CASE PACKAGE, Differential, Also Includes Items #29,30 and 31. ***
27	5252 497	1			GEAR SET, Differential
28	5252 506	1			DISC PACKAGE, Differential ***
29	8350 3004	1			SHIM PACKAGE (16) ***
30	1937 771	2			CONE, Bearing
31	J317 1166	2			CUP, Bearing
32		1			SPACER, Serviced by Item #21.
33	5252 502	1			PIN, Retaining
34	J813 4586	2			BEARING ASSEMBLY, Axle Shaft

MODEL CODES:

61=Pickup-6 Ft Box 74=4 Door Wagon T=2WD
 62=Pickup-7 Ft Box 77=Open Body 93" Wheelbase J,N,U=4WD
 72=2 Door Wagon 78=Open Body 103" Wheelbase

BODY STYLES:

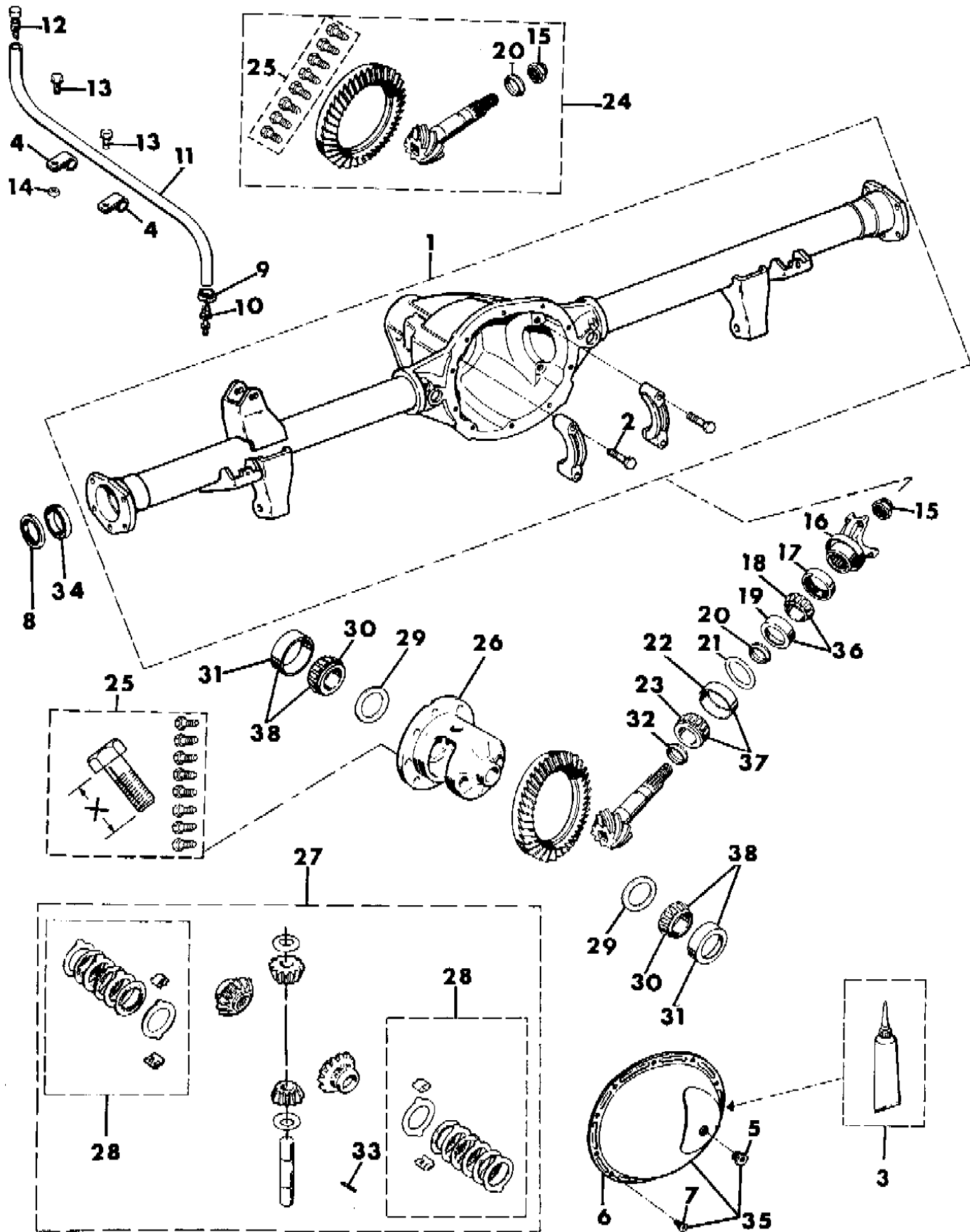
MJ=Comanche Pickup ZJ=Grand Cherokee/Grand Wagoneer KDX VEHICLES
 SJ=Grand Wagoneer M1=Comanche
 XJ=Cherokee, Briarwood Y1=Wrangler

AR = Use as Required - = Non Illustrated Part P.A.R. = Paint as Required

HOUSING AND DIFFERENTIAL, REAR AXLE DANA MODEL 35 W/LOCKING DIFFERENTIAL WRANGLER, YJ

Figure 3-300

91J03 300 A



ITEM	PART NUMBER	QTY	BODY	MODEL	DESCRIPTION
35	5252 493	1			COVER ASSEMBLY PACKAGE, w/Rubber Plug ***
36	5252 508	1			BEARING PACKAGE, Pinion Outer ***
37	5252 507	1			BEARING PACKAGE, Pinion Inner ***
38	J812 6500	1			BEARING PACKAGE, Differential Side ***

MODEL CODES:

61=Pickup-6 Ft Box 74=4 Door Wagon T=2WD
 62=Pickup-7 Ft Box 77=Open Body 93" Wheelbase J,N,U=4WD
 72=2 Door Wagon 78=Open Body 103" Wheelbase

BODY STYLES:

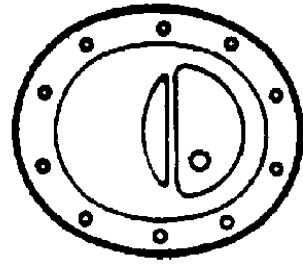
MJ=Comanche Pickup ZJ=Grand Cherokee/Grand Wagoneer KDX VEHICLES
 SJ=Grand Wagoneer M1=Comanche
 XJ=Cherokee, Briarwood X1=Cherokee, Briarwood
 YJ=Wrangler Y1=Wrangler

AR = Use as Required - = Non Illustrated Part P.A.R. = Paint as Required

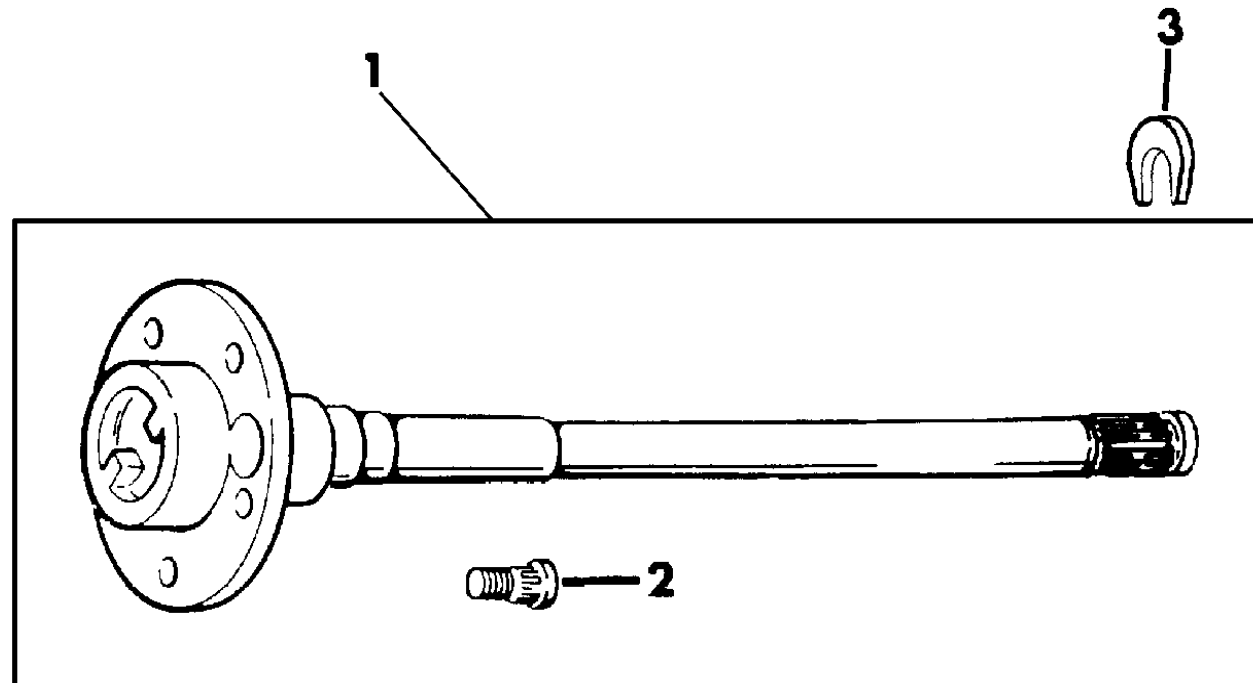
SHAFT, REAR AXLE DANA MODEL 35 WRANGLER, YJ
Figure 3-400

91J03 400A

ITEM	PART NUMBER	QTY	BODY	MODEL	DESCRIPTION
1	5252 948-9	1			SHAFT, Axle 1991-92
	4713 192-3	1			1993
2	8350 3053	10			STUD, Wheel
3	5252 505	2			RETAINER, Axle Shaft



DANA MODEL 35 AXLE (REF.)



MODEL CODES:

61=Pickup-6 Ft Box 74=4 Door Wagon T=2WD
62=Pickup-7 Ft Box 77=Open Body 93" Wheelbase J,N,U=4WD
72=2 Door Wagon 78=Open Body 103" Wheelbase

BODY STYLES:

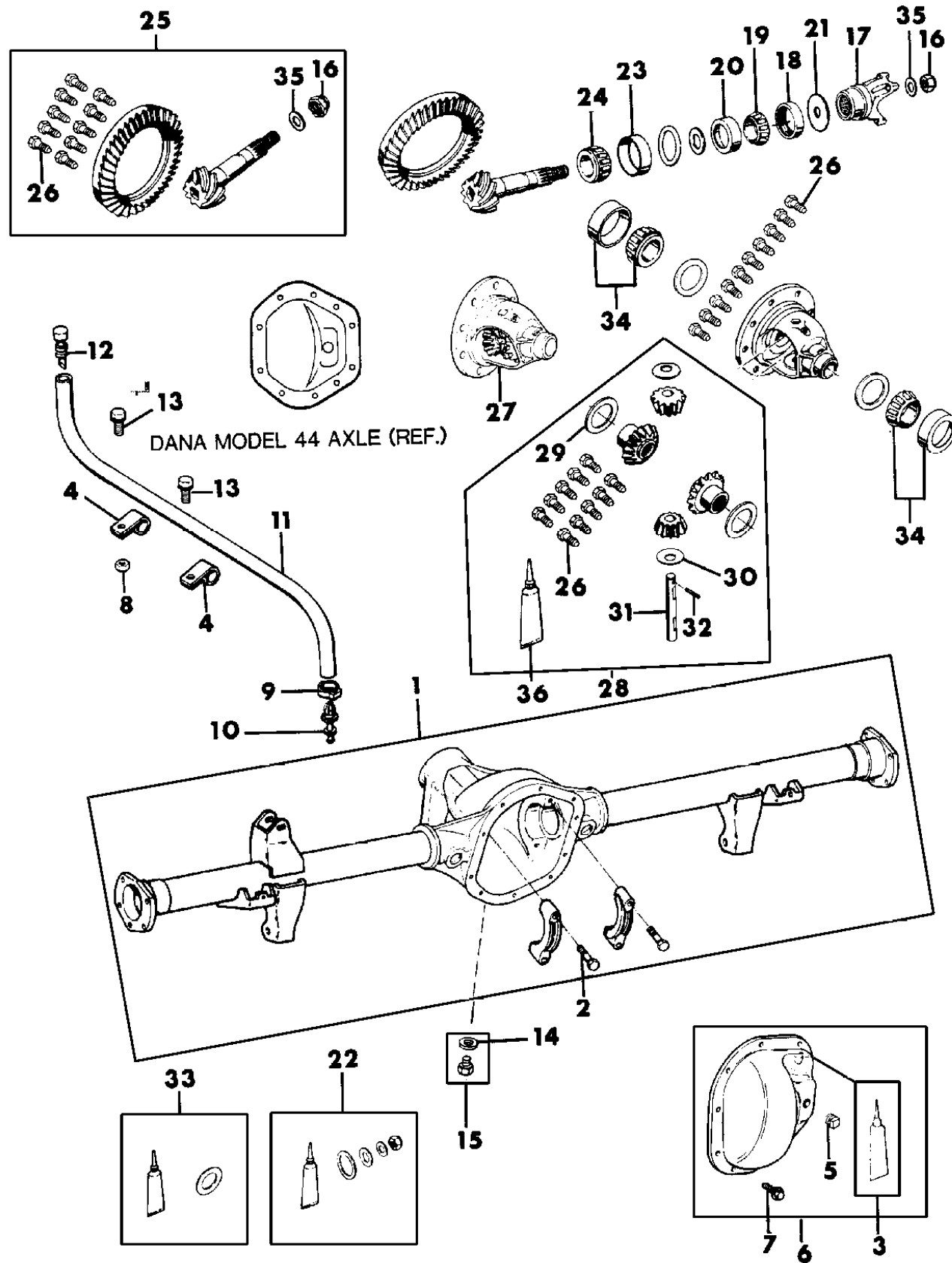
MJ=Comanche Pickup ZJ=Grand Cherokee/Grand Wagoneer KDX VEHICLES
SJ=Grand Wagoneer M1=Comanche
XJ=Cherokee, Briarwood X1=Cherokee, Briarwood
YJ=Wrangler Y1=Wrangler

AR = Use as Required - = Non Illustrated Part P.A.R. = Paint as Required

HOUSING AND DIFFERENTIAL, REAR AXLE DANA MODEL 44 KDX W/O LOCKING DIFFERENTIAL WRANGLER, YJ

Figure 3-410

91J03 410



ITEM	PART NUMBER	QTY	BODY	MODEL	DESCRIPTION
1	8350 5407	1			HOUSING, Axle
2	8350 1515	4			BOLT
3	J899 3317	1			SEALER, Gasket-in-a-Tube
4	J014 0780	2			CLIP
5	8350 1571	1			PLUG
6	8350 3058	1			COVER
7	J099 1546	10			BOLT
8	J012 0361	1			NUT
9	J322 7851	1			CLAMP
10	J318 7999	1			VENT
11	J812 5823	1			HOSE (1')
12	J535 2955	1			BREATHER
13	J400 5063	1			SCREW
14	J317 0271	1			GASKET
15	J812 1449	1			PLUG PACKAGE
16	J080 1367	1			NUT, Pinion
17	8350 3388	1			YOKE, Pinion
18	8350 3390	1			SEAL, Pinion
19	J005 2878	1			CONE, Bearing
20	J005 2879	1			CUP, Bearing
21	J063 6566	1			SLINGER
22	J812 9221	1			SHIM PACKAGE
23	J005 2877	1			CUP, Bearing
24	J080 7266	1			CONE, Bearing
25	8350 3437	1			GEAR SET, Rear Axle Ring and Pinion w/3.54 Ratio
26	J064 9454	10			BOLT
27	8350 3073	1			CASE, Rear Axle Differential
28	8350 3068	1			GEAR SET, Rear Axle Differential
29	J080 5325	2			WASHER, Side
30	J064 5790	2			WASHER, Pinion
31	8350 3069	1			SHAFT, Differential
32	J063 6360	1			PIN
33	J812 9222	1			SHIM PACKAGE
34	J812 4071	1			BEARING PACKAGE
35	J063 6570	1			WASHER
36	J899 3317	1			SEALER, Gasket-in-a-Tube

MODEL CODES:

61=Pickup-6 Ft Box 74=4 Door Wagon T=2WD
 62=Pickup-7 Ft Box 77=Open Body 93" Wheelbase J,N,U=4WD
 72=2 Door Wagon 78=Open Body 103" Wheelbase

BODY STYLES:

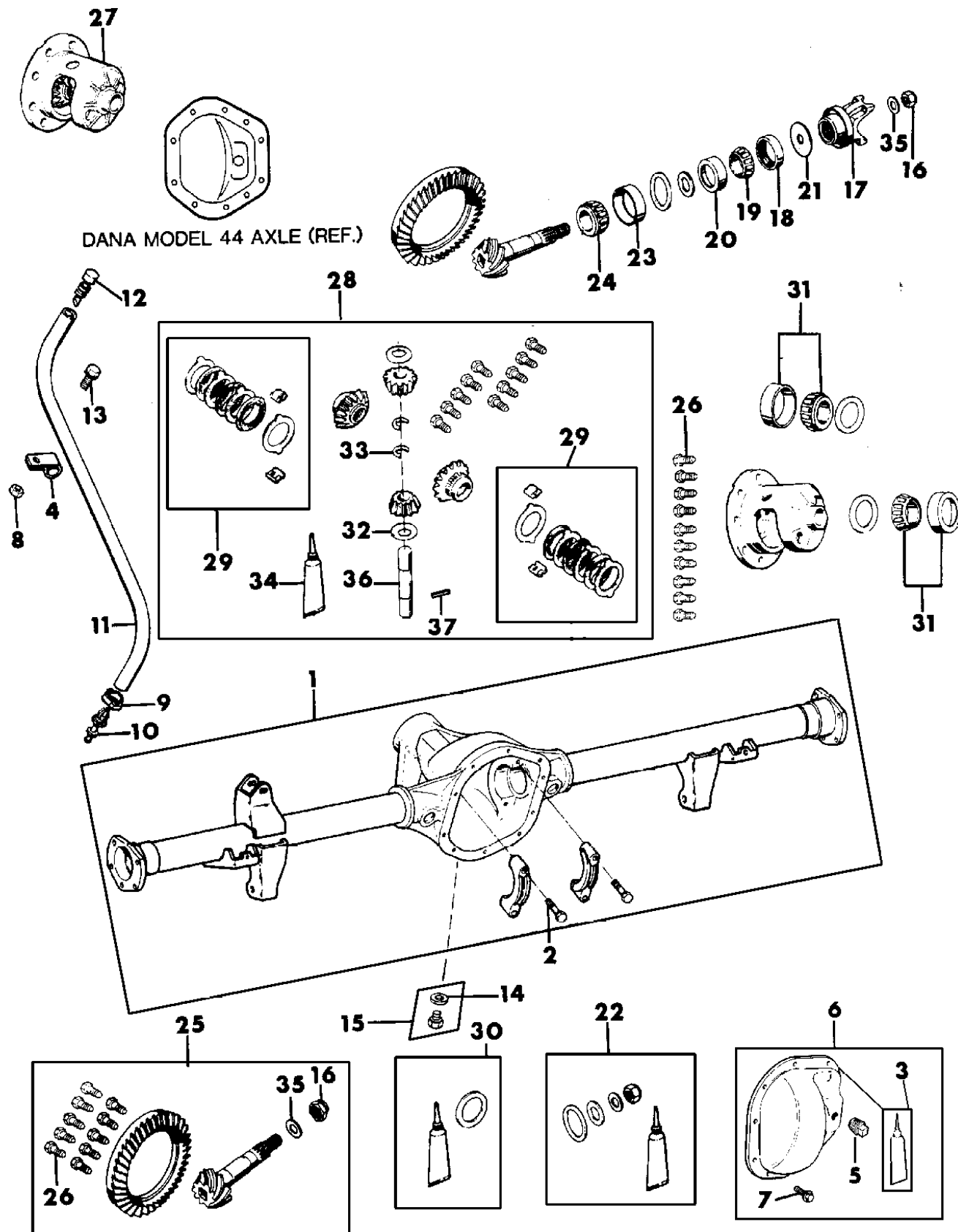
MJ=Comanche Pickup ZJ=Grand Cherokee/Grand Wagoneer KDX VEHICLES
 SJ=Grand Wagoneer M1=Comanche
 XJ=Cherokee, Briarwood Y1=Cherokee, Briarwood
 YJ=Wrangler Y1=Wrangler

AR = Use as Required - = Non Illustrated Part P.A.R. = Paint as Required

HOUSING AND DIFFERENTIAL, REAR AXLE DANA MODEL 44 KDX W/LOCKING DIFFERENTIAL WRANGLER, YJ

Figure 3-420

91J03 420



ITEM	PART NUMBER	QTY	BODY	MODEL	DESCRIPTION
1	8350 5407	1			HOUSING, Axle
2	8350 1515	4			BOLT
3	J899 3317	1			SEALER, Gasket-in-a-Tube
4	J014 0780	2			CLIP
5	8350 1571	1			PLUG
6	8350 3058	1			COVER
7	J099 1546	10			BOLT
8	J012 0361	1			NUT
9	J322 7851	1			CLAMP
10	J318 7999	1			VENT
11	J812 5823	1			HOSE, (1')
12	J535 2955	1			BREATHER
13	J400 5063	1			SCREW
14	J317 0271	1			GASKET
15	J812 1449	1			PLUG PACKAGE
16	J080 1367	1			NUT, Pinion
17	8350 3388	1			YOKE, Pinion
18	8350 3390	1			SEAL, Pinion
19	J005 2878	1			CONE, Bearing
20	J005 2879	1			CUP, Bearing
21	J063 6566	1			SLINGER
22	J812 9221	1			SHIM PACKAGE
23	J005 2877	1			CUP, Bearing
24	J080 7266	1			CONE, Bearing
25					GEAR SET, Rear Axle Differential
	8350 4197	1			3.07 Ratio
	8350 3437	1			3.54 Ratio
	8350 3059	1			4.09 Ratio
26	J064 9454	10			BOLT
27	J812 9218	1			CASE, Rear Axle Differential 3.07, 3.54 Ratio
	4741 098	1			4.09 Ratio
28					GEAR SET, Rear Axle Differential
	J812 9220	1			Cross Shaft secured by two retaining rings
	8350 5432	1			Cross Shaft secured by a roll pin
29	J099 4345	1			DISC PACKAGE
30	J812 9222	1			SHIM PACKAGE
31	J812 4071	1			BEARING PACKAGE
32	J064 5790	2			WASHER, Pinion
33	8350 3070	2			RING, Snap
34	J899 3317	1			SEALER, Gasket-in-a-Tube
35	J063 6570	1			WASHER

MODEL CODES:

61=Pickup-6 Ft Box 74=4 Door Wagon T=2WD
 62=Pickup-7 Ft Box 77=Open Body 93" Wheelbase J,N,U=4WD
 72=2 Door Wagon 78=Open Body 103" Wheelbase

BODY STYLES:

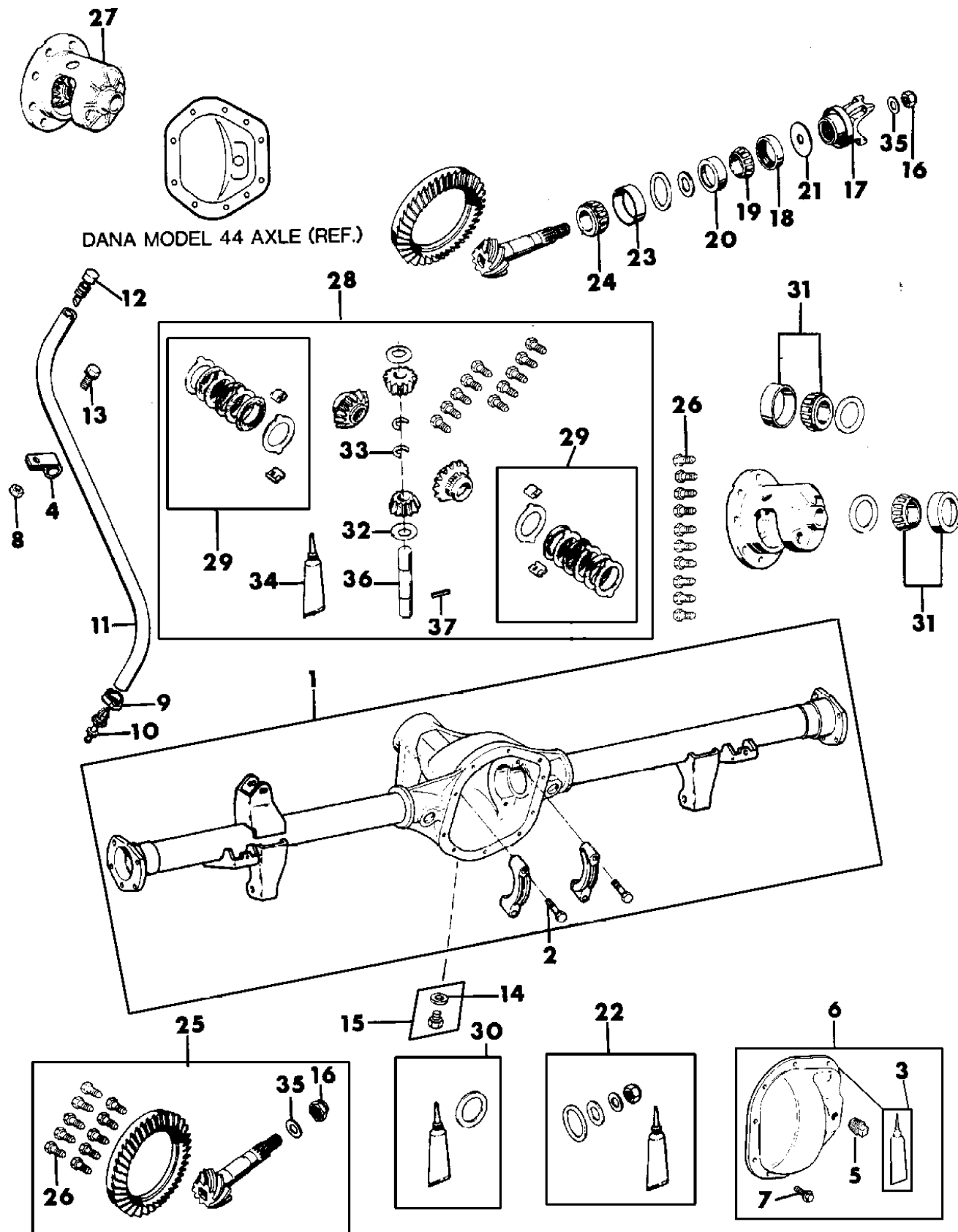
MJ=Comanche Pickup ZJ=Grand Cherokee/Grand Wagoneer KDX VEHICLES
 SJ=Grand Wagoneer M1=Comanche
 XJ=Cherokee, Briarwood Y1=Cherokee, Briarwood
 YJ=Wrangler Y1=Wrangler

AR = Use as Required - = Non Illustrated Part P.A.R. = Paint as Required

HOUSING AND DIFFERENTIAL, REAR AXLE DANA MODEL 44 KDX W/LOCKING DIFFERENTIAL WRANGLER, YJ

Figure 3-420

91J03 420



ITEM	PART NUMBER	QTY	BODY	MODEL	DESCRIPTION
------	-------------	-----	------	-------	-------------

36	8350 3069	1			SHAFT, Secured by roll pin
37	J063 6360	1			PIN, Cross Shaft Securing

MODEL CODES:
 61=Pickup-6 Ft Box 74=4 Door Wagon T=2WD
 62=Pickup-7 Ft Box 77=Open Body 93" Wheelbase J,N,U=4WD
 72=2 Door Wagon 78=Open Body 103" Wheelbase

BODY STYLES:
 MJ=Comanche Pickup ZJ=Grand Cherokee/Grand Wagoneer KDX VEHICLES
 SJ=Grand Wagoneer M1=Comanche
 XJ=Cherokee, Briarwood Y1=Wrangler

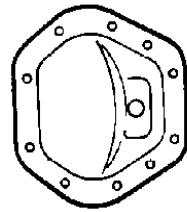
AR = Use as Required - = Non Illustrated Part P.A.R. = Paint as Required

SHAFT, REAR AXLE DANA MODEL 44 KDX WRANGLER, YJ

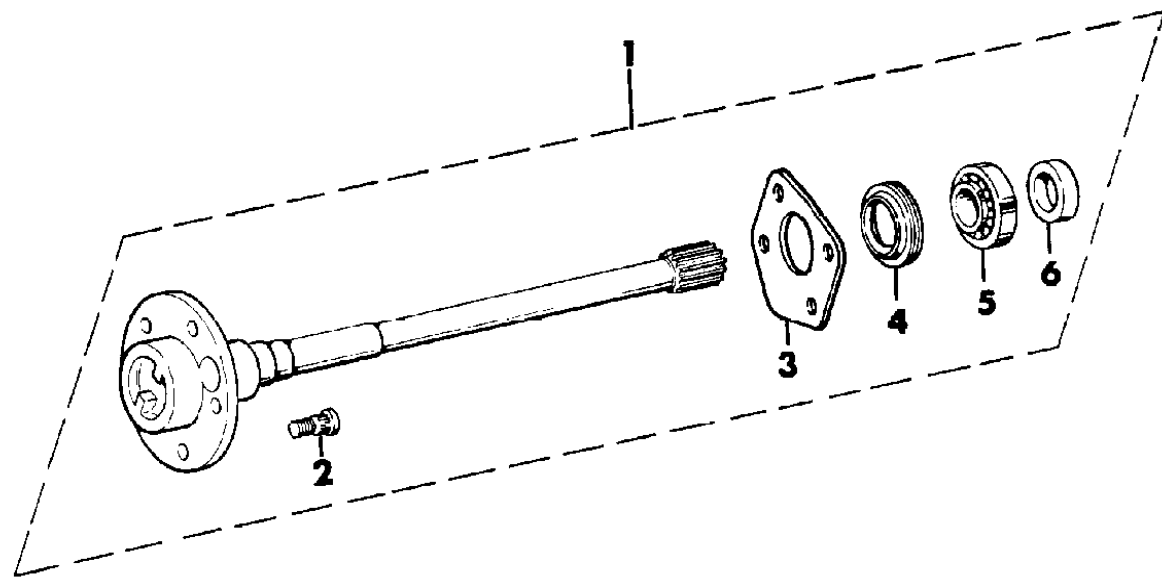
Figure 3-430

91J03 430

ITEM	PART NUMBER	QTY	BODY	MODEL	DESCRIPTION
1					SHAFT, Axle
	8350 4960	1			Right
	8350 4961	1			Left
2	8350 3053	10			STUD, Wheel
3	8350 4190	2			RETAINER
4	8350 3063	2			SEAL
5	8350 3064	2			BEARING
6	8350 3077	2			RING, Retaining



DANA MODEL 44 AXLE (REF.)



MODEL CODES:

61=Pickup-6 Ft Box 74=4 Door Wagon T=2WD
 62=Pickup-7 Ft Box 77=Open Body 93" Wheelbase J,N,U=4WD
 72=2 Door Wagon 78=Open Body 103" Wheelbase

BODY STYLES:

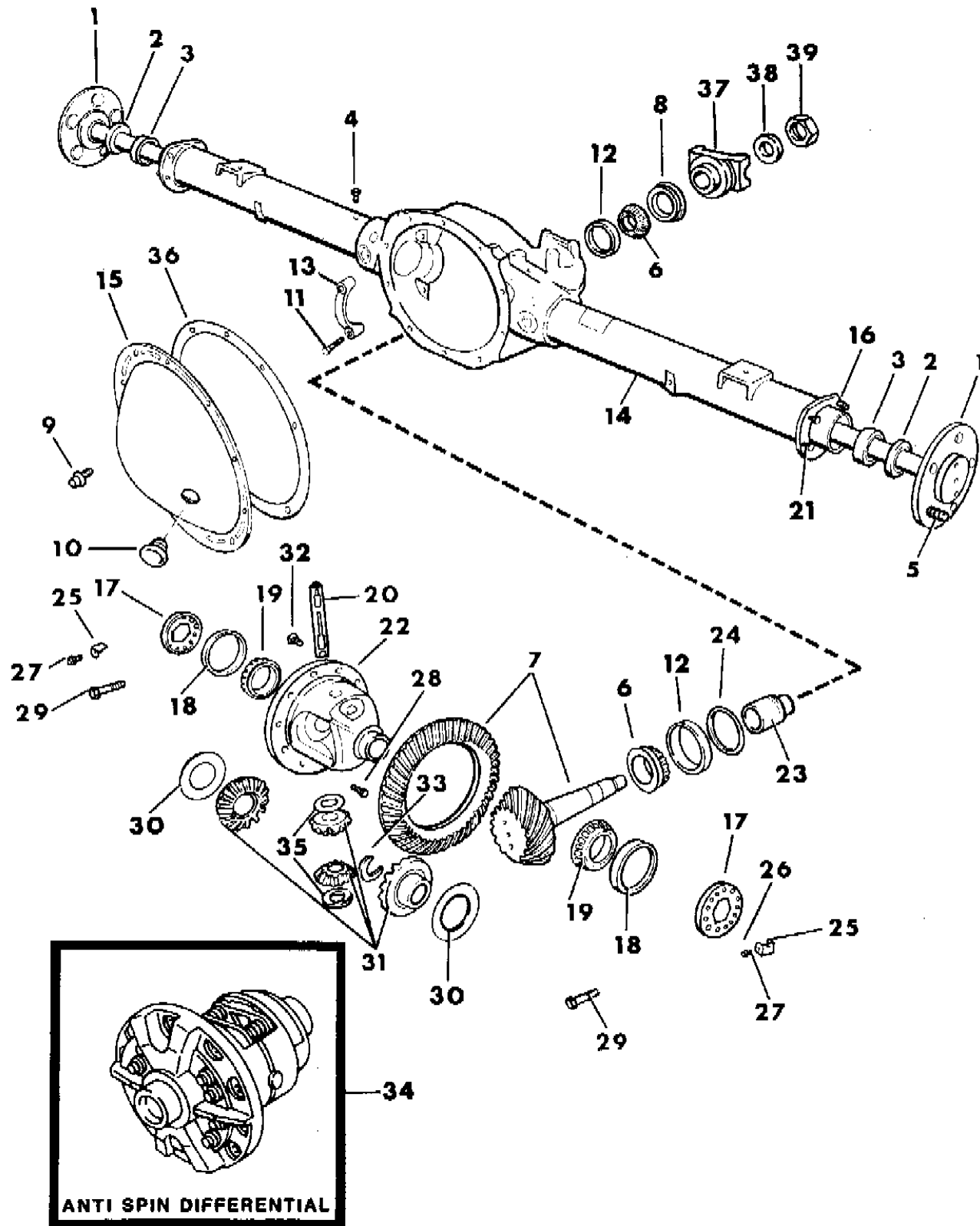
MJ=Comanche Pickup ZJ=Grand Cherokee/Grand Wagoneer KDX VEHICLES
 SJ=Grand Wagoneer M1=Comanche
 XJ=Cherokee, Briarwood X1=Cherokee, Briarwood
 YJ=Wrangler Y1=Wrangler

AR = Use as Required - = Non Illustrated Part P.A.R. = Paint as Required

AXLE ASSEMBLY, REAR CHRYSLER 8 1/4 CHEROKEE

Figure 3-450

91J03 450B



ITEM	PART NUMBER	QTY	BODY	MODEL	DESCRIPTION
------	-------------	-----	------	-------	-------------

Differential and Carrier Assemblies consist of the following items - except for items #1,2,3,4,16 and 21.

					DIFFERENTIAL and CARRIER ASSEMBLY, W/O Anti-Spin ***
	4728 127	1			3.07 Ratio (Tag# 52069159, 52069165)
	5300 9015	1			3.55 Ratio (Tag #52067690, 52068027 or 52069156)
	4713 526	1			4.10 Ratio (KDX) (1992)
	4728 080	1			4.10 Ratio (1993)
					DIFFERENTIAL and CARRIER ASSEMBLY, W/Anti-Spin ***
	4728 081	1			3.07 Ratio (1993)
	4638 188	1			3.55 Ratio
	4728 082	1			4.10 Ratio (1993)
1	5300 8134	2			SHAFT, Drive
2	4137 426	2			SEAL, Drive Shaft
3	3744 495	2			BEARING, Drive Shaft
4	4137 696	1			SCREW, Axle Vent
5	5300 8135	10			STUD, Wheel
6					CONE, Drive Pinion Bearing
	2070 316	1			Outer
	2800 484	1			Inner
7					GEAR and PINION PACKAGE, Also Includes Items #6,8,12,23, and 32
	4728 707	1			3.07 Ratio
	3837 583	1			3.55 Ratio
	4720 973	1			4.10 Ratio
8	4338 655	1			SEAL, Oil Drive Pinion Front
9	6033 043	10			SCREW, Rear Axle Cover
10	3723 687	1			PLUG, Cover
11	3432 695	4			SCREW, Differential Bearing Cap
12					CUP, Drive Pinion Bearing
	2070 317	1			Outer
	2800 485	1			Inner
13		2			CAP, Serviced in Item #14
14	4638 187	1			CARRIER, w/Tubes
15	4049 689	1			COVER and PLUG PACKAGE
16	3723 668	8			BOLT, Brake Support to Axle.
17	3507 876	2			ADJUSTER, Differential Bearing
18	3723 569	2			CUP, Rear Axle Differential Bearing
19	1790 541	2			CONE, Rear Axle Differential Bearing
20		1			SHAFT, Differential Pinion - Serviced in Item #31
21	0152 345	10			NUT
22	4384 220	1			CASE, Differential w/o Anti-Spin
23	3507 575	1			SPACER, Pinion Bearing Adjuster

MODEL CODES:

61=Pickup-6 Ft Box 74=4 Door Wagon T=2WD
 62=Pickup-7 Ft Box 77=Open Body 93" Wheelbase J,N,U=4WD
 72=2 Door Wagon 78=Open Body 103" Wheelbase

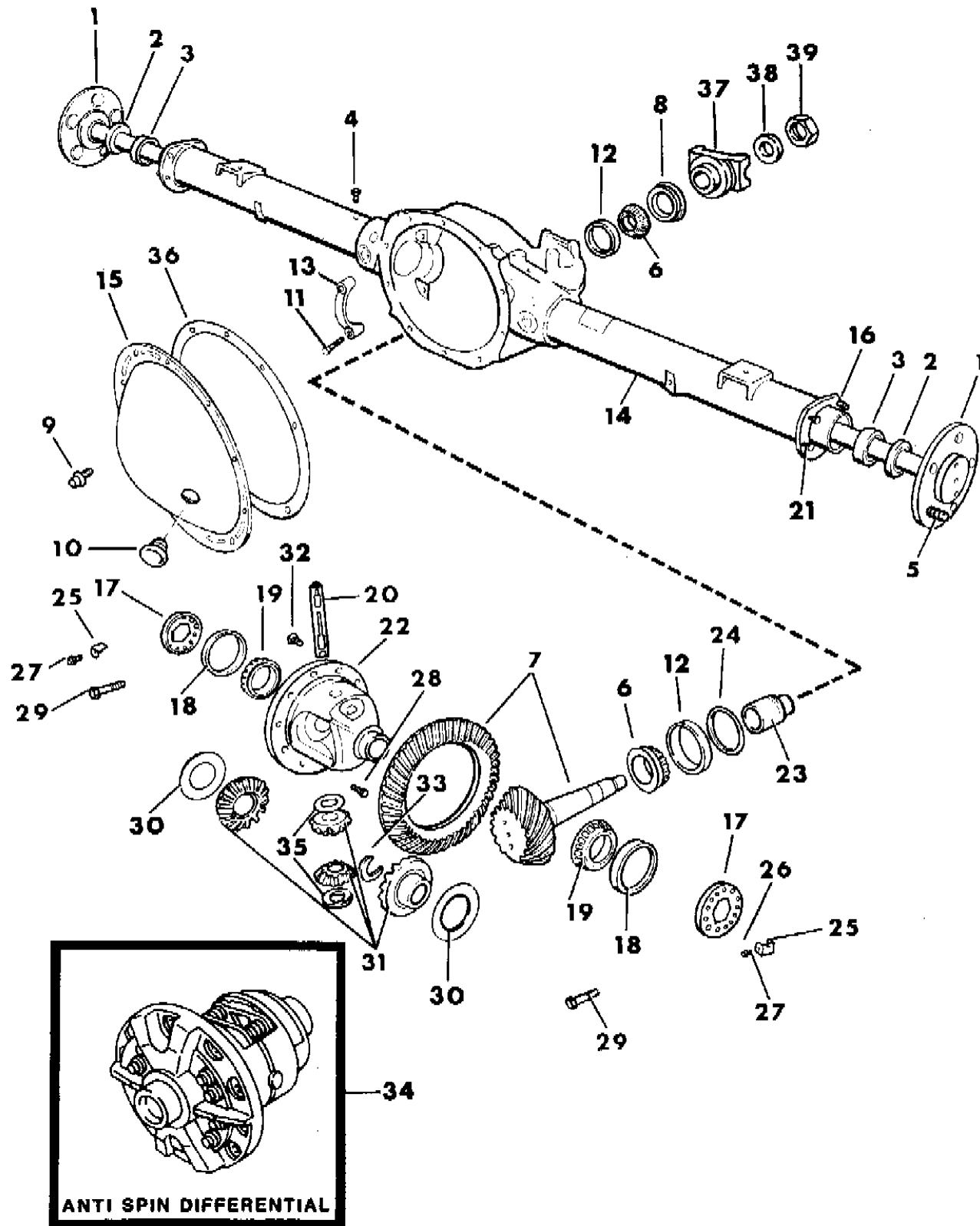
BODY STYLES:

MJ=Comanche Pickup ZJ=Grand Cherokee/Grand Wagoneer KDX VEHICLES
 SJ=Grand Wagoneer M1=Comanche
 XJ=Cherokee, Briarwood X1=Cherokee, Briarwood
 YJ=Wrangler Y1=Wrangler

AR = Use as Required - = Non Illustrated Part P.A.R. = Paint as Required

AXLE ASSEMBLY, REAR CHRYSLER 8 1/4 CHEROKEE
Figure 3-450

91J03 450B



ITEM	PART NUMBER	QTY	BODY	MODEL	DESCRIPTION
24					SHIM, Drive Pinion Bearing
	2931 817	AR			Outer
					Inner
	3723 520	AR			.020
	3723 522	AR			.022
	3723 524	AR			.024
	3723 526	AR			.026
	3723 527	AR			.027
	3723 528	AR			.028
	3723 529	AR			.029
	3723 530	AR			.030
	3723 531	AR			.031
	3723 532	AR			.032
	3723 534	AR			.034
	3723 536	AR			.036
	3723 538	AR			.038
25	3723 859	2			LOCK, Differential Bearing Adjuster
26		2			WASHER, (Not Serviced)
27	6023 092	2			SCREW and WASHER, Differential Bearing Adjuster Lock
28	3507 724	1			SCREW, Pinion Shaft Lock
29	3432 695	4			SCREW
30	4131 293	1			WASHER PACKAGE, Side Gear Thrust
31					GEAR and PINION PACKAGE, Also Includes Items #20 &30
	4176 754	1			(Up To 4-1-93)
	4741 125	1			(After 4-1-93)
32	4443 158	1			SCREW PACKAGE, Axle Drive Gear
33	2852 883	2			LOCK, Drive Shaft
34	4384 285	1			CASE, Differential w/Anti-Spin
35	2852 912	2			WASHER, Pinion Thrustw/o Anti-Spin
36	4318 025	1			SEALER, Cover (Liquid)
37	5300 7787	1			YOKE and SLINGER ASSEMBLY, Axle Drive Pinion ***
38	2070 117	1			WASHER, Pinion Nut
39	6028 041	1			NUT, Pinion

MODEL CODES:

61=Pickup-6 Ft Box 74=4 Door Wagon T=2WD
 62=Pickup-7 Ft Box 77=Open Body 93" Wheelbase J,N,U=4WD
 72=2 Door Wagon 78=Open Body 103" Wheelbase

BODY STYLES:

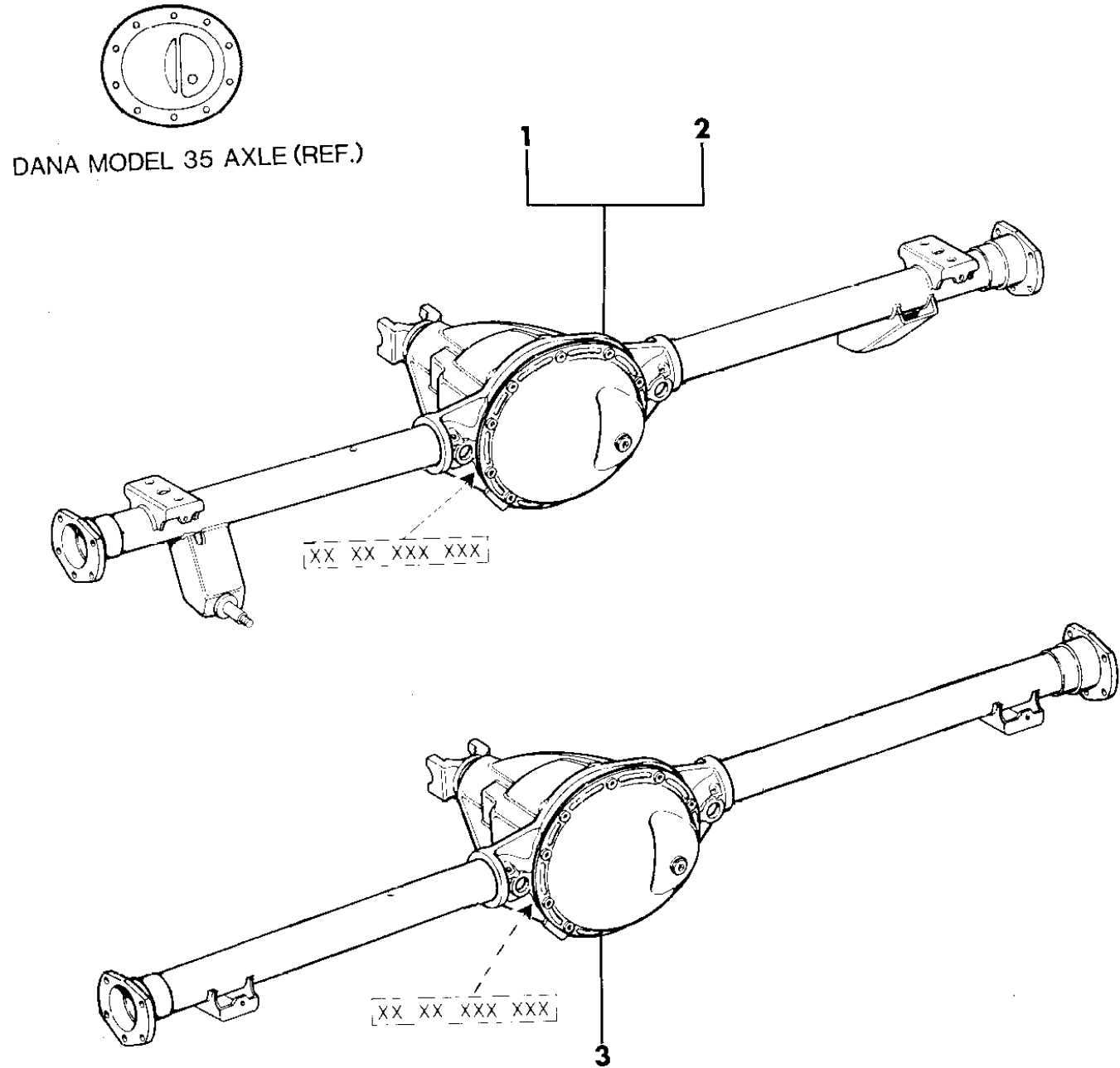
MJ=Comanche Pickup ZJ=Grand Cherokee/Grand Wagoneer KDX VEHICLES
 SJ=Grand Wagoneer M1=Comanche
 XJ=Cherokee, Briarwood X1=Cherokee, Briarwood
 YJ=Wrangler Y1=Wrangler

AR = Use as Required - = Non Illustrated Part P.A.R. = Paint as Required

AXLE ASSEMBLY, REAR DANA MODEL 35 CHEROKEE, BRIARWOOD, GRAND CHEROKEE, COMANCHE

Figure 3-500

91J03 500A



ITEM	PART NUMBER	QTY	BODY	MODEL	DESCRIPTION
1					AXLE ASSEMBLY w/o LOCKING DIFFERENTIAL ***
	5252 927	1	XJ		3.07 Ratio, Tagged 53009804, 52067355, 53005587
	4740 889	1	XJ		3.07 Ratio, Tagged 52068078 or 52067694
	5252 952	1	XJ		3.55 Ratio, Tagged 53009805, 53009808, 53005587, 52067697, 52067699, 52068074, 52068077, 52068265, 52037658 or 52067358.
	5252 930	1	XJ		4.11 Ratio, Tagged 53009806 or 52068073
	4720 897	1	ZJ		3.55 Ratio, Tagged 52068016 or 53007557
	4740 871	1	ZJ		3.73 Ratio, Tagged 52068141 or 52068143
2					AXLE ASSEMBLY w/LOCKING DIFFERENTIAL ***
	5252 928	1	XJ		3.07 Ratio, Tagged 53008658
	4740 891	1	XJ		3.07 Ratio, Tagged 52068071 or 52067695
	5252 953	1	XJ		3.55 Ratio, Tagged 53008659 or 52068070
	5252 950	1	XJ		3.55 Ratio, w/Anti-Lock Brakes, Tagged 53005588, 52067357, 52067696, 52067698 or 52068266
	5252 931	1	XJ		4.11 Ratio, Tagged 53008657 or 52068072
	4720 896	1	ZJ		3.55 Ratio, Tagged 52068017
	4740 872	1	ZJ		3.73 Ratio, Tagged 52068142 or 52068144
3					AXLE ASSEMBLY w/o LOCKING DIFFERENTIAL ***
	5252 941	1	MJ		3.07 Ratio, Tagged 52068012
	5252 942	1	MJ		3.55 Ratio, Tagged 53009809
	5252 943	1	MJ		4.11 Ratio, Tagged 53009810

MODEL CODES:

61=Pickup-6 Ft Box 74=4 Door Wagon T=2WD
 62=Pickup-7 Ft Box 77=Open Body 93" Wheelbase J,N,U=4WD
 72=2 Door Wagon 78=Open Body 103" Wheelbase

BODY STYLES:

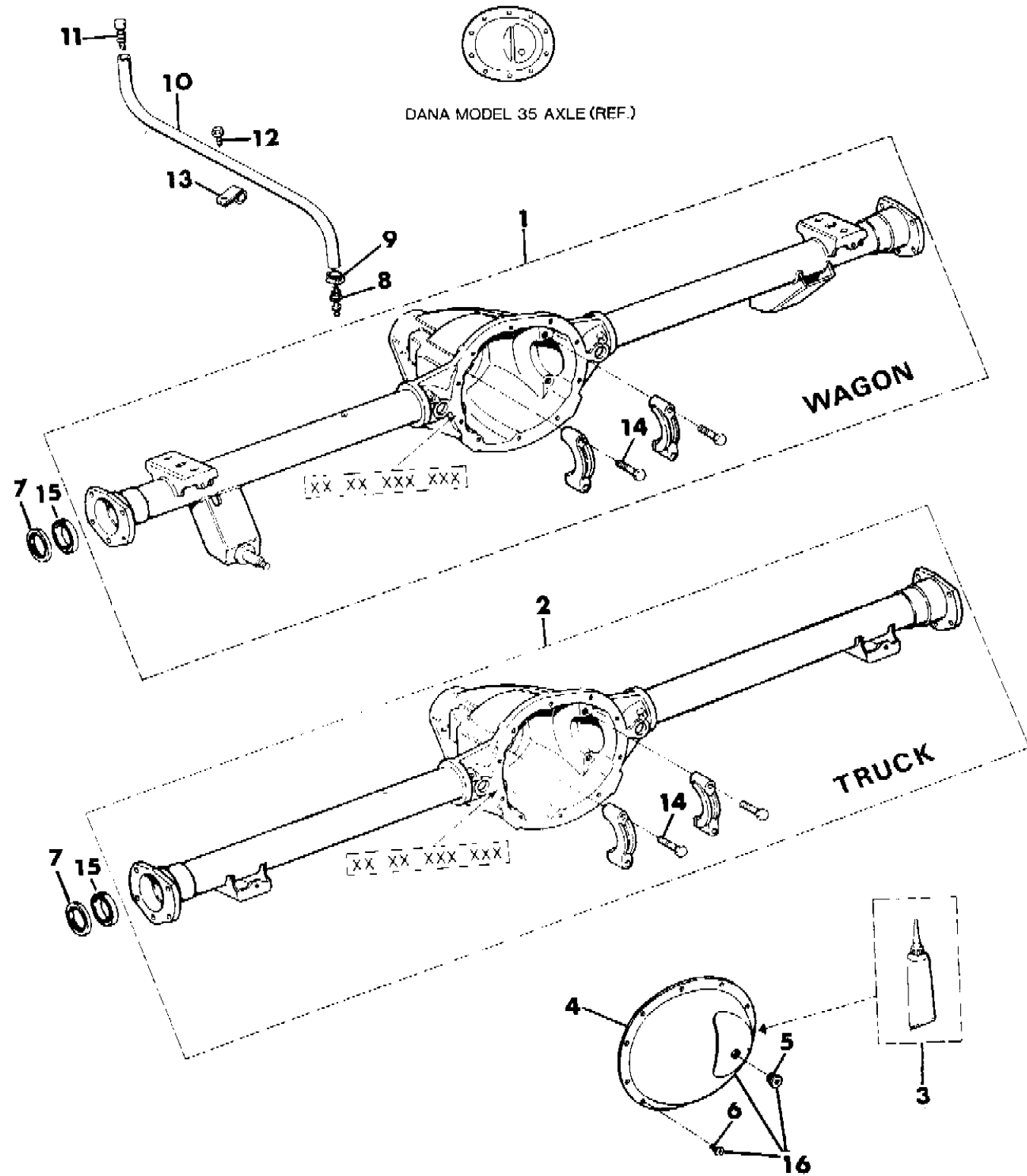
MJ=Comanche Pickup ZJ=Grand Cherokee/Grand Wagoneer KDX VEHICLES
 SJ=Grand Wagoneer M1=Comanche
 XJ=Cherokee, Briarwood X1=Cherokee, Briarwood
 YJ=Wrangler Y1=Wrangler

AR = Use as Required - = Non Illustrated Part P.A.R. = Paint as Required

HOUSING, REAR AXLE DANA MODEL 35 CHEROKEE, BRIARWOOD, GRAND CHEROKEE, COMANCHE

Figure 3-600

91J03 600



ITEM	PART NUMBER	QTY	BODY	MODEL	DESCRIPTION
1					HOUSING, Axle
	4636 168	1	XJ		
	4720 838	1	ZJ		
2	5252 632	1	MJ		HOUSING, Axle
3	J899 3317	1			SEALER, Gasket-in-a-Tube
4					COVER (Serviced in Item #16) ***
5	5252 504	1			PLUG (Rubber) ***
6	J400 6708	10			BOLT
7	5252 499	2			SEAL
8	J318 7999	1			VENT
9	J322 7851	1			CLAMP
10	J318 7627	1			HOSE, Rear Axle Vent
11	J535 2955	1			BREATHER
12	J942 6241	1			SCREW
13	J012 0526	1			CLIP
14	J400 6553	4			BOLT
15	J813 4586	2			BEARING ASSEMBLY, Axle Shaft
16	5252 493	1			COVER ASSEMBLY PACKAGE ***

MODEL CODES:

61=Pickup-6 Ft Box 74=4 Door Wagon T=2WD
 62=Pickup-7 Ft Box 77=Open Body 93" Wheelbase J,N,U=4WD
 72=2 Door Wagon 78=Open Body 103" Wheelbase

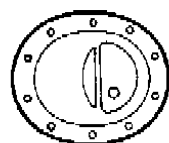
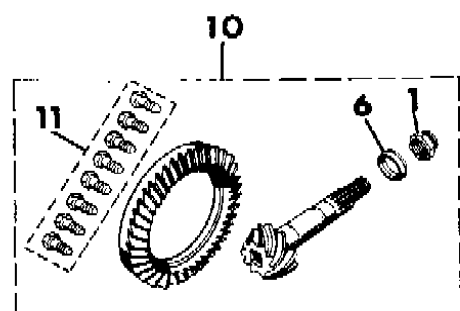
BODY STYLES:

MJ=Comanche Pickup ZJ=Grand Cherokee/Grand Wagoneer KDX VEHICLES
 SJ=Grand Wagoneer M1=Comanche
 XJ=Cherokee, Briarwood X1=Cherokee, Briarwood
 YJ=Wrangler Y1=Wrangler

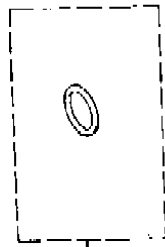
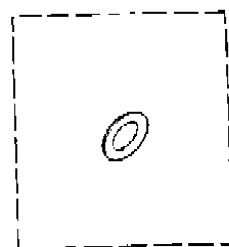
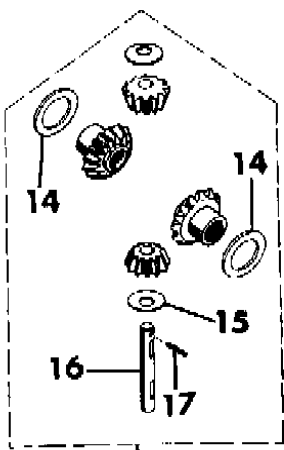
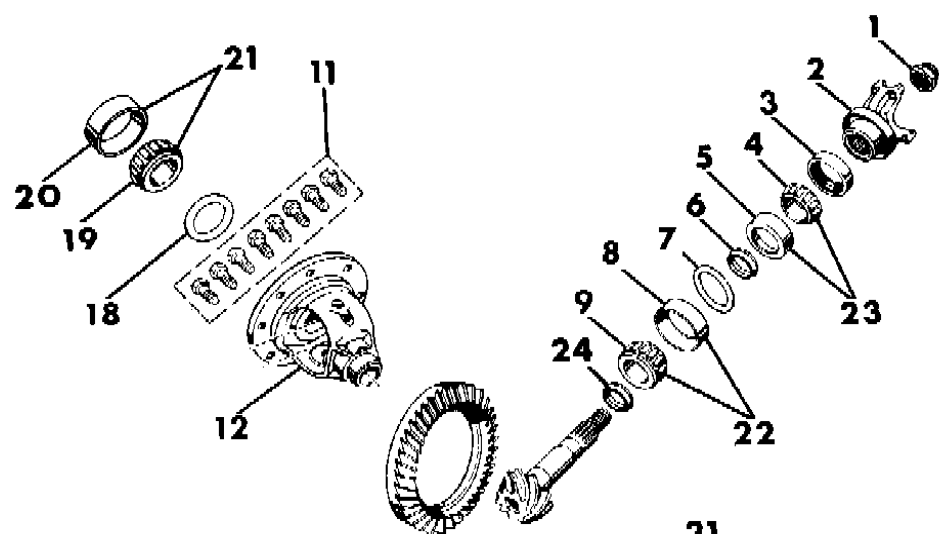
AR = Use as Required - = Non Illustrated Part P.A.R. = Paint as Required

DIFFERENTIAL, NON-LOCKING DANA MODEL 35 CHEROKEE, BRIARWOOD, GRAND CHEROKEE, COMANCHE
Figure 3-700

91J03 700 A



DANA MODEL 35 AXLE (REF.)



ITEM	PART NUMBER	QTY	BODY	MODEL	DESCRIPTION
1	J318 2601	1			NUT, Pinion
2	8350 3318	1			YOKE, Pinion
3	8350 4946	1			SEAL, Pinion
4	J315 6063	1			CONE, Bearing
5	J315 6062	1			CUP, Bearing
6	J317 5779	1			SPACER, Pinion
7					SHIM PACKAGE
	8350 3003	1	XJ,MJ		Contains 8 Shims
	4720 922	1	ZJ		Contains 10 Shims
8	J315 6065	1			CUP, Bearing
9	J317 0947	1			CONE, Bearing
10					GEAR SET
	8350 5472	1	XJ,MJ		3.07 Ratio
	8350 4376	1	XJ,MJ		3.55 Ratio
	8350 4938	1	XJ,MJ		4.11 Ratio
	4720 839	1	ZJ		3.55 Ratio
	4740 873	1	ZJ		3.73 Ratio
11	8350 4374	1			BOLT PACKAGE ***
12					CASE PACKAGE, Differential, Also Includes Items #13, 18, 19 and 20. ***
	5252 510	1	XJ,MJ		3.07 Ratio
	5252 494	1	XJ,MJ		3.55, 4.11 Ratio, w/2.5L Eng.
	5252 517	1	XJ,MJ		3.55, 4.11 Ratio, w/4.0L Eng.
	4740 834	1	ZJ		3.55, 3.73 Ratio
13					GEAR SET, Differential
	4637 393	1	XJ,MJ		
	4740 670	1	ZJ		
14	J323 7817	2	XJ,MJ		WASHER, Side
	J812 0832	2	ZJ		
15	J323 7818	2	XJ,MJ		WASHER, Pinion
	J812 0831	2	ZJ		
16		1			SHAFT, Differential (Serv. in #13 Only)
17	5252 502	1			PIN, Retaining
18	8350 3004	1			SHIM PACKAGE (16)
19	1937 771	2			CONE, Bearing
20	J317 1166	2			CUP, Bearing
21	J812 6500	1			BEARING PACKAGE, Differential Side ***
22	5252 507	1			BEARING PACKAGE, Pinion Inner ***
23	5252 508	1			BEARING PACKAGE, Pinion Outer ***
24		1			SPACER, Serviced by Item #6.

MODEL CODES:

61=Pickup-6 Ft Box 74=4 Door Wagon T=2WD
 62=Pickup-7 Ft Box 77=Open Body 93" Wheelbase J,N,U=4WD
 72=2 Door Wagon 78=Open Body 103" Wheelbase

BODY STYLES:

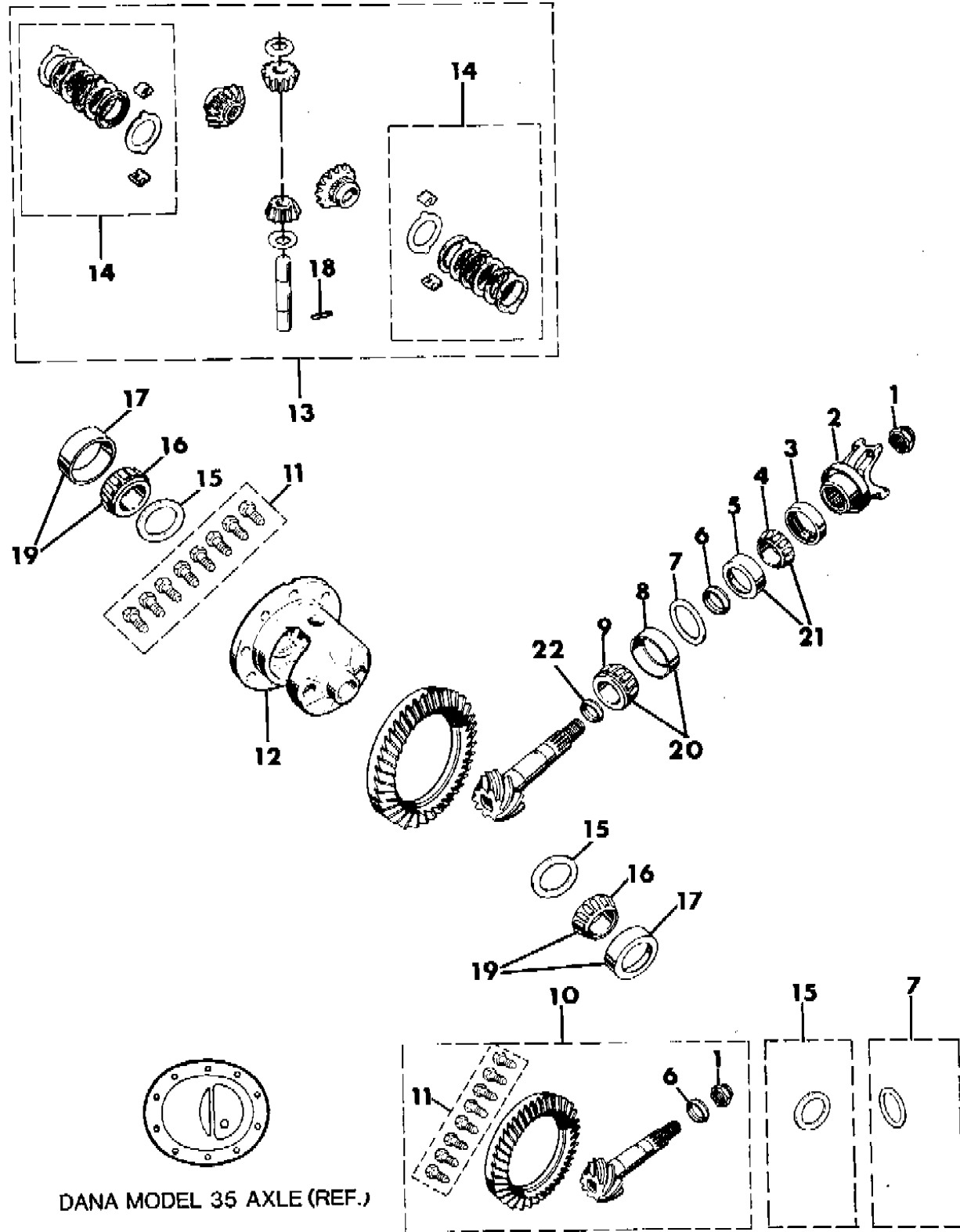
MJ=Comanche Pickup ZJ=Grand Cherokee/Grand Wagoneer KDX VEHICLES
 SJ=Grand Wagoneer M1=Comanche
 XJ=Cherokee, Briarwood X1=Cherokee, Briarwood
 YJ=Wrangler Y1=Wrangler

AR = Use as Required - = Non Illustrated Part P.A.R. = Paint as Required

DIFFERENTIAL, LOCKING DANA MODEL 35 CHEROKEE, BRIARWOOD, GRAND CHEROKEE, COMANCHE

Figure 3-800

91J03 800 A



DANA MODEL 35 AXLE (REF.)

ITEM	PART NUMBER	QTY	BODY	MODEL	DESCRIPTION
1	J318 2601	1			NUT, Pinion
2	8350 3318	1			YOKE, Pinion
3	8350 4946	1			SEAL, Pinion
4	J315 6063	1			CONE, Bearing
5	J315 6062	1			CUP, Bearing
6	J317 5779	1			SPACER, Pinion
7	8350 3003	1			SHIM PACKAGE
8	J315 6065	1			CUP, Bearing
9	J317 0947	1			CONE, Bearing
10					GEAR SET, Ring and Pinion
	8350 5472	1	XJ,MJ		3.07 Ratio
	8350 4376	1	XJ,MJ		3.55 Ratio
	8350 4938	1	XJ,MJ		4.11 Ratio
	4720 839	1	ZJ		3.55 Ratio
	4740 873	1	ZJ		3.73 Ratio
11	8350 4374	1			BOLT PACKAGE ***
12					CASE PACKAGE, Differential, Also Includes Items #12,13,15,16 and 17. ***
	5252 512	1			3.07 Ratio
	5252 496	1			3.55, 3.73, 4.11 Ratio
13	5252 497	1			GEAR SET, Differential
14	5252 506	1			DISC PACKAGE, Differential ***
15	8350 3004	1			SHIM PACKAGE (16)
16	1937 771	2			CONE, Bearing
17	J317 1166	2			CUP, Bearing
18	5252 502	1			PIN, Retaining
19	J812 6500	1			BEARING PACKAGE, Differential Side ***
20	5252 507	1			BEARING PACKAGE, Pinion Inner ***
21	5252 508	1			BEARING PACKAGE, Pinion Outer ***
22		1			SPACER, Serviced by Item #7.

MODEL CODES:

61=Pickup-6 Ft Box 74=4 Door Wagon T=2WD
 62=Pickup-7 Ft Box 77=Open Body 93" Wheelbase J,N,U=4WD
 72=2 Door Wagon 78=Open Body 103" Wheelbase

BODY STYLES:

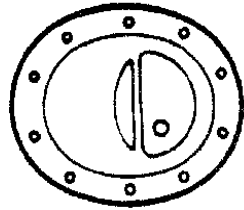
MJ=Comanche Pickup ZJ=Grand Cherokee/Grand Wagoneer KDX VEHICLES
 SJ=Grand Wagoneer M1=Comanche
 XJ=Cherokee, Briarwood X1=Cherokee, Briarwood
 YJ=Wrangler Y1=Wrangler

AR = Use as Required - = Non Illustrated Part P.A.R. = Paint as Required

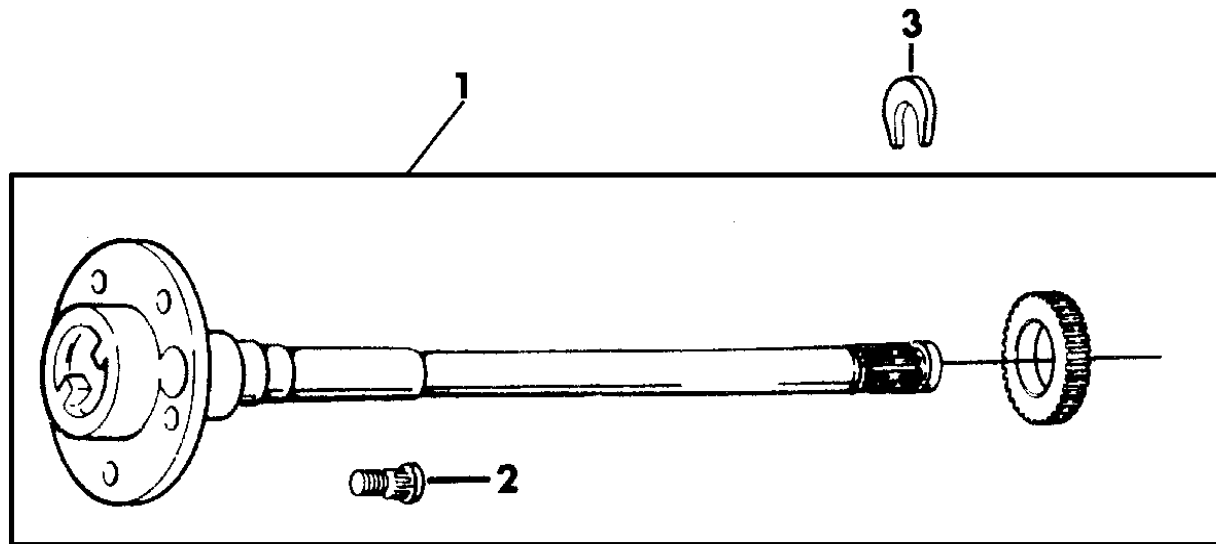
SHAFT, REAR AXLE DANA MODEL 35 CHEROKEE, BRIARWOOD, GRAND CHEROKEE, COMANCHE
Figure 3-900

91J03 900A

ITEM	PART NUMBER	QTY	BODY	MODEL	DESCRIPTION
1					SHAFT, Axle w/ or w/o Anti-Lock Brakes
	5252 948-9	1			1991
	4713 192-3	1			1992-93
2	8350 3053	10			STUD, Wheel
3	5252 505	2			RETAINER, Axle Shaft



DANA MODEL 35 AXLE (REF.)



MODEL CODES:

61=Pickup-6 Ft Box 74=4 Door Wagon T=2WD
62=Pickup-7 Ft Box 77=Open Body 93" Wheelbase J,N,U=4WD
72=2 Door Wagon 78=Open Body 103" Wheelbase

BODY STYLES:

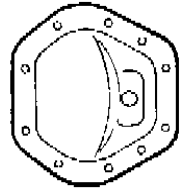
MJ=Comanche Pickup ZJ=Grand Cherokee/Grand Wagoneer KDX VEHICLES
SJ=Grand Wagoneer M1=Comanche
XJ=Cherokee, Briarwood X1=Cherokee, Briarwood
YJ=Wrangler Y1=Wrangler

AR = Use as Required - = Non Illustrated Part P.A.R. = Paint as Required

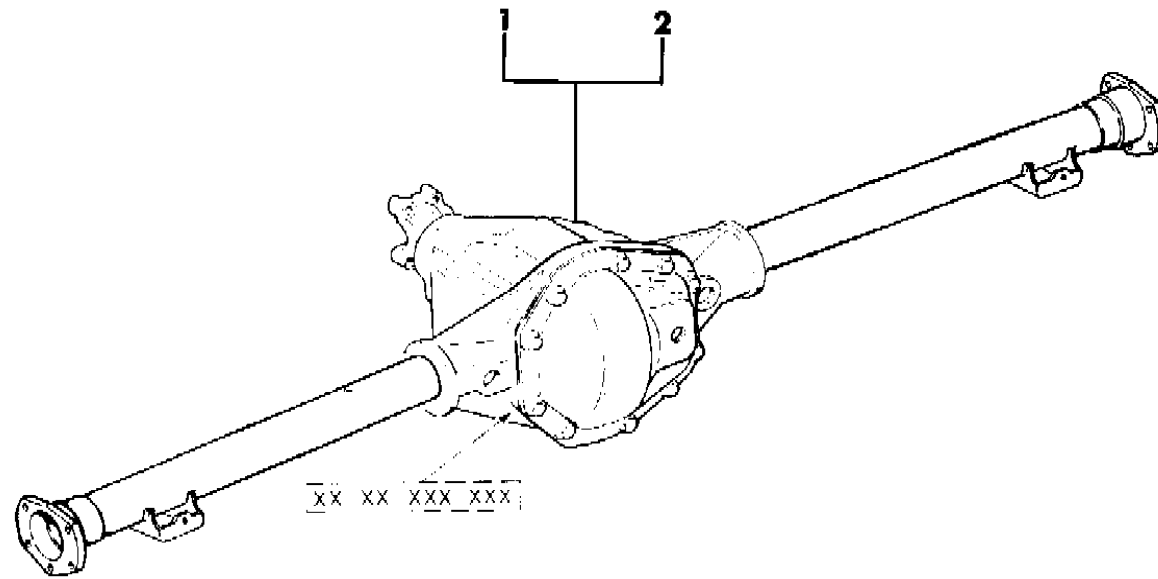
AXLE ASSEMBLY, REAR DANA MODEL 44 COMANCHE
Figure 3-1000

91J03 1000

ITEM	PART NUMBER	QTY	BODY	MODEL	DESCRIPTION
1					AXLE ASSEMBLY w/o LOCKING DIFFERENTIAL
	5252 940	1			3.07 Ratio, Tagged 53 008 601
	5252 939	1			3.54 Ratio, Tagged 53 008 603
	5252 938	1			4.09 Ratio, Tagged 53 008 605
2					AXLE ASSEMBLY w/LOCKING DIFFERENTIAL
	8350 5433	1			3.07 Ratio, Tagged 53 008 602
	8350 5434	1			3.54 Ratio, Tagged 53 008 604



DANA MODEL 44 AXLE (REF.)



MODEL CODES:

61=Pickup-6 Ft Box 74=4 Door Wagon T=2WD
 62=Pickup-7 Ft Box 77=Open Body 93" Wheelbase J,N,U=4WD
 72=2 Door Wagon 78=Open Body 103" Wheelbase

BODY STYLES:

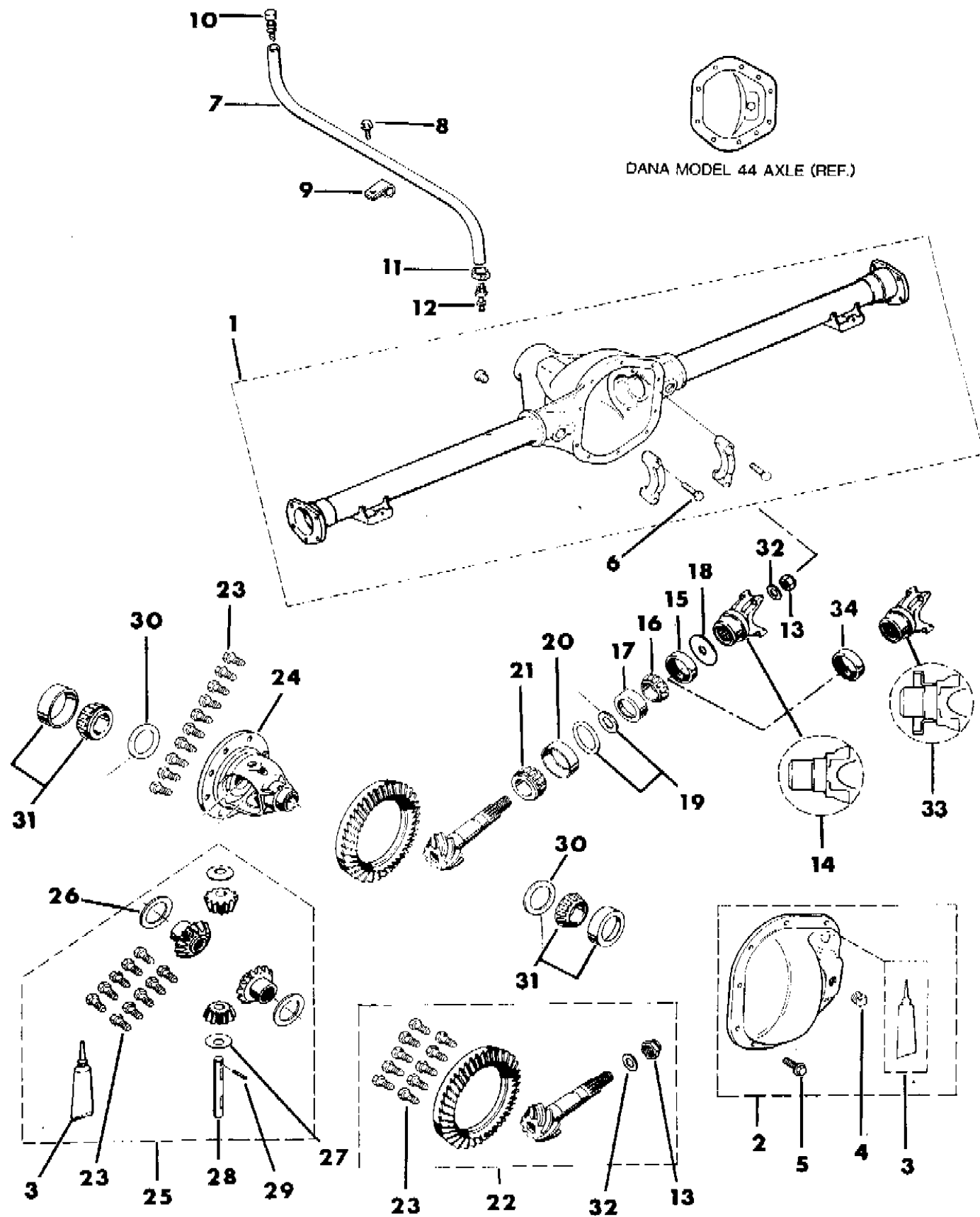
MJ=Comanche Pickup ZJ=Grand Cherokee/Grand Wagoneer KDX VEHICLES
 SJ=Grand Wagoneer M1=Comanche
 XJ=Cherokee, Briarwood X1=Cherokee, Briarwood
 YJ=Wrangler Y1=Wrangler

AR = Use as Required - = Non Illustrated Part P.A.R. = Paint as Required

HOUSING AND DIFFERENTIAL, REAR AXLE DANA MODEL 44 W/O LOCKING DIFFERENTIAL COMANCHE

Figure 3-1100

91J03 1100



ITEM	PART NUMBER	QTY	BODY	MODEL	DESCRIPTION
1	8350 3055	1			HOUSING, Axle
2	8350 5549	1			COVER
3	J899 3317	1			SEALER, Gasket-in-a-Tube
4	S044 4588	1			PLUG (1/2")
5	J027 3573	10			BOLT
6	8350 1515	4			BOLT
7	J318 7627	1			HOSE, Vent
8	J942 6241	1			SCREW
9	J012 0526	1			CLIP
10	J535 2955	1			BREATHER, Rear Axle Vent
11	J322 7851	1			CLAMP
12	J318 7999	1			VENT
13	J080 1367	1			NUT, Pinion
14	J813 3241	1			YOKE, Pinion
15	J099 8092	1			SEAL, Pinion
16	1793 513	1			CONE, Pinion Bearing
17	J005 2879	1			CUP, Pinion Bearing
18	J063 6566	1			SLINGER
19	J812 9221	1			SHIM PACKAGE
20	0698 413	1			CUP, Bearing
21	J080 7266	1			CONE, Bearing
22					GEAR SET, Ring and Pinion
	8350 4197	1			3.07 Ratio
	4137 749	1			3.54 Ratio
	8350 3059	1			4.09 Ratio
23	J064 9454	10			BOLT
24					CASE, Differential
	8350 3073	1			3.07, 3.54 Ratio
	8350 3067	1			4.09 Ratio
25	8350 3068	1			GEAR SET, Differential
26	J080 5325	2			WASHER, Side
27	J064 5790	2			WASHER, Pinion
28	8350 3069	1			SHAFT, Differential
29	J063 6360	1			PIN
30	J812 9222	1			SHIM PACKAGE, Differential
31	J812 4071	1			BEARING PACKAGE ***
32	1791 576	1			WASHER
33	J813 3241	1			YOKE, Pinion
34	J099 8092	1			SEAL, Pinion

MODEL CODES:

61=Pickup-6 Ft Box 74=4 Door Wagon T=2WD
 62=Pickup-7 Ft Box 77=Open Body 93" Wheelbase J,N,U=4WD
 72=2 Door Wagon 78=Open Body 103" Wheelbase

BODY STYLES:

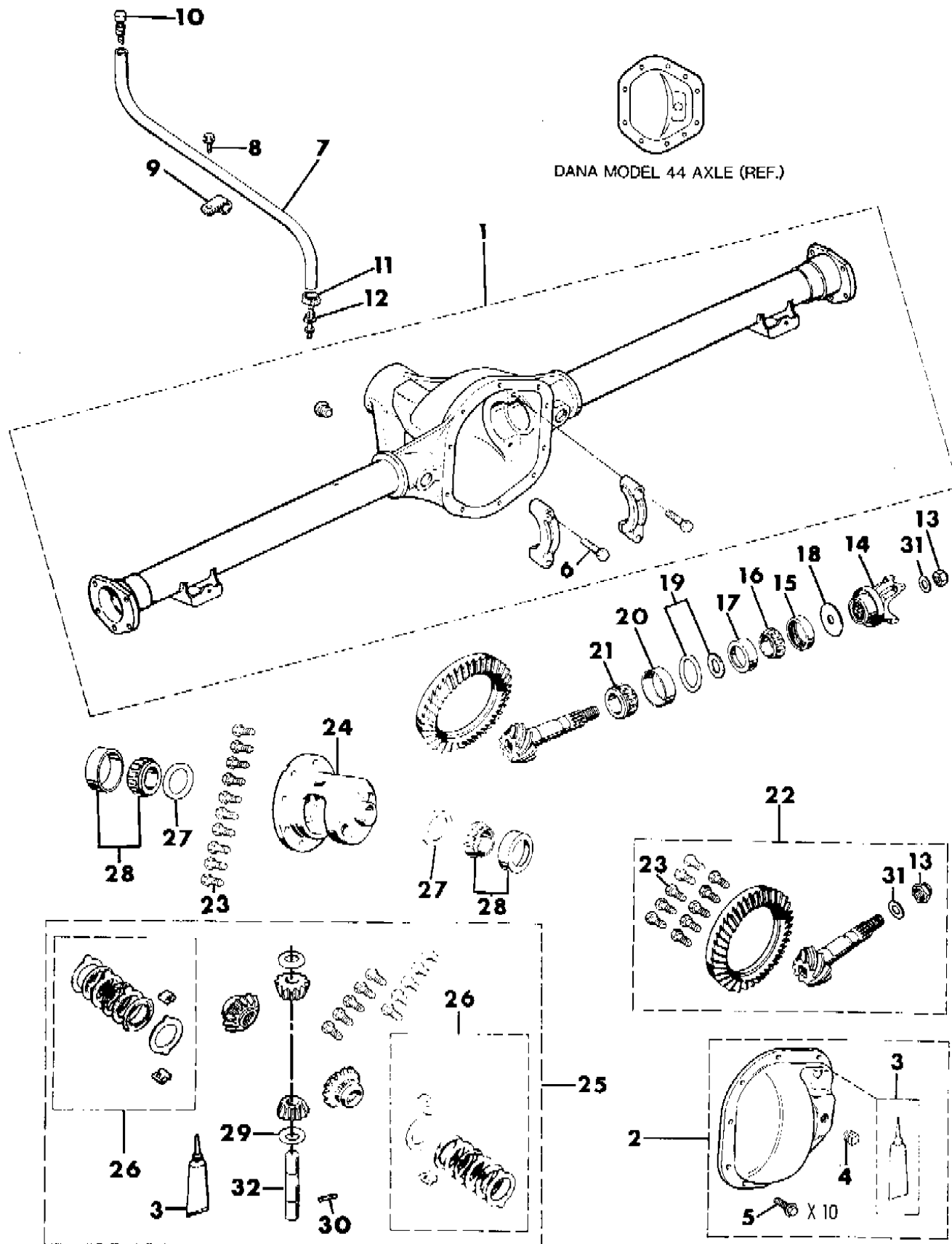
MJ=Comanche Pickup ZJ=Grand Cherokee/Grand Wagoneer KDX VEHICLES
 SJ=Grand Wagoneer M1=Comanche
 XJ=Cherokee, Briarwood Y1=Cherokee, Briarwood
 YJ=Wrangler Y1=Wrangler

AR = Use as Required - = Non Illustrated Part P.A.R. = Paint as Required

HOUSING AND DIFFERENTIAL, REAR AXLE DANA MODEL 44 W/LOCKING DIFFERENTIAL COMANCHE

Figure 3-1200

91J03 1200A



ITEM	PART NUMBER	QTY	BODY	MODEL	DESCRIPTION
1	8350 3055	1			HOUSING, Axle
2	8350 5549	1			COVER
3	J899 3317	1			SEALER, Gasket-in-a-Tube
4	S044 4588	1			PLUG (1/2")
5	J027 3573	10			BOLT
6	8350 1515	4			BOLT
7	J318 7627	1			HOSE, Vent
8	J942 6241	1			SCREW
9	J012 0526	1			CUP
10	J535 2955	1			BREATHER
11	J322 7851	1			CLAMP
12	J318 7999	1			VENT
13	J080 1367	1			NUT, Pinion
14	8350 3388	1			YOKE, Pinion
15	8350 3390	1			SEAL, Pinion
16	1793 513	1			CONE, Bearing
17	J005 2879	1			CUP, Bearing
18	J063 6566	1			SLINGER
19	J812 9221	1			SHIM PACKAGE
20	0698 413	1			CUP, Bearing
21	J080 7266	1			CONE, Bearing
22					GEAR SET, Ring and Pinion
	8350 4197	1			3.07 Ratio
	4137 749	1			3.54 Ratio
23	J064 9454	10			BOLT
24	8350 5431	1			CASE, Differential
25	8350 5432	1			GEAR SET, Rear Axle Differential
26	J099 4345	1			DISC PACKAGE, Differential ***
27	J812 9222	1			SHIM PACKAGE
28	J812 4071	1			BEARING PACKAGE, Differential Side ***
29	J064 5790	2			WASHER, Pinion
30	J063 6360	1			PIN, Roll
31	1791 576	1			WASHER
32	8350 3069	1			SHAFT

MODEL CODES:

61=Pickup-6 Ft Box 74=4 Door Wagon T=2WD
 62=Pickup-7 Ft Box 77=Open Body 93" Wheelbase J,N,U=4WD
 72=2 Door Wagon 78=Open Body 103" Wheelbase

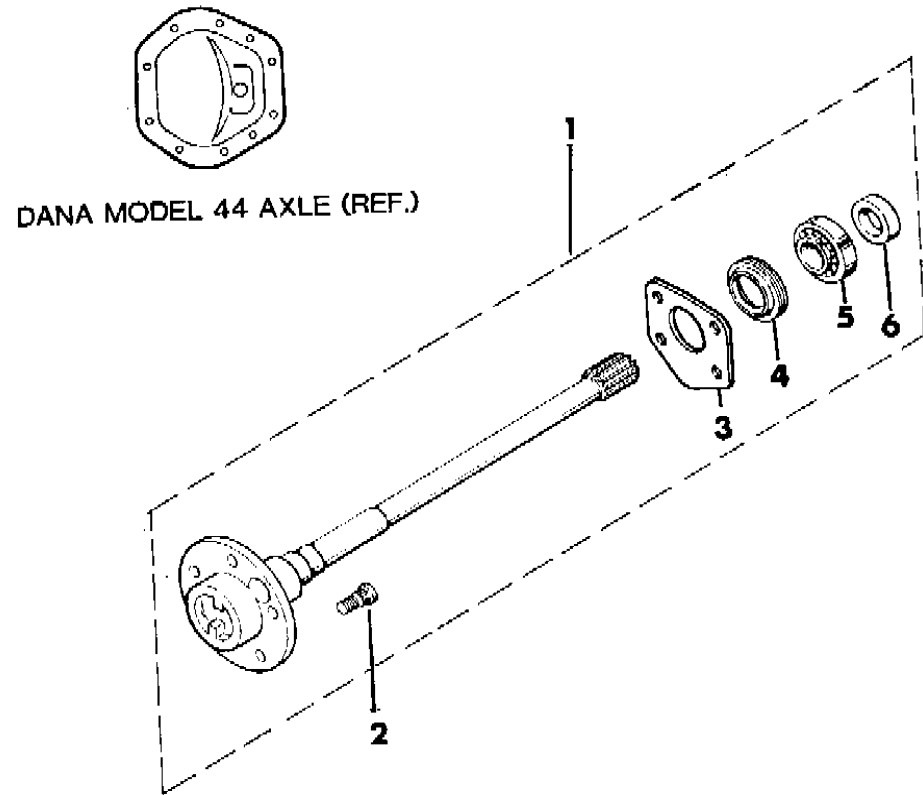
BODY STYLES:

MJ=Comanche Pickup ZJ=Grand Cherokee/Grand Wagoneer KDX VEHICLES
 SJ=Grand Wagoneer M1=Comanche
 XJ=Cherokee, Briarwood X1=Cherokee, Briarwood
 YJ=Wrangler Y1=Wrangler

AR = Use as Required - = Non Illustrated Part P.A.R. = Paint as Required

SHAFT, REAR AXLE DANA MODEL 44 COMANCHE
Figure 3-1300

91J03 1300



ITEM	PART NUMBER	QTY	BODY	MODEL	DESCRIPTION
1					SHAFT, Axle
	8350 4960	1			Right
	8350 4961	1			Left
2	8350 3053	10			STUD, Wheel
3	8350 4190	2			RETAINER
4	8350 3063	2			SEAL, Rear Axle Shaft, Dana Model 44
5	J323 0115	2			BEARING
6	8350 3077	2			RING, Retaining

MODEL CODES:

61=Pickup-6 Ft Box 74=4 Door Wagon T=2WD
62=Pickup-7 Ft Box 77=Open Body 93" Wheelbase J,N,U=4WD
72=2 Door Wagon 78=Open Body 103" Wheelbase

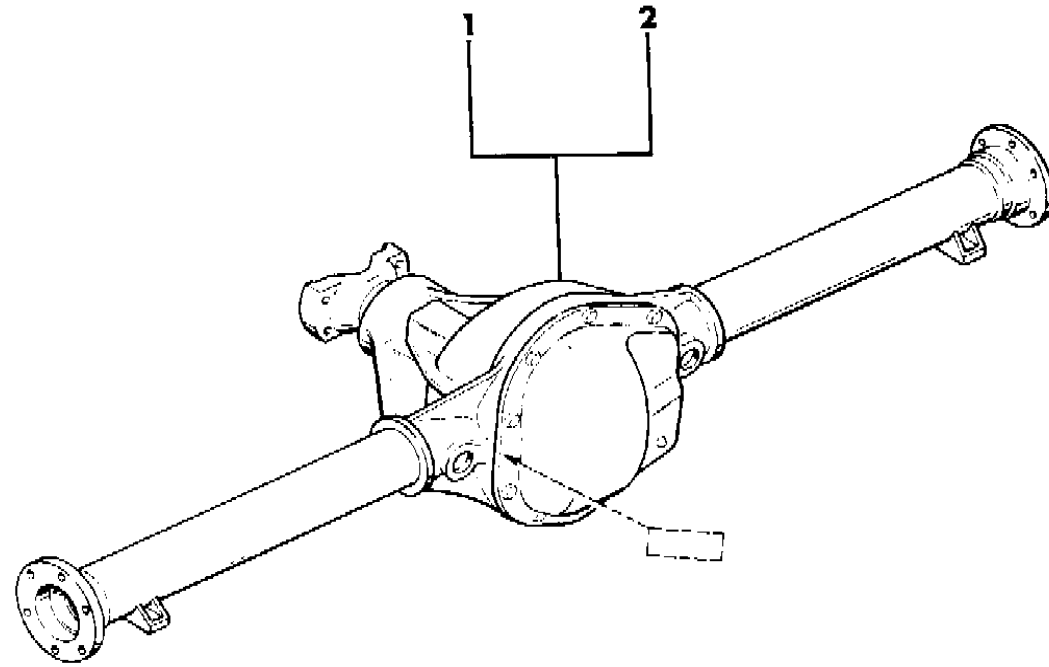
BODY STYLES:

MJ=Comanche Pickup ZJ=Grand Cherokee/Grand Wagoneer KDX VEHICLES
SJ=Grand Wagoneer M1=Comanche
XJ=Cherokee, Briarwood X1=Cherokee, Briarwood
YJ=Wrangler Y1=Wrangler

AR = Use as Required - = Non Illustrated Part P.A.R. = Paint as Required

REAR AXLE ASSEMBLY DANA MODEL 44 GRAND WAGONEER
Figure 3-1400

91J03 1400



ITEM	PART NUMBER	QTY	BODY	MODEL	DESCRIPTION
DANA MODEL 44					
1	8350 3092	1			w/o Locking Differential 2.73 Ratio (89 53 004 028)
	8350 3089	1			3.31 Ratio (89 53 004 030)
2	8350 3093	1			w/Locking Differential 3.31 Ratio (89 53 004 031)
	8350 5438	1			3.31 Ratio (89 53 005 418)

MODEL CODES:

61=Pickup-6 Ft Box 74=4 Door Wagon T=2WD
 62=Pickup-7 Ft Box 77=Open Body 93" Wheelbase J,N,U=4WD
 72=2 Door Wagon 78=Open Body 103" Wheelbase

BODY STYLES:

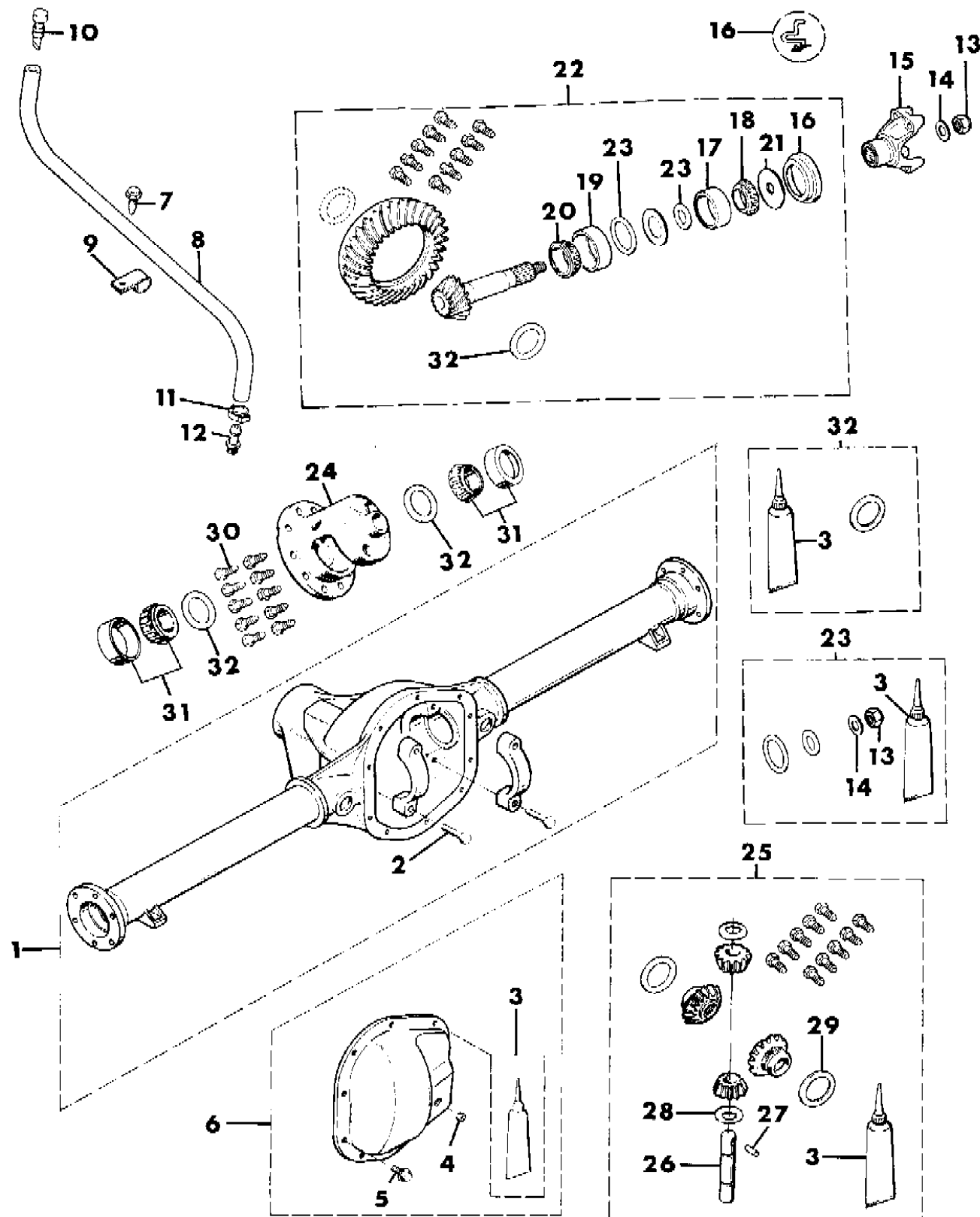
MJ=Comanche Pickup ZJ=Grand Cherokee/Grand Wagoneer KDX VEHICLES
 SJ=Grand Wagoneer M1=Comanche
 XJ=Cherokee, Briarwood X1=Cherokee, Briarwood
 YJ=Wrangler Y1=Wrangler

AR = Use as Required - = Non Illustrated Part P.A.R. = Paint as Required

HOUSING AND DIFFERENTIAL, REAR AXLE DANA MODEL 44 W/O LOCKING DIFFERENTIAL GRAND WAGONEER

Figure 3-1500

91J03 1500



ITEM	PART NUMBER	QTY	BODY	MODEL	DESCRIPTION
1	8350 3088	1			HOUSING, Axle
2	8350 1515	4			BOLT
3	J899 3317	1			SEALER, Gasket-in-a-Tube
4	S044 4588	1			PLUG (1/2")
5	J027 3573	10			BOLT
6	8350 5549	1			COVER PACKAGE
7	J942 6241	1			SCREW
8	J812 5823	AR			HOSE, Vent (1')
9	J012 0525	1			CUP
10	J535 2955	1			BREATHER
11	J322 7851	1			CLAMP
12	J318 7999	1			VENT
13	J080 1367	1			NUT, Pinion
14	1791 576	1			WASHER, Pinion
15	8350 3388	1			YOKE, Pinion
16	8350 3390	1			SEAL, Pinion
17	J005 2879	1			CUP, Bearing
18	1793 513	1			CONE, Bearing
19	0698 413	1			CUP, Bearing
20	J080 7266	1			CONE, Bearing
21	J063 6566	1			SLINGER
22	J813 4222	1			GEAR SET, Ring and Pinion 2.73 Ratio
	J813 4219	1			3.31 Ratio
23	J812 9221	1			SHIM PACKAGE
24	8350 3073	1			CASE, Differential
25	8350 3068	1			GEAR SET, Differential
26	8350 3069	1			SHAFT, Differential
27	J063 6360	1			PIN
28	J064 5790	2			WASHER
29	J080 5325	2			WASHER
30	J064 9454	10			BOLT
31	J812 4071	1			BEARING PACKAGE ***
32	J812 9222	1			SHIM PACKAGE

MODEL CODES:

61=Pickup-6 Ft Box 74=4 Door Wagon T=2WD
 62=Pickup-7 Ft Box 77=Open Body 93" Wheelbase J,N,U=4WD
 72=2 Door Wagon 78=Open Body 103" Wheelbase

BODY STYLES:

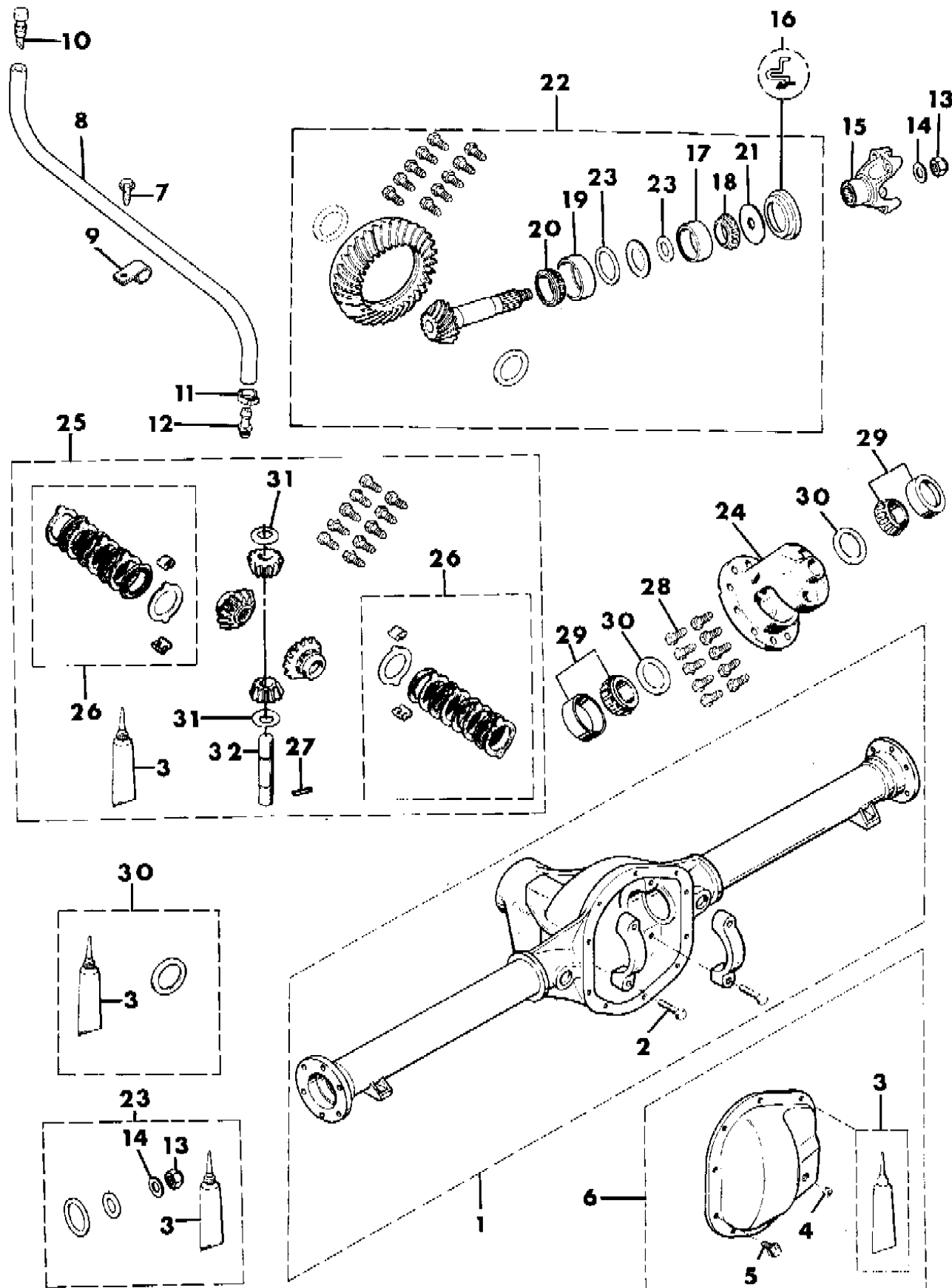
MJ=Comanche Pickup ZJ=Grand Cherokee/Grand Wagoneer KDX VEHICLES
 SJ=Grand Wagoneer M1=Comanche
 XJ=Cherokee, Briarwood X1=Cherokee, Briarwood
 YJ=Wrangler Y1=Wrangler

AR = Use as Required - = Non Illustrated Part P.A.R. = Paint as Required

HOUSING AND DIFFERENTIAL, REAR AXLE DANA MODEL 44 W/LOCKING DIFFERENTIAL GRAND WAGONEER

Figure 3-1600

91J03 1600A



ITEM	PART NUMBER	QTY	BODY	MODEL	DESCRIPTION
1	8350 3088	1			HOUSING, Axle
2	8350 1515	4			BOLT
3	J899 3317	1			SEALER, Gasket-in-a-Tube
4	S044 4588	1			PLUG, Rear Axle Cover, (1/2" Pipe Thread)
5	J027 3573	10			BOLT
6	8350 5549	1			COVER PACKAGE
7	J942 6241	1			SCREW
8	J812 5823	AR			HOSE, Vent (1')
9	J012 0525	1			CLIP
10	J535 2955	1			BREATHER
11	J322 7851	1			CLAMP
12	J318 7999	1			VENT
13	J080 1367	1			NUT, Pinion
14	1791 576	1			WASHER, Pinion
15	8350 3388	1			YOKE, Pinion
16	8350 3390	1			SEAL, Pinion
17	J005 2879	1			CUP, Bearing
18	1793 513	1			CONE, Bearing
19	0698 413	1			CUP, Bearing
20	J080 7266	1			CONE, Bearing
21	J063 6566	1			SLINGER
22	J813 4219	1			GEAR SET, Ring and Pinion, 3.31 Ratio
23	J812 9221	1			SHIM PACKAGE
24	8350 5431	1			CASE, Differential
25	8350 5432	1			GEAR SET, Differential
26	J099 4345	1			DISC PACKAGE, Differential ***
27	J063 6360	1			PIN, Roll
28	J064 9454	10			BOLT
29	J812 4071	1			BEARING PACKAGE ***
30	J812 9222	1			SHIM PACKAGE
31	J064 5790	2			WASHER, Pinion
32	8350 3069	1			SHAFT, Differential

MODEL CODES:

61=Pickup-6 Ft Box 74=4 Door Wagon T=2WD
 62=Pickup-7 Ft Box 77=Open Body 93" Wheelbase J,N,U=4WD
 72=2 Door Wagon 78=Open Body 103" Wheelbase

BODY STYLES:

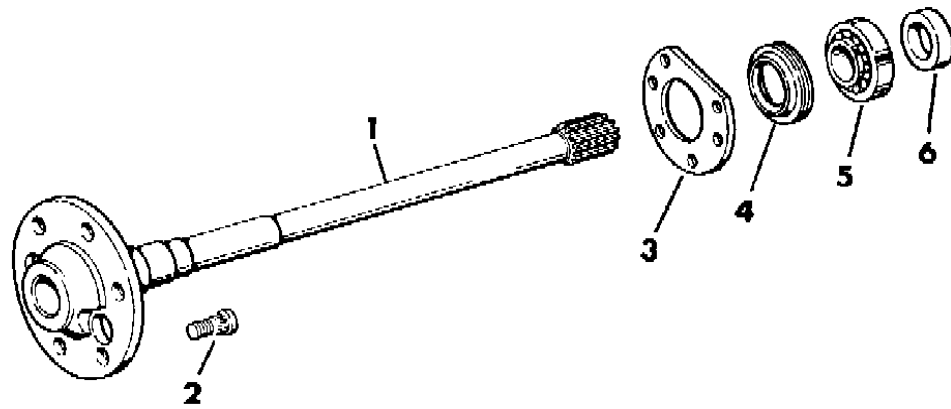
MJ=Comanche Pickup ZJ=Grand Cherokee/Grand Wagoneer KDX VEHICLES
 SJ=Grand Wagoneer M1=Comanche
 XJ=Cherokee, Briarwood X1=Cherokee, Briarwood
 YJ=Wrangler Y1=Wrangler

AR = Use as Required - = Non Illustrated Part P.A.R. = Paint as Required

SHAFT, REAR AXLE DANA MODEL 44 GRAND WAGONEER
Figure 3-1700

91J03 1700

ITEM	PART NUMBER	QTY	BODY	MODEL	DESCRIPTION
1					SHAFT, Axle
	8350 3090	1			Right
	8350 3091	1			Left
2	J323 0413	12			STUD, Wheel
3	J323 9073	2			RETAINER
4	J324 0086	2			SEAL
5	J323 0115	2			BEARING
6	8350 3077	2			RING, Retaining



MODEL CODES:

61=Pickup-6 Ft Box 74=4 Door Wagon T=2WD
 62=Pickup-7 Ft Box 77=Open Body 93" Wheelbase J,N,U=4WD
 72=2 Door Wagon 78=Open Body 103" Wheelbase

BODY STYLES:

MJ=Comanche Pickup ZJ=Grand Cherokee/Grand Wagoneer KDX VEHICLES
 SJ=Grand Wagoneer M1=Comanche
 XJ=Cherokee, Briarwood X1=Cherokee, Briarwood
 YJ=Wrangler Y1=Wrangler

AR = Use as Required - = Non Illustrated Part P.A.R. = Paint as Required

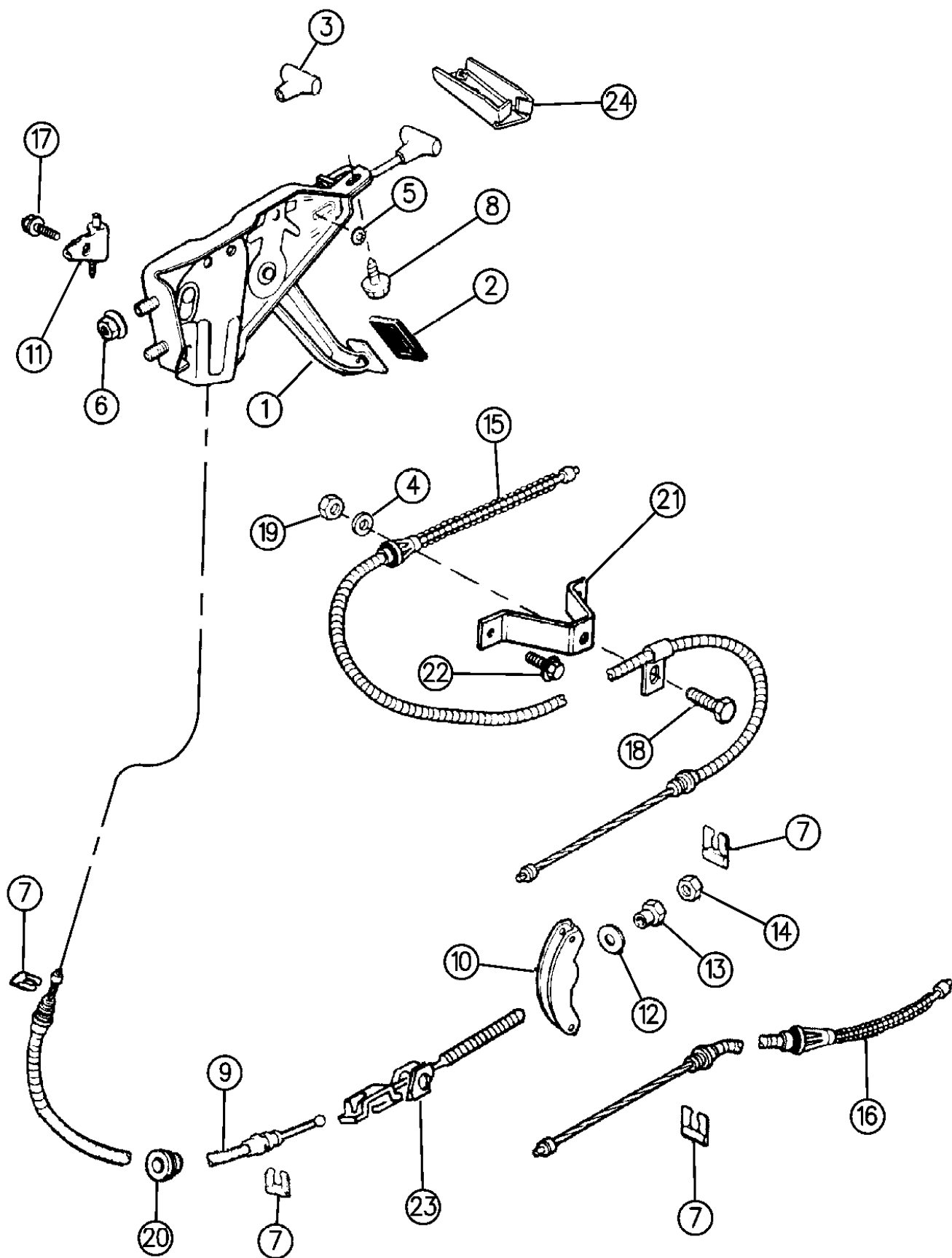
GROUP 4 - BRAKES, PARKING

ILLUSTRATION TITLE	GROUP-FIG. NO.
LEVER ASSEMBLY AND CABLES PARKING BRAKE WRANGLER, YJ	Fig. 4-100
LEVER ASSEMBLY AND CABLES PARKING BRAKE CHEROKEE, BRIARWOOD	Fig. 4-200
LEVER ASSEMBLY AND CABLES PARKING BRAKE GRAND CHEROKEE	Fig. 4-250
LEVER ASSEMBLY AND CABLES PARKING BRAKE COMANCHE	Fig. 4-300
LEVER ASSEMBLY AND CABLES PARKING BRAKE GRAND WAGONEER	Fig. 4-400

ILLUSTRATION NOT AVAILABLE AT TIME OF PUBLICATION

LEVER ASSEMBLY AND CABLES PARKING BRAKE WRANGLER, YJ
Figure 4-100

91J04 100B



ITEM	PART NUMBER	QTY	BODY	MODEL	DESCRIPTION
1	5300 9159	1			LEVER ASSEMBLY, Brake 1991-92 ***
	5200 8250	1			1993
2	J322 0433	1			PAD, Pedal
3	J448 7994	1			HANDLE
4	J012 0393	1			WASHER
5	J320 8306	1			CLIP
6	J400 5704	1			NUT
7	J321 7581	4			CLIP
8		1			SCREW, (Not Serviced)
9					CABLE, Brake
	5200 7048	1		77	
	5200 7049	1		78	KDX
10					EQUALIZER
	5200 1154	1			1991-92
	5200 7532	1			1993
11					SWITCH, Brake Warning Lamp
	J323 2194	1			1991-92
	5600 7167	1			1993
12	J400 1134	1			WASHER
13	5200 1387	1			NUT, 1991-92
	6502 499	1			1993
14	1150 0749	1			NUT
15	5200 7522	1			CABLE, Brake, Right
	5200 3182	1			KDX
16	5200 7523	1			CABLE, Brake, Left
	5200 3183	1			KDX
17					SCREW
	J942 1073	1			1991-92
	9423 951	1			1993
18	J027 3573	1			BOLT, 1991-92
19	J941 3447	1			NUT
20	J535 1742	1			GROMMET
21	J536 3211	1		78	BRACKET, KDX
22	S942 3777	2		78	BOLT, KDX
23	5200 7050	1			TENSIONER ASSEMBLY ***
	0180 077	1			1993
24	J545 9676	1			BRACKET ASSEMBLY, Hand Brake Stabilizer ***

MODEL CODES:

61=Pickup-6 Ft Box 74=4 Door Wagon T=2WD
 62=Pickup-7 Ft Box 77=Open Body 93" Wheelbase J,N,U=4WD
 72=2 Door Wagon 78=Open Body 103" Wheelbase

BODY STYLES:

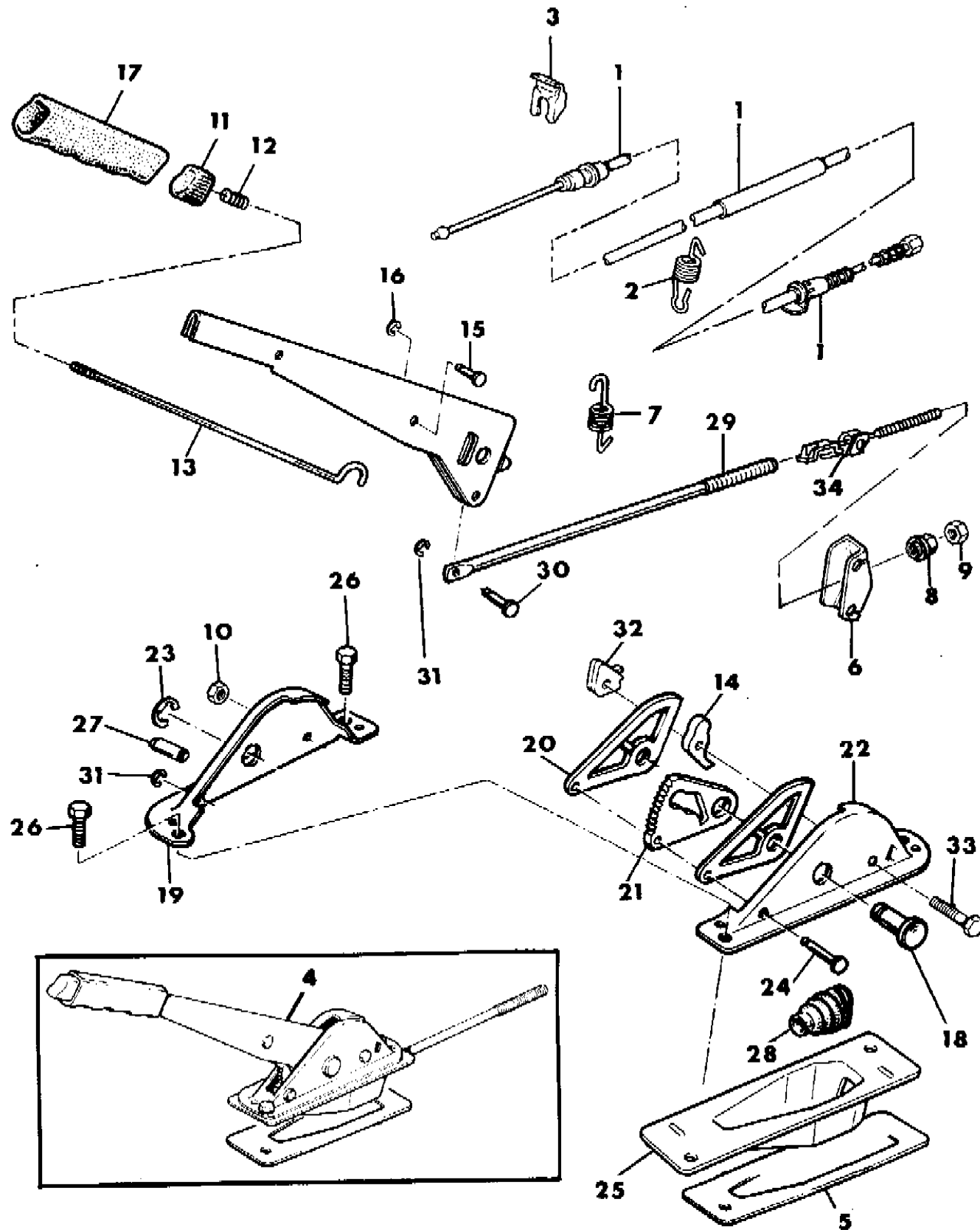
MJ=Comanche Pickup ZJ=Grand Cherokee/Grand Wagoneer KDX VEHICLES
 SJ=Grand Wagoneer M1=Comanche
 XJ=Cherokee, Briarwood X1=Cherokee, Briarwood
 YJ=Wrangler Y1=Wrangler

AR = Use as Required - = Non Illustrated Part P.A.R. = Paint as Required

LEVER ASSEMBLY AND CABLES PARKING BRAKE CHEROKEE, BRIARWOOD

Figure 4-200

91J04 200B



ITEM	PART NUMBER	QTY	BODY	MODEL	DESCRIPTION
1					CABLE, Parking Brake
	5200 4709	2			1991
	4762 464	2			1992
	5200 7600	2			1993, w/o Heat Shields
	5200 8300-1	1			1993, w/Heat Shields
2	5200 1156	2			SPRING, Cable to U/B Seat Belt Plate
3	J321 7581	2			CLIP, Spring
4					LEVER & TENSIONER ASSEMBLY, Brake ***
	5300 9140	1			1991-92
	5207 8239	1			1993
5	3200 0744	1			SEAL
6	5200 7532	1			EQUALIZER
7	5200 6657	1			SPRING, Cable to Frame Rail
8	5200 1387	1			NUT
9	1150 0749	1			NUT
10	J027 1163	1			NUT
11					BUTTON, Brake Release (Serviced in Item #4)
12					SPRING, Release (Serviced in Item #4)
13					ROD, Release (Serviced in Item #4)
14					PAWL, Locking (Serviced in Item #4)
15	J305 0033	1			PIN
16	J306 6150	1			CLIP, Retaining
17	5300 9151	1			HANDLE, Lever
18	J305 0070	1			SHAFT, Housing
19					HOUSING, Lever (Serviced in Item #4)
20					WASHER (Serviced in Item #4) ***
21					SECTOR, Locking (Serviced in Item #4) ***
22					HOUSING, Lever (Serviced in Item #4)
23	J306 6162	1			RING, Retaining
24	J305 0094	1			PIN
25	5200 1155	1			COVER, Housing
26	3420 1381	2			SCREW
27					PIN (Serviced in Item #4) ***
28	5207 7759	1			BOOT ***
29					ROD, Adjusting (Serviced in Item #4)
30	5207 8010	1			PIN
31	5207 8012	2			CLIP
32	5300 9153	1			SWITCH, Brake Warning Lamp 1991-92
	5600 7089	1			1993
33	J400 3924	1			SCREW
34		1			TENTIONER ASSEMBLY, (Serviced Item #4) ***

MODEL CODES:

61=Pickup-6 Ft Box 74=4 Door Wagon T=2WD
 62=Pickup-7 Ft Box 77=Open Body 93" Wheelbase J,N,U=4WD
 72=2 Door Wagon 78=Open Body 103" Wheelbase

BODY STYLES:

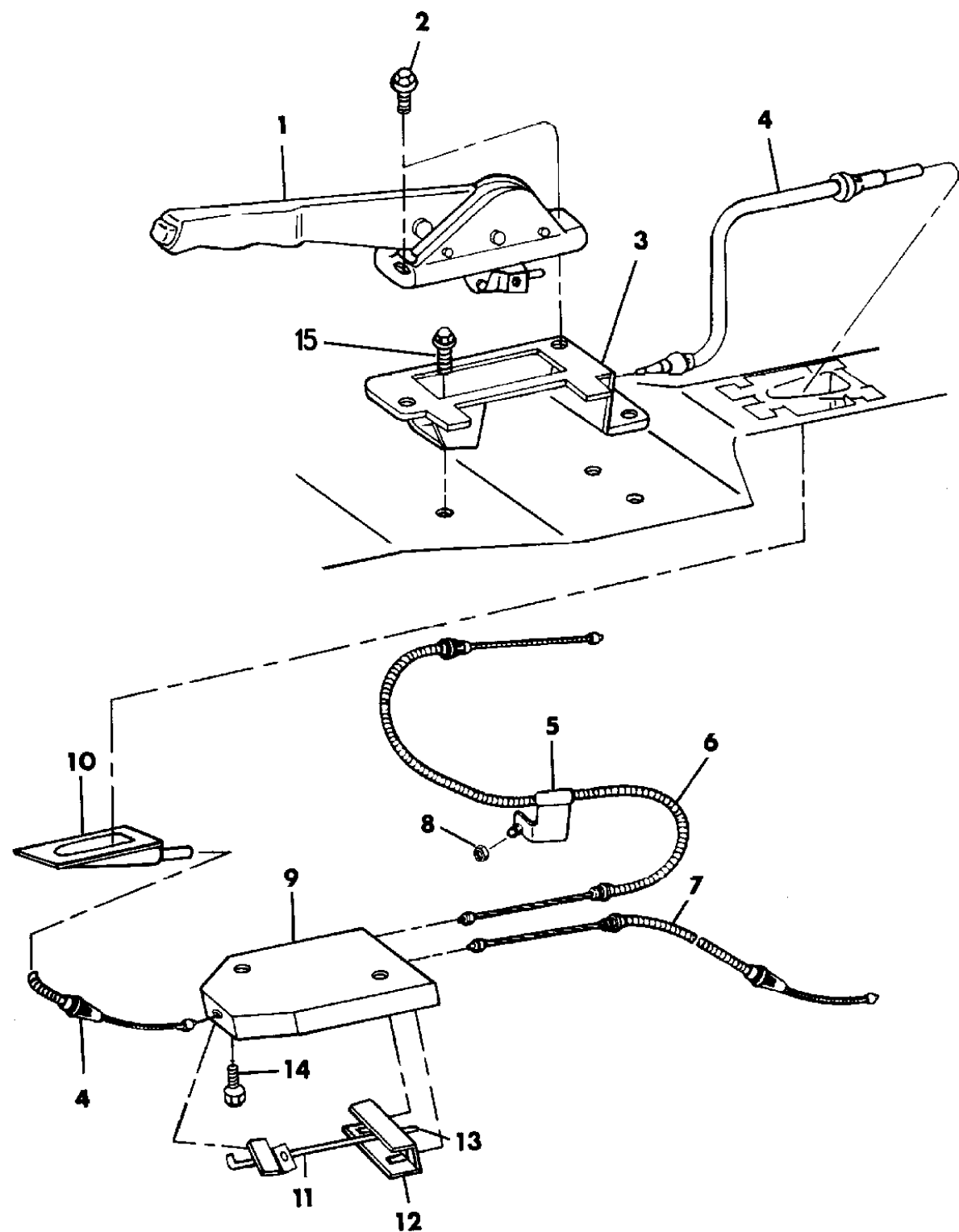
MJ=Comanche Pickup ZJ=Grand Cherokee/Grand Wagoneer KDX VEHICLES
 SJ=Grand Wagoneer M1=Comanche
 XJ=Cherokee, Briarwood Y1=Wrangler
 YJ=Wrangler

AR = Use as Required - = Non Illustrated Part P.A.R. = Paint as Required

LEVER ASSEMBLY AND CABLES PARKING BRAKE GRAND CHEROKEE

Figure 4-250

91J04 250A



ITEM	PART NUMBER	QTY	BODY	MODEL	DESCRIPTION
1	5207 8285	1			LEVER ASSEMBLY, Parking Brake ***
-	5600 7089	1			SWITCH ASSEMBLY, Parking Brake ***
2	6502 064	5			SCREW
3	5207 7544	1			BRACKET, Brake Mounting
4					CABLE ASSEMBLY, Parking Brake Front ***
	5200 5061	1		1992	
	5200 8232	1		1993	
5					BRACKET, Cable Support (Serviced in Items #6 & #7)
6	5200 5387	1			CABLE and BRACKET ASSEMBLY, Right Rear ***
7	5200 7588	1			CABLE and BRACKET ASSEMBLY, Left Rear ***
8	6101 695	2			NUT
9	5200 5873	1			BRACKET, Cable End Support
10	5200 5874	1			INSERT, Praking Brake Cable
11	5200 7842	1			TENTIONER, Cable Adjuster ***
12	5200 7532	1			EQUILIZER, Rear Parking Brake Cables ***
13	6502 499	1			NUT, Lock
14	6100 293	2			SCREW
15	6501 188	3			SCREW, Park Brake to Mount Bracket 1992
	3420 1610	3			1993

MODEL CODES:

61=Pickup-6 Ft Box 74=4 Door Wagon T=2WD
 62=Pickup-7 Ft Box 77=Open Body 93" Wheelbase J,N,U=4WD
 72=2 Door Wagon 78=Open Body 103" Wheelbase

BODY STYLES:

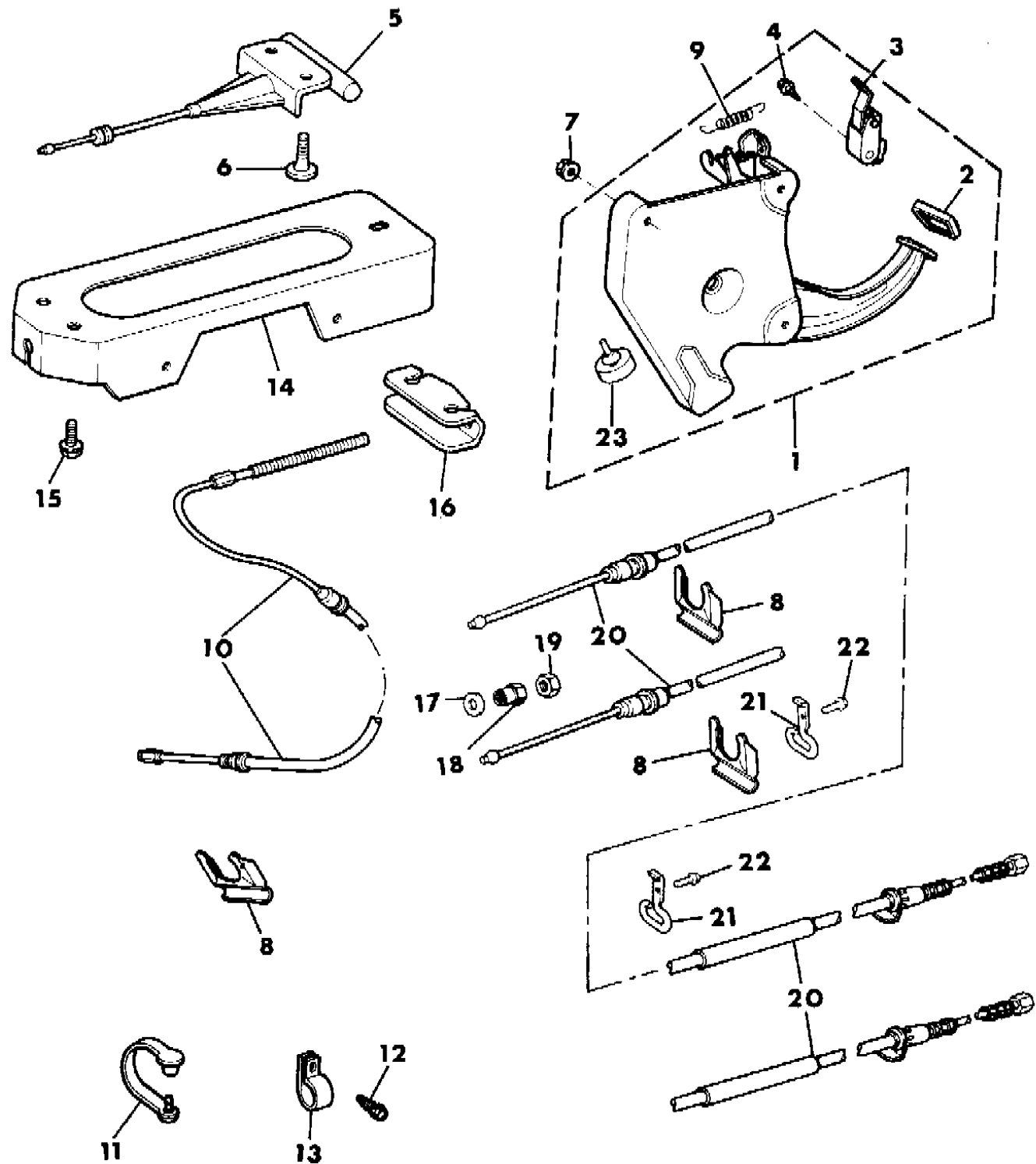
MJ=Comanche Pickup ZJ=Grand Cherokee/Grand Wagoneer KDX VEHICLES
 SJ=Grand Wagoneer M1=Comanche
 XJ=Cherokee, Briarwood X1=Cherokee, Briarwood
 YJ=Wrangler Y1=Wrangler

AR = Use as Required - = Non Illustrated Part P.A.R. = Paint as Required

LEVER ASSEMBLY AND CABLES PARKING BRAKE COMANCHE

Figure 4-300

91J04 300



ITEM	PART NUMBER	QTY	BODY	MODEL	DESCRIPTION
1	5200 0803	1			LEVER ASSEMBLY, Brake ***
2	8350 2639	1			PAD, Pedal
3	5600 1966	1			SWITCH, Brake Warning Lamp
4	J941 6223	1			SCREW
5	5200 0861	1			CABLE, Release
6	3420 1473	2			SCREW
7	1150 2811	2			NUT
8	J321 7581	4			CLIP
9	8350 4860	1			SPRING
10					CABLE, Brake
	5200 3192	1			6 Foot Box ***
	5200 3190	1			7 Foot Box
11	J400 0306	1			STRAP
12	J400 1701	2			SCREW
	1150 0100	2			SCREW, KDX
13	J012 0524	2			CLIP
14					BRACKET
	5200 2997	1			6 Foot Box
	5200 0863	1			7 Foot Box
15	3420 1991	1			BOLT
16	5200 7532	1			EQUALIZER
17	J400 3807	1			WASHER
18	5200 1387	1			NUT
19	1150 0749	1			NUT
20	5200 6380	2			CABLE, Brake
	5200 3188	1			KDX
21	5200 3547	2			CLIP
22	3420 1193	2			BOLT
23	8350 5579	1			BUMPER

MODEL CODES:

61=Pickup-6 Ft Box 74=4 Door Wagon T=2WD
 62=Pickup-7 Ft Box 77=Open Body 93" Wheelbase J,N,U=4WD
 72=2 Door Wagon 78=Open Body 103" Wheelbase

BODY STYLES:

MJ=Comanche Pickup ZJ=Grand Cherokee/Grand Wagoneer KDX VEHICLES
 SJ=Grand Wagoneer M1=Comanche
 XJ=Cherokee, Briarwood X1=Cherokee, Briarwood
 YJ=Wrangler Y1=Wrangler

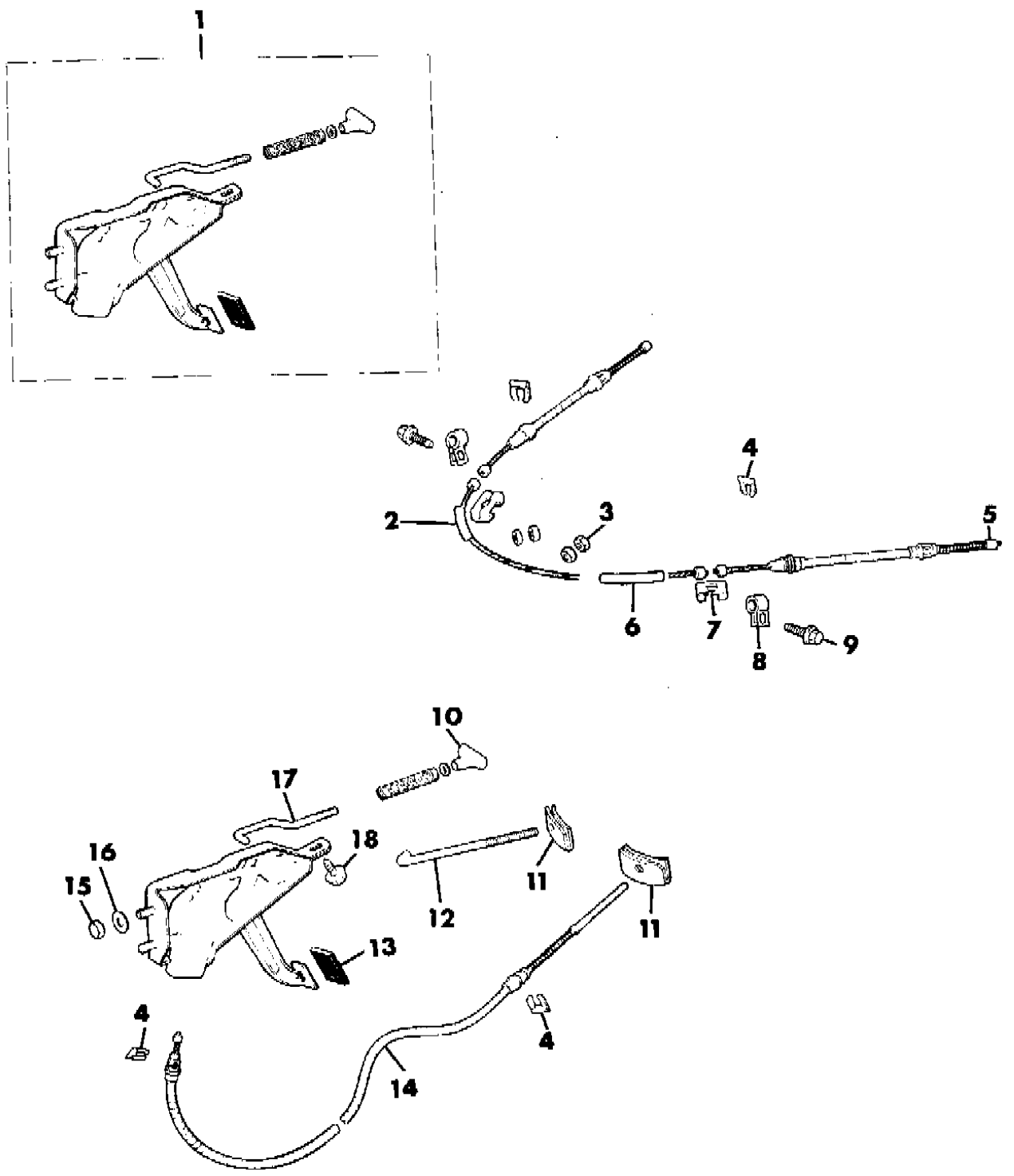
AR = Use as Required - = Non Illustrated Part P.A.R. = Paint as Required

LEVER ASSEMBLY AND CABLES PARKING BRAKE GRAND WAGONEER

Figure 4-400

91J04 400

ITEM	PART NUMBER	QTY	BODY	MODEL	DESCRIPTION
1	J536 2139	4			LEVER ASSEMBLY, Brake ***
2	J536 1279	1			CABLE, Brake
3	J012 0368	4			NUT
4	J321 7581	4			CLIP
5	J536 2132	2			CABLE, Brake
6	J536 1320	2			SLEEVE
7	J535 1675	2			CLIP
8	J012 7879	2			CLIP
9	J400 4626	2			BOLT
10	J448 7994	1			HANDLE
11	J535 1663	2			EQUALIZER
12	J536 1278	1			ROD
13	J322 0433	1			PAD, Pedal
14	J536 1026	1			CABLE, Brake
15	J027 1184	2			NUT
16	J012 0393	2			WASHER
17	J448 7993	1			ROD
18	J098 7145	1			BOLT



MODEL CODES:
 61=Pickup-6 Ft Box 74=4 Door Wagon T=2WD
 62=Pickup-7 Ft Box 77=Open Body 93" Wheelbase J,N,U=4WD
 72=2 Door Wagon 78=Open Body 103" Wheelbase

BODY STYLES:
 MJ=Comanche Pickup ZJ=Grand Cherokee/Grand Wagoneer KDX VEHICLES
 SJ=Grand Wagoneer M1=Comanche
 XJ=Cherokee, Briarwood X1=Cherokee, Briarwood
 YJ=Wrangler Y1=Wrangler

AR = Use as Required - = Non Illustrated Part P.A.R. = Paint as Required

GROUP 5 - BRAKES, SERVICE

ILLUSTRATION TITLE **GROUP-FIG. NO.**

WRANGLER, YJ

PEDAL, BRAKE WRANGLER, YJ Fig. 5-100
 BOOSTER AND MASTER CYLINDER WRANGLER, YJ Fig. 5-200
 HYDRAULIC CONTROL UNIT (HCU) (1993) WRANGLER, YJ W/ANTI-LOCK BRAKES Fig. 5-210
 LINES AND HOSES, BRAKE WRANGLER, YJ W/O ANTI-LOCK BRAKES Fig. 5-300
 LINES AND HOSES, BRAKE (FRONT) (1993) WRANGLER, YJ W/ANTI-LOCK BRAKES Fig. 5-310
 LINES AND HOSES, BRAKE (REAR) (1993) WRANGLER, YJ W/ANTI-LOCK BRAKES Fig. 5-320
 BRAKES, FRONT WRANGLER, YJ Fig. 5-400
 BRAKES, REAR WRANGLER, YJ Fig. 5-500

CHEROKEE, BRIARWOOD, GRAND CHEROKEE, COMANCHE

PEDAL, BRAKE CHEROKEE, BRIARWOOD, GRAND CHEROKEE, COMANCHE Fig. 5-600
 VACUUM PUMP, BRAKES DIESEL CHEROKEE (EXPORT) Fig. 5-700
 BOOSTER AND MASTER CYLINDER U.S. AND CANADA CHEROKEE, BRIARWOOD, COMANCHE Fig. 5-800
 BOOSTER AND MASTER CYLINDER EXPORT CHEROKEE, BRIARWOOD, COMANCHE Fig. 5-900
 CYLINDER, BRAKE MASTER (1991) W/ANTI-LOCK BRAKING SYSTEM CHEROKEE, BRIARWOOD Fig. 5-1000
 CYLINDER, BRAKE MASTER (1992-93) W/ANTI-LOCK BRAKING SYSTEM CHEROKEE, BRIARWOOD,
 GRAND CHEROKEE Fig. 5-1050
 HYDRAULIC CONTROL UNIT (1992-93) W/ANTI-LOCK BRAKING SYSTEM CHEROKEE, BRIARWOOD,
 GRAND CHEROKEE Fig. 5-1075
 LINES AND HOSES, BRAKE U.S. AND CANADA, W/O ANTI-LOCKBRAKES CHEROKEE, BRIARWOOD,
 COMANCHE Fig. 5-1100
 HEIGHT SENSING VALVE COMANCHE Fig. 5-1200
 LINES AND HOSES, BRAKE (1991) W/ANTI-LOCK BRAKING SYSTEM CHEROKEE, BRIARWOOD Fig. 5-1300
 LINES AND HOSES, BRAKE (1992-93) FRONT CHEROKEE, BRIARWOOD, GRAND CHEROKEE Fig. 5-1325
 LINES AND HOSES, BRAKE (1992-93) REAR CHEROKEE, BRIARWOOD, GRAND CHEROKEE Fig. 5-1350
 LINES AND HOSES, BRAKE EXPORT W/O ANTI-LOCK BRAKES CHEROKEE, BRIARWOOD Fig. 5-1400
 BRAKES, FRONT (1991-92) CHEROKEE, BRIARWOOD, COMANCHE Fig. 5-1500
 BRAKES, FRONT (1993) CHEROKEE, GRAND CHEROKEE Fig. 5-1550
 BRAKES, REAR DRUM W/DANA MODEL 35 OR CHRYSLER 8 1/4 CHEROKEE, BRIARWOOD, GRAND
 CHEROKEE, COMANCHE Fig. 5-1600
 BRAKES, REAR DRUM W/DANA MODEL 44 COMANCHE Fig. 5-1700

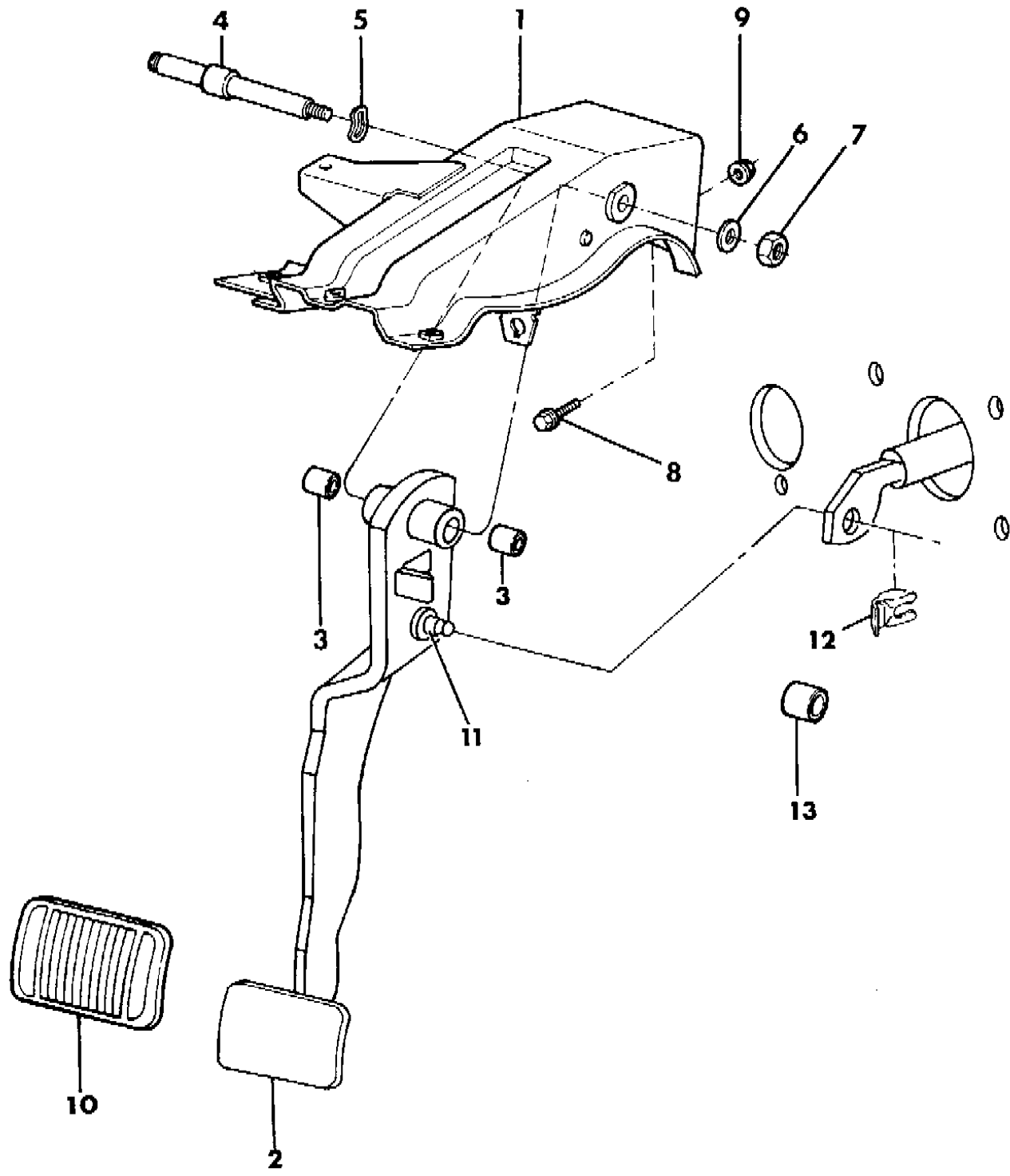
GRAND WAGONEER

PEDAL, BRAKES GRAND WAGONEER Fig. 5-1800
 BOOSTER AND MASTER CYLINDER GRAND WAGONEER Fig. 5-1900
 LINES AND HOSES, BRAKE GRAND WAGONEER Fig. 5-2000
 BRAKES, FRONT DISC GRAND WAGONEER Fig. 5-2100
 BRAKES, REAR DRUM GRAND WAGONEER Fig. 5-2200

ILLUSTRATION NOT AVAILABLE AT TIME OF PUBLICATION

PEDAL, BRAKE WRANGLER, YJ
Figure 5-100

91J05 100 A



ITEM	PART NUMBER	QTY	BODY	MODEL	DESCRIPTION
1	5207 7557	1			BRACKET, Pedal w/Manual Transmission
	5207 7558	1			w/Automatic Transmission
2	5207 7628	1			PEDAL, Brake w/Manual Transmission
	5207 7629	1			w/Automatic Transmission Up to 2-15-93
	5207 8814	1			w/Automatic Transmission After 2-15-93
	J094 6177	2			BUSHING
4	J535 9834	1			SHAFT w/Manual Transmission Up to 5-3-93
	5207 8599	1			w/Manual Transmission After 5-3-93
	J535 1803	1			w/Automatic Transmission Up to 5-6-93
	5200 8453	1			w/Automatic Transmission After 5-6-93
5	J535 1844	1			WASHER
6	J012 0396	1			WASHER
7	J400 4311	1			NUT
8	J018 0123	1			BOLT
9	J400 3909	4			NUT
10	5200 2750	1			PAD, Pedal w/Manual Transmission
	5200 2749	1			w/Automatic Transmission (Up To 2-15-93)
	5207 8540	1			w/Automatic Transmission (After 2-15-93)
	5207 7556	1			PIN, M/Cyl. Push Rod to Pedal
12	4294 036	1			CLIP
13	J321 5928	1			SLEEVE, KDX

MODEL CODES:

61=Pickup-6 Ft Box 74=4 Door Wagon T=2WD
 62=Pickup-7 Ft Box 77=Open Body 93" Wheelbase J,N,U=4WD
 72=2 Door Wagon 78=Open Body 103" Wheelbase

BODY STYLES:

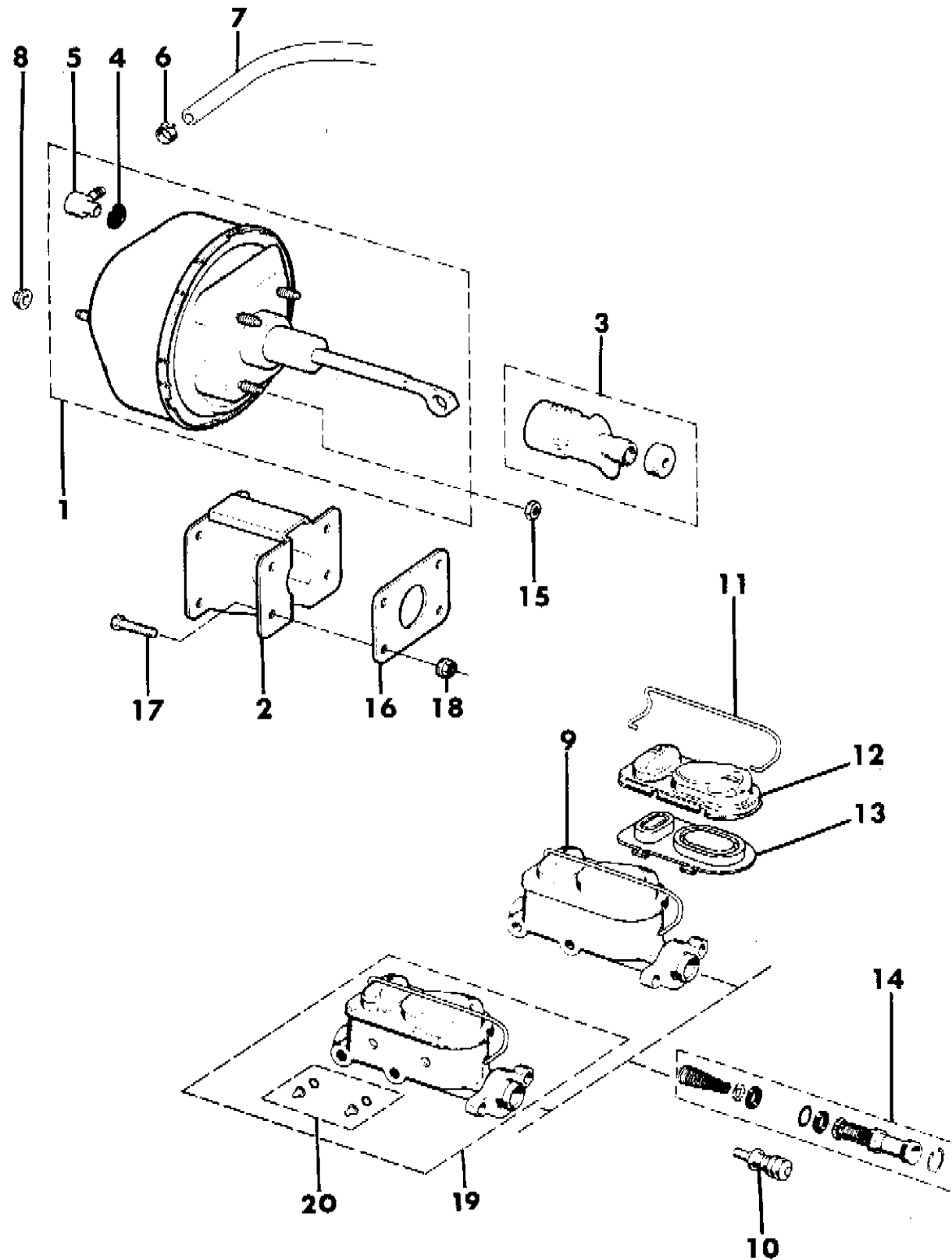
MJ=Comanche Pickup ZJ=Grand Cherokee/Grand Wagoneer KDX VEHICLES
 SJ=Grand Wagoneer M1=Comanche
 XJ=Cherokee, Briarwood X1=Cherokee, Briarwood
 YJ=Wrangler Y1=Wrangler

AR = Use as Required - = Non Illustrated Part P.A.R. = Paint as Required

BOOSTER AND MASTER CYLINDER WRANGLER, YJ

Figure 5-200

91J05 200



ITEM	PART NUMBER	QTY	BODY	MODEL	DESCRIPTION
1					BOOSTER, Brake
	4637 862	1			w/o ABS
	5200 7932	1			w/ABS
-	5602 6763	1			SENSOR, Brake Pedal Travel (ABS)
2	8350 2847	1			BRACKET ASSEMBLY, Booster
	5200 8059	1			SPACER, Bracket-Booster to Dash (ABS)
3	8350 2848	1			GUARD PACKAGE, Booster ***
4	J320 8510	1			GROMMET, Valve
5	8350 3496	1			VALVE, Check
6	J317 8454	1			CLAMP
7	5200 6298	1			HOSE, Vacuum (Bulk)
	5200 7363	1			HOSE, Booster Vacuum - 4.0L (ABS)
8	J400 3909	2			NUT
9					CYLINDER, Brake Master except EUROPE
	5252 626	1			w/o ABS
	5200 7933	1			Up to 11-30-92 w/ABS
	5200 8281	1			After 11-30-92 w/ABS
-	4713 079	2			CAP ASSEMBLY, Reservoir w/ABS ***
-	5200 7892	1			HOSE, M/Cylinder to HCU, Primary (ABS)
-	5200 7893	1			HOSE, M/Cylinder to HCU Secondary (ABS)
-	5200 7898	4			CLAMP, Hose M/Cylinder to HCU Up to 11-30-92
-	5200 8277	4			After 11-30-92
	4761 736	1			RESEVOIR, Master Cylinder ABS ***
10		1			PISTON, Master Cylinder (Serv. in Item #19 Only)
11	J813 3910	1			RETAINER
12	8350 4454	1			COVER, Master Cylinder
13	8350 4455	1			GASKET
14	5252 629	1			REPAIR PACKAGE, Master Cylinder
15	8350 0105	4			NUT
16	5200 1844	1			SEAL
17	J018 0123	4			BOLT
18	J400 3909	1			NUT
19	5252 627	1			CYLINDER, Brake Master EUROPE
20	8350 0142	1			GLASS, Sight EUROPE
		2			NUT, Hex Lock (Not Serviced)

MODEL CODES:

61=Pickup-6 Ft Box 74=4 Door Wagon T=2WD
 62=Pickup-7 Ft Box 77=Open Body 93" Wheelbase J,N,U=4WD
 72=2 Door Wagon 78=Open Body 103" Wheelbase

BODY STYLES:

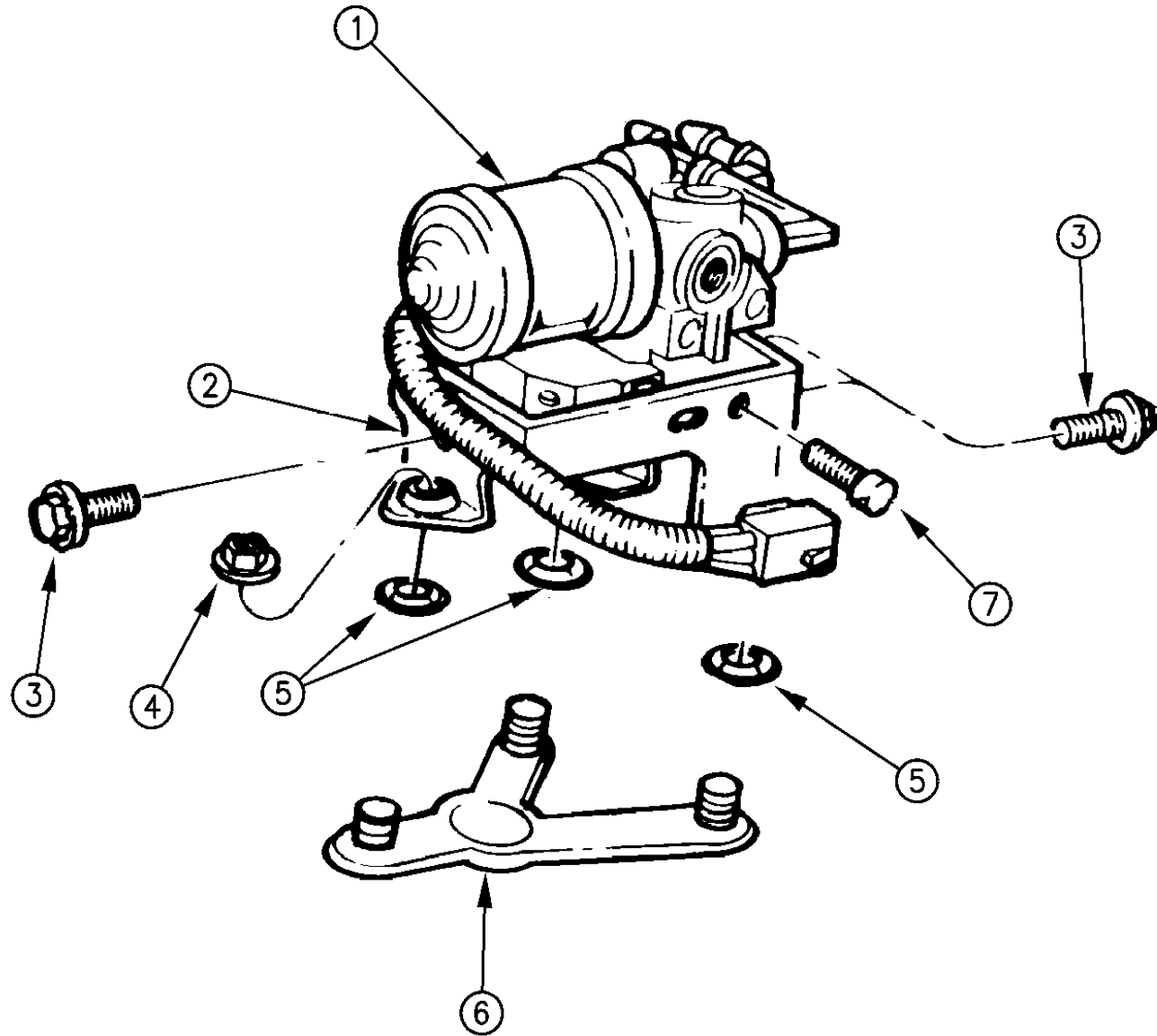
MJ=Comanche Pickup ZJ=Grand Cherokee/Grand Wagoneer KDX VEHICLES
 SJ=Grand Wagoneer M1=Comanche
 XJ=Cherokee, Briarwood X1=Cherokee, Briarwood
 YJ=Wrangler Y1=Wrangler

AR = Use as Required - = Non Illustrated Part P.A.R. = Paint as Required

HYDRAULIC CONTROL UNIT (HCU) (1993) WRANGLER, YJ W/ANTI-LOCK BRAKES
Figure 5-210

91J05 210

ITEM	PART NUMBER	QTY	BODY	MODEL	DESCRIPTION
1	4713 317	1			HYDRAULIC CONTROL UNIT-ABS ***
2	5200 7934	1			BRACKET, HCU Mounting-ABS
	5200 7561	6			ISOLATOR, HCU Bracket ***
	5200 7709	3			SLEEVE, HCU Bracket
3	5200 7708	3			BOLT
4	6501 279	2			NUT & WASHER ***
5	J400 0235	3			NUT, Push
6	5200 7997	1			BRACKET, Stud Plate
7		1			CLIP, Insulator Mount (Service in Assembly)
		2			NUT/SPRG, Push On Type Pt 5 Tee (Not Serviced) ***



MODEL CODES:

61=Pickup-6 Ft Box 74=4 Door Wagon T=2WD
62=Pickup-7 Ft Box 77=Open Body 93" Wheelbase J,N,U=4WD
72=2 Door Wagon 78=Open Body 103" Wheelbase

BODY STYLES:

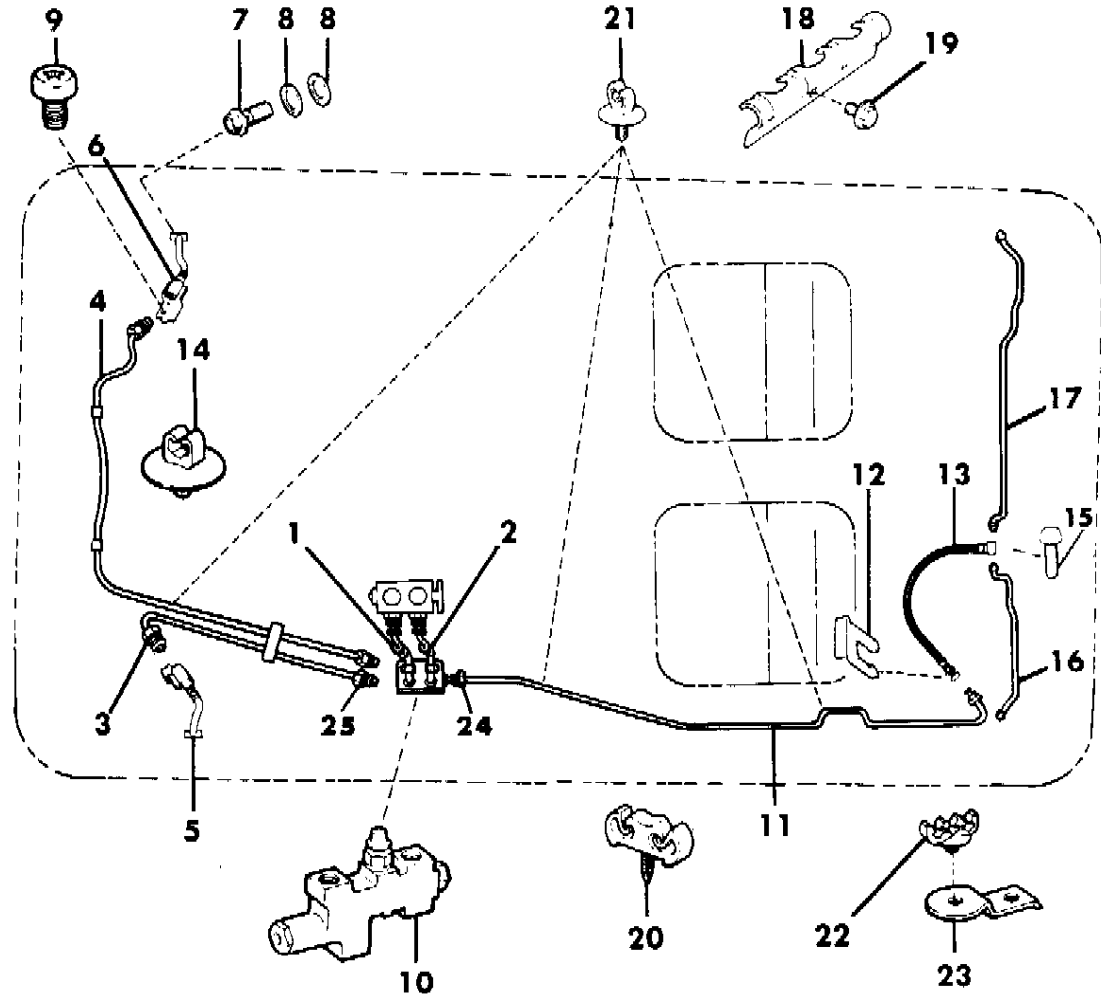
MJ=Comanche Pickup ZJ=Grand Cherokee/Grand Wagoneer KDX VEHICLES
SJ=Grand Wagoneer M1=Comanche
XJ=Cherokee, Briarwood X1=Cherokee, Briarwood
YJ=Wrangler Y1=Wrangler

AR = Use as Required - = Non Illustrated Part P.A.R. = Paint as Required

LINES AND HOSES, BRAKE WRANGLER, YJ W/O ANTI-LOCK BRAKES

Figure 5-300

91J05 300A



ITEM	PART NUMBER	QTY	BODY	MODEL	DESCRIPTION
1	5200 5861	1			LINE, Brake
2	5204 0159	1			LINE, Brake
3	5204 0169	1			LINE, Brake
4	5204 0168	1			LINE, Brake
5	5200 6473	1			HOSE, Brake Front
6	5200 6472	1			HOSE, Brake Front
7	J400 6700	2			BOLT
8	J323 7672	4			GASKET
9	3420 1670	2			SCREW
10					VALVE, Proportioning
	5200 6324	1			All, Except KDX Up to 3-1-93
	5200 9109	1			All, Except KDX After 3-1-93
	5200 3118	1			KDX Up to 3-1-93
	5200 9114	1			KDX After 3-1-93
11					LINE, Brake
	5204 0172	1			w/o KDX
	5204 0172	1		77	w/KDX
	5200 2814	1		78	w/KDX
12	2208 893	1			CLIP
13	5200 4152	1			HOSE, Brake
14	J400 7396	2			CLIP
15	4137 696	1			SCREW, Rear Axle Vent & Tee Mounting
16	5200 4151	1			LINE, Brake
	5204 0173	1			KDX
17	5200 4150	1			LINE, Brake
	5200 3750	1			KDX
	3879 283	AR			COVER, Brake Tube, 3/16" O.D., 25 Ft. Roll, KDX-Egypt, Venezuela
18	J323 4854	1			CLIP
19	3420 1912	2			SCREW
20	5200 2044	1			CLIP
21	3200 0404	3			CLIP
22	5300 1242	1			CLIP
23	5200 2757	1			BRACKET, Up to 4-26-93
	5200 8458	1			After 4-26-93
24	J322 0009	AR			NUT, 1/2-20 (Black) Inverted Flare
25	J319 5677	AR			NUT, 3/8-24 (Gold) Inverted Flare
-	1843 251	AR			TUBING, Roll Stock 3/16"x25'

MODEL CODES:

61=Pickup-6 Ft Box 74=4 Door Wagon T=2WD
 62=Pickup-7 Ft Box 77=Open Body 93" Wheelbase J,N,U=4WD
 72=2 Door Wagon 78=Open Body 103" Wheelbase

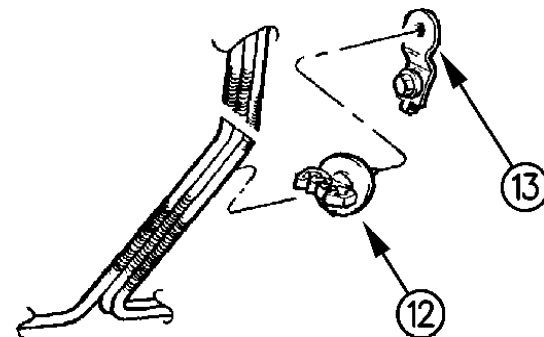
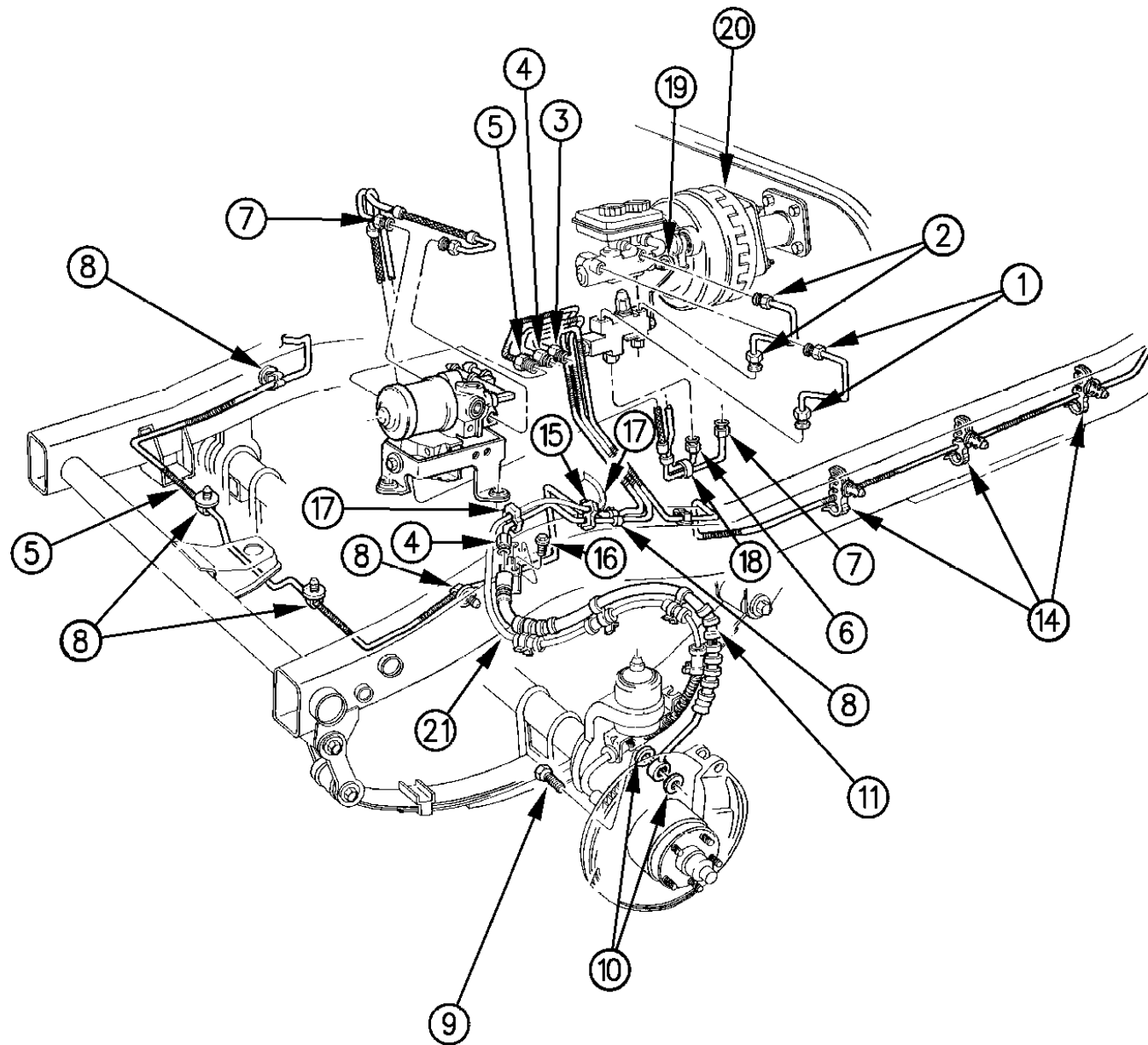
BODY STYLES:

MJ=Comanche Pickup ZJ=Grand Cherokee/Grand Wagoneer KDX VEHICLES
 SJ=Grand Wagoneer M1=Comanche
 XJ=Cherokee, Briarwood X1=Cherokee, Briarwood
 YJ=Wrangler Y1=Wrangler

AR = Use as Required - = Non Illustrated Part P.A.R. = Paint as Required

LINES AND HOSES, BRAKE (FRONT) (1993) WRANGLER, YJ W/ANTI-LOCK BRAKES
Figure 5-310

91J05 310



ITEM	PART NUMBER	QTY	BODY	MODEL	DESCRIPTION
1	5200 7890	1			TUBE, Master Cylinder to Prop. Valve Primary
		1			NUT, Brake Tube-4.75 Dia. M12-1 Primary (Not Serviced)
2	5200 7891	1			TUBE, Master Cylinder to Prop. Valve Secondary
	3200 0410	1			NUT, Brake Tube-4.75 Dia. M10-1 Secondary
3		1			TUBE, HCU to Brake Rear (See Illust. #320)
4	5200 7967	1			TUBE, HCU to Brake Lt. Front
		1			NUT, Inverted Flare (Not Serviced) M10x1.00x15.80
	6033 833	1			NUT, Inverted Flare Tube
5	5200 7966	1			TUBE, HCU to Brake Rt. Front
	3200 0410	1			NUT, Brake Tube 4.75 Dia. M10-1
	6033 833	1			NUT, Inverted Flared Tube
	3879 283	1			COVER, Brake Tube
6	5200 7895	1			HOSE, Prop. Valve to HCU Secondary
7	5200 7894	1			HOSE, Prop. Valve to HCU Primary
8	3200 0404	5			CLIP
9	J400 6700	2			BOLT, Front Brake Hose to Caliper
10	J323 7672	4			GASKET
11	5200 7608	1			HOSE, Front Disc Brakes Rt.
	5200 7609	1			Lt.
12	5300 1242	AR			CLIP
13	5200 2757	1			BRACKET, Brake Tube Clip to Splash Apron Up to 4-26-93
	5200 8458	1			After 4-26-93 6-93
14	5200 7995	4			FASTENER, Clip 5-way
15	5200 2044	AR			CLIP
16	3420 1670	2			SCREW, Front Brake Hose to Frame
17	5602 6775	9			CLIP
18	J400 6034	2			CLIP
19	5200 7885	1			BRACKET, w/Valve Up to 3-1-93
	5200 8338	1			After 3-1-93
20		1			MASTER CYLINDER (See Illust. #200) ***
21	5200 5940	2			SENSOR, Speed Front

MODEL CODES:

61=Pickup-6 Ft Box 74=4 Door Wagon T=2WD
62=Pickup-7 Ft Box 77=Open Body 93" Wheelbase J,N,U=4WD
72=2 Door Wagon 78=Open Body 103" Wheelbase

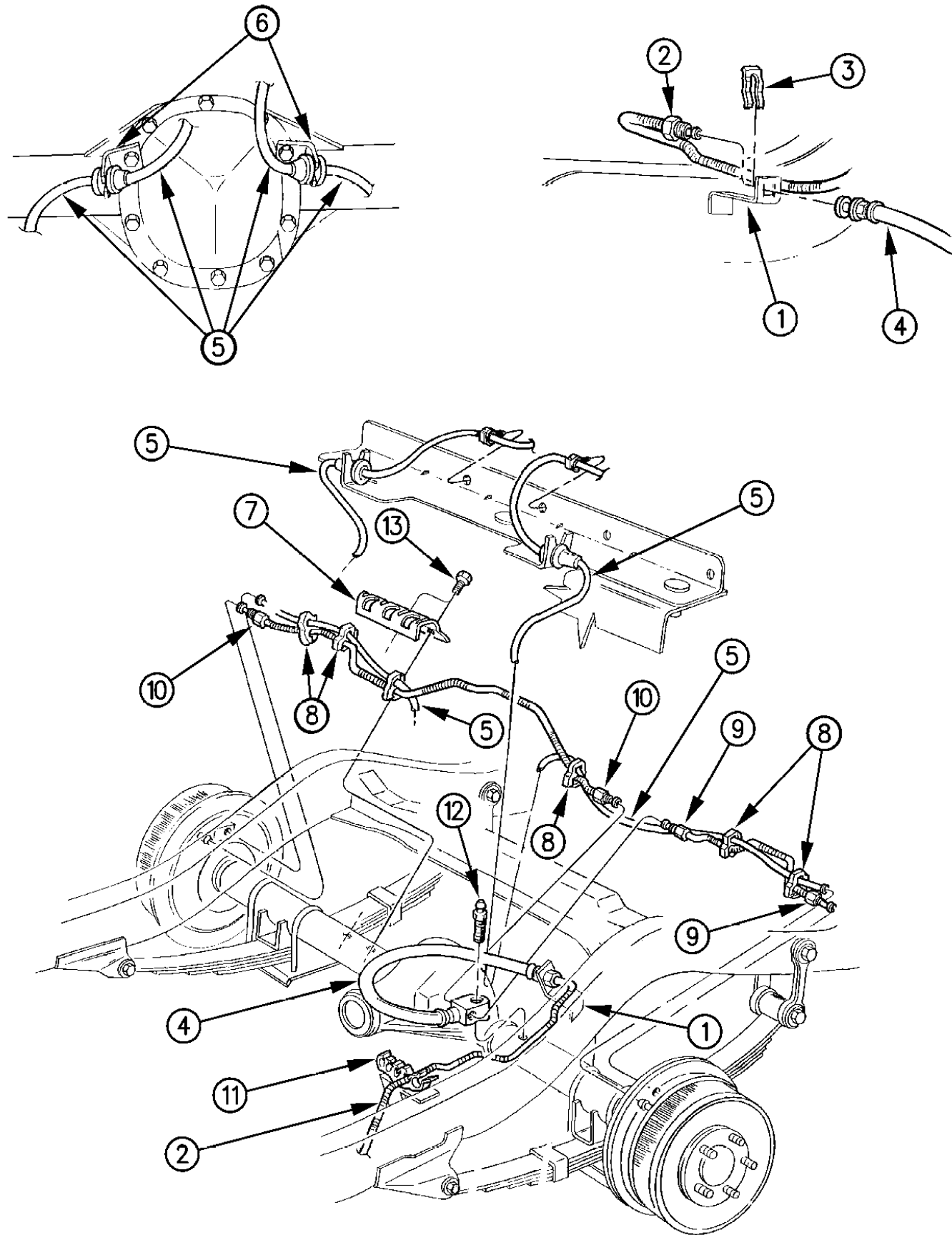
BODY STYLES:

MJ=Comanche Pickup ZJ=Grand Cherokee/Grand Wagoneer KDX VEHICLES
SJ=Grand Wagoneer M1=Comanche
XJ=Cherokee, Briarwood X1=Cherokee, Briarwood
YJ=Wrangler Y1=Wrangler

AR = Use as Required - = Non Illustrated Part P.A.R. = Paint as Required

LINES AND HOSES, BRAKE (REAR) (1993) WRANGLER, YJ W/ANTI-LOCK BRAKES
Figure 5-320

91J05 320



ITEM	PART NUMBER	QTY	BODY	MODEL	DESCRIPTION
1		1			BRACKET, Rear Brake Line (Service in Assembly)
2	5200 7965	1			TUBE, HCU to Brake Rear
	5200 8263	1			NUT, Rear Tube Valve
	6033 833	1			NUT, Inverted Flared Tube
3	2208 893	AR			CLIP
4	5200 4152	1			HOSE, Rear Drum Brakes
5	5200 5936	1			SENSOR, Speed Rear - ABS
6		2			BRACKET, (Service in Assembly)
7	5200 7800	AR			CLIP, Brake Tube Rear Axle Hose
8	5602 6775	9			CLIP
9	5200 8283	1			TUBE, Rear Axle to Brake Lt.
10	5200 8282	1			TUBE, Rear Axle to Brake Rt.
11	5200 7995	4			FASTENER, Clip 5 Way
12	5206 7508	AR			SCREW, Rear Axle Vent and Bracket Tee Mount
13	3420 1912	2			SCREW
	5602 6753	2			BRACKET, Wheel Speed Sensor Rear Diff. Housing Clip

MODEL CODES:

61=Pickup-6 Ft Box 74=4 Door Wagon T=2WD
62=Pickup-7 Ft Box 77=Open Body 93" Wheelbase J,N,U=4WD
72=2 Door Wagon 78=Open Body 103" Wheelbase

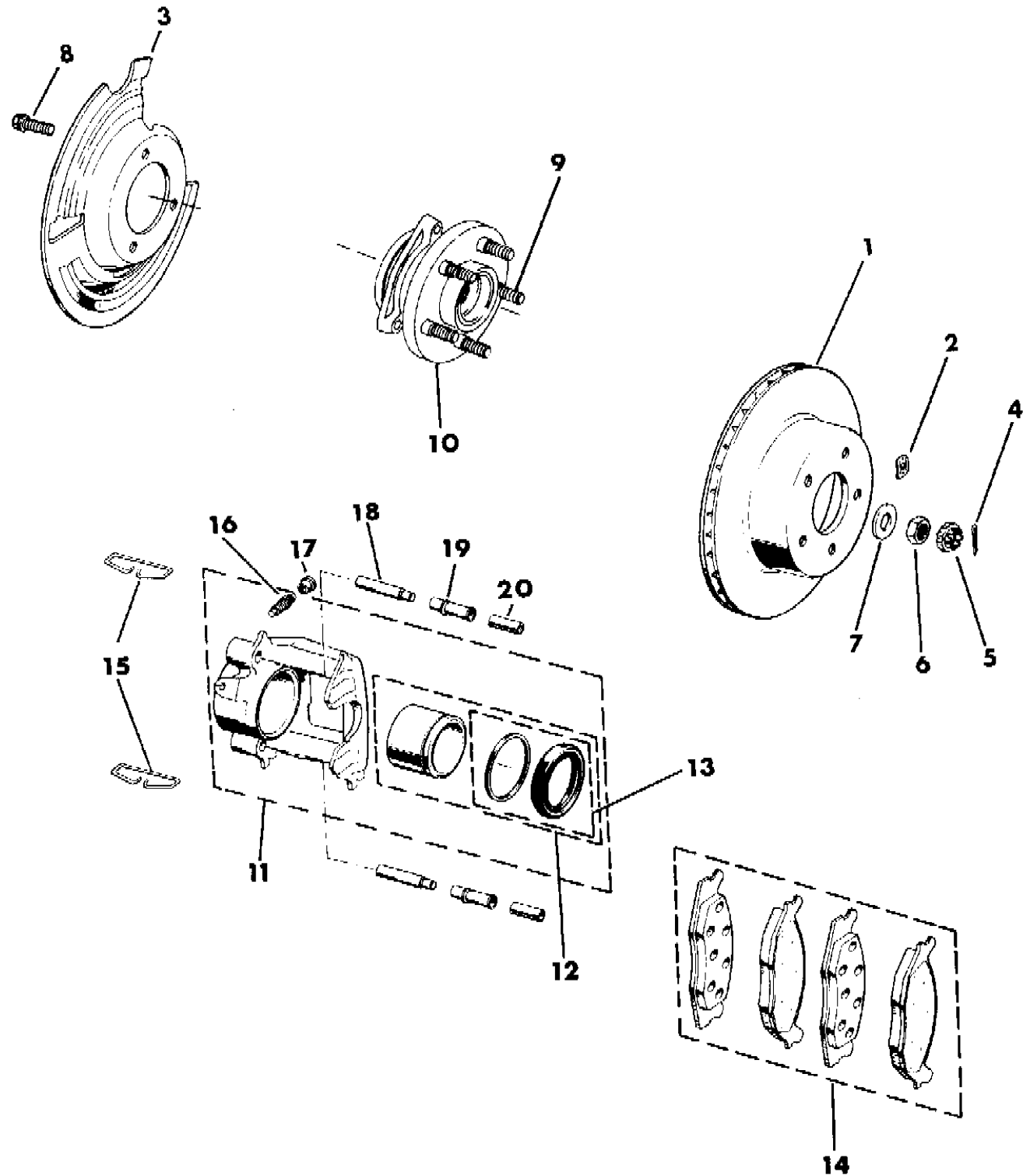
BODY STYLES:

MJ=Comanche Pickup ZJ=Grand Cherokee/Grand Wagoneer KDX VEHICLES
SJ=Grand Wagoneer M1=Comanche
XJ=Cherokee, Briarwood X1=Cherokee, Briarwood
YJ=Wrangler Y1=Wrangler

AR = Use as Required - = Non Illustrated Part P.A.R. = Paint as Required

BRAKES, FRONT WRANGLER, YJ
Figure 5-400

91J05 400



ITEM	PART NUMBER	QTY	BODY	MODEL	DESCRIPTION
1	5200 5000	2			ROTOR, Front Brake
	5602 7724	2			SENSOR PACKAGE, ABS Brakes 1993 ***
2	J400 6185	6			NUT
3	5252 982-3	1			SHIELD, Splash
4	1101 0069	2			PIN
5	J420 0097	2			RETAINER
-	4740 749	2			WASHER, Wave
6	J420 0095	2			NUT
7	J420 0096	2			WASHER
8	3420 1535	6			BOLT
9	5300 7463	10			BOLT
10	5300 5604	2			HUB and BEARING ASSEMBLY, Front Brake *** Roller Bearing (Kelsey Hayes)
	5300 7449	2			Ball Bearing (Fag)
11	5252 984-5	1			CALIPER, Front Brake
12	5252 614	2			PISTON PACKAGE, Front Brake Caliper ***
13	J813 3852	2			SEAL PACKAGE, Front Brake Caliper
14	5252 531	1			PAD PACKAGE, FRONT BRAKE CALIPERS
15	J323 9865	4			CLIP, Anti-Rattle
16	J320 3313	2			SCREW, Bleeder
17	4238 717	2			CAP
18	5253 000	4			PIN, Caliper
19	4383 471	4			BUSHING
20	4423 573	4			SLEEVE

MODEL CODES:

61=Pickup-6 Ft Box 74=4 Door Wagon T=2WD
 62=Pickup-7 Ft Box 77=Open Body 93" Wheelbase J,N,U=4WD
 72=2 Door Wagon 78=Open Body 103" Wheelbase

BODY STYLES:

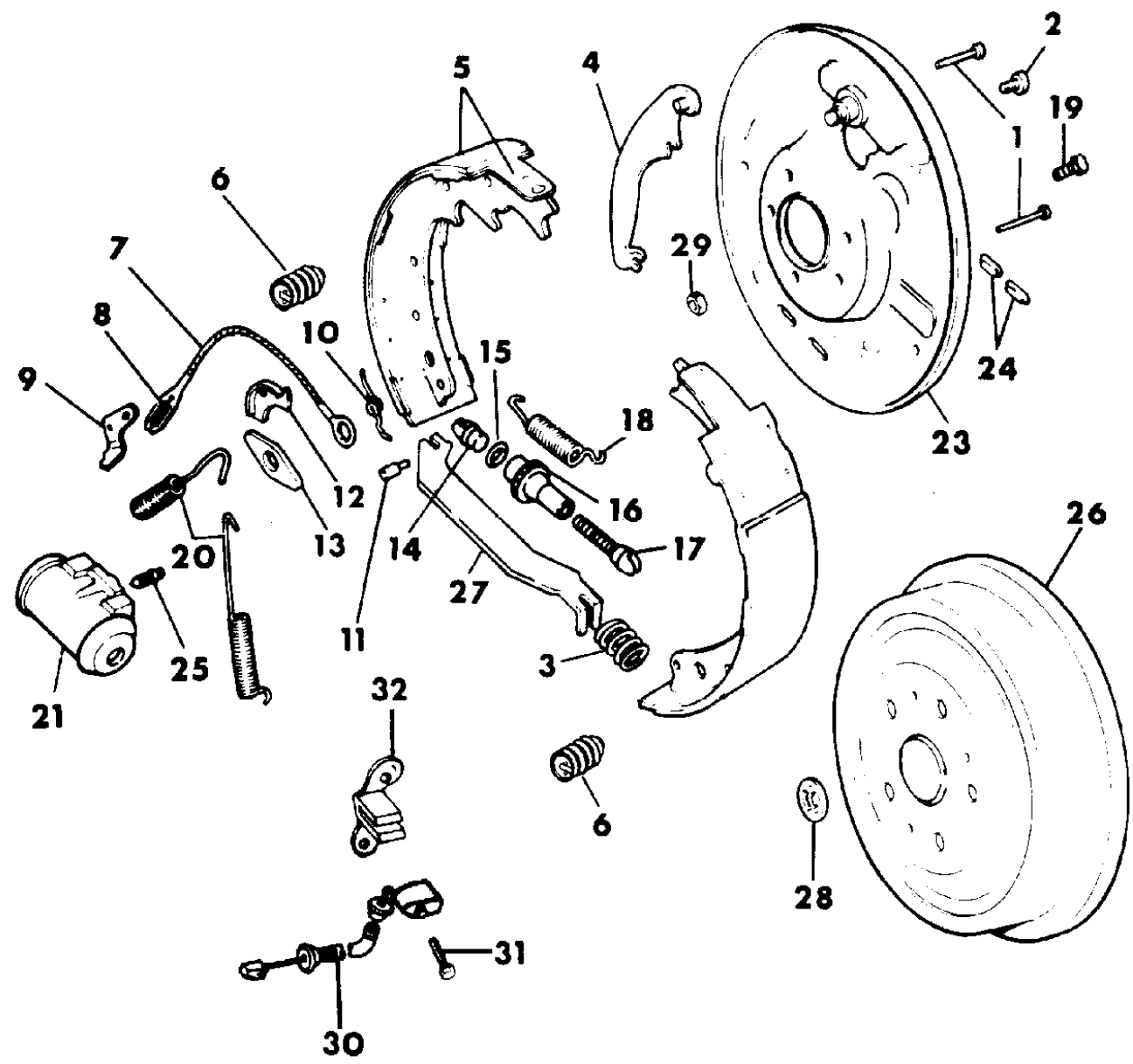
MJ=Comanche Pickup ZJ=Grand Cherokee/Grand Wagoneer KDX VEHICLES
 SJ=Grand Wagoneer M1=Comanche
 XJ=Cherokee, Briarwood X1=Cherokee, Briarwood
 YJ=Wrangler Y1=Wrangler

AR = Use as Required - = Non Illustrated Part P.A.R. = Paint as Required

BRAKES, REAR WRANGLER, YJ
Figure 5-500

91J05 500A

ITEM	PART NUMBER	QTY	BODY	MODEL	DESCRIPTION
1	2260 548	4			PIN, Brake Shoe Hold Down
2	6028 921	4			SCREW, Cylinder Mounting
3	4313 079	2			SPRING, Parking Brake Strut
4	4313 810-1	1			LEVER, Parking Brake
5	4423 606	1			SHOE and LINING PACKAGE, Rear Brake
6	4313 062	4			SPRING ASSEMBLY, Hold Down ***
7	3461 662	2			CABLE, Automatic Adjuster
8	3461 660	2			SPRING, Automatic Adjuster Cable
9	3461 665	2			LEVER, Automatic Adjuster
10	2944 580-1	1			SPRING, Automatic Adjuster Lever
11	4049 681	1			PIN PACKAGE, Autommatic Adjuster Lever
12	2260 793	2			GUIDE, Automatic Adjuster Cable
13	4313 075	2			PLATE, Guide
14	2944 586	2			BUTTON, Automatic Adjuster
15	6027 559	2			WASHER, Automatic Adjuster Button
16	2944 692-3	1			NUT, Automatic Adjuster Pivot Screw
17	2881 686-7	1			SCREW, Automatic Adjuster Pivot
18	4313 069	2			SPRING, Shoe to Shoe
19	J099 4313	8			BOLT, Rear Wheel Brake Mounting
20	2881 676	4			SPRING, Brake Shoe Return
21	4423 601	2			CYLINDER, Rear Wheel Brake
22	5252 630	2			REPAIR PACKAGE, Wheel Cylinder Rear Brake
23	5252 720-1	1			PLATE, Backing w/o ABS
	5252 718-9	1			w/ABS (D)
24	4238 721	4			PLUG, Brake Adjuster Hole
25	3766 674	2			SCREW, Bleeder
26	5200 5350	2			DRUM, Rear Wheel Brake
27	4313 078	2			STRUT, Parking Brake Lever
28	6026 430	4			RETAINER, Brake Drum
29	J941 1783	8			NUT
30	5200 5936	2			SENSOR, ABS Brakes
31	8350 4920	2			BOLT
32	5200 7804-5	1			BRACKET, Sensor ABS Brakes
32	5200 7804-5	1			BRACKET, Sensor ABS Brakes
	4636 779	1			BRAKE PACKAGE, Hardware (Contains Items 1,3,6,7,10,11,12,18,20) ***



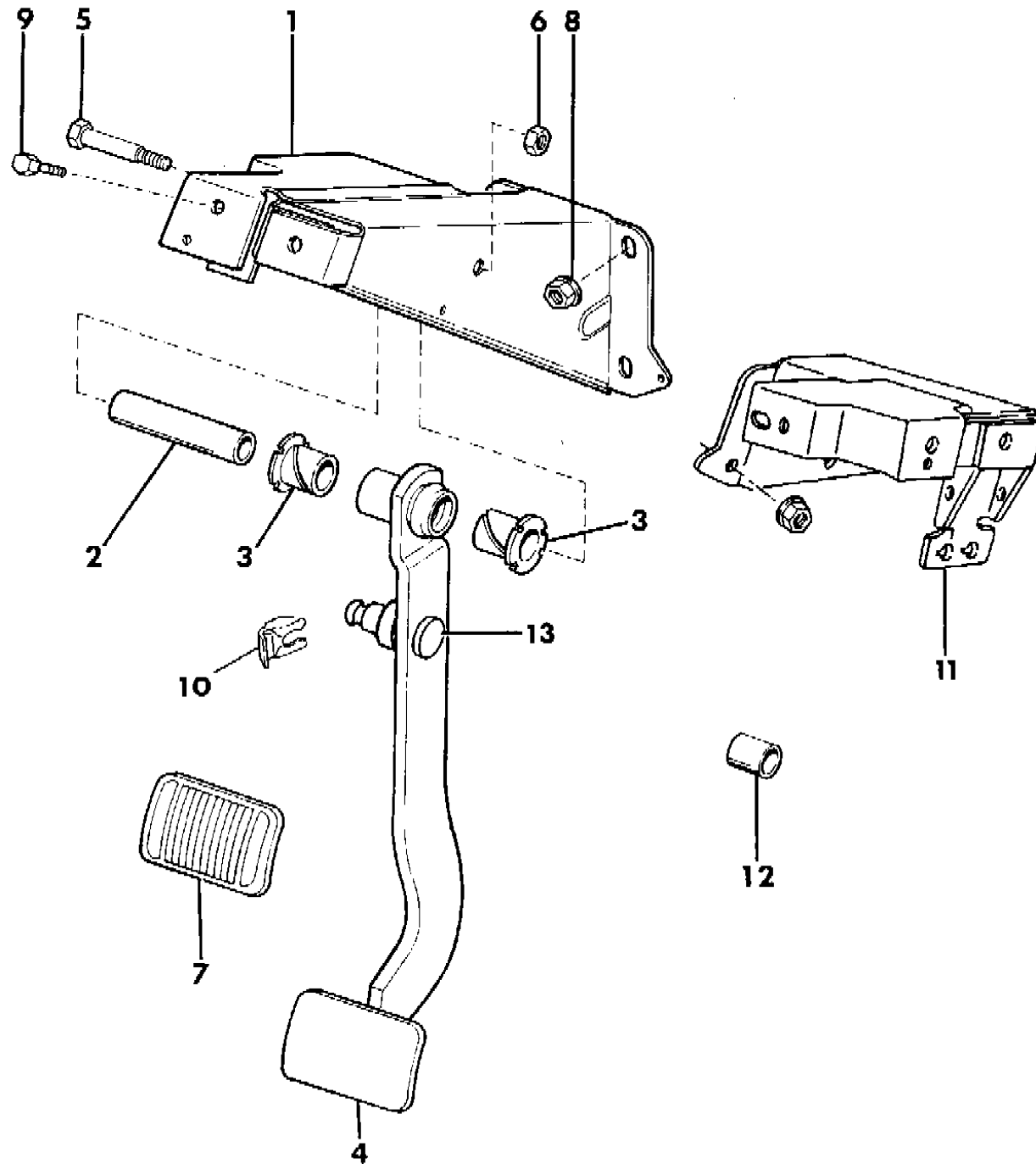
MODEL CODES:
 61=Pickup-6 Ft Box 74=4 Door Wagon T=2WD
 62=Pickup-7 Ft Box 77=Open Body 93" Wheelbase J,N,U=4WD
 72=2 Door Wagon 78=Open Body 103" Wheelbase

BODY STYLES:
 MJ=Comanche Pickup ZJ=Grand Cherokee/Grand Wagoneer KDX VEHICLES
 SJ=Grand Wagoneer M1=Comanche
 XJ=Cherokee, Briarwood X1=Cherokee, Briarwood
 YJ=Wrangler Y1=Wrangler

AR = Use as Required - = Non Illustrated Part P.A.R. = Paint as Required

PEDAL, BRAKE CHEROKEE, BRIARWOOD, GRAND CHEROKEE, COMANCHE
Figure 5-600

91J05 600 A



ITEM	PART NUMBER	QTY	BODY	MODEL	DESCRIPTION
1					BRACKET, Pedal
					w/Column Mounted Gear Shift
	5207 7547	1	MJ		1991
	5207 7943	1	MJ		1992
					w/Floor Mounted Gear Shift
	5207 7546	1	XJ,MJ		1991
2	5207 7942	1	XJ,MJ		1992
	5207 7971	1	ZJ		
	5300 0637	1			SLEEVE, Brake Pedal Pivot
3	J322 5981	2			SLEEVE, Brake Pedal (Not Serviced)
4					BUSHING
					PEDAL, Brake
					w/Manual Transmission
	5207 7550	1	XJ,MJ		All Except EUROPE
	5207 7551	1	XJ		EUROPE
	5207 7974	1	ZJ		Up to 10-26-92
	5207 8491	1	ZJ		After 10-26-92
					w/Automatic Transmission
	5207 7552	1	XJ,MJ		w/o Anti-Lock Brakes, Except EUROPE 1991-92
	5207 7553	1	XJ		w/o Anti-Lock Brakes, EUROPE 1991-92
5207 7554	1	XJ		w/Anti-Lock Brakes 1991-92	
5	5207 7977	1	ZJ		Up to 10-26-92
	5207 8493	1	ZJ		After 10-26-92
	5207 7552	1	XJ		w/6" Wide Pedal Shaft Except Europe Up to 2-15-93 ***
	5207 8537	1	XJ		w/5" Wide Pedal Shaft Except Europe After 2-15-93
	5207 7553	1	XJ		w/6" Wide Pedal Shaft Europe Up to 2-15-93
6	5207 8539	1	XJ		w/5" Wide Pedal Shaft Europe After 2-15-93
	4720 825	AR			SPRING PACKAGE, Pedal Return (TSB 05-51-92) ***
					BOLT
7	3420 1515	1	XJ,MJ		w/Manual Transmission
	6100 206	1	XJ,MJ		w/Automatic Transmission
	6100 206	1	ZJ		
8	6100 501	1			NUT
	5200 2750	1			PAD, Pedal
	5200 2749	1			w/Manual Transmission
9	5207 8540	1			w/Automatic Transmission (6" Wide)
	J400 3909	4			w/Automatic Transmission (5" Wide)
	3420 1559	2	XJ,MJ		NUT
10					BOLT
	4294 036	1	XJ,MJ		CLIP, Push Rod to Brake Pedal Retaining

MODEL CODES:

61=Pickup-6 Ft Box 74=4 Door Wagon T=2WD
 62=Pickup-7 Ft Box 77=Open Body 93" Wheelbase J,N,U=4WD
 72=2 Door Wagon 78=Open Body 103" Wheelbase

BODY STYLES:

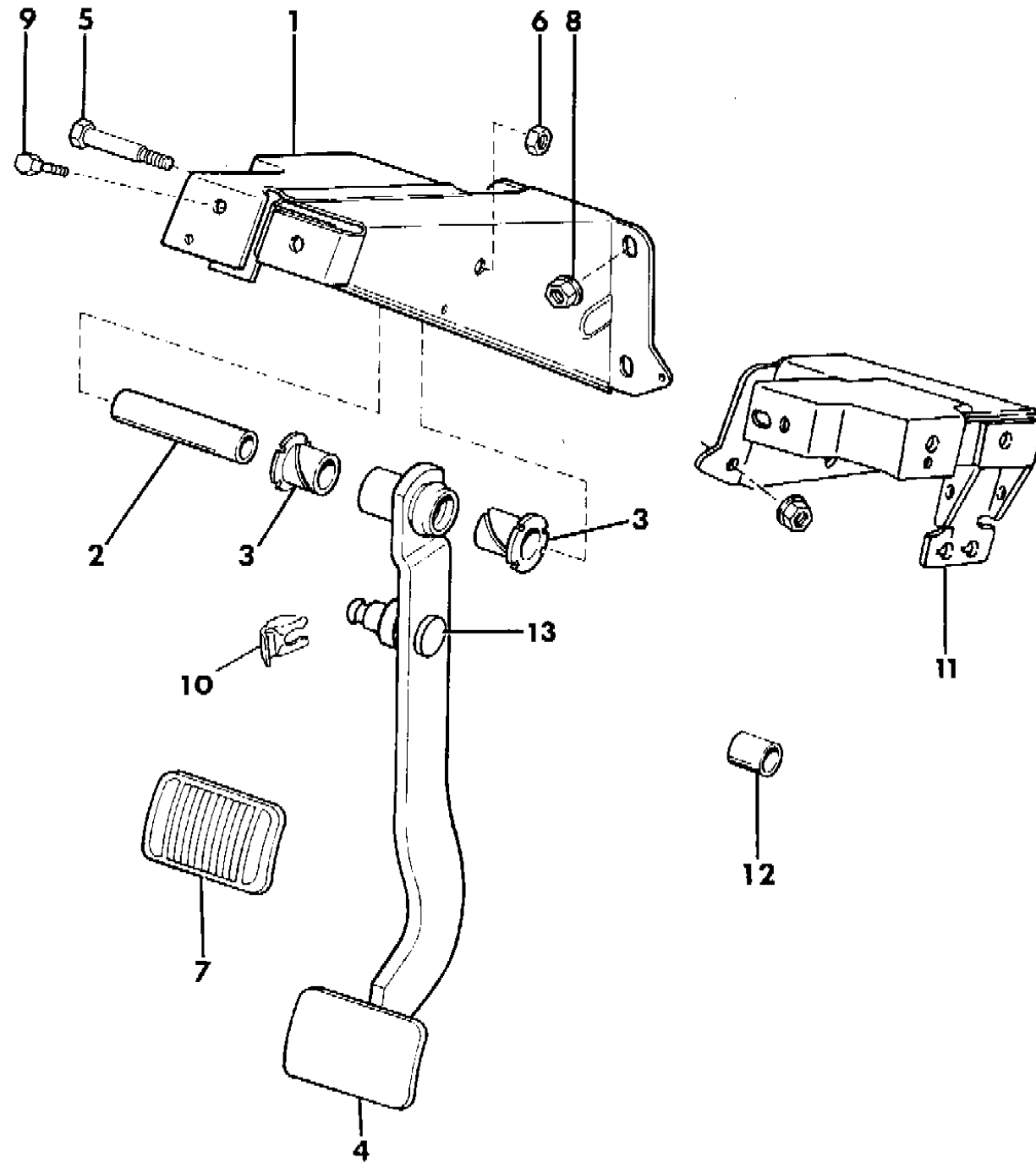
MJ=Comanche Pickup ZJ=Grand Cherokee/Grand Wagoneer KDX VEHICLES
 SJ=Grand Wagoneer M1=Comanche
 XJ=Cherokee, Briarwood X1=Cherokee, Briarwood
 YJ=Wrangler Y1=Wrangler

AR = Use as Required - = Non Illustrated Part P.A.R. = Paint as Required

PEDAL, BRAKE CHEROKEE, BRIARWOOD, GRAND CHEROKEE, COMANCHE

Figure 5-600

91J05 600 A



ITEM	PART NUMBER	QTY	BODY	MODEL	DESCRIPTION
	6501 640	1	ZJ		
-	0120 395	1	ZJ		WASHER, Flat, Push Rod to Brake Pedal
-	0905 206	1	ZJ		WASHER, Wave, Push Rod to Brake Pedal
11	5600 5868	1	XJ,MJ		BRACKET, Brake Lamp Switch
	6031 704	1	XJ,MJ		CLIP, Brake Lamp Switch
12	J321 5928	1	X1,M1		SLEEVE, KDX-China, Venezuela
13					PIN, M/Cyl. Push Rod to Brake Pedal
	5207 7555	1	XJ,MJ		
		1	ZJ		(Serv. Assy.)
-	4446 361	1	ZJ		BUSHING, Push Rod to Brake Pedal Pin
-		1	ZJ		SCREW and WASHER, Brake Pedal Mtg. Bracket to Strg. Column (Not Serviced)

MODEL CODES:

61=Pickup-6 Ft Box 74=4 Door Wagon T=2WD
 62=Pickup-7 Ft Box 77=Open Body 93" Wheelbase J,N,U=4WD
 72=2 Door Wagon 78=Open Body 103" Wheelbase

BODY STYLES:

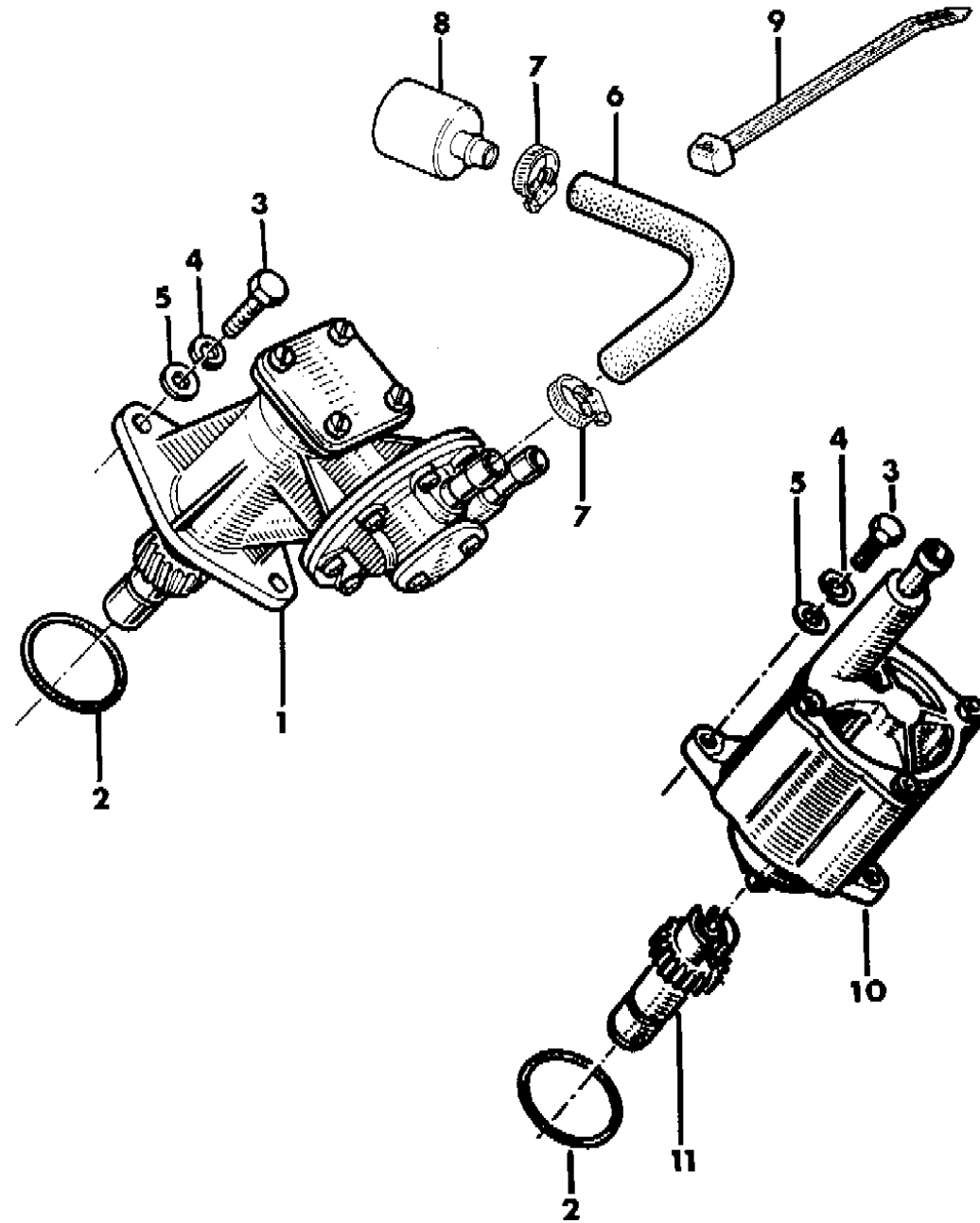
MJ=Comanche Pickup ZJ=Grand Cherokee/Grand Wagoneer KDX VEHICLES
 SJ=Grand Wagoneer M1=Comanche
 XJ=Cherokee, Briarwood X1=Cherokee, Briarwood
 YJ=Wrangler Y1=Wrangler

AR = Use as Required - = Non Illustrated Part P.A.R. = Paint as Required

VACUUM PUMP, BRAKES DIESEL CHEROKEE (EXPORT)

Figure 5-700

91J05 700A



ITEM	PART NUMBER	QTY	BODY	MODEL	DESCRIPTION
1	T072 8610	1			PUMP, Vacuum, For J8S-814 Engine
2	T306 5067	1			SEAL
3	T300 1142	2			BOLT
4	T140 2092	2			WASHER, Lock
5	T140 2065	2			WASHER, Flat
6	5300 2575	1			HOSE
7	J320 3076	2			CLAMP
8	5300 2574	1			SILENCER, Vacuum Pump
9	J322 3227	1			STRAP
10	T073 5265	1			PUMP, Vacuum, For J8S-890 Engine
11	T072 3245	1			GEAR

MODEL CODES:

61=Pickup-6 Ft Box 74=4 Door Wagon T=2WD
 62=Pickup-7 Ft Box 77=Open Body 93" Wheelbase J,N,U=4WD
 72=2 Door Wagon 78=Open Body 103" Wheelbase

BODY STYLES:

MJ=Comanche Pickup ZJ=Grand Cherokee/Grand Wagoneer KDX VEHICLES
 SJ=Grand Wagoneer M1=Comanche
 XJ=Cherokee, Briarwood X1=Cherokee, Briarwood
 YJ=Wrangler Y1=Wrangler

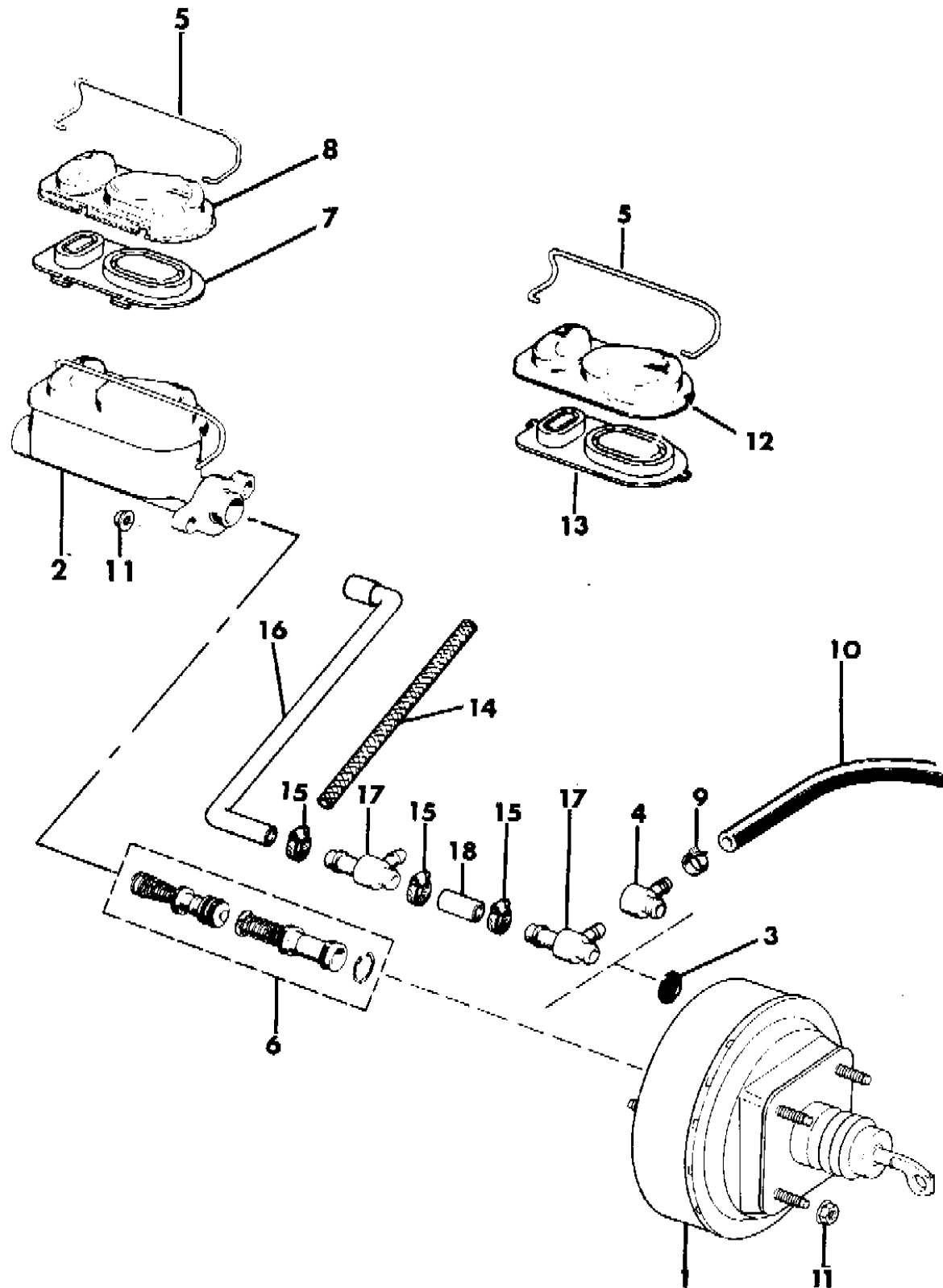
AR = Use as Required - = Non Illustrated Part P.A.R. = Paint as Required

BOOSTER AND MASTER CYLINDER U.S. AND CANADA CHEROKEE, BRIARWOOD, COMANCHE

Figure 5-800

91J05 800

ITEM	PART NUMBER	QTY	BODY	MODEL	DESCRIPTION
1					BOOSTER, Brake
	4637 769	1			Gas Engine
2	5252 622	1			CYLINDER, Brake Master
3	J320 8510	1			GROMMET, Valve
4	J448 7455	1			VALVE, Check
5	J813 3910	1			RETAINER
6	5252 625	1			REPAIR PACKAGE, Master Cylinder
7	8350 4455	1			GASKET
8	8350 4454	1			COVER
9					CLAMP, Hose
	J320 3076	1			Gas Engine
10					HOSE, Vacuum
	5200 6966	1			4 Cylinder Gas Engine
	5200 6967	1			6 Cylinder Engine
11	J400 3909	6			NUT
12	J813 3911	1			COVER
13	J813 3912	1			GASKET
14	3200 1056	1			SLEEVE
15	3300 0784	3			CLAMP, Hose
16					HOSE, Vacuum
	5200 1783	1			Up to 02-18-91
	5200 7584	1			After 02-18-91
17	8350 1532	2			VALVE, Check
18	5200 2458	1			CONNECTOR



MODEL CODES:

61=Pickup-6 Ft Box 74=4 Door Wagon T=2WD
 62=Pickup-7 Ft Box 77=Open Body 93" Wheelbase J,N,U=4WD
 72=2 Door Wagon 78=Open Body 103" Wheelbase

BODY STYLES:

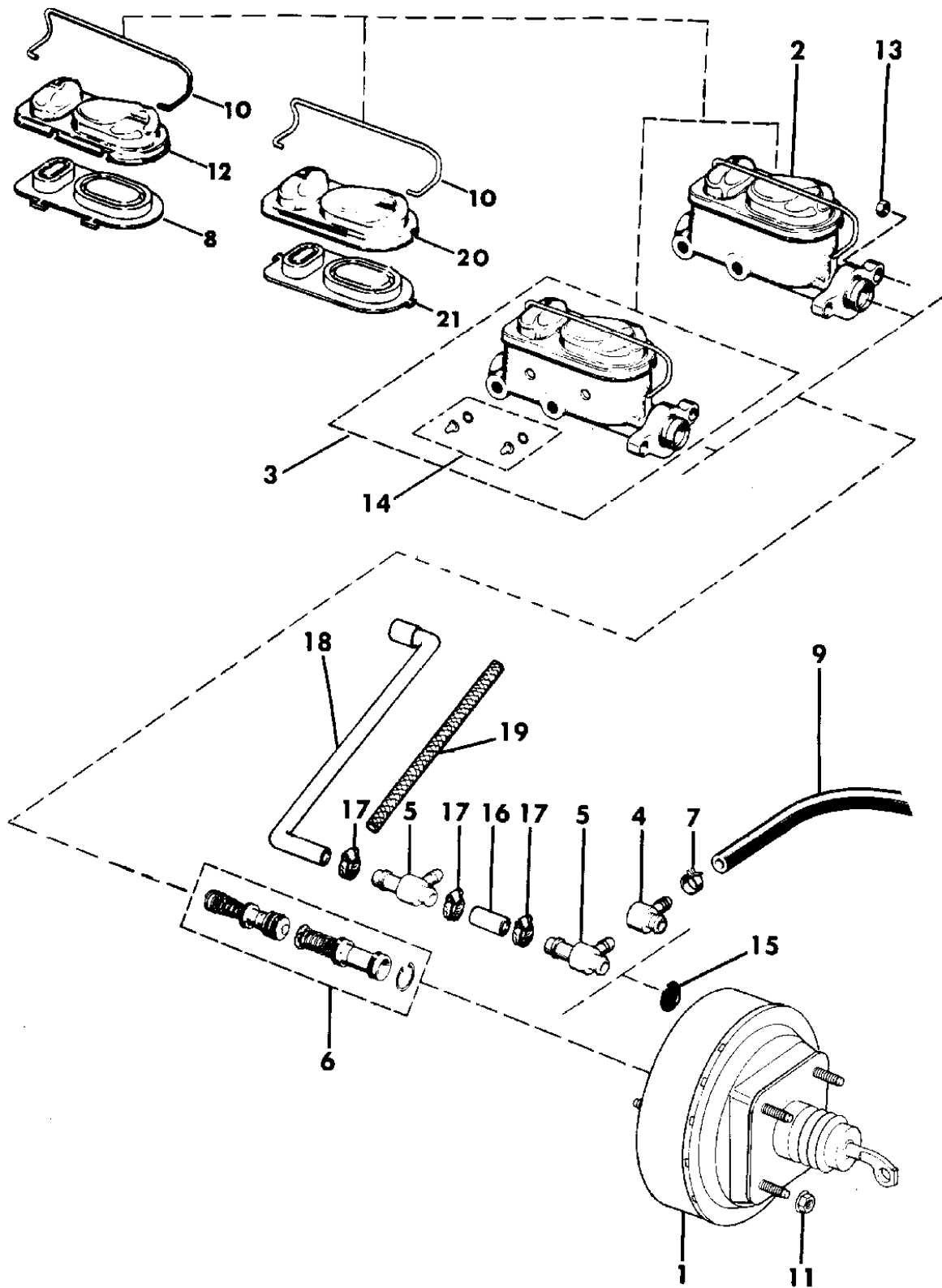
MJ=Comanche Pickup ZJ=Grand Cherokee/Grand Wagoneer KDX VEHICLES
 SJ=Grand Wagoneer M1=Comanche
 XJ=Cherokee, Briarwood X1=Cherokee, Briarwood
 YJ=Wrangler Y1=Wrangler

AR = Use as Required - = Non Illustrated Part P.A.R. = Paint as Required

BOOSTER AND MASTER CYLINDER EXPORT CHEROKEE, BRIARWOOD, COMANCHE

Figure 5-900

91J05 900A



ITEM	PART NUMBER	QTY	BODY	MODEL	DESCRIPTION
1					BOOSTER, BRAKE
	8350 1533	1			Gas, Europe
	8350 5610	1			Diesel, Europe
	8350 1534	1			Diesel, Non-Regulated Markets, KDX
2	5252 622	1			CYLINDER, Brake Master, Diesel, KDX, Non-Regulated Markets
3					CYLINDER, BRAKE MASTER
	5252 623	1			Gas, Europe
	5252 624	1			Diesel, Europe
4	J448 7455	1			VALVE, Check, Gas
5	8350 1532	1			VALVE, Check, Diesel
6	5252 625	1			REPAIR KIT, Master Cylinder
7					CLAMP, HOSE
	J320 3076	1			Gas
	J321 9466	1			Diesel
8	8350 4455	1			GASKET
9					HOSE, VACUUM
	J324 2729	1			Gas, Non-Regulated Markets, 4 Cylinder Engine
	5200 6966	1			Gas, 4 Cylinder Engine - Europe
	5200 6967	1			6 Cylinder Engine
	5200 8327	1			w/RHD
	5200 7534	1			China - CKD w/2.5L Engine
	5200 7520	1			China - CKD w/4.0L Engine
	J812 5883	1			Diesel Engine
10	J813 3910	1			RETAINER
11	J400 3909	4			NUT
12	8350 4454	1			COVER
13	J400 3909	2			NUT
14	8350 0142	1			GLASS, Sight - Europe
15	J320 8510	1			GROMMET, Valve
16	5200 2458	1			CONNECTOR, Diesel
17	3300 0784	3			CLAMP, Hose, Diesel
18					HOSE, Vacuum, Diesel
	5200 1783	1			1991
	5200 7785	1			1992
19	3200 1056	1			SLEEVE, Diesel
20	J813 3911	1			COVER
21	J813 3912	1			GASKET

MODEL CODES:

61=Pickup-6 Ft Box 74=4 Door Wagon T=2WD
 62=Pickup-7 Ft Box 77=Open Body 93" Wheelbase J,N,U=4WD
 72=2 Door Wagon 78=Open Body 103" Wheelbase

BODY STYLES:

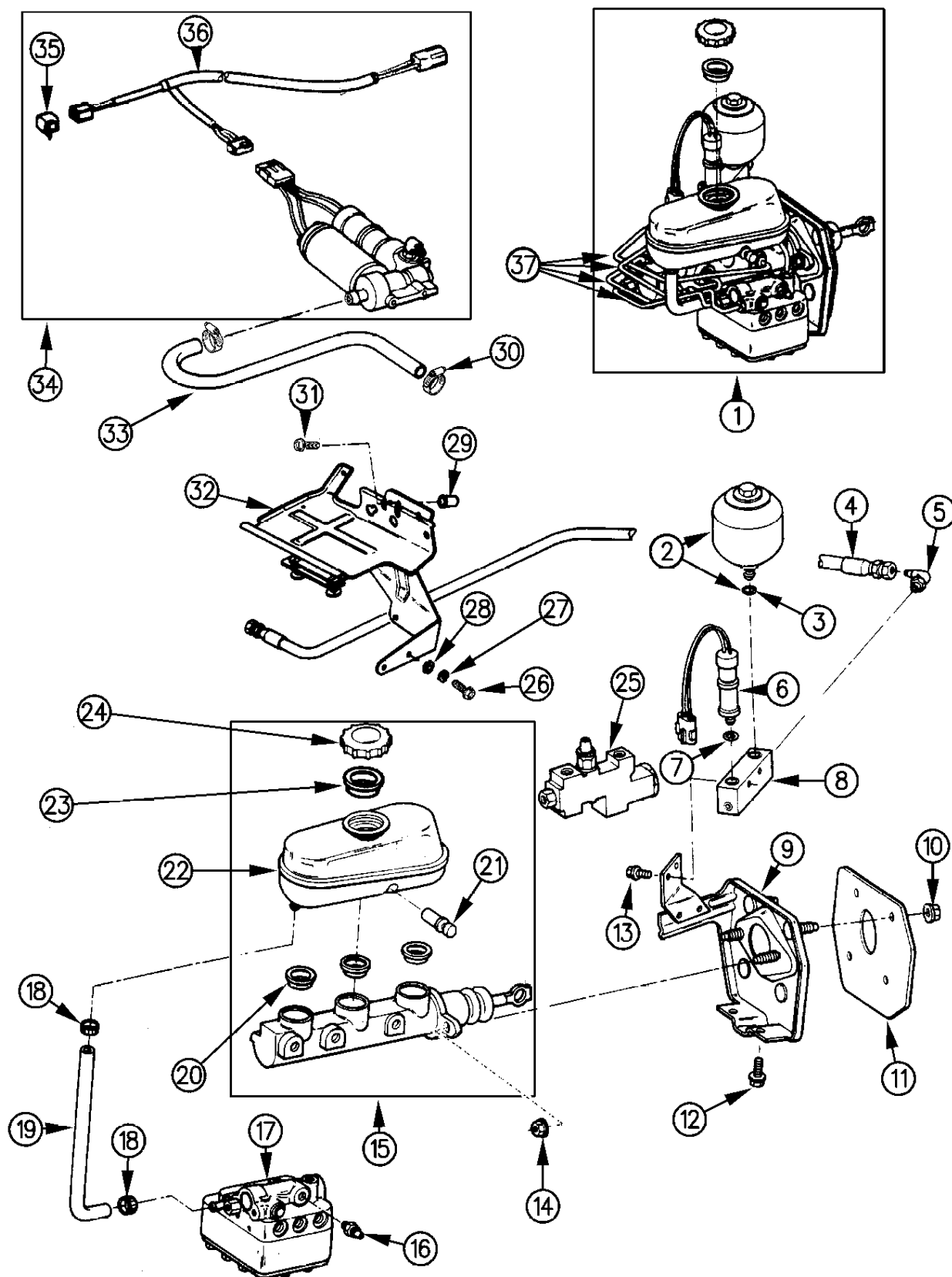
MJ=Comanche Pickup ZJ=Grand Cherokee/Grand Wagoneer KDX VEHICLES
 SJ=Grand Wagoneer M1=Comanche
 XJ=Cherokee, Briarwood X1=Cherokee, Briarwood
 YJ=Wrangler Y1=Wrangler

AR = Use as Required - = Non Illustrated Part P.A.R. = Paint as Required

CYLINDER, BRAKE MASTER (1991) W/ANTI-LOCK BRAKING SYSTEM CHEROKEE, BRIARWOOD

Figure 5-1000

91J05 1000B



ITEM	PART NUMBER	QTY	BODY	MODEL	DESCRIPTION
1		1			HYDRAULIC ASSEMBLY, (Service Component Parts) ***
2	4637 632	1			ACCUMULATOR, ABS Brakes ***
3	4637 629	1			O-RING
4	5200 7844	1			HOSE, High Pressure
5	4637 633	1			FITTING
-	4637 630	1			O-RING, Fitting
6	4637 654	1			SWITCH, Accumulator (Delta Pressure A) Includes #7
7	4637 652	1			O-RING, Switch
8	4637 642	1			BLOCK, Accumulator ***
9	4637 627	1			BRACKET ASSEMBLY, Mounting ***
10	J400 3909	4			NUT, Mounting
11	4637 641	1			GASKET, Mounting
12	4637 644	2			SCREW, Modulator Mounting
13	4637 648	1			BOLT, Accumulator Block Mounting
14	J400 3909	2			NUT, Accumulator to Bracket
15	4637 621	1			ACTUATOR & RESERVOIR ASSEMBLY ***
	4746 510	1			ACTUATOR PACKAGE, Japan
	4773 177	1			ACTUATOR REPAIR KIT
16	4637 628	1			SWITCH, Modulator (Delta Pressure B)
17	4637 626	1			MODULATOR
18	J400 6502	2			CLAMP
19	4637 646	1			HOSE, Low Pressure Feed
20	4637 623	3			GROMMET, Reservoir to Actuator
21	4637 625	1			SWITCH, Fluid Level
22	4637 622	1			RESERVOIR ASSEMBLY, Also Includes Items #21,23 &24 ***
23	4637 624	1			FILTER, Reservoir Cap
24	4637 650	1			CAP, Reservoir
25	5200 6221	1			VALVE, Proportioning
26	J400 7506	3			BOLT, Bracket Mounting
27	J012 0380	3			WASHER, Bracket Mounting
28	5200 6803	3			ISOLATOR, Bracket ***
29	3420 1595	2			NUTSERT ***
30	J400 6661	2			CLAMP, Low Pressure Hose
31	3420 1808	2			SCREW & WASHER, Bracket Mounting ***
32	5200 6800	1			BRACKET ASSEMBLY, ABS Pump Mounting ***
33	5200 7682	1			HOSE, Low Pressure
34	5200 7515	1			PUMP ASSEMBLY ***
-	4637 657	1			SNAP RING, Pump Inlet Nipple Retaining
-	4637 655	1			NIPPLE, Low Pressure Hose (Straight)
-	4637 656	1			NIPPLE, Low Pressure Hose (120 Degrees)
35	5200 4461	1			RELAY, Pump ***

MODEL CODES:

61=Pickup-6 Ft Box 74=4 Door Wagon T=2WD
 62=Pickup-7 Ft Box 77=Open Body 93" Wheelbase J,N,U=4WD
 72=2 Door Wagon 78=Open Body 103" Wheelbase

BODY STYLES:

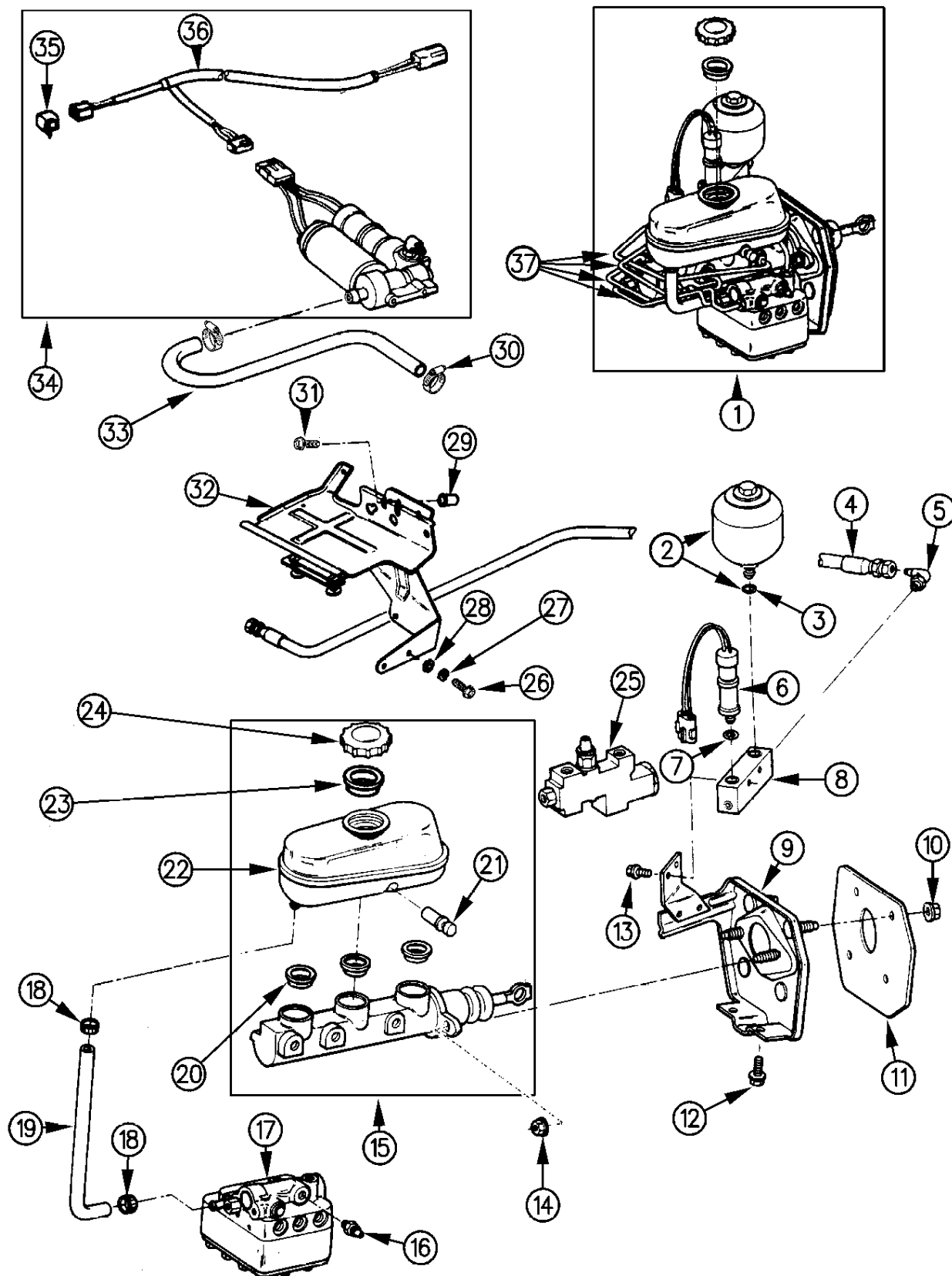
MJ=Comanche Pickup ZJ=Grand Cherokee/Grand Wagoneer KDX VEHICLES
 SJ=Grand Wagoneer M1=Comanche
 XJ=Cherokee, Briarwood Y1=Wrangler
 YJ=Wrangler

AR = Use as Required - = Non Illustrated Part P.A.R. = Paint as Required

CYLINDER, BRAKE MASTER (1991) W/ANTI-LOCK BRAKING SYSTEM CHEROKEE, BRIARWOOD

Figure 5-1000

91J05 1000B



ITEM	PART NUMBER	QTY	BODY	MODEL	DESCRIPTION
------	-------------	-----	------	-------	-------------

36	5200 4460	1			HARNES, Relay ***
37	4637 634	1			TUBE ASSEMBLY PACKAGE, Also Includes Clip ***
-	4637 631	1			CLIP, Tubes

MODEL CODES:

61=Pickup-6 Ft Box 74=4 Door Wagon T=2WD
 62=Pickup-7 Ft Box 77=Open Body 93" Wheelbase J,N,U=4WD
 72=2 Door Wagon 78=Open Body 103" Wheelbase

BODY STYLES:

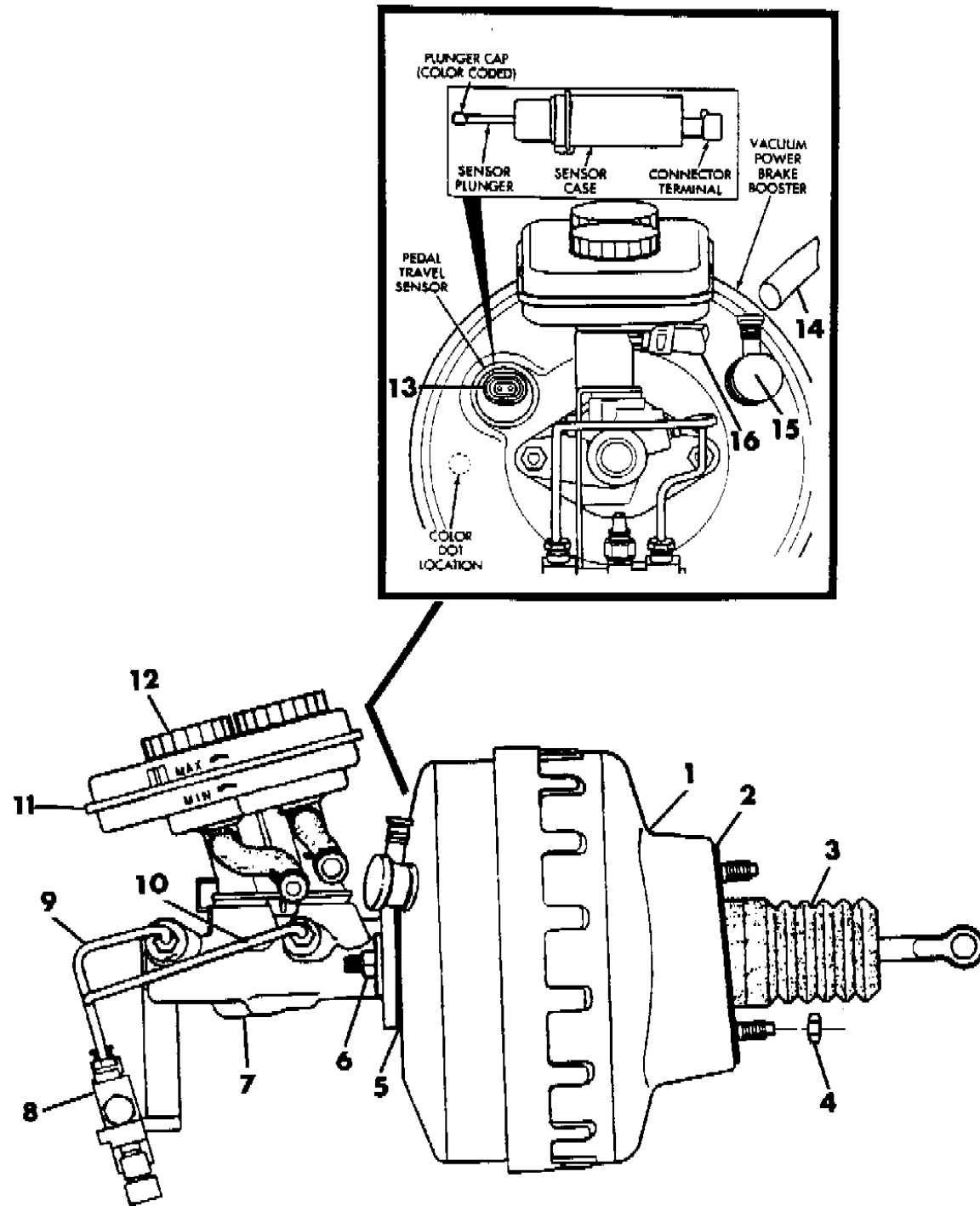
MJ=Comanche Pickup ZJ=Grand Cherokee/Grand Wagoneer KDX VEHICLES
 SJ=Grand Wagoneer M1=Comanche
 XJ=Cherokee, Briarwood X1=Cherokee, Briarwood
 YJ=Wrangler Y1=Wrangler

AR = Use as Required - = Non Illustrated Part P.A.R. = Paint as Required

CYLINDER, BRAKE MASTER (1992-93) W/ANTI-LOCK BRAKING SYSTEM CHEROKEE, BRIARWOOD, GRAND CHEROKEE

Figure 5-1050

91J05 1050



ITEM	PART NUMBER	QTY	BODY	MODEL	DESCRIPTION
1					BOOSTER PACKAGE, Brake
	4713 075	1	XJ		
	4720 868	1	ZJ		
2	4720 898	1			SEAL, Booster to Dash
3	4720 871	1			BOOT, Booster Push Rod
4	J400 3909	4			NUT, Hex (3/8-16)
5	4713 103	1			SEAL, M/Cyl. to Booster
6	1150 2811	2			NUT, Master Cylinder to Booster
7	4713 076	1			MASTER CYLINDER and RESERVOIR ASSEMBLY, Brake ***
8					COMBO VALVE PACKAGE, Includes Mounting Bracket ***
	5200 6394	1	XJ		w/o ABS Up to 3-1-93
	5200 9108	1	XJ		w/o ABS After 3-1-93
	5200 8133	1	XJ		w/o Police Package Up to 3-1-93
	5200 9110	1	XJ		w/o Police Package After 3-1-93
	5200 8121	1	XJ		w/Police Package Up to 3-1-93
	5200 9112	1	XJ		w/Police Package After 3-1-93
	5200 9113	1	ZJ		
-	6100 149	1			SCREW, Combo Valve & Bracket Mounting
9					TUBE ASSEMBLY, M/CYL. to Combo Valve (Secondary) ***
	5200 7783	1	XJ		
	5200 8072	1	ZJ		
10					TUBE ASSEMBLY, M/CYL. to Combo Valve (Primary) ***
	5200 7782	1	XJ		
			ZJ		
	5200 8071	1			1992
	5200 8332	1			1993
11					RESERVOIR ASSEMBLY ***
	4761 615	1	XJ		LHD
	4761 735	1	XJ		RHD
	4761 738	1	ZJ		
12	4762 385	2	XJ		CAP ASSEMBLY, Reservoir ***
	4713 079	2	ZJ		
13	4713 078	1			SENSOR PACKAGE, Brake Pedal Travel ***
		1			Consist of:
					01-----Sensor
					01-----O Ring
					01-----Spring Clip
					AR-----Plungers, (White, Green, Blue, Red)
14					HOSE, Check Valve
	5200 7364	1	XJ		
	5200 8327	1	XJ	RHD	

MODEL CODES:

61=Pickup-6 Ft Box 74=4 Door Wagon T=2WD
 62=Pickup-7 Ft Box 77=Open Body 93" Wheelbase J,N,U=4WD
 72=2 Door Wagon 78=Open Body 103" Wheelbase

BODY STYLES:

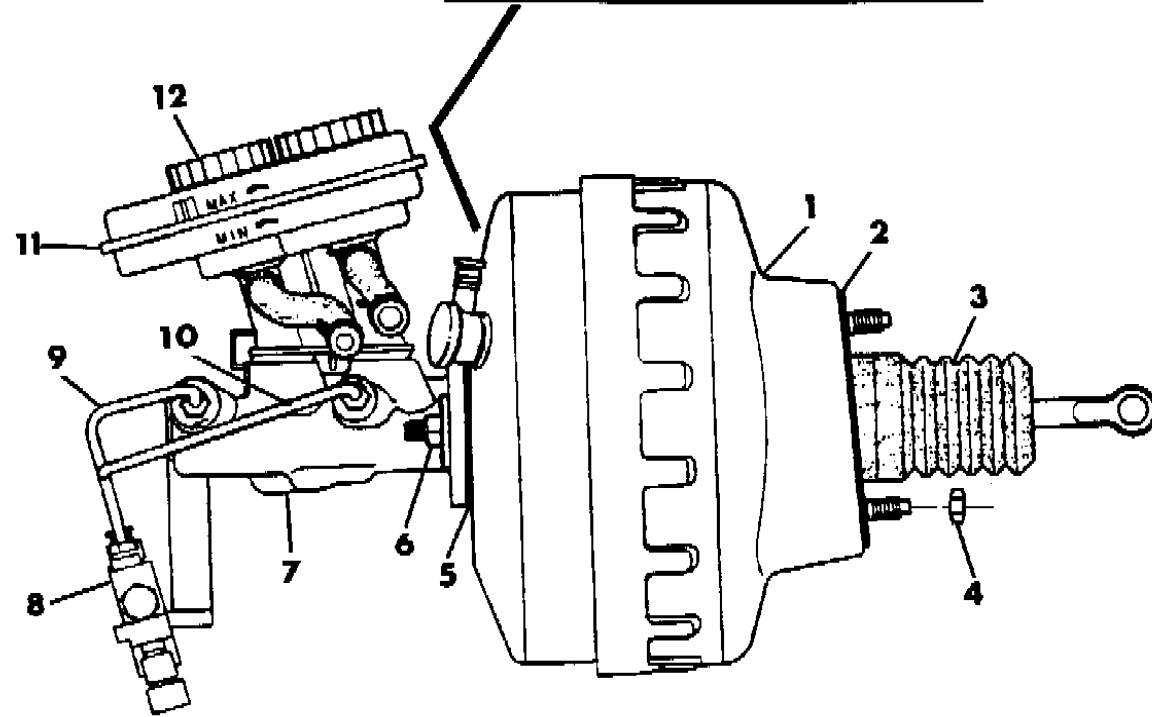
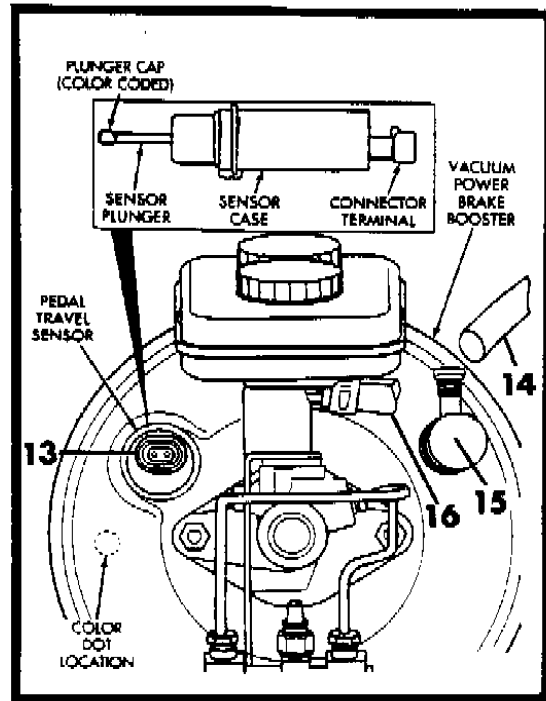
MJ=Comanche Pickup ZJ=Grand Cherokee/Grand Wagoneer KDX VEHICLES
 SJ=Grand Wagoneer M1=Comanche
 XJ=Cherokee, Briarwood X1=Cherokee, Briarwood
 YJ=Wrangler Y1=Wrangler

AR = Use as Required - = Non Illustrated Part P.A.R. = Paint as Required

CYLINDER, BRAKE MASTER (1992-93) W/ANTI-LOCK BRAKING SYSTEM CHEROKEE, BRIARWOOD, GRAND CHEROKEE

Figure 5-1050

91J05 1050



ITEM	PART NUMBER	QTY	BODY	MODEL	DESCRIPTION
	5200 7508	1	ZJ		w/4.0 L Engine ***
	5200 7512	1	ZJ		w/5.2 L Engine ***
15	4713 085	1			VALVE PACKAGE, Check
16					HOSE PACKAGE, M/Cyl.to HCU (Includes; Primary and Secondary Hoses and 4 Clamps) ***
	4713 080	1	XJ		
	4762 386	1	XJ	RHD	
	4720 869	1	ZJ		
-	5200 8277	4	XJ	RHD	CLAMP, Hose to Master Cylinder Resv. Brake Actuation 1993
		AR	XJ		CLAMP, Hose to Master Cylinder Resv. Primary and Secondary w/o Police Pkg 1992 (Not Serviced)
	5200 7898	AR	ZJ		CLAMP, Hose to M/Cyl. Resv. Primary and Secondary
	6502 491	AR	XJ		CLAMP, Hose to M/Cyl. Resv. Primary and Secondary 1993
		2	ZJ		NUT, Hex Lock Prop Valve Mtg. to M/Cyl. Stud (Not Serviced)
	4713 327	2			SEAL, Reservoir to Master Cylinder

MODEL CODES:

61=Pickup-6 Ft Box 74=4 Door Wagon T=2WD
 62=Pickup-7 Ft Box 77=Open Body 93" Wheelbase J,N,U=4WD
 72=2 Door Wagon 78=Open Body 103" Wheelbase

BODY STYLES:

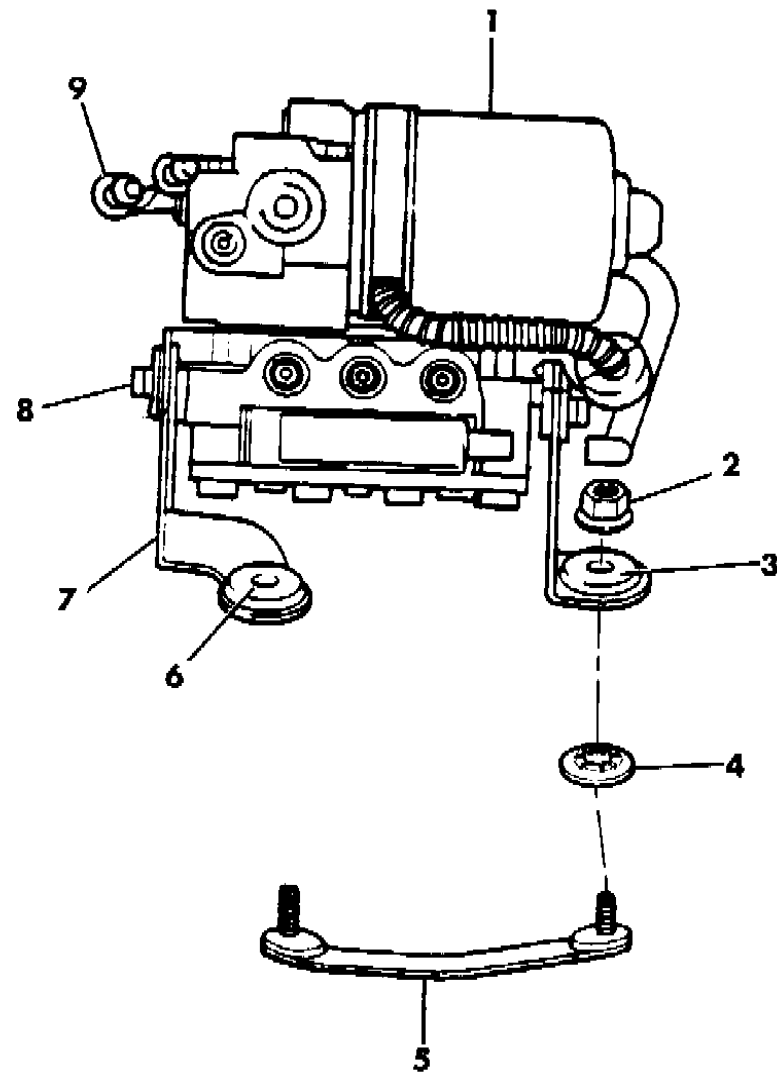
MJ=Comanche Pickup ZJ=Grand Cherokee/Grand Wagoneer KDX VEHICLES
 SJ=Grand Wagoneer M1=Comanche
 XJ=Cherokee, Briarwood X1=Cherokee, Briarwood
 YJ=Wrangler Y1=Wrangler

AR = Use as Required - = Non Illustrated Part P.A.R. = Paint as Required

HYDRAULIC CONTROL UNIT (1992-93) W/ANTI-LOCK BRAKING SYSTEM CHEROKEE, BRIARWOOD, GRAND CHEROKEE

Figure 5-1075

91J05 1075



ITEM	PART NUMBER	QTY	BODY	MODEL	DESCRIPTION
1					HYRAULIC CONTROL UNIT ***
	4713 317	1	XJ		
	4741 280	1	XJ	RHD	1993 ***
	4723 132	1	ZJ		
2					NUT, Hex
	3420 1711	2	XJ		
	3420 1711	3	ZJ		
-	6100 929	1			BOLT (XJ Only)
3	5200 7561	6			ISOLATOR, HCU Mounting Bracket ***
4		2			NUT, Push (DNS)
5					STUD PLATE, HCU Bracket Support ***
	5200 7793	1	XJ		
	5200 7868	1	ZJ		
6	5200 7709	3			SLEEVE, HCU Mounting Bracket Isolator
7					BRACKET, HCU Mounting
	5200 7794	1	XJ		
	5200 8215	1	ZJ		
-	5200 8216	1	ZJ		BUMPER, Bracket
8	5200 7708	3			SCREW
9					ELBOW PACKAGE ***
	4713 081	1	XJ		
	4720 870	1	ZJ		

MODEL CODES:

61=Pickup-6 Ft Box 74=4 Door Wagon T=2WD
 62=Pickup-7 Ft Box 77=Open Body 93" Wheelbase J,N,U=4WD
 72=2 Door Wagon 78=Open Body 103" Wheelbase

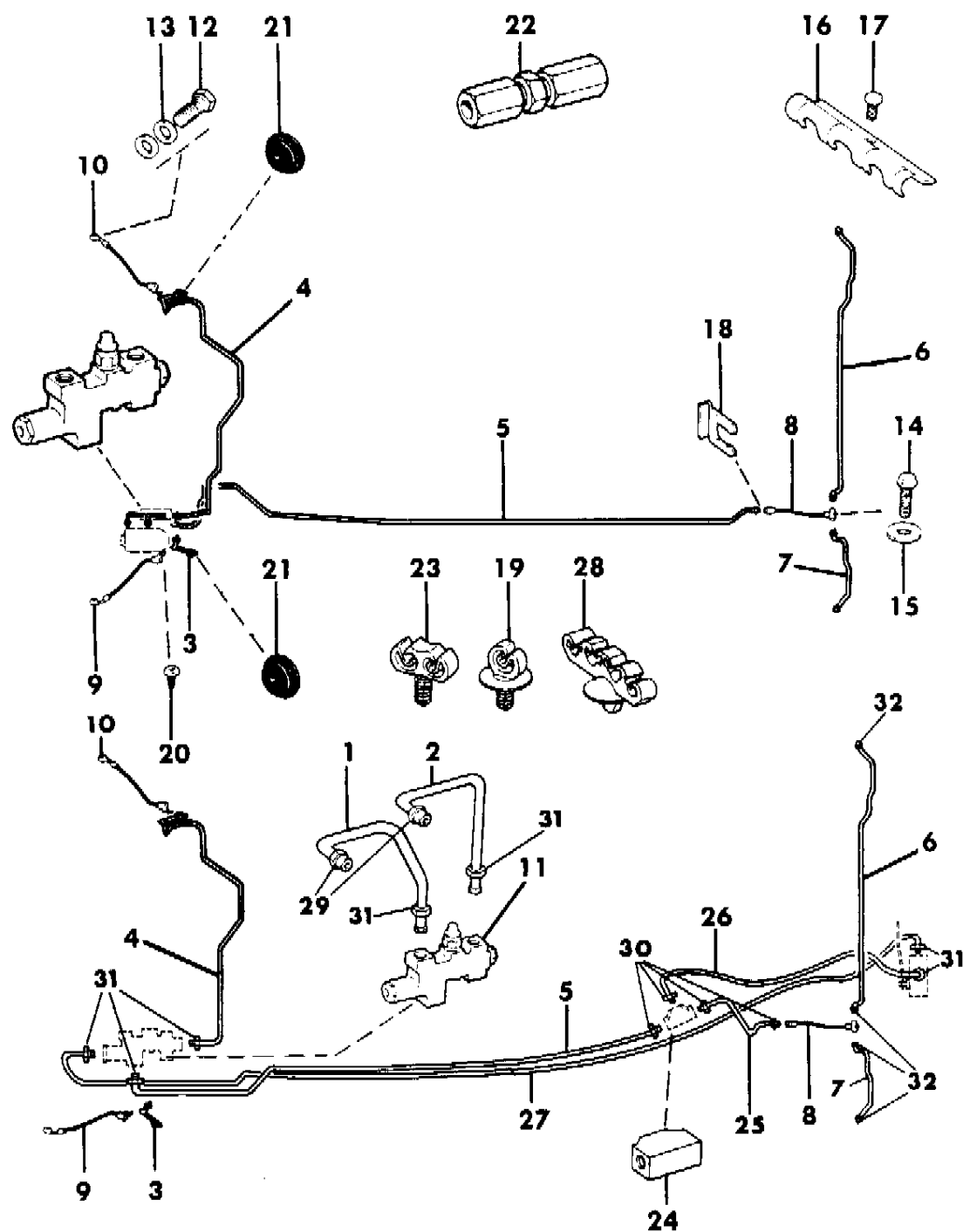
BODY STYLES:

MJ=Comanche Pickup ZJ=Grand Cherokee/Grand Wagoneer KDX VEHICLES
 SJ=Grand Wagoneer M1=Comanche
 XJ=Cherokee, Briarwood X1=Cherokee, Briarwood
 YJ=Wrangler Y1=Wrangler

AR = Use as Required - = Non Illustrated Part P.A.R. = Paint as Required

LINES AND HOSES, BRAKE U.S. AND CANADA, W/O ANTI-LOCKBRAKES CHEROKEE, BRIARWOOD, COMANCHE
Figure 5-1100

91J05 1100B



ITEM	PART NUMBER	QTY	BODY	MODEL	DESCRIPTION
1	5200 2781	1			LINE, Brake
2	5200 0172	1			LINE, Brake
3	5200 0164	1			LINE, Brake
4	5200 3024	1			LINE, Brake
5	5200 0163	1	XJ		LINE, Brake
6	5200 6225	1	MJ		w/6 Foot Box
	5200 6223	1	MJ		w/7 Foot Box
7	5200 5058	1	XJ		LINE, Brake
	5200 4330	1	MJ		w/Dana Model 35 Axle
	5200 3088	1	MJ		w/Dana Model 44 Axle
8	5200 5471	1	XJ		LINE, Brake
	5200 4331	1	MJ		w/Dana Model 35 Axle
9	5200 1918	1	MJ		w/Dana Model 44 Axle
	5200 6861	1	XJ		HOSE, Brake
	5200 7562	1	XJ		1991
	5200 4152	1	MJ		1992-93
10	5200 3607	1	MJ		W/6 Foot Box,W/Dana Model 35 Axle
	5200 7587	1			w/7 Foot Box,W/Dana Model 44 Axle
11	5200 7583	1			HOSE, Brake
	5200 7586	1			2WD
	5200 7582	1			4WD
12	5200 6394	1	XJ		VALVE, Proportioning Up to 3-1-93
	5200 9108	1	XJ		After 3-1-93
	5200 2497	1	MJ		VALVE, Proportioning
13	J400 6700	2			BOLT
14	J323 6434	4			GASKET
15	4137 696	1			SCREW, Rear Axle Vent & Tee Mounting
16	J400 1190	2			WASHER
17	J323 4854	1			CLIP
18	3420 1912	1	XJ,MJ	61	SCREW
	3420 1611	1	MJ	62	
19	2208 893	1			CLIP
20	3200 0404	1			CLIP
21	6502 711	2			SCREW
22	J312 6237	2			GROMMET
	J812 6773	AR			UNION, Brake Line Repair

MODEL CODES:

61=Pickup-6 Ft Box 74=4 Door Wagon T=2WD
 62=Pickup-7 Ft Box 77=Open Body 93" Wheelbase J,N,U=4WD
 72=2 Door Wagon 78=Open Body 103" Wheelbase

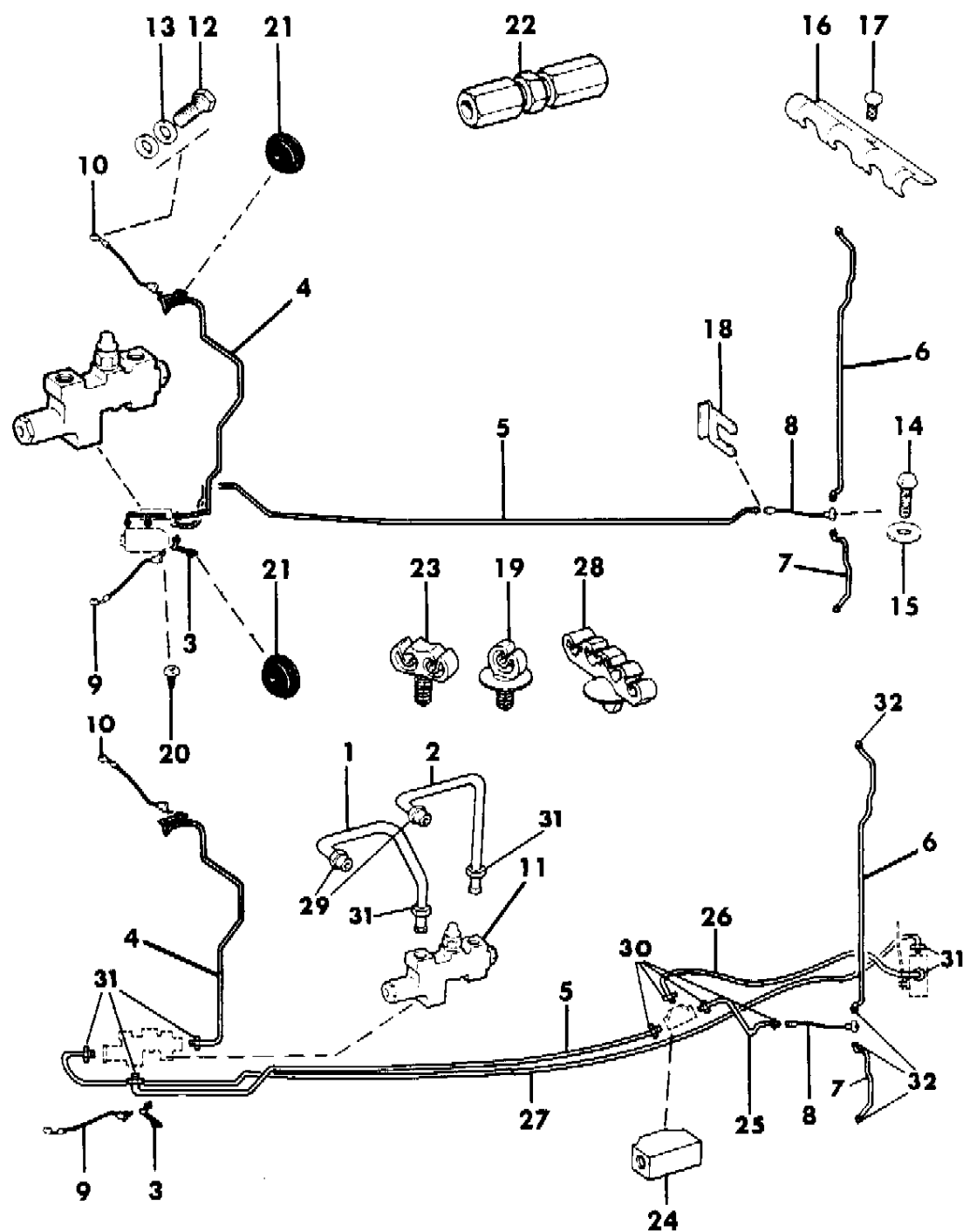
BODY STYLES:

MJ=Comanche Pickup ZJ=Grand Cherokee/Grand Wagoneer KDX VEHICLES
 SJ=Grand Wagoneer M1=Comanche
 XJ=Cherokee, Briarwood Y1=Cherokee, Briarwood
 YJ=Wrangler Y1=Wrangler

AR = Use as Required - = Non Illustrated Part P.A.R. = Paint as Required

LINES AND HOSES, BRAKE U.S. AND CANADA, W/O ANTI-LOCKBRAKES CHEROKEE, BRIARWOOD, COMANCHE
Figure 5-1100

91J05 1100B



ITEM	PART NUMBER	QTY	BODY	MODEL	DESCRIPTION
23	5200 2044	2			CLIP
24	J319 6997	1	MJ		TEE
25	5200 2992	1	MJ		LINE, Brake w/6 Foot Box
	5200 2368	1	MJ		w/7 Foot Box
26	5200 2397	1	MJ		LINE, Brake w/6 Foot Box
	5200 2960	1	MJ		w/7 Foot Box
27	5200 6222	1	MJ		LINE, Brake w/6 Foot Box
	5200 6224	1	MJ		w/7 Foot Box
28	5300 0585	1			CLIP
29	J322 0009	AR			NUT, 1/2-20 (Black) Inverted Flare
30	J319 5677	AR			NUT, 3/8-24 (Gold) Inverted Flare
31	J318 7730	AR			NUT, 7/16-24 (Red) Inverted Flare
32	6029 113	AR			NUT, 3/8-24 (Light Blue) Inverted Flare
-	1843 251	AR			TUBING, Roll Stock 3/16"x25'

MODEL CODES:

61=Pickup-6 Ft Box 74=4 Door Wagon T=2WD
62=Pickup-7 Ft Box 77=Open Body 93" Wheelbase J,N,U=4WD
72=2 Door Wagon 78=Open Body 103" Wheelbase

BODY STYLES:

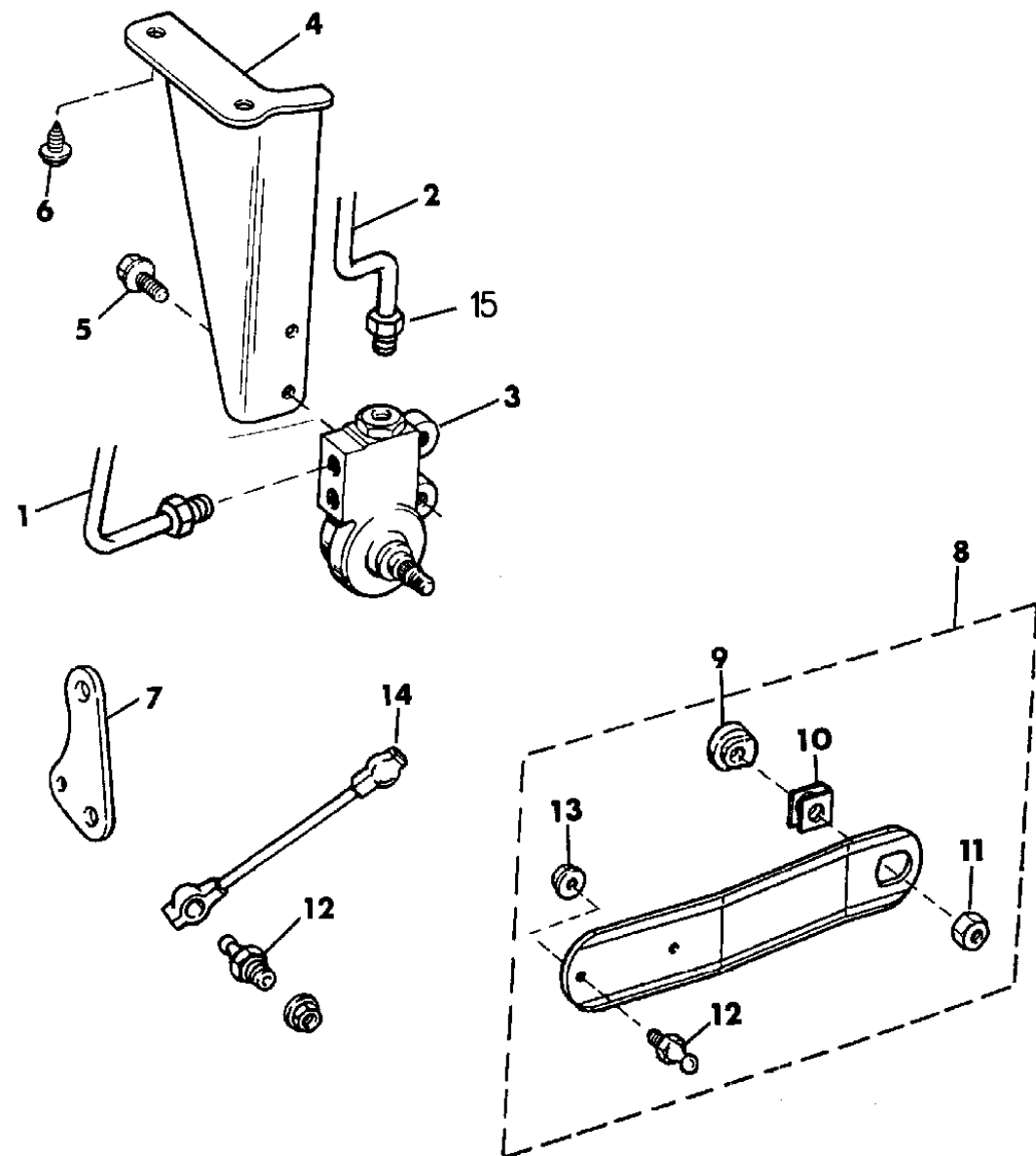
MJ=Comanche Pickup ZJ=Grand Cherokee/Grand Wagoneer KDX VEHICLES
SJ=Grand Wagoneer M1=Comanche
XJ=Cherokee, Briarwood X1=Cherokee, Briarwood
YJ=Wrangler Y1=Wrangler

AR = Use as Required - = Non Illustrated Part P.A.R. = Paint as Required

HEIGHT SENSING VALVE COMANCHE

Figure 5-1200

91J05 1200C



ITEM	PART NUMBER	QTY	BODY	MODEL	DESCRIPTION
1					LINE, Brake
	5200 6222	1			w/6 Foot Box
	5200 6224	1			w/7 Foot Box
2					LINE, Brake
	5200 2397	1			w/6 Foot Box
	5200 2960	1			w/7 Foot Box
3	5200 5759	1			VALVE, Height Sensing
4					BRACKET, Valve
	5200 2993	1			w/6 Foot Box
	5200 2961	1			w/7 Foot Box
5	J942 3545	2			BOLT
6	3420 1381	2			BOLT
7					BRACKET
	5200 2968	1			w/Dana Model 35 Axle
	5200 3172	1			w/Dana Model 44 Axle
	5200 3172	1			KDX Built for Turkey
8					LEVER, Valve
	5200 3167	1			w/Dana Model 35 Axle
	5200 3681	1			w/Dana Model 44 Axle
	5200 3167	1			KDX Built for Venezuela
	5200 3681	1			KDX Built for Turkey
9	8350 4875	1			BUSHING, Lever
10	5200 3166	1			RETAINER
11	J012 0376	1			NUT
12	J420 0415	2			STUD, Ball
13	1150 3750	2			NUT
14					LINK
	5200 2964	1			w/Dana Model 35 Axle and 2 Wheel Drive
	5200 2965	1			w/Dana Model 35 Axle and 4 Wheel Drive
	5200 3679	1			w/Dana Model 44 Axle and 7 Foot Box
	5200 2965	1			KDX Built for Venezuela
	5200 3679	1			KDX Built for Turkey
15	J322 0009	AR			NUT, Inverted Flare

MODEL CODES:

61=Pickup-6 Ft Box 74=4 Door Wagon T=2WD
 62=Pickup-7 Ft Box 77=Open Body 93" Wheelbase J,N,U=4WD
 72=2 Door Wagon 78=Open Body 103" Wheelbase

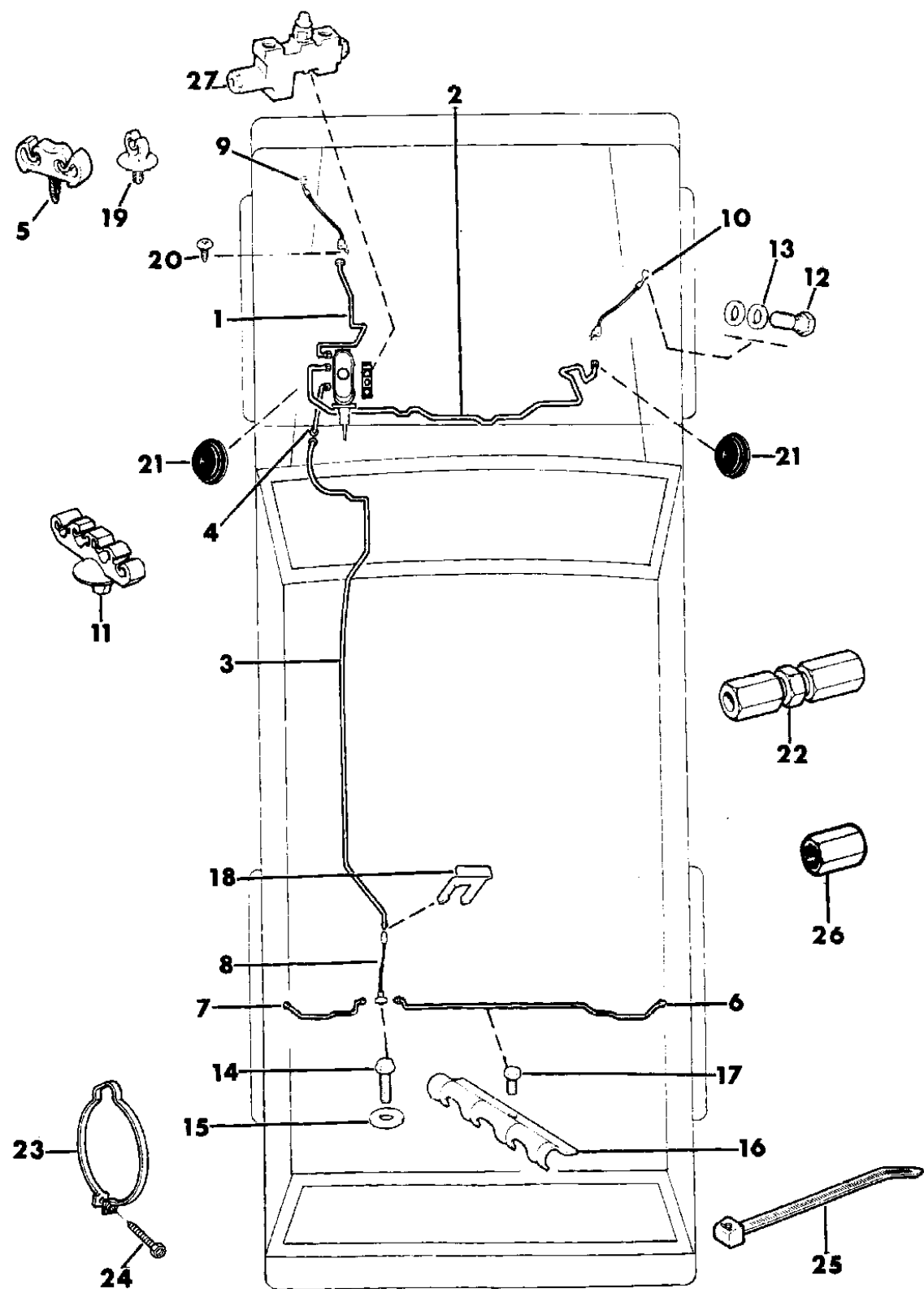
BODY STYLES:

MJ=Comanche Pickup ZJ=Grand Cherokee/Grand Wagoneer KDX VEHICLES
 SJ=Grand Wagoneer M1=Comanche
 XJ=Cherokee, Briarwood X1=Cherokee, Briarwood
 YJ=Wrangler Y1=Wrangler

AR = Use as Required - = Non Illustrated Part P.A.R. = Paint as Required

LINES AND HOSES, BRAKE (1991) W/ANTI-LOCK BRAKING SYSTEM CHEROKEE, BRIARWOOD
Figure 5-1300

91J05 1300C



ITEM	PART NUMBER	QTY	BODY	MODEL	DESCRIPTION
1	5200 3319	1			LINE, Brake
2	5200 4930	1			LINE, Brake
3	5200 3739	1			LINE, Brake
4	5200 6990	1			LINE, Brake
5	5200 2044	2			CLIP
6	5200 5058	1			LINE, Brake (Exc. 8-1/4 Chry. Rear Axle)
	5200 7834	1			(w/8-1/4 Chry. Rear Axle)
7	5200 5471	1			LINE, Brake (Exc. 8-1/4 Chry. Rear Axle)
	5200 7835	1			(w/8-1/4 Chry. Rear Axle)
8	5200 6861	1			HOSE, Brake
9	5200 7587	1			HOSE, Brake
	5200 7583	1			2WD
					4WD
10	5200 7586	1			HOSE, Brake
	5200 7582	1			2WD
					4WD
11	5300 0585	1			CLIP
12	J400 6700	2			BOLT
13	J323 7672	4			GASKET
14	4137 696	1			SCREW, Rear Axle Vent & Tee Mounting (Exc. Venezeula)
	3420 1610	1			(w/Venezeula)
15	J400 1190	1			WASHER
16	J323 4854	1			CLIP
17	3420 1912	1			SCREW
18	2208 893	1			CLIP
19	3200 0404	1			CLIP
20	6502 711	2			SCREW
21	J312 6237	2			GROMMET
22	J812 6773	AR			UNION, Flareless
23	3200 3197	4			CLAMP
24	J812 4425	4			BOLT
25	J322 3227	AR			STRAP
26	J044 2335	AR			UNION, Inverted Flare
27	5200 6221	1			VALVE, Proportioning
-	5600 2513	1			SENSOR,ABS,RIGHT REAR
	5600 2590	1			SENSOR,ABS,LEFT REAR

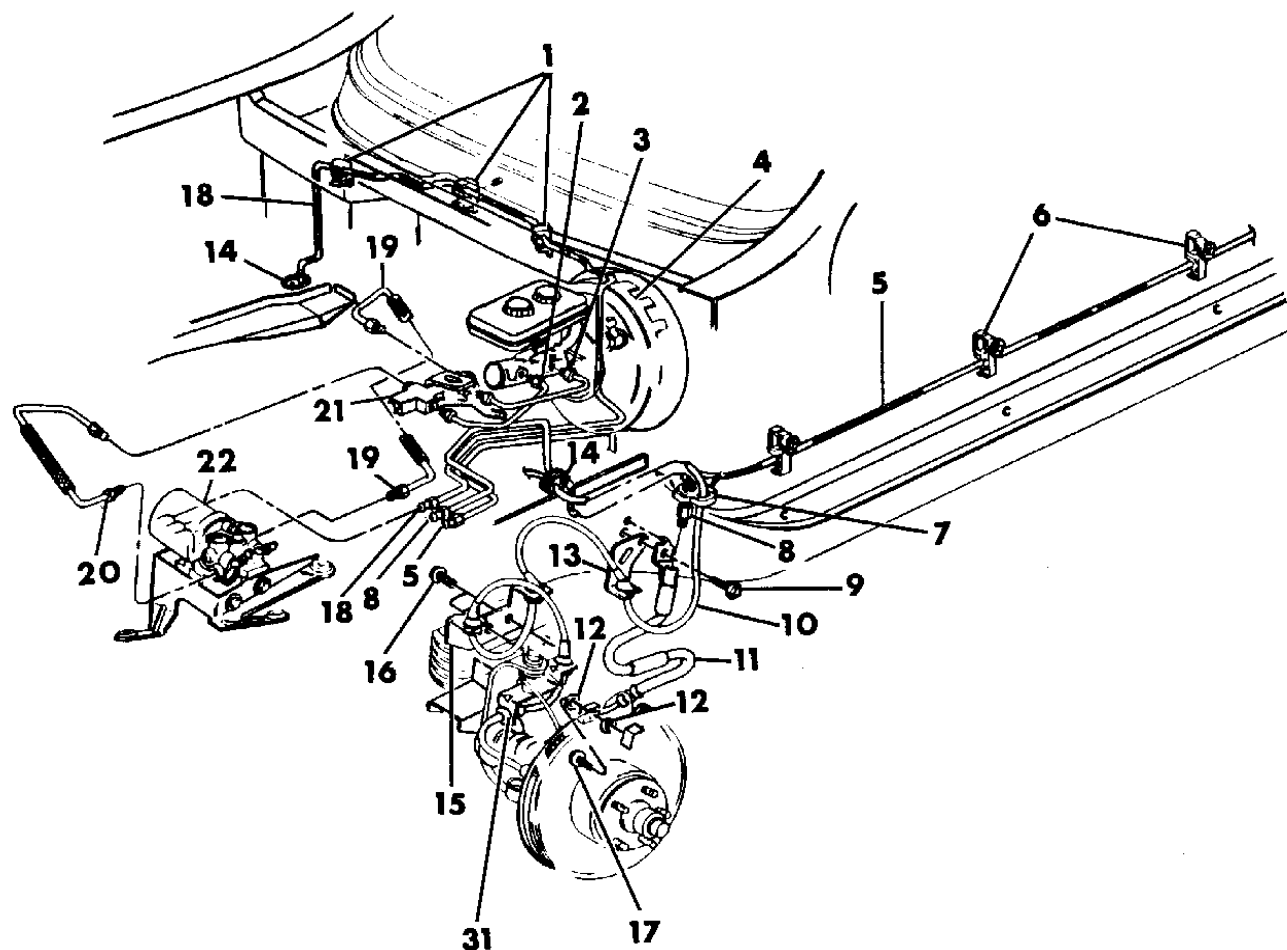
MODEL CODES:
 61=Pickup-6 Ft Box 74=4 Door Wagon T=2WD
 62=Pickup-7 Ft Box 77=Open Body 93" Wheelbase J,N,U=4WD
 72=2 Door Wagon 78=Open Body 103" Wheelbase

BODY STYLES:
 MJ=Comanche Pickup ZJ=Grand Cherokee/Grand Wagoneer KDX VEHICLES
 SJ=Grand Wagoneer M1=Comanche
 XJ=Cherokee, Briarwood X1=Cherokee, Briarwood
 YJ=Wrangler Y1=Wrangler

AR = Use as Required - = Non Illustrated Part P.A.R. = Paint as Required

LINEAS AND HOSES, BRAKE (1992-93) FRONT CHEROKEE, BRIARWOOD, GRAND CHEROKEE
Figure 5-1325

91J05 1325A



ITEM	PART NUMBER	QTY	BODY	MODEL	DESCRIPTION
1					CLIP, Brake Tube Firewall
	5200 2044	2	XJ		
	5200 7854	3	ZJ		
2					TUBE ASSEMBLY, M/Cyl. to Combo Valve (Secondary) ***
	5200 7783	1	XJ		
	5200 8191	1	XJ,X1	RHD	1992
	5200 8072	1	ZJ		1993
	5200 9040	1	ZJ		
3					TUBE ASSEMBLY, M/Cyl. to Combo Valve (Primary) ***
	5200 7782	1	XJ		
	5200 8190	1	XJ,X1	RHD	
	5200 8071	1	ZJ		1992
	5200 8332	1	ZJ		1993
4		1			MASTER CYLINDER/BOOSTER ASSEMBLY (See ILL.#1050) ***
5					TUBE ASSEMBLY, HCU to Rear Brake Hose (See Illust. 1350) ***
6					CLIP
	3420 2373	6	XJ		Diesel
	5300 0585	7	XJ		w/o Diesel
	3420 2371	6	XJ	RHD	
	5200 5116	4	ZJ		
7					CLIP
	3200 0404	2	XJ		
	5602 6775	1	ZJ		
8					TUBE ASSEMBLY, HCU to Left Front Brake Hose *** (Service Component Parts) See Under Item 22 ***
	5200 8223	1	XJ	RHD	w/ABS
9	6502 711	2			SCREW, Frt. Brake Hose and ABS Sensor Brackets
10					SENSOR, ABS Front Brake
	5600 5217	2	XJ		
	5600 5216	2	ZJ		
11					HOSE ASSEMBLY, Front Brake ***
	5200 7586-7	1	XJ	2WD	1991-92
	5200 7582-3	1	XJ	4WD-LHD	1991-92
	5200 7582-3	1			1993
12	J323 7672	4			GASKET, Front Brake Hose to Caliper
13	5602 6836-7	1			BRACKET, Front ABS Sensor
14	5200 7333	2	ZJ		GROMMET, Up to 12-15-92
	5200 8339	2	ZJ		After 12-15-92
15	5602 6755	2	XJ		BRACKET, Front ABS Sensor
	5602 6755	2	ZJ		1992
	5602 6996-7	1	ZJ		1993

MODEL CODES:

61=Pickup-6 Ft Box 74=4 Door Wagon T=2WD
62=Pickup-7 Ft Box 77=Open Body 93" Wheelbase J,N,U=4WD
72=2 Door Wagon 78=Open Body 103" Wheelbase

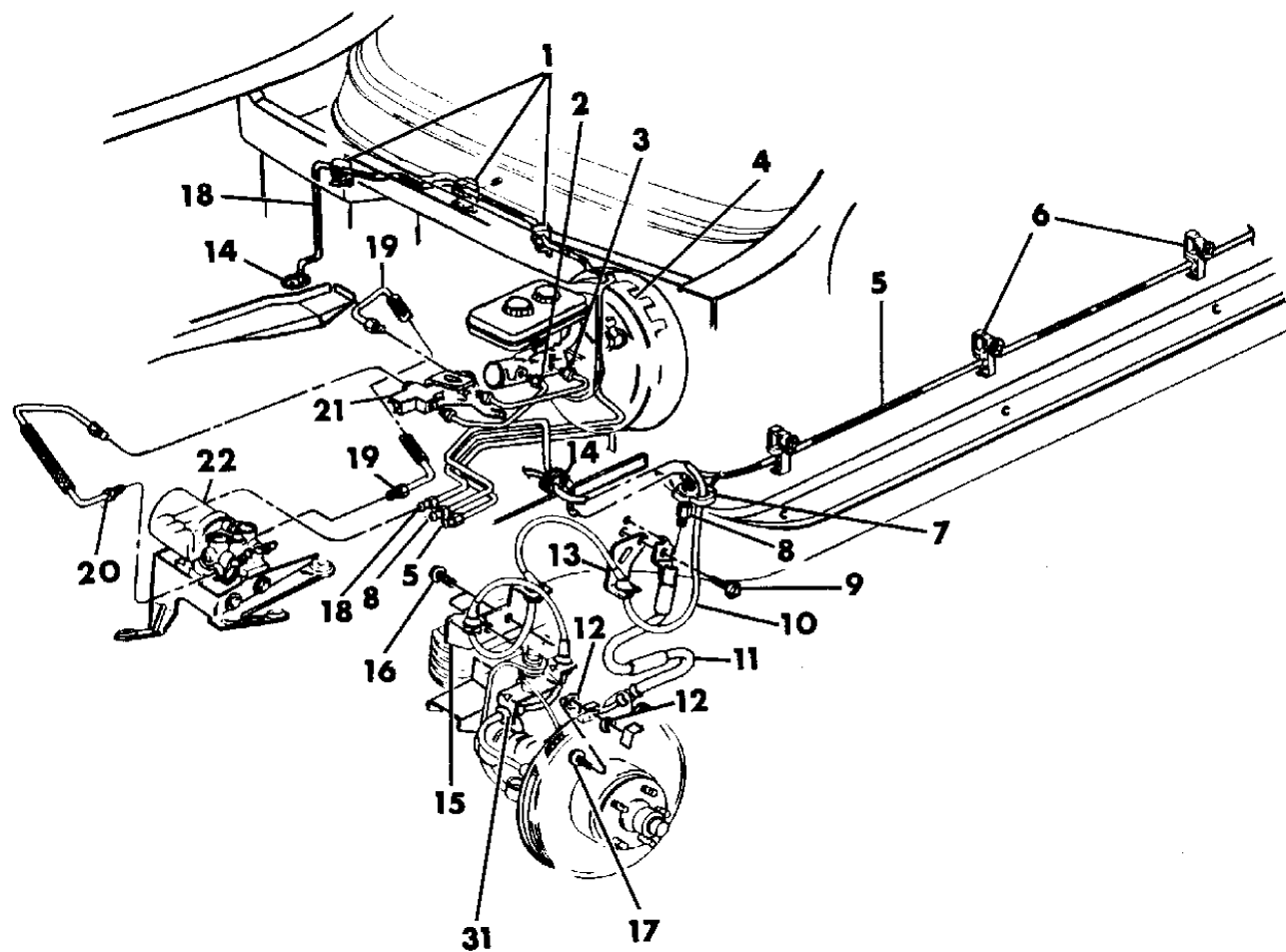
BODY STYLES:

MJ=Comanche Pickup ZJ=Grand Cherokee/Grand Wagoneer KDX VEHICLES
SJ=Grand Wagoneer M1=Comanche
XJ=Cherokee, Briarwood X1=Cherokee, Briarwood
YJ=Wrangler Y1=Wrangler

AR = Use as Required - = Non Illustrated Part P.A.R. = Paint as Required

LINE AND HOSES, BRAKE (1992-93) FRONT CHEROKEE, BRIARWOOD, GRAND CHEROKEE
Figure 5-1325

91J05 1325A



ITEM	PART NUMBER	QTY	BODY	MODEL	DESCRIPTION
	5602 6996-7	1	XJ	RHD	1993
16	6502 655	4			SCREW, M6x1-15MM
17	J400 6700	2			SCREW, Front Brake Hose to Caliper
18					TUBE ASSEMBLY, HCU to Front Right Brake Hose *** (Service Component Parts) See Under Item 22 ***
19	5200 8222	1	XJ	RHD	w/ABS
					HOSE ASSEMBLY, Combo Valve to HCU - Primary ***
	5200 8288	1	XJ		1992
	5200 7848	1	ZJ		1993
20	5200 8253	1	ZJ		HOSE ASSEMBLY, Combo Valve to HCU - Secondary ***
	5200 8289	1	XJ		1992
	5200 7849	1	ZJ		1993
21	5200 8254	1	ZJ		VALVE ASSEMBLY, Combination (Combo) ***
	5200 6394	1	XJ		w/o ABS Up to 3-1-93
	5200 9108	1	XJ		w/o ABS After 3-1-93
	5200 8133	1	XJ		w/ABS, w/o Police Package Up to 3-1-93
	5200 9110	1	XJ		w/ABS, w/o Police Package After 3-1-93
	5200 8121	1	XJ		w/ABS, w/Police Package Up to 3-1-93
	5200 9112	1	XJ		w/ABS, w/Police Package After 3-1-93
	5200 8221	1	XJ	RHD	Up to 3-1-93
	5200 9111	1	XJ	RHD	After 3-1-93
	5200 9113	1	ZJ		
-	6100 149	1			SCREW, Combo Valve & Bracket Mounting
22		1			HYDRAULIC CONTROL UNIT (HCU) (See ILL.#1075) ***
-	1843 251	AR			TUBING, Roll Stock 3/16" O.D.x25'
-	3879 283	AR			COVER, Tubing
-	5200 8082	AR			SLEEVE, Tubing Cover
-	6029 113	AR			NUT, 3/8-24 (Light Blue) Inverted Flare
-	J319 5677	AR			NUT, 3/8-24 (Gold) Inverted Flare
-	3200 0410	AR			NUT, M10x1-6g (Blue) Inverted Flare
-	6502 286	AR			NUT, M10-1-6G (Black) Inverted Flare
	5200 8193	1			CLIP, 3 Way Brake Line Brake Tubes at HCU
31	5602 6996	1			Right Side Front Sensor Bracket ***
	5602 6997	1			Left Side Front Sensor Bracket ***

MODEL CODES:

61=Pickup-6 Ft Box 74=4 Door Wagon T=2WD
62=Pickup-7 Ft Box 77=Open Body 93" Wheelbase J,N,U=4WD
72=2 Door Wagon 78=Open Body 103" Wheelbase

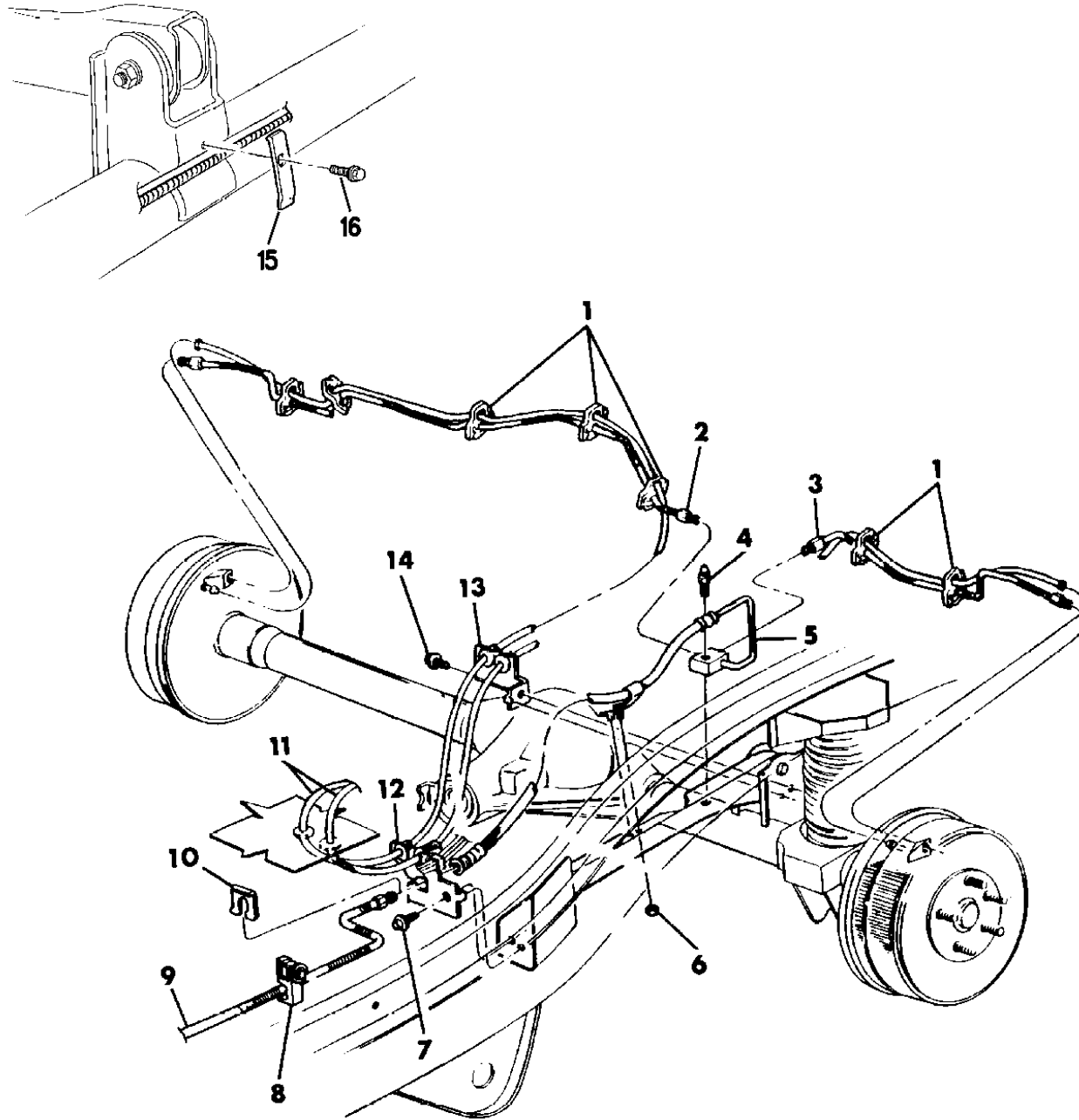
BODY STYLES:

MJ=Comanche Pickup ZJ=Grand Cherokee/Grand Wagoneer KDX VEHICLES
SJ=Grand Wagoneer M1=Comanche
XJ=Cherokee, Briarwood X1=Cherokee, Briarwood
YJ=Wrangler Y1=Wrangler

AR = Use as Required - = Non Illustrated Part P.A.R. = Paint as Required

LINES AND HOSES, BRAKE (1992-93) REAR CHEROKEE, BRIARWOOD, GRAND CHEROKEE
Figure 5-1350

91J05 1350A



ITEM	PART NUMBER	QTY	BODY	MODEL	DESCRIPTION
1	5602 6775	7			CLIP
2	5200 7886	1	XJ		TUBE ASSEMBLY, Right Rear *** Exc. Chry. 8-1/4 Rear Axle
	5200 7834	1	XJ		w/Chrysler 8 1/4 Rear Axle
	5200 8128	1	XJ		w/Police Package
	5200 7592	1	ZJ		
	J323 4854	1	XJ		CLIP, Tube Right Rear w/o ABS
	5200 7800	1	XJ		w/ABS ***
	3420 1912	2	XJ		SCREW
3	5200 7887	1	XJ		TUBE ASSEMBLY, Left Rear *** Exc. Chry. 8-1/4 Rear Axle
	5200 7835	1	XJ		w/Chrysler 8 1/4 Rear Axle
	5200 8129		XJ		w/Police Package
	5200 7507	1	ZJ		
4	J318 7999	1			SCREW, Rear Brake Hose/Axle Vent 1/4 x 5/16" (Plastic)
	5206 7508	1			1/4 x 7/16" (Metal)
5					HOSE ASSEMBLY, Rear Axle ***
	5200 7562	1	XJ		
	5200 7401	1	ZJ		
6	6101 694	1	XJ		NUT, Rear Brake Hose
	6101 695	1	ZJ		
7	3420 2205	1			SCREW, Rear Brake Hose Bracket
8					CLIP (See Illustration #1325) ***
9					TUBE ASEMBLY, HCU to Rear Brake Hose (Service Component Parts) See Under Item 16 ***
		1	XJ		TUBE, Comb. Valve to Rear Axle Hose (Service Component Parts) See Under Item 16
		1	XJ		TUBE, Union to Rear Axle (Service Component Parts) See Under Item 16
10	2208 893	1			CLIP, Rear Brake Hose
11					SENSOR, Rear ABS
	5200 5932-3	1	XJ		
	5600 5218-9	1	ZJ		
12	5200 7642	1			BRACKET, Rear Brake Hose
13	5602 6757	1	ZJ		BRACKET, ABS Rear Axle
14	6502 655	1			SCREW, ABS Bracket
15	5200 7748	1	ZJ		CLIP, Brake Line Rear Axle
16	6502 655	AR	ZJ		SCREW
-	1843 251	AR			TUBING, Roll Stock 3/16" O.D.x25'
-	3879 283	AR			COVER, Tubing
-	5200 8082	AR			SLEEVE, Tubing Cover

MODEL CODES:

61=Pickup-6 Ft Box 74=4 Door Wagon T=2WD
62=Pickup-7 Ft Box 77=Open Body 93" Wheelbase J,N,U=4WD
72=2 Door Wagon 78=Open Body 103" Wheelbase

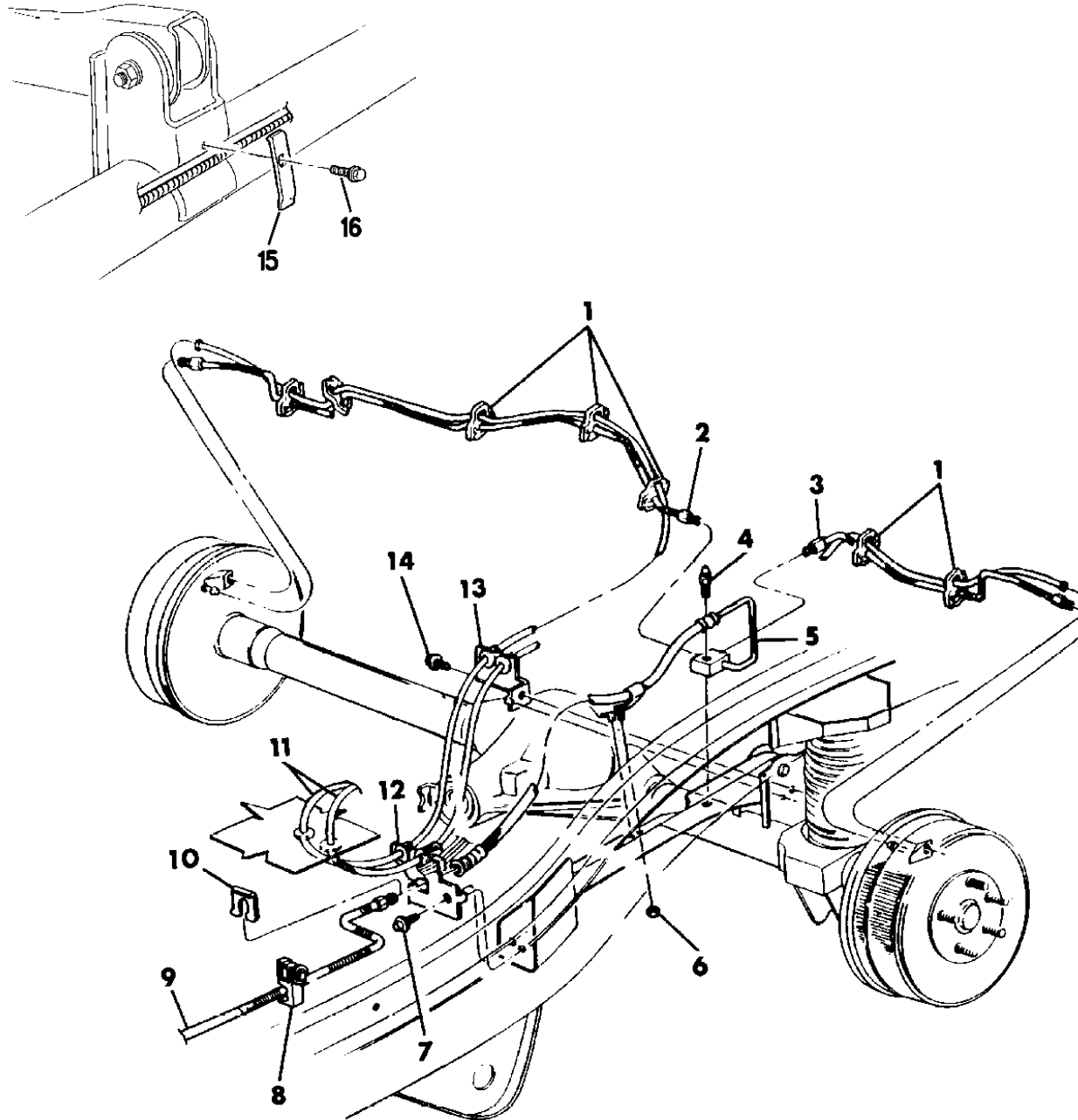
BODY STYLES:

MJ=Comanche Pickup ZJ=Grand Cherokee/Grand Wagoneer KDX VEHICLES
SJ=Grand Wagoneer M1=Comanche
XJ=Cherokee, Briarwood X1=Cherokee, Briarwood
YJ=Wrangler Y1=Wrangler

AR = Use as Required - = Non Illustrated Part P.A.R. = Paint as Required

LINES AND HOSES, BRAKE (1992-93) REAR CHEROKEE, BRIARWOOD, GRAND CHEROKEE
Figure 5-1350

91J05 1350A



ITEM	PART NUMBER	QTY	BODY	MODEL	DESCRIPTION
-	6029 113	AR			NUT, 3/8-24 (Light Blue) Inverted Flare
-	6502 286	AR			NUT, M10-1-6g (Black) Inverted Flare
-	6034 880	AR			NUT, 3/8-24 (Light Blue) Inverted Flare
-	J322 0009	AR			NUT, 1/2-20 (Black) Inverted Flare
-	J319 5677	AR			NUT, 3/8-24 (Gold) Inverted Flare
-		1	XJ		TUBE, Union Inverted Flared (Not Serviced)
-	J044 2335	AR	XJ		UNION, Inflared 3/8-24, 3/16 Tube
-	5200 7533	AR	ZJ		CLIP, (3-Way) Brake HYD Clutch Tube

MODEL CODES:

61=Pickup-6 Ft Box 74=4 Door Wagon T=2WD
62=Pickup-7 Ft Box 77=Open Body 93" Wheelbase J,N,U=4WD
72=2 Door Wagon 78=Open Body 103" Wheelbase

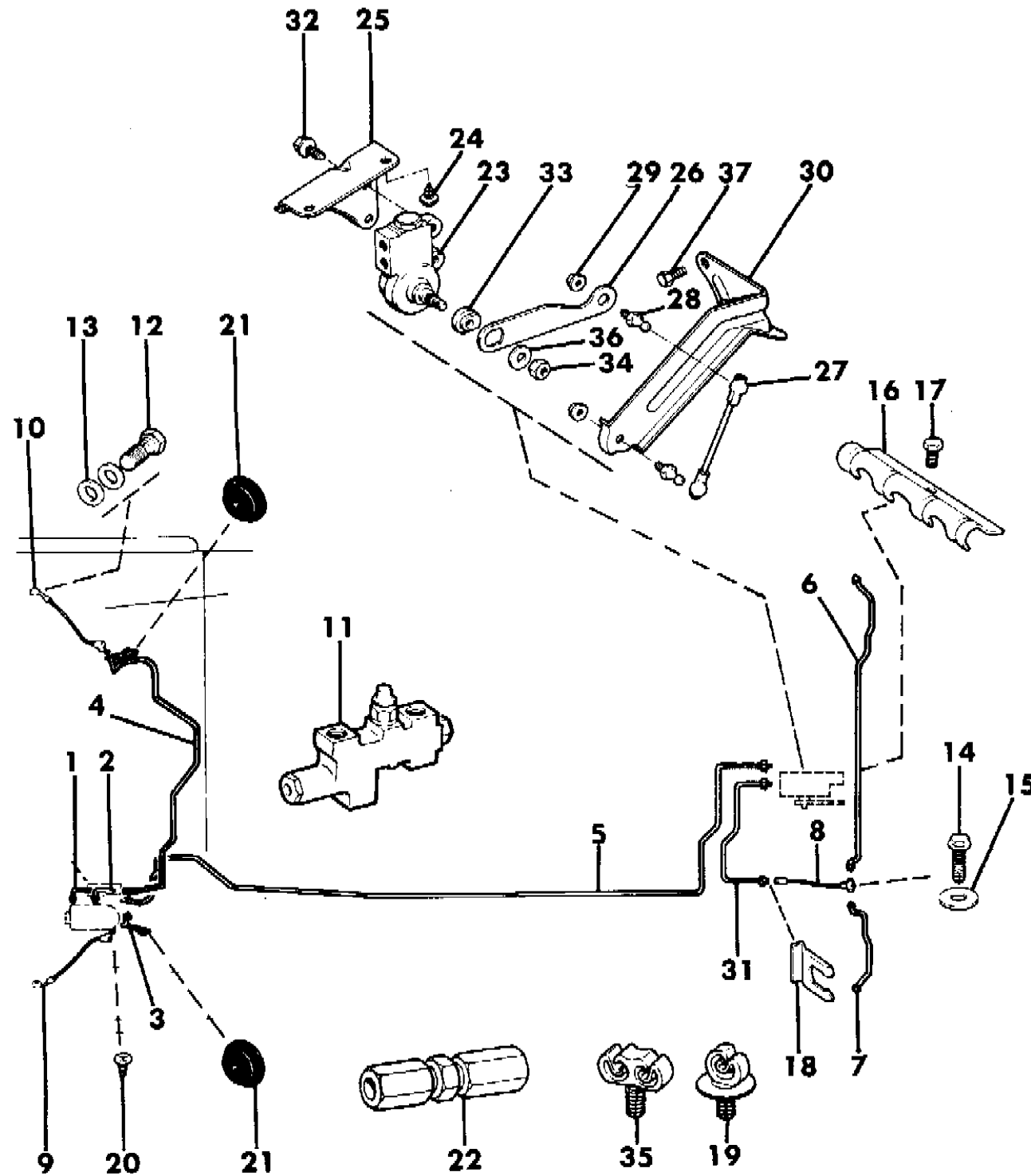
BODY STYLES:

MJ=Comanche Pickup ZJ=Grand Cherokee/Grand Wagoneer KDX VEHICLES
SJ=Grand Wagoneer M1=Comanche
XJ=Cherokee, Briarwood X1=Cherokee, Briarwood
YJ=Wrangler Y1=Wrangler

AR = Use as Required - = Non Illustrated Part P.A.R. = Paint as Required

LINE AND HOSES, BRAKE EXPORT W/O ANTI-LOCK BRAKES CHEROKEE, BRIARWOOD
Figure 5-1400

91J05 1400



ITEM	PART NUMBER	QTY	BODY	MODEL	DESCRIPTION
1	5200 2781	1			LINE, Brake
2	5200 0172	1			LINE, Brake
3	5200 0164	1			LINE, Brake
4	5200 3024	1			LINE, Brake
5	5200 0328	1			LINE, Brake
6	5200 5058	1			LINE, Brake 1991
	5200 7886	1			(Exc. 8-1/4 Chrysler Axle) 1992-93
	5200 7834	1			(w/8-1/4 Chrysler Axle) 1992-93
7	5200 5471	1			LINE, Brake
8					HOSE, Brake
	5200 6861	1			1991
	5200 7562	1			1992-93
9					HOSE, Brake
	5200 7587	1			2WD
	5200 7583	1			4WD
10					HOSE, Brake
	5200 7586	1			2WD
	5200 7582	1			4WD
11					VALVE, Proportioning
	5200 6394	1			All, Except Venezeula
	5200 0097	1			Venezeula
12	J400 6700	2			BOLT
13	J323 6434	4			GASKET
14	4137 696	1			SCREW, Rear Axle Vent & Tee Mounting
15	J400 1190	1			WASHER
16	J323 4854	1			CLIP
17	3420 1912	1			SCREW
18	2208 893	1			CLIP
19	3200 0404	1			CLIP
20	6502 711	2			SCREW
21	J312 6237	2			GROMMET
22	J812 6773	AR			UNION, Brake Line Repair
23	5200 0329	1			VALVE, Height Sensing
24	1150 0986	2			BOLT
25	5200 0330	1			BRACKET, Valve
26	5200 0332	1			LEVER, Valve
27	5200 2965	1			LINK
28	J420 0415	2			STUD, Ball
29	1150 3739	2			NUT
30	5200 0737	1			BRACKET
31	5200 0327	1			LINE, Brake

MODEL CODES:

61=Pickup-6 Ft Box 74=4 Door Wagon T=2WD
62=Pickup-7 Ft Box 77=Open Body 93" Wheelbase J,N,U=4WD
72=2 Door Wagon 78=Open Body 103" Wheelbase

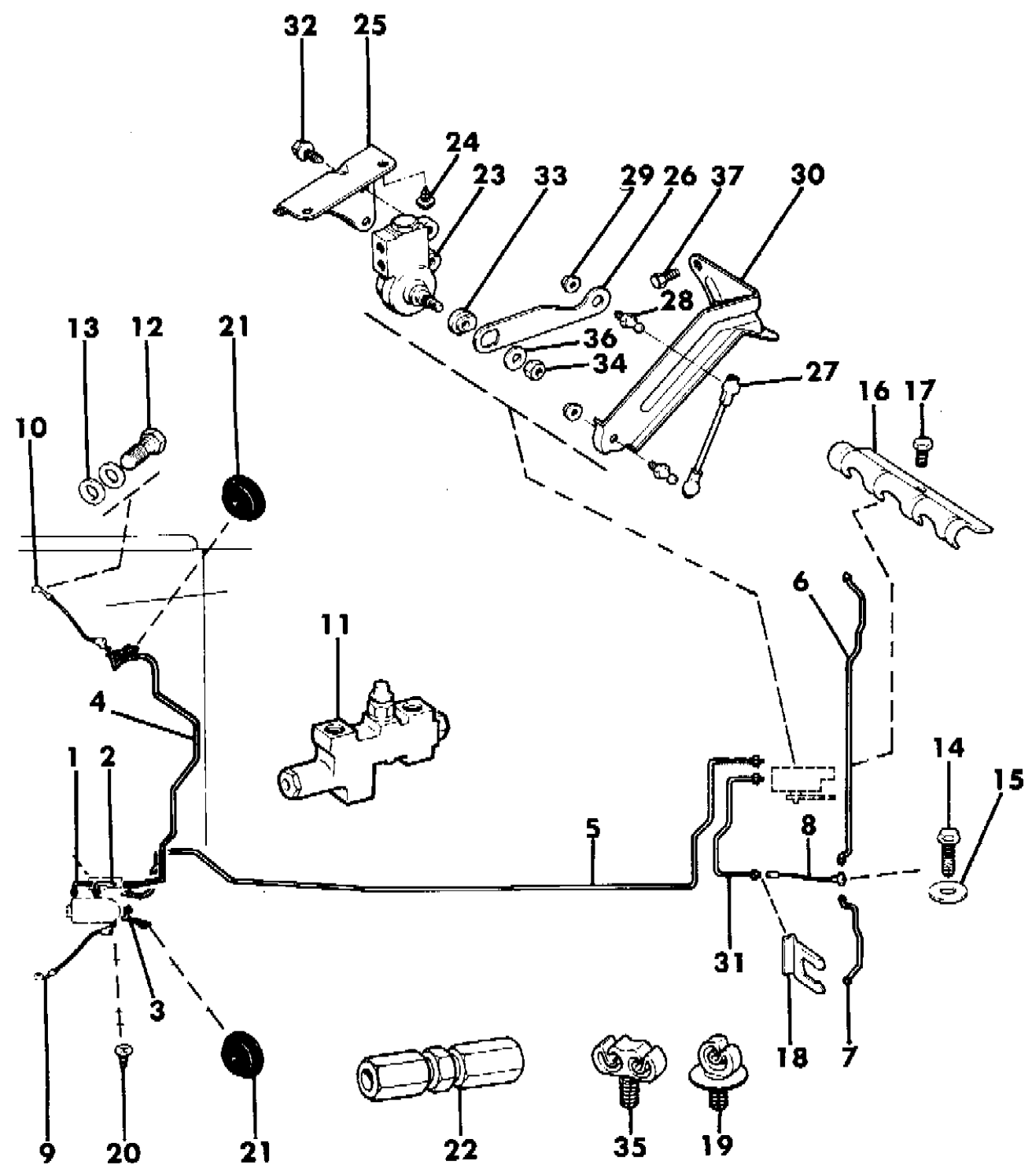
BODY STYLES:

MJ=Comanche Pickup ZJ=Grand Cherokee/Grand Wagoneer KDX VEHICLES
SJ=Grand Wagoneer M1=Comanche
XJ=Cherokee, Briarwood X1=Cherokee, Briarwood
YJ=Wrangler Y1=Wrangler

AR = Use as Required - = Non Illustrated Part P.A.R. = Paint as Required

LINES AND HOSES, BRAKE EXPORT W/O ANTI-LOCK BRAKES CHEROKEE, BRIARWOOD
Figure 5-1400

91J05 1400



ITEM	PART NUMBER	QTY	BODY	MODEL	DESCRIPTION
32	J942 3545	2			BOLT
33	5200 0782	1			BUSHING, Lever
34	J012 0376	1			NUT
35	5200 2044	2			CLIP
36	J012 0393	1			WASHER
37	1150 2453	3			BOLT

MODEL CODES:
 61=Pickup-6 Ft Box 74=4 Door Wagon T=2WD
 62=Pickup-7 Ft Box 77=Open Body 93" Wheelbase J,N,U=4WD
 72=2 Door Wagon 78=Open Body 103" Wheelbase

BODY STYLES:
 MJ=Comanche Pickup ZJ=Grand Cherokee/Grand Wagoneer KDX VEHICLES
 SJ=Grand Wagoneer M1=Comanche
 XJ=Cherokee, Briarwood X1=Cherokee, Briarwood
 YJ=Wrangler Y1=Wrangler

AR = Use as Required - = Non Illustrated Part P.A.R. = Paint as Required

BRAKES, FRONT (1991-92) CHEROKEE, BRIARWOOD, COMANCHE
Figure 5-1500

91J05 1500D

ITEM	PART NUMBER	QTY	BODY	MODEL	DESCRIPTION
1	5200 5476-7	1			SHIELD, Splash
2	1150 3451	6			BOLT
3	5300 2919	2			SEAL
4	5300 2922	2			BEARING
5	5300 2925	2			CUP, Bearing
6	8350 4792	10			BOLT
7	5300 2928	2			ROTOR, Brake
8	5300 2924	2			CUP, Bearing
9	5300 2921	2			BEARING
10	J400 7358	2			WASHER
11	J317 3399	2			NUT
12	J317 3401	2			RETAINER
13	J010 3387	2			PIN
14	J322 3364	2			CAP
15	3420 1535	6			BOLT
16	5300 7449	2			HUB and BEARING ASSEMBLY, Front Brake (Ball Bearing-Fag) ***
17	5300 7463	10			BOLT
18	5252 986-7	1			CALIPER, Brake, 2WD 1991-92-1/2
	5252 984-5	1			2WD, 1992-1/2
	5252 984-5	1			4WD
19	J320 3313	2			SCREW, Bleeder
20	4238 717	2			CAP, Bleeder Screw
21					PIN, Caliper
	8350 4655	4			2WD, 1991-92-1/2
22	5200 1700	4			BUSHING, 2WD 1991-92-1/2
	5200 1700	4			2WD, 1992-1/2
	4383 471	4			4WD
23	5200 1701	4			SLEEVE, 2WD 1991-92-1/2
	4425 573	4			2WD, 1992-1/2
	4423 573	4			4WD
24					ROTOR, Brake
	5200 8440	2			1990-91
	5200 7710	2			1992 (Up To 2-10-92)
	5200 8264	2			1992 (After 2-10-92)
25	J400 6185	6			NUT
26	J420 0096	2			WASHER
27	J420 0095	2			NUT
28	J420 0097	2			RETAINER
-	4740 749	2			WASHER, Wave
29	1101 0069	2			PIN, Cotter
30	5252 614	2			PISTON PACKAGE ***

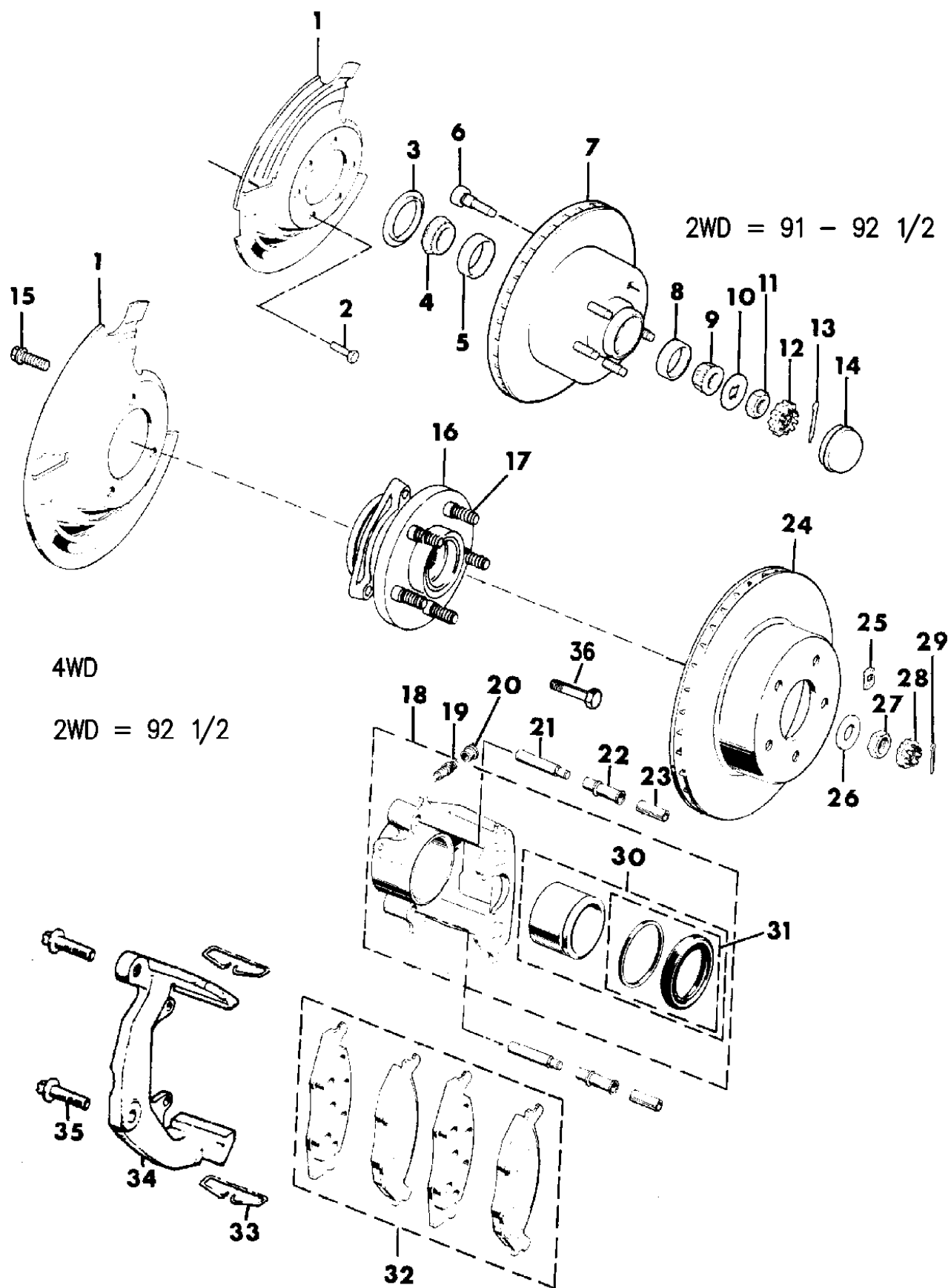
MODEL CODES:

61=Pickup-6 Ft Box 74=4 Door Wagon T=2WD
 62=Pickup-7 Ft Box 77=Open Body 93" Wheelbase J,N,U=4WD
 72=2 Door Wagon 78=Open Body 103" Wheelbase

BODY STYLES:

MJ=Comanche Pickup ZJ=Grand Cherokee/Grand Wagoneer KDX VEHICLES
 SJ=Grand Wagoneer M1=Comanche
 XJ=Cherokee, Briarwood X1=Cherokee, Briarwood
 YJ=Wrangler Y1=Wrangler

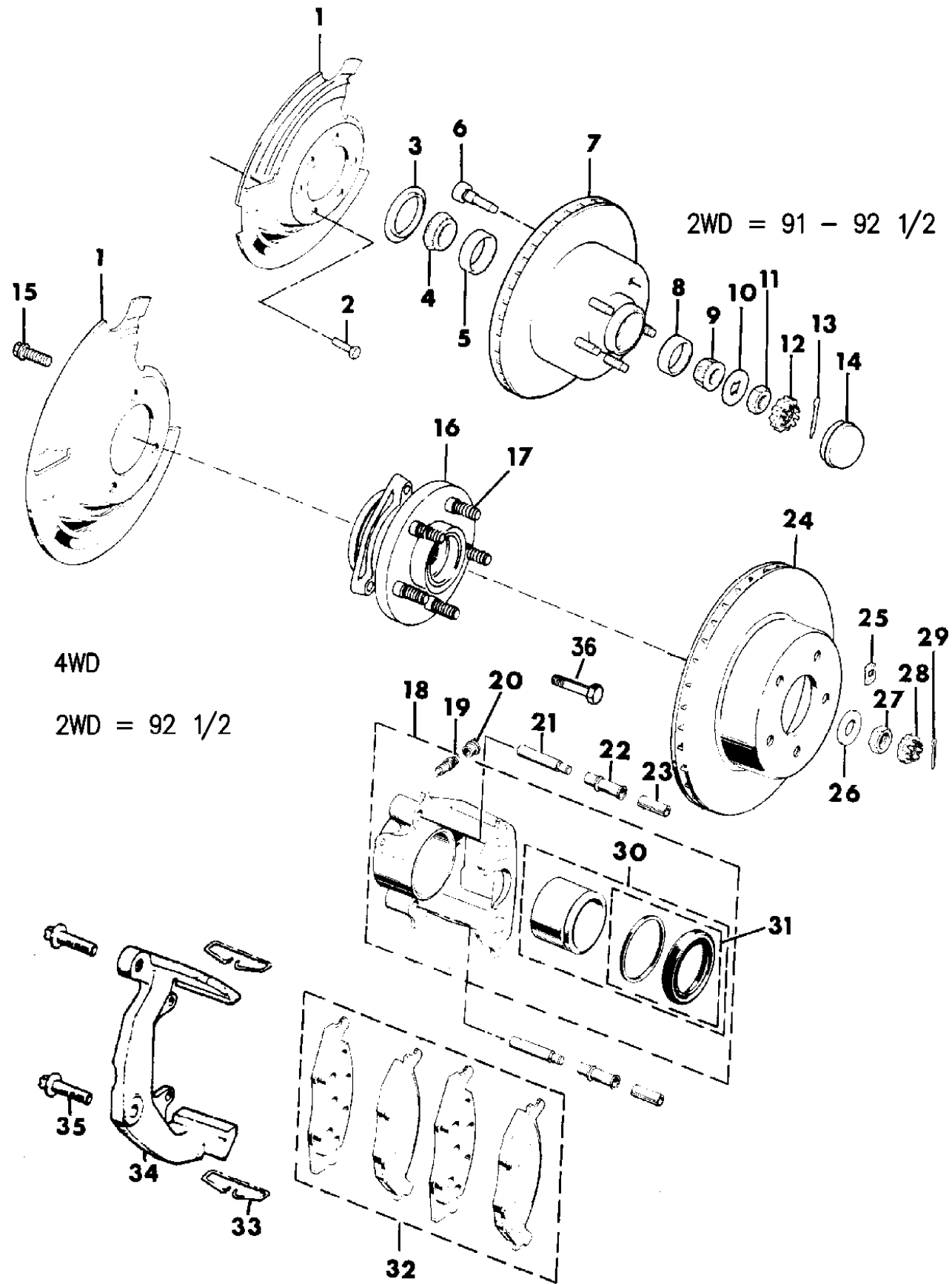
AR = Use as Required - = Non Illustrated Part P.A.R. = Paint as Required



BRAKES, FRONT (1991-92) CHEROKEE, BRIARWOOD, COMANCHE
Figure 5-1500

91J05 1500D

ITEM	PART NUMBER	QTY	BODY	MODEL	DESCRIPTION
31	J813 3852	2			SEAL PACKAGE
32	5252 613	1			PAD PACKAGE, Brake, 2WD 1991-92-1/2
	5252 531	1			2WD, 1992-1/2
	5252 531	1			4WD
33	J323 9865	4			CLIP, Anti-Rattle
34	5200 0490	2			BRACKET, Mounting, 2WD 1991-92-1/2
35	3420 1506	4			BOLT, 2WD 1991-92-1/2
36	5253 000	4			PIN, Caliper, 2WD 1992-1/2
	5253 000	4			4WD
	5600 5217	1			SENSOR, Front Brake Anti-Lock



MODEL CODES:

61=Pickup-6 Ft Box 74=4 Door Wagon T=2WD
 62=Pickup-7 Ft Box 77=Open Body 93" Wheelbase J,N,U=4WD
 72=2 Door Wagon 78=Open Body 103" Wheelbase

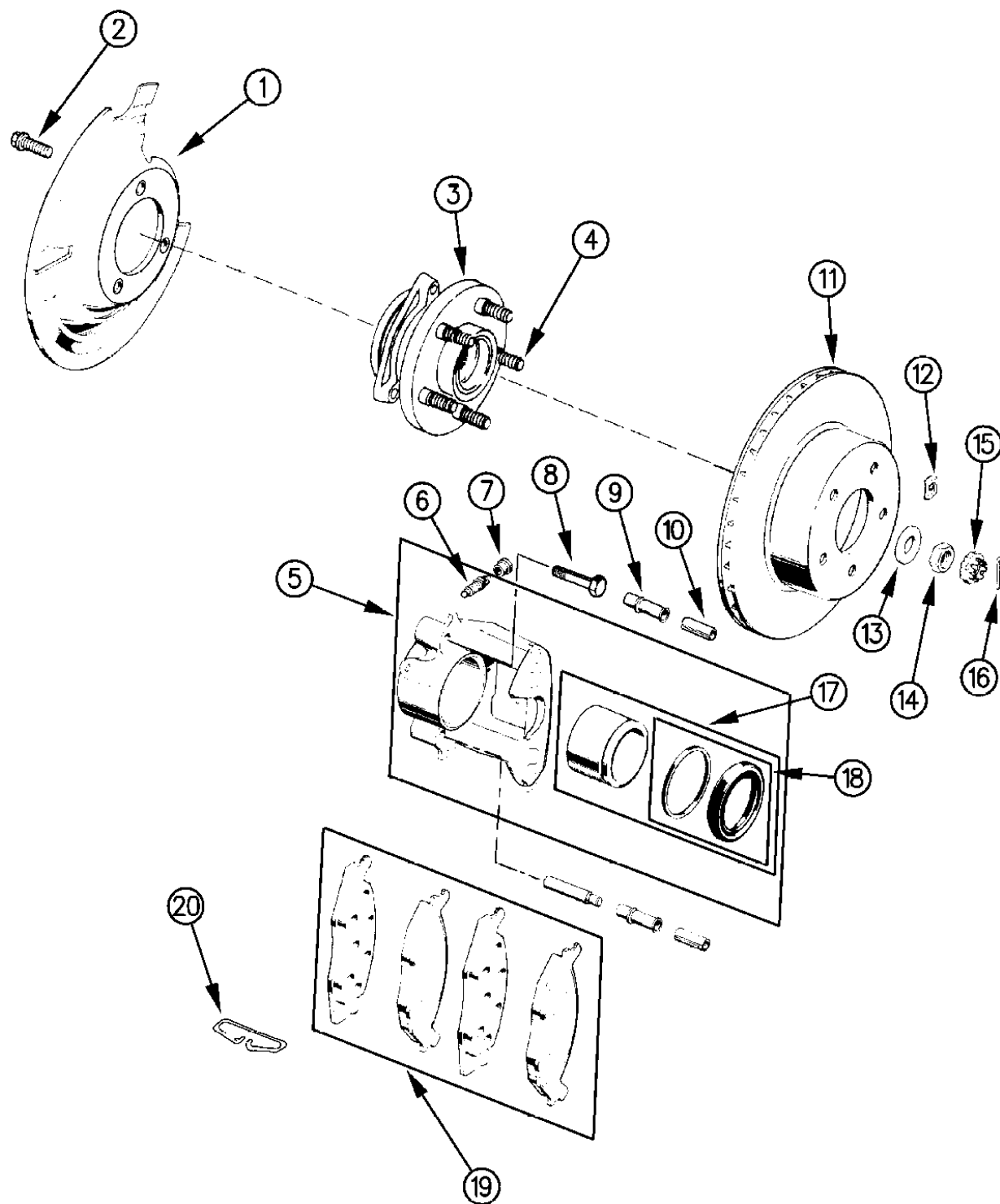
BODY STYLES:

MJ=Comanche Pickup ZJ=Grand Cherokee/Grand Wagoneer KDX VEHICLES
 SJ=Grand Wagoneer M1=Comanche
 XJ=Cherokee, Briarwood X1=Cherokee, Briarwood
 YJ=Wrangler Y1=Wrangler

AR = Use as Required - = Non Illustrated Part P.A.R. = Paint as Required

BRAKES, FRONT (1993) CHEROKEE, GRAND CHEROKEE
Figure 5-1550

91J05 1550A



ITEM	PART NUMBER	QTY	BODY	MODEL	DESCRIPTION
1	5200 5476-7	1			SHIELD, Splash
2	3420 1535	6			BOLT
3	5300 7449	2			HUB and BEARING ASSEMBLY, Front Brake Roller Bearing ***
	4762 082	2	ZJ		SHIM, Front Hub .150 Thk
	4762 083	2	ZJ		.250 Thk
	4741 360	1	ZJ		SHIM PACKAGE, Front Hub ***
4	5300 7463	10			BOLT
5	5252 984-5	1			CALIPER, Brake
6	J320 3313	2			SCREW, Bleeder
7	4238 717	2			CAP, Bleeder Screw
8	5253 000	4			PIN, Caliper
9	4383 471	4			BUSHING
10	4423 573	4			SLEEVE
11	5200 8264	2			ROTOR, Brake
12	J400 6185	6			NUT
13	J420 0096	2			WASHER
14	J420 0095	2			NUT
15	J420 0097	2			RETAINER
-	4740 749	2			WASHER, Wave
16	1101 0069	2			PIN, Cotter
17	5252 614	2			PISTON PACKAGE ***
18	J813 3852	2			SEAL PACKAGE
19	5252 531	1	XJ		PAD PACKAGE, Brake
	4713 175	1	ZJ		
20	J323 9865	4			CLIP, Anti-Rattle

MODEL CODES:

61=Pickup-6 Ft Box 74=4 Door Wagon T=2WD
 62=Pickup-7 Ft Box 77=Open Body 93" Wheelbase J,N,U=4WD
 72=2 Door Wagon 78=Open Body 103" Wheelbase

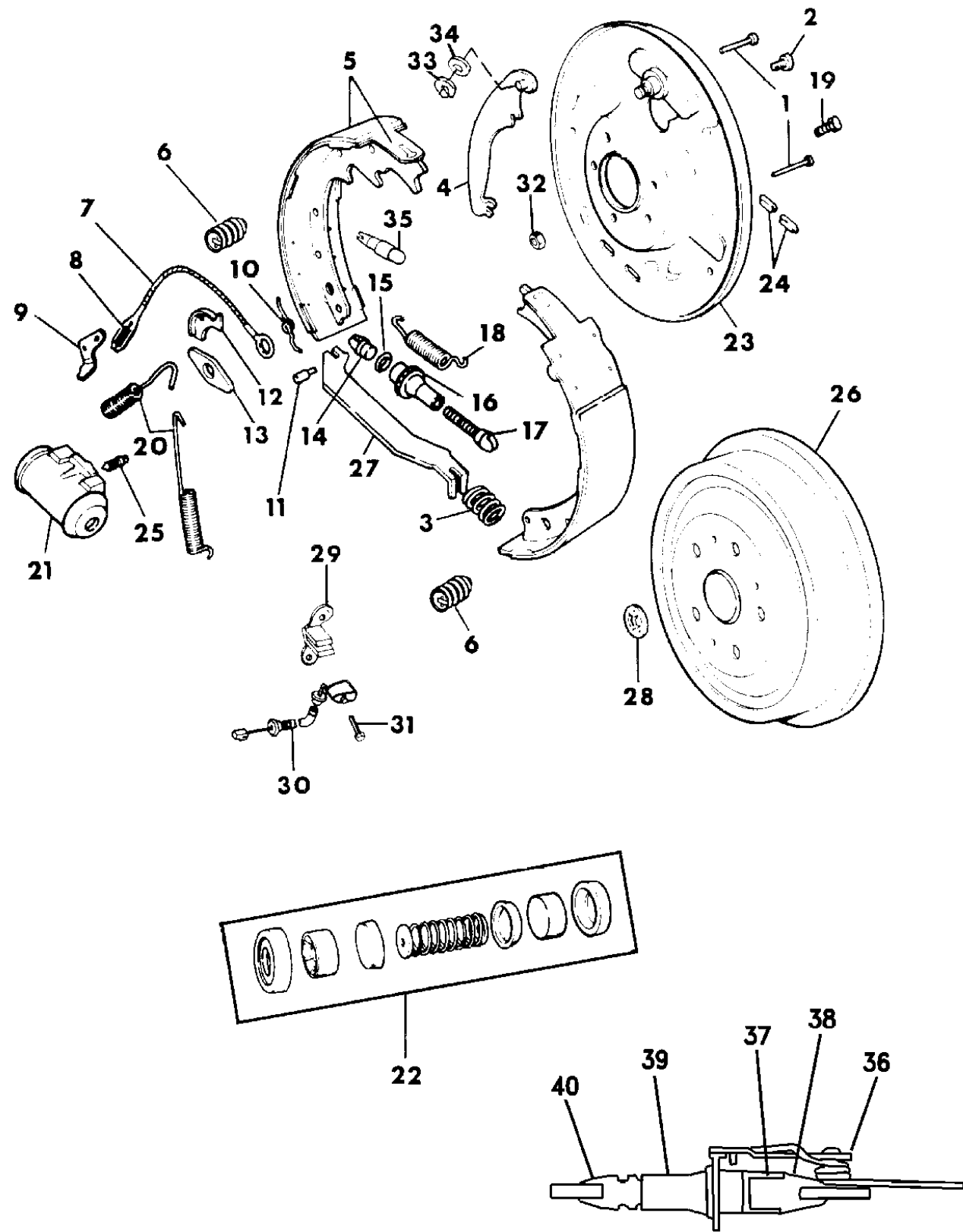
BODY STYLES:

MJ=Comanche Pickup ZJ=Grand Cherokee/Grand Wagoneer KDX VEHICLES
 SJ=Grand Wagoneer M1=Comanche
 XJ=Cherokee, Briarwood X1=Cherokee, Briarwood
 YJ=Wrangler Y1=Wrangler

AR = Use as Required - = Non Illustrated Part P.A.R. = Paint as Required

BRAKES, REAR DRUM W/DANA MODEL 35 OR CHRYSLER 8 1/4 CHEROKEE, BRIARWOOD, GRAND CHEROKEE, COMANCHE
Figure 5-1600

91J05 1600D



ITEM	PART NUMBER	QTY	BODY	MODEL	DESCRIPTION
1	2260 548	4	XJ,MJ		PIN, Brake Shoe Hold Down w/9" Brakes
	4746 783	4	ZJ,XJ		w/10" Brakes
2	6028 921	4	XJ,MJ		SCREW, Cylinder Mounting w/9" Brakes
3	4313 079	2	XJ,MJ		SPRING, Parking Brake Strut w/9" Brakes
	4746 784	2	ZJ,XJ		w/10" Brakes
4					LEVER, Parking Brake
	4313 810-1	1	XJ,MJ		w/9" Brakes
	4713 362-3	1	XJ,ZJ		w/10" Brakes
5					SHOE and Lining PACKAGE ***
	4423 606	1	XJ,MJ		w/9" Brakes
	4713 365	1	XJ,ZJ		w/10" Brakes
6	4313 062	4	XJ,MJ		SPRING ASSEMBLY, Hold Down w/9" Brakes ***
	4746 782	4	ZJ,XJ		w/10" Brakes
7					CABLE, Automatic Adjuster
	3461 662	2	XJ,MJ		w/9" Brakes
	4713 350	2	XJ,ZJ		w/10" Brakes
8	3461 660	2	XJ,MJ		SPRING, Automatic Adjuster w/9" Brakes
9					LEVER, Automatic Adjuster
	3461 665	2	MJ		
	3461 665	2	XJ		w/9 " Brakes
	4728 546-7	1	XJ		w/10" Brakes
	4728 546-7	1	ZJ		
10	2944 580-1	1	XJ,MJ		SPRING, Automatic Adjuster Lever w/9" Brakes
11	4049 681	1	XJ,MJ		PIN PACKAGE, Automatic Adjuster Lever w/9" Brakes
12					GUIDE, Automatic Adjuster Cable
	2260 793	2	XJ,MJ		w/9" Brakes
	J320 1947	2	XJ,ZJ		w/10" Brakes
	2260 788	1	XJ,ZJ		PLATE, Rear Wheel Brake Shoe Guide
13	4313 075	2	XJ,MJ		GUIDE, Rear Wheel Brake Anchor Shoe w/9" Brakes
	4762 141	2	XJ,ZJ		w/10" Brakes
14	2944 586	2	XJ,MJ		BUTTON, Automatic Adjuster w/9" Brakes
15	6027 559	2	XJ,MJ		WASHER, Automatic Adjuster Button w/9" Brakes
16	2944 692-3	1	XJ,MJ		NUT, Automatic Adjuster Pivot Screw w/9" Brakes
17	2881 686-7	1	XJ,MJ		SCREW, Automatic Adjuster Pivot w/9" Brakes
18	4423 085	2	XJ,MJ		SPRING, Shoe to Shoe w/9" Brakes
	4746 588	4	XJ,ZJ		w/10" Brakes
19	J099 4313	8			BOLT, Rear Wheel Brake Mounting
20	2881 676	4	XJ,MJ		SPRING, Brake Shoe Return w/9" Brakes
	4746 587	2	XJ,ZJ		w/10" Brakes
21					CYLINDER, Wheel
	4423 601	2	XJ,MJ		w/o ABS Brakes, w/9" Brakes

MODEL CODES:

61=Pickup-6 Ft Box 74=4 Door Wagon T=2WD
 62=Pickup-7 Ft Box 77=Open Body 93" Wheelbase J,N,U=4WD
 72=2 Door Wagon 78=Open Body 103" Wheelbase

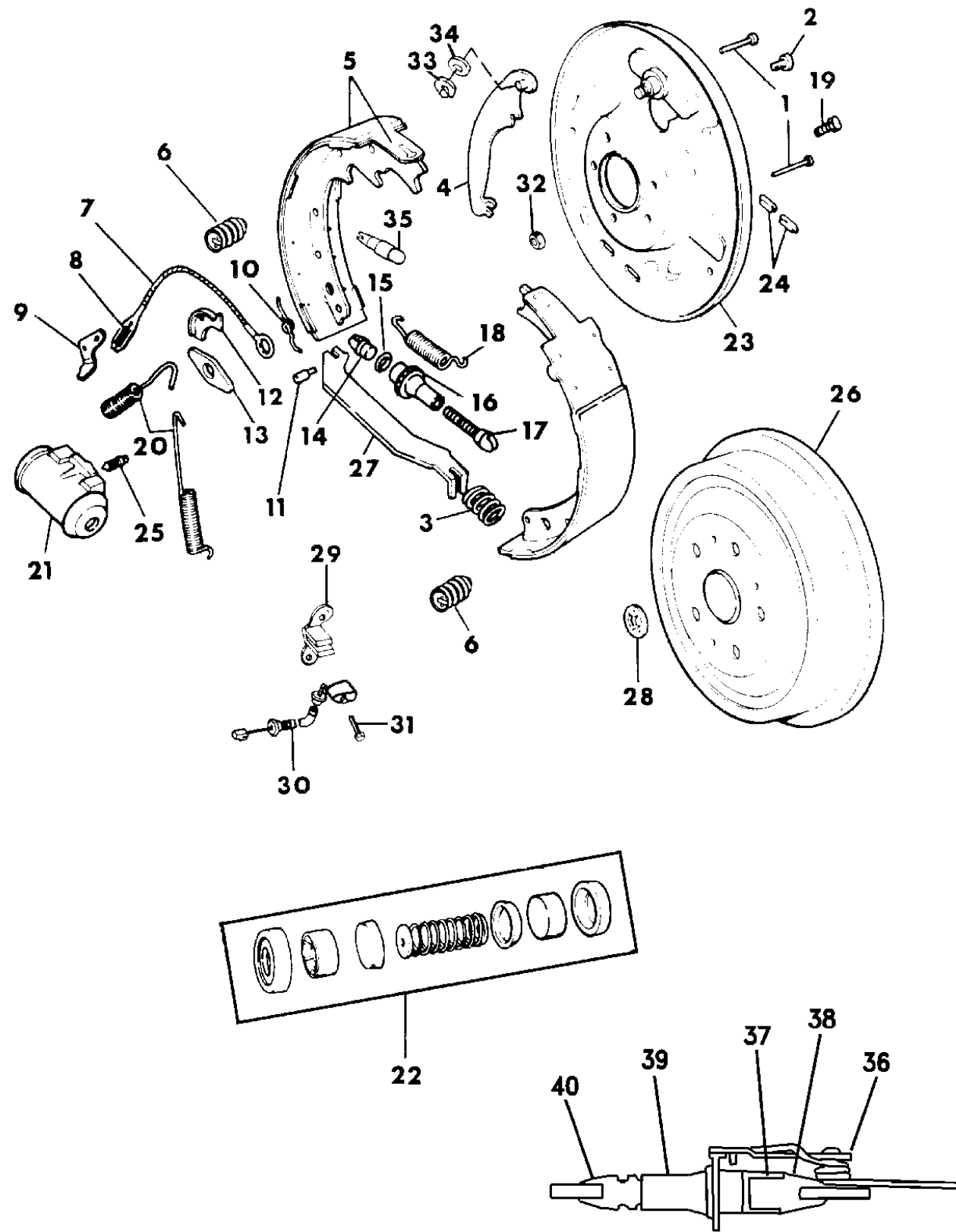
BODY STYLES:

MJ=Comanche Pickup ZJ=Grand Cherokee/Grand Wagoneer KDX VEHICLES
 SJ=Grand Wagoneer M1=Comanche
 XJ=Cherokee, Briarwood X1=Cherokee, Briarwood
 YJ=Wrangler Y1=Wrangler

AR = Use as Required - = Non Illustrated Part P.A.R. = Paint as Required

BRAKES, REAR DRUM W/DANA MODEL 35 OR CHRYSLER 8 1/4 CHEROKEE, BRIARWOOD, GRAND CHEROKEE, COMANCHE
Figure 5-1600

91J05 1600D



ITEM	PART NUMBER	QTY	BODY	MODEL	DESCRIPTION
	4313 056	2	XJ		w/ABS Brakes, w/9" Brakes
	4713 348-9	1	XJ,ZJ		w/10" Brakes
22	5252 630	2			REPAIR PACKAGE, Wheel Cylinder w/o ABS Brakes, w/9" Brakes
	5252 631	2	XJ		w/ABS Brakes, w/9" Brakes
23	8350 0987	2	XJ,ZJ		w/10" Brakes PLATE, Backing
	5252 720-1	1			w/o ABS Brakes, w/9" Brakes
	5252 718-9	1	XJ		w/ABS Brakes, w/9" Brakes
24	4713 368-9	1	XJ,ZJ		w/10" Brakes
	4238 721	4	XJ,MJ		PLUG, Brake Adjuster Hole w/9" Brakes
	3200 0147	2	XJ,ZJ		w/10" Brakes
25	3766 674	2	XJ,MJ		SCREW, Bleeder w/9" Brakes
26					DRUM, Rear Brake
	5200 5350	2	MJ		w/9" Brakes
	5200 5350	2	XJ		w/10" Brakes
	5200 7502	2	XJ		w/10" Brakes
	5200 7502	2	ZJ		
27					STRUT, Parking Brake Lever
	4313 078	2	XJ,MJ		w/9" Brakes
	4713 366-7	1	XJ,ZJ		w/10" Brakes
	4773 762	1	XJ,ZJ		CLIP, Rear Wheel Brake P/Brk. Strut w/10" Brakes
	4713 364	1	XJ,ZJ		WASHER, P/Brk. Strut w/10" Brakes
28	6026 430	4			RETAINER, Brake Drum
29					BRACKET, Sensor ABS Brakes
	5200 6400-1	1	XJ		1991
	5200 7804-5	1	XJ,ZJ		1992-93
30					SENSOR, ABS Brakes
	5600 2513	1	XJ		Right (1991)
	5600 2590	1	XJ		Left (1991)
	5200 5932-3	1	XJ		1992-93
	5600 5218-9	1	ZJ		
31	8350 4920	2			BOLT, Hex Flanged Head
32	J941 1783	8			NUT
33	J310 8202	2	XJ,ZJ		RETAINER, Lever w/10" Brakes
34	8350 2900	2	XJ,ZJ		WASHER, Lever Retainer w/10" Brakes
35	J004 8331	2	XJ,ZJ		LINK, Cylinder w/10" Brakes
36	4746 582-3	1	XJ,ZJ		SPRING, Adjuster w/10" Brakes
37	4746 585	2	XJ,ZJ		WASHER, w/10" Brakes
38	4746 586	2	XJ,ZJ		SOCKET, w/10" Brakes
39	2944 692-3	1	XJ,ZJ		NUT, Adjuster w/10" Brakes

MODEL CODES:

61=Pickup-6 Ft Box 74=4 Door Wagon T=2WD
 62=Pickup-7 Ft Box 77=Open Body 93" Wheelbase J,N,U=4WD
 72=2 Door Wagon 78=Open Body 103" Wheelbase

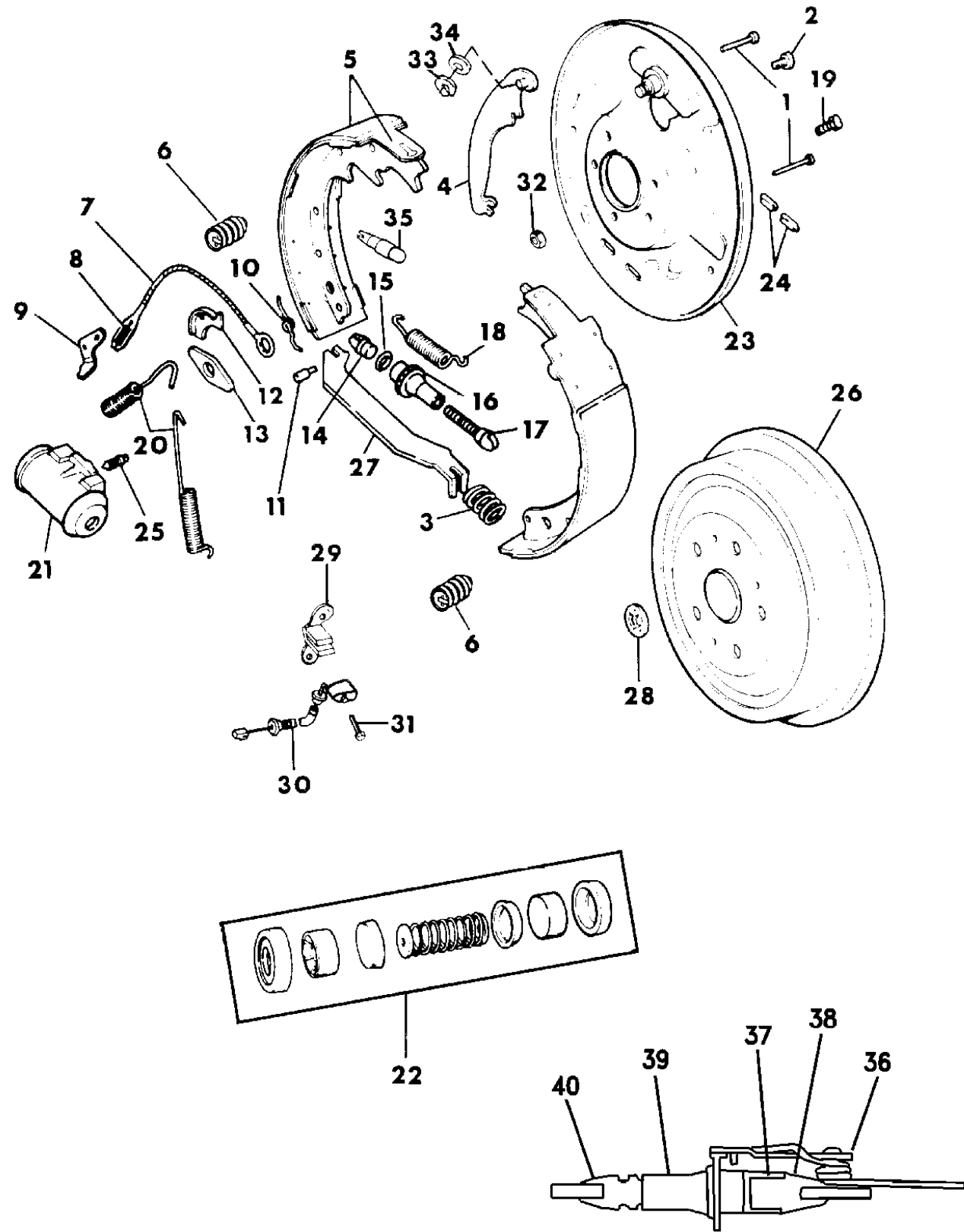
BODY STYLES:

MJ=Comanche Pickup ZJ=Grand Cherokee/Grand Wagoneer KDX VEHICLES
 SJ=Grand Wagoneer M1=Comanche
 XJ=Cherokee, Briarwood X1=Cherokee, Briarwood
 YJ=Wrangler Y1=Wrangler

AR = Use as Required - = Non Illustrated Part P.A.R. = Paint as Required

BRAKES, REAR DRUM W/DANA MODEL 35 OR CHRYSLER 8 1/4 CHEROKEE, BRIARWOOD, GRAND CHEROKEE, COMANCHE
Figure 5-1600

91J05 1600D



ITEM	PART NUMBER	QTY	BODY	MODEL	DESCRIPTION
40	2881 686-7	1	XJ,ZJ		PIVOT, Screw w/10" Brakes
	4636 779	1	XJ		BRAKE PACKAGE, Hardware, w/Dana Model 35 w/9"- Brakes (Contains Items 1,3,6,7,10,11,12,18,20) ***

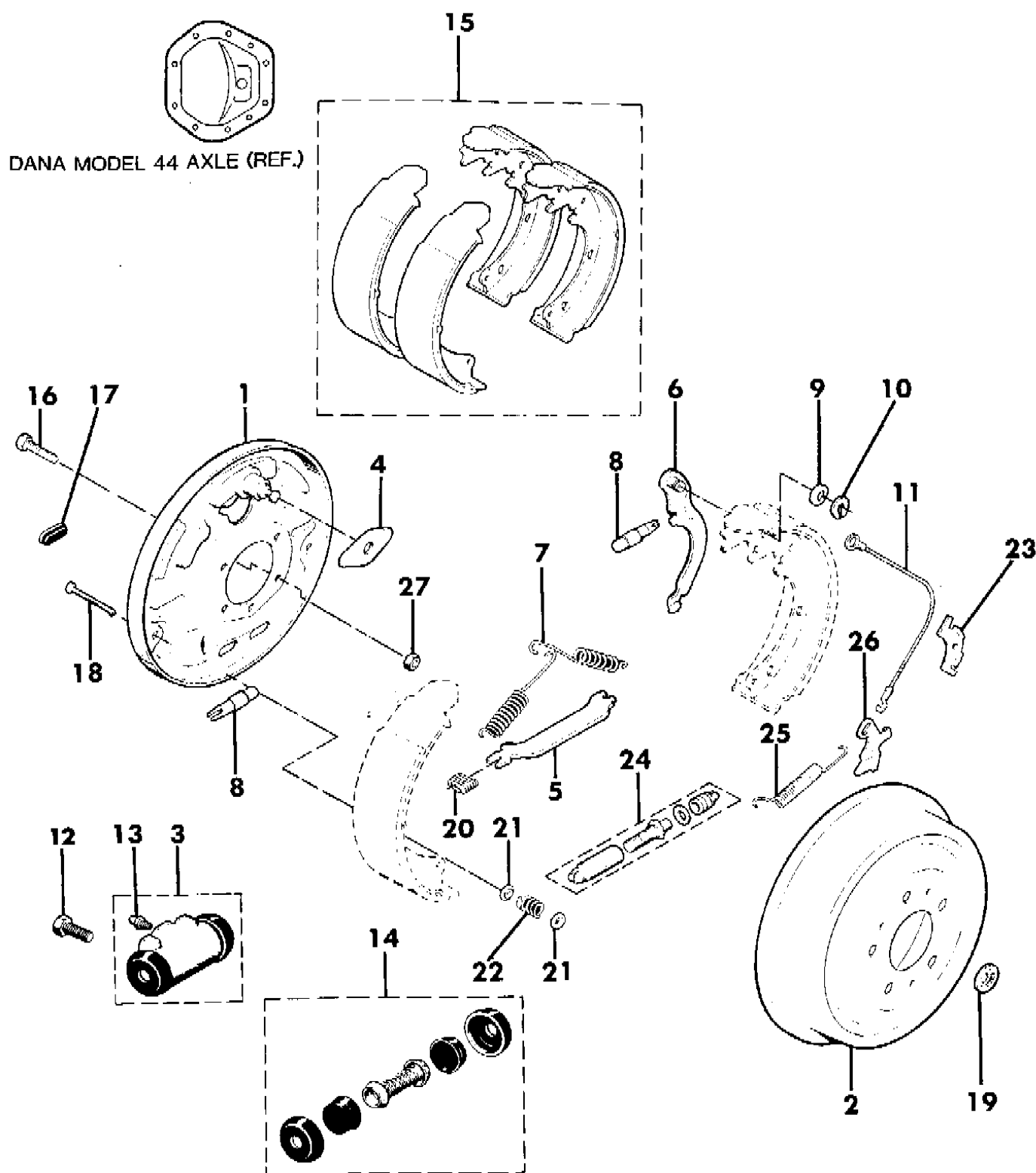
MODEL CODES:
 61=Pickup-6 Ft Box 74=4 Door Wagon T=2WD
 62=Pickup-7 Ft Box 77=Open Body 93" Wheelbase J,N,U=4WD
 72=2 Door Wagon 78=Open Body 103" Wheelbase

BODY STYLES:
 MJ=Comanche Pickup ZJ=Grand Cherokee/Grand Wagoneer KDX VEHICLES
 SJ=Grand Wagoneer M1=Comanche
 XJ=Cherokee, Briarwood X1=Cherokee, Briarwood
 YJ=Wrangler Y1=Wrangler

AR = Use as Required - = Non Illustrated Part P.A.R. = Paint as Required

BRAKES, REAR DRUM W/DANA MODEL 44 COMANCHE
Figure 5-1700

91J05 1700A



ITEM	PART NUMBER	QTY	BODY	MODEL	DESCRIPTION
1	8350 2386-7	1			PLATE, Backing
2	8350 4947	2			DRUM, Brake. Casting# 87087-7
3	5200 0848-9	1			CYLINDER, Wheel
4	J320 1032	2			PLATE, Guide
5	8350 4372-3	1			STRUT, Parking
6	8350 4306-7	1			LEVER, Cable
7	J311 2780	4			SPRING, Return
8	J004 8331	4			LINK, Cylinder
9	8350 2900	2			WASHER, Spring Wave, Lever Retainer
10	J310 8202	2			RETAINER, Lever
11	J320 1027	2			CABLE, Adjuster
12	J448 6551	4			BOLT
13	J320 3313	2			SCREW, Bleeder
14	8350 0987	2			REPAIR PACKAGE, Wheel Cylinder
15	8350 2385	1			SHOE PACKAGE, Brake ***
	4762 546	1			EUROPE 1991-92
16	J099 4313	8			BOLT
17	J320 1957	4			PLUG, Adjusting
18	J321 0994	4			PIN
19	J400 6185	2			NUT, Push
20	8350 4310	2			SPRING
21	J008 9259	8			CUP
22	J320 1956	4			SPRING
23	J320 1947	2			GUIDE, Cable
24	8350 4308-9	1			ADJUSTER
25	J320 1937	2			SPRING, Adjuster
26	J320 1030	1			LEVER, Adjuster
	J320 1029	1			Right
	J320 1029	1			Left
27	J941 1783	8			NUT
	4636 778	1			BRAKE PACKAGE, Hardware 1991 ***

MODEL CODES:

61=Pickup-6 Ft Box 74=4 Door Wagon T=2WD
 62=Pickup-7 Ft Box 77=Open Body 93" Wheelbase J,N,U=4WD
 72=2 Door Wagon 78=Open Body 103" Wheelbase

BODY STYLES:

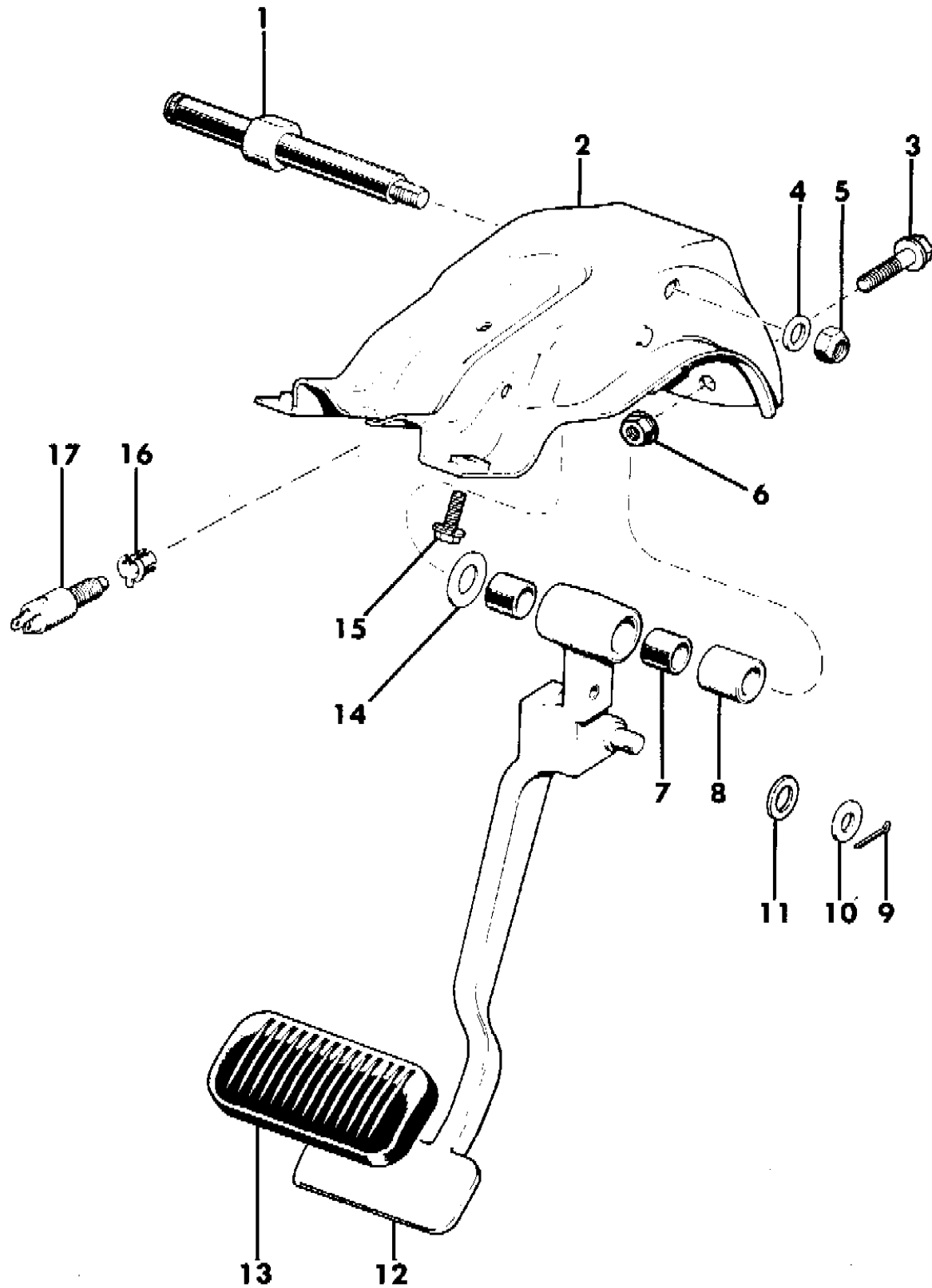
MJ=Comanche Pickup ZJ=Grand Cherokee/Grand Wagoneer KDX VEHICLES
 SJ=Grand Wagoneer M1=Comanche
 XJ=Cherokee, Briarwood X1=Cherokee, Briarwood
 YJ=Wrangler Y1=Wrangler

AR = Use as Required - = Non Illustrated Part P.A.R. = Paint as Required

PEDAL, BRAKES GRAND WAGONEER
Figure 5-1800

91J05 1800

ITEM	PART NUMBER	QTY	BODY	MODEL	DESCRIPTION
1					SHAFT
	J535 1805	1			w/Manual Transmission
	J535 1803	1			w/Automatic Transmission
2	J536 3501	1			BRACKET, Pedal
3	J018 0125	2			BOLT
4	J012 0396	1			WASHER
5	J400 4311	1			NUT
6	J400 3909	2			NUT
7	J094 6177				BEARING
8	J535 1057	1			SPACER
9	S011 9120	1			PIN
10	J012 0395	1			WASHER, Plain
11	J095 8629	1			WASHER, Spring
12					PEDAL, Brake
	J535 7470	1			w/Manual Transmission
	J535 7471	1			w/Automatic Transmission
13					PAD, Pedal
	J536 3508	1			w/Manual Transmission
	J536 3521	1			w/Automatic Transmission
14	J535 1844	1			WASHER
15	J018 0120	2			BOLT
16	J535 2622	1			BUSHING
17	J535 2620	1			SWITCH



MODEL CODES:

61=Pickup-6 Ft Box 74=4 Door Wagon T=2WD
 62=Pickup-7 Ft Box 77=Open Body 93" Wheelbase J,N,U=4WD
 72=2 Door Wagon 78=Open Body 103" Wheelbase

BODY STYLES:

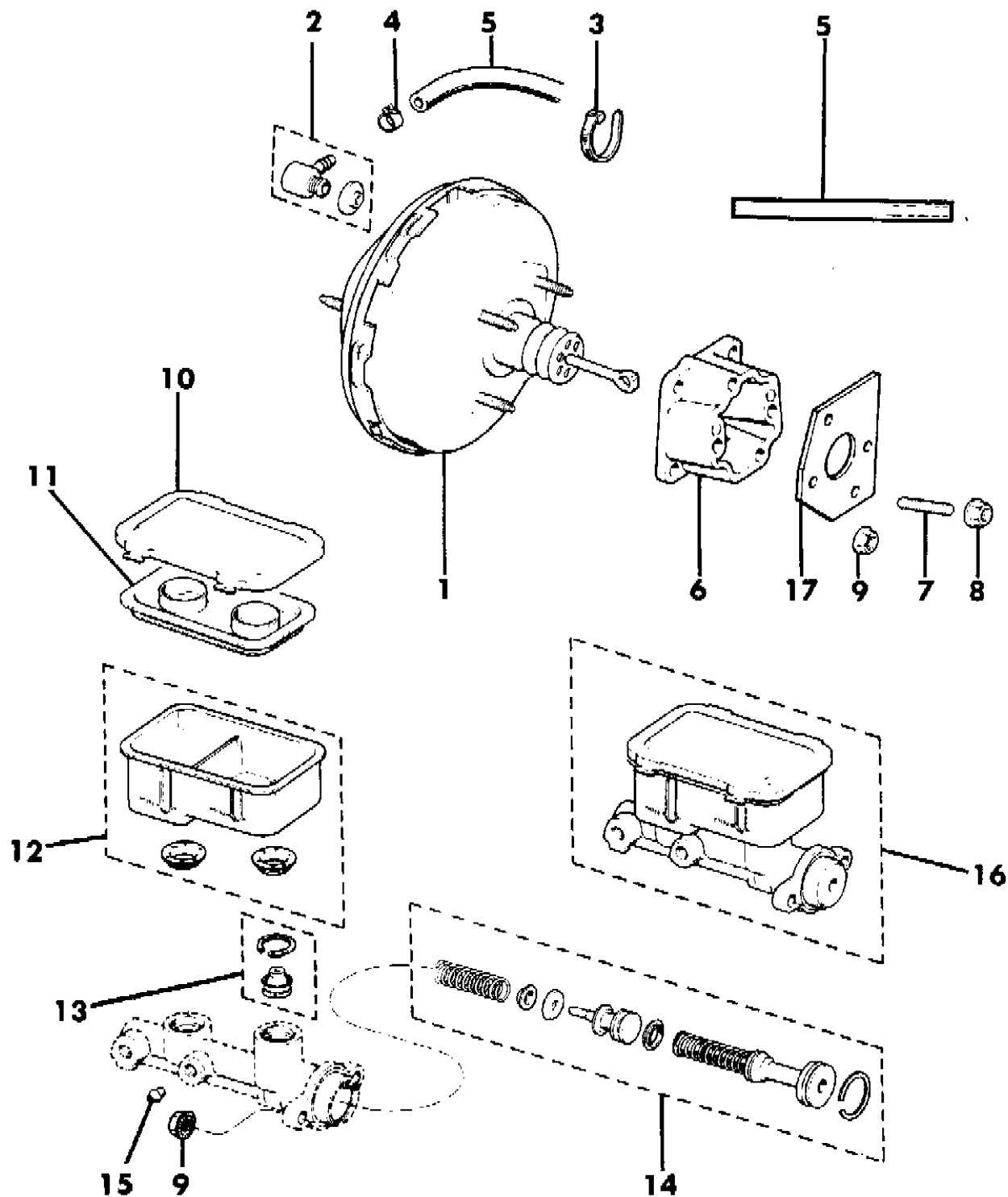
MJ=Comanche Pickup ZJ=Grand Cherokee/Grand Wagoneer KDX VEHICLES
 SJ=Grand Wagoneer M1=Comanche
 XJ=Cherokee, Briarwood X1=Cherokee, Briarwood
 YJ=Wrangler Y1=Wrangler

AR = Use as Required - = Non Illustrated Part P.A.R. = Paint as Required

BOOSTER AND MASTER CYLINDER GRAND WAGONEER

Figure 5-1900

91J05 1900



ITEM	PART NUMBER	QTY	BODY	MODEL	DESCRIPTION
1	8350 0986	1			BOOSTER, Brake
2	J812 5991	1			VALVE, Check
3	J322 3227	1			STRAP
4	J320 3076	1			CLAMP
5	J812 5883	1			HOSE, Vacuum (Bulk)
6	J535 9059	1			SPACER
7	J400 6485	4			STUD
8	J400 6653	4			NUT
9	J420 0301	6			NUT
10	J813 3319	1			COVER
11	J813 3318	1			GASKET
12	8350 2724	1			RESERVOIR
13	J813 3322	1			VALVE, Check
14	J813 3317	1			REPAIR PACKAGE, Master Cylinder
15	J812 8300	2			SEAT
16	8350 2723	1			CYLINDER, Brake Master
17	J536 3040	1			SPACER

MODEL CODES:

61=Pickup-6 Ft Box 74=4 Door Wagon T=2WD
 62=Pickup-7 Ft Box 77=Open Body 93" Wheelbase J,N,U=4WD
 72=2 Door Wagon 78=Open Body 103" Wheelbase

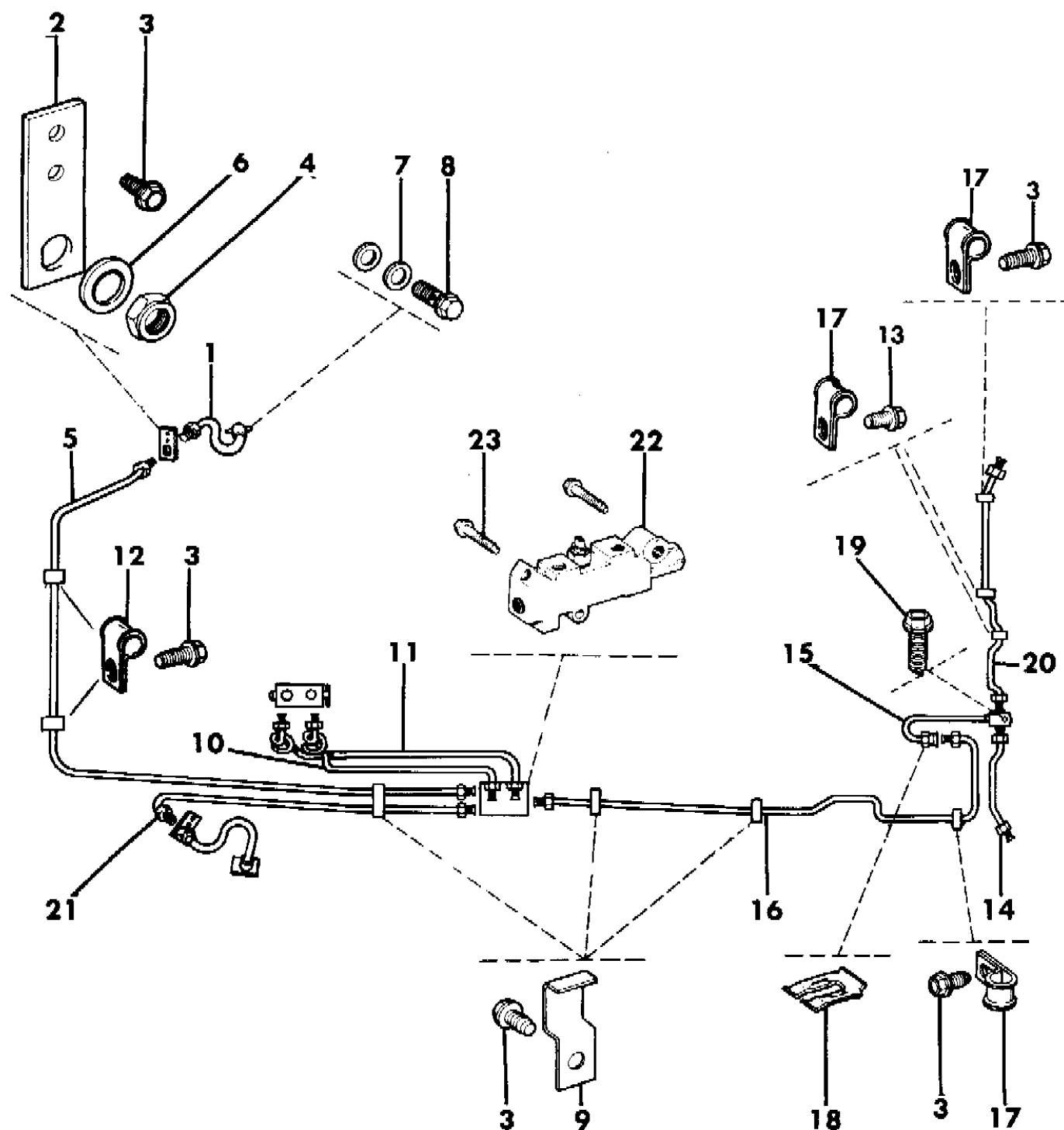
BODY STYLES:

MJ=Comanche Pickup ZJ=Grand Cherokee/Grand Wagoneer KDX VEHICLES
 SJ=Grand Wagoneer M1=Comanche
 XJ=Cherokee, Briarwood X1=Cherokee, Briarwood
 YJ=Wrangler Y1=Wrangler

AR = Use as Required - = Non Illustrated Part P.A.R. = Paint as Required

LINES AND HOSES, BRAKE GRAND WAGONEER
Figure 5-2000

91J05 2000



ITEM	PART NUMBER	QTY	BODY	MODEL	DESCRIPTION
1	J535 9322	2			HOSE, Brake
2	J535 3415	2			BRACKET
3	J400 5063	8			SCREW
4	J400 5338	2			NUT
5	J535 5441	1			LINE, Brake
6	J013 1016	2			WASHER
7	J420 0303	4			WASHER
8	J420 0304	2			BOLT
9	J400 4901	3			CLIP
10	J536 2873	1			LINE, Brake
11	J536 2875	1			LINE, Brake
12	J042 7026	2			CLIP
13	J400 4077	2			SCREW
14	5200 2090	1			LINE, Brake
15	J535 5076	1			HOSE, Brake
16	J536 0936	1			LINE, Brake
17	J019 2107	3			CLIP
18	J063 7427	1			CLIP
19	J400 5691	1			SCREW
20	5200 2996	1			LINE, Brake
21	J535 2184	1			LINE, Brake
22	J536 4240	1			VALVE, Proportioning
23	J400 5666	2			SCREW

MODEL CODES:

61=Pickup-6 Ft Box 74=4 Door Wagon T=2WD
62=Pickup-7 Ft Box 77=Open Body 93" Wheelbase J,N,U=4WD
72=2 Door Wagon 78=Open Body 103" Wheelbase

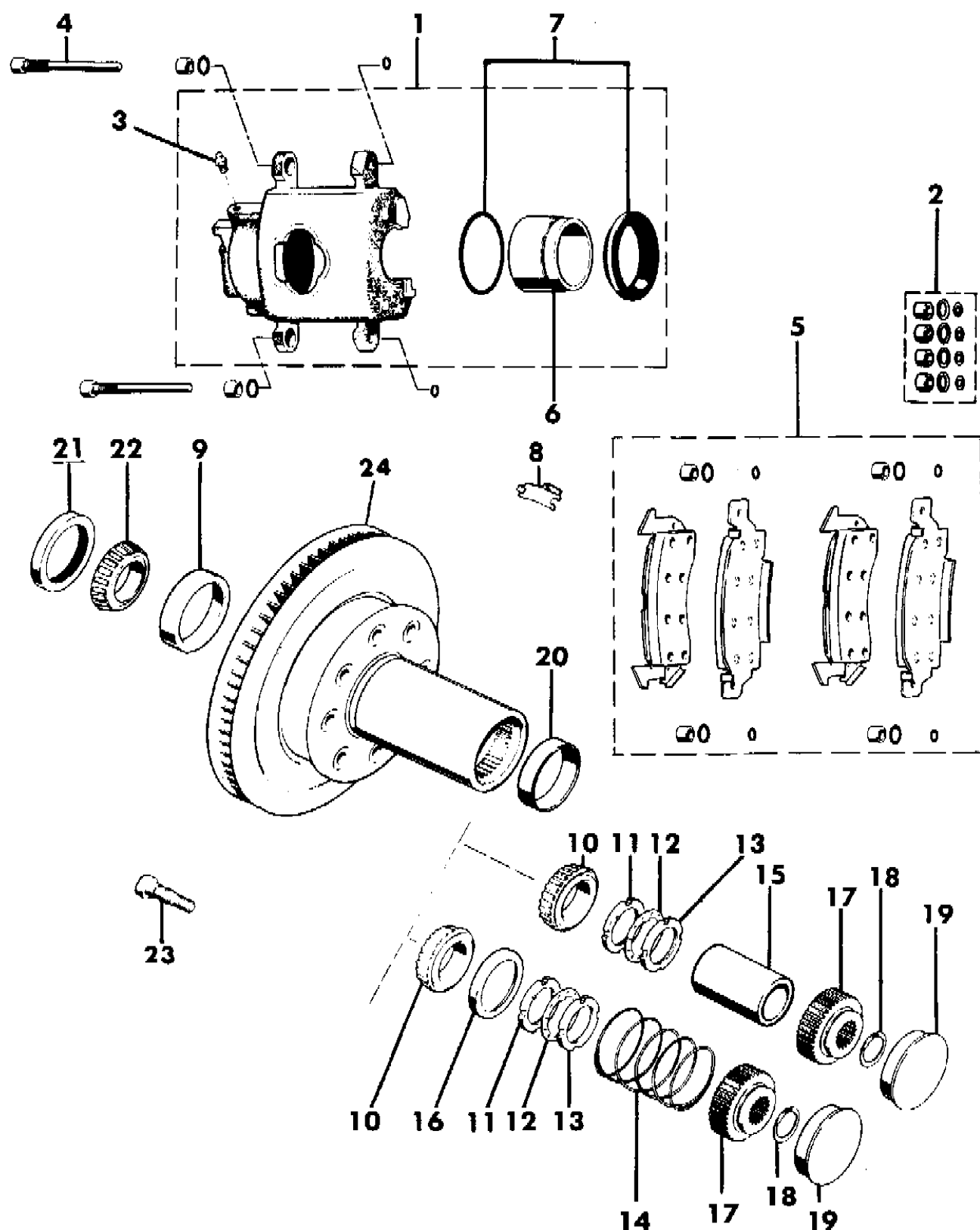
BODY STYLES:

MJ=Comanche Pickup ZJ=Grand Cherokee/Grand Wagoneer KDX VEHICLES
SJ=Grand Wagoneer M1=Comanche
XJ=Cherokee, Briarwood X1=Cherokee, Briarwood
YJ=Wrangler Y1=Wrangler

AR = Use as Required - = Non Illustrated Part P.A.R. = Paint as Required

BRAKES, FRONT DISC GRAND WAGONEER
Figure 5-2100

91J05 2100



ITEM	PART NUMBER	QTY	BODY	MODEL	DESCRIPTION
1					CALIPER, Brake
	8350 1980	1			Right
	8350 1981	1			Left
2	8350 1360	1			HARDWARE PACKAGE
3	J812 9722	2			SCREW, Bleeder
4	J812 4572	4			BOLT
5	8350 4371	1			PAD PACKAGE, Brake
6	J812 4571	2			PISTON
7	J812 4574	2			SEAL PACKAGE
8	J812 4573	2			CLIP
9	J535 7394	2			CUP, Bearing
10	1937 771	2			BEARING
11	J400 4816	2			NUT, Inner
12	J400 4815	2			WASHER
13	J535 2169	2			NUT, Outer
14	J535 2615	2			SPRING
15	8350 4954	1			SPACER
16	2953 963	2			CUP
17	J535 8494	2			GEAR
18	J535 2166	2			RING, Snap
19	J535 2268	2			CAP
20	J092 5447	2			CUP, Bearing
21	J535 9703	2			SEAL
22	J535 7401	2			BEARING
23	J812 4803	12			BOLT
24	J535 7391	2			ROTOR, Brake

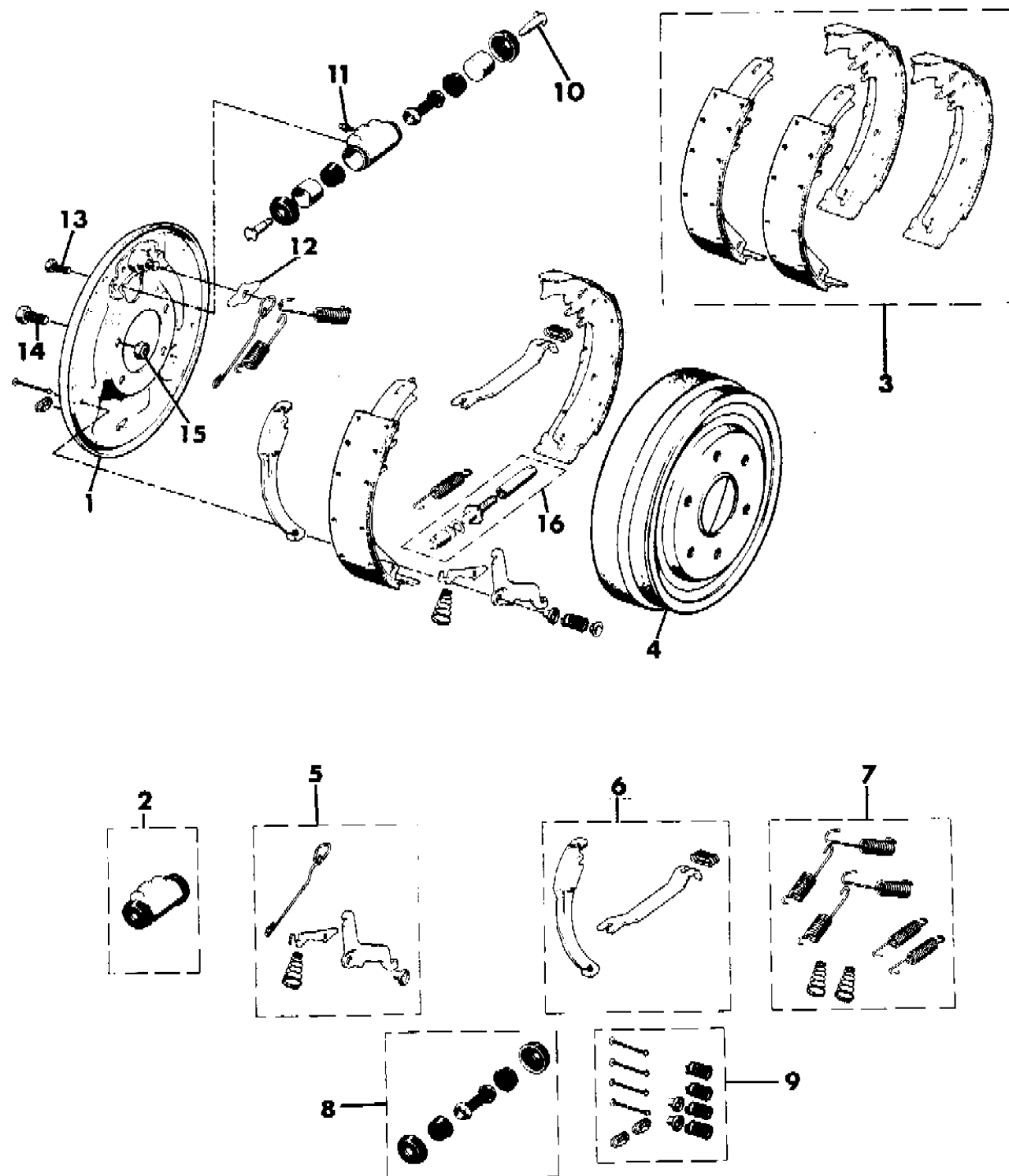
MODEL CODES:
 61=Pickup-6 Ft Box 74=4 Door Wagon T=2WD
 62=Pickup-7 Ft Box 77=Open Body 93" Wheelbase J,N,U=4WD
 72=2 Door Wagon 78=Open Body 103" Wheelbase

BODY STYLES:
 MJ=Comanche Pickup ZJ=Grand Cherokee/Grand Wagoneer KDX VEHICLES
 SJ=Grand Wagoneer M1=Comanche
 XJ=Cherokee, Briarwood X1=Cherokee, Briarwood
 YJ=Wrangler Y1=Wrangler

AR = Use as Required - = Non Illustrated Part P.A.R. = Paint as Required

BRAKES, REAR DRUM GRAND WAGONEER
Figure 5-2200

91J05 2200



ITEM	PART NUMBER	QTY	BODY	MODEL	DESCRIPTION
1	J812 7779	1			PLATE, Backing Right, U.S. and Canada
	J813 0746	1			Right, Export
	J812 7778	1			Left, U.S. and Canada
	J813 0745	1			Left, Export
2	J812 9723	2			CYLINDER, Wheel U.S. and Canada
	J813 0747	2			Export
3	J812 7782	1			SHOE PACKAGE, Brake ***
4	J535 9281	2			DRUM, Brake U.S. and Canada
	J535 2266	2			Export
5	J812 4514	1			ADJUSTER PACKAGE Right
	J812 4513	1			Left
6	J812 7788	1			REPAIR PACKAGE Right
	J812 7787	1			Left
7	J812 7783	1			SPRING PACKAGE
8	J812 4566	2			REPAIR PACKAGE, Wheel Cylinder U.S. and Canada
	J813 0748	2			Export
9	J812 7784	1			HOLD DOWN PACKAGE U.S. and Canada
	J812 4515	1			Export
10	J812 7781	4			LINK, Cylinder
11	J812 9725	2			SCREW, Bleeder
12	J812 7780	2			PLATE, Guide
13	J092 0307	4			BOLT
14	J812 4850	8			BOLT
	J941 3215	8			NUT
16	J812 7786	1			ADJUSTER Right
	J812 7785	1			Left

MODEL CODES:

61=Pickup-6 Ft Box 74=4 Door Wagon T=2WD
62=Pickup-7 Ft Box 77=Open Body 93" Wheelbase J,N,U=4WD
72=2 Door Wagon 78=Open Body 103" Wheelbase

BODY STYLES:

MJ=Comanche Pickup ZJ=Grand Cherokee/Grand Wagoneer KDX VEHICLES
SJ=Grand Wagoneer M1=Comanche
XJ=Cherokee, Briarwood X1=Cherokee, Briarwood
YJ=Wrangler Y1=Wrangler

AR = Use as Required - = Non Illustrated Part P.A.R. = Paint as Required

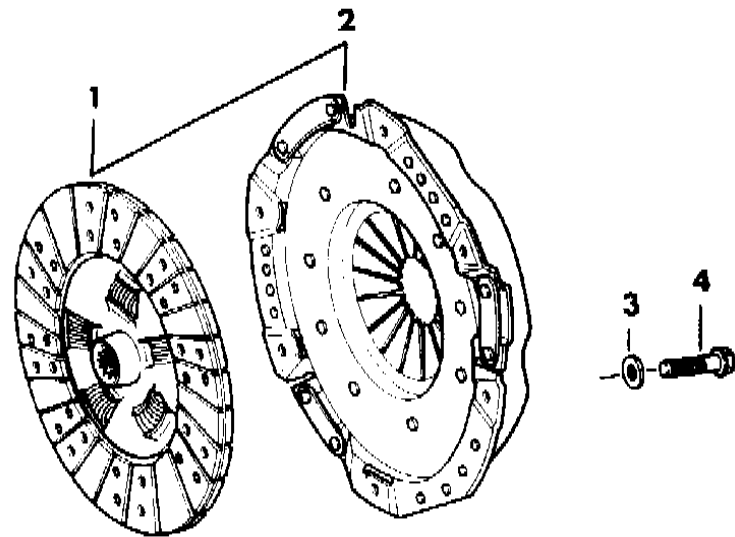
GROUP 6 - CLUTCH

ILLUSTRATION TITLE	GROUP-FIG. NO.
CLUTCH	
CLUTCH ALL MODELS	Fig. 6-100
HOUSING AND PAN, CLUTCH	
HOUSING AND PAN, CLUTCH WRANGLER, YJ	Fig. 6-200
HOUSING AND PAN, CLUTCH CHEROKEE, COMANCHE	Fig. 6-300
PEDAL CLUTCH	
PEDAL, CLUTCH WRANGLER, YJ	Fig. 6-400
PEDAL, CLUTCH DIESEL ENGINE CHEROKEE, COMANCHE	Fig. 6-500
PEDAL, CLUTCH GAS ENGINE CHEROKEE, COMANCHE	Fig. 6-600
PEDAL, CLUTCH CHEROKEE (RHD)	Fig. 6-650
CLUTCH HOUSING AND RELATED PARTS ZJ - GRAND CHEROKEE	Fig. 6-700
CLUTCH PEDAL ZJ - GRAND CHEROKEE	Fig. 6-800
CLUTCH HYDRAULIC SYSTEM ZJ - GRAND CHEROKEE	Fig. 6-900

ILLUSTRATION NOT AVAILABLE AT TIME OF PUBLICATION

CLUTCH ALL MODELS
Figure 6-100

91J06 100 A



ITEM	PART NUMBER	QTY	BODY	MODEL	DESCRIPTION
1					DISC, Clutch, Driven Plate
	5210 7570	1			2.5L Four Cylinder Engine
	5300 8259	1			4.0L Six Cylinder Engine
	5208 7578	1		ZJ	4.0L Six Cylinder Engine
	5200 7113	1			2.1L Diesel
2					COVER And PLATE ASSEMBLY, Clutch and Disc Package ***
	4626 213	1			2.5L Four Cylinder Engine
	4626 211	1			4.0L Six Cylinder Engine 1991
	4638 411	1			4.0L Six Cylinder Engine 1992-93
	4713 323	1		ZJ	4.0L Six Cylinder Engine
	4637 112	1			2.1L Diesel
	4746 820	1		X1	(Borg Warner Trans.) CHINA 1993
3					WASHER, Cover Assembly to Block
	1150 0221	AR			2.5L Four Cylinder, 4.0L Six Cylinder Engines
	T140 2092	AR			2.1L Diesel Engine
4					BOLT, Clutch Cover to Flywheel
	3420 1373	6			2.5L Four Cylinder Engine, (M8-1.25x22)
	J400 4165	6			4.0L Six Cylinder Engine, (3/8-16x.84)
	T300 9065	6			2.1L Diesel Up to 11-2-92
	6503 0425	6			2.1L Diesel After 11-2-92

MODEL CODES:

61=Pickup-6 Ft Box 74=4 Door Wagon T=2WD
 62=Pickup-7 Ft Box 77=Open Body 93" Wheelbase J,N,U=4WD
 72=2 Door Wagon 78=Open Body 103" Wheelbase

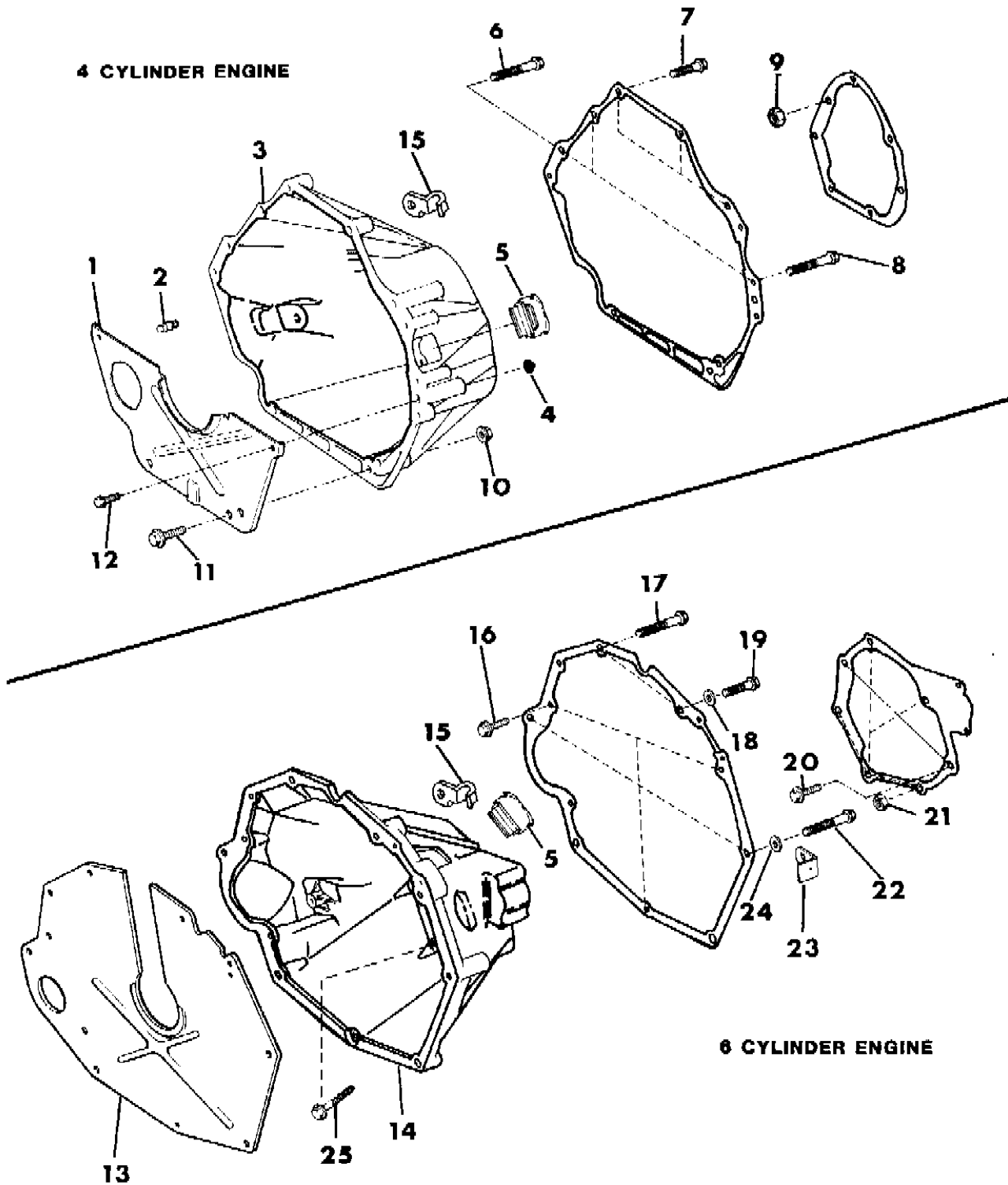
BODY STYLES:

MJ=Comanche Pickup ZJ=Grand Cherokee/Grand Wagoneer KDX VEHICLES
 SJ=Grand Wagoneer M1=Comanche
 XJ=Cherokee, Briarwood X1=Cherokee, Briarwood
 YJ=Wrangler Y1=Wrangler

AR = Use as Required - = Non Illustrated Part P.A.R. = Paint as Required

HOUSING AND PAN, CLUTCH WRANGLER, YJ
Figure 6-200

91J06 200



ITEM	PART NUMBER	QTY	BODY	MODEL	DESCRIPTION
1	5300 3382	1			COVER, Dust Clutch Housing
2	5300 2386	1			PIVOT
3	5300 7976	1			HOUSING, Clutch, 2.5L Four Cylinder Engine 1991-92
	5210 7517	1			2.5L Four Cylinder Engine 1993
4	J420 0046	2			NUT, Hex Serrated Lock, (M8-1.25)
5					GROMMET, Sensor Clutch Housing
	5300 8018	1			Without Timing Probe
	5300 6010	1			With Timing Probe
6					BOLT, Clutch Housing
	6502 442	2			M10x1.25x34mm
	1150 4922	3			M12-1.75x50mm
	3420 1837	2			M12-1.75x90mm
7	1150 2628	2			BOLT, (M8-1.25x30mm)
8					BOLT, CLutch Housing to Transmission
	3420 1914	AR			2.5L Four Cylinder Engine, (M10-1.25x45) 1991-92
	6502 442	AR			(M10x1.50x34) 1993
9	J420 0046	1			NUT, (M8)
10	1150 2723	2			NUT, (M12)
11	1150 5098	2			BOLT, (M12-1.75x60)
12	1150 2628	2			BOLT, (M8-1.25x30)
13	5300 4473	1			SPACER, Clutch Housing
14	5300 7105	1			HOUSING, Clutch, Six Cylinder Engine
15	3420 2771	1			CLIP, Magnetic Speed Sensor
16	1150 0986	3			SCREW
17	J942 8638	1			BOLT, (3/8-16x.62)
18	SO44 6363	2			WASHER
19	J018 0129	2			BOLT, (3/8-16x1.875)
20	1150 4922	2			BOLT, (M12-1.75x45)
21	1150 2813	2			NUT, (M12-1.75)
22	3420 1949	2			BOLT, (M12-1.75x70)
	6502 442	9			SCREW, Hex Flg Hd. Clutch Housing to Trans. (M10x1.50x34)
23	J536 4749	1			BRACKET
24	J400 5397	2			WASHER
25	3420 2790	1			BOLT, (M10x1.25x34)

MODEL CODES:

61=Pickup-6 Ft Box 74=4 Door Wagon T=2WD
 62=Pickup-7 Ft Box 77=Open Body 93" Wheelbase J,N,U=4WD
 72=2 Door Wagon 78=Open Body 103" Wheelbase

BODY STYLES:

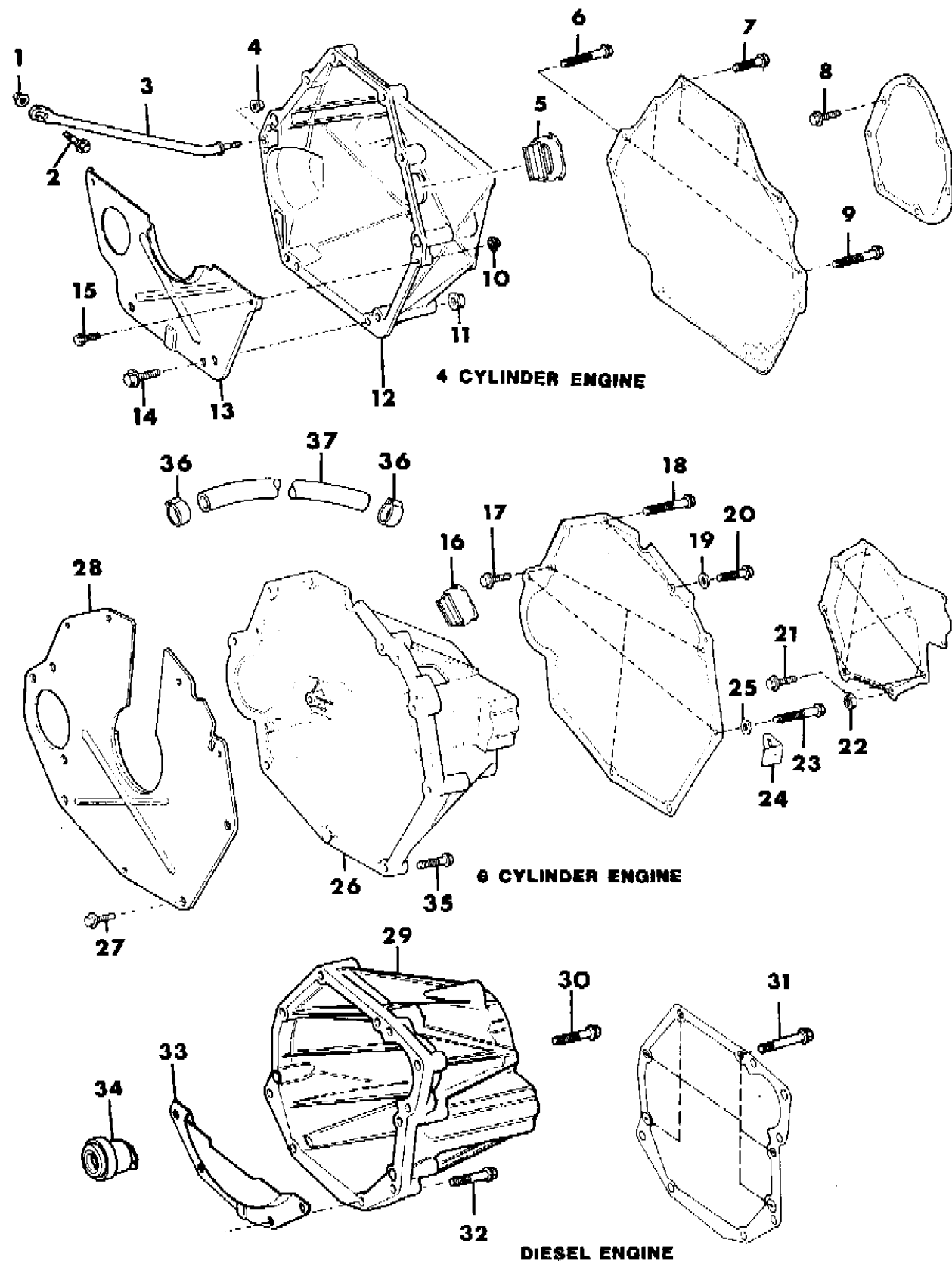
MJ=Comanche Pickup ZJ=Grand Cherokee/Grand Wagoneer KDX VEHICLES
 SJ=Grand Wagoneer M1=Comanche
 XJ=Cherokee, Briarwood X1=Cherokee, Briarwood
 YJ=Wrangler Y1=Wrangler

AR = Use as Required - = Non Illustrated Part P.A.R. = Paint as Required

HOUSING AND PAN, CLUTCH CHEROKEE, COMANCHE

Figure 6-300

91J06 300



ITEM	PART NUMBER	QTY	BODY	MODEL	DESCRIPTION
1	1150 2813	1			NUT, (M12)
2	3420 1389	1			BOLT, (M12-1.75x35)
3	5300 1595	1			ROD, Brace
4	1150 2813	2			NUT, (M12)
5	5300 8017	1			GROMMET, With Engine Speed Sensor, Clutch Housing
	5300 8018	1			PLUG, Without Engine Speed Sensor, Clutch Housing
6					BOLT
	3420 1949	1			M12-1.75x70 1991-92
	3420 1837	1			M12-1.75x90
7	1150 4922	3			BOLT, (M12-1.75x50)
8	3420 1914	9			BOLT, (M10-1.25x45) 1991-92
	6502 442	9			(M10x1.50x34) 1993
9					BOLT
	3420 1949	1			M12-1.75x70
	3420 1837	1			M12-1.75x90
10	J420 0046	2			NUT, (M8)
11	1150 2813	2			NUT, (M12)
12	5300 7976	1			HOUSING, Clutch, 2.5L Four Cylinder Engine 1991-92
	5210 7517	1			2.5L Four Cylinder Engine 1993
13	5300 3382	1			COVER, Dust
14	1150 2723	2			NUT, (M12)
15	1150 2628	2			BOLT, Hex Head, (M8-1.25x30)
16	5300 8017	1			GROMMET, Sensor
17	S150 0086	3			SCREW, (5/16-12x7/8")
18	J942 8638	1			BOLT, (3/8-16x.62)
19	S943 9511	6			WASHER
20	J018 0129	2			BOLT, (3/8-16x1.875)
21	3420 2060	2			BOLT, (M10-1.5x45)
	6502 442	9			SCREW, Hex Flg Hd. Clutch Housing to Trans. (M10x1.50x34)
22	1150 6007	5			NUT, (M10)
23	J942 7626	2			BOLT, (7/16-14x3.125)
24	J536 4749	1			BRACKET
25	J400 5397	2			WASHER
26	5300 7105	1			HOUSING, Clutch 4.0L Six Cylinder Engine
27	6502 442	AR			BOLT, Hex Flanged Head 1991
	1150 0986	AR			(M8X2.12-16.00) 1992-93
28	5300 4473	1			SPACER, Clutch Housing
	1150 2813	2			NUT, Hex Flg Spacer Plate to Clutch Hsg. (M12x1.75)
	1150 4922	2			BOLT, Hex Flg Hd. Spacer Plate to Clutch Hsg. (M12X1.75-50.0)
29	5300 1164	1			HOUSING, Clutch, Diesel

MODEL CODES:

61=Pickup-6 Ft Box 74=4 Door Wagon T=2WD
 62=Pickup-7 Ft Box 77=Open Body 93" Wheelbase J,N,U=4WD
 72=2 Door Wagon 78=Open Body 103" Wheelbase

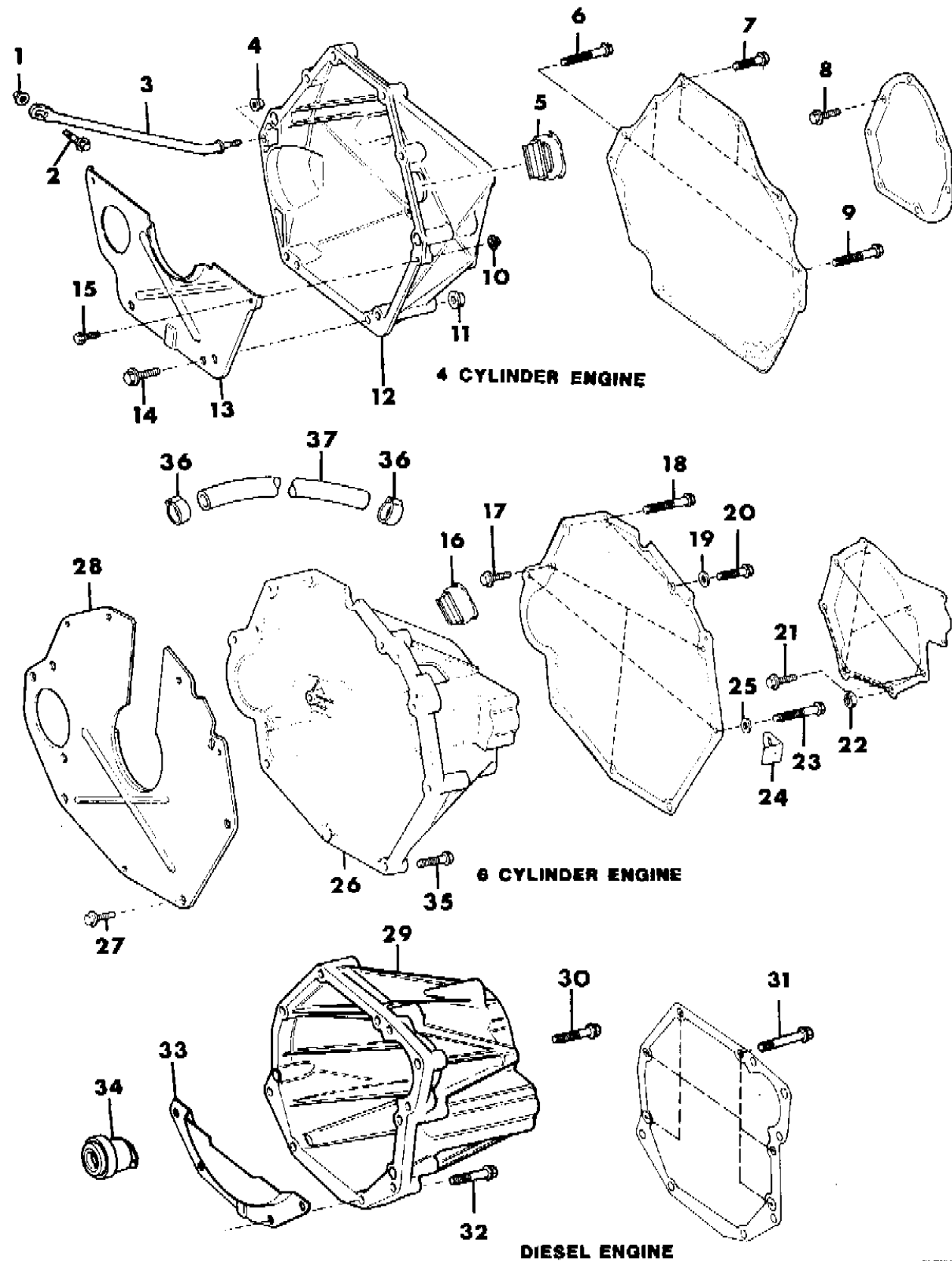
BODY STYLES:

MJ=Comanche Pickup ZJ=Grand Cherokee/Grand Wagoneer KDX VEHICLES
 SJ=Grand Wagoneer M1=Comanche
 XJ=Cherokee, Briarwood Y1=Wrangler
 YJ=Wrangler

AR = Use as Required - = Non Illustrated Part P.A.R. = Paint as Required

HOUSING AND PAN, CLUTCH CHEROKEE, COMANCHE
Figure 6-300

91J06 300



ITEM	PART NUMBER	QTY	BODY	MODEL	DESCRIPTION
30	3420 2317	9			BOLT, (10x1.25x60)
31	3420 2042	6			BOLT, (M10x1.5x90)
32	3420 2027	4			BOLT, (M10x1.5x60)
33	5300 1336	1			COVER, Dust Clutch Housing
34	5300 1162	1			SLEEVE, Clutch Throwout Bearing
35	3420 2029	2			BOLT, (M10-1.5x50)
36	J400 6047	2			CLAMPS ***
37	J812 5810	AR			HOSE, Vent, Bulk

MODEL CODES:

61=Pickup-6 Ft Box 74=4 Door Wagon T=2WD
 62=Pickup-7 Ft Box 77=Open Body 93" Wheelbase J,N,U=4WD
 72=2 Door Wagon 78=Open Body 103" Wheelbase

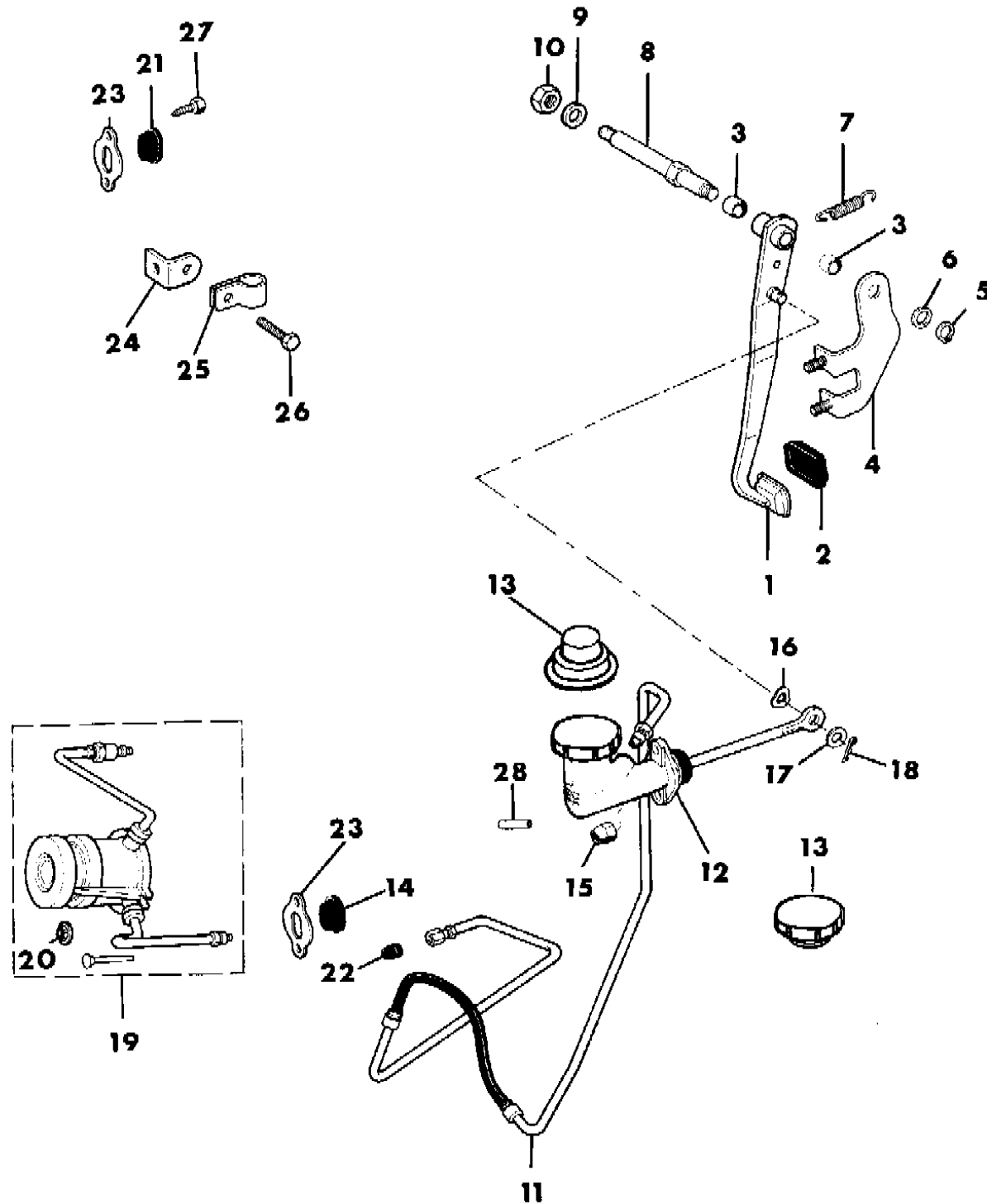
BODY STYLES:

MJ=Comanche Pickup ZJ=Grand Cherokee/Grand Wagoneer KDX VEHICLES
 SJ=Grand Wagoneer M1=Comanche
 XJ=Cherokee, Briarwood X1=Cherokee, Briarwood
 YJ=Wrangler Y1=Wrangler

AR = Use as Required - = Non Illustrated Part P.A.R. = Paint as Required

PEDAL, CLUTCH WRANGLER, YJ
Figure 6-400

91J06 400B



ITEM	PART NUMBER	QTY	BODY	MODEL	DESCRIPTION
1	5300 7964	1			PEDAL, Clutch
2	5200 2750	1			COVER, Clutch Pedal
3	J094 6177	2			BEARING, Clutch Pedal
4	5300 7885	1			BRACE, Clutch Pedal Support
5	J400 6471	1			RING, Retaining Clutch Pedal Shaft
6	J535 1844	2			WASHER
7	J535 1050	1			SPRING, Clutch Return
8	J535 9834	1			SHAFT, Clutch Pedal Up to 5-3-93
	5207 8599	1			After 5-3-93
9	J012 0396	1			WASHER
10	J400 4311	1			LOCKNUT, (1/2-20) ***
11					TUBE & HOSE ASSEMBLY, Hydraulic Clutch ***
	4636 860	1			2.5L Four Cylinder Engine 1991-92
	4636 861	1			4.0L Six Cylinder Engine 1991-92
	4728 760	1			All Engines 1993
12	4636 865	1			CYLINDER, Clutch Master, With Cap and Barrier
13	4636 856	1			CAP, Clutch Master Cylinder, With Barrier
14	5300 4051	1			GROMMET, Four Cylinder Engine
	5300 5364	1			Four Cylinder Engine 1993 ***
15	0152 342	2			NUT, (5/16)
16	J400 4616	1			WASHER, Wave
17	J012 0396	1			WASHER, Flat
18	S011 9120	1			PIN, Cotter
19					CLUTCH CONTROL PACKAGE, With Presure Lines ***
	5300 6068	1			2.5L Four Cylinder Engine 1991
	4638 465	1			1992 4 Cyl. Eng
	5300 5967	1			1991 6 Cyl. Eng.
	4638 464	1			1992 6 Cyl. Eng.
	8350 3385	AR			PIN, (also in pkg. 4638464)
	4728 735	1			1993 All Engines
20	J400 6866	2			NUT, Push
21	5300 5364	1			GROMMET, 4.0L Six Cylinder Engine
22	5300 7882	1			GROMMET, 2.5L Four Cylinder Engine Tube to Clutch Housing
23	5300 3361	1			COVER, Clutch Tube Housing
24	J536 4749	1			BRACKET, Hydraulic Clutch Tube Mounting
25	J012 0521	1			CLIP, Closed Tube 1991
	J012 0522	1			1992-93
26	J941 5162	1			SCREW, (10-16x.375)
27	1150 0821	2			BOLT, (M8-1.25x45)
28		1			ROLL PIN, Clutch Master Cylinder, (Not Required-Used in initial installation only)

MODEL CODES:

61=Pickup-6 Ft Box 74=4 Door Wagon T=2WD
 62=Pickup-7 Ft Box 77=Open Body 93" Wheelbase J,N,U=4WD
 72=2 Door Wagon 78=Open Body 103" Wheelbase

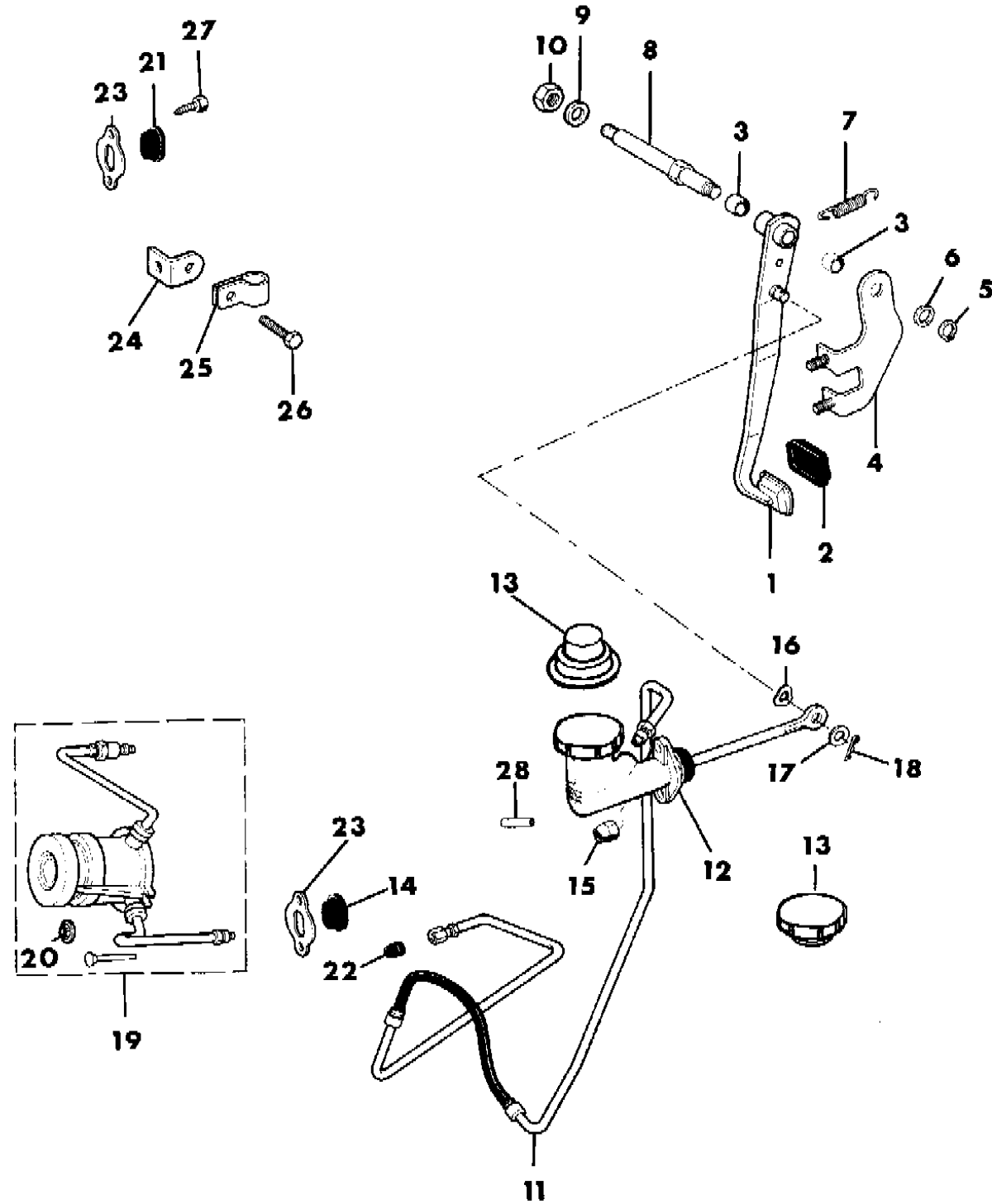
BODY STYLES:

MJ=Comanche Pickup ZJ=Grand Cherokee/Grand Wagoneer KDX VEHICLES
 SJ=Grand Wagoneer M1=Comanche
 XJ=Cherokee, Briarwood X1=Cherokee, Briarwood
 YJ=Wrangler Y1=Wrangler

AR = Use as Required - = Non Illustrated Part P.A.R. = Paint as Required

PEDAL, CLUTCH WRANGLER, YJ
Figure 6-400

91J06 400B



ITEM	PART NUMBER	QTY	BODY	MODEL	DESCRIPTION
-	3420 1788	1			STRAP, Wiring Hydra Clutch Tube to Clutch Hsg. w/2.5 L 4 Cylinder Engine
-		1			SCREW, Hex Wa. Hd. Hydra Clutch Tube to Clutch Hsg. (10-16x.38) (Not Serviced)
-		1			BRACKET, Tube and Hose to Clutch Hsg. w/6 Cylinder Engine (Not Serviced)

MODEL CODES:

61=Pickup-6 Ft Box 74=4 Door Wagon T=2WD
62=Pickup-7 Ft Box 77=Open Body 93" Wheelbase J,N,U=4WD
72=2 Door Wagon 78=Open Body 103" Wheelbase

BODY STYLES:

MJ=Comanche Pickup ZJ=Grand Cherokee/Grand Wagoneer KDX VEHICLES
SJ=Grand Wagoneer M1=Comanche
XJ=Cherokee, Briarwood X1=Cherokee, Briarwood
YJ=Wrangler Y1=Wrangler

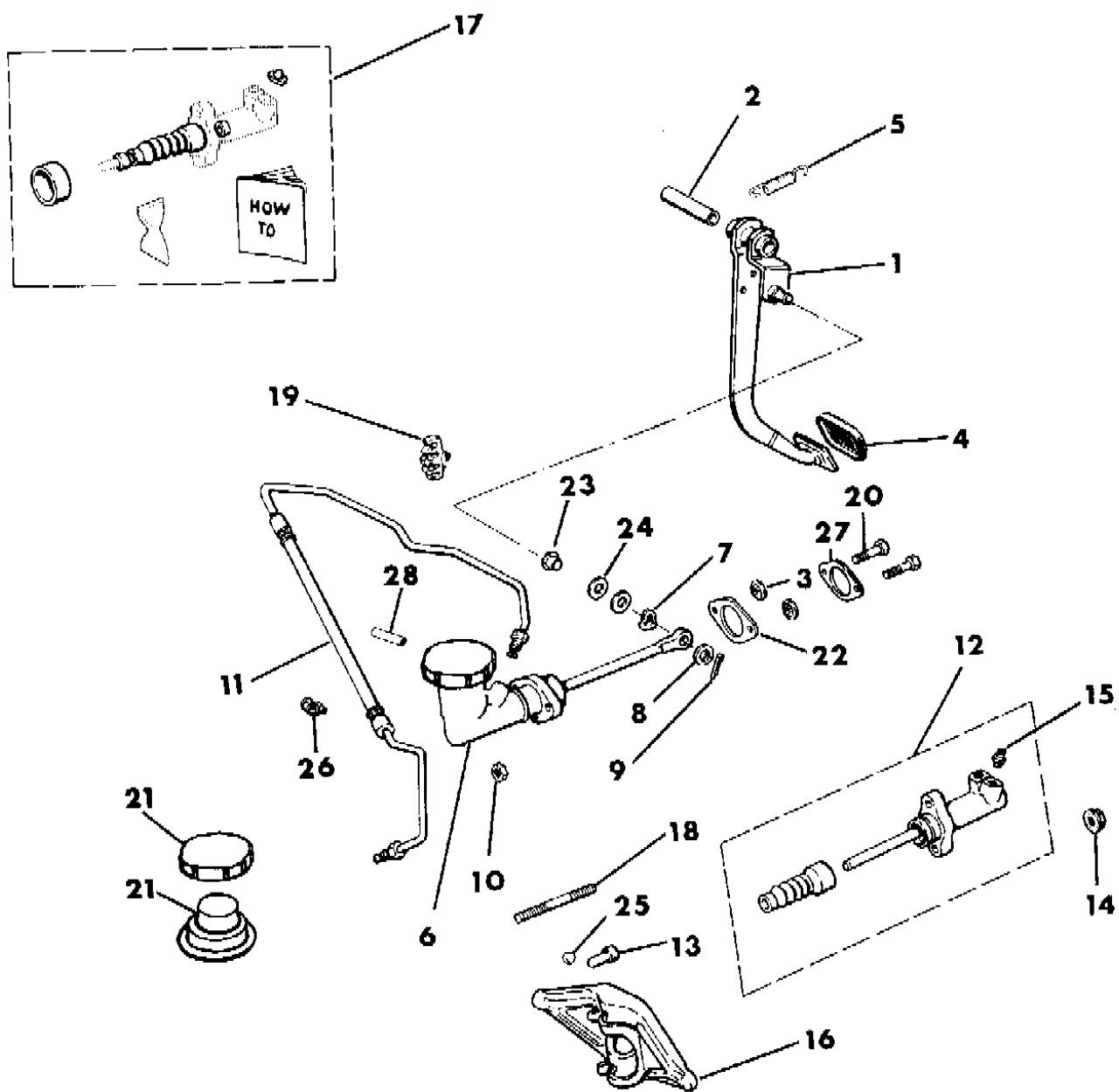
AR = Use as Required - = Non Illustrated Part P.A.R. = Paint as Required

PEDAL, CLUTCH DIESEL ENGINE CHEROKEE, COMANCHE

Figure 6-500

91J06 500A

ITEM	PART NUMBER	QTY	BODY	MODEL	DESCRIPTION
1	5300 7963	1			PEDAL, Clutch 1991
	5207 8069	1			1992-93
2	5300 0636	1			SLEEVE, Clutch Pedal Shaft
3	1150 2812	2			NUT, (M10)
4	5200 2750	1			PAD, Clutch Pedal
5	5200 0402	1			SPRING, Clutch Pedal Return
6	4636 864	1			CYLINDER, Clutch Master
7	J400 4616	1			WASHER
8	J012 0396	1			WASHER
9	S011 9120	1			PIN, Cotter
10	1150 2811	2			NUT
11	4636 862	1			HOSE And TUBE ASSEMBLY, Hydraulic Clutch ***
12	5300 1324	1			CYLINDER, Clutch Slave
13	J321 7479	1			PIVOT
14	1150 2729	2			NUT, (M8x1.25)
15	J813 3629	1			SCREW, Bleeder
16	5300 0484	1			LEVER ASSEMBLY, Clutch Throwout
17	8350 0670	1			REPAIR PACKAGE, Slave Cylinder
18	3420 2043	2			STUD
19	5300 0585	1			CLIP
20	6502 137	2			BOLT, (M10-1.5x35)
21	4636 856	1			CAP, With Barrier
22	5300 5119	1			SEAL, Firewall
23	J400 7472	1			BUSHING
24	J400 7070	2			WASHER
25	J016 9162	1			BALL, Clutch Throwout
26	3420 1961	1			CLIP, Hose
27	J323 7235	1			PLATE
28		1			PIN, Roll, (Not required-Used in initial installation only)



MODEL CODES:
 61=Pickup-6 Ft Box 74=4 Door Wagon T=2WD
 62=Pickup-7 Ft Box 77=Open Body 93" Wheelbase J,N,U=4WD
 72=2 Door Wagon 78=Open Body 103" Wheelbase

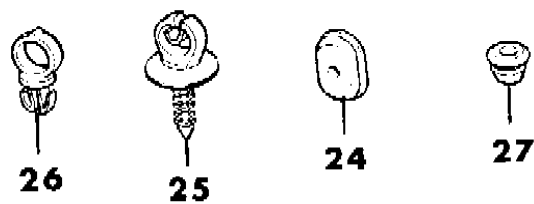
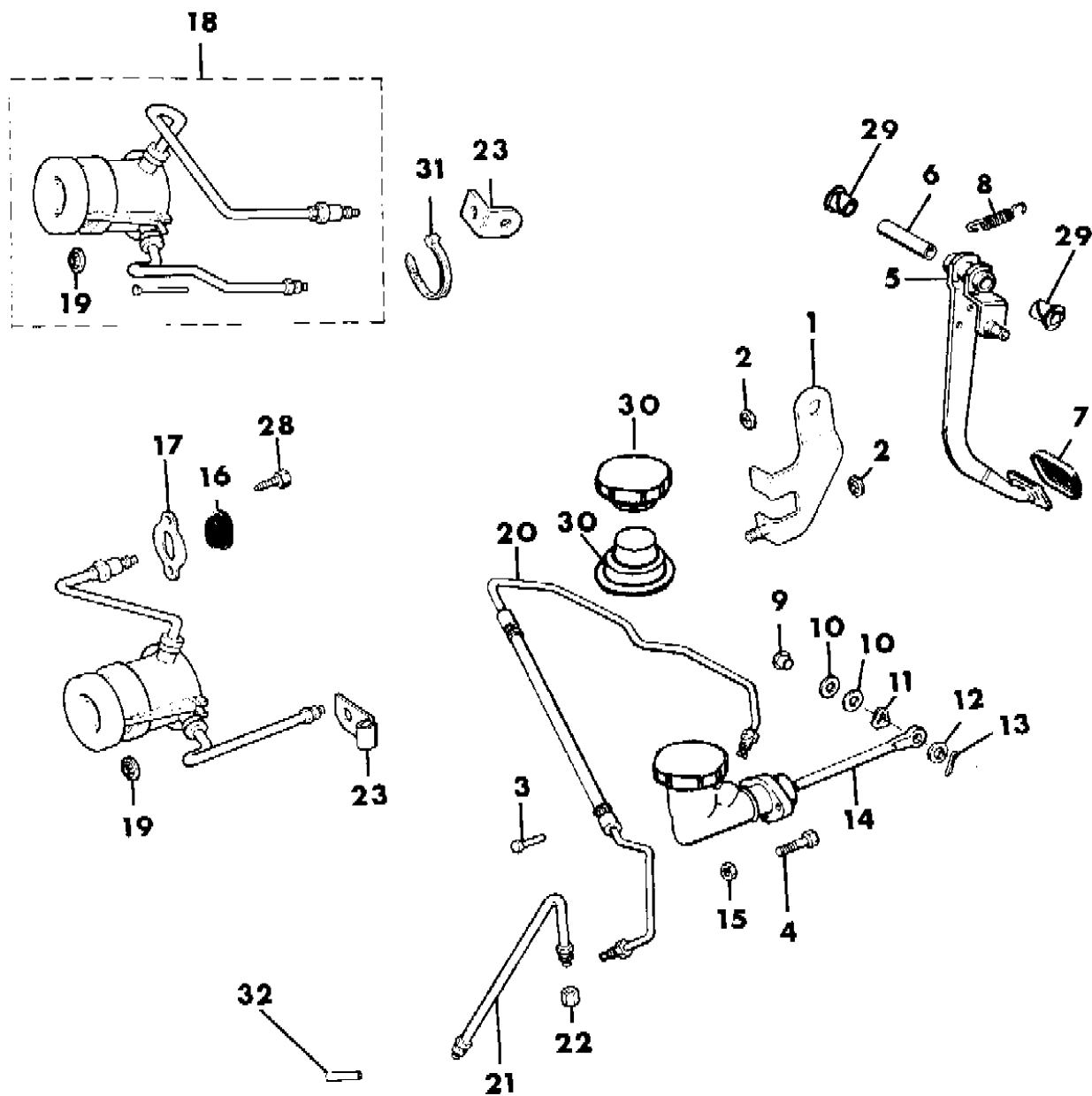
BODY STYLES:
 MJ=Comanche Pickup ZJ=Grand Cherokee/Grand Wagoneer KDX VEHICLES
 SJ=Grand Wagoneer M1=Comanche
 XJ=Cherokee, Briarwood X1=Cherokee, Briarwood
 YJ=Wrangler Y1=Wrangler

AR = Use as Required - = Non Illustrated Part P.A.R. = Paint as Required

PEDAL, CLUTCH GAS ENGINE CHEROKEE, COMANCHE

Figure 6-600

91J06 600B



ITEM	PART NUMBER	QTY	BODY	MODEL	DESCRIPTION
1	5300 7884	1			BRACE ASSEMBLY, Clutch Pedal ***
2	3420 1918	3			NUT
3	8350 0810	1			BOLT
4	1150 2628	1			BOLT
5	5300 7963	1			PEDAL, Clutch 1991
	5207 8069	1			1992-93
6	5300 0636	1			SLEEVE, Clutch Pedal
7	5200 2750	1			PAD, Clutch Pedal
8	5200 0402	1		XJ	SPRING, Clutch Pedal Return 1991-92
		1		XJ	1993 (Not Required) ***
	5200 0402	1		MJ	
9	J400 7472	1			BUSHING
10	J400 7070	2			WASHER
11	J400 4616	1			WASHER
12	J012 0396	1			WASHER
13	J400 6723	1			PIN
14	4636 864	1			CYLINDER, Clutch Master
15	3420 1918	4			NUT 1991 ***
	1150 2811	2			1992
	6500 182	2			1993
16	5300 5364	1			GROMMET, 6 Cylinder Engine
17	5300 3361	1			COVER, Hydra Tubes to Clutch Housing
18					CLUTCH CONTROL PACKAGE, Hydraulic Sleeve ***
	5300 6068	1			2.5L Four Cylinder Engine 1991
	4638 465	1			1992
	4728 735	1			1993
	5300 5967	1			4.0L Six Cylinder Engine 1991
	8350 3385	AR			PIN, (also in Pkg. 53005967)
	4638 464	1			1992
	4728 735	1			1993
19	J400 6866	1			NUT, Push-on
20					TUBE AND HOSE ASSEMBLY, Hydraulic Clutch ***
	4636 858	1			2.5L Four Cylinder Engine 1991-92
	4728 758	1			2.5L Four Cylinder Engine 1993
	4728 756	1			w/Right Hand Drive
	4636 859	1			4.0L Six Cylinder Engine 1991-92
	4728 759	1			4.0L Six Cylinder Engine 1993
21	5300 4901	1			HOSE, Lower, Four Cylinder Engine
22	J318 7740	1			UNION
23					BRACKET, Hydraulic Tubes
	5300 4587	1			2.5L Four Cylinder Engine

MODEL CODES:

61=Pickup-6 Ft Box 74=4 Door Wagon T=2WD
 62=Pickup-7 Ft Box 77=Open Body 93" Wheelbase J,N,U=4WD
 72=2 Door Wagon 78=Open Body 103" Wheelbase

BODY STYLES:

MJ=Comanche Pickup ZJ=Grand Cherokee/Grand Wagoneer KDX VEHICLES
 SJ=Grand Wagoneer M1=Comanche
 XJ=Cherokee, Briarwood Y1=Cherokee, Briarwood
 YJ=Wrangler Y1=Wrangler

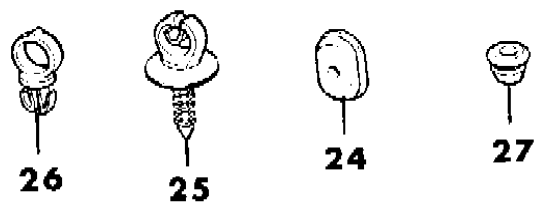
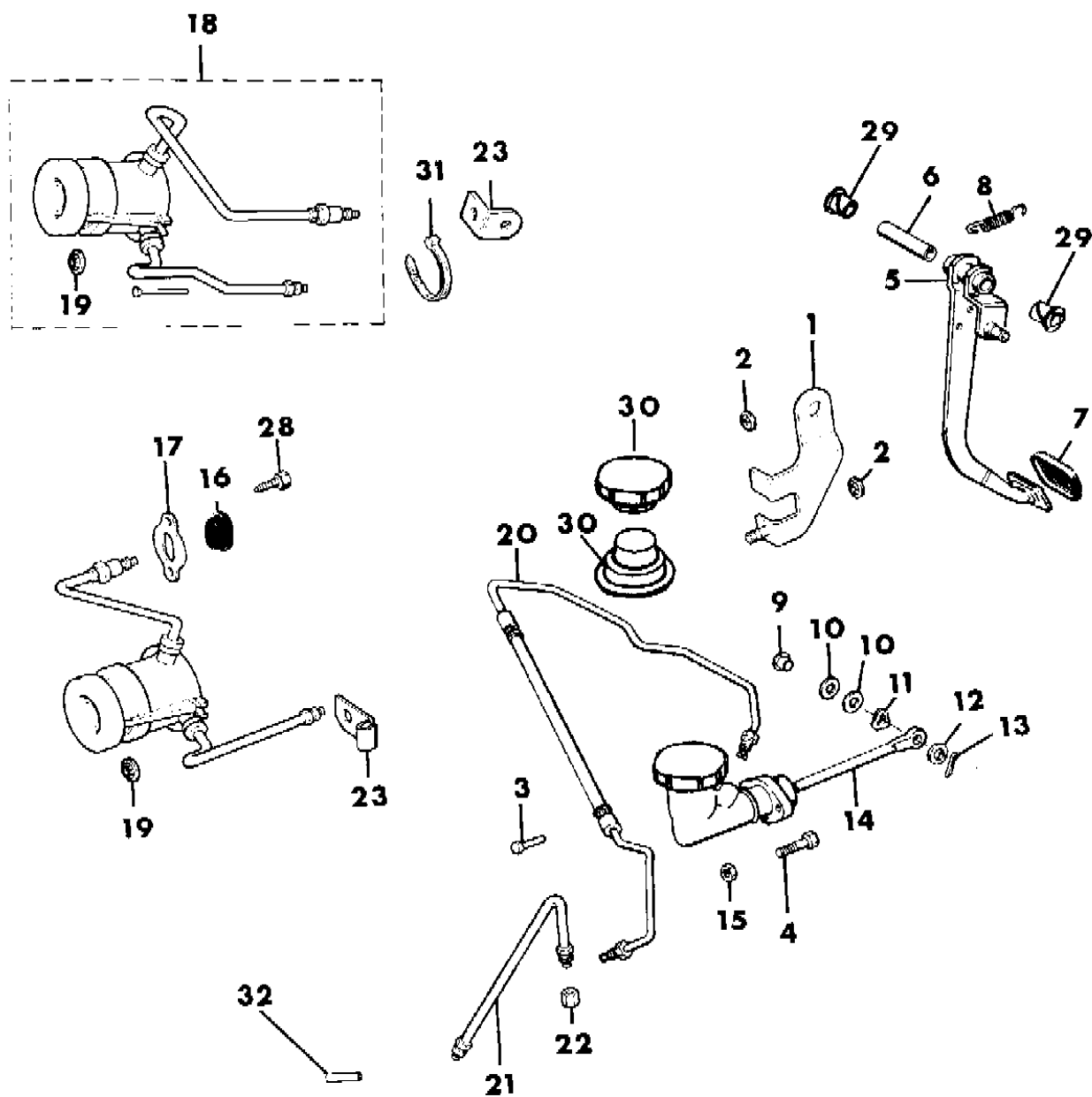
AR = Use as Required - = Non Illustrated Part P.A.R. = Paint as Required

PEDAL, CLUTCH GAS ENGINE CHEROKEE, COMANCHE

Figure 6-600

91J06 600B

ITEM	PART NUMBER	QTY	BODY	MODEL	DESCRIPTION
	5300 8471	1			4.0L Six Cylinder Engine
24	5300 4051	1			GROMMET, Cover Hydraulic Clutch Tubes 2.5L Four Cylinder Engine 1991
	5300 5364	1			2.5L Four Cylinder Engine 1992-93
25	3200 0404	1			CLIP
26	J400 5701	1			CLIP
27	5300 4052	1			GROMMET, Four Cylinder Engine
28	1150 0821	1			BOLT
29	J322 5981	2			BUSHING, Brake and Clutch Shaft
30	4636 856	1			CAP, Clutch Master Cylinder, With Barrier
31	J322 3227	AR			STRAP, Plastic Tie
32		1			PIN, Roll, Clutch Master Cylinder. Not Required-Used on initial installation only)
-					TIE CABLE, HYD Clutch Line to Brkt. (Not Serviced) ***



MODEL CODES:
 61=Pickup-6 Ft Box 74=4 Door Wagon T=2WD
 62=Pickup-7 Ft Box 77=Open Body 93" Wheelbase J,N,U=4WD
 72=2 Door Wagon 78=Open Body 103" Wheelbase

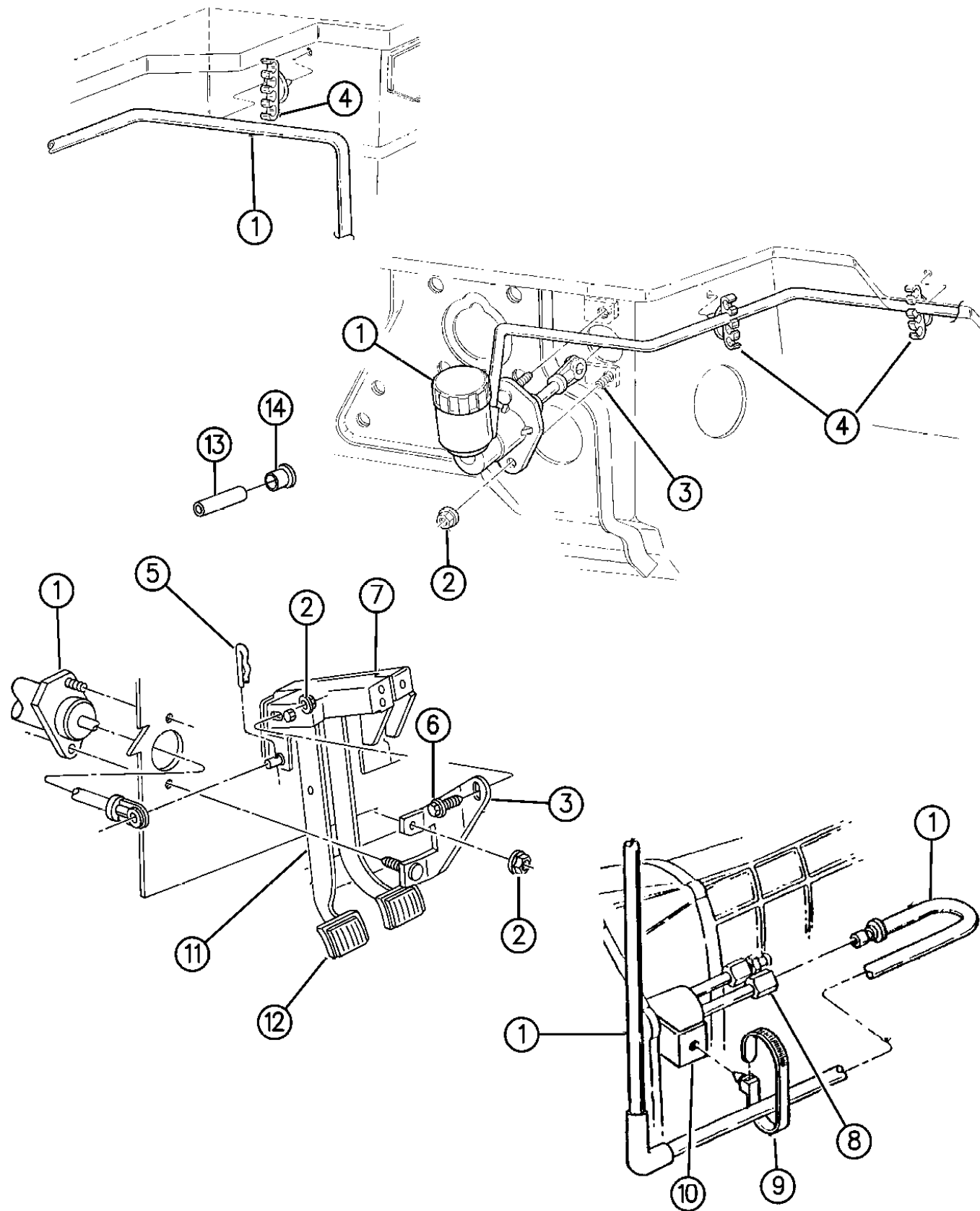
BODY STYLES:
 MJ=Comanche Pickup ZJ=Grand Cherokee/Grand Wagoneer KDX VEHICLES
 SJ=Grand Wagoneer M1=Comanche
 XJ=Cherokee, Briarwood X1=Cherokee, Briarwood
 YJ=Wrangler Y1=Wrangler

AR = Use as Required - = Non Illustrated Part P.A.R. = Paint as Required

PEDAL, CLUTCH CHEROKEE (RHD)

Figure 6-650

91J06 650



ITEM	PART NUMBER	QTY	BODY	MODEL	DESCRIPTION
1	4636 864	1			CYLINDER, Clutch Master
	4728 756-7	1		X1	HOSE ASSEMBLY, Master Cylinder Clutch w/2.5 L 4 Cylinder Engine ***
2	1150 2811	3			NUT, Master Cylinder HYD Clutch Mount M8x1.25
	6500 182	2			NUT, Master Cylinder Mount M8x1.25
3	5300 7884	1			BRACE ASSEMBLY, HYD Clutch Master Cylinder ***
	1150 2811	3			NUT, Brace Assy./Brake and Clutch Pedal Assy.
4	3200 0404	3			CLIP, HYD Line to Dash Reinf.
5	J010 3374	1			PIN, Cotter .093x1.00
6		1			BOLT, Hex Flg Hd. M8x1.25x20.00 (Not Serviced)
7		1			(Reference) ***
8	4728 735	1			CONTROL and TUBE ASSEMBLY ***
9	J417 5376	1			TIE STRAP, Std. Push Mt. w/4.0L Six Cylinder Engine ***
10	5300 8471	1			BRACKET, HYD Clutch Tube Mt. w/4.0 L Six Cylinder Engine
	5300 4587	1		X1	w/2.5 L 4 Cylinder Engine
11	5207 8069	1			PEDAL, Clutch
12	5200 2750	1			PAD, Clutch Pedal
13	5300 0636	1			SLEEVE, Clutch Pedal
14	J322 5981	1			BUSHING, Brake and Clutch Shaft
	5300 5364	1			GROMMET, HYDRA Clutch Tubes w/4.0 L Six Cylinder Engine
	J400 6866	1			NUT, Clutch Control Assy.
	J400 6723	1			PIN, Master Cylinder Push Rod to Clutch .210/.240x.800x.072 Thk.
	5200 0402	1			SPRING, Clutch Pedal Return 1991-92
		1			1993 (Not Required)

MODEL CODES:

61=Pickup-6 Ft Box 74=4 Door Wagon T=2WD
 62=Pickup-7 Ft Box 77=Open Body 93" Wheelbase J,N,U=4WD
 72=2 Door Wagon 78=Open Body 103" Wheelbase

BODY STYLES:

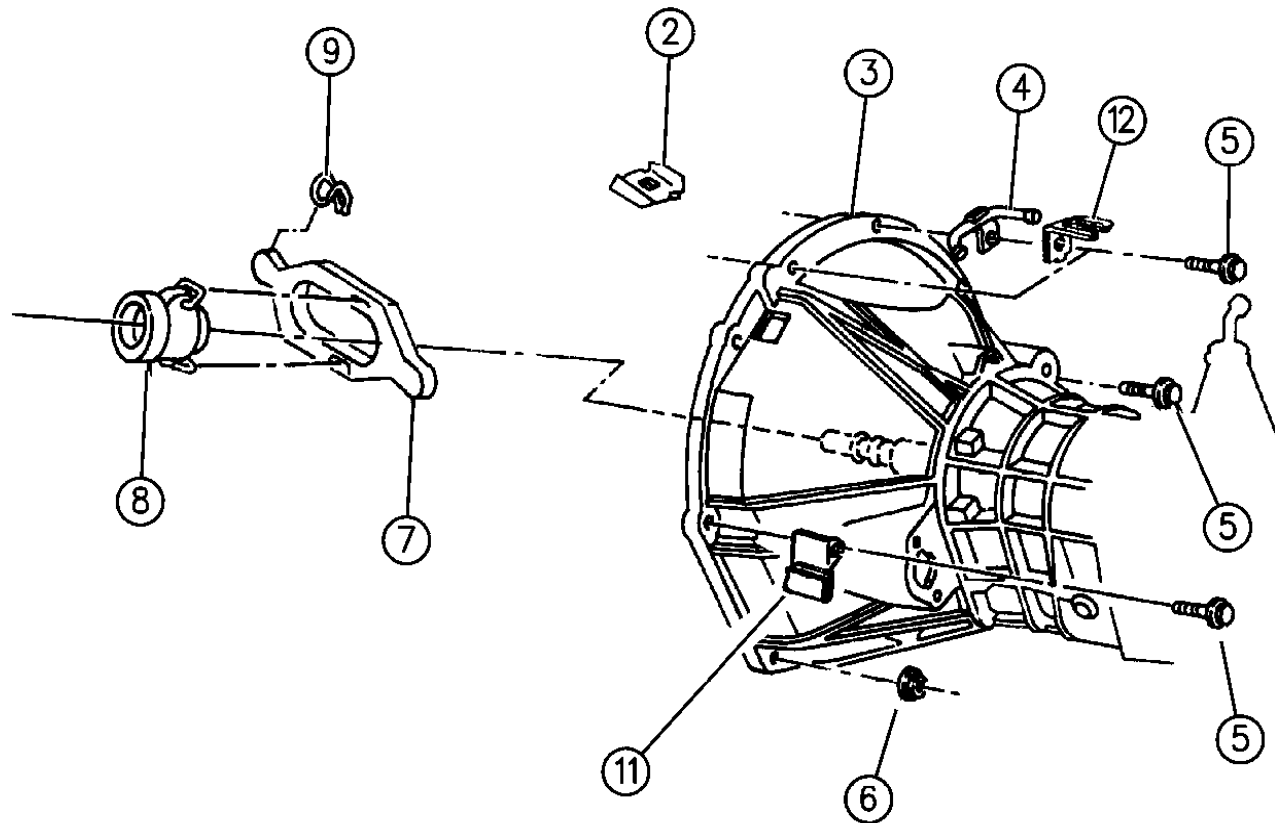
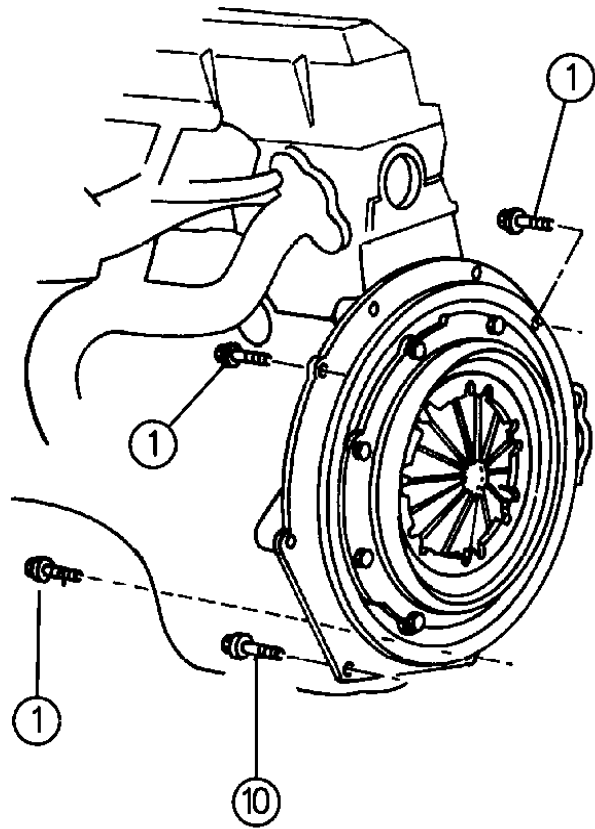
MJ=Comanche Pickup ZJ=Grand Cherokee/Grand Wagoneer KDX VEHICLES
 SJ=Grand Wagoneer M1=Comanche
 XJ=Cherokee, Briarwood Y1=Cherokee, Briarwood
 YJ=Wrangler Y1=Wrangler

AR = Use as Required - = Non Illustrated Part P.A.R. = Paint as Required

CLUTCH HOUSING AND RELATED PARTS ZJ - GRAND CHEROKEE

Figure 6-700

91J06 700A



ITEM	PART NUMBER	QTY	BODY	MODEL	DESCRIPTION
1	1150 0986	3			BOLT
2	5300 6010	1			GROMMET, Timing Probe ***
3	5300 8158	1			HOUSING
	4428 426	1			PIVOT
	0152 344	1			NUT, Clutch Release Lever
4	5300 4828				TUBE, w/ CLIP
5		AR			BOLT (Not Serviced) ***
	6502 442	9			SCREW, Hex Flg Hd. Clutch Hsg to Trans.(M10x1.50x34.00)
6	1150 2813	2			NUT
7	5300 6388	1			FORK, Clutch Release 1992
	5210 7555	1			1993
8	5300 8342	1			BEARING, Clutch Release
9	4338 855	1			SPRING, Clutch Release Arm
10	1150 4922	2			BOLT
11	5300 8471	1			BRACKET, HYD Clutch Tube
12		1			CLIP, (Service in Item 4)

MODEL CODES:

61=Pickup-6 Ft Box 74=4 Door Wagon T=2WD
 62=Pickup-7 Ft Box 77=Open Body 93" Wheelbase J,N,U=4WD
 72=2 Door Wagon 78=Open Body 103" Wheelbase

BODY STYLES:

MJ=Comanche Pickup ZJ=Grand Cherokee/Grand Wagoneer KDX VEHICLES
 SJ=Grand Wagoneer M1=Comanche
 XJ=Cherokee, Briarwood X1=Cherokee, Briarwood
 YJ=Wrangler Y1=Wrangler

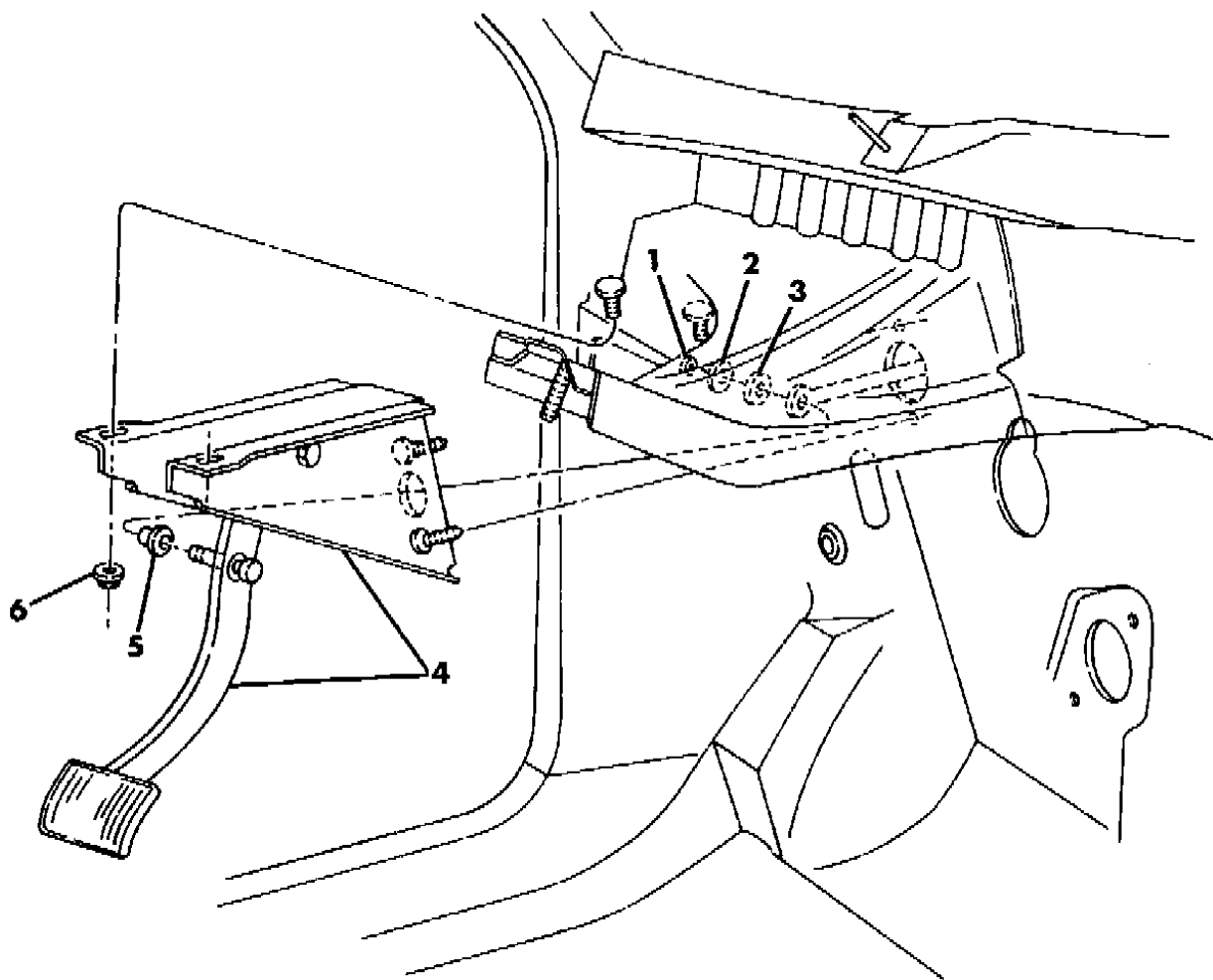
AR = Use as Required - = Non Illustrated Part P.A.R. = Paint as Required

CLUTCH PEDAL ZJ - GRAND CHEROKEE

Figure 6-800

91J06 800

ITEM	PART NUMBER	QTY	BODY	MODEL	DESCRIPTION
1	6501 640	1			RING, Retaining
2	0120 395	1			WASHER, Flat
3	0905 206	1			WASHER, Wave
4	5300 8895	1			PEDAL, Clutch Up to 10-26-92
	5207 8514	1			After 10-26-92
	5300 8899	1			BRACKET, Clutch Pedal
	J322 5981	2			BUSHING
	5300 0637	1			SLEEVE
	5200 2750	1			COVER
	6100 206	1			BOLT
5	4446 361	1			BUSHING
6	6100 517	4			NUT



MODEL CODES:

61=Pickup-6 Ft Box 74=4 Door Wagon T=2WD
 62=Pickup-7 Ft Box 77=Open Body 93" Wheelbase J,N,U=4WD
 72=2 Door Wagon 78=Open Body 103" Wheelbase

BODY STYLES:

MJ=Comanche Pickup ZJ=Grand Cherokee/Grand Wagoneer KDX VEHICLES
 SJ=Grand Wagoneer M1=Comanche
 XJ=Cherokee, Briarwood X1=Cherokee, Briarwood
 YJ=Wrangler Y1=Wrangler

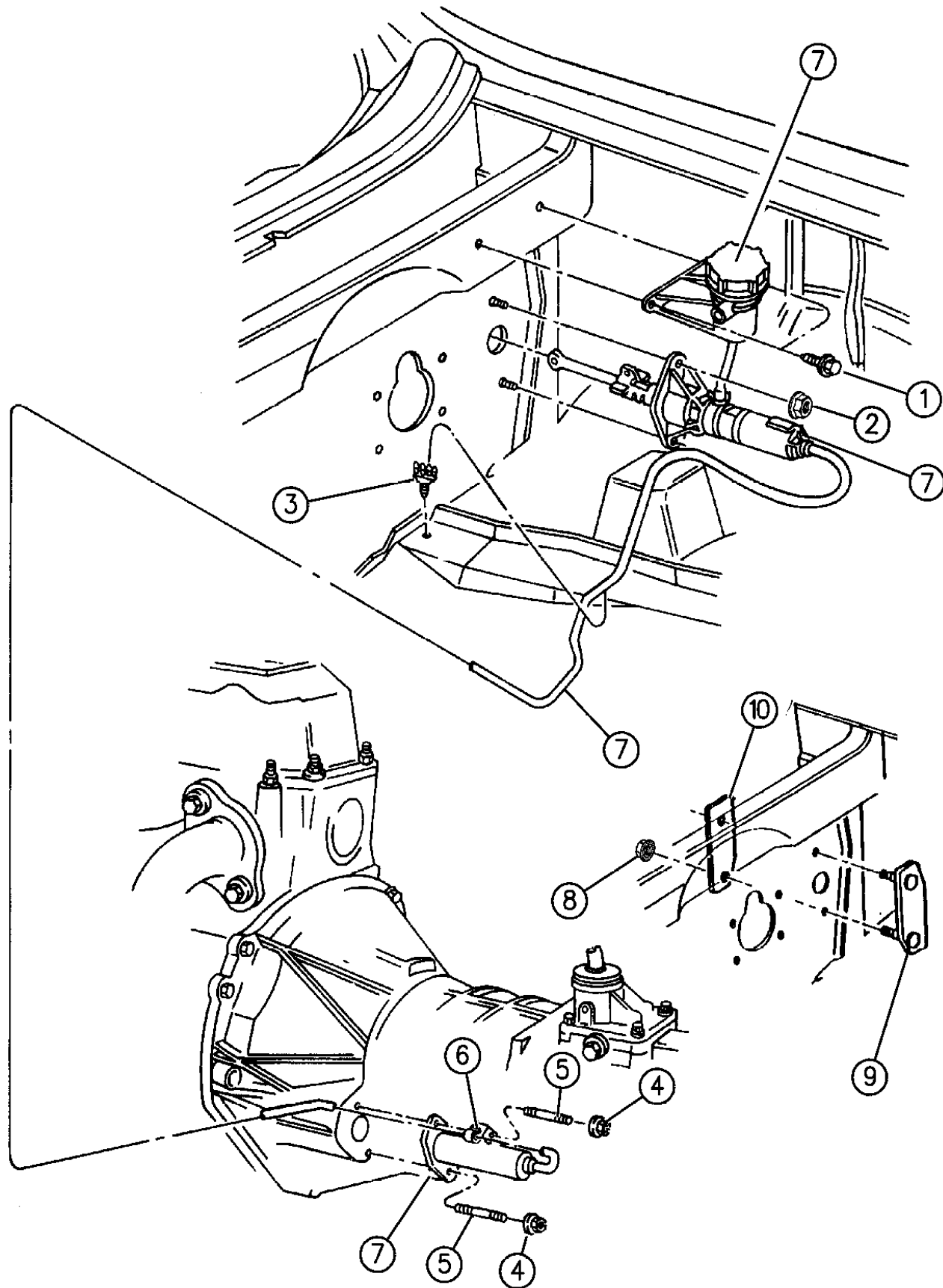
AR = Use as Required - = Non Illustrated Part P.A.R. = Paint as Required

CLUTCH HYDRAULIC SYSTEM ZJ - GRAND CHEROKEE

Figure 6-900

91J06 900B

ITEM	PART NUMBER	QTY	BODY	MODEL	DESCRIPTION
1	J943 1948	2			SCREW
2	6101 467	2			NUT
3	5200 7533	1			CLIP
4	6025 007	2			NUT
5	6032 878	2			STUD
6	5208 7509	1			BRACKET, Up to 3-2-92
	5300 8471	1			After 3-2-92
7	5300 9096	1			CLUTCH, Hydraulic 1992 ***
	5210 7624	1			1993
8	6100 517	1			NUT
9	5206 7581	1			PLATE, Cover Clutch w/46RH Trans.
10	5300 9231	1			PLATE, Back-Trans. Control Module w/46RH Trans.
	6500 603	2			SCREW, Projection Welded Clutch Cover Plate w/46RH Trans. M8x1.25x25



MODEL CODES:

61=Pickup-6 Ft Box 74=4 Door Wagon T=2WD
 62=Pickup-7 Ft Box 77=Open Body 93" Wheelbase J,N,U=4WD
 72=2 Door Wagon 78=Open Body 103" Wheelbase

BODY STYLES:

MJ=Comanche Pickup ZJ=Grand Cherokee/Grand Wagoneer KDX VEHICLES
 SJ=Grand Wagoneer M1=Comanche
 XJ=Cherokee, Briarwood X1=Cherokee, Briarwood
 YJ=Wrangler Y1=Wrangler

AR = Use as Required - = Non Illustrated Part P.A.R. = Paint as Required

GROUP 7 - COOLING

ILLUSTRATION TITLE	GROUP-FIG. NO.
GRILLE AND RELATED PARTS	
GRILLE AND RELATED PARTS WRANGLER, YJ	Fig. 7-100
GRILLE AND RELATED PARTS CHEROKEE, BRIARWOOD, COMANCHE	Fig. 7-200
GRILLE AND RELATED PARTS GRAND CHEROKEE (ZJ)	Fig. 7-250
GRILLE AND RELATED PARTS GRAND WAGONEER (SJ) 1991	Fig. 7-300
RADIATOR AND RELATED PARTS	
RADIATOR AND RELATED PARTS 4 CYLINDER ENGINE WRANGLER, YJ	Fig. 7-400
RADIATOR AND RELATED PARTS 6 CYLINDER ENGINE WRANGLER, YJ	Fig. 7-500
RADIATOR AND RELATED PARTS 4 CYLINDER ENGINE BRIARWOOD, CHEROKEE, COMANCHE	Fig. 7-600
RADIATOR AND RELATED PARTS 6 CYLINDER ENGINE BRIARWOOD, CHEROKEE, COMANCHE	Fig. 7-700
RADIATOR AND RELATED PARTS DIESEL ENGINE CHEROKEE, COMANCHE - EXPORT	Fig. 7-800
INTERCOOLER DIESEL ENGINE CHEROKEE, COMANCHE - EXPORT	Fig. 7-900
RADIATOR AND RELATED PARTS 6 CYLINDER ENGINE GRAND CHEROKEE (ZJ)	Fig. 7-950
RADIATOR AND RELATED PARTS 8 CYLINDER ENGINE GRAND CHEROKEE (ZJ)	Fig. 7-970
RADIATOR AND RELATED PARTS 8 CYLINDER ENGINE GRAND WAGONEER (SJ) 1991	Fig. 7-1000
CONDENSER TANKS	
CONDENSER TANKS COMANCHE, CHEROKEE WRANGLER, GRAND WAGONEER	Fig. 7-1100
CONDENSER TANKS GRAND CHEROKEE (ZJ)	Fig. 7-1150
OIL COOLER LINES	
OIL COOLER LINES AUTOMATIC TRANSMISSION WRANGLER, YJ	Fig. 7-1200
OIL COOLER AND LINES AUTOMATIC TRANSMISSION CHEROKEE, BRIARWOOD, COMANCHE	Fig. 7-1300
OIL COOLER AND LINES 4.0L ENGINE GRAND CHEROKEE (ZJ)	Fig. 7-1350
OIL COOLER AND LINES 5.2L ENGINE GRAND CHEROKEE (ZJ)	Fig. 7-1370
OIL COOLER AND LINES AUTOMATIC TRANSMISSION GRAND WAGONEER (SJ) 1991	Fig. 7-1400
DRIVE BELTS	
DRIVE BELTS WRANGLER, YJ	Fig. 7-1500
DRIVE BELTS BRIARWOOD, CHEROKEE, COMANCHE	Fig. 7-1600
DRIVE BELT GRAND CHEROKEE (ZJ)	Fig. 7-1650
DRIVE BELTS GRAND WAGONEER (SJ) 1991	Fig. 7-1700
DRIVE PULLEYS	
DRIVE PULLEYS AND MOUNTING CHEROKEE, COMANCHE BRIARWOOD, WRANGLER	Fig. 7-1800
DRIVE PULLEYS DIESEL ENGINE CHEROKEE, COMANCHE	Fig. 7-1900
DRIVE PULLEYS AND MOUNTING 4.0L ENGINE GRAND CHEROKEE (ZJ)	Fig. 7-1950
DRIVE PULLEYS 5.2L ENGINE GRAND CHEROKEE (ZJ)	Fig. 7-1970
WATER PUMPS	
WATER PUMP WRANGLER, YJ	Fig. 7-2000

ILLUSTRATION NOT AVAILABLE AT TIME OF PUBLICATION

GROUP 7 - COOLING

ILLUSTRATION TITLE

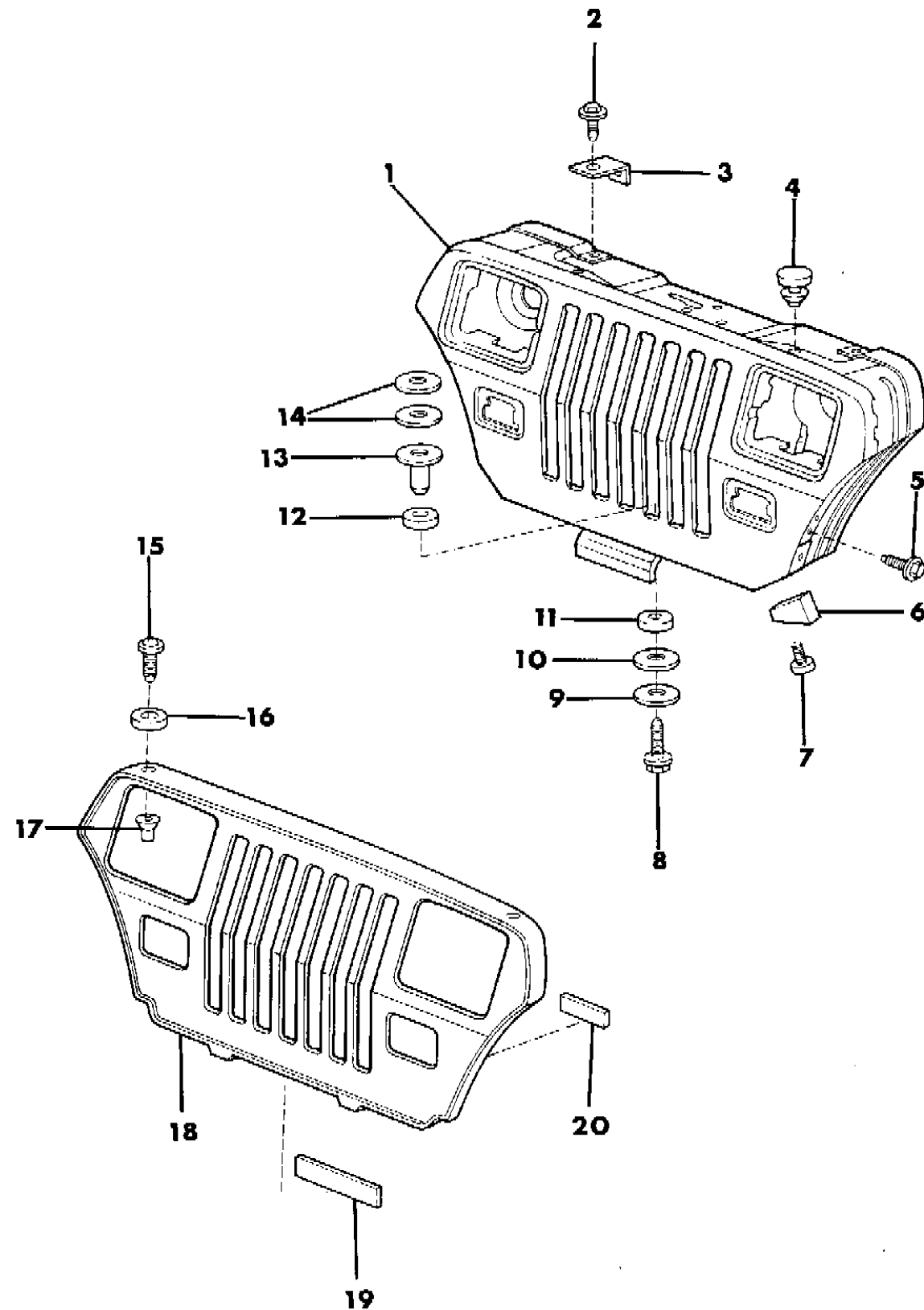
GROUP-FIG. NO.

WATER PUMPS (Continued)

WATER PUMP WRANGLER, YJ	Fig. 7-2000
WATER PUMP AND RELATED PARTS BRIARWOOD, CHEROKEE, COMANCHE, GRAND CHEROKEE (ZJ) 2.5L - 4.0L - DIESEL ENGINE	Fig. 7-2100
WATER PUMP AND RELATED PARTS GRAND CHEROKEE (ZJ) 5.2L ENGINE	Fig. 7-2150
WATER PUMP AND RELATED PARTS GRAND WAGONEER (SJ) 1991	Fig. 7-2200

GRILLE AND RELATED PARTS WRANGLER, YJ
Figure 7-100

91J07 100



ITEM	PART NUMBER	QTY	BODY	MODEL	DESCRIPTION
1					GRILLE, Radiator
	5502 7506	1			1991
	5534 5192	1			1992-93
	J575 2531	1			BRACKET, Radiator Guard Hold Down
	J400 4730	3			BUMPER, Round, Rubber
2	J400 5063	2			SCREW
3	5505 0145	2			BRACKET, Mounting
4	J400 7504	4			BUMPER, Hood, except Laredo
	J576 1372	AR			VENEZEULA - EGYPT
5	J400 4455	AR			SCREW
6	5501 0844	2			CUSHION
7	J400 7355	2			SCREW
8	J400 7355	1			SCREW
9	J400 4943	1			WASHER
10	J097 1672	1			WASHER
11	J097 1669	1			SPACER
12	J097 2278	1			WASHER
13	J097 1673	1			WASHER
14	J097 6871	2			WASHER
15	6034 205	6			SCREW, Laredo
16	J400 7503	4			BUMPER, Hood, Laredo
17	J400 5237	6			NUT, Laredo
18	5502 6587	1			APPLIQUE, Radiator, Chrome
19	8350 4565	1			TAPE
20					TAPE (Not Serviced)

MODEL CODES:

61=Pickup-6 Ft Box 74=4 Door Wagon T=2WD
 62=Pickup-7 Ft Box 77=Open Body 93" Wheelbase J,N,U=4WD
 72=2 Door Wagon 78=Open Body 103" Wheelbase

BODY STYLES:

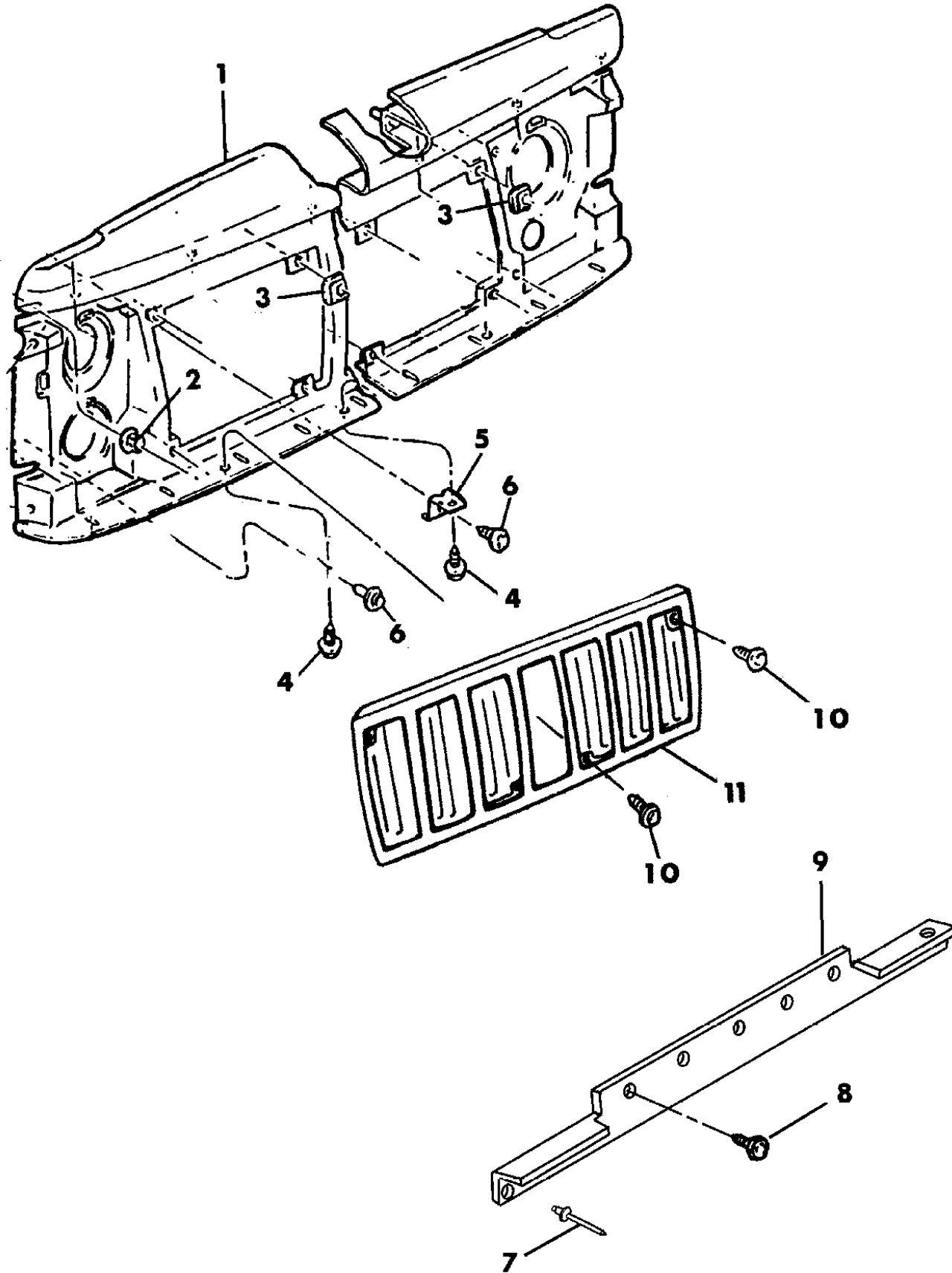
MJ=Comanche Pickup ZJ=Grand Cherokee/Grand Wagoneer KDX VEHICLES
 SJ=Grand Wagoneer M1=Comanche
 XJ=Cherokee, Briarwood X1=Cherokee, Briarwood
 YJ=Wrangler Y1=Wrangler

AR = Use as Required - = Non Illustrated Part P.A.R. = Paint as Required

GRILLE AND RELATED PARTS CHEROKEE, BRIARWOOD, COMANCHE

Figure 7-200

91J07 200A



ITEM	PART NUMBER	QTY	BODY	MODEL	DESCRIPTION
1					PANEL, Grille Opening
	5529 4926	1			for Adhesive Letters
	5503 4050	1			for Letters w/studs
2	3420 1874	4			NUT
3	J400 4689	8			NUT, Push
4	1150 2843	AR			SCREW
5	5500 9473	1			BRACKET, Grille Opening Panel, Lower
6	3420 2323	AR			SCREW
7					RIVET, Blind
	3420 1631	4			Black
	3420 1835	4			Grey
8		5			SCREW (Not Serviced)
9					DEFLECTOR, Air ***
	5AH0 8JX9	1			Flat Black (Used with Vinyl Mouldings)
	5AG0 6MC3	1			Blue Metallic
	5AG0 6MC9	1			Jewel Blue
	5AG0 6MQ2	1			Turquoise Metallic
	5AG0 6MR4	1			Graphic Red
	5AG0 6MV4	1			Light Champagne
NOTE: All remaining colors are serviced by black and painted as required.					
	5AG0 6JX8	1			Black
10		8			SCREW (Not Serviced)
11					GRILLE, Radiator, w/Mouldings
	5503 4044	1			Black 1991-92
	5505 4945	1			Black 1993
	5503 4046	1			Bright
NOTE: The following Grilles are Black with body color indicated.					
	5BL2 6KW7	1			White
	5BL2 6KX8	1			Black
	5BL2 6KS7	1			Silver Metallic
	5BL2 6KE9	1			Dark Cordovan
	5BL2 6KE4	1			Colorado Red
	5BL2 6LB8	1			Midnight Blue Met.
	5BL2 6MC3	1			Blue Metallic
	5BL2 6MR4	1			Graphic Red
	5BL2 6MQ2	1			Turquoise Met.
	5BL2 6MC9	1			Jewel Blue
	5BL2 6LG5	1			Hunter Green Metallic
	5BL2 6MV4	1			Light Champagne
	5BL2 6MJ6	1			Khaki Met.

MODEL CODES:

61=Pickup-6 Ft Box 74=4 Door Wagon T=2WD
 62=Pickup-7 Ft Box 77=Open Body 93" Wheelbase J,N,U=4WD
 72=2 Door Wagon 78=Open Body 103" Wheelbase

BODY STYLES:

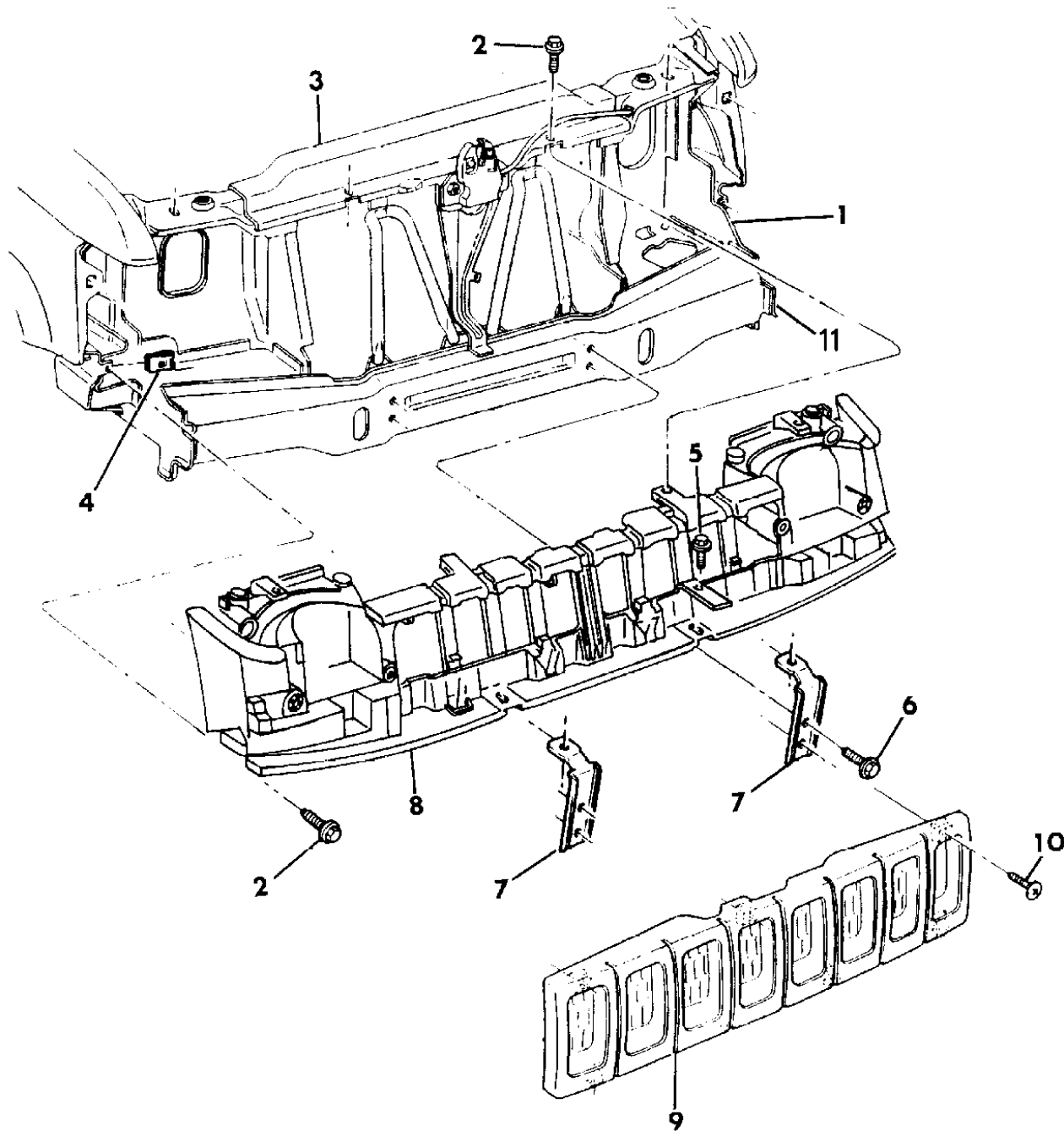
MJ=Comanche Pickup ZJ=Grand Cherokee/Grand Wagoneer KDX VEHICLES
 SJ=Grand Wagoneer M1=Comanche
 XJ=Cherokee, Briarwood X1=Cherokee, Briarwood
 YJ=Wrangler Y1=Wrangler

AR = Use as Required - = Non Illustrated Part P.A.R. = Paint as Required

GRILLE AND RELATED PARTS GRAND CHEROKEE (ZJ)

Figure 7-250

91J07 250A



ITEM	PART NUMBER	QTY	BODY	MODEL	DESCRIPTION
1	5503 3282-3	1			PANEL, Radiator Side
2	6501 013	6			SCREW and WASHER
3					RADIATOR ASSEMBLY (Reference)
4	6101 442	2			U-NUT
5		2			SCREW and WASHER (Not Serviced)
6	6101 603	4			SCREW
7	5600 5780	2			BRACKET ASSEMBLY ***
8					REINFORCEMENT, Grille Opening
	5505 4886	1			w/o Headlamp Leveling Device
	5505 4628	1			w/Headlamp Leveling Device
9					GRILLE, Radiator
					UP TO 7-16-92
	5AR3 9LE4	1			Red
	5AR3 9LG5	1			Green
	5AR3 9LW7	1			White
	5AR3 9LX8	1			Black
	5AR3 9LC9	1			Blue
					AFTER 7-16-92
	5DF5 4MG5	1			Green
	5DF5 4MR4	1			Red
	5DF5 4MW7	1			White
	5DF5 4MX8	1			Black
	5DF5 4PFA	1			Driftwood
	5DF5 4MC9	1			Blue
	5503 4094	1			Bright Up to 7-16-92
	5505 4890	1			Bright After 7-16-92
10		3			SCREW (Not Serviced)
	5503 5919	1			DEFLECTOR, Air, Lower Radiator ***
	6502 868	4			CLIP, Deflector Attaching
11	5503 1446	1			CROSSMEMBER, Lower

MODEL CODES:

61=Pickup-6 Ft Box 74=4 Door Wagon T=2WD
 62=Pickup-7 Ft Box 77=Open Body 93" Wheelbase J,N,U=4WD
 72=2 Door Wagon 78=Open Body 103" Wheelbase

BODY STYLES:

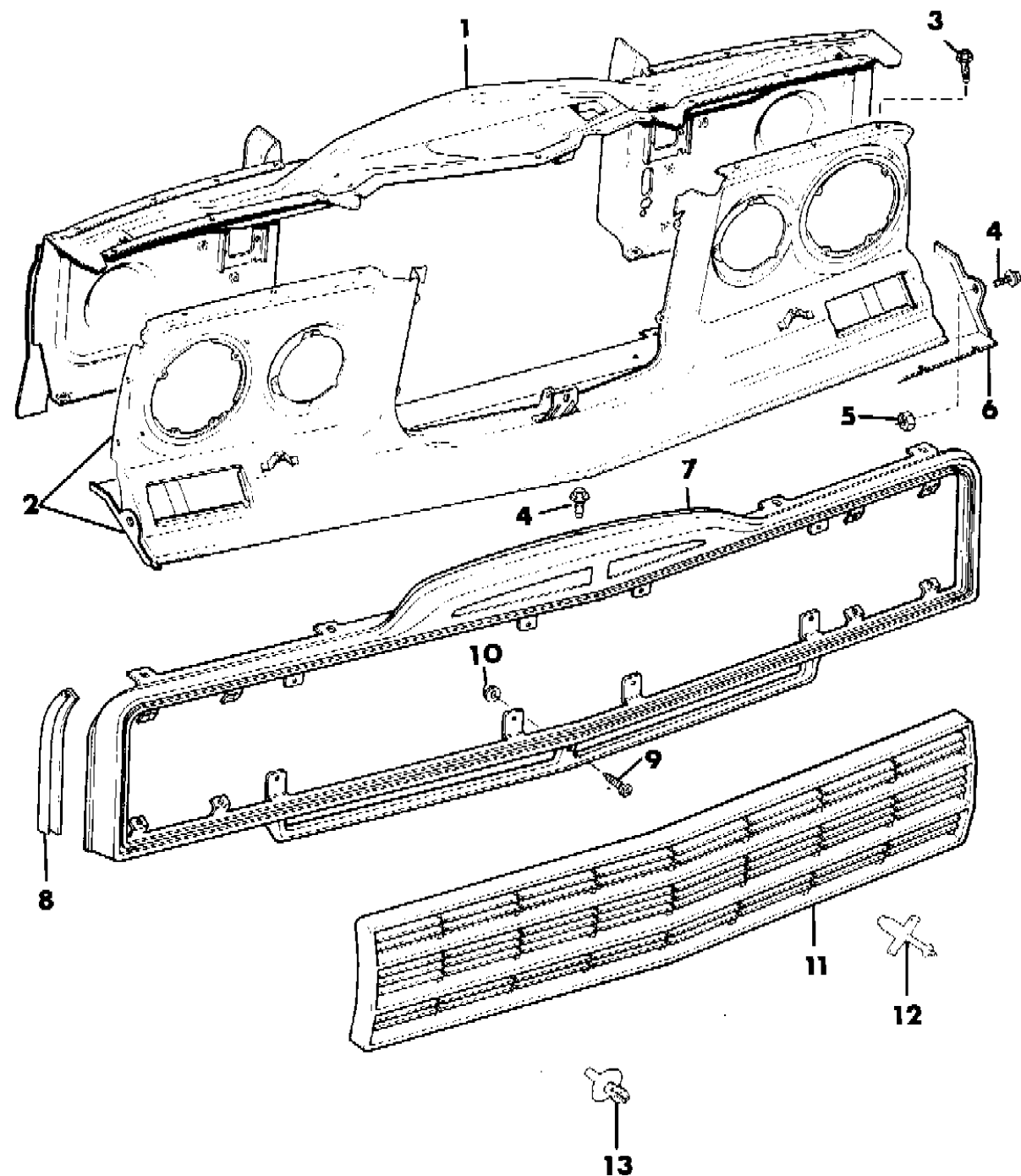
MJ=Comanche Pickup ZJ=Grand Cherokee/Grand Wagoneer KDX VEHICLES
 SJ=Grand Wagoneer M1=Comanche
 XJ=Cherokee, Briarwood X1=Cherokee, Briarwood
 YJ=Wrangler Y1=Wrangler

AR = Use as Required - = Non Illustrated Part P.A.R. = Paint as Required

GRILLE AND RELATED PARTS GRAND WAGONEER (SJ) 1991

Figure 7-300

91J07 300



ITEM	PART NUMBER	QTY	BODY	MODEL	DESCRIPTION
1	5501 9996	1			SUPPORT, Radiator
2	5502 6210	1			PANEL, Grille
3	J400 5354	6			BOLT
4	J400 4455	AR			BOLT
5	J027 1184	2			NUT
6	J546 6511	1			SHIELD
7	5500 7704	1			GRILLE, Radiator Surround
8	J575 8838	2			WELT, Grille Surround to Fender Up to 08-10-90
	5502 9549	2			After 08-10-90
9	J400 6127	3			SCREW
10	J400 6126	3			NUT
11	5500 7703	1			GRILLE, Radiator
12	J400 7469	8			RIVET
13	J400 4647	8			RIVET

MODEL CODES:

61=Pickup-6 Ft Box 74=4 Door Wagon T=2WD
 62=Pickup-7 Ft Box 77=Open Body 93" Wheelbase J,N,U=4WD
 72=2 Door Wagon 78=Open Body 103" Wheelbase

BODY STYLES:

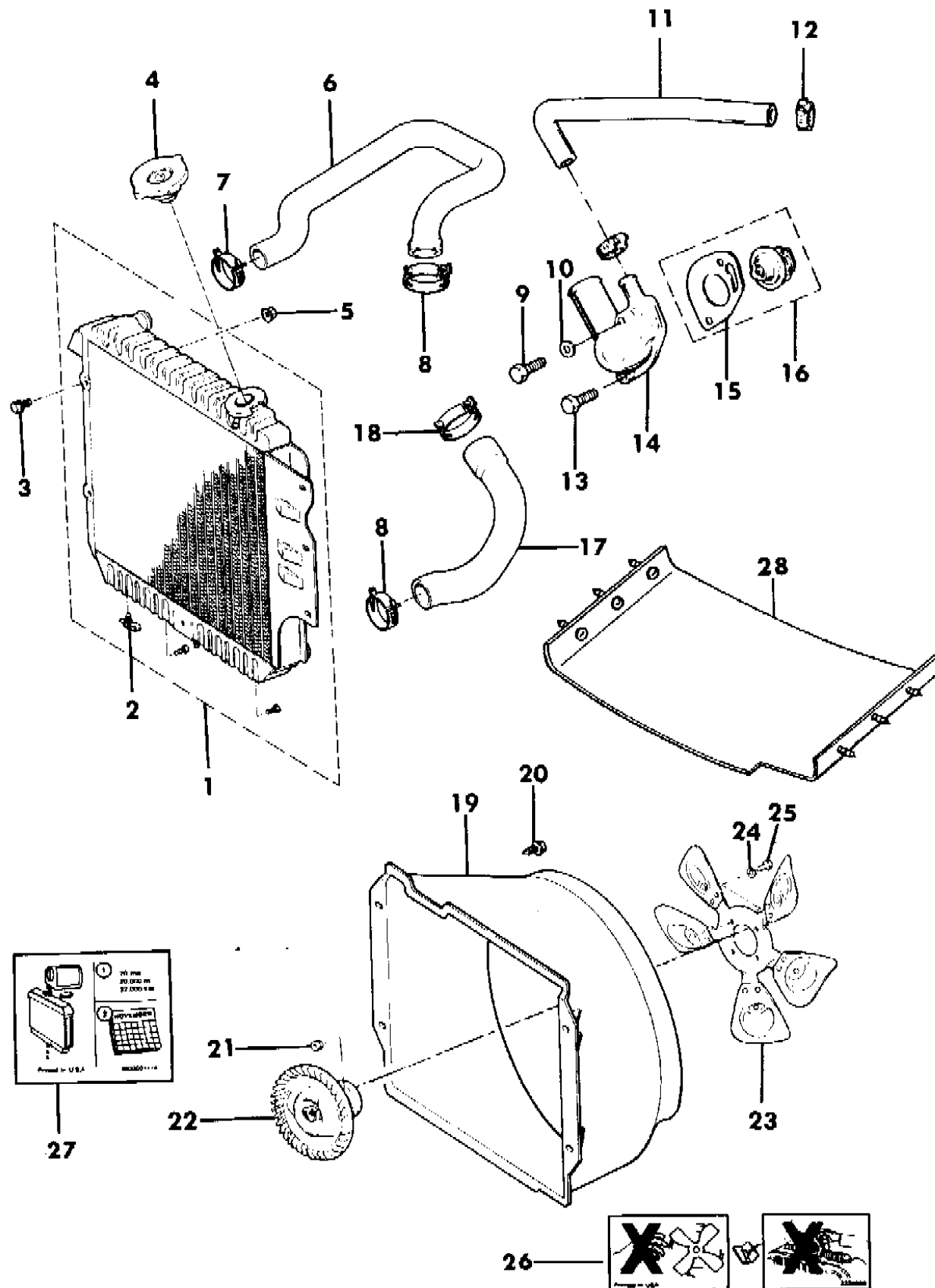
MJ=Comanche Pickup ZJ=Grand Cherokee/Grand Wagoneer KDX VEHICLES
 SJ=Grand Wagoneer M1=Comanche
 XJ=Cherokee, Briarwood X1=Cherokee, Briarwood
 YJ=Wrangler Y1=Wrangler

AR = Use as Required - = Non Illustrated Part P.A.R. = Paint as Required

RADIATOR AND RELATED PARTS 4 CYLINDER ENGINE WRANGLER, YJ

Figure 7-400

91J07 400A



ITEM	PART NUMBER	QTY	BODY	MODEL	DESCRIPTION
1					RADIATOR
	5200 4781	1			1991
	5202 8112	1			1992-93
	5534 5471	1			BRACKET, Radiator Rod Support EGYPT (Severe use air filtration)
2					DRAINCOCK
	J316 6547	1			Metal
	4266 728	1			Plastic
3	J400 6906	6			BOLT
4	J323 9375	1			CAP, Radiator
5	J400 4201	6			NUT
6	5200 3911	1			HOSE, Inlet
7	3200 2983	3			CLAMP
8	5200 5580	2			CLAMP
9	J400 6951	1			BOLT
10	J012 0393	1			WASHER
11	5600 4710	1			HOSE
	5200 2831	1			KDX - Egypt or Venezuela
12	3200 2256	2			CLAMP
13	J812 1298	1			BOLT
14	5300 6192	1			HOUSING, Thermostat
15	5300 6320	1			GASKET
16	8350 1426	1			THERMOSTAT PACKAGE, Engine Coolant
17	5200 3910	1			HOSE, Outlet
18	3200 2366	1			CLAMP
19	5200 4215	1			SHROUD
20					SCREW
	J400 3069	4			1991
	9423 952	4			1992-93
21	J027 1184	4			NUT
22	J324 1858	1			DRIVE, Fan
23	5200 4266	1			FAN, Cooling
24	J012 0214	8			WASHER
25	J045 4895	4			BOLT
26	J323 4806	1			LABEL, Fan
27	3300 1114	1			LABEL, Radiator
-	5523 4593	1			SHIELD, Alternator Splash
-	J400 4919	AR			FASTENER, Splash Shield

MODEL CODES:

61=Pickup-6 Ft Box 74=4 Door Wagon T=2WD
 62=Pickup-7 Ft Box 77=Open Body 93" Wheelbase J,N,U=4WD
 72=2 Door Wagon 78=Open Body 103" Wheelbase

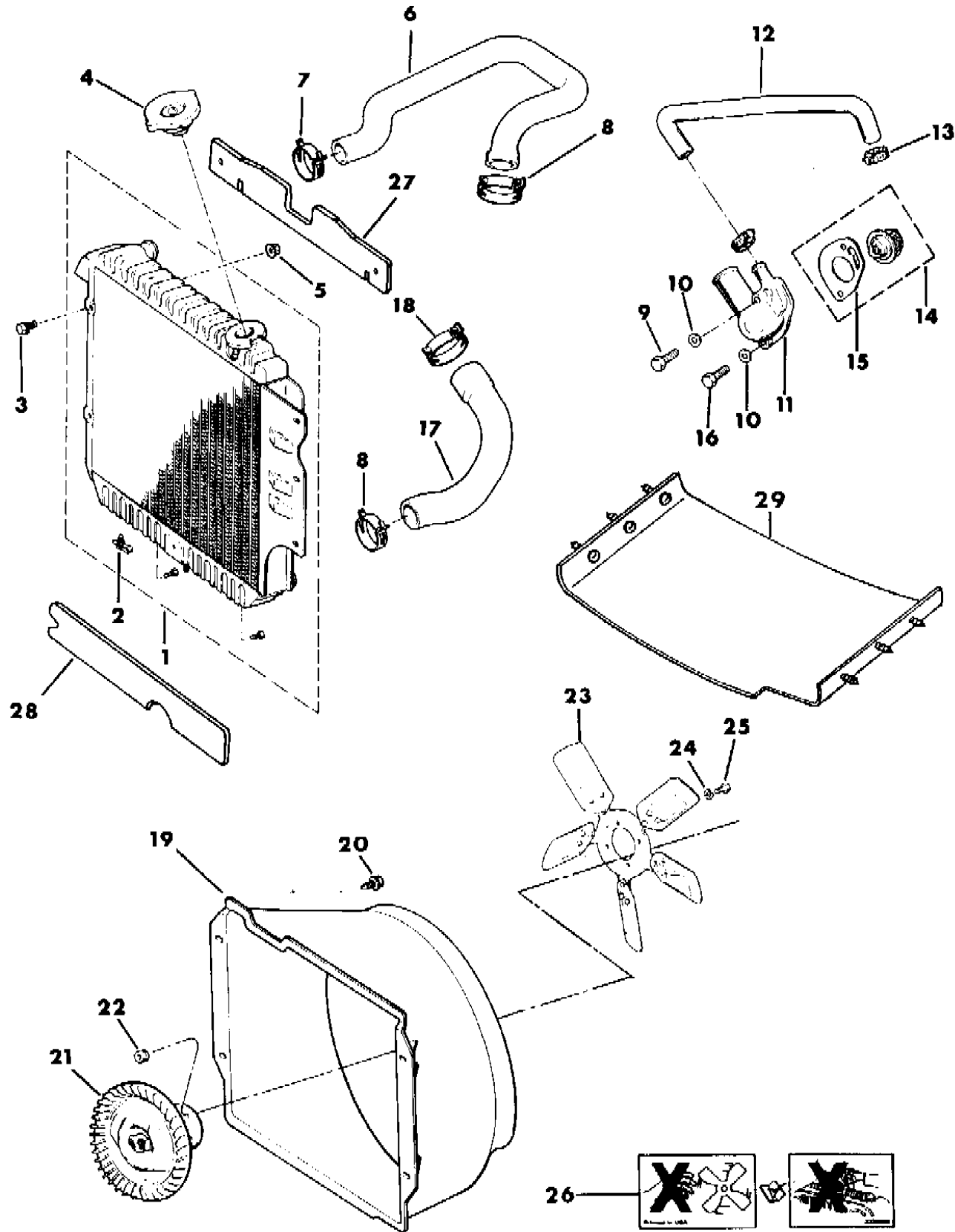
BODY STYLES:

MJ=Comanche Pickup ZJ=Grand Cherokee/Grand Wagoneer KDX VEHICLES
 SJ=Grand Wagoneer M1=Comanche
 XJ=Cherokee, Briarwood Y1=Cherokee, Briarwood
 YJ=Wrangler Y1=Wrangler

AR = Use as Required - = Non Illustrated Part P.A.R. = Paint as Required

RADIATOR AND RELATED PARTS 6 CYLINDER ENGINE WRANGLER, YJ
Figure 7-500

91J07 500B



ITEM	PART NUMBER	QTY	BODY	MODEL	DESCRIPTION
1					RADIATOR
	5200 7227	1			1991
	5202 8114	1			1992-93 (Stamped 52029113)
2					DRAINCOCK
	J316 6547	1			Metal
	4773 259	1			Plastic
3	J400 6906	6			BOLT
4	J323 9375	1			CAP, Radiator
5	J400 4201	6			NUT
6	5200 5794	1			HOSE, Inlet
	5200 2702	1			KDX Egypt - 24 Volt
7	3200 2983	3			CLAMP
8	5200 5580	2			CLAMP
9	J400 6951	1			BOLT
10	3200 2256	2			WASHER
11	5300 6192	1			HOUSING, Thermostat
12	5600 4708	1			HOSE
13	2448 770	2			CLAMP
14	8350 1426	1			THERMOSTAT PACKAGE, Engine Coolant
15	5300 6320	1			GASKET
16	J812 1298	1			BOLT
17	5200 5918	1			HOSE, Outlet
18	3200 2366	1			CLAMP
19	5200 4214	1			SHROUD
20	J400 3069	4			SCREW
21	5200 7226	1			DRIVE, Fan
22	J027 1184	4			NUT
23	5200 7225	1			FAN, Cooling
24	J012 0214	4			WASHER
25	J045 4895	4			BOLT
26	J323 4806	1			LABEL, Fan
27	5202 7678	1			SEAL, Radiator, Upper MID EAST
28	5202 7679	1			SEAL, Radiator, Lower MID EAST
	5523 4592	1			SHIELD, Alternator Splash
-	J400 4919	AR			FASTENER, Splash Shield

MODEL CODES:

61=Pickup-6 Ft Box 74=4 Door Wagon T=2WD
 62=Pickup-7 Ft Box 77=Open Body 93" Wheelbase J,N,U=4WD
 72=2 Door Wagon 78=Open Body 103" Wheelbase

BODY STYLES:

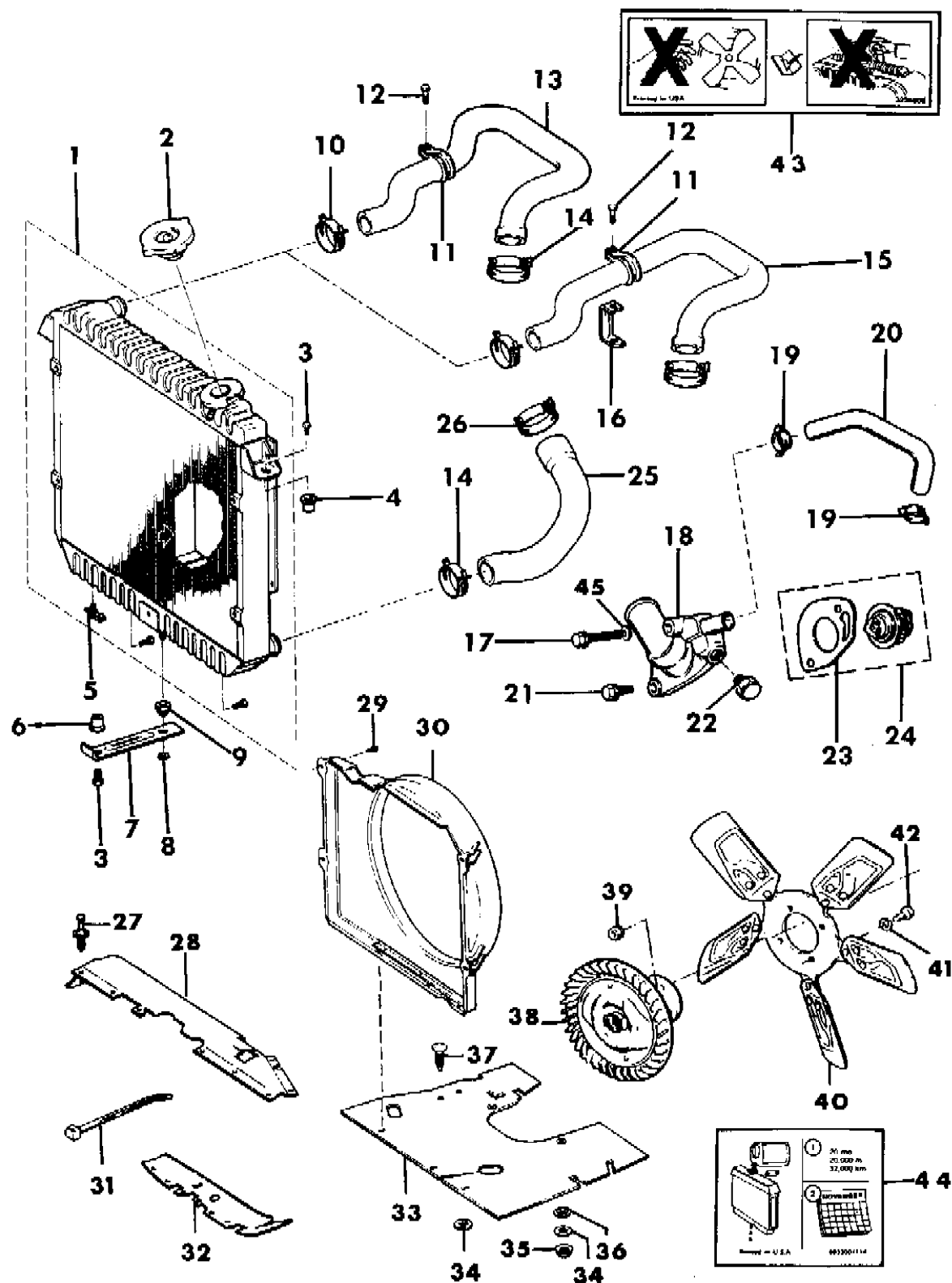
MJ=Comanche Pickup ZJ=Grand Cherokee/Grand Wagoneer KDX VEHICLES
 SJ=Grand Wagoneer M1=Comanche
 XJ=Cherokee, Briarwood Y1=Cherokee, Briarwood
 YJ=Wrangler Y1=Wrangler

AR = Use as Required - = Non Illustrated Part P.A.R. = Paint as Required

RADIATOR AND RELATED PARTS 4 CYLINDER ENGINE BRIARWOOD, CHEROKEE, COMANCHE

Figure 7-600

91J07 600



ITEM	PART NUMBER	QTY	BODY	MODEL	DESCRIPTION
1					RADIATOR
	5200 4788	1			1991
	5202 8115	1			1992-93
	5200 6498	1			RHD w/Heavy Duty Cooling 1992
	5202 7791	1			RHD 1993
					SUPPORT, Radiator Mounting RHD
	5502 7532	1			Right
	5502 7531	1			Left
	5502 7533	1			CROSSMEMBER, Radiator, Upper RHD
2	3781 830	1			CAP, Radiator
3	1150 2628	3			BOLT
4	3420 1348	2			NUT
5	J316 6547	1			DRAINCOCK
6	3420 1493	1			NUT
7	5300 0510	1			BRACE, Radiator
8	3420 1494	1			RING
9	5300 0511	1			GROMMET
10	3200 2983	3			CLAMP
11	J012 5931	1			CLIP
12	1150 0985	1			SCREW
13					HOSE, Inlet
	5200 3789	1			w/o A/C
	5202 8024	1			w/A/C
	5200 6499	1			RHD
14	5200 5580	2			CLAMP
15	5202 8024	1			HOSE, Inlet, with A/C
16	5200 3943	1			BRACKET, Hose Support, Upper
17	J400 6951	1			BOLT
18	5300 6192	1			HOUSING, Thermostat
	5300 5529	1			CHINA
19	J320 3076	2			CLAMP
20					HOSE
	5600 4786	1			EFI Engine
	5200 4317	1			Carbureted Engine - NRM
	5503 5528	1			RHD
21	J400 6985	1			BOLT
22	J010 3877	1			PLUG
23	J318 9874	1			GASKET
24					THERMOSTAT PACKAGE, Engine Coolant
	8350 1426	1			
	8350 4378	1			EUROPE

MODEL CODES:

61=Pickup-6 Ft Box 74=4 Door Wagon T=2WD
 62=Pickup-7 Ft Box 77=Open Body 93" Wheelbase J,N,U=4WD
 72=2 Door Wagon 78=Open Body 103" Wheelbase

BODY STYLES:

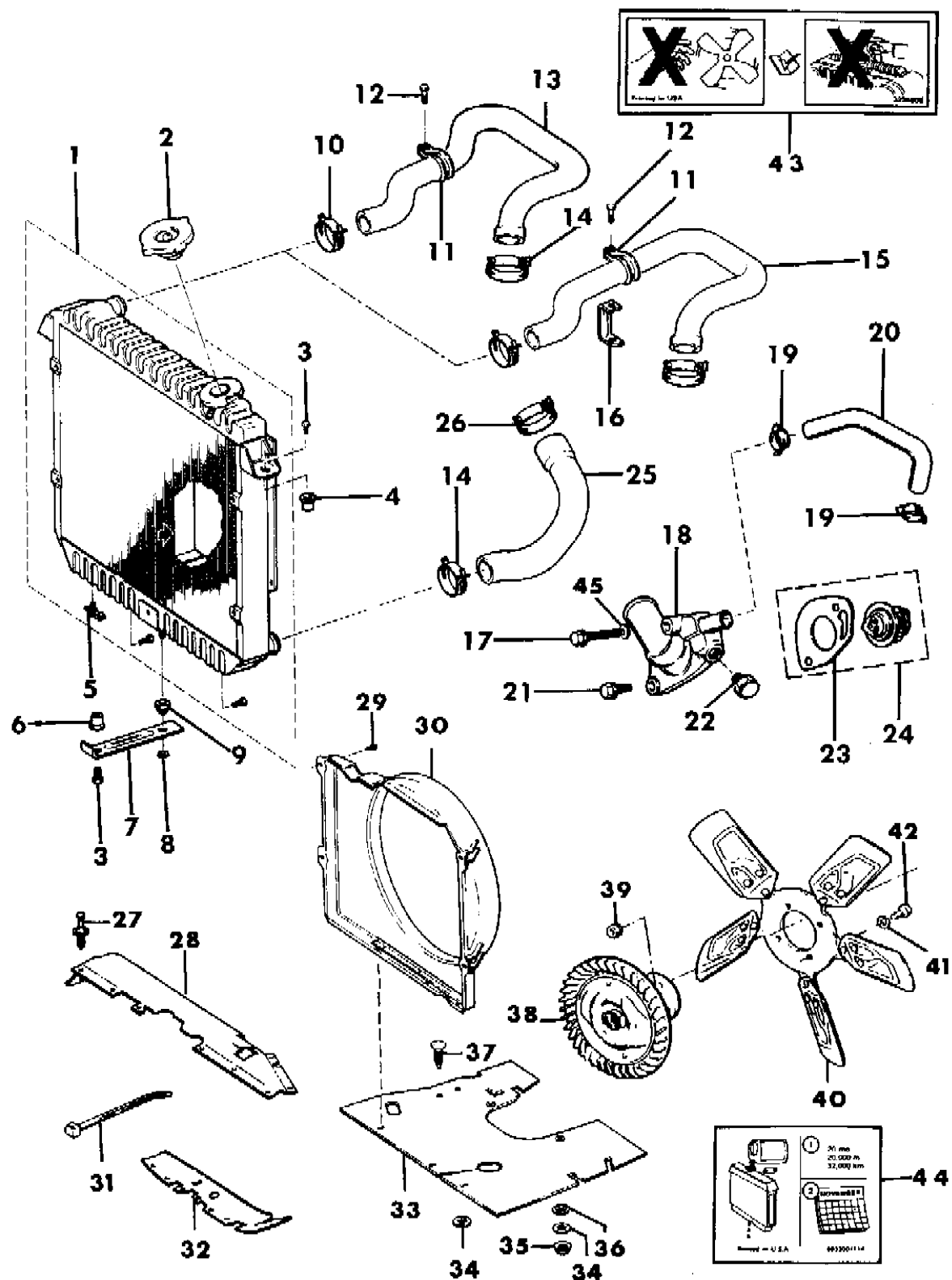
MJ=Comanche Pickup ZJ=Grand Cherokee/Grand Wagoneer KDX VEHICLES
 SJ=Grand Wagoneer M1=Comanche
 XJ=Cherokee, Briarwood Y1=Cherokee, Briarwood
 YJ=Wrangler Y1=Wrangler

AR = Use as Required - = Non Illustrated Part P.A.R. = Paint as Required

RADIATOR AND RELATED PARTS 4 CYLINDER ENGINE BRIARWOOD, CHEROKEE, COMANCHE

Figure 7-600

91J07 600



ITEM	PART NUMBER	QTY	BODY	MODEL	DESCRIPTION
25					HOSE, Outlet
	3780 605	1			1991
	5200 3790	1			1992-93
	5200 6500	1			RHD
26	3200 2366	1			CLAMP
27	3420 1621	14			RIVET - Heavy Duty Cooling
28					SEAL, Radiator
	5500 3056	1			Heavy Duty Cooling
29	J318 9013	4			SCREW
30	5300 0015	1			SHROUD, Fan
	5300 8742	1			RHD 1992
	5202 7821	1			RHD 1993
31	J322 3227	1			STRAP
32	5500 3057	1			SEAL, Radiator - Heavy Duty Cooling
33	5200 3571	1			SHIELD, Engine Splash
	5523 4858	1			RHD
34	J044 6188	2			WASHER
35	J400 4587	2			NUT
36	J400 0271	2			NUT, Push
37					FASTENER
	J400 4919	3			.80"
	3420 2787	2			1.12"
38	J324 1858	1			DRIVE, Fan
39	J027 1184	4			NUT
40	5300 0699	1			FAN, Cooling
41	J012 0214	4			WASHER
42	J045 4895	4			BOLT
43	J323 4806	1			LABEL, Fan
44	3300 1114	1			LABEL, Radiator
45	J012 0393	2			WASHER

MODEL CODES:

61=Pickup-6 Ft Box 74=4 Door Wagon T=2WD
 62=Pickup-7 Ft Box 77=Open Body 93" Wheelbase J,N,U=4WD
 72=2 Door Wagon 78=Open Body 103" Wheelbase

BODY STYLES:

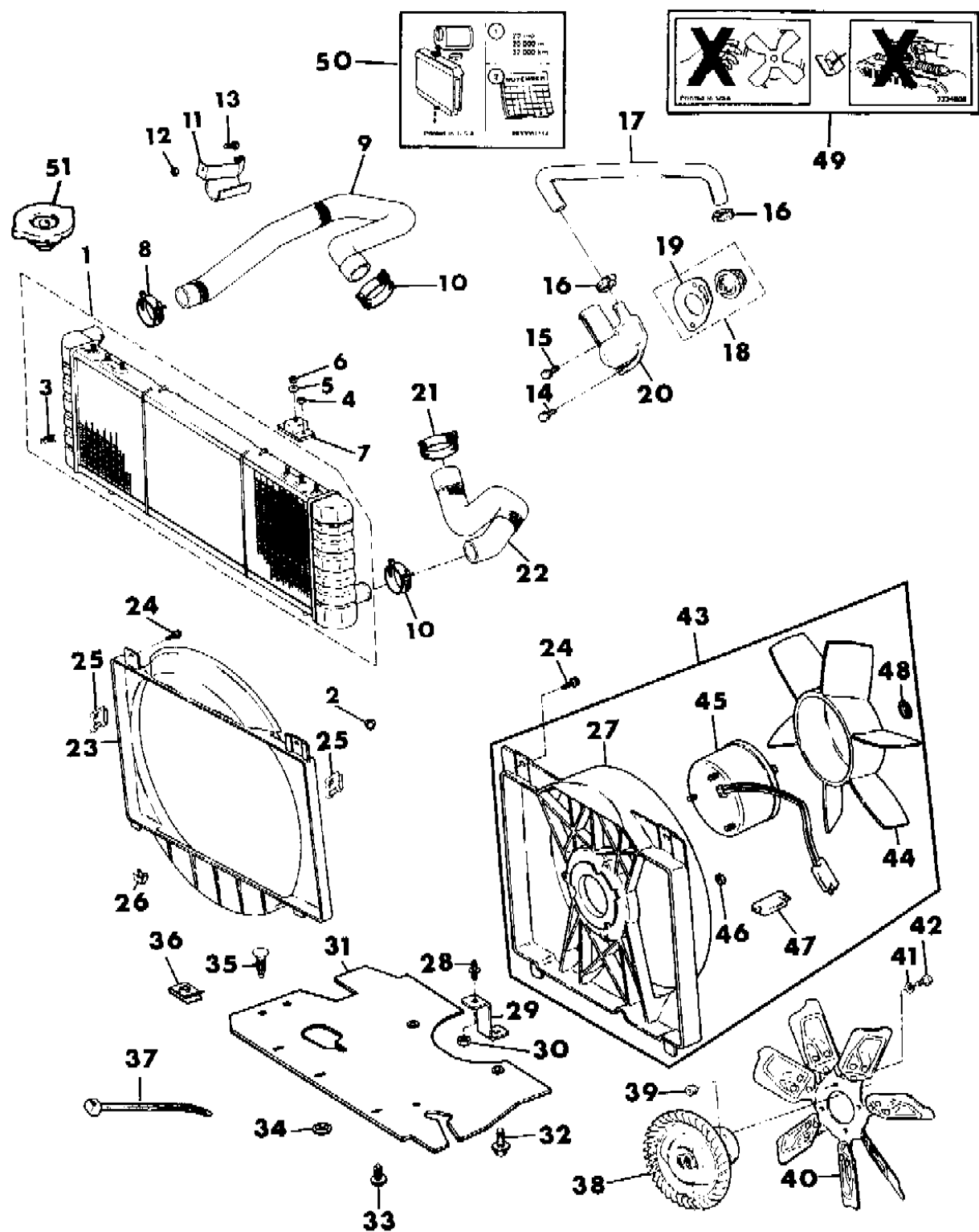
MJ=Comanche Pickup ZJ=Grand Cherokee/Grand Wagoneer KDX VEHICLES
 SJ=Grand Wagoneer M1=Comanche
 XJ=Cherokee, Briarwood Y1=Cherokee, Briarwood
 YJ=Wrangler Y1=Wrangler

AR = Use as Required - = Non Illustrated Part P.A.R. = Paint as Required

RADIATOR AND RELATED PARTS 6 CYLINDER ENGINE BRIARWOOD, CHEROKEE, COMANCHE

Figure 7-700

91J07 700A



ITEM	PART NUMBER	QTY	BODY	MODEL	DESCRIPTION
1					RADIATOR
	5202 8134	1			w/o Max Cooling (Stamp# 52028131)
	5200 4921	1			Max Cooling 1991
	5202 8133	1			Max Cooling 1992-93
	5202 8537	1			RHD Auto Trans. 1993
	5202 8543	1			RHD Man. Trans. 1993
2	J068 7550	2			GROMMET
3					DRAINCOCK
	J316 6547	1			Metal
	4773 259	1			Plastic, w/O-Ring
4	1150 2722	4			NUT
5	J400 1083	2			WASHER
6	1150 3745	2			NUT
7	5200 2585	2			INSULATOR
8	3200 2983	1			CLAMP
9					HOSE, Inlet
	5202 8025	1			w/Heater Only
	5202 8027	1			w/Air Cond.
10	5200 5580	3			CLAMP
11	8350 5291	1			BRACKET - Factory Installed Air Conditioning
12	1150 2729	1			NUT - Factory Installed Air Conditioning
13	1150 2628	1			BOLT - Factory Installed Air Conditioning
14	J400 6985	1			BOLT
15	J400 6951	1			BOLT, Thermostat Housing
16	J320 3076	2			CLAMP
17	5600 4783	1			HOSE AND SLEEVE, T/Stat to Water Valve ***
18	8350 1426	1			THERMOSTAT PACKAGE, Engine Coolant
19	5300 6320	1			GASKET
20	5300 6192	1			HOUSING, Thermostat
21	3200 2366	1			CLAMP
22					HOSE, Outlet
	5200 6301	1			RHD
	5202 9635	1			RHD
	5202 7743	1			BRACKET, Hose RHD
23	5202 7501	1			SHROUD, Mechanical Fan
	5202 8709	1			RHD
24	3420 1195	2			SCREW
25	3420 2462	4			NUT, Radiator, Upper
26		4			CLIP (Not Serviced)
27		1			SHROUD, Electric Fan (Serviced in Item #43)
28	3420 2347	1			STUD

MODEL CODES:

61=Pickup-6 Ft Box 74=4 Door Wagon T=2WD
 62=Pickup-7 Ft Box 77=Open Body 93" Wheelbase J,N,U=4WD
 72=2 Door Wagon 78=Open Body 103" Wheelbase

BODY STYLES:

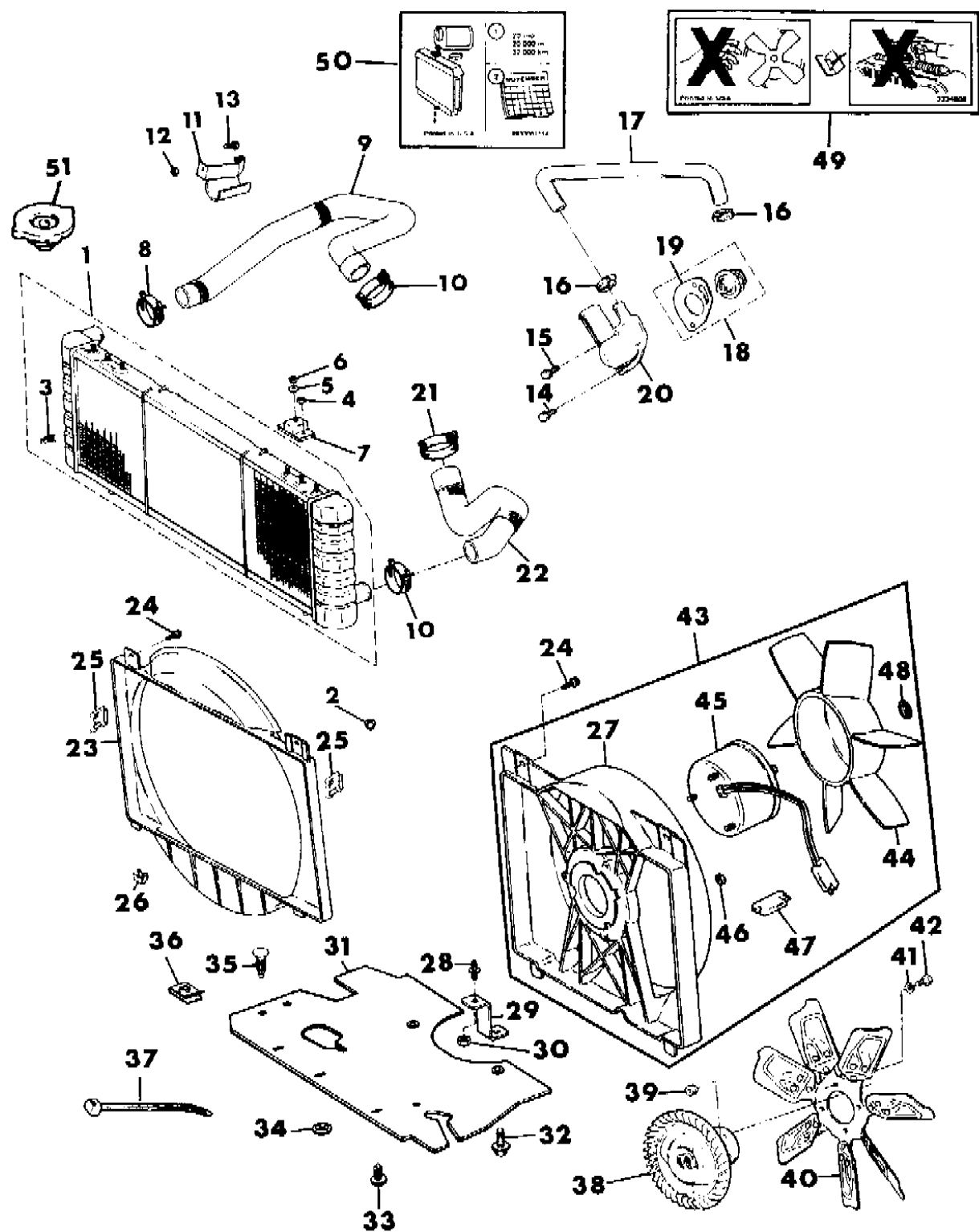
MJ=Comanche Pickup ZJ=Grand Cherokee/Grand Wagoneer KDX VEHICLES
 SJ=Grand Wagoneer M1=Comanche
 XJ=Cherokee, Briarwood Y1=Cherokee, Briarwood
 YJ=Wrangler Y1=Wrangler

AR = Use as Required - = Non Illustrated Part P.A.R. = Paint as Required

RADIATOR AND RELATED PARTS 6 CYLINDER ENGINE BRIARWOOD, CHEROKEE, COMANCHE

Figure 7-700

91J07 700A



ITEM	PART NUMBER	QTY	BODY	MODEL	DESCRIPTION
29	5200 3837	1			BRACKET
30	8351 0135	1			NUT
31					SHIELD, Engine Splash
	5200 3570	1			1991-92
	5523 5105	1			1993
	5523 5105	1			RHD
	J400 5899	2			RIVET 1/8 x .275
32	3420 1540	2			SCREW
33	J400 4919	3			FASTENER .28"
34	J400 0271	3			NUT, Push .25"
	3420 2014	2			SCREW .31"
35	3420 2787	2			FASTENER .38"
36	1150 0662	AR			NUT
37	J322 3227	1			STRAP
38	5200 3205	1			DRIVE, Fan
39	J027 1184	4			NUT
40	8350 4571	1			FAN, Cooling
41	J012 0214	4			WASHER
42	J045 4895	4			BOLT
43	5200 5748	1			MODULE ASSEMBLY, Fan ***
	5202 8211	1			RHD
	5202 9130	1			MID EAST (Tag# 52027700)
44		1			FAN, Cooling (Serviced in Item 43)
45		1			MOTOR, Fan (Serviced in Item 43)
46	8350 3415	3			NUT
47	8350 3583	3			CONNECTOR
48	8350 3417	1			RETAINER, Fan
49	J323 4806	1			LABEL, Fan
50	3300 1114	1			LABEL, Radiator
51	J323 9375	1			CAP, Radiator

MODEL CODES:

61=Pickup-6 Ft Box 74=4 Door Wagon T=2WD
 62=Pickup-7 Ft Box 77=Open Body 93" Wheelbase J,N,U=4WD
 72=2 Door Wagon 78=Open Body 103" Wheelbase

BODY STYLES:

MJ=Comanche Pickup ZJ=Grand Cherokee/Grand Wagoneer KDX VEHICLES
 SJ=Grand Wagoneer M1=Comanche
 XJ=Cherokee, Briarwood Y1=Cherokee, Briarwood
 YJ=Wrangler Y1=Wrangler

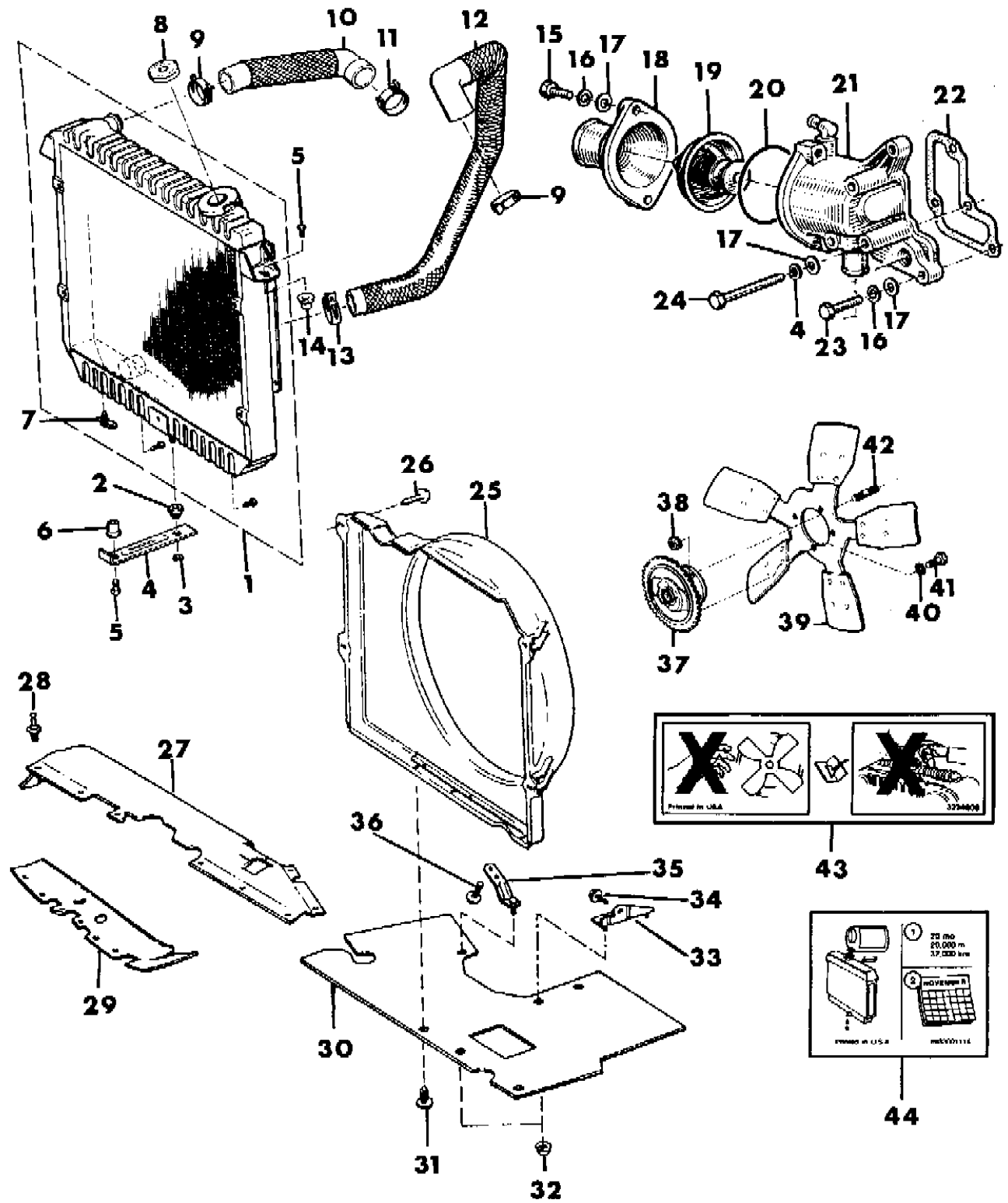
AR = Use as Required - = Non Illustrated Part P.A.R. = Paint as Required

RADIATOR AND RELATED PARTS DIESEL ENGINE CHEROKEE, COMANCHE - EXPORT

Figure 7-800

91J07 800

ITEM	PART NUMBER	QTY	BODY	MODEL	DESCRIPTION
1	5202 8117	1			RADIATOR
2	5300 0511	1			GROMMET
3	3420 1494	1			RING, Retaining
4	5300 0510	1			BRACE, Radiator
5	1150 2628	3			BOLT
6	3420 1493	1			NUT
7	J316 6547	1			DRAINCOCK
8	J536 4692	1			CAP, Radiator
9	3200 2983	2			CLAMP
10	5200 3949	1			HOSE, Inlet
11	3200 2371	1			CLAMP
12	5200 3948	1			HOSE, Outlet
13	5200 5580	1			CLAMP
14	3420 1348	2			NUT
15	T300 1634	2			BOLT
16	T140 2092	14			WASHER, Lock
17	T140 2065	14			WASHER, Flat
18	T065 6732	1			OUTLET, Thermostat
19	T069 7157	1			THERMOSTAT, Engine Coolant
20	J550 5980	1			GASKET
21	T072 7361	1			HOUSING, Thermostat
22	T134 8932	1			GASKET
23	T300 1614	1			BOLT
24	T300 1238	3			BOLT
25	5300 1177	1			SHROUD, Fan
26	J318 9013	4			SCREW
27	5500 3056	1			SEAL
28	3420 1621	14			RIVET
29	5500 3057	1			SEAL
30	5200 1858	1			SHIELD, Engine Splash
31	J400 4919	3			NUT
32	J400 6220	3			NUT
33					BRACKET, Splash Shield - Left
	5300 2543	1			1991
	5301 0056	1			1992
34	3420 1540	2			BOLT
35	5300 2544	1			BRACKET, Splash Shield - Right
36	3420 1912	2			SCREW
37	5300 1168	1			DRIVE, Fan
38	3420 1658	4			NUT, Lock
39	5300 1706	1			FAN, Cooling



MODEL CODES:
 61=Pickup-6 Ft Box 74=4 Door Wagon T=2WD
 62=Pickup-7 Ft Box 77=Open Body 93" Wheelbase J,N,U=4WD
 72=2 Door Wagon 78=Open Body 103" Wheelbase

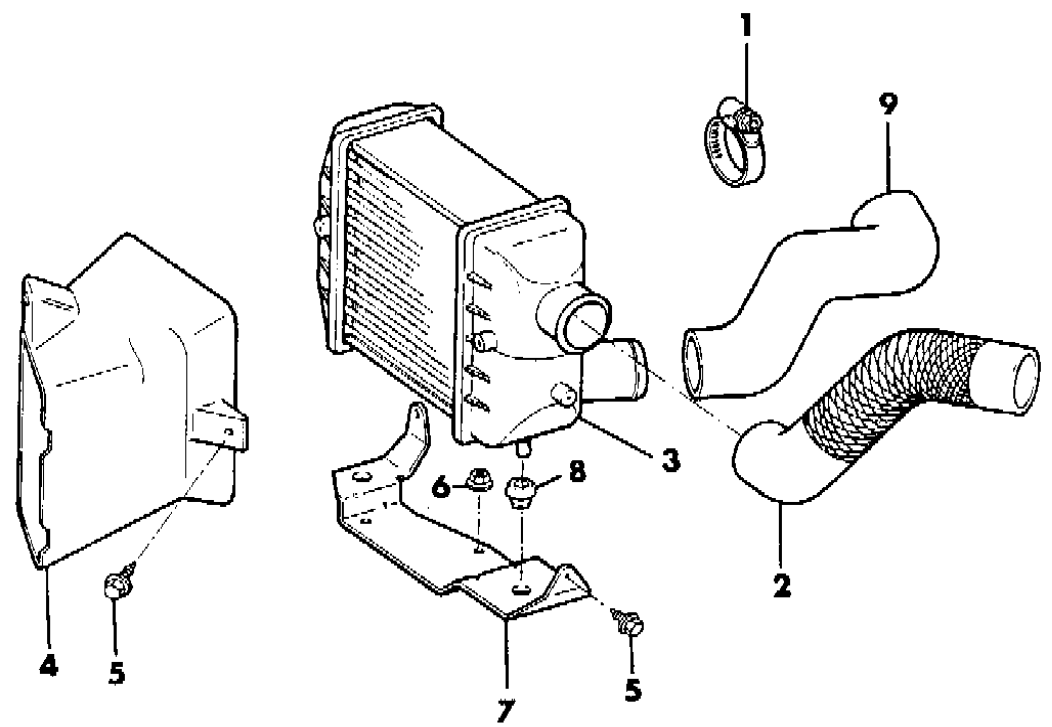
BODY STYLES:
 MJ=Comanche Pickup ZJ=Grand Cherokee/Grand Wagoneer KDX VEHICLES
 SJ=Grand Wagoneer M1=Comanche
 XJ=Cherokee, Briarwood X1=Cherokee, Briarwood
 YJ=Wrangler Y1=Wrangler

AR = Use as Required - = Non Illustrated Part P.A.R. = Paint as Required

INTERCOOLER DIESEL ENGINE CHEROKEE, COMANCHE - EXPORT

Figure 7-900

91J07 900



ITEM	PART NUMBER	QTY	BODY	MODEL	DESCRIPTION
1	J320 3078	4			CLAMP, Hose
2	5200 2180	1			HOSE ASSEMBLY, Intercooler to Manifold
3	5300 1178	1			COOLER ASSEMBLY ***
4	5200 2582	1			DUCT, Cooler
5	3420 2071	4			SCREW
6	1150 2729	3			NUT
7	5300 1182	1			BRACKET, Cooler Mounting
8	J068 7550	2			GROMMET
9	5300 1180	1			HOSE, Turbo to Cooler

MODEL CODES:
 61=Pickup-6 Ft Box 74=4 Door Wagon T=2WD
 62=Pickup-7 Ft Box 77=Open Body 93" Wheelbase J,N,U=4WD
 72=2 Door Wagon 78=Open Body 103" Wheelbase

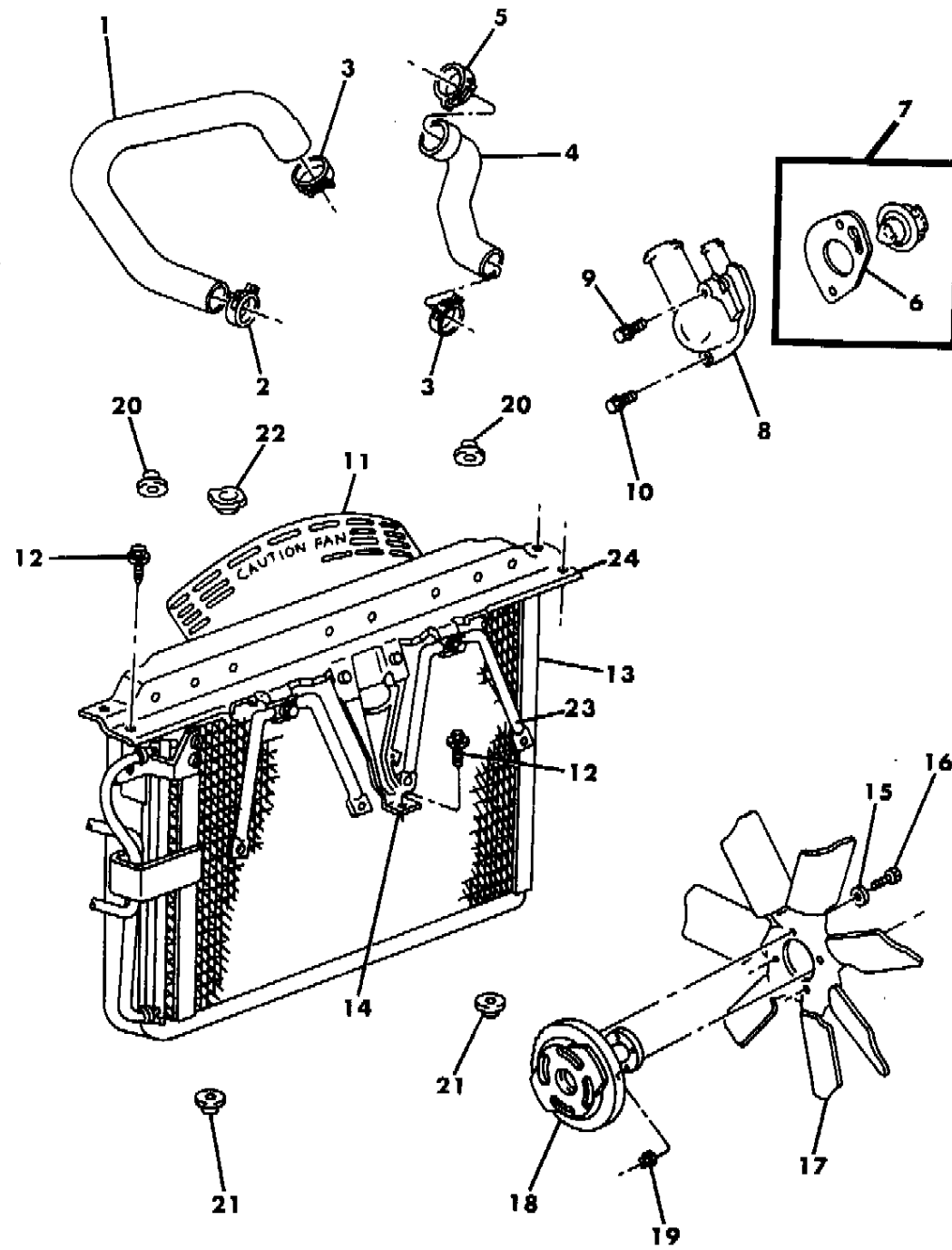
BODY STYLES:
 MJ=Comanche Pickup ZJ=Grand Cherokee/Grand Wagoneer KDX VEHICLES
 SJ=Grand Wagoneer M1=Comanche
 XJ=Cherokee, Briarwood X1=Cherokee, Briarwood
 YJ=Wrangler Y1=Wrangler

AR = Use as Required - = Non Illustrated Part P.A.R. = Paint as Required

RADIATOR AND RELATED PARTS 6 CYLINDER ENGINE GRAND CHEROKEE (ZJ)

Figure 7-950

91J07 9508



ITEM	PART NUMBER	QTY	BODY	MODEL	DESCRIPTION
1	5200 5177	1			HOSE, Radiator Inlet
	5202 7776	1			SLEEVE, Protector
2	3200 2983	1			CLAMP
3	3200 2255	2			CLAMP
4	5200 5178	1			HOSE, Outlet
	5202 7776	1			SLEEVE, Protector
5	3200 2366	1			CLAMP
6	5300 6320	1			GASKET, Thermostat
7	8350 1426	1			THERMOSTAT ASSEMBLY ***
8	5300 6192	1			HOUSING, Thermostat
9	J400 6951	1			BOLT
10		1			BOLT (Not Serviced)
11	5200 5213	1			SHROUD
	5202 7658	2			BRACKET, Radiator to Shroud
	6501 859	2			NUT, Bracket to Shroud
12	6100 568	4			SCREW
13					RADIATOR
	5200 5166	1			Auto. Trans. (Aisin Warner)
	5202 7798	1			Auto. Trans. (A500)
	5200 5169	1			Manual Trans.
	5200 5172	1			w/Aux. Trans. Cooler
					MODULE, Cooling EUROPE
	4746 576	1			with A/C
	4746 577	1			Heater Only
	4546 100	1			DRAINCOCK
					SEAL, Radiator
	5202 7718	1			Radiator to Upper Crossmember, Right
	5202 7721	1			Radiator to Upper Crossmember, Left
	5202 7507	1			Radiator to Upper Crossmember, Center
	5200 6160	1			Radiator Side, Right
	5200 6159	1			Radiator Side, Left
					Radiator to Shroud
	5202 7735	1			347mm
	5202 7741	1			419mm
	5202 7740	1			491.5mm
	5202 7509	1			Radiator to Condenser
	5202 7506	1			Radiator to Lower Crossmember
14	5503 2026	1			SUPPORT, Radiator Crossmember
	6100 840	2			PUSH-NUT, Support Assembly ***
15	J012 0214	1			WASHER
16	J045 4895	1			BOLT

MODEL CODES:

61=Pickup-6 Ft Box 74=4 Door Wagon T=2WD
 62=Pickup-7 Ft Box 77=Open Body 93" Wheelbase J,N,U=4WD
 72=2 Door Wagon 78=Open Body 103" Wheelbase

BODY STYLES:

MJ=Comanche Pickup ZJ=Grand Cherokee/Grand Wagoneer KDX VEHICLES
 SJ=Grand Wagoneer M1=Comanche
 XJ=Cherokee, Briarwood X1=Cherokee, Briarwood
 YJ=Wrangler Y1=Wrangler

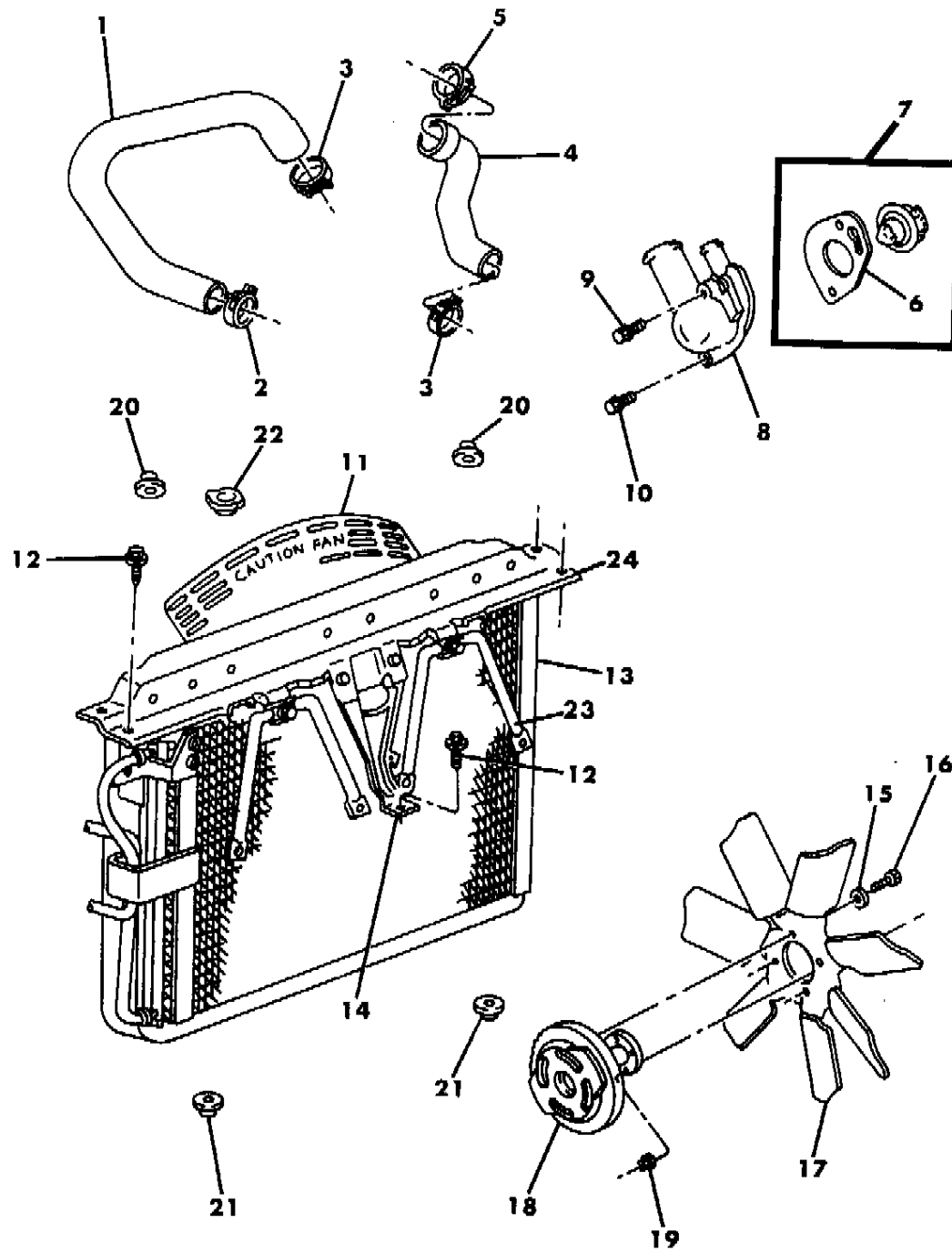
AR = Use as Required - = Non Illustrated Part P.A.R. = Paint as Required

RADIATOR AND RELATED PARTS 6 CYLINDER ENGINE GRAND CHEROKEE (ZJ)

Figure 7-950

91J07 950B

ITEM	PART NUMBER	QTY	BODY	MODEL	DESCRIPTION
17	5200 5164	1			FAN ASSEMBLY ***
18					CLUTCH, Fan, Viscous Cooling
	5202 7824	1			
	5202 7823	1			w/Max Cooling
19	J027 1184	1			NUT and WASHER
20	5200 6642	2			ISOLATOR, Upper
	6100 515	4			NUT, Upper Isolator to Radiator
21	J068 7550	2			GROMMET, Lower Isolator
22	3781 830	1			CAP, Radiator
23	5525 4509	2			BRACE, Radiator Crossmember
24	5525 4771	1			CROSSMEMBER, Radiator, Upper (Stamp# 53031172-5 and 53030451-2 and 53030455)



MODEL CODES:

61=Pickup-6 Ft Box 74=4 Door Wagon T=2WD
 62=Pickup-7 Ft Box 77=Open Body 93" Wheelbase J,N,U=4WD
 72=2 Door Wagon 78=Open Body 103" Wheelbase

BODY STYLES:

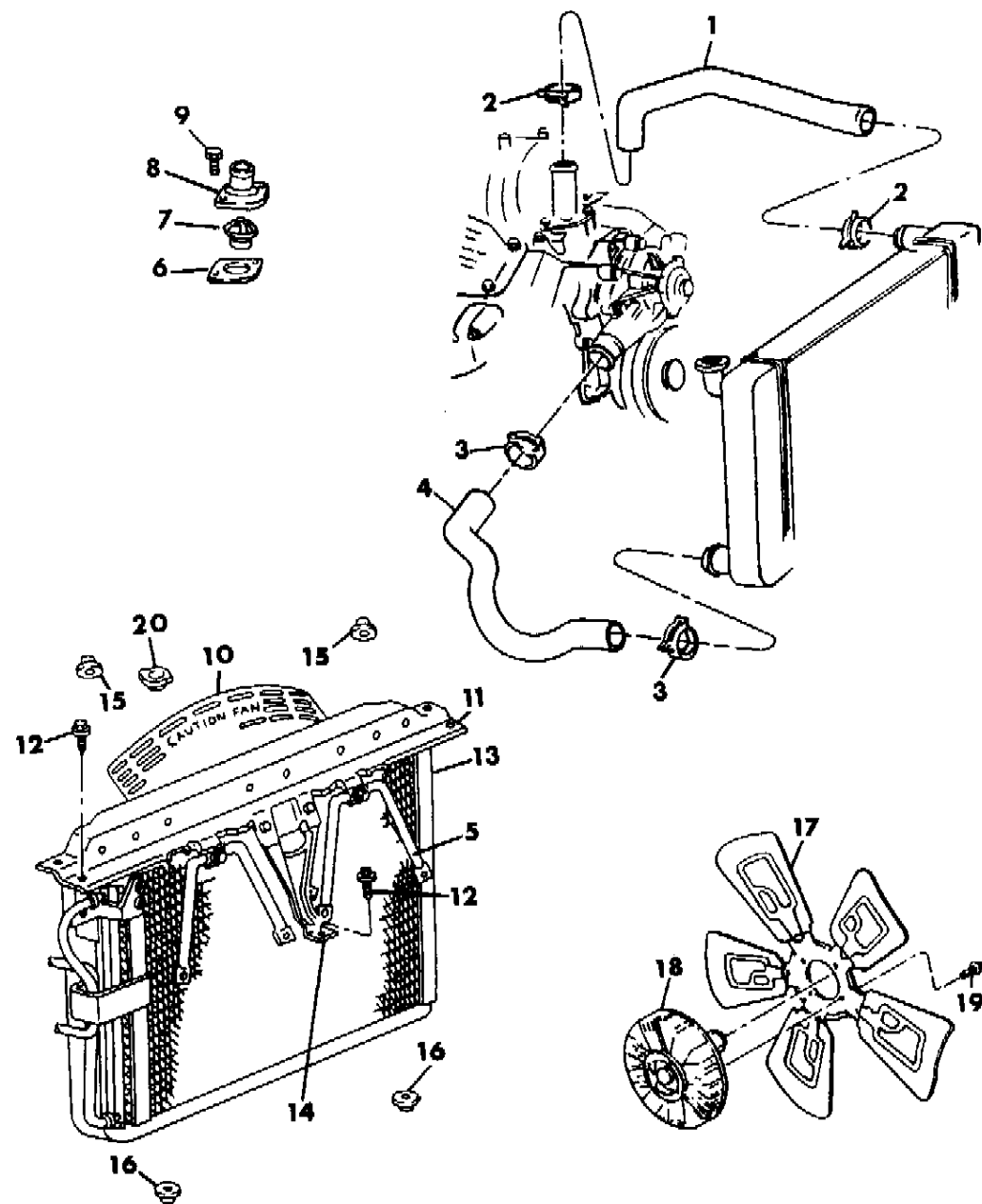
MJ=Comanche Pickup ZJ=Grand Cherokee/Grand Wagoneer KDX VEHICLES
 SJ=Grand Wagoneer M1=Comanche
 XJ=Cherokee, Briarwood X1=Cherokee, Briarwood
 YJ=Wrangler Y1=Wrangler

AR = Use as Required - = Non Illustrated Part P.A.R. = Paint as Required

RADIATOR AND RELATED PARTS 8 CYLINDER ENGINE GRAND CHEROKEE (ZJ)

Figure 7-970

91J07 970



ITEM	PART NUMBER	QTY	BODY	MODEL	DESCRIPTION
1	#5200 6309	1			HOSE, Radiator Inlet
2	2448 763	2			CLAMP
3	3200 2366	2			CLAMP
4	5200 6334	1			HOSE, Outlet
5	5525 4509	2			BRACE, Radiator Crossmember
6	5302 0371	1			GASKET, Thermostat
7	4494 469	1			THERMOSTAT ASSEMBLY ***
8	5302 0115	1			HOUSING, Thermostat
9	6034 343	2			SCREW and WASHER
10	5202 7687	1			SHROUD ASSEMBLY, Radiator ***
11	5525 4771	1			CROSSMEMBER, Radiator, Upper
	5202 7658	2			BRACKET, Radiator to Shroud
	6501 859	2			NUT, Bracket to Shroud
12	6100 568	4			SCREW
13	5200 6644	1			RADIATOR
	4762 890	1			DRAINCOCK
-					SEAL, Radiator
	5202 7718	1			Radiator to Upper Crossmember, Right
	5202 7721	1			Radiator to Upper Crossmember, Left
	5202 7507	1			Radiator to Upper Crossmember, Center
	5200 6160	1			Radiator Side, Right
	5200 6159	1			Radiator Side, Left
	5202 7740	1			Radiator to Shroud
	5202 7509	1			Radiator to Condenser
	5202 7506	1			Radiator to Lower Crossmember
14	5503 2026	1			SUPPORT, Radiator Crossmember
	6100 840	2			PUSH-NUT, Support Assembly ***
15	5200 6642	2			ISOLATOR, Upper
16	J068 7550	2			GROMMET, Lower
17	5202 7888	1			FAN ASSEMBLY ***
18					CLUTCH, Fan, Viscous Cooling
	5202 8208	1			
	5202 8207	1			w/Max Cooling
19	0180 077	6			SCREW and WASHER
20	5202 7793	1			CAP, Radiator
	5300 8745	1			LABEL, Belt Routing

MODEL CODES:

61=Pickup-6 Ft Box 74=4 Door Wagon T=2WD
 62=Pickup-7 Ft Box 77=Open Body 93" Wheelbase J,N,U=4WD
 72=2 Door Wagon 78=Open Body 103" Wheelbase

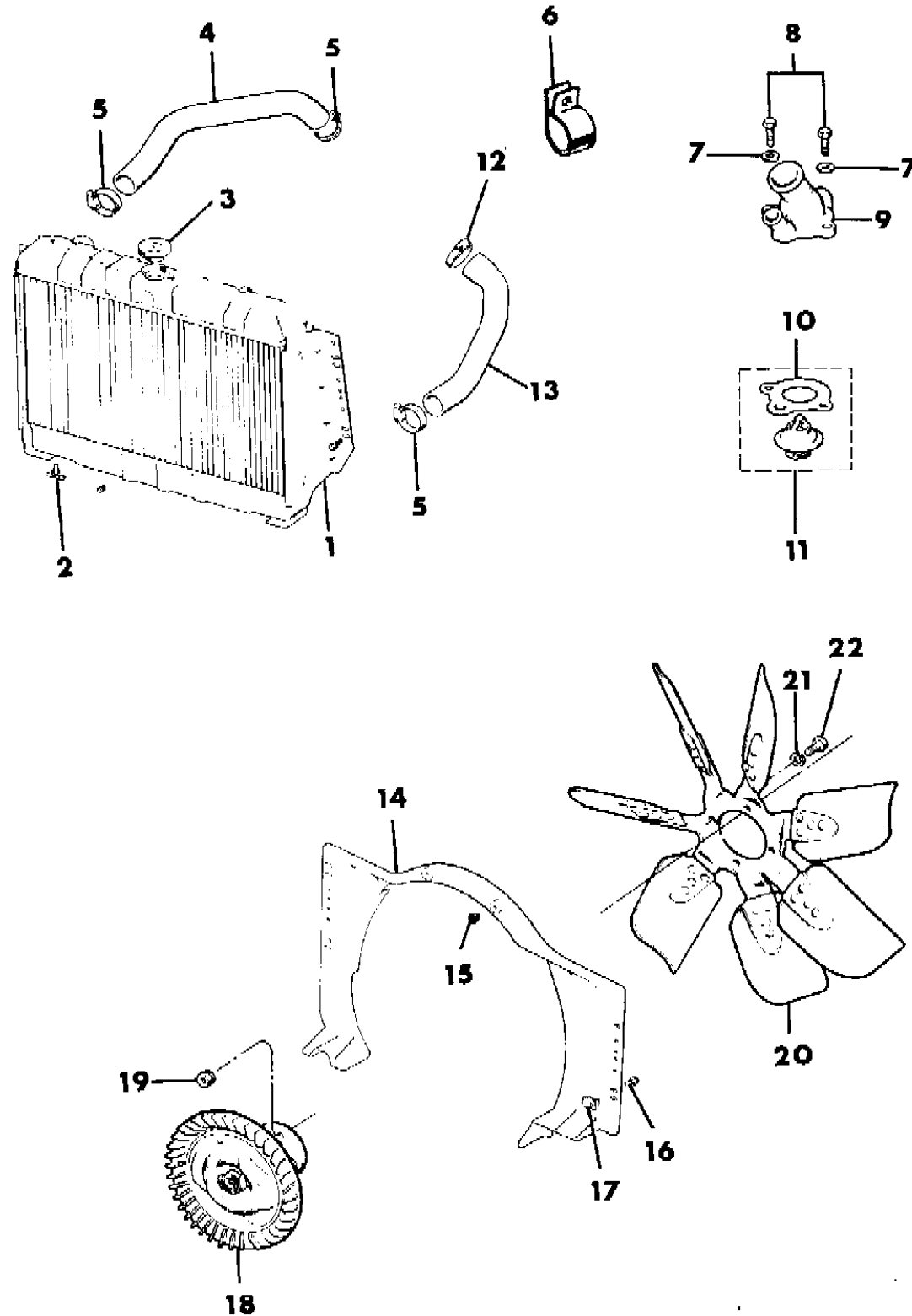
BODY STYLES:

MJ=Comanche Pickup ZJ=Grand Cherokee/Grand Wagoneer KDX VEHICLES
 SJ=Grand Wagoneer M1=Comanche
 XJ=Cherokee, Briarwood X1=Cherokee, Briarwood
 YJ=Wrangler Y1=Wrangler

AR = Use as Required - = Non Illustrated Part P.A.R. = Paint as Required

RADIATOR AND RELATED PARTS 8 CYLINDER ENGINE GRAND WAGONEER (SJ) 1991
Figure 7-1000

91J07 1000



ITEM	PART NUMBER	QTY	BODY	MODEL	DESCRIPTION
1					RADIATOR
	5200 3751	1			Stamped 52003751
	J536 1575	1			Stamped 52001575
2	J535 9274	1			DRAINCOCK
3	J535 8177	1			CAP, Radiator
4	8350 5532	1			HOSE, Inlet
5	J320 3078	3			CLAMP
6	J012 0524	2			CLIP
7	J012 0393	2			WASHER
8	J018 0079	2			BOLT
9	J323 8509	1			HOUSING, Thermostat
10	J318 7543	1			GASKET
11	8350 1426	1			THERMOSTAT PACKAGE, Engine Coolant
12	J320 3079	1			CLAMP
13	J535 4528	1			HOSE, Outlet
14	J536 1650	1			SHROUD - Heavy Duty Cooling
15	J096 8072	2			BUMPER - Heavy Duty Cooling
16	J400 3556	4			BOLT
17	J400 4208	4			NUT
18	J536 2722	1			DRIVE, Fan
19	J027 1184	4			NUT
20	J099 4277	1			FAN, Cooling
21	J012 0214	4			WASHER, Lock
22	J018 0075	4			BOLT

MODEL CODES:

61=Pickup-6 Ft Box 74=4 Door Wagon T=2WD
 62=Pickup-7 Ft Box 77=Open Body 93" Wheelbase J,N,U=4WD
 72=2 Door Wagon 78=Open Body 103" Wheelbase

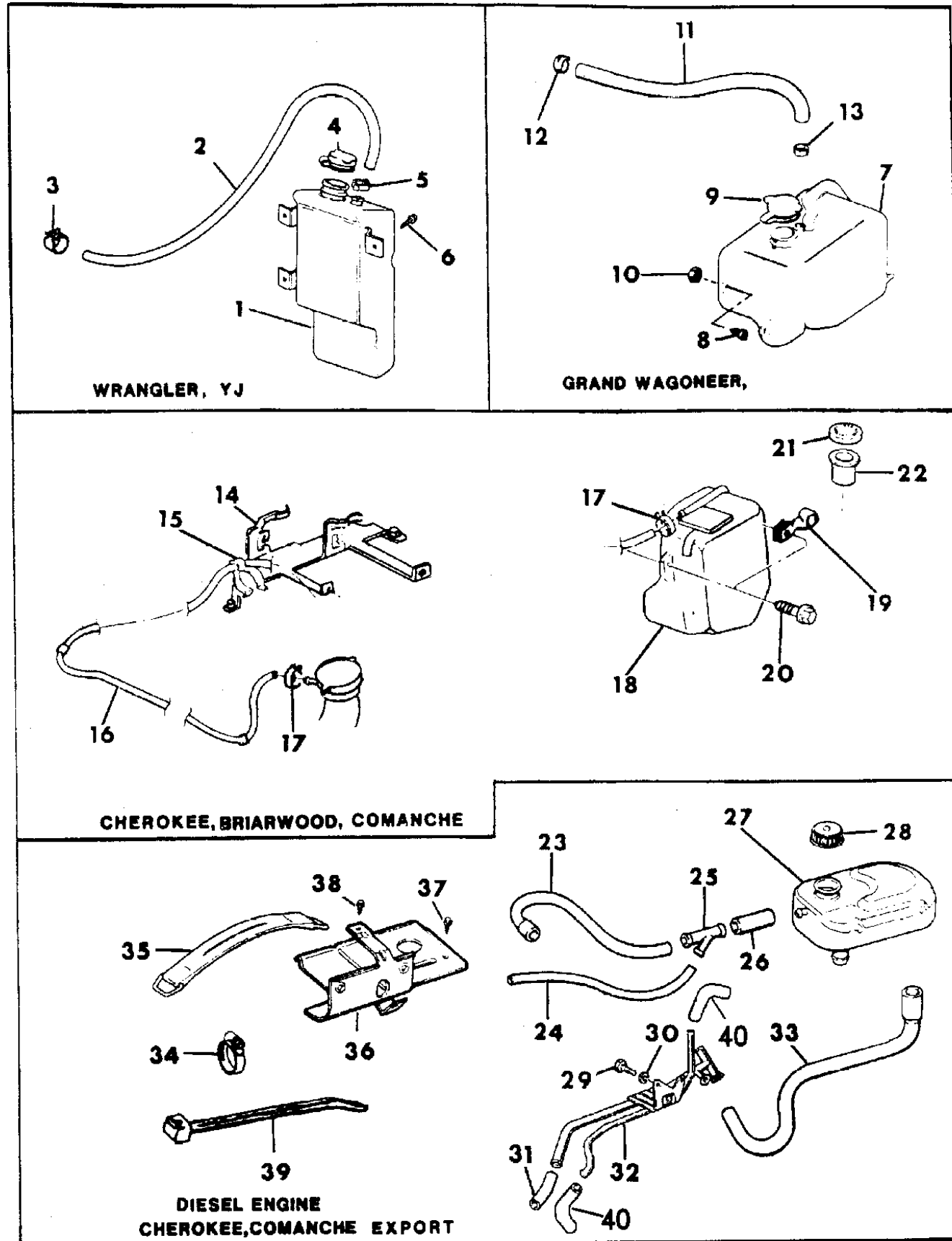
BODY STYLES:

MJ=Comanche Pickup ZJ=Grand Cherokee/Grand Wagoneer KDX VEHICLES
 SJ=Grand Wagoneer M1=Comanche
 XJ=Cherokee, Briarwood X1=Cherokee, Briarwood
 YJ=Wrangler Y1=Wrangler

AR = Use as Required - = Non Illustrated Part P.A.R. = Paint as Required

CONDENSER TANKS COMANCHE, CHEROKEE WRANGLER, GRAND WAGONEER
Figure 7-1100

91J07 1100C



ITEM	PART NUMBER	QTY	BODY	MODEL	DESCRIPTION
1	J536 2920	1			BOTTLE, Coolant ***
2	J536 2888	1			HOSE
3	J318 1643	1			CLAMP
4	J322 3202	1			CAP, Coolant Bottle
5	3300 0784	1			CLAMP
6	J400 6850	3			BOLT
7	J535 8025	1			BOTTLE, Coolant Reserve ***
8					SCREW
	J812 0054	1			.50"
	J018 8926	1			.62"
9	J322 3202	1			CAP
10	J012 0361	1			NUT
11	J536 3169	1			HOSE
12	J093 4246	1			CLAMP
13	J322 3128	2			CLAMP
14	5601 6730	1			BRACKET
	5202 7771	1			RHD
15	5200 7404	1			CLIP, Hose, Overflow to Upper Radiator Hose
	J012 0526	1			CHINA
16					HOSE, Coolant Recovery
	5200 4922	1			2.5L Engine
	5200 7405	1			4.0L Engine 1991
	5202 7642	1			4.0L Engine 1992
	J536 3169	1			4.0L Engine 1993
	5200 4922	1			CHINA
17	6502 081	2			CLAMP
18					BOTTLE, Coolant ***
	5202 7984	1			
	5200 3213	1			CHINA ***
19	5300 9375	1			CLIP
20					SCREW (Not Serviced)
21	4401 493	1			CAP, Bottle
	3300 0438	1			CHINA
22	3300 0576	1			BAFFLE, Bottle CHINA
23	5200 2064	1			HOSE, Thermostat to Tee
24	5200 2065	1			HOSE, Radiator to Tee
25	5200 2066	1			TEE
26	5200 2070	1			HOSE, Tee to Bottle
27	J075 8977	1			BOTTLE, Coolant
28	5200 6707	1			CAP, Coolant Bottle
29	J400 4986	2			BOLT

MODEL CODES:

61=Pickup-6 Ft Box 74=4 Door Wagon T=2WD
62=Pickup-7 Ft Box 77=Open Body 93" Wheelbase J,N,U=4WD
72=2 Door Wagon 78=Open Body 103" Wheelbase

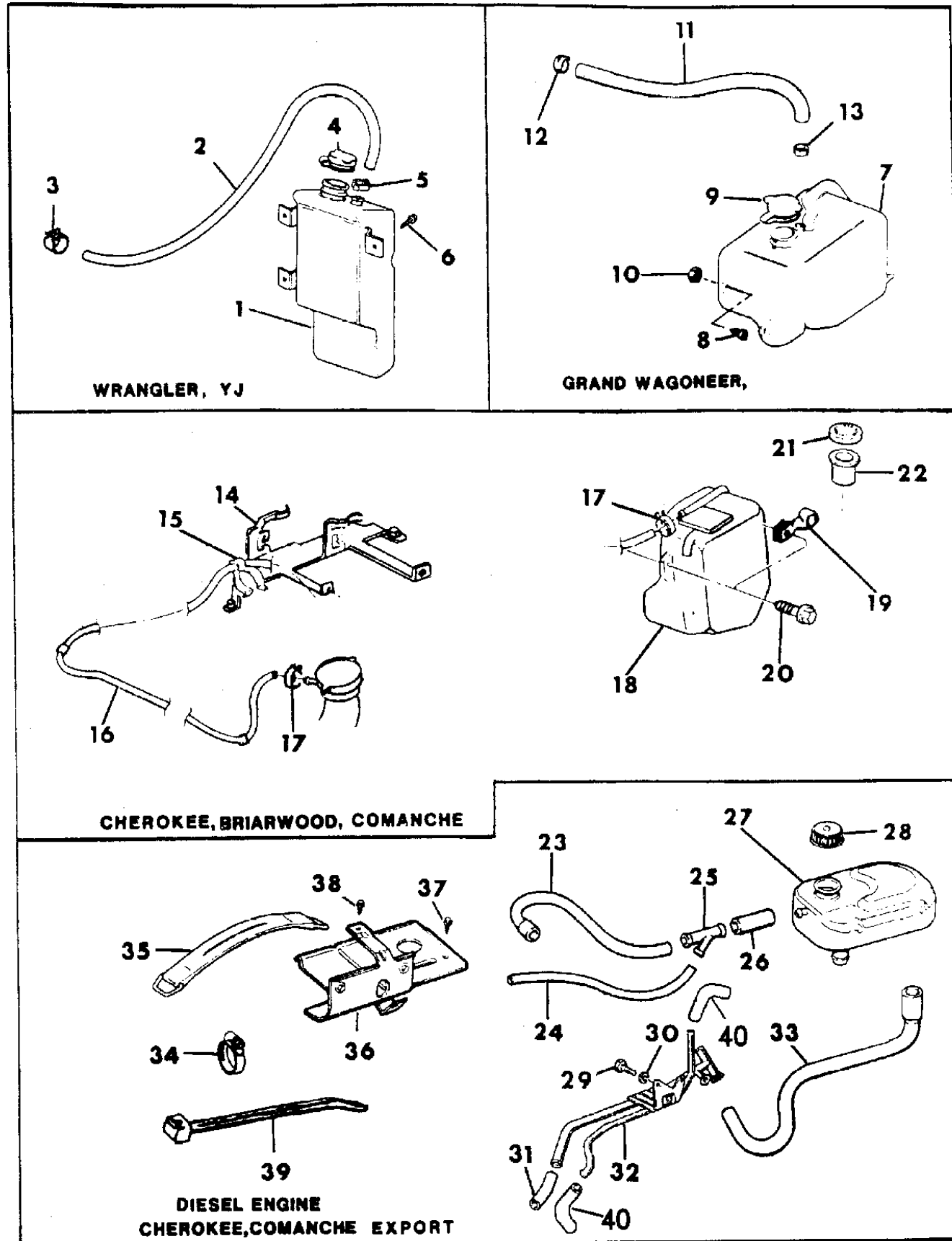
BODY STYLES:

MJ=Comanche Pickup ZJ=Grand Cherokee/Grand Wagoneer KDX VEHICLES
SJ=Grand Wagoneer M1=Comanche
XJ=Cherokee, Briarwood X1=Cherokee, Briarwood
YJ=Wrangler Y1=Wrangler

AR = Use as Required - = Non Illustrated Part P.A.R. = Paint as Required

CONDENSER TANKS COMANCHE, CHEROKEE WRANGLER, GRAND WAGONEER
Figure 7-1100

91J07 1100C



ITEM	PART NUMBER	QTY	BODY	MODEL	DESCRIPTION
30	T305 5007	2			WASHER
31	T071 5737	1			HOSE, Tube to Water Pump J8S-814 Engine
	J074 5666	1			J8S-890 Engine
32					TUBE ASSEMBLY, Coolant ***
	T072 5376	1			J8S-814 Engine
	J085 4348	1			J8S-890 Engine
33	5200 2063	1			HOSE, Bottle To Heater
34					CLAMP
	3300 0785	AR			12mm thru 20mm
	3300 0784	AR			17mm thru 25mm
	J320 3076	AR			14mm thru 27mm
	J320 3077	AR			21mm thru 44mm
	J320 3078	AR			33mm thru 57mm
35	J400 0715	1			STRAP, Coolant Bottle
36					BRACKET, Coolant Bottle
	5200 2940	1			1991
	5202 7673	1			1992-93
37	1150 2453	2			SCREW
38	3420 2399	1			BOLT
39					STRAP
	J322 3227	AR			Standard Duty Cooling - 200mm
	J369 3058	AR			Standard Duty Cooling - 300mm
	J323 0270	AR			Heavy Duty Cooling - 350mm
	J323 5187	AR			Heavy Duty Cooling - 450mm
40	J072 9451	2			HOSE, Oil Drain

MODEL CODES:

61=Pickup-6 Ft Box 74=4 Door Wagon T=2WD
62=Pickup-7 Ft Box 77=Open Body 93" Wheelbase J,N,U=4WD
72=2 Door Wagon 78=Open Body 103" Wheelbase

BODY STYLES:

MJ=Comanche Pickup ZJ=Grand Cherokee/Grand Wagoneer KDX VEHICLES
SJ=Grand Wagoneer M1=Comanche
XJ=Cherokee, Briarwood X1=Cherokee, Briarwood
YJ=Wrangler Y1=Wrangler

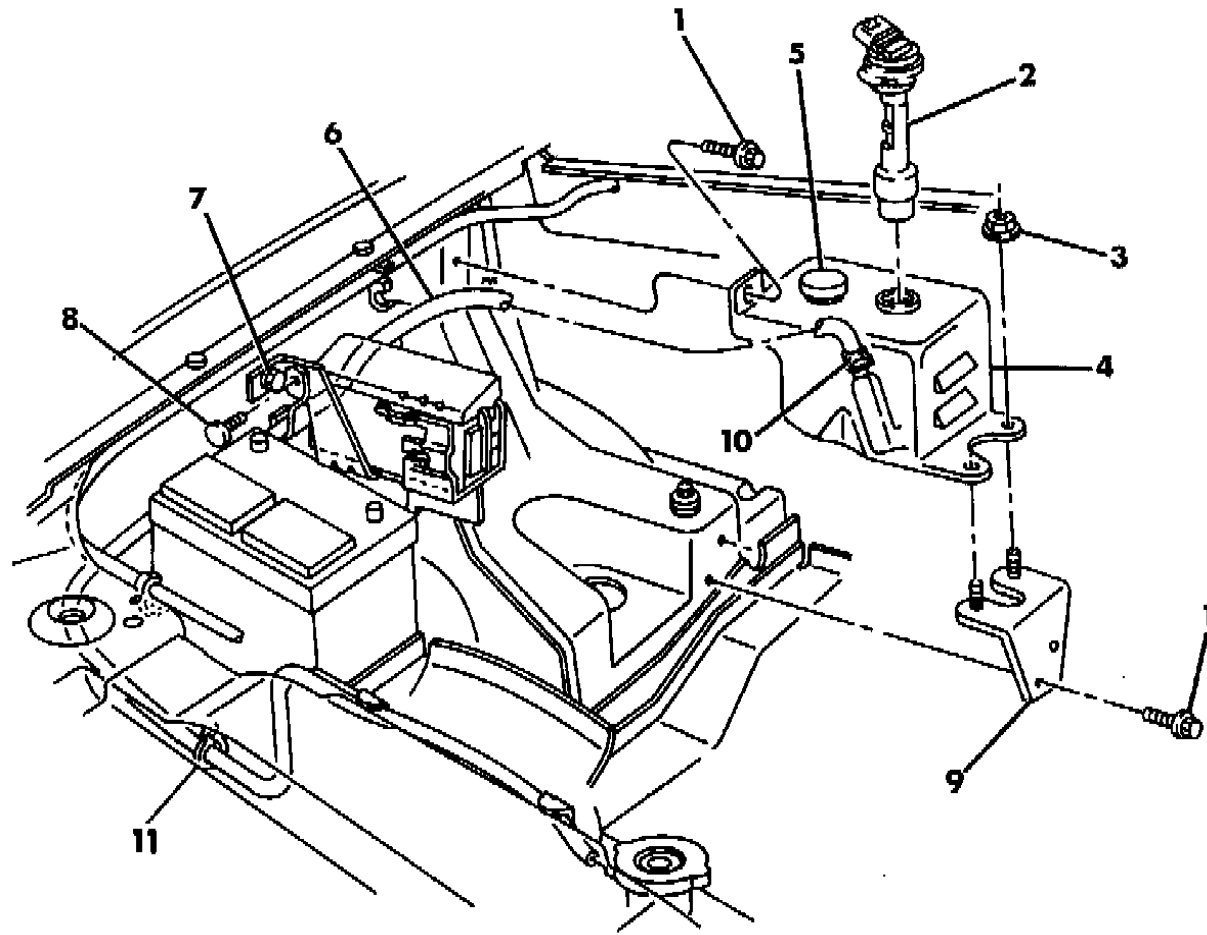
AR = Use as Required - = Non Illustrated Part P.A.R. = Paint as Required

CONDENSER TANKS GRAND CHEROKEE (ZJ)

Figure 7-1150

91J07 1150 A

ITEM	PART NUMBER	QTY	BODY	MODEL	DESCRIPTION
1		3			SCREW (Not Serviced)
2	5202 7505	1			SENSOR, Coolant Level
	4546 142	1			PLUG, Sensor Hole
3	6501 859	2			NUT AND WASHER ***
4	5200 5183	1			BOTTLE, Coolant Reserve ***
	3300 0576	1			BAFFLE, Cooland Recovery Bottle
5	5200 5184	1			CAP, Bottle
6	4026 148	1			HOSE (Roll Stock)
7	6501 439	1			CLIP
8	J400 4919	1			FASTENER
9	5202 7705	1			BRACKET, Bottle Mounting
10	3300 0785	4			CLAMP
11	6034 648	1			CLIP, Hose



MODEL CODES:

61=Pickup-6 Ft Box 74=4 Door Wagon T=2WD
 62=Pickup-7 Ft Box 77=Open Body 93" Wheelbase J,N,U=4WD
 72=2 Door Wagon 78=Open Body 103" Wheelbase

BODY STYLES:

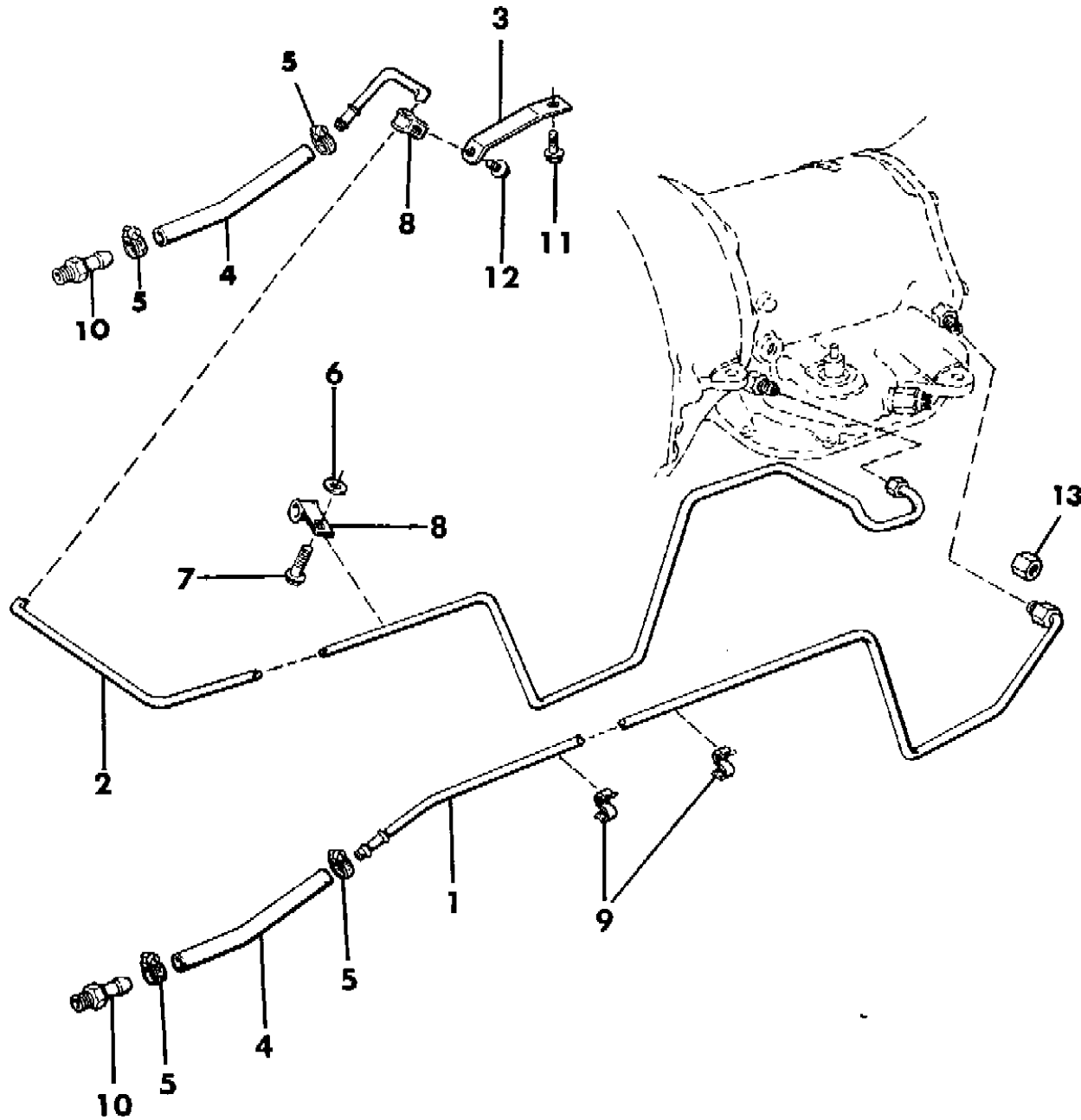
MJ=Comanche Pickup ZJ=Grand Cherokee/Grand Wagoneer KDX VEHICLES
 SJ=Grand Wagoneer M1=Comanche
 XJ=Cherokee, Briarwood X1=Cherokee, Briarwood
 YJ=Wrangler Y1=Wrangler

AR = Use as Required - = Non Illustrated Part P.A.R. = Paint as Required

OIL COOLER LINES AUTOMATIC TRANSMISSION WRANGLER, YJ
Figure 7-1200

91J07 1200

ITEM	PART NUMBER	QTY	BODY	MODEL	DESCRIPTION
1	4418 154	1			TUBE, Oil Supply (Roll Stock)
2	4418 154	1			TUBE, Oil Return (Roll Stock)
	J012 0522	2			CLIP, Closed, Oil Cooler Lines
3	J536 3747	1			BRACKET, Return Line
4					HOSE, Oil Cooler
	5211 7708	1			Return Line
	J812 5814	1			Supply Line (Bulk Hose)
5					CLAMP, Hose Oil Cooler Lines (Not Serviced)
6	J066 9842	4			SPACER
7	J400 6393	2			BOLT 1/4-20
8	J012 0522	3			CLIP, Tube #5x1
9	J400 0021	3			CLIP, Tube
10	J318 7949	2			FITTING
11	J400 6296	1			SCREW 1/4-20x.56
12	J942 6241	1			BOLT 1/4-14x.50
13	J400 4457	2			NUT 1/4-20



MODEL CODES:

61=Pickup-6 Ft Box 74=4 Door Wagon T=2WD
 62=Pickup-7 Ft Box 77=Open Body 93" Wheelbase J,N,U=4WD
 72=2 Door Wagon 78=Open Body 103" Wheelbase

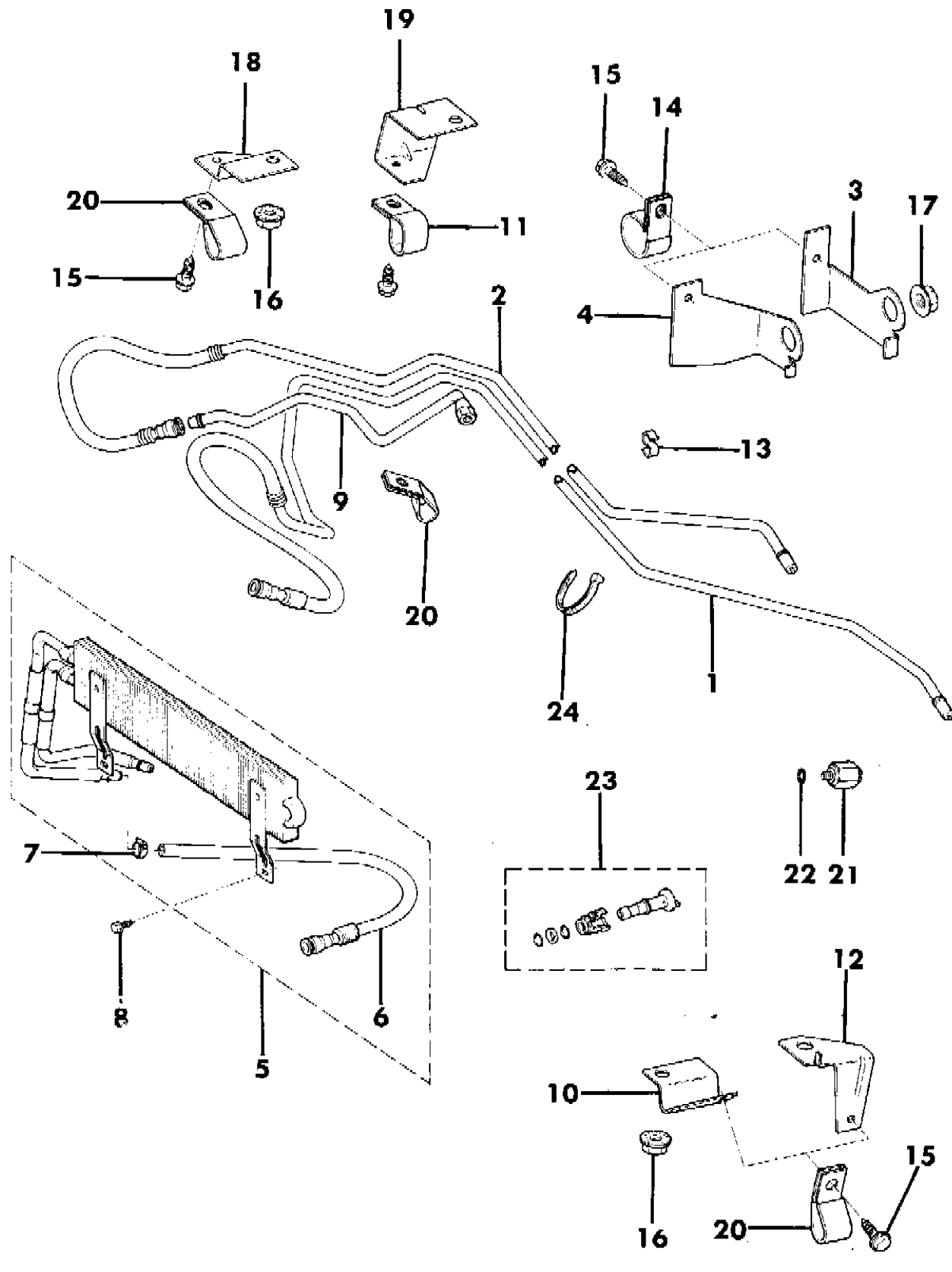
BODY STYLES:

MJ=Comanche Pickup ZJ=Grand Cherokee/Grand Wagoneer KDX VEHICLES
 SJ=Grand Wagoneer M1=Comanche
 XJ=Cherokee, Briarwood X1=Cherokee, Briarwood
 YJ=Wrangler Y1=Wrangler

AR = Use as Required - = Non Illustrated Part P.A.R. = Paint as Required

OIL COOLER AND LINES AUTOMATIC TRANSMISSION CHEROKEE, BRIARWOOD, COMANCHE
Figure 7-1300

91J07 1300



ITEM	PART NUMBER	QTY	BODY	MODEL	DESCRIPTION
1	5300 2868	1			TUBE, Supply - 4 Cylinder Engine
	5300 4531	1			TUBE, Return - 6 Cylinder Engine
	5211 7552	1		RHD	
2	5300 2867	1			TUBE, Return - 4 Cylinder Engine
	5300 4530	1			TUBE, Supply - 6 Cylinder Engine
3	5211 7736	1		RHD	
	5300 4696	1			BRACKET, Tube Clip Support - 4 Cylinder Engine
4	5300 4631	1			BRACKET, Tube Clip Mounting - 6 Cylinder Engine
5					COOLER, Auxiliary Oil, Heavy Duty Cooling
	8220 0668	1			(stamped 52002595)
	5211 8000	1		RHD	
6					HOSE ASSEMBLY - 6 Cylinder Engine
	5200 3476	1			
	5211 7785	1		RHD	
7	J320 3076	1			CLAMP - 6 Cylinder Engine
8	1150 2843	2			SCREW - 6 Cylinder Engine
9					TUBE ASSEMBLY, Oil Cooler ***
	5300 5224	1			
	5211 8100	1		RHD	
	5300 7599	2			CONNECTOR, Automatic Trans. Cooler
	5211 7747	AR			CONNECTOR, Return and Supply Line
10	5300 4992	1			BRACKET - 4 Cylinder Engine
11	3420 2698	2			CLIP - 6 Cylinder Engine
12	5300 4989	1			BRACKET - 6 Cylinder Engine
13	J400 0021	2			CLIP "S" ***
14	J400 1717	1			CLIP
15	J942 1073	AR			SCREW #10-16x.50
16	S027 3801	2			NUT
17	1150 2813	1			NUT - 6 Cylinder Engine
18	5300 4991	1			BRACKET - 4 Cylinder Engine
19	5300 4990	1			BRACKET - 6 Cylinder Engine
20	3420 2697	2			CLIP
21	8350 3728	2			UNION
22	8350 3727	2			O-RING
23	8350 4447	5			REPAIR PACKAGE, Oil Cooler Lines Connect
24	3420 1788	AR			STRAP, Wiring
	J324 1515	AR			Supply to Return Lines

MODEL CODES:

61=Pickup-6 Ft Box 74=4 Door Wagon T=2WD
 62=Pickup-7 Ft Box 77=Open Body 93" Wheelbase J,N,U=4WD
 72=2 Door Wagon 78=Open Body 103" Wheelbase

BODY STYLES:

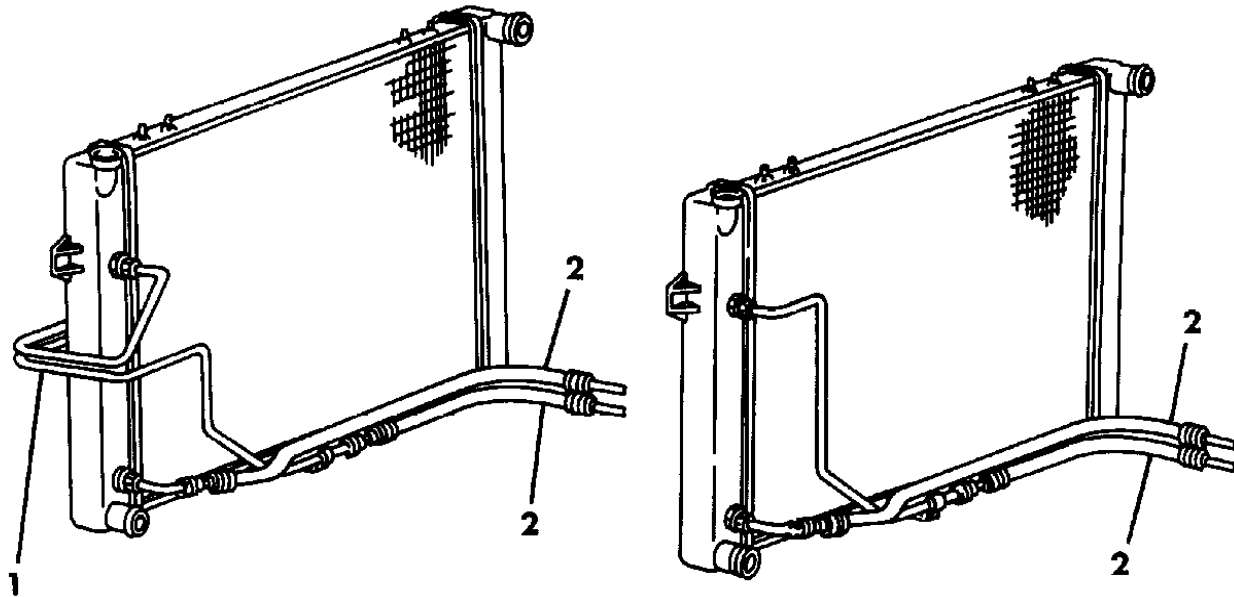
MJ=Comanche Pickup ZJ=Grand Cherokee/Grand Wagoneer KDX VEHICLES
 SJ=Grand Wagoneer M1=Comanche
 XJ=Cherokee, Briarwood Y1=Cherokee, Briarwood
 YJ=Wrangler Y1=Wrangler

AR = Use as Required - = Non Illustrated Part P.A.R. = Paint as Required

OIL COOLER AND LINES 4.0L ENGINE GRAND CHEROKEE (ZJ)

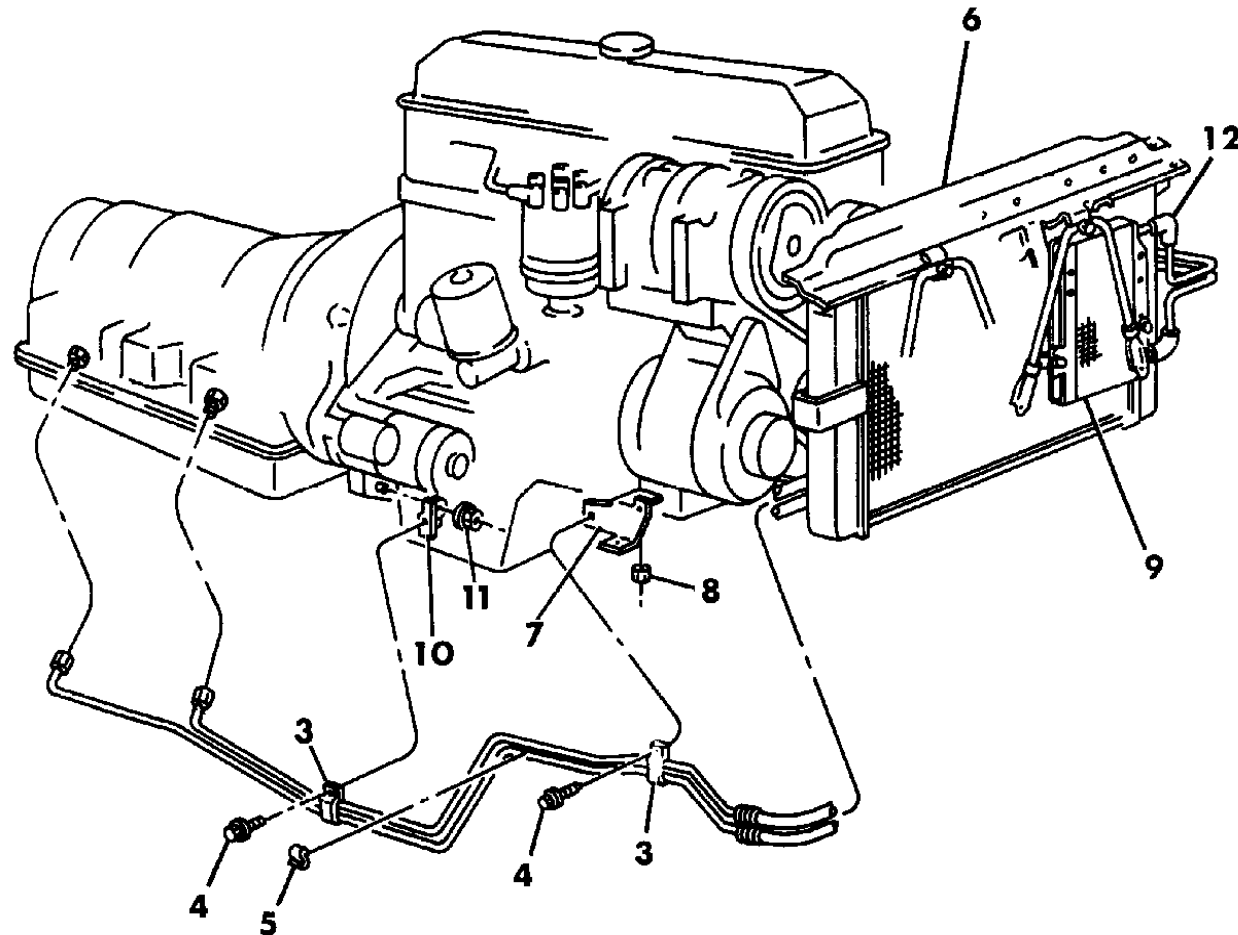
Figure 7-1350

91J07 1350A



W/AUX COOLER

W/O AUX COOLER



ITEM	PART NUMBER	QTY	BODY	MODEL	DESCRIPTION
1					TUBE ASSEMBLY, Oil Cooler ***
					w/Aux. Cooler
	5202 7677	1			Pressure
	5202 7675	1			Return
					w/o Aux. Cooler
	5202 7674	1			Right
		1			Left, Serviced in Radiator
2					TUBE AND HOSE ASSEMBLY, Cooler ***
	5211 7576	1			Pressure w/42RE Trans.
	5211 7577	1			Return w/42RE Trans.
	5300 7135	1			Pressure w/Aisin Warner Trans.
	5300 7134	1			Return w/Aisin Warner Trans.
					CONNECTOR, Automatic Trans. Cooler Lines
	5300 7599	2			Up to 7-16-92
	5211 7712	2			After 7-16-92
	3200 0404	1			CLIP, Radiator to Tube
3		2			CLIP (Not Serviced)
4	3420 1707	2			SCREW
5	5211 7919	1			CLIP
6		1			RADIATOR ASSEMBLY
7	5211 7711	1			BRACKET, Cooler Lines
8		1			NUT (Not Serviced)
9	5300 7137	1			COOLER, Aux. Trans.
	1150 2843	2			SCREW, Oil Cooler Mounting
	J400 4555	2			CLIP, Wrap around, Cooler Attaching
10	5300 7598	1			BRACKET, Tube Clip Support
11	1150 2813	1			NUT
12	5202 7684	2			ELBOW, Oil Cooler
	3300 0785	4			CLAMP, Elbow

MODEL CODES:

61=Pickup-6 Ft Box 74=4 Door Wagon T=2WD
 62=Pickup-7 Ft Box 77=Open Body 93" Wheelbase J,N,U=4WD
 72=2 Door Wagon 78=Open Body 103" Wheelbase

BODY STYLES:

MJ=Comanche Pickup ZJ=Grand Cherokee/Grand Wagoneer KDX VEHICLES
 SJ=Grand Wagoneer M1=Comanche
 XJ=Cherokee, Briarwood X1=Cherokee, Briarwood
 YJ=Wrangler Y1=Wrangler

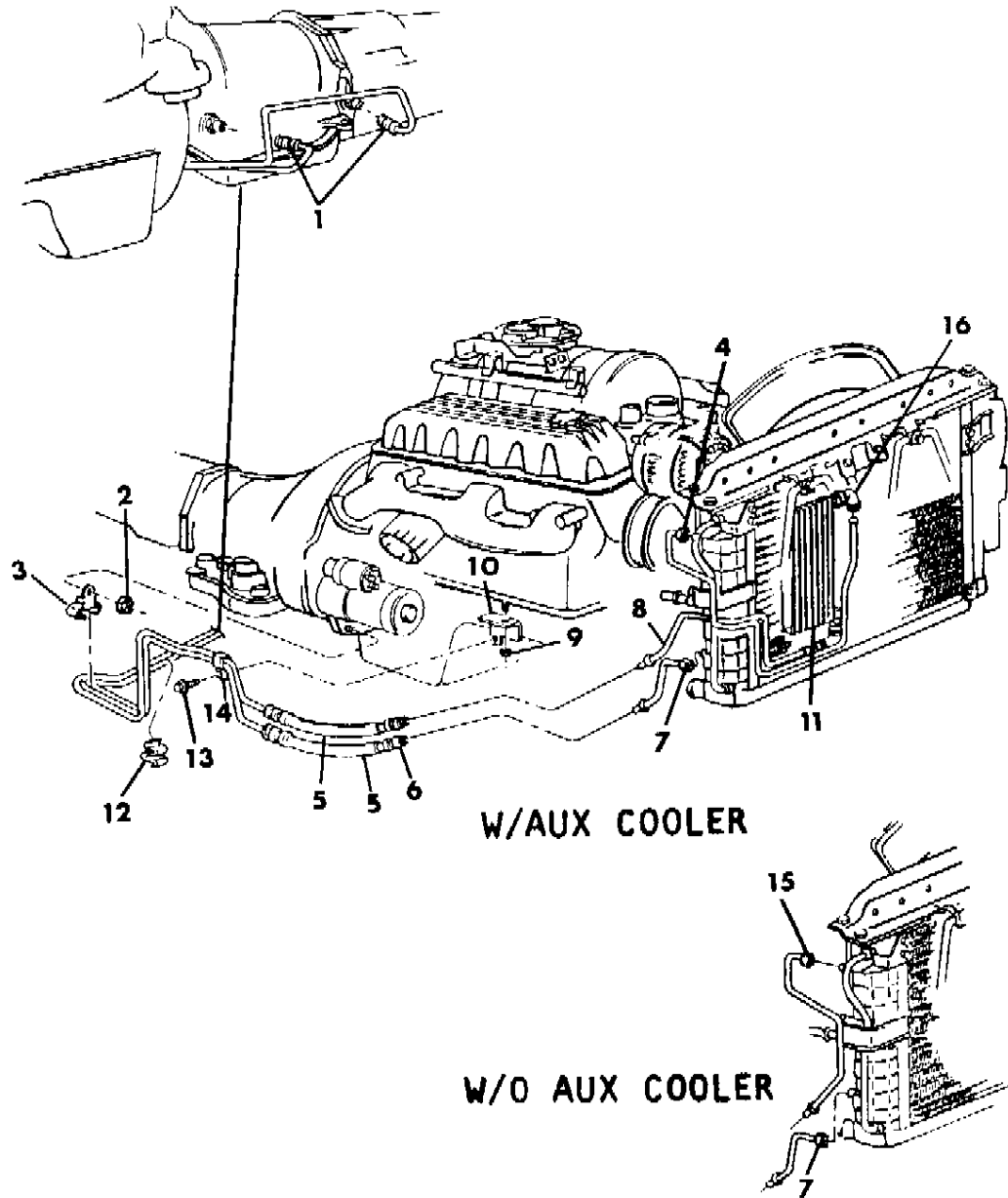
AR = Use as Required - = Non Illustrated Part P.A.R. = Paint as Required

OIL COOLER AND LINES 5.2L ENGINE GRAND CHEROKEE (ZJ)

Figure 7-1370

91J07 1370

ITEM	PART NUMBER	QTY	BODY	MODEL	DESCRIPTION
1					TUBE AND HOSE ASSEMBLY, Cooler ***
	5211 8205	1			Pressure
	5211 8108	1			Return
	4617 517	2			CONNECTOR, Quick Disconnect, Trans.
2	1150 2813	1			NUT
3	5211 7575	1			BRACKET, Cooler Line Mounting
4	5202 7681	1			TUBE ASSEMBLY, Aux. Cooler, Return ***
5	8350 6500	AR			HOSE, Cooler Line (Roll Stock)
6	5211 7712	2			CONNECTOR, Quick Disconnect
7	5202 7682	1			TUBE ASSEMBLY, Cooler, Pressure ***
8	5202 7683	1			TUBE ASSEMBLY, Aux. Cooler, Pressure ***
9		1			NUT (Not Serviced)
10	5211 7711	1			BRACKET, Line Mounting, Right
11	5200 6344	1			COOLER, Aux. Oil
12		1			CLIP, "S" Type (Not Serviced)
13	3420 1707	1			SCREW
14		1			CLIP, Wrap Around (Not Serviced)
15	5202 7869	1			TUBE ASSEMBLY, Cooler, Return ***
16	5202 7684	2			ELBOW, Cooler Lines



MODEL CODES:

61=Pickup-6 Ft Box 74=4 Door Wagon T=2WD
 62=Pickup-7 Ft Box 77=Open Body 93" Wheelbase J,N,U=4WD
 72=2 Door Wagon 78=Open Body 103" Wheelbase

BODY STYLES:

MJ=Comanche Pickup ZJ=Grand Cherokee/Grand Wagoneer KDX VEHICLES
 SJ=Grand Wagoneer M1=Comanche
 XJ=Cherokee, Briarwood X1=Cherokee, Briarwood
 YJ=Wrangler Y1=Wrangler

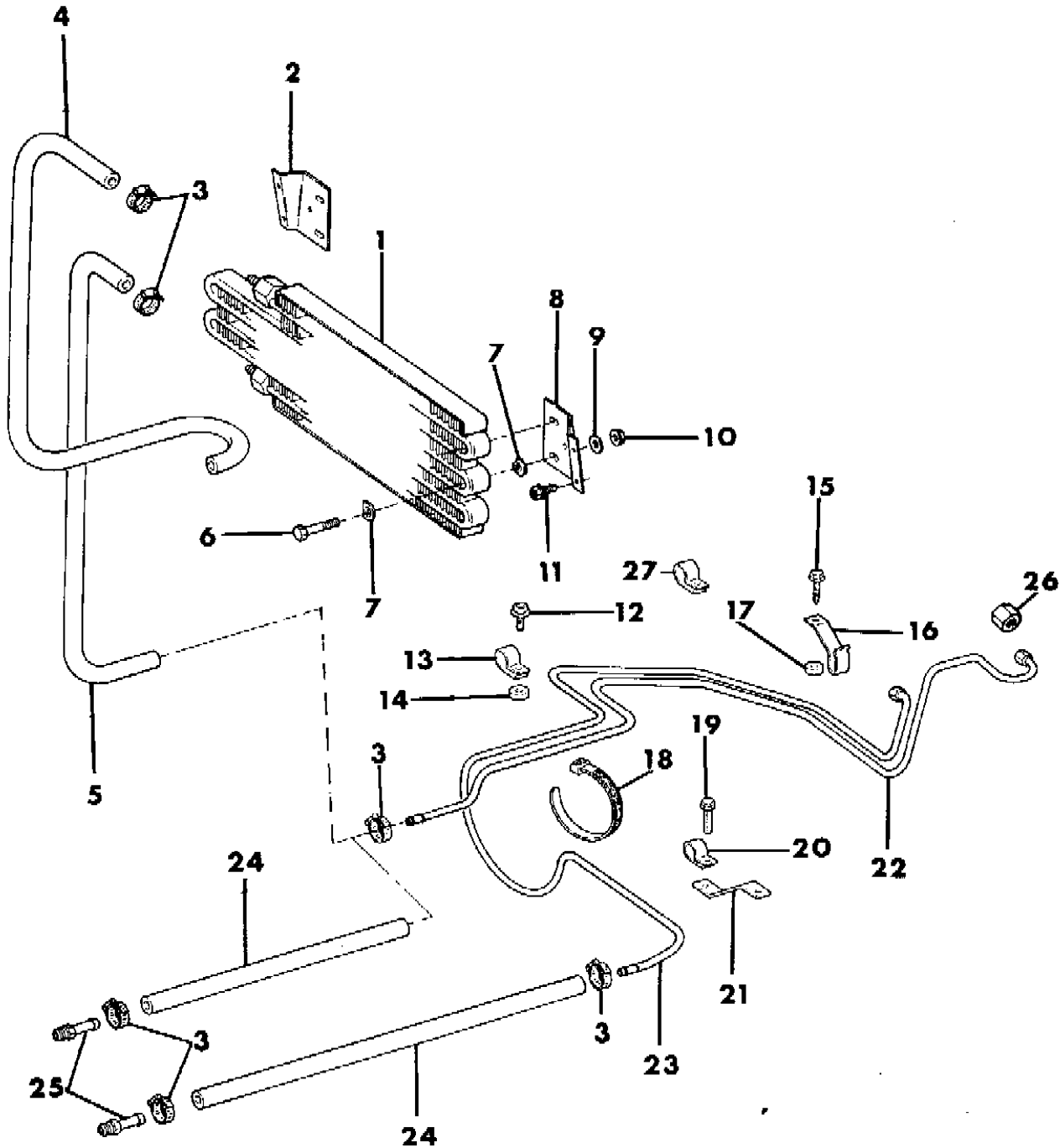
AR = Use as Required - = Non Illustrated Part P.A.R. = Paint as Required

OIL COOLER AND LINES AUTOMATIC TRANSMISSION GRAND WAGONEER (SJ) 1991

Figure 7-1400

91J07 1400

ITEM	PART NUMBER	QTY	BODY	MODEL	DESCRIPTION
1	J536 1659	1			COOLER, Auxiliary Oil
2	J536 1664	1			BRACKET, Auxiliary Oil Cooler, Right Hand
3					CLAMP
	J400 6502	4			.22" to .62"
	J400 6661	4			.44" to .78"
4	J536 1662	1			HOSE, Auxiliary Oil Cooler to Radiator
5	J536 1661	1			HOSE, Transmission Oil Cooler
6	J941 5803	4			SCREW
7	J536 1822	8			WASHER
8	J536 1663	1			BRACKET, Auxiliary Oil Cooler, Left Hand
9	J012 0392	4			WASHER
10	J941 6918	4			NUT
11	J400 1701	4			SCREW
12	J400 6393	1			SCREW
13	J012 0522	1			CLIP, Tube #5x1"
14	J094 1011	1			SPACER
15	J942 3545	1			BOLT
16	J321 5925	1			CLIP
17	J545 5277	1			SPACER
18	J322 3227	AR			STRAP
19	J942 6241	1			SCREW
20	J400 0021	AR			CLIP "S", Oil Cooler Tubes ***
21	J536 3746	1			BRACKET, Oil Cooler Tube Support
22	4418 154	1			TUBE ASSEMBLY, Return ***
23	J536 3808	1			TUBE ASSEMBLY, Oil Cooler Supply ***
24	J812 5814	1			HOSE Bulk
25	J400 6662	2			CONNECTOR, Auxiliary Oil Cooler Return Lines
26	J400 4457	2			NUT, Hex Tube 1/2-20 Return Cooling Lines
27	J012 0527	1			CLIP, Closed #10x1" Right Side



MODEL CODES:

61=Pickup-6 Ft Box 74=4 Door Wagon T=2WD
 62=Pickup-7 Ft Box 77=Open Body 93" Wheelbase J,N,U=4WD
 72=2 Door Wagon 78=Open Body 103" Wheelbase

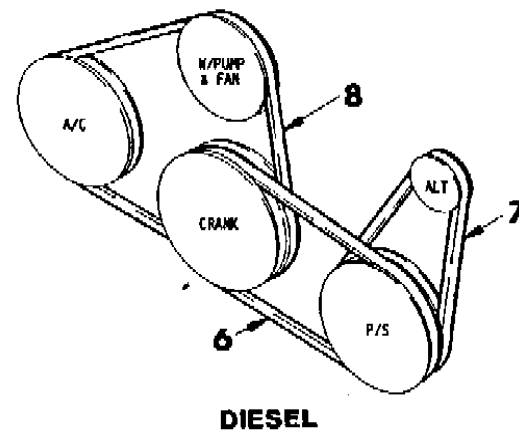
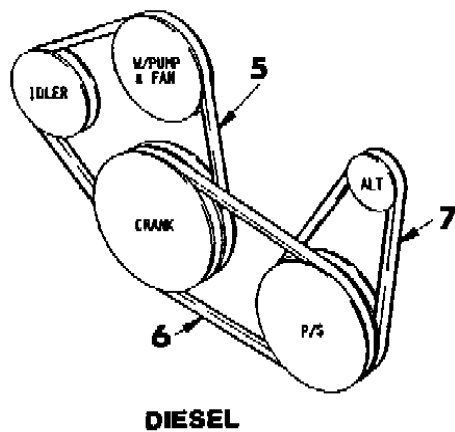
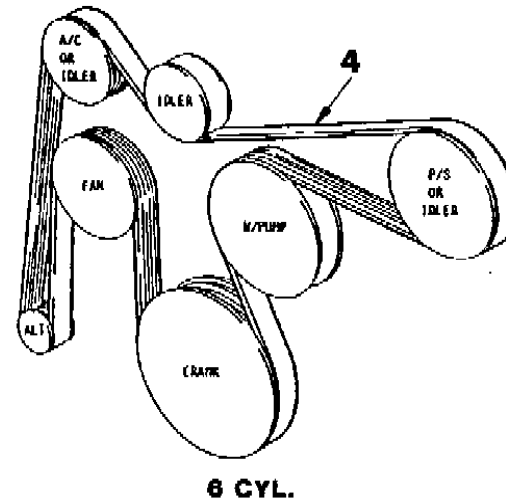
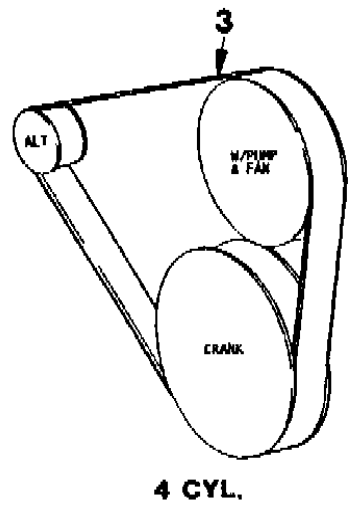
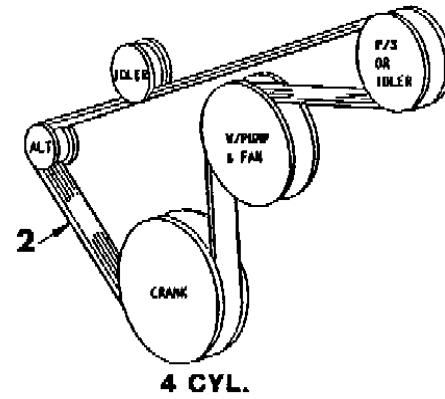
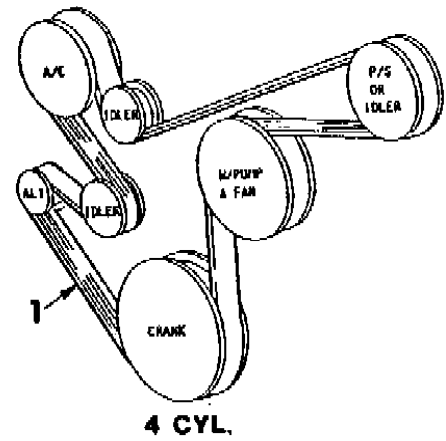
BODY STYLES:

MJ=Comanche Pickup ZJ=Grand Cherokee/Grand Wagoneer KDX VEHICLES
 SJ=Grand Wagoneer M1=Comanche
 XJ=Cherokee, Briarwood X1=Cherokee, Briarwood
 YJ=Wrangler Y1=Wrangler

AR = Use as Required - = Non Illustrated Part P.A.R. = Paint as Required

DRIVE BELTS BRIARWOOD, CHEROKEE, COMANCHE
Figure 7-1600

91J07 1600



ITEM	PART NUMBER	QTY	BODY	MODEL	DESCRIPTION
1	5300 7539	1			BELT, Serpentine (2.5L Engine)
	5301 0288	1			RHD
2	5300 7595	1			BELT, w/o A/C (2.5L Engine)
3	5301 0010	1		MJ	BELT, w/o A/C, w/o Power Steering (2.5L Engine)
4	5300 6870	1			BELT, Serpentine (4.0L Engine)
	5301 0279	1			RHD
5	5300 1772	1			BELT, Fan and Idler Pulley (Diesel Engine)
6	5300 1773	1			BELT, Power Steering Drive (Diesel Engine)
7	5300 1774	1			BELT, Alternator Drive (Diesel Engine)
8	5300 2341	1			BELT, Compressor Drive (Diesel Engine)
	5300 6398	1			LABEL, Belt Routing 2.5L Engine
	5300 6399	1			4.0L Engine
	5301 0059	1			2.5L Engine RHD
	5301 0058	1			4.0L Engine RHD

MODEL CODES:

61=Pickup-6 Ft Box 74=4 Door Wagon T=2WD
62=Pickup-7 Ft Box 77=Open Body 93" Wheelbase J,N,U=4WD
72=2 Door Wagon 78=Open Body 103" Wheelbase

BODY STYLES:

MJ=Comanche Pickup ZJ=Grand Cherokee/Grand Wagoneer KDX VEHICLES
SJ=Grand Wagoneer M1=Comanche
XJ=Cherokee, Briarwood X1=Cherokee, Briarwood
YJ=Wrangler Y1=Wrangler

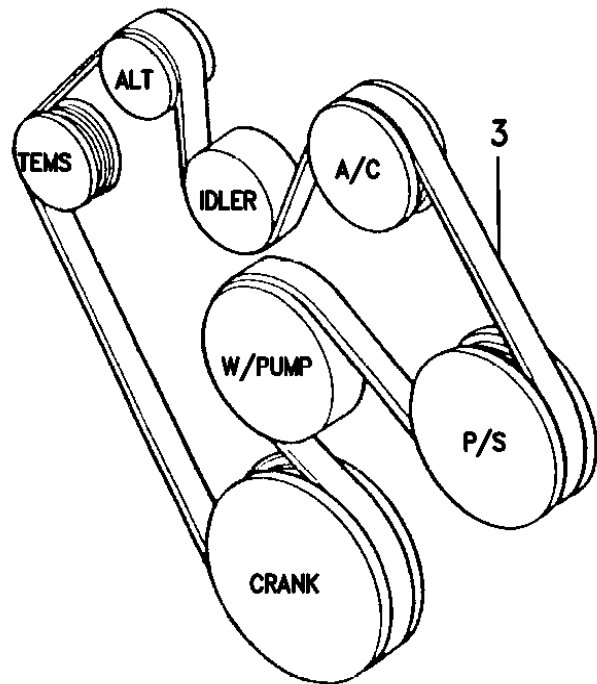
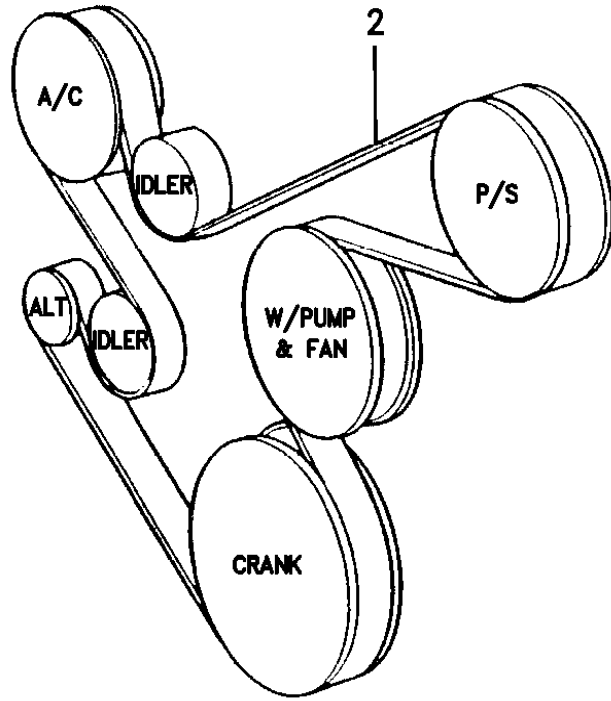
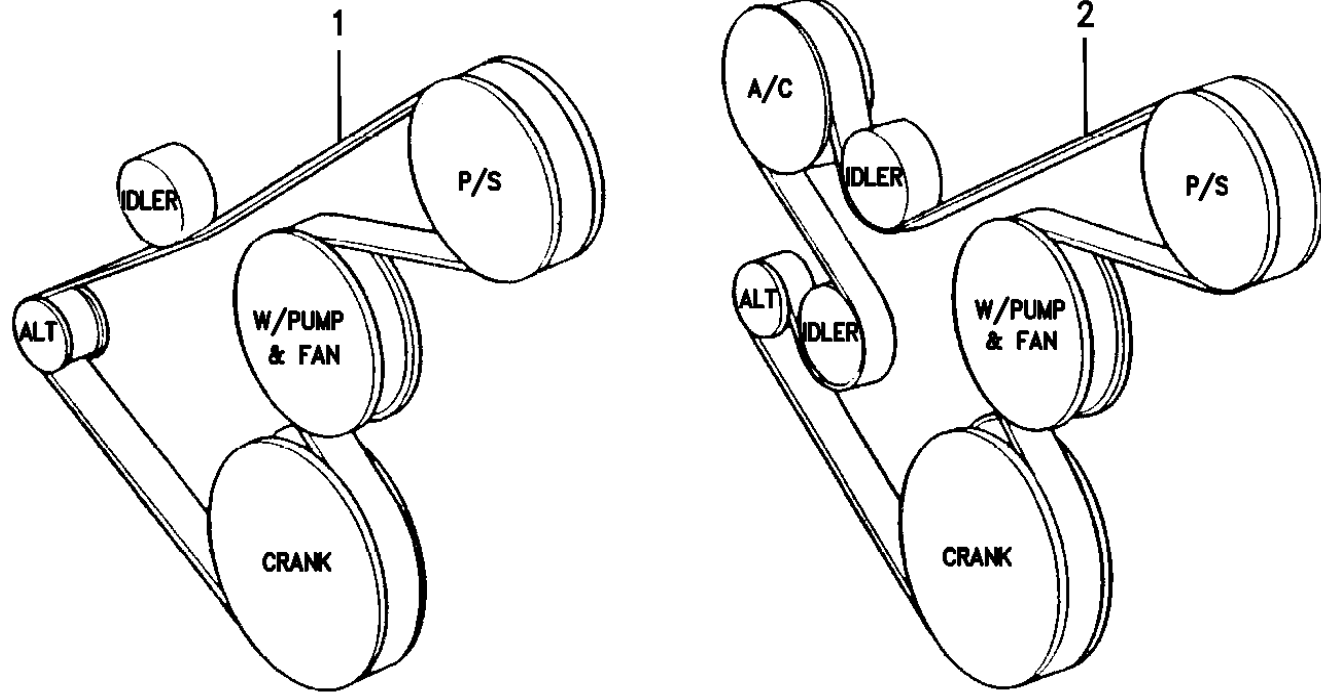
AR = Use as Required - = Non Illustrated Part P.A.R. = Paint as Required

DRIVE BELT GRAND CHEROKEE (ZJ)
Figure 7-1650

91J07 1650B

ITEM	PART NUMBER	QTY	BODY	MODEL	DESCRIPTION
------	-------------	-----	------	-------	-------------

1	5300 7595	1			BELT, Drive, 4.0L Eng., w/o A/C
2	4612 277	1			BELT, Drive, 4.0L Eng., w/A/C
3	5300 8744	1			BELT, Drive, 5.2L Eng.



MODEL CODES:

61=Pickup-6 Ft Box 74=4 Door Wagon T=2WD
62=Pickup-7 Ft Box 77=Open Body 93" Wheelbase J,N,U=4WD
72=2 Door Wagon 78=Open Body 103" Wheelbase

BODY STYLES:

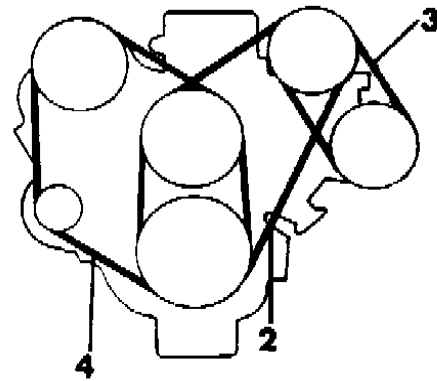
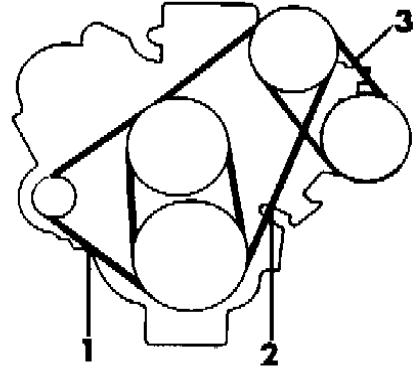
MJ=Comanche Pickup ZJ=Grand Cherokee/Grand Wagoneer KDX VEHICLES
SJ=Grand Wagoneer M1=Comanche
XJ=Cherokee, Briarwood X1=Cherokee, Briarwood
YJ=Wrangler Y1=Wrangler

AR = Use as Required - = Non Illustrated Part P.A.R. = Paint as Required

DRIVE BELTS GRAND WAGONEER (SJ) 1991
Figure 7-1700

91J07 1700 A

ITEM	PART NUMBER	QTY	BODY	MODEL	DESCRIPTION
1	J322 7690	1			BELT, Alternator - 56 or 78 Ampere
	J536 2181	1			BELT SET, Alternator - 85 or 94 Ampere ***
2	J322 7692	1			BELT, Power Steering
3	J322 8287	1			BELT, Air Pump
4					BELT SET, Alternator ***
	J322 7691	1			56, 78 or 94 Ampere ***
	J536 2180	1			85 Ampere



MODEL CODES:

61=Pickup-6 Ft Box 74=4 Door Wagon T=2WD
62=Pickup-7 Ft Box 77=Open Body 93" Wheelbase J,N,U=4WD
72=2 Door Wagon 78=Open Body 103" Wheelbase

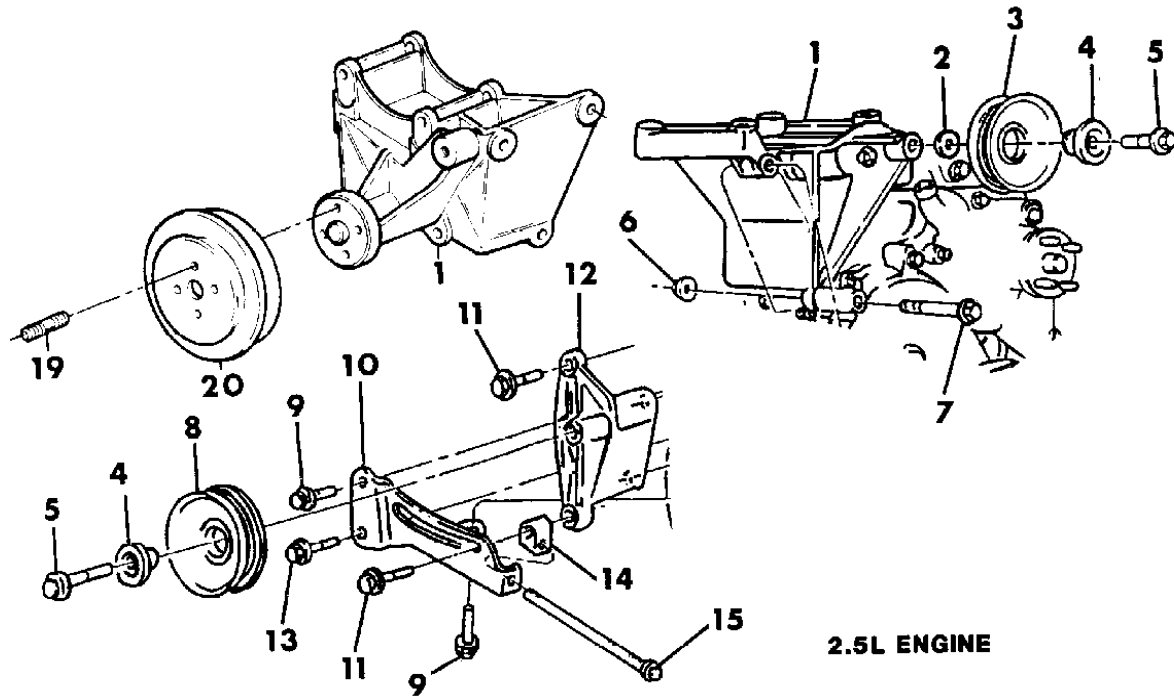
BODY STYLES:

MJ=Comanche Pickup ZJ=Grand Cherokee/Grand Wagoneer KDX VEHICLES
SJ=Grand Wagoneer M1=Comanche
XJ=Cherokee, Briarwood X1=Cherokee, Briarwood
YJ=Wrangler Y1=Wrangler

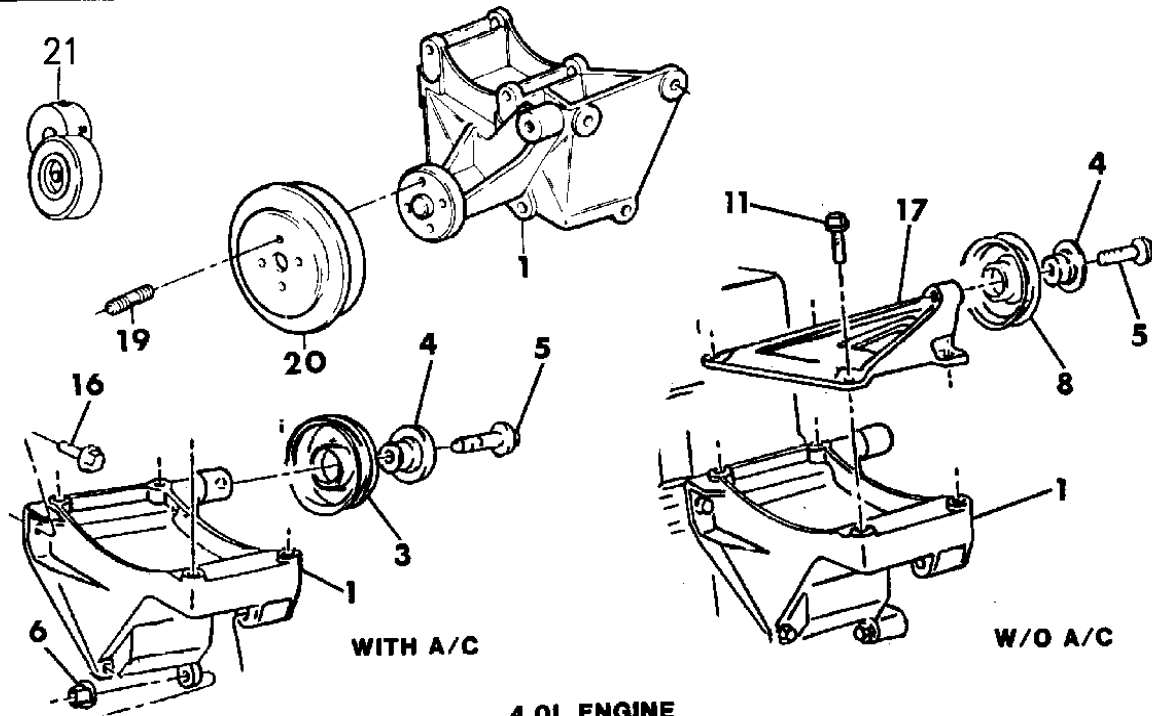
AR = Use as Required - = Non Illustrated Part P.A.R. = Paint as Required

DRIVE PULLEYS AND MOUNTING CHEROKEE, COMANCHE BRIARWOOD, WRANGLER
Figure 7-1800

91J07 1800C



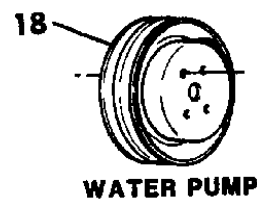
2.5L ENGINE



WITH A/C

W/O A/C

4.0L ENGINE



WATER PUMP

ITEM	PART NUMBER	QTY	BODY	MODEL	DESCRIPTION
1					BRACKET ASSEMBLY ***
	5300 7600	1	YJ		
	5300 7600	1	MJ, XJ		2.5L Engine
	5301 0089	1	XJ		2.5L Engine CHINA and RHD
	5300 6548	1	MJ, XJ		4.0L Engine
	5301 0023	1	XJ		4.0L Engine RHD
	5301 0125	1			BRACKET, Block to A/C Adapter, 4.0L Engine RHD
2	3420 2884	1			WASHER
3					PULLEY ASSEMBLY, Idler
	5300 2905	1			Heater only
	5300 2905	2			A/C
4	3300 2201	1			BUSHING
5					BOLT
	6502 137	1			
	6502 138	1			with A/C
6	6502 135	1			NUT
7	6502 138	1			BOLT
8	5300 2903	1			PULLEY ASSEMBLY
9		AR			BOLT (Not Serviced)
10	5300 2913	1			BRACKET
11		2			SCREW AND WASHER (Not Serviced) ***
12	5300 8155	1			BRACKET, w/o Power Steering
13	6025 063	5			BOLT
14	5300 2915	1			COLLAR, Adjusting
15	3420 2480	1			BOLT
16					SCREW AND WASHER (Not Serviced) ***
17					BRACKET, Idler Pulley Mounting
	5300 8155	1	YJ		
	5300 6551	1	XJ, MJ		
18					PULLEY, Water Pump
	5300 7154	1	YJ		
	5300 7154	1	XJ, MJ		2.5L Engine
	J323 7564	1	XJ		2.5L Engine KDX
	5300 2907	1	XJ, MJ		4.0L Engine
19	J400 6714	4			STUD
20	5300 2906	1			PULLEY, Fan
21	4762 417	1			TENSIONER PACKAGE, Belt, 4.0L Engine RHD ***
-	6034 250	1			BOLT, Torx Head, Tensioner to Bracket RHD

MODEL CODES:

61=Pickup-6 Ft Box 74=4 Door Wagon T=2WD
62=Pickup-7 Ft Box 77=Open Body 93" Wheelbase J,N,U=4WD
72=2 Door Wagon 78=Open Body 103" Wheelbase

BODY STYLES:

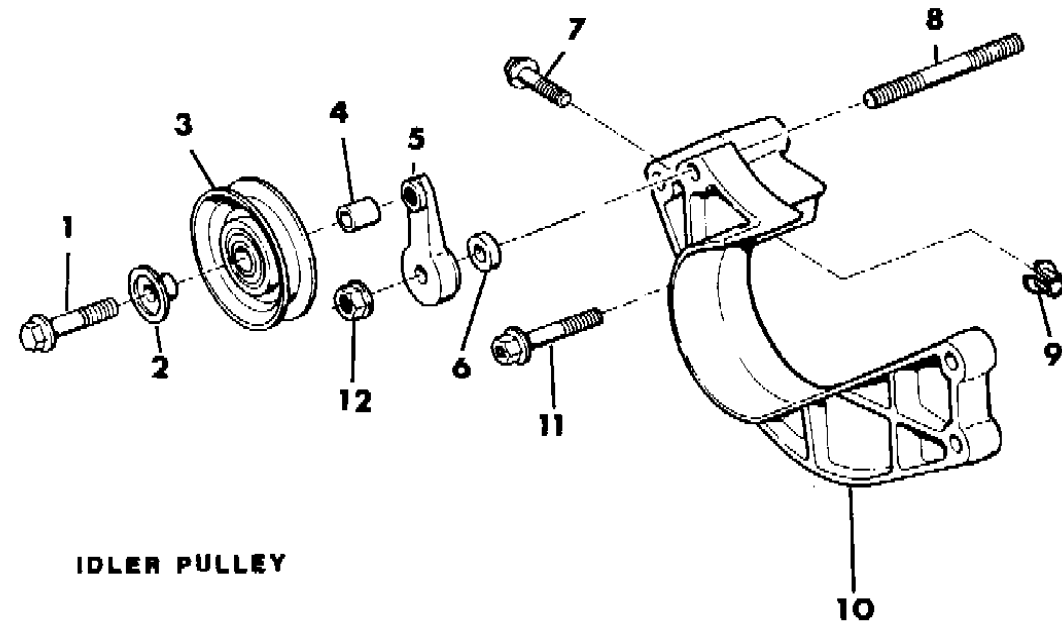
MJ=Comanche Pickup ZJ=Grand Cherokee/Grand Wagoneer KDX VEHICLES
SJ=Grand Wagoneer M1=Comanche
XJ=Cherokee, Briarwood X1=Cherokee, Briarwood
YJ=Wrangler Y1=Wrangler

AR = Use as Required - = Non Illustrated Part P.A.R. = Paint as Required

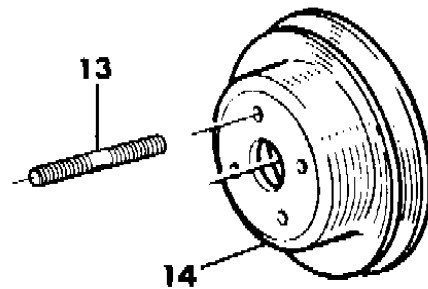
DRIVE PULLEYS DIESEL ENGINE CHEROKEE, COMANCHE

Figure 7-1900

91J07 1900 A



IDLER PULLEY



WATER PUMP PULLEY

ITEM	PART NUMBER	QTY	BODY	MODEL	DESCRIPTION
1	3420 2060	1			BOLT
2	3300 2201	1			BUSHING
3	J324 0577	1			PULLEY, Idler
4	3420 2054	1			SPACER
5	J324 0576	1			ECCENTRIC, Idler
6	3420 2053	1			SPACER
7	3420 1869	1			BOLT
8	3420 1743	1			STUD
9	5300 0548	1			SPACER
10	5300 1771	1			BRACKET, Idler
11	3420 2047	1			BOLT
12	J420 0081	1			NUT
13	3420 2197	4			STUD
14	T072 5803	1			PULLEY

MODEL CODES:

61=Pickup-6 Ft Box 74=4 Door Wagon T=2WD
 62=Pickup-7 Ft Box 77=Open Body 93" Wheelbase J,N,U=4WD
 72=2 Door Wagon 78=Open Body 103" Wheelbase

BODY STYLES:

MJ=Comanche Pickup ZJ=Grand Cherokee/Grand Wagoneer KDX VEHICLES
 SJ=Grand Wagoneer M1=Comanche
 XJ=Cherokee, Briarwood X1=Cherokee, Briarwood
 YJ=Wrangler Y1=Wrangler

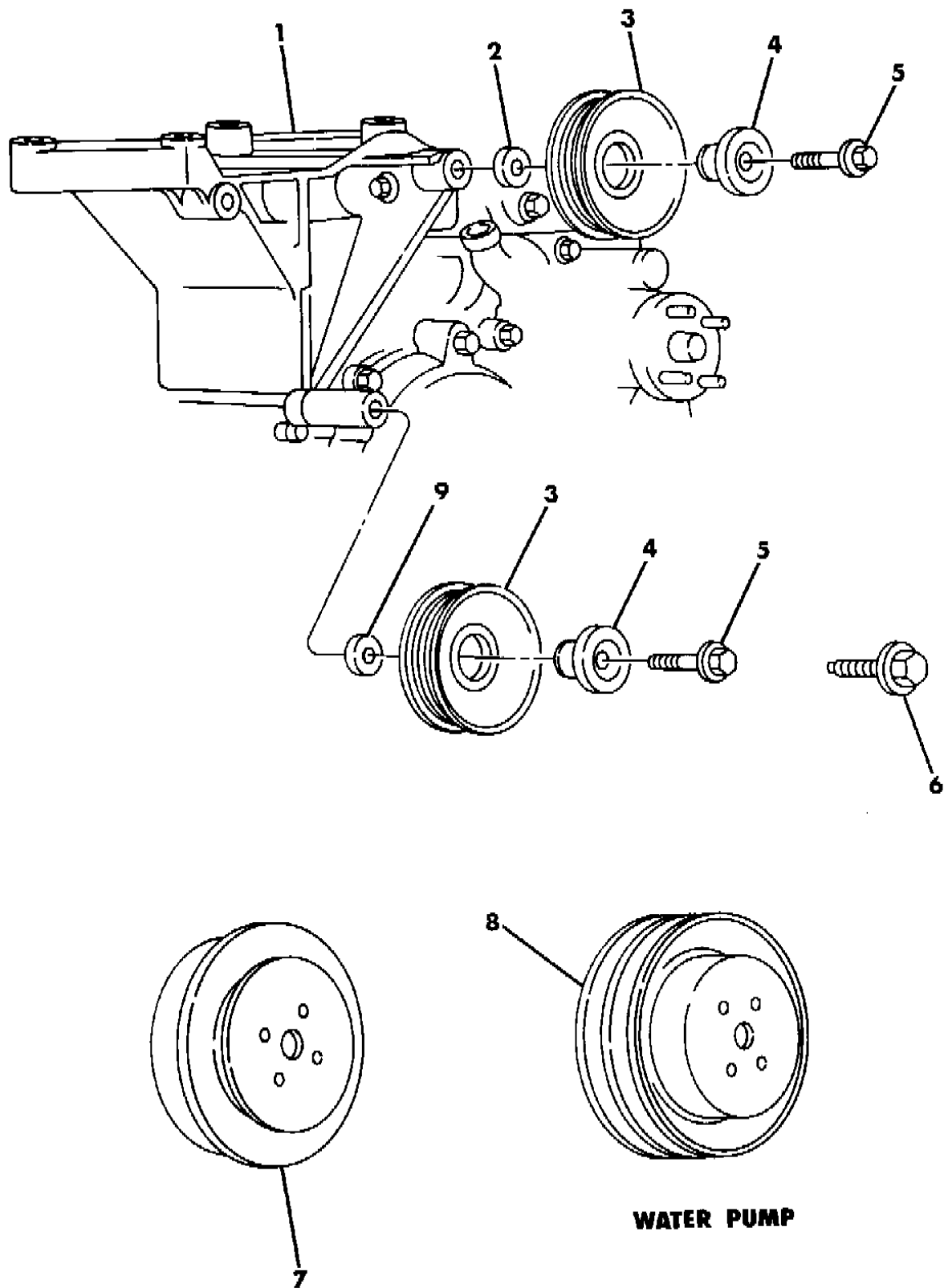
AR = Use as Required - = Non Illustrated Part P.A.R. = Paint as Required

DRIVE PULLEYS AND MOUNTING 4.0L ENGINE GRAND CHEROKEE (ZJ)

Figure 7-1950

91J07 1950

ITEM	PART NUMBER	QTY	BODY	MODEL	DESCRIPTION
1	5300 8443	1			BRACKET
2	3420 2884	1			WASHER
3	5300 2905	1			PULLEY, Idler Upper&Lower
4	3300 2201	2			BUSHING
	6502 122	1			SPACER
5					BOLT, Idler Pulley
	6502 137	1			Upper Pulley
	6502 138	1			Lower Pulley
6	6502 957	1			BOLT, w/o A/C
7	5300 2906	1			PULLEY, Fan
8	5300 7154	1			PULLEY, Water Pump
9	6502 122	1			SPACER



MODEL CODES:

61=Pickup-6 Ft Box 74=4 Door Wagon T=2WD
 62=Pickup-7 Ft Box 77=Open Body 93" Wheelbase J,N,U=4WD
 72=2 Door Wagon 78=Open Body 103" Wheelbase

BODY STYLES:

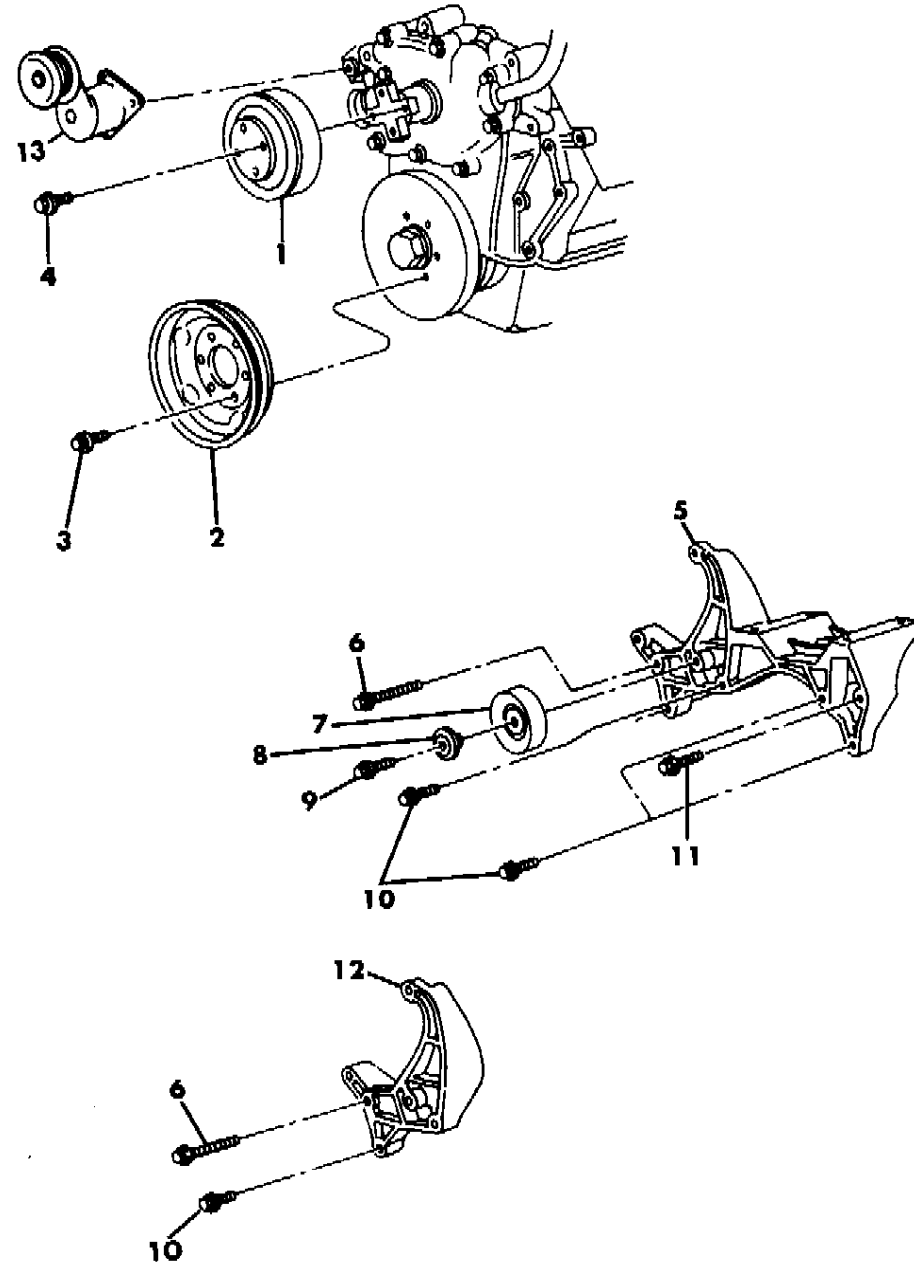
MJ=Comanche Pickup ZJ=Grand Cherokee/Grand Wagoneer KDX VEHICLES
 SJ=Grand Wagoneer M1=Comanche
 XJ=Cherokee, Briarwood X1=Cherokee, Briarwood
 YJ=Wrangler Y1=Wrangler

AR = Use as Required - = Non Illustrated Part P.A.R. = Paint as Required

DRIVE PULLEYS 5.2L ENGINE GRAND CHEROKEE (ZJ)

Figure 7-1970

91J07 1970



ITEM	PART NUMBER	QTY	BODY	MODEL	DESCRIPTION
1	5300 5607	1			PULLEY, Fan
2	5300 6496	1			PULLEY, Drive
3		6			SCREW and WASHER (Not Serviced)
4		4			SCREW and WASHER (Not Serviced)
5	5300 8614	1			BRACKET, Alternator and Compressor Mounting
6	6034 247	AR			BOLT
7	5300 9508	1			PULLEY ASSEMBLY, Idler
8	3300 2201	1			BUSHING
9					BOLT (Not Serviced)
10					BOLT (Not Serviced)
11	6034 246	1			BOLT
12	5300 8618	1			BRACKET, w/o A/C
13	5301 0158	1			TENSIONER ASSEMBLY, w/Bracket ***

MODEL CODES:

61=Pickup-6 Ft Box 74=4 Door Wagon T=2WD
 62=Pickup-7 Ft Box 77=Open Body 93" Wheelbase J,N,U=4WD
 72=2 Door Wagon 78=Open Body 103" Wheelbase

BODY STYLES:

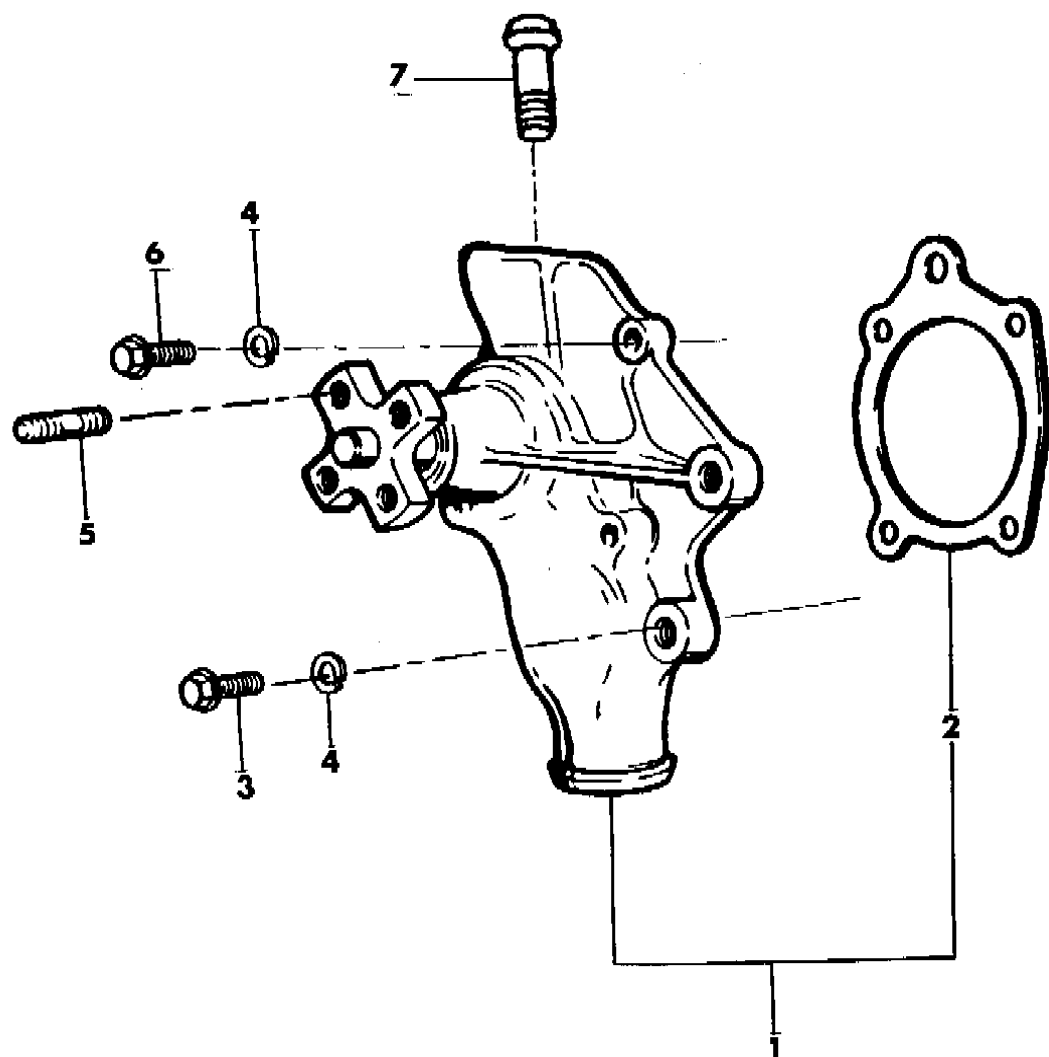
MJ=Comanche Pickup ZJ=Grand Cherokee/Grand Wagoneer KDX VEHICLES
 SJ=Grand Wagoneer M1=Comanche
 XJ=Cherokee, Briarwood X1=Cherokee, Briarwood
 YJ=Wrangler Y1=Wrangler

AR = Use as Required - = Non Illustrated Part P.A.R. = Paint as Required

WATER PUMP WRANGLER, YJ
Figure 7-2000

91J07 2000

ITEM	PART NUMBER	QTY	BODY	MODEL	DESCRIPTION
1	4626 054	1			PUMP PACKAGE, Coolant, 2.5L - 4.0L Engine ***
2	J317 3204	1			GASKET
3	J400 6908	2			BOLT
4	J012 0214	8			WASHER
5	J400 6714	4			STUD
6					BOLT
	J400 3872	2			2.5L Engine
	J943 1975	2			4.0L Engine
7	5300 7978	1			TUBE, Water Pump Heater Return



MODEL CODES:

61=Pickup-6 Ft Box 74=4 Door Wagon T=2WD
 62=Pickup-7 Ft Box 77=Open Body 93" Wheelbase J,N,U=4WD
 72=2 Door Wagon 78=Open Body 103" Wheelbase

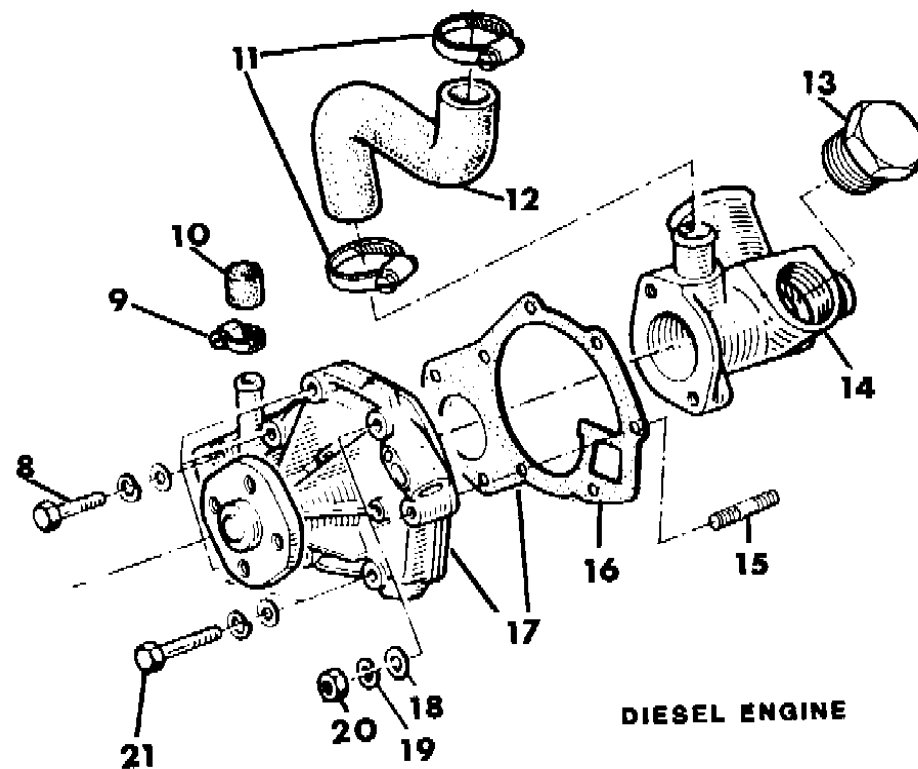
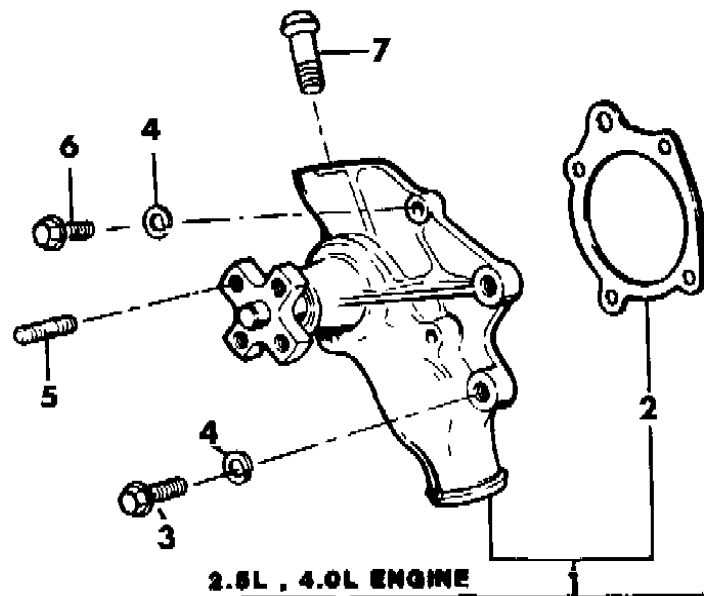
BODY STYLES:

MJ=Comanche Pickup ZJ=Grand Cherokee/Grand Wagoneer KDX VEHICLES
 SJ=Grand Wagoneer M1=Comanche
 XJ=Cherokee, Briarwood X1=Cherokee, Briarwood
 YJ=Wrangler Y1=Wrangler

AR = Use as Required - = Non Illustrated Part P.A.R. = Paint as Required

WATER PUMP AND RELATED PARTS BRIARWOOD, CHEROKEE, COMANCHE, GRAND CHEROKEE (ZJ)2.5L - 4.0L - DIESEL ENGINE
Figure 7-2100

91J07 2100 A



ITEM	PART NUMBER	QTY	BODY	MODEL	DESCRIPTION
1					PUMP PACKAGE, Water ***
	4626 054				2.5L Engine
	4637 500	1			2.5L CHINA
	4626 215	1			4.0L Engine
	4626 054	1	ZJ		4.0L Engine
	6034 328	1			NIPPLE, Water Pump, Heater Hose
2	J317 3204	1			GASKET
3	J400 6908	2			BOLT
4	J012 0214	4			WASHER
5					
	J400 6714	4			STUD
	J027 1184	4			NUT and WASHER
6					BOLT
	J400 3872	2			2.5L Engine
	J812 1298	3			4.0L Engine
7	5300 7978	1			TUBE, Water Pump Heater Return
8	T300 1123	4			BOLT
9	3300 0784	1			CLAMP
10	T065 7697	1			CAP
11	J320 3077	2			CLAMP
12	T066 1636	1			HOSE
13	T307 5133	1			PLUG
14	T071 5330	1			OUTLET, Water Pump
15	T302 7095	2			STUD
16	J073 5848	1			GASKET
17					PUMP PACKAGE, Water
	JR77 5056	1			Remanufactured
	T146 1336	1			Export
18	T305 3074	14			WASHER, Flat
19	T305 5031	14			WASHER, Lock
20	J303 2012	2			NUT
21	J300 1607	2			BOLT

MODEL CODES:

61=Pickup-6 Ft Box 74=4 Door Wagon T=2WD
 62=Pickup-7 Ft Box 77=Open Body 93" Wheelbase J,N,U=4WD
 72=2 Door Wagon 78=Open Body 103" Wheelbase

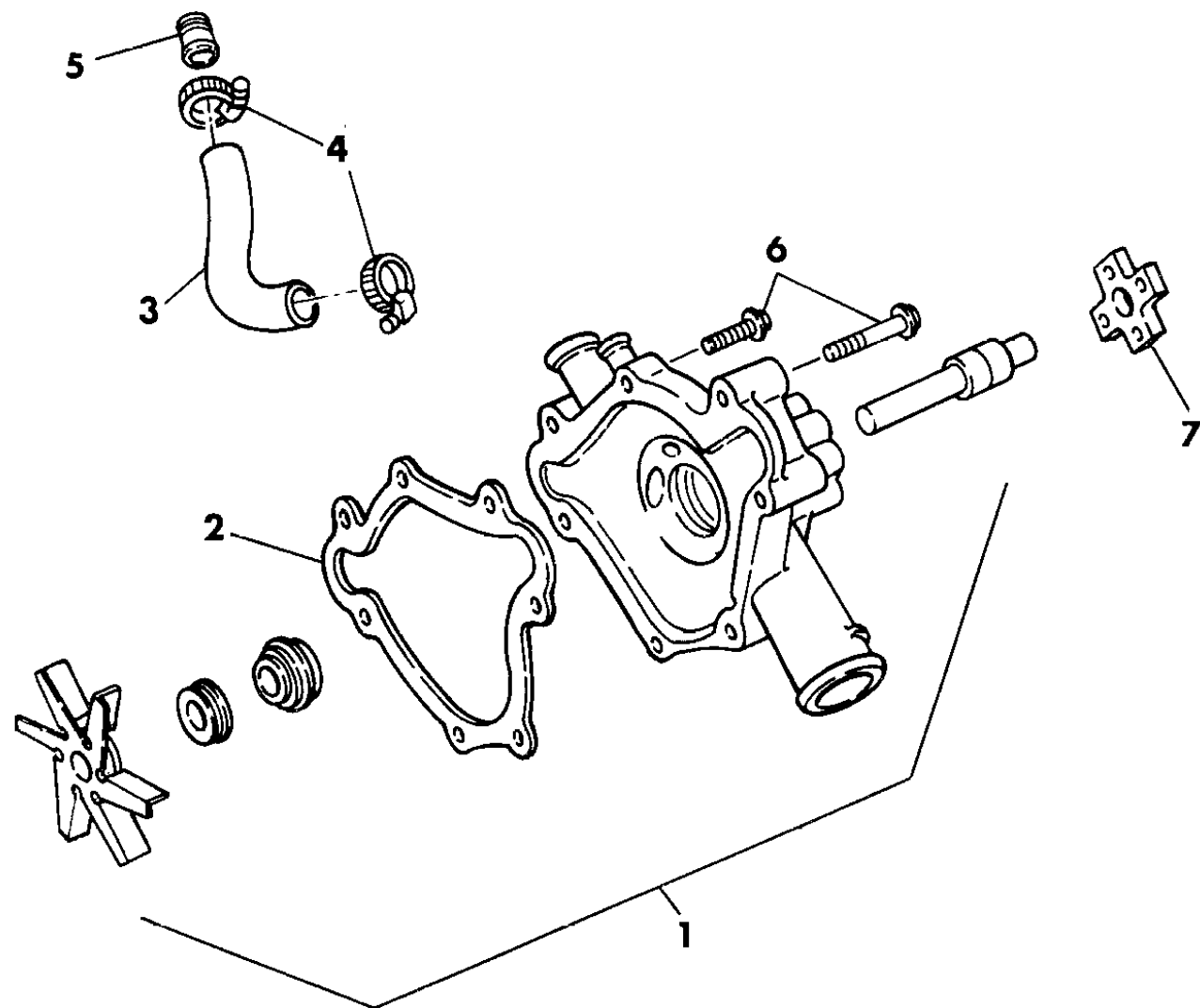
BODY STYLES:

MJ=Comanche Pickup ZJ=Grand Cherokee/Grand Wagoneer KDX VEHICLES
 SJ=Grand Wagoneer M1=Comanche
 XJ=Cherokee, Briarwood X1=Cherokee, Briarwood
 YJ=Wrangler Y1=Wrangler

AR = Use as Required - = Non Illustrated Part P.A.R. = Paint as Required

WATER PUMP AND RELATED PARTS GRAND CHEROKEE (ZJ) 5.2L ENGINE
Figure 7-2150

91J07 2150



ITEM	PART NUMBER	QTY	BODY	MODEL	DESCRIPTION
1	5302 0280	1			PUMP, Water, w/o Gasket
2	4483 757	1			GASKET, Pump
3	5300 8654	1			HOSE, Water Pump By-Pass
4	3683 824	2			CLAMP
5	5302 0185	1			NIPPLE, By-Pass
6					SCREW, Pump Attaching
	6034 279	3			3/8 x 1.75
	6034 076	4			3/8 x 4.50
7	5300 8291	1			HUB, Pulley

MODEL CODES:

61=Pickup-6 Ft Box 74=4 Door Wagon T=2WD
 62=Pickup-7 Ft Box 77=Open Body 93" Wheelbase J,N,U=4WD
 72=2 Door Wagon 78=Open Body 103" Wheelbase

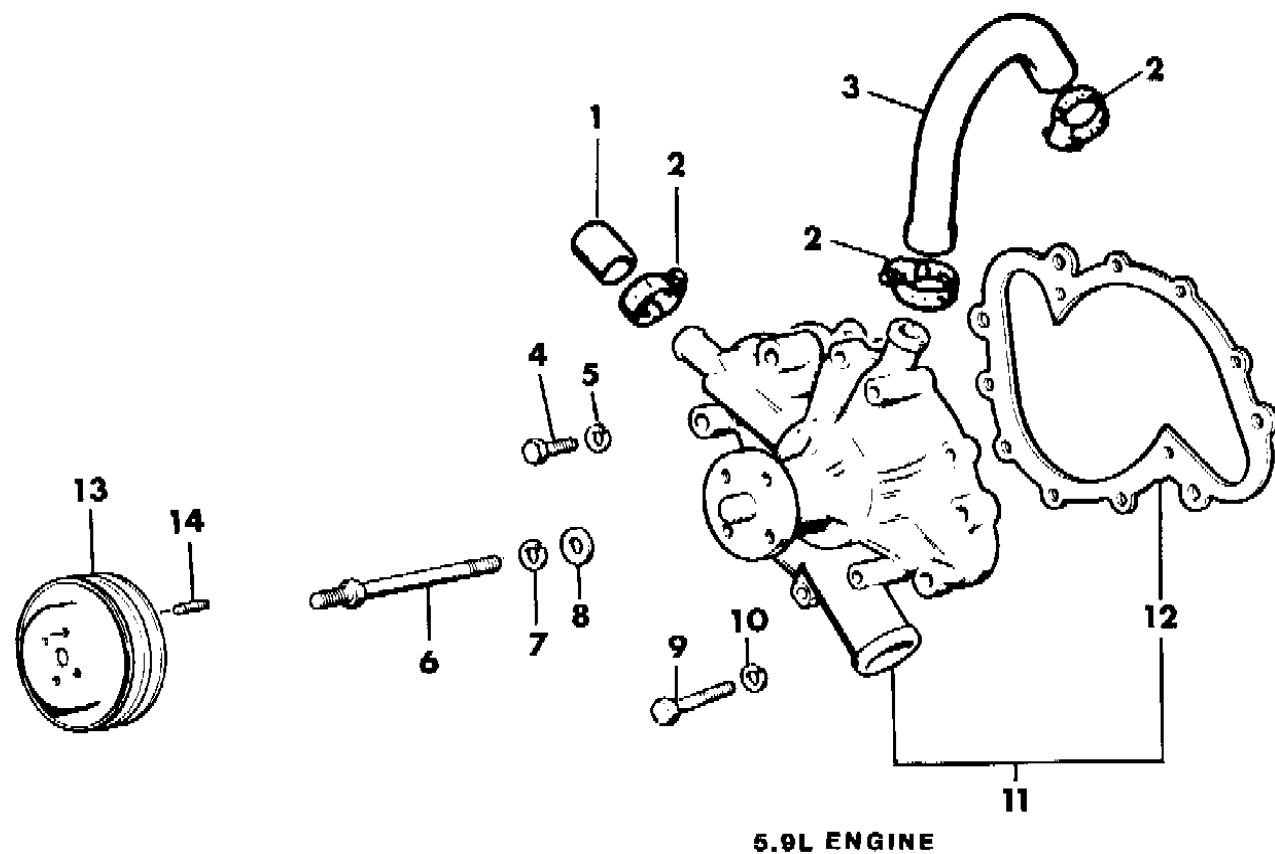
BODY STYLES:

MJ=Comanche Pickup ZJ=Grand Cherokee/Grand Wagoneer KDX VEHICLES
 SJ=Grand Wagoneer M1=Comanche
 XJ=Cherokee, Briarwood X1=Cherokee, Briarwood
 YJ=Wrangler Y1=Wrangler

AR = Use as Required - = Non Illustrated Part P.A.R. = Paint as Required

WATER PUMP AND RELATED PARTS GRAND WAGONEER (SJ) 1991
Figure 7-2200

91J07 2200 A



ITEM	PART NUMBER	QTY	BODY	MODEL	DESCRIPTION
1	J316 0337	1			CAP
2	J320 3077	3			CLAMP
3	J318 2494	1			HOSE
4					BOLT
	J017 9806	3			2.25"
	J017 9798	4			1.12"
5	J012 0380	7			WASHER
6	J318 5530	1			STUD
7	J400 3803	1			WASHER
8	J400 1829	1			WASHER
9	J018 6288	1			BOLT 4.50"
10	J400 3803	2			WASHER, Lock
11					PUMP, Coolant
	JR77 5050	1			Remanufactured
	J323 4427	1			Export
12	J318 1899	1			GASKET
13	J322 7673	1			PULLEY
14	J400 6714	4			STUD

MODEL CODES:
 61=Pickup-6 Ft Box 74=4 Door Wagon T=2WD
 62=Pickup-7 Ft Box 77=Open Body 93" Wheelbase J,N,U=4WD
 72=2 Door Wagon 78=Open Body 103" Wheelbase

BODY STYLES:
 MJ=Comanche Pickup ZJ=Grand Cherokee/Grand Wagoneer KDX VEHICLES
 SJ=Grand Wagoneer M1=Comanche
 XJ=Cherokee, Briarwood X1=Cherokee, Briarwood
 YJ=Wrangler Y1=Wrangler

AR = Use as Required - = Non Illustrated Part P.A.R. = Paint as Required

GROUP 8 - ELECTRICAL

ILLUSTRATION TITLE	GROUP-FIG. NO.
RELAYS WRANGLER	Fig. 8-100
RELAYS CHEROKEE, BRIARWOOD, GRAND CHEROKEE, COMANCHE	Fig. 8-200
RELAYS GRAND WAGONEER	Fig. 8-300
SWITCHES AND SENDING UNITS WRANGLER	Fig. 8-400
SWITCHES AND SENDING UNITS CHEROKEE, BRIARWOOD, GRAND CHEROKEE, COMANCHE	Fig. 8-500
SWITCHES AND SENDING UNITS GRAND WAGONEER	Fig. 8-600
SWITCHES ALL MODELS	Fig. 8-700
CONTROL UNITS AND SENSORS	Fig. 8-800
MODULES--ELECTRONIC	Fig. 8-850
BATTERY TRAYS	Fig. 8-900
BATTERY CABLES WRANGLER, CHEROKEE, BRIARWOOD, GRAND CHEROKEE, COMANCHE, GRAND WAGONEER	Fig. 8-1000
DISTRIBUTOR 2.5L ENGINE	Fig. 8-1100
DISTRIBUTOR 4.0L ENGINE	Fig. 8-1200
DISTRIBUTOR 5.2L ENGINE	Fig. 8-1300
DISTRIBUTOR 5.9L ENGINE	Fig. 8-1400
STARTER AND MOUNTING 2.5L ENGINE	Fig. 8-1500
STARTER AND MOUNTING 4.0L, 5.9L ENGINES	Fig. 8-1600
STARTER AND MOUNTING DIESEL ENGINE EUROPE	Fig. 8-1700
STARTER 5.2L ENGINE	Fig. 8-1800
ALTERNATOR (GENERATOR) 100 AMPERE 24 VOLT WRANGLER--EGYPT-KDX	Fig. 8-1900
ALTERNATOR (GENERATOR) AND MOUNTING DIESEL ENGINE CHEROKEE, EUROPE	Fig. 8-2000
ALTERNATOR (GENERATOR) AND MOUNTING 2.5L, 4.0L ENGINE	Fig. 8-2100
ALTERNATOR (GENERATOR) AND MOUNTING 5.2L ENGINE	Fig. 8-2200
ALTERNATOR (GENERATOR) 78 AMPERE GRAND WAGONEER	Fig. 8-2300
ALTERNATOR MOUNTING 5.9L ENGINE GRAND WAGONEER	Fig. 8-2400
LAMPS--FRONT WRANGLER	Fig. 8-2500
LAMPS--FOG RECTANGULAR WRANGLER	Fig. 8-2700
LAMPS--FOG ROUND WRANGLER	Fig. 8-2800
LAMPS--REAR WRANGLER	Fig. 8-2900
LAMPS--FOG-REAR WRANGLER EUROPE	Fig. 8-3000
LAMPS--FRONT LEVELING WRANGLER, CHEROKEE EUROPE	Fig. 8-3100
LAMPS--FOG CHEROKEE, BRIARWOOD, GRAND CHEROKEE, COMANCHE	Fig. 8-3200
LAMPS--FRONT CHEROKEE, BRIARWOOD, COMANCHE	Fig. 8-3300
LAMPS--FRONT GRAND CHEROKEE	Fig. 8-3400
LAMPS--REAR GRAND CHEROKEE	Fig. 8-3450
LAMPS--REAR CHEROKEE, BRIARWOOD, COMANCHE	Fig. 8-3500
LAMPS--FRONT GRAND WAGONEER	Fig. 8-3600
LAMPS--FOG GRAND WAGONEER	Fig. 8-3700
LAMPS--REAR GRAND WAGONEER	Fig. 8-3800
LAMPS--CARGO-DOME-COURTESY-UNDERHOOD WRANGLER	Fig. 8-3900

ILLUSTRATION NOT AVAILABLE AT TIME OF PUBLICATION

GROUP 8 - ELECTRICAL

ILLUSTRATION TITLE

GROUP-FIG. NO.

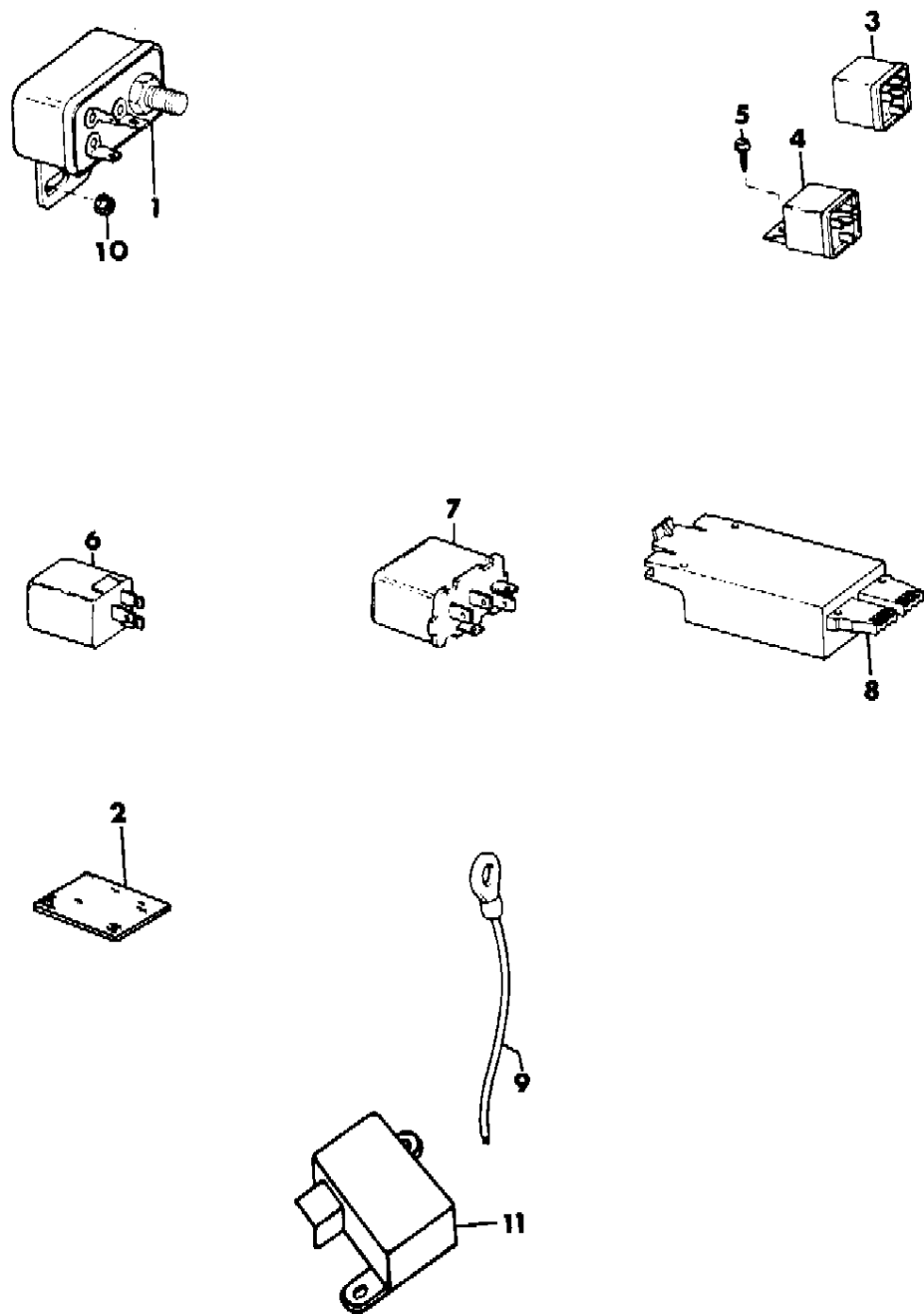
WATER PUMPS (Continued)

LAMPS--CARGO-DOME-COURTESY-UNDERHOOD WRANGLER	Fig. 8-3900
LAMPS--CARGO-DOME-COURTESY-UNDERHOOD CHEROKEE, BRIARWOOD, GRAND CHEROKEE, COMANCHE	Fig. 8-4000
LAMPS--CARGO-DOME-COURTESY-UNDERHOOD GRAND WAGONEER	Fig. 8-4100
BULBS ALL MODELS	Fig. 8-4150
WIRING--ENGINE AND RELATED PARTS WRANGLER	Fig. 8-4200
WIRING--HEADLAMP TO DASH WRANGLER	Fig. 8-4250
WIRING--ENGINE AND RELATED PARTS 4 & 6 CYLINDER ENGINE CHEROKEE, BRIARWOOD, COMANCHE	Fig. 8-4300
WIRING--HEADLAMP TO DASH 4 & 6 CYLINDER ENGINE CHEROKEE, BRIARWOOD, COMANCHE	Fig. 8-4350
WIRING--ENGINE AND RELATED PARTS GRAND CHEROKEE	Fig. 8-4400
SINGLE BOARD ENGINE CONTROLLERS (POWERTRAIN CONTROL MODULE) YJ	Fig. 8-4450
SINGLE BOARD ENGINE CONTROLLERS (POWERTRAIN CONTROL MODULE) MJ-XJ	Fig. 8-4460
SINGLE BOARD ENGINE CONTROLLERS (POWERTRAIN CONTROL MODULE) ZJ	Fig. 8-4470
WIRING--FRONT END CHEROKEE, BRIARWOOD, GRAND CHEROKEE, COMANCHE	Fig. 8-4500
WIRING--ENGINE AND RELATED PARTS GRAND WAGONEER	Fig. 8-4600
COIL--SPARKPLUGS--WIRES 2.5L ENGINE	Fig. 8-4700
COIL--SPARKPLUGS--WIRES 4.0L ENGINE	Fig. 8-4800
COIL--SPARKPLUGS--WIRES 5.2L ENGINE	Fig. 8-4900
COIL--SPARKPLUGS--WIRES 5.9L ENGINE	Fig. 8-5000
WIRING--INSTRUMENT PANEL WRANGLER	Fig. 8-5010
WIRING--INSTRUMENT PANEL CHEROKEE, BRIARWOOD, COMANCHE	Fig. 8-5020
WIRING--INSTRUMENT PANEL GRAND CHEROKEE	Fig. 8-5025
WIRING--INSTRUMENT PANEL GRAND WAGONEER	Fig. 8-5030
HORNS ALL	Fig. 8-5100
WIRING--BODY AND ACCESSORY WRANGLER	Fig. 8-5150
WIRING--BODY AND ACCESSORY CHEROKEE, BRIARWOOD	Fig. 8-5200
WIRING--BODY AND ACCESSORY GRAND CHEROKEE	Fig. 8-5250
WIRING--BODY AND ACCESSORY COMANCHE	Fig. 8-5300
WIRING--BODY AND ACCESSORY GRAND WAGONEER	Fig. 8-5400
TERMINAL CHART	Fig. 8-5600
TERMINAL CHART	Fig. 8-5700
CRIMP SPLICE--FUSIBLE LINK--HEAT SHRINK	Fig. 8-5800
WIRING CLIPS	Fig. 8-5900

RELAYS WRANGLER

Figure 8-100

91J08 100



ITEM	PART NUMBER	QTY	BODY	MODEL	DESCRIPTION
1	8350 7045	1			RELAY, Starter, 1991
	4638 094	1			1992-93
2	J368 9091	1			FASTENER, Velcro Hook
3	8350 7045	1			RELAY, A/C Clutch, Fuel Pump, Idle Speed Control
4	3300 1776	AR			RELAY, Fog Lamp & Headlamp
5	1150 2843	1			SCREW
6	J576 4039	1			RELAY, Horn
7	5600 5832				RELAY, Heated Glass, 1991-92
	5600 5146	1			1993
8	5600 0428	1			GOVERNOR, Intermittent Wiper
9	J813 3785	1			LINK, Fusible, 14 Gauge
	J321 0989	1			18 Gauge
10	1150 2702	2			NUT
11	5600 4262	1			MODULE, Headlamp (See Illus. 850)

MODEL CODES:

61=Pickup-6 Ft Box 74=4 Door Wagon T=2WD
 62=Pickup-7 Ft Box 77=Open Body 93" Wheelbase J,N,U=4WD
 72=2 Door Wagon 78=Open Body 103" Wheelbase

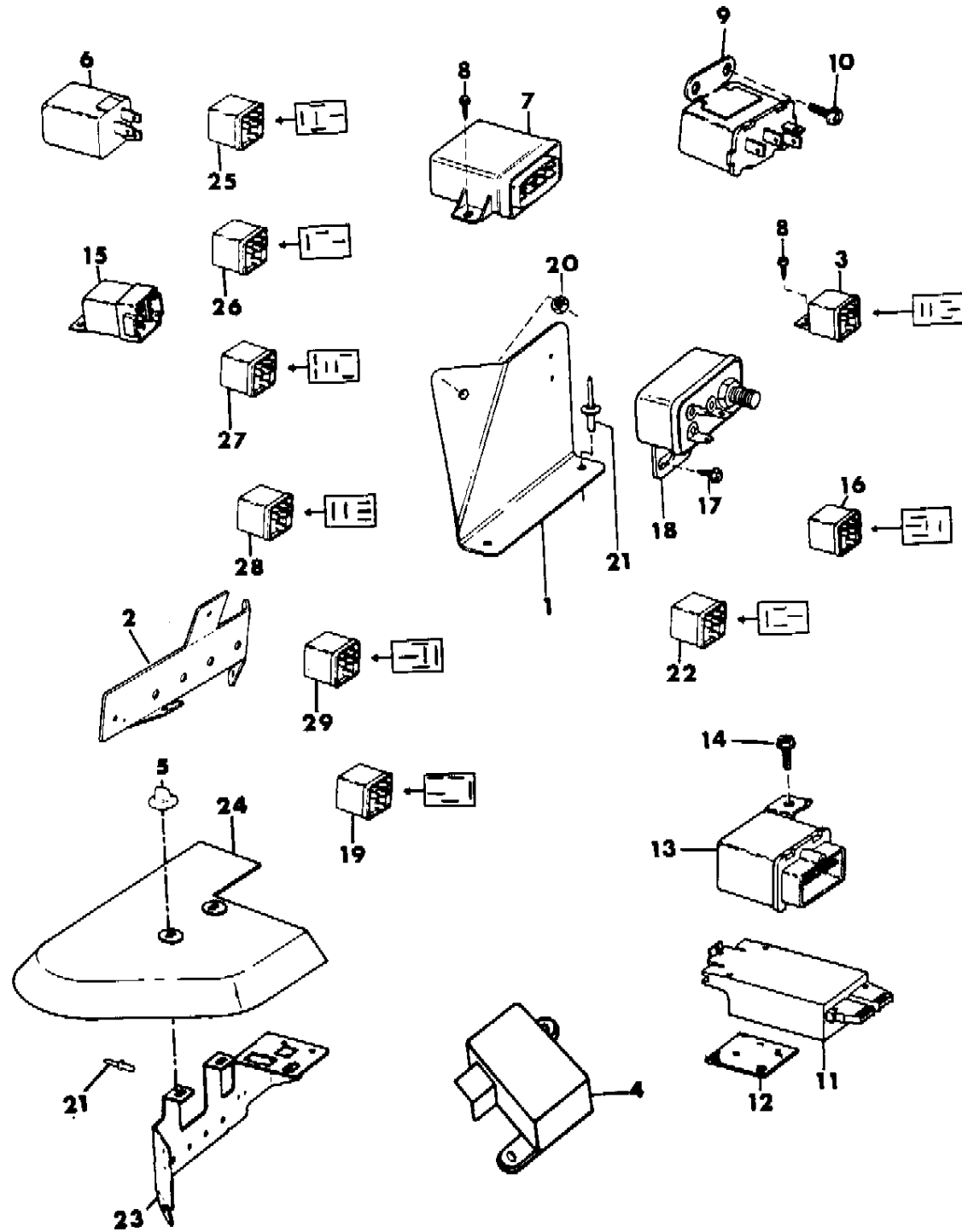
BODY STYLES:

MJ=Comanche Pickup ZJ=Grand Cherokee/Grand Wagoneer KDX VEHICLES
 SJ=Grand Wagoneer M1=Comanche
 XJ=Cherokee, Briarwood X1=Cherokee, Briarwood
 YJ=Wrangler Y1=Wrangler

AR = Use as Required - = Non Illustrated Part P.A.R. = Paint as Required

RELAYS CHEROKEE, BRIARWOOD, GRAND CHEROKEE, COMANCHE
Figure 8-200

91J08 200



ITEM	PART NUMBER	QTY	BODY	MODEL	DESCRIPTION
1	5300 4672	1	XJ,MJ		BRACKET, Starter Relay, w/Diesel Eng. 1991, EUROPE
2	5300 4489	1	X1		BRACKET, Relay, KDX - China 1991
3	5601 7446	1			1992-93
3	3300 1776	1	XJ,MJ		RELAY, Manif. Heater--Keyless Entry--Pwr. Locks--Pwr. Windows--Power Mirrors--Rear Wipe--Security Alarm
-	5600 6336	1			RELAY, Rear Wiper (Stamped 73808102)
4		1	XJ,MJ		MODULE, Headlamp (See Illus. 850)
5	3420 2329	1			NUT, Push 1991
6	J576 4039	1	XJ,MJ		RELAY, Horn
7	3300 1301	1			TIMER, Glow Plug Control, EUROPE
8	1150 2843	AR			SCREW
9	3600 0350	1			RELAY, Heated Glass, 1990-1
	5600 5146	1			1992-93
10	3420 2358	1			SCREW
11		1			GOVERNOR, Interm. Wiper
	5600 0428		MJ,XJ		1991-94
	5600 7192		ZJ		1993-94
12	J368 9091	1	XJ,MJ		FASTENER, Velcro Hook
13	5600 0636	1	XJ,MJ		RELAY, Headlamp Delay
14	J941 7855	1			SCREW
15	5600 0836	1	XJ		RELAY, Power Antenna
16	8350 7045	1			RELAY, Anti-Diesel--Fuel Pump--A/C--Throttle Control--Oxygen Sensor--Illumination--Idle Speed Control--Trailer Tow (w/brkt stamp 83507045 or 56002959
-		1			RELAY, Illuminated Entry
	5600 4536				Up to 7/16/93
					After 7/16/93 (Relay Serviced in Keyless Entry Module)
17	1150 2843	2	XJ,MJ		SCREW
	3420 1996	2	XJ,MJ		EUROPE
18	3300 3934		XJ		RELAY, 4 Cyl., 1991, KDX-China (4-Term.)
	5300 4798	1			(3-Term.) EUROPE
19	5600 6771	1	XJ,ZJ		RELAY, ABS Motor
20	3420 1169	2			NUT, Hex, w/Diesel Eng., EUROPE
21	3420 1208	2	XJ,MJ		RIVET
22	5600 6179	1			RELAY, Cooling Fan, 6 Cyl., w/Hev. Duty Cooling, Balast bypass
	5600 6179	1			Glow Plug Control, w/Diesel, EUROPE
23	5300 4489	1	X1		BRACKET, Relay, KDX
24	5600 2298	1	X1,M1		COVER, Relay, KDX
25	4638 094	AR	XJ-ZJ		RELAY, Trailer Tow--Starter--A/C Clutch--Fog Lamp--Fuel Pump--Auto. Shutdown--Anti-Lock Brake (Stamped 56006709)
26	5266 230	1	ZJ		RELAY, Horn

MODEL CODES:

61=Pickup-6 Ft Box 74=4 Door Wagon T=2WD
62=Pickup-7 Ft Box 77=Open Body 93" Wheelbase J,N,U=4WD
72=2 Door Wagon 78=Open Body 103" Wheelbase

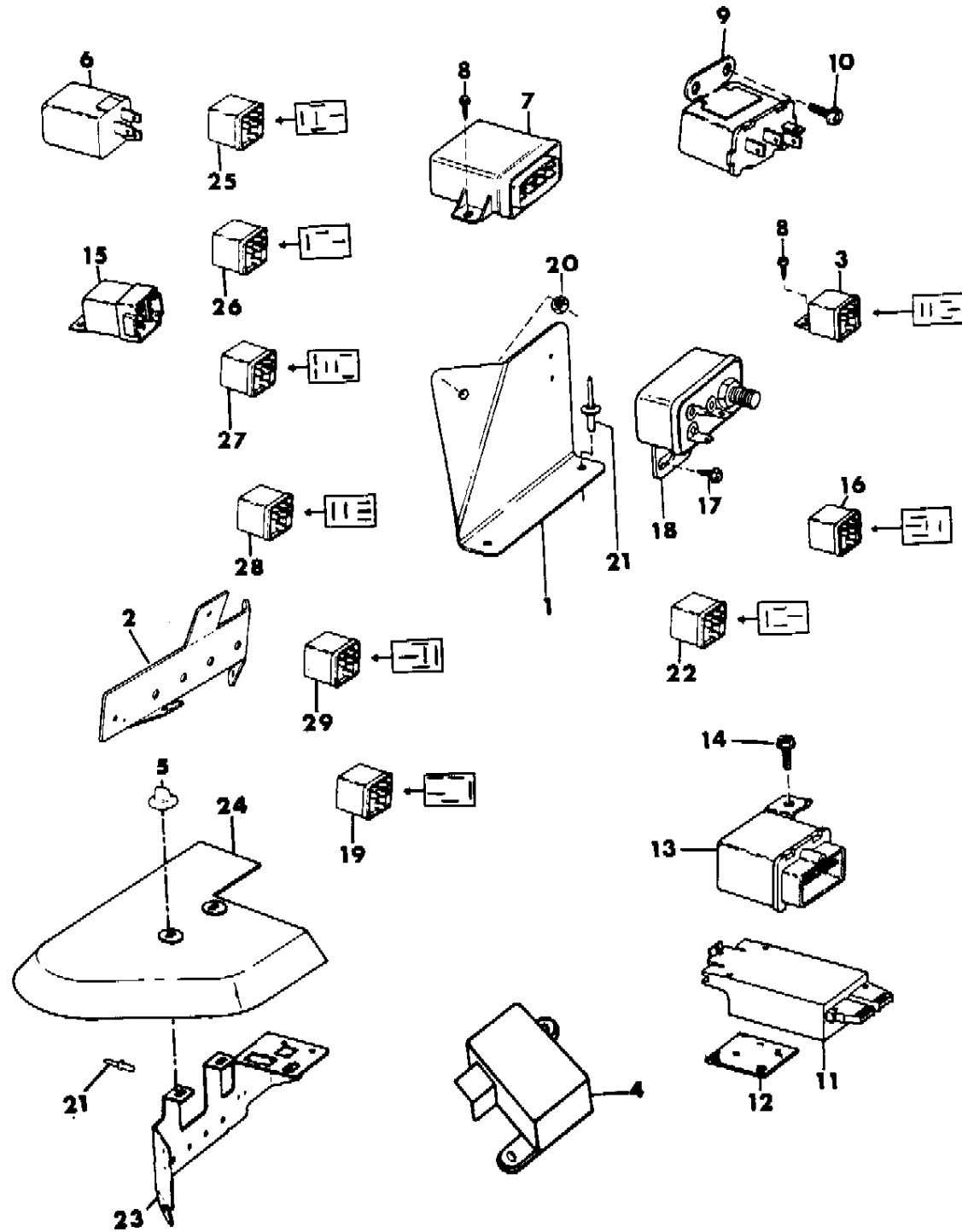
BODY STYLES:

MJ=Comanche Pickup ZJ=Grand Cherokee/Grand Wagoneer KDX VEHICLES
SJ=Grand Wagoneer M1=Comanche
XJ=Cherokee, Briarwood X1=Cherokee, Briarwood
YJ=Wrangler Y1=Wrangler

AR = Use as Required - = Non Illustrated Part P.A.R. = Paint as Required

RELAYS CHEROKEE, BRIARWOOD, GRAND CHEROKEE, COMANCHE
Figure 8-200

91J08 200



ITEM	PART NUMBER	QTY	BODY	MODEL	DESCRIPTION
27	3600 3031	1	ZJ		RELAY, Power Antenna
28	5600 6846	AR	ZJ		RELAY, Micro Plug, 1992-93
	3300 1776	AR	XJ		1991-92
	5600 6846	AR	XJ		1993
29	5600 5146	1	XJ,ZJ		RELAY, Backlite

MODEL CODES:

61=Pickup-6 Ft Box 74=4 Door Wagon T=2WD
62=Pickup-7 Ft Box 77=Open Body 93" Wheelbase J,N,U=4WD
72=2 Door Wagon 78=Open Body 103" Wheelbase

BODY STYLES:

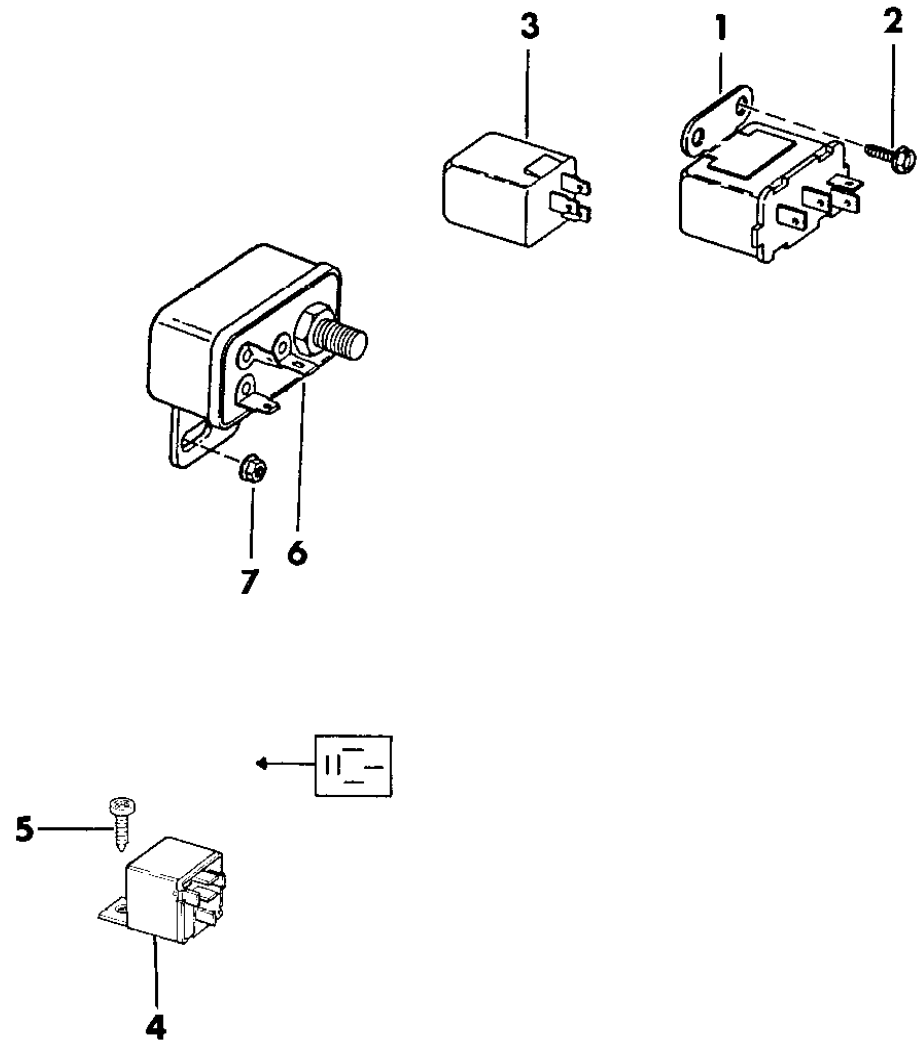
MJ=Comanche Pickup ZJ=Grand Cherokee/Grand Wagoneer KDX VEHICLES
SJ=Grand Wagoneer M1=Comanche
XJ=Cherokee, Briarwood X1=Cherokee, Briarwood
YJ=Wrangler Y1=Wrangler

AR = Use as Required - = Non Illustrated Part P.A.R. = Paint as Required

RELAYS GRAND WAGONEER
Figure 8-300

91J08 300A

ITEM	PART NUMBER	QTY	BODY	MODEL	DESCRIPTION
1	J546 1897	1			RELAY, Heated Glass
2	3420 2358	1			SCREW
3	J576 4039	1			RELAY, Horn
4	8350 7045	AR			RELAY, Fog Lamp--Manif. Heater--Idle Speed Control--Trailer Tow--Inst. Panel Wiring
	4638 094	1			RELAY, Illuminated Entry
5	J941 4721	1			SCREW
6	3300 3934	1			RELAY, Starter
7	1150 2811	2			NUT



MODEL CODES:

61=Pickup-6 Ft Box 74=4 Door Wagon T=2WD
62=Pickup-7 Ft Box 77=Open Body 93" Wheelbase J,N,U=4WD
72=2 Door Wagon 78=Open Body 103" Wheelbase

BODY STYLES:

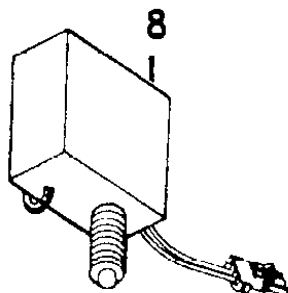
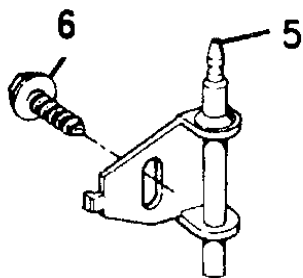
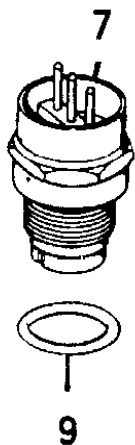
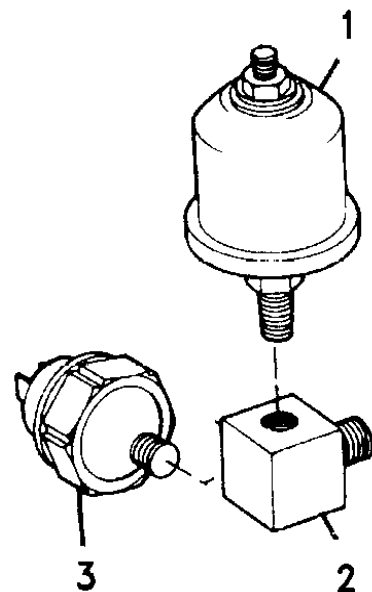
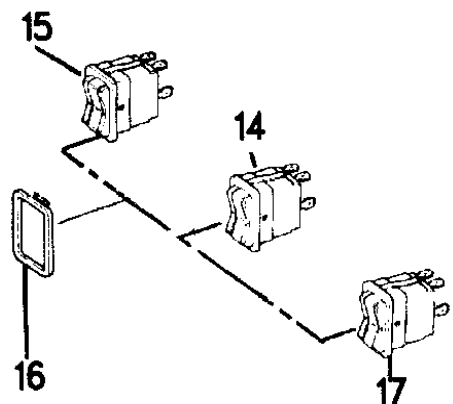
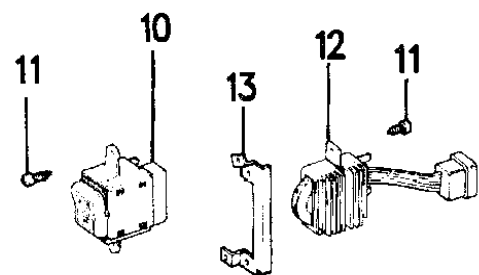
MJ=Comanche Pickup ZJ=Grand Cherokee/Grand Wagoneer KDX VEHICLES
SJ=Grand Wagoneer M1=Comanche
XJ=Cherokee, Briarwood X1=Cherokee, Briarwood
YJ=Wrangler Y1=Wrangler

AR = Use as Required - = Non Illustrated Part P.A.R. = Paint as Required

SWITCHES AND SENDING UNITS WRANGLER

Figure 8-400

91J08 400A



ITEM	PART NUMBER	QTY	BODY	MODEL	DESCRIPTION
1	5300 5218	1			SENDING UNIT, Oil Pressure, 1991
	5602 6779	1			1992-93
2	J093 4001	1			FITTING
3	5300 0970	1			SWITCH, Oil Pressure
4	5300 5056	1			SENDING UNIT, Coolant Temp., w/Gauge, 1991
	5602 7012	1			1992-93
-	3300 4281	1			SENSOR, Coolant Temp., w/Light
5	J323 2194	1			SWITCH, Parking Brake Warning Lamp
6	J812 0054	1			SCREW
7	4057 750	1			SWITCH, Neutral Safety, w/Auto. Trans.
8	5600 6247	1			SWITCH, Brake Lamp
9	2408 143	1			GASKET
10	5600 3119	1			SWITCH, Headlamp
11		AR			SCREW, (Not Serv.)
12	5600 1864	1			RHEOSTAT
13	5501 3336	1			BRACKET
14	5600 3540	1			SWITCH, Defogger
15	5600 2384	1			SWITCH, Fog Lamp
	5600 3541	1			EUROPE
16	5500 3005	AR			COVER, Switch
17	5600 6733	1			SWITCH, Rear Wiper
-	J322 9970	1			SWITCH, Turn Signal
-	5600 0031	1			SWITCH, Wiper, w/o Intermittent
	5600 0032	1			w/Intermittent Wipe
-	5600 3406	1			SWITCH, Headlamp Dimmer
-	5600 0033	1			SWITCH, Inter. Wiper
-	J325 0575	1			SWITCH, Ignition Lock
-	5600 6721		YJ,XJ		SWITCH, Headlamp Leveling

MODEL CODES:

61=Pickup-6 Ft Box 74=4 Door Wagon T=2WD
 62=Pickup-7 Ft Box 77=Open Body 93" Wheelbase J,N,U=4WD
 72=2 Door Wagon 78=Open Body 103" Wheelbase

BODY STYLES:

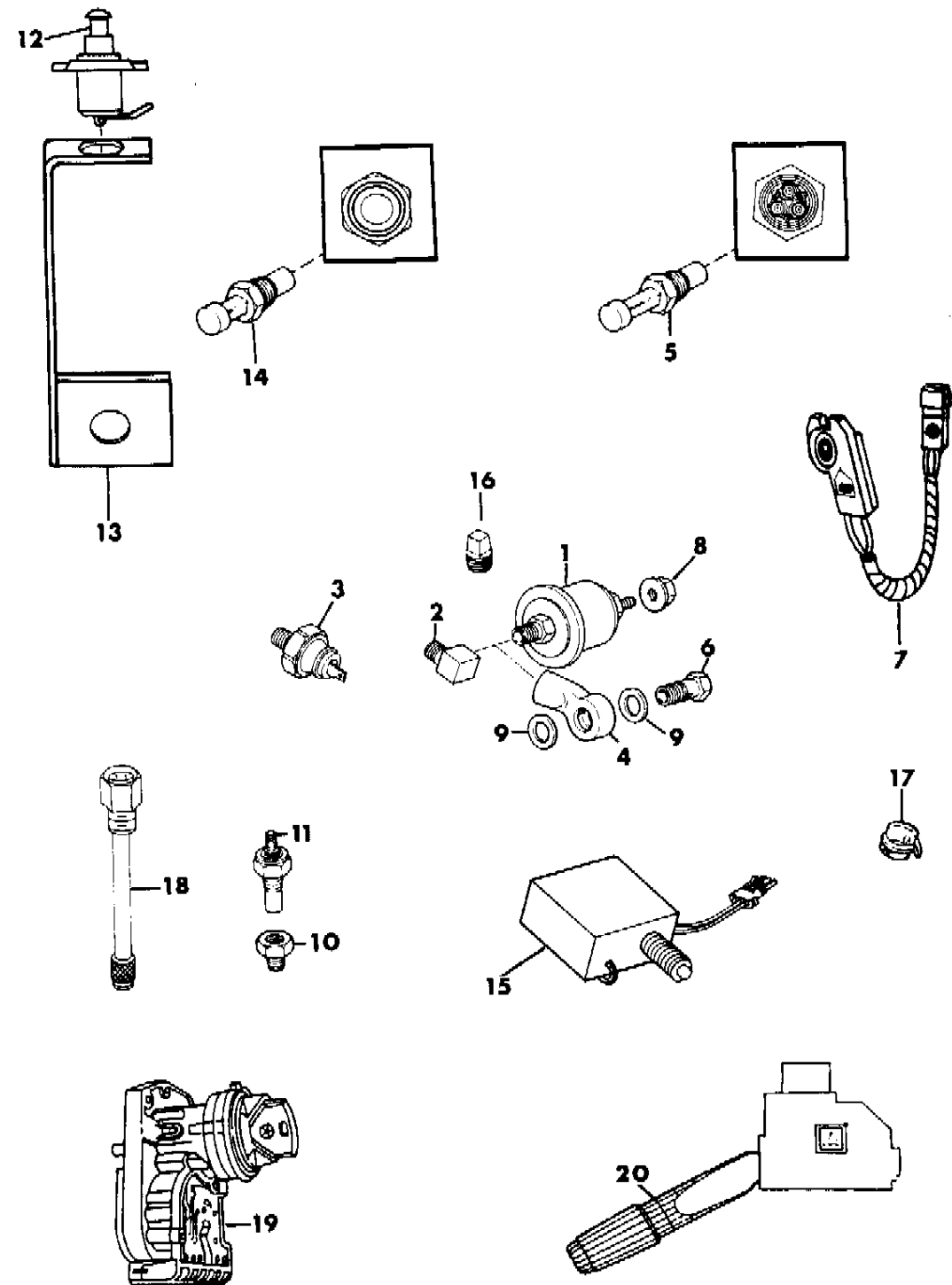
MJ=Comanche Pickup ZJ=Grand Cherokee/Grand Wagoneer KDX VEHICLES
 SJ=Grand Wagoneer M1=Comanche
 XJ=Cherokee, Briarwood X1=Cherokee, Briarwood
 YJ=Wrangler Y1=Wrangler

AR = Use as Required - = Non Illustrated Part P.A.R. = Paint as Required

SWITCHES AND SENDING UNITS CHEROKEE, BRIARWOOD, GRAND CHEROKEE, COMANCHE

Figure 8-500

91J08 500 A



ITEM	PART NUMBER	QTY	BODY	MODEL	DESCRIPTION
1	5602 6782		XJ,MJ		SENDING UNIT, Oil Pressure, 1991
	5602 6779	1	XJMJZJ		1992-93
	5602 6781	1	XJ,MJ		EUROPE
2	J400 6600		X1		FITTING, 4 Cyl., KDX-China
	J321 2002	1			6 Cyl. Eng.
3	J314 2826		XJ,MJ		SWITCH, Oil Pressure, 1991
	5602 6719	1	XJ,MJ		1992-93
	J575 8695	1	X1		KDX, China
4	3300 2464	1	XJ,MJ		ADAPTER, EUROPE
5	4373 296	4	XJMJM1		SWITCH, Door Courtesy Lamp
	4687 557	4	ZJ		(Up To 7/16/92)
	4687 558	4	ZJ		(Aft. 7/17/92)
6	J066 7526	1			BOLT, Adapter, EUROPE
7					SWITCH, Disarm
	5600 5864	1	XJ		Left Door
	5600 5865	1	XJ		Right Door
	5600 6834-5	1	ZJ		Doors
	4638 753	1	XJ		Liftgate
	5600 6971	1	ZJ		Liftgate
8	J027 1169	1			NUT
9	J324 3136	2	XJ,MJ		GASKET, Diesel Eng., EUROPE
10	5300 1936	1	XJ,MJ		ADAPTER, Diesel Eng., EUROPE
11	5602 6710	1	XJ,MJ		SWITCH, Coolant Temp., w/Warning Lamp, 1992-93, Also Diesel
	J323 0408	1	MJ,XJ		1991
	5300 5309		XJ,MJ		w/Gauge, 1991
-		1			SENDING UNIT, Temperature Gauge
	5602 7012	1			1992-93, All Engine (Insul. 56006431)
12	5252 559		XJ,ZJ		SWITCH, Disarm (Hood)
	5600 6889	4	ZJ		Door Ajar
13	5600 4743	1	XJ		BRACKET, Hood Disarm Switch
14	3300 4281	1			SENSOR, Coolant Temp. (In Thermostat Housing) (Use Insul. 4414901)
	5600 4815	1	ZJ		5.2L
15	5600 6981		ZJ		SWITCH, Stop Lamp
	5600 6248	1	MJ,XJ		
16	J010 3877	1			PLUG, Oil Sending Unit
17	6031 704	1			CLIP, Stop Lamp Switch to Bracket
18	5602 7061	1	ZJ		SENSOR, Eng. Oil, w/Vehicle Maintenance Monitor (In Oil Pan)
19	4443 924	1	ZJ		SWITCH, Ignition Starter (Mtg. Screw 4326772)
20	5269 378		ZJ		SWITCH, Multi-Fuction T/Sig. and Wiper
	5269 378	1	ZJ		1993

MODEL CODES:

61=Pickup-6 Ft Box 74=4 Door Wagon T=2WD
 62=Pickup-7 Ft Box 77=Open Body 93" Wheelbase J,N,U=4WD
 72=2 Door Wagon 78=Open Body 103" Wheelbase

BODY STYLES:

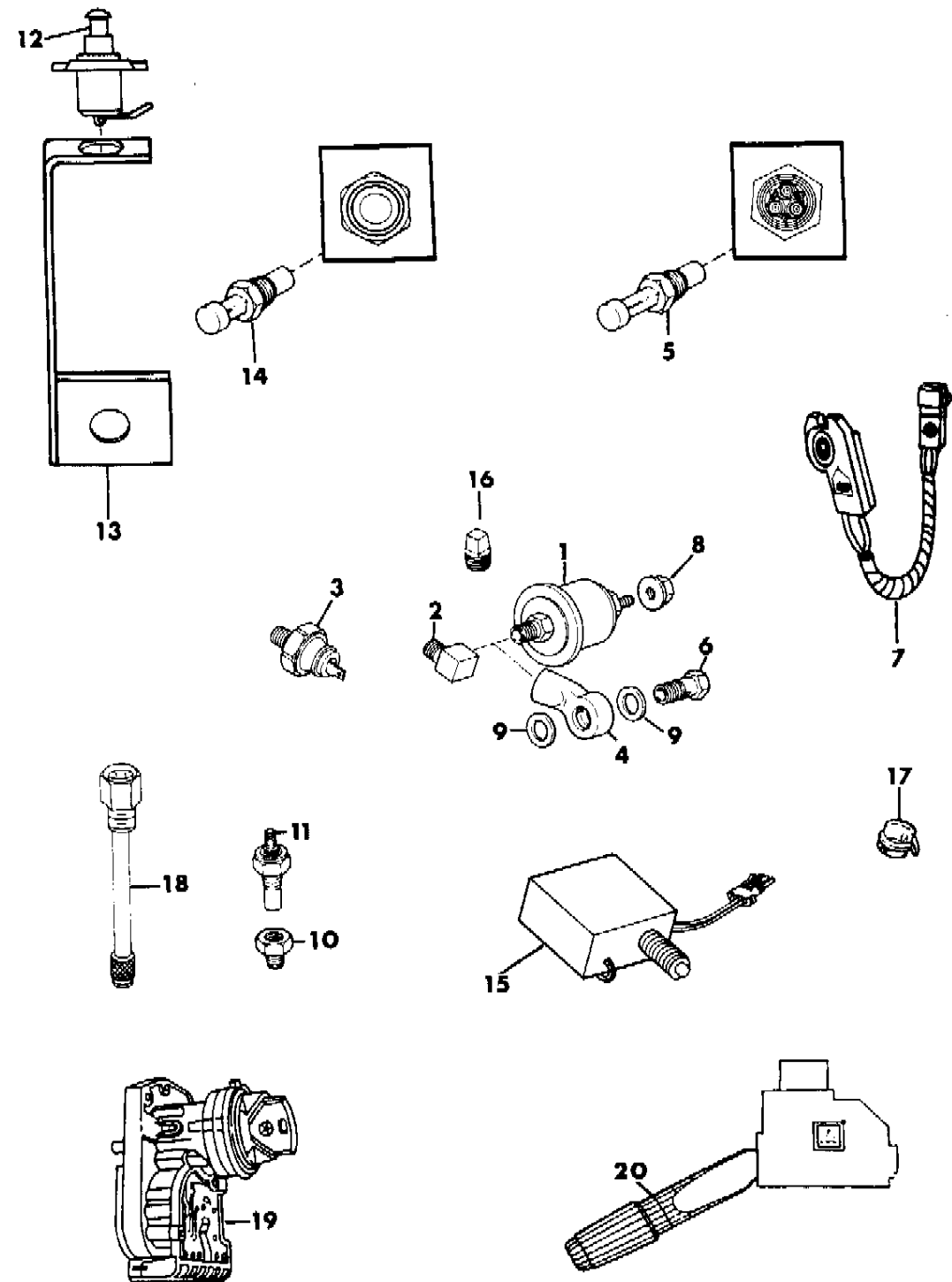
MJ=Comanche Pickup ZJ=Grand Cherokee/Grand Wagoneer KDX VEHICLES
 SJ=Grand Wagoneer M1=Comanche
 XJ=Cherokee, Briarwood X1=Cherokee, Briarwood
 YJ=Wrangler Y1=Wrangler

AR = Use as Required - = Non Illustrated Part P.A.R. = Paint as Required

SWITCHES AND SENDING UNITS CHEROKEE, BRIARWOOD, GRAND CHEROKEE, COMANCHE

Figure 8-500

91J08 500 A



ITEM	PART NUMBER	QTY	BODY	MODEL	DESCRIPTION
------	-------------	-----	------	-------	-------------

-	4373 666	2			SWITCH, Power Seat
-	5600 6721				SWITCH, Headlamp Leveling

MODEL CODES:

61=Pickup-6 Ft Box 74=4 Door Wagon T=2WD
 62=Pickup-7 Ft Box 77=Open Body 93" Wheelbase J,N,U=4WD
 72=2 Door Wagon 78=Open Body 103" Wheelbase

BODY STYLES:

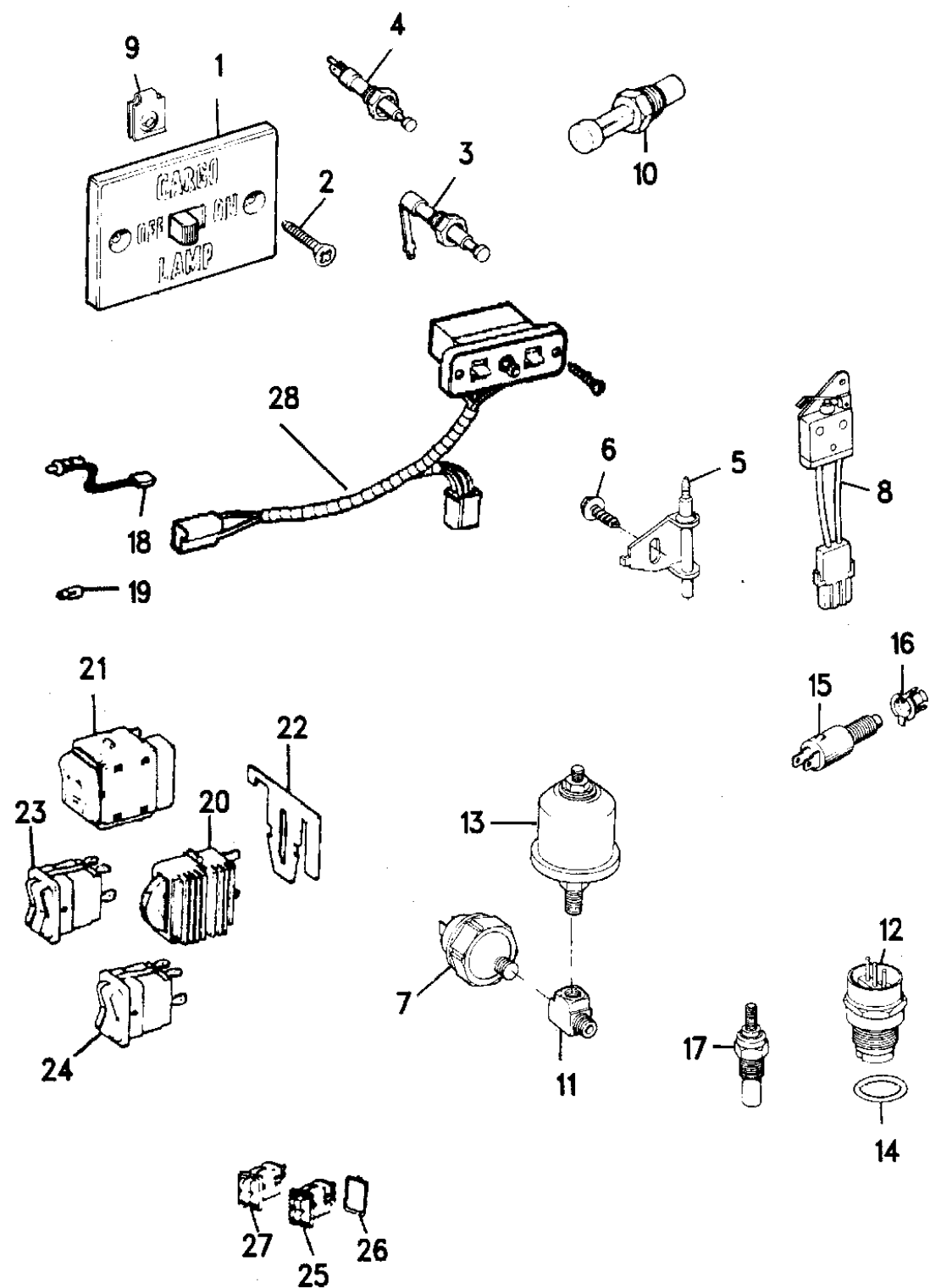
MJ=Comanche Pickup ZJ=Grand Cherokee/Grand Wagoneer KDX VEHICLES
 SJ=Grand Wagoneer M1=Comanche
 XJ=Cherokee, Briarwood X1=Cherokee, Briarwood
 YJ=Wrangler Y1=Wrangler

AR = Use as Required - = Non Illustrated Part P.A.R. = Paint as Required

SWITCHES AND SENDING UNITS GRAND WAGONEER

Figure 8-600

91J08 600A



ITEM	PART NUMBER	QTY	BODY	MODEL	DESCRIPTION
1	J545 1489	1			SWITCH, Cargo Lamp
2	J400 2657	2			SCREW
3	J576 1248	2			SWITCH, Dome Lamp
4	4373 296	2			SWITCH, Dome Lamp
5	J323 2194	1			SWITCH, Parking Brake Warning Lamp
6		1			SCREW, (Not Serv.)
7	J575 8695	1			SWITCH, Oil Pressure
8	5600 3694	1			SWITCH, Safety, w/Rear Window Wiper and Washer
9	J400 6402	2			NUT, Spring
10	4373 296	2			SWITCH, Dome Lamp
11	J400 5879	1			ELBOW, 90 Degree
12	4057 750	1			SWITCH, Neutral Safety, w/Auto. Trans.
13	5602 6782	1			SENDING UNIT, Oil Pressure
14	2408 143	1			GASKET
15	J535 2620	1			SWITCH, Brake Lamp
16	J535 2622	1			RETAINER
17	5300 5056	1			SENDING UNIT, Coolant Temp.
18	3600 1627	1			SWITCH, Glove Box
19	J345 1933	1			BULB, (1893)
20	5600 1863	1			RHEOSTAT
21	5600 1861	1			SWITCH, Headlamp
22	5600 2010	1			RETAINER, Headlamp Switch
23	5600 0030	1			SWITCH, Defogger
24	5600 0027	1			SWITCH, Tailgate Window
25	5600 2384	1			SWITCH, Fog Lamp
26	5500 3005	1			COVER, Rocker Switch Opening
27	5600 6733	1			SWITCH, Rear Window Wiper & Washer
28	J320 9830	1			SWITCH, Frt. Seat Lt. (Use Screw J3209830)

MODEL CODES:
 61=Pickup-6 Ft Box 74=4 Door Wagon T=2WD
 62=Pickup-7 Ft Box 77=Open Body 93" Wheelbase J,N,U=4WD
 72=2 Door Wagon 78=Open Body 103" Wheelbase

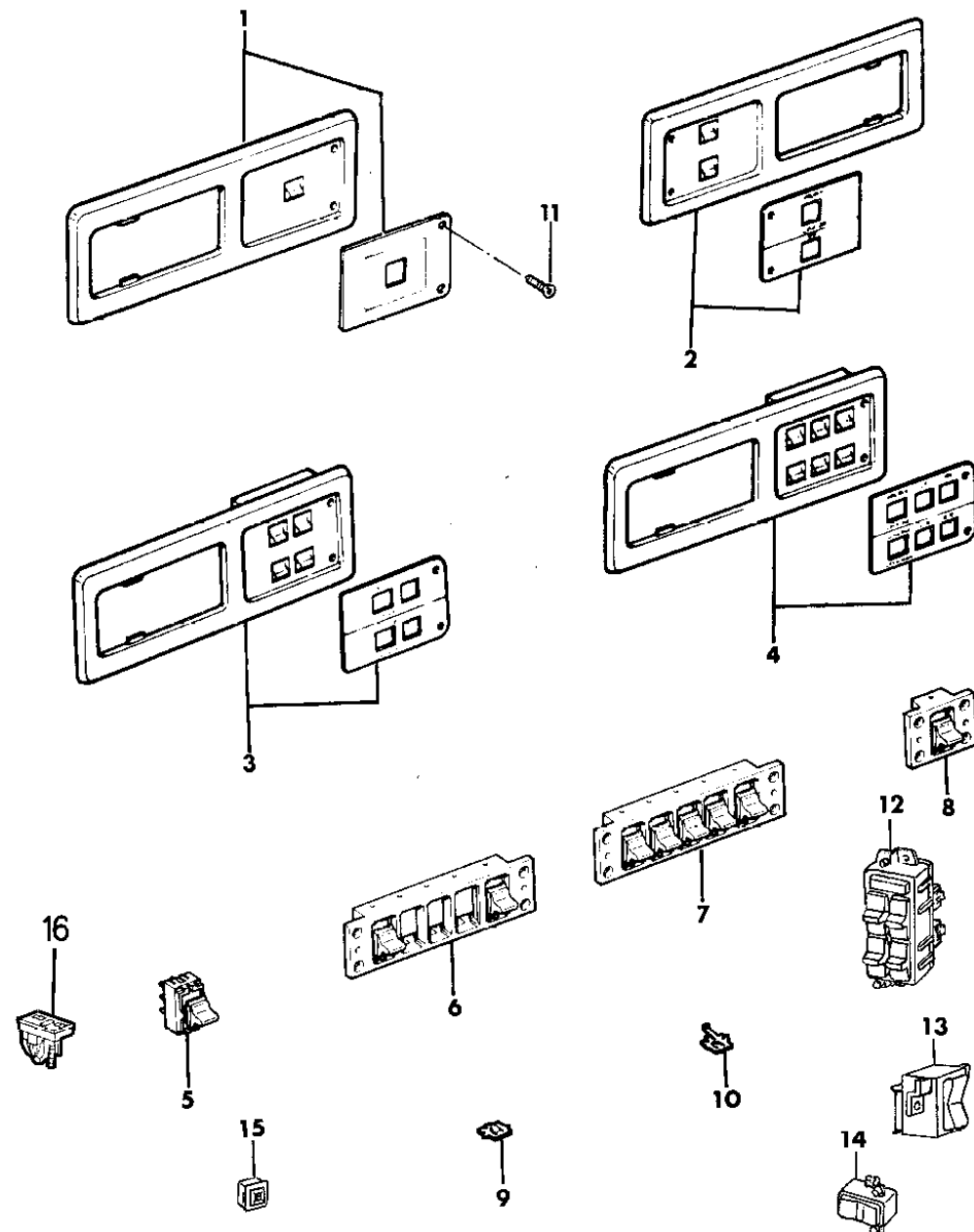
BODY STYLES:
 MJ=Comanche Pickup ZJ=Grand Cherokee/Grand Wagoneer KDX VEHICLES
 SJ=Grand Wagoneer M1=Comanche
 XJ=Cherokee, Briarwood X1=Cherokee, Briarwood
 YJ=Wrangler Y1=Wrangler

AR = Use as Required - = Non Illustrated Part P.A.R. = Paint as Required

SWITCHES ALL MODELS

Figure 8-700

91J08 700A



ITEM	PART NUMBER	QTY	BODY	MODEL	DESCRIPTION
1	5501 9366-7		XJ		SWITCH, w/Pwr. Windows, Rear Door, Black
	5600 7218	1	XJ,X1		1993, Rt. Doors
	5600 7221	1	X1,XJ		1993, Lt. Doors
	5500 2130	AR	MJ,XJ		Bezel, w/o Holes For Switches
	5600 7220	1	XJ		1993
2	5500 2123		XJ		SWITCH, w/Pwr. Windows & Locks, Frt. Door Rt., Woodgrain, 1991
	5500 2133	1	XJ,X1		Black
	5600 7216	1	XJ,X1		1993
	5600 7223	1	X1,XJ		1993, RHD
3	5600 6571	1	XJ,MJ	72	SWITCH, w/Pwr. Windows & Locks, Frt. Door Lt.
	5600 7219	1	XJ	72	1993
	5600 7222	1	X1,XJ		1993, RHD
4	5600 6573	1	XJ	74	SWITCH, w/Pwr. Windows & Locks Frt. Door Lt., Black
	5600 7217	1	XJ	74	1993
5	J372 8042	1	SJ		SWITCH, w/Pwr. Windows & Locks
6	J372 8048	1	SJ		HOUSING, w/Pwr. Windows & Locks, Frt. Door, Rt.
7	J372 8030	1	SJ		HOUSING, w/Pwr. Windows & Locks, Frt. Door, Lt.
8	J371 9090	2	SJ		SWITCH, w/Pwr. Windows & Locks, Rear Doors
9	J400 6536	AR			CLIP
10	J400 6546	AR	SJ		CLIP
11	S150 0405	AR	XJ		SCREW
12	5600 6221	1	ZJ		SWITCH, Pwr. Window
13	5600 6222	3	ZJ		SWITCH, Pwr. Window
14	5600 6224	AR	ZJ		SWITCH, Pwr. Door Locks
15	4373 287	1	ZJ		SWITCH, Pwr. Mirror
16					SWITCH and BEZEL, Pwr. Sunroof ***
	5DD4 9MD5	1	ZJ		Medium Quartz
	5DD4 9MF4	1	ZJ		Light Driftwood
	5DD4 9MM6	1	ZJ		Crimson Red
	5DD4 9MV4	1	ZJ		Light Champagne
-	5521 5336	1	ZJ		PLATE, Sun-Roof Switch Brkt. Reinf.
-	5521 5337	1	ZJ		BRACKET, Sun-Roof Switch Mtg.

MODEL CODES:

61=Pickup-6 Ft Box 74=4 Door Wagon T=2WD
 62=Pickup-7 Ft Box 77=Open Body 93" Wheelbase J,N,U=4WD
 72=2 Door Wagon 78=Open Body 103" Wheelbase

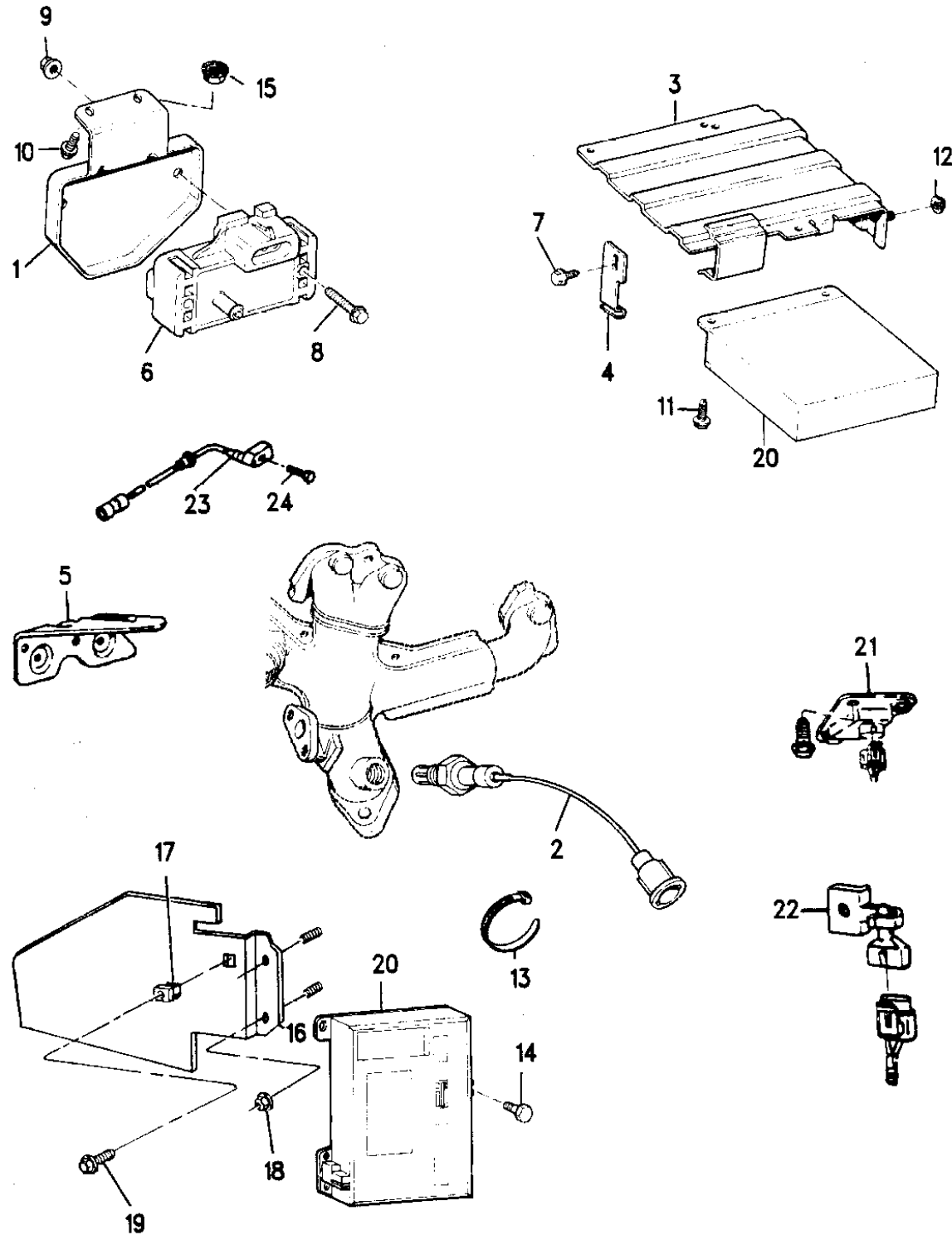
BODY STYLES:

MJ=Comanche Pickup ZJ=Grand Cherokee/Grand Wagoneer KDX VEHICLES
 SJ=Grand Wagoneer M1=Comanche
 XJ=Cherokee, Briarwood Y1=Wrangler
 YJ=Wrangler

AR = Use as Required - = Non Illustrated Part P.A.R. = Paint as Required

CONTROL UNITS AND SENSORS
Figure 8-800

91J08 800A



ITEM	PART NUMBER	QTY	BODY	MODEL	DESCRIPTION
1	5300 2332	1	YJXJMJ		BRACKET, M.A.P. Sensor, w/4 Cyl. Engine
2					OXYGEN SENSOR ***
	5600 5925	1	YJXJMJ		6 Cyl. w/18" Pigtail
	5602 6827	1	ZJ		6 Cyl. w/22" Pigtail (Oxygen Sensor-J1930)
	5300 7638				4-Cyl., w/4-Hole Zirconium
	5600 5925				318 Eng., 1992-93
-	5601 7862	1	ZJ		PLUG, Oxygen Sensor, w/Leaded Fuel
-	4625 095	1	Y1XJMJ		JUMPER WIRE, Oxygen Sensor ***
3	5300 4000	1	YJ		BRACKET, 1991
4	5300 3421	1	YJ		BRACKET
5	5534 5045	1	XJ,MJ		BRACKET, 6 Cylinder Engine, 1992-93
6	3300 0153	1			SENSOR, M.A.P. (Bracket 56027080)
	5602 6770	1	ZJ		5.2L
7	J400 1701	1			SCREW
8	S150 7041	2			BOLT
9	3420 1461	2			NUT
10	J812 0054	2			SCREW
11	T300 1369	3	YJ		SCREW
12	J400 5704	2	YJ		NUT
13	J322 3227	1			STRAP, Tie
14	1150 3059	3	XJ,MJ		SCREW
15	3420 1358	2	XJ,MJ		NUT
16	5600 5706	1	ZJ		BRACKET
17	J400 4959	3	ZJ		NUT
18	3420 1680	3	ZJ		NUT
19			ZJ		SCREW, (Not Serv.)
20					SINGLE BOARD ENGINE CONTROL, (See Illus. #4450) ***
21	5600 7097	2	ZJ		SENSOR, Air Bag
22	5266 203	1	XJ,ZJ		SENSOR, Ambient Air
	4688 204				1993
23	5600 3678	2			SENSOR, Anti-Lock Brake, (Brkt. 56026766-7) 1991
	5600 5217	2			(Use Brkt. 56026755) 1992-93
	5600 5216	2	ZJ		(Use Brkt. 56026996-7)
24	8350 4920	2			SCREW
-	5202 7505		ZJ		SENSOR, Coolant Level
-	4638 128	1			SENSOR, Crank Timing 4.0 Engine
	5602 6701	1	ZJ		Sensor, Crankshaft Position 5.2 Engine ***

MODEL CODES:

61=Pickup-6 Ft Box 74=4 Door Wagon T=2WD
62=Pickup-7 Ft Box 77=Open Body 93" Wheelbase J,N,U=4WD
72=2 Door Wagon 78=Open Body 103" Wheelbase

BODY STYLES:

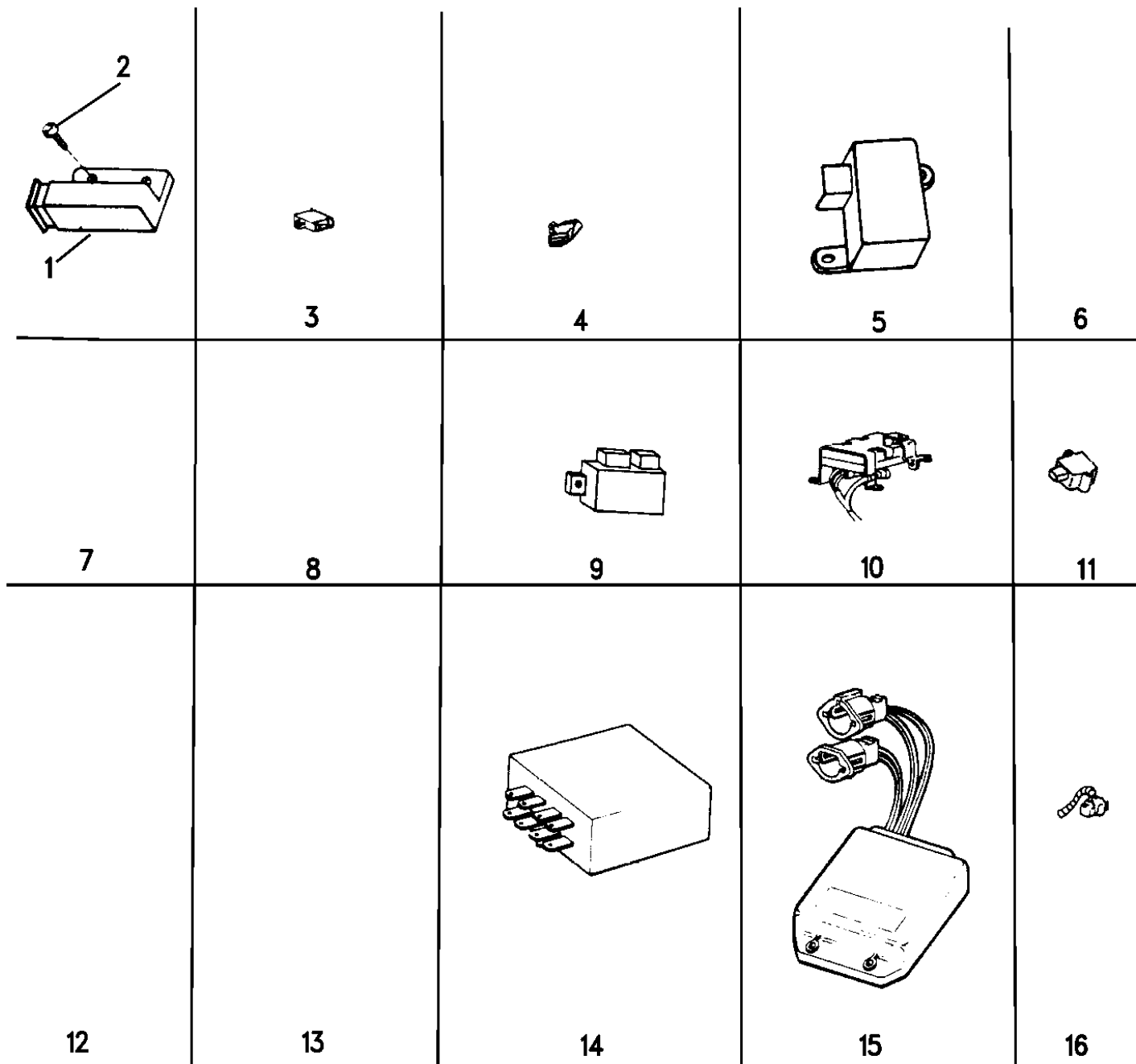
MJ=Comanche Pickup ZJ=Grand Cherokee/Grand Wagoneer KDX VEHICLES
SJ=Grand Wagoneer M1=Comanche
XJ=Cherokee, Briarwood X1=Cherokee, Briarwood
YJ=Wrangler Y1=Wrangler

AR = Use as Required - = Non Illustrated Part P.A.R. = Paint as Required

MODULES--ELECTRONIC

Figure 8-850

91J08 850



ITEM	PART NUMBER	QTY	BODY	MODEL	DESCRIPTION
1	5600 6948		YJ		MODULE, Hi-Speed
2	J400 1701		YJ		SCREW
3	5600 6184		ZJ		MODULE, H/Lamp Dimming
4	5600 5996		ZJ		MODULE, Twilight Sentinel
5	5600 4262		XJMJYJ		MODULE, Headlamp
6	5600 4262		SJ		MODULE, Intermittent Wiper
	5600 6957		YJ,XJ		MODULE, Intermittent Wiper
	5600 7192		ZJ		MODULE, Intermittent Wiper
-	5515 4526	1	XJ		BRACKET, Module Mounting w/Grommet
7	5600 7081		XJ		MODULE, Dim/Dip
8	5600 6933		ZJ		MODULE, Reader
9	5600 5235		ZJ		MODULE, Lamp Outage
10	5600 6872		ZJ		MODULE, w/Driver Side Air Bag
11	5602 6993		XJ,ZJ		MODULE, Adaptive Brakes
	5602 6993		YJ		MODULE, ABS
12	5600 4948		XJ		MODULE, Anti-Lock Brakes, 1991
	5602 6993		XJ,ZJ		1992-93
13	5600 4232	1	XJ		BRACKET, ABS Mtg.
	5600 6316		ZJ		
-	3420 2104	3			RIVET
-	J448 9487	2			SCREW
14	5600 6152		SJ		MODULE, Chime Warning
	5600 6063		ZJ		Chime, Seat Belt, Key, Lights
	5600 7182		ZJ		Chime, Hi-Speed Warning
15	5300 5079		SJ		MODULE, Ignition
16	4437 394		ZJ		MODULE, Daytime Running Lamps
-	5600 5766				MODULE, Security Alarm
	5600 6947				1992-93
-	5300 8383	1			MODULE, Trans. Control, 1991
	5602 6769		XJ,MJ		1992-93
	5300 8383	1	XJ,MJ		EUROPE
	5300 9230		ZJ		(On Left Cowl) (Use Backplate 53009231) Aisen Warner
	5602 7218		ZJ		42RE, A-500
			ZJ		w/46RH (A518) Transmission (See SBEC Engine Controller)
-	5600 6872	1	ZJ		MODULE, w/Driver Side Airbag
-	5600 7108		ZJ		MODULE, Airbag Diagnostic

MODEL CODES:

61=Pickup-6 Ft Box 74=4 Door Wagon T=2WD
 62=Pickup-7 Ft Box 77=Open Body 93" Wheelbase J,N,U=4WD
 72=2 Door Wagon 78=Open Body 103" Wheelbase

BODY STYLES:

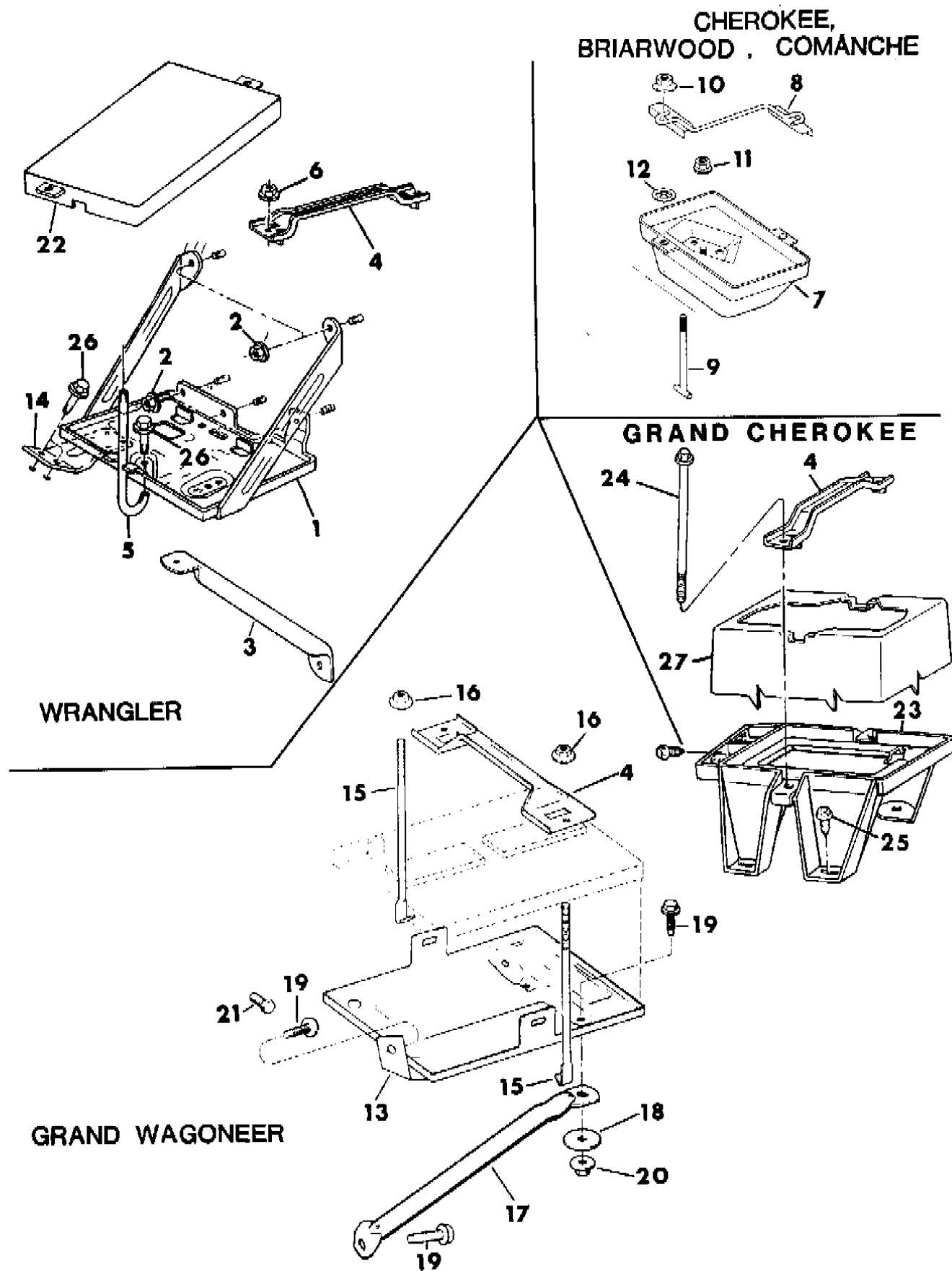
MJ=Comanche Pickup ZJ=Grand Cherokee/Grand Wagoneer KDX VEHICLES
 SJ=Grand Wagoneer M1=Comanche
 XJ=Cherokee, Briarwood X1=Cherokee, Briarwood
 YJ=Wrangler Y1=Wrangler

AR = Use as Required - = Non Illustrated Part P.A.R. = Paint as Required

BATTERY TRAYS

Figure 8-900

91J08 900E



ITEM	PART NUMBER	QTY	BODY	MODEL	DESCRIPTION
1	5534 5013	1	YJ		TRAY, Battery
	J805 1827	1	Y1		KDX - Egypt
2	J400 6715	5			NUT
3	5502 7338	1	YJ		BRACE
4	5501 4361	1	YJSJZJ		BRACKET, Battery
	J805 1829	1	Y1		KDX - Egypt
5	5502 6434	2	YJ		ROD
6	J400 5937	2	YJ		NUT
7	5200 2092				TRAY, Battery
	5534 5470	1	MJ,XJ		1993
	5501 0770	1	XJ,MJ		Diesel Eng., EUROPE
8	5501 0722				BRACKET, Battery
	5501 1012	1	XJ,MJ		Diesel Eng., EUROPE
	5501 5210				REINFORCEMENT, Battery Tray
9	5501 4375	2	XJ,MJ		ROD, 6 Cyl. Eng.
10	3420 1918	2	XJ,MJ		NUT
11		3	XJ,MJ		NUT, (Not Serv.)
12		2			NUT, Push (Not Serv.)
13	5501 9526	1	SJ		TRAY, Battery
14	5534 4770	1			BRACKET, Battery
15	5501 9527	2	SJ		ROD
16	3420 1246	2			NUT
17		1	SJ		BRACE, (Not Serv.)
18	J066 4607	2	SJ		WASHER
19	J400 4455	3			BOLT
20	J400 4866	3	SJ		NUT
21	J400 4455	1	SJ		BOLT
22	J805 1828	1	Y1		TOP, Battery Box KDX - Egypt
23	5525 4551	1	ZJ		SUPPORT
24	6502 783	2	ZJ		BOLT, Battery Hold Down
25	6100 556	5	ZJ		SCREW
26	0180 077	3	YJ		BOLT, (Hex Head 5/16 18x3/4)
27	5602 6843	1	ZJ		COVER, Battery Thermoguard
28		1			STRAP, Battery Supt. (Not Serv.)
29	3420 1809	1			SCREW

MODEL CODES:

61=Pickup-6 Ft Box 74=4 Door Wagon T=2WD
 62=Pickup-7 Ft Box 77=Open Body 93" Wheelbase J,N,U=4WD
 72=2 Door Wagon 78=Open Body 103" Wheelbase

BODY STYLES:

MJ=Comanche Pickup ZJ=Grand Cherokee/Grand Wagoneer
 SJ=Grand Wagoneer
 XJ=Cherokee, Briarwood
 YJ=Wrangler

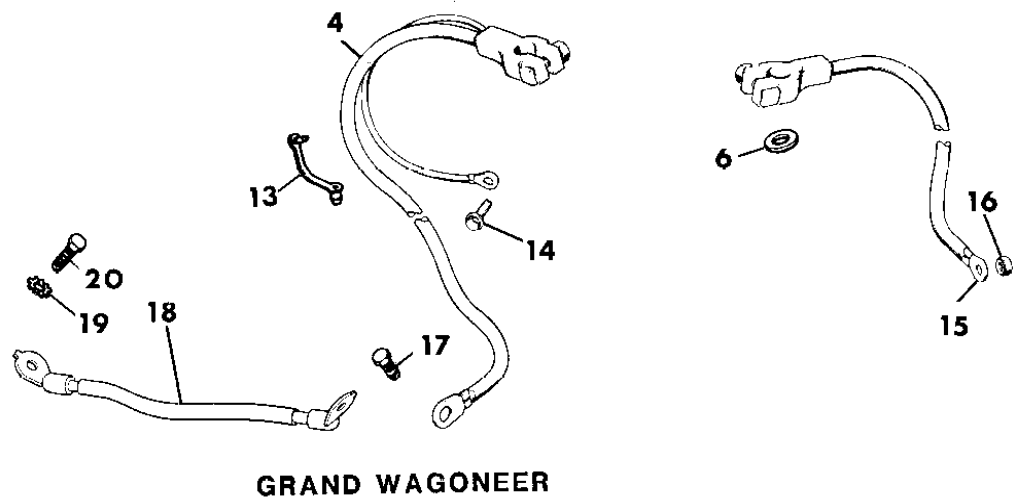
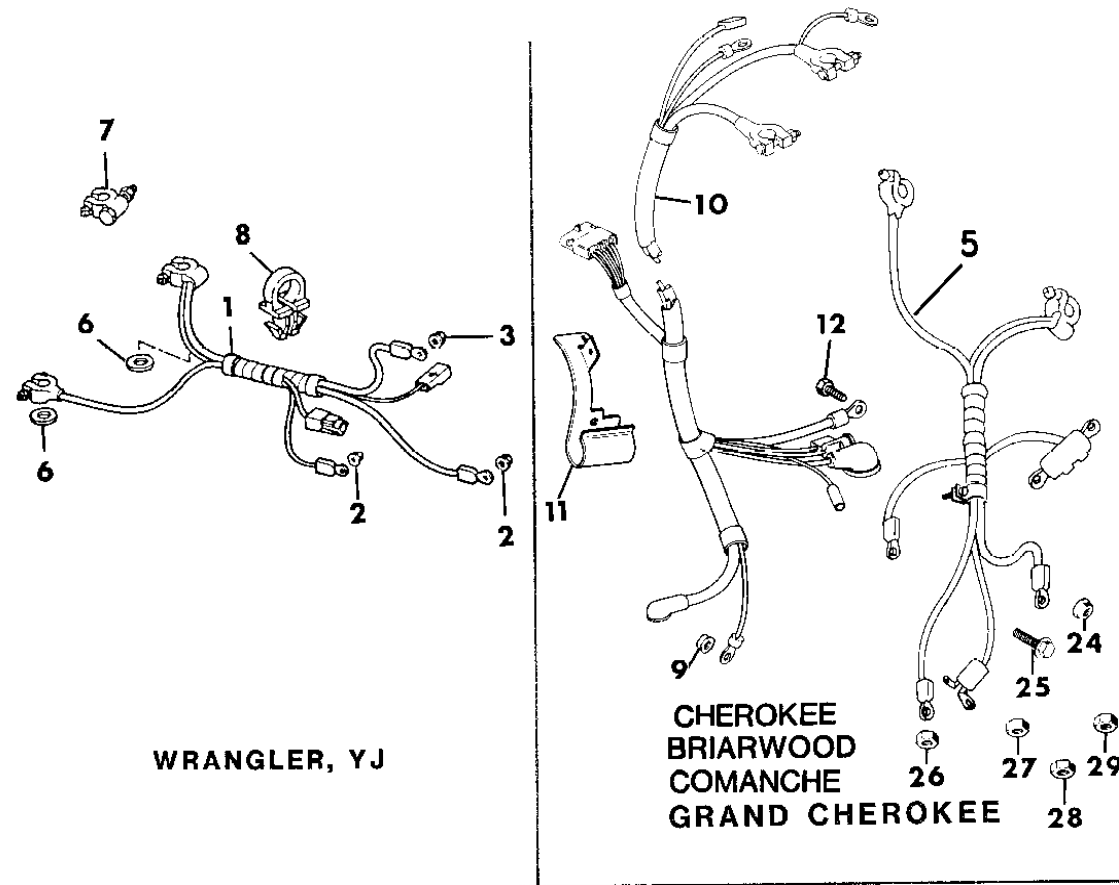
KDX VEHICLES
 M1=Comanche
 X1=Cherokee, Briarwood
 Y1=Wrangler

AR = Use as Required - = Non Illustrated Part P.A.R. = Paint as Required

BATTERY CABLES WRANGLER, CHEROKEE, BRIARWOOD, GRAND CHEROKEE, COMANCHE, GRAND WAGONEER

Figure 8-1000

91J08 1000A



ITEM	PART NUMBER	QTY	BODY	MODEL	DESCRIPTION
1	5601 6929		YJ		WIRING, Battery, 1991-92
	5601 7763	1	YJ		1993
2	J400 6715	1			NUT, 4 Cyl. Eng.
	J027 1187	2			6 Cyl. Eng.
3	1150 2729	1			NUT
4	5600 3804	1	SJ		CABLE, Negative
5	5600 5256		ZJ		WIRING, Generator, Battery, Starter, (Up To 7-16-92) 4.0 Eng.
	5601 8381	1	ZJ		(Aft. 7/17/92) 4.0 Eng.
	5601 8640				5.2 Eng.
6	5227 487	2			WASHER, Terminal Anti-Corrosion
7	9600 0053		Y1		TERMINAL, Positive, KDX
	9600 0054	2	Y1		Negative, KDX
8	3420 1633	1			CLIP
9	3420 1749	1	XJ,MJ		NUT
10	5601 7406		XJ,MJ		WIRING, Alternator/Battery, 6 Cyl., 1991
	5601 7610	1	MJ,XJ		1992
	5601 7778	1	MJ,XJ		1993
	5601 8315	1	XJU		1993
	5600 4298	1	XJ		1991, Diesel Eng., EUROPE
	5601 8028	1	XJ		1992-93, Diesel Eng., EUROPE
					4 Cyl., (Group 8 Illus. 4700)
	5601 8640		ZJ		1993 (8 Cylinder)
	5601 9548		ZJ		1994 (8 Cylinder)
11	5600 1344	1	XJ,MJ		BRACKET, Battery Cable, Diesel Eng., EUROPE
12	J942 8638	1	XJMJZJ		BOLT
13	J400 1712	1			CLIP
14	J400 4801	1			BOLT
15	5600 4307		SJ		CABLE, Positive, 8 Cyl. Eng.
16	1150 2729	2			NUT, (8mm Dia.)
	J400 6715	2			(5/16" Dia)
17	J018 0120	1			BOLT
18			SJ		CABLE, Body Ground Strap (8 Cyl. Eng.)
	J093 8988	1	SJ		8 Cyl. Engine
19	J064 9704	4	SJ		WASHER
20	J018 0122	1			BOLT
23	J400 1718	1	ZJ		CLIP
24	J400 6715	1	ZJ		NUT, w/Washer
25	J400 6887	1	ZJ		BOLT, w/Washer
26	1150 2702	1	ZJ		NUT, Starter
27	6502 691	1	ZJ		NUT, Alternator
28	6502 690	2	ZJ		NUT, Self Lock

MODEL CODES:

61=Pickup-6 Ft Box 74=4 Door Wagon T=2WD
 62=Pickup-7 Ft Box 77=Open Body 93" Wheelbase J,N,U=4WD
 72=2 Door Wagon 78=Open Body 103" Wheelbase

BODY STYLES:

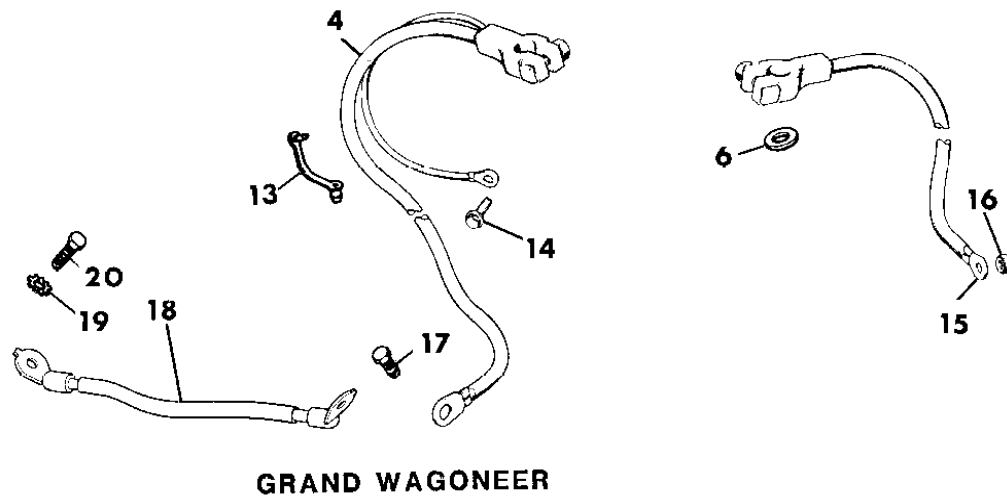
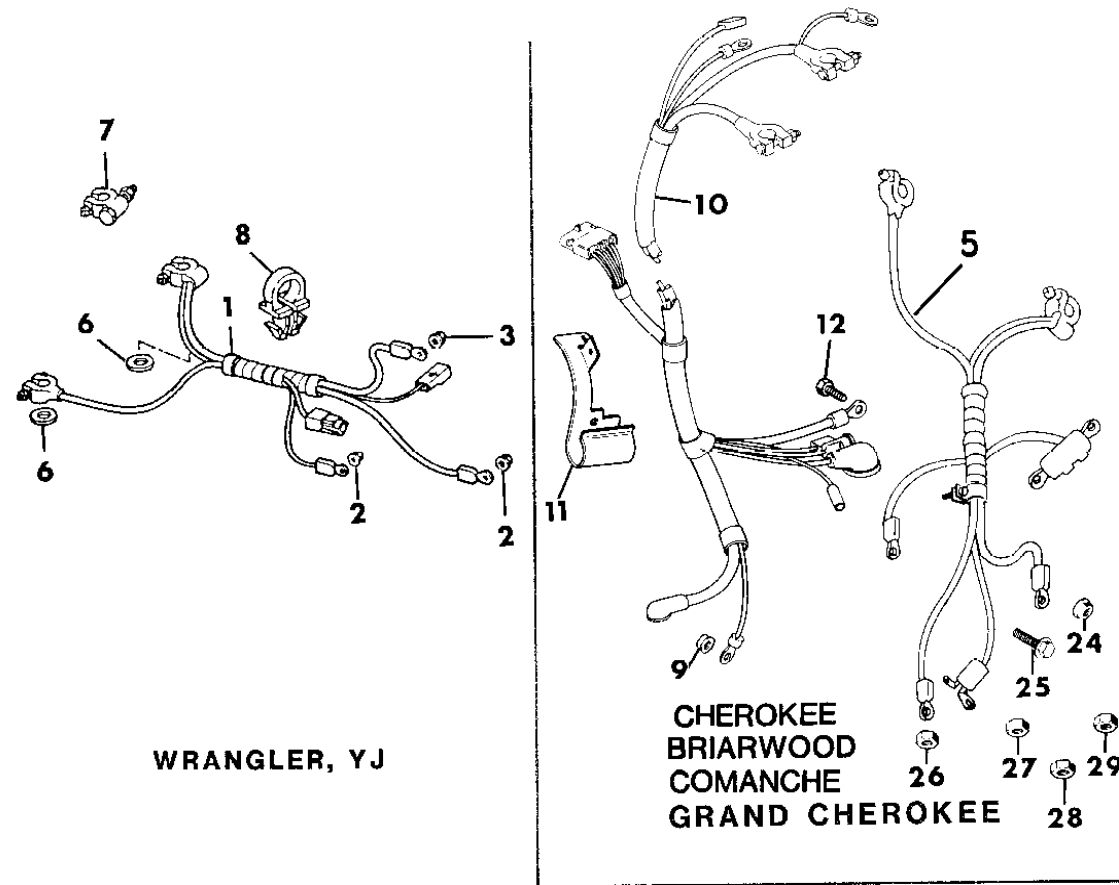
MJ=Comanche Pickup ZJ=Grand Cherokee/Grand Wagoneer KDX VEHICLES
 SJ=Grand Wagoneer M1=Comanche
 XJ=Cherokee, Briarwood X1=Cherokee, Briarwood
 YJ=Wrangler Y1=Wrangler

AR = Use as Required - = Non Illustrated Part P.A.R. = Paint as Required

BATTERY CABLES WRANGLER, CHEROKEE, BRIARWOOD, GRAND CHEROKEE, COMANCHE, GRAND WAGONEER
Figure 8-1000

91J08 1000A

ITEM	PART NUMBER	QTY	BODY	MODEL	DESCRIPTION
29	6502 691	2	ZJ		NUT



MODEL CODES:

61=Pickup-6 Ft Box 74=4 Door Wagon T=2WD
 62=Pickup-7 Ft Box 77=Open Body 93" Wheelbase J,N,U=4WD
 72=2 Door Wagon 78=Open Body 103" Wheelbase

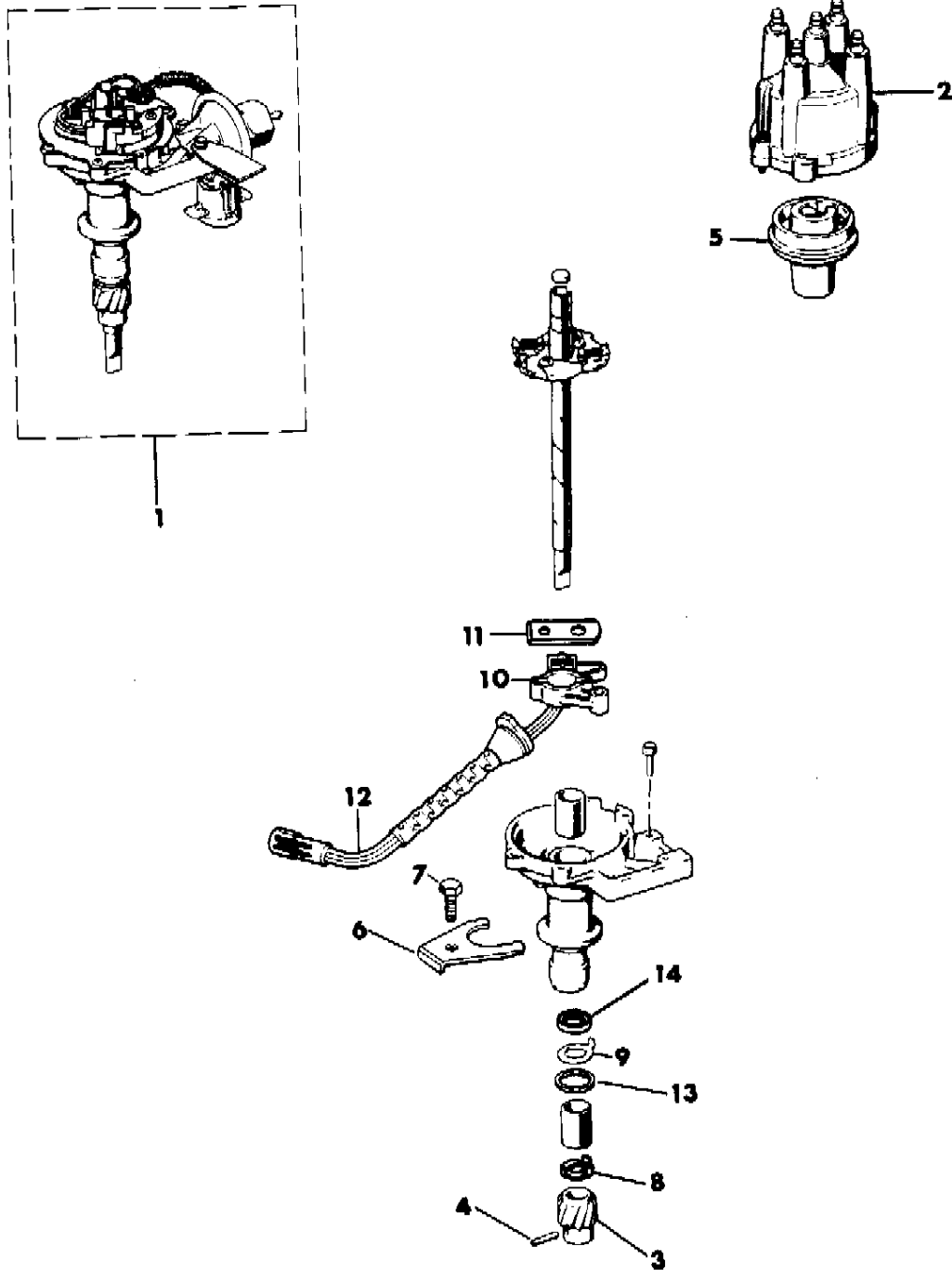
BODY STYLES:

MJ=Comanche Pickup ZJ=Grand Cherokee/Grand Wagoneer KDX VEHICLES
 SJ=Grand Wagoneer M1=Comanche
 XJ=Cherokee, Briarwood X1=Cherokee, Briarwood
 YJ=Wrangler Y1=Wrangler

AR = Use as Required - = Non Illustrated Part P.A.R. = Paint as Required

DISTRIBUTOR 2.5L ENGINE
Figure 8-1100

91J08 1100



ITEM	PART NUMBER	QTY	BODY	MODEL	DESCRIPTION
1	5300 6151	1			DISTRIBUTOR, M.P.I. Eng.
	3300 4654	1			Carb. Eng.
	5602 7088				Carb. Eng., 1993
2	5300 6152	1			CAP, Dist.
	J323 4451	1			Use w/33004654
3	8350 6515	1			GEAR, Dist.
4	9422 127	1			PIN
5	3300 3389	1			ROTOR, Dist.
	3300 4795	1			Use w/33004654
6	3300 4242	1			CLAMP, Dist.
7	6033 479	1			BOLT
8	3300 4594	1			WASHER, Lower
9	5300 9078	1			WASHER, Upper
10	3300 4254	1			PLATE, 1991
	5602 6817	1			1992-93
11	5300 6158	1			ROD
12	5300 9077	1			STATOR
13	J318 1288	1			GASKET, Dist.
14	3300 4595	1			SEAL, Dist., Shaft

MODEL CODES:

61=Pickup-6 Ft Box 74=4 Door Wagon T=2WD
 62=Pickup-7 Ft Box 77=Open Body 93" Wheelbase J,N,U=4WD
 72=2 Door Wagon 78=Open Body 103" Wheelbase

BODY STYLES:

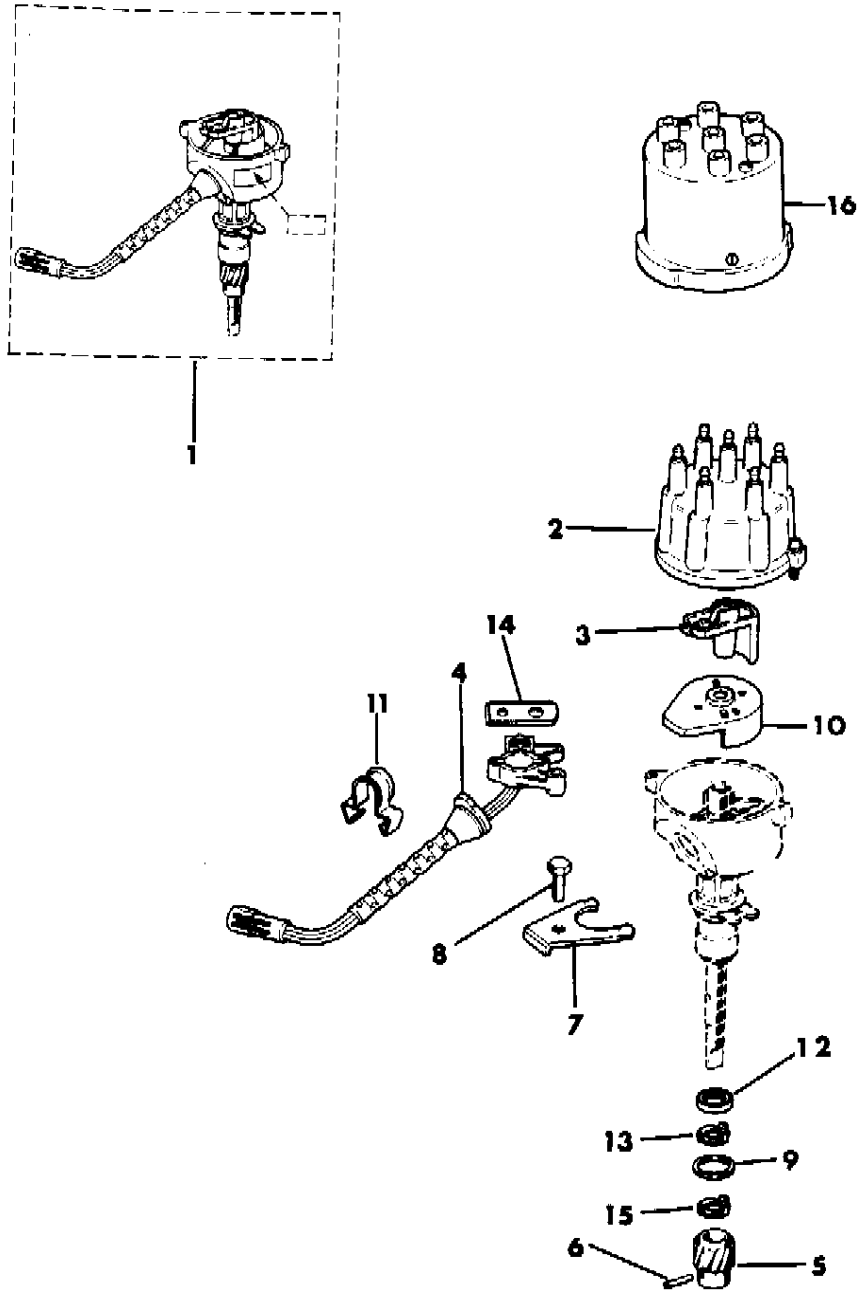
MJ=Comanche Pickup ZJ=Grand Cherokee/Grand Wagoneer KDX VEHICLES
 SJ=Grand Wagoneer M1=Comanche
 XJ=Cherokee, Briarwood X1=Cherokee, Briarwood
 YJ=Wrangler Y1=Wrangler

AR = Use as Required - = Non Illustrated Part P.A.R. = Paint as Required

DISTRIBUTOR 4.0L ENGINE

Figure 8-1200

91J08 1200



ITEM	PART NUMBER	QTY	BODY	MODEL	DESCRIPTION
1	5300 6150	1			DISTRIBUTOR
2	3300 4024	1			CAP, Dist.
3	3300 3389	1			ROTOR, Dist.
4	5300 9077	1			STATOR, Dist.
5	8350 4635	1			GEAR, Dist.
6	9422 127	1			PIN
7	3300 4242	1			CLAMP
8	6033 479	1			BOLT
9	J318 1288	1			GASKET
10	3300 4254	1			PLATE, 1991
	5602 6817	1			1992-1993
11	5300 9668	1			CLIP, 1991
12	3300 4595	1			SEAL
13	5300 9078	1			WASHER, Thrust
14	5300 6158	1			ROD, Stator
15	3300 4594	1			WASHER, Thrust
16	4713 256	1	Y1		SHIELD, Distributor. EGYPT, w/Static Supression for Two-Way Radios

MODEL CODES:

61=Pickup-6 Ft Box 74=4 Door Wagon T=2WD
 62=Pickup-7 Ft Box 77=Open Body 93" Wheelbase J,N,U=4WD
 72=2 Door Wagon 78=Open Body 103" Wheelbase

BODY STYLES:

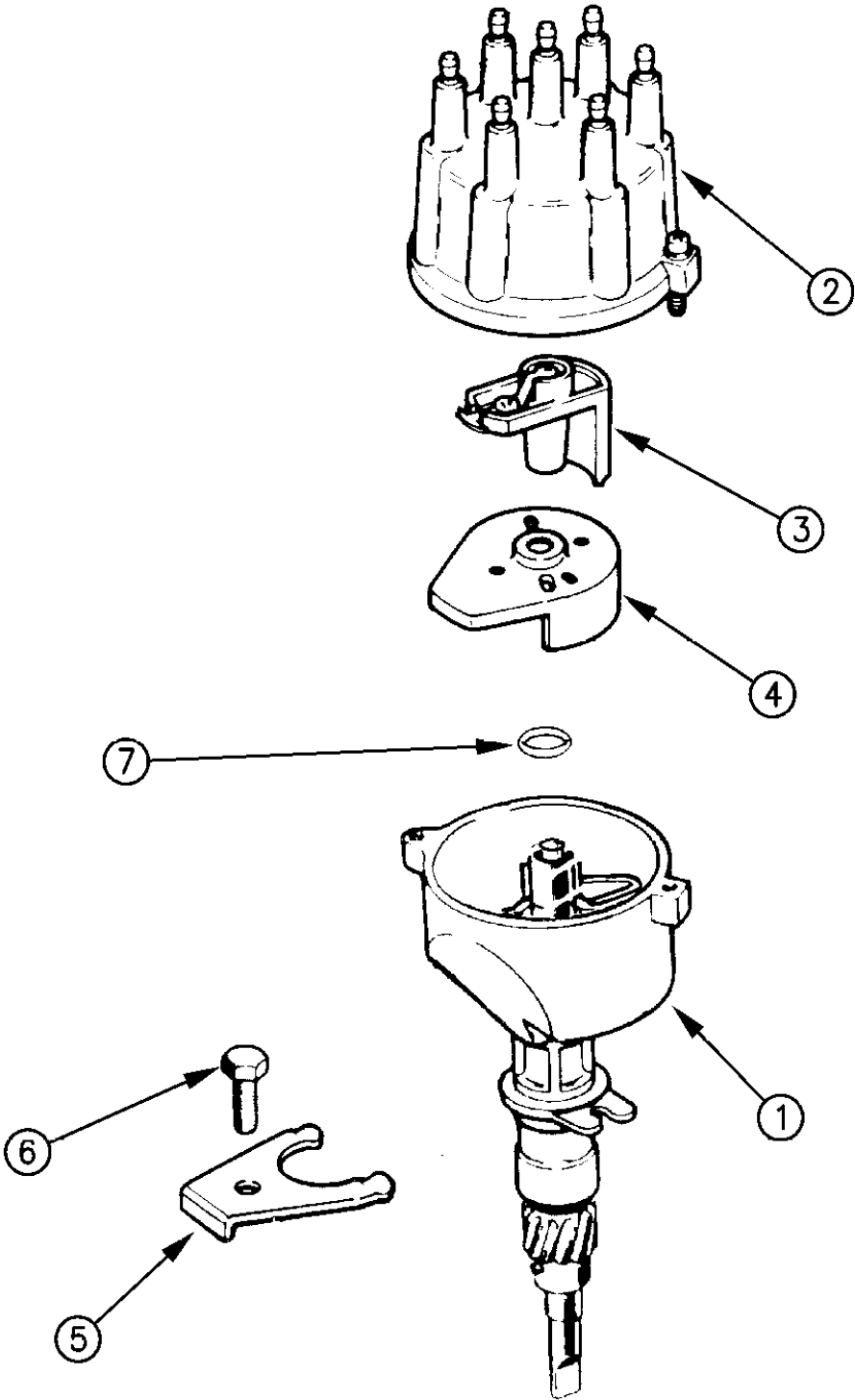
MJ=Comanche Pickup ZJ=Grand Cherokee/Grand Wagoneer KDX VEHICLES
 SJ=Grand Wagoneer M1=Comanche
 XJ=Cherokee, Briarwood X1=Cherokee, Briarwood
 YJ=Wrangler Y1=Wrangler

AR = Use as Required - = Non Illustrated Part P.A.R. = Paint as Required

DISTRIBUTOR 5.2L ENGINE
Figure 8-1300

91J08 1300A

ITEM	PART NUMBER	QTY	BODY	MODEL	DESCRIPTION
1	5602 6744	1			DISTRIBUTOR, Partial
2	5300 8767	1			CAP, Dist.
3	5300 8778	1			ROTOR
4	5602 6746	1			SWITCH, w/Plate, Dist.
5	4343 950	1			CLAMP, Hold Down
6	6028 606	1			SCREW, Dist. Clamp
7	2875 923	1			O-RING, Dist. Housing



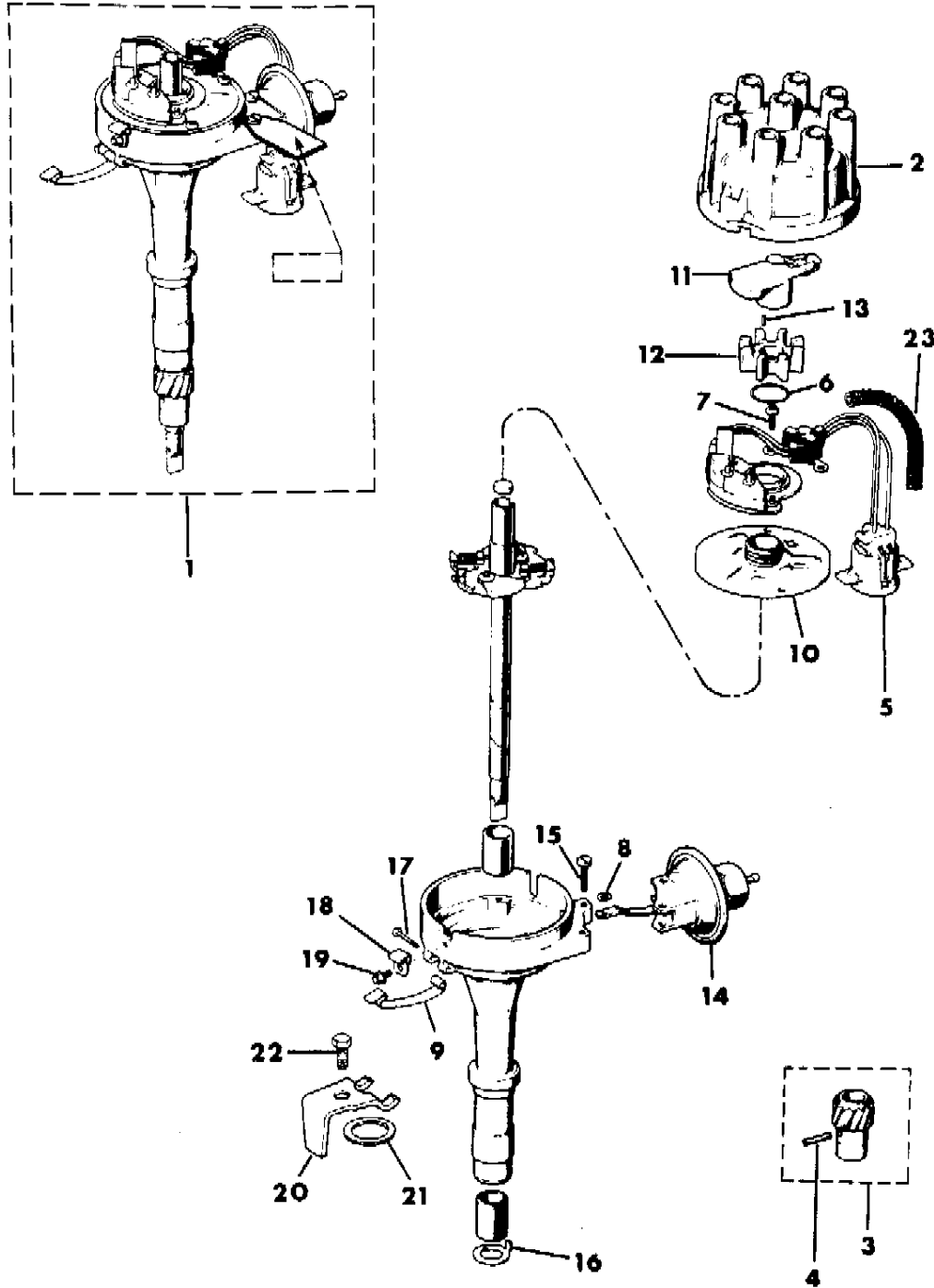
MODEL CODES:
 61=Pickup-6 Ft Box 74=4 Door Wagon T=2WD
 62=Pickup-7 Ft Box 77=Open Body 93" Wheelbase J,N,U=4WD
 72=2 Door Wagon 78=Open Body 103" Wheelbase

BODY STYLES:
 MJ=Comanche Pickup ZJ=Grand Cherokee/Grand Wagoneer KDX VEHICLES
 SJ=Grand Wagoneer M1=Comanche
 XJ=Cherokee, Briarwood X1=Cherokee, Briarwood
 YJ=Wrangler Y1=Wrangler

AR = Use as Required - = Non Illustrated Part P.A.R. = Paint as Required

DISTRIBUTOR 5.9L ENGINE
Figure 8-1400

91J08 1400



ITEM	PART NUMBER	QTY	BODY	MODEL	DESCRIPTION
1	5300 6450	1			DISTRIBUTOR
2	J323 0757	1			CAP, Dist.
3	J318 2700	1			GEAR, Dist.
4	9422 127	1			PIN
5	J812 8900	1			SENSOR, Dist.
6	J812 8953	1			RETAINER
7	J812 8470	1			SCREW
8	J448 8186	1			CLIP
9	J812 8955	2			CLAMP
10	J812 8957	1			PLATE, Mounting
11	J323 0765	1			ROTOR, Dist.
12	J812 8899	1			RELUCTOR, Dist.
13	J812 8463	1			PIN
14	J812 9470	1			CONTROL, Dist. Vacuum
15	S941 7303	2			SCREW
16	J812 8465	1			WASHER
17	J812 8956	1			RIVET
18	J812 8993	1			TAB ***
19	J812 9359	1			SCREW
20	J323 3813	1			CLAMP
21	J318 1288	1			GASKET
22	J018 0123	1			BOLT
23	3300 1774	1			SHIELD

MODEL CODES:

61=Pickup-6 Ft Box 74=4 Door Wagon T=2WD
 62=Pickup-7 Ft Box 77=Open Body 93" Wheelbase J,N,U=4WD
 72=2 Door Wagon 78=Open Body 103" Wheelbase

BODY STYLES:

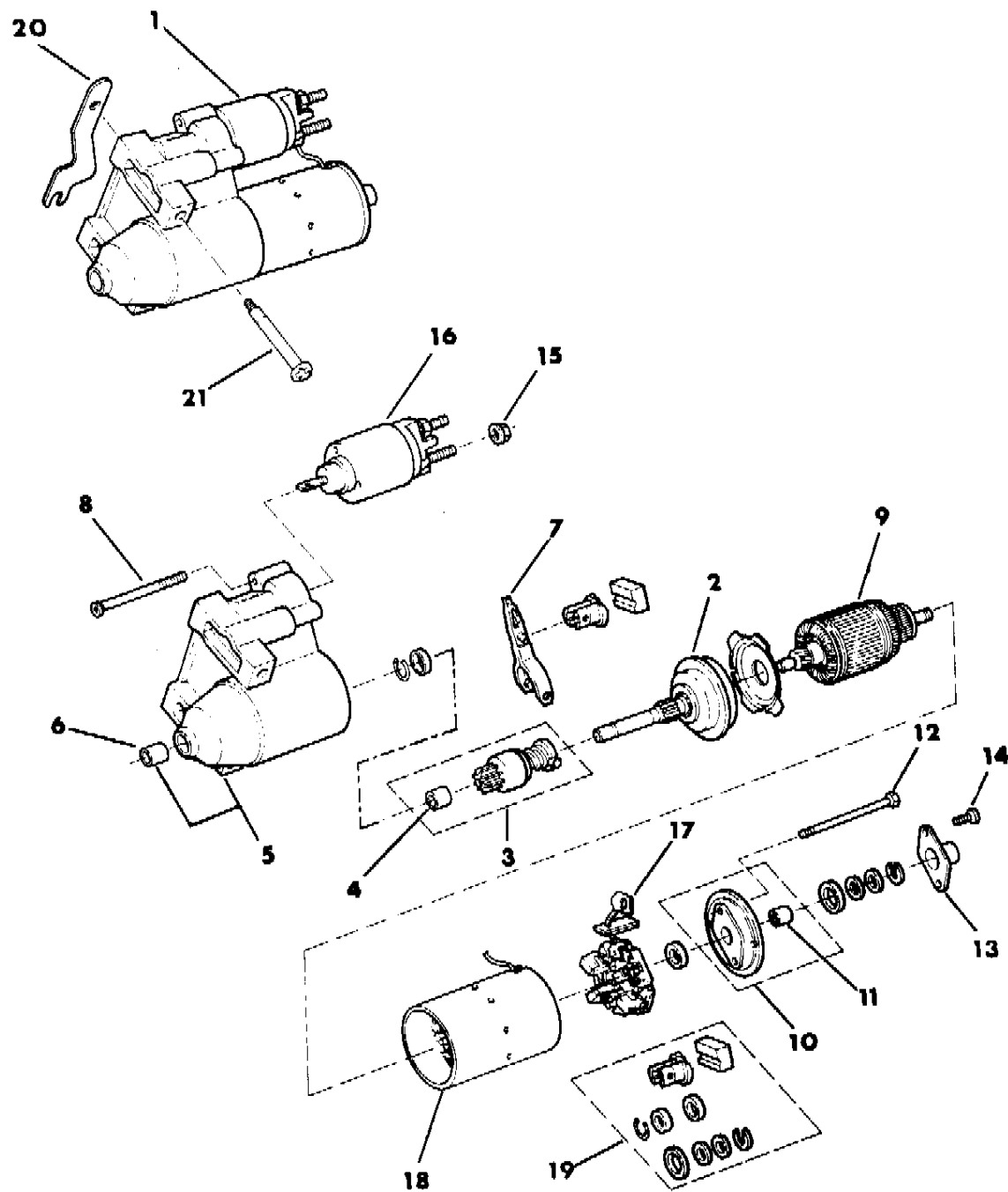
MJ=Comanche Pickup ZJ=Grand Cherokee/Grand Wagoneer KDX VEHICLES
 SJ=Grand Wagoneer M1=Comanche
 XJ=Cherokee, Briarwood X1=Cherokee, Briarwood
 YJ=Wrangler Y1=Wrangler

AR = Use as Required - = Non Illustrated Part P.A.R. = Paint as Required

STARTER AND MOUNTING 2.5L ENGINE

Figure 8-1500

91J08 1500



ITEM	PART NUMBER	QTY	BODY	MODEL	DESCRIPTION
1	JR77 5132				STARTER, Reman., USA--CANADA
	5300 2125	1			EUROPE--MIDEAST--KDX
2	8350 2493	1			GEAR ASSEMBLY, Reduction ***
3	8350 1498	1			DRIVE ASSEMBLY, Starter ***
4	8350 1499	2			BUSHING
5	8350 2494	1			HOUSING, Starter Drive
6	8350 1586	1			BUSHING
7	8350 1587	1			LEVER, Starter Drive
8	8350 2279	3			SCREW
9	8350 1588	1			ARMATURE, Starter
10	8350 2495	1			SHIELD, Starter
-	8350 4106	1			CAP, Starter Shield
11	8350 1590	1			BUSHING
12	8350 2496	2			BOLT
13	8350 2214	1			COVER, Starter
14	T300 6115	2			BOLT
15	8350 2497	1			NUT
16	8350 2614	1			SOLENOID, Starter
17	8350 2615	1			HOLDER ASSEMBLY, Brush
18	8350 2217	1			HOUSING, Starter Field
19	8350 2218	1			HARDWARE PACKAGE, Starter
20	J324 1711				SHIM, X=.015"
	J324 1712	AR			X=.045"
21	J400 6964	2			BOLT

MODEL CODES:

61=Pickup-6 Ft Box 74=4 Door Wagon T=2WD
 62=Pickup-7 Ft Box 77=Open Body 93" Wheelbase J,N,U=4WD
 72=2 Door Wagon 78=Open Body 103" Wheelbase

BODY STYLES:

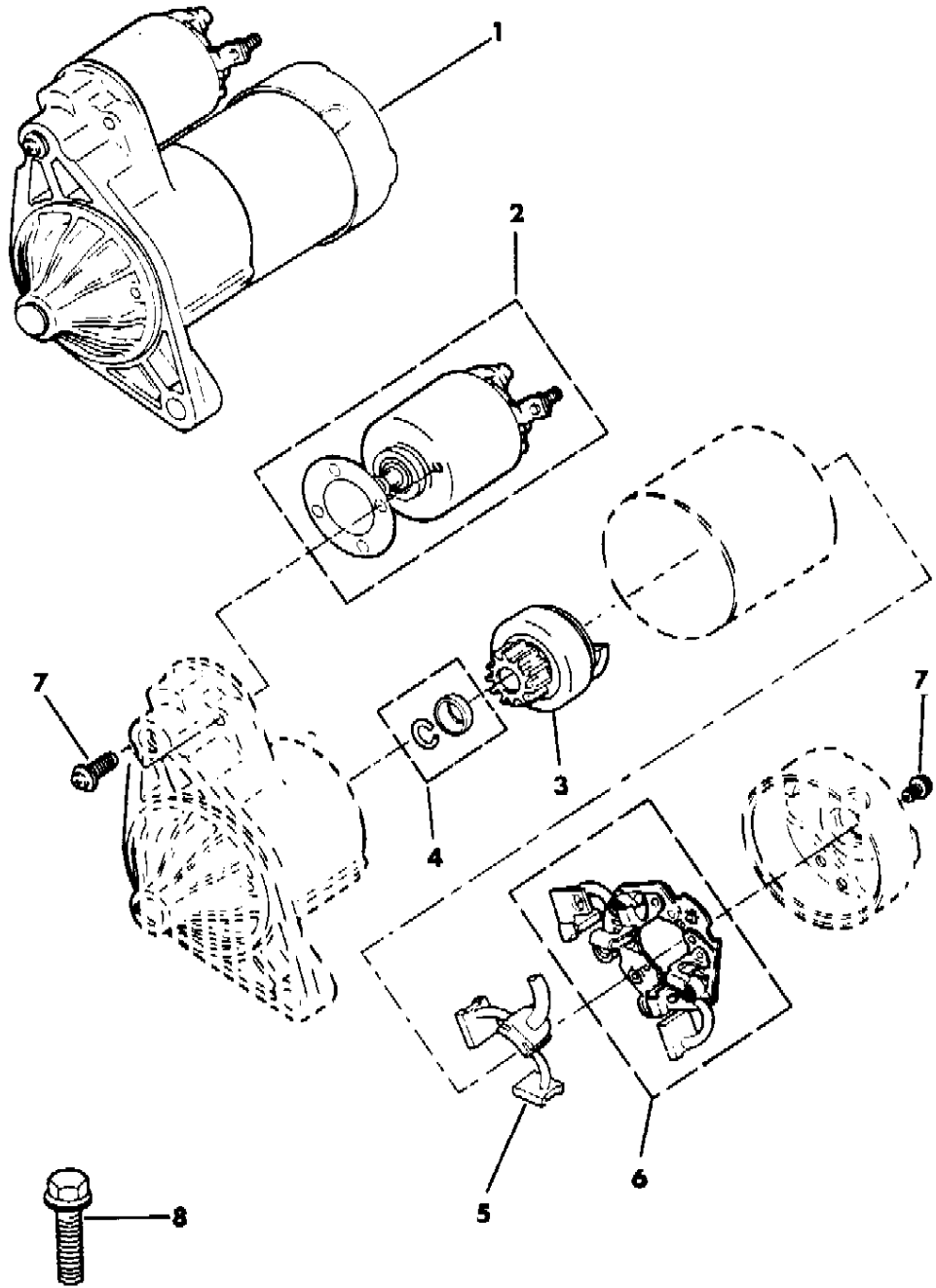
MJ=Comanche Pickup ZJ=Grand Cherokee/Grand Wagoneer KDX VEHICLES
 SJ=Grand Wagoneer M1=Comanche
 XJ=Cherokee, Briarwood X1=Cherokee, Briarwood
 YJ=Wrangler Y1=Wrangler

AR = Use as Required - = Non Illustrated Part P.A.R. = Paint as Required

STARTER AND MOUNTING 4.0L, 5.9L ENGINES
Figure 8-1600

91J08 1600

ITEM	PART NUMBER	QTY	BODY	MODEL	DESCRIPTION
1	3300 2709	1			STARTER
2	8350 3655	1			SOLENOID
3	8350 3662	1			DRIVE ASSEMBLY, Starter ***
4	8350 3661	1			RETAINER
5	8350 3670	1			BRUSH
6	8350 3671	1			HOLDER, Brush
7	8350 3674	1			SCREW SET, Starter Mtg.
8	J400 6192	1			BOLT, 1.75"
	1150 2689	1			1.18"



MODEL CODES:

61=Pickup-6 Ft Box 74=4 Door Wagon T=2WD
 62=Pickup-7 Ft Box 77=Open Body 93" Wheelbase J,N,U=4WD
 72=2 Door Wagon 78=Open Body 103" Wheelbase

BODY STYLES:

MJ=Comanche Pickup ZJ=Grand Cherokee/Grand Wagoneer KDX VEHICLES
 SJ=Grand Wagoneer M1=Comanche
 XJ=Cherokee, Briarwood X1=Cherokee, Briarwood
 YJ=Wrangler Y1=Wrangler

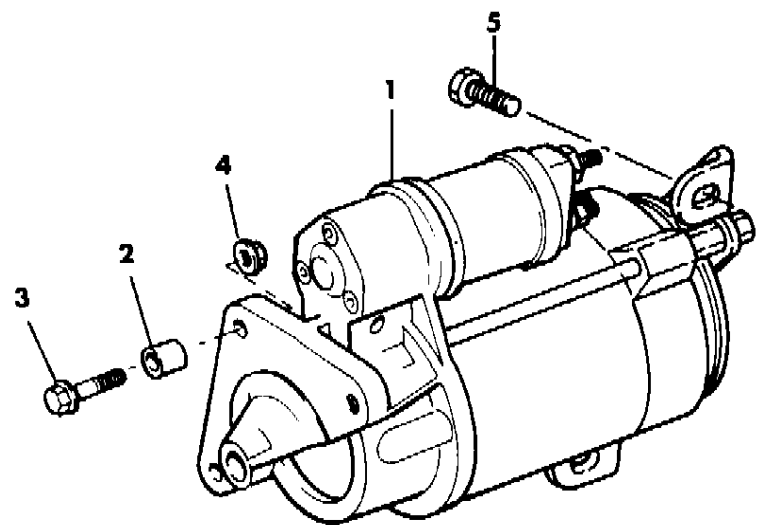
AR = Use as Required - = Non Illustrated Part P.A.R. = Paint as Required

STARTER AND MOUNTING DIESEL ENGINE EUROPE

Figure 8-1700

91J08 1700

ITEM	PART NUMBER	QTY	BODY	MODEL	DESCRIPTION
1	5300 8165	1			STARTER
2	5300 1858	1			PIN
3	3420 2029				BOLT, w/Man. Trans. (M10-1.50mm)
4	6502 135	2			NUT
5	1150 2693	2			BOLT, Rear Bracket



MODEL CODES:

61=Pickup-6 Ft Box 74=4 Door Wagon T=2WD
 62=Pickup-7 Ft Box 77=Open Body 93" Wheelbase J,N,U=4WD
 72=2 Door Wagon 78=Open Body 103" Wheelbase

BODY STYLES:

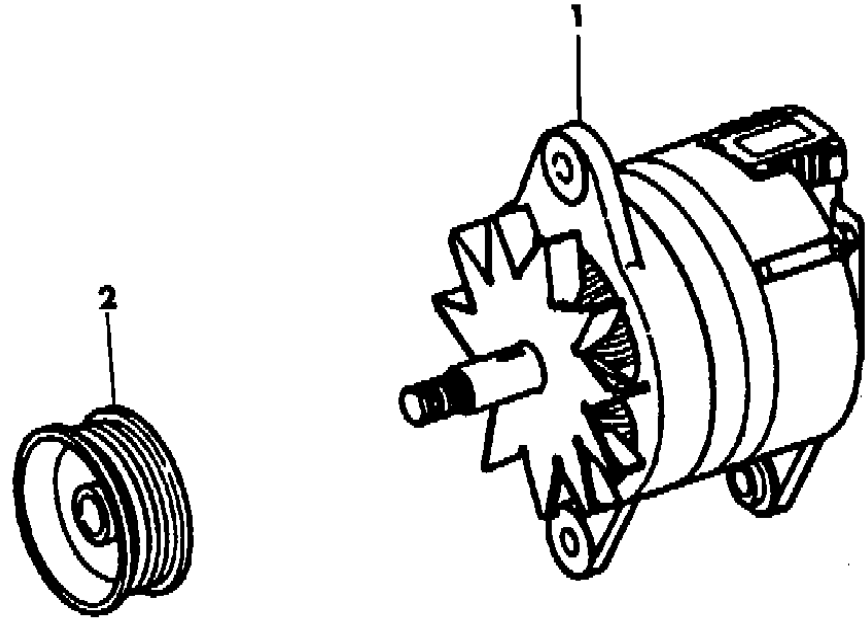
MJ=Comanche Pickup ZJ=Grand Cherokee/Grand Wagoneer KDX VEHICLES
 SJ=Grand Wagoneer M1=Comanche
 XJ=Cherokee, Briarwood X1=Cherokee, Briarwood
 YJ=Wrangler Y1=Wrangler

AR = Use as Required - = Non Illustrated Part P.A.R. = Paint as Required

STARTER 5.2L ENGINE
Figure 8-1800

91J08 1800A

ITEM	PART NUMBER	QTY	BODY	MODEL	DESCRIPTION
1	5600 4934	1			STARTER
2	6023 899	AR			SCREW, w/Washer
3	2095 875	1			STUD
4	0272 235	1			NUT



MODEL CODES:

61=Pickup-6 Ft Box 74=4 Door Wagon T=2WD
 62=Pickup-7 Ft Box 77=Open Body 93" Wheelbase J,N,U=4WD
 72=2 Door Wagon 78=Open Body 103" Wheelbase

BODY STYLES:

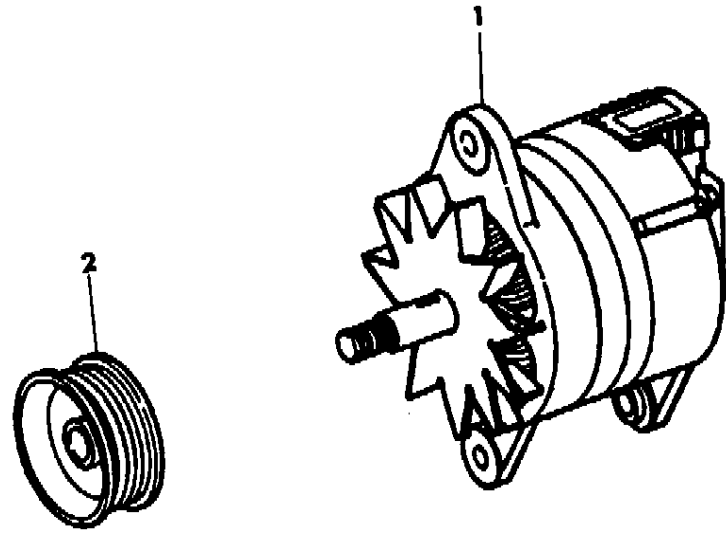
MJ=Comanche Pickup ZJ=Grand Cherokee/Grand Wagoneer KDX VEHICLES
 SJ=Grand Wagoneer M1=Comanche
 XJ=Cherokee, Briarwood X1=Cherokee, Briarwood
 YJ=Wrangler Y1=Wrangler

AR = Use as Required - = Non Illustrated Part P.A.R. = Paint as Required

ALTERNATOR (GENERATOR) 100 AMPERE 24 VOLT WRANGLER--EGYPT-KDX
Figure 8-1900

91J08 1900

ITEM	PART NUMBER	QTY	BODY	MODEL	DESCRIPTION
1	J805 1821	1			ALTERNATOR
2	5300 3686	1			PULLEY



MODEL CODES:

61=Pickup-6 Ft Box	74=4 Door Wagon	T=2WD
62=Pickup-7 Ft Box	77=Open Body 93" Wheelbase	J,N,U=4WD
72=2 Door Wagon	78=Open Body 103" Wheelbase	

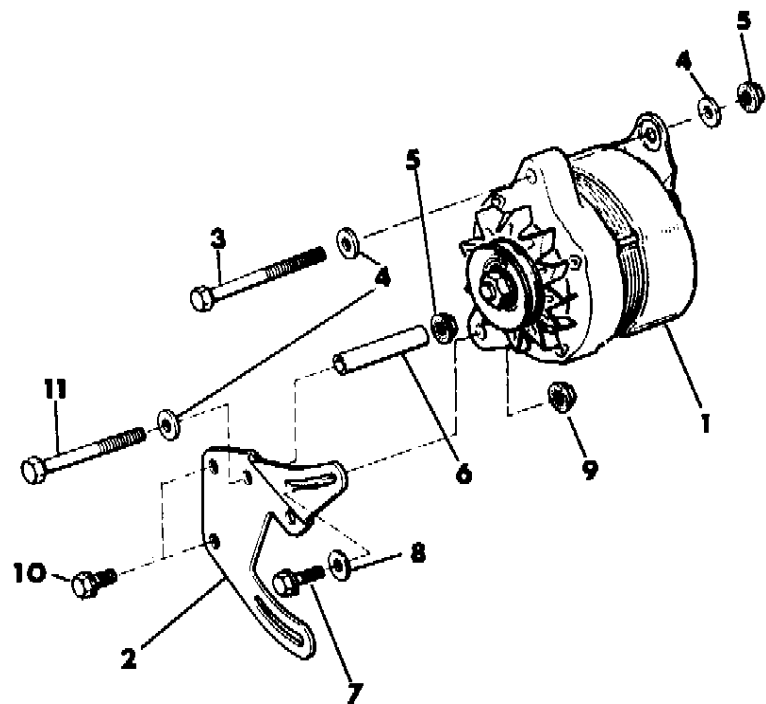
BODY STYLES:

MJ=Comanche Pickup	ZJ=Grand Cherokee/Grand Wagoneer	KDX VEHICLES
SJ=Grand Wagoneer		M1=Comanche
XJ=Cherokee, Briarwood		X1=Cherokee, Briarwood
YJ=Wrangler		Y1=Wrangler

AR = Use as Required - = Non Illustrated Part P.A.R. = Paint as Required

ALTERNATOR (GENERATOR) AND MOUNTING DIESEL ENGINE CHEROKEE, EUROPE
Figure 8-2000

91J08 2000



ITEM	PART NUMBER	QTY	BODY	MODEL	DESCRIPTION
1	JR77 5028				ALTERNATOR, (Generator), 60 Amp.
	5300 6070	1			70 Amp.
2	5300 1768	1			BRACKET
3	J072 7161	1			BOLT
4	J400 1104	3			WASHER
5	6502 135	2			NUT
6	3420 2052	1			SPACER
7	3420 2062	1			BOLT
8	1150 0255	1			WASHER
9	1150 2811	1			NUT
10	3420 2060	2			BOLT
11	3420 2061	1			BOLT

MODEL CODES:

61=Pickup-6 Ft Box 74=4 Door Wagon T=2WD
 62=Pickup-7 Ft Box 77=Open Body 93" Wheelbase J,N,U=4WD
 72=2 Door Wagon 78=Open Body 103" Wheelbase

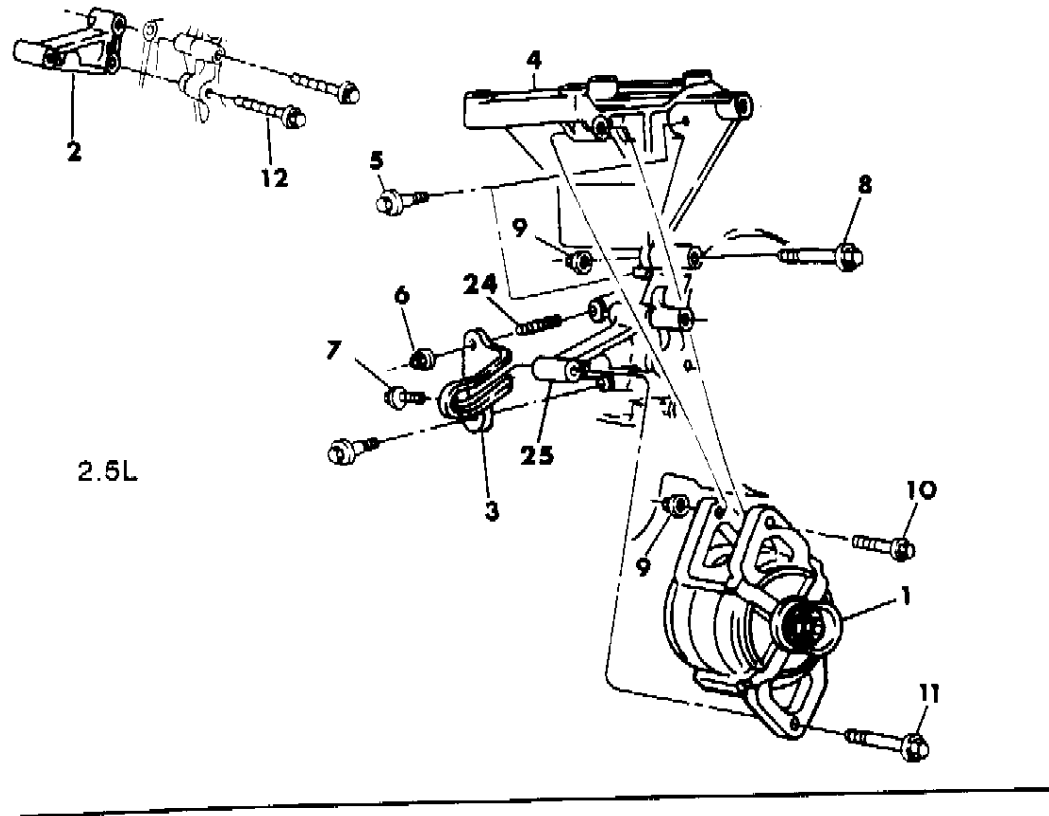
BODY STYLES:

MJ=Comanche Pickup ZJ=Grand Cherokee/Grand Wagoneer KDX VEHICLES
 SJ=Grand Wagoneer M1=Comanche
 XJ=Cherokee, Briarwood X1=Cherokee, Briarwood
 YJ=Wrangler Y1=Wrangler

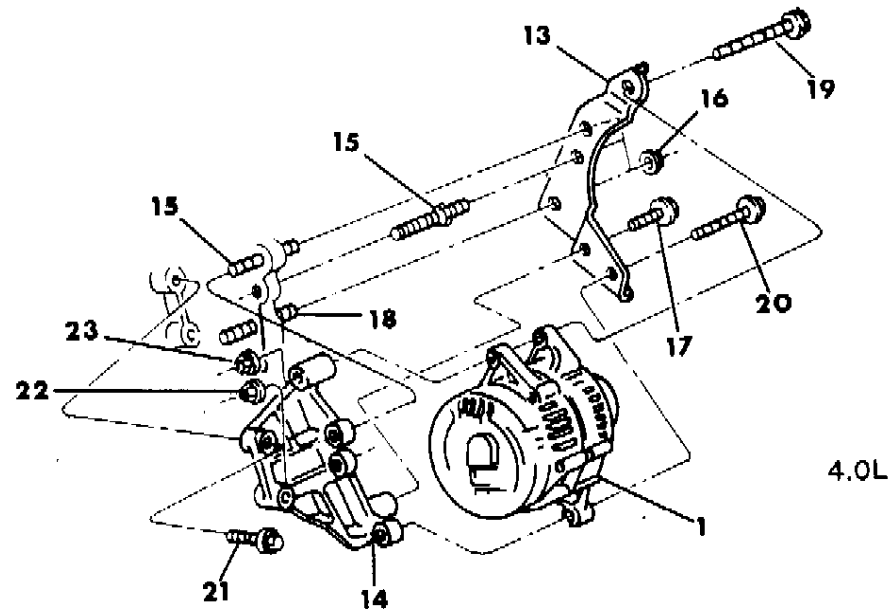
AR = Use as Required - = Non Illustrated Part P.A.R. = Paint as Required

ALTERNATOR (GENERATOR) AND MOUNTING 2.5L, 4.0L ENGINE
Figure 8-2100

91J08 2100



2.5L



4.0L

ITEM	PART NUMBER	QTY	BODY	MODEL	DESCRIPTION
1	5600 5685				ALTERNATOR, (Generator) 90 Amp.
	5602 6936	1	XJ		90 Amp., RHD
	5300 9744		X1		EUROPE
2	5300 7604	1			BRACKET, 2.5 Eng.
3	5300 7506	1			BRACE
4	5300 7600	1			BRACKET
5	6025 063	5			BOLT
6	0152 344	2			NUT
7	6502 144	1			BOLT
8	6502 143	1			BOLT
9	6502 135	2			NUT
10	6502 134	1			BOLT
11	6502 136	1			BOLT
12	6033 949	2			BOLT
13	5300 6869	1			BRACKET
14	5300 8850	1			BRACKET
15	6034 093	2			STUD
16	0152 344	3			NUT
17	6502 144	1			BOLT
18					STUD
19	6502 143	1			SCREW
20	6502 136	1			SCREW
21	6025 063	2			SCREW
22	J400 6080	2			NUT
23	6502 135	1			NUT
24	6033 883	2			STUD, 2.5 Eng.
25	5300 7606	1			BRACKET, 4.0 Eng.

MODEL CODES:

61=Pickup-6 Ft Box 74=4 Door Wagon T=2WD
 62=Pickup-7 Ft Box 77=Open Body 93" Wheelbase J,N,U=4WD
 72=2 Door Wagon 78=Open Body 103" Wheelbase

BODY STYLES:

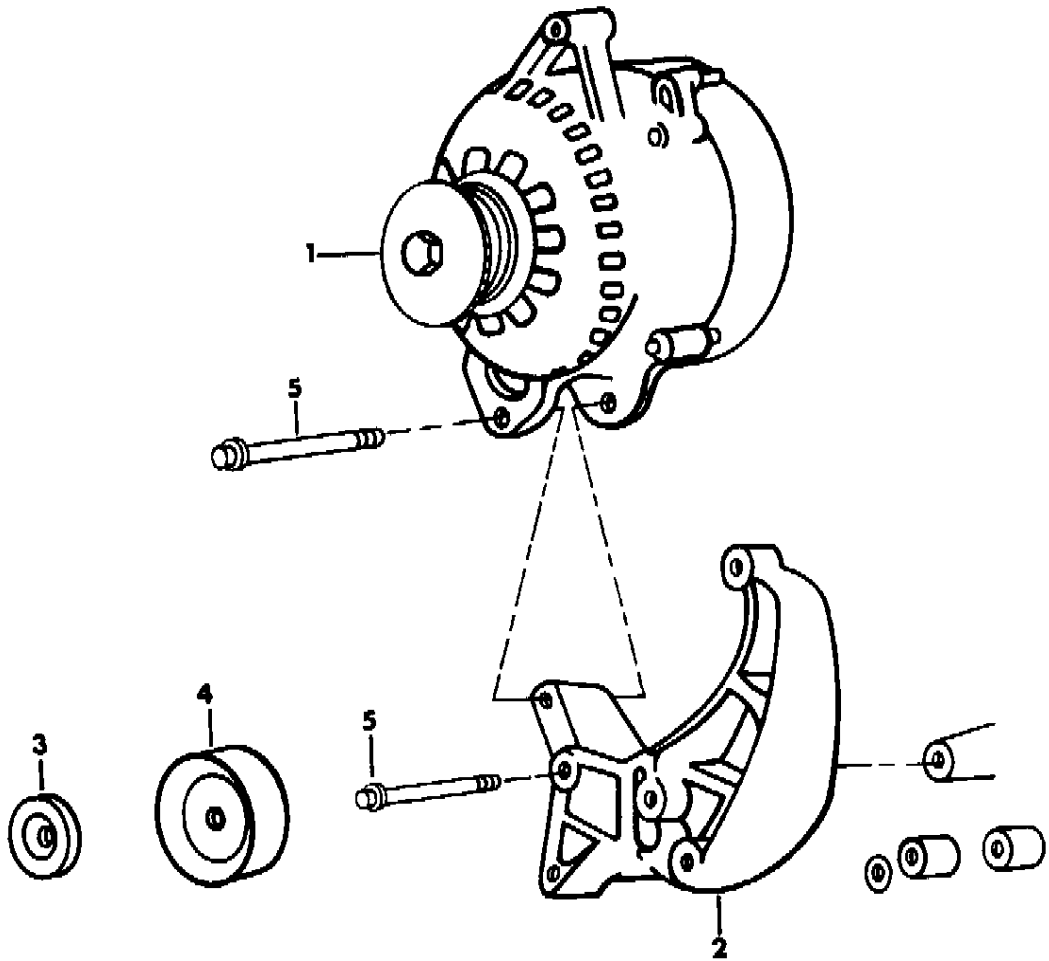
MJ=Comanche Pickup ZJ=Grand Cherokee/Grand Wagoneer KDX VEHICLES
 SJ=Grand Wagoneer M1=Comanche
 XJ=Cherokee, Briarwood X1=Cherokee, Briarwood
 YJ=Wrangler Y1=Wrangler

AR = Use as Required - = Non Illustrated Part P.A.R. = Paint as Required

ALTERNATOR (GENERATOR) AND MOUNTING 5.2L ENGINE
Figure 8-2200

91J08 2200

ITEM	PART NUMBER	QTY	BODY	MODEL	DESCRIPTION
1	5300 8647	1			ALTERNATOR, (Generator) 90 Amp.
2	5300 8618	1			BRACKET
3	3300 2201	1			BUSHING
4	5300 9508	1			PULLEY
5	6034 247	2			SCREW, w/Washer



MODEL CODES:
 61=Pickup-6 Ft Box 74=4 Door Wagon T=2WD
 62=Pickup-7 Ft Box 77=Open Body 93" Wheelbase J,N,U=4WD
 72=2 Door Wagon 78=Open Body 103" Wheelbase

BODY STYLES:
 MJ=Comanche Pickup ZJ=Grand Cherokee/Grand Wagoneer KDX VEHICLES
 SJ=Grand Wagoneer M1=Comanche
 XJ=Cherokee, Briarwood X1=Cherokee, Briarwood
 YJ=Wrangler Y1=Wrangler

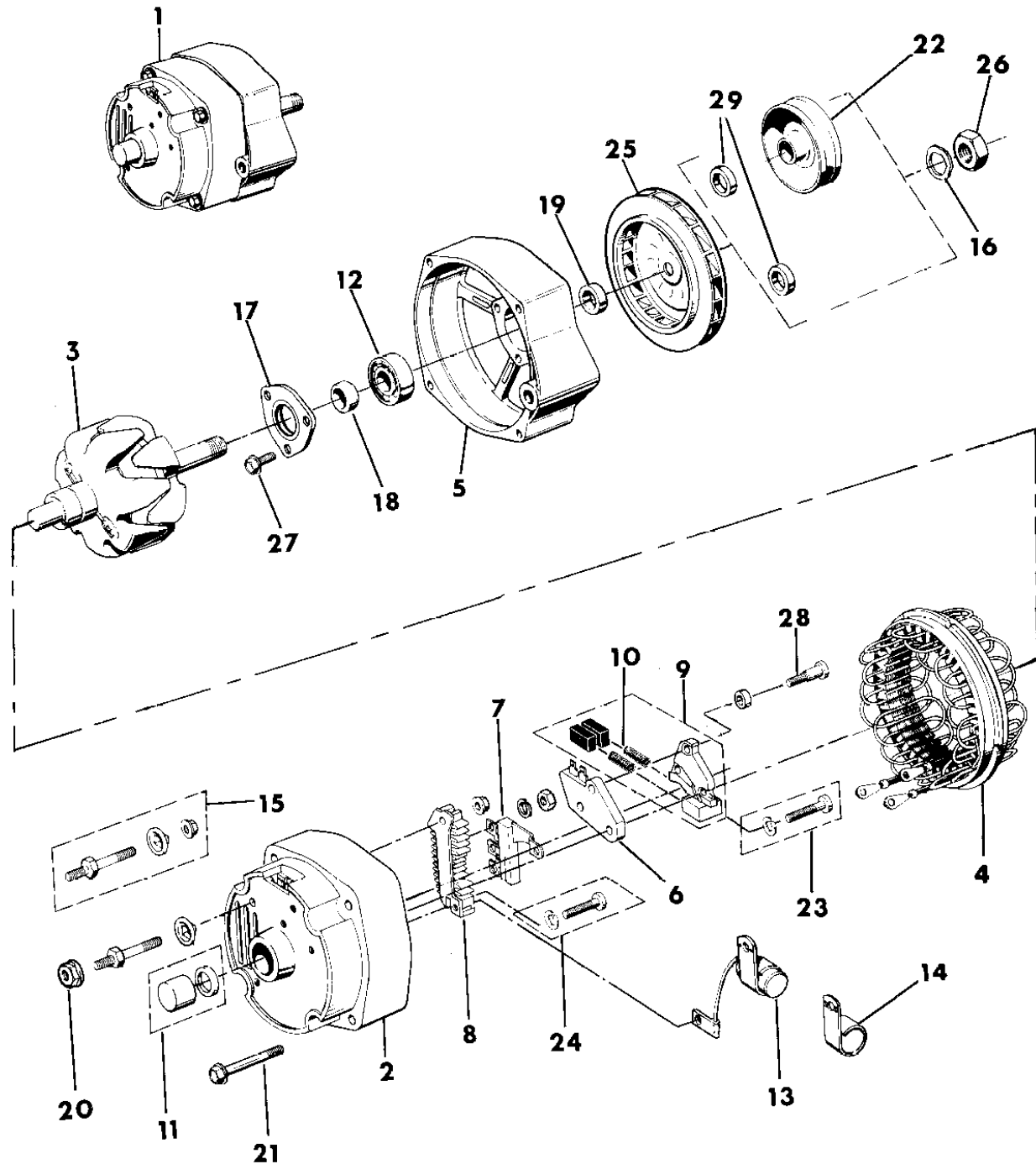
AR = Use as Required - = Non Illustrated Part P.A.R. = Paint as Required

ALTERNATOR (GENERATOR) 78 AMPERE GRAND WAGONEER

Figure 8-2300

91J08 2300A

ITEM	PART NUMBER	QTY	BODY	MODEL	DESCRIPTION
1	5300 9745	1			ALTERNATOR
2	J813 2555	1			HOUSING, Alternator Rear
3	J813 4645	1			ROTOR, Alternator
	J813 4646	1			Tagged 1105084
4	J813 4649	1			STATOR, Alternator, Tagged 1105084
	J813 5174	1			Tagged 1105079 or 1105080
5	J813 4655	1			HOUSING, Alternator Front (Tagged 1105084)
6	8330 0084	1			REGULATOR, Voltage
7	8330 0072	1			DIODE TRIO ***
8	J813 4650	1			RECTIFIER, Diode
9	J813 4652	1			HOLDER, Alternator Brush
10	J813 4653	1			SPRING, Tagged 1105084
11	J812 5181	1			BEARING
12	4364 852	1			BEARING
13	J812 5183	1			CAPACITOR, Alternator
14	J812 5184	1			CLAMP
15	J813 3274	1			TERMINAL
16	J813 3280	1			WASHER
17	J813 4658	1			RETAINER
18	J813 3279	1			COLLAR
19	J813 4659	1			COLLAR, Tagged 1105084
20	6502 424	1			NUT
21	J812 5191	4			BOLT
22	J813 2698	1			PULLEY, Alternator
23	J813 3273	1			SCREW
24	J813 4669	1			SCREW
25	J813 4662	1			FAN, Alternator, Tagged 1105084
26	J812 5242	1			NUT
27	J813 4668	3			SCREW
28	J812 5244	2			SCREW
29	J813 3299	1			COLLAR



MODEL CODES:

61=Pickup-6 Ft Box 74=4 Door Wagon T=2WD
 62=Pickup-7 Ft Box 77=Open Body 93" Wheelbase J,N,U=4WD
 72=2 Door Wagon 78=Open Body 103" Wheelbase

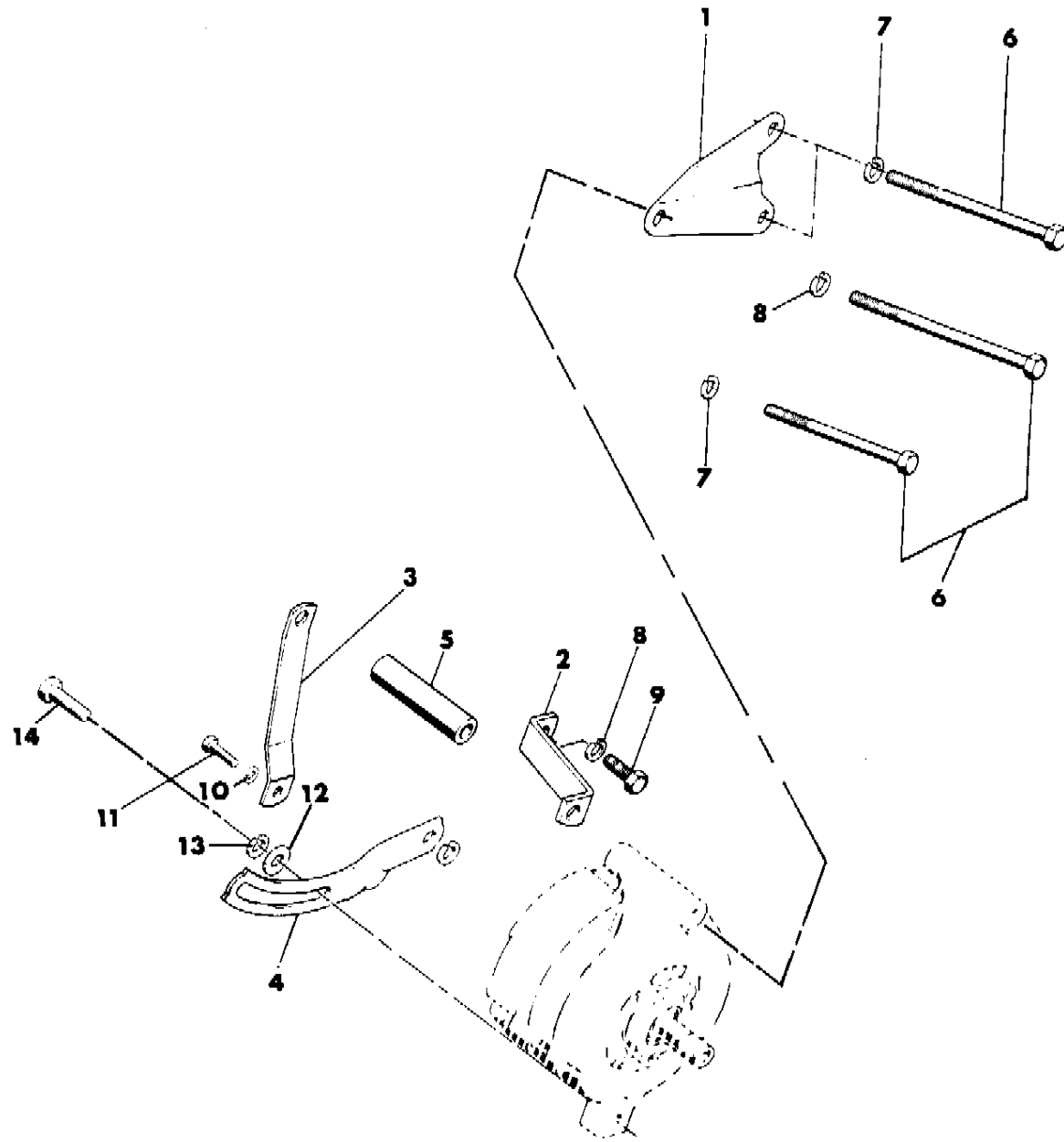
BODY STYLES:

MJ=Comanche Pickup ZJ=Grand Cherokee/Grand Wagoneer KDX VEHICLES
 SJ=Grand Wagoneer M1=Comanche
 XJ=Cherokee, Briarwood X1=Cherokee, Briarwood
 YJ=Wrangler Y1=Wrangler

AR = Use as Required - = Non Illustrated Part P.A.R. = Paint as Required

ALTERNATOR MOUNTING 5.9L ENGINE GRAND WAGONEER
Figure 8-2400

91J08 2400



ITEM	PART NUMBER	QTY	BODY	MODEL	DESCRIPTION
1	J535 7907	1			BRACKET
2	J535 9301	1			BRACKET, Alternator
3	J535 9300				SUPPORT, Alternator, Tagged 1105080-1105082-1101484
4	J535 7906				BRACKET, Adjusting, Tagged 1105080-1105082-1101484
5	J400 6186				SPACER, 3.44"
6	J018 0122				BOLT, 3/8-16x1.00"
	J021 5511	AR			3/8-16x5.75"
	J400 6031	1			3/8-16x6.50"
7	J400 3803	1			WASHER
8	1150 0221	1			WASHER
9	1150 1939	1			BOLT
10	1150 0221	1			WASHER
11	1150 1939	1			BOLT
12	J400 7440	1			WASHER
13	J012 0214	1			WASHER
14	J420 0406				BOLT, M8-1.25x25mm
	J018 0079	1			5/16-18x1"

MODEL CODES:

61=Pickup-6 Ft Box 74=4 Door Wagon T=2WD
 62=Pickup-7 Ft Box 77=Open Body 93" Wheelbase J,N,U=4WD
 72=2 Door Wagon 78=Open Body 103" Wheelbase

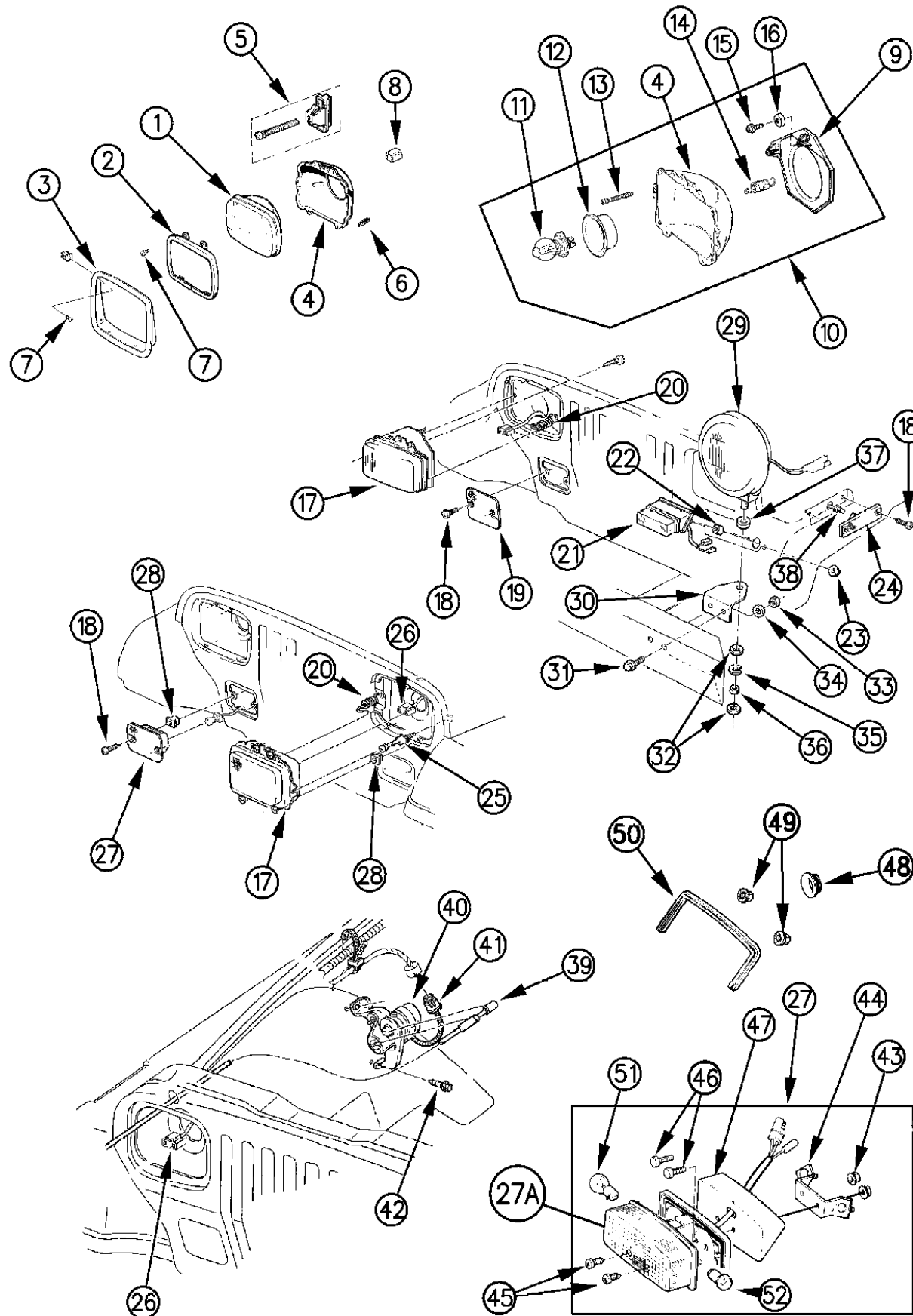
BODY STYLES:

MJ=Comanche Pickup ZJ=Grand Cherokee/Grand Wagoneer KDX VEHICLES
 SJ=Grand Wagoneer M1=Comanche
 XJ=Cherokee, Briarwood X1=Cherokee, Briarwood
 YJ=Wrangler Y1=Wrangler

AR = Use as Required - = Non Illustrated Part P.A.R. = Paint as Required

LAMPS--FRONT WRANGLER
Figure 8-2500

91J08 2500C



ITEM	PART NUMBER	QTY	BODY	MODEL	DESCRIPTION
1	0153 590	2			BULB, Seal Beam (6054)
2	5600 1260	2			RING, Headlamp
3	5600 3104-5				BEZEL, Headlamp, Chrome
	5600 1908-9	1			(P.A.R.)
	5600 1396-7				EUROPE
4	5600 1278-9	1			SEAT, Headlamp
	5600 3082-3				ECE
5	5600 1419	4			SCREW, Headlamp Adjusting
6	3600 2216	2			SPRING
7	3420 1821	8			SCREW
8	J417 9300	2			CONNECTOR, Headlamp
9	5505 4752-3				ADAPTOR, H/Lamp Mtg.
10	5600 3086				HEADLAMP ASSEMBLY, ECE
	4740 514				Clear, ADVANCE TECH CORP., EUROPE
	4740 518				Clear, WAGNER, EUROPE
	4740 515				Amber, ADVANCE TECH. CORP., EUROPE
	4740 519				Amber, WAGNER, EUROPE
	4773 815	2			JAPAN
11	J324 2537				BULB, Clear
	J324 2784				Amber
12	J813 3795				BOOT
13	5600 3095				SCREW, Adjusting
14	3600 2216				SPRING
15	3420 2774				SCREW
16	5500 1994				WASHER, Clamp
17	5600 6212-3				HEADLAMP ASSEMBLY, KDX
18	J400 5821	AR			SCREW
19	5600 3098				COVER, Park & Turn Lamp, EUROPE
20	3600 2216				SPRING, H/Lp. Adj., EUROPE
21	5600 3638-9				LAMP, Frt. Directional, EUROPE
22	J400 6847				BUSHING, Snap, EUROPE
23	J941 6918				NUT, EUROPE
24	5600 1424				LAMP, Front Side Marker
	5600 3100				EUROPE
25	5505 4844				SCREW
26					HEADLAMP WIRING ***
27	5600 1378	2			LAMP, Park & Turn Signal
	5600 3010-1				EUROPE ***
	5600 1127				KDX
27A	J813 3788-9				LENS, Directional Lamp
28	J400 0141				NUT

MODEL CODES:

61=Pickup-6 Ft Box 74=4 Door Wagon T=2WD
62=Pickup-7 Ft Box 77=Open Body 93" Wheelbase J,N,U=4WD
72=2 Door Wagon 78=Open Body 103" Wheelbase

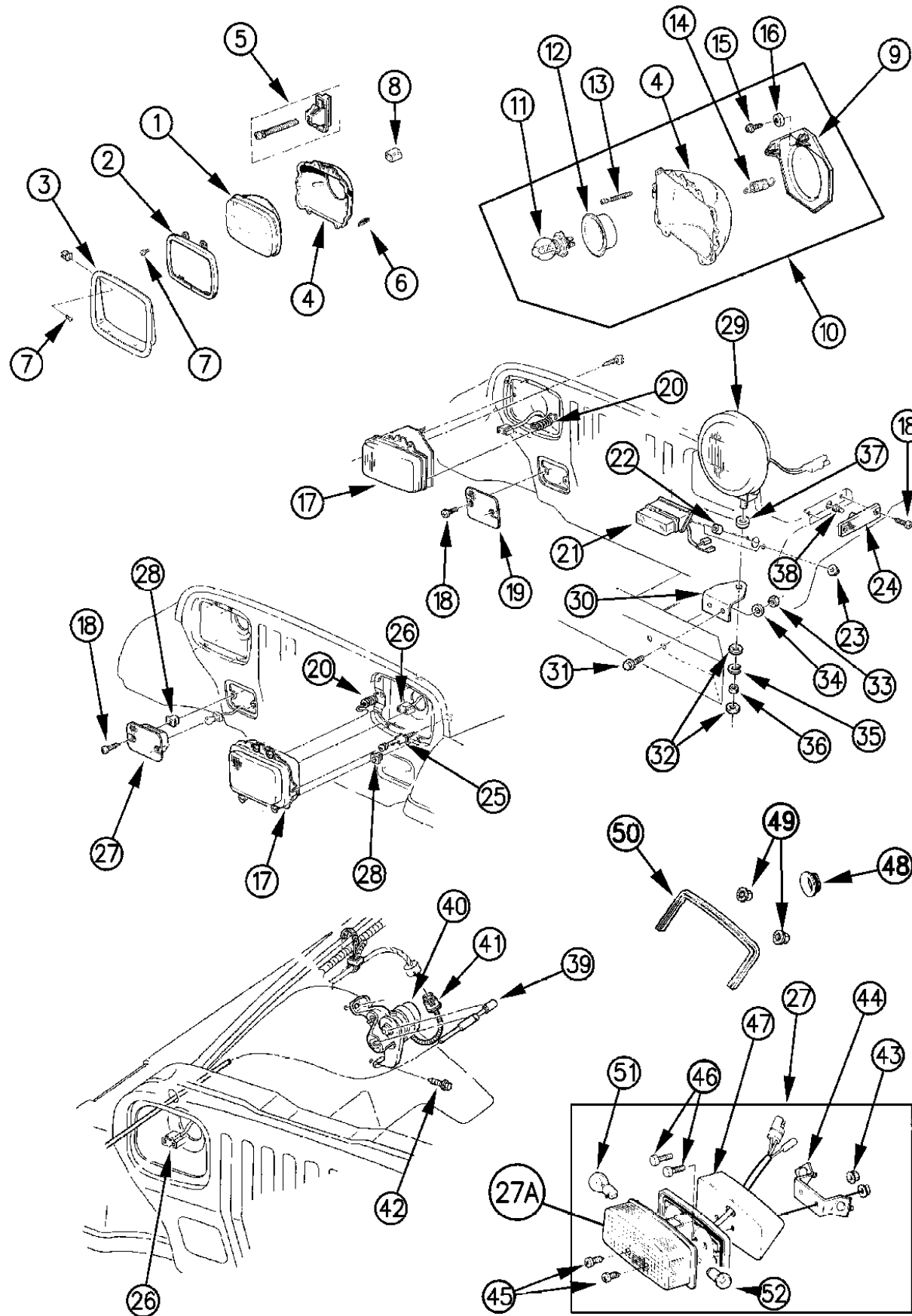
BODY STYLES:

MJ=Comanche Pickup ZJ=Grand Cherokee/Grand Wagoneer KDX VEHICLES
SJ=Grand Wagoneer M1=Comanche
XJ=Cherokee, Briarwood X1=Cherokee, Briarwood
YJ=Wrangler Y1=Wrangler

AR = Use as Required - = Non Illustrated Part P.A.R. = Paint as Required

LAMPS--FRONT WRANGLER
Figure 8-2500

91J08 2500C



ITEM	PART NUMBER	QTY	BODY	MODEL	DESCRIPTION
29	5505 4725				LAMP, Fog
30	5600 2290				BRACKET, Fog Lamp
31	J400 6986				SCREW
32					BOLT, Not Serv.
33	J400 6080				NUT
34	J013 8485				WASHER
35					WASHER, Serv. #29
36					NUT, Serv. w/#29
37					SPACER, Serv. w/#29
38	9421 330				BULB
39					CABLE (Serviced In Headlamp Assembly Item # 17) ***
40	5600 6204				ACTUATOR, Headlamp, Rt.
	5505 4625				Lt.
41	4741 983				WIRING, Pigtail
42	1150 0101				SCREW
43	J027 1163				NUT, Hex
44	5502 1203				BRACKET
45	J400 5806				SCREW
46	J400 3924				SCREW
47	5502 1205				BASE
48	J400 6847				BUSHING
49	J941 6918				NUT, Hex
50	5600 3720				SEAL
51	J575 7455				BULB, (P25-1)
52	J813 3773				BULB, (R19-10)

MODEL CODES:

61=Pickup-6 Ft Box 74=4 Door Wagon T=2WD
62=Pickup-7 Ft Box 77=Open Body 93" Wheelbase J,N,U=4WD
72=2 Door Wagon 78=Open Body 103" Wheelbase

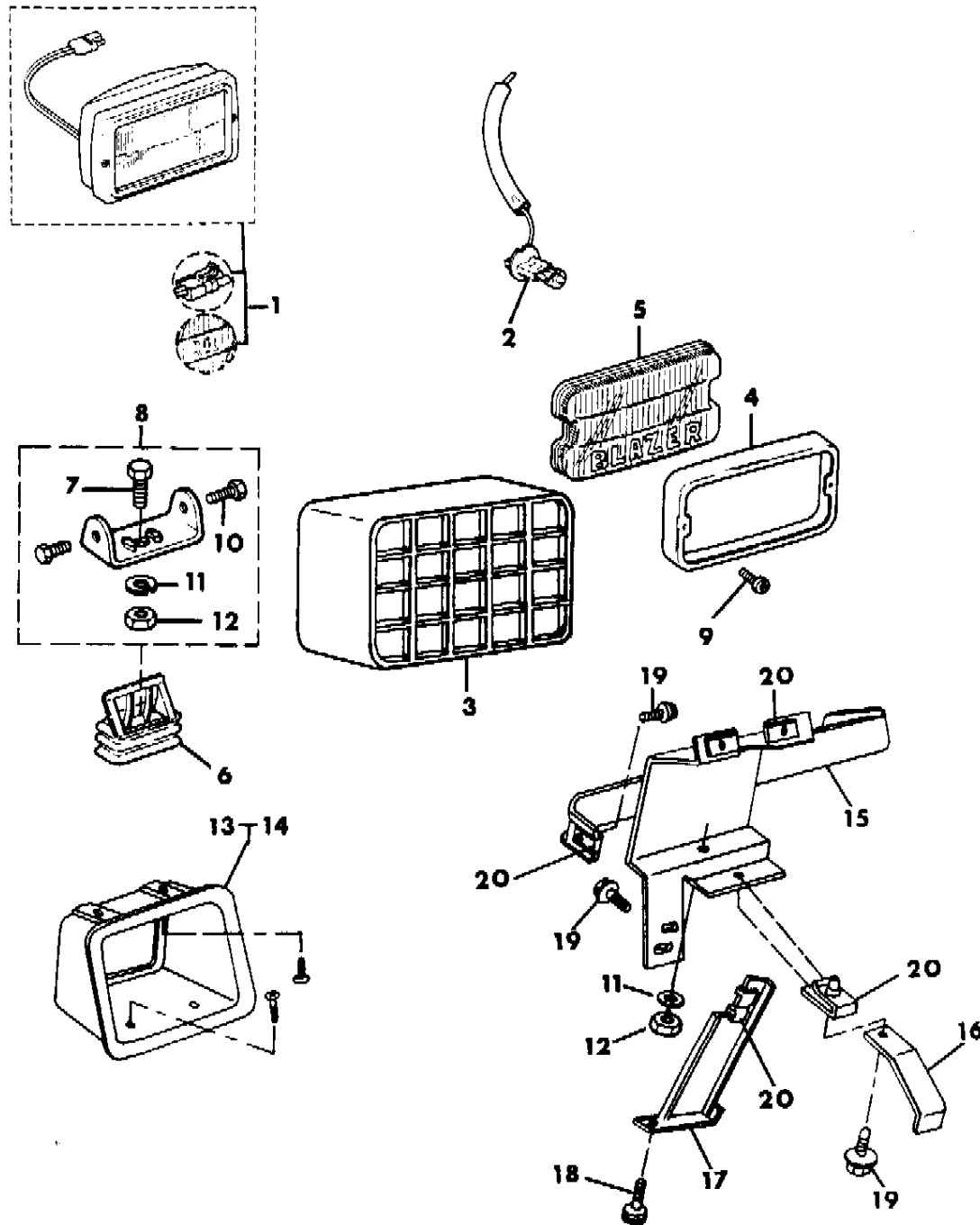
BODY STYLES:

MJ=Comanche Pickup ZJ=Grand Cherokee/Grand Wagoneer KDX VEHICLES
SJ=Grand Wagoneer M1=Comanche
XJ=Cherokee, Briarwood X1=Cherokee, Briarwood
YJ=Wrangler Y1=Wrangler

AR = Use as Required - = Non Illustrated Part P.A.R. = Paint as Required

LAMPS--FOG RECTANGULAR WRANGLER
Figure 8-2700

91J08 2700



ITEM	PART NUMBER	QTY	BODY	MODEL	DESCRIPTION
1	5600 2588				LAMP, Fog, 1991, ROL Type
	5505 4739	2			1991-93, BLAZER Type
2	8350 3692	2			ELEMENT ***
3	4638 857	2			GRILLE
4	8350 4214	2			BEZEL
5	8350 4130	2			LENS
6	8350 4131	2			BOOT
7	S150 2788	2			BOLT
8	8350 4213	2			BRACKET
9	3420 1781	4			SCREW
10	J806 0007	4			SCREW
11	1150 0207	AR			WASHER, Lock
12	J420 0405	AR			NUT
13	8350 7268	1			BEZEL, Rt., (RENEGADE PKG.)
14	8350 7267	1			BEZEL, Lt., (RENEGADE PKG.)
15	8350 7248-9	1			BRACKET, Fog Lamp, (RENEGADE PKG.)
16	8350 7258	1			SUPPORT, (RENEGADE PKG.)
17	8350 7256-7	1			SUPPORT, (RENEGADE PKG.)
18	4638 136	2			PIN, Push (RENEGADE PKG.)
19	6501 212	AR			BOLT, (RENEGADE PKG.)
20	6101 308	AR			U-NUT, (RENEGADE PKG.)

MODEL CODES:

61=Pickup-6 Ft Box 74=4 Door Wagon T=2WD
62=Pickup-7 Ft Box 77=Open Body 93" Wheelbase J,N,U=4WD
72=2 Door Wagon 78=Open Body 103" Wheelbase

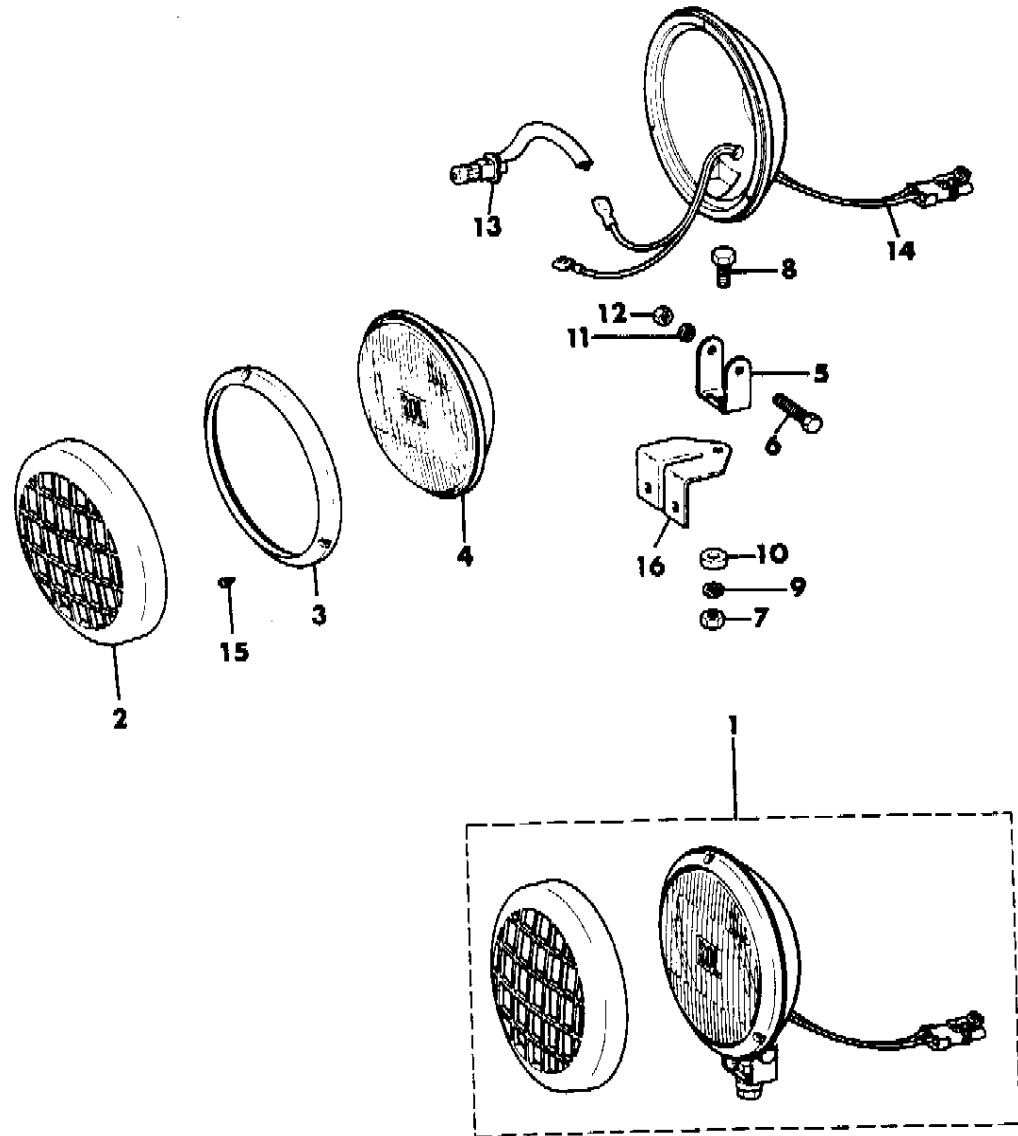
BODY STYLES:

MJ=Comanche Pickup ZJ=Grand Cherokee/Grand Wagoneer KDX VEHICLES
SJ=Grand Wagoneer M1=Comanche
XJ=Cherokee, Briarwood X1=Cherokee, Briarwood
YJ=Wrangler Y1=Wrangler

AR = Use as Required - = Non Illustrated Part P.A.R. = Paint as Required

LAMPS--FOG ROUND WRANGLER
Figure 8-2800

91J08 2800



ITEM	PART NUMBER	QTY	BODY	MODEL	DESCRIPTION
1	5600 2784	2			LAMP, Fog (ROL)
	5505 4725	2			BLAZER
2	8350 5390	2			SHIELD, Stone (ROL)
	4638 839	2			BLAZER
3	8350 5391	2			BEZEL, (w/1991 ROL Type)
4	8350 5392	2			REFLECTOR, (w/ROL Type)
5	8350 5395	2			BRACKET
6	1150 0821	2			BOLT
7	1150 0424	2			NUT, Hex
8	1150 0829	2			BOLT
9	1150 0222	2			WASHER, Lock
10	8350 5393	2			SPACER
11	1150 0221	2			WASHER, Lock
12	1150 0749	2			NUT, Hex
13	8350 3692	2			ELEMENT, (H3)
14	8350 5394	2			WIRING
15	S942 5893	3			SCREW
16	5600 2290	2			BRACKET, ROL
	4638 840	2			BLAZER

NOTE: When 1991 Stock For ROL Lamps Is Exhausted, It Will Be Necessary To Use Blazer Lamps.

MODEL CODES:

61=Pickup-6 Ft Box 74=4 Door Wagon T=2WD
62=Pickup-7 Ft Box 77=Open Body 93" Wheelbase J,N,U=4WD
72=2 Door Wagon 78=Open Body 103" Wheelbase

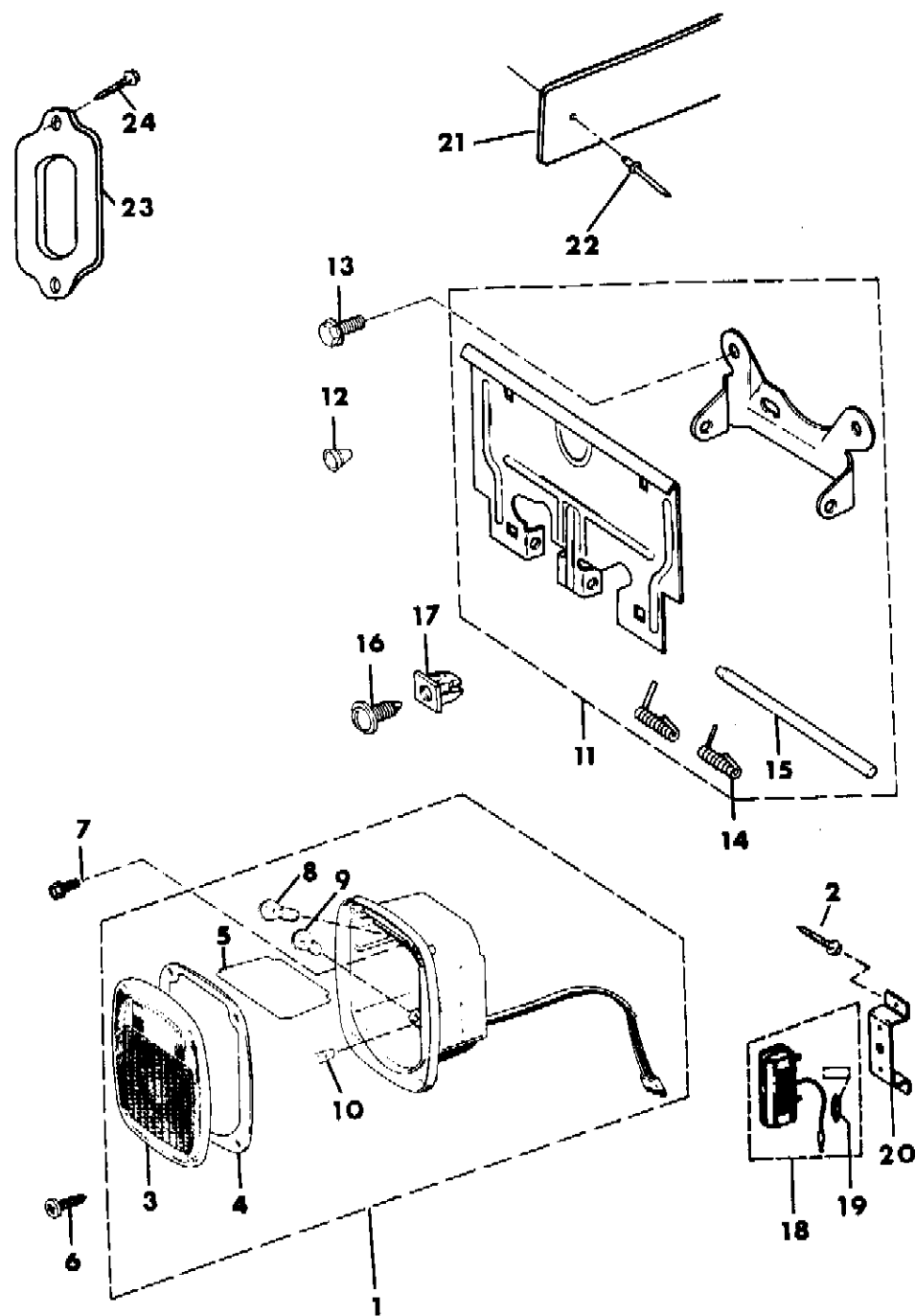
BODY STYLES:

MJ=Comanche Pickup ZJ=Grand Cherokee/Grand Wagoneer KDX VEHICLES
SJ=Grand Wagoneer M1=Comanche
XJ=Cherokee, Briarwood X1=Cherokee, Briarwood
YJ=Wrangler Y1=Wrangler

AR = Use as Required - = Non Illustrated Part P.A.R. = Paint as Required

LAMPS--REAR WRANGLER
Figure 8-2900

91J08 2900



ITEM	PART NUMBER	QTY	BODY	MODEL	DESCRIPTION
1	5601 6720-1				TAILLAMP ***
	J576 4204	2			EUROPE
2	J812 0054	4			SCREW
3	5600 6514				LENS
	8350 1003	2			EUROPE
4	5600 6513	2			GASKET
5	5600 6515	2			BAFFLE ***
6	J812 3288	8			SCREW
7	J400 0318	6			SCREW
8	9417 866	2			BULB, (1156)
	J575 7455	4			(P25-1)
9	J320 9544	2			BULB, (1157)
	J575 7450	2			(P25-2)
10	9421 330	2			BULB, (194)
11	5500 7403	1			BRACKET, License
	J576 4216	1			EUROPE
12	J400 6673	2			BUMPER, License
13	J400 5817	2			SCREW
14	J324 0412-3	1			SPRING
15	J319 0716	1			PIN
16	J400 0272	2			SCREW
17	J400 0141	2			NUT
18	5505 4786	2			LAMP, License, EUROPE
19	J324 2785	2			BULB, (W10-5W), EUROPE
20	J576 4664	2			BRACKET, License Lamp, EUROPE
21	J576 4216	1			BRACKET, License, EUROPE
22	J400 5791	2			RIVET, EUROPE
23	5505 4620	2			SPACER, License Lamp, EUROPE
24	J812 4425	4			SCREW, License Lamp, EUROPE

MODEL CODES:

61=Pickup-6 Ft Box 74=4 Door Wagon T=2WD
62=Pickup-7 Ft Box 77=Open Body 93" Wheelbase J,N,U=4WD
72=2 Door Wagon 78=Open Body 103" Wheelbase

BODY STYLES:

MJ=Comanche Pickup ZJ=Grand Cherokee/Grand Wagoneer KDX VEHICLES
SJ=Grand Wagoneer M1=Comanche
XJ=Cherokee, Briarwood X1=Cherokee, Briarwood
YJ=Wrangler Y1=Wrangler

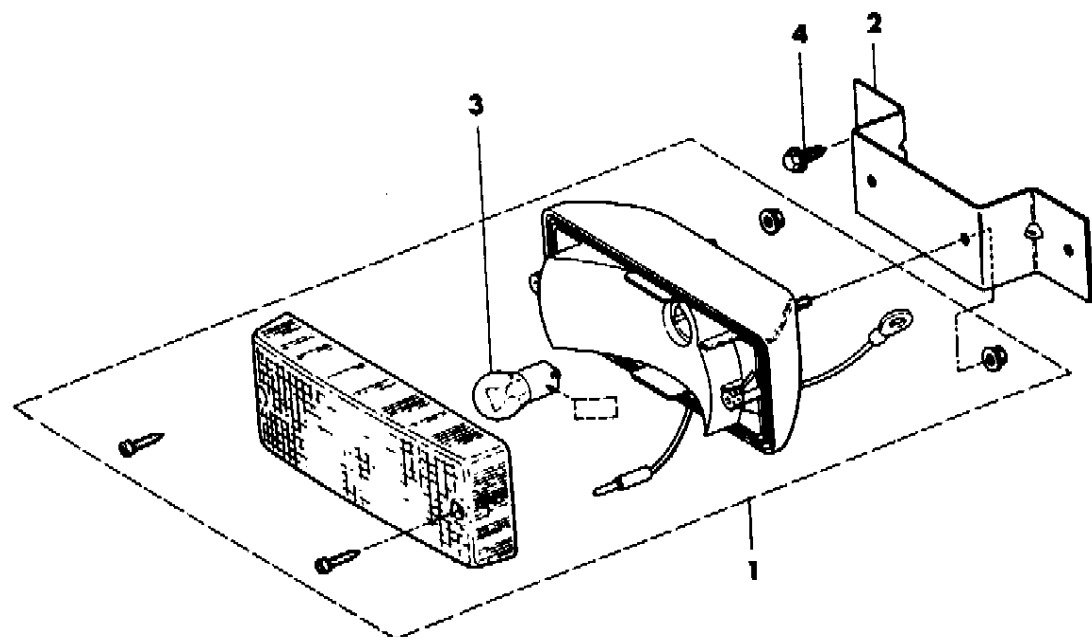
AR = Use as Required - = Non Illustrated Part P.A.R. = Paint as Required

LAMPS--FOG-REAR WRANGLER EUROPE

Figure 8-3000

91J08 3000

ITEM	PART NUMBER	QTY	BODY	MODEL	DESCRIPTION
1	J576 4754	1			LAMP, Rear Fog, EUROPE
2	5502 1488	1			BRACKET, EUROPE
3	J575 7455	1			BULB, (P25-1), EUROPE
4	J812 0054	2			SCREW, EUROPE



MODEL CODES:

61=Pickup-6 Ft Box 74=4 Door Wagon T=2WD
 62=Pickup-7 Ft Box 77=Open Body 93" Wheelbase J,N,U=4WD
 72=2 Door Wagon 78=Open Body 103" Wheelbase

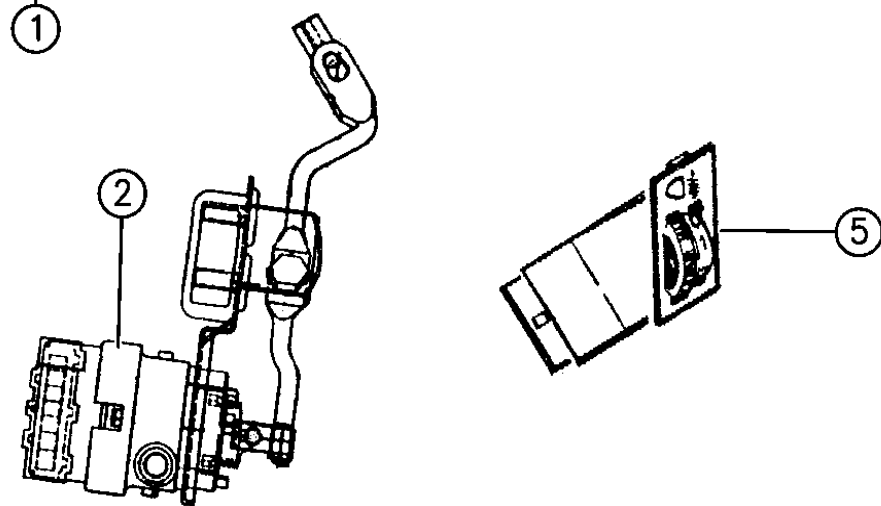
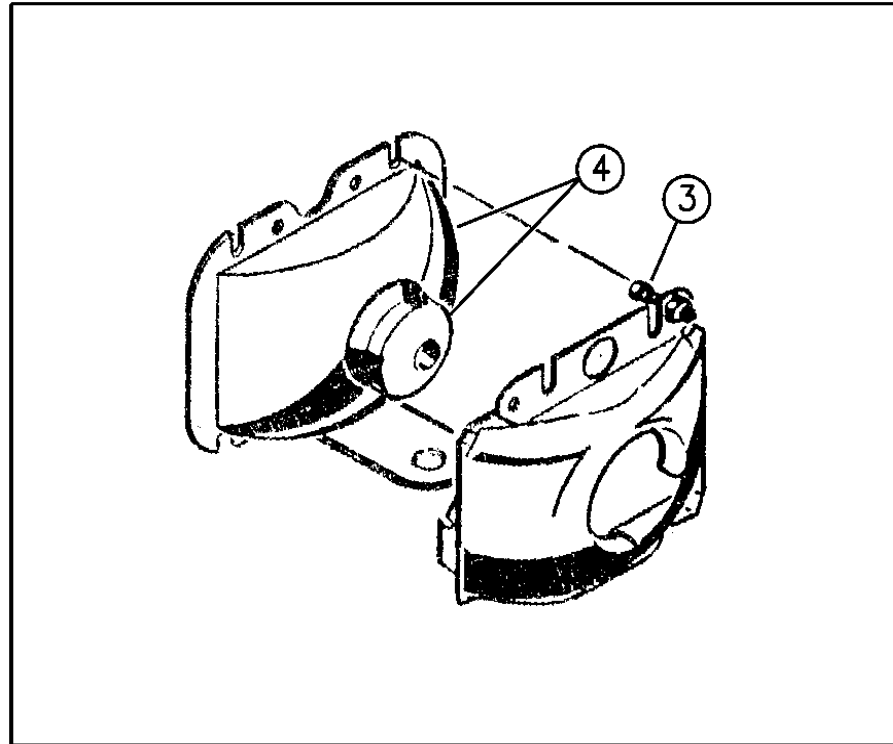
BODY STYLES:

MJ=Comanche Pickup ZJ=Grand Cherokee/Grand Wagoneer KDX VEHICLES
 SJ=Grand Wagoneer M1=Comanche
 XJ=Cherokee, Briarwood X1=Cherokee, Briarwood
 YJ=Wrangler Y1=Wrangler

AR = Use as Required - = Non Illustrated Part P.A.R. = Paint as Required

LAMPS--FRONT LEVELING WRANGLER, CHEROKEE EUROPE
Figure 8-3100

91J08 3100A



ITEM	PART NUMBER	QTY	BODY	MODEL	DESCRIPTION
1	5600 6212-3	1	YJ		HEADLAMP ASSEMBLY
		1	XJ-X1		EUROPE w/Leveling System
	5600 6360-1				1991-92
	5505 4828-9	1			1993 w/o Leveling System
2	5600 6204	1	YJ		ACTUATOR, Rt.
	5505 4625	1	YJ		Left
	5600 6372-3	1	XJ		
3	3420 1821	4			SCREW
	5600 3084	1	YJ		HEADLAMP, w/Bulb
4	J813 3772	1	YJ		Bulb, H-4
	5600 0887	1	XJ		w/Bulbs
	J324 2539	2	XJ		Bulb, T 8/4
	J324 2536	2	XJ		WIRING, Bulb
-	J324 2536	2	XJ		WIRING, Bulb
5	5600 6721	1			SWITCH, Headlamp Leveling

MODEL CODES:

61=Pickup-6 Ft Box 74=4 Door Wagon T=2WD
62=Pickup-7 Ft Box 77=Open Body 93" Wheelbase J,N,U=4WD
72=2 Door Wagon 78=Open Body 103" Wheelbase

BODY STYLES:

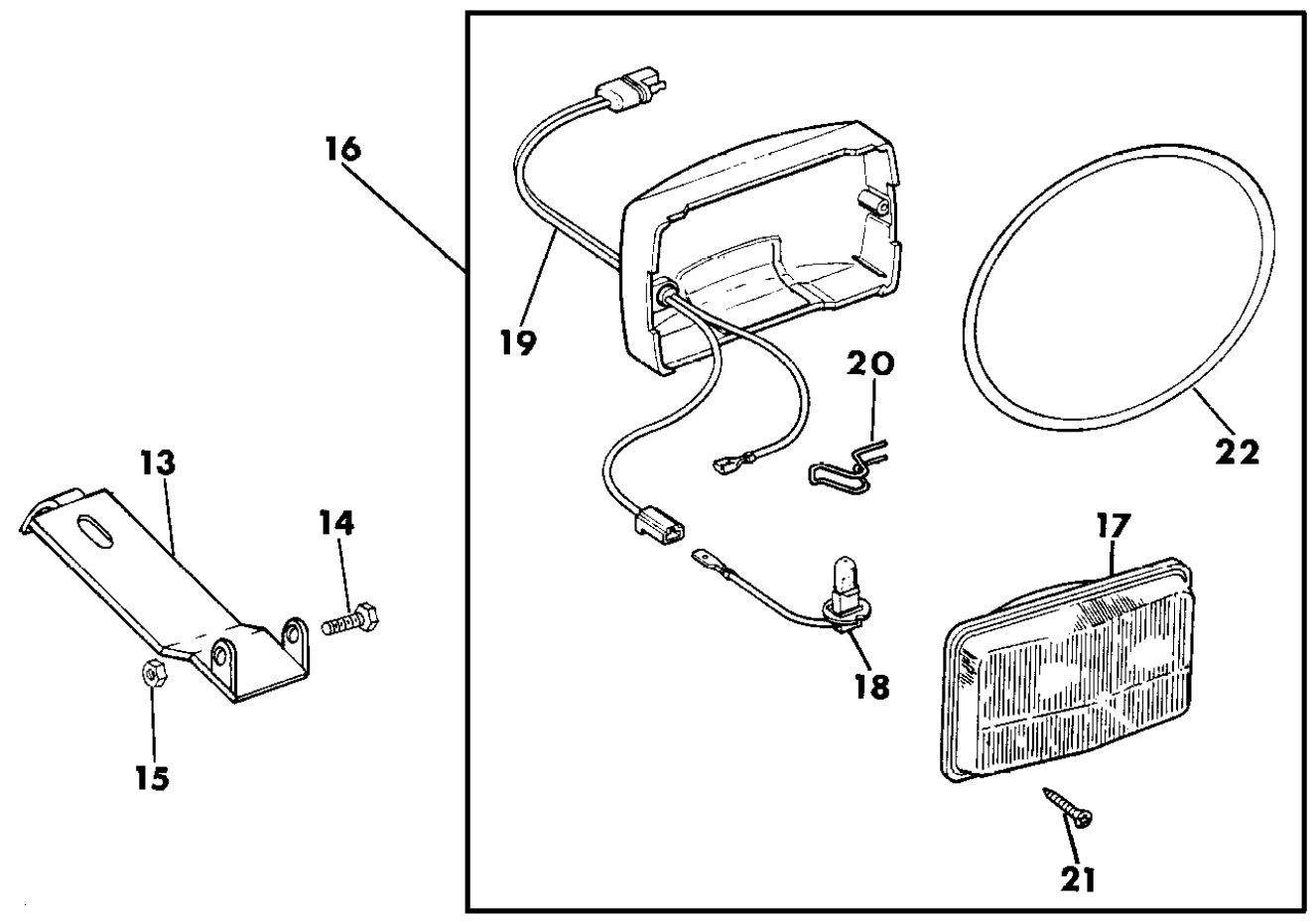
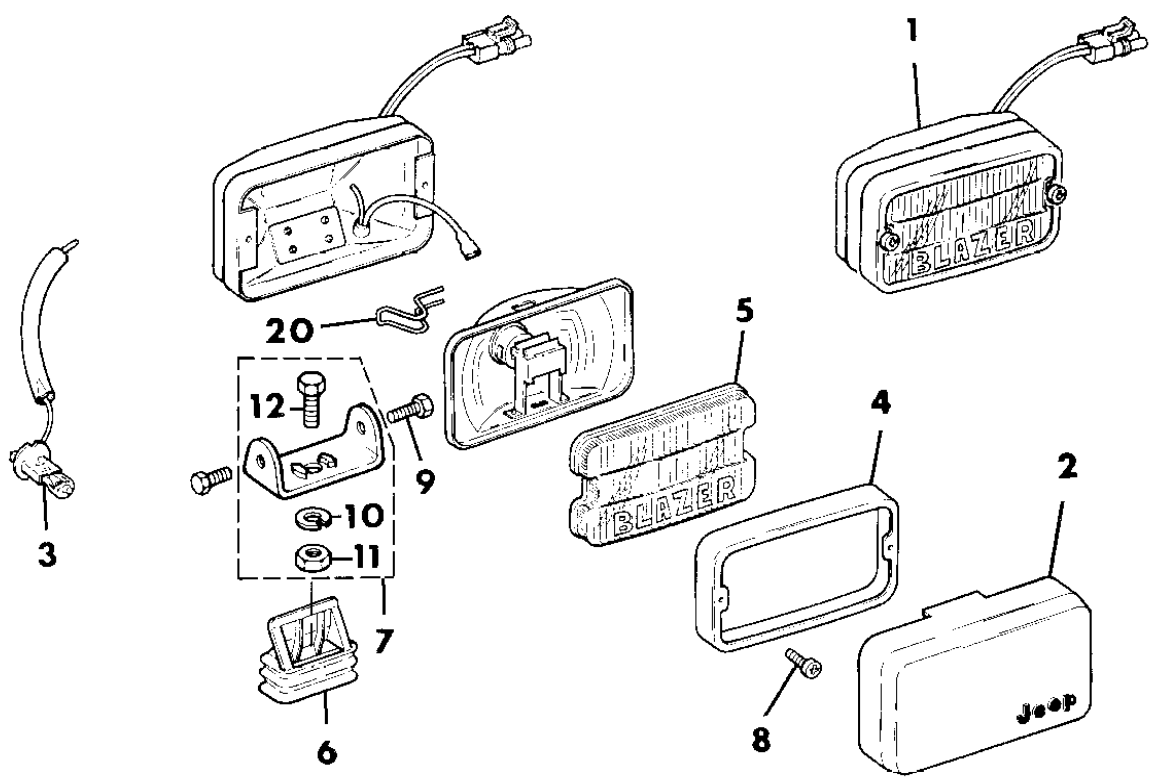
MJ=Comanche Pickup ZJ=Grand Cherokee/Grand Wagoneer KDX VEHICLES
SJ=Grand Wagoneer M1=Comanche
XJ=Cherokee, Briarwood X1=Cherokee, Briarwood
YJ=Wrangler Y1=Wrangler

AR = Use as Required - = Non Illustrated Part P.A.R. = Paint as Required

LAMPS--FOG CHEROKEE, BRIARWOOD, GRAND CHEROKEE, COMANCHE
Figure 8-3200

91J08 3200A

ITEM	PART NUMBER	QTY	BODY	MODEL	DESCRIPTION
1	5505 4739	2	XJ,MJ		LAMP ASSEMBLY, Fog
2	5505 4742	2	XJ,MJ		COVER, Fog Lamp
3	8350 3692	2	XJ,MJ		ELEMENT, Quartz Halogen ***
4	8350 3699	2	XJ,MJ		BEZEL
5	4638 841		XJ,MJ		LENS, Fog Lamp
6	4638 842	2	XJ,MJ		BOOT
7	4638 843	2	XJ,MJ		BRACKET, Fog Lamp
8	3420 1781	4	XJ,MJ		SCREW
9	J806 0007	4	XJ,MJ		SCREW
10	1150 0207	2	XJ,MJ		WASHER, Lock
11	J420 0405	2	XJ,MJ		NUT
12	S150 2788	2	XJ,MJ		BOLT
13	4713 578	2	ZJ		BRACKET, Mounting
14	4713 579	2	ZJ		BOLT, Bracket Mounting
15	4713 580	2	ZJ		NUT, Bracket Mounting
16	4713 582	2	ZJ		LAMP ASSEMBLY, (Includes #17,18,19,20,21,22)
17	4713 584	2	ZJ		LENS
18	4713 586	2	ZJ		BULB
19	4713 588	2	ZJ		WIRING
20	4713 709	2	ZJ		RETAINER, Bulb
21	4713 713	4	ZJ		SCREW, Lens
22	4713 741	2	ZJ		O-RING, Lens Mounting



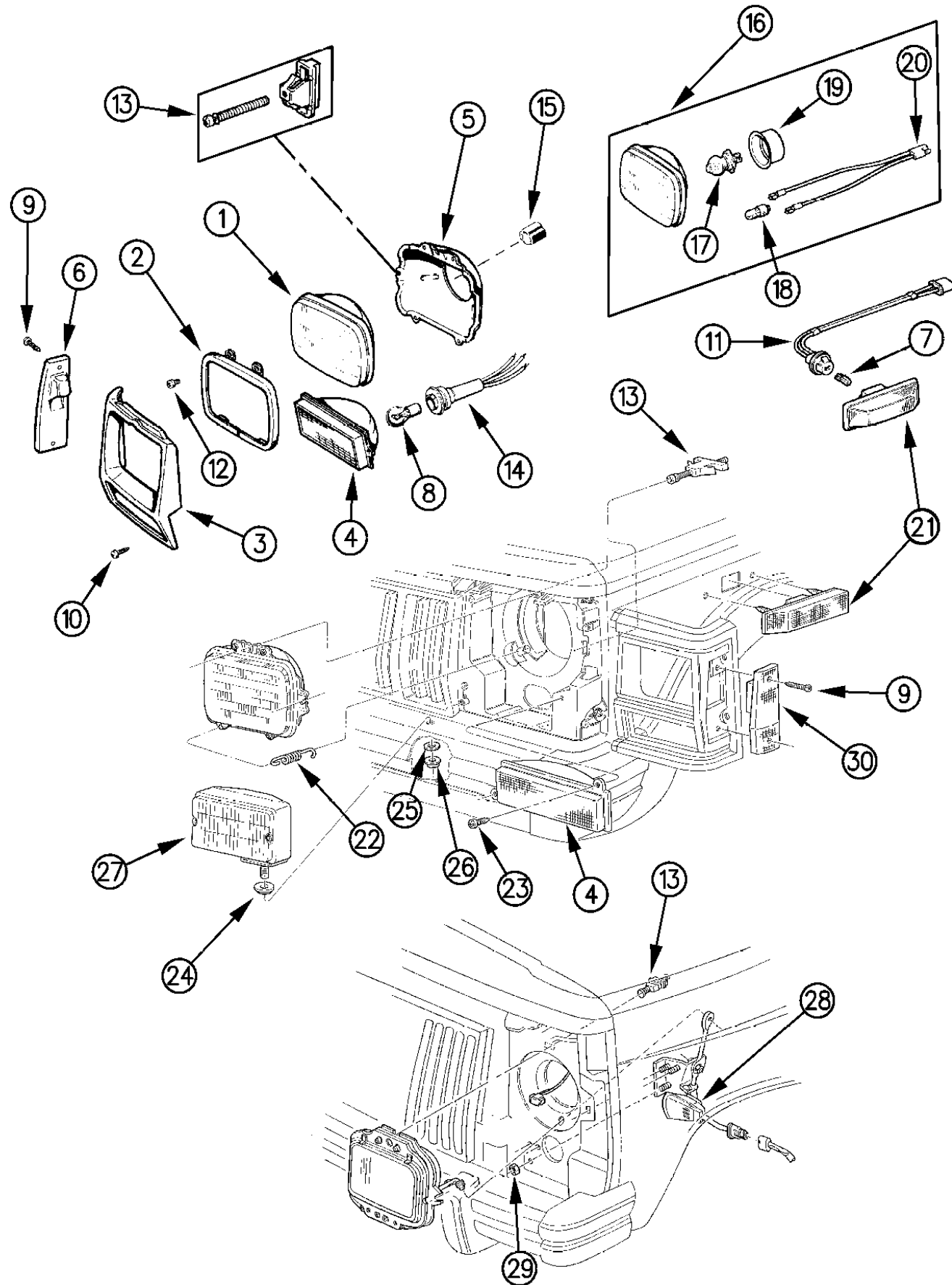
MODEL CODES:
 61=Pickup-6 Ft Box 74=4 Door Wagon T=2WD
 62=Pickup-7 Ft Box 77=Open Body 93" Wheelbase J,N,U=4WD
 72=2 Door Wagon 78=Open Body 103" Wheelbase

BODY STYLES:
 MJ=Comanche Pickup ZJ=Grand Cherokee/Grand Wagoneer KDX VEHICLES
 SJ=Grand Wagoneer M1=Comanche
 XJ=Cherokee, Briarwood X1=Cherokee, Briarwood
 YJ=Wrangler Y1=Wrangler

AR = Use as Required - = Non Illustrated Part P.A.R. = Paint as Required

LAMPS--FRONT CHEROKEE, BRIARWOOD, COMANCHE
Figure 8-3300

91J08 3300A



ITEM	PART NUMBER	QTY	BODY	MODEL	DESCRIPTION
1	0153 590	2			BULB, Seal Beam (6054)
2	5600 1260	2			RING, Headlamp
3	5BL62-3 KW7				BEZEL, Headlamp (P.A.R.)
	5503 4078-9	1			Black/Chrome
	5503 4076-7	1	M1		Black/Dark Gray, KDX
	5503 4074-5		MJ,XJ		1992, Black/Black
	5505 4930-1		MJ,XJ		1993, Black/Black
4	5600 0098-9	1			LAMP, Parking
	5600 0852-3	1			EUROPE
5	5600 1278-9	1			SEAT, Headlamp
	J373 7570-1	1			1992-93, RHD
6	5505 4520-1	1			LAMP, Marker
	5600 0638-9	1			EUROPE
7	9421 330	2			BULB
8	9438 850	2			BULB
9	3420 1406	4			SCREW
10	3420 1721	8			SCREW
11	5600 1433	2			SOCKET, EUROPE
12	3420 1821	4			SCREW
13	5505 4621	4			SCREW, Headlamp Adjust, w/Nut
14	3764 863	2			SOCKET, Parking Lamp
15	J417 9300	2			SOCKET
16	4740 513	AR	XJ		HEADLAMP ASSEMBLY, Amber, w/Bulb (HELLA) EUROPE
	4740 517	AR	XJ		Amber, (CIEBE) EUROPE
	4740 512	AR	XJ		Clear, (HELLA) EUROPE
	4740 516	AR	XJ		Clear, (CIEBE) EUROPE
17					BULB
	J324 2784		XJ		AMBER--H-4
	J324 2537		XJ		CLEAR-H-4
	J575 2030				RHD, Left Way Shift
18	J324 2539	2			BULB, EUROPE (T8-4)
19	J813 3795	2			BOOT, EUROPE
20	J324 2536	2			WIRING, Lamp, EUROPE
21	5600 4464	2			LAMP, Side Repeater, EUROPE
22	3600 0885				SPRING, H/Lp. Adjusting
23	3420 1372				SCREW, Park/Turn Lamp
24	3420 2321				PLUG, Fog Lamp Hole
25					WASHER, (Serv. Assy.)
26					NUT, (Serv. Assy.)
27	5505 4739				LAMP, Fog
28	5600 6372-3				ACTUATOR, H/Lamp

MODEL CODES:

61=Pickup-6 Ft Box 74=4 Door Wagon T=2WD
62=Pickup-7 Ft Box 77=Open Body 93" Wheelbase J,N,U=4WD
72=2 Door Wagon 78=Open Body 103" Wheelbase

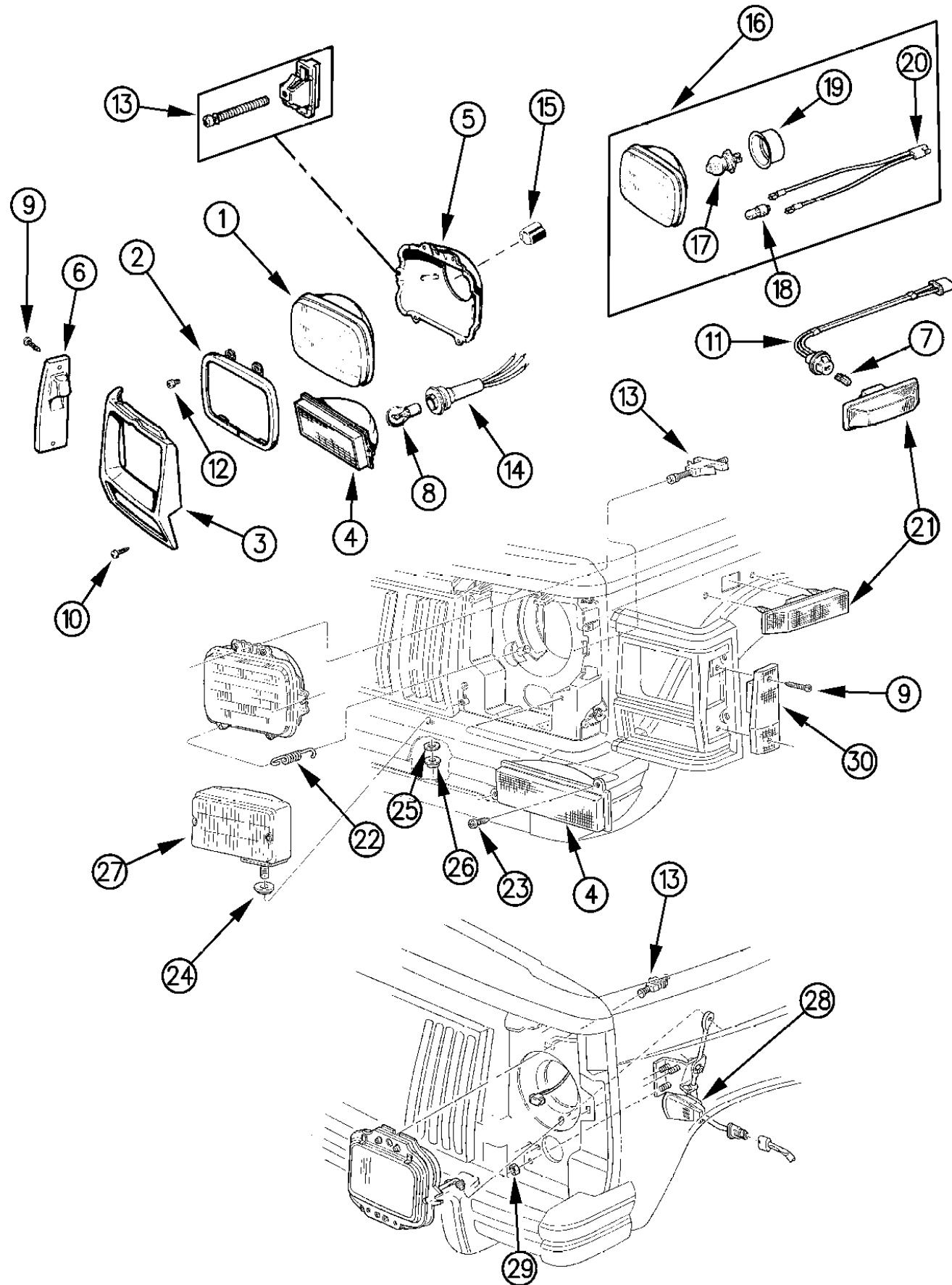
BODY STYLES:

MJ=Comanche Pickup ZJ=Grand Cherokee/Grand Wagoneer KDX VEHICLES
SJ=Grand Wagoneer M1=Comanche
XJ=Cherokee, Briarwood X1=Cherokee, Briarwood
YJ=Wrangler Y1=Wrangler

AR = Use as Required - = Non Illustrated Part P.A.R. = Paint as Required

LAMPS--FRONT CHEROKEE, BRIARWOOD, COMANCHE
Figure 8-3300

91J08 3300A



ITEM	PART NUMBER	QTY	BODY	MODEL	DESCRIPTION
------	-------------	-----	------	-------	-------------

29	6033 560				NUT, w/Washer
30	5600 0110-1				LAMP, Side Marker

MODEL CODES:

61=Pickup-6 Ft Box 74=4 Door Wagon T=2WD
62=Pickup-7 Ft Box 77=Open Body 93" Wheelbase J,N,U=4WD
72=2 Door Wagon 78=Open Body 103" Wheelbase

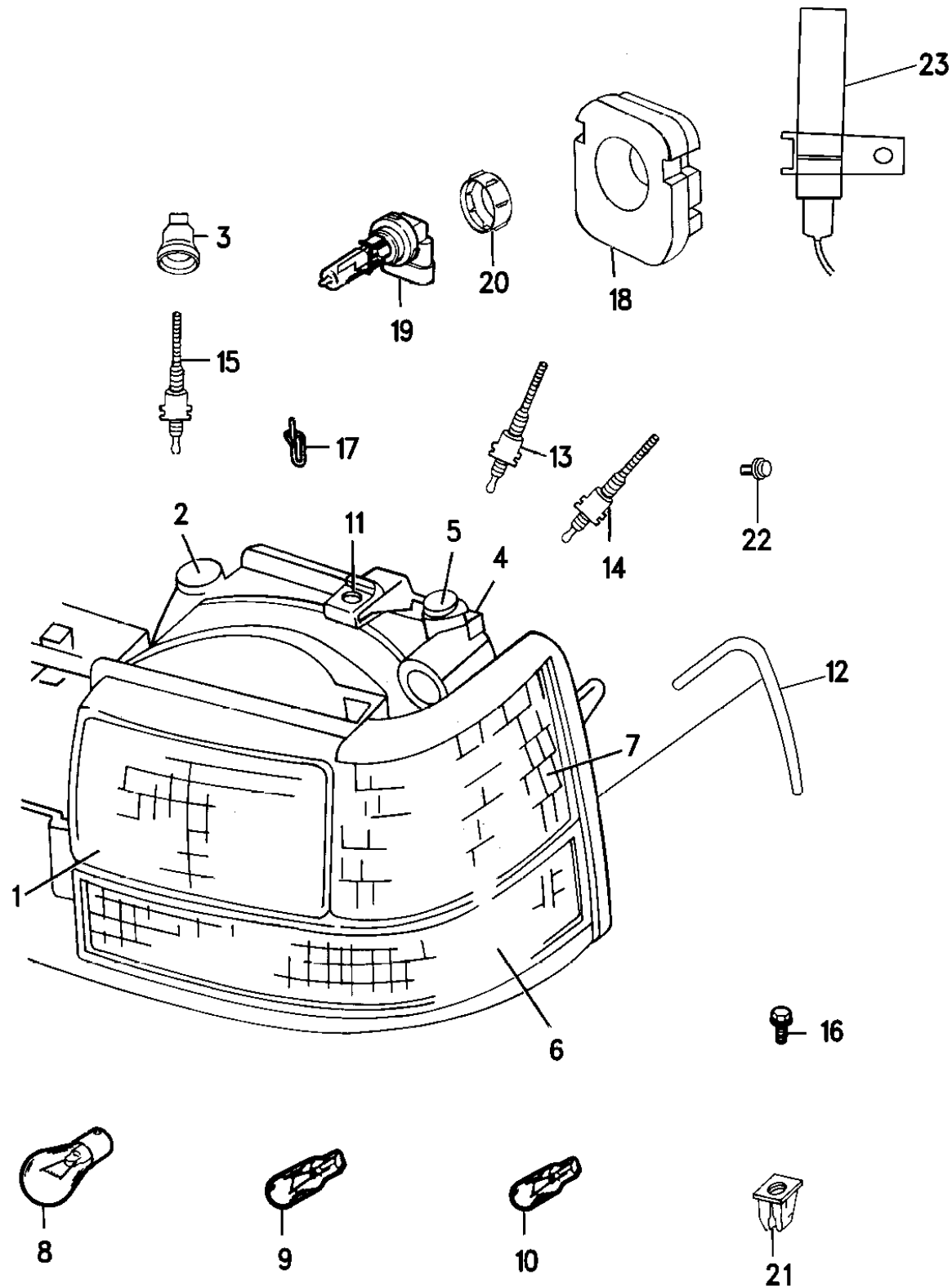
BODY STYLES:

MJ=Comanche Pickup ZJ=Grand Cherokee/Grand Wagoneer KDX VEHICLES
SJ=Grand Wagoneer M1=Comanche
XJ=Cherokee, Briarwood X1=Cherokee, Briarwood
YJ=Wrangler Y1=Wrangler

AR = Use as Required - = Non Illustrated Part P.A.R. = Paint as Required

LAMPS--FRONT GRAND CHEROKEE
Figure 8-3400

91J08 3400A



ITEM	PART NUMBER	QTY	BODY	MODEL	DESCRIPTION
1	5600 5092-3				HEADLAMP ASSEMBLY
	5505 4576-7	1			ECE
	5505 4578-9	1			France
	5505 4832-3	1			Germany
	4762 491	AR			CLIP, Hinged Capsule Retaining JAPAN, EUROPE
	4741 924	AR			CAPSULE, Hinged Connector, Leveling Headlamp to Actuator JAPAN, EUROPE
	4762 489	2			CAPSULE, Reflector to Horizontal Adjuster (Round)
	4762 490	1			CAPSULE, Reflector to Verticle Adjuster (Rectangular)
-	5601 7266	2	ZJ		WIRING, Headlamp Module, EUROPE
2	5600 5431	2			GEAR, Adjusting-Verticle
3	5505 4565	2			GEAR, Driven Verticle
4	5600 4553	2			GEAR, Adjusting Pinion
5	5600 4559	2			GEAR, Adjusting Horizontal
6	5600 5098-9	1			LAMP, Turn EUROPE
7	5600 5104-5	1			LAMP, Park, 1992-93 EUROPE
8	3600 3101	2			BULB, (1295NA)
9	9421 330	2			BULB, (194)
10	9438 068	2			BULB, (194NA)
11	6101 442	6			U-NUT, (M6x1)
12	5502 9634-5	1			WELT
13	5600 6403	2			SCREW, w/Nut, Pivot
14	5600 6404	2			SCREW, w/Nut, Horizontal
15	5600 6405	2			SCREW, w/Nut, Verticle
16	6034 300	2			SCREW, (10-16x1.75)
17	5505 4771	2			RETAINER, Drive Gear
18	5503 5880	2			SEAL, Closure Panel
19	4388 238	2			BULB, Aero Headlamp
20	4713 589	1			LOCK RING, Headlamp Bulb ***
21	J400 0141	2			NUT, Nylon Park Lamp Att.
22	4576 158	2			LAMP, Side Repeater, (ECE)
23	5505 4622-3	1			ACTUATOR

MODEL CODES:

61=Pickup-6 Ft Box 74=4 Door Wagon T=2WD
62=Pickup-7 Ft Box 77=Open Body 93" Wheelbase J,N,U=4WD
72=2 Door Wagon 78=Open Body 103" Wheelbase

BODY STYLES:

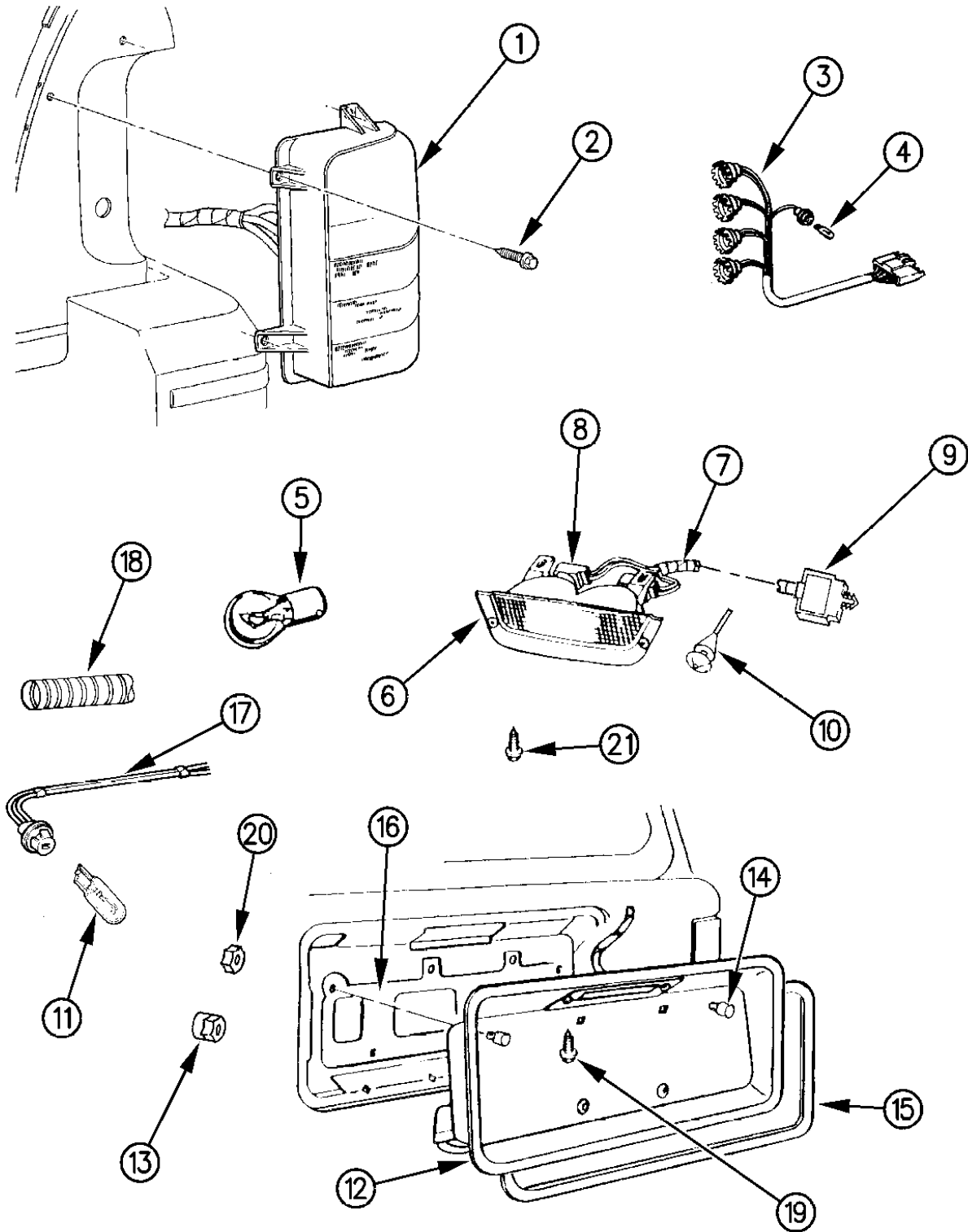
MJ=Comanche Pickup ZJ=Grand Cherokee/Grand Wagoneer KDX VEHICLES
SJ=Grand Wagoneer M1=Comanche
XJ=Cherokee, Briarwood X1=Cherokee, Briarwood
YJ=Wrangler Y1=Wrangler

AR = Use as Required - = Non Illustrated Part P.A.R. = Paint as Required

LAMPS--REAR GRAND CHEROKEE

Figure 8-3450

91J08 3450



ITEM	PART NUMBER	QTY	BODY	MODEL	DESCRIPTION
1	5600 5110-1	1			TAILLAMP ***
	5505 4990-1	1			EUROPE
-	6502 776				CLIP, Taillamp Mounting
2	6101 744	3			SCREW, Taillamp Mounting
3	5600 5508	2			WIRING, Taillamp
	5601 7696-7	1			EUROPE
4	J947 1777	2			BULB, (194)
5	0153 623	AR			BULB, (P21-5)
	9417 866	AR			(1156)
	9438 848	AR			(2057)
	J575 7455	AR			(P25-1)
	J575 7450	AR			(P25-2)
	0153 622	AR			(P21-W)
6	5600 5560	1			LAMP, Center Mount, Tinted (Up To 8-17-92) (Use Wiring 56005747)
	5505 4984				(Aft. 8-17-92) (Use Wiring 56018444)
	5600 6529	1			Deep Tinted (Up To 8-17-92) (Use Wiring 56005747)
	5505 4985				(Aft. 8-17-92) (Use Wiring 56018444)
	5505 4981	1			EUROPE
7	5600 5747	1			WIRING, Center Mount Lamp (Up To 8-17-92)
	5601 8444				(Aft. 8-17-92)
8	4443 991	2			SOCKET
9	4274 937	1			INSULATOR
10	4399 030	2			BUMPER
11	9425 542	1			BULB, (168)
12	5AW4 2LDA	1			LAMP, License Plate, (Up To 8-17-92)
	5DE6 2MW7	1			(Aft. 8-17-92)
	5505 4611	2			EUROPE
13	J400 4689	4			NUT
14	5525 4570	2			BUMPER
15		2			GASKET (Serviced in Item # 12) ***
16	5503 1696	1			HOUSING, Door Liftgate
17	5600 5677	1			WIRING, License Lamp, (Up To 8-17-92)
	5601 7938	1			(Aft. 8-17-92)
18	4364 393	1			TUBING
19	6034 207	2			SCREW
20	3420 2159	4			NUT, License Lamp
21		2			SCREW (Not Serviced) ***

MODEL CODES:

61=Pickup-6 Ft Box 74=4 Door Wagon T=2WD
 62=Pickup-7 Ft Box 77=Open Body 93" Wheelbase J,N,U=4WD
 72=2 Door Wagon 78=Open Body 103" Wheelbase

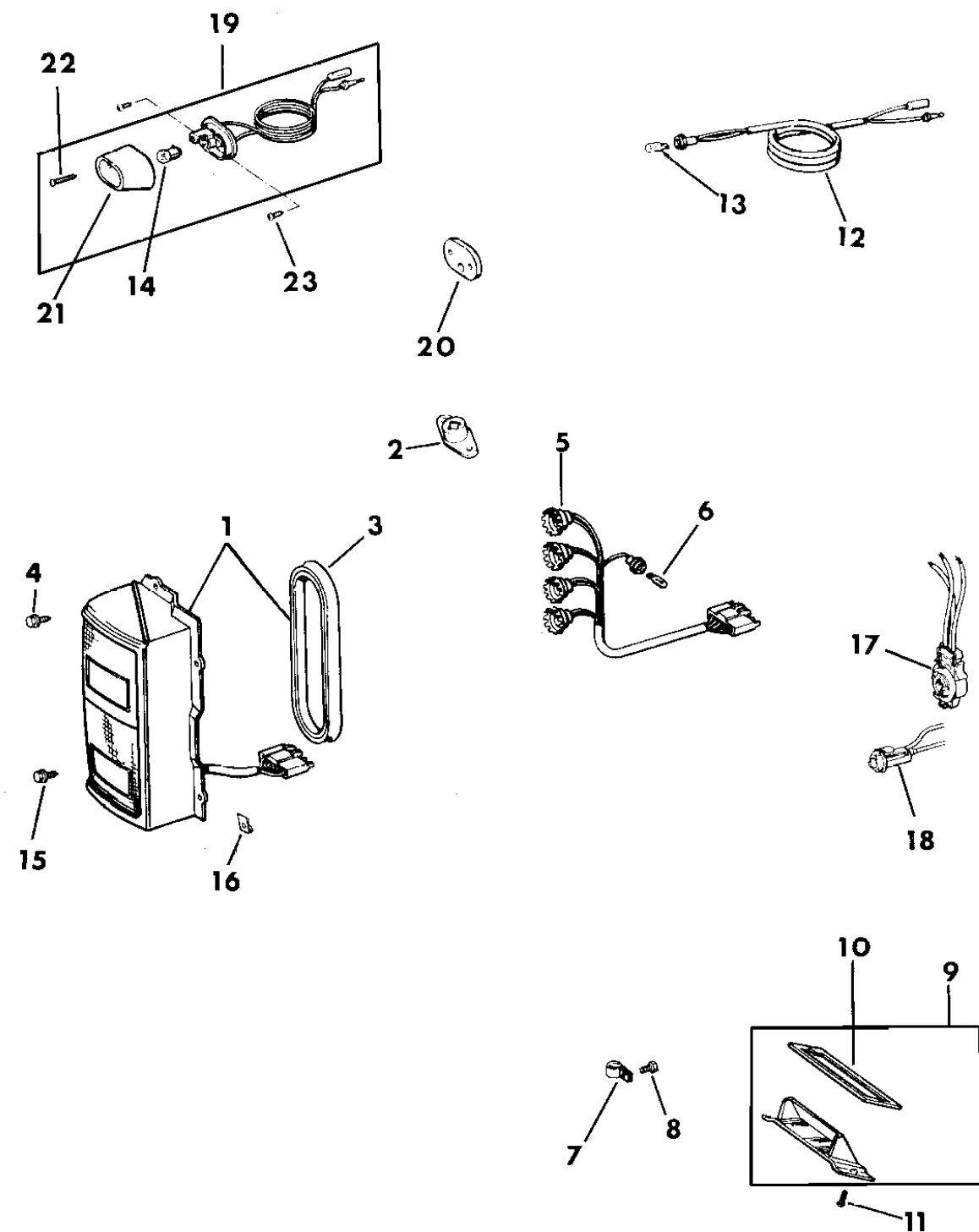
BODY STYLES:

MJ=Comanche Pickup ZJ=Grand Cherokee/Grand Wagoneer KDX VEHICLES
 SJ=Grand Wagoneer M1=Comanche
 XJ=Cherokee, Briarwood X1=Cherokee, Briarwood
 YJ=Wrangler Y1=Wrangler

AR = Use as Required - = Non Illustrated Part P.A.R. = Paint as Required

LAMPS--REAR CHEROKEE, BRIARWOOD, COMANCHE
Figure 8-3500

91J08 3500A



ITEM	PART NUMBER	QTY	BODY	MODEL	DESCRIPTION
1	4720 504-5	1	XJ,X1		TAILLAMP, USA, CANADA, KDX ***
	4720 498-9	1	XJ		EUROPE
	5600 0848-9	1	MJ		
2	5600 3898	1	YJ		LAMP, Export
	5600 3898	1	XJ		EUROPE
3	5600 0131	2	XJ		GASKET
4	3420 2205	8	XJ		SCREW
5	5600 6536	2	XJ		WIRING, Taillamp, USA, CANADA, KDX
	5600 5994	2	XJ		EUROPE
6	J947 1777	2			BULB, (194)
7	J400 0553	2			CLIP
8	1150 2843	2			SCREW
9	5600 0409	1			LAMP, License
-	5600 0673	1			COVER ASSEMBLY, License Lamp Hole
10	5600 0411	1			GASKET
11	J400 2809	2			SCREW
12	5600 0550	1	XJ		WIRING, Lamp, USA, CANADA, KDX
	5600 1434	1	XJ		(Dual Lamp) EUROPE
13	9425 542	1			BULB, (168)
14	J947 1777	1	MJ		BULB, (97)
15	3420 1464	8	MJ		SCREW
16	3420 1265	8	MJ		NUT
17	J812 8931	4	MJ		SOCKET, Tail/Stop/Turn
18	8350 2744	2	MJ		SOCKET, Back-Up Lamp
19	5600 0674	1	XJ,MJ		LAMP, License
20	5600 0675	1	XJ,MJ		GASKET
21	8350 0452	1	XJ		COVER
22	8350 0451	2	XJ,MJ		SCREW
23	3420 1467	2	MJ		SCREW, M4.2x1.41x19
	3420 1721	2	XJ		M4.2x1.41x20.63
-	0153 623	AR			BULB, (P21-5)
	9417 866	AR			(1156)
	9438 848	AR			(2057)
	J575 7455	AR			(P25-1)
	J575 7450	AR			(P25-2)
	0153 622	AR			(P21-W)

MODEL CODES:
 61=Pickup-6 Ft Box 74=4 Door Wagon T=2WD
 62=Pickup-7 Ft Box 77=Open Body 93" Wheelbase J,N,U=4WD
 72=2 Door Wagon 78=Open Body 103" Wheelbase

BODY STYLES:
 MJ=Comanche Pickup ZJ=Grand Cherokee/Grand Wagoneer KDX VEHICLES
 SJ=Grand Wagoneer M1=Comanche
 XJ=Cherokee, Briarwood Y1=Wrangler
 YJ=Wrangler

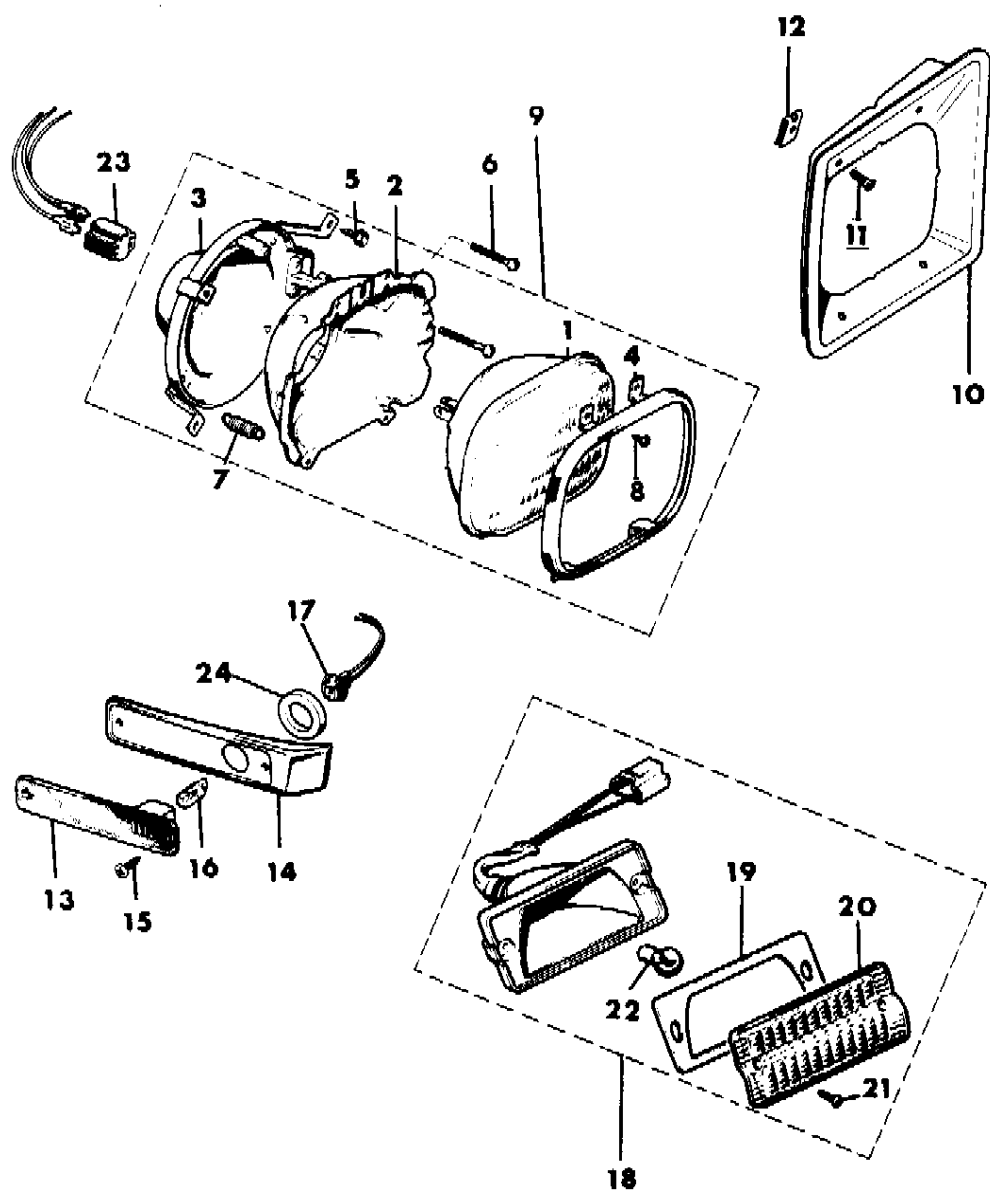
AR = Use as Required - = Non Illustrated Part P.A.R. = Paint as Required

LAMPS--FRONT GRAND WAGONEER

Figure 8-3600

91J08 3600

ITEM	PART NUMBER	QTY	BODY	MODEL	DESCRIPTION
1	0153 590	2			BULB, Seal Beam (H6054)
	0153 199	2			(6052)
2	J812 9592	2			SEAT, Headlamp
3	J813 0053	2			HOUSING, Headlamp
4	J812 9439	2			RING, Headlamp
5	J942 6241	8			SCREW
6	J812 9405	4			SCREW
7	J320 2756	2			SPRING
8	S045 0211	8			SCREW
9	J575 2861				HEADLAMP ASSEMBLY, (H6054)
10	J576 4142-3	1			BEZEL, Headlamp (Chrome)
11	J400 5906	8			SCREW, .87" Long
12	3420 1363	8			U-NUT, 10-16 Thread
13	J099 4020	2			LAMP, Marker
14	J546 5790-1	1			BASE
15	J400 6552	4			SCREW, 1.25" Long
16	9421 330	2			BULB, (194)
17	J098 9428	2			SOCKET
18	J546 0106-7	1			LAMP, Parking
19	J546 0101	2			GASKET
20	J546 0102-3	1			LENS
21	S942 5249	4			SCREW
22	J320 9544	2			BULB, (1157)
23	J417 9300	2			SOCKET, Headlamp
24	5505 2547	2			SEAL



MODEL CODES:

61=Pickup-6 Ft Box 74=4 Door Wagon T=2WD
 62=Pickup-7 Ft Box 77=Open Body 93" Wheelbase J,N,U=4WD
 72=2 Door Wagon 78=Open Body 103" Wheelbase

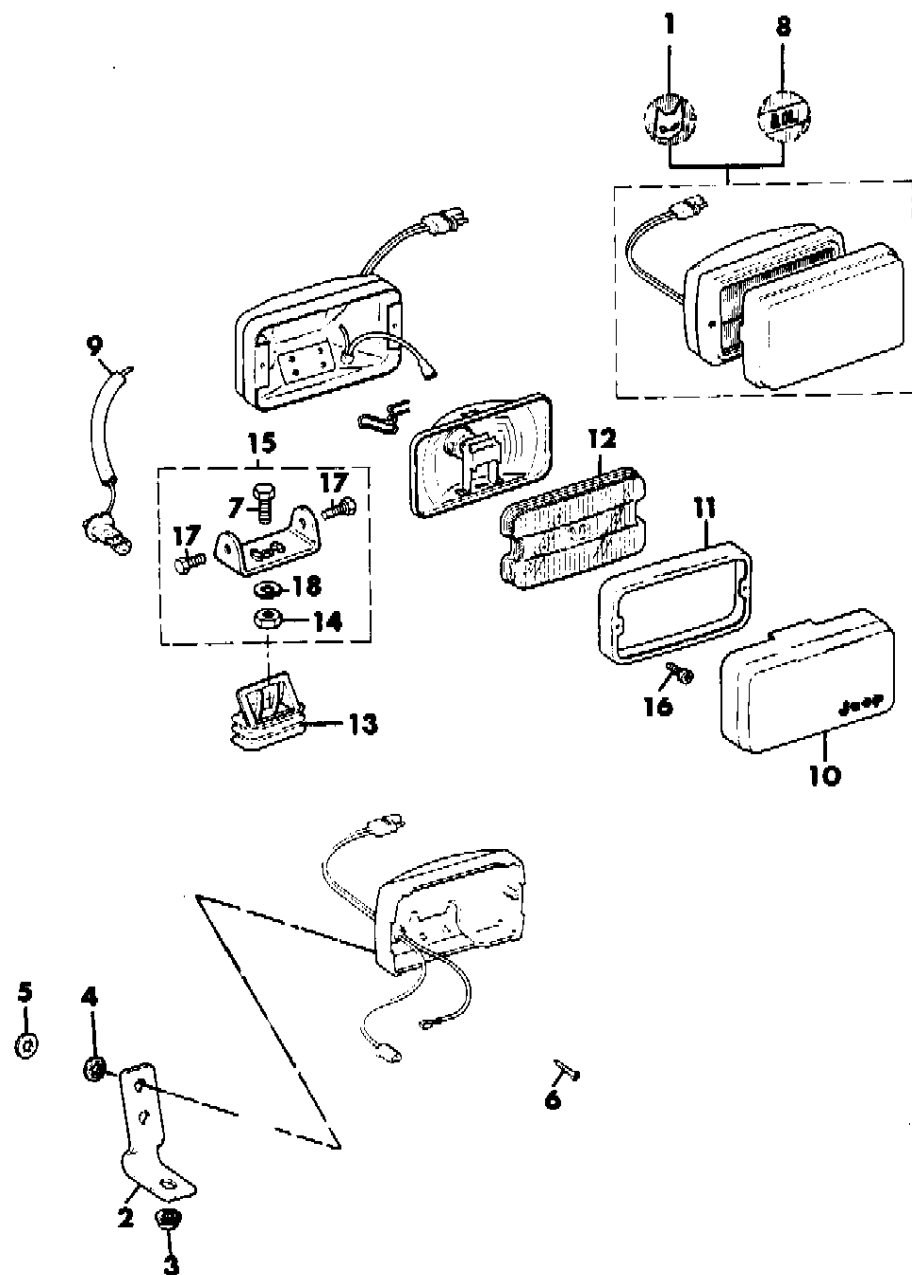
BODY STYLES:

MJ=Comanche Pickup ZJ=Grand Cherokee/Grand Wagoneer KDX VEHICLES
 SJ=Grand Wagoneer M1=Comanche
 XJ=Cherokee, Briarwood X1=Cherokee, Briarwood
 YJ=Wrangler Y1=Wrangler

AR = Use as Required - = Non Illustrated Part P.A.R. = Paint as Required

LAMPS--FOG GRAND WAGONEER
Figure 8-3700

91J08 3700



ITEM	PART NUMBER	QTY	BODY	MODEL	DESCRIPTION
1	5600 3013	2			LAMP, Fog without cover
2	J575 8043	2			BRACKET
3	J400 3956	2			NUT
4	J013 8485	4			WASHER
5	J400 3084	4			RETAINER
6	J400 3924	4			SCREW
7	S150 2788	2			BOLT
8	5600 3013	2			LAMP, Fog without Cover
9	8350 3692	2			ELEMENT ***
10	5600 2584	2			COVER
11	8350 4214	2			BEZEL
12	8350 4130	2			LENS
13	8350 4131	2			BOOT
14	J420 0405	2			NUT
15	8350 4213	2			BRACKET
16	3420 1781	4			SCREW
17	J806 0007	4			SCREW
18	1150 0207	2			WASHER, Lock

MODEL CODES:

61=Pickup-6 Ft Box 74=4 Door Wagon T=2WD
62=Pickup-7 Ft Box 77=Open Body 93" Wheelbase J,N,U=4WD
72=2 Door Wagon 78=Open Body 103" Wheelbase

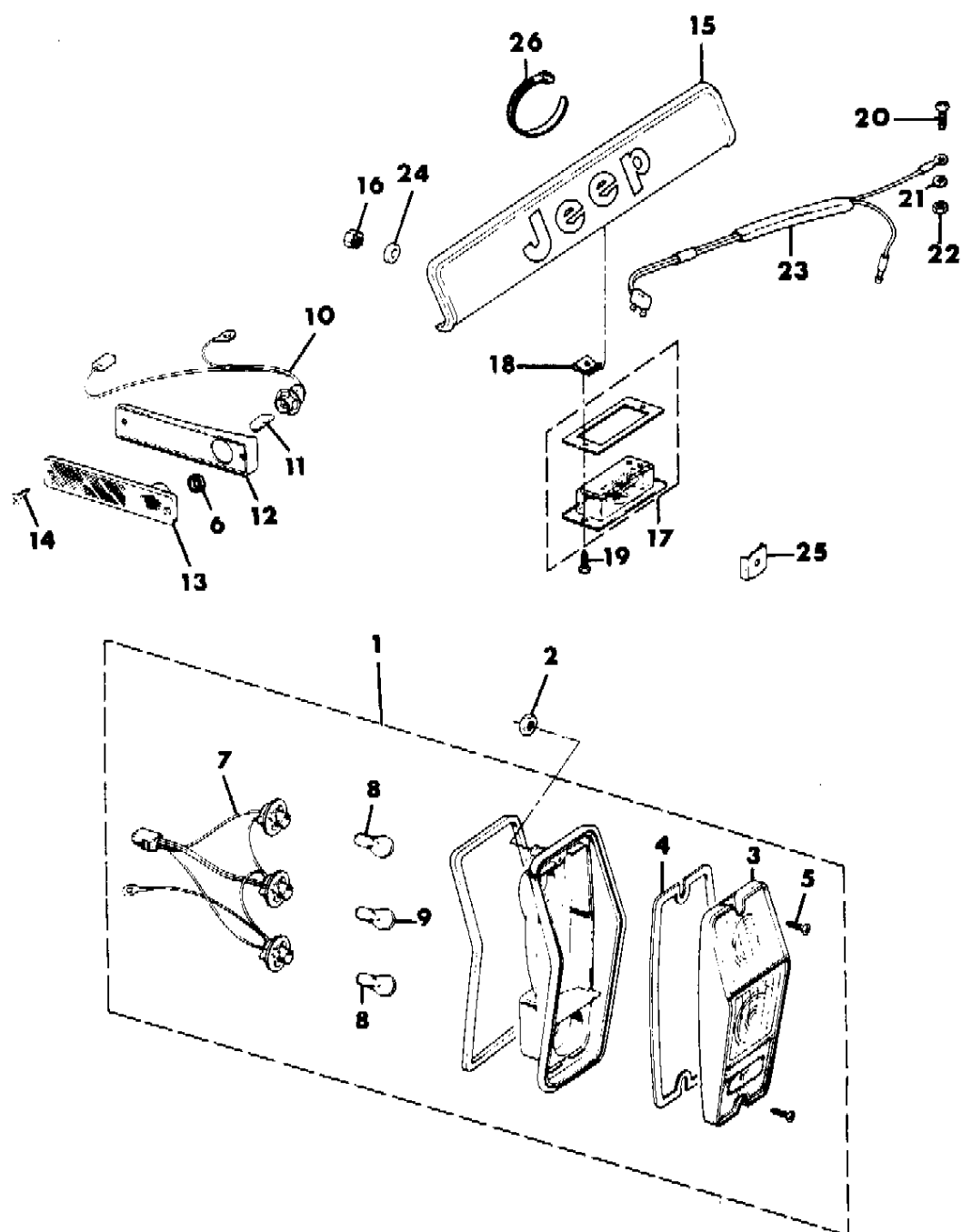
BODY STYLES:

MJ=Comanche Pickup ZJ=Grand Cherokee/Grand Wagoneer KDX VEHICLES
SJ=Grand Wagoneer M1=Comanche
XJ=Cherokee, Briarwood X1=Cherokee, Briarwood
YJ=Wrangler Y1=Wrangler

AR = Use as Required - = Non Illustrated Part P.A.R. = Paint as Required

LAMPS--REAR GRAND WAGONEER
Figure 8-3800

91J08 3800



ITEM	PART NUMBER	QTY	BODY	MODEL	DESCRIPTION
1	J576 1508	2			TAILLAMP ***
2	J027 1172	4			NUT
3	J813 4111	2			LENS, Taillamp
4	J812 4342	2			GASKET
5	J016 1798	4			SCREW
6	5505 2547	2			SEAL
7	J575 2600	2			WIRING, Taillamp
8	9417 866	4			BULB, (1156)
9	J320 9544	2			BULB, (1157)
10	J098 9428	2			WIRING, Taillamp
11	9421 330	2			BULB, (194)
12	J576 4646-7	1			BASE
13	J099 4021	2			LAMP, Marker
14	J812 2837	4			SCREW
15	5501 3579	1			HOUSING
16	J400 5699	2			NUT
17	J367 0544	1			LAMP, License
18	J027 1166	2			NUT
19	J016 1798	2			SCREW
20	J045 4783	1			SCREW
21	J017 8378	1			WASHER
22	J012 0361	1			NUT
23	J545 4958	1			WIRING, Taillamp
24	J400 3089	4			SPACER
25	J097 0487	2			SPACER
26	6015 756	5			STRAP

MODEL CODES:

61=Pickup-6 Ft Box 74=4 Door Wagon T=2WD
62=Pickup-7 Ft Box 77=Open Body 93" Wheelbase J,N,U=4WD
72=2 Door Wagon 78=Open Body 103" Wheelbase

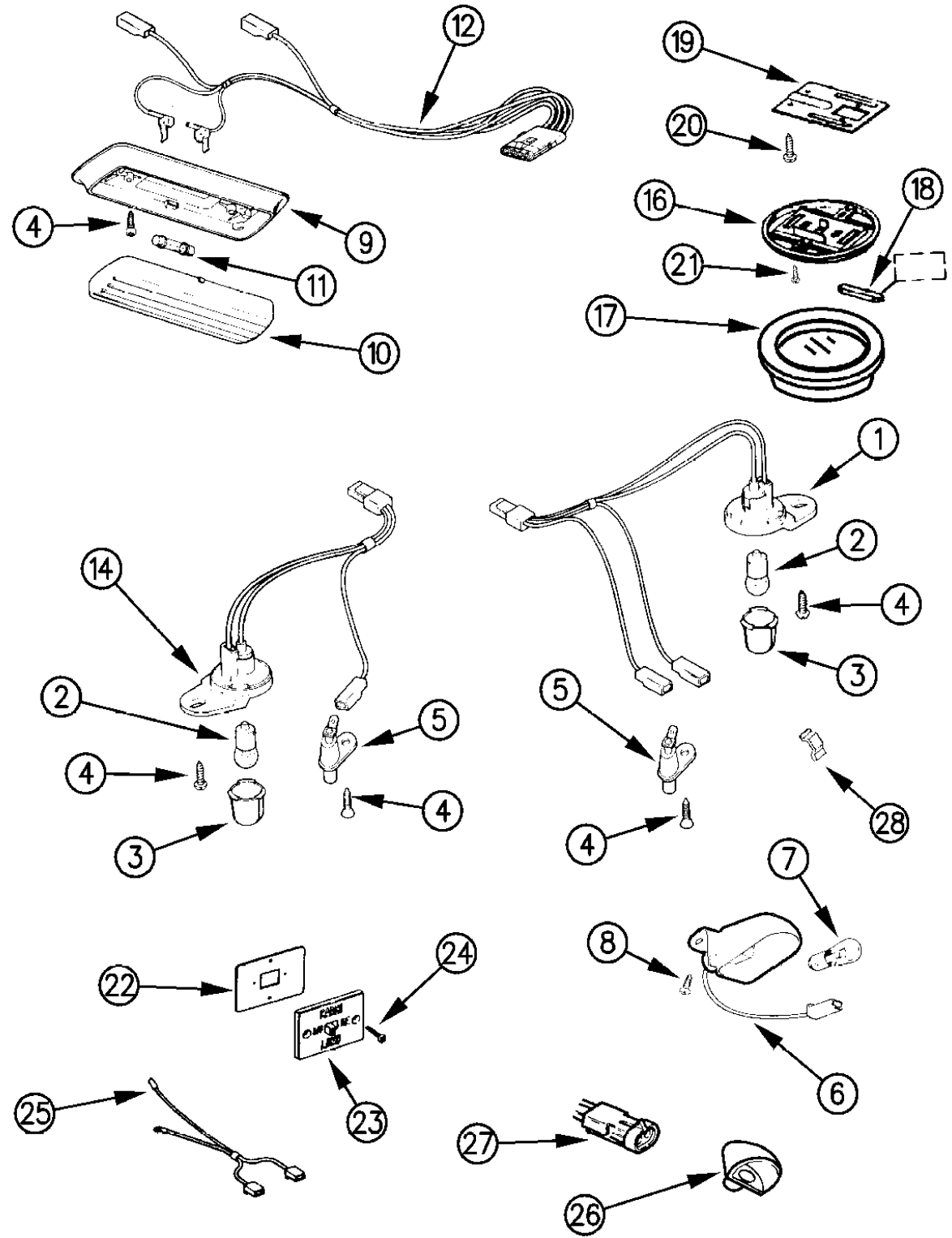
BODY STYLES:

MJ=Comanche Pickup ZJ=Grand Cherokee/Grand Wagoneer KDX VEHICLES
SJ=Grand Wagoneer M1=Comanche
XJ=Cherokee, Briarwood X1=Cherokee, Briarwood
YJ=Wrangler Y1=Wrangler

AR = Use as Required - = Non Illustrated Part P.A.R. = Paint as Required

LAMPS--CARGO-DOME-COURTESY-UNDERHOOD WRANGLER
Figure 8-3900

91J08 3900B



ITEM	PART NUMBER	QTY	BODY	MODEL	DESCRIPTION
1	5600 2386-7	1			LAMP, Courtesy, 1991
	5601 7442	2			1992-93
2	J014 2452	2			BULB, (89)
3	J545 0116	2			LENS, 1991-92
4	J400 3671	AR			SCREW
5	5600 2221	1			SWITCH, Dome Lamp, Right
	5600 2382				Left
6	5600 6730	1			LAMP, Underhood 1991
7	9428 606	1			BULB, (105)
8	J400 1042	2			SCREW
9	J095 9999	1			BASE, Dome/Reading Lamp
10	J095 9978	1			LENS, Domelamp
11	9431 809	1			BULB, (212)
12					WIRING, Dome Lamp, (KDX - World Cab)
	J805 3212	1			Front, KDX
	J805 3213	1			Rear, KDX
	5600 5850	1	Y1		EGYPT, VENEZUELA
14	5600 2386-7	1			LAMP, Courtesy, 1991
16	J575 1234	2			HOUSING, KDX
17	J368 9643	2			LENS, KDX
18	J400 3086	2			BULB, (56), KDX
19	J805 2259	2			PLATE, Dome Lamp, KDX
20	J400 7487	4			SCREW, KDX
21	3420 1468	4			SCREW, KDX
22	J805 2466	1			PLATE, Switch, KDX
23	J545 1489	1			SWITCH, KDX
24	J812 0054	4			SCREW, KDX
25	J805 3214	1			WIRING, Switch, w/World Cab, KDX
26	5600 6867	1			SHIELD, Underhood Lamp, 1992-93
27	4741 498	1			LAMP, Underhood, 1992-93
28	5521 4892	1			SHIELD

MODEL CODES:

61=Pickup-6 Ft Box 74=4 Door Wagon T=2WD
62=Pickup-7 Ft Box 77=Open Body 93" Wheelbase J,N,U=4WD
72=2 Door Wagon 78=Open Body 103" Wheelbase

BODY STYLES:

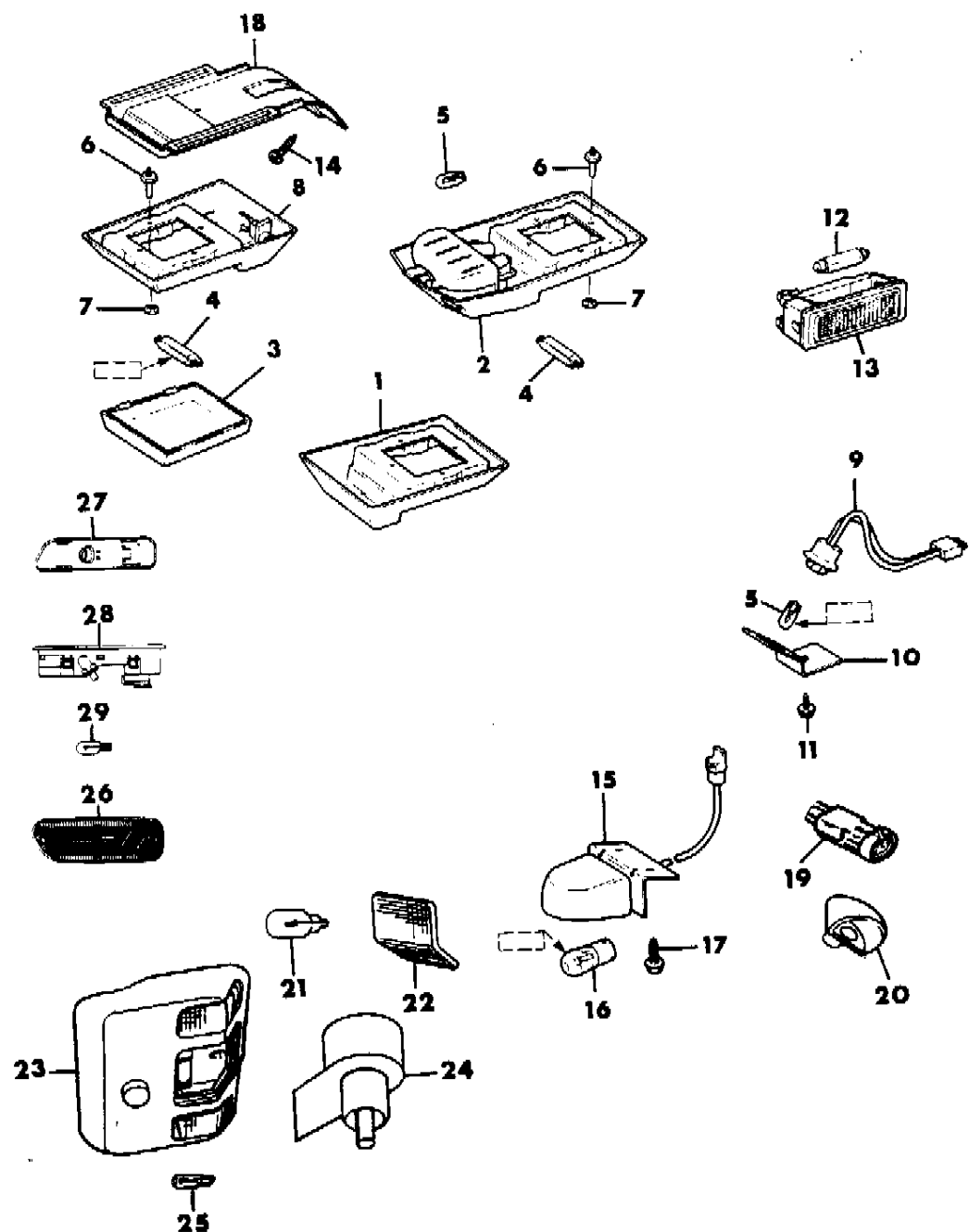
MJ=Comanche Pickup ZJ=Grand Cherokee/Grand Wagoneer KDX VEHICLES
SJ=Grand Wagoneer M1=Comanche
XJ=Cherokee, Briarwood X1=Cherokee, Briarwood
YJ=Wrangler Y1=Wrangler

AR = Use as Required - = Non Illustrated Part P.A.R. = Paint as Required

LAMPS--CARGO-DOME-COURTESY-UNDERHOOD CHEROKEE, BRIARWOOD, GRAND CHEROKEE, COMANCHE

Figure 8-4000

91J08 4000



ITEM	PART NUMBER	QTY	BODY	MODEL	DESCRIPTION
1	5600 1224	1	XJ		LAMP, Dome (P.A.R.) 1990
2	5BA6 8JY1	1	XJ		LAMP, Dome (P.A.R.)
			XJ		LAMP, Dome/Reading, Cherokee
	5BA6 7KY6	1			Dark Sand
	5BA6 7JY1	1			Sand
3	5600 0191	1	XJ		LENS, Dome Lamp
4	J400 3086	AR			BULB, (561)
5					BULB
	J943 6750	2			Reading Lamp, (106)
	9428 606	1			Underhood Lamp, (105)
6	3420 1533	2	XJ		STUD
7	J400 0459	2	XJ		NUT
8	5BA7 0JY1	1	XJ		LAMP, Cargo (P.A.R.)(less Lens)
9	5600 4406	2	XJ, MJ		LAMP, Courtesy
10	5502 4890	2	XJ, MJ		BRACKET
11	1150 2843	2	XJ, MJ		SCREW
12	T309 7183	2	MJ		BULB, Dome Lamp
13	T134 9760	1	MJ		LAMP, Dome, Chrome
14	J448 9487	2	XJ		SCREW
15	5600 6756	1	XJ, MJ		LAMP, Underhood
	5600 6870				1992
16	J812 5442	1	XJ, MJ		BULB, (105)
17	3420 1691	2	XJ, MJ		SCREW
18	5500 2812	1	XJ		BRACKET, Cargo Lamp
19	4741 498	1	XJMJZJ		LAMP, Underhood, 1992-93
20	5600 6867	1	XJMJZJ		SHIELD, Underhood Lamp
21	9428 606	2	ZJ		BULB, (105)
			ZJ		Cargo
	5600 5428	1	ZJ		Dome Lamp
23	5600 5749	1	ZJ		LAMP, Dome/Reading Grand Cherokee
			ZJ		w/o Keyless Entry
	5AS3 6LD5	1			Medium Quartz, (P.A.R.)
			ZJ		w/Keyless Entry
	4728 001	1			Silver
	4728 002	1			Driftwood
	4728 003	1			Red
	4740 180	1			Champagne
24	4565 031	2	ZJ		SWITCH, Push-Push
25	J400 3086	1	ZJ		BULB
26	4638 226-7	1	ZJ		LENS, Courtesy Lamp

MODEL CODES:

61=Pickup-6 Ft Box 74=4 Door Wagon T=2WD
 62=Pickup-7 Ft Box 77=Open Body 93" Wheelbase J,N,U=4WD
 72=2 Door Wagon 78=Open Body 103" Wheelbase

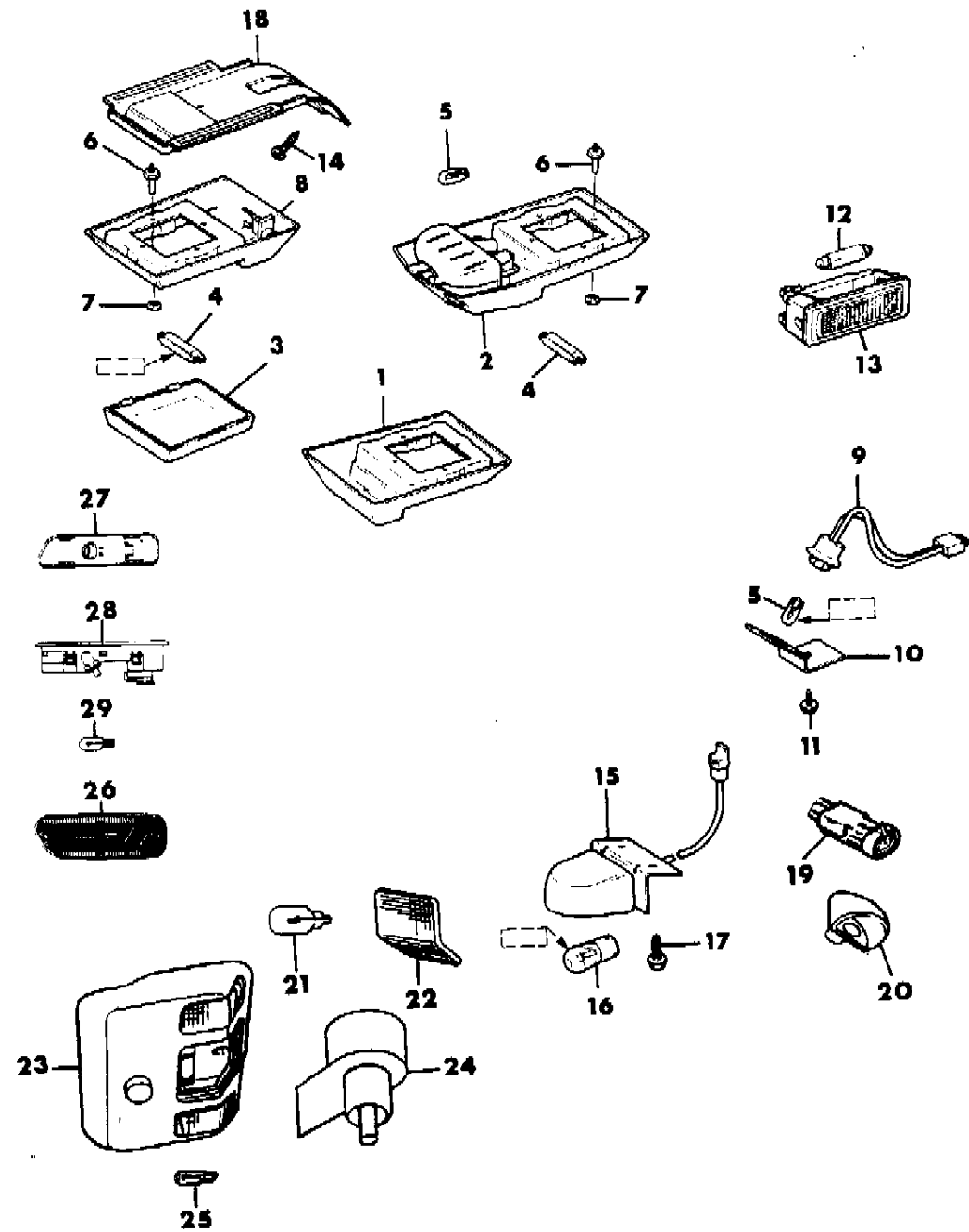
BODY STYLES:

MJ=Comanche Pickup ZJ=Grand Cherokee/Grand Wagoneer KDX VEHICLES
 SJ=Grand Wagoneer M1=Comanche
 XJ=Cherokee, Briarwood X1=Cherokee, Briarwood
 YJ=Wrangler Y1=Wrangler

AR = Use as Required - = Non Illustrated Part P.A.R. = Paint as Required

LAMPS--CARGO-DOME-COURTESY-UNDERHOOD CHEROKEE, BRIARWOOD, GRAND CHEROKEE, COMANCHE
Figure 8-4000

91J08 4000



ITEM	PART NUMBER	QTY	BODY	MODEL	DESCRIPTION
27	4638 228-9	1	ZJ		HOUSING, Courtesy Lamp
28	5600 5076-7	1	ZJ		LAMP, Courtesy
29	9425 542	AR	ZJ		BULB, Courtesy (168)
	5503 1730-1				REFLECTOR, Red (Loredo)

MODEL CODES:

61=Pickup-6 Ft Box 74=4 Door Wagon T=2WD
62=Pickup-7 Ft Box 77=Open Body 93" Wheelbase J,N,U=4WD
72=2 Door Wagon 78=Open Body 103" Wheelbase

BODY STYLES:

MJ=Comanche Pickup ZJ=Grand Cherokee/Grand Wagoneer KDX VEHICLES
SJ=Grand Wagoneer M1=Comanche
XJ=Cherokee, Briarwood X1=Cherokee, Briarwood
YJ=Wrangler Y1=Wrangler

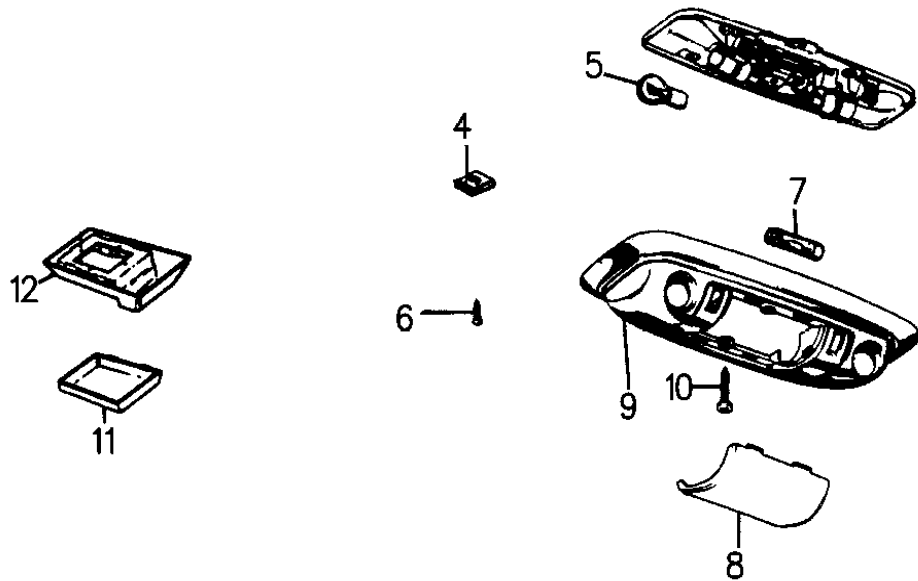
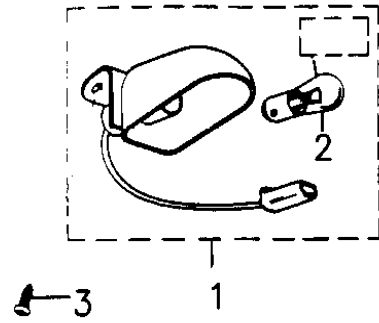
AR = Use as Required - = Non Illustrated Part P.A.R. = Paint as Required

LAMPS--CARGO-DOME-COURTESY-UNDERHOOD GRAND WAGONEER

Figure 8-4100

91J08 4100A

ITEM	PART NUMBER	QTY	BODY	MODEL	DESCRIPTION
1	5600 6730	1			LAMP, Underhood
2	9428 606	1			BULB, (105)
3	J942 1073	2			SCREW
4	J096 1852	1			U-NUT
5	S045 5136	2			BULB, (1004)
6	J812 0056	4			SCREW
7	J943 6750	1			BULB, (106)
8	J323 4114	1			LENS
9	J575 1806	1			HOUSING ASSEMBLY, Dome/Reading Lamp (Hsg. & Base, w/ Overhead Console)
10	J942 2397	2			SCREW
11	5600 0191	1			LENS, Dome Lamp
12	5BA6 8JY1	1			HOUSING, (P.A.R.)



MODEL CODES:

61=Pickup-6 Ft Box 74=4 Door Wagon T=2WD
 62=Pickup-7 Ft Box 77=Open Body 93" Wheelbase J,N,U=4WD
 72=2 Door Wagon 78=Open Body 103" Wheelbase

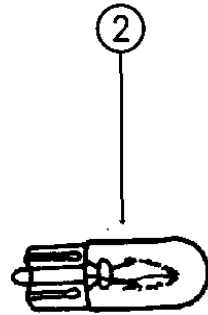
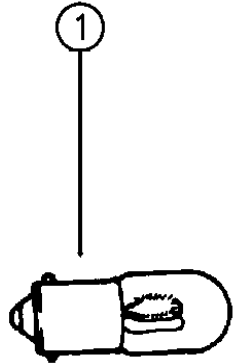
BODY STYLES:

MJ=Comanche Pickup ZJ=Grand Cherokee/Grand Wagoneer KDX VEHICLES
 SJ=Grand Wagoneer M1=Comanche
 XJ=Cherokee, Briarwood X1=Cherokee, Briarwood
 YJ=Wrangler Y1=Wrangler

AR = Use as Required - = Non Illustrated Part P.A.R. = Paint as Required

BULBS ALL MODELS
Figure 8-4150

91J08 4150



ITEM	PART NUMBER	QTY	BODY	MODEL	DESCRIPTION
1					BULB, Exterior
	9417 866			ALL	Back-Up Lamp, #1156
	0153 938			ZJ	Hi-Mtd. Stop Lamp, #921
	4728 646			ZJ	Fog Lamp, #H-3
	3600 3101			ZJ	Turn Signal Front, #1295NA
	J320 9544			SJ	Park & Turn Signal, Front, #1157
	9438 850			XJYJMJ	Park & Turn Signal, Front, #2057NA
	9438 068			ZJ	Side Marker Front, #194NA
	9421 330			XJMJSJY	Side Marker, Front, #194
	9421 330			SJ	Side Marker Rear, #194
	4388 238				Headlamp, #H6054
	0153 590			YJ	Seal Beam, #6054
	9425 542			ZJ,XJ	License Plate, #168
	0142 450			XJ,MJ	License Lamp, #67
	9438 848			ZJ	Tail/Stop, Rear, #2057
	9438 848			YJ,SJ	Tail/Stop/Turn, #1157
	9438 848			MJ,XJ	Tail/Stop, #2057
	9417 866			ZJ	Turn Signal, Rear, #1156
	J812 5442				Underhood Lamp, #105
	0142 453			YJ	Underhood Lamp, #90
2					BULBS, Interior ***
	0152 244			ALL	Ash Reciever, #1891
	9431 809			ZJ	Cargo Lamp, #212-2
	J400 3086			XJ,SJ	Cargo Lamp, #561
	9431 809			YJ	Cargo/Dome, Hardtop, #212
	0131 282			ALL	Cigarette Lighter, #53
	9433 184			ALL	Climate Control, #74
	9421 330			ZJ	Console Floor Shifter, #PC194
	9436 750			ZJ	Dome/Reading, #561 & 906
	9425 542			ZJ	Door Courtesy, #168
	9421 330			ALL	Glove Compartment, #PC194
	J345 1933			SJ	Glove Box, #1891
	9421 330			YJ	Heater Control Lamp, #194
	9431 809			ZJ	Overhead Console, #212-2
	9437 173			SJ,XJ	Overhead Console, #912
				ZJ	Radio, (Service Center)
	9436 789				Rocker Switch, #37
	9433 184			YJ	Rocker Switch, #74
	9421 330			ZJ	Transfer Case Shifter, #PC194
	0142 452			ALL	Under Panel Courtesy, #89
	9425 542			MJ,XJ	Under Panel Courtesy, #168

MODEL CODES:

61=Pickup-6 Ft Box 74=4 Door Wagon T=2WD
 62=Pickup-7 Ft Box 77=Open Body 93" Wheelbase J,N,U=4WD
 72=2 Door Wagon 78=Open Body 103" Wheelbase

BODY STYLES:

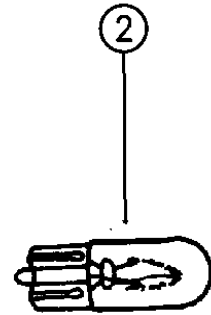
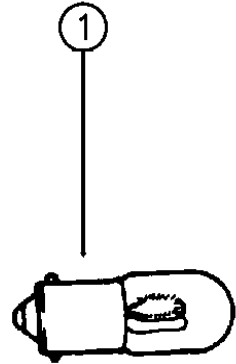
MJ=Comanche Pickup ZJ=Grand Cherokee/Grand Wagoneer KDX VEHICLES
 SJ=Grand Wagoneer M1=Comanche
 XJ=Cherokee, Briarwood X1=Cherokee, Briarwood
 YJ=Wrangler Y1=Wrangler

AR = Use as Required - = Non Illustrated Part P.A.R. = Paint as Required

BULBS ALL MODELS
Figure 8-4150

91J08 4150

ITEM	PART NUMBER	QTY	BODY	MODEL	DESCRIPTION
	6501 966			ZJ	Vanity Mirror
	9433 184			XJ,MJ,S	Vanity Mirror, #74



MODEL CODES:

61=Pickup-6 Ft Box 74=4 Door Wagon T=2WD
 62=Pickup-7 Ft Box 77=Open Body 93" Wheelbase J,N,U=4WD
 72=2 Door Wagon 78=Open Body 103" Wheelbase

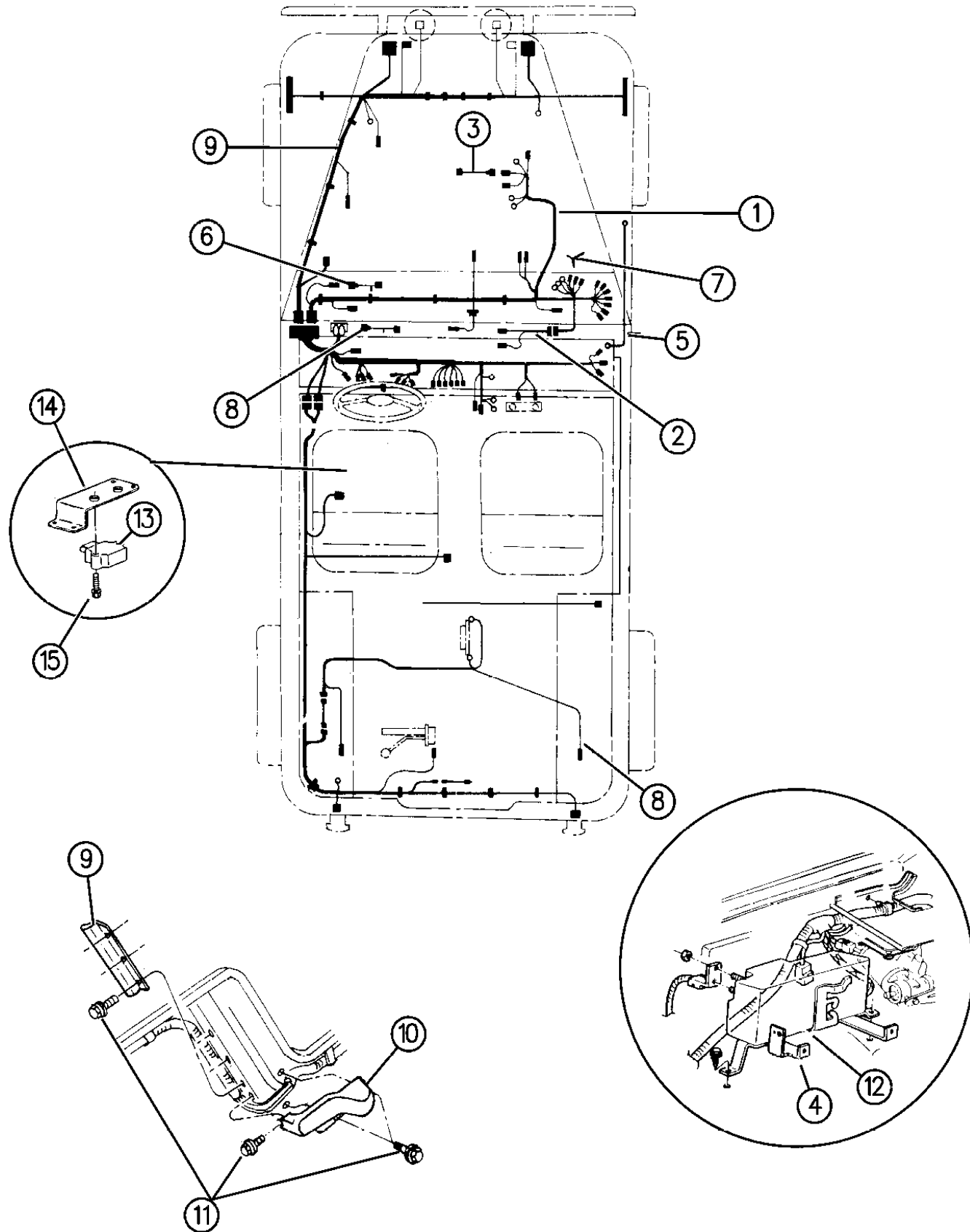
BODY STYLES:

MJ=Comanche Pickup ZJ=Grand Cherokee/Grand Wagoneer KDX VEHICLES
 SJ=Grand Wagoneer M1=Comanche
 XJ=Cherokee, Briarwood X1=Cherokee, Briarwood
 YJ=Wrangler Y1=Wrangler

AR = Use as Required - = Non Illustrated Part P.A.R. = Paint as Required

WIRING--ENGINE AND RELATED PARTS WRANGLER
Figure 8-4200

91J08 4200B



ITEM	PART NUMBER	QTY	BODY	MODEL	DESCRIPTION
1	5601 7000	1			WIRING, Engine, 4-Cyl., 1991
	5601 7408	1			1992-93
	5601 7201	1			6-Cyl., 1991
	5601 7207	1			1992-1993
	5601 6919	1	Y1		1992, (24 Volt)
-	5601 8051				WIRING, Engine & Trans., 4-Cyl., Man. Trans., 1993
	5601 8049	1			6 Cyl. Eng., w/o A.B.S.
	5601 8050	1			6 Cyl. Eng., w/A.B.S.
	5601 8052	1	Y1		6 Cyl. Eng., w/RFI, w/o Radio, Egypt
2					WIRING, Transmission
	5601 7500	1			4 Cyl. Eng., Man. Trans., 1991
	5601 7602	1			6 Cyl. Eng., Man. Trans., 1991
	5601 7333	1	Y1	78	4 & 6 Cyl. Eng., Man. Trans., 1992
	5601 7231	1	YJ	77	4 & 6 Cyl. Eng., Man. Trans, 1992
	5601 7332	1	YJ	77	6 Cyl. Eng., Auto. Trans., 1992
	5601 7334	1	Y1	78	6 Cyl. Eng., Auto Trans., 1992
-	5601 7841				WIRING, Jumper, Auto. Trans., 1993
	5601 7842				Man. Trans., 1993
3					WIRING, Alternator
	5601 6927	1			4 Cyl. 1991
	5601 7428	1			4 Cyl. 1992-93
	5601 6928	1			6 Cyl. 1991
	5601 7133	1			6 Cyl. 1992-93
4		1			BRACKET, Pwr. Distribution Center, (Illus. 4250)
5	5603 0055	1			CABLE, Starter
6	5600 6171	1			WIRING, 4x4 Jumper Switch
7	5601 6929				WIRING, Battery, 1991-92
	5601 7763	1			1993
8	5600 6716	1			WIRING, Speed Warning, MIDEAST
9	5600 5948	1			COVER, Body Harness Upper
10	5600 5946	1			COVER, Body Harness Lower
11					SCREW, (Not Serv.)
12		1			HOUSING, Power Distribution Center, (Illus. 4250)
13	5600 6315	1			SWITCH, Accelerator ABS
14	5602 6739	1			BRACKET, Accelerator ABS
15	6034 484	AR			SCREW, Accelerator Switch to bracket

MODEL CODES:

61=Pickup-6 Ft Box 74=4 Door Wagon T=2WD
 62=Pickup-7 Ft Box 77=Open Body 93" Wheelbase J,N,U=4WD
 72=2 Door Wagon 78=Open Body 103" Wheelbase

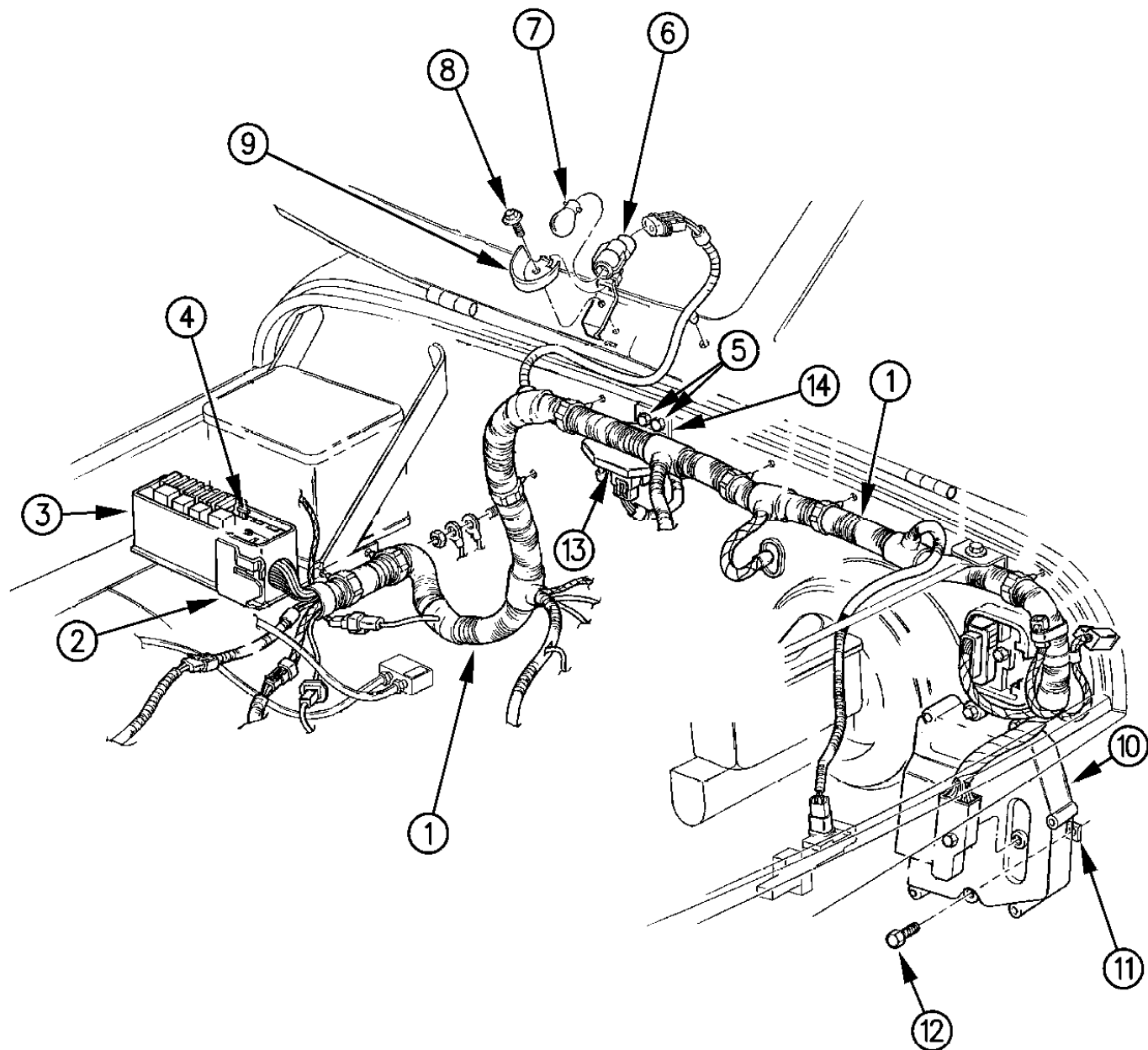
BODY STYLES:

MJ=Comanche Pickup ZJ=Grand Cherokee/Grand Wagoneer KDX VEHICLES
 SJ=Grand Wagoneer M1=Comanche
 XJ=Cherokee, Briarwood X1=Cherokee, Briarwood
 YJ=Wrangler Y1=Wrangler

AR = Use as Required - = Non Illustrated Part P.A.R. = Paint as Required

WIRING--HEADLAMP TO DASH WRANGLER
Figure 8-4250

91J08 4250



ITEM	PART NUMBER	QTY	BODY	MODEL	DESCRIPTION
1					WIRING, Headlamp to Dash
	5601 8111				w/o Anti-Lock,
	5601 9112				w/Anti-Lock,
	5601 9113				w/2.5 Eng., Man. Trans.
	5601 9237				Up to 02/23/93
2	5534 4768				BRACKET, Power Distribution Center
3	4527 115				HOUSING, Power Distribution Center
-	5600 5875				COVER, Upper, 1991
	5601 7145				1992-93
	5601 6726				KDX, Egypt, Venezuela
-	5600 5871				COVER, Lower
4					FUSE, I.O.D.
5	J400 1042				SCREW, M.A.P. Sensor
6	5600 6730				LAMP, Underhood, 1991
7	9428 606				BULB
8	J400 1042				SCREW
9					SHIELD, (Serv. w/Lamp Assy.)
10					SINGLE BOARD ENGINE CONTROLER, (Illus. 4450) ***
11	J400 4959				NUT, Snap
12					SCREW, (Not Serv.)
13	3300 0153				SENSOR, M.A.P.
14	5602 7080				BRACKET, M.A.P. Sensor

MODEL CODES:

61=Pickup-6 Ft Box 74=4 Door Wagon T=2WD
 62=Pickup-7 Ft Box 77=Open Body 93" Wheelbase J,N,U=4WD
 72=2 Door Wagon 78=Open Body 103" Wheelbase

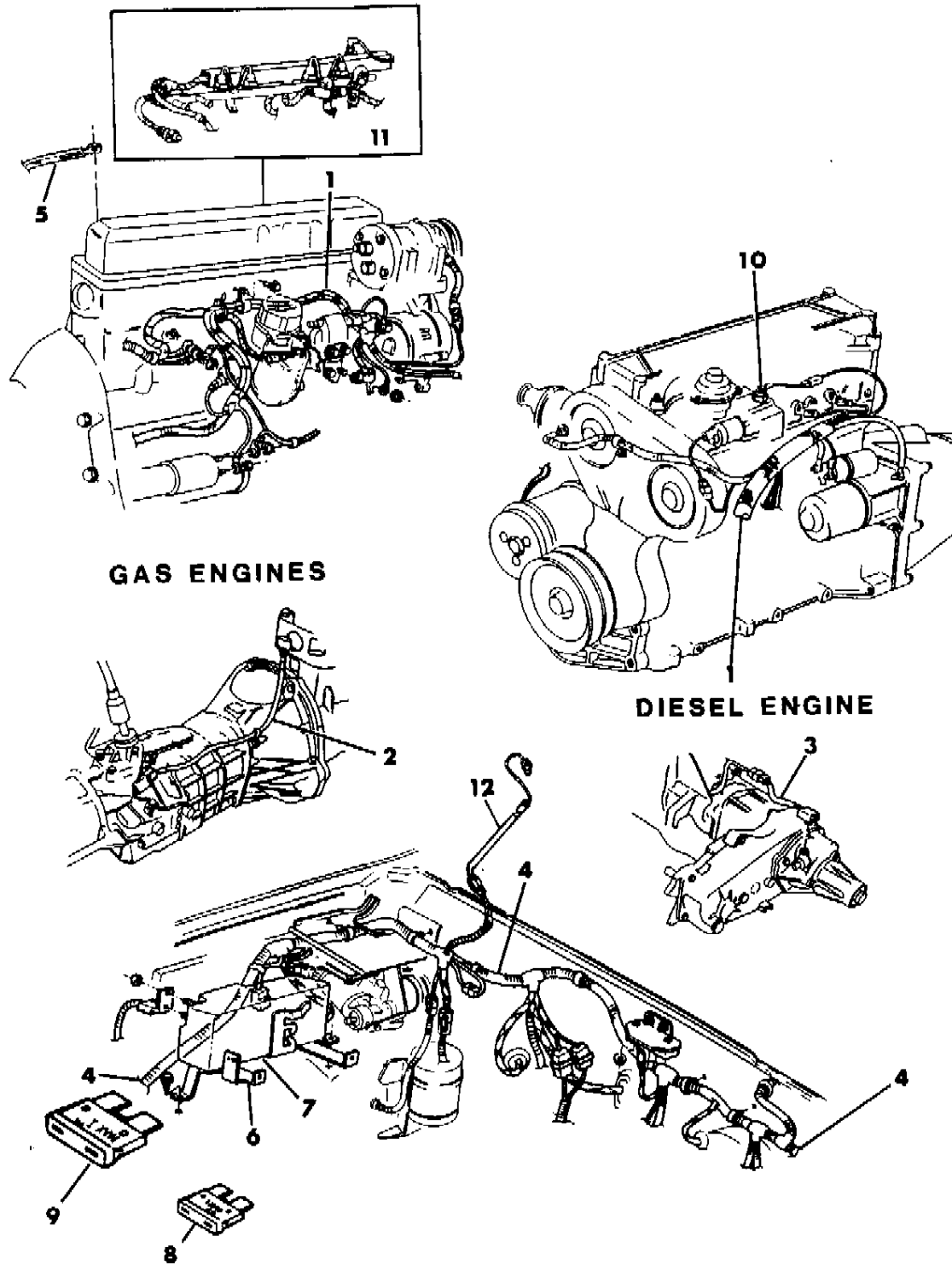
BODY STYLES:

MJ=Comanche Pickup ZJ=Grand Cherokee/Grand Wagoneer KDX VEHICLES
 SJ=Grand Wagoneer M1=Comanche
 XJ=Cherokee, Briarwood X1=Cherokee, Briarwood
 YJ=Wrangler Y1=Wrangler

AR = Use as Required - = Non Illustrated Part P.A.R. = Paint as Required

WIRING--ENGINE AND RELATED PARTS 4 & 6 CYLINDER ENGINE CHEROKEE, BRIARWOOD, COMANCHE
Figure 8-4300

91J08 4300



GAS ENGINES

DIESEL ENGINE

ITEM	PART NUMBER	QTY	BODY	MODEL	DESCRIPTION
1					WIRING, Engine Compartment
	5601 6966				4 Cyl. Eng., w/Battery Cables, 1991
	5601 7370	1			1992-93
	5601 8336	1	XJU		1993, RHD
	5600 4297				6 Cyl. Eng., w/Auto Trans., 1991
	5601 7779	1			1992-93
	5600 4296				6 Cyl. Eng., w/Man. Trans., 1991
	5601 7776	1			1992-93
	5601 8133	1			1992-93, RHD
	5600 4646				6-Cyl. Eng., Daytime Running Lamps, A.W.A.L., Canada DIESEL ENGINE
	5600 4298	1			1991, EUROPE
	5601 8028	1			1992-93, EUROPE
2					WIRING, Transmission
	8350 3718	1			6 Cyl. Eng., Auto. Trans., 2 WD
	8350 3843	1			6 Cyl. Eng., Auto. Trans., 4 WD
	5601 7110	1			Diesel Eng., Man. Trans., EUROPE
	5601 7607	1			1992
	5601 8358	1			1993
-	5600 4299	1			WIRING, Jumper, Distance Sensor, 1992
	5601 8359				1993
3					WIRING, Speed Sensor
	5600 2600	1			6 Cyl. Eng., Auto. Trans., w/Select Trac
	5601 7198	1			w/Command Trac.
4					WIRING, Headlamp and Dash (See Illus. 4350)
5	5600 0761	1			STRAP, Ground, Diesel
6					BRACKET, Power Distribution Center
	5601 6730	1			1991
	5601 7142	1			1992-93
	5601 7117	1			1992-93 (RHD)
7	4527 115	1			POWER DISTRIBUTION CENTER ***
	5601 7018				1993, (Terminals Serv. w/Wiring)
					HOUSING
-	5600 5873				COVER, Upper, 2.5 Eng., 1991
	5601 7296	1			1992-93
	5601 7691	1	X1U		1993
	5601 7134	1			1992, EUROPE
					4.0 Cyl. Eng.
	5600 5873	1			1991
	5601 7296	1			1992
	5601 7296	1	X1U		1993

MODEL CODES:

61=Pickup-6 Ft Box 74=4 Door Wagon T=2WD
 62=Pickup-7 Ft Box 77=Open Body 93" Wheelbase J,N,U=4WD
 72=2 Door Wagon 78=Open Body 103" Wheelbase

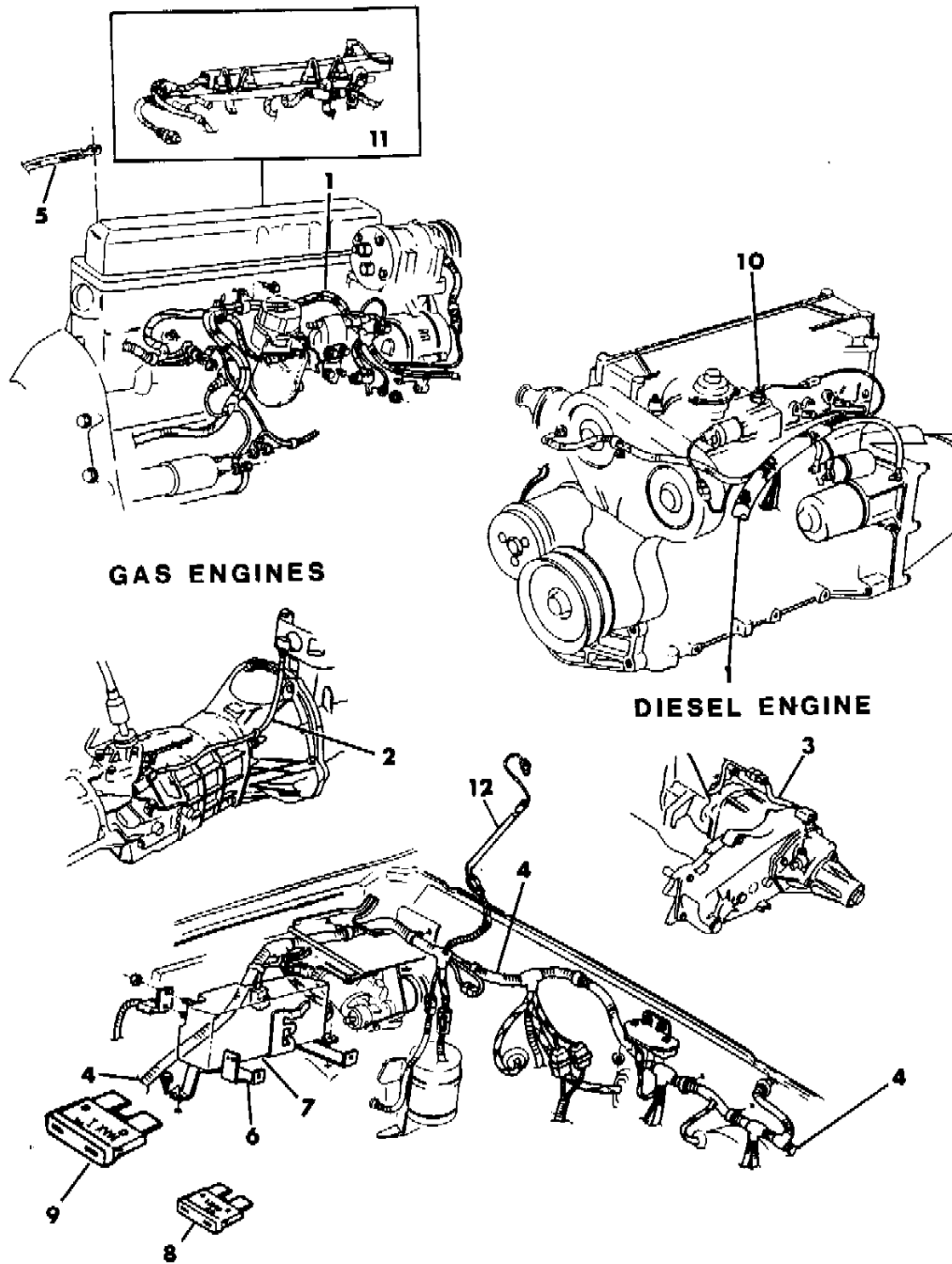
BODY STYLES:

MJ=Comanche Pickup ZJ=Grand Cherokee/Grand Wagoneer KDX VEHICLES
 SJ=Grand Wagoneer M1=Comanche
 XJ=Cherokee, Briarwood X1=Cherokee, Briarwood
 YJ=Wrangler Y1=Wrangler

AR = Use as Required - = Non Illustrated Part P.A.R. = Paint as Required

WIRING--ENGINE AND RELATED PARTS 4 & 6 CYLINDER ENGINE CHEROKEE, BRIARWOOD, COMANCHE
Figure 8-4300

91J08 4300



ITEM	PART NUMBER	QTY	BODY	MODEL	DESCRIPTION
	5601 7296				1993, w/A.B.S.
-	5600 5871	1			COVER, Lower
8					FUSE, Mini
	6101 481	AR			2 Amp. Gray
	6101 484	AR			5 Amp. Tan
	6101 486	AR			10 Amp. Red
	6101 487	AR			15 Amp. Blue
	6101 488	AR			20 Amp. Yellow
9					FUSE, Maxi
	6101 679	AR			20 Amp. Yellow
	6101 640	AR			30 Amp. Green
	6101 641	AR			40 Amp. Amber
	6101 642	AR			50 Amp. Red
	6101 643	AR			60 Amp. Blue
	6101 645	AR			80 Amp. Natural
10	5600 1345	1			WIRING, Fuel Shut-Off Solenoid, Diesel Eng. EUROPE
-	J309 7336	1			TERMINAL, Wire
11					COVER, Injector Harness
	5600 4597	1			4 Cyl. Eng.
	5601 7364	1			6 Cyl. Eng.
12	5601 7143	1			WIRING, Underhood Lamp Jumper

MODEL CODES:

61=Pickup-6 Ft Box 74=4 Door Wagon T=2WD
 62=Pickup-7 Ft Box 77=Open Body 93" Wheelbase J,N,U=4WD
 72=2 Door Wagon 78=Open Body 103" Wheelbase

BODY STYLES:

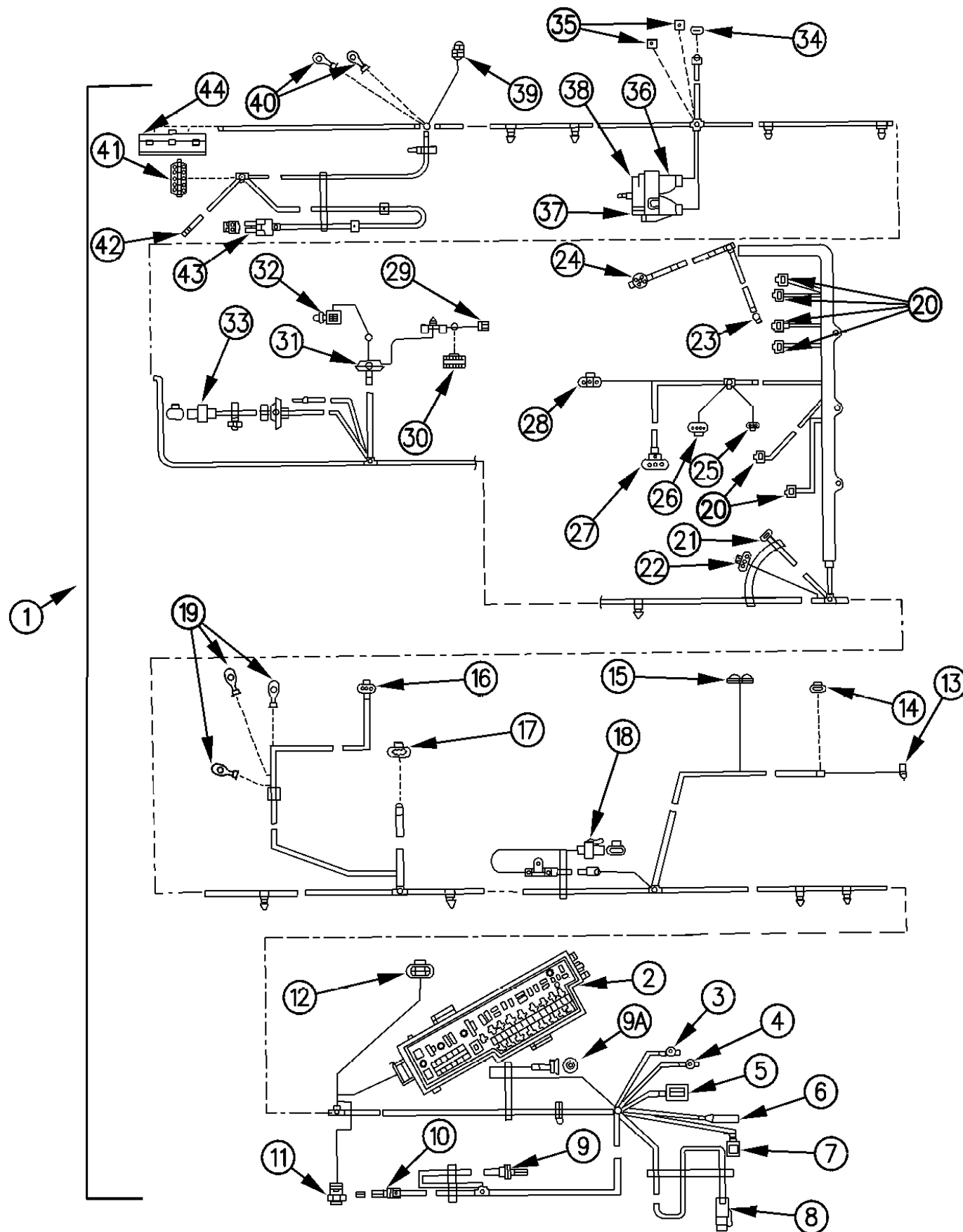
MJ=Comanche Pickup ZJ=Grand Cherokee/Grand Wagoneer KDX VEHICLES
 SJ=Grand Wagoneer M1=Comanche
 XJ=Cherokee, Briarwood X1=Cherokee, Briarwood
 YJ=Wrangler Y1=Wrangler

AR = Use as Required - = Non Illustrated Part P.A.R. = Paint as Required

WIRING--HEADLAMP TO DASH 4 & 6 CYLINDER CHEROKEE, BRIARWOOD, COMANCHE

Figure 8-4350

91J08 4350



ITEM	PART NUMBER	QTY	BODY	MODEL	DESCRIPTION
1					WIRING, Headlamp To Dash
					4 Cyl., w/Man. Trans.
	5601 6781	1			1991
	5601 8009	1			1992
	5601 8341				1993
	5601 9059	1	XJU		1993
	5601 8297	1	X1		1993
					RHD, KDX
	5601 7782	1			1992
	5601 8296	1			1993
	5601 6782				4 Cyl. Eng., Man. Trans., 1991, CANADA
	5601 8010	1			1992, CANADA
	5601 8342	1			1993, CANADA
	5601 6783				6 Cyl., w/Man. Trans., 1991
	5601 8013	1			1992
	5601 8346	1			1993
	5601 6785				6 Cyl., w/Man.Trans., 1991, CANADA
	5601 8014	1			1992, CANADA
	5601 8347	1			1993, CANADA
	5601 6828				6 Cyl., w/Man.Trans., w/Headlamp Leveling, 1991, EUROPE
	5601 8015	1			1992, EUROPE
	5601 8348	1			1993, EUROPE
	5601 8019				6 Cyl. Man. Trans., w/Anti-Lock, 1992
	5601 8352				1993
	5601 8020				1992, CANADA
	5601 8353				1993, CANADA
	5601 9021				1992, EUROPE
	5601 8354				1993, EUROPE
	5601 6784				6 Cyl., w/Auto.Trans., 1991
	5601 8016	1			1992
	5601 8349	1			1993
	5601 6786				6 Cyl., w/Auto.Trans., 1991, CANADA
	5601 8017	1			1992, CANADA
	5601 8350	1			1993, CANADA
	5601 6829				6 Cyl., w/Auto Trans., w/Headlamp Leveling, 1991, EUROPE
	5601 8018	1			1992, EUROPE
	5601 8351	1			1993, EUROPE
	5601 6789				6 Cyl., w/Auto Trans., w/Anti-Lock Brakes, 1991
	5601 8022	1			Up To 3-3-92
	5601 7682	1			Aft. 3-3-92
	5601 8355				1993

MODEL CODES:

61=Pickup-6 Ft Box 74=4 Door Wagon T=2WD
 62=Pickup-7 Ft Box 77=Open Body 93" Wheelbase J,N,U=4WD
 72=2 Door Wagon 78=Open Body 103" Wheelbase

BODY STYLES:

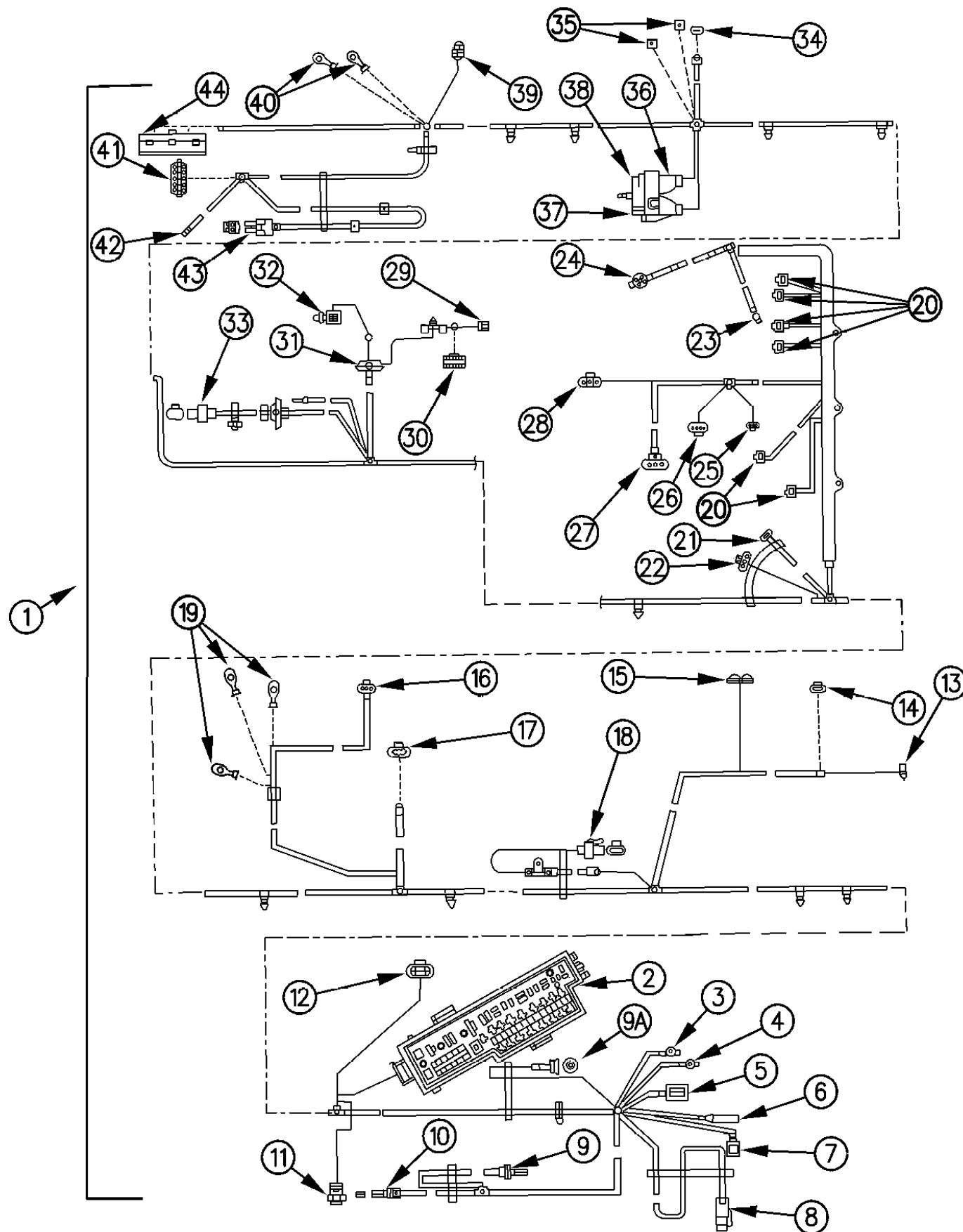
MJ=Comanche Pickup ZJ=Grand Cherokee/Grand Wagoneer KDX VEHICLES
 SJ=Grand Wagoneer M1=Comanche
 XJ=Cherokee, Briarwood X1=Cherokee, Briarwood
 YJ=Wrangler Y1=Wrangler

AR = Use as Required - = Non Illustrated Part P.A.R. = Paint as Required

WIRING--HEADLAMP TO DASH 4 & 6 CYLINDER CHEROKEE, BRIARWOOD, COMANCHE

Figure 8-4350

91J08 4350



ITEM	PART NUMBER	QTY	BODY	MODEL	DESCRIPTION
	5601 6790				6 Cyl., w/Auto Trans., w/Anti-Lock Brakes, 1991, CANADA
	5601 7683	1			1992, CANADA
	5601 8356	1			1993, CANADA
	5601 6830				6 Cyl., w/Auto Trans., w/Anti-Lock Brakes, 1991, EUROPE
	5601 8024	1			1992, EUROPE
	5601 8357	1			1993, EUROPE
	5601 9174				4.0L w/Automatic Transmission RHD (1993)
	5601 9173				w/R.W.A.L.
					w/ABS
					DIESEL
	5601 7116	1			1991
	5601 8129	1			1992-93
	5601 7439	1	X1U		6 Cyl., Auto., Egypt, Venezuela 1993
	5601 7441	1	X1U		6 Cyl., Manual, Egypt, Venezuela, 1993
					BRACKET, Power Distribution Center
	5601 6730	1			1991
	5601 7142	1			1992-93
	5601 7117	1			1992-93 (RHD)
2	4527 115	1			POWER DISTRIBUTION CENTER ***
	5601 7018				1993, w/A.B.S.
					HOUSING
					COVER, Upper
					2.5 Engine
	5600 5873	1			1991
	5601 7296	1			1992-93
	5601 7691	1	X1U		1993
	5601 7134	1			4 Cyl., EUROPE, MIDEAST, KDX, RHD, 1992
					4.0 Cyl. Eng.
	5600 5873	1			1991
	5601 7296	1			1992
	5601 7296	1	X1U		1993
	5601 7296				1993, w/A.B.S.
	5600 5871	1			COVER, Lower
	4638 094				RELAY, Fuel, A.S.D., Starter
					FUSE
	6101 679	AR			20 Amp. Yellow
	6101 640	AR			30 Amp. Green
	6101 641	AR			40 Amp. Amber
	6101 642	AR			50 Amp. Red
	6101 643	AR			60 Amp. Blue
	6101 645	AR			80 Amp. Natural

MODEL CODES:

61=Pickup-6 Ft Box 74=4 Door Wagon T=2WD
 62=Pickup-7 Ft Box 77=Open Body 93" Wheelbase J,N,U=4WD
 72=2 Door Wagon 78=Open Body 103" Wheelbase

BODY STYLES:

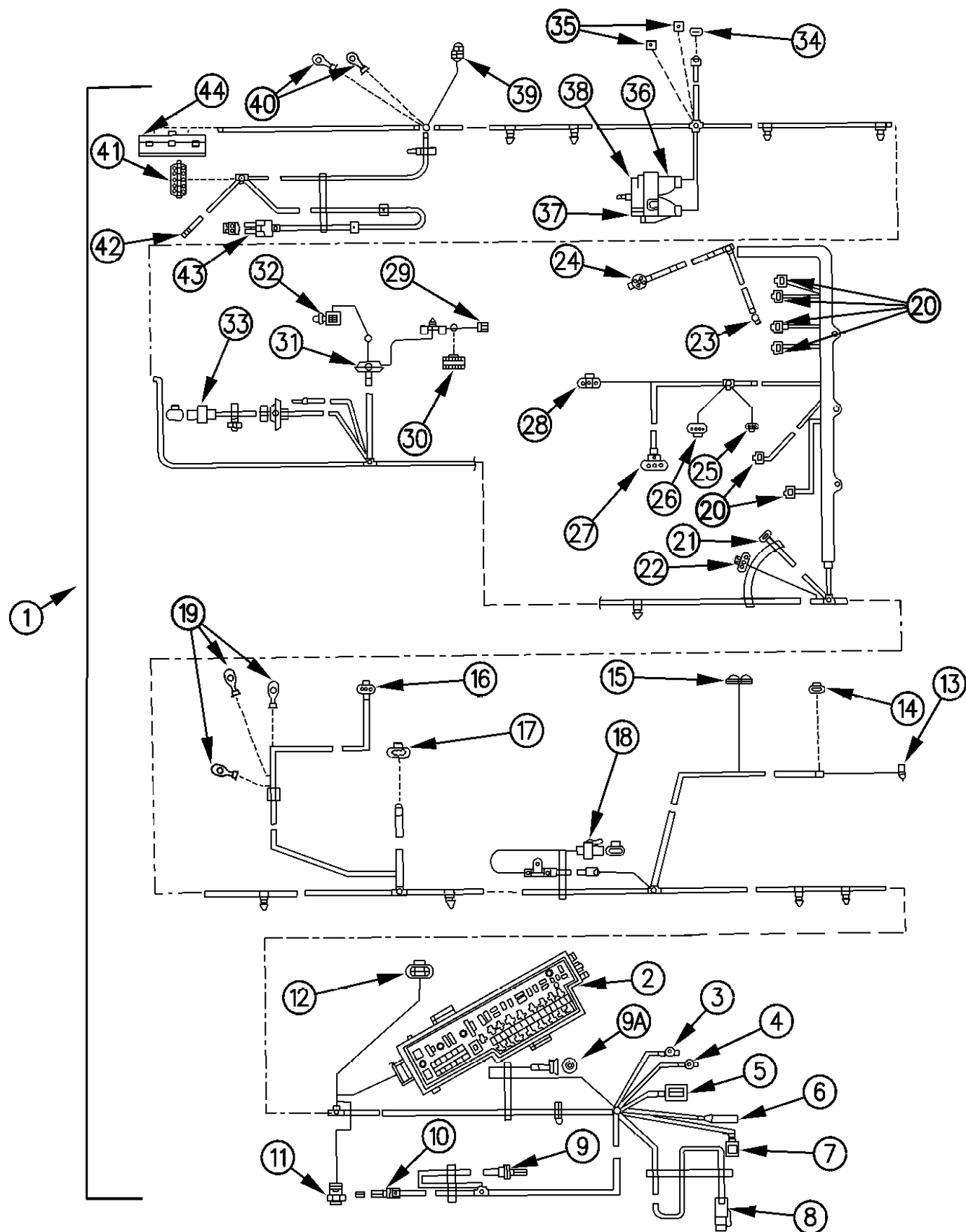
MJ=Comanche Pickup ZJ=Grand Cherokee/Grand Wagoneer KDX VEHICLES
 SJ=Grand Wagoneer M1=Comanche
 XJ=Cherokee, Briarwood Y1=Cherokee, Briarwood
 YJ=Wrangler

AR = Use as Required - = Non Illustrated Part P.A.R. = Paint as Required

WIRING--HEADLAMP TO DASH 4 & 6 CYLINDER ENGINE CHEROKEE, BRIARWOOD, COMANCHE

Figure 8-4350

91J08 4350



ITEM	PART NUMBER	QTY	BODY	MODEL	DESCRIPTION
3					INSULATOR, Battery Cable (Serv. Assy.)
4	4443 964				INSULATOR, Ambient Temp.
5	4504 268				INSULATOR, To Eng. Wiring
6					INSULATOR, Alternator Output (Serv. Assy.)
7	4364 375				INSULATOR, Relay
8	4504 251				INSULATOR, Speed Control Servo
9					INSULATOR, Hood Jam Switch (Serv. Assy.)
10					INSULATOR, Horn Rt. (Serv. Assy.)
11					INSULATOR, Blower Motor (Serv. Assy.)
12	4504 267				INSULATOR, DRL
13	2298 882				INSULATOR, Washer, Rear
14					INSULATOR, Front Washer Bottle (Serv. Assy.)
15	1704 562				INSULATOR, Washer Fluid Level
16					INSULATOR, SYNC (Serv. Assy.)
17					INSULATOR, Trans. Harness (Serv. Assy.)
18	4400 242				INSULATOR, Underhood Lamp
19					INSULATOR, (Serv. Assy.)
20	4713 001				INSULATOR, Injector w/Boot
21	5600 6431				INSULATOR, Temp. Sender
22					INSULATOR, Map Sensor (Serv. Assy.)
23	4331 569				INSULATOR, Coolant Temp. Sensor
24	4439 077				INSULATOR, Oxygen Sensor
25	4414 902				INSULATOR, Air Temp. Sensor
26	4414 900				INSULATOR, AIS Motor
27					INSULATOR, Crank Position Sensor (Serv. Assy.)
28					INSULATOR, Throttle Position Sensor (Serv. Assy.)
29					INSULATOR, Speed Control Switch (Serv. Assy.)
30					INSULATOR, To Inst. Panel Wiring (Serv. Assy.)
31					GROMMET, (Serv. Assy.)
32	4274 926				INSULATOR, Diagnostic
33					INSULATOR, Wiper Motor (Serv. Assy.)
34					INSULATOR, Brake Pressure Switch (Serv. Assy.)
35					INSULATOR, Ballast Resistor (Serv. Assy.)
36	3417 5326				COVER, Bulkhead
37	3417 5325				COVER, Bulkhead
38	3417 8230				INSULATOR, Bulkhead
39	4274 909				INSULATOR, S.B.E.C. Diagnostic
40					INSULATOR, Body Ground (Serv. Assy.)
41					INSULATOR, Front End Wiring (Serv. Assy.)
42					INSULATOR, Horn Lt. (Serv. Assy.)
43	4400 809				INSULATOR, Fan

MODEL CODES:

61=Pickup-6 Ft Box 74=4 Door Wagon T=2WD
 62=Pickup-7 Ft Box 77=Open Body 93" Wheelbase J,N,U=4WD
 72=2 Door Wagon 78=Open Body 103" Wheelbase

BODY STYLES:

MJ=Comanche Pickup ZJ=Grand Cherokee/Grand Wagoneer KDX VEHICLES
 SJ=Grand Wagoneer M1=Comanche
 XJ=Cherokee, Briarwood X1=Cherokee, Briarwood
 YJ=Wrangler Y1=Wrangler

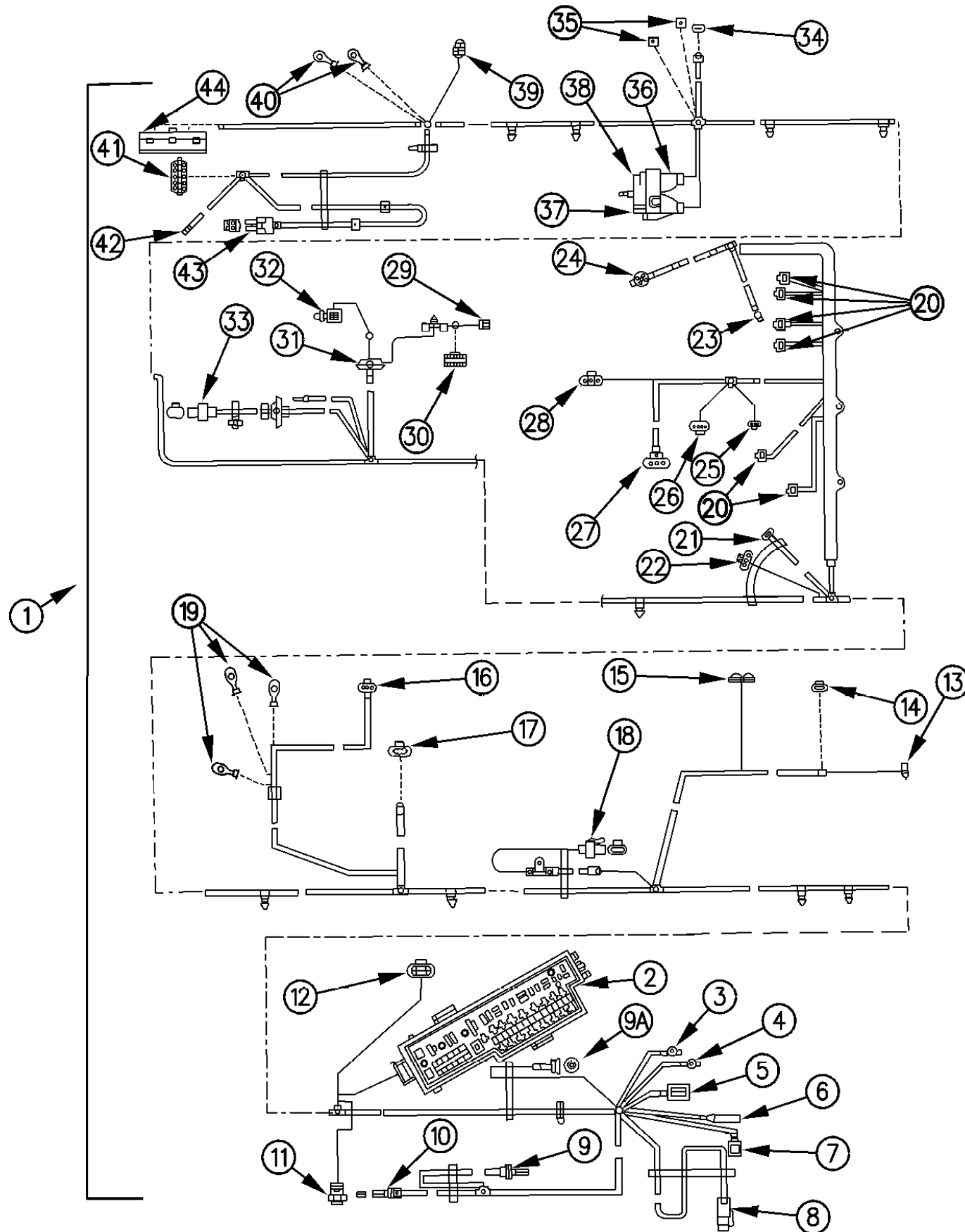
AR = Use as Required - = Non Illustrated Part P.A.R. = Paint as Required

WIRING--HEADLAMP TO DASH 4 & 6 CYLINDER ENGINE CHEROKEE, BRIARWOOD, COMANCHE
Figure 8-4350

91J08 4350

ITEM	PART NUMBER	QTY	BODY	MODEL	DESCRIPTION
------	-------------	-----	------	-------	-------------

44	5601 7173				INSULATOR, S.B.E.C.
----	-----------	--	--	--	---------------------



MODEL CODES:

61=Pickup-6 Ft Box 74=4 Door Wagon T=2WD
 62=Pickup-7 Ft Box 77=Open Body 93" Wheelbase J,N,U=4WD
 72=2 Door Wagon 78=Open Body 103" Wheelbase

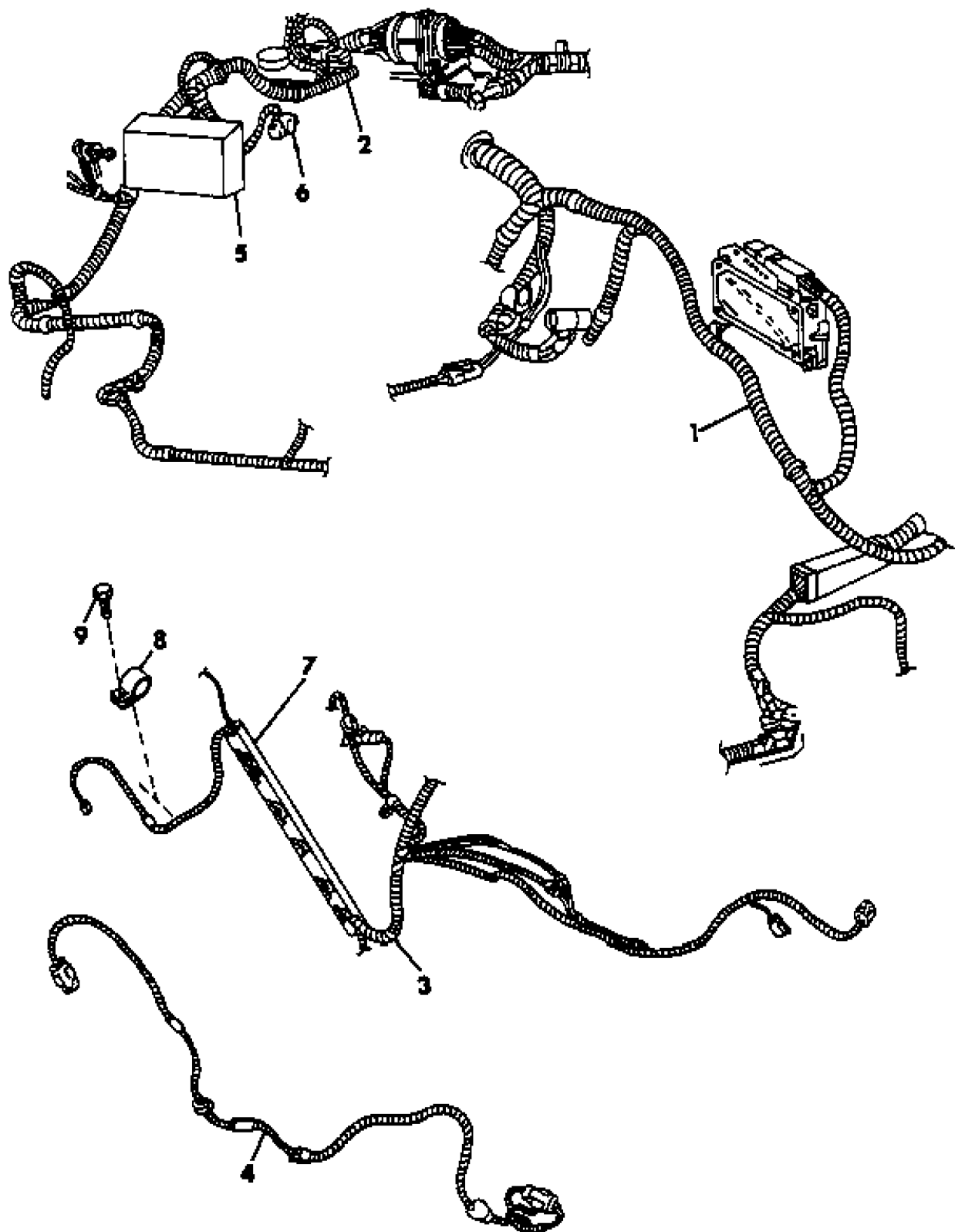
BODY STYLES:

MJ=Comanche Pickup ZJ=Grand Cherokee/Grand Wagoneer KDX VEHICLES
 SJ=Grand Wagoneer M1=Comanche
 XJ=Cherokee, Briarwood X1=Cherokee, Briarwood
 YJ=Wrangler Y1=Wrangler

AR = Use as Required - = Non Illustrated Part P.A.R. = Paint as Required

WIRING--ENGINE AND RELATED PARTS GRAND CHEROKEE
Figure 8-4400

91J08 4400



ITEM	PART NUMBER	QTY	BODY	MODEL	DESCRIPTION
1					WIRING, Eng. Compartment, Lt.
	5601 8161	1			(Up To 7/16/92)
	5601 9070	1			(Aft. 7/17/92)
	5601 8287	1			EUROPE
-	3600 1676				DIODE, A.B.S. (Part Of Lt. Eng. Wire)
	5601 8640				Wiring Alternator and Starter ***
2					WIRING, Rt.
	5601 8322	1			CANADA, (Up To 7-16-92)
	5601 8067	1			CANADA, (Aft. 7-17-92)
	5601 8324	1			(Up To 7-16-92)
	5601 8068	1			(Aft. 7-16-92)
	5601 9002	1			EUROPE
	5601 8286	1			Export Equipment Pkg., 1993
3					WIRING, Injector (Includes Insul. For 4 W.D. Ind. Light) w/Man. Trans.
	5601 9129	1			(Up To 7-16-92)
	5601 9143	1			(Aft. 7-17-92)
					w/Auto. Trans.
	5601 8801	1			(Up To 7-16-92)
	5601 9142	1			(Aft. 7/17/92) (AISEN WARNER)
	5601 8283	1			w/Elec. Shift, A-500 Trans., (DGK Trans)
	5601 8282	1			318 Eng., w/A-518 Trans. (46RE)
-	5601 7948	1			WIRING, Jumper, Diagnostic/Cruise
4	5601 7758	1			WIRING, Underhood Lamp
5					POWER DISTRIBUTION CENTER ***
	5601 7429	1			HOUSING
-	5600 5877	1			COVER, (Top) PDC, 1992-92
	5601 7949				1993
-	5600 5679	1			BRACKET, Mounting
	3420 1680	2			NUT, Bracket Mounting
6		1			MODULE, Daytime Running Lights (See Illus. 850)
7	5601 7364	1			COVER, Injector Harness
8	J400 3993	1			CLIP
9	J400 6887	1			BOLT, w/Washer
10	5600 7524	1			STRAP, Ground

MODEL CODES:

61=Pickup-6 Ft Box 74=4 Door Wagon T=2WD
 62=Pickup-7 Ft Box 77=Open Body 93" Wheelbase J,N,U=4WD
 72=2 Door Wagon 78=Open Body 103" Wheelbase

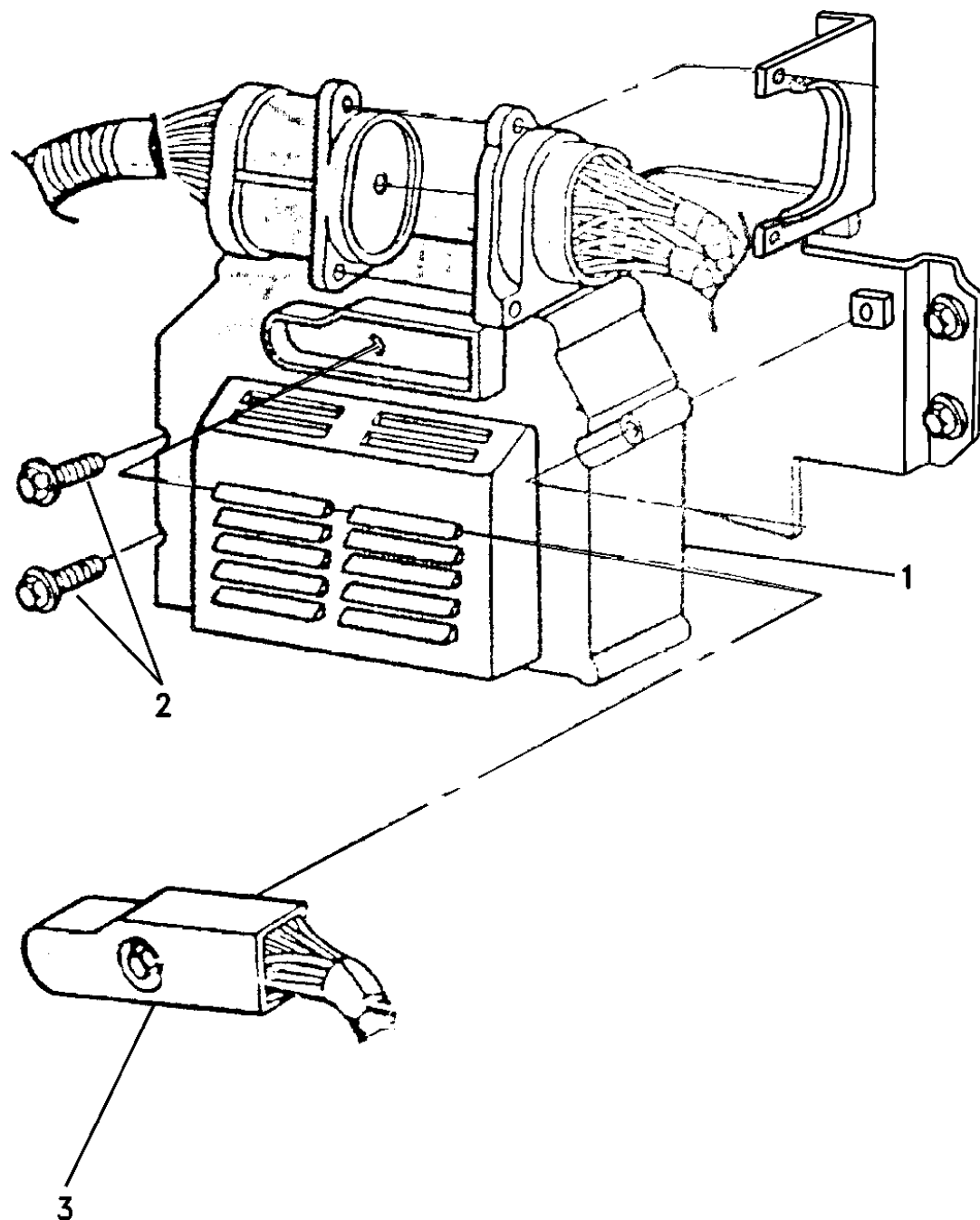
BODY STYLES:

MJ=Comanche Pickup ZJ=Grand Cherokee/Grand Wagoneer KDX VEHICLES
 SJ=Grand Wagoneer M1=Comanche
 XJ=Cherokee, Briarwood X1=Cherokee, Briarwood
 YJ=Wrangler Y1=Wrangler

AR = Use as Required - = Non Illustrated Part P.A.R. = Paint as Required

SINGLE BOARD ENGINE CONTROLLERS (POWERTRAIN CONTROL MODULE) YJ
Figure 8-4450

91J08 4450



ITEM	PART NUMBER	QTY	BODY	MODEL	DESCRIPTION
1					SINGLE BOARD ENGINE CONTROL MODULE ***
					NOTE: RFI=RADIO NOISE SUPPRESSION
					4-Cyl. Eng., Man. Trans.
	5602 7536	1	YJ		1991, w/o RFI
	5602 7536	1	YJ		(Leaded Fuel)
	5602 7380	1	YJ,Y1		1991-93 w/o RFI (U.S.A./CANADAA)
	5602 7364	1	YJ,Y1		1993, w/o RFI
	5602 7364	1	YJ,Y1		(Leaded Fuel)
	5602 7402	1	YJ		1992, w/RFI
	5602 7432	1	YJ,Y1		1993, w/RFI
	5602 7432	1	YJ,Y1		(Leaded Fuel)
	5602 7538	1	YJ		1991, CALIF.
	5602 7382	1	YJ		1992, CALIF., w/o RFI
	5602 7364	1	YJ,Y1		1993, CALIF., w/o RFI
	5602 7404	1	YJ		1992, CALIF., w/RFI
	5602 7432		YJ,Y1		1993, CALIF., w/RFI
	5602 7432	1	YJ,Y1		(Leaded Fuel)
	5600 5726	1	YJ,Y1		1991, w/RFI, EUROPE
	5600 5726	1	YJ,Y1		(Leaded Fuel)
	5602 6984	1	YJ		1991-92 w/o RFI (EUROPE)
	5602 7581	1	YJ		1993, w/o RFI, EUROPE
	5602 6988	1	YJ		1992, w/RFI, EUROPE
	5602 7582	1	YJ		1993, w/RFI, EUROPE
					6-Cyl. Eng., Man. Trans.
	5602 7368	1	YJ,Y1		1993, w/o RFI
	5602 7368	1	YJ,Y1		(Leaded Fuel)
	5602 7436	1	YJ,Y1		1993, w/RFI
	5602 7436	1	YJ,Y1		(Leaded Fuel)
	5602 7524	1	YJ,Y1		1991, w/o RFI
	5602 7524	1	YJ,Y1		(Leaded Fuel)
	5602 7384	1	YJ,Y1		1992, w/o RFI
	5602 7384	1	YJ,Y1		(Leaded Fuel)
	5602 7406	1	YJ		1992, w/RFI
	5602 7526	1	YJ		1991, CALIF.
	5602 7386	1	YJ		1992, CALIF., w/o RFI
	5602 7408	1	YJ		1992, CALIF., w/RFI
	5602 6987	1	YJ		1992, w/RFI, EUROPE
					6-Cyl. Eng., Auto. Trans.
	5602 7388	1	YJ,Y1		1991-92, w/o RFI
	5602 7388		YJ,Y1		(Leaded Fuel)
	5602 7372	1	YJ,Y1		1993, w/o RFI

MODEL CODES:

61=Pickup-6 Ft Box 74=4 Door Wagon T=2WD
 62=Pickup-7 Ft Box 77=Open Body 93" Wheelbase J,N,U=4WD
 72=2 Door Wagon 78=Open Body 103" Wheelbase

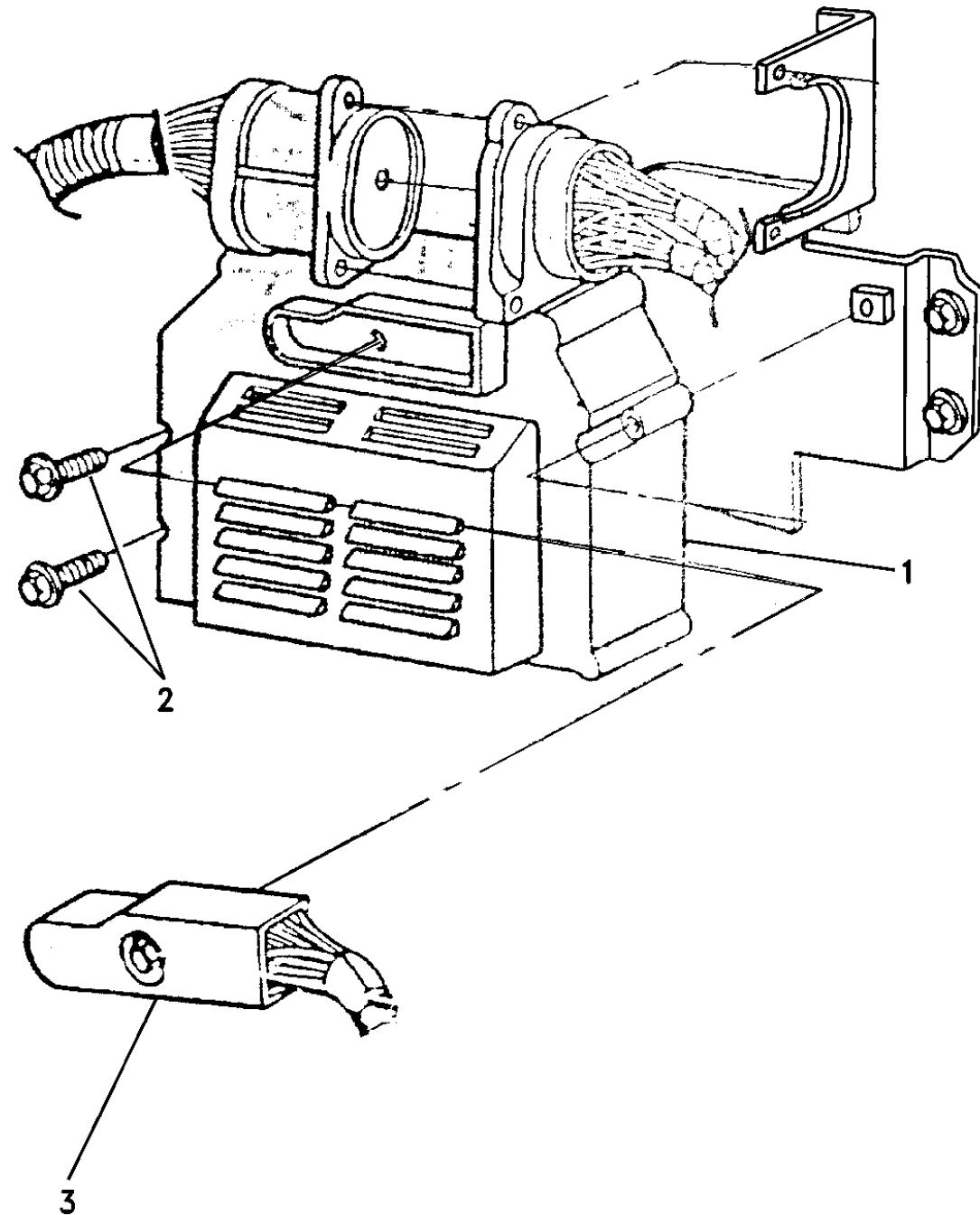
BODY STYLES:

MJ=Comanche Pickup ZJ=Grand Cherokee/Grand Wagoneer KDX VEHICLES
 SJ=Grand Wagoneer M1=Comanche
 XJ=Cherokee, Briarwood X1=Cherokee, Briarwood
 YJ=Wrangler Y1=Wrangler

AR = Use as Required - = Non Illustrated Part P.A.R. = Paint as Required

SINGLE BOARD ENGINE CONTROLLERS (POWERTRAIN CONTROL MODULE) YJ
Figure 8-4450

91J08 4450



ITEM	PART NUMBER	QTY	BODY	MODEL	DESCRIPTION
	5602 7372	1	YJ,Y1		(Leaded Fuel)
	5602 7410	1	YJ		1992, w/RFI
	5602 7440	1	YJ,Y1		1993, w/RFI
	5602 7440	1	YJ,Y1		(Leaded Fuel)
	5602 7390	1	YJ		1991-92, CALIF., w/o RFI
	5602 7374	1	YJ		1993, CALIF., w/o RFI
	5602 7412	1	YJ		1992, CALIF., w/RFI
	5602 7442	1	YJ		1993, CALIF., w/RFI
	5600 5720	1	YJ		1991, EUROPE
	5600 5720	1	YJ,Y1		(Leaded Fuel)
2					SCREW, Mtg. (Not Serv.)
3					COVER, Not Serv.

MODEL CODES:

61=Pickup-6 Ft Box 74=4 Door Wagon T=2WD
 62=Pickup-7 Ft Box 77=Open Body 93" Wheelbase J,N,U=4WD
 72=2 Door Wagon 78=Open Body 103" Wheelbase

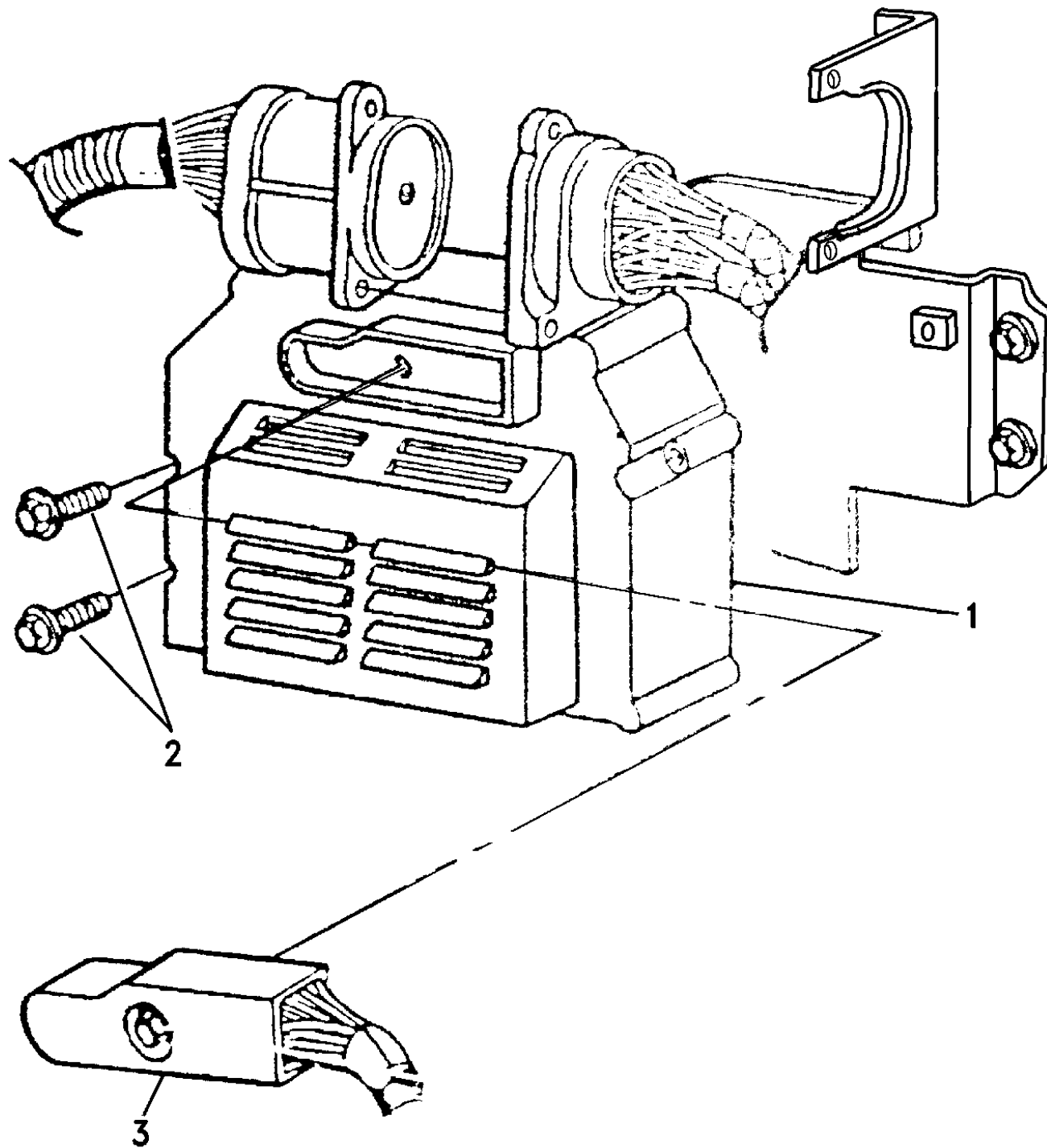
BODY STYLES:

MJ=Comanche Pickup ZJ=Grand Cherokee/Grand Wagoneer KDX VEHICLES
 SJ=Grand Wagoneer M1=Comanche
 XJ=Cherokee, Briarwood X1=Cherokee, Briarwood
 YJ=Wrangler Y1=Wrangler

AR = Use as Required - = Non Illustrated Part P.A.R. = Paint as Required

SINGLE BOARD ENGINE CONTROLLERS (POWERTRAIN CONTROL MODULE) MJ-XJ
Figure 8-4460

91J08 4460



ITEM	PART NUMBER	QTY	BODY	MODEL	DESCRIPTION
1					SINGLE BOARD ENGINE CONTROL MODULE ***
					NOTE: RFI=RADIO NOISE SUPPRESION Sales Code for RFI is JLW
					4-Cyl. Eng., Man. Trans.
	5602 6771	1	XJ,MJ		1991, w/o RFI
	5602 6771	1	XJ,MJ		(Leaded Fuel)
	5602 7392	1	XJMjX1		1992, w/o RFI
	5602 7392	1	XJMjM1		(Leaded Fuel)
	5602 7352	1	XJMjM1		1993, w/o RFI
	5602 7352	1	XJMjM1		(Leaded Fuel)
	5602 7414	1	XJMjX1		1992, w/RFI
	5602 7414	1	XJMjX1		(Leaded Fuel)
	5602 8442	1	XJ,MJ		1993, w/RFI
	5602 8442	1	XJ,MJ		(Leaded Fuel)
	5602 6773	1	XJ,MJ		1991, CALIF., w/o RFI
	5602 7394	1	XJ,MJ		1992, CALIF., w/o RFI
	5602 7416	1	XJ,MJ		1992, CALIF., w/RFI
	5602 7587	1	XJ,X1		1993, w/o RFI, EUROPE
	5602 7588	1	XJ		1993, w/RFI, EUROPE
					6-Cyl. Eng., Man. Trans.
	5602 7532	1	XJMjX1		1991, w/o RFI
	5602 7532	1	XJMjX1		(Leaded Fuel)
	5602 7396	1	XJMjX1		1992, w/o RFI
	5602 7396	1	XJMjX1		(Leaded Fuel)
	5602 7356	1	XJMjX1		1993, w/o RFI
	5602 7356	1	XJMjX1		(Leaded Fuel)
	5602 7418	1	XJ,MJ		1992, w/RFI
	5602 7418	1	XJMjX1		(Leaded Fuel)
	5602 7446	1	XJ,MJ		1993, w/RFI
	5602 7446	1	XJ,MJ		(Leaded Fuel)
	5602 7534	1	XJ,MJ		1991, CALIF., w/o RFI
	5602 7486	1	XJ,MJ		1992, CALIF., w/o RFI
	5602 7356	1	XJMjX1		1993, w/o RFI
	5602 7356	1	XJMjX1		(Leaded Fuel)
	5602 7492	1	XJMj		1992, CALIF., w/RFI
	5602 7446	1	XJ,MJ		1993, w/RFI
	5602 7446	1	XJ,MJ		(Leaded Fuel)
	5602 7376	1	XJ		1991, w/o RFI, EUROPE
	5602 7484	1	XJ		1992, w/o RFI, EUROPE
	5602 7424	1	XJ		1993, w/o RFI, EUROPE
	5602 7490	1	XJ		1992, w/RFI, EUROPE

MODEL CODES:

61=Pickup-6 Ft Box 74=4 Door Wagon T=2WD
 62=Pickup-7 Ft Box 77=Open Body 93" Wheelbase J,N,U=4WD
 72=2 Door Wagon 78=Open Body 103" Wheelbase

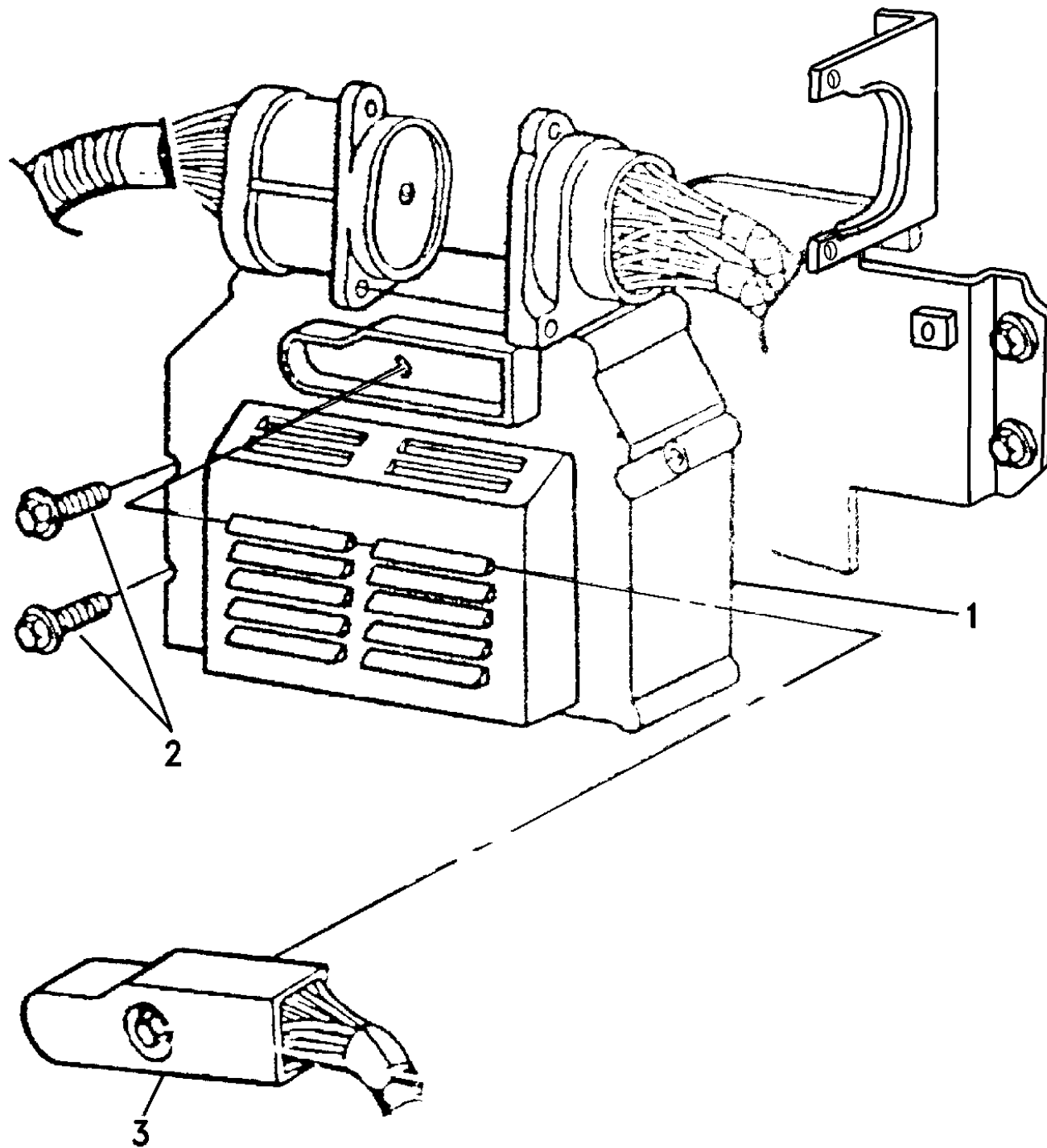
BODY STYLES:

MJ=Comanche Pickup ZJ=Grand Cherokee/Grand Wagoneer KDX VEHICLES
 SJ=Grand Wagoneer M1=Comanche
 XJ=Cherokee, Briarwood X1=Cherokee, Briarwood
 YJ=Wrangler Y1=Wrangler

AR = Use as Required - = Non Illustrated Part P.A.R. = Paint as Required

SINGLE BOARD ENGINE CONTROLLERS (POWERTRAIN CONTROL MODULE) MJ-XJ
Figure 8-4460

91J08 4460



ITEM	PART NUMBER	QTY	BODY	MODEL	DESCRIPTION
	5602 7448	1	XJ		1993, w/RFI, EUROPE 6-Cyl., Eng., Auto. Trans.
	5602 7528	1	XJMJX1		1991, w/o RFI
	5602 7528	1	XJMJX1		(Leaded Fuel)
	5602 7488	1	XJMJX1		1992, w/o RFI
	5602 7488	1	XJMJX1		(Leaded Fuel)
	5602 7360	1	XJMJX1		1993, w/o RFI
	5602 7360	1	XJMJX1		(Leaded Fuel)
	5602 7494	1	XJMJX1		1992, w/RFI
	5602 7494	1	XJMJX1		(Leaded Fuel)
	5602 7452	1	XJMJ		1993, w/RFI
	5602 7452	1	XJ,MJ		(Leaded Fuel)
	5602 7557	1	XJ		1992, w/Police Pkg., w/RFI
	5602 7551	1	XJ		1993, w/Police Pkg., w/RFI
	5602 7530	1	XJMJ		1991, CALIF., w/RFI
	5602 7400	1	XJMJ		1992, CALIF., w/o RFI
	5602 7362	1	XJMJ		1993, CALIF., w/o RFI
	5602 7422	1	XJMJ		1992, CALIF., w/RFI
	5602 7456	1	XJMJ		1993, CALIF., w/RFI
	5602 7558	1	XJ		1992, CALIF., w/Police Pkg., w/RFI
	5602 7552	1	XJ		1993, CALIF., w/Police Pkg., w/RFI
	5602 7378	1	XJ		1991, EUROPE
	5602 7398	1	XJ		1992, w/o RFI, EUROPE
	5602 7426	1	XJ		1993, w/o RFI, EUROPE
	5602 7420	1	XJ		1992, w/RFI, EUROPE
	5602 7454	1	XJ		1993, w/RFI, EUROPE
2					SCREW, Mtg. (Not Serv.)
3					COVER, Serv. w/Headlamp To Dash Wiring

MODEL CODES:

61=Pickup-6 Ft Box 74=4 Door Wagon T=2WD
 62=Pickup-7 Ft Box 77=Open Body 93" Wheelbase J,N,U=4WD
 72=2 Door Wagon 78=Open Body 103" Wheelbase

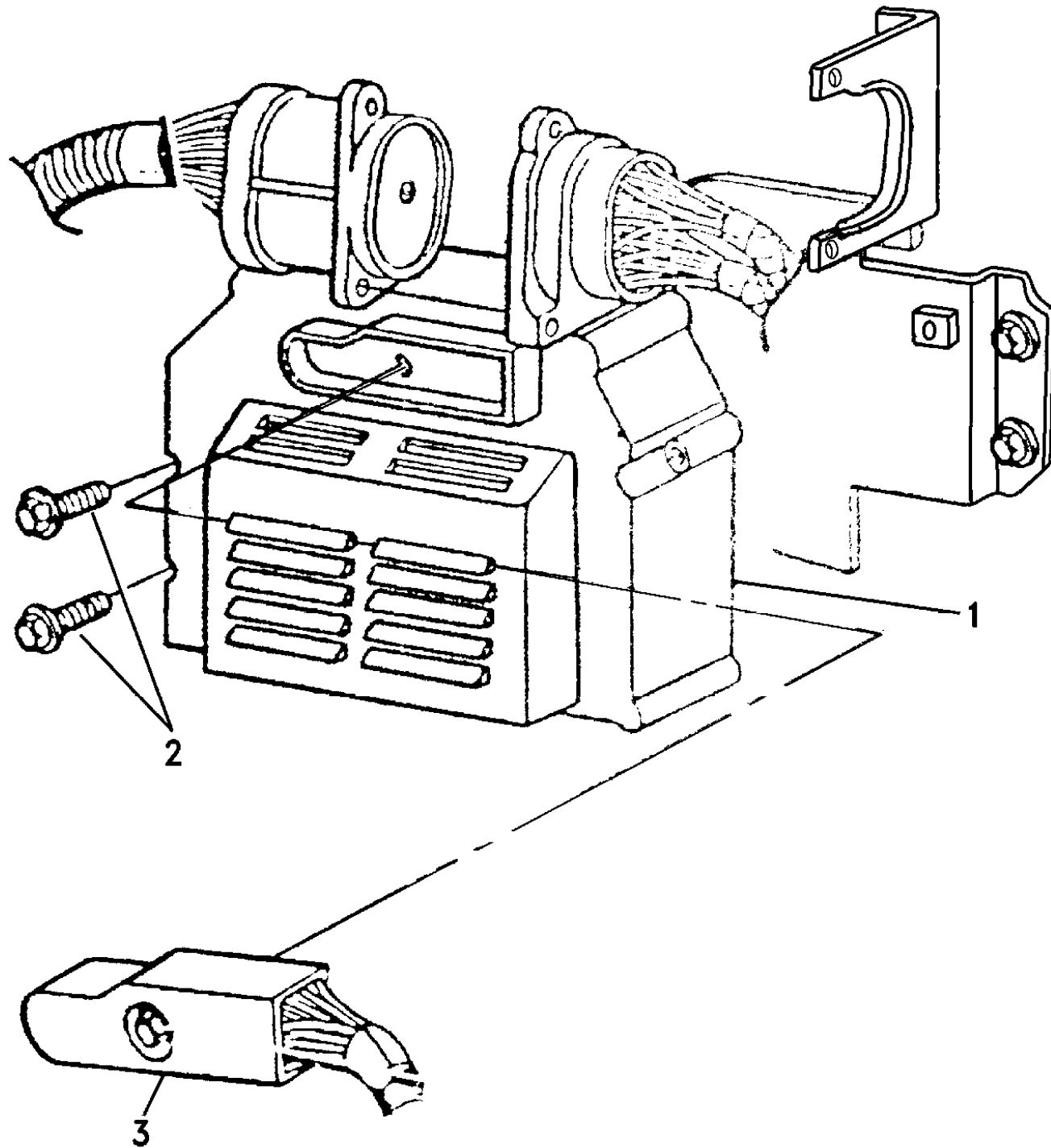
BODY STYLES:

MJ=Comanche Pickup ZJ=Grand Cherokee/Grand Wagoneer KDX VEHICLES
 SJ=Grand Wagoneer M1=Comanche
 XJ=Cherokee, Briarwood X1=Cherokee, Briarwood
 YJ=Wrangler Y1=Wrangler

AR = Use as Required - = Non Illustrated Part P.A.R. = Paint as Required

SINGLE BOARD ENGINE CONTROLLERS (POWERTRAIN CONTROL MODULE) ZJ
Figure 8-4470

91J08 4470



ITEM	PART NUMBER	QTY	BODY	MODEL	DESCRIPTION
1					SINGLE BOARD ENGINE CONTROL MODULE ***
					NOTE: RFI=RADIO NOISE SUPPRESSION
					6-Cyl. Eng.. w/Man. Trans.
	5602 7764	1	ZJ		1992, w/o RFI
	5602 9007	1	ZJ		1993, w/o RFI
	5602 7765	1	ZJ		1992, w/RFI
	5602 8801	1	ZJ		1993, w/RFI
	5602 7763	1	ZJ		1992, CALIF., w/o RFI
	5603 1008	1	ZJ		1993, CALIF., w/o RFI
	5602 7766	1	ZJ		1992, CALIF., w/RFI
	5602 7802	1	ZJ		1993, CALIF., w/RFI
					6-Cyl. Eng., w/Auto. Trans.
	5602 7762	1	ZJ		1992, w/o RFI
	5602 9009	1	ZJ		1993, w/Aisin Warner, w/o RFI
	5602 8116	1	ZJ		1993, w/Electric Shift, A-500, w/o RFI
	5602 7803	1	ZJ		1992-93, w/Aisen Warner, w/RFI
	5602 7814	1	ZJ		1993, w/Electric Shift, w/RFI
	5602 8761	1	ZJ		1992, CALIF., w/o RFI
	5602 8010	1	ZJ		1993, w/Aisin Warner, CALIF., w/o RFI
	5602 7285	1	ZJ		1993, w/Electric Shift, CALIF., w/o RFI
	5602 7804	1	ZJ		1992-93, w/Aisen Warner, CALIF., w/RFI
	5602 7816	1	ZJ		1993, w/Electric Shift, CALIF., w/RFI
	5602 7508	1	ZJ		1993, w/Aisin Warner, w/o RFI, EUROPE
	5602 7508	1	ZJ		(Leaded Fuel)
	5602 7812	1	ZJ		1993, w/Electric Shift, w/o RFI, EUROPE
	5602 7812	1	ZJ		(Leaded Fuel)
	5602 7466	1	ZJ		1993, w/Aisin Warner, w/RFI, EUROPE
	5602 7466	1	ZJ		(Leaded Fuel)
	5602 7815	1	ZJ		1993, w/Electric Shift, w/RFI, EUROPE
	5602 7815	1	ZJ		(Leaded Fuel)
					8-Cyl. Eng.
	5602 8011	1	ZJ		1993, w/o RFI
	5602 8012	1	ZJ		1993, w/RFI
	5602 7430	1	ZJ		1993, w/o RFI, EUROPE
	5602 7480	1	ZJ		1993, w/RFI, EUROPE
	5602 8013	1	ZJ		1993, Elec. Shift, Leaded Fuel, w/RFI
2					SCREW, Mtg. (Not Serv.)
3					COVER, (Not Serv.)

MODEL CODES:

61=Pickup-6 Ft Box	74=4 Door Wagon	T=2WD
62=Pickup-7 Ft Box	77=Open Body 93" Wheelbase	J,N,U=4WD
72=2 Door Wagon	78=Open Body 103" Wheelbase	

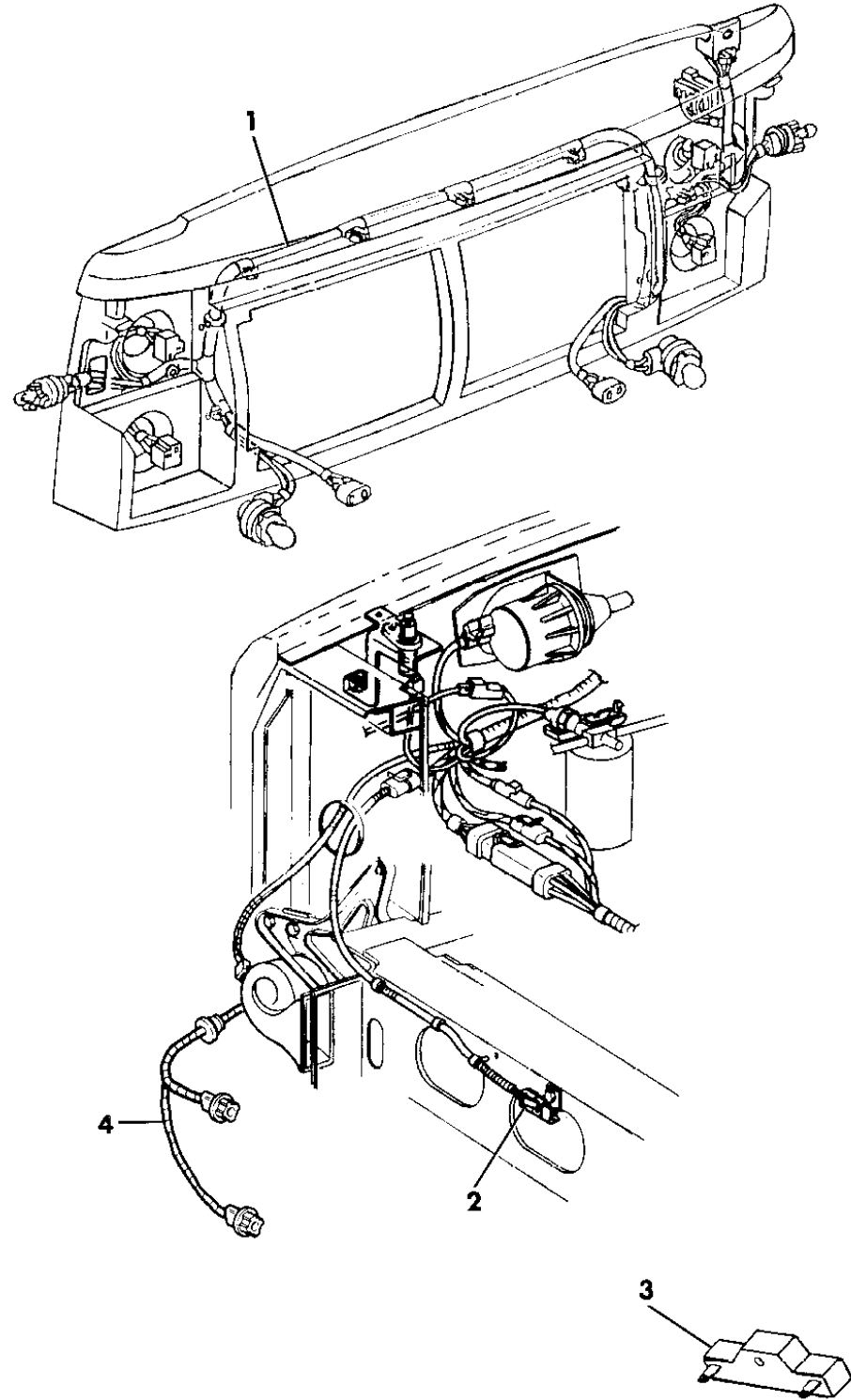
BODY STYLES:

MJ=Comanche Pickup	ZJ=Grand Cherokee/Grand Wagoneer	KDX VEHICLES
SJ=Grand Wagoneer		M1=Comanche
XJ=Cherokee, Briarwood		X1=Cherokee, Briarwood
YJ=Wrangler		Y1=Wrangler

AR = Use as Required - = Non Illustrated Part P.A.R. = Paint as Required

WIRING--FRONT END CHEROKEE, BRIARWOOD, GRAND CHEROKEE, COMANCHE
Figure 8-4500

91J08 4500A



ITEM	PART NUMBER	QTY	BODY	MODEL	DESCRIPTION
1	5600 5531	2	ZJ		WIRING, Front End Lighting
	5600 6263	1	XJ, MJ		
	5600 6264		XJ		1991-92, w/o Healamp Leveling, EUROPE
	5601 8601	1	XJ,X1		1993, EUROPE
	5601 6731				1991-92, w/Headlamp Leveling, EUROPE
	5601 9200	1			1993, EUROPE
	5601 8424	1			w/Fog Lamps (Stamped 56017321)
	5601 8425	1			w/o Fog lamps
-	5600 1433	2	XJ		JUMPER WIRE, Front Side Lamps EUROPE ***
2	5600 6166	1	XJ		SENSOR, Outside Temp. with wiring
3	3300 0682	1	XJ, MJ		RESISTOR, Ballast
4	5600 5497	1	ZJ		WIRING, Fog Lamp

MODEL CODES:

61=Pickup-6 Ft Box 74=4 Door Wagon T=2WD
 62=Pickup-7 Ft Box 77=Open Body 93" Wheelbase J,N,U=4WD
 72=2 Door Wagon 78=Open Body 103" Wheelbase

BODY STYLES:

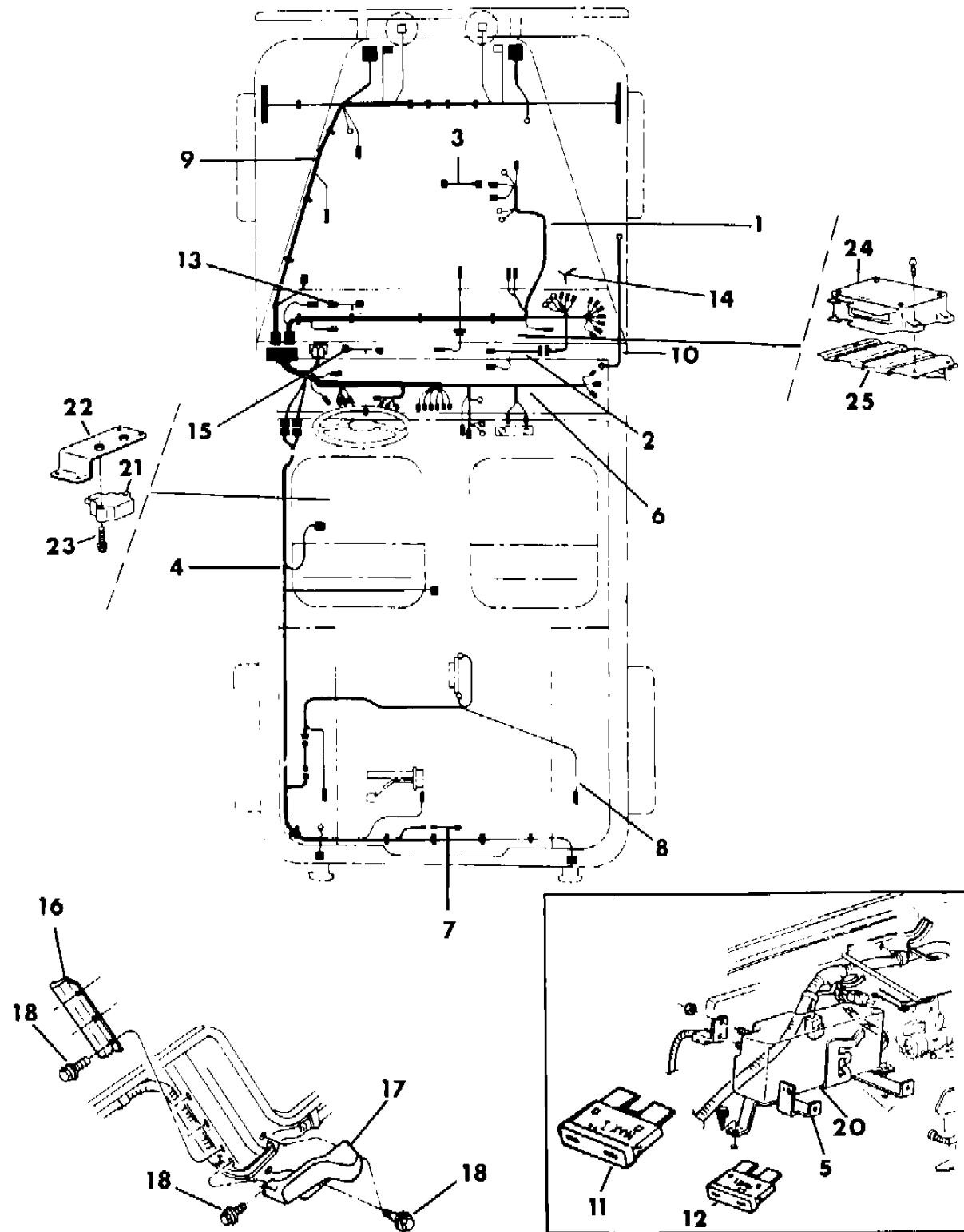
MJ=Comanche Pickup ZJ=Grand Cherokee/Grand Wagoneer KDX VEHICLES
 SJ=Grand Wagoneer M1=Comanche
 XJ=Cherokee, Briarwood X1=Cherokee, Briarwood
 YJ=Wrangler Y1=Wrangler

AR = Use as Required - = Non Illustrated Part P.A.R. = Paint as Required

WIRING--ENGINE AND RELATED PARTS GRAND WAGONEER

Figure 8-4600

91J08 4600C



ITEM	PART NUMBER	QTY	BODY	MODEL	DESCRIPTION
1	5601 7302	1			WIRING, Engine Compartment, w/Trans. Wiring
2	5600 3713				WIRING, Headlamp, w/Fog Lamp Wiring
	5600 3714	1			CANADA
3	5300 5079	1			MODULE, Ignition
4	J400 5982	3			SCREW
5					LINK, Fusible
	J812 7340	1			14 Gauge
	J321 0989	1			18 Gauge
6	J400 4652	1			SCREW, Ground
7	J536 1473	2			PLATE
8	J942 1073	4			SCREW

MODEL CODES:

61=Pickup-6 Ft Box 74=4 Door Wagon T=2WD
 62=Pickup-7 Ft Box 77=Open Body 93" Wheelbase J,N,U=4WD
 72=2 Door Wagon 78=Open Body 103" Wheelbase

BODY STYLES:

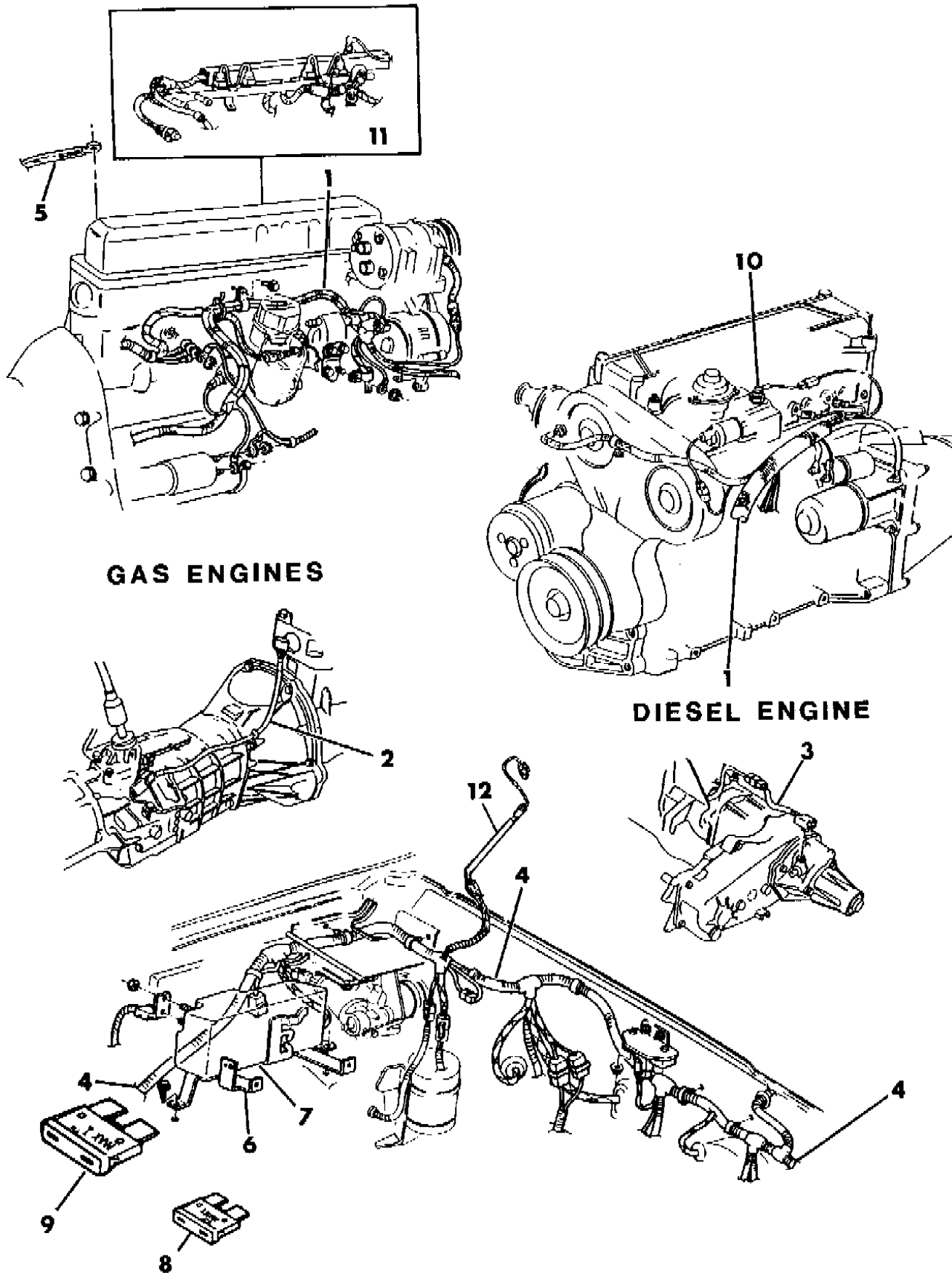
MJ=Comanche Pickup ZJ=Grand Cherokee/Grand Wagoneer KDX VEHICLES
 SJ=Grand Wagoneer M1=Comanche
 XJ=Cherokee, Briarwood X1=Cherokee, Briarwood
 YJ=Wrangler Y1=Wrangler

AR = Use as Required - = Non Illustrated Part P.A.R. = Paint as Required

COIL--SPARKPLUGS--WIRES 2.5L ENGINE

Figure 8-4700

91J08 4700 C



ITEM	PART NUMBER	QTY	BODY	MODEL	DESCRIPTION
1	5252 577	1			COIL, Ignition EFI Engine
2	5300 8702	1			BRACKET, Ignition Coil
	5602 6760	1	X1		RHD
3	J305 0116	2			BOLT, EFI Eng.
4	T140 2084	2			WASHER, EFI Eng.
5	3300 4522	1	X1		COIL, Ignition Carbureted Engine, KDX
6	J323 0787	1	X1		BRACKET, Coil Carbureted Engine, KDX
7	J400 6985	2	X1		BOLT, Carbureted Eng. KDX
8	6015 756	1			STRAP, EFI Eng.
9	3420 2771	1	YJ		CLIP, EFI Eng.
10	J400 4208	2	X1		NUT, Carbureted Eng. KDX
11					SPARK PLUG
	4504 277	4			RC 12LYC, EFI Eng.
	5600 6240	4	X1		RC 12YC, Carbureted Eng., XJ, KDX - China
12	5300 6579	1			SEPARATOR, Ignition Wire
13	5300 7181	1			WIRE, Coil
	3300 3404	1	X1		RHD
14	8350 7180	1			WIRE SET, Ignition ***
15					SENSOR, Eng. Speed EFI Eng.
	4638 128	1			1991-92
	4713 427	1			1993
	5252 229				SPACER, Sensor
16	3420 1633	1			CLIP, EFI Eng.
17	J324 2860	AR	X1		SHIELD, Spark Plug Wire #1 & 4 & Coil Wire, RHD
	3300 1774	AR	X1		#2, RHD

MODEL CODES:

61=Pickup-6 Ft Box 74=4 Door Wagon T=2WD
 62=Pickup-7 Ft Box 77=Open Body 93" Wheelbase J,N,U=4WD
 72=2 Door Wagon 78=Open Body 103" Wheelbase

BODY STYLES:

MJ=Comanche Pickup ZJ=Grand Cherokee/Grand Wagoneer KDX VEHICLES
 SJ=Grand Wagoneer M1=Comanche
 XJ=Cherokee, Briarwood X1=Cherokee, Briarwood
 YJ=Wrangler Y1=Wrangler

AR = Use as Required - = Non Illustrated Part P.A.R. = Paint as Required

COIL--SPARKPLUGS--WIRES 4.0L ENGINE
Figure 8-4800

91J08 4800

ITEM	PART NUMBER	QTY	BODY	MODEL	DESCRIPTION
1	5252 577	1			COIL, Ignition
	4762 312				COIL, Ignition used on some ZJ from TSB 8-38-93 pigtail repair 04762311 same TSB
2	5300 7182	1			WIRE, Coil
3					SPARK PLUG
	4504 277	6			RC 12LYC
	3300 3312	6	Y1		RS 12YC, EGYPT, w/Static Suppression for Two-Way Radios
5					WIRE, Ignition
	5300 8070	1			#1
	3300 7157	1			#2
	3300 7158	1			#3-4
	5300 8069	1			#5
	5300 8628	1			#6
6	8350 7178	1			WIRE SET, Ignition ***
7					SENSOR, Crankshaft Position
	4638 128	1	MJ,XJ		1991-92
	4713 427	1	MJ,XJ		1993 (Stamped 56026882)
					w/Man. Trans.
	4638 128	1	YJ		1991-92
	4713 427	1	YJ		1993 (Stamped 56026882)
					w/Auto. Trans.
	5300 9998	1	YJ		1991-92
	5602 6884	1	YJ		1993
	4713 427	1	ZJ		w/Man. Trans., w/Auto Trans., (Aisin) (Stamped 56026882)
	5602 6884	1	ZJ		w/Auto Trans., (Electric Shift)
8	6503 520	2			BOLT
9	J322 3227	1			STRAP
10	5300 8065	1			BRACKET, Ignition Coil
-					STUD, Coil Brkt. Mtg. (Not Serv.)
11	J324 3095	1	X1		SEPARATOR, Ign. Wire, 1991
12	3300 7154	1			SEPARATOR
13	6033 560	2			NUT, (1/4x20)
					NOTE: ITEMS 14-23--EGYPT w/2-WAY RADIOS
14	4713 255	1	Y1		SHIELD, Coil
15	4713 254	1	Y1		CABLE, Coil
16	4713 247	1	Y1		CABLE, Spark Plug #1
17	4713 252	1	Y1		CABLE, Spark Plug #2
18	4713 255	1	Y1		CABLE, Spark Plug #3
19	4713 250	1	Y1		CABLE, Spark Plug #4
20	4713 249	1	Y1		CABLE, Spark Plug #5
21	4713 248	1	Y1		CABLE, Spark Plug #6

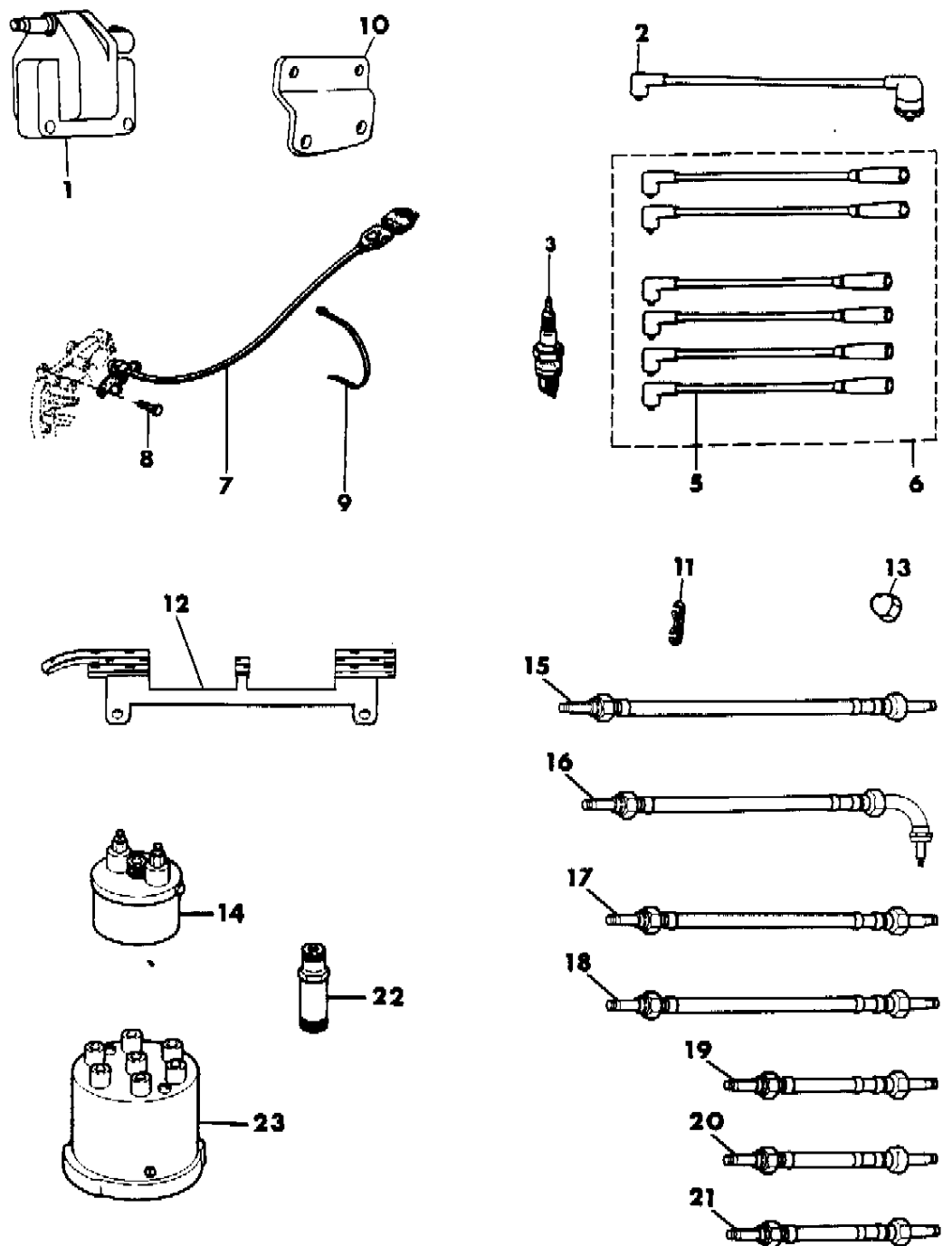
MODEL CODES:

61=Pickup-6 Ft Box 74=4 Door Wagon T=2WD
 62=Pickup-7 Ft Box 77=Open Body 93" Wheelbase J,N,U=4WD
 72=2 Door Wagon 78=Open Body 103" Wheelbase

BODY STYLES:

MJ=Comanche Pickup ZJ=Grand Cherokee/Grand Wagoneer KDX VEHICLES
 SJ=Grand Wagoneer M1=Comanche
 XJ=Cherokee, Briarwood X1=Cherokee, Briarwood
 YJ=Wrangler Y1=Wrangler

AR = Use as Required - = Non Illustrated Part P.A.R. = Paint as Required



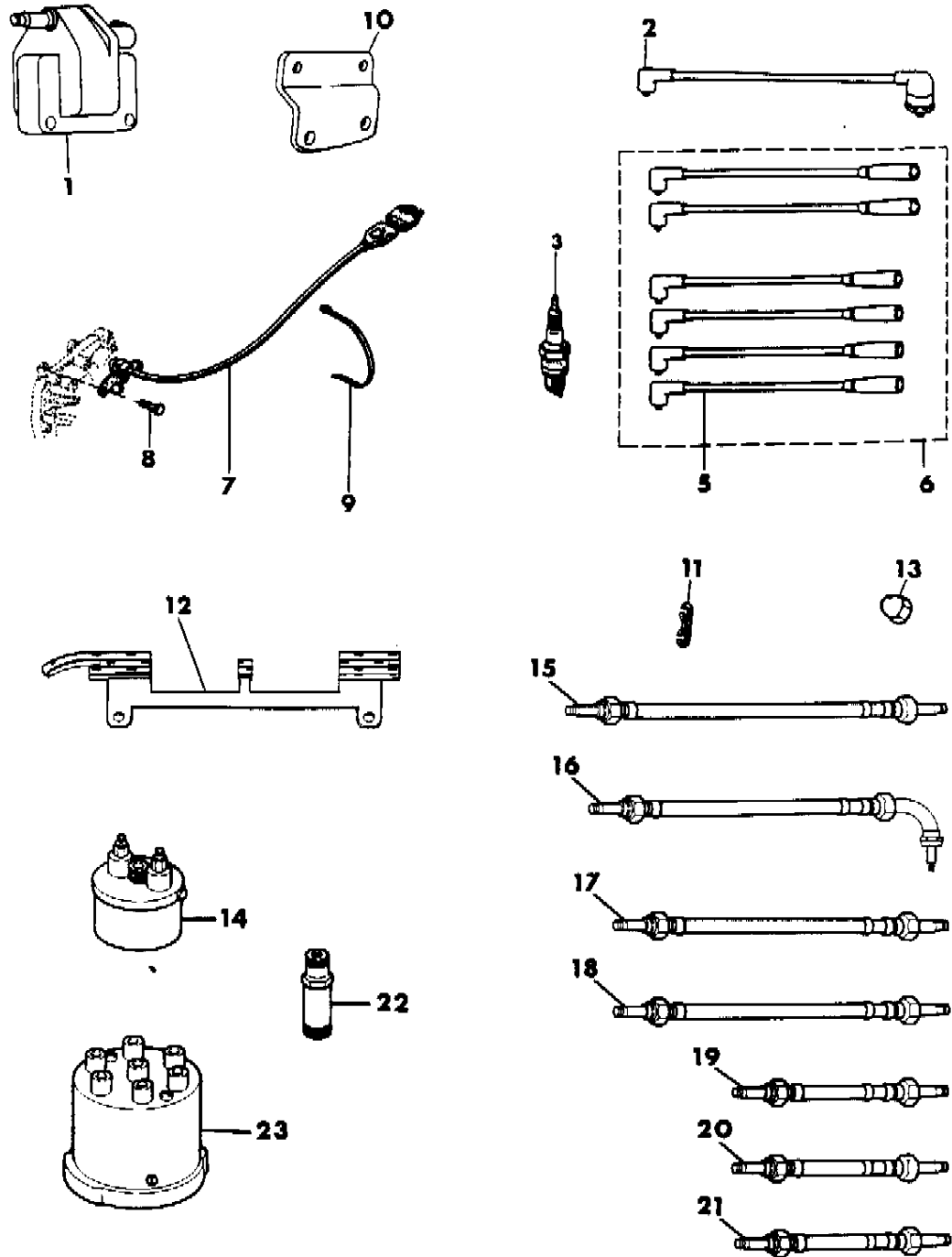
COIL--SPARKPLUGS--WIRES 4.0L ENGINE

Figure 8-4800

91J08 4800

ITEM	PART NUMBER	QTY	BODY	MODEL	DESCRIPTION
------	-------------	-----	------	-------	-------------

22	4713 247	6	Y1		ENCLOSURE, Spark Plug ***
23	4713 256	1	Y1		SHIELD, Distributor



MODEL CODES:

61=Pickup-6 Ft Box 74=4 Door Wagon T=2WD
 62=Pickup-7 Ft Box 77=Open Body 93" Wheelbase J,N,U=4WD
 72=2 Door Wagon 78=Open Body 103" Wheelbase

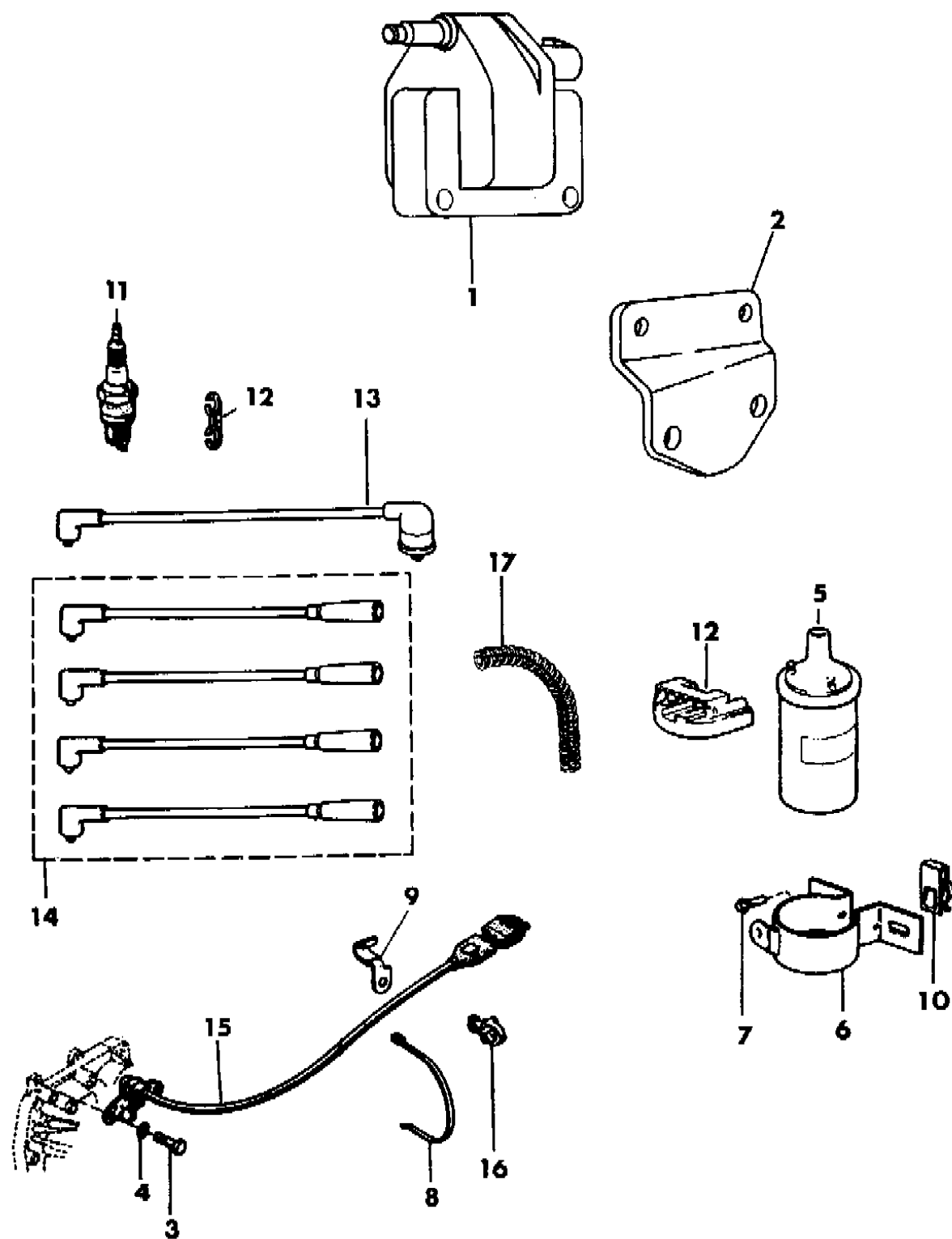
BODY STYLES:

MJ=Comanche Pickup ZJ=Grand Cherokee/Grand Wagoneer KDX VEHICLES
 SJ=Grand Wagoneer M1=Comanche
 XJ=Cherokee, Briarwood X1=Cherokee, Briarwood
 YJ=Wrangler Y1=Wrangler

AR = Use as Required - = Non Illustrated Part P.A.R. = Paint as Required

COIL--SPARKPLUGS--WIRES 5.2L ENGINE
Figure 8-4900

91J08 4900 E



ITEM	PART NUMBER	QTY	BODY	MODEL	DESCRIPTION
1	5234 210	1			COIL, Ignition, EFI
	3300 4522	1			Carb. Eng.
2	5602 6891	1			BRACKET, Ignition Coil
3	5600 6240	8			SPARK PLUG, RC 12YC
4	5602 6734	1			RETAINER, Spark Plug Wire
5	5602 6701	1			SENSOR, Crankshaft Position
6	0180 024	1			SCREW, Sensor Mtg.
7	4728 190	1			WIRE SET, Ignition ***
8					WIRE, Ignition
	5602 7064	1			#1
	5602 7065	1			#2
	5602 7066	1			#3
	5602 7067	1			#4
	5602 7068	1			#5
	5602 7069	1			#6
	5602 7071	1			#7
	5602 7072	1			#8
9	5602 7055	1			WIRE, Coil

MODEL CODES:

61=Pickup-6 Ft Box 74=4 Door Wagon T=2WD
 62=Pickup-7 Ft Box 77=Open Body 93" Wheelbase J,N,U=4WD
 72=2 Door Wagon 78=Open Body 103" Wheelbase

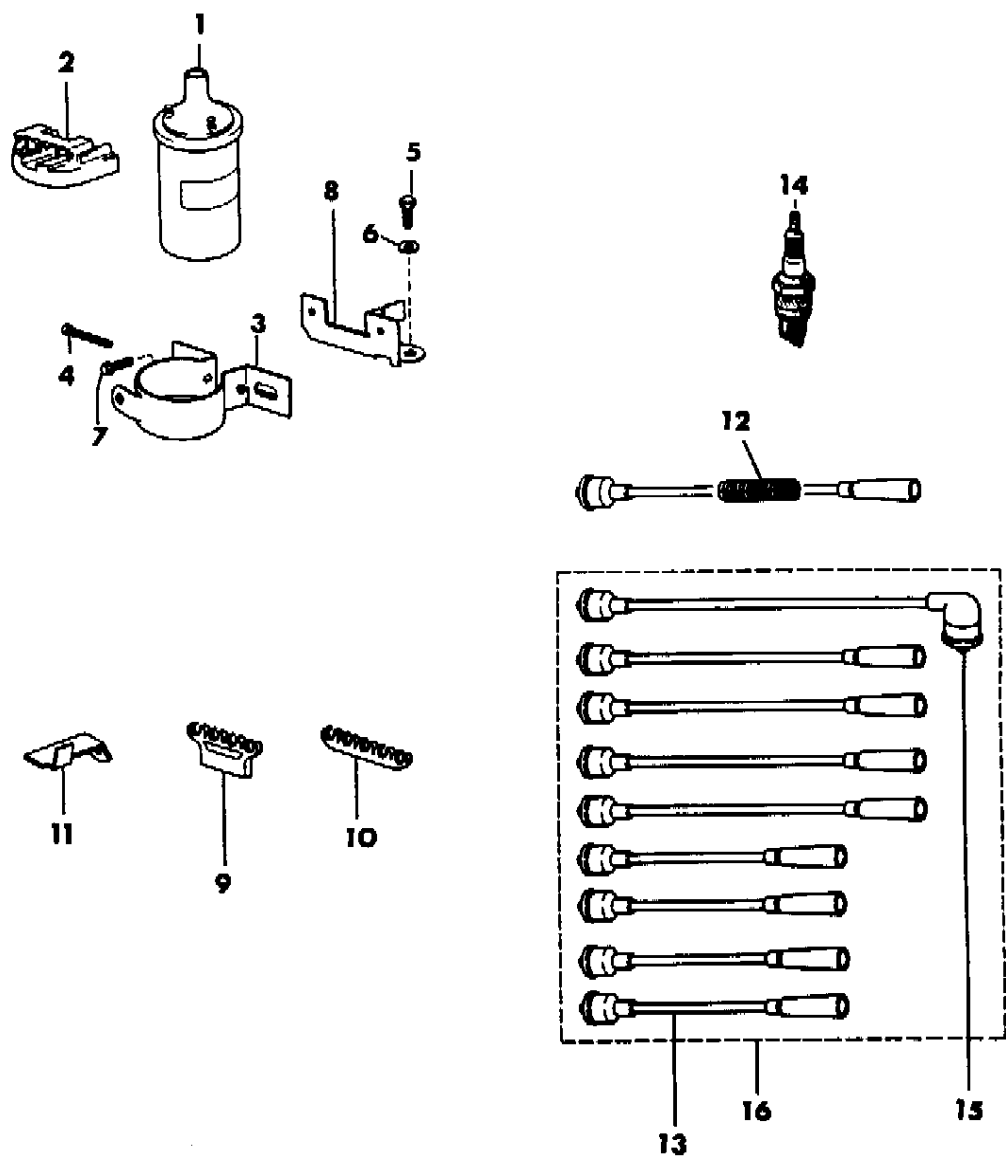
BODY STYLES:

MJ=Comanche Pickup ZJ=Grand Cherokee/Grand Wagoneer KDX VEHICLES
 SJ=Grand Wagoneer M1=Comanche
 XJ=Cherokee, Briarwood X1=Cherokee, Briarwood
 YJ=Wrangler Y1=Wrangler

AR = Use as Required - = Non Illustrated Part P.A.R. = Paint as Required

COIL--SPARKPLUGS--WIRES 5.9L ENGINE
Figure 8-5000

91J08 5000



ITEM	PART NUMBER	QTY	BODY	MODEL	DESCRIPTION
1	3300 4522	1			COIL
2	J323 0639	1			CONNECTOR
3	J323 0787	1			BRACKET, Coil
4	J813 0952	1			SCREW
5	J942 8638	1			BOLT
6	J400 3808	1			WASHER
7	J027 1444	2			BOLT
8	J322 8268	1			BRACKET
9	J318 0107	3			SEPARATOR
10	J318 6116	1			SEPARATOR
11	J322 6495	1			BRACKET
12	3300 1774	1			SHIELD, Ignition Wire
13					WIRE, Ignition
	J322 5809	1			#1-2
	J322 5807	1			#3-5
	J322 5810	1			#4-6
	J322 5808	1			#7
	J322 5811	1			#8
14	5213 693	1			SPARK PLUG, RN 12YC
15	J323 1901	1			WIRE, Coil
16	8330 0090	1			WIRE SET, Ignition ***

MODEL CODES:

61=Pickup-6 Ft Box 74=4 Door Wagon T=2WD
 62=Pickup-7 Ft Box 77=Open Body 93" Wheelbase J,N,U=4WD
 72=2 Door Wagon 78=Open Body 103" Wheelbase

BODY STYLES:

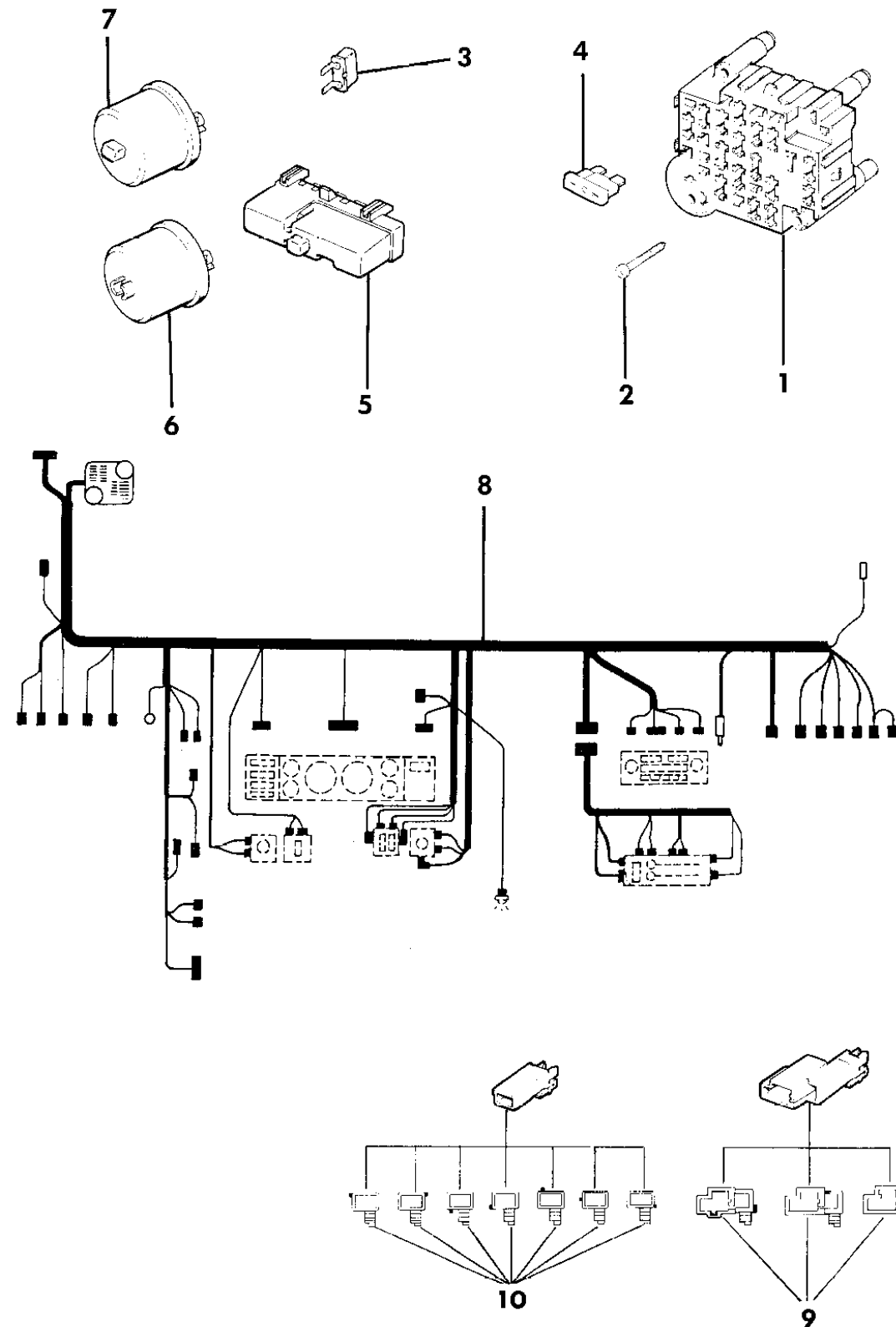
MJ=Comanche Pickup ZJ=Grand Cherokee/Grand Wagoneer KDX VEHICLES
 SJ=Grand Wagoneer M1=Comanche
 XJ=Cherokee, Briarwood X1=Cherokee, Briarwood
 YJ=Wrangler Y1=Wrangler

AR = Use as Required - = Non Illustrated Part P.A.R. = Paint as Required

WIRING--INSTRUMENT PANEL WRANGLER

Figure 8-5010

91J08 5010



ITEM	PART NUMBER	QTY	BODY	MODEL	DESCRIPTION
1	5600 2844	1			PANEL, Fuse
2	3420 1598	2			SCREW
3	5600 3116	1			BREAKER, Circuit, 5.3 Amp.
4	J323 1213	AR			FUSE, 5 Amp
	J323 1216	AR			15 Amp.
	J323 1217	AR			20 Amp.
	J323 1218	AR			25 Amp.
	6101 679				20-Amp., Maxi
	6101 640				30-Amp., Maxi
	6101 641				40-Amp., Maxi
	6101 642				50-Amp., Maxi
	6101 643				60-Amp., Maxi
	6101 645				80-Amp., Maxi
5	5600 1077	1			BUZZER, Headlamp/Seat Belt
6	J321 7282	1			FLASHER, Hazzard ***
7	3837 161	1			FLASHER, Turn Signal ***
8	5601 6871	1			WIRING, Instrument Panel, 1991-92 with Hard Top
	5601 6993				with Soft Top ***
	5601 9048				1992-3 with Hard Top
	5601 9040				1993, Soft Top
	5601 9042				1993, Hard Top & Heated Rear Window
	5601 7178	1			1991, EUROPE
	5601 9047				1992, EUROPE
	5601 8442				1993, EUROPE
	5601 6994	1	Y1		EGYPT, VENEZEULA, w/24 Volt System
9	J417 9540				CONNECTOR, Brown
10	J417 9530				CONNECTOR, Orange
	J417 9531	AR			Black
	J417 9532	AR			Green
	J417 9533	AR			Beige
	J417 9534	AR			Blue
	J417 9535	AR			Brown
	J417 9537	AR			Red

MODEL CODES:

61=Pickup-6 Ft Box 74=4 Door Wagon T=2WD
 62=Pickup-7 Ft Box 77=Open Body 93" Wheelbase J,N,U=4WD
 72=2 Door Wagon 78=Open Body 103" Wheelbase

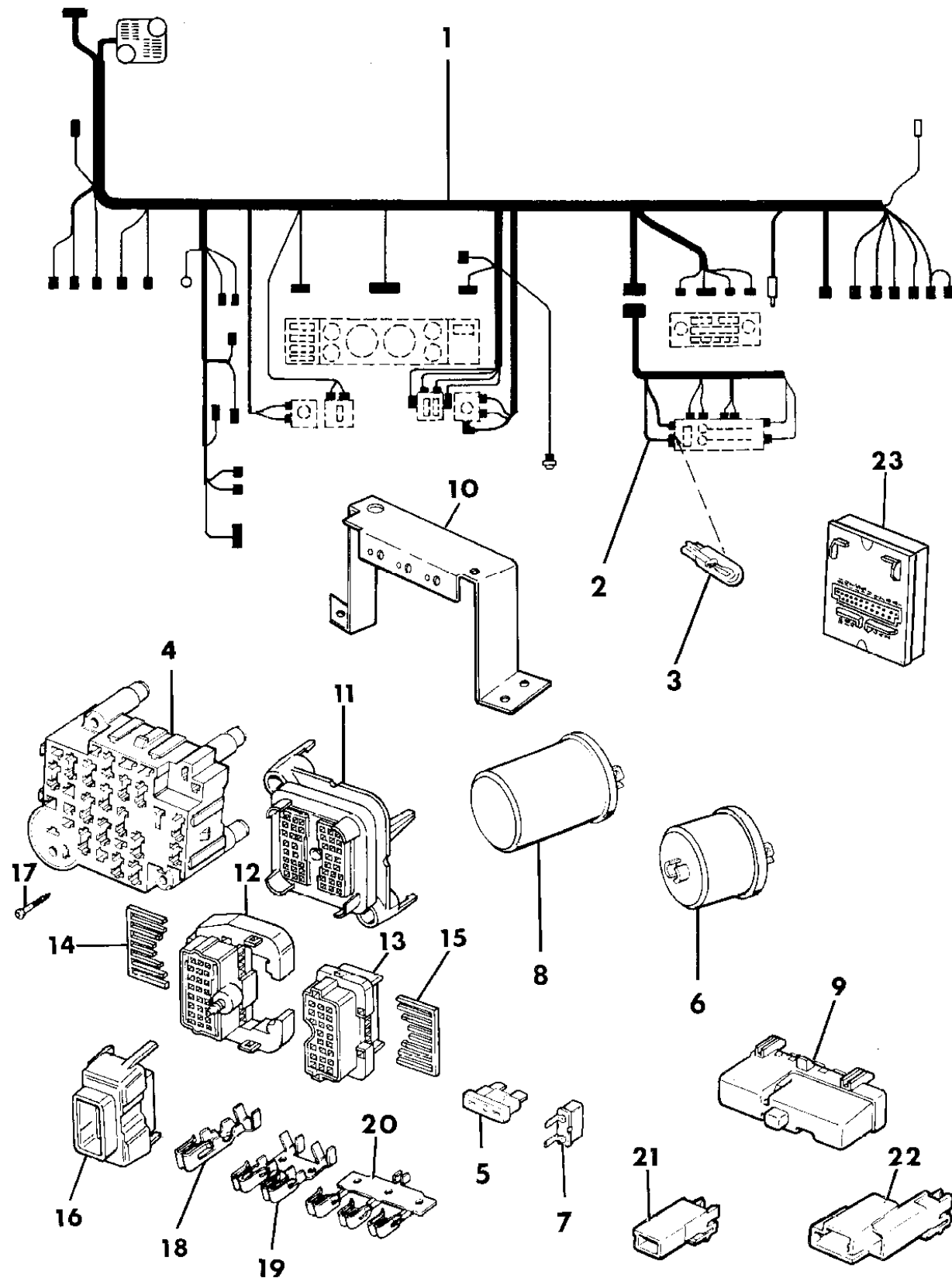
BODY STYLES:

MJ=Comanche Pickup ZJ=Grand Cherokee/Grand Wagoneer KDX VEHICLES
 SJ=Grand Wagoneer M1=Comanche
 XJ=Cherokee, Briarwood X1=Cherokee, Briarwood
 YJ=Wrangler Y1=Wrangler

AR = Use as Required - = Non Illustrated Part P.A.R. = Paint as Required

WIRING--INSTRUMENT PANEL CHEROKEE, BRIARWOOD, COMANCHE
Figure 8-5020

91J08 5020A



ITEM	PART NUMBER	QTY	BODY	MODEL	DESCRIPTION
1					WIRING, Inst. Panel
	5601 6866	1	XJ		w/Security Alarm & ABS, 1991
	5601 8204				92 with Security ***
	5601 8106	1	XJ		1992-93, w/o Security Alarm, w/o Illum. Entry, w/o Fog Lamp, w/o ABS, Stamped 56018056
	5601 6865	1	XJ		1992, w/o Security Alarm, w/ABS, w/Pwr. Ant.
	5601 8400	1	XJ		1991, EUROPE
	5601 9127	1	XJ		1992, EUROPE
	5601 8193	1	XJ		1993, EUROPE (All Engines)
	5601 9301	1	XJ		1993 RHD (EUROPE)
	5601 6865	1	XJ		w/Anti-Lock, EUROPE
	5601 6868	1	XJ		1991, Diesel Eng.
	5601 7635	1	XJ		1992-93, EUROPE
	5601 8146	1	XJ,X1		1993, w/Security Alarm
	5601 8089	1	XJ		1992, Police Pkg.
	5601 8691		XJ		1993, Police Pkg.
	5601 7480	1	XJ		w/Security Alarm, w/o Police Pkg.
	5601 9209		XJ		1993, 4.0 Eng., Post Office
	5601 9181		XJ		1993, 2.5 & 4.0 Eng., ECE
	5601 6869	1	MJ		1991
	5601 7509	1	MJ		1992
	5601 9161		MJ		1993
	5600 4855	1	X1		1992, CHINA--RHD
	5601 7761	1	X1		1993, CHINA--RHD
	5601 9087	1	X1		1992-93, CHINA
2	8350 5537				WIRING, Heater, w/"American A/C)
	5601 6729	1	XJ,MJ		w/ A.C.
	5601 6727		XJ,MJ		w/o A.C.
	5601 6728	1			w/Diesel Engine
	5601 6729	1			1992-93, RHD
3	9433 184	2			BULB, (74)
4	J417 9458	1			PANEL, Fuse
	5601 7680		M1,X1		FUSEBLOCK, Printed, KDX ***
5	3600 1416	AR			FUSE, 2 Amp.
	J323 1213	AR			5 Amp.
	J323 1214	AR			7.5 Amp.
	J323 1215	AR			10 Amp.
	J323 1216	AR			15 Amp.
	J323 1217	AR			20 Amp.
	J323 1218	AR			25 Amp.
	6101 679				20-Amp., Maxi

MODEL CODES:

61=Pickup-6 Ft Box 74=4 Door Wagon T=2WD
 62=Pickup-7 Ft Box 77=Open Body 93" Wheelbase J,N,U=4WD
 72=2 Door Wagon 78=Open Body 103" Wheelbase

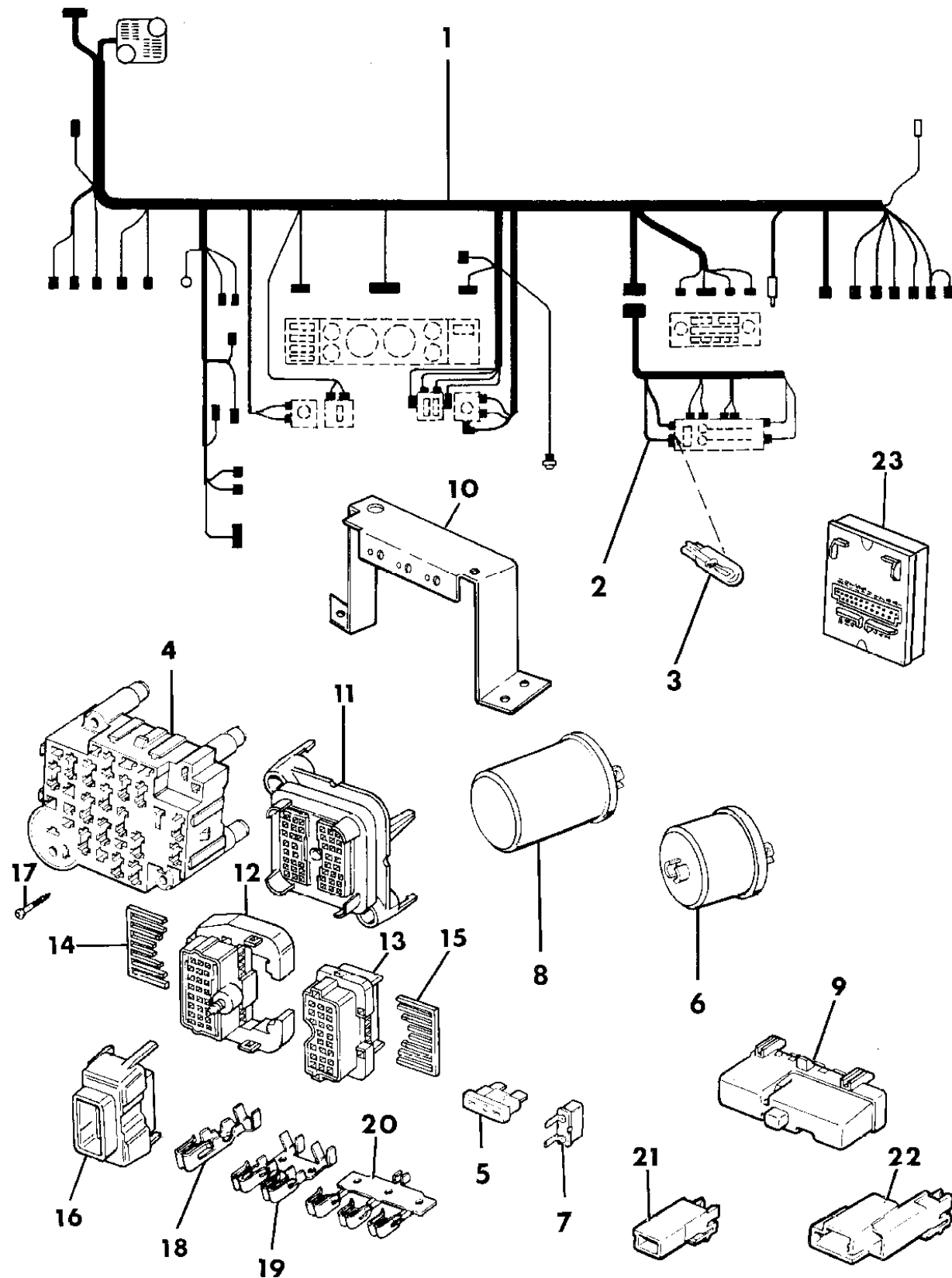
BODY STYLES:

MJ=Comanche Pickup ZJ=Grand Cherokee/Grand Wagoneer KDX VEHICLES
 SJ=Grand Wagoneer M1=Comanche
 XJ=Cherokee, Briarwood Y1=Wrangler
 YJ=Wrangler

AR = Use as Required - = Non Illustrated Part P.A.R. = Paint as Required

WIRING--INSTRUMENT PANEL CHEROKEE, BRIARWOOD, COMANCHE
Figure 8-5020

91J08 5020A



ITEM	PART NUMBER	QTY	BODY	MODEL	DESCRIPTION
	6101 640				30-Amp., Maxi
	6101 641				40-Amp., Maxi
	6101 642				50-Amp., Maxi
	6101 643				60-Amp., Maxi
	6101 645				80-Amp., Maxi
6	J321 7282		MJ		FLASHER, Hazard ***
7	5600 1110				CIRCUIT BREAKER, 4.8 Amp. ***
	8350 7005	AR			30 Amp.
	8350 1394	AR			10 Amp.
8	3837 161				FLASHER, Turn Signal, Standard 2 Lamp ***
	3837 162	1			Heavy Duty (323) 3 Lamp
	5600 0903	1			(550) 3 Bladed
	5600 7098	1	XJ,YJ		1993, 4 Lamp
9	5600 1076				BUZZER, Warning, Blue
	5600 1077	1			Black
10	5600 4850	1			BRACKET, Fuseblock Mtg., Diesel Eng.
11	3417 8240	1			CONNECTOR, Bulkhead
12	3417 8230	1			CONNECTOR, Bulkhead
13	3417 8231	1			CONNECTOR, Bulkhead
14	3417 5323	1			RETAINER, Blue
15	3417 5324	1			RETAINER, Clear
16					COVER
	3417 5325	1			Item #12
	3417 5326	1			Item #13
17	3420 1598	2			SCREW
18	J323 1223	5			TERMINAL
19	J323 1224	3			TERMINAL
20	J323 1225	1			TERMINAL
21					CONNECTOR
	J417 9530	1			Orange (Term. J4136110)
	J417 9531	1			Black (Term. J4136110)
	J417 9532	1			Green (Term. J4136110)
	J417 9533	1			Beige (Term. J4136110)
	J417 9534	1			Blue (Term. J4136110)
	J417 9535	1			Brown (Term. J4136110)
	J417 9537	1			Red (Term. J4136110)
22					CONNECTOR
	J417 9540	1			Brown
	J417 9542	1			Green
	J417 9630	1			Black
23	5600 5766		XJ		MODULE, Security Alarm, 1991

MODEL CODES:

61=Pickup-6 Ft Box 74=4 Door Wagon T=2WD
 62=Pickup-7 Ft Box 77=Open Body 93" Wheelbase J,N,U=4WD
 72=2 Door Wagon 78=Open Body 103" Wheelbase

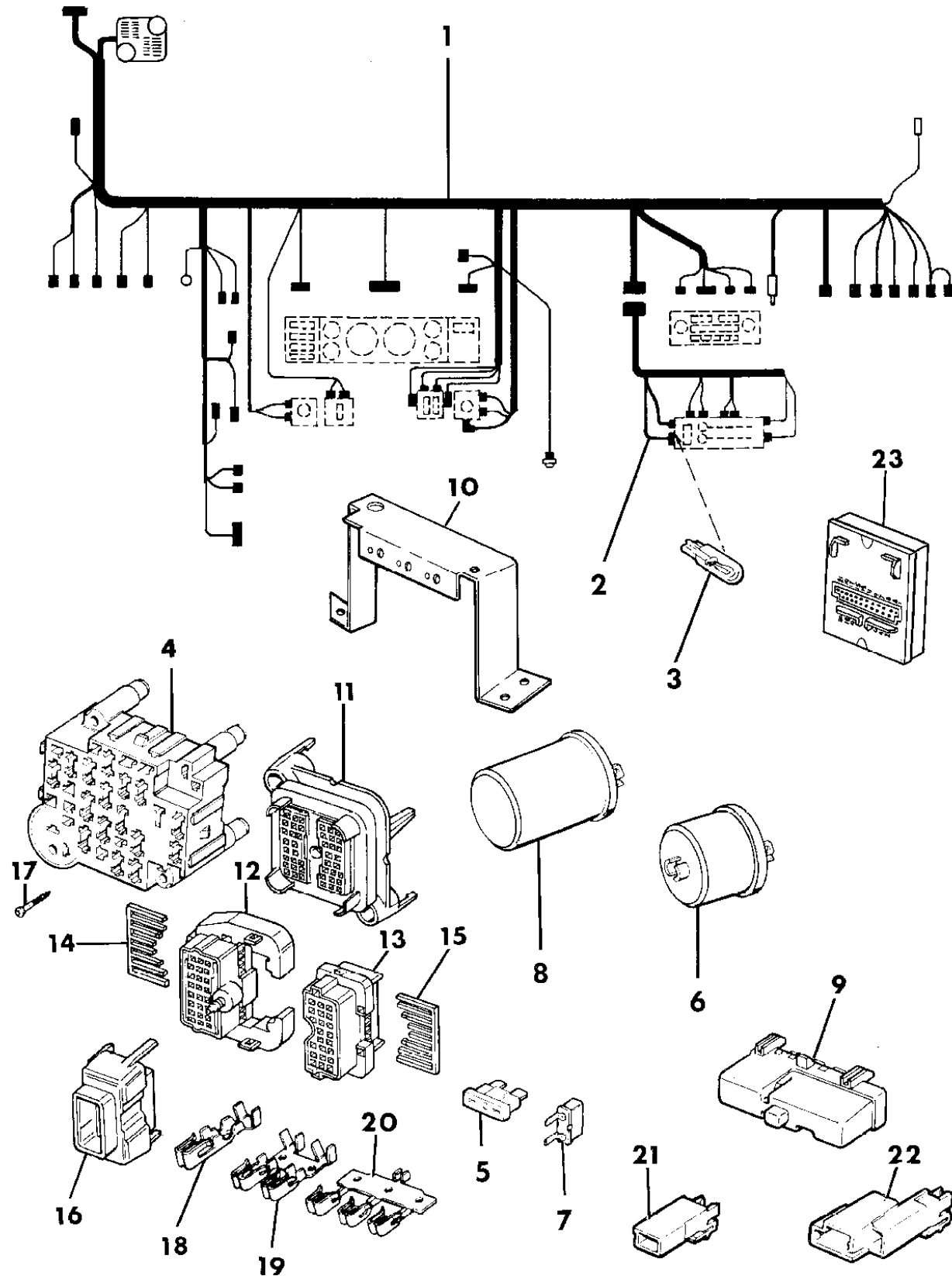
BODY STYLES:

MJ=Comanche Pickup ZJ=Grand Cherokee/Grand Wagoneer KDX VEHICLES
 SJ=Grand Wagoneer M1=Comanche
 XJ=Cherokee, Briarwood X1=Cherokee, Briarwood
 YJ=Wrangler Y1=Wrangler

AR = Use as Required - = Non Illustrated Part P.A.R. = Paint as Required

WIRING--INSTRUMENT PANEL CHEROKEE, BRIARWOOD, COMANCHE
Figure 8-5020

91J08 5020A



ITEM	PART NUMBER	QTY	BODY	MODEL	DESCRIPTION
------	-------------	-----	------	-------	-------------

	5600 5766	1			1992, VENEZUALA
	5600 5766	1	X1		1993
	5600 6947	1	XJ		1992-93

MODEL CODES:

61=Pickup-6 Ft Box	74=4 Door Wagon	T=2WD
62=Pickup-7 Ft Box	77=Open Body 93" Wheelbase	J,N,U=4WD
72=2 Door Wagon	78=Open Body 103" Wheelbase	

BODY STYLES:

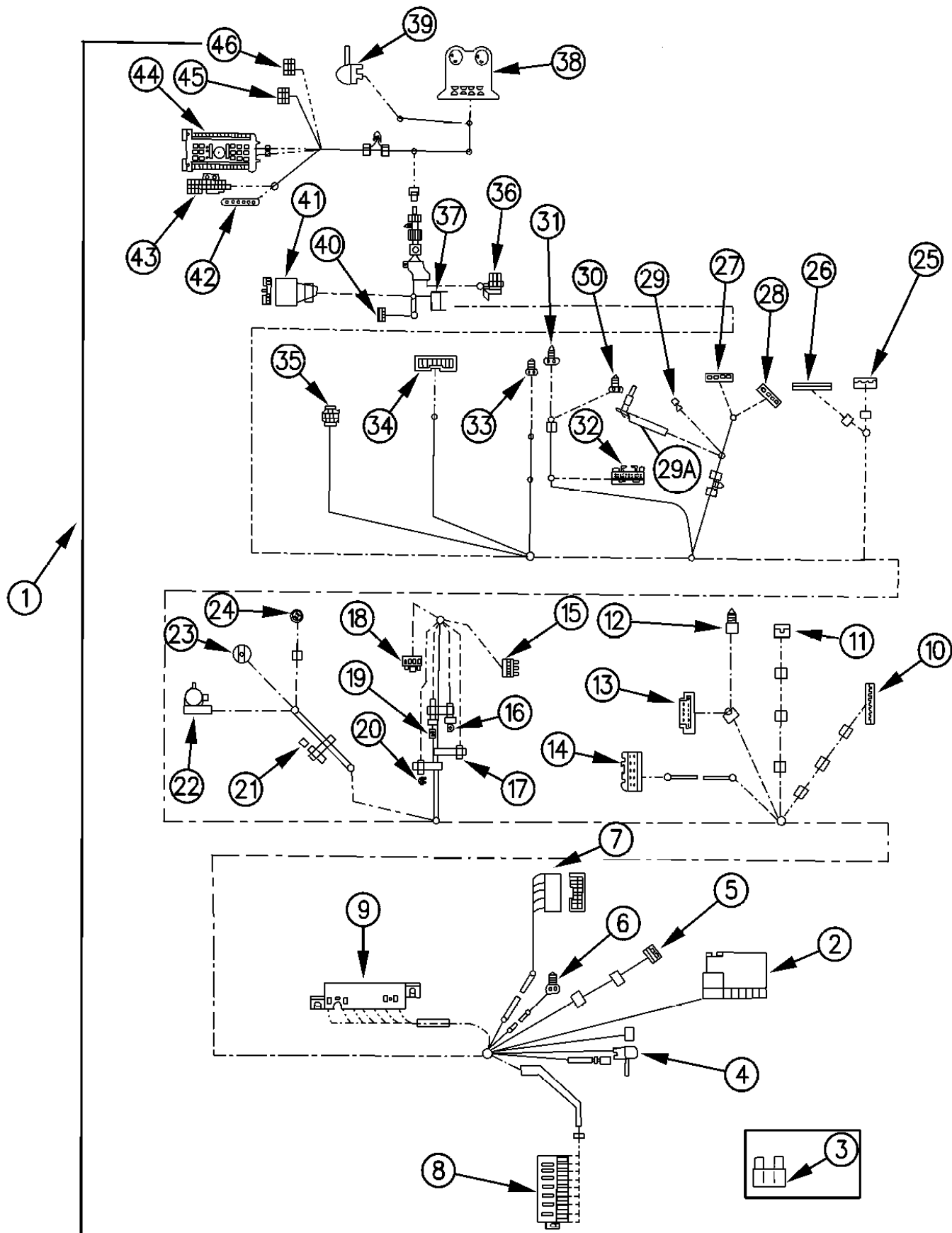
MJ=Comanche Pickup	ZJ=Grand Cherokee/Grand Wagoneer	KDX VEHICLES
SJ=Grand Wagoneer		M1=Comanche
XJ=Cherokee, Briarwood		X1=Cherokee, Briarwood
YJ=Wrangler		Y1=Wrangler

AR = Use as Required - = Non Illustrated Part P.A.R. = Paint as Required

WIRING--INSTRUMENT PANEL GRAND CHEROKEE

Figure 8-5025

91J08 5025



ITEM	PART NUMBER	QTY	BODY	MODEL	DESCRIPTION
1					WIRING, Inst. Panel
	5601 7589		ZJ		w/A.T.C. (Up To 7-16-92)
	5601 9044				(Aft. 7-16-92)
	5601 7591		ZJ		w/o A.T.C. (Up To 7-16-92)
	5601 9045				(Aft. 7-16-92)
	5601 7609		ZJ		Base (Up To 7-16-92)
	5601 9053				(Aft. 7-16-92)
	5601 7036	1	ZJ		w/A.C. & Auto. Temp., EUROPE
	5601 8397	1	ZJ		w/A.C, Heater w/Bi-level Ventilation, EUROPE
2		1			FUSE BLOCK, (Serv. Assy.)
3	6101 482				FUSE, Miniture, 3 Amp.
	6101 484				5 Amp.
	6101 485				7.5 Amp.
	6101 486				10 Amp.
	6101 487				15 Amp.
	6101 488				20 Amp.
	J323 1219				30 Amp.
	6101 679				20-Amp., Maxi
	6101 640				30-Amp., Maxi
	6101 641				40-Amp., Maxi
	6101 642				50-Amp., Maxi
	6101 643				60-Amp., Maxi
	6101 645				80-Amp., Maxi
-	5600 6965	1			CIRCUIT BREAKER, 10-Amp. ***
-	5600 7228	AR			FLASHER, Turn Signal ***
	2932 877				Hazard
-	5600 6846				RELAY, Micro, Door Lock, Security Alarm
4	J545 0116				LENS, Courtesy Lamp, Rt.
5					INSULATOR, Antenna Conn. (Serv. Assy.)
6					INSULATOR, Tweeter Rt., Not Serv.
7	4527 252				INSULATOR, HEVAC Conn.
8	5601 7848				INSULATOR, Disconnect 100-Way
9					RELAY BLOCK, Serv. Assy. ***
10	4209 947				INSULATOR, Auto. Headlamp
11	4209 927				INSULATOR, Glove Box Lamp
12					INSULATOR, In-Car Temp. Sensor
13	5601 7674				INSULATOR, S.A.M.
14	5601 7747				INSULATOR, HEVAC Module
15					INSULATOR, VIC/GDM
16					INSULATOR, Serv. Assy.
17					INSULATOR, Serv. Assy.

MODEL CODES:

61=Pickup-6 Ft Box 74=4 Door Wagon T=2WD
 62=Pickup-7 Ft Box 77=Open Body 93" Wheelbase J,N,U=4WD
 72=2 Door Wagon 78=Open Body 103" Wheelbase

BODY STYLES:

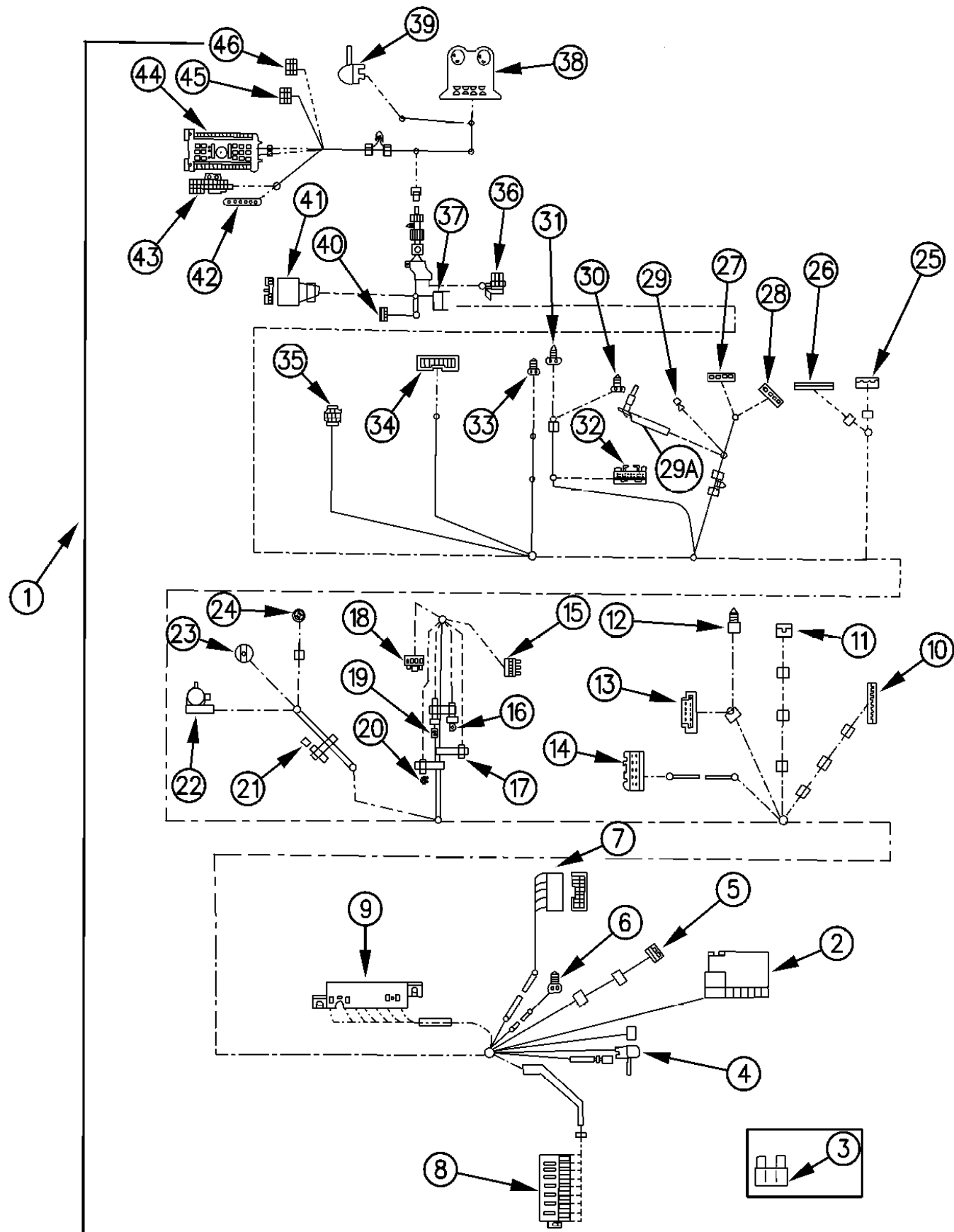
MJ=Comanche Pickup ZJ=Grand Cherokee/Grand Wagoneer KDX VEHICLES
 SJ=Grand Wagoneer M1=Comanche
 XJ=Cherokee, Briarwood X1=Cherokee, Briarwood
 YJ=Wrangler Y1=Wrangler

AR = Use as Required - = Non Illustrated Part P.A.R. = Paint as Required

WIRING--INSTRUMENT PANEL GRAND CHEROKEE

Figure 8-5025

91J08 5025



ITEM	PART NUMBER	QTY	BODY	MODEL	DESCRIPTION
18					INSULATOR, Serv. Assy.
19					INSULATOR, Serv. Assy.
20					INSULATOR, 249 T/C, Serv. Assy.
21					INSULATOR, Eng. Metric, Serv. Assy.
22	5600 5536				INSULATOR, Cigar Lighter
23					SOCKET, Cigar Lamp, Serv. Assy.
24	4373 704				SOCKET, Ash Reciever Lamp
25	4504 253				INSULATOR, Rear Wipe & Wash
26	4209 948				INSULATOR, HBL/Overdrive
27	4527 392				INSULATOR, Radio #2
28	4527 393				INSULATOR, Radio #1
29					TERMINAL, Radio Ground, Not Serv.
29A	5600 5500				CABLE, Antenna
30					INSULATOR, Solar Sensor, Serv. Assy.
31					INSULATOR, Twilight Light Sensor, Serv. Assy.
32					INSULATOR, Cluster Conn., 16-Way, Serv. Assy.
33					INSULATOR, Tweeter Lt., Serv. Assy.
34	4527 252				INSULATOR, Headlamp Switch
35					INSULATOR, Mirror Switch, Serv. Assy.
36					INSULATOR, Turn Signal Switch, Serv. Assy.
37	4504 256				INSULATOR, Ignition Switch
38	5600 5774				INSULATOR, Convenience Center
39	J545 0116				LENS, Courtesy Lamp, Lt.
40	4527 387				INSULATOR, Key Switch, Lt.
41	4527 389				INSULATOR, Clock Spring
42					INSULATOR, Wiper Module #1, Serv. Assy.
43	4304 532				INSULATOR, To Eng. Wire
44					INSULATOR, To Body Wire, Lt.
45	4209 712				INSULATOR, Brake Switch
46	4504 269				INSULATOR, Inst. Panel Dimming Switch

MODEL CODES:

61=Pickup-6 Ft Box 74=4 Door Wagon T=2WD
 62=Pickup-7 Ft Box 77=Open Body 93" Wheelbase J,N,U=4WD
 72=2 Door Wagon 78=Open Body 103" Wheelbase

BODY STYLES:

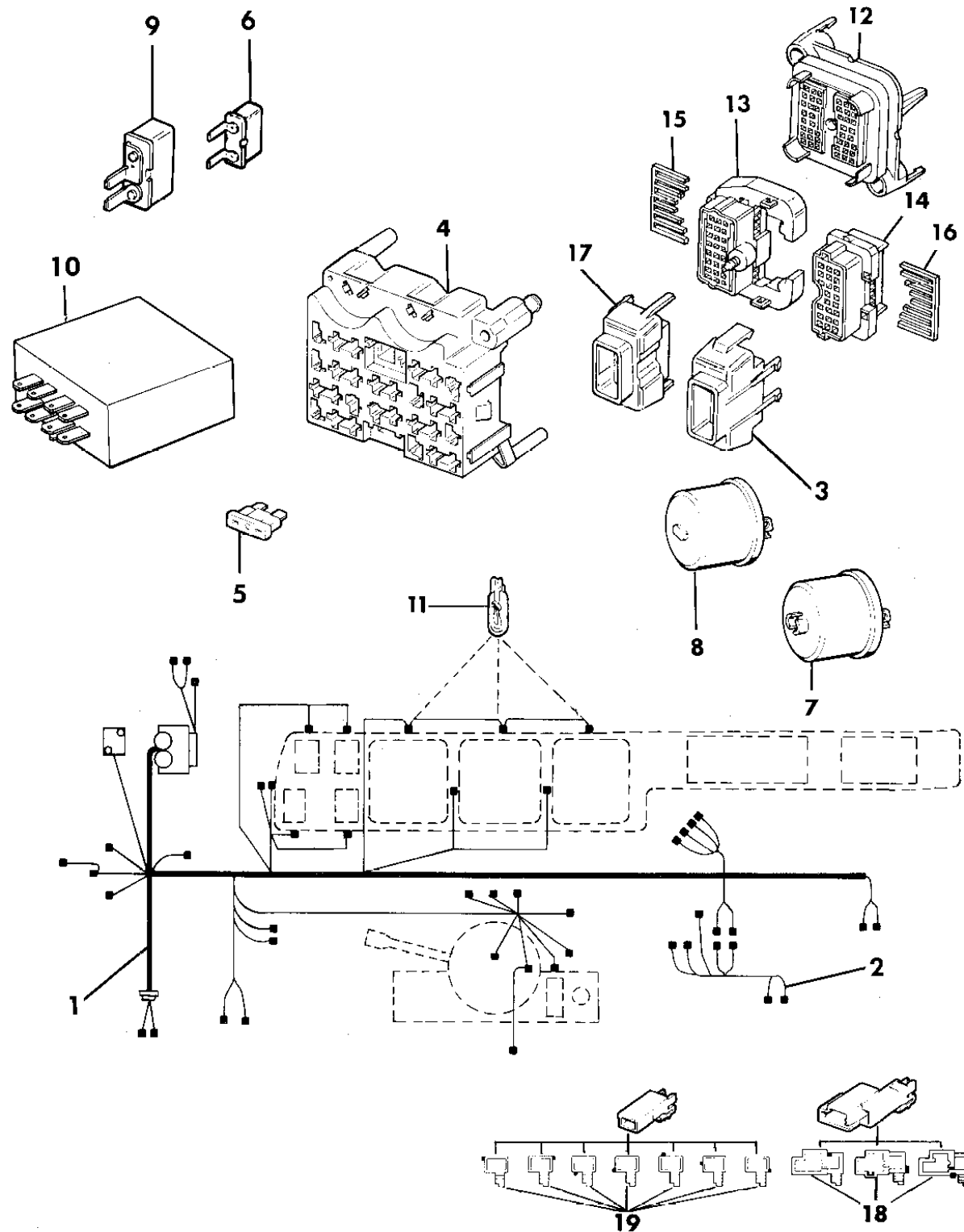
MJ=Comanche Pickup ZJ=Grand Cherokee/Grand Wagoneer KDX VEHICLES
 SJ=Grand Wagoneer M1=Comanche
 XJ=Cherokee, Briarwood X1=Cherokee, Briarwood
 YJ=Wrangler Y1=Wrangler

AR = Use as Required - = Non Illustrated Part P.A.R. = Paint as Required

WIRING--INSTRUMENT PANEL GRAND WAGONEER

Figure 8-5030

91J08 5030



ITEM	PART NUMBER	QTY	BODY	MODEL	DESCRIPTION
1	5601 7054	1			WIRING, Instrument Panel
2	5600 2888				WIRING, Heater, w/o Factory A/C
	5600 2889	1			w/Factory A.C.
3	3417 5326	1			COVER
4	5600 2844				PANEL, Fuse, w/Rear Wiper
5	J323 1211	AR			FUSE, 3 Amp.
	J323 1215	AR			10 Amp.
	J323 1216	AR			15 Amp.
	J323 1217	AR			20 Amp.
	J323 1218	AR			25 Amp.
6	8350 7005	1			BREAKER, Circuit, 30 Amp.
7	J321 7282	1			FLASHER, Hazzard ***
8	3600 1032	1			FLASHER, Turn Signal ***
9	5600 2056	1			BREAKER, Circuit, 7.5 Amp.
10	5600 6152	1			CHIME, Warning ***
11	J941 7561	3			BULB, (161)
12	3417 8240	1			CONNECTOR, Bulkhead
13	3417 8230	1			CONNECTOR, Bulkhead
14	3417 8231	1			CONNECTOR, Bulkhead
15	3417 5323	1			RETAINER, Blue
16	3417 5324	1			RETAINER, Clear
17	3417 5325	1			COVER
18	J417 9540	AR			CONNECTOR, Brown
19	J417 9530	AR			CONNECTOR, Orange
	J417 9531	AR			Black
	J417 9532	AR			Green
	J417 9533	AR			Beige
	J417 9534	AR			Blue
	J417 9535	AR			Brown
	J417 9537	AR			Red

MODEL CODES:

61=Pickup-6 Ft Box 74=4 Door Wagon T=2WD
 62=Pickup-7 Ft Box 77=Open Body 93" Wheelbase J,N,U=4WD
 72=2 Door Wagon 78=Open Body 103" Wheelbase

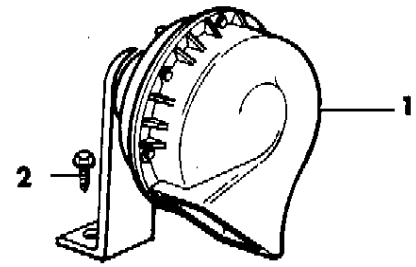
BODY STYLES:

MJ=Comanche Pickup ZJ=Grand Cherokee/Grand Wagoneer KDX VEHICLES
 SJ=Grand Wagoneer M1=Comanche
 XJ=Cherokee, Briarwood X1=Cherokee, Briarwood
 YJ=Wrangler Y1=Wrangler

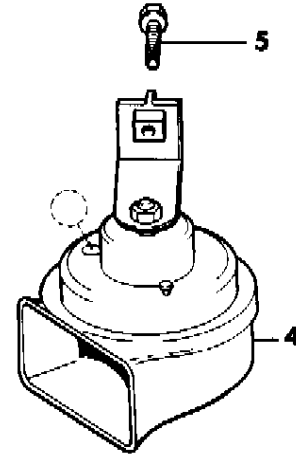
AR = Use as Required - = Non Illustrated Part P.A.R. = Paint as Required

HORNS ALL
Figure 8-5100

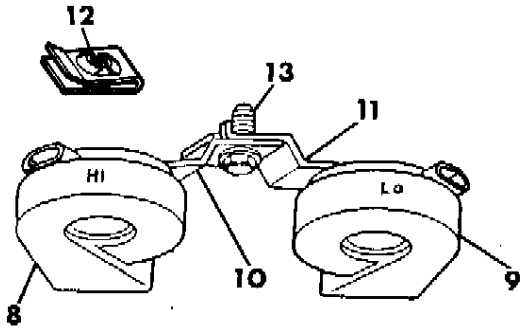
91J08 5100



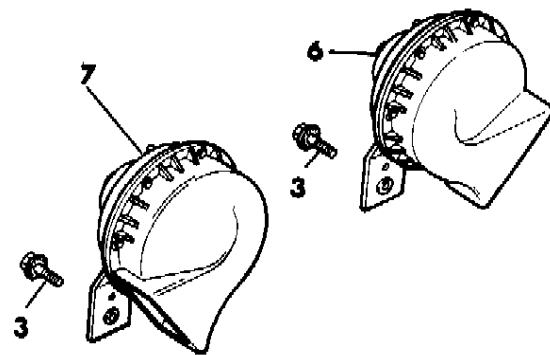
WRANGER, YJ



CHEROKEE BRIARWOOD , COMANCHE



GRAND CHEROKEE



GRAND WAGONEER

ITEM	PART NUMBER	QTY	BODY	MODEL	DESCRIPTION
1	5600 6852	1	YJ		HORN, High Note
2	0181 063	1	YJ		SCREW
3	J420 0406	2	SJ		SCREW
4					HORN
	5600 2302	1	XJ,MJ		USA--CANADA--KDX, Low Note
	5600 2606	1	XJ, MJ		Low Note, EUROPE
	5600 2303	1	XJ		High Note, USA--CANADA--KDX
	5600 2607	1	XJ		High Note, EUROPE
5	3420 2606	2			SCREW
6	J575 8485	1	SJ		HORN, High Note
7	J575 8484	1	SJ		HORN, Low Note
8	5600 5179	1	ZJ		HORN, High Note
9	5600 5178	1	ZJ		HORN, Low Note
10	5269 114	1	ZJ		BRACKET, High Note
11	5269 115	1	ZJ		BRACKET, Low Note
12	6101 283	1	ZJ		U-NUT
13		1	ZJ		SCREW, (Not Serv.)(M8X1.25x22.00)

MODEL CODES:

61=Pickup-6 Ft Box 74=4 Door Wagon T=2WD
 62=Pickup-7 Ft Box 77=Open Body 93" Wheelbase J,N,U=4WD
 72=2 Door Wagon 78=Open Body 103" Wheelbase

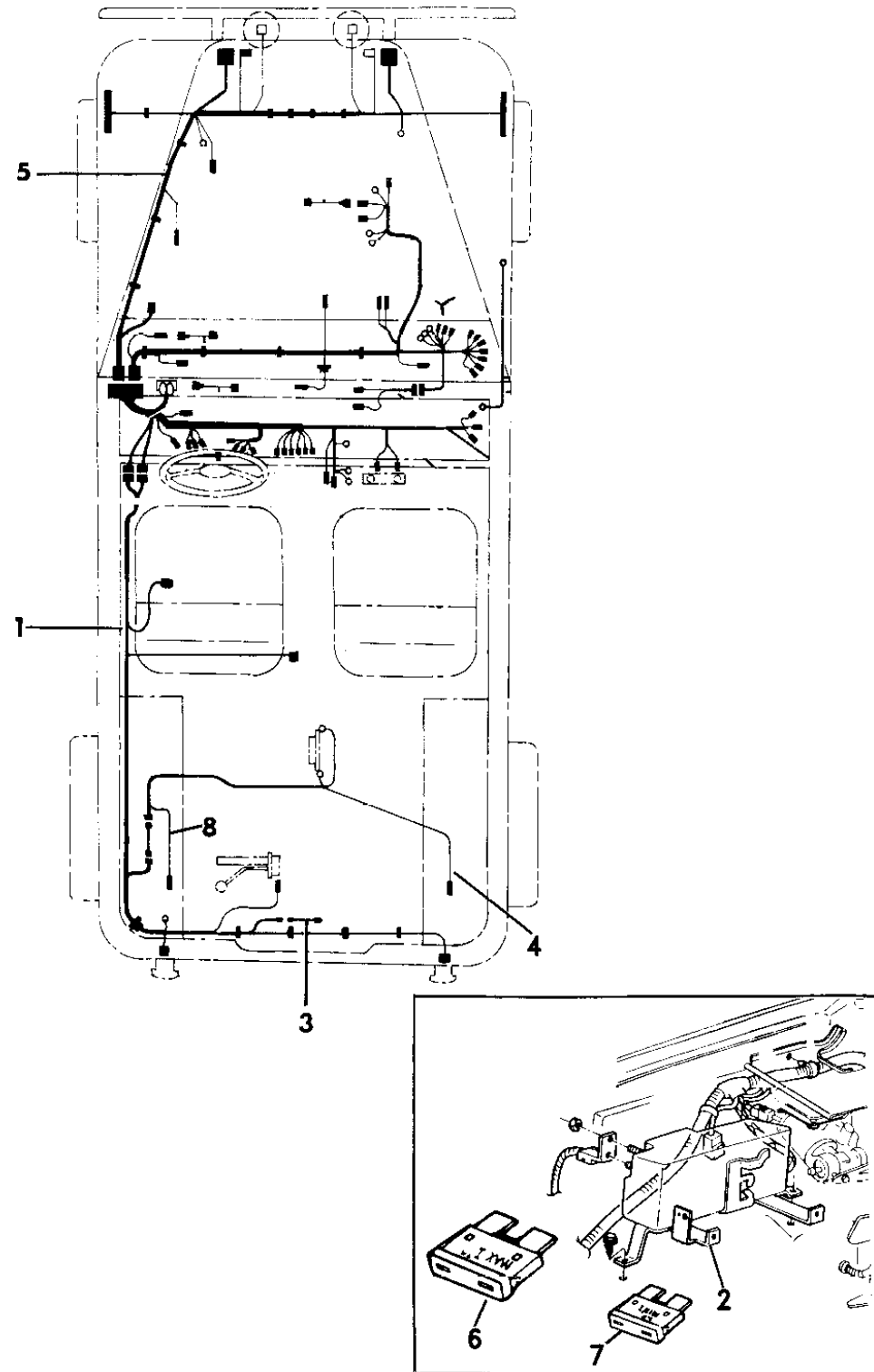
BODY STYLES:

MJ=Comanche Pickup ZJ=Grand Cherokee/Grand Wagoneer KDX VEHICLES
 SJ=Grand Wagoneer M1=Comanche
 XJ=Cherokee, Briarwood X1=Cherokee, Briarwood
 YJ=Wrangler Y1=Wrangler

AR = Use as Required - = Non Illustrated Part P.A.R. = Paint as Required

WIRING--BODY AND ACCESSORY WRANGLER
Figure 8-5150

91J08 5150



ITEM	PART NUMBER	QTY	BODY	MODEL	DESCRIPTION
1					WIRING, Body
	5600 4219	1			w/Soft Top, 1991, EUROPE
	5601 7374				w/Soft Top, 1992, EUROPE
	5601 7983	1			1993, EUROPE
	5601 7109	1			w/Hard Top, 1991, EUROPE
	5601 7372				w/Hard Top, 1992, EUROPE
	5601 7982	1			1993, EUROPE
	5600 4216	1			w/Soft Top (Domestic) w/Hard Top, w/o Heated Rear Window
	5601 7204	1			1991-92
	5601 7981	1			1993
					w/Hard Top, w/Heated Rear Window
	5601 7204	1			1991-92
	5601 7981	1			1993
	5601 7745	1			Heated Rear Window , Exc. Export Pkg. EGYPT, Venezuela w/World Cab, w/Hard Top
	5601 7299	1	Y1	78	1992
	5601 7986	1	Y1	78	1993
					EGYPT, Venezuela w/World Cab, w/Hard Top
	5601 7473	1	Y1	77	1992
	5601 7984	1	Y1	77	1993
					EGYPT, Venezuela w/Soft Top
	5601 7475	1	Y1	77	1992
	5601 7985	1	Y1	77	1993
2	5534 4768	1			BRACKET, Power Distribution Center
3	5600 4483	1			WIRING, Rear Fog Lamp, EUROPE
4	5601 6831	1			WIRING, Plastic Enclosure (Hard Top)
5					WIRING, Front End Lighting EUROPE
	5601 7203	1			1991-92
	5601 7611	1			1993
	5601 7401	1			w/o Daytime Running, or Fog Lamps, USA, KDX
	5601 7322	1			w/Fog Lamps, USA, KDX 1992
	5601 7812	1			w/Fog Lamps, w/ABE, 1993
	5601 7400	1			w/Daytime Running Lamps, 1991, CANADA
	5601 7606	1			w/Daytime Running Lamps, 1992, CANADA
	5601 7814	1			w/Daytime Running Lamps CANADA 1993
6					FUSE, Maxi
	6101 679	AR			20 Amp, Yellow
	6101 640	AR			30 Amp, Green
	6101 641	AR			40 Amp, Amber

MODEL CODES:

61=Pickup-6 Ft Box 74=4 Door Wagon T=2WD
62=Pickup-7 Ft Box 77=Open Body 93" Wheelbase J,N,U=4WD
72=2 Door Wagon 78=Open Body 103" Wheelbase

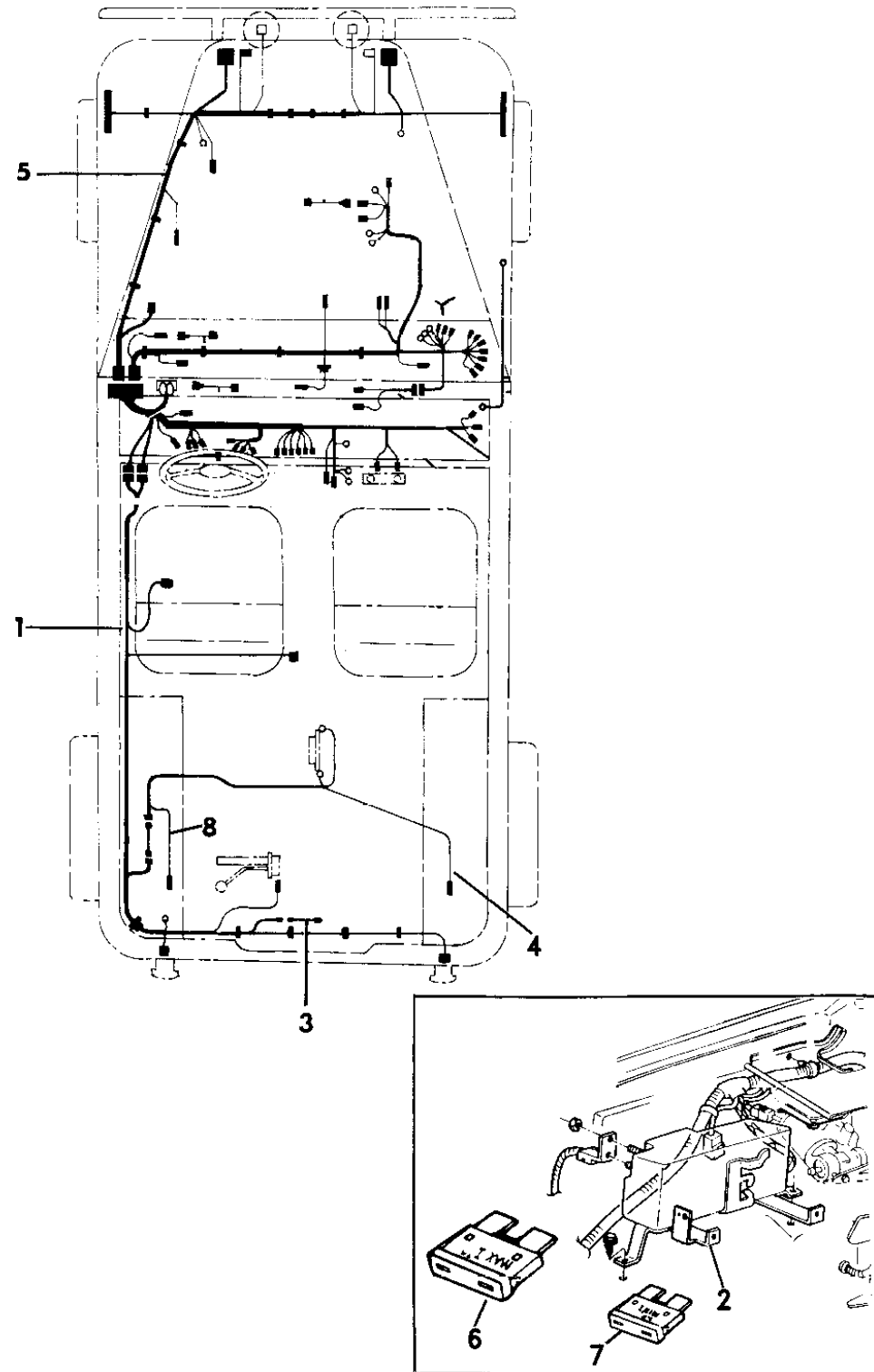
BODY STYLES:

MJ=Comanche Pickup ZJ=Grand Cherokee/Grand Wagoneer KDX VEHICLES
SJ=Grand Wagoneer M1=Comanche
XJ=Cherokee, Briarwood X1=Cherokee, Briarwood
YJ=Wrangler Y1=Wrangler

AR = Use as Required - = Non Illustrated Part P.A.R. = Paint as Required

WIRING--BODY AND ACCESSORY WRANGLER
Figure 8-5150

91J08 5150



ITEM	PART NUMBER	QTY	BODY	MODEL	DESCRIPTION
	6101 642	AR			50 Amp, Red
7					FUSE, Mini
	6101 481	AR			2 AMP, Gray
	6101 484	AR			5 AMP, Tan
	6101 486	AR			10 amp, Red
	6101 487	AR			15 Amp, Blue
	6101 488	AR			20 AMP, Yellow
8	5600 6341	1			WIRING, Rear Speaker
-	5601 7442	2			WIRING, Courtesy Lamp
-	5600 6946				WIRING, Speed Warning, 1992 1993, Purchased w/Inst. Panel Wiring

MODEL CODES:

61=Pickup-6 Ft Box 74=4 Door Wagon T=2WD
62=Pickup-7 Ft Box 77=Open Body 93" Wheelbase J,N,U=4WD
72=2 Door Wagon 78=Open Body 103" Wheelbase

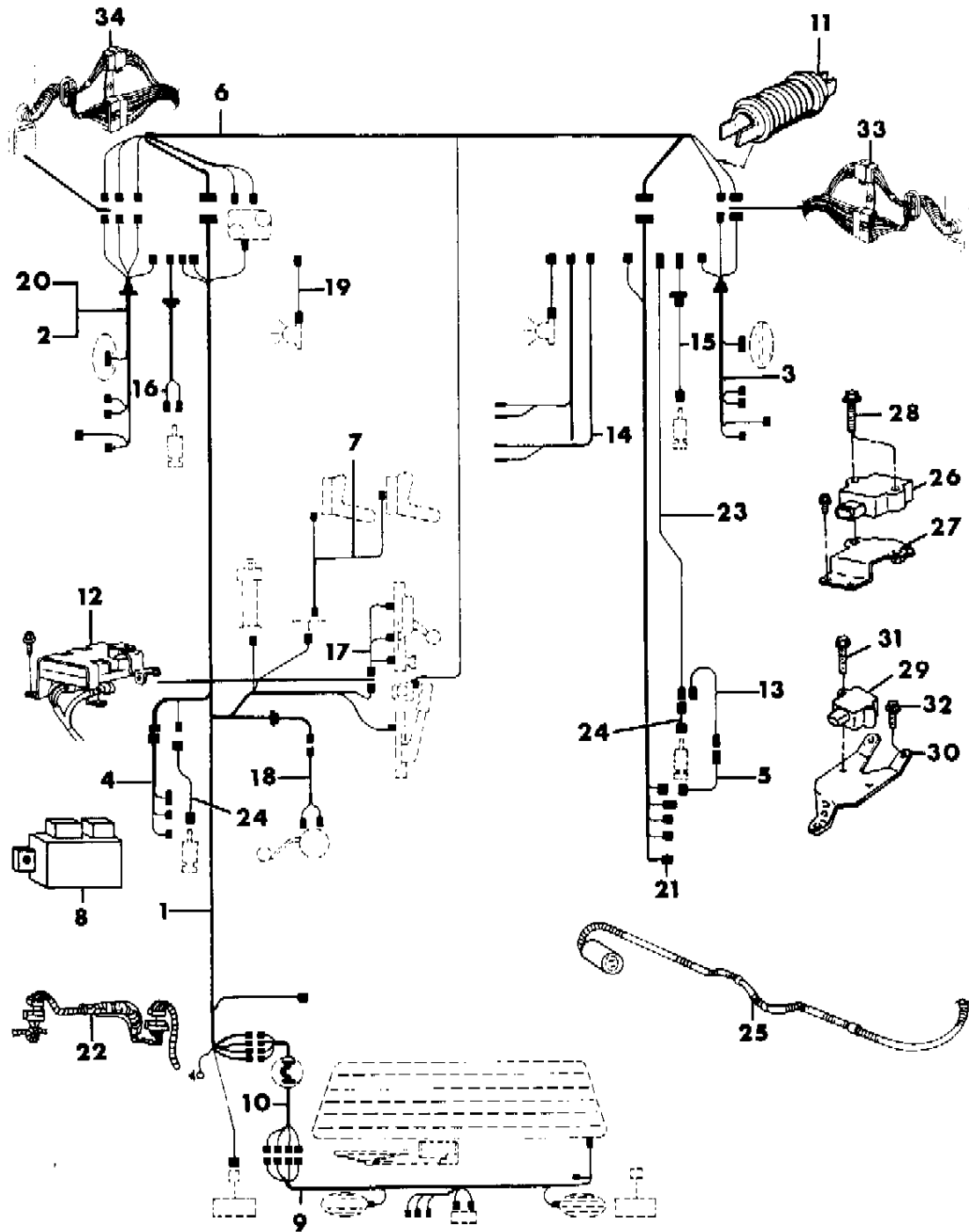
BODY STYLES:

MJ=Comanche Pickup ZJ=Grand Cherokee/Grand Wagoneer KDX VEHICLES
SJ=Grand Wagoneer M1=Comanche
XJ=Cherokee, Briarwood X1=Cherokee, Briarwood
YJ=Wrangler Y1=Wrangler

AR = Use as Required - = Non Illustrated Part P.A.R. = Paint as Required

WIRING--BODY AND ACCESSORY CHEROKEE, BRIARWOOD
Figure 8-5200

91J08 5200



ITEM	PART NUMBER	QTY	BODY	MODEL	DESCRIPTION
1	5601 6902		XJ		WIRING, Body, w/Pwr. Wdo. & Locks, 1991
	5601 8403	1	XJ		1992
	5601 8263	1	XJ		1993
	5601 7476	1	XJ		w/o Pwr. Locks & Pwr. Wdo. (1991)
	5601 8266	1	X1		EUROPE
2	5601 7971	1	XJU	74	1993
	5601 8265		XJ	72-74	w/Trailer Tow
	5601 9160	1	XJU	72	w/Hev. Duty Trailer Tow
	5600 4873	1	XJ	72	WIRING, Lt. Front Door, 1991 w/pwr wdos. and/or pwr. mirrors.
	5601 7121	1	XJ	74	1991 (w/pwr. wdos and/or pwr. mirrors)
3	5601 7621	1	XJ	72	1992-93
	5601 7387	1	XJ	74	1992-93
	5601 7120		XJ		WIRING, Rt. Front Door, 1991
4	5601 7386	1	XJ		1992
	5601 8154	1	XJ		1993
	5601 9180		XJ,X1		1993, EUROPE
5					WIRING, Left Rear Door, (Serv. in #1 Body Wiring)
5	5601 6718		XJ		WIRING, Right Rear Door, 1991
	5601 9032	1	XJ		1992-93
6		1	XJ		WIRING, Crossbody
	5601 7313				1991
	5601 7619				1992
	5601 7961				1993
	5601 8535		XJ		1993, RHD
7	5601 7313	1	X1		Venezuela, w/Security Alarm 1991-92
	5601 8536	1	XJU,X1		w/Pwr. Wdo. & Locks, 1993
	5601 8000		XJ		WIRING, Pwr. Seat, 1992
8	5601 7756	1	XJ		1993
		1			MODULE, Lamp Outage (See Illus. 850)
9	5601 8306	1	XJ		WIRING, Liftgate
	5601 7882	1	X1		KDX, 1993
	5601 8306	1	X1		RHD, KDX, 1992
-	4638 753	1	XJ		WIRING, Security Alarm
10	5601 7737	1	XJ, X1		w/o Pwr. Locks & Security Alarm, RHD
	5600 4282	1	XJ		WIRING, To Liftgate, w/Pwr. Locks
11	5601 8226		XJ		w/o Pwr. Locks
	5503 4132	4	XJ		TUBE, Protector
12		1			MODULE, w/Driver Side Air Bag (See Illus. 850)
13	5600 4406	2	XJ		WIRING, Courtesy Lamp
14	5600 4858		XJ		WIRING, Dome & Reading Lamp, w/Keyless Entry & w/o Overhead Console, 1991-92

MODEL CODES:

61=Pickup-6 Ft Box 74=4 Door Wagon T=2WD
 62=Pickup-7 Ft Box 77=Open Body 93" Wheelbase J,N,U=4WD
 72=2 Door Wagon 78=Open Body 103" Wheelbase

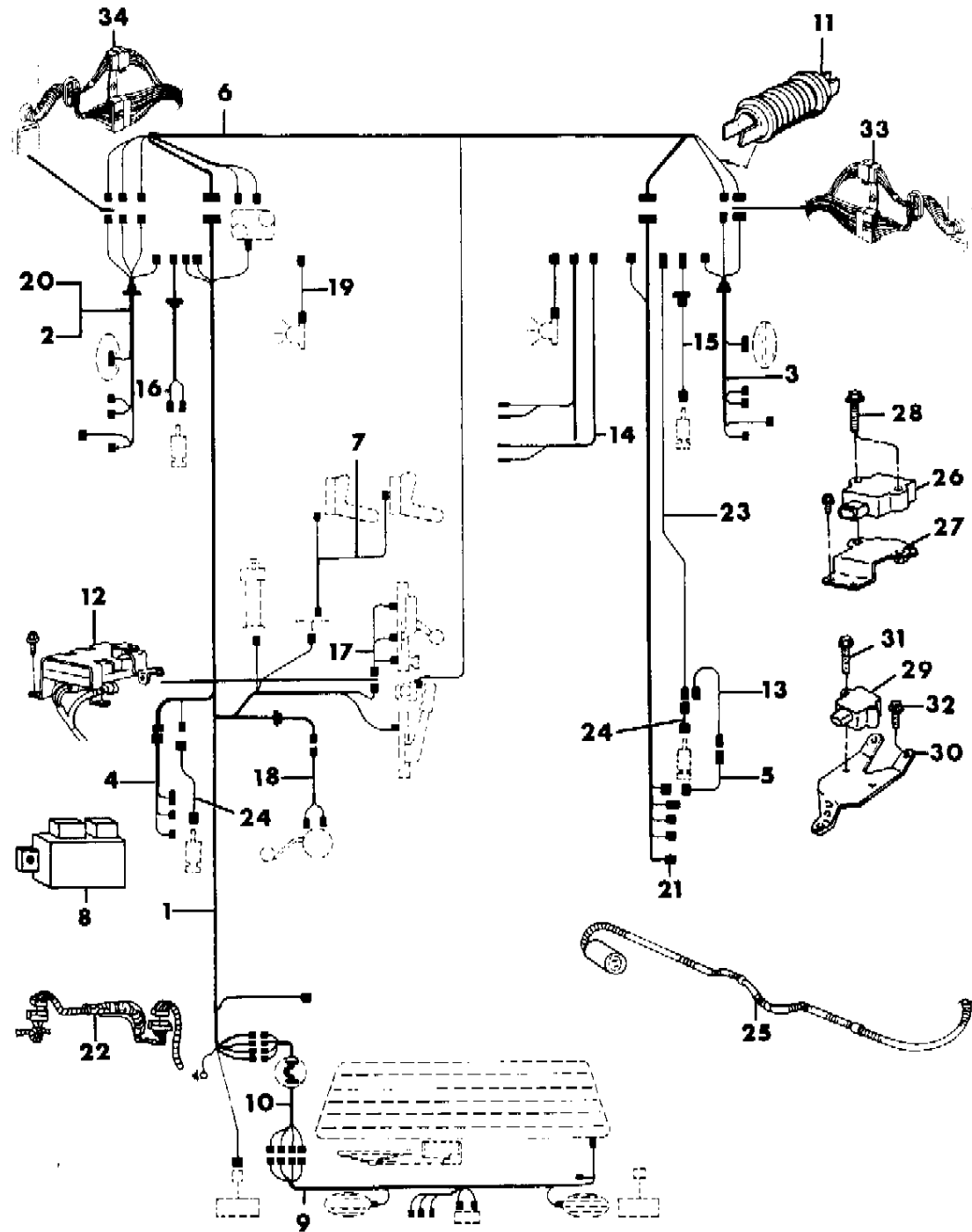
BODY STYLES:

MJ=Comanche Pickup ZJ=Grand Cherokee/Grand Wagoneer KDX VEHICLES
 SJ=Grand Wagoneer M1=Comanche
 XJ=Cherokee, Briarwood X1=Cherokee, Briarwood
 YJ=Wrangler Y1=Wrangler

AR = Use as Required - = Non Illustrated Part P.A.R. = Paint as Required

WIRING--BODY AND ACCESSORY CHEROKEE, BRIARWOOD
Figure 8-5200

91J08 5200



ITEM	PART NUMBER	QTY	BODY	MODEL	DESCRIPTION
	5601 7886	1	XJ		1993
	5601 9148	1	XJ		w/ Overhead Console & Keyless Entry
	5600 6073	1	X1		Venezuela
15	5600 4917	1	XJ,MJ		WIRING, Dome Lamp, Rt.
16	5600 4916	1	XJ,MJ		WIRING, Dome Lamp, Lt.
17	5600 4575	1	MJXJX1		WIRING, Console Illumination
-	5601 8361		XJ		WIRING, Transfer Case To Headlamp & Dash Wire
-	5601 7049	1	XJ		WIRING, Trans. Case 231
-	5600 2600	1	XJ		WIRING, Transfer Case Jumper, w/231
18	5600 1859		XJ		WIRING, Fuel Tank
	5600 1860	1	XJ		Diesel Engine
	5600 1860	1	X1,MJ		6 Cyl. Eng.
19	5600 4406	1	XJ		WIRING, Courtesy Lamp
20	5600 4900	1	XJ,MJ		WIRING, Speaker, 1991
	5601 9116	1	XJ,MJ		1992-93
21					WIRING, Use #5
22		1	XJ,MJ		WIRING, Speaker Liftgate (Serviced in Item # 9)
23	5601 8134	1	XJ		WIRING, Rear Door Switch
24	5600 3766	2	XJ		WIRING, Switch Adaptive
25	5600 4858	1			Harness, Lighted Vanity ***
26	5600 6315	1	XJ,ZJ		SWITCH, Accelerator (ABS)
27	5200 7278		XJ		BRACKET
28		1			SCREW (Not Serviced) ***
29		1	XJ,ZJ		MODULE, Adaptive Brakes (See Illus. 850)
30	5602 6742	1	XJ		BRACKET, "G" Switch
31	3420 2183	2	XJ		SCREW, Module Mounting
32	3420 1261	3	XJ		SCREW, Bracket Mounting
-	4723 909		XJ		WIRING, Jumper Pwr. Wdo. Motor, 1992
-	5601 9061		X1		WIRING, Overhead Console, 1992, EUROPE
-	5601 7531		X1		WIRING, Seat Belt Wire Ext., RHD
-	4728 877				WIRING, Jumper, Frt. Wiper Motor
-	5600 6715		XJ,MJ		WIRING, Speed Warning Overlay
-	5601 7638				WIRING, Radio Base Adaptive
-			XJ		WIRING, A.B.S. Disconnect, (1991-92 Part Of Body Wiring)
	5601 7759		XJ		1993
-	5601 7199	1	XJ		WIRING, Trailer Tow
-	5600 1054	1	MJ		WIRING, License Lamp
-	5600 4367		XJ		WIRING, A.B.S., A.B.S Module & Wheel Sensors

MODEL CODES:

61=Pickup-6 Ft Box 74=4 Door Wagon T=2WD
 62=Pickup-7 Ft Box 77=Open Body 93" Wheelbase J,N,U=4WD
 72=2 Door Wagon 78=Open Body 103" Wheelbase

BODY STYLES:

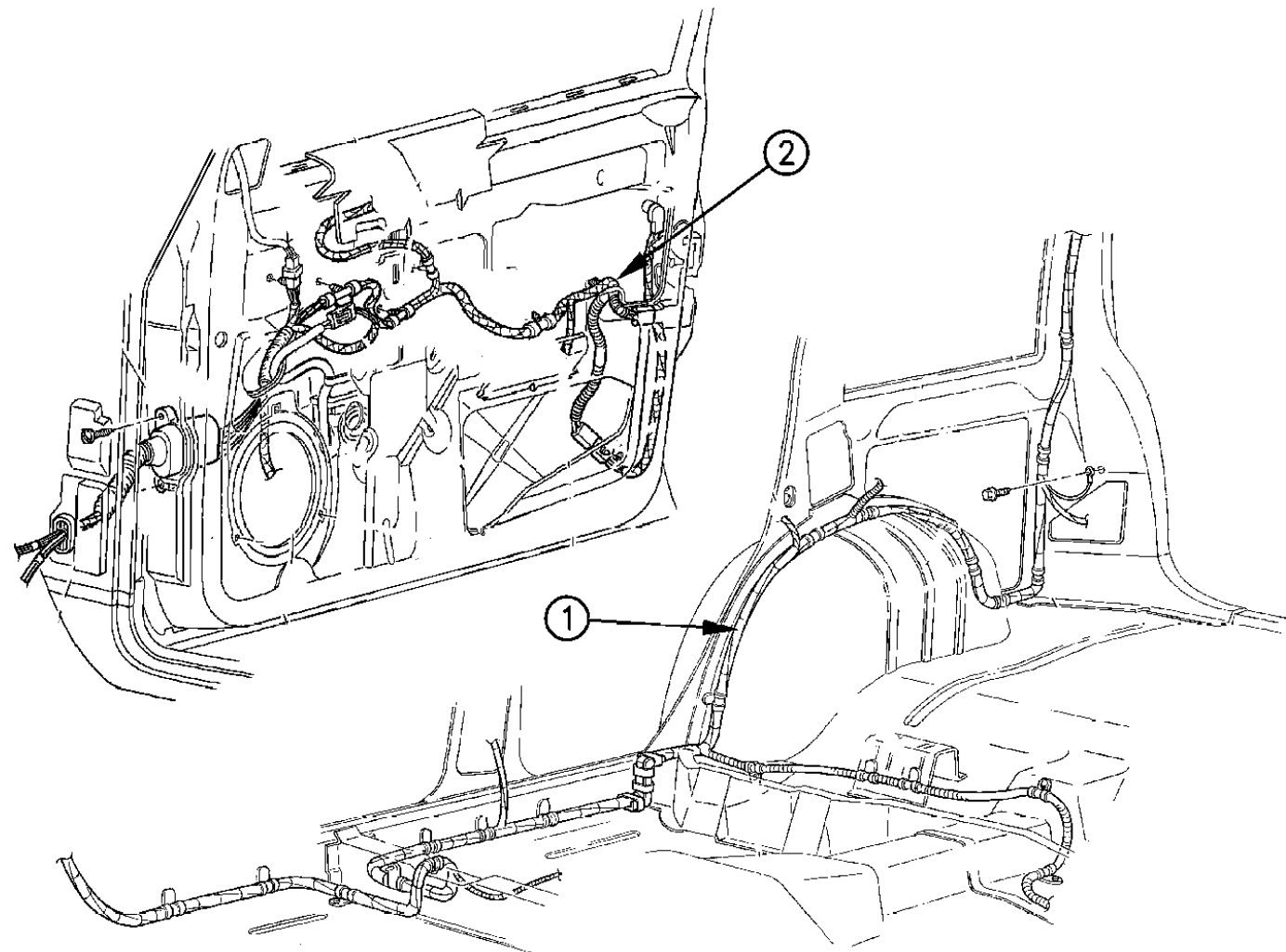
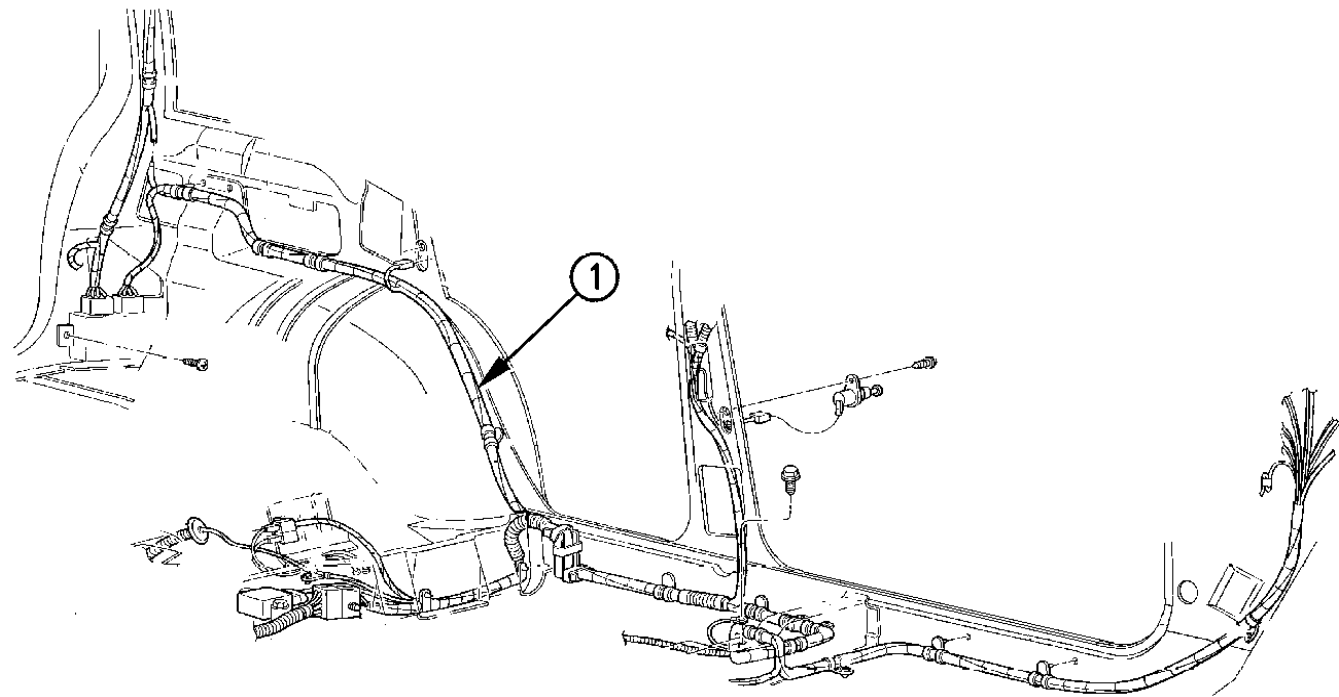
MJ=Comanche Pickup ZJ=Grand Cherokee/Grand Wagoneer KDX VEHICLES
 SJ=Grand Wagoneer M1=Comanche
 XJ=Cherokee, Briarwood X1=Cherokee, Briarwood
 YJ=Wrangler Y1=Wrangler

AR = Use as Required - = Non Illustrated Part P.A.R. = Paint as Required

WIRING--BODY AND ACCESSORY GRAND CHEROKEE

Figure 8-5250

91J08 5250A



ITEM	PART NUMBER	QTY	BODY	MODEL	DESCRIPTION
1					WIRING, Body, Left
	5600 5511		ZJ		w/Pwr. Seats & Security Alarm, Lt. (Up to 7-16-92)
	5601 7851	1	ZJ		(Aft. 7-17-92) (Also To Lamp Outage Module)
	5600 5515		ZJ		w/o Security Alarm, Trailer Tow, Pwr. Seats, Pwr. Locks, Pwr. Wdos. (Up to 7-16-92)
	5601 7855	1	ZJ		(Aft. 7-17-92)
2					WIRING, Front Door
	5601 6974	2	ZJ		w/o Pwr. Wdos., Pwr. Locks, Security Alarm, Courtesy Lamps 1993
	5601 8660	2	ZJ		1993
	5600 5286-7	1	ZJ		w/Security Alarm & Courtesy Lamps
	5601 8370-1		ZJ		1993
	5600 5288-9	1	ZJ		w/Pwr. Wdos., Pwr. Locks, w/o Security Alarm, Courtesy Lamps, Pwr. Mirrors
	5601 8374-5		ZJ		1993
-					WIRING, Left Rear Door, (Serv. in #1 Body Wiring)
	5600 5290	1	ZJ		w or w/o Pwr. Wdos. & Power Locks
-					WIRING, Right Rear Door
	5600 5290	1	ZJ		1992
	5601 8368	2	ZJ		w/o Pwr. Wdos.
	5601 8368	2	ZJ		w/Pwr. Wdos.
-					WIRING, Liftgate
	5601 7915	1	ZJ		1993, Liftgate, EUROPE
	5600 5302	1	ZJ		w/Security Alarm, Pwr. Wdos., Vehicle Maintenance Monitor., Liftgate
	5601 7705	1	ZJ		w/o Security Alarm, Pwr. Wdos., Vehicle Maintenance Monitor., Liftgate
-					WIRING, To Liftgate
	5601 8314	1	ZJ		w/Security Alarm
	5601 7912		ZJ		w/o Security Alarm
-					WIRING, Dome & Reading Lamp
	5600 5261	1	ZJ		Map/Reading/Dome Lamp, Keyless, w/o Overhead Console (Up To 7-16-92)
	5601 7578	1	ZJ		(Aft. 7/17/92)
	5600 6234	1	ZJ		Overhead Console, w/Keyless Entry (Up To 7-16-92)
	5601 8325	1	ZJ		(Aft. 7/17/92)
-	5601 8388		ZJ		WIRING, Bodyside, Rt. w/Trailer Tow, Pwr. Seats, Security Alarm, (Up To 7-16-92)
	5601 7856	1	ZJ		(Aft. 7/17/92) (Also To Lamp Outage Module)
	5601 8730	1	ZJ		w/o Trailer Tow, Pwr. Seats, Pwr. Locks, Pwr. Wdos., Security Alarm
-	5601 7615	1	ZJ		WIRING, Trailer Tow Relays

MODEL CODES:

61=Pickup-6 Ft Box 74=4 Door Wagon T=2WD
 62=Pickup-7 Ft Box 77=Open Body 93" Wheelbase J,N,U=4WD
 72=2 Door Wagon 78=Open Body 103" Wheelbase

BODY STYLES:

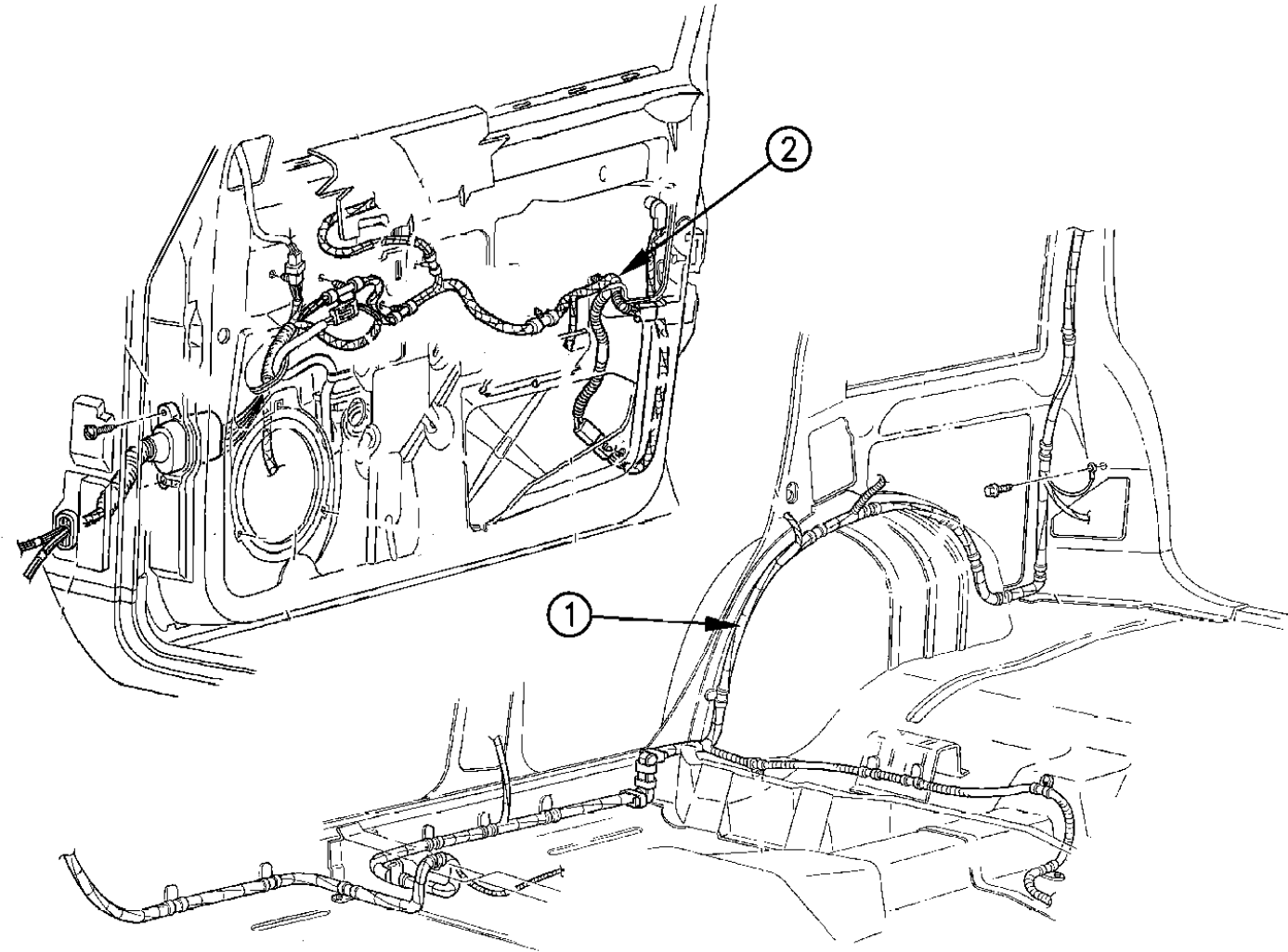
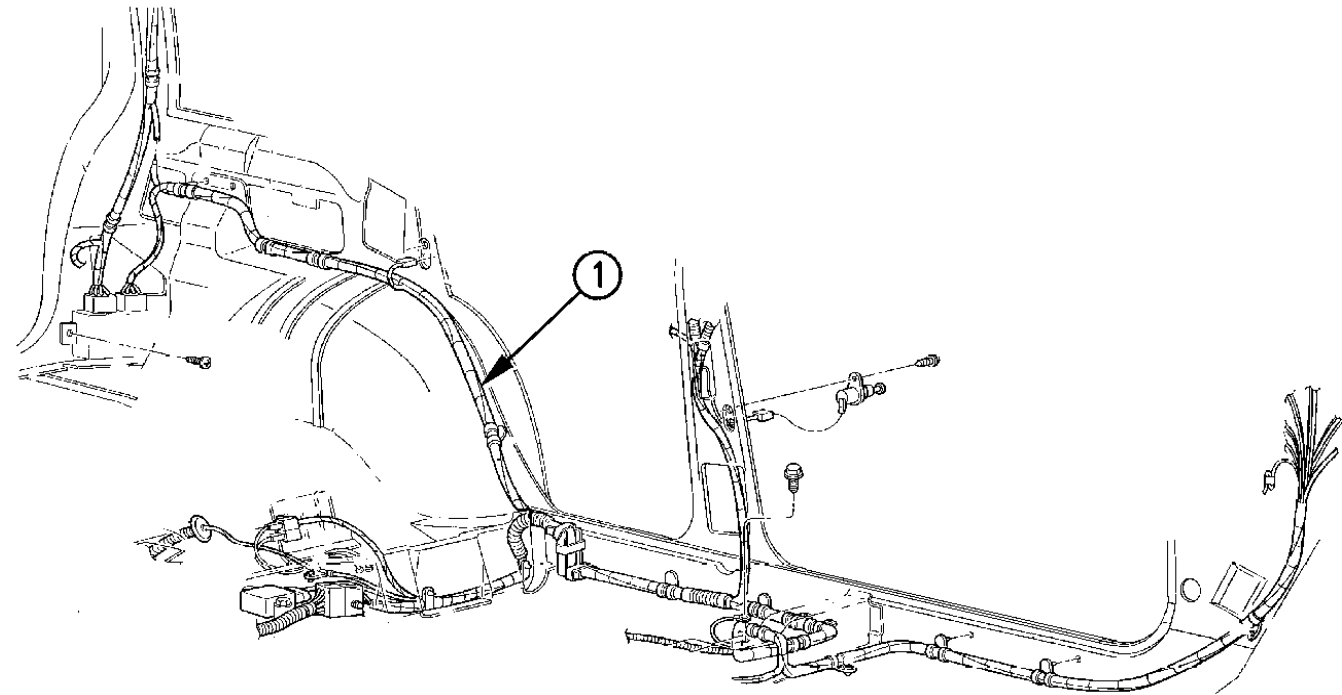
MJ=Comanche Pickup ZJ=Grand Cherokee/Grand Wagoneer KDX VEHICLES
 SJ=Grand Wagoneer M1=Comanche
 XJ=Cherokee, Briarwood Y1=Cherokee, Briarwood
 YJ=Wrangler Y1=Wrangler

AR = Use as Required - = Non Illustrated Part P.A.R. = Paint as Required

WIRING--BODY AND ACCESSORY GRAND CHEROKEE

Figure 8-5250

91J08 5250A



ITEM	PART NUMBER	QTY	BODY	MODEL	DESCRIPTION
-	5601 7622	1	ZJ		WIRING, Trailer Tow
-	5600 6315	1	ZJ		SWITCH, Accelerator (ABS)
	5200 7279	1	ZJ		
-	6034 484	2	ZJ		SCREW, Switch to Bracket
-	5601 8149		ZJ		WIRING, Jumper Front Door Rt., (Up To 7-16-92)
	5601 7914	1	ZJ		(Aft. 7-17-92)
-	5601 9159	1			Lt. w/Pwr. Windows ***
-	5601 7757	1	ZJ		WIRING, Fog Lamps
-	5601 7836	1	ZJ		WIRING, Underhood Lamp
-	5601 8372-3	2	ZJ		WIRING, Front Door Jumper, w or w/o Pwr. Windows
-	5601 7320	1	ZJ		WIRING, w/Power Sunroof
-	4638 186		ZJ		WIRING, PRNDL/Transfer Case
-	5601 8325	1	ZJ		WIRING, Overhead Console & Keyless Entry
	5601 8915		ZJ		1993
-	5600 5772-3		ZJ		WIRING, Power Seat
-	5601 7746	2	ZJ		WIRING, Headlamp Module

MODEL CODES:

61=Pickup-6 Ft Box 74=4 Door Wagon T=2WD
 62=Pickup-7 Ft Box 77=Open Body 93" Wheelbase J,N,U=4WD
 72=2 Door Wagon 78=Open Body 103" Wheelbase

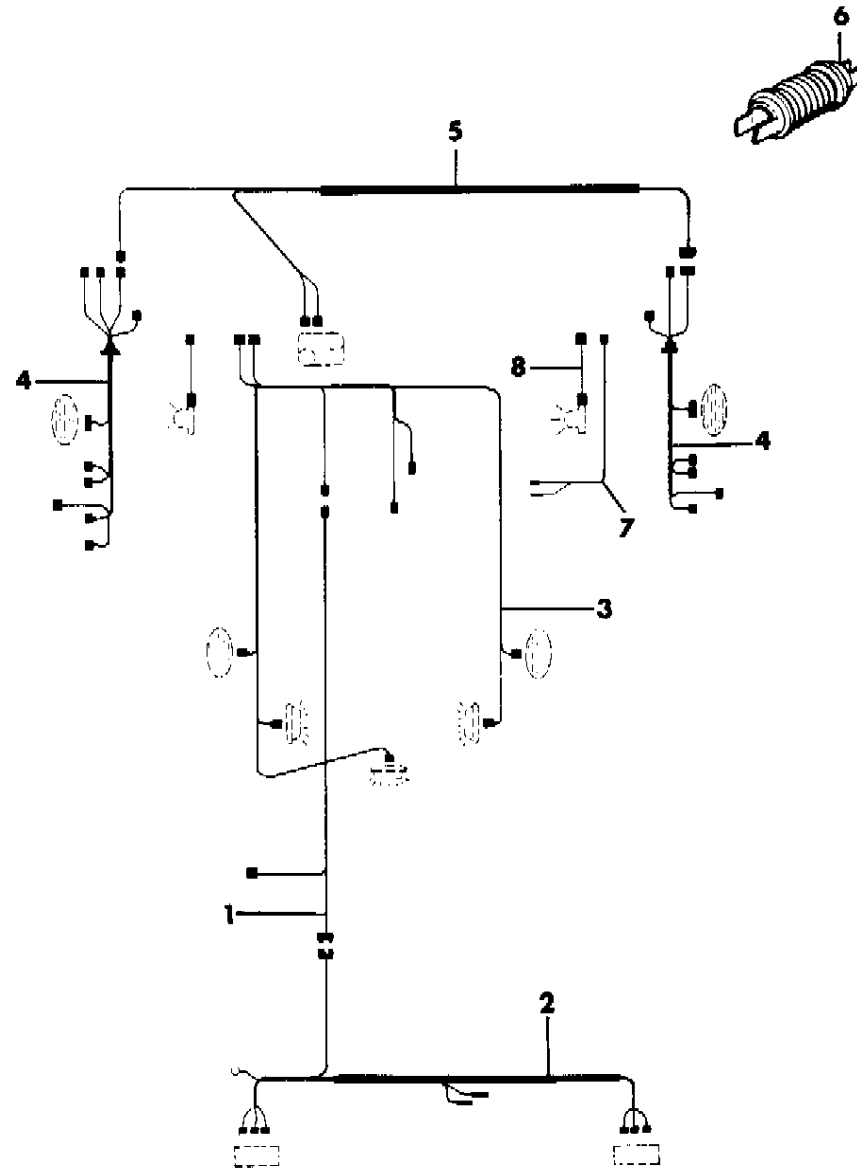
BODY STYLES:

MJ=Comanche Pickup ZJ=Grand Cherokee/Grand Wagoneer KDX VEHICLES
 SJ=Grand Wagoneer M1=Comanche
 XJ=Cherokee, Briarwood X1=Cherokee, Briarwood
 YJ=Wrangler Y1=Wrangler

AR = Use as Required - = Non Illustrated Part P.A.R. = Paint as Required

WIRING--BODY AND ACCESSORY COMANCHE
Figure 8-5300

91J08 5300



ITEM	PART NUMBER	QTY	BODY	MODEL	DESCRIPTION
1	5601 6903	1			WIRING, Under Body
	5600 4602	1		All	
	5601 7049	1			Trans. Case w/231, 1992
	5601 8361				1993
2	5600 4915	1			WIRING, Rear Lighting
3	5601 6903	1			WIRING, Cab
4	5600 4900	2			WIRING, Door Speaker
5	5600 4915	1			WIRING, Body
6	5503 4132	2			CONDUIT, Door Harness Wiring
7	5600 4871	1			WIRING, Lighted Vanity
8	5600 4406	2			WIRING, Courtesy Lamp

MODEL CODES:

61=Pickup-6 Ft Box 74=4 Door Wagon T=2WD
 62=Pickup-7 Ft Box 77=Open Body 93" Wheelbase J,N,U=4WD
 72=2 Door Wagon 78=Open Body 103" Wheelbase

BODY STYLES:

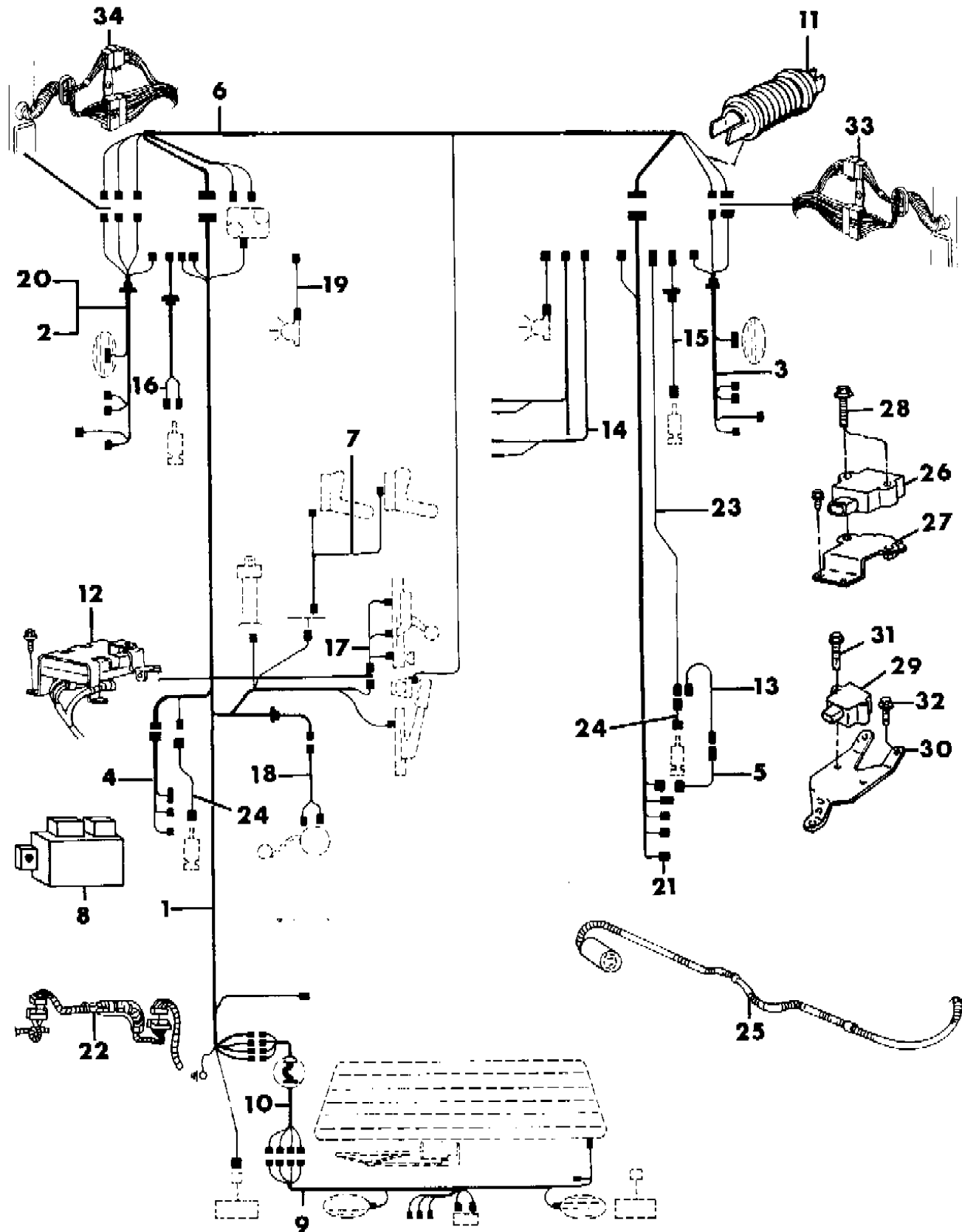
MJ=Comanche Pickup ZJ=Grand Cherokee/Grand Wagoneer KDX VEHICLES
 SJ=Grand Wagoneer M1=Comanche
 XJ=Cherokee, Briarwood X1=Cherokee, Briarwood
 YJ=Wrangler Y1=Wrangler

AR = Use as Required - = Non Illustrated Part P.A.R. = Paint as Required

WIRING--BODY AND ACCESSORY GRAND WAGONEER

Figure 8-5400

91J08 5400F



ITEM	PART NUMBER	QTY	BODY	MODEL	DESCRIPTION
1	5600 3219	1			WIRING, Body
2	5601 7506	1			WIRING, Rear Cross
3	5600 2656	1			WIRING, Tailgate
4	J097 4764-5	3			SCREW
5	5600 3954	1			WIRING, Front Cross
6	5600 3642	1			WIRING, Dome, Reading, Vanity
7	5600 2400	1			WIRING, Door, Lt.
8	5600 2403	1			WIRING, Door, Rt.
9	5600 4903	1			WIRING, Seat Belt, w/Pwr. Seats
10	5600 2401	2			WIRING, Door
11	5601 6738	1			WIRING, Fuel Tank
-	5601 6738	1			WIRING, Jumper, Fuel Tank to Frame Wiring
12	5600 4902	1			WIRING, Door
13	J576 2322	2			RETAINER
14	J576 2321	2			CAP
15	J575 6873	2			RETAINER
16	J575 6933	2			CAP
17	J812 0054	8			SCREW
18	J400 1712	1			CLIP
19	3420 2362	4			CLIP
20	3420 1904	3			CLIP

MODEL CODES:

61=Pickup-6 Ft Box 74=4 Door Wagon T=2WD
 62=Pickup-7 Ft Box 77=Open Body 93" Wheelbase J,N,U=4WD
 72=2 Door Wagon 78=Open Body 103" Wheelbase

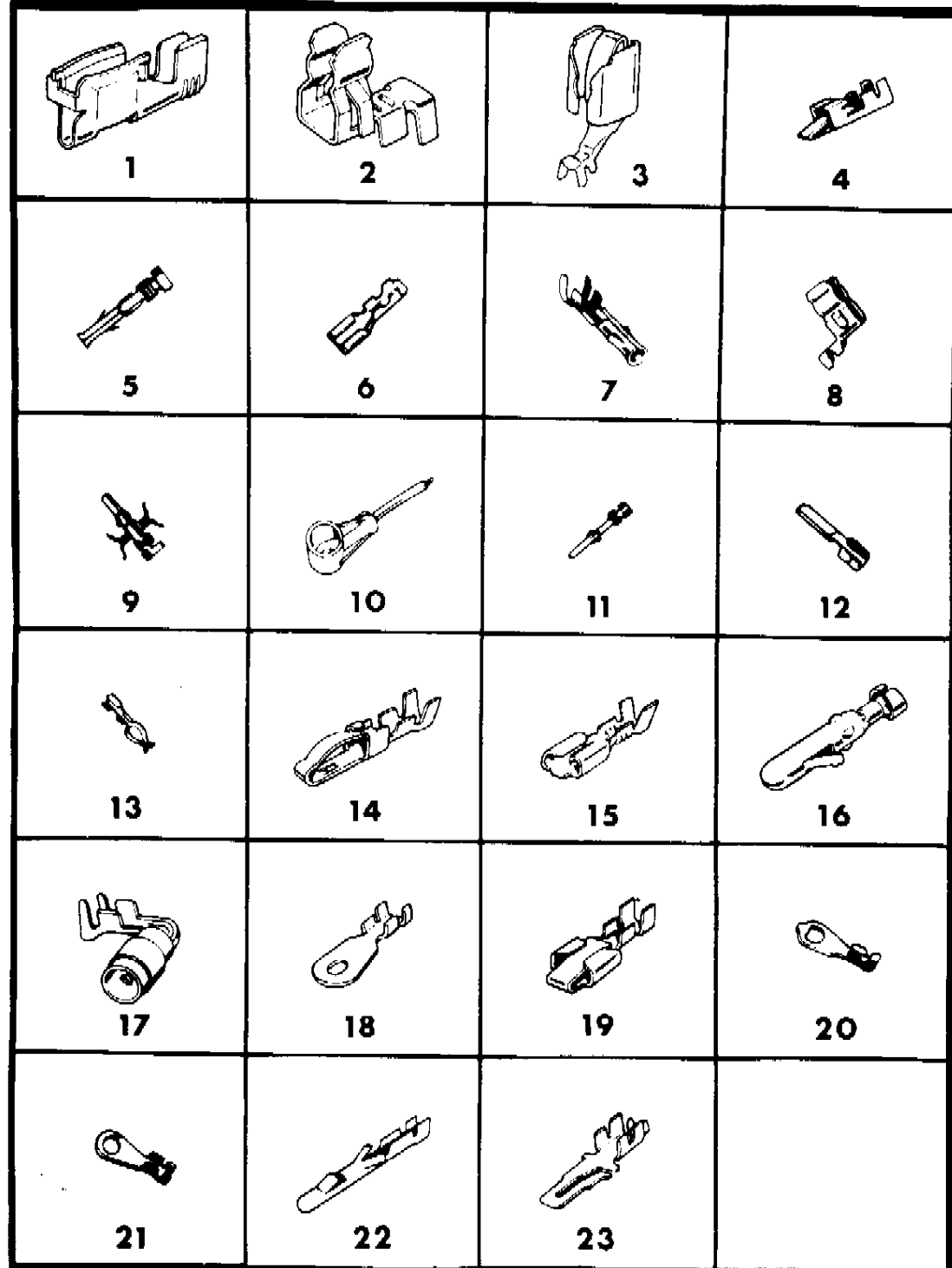
BODY STYLES:

MJ=Comanche Pickup ZJ=Grand Cherokee/Grand Wagoneer KDX VEHICLES
 SJ=Grand Wagoneer M1=Comanche
 XJ=Cherokee, Briarwood X1=Cherokee, Briarwood
 YJ=Wrangler Y1=Wrangler

AR = Use as Required - = Non Illustrated Part P.A.R. = Paint as Required

TERMINAL CHART
Figure 8-5600

91J08 5600



ITEM	PART NUMBER	QTY	BODY	MODEL	DESCRIPTION
1	3513 613				TERMINAL
2	3591 596				TERMINAL
3	3764 607				TERMINAL
4	2496 532				TERMINAL
5	2983 410				TERMINAL
6	2580 061				TERMINAL
7	3513 544				TERMINAL
8	2926 722				TERMINAL
9	2983 411				TERMINAL
10	3588 946				TERMINAL
11	2983 409				TERMINAL
12	2983 412				TERMINAL
13	3513 586				TERMINAL
14	3764 556				TERMINAL
15	3764 570				TERMINAL
16	3513 543				TERMINAL
17	3843 577				TERMINAL
18					TERMINAL, (Serv. Assy)
19	3588 819				TERMINAL
20	3513 637				TERMINAL
21	3438 709				TERMINAL
22	3513 756				TERMINAL
23	3513 692				TERMINAL

MODEL CODES:

61=Pickup-6 Ft Box 74=4 Door Wagon T=2WD
 62=Pickup-7 Ft Box 77=Open Body 93" Wheelbase J,N,U=4WD
 72=2 Door Wagon 78=Open Body 103" Wheelbase

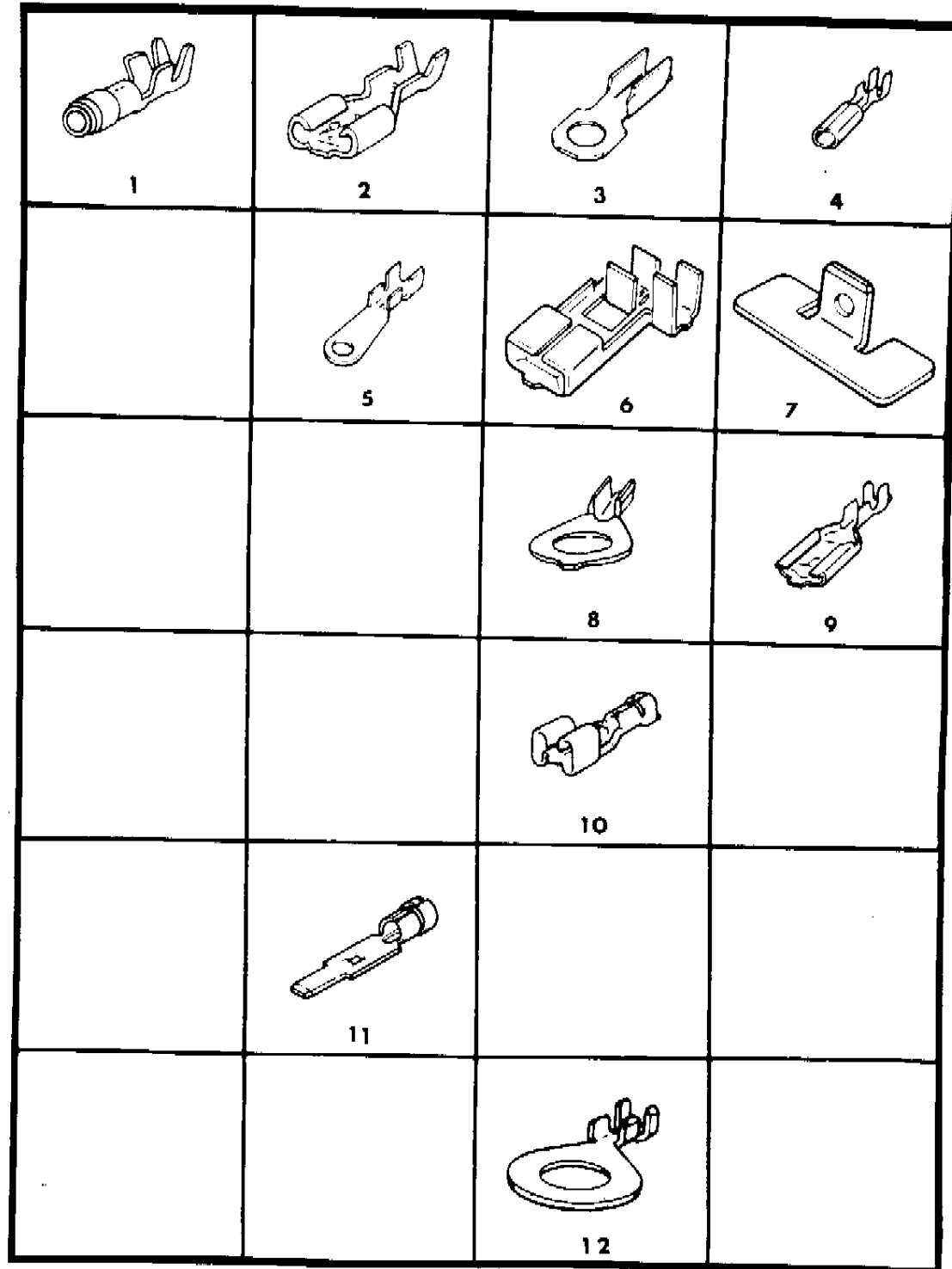
BODY STYLES:

MJ=Comanche Pickup ZJ=Grand Cherokee/Grand Wagoneer KDX VEHICLES
 SJ=Grand Wagoneer M1=Comanche
 XJ=Cherokee, Briarwood X1=Cherokee, Briarwood
 YJ=Wrangler Y1=Wrangler

AR = Use as Required - = Non Illustrated Part P.A.R. = Paint as Required

TERMINAL CHART
Figure 8-5600

91J08 5700



ITEM	PART NUMBER	QTY	BODY	MODEL	DESCRIPTION
1	3843 576				TERMINAL
2	4400 775				TERMINAL
3	2197 947				TERMINAL
4	2983 410				TERMINAL
5	2290 069				TERMINAL
6	4055 468				TERMINAL
7	4055 775				TERMINAL
8	5211 602				TERMINAL
9	1704 562				TERMINAL
10	3843 601				TERMINAL
11	3843 386				TERMINAL
12	5211 599				TERMINAL

MODEL CODES:

61=Pickup-6 Ft Box 74=4 Door Wagon T=2WD
 62=Pickup-7 Ft Box 77=Open Body 93" Wheelbase J,N,U=4WD
 72=2 Door Wagon 78=Open Body 103" Wheelbase

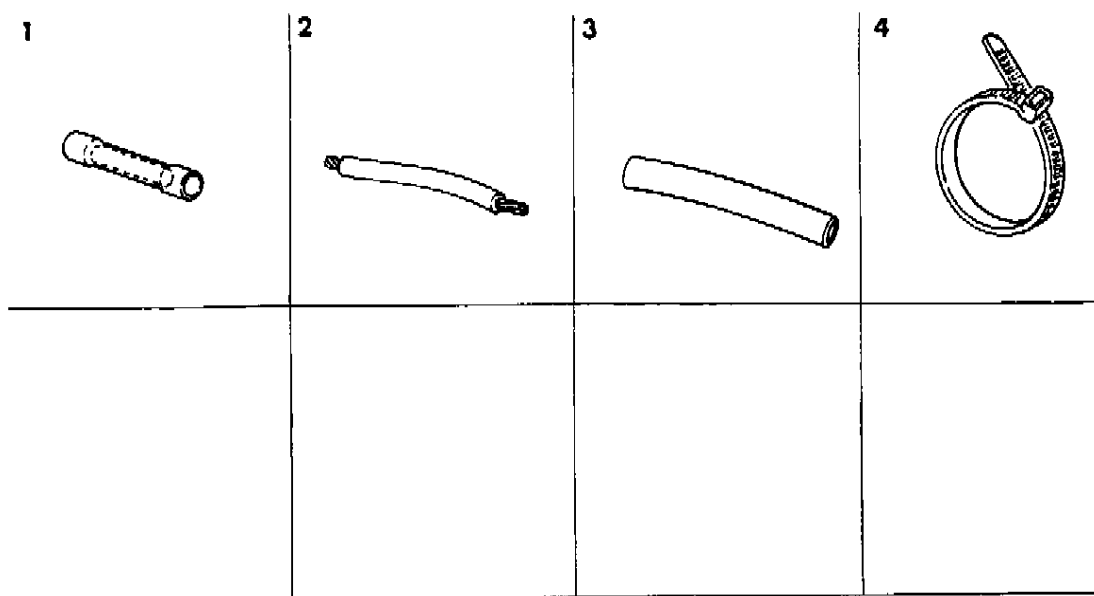
BODY STYLES:

MJ=Comanche Pickup ZJ=Grand Cherokee/Grand Wagoneer KDX VEHICLES
 SJ=Grand Wagoneer M1=Comanche
 XJ=Cherokee, Briarwood X1=Cherokee, Briarwood
 YJ=Wrangler Y1=Wrangler

AR = Use as Required - = Non Illustrated Part P.A.R. = Paint as Required

CRIMP SPLICE--FUSIBLE LINK--HEAT SHRINK
Figure 8-5800

91J08 5800



ITEM	PART NUMBER	QTY	BODY	MODEL	DESCRIPTION	
1	4439 004	1			CRIMP PACKAGE, 18-22 Gauge, (3 Pieces)	
	4439 005	1			14-16 Gauge (3 Pieces)	
	4439 006	1			10-12 Gauge (3 Pieces)	
	2	4364 877	1			FUSIBLE LINK PACKAGE, (D/Green-10 Gauge (4 12" Pieces) ***
		4364 876	1			(Black-12 Gauge) (4 12" Pieces)
		4364 875	1			(Red-14 Gauge) (4 12" Pieces)
		4364 874	1			(D/Blue-16 Gauge) (4 12" Pieces)
		4364 873	1			(Gray-18 Gauge) (4 12" Pieces)
		4364 878	1			(Orange-20 Gauge) (4 12" Pieces)
		4419 351	1			(White-22 Gauge) (4 12" Pieces)
3	4419 644	1			HEAT SHRINK TUBE, 1/4" x 2" Long	
4	6015 756	1			TY-STRAPS, 6.75" Long (To Tie 1/16" to 2 1/8" of Wire)	
	6016 155	1			14" Long (To Tie 3/16" to 4" of Wire)	
					DIODE'S	
	4364 393				CONVOLUTE TUBING, 1/4", 10 Foot Roll ***	
	4364 375				3/8", 10 Foot Roll	
	4364 392				5/8", 10 Foot Roll	

MODEL CODES:

61=Pickup-6 Ft Box 74=4 Door Wagon T=2WD
 62=Pickup-7 Ft Box 77=Open Body 93" Wheelbase J,N,U=4WD
 72=2 Door Wagon 78=Open Body 103" Wheelbase

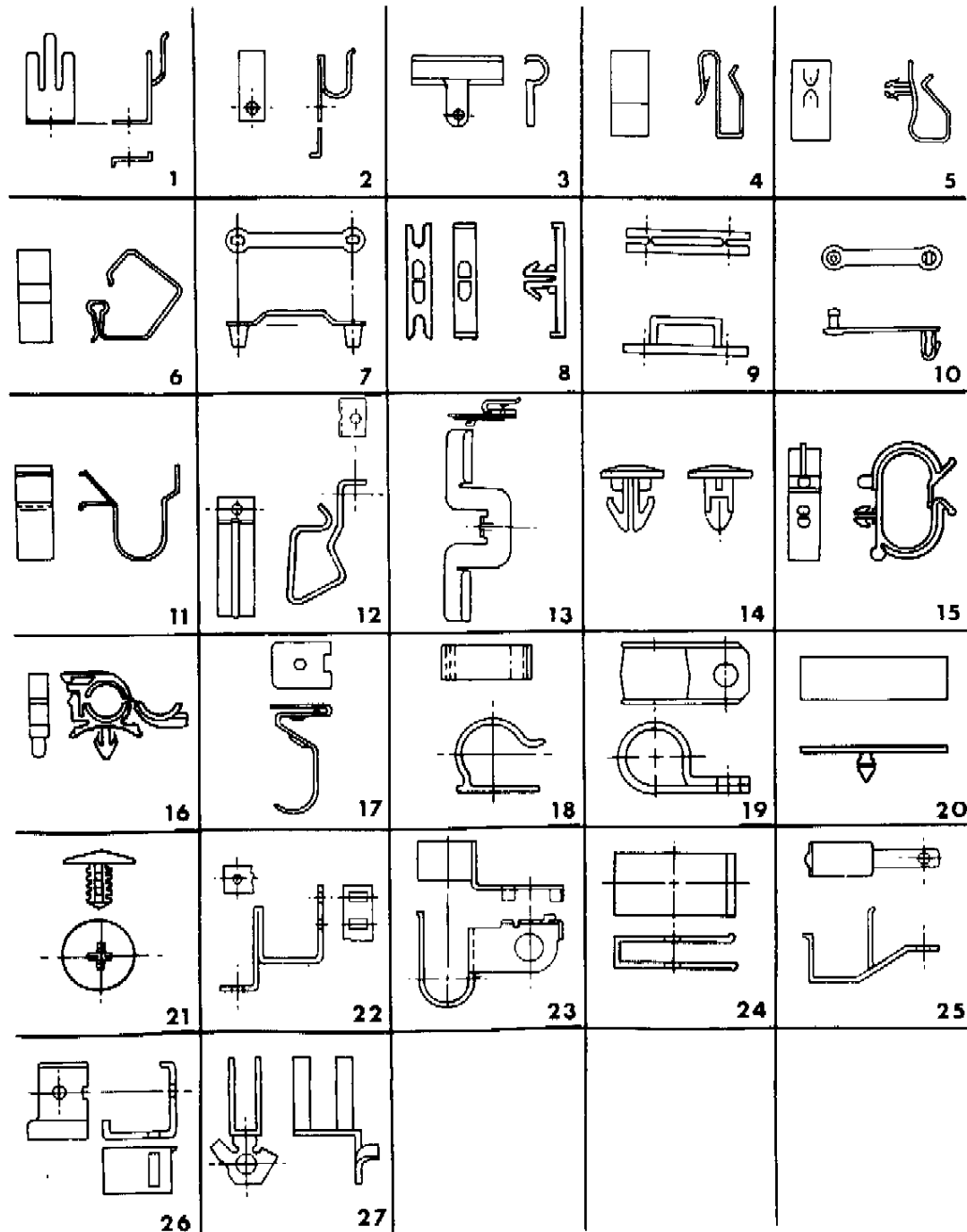
BODY STYLES:

MJ=Comanche Pickup ZJ=Grand Cherokee/Grand Wagoneer KDX VEHICLES
 SJ=Grand Wagoneer M1=Comanche
 XJ=Cherokee, Briarwood X1=Cherokee, Briarwood
 YJ=Wrangler Y1=Wrangler

AR = Use as Required - = Non Illustrated Part P.A.R. = Paint as Required

WIRING CLIPS
Figure 8-5900

91J08 5900



ITEM	PART NUMBER	QTY	BODY	MODEL	DESCRIPTION
1	6016 054	AR			CLIP
2	6016 158	AR			CLIP
3	6015 839	AR			CLIP
4	6015 327	AR			CLIP, (.71h x .38w)
	6015 377	AR			(.52h x .38w)
5	6016 080	AR			CLIP
6	6015 412	AR			CLIP
7	6015 544	AR			CLIP
8	6015 288	AR			CLIP
9	6015 739	AR			CLIP
10	6015 776	AR			CLIP, (1.88l x .38w)
	6015 801	AR			(4.98l x .26w)
11	6015 818	AR			CLIP
12	6016 083	AR			CLIP
13	6016 118	AR			CLIP
14	6015 925	AR			CLIP
15	6016 046	AR			CLIP
16	6016 059	AR			CLIP
17	6016 149	AR			CLIP
18	6016 153	AR			CLIP
19	6016 036	AR			CLIP
20	6016 122	AR			CLIP
21	6016 144	AR			CLIP
22	6016 127	AR			CLIP
23	6016 044	AR			CLIP
24	6016 160	AR			CLIP
25	6016 120	AR			CLIP
26	6016 121	AR			CLIP
27	6016 074	AR			CLIP

MODEL CODES:

61=Pickup-6 Ft Box 74=4 Door Wagon T=2WD
 62=Pickup-7 Ft Box 77=Open Body 93" Wheelbase J,N,U=4WD
 72=2 Door Wagon 78=Open Body 103" Wheelbase

BODY STYLES:

MJ=Comanche Pickup ZJ=Grand Cherokee/Grand Wagoneer KDX VEHICLES
 SJ=Grand Wagoneer M1=Comanche
 XJ=Cherokee, Briarwood X1=Cherokee, Briarwood
 YJ=Wrangler Y1=Wrangler

AR = Use as Required - = Non Illustrated Part P.A.R. = Paint as Required

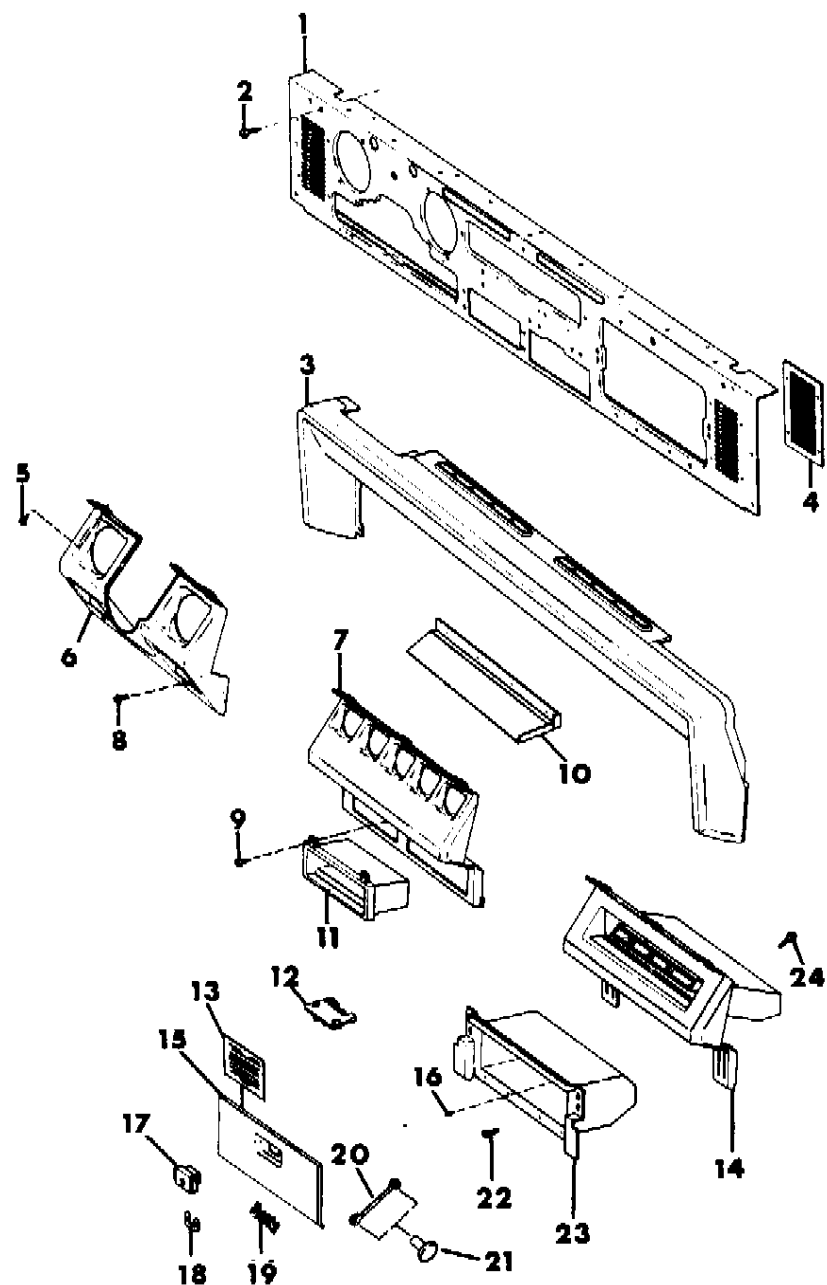
GROUP 8A - ELECTRICAL - INSTRUMENT PANEL AND CONSOLES

ILLUSTRATION TITLE	GROUP-FIG. NO.
INSTRUMENT PANEL PAD AND BEZELS WRANGLER YJ	Fig. 8A-100
INSTRUMENT PANEL ASH RECEIVER AND SWITCHES WRANGLER YJ	Fig. 8A-200
INSTRUMENT PANEL CLUSTER WRANGLER YJ	Fig. 8A-400
ANTENNA, SPEAKERS AND RADIO KNOBS WRANGLER YJ	Fig. 8A-500
CONSOLE, FLOOR WRANGLER YJ	Fig. 8A-600
RELAYS-MISCELLANEOUS WRANGLER, YJ	Fig. 8A-800
CONNECTORS WRANGLER YJ	Fig. 8A-900
INSTRUMENT PANEL PAD AND BEZELS CHEROKEE, BRIARWOOD, COMANCHE	Fig. 8A-1000
INSTRUMENT PANEL PAD AND BEZELS CHEROKEE RHD	Fig. 8A-1100
INSTRUMENT PANEL GRAND CHEROKEE	Fig. 8A-1200
INSTRUMENT PANEL SWITCHES AND CIGAR LIGHTER CHEROKEE, BRIARWOOD, COMANCHE	Fig. 8A-1300
INSTRUMENT CLUSTER W/O TACHOMETER, W/GAUGES CHEROKEE, BRIARWOOD, COMANCHE	Fig. 8A-1400
INSTRUMENT CLUSTER W/TACHOMETER, W/GAUGES CHEROKEE, BRIARWOOD, COMANCHE	Fig. 8A-1500
INSTRUMENT CLUSTER W/O TACHOMETER, W/WARNING LAMPS CHEROKEE, BRIARWOOD, COMANCHE	Fig. 8A-1600
INSTRUMENT CLUSTER GRAND CHEROKEE	Fig. 8A-1700
RADIO SPEAKERS AND KNOBS TWO SPEAKER SYSTEM CHEROKEE, BRIARWOOD, GRAND CHEROKEE, COMANCHE	Fig. 8A-1900
RADIO SPEAKERS AND KNOBS FOUR/SIX SPEAKER SYSTEM CHEROKEE, BRIARWOOD, GRAND CHEROKEE, COMANCHE	Fig. 8A-2000
ANTENNA CHEROKEE, BRIARWOOD, GRAND CHEROKEE, COMANCHE	Fig. 8A-2100
CONSOLE,-OVERHEAD CHEROKEE, BRIARWOOD	Fig. 8A-2200
CONSOLE, OVERHEAD GRAND CHEROKEE	Fig. 8A-2300
SHIFT BEZELS CHEROKEE, BRIARWOOD, GRAND CHEROKEE, COMANCHE	Fig. 8A-2400
CONSOLE CHEROKEE, BRIARWOOD, COMANCHE	Fig. 8A-2500
CONSOLE GRAND CHEROKEE	Fig. 8A-2600
INSTRUMENT PANEL GRAND WAGONEER	Fig. 8A-2700
INSTRUMENT CLUSTER GRAND WAGONEER	Fig. 8A-2800
RADIOS AND SPEAKERS GRAND WAGONEER	Fig. 8A-3000
ANTENNA GRAND WAGONEER	Fig. 8A-3100
CONSOLE, OVERHEAD GRAND WAGONEER	Fig. 8A-3200
SWITCHES GRAND WAGONEER	Fig. 8A-3300

ILLUSTRATION NOT AVAILABLE AT TIME OF PUBLICATION

INSTRUMENT PANEL PAD AND BEZELS WRANGLER YJ
Figure 8A-100

91J82100



ITEM	PART NUMBER	QTY	BODY	MODEL	DESCRIPTION
1	5511 4676	1			PANEL, Instrument, P.A.R.
2	J400 4991	11			SCREW
3	5AD8 3JY6	1			PAD, Instrument Panel
4	5500 8207	2			GRILLE, Speaker
5	J400 3671	16			SCREW
6					HOUSING, Cluster
	5AS8 0KXA	1			Cinder
	5AS8 0JY6	1			Sand 1991
	5AS8 0LTB	1			Spice 1992-93
7	5AD8 8JY6	1			HOUSING, Gauge P.A.R.
8	3420 1510	7			SCREW
9	J448 9487	2			SCREW
10	5501 5148	1			DEFLECTOR, Water ***
11	5500 7711	1			BIN, Storage
12	5500 0343	1			STRIKER, Glove Box
13	J315 7268	1			STICKER, Lock Type Differential ***
14	4638 580	1			HOUSING, Glove Box w/Grab Handle P.A.R.
	4740 016	1			1993 ***
15	5500 7286	1			DOOR, Glove Box
16	J400 0093	2			BUMPER, Glove Box Door
17	5507 4510	1			LATCH, Glove Box w/o Lock (Squeeze Type)
18	5500 6506	1			RETAINER, Lock
19	5501 0071	1			NAME PLATE, Jeep
20	5502 0572	2			STRAP, Glove Box Door
21	5502 0573	2			BUTTON, Retaining
22	J941 9303	4			SCREW
23	5500 7292	1			TOP, Glove Box Housing
24	J400 3671	4			SCREW

MODEL CODES:

61=Pickup-6 Ft Box 74=4 Door Wagon T=2WD
 62=Pickup-7 Ft Box 77=Open Body 93" Wheelbase J,N,U=4WD
 72=2 Door Wagon 78=Open Body 103" Wheelbase

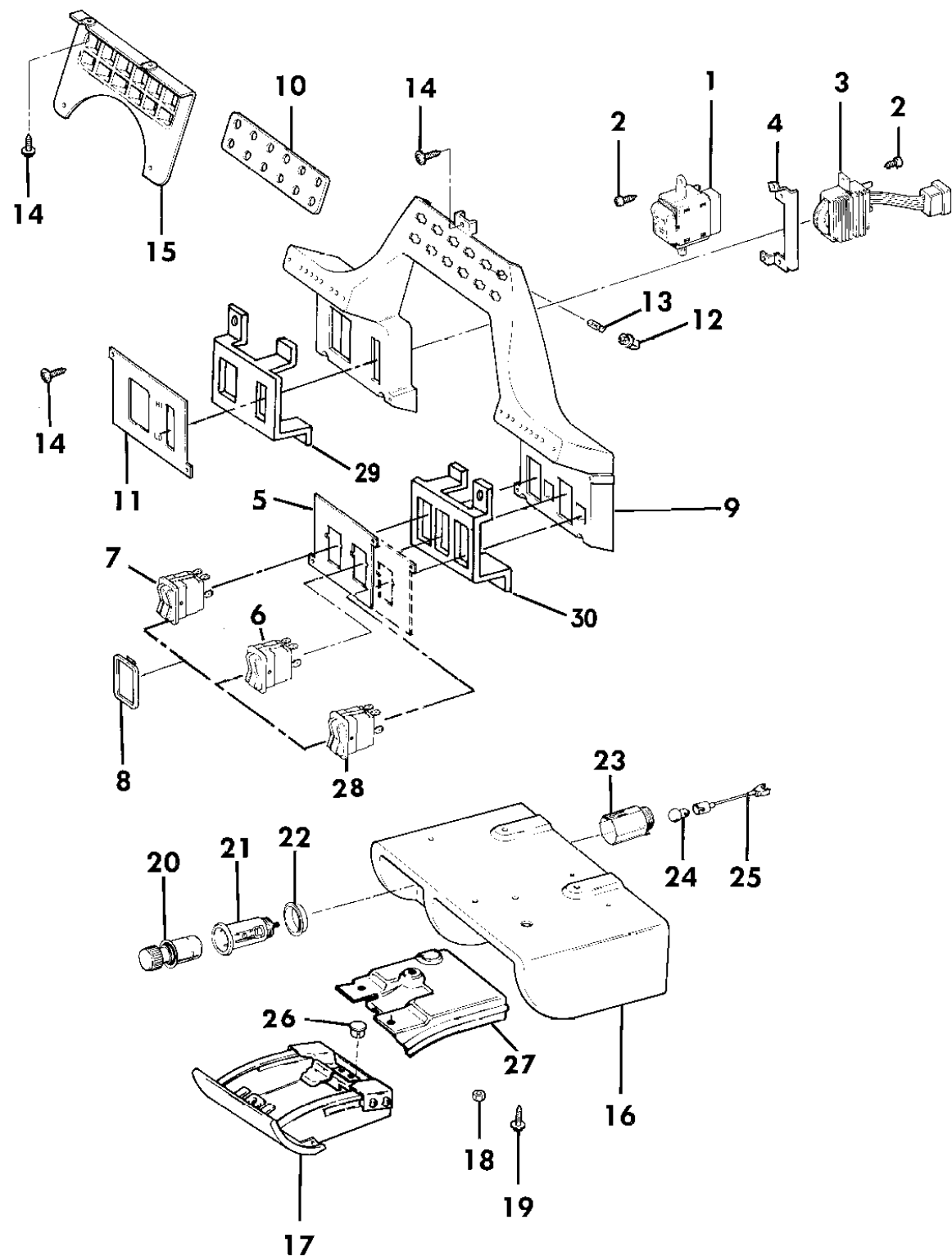
BODY STYLES:

MJ=Comanche Pickup ZJ=Grand Cherokee/Grand Wagoneer KDX VEHICLES
 SJ=Grand Wagoneer M1=Comanche
 XJ=Cherokee, Briarwood X1=Cherokee, Briarwood
 YJ=Wrangler Y1=Wrangler

AR = Use as Required - = Non Illustrated Part P.A.R. = Paint as Required

INSTRUMENT PANEL ASH RECEIVER AND SWITCHES WRANGLER YJ
Figure 8A-200

91J82 200A



ITEM	PART NUMBER	QTY	BODY	MODEL	DESCRIPTION
1	5600 3119	1			SWITCH, Headlamp
2		6			SCREW (DNS)
3	5600 1864	1			RHEOSTAT
4	5501 3336	1			BRACKET
5					APPLIQUE
	5502 4780	1			3-Hole, Fog Lamps, Heated Rear Window, Rear Wiper
	5500 8214	1			2-Hole, Rear Fog lamps, Heated Rear Window
	5502 4782	1			2-Hole, Fog Lamps, Rear Wiper
	5502 4781	1			2-Hole, Heated Rear Window, Rear Wiper
	5500 8213	1			2-Hole, Front Fog Lamps, Heated Rear Window
	5502 4783	1			1-Hole, Fog Lamps
	5502 1595	1			1-Hole, Rear Wiper
	5500 8216	1			w/o Switch Openings
6					SWITCH, Defogger
	5600 3540	1			1991
	5600 6861	1			1992-93
7					SWITCH, Fog Lamp
	5600 3541	1			EUROPE
	5600 2384	1			w/o EUROPE
8	5500 3005	AR			COVER, Switch
9	5502 6163	1			HOUSING
10	5500 8915	1			GASKET, Switch Housing
11	5500 8217	1			LENS, H/Lamp
12	3600 0091	7			SOCKET
13	9433 184	7			BULB
14	J400 3671	6			SCREW
15					BEZEL, Warning Lamps
					w/o EUROPE
	5BA2 0KY6	1			DARK SAND
	5BA2 0KXA	1			CINDER
					w/EUROPE
	5BA2 6KXA	1			CINDER
	5BA2 6KY6	1			DARK SAND
					1993
	5CN7 6LTB	1			Spice
	5CN7 6LXA	1			Cinder
16	5500 8354	1			HOUSING
17	5500 8351	1			ASHTRAY
18	J012 0361	1			NUT
19	J400 5796	3			SCREW
20					LIGHTER, Cigar ***

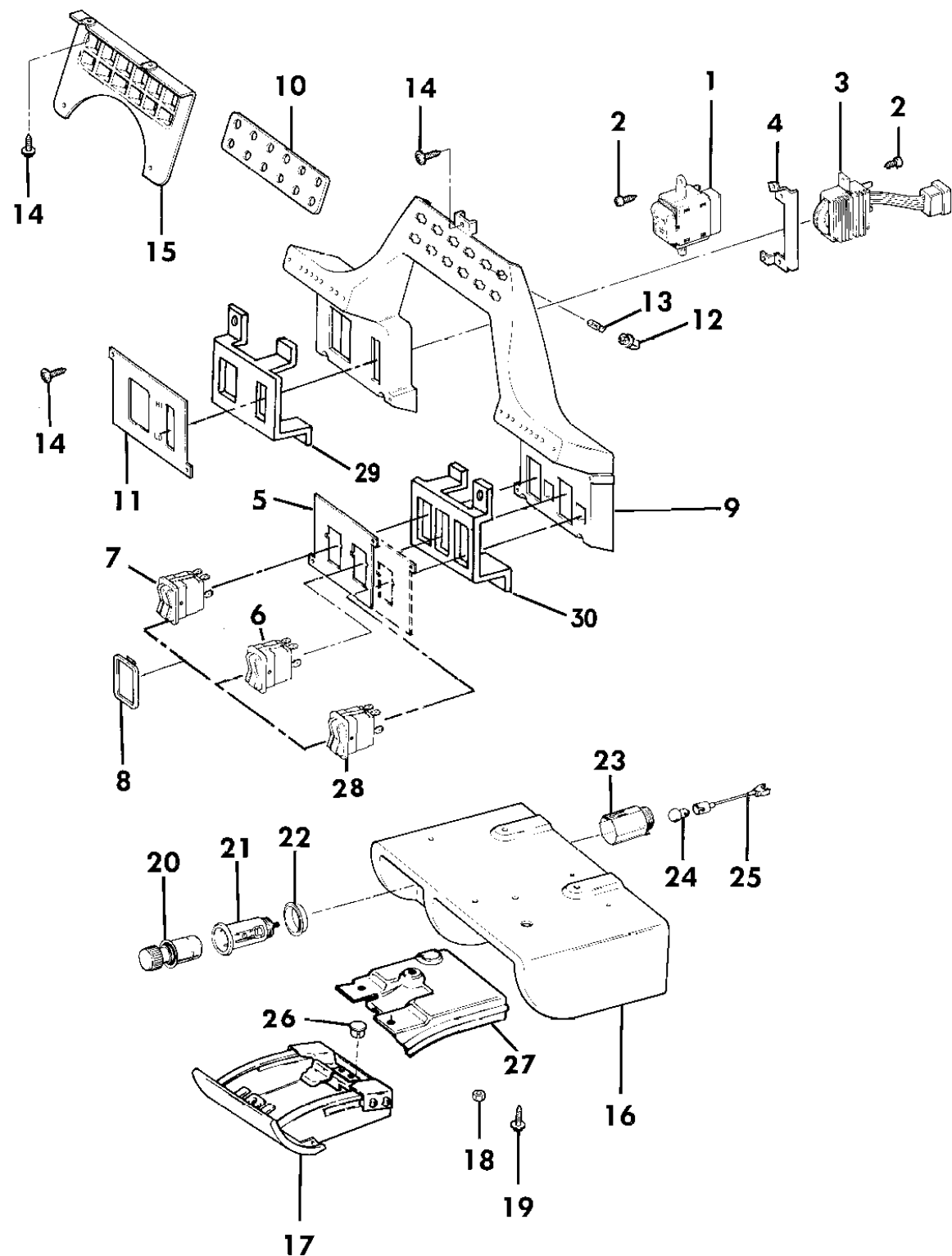
MODEL CODES:
 61=Pickup-6 Ft Box 74=4 Door Wagon T=2WD
 62=Pickup-7 Ft Box 77=Open Body 93" Wheelbase J,N,U=4WD
 72=2 Door Wagon 78=Open Body 103" Wheelbase

BODY STYLES:
 MJ=Comanche Pickup ZJ=Grand Cherokee/Grand Wagoneer KDX VEHICLES
 SJ=Grand Wagoneer M1=Comanche
 XJ=Cherokee, Briarwood Y1=Wrangler

AR = Use as Required - = Non Illustrated Part P.A.R. = Paint as Required

INSTRUMENT PANEL ASH RECEIVER AND SWITCHES WRANGLER YJ
Figure 8A-200

91J82 200A



ITEM	PART NUMBER	QTY	BODY	MODEL	DESCRIPTION
	5600 0501	1			Up to 3-25-91
	5600 6888	1			After 3-25-91
21	3747 634	1			HOUSING, Cigar Lighter
22	3500 1906	1			RING, Illumination
23	3600 0242	1			CLAMP, Cigar Lighter
24	J013 1282	AR			BULB, (53)
25	3600 0279	AR			SOCKET, Bulb
26	J400 0081	1			PLUG
27	5500 8352	1			GUIDE, Ash Reciever
28	5600 6733	1			SWITCH, Rear Wipe & Washer
29	5511 4624	1			HOUSING, H/Lamp Switch
30	5511 4628	1			HOUSING, Accessory Switch

MODEL CODES:

61=Pickup-6 Ft Box 74=4 Door Wagon T=2WD
 62=Pickup-7 Ft Box 77=Open Body 93" Wheelbase J,N,U=4WD
 72=2 Door Wagon 78=Open Body 103" Wheelbase

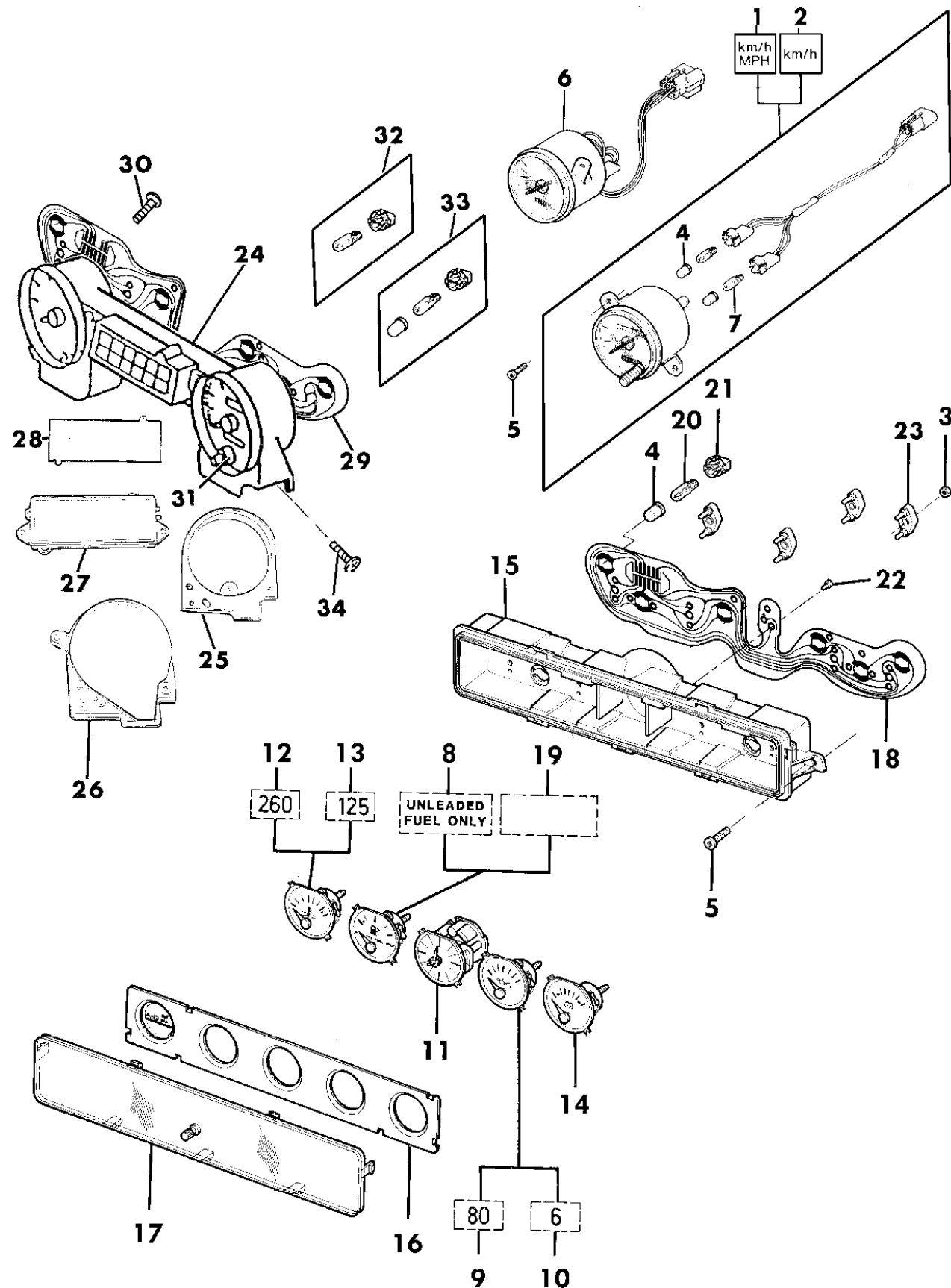
BODY STYLES:

MJ=Comanche Pickup ZJ=Grand Cherokee/Grand Wagoneer KDX VEHICLES
 SJ=Grand Wagoneer M1=Comanche
 XJ=Cherokee, Briarwood X1=Cherokee, Briarwood
 YJ=Wrangler Y1=Wrangler

AR = Use as Required - = Non Illustrated Part P.A.R. = Paint as Required

INSTRUMENT PANEL CLUSTER WRANGLER YJ
Figure 8A-400

91J82 400D



ITEM	PART NUMBER	QTY	BODY	MODEL	DESCRIPTION
1					SPEEDOMETER, Miles
	5600 2918	1			1991
	8350 6588	1			1992-93
2					SPEEDOMETER, Kilo
	5600 6343	1			1991
	8350 6589	1			1992-93
3	3420 1461	4			NUT
4	5600 2289	10			FILTER
5	J400 2457	AR			SCREW
6					TACHOMETER
	5600 4400	1			1991
	8350 6590	1			1992-93
7	9421 330	4			BULB, (194)
8					GAUGE, UNLEADED FUEL
	5600 1386	1			1991
	5600 4879	1			1992-93
9					GAUGE, Oil, U.S.
	5600 1389	1			1991
	5600 4880	1			1992-93
10					GAUGE, Oil, CANADA, EUROPE, MIDEAST, KDX 1991
	5600 1558	1			
	5600 4885	1			METRIC 1992-93 ***
11	5600 1388	1			CLOCK, 1991
NOTE: For 1992-93 the clock is included in the radio.					
12					GAUGE, Temperature, U.S.
	5600 1387	1			1991
	5600 4881	1			1992-93
13					GAUGE, Temperature, CANADA, EUROPE, MIDEAST, KDX
	5600 1559	1			1991
	5600 4886	1			1992-93
14					VOLTMETER ***
	5600 1390	1			1991
	5600 4884	1			1992-93
15					HOUSING
	8350 7109	1			1991
	8350 6524	1			1992-93
16					BEZEL
	8350 2949	1			1991
	8350 6526	1			1992-93
17					LENS
	8350 2948	1			1991 (Clock Knob Included)
	8350 6527	1			1992-93

MODEL CODES:

61=Pickup-6 Ft Box 74=4 Door Wagon T=2WD
 62=Pickup-7 Ft Box 77=Open Body 93" Wheelbase J,N,U=4WD
 72=2 Door Wagon 78=Open Body 103" Wheelbase

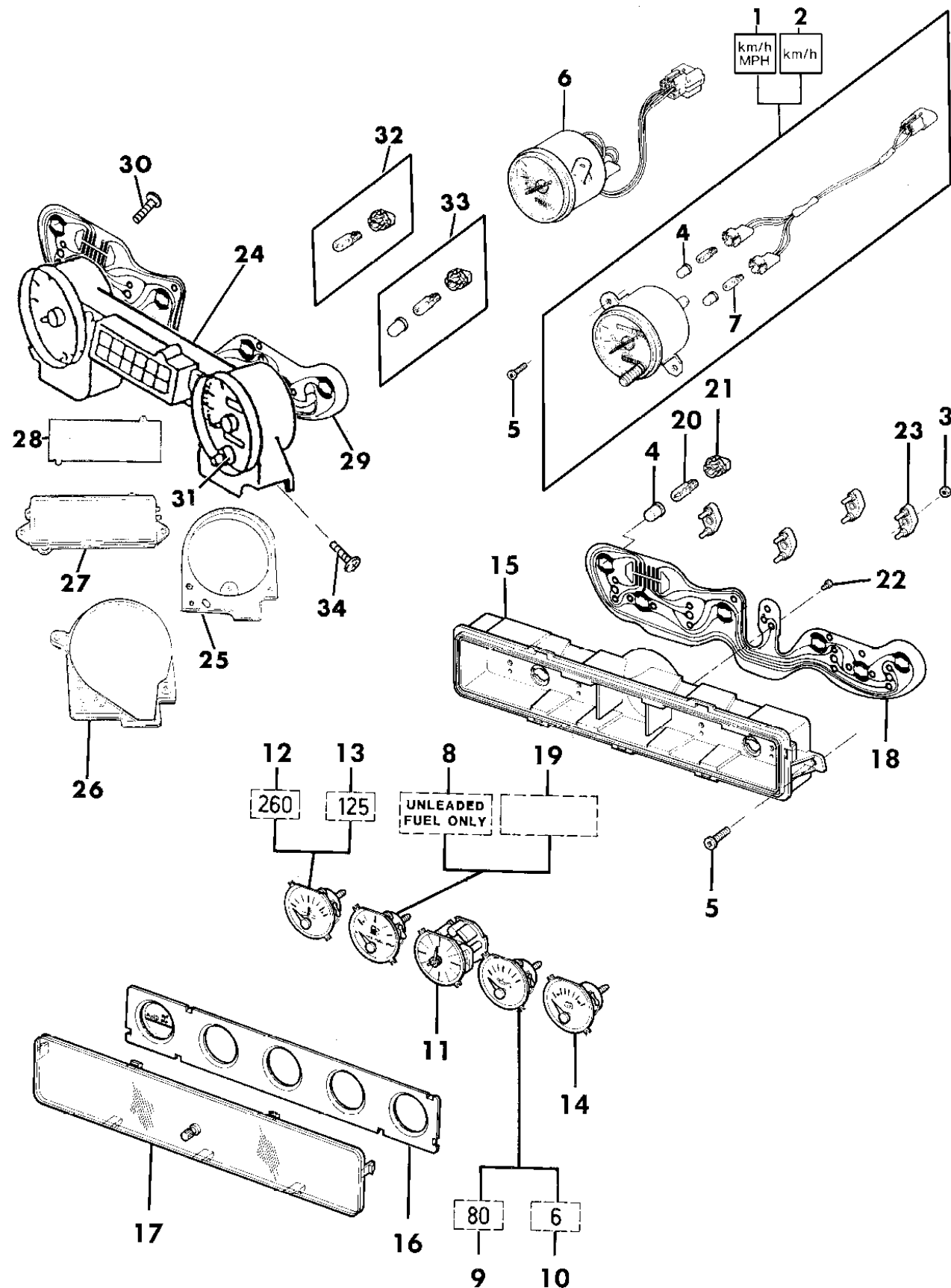
BODY STYLES:

MJ=Comanche Pickup ZJ=Grand Cherokee/Grand Wagoneer KDX VEHICLES
 SJ=Grand Wagoneer M1=Comanche
 XJ=Cherokee, Briarwood X1=Cherokee, Briarwood
 YJ=Wrangler Y1=Wrangler

AR = Use as Required - = Non Illustrated Part P.A.R. = Paint as Required

INSTRUMENT PANEL CLUSTER WRANGLER YJ
Figure 8A-400

91J82 400D



ITEM	PART NUMBER	QTY	BODY	MODEL	DESCRIPTION
18					BOARD, Circuit
	8350 7110	1			1991
	8350 6525	1			1992-93
19					GAUGE, LEADED FUEL
	5600 1557	1			1991
	5600 4887	1			1992-93
20	J941 7561	6			BULB, (161)
21	J369 7186	6			SOCKET
22	3420 1797	2			SCREW, Brass M3x16 (Use on 1992-93 Gauges)
23	8350 2951	4			CONNECTOR, Clip (Use 1991 Gauges)
24	8350 6591	1			CASE
25					MASK
	8350 6592	1			Speedometer
	8350 6593	1			Tachometer
26					LENS
					Speedometer
	8350 2948	1			1994
	8350 6594	1			1992-93
	8350 6595	1			Tachometer
27	8350 6596	1			LENS
28					TELLTALE LENS ***
	8350 6597	1			U.S.A. (1991-92)
	4720 995	1			U.S.A. (1993)
	8350 6598	1			CANADA E.C.E.
29	8350 6599	1			PRINTED CIRCUIT ***
30	5600 5967	3			SCREW
31		1			GROMMET, (not serviced)
32	5600 1787	7			LAMP #74 and Socket (Gray) ***
33	5600 5966	4			LAMP #194(With Bulb Cap) and Socket ***
34	5600 5969	6			SCREW

MODEL CODES:

61=Pickup-6 Ft Box 74=4 Door Wagon T=2WD
 62=Pickup-7 Ft Box 77=Open Body 93" Wheelbase J,N,U=4WD
 72=2 Door Wagon 78=Open Body 103" Wheelbase

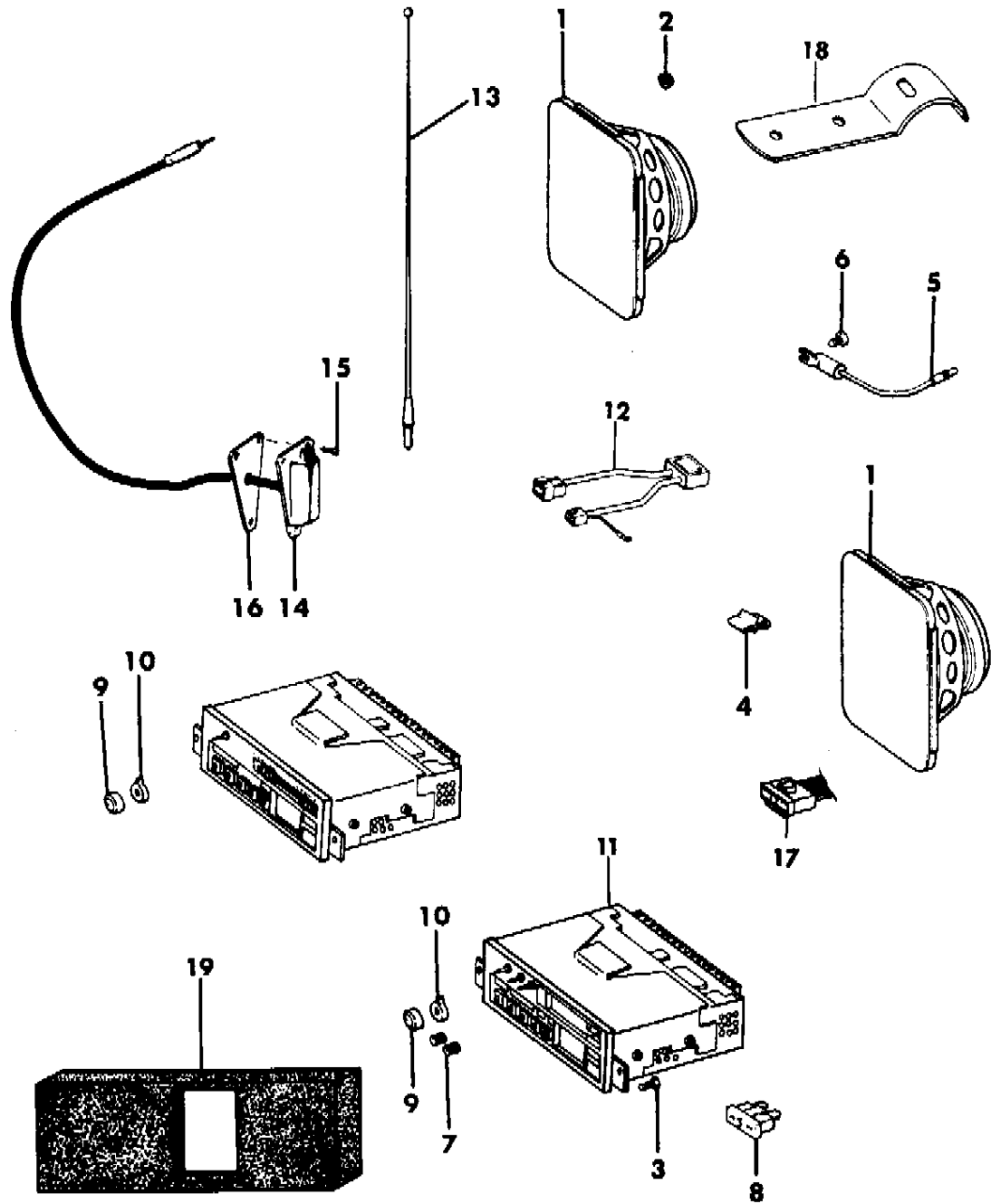
BODY STYLES:

MJ=Comanche Pickup ZJ=Grand Cherokee/Grand Wagoneer KDX VEHICLES
 SJ=Grand Wagoneer M1=Comanche
 XJ=Cherokee, Briarwood Y1=Wrangler

AR = Use as Required - = Non Illustrated Part P.A.R. = Paint as Required

ANTENNA, SPEAKERS AND RADIO KNOBS WRANGLER YJ
Figure 8A-500

91J82 500



ITEM	PART NUMBER	QTY	BODY	MODEL	DESCRIPTION
1					SPEAKER
	5600 2695	2			Front
	5600 5924	2			Rear (Sound Bar) 60 Watt
	4761 494	2			GRILLE, Speaker
2		8			NUT (8-32 DNS)
3	J400 3671	2			SCREW
4	J400 5963	1			CLIP
5	J322 9510	1			CAPACITOR, Ignition
6	J940 9106	1			SCREW
7	8350 7042	2			KNOB, Bass/Treble w/Cass.
8	J323 1213	1			FUSE, 5 Ampere
9	8350 7040	1			KNOB, Volume
10	8350 7078	1			KNOB, Fader
11					RADIO, 1991
	8220 0805	1			AM/FM MPX Stereo Kit
	8220 0806	1			AM/FM MPX Stereo Cassette
					1992-93 ***
	5600 9003	1			AM/FM/ETR Stereo w/Clock
	5600 9005	1			AM/FM Stereo Cassette w/Clock
	5600 6837	1			EUROPE
12	5600 3160	1			HARNESS, Jumper. KDX-Venezuela
13	8220 0684	1			ANTENNA, Radio-Black
14	8220 0683	1			BASE, w/Cable-Black
15	J400 2807	1			SCREW
16	J097 5528	1			GASKET
17	8350 6510	AR			HARNESS, Radio Repair
18					BRACKET, Rear Speaker
	5600 6320	2			1991
	5600 6320	1			Rt.,1992-93
	5600 6959	1			Lt.,1992-93
19	5600 6863	1			SEAL

MODEL CODES:

61=Pickup-6 Ft Box 74=4 Door Wagon T=2WD
 62=Pickup-7 Ft Box 77=Open Body 93" Wheelbase J,N,U=4WD
 72=2 Door Wagon 78=Open Body 103" Wheelbase

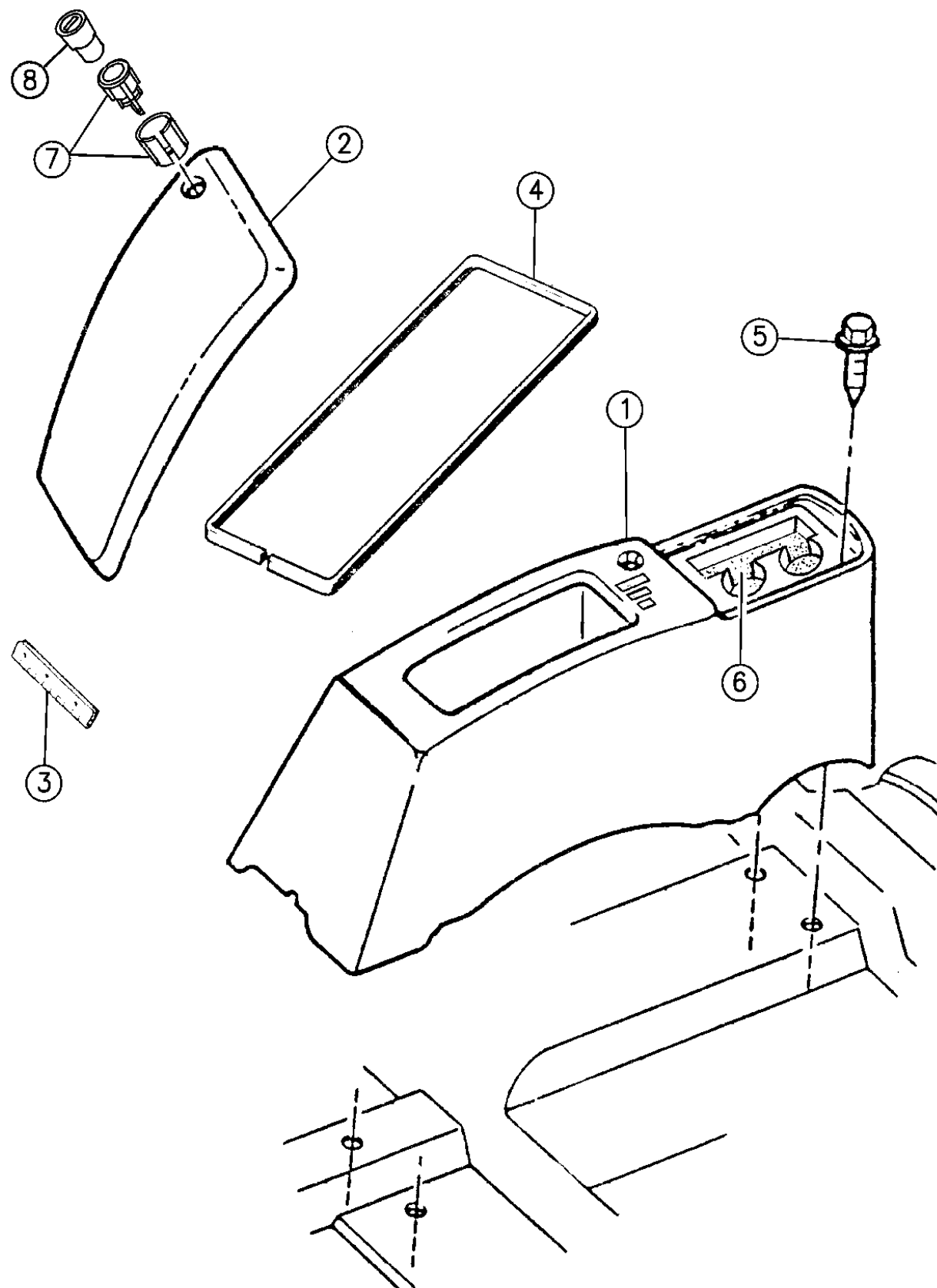
BODY STYLES:

MJ=Comanche Pickup ZJ=Grand Cherokee/Grand Wagoneer KDX VEHICLES
 SJ=Grand Wagoneer M1=Comanche
 XJ=Cherokee, Briarwood X1=Cherokee, Briarwood
 YJ=Wrangler Y1=Wrangler

AR = Use as Required - = Non Illustrated Part P.A.R. = Paint as Required

CONSOLE, FLOOR WRANGLER YJ
Figure 8A-600

91J82 600A



ITEM	PART NUMBER	QTY	BODY	MODEL	DESCRIPTION
1					BASE, Console
	4636 710	1			Sand, 1991
	4636 719	1			Cinder
	4636 720	1			Red, 1991
	4713 328	1			Green, 1992-93
	4713 329	1			Spice, 1992-93
2					LID, w/Latch and Cylinder Case
	4636 709	1			Sand, 1991
	4636 721	1			Cinder
	4636 722	1			Red, 1991
	4713 330	1			Green, 1992-93
	4713 331	1			Spice, 1992-93
3	4636 712	1			HINGE, Lid
4	4636 711	1			SEAL, Lid
5	J943 1948	4			SCREW
6	4636 713	1			MAT
7	4741 954	1			CASE, Cylinder (W/Retainer)
8					CYLINDER, Lock
	4637 587	1			1991-92
	4723 581	1			1993

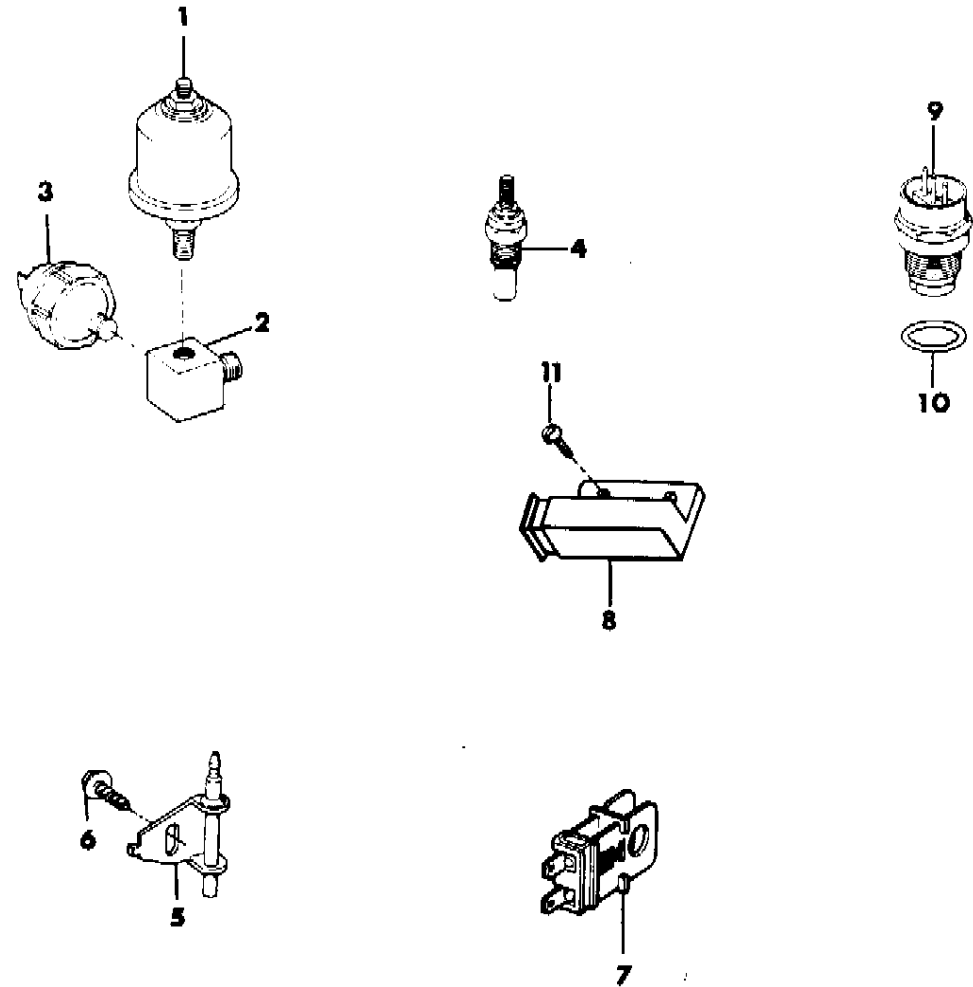
MODEL CODES:
 61=Pickup-6 Ft Box 74=4 Door Wagon T=2WD
 62=Pickup-7 Ft Box 77=Open Body 93" Wheelbase J,N,U=4WD
 72=2 Door Wagon 78=Open Body 103" Wheelbase

BODY STYLES:
 MJ=Comanche Pickup ZJ=Grand Cherokee/Grand Wagoneer KDX VEHICLES
 SJ=Grand Wagoneer M1=Comanche
 XJ=Cherokee, Briarwood X1=Cherokee, Briarwood
 YJ=Wrangler Y1=Wrangler

AR = Use as Required - = Non Illustrated Part P.A.R. = Paint as Required

RELAYS-MISCELLANEOUS WRANGLER, YJ
Figure 8A-800

91J82 800



ITEM	PART NUMBER	QTY	BODY	MODEL	DESCRIPTION
1	5602 6779	1			SENDER, Oil Pressure ***
2					FITTING ***
	J093 4001	1			w/4 Cyl. Engine
	J400 6600	1			w/6 Cyl. Engine
3	J575 8695	1			SWITCH, Oil Pressure
4					SENDER, Coolant Temperature ***
	5300 5056	1			1991
	5602 7012	1			1992-93
5	J323 2194	1			SWITCH, Paarking Brake Warning Lamp
6	J812 0054	1			SCREW
7	5600 6247	1			SWITCH, Brake Lamp
8	5600 6948	1			CHIME, High Speed ***
9	4057 750	1			SWITCH, Neutral Saftey w/Auto. Trans.
10	2408 143	1			GASKET
11	J400 1701	2			SCREW, High Speed Warning

MODEL CODES:

61=Pickup-6 Ft Box 74=4 Door Wagon T=2WD
62=Pickup-7 Ft Box 77=Open Body 93" Wheelbase J,N,U=4WD
72=2 Door Wagon 78=Open Body 103" Wheelbase

BODY STYLES:

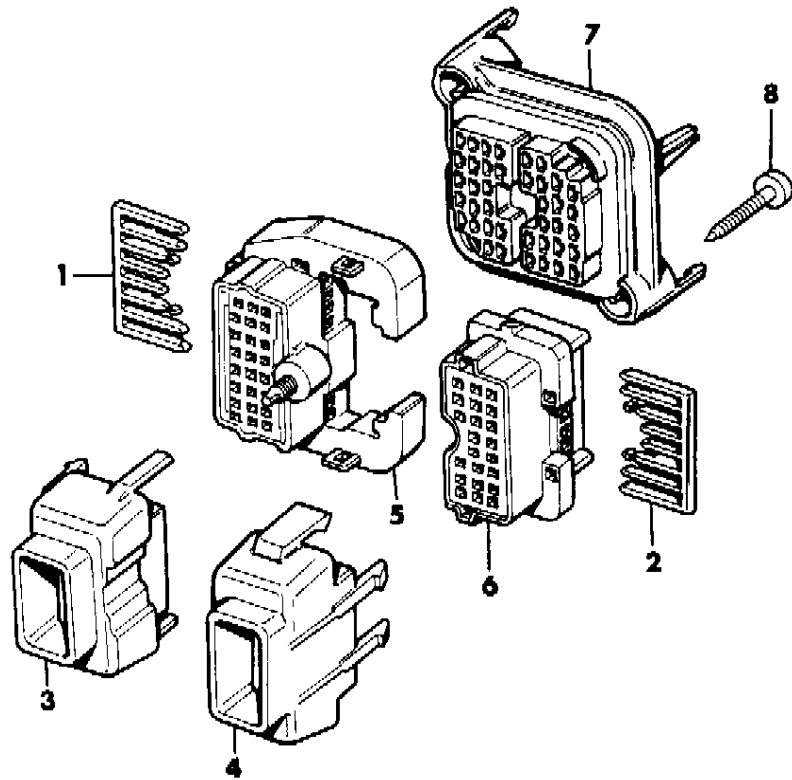
MJ=Comanche Pickup ZJ=Grand Cherokee/Grand Wagoneer KDX VEHICLES
SJ=Grand Wagoneer M1=Comanche
XJ=Cherokee, Briarwood X1=Cherokee, Briarwood
YJ=Wrangler Y1=Wrangler

AR = Use as Required - = Non Illustrated Part P.A.R. = Paint as Required

CONNECTORS WRANGLER YJ
Figure 8A-900

91J82 900

ITEM	PART NUMBER	QTY	BODY	MODEL	DESCRIPTION
1	3417 5323	1			RETAINER, Blue
2	3417 5324	1			RETAINER, Clear
3	3417 5325	1			COVER
4	3417 5326	1			COVER
5	3417 8230	1			CONNECTOR, Bulkhead
6	3417 8231	1			CONNECTOR, Bulkhead
7	3417 8240	1			CONNECTOR, Bulkhead
8	3420 1256	2			SCREW



MODEL CODES:

61=Pickup-6 Ft Box 74=4 Door Wagon T=2WD
 62=Pickup-7 Ft Box 77=Open Body 93" Wheelbase J,N,U=4WD
 72=2 Door Wagon 78=Open Body 103" Wheelbase

BODY STYLES:

MJ=Comanche Pickup ZJ=Grand Cherokee/Grand Wagoneer KDX VEHICLES
 SJ=Grand Wagoneer M1=Comanche
 XJ=Cherokee, Briarwood X1=Cherokee, Briarwood
 YJ=Wrangler Y1=Wrangler

AR = Use as Required - = Non Illustrated Part P.A.R. = Paint as Required

INSTRUMENT PANEL PAD AND BEZELS CHEROKEE, BRIARWOOD, COMANCHE
Figure 8A-1000

91J82 1000

ITEM	PART NUMBER	QTY	BODY	MODEL	DESCRIPTION
1	5CT0 6KA8	1	XJ, MJ		PANEL, Instrument, P.A.R.
2	5AC1 7JY6	1			PANEL, Lower
3	3420 1314	1			SCREW
4	J400 2465	7			SCREW
5	0445 446				DNS ***
6	J400 2461	2			SCREW
7	5500 0652	1			COVER, Clock Opening
8	5500 2063	1			COVER, Radio Opening
9					BEZEL, Cluster
	4741 460	1			Almond
	5500 5659	1			Black
	5500 5660	1	MJ		Black/Chrome
	5502 6468	1			Briarwood
	5502 8370	1			Gray, Laredo
	5511 4931	1			Teak
	5BG1 8KY6	1			BEZEL, Right (P.A.R.)
10	5BK6 4KY6	1			DOOR, Glove Box P.A.R.
11	5502 0572	1			CABLE, Door
12	5500 0340	1			HINGE, Glove Box
13	5500 1086	1			STRIKER, Door (Incl. Lamp)
14	5500 6506	1			RETAINER, Glove Box Door Latch
15	9421 330	1			BULB, (194)
16	5500 0359	1			RETAINER, Ashtray
17	3420 1650	2			CLIP
18	1150 2722	3			NUT
19	3420 1820	3			NUT
20	J400 0093	AR			BUMPER, Glove Box Door
21	3420 1540	4			SCREW
22	1150 3059	4			SCREW
23	3420 1519	2			NUT
24					FILLER, Steering Column
	5511 4523	1			Briarwood, Hickory (Dark Brown Flat Finish 93)
	5500 3103	1			Black
	5501 8924	1			Gunmetal, Cherokee
	5511 4923	1			Teak (Dark Reddish Brown Gloss Finish 91-92)
	5511 4831	1			Woodgrain (Dark brown gloss finish 93)
25	3420 2502	8			CLIP
26	5AC1 8JY6	1			ASHTRAY, P.A.R. ***
27	3420 1197	2			RIVET
28	5600 0138	1			LAMP, Ash Receiver
29	1150 0656	4			NUT

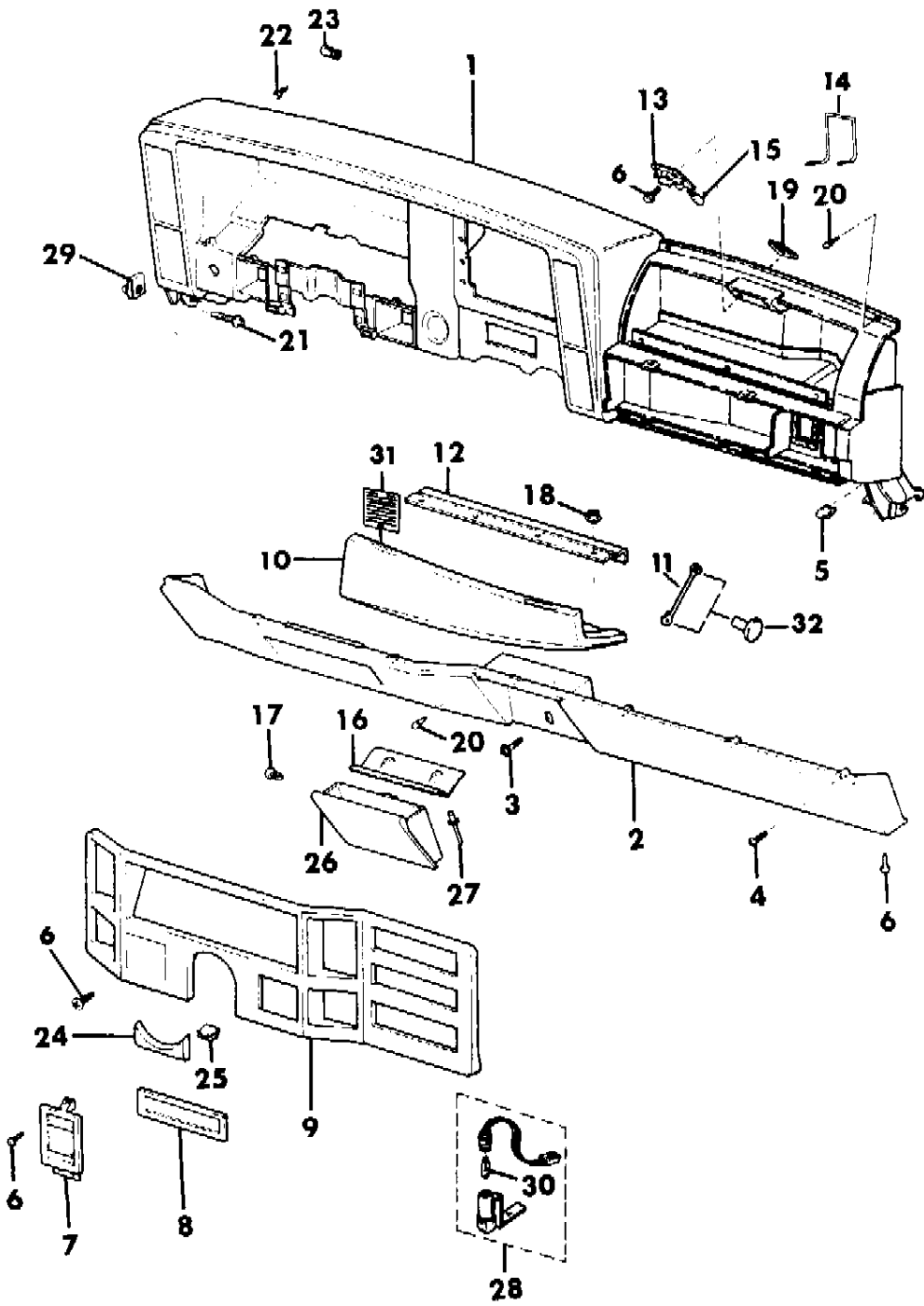
MODEL CODES:

61=Pickup-6 Ft Box 74=4 Door Wagon T=2WD
 62=Pickup-7 Ft Box 77=Open Body 93" Wheelbase J,N,U=4WD
 72=2 Door Wagon 78=Open Body 103" Wheelbase

BODY STYLES:

MJ=Comanche Pickup ZJ=Grand Cherokee/Grand Wagoneer KDX VEHICLES
 SJ=Grand Wagoneer M1=Comanche
 XJ=Cherokee, Briarwood X1=Cherokee, Briarwood
 YJ=Wrangler Y1=Wrangler

AR = Use as Required - = Non Illustrated Part P.A.R. = Paint as Required



INSTRUMENT PANEL PAD AND BEZELS CHEROKEE, BRIARWOOD, COMANCHE

Figure 8A-1000

91J82 1000

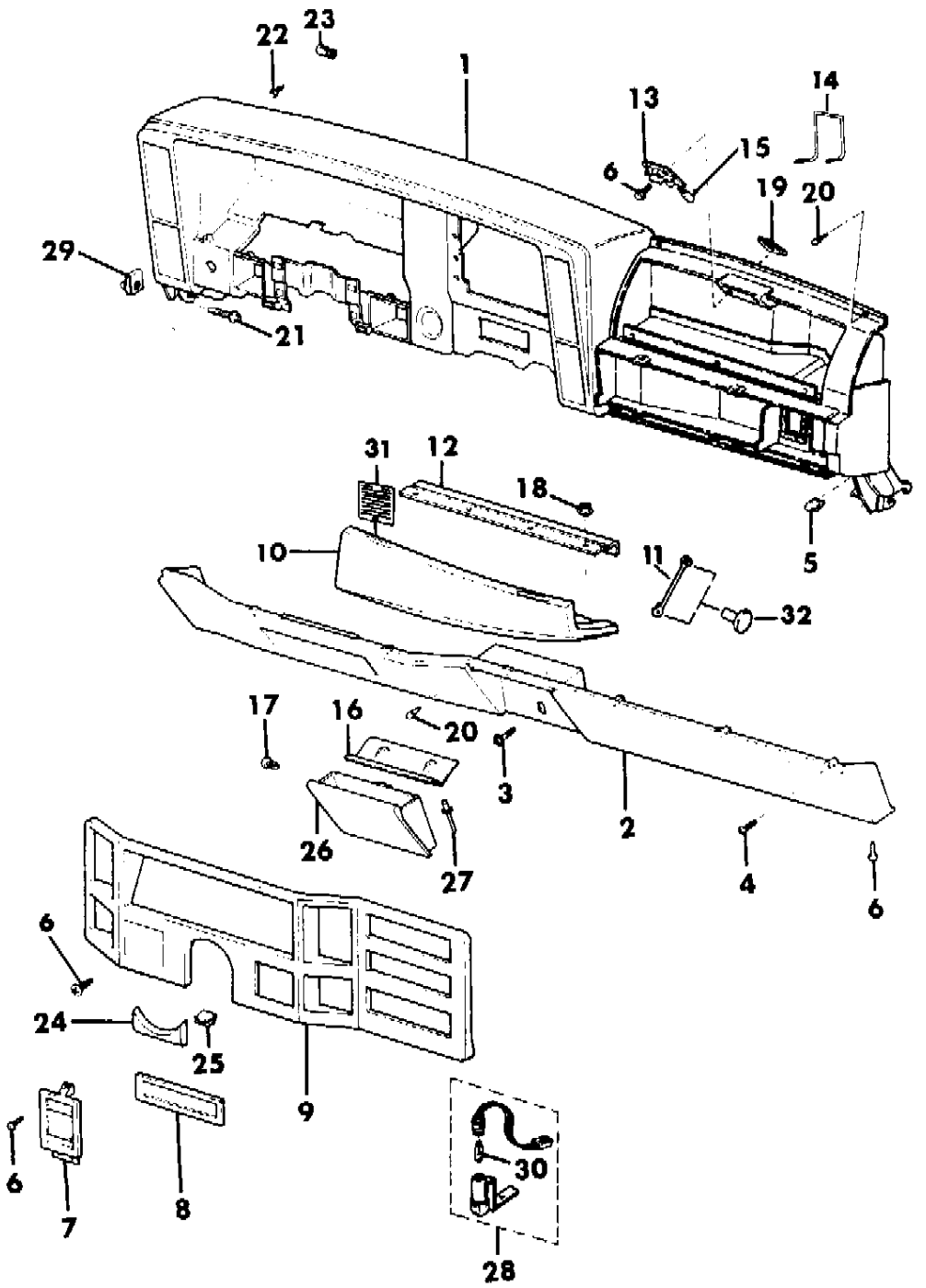
ITEM	PART NUMBER	QTY	BODY	MODEL	DESCRIPTION
------	-------------	-----	------	-------	-------------

30	J019 3065	1			BULB, (1815)
31	J315 7268	1			STICKER, Lock Type Differential ***
32	5502 0573	2			BUTTON, Cable Retaining

MODEL CODES:
 61=Pickup-6 Ft Box 74=4 Door Wagon T=2WD
 62=Pickup-7 Ft Box 77=Open Body 93" Wheelbase J,N,U=4WD
 72=2 Door Wagon 78=Open Body 103" Wheelbase

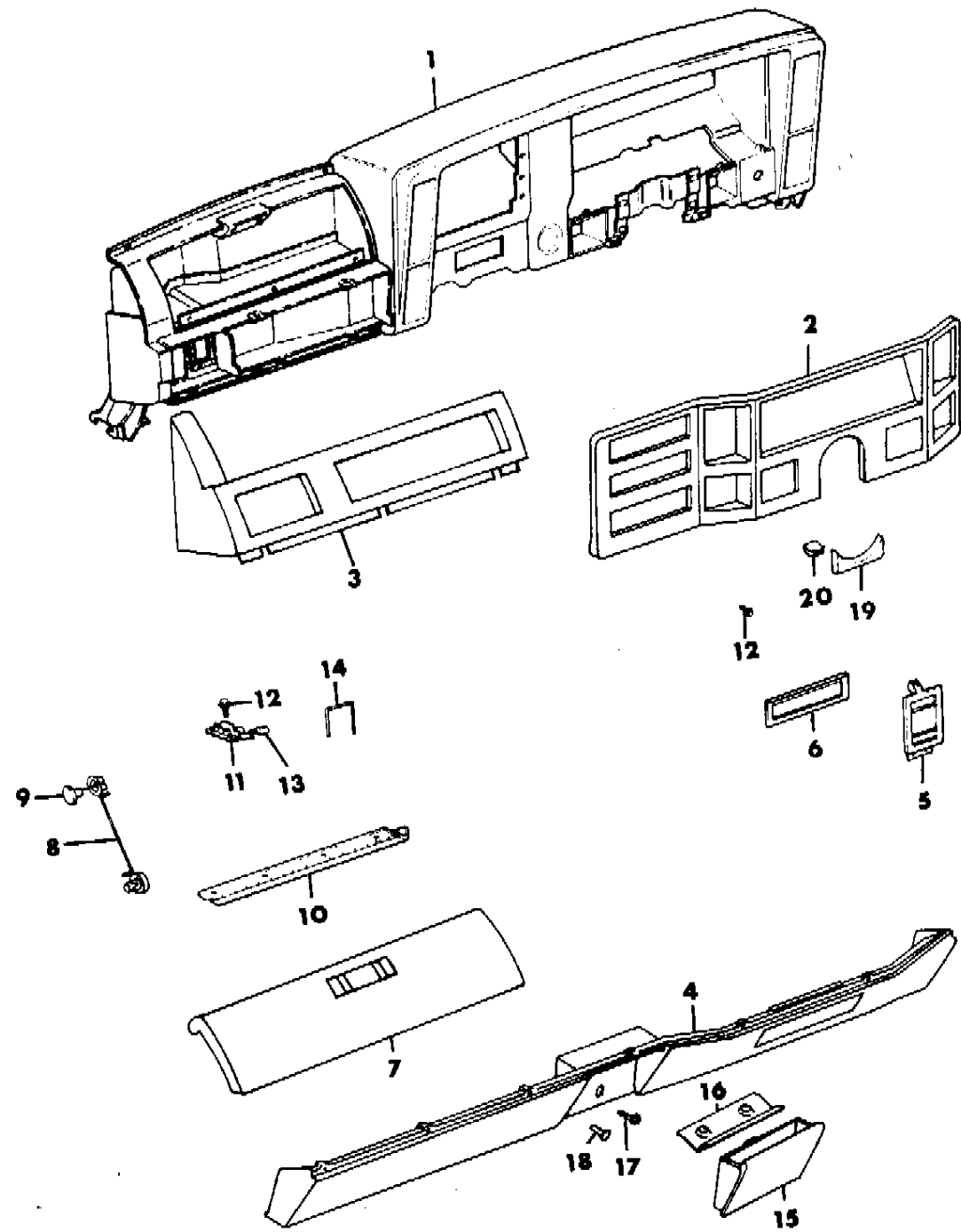
BODY STYLES:
 MJ=Comanche Pickup ZJ=Grand Cherokee/Grand Wagoneer KDX VEHICLES
 SJ=Grand Wagoneer M1=Comanche
 XJ=Cherokee, Briarwood X1=Cherokee, Briarwood
 YJ=Wrangler Y1=Wrangler

AR = Use as Required - = Non Illustrated Part P.A.R. = Paint as Required



INSTRUMENT PANEL PAD AND BEZELS CHEROKEE RHD
Figure 8A-1100

91J82 1100



ITEM	PART NUMBER	QTY	BODY	MODEL	DESCRIPTION
1					HOUSING
	5BF7 8LA8	1			Dark Charcoal
	5BF7 8LH9	1			Cordovan
	5BF7 8LY6	1			Dark Sand
2					BEZEL, Instrument Cluster
	5511 4843	1			Black
	5511 4832	1			Woodgrain
3					BEZEL, Instrument Panel Left
	5BH1 1LA8	1			Dark Charcoal
	5BH1 1LH9	1			Cordovan
	5BH1 1LY6	1			Dark Sand
4	5DF5 1MA8	1			PANEL, Instrument Lower Left P.A.R.
5	5500 0652	1			COVER, Clock Opening
6	5500 2063	1			COVER, Radio Opening
7	5BG8 9LA8	1			DOOR, Glove Box P.A.R.
8	5502 0572	1			STRAP, Check
9	5502 0573	2			BUTTON, Retaining Glove Box Door Check Strap
10	5500 0340	1			HINGE, Glove Box
11	5500 1086	1			STRICKER, Door (Incl. Lamp) ***
12	J400 2461	2			SCREW
13	9421 330	1			BULB, (194)
14	5500 6506	1			RETAINER, Glove Box Door Latch
15	5AC1 8JY6	1			ASHTRAY, P.A.R. ***
16	5500 0359	1			RETAINER, Ashtray
17	3420 1197	2			RIVET
18	J400 0093	AR			BUMPER
19					FILLER, Steering Column
	5500 3103	1			Black
20	3420 2502	8			CLIP, "U" Type
-	5534 5870	1			BRACKET, Wire Harness Mounting To Dash Panel

MODEL CODES:

61=Pickup-6 Ft Box 74=4 Door Wagon T=2WD
 62=Pickup-7 Ft Box 77=Open Body 93" Wheelbase J,N,U=4WD
 72=2 Door Wagon 78=Open Body 103" Wheelbase

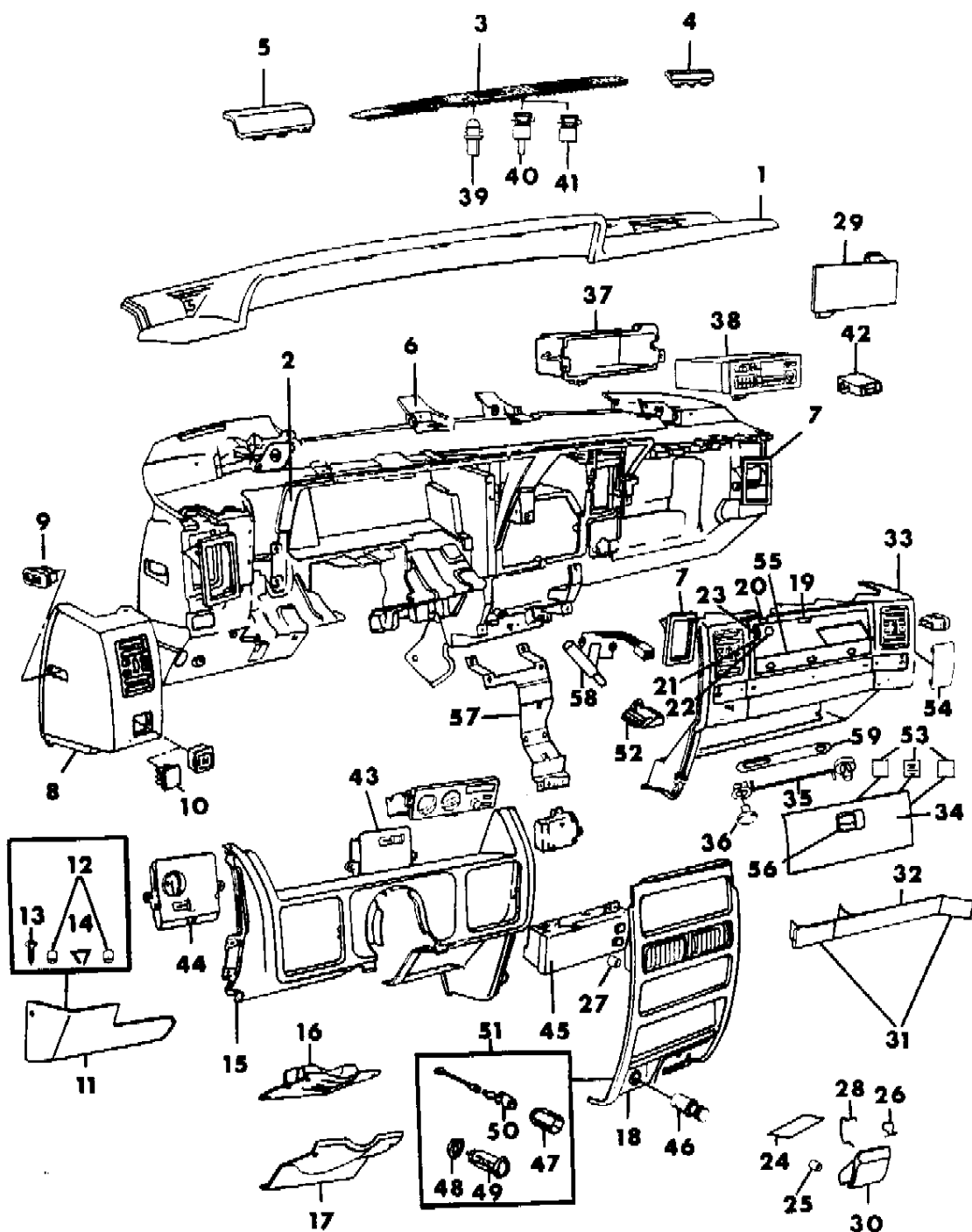
BODY STYLES:

MJ=Comanche Pickup ZJ=Grand Cherokee/Grand Wagoneer KDX VEHICLES
 SJ=Grand Wagoneer M1=Comanche
 XJ=Cherokee, Briarwood X1=Cherokee, Briarwood
 YJ=Wrangler Y1=Wrangler

AR = Use as Required - = Non Illustrated Part P.A.R. = Paint as Required

INSTRUMENT PANEL GRAND CHEROKEE
Figure 8A-1200

91J82 1200



ITEM	PART NUMBER	QTY	BODY	MODEL	DESCRIPTION
1	5DF3 1LD5	1			PANEL, Instrument Upper Medium Quartz P.A.R.
	5DF3 1LF8	1			Dark Driftwood
	5DF3 1LM6	1			Crimson Red
	5DF3 1MV8	1			Medium Champagne
	6502 067	AR			CLIP, Panel Att.
2	5503 0252	1			BEZEL, Cluster Upper
3	5511 4933	1			GRILLE, Defroster
4					GRILLE, Speaker Right
	5AR5 0LAZ	1			Agate
	5AR5 0LD5	1			Silver
	5AR5 0LF8	1			Dark Driftwood
	5AR5 0LM6	1			Red
	5AR5 0LM8	1			Dark Crimson
5	5AR5 0MV8	1			Medium Champagne
					GRILLE, Speaker Left
	5AR4 1LAZ	1			Agate
	5AR4 1LD5	1			Silver
	5AR4 1LF8	1			Dark Driftwood
	5AR4 1LM6	1			Red
6	5AR4 1LM8	1			Dark Crimson
	5AR4 1MV8	1			Medium Champagne
	5511 4964	1			ARMATURE ***
7					SEAL, Armature
	5511 4666	1			Right
	5511 4668	1			Center
8	5511 4667	1			Left
					BEZEL ASSEMBLY, Air Outlet, Left ***
					Contains Bezel, Housing and Barrel
9	5DF2 1LD5	1			Medium Quartz
	5DF2 1LF8	1			Dark Driftwood
	5DF2 1LM6	1			Crimson Red
	5DF2 1MV4	1			Light Champagne
10	5503 0275	2			SEAL
11					COVER, Mirror Switch
	5AU5 0LD5	1			Silver
	5AU5 0LF8	1			Dark Driftwood
12	5AU5 0LM6	1			Red
	5AR5 3LD5	1			PANEL, Lower
13	4372 887	4			BUMPER, Panel Lower
	6032 719	7			NUT, Armature

MODEL CODES:

61=Pickup-6 Ft Box 74=4 Door Wagon T=2WD
62=Pickup-7 Ft Box 77=Open Body 93" Wheelbase J,N,U=4WD
72=2 Door Wagon 78=Open Body 103" Wheelbase

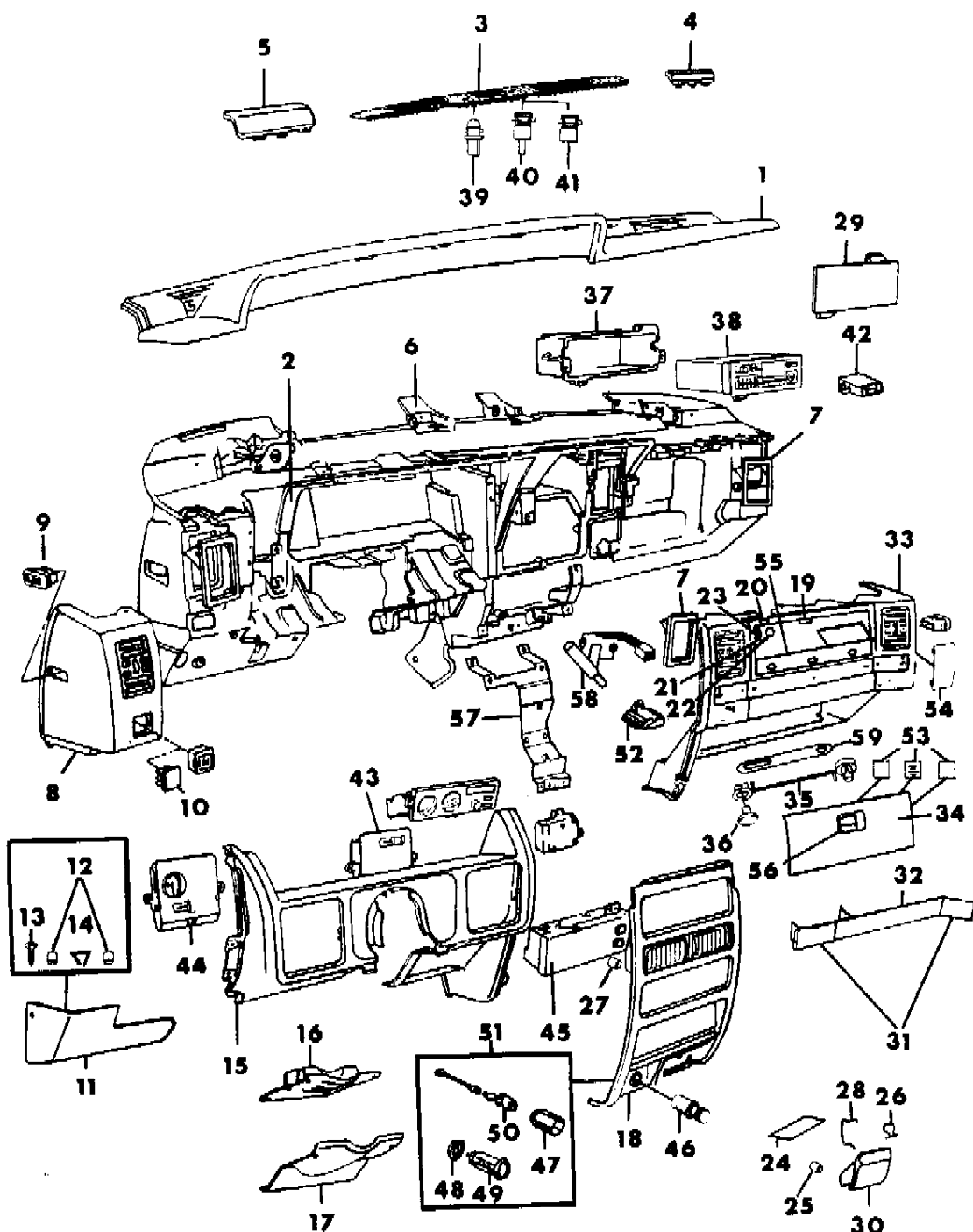
BODY STYLES:

MJ=Comanche Pickup ZJ=Grand Cherokee/Grand Wagoneer KDX VEHICLES
SJ=Grand Wagoneer M1=Comanche
XJ=Cherokee, Briarwood X1=Cherokee, Briarwood
YJ=Wrangler Y1=Wrangler

AR = Use as Required - = Non Illustrated Part P.A.R. = Paint as Required

INSTRUMENT PANEL GRAND CHEROKEE
Figure 8A-1200

91J82 1200



ITEM	PART NUMBER	QTY	BODY	MODEL	DESCRIPTION
14	6501 636	2			CLIP, Panel Lower
15	5DB7 8LD5	1			BEZEL, Cluster Lower
16	5511 4646	1			PLATE, Steering Column Cover
17	5CP1 8LD5	1			COVER, Steering Column
18					BEZEL, Instrument Panel Center
	4728 511	1			Black
	4728 512	1			Autumn Teak
19	5503 0278	1			STRIKER
20	4524 343	2			BUMPER, Glove Box Door
21	3600 3404	1			LENS
22	4565 022	1			SWITCH, w/Lamp, Glove Box Door
23	5511 4571	1			COVER, Glove Box Lamp Hole
24	5502 8828	1			SHIELD
25	J400 0093	2			BUMPER, Ash Tray Stop
26	4460 238	1			LAMP
27	4372 887	10			BUMPER, Center Bezel
28	5503 3543	1			SPRING, Ash Cup
29	5503 0332	1			PLATE, w/o Radio
30	5502 8832	1			ASHTRAY, Instrument Panel ***
31					MOULDING, Glove Box
	5502 9564	1			Black
	5502 9566	1			Autumn Teak
32					NAMEPLATE, Glove Box
	5502 9572	1			Black
	5502 9574	1			Autumn Teak
33	5CU2 2LD5	1			BEZEL, Glove box
34	5DE0 7LD5	1			DOOR, Instrument Panel
35	5511 4664	1			STRAP, Check
36					Not Serviced ***
37	5502 8862	1			HOUSING, Radio Mounting
38	5600 6192	1			RADIO, Ultimate Cassette
					Knobs
	4728 150	AR			Volume, CD Player 1992-3
	4728 151	AR			Volume, Ultimate 1992-3
	4728 152	AR			Volume, Base Radio 1992-3
	4728 153	AR			Tuner, Base Radio 1992-3 ***
	4728 580	1			Package: Consists of (4728152, 4728153 two each) ***
39	5503 5501	1			SENSOR, Solar w/Auto Temp. Control
40	5511 4622	1			PLUG, w/Air Conditioning
41	5600 5995	1			SENSOR, w/Twilight Sentinal
42	5600 6184	1			MODULE, Instrument Panel Lamp Dimming

MODEL CODES:

61=Pickup-6 Ft Box 74=4 Door Wagon T=2WD
62=Pickup-7 Ft Box 77=Open Body 93" Wheelbase J,N,U=4WD
72=2 Door Wagon 78=Open Body 103" Wheelbase

BODY STYLES:

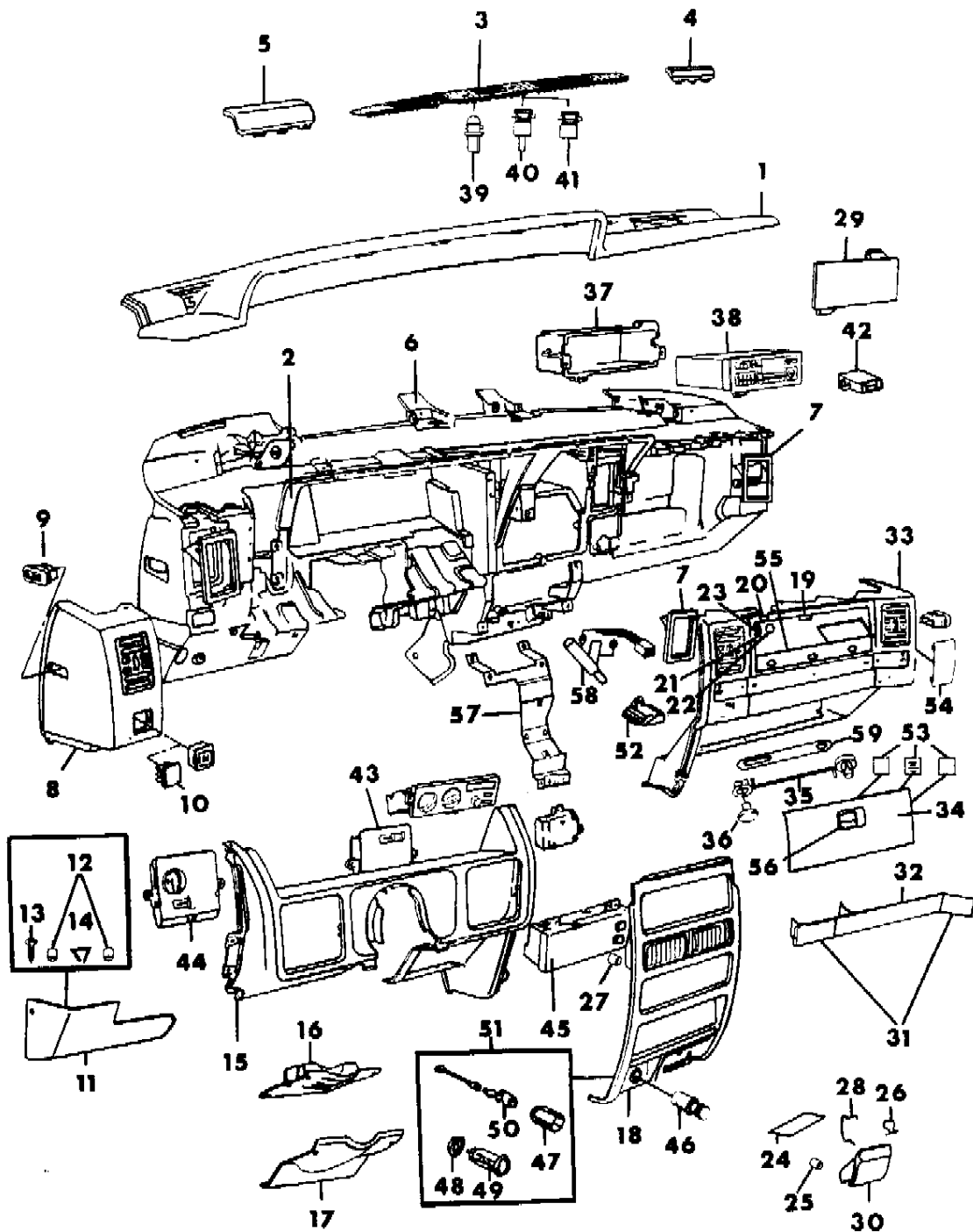
MJ=Comanche Pickup ZJ=Grand Cherokee/Grand Wagoneer KDX VEHICLES
SJ=Grand Wagoneer M1=Comanche
XJ=Cherokee, Briarwood X1=Cherokee, Briarwood
YJ=Wrangler Y1=Wrangler

AR = Use as Required - = Non Illustrated Part P.A.R. = Paint as Required

INSTRUMENT PANEL GRAND CHEROKEE

Figure 8A-1200

91J82 1200



ITEM	PART NUMBER	QTY	BODY	MODEL	DESCRIPTION
43					SWITCH, Pod Right
	5600 4978	1			w/o Electric Heated Rear Window, w/Rear Wiper Washer
	5600 5316	1			w/Electric Heated Rear Window, w/Rear Wiper Washer
	5600 5314	1			O/Drive Lockout, w/Rear Wiper
	5600 5318	1			O/Drive Lockout, w/Heated Rear Window & Rear Wiper
	4713 798	1			Bulb, Pod Right
44					SWITCH, Pod Left
	5600 4965	1			w/Twilight Sentinal, w/Dual Fog Lamps
	5600 4959	1			w/o Twilight Sentinal, w/o Dual Fog Lamps
	4713 796	1			Bulb, Pod Left
	5600 4963	1			w/Twilight Sentinal, w/o Dual Fog Lamps
	5600 4961	1			w/o Twilight Sentinal, w/Dual Fog Lamps
	4713 797	1			Bulb, Pod Left
45					MODULE ASSEMBLY, Vehicle Monitor
	5600 7088	1			MODULE, Graphics and Telltale
	5600 7142	1			LENS, Graphics Display
	4720 993	1			BOARD, Printed Circuit Graphics Display
	4720 994	1			
46	5600 5738	1			KNOB w/ELEMENT, Cigar Lighter ***
47	5600 5739	1			CLAMP, Cigar Lighter
48	5600 5740	1			RING, Cigar Lighter
49	5600 5741	1			HOUSING, Cigar Lighter
50	5600 5742	1			SHIELD, Cigar Lighter
51	5600 5782	1			HOUSING, Lighter Assembly
52	5600 5996	1			MODULE, Twilight Sentinal
53	4460 923	1			DECAL, Air Bag
54	5AW4 0LD5	1			PANEL, Fuse Box Access
55	5AW3 8LD5	1			PANEL, Relay Access
56	5DE0 1LD5	1			LATCH, Glove Box Door
57	5503 0290	1			REINFORCEMENT
58	5600 5557	1			SENSOR, Air
59	5511 4977	1			STRAP, Dampener Check

MODEL CODES:

61=Pickup-6 Ft Box 74=4 Door Wagon T=2WD
 62=Pickup-7 Ft Box 77=Open Body 93" Wheelbase J,N,U=4WD
 72=2 Door Wagon 78=Open Body 103" Wheelbase

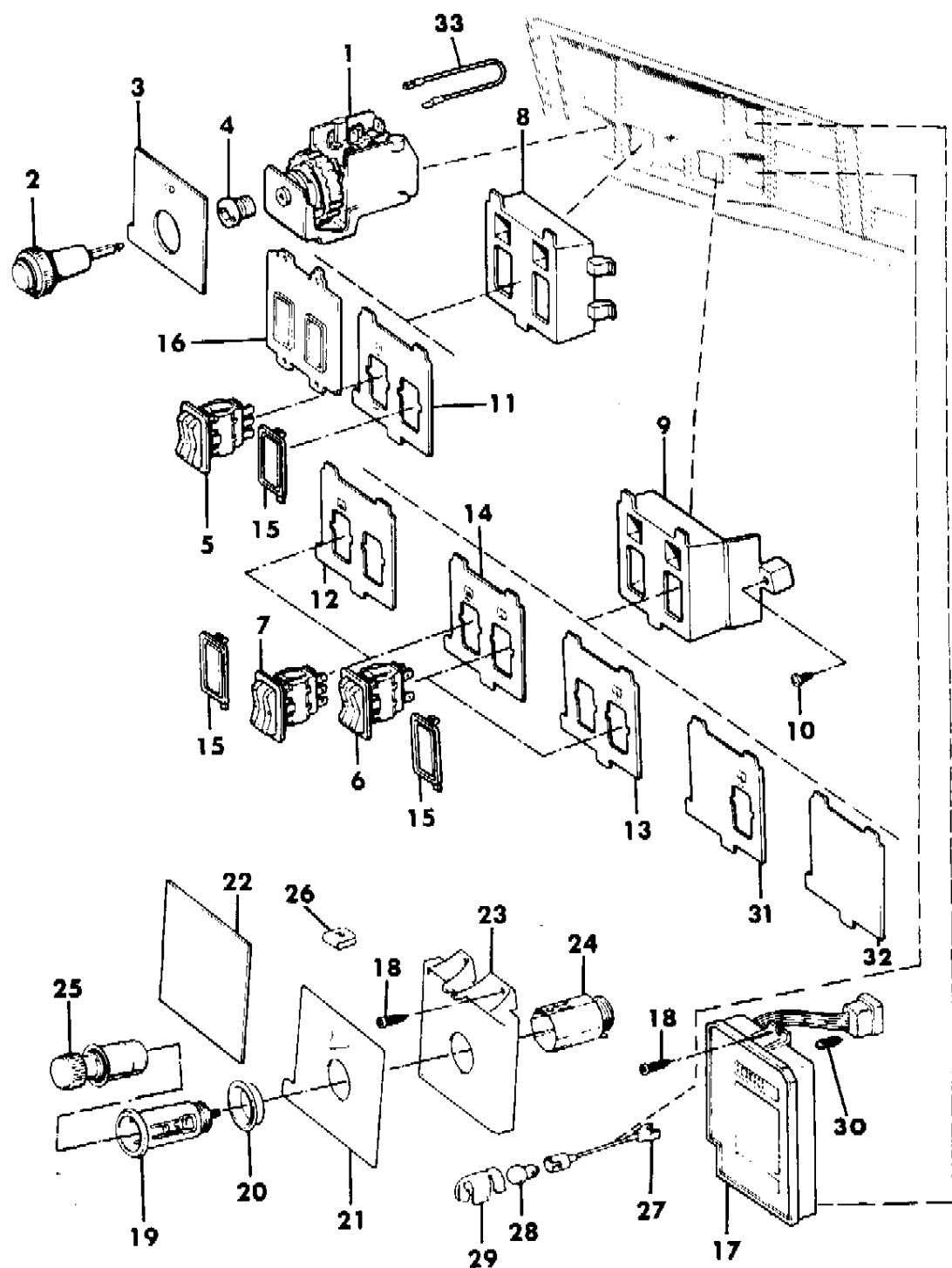
BODY STYLES:

MJ=Comanche Pickup ZJ=Grand Cherokee/Grand Wagoneer KDX VEHICLES
 SJ=Grand Wagoneer M1=Comanche
 XJ=Cherokee, Briarwood X1=Cherokee, Briarwood
 YJ=Wrangler Y1=Wrangler

AR = Use as Required - = Non Illustrated Part P.A.R. = Paint as Required

INSTRUMENT PANEL SWITCHES AND CIGAR LIGHTER CHEROKEE, BRIARWOOD, COMANCHE
Figure 8A-1300

91J82 1300



ITEM	PART NUMBER	QTY	BODY	MODEL	DESCRIPTION
1	5600 1197	1			SWITCH, HeadImp
	4565 320	1			1992-93
2	5600 0857	1			KNOB, Headlamp
	5600 6885	1			EUROPE, MIDEAST,KDX Up to 3-25-91
	5600 6886	1			EUROPE, MIDEAST,KDX After 3-25-91
3	5600 6886	1			U.S., CANADA, RHD
	5500 4522	1			COVER, Headlamp Switch
	5600 0492	1			EUROPE, MIDEAST, KDX
	5502 8569	1			U.S., CANADA
4	J364 6513	1			RHD 1992-93
5	5600 0025	1			NUT
	5600 0025	1			SWITCH
	5600 0025	1			Fog Lamp
	5600 0025	1			Idle
	5600 0025	1			Trans. Comfort
	5600 0025	1	MJ		Cargo Lamp
6	5600 0029	1	XJ		SWITCH, Rear Wiper
7	5600 0030	1	XJ		SWITCH, Defogger
	5600 0030	1			1991
	5600 6859	1			1992-93
8	5500 1893	1			HOUSING, Switch, Left
	5511 4569	1			RHD
9	5500 1892	1			HOUSING, Switch, Right
	5511 4568	1			RHD
10	J400 2461	2			SCREW
11	5600 0494	1			LENS, Identification
	5600 0494	1			Fog Lamp, U.S., CANADA
	5511 4700	1			Rear Fog Lamp, EUROPE 1992-93
	5500 4221	1			Front/Rear Fog Lamp, EUROPE
	5600 1581	1	MJ		Fog/Cargo Lamp
12	5600 2126	1			LENS, Identification
	5600 2126	1			Fog/Defogger, EUROPE
	5600 2126	1			1991
	5511 4881	1			1992-93
	5600 2128	1			Fog/Defogger, U.S., CANADA 1991
	5511 4883	1			Fog/Defogger 1992-93
	5511 4882	1			Heated Rear Window 1992-93
	5600 2132	1	XJ		Trans.
	5600 2131	1			Trans/Rear Wiper ***
	5511 4909	1	XJ		Idle
13	5600 0494	1			LENS, Identification

MODEL CODES:

61=Pickup-6 Ft Box 74=4 Door Wagon T=2WD
 62=Pickup-7 Ft Box 77=Open Body 93" Wheelbase J,N,U=4WD
 72=2 Door Wagon 78=Open Body 103" Wheelbase

BODY STYLES:

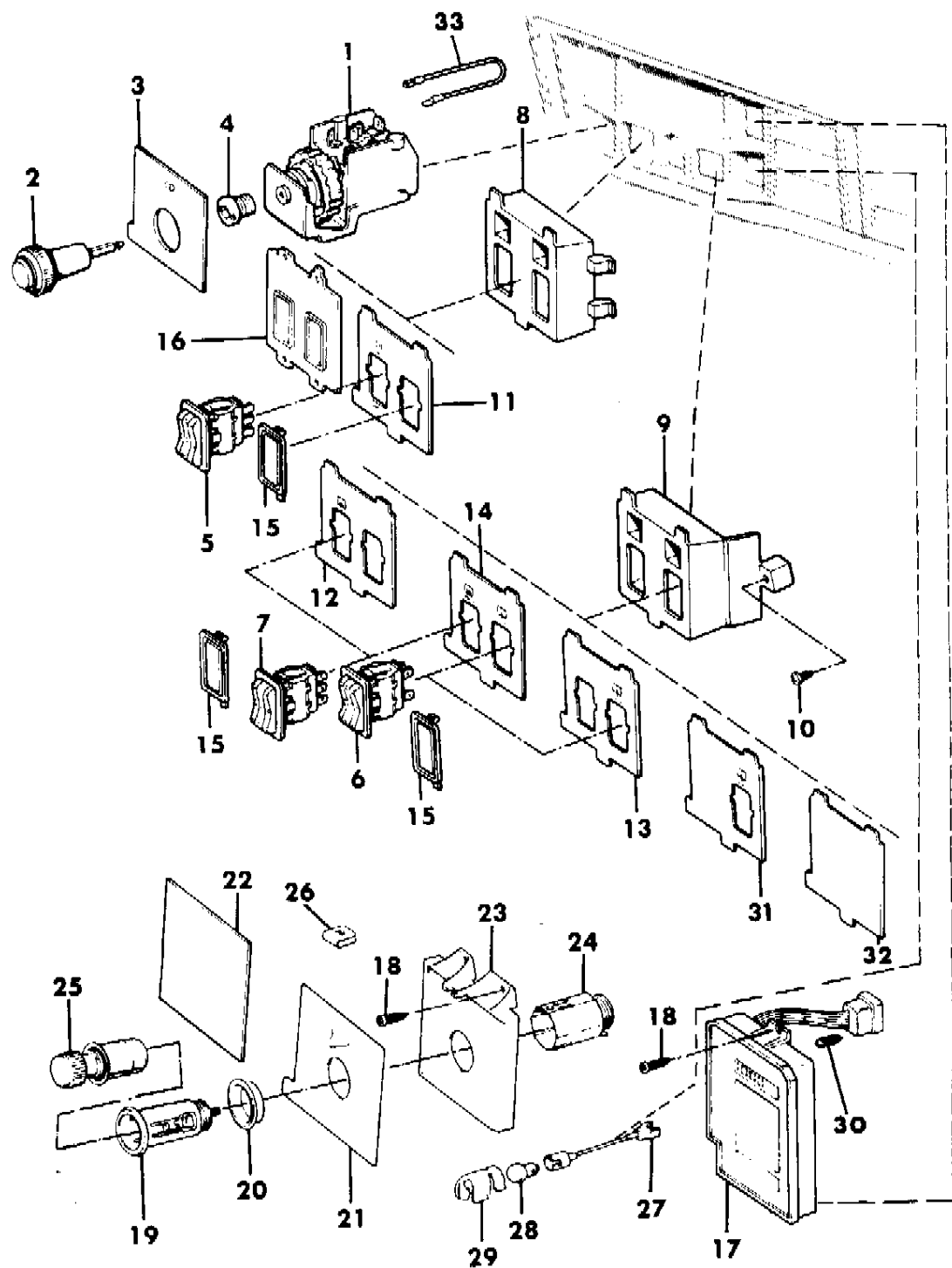
MJ=Comanche Pickup ZJ=Grand Cherokee/Grand Wagoneer KDX VEHICLES
 SJ=Grand Wagoneer M1=Comanche
 XJ=Cherokee, Briarwood X1=Cherokee, Briarwood
 YJ=Wrangler Y1=Wrangler

AR = Use as Required - = Non Illustrated Part P.A.R. = Paint as Required

INSTRUMENT PANEL SWITCHES AND CIGAR LIGHTER CHEROKEE, BRIARWOOD, COMANCHE

Figure 8A-1300

91J82 1300



ITEM	PART NUMBER	QTY	BODY	MODEL	DESCRIPTION
	5500 2942	1			Wiper
	5600 2132	1			Trans./Wiper
	5511 4653	1			Fog/Wiper, RHD 1992-93
	5511 4910	1	XJ		Idle/Wiper
	5511 4956	1	XJ		Idle
14					LENS, Identification
	5600 0499	1			2 Switch
	5600 0495	1			1-Hole, Rear Wiper, KDX
15	5500 3005	2			PLATE, Switch
16					COVER, Switch
	5600 0493	AR			U.S., CANADA
	5500 2810	AR			EUROPE, MIDEAST, KDX
17					CLOCK
	5600 4588	1			U.S., CANADA
	5600 6862	1			EUROPE, MIDEAST, KDX
	5511 4637	1			Cover RHD
18	J400 2461	4			SCREW
19	J345 3270	1			HOUSING, Cigar Lighter
20	3500 1906	1			RING, Illumination
21	5600 0490	1			COVER
22	5600 0058	1			COVER
23	5500 2664	1			BRACKET, Cigar Lighter
	5511 4567	1			RHD, 1992-93
24	3600 0242	1			CLAMP, Cigar Lighter
25					LIGHTER, Cigar ***
	5600 0501	1			Up to 3-25-91
	5600 6888	1			After 3-25-91
26	J400 4223	2			NUT
27	3600 0279	1			SOCKET
28	0131 282	1			BULB (53) ***
29	5600 1194	1			SHIELD, Bulb
30	J812 5723	1			BULB (74) ***
31	5600 0495	1			LENS, Wiper Identification, KDX
32	5500 2810	AR			LENS, Blank
33	5600 6975	1			GROUND, Jumper Headlamp Switch ***

MODEL CODES:

61=Pickup-6 Ft Box 74=4 Door Wagon T=2WD
 62=Pickup-7 Ft Box 77=Open Body 93" Wheelbase J,N,U=4WD
 72=2 Door Wagon 78=Open Body 103" Wheelbase

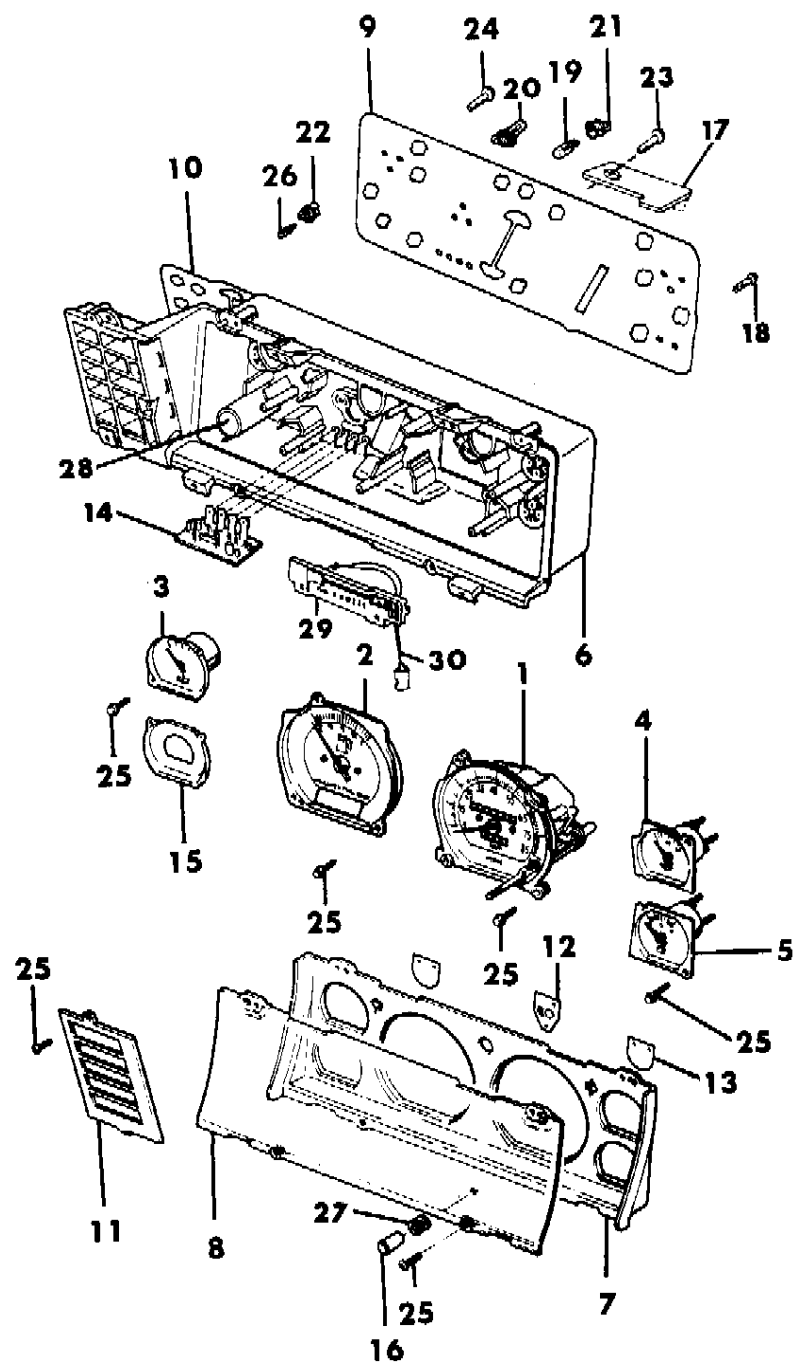
BODY STYLES:

MJ=Comanche Pickup ZJ=Grand Cherokee/Grand Wagoneer KDX VEHICLES
 SJ=Grand Wagoneer M1=Comanche
 XJ=Cherokee, Briarwood X1=Cherokee, Briarwood
 YJ=Wrangler Y1=Wrangler

AR = Use as Required - = Non Illustrated Part P.A.R. = Paint as Required

INSTRUMENT CLUSTER W/O TACHOMETER, W/GAUGES CHEROKEE, BRIARWOOD, COMANCHE
Figure 8A-1400

91J82 1400



ITEM	PART NUMBER	QTY	BODY	MODEL	DESCRIPTION
1					SPEEDOMETER
	5600 4085	1			Miles
	5600 4086	1			Kilo
	4728 043	1			RHD Miles (Postal)
	8350 6582	1			RHD, 1992-93 (EXPORT)
	4713 512	1			RHD (Miles)
	4713 517	1			RHD (Kilo) CANADA
	4713 888	1			Miles, 1993 (Police)
	4728 046	1			LHD 1993 (CHINA)
2	4728 594	1			Kilo 210 (1993 CANADA) Police
		1			GAUGE, Fuel
					U.S.
	5600 5973	1			1991-92
	4720 526	1			1993
	5600 5974	1			CANADA, EUROPE, MIDEAST, KDX, RHD
	4728 595	1			CANADA, Police, 1993
3					GAUGE, Temperature
	8350 4239	1			U.S.
	8350 4240	1			CANADA, EUROPE, MIDEAST, KDX, RHD
4					GAUGE, Oil
	8350 4243	1			U.S.
	8350 4244	1			CANADA, EUROPE, MIDEAST, KDX, RHD
5	8350 5413	1			VOLTMETER ***
6	5600 5980	1			HOUSING, Cluster
	4720 527	1			1993 ***
	8350 6583	1			RHD ***
7	8350 6390	1			BEZEL, Cluster
8	5600 5957	1			LENS, Cluster
9	5600 5981	1			CONDUCTOR, Printed Circuit ***
	4720 528	1			1993 ***
	8350 6584	1			RHD ***
10	8350 4262	1			CONDUCTOR, Printed Circuit ***
	8350 6585	1			RHD, 1992-93 ***
11					FILTER, Warning Lamp
	5600 5962	1			U.S.
	5600 5963	1			CANADA, EUROPE, MIDEAST, KDX
	8350 6586	1			RHD, 1992-93
12	8350 4267	1			FILTER, High Beam Lamp
13	8350 4269	2			FILTER, Turn Signal Lamp
14	8350 6391	1			MODULE, Low Fuel Warning (Stamp # CR-0002-003)
	8350 6391	1			R.H.D./ Postal (Stamp CR-0002-003) ***

MODEL CODES:

61=Pickup-6 Ft Box 74=4 Door Wagon T=2WD
 62=Pickup-7 Ft Box 77=Open Body 93" Wheelbase J,N,U=4WD
 72=2 Door Wagon 78=Open Body 103" Wheelbase

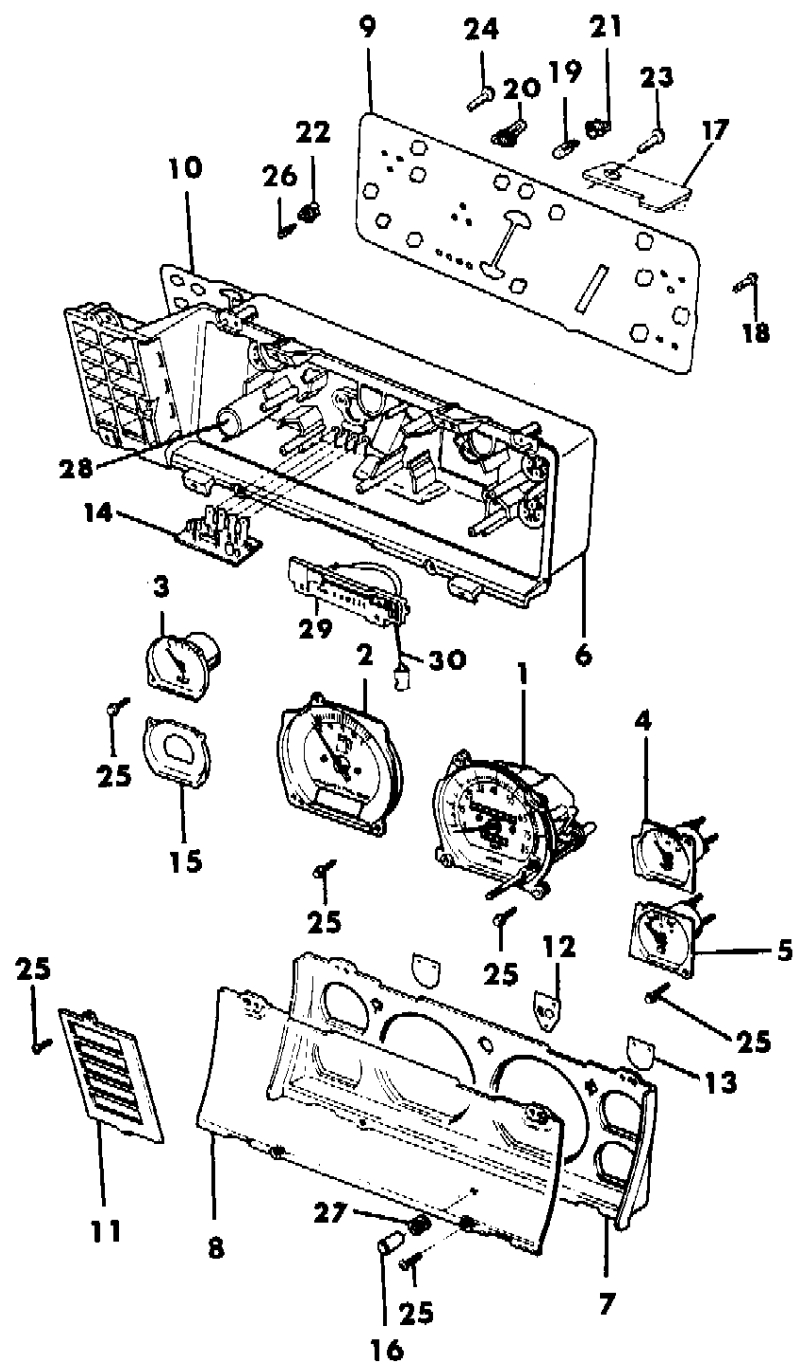
BODY STYLES:

MJ=Comanche Pickup ZJ=Grand Cherokee/Grand Wagoneer KDX VEHICLES
 SJ=Grand Wagoneer M1=Comanche
 XJ=Cherokee, Briarwood X1=Cherokee, Briarwood
 YJ=Wrangler Y1=Wrangler

AR = Use as Required - = Non Illustrated Part P.A.R. = Paint as Required

INSTRUMENT CLUSTER W/O TACHOMETER, W/GAUGES CHEROKEE, BRIARWOOD, COMANCHE
Figure 8A-1400

91J82 1400



ITEM	PART NUMBER	QTY	BODY	MODEL	DESCRIPTION
	4720 529	1			1993 (Stamp # CR-0009-012) ***
15	8350 6392	1			BEZEL, Low Fuel Warning
16	8350 4273	1			KNOB, Odometer
17	5600 5961	1			BRACKET
18	5600 5979	AR			SCREW, 22mm Long
19					BULB
	9421 330	15			Coded (194)
	9425 542	1			Coded (168)
	J941 7561	1			Coded (161)
20	5600 5966	7			BULB AND SOCKET ***
21	J369 7186	15			SOCKET
22	5600 1787	10			SOCKET
23	5600 5968	AR			SCREW, 14mm Long
24	8350 4278	AR			SCREW, 30.5 mm Long
25	S016 1860	AR			SCREW
26					BULB
	9433 184	10			Coded (74)
	J943 6789	1			Coded (37)
27	8350 4276	1			GROMMET, Trip Reset
28	8350 5408	1			FILTER, Light
29	8350 4235	1			DIAL, Shift ***
30	8350 6061	1			CABLE

MODEL CODES:

61=Pickup-6 Ft Box 74=4 Door Wagon T=2WD
 62=Pickup-7 Ft Box 77=Open Body 93" Wheelbase J,N,U=4WD
 72=2 Door Wagon 78=Open Body 103" Wheelbase

BODY STYLES:

MJ=Comanche Pickup ZJ=Grand Cherokee/Grand Wagoneer KDX VEHICLES
 SJ=Grand Wagoneer M1=Comanche
 XJ=Cherokee, Briarwood X1=Cherokee, Briarwood
 YJ=Wrangler Y1=Wrangler

AR = Use as Required - = Non Illustrated Part P.A.R. = Paint as Required

INSTRUMENT CLUSTER W/TACHOMETER, W/GAUGES CHEROKEE, BRIARWOOD, COMANCHE
Figure 8A-1500

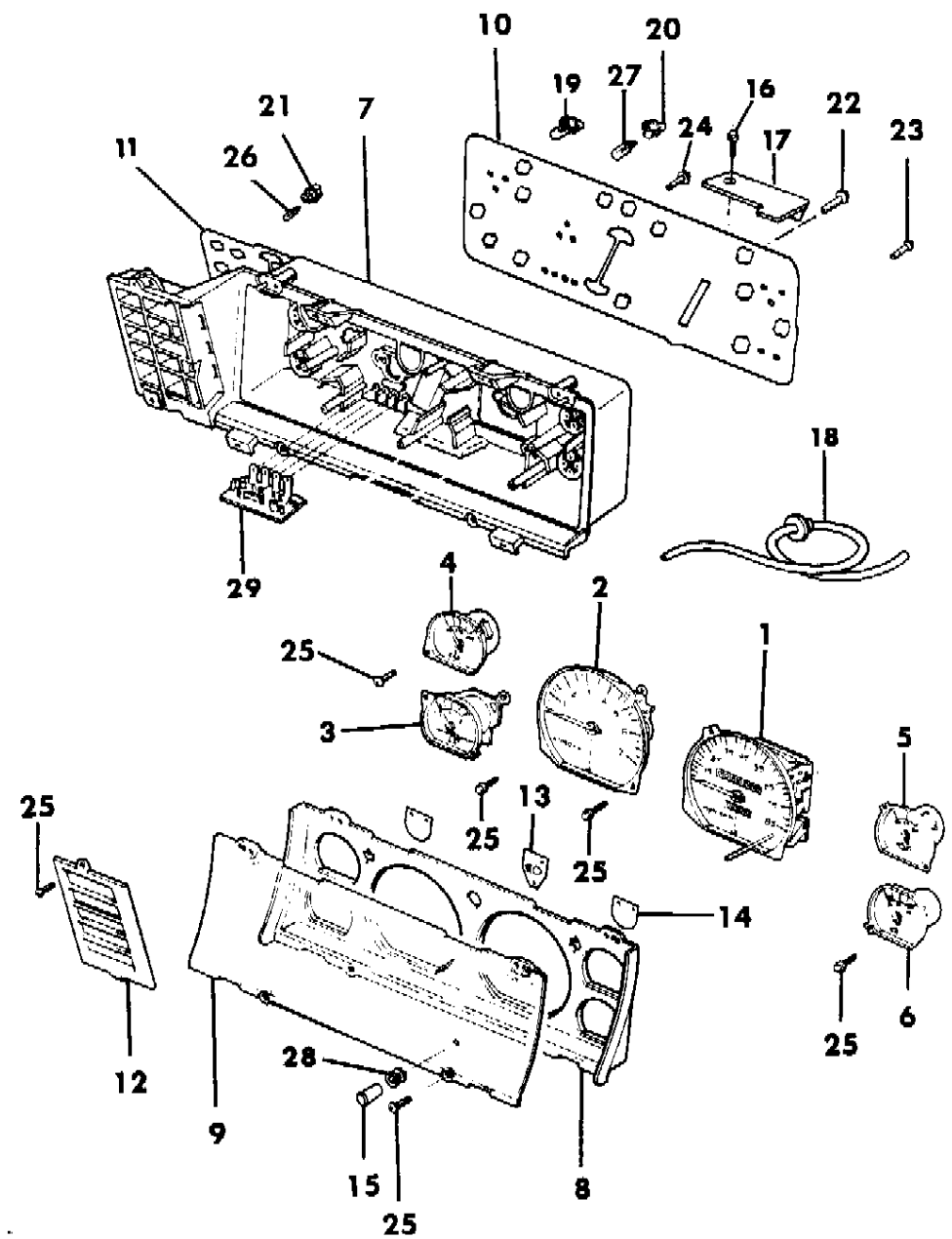
91J82 1500

ITEM	PART NUMBER	QTY	BODY	MODEL	DESCRIPTION
1					SPEEDOMETER
					Miles
	4713 883	1			1991-93
	4713 512	1			RHD (120 MPH) EUROPE
					Kilo
	8350 4457		XJ		1991 (Type 1) 180 Kilo
	4713 884	1			1991-93
	4713 517	1			RHD (Kilo)
2					TACHOMETER
	5600 4092	1			Gas
	5600 5951	1			Diesel
3					GAUGE, Fuel
	5600 5952	1			Unleaded, with Low Fuel Warning Lamp Module
	5600 5953	1			Leaded
	5600 5954	1			Diesel
4					GAUGE, Temperature
	8350 4461	1			Gas - U.S.
	8350 4462	1			Gas - CANADA, EUROPE, MIDEAST, KDX
	8350 4507	1			Diesel
5					GAUGE, Oil
	8350 4463	1			Gas - U.S.
	8350 4464	1			Gas - CANADA, EUROPE, MIDEAST, KDX
	8350 4509	1			Diesel
6					VOLTMETER ***
	8350 5414	1			Gas Engine
	8350 6389	1			Gauge, Turbo Boost, Diesel
7					HOUSING, Cluster
	5600 5955	1			Diesel
	5600 5972	1			RHD
	4638 851	1			RHD
8	5600 5956	1			BEZEL, Cluster
9	5600 5957	1			LENS, Cluster
10	5600 5958	1			CONDUCTOR, Printed Circuit ***
	5600 5959	1			Diesel
	4638 852	1			RHD
11	8350 4262	1			CONDUCTOR, Printed Circuit ***
	8350 4263	1			Diesel
	8350 6585	1			RHD
12					FILTER, Warning Lamp
	5600 5962	1			Gas - U.S.
	5600 5963	1			Gas - CANADA, EUROPE, MIDEAST, KDX
	5600 5966	1			Diesel

MODEL CODES:
 61=Pickup-6 Ft Box 74=4 Door Wagon T=2WD
 62=Pickup-7 Ft Box 77=Open Body 93" Wheelbase J,N,U=4WD
 72=2 Door Wagon 78=Open Body 103" Wheelbase

BODY STYLES:
 MJ=Comanche Pickup ZJ=Grand Cherokee/Grand Wagoneer KDX VEHICLES
 SJ=Grand Wagoneer M1=Comanche
 XJ=Cherokee, Briarwood X1=Cherokee, Briarwood
 YJ=Wrangler Y1=Wrangler

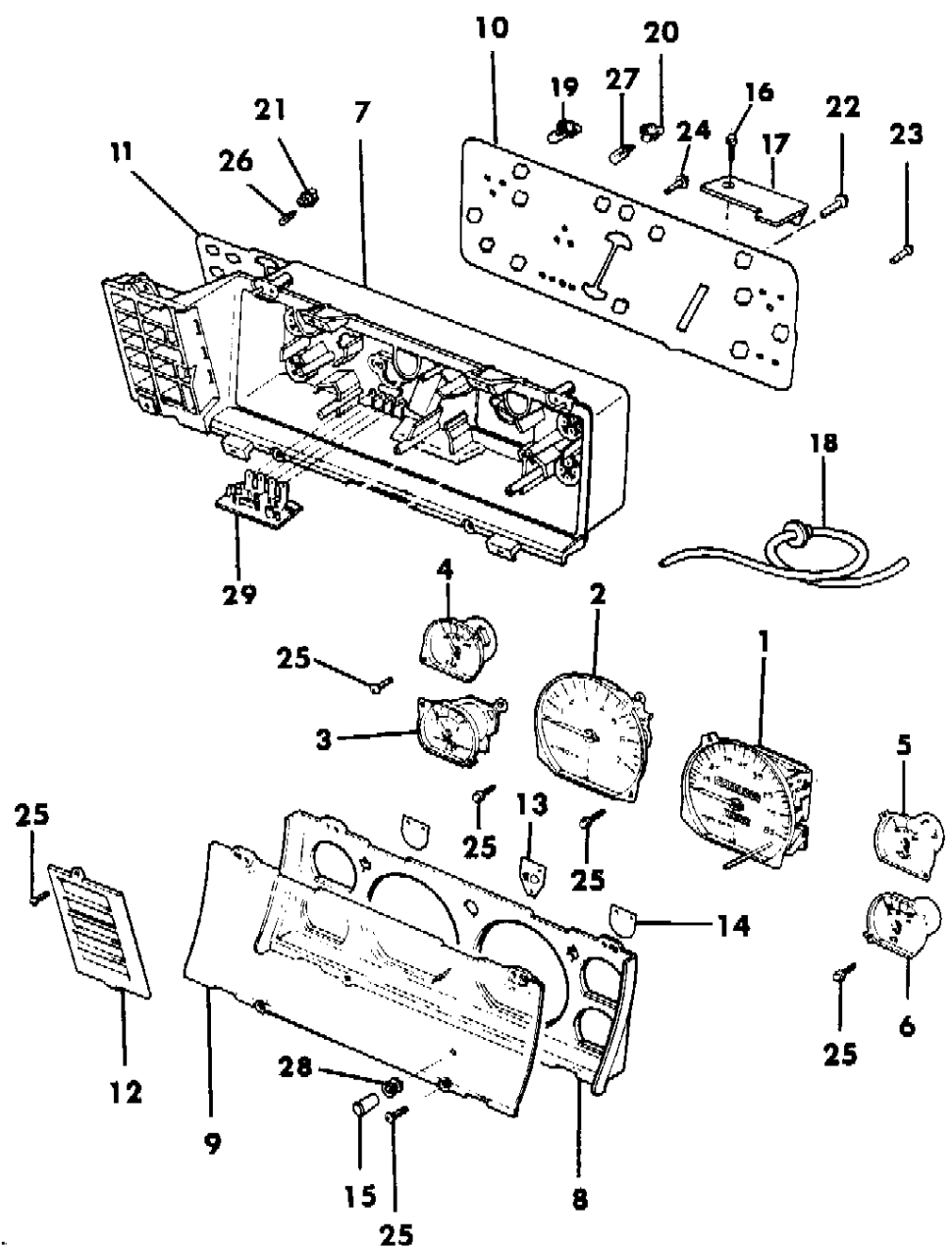
AR = Use as Required - = Non Illustrated Part P.A.R. = Paint as Required



INSTRUMENT CLUSTER W/TACHOMETER, W/GAUGES CHEROKEE, BRIARWOOD, COMANCHE
Figure 8A-1500

91J82 1500

ITEM	PART NUMBER	QTY	BODY	MODEL	DESCRIPTION
	4713 520	1			RHD
13	8350 4267	1			FILTER, High Beam
14	8350 4269	2			FILTER, Turn Signal Lamp
15	8350 4273	1			KNOB, Odometer
16	5600 5979	2			SCREW, 22mm Long
17	5600 5961	1			BRACKET
18	5600 1448	1			HOSE, Turbo Boost Guage
19	5600 5966	AR			BULB AND SOCKET ***
20	J369 7186	12			SOCKET
21	5600 1787	10			SOCKET, Warning Lamp
22	5600 5967	9			SCREW, 16mm Long
23	8350 4278	11			SCREW, 30.5mm long
24	8350 4279	9			SCREW, 13mm Long
25	S016 1860	AR			SCREW
26					BULB
	9433 184	10			Coded (74)
27					BULB
	9421 330	12			Coded (194)
28	8350 4276	1			GROMMET, Trip Reset
29	5600 5960	1			MODULE, Low Fuel Warning



MODEL CODES:
 61=Pickup-6 Ft Box 74=4 Door Wagon T=2WD
 62=Pickup-7 Ft Box 77=Open Body 93" Wheelbase J,N,U=4WD
 72=2 Door Wagon 78=Open Body 103" Wheelbase

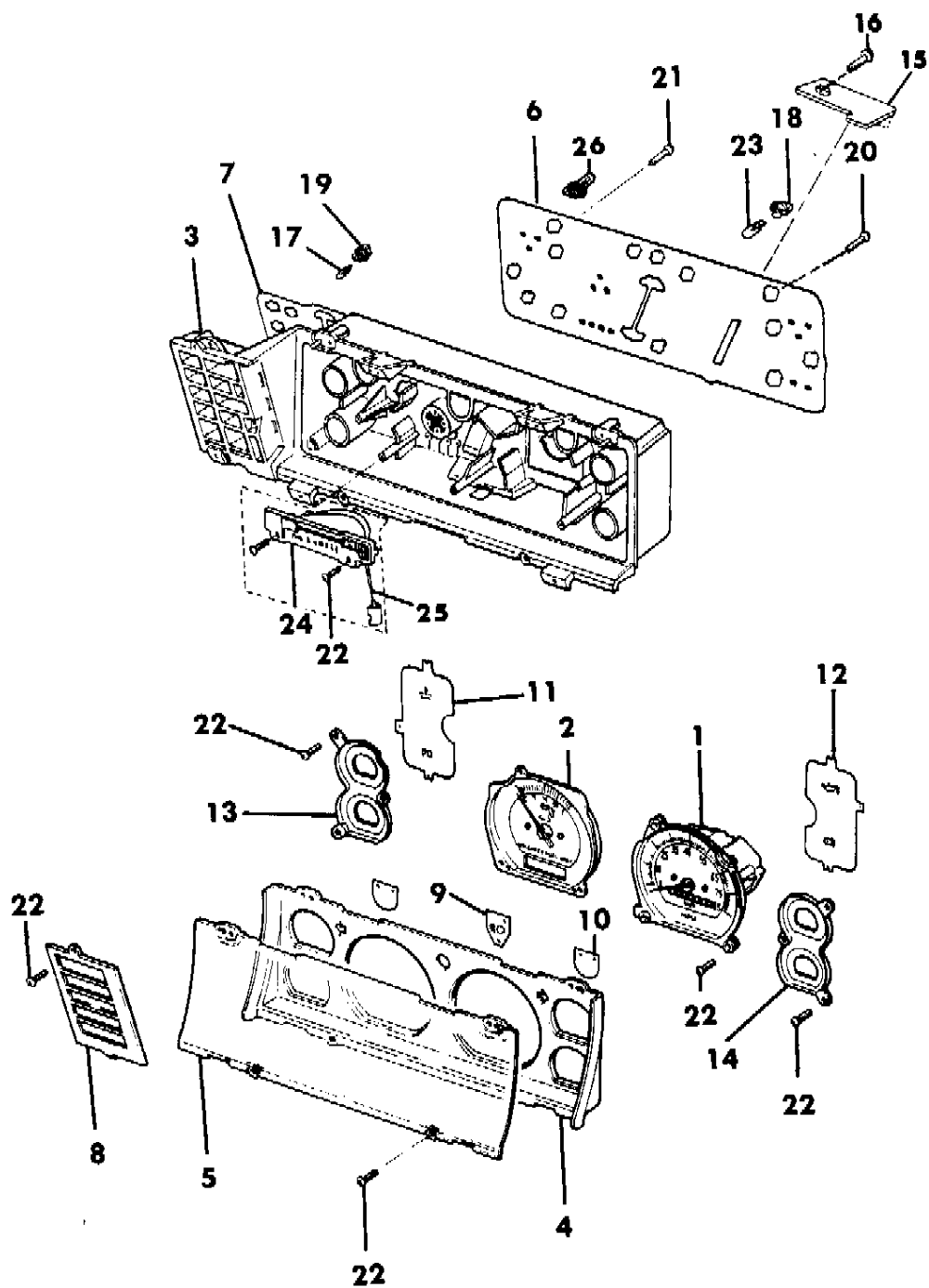
BODY STYLES:
 MJ=Comanche Pickup ZJ=Grand Cherokee/Grand Wagoneer KDX VEHICLES
 SJ=Grand Wagoneer M1=Comanche
 XJ=Cherokee, Briarwood X1=Cherokee, Briarwood
 YJ=Wrangler Y1=Wrangler

AR = Use as Required - = Non Illustrated Part P.A.R. = Paint as Required

INSTRUMENT CLUSTER W/O TACHOMETER, W/WARNING LAMPS CHEROKEE, BRIARWOOD, COMANCHE
Figure 8A-1600

91J82 1600

ITEM	PART NUMBER	QTY	BODY	MODEL	DESCRIPTION
1					SPEEDOMETER
					Miles
	5600 4087	1			1991
	4713 885	1			1992-93
	4713 888	1			Police
					Kilo
	5600 4094	1			1991
	4713 886	1			1992-93
	4713 887	1			Police
2					GAUGE, Fuel
	8350 6393	1			U.S., w/Floor Shift
	8350 6394	1			CANADA, EUROPE, MIDEAST, KDX, w/Column Shift
	5600 5975	1	MJ		U.S. w/Column Shift
	5600 5976	1			CANADA, EUROPE, MIDEAST, KDX, w/Floor Shift
3	5600 5977	1			HOUSING, Cluster
4	8350 6395	1			BEZEL, Cluster
5	8350 4256	1			LENS, Cluster
6	5600 5978	1			CONDUCTOR, Printed Circuit ***
7	8350 4263	1			CONDUCTOR, Printed Circuit
8					FILTER, Warning Lamps
	5600 5962	1			U.S.
	5600 5965	1			CANADA, EUROPE, MIDEAST, KDX
9	8350 4267	1			FILTER, H/Beam Lamp
10	8350 4269	2			FILTER, Turn Signal Lamp
11	8350 5409	1			FILTER, Cluster
12	8350 4272	1			FILTER, Cluster
13	8350 6396	1			BEZEL, Temperature
14	8350 6397	1			BEZEL, Oil
15	5600 5961	2			BRACKET
16	5600 5979	3			SCREW, 22mm Long
17					BULB
	9433 184	10			Coded (74)
	J943 6789	1			Coded (37)
18	J369 7186	15			SOCKET
19	5600 1787	10			BULB (74), and Socket ***
20	5600 5968	7			SCREW, 14mm long
21	5600 5969	11			SCREW, 28mm long
22	S016 1860	AR			SCREW
23					BULB
	9421 330	15			Coded (194)
	J941 7561	1			Coded (161)



MODEL CODES:

61=Pickup-6 Ft Box 74=4 Door Wagon T=2WD
 62=Pickup-7 Ft Box 77=Open Body 93" Wheelbase J,N,U=4WD
 72=2 Door Wagon 78=Open Body 103" Wheelbase

BODY STYLES:

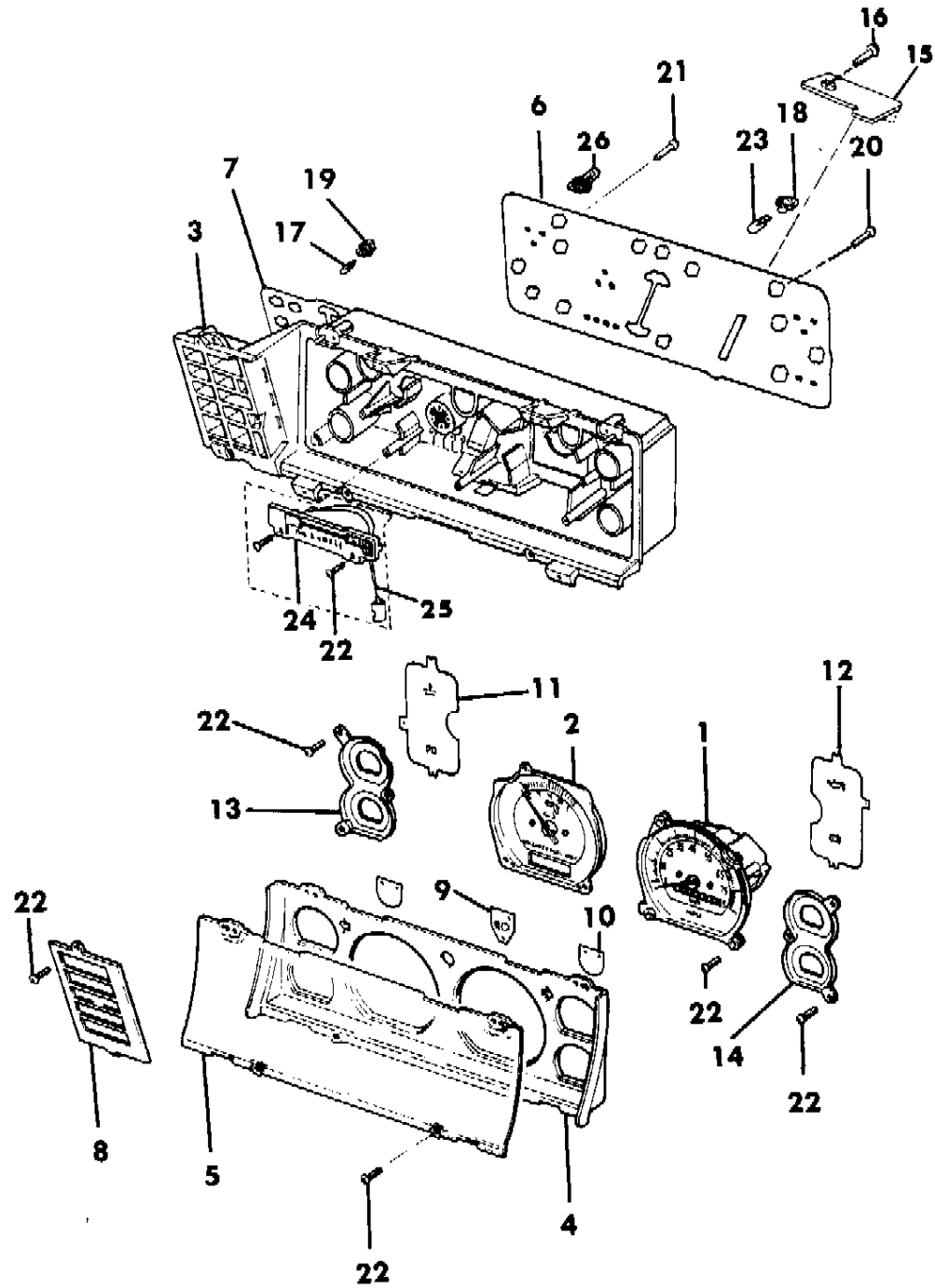
MJ=Comanche Pickup ZJ=Grand Cherokee/Grand Wagoneer KDX VEHICLES
 SJ=Grand Wagoneer M1=Comanche
 XJ=Cherokee, Briarwood X1=Cherokee, Briarwood
 YJ=Wrangler Y1=Wrangler

AR = Use as Required - = Non Illustrated Part P.A.R. = Paint as Required

INSTRUMENT CLUSTER W/O TACHOMETER, W/WARNING LAMPS CHEROKEE, BRIARWOOD, COMANCHE
Figure 8A-1600

91J82 1600

ITEM	PART NUMBER	QTY	BODY	MODEL	DESCRIPTION
	9425 542	1			Coded (168)
24	8350 4235	1	MJ		DIAL, Shift, w/Column Shift ***
25	8350 6061	1	MJ		CABLE, Selector, w/Column Shift
26	5600 5966	1			BULB AND SOCKET ***



MODEL CODES:

61=Pickup-6 Ft Box 74=4 Door Wagon T=2WD
 62=Pickup-7 Ft Box 77=Open Body 93" Wheelbase J,N,U=4WD
 72=2 Door Wagon 78=Open Body 103" Wheelbase

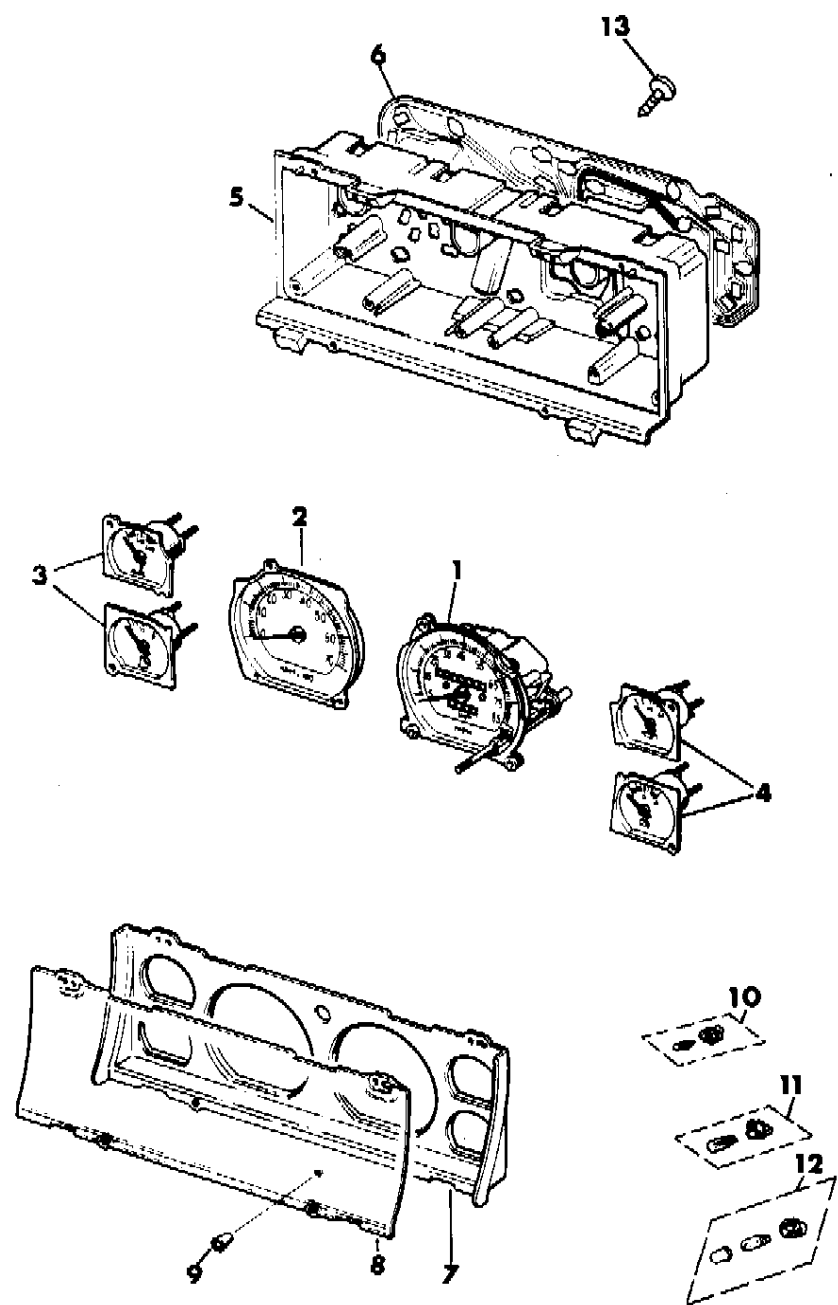
BODY STYLES:

MJ=Comanche Pickup ZJ=Grand Cherokee/Grand Wagoneer KDX VEHICLES
 SJ=Grand Wagoneer M1=Comanche
 XJ=Cherokee, Briarwood X1=Cherokee, Briarwood
 YJ=Wrangler Y1=Wrangler

AR = Use as Required - = Non Illustrated Part P.A.R. = Paint as Required

INSTRUMENT CLUSTER GRAND CHEROKEE
Figure 8A-1700

91J82 1700



ITEM	PART NUMBER	QTY	BODY	MODEL	DESCRIPTION
1					SPEEDOMETER
	4637 879	1			Miles
	4637 880	1			Kilo
2	4637 881	1			TACHOMETER
3					FUEL/VOLT Guage ***
	4637 882	1			U.S.
	4637 883	1			EXPORT
4					TEMP/OIL Guage ***
	4637 884	1			U.S.
	4637 885	1			EXPORT
5					CASE
	4637 886	1			U.S.
	4637 887	1			EXPORT
6	4637 888	1			PRINTED Circuitur ***
7					MASK
	4637 889	1			U.S.
	4637 890	1			EXPORT
8	4637 891	1			LENS
9	4638 220	1			KNOB
10	5600 1787	AR			BULB (74), and Socket ***
11	5600 5966	AR			BULB (194), and Socket and Cap ***
12					SCREW
	4740 345	4			m4x14 Tapping
	5600 5968	2			m4x16 Tapping
	5600 5967	AR			m3x16 Machine

MODEL CODES:

61=Pickup-6 Ft Box 74=4 Door Wagon T=2WD
62=Pickup-7 Ft Box 77=Open Body 93" Wheelbase J,N,U=4WD
72=2 Door Wagon 78=Open Body 103" Wheelbase

BODY STYLES:

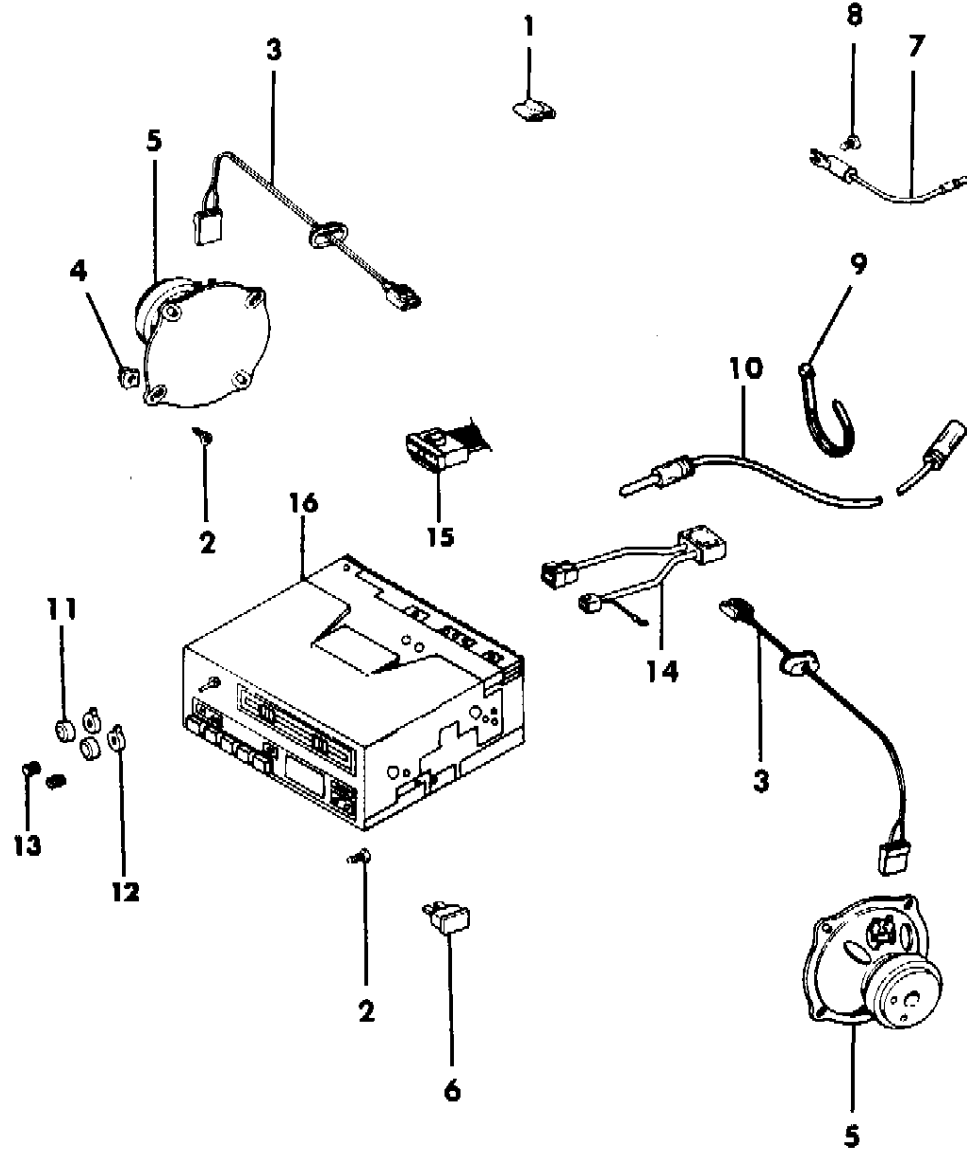
MJ=Comanche Pickup ZJ=Grand Cherokee/Grand Wagoneer KDX VEHICLES
SJ=Grand Wagoneer M1=Comanche
XJ=Cherokee, Briarwood X1=Cherokee, Briarwood
YJ=Wrangler Y1=Wrangler

AR = Use as Required - = Non Illustrated Part P.A.R. = Paint as Required

RADIO SPEAKERS AND KNOBS TWO SPEAKER SYSTEM CHEROKEE, BRIARWOOD, GRAND CHEROKEE, COMANCHE
Figure 8A-1900

91J82 1900

ITEM	PART NUMBER	QTY	BODY	MODEL	DESCRIPTION
1	J400 5963	1			CLIP
2	J448 9487	10			SCREW
3	5600 4900	2			WIRING, Speaker, w/o Power Locks or Windows
4	J400 5242	8			NUT
5	3600 3461	2			SPEAKER, Door
6	J323 1213	1			FUSE, 5 Ampere
7	J322 9510	1			CAPACITOR, Ignition
8	3420 1895	1			SCREW
9	6015 756	1			STRAP
10	5600 2952	1			CABLE, Antenna
11	4728 151	1			KNOB, Radio Volume
12	8350 7078	1			KNOB, Fader
13	8350 7042	2			KNOB, Bass/Treble w/Cass.
14	5600 3160	1			WIRING, Jumper, KDX-CHINA
15	8350 6510	AR			WIRING, Radio Repair
16					RADIO, Also See Accessory Catalog
	5600 6932	1			Am/Fm/Cassette
	5600 6737	1			Am/Fm/Cassette, w/Equalizer



MODEL CODES:

61=Pickup-6 Ft Box 74=4 Door Wagon T=2WD
 62=Pickup-7 Ft Box 77=Open Body 93" Wheelbase J,N,U=4WD
 72=2 Door Wagon 78=Open Body 103" Wheelbase

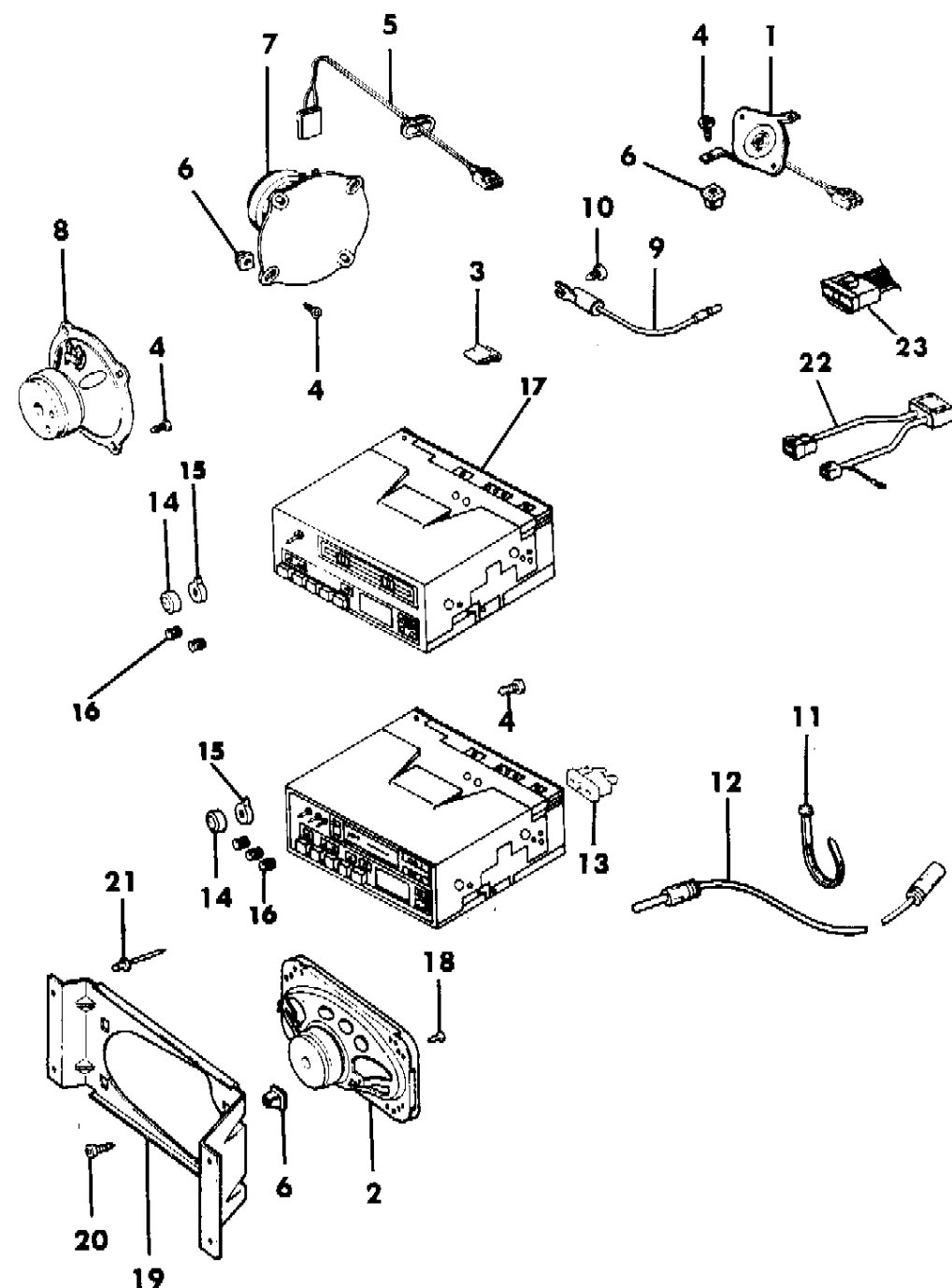
BODY STYLES:

MJ=Comanche Pickup ZJ=Grand Cherokee/Grand Wagoneer KDX VEHICLES
 SJ=Grand Wagoneer M1=Comanche
 XJ=Cherokee, Briarwood X1=Cherokee, Briarwood
 YJ=Wrangler Y1=Wrangler

AR = Use as Required - = Non Illustrated Part P.A.R. = Paint as Required

RADIO SPEAKERS AND KNOBS FOUR/SIX SPEAKER SYSTEM CHEROKEE, BRIARWOOD, GRAND CHEROKEE, COMANCHE
Figure 8A-2000

91J82 2000



ITEM	PART NUMBER	QTY	BODY	MODEL	DESCRIPTION
1			XJ		SPEAKER, Instrument Panel
	3600 1123	1			Right
	5600 2013	1			Left
	5600 5004	2	ZJ		
2	5600 1878	2	MJ		SPEAKER, Rear
3	J400 5963	2			CLIP
4	J448 9487	18			SCREW
5	5600 4900	2			HARNESS, Speaker, w/o Power Locks or Windows
6	J400 5242	8			NUT
7					SPEAKER, Door Front
	5600 1879	2			w/o D.N.R.
	5600 5005	2	ZJ		
	3600 1124	2			w/D.N.R.
	5600 5006	2	ZJ		
8					SPEAKER, Rear Door
	5600 5005	2	ZJ		w/o D.N.R.
	5600 5436	2	ZJ		w/D.N.R.
					SPEAKER, Liftgate
	3600 1125	2	XJ		w/D.N.R.
9	J322 9510	1			CAPACITOR, Ignition
10	3420 1895	1			SCREW
11	6015 756	1			STRAP
12	5600 2952	1			CABLE, Antenna
13					FUSE
	J323 1211	1			3 Ampere
	J323 1213	1			5 Ampere
14	8350 7040	1			KNOB, Volume
	4741 435	1		ZJ	
	4741 436	1		ZJ	Joystick
	4741 437	1		ZJ	Equalizer
15	8350 7078	1			KNOB, Fader
16	8350 7042	2			KNOB, Bass/Treble w/Cass.
17					RADIO,1991
	8220 0800	1	MJ,XJ		AM/FM MPX Stereo w/Cassette 1992 ***
	5600 9001	1	MJ,XJ		AM/FM ETR Stereo w/Clock
	5600 9004	1	MJ,XJ		AM/FM w/Cassette w/Clock
	5600 6833	1	MJ,XJ		AM/FM w/Cassette Europe
	5600 6192	1	ZJ		Ultimate Cassette
	5600 7114	1	ZJ		Standard Stereo, Black
	5600 7113	1	ZJ		Standard Stereo, Cassette

MODEL CODES:

61=Pickup-6 Ft Box 74=4 Door Wagon T=2WD
 62=Pickup-7 Ft Box 77=Open Body 93" Wheelbase J,N,U=4WD
 72=2 Door Wagon 78=Open Body 103" Wheelbase

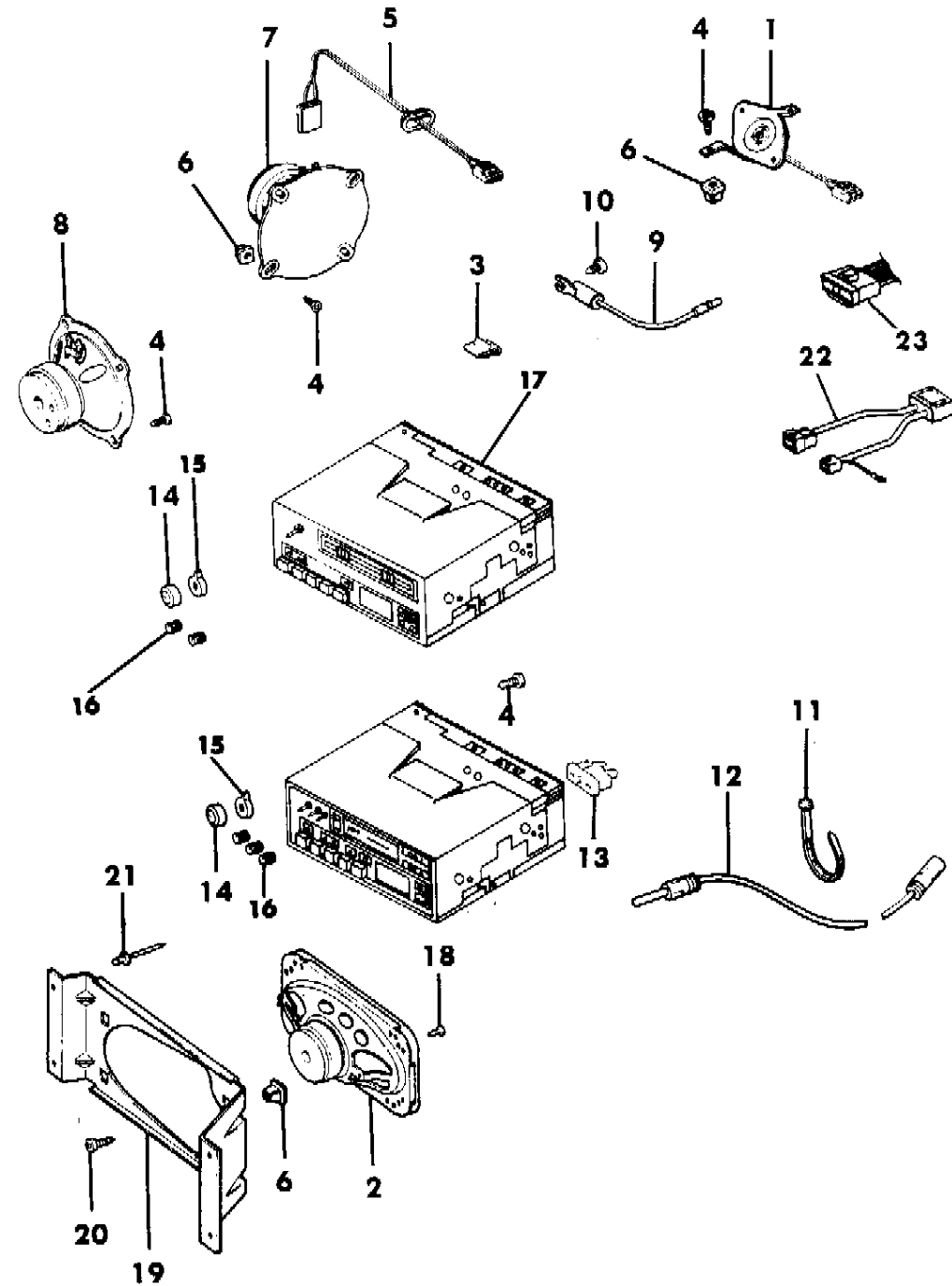
BODY STYLES:

MJ=Comanche Pickup ZJ=Grand Cherokee/Grand Wagoneer KDX VEHICLES
 SJ=Grand Wagoneer M1=Comanche
 XJ=Cherokee, Briarwood X1=Cherokee, Briarwood
 YJ=Wrangler Y1=Wrangler

AR = Use as Required - = Non Illustrated Part P.A.R. = Paint as Required

RADIO SPEAKERS AND KNOBS FOUR/SIX SPEAKER SYSTEM CHEROKEE, BRIARWOOD, GRAND CHEROKEE, COMANCHE
Figure 8A-2000

91J82 2000



ITEM	PART NUMBER	QTY	BODY	MODEL	DESCRIPTION
18	J448 9487	8			SCREW
19	5500 6736	2	MJ		BRACKET, Speaker
20	J400 2461	8			SCREW
21	3420 1792	8			RIVET
22	5600 3160	1			HARNESS, Jumper KDX-China
23	8350 6510	AR	MJ,XJ		HARNESS, Radio Repair

D.N.R. (Dynamic Noise Reduction)

MODEL CODES:

61=Pickup-6 Ft Box 74=4 Door Wagon T=2WD
62=Pickup-7 Ft Box 77=Open Body 93" Wheelbase J,N,U=4WD
72=2 Door Wagon 78=Open Body 103" Wheelbase

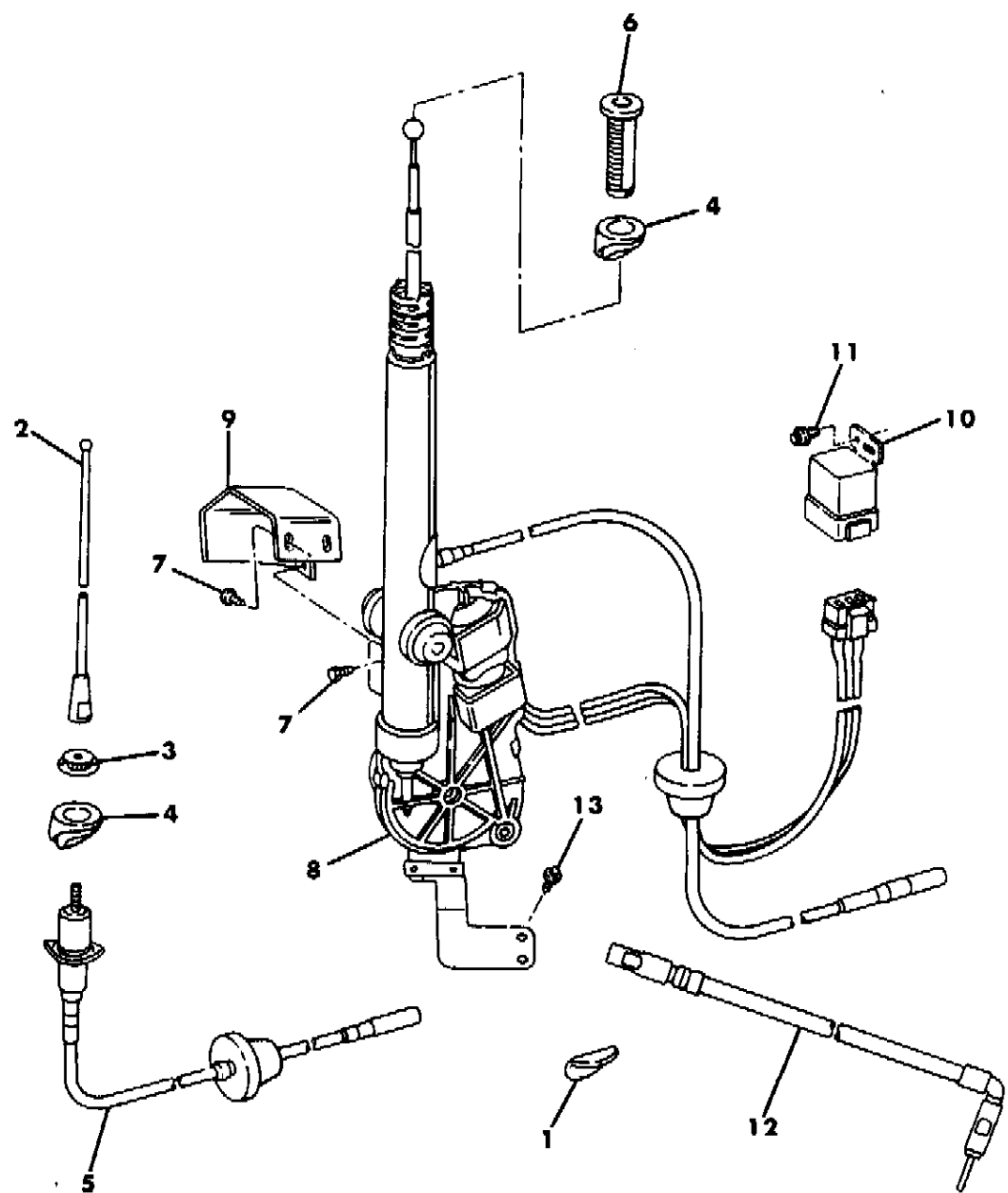
BODY STYLES:

MJ=Comanche Pickup ZJ=Grand Cherokee/Grand Wagoneer KDX VEHICLES
SJ=Grand Wagoneer M1=Comanche
XJ=Cherokee, Briarwood X1=Cherokee, Briarwood
YJ=Wrangler Y1=Wrangler

AR = Use as Required - = Non Illustrated Part P.A.R. = Paint as Required

ANTENNA CHEROKEE, BRIARWOOD, GRAND CHEROKEE, COMANCHE
Figure 8A-2100

91J82 2100



ITEM	PART NUMBER	QTY	BODY	MODEL	DESCRIPTION
1	5600 1184	1			COVER, Hole
2	8220 0031	1			ANTENNA
3	5600 0506	1			NUT
	5600 6828	1	ZJ		CAPNUT w/o Power Antenna ***
4		1			PAD
	5600 1183		XJ		
	5600 7173		ZJ		
5	5600 0282	1			BASE, w/Cable
	5600 5009	1	ZJ		
6					ESCUTCHEON
	5600 0552	1	XJ		
	5600 7173	1	ZJ		
	5600 7295	1	ZJ		CAPNUT w/Power Antenna ***
7	3420 1522	4	XJ		SCREW
8	5600 3151	1	XJ		ANTENNA, Power
	5600 7174	1	ZJ		
	4741 282	1			MAST & CABLE REPAIR KIT (Power Antenna) ***
	4740 935	1	ZJ		MAST, Power Antenna
9	5600 7107	1	XJ		BRACKET
10	5600 0836	1	XJ		RELAY, Antenna
	3600 3031	1	ZJ		
11	3420 1489	2	XJ		SCREW
12	5600 5500	1	ZJ		CABLE, Antenna
13	6101 603	2	ZJ		SCREW, Antenna

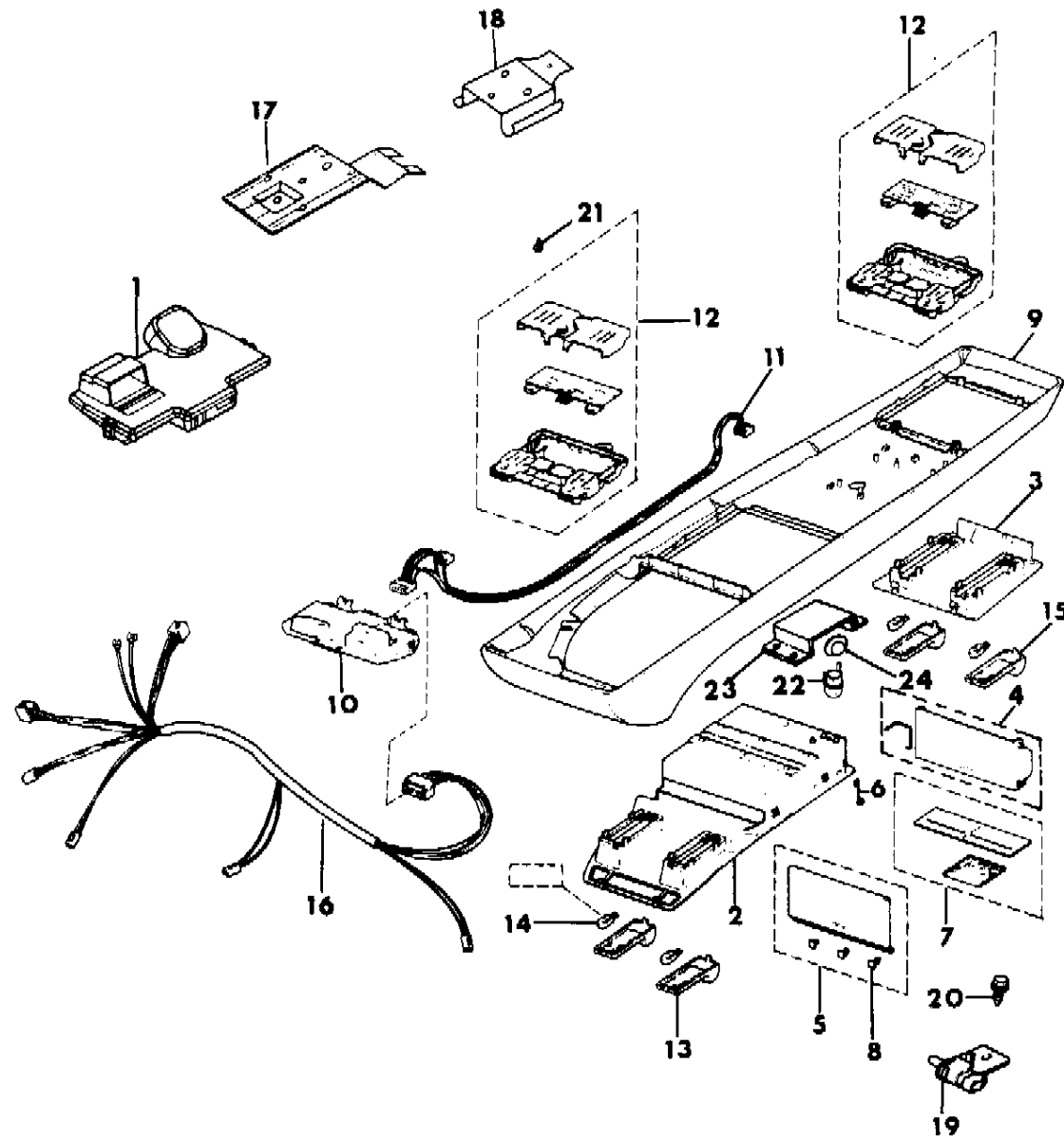
MODEL CODES:
 61=Pickup-6 Ft Box 74=4 Door Wagon T=2WD
 62=Pickup-7 Ft Box 77=Open Body 93" Wheelbase J,N,U=4WD
 72=2 Door Wagon 78=Open Body 103" Wheelbase

BODY STYLES:
 MJ=Comanche Pickup ZJ=Grand Cherokee/Grand Wagoneer KDX VEHICLES
 SJ=Grand Wagoneer M1=Comanche
 XJ=Cherokee, Briarwood X1=Cherokee, Briarwood
 YJ=Wrangler Y1=Wrangler

AR = Use as Required - = Non Illustrated Part P.A.R. = Paint as Required

CONSOLE,-OVERHEAD CHEROKEE, BRIARWOOD
Figure 8A-2200

91J82 2200



ITEM	PART NUMBER	QTY	BODY	MODEL	DESCRIPTION
1	5266 221	1			MODULE
2	4521 399	1			HOUSING
3	5502 7824	1			HOUSING, Rear
4	8350 6210	1			DOOR & SPRING, Sunglass Bin ***
5	4507 567	1			DOOR, Garage Door Opener
6	4409 911	1			SPRING
7	4309 345	1			FASTENER, Velcro Hook
8	4309 344	1			ADAPTER, Garage Door Button
9					HOUSING, Console
	4626 124	1			Charcoal
	4740 018	1			Charcoal, 1993
	4626 125	1			Cordovan
	8350 7227	1			Dark Sand
	4740 020	1			Dark Sand, 1993
10	5266 221	1			MODULE, Compass/Temp
11	4450 262	1			HARNESS, Lamp/Compass
12	4638 924	2			MODULE, Dome Lamp Assembly
13	4507 896-7	1			LENS, Switch Front
14	9437 173	4			BULB, (912)
15	4507 584-5	1			LENS, Switch, Rear
16					HARNESS, Domelamp
	5600 4858				1991 ***
	5600 4292	1			1992
	5601 9061	1			1993
17	5503 3358	1			BRACKET, Front Mounting
18	5502 5816	1			BRACKET, Rear Mounting
19	5266 203	1			SENSOR, Outside Air Temp.
20	1150 2843	1			SCREW
21	6032 456	5			SCREW
22	8350 5263	1			LENS
23	5502 4275	1			COVER, Keyless Entry
24	8350 7229	1			BEZEL, Lens

MODEL CODES:

61=Pickup-6 Ft Box 74=4 Door Wagon T=2WD
62=Pickup-7 Ft Box 77=Open Body 93" Wheelbase J,N,U=4WD
72=2 Door Wagon 78=Open Body 103" Wheelbase

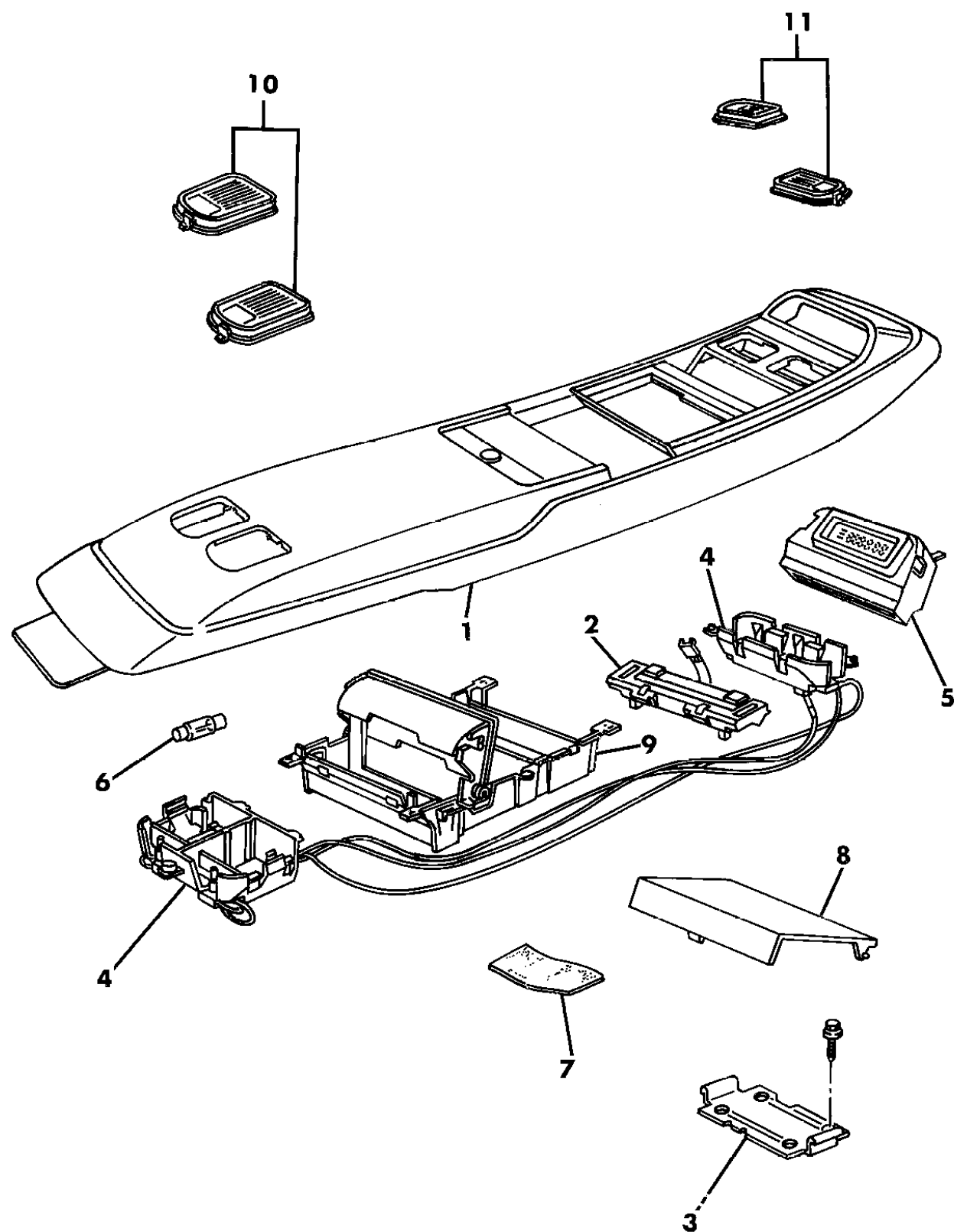
BODY STYLES:

MJ=Comanche Pickup ZJ=Grand Cherokee/Grand Wagoneer KDX VEHICLES
SJ=Grand Wagoneer M1=Comanche
XJ=Cherokee, Briarwood X1=Cherokee, Briarwood
YJ=Wrangler Y1=Wrangler

AR = Use as Required - = Non Illustrated Part P.A.R. = Paint as Required

CONSOLE, OVERHEAD GRAND CHEROKEE
Figure 8A-2300

91J82 2300A



ITEM	PART NUMBER	QTY	BODY	MODEL	DESCRIPTION
1					HOUSING (contains Compass lens) ***
	5CJ4 2LD5	1			Silver
	5CJ4 2LF4	1			Driftwood
	5CJ4 2LMA	1			Red
	5CJ4 2MV4	1			Champagne
2	4741 817	2			SCREW, Console Mtg.
	5600 6956	1			SWITCH, Push Button, Mini Trip (Socket and Bulb Serviced in switch assy. only)
3	5503 3850	1			BRACKET
4	5521 4857	1			HARNES, Overhead Console
5	5600 6448	1			MODULE, Temp./Compass/Minitrip
NOTES: Refer to Serviced Manual for Calibrating Module.					
6	9431 809	4			BULB, (212)
7	4547 583	1			KIT, Garage Door Opener Velcro ***
8	5268 173	1			DOOR, Garage Door Opener
9	5268 174	1			MODULE, Sunglass
10		1			LENS, Reading Rear
	5268 178				Right
	5268 177				Left
11		1			LENS, Reading Front
	5268 176				Right
	5268 175				Left

MODEL CODES:

61=Pickup-6 Ft Box 74=4 Door Wagon T=2WD
62=Pickup-7 Ft Box 77=Open Body 93" Wheelbase J,N,U=4WD
72=2 Door Wagon 78=Open Body 103" Wheelbase

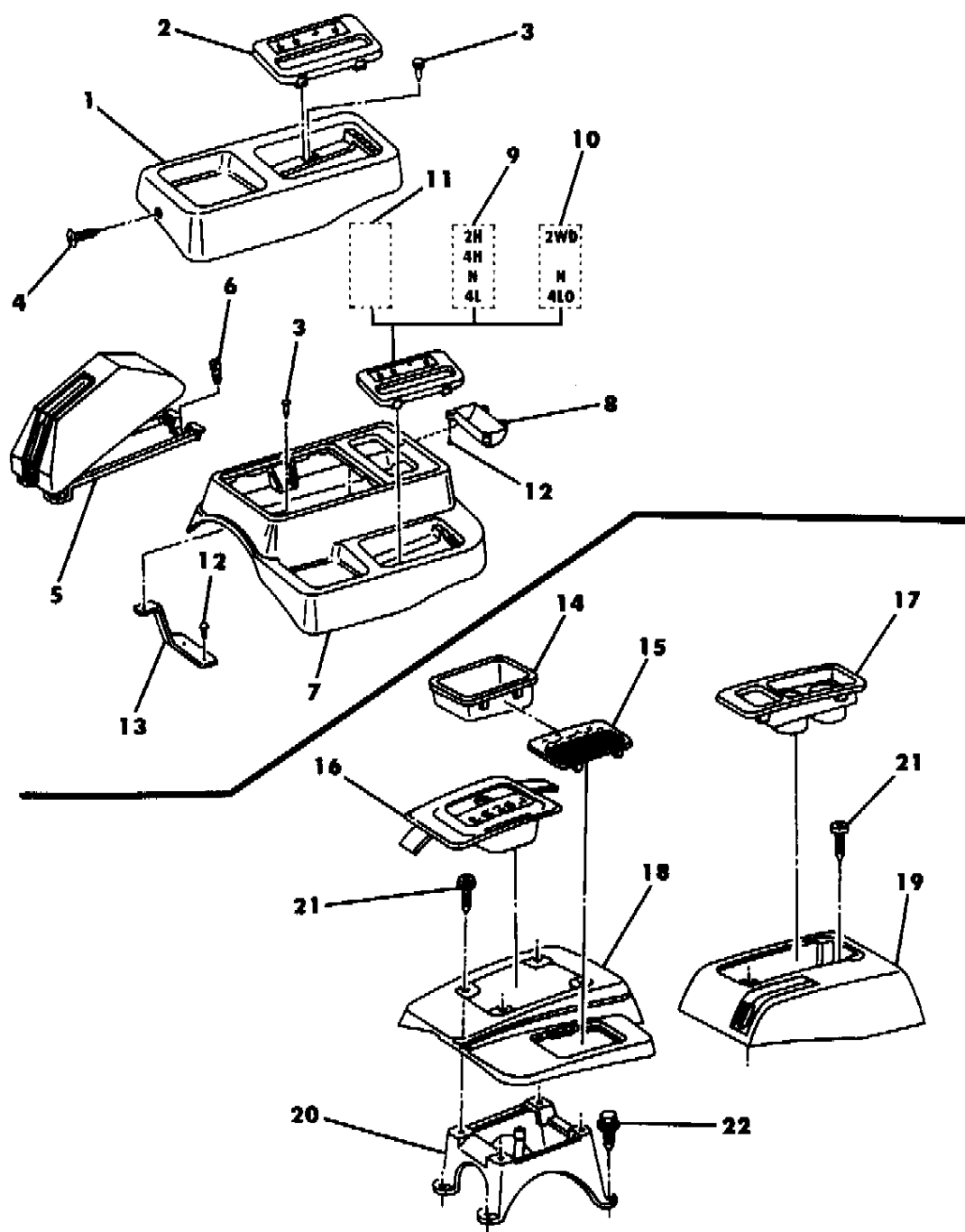
BODY STYLES:

MJ=Comanche Pickup ZJ=Grand Cherokee/Grand Wagoneer KDX VEHICLES
SJ=Grand Wagoneer M1=Comanche
XJ=Cherokee, Briarwood X1=Cherokee, Briarwood
YJ=Wrangler Y1=Wrangler

AR = Use as Required - = Non Illustrated Part P.A.R. = Paint as Required

SHIFT BEZELS CHEROKEE, BRIARWOOD, GRAND CHEROKEE, COMANCHE
Figure 8A-2400

91J82 2400



ITEM	PART NUMBER	QTY	BODY	MODEL	DESCRIPTION
1	5AD9 2JY6	1	MJ		BEZEL, Shift
2	5AD9 3JY6	1			BEZEL, Transfer Case
3	3420 1314	AR			SCREW
4	J400 4315	1			SCREW
5	5AC6 9JY6	1	XJ		COVER, Parking Brake, P.A.R.
6	J400 6633	3			SCREW
7	5BA6 9JY6	1			BEZEL, Shift, P.A.R.
8	5500 3281	1			CUP, Coin Retainer
9	5501 2346	1			COVER, 2WD, P.A.R.
10	5502 0094	1			BEZEL, Transfer Case, 4WD (Select Trac 242)
	5502 7707	1			BEZEL, Transfer Case RHD
11	5500 5175	1			BEZEL, Transfer Case, 4WD (Command Trac 231)
	5511 4944	1			BEZEL, Transfer Case RHD
12	1150 2843	4			SCREW
13	5300 0812	1			BRACKET, Manual Trans.
14	5503 0314	1	ZJ		COVER
15			ZJ		BEZEL, Transfer Case
	5502 7662	1			w/231
	5502 7663	1			w/242
	5502 7664	1			w/249
16	5503 3646	1	ZJ		BEZEL, P,R,D w/An 0 Around D, 3, 2-1 Shift Pattern
17	5511 4662	1	ZJ		HOLDER, Cup
18					BEZEL, Shift
	5AR8 6LD5	1	ZJ		For Vehicles Built up to 7/16/92
	5DK4 7LD5	1	ZJ		For Vehicles Built 7/17/92 and After
19	5CP4 8LD5	1	ZJ		COVER, Park Brake
20	5503 3382	1	ZJ		BRACKET
21			ZJ		SCREW (DNS)
22			ZJ		SCREW (DNS)

MODEL CODES:

61=Pickup-6 Ft Box 74=4 Door Wagon T=2WD
 62=Pickup-7 Ft Box 77=Open Body 93" Wheelbase J,N,U=4WD
 72=2 Door Wagon 78=Open Body 103" Wheelbase

BODY STYLES:

MJ=Comanche Pickup ZJ=Grand Cherokee/Grand Wagoneer KDX VEHICLES
 SJ=Grand Wagoneer M1=Comanche
 XJ=Cherokee, Briarwood Y1=Cherokee, Briarwood
 YJ=Wrangler Y1=Wrangler

AR = Use as Required - = Non Illustrated Part P.A.R. = Paint as Required

CONSOLE CHEROKEE, BRIARWOOD, COMANCHE
Figure 8A-2500

91J82 2500A

ITEM	PART NUMBER	QTY	BODY	MODEL	DESCRIPTION
1	4638 404	1			BASE, Console
2	5500 1303	1	XJ		DUCT, Rear Heater
3	5300 0812	1			BRACKET, Manual Trans.
4	1150 2843	6	XJ		SCREW
5	5AC3 5JY6	1			RECEIVER, Ash
6	3420 1197	2			RIVET
7	5500 1294	1			REINFORCEMENT
8	5500 1307	1			BRACKET, Center
9	5500 1308	1			BRACKET, Rear
10	3420 1197	4			RIVET
11					SCREW
	3420 1314	6	XJ		Wagon
	J400 3663	4	MJ		Truck
12	3420 1509	2			CLIP
13	5500 1391	1			BOX, Storage
14	3420 1298	4	MJ		SCREW (Pan Head) ***
15					BEZEL, Transfer Case 4WD
	5500 5175	1			Left Hand Drive
	5511 4944	1			Right Hand Drive
16	5502 0094	1			BEZEL, Transfer Case 4WD
17					COVER, Shift, P.A.R.
	5501 8892	1	XJ		used w/o Cupholder, 1991-92
	5511 4998	1	XJ		used w/Cupholder, 1992-93
	5501 8893	1	MJ		1991
	5511 5002	1	MJ		1992
18	5500 3281	1			CUP, Coin Retainer
19	5501 2346	1			COVER, 2WD
20	3420 1286	2			SCREW
21		1			COVER, Storage
	5AC5 3JY6				Sand
	5AC5 3JA8				Charcoal
	5AC5 3JH9				Cordovan
22	5500 1299	1			LATCH, Storage Compartment
23	5500 1300	1			RETAINER, Latch
24	5500 1301	1			SPRING, Latch
25	3420 1510	5			SCREW
26	3420 1902	2			BUMPER, Cover
27	5500 1302	1			HINGE, Cover
28	J448 9487	3			SCREW
29	S943 7448	3			BULB
30	5500 8220	1			COVER

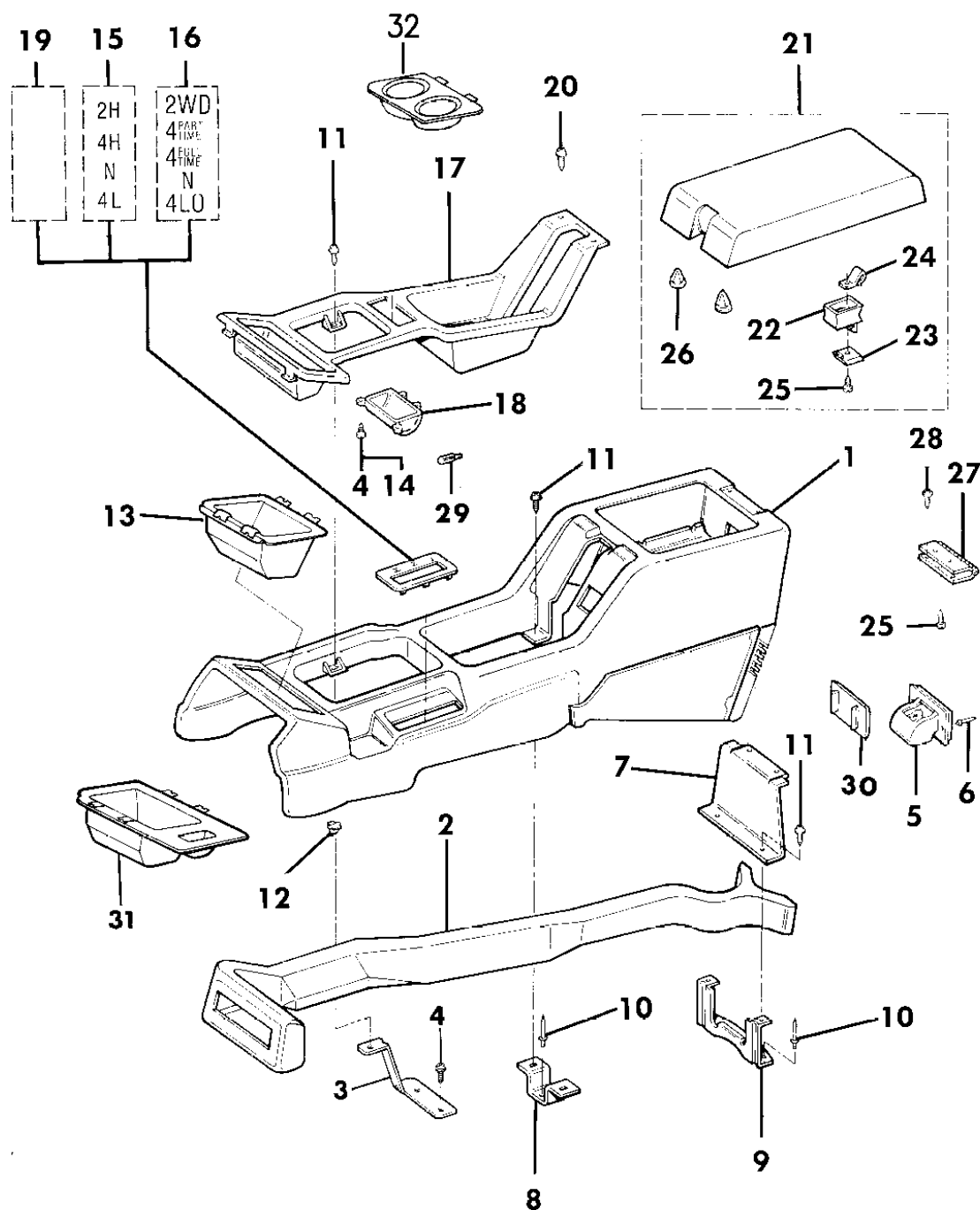
MODEL CODES:

61=Pickup-6 Ft Box 74=4 Door Wagon T=2WD
62=Pickup-7 Ft Box 77=Open Body 93" Wheelbase J,N,U=4WD
72=2 Door Wagon 78=Open Body 103" Wheelbase

BODY STYLES:

MJ=Comanche Pickup ZJ=Grand Cherokee/Grand Wagoneer KDX VEHICLES
SJ=Grand Wagoneer M1=Comanche
XJ=Cherokee, Briarwood X1=Cherokee, Briarwood
YJ=Wrangler Y1=Wrangler

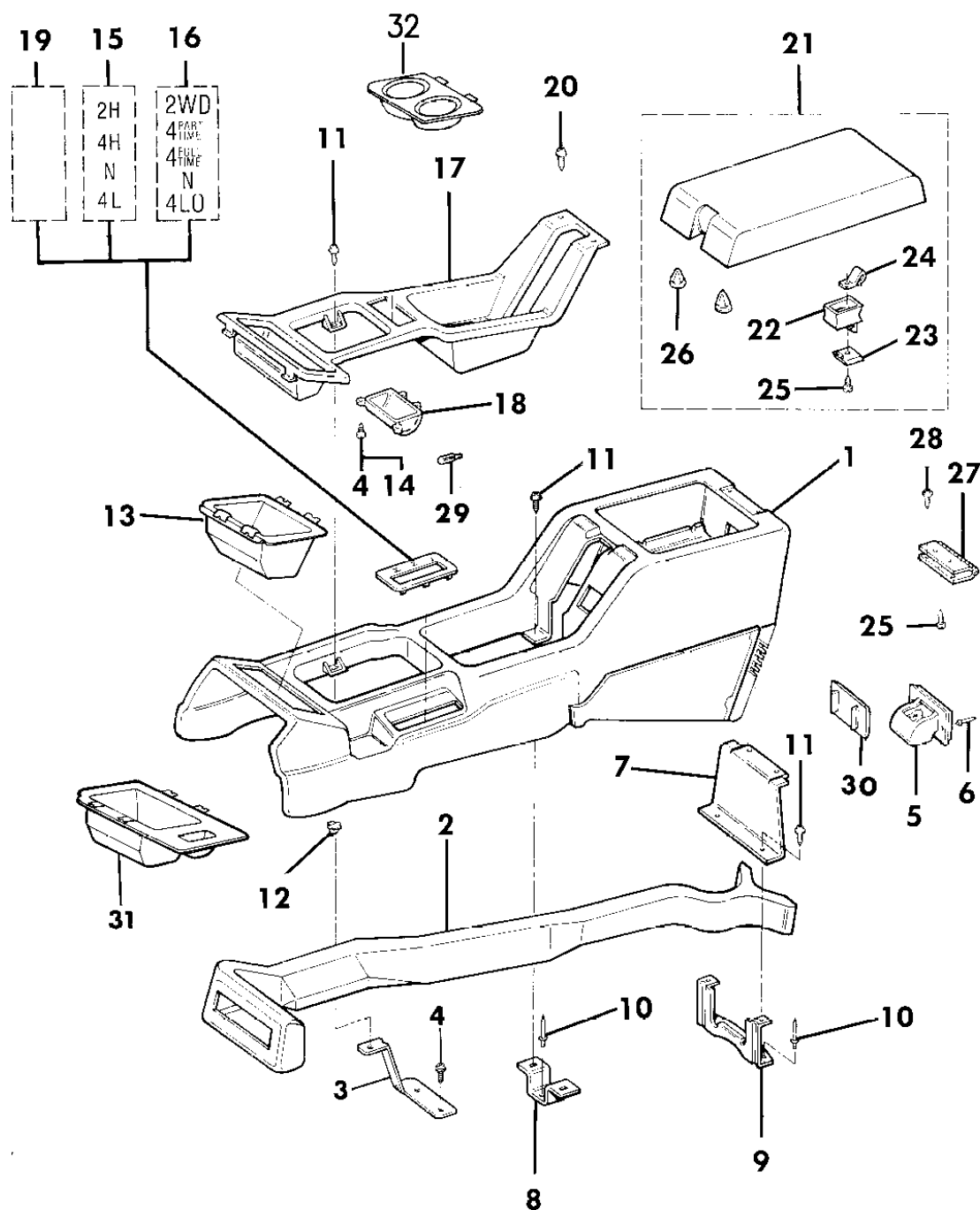
AR = Use as Required - = Non Illustrated Part P.A.R. = Paint as Required



CONSOLE CHEROKEE, BRIARWOOD, COMANCHE
Figure 8A-2500

91J82 2500A

ITEM	PART NUMBER	QTY	BODY	MODEL	DESCRIPTION
31	5502 9488	1			BOX, Storage
32	5511 5020	1			CUPHOLDER ***



MODEL CODES:

61=Pickup-6 Ft Box 74=4 Door Wagon T=2WD
62=Pickup-7 Ft Box 77=Open Body 93" Wheelbase J,N,U=4WD
72=2 Door Wagon 78=Open Body 103" Wheelbase

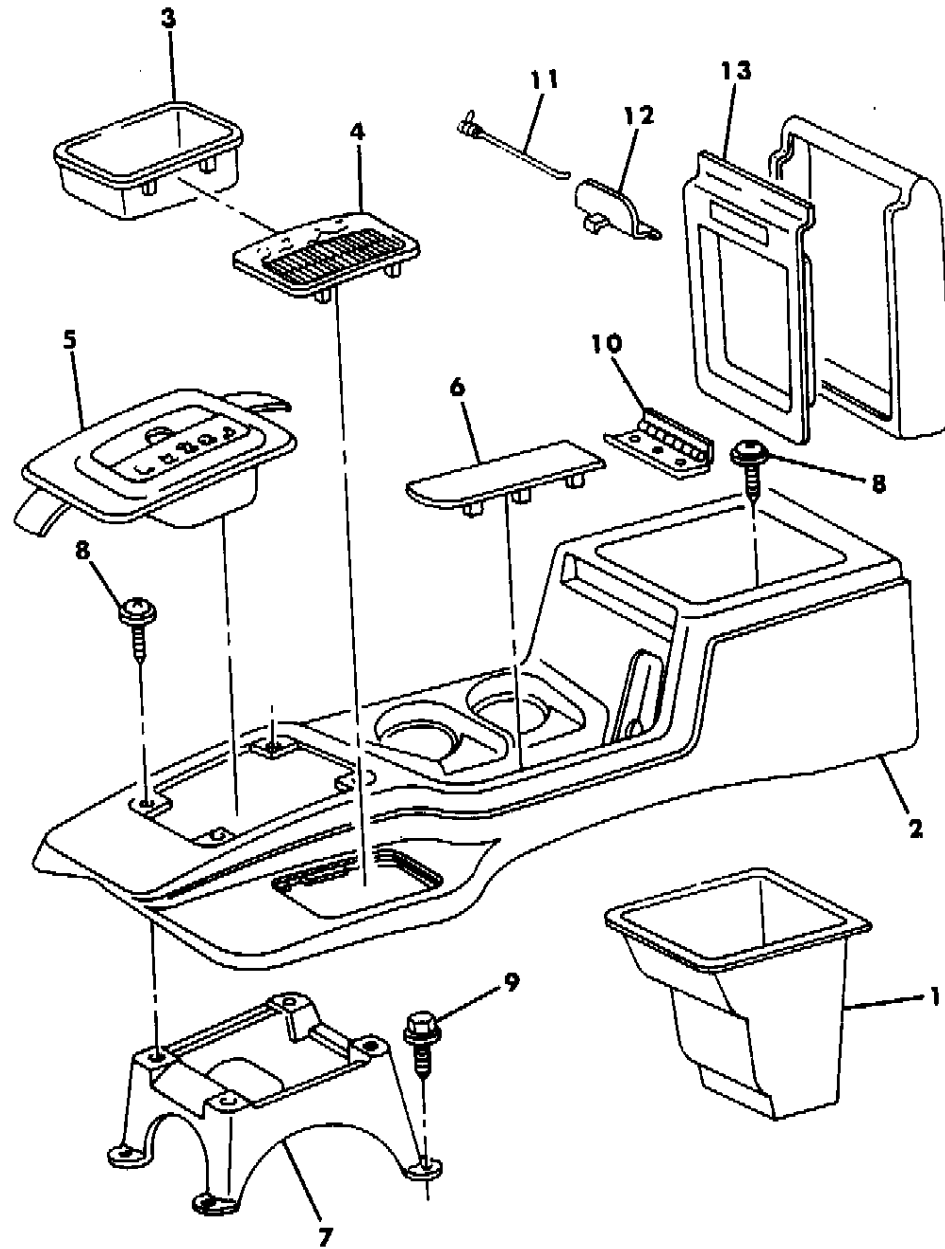
BODY STYLES:

MJ=Comanche Pickup ZJ=Grand Cherokee/Grand Wagoneer KDX VEHICLES
SJ=Grand Wagoneer M1=Comanche
XJ=Cherokee, Briarwood X1=Cherokee, Briarwood
YJ=Wrangler Y1=Wrangler

AR = Use as Required - = Non Illustrated Part P.A.R. = Paint as Required

CONSOLE GRAND CHEROKEE
Figure 8A-2600

91J82 2600



ITEM	PART NUMBER	QTY	BODY	MODEL	DESCRIPTION
1	4638 400	1	ZJ		BIN
2	4728 545	1	ZJ		BASE
3	5503 0314	1	ZJ		COVER
4			ZJ		BEZEL Transfer Case
	5502 7662	1			w/231
	5502 7663	1			w/242
	5502 7664	1			w/249
5	5503 3646	1	ZJ		BEZEL, P,R,D w/An 0 Around D, 3, 2-1 Shift Pattern
6	5503 3655	1	ZJ		BEZEL, Park Brake
7	5503 3382	1	ZJ		BRACKET
8					SCREW (DNS)
9					SCREW (DNS)
10	4638 396	1	ZJ		HINGE
11	4638 397	1	ZJ		SPRING
12	4638 398	1	ZJ		LATCH
13			ZJ		LID
	4638 399	1			Red
	4723 005	1			Quartz
	4723 006	1			Driftwood
	4740 413	1			Champagne
	4740 414	1			Crimson Red

MODEL CODES:

61=Pickup-6 Ft Box 74=4 Door Wagon T=2WD
62=Pickup-7 Ft Box 77=Open Body 93" Wheelbase J,N,U=4WD
72=2 Door Wagon 78=Open Body 103" Wheelbase

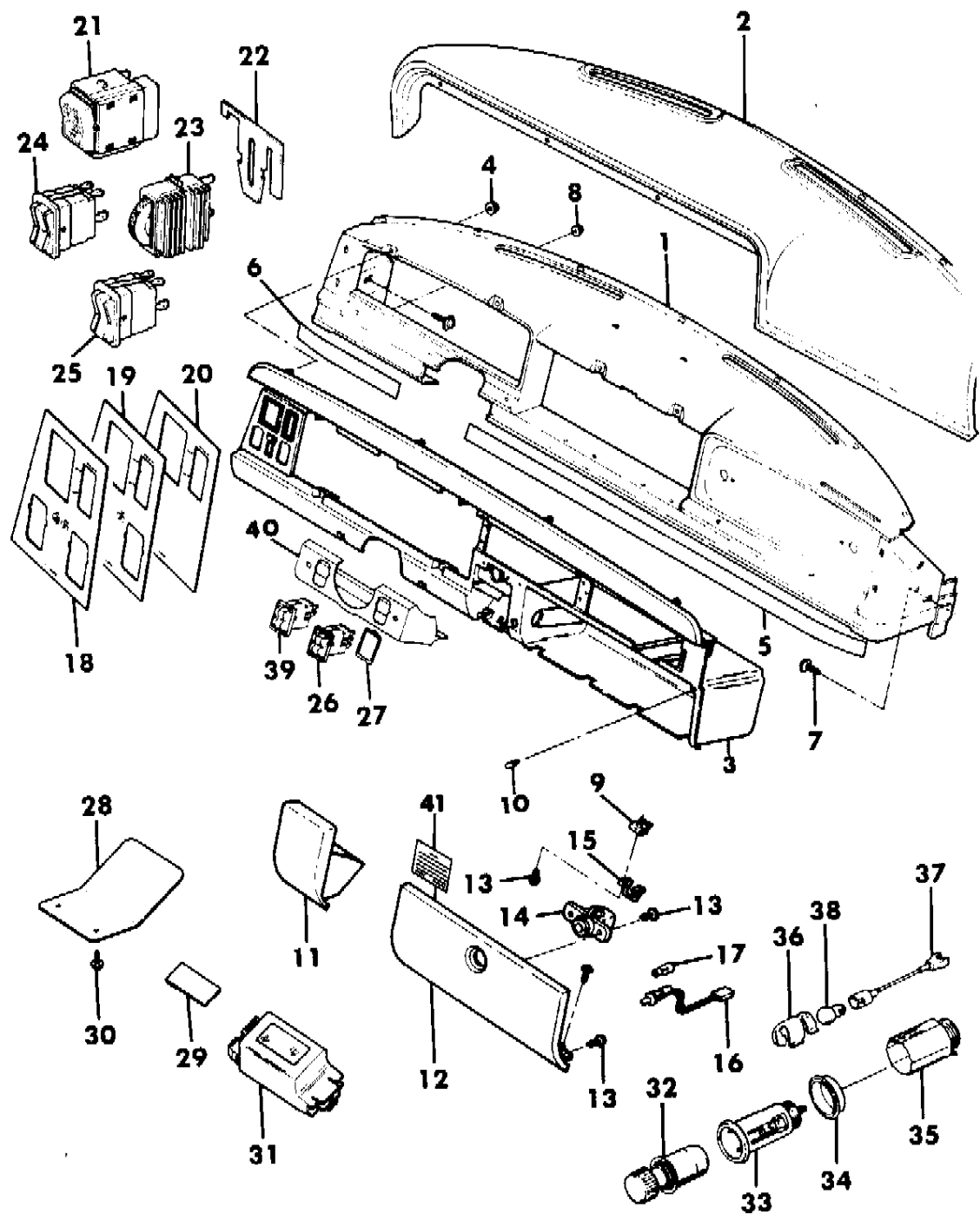
BODY STYLES:

MJ=Comanche Pickup ZJ=Grand Cherokee/Grand Wagoneer KDX VEHICLES
SJ=Grand Wagoneer M1=Comanche
XJ=Cherokee, Briarwood X1=Cherokee, Briarwood
YJ=Wrangler Y1=Wrangler

AR = Use as Required - = Non Illustrated Part P.A.R. = Paint as Required

INSTRUMENT PANEL GRAND WAGONEER
Figure 8A-2700

91J82 2700



ITEM	PART NUMBER	QTY	BODY	MODEL	DESCRIPTION
1	5500 9585	1			PANEL, Instrument, P.A.R.
2	5501 1222	1			PAD, Instrument Panel
	5AD9 8JH9	1			Dark Tan
	5AD9 8JY6	1			Cordovan
	5AD9 8JY6	1			Sand
3	5500 9743	1			BEZEL, Instrument Panel
4	1150 3745	4			NUT, Flange
5	5501 0052	1			APPLIQUE, Instrument Panel Lower Right
6	5501 0053	1			APPLIQUE, Instrument Panel Lower Left
7	J400 5885	2			SCREW
8	3420 1461	3			NUT
9	3420 1820	2			NUT
10	J400 0093	4			BUMPER
11	5500 7695	1			ASHTRAY
12	5500 7696	1			DOOR, Glove Box
13	J400 3671	12			SCREW
14	5501 5376	1			HOUSING, Glove Box Lock
15	J363 2496	1			STRIKER, Glove Box Lock
16	3600 1627	1			SWITCH, Glove Box Lamp
17	J345 1933	1			BULB, (1893)
18	5500 7691	1			LENS, Headlamp Identification
19	5500 9227	1			LENS, Headlamp Identification
20	5500 9108	1			LENS, Headlamp Identification
21	5600 1861	1			SWITCH, Headlamp
22	5600 2010	1			RETAINER
23	5600 1863	1			RHEOSTAT
24	5600 0030	1			SWITCH, Defogger
25	5600 0027	1			SWITCH, Window Tailgate
	5600 1526				SWITCH, Window Tailgate (used on some early models)
26	5600 2384	1			SWITCH, Fog Lamp
27	5500 3005	1			COVER, Rocker Switch Opening
28	5600 2081	1			BRACKET
29	J368 9091	1			FASTENER, Velcro
30	J812 0054	2			SCREW
31		1			GOVERNOR, Intermittent Wiper, See Group 8 ***
32	3600 0280	1			LIGHTER, Cigar
33	J345 3270	1			HOUSING, Cigar Lighter
34	3500 1906	1			RING, Illumination
35	3600 0242	1			CLAMP, Cigar Lighter
36	3600 0268	1			SHIELD, Bulb
37	3600 0279	1			SOCKET

MODEL CODES:

61=Pickup-6 Ft Box 74=4 Door Wagon T=2WD
 62=Pickup-7 Ft Box 77=Open Body 93" Wheelbase J,N,U=4WD
 72=2 Door Wagon 78=Open Body 103" Wheelbase

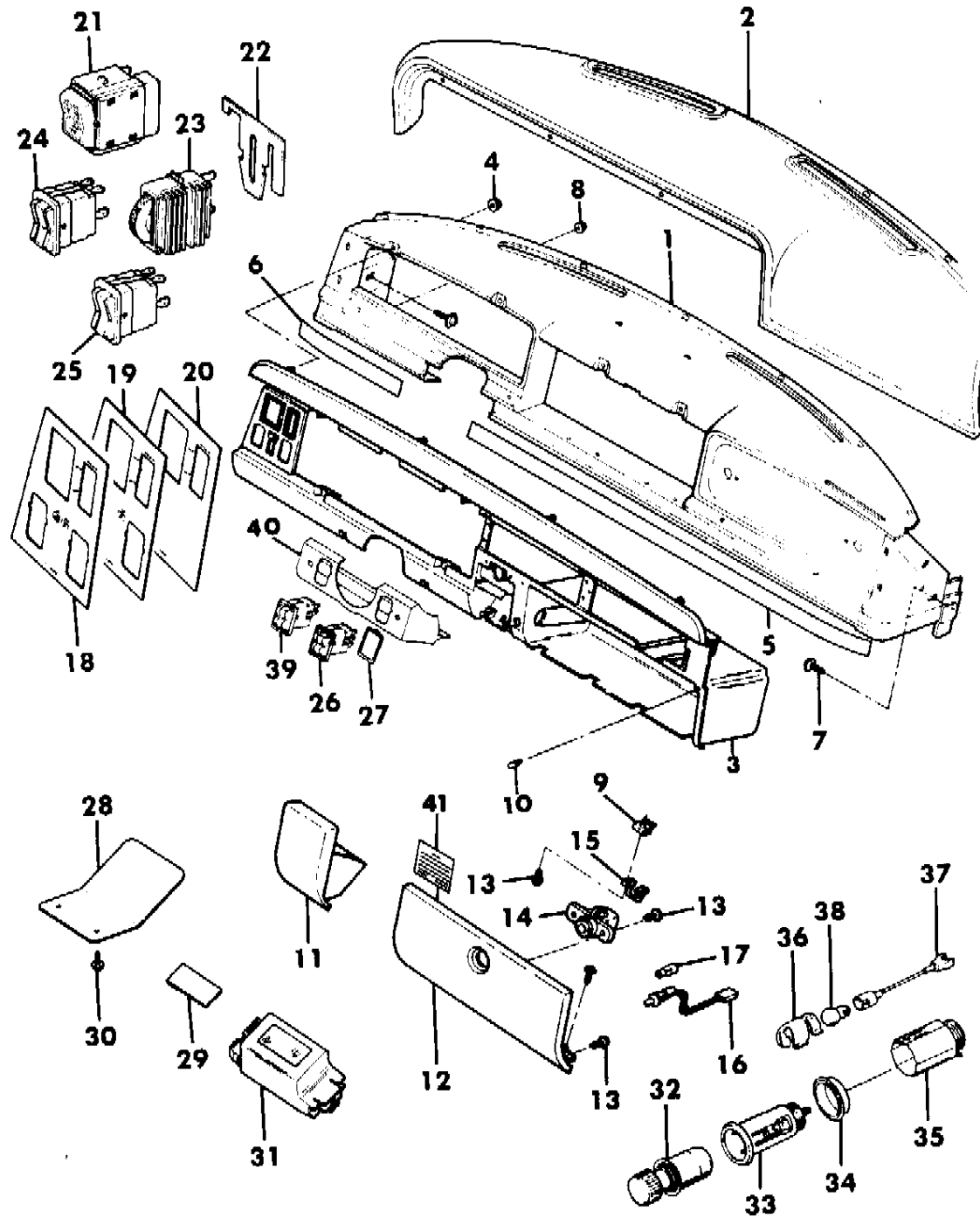
BODY STYLES:

MJ=Comanche Pickup ZJ=Grand Cherokee/Grand Wagoneer KDX VEHICLES
 SJ=Grand Wagoneer M1=Comanche
 XJ=Cherokee, Briarwood X1=Cherokee, Briarwood
 YJ=Wrangler Y1=Wrangler

AR = Use as Required - = Non Illustrated Part P.A.R. = Paint as Required

INSTRUMENT PANEL GRAND WAGONEER
Figure 8A-2700

91J82 2700



ITEM	PART NUMBER	QTY	BODY	MODEL	DESCRIPTION
38	0131 282	1			BULB, (53)
39	5600 6733	1			SWITCH, Rear Window Wiper/Washer
40	5AG4 8JY6	1			COVER, P.A.R.
41	J315 7268	1			STICKER, Lock Type Differential ***

MODEL CODES:

61=Pickup-6 Ft Box 74=4 Door Wagon T=2WD
 62=Pickup-7 Ft Box 77=Open Body 93" Wheelbase J,N,U=4WD
 72=2 Door Wagon 78=Open Body 103" Wheelbase

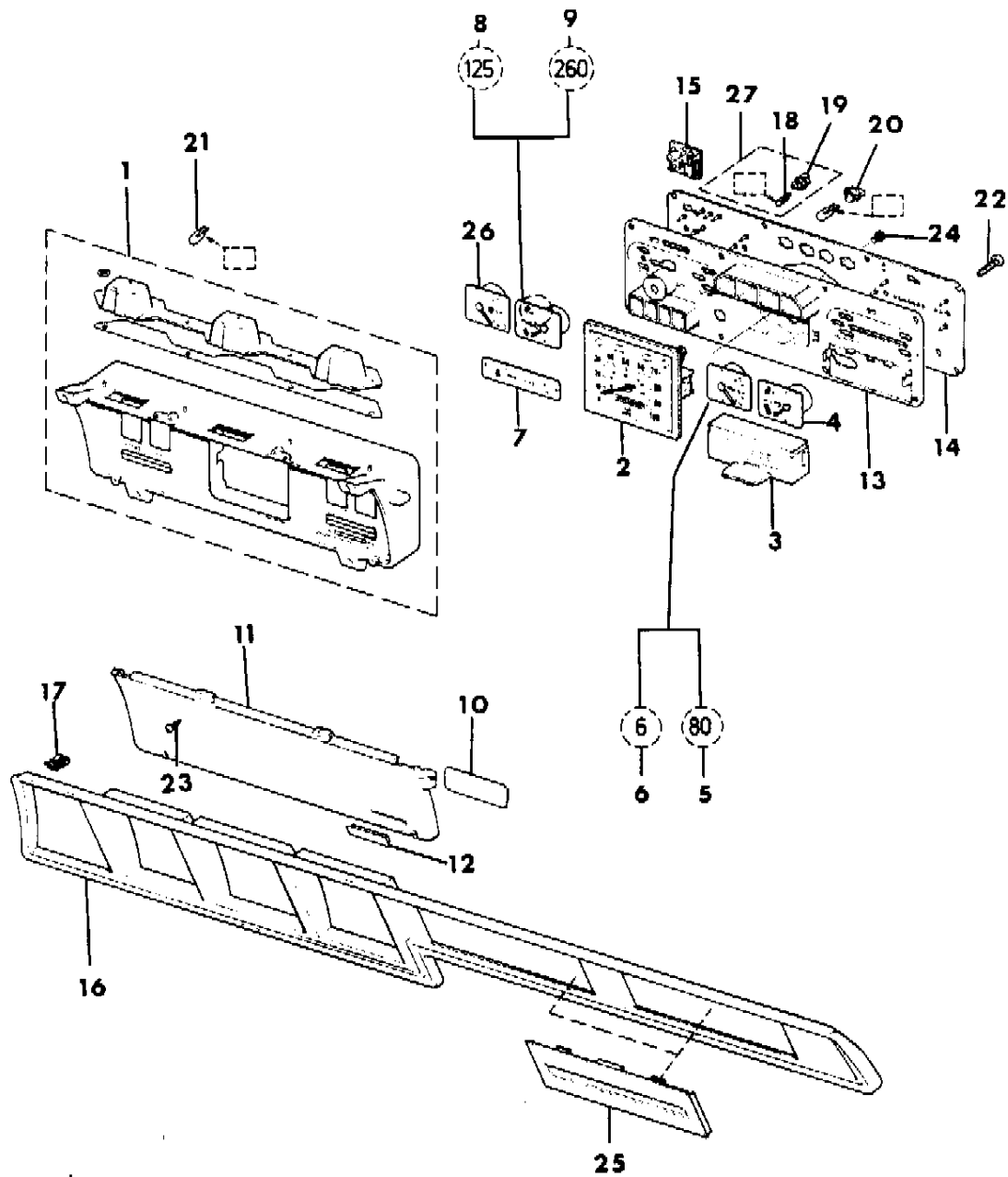
BODY STYLES:

MJ=Comanche Pickup ZJ=Grand Cherokee/Grand Wagoneer KDX VEHICLES
 SJ=Grand Wagoneer M1=Comanche
 XJ=Cherokee, Briarwood X1=Cherokee, Briarwood
 YJ=Wrangler Y1=Wrangler

AR = Use as Required - = Non Illustrated Part P.A.R. = Paint as Required

INSTRUMENT CLUSTER GRAND WAGONEER
Figure 8A-2800

91J82 2800



ITEM	PART NUMBER	QTY	BODY	MODEL	DESCRIPTION
1					BEZEL, Cluster
	8350 2839	1			U.S.
	8350 2838	1			CANADA
2					SPEEDOMETER
	8350 2521	1			Miles
	8350 2530	1			Kilo
3	8350 2523	1			CLOCK, Digital
4	8350 2525	1			VOLTMETER
5	8350 2528	1			GAUGE, Oil
6	8350 2532	1			GAUGE, Oil
7					FILTER, Warning Lamps
	8350 5128	1			U.S.
	8350 5129	1			CANADA
8	8350 2531	1			GAUGE, Temperature
9	8350 2527	1			GAUGE, Temperature
10	8350 2536	1			COVER, Clock Opening
11	8350 2529	1			LENS, Cluster
12	8350 2537	1			COVER, Clock Opening
13	8350 2540	1			HOUSING, Cluster
14	8350 2522	1			PRINTED CIRCUIT
15	8350 2524	1			MODULE, Low Fuel Warning Lamp
16	5500 7690	1			OVERLAY
17	3420 2502	9			CLIP, Retaining
18	9433 184	5			BULB, (74)
19	3600 0091	5			SOCKET
20	J369 7186	3			SOCKET
21	9421 330	6			BULB, (194)
22	J400 2657	6			SCREW
23	J812 8911	6			SCREW
24	J080 3366	2			SCREW
25	5500 9106	2			COVER
26	8350 2526	1			GAUGE, Fuel
27	3600 3272	1			SOCKET, Blue, (Includes 73 Bulb)

MODEL CODES:

61=Pickup-6 Ft Box 74=4 Door Wagon T=2WD
 62=Pickup-7 Ft Box 77=Open Body 93" Wheelbase J,N,U=4WD
 72=2 Door Wagon 78=Open Body 103" Wheelbase

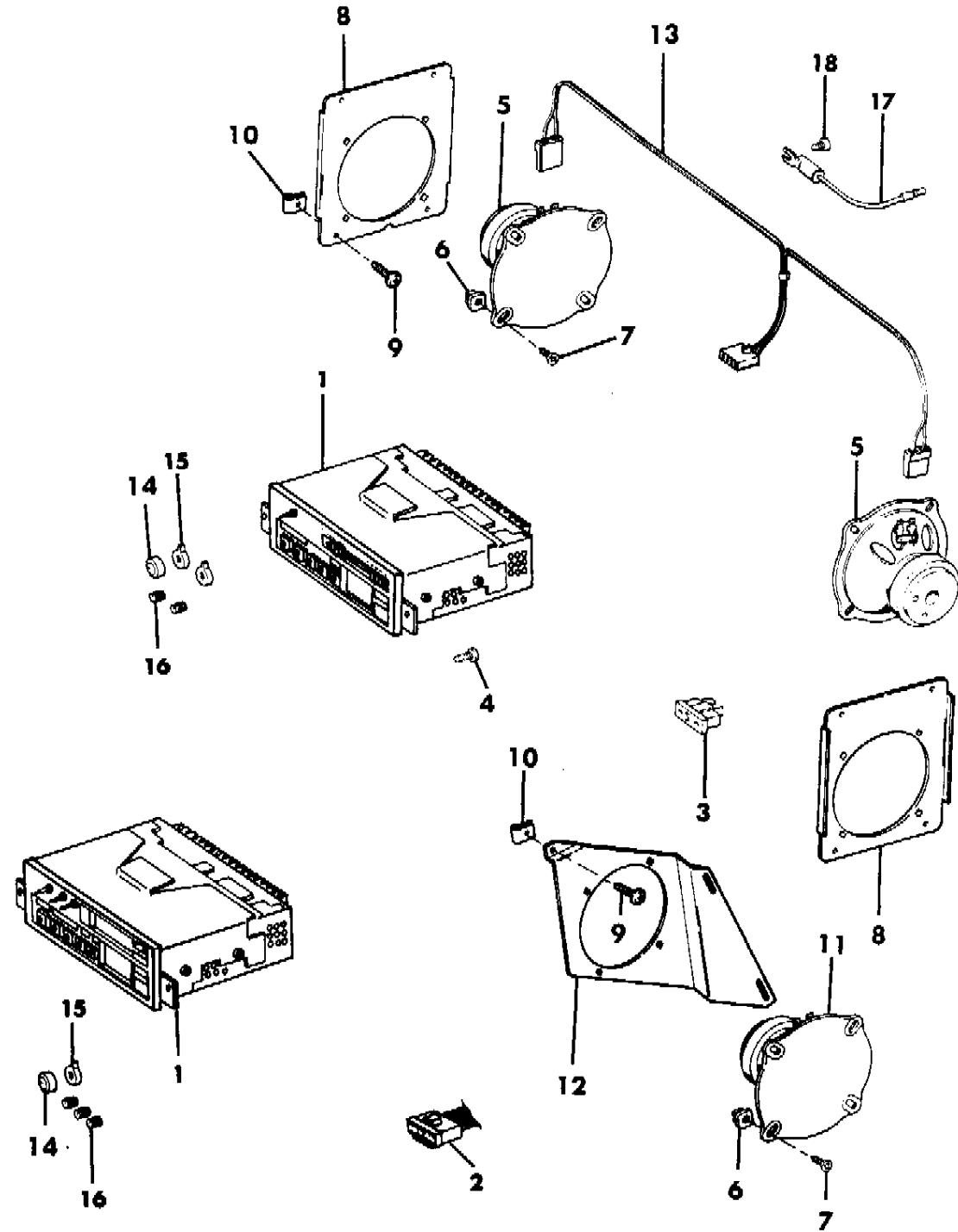
BODY STYLES:

MJ=Comanche Pickup ZJ=Grand Cherokee/Grand Wagoneer KDX VEHICLES
 SJ=Grand Wagoneer M1=Comanche
 XJ=Cherokee, Briarwood X1=Cherokee, Briarwood
 YJ=Wrangler Y1=Wrangler

AR = Use as Required - = Non Illustrated Part P.A.R. = Paint as Required

RADIOS AND SPEAKERS GRAND WAGONEER
Figure 8A-3000

91J82 3000



ITEM	PART NUMBER	QTY	BODY	MODEL	DESCRIPTION
1	5600 2750	1			RADIO, Stereo Cassette ETR Dolby
2	8350 6510	1			HARNESS, Radio Repair
3	J323 1213	1			FUSE, 5 Ampere
4	3420 1298	2			SCREW
5					SPEAKER, Door
	3600 3461	2			w/o D.N.R.
	3600 1125	2			w/D.N.R.
6	3420 1263	16			NUT
7	J448 9487	16			SCREW
8	J545 6511	2			BRACKET, Door Speaker
9	J045 7002	16			SCREW
10	J943 1530	16			NUT
11					SPEAKER, Rear (Wagon)
	3600 3461	2			w/o D.N.R.
	3600 1125	2			w/D.N.R.
12	5600 5862-3	1			BRACKET, Speaker
13	5600 2029	1			HARNESS, Speaker, w/o Power Windows or Door locks
14	8350 7040	1			KNOB, Radio Volume
15	8350 7078	1			KNOB, Fader
16	8350 7042	2			KNOB, Bass/Treble w/Cass.
17	J322 9510	1			CAPACITOR, Ignition
18	J940 9106	1			SCREW

MODEL CODES:

61=Pickup-6 Ft Box 74=4 Door Wagon T=2WD
 62=Pickup-7 Ft Box 77=Open Body 93" Wheelbase J,N,U=4WD
 72=2 Door Wagon 78=Open Body 103" Wheelbase

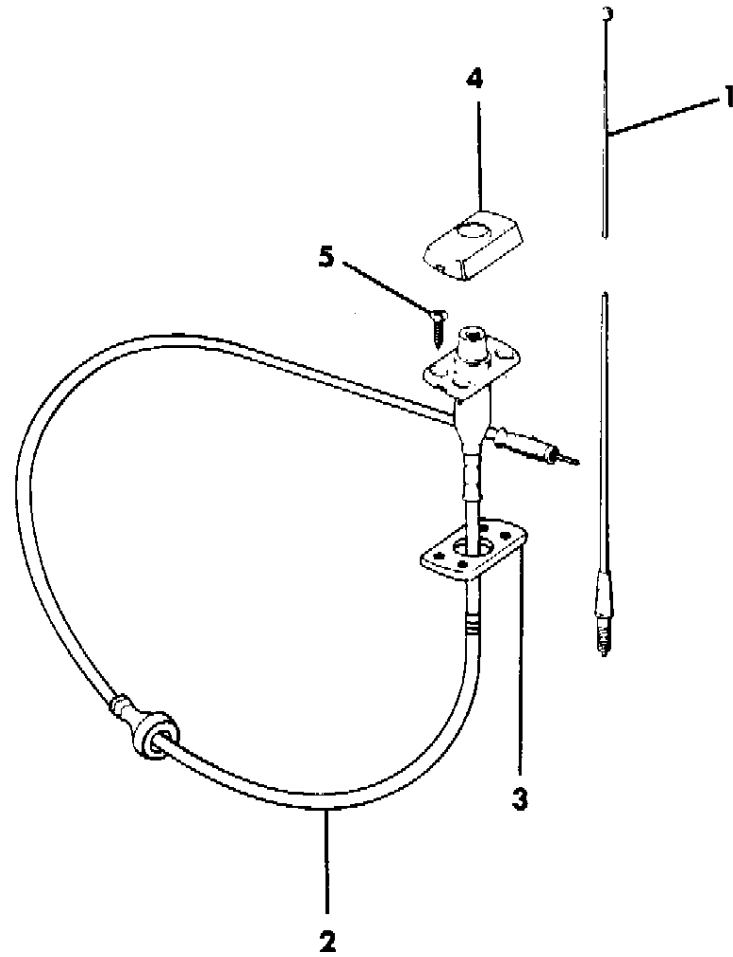
BODY STYLES:

MJ=Comanche Pickup ZJ=Grand Cherokee/Grand Wagoneer KDX VEHICLES
 SJ=Grand Wagoneer M1=Comanche
 XJ=Cherokee, Briarwood X1=Cherokee, Briarwood
 YJ=Wrangler Y1=Wrangler

AR = Use as Required - = Non Illustrated Part P.A.R. = Paint as Required

ANTENNA GRAND WAGONEER
Figure 8A-3100

91J82 3100



ITEM	PART NUMBER	QTY	BODY	MODEL	DESCRIPTION
1	J323 0707	1			ANTENNA
2	J545 6545	1			BASE, w/Cable
3	J367 8887	1			PAD
4	J367 8889	1			CAP
5	J400 1477	4			SCREW

MODEL CODES:

61=Pickup-6 Ft Box 74=4 Door Wagon T=2WD
 62=Pickup-7 Ft Box 77=Open Body 93" Wheelbase J,N,U=4WD
 72=2 Door Wagon 78=Open Body 103" Wheelbase

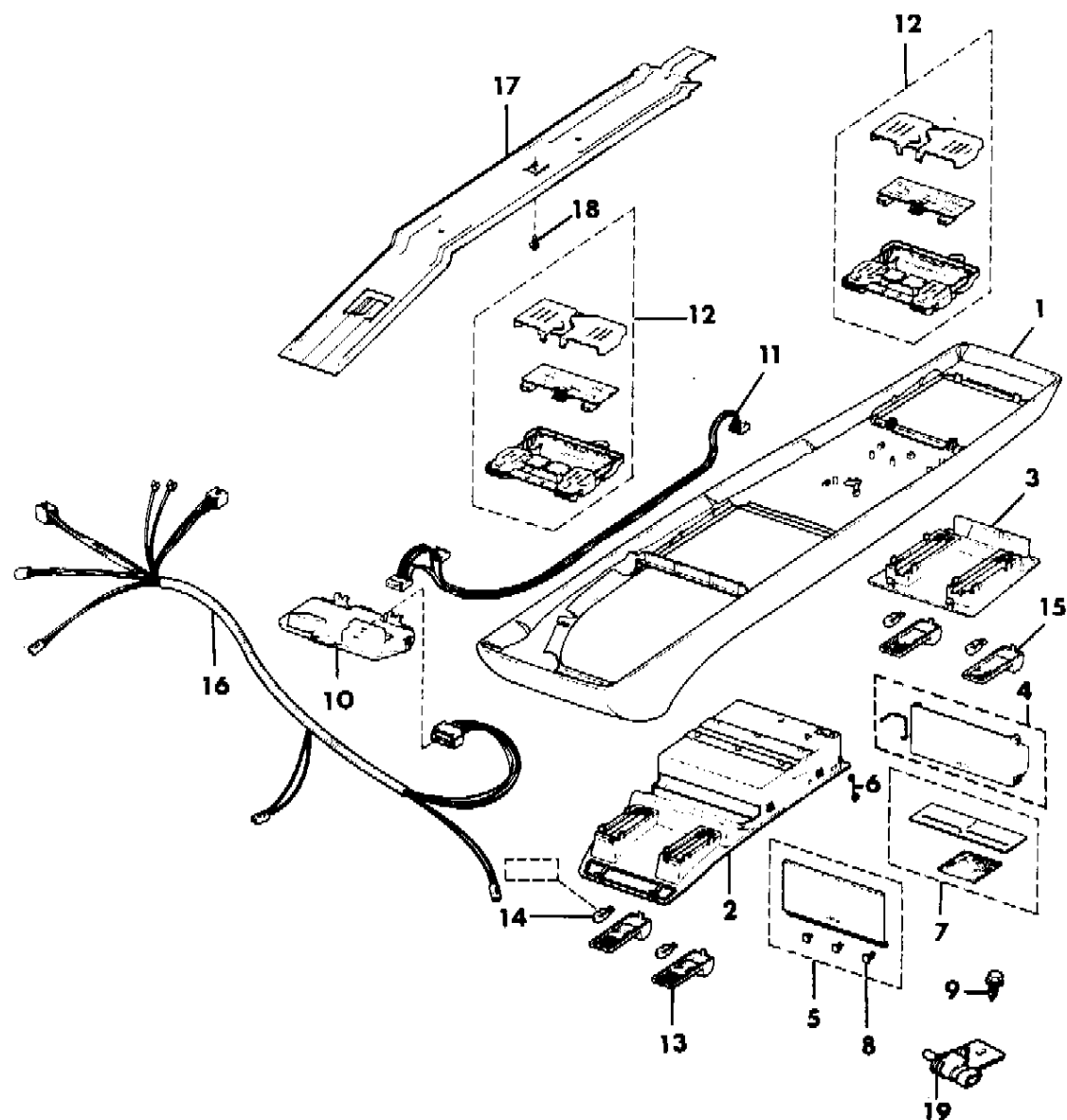
BODY STYLES:

MJ=Comanche Pickup ZJ=Grand Cherokee/Grand Wagoneer KDX VEHICLES
 SJ=Grand Wagoneer M1=Comanche
 XJ=Cherokee, Briarwood X1=Cherokee, Briarwood
 YJ=Wrangler Y1=Wrangler

AR = Use as Required - = Non Illustrated Part P.A.R. = Paint as Required

CONSOLE, OVERHEAD GRAND WAGONEER
Figure 8A-3200

91J82 3200



ITEM	PART NUMBER	QTY	BODY	MODEL	DESCRIPTION
1					HOUSING
	8350 7228	1			Dark Sand
	8350 6012	1			Cordovan
2	5502 4262	1			HOUSING
3	5502 4260	1			HOUSING, Rear
4	4309 341	1			DOOR, Sunglass Bin
	4309 340	1			SPRING, Sunglass Bin Door
5	4507 567	1			DOOR, Garage Door Opener
6	4409 911	1			SPRING
7	4309 345	1			FASTENER, Velcro Hook
8	4309 344	1			ADAPTER, Garage Door Button
9	1150 2843	1			SCREW
10	4437 566	1			MODULE, Compass/Temp.
11	4450 262	1			HARNESS, Lamp/Compass
12	4521 242	2			MODULE, Dome Lamp Assembly
13	4507 578-9	1			LENS, Front
14	9437 173	4			BULB, (912)
15	4507 580-1	1			LENS, Rear
16	5600 3643	1			HARNESS, Dome Lamp
17	5502 1730	1			BRACKET
18	3420 1487	4			SCREW
19	4437 691	1			SENSOR, Outside Air Temp.

MODEL CODES:

61=Pickup-6 Ft Box 74=4 Door Wagon T=2WD
 62=Pickup-7 Ft Box 77=Open Body 93" Wheelbase J,N,U=4WD
 72=2 Door Wagon 78=Open Body 103" Wheelbase

BODY STYLES:

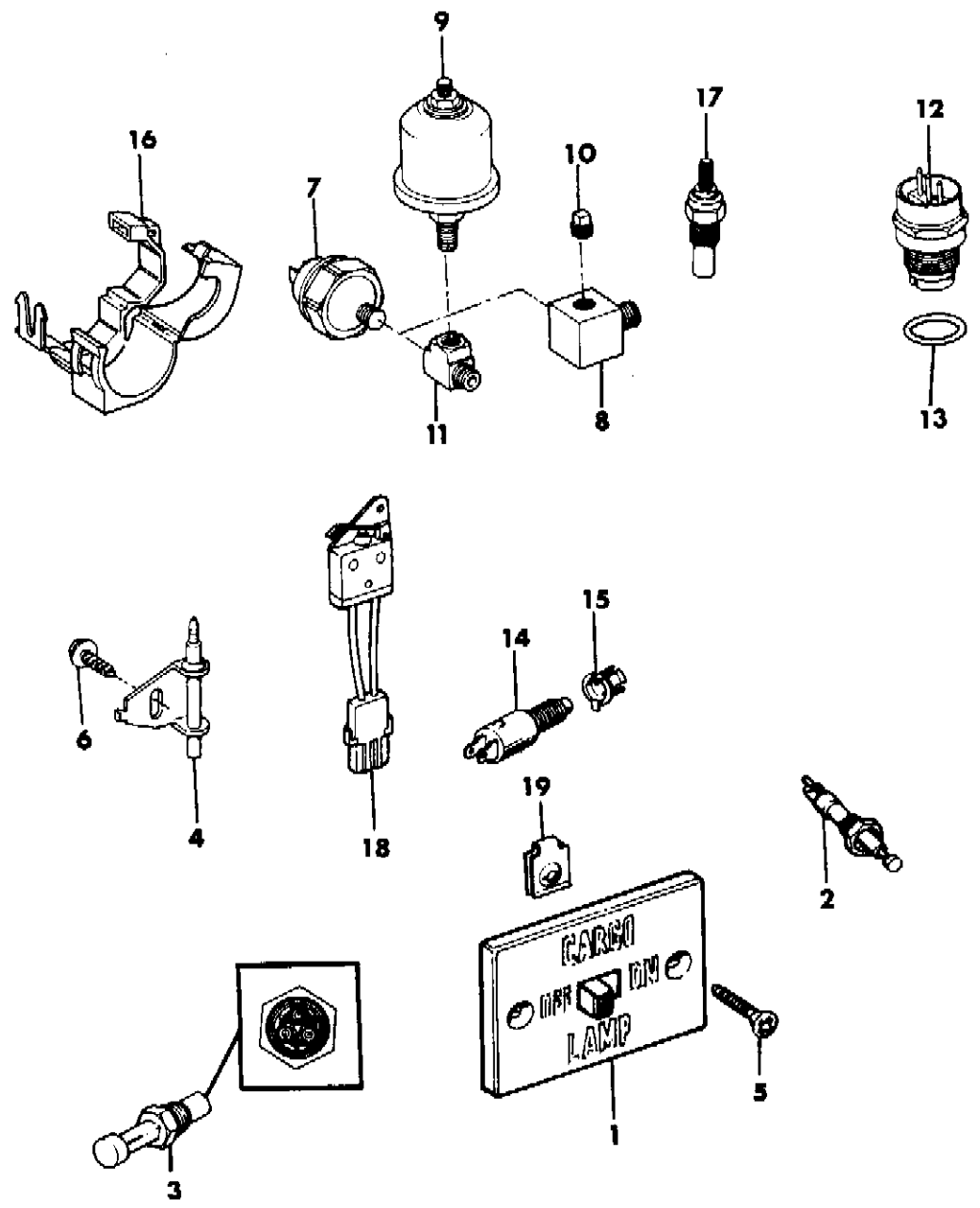
MJ=Comanche Pickup ZJ=Grand Cherokee/Grand Wagoneer KDX VEHICLES
 SJ=Grand Wagoneer M1=Comanche
 XJ=Cherokee, Briarwood X1=Cherokee, Briarwood
 YJ=Wrangler Y1=Wrangler

AR = Use as Required - = Non Illustrated Part P.A.R. = Paint as Required

SWITCHES GRAND WAGONEER
Figure 8A-3300

91J82 3300

ITEM	PART NUMBER	QTY	BODY	MODEL	DESCRIPTION
1	J545 1489	1			SWITCH, Cargo Lamp
2	J576 1248	2			SWITCH, Dome Lamp Rear Doors
3	4373 296	2			SWITCH, Dome Lamp Front Doors
4	J323 2194	1			SWITCH, Parking Brake Warning Lamp
5	J400 2657	2			SCREW
6	J812 0054	1			SCREW
7	J575 8695	1			SWITCH, Oil Pressure
8	J321 2002	1			FITTING, 6 Cyl. Engine ***
9	5300 5218	1			SENDER, Oil Pressure ***
10	J010 3877	1			PLUG, 6 Cyl. Engine
11	J400 5879	1			TEE, 8 Cyl. Engine
12	4057 750	1			SWITCH, Neutral Safety, w/Auto Trans.
13	2408 143	1			GASKET
14	J535 2620	1			SWITCH, Brake Lamp
15	J535 2622	1			RETAINER
16	J417 5241	1			CONNECTOR
17	5300 5056	1			SENDER, Coolant Temp ***
18	5600 3694	1			SWITCH, Safety, w/Rear Wiper
19	J400 6402	2			NUT, Spring



MODEL CODES:
 61=Pickup-6 Ft Box 74=4 Door Wagon T=2WD
 62=Pickup-7 Ft Box 77=Open Body 93" Wheelbase J,N,U=4WD
 72=2 Door Wagon 78=Open Body 103" Wheelbase

BODY STYLES:
 MJ=Comanche Pickup ZJ=Grand Cherokee/Grand Wagoneer KDX VEHICLES
 SJ=Grand Wagoneer M1=Comanche
 XJ=Cherokee, Briarwood X1=Cherokee, Briarwood
 YJ=Wrangler Y1=Wrangler

AR = Use as Required - = Non Illustrated Part P.A.R. = Paint as Required

GROUP 9A - ENGINE, 4 CYLINDER

ILLUSTRATION TITLE

GROUP-FIG. NO.

2.1L ENGINE

I.D. LOCATION 2.1L ENGINE DIESEL Fig. 9A-100
ENGINE BLOCK 2.1L ENGINE DIESEL Fig. 9A-200
GASKET SET 2.1L ENGINE DIESEL Fig. 9A-300
CYLINDER HEAD 2.1L ENGINE DIESEL Fig. 9A-400
CRANKSHAFT AND PISTON 2.1L ENGINE DIESEL Fig. 9A-500
CAMSHAFT AND VALVES 2.1L ENGINE DIESEL Fig. 9A-600
TIMING COVER AND INTERMEDIATE SHAFT 2.1L ENGINE DIESEL Fig. 9A-700
ENGINE OILING 2.1L ENGINE DIESEL Fig. 9A-800
OIL LINES 2.1L ENGINE DIESEL Fig. 9A-900
MANIFOLD - INTAKE AND EXHAUST 2.1L ENGINE DIESEL Fig. 9A-1000
OIL, SEPARATOR 2.1L ENGINE DIESEL J8S-814 Fig. 9A-1100
OIL SEPARATOR 2.1L ENGINE DIESEL J8S-890 Fig. 9A-1150
OIL COOLER AND FILTER 2.1L ENGINE DIESEL Fig. 9A-1200
ENGINE MOUNTING 2.1L ENGINE DIESEL Fig. 9A-1300

2.5L ENGINE

CYLINDER BLOCK 2.5L ENGINE Fig. 9A-1500
GASKET SET 2.5L ENGINE Fig. 9A-1600
CYLINDER HEAD 2.5L ENGINE Fig. 9A-1700
CRANKSHAFT AND PISTON 2.5L ENGINE Fig. 9A-1800
CAMSHAFT AND VALVE 2.5L ENGINE Fig. 9A-1900
TIMING COVER 2.5L ENGINE Fig. 9A-2000
ENGINE OILING 2.5L ENGINE Fig. 9A-2100
MANIFOLD - INTAKE AND EXHAUST 2.5L EFI ENGINE Fig. 9A-2200
MANIFOLD - INTAKE AND EXHAUST 2.5L CARBURETED ENGINE Fig. 9A-2300
CRANKCASE VENTILATION 2.5L ENGINE Fig. 9A-2350
ENGINE MOUNTING 2.5L ENGINE WRANGLER, YJ Fig. 9A-2400
ENGINE MOUNTING 2.5L ENGINE CHEROKEE, BRIARWOOD, COMANCHE Fig. 9A-2500

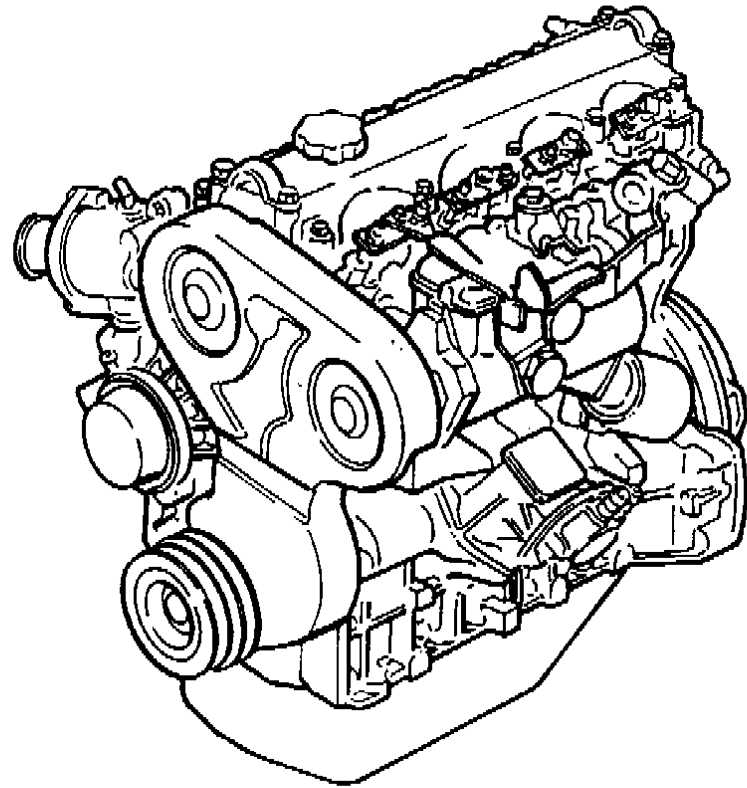
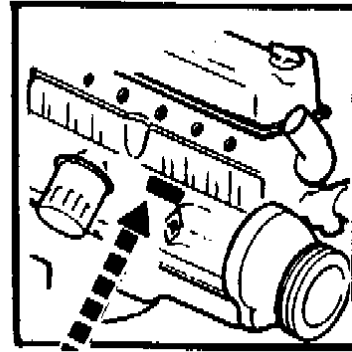
ILLUSTRATION NOT AVAILABLE AT TIME OF PUBLICATION

I.D. LOCATION 2.1L ENGINE DIESEL
Figure 9A-100

91J58 100

ITEM	PART NUMBER	QTY	BODY	MODEL	DESCRIPTION
------	-------------	-----	------	-------	-------------

Engine Identification Tag : J8S-814 or J8S-890



MODEL CODES:

61=Pickup-6 Ft Box	74=4 Door Wagon	T=2WD
62=Pickup-7 Ft Box	77=Open Body 93" Wheelbase	J,N,U=4WD
72=2 Door Wagon	78=Open Body 103" Wheelbase	

BODY STYLES:

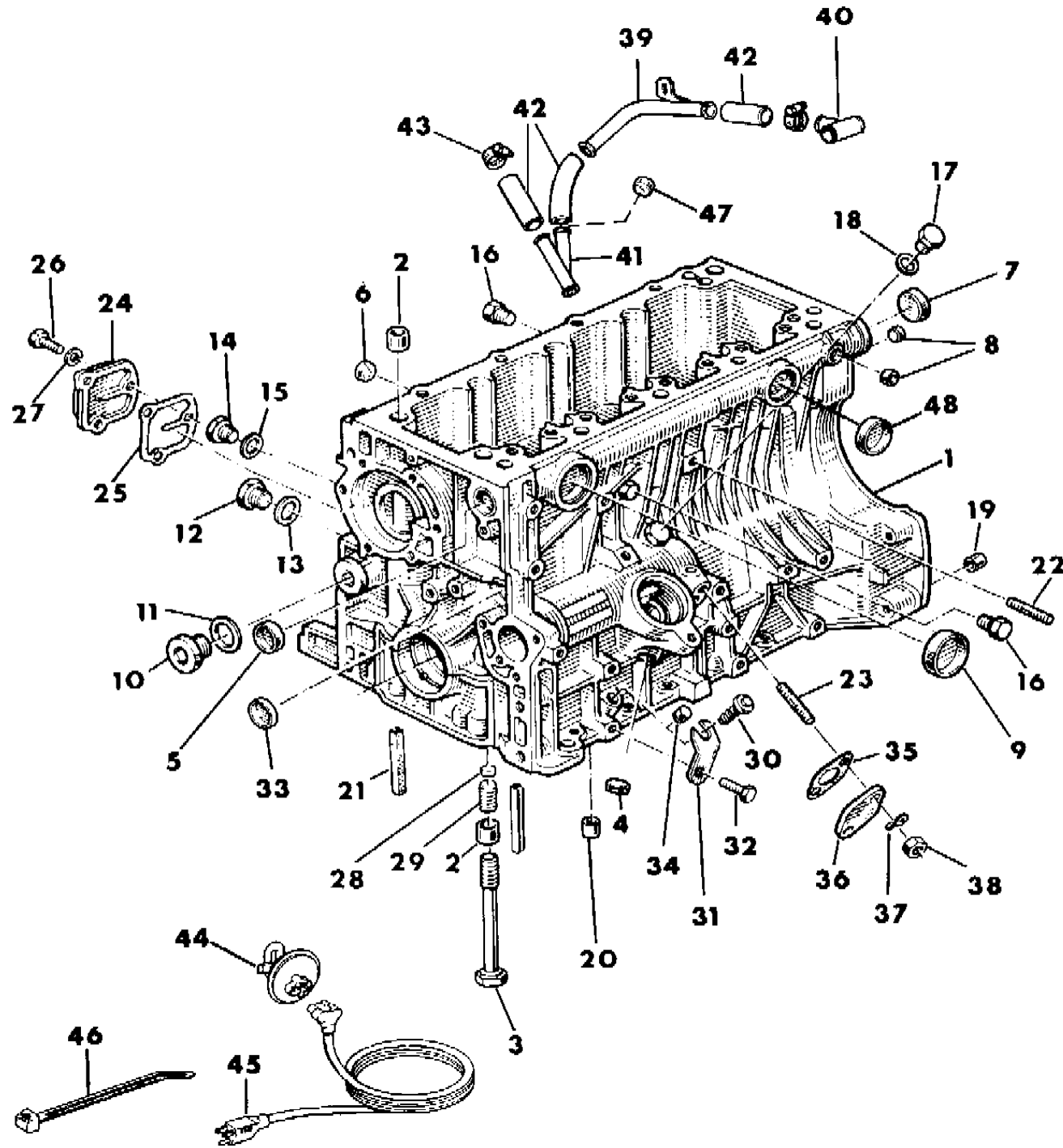
MJ=Comanche Pickup	ZJ=Grand Cherokee/Grand Wagoneer	KDX VEHICLES
SJ=Grand Wagoneer		M1=Comanche
XJ=Cherokee, Briarwood		X1=Cherokee, Briarwood
YJ=Wrangler		Y1=Wrangler

AR = Use as Required - = Non Illustrated Part P.A.R. = Paint as Required

ENGINE BLOCK 2.1L ENGINE DIESEL

Figure 9A-200

91J58 200B



ITEM	PART NUMBER	QTY	BODY	MODEL	DESCRIPTION
					ENGINE, Complete - Less Turbo
1	T146 3606	1			J8S-814
	J146 6339	1			J8S-890
2	T146 3647	1			BLOCK, Engine J8S-814
	J146 6724	1			J8S-890
3	J501 0146	AR			PIN
4	T058 9081	10			BOLT
5	T307 5032	1			10mm
	T307 5039	1			12mm
6	J307 5143	1			PLUG
7	T307 5018	1			PLUG
8	T307 5034	1			PLUG
9	T307 5039	2			PLUG
10	T307 5144	1			PLUG
11	T307 5137	1			PLUG
12	T306 2015	1			GASKET
13	J307 5076	1			PLUG
14	T777 7650	1			GASKET
15	T307 5025	1			PLUG
16	T306 1028	1			GASKET
17	T307 5009	2			PLUG
18	T307 5029	1			PLUG
19	T306 2013	1			GASKET
20	T501 0126	AR			PIN
21	J501 0006	AR			PIN
22	T134 9381	AR			5.10mm
	T134 9382	AR			5.40mm
23	T302 7130	1			STUD
24	T302 7081	2			STUD
25	T067 7302	1			COVER, Engine Block Side - Right
26	J073 3513	1			GASKET
27	T149 3034	3			BOLT
28	T140 2092	3			WASHER
29	T502 7023	AR			SEAL
30	T307 5118	1			PLUG
31	T489 5580	1			PLUG
32	T426 3080	1			RETAINER
33	T149 3030	1			BOLT

MODEL CODES:

61=Pickup-6 Ft Box 74=4 Door Wagon T=2WD
 62=Pickup-7 Ft Box 77=Open Body 93" Wheelbase J,N,U=4WD
 72=2 Door Wagon 78=Open Body 103" Wheelbase

BODY STYLES:

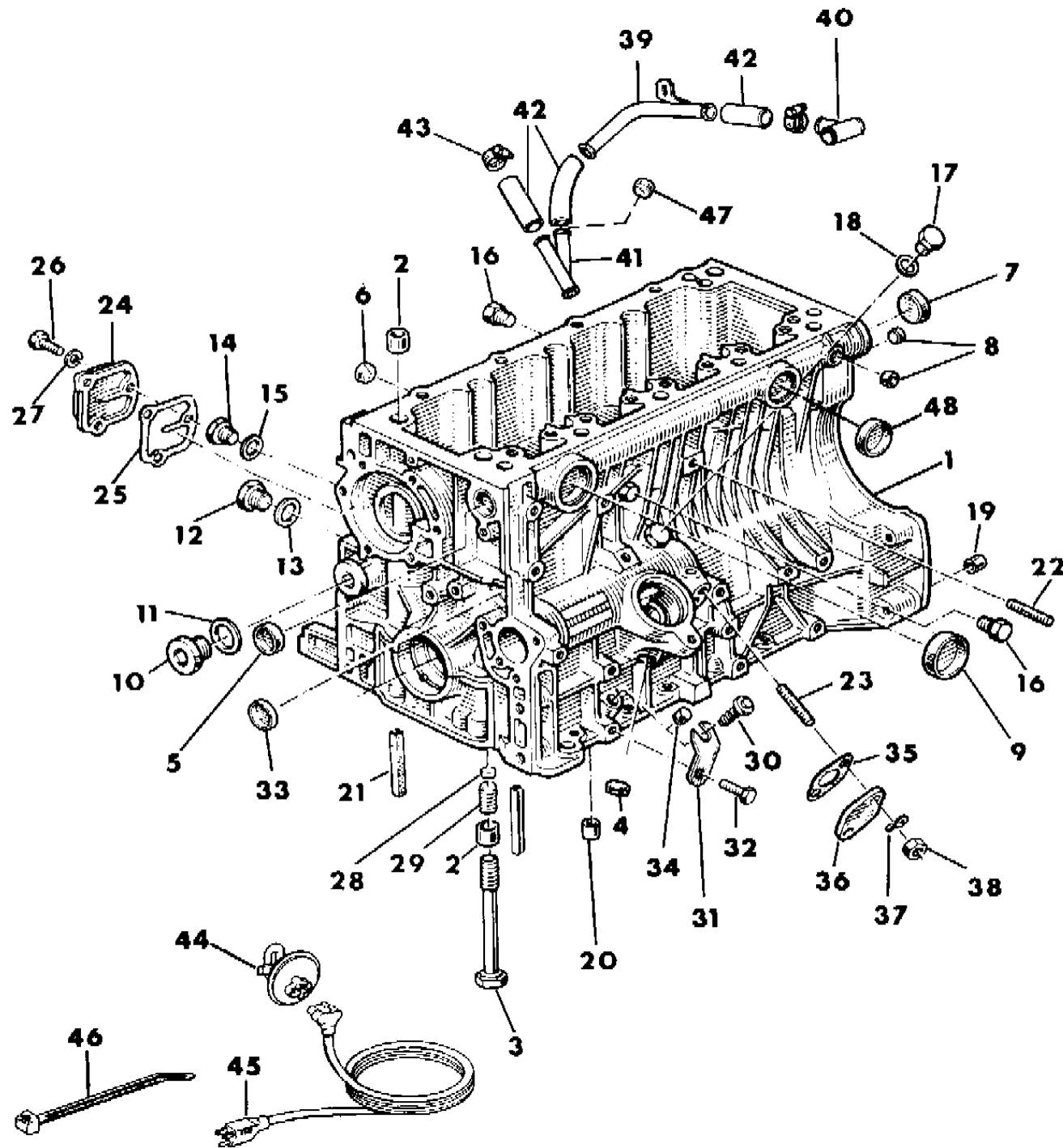
MJ=Comanche Pickup ZJ=Grand Cherokee/Grand Wagoneer KDX VEHICLES
 SJ=Grand Wagoneer M1=Comanche
 XJ=Cherokee, Briarwood Y1=Wrangler
 YJ=Wrangler

AR = Use as Required - = Non Illustrated Part P.A.R. = Paint as Required

ENGINE BLOCK 2.1L ENGINE DIESEL

Figure 9A-200

91J58 200B



ITEM	PART NUMBER	QTY	BODY	MODEL	DESCRIPTION
33	T307 5015	1			PLUG
34	T307 5067	1			PLUG
35	T306 5088	1			GASKET
36	T066 9805	1			COVER, Engine Block Side - Left
37	J305 7005	2			WASHER
38	T149 3047	2			NUT
39	5300 3925	1			TUBE, Engine Oil Drain J8S-814
40	T072 7942	1			TEE, Oil Drain Upper J8S-814
41	T072 7945	1			TEE, Oil Drain Lower
42	5300 3934	3			HOSE J8S-814
43	J320 3076	6			CLAMP
44	8220 0119	1			HEATER, Engine Block
45	5600 0828	1			CORD, Power Supply
46					STRAP
	J322 3227	AR			200mm
	J369 3058	AR			300mm
	J323 0270	AR			350mm
	J323 5187	AR			450mm
47	J307 4462	1			PLUG, J8S-890
48	T307 5095	1			PLUG, J8S-890

MODEL CODES:

61=Pickup-6 Ft Box 74=4 Door Wagon T=2WD
 62=Pickup-7 Ft Box 77=Open Body 93" Wheelbase J,N,U=4WD
 72=2 Door Wagon 78=Open Body 103" Wheelbase

BODY STYLES:

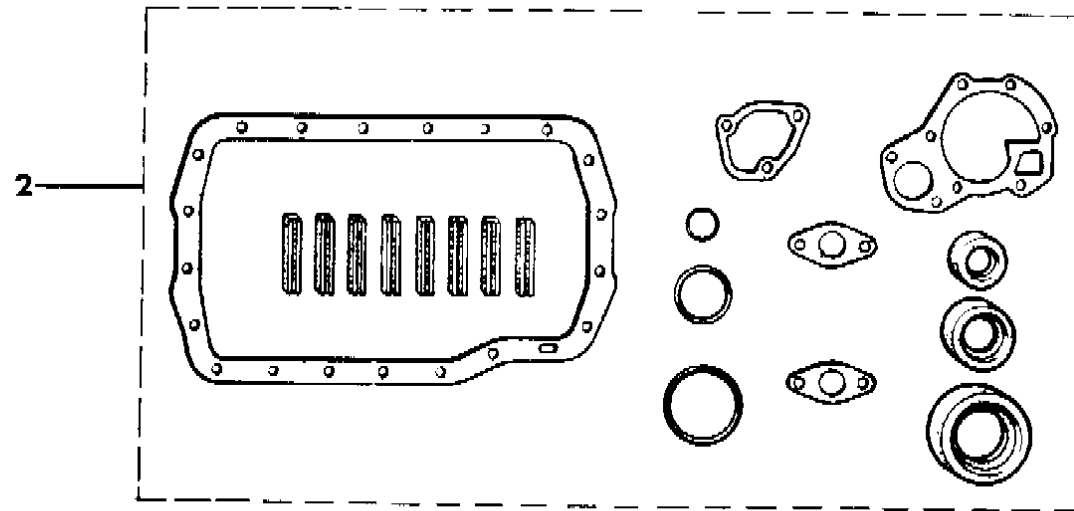
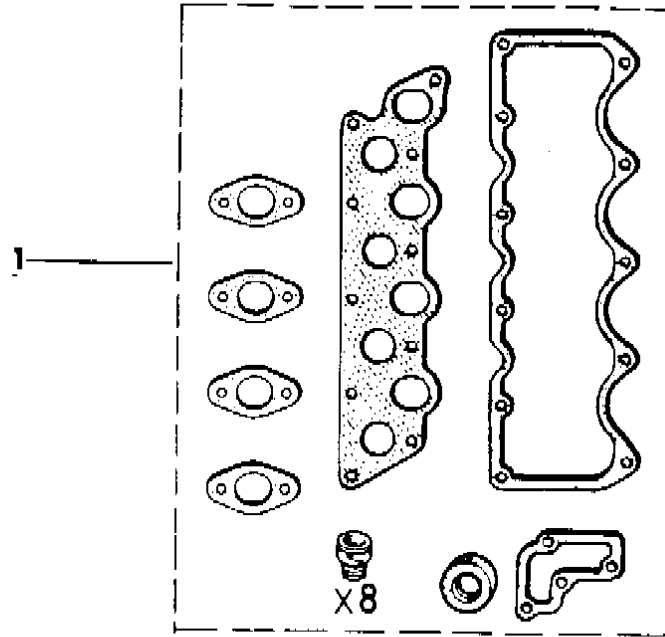
MJ=Comanche Pickup ZJ=Grand Cherokee/Grand Wagoneer KDX VEHICLES
 SJ=Grand Wagoneer M1=Comanche
 XJ=Cherokee, Briarwood X1=Cherokee, Briarwood
 YJ=Wrangler Y1=Wrangler

AR = Use as Required - = Non Illustrated Part P.A.R. = Paint as Required

GASKET SET 2.1L ENGINE DIESEL
Figure 9A-300

91J58 300

ITEM	PART NUMBER	QTY	BODY	MODEL	DESCRIPTION
1	T146 1765	1			GASKET PACKAGE, Engine Upper
2	T146 4133	1			GASKET PACKAGE, Engine Lower



MODEL CODES:

61=Pickup-6 Ft Box 74=4 Door Wagon T=2WD
 62=Pickup-7 Ft Box 77=Open Body 93" Wheelbase J,N,U=4WD
 72=2 Door Wagon 78=Open Body 103" Wheelbase

BODY STYLES:

MJ=Comanche Pickup ZJ=Grand Cherokee/Grand Wagoneer KDX VEHICLES
 SJ=Grand Wagoneer M1=Comanche
 XJ=Cherokee, Briarwood X1=Cherokee, Briarwood
 YJ=Wrangler Y1=Wrangler

AR = Use as Required - = Non Illustrated Part P.A.R. = Paint as Required

CYLINDER HEAD 2.1L ENGINE DIESEL

Figure 9A-400

91J58 400

ITEM	PART NUMBER	QTY	BODY	MODEL	DESCRIPTION
1	T146 3380	1			HEAD, Engine Cylinder
2	J066 0908	AR			BOLT
3	T146 2231	4			CHAMBER, Precombustion ***
4	J307 5143	2			PLUG
5	T307 5141	2			PLUG
6	T307 5142	2			PLUG
7					PLUG
	T307 5032	AR			10mm
	T307 5039	AR			12mm
8	T307 5144	2			PLUG
9					NIPPLE, Coolant
	T063 8975	1			18.0mm
	T063 9062	1			20.6mm
10	T052 1772	1			FITTING
11	J065 9822	3			SLEEVE
12					GASKET
	T102 8289	1			1.6mm
	T071 1666	1			1.7mm
	T102 8290	1			1.8mm
13	T067 5862	3			STUD
14	T302 7077	8			STUD
15	T066 2634	AR			WASHER
16	J073 0882	2			BOLT
17	T067 5868	AR			WASHER
18	T067 5866	3			NUT
19	J085 5231	8			BOLT
20	T302 7211	AR			STUD
21	T146 2486	8			GUIDE, 13.35mm
22	T302 7025	AR			STUD
23	T302 7129	AR			STUD
24	T302 7166	AR			STUD
25	T140 2092	11			WASHER, Lock
26	J300 1607	11			BOLT
27	T140 2065	11			WASHER, Flat
28	T074 1840	1			CAP
29	T071 8985	1			GASKET
30					COVER, Cylinder Head
	T071 7274	1			J8S-814
	J085 3918	1			J8S-890
31	1150 0255	2			WASHER
32	T149 3047	2			NUT

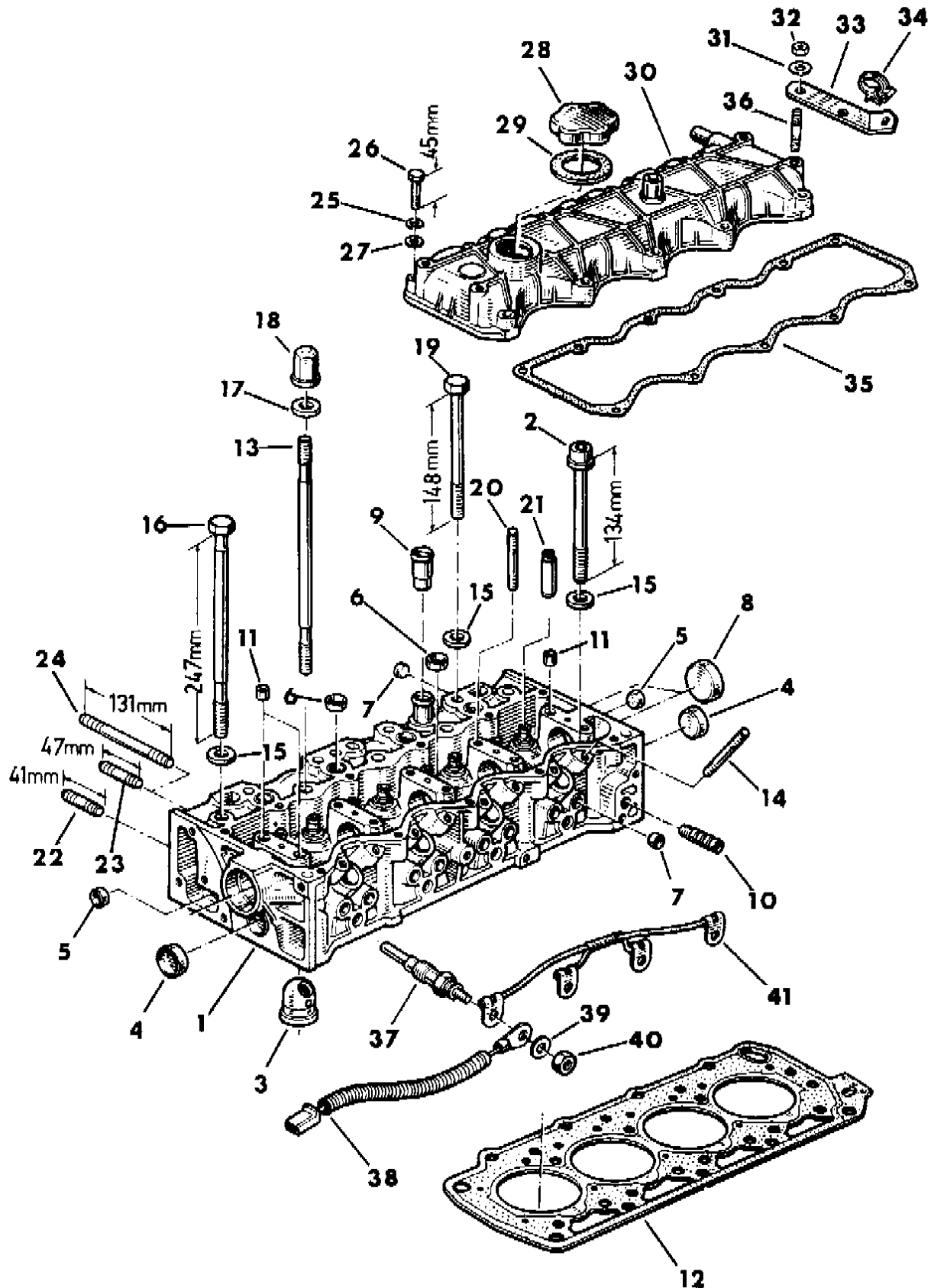
MODEL CODES:

61=Pickup-6 Ft Box 74=4 Door Wagon T=2WD
 62=Pickup-7 Ft Box 77=Open Body 93" Wheelbase J,N,U=4WD
 72=2 Door Wagon 78=Open Body 103" Wheelbase

BODY STYLES:

MJ=Comanche Pickup ZJ=Grand Cherokee/Grand Wagoneer KDX VEHICLES
 SJ=Grand Wagoneer M1=Comanche
 XJ=Cherokee, Briarwood X1=Cherokee, Briarwood
 YJ=Wrangler Y1=Wrangler

AR = Use as Required - = Non Illustrated Part P.A.R. = Paint as Required

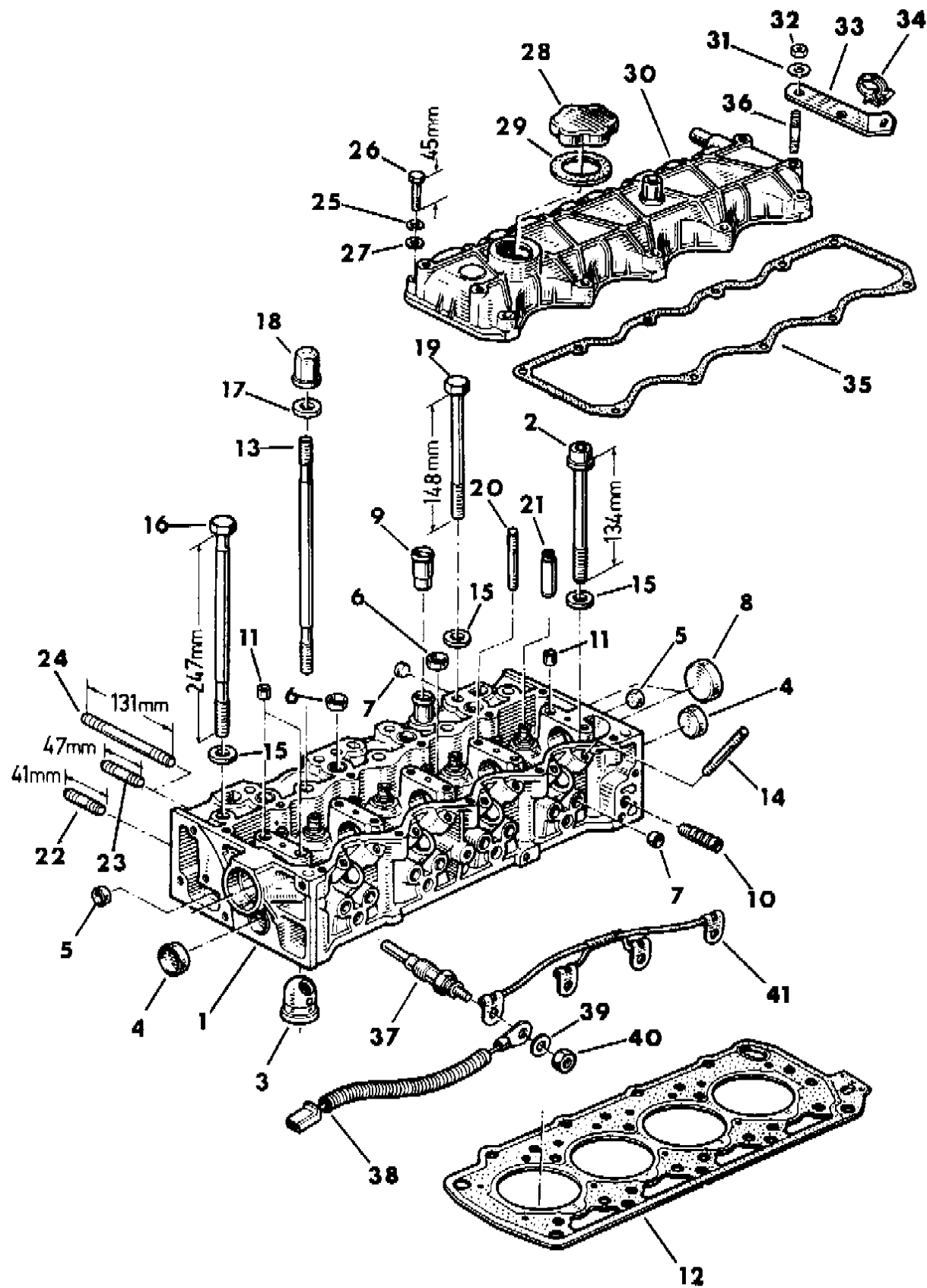


CYLINDER HEAD 2.1L ENGINE DIESEL

Figure 9A-400

91J58 400

ITEM	PART NUMBER	QTY	BODY	MODEL	DESCRIPTION
33	T069 1636	1			BRACKET
34	T307 9103	1			CLIP
35	J074 3953	1			GASKET
36	T302 7065	2			STUD
37	T134 9475	4			PLUG, Glow
38	5603 2504	2			HARNESSES, Glow Plug
39	T305 7031	4			WASHER
40	T140 5672	4			NUT
41	T198 6538	1			HARNESSES, Glow Plug



MODEL CODES:

61=Pickup-6 Ft Box 74=4 Door Wagon T=2WD
 62=Pickup-7 Ft Box 77=Open Body 93" Wheelbase J,N,U=4WD
 72=2 Door Wagon 78=Open Body 103" Wheelbase

BODY STYLES:

MJ=Comanche Pickup ZJ=Grand Cherokee/Grand Wagoneer KDX VEHICLES
 SJ=Grand Wagoneer M1=Comanche
 XJ=Cherokee, Briarwood X1=Cherokee, Briarwood
 YJ=Wrangler Y1=Wrangler

AR = Use as Required - = Non Illustrated Part P.A.R. = Paint as Required

CRANKSHAFT AND PISTON 2.1L ENGINE DIESEL
Figure 9A-500

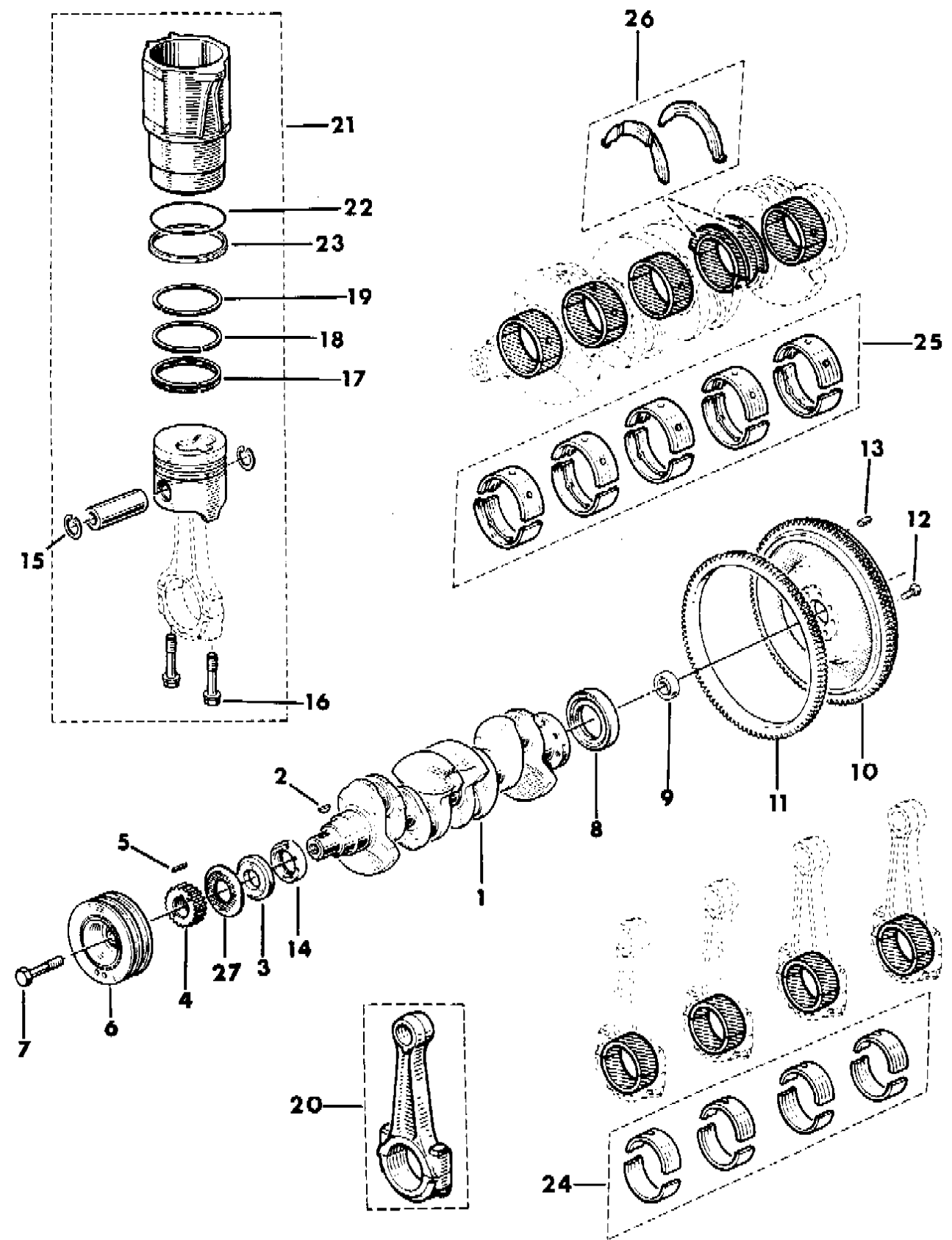
91J58 500

ITEM	PART NUMBER	QTY	BODY	MODEL	DESCRIPTION
1	J072 2325	1			CRANKSHAFT, Less Bearings
2	T307 0006	1			KEY, Shaft
3	T061 6979	1			SPACER
4	T134 9583	1			SPROCKET, Crankshaft
5	T306 7080	1			PIN
6	T072 7596	1			PULLEY, Crankshaft
7	T067 0967	1			BOLT
8	J085 3373	1			SEAL
9	T309 0310	1			BEARING, Pilot - Manual Transmission
10	T159 6861	1			FLYWHEEL Manual Transmission
11	T066 4055	1			GEAR, Ring - Manual Transmission
12	T064 7358	7			BOLT Manual Transmission
13	T306 7256	3			PIN
14	J071 9274	1			SEAL
15	T067 6497	8			RETAINER, Piston Pin
16	J065 5434	8			BOLT
17					RING, Oil Control
	T066 5606	4			J8S-814 up to engine #56519
	J074 9955	4			J8S-814 engine #56520 and later
	J074 9955	4			J8S-890
18					RING, Lower Compression
	T069 6139	4			J8S-814 up to engine #56519
	J074 9957	4			J8S-814 engine #56520 and later
	J074 9957	4			J8S-890
19					RING, Upper Compression
	T069 6138	4			J8S-814 up to engine #56519
	J074 9956	4			J8S-814 engine #56520 and later
	J074 9956	4			J8S-890
20	T146 2223	1			ROD SET, Connecting
21					PISTON PACKAGE, w/Sleeve ***
	T146 3646	1			J8S-814 up to engine #56519
	J146 6305	1			J8S-814 engine #56520 and later
	J146 6305	1			J8S-890
22	T134 8225	4			O-RING
23	T066 6025	4			GASKET
24					BEARING PACKAGE
	T146 2226	1			Standard
	T146 2227	1			-.010"
25					BEARING PACKAGE
	T134 8542	1			Standard
	T134 8543	1			-.010"

MODEL CODES:
 61=Pickup-6 Ft Box 74=4 Door Wagon T=2WD
 62=Pickup-7 Ft Box 77=Open Body 93" Wheelbase J,N,U=4WD
 72=2 Door Wagon 78=Open Body 103" Wheelbase

BODY STYLES:
 MJ=Comanche Pickup ZJ=Grand Cherokee/Grand Wagoneer KDX VEHICLES
 SJ=Grand Wagoneer M1=Comanche
 XJ=Cherokee, Briarwood X1=Cherokee, Briarwood
 YJ=Wrangler Y1=Wrangler

AR = Use as Required - = Non Illustrated Part P.A.R. = Paint as Required



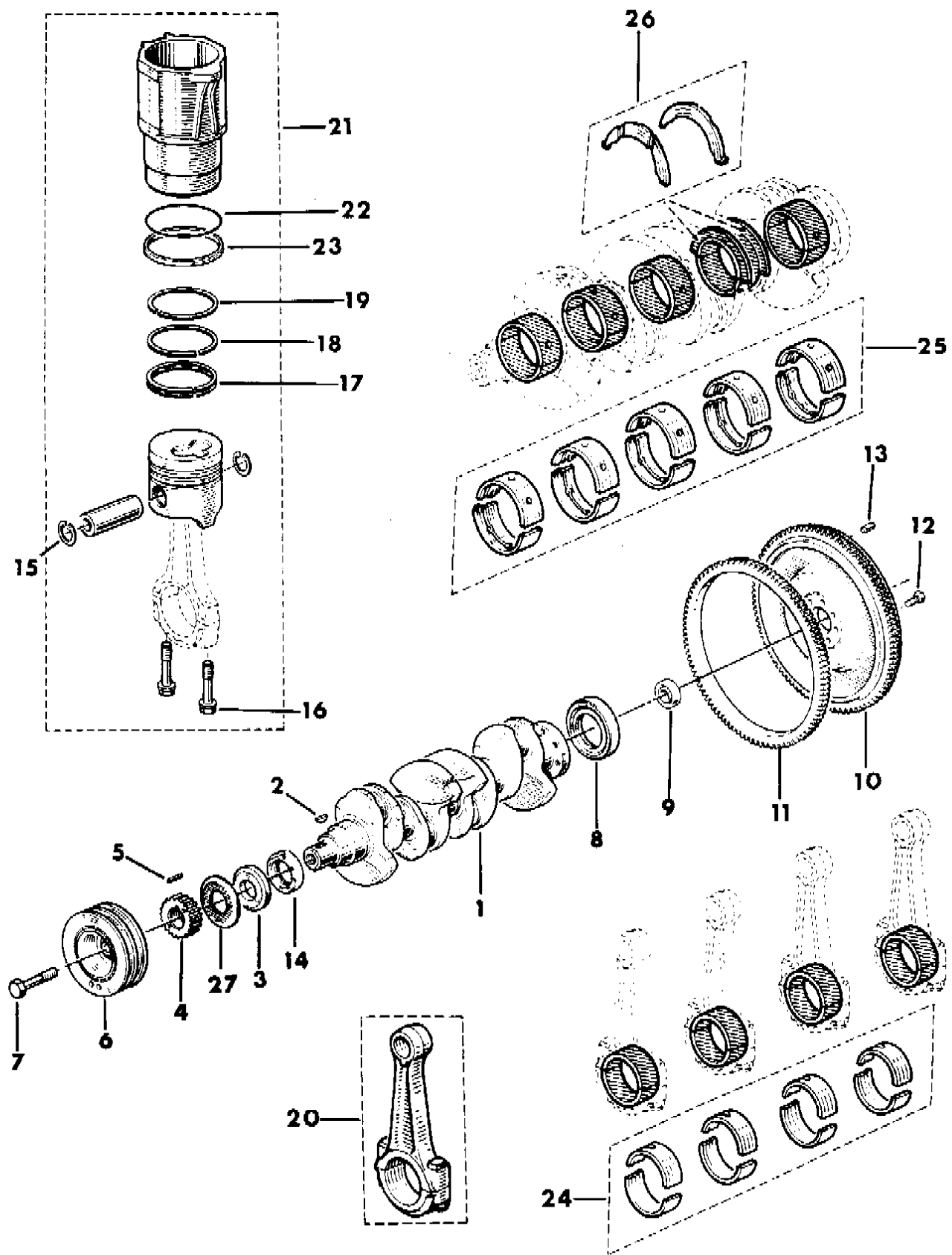
CRANKSHAFT AND PISTON 2.1L ENGINE DIESEL

Figure 9A-500

91J58 500

ITEM	PART NUMBER	QTY	BODY	MODEL	DESCRIPTION
------	-------------	-----	------	-------	-------------

26					BEARING PACKAGE, Thrust
					Thickness
	T134 8320	1			2.80 to 2.85mm
	T134 8820	1			2.85 to 2.90mm
	T134 8821	1			2.90 to 2.95mm
	T134 8822	1			2.95 to 3.00mm
27	T073 3447	1			SLINGER ***



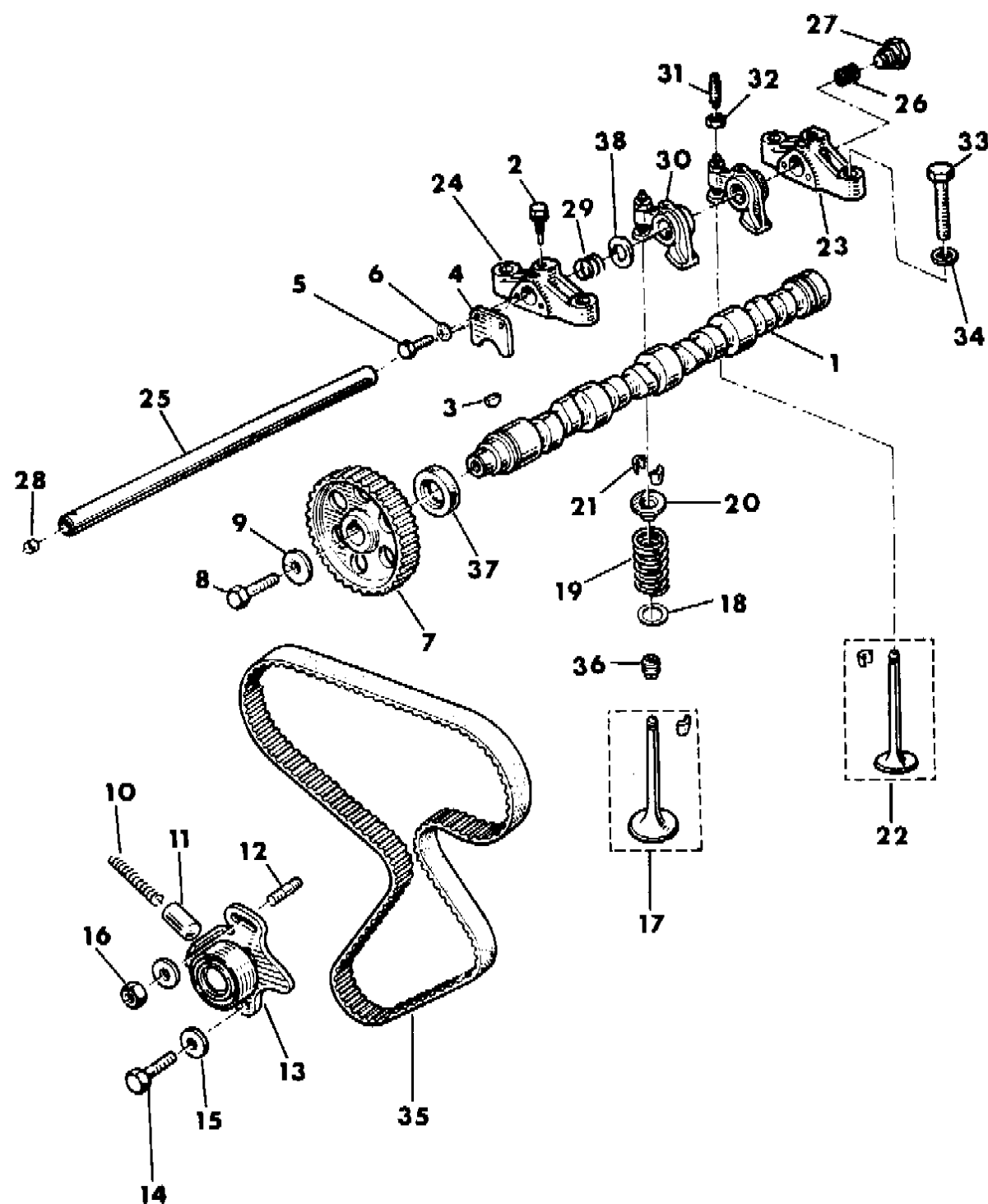
MODEL CODES:
 61=Pickup-6 Ft Box 74=4 Door Wagon T=2WD
 62=Pickup-7 Ft Box 77=Open Body 93" Wheelbase J,N,U=4WD
 72=2 Door Wagon 78=Open Body 103" Wheelbase

BODY STYLES:
 MJ=Comanche Pickup ZJ=Grand Cherokee/Grand Wagoneer KDX VEHICLES
 SJ=Grand Wagoneer M1=Comanche
 XJ=Cherokee, Briarwood X1=Cherokee, Briarwood
 YJ=Wrangler Y1=Wrangler

AR = Use as Required - = Non Illustrated Part P.A.R. = Paint as Required

CAMSHAFT AND VALVES 2.1L ENGINE DIESEL
Figure 9A-600

91J58 600



ITEM	PART NUMBER	QTY	BODY	MODEL	DESCRIPTION
1	T069 9231	1			CAMSHAFT
2	T024 5031	5			SCREW
3	T307 0007	1			KEY, Shaft
4	T058 7893	1			RETAINER, Camshaft Thrust
5	J300 1138	2			BOLT
6	T140 2083	2			WASHER
7	T134 9586	1			SPROCKET, Camshaft
8	T310 1091	1			BOLT
9	J400 6891	1			WASHER
10	T501 5125	1			SPRING
11	J065 3759	1			TENSIONER
12	T302 7065	1			STUD
13	T072 2452	1			IDLER, Timing Belt
14	T140 5667	1			BOLT
15	1150 0255	2			WASHER
16	T149 3047	1			NUT
17	T146 2232	1			VALVE PACKAGE, Intake
18	J305 3700	8			SEAT, Spring
19	T067 3343	8			SPRING
20	T026 8948	8			RETAINER
21	T134 9125	16			KEEPER
22	T146 1339	1			VALVE PACKAGE, Exhaust
23	T065 4085	4			BRACE
24	T065 4084	1			BRACE
25	J146 4082	1			SHAFT, Rocker Arm
26	T065 0095	1			FILTER, Rocker Shaft Oil
27	T307 5053	1			PLUG
28	T307 5039	1			PLUG
29	T065 9821	AR			SPRING
30	J600 6610	8			ARM, Valve Rocker
31	J073 0361	8			SCREW
32	T303 3042	8			NUT
33	J018 1613	AR			BOLT
34	T777 7658	AR			WASHER
35	T066 3544	1			BELT, Timing
36	T073 7124	8			SEAL
37	T134 9626	1			SEAL
38	T073 3736	AR			SPACER

MODEL CODES:

61=Pickup-6 Ft Box 74=4 Door Wagon T=2WD
 62=Pickup-7 Ft Box 77=Open Body 93" Wheelbase J,N,U=4WD
 72=2 Door Wagon 78=Open Body 103" Wheelbase

BODY STYLES:

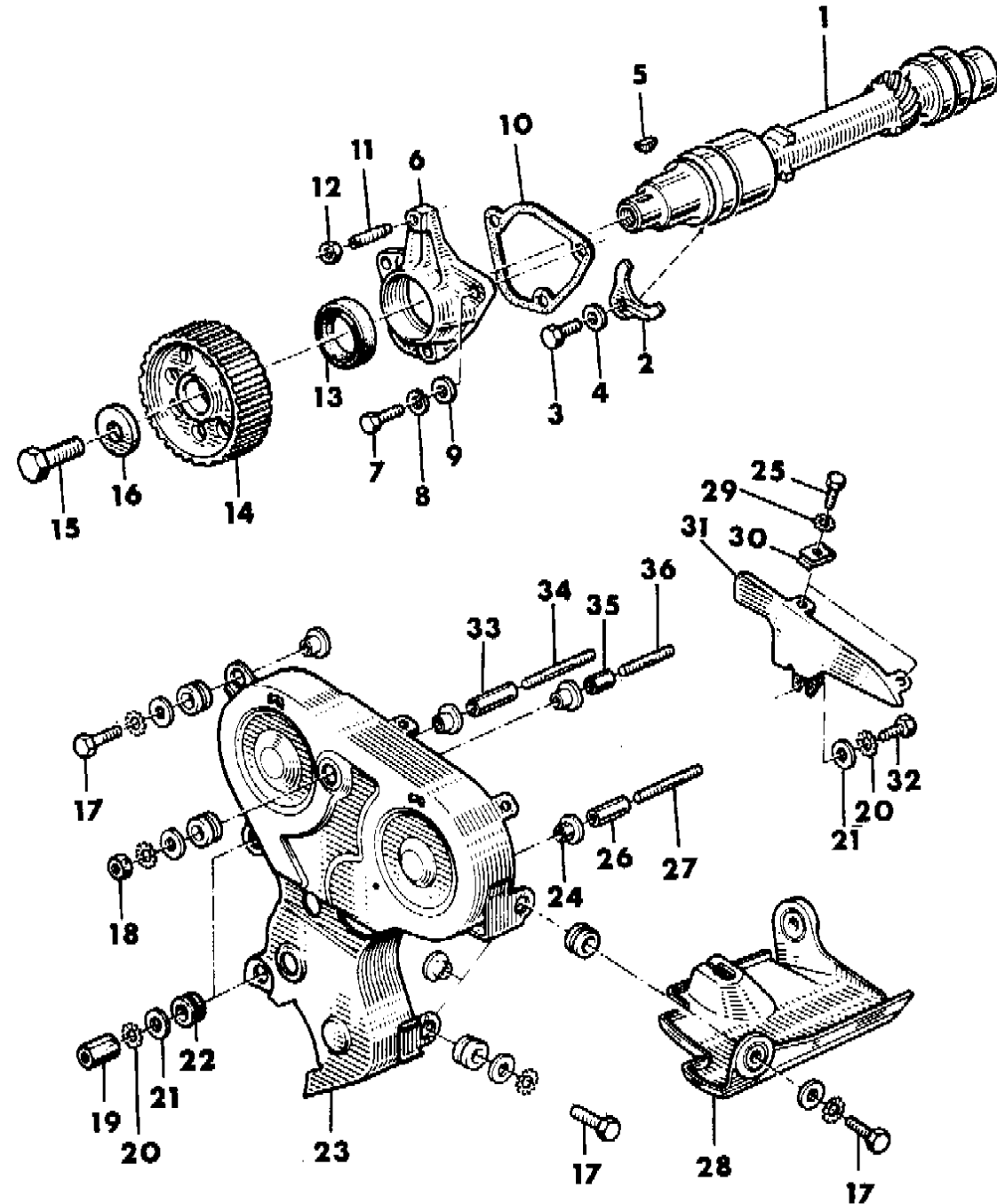
MJ=Comanche Pickup ZJ=Grand Cherokee/Grand Wagoneer KDX VEHICLES
 SJ=Grand Wagoneer M1=Comanche
 XJ=Cherokee, Briarwood X1=Cherokee, Briarwood
 YJ=Wrangler Y1=Wrangler

AR = Use as Required - = Non Illustrated Part P.A.R. = Paint as Required

TIMING COVER AND INTERMEDIATE SHAFT 2.1L ENGINE DIESEL

Figure 9A-700

91J58 700



ITEM	PART NUMBER	QTY	BODY	MODEL	DESCRIPTION
1	T059 0867	1			SHAFT, Engine Intermediate
2	T072 4890	1			RETAINER, Shaft Thrust
3	T149 3030	1			BOLT
4	1150 0255	1			WASHER
5	T307 0007	1			KEY, Shaft
6	T065 5189	1			COVER, Intermediate Shaft
7	T300 1142	3			BOLT
8	T140 2092	3			WASHER, Lock
9	T140 2065	3			WASHER, Flat
10	J073 7414	1			GASKET
11	T302 7117	1			SCREW, Adjusting
12	T149 3045	1			NUT
13	J071 9273	1			SEAL
14	T134 9584	1			SPROCKET, Intermediate Shaft
15	T310 1069	1			BOLT
16	T305 3189	1			WASHER
17	T300 1142	3			BOLT
18	J303 2012	1			NUT
19	T303 2079	2			NUT, Sleeve
20	T140 2083	7			WASHER, Lock
21	T140 2067	7			WASHER, Flat
22	T063 4996	6			GROMMET
23	T066 4709	1			COVER, Timing Case Front
24	T061 6373	6			BUSHING
25	T300 1118	2			BOLT
26	T500 1001	1			SLEEVE
27	T302 7095	1			STUD
28	T069 3037	1			SHIELD, Alternator
29	T140 2082	2			WASHER, 100 Cnt. Pkg.
30	T304 6048	2			NUT, Clip
31	T066 4756	1			COVER, Timing Case Rear
32	T149 3034	1			BOLT
33	T500 1002	1			SLEEVE
34	T302 7151	1			STUD
35	T500 1000	1			SLEEVE
36	T302 7113	1			STUD

MODEL CODES:

61=Pickup-6 Ft Box 74=4 Door Wagon T=2WD
 62=Pickup-7 Ft Box 77=Open Body 93" Wheelbase J,N,U=4WD
 72=2 Door Wagon 78=Open Body 103" Wheelbase

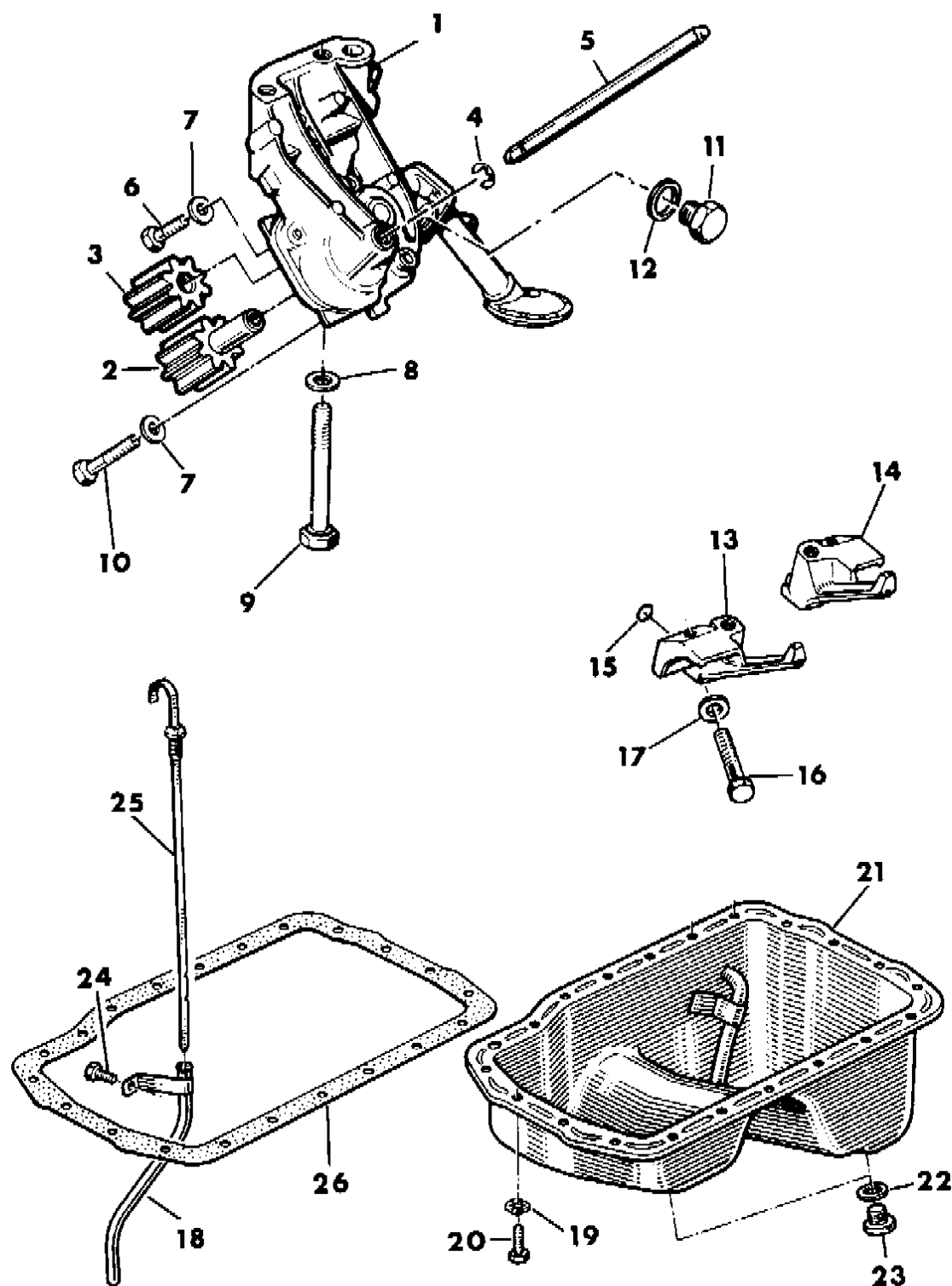
BODY STYLES:

MJ=Comanche Pickup ZJ=Grand Cherokee/Grand Wagoneer KDX VEHICLES
 SJ=Grand Wagoneer M1=Comanche
 XJ=Cherokee, Briarwood X1=Cherokee, Briarwood
 YJ=Wrangler Y1=Wrangler

AR = Use as Required - = Non Illustrated Part P.A.R. = Paint as Required

ENGINE OILING 2.1L ENGINE DIESEL
Figure 9A-800

91J58 800



ITEM	PART NUMBER	QTY	BODY	MODEL	DESCRIPTION
1	T600 4404	1			PUMP, Engine Oil
2	T072 4210	1			GEAR, Oil Pump Drive
3	T069 0232	1			GEAR, Oil Pump Driven
4	T306 6231	1			CLIP, Oil Pump Shaft
5	T072 4211	1			SHAFT, Oil Pump Gear
6	T300 1142	AR			BOLT
7	T140 2065	AR			WASHER
8	T140 2071	2			WASHER
9	T310 1057	2			BOLT
10	T300 1123	AR			BOLT
11	T307 5025	1			PLUG
12	T306 1028	1			GASKET
13	J073 6472	2			JET, Piston Oil Cooling
14	J073 6473	2			JET, Piston Oil Cooling
15	T306 5104	4			SEAL
16	T300 1614	4			BOLT
17	T305 3666	4			WASHER
18	T072 5913	1			TUBE, Engine Oil Indicator
19	T149 3072	21			WASHER
20	T149 3034	21			BOLT
21	T146 3599	1			PAN, Engine Oil
22	T777 7649	2			GASKET
23	T307 5129	2			PLUG
24	1150 4336	1			BOLT
25	T071 3429	1			INDICATOR, Engine Oil Level
26	T069 5943	1			GASKET

MODEL CODES:

61=Pickup-6 Ft Box 74=4 Door Wagon T=2WD
 62=Pickup-7 Ft Box 77=Open Body 93" Wheelbase J,N,U=4WD
 72=2 Door Wagon 78=Open Body 103" Wheelbase

BODY STYLES:

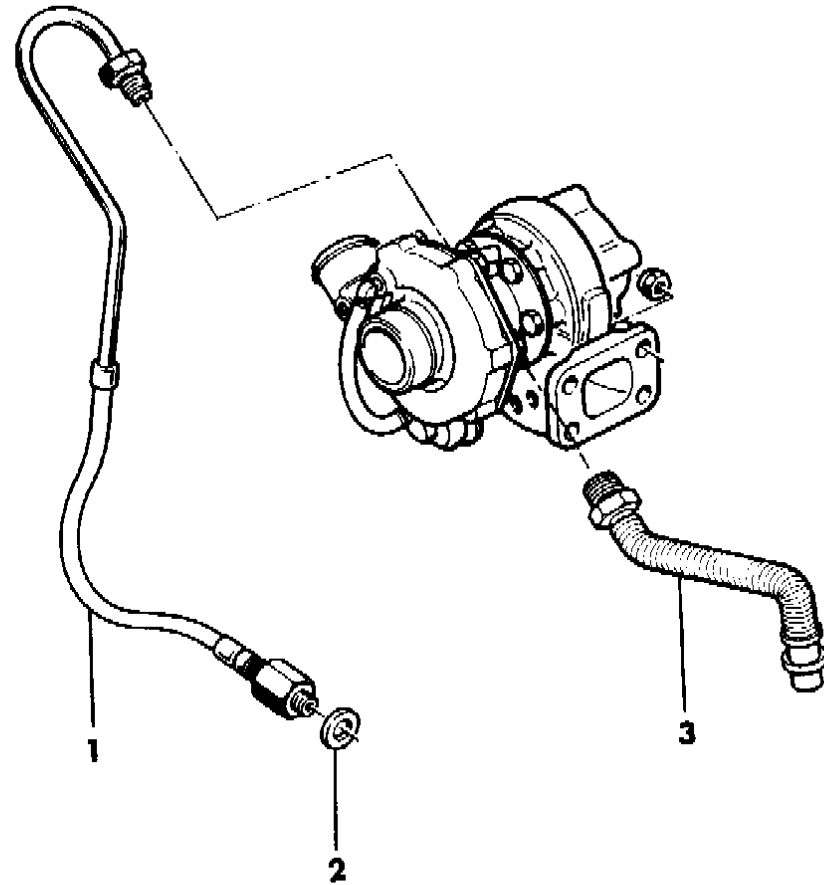
MJ=Comanche Pickup ZJ=Grand Cherokee/Grand Wagoneer KDX VEHICLES
 SJ=Grand Wagoneer M1=Comanche
 XJ=Cherokee, Briarwood X1=Cherokee, Briarwood
 YJ=Wrangler Y1=Wrangler

AR = Use as Required - = Non Illustrated Part P.A.R. = Paint as Required

OIL LINES 2.1L ENGINE DIESEL
Figure 9A-900

91J58 900

ITEM	PART NUMBER	QTY	BODY	MODEL	DESCRIPTION
1	T072 7702	1			TUBE, Oil Supply
2	T777 7650	1			GASKET
3	8350 7177	1			HOSE, Oil Return



MODEL CODES:

61=Pickup-6 Ft Box	74=4 Door Wagon	T=2WD
62=Pickup-7 Ft Box	77=Open Body 93" Wheelbase	J,N,U=4WD
72=2 Door Wagon	78=Open Body 103" Wheelbase	

BODY STYLES:

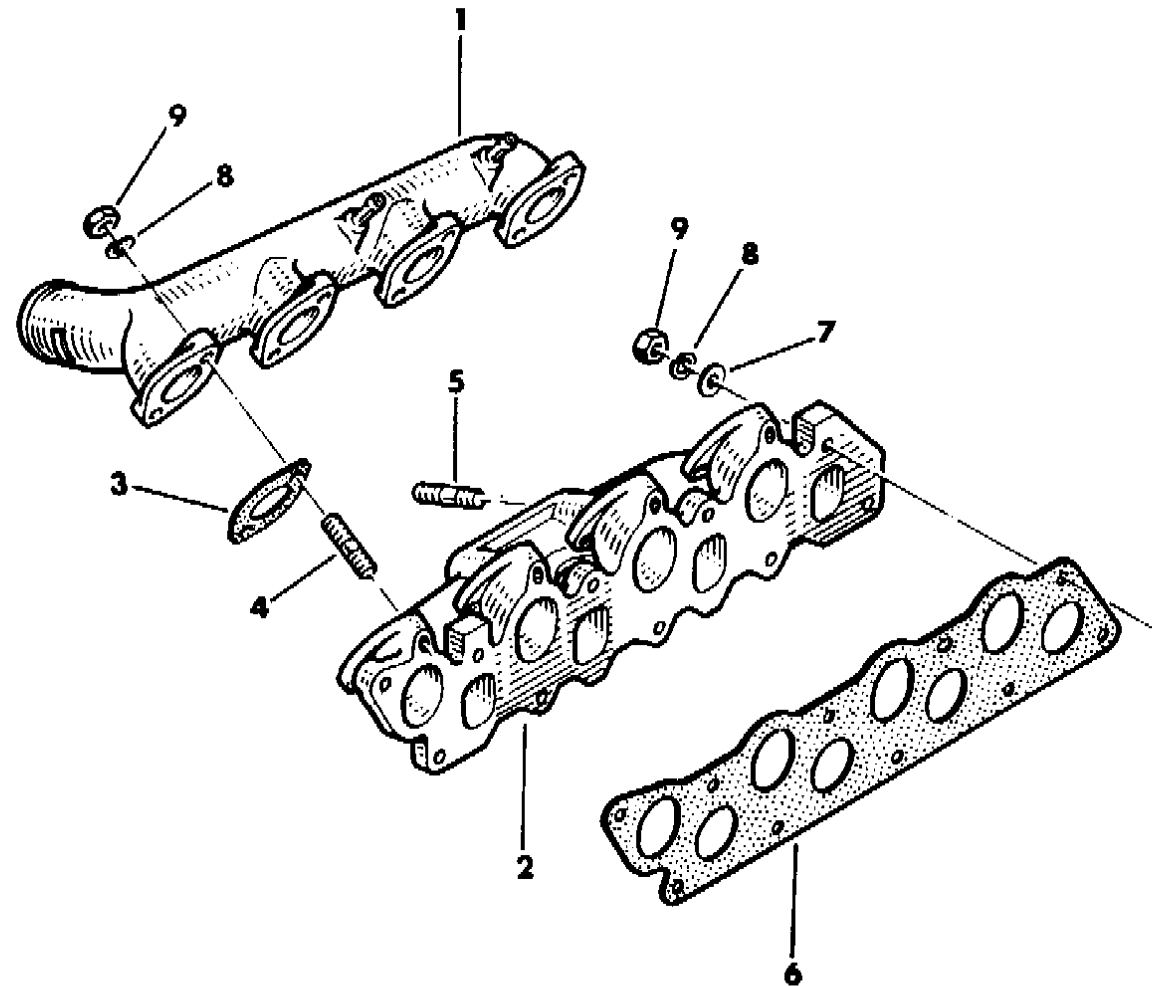
MJ=Comanche Pickup	ZJ=Grand Cherokee/Grand Wagoneer	KDX VEHICLES
SJ=Grand Wagoneer		M1=Comanche
XJ=Cherokee, Briarwood		X1=Cherokee, Briarwood
YJ=Wrangler		Y1=Wrangler

AR = Use as Required - = Non Illustrated Part P.A.R. = Paint as Required

MANIFOLD - INTAKE AND EXHAUST 2.1L ENGINE DIESEL
Figure 9A-1000

91J58 1000

ITEM	PART NUMBER	QTY	BODY	MODEL	DESCRIPTION
1	T068 8218	1			MANIFOLD, Pre-Intake
2	J074 3551	1			MANIFOLD, Intake/Exhaust
3	T069 4729	4			GASKET
4	T302 7155	8			STUD
5	T302 7156	4			STUD
6	T134 8923	1			GASKET
7	1150 0255	10			WASHER, Flat
8	T140 2093	18			WASHER, Lock
9	T149 3047	18			NUT



MODEL CODES:

61=Pickup-6 Ft Box 74=4 Door Wagon T=2WD
 62=Pickup-7 Ft Box 77=Open Body 93" Wheelbase J,N,U=4WD
 72=2 Door Wagon 78=Open Body 103" Wheelbase

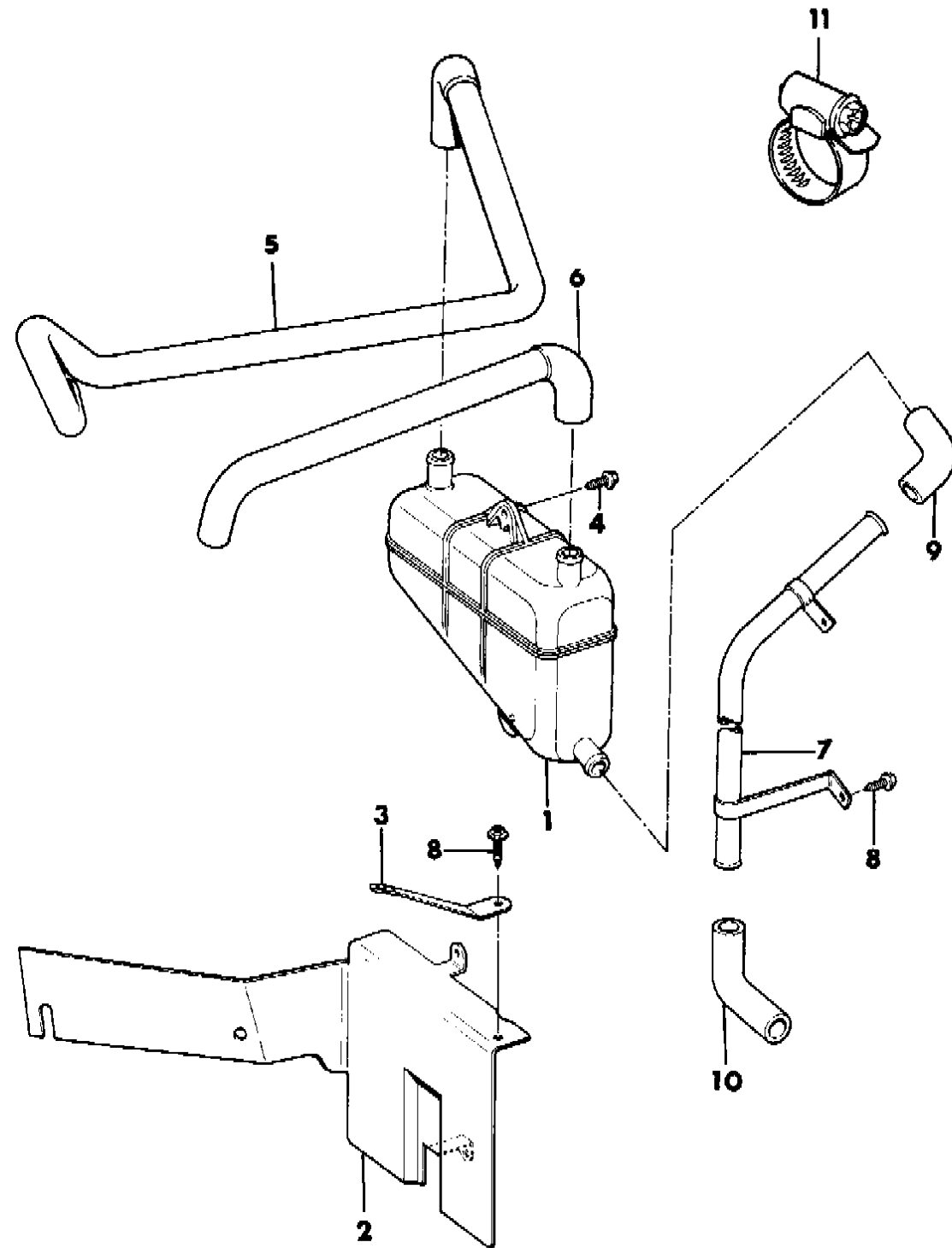
BODY STYLES:

MJ=Comanche Pickup ZJ=Grand Cherokee/Grand Wagoneer KDX VEHICLES
 SJ=Grand Wagoneer M1=Comanche
 XJ=Cherokee, Briarwood X1=Cherokee, Briarwood
 YJ=Wrangler Y1=Wrangler

AR = Use as Required - = Non Illustrated Part P.A.R. = Paint as Required

OIL, SEPARATOR 2.1L ENGINE DIESEL J8S-814
Figure 9A-1100

91J58 1100



ITEM	PART NUMBER	QTY	BODY	MODEL	DESCRIPTION
1	J069 9090	1			TANK, Oil Separator ***
2	3300 2101	1			BRACKET, w/Shield
3	3300 2102	1			STRAP, Support
4	S941 9380	2			SCREW
5	5300 2320	1			HOSE, Separator to Turbo Inlet
6	5300 2321	1			HOSE, Separator to Valve Cover
7	5300 2212	1			TUBE ASSEMBLY, Separator Drain
8	3420 1895	2			SCREW
9	5300 2213	1			HOSE, Drain Tube Upper
10	5300 2214	1			HOSE, Drain Tube Lower
11					CLAMP, Hose
	3300 0784	AR			.67" Thru .98"
	J320 3076	AR			.56" Thru 1.06"
	J320 3077	AR			.81" Thru 1.75"

MODEL CODES:

61=Pickup-6 Ft Box 74=4 Door Wagon T=2WD
62=Pickup-7 Ft Box 77=Open Body 93" Wheelbase J,N,U=4WD
72=2 Door Wagon 78=Open Body 103" Wheelbase

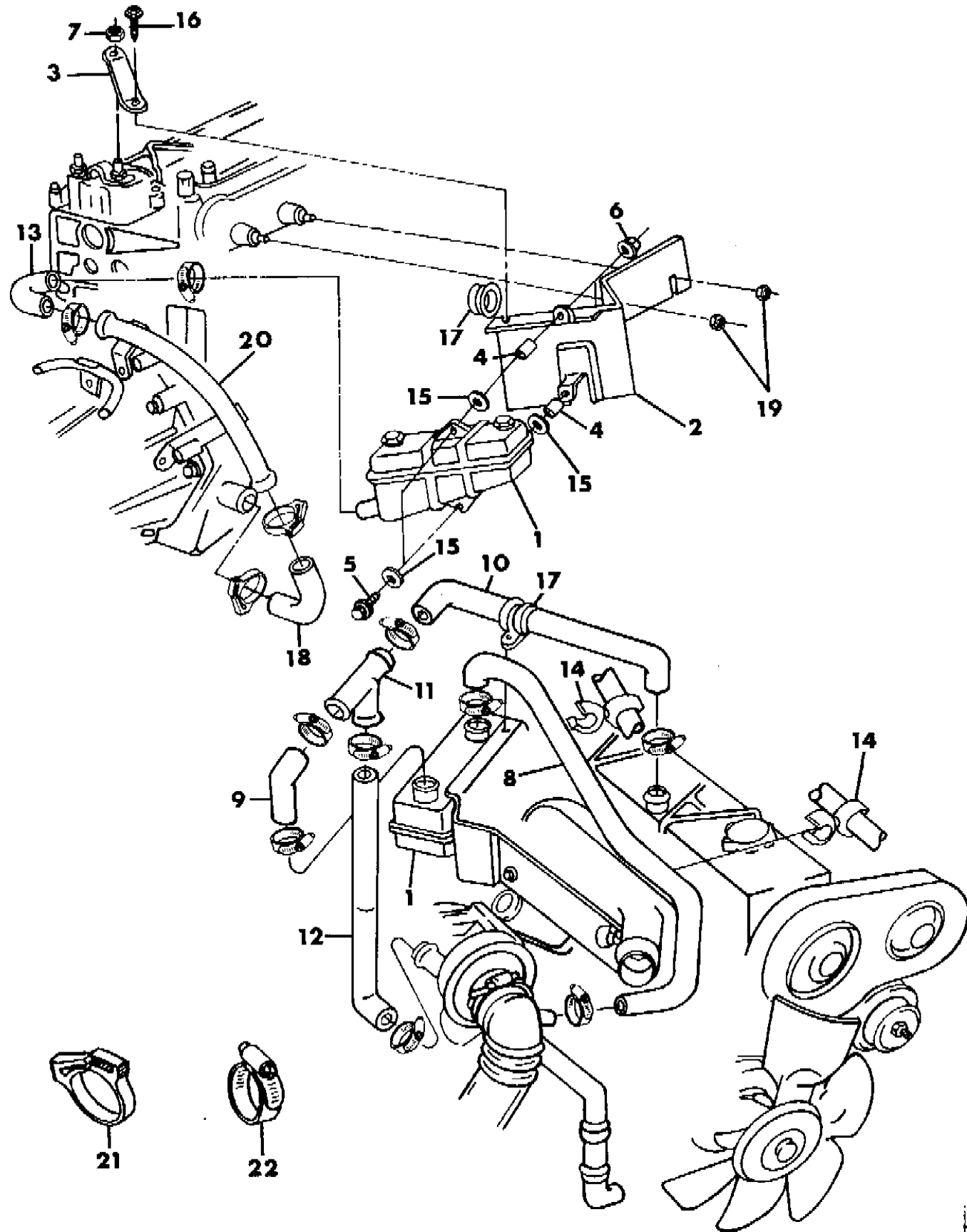
BODY STYLES:

MJ=Comanche Pickup ZJ=Grand Cherokee/Grand Wagoneer KDX VEHICLES
SJ=Grand Wagoneer M1=Comanche
XJ=Cherokee, Briarwood X1=Cherokee, Briarwood
YJ=Wrangler Y1=Wrangler

AR = Use as Required - = Non Illustrated Part P.A.R. = Paint as Required

OIL SEPARATOR 2.1L ENGINE DIESEL J8S-890
Figure 9A-1150

91J58 1150A



ITEM	PART NUMBER	QTY	BODY	MODEL	DESCRIPTION
1	J073 2807	1			TANK, Oil Separator ***
2	5303 0086	1			BRACKET, Tank Support
3	5303 0087	1			STRAP, Tank Support
4	5303 0084	1			SPACER, Tank Support
5					BOLT (not serviced)
6	J012 0361	1			NUT
7	1150 0749	1			NUT
8	5303 0397	1			TUBE ASSEMBLY, Oil Separator To Turbo ***
	5303 0047	1			HOSE, Oil Separator To Turbo
	4397 809	1			SLEEVE, Convoluted Rolled Stock
9	5303 0048	1			HOSE, Oil Separator To Tee
10	5303 0049	1			HOSE, Valve Cover To Tee
11	5303 0083	1			TEE
12	5303 0050	1			HOSE, Tee To Block
13	5303 0051	1			HOSE, Oil Separator To Drain Tube
14	3420 2685	2			CLIP, Hose
15	J044 6152	4			WASHER
16	J098 9983	1			SCREW
17					CLIP (not serviced)
18	5300 2214	1			HOSE, Drain Tube Lower
19	6500 182	2			NUT M8x1.25
20	5300 2212	1			TUBE, Drain
21					CLAMP, Hose (snap type)
	J400 7354	AR			17mm - 20mm
	J400 6818	AR			23mm - 27mm
	J400 6819	AR			25mm - 29mm
	J400 6820	AR			28mm - 33mm
22					CLAMP, Hose (worm gear)
	3300 0784	AR			.67" - .98"
	J320 3076	AR			.56" - 1.06"
	J320 3077	AR			.81" - 1.75"

MODEL CODES:

61=Pickup-6 Ft Box 74=4 Door Wagon T=2WD
 62=Pickup-7 Ft Box 77=Open Body 93" Wheelbase J,N,U=4WD
 72=2 Door Wagon 78=Open Body 103" Wheelbase

BODY STYLES:

MJ=Comanche Pickup ZJ=Grand Cherokee/Grand Wagoneer KDX VEHICLES
 SJ=Grand Wagoneer M1=Comanche
 XJ=Cherokee, Briarwood X1=Cherokee, Briarwood
 YJ=Wrangler Y1=Wrangler

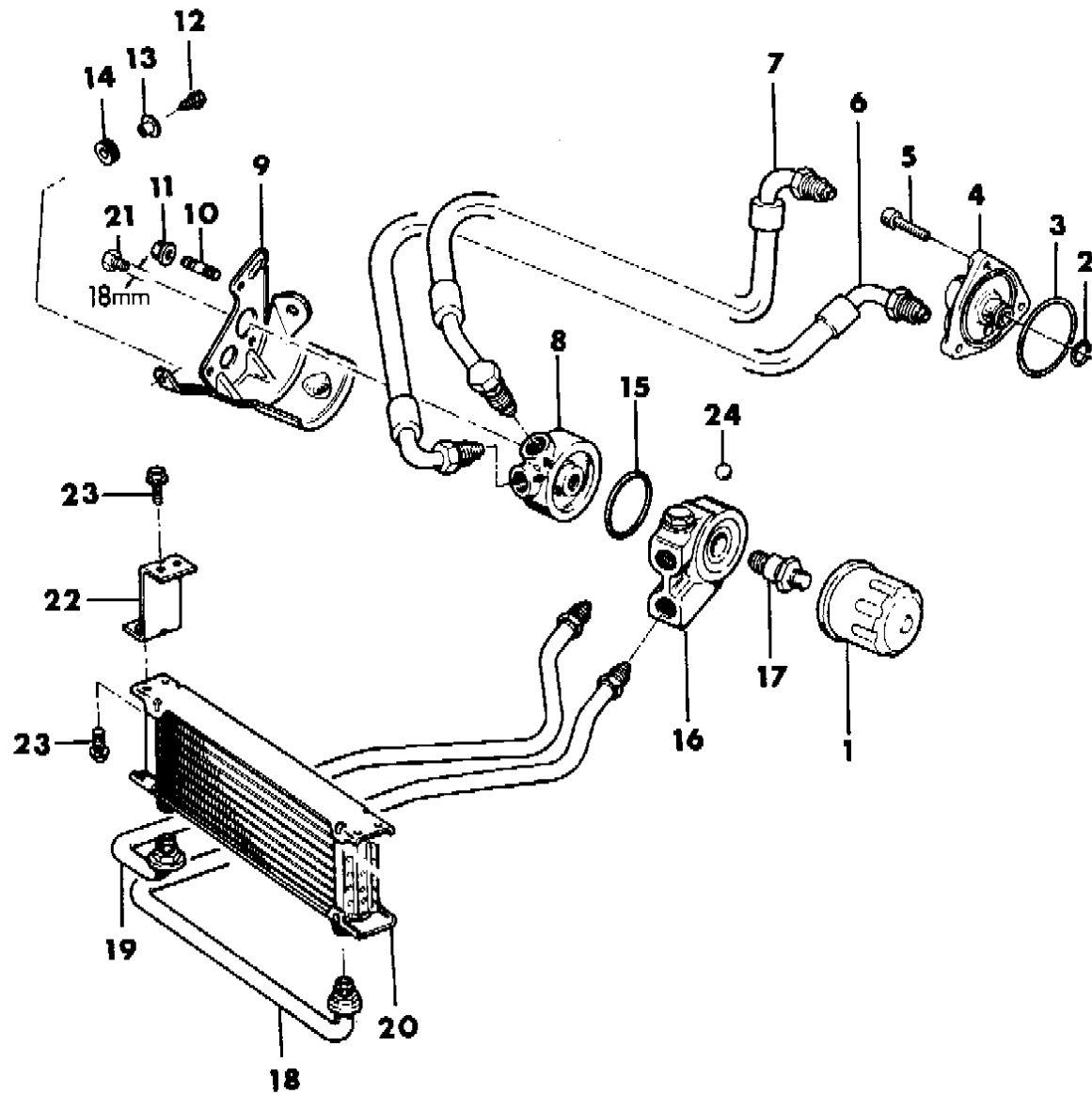
AR = Use as Required - = Non Illustrated Part P.A.R. = Paint as Required

OIL COOLER AND FILTER 2.1L ENGINE DIESEL

Figure 9A-1200

91J58 1200

ITEM	PART NUMBER	QTY	BODY	MODEL	DESCRIPTION
1	T073 0077	1			FILTER, Engine Oil
2	T306 5091	1			SEAL
3	T306 5090	1			GASKET
4	T070 2948	1			ADAPTER, Engine Oil Filter
5	T300 9104	3			BOLT
6	5300 1923	1			HOSE, Remote Filter Supply
7	3300 1312	1			HOSE, Remote Filter Return
8	J072 2458	1			ADAPTER, Oil Filter Engine
9	3300 1313	1			BRACKET, Remote Oil Filter
10	T302 7081	3			STUD
11	J420 0046	3			NUT
12					SCREW
	3420 1895	1			x=16mm
	3420 1691	2			x=20mm
13					BUSHING
	3300 2747	1			x=12.0mm
	3300 2748	2			x=10.6mm
14					GROMMET
	3300 2744	1			x=11.7mm
	3300 2745	1			x=10.3mm
15	3420 2316	1			O-RING
16	5200 1633	1			VALVE, Oil Cooler By-Pass
17	5200 1658	1			CONNECTOR
18					TUBE, Engine Oil Cooler - Left
	8350 4413	1			1991-2
	5202 7731	1			1993
19	8350 4414	1			TUBE, Engine Oil Cooler - Right
20	5200 1848	1			COOLER, Engine Oil 1991-92
	5202 7730	1			1993
21	5300 3926	1			PLUG
22	5200 2830	2			BRACKET, Oil Cooler
23	1150 5117	8			BOLT
24	8350 4927	1			BALL



MODEL CODES:

61=Pickup-6 Ft Box 74=4 Door Wagon T=2WD
 62=Pickup-7 Ft Box 77=Open Body 93" Wheelbase J,N,U=4WD
 72=2 Door Wagon 78=Open Body 103" Wheelbase

BODY STYLES:

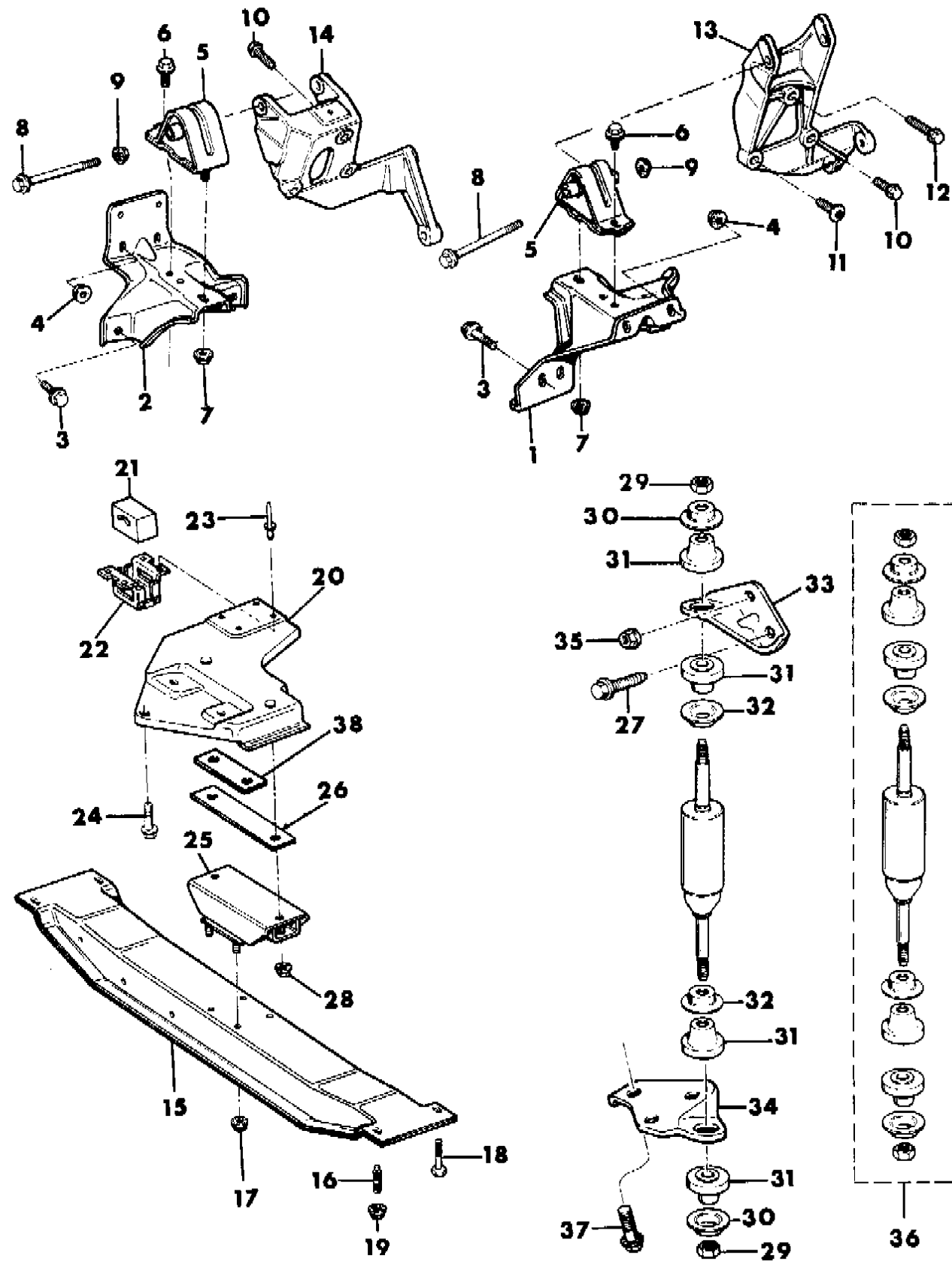
MJ=Comanche Pickup ZJ=Grand Cherokee/Grand Wagoneer KDX VEHICLES
 SJ=Grand Wagoneer M1=Comanche
 XJ=Cherokee, Briarwood X1=Cherokee, Briarwood
 YJ=Wrangler Y1=Wrangler

AR = Use as Required - = Non Illustrated Part P.A.R. = Paint as Required

ENGINE MOUNTING 2.1L ENGINE DIESEL

Figure 9A-1300

91J58 1300



ITEM	PART NUMBER	QTY	BODY	MODEL	DESCRIPTION
1	5200 1497	1			BRACKET, Engine - Left
2	5200 1498	1			BRACKET, Engine - Right
3	1150 2685	4			BOLT
4	3420 1416	4			NUT
5	5200 6726	2			MOUNT, Engine ***
6	6502 137	2			BOLT
7	6502 135	2			NUT
8	3420 1959	2			BOLT, 125mm
9	1150 2813	2			NUT
10	1150 4516	4			BOLT
11	3420 2174	1			BOLT
12	1150 4038	1			BOLT
13	5200 0771	1			BRACKET, Engine - Left
14	5200 0770	1			BRACKET, Engine - Right
15	5200 2328	1			CROSSMEMBER, Transmission Support
16	3420 1710	2			STUD
17	3420 1918	4			NUT
18	3420 1540	6			BOLT, 30mm
19	6502 135	4			NUT
20	5200 3063	1			BRACKET, Transmission Support Rear
21	5300 0101	1			INSULATOR
22	5300 0104	1			BRACKET
23	3420 1980	4			RIVET
24	J400 7162	4			BOLT, 1.25mm
25					CUSHION, Rear Support - Manual Transmission
	5200 1313	1			Blue, 2WD
	5200 1180	1			Yellow, 4WD
26	5200 0956	1			SPACER
27	3420 2047	1			BOLT
28	6502 135	2			NUT Manual Transmission M10 x 1.5
29	J012 0368	2			NUT
30	5200 0819	2			RETAINER, Outer
31	5200 0619	4			BUSHING
32	5200 0820	2			RETAINER, Inner
33	5200 1070	1			BRACKET, Shock Absorber
34	5200 1071	1			BRACKET, Shock Absorber
35	J420 0081	1			NUT
36	8350 0358	1			SHOCK ABSORBER PACKAGE, Engine
37					BOLT
	3420 1321	3			25mm
	3420 2114	3			35mm

MODEL CODES:

61=Pickup-6 Ft Box 74=4 Door Wagon T=2WD
 62=Pickup-7 Ft Box 77=Open Body 93" Wheelbase J,N,U=4WD
 72=2 Door Wagon 78=Open Body 103" Wheelbase

BODY STYLES:

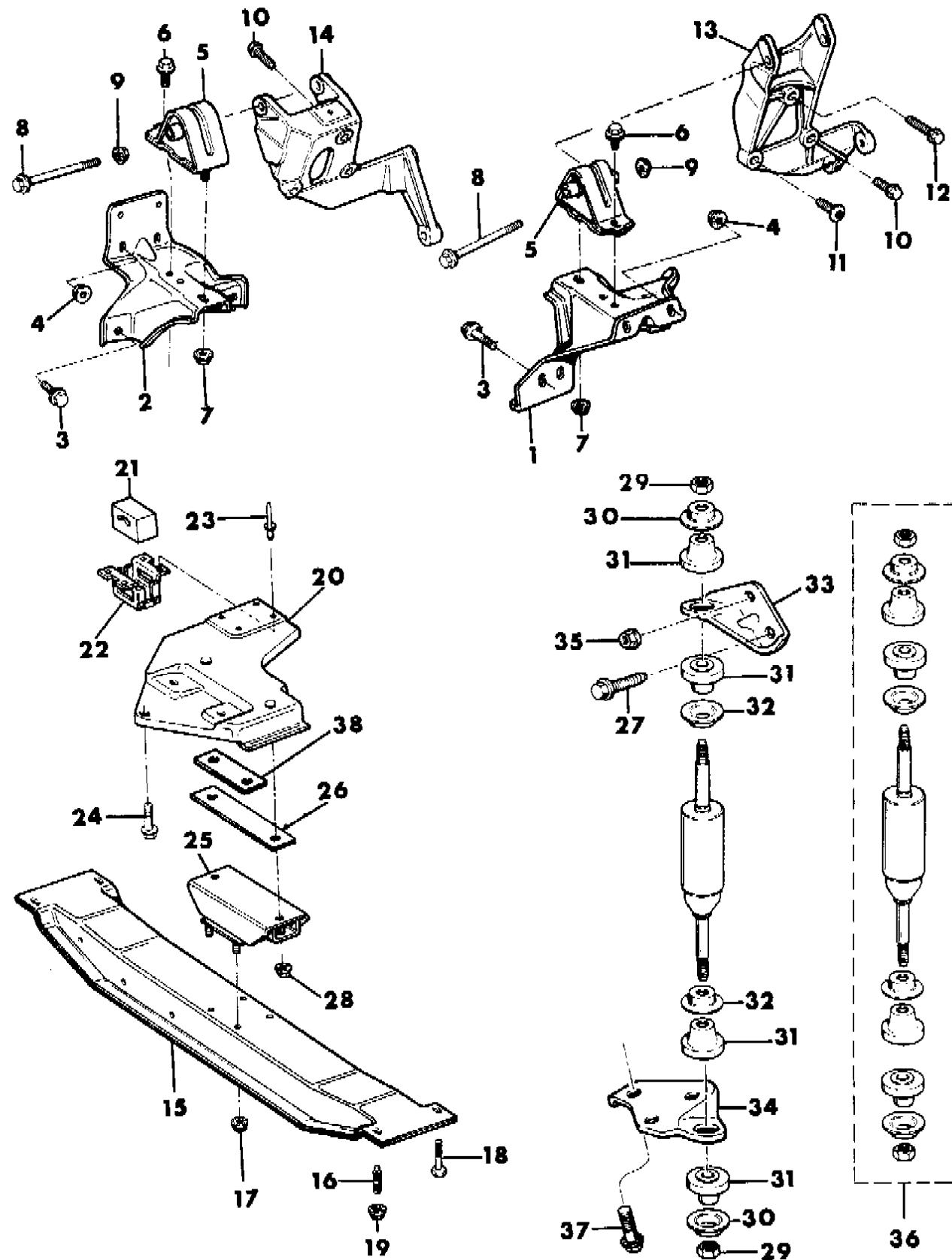
MJ=Comanche Pickup ZJ=Grand Cherokee/Grand Wagoneer KDX VEHICLES
 SJ=Grand Wagoneer M1=Comanche
 XJ=Cherokee, Briarwood Y1=Cherokee, Briarwood
 YJ=Wrangler Y1=Wrangler

AR = Use as Required - = Non Illustrated Part P.A.R. = Paint as Required

ENGINE MOUNTING 2.1L ENGINE DIESEL

Figure 9A-1300

91J58 1300



ITEM	PART NUMBER	QTY	BODY	MODEL	DESCRIPTION
------	-------------	-----	------	-------	-------------

	3420 2060	3			45mm
38	5200 2933	1			SPACER

MODEL CODES:

61=Pickup-6 Ft Box 74=4 Door Wagon T=2WD
 62=Pickup-7 Ft Box 77=Open Body 93" Wheelbase J,N,U=4WD
 72=2 Door Wagon 78=Open Body 103" Wheelbase

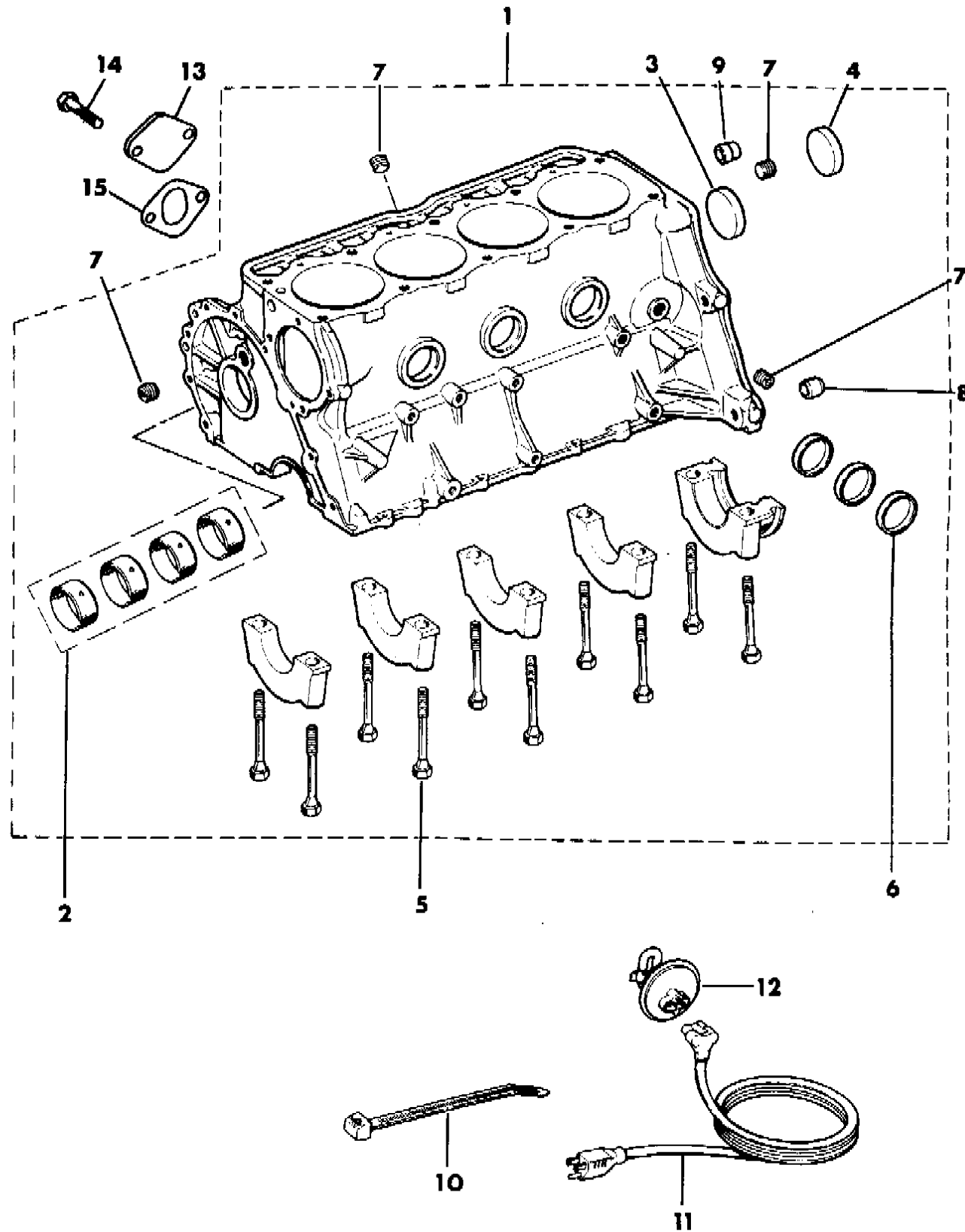
BODY STYLES:

MJ=Comanche Pickup ZJ=Grand Cherokee/Grand Wagoneer KDX VEHICLES
 SJ=Grand Wagoneer M1=Comanche
 XJ=Cherokee, Briarwood X1=Cherokee, Briarwood
 YJ=Wrangler Y1=Wrangler

AR = Use as Required - = Non Illustrated Part P.A.R. = Paint as Required

CYLINDER BLOCK 2.5L ENGINE
Figure 9A-1500

91J58 1500



ITEM	PART NUMBER	QTY	BODY	MODEL	DESCRIPTION
1	4637 399	1			ENGINE, Short, (Contains Crankshaft, Pistons, Rings, Rods, and Bearings Assembled in Block)
2	J320 5711	1			BEARING PACKAGE Standard
	J320 8985	1			+ .010"
3	J317 2313	1			PLUG
4	J310 5394	1			PLUG
5	J400 6948	10			BOLT
6	J400 6580	3			PLUG
7	J044 4660	4			PLUG
8	J400 6953	1			PIN
9	J324 1332	1			PIN
10					STRAP
	J323 5187	AR	YJ		450mm
	J322 3227	AR	MJ,XJ		200mm
	J369 3058	AR	MJ,XJ		300mm
	J323 0270	AR	MJ,XJ		350mm
	J323 5187	AR	MJ,XJ		450mm
11					CORD, Power Supply
	5601 6834	1	YJ		
	5300 0878	1	MJ,XJ		
12	J324 1657	1			HEATER, Engine Block
13	3300 4223	1			PLATE, Cover - Fuel Pump
14	J018 0077	2			BOLT
15	J317 4685	1			GASKET

MODEL CODES:

61=Pickup-6 Ft Box 74=4 Door Wagon T=2WD
62=Pickup-7 Ft Box 77=Open Body 93" Wheelbase J,N,U=4WD
72=2 Door Wagon 78=Open Body 103" Wheelbase

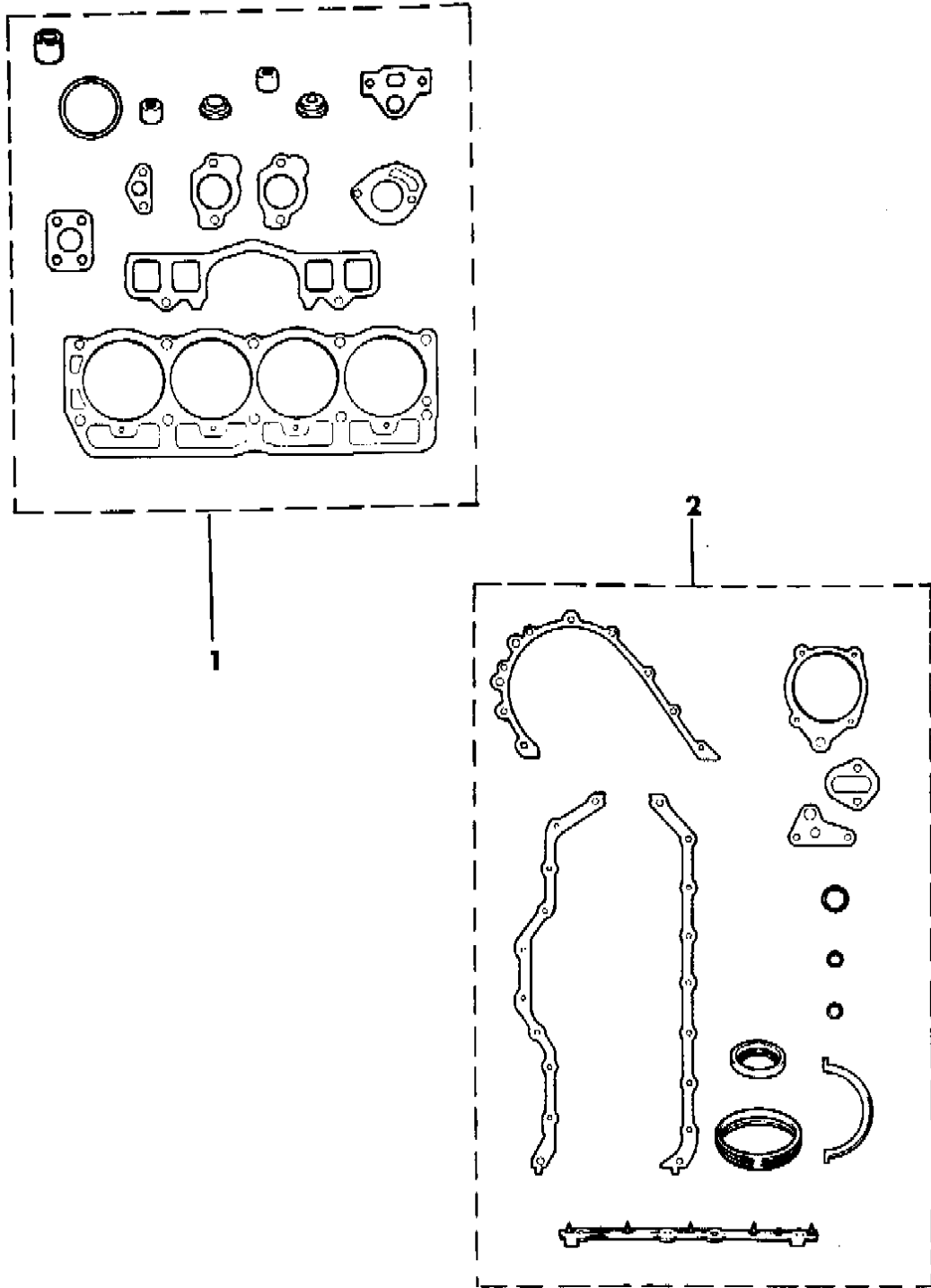
BODY STYLES:

MJ=Comanche Pickup ZJ=Grand Cherokee/Grand Wagoneer KDX VEHICLES
SJ=Grand Wagoneer M1=Comanche
XJ=Cherokee, Briarwood X1=Cherokee, Briarwood
YJ=Wrangler Y1=Wrangler

AR = Use as Required - = Non Illustrated Part P.A.R. = Paint as Required

GASKET SET 2.5L ENGINE
Figure 9A-1600

91J58 1600



ITEM	PART NUMBER	QTY	BODY	MODEL	DESCRIPTION
1	8350 4346	1			GASKET PACKAGE, Engine Upper
2	8350 5399	1			GASKET PACKAGE, Engine Lower
	4713 023	1			1991
					1992-93

MODEL CODES:

61=Pickup-6 Ft Box 74=4 Door Wagon T=2WD
 62=Pickup-7 Ft Box 77=Open Body 93" Wheelbase J,N,U=4WD
 72=2 Door Wagon 78=Open Body 103" Wheelbase

BODY STYLES:

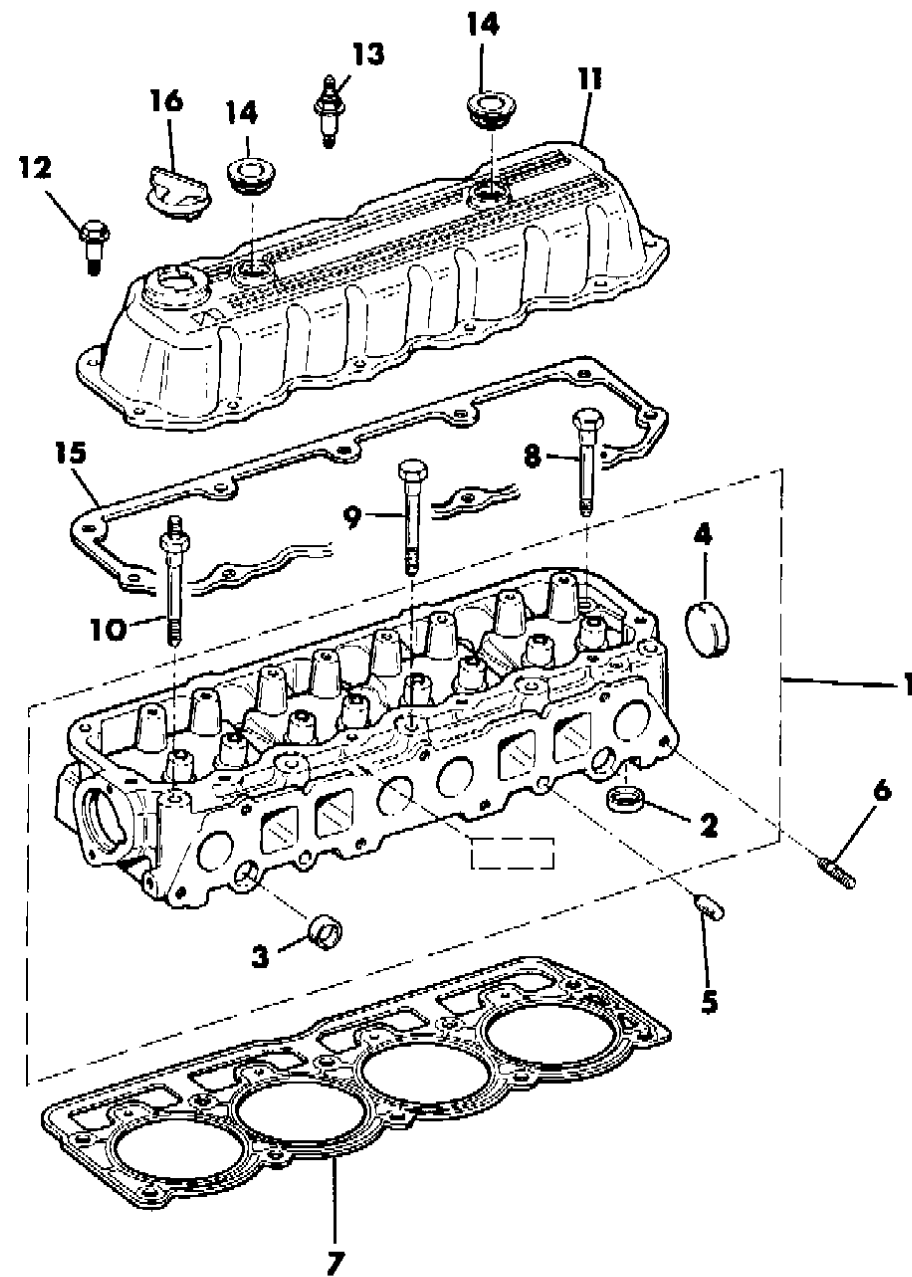
MJ=Comanche Pickup ZJ=Grand Cherokee/Grand Wagoneer KDX VEHICLES
 SJ=Grand Wagoneer M1=Comanche
 XJ=Cherokee, Briarwood X1=Cherokee, Briarwood
 YJ=Wrangler Y1=Wrangler

AR = Use as Required - = Non Illustrated Part P.A.R. = Paint as Required

CYLINDER HEAD 2.5L ENGINE

Figure 9A-1700

91J58 1700 A



ITEM	PART NUMBER	QTY	BODY	MODEL	DESCRIPTION
1					HEAD, Engine Cylinder
	3300 7115	1			Injected
	5302 0183	1			Carbureted
2	3300 7142	4			SEAT, Exhaust Valve
3	J317 2319	4			PLUG .875"
4	J310 5394	1			PLUG 2"
5	J317 2318	2			PIN
6	5301 0165	2			STUD
7	5300 9549	1			GASKET, Cylinder Head
8	J400 7308	5			BOLT 3.75"
9	J400 7307	1			BOLT 4.52"
10					BOLT, Stud
	J400 7310	AR			1.00"
	J400 7311	AR			1.38"
11					COVER, Cylinder Head
	5300 9595	1			Injected 1991-92
	3300 3857	1			Carbureted 1991-92
	5302 0479	1			Assy, w/Sealant 1993
12					BOLT
	J400 7506	8			Carbureted
	6034 478	8			Injected
13					BOLT, Stud
	J400 7508	3			Carbureted
	J400 7495	3			Injected
14					GROMMET
	3300 1237	AR			Carbureted .45" 1991-92
	5300 0957	AR			Carbureted .72" 1991-93
	5300 4721	AR			Injected 2.2mm
15					GASKET, Rocker Cover
					Non-KDX Gasket is Part of Rocker Cover
	J324 1731	1			KDX 1991-92
	J899 3317	1			RTV Sealer
16					CAP
	3300 1016	1			Carbureted
	5300 8620	1			Injected

MODEL CODES:

61=Pickup-6 Ft Box 74=4 Door Wagon T=2WD
 62=Pickup-7 Ft Box 77=Open Body 93" Wheelbase J,N,U=4WD
 72=2 Door Wagon 78=Open Body 103" Wheelbase

BODY STYLES:

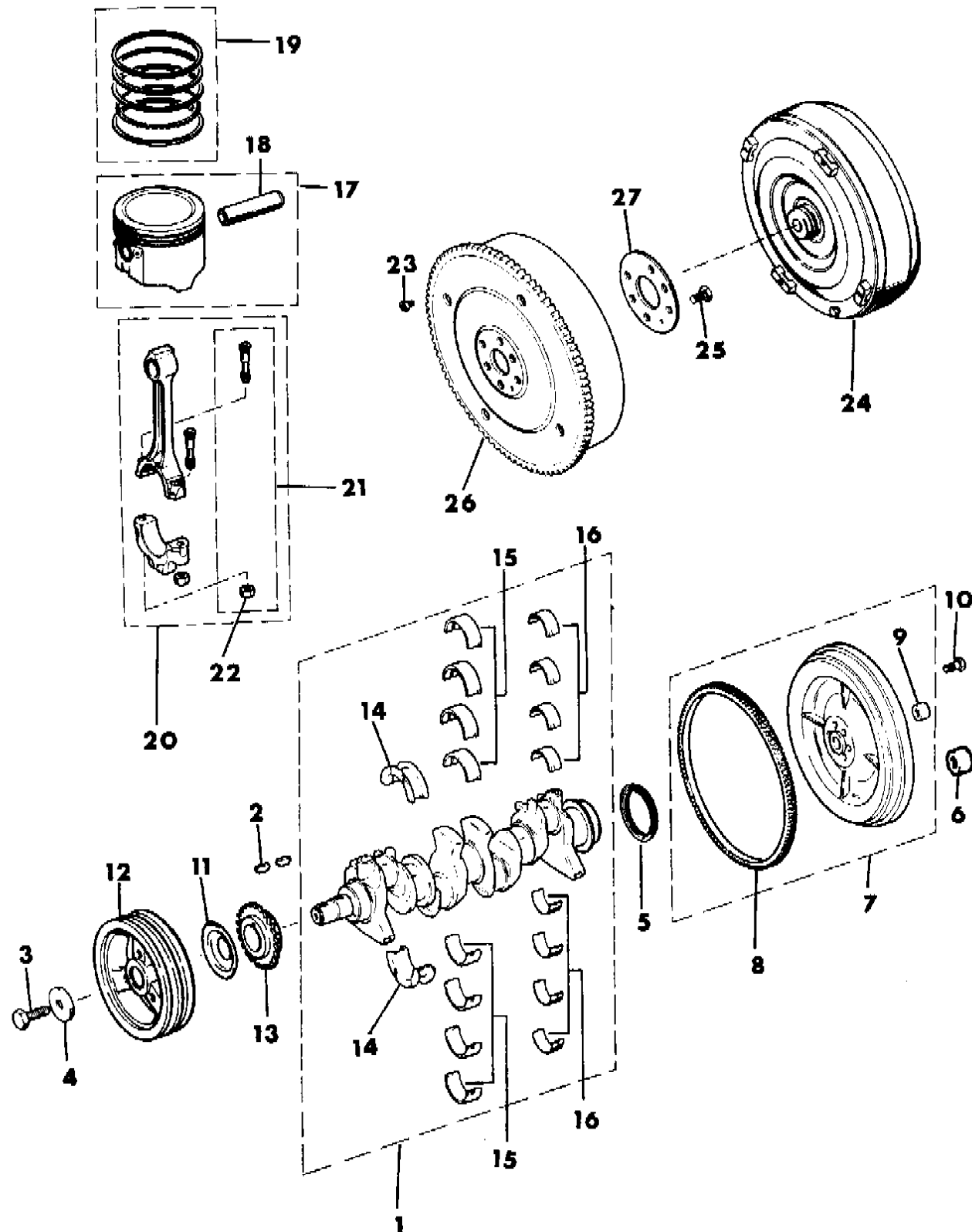
MJ=Comanche Pickup ZJ=Grand Cherokee/Grand Wagoneer KDX VEHICLES
 SJ=Grand Wagoneer M1=Comanche
 XJ=Cherokee, Briarwood X1=Cherokee, Briarwood
 YJ=Wrangler Y1=Wrangler

AR = Use as Required - = Non Illustrated Part P.A.R. = Paint as Required

CRANKSHAFT AND PISTON 2.5L ENGINE

Figure 9A-1800

91J58 1800



ITEM	PART NUMBER	QTY	BODY	MODEL	DESCRIPTION
1					CRANKSHAFT PACKAGE ***
	4713 051	1			1990
	5302 0329	1			KDX China (Casting)
2	J310 7002	2			KEY 1991-92
	6034 749	2			1993
3					BOLT
	S018 1698	1			1.25"
	S942 4033	1			1.62"
4	J323 0155	1			WASHER
5	3300 4143	1			SEAL
6	3300 2840	1			BUSHING, Automatic Transmission
7	5300 5526	1			FLYWHEEL, Manual Transmission
8	J324 1718	1			GEAR, Ring - Manual Transmission
9	J325 0005	1			BEARING, Pilot - Manual Transmission
10	J400 7123	6			BOLT, Manual Transmission
11	J317 3076	1			SLINGER, Oil ***
12					DAMPER
	J324 2885	1	YJ		w/V-Belt
	3300 2879	1	YJ		w/Serpentine Belt
	3300 2879	1	MJ,XJ		
	J324 2886	1			KDX-China
13	3300 4020	1			SPROCKET, Crankshaft
14					BEARING PACKAGE, Main Thrust
	8350 7084	1			Standard
	8350 7086	1			-.001"
	8350 7088	1			-.002"
	8350 7090	1			-.010"
15					BEARING PACKAGE, Main
	8350 7079	4			Standard
	8350 7080	4			-.001"
	8350 7081	4			-.002"
	8350 7083	4			-.010"
16					BEARING PACKAGE, Rod
	8350 0300	4			Standard
	8350 1397	4			-.001"
	8350 0301	4			-.010"
17					PISTON PACKAGE, Standard ***
	4773 157	4			Size 'B' 3.8746"
	4773 158	4			Size 'C' 3.8750"
	4773 159	4			Size 'D' 3.8754"
	4773 456	4			Size 'E' 3.8758"

MODEL CODES:

61=Pickup-6 Ft Box 74=4 Door Wagon T=2WD
 62=Pickup-7 Ft Box 77=Open Body 93" Wheelbase J,N,U=4WD
 72=2 Door Wagon 78=Open Body 103" Wheelbase

BODY STYLES:

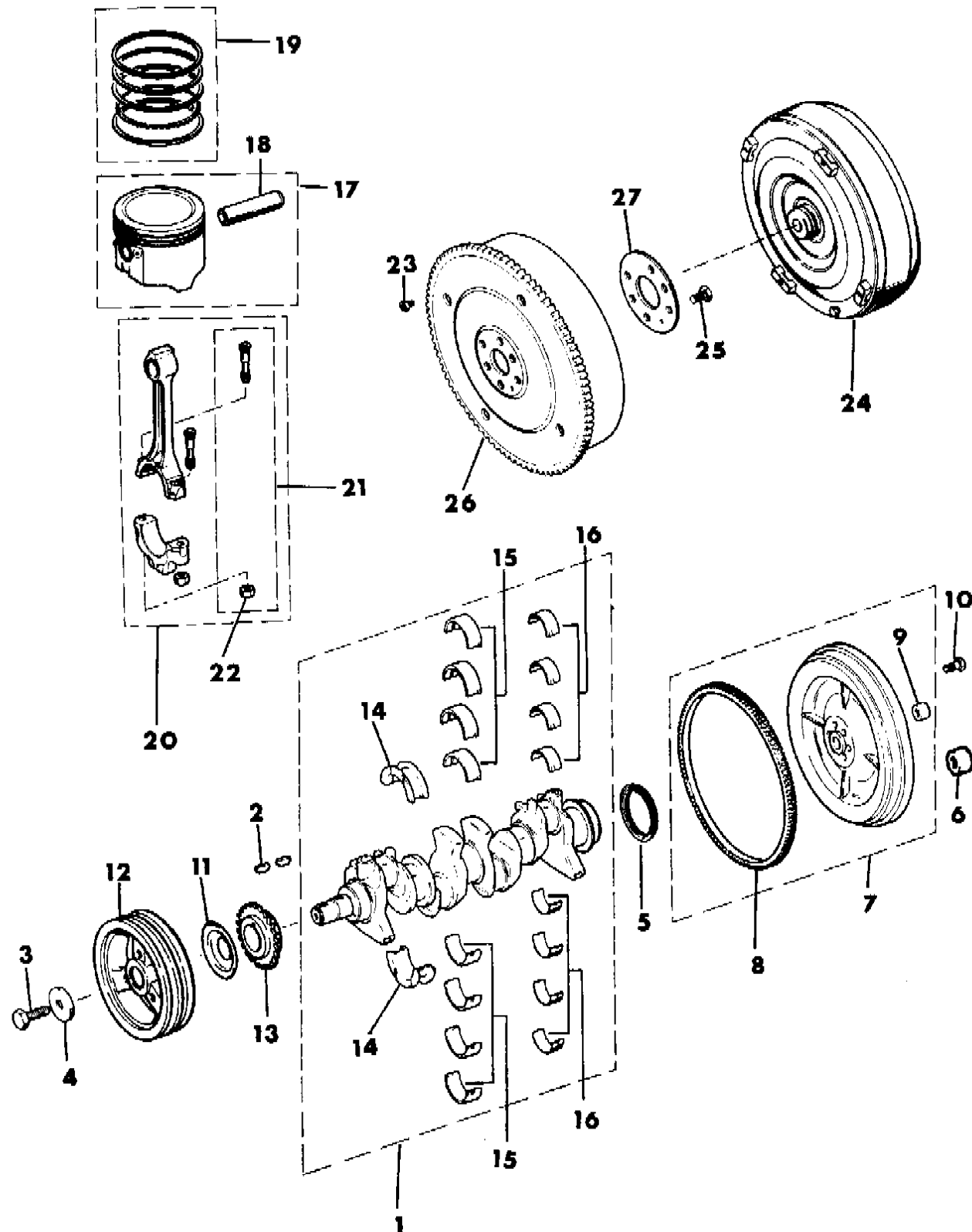
MJ=Comanche Pickup ZJ=Grand Cherokee/Grand Wagoneer KDX VEHICLES
 SJ=Grand Wagoneer M1=Comanche
 XJ=Cherokee, Briarwood X1=Cherokee, Briarwood
 YJ=Wrangler Y1=Wrangler

AR = Use as Required - = Non Illustrated Part P.A.R. = Paint as Required

CRANKSHAFT AND PISTON 2.5L ENGINE

Figure 9A-1800

91J58 1800



ITEM	PART NUMBER	QTY	BODY	MODEL	DESCRIPTION
18		4			PIN, Piston Standard, (Serviced in Piston Assy.)
19	8350 1987	4			RING PACKAGE, Piston Standard
20		4			ROD, Connecting, (Serviced in Piston Assy.)
21	4713 086	8			BOLT PACKAGE ***
	5302 0123	8			BOLT, Connecting Rod
22	J400 6385	8			NUT
23	J420 0302	4			BOLT
24	5300 3917				CONVERTER, Torque
25	J400 7122	6			BOLT
26	3300 3313	1			PLATE
27	5300 2234	1			REINFORCEMENT

MODEL CODES:

61=Pickup-6 Ft Box 74=4 Door Wagon T=2WD
 62=Pickup-7 Ft Box 77=Open Body 93" Wheelbase J,N,U=4WD
 72=2 Door Wagon 78=Open Body 103" Wheelbase

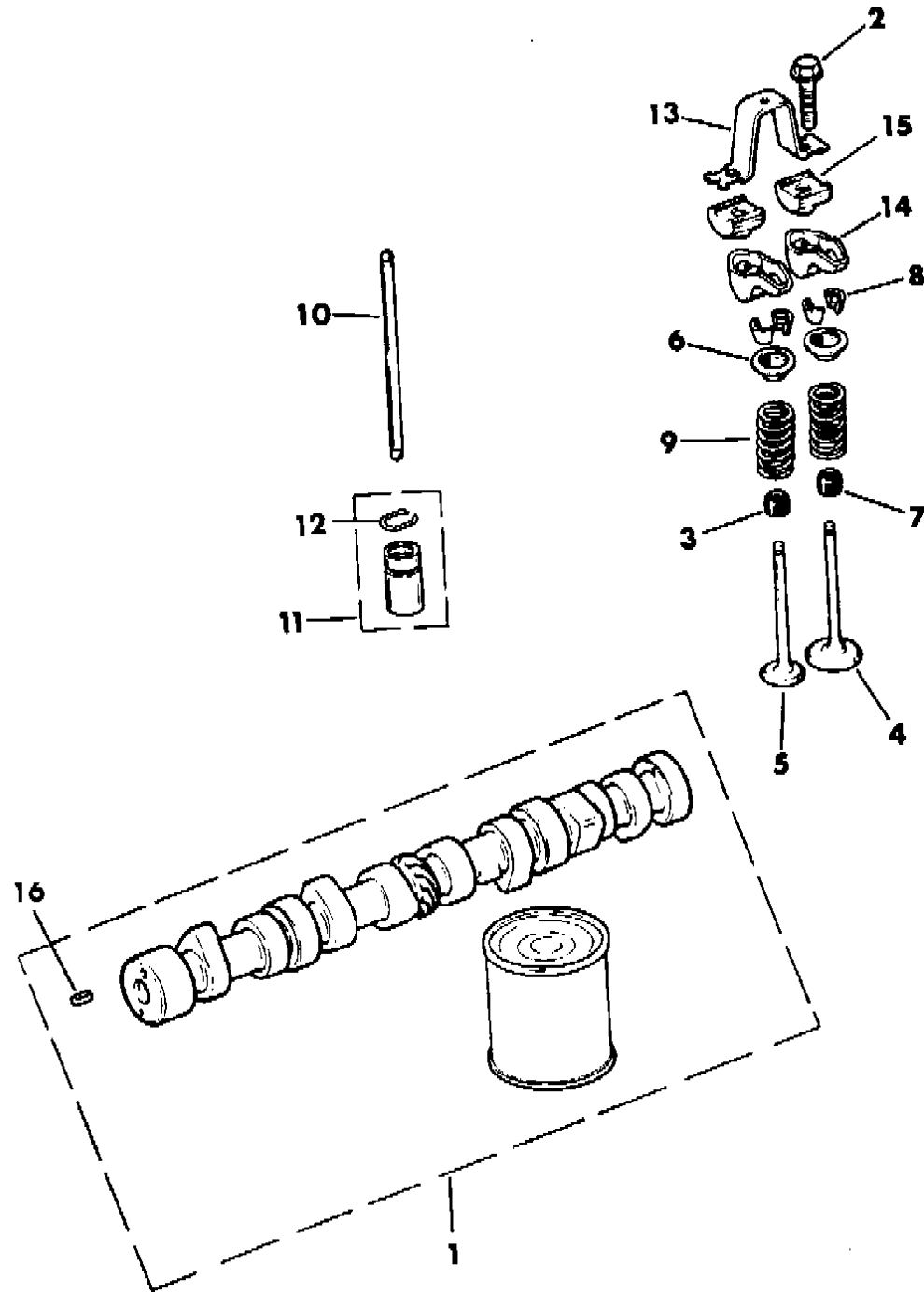
BODY STYLES:

MJ=Comanche Pickup ZJ=Grand Cherokee/Grand Wagoneer KDX VEHICLES
 SJ=Grand Wagoneer M1=Comanche
 XJ=Cherokee, Briarwood X1=Cherokee, Briarwood
 YJ=Wrangler Y1=Wrangler

AR = Use as Required - = Non Illustrated Part P.A.R. = Paint as Required

CAMSHAFT AND VALVE 2.5L ENGINE
Figure 9A-1900

91J58 1900



ITEM	PART NUMBER	QTY	BODY	MODEL	DESCRIPTION
1	8350 7203	1			CAMSHAFT
	J045 6384	1			PIN, Camshaft
2	J942 5708	8			BOLT
3					SEAL, Exhaust Valve
	3300 2522	4			Standard
	3300 2522	4			+0.003"
					+0.015"
	3300 2733	4			1991
	5300 9889	4			1992
4					VALVE, Intake
	3300 3515	4			Standard Marked 15
	3300 3519	4			+0.003" Marked 19
	3300 3575	4			+0.015" Marked 75
5					VALVE, Exhaust
	4637 537	4			Standard, Marked 32 or 86
	4637 538	4			+0.003" Marked 71 or 89
	4637 539	4			+0.015" Marked 70 or 90
6	3300 4626	8			RETAINER
7					SEAL, Intake Valve
	3300 2729	4			Standard
	3300 2729	4			+0.003"
					+0.015"
	3300 3016	4			1991
	5300 9888	4			1992
8	3300 3521	16			KEEPER ***
9					SPRING
	3300 4296	8			2.00" Long, Conical Shape
10	J324 1709	8			PUSHROD
11	J322 2276	8			TAPPET
12	J644 0614	8			RING
13	J323 6513	4			BRIDGE
14	J324 2393	8			ARM, Valve Rocker
15	J323 5090	8			PIVOT
16	J045 6384	1			PIN

MODEL CODES:

61=Pickup-6 Ft Box 74=4 Door Wagon T=2WD
 62=Pickup-7 Ft Box 77=Open Body 93" Wheelbase J,N,U=4WD
 72=2 Door Wagon 78=Open Body 103" Wheelbase

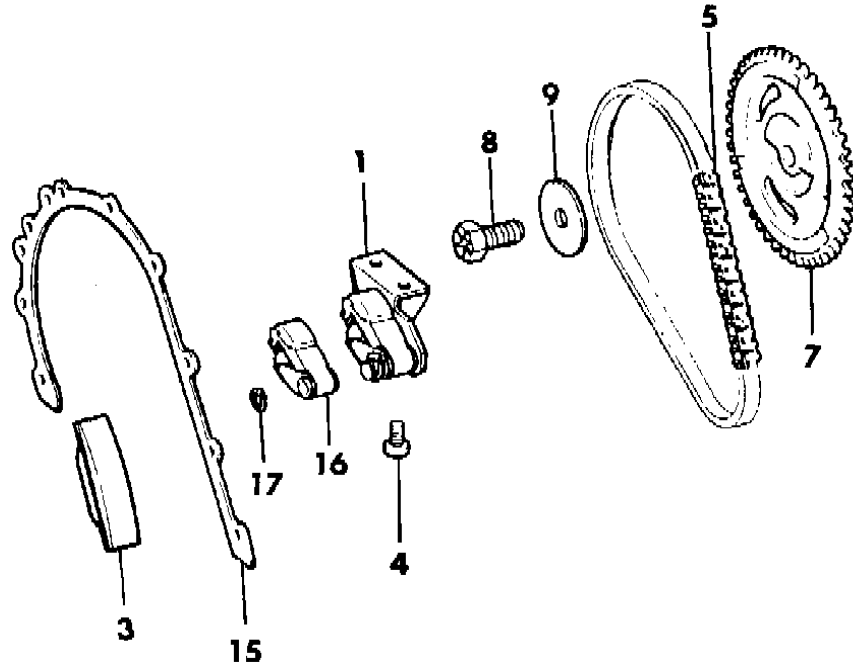
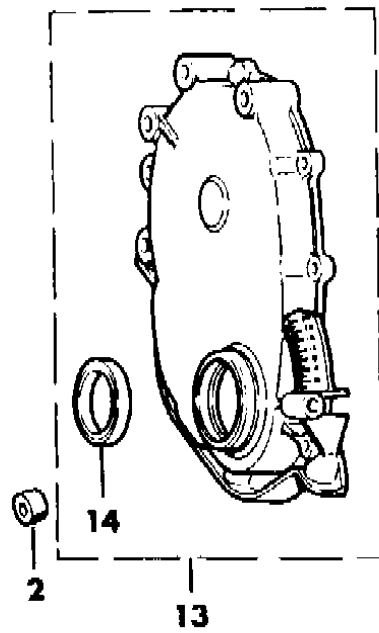
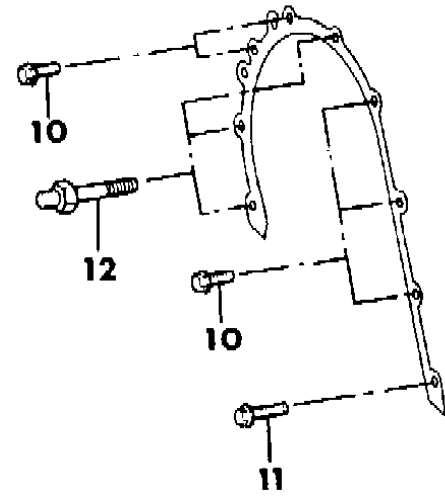
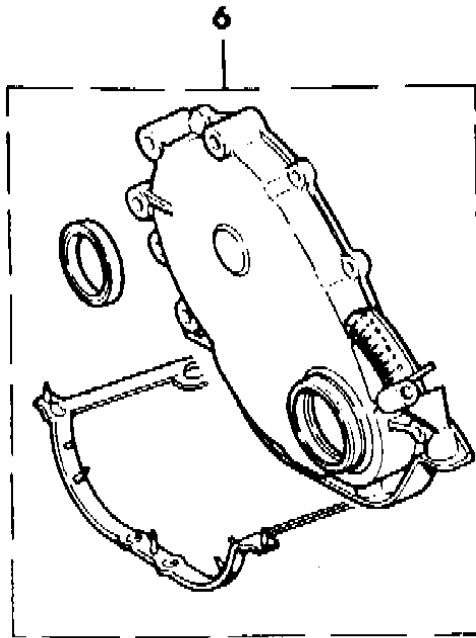
BODY STYLES:

MJ=Comanche Pickup ZJ=Grand Cherokee/Grand Wagoneer KDX VEHICLES
 SJ=Grand Wagoneer M1=Comanche
 XJ=Cherokee, Briarwood X1=Cherokee, Briarwood
 YJ=Wrangler Y1=Wrangler

AR = Use as Required - = Non Illustrated Part P.A.R. = Paint as Required

TIMING COVER 2.5L ENGINE
Figure 9A-2000

91J58 2000 A



ITEM	PART NUMBER	QTY	BODY	MODEL	DESCRIPTION
1	3300 3421	1			TENSIONER
2	3420 2521	1			SPACER
3	3300 3446	1			BUMPER
4	J400 6708	2			SCREW
5	J324 2300	1			CHAIN, Timing
6	4720 221	1			COVER PACKAGE, Engine Front ***
7	J324 2280	1			SPROCKET, Camshaft
8	8350 2890	1			BOLT PACKAGE ***
9	J317 3284	1			WASHER
10	J400 6906	5			BOLT .75"
	6034 604	2			BOLT, Shoulder
11	6034 914	1			BOLT 1.12"
12	J400 7154	3			BOLT, Stud
13	5302 0233	1			COVER and SEAL ASSEMBLY, Timing Case ***
14	3300 4681	1			SEAL
15	5302 0136	1			GASKET
16					TENSIONER, Serviced in Item #1
17					CLIP, Serviced in Item #1

MODEL CODES:

61=Pickup-6 Ft Box 74=4 Door Wagon T=2WD
 62=Pickup-7 Ft Box 77=Open Body 93" Wheelbase J,N,U=4WD
 72=2 Door Wagon 78=Open Body 103" Wheelbase

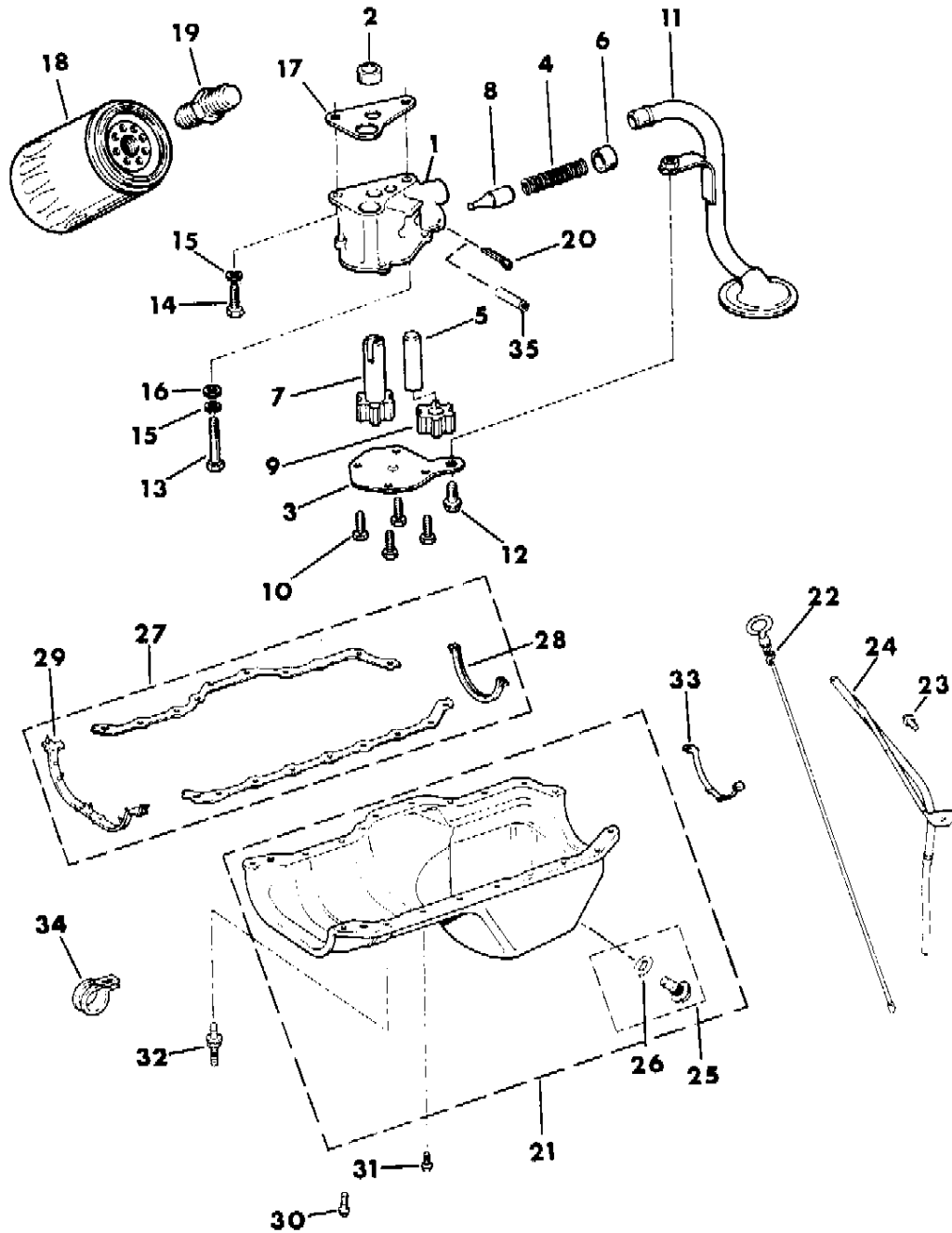
BODY STYLES:

MJ=Comanche Pickup ZJ=Grand Cherokee/Grand Wagoneer KDX VEHICLES
 SJ=Grand Wagoneer M1=Comanche
 XJ=Cherokee, Briarwood X1=Cherokee, Briarwood
 YJ=Wrangler Y1=Wrangler

AR = Use as Required - = Non Illustrated Part P.A.R. = Paint as Required

ENGINE OILING 2.5L ENGINE
Figure 9A-2100

91J58 2100A



ITEM	PART NUMBER	QTY	BODY	MODEL	DESCRIPTION
1	J324 1399	1			PUMP ASSEMBLY, Oil
2	J400 5149	1			PIN
3	J324 1733	1			COVER, Oil Pump
4	J323 9668	1			SPRING
5	J317 1956	1			SHAFT, Oil Pump Gear
6	J317 1958	1			RETAINER
7	J317 2334	1			GEAR, Oil Pump Drive
8					PLUNGER
	J318 8661	1			Standard
	J324 1676	1			+0.010"
9	J319 6843	1			GEAR, Oil Pump Driven
10	J941 6852	4			BOLT
11	J324 3111	1			TUBE, Oil Pump Inlet
12	J400 6909	1			BOLT
13	J943 7670	1			BOLT, 2.62"
14	J018 0078	1			BOLT, .88"
15	J012 0214	2			WASHER, Lock
16	J012 0393	1			WASHER
17	J317 2332	1			GASKET
18					FILTER, Engine Oil
	5281 090	1			SAE Thread
	3300 4195	1			Metric Thread
19					CONNECTOR
	5300 7563	1			SAE Thread
	5300 7564	1			Metric Thread
20	S010 8635	1			PIN, Cotter
21					PAN, Engine Oil
	5300 7838	1			Used With Gasket Package
	5302 0205	1			Used With One Piece Gasket
22	3300 7108	1			INDICATOR, Engine Oil Level
23	J400 7448	1			BOLT
24	J324 1748	1			TUBE, Engine Oil Indicator
25					PLUG, Oil Pan Drain
					1991
	8350 1425	1			Plug Package, w/Gasket, Metric Threads
	6034 376	1			PLUG, w/Gasket, Standard Threads, (1/2-20)
					1992-93
	6034 376	1			PLUG, w/Gasket, Standard Threads, (1/2-20)
26		1			GASKET, (Serviced in Plug)
27					GASKET PACKAGE
27					GASKET PACKAGE

MODEL CODES:

61=Pickup-6 Ft Box 74=4 Door Wagon T=2WD
62=Pickup-7 Ft Box 77=Open Body 93" Wheelbase J,N,U=4WD
72=2 Door Wagon 78=Open Body 103" Wheelbase

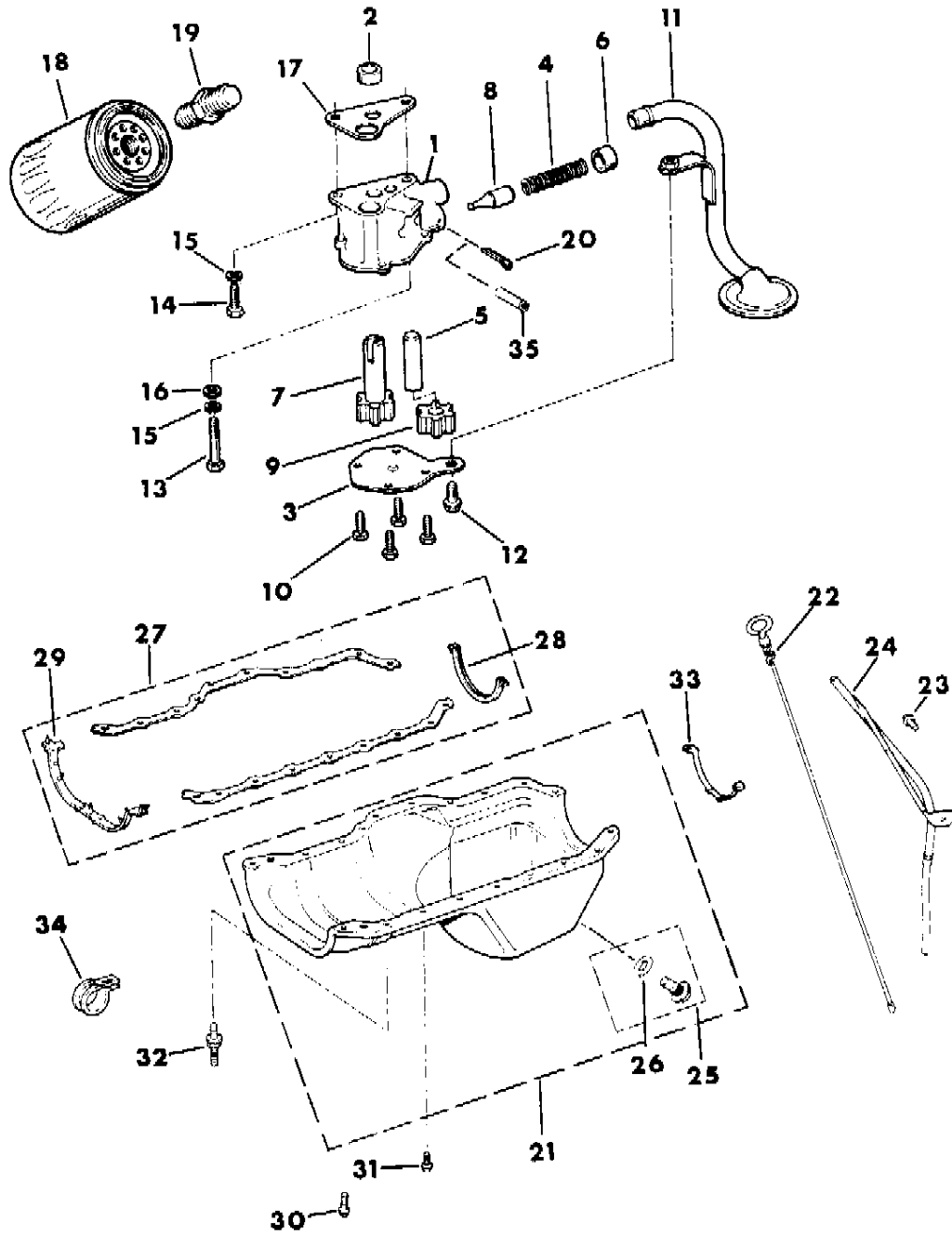
BODY STYLES:

MJ=Comanche Pickup ZJ=Grand Cherokee/Grand Wagoneer KDX VEHICLES
SJ=Grand Wagoneer M1=Comanche
XJ=Cherokee, Briarwood X1=Cherokee, Briarwood
YJ=Wrangler Y1=Wrangler

AR = Use as Required - = Non Illustrated Part P.A.R. = Paint as Required

ENGINE OILING 2.5L ENGINE
Figure 9A-2100

91J58 2100A



ITEM	PART NUMBER	QTY	BODY	MODEL	DESCRIPTION
	4713 021	1			1991
	4713 021	1			1992, (One Piece)
28	3300 4732	1			SEAL, Oil Pan Rear
29	8350 4654	1			SEAL
30	6034 483	4			SCREW, .75"
31	6034 732	17			SCREW, .56"
32	6034 734	AR			BOLT, Stud
33	J324 3116	1			SUPPORT
34	J012 0522	1	YJ		CLIP
35	J027 1448	1			PIN, Roll

MODEL CODES:

61=Pickup-6 Ft Box 74=4 Door Wagon T=2WD
 62=Pickup-7 Ft Box 77=Open Body 93" Wheelbase J,N,U=4WD
 72=2 Door Wagon 78=Open Body 103" Wheelbase

BODY STYLES:

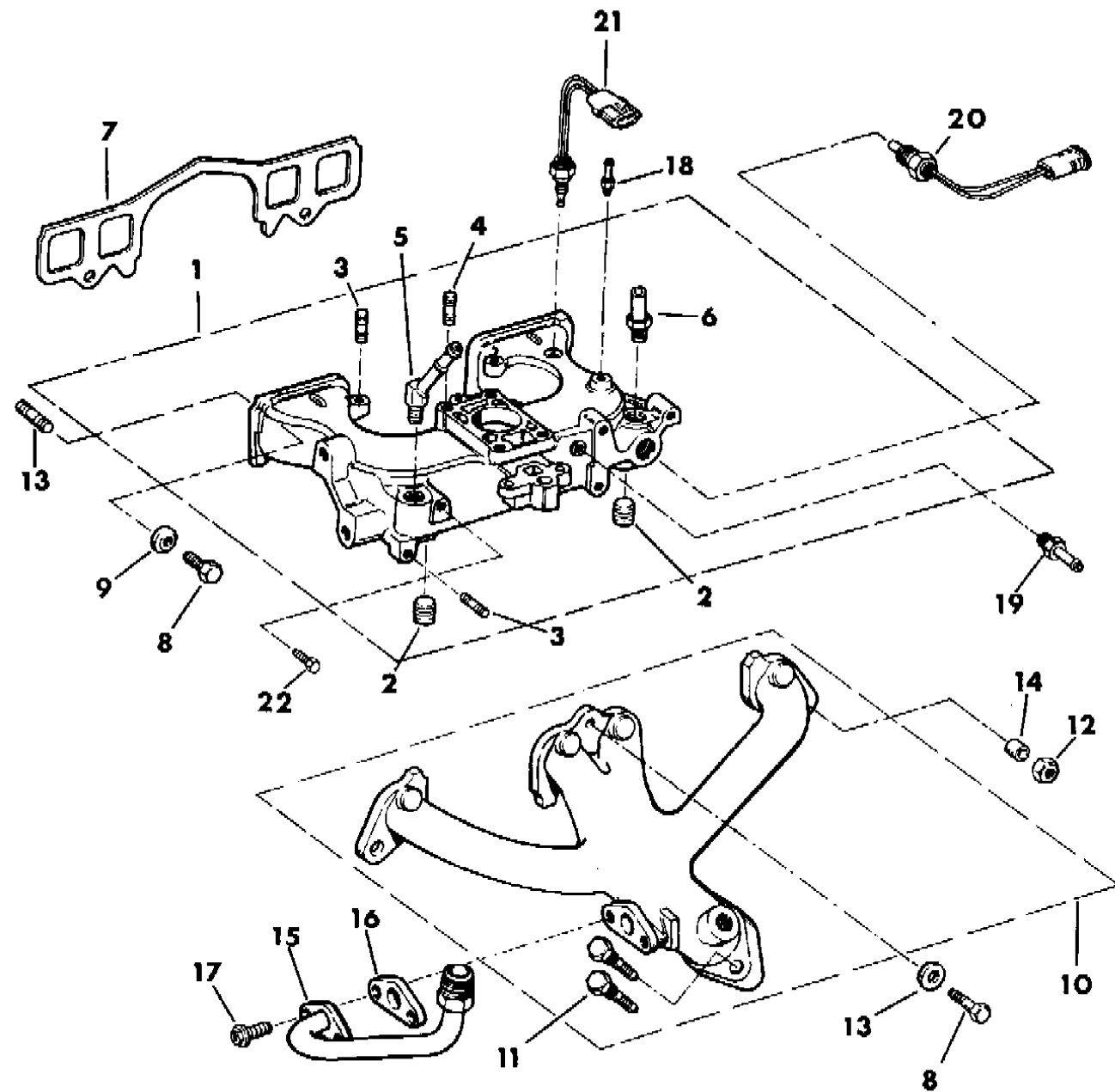
MJ=Comanche Pickup ZJ=Grand Cherokee/Grand Wagoneer KDX VEHICLES
 SJ=Grand Wagoneer M1=Comanche
 XJ=Cherokee, Briarwood X1=Cherokee, Briarwood
 YJ=Wrangler Y1=Wrangler

AR = Use as Required - = Non Illustrated Part P.A.R. = Paint as Required

MANIFOLD - INTAKE AND EXHAUST 2.5L EFI ENGINE

Figure 9A-2200

91J58 2200A



ITEM	PART NUMBER	QTY	BODY	MODEL	DESCRIPTION
1	3300 7050	1			MANIFOLD, Intake
2	J400 7434	1			PLUG
3	J400 1617	2			STUD
4	J400 7314	4			STUD
5	3300 3580	1			NIPPLE, Straight
6					NIPPLE
	3300 2501				Elbow
	3200 2709	1			Straight
7	5302 0112	1			GASKET, Intake Manifold
8	J018 6622	AR			BOLT
9	3300 4255	7			CLAMP
10	5300 8860	1			MANIFOLD, Exhaust
11	J400 7109	2			STUD
12	J400 7153	2			NUT
13	5301 0165	2			STUD
14	3300 3332	2			SPACER
15	3300 2516	1			TUBE, EGR
16	3300 3879	1			GASKET
17	J400 6985	2			BOLT
18	5300 4523	1			FITTING, Vacuum 2-Port
19	3300 2327	1			FITTING, Vacuum
20	3300 4281	1			SENSOR, Coolant Temperature
21	3300 4280	1			SENSOR, Intake Air Temperature
22	J027 3573	1			BOLT

MODEL CODES:

61=Pickup-6 Ft Box 74=4 Door Wagon T=2WD
 62=Pickup-7 Ft Box 77=Open Body 93" Wheelbase J,N,U=4WD
 72=2 Door Wagon 78=Open Body 103" Wheelbase

BODY STYLES:

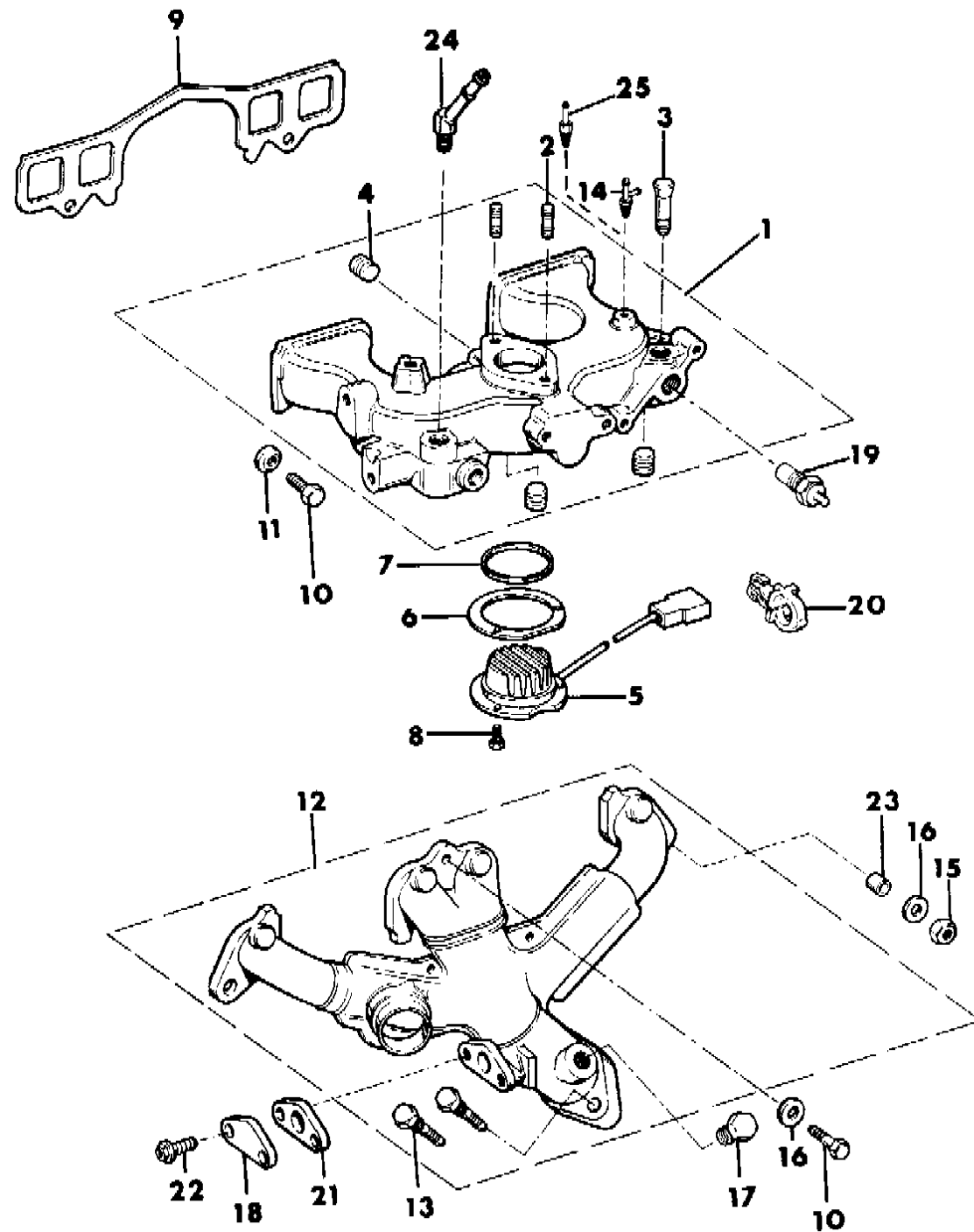
MJ=Comanche Pickup ZJ=Grand Cherokee/Grand Wagoneer KDX VEHICLES
 SJ=Grand Wagoneer M1=Comanche
 XJ=Cherokee, Briarwood X1=Cherokee, Briarwood
 YJ=Wrangler Y1=Wrangler

AR = Use as Required - = Non Illustrated Part P.A.R. = Paint as Required

MANIFOLD - INTAKE AND EXHAUST 2.5L CARBURETED ENGINE

Figure 9A-2300

91J58 2300



ITEM	PART NUMBER	QTY	BODY	MODEL	DESCRIPTION
1	J324 2582	1			MANIFOLD, Intake
2	J400 6957	2			STUD
3	3200 2709	2			NIPPLE
4	S940 9961	3			PLUG
5	3300 2466	1			HEATER, Early Fuel Evaporation
6	J323 8909	1			GASKET
7	J420 0431	1			O-RING
8	J018 0016	3			BOLT
9	5302 0112	1			GASKET
10	J018 6622	5			BOLT
11	3300 4255	4			WASHER, Clamp
12	4713 055	1			MANIFOLD PKG, Exh 1991-92 ***
	5301 0194	1			1993
13	J400 7109	2			STUD
14	5302 0106	1			FITTING, Vacuum
15	J400 7153	2			NUT
16	J317 3077	3			WASHER
17	J420 0413	1			PLUG, O'2 Sensor
18	J324 2583	1			COVER, EGR Port
19	J324 2321	1			SWITCH, Early Fuel Evaporation
20	3420 1633	1			CLIP
21	3300 3879	1			GASKET
22	J400 6985	2			BOLT
23	3300 3332	2			SPACER
24	3200 2707	1			ELBOW
25	5302 0101	1			FITTING, Vacuum

MODEL CODES:

61=Pickup-6 Ft Box 74=4 Door Wagon T=2WD
 62=Pickup-7 Ft Box 77=Open Body 93" Wheelbase J,N,U=4WD
 72=2 Door Wagon 78=Open Body 103" Wheelbase

BODY STYLES:

MJ=Comanche Pickup ZJ=Grand Cherokee/Grand Wagoneer KDX VEHICLES
 SJ=Grand Wagoneer M1=Comanche
 XJ=Cherokee, Briarwood X1=Cherokee, Briarwood
 YJ=Wrangler Y1=Wrangler

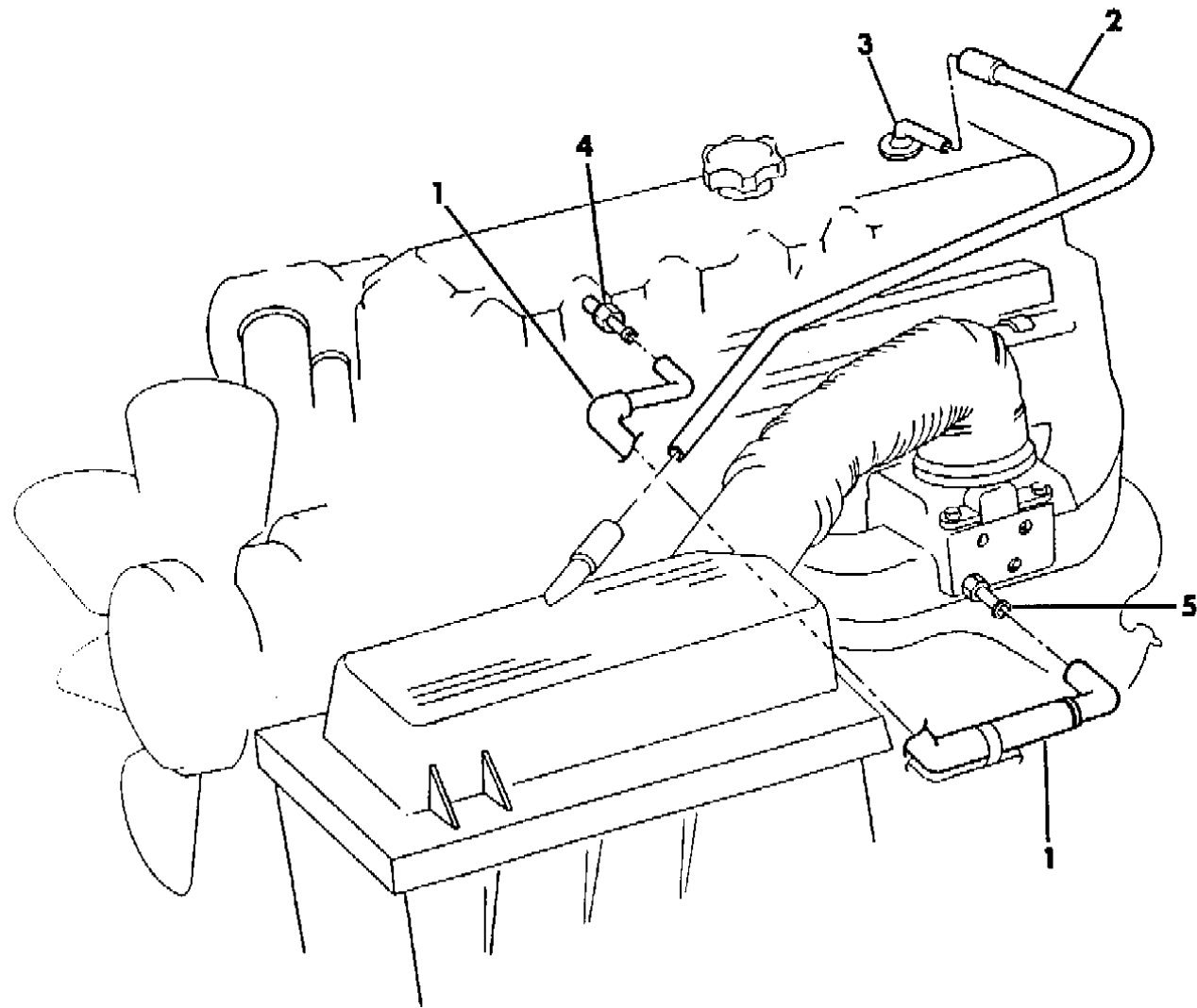
AR = Use as Required - = Non Illustrated Part P.A.R. = Paint as Required

CRANKCASE VENTILATION 2.5L ENGINE

Figure 9A-2350

91J58 2350

ITEM	PART NUMBER	QTY	BODY	MODEL	DESCRIPTION
1	5300 6234	1			TUBE ASSEMBLY, CCV To Manifold ***
2	5300 6236	1			TUBE ASSEMBLY, CCV To Air Cleaner ***
	5303 0241	1			KDX EGYPT w/ Severe Use Air Cleaner
3	5300 9243	1			TUBE FITTING, w/Gasket Crankcase Vent ***
4	3300 4175	1			FITTING, Vacuum
5	5302 0027	1			CONNECTOR, Manifold Vacuum



MODEL CODES:

61=Pickup-6 Ft Box 74=4 Door Wagon T=2WD
 62=Pickup-7 Ft Box 77=Open Body 93" Wheelbase J,N,U=4WD
 72=2 Door Wagon 78=Open Body 103" Wheelbase

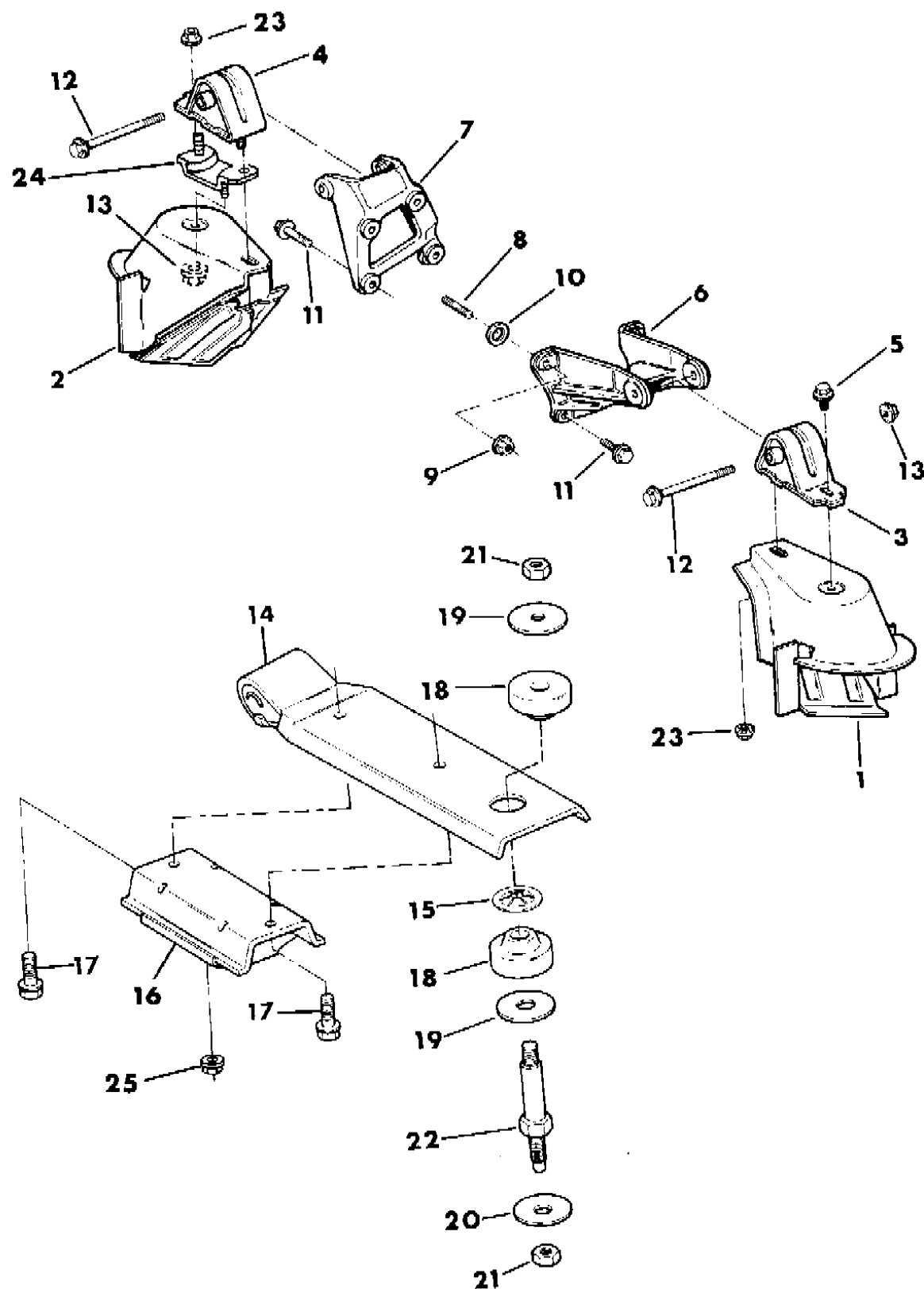
BODY STYLES:

MJ=Comanche Pickup ZJ=Grand Cherokee/Grand Wagoneer KDX VEHICLES
 SJ=Grand Wagoneer M1=Comanche
 XJ=Cherokee, Briarwood X1=Cherokee, Briarwood
 YJ=Wrangler Y1=Wrangler

AR = Use as Required - = Non Illustrated Part P.A.R. = Paint as Required

ENGINE MOUNTING 2.5L ENGINE WRANGLER, YJ
Figure 9A-2400

91J58 2400C



ITEM	PART NUMBER	QTY	BODY	MODEL	DESCRIPTION
1	5204 0333	1			BRACKET, Engine - Left
2	5200 4560	1			BRACKET, Engine - Right
3	5200 0074	1			MOUNT, Engine Left ***
4	5201 7534	1			MOUNT, Engine Right ***
5	3420 1559	1			BOLT
6	5200 6093	1			BRACKET, Engine - Left
7	5200 5078	1			BRACKET, Engine - Right
8	6033 883	1			STUD
9	J400 6653	1			NUT
10	J400 1161	1			WASHER, Spacer
11	J400 6995	7			BOLT
12	3420 2605	2			BOLT
13	1150 2813				NUT, M12
		1			Left
		2			Right
14	5200 3043	1			BRACKET, Torque Arm
15	J400 0235	1			NUT, Push .38" I.D.
16	5200 2625	1			CUSHION
17	J400 7162	2			BOLT, 7/16-14x1-1/8"
18	J094 5266	2			INSULATOR
19	J094 5269	4			WASHER
20	J094 1399	2			WASHER
21	J941 1783	2			NUT
22	J535 8879	1			STUD
23	6502 135	3			NUT, M10
24	5200 7290	1			BRACKET, Mount to Sill
25	3420 2013	2			NUT, M10

MODEL CODES:

61=Pickup-6 Ft Box 74=4 Door Wagon T=2WD
 62=Pickup-7 Ft Box 77=Open Body 93" Wheelbase J,N,U=4WD
 72=2 Door Wagon 78=Open Body 103" Wheelbase

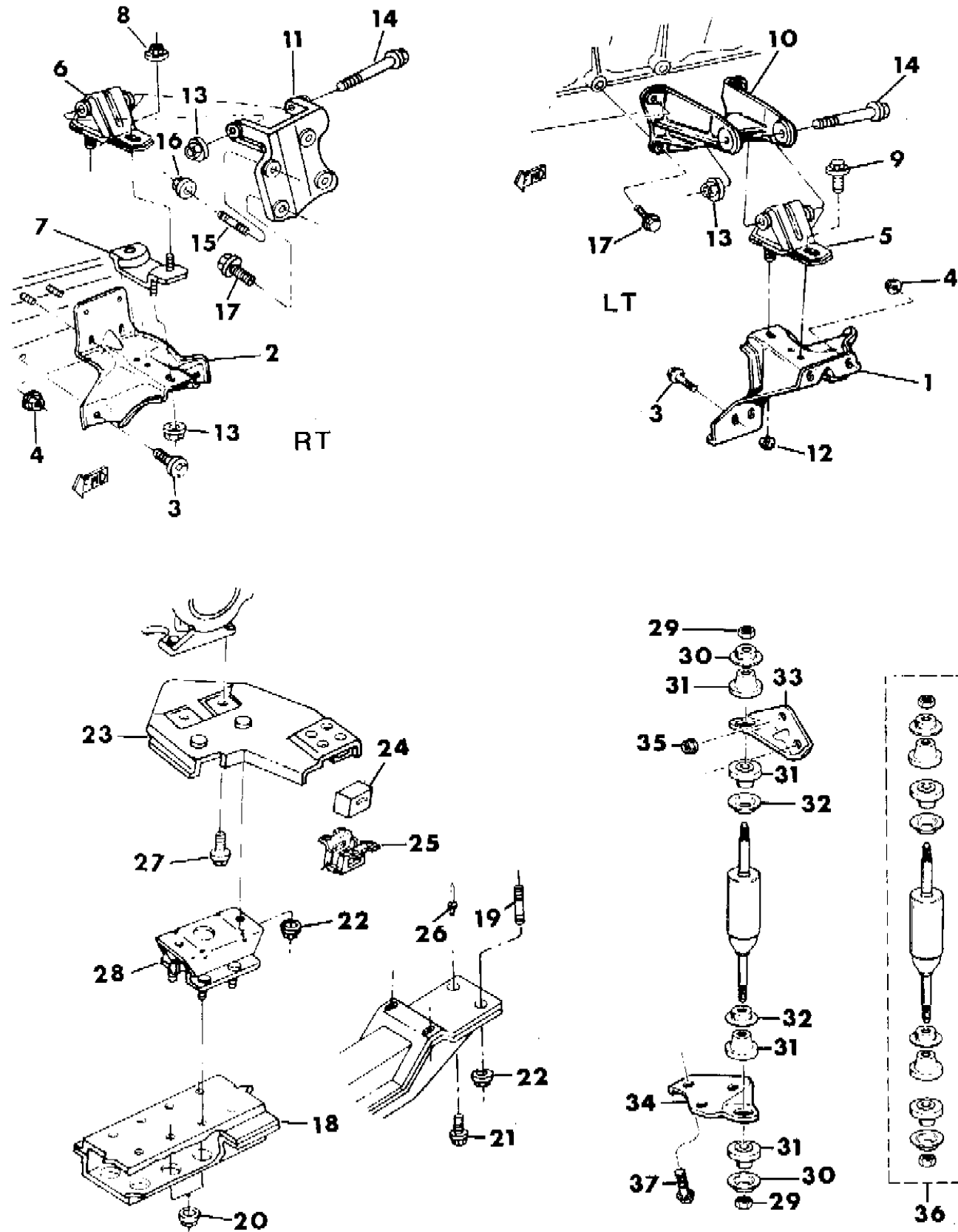
BODY STYLES:

MJ=Comanche Pickup ZJ=Grand Cherokee/Grand Wagoneer KDX VEHICLES
 SJ=Grand Wagoneer M1=Comanche
 XJ=Cherokee, Briarwood X1=Cherokee, Briarwood
 YJ=Wrangler Y1=Wrangler

AR = Use as Required - = Non Illustrated Part P.A.R. = Paint as Required

ENGINE MOUNTING 2.5L ENGINE CHEROKEE, BRIARWOOD, COMANCHE
Figure 9A-2500

91J58 2500 A



ITEM	PART NUMBER	QTY	BODY	MODEL	DESCRIPTION
1	5200 3005	1			BRACKET, Engine Left
2	5200 4554	1			BRACKET, Engine Right
	5200 0572	1			1991
	5200 0572	1			1992-93
	5201 8021	1			1993
					KDX-China
	5200 0572	1			1991
	5201 8021	1			1992-93
3					BOLT
	3420 2219	3			Left
	3420 2219	2			Right
4	3420 1416	4			NUT
5	5200 7394	1			MOUNT, Engine Left ***
					KDX-China
	5200 0074	1			1991
	5200 7394	1			1992-93
6					MOUNT, Engine Support Right ***
	J324 2711	1			1991-93
	J324 2728	1			1992-93 RHD
7	5200 7290	1			BRACKET, Adapter Cushion to Sill
8	6502 135	2			NUT
9	3420 1559	1			Bolt ***
10	5200 6093	1			BRACKET, Engine Left
					KDX-China
	5200 0079	1			1991
	5200 6093	1			1992-93
11	5201 7731	1			BRACKET, Engine Right
					1991-93
					KDX-China
	5200 1183	1			1991
	5200 0728	1			1992
	5201 7731	1			1993
12	6502 135	1			NUT
13	1150 2813	2			NUT
14					BOLT
	3420 2605	1			Right
	3420 1959	1			Left
15	6033 883	1			STUD
16	0152 344	AR			NUT
17	J400 7622	6			BOLT
	J400 4110	1			STUD, Bracket to Block KDX-China

MODEL CODES:

61=Pickup-6 Ft Box 74=4 Door Wagon T=2WD
 62=Pickup-7 Ft Box 77=Open Body 93" Wheelbase J,N,U=4WD
 72=2 Door Wagon 78=Open Body 103" Wheelbase

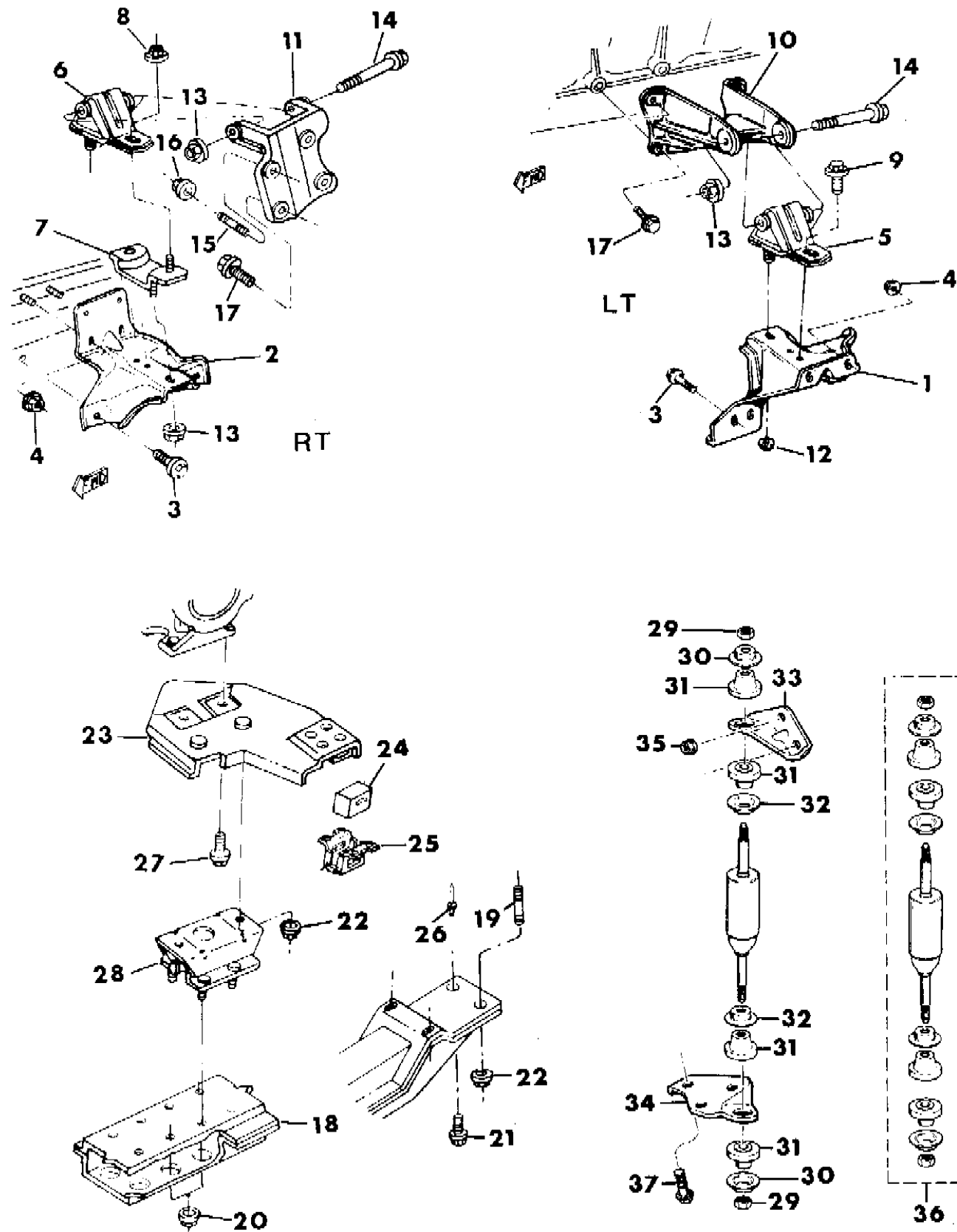
BODY STYLES:

MJ=Comanche Pickup ZJ=Grand Cherokee/Grand Wagoneer KDX VEHICLES
 SJ=Grand Wagoneer M1=Comanche
 XJ=Cherokee, Briarwood X1=Cherokee, Briarwood
 YJ=Wrangler Y1=Wrangler

AR = Use as Required - = Non Illustrated Part P.A.R. = Paint as Required

ENGINE MOUNTING 2.5L ENGINE CHEROKEE, BRIARWOOD, COMANCHE
Figure 9A-2500

91J58 2500 A



ITEM	PART NUMBER	QTY	BODY	MODEL	DESCRIPTION
18	5200 2328	1			CROSSMEMBER, Transmission Support
19	3420 1710	2			STUD
20	3420 1918	4			NUT
21	3420 1540	6			BOLT, 30mm
22	6502 135	4			NUT
23	5200 3069	1			BRACKET, Transmission Support Rear
24	5300 0101	1			INSULATOR
25	5300 0104	1			BRACKET
26	3420 1629	4			RIVET
27	J027 4902	3			BOLT
28					CUSHION, Transmission Support Rear
	5200 7393	1			2WD
	5200 1180	1			4WD
Items 29 to 37 are for 1991					
29	J012 0368	2			NUT, KDX-China
30	5200 0819	2			RETAINER, Outer KDX-China
31	5200 0619	4			BUSHING, KDX-China
32	5200 0820	2			RETAINER, Inner KDX-China
33	5200 1146	1			BRACKET, Damper KDX-China
34	5200 1372	1			BRACKET, Damper KDX-China
35	J400 4008	2			NUT, KDX-China
36	8350 0358	1			DAMPER PACKAGE, Engine KDX-China
37	3420 2060	3			BOLT, 45mm KDX-China

MODEL CODES:

61=Pickup-6 Ft Box 74=4 Door Wagon T=2WD
 62=Pickup-7 Ft Box 77=Open Body 93" Wheelbase J,N,U=4WD
 72=2 Door Wagon 78=Open Body 103" Wheelbase

BODY STYLES:

MJ=Comanche Pickup ZJ=Grand Cherokee/Grand Wagoneer KDX VEHICLES
 SJ=Grand Wagoneer M1=Comanche
 XJ=Cherokee, Briarwood X1=Cherokee, Briarwood
 YJ=Wrangler Y1=Wrangler

AR = Use as Required - = Non Illustrated Part P.A.R. = Paint as Required

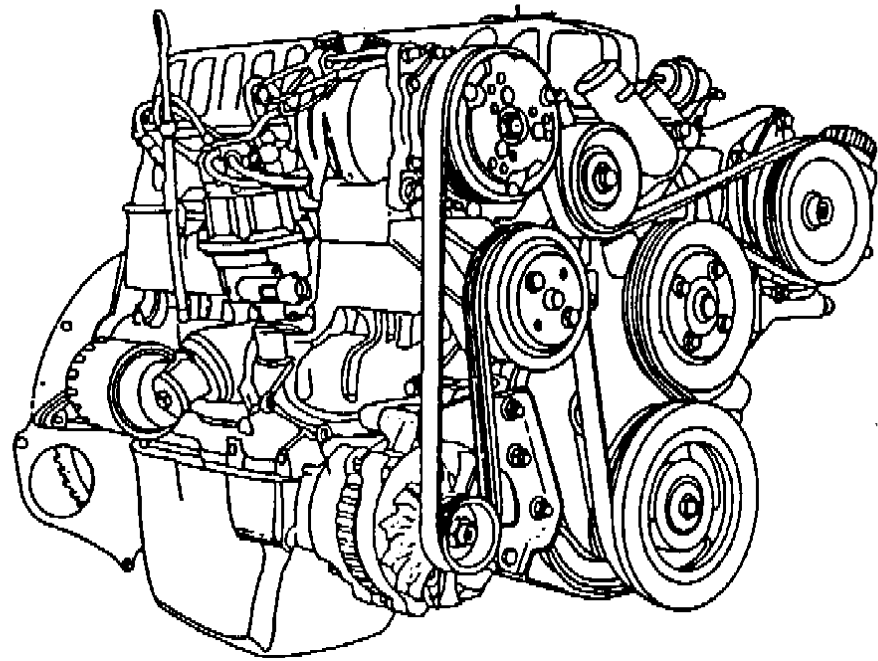
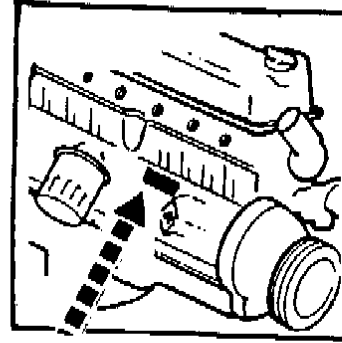
GROUP 9B - ENGINE, 6 CYLINDER

ILLUSTRATION TITLE	GROUP-FIG. NO.
4.0L ENGINE	
I.D. LOCATION 4.0L ENGINE	Fig. 9B-100
CYLINDER BLOCK 4.0L ENGINE	Fig. 9B-200
GASKET SET 4.0L ENGINE	Fig. 9B-300
CYLINDER HEAD 4.0L ENGINE	Fig. 9B-400
CRANKSHAFT AND PISTON 4.0L ENGINE	Fig. 9B-500
CAMSHAFT AND VALVE 4.0L ENGINE	Fig. 9B-600
TIMING COVER 4.0L ENGINE 1991	Fig. 9B-700
TIMING COVER 4.0L ENGINE 1992-93	Fig. 9B-750
ENGINE OILING 4.0L ENGINE	Fig. 9B-800
MANIFOLD - INTAKE AND EXHAUST 4.0L ENGINE	Fig. 9B-900
CRANKCASE VENTILATION 4.0L ENGINE	Fig. 9B-950
ENGINE MOUNTING 4.0L ENGINE WRANGLER, YJ	Fig. 9B-1000
ENGINE MOUNTING 4.0L ENGINE CHEROKEE, BRIARWOOD, COMANCHE	Fig. 9B-1100
ENGINE MOUNTS 4.0L ENGINE GRAND CHEROKEE	Fig. 9B-1200

ILLUSTRATION NOT AVAILABLE AT TIME OF PUBLICATION

I.D. LOCATION 4.0L ENGINE
Figure 9B-100

91J56 100



ITEM	PART NUMBER	QTY	BODY	MODEL	DESCRIPTION

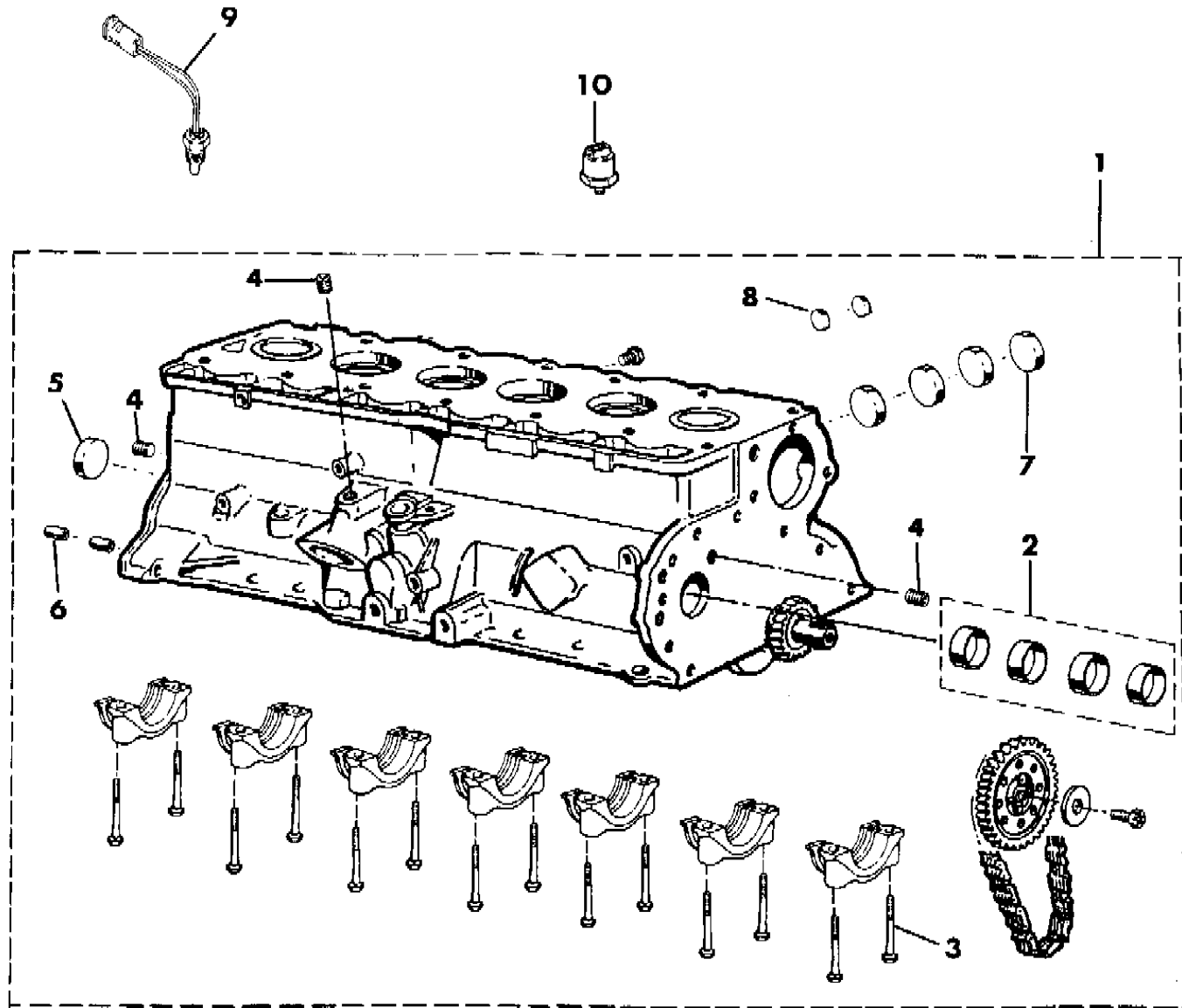
MODEL CODES:
 61=Pickup-6 Ft Box 74=4 Door Wagon T=2WD
 62=Pickup-7 Ft Box 77=Open Body 93" Wheelbase J,N,U=4WD
 72=2 Door Wagon 78=Open Body 103" Wheelbase

BODY STYLES:
 MJ=Comanche Pickup ZJ=Grand Cherokee/Grand Wagoneer KDX VEHICLES
 SJ=Grand Wagoneer M1=Comanche
 XJ=Cherokee, Briarwood X1=Cherokee, Briarwood
 YJ=Wrangler Y1=Wrangler

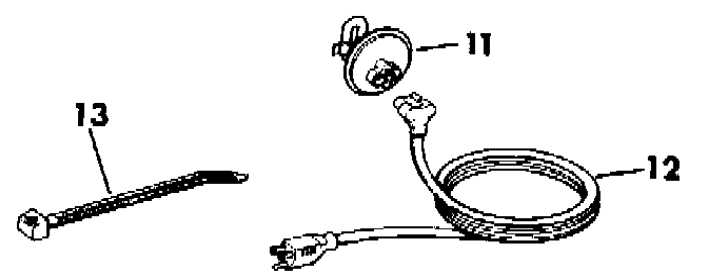
AR = Use as Required - = Non Illustrated Part P.A.R. = Paint as Required

CYLINDER BLOCK 4.0L ENGINE
Figure 9B-200

91J56 200A



ITEM	PART NUMBER	QTY	BODY	MODEL	DESCRIPTION
1					ENGINE, Short, Less Camshaft
					MJ,XJ,YJ
	4626 155	1			1991
	4638 959	1			1992
	4728 988	1			1993
					ZJ
	4638 959	1			Up to 7-16-92
	4728 988	1			After 7-16-92
2	J320 5711	1			BEARING PACKAGE ***
3	J400 6948	14			BOLT
4	6034 166	4			PLUG
5	J317 2313	1			PLUG
6	J400 5148	2			PIN
7	J310 5394	4			PLUG, 2"
8	J317 8449	2			PLUG, 1"
9	3300 4281	1			SENSOR, Coolant Temperature
10	3300 2933	1			SENSOR, Knock
11	5300 9803	1			HEATER, Engine Block
12					CORD, Power Supply
	5601 6834	1	YJ		
	J575 2677	1	MJXJZJ		
13					STRAP
	J322 3227	AR			200mm
	J369 3058	AR			300mm
	J323 0270	AR			350mm
	J323 5187	AR			450mm



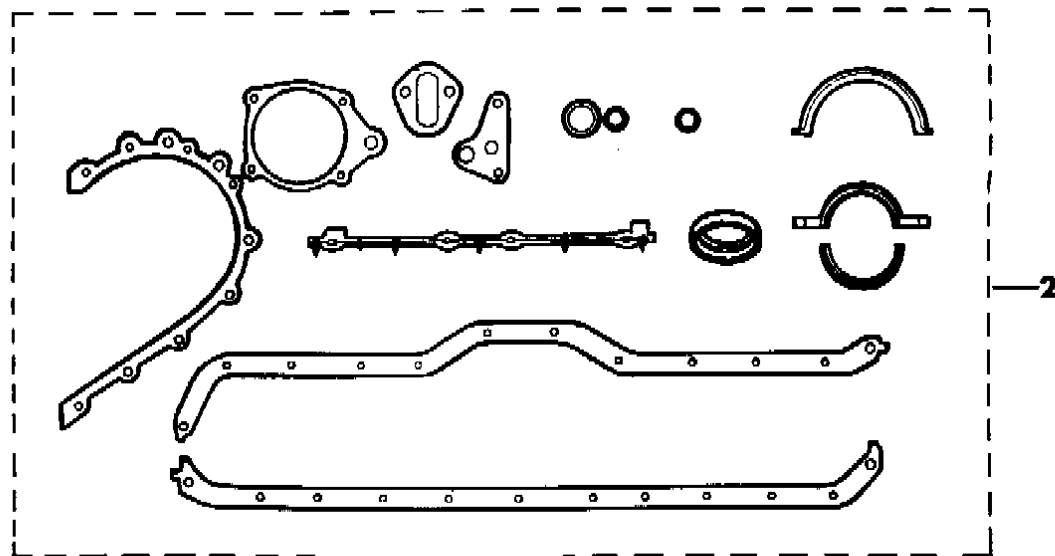
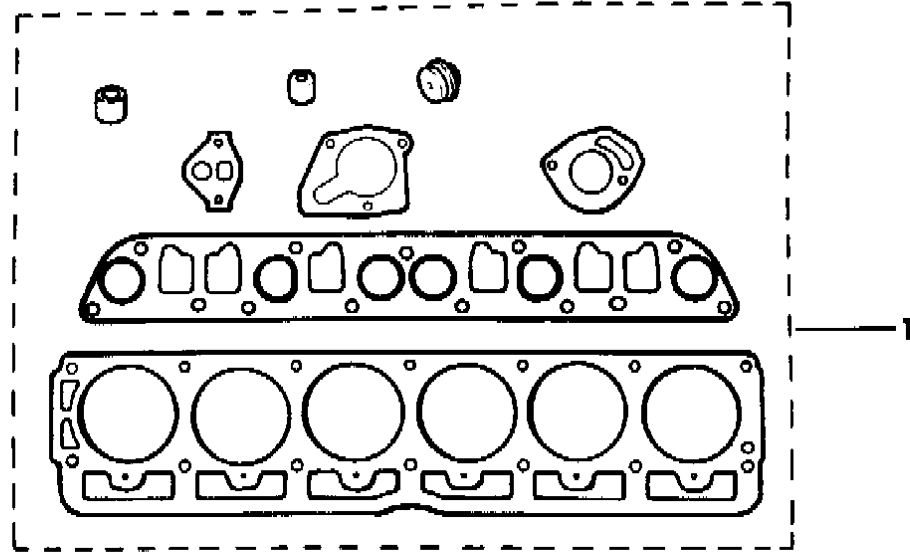
MODEL CODES:
 61=Pickup-6 Ft Box 74=4 Door Wagon T=2WD
 62=Pickup-7 Ft Box 77=Open Body 93" Wheelbase J,N,U=4WD
 72=2 Door Wagon 78=Open Body 103" Wheelbase

BODY STYLES:
 MJ=Comanche Pickup ZJ=Grand Cherokee/Grand Wagoneer KDX VEHICLES
 SJ=Grand Wagoneer M1=Comanche
 XJ=Cherokee, Briarwood X1=Cherokee, Briarwood
 YJ=Wrangler Y1=Wrangler

AR = Use as Required - = Non Illustrated Part P.A.R. = Paint as Required

GASKET SET 4.0L ENGINE
Figure 9B-300

91J56 300



ITEM	PART NUMBER	QTY	BODY	MODEL	DESCRIPTION
1	4636 982	1			GASKET PACKAGE, Engine, Upper
2					GASKET PACKAGE, Engine, Lower
					MJ,XJ,YJ
	8350 5389	1			1991
	4713 221	1			1992 (1-pc rubber)
	4740 008	1			1993
					ZJ
	4713 221	1			Up to 7-16-92
	4740 008	1			After 7-16-92

MODEL CODES:

61=Pickup-6 Ft Box 74=4 Door Wagon T=2WD
 62=Pickup-7 Ft Box 77=Open Body 93" Wheelbase J,N,U=4WD
 72=2 Door Wagon 78=Open Body 103" Wheelbase

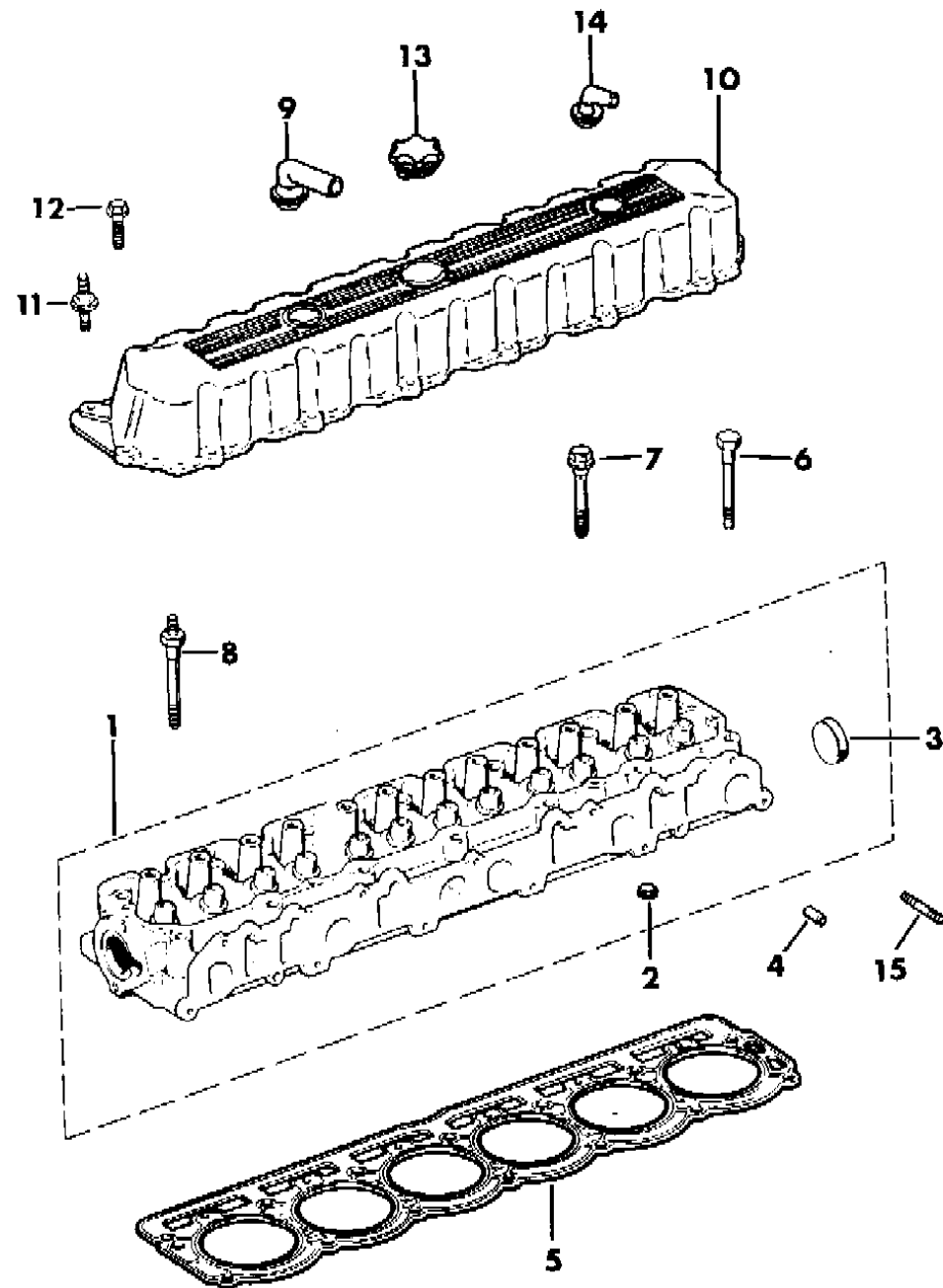
BODY STYLES:

MJ=Comanche Pickup ZJ=Grand Cherokee/Grand Wagoneer KDX VEHICLES
 SJ=Grand Wagoneer M1=Comanche
 XJ=Cherokee, Briarwood X1=Cherokee, Briarwood
 YJ=Wrangler Y1=Wrangler

AR = Use as Required - = Non Illustrated Part P.A.R. = Paint as Required

CYLINDER HEAD 4.0L ENGINE
Figure 9B-400

91J56 400 B



ITEM	PART NUMBER	QTY	BODY	MODEL	DESCRIPTION
1	3300 7118	1			HEAD, Engine Cylinder
2	J400 7434	6			PLUG
3	J310 5394	1			PLUG
4	J317 2318	2			PIN
5	5302 0219	1			GASKET
6	J400 7307	2			BOLT, 4.5"
7	J400 7308	7			BOLT, 3.75"
8	J400 7310	7			BOLT, Stud
9					FITTING ASSEMBLY, w/o Orifice ***
	5300 9243	1			1991
	5303 0054	1			1992-93
10	5300 9594	1			COVER, Cylinder Head and Sealant 1991-92
	5302 0482	1			1993
11	6034 477	AR			BOLT, Stud
12	6034 478	AR			BOLT
13	5300 8620	1			CAP
14	5300 9241	1			FITTING ASSEMBLY, CCV w/Orifice ***
15	5301 0165	2			STUD

MODEL CODES:

61=Pickup-6 Ft Box 74=4 Door Wagon T=2WD
 62=Pickup-7 Ft Box 77=Open Body 93" Wheelbase J,N,U=4WD
 72=2 Door Wagon 78=Open Body 103" Wheelbase

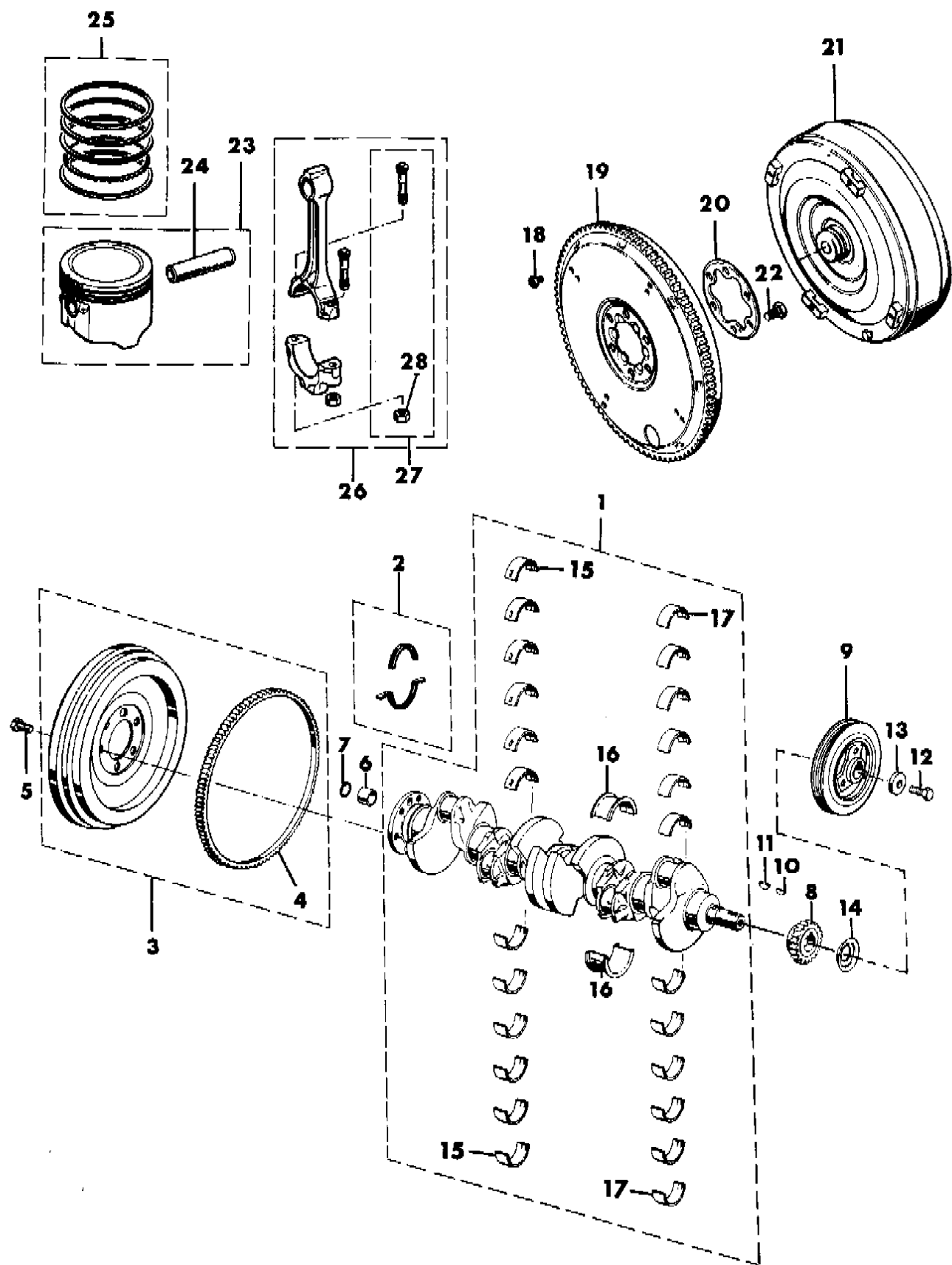
BODY STYLES:

MJ=Comanche Pickup ZJ=Grand Cherokee/Grand Wagoneer KDX VEHICLES
 SJ=Grand Wagoneer M1=Comanche
 XJ=Cherokee, Briarwood X1=Cherokee, Briarwood
 YJ=Wrangler Y1=Wrangler

AR = Use as Required - = Non Illustrated Part P.A.R. = Paint as Required

CRANKSHAFT AND PISTON 4.0L ENGINE
Figure 9B-500

91J56 500



ITEM	PART NUMBER	QTY	BODY	MODEL	DESCRIPTION
1					CRANKSHAFT PACKAGE ***
				MJ,XJ,YJ	
	8350 7107	1			1991
	4638 952	1			1992
	4728 882	1			1993
				ZJ	
	4638 952	1			UP to 7-16-92
	4728 882	1			After 7-16-92
2					SEAL PACKAGE, Crankshaft
				MJ,XJ,YJ	
	J320 5331	1			1991-92
	4728 880	1			1993
				ZJ	
	J320 5331	1			Up to 7-16-92
	4728 880	1			After 7-16-92
3	5300 5524	1			FLYWHEEL, Manual Transmission ***
4	J317 9741	1			GEAR, Ring Manual Transmission
5	J317 0524	6			BOLT, Manual Transmission
6	3300 4041	1			BEARING, Transmission Pilot 1991
	5300 9181	1			1992-93
	5300 9180	1			SLEEVE and BEARING ASSEMBLY, Transmission Pilot 1992-93 ***
7	J322 0102	1			SEAL, Manual Transmission
8	3300 2979	1			SPROCKET, Crankshaft
9	3300 2920	1			DAMPER
10	J310 7002	1			KEY, Shaft 1991-92
11	6034 749	1			KEY, Shaft 1993
12	S018 1698	1			BOLT
13	J323 0155				WASHER
14	J317 3076	1			SLINGER, Oil
15					BEARING PACKAGE, Main
	8350 7079	6			Standard
	8350 7080	6			.001"
	8350 7081	6			.002"
	8350 7083	6			.010"
16					BEARING PACKAGE, Thrust ***
	8350 7084	1			Standard
	8350 7086	1			.001"
	8350 7088	1			.002"
	8350 7090	1			.010"
17					BEARING PACKAGE, Rods

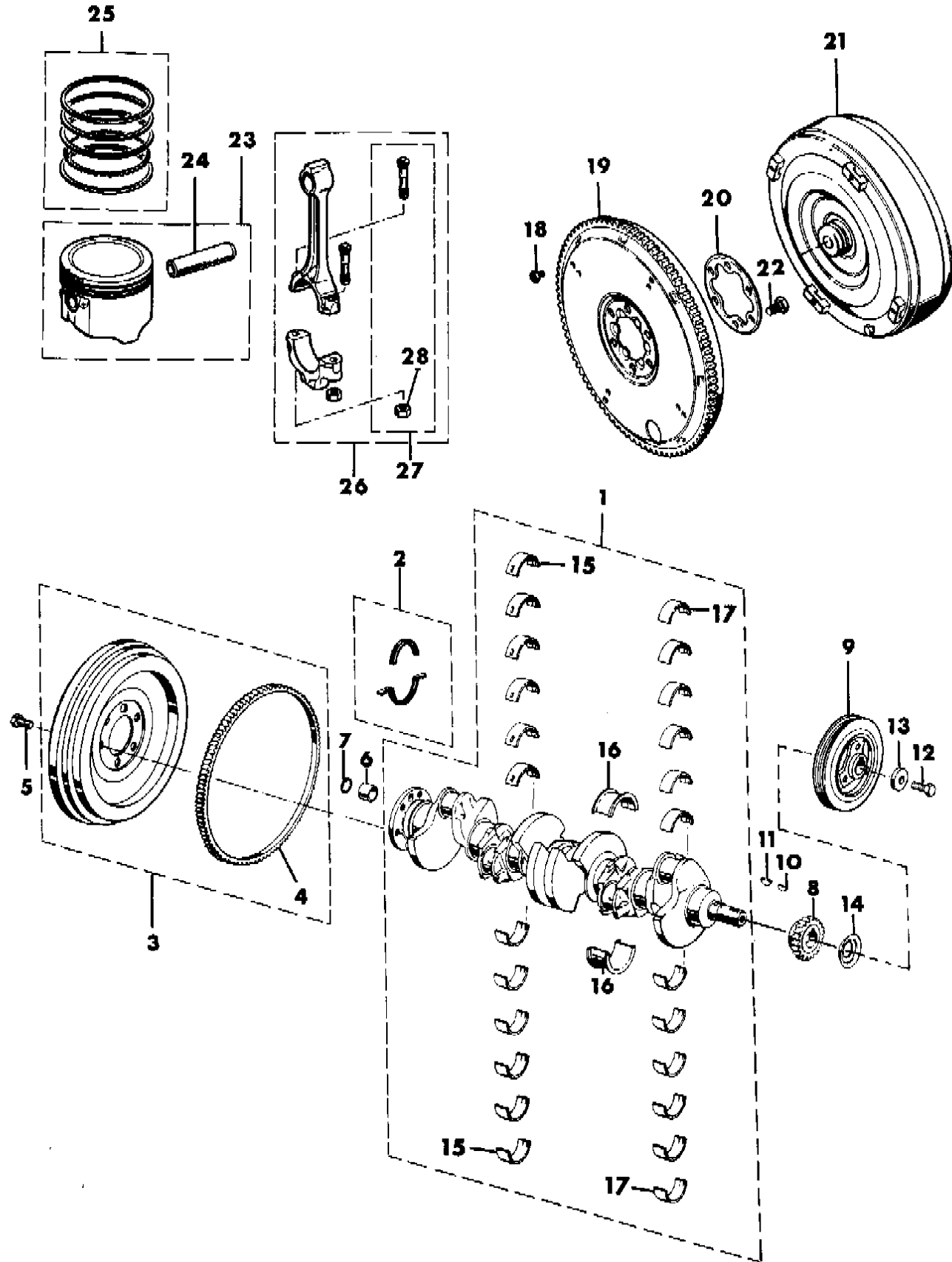
MODEL CODES:
61=Pickup-6 Ft Box 74=4 Door Wagon T=2WD
62=Pickup-7 Ft Box 77=Open Body 93" Wheelbase J,N,U=4WD
72=2 Door Wagon 78=Open Body 103" Wheelbase

BODY STYLES:
MJ=Comanche Pickup ZJ=Grand Cherokee/Grand Wagoneer KDX VEHICLES
SJ=Grand Wagoneer M1=Comanche
XJ=Cherokee, Briarwood Y1=Wrangler
YJ=Wrangler

AR = Use as Required - = Non Illustrated Part P.A.R. = Paint as Required

CRANKSHAFT AND PISTON 4.0L ENGINE
Figure 9B-500

91J56 500



ITEM	PART NUMBER	QTY	BODY	MODEL	DESCRIPTION
	8350 0300	6			Standard
	8350 1397	6			.001"
	8350 0301	6			.010"
18					BOLT, Drive Plate to Converter
	J321 4097	4	YJ		
	J321 4097	4	ZJ		with A/500 A/518 Trans
	3420 2497	4	MJXJ		
	3420 2497	4	ZJ		with Aisin Trans
19					PLATE, Converter Drive
					1991-92
	5300 6328	1	YJ		
	5300 6324	1	MJXJZJ		
					1993
	5211 7760	1	YJ		
	5211 7761	1	XJZJ		Aisin Warner
	5300 6328	1	ZJ		A500SE (42RE)
20					REINFORCEMENT
21					CONVERTER, Torque
					1991-92
	5211 7749	1	YJ		
	5300 3431	1	MJXJZJ		
					1993
	5211 7877	1	YJ		
	5300 3431	1	MJXJZJ		Aisin Warner
	5211 7703	1	ZJ		A500SE (42RE)
22	J315 1407	6			BOLT
23					PISTON PACKAGE, Standard ***
	4773 157	6			Size 'B' 3.8746"
	4773 158	6			Size 'C' 3.8750"
	4773 159	6			Size 'D' 3.8754"
	4773 456	6			Size 'E' 3.8758"
	8350 0252	6			+.010" O/Size
24					PIN, Piston
		6			Standard, (Serviced in Piston Assy.)
	8350 0303	6			+.003"
	8350 0304	6			+.005"
25					RING PACKAGE, Piston
	8350 1987	6			Standard
	4713 210	6			+.010"
26		6			ROD, Connecting, (Serviced in Piston Assy.)
27		6			BOLT PACKAGE, Connecting Rod ***

MODEL CODES:

61=Pickup-6 Ft Box 74=4 Door Wagon T=2WD
 62=Pickup-7 Ft Box 77=Open Body 93" Wheelbase J,N,U=4WD
 72=2 Door Wagon 78=Open Body 103" Wheelbase

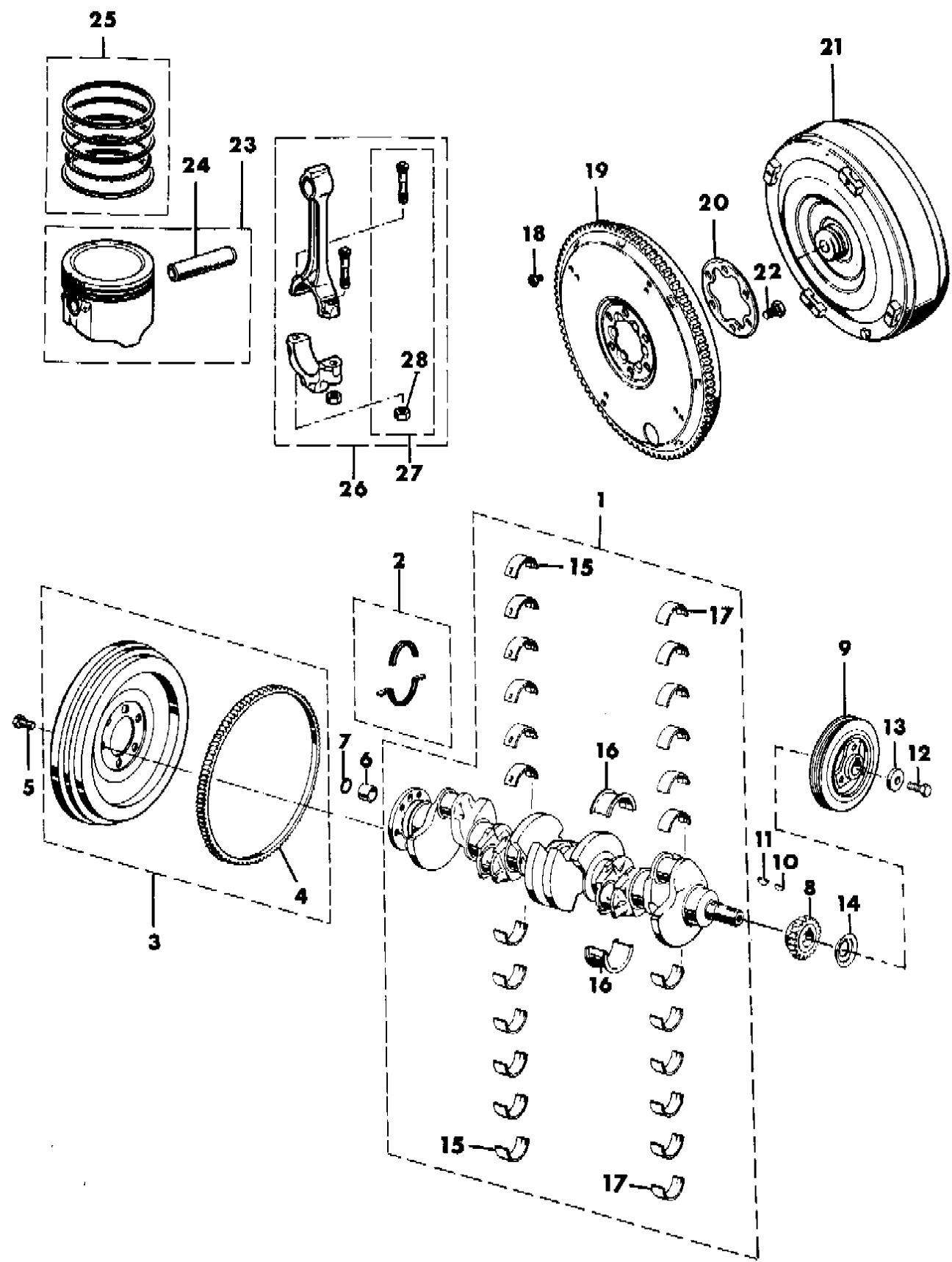
BODY STYLES:

MJ=Comanche Pickup ZJ=Grand Cherokee/Grand Wagoneer KDX VEHICLES
 SJ=Grand Wagoneer M1=Comanche
 XJ=Cherokee, Briarwood X1=Cherokee, Briarwood
 YJ=Wrangler Y1=Wrangler

AR = Use as Required - = Non Illustrated Part P.A.R. = Paint as Required

CRANKSHAFT AND PISTON 4.0L ENGINE
Figure 9B-500

91J56 500



ITEM	PART NUMBER	QTY	BODY	MODEL	DESCRIPTION
	J813 3824	12		1991	
	4713 086	12		1992	
	5302 0123	12			BOLT, Connecting Rod
28	J400 6385	12			NUT

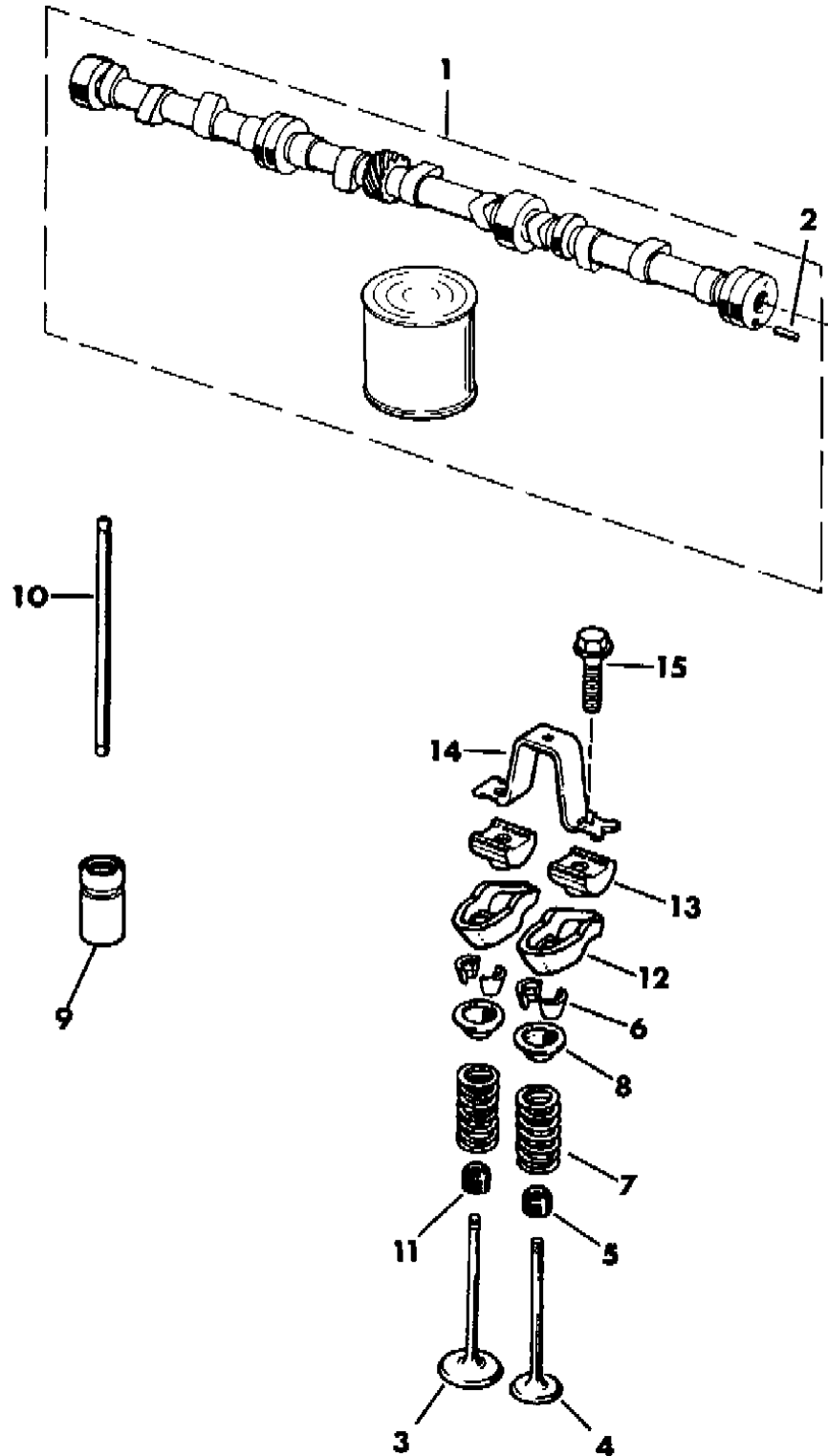
MODEL CODES:
 61=Pickup-6 Ft Box 74=4 Door Wagon T=2WD
 62=Pickup-7 Ft Box 77=Open Body 93" Wheelbase J,N,U=4WD
 72=2 Door Wagon 78=Open Body 103" Wheelbase

BODY STYLES:
 MJ=Comanche Pickup ZJ=Grand Cherokee/Grand Wagoneer KDX VEHICLES
 SJ=Grand Wagoneer M1=Comanche
 XJ=Cherokee, Briarwood X1=Cherokee, Briarwood
 YJ=Wrangler Y1=Wrangler

AR = Use as Required - = Non Illustrated Part P.A.R. = Paint as Required

CAMSHAFT AND VALVE 4.0L ENGINE
Figure 9B-600

91J56 600A



ITEM	PART NUMBER	QTY	BODY	MODEL	DESCRIPTION
1	8350 3402	1			CAMSHAFT
2	J045 6384	1			PIN
3					VALVE, Intake
	3300 3515	6			Standard
	3300 3519	6			+0.003"
	3300 3575	6			+0.015"
4					VALVE, Exhaust
	4637 537	6			Standard
	4637 538	6			+0.003"
	4637 539	6			+0.015"
5					SEAL, Exhaust Valve
	3300 2522	6			Standard
	3300 2522	6			+0.003"
	3300 2733	6			+0.015"
6	3300 3521	24			KEEPER
7	3300 4296	12			SPRING, Valve
8	3300 4626	12			RETAINER
9	J322 2276	12			TAPPET
10	3300 2986	12			PUSHROD ***
11					SEAL, Intake Valve
	3300 2729	6			Standard
	3300 2729	6			+0.003"
	3300 3016	6			+0.015"
12	J324 2393	12			ARM, Valve Rocker
13	J323 5090	12			PIVOT
14	J323 6513	6			BRIDGE
15	J942 5708	12			BOLT

MODEL CODES:

61=Pickup-6 Ft Box 74=4 Door Wagon T=2WD
 62=Pickup-7 Ft Box 77=Open Body 93" Wheelbase J,N,U=4WD
 72=2 Door Wagon 78=Open Body 103" Wheelbase

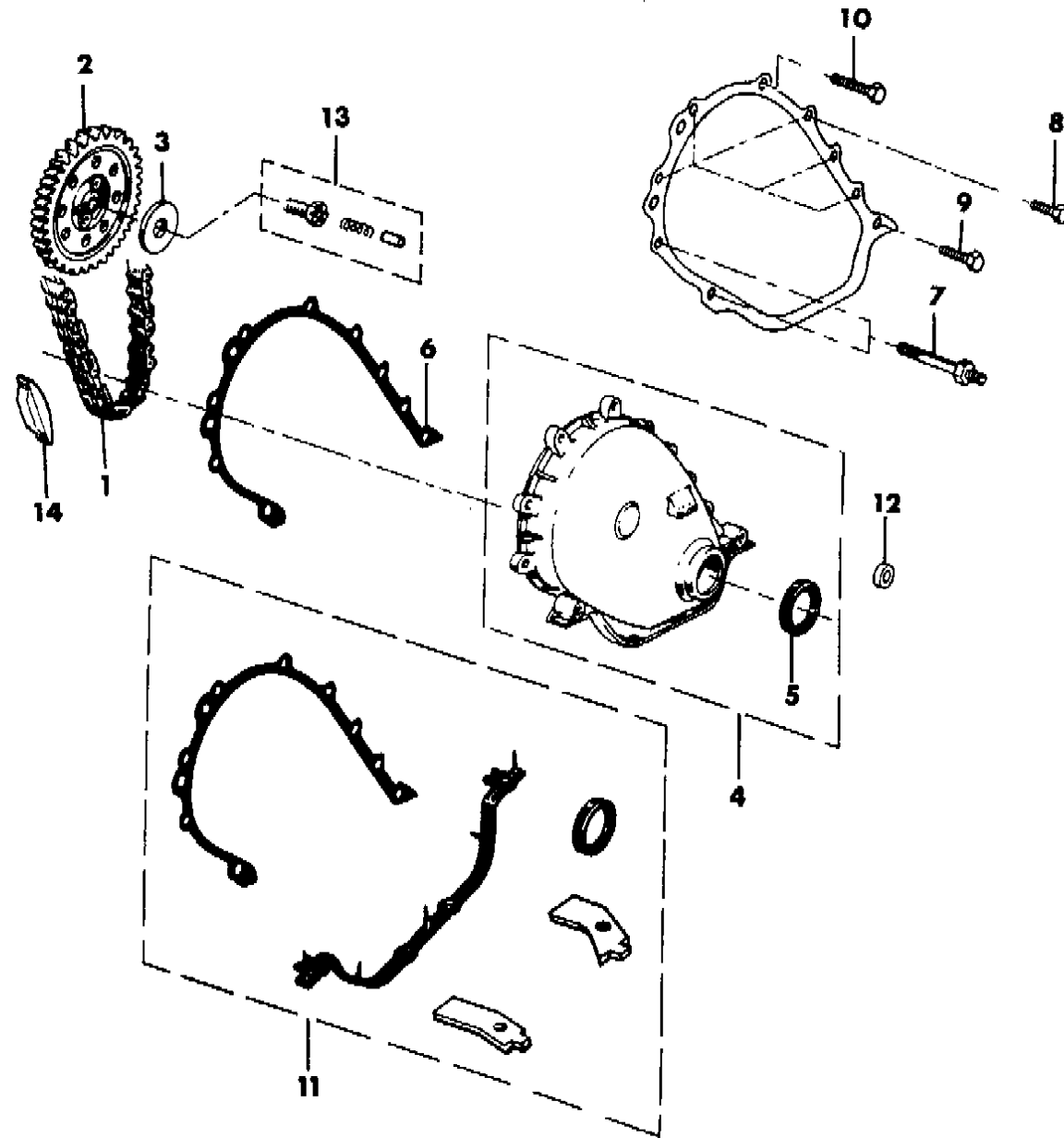
BODY STYLES:

MJ=Comanche Pickup ZJ=Grand Cherokee/Grand Wagoneer KDX VEHICLES
 SJ=Grand Wagoneer M1=Comanche
 XJ=Cherokee, Briarwood X1=Cherokee, Briarwood
 YJ=Wrangler Y1=Wrangler

AR = Use as Required - = Non Illustrated Part P.A.R. = Paint as Required

TIMING COVER 4.0L ENGINE 1991
Figure 9B-700

91J56 700



ITEM	PART NUMBER	QTY	BODY	MODEL	DESCRIPTION
1	3300 2977	1			CHAIN, Timing
2	3300 2978	1			SPROCKET, Camshaft
3	J317 3284	1			WASHER
4	4720 223	1			COVER, Timing Case w/Seal
5	3300 4681	1			SEAL, Oil Crankshaft Front
6	J322 5187	1			GASKET, Engine Cover Front
7	J400 7154				BOLT, Stud 5/16-18x3/8-16x2.89
8	J400 6906	5			BOLT
9	6034 914	1			BOLT
10	6033 912	AR			BOLT
11	J812 9097				GASKET PACKAGE
12	3420 2521	1			SPACER
13	8350 2890	1			PIN PACKAGE
14	3300 3446	1			BUMPER

MODEL CODES:

61=Pickup-6 Ft Box 74=4 Door Wagon T=2WD
 62=Pickup-7 Ft Box 77=Open Body 93" Wheelbase J,N,U=4WD
 72=2 Door Wagon 78=Open Body 103" Wheelbase

BODY STYLES:

MJ=Comanche Pickup ZJ=Grand Cherokee/Grand Wagoneer KDX VEHICLES
 SJ=Grand Wagoneer M1=Comanche
 XJ=Cherokee, Briarwood X1=Cherokee, Briarwood
 YJ=Wrangler Y1=Wrangler

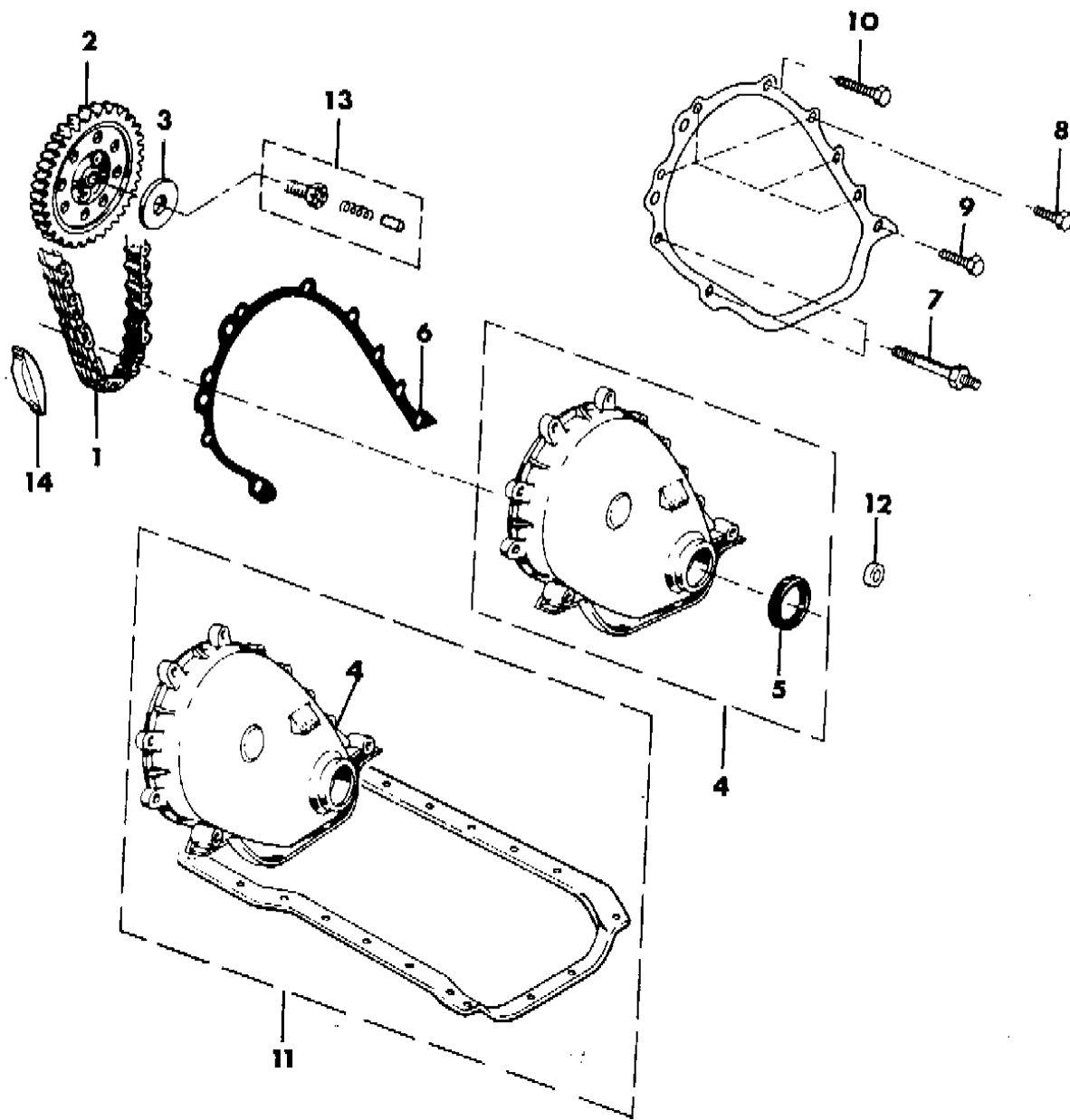
AR = Use as Required - = Non Illustrated Part P.A.R. = Paint as Required

TIMING COVER 4.0L ENGINE 1992-93

Figure 9B-750

91J56 750 A

ITEM	PART NUMBER	QTY	BODY	MODEL	DESCRIPTION
1	3300 2977	1			CHAIN, Timing
2	3300 2978	1			SPROCKET, Camshaft
3	J317 3284	1			WASHER
4	5302 0233	1			COVER, Timing Case w/Seal 1992
	5302 0222	1			1993
5	3300 4681	1			SEAL, Oil Crankshaft Front
6	5302 0136	1			GASKET, Engine Cover Front
7	J400 7154				BOLT, Stud 5/16-18x3/8-16x2.89
8	J400 6906	5			BOLT
	6034 604	AR			BOLT, Shoulder .312-18x1.56
9	6034 914	1			BOLT
10	6033 912	AR			BOLT
11	4720 223				COVER PACKAGE 1992 ***
12	3420 2521	1			SPACER
13	8350 2890	1			PIN PACKAGE
14	3300 3446	1			BUMPER



MODEL CODES:

61=Pickup-6 Ft Box 74=4 Door Wagon T=2WD
 62=Pickup-7 Ft Box 77=Open Body 93" Wheelbase J,N,U=4WD
 72=2 Door Wagon 78=Open Body 103" Wheelbase

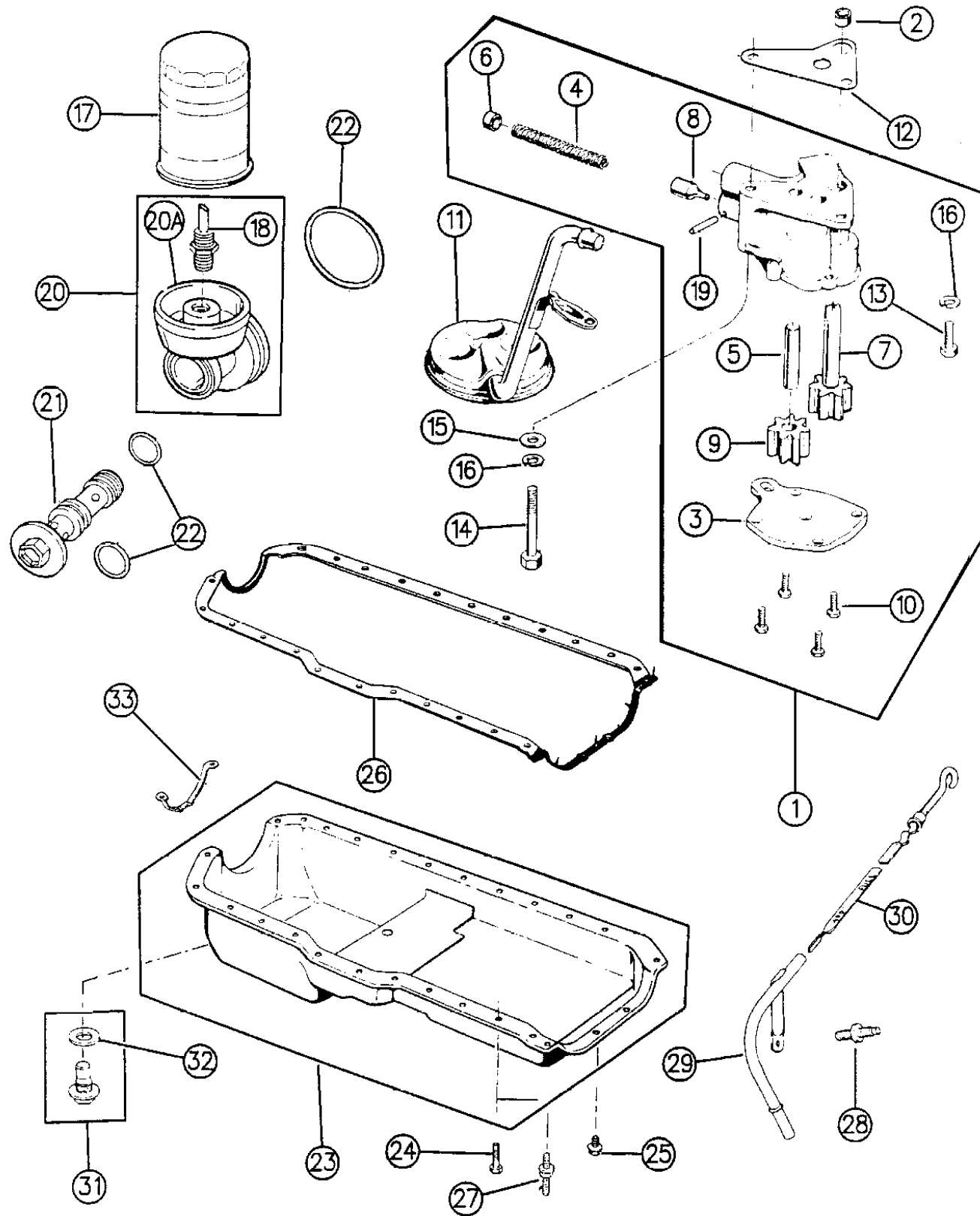
BODY STYLES:

MJ=Comanche Pickup ZJ=Grand Cherokee/Grand Wagoneer KDX VEHICLES
 SJ=Grand Wagoneer M1=Comanche
 XJ=Cherokee, Briarwood X1=Cherokee, Briarwood
 YJ=Wrangler Y1=Wrangler

AR = Use as Required - = Non Illustrated Part P.A.R. = Paint as Required

ENGINE OILING 4.0L ENGINE
Figure 9B-800

91J56 800D



ITEM	PART NUMBER	QTY	BODY	MODEL	DESCRIPTION
1	J324 1399	1			PUMP ASSEMBLY, Oil ***
2	J400 5149	1			PIN
3	J324 1733	1			COVER, Oil Pump
4	J323 9668	1			SPRING
5	J317 1956	1			SHAFT, Oil Pump Gear
6	J317 1958	1			RETAINER
7	J317 2334	1			GEAR, Oil Pump Drive
8					PLUNGER
	J318 8661	1			Standard
9	J319 6843	1			GEAR, Oil Pump Driven
10	J941 6852	4			SCREW
11	3300 2696	1			TUBE, Oil Pump Inlet
12	J317 2332	1			GASKET
13	J018 0078	1			BOLT
14	J943 7670	1			BOLT
15	J012 0393	1			WASHER
16	J012 0214	2			WASHER, Lock
17	5281 090	1			FILTER, Engine Oil
	5302 0234	1			Filter, Oil, Egypt Severe Use
18					CONNECTOR
					1991-92
	5300 7563	1	YJ		
	5300 7564	1	MJXJ		
	5300 7563	1	XJYJ		1993
	5300 7564	1	ZJ		Up to 7-16-92
	5300 7563	1	ZJ		After 7-16-92
19	J027 1448	1			PIN, Roll
20	5300 7566	1	MJXJ		ADAPTER ASSEMBLY, Oil Filter 1991-92
	5300 7566	1	ZJ		Up to 7-16-92
20A					ADAPTER, Oil Filter
	3300 2787	1	MJXJ		1991-92
	5302 0080	1	XJ		1993
	3300 2787	1	ZJ		Up to 7-16-92
	5302 0080	1	ZJ		After 7-16-92
21					BOLT, Oil Filter Adapter
	5300 9070	1	MJXJ		1991-92
	5302 0237	1	XJ		1993
	5300 9070	1	ZJ		Up to 7-16-92
	5302 0237	1	ZJ		After 7-16-92
22					O-RINGS ***
					1991-92

MODEL CODES:

61=Pickup-6 Ft Box 74=4 Door Wagon T=2WD
 62=Pickup-7 Ft Box 77=Open Body 93" Wheelbase J,N,U=4WD
 72=2 Door Wagon 78=Open Body 103" Wheelbase

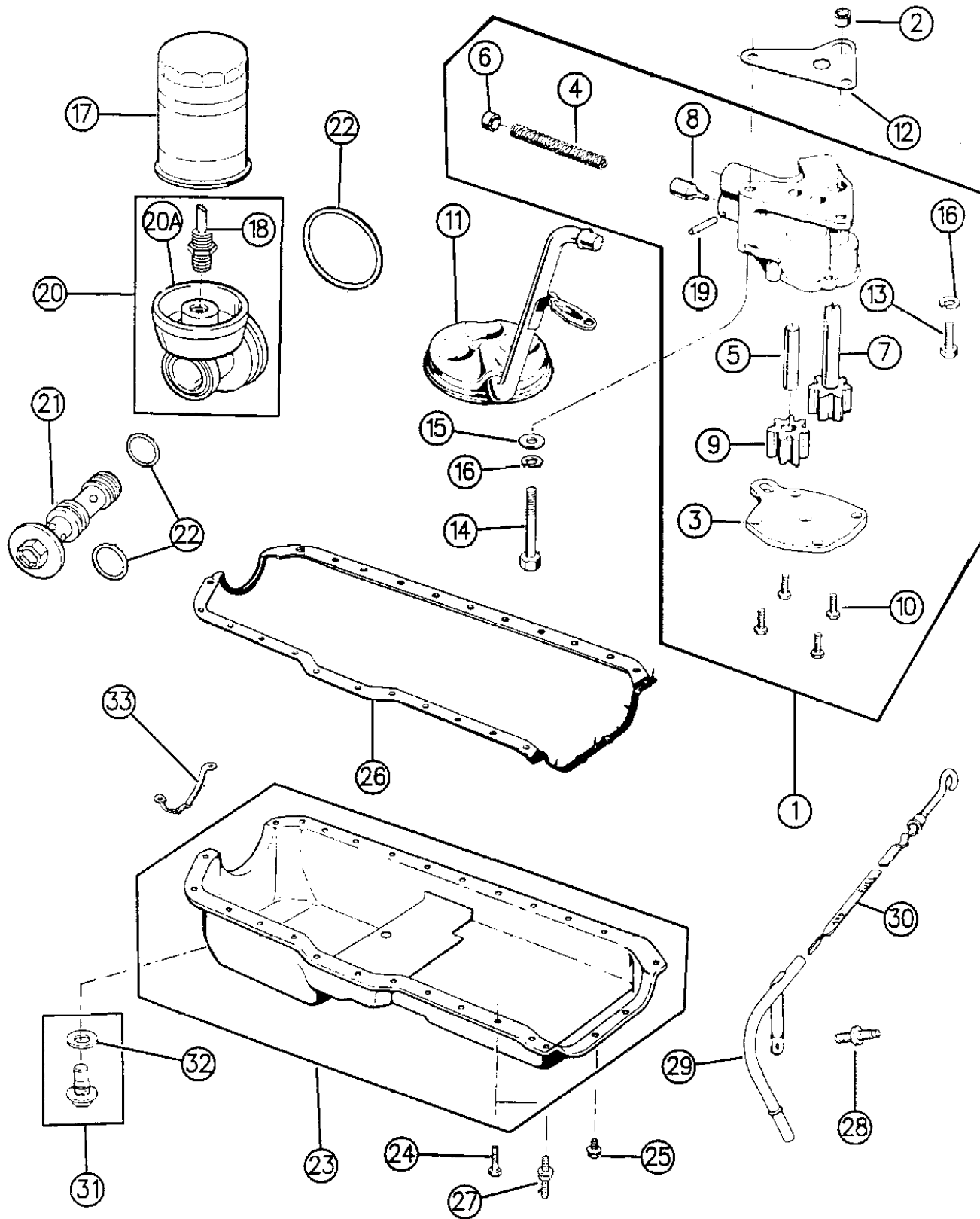
BODY STYLES:

MJ=Comanche Pickup ZJ=Grand Cherokee/Grand Wagoneer KDX VEHICLES
 SJ=Grand Wagoneer M1=Comanche
 XJ=Cherokee, Briarwood X1=Cherokee, Briarwood
 YJ=Wrangler Y1=Wrangler

AR = Use as Required - = Non Illustrated Part P.A.R. = Paint as Required

ENGINE OILING 4.0L ENGINE
Figure 9B-800

91J56 800D



ITEM	PART NUMBER	QTY	BODY	MODEL	DESCRIPTION
	3300 2970	1	MJ,XJ		.80"
	3300 2971	1	MJ,XJ		1.30"
	3300 2972	1	MJ,XJ		2.48"
					Up to 7-16-92
	3300 2970	1	ZJ		.80"
	3300 2971	1	ZJ		1.30"
	3300 2972	1	ZJ		2.48"
					1993
	4720 363	1	MJ,XJ		SEAL PACKAGE, Oil Filter Adapter
	3300 2972	1	MJ,XJ		2.48"
					After 7-19-92
	4720 363	1	ZJ		SEAL PACKAGE, Oil Filter Adapter
	3300 2972	1	ZJ		2.48"
Package contains 2 O-Rings for the adapter bolt and 1 O-Ring 33002972 for the adapter to block seal					
23	5302 0207	1	MJXJYJ		PAN, Engine Oil
	5302 0108	1	ZJ		
24	6034 732	19			SCREW, .56"
25	6034 483	3			SCREW, .75"
	6034 733	1			BOLT, .25"
26	4713 224	1			GASKET PKG, Oil Pan 1991 ***
	5300 7568	1			One Piece Gasket 1992-93
27					STUD, Bolt
	J400 7612	AR			1991-92
	6034 734	AR			1993
28	J400 7448	1			STUD, Bolt
29	3300 3656	1			TUBE, Engine Oil Indicator
30	3300 7167	1			INDICATOR, Engine Oil Level
31					PLUG, Oil Drain
					1991
	8350 1425	1			Plug Package, w/Gasket, Metric Threads
	6034 376	1			Plug, w/Gasket, Standard Threads, (1/2-20)
					1992-93
	6034 376	1			Plug, w/Gasket, Standard Threads, (1/2-20)
	5602 7061	1			SENSOR, Oil Level
	6034 061	1			PLUG, Oil Level Sensor
	5302 0281	1			GASKET, Oil Level Sensor Plug
32	J324 3136	1			GASKET, Metric Plug, 1991
33	J324 3116	1			SUPPORT

MODEL CODES:

61=Pickup-6 Ft Box 74=4 Door Wagon T=2WD
 62=Pickup-7 Ft Box 77=Open Body 93" Wheelbase J,N,U=4WD
 72=2 Door Wagon 78=Open Body 103" Wheelbase

BODY STYLES:

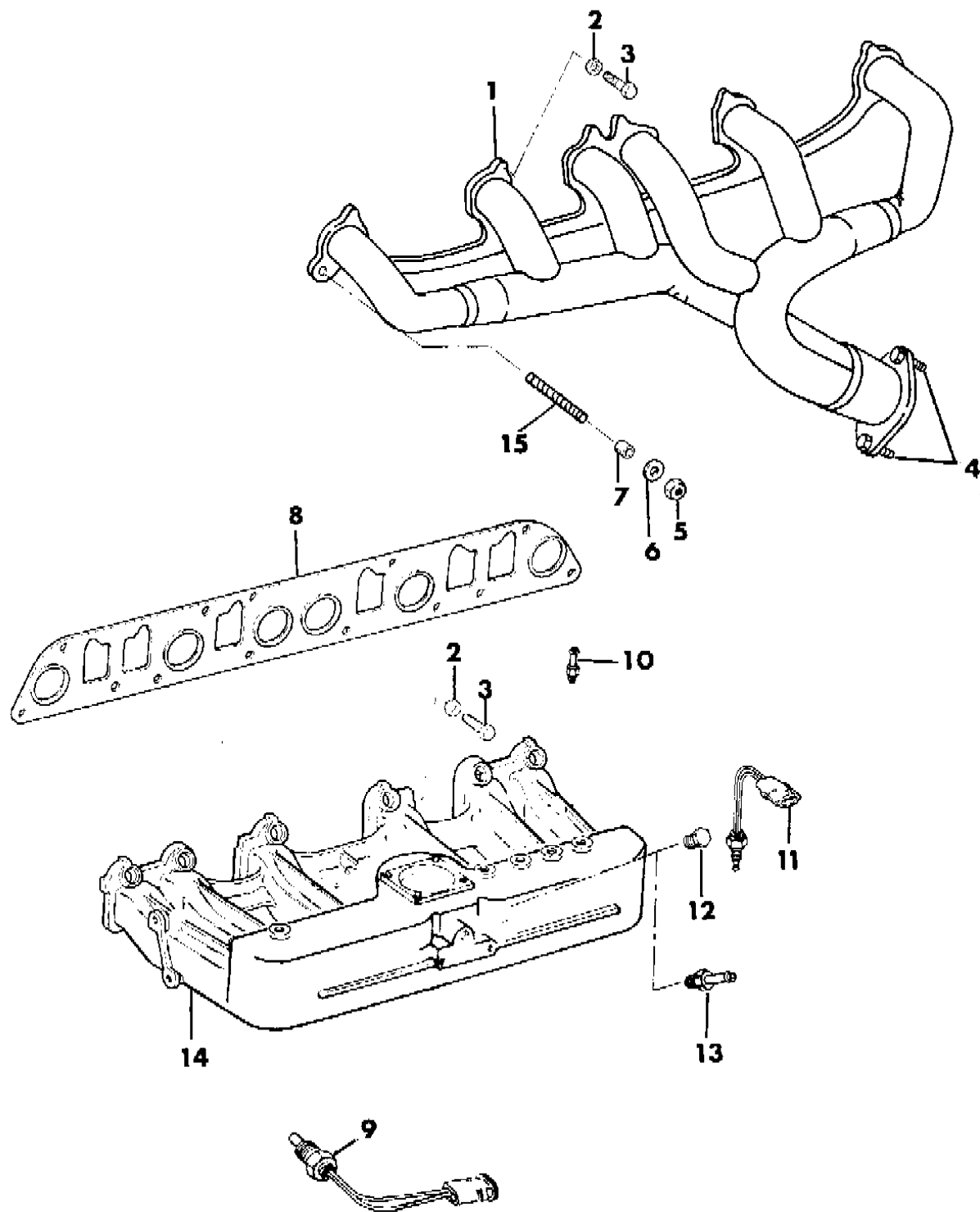
MJ=Comanche Pickup ZJ=Grand Cherokee/Grand Wagoneer KDX VEHICLES
 SJ=Grand Wagoneer M1=Comanche
 XJ=Cherokee, Briarwood X1=Cherokee, Briarwood
 YJ=Wrangler Y1=Wrangler

AR = Use as Required - = Non Illustrated Part P.A.R. = Paint as Required

MANIFOLD - INTAKE AND EXHAUST 4.0L ENGINE
Figure 9B-900

91J56 900 C

ITEM	PART NUMBER	QTY	BODY	MODEL	DESCRIPTION
1	3300 7072	1			MANIFOLD, Exhaust
2	3300 4255	8			CLAMP
3	J018 6622	9			BOLT
4	J400 7109	2			STUD
5	J535 1688	2			NUT
6	3300 4255	11			CLAMP
7	3300 4026	2			SPACER
8	3300 7128	1			GASKET
9	3300 4281	1			SENSOR, Coolant Temperature
10	3300 2327	2			FITTING ***
11	3300 4280	1			SENSOR, Air Temperature
12	J812 1104	AR			PLUG, 1/4x18PT
13	3300 2327	AR			NIPPLE, 1/4x18PTx3/8Hose
14	3300 7067	1			MANIFOLD, Intake
15	5301 0165	2			STUD, Exhaust Manifold



MODEL CODES:

61=Pickup-6 Ft Box 74=4 Door Wagon T=2WD
 62=Pickup-7 Ft Box 77=Open Body 93" Wheelbase J,N,U=4WD
 72=2 Door Wagon 78=Open Body 103" Wheelbase

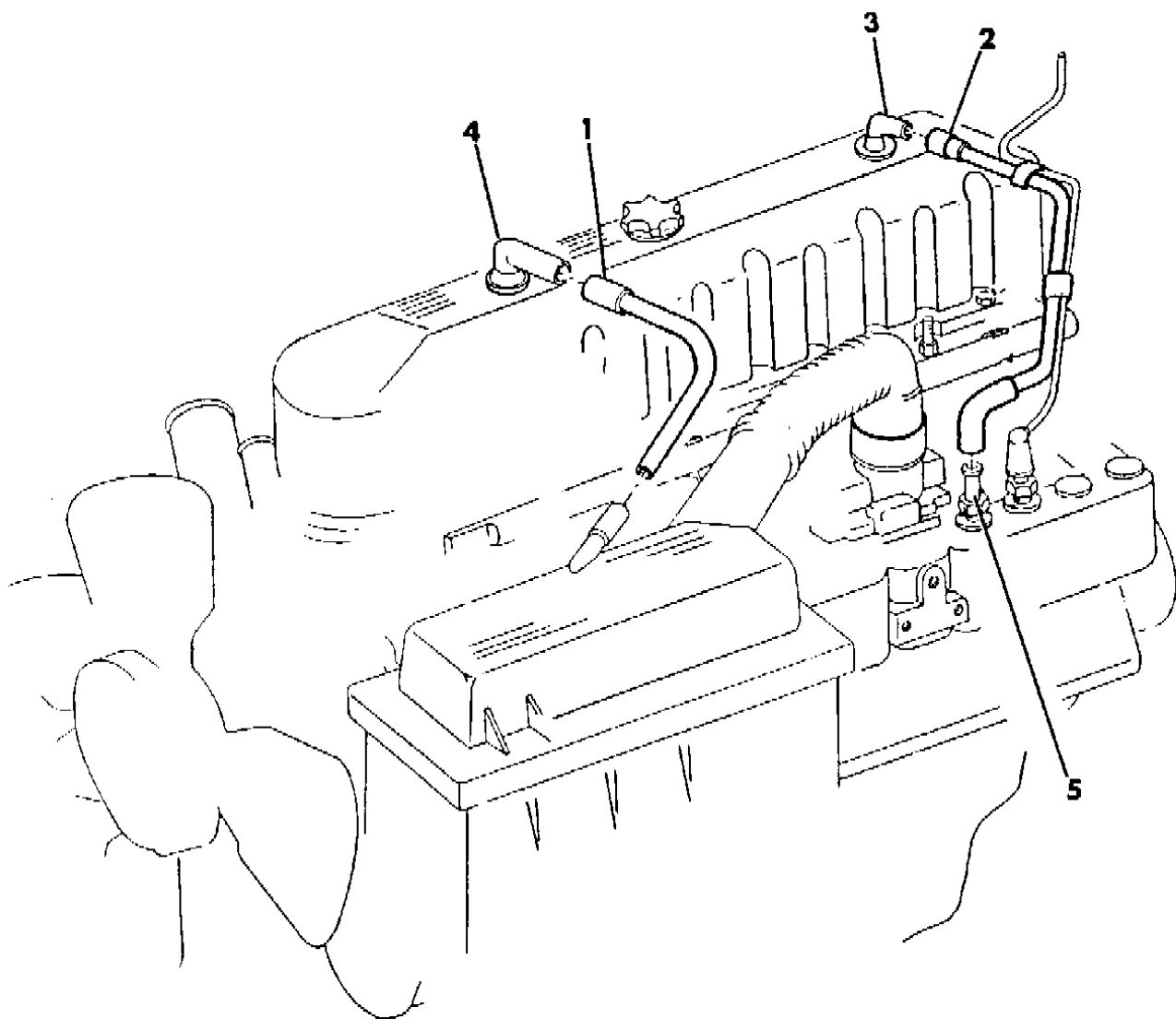
BODY STYLES:

MJ=Comanche Pickup ZJ=Grand Cherokee/Grand Wagoneer KDX VEHICLES
 SJ=Grand Wagoneer M1=Comanche
 XJ=Cherokee, Briarwood X1=Cherokee, Briarwood
 YJ=Wrangler Y1=Wrangler

AR = Use as Required - = Non Illustrated Part P.A.R. = Paint as Required

CRANKCASE VENTILATION 4.0L ENGINE
Figure 9B-950

91J56 950



ITEM	PART NUMBER	QTY	BODY	MODEL	DESCRIPTION
1					TUBE ASSEMBLY, CCV To Air Cleaner ***
	5300 6237	1	YJ		
	5300 6239	1	MJXJ		
	5303 0241	1	Y1		KDX EGYPT w/Severe use Air Cleaner
	5300 7422	1	ZJ		
2					TUBE ASSEMBLY, CCV and MAP To Manifold ***
	5300 6227	1	YJ		
	5300 6229	1	MJXJ		
	5300 7421	1	ZJ		
3	5300 9241	1			TUBE and FITTING ASSEMBLY, w/Orifice ***
4					TUBE and FITTING ASSEMBLY, w/o Orifice ***
	5300 9243	1			1991
	5303 0054	1			1992-93
5	5302 0027	1			CONNECTOR, Manifold Vacuum

MODEL CODES:

61=Pickup-6 Ft Box 74=4 Door Wagon T=2WD
 62=Pickup-7 Ft Box 77=Open Body 93" Wheelbase J,N,U=4WD
 72=2 Door Wagon 78=Open Body 103" Wheelbase

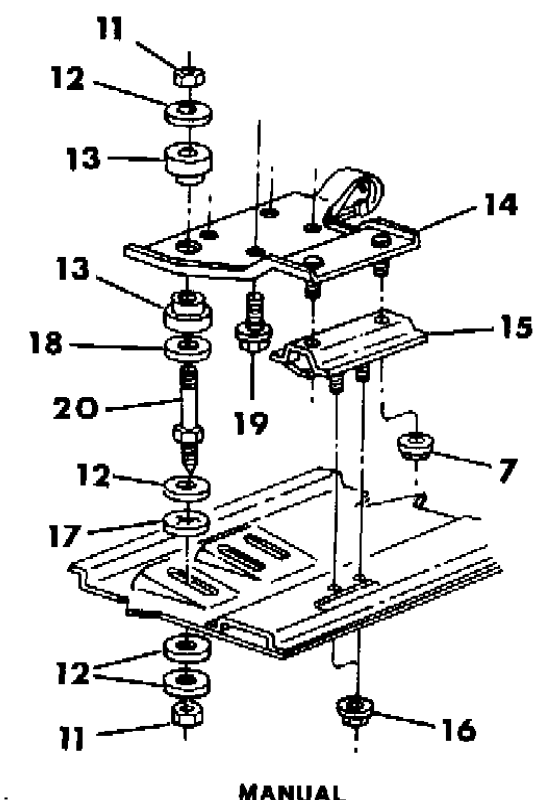
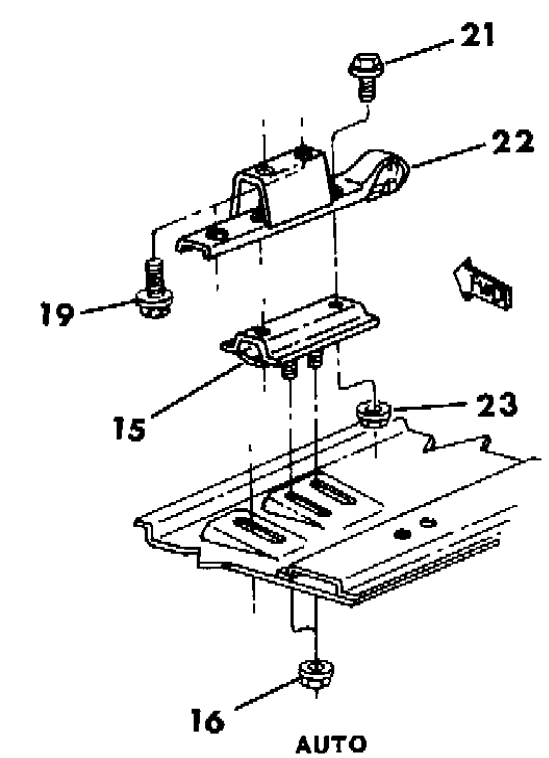
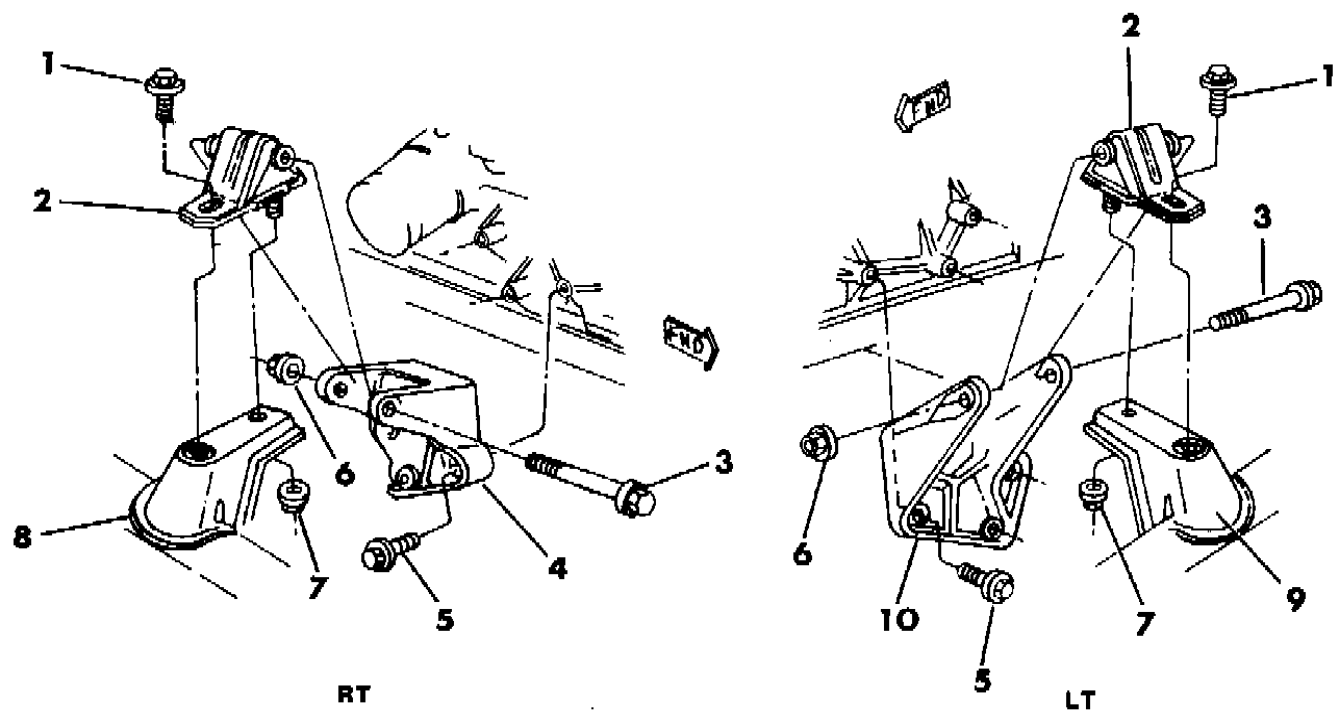
BODY STYLES:

MJ=Comanche Pickup ZJ=Grand Cherokee/Grand Wagoneer KDX VEHICLES
 SJ=Grand Wagoneer M1=Comanche
 XJ=Cherokee, Briarwood X1=Cherokee, Briarwood
 YJ=Wrangler Y1=Wrangler

AR = Use as Required - = Non Illustrated Part P.A.R. = Paint as Required

ENGINE MOUNTING 4.0L ENGINE WRANGLER, YJ
Figure 9B-1000

91J56 1000 A



ITEM	PART NUMBER	QTY	BODY	MODEL	DESCRIPTION
1	3420 1559	1			BOLT
2	5201 9201	2			SUPPORT, Engine Cushion
3	3420 2606	2			BOLT
4	5200 2783	1			BRACKET, Engine Support Right
5	J400 7622	6			BOLT
6	1150 2813	2			NUT
7					NUT
	6502 135	4			Front Mount
	6502 135	2			Rear Mount
8	5204 0335	1			BRACKET ASSEMBLY, Engine Mounting Right ***
9	5204 0333	1			BRACKET ASSEMBLY, Engine Mounting Left ***
10	5204 0269	1			BRACKET, Engine Support Left
11	J941 1783	2			NUT
12	J094 5269	4			WASHER
13	J094 5266	2			INSULATOR
14	5200 3925	1			BRACKET, Torque Arm
15	5200 2625	1			CUSHION
16	3420 2013	2			NUT and WASHER
17	J400 0235	1			NUT, Push
18	J094 1399	2			WASHER
19		AR			7/16x14x1-1/8 (Not Serviced) ***
20	J535 8879	1			STUD
21		2			SCREW, Cushion to Bracket 7/16-14x1.00 (Not Serviced)
22	5200 3045	1			BRACKET ASSEMBLY, Torque Arm w/HangerAuto Trans ***
	5200 3041	1			BRACKET, Torque Arm
23	J400 4005	2			NUT

MODEL CODES:
 61=Pickup-6 Ft Box 74=4 Door Wagon T=2WD
 62=Pickup-7 Ft Box 77=Open Body 93" Wheelbase J,N,U=4WD
 72=2 Door Wagon 78=Open Body 103" Wheelbase

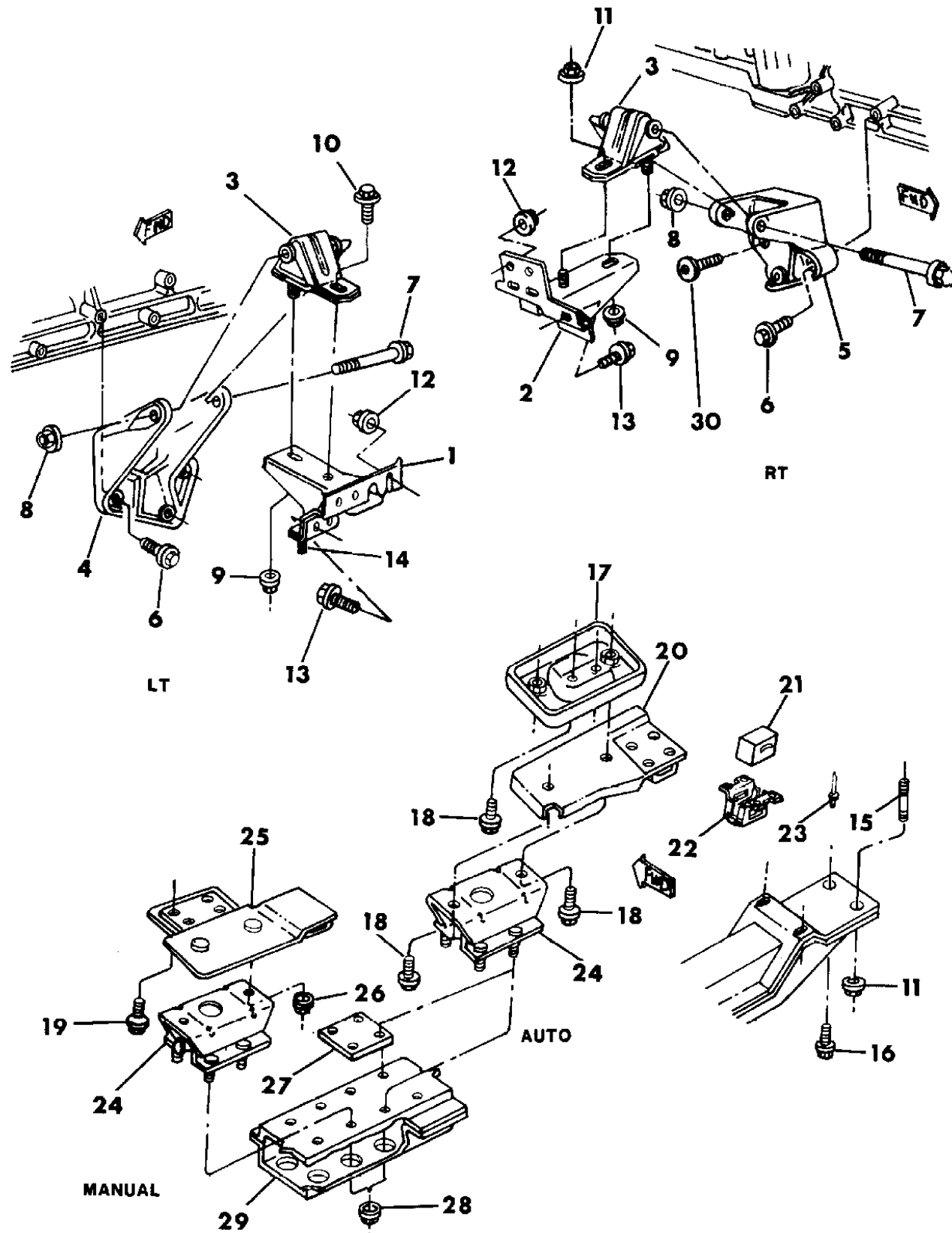
BODY STYLES:
 MJ=Comanche Pickup ZJ=Grand Cherokee/Grand Wagoneer KDX VEHICLES
 SJ=Grand Wagoneer M1=Comanche
 XJ=Cherokee, Briarwood X1=Cherokee, Briarwood
 YJ=Wrangler Y1=Wrangler

AR = Use as Required - = Non Illustrated Part P.A.R. = Paint as Required

ENGINE MOUNTING 4.0L ENGINE CHEROKEE, BRIARWOOD, COMANCHE

Figure 9B-1100

91J56 1100A



ITEM	PART NUMBER	QTY	BODY	MODEL	DESCRIPTION
1	5200 2603	1			BRACKET ASSEMBLY, Engine Support Left ***
2	5201 9010	1			BRACKET ASSEMBLY, Engine Support Right 1991-93 ***
3	5201 7688	1			RHD 1993
	5201 9201	2			CUSHION, Engine Support Front
	5202 0018	1			RHD Right Side 1993
	5201 9201	1			RHD Left Side 1993
4	5200 2607	1			BRACKET, Engine Support Left
5	5200 2785	1			BRACKET, Engine Support Right
6					BOLT
	J400 7622	3			Left
	J400 7622	2			Right
7	3420 2606	2			BOLT
8	1150 2813	AR			NUT
9	3420 1828	2			NUT
10	3420 1559	1			BOLT
11					NUT
	6502 135	3			Automatic
	6502 135	5			Manual
12	3420 1416	3			NUT
13					BOLT
	3420 2219	3			1991
	6502 673	3			1992-93
14	3420 2742	2			STUD
15	3420 1710	2			STUD
16	3420 1540	AR			BOLT, 30mm
17	5200 2337	1			BRACKET ASSEMBLY, Transmission Support 2WD ***
18	5201 7887	AR			BOLT
19	J400 7162	4			BOLT
20	5200 3071	1			BRACKET, Transmission Support Rear - Automatic Transmission
21	5300 0101	1			INSULATOR
22	5300 0104	1			BRACKET
23	J400 6543	4			RIVET
24	5200 2334	1			CUSHION, Transmission Support Rear
25	5200 3927	1			BRACKET, Transmission Support Rear Manual Transmission
26	1150 2813	2			NUT
27	5200 3939	1			SPACER
28	1150 2811	4			NUT
29					CROSSMEMBER, Transmission Support
	5200 2328	1			Automatic
	5200 3929	1			Manual
30		1			BOLT, Torx, .375-16x1.00, (Not Serviced)

MODEL CODES:

61=Pickup-6 Ft Box 74=4 Door Wagon T=2WD
 62=Pickup-7 Ft Box 77=Open Body 93" Wheelbase J,N,U=4WD
 72=2 Door Wagon 78=Open Body 103" Wheelbase

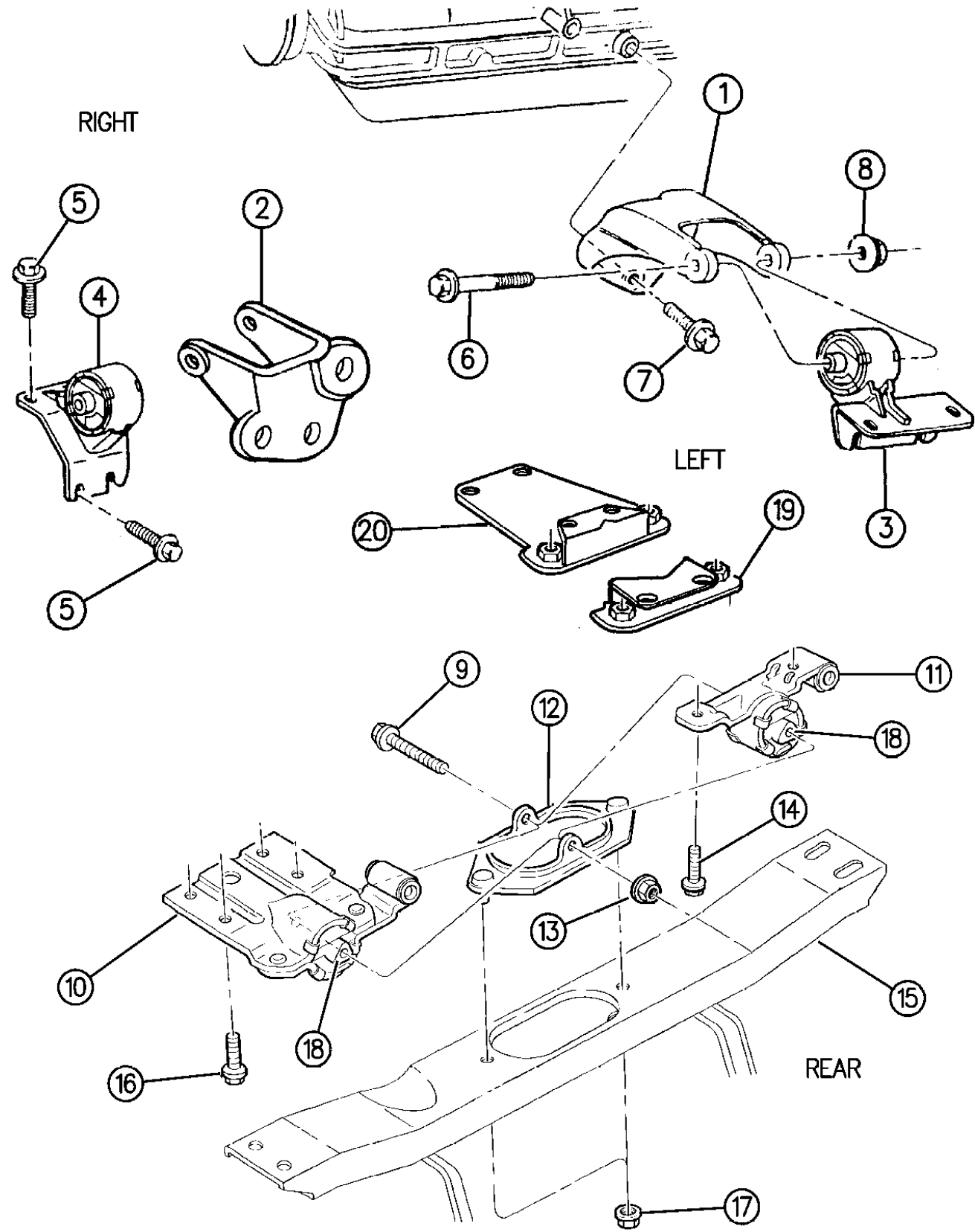
BODY STYLES:

MJ=Comanche Pickup ZJ=Grand Cherokee/Grand Wagoneer KDX VEHICLES
 SJ=Grand Wagoneer M1=Comanche
 XJ=Cherokee, Briarwood X1=Cherokee, Briarwood
 YJ=Wrangler Y1=Wrangler

AR = Use as Required - = Non Illustrated Part P.A.R. = Paint as Required

ENGINE MOUNTS 4.0L ENGINE GRAND CHEROKEE
Figure 9B-1200

91J56 1200B



ITEM	PART NUMBER	QTY	BODY	MODEL	DESCRIPTION
1	5201 7829	1			BRACKET, Engine Front Mount Left
2	5201 7851	1			BRACKET, Engine Front Mount Right
3	5201 8281	1			INSULATOR ASSEMBLY, Engine Front Support Left ***
	5201 7850	1			Bracket, Engine Front Support Left Insulator Serviced with bracket in assembly
4	5201 8280	1			INSULATOR ASSEMBLY, Engine Front Support Right ***
	5201 7849	1			Bracket, Engine Front Support Right Insulator Serviced with bracket in assembly
5	6501 946	8			SCREW and WASHER, M10x1.5x40
6	3420 2606	2			BOLT
7	J400 7622	2			BOLT
8	1150 2813	2			NUT
9	6502 809	1			BOLT, M12x1.75x110
10	5201 8096	1			BRACKET ASSEMBLY, Rear Engine Mount Manual Transmission ***
11	5201 8857	1			BRACKET ASSEMBLY, Rear Engine Mount Automatic ***
12	5201 7834	1			BRACKET, Clevis Rear Engine Mount
13	1150 2813	1			NUT, M12x1.75
14	3420 1964	2			BOLT
15	5200 4309	1			CROSSMEMBER, Transmission Support
16	6033 358	4			BOLT
17	6502 337	2			NUT, M10x1.5
18		1			CUSHION, (Serviced in Rear Mount Bracket)
19	5200 5353	1			ADAPTER, Trans Support, 2 WD Auto
20	5201 7693	1			ADAPTER, Trans Support, 4 WD Auto

MODEL CODES:

61=Pickup-6 Ft Box 74=4 Door Wagon T=2WD
 62=Pickup-7 Ft Box 77=Open Body 93" Wheelbase J,N,U=4WD
 72=2 Door Wagon 78=Open Body 103" Wheelbase

BODY STYLES:

MJ=Comanche Pickup ZJ=Grand Cherokee/Grand Wagoneer KDX VEHICLES
 SJ=Grand Wagoneer M1=Comanche
 XJ=Cherokee, Briarwood X1=Cherokee, Briarwood
 YJ=Wrangler Y1=Wrangler

AR = Use as Required - = Non Illustrated Part P.A.R. = Paint as Required

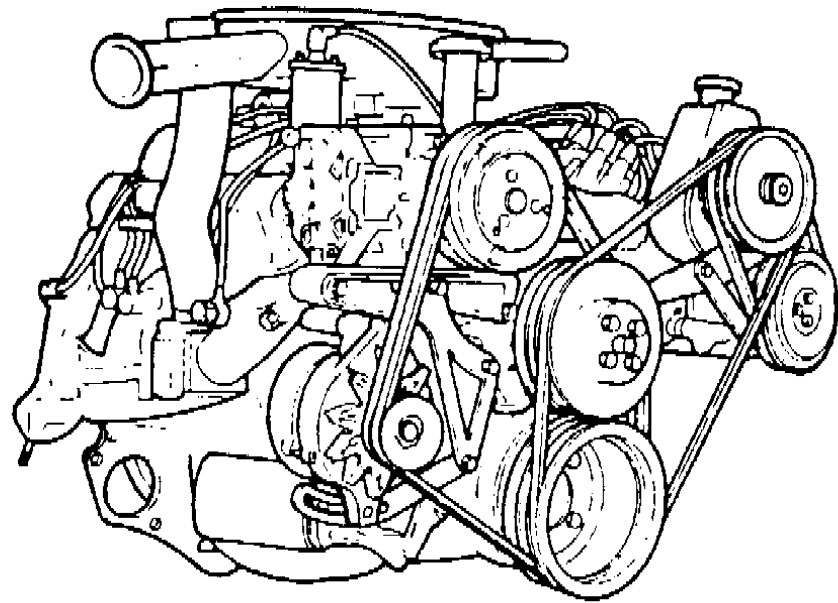
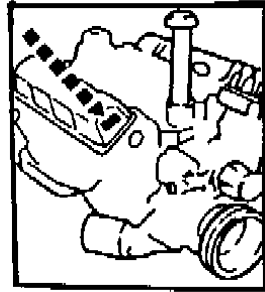
GROUP 9C - ENGINE, 8 CYLINDER

ILLUSTRATION TITLE	GROUP-FIG. NO.
5.9L ENGINE	
I.D. LOCATION 5.9L ENGINE	Fig. 9C-100
CYLINDER BLOCK 5.9L ENGINE	Fig. 9C-200
GASKET SET 5.9L ENGINE	Fig. 9C-300
CYLINDER HEAD 5.9L ENGINE	Fig. 9C-400
CRANKSHAFT AND PISTON 5.9L ENGINE	Fig. 9C-500
CAMSHAFT AND VALVE 5.9L ENGINE	Fig. 9C-600
TIMING COVER 5.9L ENGINE	Fig. 9C-700
ENGINE OILING 5.9L ENGINE	Fig. 9C-800
MANIFOLD, INTAKE AND EXHAUST 5.9L ENGINE	Fig. 9C-900
ENGINE MOUNTING 5.9L ENGINE	Fig. 9C-1000
5.2L ENGINE	
CYLINDER BLOCK 5.2L ENGINE ZJ	Fig. 9C-1200
CYLINDER HEAD 5.2L ENGINE ZJ	Fig. 9C-1300
CRANKSHAFT, PISTONS AND TORQUE CONVERTER 5.2L ENGINE ZJ	Fig. 9C-1400
CAMSHAFT AND VALVES 5.2L ENGINE ZJ	Fig. 9C-1500
TIMING COVER AND INDICATOR 5.2L ENGINE ZJ	Fig. 9C-1600
ENGINE OILING 5.2L ENGINE ZJ	Fig. 9C-1700
CRANKCASE VENTILATION 5.2L ENGINE ZJ	Fig. 9C-1800
MANIFOLD, INTAKE AND EXHAUST 5.2L ENGINE ZJ	Fig. 9C-1900
ENGINE MOUNTS 5.2L ENGINE ZJ	Fig. 9C-2000

ILLUSTRATION NOT AVAILABLE AT TIME OF PUBLICATION

I.D. LOCATION 5.9L ENGINE
Figure 9C-100

91J09 100



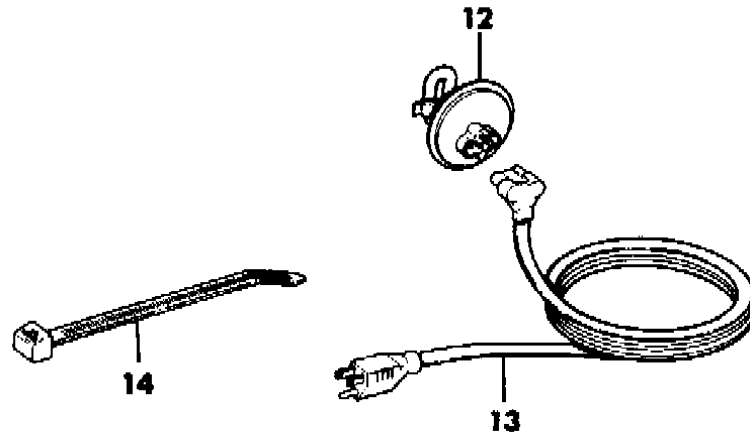
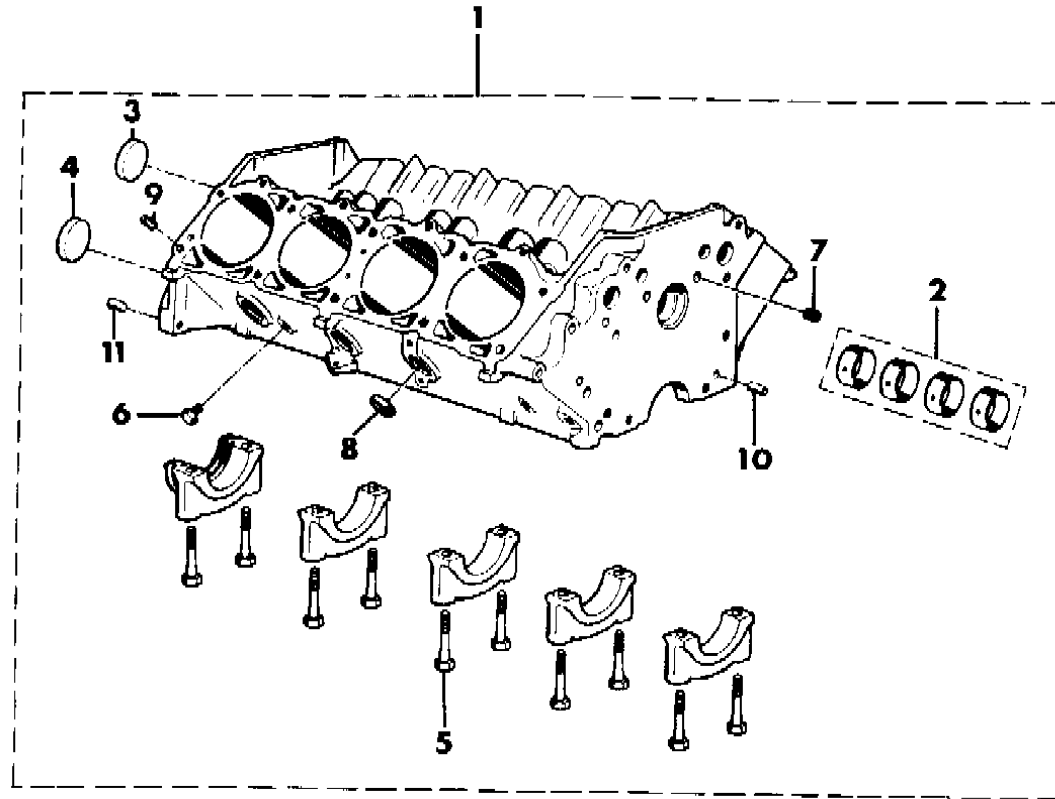
ITEM	PART NUMBER	QTY	BODY	MODEL	DESCRIPTION

- MODEL CODES:**
- | | | |
|--------------------|-----------------------------|-----------|
| 61=Pickup-6 Ft Box | 74=4 Door Wagon | T=2WD |
| 62=Pickup-7 Ft Box | 77=Open Body 93" Wheelbase | J,N,U=4WD |
| 72=2 Door Wagon | 78=Open Body 103" Wheelbase | |
- BODY STYLES:**
- | | | |
|------------------------|----------------------------------|------------------------|
| MJ=Comanche Pickup | ZJ=Grand Cherokee/Grand Wagoneer | KDX VEHICLES |
| SJ=Grand Wagoneer | | M1=Comanche |
| XJ=Cherokee, Briarwood | | X1=Cherokee, Briarwood |
| YJ=Wrangler | | Y1=Wrangler |

AR = Use as Required - = Non Illustrated Part P.A.R. = Paint as Required

CYLINDER BLOCK 5.9L ENGINE
Figure 9C-200

91J09 200



ITEM	PART NUMBER	QTY	BODY	MODEL	DESCRIPTION
	J813 3592	1			ENGINE, Short - Less Camshaft
1	J448 7212	1			BLOCK, Engine ***
2	J448 6286	1			BEARING PACKAGE
3	J317 2313	1			PLUG
4	J400 6580	2			PLUG
5	J319 0891	10			BOLT
6	J044 4618	2			PLUG
7	J044 4660	6			PLUG
8	J314 4641	6			PLUG
9	J400 5149	4			PIN
10	J400 5307	2			PIN
11	J400 5148	2			PIN
12	J323 4035	1			HEATER, Engine Block
13	J575 2677	1			CORD, Power Supply
14					STRAP
	J322 3227	AR			200mm
	J369 3058	AR			300mm
	J323 0270	AR			350mm
	J323 5187	AR			450mm

MODEL CODES:

61=Pickup-6 Ft Box 74=4 Door Wagon T=2WD
 62=Pickup-7 Ft Box 77=Open Body 93" Wheelbase J,N,U=4WD
 72=2 Door Wagon 78=Open Body 103" Wheelbase

BODY STYLES:

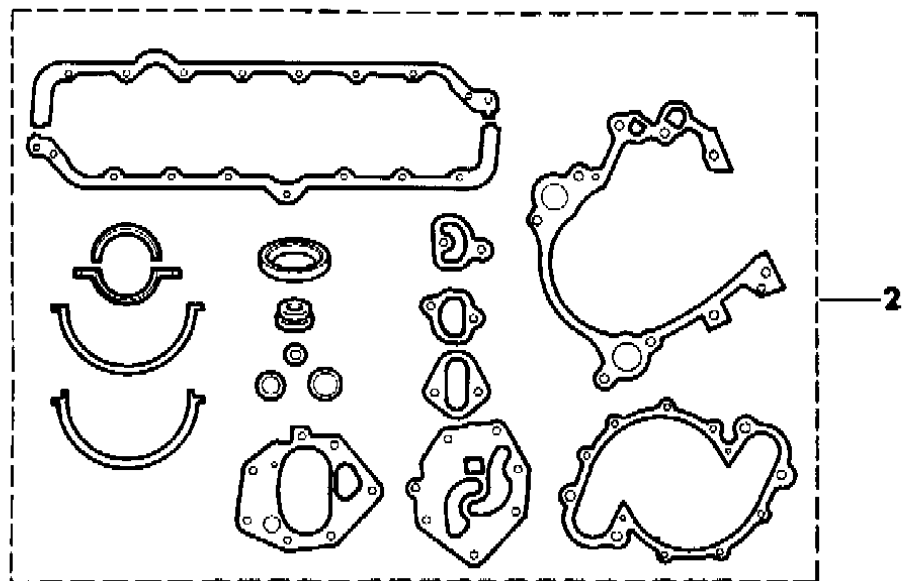
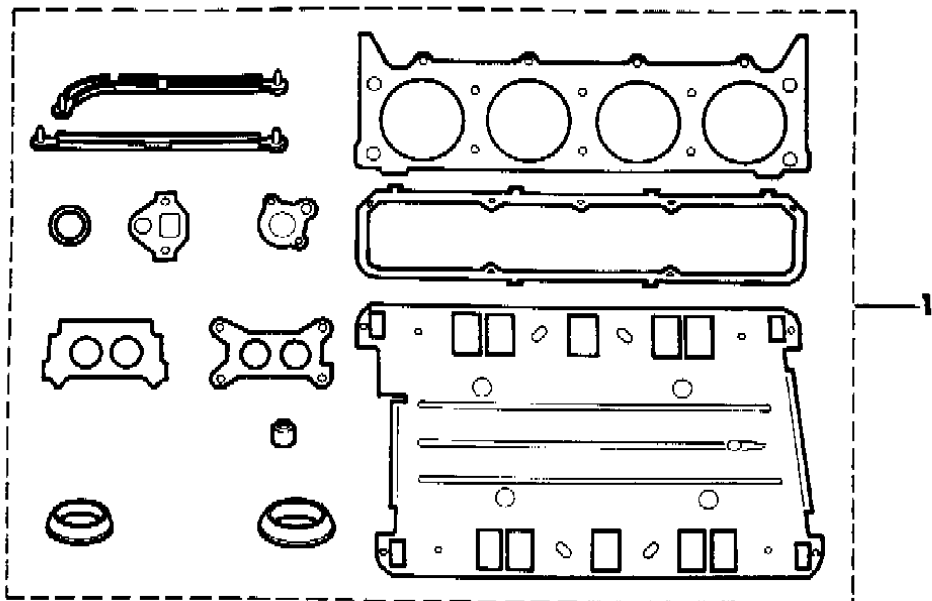
MJ=Comanche Pickup ZJ=Grand Cherokee/Grand Wagoneer KDX VEHICLES
 SJ=Grand Wagoneer M1=Comanche
 XJ=Cherokee, Briarwood X1=Cherokee, Briarwood
 YJ=Wrangler Y1=Wrangler

AR = Use as Required - = Non Illustrated Part P.A.R. = Paint as Required

GASKET SET 5.9L ENGINE
Figure 9C-300

91J09 300

ITEM	PART NUMBER	QTY	BODY	MODEL	DESCRIPTION
1	J812 8192	1			GASKET PACKAGE, Engine Upper ***
2	J812 5727	1			GASKET PACKAGE, Engine Lower



MODEL CODES:

61=Pickup-6 Ft Box 74=4 Door Wagon T=2WD
62=Pickup-7 Ft Box 77=Open Body 93" Wheelbase J,N,U=4WD
72=2 Door Wagon 78=Open Body 103" Wheelbase

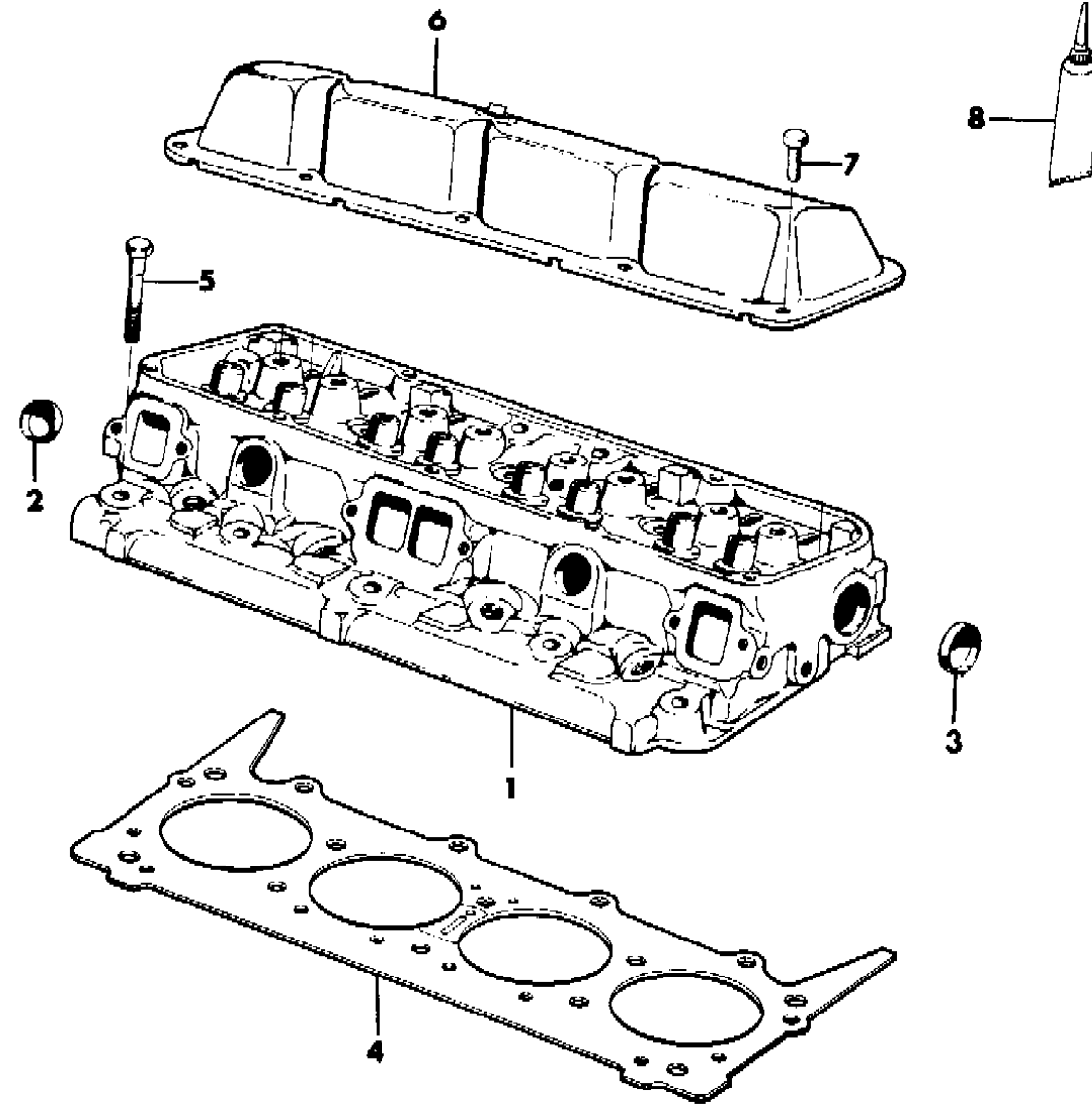
BODY STYLES:

MJ=Comanche Pickup ZJ=Grand Cherokee/Grand Wagoneer KDX VEHICLES
SJ=Grand Wagoneer M1=Comanche
XJ=Cherokee, Briarwood X1=Cherokee, Briarwood
YJ=Wrangler Y1=Wrangler

AR = Use as Required - = Non Illustrated Part P.A.R. = Paint as Required

CYLINDER HEAD 5.9L ENGINE
Figure 9C-400

91J09 400



ITEM	PART NUMBER	QTY	BODY	MODEL	DESCRIPTION
1	J813 0366	2			HEAD, Engine Cylinder
2	J317 8449	2			PLUG
3	J314 4641	2			PLUG
4	J322 7352	2			GASKET
5					BOLT
	J319 4682	10			2.36"
	J319 4681	18			3.79"
6	5300 7906	2			COVER, Cylinder Head
7	J400 5731	14			BOLT
8	J899 3317	AR			GASKET, R.T.V. Sealer

MODEL CODES:

61=Pickup-6 Ft Box 74=4 Door Wagon T=2WD
 62=Pickup-7 Ft Box 77=Open Body 93" Wheelbase J,N,U=4WD
 72=2 Door Wagon 78=Open Body 103" Wheelbase

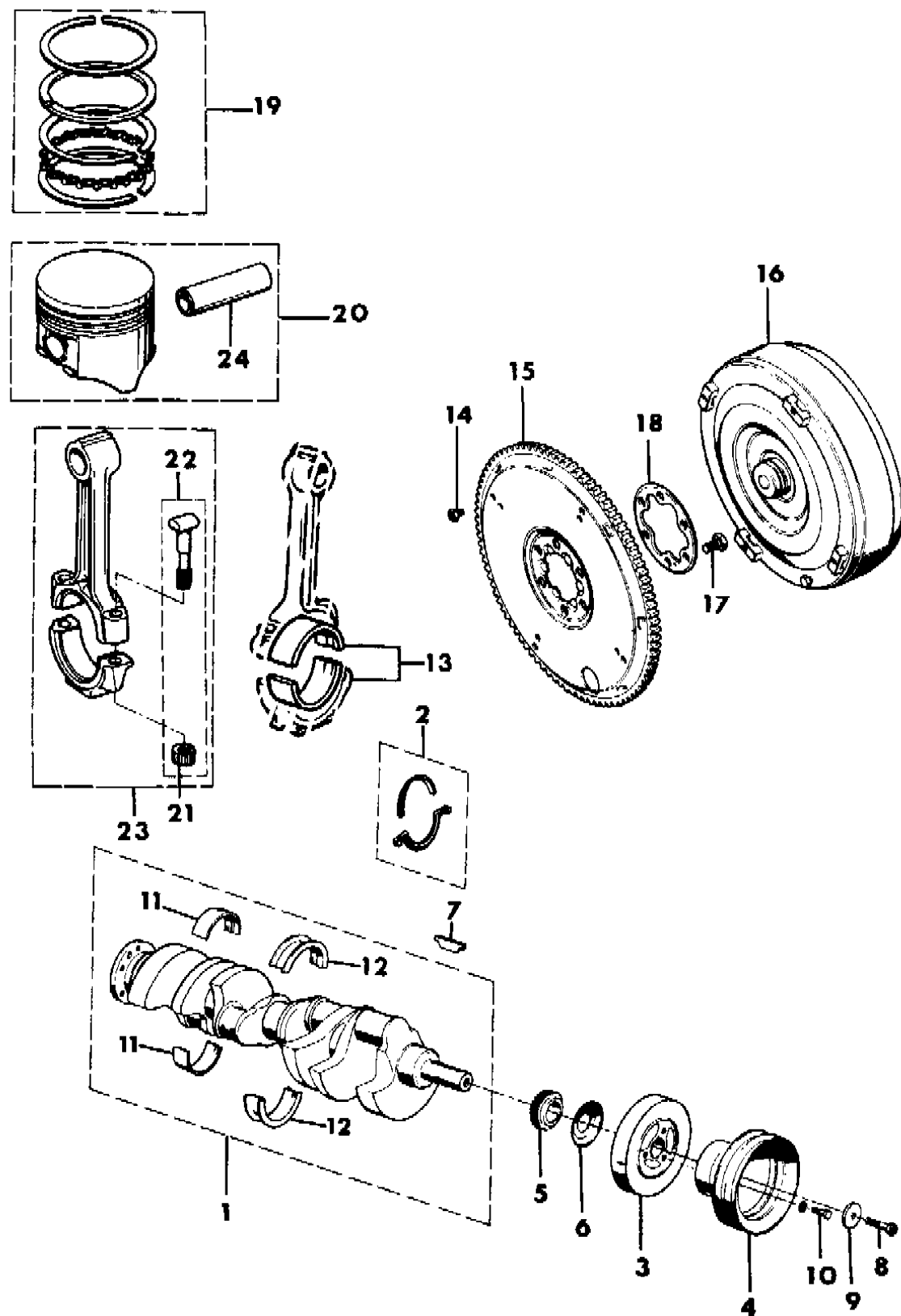
BODY STYLES:

MJ=Comanche Pickup ZJ=Grand Cherokee/Grand Wagoneer KDX VEHICLES
 SJ=Grand Wagoneer M1=Comanche
 XJ=Cherokee, Briarwood X1=Cherokee, Briarwood
 YJ=Wrangler Y1=Wrangler

AR = Use as Required - = Non Illustrated Part P.A.R. = Paint as Required

CRANKSHAFT AND PISTON 5.9L ENGINE
Figure 9C-500

91J09 500



ITEM	PART NUMBER	QTY	BODY	MODEL	DESCRIPTION
1	J813 4413	1			CRANKSHAFT PACKAGE ***
2	J320 6691	1			SEAL PACKAGE
3	J323 0131	1			DAMPER
4	J322 7671	1			PULLEY
5	J323 4235	1			SPROCKET, Crankshaft
6	J318 0205	1			SLINGER, Oil
7	J322 9831	1			KEY
8	J400 5748	1			BOLT
9	J323 0155	1			WASHER
10	J018 0123	4			BOLT
11	J812 5928	4			BEARING PACKAGE, Main Std.
	J812 5929	4			-.001"
	J812 5930	4			-.002"
	J812 5931	4			-.010"
	J812 5932	4			-.012"
12	J812 5933	1			BEARING PACKAGE, Main Std.
	J812 5934	1			-.001"
	J812 5935	1			-.002"
	J812 5936	1			-.010"
13	J812 6204	8			BEARING PACKAGE, Rod Std.
	J812 6205	8			-.001"
	J812 6206	8			-.002"
	J812 6207	8			-.010"
	J812 6208	8			-.012"
14	J321 4097	4			BOLT
15	3300 4361	1			PLATE, Converter Drive
16	4431 180	1			CONVERTER, Torque 5.9L Engine
17	J315 1407	AR			BOLT
18	J321 4094	1			PLATE, Reinforcement
19	J320 8066	1			RING PACKAGE, Piston *** Std.
	J320 8067	1			+.010"
20	J813 3807	8			PISTON PACKAGE *** Std.
	J813 3808	8			+.010"
21	J400 6385	16			NUT
22	J813 3824	16			BOLT PACKAGE, Connecting Rod ***
	5302 0123	16			BOLT, Connecting Rod

MODEL CODES:

61=Pickup-6 Ft Box 74=4 Door Wagon T=2WD
62=Pickup-7 Ft Box 77=Open Body 93" Wheelbase J,N,U=4WD
72=2 Door Wagon 78=Open Body 103" Wheelbase

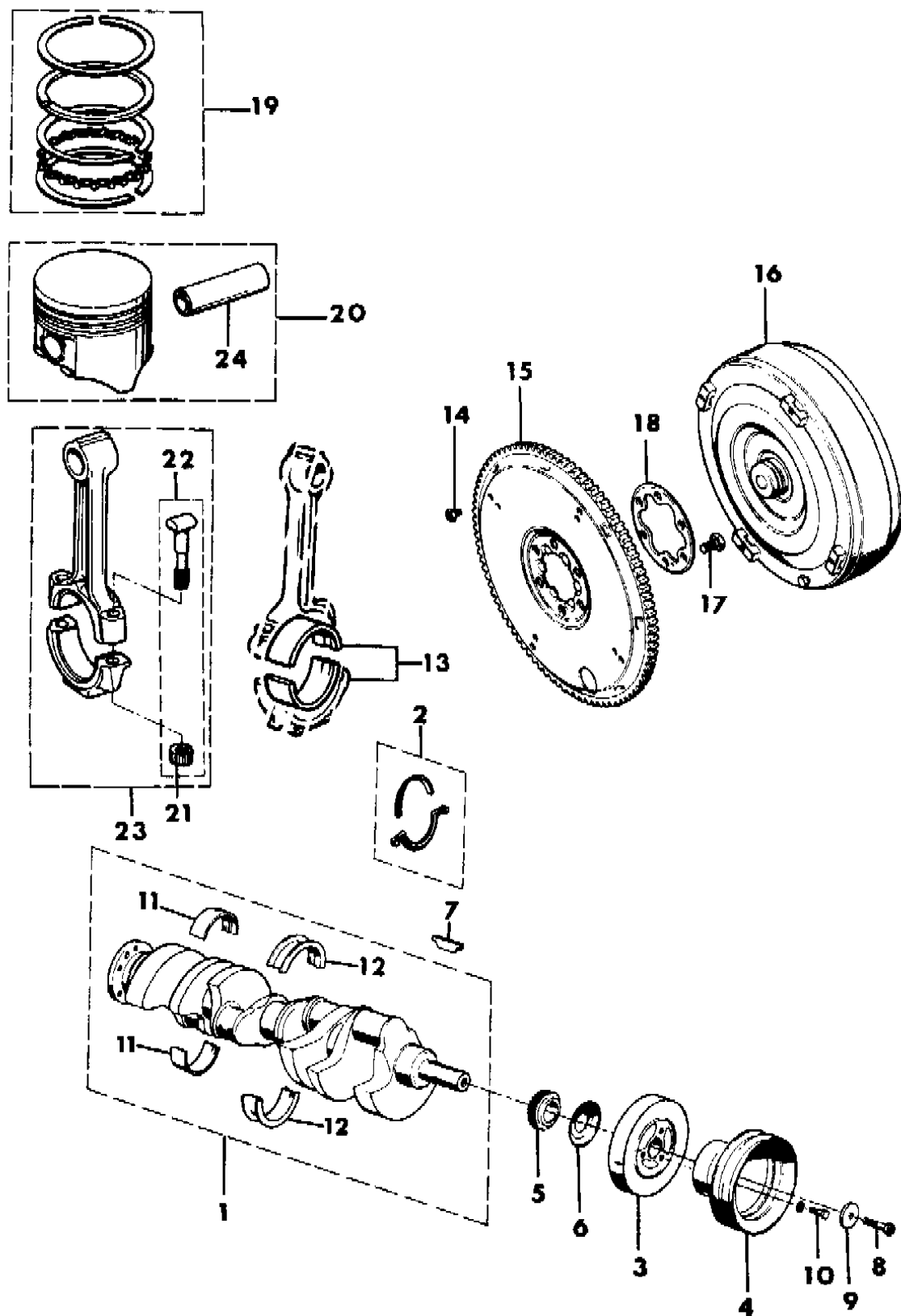
BODY STYLES:

MJ=Comanche Pickup ZJ=Grand Cherokee/Grand Wagoneer KDX VEHICLES
SJ=Grand Wagoneer M1=Comanche
XJ=Cherokee, Briarwood X1=Cherokee, Briarwood
YJ=Wrangler Y1=Wrangler

AR = Use as Required - = Non Illustrated Part P.A.R. = Paint as Required

CRANKSHAFT AND PISTON 5.9L ENGINE
Figure 9C-500

91J09 500



ITEM	PART NUMBER	QTY	BODY	MODEL	DESCRIPTION
23	J323 7814	8			ROD, Connecting
24	J318 0483	8			PIN, Piston Std.
	8350 0303	8			+0.003"
	8350 0304	8			+0.005"

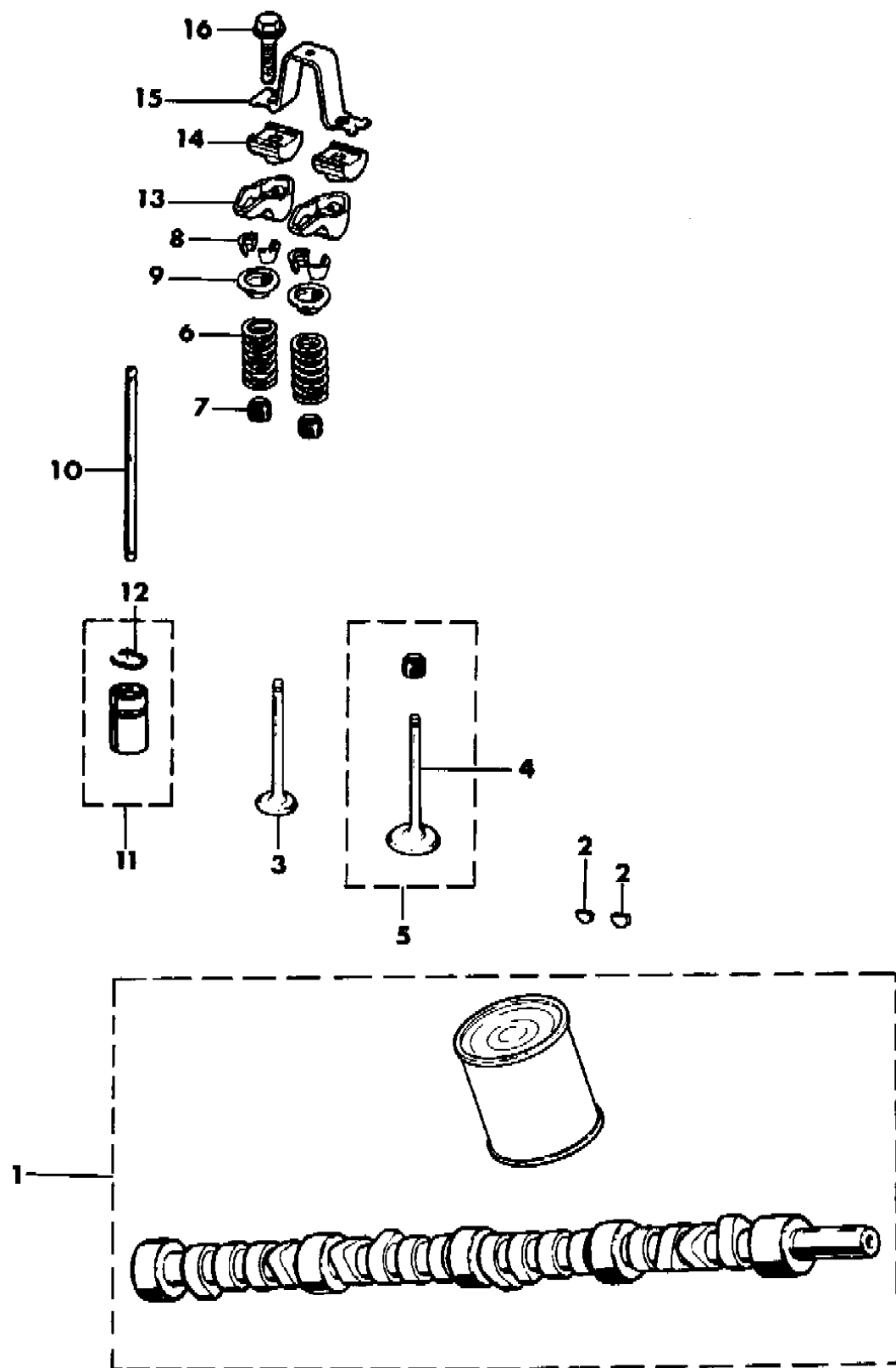
MODEL CODES:
 61=Pickup-6 Ft Box 74=4 Door Wagon T=2WD
 62=Pickup-7 Ft Box 77=Open Body 93" Wheelbase J,N,U=4WD
 72=2 Door Wagon 78=Open Body 103" Wheelbase

BODY STYLES:
 MJ=Comanche Pickup ZJ=Grand Cherokee/Grand Wagoneer KDX VEHICLES
 SJ=Grand Wagoneer M1=Comanche
 XJ=Cherokee, Briarwood X1=Cherokee, Briarwood
 YJ=Wrangler Y1=Wrangler

AR = Use as Required - = Non Illustrated Part P.A.R. = Paint as Required

CAMSHAFT AND VALVE 5.9L ENGINE
Figure 9C-600

91J09 600



ITEM	PART NUMBER	QTY	BODY	MODEL	DESCRIPTION
1	J448 6476	1			CAMSHAFT
2	J012 4546	2			KEY
3					VALVE, Exhaust
	J322 4598	8			Std.
	J322 4604	8			+0.003"
	J322 4605	8			+0.015"
4	J322 9657	8			VALVE, Intake - Standard
5					VALVE PACKAGE, Intake ***
	J812 7694	8			+0.003"
	J812 7695	8			+0.015"
6	J322 8192	16			SPRING
7					DEFLECTOR
	J321 8976	16			Std.
	J321 8976	16			+0.003"
	J321 8977	16			+0.015"
8	J315 6157	32			KEEPER
9	3300 3180	16			RETAINER
10	J321 4014	16			PUSHROD
11	J322 2276	16			TAPPET
12	J644 0614	16			RING
13	J321 0177	16			ARM, Valve Rocker
14	J323 5090	16			PIVOT
15	J323 6513	8			BRIDGE
16	J942 5708	16			BOLT

MODEL CODES:

61=Pickup-6 Ft Box 74=4 Door Wagon T=2WD
 62=Pickup-7 Ft Box 77=Open Body 93" Wheelbase J,N,U=4WD
 72=2 Door Wagon 78=Open Body 103" Wheelbase

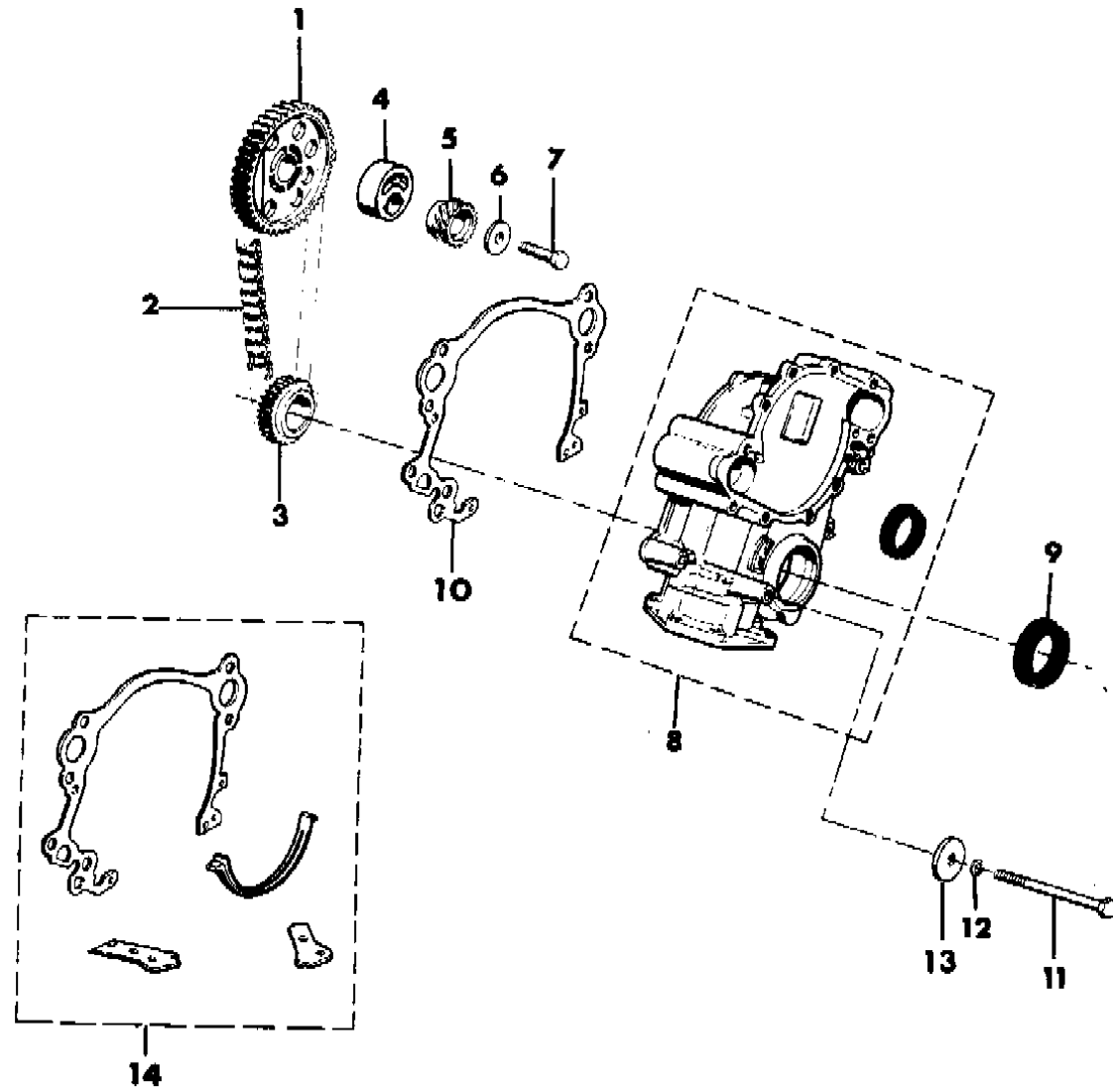
BODY STYLES:

MJ=Comanche Pickup ZJ=Grand Cherokee/Grand Wagoneer KDX VEHICLES
 SJ=Grand Wagoneer M1=Comanche
 XJ=Cherokee, Briarwood X1=Cherokee, Briarwood
 YJ=Wrangler Y1=Wrangler

AR = Use as Required - = Non Illustrated Part P.A.R. = Paint as Required

TIMING COVER 5.9L ENGINE
Figure 9C-700

91J09 700



ITEM	PART NUMBER	QTY	BODY	MODEL	DESCRIPTION
1	J323 4234	1			SPROCKET, Camshaft
2	J323 4433	1			CHAIN, Timing
3	J323 4235	1			SPROCKET, Crankshaft
4	J321 8314	1			ECCENTRIC, Fuel Pump
5	J319 4007	1			GEAR, Distributor
6	J318 9338	1			SPACER
7	J019 2353	1			BOLT
8	J812 9373	1			COVER
9	J319 3613	1			SEAL
10	J318 0216	1			GASKET
11					BOLT
	J017 9844	2			1.62"
	J018 0132	2			2.12"
	J018 9303	2			3.12"
12	J400 3803	4			WASHER, Lock
13	J400 1102	4			WASHER, Plain
14	J812 9098	1			GASKET PACKAGE

MODEL CODES:

61=Pickup-6 Ft Box 74=4 Door Wagon T=2WD
 62=Pickup-7 Ft Box 77=Open Body 93" Wheelbase J,N,U=4WD
 72=2 Door Wagon 78=Open Body 103" Wheelbase

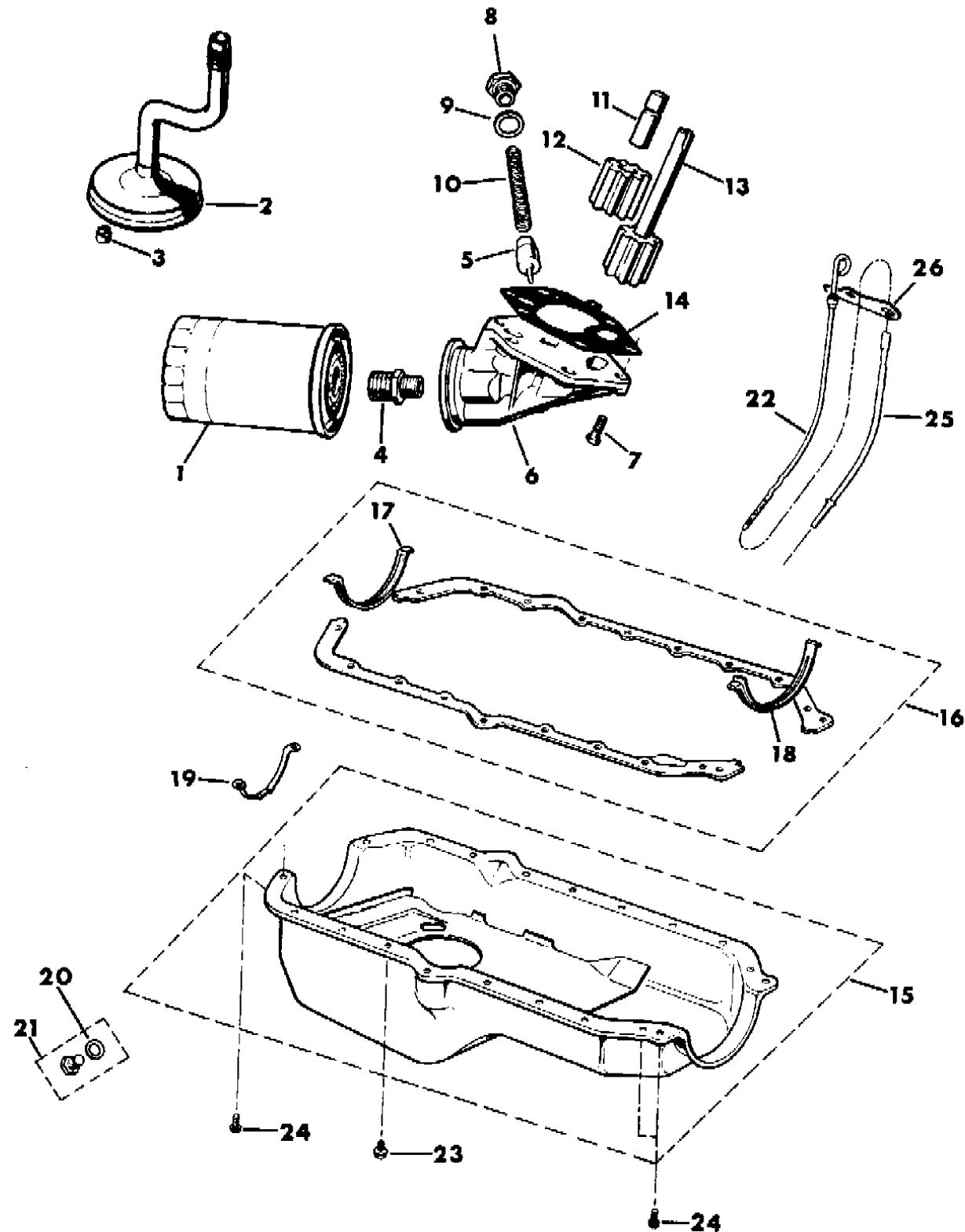
BODY STYLES:

MJ=Comanche Pickup ZJ=Grand Cherokee/Grand Wagoneer KDX VEHICLES
 SJ=Grand Wagoneer M1=Comanche
 XJ=Cherokee, Briarwood X1=Cherokee, Briarwood
 YJ=Wrangler Y1=Wrangler

AR = Use as Required - = Non Illustrated Part P.A.R. = Paint as Required

ENGINE OILING 5.9L ENGINE
Figure 9C-800

91J09 800



ITEM	PART NUMBER	QTY	BODY	MODEL	DESCRIPTION
1	5281 090	1			FILTER, Engine Oil
2	J321 6049	1			TUBE, Oil Pump Inlet
3	J316 7541	1			SPACER
4	5300 7563	1			CONNECTOR
5					PLUNGER
6	J318 8661	1			Std.
	J324 1676	1			+ .010"
6	3300 3536	1			COVER, Oil Pump
7	J813 3623	7			BOLT
8	J312 4735	1			CAP
9	J310 5561	1			GASKET
10	J323 3994	1			SPRING
11	J318 0209	1			SHAFT
12	J319 6842	1			GEAR, Oil Pump Driven
13	J318 2698	1			GEAR, Drive
14	J322 6241	1			GASKET, Cover
15	5300 7840	1			PAN, Engine Oil
16	8350 7120	1			GASKET PACKAGE ***
17	3300 4733	1			SEAL
18	J318 0414	1			SEAL
19	J324 3116	1			SUPPORT
20	J317 0271	1			SEAL
21					PLUG PACKAGE, Oil Pan
	J812 1449	1			Non-Magnetic
	J320 6696	1			Magnetic
22	J322 4880	1			INDICATOR, Engine Oil Level
23	J400 7617	14			SCREW
24	J400 6909	6			SCREW
25	J319 0848	1			TUBE, Engine Oil Indicator
26	J321 5161	1			BRACKET

MODEL CODES:

61=Pickup-6 Ft Box 74=4 Door Wagon T=2WD
 62=Pickup-7 Ft Box 77=Open Body 93" Wheelbase J,N,U=4WD
 72=2 Door Wagon 78=Open Body 103" Wheelbase

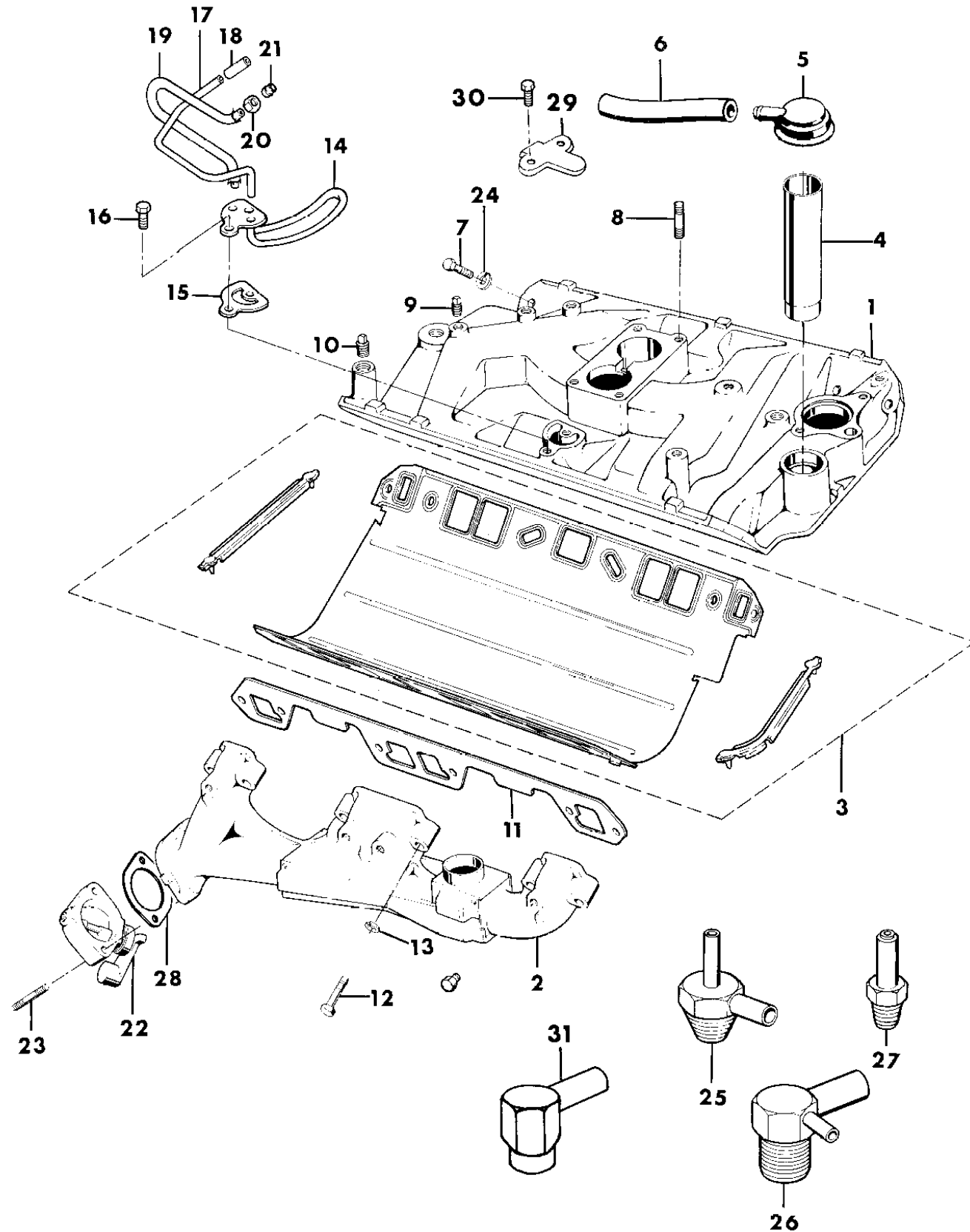
BODY STYLES:

MJ=Comanche Pickup ZJ=Grand Cherokee/Grand Wagoneer KDX VEHICLES
 SJ=Grand Wagoneer M1=Comanche
 XJ=Cherokee, Briarwood X1=Cherokee, Briarwood
 YJ=Wrangler Y1=Wrangler

AR = Use as Required - = Non Illustrated Part P.A.R. = Paint as Required

MANIFOLD, INTAKE AND EXHAUST 5.9L ENGINE
Figure 9C-900

91J09 900A



ITEM	PART NUMBER	QTY	BODY	MODEL	DESCRIPTION
1	J323 3786	1			MANIFOLD, Intake
2	J812 1274	1			MANIFOLD, Exhaust Right
	J812 9210	1			Left
3	J812 5869	1			GASKET PACKAGE
4	J319 8950	1			TUBE, Oil Filler
5	J322 0248	1			CAP, Oil Filler
6	J812 5841	AR			HOSE, Bulk
7	J018 6622	12			BOLT
8	J019 2423	4			STUD
9	J010 3877	AR			PLUG
10	J044 4660	AR			PLUG
11	J323 7270	2			GASKET
12	J400 4538	4			BOLT .38"
	S018 0085	8			.31"
13	J400 3938	4			WASHER .38"
	J400 6292	8			.31"
14	J322 0181	1			TUBE
15	J321 8215	1			GASKET
16	J400 6297	2			SCREW
17	J323 0266	1			TUBE, Clean Air
18	8330 0080	AR			HOSE, 1/4" I.D. Bulk
19	J323 9811	1			TUBE, Heat
20	J011 4627	1			NUT
21	J011 4628	1			SLEEVE
22	J323 8998	1			DAMPER
23	J400 4109	2			STUD Right
	J400 4110	2			Left
24	J400 3938	12			WASHER
25	J322 5447	1			FITTING
26	J321 6512	1			FITTING
27	5300 2726	1			FITTING *** .25"O.D.
	J400 7235	1			.188"O.D.
28	J535 3073	1			GASKET
29	J321 9665	1			COVER, EGR Port
30	J027 3573	2			BOLT
31	J319 8347	1			ELBOW, Vacuum, Intake Manifold

MODEL CODES:

61=Pickup-6 Ft Box 74=4 Door Wagon T=2WD
 62=Pickup-7 Ft Box 77=Open Body 93" Wheelbase J,N,U=4WD
 72=2 Door Wagon 78=Open Body 103" Wheelbase

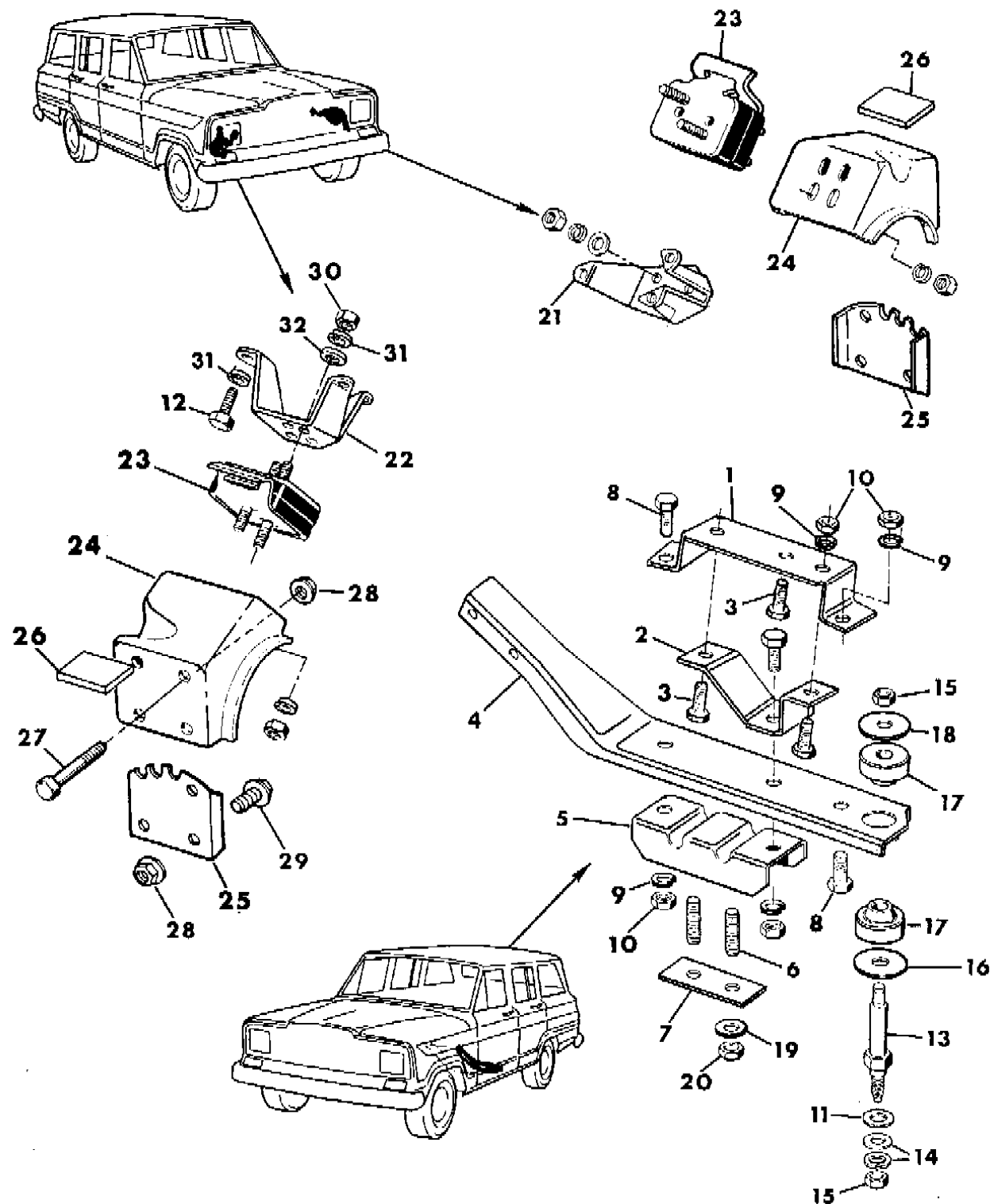
BODY STYLES:

MJ=Comanche Pickup ZJ=Grand Cherokee/Grand Wagoneer KDX VEHICLES
 SJ=Grand Wagoneer M1=Comanche
 XJ=Cherokee, Briarwood X1=Cherokee, Briarwood
 YJ=Wrangler Y1=Wrangler

AR = Use as Required - = Non Illustrated Part P.A.R. = Paint as Required

ENGINE MOUNTING 5.9L ENGINE
Figure 9C-1000

91J09 1000



ITEM	PART NUMBER	QTY	BODY	MODEL	DESCRIPTION
1	J535 9754	1			BRACKET, Upper, Automatic Transmission
2	J535 9753	1			BRACKET, Lower, Automatic Transmission
3					BOLT
	J400 6110	AR			.88", Manual Transmission
	J400 6825	AR			1.00", Automatic Transmission
4					BRACKET
	J535 9752	1			Automatic Transmission
5	J137 0910	1			INSULATOR
6	J400 4819	2			STUD
7	J536 1885	1			SPACER
8	J018 0145	4			BOLT
9	J012 0383	4			WASHER, Lock
10	J027 1501	4			NUT
11	J400 1134	1			WASHER
12	J018 0121	6			BOLT
13	J535 8879	1			STUD ASSEMBLY
14	J400 1104	2			WASHER
15	J941 1783	2			NUT
16	J094 1399	1			WASHER
17	J094 5266	2			INSULATOR
18	J094 5269	1			WASHER
19	J400 3805	1			WASHER
20	J941 3215	2			NUT
21	J318 6274	1			BRACKET, Engine
22	J318 6275	1			BRACKET, Engine
23	J318 6107	2			MOUNT, Engine ***
24	5200 3004	2			BRACKET
25	J535 2448	2			REINFORCEMENT
26	J099 8373	2			REINFORCEMENT
27	J400 6864	4			BOLT
28	J400 3909	6			NUT
29	J400 5664	2			BOLT
30	J400 3869	AR			NUT
31	J012 0382	AR			WASHER, Lock
32	J400 1104	4			WASHER, Plain

MODEL CODES:

61=Pickup-6 Ft Box 74=4 Door Wagon T=2WD
 62=Pickup-7 Ft Box 77=Open Body 93" Wheelbase J,N,U=4WD
 72=2 Door Wagon 78=Open Body 103" Wheelbase

BODY STYLES:

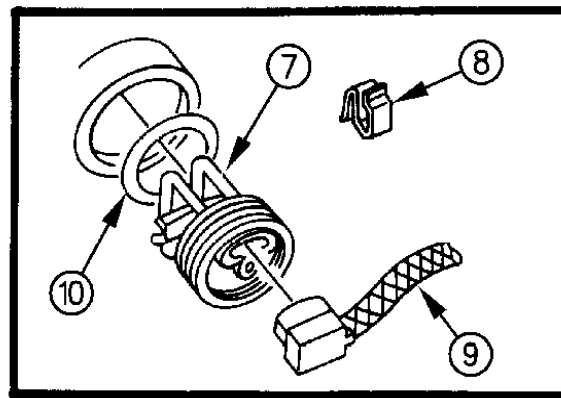
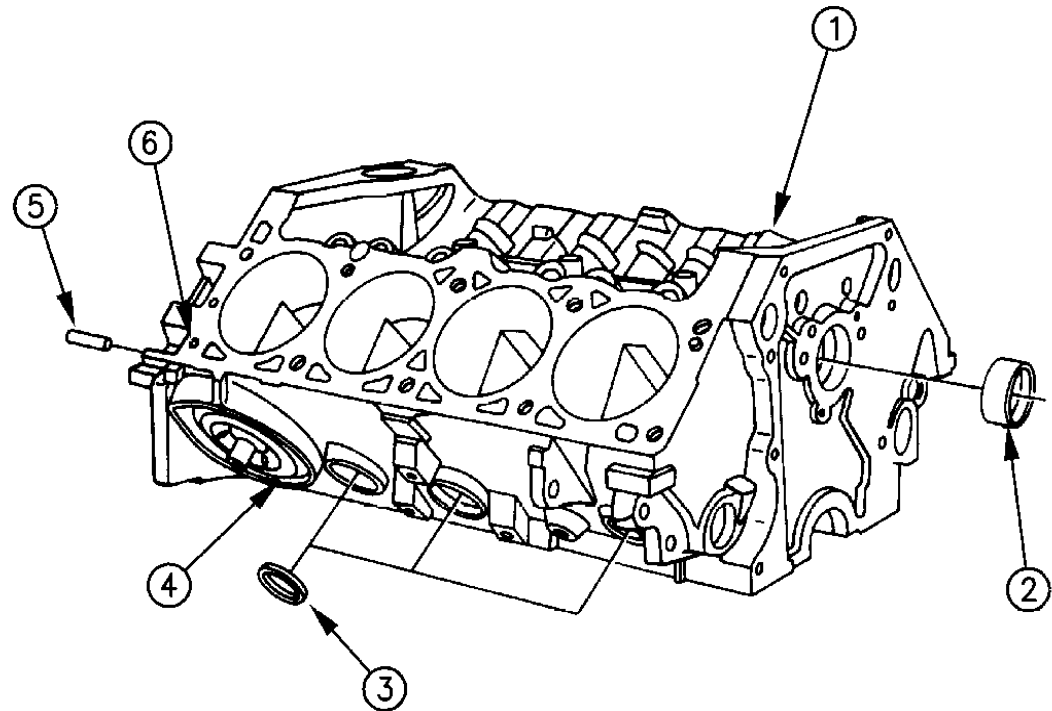
MJ=Comanche Pickup ZJ=Grand Cherokee/Grand Wagoneer KDX VEHICLES
 SJ=Grand Wagoneer M1=Comanche
 XJ=Cherokee, Briarwood X1=Cherokee, Briarwood
 YJ=Wrangler Y1=Wrangler

AR = Use as Required - = Non Illustrated Part P.A.R. = Paint as Required

CYLINDER BLOCK 5.2L ENGINE ZJ

Figure 9C-1200

91J09 1200



ITEM	PART NUMBER	QTY	BODY	MODEL	DESCRIPTION
------	-------------	-----	------	-------	-------------

NOTE: These Packages Do Not Contain Gaskets For All Required Sealing R.T.V. Sealer # 4318025 and Gasket Eliminator # 4318083 Must Be Used In Addition As Described In The Chrysler Repair Manual.

4720 740 1 GASKET PACKAGE, Engine Lower ***

NOTE: Short Engine Assembly Consists Of The Cylinder Block With Pistons and Rings, Crankshaft and Bearings, Connecting Rods And Bearings. As Described In The Chrysler Repair Manual.

1	4713 602	1			ENGINE, Short
2		1			(See Camshaft Illustration) ***
3	4556 022	7			PLUG, Cylinder Block Core Hole 1.625" Dia.
	4556 020	1			1.250" Dia.
		1			PLUG, Cylinder Block Hole (Not Serviced)
		2			PLUG, Water Jacket Drain (Not Serviced)
4	5300 9518	1			PLUG, Cylinder Block Oil Line
					PLUG, Cylinder Block Oil Hole
	3751 818	1			Right Side
	4315 769	1			Left Side, w/Orifice
		4			PLUG, Cylinder Block Oil Hole 3/8" NPT (Not Serviced)
5	1122 532	2			DOWEL, Cylinder Block to Clutch or Torque Convert.Housing
6	0141 215	4			DOWEL, Cylinder Block to Head
7	4713 316	1			HEATER PACKAGE, Engine Block ***
8		AR			CLIP, Heater Cord to Oil Pan (Not Serviced)
9	5602 6856	1			CORD, Engine Block Heater
10	6501 445	AR			SEAL, Engine Heater to Block (1-11/32 Dia. 11/64 Width)
	6501 446	AR			1-11/32 Dia. 9/64 Width

MODEL CODES:

61=Pickup-6 Ft Box 74=4 Door Wagon T=2WD
 62=Pickup-7 Ft Box 77=Open Body 93" Wheelbase J,N,U=4WD
 72=2 Door Wagon 78=Open Body 103" Wheelbase

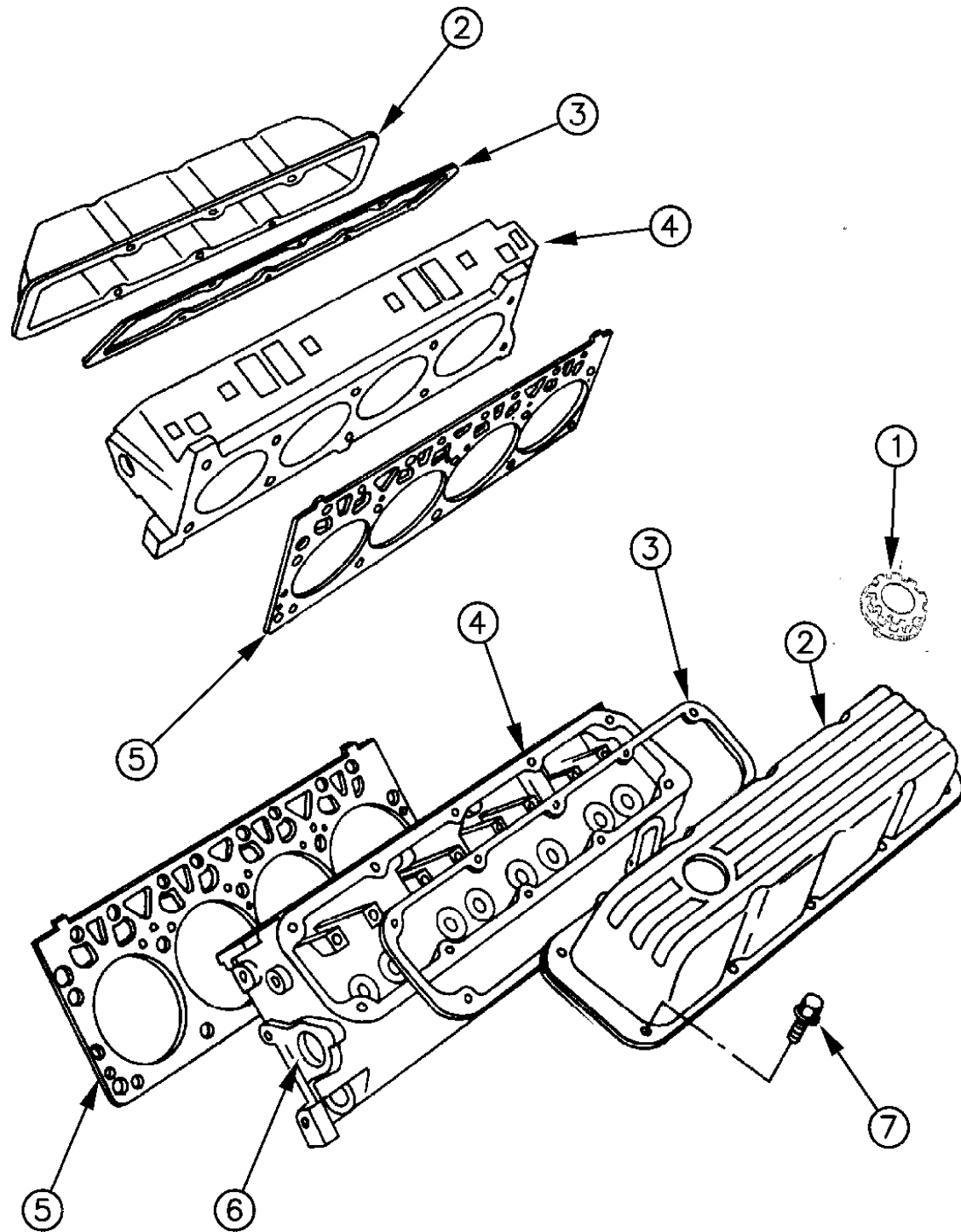
BODY STYLES:

MJ=Comanche Pickup ZJ=Grand Cherokee/Grand Wagoneer KDX VEHICLES
 SJ=Grand Wagoneer M1=Comanche
 XJ=Cherokee, Briarwood X1=Cherokee, Briarwood
 YJ=Wrangler Y1=Wrangler

AR = Use as Required - = Non Illustrated Part P.A.R. = Paint as Required

CYLINDER HEAD 5.2L ENGINE ZJ
Figure 9C-1300

91J09 1300



ITEM	PART NUMBER	QTY	BODY	MODEL	DESCRIPTION
NOTE: These Packages Do Not Contain Gaskets For All Required Sealing. R.T.V Sealer # 4318025 and Gasket Eliminator # 4318029 Must Be Used In Addition As Described In The Chrysler Repair Manual.					
	4713 509	1			GASKET PACKAGE, Engine Upper ***
1	5300 8620	AR			CAP, Oil Filler
2	5300 9238	2			COVER, Cylinder Head
	5302 0419	8			HEAT SHIELD, Spark Plug Wire ***
3	5300 6695				GASKET, Cylinder Head Cover
4	5300 6673	2			HEAD, Cylinder Partial
	2463 260	10			BOLT, Cylinder Head
	6034 368	10			.50x4.625
5	5300 9892	2			.50-13x2.00
6	5203 341	AR			GASKET, Cylinder Head
7	6034 326	10			PLUG, Cylinder Head Core Hole 1.250" Dia.
	6034 400	10			STUD, Cylinder Head Cover Attaching .25-20x1.810
					SCREW wWasher, Cylinder Head Cover Attaching .25-20x75 ***

MODEL CODES:

61=Pickup-6 Ft Box 74=4 Door Wagon T=2WD
 62=Pickup-7 Ft Box 77=Open Body 93" Wheelbase J,N,U=4WD
 72=2 Door Wagon 78=Open Body 103" Wheelbase

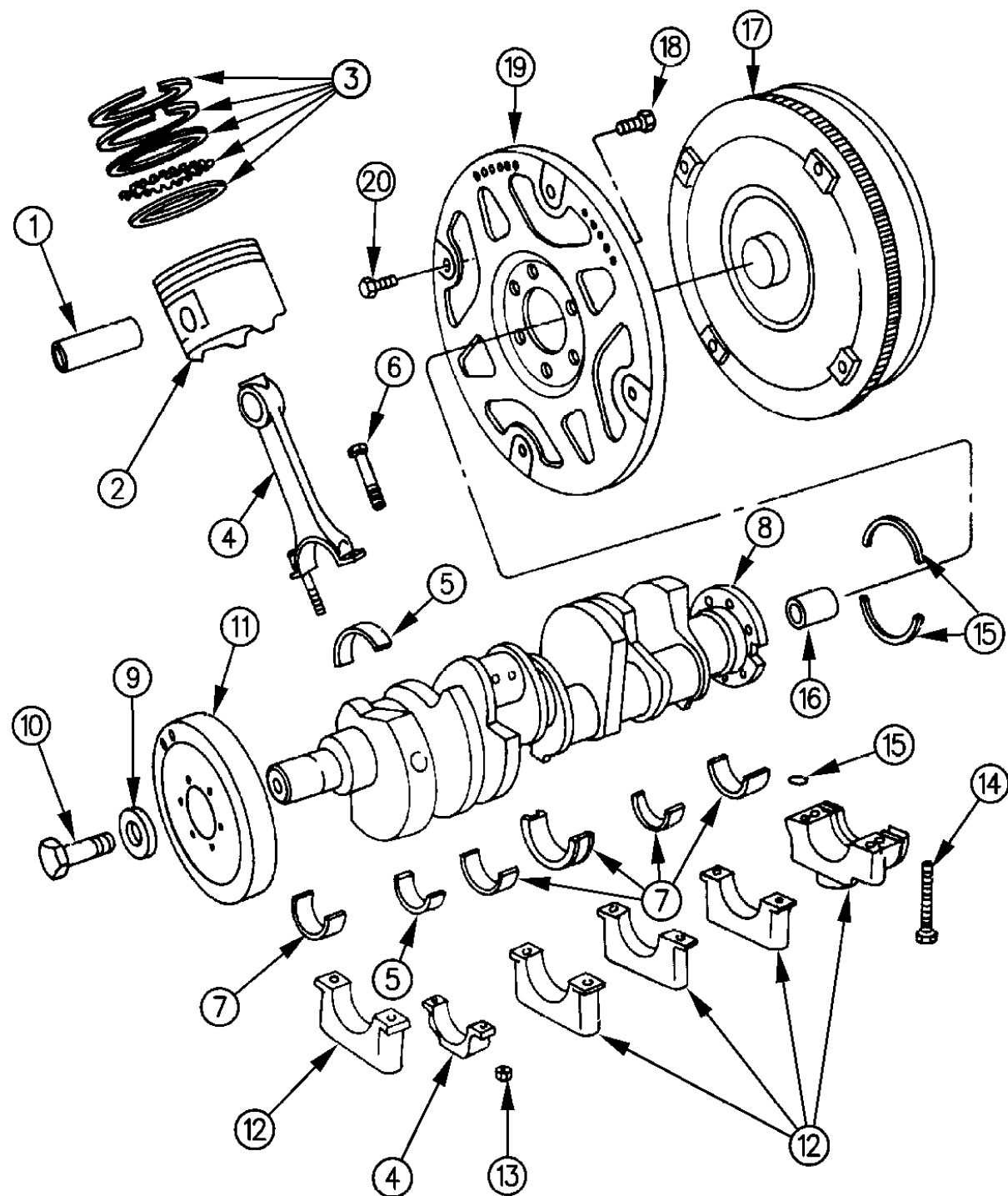
BODY STYLES:

MJ=Comanche Pickup ZJ=Grand Cherokee/Grand Wagoneer KDX VEHICLES
 SJ=Grand Wagoneer M1=Comanche
 XJ=Cherokee, Briarwood X1=Cherokee, Briarwood
 YJ=Wrangler Y1=Wrangler

AR = Use as Required - = Non Illustrated Part P.A.R. = Paint as Required

CRANKSHAFT, PISTONS AND TORQUE CONVERTER 5.2L ENGINE ZJ
Figure 9C-1400

91J09 1400



ITEM	PART NUMBER	QTY	BODY	MODEL	DESCRIPTION
1	5300 5779	8			PIN, Piston
2	4762 947	8			PISTON and PIN Size 'B'
	4762 948	8			Size 'C'
	4762 949	8			Size 'D'
3	4638 060	8			RING SET, Piston
	4720 727	1			RING SET, Engine
4	4636 812	8			ROD PACKAGE, Connecting w/Pin ***
5	2421 305	8			BEARING, Connecting Rod-Standard
	2421 306	8			.001" U/S
	2421 309	8			.010" U/S
6	6033 715	16			BOLT, Connecting Rod Bearing Cap
7	4397 776	1			BEARING, Crankshaft #1 Standard
	4397 780	1			.001" U/S
	4397 792	1			.010" U/S
	4397 777	2			BEARING, Crankshaft #2,4 Standard
	4397 781	2			.001" U/S
	4397 793	2			.010" U/S
	4720 595	1			BEARING, Crankshaft #3 Standard
	4720 596	1			.001" U/S
	4720 593	1			.010" U/S
	4397 701	1			BEARING, Crankshaft #5 Standard
	4397 702	1			.001" U/S
	4397 705	1			.010" U/S
8	3751 837	1			CRANKSHAFT
9	1855 561	1			WASHER, Crankshaft Screw
10	1821 414	1			SCREW, Crankshaft 3/4-14x2.25
11	5302 0229	1			DAMPER, Vibration
12					CAP, Crankshaft Bearing (Serviced with Block)
13	6032 296	8			NUT, Connecting Rod Bearing Cap Bolt
14	6027 264	8			SCREW, Crankshaft Bearing #1,2,3 Cap
	6033 300	2			#4 Cap
15	5300 5629	1			OIL SEAL, Crankshaft
16	5300 9180	1			SLEEVE and BEARING, Drive Pinion Pilot ***
	5300 9181	1			BEARING, Pilot
17	5211 7879	1			CONVERTER, Torque
	4531 225	1			SEAL, Trans. Torque Converter Hub
	3515 203	1			GEAR, Torque Converter Starter
18	1949 424	6			SCREW, Drive Plate to Crankshaft
19	5300 8669	1			PLATE, Torque Converter Drive
20	J321 4097	4			SCREW, Torque Converter to Drive Plate

MODEL CODES:

61=Pickup-6 Ft Box 74=4 Door Wagon T=2WD
 62=Pickup-7 Ft Box 77=Open Body 93" Wheelbase J,N,U=4WD
 72=2 Door Wagon 78=Open Body 103" Wheelbase

BODY STYLES:

MJ=Comanche Pickup ZJ=Grand Cherokee/Grand Wagoneer KDX VEHICLES
 SJ=Grand Wagoneer M1=Comanche
 XJ=Cherokee, Briarwood X1=Cherokee, Briarwood
 YJ=Wrangler Y1=Wrangler

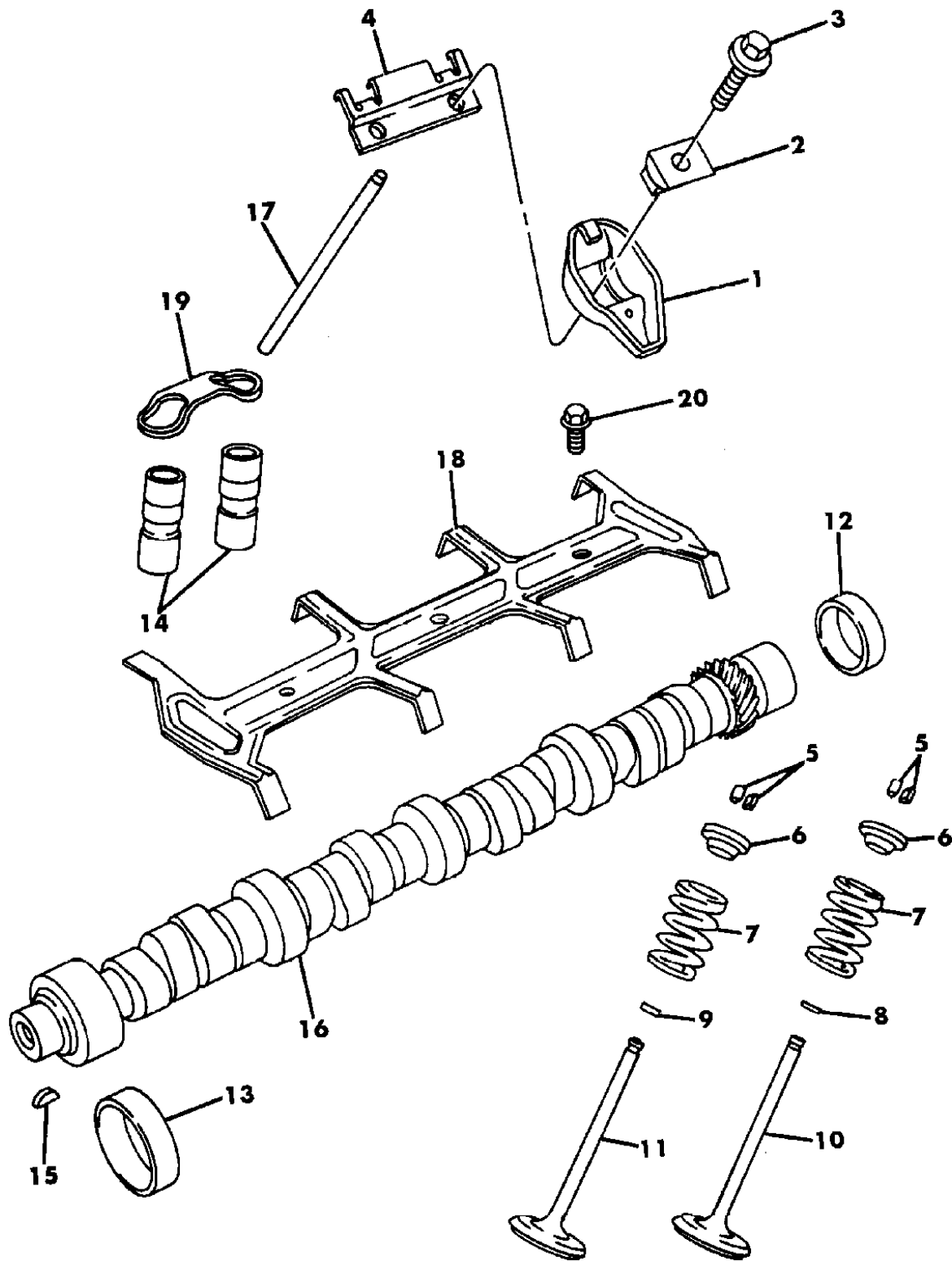
AR = Use as Required - = Non Illustrated Part P.A.R. = Paint as Required

CAMSHAFT AND VALVES 5.2L ENGINE ZJ

Figure 9C-1500

91J09 1500

ITEM	PART NUMBER	QTY	BODY	MODEL	DESCRIPTION
1	5300 8282	16			ROCKER, Valve
2	5300 8283	16			PIVOT, Rocker Arm
3	6034 184	16			BOLT, Rocker Arm Pivot
4	5300 8633	8			RETAINER, Rocker Arm/Push Rod
5	3300 3521	32			LOCK, Valve Spring Retainer
6	3300 4626	16			RETAINER, Valve Spring
7	3300 4296	16			SPRING, Valve
8					SEAL, Intake Valve Stem
	5300 9886	8			Standard and .003 o/s
	3300 3016	8			.015 o/s
9					SEAL, Exhaust Valve
	5300 9887	8			Standard and .003 o/s
	5300 9889	8			.015 o/s
10					VALVE, Intake
	5300 6723	8			Standard
	5300 9287	8			.003 O/S
	5300 9285	8			.015 O/S
11					VALVE, Exhaust
	5300 6724	8			Standard
	5300 9291	8			.003 O/S
	5300 9289	8			.015 O/S
12	1821 722	1			PLUG, Camshaft Rear Bearing
13	3830 603	1			BEARING, Camshaft #1
	4179 776	1			#2
	4179 777	1			#3
	4179 778	1			#4
	1632 526	1			#5
14	4713 439	16			TAPPET, Valve
15	0431 787	1			KEY, Camshaft Sprocket
16	5300 6707	1			CAMSHAFT
17	5300 6722	16			PUSH ROD, Valve
18	4323 207	1			RETAINER, Tappet Aligning Yoke
19	4483 045	8			YOKE, Tappet Aligning
20	6034 483	2			SCREW and WASHER, Yoke Retainer 5/16-18x.81



MODEL CODES:

61=Pickup-6 Ft Box 74=4 Door Wagon T=2WD
 62=Pickup-7 Ft Box 77=Open Body 93" Wheelbase J,N,U=4WD
 72=2 Door Wagon 78=Open Body 103" Wheelbase

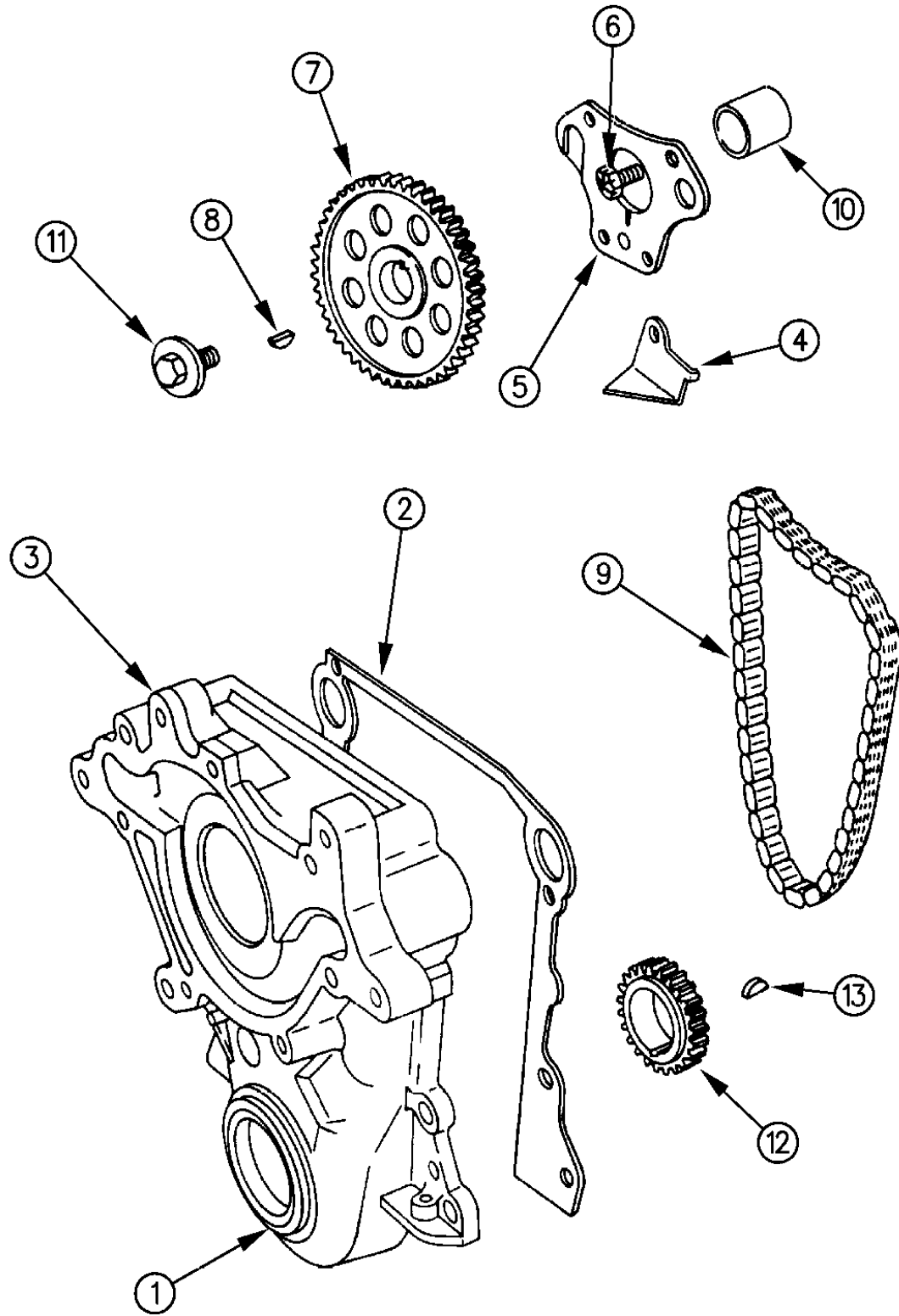
BODY STYLES:

MJ=Comanche Pickup ZJ=Grand Cherokee/Grand Wagoneer KDX VEHICLES
 SJ=Grand Wagoneer M1=Comanche
 XJ=Cherokee, Briarwood X1=Cherokee, Briarwood
 YJ=Wrangler Y1=Wrangler

AR = Use as Required - = Non Illustrated Part P.A.R. = Paint as Required

TIMING COVER AND INDICATOR 5.2L ENGINE ZJ
Figure 9C-1600

91J09 1600



ITEM	PART NUMBER	QTY	BODY	MODEL	DESCRIPTION
1	5300 5630	1			SEAL, Crankshaft Front Oil
2	5302 0284	1			GASKET, Chain Case Cover
3	5300 6704	1			COVER, Chain Case
	6034 479	1			BOLT, Chain Case Cover .375-16x2.25
	6034 452	1			STUD, Double End w/Hex Head .375-16x.375-16x2.38
	6034 453	2			STUD, Double End w/Hex Head .375-16x.375-16x1.63
4	3671 649	1			TAB, Timing Chain Oil
5	4315 764	1			PLATE, Camshaft Sprocket Thrust
6	0106 751	3			SCREW, Camshaft Sprocket Thrust Plate
7		1			SPROCKET, Camshaft see Item #9
8	6029 411	1			KEY, Camshaft Sprocket
9	8350 7095	1			CHAIN PACKAGE, Timing, (Includes Cam and Crankshaft Sprockets) ***
10		1			Referance ***
11	6034 321	1			SCREW and WASHER, Camshaft Sprocket Retainer
12		1			SPROCKET, Crankshaft see Item #9
13	6029 411	1			KEY, Crankshaft Sprocket

MODEL CODES:

61=Pickup-6 Ft Box 74=4 Door Wagon T=2WD
 62=Pickup-7 Ft Box 77=Open Body 93" Wheelbase J,N,U=4WD
 72=2 Door Wagon 78=Open Body 103" Wheelbase

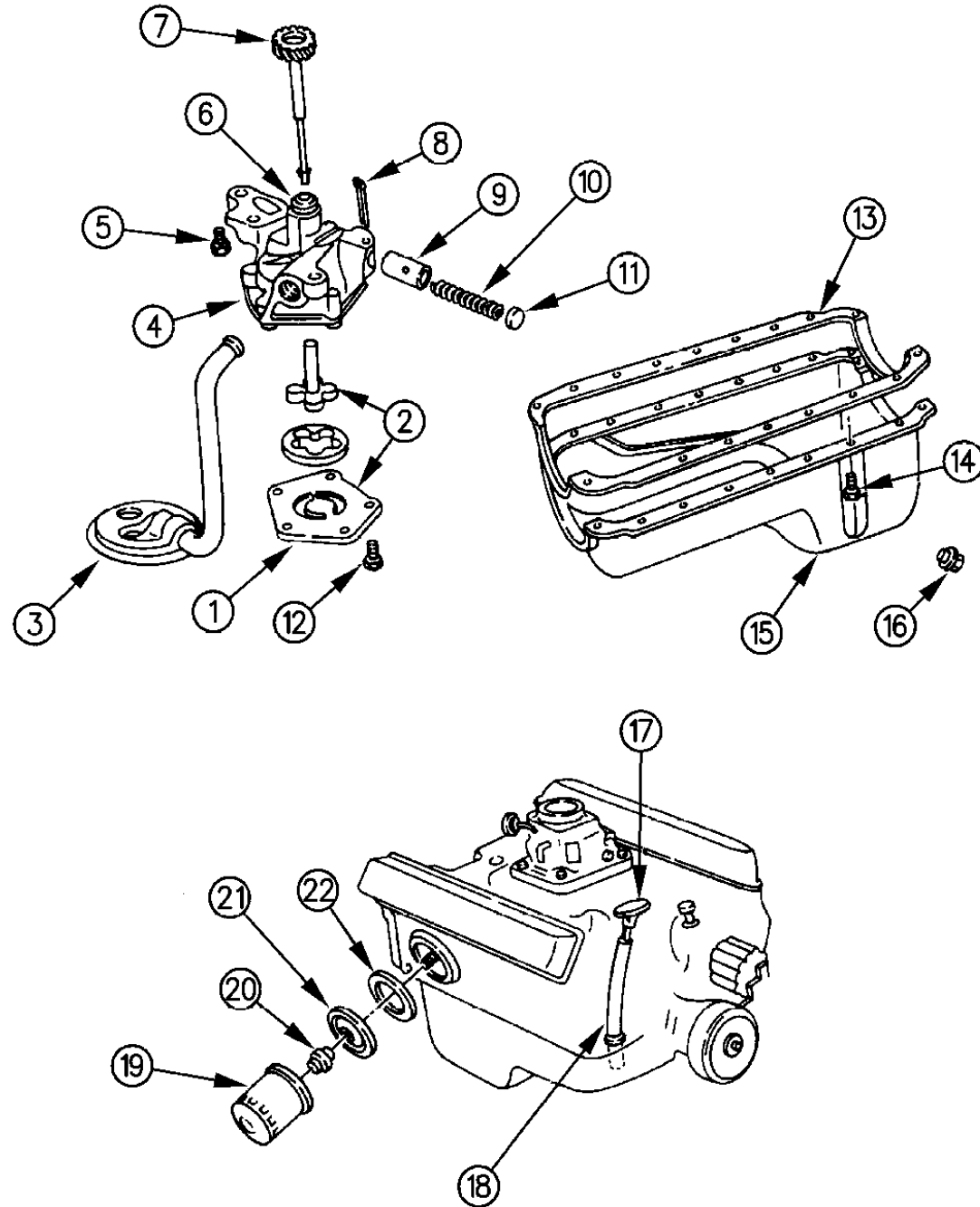
BODY STYLES:

MJ=Comanche Pickup ZJ=Grand Cherokee/Grand Wagoneer KDX VEHICLES
 SJ=Grand Wagoneer M1=Comanche
 XJ=Cherokee, Briarwood X1=Cherokee, Briarwood
 YJ=Wrangler Y1=Wrangler

AR = Use as Required - = Non Illustrated Part P.A.R. = Paint as Required

ENGINE OILING 5.2L ENGINE ZJ
Figure 9C-1700

91J09 1700



ITEM	PART NUMBER	QTY	BODY	MODEL	DESCRIPTION
1	4071 043	1			COVER, Oil Pump
2	3837 648	1			SHAFT and ROTOR, Oil Pump Package
3	5300 9113	1			TUBE, Strainer and Oil Pick-Up
4	4626 055	1			PUMP ASSEMBLY, Oil ***
5		2			SCREW, Oil Pump Attaching (3/8x1.375") (not serviced)
6	1737 725	1			BUSHING, Oil Pump and Distributor Drive Shaft
7	5302 0211	1			GEAR and SHAFT, Oil Pump and Distributor Drive
8	0108 636	1			PIN, Oil Pressure Relief Valve
9	2843 208	1			PLUNGER, Oil Pressure Relief Valve
10	2402 473	1			SPRING, Oil Pressure Relief Valve
11	2806 273	1			CAP, Oil Pressure Relief Valve
12		5			SCREW, Oil Pump Cover (Not Serviced)
13	5300 5650	1			GASKET, Oil Pan
14	6034 483	17			SCREW, w/WASHER Oil Pan
	6034 733	1			STUD, w/Washer 5/16-18x14-20
15	5300 9118	1			PAN, Oil
16	6034 376	1			PLUG, w/Gasket, Oil Pan Drain
	5602 7061	1			SENSOR, Oil Level
	6034 061	1			PLUG, Oil Lever Sensor
	5302 0281	1			GASKET, Oil Level Sensor Plug
17	5300 9123	1			INDICATOR, Oil Level
18	5300 9121	1			TUBE, Oil Level Indicator, See TSB Dated 09-16-92
19	5281 090	1			FILTER, Oil
20	5300 7563	1			ADAPTER, Oil Filter to Cylinder Block
21	5300 9219	1			PLATE, Oil Filter Adapter
22	5302 0001	1			GASKET, Oil Filter Adapter Plate

MODEL CODES:

61=Pickup-6 Ft Box 74=4 Door Wagon T=2WD
 62=Pickup-7 Ft Box 77=Open Body 93" Wheelbase J,N,U=4WD
 72=2 Door Wagon 78=Open Body 103" Wheelbase

BODY STYLES:

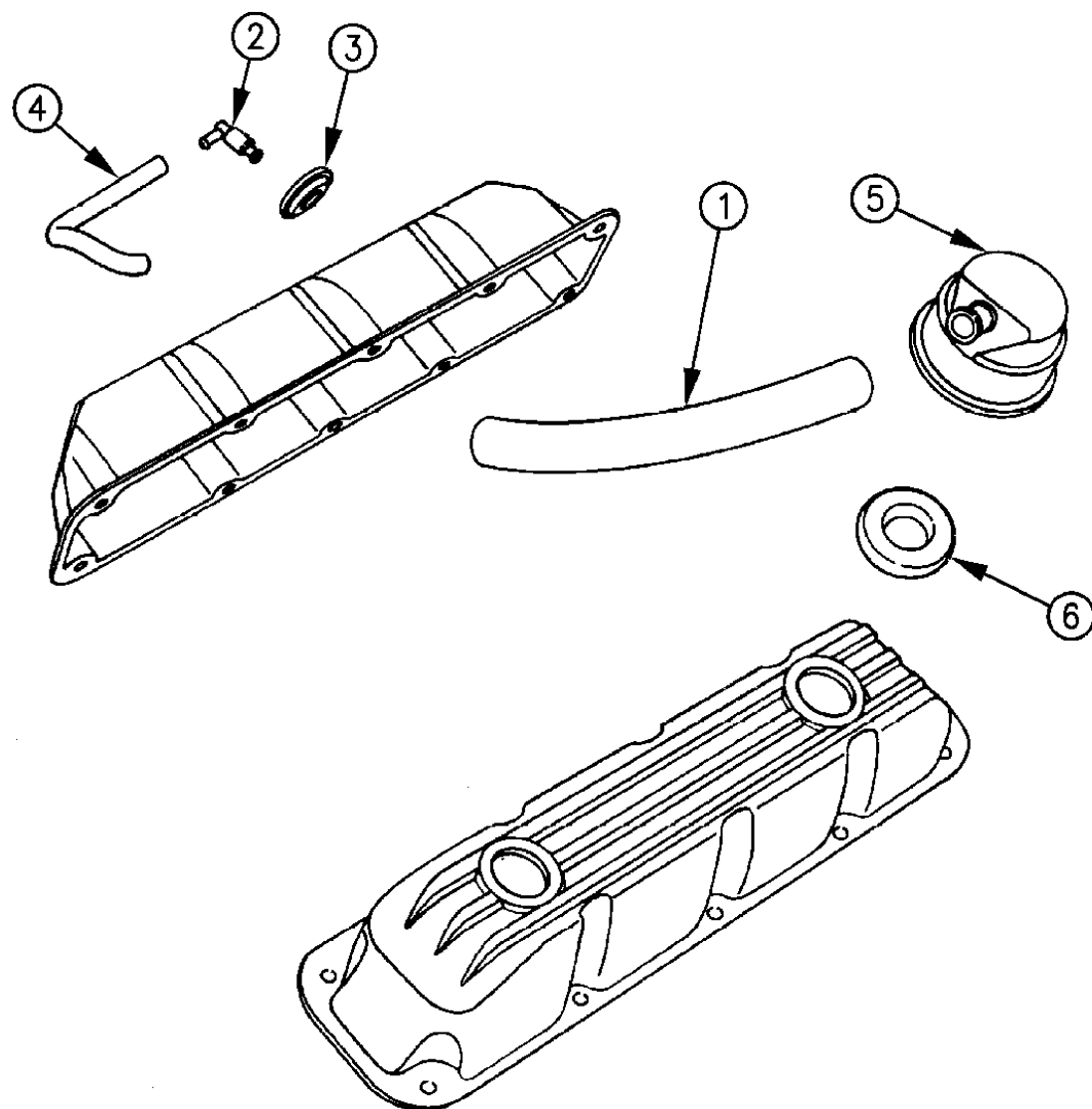
MJ=Comanche Pickup ZJ=Grand Cherokee/Grand Wagoneer KDX VEHICLES
 SJ=Grand Wagoneer M1=Comanche
 XJ=Cherokee, Briarwood X1=Cherokee, Briarwood
 YJ=Wrangler Y1=Wrangler

AR = Use as Required - = Non Illustrated Part P.A.R. = Paint as Required

CRANKCASE VENTILATION 5.2L ENGINE ZJ
Figure 9C-1800

91J09 1800

ITEM	PART NUMBER	QTY	BODY	MODEL	DESCRIPTION
1					HOSE, Crankcase Vent Inlet Air Cleaner
					Consists of:
	5303 0409	1			TUBE, Rubber Formed
	5303 0410	1			TUBE, Nylon-Straight
	5303 0411	1			TUBE, Rubber Formed
2	3671 076	1			VALVE, Crankcase Vent
3	5303 0017	1			GROMMET, PCV Valve ***
4	5300 8675	1			TUBE ASSEMBLY, PCV Valve to Manifold ***
5	4273 322	1			CLEANER, Crankcase Vent Inlet Air ***
6	2946 079	1			GROMMET, Crankcase Vent Inlet Air Cleaner



MODEL CODES:

61=Pickup-6 Ft Box 74=4 Door Wagon T=2WD
 62=Pickup-7 Ft Box 77=Open Body 93" Wheelbase J,N,U=4WD
 72=2 Door Wagon 78=Open Body 103" Wheelbase

BODY STYLES:

MJ=Comanche Pickup ZJ=Grand Cherokee/Grand Wagoneer KDX VEHICLES
 SJ=Grand Wagoneer M1=Comanche
 XJ=Cherokee, Briarwood X1=Cherokee, Briarwood
 YJ=Wrangler Y1=Wrangler

AR = Use as Required - = Non Illustrated Part P.A.R. = Paint as Required

MANIFOLD, INTAKE AND EXHAUST 5.2L ENGINE ZJ

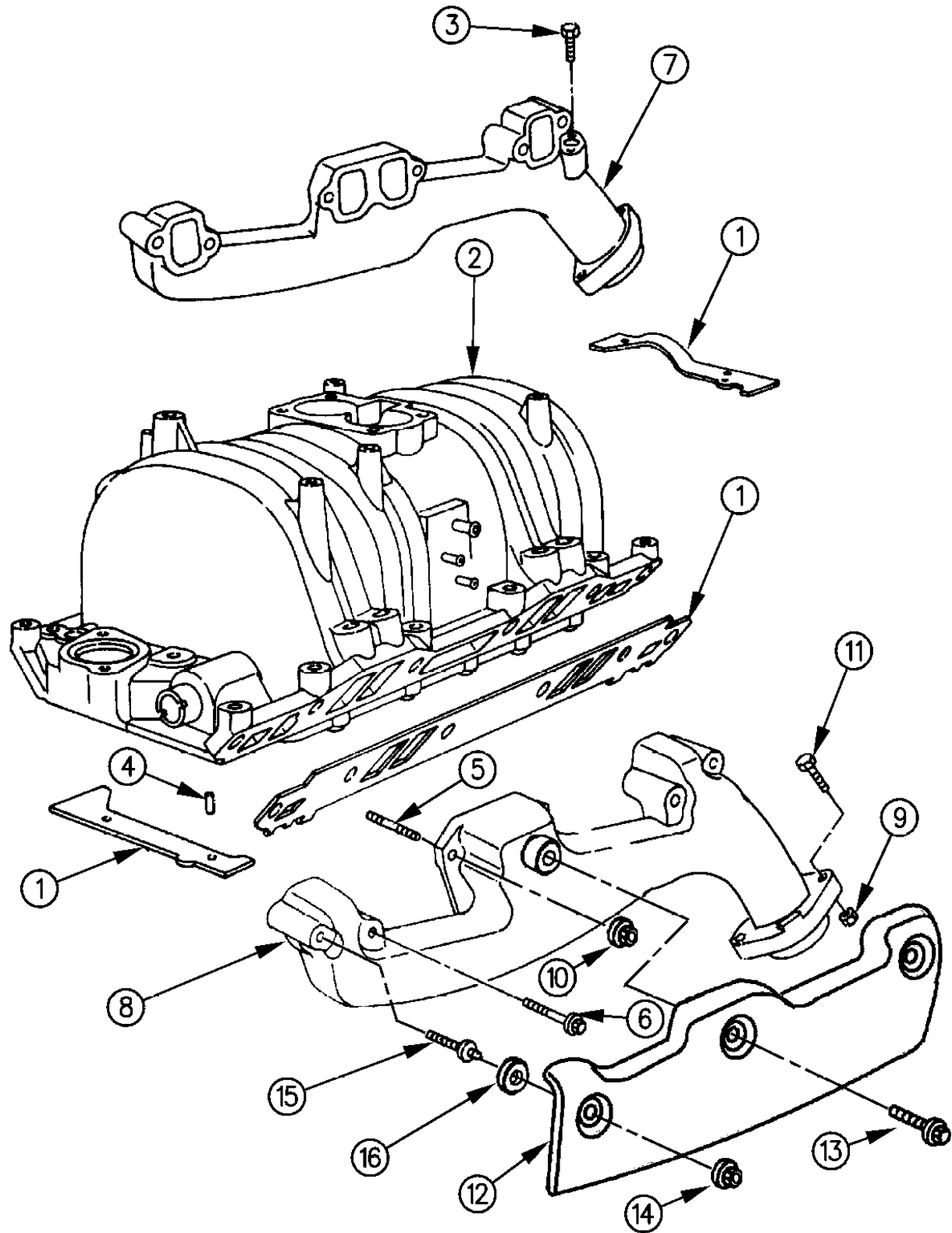
Figure 9C-1900

91J09 1900A

ITEM	PART NUMBER	QTY	BODY	MODEL	DESCRIPTION
------	-------------	-----	------	-------	-------------

NOTE ONE: These packages do not contain gaskets for all required sealing R.T.V. sealer # 4318025 and gasket eliminator # 4318083 must be used in addition as described in the Chrysler repair manual.

1	4638 114	1			GASKET PACKAGE, Intake Manifold ***
2	4713 157	1			MANIFOLD ASSEMBLY, Intake, (Use Air Temperature Sensor 33004280)* ***
	5300 6623	1			GASKET, Manifold Pan
3	6034 305	12			SCREW and WASHER, Intake Manifold 5/16-18x2.75
4	4006 583	4			DOWEL, Intake Manifold Gasket
		AR			PLUG, Intake Manifold (3/8"-18) (Not Serviced)
5	6034 643	4			STUD, Exhaust Manifold
6	6034 306	6			SCREW, Exhaust Manifold 5/16-18x3.10
7	5300 9378	1			MANIFOLD, Exhaust Right
8	5300 9379	1			MANIFOLD, Exhaust Left
9		4			NUT, Exhaust Pipe Flange Bolt Group #11
10	0115 729	4			NUT, Manifold Stud
11		4			BOLT, Flanged Group #11
12					SHIELD, Exhaust Manifold Heat
	5301 0151	1			Left
	5301 0152	1			Right
13		2			SCREW, w/Washer .312-18x.875 Not Serviced
14		4			Nut, w/Washer .312-24Not Serviced ***
15	6035 184	6			STUD, w/Washer Manifold .312-18/.312-24x4.0
16		4			WASHER, Flat .96x.145 Not Serviced



MODEL CODES:

61=Pickup-6 Ft Box 74=4 Door Wagon T=2WD
 62=Pickup-7 Ft Box 77=Open Body 93" Wheelbase J,N,U=4WD
 72=2 Door Wagon 78=Open Body 103" Wheelbase

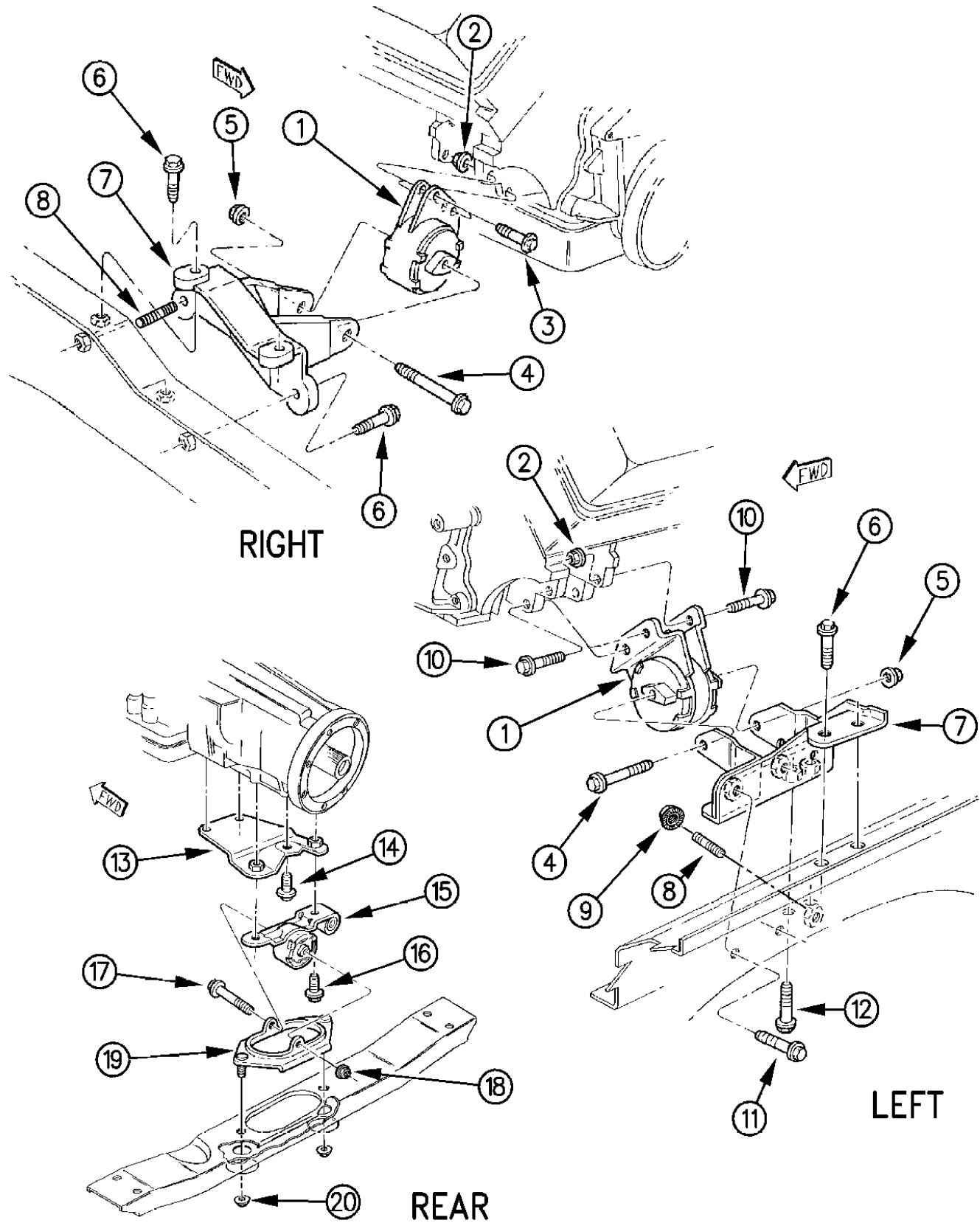
BODY STYLES:

MJ=Comanche Pickup ZJ=Grand Cherokee/Grand Wagoneer KDX VEHICLES
 SJ=Grand Wagoneer M1=Comanche
 XJ=Cherokee, Briarwood X1=Cherokee, Briarwood
 YJ=Wrangler Y1=Wrangler

AR = Use as Required - = Non Illustrated Part P.A.R. = Paint as Required

ENGINE MOUNTS 5.2L ENGINE ZJ
Figure 9C-2000

91J09 2000



ITEM	PART NUMBER	QTY	BODY	MODEL	DESCRIPTION
1					INSULATOR ASSEMBLY, Engine Support Front ***
	5201 8282	1			Right
	5201 8283	1			Left
2		AR			NUT, w/Washer 7/16x14 (Not Serviced)
3	6030 754	2			BOLT, w/Washer Insulator to Block Right 7/16-14x1.875
4	3420 2606	2			BOLT, Sill Bracket to Insulator
5	1150 2813	2			NUT, Sill Bracket to Insulator
6	6501 946	4			SCREW, w/Washer Bracket to Sill m10-1.5x40
7					BRACKET, Front Sill
	5205 8014	1			Right, See TSB Dated 11-02-93A
	5205 8009	1			Left
8	6503 119	1			STUD, Bracket to Sill
9	6100 053	2			NUT, w/Washer Bracket to Sill
10	6030 713	3			BOLT, W/Washer Insulator to Block Left 7/16-14x1.625
11	6502 560	2			BOLT, Bracket to Sill Left m12-1.75x95
12	6502 557	2			BOLT, Bracket to Sill m12-1.75x40
13	5201 7696	1			ADAPTER, Bracket Assembly to Transmission
14	6033 358	3			SCREW, w/Washer 7/16-14x1.25
15	5201 8092	1			BRACKET ASSEMBLY, Rear Engine Mount ***
16	3420 1964	2			BOLT, Bracket Assembly to Adapter m12-1.75x40
17	6502 809	1			BOLT, Flanged m12-1.75x110
18	1150 2813	1			NUT, Clevis to Bracket Assembly
19	5205 8225	1			BRACKET, Clevis Rear Engine Mount
20	6502 696	2			NUT, Flanged Clevis to Crossmember m10-1.5

MODEL CODES:

61=Pickup-6 Ft Box 74=4 Door Wagon T=2WD
62=Pickup-7 Ft Box 77=Open Body 93" Wheelbase J,N,U=4WD
72=2 Door Wagon 78=Open Body 103" Wheelbase

BODY STYLES:

MJ=Comanche Pickup ZJ=Grand Cherokee/Grand Wagoneer KDX VEHICLES
SJ=Grand Wagoneer M1=Comanche
XJ=Cherokee, Briarwood X1=Cherokee, Briarwood
YJ=Wrangler Y1=Wrangler

AR = Use as Required - = Non Illustrated Part P.A.R. = Paint as Required

GROUP 11 - EXHAUST

ILLUSTRATION TITLE **GROUP-FIG. NO.**

EXHAUST SYSTEMS

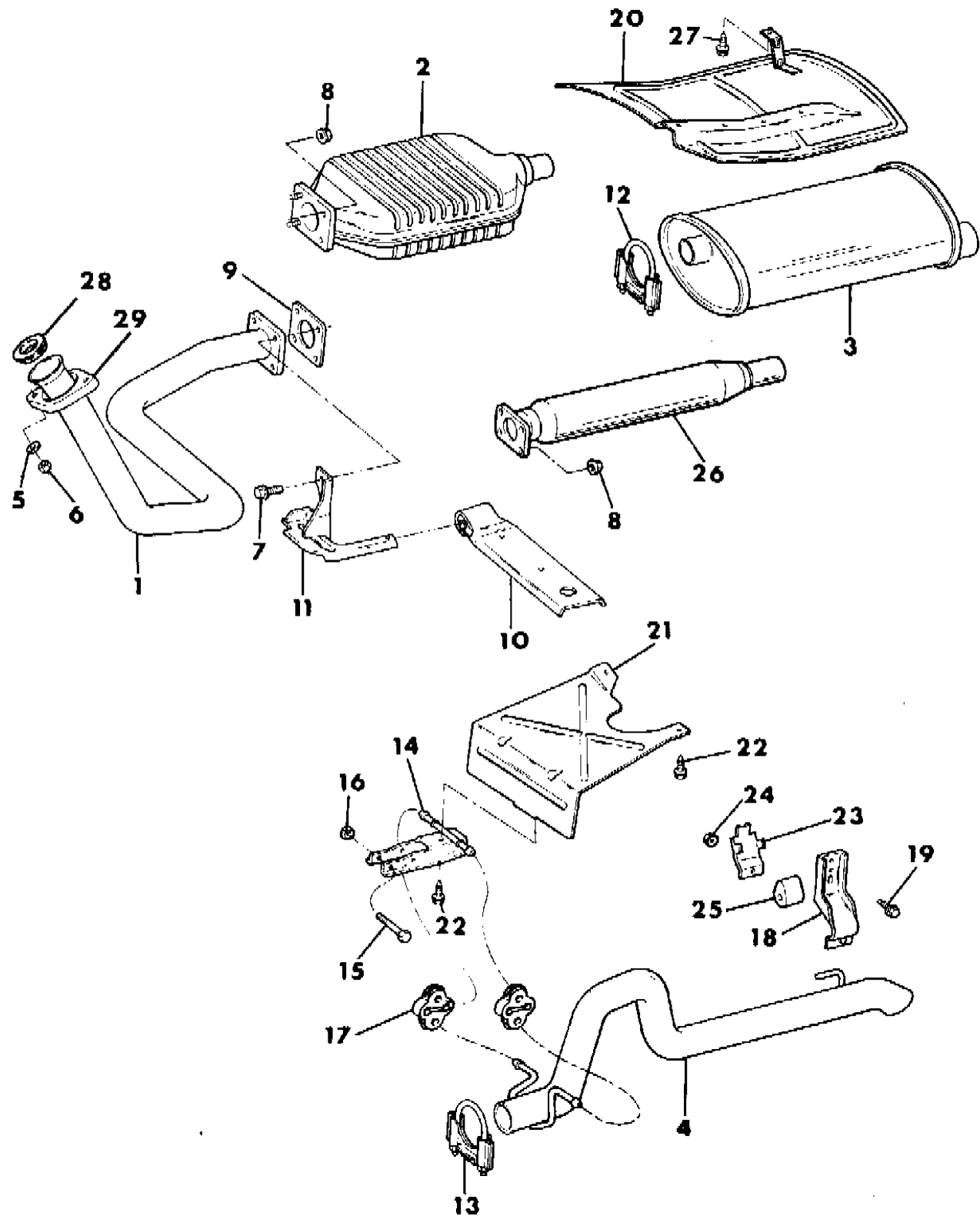
EXHAUST SYSTEM WRANGLER, YJ	Fig. 11-100
EXHAUST SYSTEM GAS ENGINES CHEROKEE, BRIARWOOD	Fig. 11-200
EXHAUST SYSTEM GAS ENGINES COMANCHE	Fig. 11-300
EXHAUST SYSTEM DIESEL ENGINE CHEROKEE, COMANCHE	Fig. 11-400
EXHAUST SYSTEM GRAND CHEROKEE (ZJ)	Fig. 11-450
EXHAUST SYSTEM GRAND WAGONEER (SJ) 1991	Fig. 11-500
EXHAUST SYSTEM LEADED FUEL GRAND WAGONEER (SJ) 1991	Fig. 11-600
SHIELDS, HEAT GRAND CHEROKEE (ZJ)	Fig. 11-700

ILLUSTRATION NOT AVAILABLE AT TIME OF PUBLICATION

EXHAUST SYSTEM WRANGLER, YJ

Figure 11-100

91J11 100 B



ITEM	PART NUMBER	QTY	BODY	MODEL	DESCRIPTION
1	5200 7397	1			PIPE, Front Exhaust 2.5L Engine 1991-92
	5201 8177	1			2.5L Engine 1993
	5200 6626	1			4.0L Engine 1991-92
	5201 8176	1			4.0L Engine 1993
2					CONVERTER, Catalytic 2.5L Engine
	5201 8102	1			Federal, High Altitude 1991-92
	5202 0110	1			Federal, High Altitude 1993
	5201 8101	1			California, 1991-92
	5202 0110	1			California, 1993
					4.0L Engine
	5201 8104	1			Federal, High Altitude 1991-92
	5201 8128	1			Federal, High Altitude 1993
	5201 8103	1			California 1991-92
	5201 8141	1			California 1993
3					MUFFLER AND TAILPIPE ASSEMBLY ***
	4638 047	1			1991-92
	4778 104	1			1993
	8350 2978	1			MUFFLER, 2.5L Engine 1991-92
	8350 2980	1			TAILPIPE, 2.5L Engine 1991-92
	5201 9136	1			2.5L Engine 1993
	5200 4422	1			4.0L Engine 1991-92
5201 9135	1			4.0L Engine 1993	
5201 9147	1			2.5L Engine, KDX - Egypt	
5201 8361	1			4.0L Engine, KDX - Egypt	
4					PIPE, Tail
	5200 7380	1			VENEZUELA, EGYPT
5	J400 1104	2			WASHER
6	S941 8738	2			NUT
7	J812 5845	AR			BOLT
8					NUT
	J400 4008	4			1991
	J400 3909	4			1992-93
9					GASKET
	J322 6666	1			1991
5201 7817	1			1992	
10					BRACKET
	5200 3043	1			Manual Transmission
	5200 3045	1			Automatic Transmission

MODEL CODES:

61=Pickup-6 Ft Box 74=4 Door Wagon T=2WD
 62=Pickup-7 Ft Box 77=Open Body 93" Wheelbase J,N,U=4WD
 72=2 Door Wagon 78=Open Body 103" Wheelbase

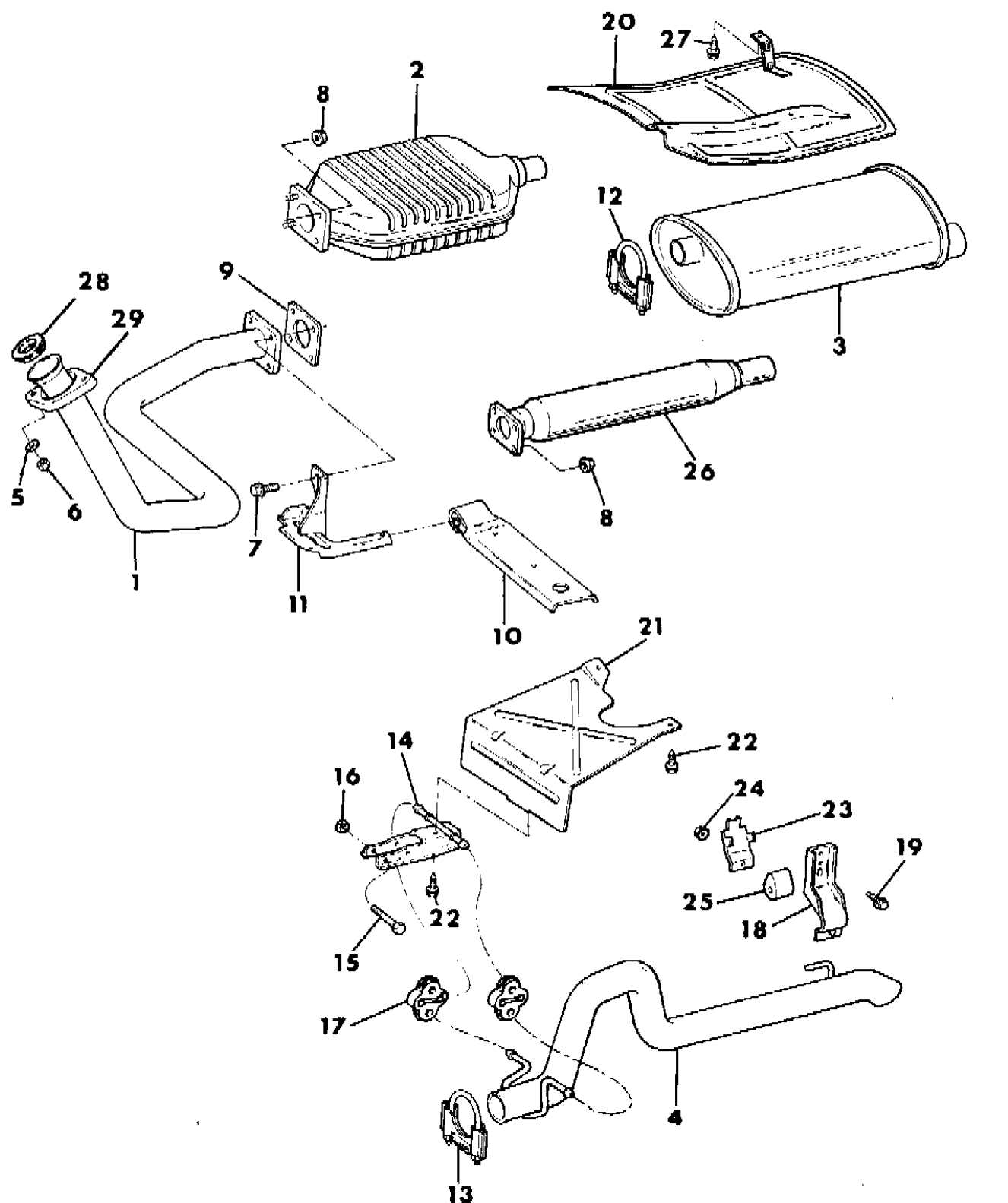
BODY STYLES:

MJ=Comanche Pickup ZJ=Grand Cherokee/Grand Wagoneer KDX VEHICLES
 SJ=Grand Wagoneer M1=Comanche
 XJ=Cherokee, Briarwood X1=Cherokee, Briarwood
 YJ=Wrangler Y1=Wrangler

AR = Use as Required - = Non Illustrated Part P.A.R. = Paint as Required

EXHAUST SYSTEM WRANGLER, YJ
Figure 11-100

91J11 100 B



ITEM	PART NUMBER	QTY	BODY	MODEL	DESCRIPTION
11	5200 2743	1			SUPPORT
12					CLAMP
	5200 2144	1			2.5L Engine
	5200 2144	1			4.0L Engine
13	8330 0061	1			CLAMP
14	5200 2506	1			HANGER
15	J018 0046	2			BOLT
16	S027 3801	2			NUT
17	5200 2400	2			SUPPORT
18	5200 3426	1			BRACKET, Tailpipe Outer
19	J400 1933	2			SCREW
20	5200 3280	1			SHIELD, Heat
21	5200 3271	1			SHIELD, Heat
22	J942 6241	AR			SCREW
23	5200 3427	1			BRACKET
24	J400 6080	1			NUT
25	5204 0219	1			INSULATOR
26					RESONATOR, Leaded Fuel KDX ***
	5200 3369	1			1991
	5200 3940	1			1992
	5200 5199	1			1993
27	J943 1948	1			SCREW
28	5200 5431	1			SEAL, 4.0L Engine
	4638 047	1			Leaded Fuel Conversion Pkg. EXPORT ***
29		1			FLANGE, Exhaust Pipe to Manifold (Serviced in Pipe Assembly) ***

MODEL CODES:

61=Pickup-6 Ft Box 74=4 Door Wagon T=2WD
62=Pickup-7 Ft Box 77=Open Body 93" Wheelbase J,N,U=4WD
72=2 Door Wagon 78=Open Body 103" Wheelbase

BODY STYLES:

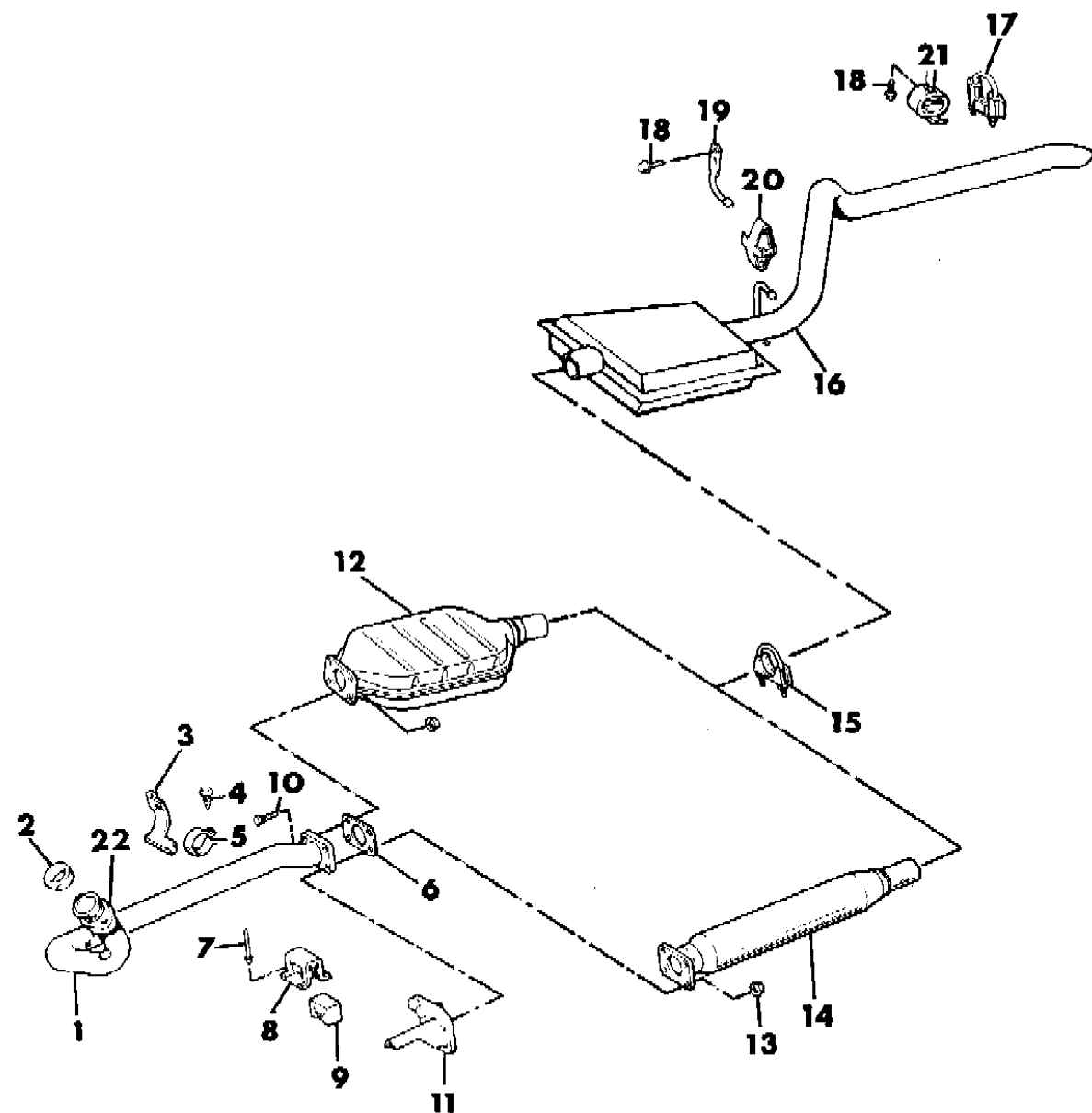
MJ=Comanche Pickup ZJ=Grand Cherokee/Grand Wagoneer KDX VEHICLES
SJ=Grand Wagoneer M1=Comanche
XJ=Cherokee, Briarwood X1=Cherokee, Briarwood
YJ=Wrangler Y1=Wrangler

AR = Use as Required - = Non Illustrated Part P.A.R. = Paint as Required

EXHAUST SYSTEM GAS ENGINES CHEROKEE, BRIARWOOD

Figure 11-200

91J11 200A



ITEM	PART NUMBER	QTY	BODY	MODEL	DESCRIPTION
1					PIPE, Front Exhaust
	5200 5187	1			2.5L Engine 1991-92
	5202 0123	1			2.5L Engine 1993
	5200 4996	1			4.0L Engine 1991-92
	5202 0122	1			4.0L Engine 1993
2	5200 5431	1			SEAL 4.0L Engine
3	5300 1652	1			SUPPORT 2.5L Engine
4		1			SCREW (Not Serviced)
5	5200 2949	1			CLAMP
6					GASKET
	J322 6666	1			1991
	5201 7817	1			1992-93
7	J400 6543	4			RIVET
8	5300 0104	1			BRACKET
9	5300 0101	1			INSULATOR
10	J812 5845	2			BOLT
11	5200 3040	1			SUPPORT
12					CONVERTER, Catalytic
					2.5L Engine
	5201 8102	1			Federal 1991-92
	5201 8101	1			California 1991-92
	5202 0110	1			1993
					4.0L Engine
	5201 8104	1			Federal 1991-92
	5201 8128	1			Federal 1993
	5201 8103	1			California 1991-92
	5201 8141	1			California - Auto Trans. 1993
	5201 8128	1			California - Manual Trans. 1993
					Conversion Pkg. Leaded Fuel EXPORT
	4638 047	1			1991-92
	4778 103	1			1993
13	J400 4008	4			NUT
14	5200 3940	1			RESONATOR, Leaded Fuel - KDX ***
15	5200 2144	1			CLAMP
	5200 2145	1			BOLT-U, Exhaust Clamp ***
16					MUFFLER and TAILPIPE ASSEMBLY ***
	5200 7220	1			Up to 1-14-92
	5201 8335	1			After 1-14-92
	5201 9134	1			1993 4 Cyl. Engine
	5201 9133	1			1993 6 Cyl. Engine
	5200 3956	1			EUROPE 1991-92

MODEL CODES:

61=Pickup-6 Ft Box 74=4 Door Wagon T=2WD
 62=Pickup-7 Ft Box 77=Open Body 93" Wheelbase J,N,U=4WD
 72=2 Door Wagon 78=Open Body 103" Wheelbase

BODY STYLES:

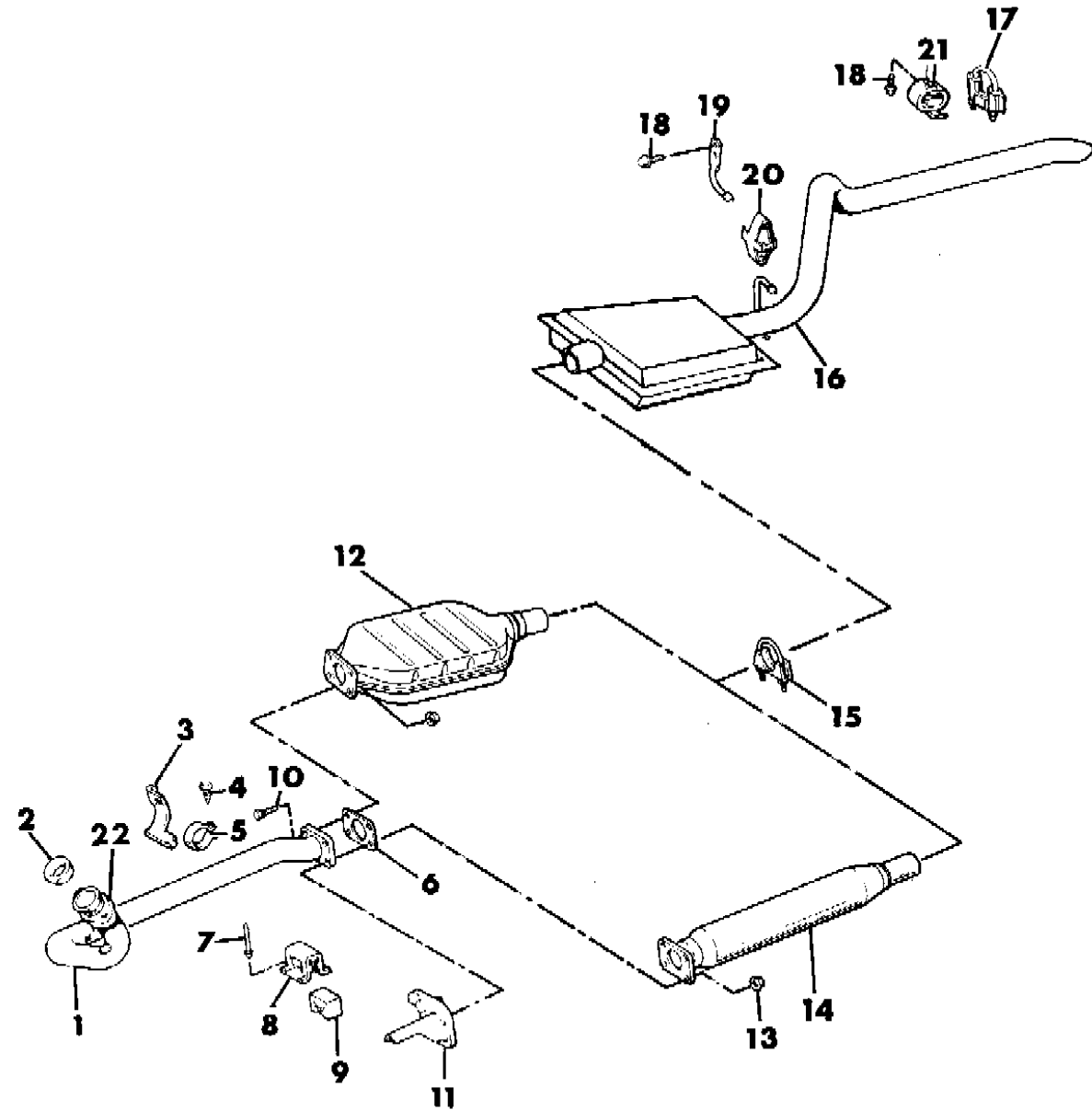
MJ=Comanche Pickup ZJ=Grand Cherokee/Grand Wagoneer KDX VEHICLES
 SJ=Grand Wagoneer M1=Comanche
 XJ=Cherokee, Briarwood X1=Cherokee, Briarwood
 YJ=Wrangler Y1=Wrangler

AR = Use as Required - = Non Illustrated Part P.A.R. = Paint as Required

EXHAUST SYSTEM GAS ENGINES CHEROKEE, BRIARWOOD

Figure 11-200

91J11 200A



ITEM	PART NUMBER	QTY	BODY	MODEL	DESCRIPTION
	5201 9134	1			EUROPE 4 Cyl. Engine 1993
	5201 9133	1			EUROPE 6 Cyl. Engine 1993
17	8330 0061	1			CLAMP
18	3420 1193	AR			SCREW
19	5200 2403	1			HANGER
20	5200 1759	AR			INSULATOR, Support
21	5200 2794	1			INSULATOR AND BRACKET ASSEMBLY ***
	4638 047	1			Leaded Fuel Conversion Pkg. EXPORT
22		1			FLANGE, Exhaust Pipe to Manifold (Serviced in Pipe Assembly)

MODEL CODES:

61=Pickup-6 Ft Box 74=4 Door Wagon T=2WD
 62=Pickup-7 Ft Box 77=Open Body 93" Wheelbase J,N,U=4WD
 72=2 Door Wagon 78=Open Body 103" Wheelbase

BODY STYLES:

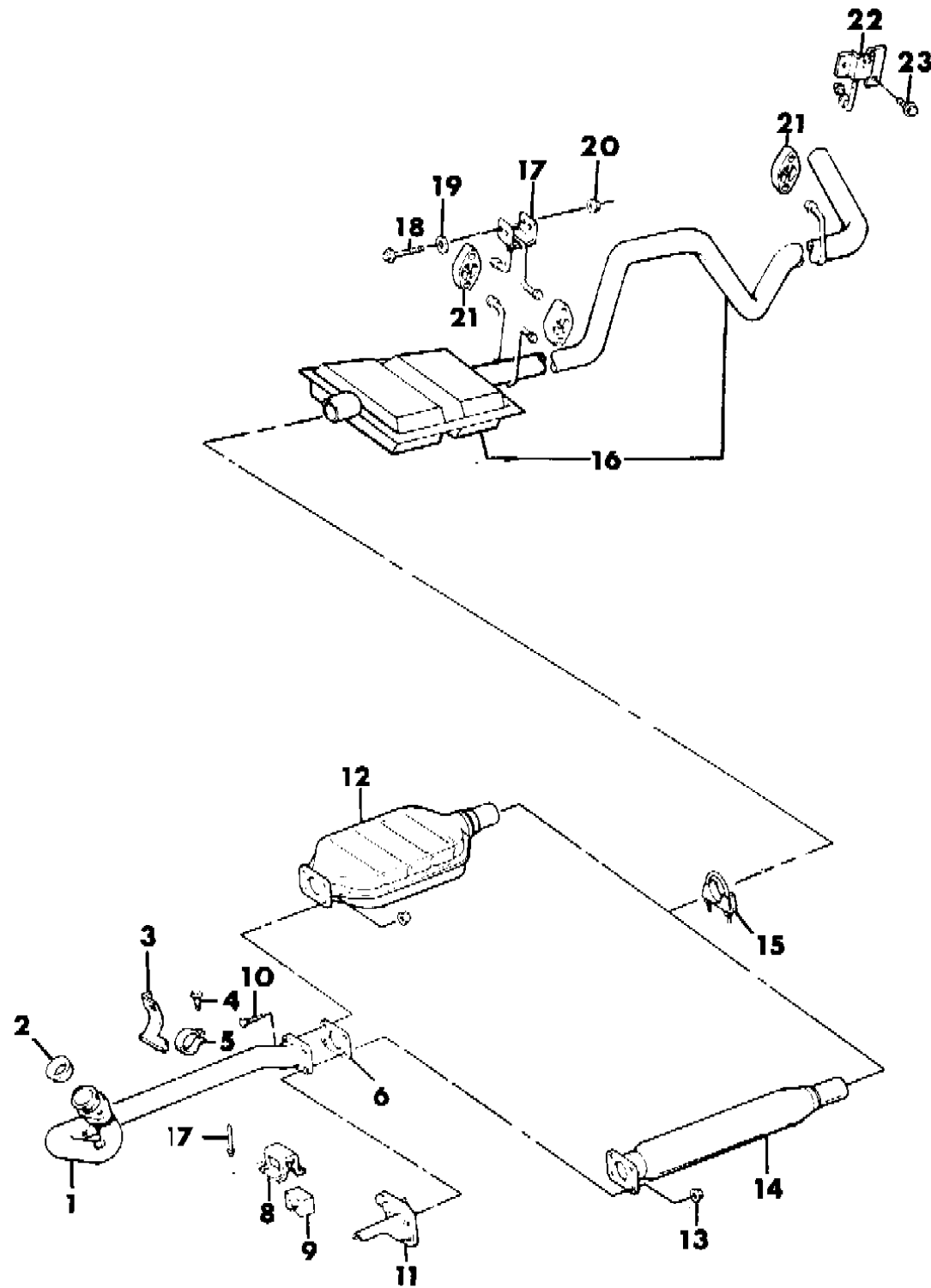
MJ=Comanche Pickup ZJ=Grand Cherokee/Grand Wagoneer KDX VEHICLES
 SJ=Grand Wagoneer M1=Comanche
 XJ=Cherokee, Briarwood X1=Cherokee, Briarwood
 YJ=Wrangler Y1=Wrangler

AR = Use as Required - = Non Illustrated Part P.A.R. = Paint as Required

EXHAUST SYSTEM GAS ENGINES COMANCHE

Figure 11-300

91J11 300



ITEM	PART NUMBER	QTY	BODY	MODEL	DESCRIPTION
1					PIPE, Front Exhaust
	8350 7205	1			2.5L Engine
	J420 0413	1			PLUG, Oxygen Sensor
	6034 057	1			WASHER, Oxygen Sensor
	5200 4996	1			4.0L Engine
2	5200 5431	1			SEAL 4.0L Engine
3	5300 1652	1			SUPPORT 2.5L Engine
4		1			SCREW (Not Serviced)
5	5200 2949	1			CLAMP
6	5201 7817	1			GASKET
7	J400 6543	4			RIVET
8	5300 0104	1			BRACKET
9	5300 0101	1			INSULATOR
10	J812 5845	2			BOLT
11	5200 3040	1			SUPPORT
12					CONVERTER, Catalytic
					2.5L Engine
	5201 8102	1			Federal
	5201 8101	1			California
					4.0L Engine
	5201 8104	1			Federal
	5201 8103	1			California
13	J400 4008	4			NUT
14					RESONATOR ***
	5200 3369	1			Leaded Fuel
	5200 3940	1			EUROPE
	5200 3369	1			KDX - China or Venezuela
15	5200 2144	1			CLAMP
	5200 2145	1			BOLT-U, Exhaust Clamp ***
16					MUFFLER and TAILPIPE ASSEMBLY ***
	5201 8336	1			6 Foot Box 1991-92
	5201 8337	1			7 Foot Box 1991-92
	5201 9128	1			6 Foot Box 1993
	5201 9129	1			7 Foot Box 1993
17					HANGER, Muffler Support, Upper
	5200 1762	1			1991
	5201 7918	1			1992
18	T300 1397	2			BOLT
19	1150 0255	2			WASHER
20	1150 2811	2			NUT
21	5200 1759	AR			SUPPORT

MODEL CODES:

61=Pickup-6 Ft Box 74=4 Door Wagon T=2WD
 62=Pickup-7 Ft Box 77=Open Body 93" Wheelbase J,N,U=4WD
 72=2 Door Wagon 78=Open Body 103" Wheelbase

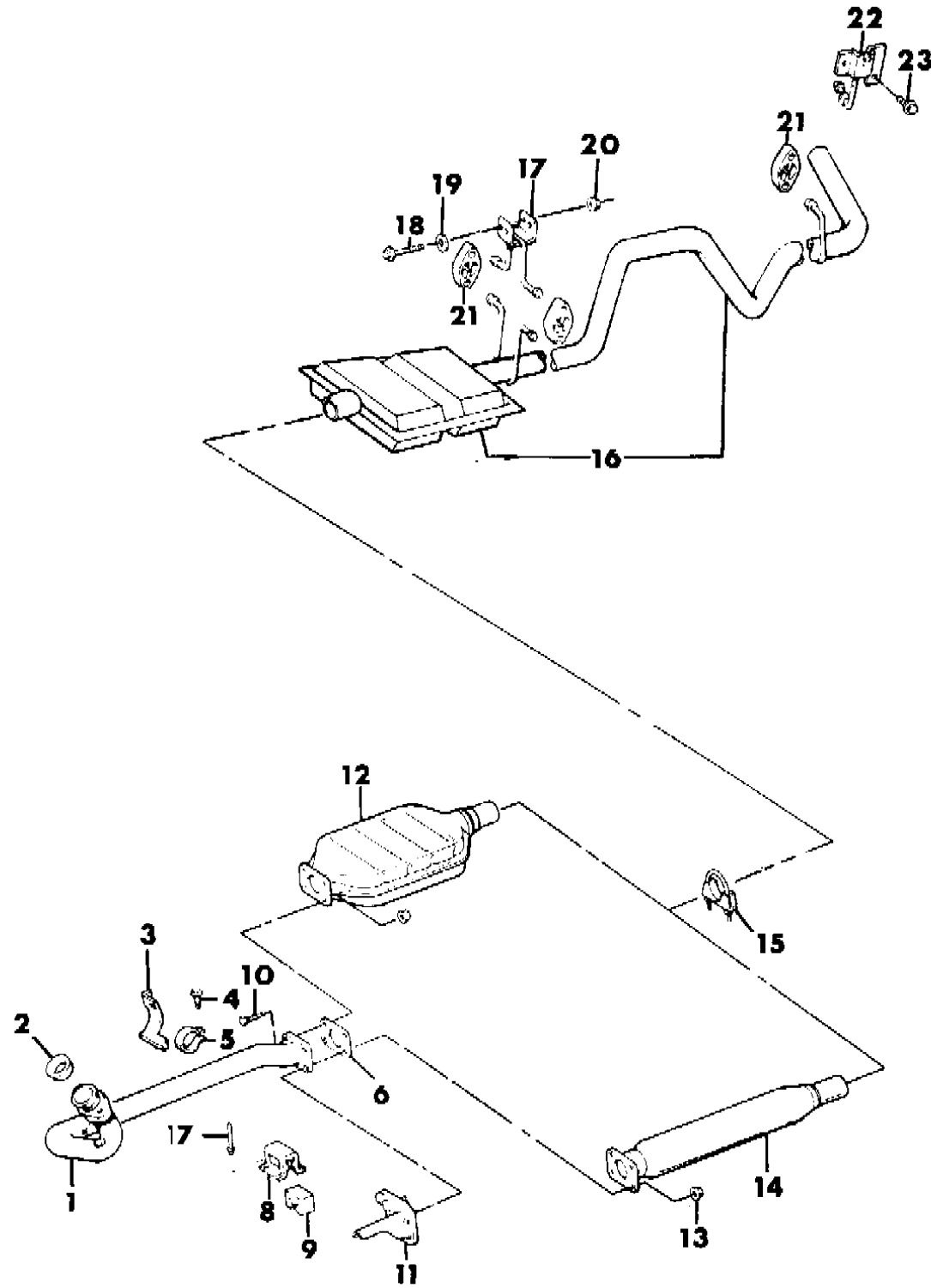
BODY STYLES:

MJ=Comanche Pickup ZJ=Grand Cherokee/Grand Wagoneer KDX VEHICLES
 SJ=Grand Wagoneer M1=Comanche
 XJ=Cherokee, Briarwood X1=Cherokee, Briarwood
 YJ=Wrangler Y1=Wrangler

AR = Use as Required - = Non Illustrated Part P.A.R. = Paint as Required

EXHAUST SYSTEM GAS ENGINES COMANCHE
Figure 11-300

91J11 300



ITEM	PART NUMBER	QTY	BODY	MODEL	DESCRIPTION
22					HANGER
	5201 7921	1			6 Foot Box
	5200 3015	1			7 Foot Box 1991
	5201 7920	1			7 Foot Box 1992
23	3420 1193	AR			SCREW

MODEL CODES:

61=Pickup-6 Ft Box 74=4 Door Wagon T=2WD
 62=Pickup-7 Ft Box 77=Open Body 93" Wheelbase J,N,U=4WD
 72=2 Door Wagon 78=Open Body 103" Wheelbase

BODY STYLES:

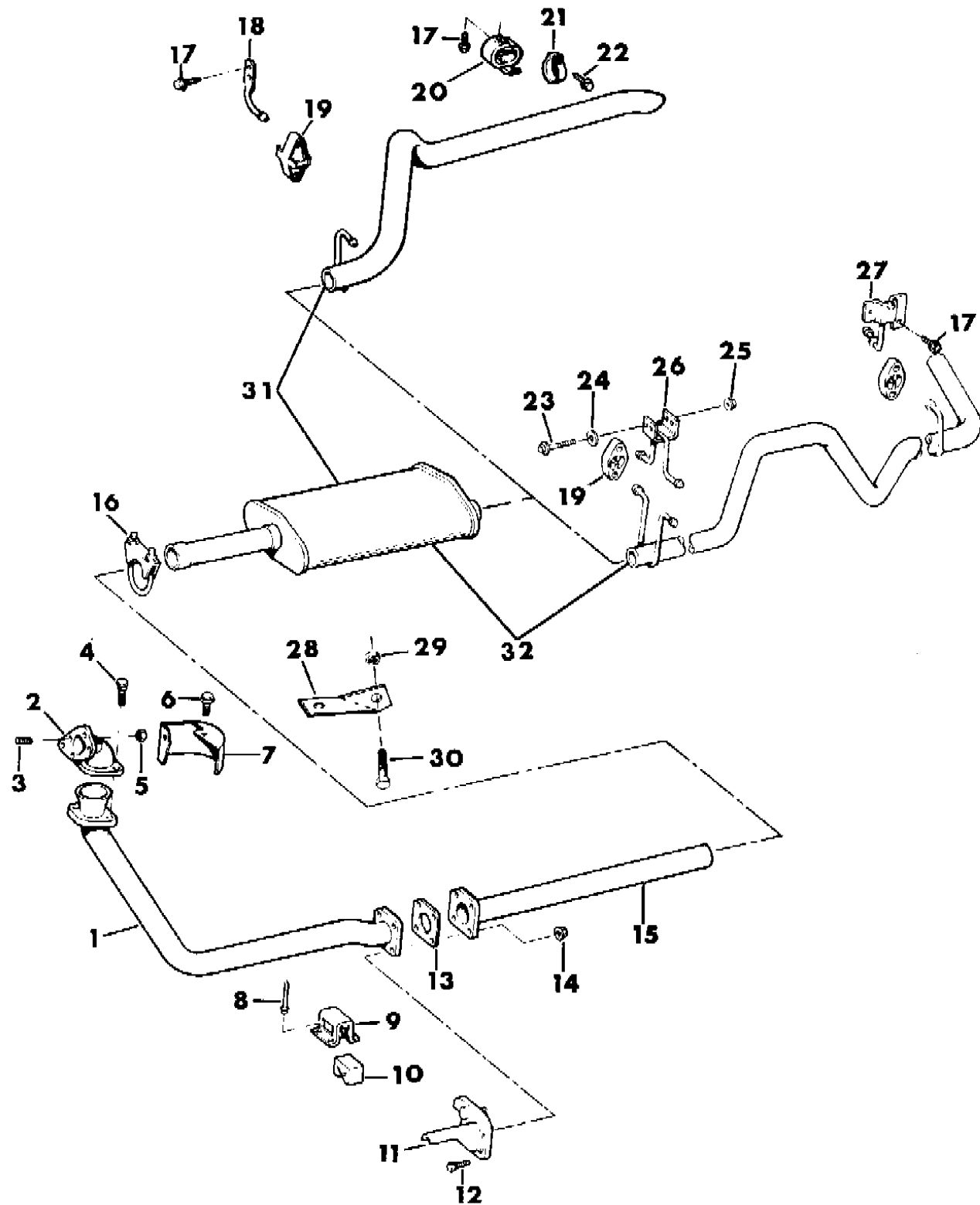
MJ=Comanche Pickup ZJ=Grand Cherokee/Grand Wagoneer KDX VEHICLES
 SJ=Grand Wagoneer M1=Comanche
 XJ=Cherokee, Briarwood X1=Cherokee, Briarwood
 YJ=Wrangler Y1=Wrangler

AR = Use as Required - = Non Illustrated Part P.A.R. = Paint as Required

EXHAUST SYSTEM DIESEL ENGINE CHEROKEE, COMANCHE

Figure 11-400

91J11 400A



ITEM	PART NUMBER	QTY	BODY	MODEL	DESCRIPTION
1	5200 3011	1			PIPE, Front Exhaust
2	5300 1750	1			ADAPTER, Turbocharger
3	3420 2088	4			STUD
4	J400 7109	2			STUD
5	1150 0749	4			NUT
6	1150 4986	1			BOLT
7	4637 316	1			SHIELD, Adapter
8	3420 2083	4			RIVET
9	5300 0104	1			BRACKET
10	5300 0101	1			INSULATOR
11	5200 3040	1			SUPPORT
12	0432 551	AR			BOLT
13	5201 7817	1			GASKET
14	J400 4008	4			NUT
15	5200 3013	1			PIPE, Exhaust Adapter
16	5200 1860	1			CLAMP
17	3420 1193	AR			SCREW
18	5200 2403	1	XJ		HANGER
19	5200 1759	AR			SUPPORT
20	5200 2794	1	XJ		HANGER
21	5200 2949	1	XJ		CLAMP
22	J400 4692	AR	XJ		SCREW
23	T300 1397	2	MJ		BOLT
24	1150 0255	2	MJ		WASHER
25	1150 2811	2	MJ		NUT, Lock
26	5200 1762	1	MJ		HANGER ASSEMBLY ***
27			MJ		HANGER ASSEMBLY ***
	5200 3019	1			6 Foot Box 1991
	5201 7921	1			6 Foot Box 1992-93
	5200 3015	1			7 Foot Box 1991
	5201 7920	1			7 Foot Box 1992-93
28	5300 6653	1			BRACKET
29	1150 3745	2			NUT
30	3420 1807	2			BOLT
31	5200 2204	1	XJ		TAILPIPE and MUFFLER ASSEMBLY ***
32	5200 3017	1	MJ		TAILPIPE and MUFFLER ASSEMBLY ***

MODEL CODES:

61=Pickup-6 Ft Box 74=4 Door Wagon T=2WD
 62=Pickup-7 Ft Box 77=Open Body 93" Wheelbase J,N,U=4WD
 72=2 Door Wagon 78=Open Body 103" Wheelbase

BODY STYLES:

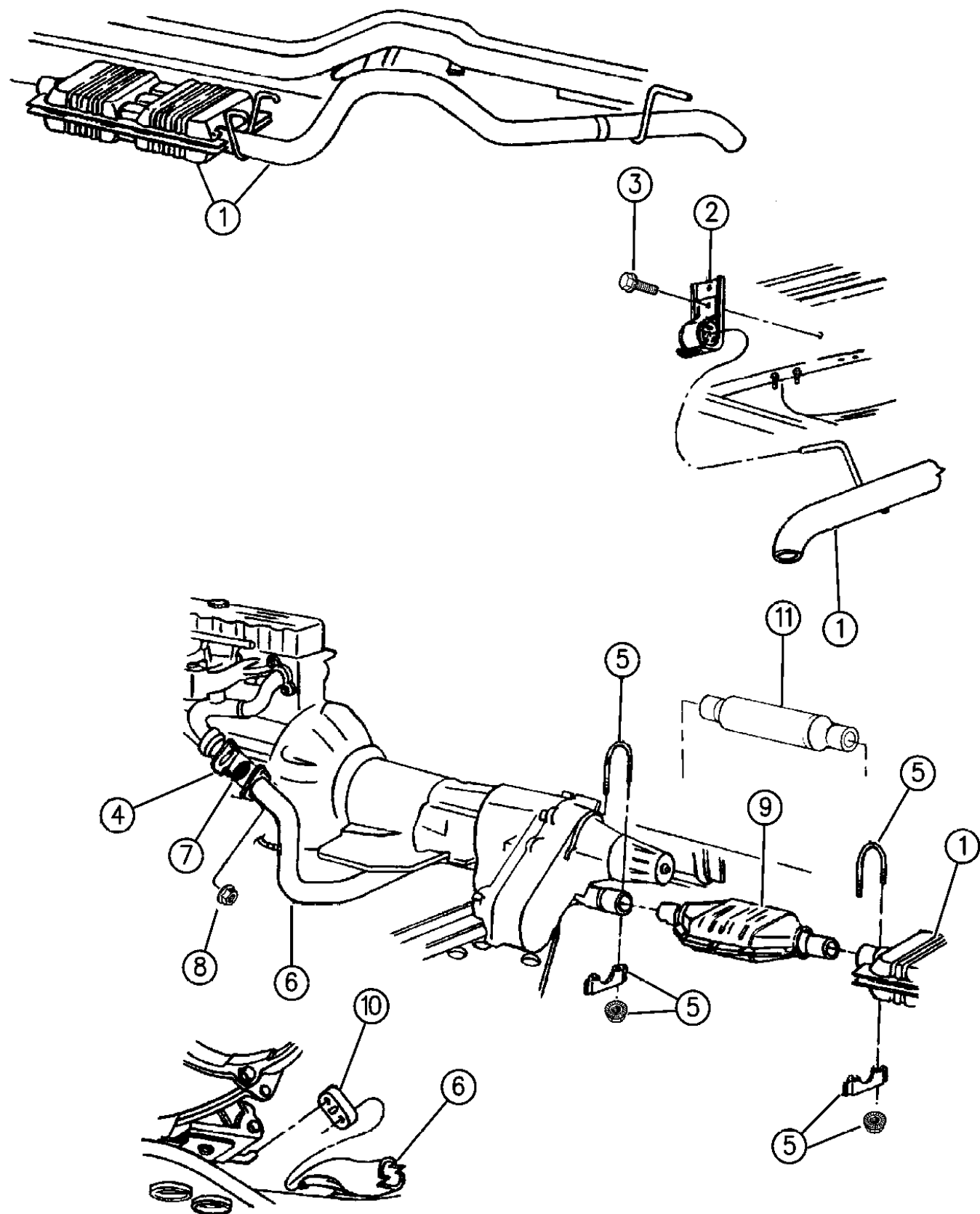
MJ=Comanche Pickup ZJ=Grand Cherokee/Grand Wagoneer KDX VEHICLES
 SJ=Grand Wagoneer M1=Comanche
 XJ=Cherokee, Briarwood X1=Cherokee, Briarwood
 YJ=Wrangler Y1=Wrangler

AR = Use as Required - = Non Illustrated Part P.A.R. = Paint as Required

EXHAUST SYSTEM GRAND CHEROKEE (ZJ)

Figure 11-450

91J11 450C



ITEM	PART NUMBER	QTY	BODY	MODEL	DESCRIPTION
1					MUFFLER and TAILPIPE ASSEMBLY ***
	5201 7690	1			6 Cylinder Engine, Up to 7-16-92
	5201 8162	1			6 Cylinder Engine, After 7-16-92
	5201 8163	1			8 Cylinder Engine
2	5201 8085	1			HANGER, Tailpipe
3	6101 542	2			SCREW, Hanger
4	0181 127	2			BOLT, Flange
5					CLAMP ASSEMBLY ***
	5200 2144	2			6 Cylinder Engine
	5201 8424	1			8 Cylinder Engine
	5200 2145	2			U-BOLT, Clamp
6					PIPE, Front
	5202 0150	1			6 Cylinder Engine
	5200 7051	1			8 Cylinder Engine
	5201 8092	1			BRACKET ASSEMBLY, Rear Engine Mount (w/Exhaust Hanger and Bushing) ***
7	5200 5431	1			SEAL RING ***
8					NUT
	J400 5142	2			6 Cylinder Engine
	6031 959	2			8 Cylinder Engine
	4004 001	AR			RETAINER, Exhaust Manifold
9					CONVERTER and PIPES ***
	5201 7717	1			6 Cylinder Engine, Federal
	5201 7718	1			6 Cylinder Engine, California
	5201 7875	1			8 Cylinder Engine
10	4218 625	1			INSULATOR, Muffler
11	5200 5199	1			RESONATOR ASSEMBLY, Leaded Fuel ***
	4762 357	1			PACKAGE, Leaded Fuel Conversion

MODEL CODES:

61=Pickup-6 Ft Box 74=4 Door Wagon T=2WD
 62=Pickup-7 Ft Box 77=Open Body 93" Wheelbase J,N,U=4WD
 72=2 Door Wagon 78=Open Body 103" Wheelbase

BODY STYLES:

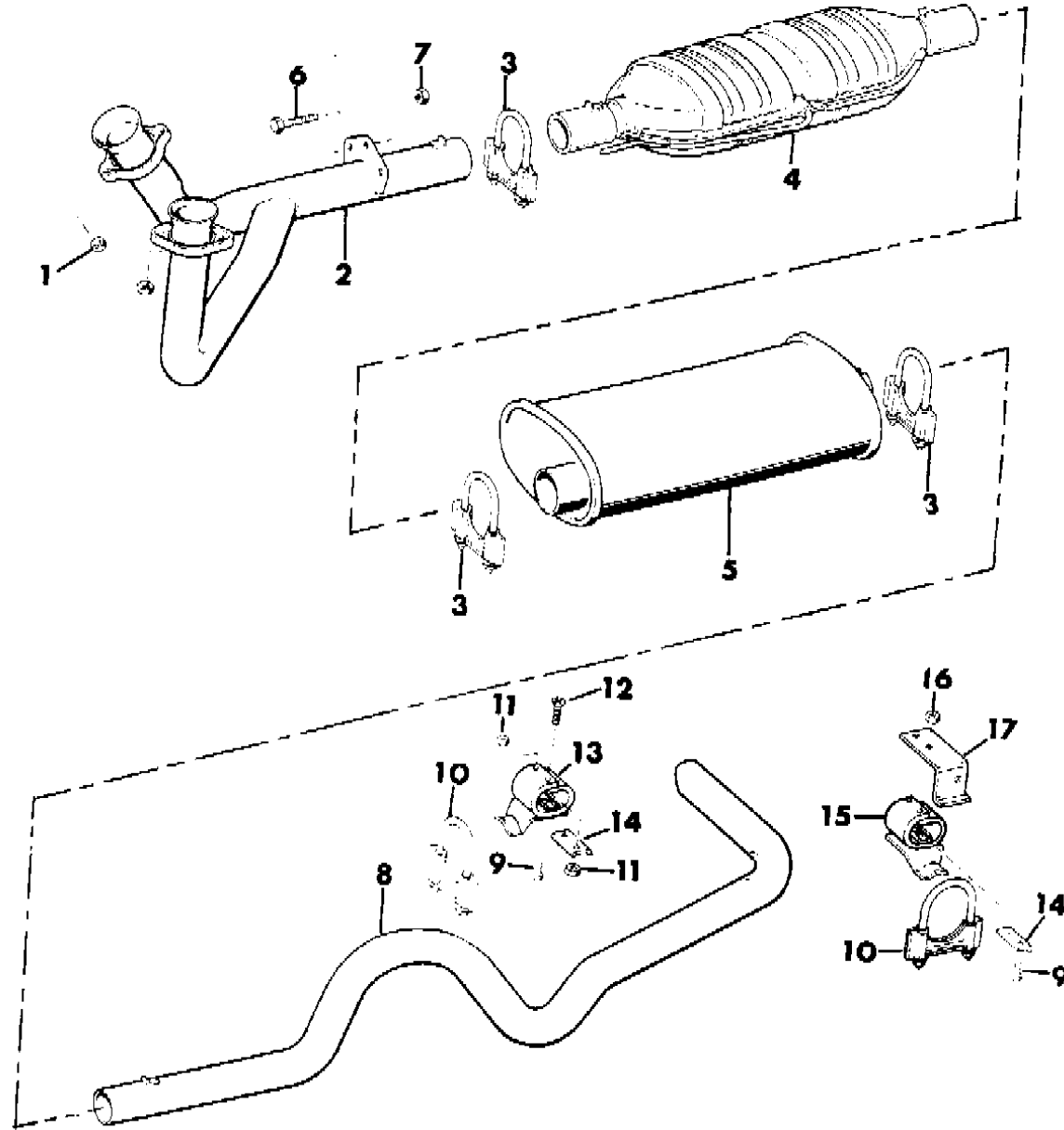
MJ=Comanche Pickup ZJ=Grand Cherokee/Grand Wagoneer KDX VEHICLES
 SJ=Grand Wagoneer M1=Comanche
 XJ=Cherokee, Briarwood X1=Cherokee, Briarwood
 YJ=Wrangler Y1=Wrangler

AR = Use as Required - = Non Illustrated Part P.A.R. = Paint as Required

EXHAUST SYSTEM GRAND WAGONEER (SJ) 1991

Figure 11-500

91J11 500



ITEM	PART NUMBER	QTY	BODY	MODEL	DESCRIPTION
1	J400 3869	4			NUT
2	J536 2536	1			PIPE, Front Exhaust
3	4004 445	1			CLAMP
4	J537 0145	1			CONVERTER, Catalytic
5	8330 0066	1			MUFFLER
6	J018 0132	1			BOLT
7	J400 5142	1			NUT
8	J536 4857	1			PIPE, Tail
9	J018 0081	3			BOLT
10	8330 0062	2			CLAMP
11	J941 3447	2			NUT
12	J098 1537	1			SCREW
13	J536 3088	1			HANGER
14	J535 8978	2			PLATE
15	J536 3087	1			HANGER
16	J027 1184	2			NUT
17	J535 7044	1			BRACKET

MODEL CODES:

61=Pickup-6 Ft Box 74=4 Door Wagon T=2WD
 62=Pickup-7 Ft Box 77=Open Body 93" Wheelbase J,N,U=4WD
 72=2 Door Wagon 78=Open Body 103" Wheelbase

BODY STYLES:

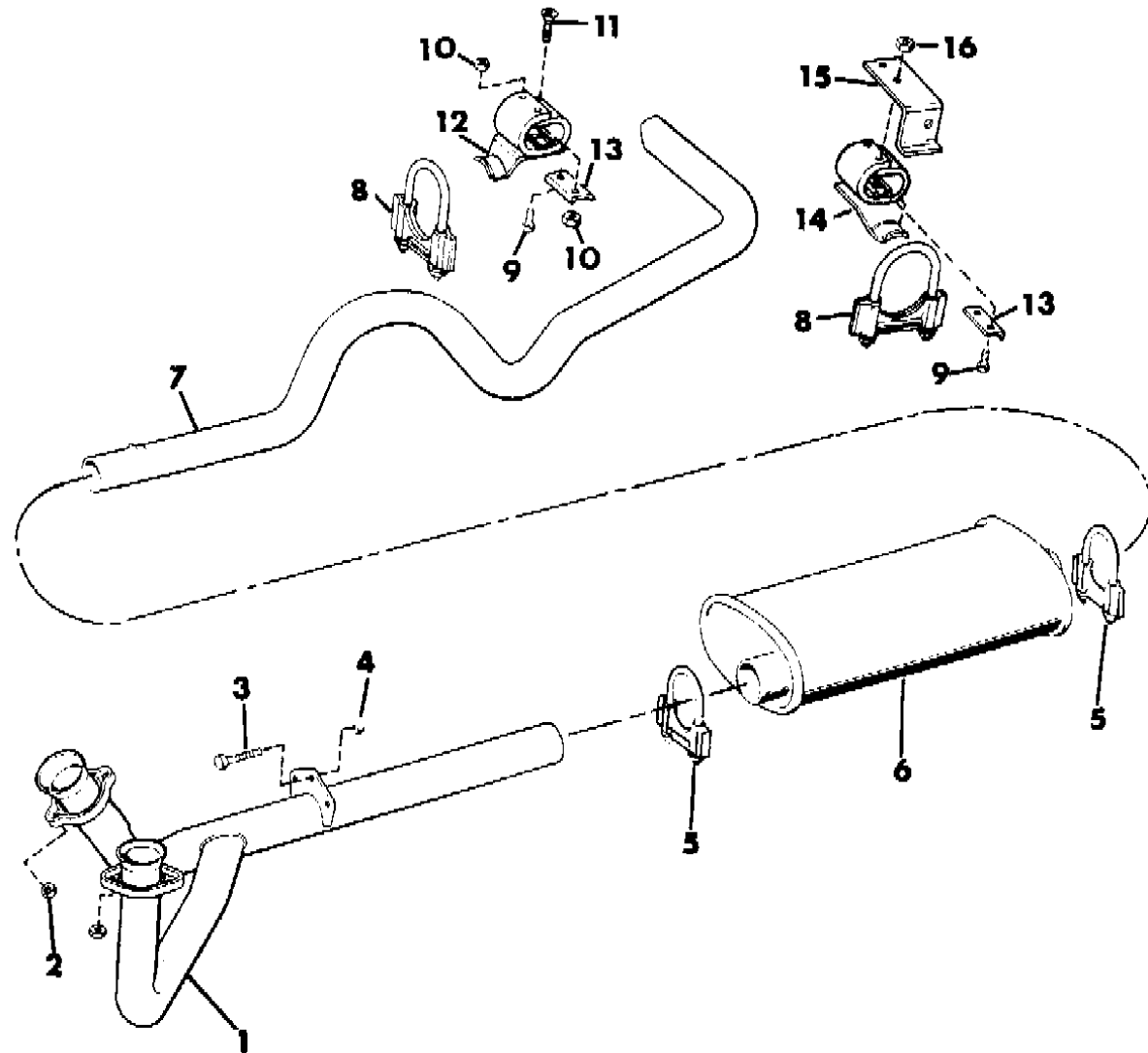
MJ=Comanche Pickup ZJ=Grand Cherokee/Grand Wagoneer KDX VEHICLES
 SJ=Grand Wagoneer M1=Comanche
 XJ=Cherokee, Briarwood X1=Cherokee, Briarwood
 YJ=Wrangler Y1=Wrangler

AR = Use as Required - = Non Illustrated Part P.A.R. = Paint as Required

EXHAUST SYSTEM LEADED FUEL GRAND WAGONEER (SJ) 1991

Figure 11-600

91J11 600



ITEM	PART NUMBER	QTY	BODY	MODEL	DESCRIPTION
1	J536 2809	1			PIPE, Front Exhaust
2	J400 3869	4			NUT
3	J018 0132	1			BOLT
4	J400 5142	1			NUT
5	4004 445	2			CLAMP
6	8330 0066	1			MUFFLER
7	J536 0080	1			PIPE, Tail
8	8330 0062	2			CLAMP
9	J018 0081	3			BOLT
10	J941 3447	2			NUT
11	J098 1537	1			SCREW
12	J536 3088	1			HANGER ASSEMBLY ***
13	J535 8978	2			PLATE
14	J536 3087	1			HANGER ASSEMBLY ***
15	J535 7044	1			BRACKET
16	J027 1184	2			NUT

MODEL CODES:

61=Pickup-6 Ft Box 74=4 Door Wagon T=2WD
 62=Pickup-7 Ft Box 77=Open Body 93" Wheelbase J,N,U=4WD
 72=2 Door Wagon 78=Open Body 103" Wheelbase

BODY STYLES:

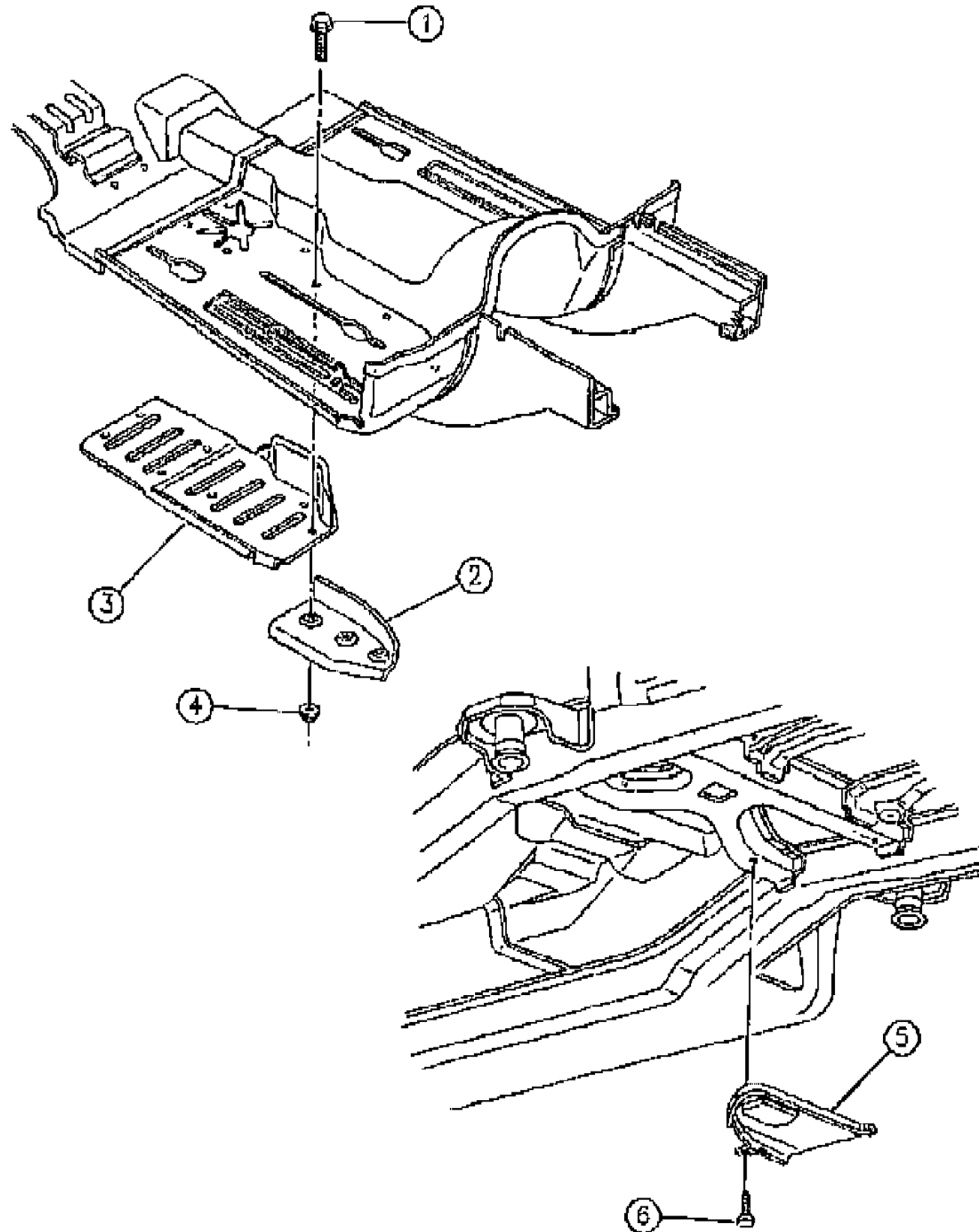
MJ=Comanche Pickup ZJ=Grand Cherokee/Grand Wagoneer KDX VEHICLES
 SJ=Grand Wagoneer M1=Comanche
 XJ=Cherokee, Briarwood X1=Cherokee, Briarwood
 YJ=Wrangler Y1=Wrangler

AR = Use as Required - = Non Illustrated Part P.A.R. = Paint as Required

SHIELDS, HEAT GRAND CHEROKEE (ZJ)

Figure 11-700

91J11 700



ITEM	PART NUMBER	QTY	BODY	MODEL	DESCRIPTION
1		10			SCREW (Not Serviced)
2	5523 4910	1			SHIELD ASSEMBLY, Floor Pan Heat ***
3	5523 4939	1			SHIELD ASSEMBLY, Floor Pan Heat, Front ***
4	0219 462	10			NUT, Shield Attaching
5	5523 4981	1			SHIELD, Heat
6		3			SCREW (Not Serviced)

MODEL CODES:

61=Pickup-6 Ft Box 74=4 Door Wagon T=2WD
 62=Pickup-7 Ft Box 77=Open Body 93" Wheelbase J,N,U=4WD
 72=2 Door Wagon 78=Open Body 103" Wheelbase

BODY STYLES:

MJ=Comanche Pickup ZJ=Grand Cherokee/Grand Wagoneer KDX VEHICLES
 SJ=Grand Wagoneer M1=Comanche
 XJ=Cherokee, Briarwood X1=Cherokee, Briarwood
 YJ=Wrangler Y1=Wrangler

AR = Use as Required - = Non Illustrated Part P.A.R. = Paint as Required

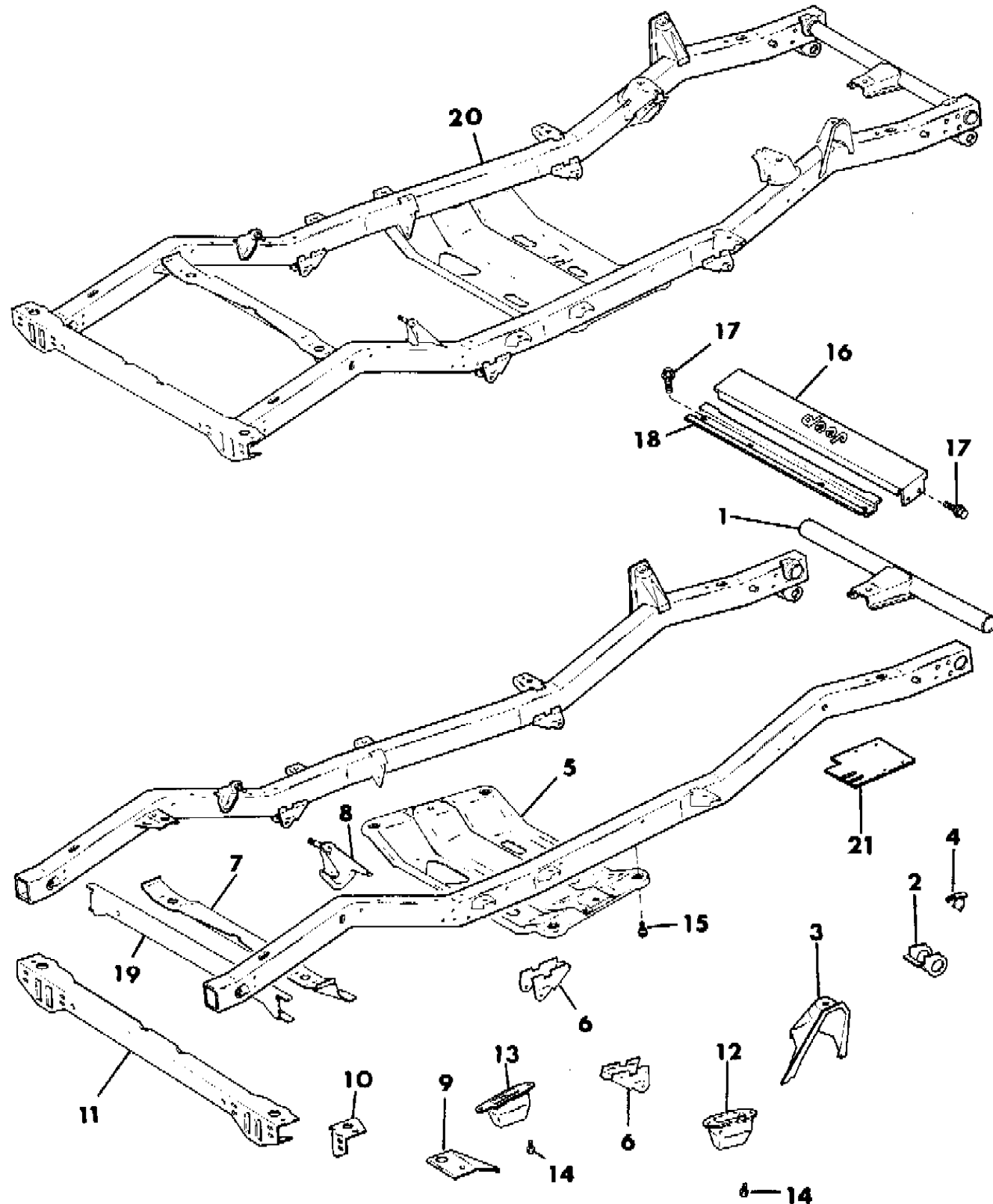
GROUP 13 - FRAME & BUMPERS

ILLUSTRATION TITLE	GROUP-FIG. NO.
FRAME WRANGLER, YJ	Fig. 13-100
MOUNTING HARDWARE--BODY WRANGLER, YJ	Fig. 13-200
BUMPER--FRONT WRANGLER, YJ	Fig. 13-300
FRONT FASCIA & SKID PLATE RENEGADE	Fig. 13-350
BUMPER--REAR AND DRAW BAR WRANGLER, YJ	Fig. 13-400
REAR FASCIA & SKID PLATE RENEGADE	Fig. 13-450
SNOWPLOW AND MOUNTING WRANGLER, YJ	Fig. 13-500
MOUNTING HARDWARE PICKUP BOX COMANCHE	Fig. 13-600
BUMPER--FRONT CHEROKEE, BRIARWOOD, COMANCHE	Fig. 13-700
BUMPER--REAR CHEROKEE, BRIARWOOD	Fig. 13-800
BUMPER, REAR STEP COMANCHE	Fig. 13-900
WINCH CONTROLS HIDDEN WINCH CHEROKEE, COMANCHE	Fig. 13-1000
WINCH MOUNTING HIDDEN WINCH CHEROKEE, COMANCHE	Fig. 13-1100
WINCH MOTOR AND DRUM HIDDEN WINCH CHEROKEE, COMANCHE	Fig. 13-1200
HARNES--TRAILER TOWING WRANGLER...KDX	Fig. 13-1300
HITCH--TRAILER HEAVY DUTY CHEROKEE, BRIARWOOD	Fig. 13-1500
SNOW PLOW POWER LIFT UNIT CHEROKEE, COMANCHE, WRANGLER	Fig. 13-1600
SNOW PLOW OPERATING CONTROLS AND SWITCHES CHEROKEE, COMANCHE, WRANGLER	Fig. 13-1700
SNOW PLOW MOLDBOARD AND MOUNTING CHEROKEE, COMANCHE	Fig. 13-1800
SNOW PLOW POWER ANGLING CYLINDERS CHEROKEE, COMANCHE, WRANGLER	Fig. 13-1900
FRAME ASSEMBLY GRAND WAGONEER, SJ	Fig. 13-2000
FRAME AND COMPONENTS GRAND WAGONEER, SJ	Fig. 13-2100
MOUNTING HARDWARE--BODY GRAND WAGONEER, SJ	Fig. 13-2200
BUMPER--FRONT GRAND WAGONEER, SJ	Fig. 13-2300
BUMPERS--REAR GRAND WAGONEER, SJ	Fig. 13-2400
WIRING--TRAILER HITCH GRAND WAGONEER, SJ	Fig. 13-2500
BUMPER, FRONT GRAND CHEROKEE, ZJ	Fig. 13-2600
BUMPER, REAR GRAND CHEROKEE, ZJ	Fig. 13-2700
TRAILER TOWING HITCH GRAND CHEROKEE, ZJ	Fig. 13-2800
TOW HOOKS GRAND CHEROKEE, ZJ	Fig. 13-2900

ILLUSTRATION NOT AVAILABLE AT TIME OF PUBLICATION

FRAME WRANGLER, YJ
Figure 13-100

91J13 100A



ITEM	PART NUMBER	QTY	BODY	MODEL	DESCRIPTION
1	5204 0315	1			CROSSMEMBER, Front
2	5204 0398	2			BRACKET
3	5204 0325	2			BRACKET
4	5200 2800-1	1			REINFORCEMENT
5	5200 3960	1			SKID PLATE, Trans. Support ***
6	5204 0320	4			BRACKET
7	5204 0338	1			CROSSMEMBER
8	5204 0305	2			BRACKET
9	5200 2006-7	1			GUSSET
10	5200 2644-5	1			REINFORCEMENT
11	5204 0340	1			CROSSMEMBER, Rear
12	5204 0426	1			BUMPER, Axle
13	5204 0007	1			BUMPER, Axle
14	J400 5063	8			SCREW
15	J400 7402	6			BOLT
16	5505 0158	1			COVER
-	J400 4919	2			FASTENER, Cover
17	J400 6850	6			SCREW
18	5500 7344	1			SUPPORT
19	5200 2727	1			CROSSMEMBER, Fuel Tank, KDX-Egypt, Venezuela
20					FRAME ASSEMBLY
					2.5L Engine
	5200 6844	1			Except KDX
	5200 6845	1	77		KDX - Egypt
	5200 6847	1	78		KDX - Egypt
					4.0L Engine
	5200 6843	1			Except KDX
	5523 4603	1	77		KDX - Egypt, Venezuela
	5523 4604	1	78		KDX - Egypt, Venezuela
21					SHIELD, Alternator Splash
	5523 4593	1			2.5L Engine
	5523 4592	1			4.0L Engine

MODEL CODES:

61=Pickup-6 Ft Box 74=4 Door Wagon T=2WD
62=Pickup-7 Ft Box 77=Open Body 93" Wheelbase J,N,U=4WD
72=2 Door Wagon 78=Open Body 103" Wheelbase

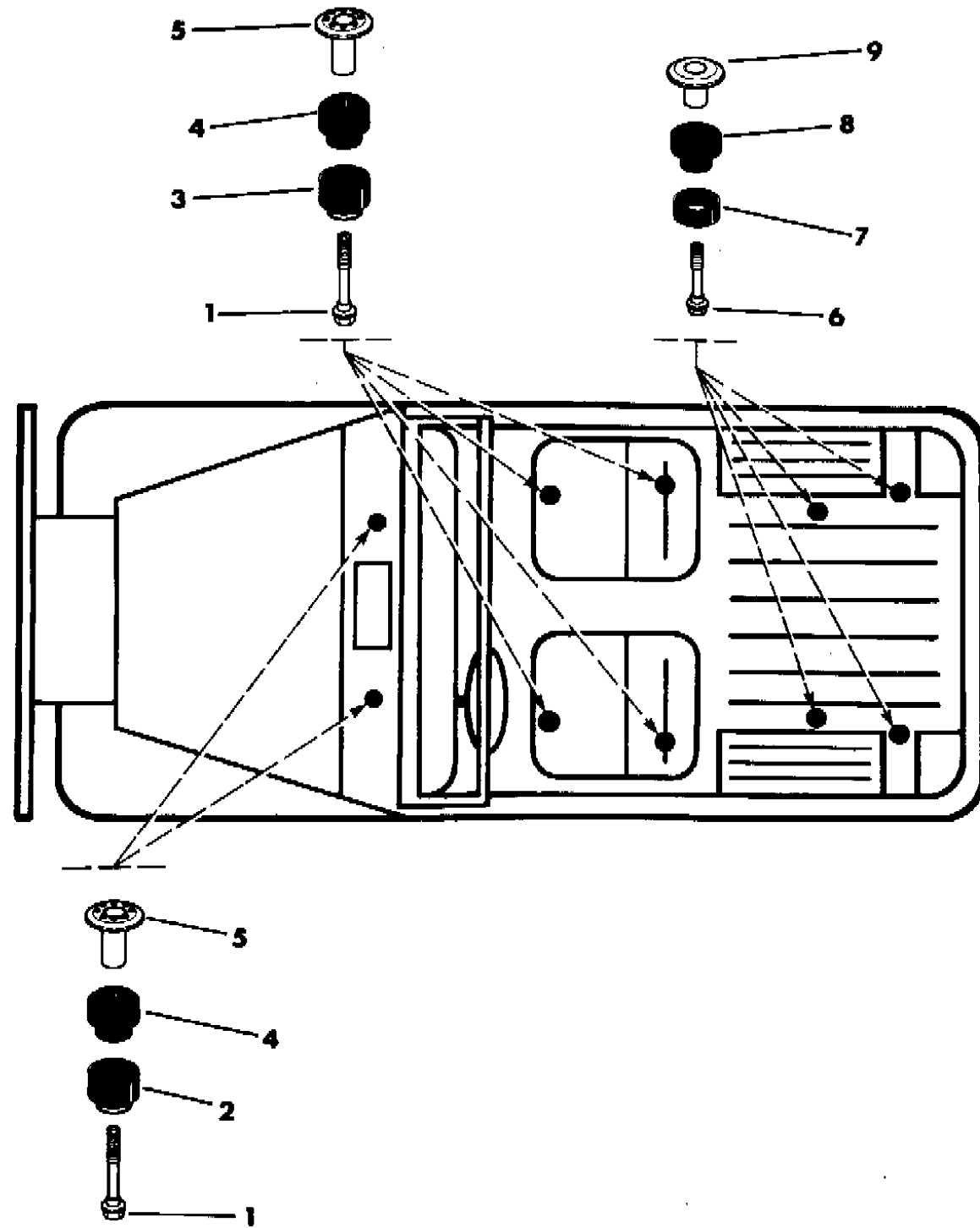
BODY STYLES:

MJ=Comanche Pickup ZJ=Grand Cherokee/Grand Wagoneer KDX VEHICLES
SJ=Grand Wagoneer M1=Comanche
XJ=Cherokee, Briarwood X1=Cherokee, Briarwood
YJ=Wrangler Y1=Wrangler

AR = Use as Required - = Non Illustrated Part P.A.R. = Paint as Required

MOUNTING HARDWARE--BODY WRANGLER, YJ
Figure 13-200

91J13 200



ITEM	PART NUMBER	QTY	BODY	MODEL	DESCRIPTION
1	J400 7571	6			BOLT
2	5200 2723	2			INSULATOR
3	5200 1962	4			INSULATOR
4	5200 2008	6			INSULATOR
5	5200 1961	6			RETAINER
6	J400 7412	4			SCREW
7	5200 2659	4			INSULATOR
8	5200 2660	4			INSULATOR
9	5200 2661	4			RETAINER

MODEL CODES:

61=Pickup-6 Ft Box 74=4 Door Wagon T=2WD
62=Pickup-7 Ft Box 77=Open Body 93" Wheelbase J,N,U=4WD
72=2 Door Wagon 78=Open Body 103" Wheelbase

BODY STYLES:

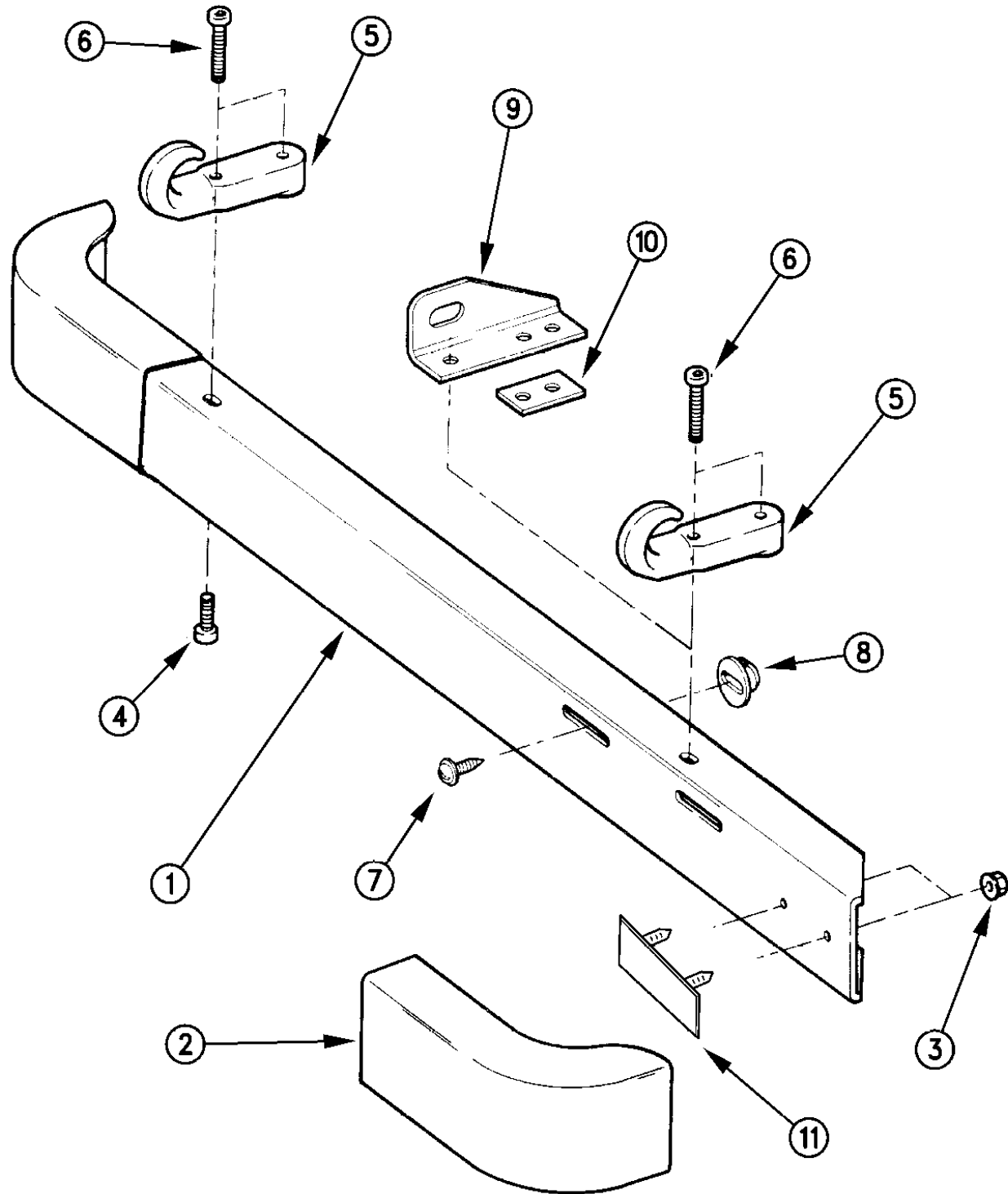
MJ=Comanche Pickup ZJ=Grand Cherokee/Grand Wagoneer KDX VEHICLES
SJ=Grand Wagoneer M1=Comanche
XJ=Cherokee, Briarwood X1=Cherokee, Briarwood
YJ=Wrangler Y1=Wrangler

AR = Use as Required - = Non Illustrated Part P.A.R. = Paint as Required

BUMPER--FRONT WRANGLER, YJ
Figure 13-300

91J13 300A

ITEM	PART NUMBER	QTY	BODY	MODEL	DESCRIPTION
1					RAIL, Bumper
	5200 4262	1			Black, 1991
	5523 4777	1			Black, 1992-93
	5204 0024	1			Chrome
2	5204 0027	2			EXTENSION, Rail
3	J400 6080	4			NUT
4					BOLT
	J400 7368	4			Black
	J400 7369	4			Chrome
5	5200 3087	2			HOOK, Tow, Black
6	J400 7467	4			BOLT, Black
7	J400 0272	2			SCREW
8	J400 6126	2			NUT
9	5200 3811	1			EYE, Towing ***
-	2128 774	1			WASHER
10	5200 3812	1			SPACER
11		2			PLATE, Bumper Extension Mounting (Served in #2)



MODEL CODES:

61=Pickup-6 Ft Box 74=4 Door Wagon T=2WD
 62=Pickup-7 Ft Box 77=Open Body 93" Wheelbase J,N,U=4WD
 72=2 Door Wagon 78=Open Body 103" Wheelbase

BODY STYLES:

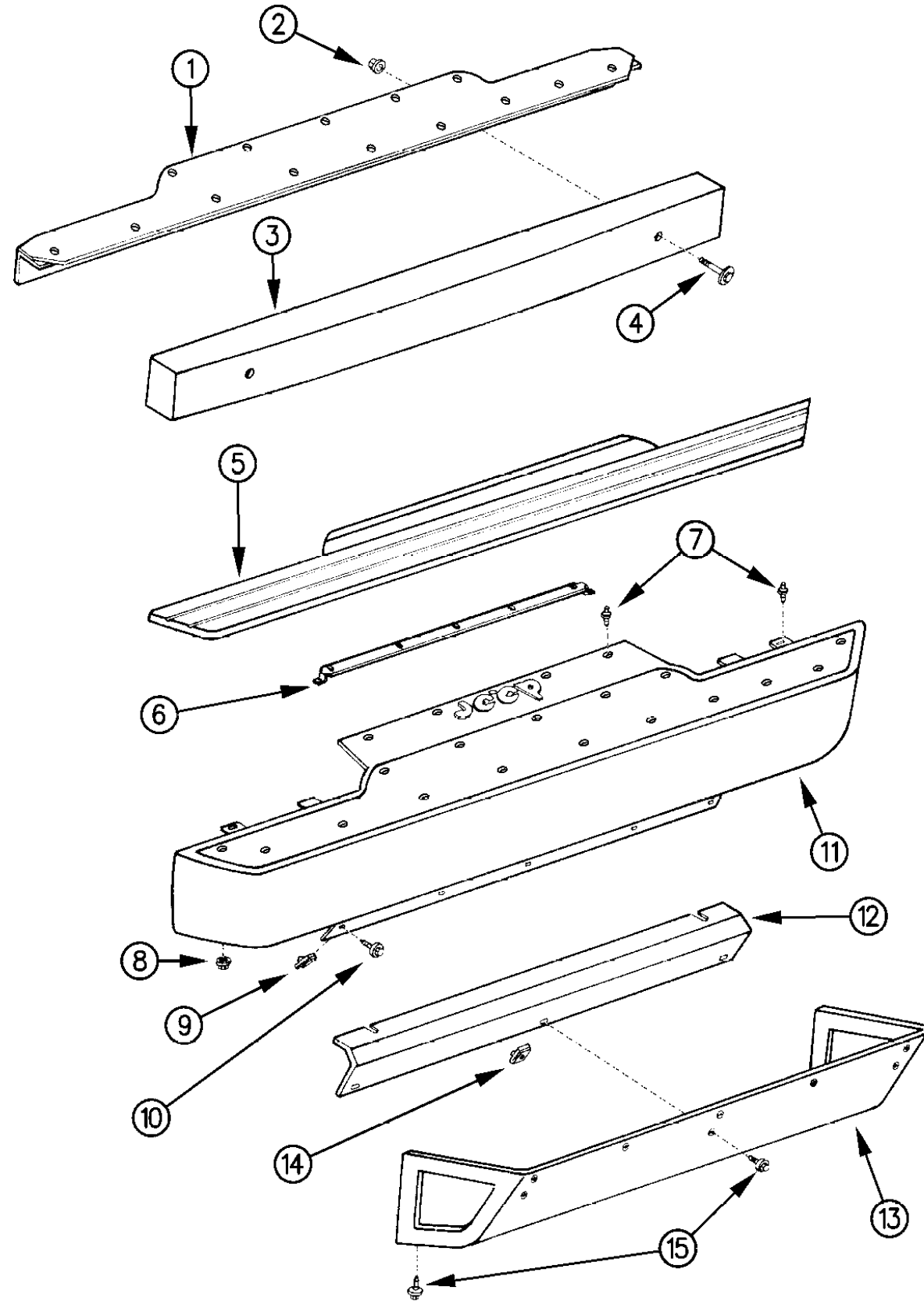
MJ=Comanche Pickup ZJ=Grand Cherokee/Grand Wagoneer KDX VEHICLES
 SJ=Grand Wagoneer M1=Comanche
 XJ=Cherokee, Briarwood X1=Cherokee, Briarwood
 YJ=Wrangler Y1=Wrangler

AR = Use as Required - = Non Illustrated Part P.A.R. = Paint as Required

FRONT FASCIA & SKID PLATE RENEGADE

Figure 13-350

91J13 350C



ITEM	PART NUMBER	QTY	BODY	MODEL	DESCRIPTION
1	4638 137	1			SUPPORT, Assy.
2	6501 859	2			NUT
3	8350 7235	1			SPACER, (Styrofoam)
4	4638 272	2			BOLT
5	8350 7232	1			STEP PAD
6	4638 135	1			SUPPORT
7	4638 136	7			PUSH PIN, P.A.R. ***
8	9420 262	16			WASHER
9	6101 308	5			U-NUT
10	6501 212	5			BOLT
11	8350 7231	1			FASCIA
12	8350 7237	1			BRACKET
13	8350 7236	1			SKID PLATE, 1991 ***
	4728 058	1			PANEL, Lower Closeout, 1992-93
14	6101 283	4			U-NUT
15	6101 453	AR			BOLT

MODEL CODES:

61=Pickup-6 Ft Box 74=4 Door Wagon T=2WD
 62=Pickup-7 Ft Box 77=Open Body 93" Wheelbase J,N,U=4WD
 72=2 Door Wagon 78=Open Body 103" Wheelbase

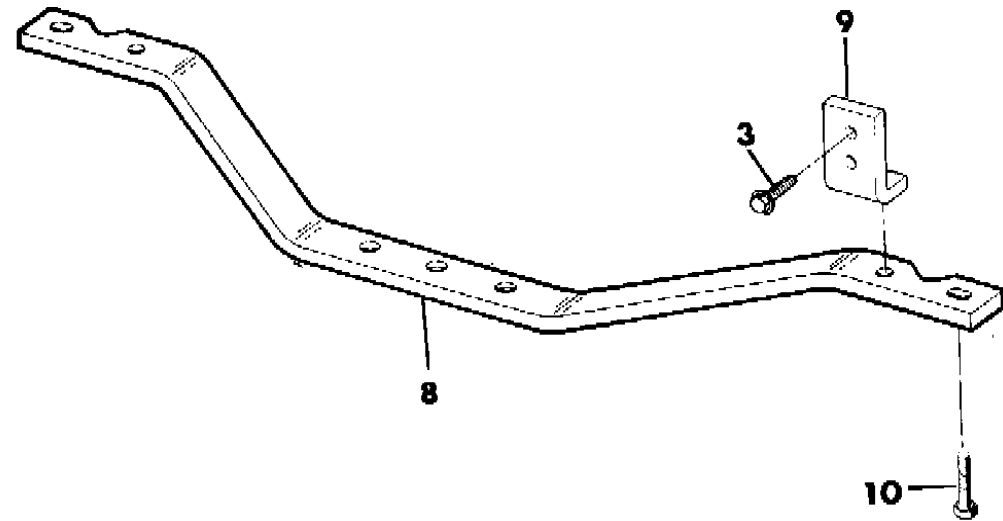
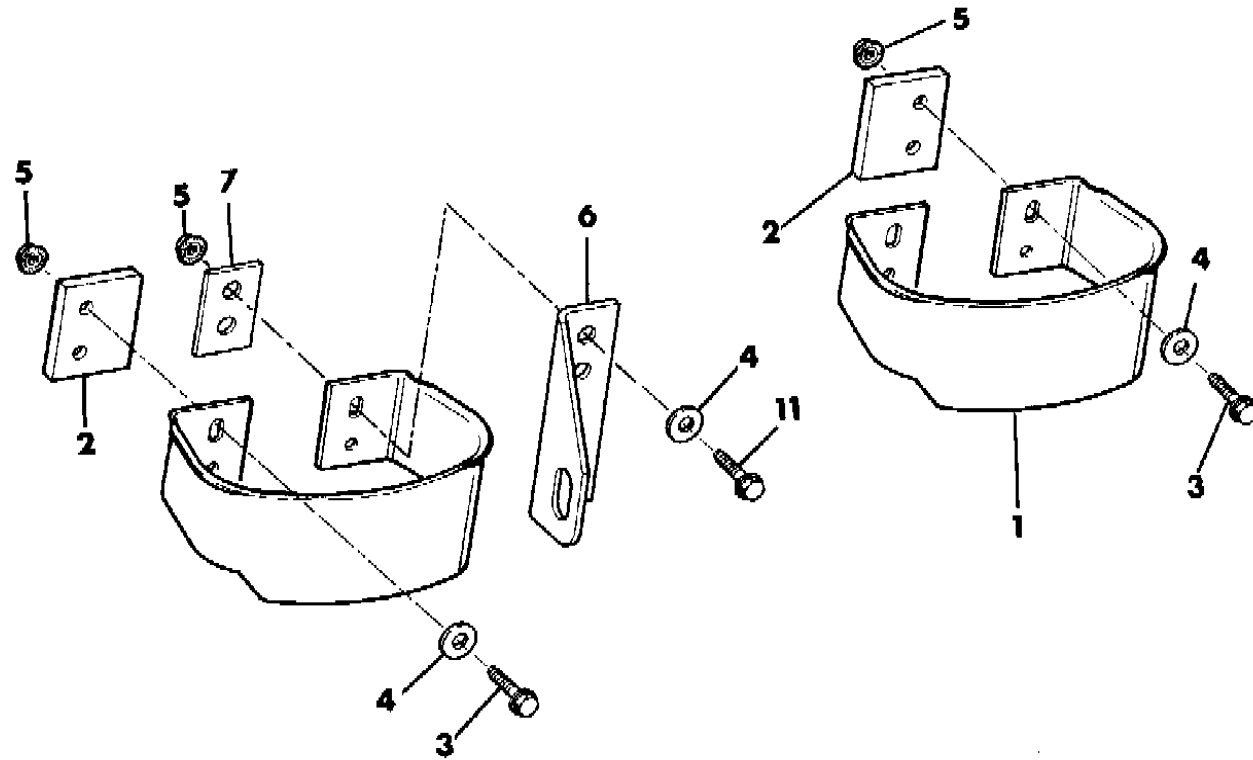
BODY STYLES:

MJ=Comanche Pickup ZJ=Grand Cherokee/Grand Wagoneer KDX VEHICLES
 SJ=Grand Wagoneer M1=Comanche
 XJ=Cherokee, Briarwood X1=Cherokee, Briarwood
 YJ=Wrangler Y1=Wrangler

AR = Use as Required - = Non Illustrated Part P.A.R. = Paint as Required

BUMPER--REAR AND DRAW BAR WRANGLER, YJ
Figure 13-400

91J13 400B



ITEM	PART NUMBER	QTY	BODY	MODEL	DESCRIPTION
1					BUMPERETTE, Rear ***
	4773 058	2			Black - Smooth
	5502 4414	2			Black - Textured
	5502 4415	2			Chrome
2	J535 8680	2			SPACER
3					BOLT
	J942 3533	8			Black, (1.50")
	J400 7211	8			Chrome, (1.50")
	J400 7205	8			Chrome, (.88")
4	J400 6695	8			WASHER, Laredo
5	J400 4005	8			NUT
6	5200 3811	1			EYE, Towing ***
7	5200 3812	1			SPACER, Left Side Only
8	5204 0013	1			BAR, Draw
9	5204 0014	2			BRACKET
10	J941 9079	2			BOLT
11	J400 7368	2			BOLT

MODEL CODES:

61=Pickup-6 Ft Box 74=4 Door Wagon T=2WD
 62=Pickup-7 Ft Box 77=Open Body 93" Wheelbase J,N,U=4WD
 72=2 Door Wagon 78=Open Body 103" Wheelbase

BODY STYLES:

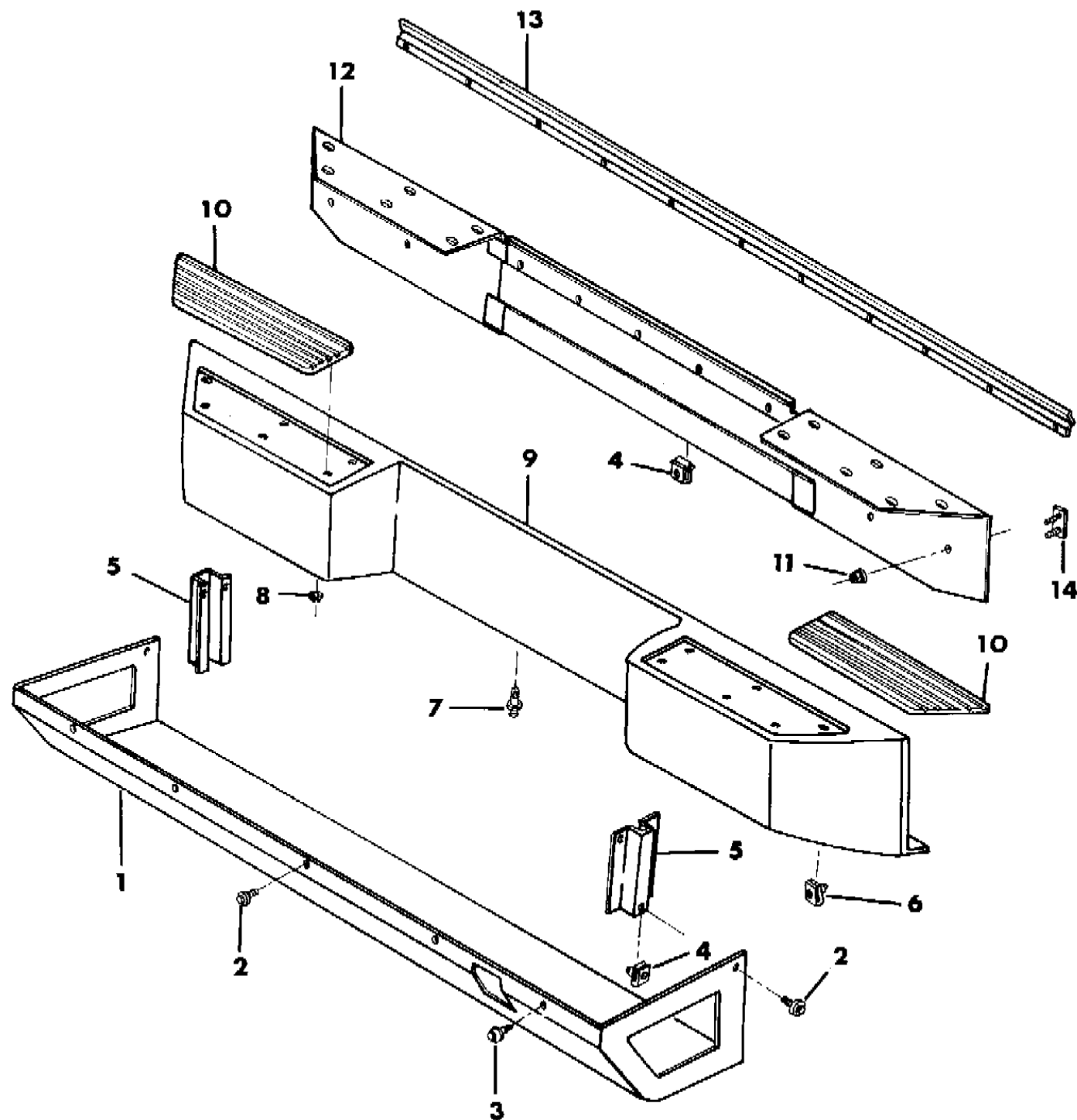
MJ=Comanche Pickup ZJ=Grand Cherokee/Grand Wagoneer KDX VEHICLES
 SJ=Grand Wagoneer M1=Comanche
 XJ=Cherokee, Briarwood X1=Cherokee, Briarwood
 YJ=Wrangler Y1=Wrangler

AR = Use as Required - = Non Illustrated Part P.A.R. = Paint as Required

REAR FASCIA & SKID PLATE RENEGADE

Figure 13-450

91J13 450 A



ITEM	PART NUMBER	QTY	BODY	MODEL	DESCRIPTION
1	8350 7246	1			SKID PLATE ***
2	6101 453	AR			BOLT
3	6501 212	2			BOLT
4	6101 283	AR			U-NUT
5	8350 7247	2			BRACKET
6	6101 308	2			U-NUT
7	4638 136				PUSH PIN, P.A.R. ***
8	9420 262	12			NUT
9					FASCIA
	8350 7240	1		1991	
	4720 144	1		1992-93	
10	8350 7242-3	1			STEP PAD
11	6101 448	8			NUT
12	8350 7244	1			SUPPORT ASSY. ***
13	8350 7241	1			RETAINER
14	8350 7245	4			STUD PLATE ***

MODEL CODES:

61=Pickup-6 Ft Box 74=4 Door Wagon T=2WD
 62=Pickup-7 Ft Box 77=Open Body 93" Wheelbase J,N,U=4WD
 72=2 Door Wagon 78=Open Body 103" Wheelbase

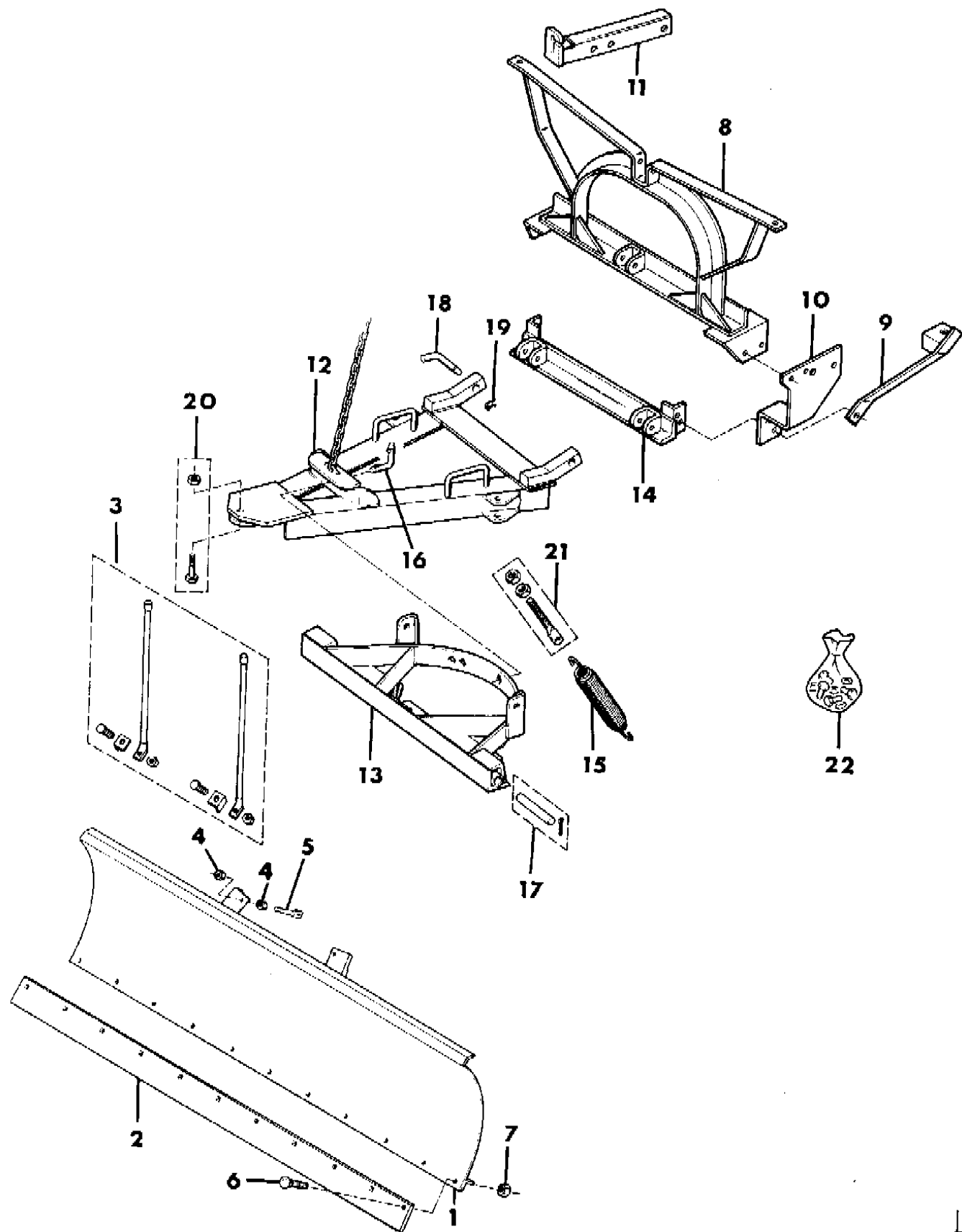
BODY STYLES:

MJ=Comanche Pickup ZJ=Grand Cherokee/Grand Wagoneer KDX VEHICLES
 SJ=Grand Wagoneer M1=Comanche
 XJ=Cherokee, Briarwood X1=Cherokee, Briarwood
 YJ=Wrangler Y1=Wrangler

AR = Use as Required - = Non Illustrated Part P.A.R. = Paint as Required

SNOWPLOW AND MOUNTING WRANGLER, YJ
Figure 13-500

91J13 500



ITEM	PART NUMBER	QTY	BODY	MODEL	DESCRIPTION
1	J200 9158	1			MOLDBOARD ASSEMBLY ***
2	J200 9131	1			BLADE
3	J200 9916	1			INDICATOR PACKAGE, Plow Marker ***
4	J202 0318	16			NUT, Lock
5	J201 2150	2			BOLT
6	J202 1943	AR			BOLT
7	J202 0307	15			NUT, Lock
8	J201 0985	1			FRAME, Plow Lift
9					FRAME, Plow Side
	J201 0987	1			Left
	J201 0988	1			Right
10					PLATE, Plow Side
	J201 0989	1			Left
	J201 0990	1			Right
11	J201 0514	1			ARM, Plow Lift
12	J201 3299	1			A-FRAME, Plow
13	J201 2326	1			SECTOR, Plow ***
14	J201 0986	1			FRAME, Plow Clevis
15	J200 7017	2			SPRING
16	J201 3003	1			PIN, Shear
17	J200 9119	2			PIN, Pivot (w/Cotter Pin)
18	J201 1006	2			PIN, Hinge
19	J202 1984	2			PIN, Cotter
20	J200 9122	1			BOLT, w/Nut
21	J200 9124	3			BOLT, w/Nut
22	J200 8559	1			HARDWARE, Plow Mtg. ***

MODEL CODES:

61=Pickup-6 Ft Box 74=4 Door Wagon T=2WD
 62=Pickup-7 Ft Box 77=Open Body 93" Wheelbase J,N,U=4WD
 72=2 Door Wagon 78=Open Body 103" Wheelbase

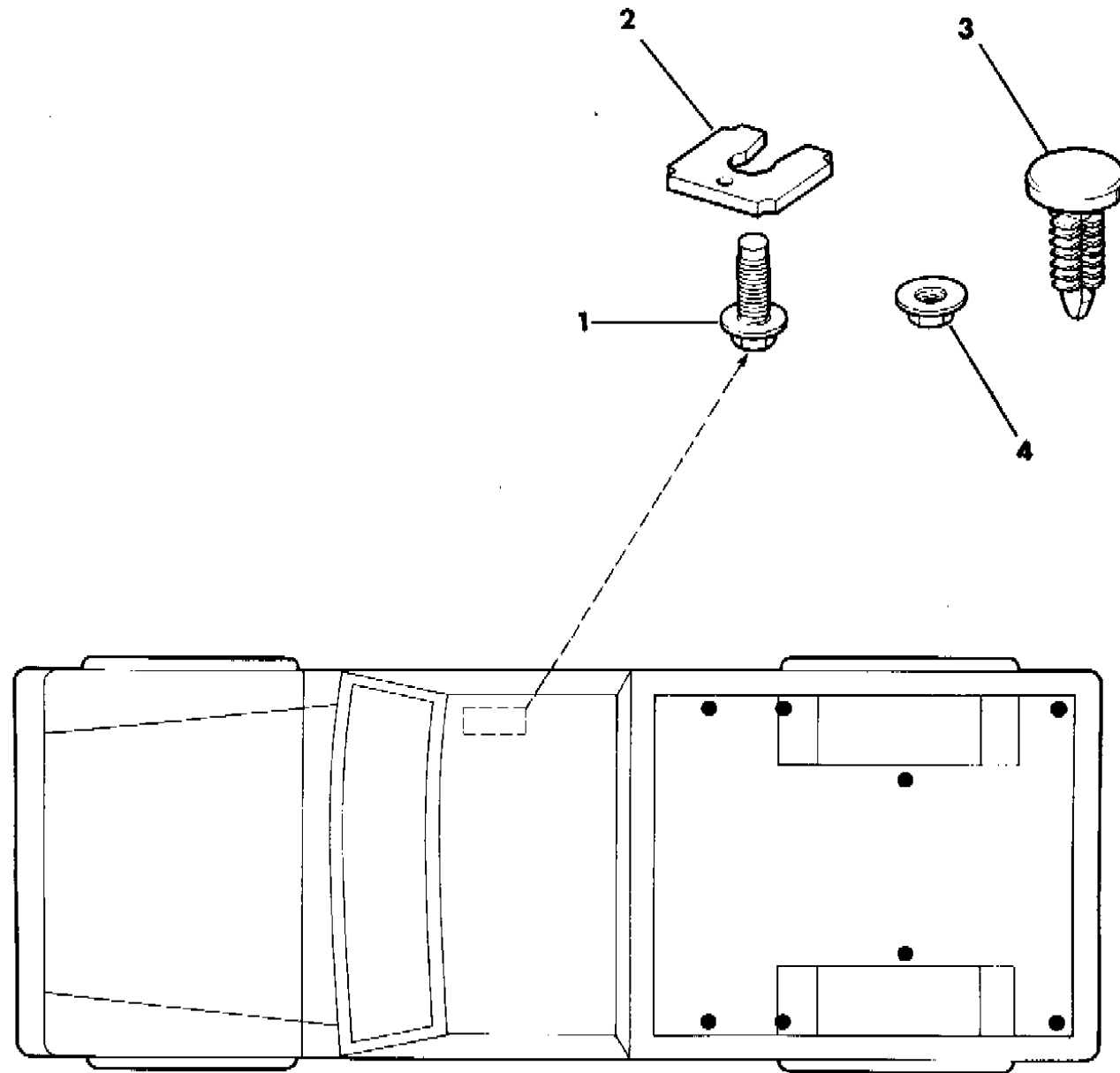
BODY STYLES:

MJ=Comanche Pickup ZJ=Grand Cherokee/Grand Wagoneer KDX VEHICLES
 SJ=Grand Wagoneer M1=Comanche
 XJ=Cherokee, Briarwood X1=Cherokee, Briarwood
 YJ=Wrangler Y1=Wrangler

AR = Use as Required - = Non Illustrated Part P.A.R. = Paint as Required

MOUNTING HARDWARE PICKUP BOX COMANCHE
Figure 13-600

91J13 600



ITEM	PART NUMBER	QTY	BODY	MODEL	DESCRIPTION
1	1150 2606	2			BOLT (25mm)
	3420 1540	4			(30mm)
2	5500 6628	AR			SHIM (4mm Thk.)
	5500 6645	AR			(1mm Thk.)
3	3420 1545	AR			CLIP
4	1150 2812	2			NUT

MODEL CODES:

61=Pickup-6 Ft Box 74=4 Door Wagon T=2WD
 62=Pickup-7 Ft Box 77=Open Body 93" Wheelbase J,N,U=4WD
 72=2 Door Wagon 78=Open Body 103" Wheelbase

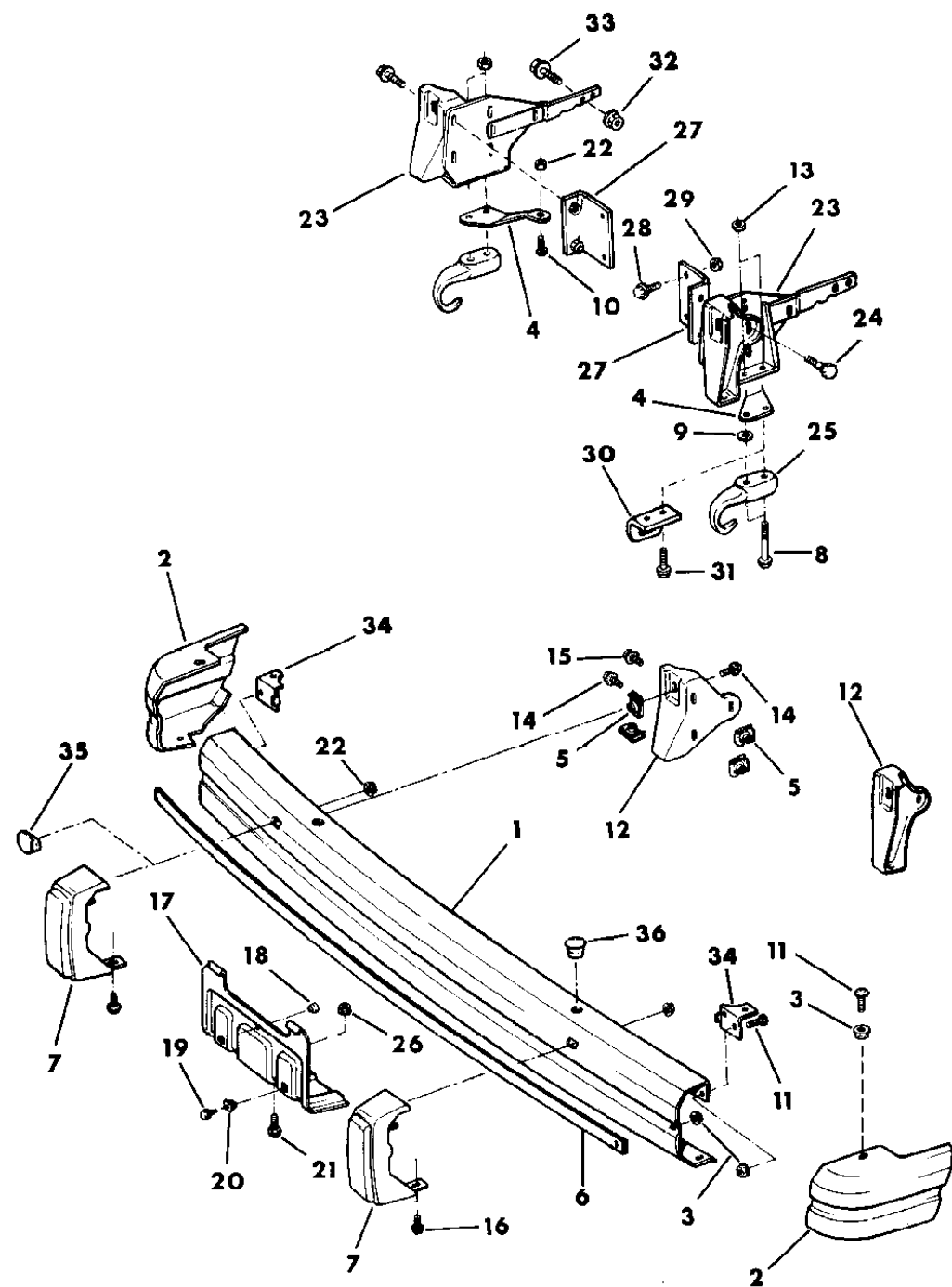
BODY STYLES:

MJ=Comanche Pickup ZJ=Grand Cherokee/Grand Wagoneer KDX VEHICLES
 SJ=Grand Wagoneer M1=Comanche
 XJ=Cherokee, Briarwood X1=Cherokee, Briarwood
 YJ=Wrangler Y1=Wrangler

AR = Use as Required - = Non Illustrated Part P.A.R. = Paint as Required

BUMPER--FRONT CHEROKEE, BRIARWOOD, COMANCHE
Figure 13-700

91J13 700B



ITEM	PART NUMBER	QTY	BODY	MODEL	DESCRIPTION
1					RAIL, Bumper (Mod.Required)
	5523 4551	1			Black, (P.A.R.)
	5523 4550	1			Chrome
2					END CAP
					1991
	5523 4544-5	1			Black, Grained, 1991
	5CN38-9 KX8	1			Black, Up to 3-22-91
	5CU46-7 KX8	1			Black, After 3-21-91
	5CN38-9 KE9	1			Dark Cordovan, Up to 4-19-91
	5CU46-7 KE9	1			Dark Cordovan, After 4-19-91
	5CN38-9 KS7	1			Dark Silver, Up to 4-24-91
	5CU46-7 KS7	1			Dark Silver, After 4-24-91
	5CN38-9 KW7	1			Bright White, Up to 5-20-91
	5CU46-7 KW7	1			White, After 5-20-91
When ordering 1991 end caps with an up to date of 3-22-92, you must also order 34202014 push nuts. ion as described in the Chrysler repair manual.					
					1992
	5523 4544-5	1			Black, Grained
	5CU46-7 KX8	1			Black
	5CU46-7 LB8	1			Midnight Blue
	5CU46-7 KE9	1			Dark Cordovan
	5CU46-7 LG5	1			Hunter Green
	5CU46-7 KE4	1			Red
	5CU46-7 KS7	1			Dark Silver
	5CU46-7 KW7	1			White
					1993
	5523 4544-5	1			Black, Grained
	5CU46-7 KX8	1			Black
	5CU46-7 MC9	1			Jewel Blue
	5CU46-7 MV4	1			Light Champagne
	5CU46-7 LG5	1			Hunter Green
	5CU46-7 KS7	1			Dark Silver
3	1150 3750	8			NUT
4	5200 1972-3	1			BRACE
5	1150 0662	8			NUT
6	5501 8777	1			NERF SRIP, Black & Gold, EUROPE, (Mod. Required), 1991 ***
7					GUARD, Bumper
	5200 0462-3	1			Black Low Gloss (P.A.R.)
	5BG72-3 KW7	1			Bright White (Paint as Required)
8	1150 5098	4			BOLT, w/Toe Hook
9	J400 2086	2			WASHER

MODEL CODES:

61=Pickup-6 Ft Box 74=4 Door Wagon T=2WD
 62=Pickup-7 Ft Box 77=Open Body 93" Wheelbase J,N,U=4WD
 72=2 Door Wagon 78=Open Body 103" Wheelbase

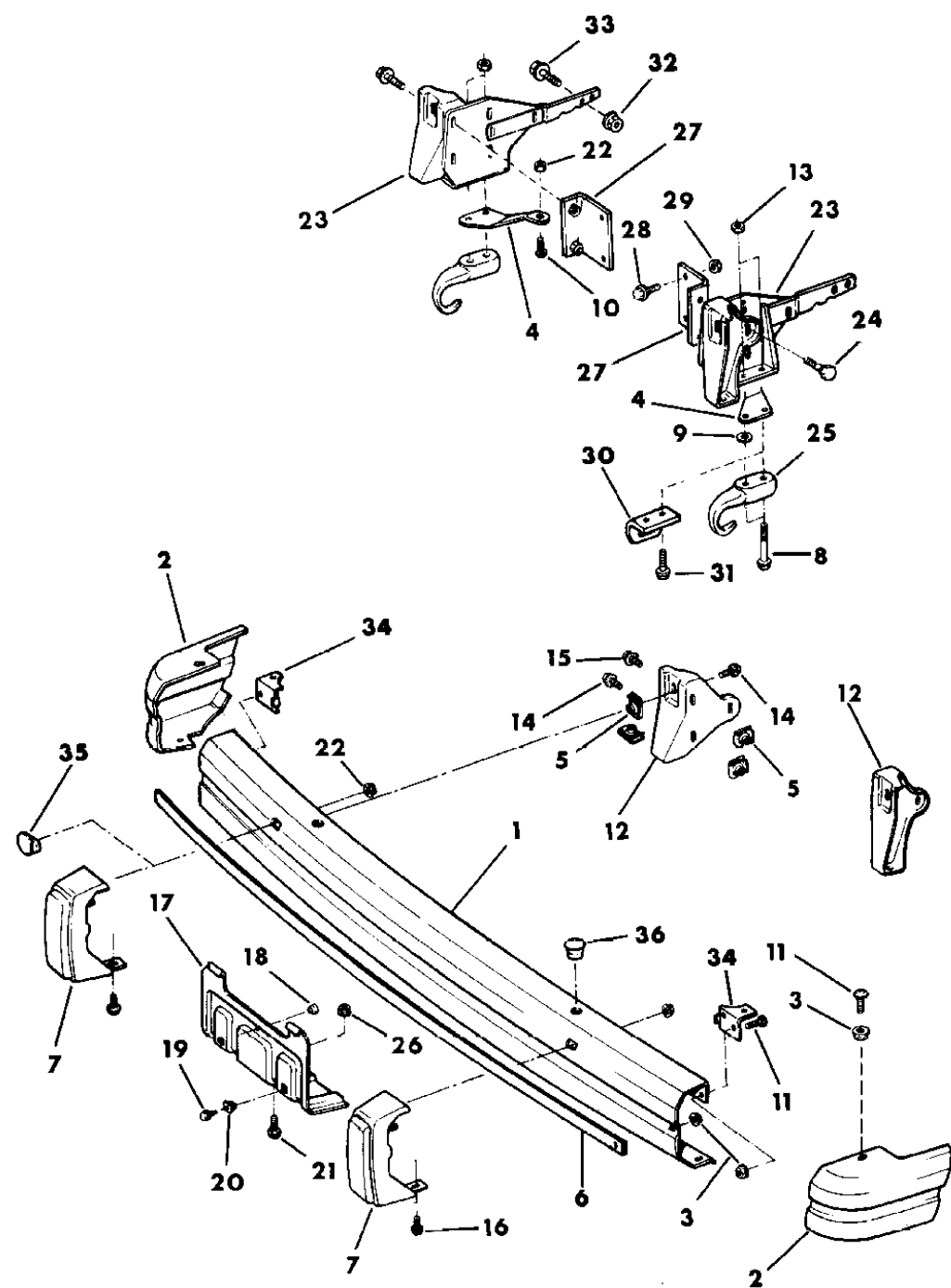
BODY STYLES:

MJ=Comanche Pickup ZJ=Grand Cherokee/Grand Wagoneer KDX VEHICLES
 SJ=Grand Wagoneer M1=Comanche
 XJ=Cherokee, Briarwood X1=Cherokee, Briarwood
 YJ=Wrangler Y1=Wrangler

AR = Use as Required - = Non Illustrated Part P.A.R. = Paint as Required

BUMPER--FRONT CHEROKEE, BRIARWOOD, COMANCHE
Figure 13-700

91J13 700B



ITEM	PART NUMBER	QTY	BODY	MODEL	DESCRIPTION
10	3420 1596	2			BOLT
11					SCREW
	3420 1970	AR			1991-92
	3420 1809	AR			1993
12	5200 0488-9	1			BRACKET, Mounting, w/o Toe Hook or Eye Hook
13	1150 2813	AR			NUT
14	3420 2219	AR			SCREW
15	3420 1540	4			BOLT
16		2			BOLT, (Not Serviced), M10x1.5-25.00
17	5200 3479	1			BRACKET, License
18	5200 0457	1			BUMPER, License
19	J812 0054	2			SCREW
20	J400 0141	2			NUT
21	3420 1736	2			BOLT
22	1150 2811	2			NUT
23					BRACKET, Mounting
	5200 0746-7	1			1991
	5523 4897	1			Right, 1992-93
	5200 0747	1			Left, 1992-93
24	3420 2219	4			BOLT
25	5200 0710	2			HOOK, Tow
26	1150 2729	2			NUT
27	5200 1976-7	1			BRACKET, Support
28	J420 0434	4			BOLT
29	6502 135	4			NUT
30	5200 1644	1			EYE, Towing ***
31	3420 1389	2			BOLT, w/Toe Eye
32					NUT
	3420 2656	1			Right
	1150 2814	1			Left
33					BOLT
	3420 2661	1			Right
	3420 2388	1			Left
34	5200 2730-1	1			BRACKET, Support
35	3420 2319	2			PLUG
36	3420 2321	2			PLUG

MODEL CODES:

61=Pickup-6 Ft Box 74=4 Door Wagon T=2WD
 62=Pickup-7 Ft Box 77=Open Body 93" Wheelbase J,N,U=4WD
 72=2 Door Wagon 78=Open Body 103" Wheelbase

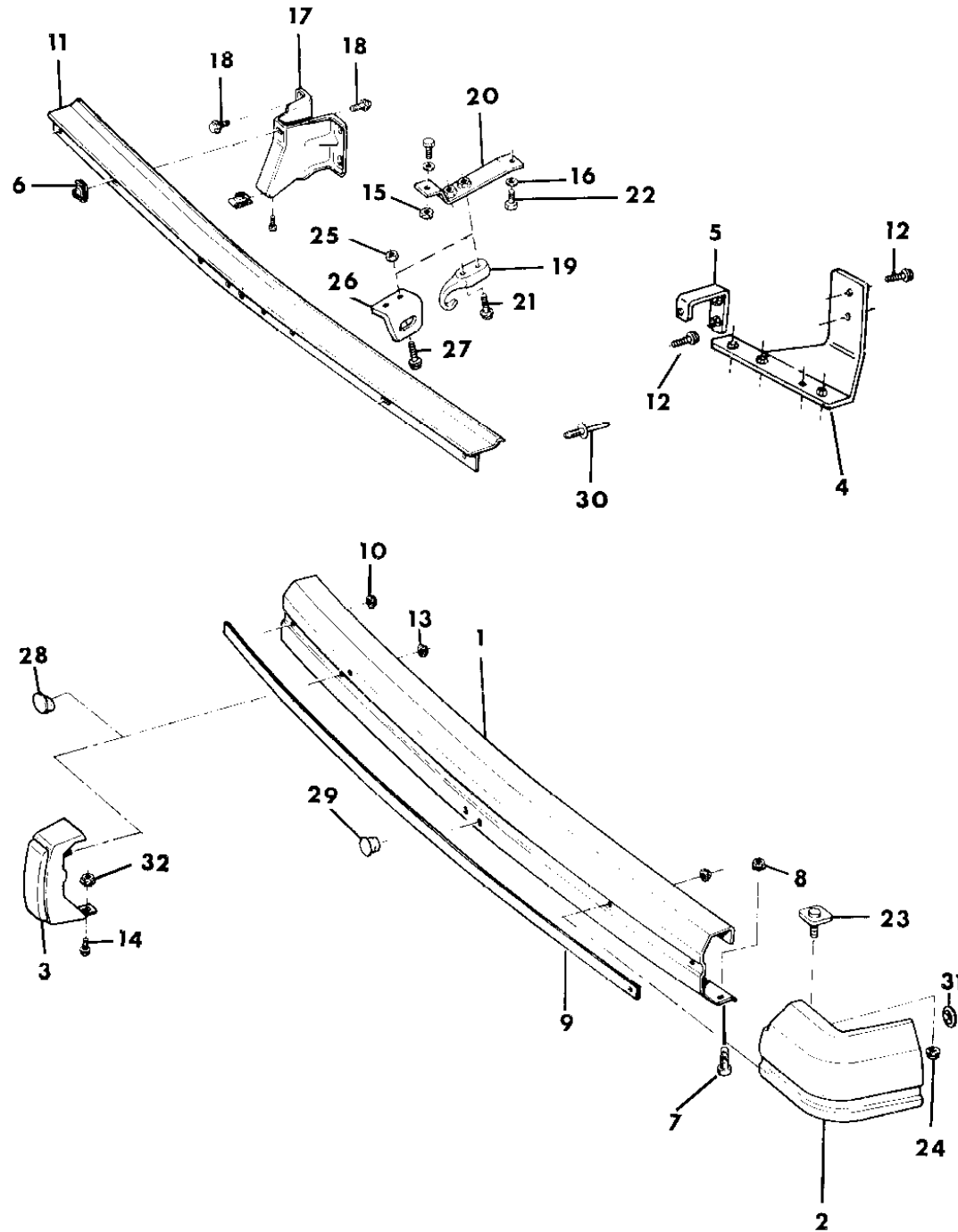
BODY STYLES:

MJ=Comanche Pickup ZJ=Grand Cherokee/Grand Wagoneer KDX VEHICLES
 SJ=Grand Wagoneer M1=Comanche
 XJ=Cherokee, Briarwood X1=Cherokee, Briarwood
 YJ=Wrangler Y1=Wrangler

AR = Use as Required - = Non Illustrated Part P.A.R. = Paint as Required

BUMPER--REAR CHEROKEE, BRIARWOOD
Figure 13-800

91J13 800B



ITEM	PART NUMBER	QTY	BODY	MODEL	DESCRIPTION
1					RAIL, Bumper (Mod. Required)
	5523 4618	1			P.A.R.
	5523 4619	1			Chrome
	5502 6259	1			Chrome, KDX - Venezuela
2					END CAP
					1991
	5502 9244-5	1			Black, Grained
	5BG74-5 KX8	1			Black
	5BG74-5 KE9	1			Dark Cordovan
	5BG74-5 KS7	1			Dark Silver
	5BG74-5 KW7	1			Bright White
	When ordering end caps for 1991, you must also order 34202014 push nut. ion as described in the Chrysler repair manual.				
					1992
	5502 9244-5	1			Black, Grained
	5CP86-7 KX8	1			Black
	5CP86-7 LB8	1			Midnight Blue
	5CP86-7 KE9	1			Dark Cordovan
	5CP86-7 LG5	1			Hunter Green
	5CP86-7 KE4	1			Colorado Red
	5CP86-7 KS7	1			Dark Silver
	5CP86-7 KW7	1			White
					1993
	5502 9244-5	1			Black, Grained
	5CP86-7 KX8	1			Black
	5CP86-7 MC9	1			Jewel Blue
	5CP86-7 MV4	1			Light Champagne
	5CP86-7 LG5	1			Hunter Green
	5CP86-7 KS7	1			Dark Silver
3	5200 0468-9	1			GUARD, Bumper, Black, 1991
4	5502 6246	1			REINFORCEMENT ASSEMBLY
5	5502 6247	1			REINFORCEMENT ASSEMBLY
6	1150 0662	2			NUT
7	3420 1809	AR			SCREW
8	1150 3750	AR			NUT
9	5501 8777	1			NERF STRIP, Black & Gold, EUROPE, (Modification Required, 1991
10	3420 1918	4			NUT, 1991
11	5502 6542	1			SHIELD, Bumper Rail
12	3420 2467	3			BOLT
13	6101 283	2			NUT
14	1150 4284	2			BOLT, 1991

MODEL CODES:

61=Pickup-6 Ft Box 74=4 Door Wagon T=2WD
 62=Pickup-7 Ft Box 77=Open Body 93" Wheelbase J,N,U=4WD
 72=2 Door Wagon 78=Open Body 103" Wheelbase

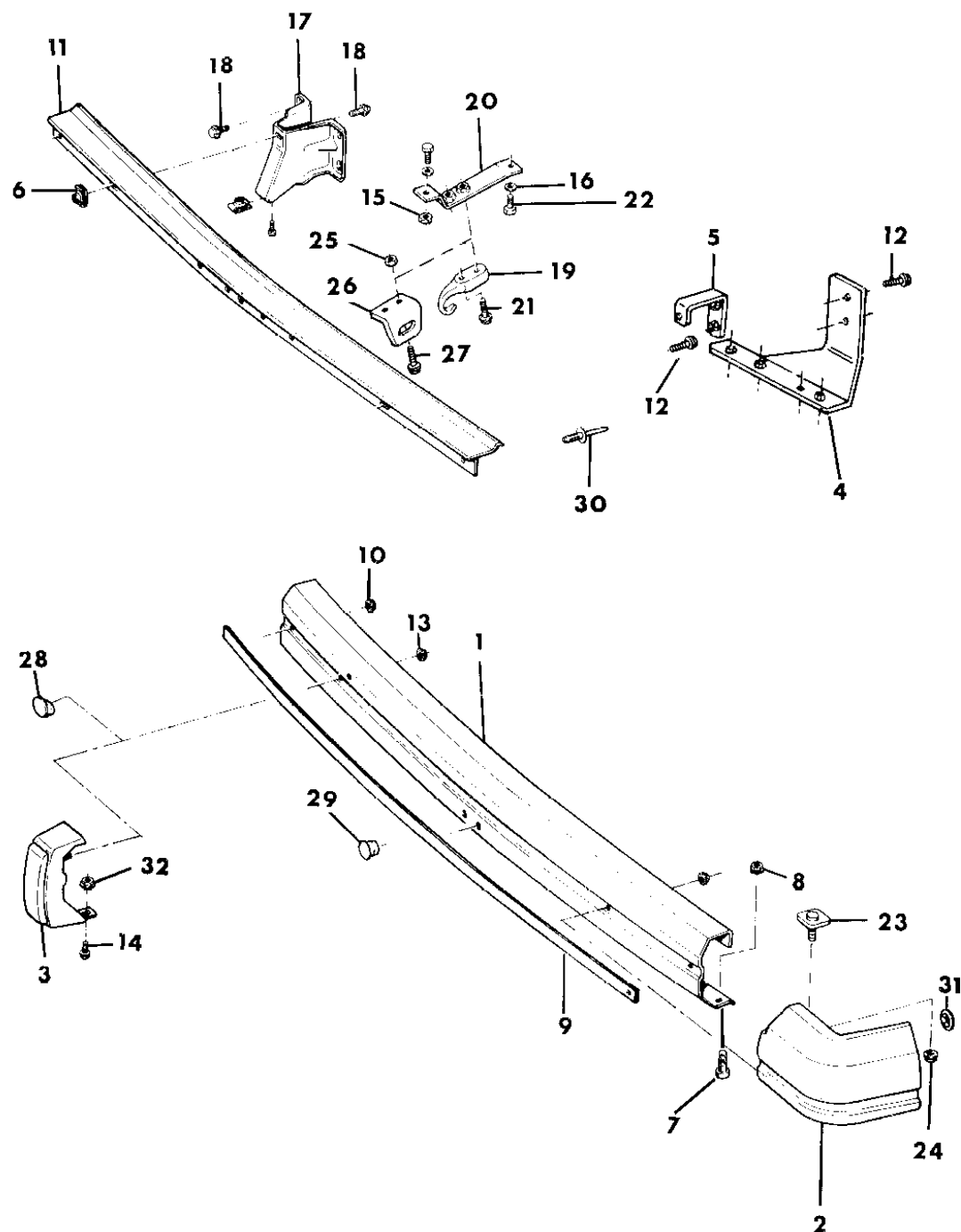
BODY STYLES:

MJ=Comanche Pickup ZJ=Grand Cherokee/Grand Wagoneer KDX VEHICLES
 SJ=Grand Wagoneer M1=Comanche
 XJ=Cherokee, Briarwood X1=Cherokee, Briarwood
 YJ=Wrangler Y1=Wrangler

AR = Use as Required - = Non Illustrated Part P.A.R. = Paint as Required

BUMPER--REAR CHEROKEE, BRIARWOOD
Figure 13-800

91J13 800B



ITEM	PART NUMBER	QTY	BODY	MODEL	DESCRIPTION
15	1150 1060	2			NUT
16	1150 0257	2			WASHER
17	5502 6265	2			BRACKET, Mounting
18	3420 1540	AR			BOLT
19	5200 0710	1			HOOK, Tow
20	5200 0712	1			BRACKET, Tow
21	1150 4922	1			BOLT
22	3420 1322	2			BOLT
23					PLATE
	5200 1384	2			1991
	6502 693	2			1992-93
24	3420 1918	4			NUT
25	1150 2813	2			NUT
26	5200 1644	1			EYE, Towing ***
27	3420 1389	2			BOLT
28	3420 2319	2			PLUG
29	3420 2320	2			PLUG, Trailer Hitch
30	3420 2855	4			RIVET, Shield to Bumper
31	3420 2014	2			NUT
32	1150 2811	4			NUT, 1991

MODEL CODES:

61=Pickup-6 Ft Box 74=4 Door Wagon T=2WD
 62=Pickup-7 Ft Box 77=Open Body 93" Wheelbase J,N,U=4WD
 72=2 Door Wagon 78=Open Body 103" Wheelbase

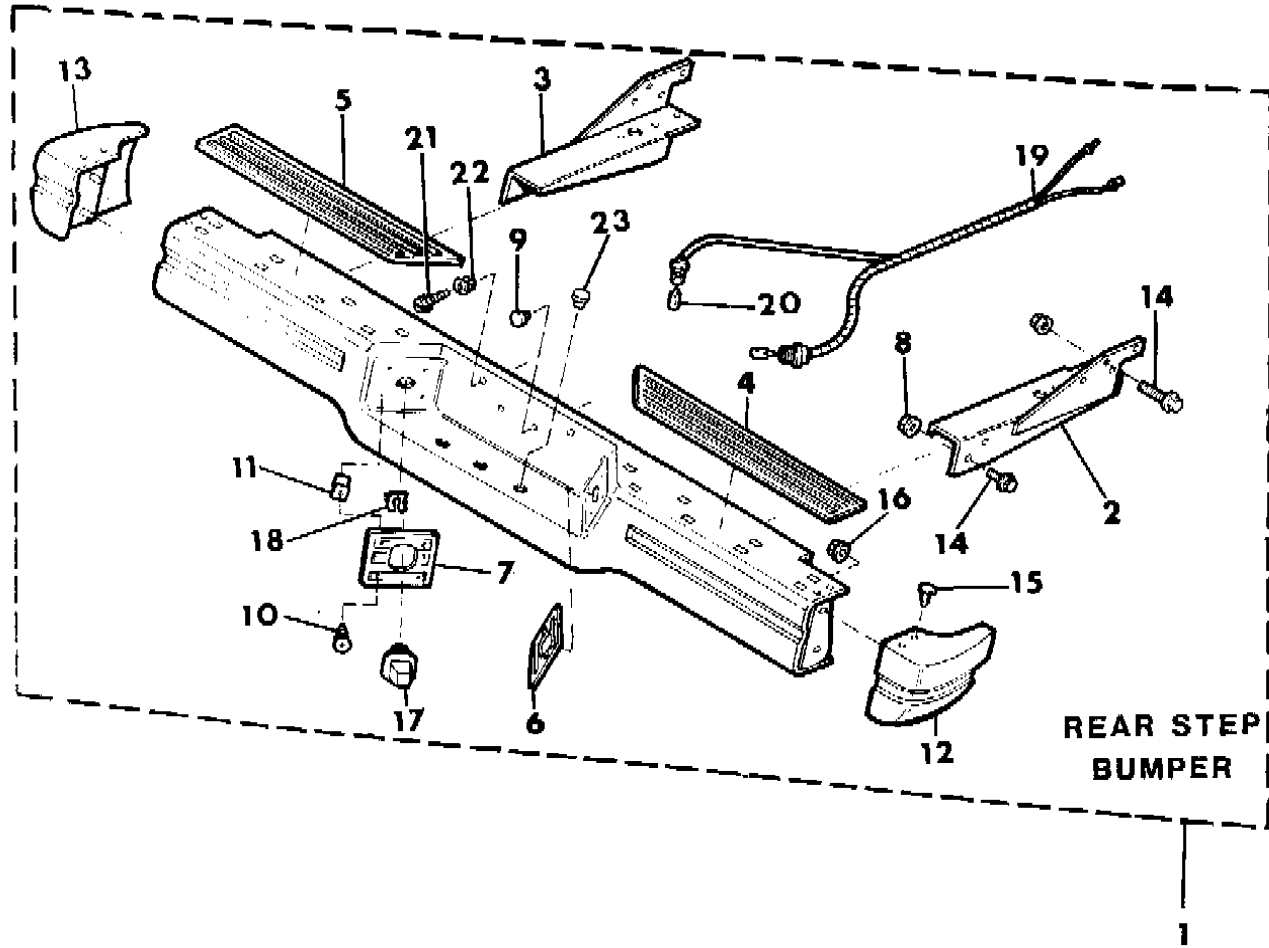
BODY STYLES:

MJ=Comanche Pickup ZJ=Grand Cherokee/Grand Wagoneer KDX VEHICLES
 SJ=Grand Wagoneer M1=Comanche
 XJ=Cherokee, Briarwood X1=Cherokee, Briarwood
 YJ=Wrangler Y1=Wrangler

AR = Use as Required - = Non Illustrated Part P.A.R. = Paint as Required

BUMPER, REAR STEP COMANCHE
Figure 13-900

91J13 900A



ITEM	PART NUMBER	QTY	BODY	MODEL	DESCRIPTION
1	8220 0562	1			BUMPER PACKAGE, Step (Includes Items 2 thru. 23)
2-3	5500 9382-3	1			BRACKET, Mounting
4-5	5200 0792-3	1			PLATE, Anti-Skid
6-7	5200 1776-7	1			PLATE, Cover, 1991
8	1150 2812	4			NUT ***
9	J400 4227	4			BUMPER
10	3420 1985	8			SCREW, 1991
11	3420 1263	8			NUT
12-13	5200 1706-7	1			END CAP, Black
14	3420 1991	16			BOLT
15	J400 6529	4			FASTENER
16	J400 6080	4			NUT
17	5600 1343	1			LAMP, License
18	5600 1312	2			CLIP, Retaining
19	5600 1054	1			HARNES, License Lamp
20	9421 330	2			BULB
21	S941 9380	2			SCREW
22	J400 6367	2			NUT
23	8350 3587	3			PLUG

MODEL CODES:

61=Pickup-6 Ft Box 74=4 Door Wagon T=2WD
 62=Pickup-7 Ft Box 77=Open Body 93" Wheelbase J,N,U=4WD
 72=2 Door Wagon 78=Open Body 103" Wheelbase

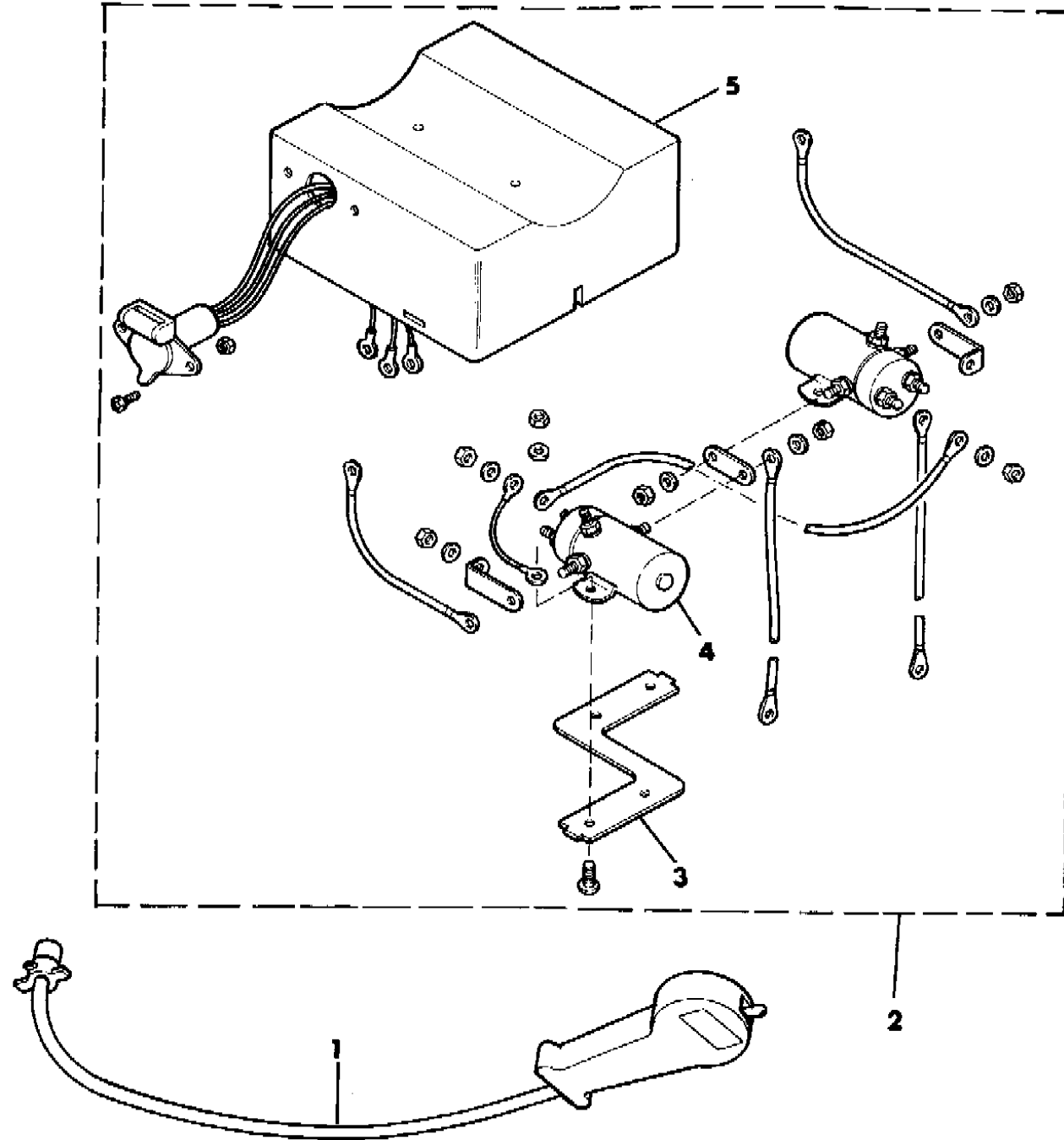
BODY STYLES:

MJ=Comanche Pickup ZJ=Grand Cherokee/Grand Wagoneer KDX VEHICLES
 SJ=Grand Wagoneer M1=Comanche
 XJ=Cherokee, Briarwood X1=Cherokee, Briarwood
 YJ=Wrangler Y1=Wrangler

AR = Use as Required - = Non Illustrated Part P.A.R. = Paint as Required

WINCH CONTROLS HIDDEN WINCH CHEROKEE, COMANCHE
Figure 13-1000

91J13 1000



ITEM	PART NUMBER	QTY	BODY	MODEL	DESCRIPTION
1	8350 2231	1			SWITCH ASSEMBLY, Winch ***
2	8351 0141	1			SOLENOID ASSEMBLY, Winch
3	8351 0140	1			BRACKET, Solenoid Mounting
4	8351 0139	2			SOLENOID ***
5	8351 0138	1			COVER, Solenoid

MODEL CODES:

61=Pickup-6 Ft Box 74=4 Door Wagon T=2WD
62=Pickup-7 Ft Box 77=Open Body 93" Wheelbase J,N,U=4WD
72=2 Door Wagon 78=Open Body 103" Wheelbase

BODY STYLES:

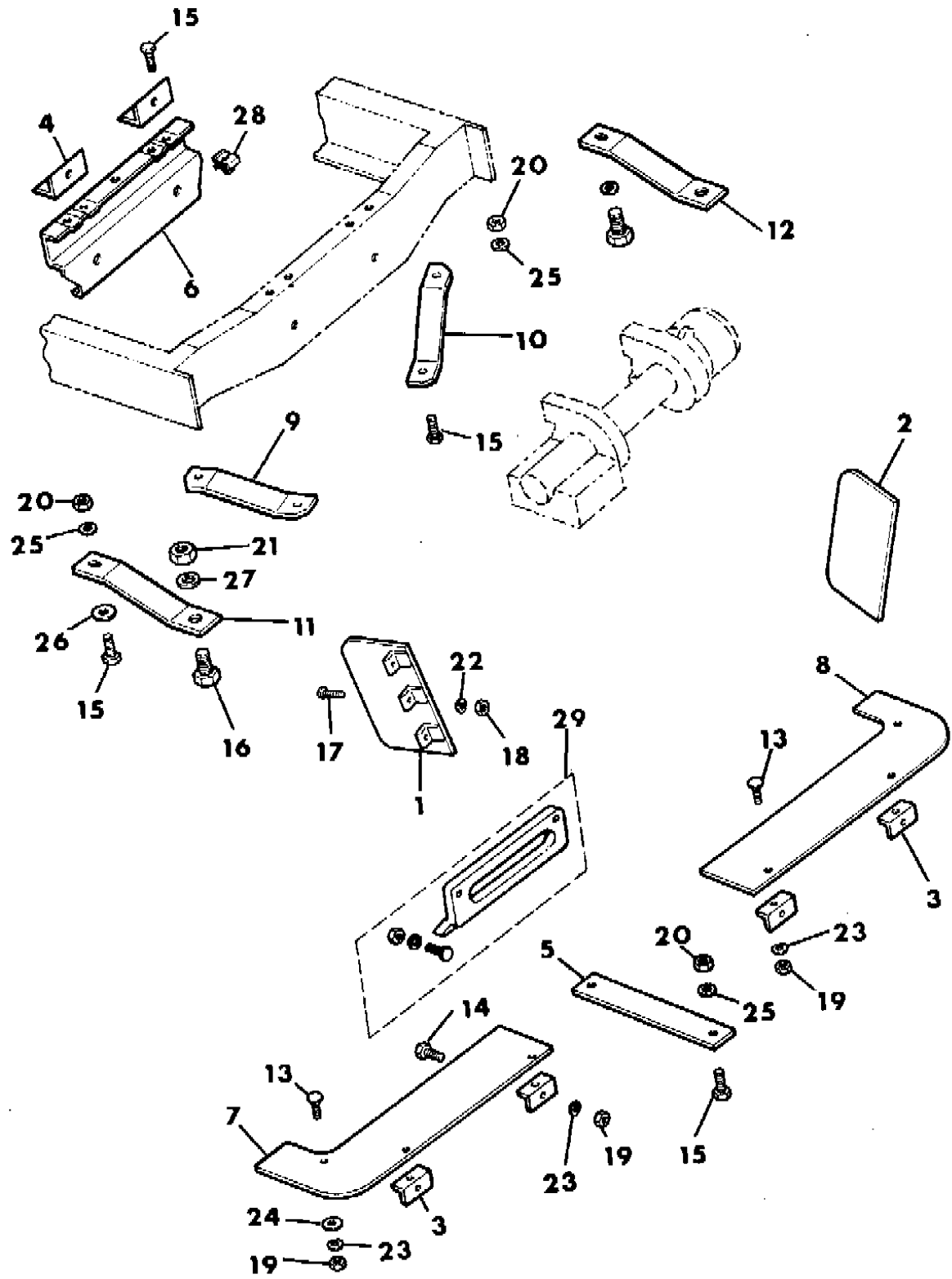
MJ=Comanche Pickup ZJ=Grand Cherokee/Grand Wagoneer KDX VEHICLES
SJ=Grand Wagoneer M1=Comanche
XJ=Cherokee, Briarwood X1=Cherokee, Briarwood
YJ=Wrangler Y1=Wrangler

AR = Use as Required - = Non Illustrated Part P.A.R. = Paint as Required

WINCH MOUNTING HIDDEN WINCH CHEROKEE, COMANCHE
Figure 13-1100

91J13 1100

ITEM	PART NUMBER	QTY	BODY	MODEL	DESCRIPTION
1	8350 1124	1			EXTENSION, Rail
2	8350 1125	1			EXTENSION, Rail
3	8350 1126	4			BRACKET, Angle
4	8350 1127	2			BRACKET, Angle
5	8350 1128	1			RETAINER, Rail (Not Serv.)
6	8350 1129	1			BRACKET, Winch Mounting
7	8350 1130	1			SHIELD, Bumper
8	8350 1131	1			SHIELD, Bumper
9	8350 1132	1			STRAP, Inner
10	8350 1133	1			STRAP, Inner
11	8350 1134	1			STRAP, Outer
12	8350 1135	1			STRAP, Outer
13	8350 1149	6			BOLT ***
14	J018 0020	4			BOLT
15	J018 0079	10			BOLT ***
16		2			BOLT, (Not Serv.)
17	8350 1150	6			SCREW
18	J012 0361	6			NUT
19	J012 0375	10			NUT
20	J012 0376	6			NUT
21	S012 0378	2			NUT
22	S012 0217	6			WASHER, Lock
23	J012 0380	10			WASHER, Lock
24	J012 0392	2			WASHER, Plain
25	J012 0214	6			WASHER, Lock
26	J012 0393	2			WASHER, Plain
27	S012 0384	2			WASHER, Lock
28	8350 1136	4			NUT, U-Type
29	8350 2247	1			GUIDE, Solid Cable



MODEL CODES:

61=Pickup-6 Ft Box 74=4 Door Wagon T=2WD
62=Pickup-7 Ft Box 77=Open Body 93" Wheelbase J,N,U=4WD
72=2 Door Wagon 78=Open Body 103" Wheelbase

BODY STYLES:

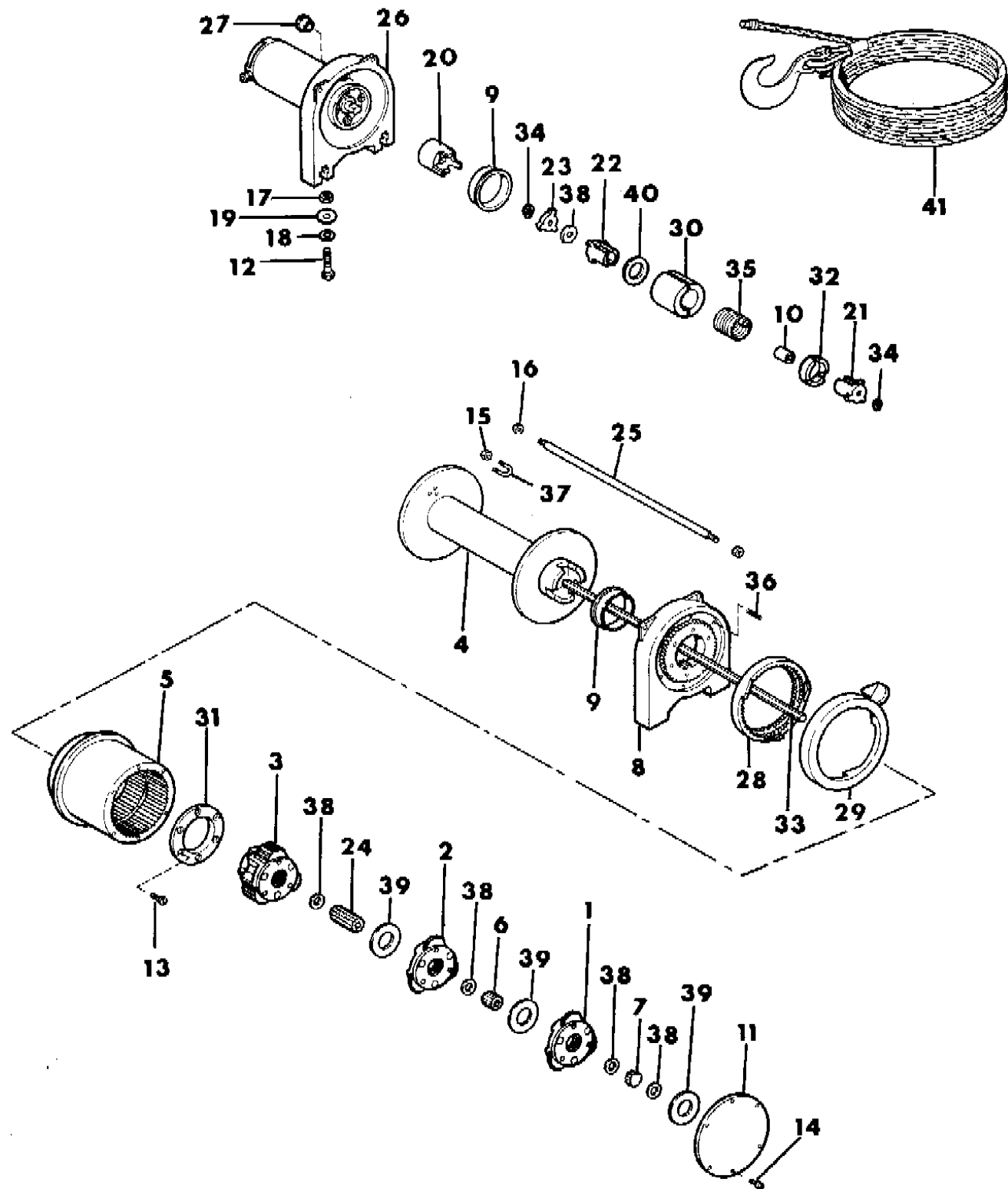
MJ=Comanche Pickup ZJ=Grand Cherokee/Grand Wagoneer KDX VEHICLES
SJ=Grand Wagoneer M1=Comanche
XJ=Cherokee, Briarwood X1=Cherokee, Briarwood
YJ=Wrangler Y1=Wrangler

AR = Use as Required - = Non Illustrated Part P.A.R. = Paint as Required

WINCH MOTOR AND DRUM HIDDEN WINCH CHEROKEE, COMANCHE

Figure 13-1200

91J13 1200



ITEM	PART NUMBER	QTY	BODY	MODEL	DESCRIPTION
1	8350 2228	1			GEAR ASSEMBLY, Input
2	8350 2229	1			GEAR ASSEMBLY, Intermediate
3	8350 2230	1			GEAR ASSEMBLY, Output
4	8350 2232	1			DRUM, Cable
5	8351 0105	1			GEAR, Ring
6	8351 0116	1			GEAR, Intermediate
7	8350 2233	1			GEAR, Input
8	8351 0100	1			BEARING, End
9	8351 0104	2			BUSHING, Brake Drum
10	8350 2234	1			BUSHING, Brake Drum
11	8351 0128	1			COVER, Gear Housing
12	S018 0124	4			SCREW
13	8351 0136	6			SCREW
14	8351 0129	6			SCREW
15	J012 0361	2			NUT
16	8351 0135	2			NUT
17	S941 8738	4			NUT
18	J400 3803	4			WASHER
19	8350 2235	4			WASHER
20	8350 2236	1			COUPLING, Brake
21	8350 2237	1			DRUM, Output Brake
22	8350 2238	1			DRUM, Input Brake
23	8350 2239	1			SPROCKET, Input
24	8350 2240	1			GEAR, Output
25	8351 0134	1			BAR, Tie
26	8351 0038	1			MOTOR
27	8351 0103	1			PLUG
28	8351 0107	1			RING, Locking
29	8351 0106	1			RING, Cam
30	8350 2241	2			RING, Half
31	8351 0110	1			RETAINER, Ring Gear
32	8350 2242	1			RETAINER, Brake Spring
33	8350 2091	1			SHAFT, Input
34	8350 2243	2			RING, Snap
35	8350 2244	2			SPRING, Brake
36	8350 2245	2			SPRING
37	8351 0102	1			U-BOLT
38	8351 0127	5			WASHER, Thrust
39	8351 0126	3			WASHER, Thrust
40	8350 2246	1			WASHER, Thrust
41	J813 1517	1			CABLE, Tow

MODEL CODES:

61=Pickup-6 Ft Box 74=4 Door Wagon T=2WD
 62=Pickup-7 Ft Box 77=Open Body 93" Wheelbase J,N,U=4WD
 72=2 Door Wagon 78=Open Body 103" Wheelbase

BODY STYLES:

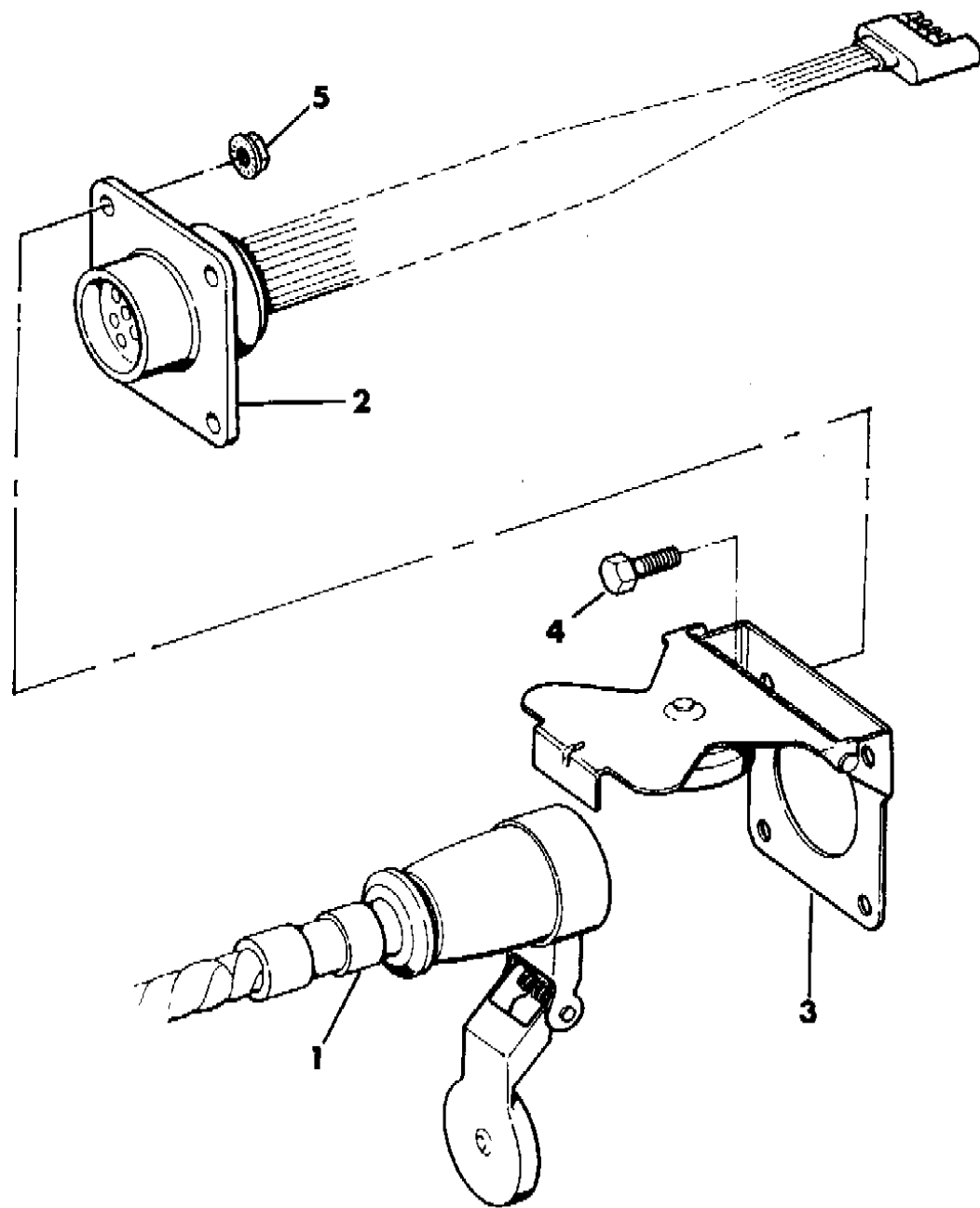
MJ=Comanche Pickup ZJ=Grand Cherokee/Grand Wagoneer KDX VEHICLES
 SJ=Grand Wagoneer M1=Comanche
 XJ=Cherokee, Briarwood X1=Cherokee, Briarwood
 YJ=Wrangler Y1=Wrangler

AR = Use as Required - = Non Illustrated Part P.A.R. = Paint as Required

HARNESS--TRAILER TOWING WRANGLER....KDX

Figure 13-1300

91J13 1300



ITEM	PART NUMBER	QTY	BODY	MODEL	DESCRIPTION
1	J805 3178	1			HARNESS, Trailer Towing
2	J805 0600	1			HARNESS, Trailer Towing
3	J773 1428	1			COVER, Trailer Towing
4	J018 0020	4			BOLT
5	J941 6918	4			NUT

MODEL CODES:

61=Pickup-6 Ft Box 74=4 Door Wagon T=2WD
 62=Pickup-7 Ft Box 77=Open Body 93" Wheelbase J,N,U=4WD
 72=2 Door Wagon 78=Open Body 103" Wheelbase

BODY STYLES:

MJ=Comanche Pickup ZJ=Grand Cherokee/Grand Wagoneer KDX VEHICLES
 SJ=Grand Wagoneer M1=Comanche
 XJ=Cherokee, Briarwood X1=Cherokee, Briarwood
 YJ=Wrangler Y1=Wrangler

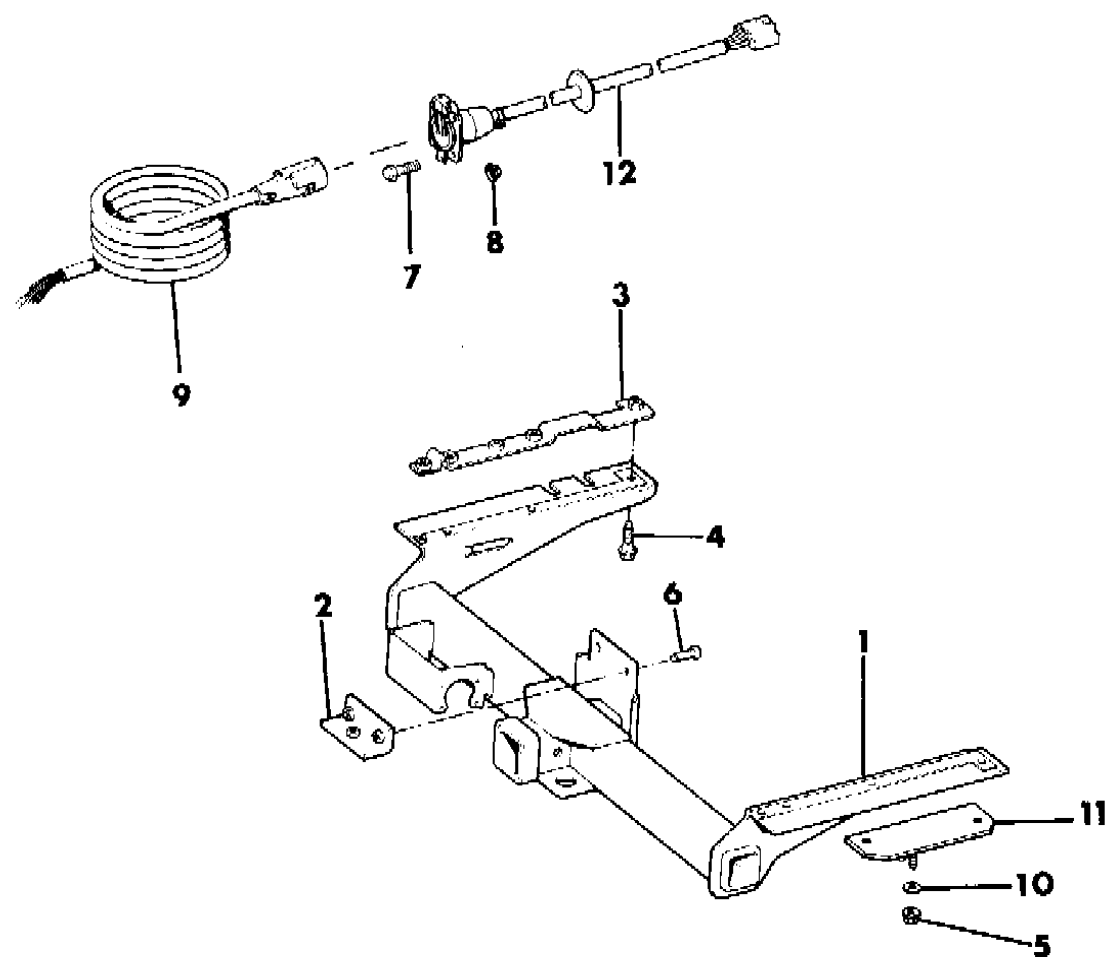
AR = Use as Required - = Non Illustrated Part P.A.R. = Paint as Required

HITCH--TRAILER HEAVY DUTY CHEROKEE, BRIARWOOD
Figure 13-1500

91J13 1500 A

ITEM	PART NUMBER	QTY	BODY	MODEL	DESCRIPTION
1	5200 3542	1			HITCH, Trailer ***
2	5200 1389	1			PLATE
3	5200 1174-5	1			REINFORCEMENT
4	6101 102	10			BOLT
5	J420 0046	2			NUT
6	3420 1990	3			BOLT
7	3420 1195	4			SCREW
8	J420 0325	4			NUT
9	J545 5349	1			HARNESSES, Trailer Towing
10	1150 0324	2			WASHER
11	5200 1511	1			BRACKET
12					HARNESSES, Trailer Towing
	5600 4865	1			Up to 2-5-91
	5601 7199	1			After 2-5-91

When Ordering Harness Also Order Body Harness 56016902 For 1991, 56018403 For 1992, 56018263 For 1993. ion as described in the Chrysler repair manual.



MODEL CODES:

61=Pickup-6 Ft Box 74=4 Door Wagon T=2WD
62=Pickup-7 Ft Box 77=Open Body 93" Wheelbase J,N,U=4WD
72=2 Door Wagon 78=Open Body 103" Wheelbase

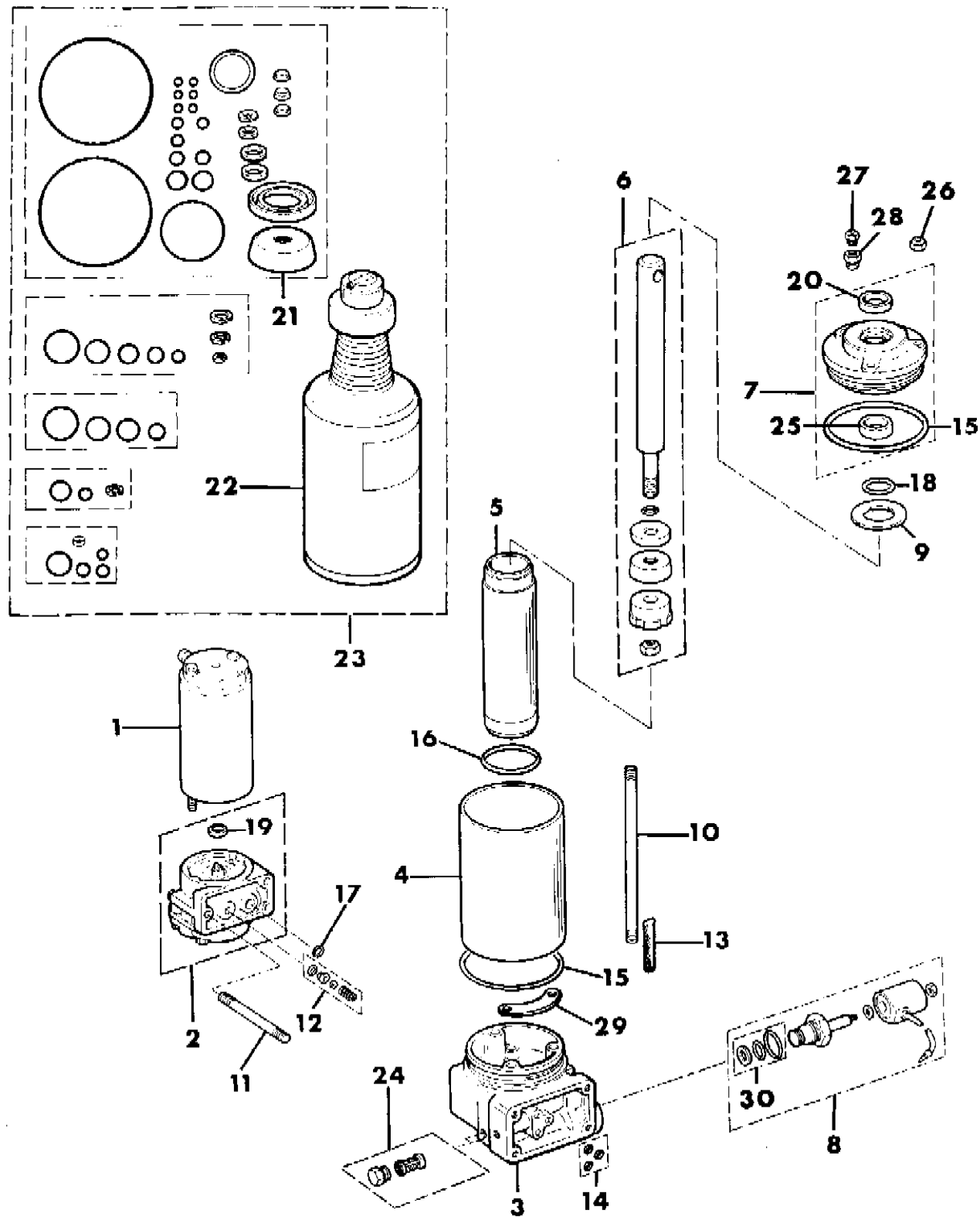
BODY STYLES:

MJ=Comanche Pickup ZJ=Grand Cherokee/Grand Wagoneer KDX VEHICLES
SJ=Grand Wagoneer M1=Comanche
XJ=Cherokee, Briarwood X1=Cherokee, Briarwood
YJ=Wrangler Y1=Wrangler

AR = Use as Required - = Non Illustrated Part P.A.R. = Paint as Required

SNOW PLOW POWER LIFT UNIT CHEROKEE, COMANCHE, WRANGLER
Figure 13-1600

91J13 1600 A



ITEM	PART NUMBER	QTY	BODY	MODEL	DESCRIPTION
1	4026 163	1			MOTOR, Pump
2	4026 164	1			PUMP ASSEMBLY, Snow Plow Lift ***
3	4026 170	1			BASE, Lift Cylinder
4	J201 5045	1			TANK, Lift Cylinder ***
5	4026 168	1			CYLINDER, Snow Plow Lift
6	4026 169	1			RAM, Snow PLow Lift
7	J201 5194	1			COVER ASSEMBLY, Lift Cylinder
8	J201 5356	1			SOLENOID, Valve
9	J201 5209	1			WASHER
10	J201 5042	3			STUD
11	J201 5043	3			STUD
12	J201 5574	1			VALVE PACKAGE, Check ***
13	J201 5326	1			STRAINER
14	J201 5122	1			O-RING PACKAGE ***
15	J201 5131	2			O-RING
16	J201 5163	1			O-RING
17	J201 5127	1			O-RING
18	J201 5198	1			O-RING
19	J201 5581	1			SEAL, Pump Shaft
20	J200 5119	1			SEAL, Lift Ram
21	J201 5254	1			SEAL PACKAGE, Lift Cylinder ***
22	J201 5134	1			FLUID, Hydraulic
23	J201 5456	1			SEAL PACKAGE, Snow Plow Lift ***
24	J201 5620	2			FILTER PACKAGE *** .50"
	J201 5641	2			.56"
25	J201 5199	1			SLEEVE, Lift Ram
26	J202 0697	3			NUT, Lock
27	J202 1806	1			VALVE, Pressure Relief
28	J202 1805	1			FITTING, Reducer
29	J201 5621	1			BAFFLE
30					(Serviced In Item 23)

MODEL CODES:

61=Pickup-6 Ft Box 74=4 Door Wagon T=2WD
62=Pickup-7 Ft Box 77=Open Body 93" Wheelbase J,N,U=4WD
72=2 Door Wagon 78=Open Body 103" Wheelbase

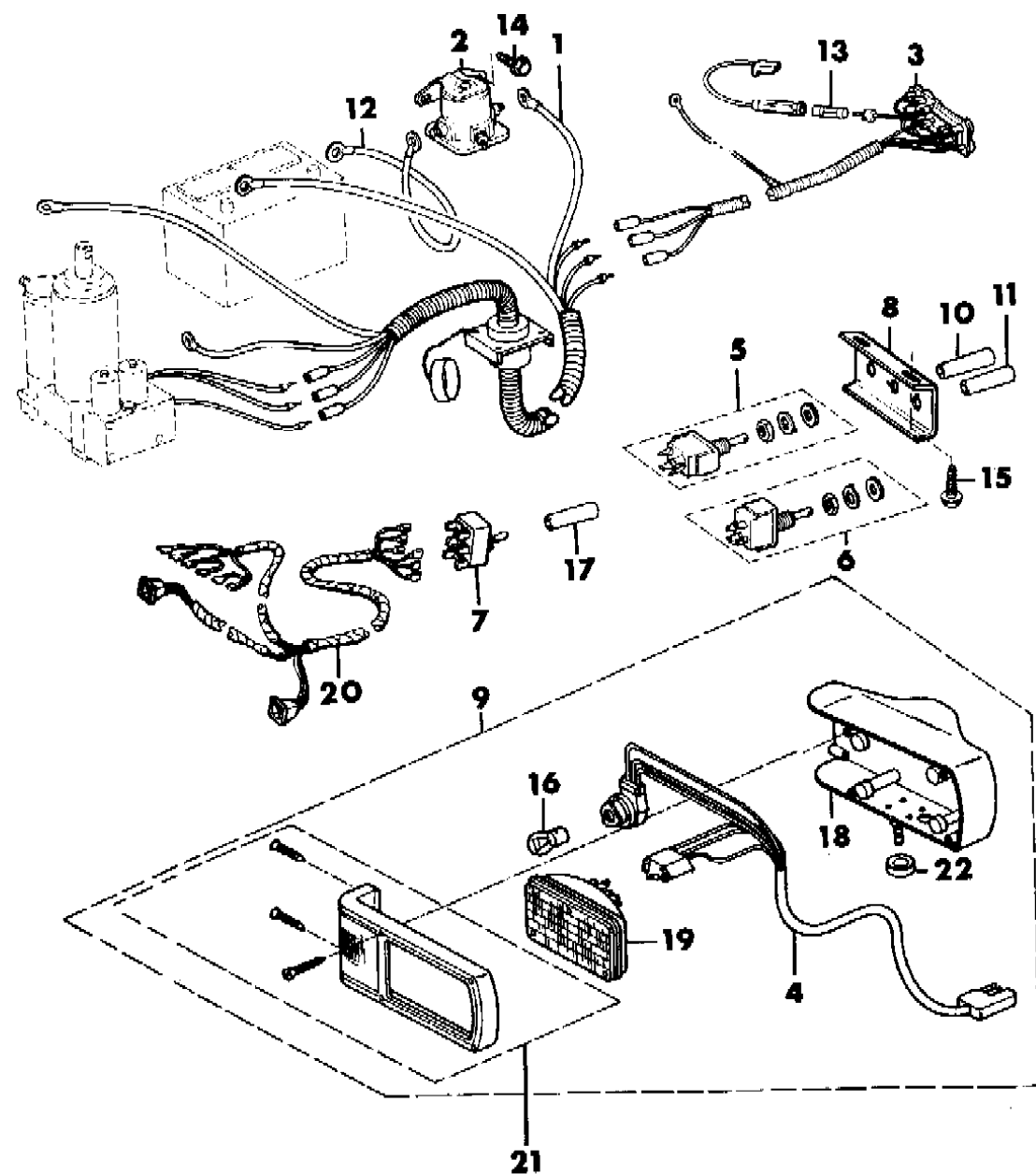
BODY STYLES:

MJ=Comanche Pickup ZJ=Grand Cherokee/Grand Wagoneer KDX VEHICLES
SJ=Grand Wagoneer M1=Comanche
XJ=Cherokee, Briarwood Y1=Cherokee, Briarwood
YJ=Wrangler Y1=Wrangler

AR = Use as Required - = Non Illustrated Part P.A.R. = Paint as Required

SNOW PLOW OPERATING CONTROLS AND SWITCHES CHEROKEE, COMANCHE, WRANGLER
Figure 13-1700

91J13 1700 A



ITEM	PART NUMBER	QTY	BODY	MODEL	DESCRIPTION
1	J200 8470	1			HARNESS, Snow Plow Electrical
2	8330 0049	1			SOLENOID, Snow Plow ***
3	4026 191	1			HARNESS, Snow Plow Electrical
4	8350 5469	1			HARNESS, Auxiliary Headlamp
5	4026 192	1			SWITCH, Snow Plow Angle
6	4162 742	1			SWITCH, Snow Plow Raise/Lower
7	8350 2792	1			SWITCH, Auxiliary Headlamp
8	J201 5656	1			BRACKET, Snow Plow Switch
9					HEADLAMP ASSEMBLY ***
	8350 5463	1			Right
	8350 5467	1			Left
10	J201 5376	1			HANDLE, Angle Switch (Black)
11	J201 5375	1			HANDLE, Raise/Lower Switch (Yellow)
12	J200 5024	2			CABLE, Snow Plow Solenoid
13	S010 6653	1			FUSE, 20 Ampere
14	J400 5737	2			SCREW
15	1150 2843	2			SCREW
16	J320 9544	4			BULB, (1157)
17	8350 3178	1			HANDLE, Light Switch (Blue)
18					HOUSING, Auxiliary Headlamp
	8350 5464	1			Right
	8350 5468	1			Left
19	8350 5471	2			BULB, Seal Beam (6054)
20	8350 5469	1			HARNESS, Auxiliary Headlamp
21	8350 5465	2			BEZEL, Package, Auxiliary Headlamp
22	8350 5470	2			ADAPTER, Headlamp Ferrule

MODEL CODES:

61=Pickup-6 Ft Box 74=4 Door Wagon T=2WD
 62=Pickup-7 Ft Box 77=Open Body 93" Wheelbase J,N,U=4WD
 72=2 Door Wagon 78=Open Body 103" Wheelbase

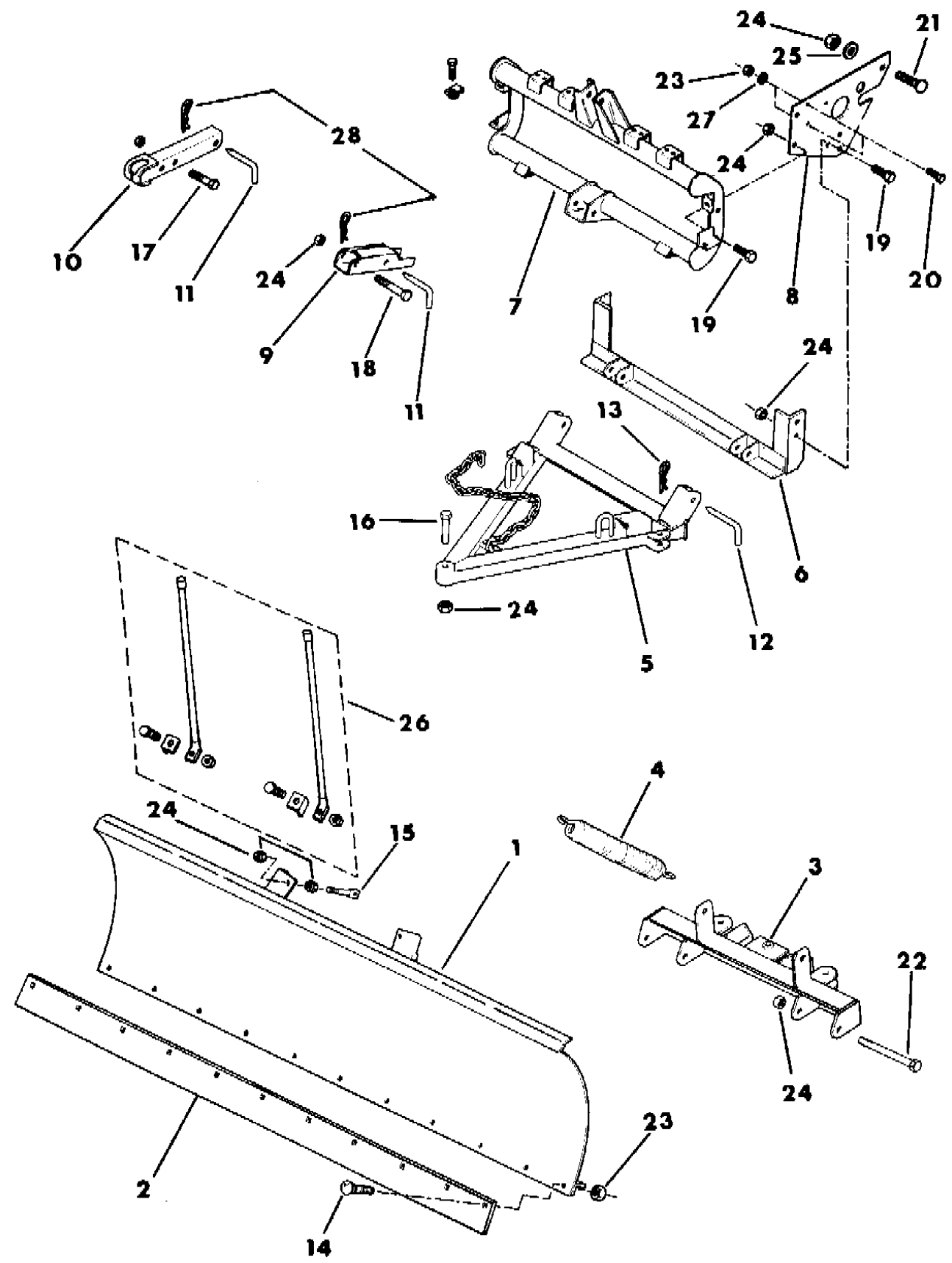
BODY STYLES:

MJ=Comanche Pickup ZJ=Grand Cherokee/Grand Wagoneer KDX VEHICLES
 SJ=Grand Wagoneer M1=Comanche
 XJ=Cherokee, Briarwood X1=Cherokee, Briarwood
 YJ=Wrangler Y1=Wrangler

AR = Use as Required - = Non Illustrated Part P.A.R. = Paint as Required

SNOW PLOW MOLDBOARD AND MOUNTING CHEROKEE, COMANCHE
Figure 13-1800

91J13 1800



ITEM	PART NUMBER	QTY	BODY	MODEL	DESCRIPTION
1	J260 9102	1			MOLDBOARD ASSEMBLY
2	J200 9100	1			BLADE, Moldboard
3	J201 0891	1			BAR, Snow Plow Pivot
4	J201 2978	2			SPRING, Snow Plow Trip
5	J201 0888	1			A-FRAME, Snow Plow
6	J201 0897	1			FRAME, Snow Plow Clevis
7	J201 0883	1			FRAME, Snow Plow Lift
8	J201 0901	2			PLATE, Side
9	J201 0529	1			ARM, Snow Plow Support
10	3497 294	1			ARM, Snow Plow Lift
11	J201 0538	2			PIN, Quick Disconnect
12	J201 1006	2			PIN, Hinge
13	J202 1984	2			CLIP, Spring
14	J202 1943	11			BOLT
15	J201 2150	2			BOLT
16	J201 3591	1			BOLT
17	J202 0144	1			BOLT
18	S027 1730	1			BOLT
19	J202 0139	8			BOLT
20	S018 0175	4			BOLT
21	J202 0254	2			BOLT
22	J201 3598	2			BOLT
23	J202 0307	15			NUT, Lock
24	J202 0318	16			NUT, Lock
25	J013 1016	2			WASHER, Plain
26	3879 746	1			INDICATOR PACKAGE, Snow Plow Marker ***
27	J012 0396	4			WASHER, Plain
28	J202 1984	2			PIN, Cotter

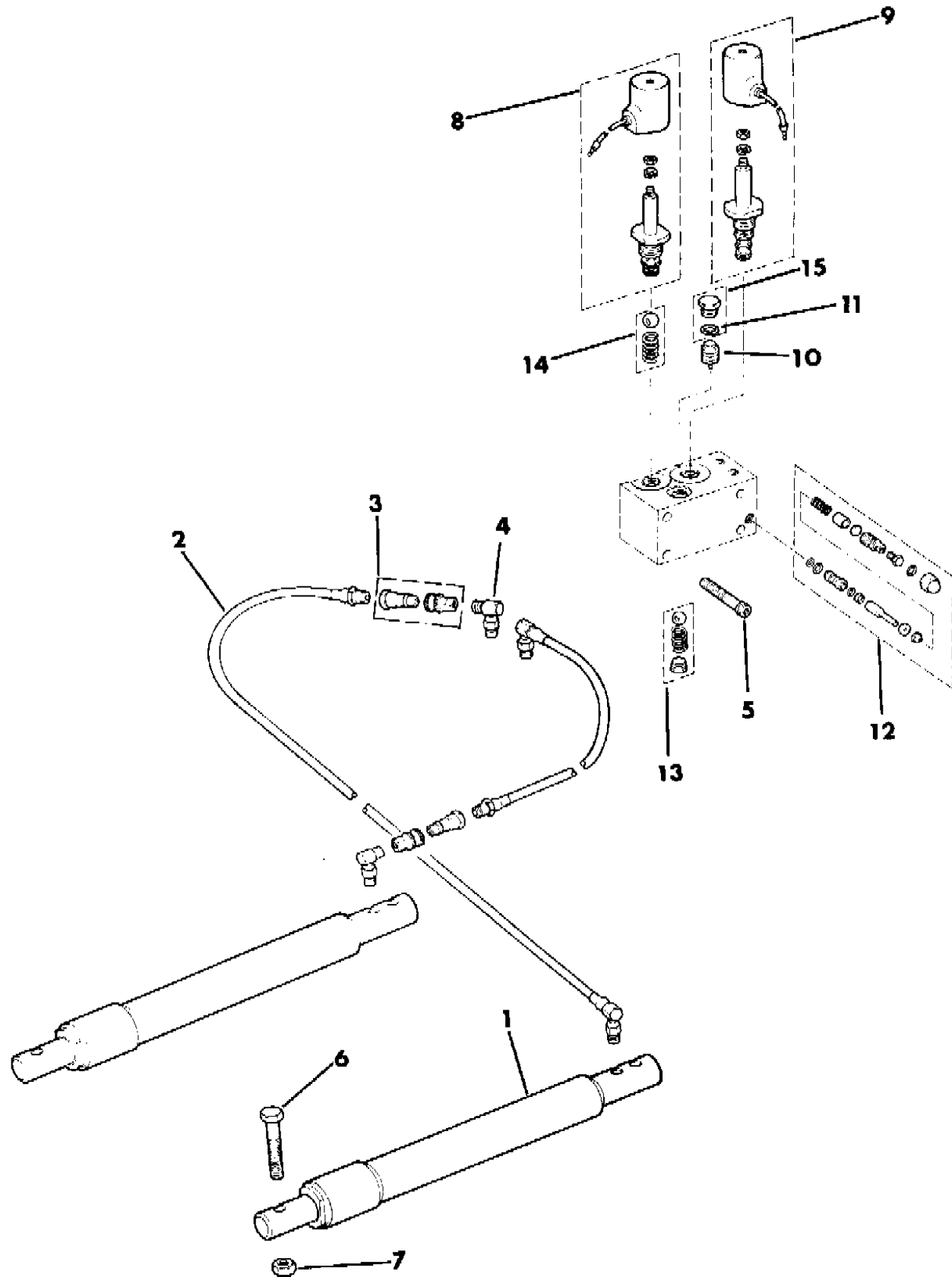
MODEL CODES:
 61=Pickup-6 Ft Box 74=4 Door Wagon T=2WD
 62=Pickup-7 Ft Box 77=Open Body 93" Wheelbase J,N,U=4WD
 72=2 Door Wagon 78=Open Body 103" Wheelbase

BODY STYLES:
 MJ=Comanche Pickup ZJ=Grand Cherokee/Grand Wagoneer KDX VEHICLES
 SJ=Grand Wagoneer M1=Comanche
 XJ=Cherokee, Briarwood Y1=Cherokee, Briarwood
 YJ=Wrangler Y1=Wrangler

AR = Use as Required - = Non Illustrated Part P.A.R. = Paint as Required

**SNOW PLOW POWER ANGLING CYLINDERS CHEROKEE, COMANCHE, WRANGLER
Figure 13-1900**

91J13 1900 A



ITEM	PART NUMBER	QTY	BODY	MODEL	DESCRIPTION
1	3632 703	1			RAM, Power Angling
2	J202 1856	1			HOSE ASSEMBLY ***
3	J201 5072	2			COUPLING SET ***
4	J202 1855	2			FITTING, Swivel ***
5	J202 1826	4			SCREW
6	S027 1730	4			BOLT
7	J202 0318	1			SOLENOID, Valve
8	J201 5357	1			SOLENOID, Valve
9	J201 5358	1			SOLENOID, Valve
10	J201 5609	1			PISTON ***
11	J201 5126	1			O-RING ***
12	4026 175	1			VALVE PACKAGE, Crossover ***
13	4026 177	1			VALVE PACKAGE, Check ***
14	J201 5576	1			VALVE PACKAGE, Check ***
15	J201 5359	1			PLUG

MODEL CODES:

61=Pickup-6 Ft Box 74=4 Door Wagon T=2WD
 62=Pickup-7 Ft Box 77=Open Body 93" Wheelbase J,N,U=4WD
 72=2 Door Wagon 78=Open Body 103" Wheelbase

BODY STYLES:

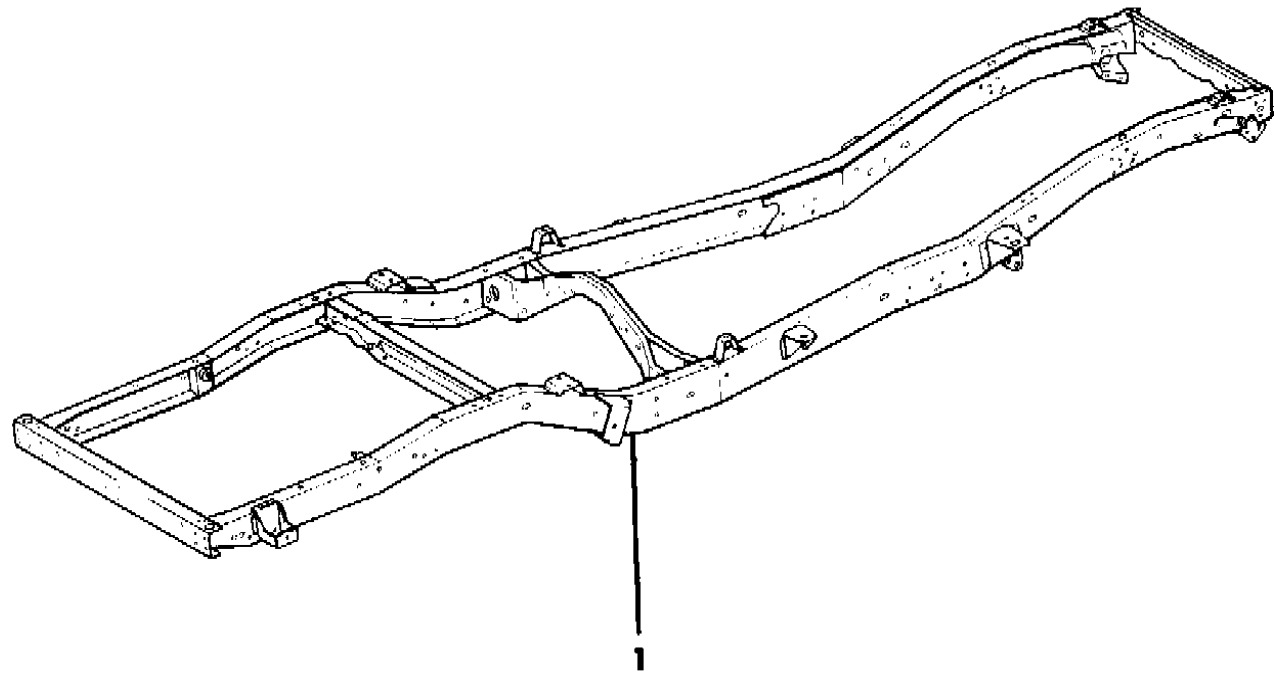
MJ=Comanche Pickup ZJ=Grand Cherokee/Grand Wagoneer KDX VEHICLES
 SJ=Grand Wagoneer M1=Comanche
 XJ=Cherokee, Briarwood X1=Cherokee, Briarwood
 YJ=Wrangler Y1=Wrangler

AR = Use as Required - = Non Illustrated Part P.A.R. = Paint as Required

FRAME ASSEMBLY GRAND WAGONEER, SJ
Figure 13-2000

91J13 2000

ITEM	PART NUMBER	QTY	BODY	MODEL	DESCRIPTION
1	J536 5187				FRAME ASSEMBLY



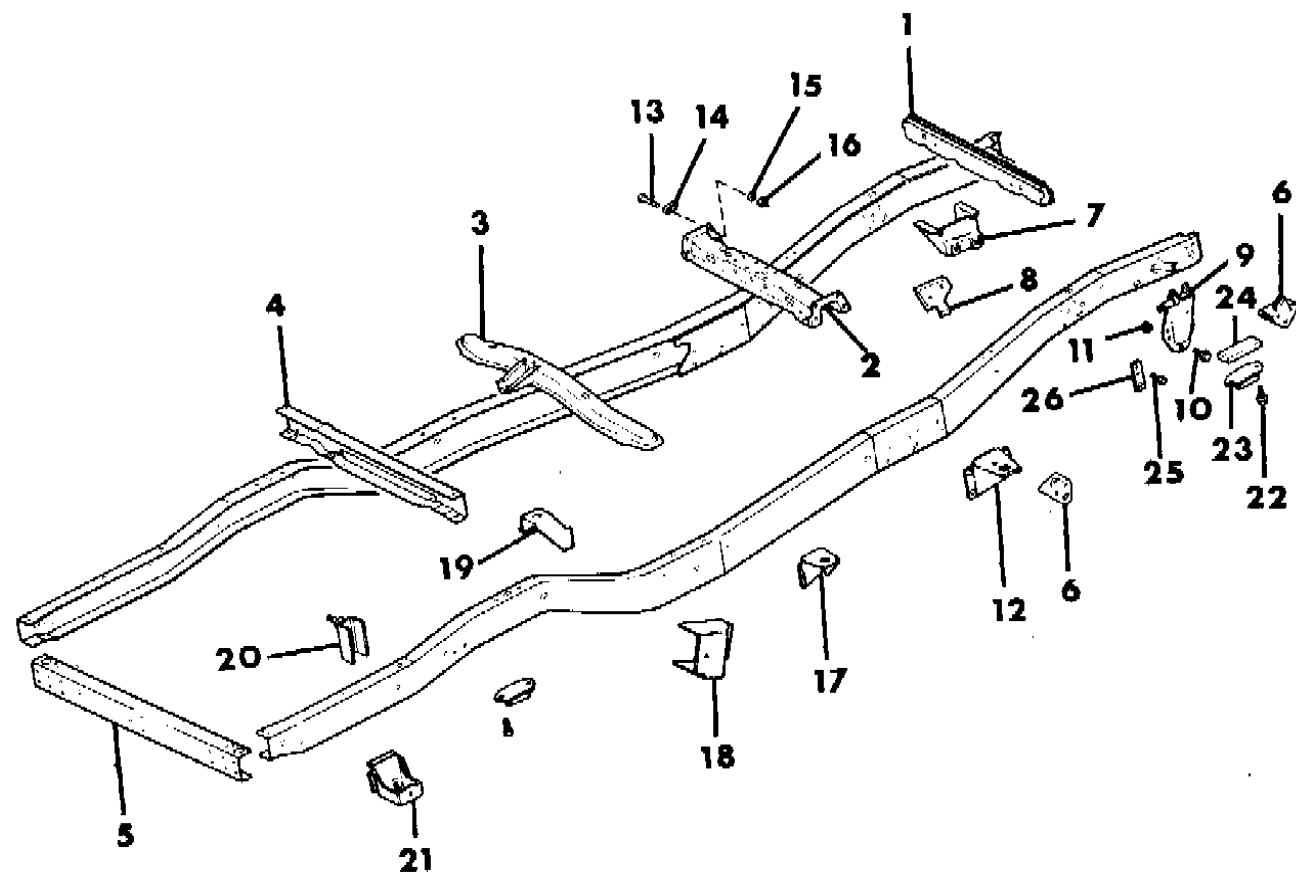
MODEL CODES:
 61=Pickup-6 Ft Box 74=4 Door Wagon T=2WD
 62=Pickup-7 Ft Box 77=Open Body 93" Wheelbase J,N,U=4WD
 72=2 Door Wagon 78=Open Body 103" Wheelbase

BODY STYLES:
 MJ=Comanche Pickup ZJ=Grand Cherokee/Grand Wagoneer KDX VEHICLES
 SJ=Grand Wagoneer M1=Comanche
 XJ=Cherokee, Briarwood X1=Cherokee, Briarwood
 YJ=Wrangler Y1=Wrangler

AR = Use as Required - = Non Illustrated Part P.A.R. = Paint as Required

FRAME AND COMPONENTS GRAND WAGONEER, SJ
Figure 13-2100

91J13 2100



ITEM	PART NUMBER	QTY	BODY	MODEL	DESCRIPTION
1	J812 9559	1			CROSSMEMBER, Front
2	J813 1904	1			CROSSMEMBER, Engine, Rear
3	J812 7718	1			CROSSMEMBER, Center
4	J813 3431	1			CROSSMEMBER
5	J812 9560	1			CROSSMEMBER, Rear
6	J812 9561	4			BRACKET, Spring Mounting
7	J812 7810	1			BRACKET
8	J812 7811	1			GUSSET
9	J536 4228-9				BRACKET, Shock Absorber
10	J400 5665	2			SCREW, 1.12"
	J400 6864	4			BOLT, 3.25"
11	J400 3909	4			NUT
12					BRACKET
	J812 6836	1			Right
	J812 6835	1			Left
13	J018 1652	8			BOLT
14	J813 1905	2			SPACER
15	J012 0382	8			WASHER
16	J012 0369	8			NUT
17	J812 6840	2			BRACKET
18	J812 6850	2			BRACKET
19					BRACKET
	J812 6854	1			Right
	J812 6853	1			Left
20	J812 6859	2			BRACKET
21	J812 6861	2			BRACKET
22	J400 3060	AR			SCREW, 1.25"
23	J535 5483	4			BUMPER, Axle
24	J536 1023	2			SPACER
25	J400 5063	8			SCREW
26	J535 3415	2			BRACKET

MODEL CODES:

61=Pickup-6 Ft Box 74=4 Door Wagon T=2WD
 62=Pickup-7 Ft Box 77=Open Body 93" Wheelbase J,N,U=4WD
 72=2 Door Wagon 78=Open Body 103" Wheelbase

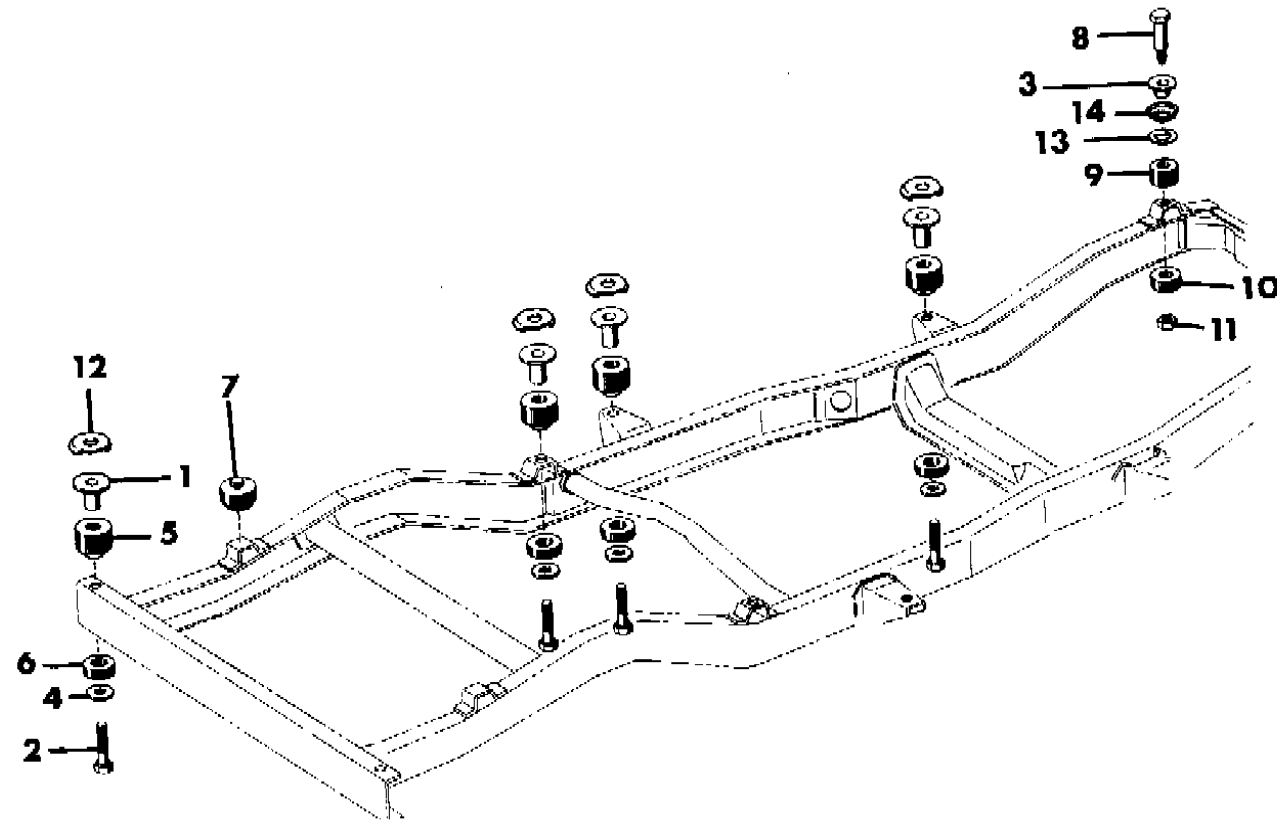
BODY STYLES:

MJ=Comanche Pickup ZJ=Grand Cherokee/Grand Wagoneer KDX VEHICLES
 SJ=Grand Wagoneer M1=Comanche
 XJ=Cherokee, Briarwood X1=Cherokee, Briarwood
 YJ=Wrangler Y1=Wrangler

AR = Use as Required - = Non Illustrated Part P.A.R. = Paint as Required

MOUNTING HARDWARE--BODY GRAND WAGONEER, SJ
Figure 13-2200

91J13 2200



ITEM	PART NUMBER	QTY	BODY	MODEL	DESCRIPTION
1	J545 9181	8			TUBE AND WASHER
2	J400 7593	8			BOLT, Hex Flange
3	J575 0380	2			TUBE, w/Washer
4	J400 6423	8			WASHER, Flat
5	J545 9185	8			INSULATOR
6	J545 9515	8			INSULATOR
7	J545 9186	2			INSULATOR
8	J400 6593	2			BOLT
9	J575 0373	2			INSULATOR
10	J575 0374	2			INSULATOR
11	J400 6165	2			NUT, Flange
12					SHIM
	J400 6114	AR			.033" Thick
	J400 6115	AR			.060" Thick
13					WASHER
	J400 6411	AR			.032" Thick
	J400 6412	AR			.059" Thick
14	J400 6414	AR			SHIM

MODEL CODES:

61=Pickup-6 Ft Box 74=4 Door Wagon T=2WD
 62=Pickup-7 Ft Box 77=Open Body 93" Wheelbase J,N,U=4WD
 72=2 Door Wagon 78=Open Body 103" Wheelbase

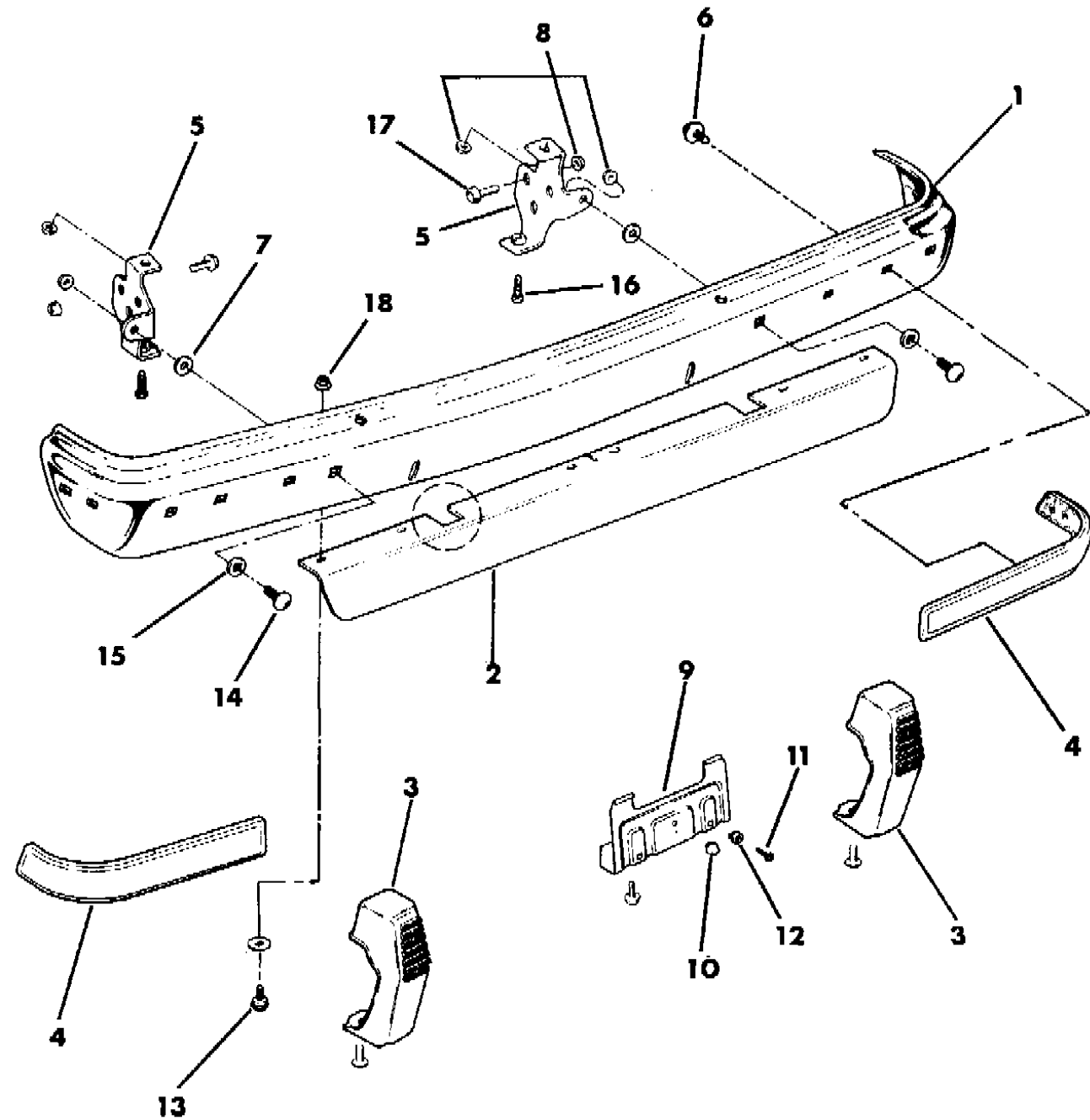
BODY STYLES:

MJ=Comanche Pickup ZJ=Grand Cherokee/Grand Wagoneer KDX VEHICLES
 SJ=Grand Wagoneer M1=Comanche
 XJ=Cherokee, Briarwood X1=Cherokee, Briarwood
 YJ=Wrangler Y1=Wrangler

AR = Use as Required - = Non Illustrated Part P.A.R. = Paint as Required

BUMPER--FRONT GRAND WAGONEER, SJ
Figure 13-2300

91J13 2300



ITEM	PART NUMBER	QTY	BODY	MODEL	DESCRIPTION
1	J536 3154	1			RAIL, Bumper
2	J576 1927	1			AIR, DEFLECTOR ***
3					GUARD, Bumper
	J536 2881	1			Right
	J536 2882	1			Left
4	5502 4418-9	1			GUARD, Bumper
5					BRACKET, Mounting
	J535 8686	1			Right
	J535 8685	1			Left
6	J400 7000	10			SCREW
7	J400 6696	2			WASHER
8	J400 3956	AR			NUT
9	5200 3479	1			BRACKET, License
10	J400 4156	1			BUMPER
11	J400 5466	2			SCREW
12	J400 0141	2			NUT
13	J400 6801	6			SCREW
14	J400 6123	AR			BOLT
15	J535 9296	AR			INSULATOR
16	J400 6611	2			BOLT
17	J941 9856	6			SCREW
18	J400 4469	6			NUT

MODEL CODES:

61=Pickup-6 Ft Box 74=4 Door Wagon T=2WD
 62=Pickup-7 Ft Box 77=Open Body 93" Wheelbase J,N,U=4WD
 72=2 Door Wagon 78=Open Body 103" Wheelbase

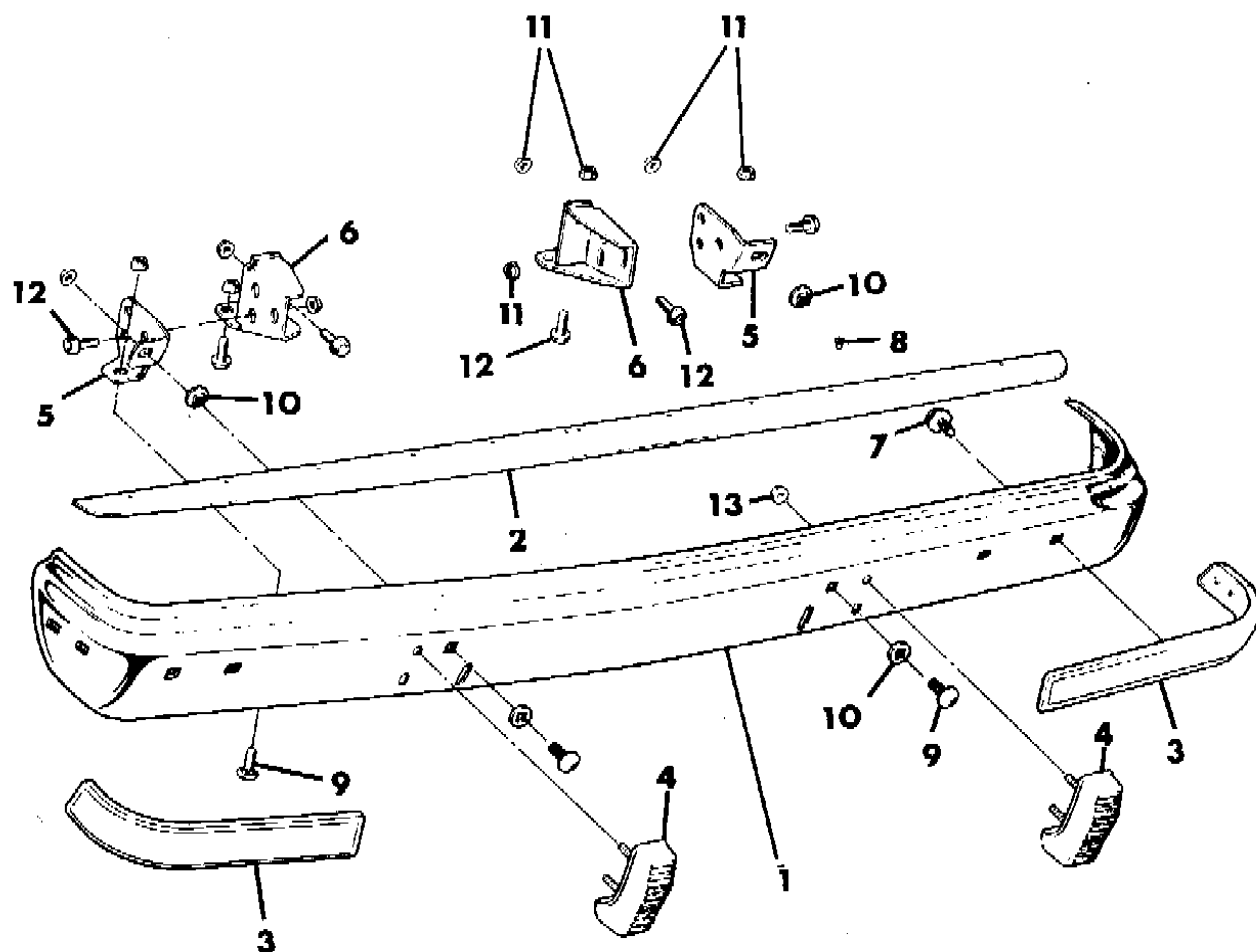
BODY STYLES:

MJ=Comanche Pickup ZJ=Grand Cherokee/Grand Wagoneer KDX VEHICLES
 SJ=Grand Wagoneer M1=Comanche
 XJ=Cherokee, Briarwood X1=Cherokee, Briarwood
 YJ=Wrangler Y1=Wrangler

AR = Use as Required - = Non Illustrated Part P.A.R. = Paint as Required

BUMPERS--REAR GRAND WAGONEER, SJ
Figure 13-2400

91J13 2400



ITEM	PART NUMBER	QTY	BODY	MODEL	DESCRIPTION
1	J536 3157	1			RAIL, Bumper
2	J576 4753	1			DEFLECTOR
3	5502 4420-1	1			NERF STRIP
4					GUARD, Bumper
	J575 1658	1			Right
	J575 1657	1			Left
5					BRACKET, Bumper
	J535 8730	1			Right
	J535 8729	1			Left
6					BRACKET, Extension
	J535 8732	1			Right
	J535 8731	1			Left
7	J400 7000	8			SCREW
8	J400 4822	12			RIVET
9	J400 6123	4			BOLT
10	J535 9296	4			INSULATOR
11	J400 3956	AR			NUT
12	J941 9856	AR			SCREW
13	J400 6080	4			NUT

MODEL CODES:

61=Pickup-6 Ft Box 74=4 Door Wagon T=2WD
 62=Pickup-7 Ft Box 77=Open Body 93" Wheelbase J,N,U=4WD
 72=2 Door Wagon 78=Open Body 103" Wheelbase

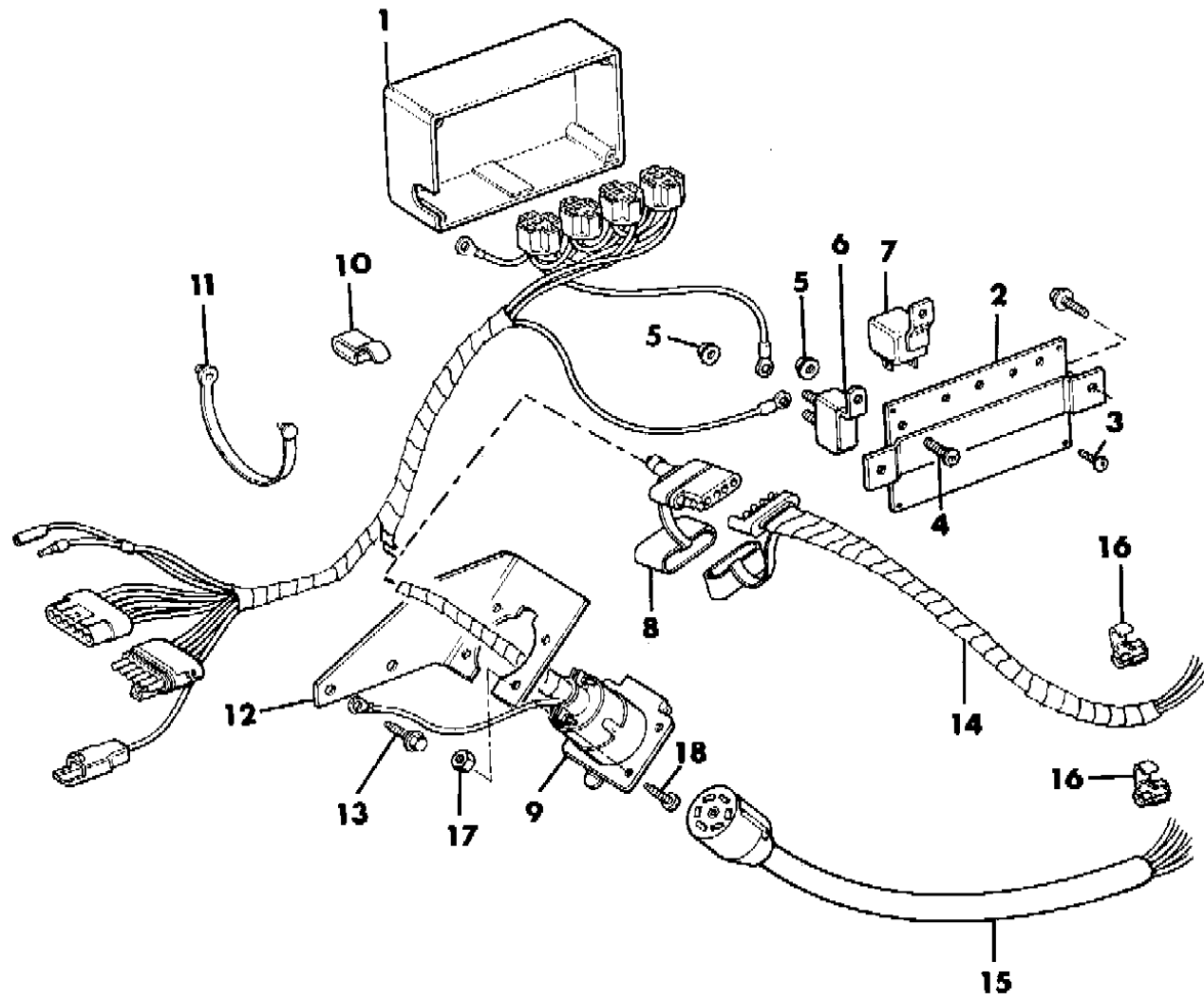
BODY STYLES:

MJ=Comanche Pickup ZJ=Grand Cherokee/Grand Wagoneer KDX VEHICLES
 SJ=Grand Wagoneer M1=Comanche
 XJ=Cherokee, Briarwood X1=Cherokee, Briarwood
 YJ=Wrangler Y1=Wrangler

AR = Use as Required - = Non Illustrated Part P.A.R. = Paint as Required

WIRING--TRAILER HITCH GRAND WAGONEER, SJ
Figure 13-2500

91J13 2500



ITEM	PART NUMBER	QTY	BODY	MODEL	DESCRIPTION
1	J545 5334	1			BOX ***
2	J576 1747	1			COVER
3	J019 1940	4			SCREW
4	J017 9276	5			SCREW
5	J027 1169	7			NUT
6	8350 1394	1			BREAKER, Circuit ***
7	3300 1776	4			RELAY
8	J576 1921	1			HARNESS, Trailer Towing, Class 1
9	5600 6085	1			HARNESS, Trailer Towing, Class 3
10	J545 4903	4			CLIP
11	J322 3227	AR			STRAP
12	J536 2467	1			BRACKET
13	J400 4801	2			SCREW
14	J323 8838	1			HARNESS, Trailer Towing, Class 1
15	J545 5349	1			HARNESS, Trailer Towing, Class 3
16	J318 6888	AR			CONNECTOR, Splice
17	J027 1166	4			NUT
18	J015 9920	4			SCREW

MODEL CODES:

61=Pickup-6 Ft Box 74=4 Door Wagon T=2WD
 62=Pickup-7 Ft Box 77=Open Body 93" Wheelbase J,N,U=4WD
 72=2 Door Wagon 78=Open Body 103" Wheelbase

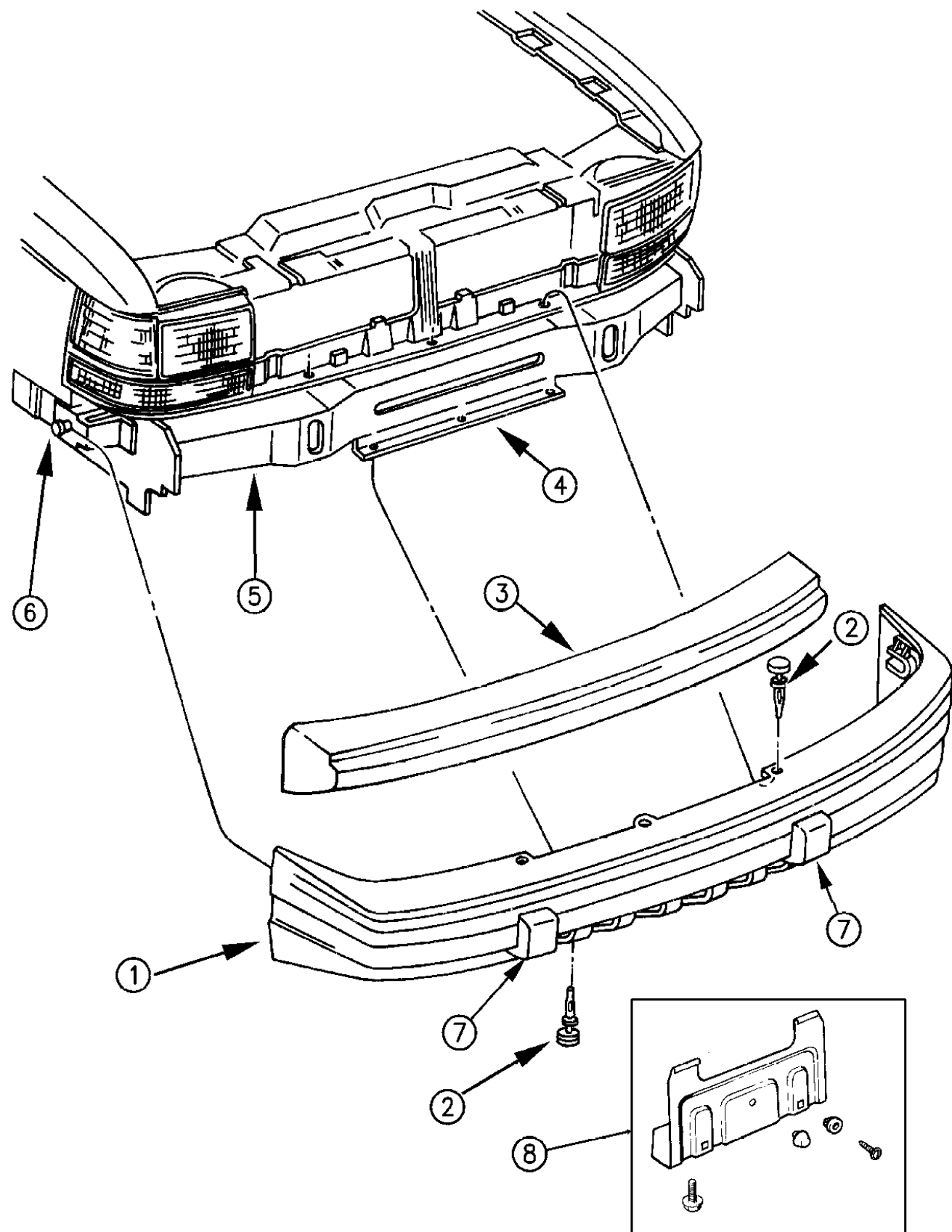
BODY STYLES:

MJ=Comanche Pickup ZJ=Grand Cherokee/Grand Wagoneer KDX VEHICLES
 SJ=Grand Wagoneer M1=Comanche
 XJ=Cherokee, Briarwood X1=Cherokee, Briarwood
 YJ=Wrangler Y1=Wrangler

AR = Use as Required - = Non Illustrated Part P.A.R. = Paint as Required

BUMPER, FRONT GRAND CHEROKEE, ZJ
Figure 13-2600

91J13 2600D



ITEM	PART NUMBER	QTY	BODY	MODEL	DESCRIPTION
1					FASCIA, Front
	4713 455	1			Limited, Grand Wagoneer, P.A.R., w/o Absorber, w/Foglamps
	4761 569	1			w/o Foglamps
	5503 2684	1			Laredo, Modification Required, w/Nerf Strip, w/Absorber
	5DB7 9LS5	1			Sport/Base, Modification Required, w/Nerf Strip, w/Absorber
					NERF STRIP
	5503 1470	1			Bright
	5503 1472	1			Black
	5503 2264	1			Gold, Up to 10-5-92
	5DL7 0MY2	1			Gold, After 10-5-92
2	5BB1 4LS5	6			RETAINER, Dark Gray
3	5503 1452	1			ABSORBER, Front Bumper
4	5205 7505	1			BRACKET, Fascia Support
-	6034 793	1			NUT and SPRING, Push On ***
5	5503 1446	1			CROSSMEMBER, Front Lower
6	5525 4700	1			PLATE, Fascia Stud Repair
7	4741 102-3	1			GUARD PACKAGE, Bumper ***
8	5523 4902	1			FRONT LICENSE PLATE, PACKAGE ***

MODEL CODES:

61=Pickup-6 Ft Box 74=4 Door Wagon T=2WD
 62=Pickup-7 Ft Box 77=Open Body 93" Wheelbase J,N,U=4WD
 72=2 Door Wagon 78=Open Body 103" Wheelbase

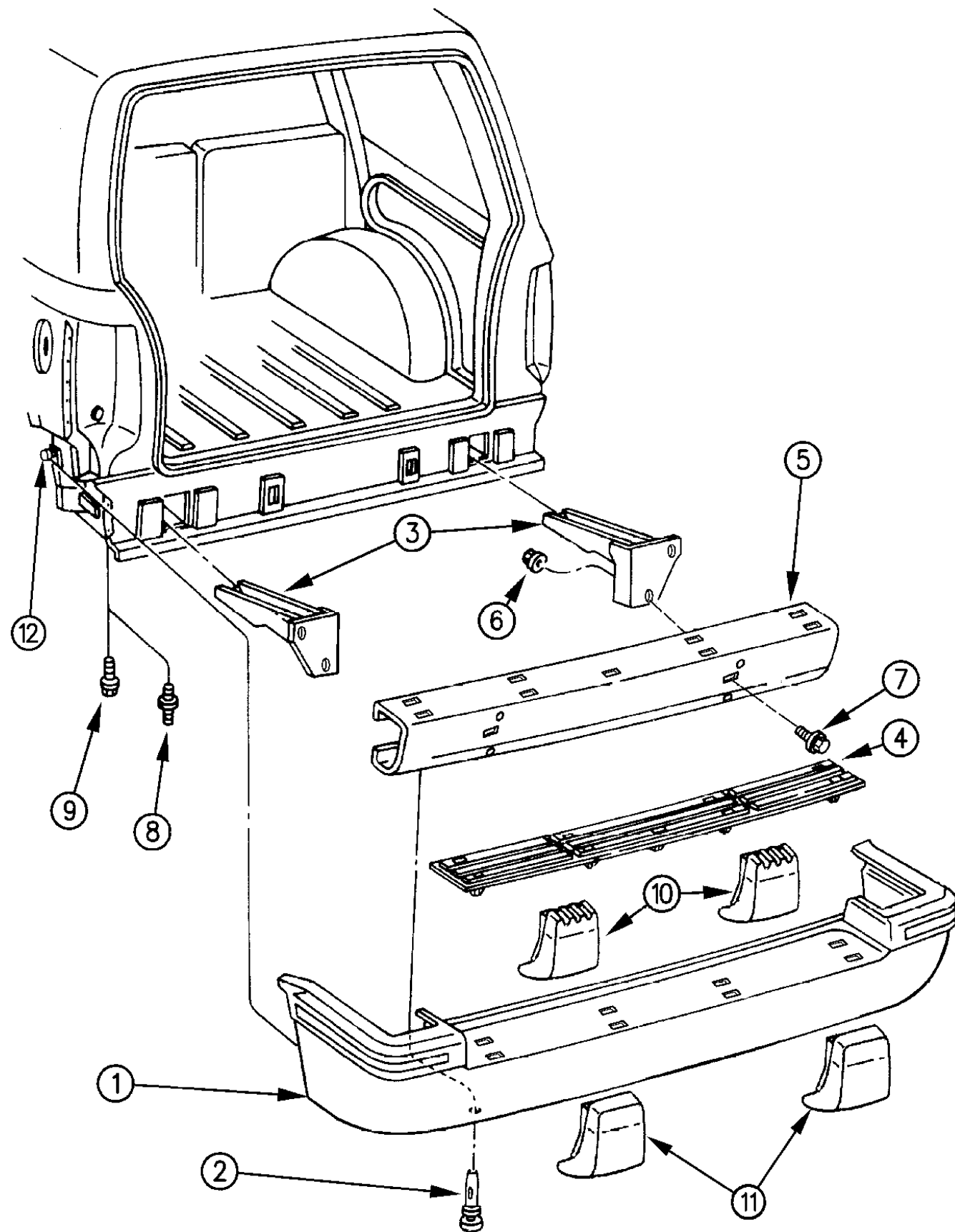
BODY STYLES:

MJ=Comanche Pickup ZJ=Grand Cherokee/Grand Wagoneer KDX VEHICLES
 SJ=Grand Wagoneer M1=Comanche
 XJ=Cherokee, Briarwood X1=Cherokee, Briarwood
 YJ=Wrangler Y1=Wrangler

AR = Use as Required - = Non Illustrated Part P.A.R. = Paint as Required

BUMPER, REAR GRAND CHEROKEE, ZJ
Figure 13-2700

91J13 2700C



ITEM	PART NUMBER	QTY	BODY	MODEL	DESCRIPTION
1					FASCIA, Rear
	4713 456	1			Limited, Grand Wagoneer P.A.R., w/o Absorber, Modification required
	5503 2692	1			Laredo, w/Nerf Strip, w/o Absorber
	5523 4880	1			Laredo, w/Reflector, w/Nerf Strip, w/o Absorber (Reflectors 55234940-1) EXPORT
	5DC2 3LS5	1			Sport/Base, w/Nerf Strip, w/Absorber Nerf Strip ***
	5503 1800	2			Bright
	5503 1796	2			Black
	5503 2268	2			Gold, Up to 10-5-92
	5DL7 4MY2	2			Gold, After 10-5-92
	5DL7 2MY2	2			EUROPE
2	5BB1 4LS5	4			RETAINER, Dark Gray
3	5503 2082-3	1			BRACKET, Rear Bumper Mounting
4	5503 1880	1			PLATE, Scuff, Rear Bumper Step
5	5503 3465	1			BAR, Rear Bumper
6	6101 283	4			U-NUT
7	6100 584	4			SCREW
8	6502 507	4			STUD, Double End
9	6101 102	4			SCREW
10	5523 4974-5	1			ABSORBER
11	4741 100-1	1			GUARD PACKAGE, Bumper ***
12	5525 4700	1			PLATE, Fascia Stud Repair
-	J400 4689	2			NUT, Push In, (License Plate)

MODEL CODES:

61=Pickup-6 Ft Box 74=4 Door Wagon T=2WD
62=Pickup-7 Ft Box 77=Open Body 93" Wheelbase J,N,U=4WD
72=2 Door Wagon 78=Open Body 103" Wheelbase

BODY STYLES:

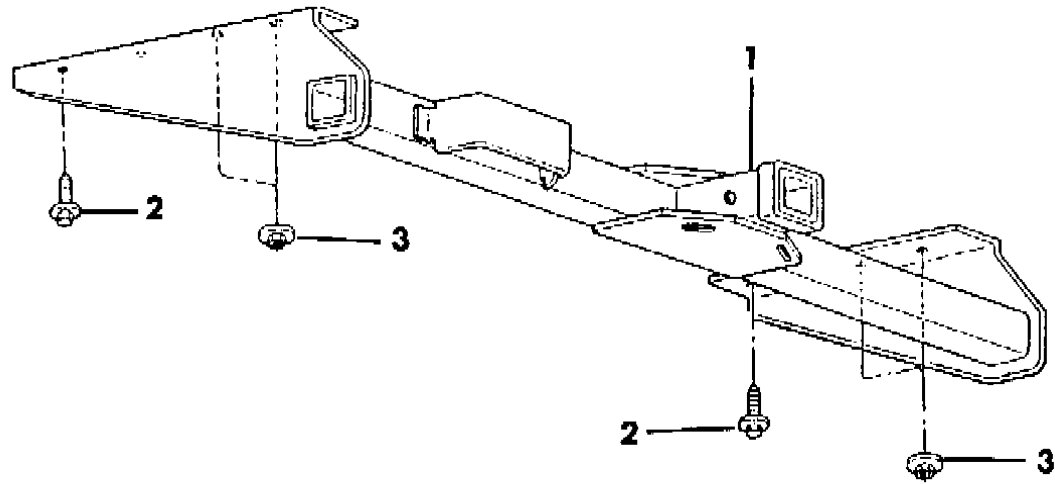
MJ=Comanche Pickup ZJ=Grand Cherokee/Grand Wagoneer KDX VEHICLES
SJ=Grand Wagoneer M1=Comanche
XJ=Cherokee, Briarwood X1=Cherokee, Briarwood
YJ=Wrangler Y1=Wrangler

AR = Use as Required - = Non Illustrated Part P.A.R. = Paint as Required

TRAILER TOWING HITCH GRAND CHEROKEE, ZJ
Figure 13-2800

91J13 2800

ITEM	PART NUMBER	QTY	BODY	MODEL	DESCRIPTION
1	5200 5550	1			HITCH, Trailer ***
2	6101 102	2			BOLT
3	6100 056	4			NUT



MODEL CODES:

61=Pickup-6 Ft Box 74=4 Door Wagon T=2WD
62=Pickup-7 Ft Box 77=Open Body 93" Wheelbase J,N,U=4WD
72=2 Door Wagon 78=Open Body 103" Wheelbase

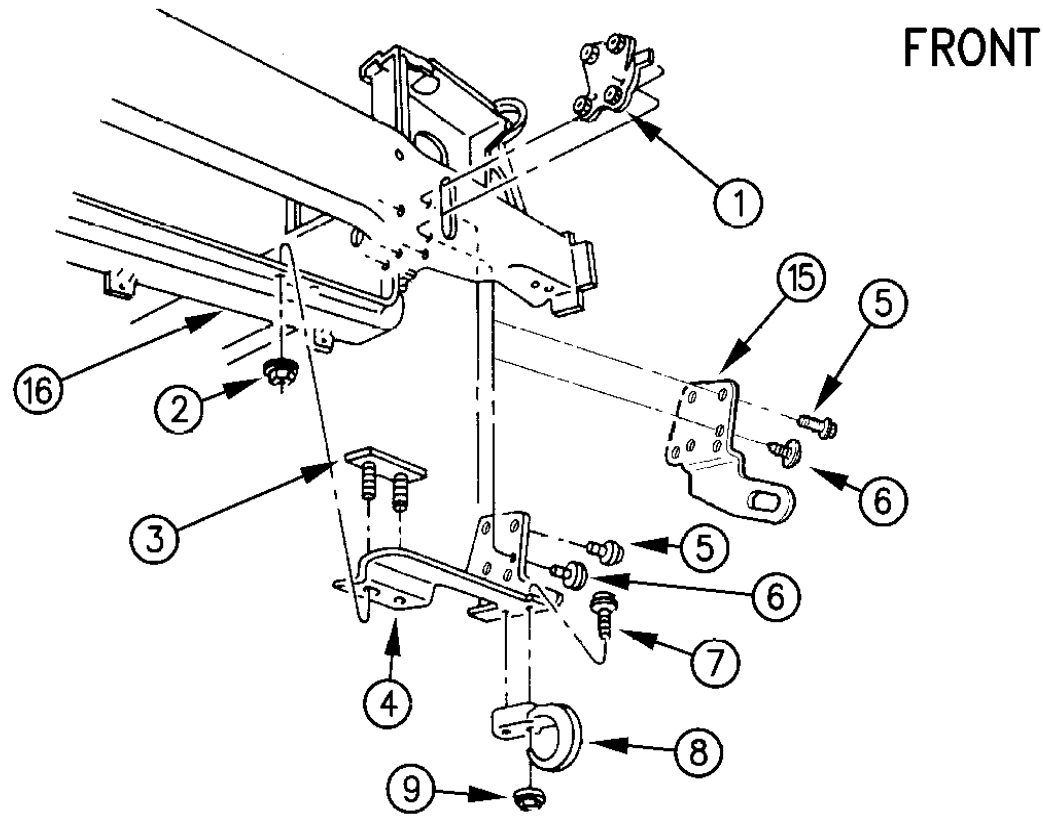
BODY STYLES:

MJ=Comanche Pickup ZJ=Grand Cherokee/Grand Wagoneer KDX VEHICLES
SJ=Grand Wagoneer M1=Comanche
XJ=Cherokee, Briarwood X1=Cherokee, Briarwood
YJ=Wrangler Y1=Wrangler

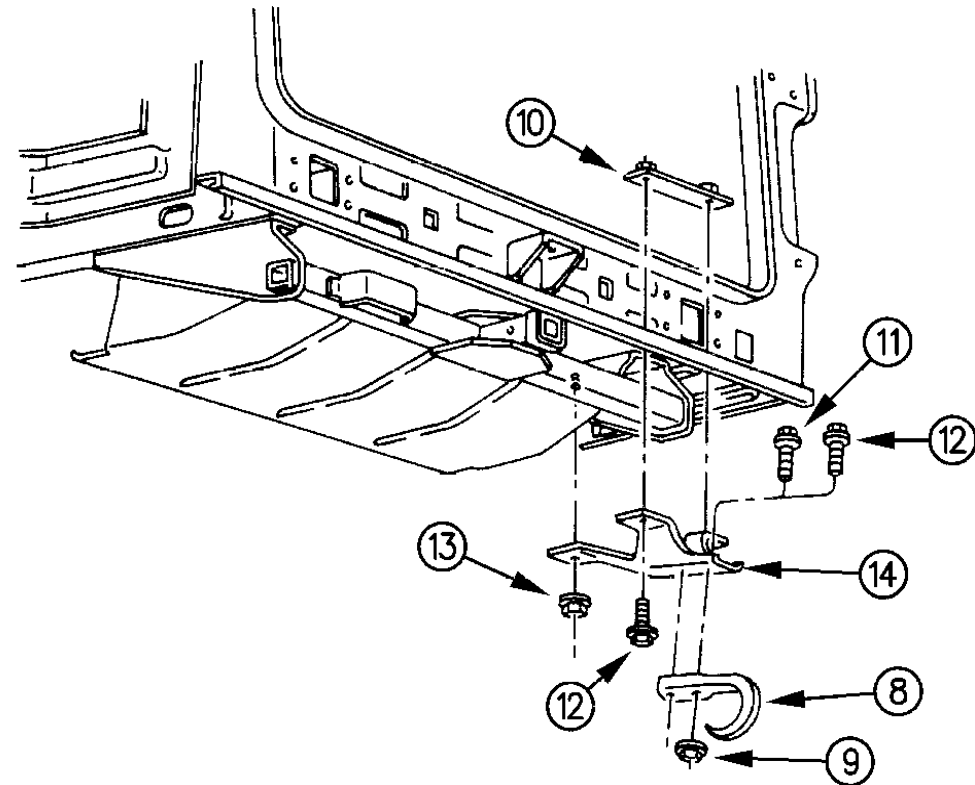
AR = Use as Required - = Non Illustrated Part P.A.R. = Paint as Required

TOW HOOKS GRAND CHEROKEE, ZJ
Figure 13-2900

91J13 2900B



FRONT



REAR

ITEM	PART NUMBER	QTY	BODY	MODEL	DESCRIPTION
1	5205 7762-3	1			PLATE, Reinforcement Tow Hook
2	6101 448	4			NUT
3	5205 7823	2			PLATE, Tow Hook Brkt. to C/mbr.
4	5205 7628-9	1			BRACKET, Tow Hook
5	3420 3021	AR			SCREW and WASHER
6	6501 067	4			RETAINER
7	6101 554	4			SCREW and WASHER
8					HOOK, Tow
	5205 7999	2			Front, Black
	5205 7999	1			Rear, Black
9	6100 055	AR			NUT
10	5205 7738	1			PLATE, Reinforcement Rear Tow Hook
11	6501 036	2			BOLT, Tow Hook
12					BOLT
	6101 102	2			Tow Hook
	6101 102	4			Tow Eye
13	6100 056	AR			NUT
14	5200 5584	1			BRACKET, Tow Hook
15	5200 5560	1			TOE EYE, Front ***
16	5205 7501	1			CROSSMEMBER, Radiator Support Lower

MODEL CODES:

61=Pickup-6 Ft Box 74=4 Door Wagon T=2WD
62=Pickup-7 Ft Box 77=Open Body 93" Wheelbase J,N,U=4WD
72=2 Door Wagon 78=Open Body 103" Wheelbase

BODY STYLES:

MJ=Comanche Pickup ZJ=Grand Cherokee/Grand Wagoneer KDX VEHICLES
SJ=Grand Wagoneer M1=Comanche
XJ=Cherokee, Briarwood X1=Cherokee, Briarwood
YJ=Wrangler Y1=Wrangler

AR = Use as Required - = Non Illustrated Part P.A.R. = Paint as Required

GROUP 14 - FUEL

ILLUSTRATION TITLE	GROUP-FIG. NO.
AIR CLEANERS	
AIR CLEANER WRANGLER, YJ	Fig. 14-100
AIR CLEANER 2.5L AND 4.0L EFI ENGINES CHEROKEE, BRIARWOOD, COMANCHE	Fig. 14-200
AIR CLEANER GRAND CHEROKEE (ZJ)	Fig. 14-250
AIR CLEANER 2.5L CARBURETED ENGINE CHEROKEE, BRIARWOOD (KDX-CHINA)	Fig. 14-300
AIR CLEANER 5.9L ENGINE GRAND WAGONEER	Fig. 14-400
AIR CLEANER DIESEL ENGINE CHEROKEE, COMANCHE	Fig. 14-500
CARBURETOR AND COMPONENTS	
CARBURETOR AND COMPONENT PARTS 2.5L ENGINE CHEROKEE, BRIARWOOD - KDX - CHINA	Fig. 14-600
CARBURETOR AND COMPONENT PARTS 5.9L ENGINE GRAND WAGONEER	Fig. 14-700
THROTTLE BODY AND TURBO CHARGER COMPONENTS	
THROTTLE BODY WRANGLER, CHEROKEE, BRIARWOOD, GRAND CHEROKEE, COMANCHE	Fig. 14-800
FUEL RAIL, 2.5L AND 4.0L AND 5.2L ENGINES WRANGLER, CHEROKEE, BRIARWOOD, GRAND CHEROKEE ZJ, COMANCHE	Fig. 14-900
FUEL INJECTION SYSTEM DIESEL ENGINE CHEROKEE, COMANCHE	Fig. 14-1000
TURBO CHARGER DIESEL ENGINE CHEROKEE	Fig. 14-1100
THROTTLE CONTROLS	
THROTTLE CONTROLS WRANGLER, YJ	Fig. 14-1125
THROTTLE CONTROLS CHEROKEE, BRIARWOOD, GRAND CHEROKEE (ZJ), COMANCHE	Fig. 14-1200
THROTTLE CONTROLS GRAND WAGONEER	Fig. 14-1300
SPEED CONTROL	
SPEED CONTROL 2.5/4.0 ENGINES CHEROKEE, BRIARWOOD, COMANCHE	Fig. 14-1400
SPEED CONTROL GRAND CHEROKEE (ZJ)	Fig. 14-1450
SPEED CONTROL DIESEL ENGINE CHEROKEE	Fig. 14-1500
SPEED CONTROL 5.9L ENGINE GRAND WAGONEER	Fig. 14-1600
SPEED CONTROL, INSTRUMENT PANEL COMPONENTS 5.9L ENGINES GRAND WAGONEER	Fig. 14-1625
ACCELERATOR PEDAL	
ACCELERATOR PEDAL WRANGLER, CHEROKEE, BRIARWOOD, GRAND CHEROKEE (ZJ)COMANCHE, GRAND WAGONEER	Fig. 14-1700
FUEL FILTERS	
FUEL FILTERS WRANGLER, CHEROKEE, BRIARWOOD, GRAND CHEROKEE (ZJ)COMANCHE, GRAND WAGONEER	Fig. 14-1800
FUEL LINES	
FUEL LINES - FRONT WRANGLER, CHEROKEE, BRIARWOOD, GRAND CHEROKEE (ZJ), COMANCHE ..	Fig. 14-1900
FUEL LINES - REAR WRANGLER, YJ	Fig. 14-1925
FUEL LINES CHEROKEE, BRIARWOOD	Fig. 14-2000

ILLUSTRATION NOT AVAILABLE AT TIME OF PUBLICATION

GROUP 14 - FUEL

ILLUSTRATION TITLE

GROUP-FIG. NO.

FUEL LINES (Continued)

FUEL LINES CHEROKEE, BRIARWOOD	Fig. 14-2000
FUEL LINES, REAR AND CHASSIS GRAND CHEROKEE	Fig. 14-2050
FUEL LINES COMANCHE	Fig. 14-2100
FUEL LINES 5.9L ENGINE GRAND WAGONEER	Fig. 14-2200

FUEL PUMP

FUEL PUMP AND SENDING UNIT WRANGLER, CHEROKEE, GRAND CHEROKEE (ZJ), COMANCHE, GRAND WAGONEER	Fig. 14-2300
FUEL PUMP 2.5L CARBURETED ENGINE CHEROKEE, BRIARWOOD - KDX - CHINA	Fig. 14-2400
FUEL PUMP 5.9L ENGINE GRAND WAGONEER	Fig. 14-2500
FUEL INJECTION PUMP AND MOUNTING 2.1L DIESEL ENGINE CHEROKEE, COMANCHE	Fig. 14-2600
FUEL INJECTION PUMP LINES AND LINKAGE 2.1L DIESEL ENGINE CHEROKEE, COMANCHE	Fig. 14-2625

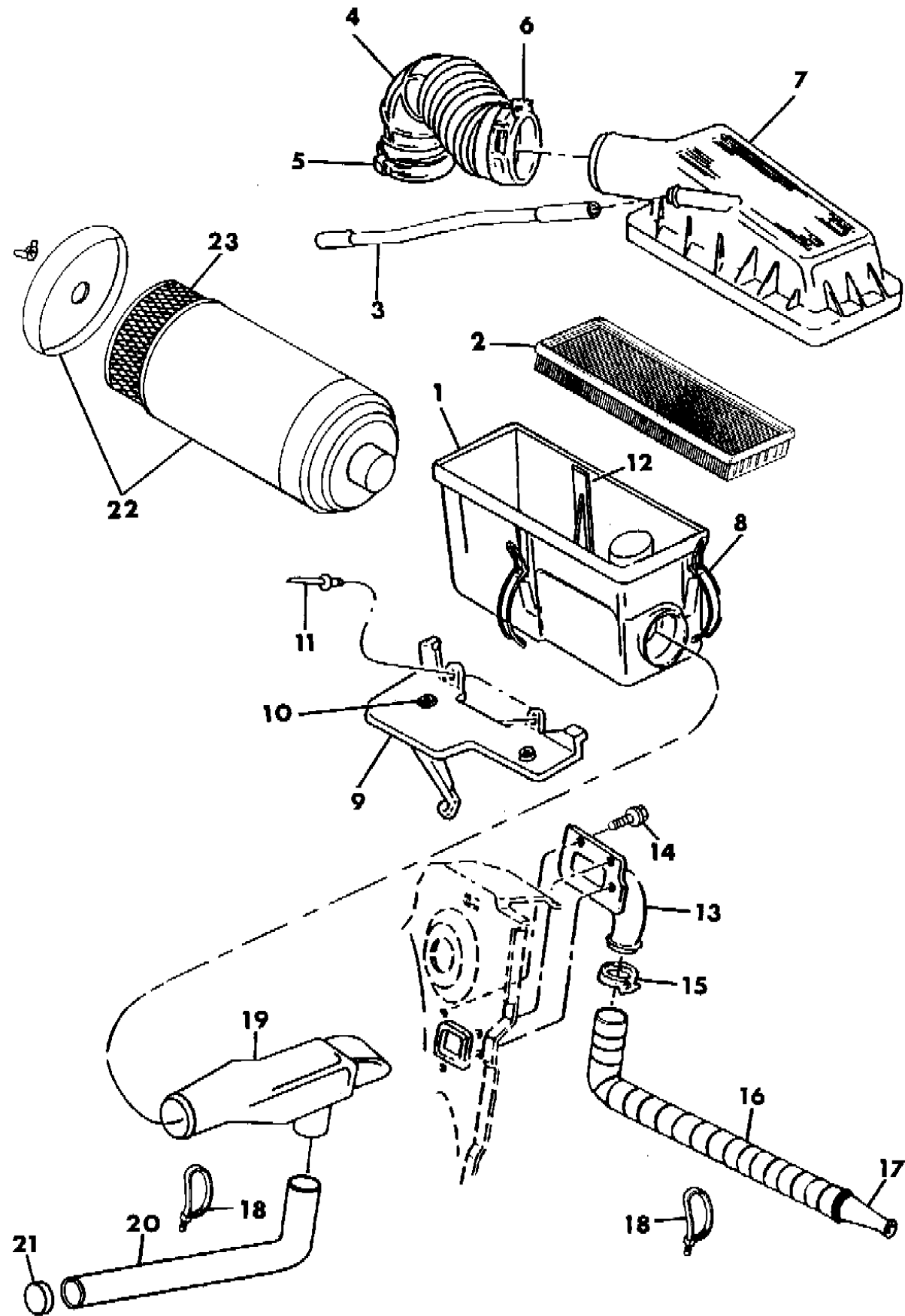
FUEL TANK

FUEL TANK WRANGLER, YJ	Fig. 14-2700
FUEL TANK FILLER TUBES WRANGLER, YJ	Fig. 14-2800
FUEL TANK CHEROKEE, BRIARWOOD	Fig. 14-2900
FUEL TANK GRAND CHEROKEE (ZJ)	Fig. 14-2950
FUEL TANK COMANCHE	Fig. 14-3000
FUEL TANK FILLER TUBES CHEROKEE, BRIARWOOD, GRAND CHEROKEE (ZJ), COMANCHE	Fig. 14-3100
FUEL TANK GRAND WAGONEER	Fig. 14-3200
FUEL TANK FILLER TUBES GRAND WAGONEER	Fig. 14-3300

AIR CLEANER WRANGLER, YJ

Figure 14-100

91J14 100 B



ITEM	PART NUMBER	QTY	BODY	MODEL	DESCRIPTION
1					SHELL, Air Cleaner - Lower
	5300 6315	1			2.5L Eng.
	5303 0301	1			2.5L Eng. - EUROPE
	5300 6315	1			4.0L Eng.
	5300 6315	1			KDX
2	5300 6317	1			ELEMENT, Air Cleaner
3					TUBE, Crankcase Valve to Air Cleaner
	5300 6236	1			2.5L Eng.
	5300 6237	1			4.0L Eng.
4					HOSE, Air Cleaner
	5300 6288	1			2.5L Eng.
	5300 6289	1			4.0L Eng.
5	5300 6273	1			CLAMP
6	5300 8274	1			CLAMP
7	5300 6316	1			COVER, Air Cleaner
8	3300 4596	3			CLAMP, Air Cleaner
9	5300 8842	1			BRACKET, Air Cleaner Mounting
10	3300 3025	2			GROMMET, Air Cleaner Mounting Bracket
11	3420 1597	3			RIVET
12	5303 0201	1			BRACE, Air Cleaner - 2.5L Eng. - EUROPE
13	5303 0203	1			ADAPTER, Ambient Air Inlet - 2.5L Eng. - EUROPE
14	J400 1701	3			SCREW - 2.5L Eng. - EUROPE
15		1			CLAMP, (Not Serv.) 2.5L Eng.
16	5300 5326	1			HOSE, Inlet - 2.5L Eng. - Federal, EUROPE, LEADED FUEL
17	3300 4033	1			HORN, Air Inlet - 2.5L Eng. - Federal, EUROPE, LEADED FUEL
18	6016 155	2			STRAP, Tie
19					ADAPTER, Air Cleaner Baffle Resonator
	5300 6287	1			2.5L Eng.
	5303 0202	1			2.5L Eng. EUROPE
	5300 6287	1			4.0L Eng.
	5300 6287	1			KDX
20	5300 5327	1			HOSE, Resonator, 2.5L Eng. EUROPE
21	3300 4032	1			PLUG, Resonator, 2.5L Eng. EUROPE
22					AIR CLEANER ASSEMBLY, Centrifugal ***
	5300 3675	1			KDX, Egypt
23					ELEMENT, Air Cleaner
	5300 3676	1			KDX, Egypt

MODEL CODES:

61=Pickup-6 Ft Box 74=4 Door Wagon T=2WD
 62=Pickup-7 Ft Box 77=Open Body 93" Wheelbase J,N,U=4WD
 72=2 Door Wagon 78=Open Body 103" Wheelbase

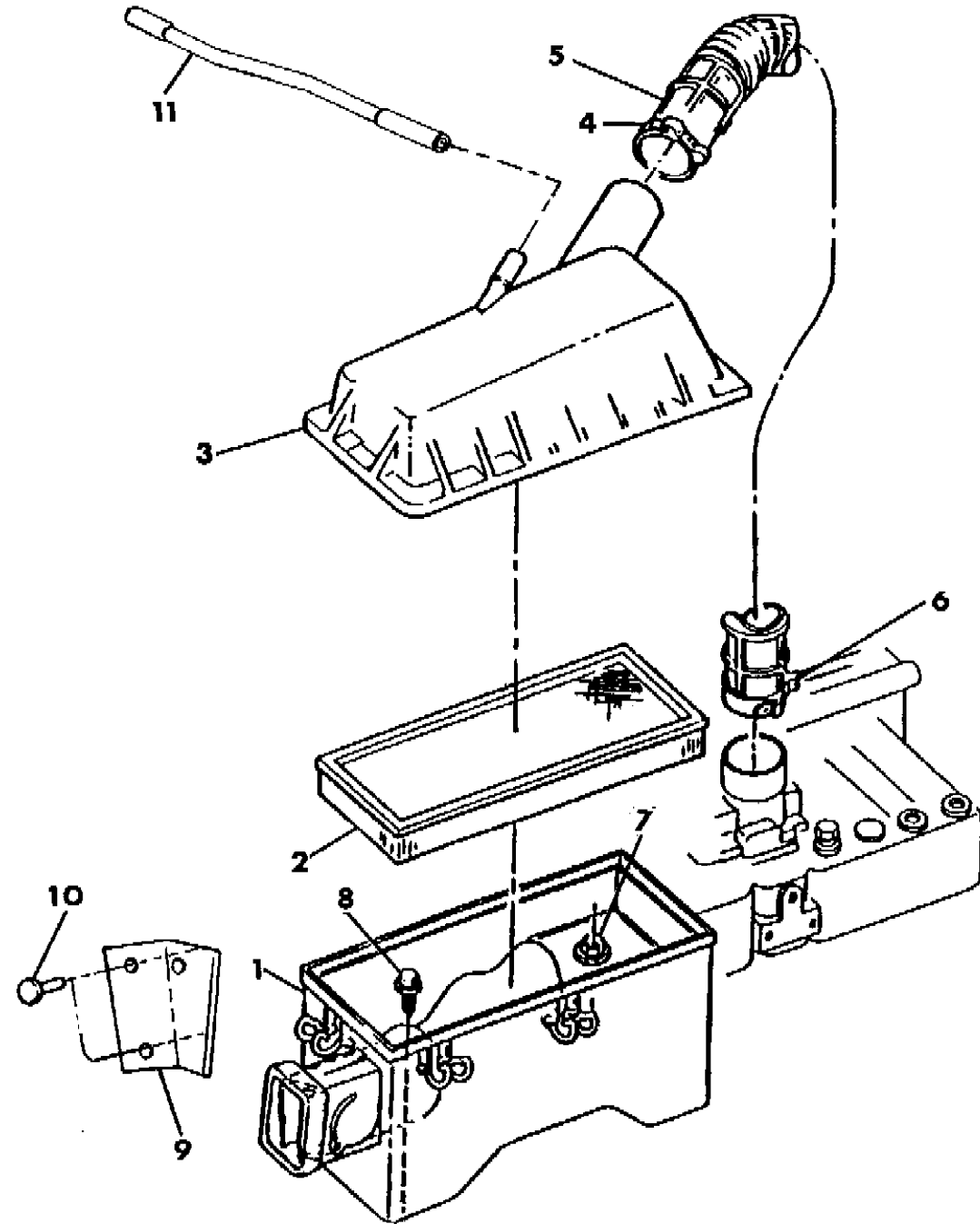
BODY STYLES:

MJ=Comanche Pickup ZJ=Grand Cherokee/Grand Wagoneer KDX VEHICLES
 SJ=Grand Wagoneer M1=Comanche
 XJ=Cherokee, Briarwood X1=Cherokee, Briarwood
 YJ=Wrangler Y1=Wrangler

AR = Use as Required - = Non Illustrated Part P.A.R. = Paint as Required

AIR CLEANER 2.5L AND 4.0L EFI ENGINES CHEROKEE, BRIARWOOD, COMANCHE
Figure 14-200

91J14 200



ITEM	PART NUMBER	QTY	BODY	MODEL	DESCRIPTION
1					SHELL, Air Cleaner - Lower
	5300 6307	1			1991
	5303 0295	1			1992-3
2	5300 4383	1			FILTER, Air Cleaner
3	5300 8524	1			COVER, Air Cleaner
	5300 8524	1			1991
	5303 0296	1			1992-3
4	5300 6584	1			CLAMP
5					HOSE, Air Cleaner
	5300 6272	1			2.5L Eng.
	5300 6275	1			4.0L Eng.
	4638 414	1			HOSE KIT, Clean Air - 4.0L Eng. EUROPE - Switzerland (Not Shown) ***
6	5300 6273	1			CLAMP
7	3420 1416	1			NUT and WASHER
8		2			SCREW and WASHER, (Not Serv.)
9	5300 8526	1			BAFFLE, Ambient Air
10	6033 018	2			FASTENER
11					TUBE, Crankcase Vent Valve to Air Cleaner
	5300 6238	1			2.5L Eng.
	5300 6239	1			4.0L Eng.

MODEL CODES:

61=Pickup-6 Ft Box 74=4 Door Wagon T=2WD
 62=Pickup-7 Ft Box 77=Open Body 93" Wheelbase J,N,U=4WD
 72=2 Door Wagon 78=Open Body 103" Wheelbase

BODY STYLES:

MJ=Comanche Pickup ZJ=Grand Cherokee/Grand Wagoneer KDX VEHICLES
 SJ=Grand Wagoneer M1=Comanche
 XJ=Cherokee, Briarwood X1=Cherokee, Briarwood
 YJ=Wrangler Y1=Wrangler

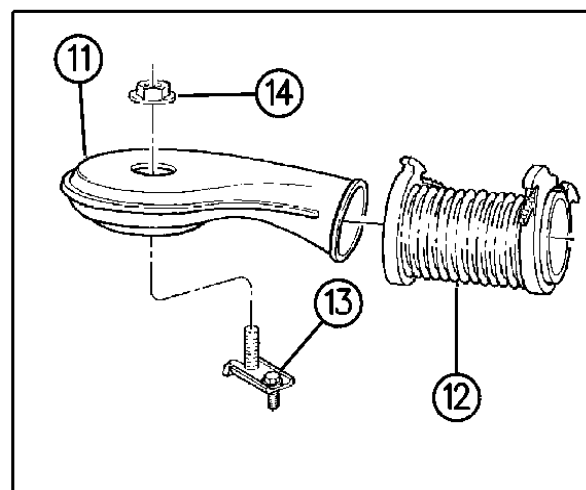
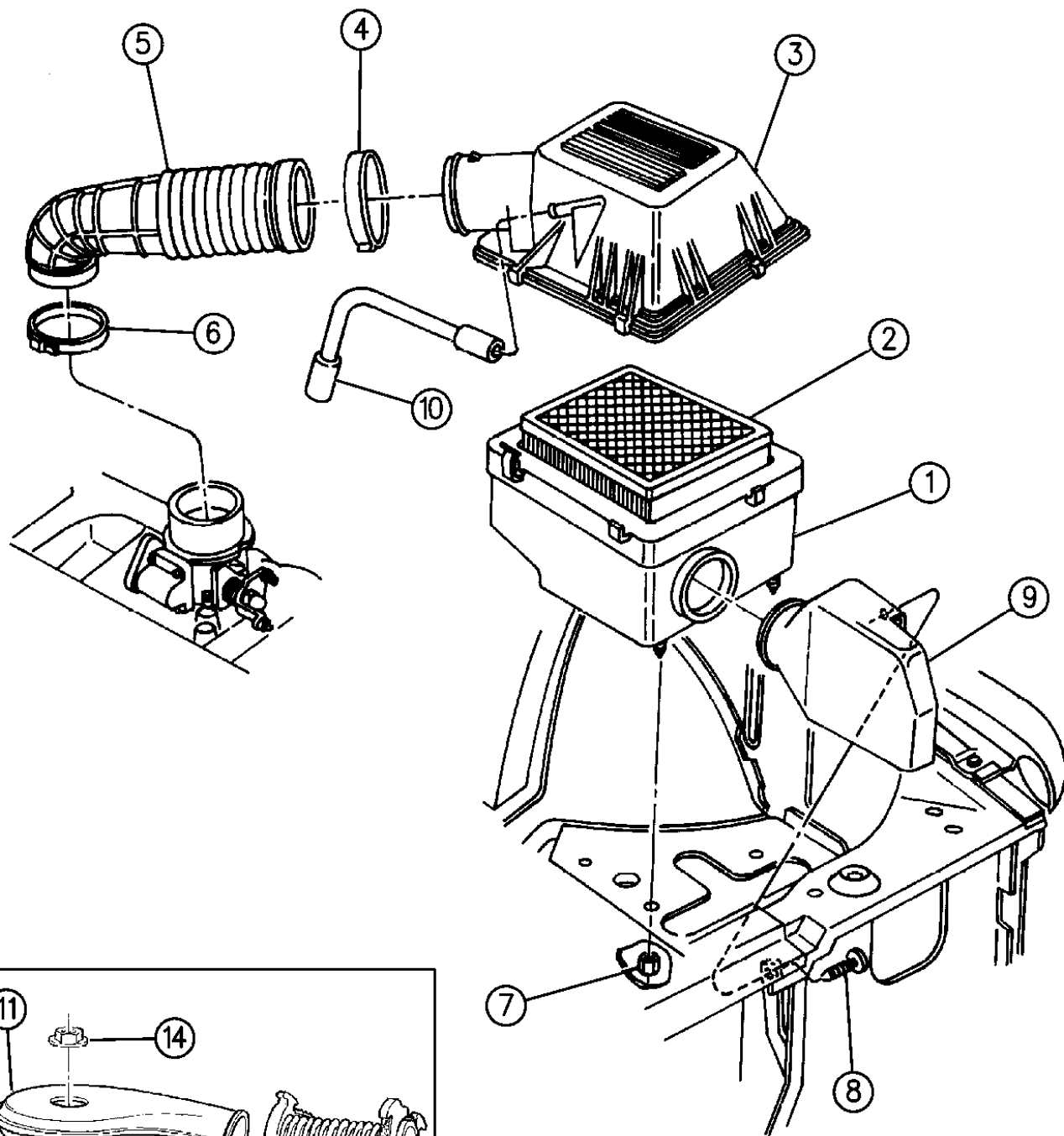
AR = Use as Required - = Non Illustrated Part P.A.R. = Paint as Required

AIR CLEANER GRAND CHEROKEE (ZJ)

Figure 14-250

91J14 250B

ITEM	PART NUMBER	QTY	BODY	MODEL	DESCRIPTION
1	5300 7385	1			SHELL, Air Cleaner, Lower
2	5300 7386	1			FILTER, Air Cleaner
3					COVER, Air Cleaner
	5300 7387	1			4.0L Engine
	5303 0178	1			5.2L Engine
4	5300 6584	1			CLAMP
5	5300 7571	1			HOSE, Air Cleaner, 4.0L Engine
6	5300 6273	1			CLAMP, 4.0L Engine
7					NUT (Not Serviced) ***
8	3420 1942	1			FASTENER
9	5300 7447	1			DUCT, Ambient Air Inlet
10	5300 7422	1			TUBE, Crankcase Vent Valve To Air Cleaner, 4.0L Engine
11	5300 9266	1			BONNET, 5.2L Engine ***
12	5300 9268	1			HOSE, 5.2L Engine
13	5303 0179	1			BRACKET & SCREW, 5.2L Engine ***
14	5300 9267	1			NUT, Bonnet



MODEL CODES:

61=Pickup-6 Ft Box 74=4 Door Wagon T=2WD
 62=Pickup-7 Ft Box 77=Open Body 93" Wheelbase J,N,U=4WD
 72=2 Door Wagon 78=Open Body 103" Wheelbase

BODY STYLES:

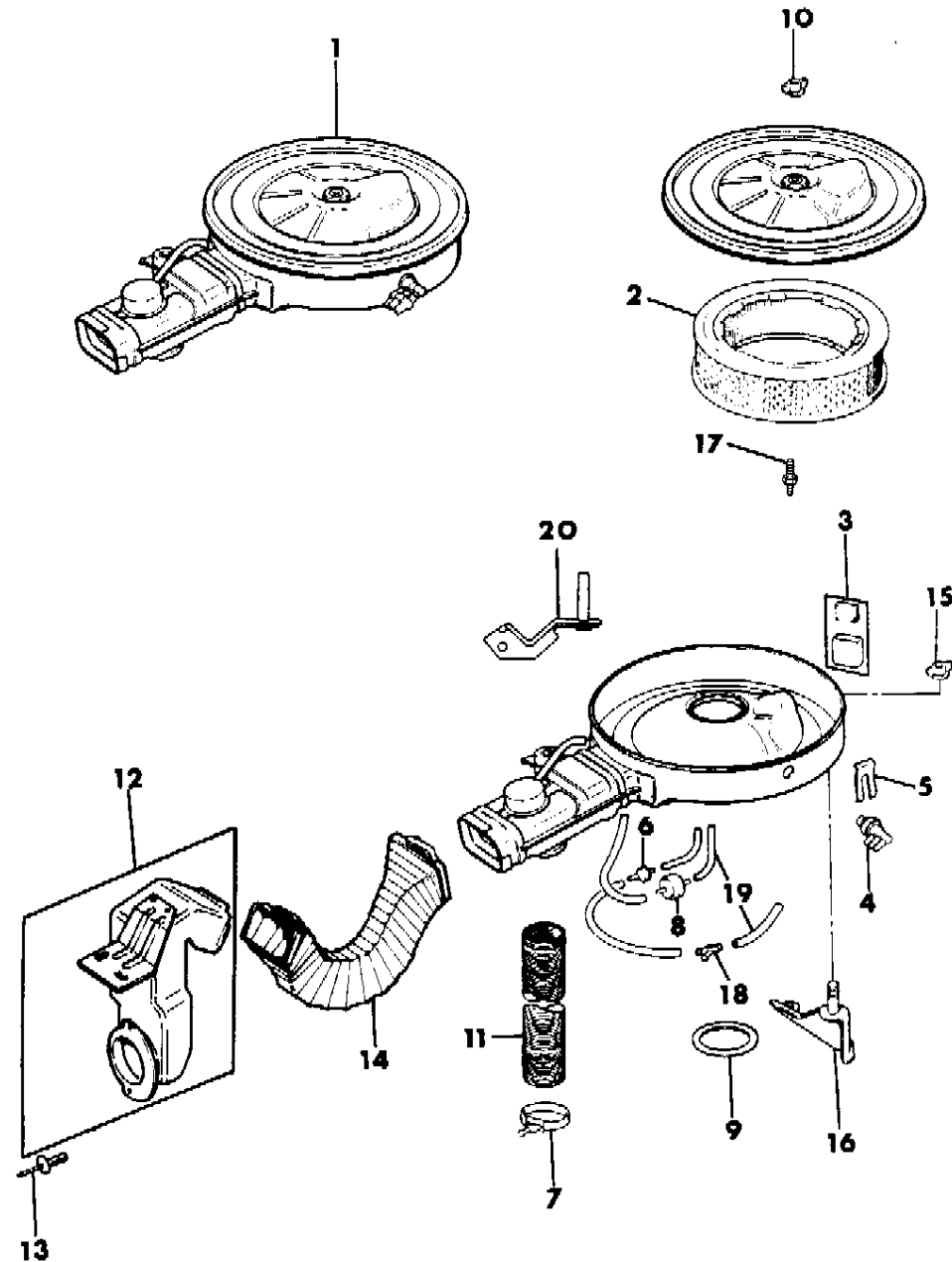
MJ=Comanche Pickup ZJ=Grand Cherokee/Grand Wagoneer KDX VEHICLES
 SJ=Grand Wagoneer M1=Comanche
 XJ=Cherokee, Briarwood X1=Cherokee, Briarwood
 YJ=Wrangler Y1=Wrangler

AR = Use as Required - = Non Illustrated Part P.A.R. = Paint as Required

AIR CLEANER 2.5L CARBURETED ENGINE CHEROKEE, BRIARWOOD (KDX-CHINA)

Figure 14-300

91J14 300A



ITEM	PART NUMBER	QTY	BODY	MODEL	DESCRIPTION
1	5300 1837	1			AIR CLEANER
2	5303 0275	1			ELEMENT, Air Cleaner
3	J323 6695	1			FILTER PACKAGE
4	J323 7457	1			SWITCH, Thermal Vacuum (1991-92)
5	J400 6571	1			CLIP (1991-92) ***
6	J322 8426	1			VALVE, Check
7	J320 3078	2			CLAMP, Hose
8	J323 5938	1			VALVE, Reverse Delay
9	3300 1475	1			GASKET, Air Cleaner
10	3420 1676	1			NUT
11	3300 3391	1			TUBE, Hot Air
12	5300 5143	1			ADAPTER, Air Duct
13	3420 2099	2			RIVET
14	5300 5144	1			TUBE, Air Intake
15	3420 1918	1			NUT
16	3300 1611	1			BRACKET, Air Cleaner Mounting
17	5300 0683	1			STUD
18	8310 0020	1			CONNECTOR, Y
19	J812 5812	AR			HOSE
20	5303 0192	1			BRACKET, Air Cleaner Snorkel Support

MODEL CODES:

61=Pickup-6 Ft Box 74=4 Door Wagon T=2WD
 62=Pickup-7 Ft Box 77=Open Body 93" Wheelbase J,N,U=4WD
 72=2 Door Wagon 78=Open Body 103" Wheelbase

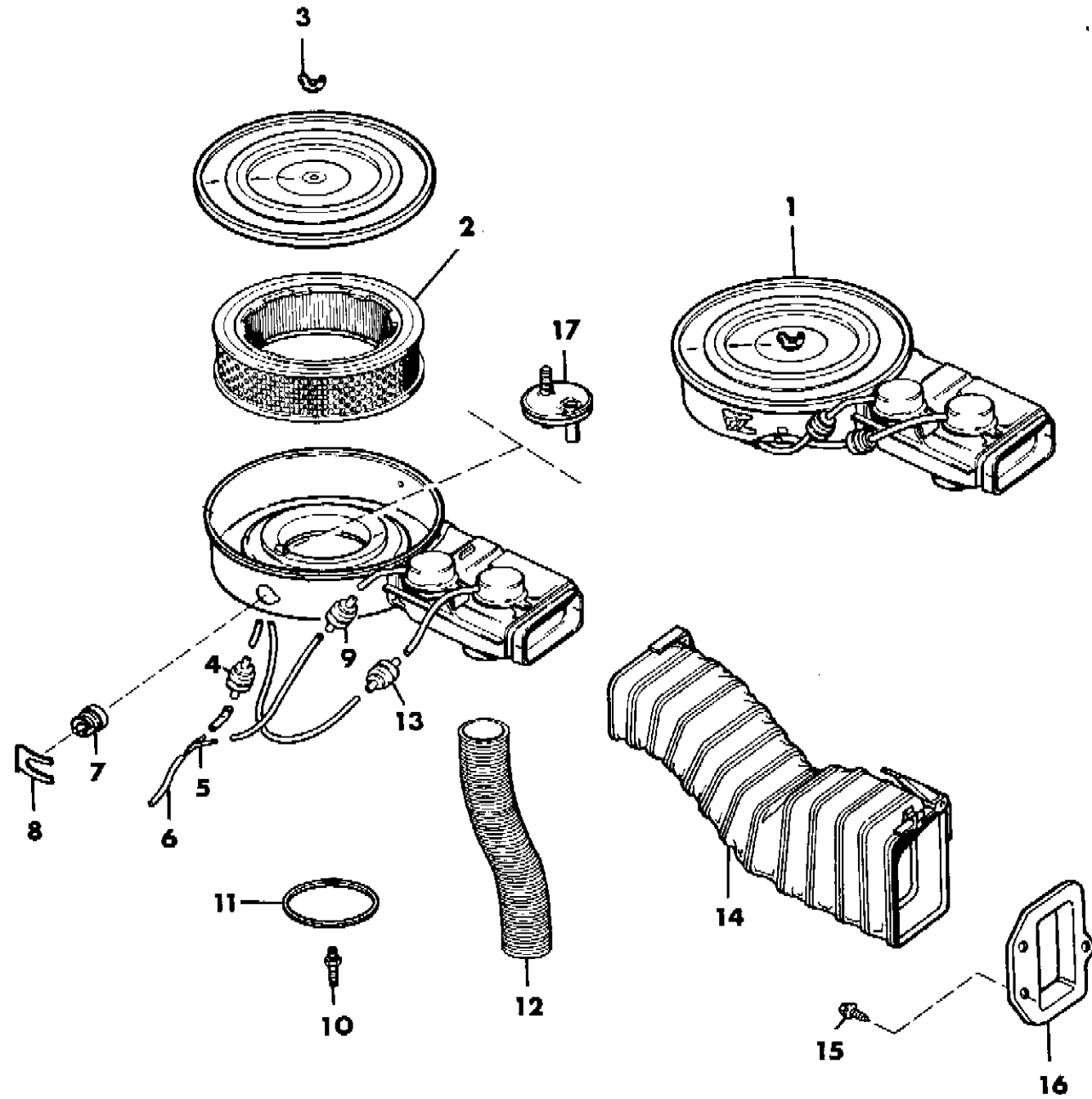
BODY STYLES:

MJ=Comanche Pickup ZJ=Grand Cherokee/Grand Wagoneer KDX VEHICLES
 SJ=Grand Wagoneer M1=Comanche
 XJ=Cherokee, Briarwood X1=Cherokee, Briarwood
 YJ=Wrangler Y1=Wrangler

AR = Use as Required - = Non Illustrated Part P.A.R. = Paint as Required

AIR CLEANER 5.9L ENGINE GRAND WAGONEER
Figure 14-400

91J14 400



ITEM	PART NUMBER	QTY	BODY	MODEL	DESCRIPTION
1	5300 3936	1			AIR CLEANER
2	J899 2661	1			ELEMENT, Air Cleaner
3	J315 1735	1			NUT, Wing
4	J322 8426	1			VALVE, Check - White/Black
5	J321 0891	1			CONNECTOR, Tee
6	J812 5812	AR			HOSE, 3/16" I.D. - Bulk
7	J323 5329	1			SWITCH, Vacuum
8	J400 6334	1			CLIP, Retaining
9	J323 7141	1			VALVE, Reverse Delay - Yellow/White
10	J323 0269	1			STUD, Carb. to Air Cleaner
11	J319 1884	1			GASKET, Air Cleaner to Carburetor
12	3300 3391	1			TUBE, Hot Air
13	J323 5938	1			VALVE, Reverse Delay - Gray/White
14	J535 8444	1			TUBE, Air Intake
15	J812 0054	3			SCREW
16	J546 3866	1			ADAPTER, Air Intake
17	5300 3940	1			SENSOR, Intake Air Temperature

MODEL CODES:

61=Pickup-6 Ft Box 74=4 Door Wagon T=2WD
 62=Pickup-7 Ft Box 77=Open Body 93" Wheelbase J,N,U=4WD
 72=2 Door Wagon 78=Open Body 103" Wheelbase

BODY STYLES:

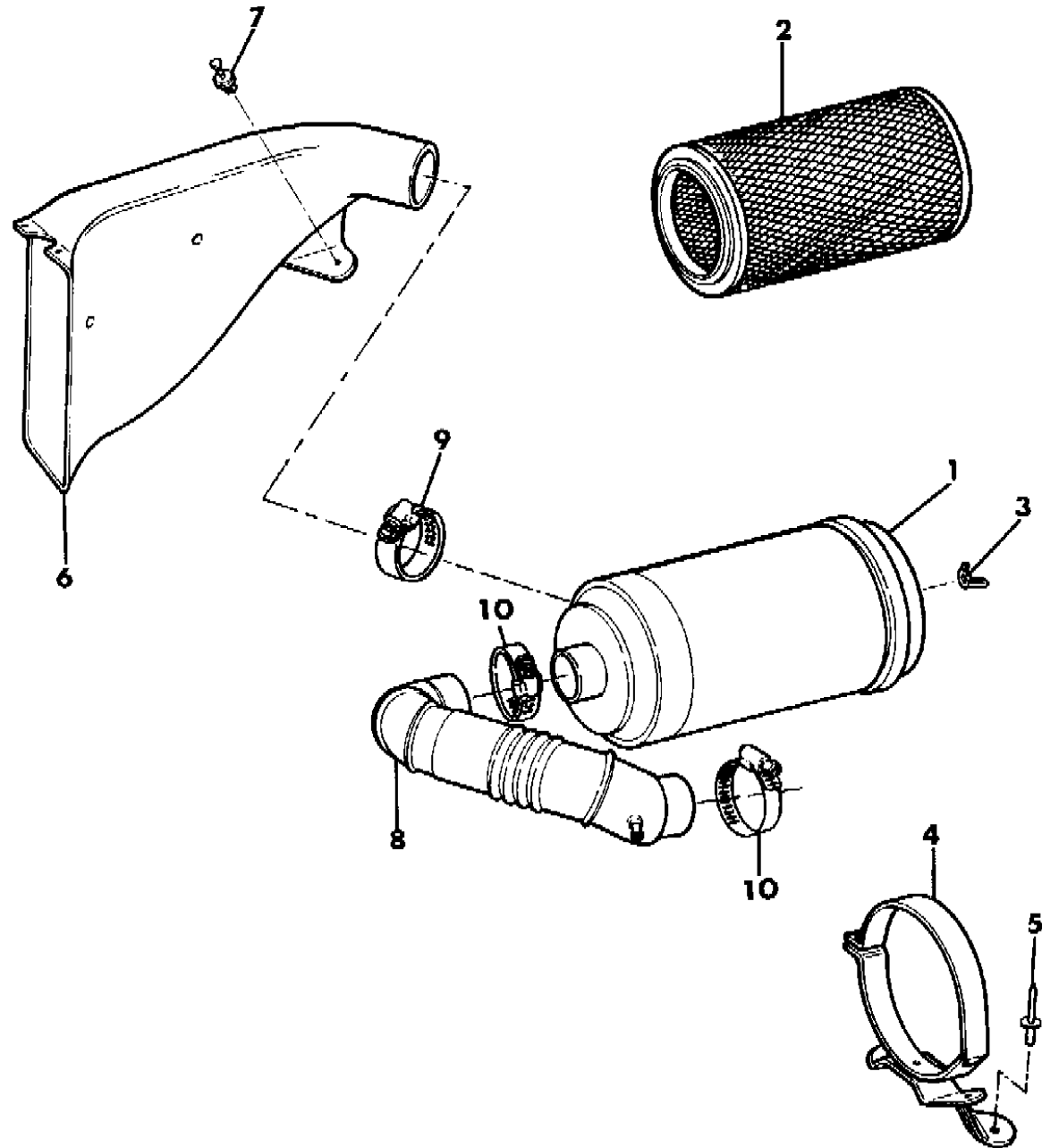
MJ=Comanche Pickup ZJ=Grand Cherokee/Grand Wagoneer KDX VEHICLES
 SJ=Grand Wagoneer M1=Comanche
 XJ=Cherokee, Briarwood X1=Cherokee, Briarwood
 YJ=Wrangler Y1=Wrangler

AR = Use as Required - = Non Illustrated Part P.A.R. = Paint as Required

AIR CLEANER DIESEL ENGINE CHEROKEE, COMANCHE
Figure 14-500

91J14 500 A

ITEM	PART NUMBER	QTY	BODY	MODEL	DESCRIPTION
1	5300 1125	1			AIR CLEANER
2	8350 1843	1			ELEMENT, Air Cleaner
3	3300 1796	1			NUT, Wing
4	3300 2197	1			BRACKET, Air Cleaner
5	3420 1597	3			RIVET
6	5300 4536	1			DUCT, Fresh Air Intake
7	3420 1621	AR			RIVET
8	3300 2199	1			TUBE ASSEMBLY, Turbo Inlet ***
9	J320 3078	3			CLAMP, Hose
10		2			CLAMP, (Not Serv.)



MODEL CODES:

61=Pickup-6 Ft Box 74=4 Door Wagon T=2WD
 62=Pickup-7 Ft Box 77=Open Body 93" Wheelbase J,N,U=4WD
 72=2 Door Wagon 78=Open Body 103" Wheelbase

BODY STYLES:

MJ=Comanche Pickup ZJ=Grand Cherokee/Grand Wagoneer KDX VEHICLES
 SJ=Grand Wagoneer M1=Comanche
 XJ=Cherokee, Briarwood X1=Cherokee, Briarwood
 YJ=Wrangler Y1=Wrangler

AR = Use as Required - = Non Illustrated Part P.A.R. = Paint as Required

CARBURETOR AND COMPONENT PARTS 2.5L ENGINE CHEROKEE, BRIARWOOD - KDX - CHINA

Figure 14-600

91J14 600

ITEM	PART NUMBER	QTY	BODY	MODEL	DESCRIPTION
1	5300 2641	1			CARBURETOR - Tag #7708 - Man. Trans.
2	8350 0455	1			SCREW, Idle Mixture
3	5300 0616	1			INSULATOR, Carburetor
4	J812 5812	AR			HOSE, 3/16" I.D. Bulk
5	8330 0085	1			REPAIR PACKAGE, Carburetor
6	5300 0617	2			GASKET, Carburetor
7	J013 7406	1			CONNECTOR
8	J012 4925	2			NUT
9	8350 2116	1			SOLENOID, Throttle
10	8350 2113	1			JET, Low Speed
11	8350 2112	1			DIAPHRAGM, Choke
12	J812 0149	1			WEIGHT, Check Ball
13	8350 0921	1			COIL, Choke
14	8350 0454	1			FLOAT, Carburetor
15	J812 4315	1			PIN, Float
16	8350 0932	1			NEEDLE and SEAT
17	8350 0456	1			BUSHING, Choke Rod
18	J812 1249	1			CLIP
19	J812 6555	1			RETAINER, Choke Rod
20	8350 2114	1			ROD, Metering
21	J320 6433	4			SCREW
22	J320 7738	3			SCREW, 1.5"
23	J812 5858	4			SCREW, .63"
24	J812 0222	4			SCREW
25	8350 0460	1			ARM, Metering Rod
26	J812 0145	1			BALL, Discharge Check
27	8350 2115	1			JET, Metering Rod
28	J322 7272	1			CAP
29	3300 0785	1			CLAMP
30	J323 7293	1			VALVE, Delay

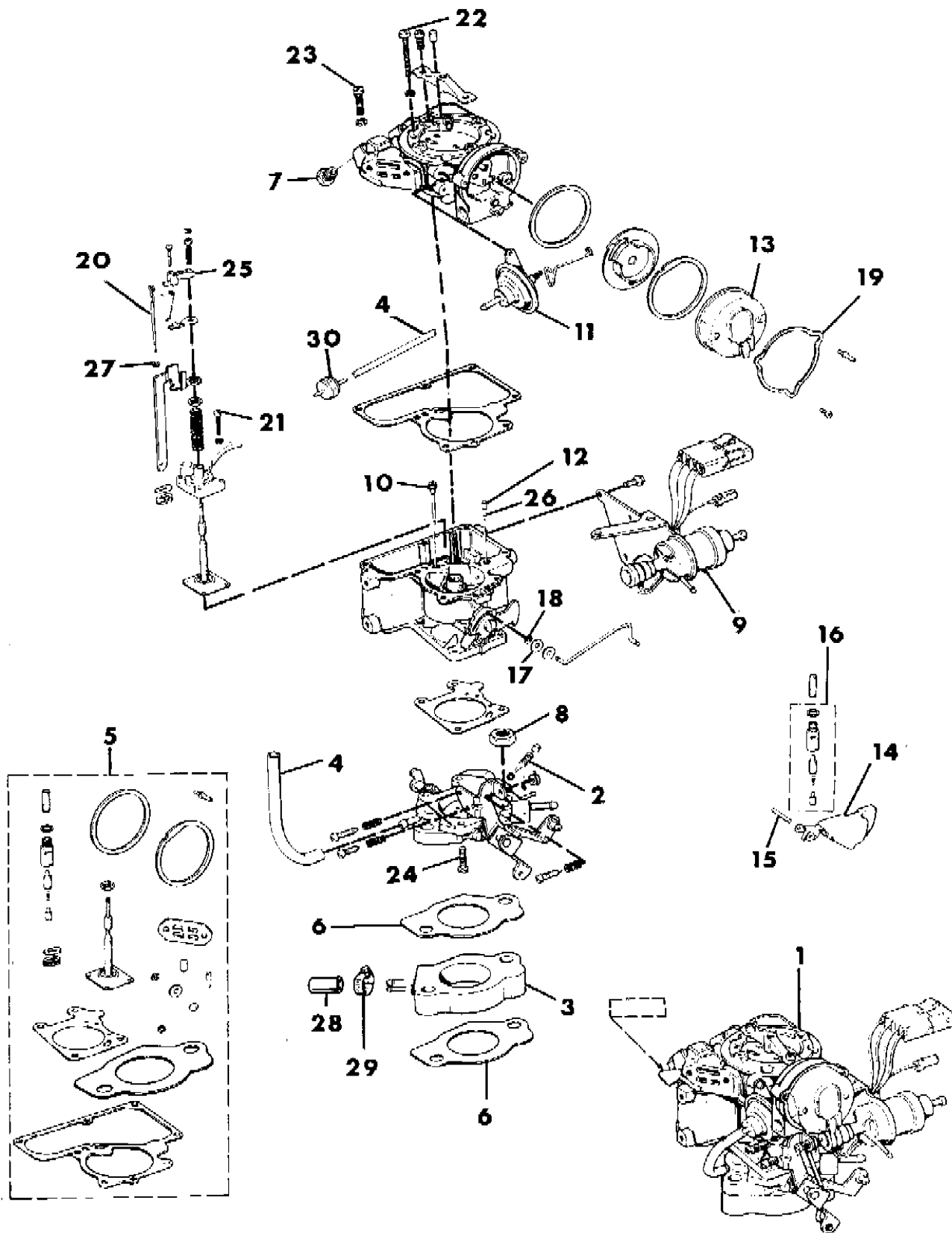
MODEL CODES:

61=Pickup-6 Ft Box 74=4 Door Wagon T=2WD
 62=Pickup-7 Ft Box 77=Open Body 93" Wheelbase J,N,U=4WD
 72=2 Door Wagon 78=Open Body 103" Wheelbase

BODY STYLES:

MJ=Comanche Pickup ZJ=Grand Cherokee/Grand Wagoneer KDX VEHICLES
 SJ=Grand Wagoneer M1=Comanche
 XJ=Cherokee, Briarwood Y1=Cherokee, Briarwood
 YJ=Wrangler Y1=Wrangler

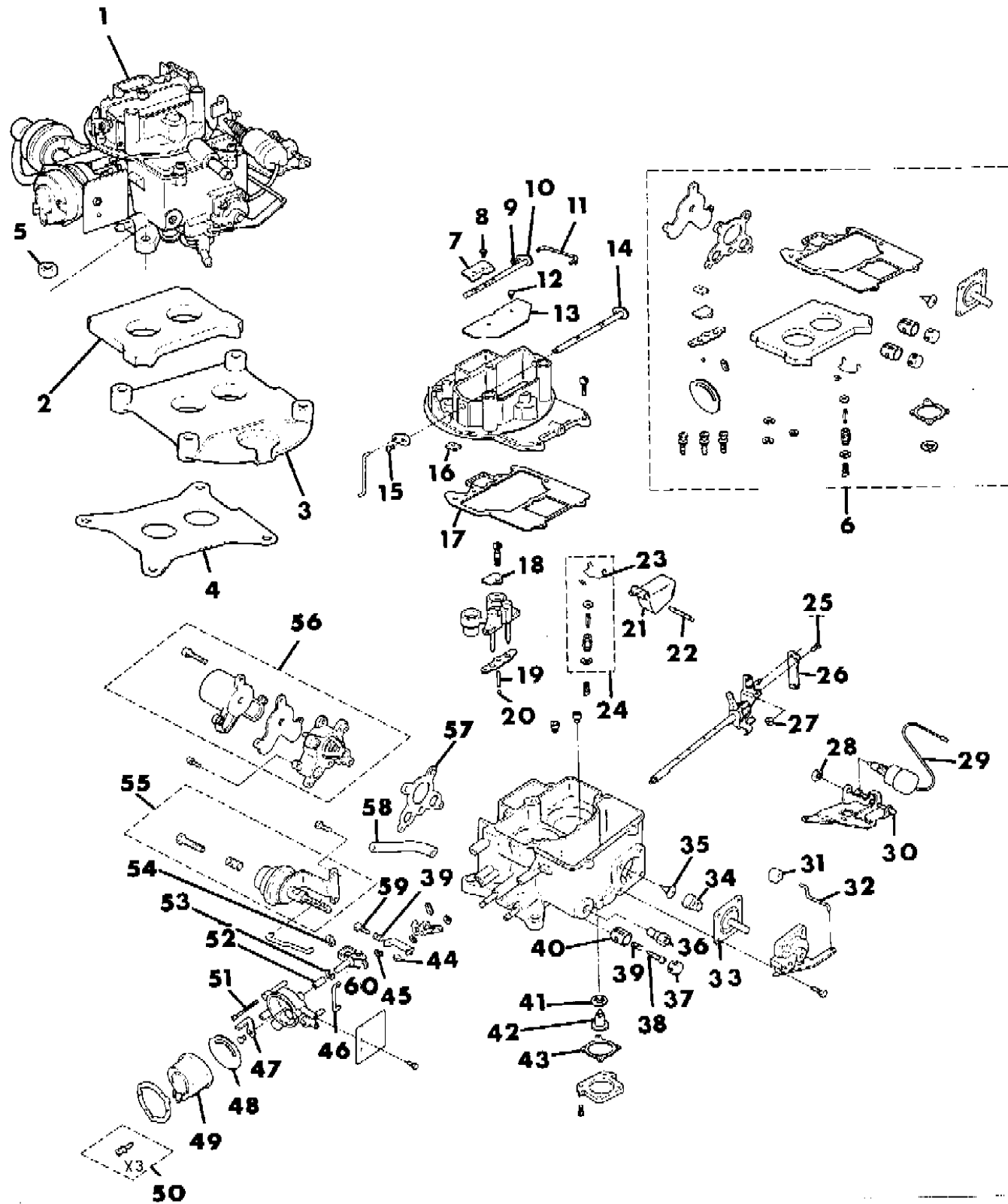
AR = Use as Required - = Non Illustrated Part P.A.R. = Paint as Required



CARBURETOR AND COMPONENT PARTS 5.9L ENGINE GRAND WAGONEER

Figure 14-700

91J14 700



ITEM	PART NUMBER	QTY	BODY	MODEL	DESCRIPTION
1	5300 6748	1			CARBURETOR - Tag #0RHA2
2	J322 9622	1			GASKET, Carburetor
3	J324 0515	1			INSULATOR, Carburetor
4	J319 1886	1			GASKET, Carb. Adapter
5	J400 3825	4			NUT
6	8350 2174	1			REPAIR PACKAGE, Carburetor
7	J812 8320	1			VALVE, Air
8	J812 8321	2			SCREW
9	J812 8323	1			CLIP, Retaining
10	J812 8319	1			SHAFT
11	J812 8322	1			LINK
12	J320 9901	2			SCREW
13	J448 8175	1			VALVE, Choke
14	J812 8318	1			SHAFT
15		1			SCREW (not serviced)
16	J320 9880	1			SEAL
17	8350 3356	1			GASKET, Air Horn
18	J448 8180	1			PLATE
19	J812 3037	1			WEIGHT
20	S014 5637	1			BALL, Discharge Check
21	8350 0930	1			FLOAT, Carburetor
22	J320 9910	1			SHAFT
23	J812 1330	1			RETAINER
24	J812 8309	1			NEEDLE and SEAT
25	J400 3924	1			SCREW
26	J535 2990	1			ADAPTER
27	J027 1163	1			NUT
28	S942 0169	1			NUT
29	8350 5563	1			SOLENOID, Idle Speed
30	J812 1166	1			BRACKET ASSEMBLY
31	8350 3368	1			TRUNNION
32	8350 3367	1			ROD
33	J813 3833	1			DIAPHRAGM ASSEMBLY, Accelerator Pump
34	J812 5040	1			SPRING, Pump
35	8350 1195	1			VALVE, Check
36	J013 7406	1			FITTING
37	J813 3831	2			CAP
38	J813 3890	2			SCREW, Idle Mixture
39	J320 9917	3			SPRING
40	J813 3832	2			PLUG
41	J812 7515	1			GASKET

MODEL CODES:

61=Pickup-6 Ft Box 74=4 Door Wagon T=2WD
 62=Pickup-7 Ft Box 77=Open Body 93" Wheelbase J,N,U=4WD
 72=2 Door Wagon 78=Open Body 103" Wheelbase

BODY STYLES:

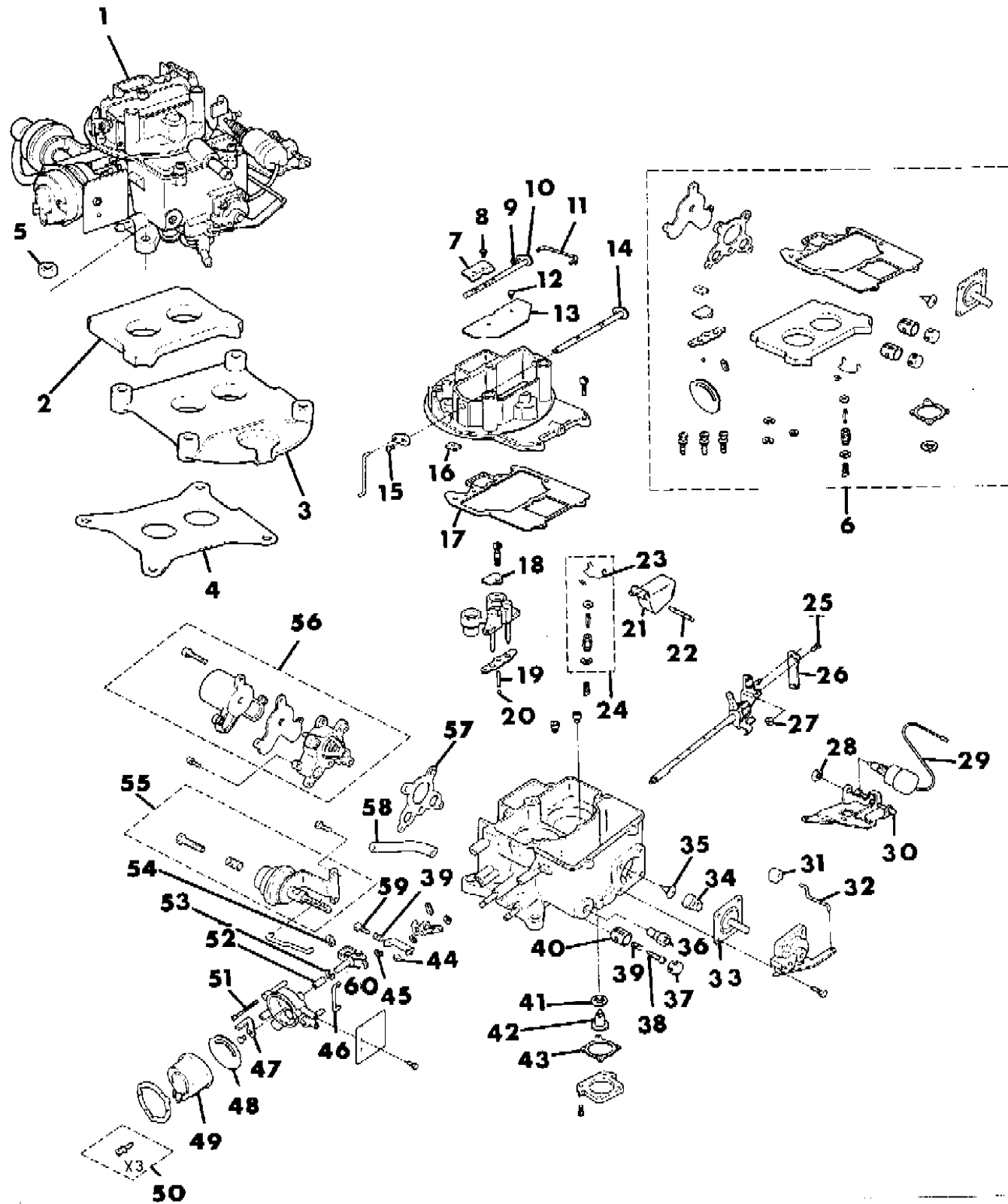
MJ=Comanche Pickup ZJ=Grand Cherokee/Grand Wagoneer KDX VEHICLES
 SJ=Grand Wagoneer M1=Comanche
 XJ=Cherokee, Briarwood X1=Cherokee, Briarwood
 YJ=Wrangler Y1=Wrangler

AR = Use as Required - = Non Illustrated Part P.A.R. = Paint as Required

CARBURETOR AND COMPONENT PARTS 5.9L ENGINE GRAND WAGONEER

Figure 14-700

91J14 700



ITEM	PART NUMBER	QTY	BODY	MODEL	DESCRIPTION
42	J812 5042	1			VALVE, Power
43	J320 9885	1			GASKET
44	J027 1169	1			NUT
45	J448 8171	3			CLIP, Retaining
46	J320 9893	1			ROD
47	J812 8327	1			LEVER
48	8350 2166	1			GASKET, Choke Cover
49	J813 3889	1			COVER ASSEMBLY
50	J813 3834	1			SCREW PACKAGE
51	J448 5441	3			SCREW
52	J812 5987	1			BUSHING
53	J320 9925	1			CLIP, Retaining
54	J320 9922	1			CLIP, Retaining
55	J813 4496	1			DIAPHRAGM, Choke
56	J812 8314	1			COMPENSATOR, Altitude
57	J812 8315	1			GASKET
58	J812 5812	AR			HOSE, 3/16" I.D. Bulk
59	J812 1329	1			SCREW, Fast Idle
60	J812 8276	1			LEVER ASSEMBLY

MODEL CODES:

61=Pickup-6 Ft Box 74=4 Door Wagon T=2WD
 62=Pickup-7 Ft Box 77=Open Body 93" Wheelbase J,N,U=4WD
 72=2 Door Wagon 78=Open Body 103" Wheelbase

BODY STYLES:

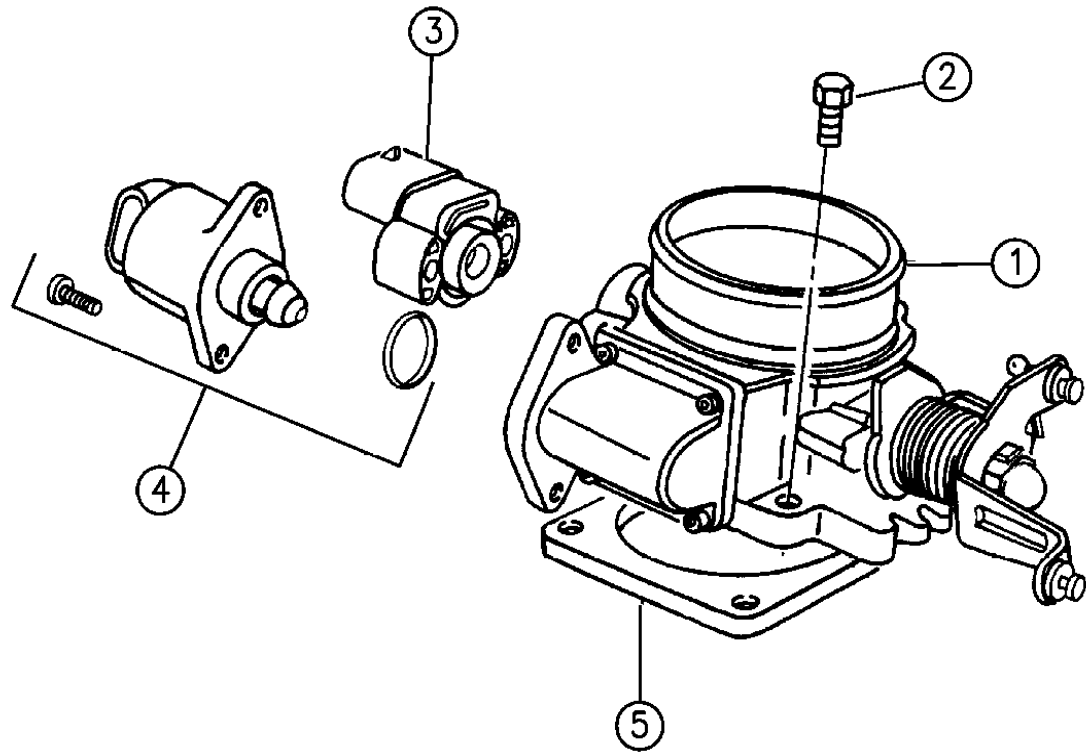
MJ=Comanche Pickup ZJ=Grand Cherokee/Grand Wagoneer KDX VEHICLES
 SJ=Grand Wagoneer M1=Comanche
 XJ=Cherokee, Briarwood X1=Cherokee, Briarwood
 YJ=Wrangler Y1=Wrangler

AR = Use as Required - = Non Illustrated Part P.A.R. = Paint as Required

THROTTLE BODY WRANGLER, CHEROKEE, BRIARWOOD, GRAND CHEROKEE, COMANCHE
Figure 14-800

91J14 800C

ITEM	PART NUMBER	QTY	BODY	MODEL	DESCRIPTION
1					BODY, Throttle, w/A.I.S. and T.P.S.
	5303 0843	1			2.5L Eng.
	5303 0844	1			4.0L Eng.
	5303 3000	1			5.2L, 5.9L Engine
2	6502 445	4			SCREW, Throttle Body to Intake Manifold
3					SENSOR, Throttle Position
	4761 871AB	1			2.5/4.0L Engine
	4778 463	1			5.2/5.9L Engine
4					MOTOR, A.I.S
	4637 073	1			2.5L Eng.
	4637 071	1			4.0L Eng.
	5303 0450	1			5.2L Eng.
5	5300 7543	1			GASKET, Throttle Body to Intake Manifold
	5303 0541	1			5.2L ***



MODEL CODES:

61=Pickup-6 Ft Box 74=4 Door Wagon T=2WD
62=Pickup-7 Ft Box 77=Open Body 93" Wheelbase J,N,U=4WD
72=2 Door Wagon 78=Open Body 103" Wheelbase

BODY STYLES:

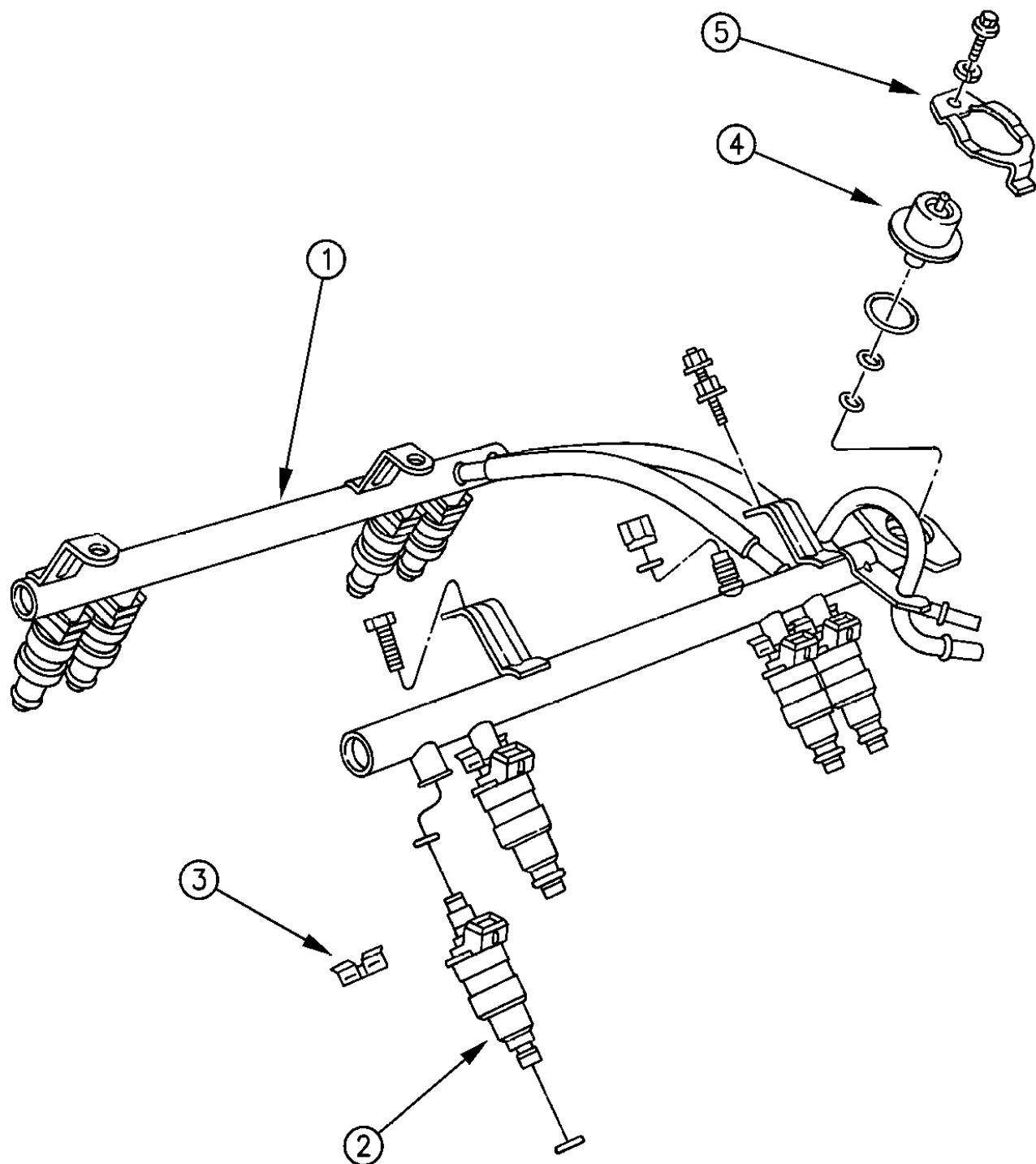
MJ=Comanche Pickup ZJ=Grand Cherokee/Grand Wagoneer KDX VEHICLES
SJ=Grand Wagoneer M1=Comanche
XJ=Cherokee, Briarwood X1=Cherokee, Briarwood
YJ=Wrangler Y1=Wrangler

AR = Use as Required - = Non Illustrated Part P.A.R. = Paint as Required

FUEL RAIL, 2.5L AND 4.0L AND 5.2L ENGINES WRANGLER, CHEROKEE, BRIARWOOD, GRAND CHEROKEE ZJ, COMANCHE
 Figure 14-900

91J14 900A

ITEM	PART NUMBER	QTY	BODY	MODEL	DESCRIPTION
1					RAIL, Fuel
	5300 5802	1			2.5L Eng.
					4.0L Eng.
	5300 5803	1			1991
	5303 0340	1			1992
2	5303 0435	1			1993
	4741 909	1	ZJ		5.2L 1993, w/Front Supply and Front Return Lines
					INJECTOR, Fuel
	5300 7232	4			2.5L Eng.
	3300 7127	6			4.0L Eng.
3	5303 0343	6	ZJ		4.0L Eng.
	5300 7809	8	ZJ		5.2L Eng.
	4504 348	1			PACKAGE, Injector O-Ring
	4418 257	AR			CLIP, Fuel Injector
	5303 0058	AR	ZJ		5.2L Eng. ***
4					REGULATOR, Fuel Pressure
	5300 5801	1			1991
					1992
	5300 5801	1			Up To 1-1-92
	5303 0001	1			After 1-1-92
5	5303 0001	1			1993
	4418 903	1			PACKAGE, Regulator O-Ring
	4418 897	1			CLIP, Fuel Pressure Regulator



MODEL CODES:

61=Pickup-6 Ft Box 74=4 Door Wagon T=2WD
 62=Pickup-7 Ft Box 77=Open Body 93" Wheelbase J,N,U=4WD
 72=2 Door Wagon 78=Open Body 103" Wheelbase

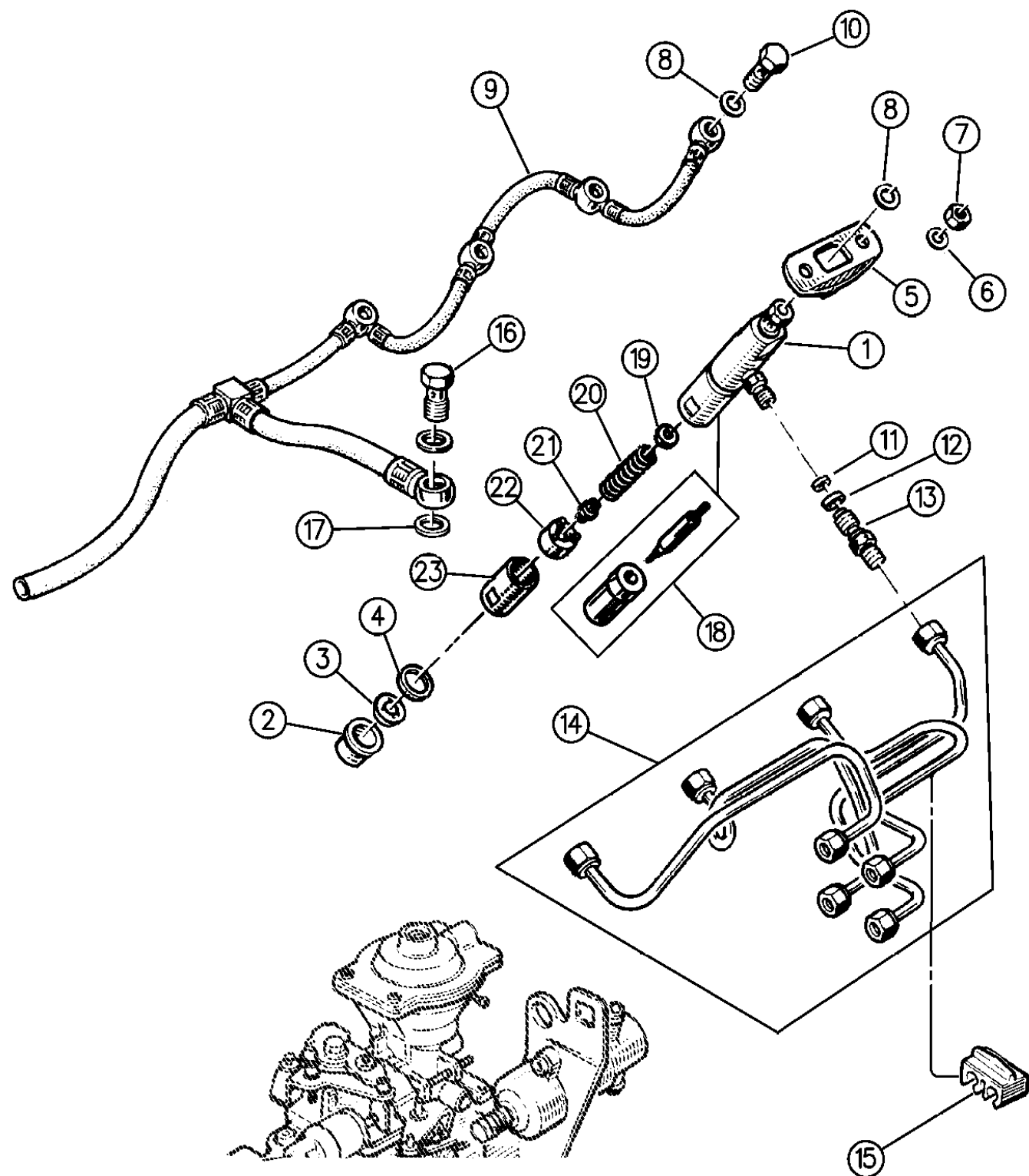
BODY STYLES:

MJ=Comanche Pickup ZJ=Grand Cherokee/Grand Wagoneer KDX VEHICLES
 SJ=Grand Wagoneer M1=Comanche
 XJ=Cherokee, Briarwood X1=Cherokee, Briarwood
 YJ=Wrangler Y1=Wrangler

AR = Use as Required - = Non Illustrated Part P.A.R. = Paint as Required

FUEL INJECTION SYSTEM DIESEL ENGINE CHEROKEE, COMANCHE
Figure 14-1000

91J14 1000A



ITEM	PART NUMBER	QTY	BODY	MODEL	DESCRIPTION
1	JR77 5059	4			NOZZLE, Injector, J8S 814 Engine
	J069 5922	4			HOUSING, Injector, J8S 890 Engine
2					SHIELD, Heat
	T069 0543	4			17.5 mm
	T069 0544	4			17.7 mm
3	T066 3363	4			GASKET
4	T069 0542	4			O-RING
5	T067 9944	4			RETAINER, Injector
6	1150 0255	8			WASHER
7	T303 2157	8			NUT
8	T024 2149	8			SEAL
9	J073 1807	1			TUBE, Fuel Return
10	T480 5800	4			UNION, Fuel Return
11	T102 4658	4			WASHER
12	J301 5194	4			SEAL
13	T102 4659	4			CONNECTOR
14	T069 6528	1			TUBE, Injector
15	T102 7035	AR			SEPARATOR
16	T102 4765	1			UNION, Fuel Return
17	8350 2348	2			SEAL
18	J120 2182	4			PACKAGE, Needle and Seat, J8S 890 Engine
19					WASHER, Spring, J8S 890 Engine
	T102 4644	AR			1.00 mm
	T102 4645	AR			1.10 mm
	T102 4646	AR			1.20 mm
	T102 4647	AR			1.30 mm
	T102 4648	AR			1.40 mm
	T102 4649	AR			1.50 mm
	T102 4650	AR			1.60 mm
	T102 4651	AR			1.70 mm
	T102 4652	AR			1.80 mm
20	T102 8073	1			SPRING, J8S 890 Engine
21	T102 8074	1			CUP, J8S 890 Engine
22	T102 4656	1			SPACER, J8S 890 Engine
23	T102 4657	1			CAP, J8S 890 Engine

MODEL CODES:

61=Pickup-6 Ft Box 74=4 Door Wagon T=2WD
62=Pickup-7 Ft Box 77=Open Body 93" Wheelbase J,N,U=4WD
72=2 Door Wagon 78=Open Body 103" Wheelbase

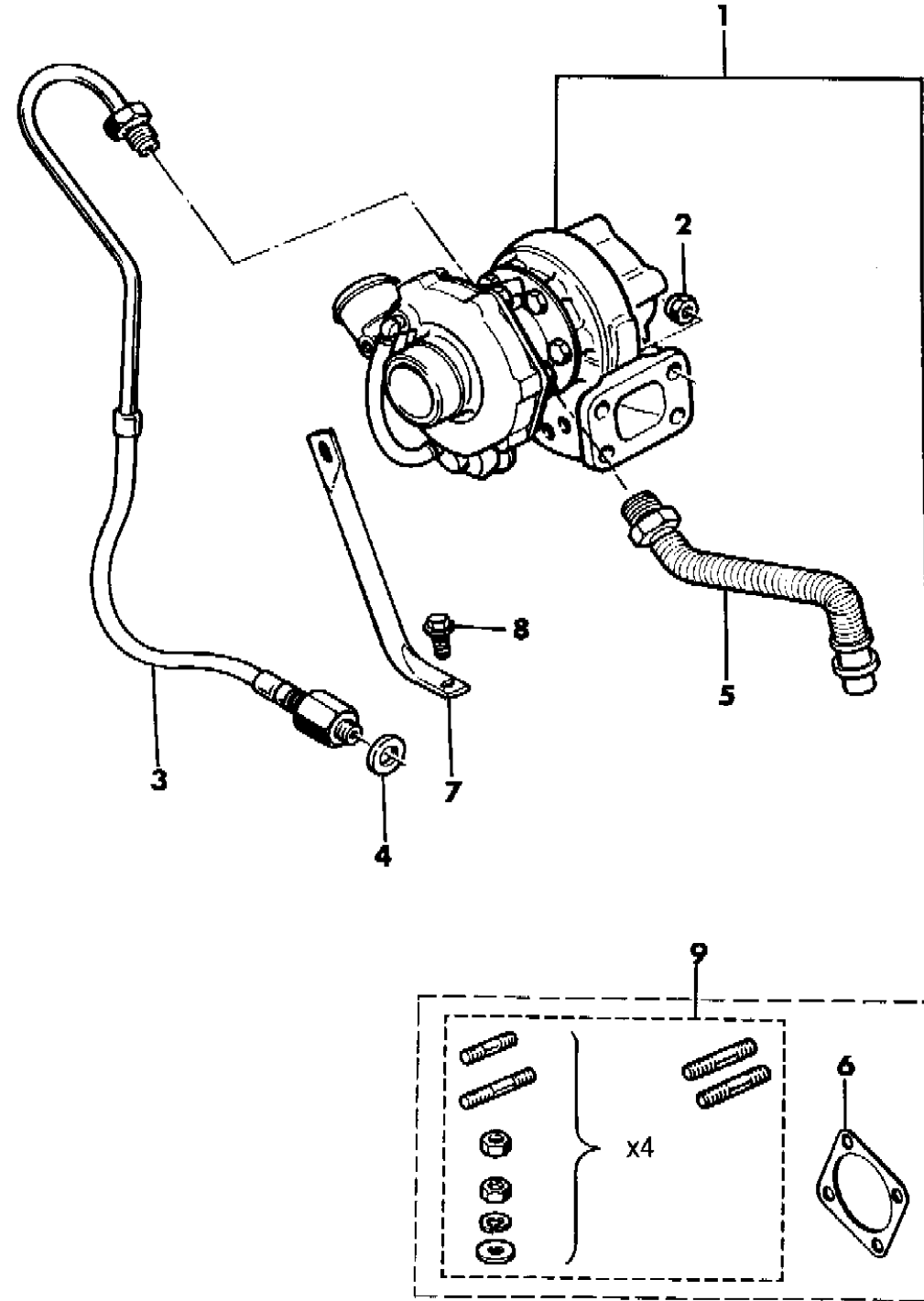
BODY STYLES:

MJ=Comanche Pickup ZJ=Grand Cherokee/Grand Wagoneer KDX VEHICLES
SJ=Grand Wagoneer M1=Comanche
XJ=Cherokee, Briarwood X1=Cherokee, Briarwood
YJ=Wrangler Y1=Wrangler

AR = Use as Required - = Non Illustrated Part P.A.R. = Paint as Required

TURBO CHARGER DIESEL ENGINE CHEROKEE
Figure 14-1100

91J14 1100



ITEM	PART NUMBER	QTY	BODY	MODEL	DESCRIPTION
1	JR77 5043	1			TURBO CHARGER - Reman
2	T303 4081	4			NUT
3	T072 7702	1			TUBE, Oil Supply
4	T777 7650	1			GASKET
5	8350 7177	1			HOSE, Oil Return
6	T069 5216	1			GASKET
7	3300 2467	1			BRACKET, Turbo Support
8	3420 1818	1			SCREW
9	T146 2991	1			HARDWARE PACKAGE

MODEL CODES:

61=Pickup-6 Ft Box 74=4 Door Wagon T=2WD
 62=Pickup-7 Ft Box 77=Open Body 93" Wheelbase J,N,U=4WD
 72=2 Door Wagon 78=Open Body 103" Wheelbase

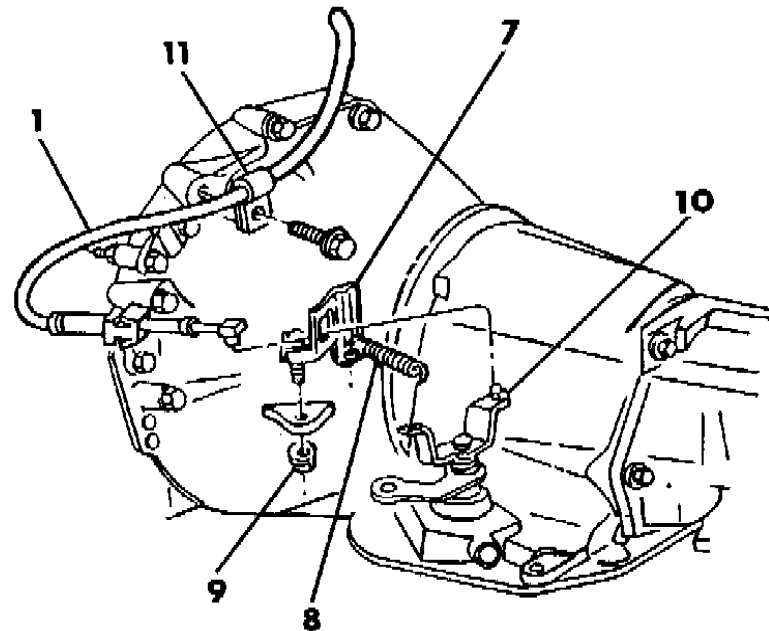
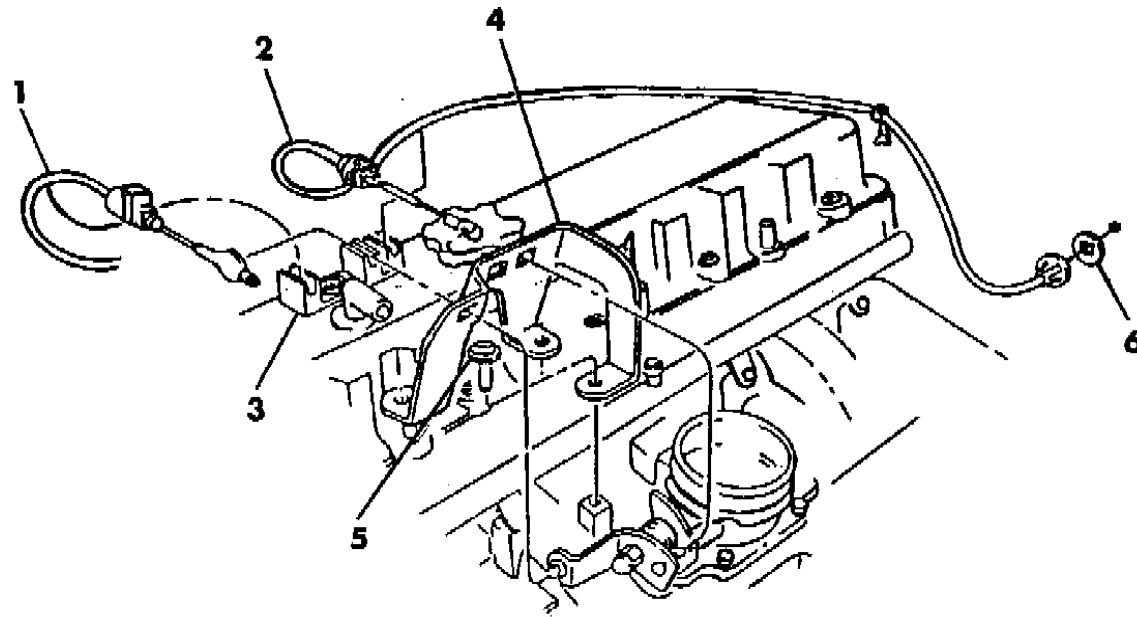
BODY STYLES:

MJ=Comanche Pickup ZJ=Grand Cherokee/Grand Wagoneer KDX VEHICLES
 SJ=Grand Wagoneer M1=Comanche
 XJ=Cherokee, Briarwood X1=Cherokee, Briarwood
 YJ=Wrangler Y1=Wrangler

AR = Use as Required - = Non Illustrated Part P.A.R. = Paint as Required

THROTTLE CONTROLS WRANGLER, YJ
Figure 14-1125

91J14 1125A



ITEM	PART NUMBER	QTY	BODY	MODEL	DESCRIPTION
1					CABLE, Trans. TV - 4.0L Eng. - Auto. Trans.
	5207 8049	1			1990-91
	5207 8171	1			1992-93
2	5300 6557	1			CABLE, Accelerator Control
3	5300 7620	1			GUIDE, Cable
4					BRACKET, Accelerator Cable
	5300 7485	1			2.5L Eng.
	5300 7486	1			4.0L Eng.
5	6501 979	AR			BOLT
6	J319 4154	1			SEAL, Accelerator Control Cable
7	5300 7980	1			BRACKET, TV Cable Support - 4.0L Eng. - Auto. Trans.
8	5300 7985	1			SPRING, Trans. TV Idle Return - 4.0L Eng. - Auto. Trans.
9	J400 4005	1			NUT
10	5300 7983	1			LEVER, Trans.
11	J400 3993	1			CLIP, Cable Retention to Trans.

MODEL CODES:

61=Pickup-6 Ft Box 74=4 Door Wagon T=2WD
62=Pickup-7 Ft Box 77=Open Body 93" Wheelbase J,N,U=4WD
72=2 Door Wagon 78=Open Body 103" Wheelbase

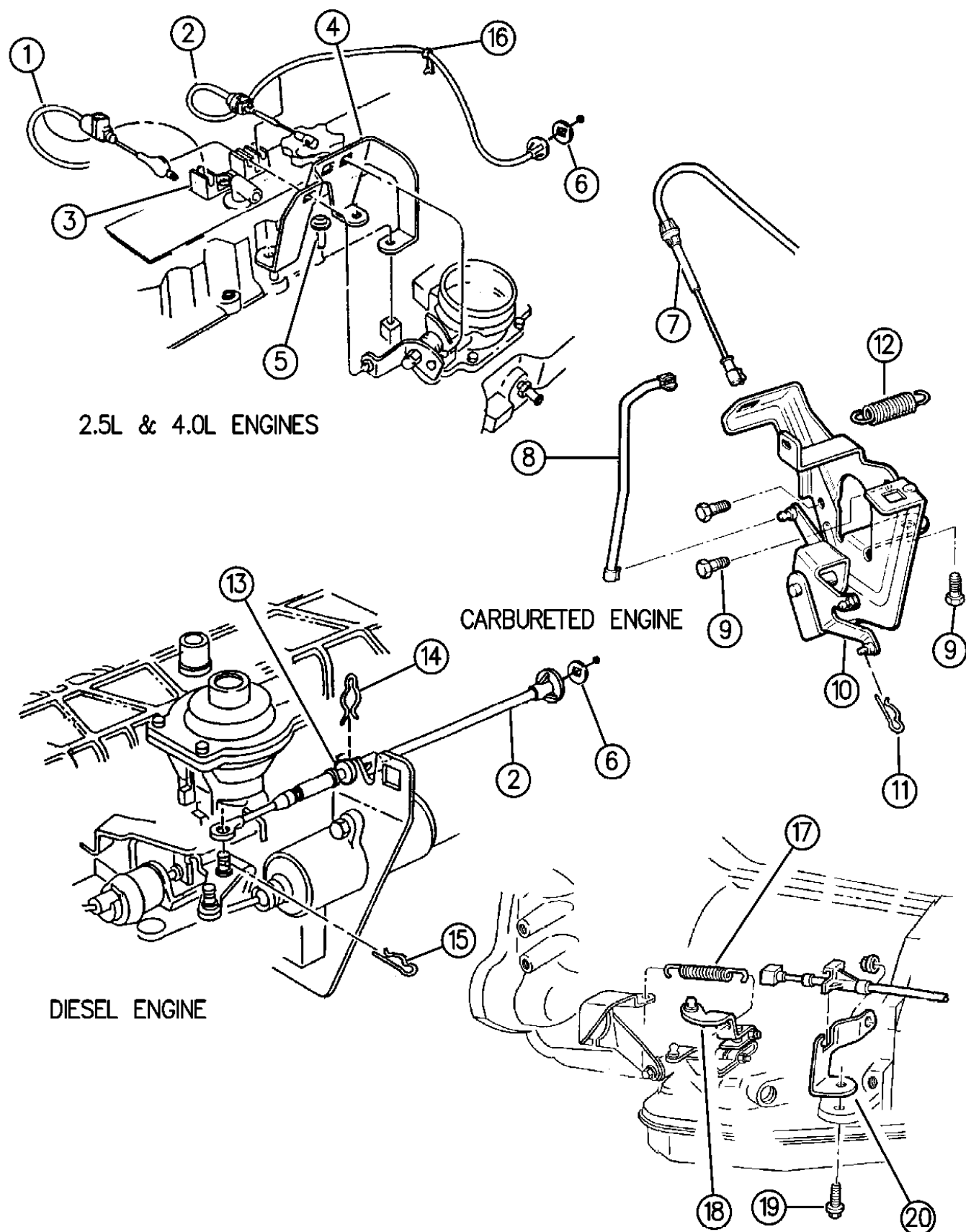
BODY STYLES:

MJ=Comanche Pickup ZJ=Grand Cherokee/Grand Wagoneer KDX VEHICLES
SJ=Grand Wagoneer M1=Comanche
XJ=Cherokee, Briarwood X1=Cherokee, Briarwood
YJ=Wrangler Y1=Wrangler

AR = Use as Required - = Non Illustrated Part P.A.R. = Paint as Required

THROTTLE CONTROLS CHEROKEE, BRIARWOOD, GRAND CHEROKEE (ZJ), COMANCHE
Figure 14-1200

91J14 1200F



ITEM	PART NUMBER	QTY	BODY	MODEL	DESCRIPTION
1	5207 7578	1	XJ		CABLE, Throttle
	5207 8447	1	ZJ		4.0/5.2 Engine
2					CABLE, Accelerator Control
	5300 6556	1	XJ,MJ		2.5L and 4.0L Eng.
	5207 8443	1	ZJ		4.0L Engine and Manual Transmission
	5207 8530	1	ZJ		4.0L Engine and 42RE Automatic Transmission
	5300 6558	1	ZJ		4.0L Eng., and AW4 Automatic Transmission
	5207 7871	1	ZJ		5.2L Engine w/4 Speed Automatic Transmission (A518)
	5300 6556	1	XJ, MJ		4.0L Eng. KDX - China, Venezuela
	5300 6556	1	X1	J,T	2.5L Eng. KDX - Egypt 1992-93
3	5300 8739	1	X1,XJ	U	2.5L/4.0 Eng.RHD 1992-93
	5300 5247	1	XJ		Diesel Eng.
	5300 7620	1			GUIDE, Cable Assembly, (Comes with Retaining Clip)
4					BRACKET, Accelerator Cable
	5300 7485	1			2.5L Eng.
	5300 7486	1			4.0L Eng.
5	6501 979	AR			BOLT
6	J319 4154	1			SEAL, Accelerator Control Cable
7	5300 5246	1	X1		CABLE, Accelerator Control - 2.5L Carbureted Eng. KDX - China
8	3300 1068	1	X1		LINK, Bellcrank to Carb. Lever - 2.5L Carbureted Eng. KDX - China
9		3	X1		SCREW - 2.5L Carbureted Eng. KDX - China
10	3300 1065	1			BELLCRANK ASSEMBLY - 2.5L Carbureted Eng. KDX - China ***
11	J400 5758	1			CLIP - 2.5L Carbureted Eng. KDX - China
12	3300 1069	1			SPRING, Carburetor Pullback - 2.5L Carbureted Eng. KDX - China
13	5300 1952	1			GROMMET, Cable Insulator
14	J306 6295	1			CLIP
15	J400 5122	1			PIN
16	5300 9517	1	ZJ		CLIP, Throttle Body
17	5300 9055	1	ZJ		SPRING
18			ZJ		LEVER
	5207 8262	1			4.0L Engine
	5207 8264	1			5.2L Engine
19	6022 250	1	ZJ		SCREW
20			ZJ		BRACKET- T.V. Cable Mounting ***
	5207 8258	1			4.0L Engine
	5207 8266	1			5.2L Engine

MODEL CODES:

61=Pickup-6 Ft Box 74=4 Door Wagon T=2WD
62=Pickup-7 Ft Box 77=Open Body 93" Wheelbase J,N,U=4WD
72=2 Door Wagon 78=Open Body 103" Wheelbase

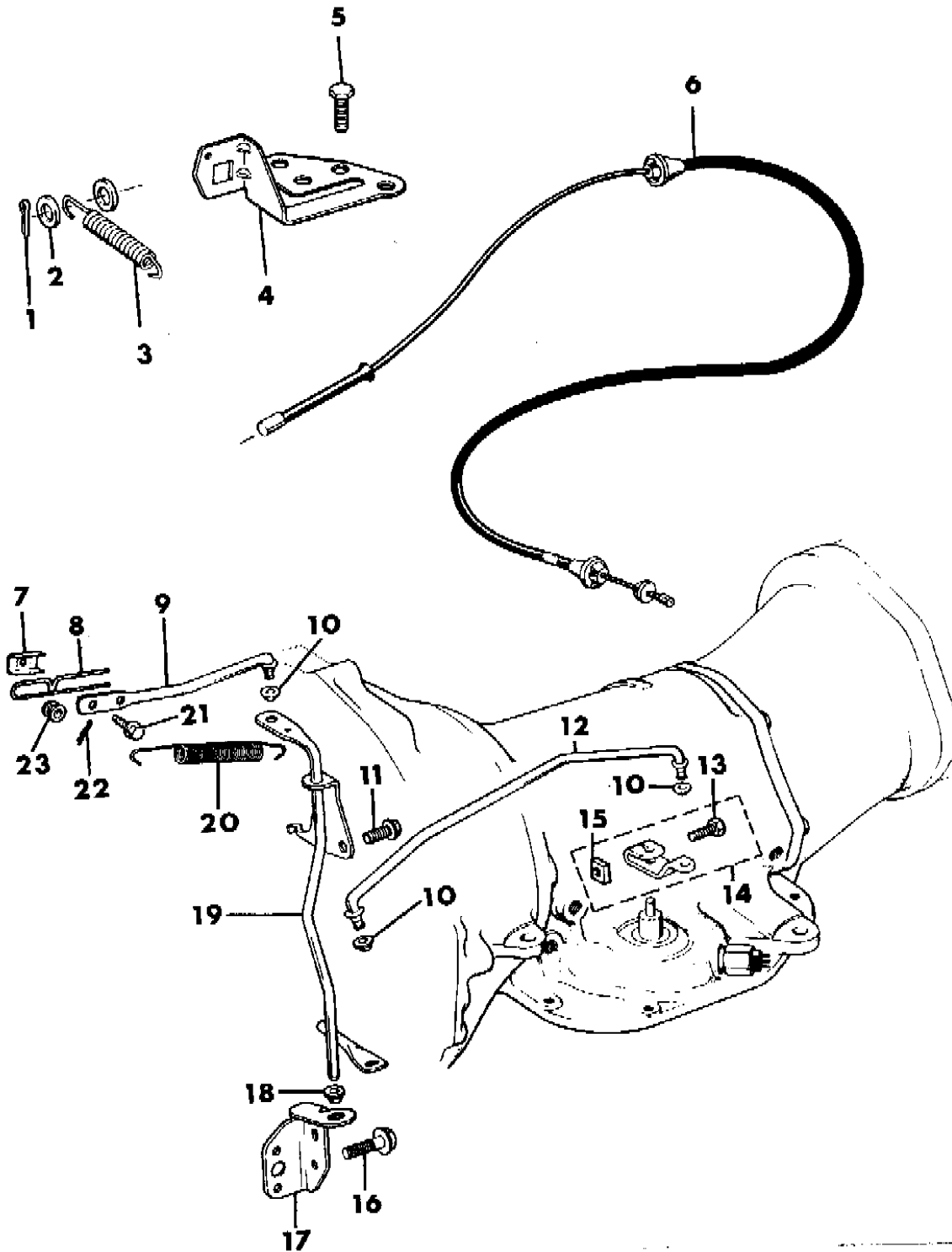
BODY STYLES:

MJ=Comanche Pickup ZJ=Grand Cherokee/Grand Wagoneer KDX VEHICLES
SJ=Grand Wagoneer M1=Comanche
XJ=Cherokee, Briarwood Y1=Cherokee, Briarwood
YJ=Wrangler

AR = Use as Required - = Non Illustrated Part P.A.R. = Paint as Required

THROTTLE CONTROLS GRAND WAGONEER
Figure 14-1300

91J14 1300



ITEM	PART NUMBER	QTY	BODY	MODEL	DESCRIPTION
1	J043 5864	1			PIN, Cotter
2	J012 0392	2			WASHER
3	J535 7086	1			SPRING, Return
4	J535 7914	1			BRACKET, Cable
5	J400 0987	2			SCREW
6	5300 5205	1			CABLE, Accelerator Control
7	J321 7200	1			CLAMP
8	J536 1056	1			LINK
9	J536 1058	1			ROD
10	J322 0125	3			BUSHING
11	J027 4902	1			SCREW
12	J322 0684	1			LINK
13	J400 7460	1			BOLT
14	J322 0677	1			LEVER
15	J011 4381	1			NUT
16	J400 6297	2			SCREW
17	J536 0066	1			BRACKET, Control Rod Pivot - Lower
18	J322 0413	1			BUSHING
19	J536 1240	1			BELLCRANK
20	J319 6286	1			SPRING
21	S943 2476	1			BOLT
22	J400 5122	1			PIN, Hitch
23	J322 3656	1			SPACER

MODEL CODES:

61=Pickup-6 Ft Box 74=4 Door Wagon T=2WD
62=Pickup-7 Ft Box 77=Open Body 93" Wheelbase J,N,U=4WD
72=2 Door Wagon 78=Open Body 103" Wheelbase

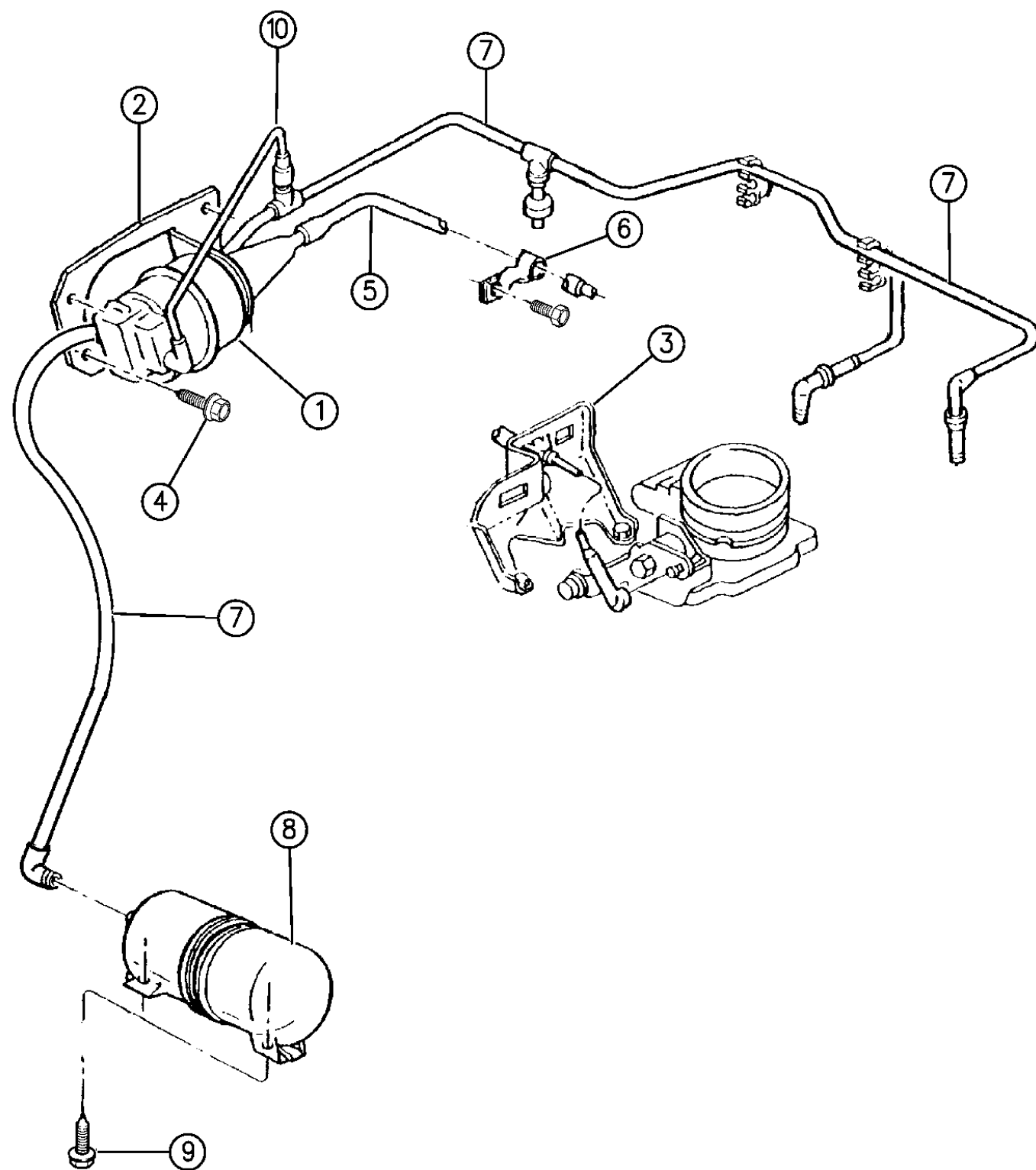
BODY STYLES:

MJ=Comanche Pickup ZJ=Grand Cherokee/Grand Wagoneer KDX VEHICLES
SJ=Grand Wagoneer M1=Comanche
XJ=Cherokee, Briarwood X1=Cherokee, Briarwood
YJ=Wrangler Y1=Wrangler

AR = Use as Required - = Non Illustrated Part P.A.R. = Paint as Required

SPEED CONTROL 2.5/4.0 ENGINES CHEROKEE, BRIARWOOD, COMANCHE
Figure 14-1400

91J14 1400C



ITEM	PART NUMBER	QTY	BODY	MODEL	DESCRIPTION
1					SERVO, Speed Control
	5300 7954	1			1991
	5300 9315	1			1992-93
2	5300 7958	1			BRACKET, Servo Mounting
3					GUIDE, Cable
	5300 7485	1			2.5 Engine
	5300 7486	1			4.0 Engine
4		3			SCREW (DNS)
5					CABLE, Speed Control
	5300 7955	1			1991
	5207 7909	1			1992-93
6	5300 9375	1			CLIP, Cable Hold Down
7					HOSE, Vacuum Supply
	5600 4344	1			2.5 Eng. 1991
	5503 5649	1			1992-93
	5600 4357	1			4.0 Eng. 1991
	5503 5650	1			1992-93
8	5200 4366	1			RESERVOIR, Vacuum
9		2			SCREW (DNS)
10					HARNESS, Vacuum Reservoir
	3300 2176	1			1991
	5207 8082	1			1992-93

MODEL CODES:

61=Pickup-6 Ft Box 74=4 Door Wagon T=2WD
 62=Pickup-7 Ft Box 77=Open Body 93" Wheelbase J,N,U=4WD
 72=2 Door Wagon 78=Open Body 103" Wheelbase

BODY STYLES:

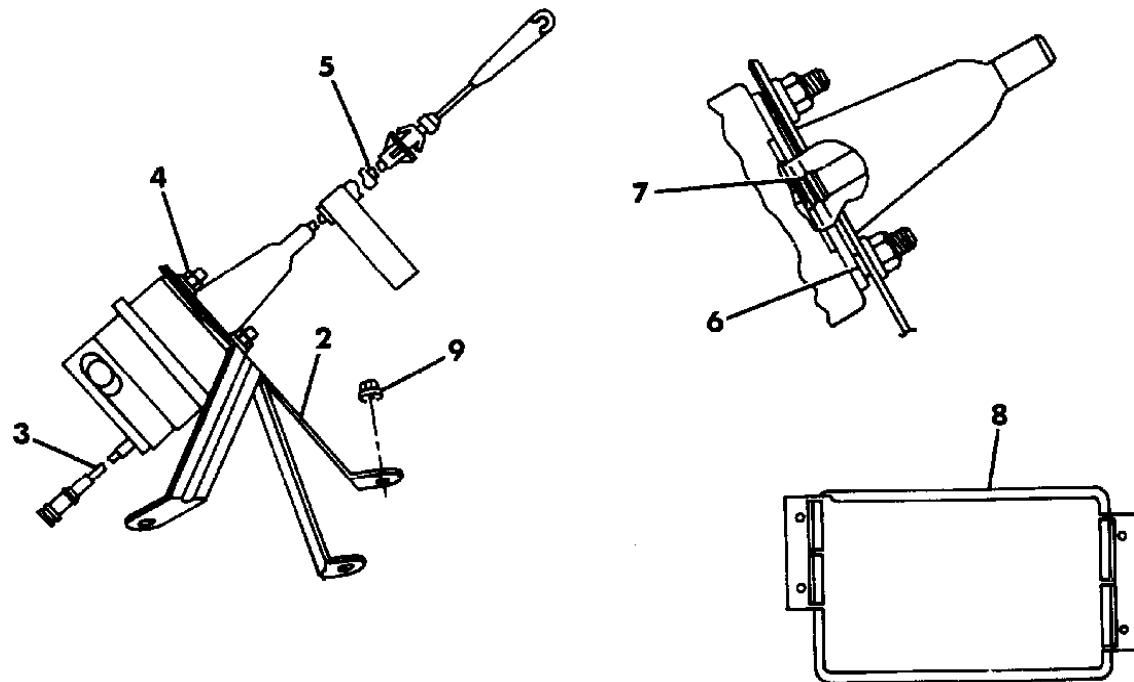
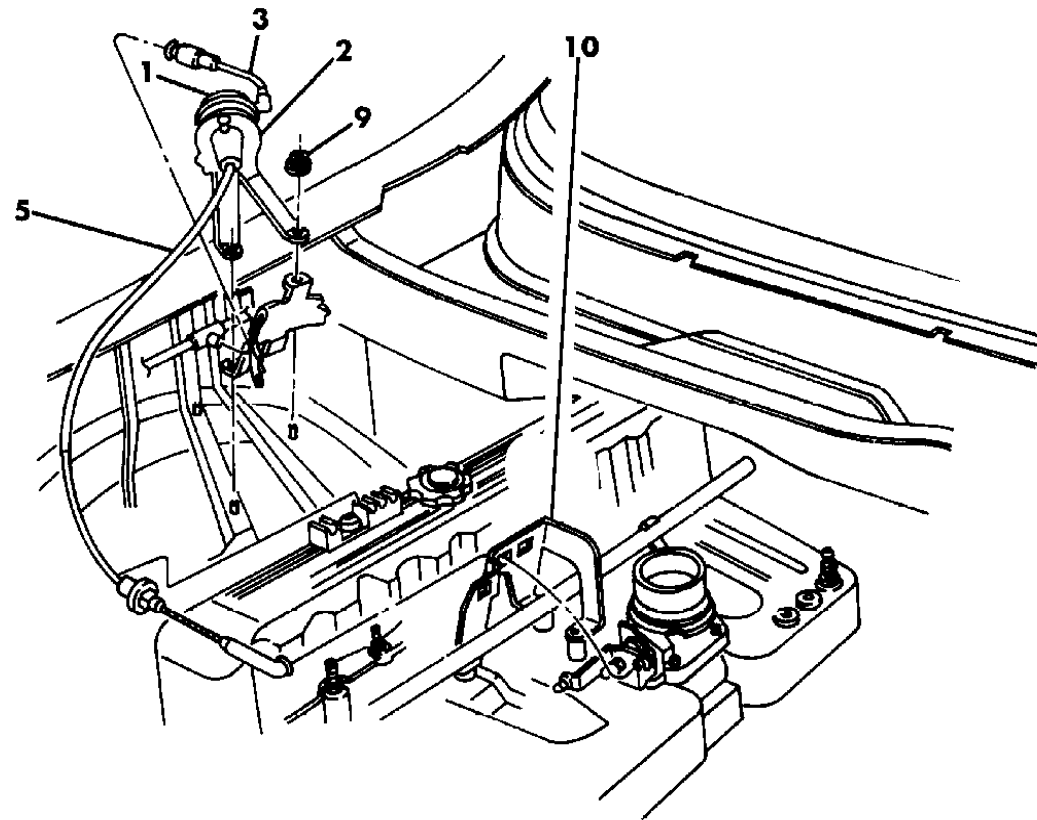
MJ=Comanche Pickup ZJ=Grand Cherokee/Grand Wagoneer KDX VEHICLES
 SJ=Grand Wagoneer M1=Comanche
 XJ=Cherokee, Briarwood X1=Cherokee, Briarwood
 YJ=Wrangler Y1=Wrangler

AR = Use as Required - = Non Illustrated Part P.A.R. = Paint as Required

SPEED CONTROL GRAND CHEROKEE (ZJ)

Figure 14-1450

91J14 1450B



ITEM	PART NUMBER	QTY	BODY	MODEL	DESCRIPTION
1	5300 9315	1			SERVO, Speed Control
2	5207 7997	1			BRACKET, Servo Mounting
3	5207 7996	1			HARNESS, Servo Vacuum Reservoir
4					NUT (Not Serviced) ***
5					CABLE, Speed Control
	5207 8280	1			4.0L Engine
	5207 7872	1			5.2L Engine
6	6100 840	2			NUT, Spring Push On
7	6025 867	1			CLIP
8	5503 5614	1			RESERVOIR, Vacuum
9	6501 140	3			NUT
10	5300 7620	1			GUIDE, Cable
-		1			HARNESS, Vacuum
	5503 6064				4.0L
	5503 6063				5.2L

MODEL CODES:

61=Pickup-6 Ft Box 74=4 Door Wagon T=2WD
 62=Pickup-7 Ft Box 77=Open Body 93" Wheelbase J,N,U=4WD
 72=2 Door Wagon 78=Open Body 103" Wheelbase

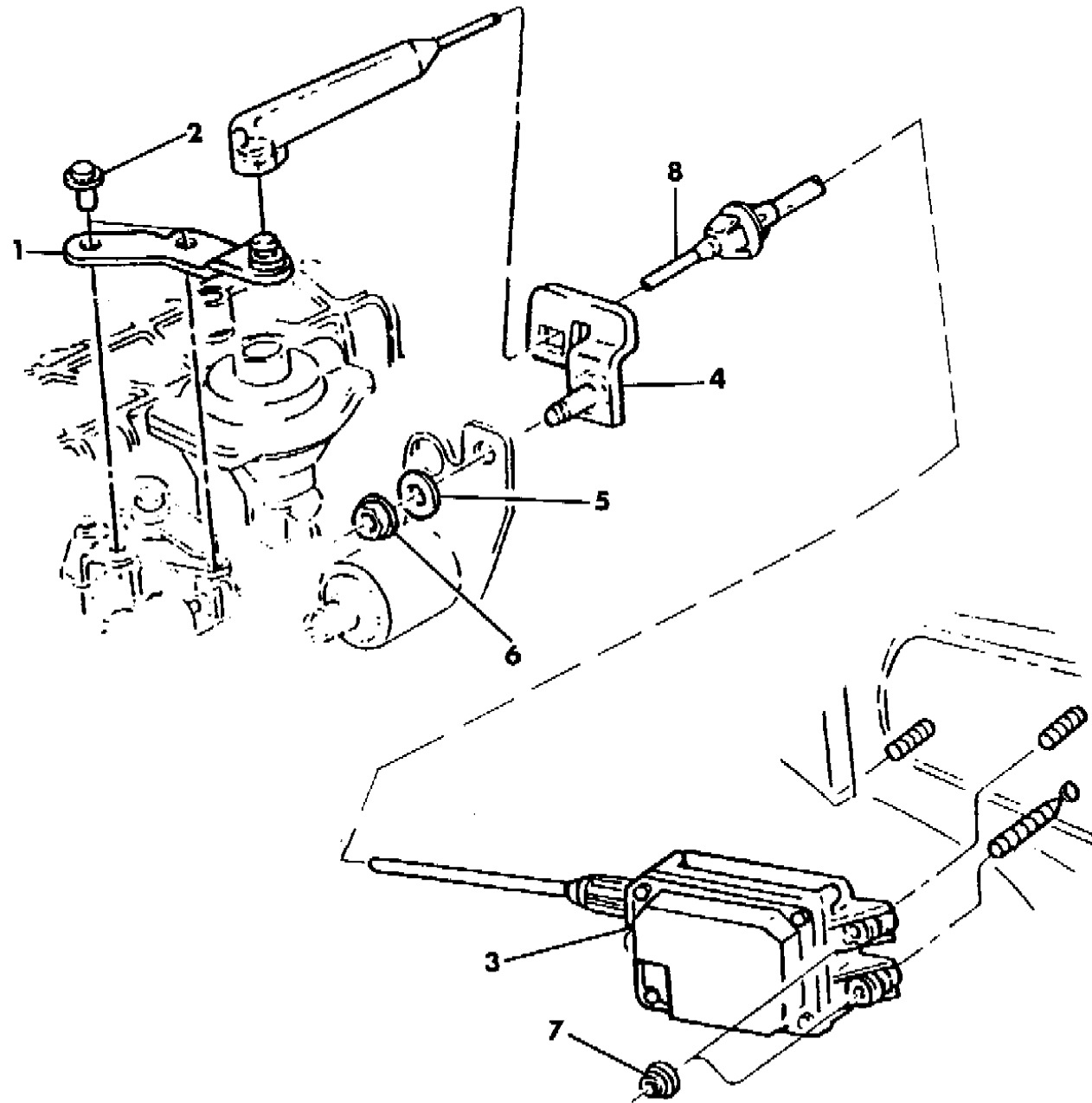
BODY STYLES:

MJ=Comanche Pickup ZJ=Grand Cherokee/Grand Wagoneer KDX VEHICLES
 SJ=Grand Wagoneer M1=Comanche
 XJ=Cherokee, Briarwood X1=Cherokee, Briarwood
 YJ=Wrangler Y1=Wrangler

AR = Use as Required - = Non Illustrated Part P.A.R. = Paint as Required

SPEED CONTROL DIESEL ENGINE CHEROKEE
Figure 14-1500

91J14 1500 B



ITEM	PART NUMBER	QTY	BODY	MODEL	DESCRIPTION
1	5300 8390	1			LEVER, Cable Linkage
2	3420 1807	2			BOLT
3	5300 7960	1			MOTOR and CABLE ASSEMBLY, Stepper ***
4					BRACKET, Cable Mounting
	5300 8391	1			1991
	5207 7969	1			1992-93
5	1150 0306	1			WASHER
6	3420 1658	1			NUT
7		3			NUT (not serviced)
8	5300 7959	1			CABLE, Stepper Motor

MODEL CODES:

61=Pickup-6 Ft Box 74=4 Door Wagon T=2WD
 62=Pickup-7 Ft Box 77=Open Body 93" Wheelbase J,N,U=4WD
 72=2 Door Wagon 78=Open Body 103" Wheelbase

BODY STYLES:

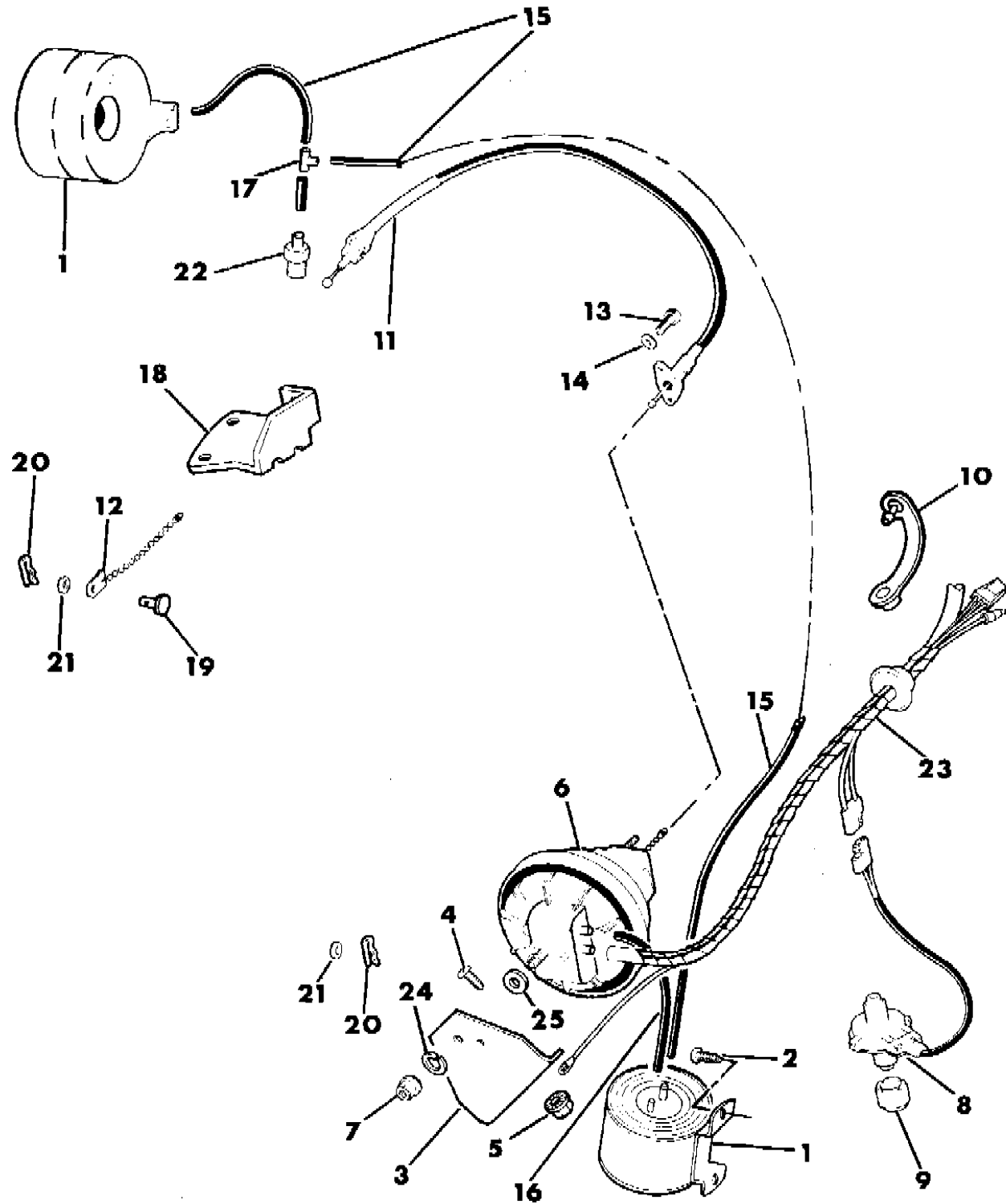
MJ=Comanche Pickup ZJ=Grand Cherokee/Grand Wagoneer KDX VEHICLES
 SJ=Grand Wagoneer M1=Comanche
 XJ=Cherokee, Briarwood X1=Cherokee, Briarwood
 YJ=Wrangler Y1=Wrangler

AR = Use as Required - = Non Illustrated Part P.A.R. = Paint as Required

SPEED CONTROL 5.9L ENGINE GRAND WAGONEER
Figure 14-1600

91J14 1600

ITEM	PART NUMBER	QTY	BODY	MODEL	DESCRIPTION
1	5300 3408	2			RESERVOIR, Vacuum
2	J942 6241	2			SCREW
3	J575 8370	1			BRACKET, Servo Mounting
4	J067 3600	2			SCREW
5	J941 6918	2			NUT
6	5300 4607	1			SERVO, Speed Control
7	J012 0375	1			NUT
8	5300 4605	1			GENERATOR, Speed Control
9	8350 1453	1			ADAPTER, Speed Control Generator
10	J400 1712	2			STRAP
11	5300 5209	1			CABLE, Speed Control
12	J323 4026	1			CHAIN, Speed Command ***
13		2			SCREW (not serviced)
14		2			WASHER (not serviced)
15	8330 0080	AR			HOSE, 4mm I.D. - Bulk
16	J812 5812	AR			HOSE, 3/16" I.D. - Bulk
17	J097 5940	1			TEE
18	J536 3683	1			BRACKET, Cable Mounting
19	J319 4849	1			PIN, Clevis
20	J400 5758	1			CLIP
21	J044 6152	1			WASHER
22	J322 5447	1			FITTING
23	5600 2390	1			HARNESS, Speed Control
24	J012 0380	1			WASHER, Lock
25	J012 0396	1			WASHER, Flat



MODEL CODES:

61=Pickup-6 Ft Box 74=4 Door Wagon T=2WD
 62=Pickup-7 Ft Box 77=Open Body 93" Wheelbase J,N,U=4WD
 72=2 Door Wagon 78=Open Body 103" Wheelbase

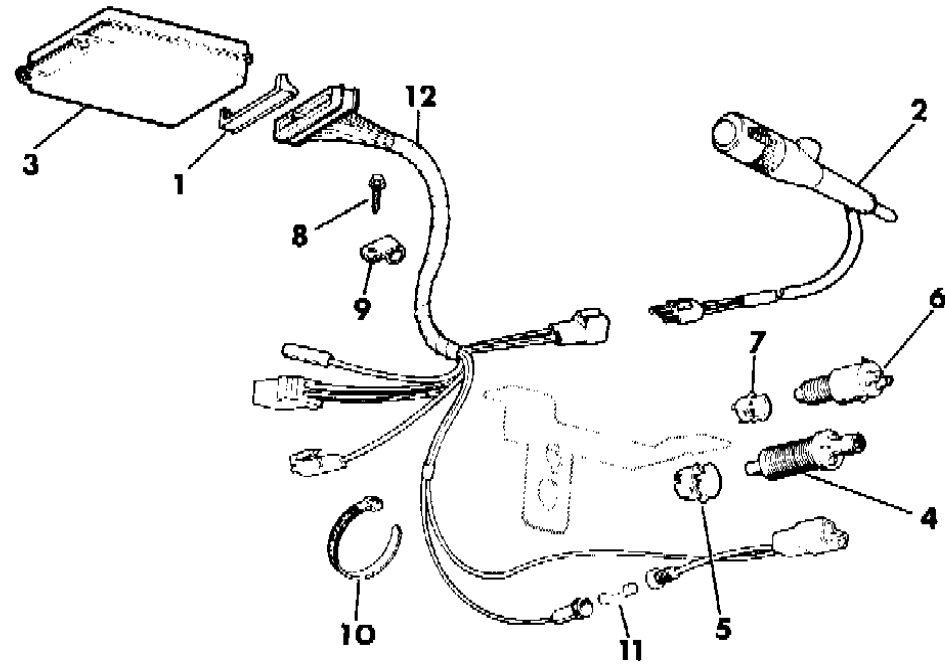
BODY STYLES:

MJ=Comanche Pickup ZJ=Grand Cherokee/Grand Wagoneer KDX VEHICLES
 SJ=Grand Wagoneer M1=Comanche
 XJ=Cherokee, Briarwood X1=Cherokee, Briarwood
 YJ=Wrangler Y1=Wrangler

AR = Use as Required - = Non Illustrated Part P.A.R. = Paint as Required

SPEED CONTROL, INSTRUMENT PANEL COMPONENTS 5.9L ENGINES GRAND WAGONEER
Figure 14-1625

91J14 1625 A



ITEM	PART NUMBER	QTY	BODY	MODEL	DESCRIPTION
1	5300 4158	1			RETAINER, Harness
2	5600 4595	1			LEVER, Turn Signal
3					REGULATOR, Speed Control
4	5300 0320	1			5.9L Eng.
	J323 2970	1			VALVE, Vacuum
5	J400 6789	1			CLIP, Valve
6	J535 2620	1			SWITCH, Stop Lamp
7	J535 2622	1			RETAINER
8	J400 6630	1			SCREW
9	J012 0526	1			CLIP
10	J322 3227	1			STRAP
11	J813 2908	1			FUSE
12	5600 2390	1			HARNESS

MODEL CODES:

61=Pickup-6 Ft Box 74=4 Door Wagon T=2WD
 62=Pickup-7 Ft Box 77=Open Body 93" Wheelbase J,N,U=4WD
 72=2 Door Wagon 78=Open Body 103" Wheelbase

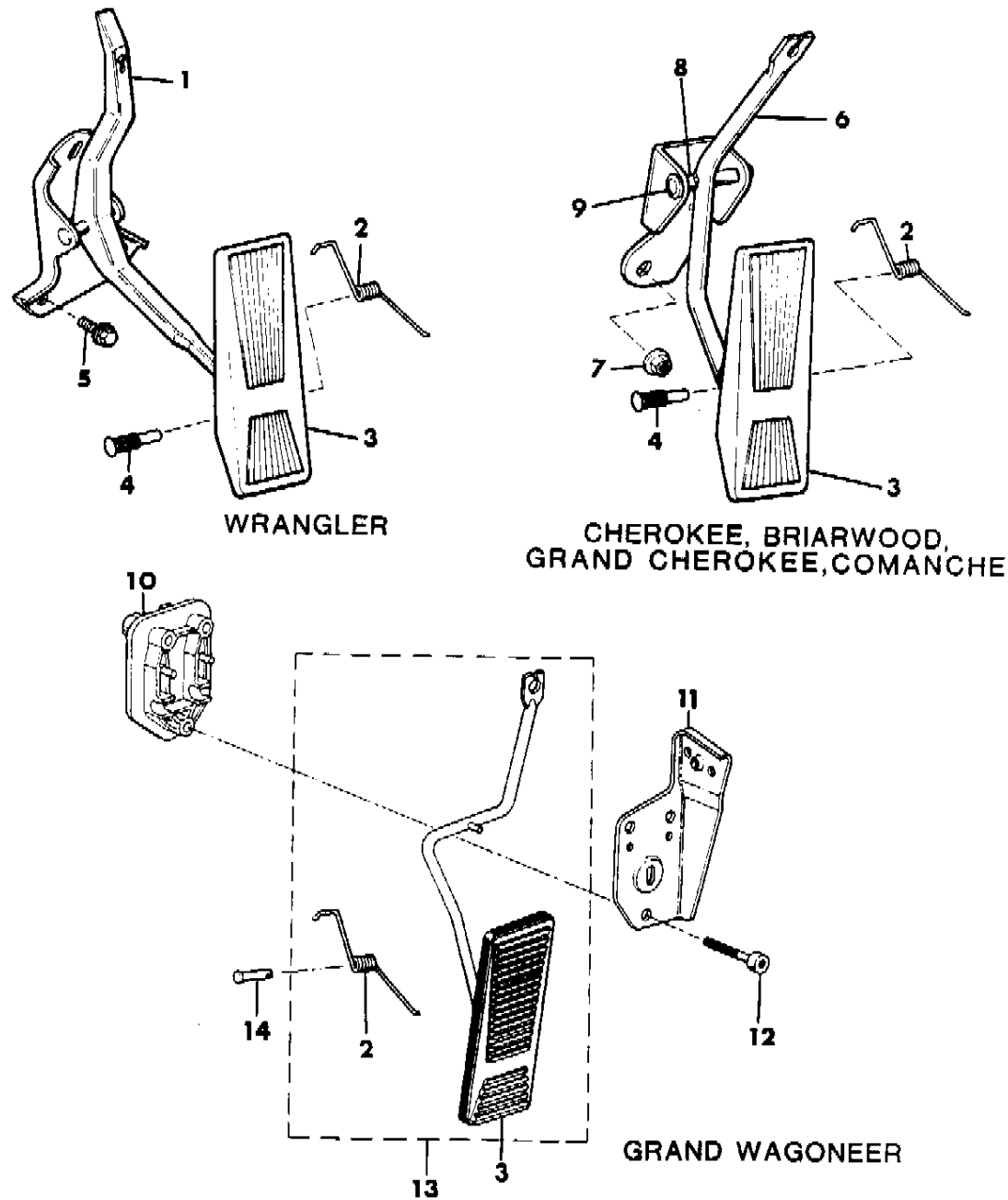
BODY STYLES:

MJ=Comanche Pickup ZJ=Grand Cherokee/Grand Wagoneer KDX VEHICLES
 SJ=Grand Wagoneer M1=Comanche
 XJ=Cherokee, Briarwood X1=Cherokee, Briarwood
 YJ=Wrangler Y1=Wrangler

AR = Use as Required - = Non Illustrated Part P.A.R. = Paint as Required

ACCELERATOR PEDAL WRANGLER, CHEROKEE, BRIARWOOD, GRAND CHEROKEE (ZJ)COMANCHE, GRAND WAGONEER
Figure 14-1700

91J14 1700C



ITEM	PART NUMBER	QTY	BODY	MODEL	DESCRIPTION
1	5300 3967	1			ACCELERATOR PEDAL, w/Bracket and Lever ***
2					SPRING, Return
	J319 3369	1	MJ,SJ		
	J319 3369	1	XJ,YJ		
	5207 8168	1	ZJ		
3	5300 3932	1			PAD, Accelerator Pedal
4	J322 0231	1			PIN, Accelerator Pad to Lever
5	J400 4801	3			SCREW
6					ACCELERATOR PEDAL, w/Bracket and Lever ***
	5300 5241	1	MJ,XJ		
	5207 8167	1	ZJ		
	5300 8740	1	X1	U	RHD 1992
	5207 8313	1	XJ,X1	U	RHD 1993
7					NUT
	3420 1680	2			1991
	1150 3745	2			1992-93
8	J317 1414	2			BUSHING, Accelerator Pedal
9					WASHER
	J044 6188	2	MJ,XJ		
	6100 876	1	ZJ		
10	J536 3792	1			SUPPORT, Accelerator Rod
11	J536 0187	1			PLATE, Accelerator Pedal Mounting
12	J400 7027	3			SCREW
13	5300 3963	1			ACCELERATOR PEDAL, w/Lever ***
14	J322 0231	1			PIN, Lever and Pedal

MODEL CODES:

61=Pickup-6 Ft Box 74=4 Door Wagon T=2WD
 62=Pickup-7 Ft Box 77=Open Body 93" Wheelbase J,N,U=4WD
 72=2 Door Wagon 78=Open Body 103" Wheelbase

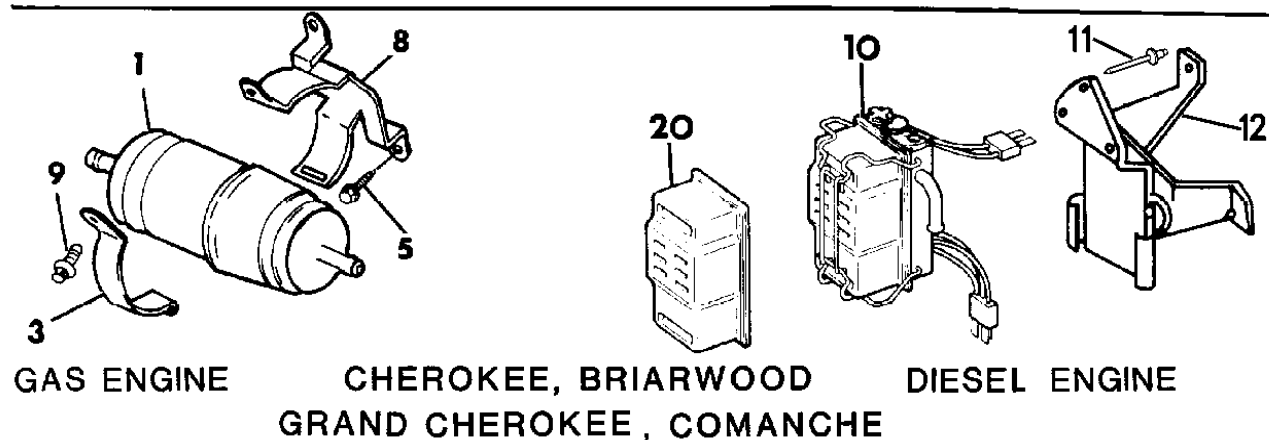
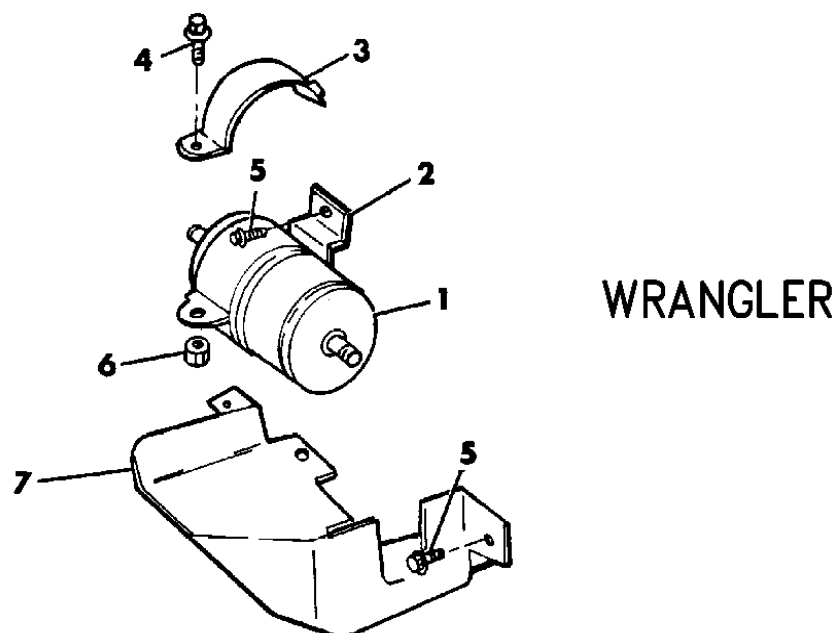
BODY STYLES:

MJ=Comanche Pickup ZJ=Grand Cherokee/Grand Wagoneer KDX VEHICLES
 SJ=Grand Wagoneer M1=Comanche
 XJ=Cherokee, Briarwood X1=Cherokee, Briarwood
 YJ=Wrangler Y1=Wrangler

AR = Use as Required - = Non Illustrated Part P.A.R. = Paint as Required

FUEL FILTERS WRANGLER, CHEROKEE, BRIARWOOD, GRAND CHEROKEE (ZJ)COMANCHE, GRAND WAGONEER
Figure 14-1800

91J14 1800E



ITEM	PART NUMBER	QTY	BODY	MODEL	DESCRIPTION
1					FILTER, Fuel
	3300 0076	1	MJXJYJ		
	5200 5131	1	ZJ		
	3300 0076	1	Y1		LEADED FUEL KDX - Egypt, Venezuela
	5201 7724	1	Y1		KDX - Egypt w/Severe Use
2	5300 2199	1			BRACKET, Fuel Filter Mounting
3	3300 0203	1			CLAMP, Fuel Filter
4	1150 3877	1			BOLT
5	3420 1381	AR	YJ,ZJ		SCREW
6	1150 3745	1			NUT
7					SHIELD, Fuel Filter
	5300 3536	1			up to 6-3-91
	5201 7886	1			after 6-3-91
8	5300 2198	1			BRACKET, Fuel Filter Mounting
	5201 7699	1	ZJ		
9	3420 1691	1			SCREW (not serviced)
10	5300 1742	1	XJ,MJ		FILTER ASSEMBLY, Fuel ***
11	J400 6990	3	XJ,MJ		RIVET
12	5300 2855	1	XJ,MJ		BRACKET, Fuel Filter Mounting
13	8350 0998	1			FILTER PACKAGE, Fuel
14	J812 5823	AR			HOSE 5/16" I.D.
15	J812 5843	AR			HOSE 1/4" I.D.
16					CLAMP
	J322 7851	AR			.60" Dia.
	J322 7852	AR			.66" Dia.
17	J812 9383	1			FILTER PACKAGE, Fuel
18	J322 2900	2			CLAMP .41" Dia.
19	J318 1643	6			CLAMP .50" Dia.
20	8350 1902	1	XJ,MJ		FILTER, Fuel

MODEL CODES:

61=Pickup-6 Ft Box 74=4 Door Wagon T=2WD
62=Pickup-7 Ft Box 77=Open Body 93" Wheelbase J,N,U=4WD
72=2 Door Wagon 78=Open Body 103" Wheelbase

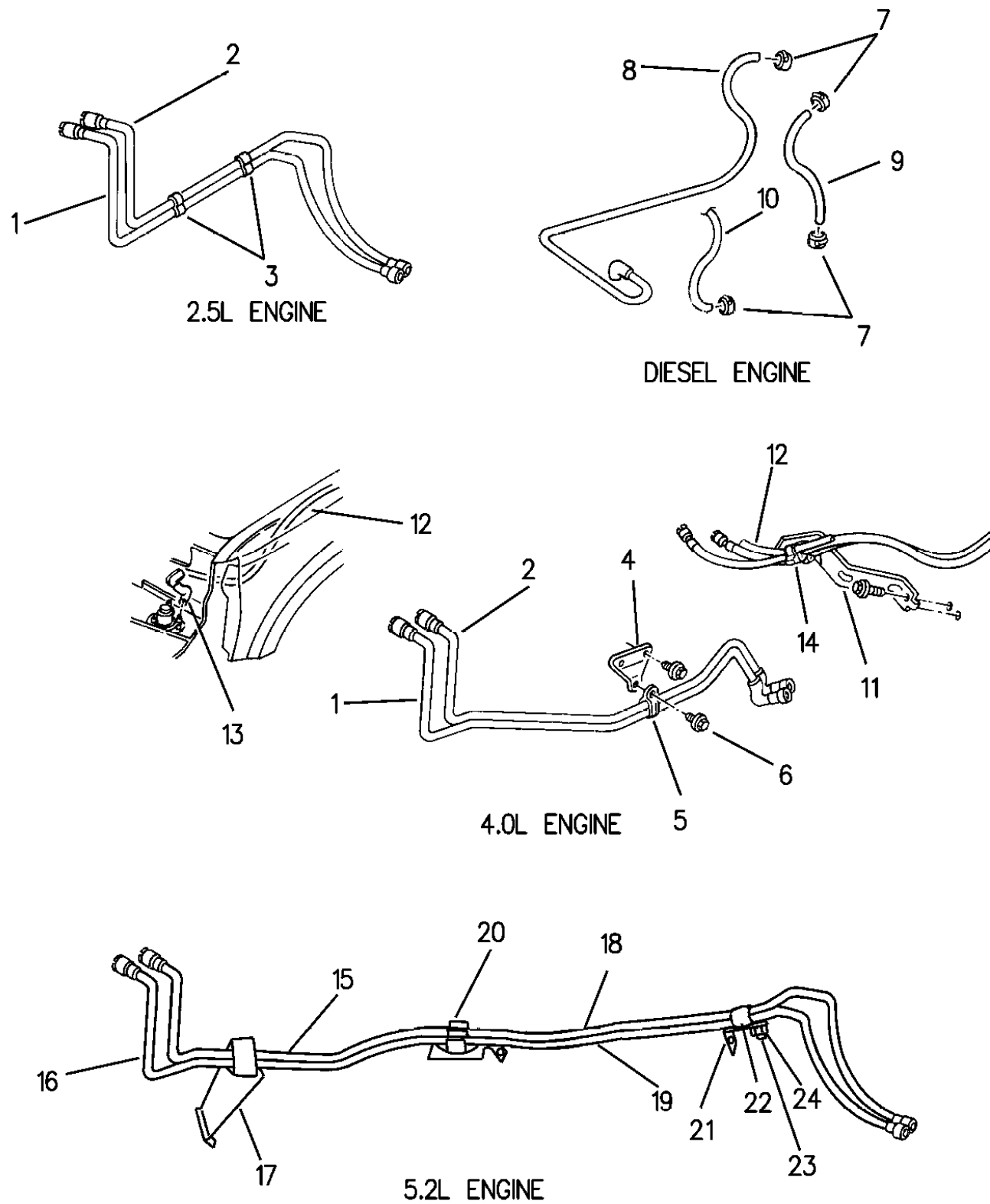
BODY STYLES:

MJ=Comanche Pickup ZJ=Grand Cherokee/Grand Wagoneer KDX VEHICLES
SJ=Grand Wagoneer M1=Comanche
XJ=Cherokee, Briarwood X1=Cherokee, Briarwood
YJ=Wrangler Y1=Wrangler

AR = Use as Required - = Non Illustrated Part P.A.R. = Paint as Required

FUEL LINES - FRONT WRANGLER, CHEROKEE, BRIARWOOD, GRAND CHEROKEE (ZJ), COMANCHE
Figure 14-1900

91J14 1900D



ITEM	PART NUMBER	QTY	BODY	MODEL	DESCRIPTION
NOTE: Front fuel lines for the ZJ 5.2 engine are serviced in fuel rail 4741909. ion as described in the Chrysler repair manual.					
1	5200 4740	1	YJ		TUBE and HOSE ASSEMBLY, Fuel Supply w/Quick Connect *** 2.5L Eng. 1991
	5201 7825	1	YJ		1992
	5200 4876	1	MJ,XJ		2.5L Eng.
	5200 4876	1	X1		KDX - Egypt
	5200 4493	1	YJ		4.0L Eng.
	5200 4871	1	MJ,XJ		4.0L Eng.
	5200 7267	1	ZJ		4.0L Eng.
-	8350 2745	1			Repair Package, Fuel Line 5/16 ***
2	5200 4742	1	YJ		TUBE and HOSE ASSEMBLY, Fuel Return w/Quick Connect *** 2.5L Eng. 1991
	5201 7828	1	YJ		1992
	5200 4878	1	MJ,XJ		2.5L Eng.
	5200 4878	1	X1		KDX - Egypt
	5200 4495	1	YJ		4.0L Eng.
	5200 4873	1	MJ,XJ		4.0L Eng.
	5200 7270	1	ZJ		4.0L Eng.
3					CLIP, Fuel Tubes - 2.5L Eng.
	5200 6164	2			1991
	5201 7892	2			1992
	5201 7892	2	X1		KDX Egypt
4					BRACKET, Fuel Line Supply - 4.0L Eng.
	5200 4497	1	MJXJYJ		
	5200 7273	1	ZJ		
5	3420 2997	1			CLIP, Fuel Tube Bracket - 4.0L Eng.
6	3420 1381	AR			BOLT - 4.0L Eng.
7	3300 0786	AR			CLAMP - Diesel Eng.
8		1			HOSE, Filter to Injection Pump - Diesel Eng. (not serviced)
9	4443 176	AR			HOSE, Fuel Supply to Filter - Diesel Eng. 5/16" I.D. (serv. in 25 ft. spool)
10	4443 175	AR			HOSE, Filter to Return Tube - Diesel Eng. 1/4" I.D. (serv. in 25 ft. spool)
11	5200 7187	1	ZJ		BRACKET, Front Fuel
12	5201 7721	1	ZJ		TUBE, Fuel Vapor Front
13	5201 7720	1	ZJ		HOSE, Carbon Canister
14	5200 7533	1	ZJ		CLIP, 3-Way
15		1	ZJ		TUBE, Front Return, See Note
16		1	ZJ		TUBE, Front Supply, See Note
17	5201 8068	1	ZJ		BRACKET, Fuel Line Bundle Mounting, Front
18	5201 8475	1	ZJ		TUBE, Fuel Return, Intermediate

MODEL CODES:

61=Pickup-6 Ft Box 74=4 Door Wagon T=2WD
 62=Pickup-7 Ft Box 77=Open Body 93" Wheelbase J,N,U=4WD
 72=2 Door Wagon 78=Open Body 103" Wheelbase

BODY STYLES:

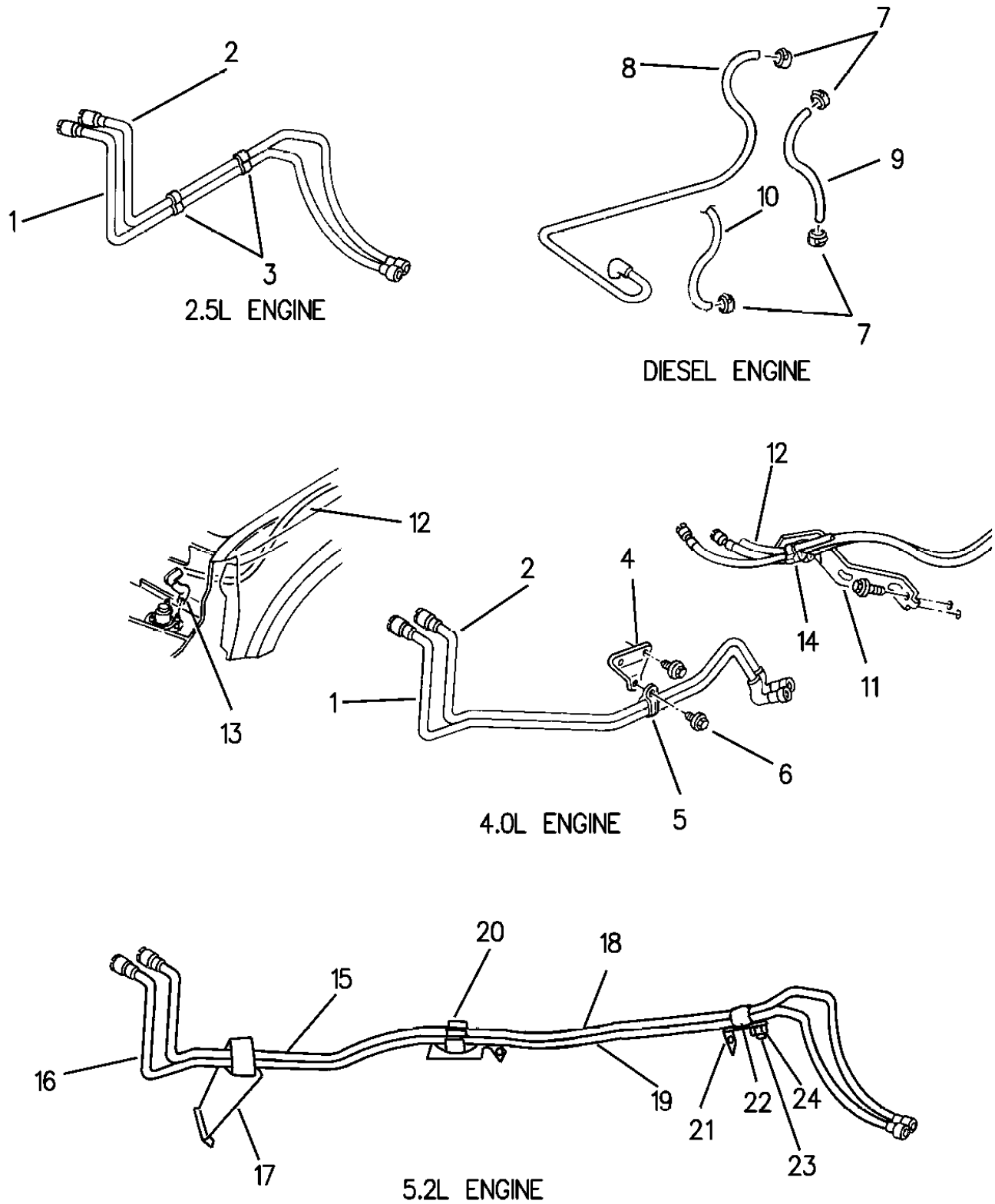
MJ=Comanche Pickup ZJ=Grand Cherokee/Grand Wagoneer KDX VEHICLES
 SJ=Grand Wagoneer M1=Comanche
 XJ=Cherokee, Briarwood Y1=Cherokee, Briarwood
 YJ=Wrangler Y1=Wrangler

AR = Use as Required - = Non Illustrated Part P.A.R. = Paint as Required

FUEL LINES - FRONT WRANGLER, CHEROKEE, BRIARWOOD, GRAND CHEROKEE (ZJ), COMANCHE

Figure 14-1900

91J14 1900D



ITEM	PART NUMBER	QTY	BODY	MODEL	DESCRIPTION
19	5201 8477	1	ZJ		TUBE, Fuel Supply, Intermediate
20	5201 8478	1			BRACKET, Middle
21	5201 8479	1	ZJ		BRACKET, Rear
22	3420 2997	1	ZJ		CLIP, Fuel Line
23	6100 265	1	ZJ		BOLT, Clip Mounting
24	6100 047	1	ZJ		NUT, Clip Mounting

MODEL CODES:

61=Pickup-6 Ft Box 74=4 Door Wagon T=2WD
 62=Pickup-7 Ft Box 77=Open Body 93" Wheelbase J,N,U=4WD
 72=2 Door Wagon 78=Open Body 103" Wheelbase

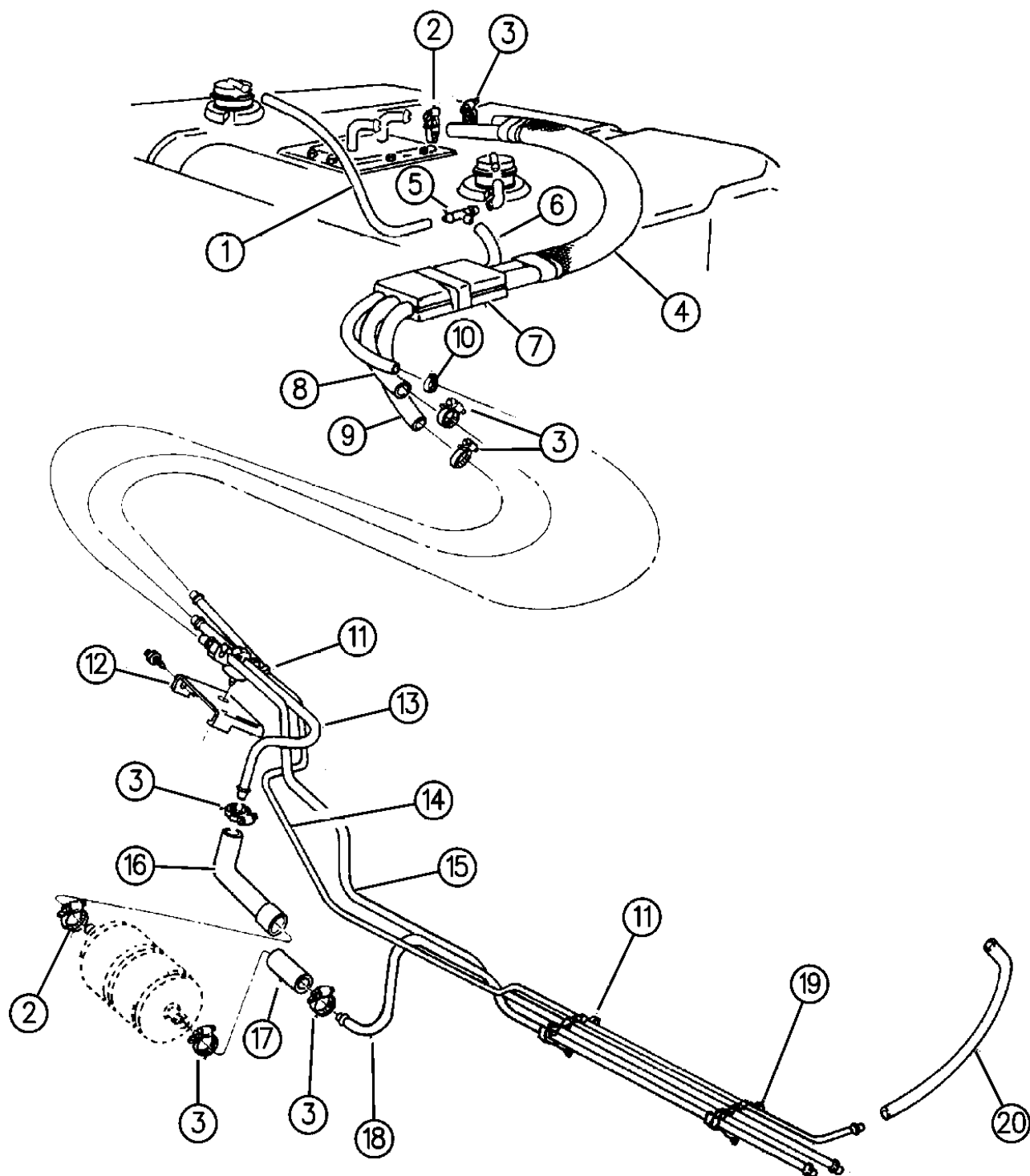
BODY STYLES:

MJ=Comanche Pickup ZJ=Grand Cherokee/Grand Wagoneer KDX VEHICLES
 SJ=Grand Wagoneer M1=Comanche
 XJ=Cherokee, Briarwood X1=Cherokee, Briarwood
 YJ=Wrangler Y1=Wrangler

AR = Use as Required - = Non Illustrated Part P.A.R. = Paint as Required

FUEL LINES - REAR WRANGLER, YJ
Figure 14-1925

91J14 1925B



ITEM	PART NUMBER	QTY	BODY	MODEL	DESCRIPTION
1	4443 175	AR			HOSE, Rollover Valve to Tee 1/4" I.D (serv. in 25 ft. spool)
2	3300 0785	2			CLAMP
3	3300 0786	6			CLAMP
4	3200 1056	1			SLEEVE, Braided
5	J323 9827	1			TEE 1/4 x 1/4 x 3/16
6	4443 177	AR			HOSE, Tee to Vent Tube 3/16" I.D. (serv. in 25 ft. spool)
7	5300 3646	1			GROMMET, Fuel Tube Support
8	5300 3607	1			HOSE, Tank to Supply Tube
9	5300 3606	1			HOSE, Tank to Return Tube
10		1			CLAMP (not serviced)
11	3420 2371	5			CLIP
12		1			BRACKET, Fuel Clip Mounting (not serviced)
13					TUBE, Fuel Supply
	5202 0105	1			15 Gal. Tank
	5300 2195	1			20 Gal. Tank
14	5300 3537	1			TUBE, Fuel Vent
15					TUBE, Fuel Return - Intermediate
	5201 9103	1			2.5L Eng.
	5300 2196	1			4.0L Eng. up to 10-15-90
	5201 9103	1			after 10-15-90
16	5300 4014	1			HOSE, Tube to Filter
17	4443 176	AR			HOSE, Fuel Supply to Filter 5/16" I.D. (serv. in 25 ft. spool)
18					TUBE, Fuel Supply - Intermediate
	5201 9102	1			2.5L Eng.
	5300 2194	1			4.0L Eng. up to 10-15-90
	5201 9102	1			after 10-15-90
19	3420 2728	4			CLIP
20	4418 660	1			HOSE, Canister to Vent Tube

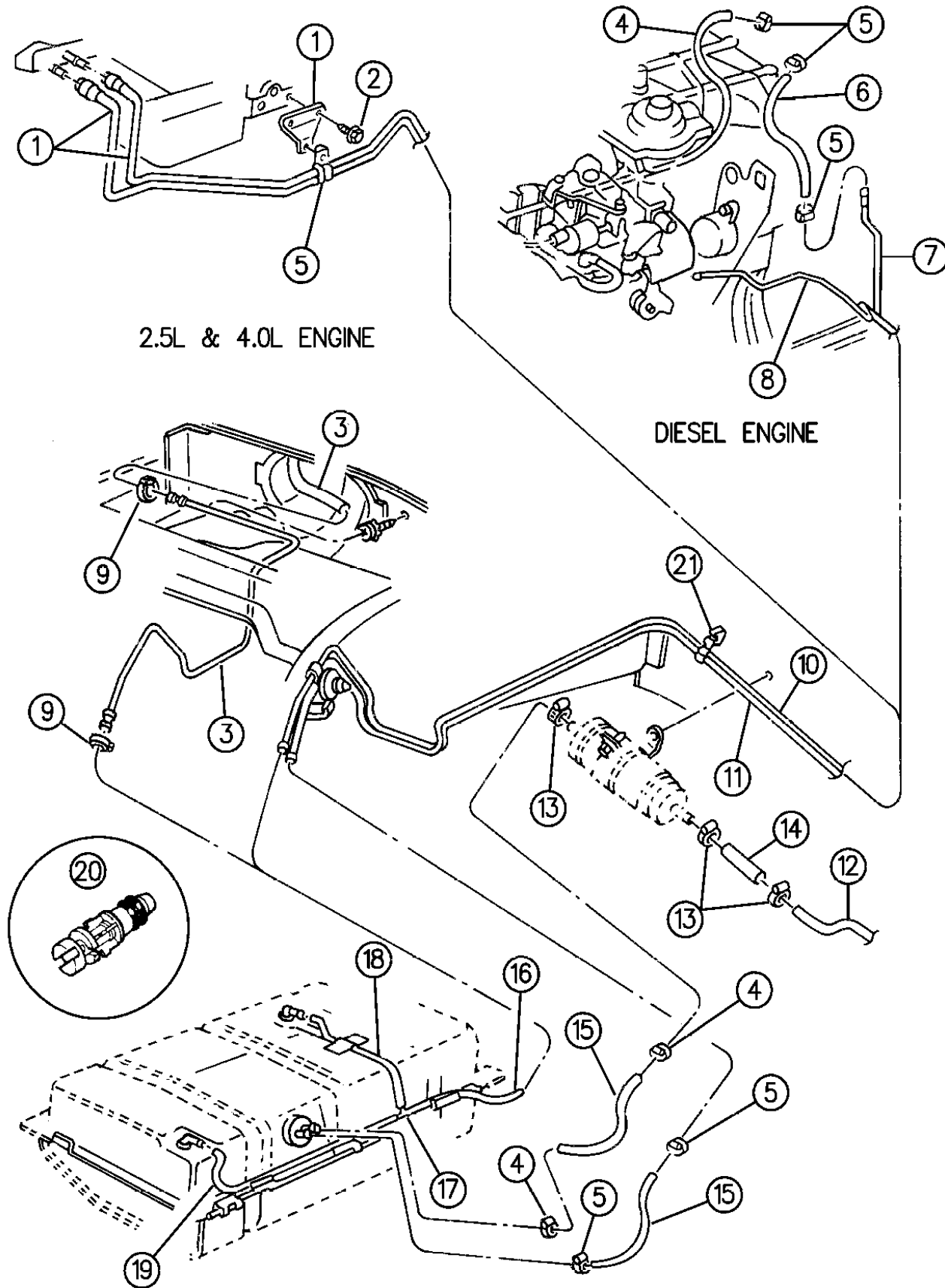
MODEL CODES:
 61=Pickup-6 Ft Box 74=4 Door Wagon T=2WD
 62=Pickup-7 Ft Box 77=Open Body 93" Wheelbase J,N,U=4WD
 72=2 Door Wagon 78=Open Body 103" Wheelbase

BODY STYLES:
 MJ=Comanche Pickup ZJ=Grand Cherokee/Grand Wagoneer KDX VEHICLES
 SJ=Grand Wagoneer M1=Comanche
 XJ=Cherokee, Briarwood X1=Cherokee, Briarwood
 YJ=Wrangler Y1=Wrangler

AR = Use as Required - = Non Illustrated Part P.A.R. = Paint as Required

FUEL LINES CHEROKEE, BRIARWOOD
Figure 14-2000

91J14 2000D



ITEM	PART NUMBER	QTY	BODY	MODEL	DESCRIPTION
1					TUBE, Fuel
	5201 8416	1			Supply
	5201 8417	1			Return
2					SCREW (DNS)
					TUBE, Fuel Vent, Rear
	5300 2651	1			w/Evaporator Control System
3	5300 1741	1			w/o Evaporator Control System
4					HOSE, Filter to Injector Pump (DNS)
5	6502 081	AR			CLAMP, Hose
6					HOSE (DNS)
7	5300 1194	1			TUBE, Fuel Supply
8	5201 8446	1			TUBE, Fuel Return
9		AR			CLAMP (DNS)
10	5202 0131	1			TUBE, Fuel Return
11	5300 2651	1			TUBE, Fuel Vent
12	5210 2259	1			TUBE, Fuel Supply
13	6500 651	AR			CLAMP
14		1			HOSE, Filter, Front (DNS)
15	4443 176	AR			HOSE, Fuel Supply
16		1			HOSE, Vent Tube to Tee (DNS)
17	J321 0891	1			TEE, Connector
18	3300 0058	1			HOSE, Tee to Rollover Valve, Left
19	5300 0194	1			HOSE, Tee to Rollover Valve, Right
20					PACKAGE, Hose Repair
	8350 4447	1			3/8" Fuel Supply (Plastic)
	8350 2745	1			5/16" Fuel Supply (Plastic)
21	3420 2371	1			CLIP, Quad Tube

MODEL CODES:

61=Pickup-6 Ft Box 74=4 Door Wagon T=2WD
62=Pickup-7 Ft Box 77=Open Body 93" Wheelbase J,N,U=4WD
72=2 Door Wagon 78=Open Body 103" Wheelbase

BODY STYLES:

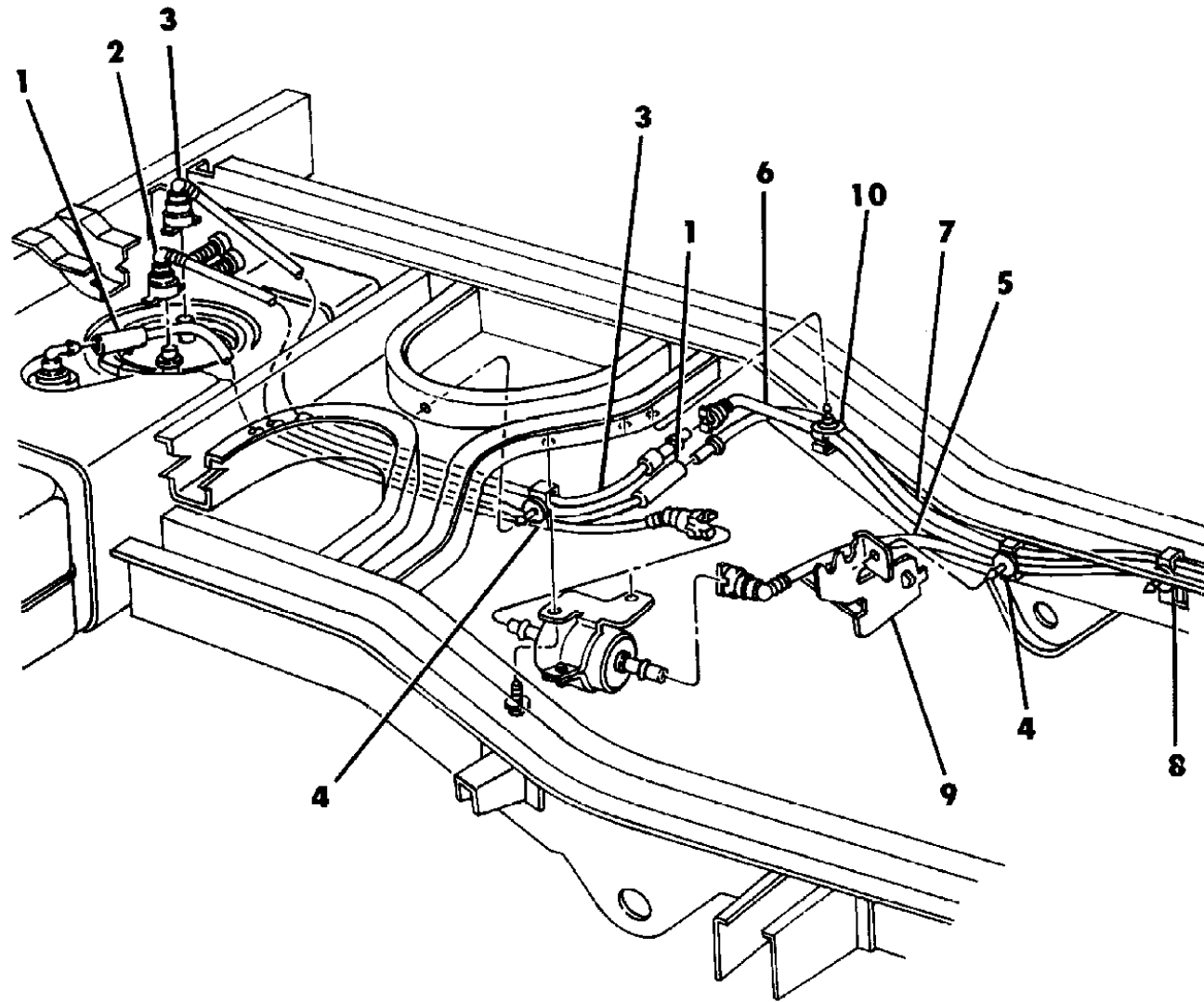
MJ=Comanche Pickup ZJ=Grand Cherokee/Grand Wagoneer KDX VEHICLES
SJ=Grand Wagoneer M1=Comanche
XJ=Cherokee, Briarwood X1=Cherokee, Briarwood
YJ=Wrangler Y1=Wrangler

AR = Use as Required - = Non Illustrated Part P.A.R. = Paint as Required

FUEL LINES, REAR AND CHASSIS GRAND CHEROKEE
Figure 14-2050

91J14 2050B

ITEM	PART NUMBER	QTY	BODY	MODEL	DESCRIPTION
1	5200 5110	1			TUBE, Fuel Vapor, Rear
2	5200 5108	1			TUBE, Fuel Supply, Rear
3	5200 5109	1			TUBE, Fuel Return, Rear
4					CLIP, 3-Way
	3300 4037	AR			Rear and Chassis Fuel Line
	5200 7533	4			Chassis Fuel Line Bundle, w/5.2L Eng.
	5201 7823	1			CLIP, Chassis Fuel Line (2 tube black plastic) w/5.2L Eng.
5					TUBE, Fuel Supply, Chassis
	5201 7978	1			w/4.0L Eng.
	5201 8074	1			w/5.2L Eng.
6					TUBE, Fuel Return
	5201 7979	1			w/4.0L Eng.
	5201 8480	1			w/5.2L Eng.
7	5201 7980	1			TUBE, Fuel Vapor
8	5200 5116	4			CLIP, Fuel Bundle, (5 Way)
9	5200 7642	1			BRACKET
10					CLIP (DNS)



MODEL CODES:

61=Pickup-6 Ft Box 74=4 Door Wagon T=2WD
62=Pickup-7 Ft Box 77=Open Body 93" Wheelbase J,N,U=4WD
72=2 Door Wagon 78=Open Body 103" Wheelbase

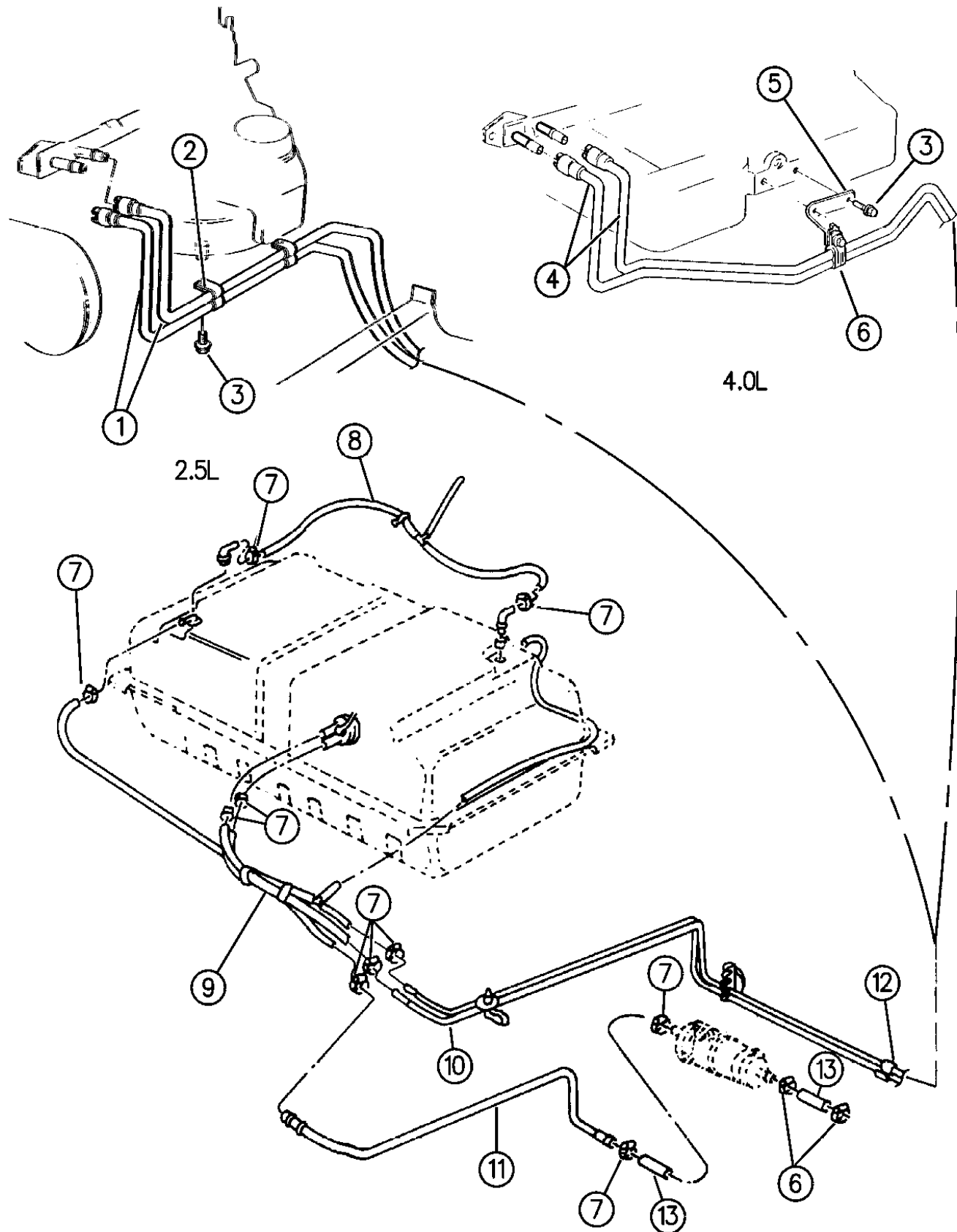
BODY STYLES:

MJ=Comanche Pickup ZJ=Grand Cherokee/Grand Wagoneer KDX VEHICLES
SJ=Grand Wagoneer M1=Comanche
XJ=Cherokee, Briarwood X1=Cherokee, Briarwood
YJ=Wrangler Y1=Wrangler

AR = Use as Required - = Non Illustrated Part P.A.R. = Paint as Required

FUEL LINES COMANCHE
Figure 14-2100

91J14 2100D



ITEM	PART NUMBER	QTY	BODY	MODEL	DESCRIPTION
1					TUBE, Fuel
	5200 4878	1			Fuel Return
	5200 4876	1			Fuel Supply
2	5201 7892	2	M1		CLIP
3		2			SCREW (DNS)
4			M1		TUBE, Fuel
	5201 8417	1			Return
	5201 8416	1	M1		Supply
5	5200 4497	1			BRACKET, Tube
6	3420 2997	1			CLIP
7	6502 081	AR	M1		CLAMP, Hose
8	5300 3427	1			HOSE, Fuel Tank Vent
9					HOSE, Rear Fuel
	5300 4731	1			w/o Evaporator Control System, 113" W.B.
	5300 4726	1			w/Evaporator Control System, 113" W.B., KDX-Venezuela
	5300 4723	1			w/Evaporator Control System, 120" W.B., KDX-Venezuela
	5300 3426	1			Leaded Fuel, 113" W.B., 2.5 Engine
10	5200 6910	1			TUBE, Fuel Return
11	5300 2192	1			TUBE, Fuel Supply
12	J400 4928	1			CLIP
13	4443 176	AR	M1		HOSE

MODEL CODES:

61=Pickup-6 Ft Box 74=4 Door Wagon T=2WD
62=Pickup-7 Ft Box 77=Open Body 93" Wheelbase J,N,U=4WD
72=2 Door Wagon 78=Open Body 103" Wheelbase

BODY STYLES:

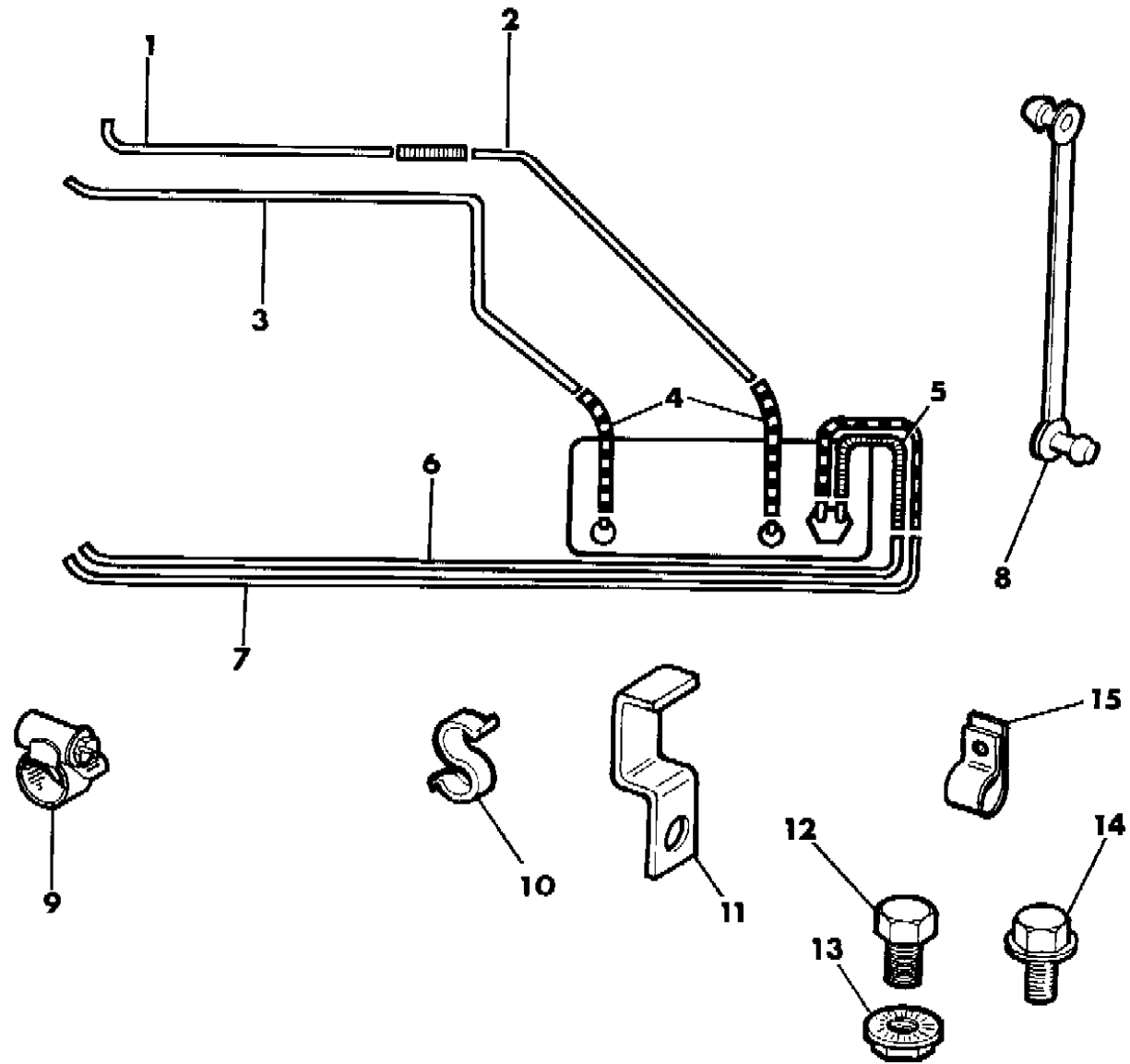
MJ=Comanche Pickup ZJ=Grand Cherokee/Grand Wagoneer KDX VEHICLES
SJ=Grand Wagoneer M1=Comanche
XJ=Cherokee, Briarwood X1=Cherokee, Briarwood
YJ=Wrangler Y1=Wrangler

AR = Use as Required - = Non Illustrated Part P.A.R. = Paint as Required

FUEL LINES 5.9L ENGINE GRAND WAGONEER
Figure 14-2200

91J14 2200

ITEM	PART NUMBER	QTY	BODY	MODEL	DESCRIPTION
1	J536 1733	1			TUBE, Vent
2	J536 4188	1			TUBE, Vent
3	J536 1555	1			TUBE, Vent
4	4443 175	AR			HOSE, .25" I.D. - Bulk
5	4443 176	AR			HOSE, .31" I.D. - Bulk
6	J536 1195	1			TUBE, Fuel Supply
7	5300 2557	1			TUBE, Fuel Return
8	J400 1712	1			FASTENER
9					CLAMP, Hose
	3300 0786	AR			.28" to .59"
	3300 0785	AR			.47" to .78"
10	J400 4928	1			CLIP, S Type
11	J400 4901	AR			CLIP
12	S017 9814	AR			BOLT
13	J400 3587	AR			NUT
14					SCREW
	J942 6241	AR			.25"
	J400 5063	AR			.31"
15					CLIP
	J012 0522	AR			.28"
	J019 2107	AR			.34"



MODEL CODES:

61=Pickup-6 Ft Box 74=4 Door Wagon T=2WD
62=Pickup-7 Ft Box 77=Open Body 93" Wheelbase J,N,U=4WD
72=2 Door Wagon 78=Open Body 103" Wheelbase

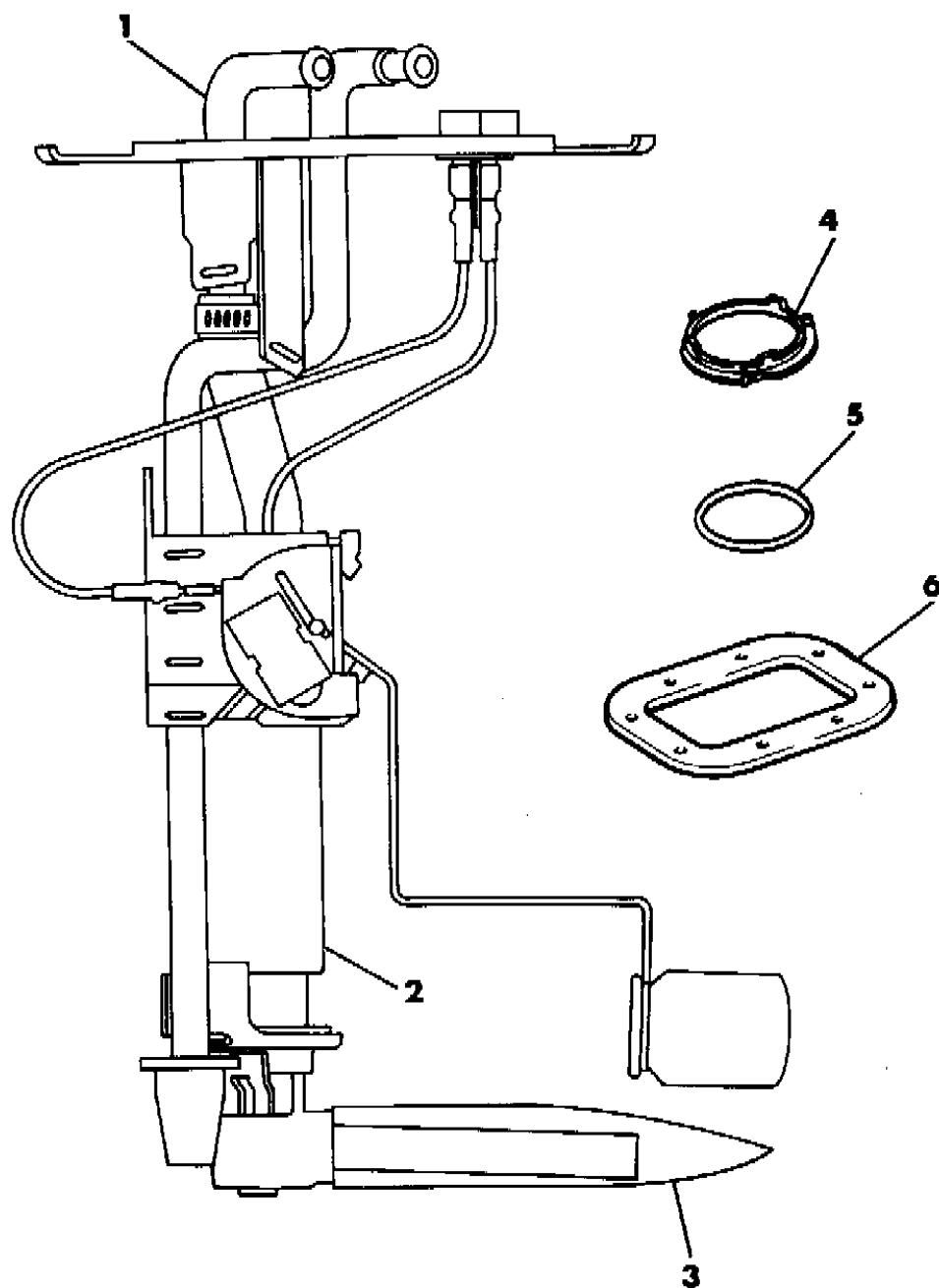
BODY STYLES:

MJ=Comanche Pickup ZJ=Grand Cherokee/Grand Wagoneer KDX VEHICLES
SJ=Grand Wagoneer M1=Comanche
XJ=Cherokee, Briarwood X1=Cherokee, Briarwood
YJ=Wrangler Y1=Wrangler

AR = Use as Required - = Non Illustrated Part P.A.R. = Paint as Required

FUEL PUMP AND SENDING UNIT WRANGLER, CHEROKEE, GRAND CHEROKEE (ZJ), COMANCHE, GRAND WAGONEER
Figure 14-2300

91J14 2300



ITEM	PART NUMBER	QTY	BODY	MODEL	DESCRIPTION
1					SENDING UNIT ***
	4637 181	1	YJ		15 Gal. Tank
	5201 7841	1	Y1		15 Gal. Tank KDX - Egypt
	4637 182	1	YJ		20 Gal. Tank
	5201 7904	1	X1		20 Gallon Tank
	4637 003	1	XJ		Gas (STAMPED 33003591)
	4637 184	1	MJ		Gas (STAMPED 52017559)
	5200 5099	1	ZJ		23 Gal. Tank (Contains Sending Unit Assy. and PumpUnit for ZJ)
	5201 7738	1	XJ		Diesel
	4637 394	1	MJ		Diesel
	5300 6586	1	SJ		
2					PUMP, Fuel
	4637 193	1	YJ		
	4741 373	1	Y1		
	4637 192	1	XJ,MJ		Gas PACKAGE, Hose Repair (1-Hose, 2-Clamps, 1-Ring, Instruction Sheet)
	4713 610	1	MJ,XJ		
	4713 613	1	YJ		
3					FILTER, Fuel
	3300 3592	1	YJXJMJ		
	5201 7843	1	Y1		15 Gal. Tank KDX - Egypt
	3300 3592	1	Y1		20 Gal. Tank KDX - Egypt
	3300 3592	1	X1,M1		KDX - Venezuela
	5300 1248	1	X1	J,T	2.5L Eng. KDX - China
	3300 3592	1	X1	J,T	4.0L Eng. KDX - China
	3300 3592	1	X1	J,T	2.5L Eng. KDX - Egypt 1992-93
	5300 1248	1	X1	U	2.5L Eng. RHD 1992-93
	J536 1389	1	SJ		
4					LOCK, Sending Unit
	5300 0584	1	XJ,MJ		
	5300 0584	1	Y1		
	5300 0584	1	X1,M1		
	5200 5389	1	ZJ		1992-93
	J537 0014	1	SJ		
5					O-RING, Sending Unit
	5300 0575	1	XJ,MJ		
	5300 0575	1	Y1		
	5300 0575	1	X1,M1		
	J094 1521	1	SJ		
6					GASKET, Sending Unit
	5300 4225	1	YJ		1991
	5201 7879	1	YJ		1992-93

MODEL CODES:

61=Pickup-6 Ft Box 74=4 Door Wagon T=2WD
62=Pickup-7 Ft Box 77=Open Body 93" Wheelbase J,N,U=4WD
72=2 Door Wagon 78=Open Body 103" Wheelbase

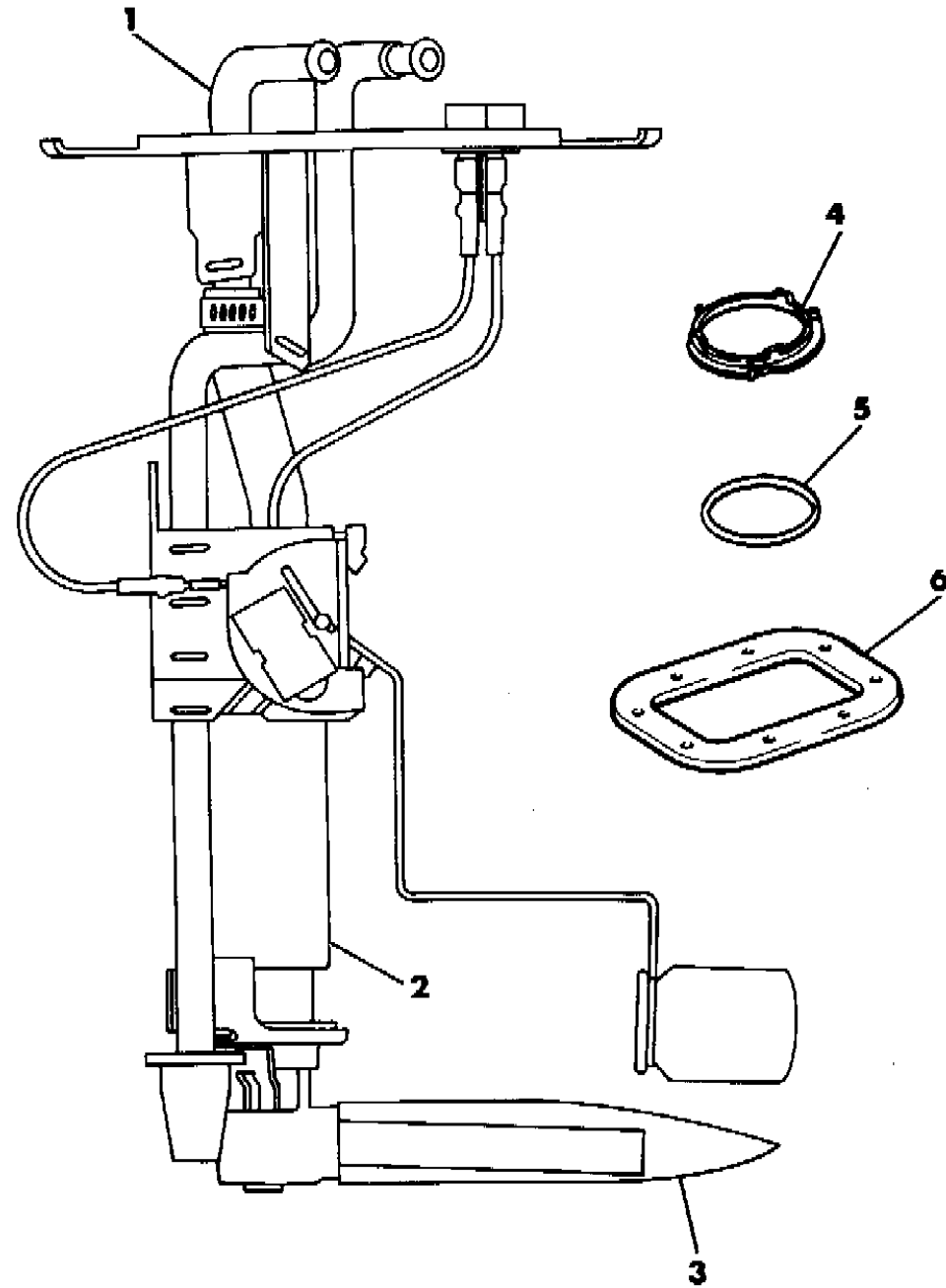
BODY STYLES:

MJ=Comanche Pickup ZJ=Grand Cherokee/Grand Wagoneer KDX VEHICLES
SJ=Grand Wagoneer M1=Comanche
XJ=Cherokee, Briarwood X1=Cherokee, Briarwood
YJ=Wrangler Y1=Wrangler

AR = Use as Required - = Non Illustrated Part P.A.R. = Paint as Required

FUEL PUMP AND SENDING UNIT WRANGLER, CHEROKEE, GRAND CHEROKEE (ZJ), COMANCHE, GRAND WAGONEER
 Figure 14-2300

91J14 2300



ITEM	PART NUMBER	QTY	BODY	MODEL	DESCRIPTION
	5200 5388	1	ZJ		1992-93

MODEL CODES:

61=Pickup-6 Ft Box 74=4 Door Wagon T=2WD
 62=Pickup-7 Ft Box 77=Open Body 93" Wheelbase J,N,U=4WD
 72=2 Door Wagon 78=Open Body 103" Wheelbase

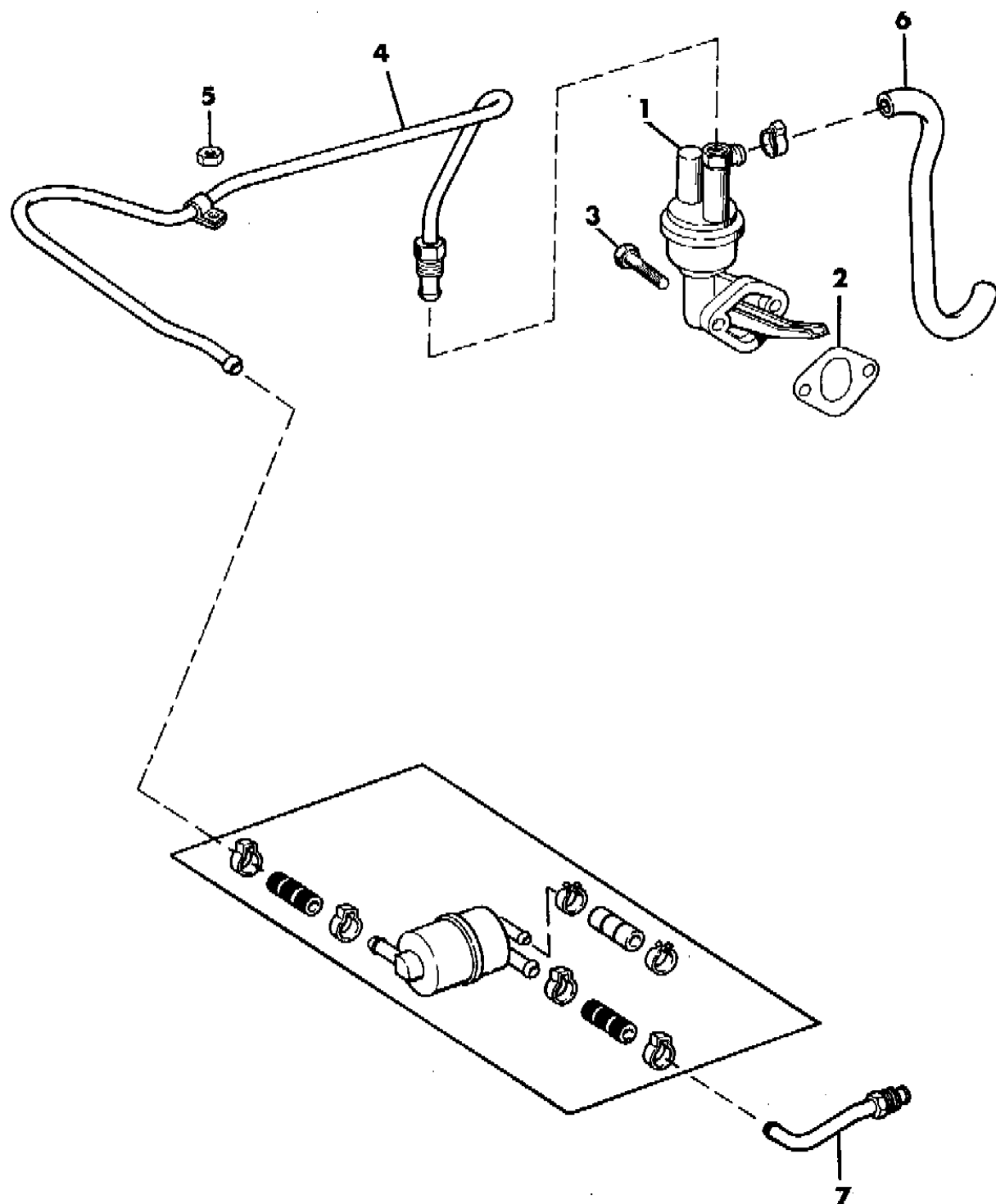
BODY STYLES:

MJ=Comanche Pickup ZJ=Grand Cherokee/Grand Wagoneer KDX VEHICLES
 SJ=Grand Wagoneer M1=Comanche
 XJ=Cherokee, Briarwood X1=Cherokee, Briarwood
 YJ=Wrangler Y1=Wrangler

AR = Use as Required - = Non Illustrated Part P.A.R. = Paint as Required

FUEL PUMP 2.5L CARBURETED ENGINE CHEROKEE, BRIARWOOD - KDX - CHINA
Figure 14-2400

91J14 2400B



ITEM	PART NUMBER	QTY	BODY	MODEL	DESCRIPTION
1	3300 2652	1			PUMP, Fuel
2	J317 4685	1			GASKET, Fuel Pump
3	J943 1975	2			BOLT
4	5300 2566	1			TUBE, Fuel Pump to Filter
5	J941 6918	1			NUT
6	4443 176	AR			HOSE, Rubber 5/16" I.D. (serv. in 25 ft. spool)
7	5300 2567	1			TUBE, Fuel Filter to Carb.

MODEL CODES:

61=Pickup-6 Ft Box 74=4 Door Wagon T=2WD
62=Pickup-7 Ft Box 77=Open Body 93" Wheelbase J,N,U=4WD
72=2 Door Wagon 78=Open Body 103" Wheelbase

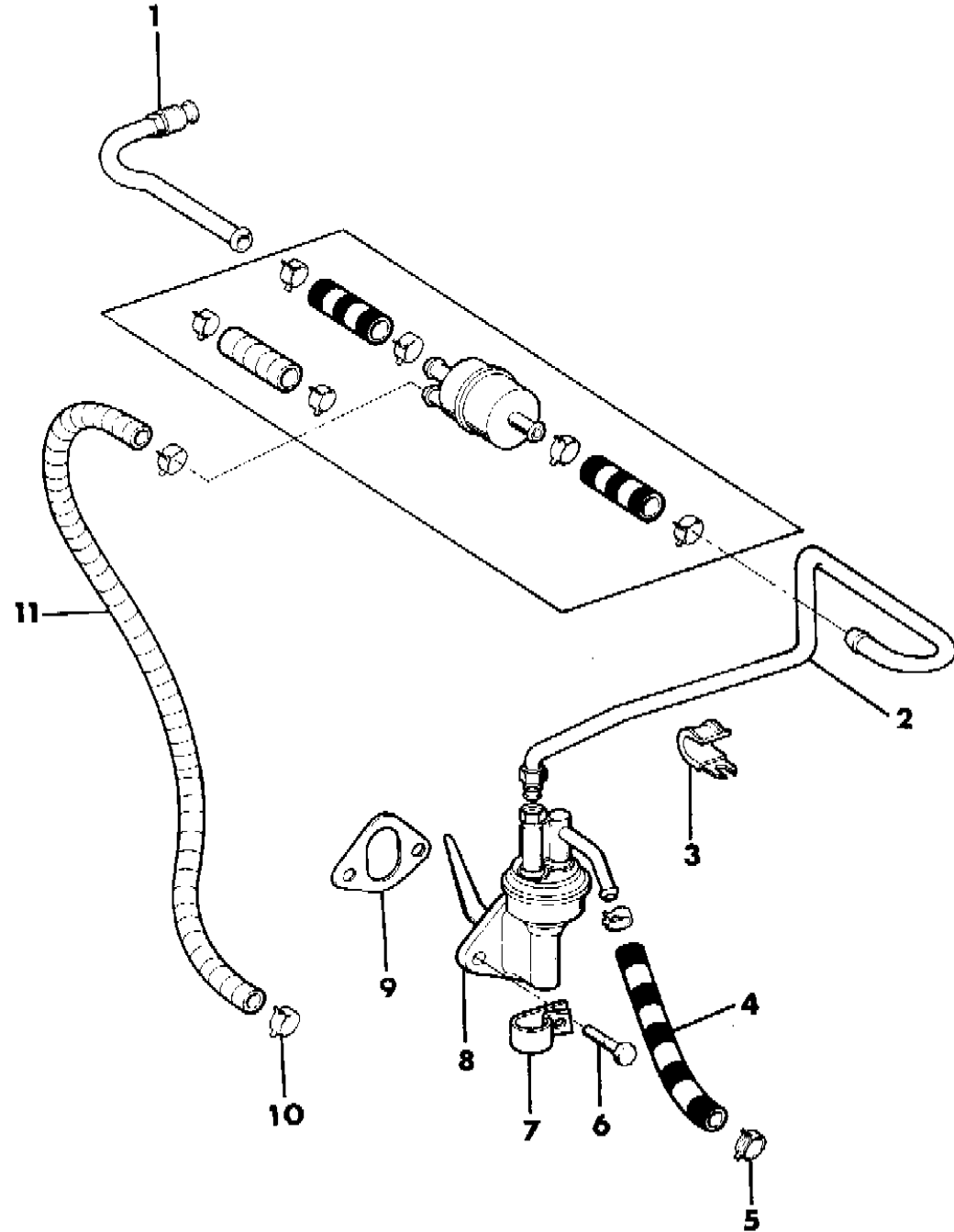
BODY STYLES:

MJ=Comanche Pickup ZJ=Grand Cherokee/Grand Wagoneer KDX VEHICLES
SJ=Grand Wagoneer M1=Comanche
XJ=Cherokee, Briarwood X1=Cherokee, Briarwood
YJ=Wrangler Y1=Wrangler

AR = Use as Required - = Non Illustrated Part P.A.R. = Paint as Required

FUEL PUMP 5.9L ENGINE GRAND WAGONEER
Figure 14-2500

91J14 2500 A



ITEM	PART NUMBER	QTY	BODY	MODEL	DESCRIPTION
1	5300 4058	1			TUBE, Fuel Supply
2	5300 4057	1			TUBE, Fuel Supply
3	J535 0435	1			CLIP
4	4443 176	AR			HOSE, Rubber 5/16" I.D (serv. in 25 ft. spool)
5	3300 0785	6			CLAMP .50" Dia.
6	J018 0125	2			BOLT
7	J012 8302	1			CLIP
8	J322 8195	1			PUMP, Fuel
9	J317 4685	1			GASKET, Fuel Pump
10	J322 2900	2			CLAMP .41" Dia.
11	4443 175	AR			HOSE, Rubber 1/4" I.D (serv. in 25 ft. spool)

MODEL CODES:

61=Pickup-6 Ft Box	74=4 Door Wagon	T=2WD
62=Pickup-7 Ft Box	77=Open Body 93" Wheelbase	J,N,U=4WD
72=2 Door Wagon	78=Open Body 103" Wheelbase	

BODY STYLES:

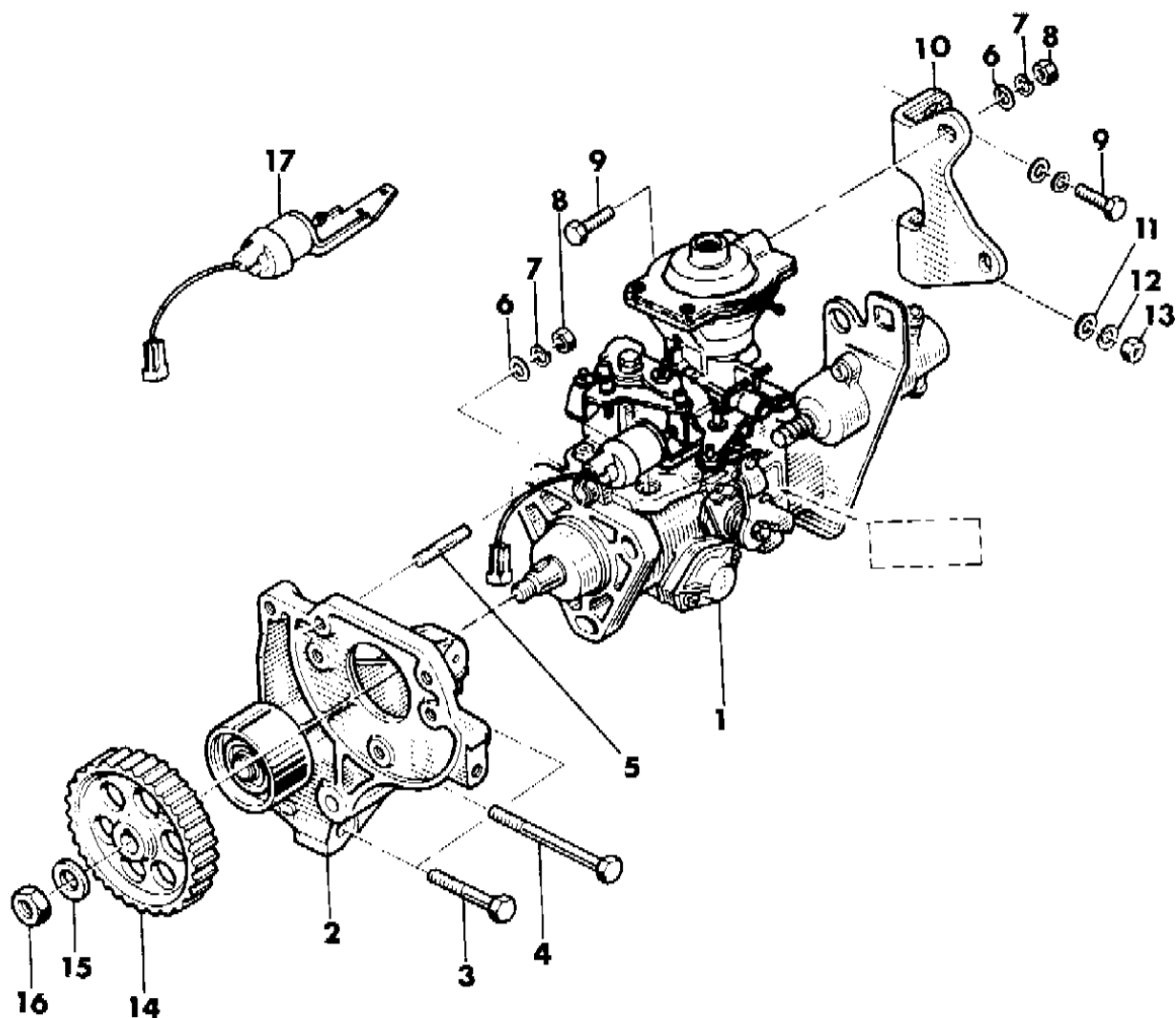
MJ=Comanche Pickup	ZJ=Grand Cherokee/Grand Wagoneer	KDX VEHICLES
SJ=Grand Wagoneer		M1=Comanche
XJ=Cherokee, Briarwood		X1=Cherokee, Briarwood
YJ=Wrangler		Y1=Wrangler

AR = Use as Required - = Non Illustrated Part P.A.R. = Paint as Required

FUEL INJECTION PUMP AND MOUNTING 2.1L DIESEL ENGINE CHEROKEE, COMANCHE
Figure 14-2600

91J14 2600 A

ITEM	PART NUMBER	QTY	BODY	MODEL	DESCRIPTION
1					PUMP ASSEMBLY, Injection ***
	T072 6944	1			J8S-814 Engine, Pump Tagged 2200R183
	J085 6048	1			J8S-890 Engine, Pump Tagged 2200R416
2	T600 2198	1			IDLER ASSEMBLY ***
3	J420 0438	1			BOLT
4	1150 5025	1			BOLT
5	T302 7191	3			STUD
6	1150 0255	5			WASHER, Flat
7	J012 0214	5			WASHER, Lock
8	T149 3047	5			NUT
9	T140 5667	3			BOLT
10	T068 4886	1			SUPPORT
11	T305 3043	1			WASHER, Flat
12	T140 2094	1			WASHER, Lock
13	T140 5676	1			NUT
14	T134 9585	1			SPROCKET
15	T066 2634	1			WASHER
16	T149 3071	1			NUT
17	8350 2349	1			SOLENOID, Idle Speed



MODEL CODES:

61=Pickup-6 Ft Box 74=4 Door Wagon T=2WD
62=Pickup-7 Ft Box 77=Open Body 93" Wheelbase J,N,U=4WD
72=2 Door Wagon 78=Open Body 103" Wheelbase

BODY STYLES:

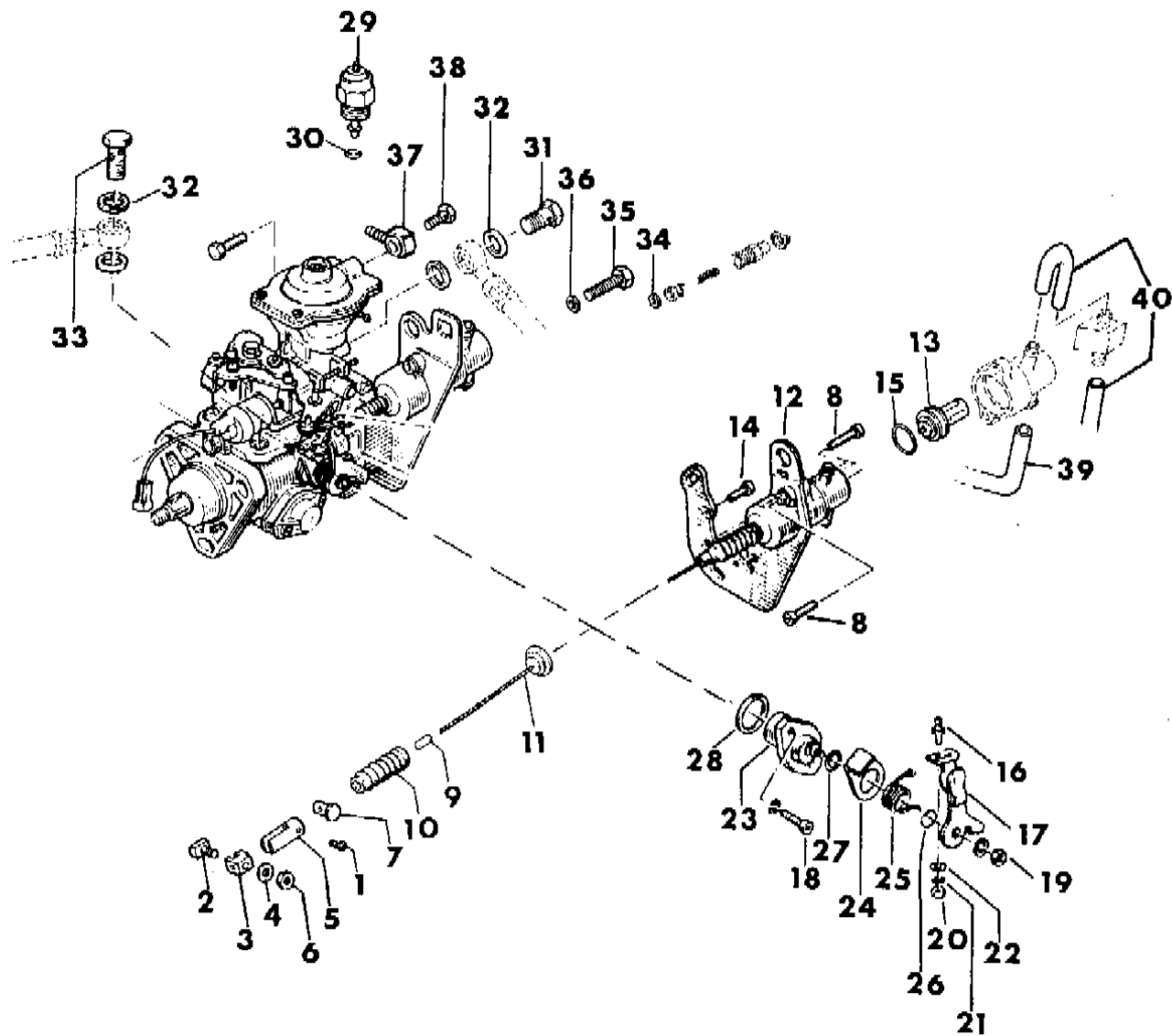
MJ=Comanche Pickup ZJ=Grand Cherokee/Grand Wagoneer KDX VEHICLES
SJ=Grand Wagoneer M1=Comanche
XJ=Cherokee, Briarwood X1=Cherokee, Briarwood
YJ=Wrangler Y1=Wrangler

AR = Use as Required - = Non Illustrated Part P.A.R. = Paint as Required

FUEL INJECTION PUMP LINES AND LINKAGE 2.1L DIESEL ENGINE CHEROKEE, COMANCHE

Figure 14-2625

91J14 2625



ITEM	PART NUMBER	QTY	BODY	MODEL	DESCRIPTION
1	8350 2339	1			SCREW, Set
2	8350 2341	1			SCREW, Stop
3	8350 2340	1			CLAMP
4	8350 2342	1			WASHER, Lock
5	8350 2338	1			CLEVIS ***
6	8350 2343	1			NUT
7	8350 2337	1			TRUNNION ***
8	J102 4660	2			BOLT
9	8350 2336	1			SLEEVE
10	8350 2335	1			BOOT ***
11	8350 2334	1			CABLE
12	J103 2285	1			SOLENOID
13	8350 2350	1			CAPSULE, Thermostatic ***
14	J102 9270	1			BOLT
15	8350 2333	1			O-RING
16	8350 2344	1			STUD, Ball
17	J102 7498	1			LEVER
18	J102 4813	2			BOLT
19	T303 2131	1			NUT
20	8350 2347	1			NUT
21	8350 2346	1			WASHER, Lock
22	8350 2345	1			WASHER, Flat
23	J120 1696	1			HOUSING
24	J103 0002	1			STOP
25	J102 7494	1			SPRING, Return
26	J102 7493	1			SEAL
27	J102 4812	1			SEAL
28	J102 7500	1			SEAL
29	8350 2331	1			SOLENOID, Fuel Shut-Off
30	8350 2332	1			SEAL
31	T102 4765	1			UNION, Fuel Return ***
32	8350 2348	4			GASKET
33	J073 0232	1			UNION, Fuel Inlet ***
34	8350 2328	1			GASKET
35	8350 2330	1			SCREW, Bleeder
36	8350 2329	1			GASKET
37	T070 6862	1			FITTING
38	T068 0758	1			UNION ***
39	J067 8478	1			HOSE, Inlet
40	T066 5293	AR			HOSE, Outlet

MODEL CODES:

61=Pickup-6 Ft Box 74=4 Door Wagon T=2WD
 62=Pickup-7 Ft Box 77=Open Body 93" Wheelbase J,N,U=4WD
 72=2 Door Wagon 78=Open Body 103" Wheelbase

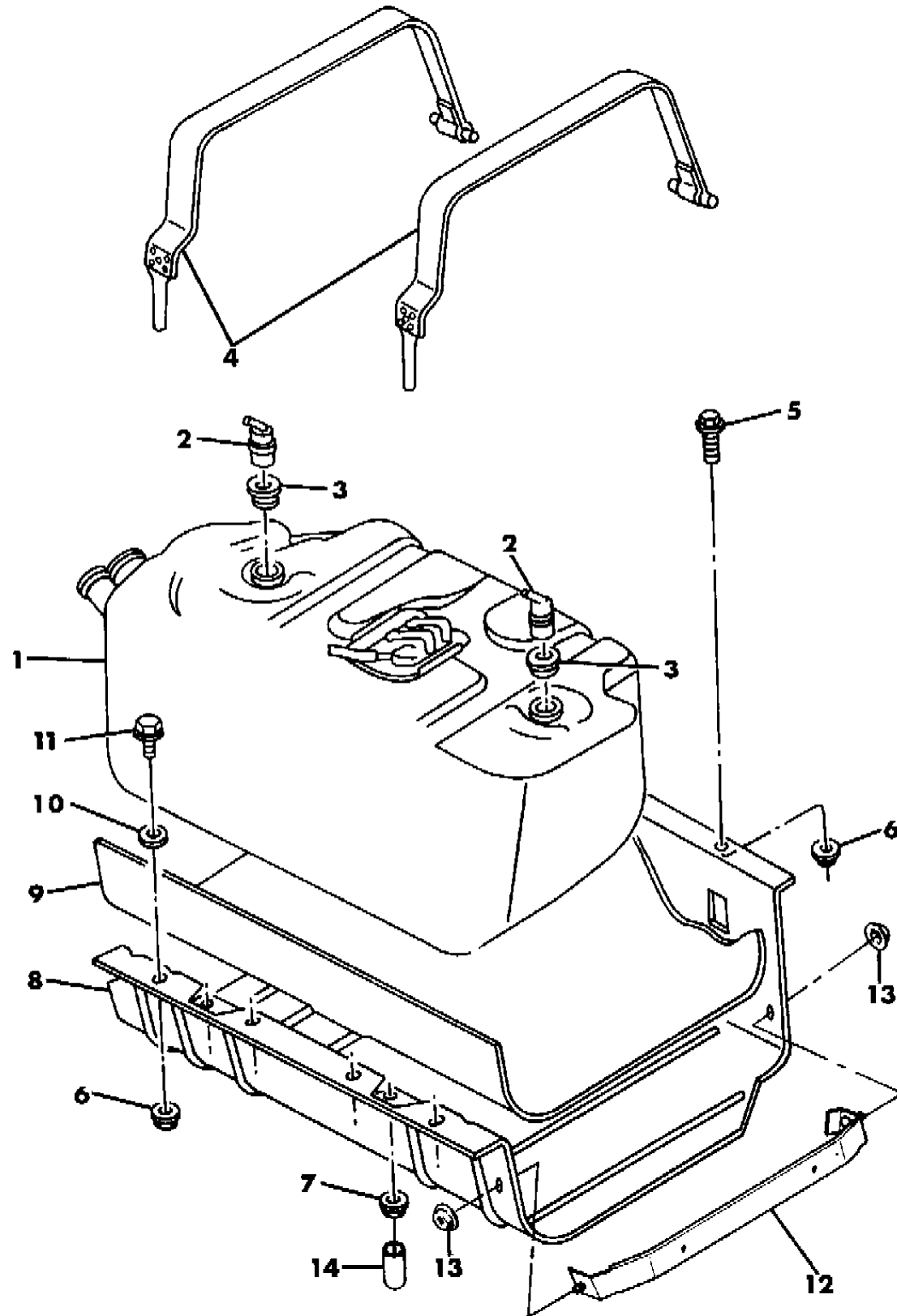
BODY STYLES:

MJ=Comanche Pickup ZJ=Grand Cherokee/Grand Wagoneer KDX VEHICLES
 SJ=Grand Wagoneer M1=Comanche
 XJ=Cherokee, Briarwood X1=Cherokee, Briarwood
 YJ=Wrangler Y1=Wrangler

AR = Use as Required - = Non Illustrated Part P.A.R. = Paint as Required

FUEL TANK WRANGLER, YJ
Figure 14-2700

91J14 2700 B



ITEM	PART NUMBER	QTY	BODY	MODEL	DESCRIPTION
1					TANK, Fuel
	5200 6372	1	YJ		15 Gallon, Stamped 52007258
	5200 2633	1	YJ		20 Gallon
	4713 266	1	Y1		15 Gal. Severe Use KDX - Egypt
	5200 2633	1	Y1		20 Gal. KDX - Egypt 1992
	5700 2761	1	Y1		20 Gal. KDX - Venezuela
	4741 368	1	Y1		20 Gallon Severe Use Egypt
2	J536 0058	1			VALVE, Fuel Vapor
3	J536 0059	1			SEAL, Vapor Valve
4	J535 6651	2	YJ		STRAP, Fuel Tank to Skid Plate
	5200 3437	1	Y1		15 Gal. Tank
	J535 6651	2	Y1		20 Gal. Tank
5	J018 0078	3			BOLT
6	J400 1457	7			NUT
7	J400 3587	1			NUT
8	5200 6870	1			PLATE, Fuel Tank Skid
	J535 7023	1			15 Gal. Tank KDX - Egypt ***
9	5204 0076	1			PAD, Fuel Tank Shield
10	J400 5293	4			RETAINER
11	J400 6829	4			BOLT
12					STRAP, Fuel Tank - 15 Gal.
	J535 7880	1	Y1		Rt.
	J535 7879	1	Y1		Lt.
13	J400 3956	AR	Y1		NUT
14	5201 7970	1			CAP

MODEL CODES:

61=Pickup-6 Ft Box 74=4 Door Wagon T=2WD
62=Pickup-7 Ft Box 77=Open Body 93" Wheelbase J,N,U=4WD
72=2 Door Wagon 78=Open Body 103" Wheelbase

BODY STYLES:

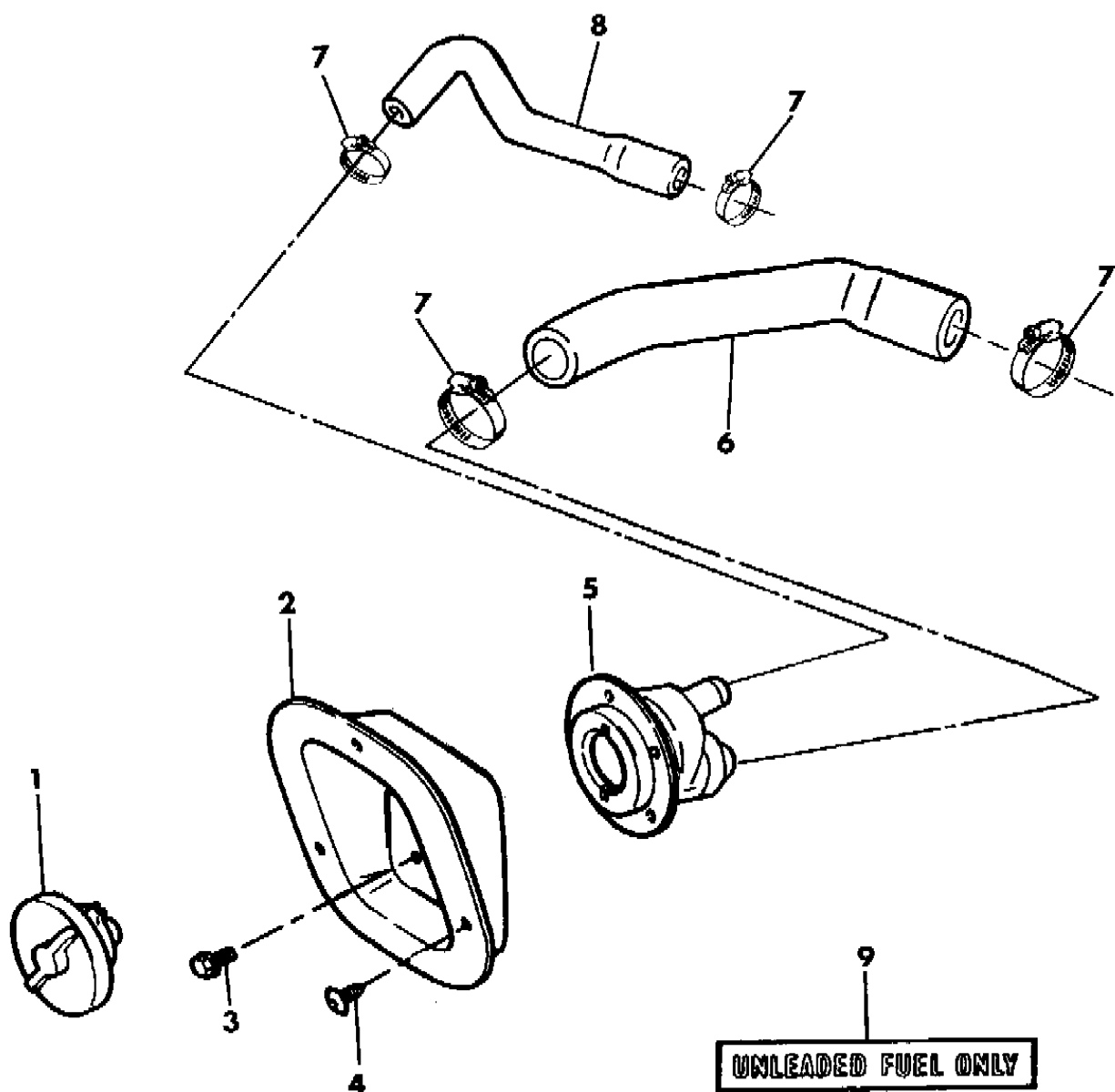
MJ=Comanche Pickup ZJ=Grand Cherokee/Grand Wagoneer KDX VEHICLES
SJ=Grand Wagoneer M1=Comanche
XJ=Cherokee, Briarwood X1=Cherokee, Briarwood
YJ=Wrangler Y1=Wrangler

AR = Use as Required - = Non Illustrated Part P.A.R. = Paint as Required

FUEL TANK FILLER TUBES WRANGLER, YJ
Figure 14-2800

91J14 2800A

ITEM	PART NUMBER	QTY	BODY	MODEL	DESCRIPTION
1					CAP, Filler
	4637 081	1			Non-Locking
	J535 0897	1	Y1		Locking - EGYPT
2	J546 3803	1			PROTECTOR, Gas Cap
3		6			SCREW (not serviced)
4	J400 5817	3			SCREW
5					NOZZLE, Fuel Filler
	5200 7386	1			Unleaded Fuel
					Leaded Fuel
	5200 7387	1			KDX: Egypt, Venezuela, w/93" W.B.
	5201 8066	1			KDX: Egypt, Venezuela, w/103" W.B.
6					HOSE, Fuel Filler
	5204 0079	1			w/93" W.B.
					With Leaded Fuel
	5200 3509	1			KDX: Egypt, Venezuela, w/103" W.B., w/20 Gal. Tank
7	J320 3077	1			CLAMP
8					HOSE, Fuel Tank Vent
	5204 0081	1			w/93" W.B.
					With Leaded Fuel
	5200 3511	1			KDX: Egypt, Venezuela, w/103" W.B., w/20 Gal. Tank
9					LABEL, Unleaded Fuel Only
	J369 6393	1			U.S.
	J369 6394	1			CANADA - EUROPE - MIDEAST



MODEL CODES:

61=Pickup-6 Ft Box 74=4 Door Wagon T=2WD
62=Pickup-7 Ft Box 77=Open Body 93" Wheelbase J,N,U=4WD
72=2 Door Wagon 78=Open Body 103" Wheelbase

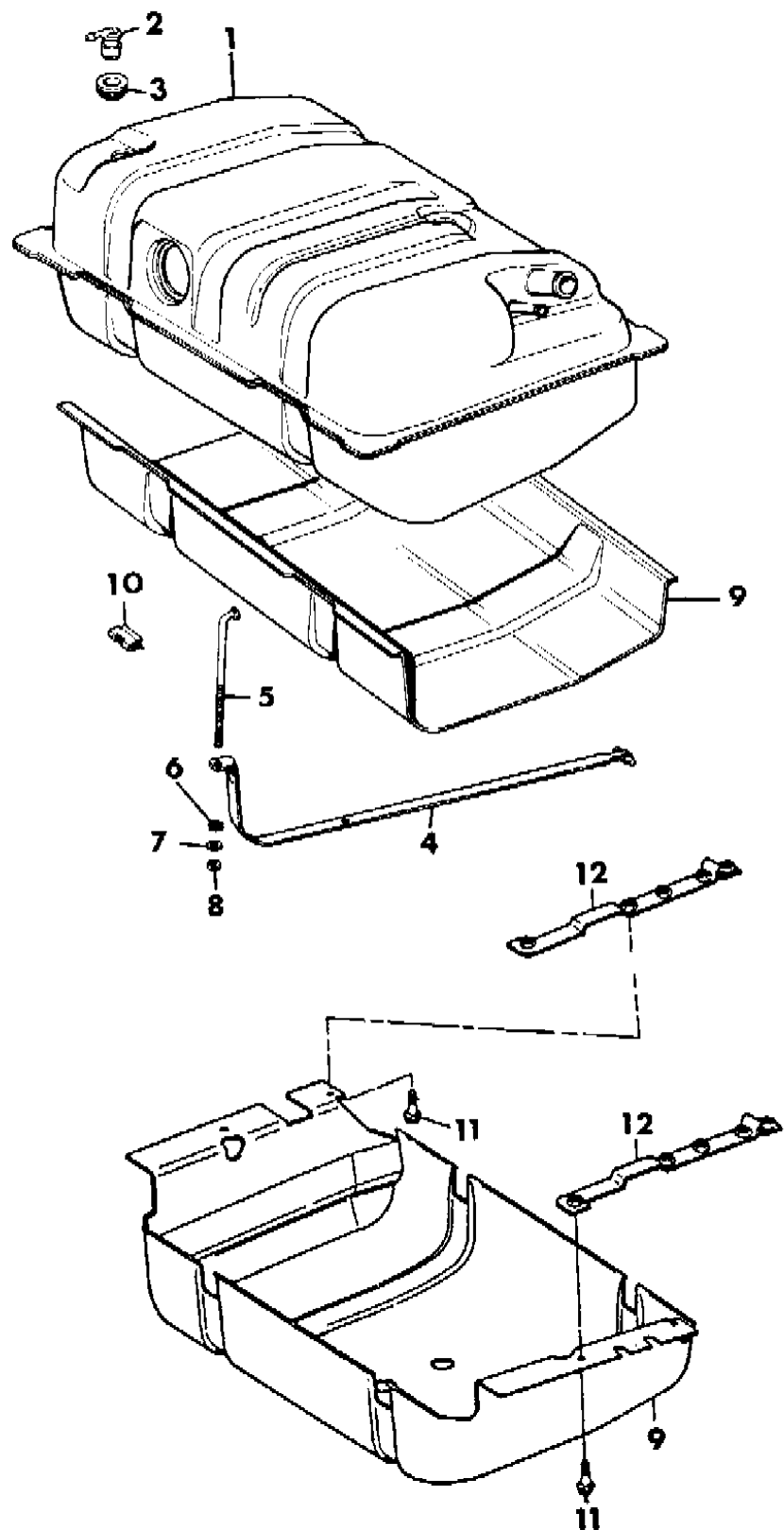
BODY STYLES:

MJ=Comanche Pickup ZJ=Grand Cherokee/Grand Wagoneer KDX VEHICLES
SJ=Grand Wagoneer M1=Comanche
XJ=Cherokee, Briarwood X1=Cherokee, Briarwood
YJ=Wrangler Y1=Wrangler

AR = Use as Required - = Non Illustrated Part P.A.R. = Paint as Required

FUEL TANK CHEROKEE, BRIARWOOD
Figure 14-2900

91J14 2900 A



ITEM	PART NUMBER	QTY	BODY	MODEL	DESCRIPTION
1					TANK, Fuel
	8350 2633	1			Gas
	8350 0267	1			Diesel
2	J536 0058	2			VALVE, Fuel Vapor
3	J536 0059	2			SEAL, Vapor Valve
4	5200 0128	2			STRAP, Fuel Tank Mounting
5	J324 0023	1			BOLT, Fuel Tank Strap
6	J400 1104	2			WASHER
7	J064 9704	2			WASHER
8	0118 615	2			NUT
9	5200 0415	1			SHIELD, Fuel Tank - w/o 4x4 Protection Pkg.
	5200 1512	1			PLATE, Fuel Tank Skid - w/4x4 Protection Pkg.
10	3420 1934	6			CLIP
11	3420 1964	4			BOLT
12					REINFORCEMENT, Trailer Hitch Mounting
	5200 1174	1			Rt.
	5200 1175	1			Lt.

MODEL CODES:

61=Pickup-6 Ft Box 74=4 Door Wagon T=2WD
62=Pickup-7 Ft Box 77=Open Body 93" Wheelbase J,N,U=4WD
72=2 Door Wagon 78=Open Body 103" Wheelbase

BODY STYLES:

MJ=Comanche Pickup ZJ=Grand Cherokee/Grand Wagoneer KDX VEHICLES
SJ=Grand Wagoneer M1=Comanche
XJ=Cherokee, Briarwood X1=Cherokee, Briarwood
YJ=Wrangler Y1=Wrangler

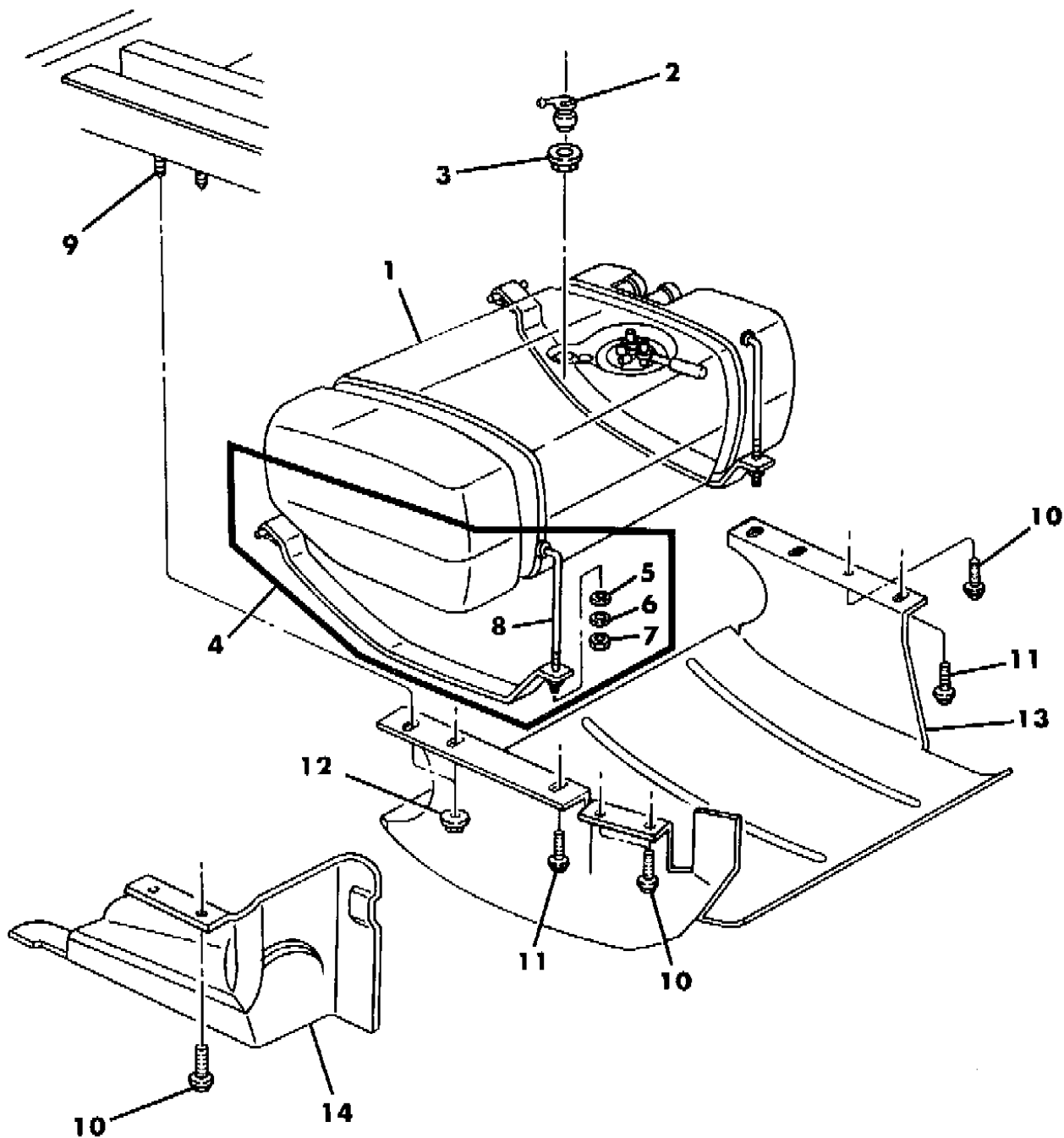
AR = Use as Required - = Non Illustrated Part P.A.R. = Paint as Required

FUEL TANK GRAND CHEROKEE (ZJ)

Figure 14-2950

91J14 2950 A

ITEM	PART NUMBER	QTY	BODY	MODEL	DESCRIPTION
1	5200 5336	1			TANK, Fuel
2	J536 0058	1			VALVE, Fuel Vapor
3	J536 0059	1			SEAL, Vapor Valve
4	5200 5460	2			STRAP, Fuel Tank Mounting
5	J064 9704	2			WASHER, Lock
6	J400 1104	2			WASHER
7	0118 615	2			NUT
8	5201 7563	2			BOLT, Fuel Tank Mounting
9	6502 507	4			STUD
10	3420 1964	AR			BOLT, Skid Plate Mounting
11	6101 102	2			BOLT, Skid Plate Mounting
12	6100 056	4			NUT
13	5201 7743	1			PLATE, Skid
14	5200 5478	1			SHIELD, Heat, Fuel Tank w/Skid Plate
	5201 8026	1			w/o Skid Plate



MODEL CODES:

61=Pickup-6 Ft Box 74=4 Door Wagon T=2WD
 62=Pickup-7 Ft Box 77=Open Body 93" Wheelbase J,N,U=4WD
 72=2 Door Wagon 78=Open Body 103" Wheelbase

BODY STYLES:

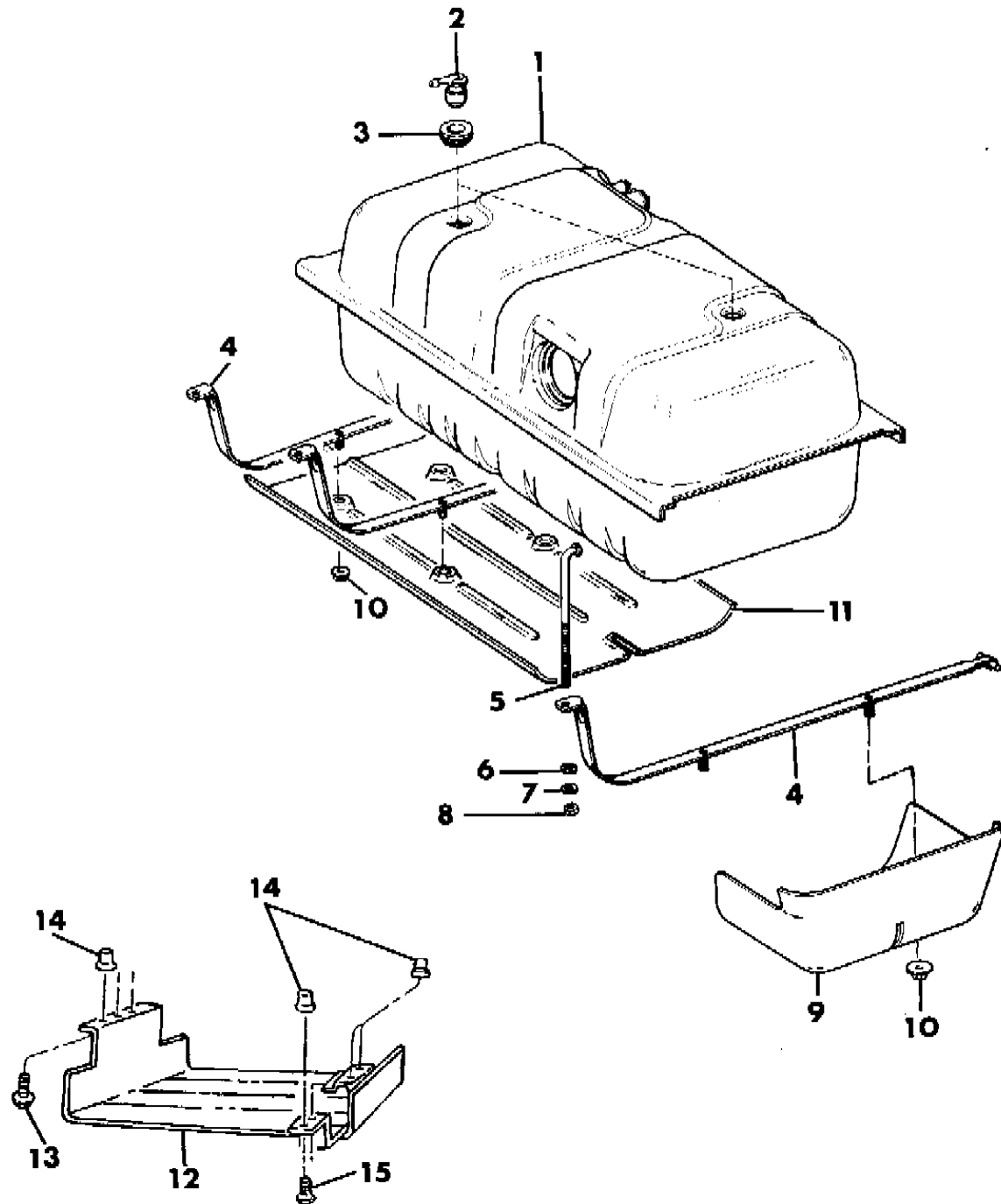
MJ=Comanche Pickup ZJ=Grand Cherokee/Grand Wagoneer KDX VEHICLES
 SJ=Grand Wagoneer M1=Comanche
 XJ=Cherokee, Briarwood X1=Cherokee, Briarwood
 YJ=Wrangler Y1=Wrangler

AR = Use as Required - = Non Illustrated Part P.A.R. = Paint as Required

FUEL TANK COMANCHE
Figure 14-3000

91J14 3000 A

ITEM	PART NUMBER	QTY	BODY	MODEL	DESCRIPTION
1					TANK, Fuel
	8350 3398	1			18 Gal. - Gas
	8350 2632	1			23.5 Gal. - Gas
	8350 2635	1			Diesel
2	J536 0058	2			VALVE, Fuel Vapor
3	J536 0059	2			SEAL, Vapor Valve
4					STRAP, Fuel Tank Mounting
					SHORT
	5200 1614	2			w/o 4x4 Protection Pkg.
	5200 1612	2			w/4x4 Protection Pkg.
					LONG
	5200 2986	1			w/o 4x4 Protection Pkg.
	5200 1613	1			w/4x4 Protection Pkg.
5	5200 1590	AR			BOLT, Fuel Tank Mounting
6	J806 0072	AR			WASHER
7	1150 0222	AR			WASHER
8		AR			NUT (not serviced)
9	5200 0951	1			SHIELD, Fuel Tank - w/o 4x4 Protection Pkg.
10	1150 3745	AR			NUT
11					SHIELD, Fuel Tank Extension - w/o 4x4 Protection Pkg.
	5200 3202	1			w/113" W.B.
	5200 2958	1			w/120" W.B.
12					SHIELD, Fuel Tank - w/4x4 Protection Pkg.
	5200 2810	1			w/113" W.B.
	5200 1806	1			w/120" W.B.
13	3420 1871	AR			BOLT
14	3420 1575	AR			NUT
15	3420 1540	2			SCREW w/113" W.B.



MODEL CODES:

61=Pickup-6 Ft Box 74=4 Door Wagon T=2WD
62=Pickup-7 Ft Box 77=Open Body 93" Wheelbase J,N,U=4WD
72=2 Door Wagon 78=Open Body 103" Wheelbase

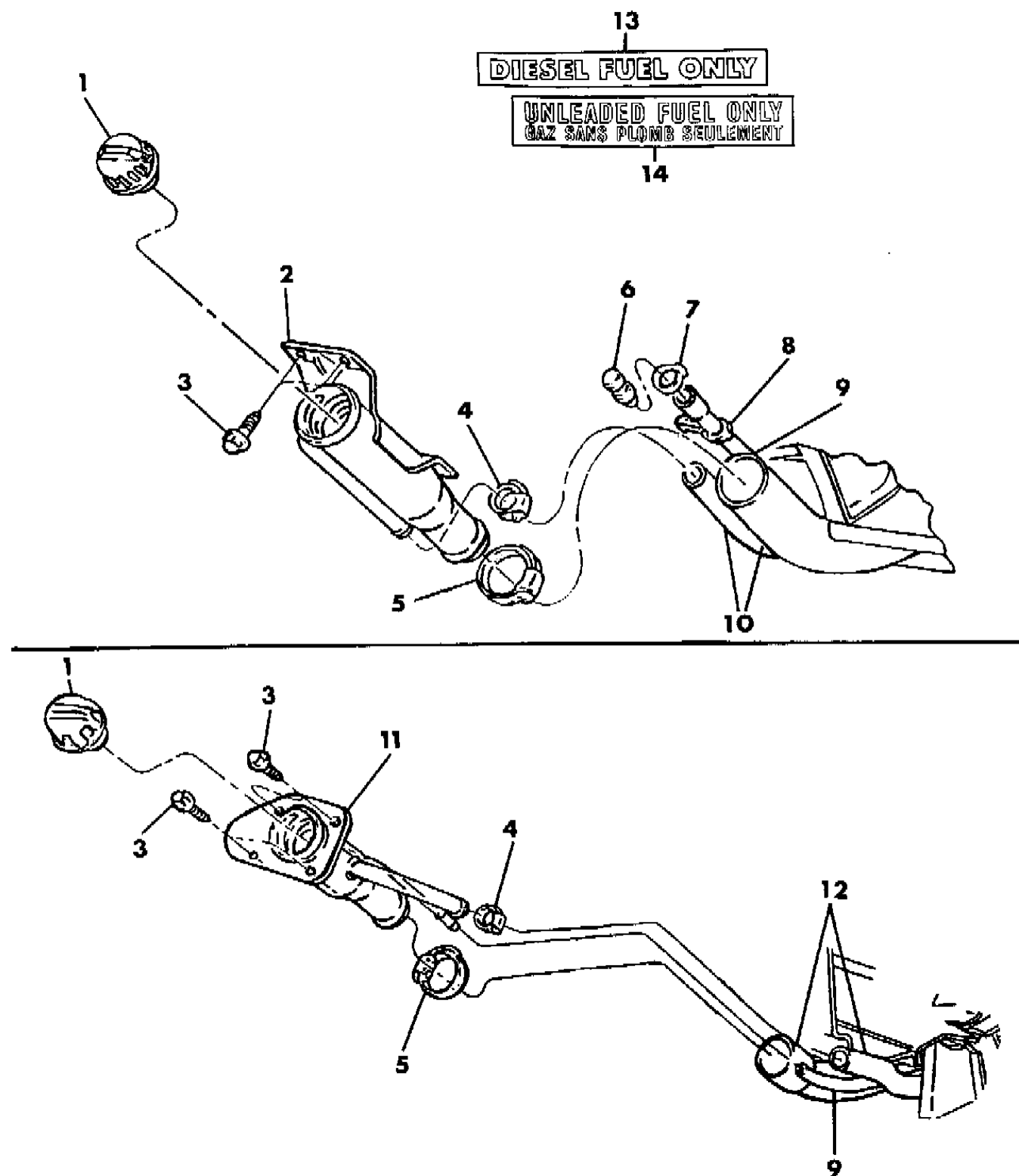
BODY STYLES:

MJ=Comanche Pickup ZJ=Grand Cherokee/Grand Wagoneer KDX VEHICLES
SJ=Grand Wagoneer M1=Comanche
XJ=Cherokee, Briarwood X1=Cherokee, Briarwood
YJ=Wrangler Y1=Wrangler

AR = Use as Required - = Non Illustrated Part P.A.R. = Paint as Required

FUEL TANK FILLER TUBES CHEROKEE, BRIARWOOD, GRAND CHEROKEE (ZJ), COMANCHE
Figure 14-3100

91J14 3100A



ITEM	PART NUMBER	QTY	BODY	MODEL	DESCRIPTION
1	4637 081	1			CAP, Filler
2					TUBE, Fuel Tank Filler Unleaded Fuel
	5200 0132	1	XJ		1991, Up To 5/15/92 ***
	5201 8325	1	XJ		After 5/15/92 to 1993 ***
	5202 0128	1	ZJ		
	5201 8294	1	ZJ		Leaded Fuel
	5200 0137	1	XJ		Diesel and Leaded Fuel, 1991
3					SCREW
	J400 1701	AR	MJ,XJ		
	J941 7855	4	ZJ		
4	J320 3077	1			CLAMP
5	6502 090	1	ZJ		CLAMP
6	J535 2955	1	XJ		CAP, Fuel Tank Vent
7	3300 0785	1	XJ		CLAMP
8	3420 1633	1	XJ		CLIP
9	5300 1740	1	XJ		HOSE, Vent
10	5200 0623	1	XJ		HOSE, Fuel Tank Filler and Vent
	5200 5067	1	ZJ		HOSE, Fuel Tank Filler
	5200 5462	1	ZJ		HOSE, Fuel Tank Vent
11					TUBE, Fuel Tank Filler
	5200 1814	1	MJ		Unleaded Fuel
	5200 1817	1	MJ		Diesel and Leaded Fuel
12	5200 1595	1	MJ		HOSE, Fuel Tank Filler and Vent
13	J546 4900	1			LABEL, Diesel Fuel Only
14					LABEL, Unleaded Fuel Only
	J369 6393	1			U.S.
	J369 6394	1			CANADA - EUROPE - MIDEAST

MODEL CODES:

61=Pickup-6 Ft Box 74=4 Door Wagon T=2WD
62=Pickup-7 Ft Box 77=Open Body 93" Wheelbase J,N,U=4WD
72=2 Door Wagon 78=Open Body 103" Wheelbase

BODY STYLES:

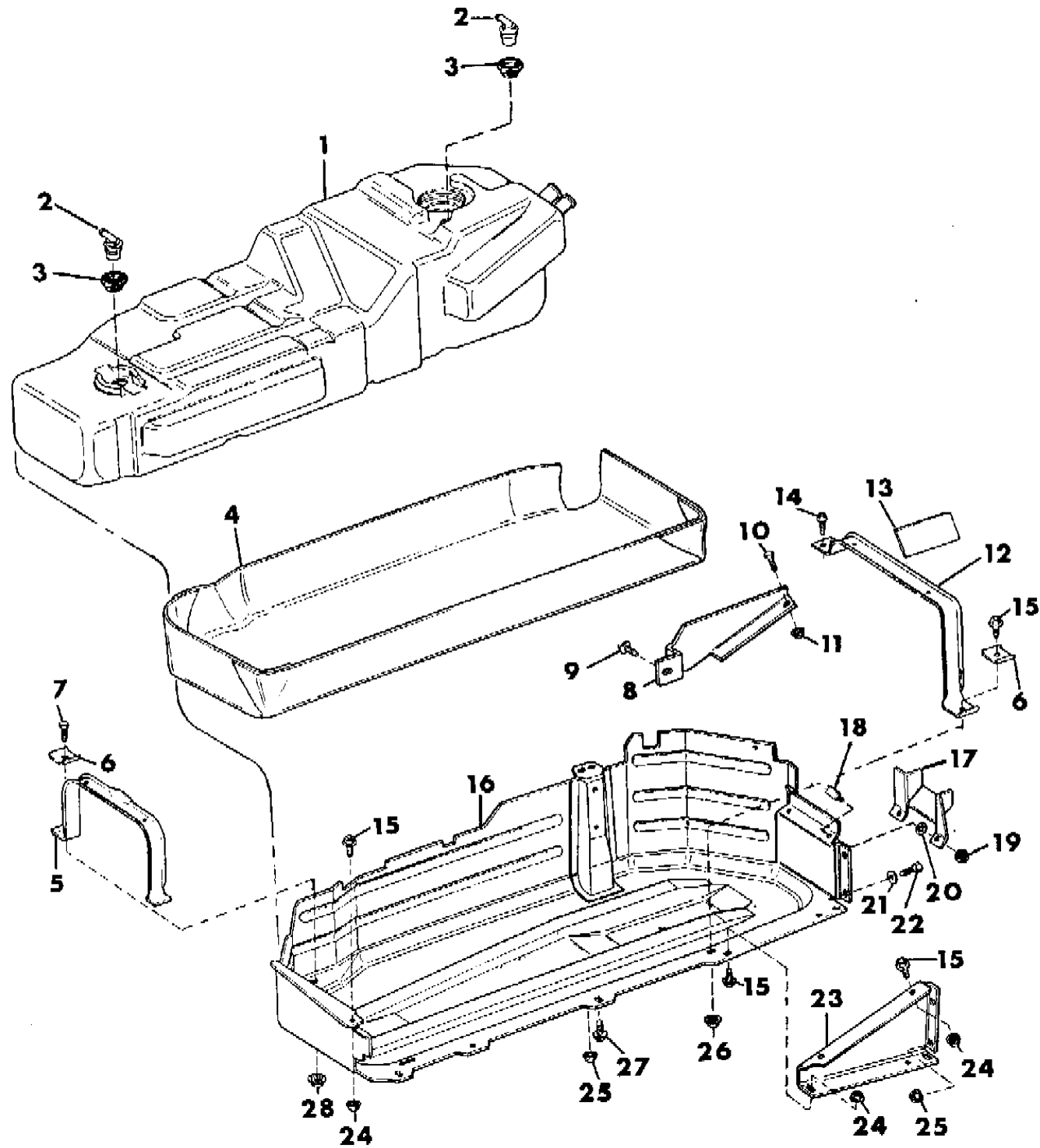
MJ=Comanche Pickup ZJ=Grand Cherokee/Grand Wagoneer KDX VEHICLES
SJ=Grand Wagoneer M1=Comanche
XJ=Cherokee, Briarwood X1=Cherokee, Briarwood
YJ=Wrangler Y1=Wrangler

AR = Use as Required - = Non Illustrated Part P.A.R. = Paint as Required

FUEL TANK GRAND WAGONEER

Figure 14-3200

91J14 3200A



ITEM	PART NUMBER	QTY	BODY	MODEL	DESCRIPTION
1	J536 2496	1			TANK, Fuel
2	J536 2541	2			VALVE, Fuel Vapor
3	J536 0059	2			SEAL, Vapor Valve
4	J536 2004	1			PAD, Fuel Tank
5	J536 1271	1			STRAP, Front
6	J535 6417	2			PLATE
7	J942 4069	1			BOLT
8	J536 1629	1			SHIELD
9	J400 5063	1			SCREW
10	J018 0016	1			BOLT
11	J941 6918	1			NUT, Lock
12	J536 1269	1			STRAP, Rear
13	5200 2895	1			PAD, Strap
14	J400 5673	2			SCREW
15	J027 3773	6			BOLT
16	J536 1590	1			PLATE, Skid
17	J536 1592	1			SHIELD
18	J400 5681	2			SCREW, T-Head
19	J941 6918	2			NUT, Lock
20	J400 5041	2			NUT, Push
21	J012 0393	2			WASHER
22	S017 9814	2			BOLT
23	J536 1268	1			BRACKET
24	J400 5895	5			NUT
25	J400 3587	4			NUT, Lock
26	J400 4008	1			NUT, Lock
27	J400 4626	3			SCREW
28	J400 4005	1			NUT, Lock

MODEL CODES:

61=Pickup-6 Ft Box 74=4 Door Wagon T=2WD
 62=Pickup-7 Ft Box 77=Open Body 93" Wheelbase J,N,U=4WD
 72=2 Door Wagon 78=Open Body 103" Wheelbase

BODY STYLES:

MJ=Comanche Pickup ZJ=Grand Cherokee/Grand Wagoneer KDX VEHICLES
 SJ=Grand Wagoneer M1=Comanche
 XJ=Cherokee, Briarwood X1=Cherokee, Briarwood
 YJ=Wrangler Y1=Wrangler

AR = Use as Required - = Non Illustrated Part P.A.R. = Paint as Required

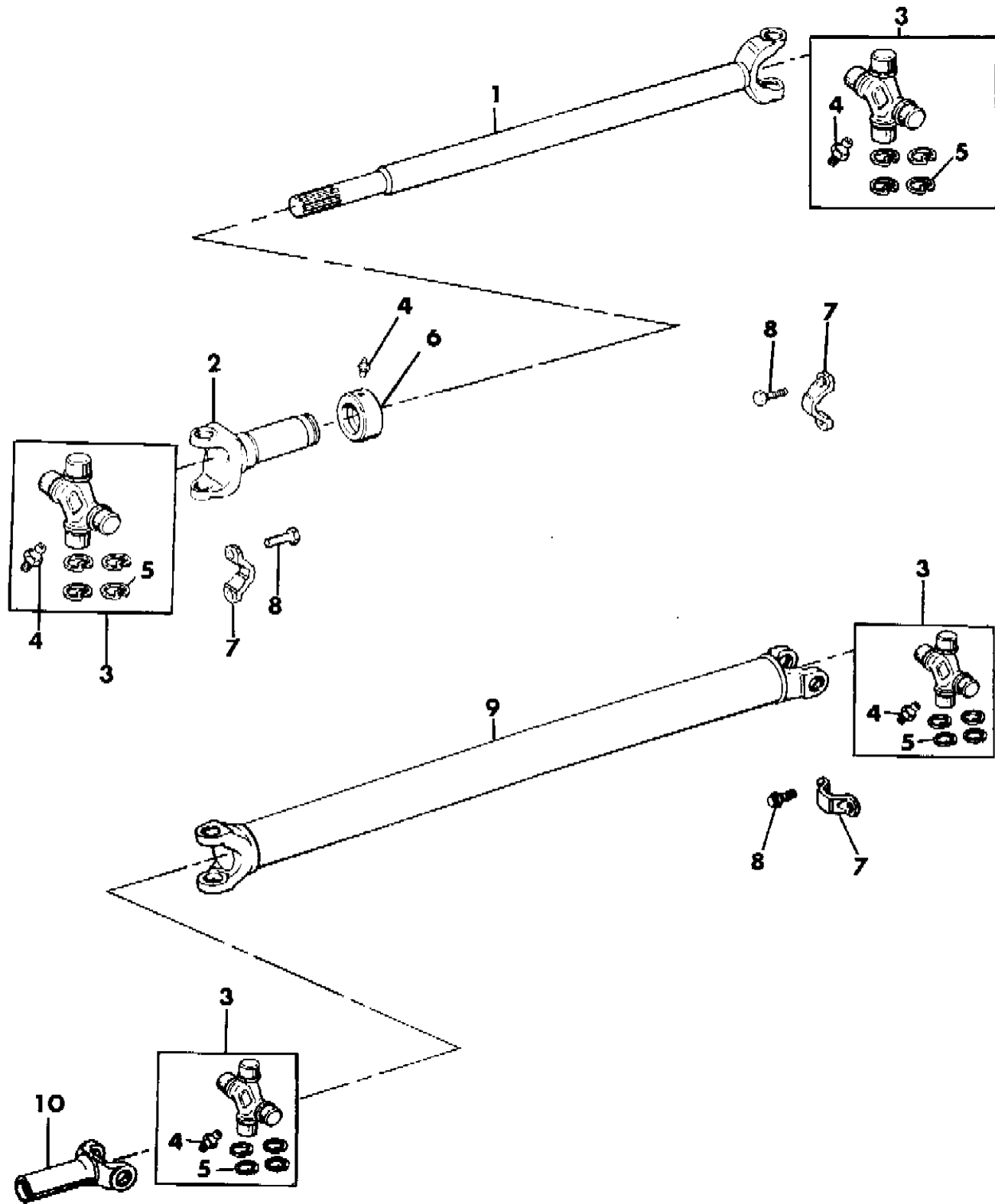
GROUP 16 - PROP. SHAFT AND UNIVERSAL JOINT

ILLUSTRATION TITLE	GROUP-FIG. NO.
PROPELLER SHAFTS WRANGLER, YJ	Fig. 16-100
FRONT PROPELLER SHAFT 4 WHEEL DRIVE CHEROKEE, BRIARWOOD, GRAND CHEROKEE, COMANCHE	Fig. 16-200
REAR PROPELLER SHAFT 2 WHEEL DRIVE AND 4 WHEEL DRIVE CHEROKEE, BRIARWOOD, GRAND CHEROKEE, COMANCHE	Fig. 16-300
FRONT PROPELLER SHAFT GRAND WAGONEER	Fig. 16-400
REAR PROPELLER SHAFT GRAND WAGONEER	Fig. 16-500

ILLUSTRATION NOT AVAILABLE AT TIME OF PUBLICATION

PROPELLER SHAFTS WRANGLER, YJ
Figure 16-100

91J16 100 B



ITEM	PART NUMBER	QTY	BODY	MODEL	DESCRIPTION
1					SHAFT ASSEMBLY, Prop - Front (Complete)
	5208 8028	1			2.5L Eng.
	5208 8027	1	YJ		4.0L Eng. - Man. Trans.
	5208 8028	1	YJ		4.0L Eng. - Auto. Trans.
	5208 8027	1	Y1		4.0L Eng. - Man. Trans. KDX - Egypt, Venezuela
	5208 8028	1	Y1		4.0L Eng. - Auto. Trans. KDX - Venezuela 1992
2					YOKE, Slip
	8350 3117	1			GKN (STAMPED P5166)
	8350 1594	1			Dana (STAMPED C2-3-739 and has "D" Painted on it)
3	J812 6614	4			U-JOINT PACKAGE
4	8350 7064	5			FITTING, Grease
5	J320 7886	AR			RING, Snap
6					SEAL
	8350 3118	1			GKN (CASTED B9-DEK09-428)
	8350 1595	1			Dana (CASTED 211256X)
7	J324 0553	6			STRAP, Prop Shaft Attach
8	J400 6928	12			BOLT
9					SHAFT ASSEMBLY, Prop - Rear (Complete)
	5300 2002	1	YJ		2.5L Eng. 1991-92
	5209 8217	1	YJ		2.5L Eng. 1993
	5300 2003	1	YJ		4.0L Eng. - Man. Trans. 1991-92
	5209 8218	1	YJ		4.0L Eng. - Man. Trans. 1993
	5300 5397	1	YJ		4.0L Eng. - Auto. Trans. 1991-92
	5209 8219	1	YJ		4.0L Eng. - Auto. Trans. 1993
	5300 2002	1	Y1		2.5L Eng. w/93" W.B. KDX - Egypt 1991-92
	5209 8217	1	Y1		2.5L Eng. w/93" W.B. KDX - Egypt 1993
	5300 2003	1	Y1		4.0L Eng. w/93" W.B. - Man. Trans. KDX - Venezuela 1991-92
	5209 8218	1	Y1		4.0L Eng. w/93" W.B. - Man. Trans. KDX - Venezuela 1993
	5300 5397	1	Y1		4.0L Eng. w/93" W.B. - Auto Trans. KDX - Venezuela 1991-92
	5209 8219	1	Y1		4.0L Eng. w/93" W.B. - Auto Trans. KDX - Venezuela 1993
	5300 5401	1	Y1		4.0L Eng. w/103" W.B. - Man. Trans. KDX - Egypt, Venezuela
	5209 8196	1	Y1		4.0L Eng. w/103" W.B. - Auto. Trans. KDX - Venezuela 1992
10	8350 2855	1			YOKE, Slip

MODEL CODES:

61=Pickup-6 Ft Box 74=4 Door Wagon T=2WD
62=Pickup-7 Ft Box 77=Open Body 93" Wheelbase J,N,U=4WD
72=2 Door Wagon 78=Open Body 103" Wheelbase

BODY STYLES:

MJ=Comanche Pickup ZJ=Grand Cherokee/Grand Wagoneer KDX VEHICLES
SJ=Grand Wagoneer M1=Comanche
XJ=Cherokee, Briarwood X1=Cherokee, Briarwood
YJ=Wrangler Y1=Wrangler

AR = Use as Required - = Non Illustrated Part P.A.R. = Paint as Required

FRONT PROPELLER SHAFT 4 WHEEL DRIVE CHEROKEE, BRIARWOOD, GRAND CHEROKEE, COMANCHE
Figure 16-200

91J16 200 B

ITEM	PART NUMBER	QTY	BODY	MODEL	DESCRIPTION
1					SHAFT ASSEMBLY, Prop (Complete)
	5300 5541	1			2.5L Eng. - Man. Trans.
	5300 5543	1			4.0L Eng. - Man. Trans.
	5300 5542	1			4.0L Eng. - Auto. Trans.
	5208 8090	1	ZJ		4.0L Eng. - Man. Trans. (Up To 7-17-92)
	5209 8344	1	ZJ		4.0L Eng. - Man. Trans. (After 7-17-92)
	5300 7587	1	ZJ		4.0L Eng. - Auto. Trans. (Up To 7-17-92)
	5209 8341	1	ZJ		4.0L Eng. - Auto. Trans. (After 7-17-92)
	5208 7805	1	ZJ		4.0L Eng.-w/42R Transmission
	5300 8427	1	ZJ		5.2L Engine, Automatic Transmission A518
	5300 5541	1			Diesel Eng.
	5300 5541	1	X1		2.5L Eng. KDX - China 1991
	5300 5541	1	X1		2.5L Eng. - Man. Trans. KDX - China, Egypt 1992
	5300 5541	1	X1	U	2.5L Eng. - Man. Trans. - RHD 1992
	5300 5543	1	X1		4.0L Eng. - Man. Trans. KDX - China
	5300 5542	1	X1		4.0L Eng. - Auto. Trans. KDX - China
	5300 5544	1	X1	J,N	4.0L Eng. - Man. Trans. KDX - Venezuela 1991
	5300 5544	1	X1	J	4.0L Eng. - Man. Trans. KDX - Venezuela 1992
	5300 5545	1	X1,M1		4.0L Eng. - Auto. Trans. KDX - Venezuela 1991
	5300 5545	1	X1		4.0L Eng. - Auto. Trans. KDX - Venezuela 1992
	5300 5544	1	M1		4.0L Eng. - Auto. Trans. KDX - Venezuela 1991
2	J813 0296	1			YOKE
3	4384 663	1			FLANGE, Front Prop Shaft
4	J099 4826	3			FITTING, Grease
5	J012 0214	4			WASHER
6	J018 1613	4			BOLT,(.312-24x1.170)
	6034 966	4			Alternate part for J0181613 if the hex head is too big use this one.
7	J813 0750	2			U-JOINT PACKAGE
8	J320 7886	12			RING, Snap
9	J812 6614	1			U-JOINT PACKAGE
10	8350 7064	1			FITTING, Grease
11	8350 1594	1			YOKE, Slip
12	J324 0553	2			STRAP, Prop Shaft Attach
13	J400 6928	4			BOLT
14	8350 2812	1			SEAL
15	J813 0300	1			FITTING, Grease

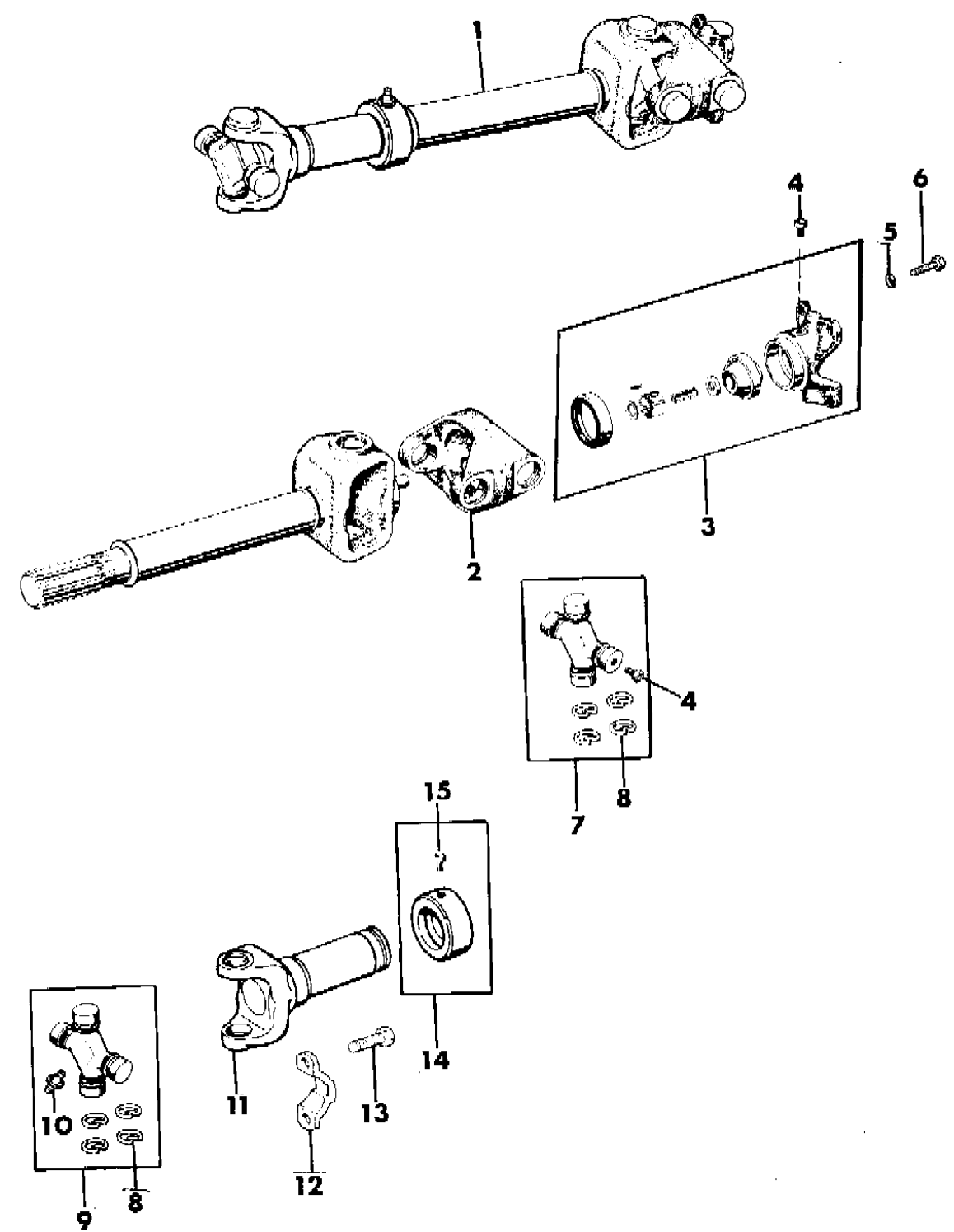
MODEL CODES:

61=Pickup-6 Ft Box 74=4 Door Wagon T=2WD
 62=Pickup-7 Ft Box 77=Open Body 93" Wheelbase J,N,U=4WD
 72=2 Door Wagon 78=Open Body 103" Wheelbase

BODY STYLES:

MJ=Comanche Pickup ZJ=Grand Cherokee/Grand Wagoneer KDX VEHICLES
 SJ=Grand Wagoneer M1=Comanche
 XJ=Cherokee, Briarwood X1=Cherokee, Briarwood
 YJ=Wrangler Y1=Wrangler

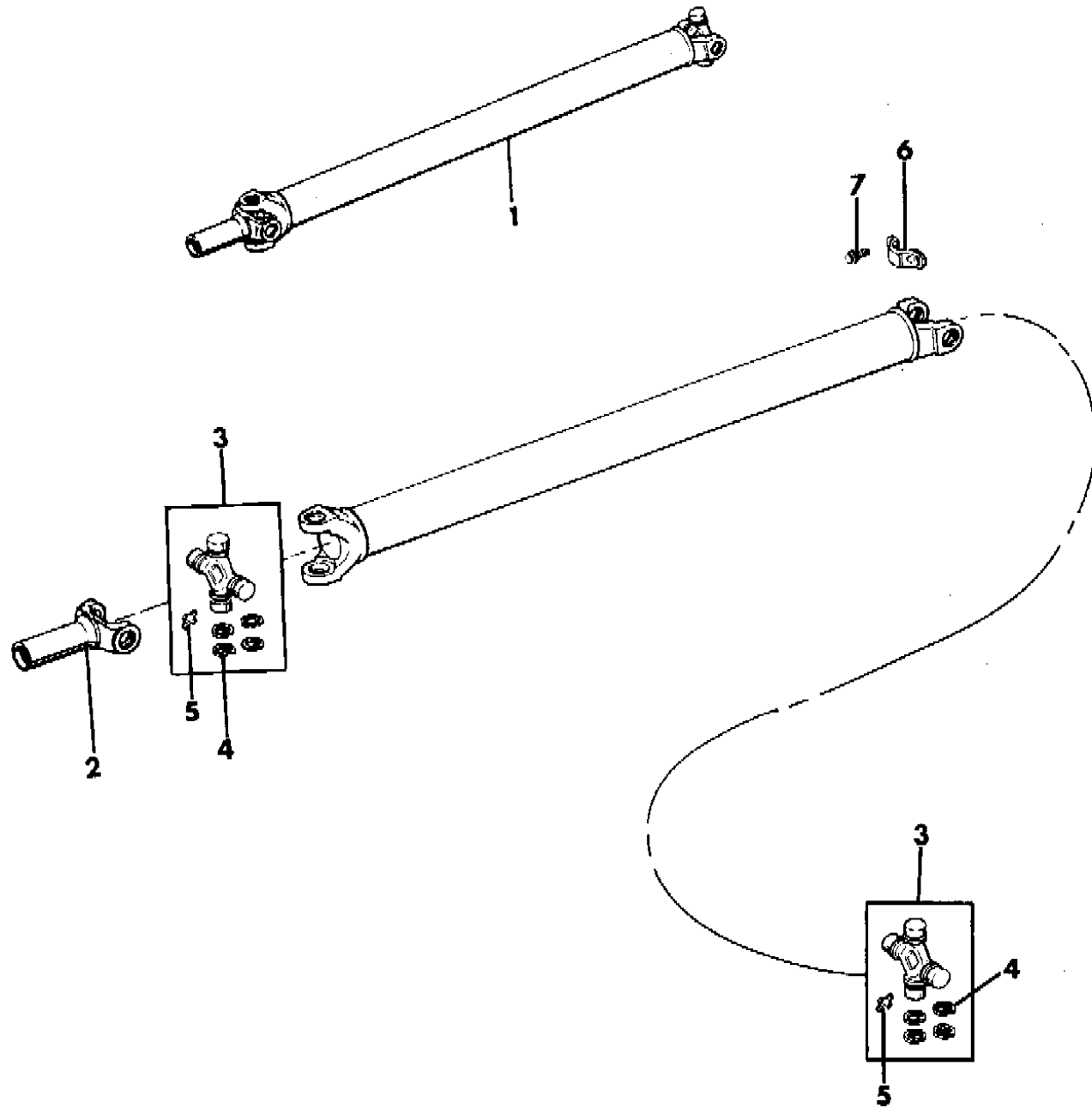
AR = Use as Required - = Non Illustrated Part P.A.R. = Paint as Required



REAR PROPELLER SHAFT 2 WHEEL DRIVE AND 4 WHEEL DRIVE CHEROKEE, BRIARWOOD, GRAND CHEROKEE, COMANCHE

Figure 16-300

91J16 300 B



ITEM	PART NUMBER	QTY	BODY	MODEL	DESCRIPTION
1					SHAFT, Prop., Dana 35
					TWO WHEEL DRIVE
	5300 4950	1	XJ		2.5L Eng. - Man. Trans. 1991-92
	5209 8201	1	XJ		2.5L Eng. - Man. Trans. 1993
	5300 4815	1	XJ		4.0L Eng. - Man. Trans. 1991-92
	5209 8202	1	XJ		4.0L Eng. - Man. Trans. 1993 w/Dana Axle
	5209 8202	1	XJ		4.0L Eng.-Auto Trans., Aisen Seikl, w/o 8 1/4" Axle (47.5" in length)
	5209 8203	1	XJ		4.0L Eng.-Man. Trans. 1993 w/Chrysler 8 1/4 Axle
	5300 8474	1	XJ		4.0L Eng. w/8 1/4 Axle - Auto. Trans. 1991-92
	5209 8203	1	XJ		4.0L Eng. w/8 1/4 Axle - Auto. Trans. 1992-93 (46 3/4" in length)
	5300 4661	1	MJ		2.5L Eng. w/6 Ft. Box - Man. Trans.
	5300 4816	1	MJ		4.0L Eng. w/6 Ft. Box
	5300 4659	1	MJ		2.5L Eng. w/7 Ft. Box - Man. Trans.
	5300 4660	1	MJ		2.5L Eng. w/7 Ft. Box w/5350 GVW - Man. Trans.
	5300 4814	1	MJ		4.0L Eng. w/7 Ft. Box
	5300 4659	1	MJ		Diesel Eng. w/7 Ft. Box - Man. Trans. 1991
	5300 8472	1	X1		2.5L Eng. w/8 1/4 Axle - Man. Trans. KDX - China 1991
	5300 8472	1	X1		2.5L Eng. w/8 1/4 Axle - Man. Trans. KDX - China, Egypt 1992
	5300 8474	1	X1		4.0L Eng. w/8 1/4 Axle KDX - China 1991-92
	5209 8203	1	X1		4.0L Eng. w/8 1/4 Axle KDX - China 1993
	5209 8342	1	ZJ		4.0L Eng. used w/Aisin Warner DGS Transmission
	5208 7801	1			4.0L Eng. and A500 Transmission
					FOUR WHEEL DRIVE
	5300 3241	1	XJ		2.5L Eng. - Man. Trans. 1991-92
	5209 8207	1	XJ		2.5L Eng. - Man. Trans. 1993
	5300 3242	1	XJ		4.0L Eng. - Man. Trans. 1991-92
	5209 8206	1	XJ		4.0L Eng. - Man. Trans. 1993 w/Dana Axle
	5209 8216	1	XJ		4.0L Engine, Man. Trans, 1993. w/Chrysler 8 1/4 Axle
	5300 3246	1	XJ		4.0L Eng. w/o 8 1/4 Axle - Auto. Trans. 1991-92
	5209 8204	1	XJ		4.0L Eng. w/o 8 1/4 Axle - Auto. Trans. 1993
	5300 5008	1	XJ		4.0L Eng. w/8 1/4 Axle - Auto. Trans. 1991-92
	5209 8205	1	XJ		4.0L Eng. w/8 1/4 Axle - Auto. Trans. 1993
	5300 3241	1	XJ		Diesel Eng. - Man. Trans. 1991-92
	5300 7092	1	ZJ		4.0L Eng., Man. Trans., (Up To 7-17-92)
	5209 8343	1	ZJ		4.0L Eng., Man. Trans., (After 7-17-92)
	5209 8163	1	ZJ		4.0L Eng. Aisin Warner Trans.
	5209 8164	1	ZJ		4.0 Eng., A500SE Trans.
	5209 9156	1	ZJ		5.2L Eng. Auto Trans, Also use 83503574 Slip Yoke
	5209 8207	1	XJ		Diesel Eng. - Man. Trans. 1993

MODEL CODES:

61=Pickup-6 Ft Box 74=4 Door Wagon T=2WD
 62=Pickup-7 Ft Box 77=Open Body 93" Wheelbase J,N,U=4WD
 72=2 Door Wagon 78=Open Body 103" Wheelbase

BODY STYLES:

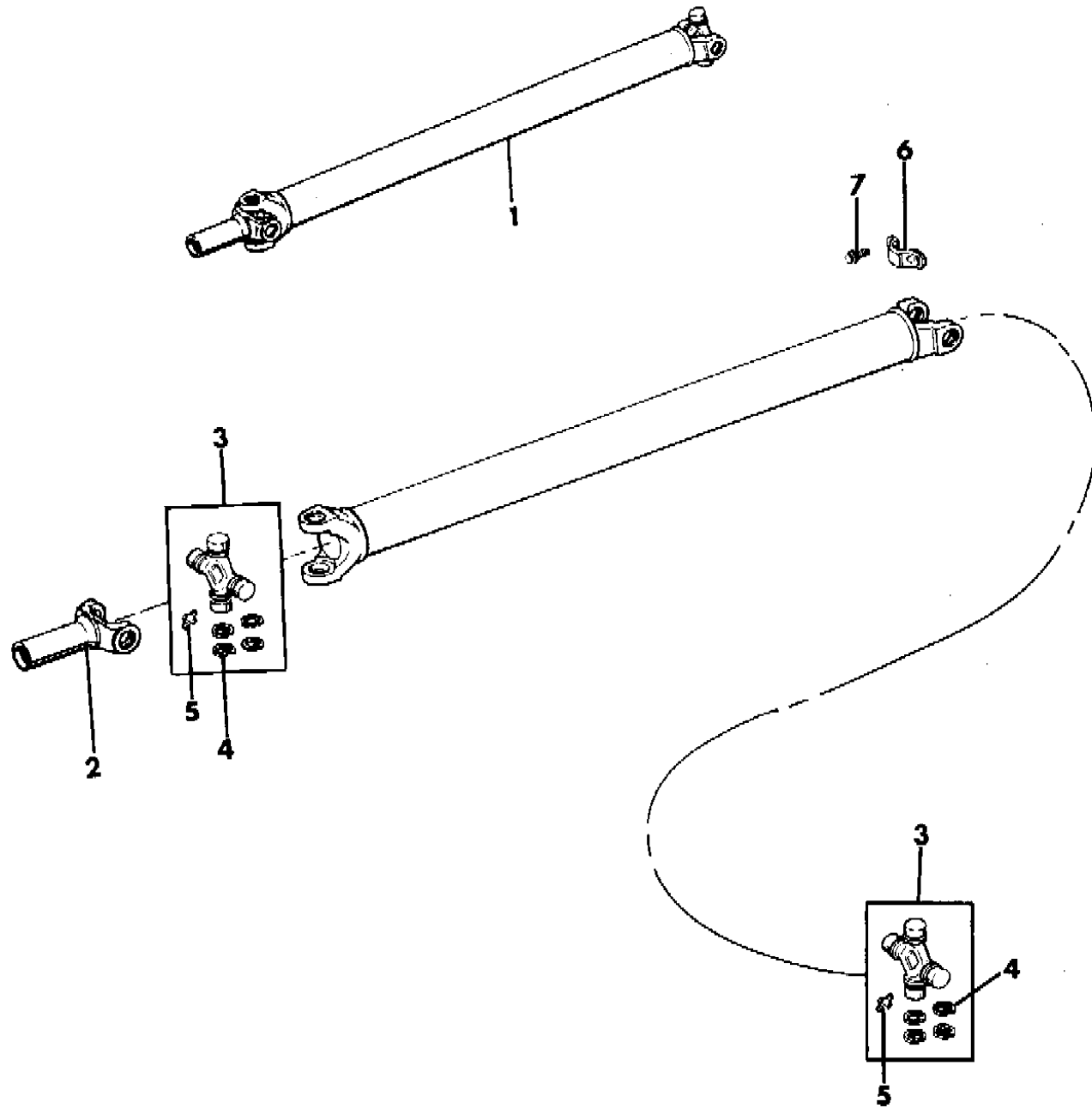
MJ=Comanche Pickup ZJ=Grand Cherokee/Grand Wagoneer KDX VEHICLES
 SJ=Grand Wagoneer M1=Comanche
 XJ=Cherokee, Briarwood X1=Cherokee, Briarwood
 YJ=Wrangler Y1=Wrangler

AR = Use as Required - = Non Illustrated Part P.A.R. = Paint as Required

REAR PROPELLER SHAFT 2 WHEEL DRIVE AND 4 WHEEL DRIVE CHEROKEE, BRIARWOOD, GRAND CHEROKEE, COMANCHE

Figure 16-300

91J16 300 B



ITEM	PART NUMBER	QTY	BODY	MODEL	DESCRIPTION
	5300 8439	1	X1	J	2.5L Eng. w/8 1/4 Axle - Man. Trans. KDX - China 1991
	5300 8439	1	X1	J	2.5L Eng. w/8 1/4 Axle - Man. Trans. KDX - China, Egypt 1992
	5300 8439	1	X1	U	2.5L Eng. w/8 1/4 Axle - Man. Trans. RHD 1992
	5300 5009	1	X1	J	4.0L Eng. w/8 1/4 Axle - Man. Trans. - KDX - China
	5300 5008	1	X1	J	4.0L Eng. w/8 1/4 Axle - Auto. Trans. KDX - China 1991-92
	5209 8205	1	X1	J	4.0L Eng. w/8 1/4 Axle - Auto. Trans. KDX - China 1993
	5300 5009	1	X1	J,N	4.0L Eng. - Man. Trans. KDX - Venezuela 1991
	5300 5009	1	X1	J	4.0L Eng. - Man. Trans. KDX - Venezuela 1992
	5300 5008	1	X1	N	4.0L Eng. - Auto. Trans. KDX - Venezuela
	5300 4671	1	MJ		2.5L Eng. w/6 Ft. Box - Man. Trans.
	5300 4669	1	MJ		4.0L Eng. w/6 Ft. Box - Man. Trans.
	5300 4670	1	MJ		4.0L Eng. w/6 Ft. Box - Auto. Trans.
	5300 4656	1	MJ		2.5L Eng. w/7 Ft. Box - Man. Trans.
	5300 4662	1	MJ		4.0L Eng. w/7 Ft. Box - Man. Trans.
	5300 4654	1	MJ		4.0L Eng. w/7 Ft. Box - Auto. Trans.
	5300 4656	1	MJ		Diesel Eng. w/7 Ft. Box - Man. Trans. 1991 DANA 44 Two Wheel Drive
	5300 5014	1	MJ		4.0L Eng. w/6 Ft. Box
	5300 4813	1	MJ		4.0L Eng. w/7 Ft. Box Dana 44 Four Wheel Drive
	5300 5013	1	MJ		4.0L Eng. w/6 Ft. Box - Man. Trans.
	5300 5012	1	MJ		4.0L Eng. w/6 Ft. Box - Auto. Trans.
	5300 5013	1	M1		4.0L Eng. w/6 Ft. Box - Man. Trans. - KDX - Venezuela
	5300 4656	1	MJ		2.5L Eng. w/7 Ft. Box w/5500 lbs. GVW - Man. Trans.
	5300 4665	1	MJ		4.0L Eng. w/7 Ft. Box - Man. Trans.
	5300 4663	1	MJ		4.0L Eng. w/7 Ft. Box - Auto. Trans.
	5300 4657	1	MJ		Diesel Eng. w/7 Ft. Box w/5500 lbs GVW - Man. Trans. 1991
	5300 4665	1	M1		4.0L Eng. w/7 Ft. Box - Man. Trans. KDX - Venezuela 1991
2					YOKE, Slip
	5300 1987	1		2WD	Man. Trans. (21 Splines)
	8350 3593	1		2WD	w/5 Spd. Man.(Aisin Seiki) and Auto. Trans. (26 Splines)
	8350 3574	1		4WD	
	4384 586	1	ZJ		(30 Spline)
3					U-JOINT PACKAGE
	4504 575	1			w/7290 Series, (Measures 2 5/8)
	4728 937	1			w/7260 Series, (Measures 2 1/8)
4	J320 7886	8			RING, Snap
5	8350 7064	2			FITTING, Grease
6	J324 0553	2			STRAP, Prop Shaft Attach
7	J400 6928	4			BOLT

MODEL CODES:

61=Pickup-6 Ft Box 74=4 Door Wagon T=2WD
 62=Pickup-7 Ft Box 77=Open Body 93" Wheelbase J,N,U=4WD
 72=2 Door Wagon 78=Open Body 103" Wheelbase

BODY STYLES:

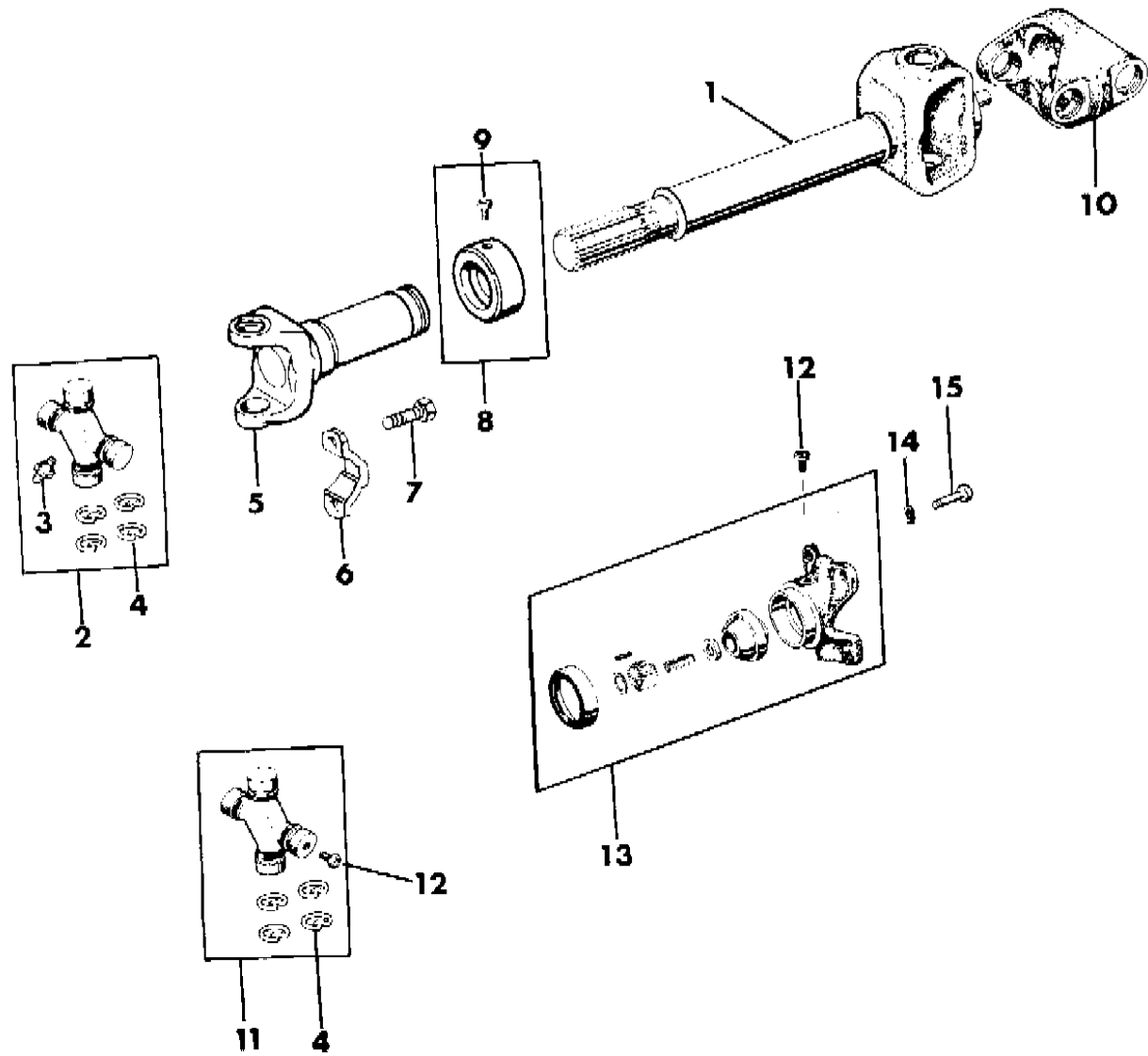
MJ=Comanche Pickup ZJ=Grand Cherokee/Grand Wagoneer KDX VEHICLES
 SJ=Grand Wagoneer M1=Comanche
 XJ=Cherokee, Briarwood Y1=Cherokee, Briarwood
 YJ=Wrangler Y1=Wrangler

AR = Use as Required - = Non Illustrated Part P.A.R. = Paint as Required

FRONT PROPELLER SHAFT GRAND WAGONEER

Figure 16-400

91J16 400 A



ITEM	PART NUMBER	QTY	BODY	MODEL	DESCRIPTION
1	5300 5539	1			SHAFT ASSEMBLY, Prop (Complete)
2	J812 6614	1			U-JOINT PACKAGE
3	8350 7064	2			FITTING, Grease
4	J320 7886	12			RING, Snap
5	8350 1594	1			YOKE, Slip
6	J324 0553	2			STRAP, Prop Shaft Attach
7	J400 6928	4			BOLT
8	8350 1595	1			SEAL
9	J813 0300	1			FITTING, Grease
10	J813 0296	1			YOKE
11	J813 0750	2			U-JOINT PACKAGE
12	J099 4826	3			FITTING, Grease
13	4384 663	AR			FLANGE ASSEMBLY, Front Prop Shaft ***
14	J012 0214	4			WASHER
15	J018 1613	4			BOLT

MODEL CODES:

61=Pickup-6 Ft Box 74=4 Door Wagon T=2WD
 62=Pickup-7 Ft Box 77=Open Body 93" Wheelbase J,N,U=4WD
 72=2 Door Wagon 78=Open Body 103" Wheelbase

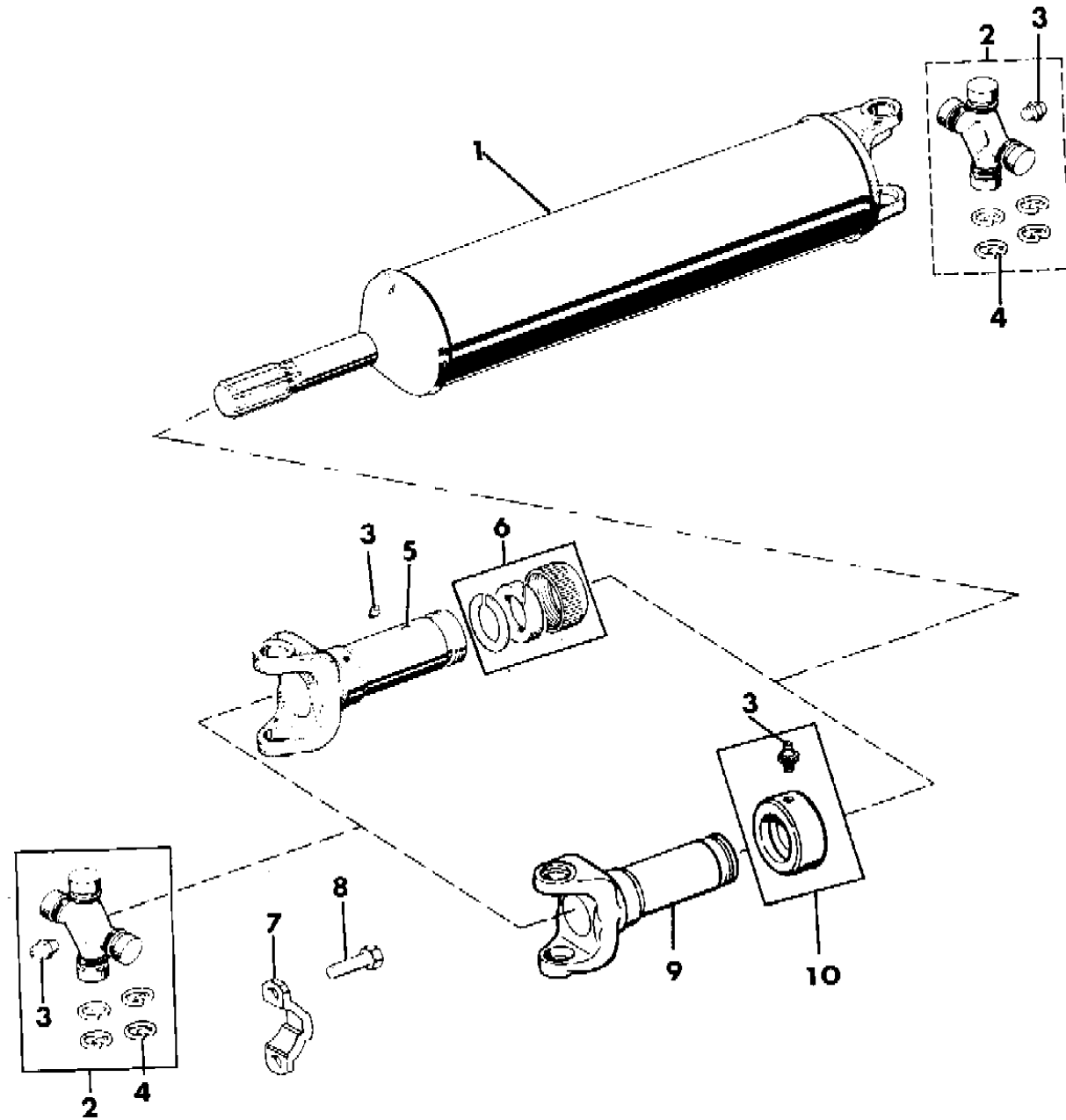
BODY STYLES:

MJ=Comanche Pickup ZJ=Grand Cherokee/Grand Wagoneer KDX VEHICLES
 SJ=Grand Wagoneer M1=Comanche
 XJ=Cherokee, Briarwood X1=Cherokee, Briarwood
 YJ=Wrangler Y1=Wrangler

AR = Use as Required - = Non Illustrated Part P.A.R. = Paint as Required

REAR PROPELLER SHAFT GRAND WAGONEER
Figure 16-500

91J16 500 A



ITEM	PART NUMBER	QTY	BODY	MODEL	DESCRIPTION
1	J536 1003	1			SHAFT ASSEMBLY, Prop - Rear (Complete)
2	J812 6614	2			U-JOINT PACKAGE
3	8350 7064	3			FITTING, Grease
4	J320 7886	8			RING, Snap
5	J812 7263	1			YOKE, Slip
6	J812 8447	1			SEAL
7	J324 0553	4			STRAP, Prop Shaft Attach
8	J400 6928	8			BOLT
9	J813 4782	1			YOKE, Slip
10	J813 4783	1			SEAL

MODEL CODES:

61=Pickup-6 Ft Box 74=4 Door Wagon T=2WD
 62=Pickup-7 Ft Box 77=Open Body 93" Wheelbase J,N,U=4WD
 72=2 Door Wagon 78=Open Body 103" Wheelbase

BODY STYLES:

MJ=Comanche Pickup ZJ=Grand Cherokee/Grand Wagoneer KDX VEHICLES
 SJ=Grand Wagoneer M1=Comanche
 XJ=Cherokee, Briarwood X1=Cherokee, Briarwood
 YJ=Wrangler Y1=Wrangler

AR = Use as Required - = Non Illustrated Part P.A.R. = Paint as Required

GROUP 17 - REAR SUSPENSION

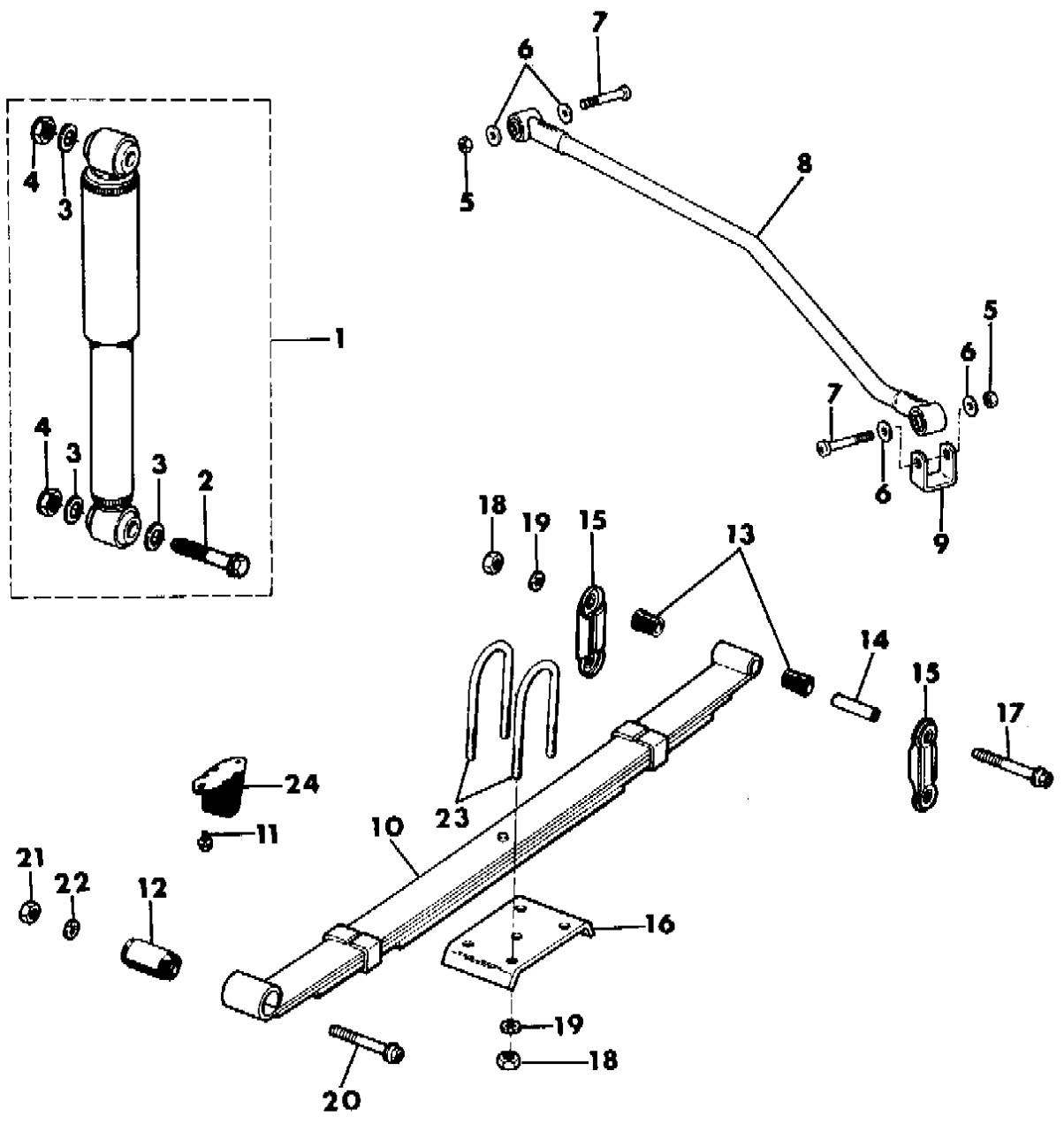
ILLUSTRATION TITLE	GROUP-FIG. NO.
SUSPENSION, REAR W/SHOCK ABSORBER WRANGLER, YJ	Fig. 17-100
SUSPENSION, REAR W/SHOCK ABSORBER CHEROKEE, BRIARWOOD	Fig. 17-200
SUSPENSION, REAR W/SHOCK ABSORBER GRAND CHEROKEE (ZJ)	Fig. 17-250
SUSPENSION, REAR COMANCHE	Fig. 17-300
SUSPENSION, REAR W/SHOCK ABSORBER GRAND WAGONEER	Fig. 17-400
STABILZER, REAR GRAND CHEROKEE (ZJ)	Fig. 17-500

ILLUSTRATION NOT AVAILABLE AT TIME OF PUBLICATION

SUSPENSION, REAR W/SHOCK ABSORBER WRANGLER, YJ
Figure 17-100

91J17 100

ITEM	PART NUMBER	QTY	BODY	MODEL	DESCRIPTION
1					SHOCK ABSORBER
	8350 2867	2			w/Std. Susp.
	4638 207	2			w/Std. Susp. w/EGYPT
	8350 2837	2			w/H.D. Susp., Gas Charged, Off Road Pkg.(w/Boot Stamped 52002554)
2	J018 1709	2			BOLT
3	J448 8495	6			WASHER
4	J400 4311	4			NUT
5		4			NUT, M12x1.75-6H (Not Serv.)
6	J448 8495	10			WASHER
7	6502 248	3			BOLT
8	5204 0404	1			BAR, Track Rear
9	5200 1989	2			SPACER
10					SPRING ASSEMBLY ***
	5200 3208	2			Standard Duty, w/Soft Top, 5 Leaf (RS)(Z01)
	5200 3209	2			Standard Duty, w/Hard Top, 5 Leaf (RH)(Z03)
	5200 3449	2			Heavy Duty, 6 Leaf
	5203 7833	2			Heavy Duty, w/16" Wheels (Z06) KDX
	5200 2854	2			(Z02) KDX
	5200 3556	2			(Z04) KDX
	5200 2836	2			(Z05) KDX
	5200 3989	2			(Z07) KDX
	5200 3990	2			(Z08) KDX
11	J400 5063	4			SCREW
12	5200 2551	2			BUSHING
13	5200 2552	8			BUSHING
14	5200 2553	4			SPACER
15	5204 0415	4			PLATE, Shackle
16	5200 6421	2			PLATE, Rear Spring U-Bolt
17	J400 7393	4			BOLT
18	J400 4311	12			NUT
19	S012 0390	12			WASHER
20	J400 7547	2			BOLT
21	J400 3979	2			NUT
22	J400 6884	2			WASHER
23	5200 6420	4			U-BOLT
24	5200 2658	2			BUMPER



MODEL CODES:
61=Pickup-6 Ft Box 74=4 Door Wagon T=2WD
62=Pickup-7 Ft Box 77=Open Body 93" Wheelbase J,N,U=4WD
72=2 Door Wagon 78=Open Body 103" Wheelbase

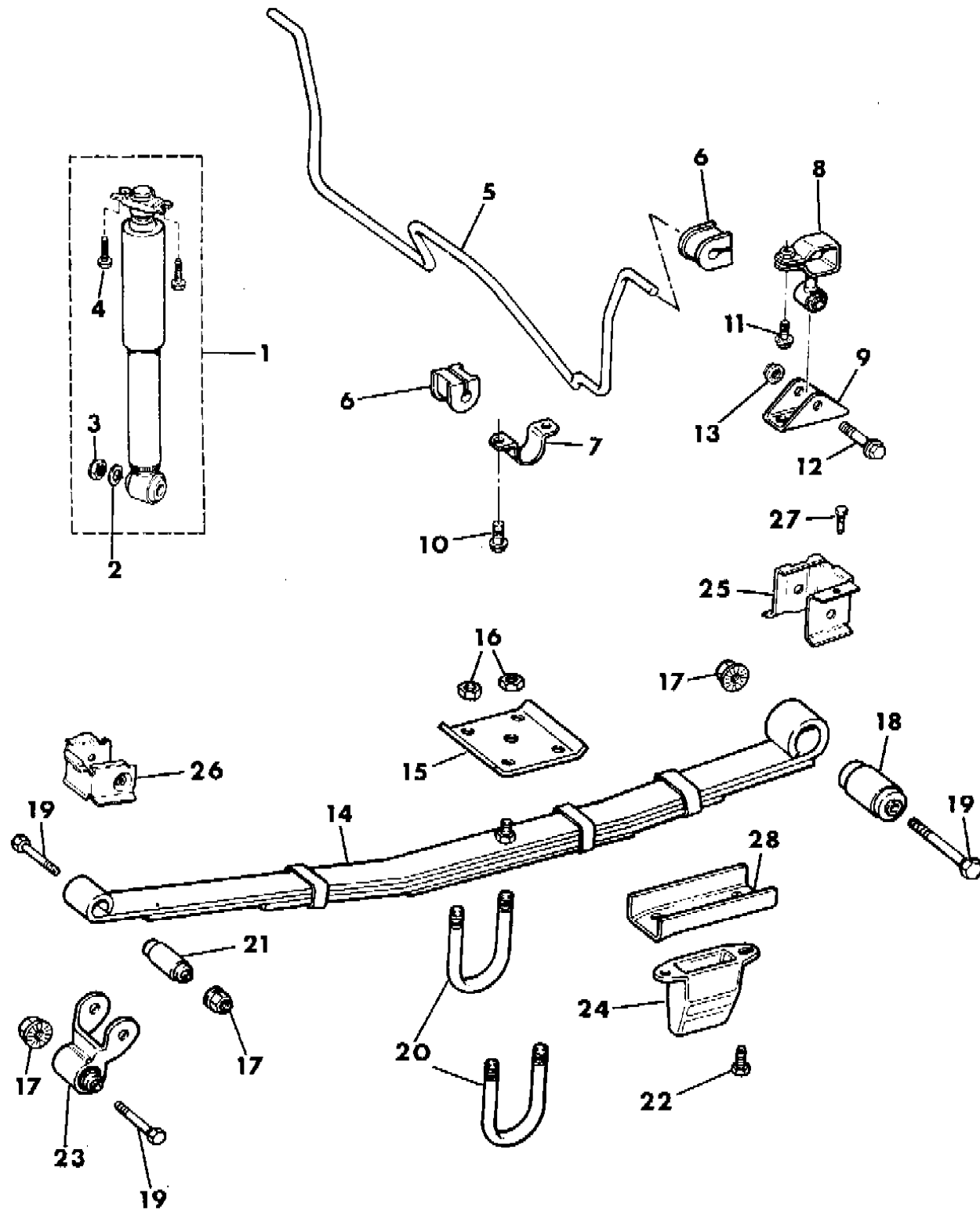
BODY STYLES:
MJ=Comanche Pickup ZJ=Grand Cherokee/Grand Wagoneer KDX VEHICLES
SJ=Grand Wagoneer M1=Comanche
XJ=Cherokee, Briarwood X1=Cherokee, Briarwood
YJ=Wrangler Y1=Wrangler

AR = Use as Required - = Non Illustrated Part P.A.R. = Paint as Required

SUSPENSION, REAR W/SHOCK ABSORBER CHEROKEE, BRIARWOOD

Figure 17-200

91J17 200



ITEM	PART NUMBER	QTY	BODY	MODEL	DESCRIPTION
1					SHOCK ABSORBER
	4637 103	2			w/Std. Susp.
	4638 206	2			w/Std. Susp. w/VENEZEULA
	4637 523	2			w/H.D. Susp.
	8350 4212	2			w/Off Road Package
2	S012 0390	AR			WASHER
3	1150 0756	AR			NUT
4	J420 0089	4			SCREW
5	5200 1135	1			STABILIZER ***
6	5200 1145	4			CUSHION, Stabilizer, Yellow
7	5200 1085	2			CLAMP
8	5200 1094	2			LINK
9	5200 6450	2			BRACKET, w/Dana Axle
	5208 7657	2			w/KDX
	5200 4008	2			w/8.25 Acustar Axle
10	3420 1321	4			BOLT
11	3420 1756	2			BOLT
12	1150 5098	2			BOLT
13	1150 2813	2			NUT
14					SPRING, Rear
	5200 0050	2			Std. Duty, Coded LB (#2157),also with sales codes ZFS,ZTS
	5200 0051	2			Std. Duty, Coded LC, EC (#2424),Also with sales codes ZFT, ZTT
	5200 0706	2			Std. Duty, Coded LN (#2961),Also with sales codes ZFU,ZTU
	5200 0544	2			H.D., Coded LK (#2157),Also with sales codes ZGS,ZUS
	5200 0543	2			H.D., Coded LJ
	5200 0545	2			H.D., Coded LL (#2424),Also with sales codes ZGT,ZUT
	5200 0707	2			H.D., Coded LM (#2691),Also with sales codes ZGU,ZUU
	5200 2390	2			H.D., Coded LS (Off Road),Also with sales codes ZGV,ZUV
	5200 2392	2			H.D., Coded LT (Off Road),also with sales codes ZGW,ZUW
15	5200 6449	2			PLATE, w/Dana Axle
	5200 4009	2			w/8.25 Acustar Axle
16	1150 2813	8			NUT
17	1150 2814	6			NUT
18	5200 0503	2			BUSHING
19	3420 2118	6			BOLT
20	5200 6440	4			U-BOLT, (2 5/8) w/Dana Axle
	5200 4010	4			w/8.25 Acustar Axle
21	5200 0504	2			BUSHING
22					SCREW
	3420 1193	4			Length = 25mm

MODEL CODES:

61=Pickup-6 Ft Box 74=4 Door Wagon T=2WD
 62=Pickup-7 Ft Box 77=Open Body 93" Wheelbase J,N,U=4WD
 72=2 Door Wagon 78=Open Body 103" Wheelbase

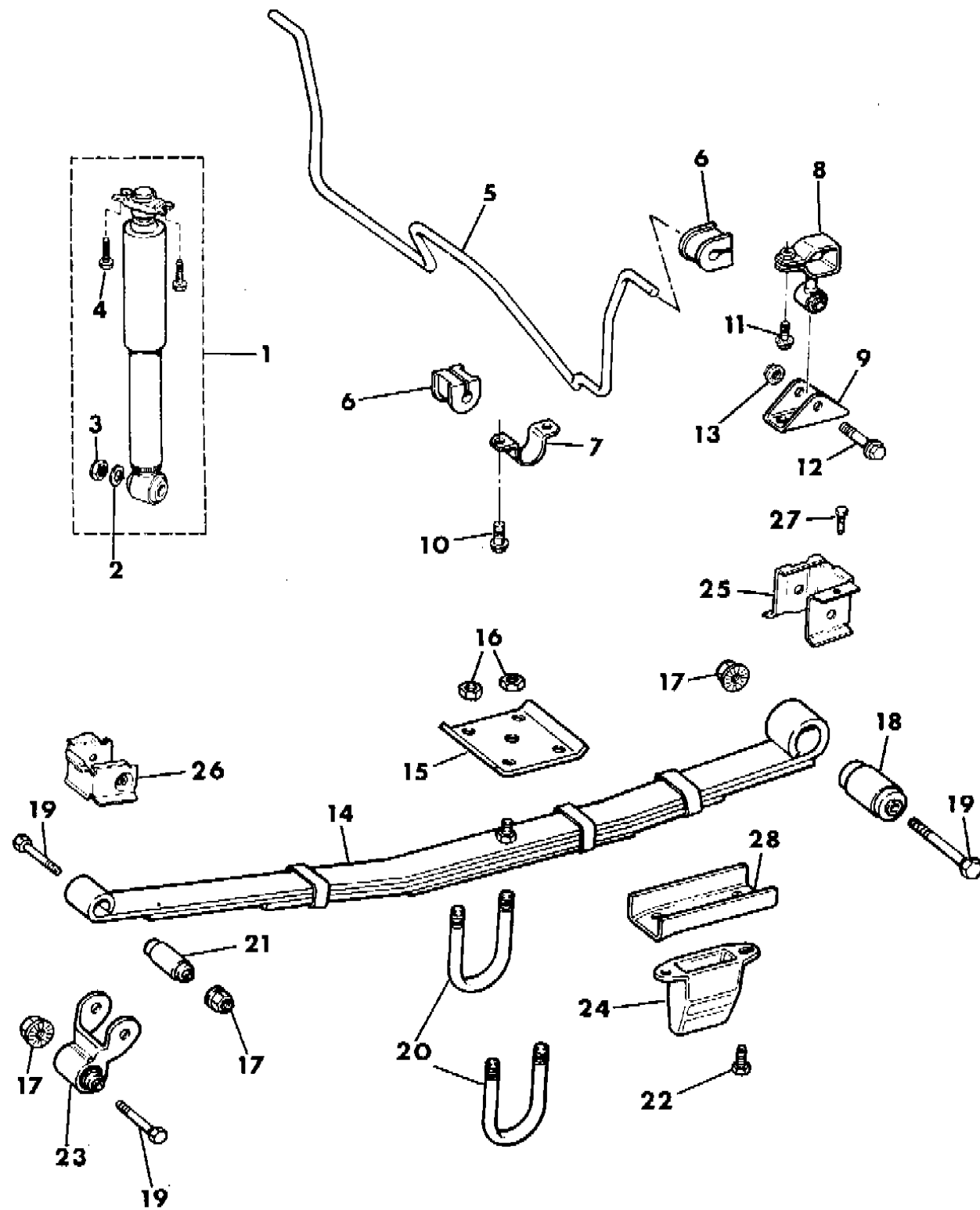
BODY STYLES:

MJ=Comanche Pickup ZJ=Grand Cherokee/Grand Wagoneer KDX VEHICLES
 SJ=Grand Wagoneer M1=Comanche
 XJ=Cherokee, Briarwood X1=Cherokee, Briarwood
 YJ=Wrangler Y1=Wrangler

AR = Use as Required - = Non Illustrated Part P.A.R. = Paint as Required

SUSPENSION, REAR W/SHOCK ABSORBER CHEROKEE, BRIARWOOD
Figure 17-200

91J17 200



ITEM	PART NUMBER	QTY	BODY	MODEL	DESCRIPTION
	3420 1771	4			Length = 30mm
	3420 1819	4			Length = 45mm
23	5200 0507	2			SHACKLE
24					BUMPER, Rear Axle Jounce
	5200 4297	2			Height = 74mm
	5200 2393	2			Height = 104mm
25	5500 1100-1	1			BRACKET
26	5500 1102-3	1			BRACKET
27	3420 1559	2			BOLT
28	5200 2386	2			REINFORCEMENT

MODEL CODES:

61=Pickup-6 Ft Box 74=4 Door Wagon T=2WD
 62=Pickup-7 Ft Box 77=Open Body 93" Wheelbase J,N,U=4WD
 72=2 Door Wagon 78=Open Body 103" Wheelbase

BODY STYLES:

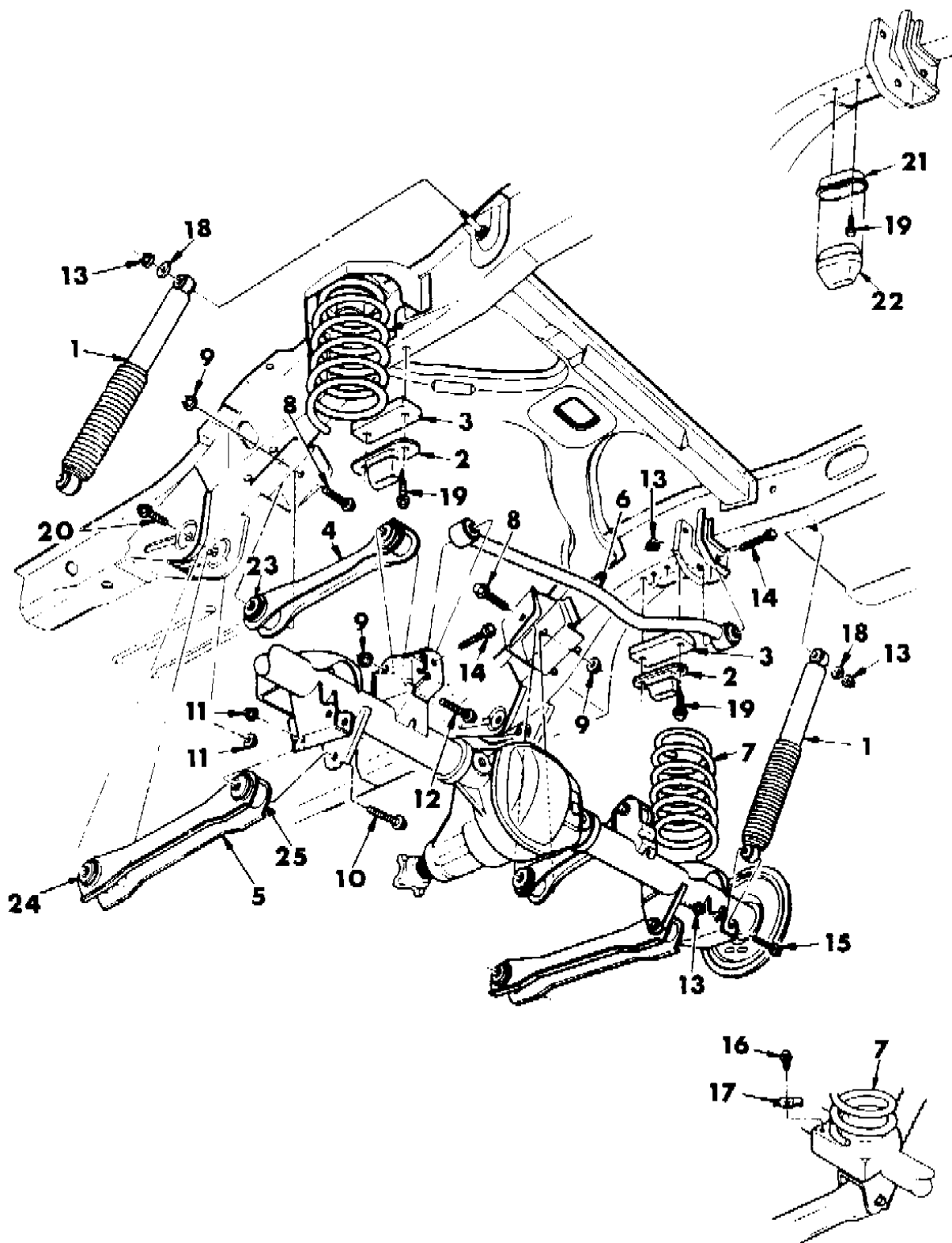
MJ=Comanche Pickup ZJ=Grand Cherokee/Grand Wagoneer KDX VEHICLES
 SJ=Grand Wagoneer M1=Comanche
 XJ=Cherokee, Briarwood X1=Cherokee, Briarwood
 YJ=Wrangler Y1=Wrangler

AR = Use as Required - = Non Illustrated Part P.A.R. = Paint as Required

SUSPENSION, REAR W/SHOCK ABSORBER GRAND CHEROKEE (ZJ)

Figure 17-250

91J17 250



ITEM	PART NUMBER	QTY	BODY	MODEL	DESCRIPTION
1					SHOCK ABSORBER, Rear
	4723 036	2			w/Std. Susp.
	4723 035	2			w/AWE (Up Country Susp. Pkg.) Stamped 52005641
2	5200 4297	2			BUMPER, Rear Jounce w/2WD or w/AWE (Up Country Susp. Pkg.)
3	5203 7549	2			SPACER, Jounce Bumper w/ 2WD or w/Awe (Up Country Pkg.) (Up To 7-16-92)
	5208 7675	2			(After 7-16-92)
4	5203 7551	2			ARM, Control Upper
5	5203 7552	2			ARM, Control Lower
6	5200 5642	1			TRACK BAR, Rear
-	5201 8347	1			COVER, Track Bar Bracket
-	6030 441	1			SCREW, Track Bar Cover
7					SPRING, Rear Coil
	5208 8364	AR			w/Std. Susp. Coded (JE)
	5208 9142	AR			w/Std. Susp. Coded (JF)
	5208 9143	AR			w/Std. Susp. Coded (JG)
	5208 9144	AR			w/H.D. Susp. Coded (JH), w/AWE (Up Country Susp. Pkg.)
	5208 9145	AR			w/H.D. Susp. Coded (JJ), w/AWE (Up Country Susp. Pkg.)
-	5203 7555	2			ISOLATOR, Spring Upper w/AWE (Up Country Susp. Pkg.)
-	5208 7671	1			Rt., w/o AWE (Up Country Susp. Pkg.)
-	5203 7555	1			Lt., w/o AWE (Up Country Susp. Pkg.)
-	5208 7755	1			SLEEVE, Protective Rt.
8	6502 472	2			BOLT, w/4.0L Eng.
	6502 759	2			w/5.2L Eng.
9	6502 696	4			NUT
10	6502 470	2			BOLT
11	6502 698	4			NUT
12	6502 469	2			SCREW
13	6502 697	5			NUT
14	6502 883	2			SCREW
15	6502 473	2			BOLT
16	6502 468	2			BOLT
17	5200 5917	2			BRACKET, Spring Holddown
18		2			WASHER, M12x3.0x3.5 (Not Serv.)
19					BOLT
	6502 656	4			w/2WD or w/AWE (Up Country Susp. Pkg.)
	6502 657	4			w/4WD
20	6502 639	2			BOLT, (Up To 7-17-92)
	6502 963	2			(After 7-17-92)
21	5208 7638	2			CUP, Jounce Bumper Rear

MODEL CODES:

61=Pickup-6 Ft Box 74=4 Door Wagon T=2WD
 62=Pickup-7 Ft Box 77=Open Body 93" Wheelbase J,N,U=4WD
 72=2 Door Wagon 78=Open Body 103" Wheelbase

BODY STYLES:

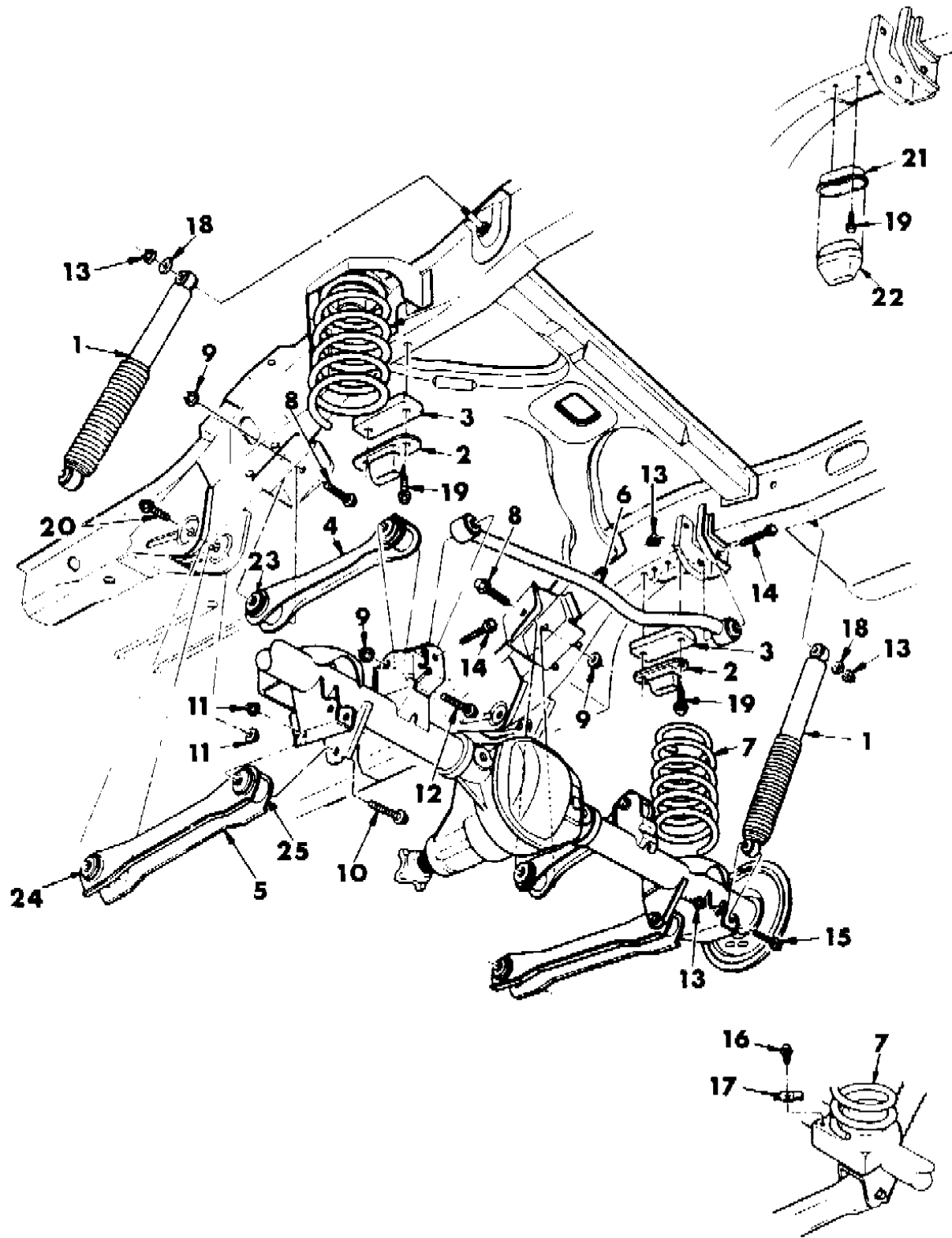
MJ=Comanche Pickup ZJ=Grand Cherokee/Grand Wagoneer KDX VEHICLES
 SJ=Grand Wagoneer M1=Comanche
 XJ=Cherokee, Briarwood X1=Cherokee, Briarwood
 YJ=Wrangler Y1=Wrangler

AR = Use as Required - = Non Illustrated Part P.A.R. = Paint as Required

SUSPENSION, REAR W/SHOCK ABSORBER GRAND CHEROKEE (ZJ)

Figure 17-250

91J17 250



ITEM	PART NUMBER	QTY	BODY	MODEL	DESCRIPTION
22	5208 7639	2			BUMPER, Jounce Rear
23	5203 8020	4			BUSHING, Control Arm Upper
24	5203 8024	2			BUSHING, Control Arm Lower, Front
25	5203 8026	2			BUSHING, Control Arm Lower, Rear

MODEL CODES:

61=Pickup-6 Ft Box 74=4 Door Wagon T=2WD
 62=Pickup-7 Ft Box 77=Open Body 93" Wheelbase J,N,U=4WD
 72=2 Door Wagon 78=Open Body 103" Wheelbase

BODY STYLES:

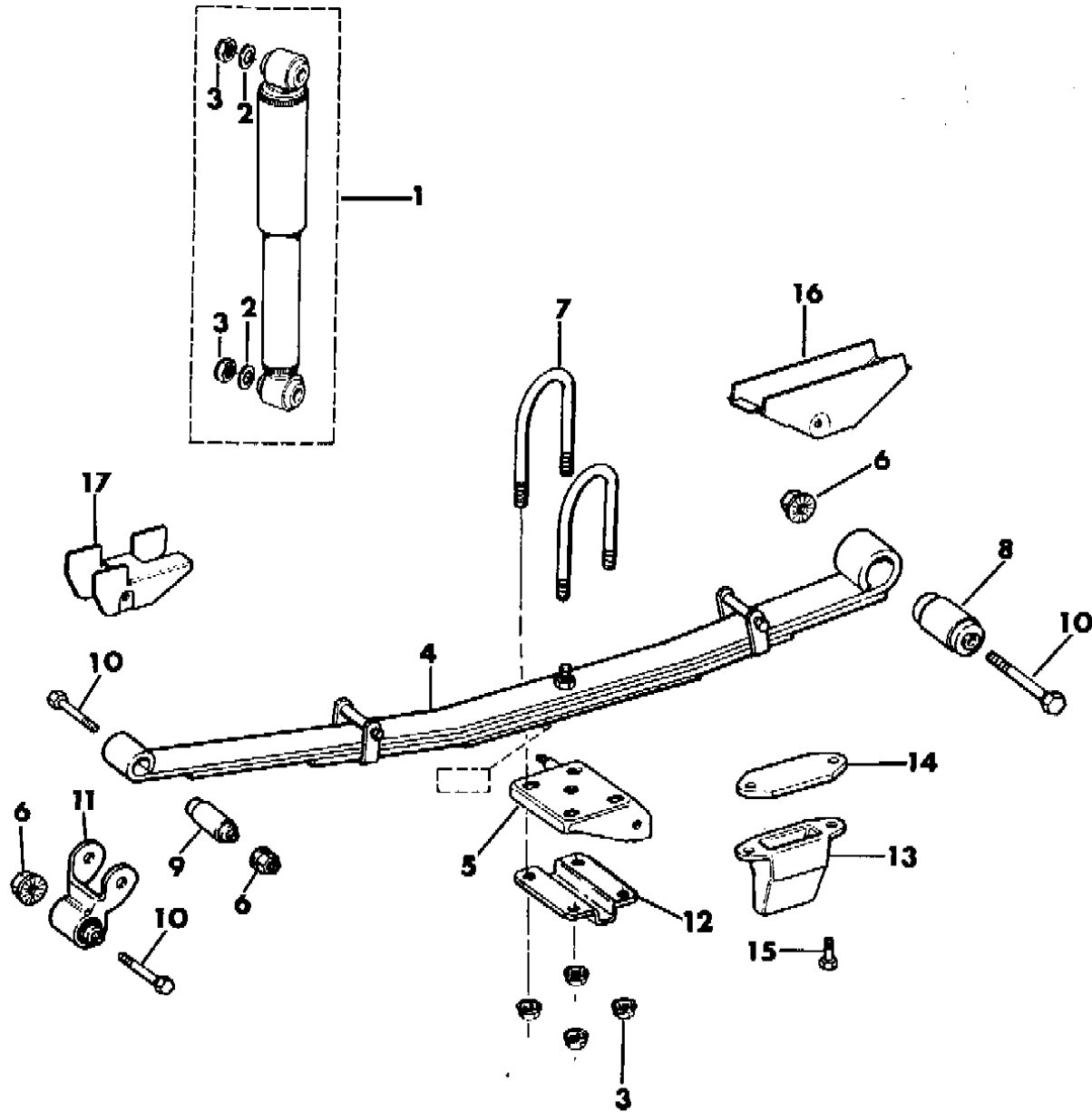
MJ=Comanche Pickup ZJ=Grand Cherokee/Grand Wagoneer KDX VEHICLES
 SJ=Grand Wagoneer M1=Comanche
 XJ=Cherokee, Briarwood X1=Cherokee, Briarwood
 YJ=Wrangler Y1=Wrangler

AR = Use as Required - = Non Illustrated Part P.A.R. = Paint as Required

SUSPENSION, REAR COMANCHE
Figure 17-300

91J17 300

ITEM	PART NUMBER	QTY	BODY	MODEL	DESCRIPTION
1					SHOCK ABSORBER
	8350 2512	2			w/Std. Susp., Coded 8952000950
	8350 2513	2			w/Std. Susp., Coded 8952001237
	8350 3449	2			w/Std. Susp., Coded 8952002307
	8350 3450	2			w/Std. Susp., Coded 8952002672
	8350 2514	2			w/H.D. Susp., Coded 8952004408
	8350 3448	2			w/H.D. Susp., Coded 8952003287
2	S012 0390	AR			WASHER
3	1150 0756	AR			NUT
4					SPRING ASSEMBLY ***
	5200 6448	2			Std. Duty, 4 Leaf, Coded RB
	5200 6444	2			Std. Duty, 4 Leaf, Coded RD
	5200 6446	2			Std. Duty, 4 Leaf, Coded RE
	5200 6445	2			Std. Duty, 4 Leaf, Coded RF
	5200 6447	2			Std. Duty, 4 Leaf, Coded RG
	5200 1825	2			H.D., 5 Leaf, Coded SD
5					PLATE
	5200 4844	1			Rt., w/7 Foot Box
	5200 4845	1			Rt., w/6 Foot Box
	5200 4845	1			Lt., w/7 Foot Box
	5200 4844	1			Lt., w/6 Foot Box
6	1150 2814	14			NUT
7					U-BOLT
	5200 2885	4			Standard Duty ***
	5200 3996	4			Heavy Duty
8	5200 0876	2			BUSHING
9	5200 0504	2			BUSHING
10	3420 2118	6			BOLT
11	5200 1828	2			SHACKLE
12					REINFORCEMENT
	5200 2892	2			Standard Duty
	5200 2893	2			Heavy Duty
13					BUMPER, Rear Axle Jounce
	5200 2382	2			Height = 74mm
	5200 2381	2			Height = 90mm
	5200 2393	2			Height = 104mm
	5200 2078	2			Height = 117mm
14	5200 2383	2			SPACER
15					SCREW
	J420 0089	4			Length = 25mm
	3420 1771	4			Length = 30mm



MODEL CODES:

61=Pickup-6 Ft Box 74=4 Door Wagon T=2WD
62=Pickup-7 Ft Box 77=Open Body 93" Wheelbase J,N,U=4WD
72=2 Door Wagon 78=Open Body 103" Wheelbase

BODY STYLES:

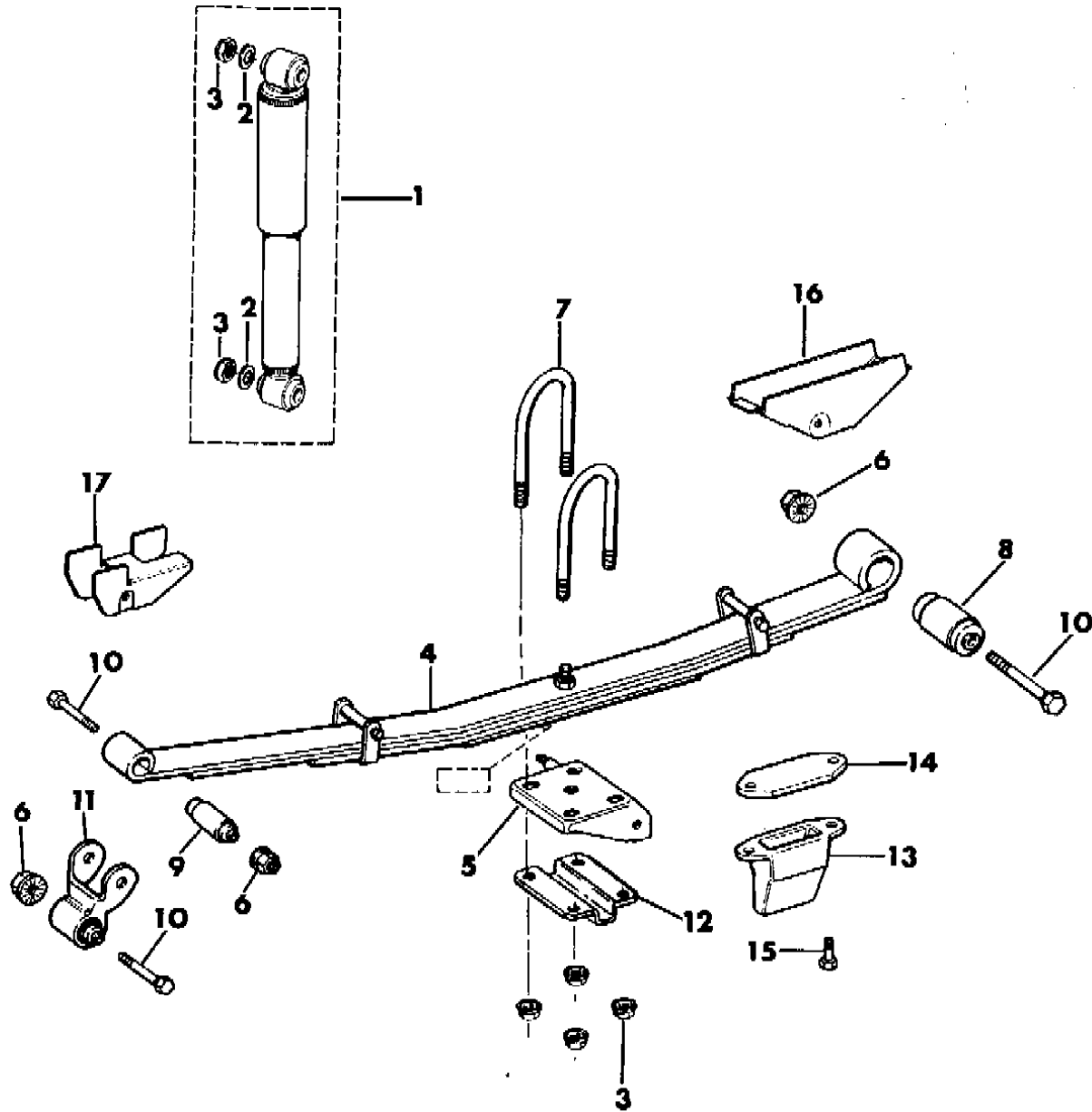
MJ=Comanche Pickup ZJ=Grand Cherokee/Grand Wagoneer KDX VEHICLES
SJ=Grand Wagoneer M1=Comanche
XJ=Cherokee, Briarwood X1=Cherokee, Briarwood
YJ=Wrangler Y1=Wrangler

AR = Use as Required - = Non Illustrated Part P.A.R. = Paint as Required

SUSPENSION, REAR COMANCHE
Figure 17-300

91J17 300

ITEM	PART NUMBER	QTY	BODY	MODEL	DESCRIPTION
	3420 1819	4			Length = 45mm
16	5500 6826	2			BRACKET 7 Foot Box
	5500 9170	2			6 Foot Box
17					BRACKET
	5500 6824	1			Rt.
	5500 6825	1			Lt.
18	5014 495AA	4			CLAMP KIT, Leaf Spring ***



MODEL CODES:

61=Pickup-6 Ft Box 74=4 Door Wagon T=2WD
 62=Pickup-7 Ft Box 77=Open Body 93" Wheelbase J,N,U=4WD
 72=2 Door Wagon 78=Open Body 103" Wheelbase

BODY STYLES:

MJ=Comanche Pickup ZJ=Grand Cherokee/Grand Wagoneer KDX VEHICLES
 SJ=Grand Wagoneer M1=Comanche
 XJ=Cherokee, Briarwood X1=Cherokee, Briarwood
 YJ=Wrangler Y1=Wrangler

AR = Use as Required - = Non Illustrated Part P.A.R. = Paint as Required

SUSPENSION, REAR W/SHOCK ABSORBER GRAND WAGONEER

Figure 17-400

91J17 400

ITEM	PART NUMBER	QTY	BODY	MODEL	DESCRIPTION
1					SHOCK ABSORBER
	8350 1878	2			Standard Duty
	8350 3693	2			Heavy Duty
2	J018 1709	2			BOLT
3	J400 4311	4			NUT
4	S012 0390	2			WASHER
5	J063 7936	4			BUSHING
6	5200 1990	1			BAR, Track
7	5200 1989	1			SPACER
8	3420 1465	1			BOLT
9	S012 0390	1			WASHER
10	1150 2723	1			NUT
11	S150 4810	1			BOLT
12	1150 2812	1			NUT
13	J536 2956	2			SPRING ASSEMBLY ***
14	J813 4740	2			LEAF, Main ***
15	J813 4426	2			LEAF, 9 Leaf ***
16	J535 2863	2			SHACKLE
17	J535 2087	2			PLATE
18					U-BOLT
	J812 9475	4			Length = 6.20"
	J813 0371	4			Length = 6.70"
	J536 4244	4			Length = 7.70"
19	J535 2079	2			BUSHING
20	J094 4870	2			BUSHING
21	J535 8985	2			BUSHING
22	J400 3979	6			NUT
23	J400 6631	1			NUT, Lt.
24	J400 4120	6			BOLT
25	J942 0350	8			NUT
26	J400 4806	8			WASHER

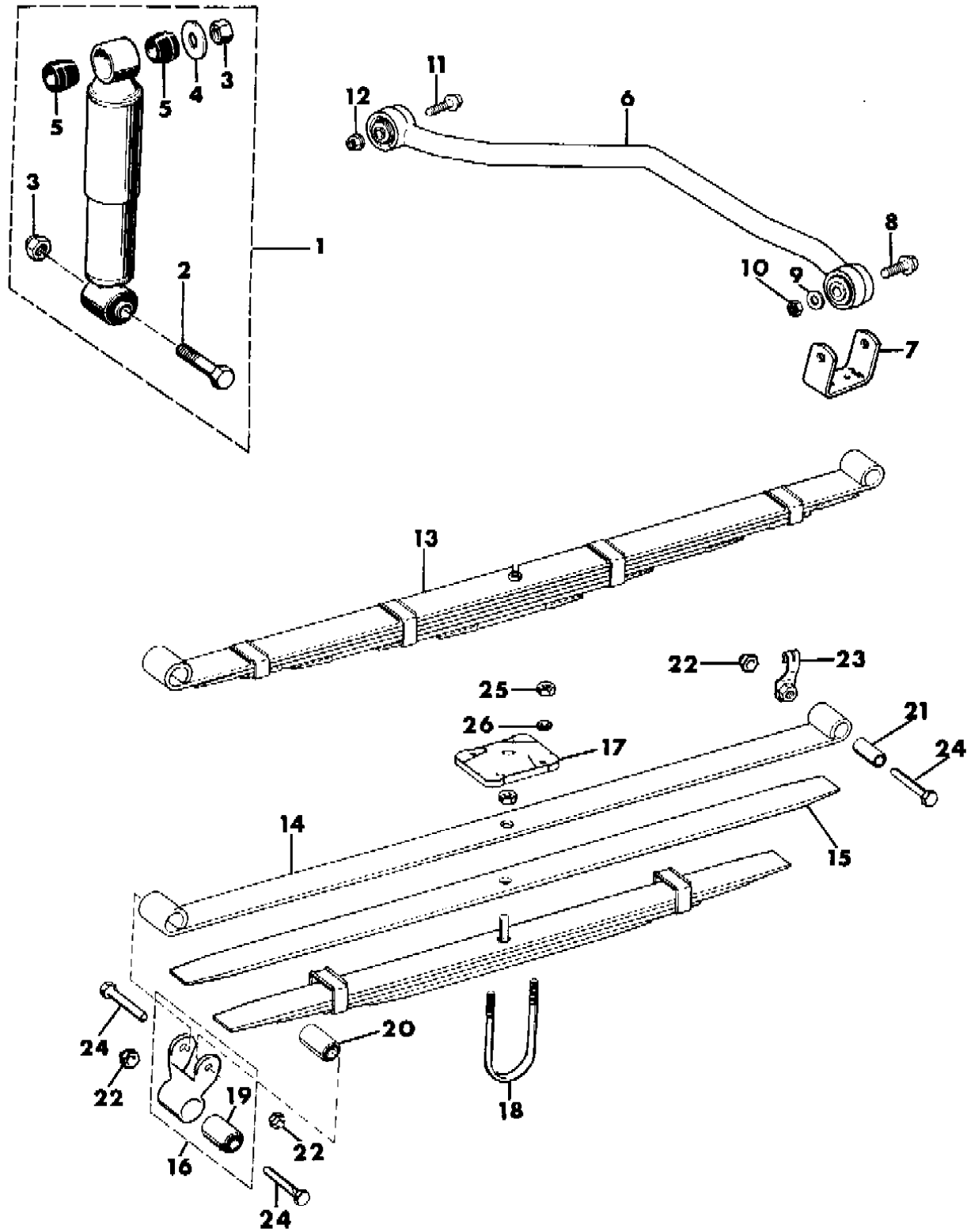
MODEL CODES:

61=Pickup-6 Ft Box 74=4 Door Wagon T=2WD
 62=Pickup-7 Ft Box 77=Open Body 93" Wheelbase J,N,U=4WD
 72=2 Door Wagon 78=Open Body 103" Wheelbase

BODY STYLES:

MJ=Comanche Pickup ZJ=Grand Cherokee/Grand Wagoneer KDX VEHICLES
 SJ=Grand Wagoneer M1=Comanche
 XJ=Cherokee, Briarwood X1=Cherokee, Briarwood
 YJ=Wrangler Y1=Wrangler

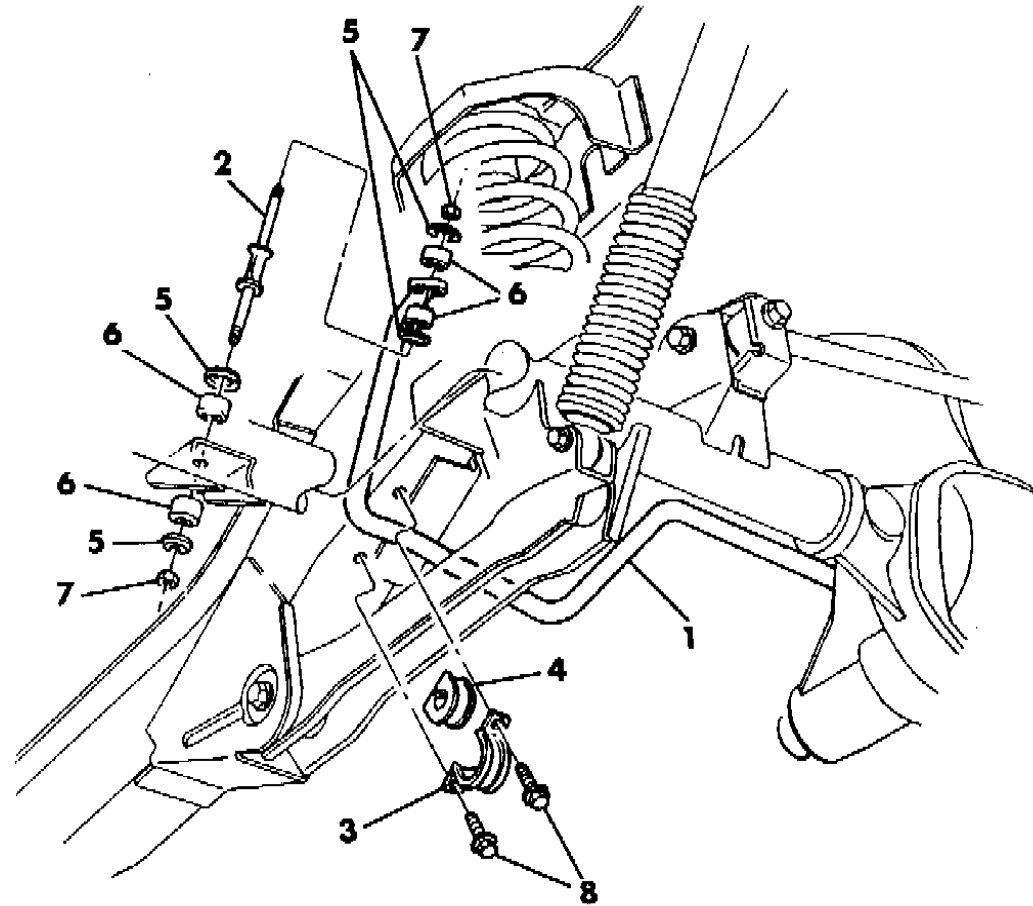
AR = Use as Required - = Non Illustrated Part P.A.R. = Paint as Required



STABILIZER, REAR GRAND CHEROKEE (ZJ)

Figure 17-500

91J17 500



ITEM	PART NUMBER	QTY	BODY	MODEL	DESCRIPTION
1	5200 5635	1			BAR, Rear Stabilizer
2	5200 5638	2			LINK, Stabilizer Bar
3	5200 5654	2			CLAMP, Stabilizer Bar
4	5200 6289	2			BUSHING, Rear Bar
5	5200 3361	8			RETAINER, Rear (Up To 7-17-92)
	5208 7668	8			(After 7-17-92)
6	5200 1132	8			GROMMET, Rear
7	6101 687	2			NUT
8	6502 467	4			BOLT

MODEL CODES:

61=Pickup-6 Ft Box 74=4 Door Wagon T=2WD
 62=Pickup-7 Ft Box 77=Open Body 93" Wheelbase J,N,U=4WD
 72=2 Door Wagon 78=Open Body 103" Wheelbase

BODY STYLES:

MJ=Comanche Pickup ZJ=Grand Cherokee/Grand Wagoneer KDX VEHICLES
 SJ=Grand Wagoneer M1=Comanche
 XJ=Cherokee, Briarwood X1=Cherokee, Briarwood
 YJ=Wrangler Y1=Wrangler

AR = Use as Required - = Non Illustrated Part P.A.R. = Paint as Required

GROUP 19 - STEERING

ILLUSTRATION TITLE	GROUP-FIG. NO.
STEERING WHEELS	
WHEEL, STEERING WRANGLER, YJ	Fig. 19-100
WHEEL, STEERING CHEROKEE, BRIARWOOD, COMANCHE	Fig. 19-200
WHEEL, STEERING GRAND CHEROKEE (ZJ)	Fig. 19-250
WHEEL, STEERING GRAND WAGONEER	Fig. 19-300
STEERING COLUMNS	
COLUMN ASSEMBLY, STEERING WRANGLER, YJ	Fig. 19-400
HOUSING STEERING COLUMN UPPER W/FLOOR GEAR SHIFT, W/O TILT WRANGLER, YJ	Fig. 19-500
HOUSING STEERING COLUMN LOWER W/FLOOR GEAR SHIFT, W/O TILT WRANGLER, YJ	Fig. 19-600
HOUSING STEERING COLUMN UPPER W/FLOOR GEAR SHIFT, W/TILT WRANGLER, YJ	Fig. 19-700
HOUSING STEERING COLUMN LOWER W/FLOOR GEAR SHIFT, W/TILT WRANGLER, YJ	Fig. 19-800
HOUSING STEERING COLUMN UPPER W/COLUMN GEAR SHIFT, W/TILT WRANGLER, YJ	Fig. 19-900
HOUSING STEERING COLUMN LOWER W/COLUMN GEAR SHIFT, W/TILT WRANGLER, YJ	Fig. 19-1000
COLUMN ASSEMBLY, STEERING W/FLOOR MOUNTED GEAR SHIFT CHEROKEE, BRIARWOOD, COMANCHE	Fig. 19-1100
HOUSING STEERING COLUMN UPPER W/FLOOR GEAR SHIFT, W/O TILT CHEROKEE, BRIARWOOD, COMANCHE	Fig. 19-1200
HOUSING STEERING COLUMN LOWER W/FLOOR GEAR SHIFT, W/O TILT CHEROKEE, BRIARWOOD, COMANCHE	Fig. 19-1300
HOUSING STEERING COLUMN UPPER W/FLOOR GEAR SHIFT, W/TILT CHEROKEE, BRIARWOOD, COMANCHE	Fig. 19-1400
HOUSING STEERING COLUMN LOWER W/FLOOR GEAR SHIFT, W/TILT CHEROKEE, BRIARWOOD, COMANCHE	Fig. 19-1500
COLUMN, STEERING UPPER AND LOWER GRAND CHEROKEE (ZJ)	Fig. 19-1550
COLUMN ASSEMBLY, STEERING W/COLUMN GEAR SHIFT COMANCHE, CHEROKEE (POLICE)	Fig. 19-1600
HOUSING STEERING COLUMN UPPER W/COLUMN GEAR SHIFT, W/O TILT COMANCHE	Fig. 19-1700
HOUSING STEERING COLUMN LOWER W/COLUMN GEAR SHIFT, W/O TILT COMANCHE	Fig. 19-1800
HOUSING STEERING COLUMN UPPER W/COLUMN GEAR SHIFT, W/TILT COMANCHE, CHEROKEE (POLICE)	Fig. 19-1900
HOUSING STEERING COLUMN LOWER W/COLUMN GEAR SHIFT, W/TILT COMANCHE, CHEROKEE (POLICE)	Fig. 19-2000
COLUMN ASSY., AND MOUNTING GRAND WAGONEER	Fig. 19-2100
HOUSING STEERING COLUMN UPPER W/COLUMN GEAR SHIFT, W/TILT GRAND WAGONEER	Fig. 19-2200
HOUSING STEERING COLUMN LOWER W/COLUMN GEAR SHIFT, W/TILT GRAND WAGONEER	Fig. 19-2300
STEERING GEARS	
GEAR, STEERING W/O POWER STEERING WRANGLER, CHEROKEE, COMANCHE	Fig. 19-2400
GEAR, POWER STEERING WRANGLER, CHEROKEE, BRIARWOOD COMANCHE, GRAND CHEROKEE (ZJ)	Fig. 19-2500

ILLUSTRATION NOT AVAILABLE AT TIME OF PUBLICATION

GROUP 19 - STEERING

ILLUSTRATION TITLE

GROUP-FIG. NO.

STEERING GEARS (Continued)

GEAR, POWER STEERING WRANGLER, CHEROKEE, BRIARWOOD COMANCHE, GRAND CHEROKEE (ZJ)	Fig. 19-2500
GEAR, POWER STEERING GRAND WAGONEER	Fig. 19-2600

STEERING LINKAGE

LINKAGE AND DAMPER WRANGLER	Fig. 19-2700
LINKAGE AND DAMPER CHEROKEE, BRIARWOOD, COMANCHE GRAND CHEROKEE (ZJ)	Fig. 19-2800
LINKAGE AND DAMPER GRAND WAGONEER	Fig. 19-2900

POWER STEERING PUMPS

PUMP, POWER STEERING CHEROKEE, BRIARWOOD, COMANCHE WRANGLER, GRAND CHEROKEE (ZJ)	Fig. 19-3100
PUMP, POWER STEERING GRAND WAGONEER	Fig. 19-3200
PUMP, POWER STEERING 2.1L DIESEL ENGINE CHEROKEE, BRIARWOOD	Fig. 19-3300

POWER STEERING HOSES

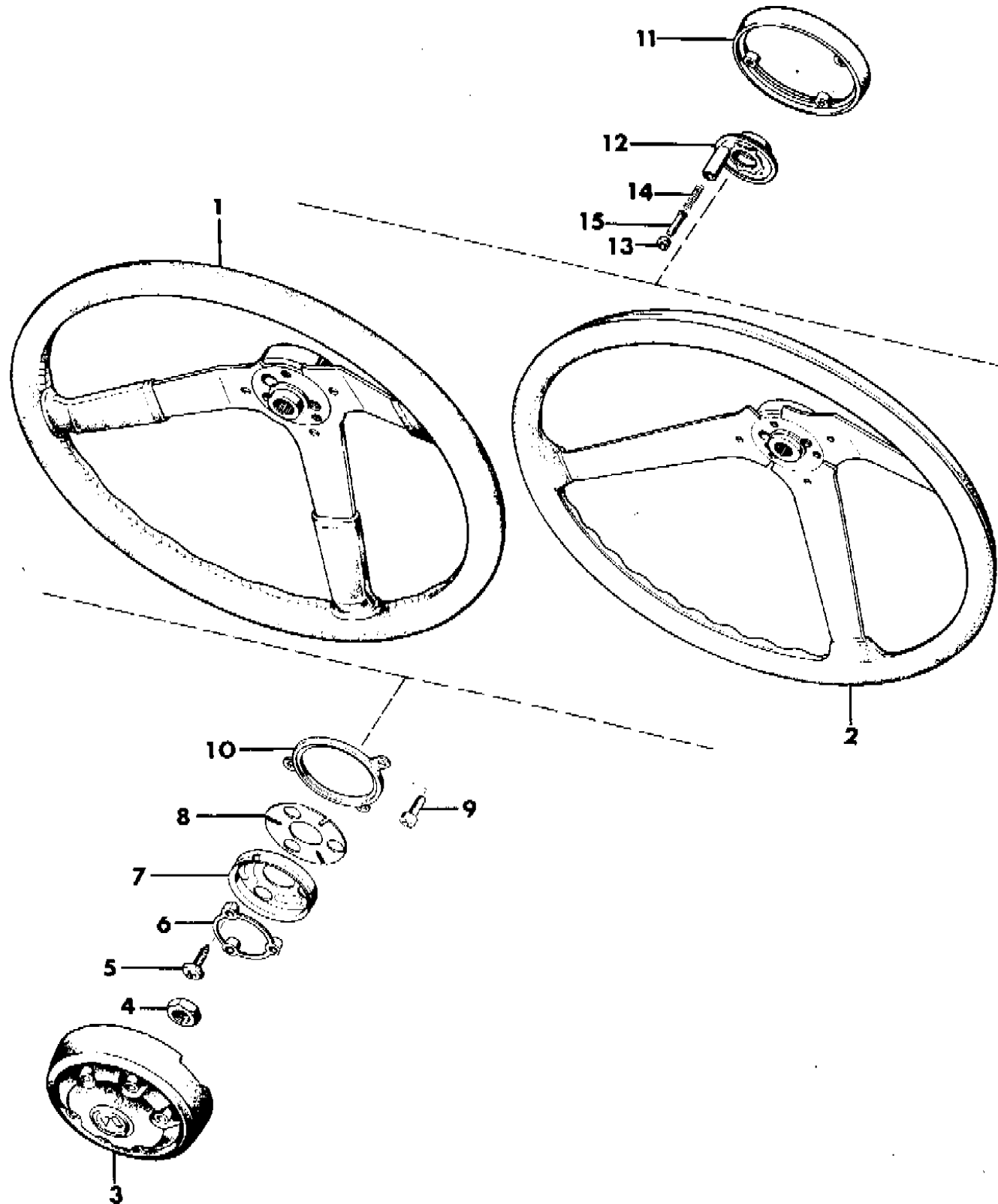
HOSES AND RESERVOIR, POWER STEERING WRANGLER YJ	Fig. 19-3350
HOSES AND RESERVOIR, POWER STEERING COMANCHE, CHEROKEE, BRIARWOOD GRAND CHEROKEE (ZJ)	Fig. 19-3375

POWER STEERING MOUNTING

PUMP MOUNTING, POWER STEERING CHEROKEE, BRIARWOOD, COMANCHE WRANGLER, GRAND CHEROKEE (ZJ)	Fig. 19-3500
PUMP MOUNTING POWER STEERING GRAND WAGONEER	Fig. 19-3600
PUMP MOUNTING POWER STEERING, 2.1L DIESEL ENGINE CHEROKEE, BRIARWOOD	Fig. 19-3700

WHEEL, STEERING WRANGLER, YJ
Figure 19-100

91J19 100



ITEM	PART NUMBER	QTY	BODY	MODEL	DESCRIPTION
1					WHEEL, Steering - Leather Wrapped
	5BA7 5JY6	1			Dark Sand 1991
	5BA7 5KXA	1			Cinder 1991
	5BA7 6KXA	1			Cinder 1992-93
	5BA7 6LTB	1			Spice, 1992-93
2					WHEEL, Steering - Soft Feel Sport
	8350 5515	1			Dark Sand
	8350 4867	1			Cinder 1991
	5AC0 6KXA	1			Cinder 1992-93
3					BUTTON, Steering Wheel
	5BL2 0KY6	1			Dark Sand
	5BL2 0KXA	1			Cinder
	5BL2 0LTB	1			Spice
4	J420 0414	1			NUT
5	J400 4167	3			SCREW
6	J318 6964	1			BUSHING
7	J324 2217	1			RECEIVER
8	J318 6965	1			SPRING
9	J812 2359	3			SCREW
10	J321 3915	1			INSULATOR
11	J321 8276	1			EXTENTION (Dealer Paint) ***
12					CAM, Cancelling
	J448 7711	1			w/o Tilt Wheel
	J448 7816	1			w/Tilt Wheel
13	J318 7257	1			RETAINER
14	J318 7255	1			SPRING
15	5200 4403	1			PIN

MODEL CODES:

61=Pickup-6 Ft Box 74=4 Door Wagon T=2WD
 62=Pickup-7 Ft Box 77=Open Body 93" Wheelbase J,N,U=4WD
 72=2 Door Wagon 78=Open Body 103" Wheelbase

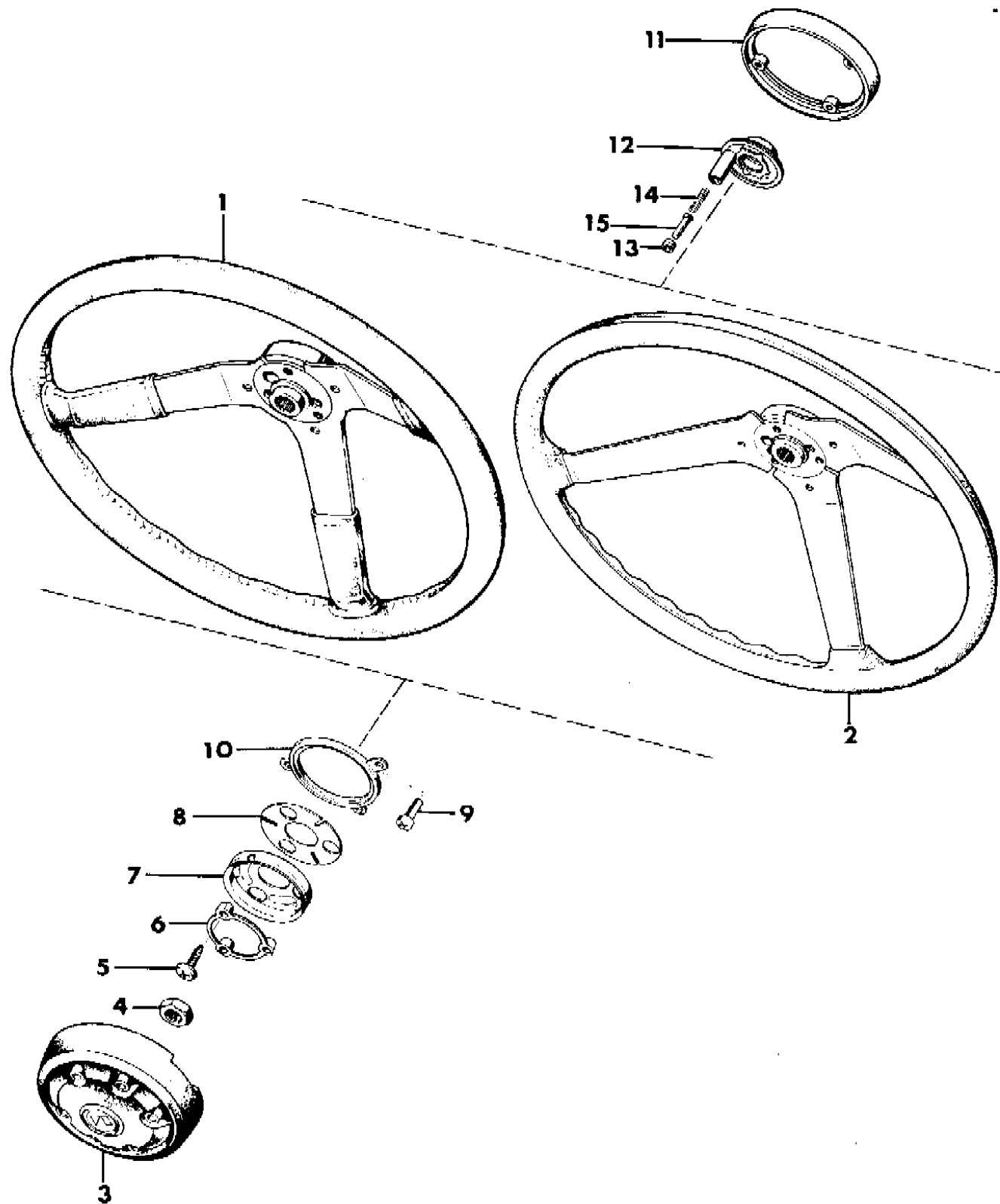
BODY STYLES:

MJ=Comanche Pickup ZJ=Grand Cherokee/Grand Wagoneer KDX VEHICLES
 SJ=Grand Wagoneer M1=Comanche
 XJ=Cherokee, Briarwood X1=Cherokee, Briarwood
 YJ=Wrangler Y1=Wrangler

AR = Use as Required - = Non Illustrated Part P.A.R. = Paint as Required

WHEEL, STEERING CHEROKEE, BRIARWOOD, COMANCHE
Figure 19-200

91J19 200



ITEM	PART NUMBER	QTY	BODY	MODEL	DESCRIPTION
1					WHEEL, Steering - Leather Wrapped
	5BA7 6JA8	1			Charcoal
	5BA7 6KH9	1			Cordovan
	5BA7 6JY6	1			Dark Sand
2					WHEEL, Steering - Soft Feel Sport
	8350 4867	1			Charcoal
	8350 3458	1			Cordovan
	8350 5515	1			Dark Sand
	8350 2575	1			Black
3					CAP, Steering Wheel
	4720 705	1			Cinder
	5BL2 0KA8	1			Charcoal
	5BL2 0KH9	1			Cordovan
	5BL2 0KY6	1			Dark Sand
	5BL2 0KX9	1			Black
4	J420 0414	1			NUT
5	J400 4167	3			SCREW
6	J318 6964	1			BUSHING
7	J324 2217	1			RECEIVER
8	J318 6965	1			SPRING
9	J812 2359	3			SCREW
10	J321 3915	1			INSULATOR
11	J321 8276	1			EXTENTION, (Dealer Paint) ***
12					CAM, Cancelling
	J448 7711	1			w/o Tilt Wheel
	J448 7816	1			w/Tilt Wheel
13	J318 7257	1			RETAINER
14	J318 7255	1			SPRING
15	5200 4403	1			PIN

MODEL CODES:

61=Pickup-6 Ft Box 74=4 Door Wagon T=2WD
 62=Pickup-7 Ft Box 77=Open Body 93" Wheelbase J,N,U=4WD
 72=2 Door Wagon 78=Open Body 103" Wheelbase

BODY STYLES:

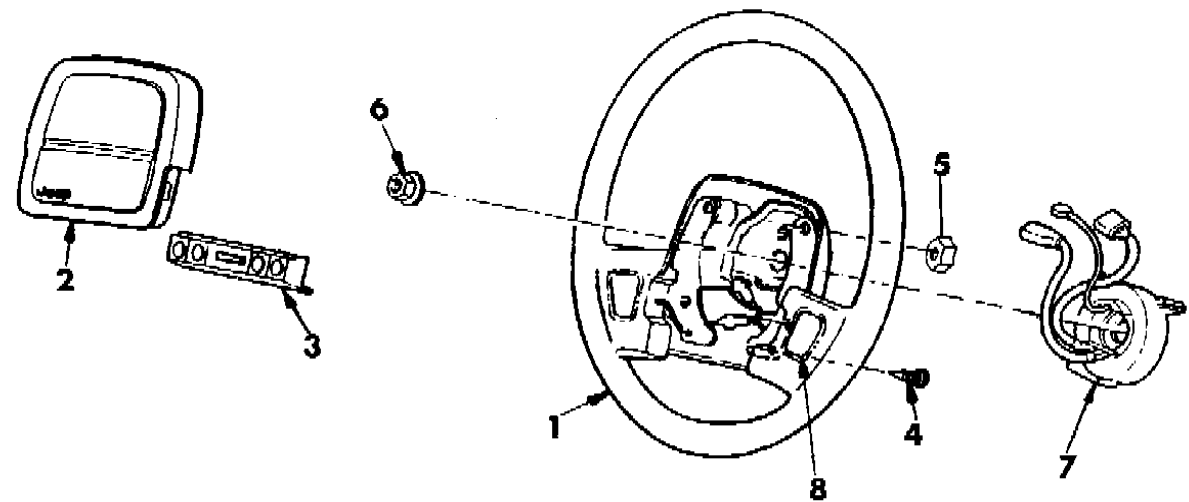
MJ=Comanche Pickup ZJ=Grand Cherokee/Grand Wagoneer KDX VEHICLES
 SJ=Grand Wagoneer M1=Comanche
 XJ=Cherokee, Briarwood X1=Cherokee, Briarwood
 YJ=Wrangler Y1=Wrangler

AR = Use as Required - = Non Illustrated Part P.A.R. = Paint as Required

**WHEEL, STEERING GRAND CHEROKEE (ZJ)
Figure 19-250**

91J19 250

ITEM	PART NUMBER	QTY	BODY	MODEL	DESCRIPTION
1					WHEEL, Steering
	WM23 LX8	1			Black, w/o Leather
	5DE6 4LX9	1			Black, w/Leather
	5DE6 4MDX	1			Quartz/Black, w/Leather
	5DE6 4MFX	1			Dark Driftwood/Black, w/Leather
	5DE6 4MVX	1			Champagne/Black, w/Leather
2					MODULE, Air Bag
	5CN9 3LX8	1			Black
	5CN9 3MD5	1			Quartz
	5CN9 3MF8	1			Driftwood
	5CN9 3MV8	1			Champagne
3					BAR, Trim
	4470 022	1			
	4565 244	1			SWITCH, w/Speed Control
4		2			SCREW, #8 (Not Serv.)
-	WK94 JX9	AR			PLUG, Horn Pad Screw Cover
5	6500 274	4			NUT, w/Washer
6	6500 906	1			NUT, w/Washer
7					CLOCKSPRING PACKAGE ***
	4637 953	1			w/o Tilt, w/o Speed Control
	4637 954	1			w/Tilt, w/Speed Control
8					BUTTON PACKAGE, w/Switch
	P224 JX9	1			Black



MODEL CODES:

61=Pickup-6 Ft Box 74=4 Door Wagon T=2WD
 62=Pickup-7 Ft Box 77=Open Body 93" Wheelbase J,N,U=4WD
 72=2 Door Wagon 78=Open Body 103" Wheelbase

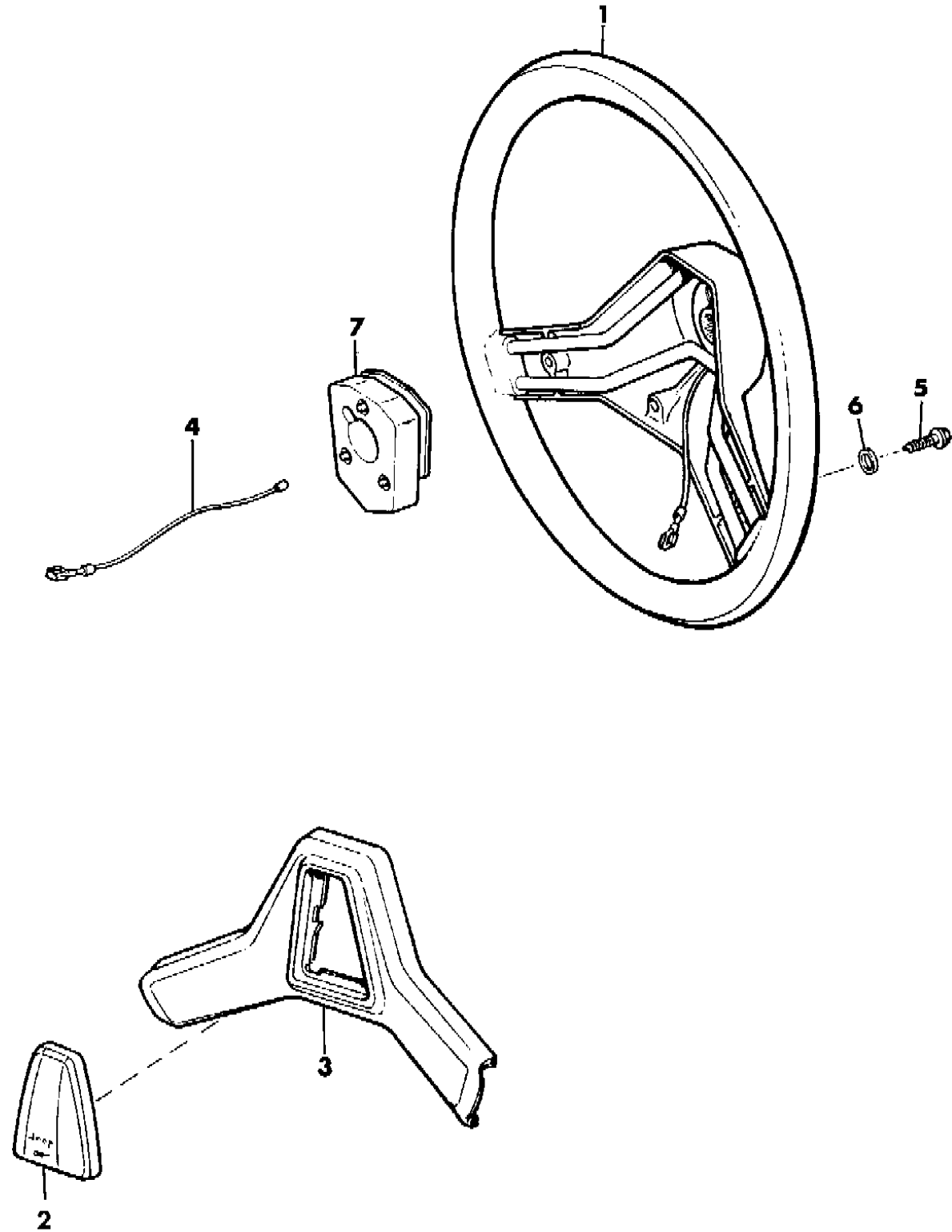
BODY STYLES:

MJ=Comanche Pickup ZJ=Grand Cherokee/Grand Wagoneer KDX VEHICLES
 SJ=Grand Wagoneer M1=Comanche
 XJ=Cherokee, Briarwood X1=Cherokee, Briarwood
 YJ=Wrangler Y1=Wrangler

AR = Use as Required - = Non Illustrated Part P.A.R. = Paint as Required

WHEEL, STEERING GRAND WAGONEER
Figure 19-300

91J19 300 A



ITEM	PART NUMBER	QTY	BODY	MODEL	DESCRIPTION
1					WHEEL, Steering
	8350 3181	1			Cordovan
	8350 5580	1			Dark Sand
2	5200 3785	1			BUTTON, Steering Wheel
3					COVER, Steering Wheel
	5AC0 7JH9	1			Cordovan
	5AC0 7JY6	1			Dark Sand
4	5200 0745	1			WIRE
5	3420 1298	3			SCREW
6	J400 0481	2			WASHER
7	5200 3757	1			DAMPER

MODEL CODES:

61=Pickup-6 Ft Box 74=4 Door Wagon T=2WD
 62=Pickup-7 Ft Box 77=Open Body 93" Wheelbase J,N,U=4WD
 72=2 Door Wagon 78=Open Body 103" Wheelbase

BODY STYLES:

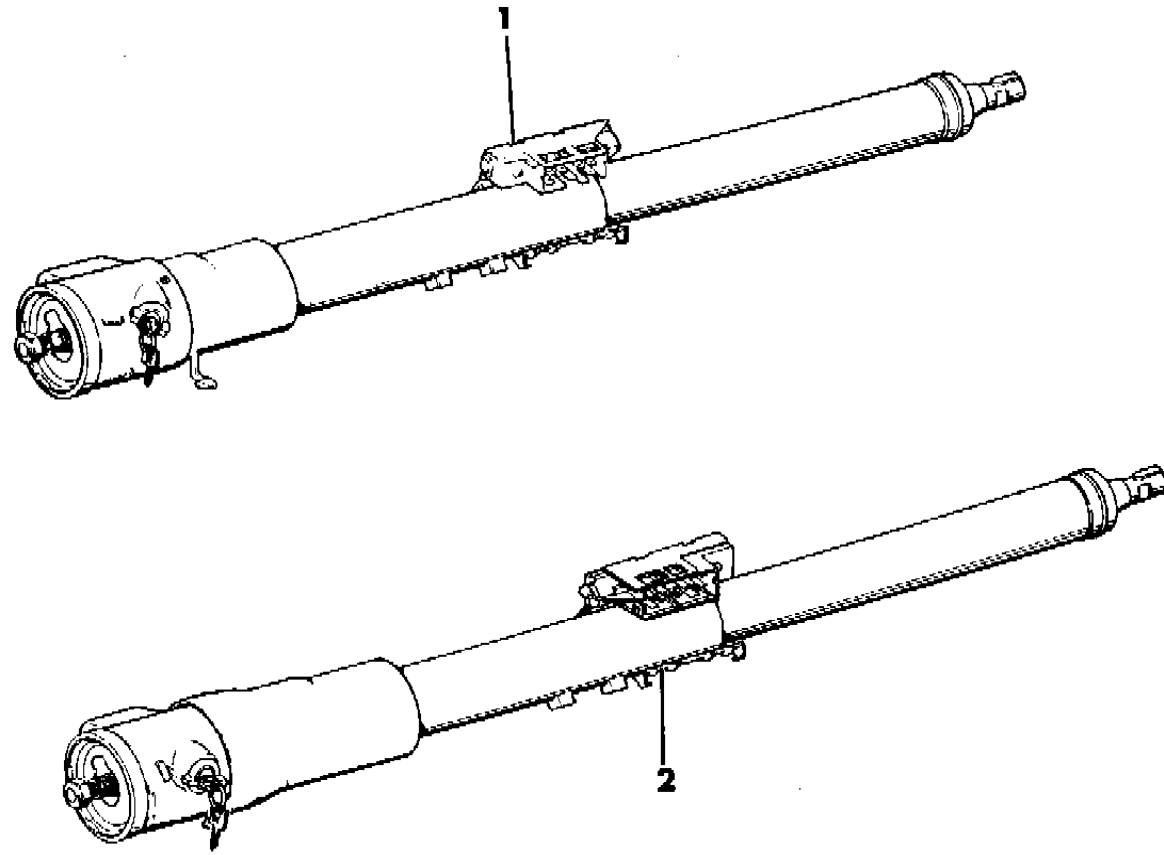
MJ=Comanche Pickup ZJ=Grand Cherokee/Grand Wagoneer KDX VEHICLES
 SJ=Grand Wagoneer M1=Comanche
 XJ=Cherokee, Briarwood X1=Cherokee, Briarwood
 YJ=Wrangler Y1=Wrangler

AR = Use as Required - = Non Illustrated Part P.A.R. = Paint as Required

COLUMN ASSEMBLY, STEERING WRANGLER, YJ
Figure 19-400

91J19 400

ITEM	PART NUMBER	QTY	BODY	MODEL	DESCRIPTION
1	5200 4955	1			COLUMN ASSEMBLY, w/Manual Transmission, w/Floor Gear Shift, w/o Tilt, w/o Intermittent Wipers
	5200 4956	1			COLUMN ASSEMBLY, w/Manual Transmission, w/Floor Gear Shift, w/o Tilt, w/Intermittent Wipers
2	5200 4942	1			COLUMN ASSEMBLY, w/Manual Transmission, w/Floor Gear Shift, w/Tilt, w/Intermittent Wipers
	5200 4941	1			COLUMN ASSEMBLY, w/Automatic Transmission, w/Column Gear Shift, w/Tilt, w/Intermittent Wipers



MODEL CODES:
 61=Pickup-6 Ft Box 74=4 Door Wagon T=2WD
 62=Pickup-7 Ft Box 77=Open Body 93" Wheelbase J,N,U=4WD
 72=2 Door Wagon 78=Open Body 103" Wheelbase

BODY STYLES:
 MJ=Comanche Pickup ZJ=Grand Cherokee/Grand Wagoneer KDX VEHICLES
 SJ=Grand Wagoneer M1=Comanche
 XJ=Cherokee, Briarwood X1=Cherokee, Briarwood
 YJ=Wrangler Y1=Wrangler

AR = Use as Required - = Non Illustrated Part P.A.R. = Paint as Required

HOUSING STEERING COLUMN UPPER W/FLOOR GEAR SHIFT, W/O TILT WRANGLER, YJ
Figure 19-500

91J19 500

ITEM	PART NUMBER	QTY	BODY	MODEL	DESCRIPTION
1	8350 2566	1			PROTECTOR
2	J420 0414	1			NUT
3	J322 8743	1			COVER, Shift Lock
4	2925 062	1			RING
5	J812 7831	1			LOCK
6	J448 7711	1			CAM, Cancelling
7	J448 7765	1			SPRING
8	J448 8301	3			SCREW
9	J812 0186	1			WASHER
10	8351 0088	1			ARM, Switch Actuator
11	J322 9970	1			SWITCH, Turn Signal
12	J448 7761	4			SCREW
13	J320 8008	1			WASHER
14	J321 1423	1			SWITCH, Key Buzzer
15	J448 7713	1			CLIP
16	J812 0185	1			SPRING
17	J813 4499	1			HOUSING ASSEMBLY
18	J812 7850	1			BEARING ASSEMBLY
19	J813 3537	1			BUSHING
20	J813 4703	1			RETAINER
21					SWITCH ASSEMBLY, Wipers
	5600 0031	1			w/o Intermittent Wipers
	5600 0032	1			w/Intermittent Wipers
22	J400 1267	1			SCREW
23	J448 7897	1			BOLT
24	J448 7774	1			SPRING
25	J812 1437	1			RACK
26	8350 2913	1			ROD
27	J448 7777	1			WASHER
28	J813 3538	1			PIN
29	J813 3541	1			LEVER
30					KNOB, Hazard Warning
	5200 3425	1			
	5600 3149	1			EUROPE
31					LEVER, Turn Signal
	5600 3867	1			w/o Intermittent Wipers
	5600 2951	1			w/o Cruise Control, w/Intermittent Wipers
	5600 4595	1			w/Cruise Control, w/Intermittent Wipers
32	3420 2670	1			SCREW
33	5600 2285	1			INSULATOR
34	J812 9317	1			SPRING, Left Lower

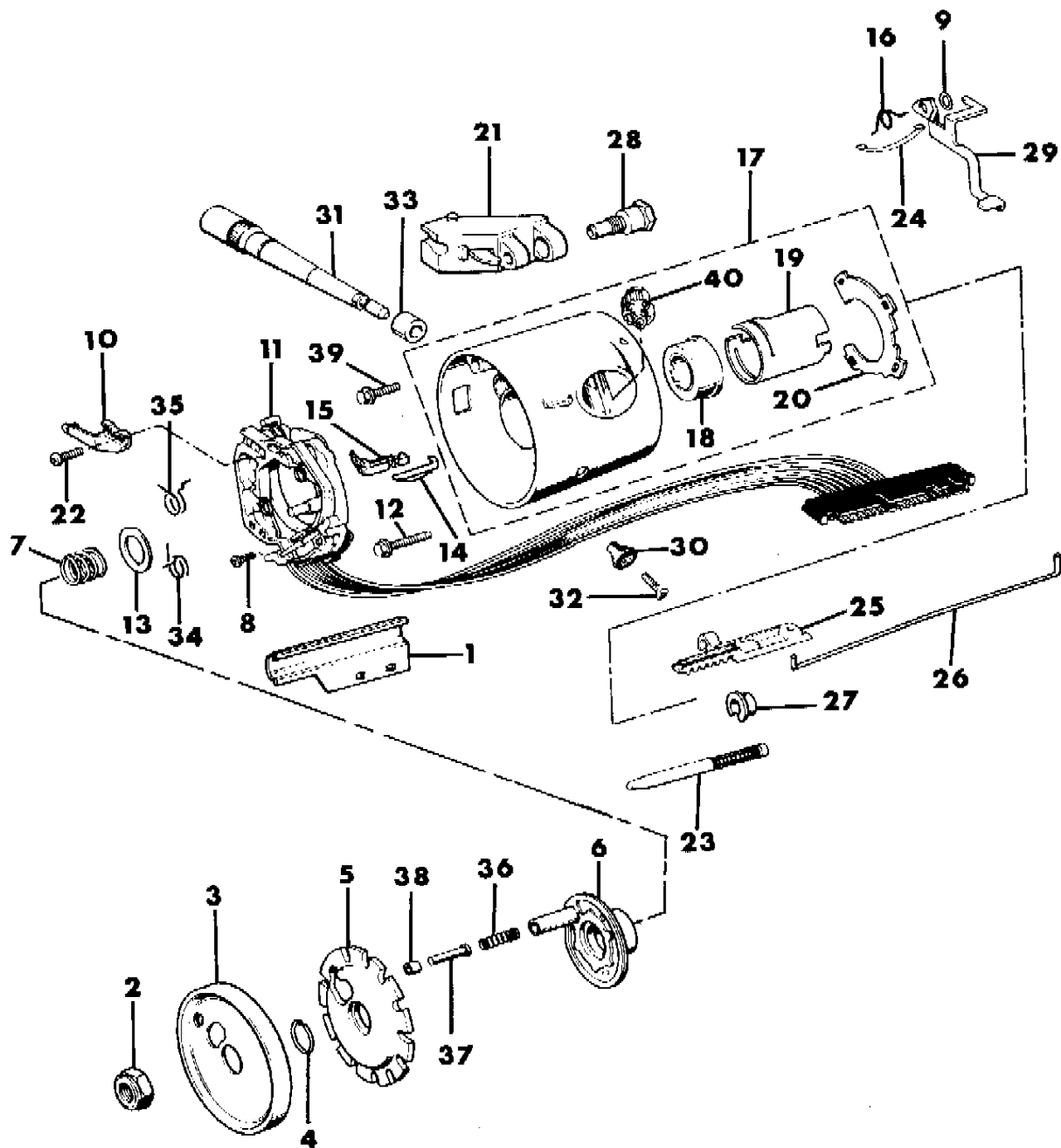
MODEL CODES:

61=Pickup-6 Ft Box 74=4 Door Wagon T=2WD
 62=Pickup-7 Ft Box 77=Open Body 93" Wheelbase J,N,U=4WD
 72=2 Door Wagon 78=Open Body 103" Wheelbase

BODY STYLES:

MJ=Comanche Pickup ZJ=Grand Cherokee/Grand Wagoneer KDX VEHICLES
 SJ=Grand Wagoneer M1=Comanche
 XJ=Cherokee, Briarwood Y1=Wrangler
 YJ=Wrangler

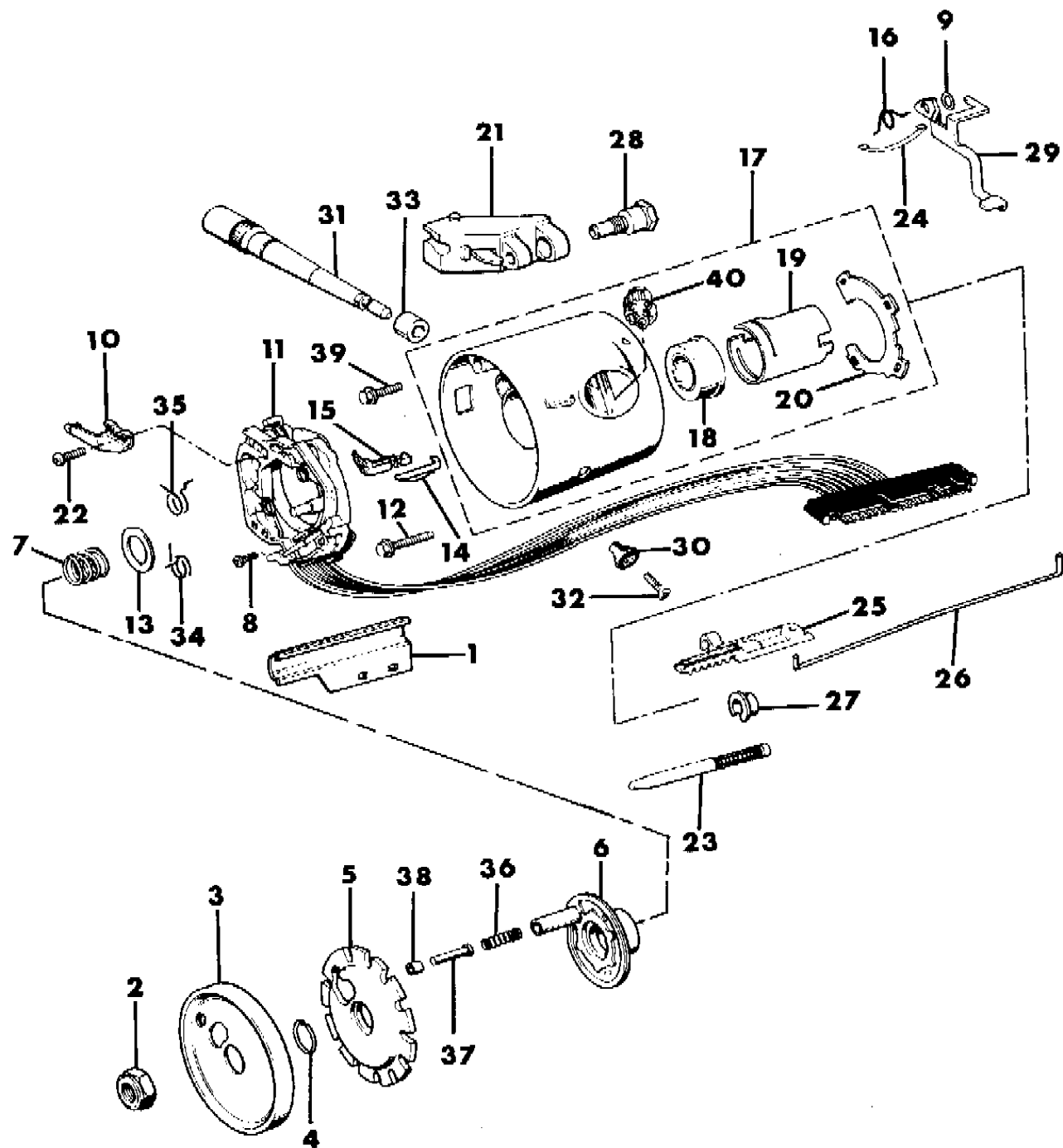
AR = Use as Required - = Non Illustrated Part P.A.R. = Paint as Required



HOUSING STEERING COLUMN UPPER W/FLOOR GEAR SHIFT, W/O TILT WRANGLER, YJ
Figure 19-500

91J19 500

ITEM	PART NUMBER	QTY	BODY	MODEL	DESCRIPTION
35	J812 9335	1			SPRING, Right Upper
36	5200 4402	1			SPRING
37	5200 4403	1			PIN
38	J318 7257	1			RETAINER
39	8350 2102	1			SCREW
40	J812 0097	1			SECTOR



MODEL CODES:

61=Pickup-6 Ft Box 74=4 Door Wagon T=2WD
 62=Pickup-7 Ft Box 77=Open Body 93" Wheelbase J,N,U=4WD
 72=2 Door Wagon 78=Open Body 103" Wheelbase

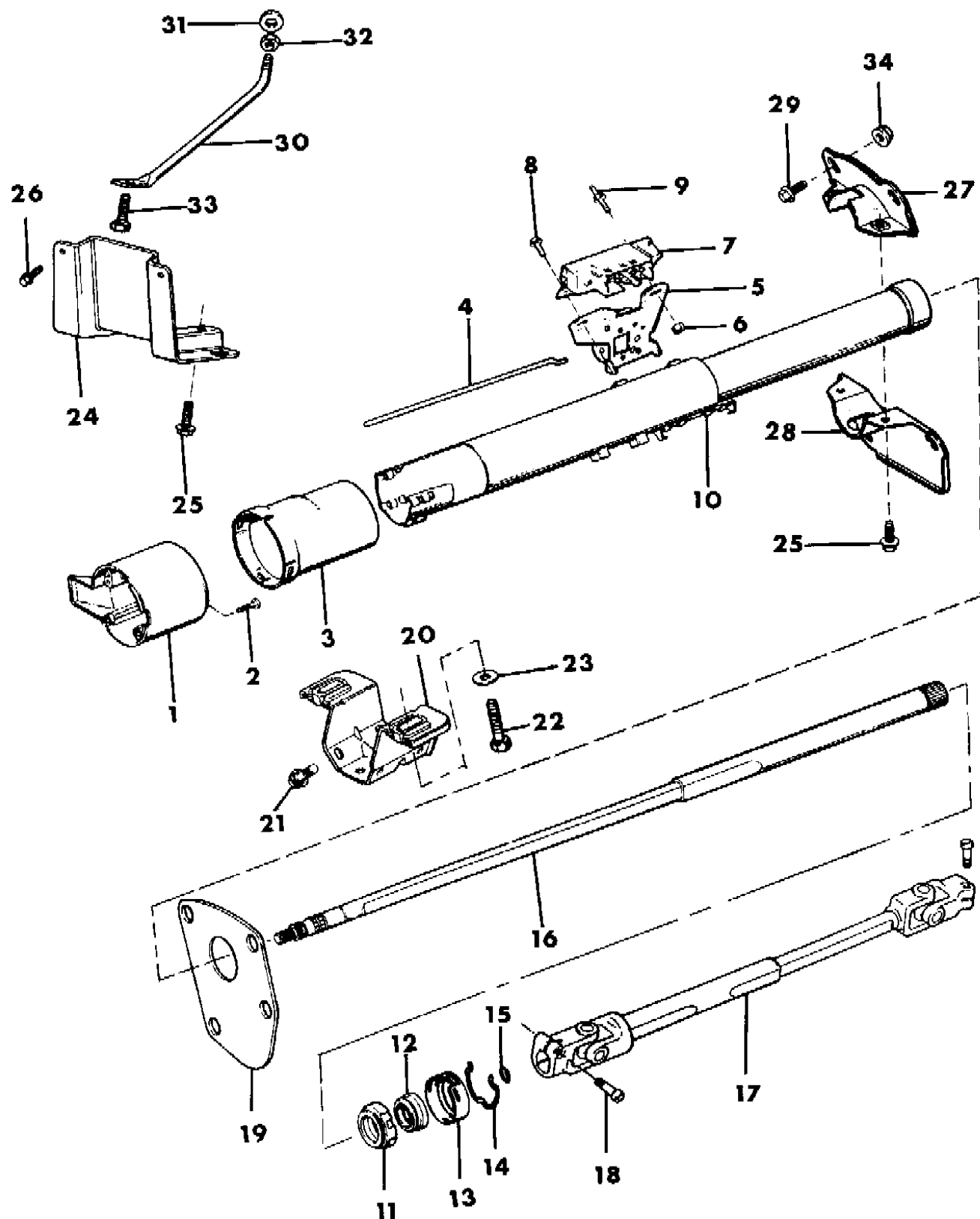
BODY STYLES:

MJ=Comanche Pickup ZJ=Grand Cherokee/Grand Wagoneer KDX VEHICLES
 SJ=Grand Wagoneer M1=Comanche
 XJ=Cherokee, Briarwood X1=Cherokee, Briarwood
 YJ=Wrangler Y1=Wrangler

AR = Use as Required - = Non Illustrated Part P.A.R. = Paint as Required

HOUSING STEERING COLUMN LOWER W/FLOOR GEAR SHIFT, W/O TILT WRANGLER, YJ
Figure 19-600

91J19 600



ITEM	PART NUMBER	QTY	BODY	MODEL	DESCRIPTION
1	J813 4497	1			BOWL
2	J448 8301	3			SCREW
3	8350 1374	1			SHROUD, Bowl
4	8350 2784	1			ROD, Dimmer Switch Actuator
5	5600 3406	1			SWITCH, Headlamp Dimmer
6	J012 0361	1			NUT
7	J325 0576	1			SWITCH, Ignition
8	J448 7772	1			SCREW
9	J813 3546	1			STUD
10	8350 2906	1			JACKET ASSEMBLY
11	J448 7696	1			ADAPTER
12	J448 6713	1			BEARING
13	J448 7743	1			RETAINER
14	J448 7739	1			CLIP
15	2925 062	1			RING
16	8350 2908	1			SHAFT, Steering Column Upper
17					SHAFT, Steering Column Lower
	5204 0099	1			w/Power Steering
	5204 0098	1			w/o Power Steering
18		2			BOLT, M8x1.25-30 (Not Serv.)
19	J319 6896	1			SEAL
20	J535 1229	1			BRACKET
21	1150 2764	4			SCREW
22	J018 0126	2			BOLT
23	J012 0388	2			WASHER
24	J545 3933	1			BRACKET, 1991
	5207 8054	1			1992-93
25	J027 3573	3			SCREW
26	J400 4991	2			SCREW
27	J536 3488	1			PLATE
28	J319 6897	1			PLATE
29	J400 4520	4			SCREW
30	5200 2840	1			BRACE
31	S012 0390	2			WASHER
32	J400 5098	2			NUT
33	J400 7131	1			BOLT
34	J400 4866	4			NUT

MODEL CODES:

61=Pickup-6 Ft Box 74=4 Door Wagon T=2WD
 62=Pickup-7 Ft Box 77=Open Body 93" Wheelbase J,N,U=4WD
 72=2 Door Wagon 78=Open Body 103" Wheelbase

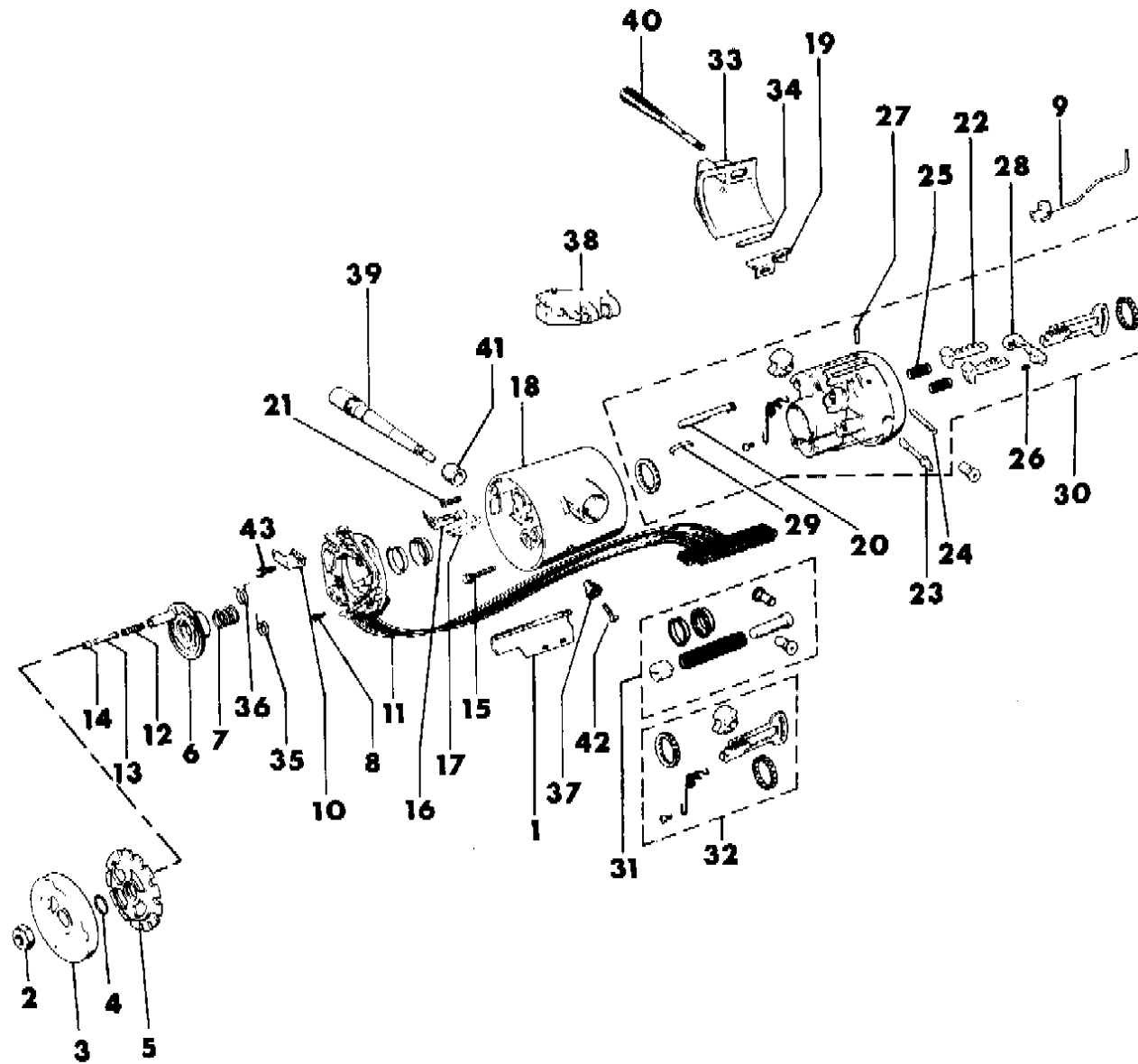
BODY STYLES:

MJ=Comanche Pickup ZJ=Grand Cherokee/Grand Wagoneer KDX VEHICLES
 SJ=Grand Wagoneer M1=Comanche
 XJ=Cherokee, Briarwood Y1=Cherokee, Briarwood
 YJ=Wrangler Y1=Wrangler

AR = Use as Required - = Non Illustrated Part P.A.R. = Paint as Required

HOUSING STEERING COLUMN UPPER W/FLOOR GEAR SHIFT, W/TILT WRANGLER, YJ
Figure 19-700

91J19 700



ITEM	PART NUMBER	QTY	BODY	MODEL	DESCRIPTION
1	8350 2566	1			PROTECTOR
2	J420 0414	1			NUT
3	J322 8743	1			COVER, Shift Lock
4	2925 062	1			RING
5	J325 1125	1			LOCK
6	J448 7816	1			CAM, Cancelling
7	3575 981	1			SPRING
8	J448 8301	3			SCREW
9	8350 2915	1			ACTUATOR ASSEMBLY, Ignition Switch ***
10	8350 1575	1			ARM, Switch Actuator
11	J322 9970	1			SWITCH, Turn Signal
12	5200 4402	1			SPRING
13	5200 4403	1			PIN c
14	J318 7257	1			RETAINER
15	J813 3572	3			SCREW
16	J321 1424	1			SWITCH, Key Buzzer
17	J448 7853	1			CLIP
18	4636 805	1			COVER, Steering Column Housing
19	4019 787	1			ACTUATOR, Dimmer Switch Rod
20	J325 1124	1			BOLT
21	8350 2103	1			SCREW
22					SHOE
	J812 2716	1			Lt.
	J448 7828	1			Rt.
23	J813 4191	1			SHAFT
24	J448 7822	1			PIN
25	J448 7832	2			SPRING
26	J320 8047	1			SPRING
27	J320 8043	1			PIN
28	J813 3567	1			LEVER
29	J448 7831	1			SPRING
30	8350 1107	1			HOUSING, Steering Column
31	8351 0054	1			PARTS PACKAGE
32	8351 0055	1			RACK PACKAGE
33	J813 4704	1			CAP
34	J813 3565	1			PIN
35	J812 9317	1			SPRING, Left Lower
36	J812 9335	1			SPRING, Right Upper
37					KNOB, Hazard Warning
	5200 3425	1			
	5600 3149	1			EUROPE

MODEL CODES:

61=Pickup-6 Ft Box 74=4 Door Wagon T=2WD
 62=Pickup-7 Ft Box 77=Open Body 93" Wheelbase J,N,U=4WD
 72=2 Door Wagon 78=Open Body 103" Wheelbase

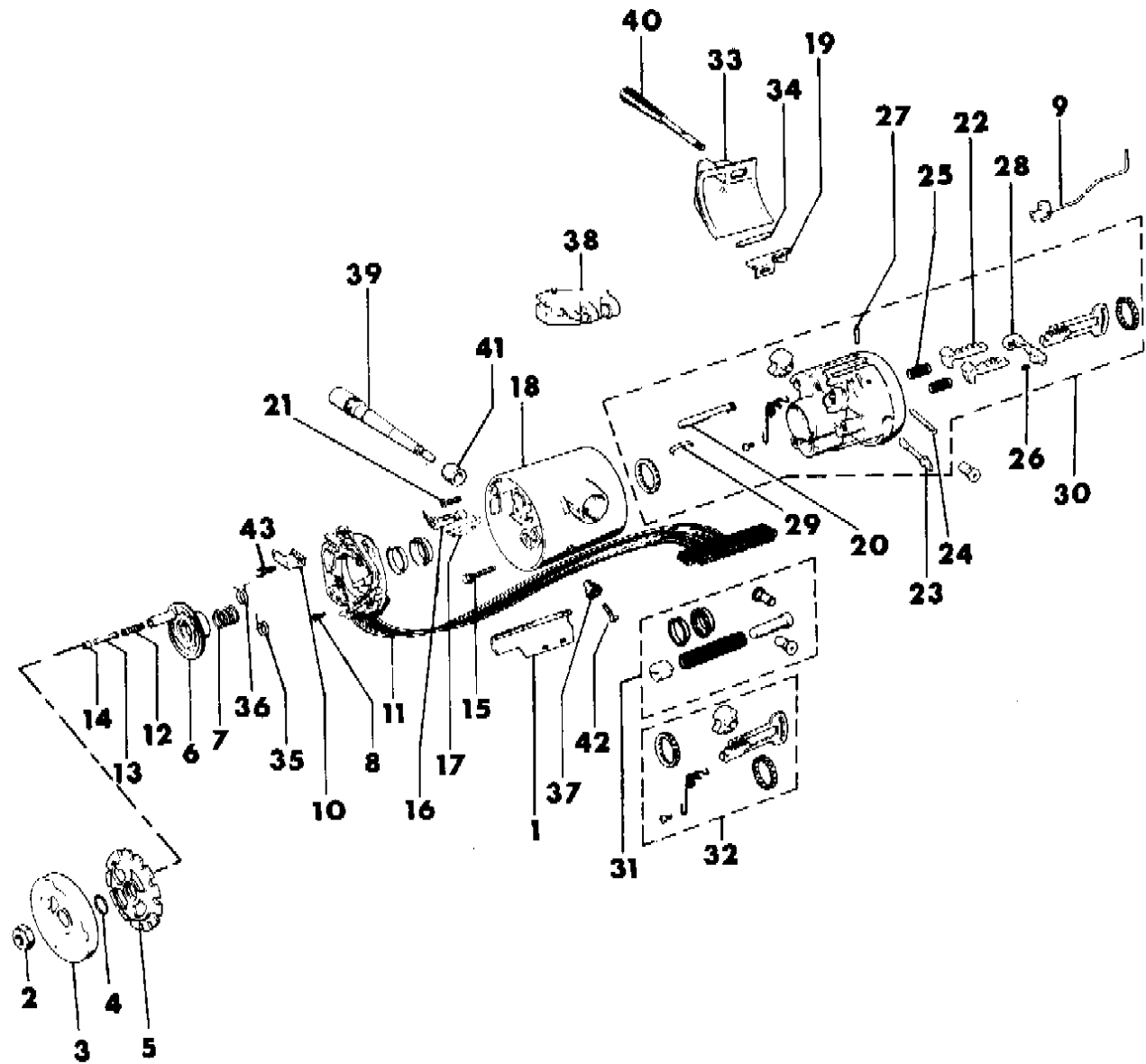
BODY STYLES:

MJ=Comanche Pickup ZJ=Grand Cherokee/Grand Wagoneer KDX VEHICLES
 SJ=Grand Wagoneer M1=Comanche
 XJ=Cherokee, Briarwood X1=Cherokee, Briarwood
 YJ=Wrangler Y1=Wrangler

AR = Use as Required - = Non Illustrated Part P.A.R. = Paint as Required

HOUSING STEERING COLUMN UPPER W/FLOOR GEAR SHIFT, W/TILT WRANGLER, YJ
Figure 19-700

91J19 700



ITEM	PART NUMBER	QTY	BODY	MODEL	DESCRIPTION
38	5600 0033	1			SWITCH ASSEMBLY, Intermittent Wipers
39					LEVER, Turn Signal
	5600 3867	1			w/o Intermittent Wipers, w/o Cruise Control
	5600 2951	1			w/Intermittent Wipers, w/o Cruise Control
	5600 0034	1			w/Intermittent Wipers, w/Cruise Control
40	5200 6207	1			LEVER, Wheel Release
41	5600 2285	1			INSULATOR
42	3420 2670	1			SCREW
43	J400 1267	1			SCREW

MODEL CODES:

61=Pickup-6 Ft Box 74=4 Door Wagon T=2WD
 62=Pickup-7 Ft Box 77=Open Body 93" Wheelbase J,N,U=4WD
 72=2 Door Wagon 78=Open Body 103" Wheelbase

BODY STYLES:

MJ=Comanche Pickup ZJ=Grand Cherokee/Grand Wagoneer KDX VEHICLES
 SJ=Grand Wagoneer M1=Comanche
 XJ=Cherokee, Briarwood X1=Cherokee, Briarwood
 YJ=Wrangler Y1=Wrangler

AR = Use as Required - = Non Illustrated Part P.A.R. = Paint as Required

HOUSING STEERING COLUMN LOWER W/FLOOR GEAR SHIFT, W/TILT WRANGLER, YJ
Figure 19-800

91J19 800

ITEM	PART NUMBER	QTY	BODY	MODEL	DESCRIPTION
1	J812 8154	1			LEVER
2	4019 298	1			SPRING
3	8350 0359	1			SHROUD, Shift Bowl
4	8350 2911	1			ROD, Dimmer Switch Actuator
5	J325 0575	1			SWITCH, Ignition Lock
6	5600 3406	1			SWITCH, Headlamp Dimmer
7	J813 3546	1			STUD
8	J448 7772	1			SCREW
9	J012 0361	1			NUT
10	8350 2905	1			JACKET ASSEMBLY
11	J319 6896	1			SEAL
12	J812 8888	1			SHAFT, Steering Column Upper
13	4147 365	1			SPHERE
14	8350 2907	1			SHAFT ASSEMBLY, Steering Column Upper
15	8350 1109	1			SUPPORT
16	J813 3569	1			PLATE
17	J320 8210	2			SCREW
18	J448 7867	4			SCREW
19	J448 7860	1			PLATE
20	J448 7696	1			ADAPTER
21	J448 6713	1			BEARING
22	J448 7743	1			RETAINER
23	J448 7739	1			CLIP
24					SHAFT, Steering Column Lower
	5204 0099	1			w/Power Steering
	5204 0098	1			w/o Power Steering
25		2			BOLT, M8x1.25-30 (Not Serv.)
26	J535 1229	1			BRACKET
27	1150 2764	4			SCREW
28	J018 0126	2			BOLT
29	J012 0388	2			WASHER
30	J545 3933	1			BRACKET, 1991
	5207 8054	1			1992-93
31	J027 3573	3			SCREW
32	J400 4991	2			SCREW
33	J536 3488	1			PLATE
34	J319 6897	1			PLATE
35	J400 4520	4			SCREW
36	J400 4866	4			NUT
37	5200 2840	1			BRACE
38	S012 0390	2			WASHER

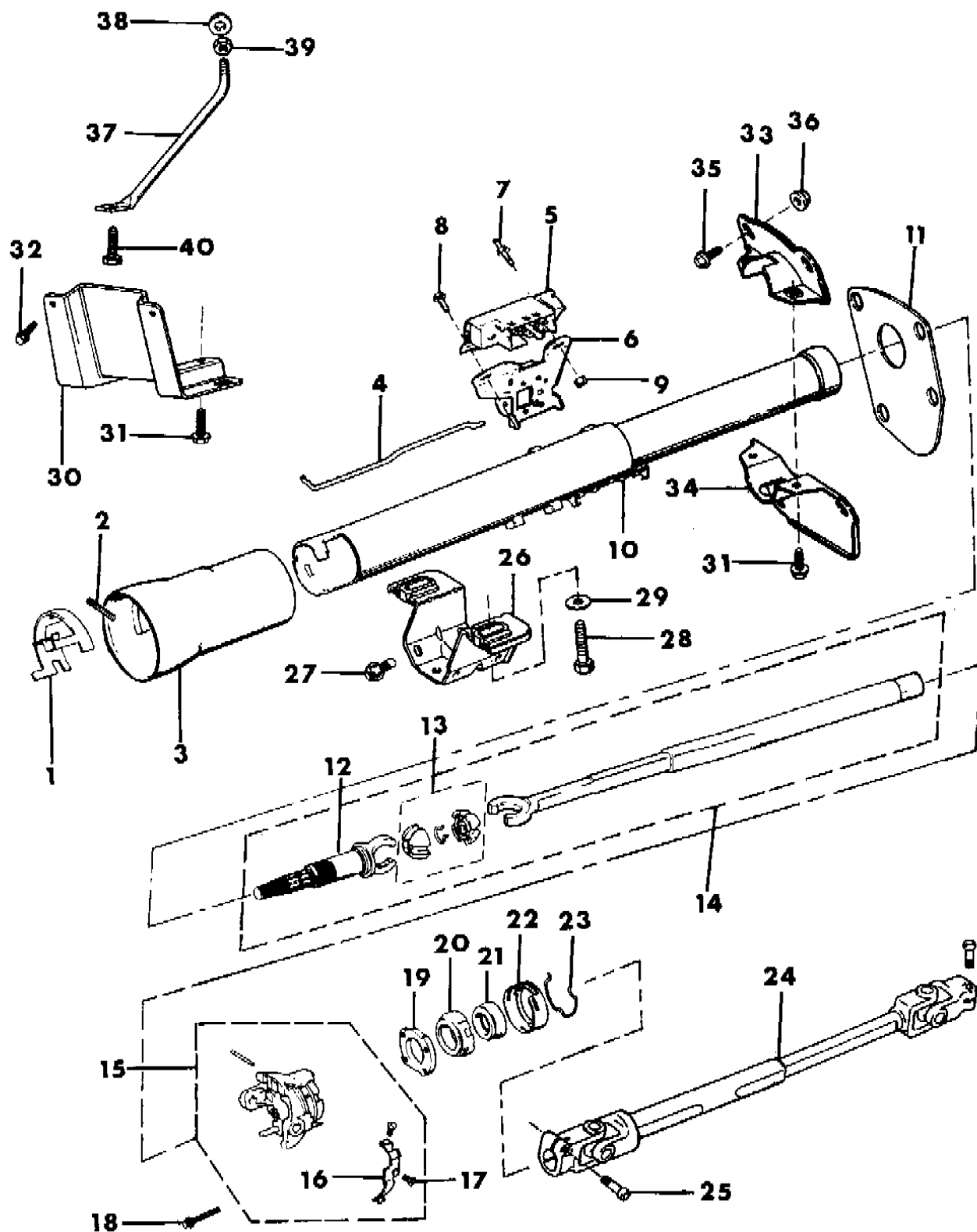
MODEL CODES:

61=Pickup-6 Ft Box 74=4 Door Wagon T=2WD
 62=Pickup-7 Ft Box 77=Open Body 93" Wheelbase J,N,U=4WD
 72=2 Door Wagon 78=Open Body 103" Wheelbase

BODY STYLES:

MJ=Comanche Pickup ZJ=Grand Cherokee/Grand Wagoneer KDX VEHICLES
 SJ=Grand Wagoneer M1=Comanche
 XJ=Cherokee, Briarwood Y1=Cherokee, Briarwood
 YJ=Wrangler Y1=Wrangler

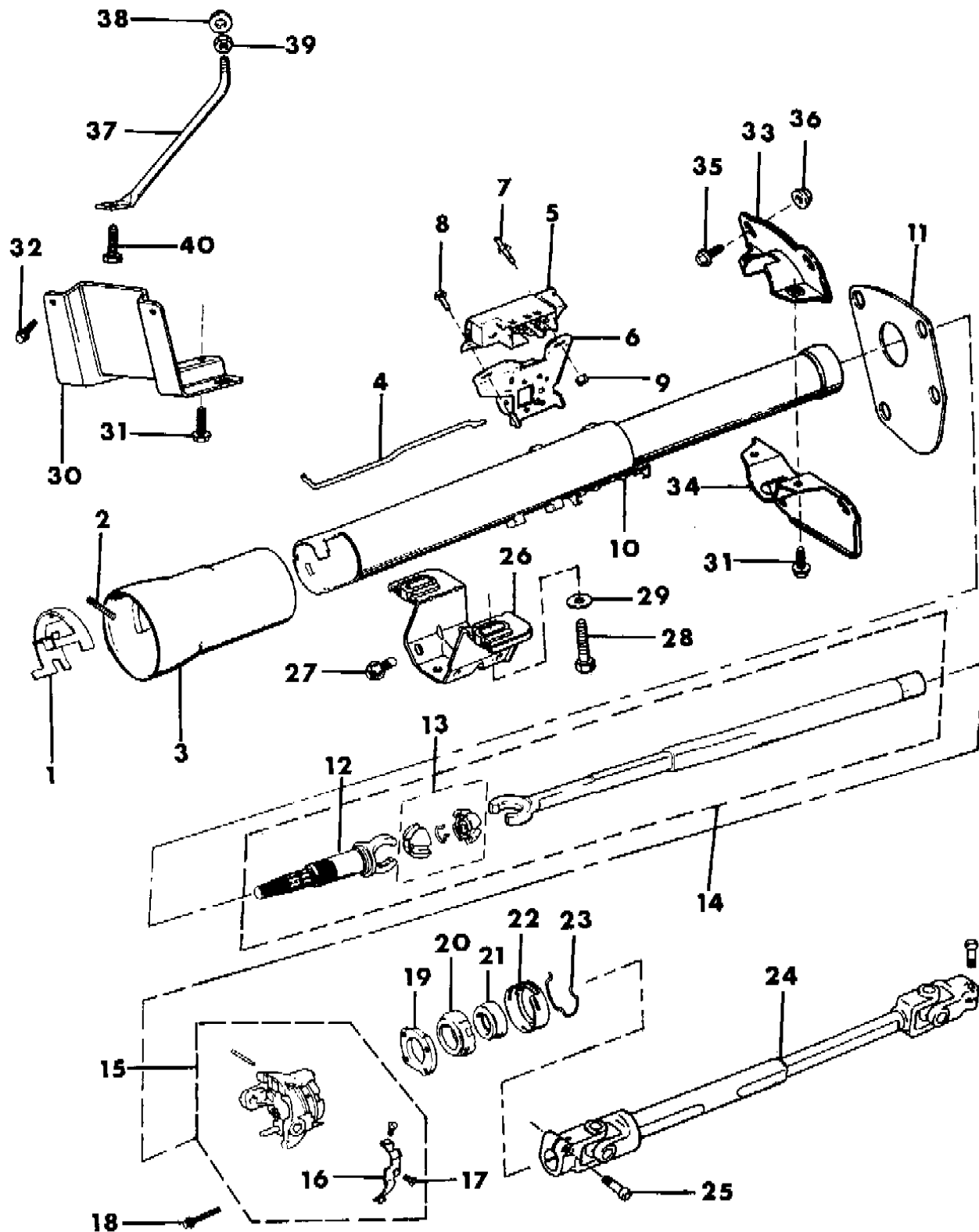
AR = Use as Required - = Non Illustrated Part P.A.R. = Paint as Required



HOUSING STEERING COLUMN LOWER W/FLOOR GEAR SHIFT, W/TILT WRANGLER, YJ
Figure 19-800

91J19 800

ITEM	PART NUMBER	QTY	BODY	MODEL	DESCRIPTION
39	J400 5098	2			NUT
40	J400 7131	1			BOLT



MODEL CODES:

61=Pickup-6 Ft Box	74=4 Door Wagon	T=2WD
62=Pickup-7 Ft Box	77=Open Body 93" Wheelbase	J,N,U=4WD
72=2 Door Wagon	78=Open Body 103" Wheelbase	

BODY STYLES:

MJ=Comanche Pickup	ZJ=Grand Cherokee/Grand Wagoneer	KDX VEHICLES
SJ=Grand Wagoneer		M1=Comanche
XJ=Cherokee, Briarwood		X1=Cherokee, Briarwood
YJ=Wrangler		Y1=Wrangler

AR = Use as Required - = Non Illustrated Part P.A.R. = Paint as Required

HOUSING STEERING COLUMN UPPER W/COLUMN GEAR SHIFT, W/TILT WRANGLER, YJ
Figure 19-900

91J19 900

ITEM	PART NUMBER	QTY	BODY	MODEL	DESCRIPTION
1	8350 2566	1			PROTECTOR
2	J420 0414	1			NUT
3	J322 8743	1			COVER, Shift Lock
4	2925 062	1			RING
5	J812 7874	1			LOCK
6	J448 7816	1			CAM, Cancelling
7	3575 981	1			SPRING
8	J448 8301	3			SCREW
9	8350 2914	1			ACTUATOR ASSEMBLY, Ignition Switch ***
10	8350 1575	1			ARM, Switch Actuator
11	J322 9970	1			SWITCH, Turn Signal
12	5200 4402	1			SPRING
13	J318 7249	1			PIN
14	J318 7257	1			RETAINER
15	J813 3572	3			SCREW
16	J321 1424	1			SWITCH, Key Buzzer
17	J448 7853	1			CLIP
18	8350 4379	1			COVER, Steering Column Housing
19	4019 787	1			ACTUATOR, Dimmer Switch Rod
20	4019 336	1			BOLT
21	8350 2103	1			SCREW
22					SHOE
	8350 2583	1			Lt.
	J448 7828	1			Rt.
23	J813 4191	1			SHAFT
24	J448 7822	1			PIN
25	J448 7832	2			SPRING
26	J320 8047	1			SPRING
27	J320 8043	1			PIN
28	J813 3567	1			LEVER
29	J448 7831	1			SPRING
30	8350 2582	1			HOUSING, Steering Column
31	8351 0054	1			PARTS PACKAGE
32	8351 0055	1			RACK PACKAGE
33	J813 4704	1			CAP
34	J813 3565	1			PIN
35	J812 9317	1			SPRING, Lt. Lower
36	J812 9335	1			SPRING, Rt. Upper
37					KNOB, Hazard Warning
	5200 3425	1			
	5600 3149	1			EUROPE

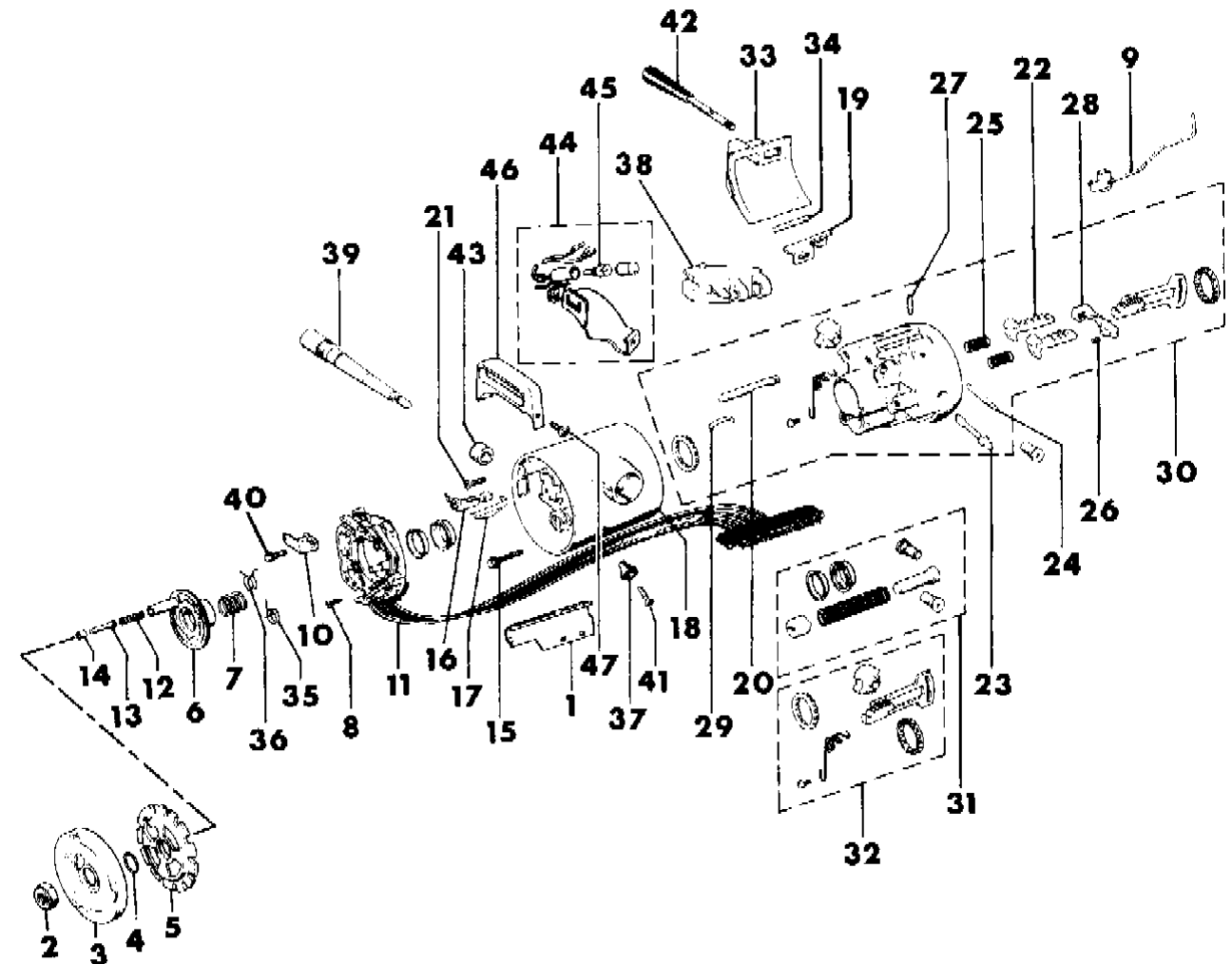
MODEL CODES:

61=Pickup-6 Ft Box 74=4 Door Wagon T=2WD
 62=Pickup-7 Ft Box 77=Open Body 93" Wheelbase J,N,U=4WD
 72=2 Door Wagon 78=Open Body 103" Wheelbase

BODY STYLES:

MJ=Comanche Pickup ZJ=Grand Cherokee/Grand Wagoneer KDX VEHICLES
 SJ=Grand Wagoneer M1=Comanche
 XJ=Cherokee, Briarwood X1=Cherokee, Briarwood
 YJ=Wrangler Y1=Wrangler

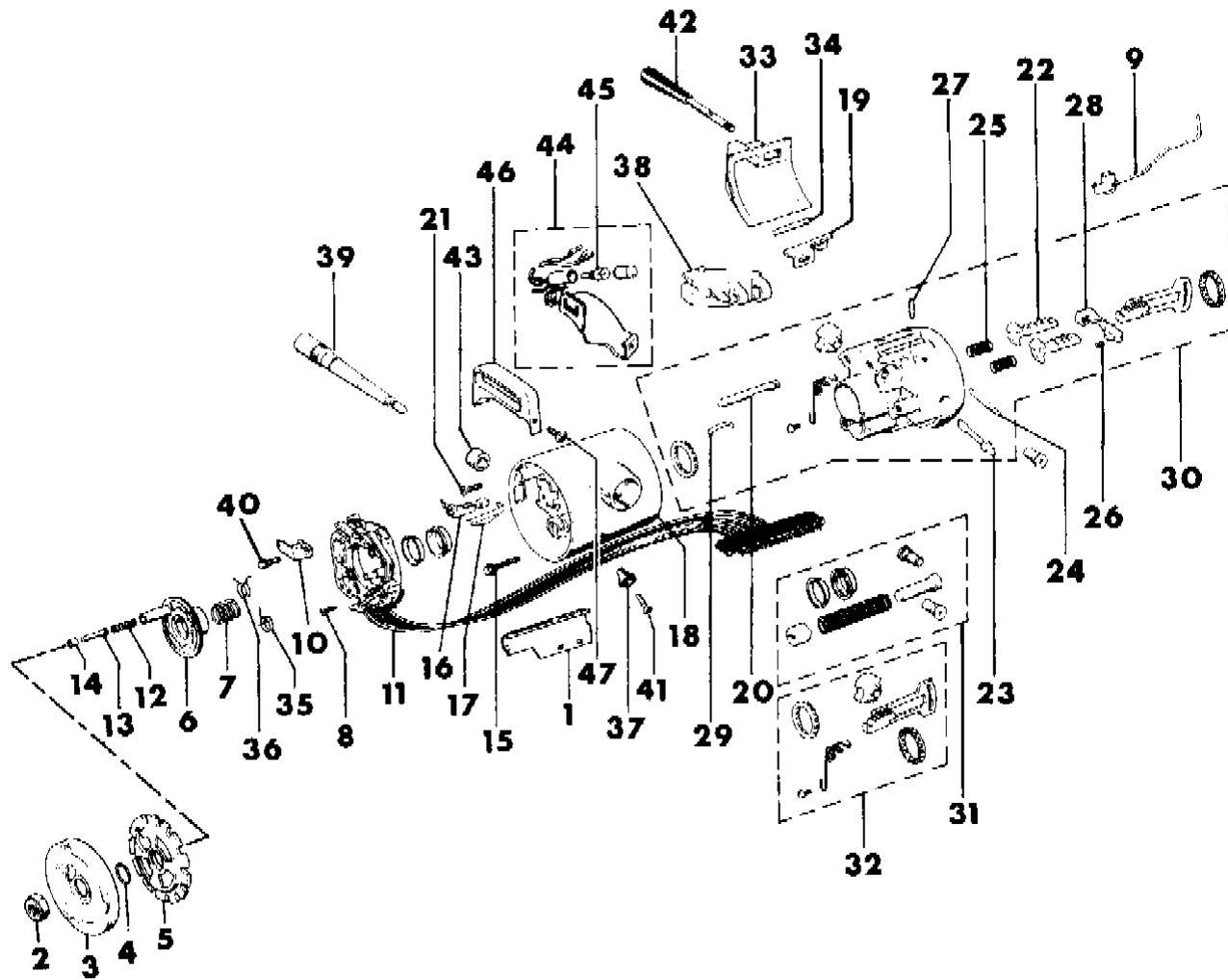
AR = Use as Required - = Non Illustrated Part P.A.R. = Paint as Required



HOUSING STEERING COLUMN UPPER W/COLUMN GEAR SHIFT, W/TILT WRANGLER, YJ
Figure 19-900

91J19 900

ITEM	PART NUMBER	QTY	BODY	MODEL	DESCRIPTION
38	5600 0033	1			SWITCH ASSEMBLY, Intermittent Wipers
39					LEVER, Turn Signal
	5600 3867	1			w/o Intermittent Wipers, w/o Cruise Control
	5600 2951	1			w/Intermittent Wipers, w/o Cruise Control
	5600 0034	1			w/Intermittent Wipers, w/Cruise Control
40	J400 1267	1			SCREW
41	3420 2670	1			SCREW
42	5200 6207	1			LEVER, Wheel Release
43	5600 2285	1			INSULATOR
44	8350 2549	1			BRACKET
45	S943 6970	1			BULB
46	5200 3153	1			BEZEL, Gear Selector
47	J400 4812	2			SCREW



MODEL CODES:

61=Pickup-6 Ft Box 74=4 Door Wagon T=2WD
 62=Pickup-7 Ft Box 77=Open Body 93" Wheelbase J,N,U=4WD
 72=2 Door Wagon 78=Open Body 103" Wheelbase

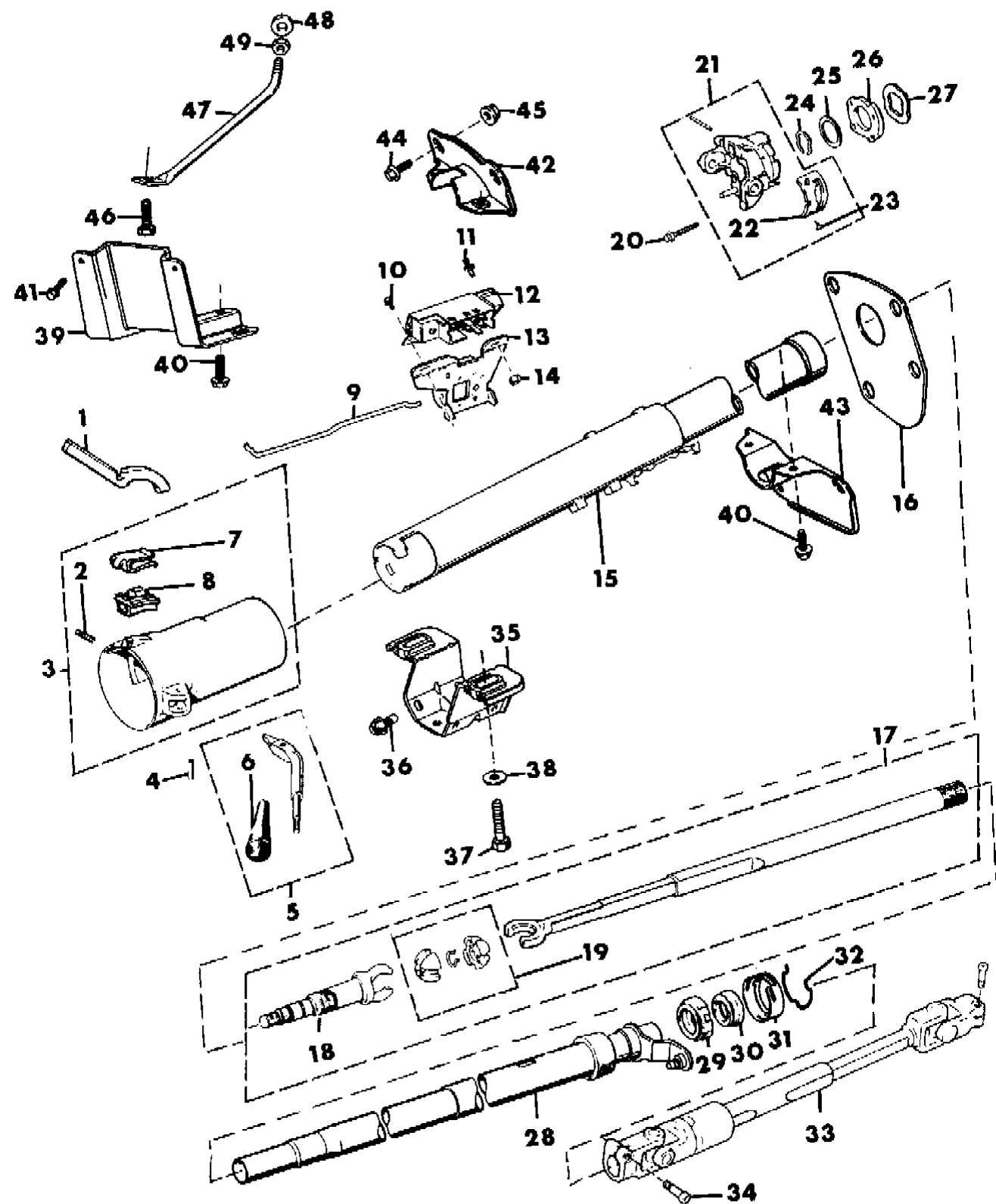
BODY STYLES:

MJ=Comanche Pickup ZJ=Grand Cherokee/Grand Wagoneer KDX VEHICLES
 SJ=Grand Wagoneer M1=Comanche
 XJ=Cherokee, Briarwood X1=Cherokee, Briarwood
 YJ=Wrangler Y1=Wrangler

AR = Use as Required - = Non Illustrated Part P.A.R. = Paint as Required

HOUSING STEERING COLUMN LOWER W/COLUMN GEAR SHIFT, W/TILT WRANGLER, YJ
Figure 19-1000

91J19 1000



ITEM	PART NUMBER	QTY	BODY	MODEL	DESCRIPTION
1	5200 3154	1			INDICATOR, Shift ***
2	8350 2107	1			SPRING
3	8350 2570	1			SHROUD, Bowl
4	J400 3925	1			PIN
5	5200 3095	1			LEVER, Gear Shift
6	J321 6462	1			KNOB
7	8350 2572	1			CLIP
8	8350 2571	1			BRACKET
9	8350 2910	1			ROD, Dimmer Switch Actuator
10	J448 7772	1			SCREW
11	J813 3546	1			STUD
12	J325 0575	1			SWITCH, Ignition Lock
13	5600 3406	1			SWITCH, Headlamp Dimmer
14	J012 0361	1			NUT, (10-24)
15	8350 2904	1			JACKET ASSEMBLY
16	J319 6896	1			SEAL
17	8350 2907	1			SHAFT ASSEMBLY, Steering Column Upper
18	J812 8888	1			SHAFT, Steering Column Upper
19	4147 365	1			SPHERE
20	J448 7867	4			SCREW
21	8350 2560	1			SUPPORT
22	J319 5616	1			GATE
23	J320 8210	2			SCREW
24	J448 7864	1			RING, Shift Tube Retaining
25	J448 7872	1			WASHER, Thrust
26	J448 7860	1			PLATE
27	J448 7873	1			WASHER, Wave
28	8350 2909	1			TUBE ASSEMBLY, Shift
29	J448 7896	1			ADAPTER
30	J448 6713	1			BEARING
31	J448 7743	1			RETAINER
32	J448 7739	1			CLIP
33					SHAFT, Steering Column Lower
	5204 0099	1			w/Power Steering
	5204 0098	1			w/o Power Steering ***
34		2			BOLT, M8x1.25-30 (Not Serv.)
35	J535 1229	1			BRACKET
36	1150 2764	4			SCREW
37	J018 0126	2			BOLT
38	J012 0388	2			WASHER
39	J545 3933	1			BRACKET, 1991

MODEL CODES:

61=Pickup-6 Ft Box 74=4 Door Wagon T=2WD
62=Pickup-7 Ft Box 77=Open Body 93" Wheelbase J,N,U=4WD
72=2 Door Wagon 78=Open Body 103" Wheelbase

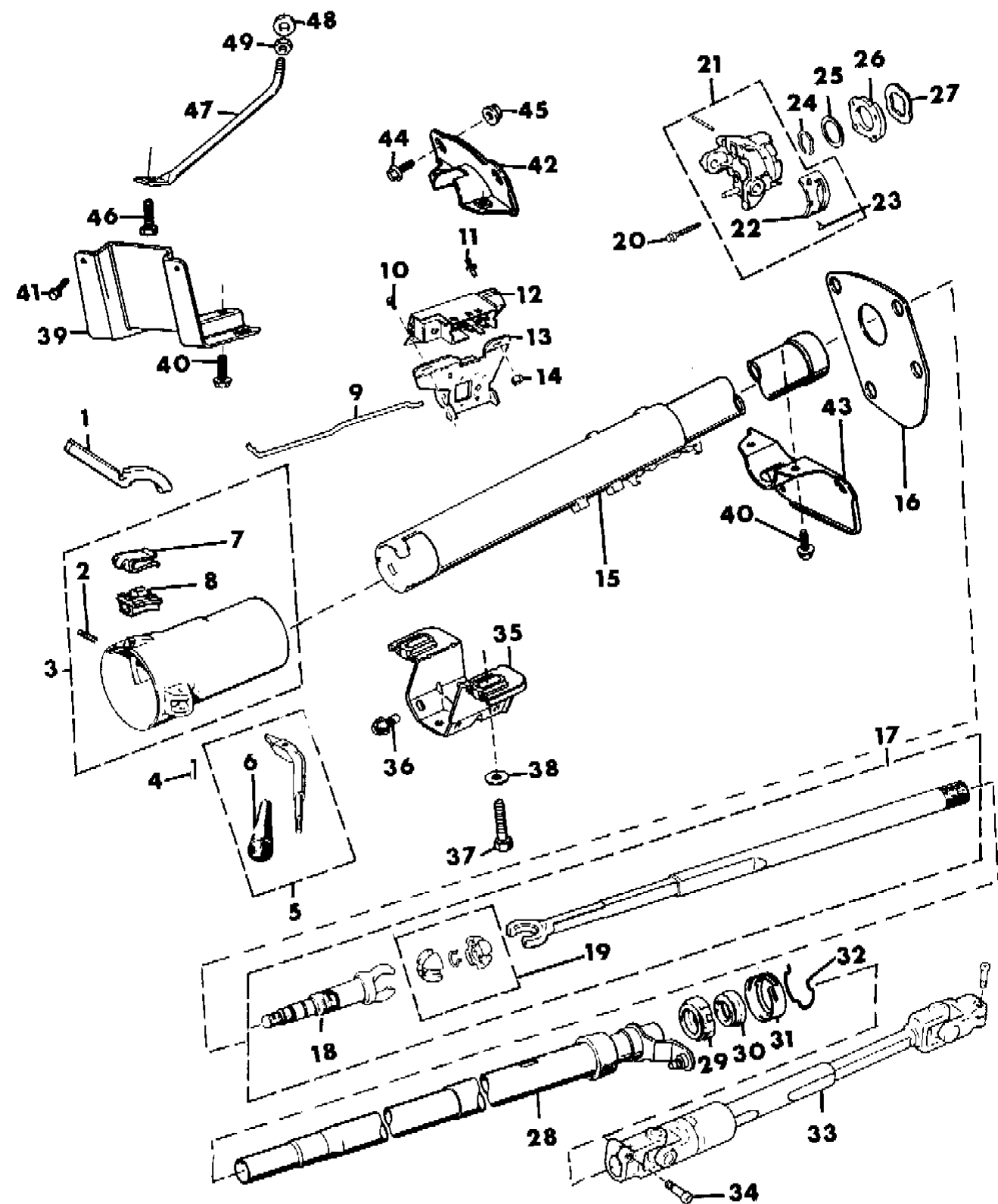
BODY STYLES:

MJ=Comanche Pickup ZJ=Grand Cherokee/Grand Wagoneer KDX VEHICLES
SJ=Grand Wagoneer M1=Comanche
XJ=Cherokee, Briarwood X1=Cherokee, Briarwood
YJ=Wrangler Y1=Wrangler

AR = Use as Required - = Non Illustrated Part P.A.R. = Paint as Required

HOUSING STEERING COLUMN LOWER W/COLUMN GEAR SHIFT, W/TILT WRANGLER, YJ
Figure 19-1000

91J19 1000



ITEM	PART NUMBER	QTY	BODY	MODEL	DESCRIPTION
	5207 8054	1			1992-93
40	J027 3573	3			SCREW
41	J400 4991	2			SCREW
42	J536 3488	1			PLATE
43	J319 6897	1			PLATE
44	J400 4520	4			SCREW
45	J400 4866	4			NUT
46	J400 7131	1			BOLT
47	5200 2840	1			BRACE
48	S012 0390	2			WASHER
49	J400 5098	2			NUT

MODEL CODES:

61=Pickup-6 Ft Box 74=4 Door Wagon T=2WD
 62=Pickup-7 Ft Box 77=Open Body 93" Wheelbase J,N,U=4WD
 72=2 Door Wagon 78=Open Body 103" Wheelbase

BODY STYLES:

MJ=Comanche Pickup ZJ=Grand Cherokee/Grand Wagoneer KDX VEHICLES
 SJ=Grand Wagoneer M1=Comanche
 XJ=Cherokee, Briarwood X1=Cherokee, Briarwood
 YJ=Wrangler Y1=Wrangler

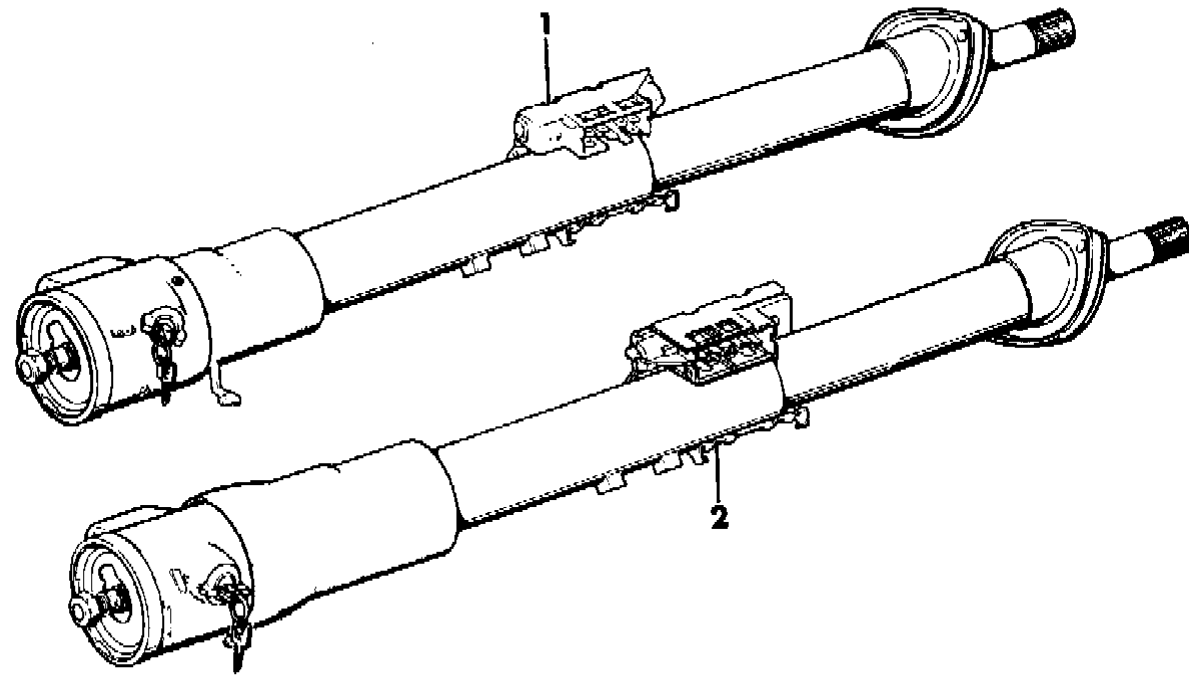
AR = Use as Required - = Non Illustrated Part P.A.R. = Paint as Required

COLUMN ASSEMBLY, STEERING W/FLOOR MOUNTED GEAR SHIFT CHEROKEE, BRIARWOOD, COMANCHE

Figure 19-1100

91J19 1100

ITEM	PART NUMBER	QTY	BODY	MODEL	DESCRIPTION
1	5200 4943	1			COLUMN ASSEMBLY, w/Manual Transmission, w/o Tilt, w/o Intermittent Wipers
	5200 4944	1			COLUMN ASSEMBLY, w/Manual Transmission, w/o Tilt, w/ Intermittent Wipers
	5200 4950	1			COLUMN ASSEMBLY, w/Automatic Transmission, w/o Tilt, w/o Intermittent Wipers
	5200 4951	1			COLUMN ASSEMBLY, w/Automatic Transmission, w/o Tilt, W/ Intermittent Wipers
2	5200 4940	1			COLUMN ASSEMBLY, w/Manual Transmission, w/Tilt, w/ Intermittent Wipers
	5200 4945	1			COLUMN ASSEMBLY, w/Automatic Transmission, w/Tilt, w/ Intermittent Wipers



MODEL CODES:

61=Pickup-6 Ft Box 74=4 Door Wagon T=2WD
 62=Pickup-7 Ft Box 77=Open Body 93" Wheelbase J,N,U=4WD
 72=2 Door Wagon 78=Open Body 103" Wheelbase

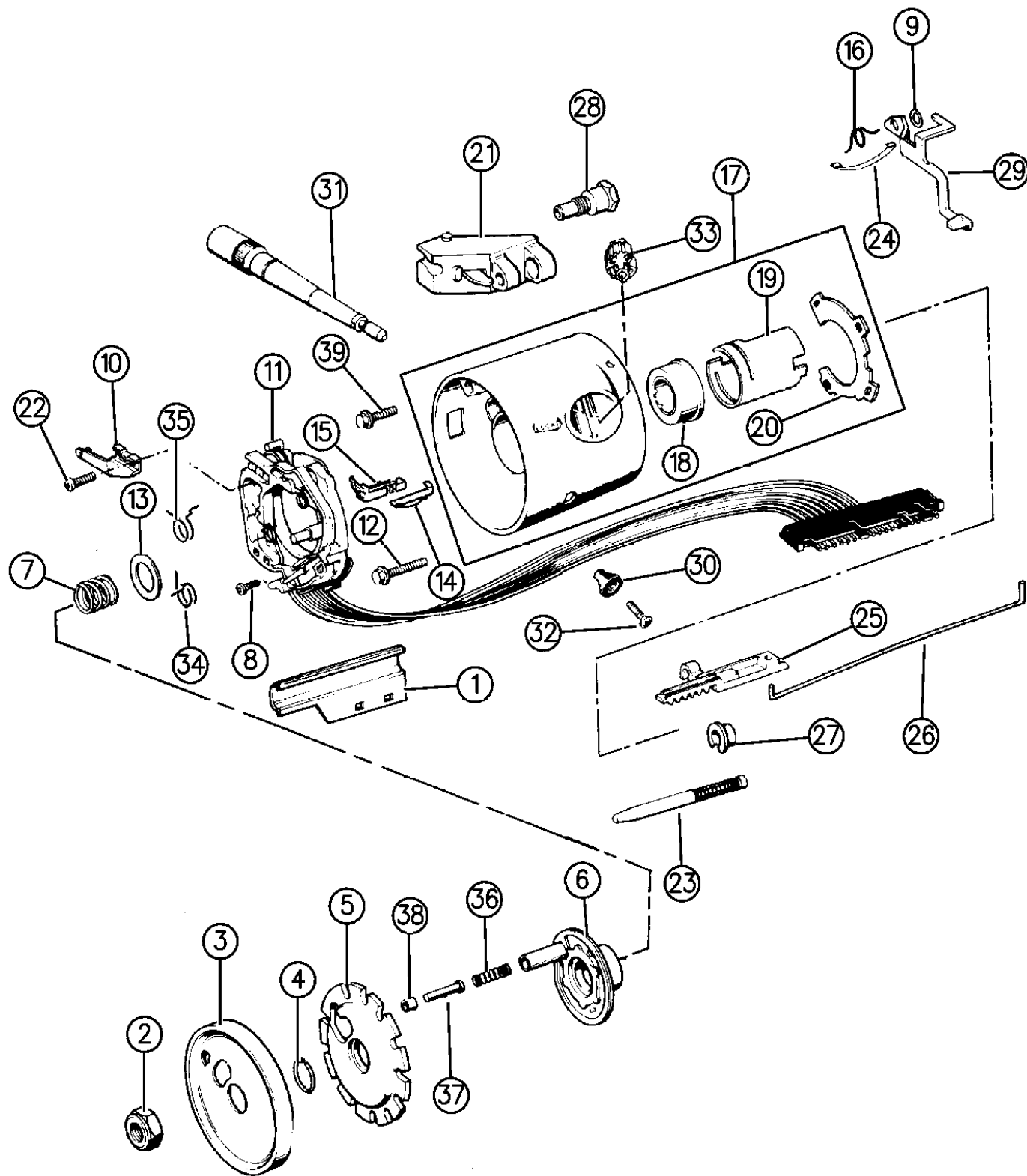
BODY STYLES:

MJ=Comanche Pickup ZJ=Grand Cherokee/Grand Wagoneer KDX VEHICLES
 SJ=Grand Wagoneer M1=Comanche
 XJ=Cherokee, Briarwood X1=Cherokee, Briarwood
 YJ=Wrangler Y1=Wrangler

AR = Use as Required - = Non Illustrated Part P.A.R. = Paint as Required

HOUSING STEERING COLUMN UPPER W/FLOOR GEAR SHIFT, W/O TILT CHEROKEE, BRIARWOOD, COMANCHE
Figure 19-1200

91J19 1200A



ITEM	PART NUMBER	QTY	BODY	MODEL	DESCRIPTION
1	8350 0225	1			PROTECTOR
2	J420 0414	1			NUT
3	J322 8743	1			COVER, Shift Lock
4	2925 062	2			RING
5	J812 7831	1			LOCK
6	J448 7711	1			CAM, Cancelling
7	8350 7097	1			SPRING
8	J448 8301	3			SCREW
9	J812 0186	1			WASHER, w/Manual Transmission
10	8351 0088	1			ARM, Switch Actuator
11	J322 9970	1			SWITCH, Turn Signal
12	J448 7761	4			SCREW
13	J320 8008	1			WASHER
14	J321 1423	1			SWITCH, Key Buzzer
15	J448 7713	1			Clip ***
16	J812 0185	1			SPRING, w/Manual Transmission
17	J813 4499	1			HOUSING ASSEMBLY
18	J812 7850	1			BEARING ASSEMBLY
19	J813 3537	1			BUSHING
20	J813 4703	1			RETAINER
21					SWITCH ASSEMBLY, Wipers
	5600 0031	1			w/o Intermittent Wipers
	5600 0032	1			w/Intermittent Wipers
22	5600 2285	1			INSULATOR
23	J448 7897	1			BOLT
24	J448 7774	1			SPRING
25					RACK
	J812 1437	1			w/Manual Transmission
	8350 0216	1			w/Automatic Transmission
26					ROD
	8350 0238	1			w/Manual Transmission
	8350 0220	1			w/Automatic Transmission
27	J448 7777	1			WASHER
28	J813 3538	1			PIN
29	J813 3541	1			LEVER, w/Manual Transmission
30	5200 3425	1			KNOB, Hazard Warning
31					LEVER, Turn Signal
	5600 3867	1			w/o Intermittent Wipers, w/o Cruise Control
	5600 2951	1			w/Intermittent Wipers, w/o Cruise
	5600 4595	1			w/Intermittent Wipers, w/Cruise Control
32	3420 2670	1			SCREW

MODEL CODES:

61=Pickup-6 Ft Box 74=4 Door Wagon T=2WD
 62=Pickup-7 Ft Box 77=Open Body 93" Wheelbase J,N,U=4WD
 72=2 Door Wagon 78=Open Body 103" Wheelbase

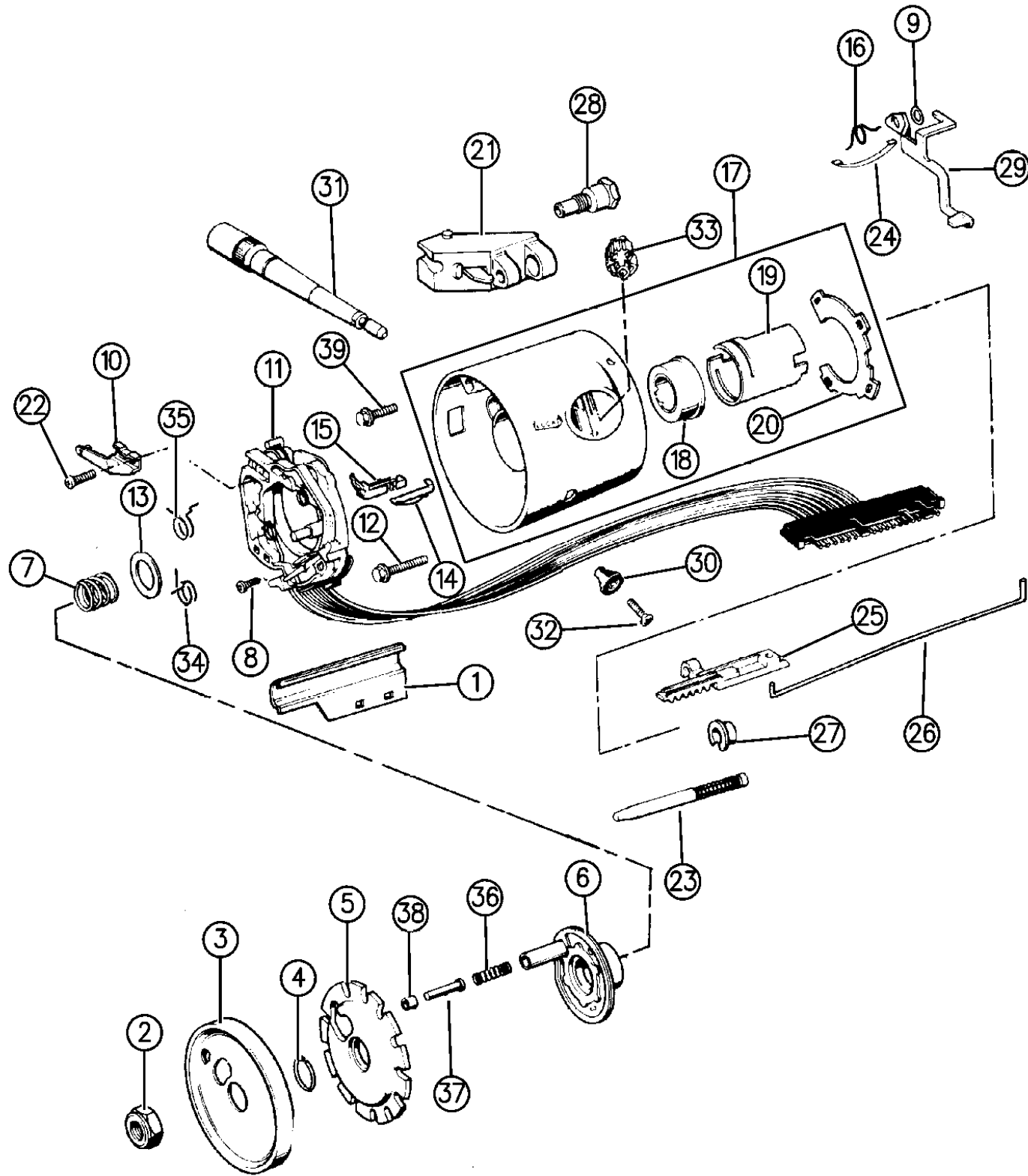
BODY STYLES:

MJ=Comanche Pickup ZJ=Grand Cherokee/Grand Wagoneer KDX VEHICLES
 SJ=Grand Wagoneer M1=Comanche
 XJ=Cherokee, Briarwood X1=Cherokee, Briarwood
 YJ=Wrangler Y1=Wrangler

AR = Use as Required - = Non Illustrated Part P.A.R. = Paint as Required

HOUSING STEERING COLUMN UPPER W/FLOOR GEAR SHIFT, W/O TILT CHEROKEE, BRIARWOOD, COMANCHE
Figure 19-1200

91J19 1200A



ITEM	PART NUMBER	QTY	BODY	MODEL	DESCRIPTION
33	J400 1267	1			SCREW
34	J812 9317	1			SPRING, Left Lower
35	J812 9335	1			SPRING, Right Upper
36	5200 4402	1			SPRING
37	5200 4403	1			PIN
38	J318 7257	1			RETAINER
39	8350 2102	1			SCREW
40	J812 0097	1			SECTOR

MODEL CODES:

61=Pickup-6 Ft Box 74=4 Door Wagon T=2WD
 62=Pickup-7 Ft Box 77=Open Body 93" Wheelbase J,N,U=4WD
 72=2 Door Wagon 78=Open Body 103" Wheelbase

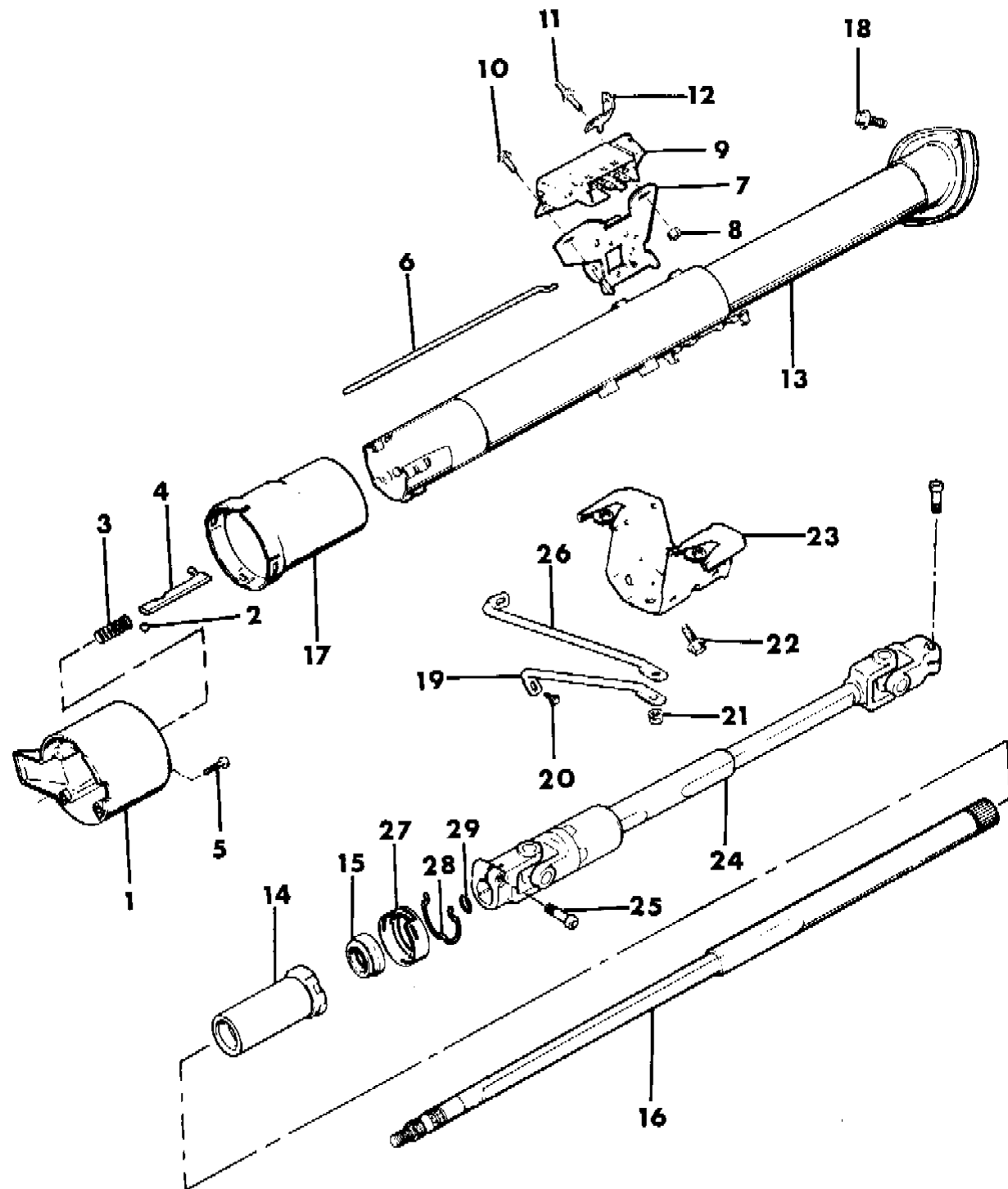
BODY STYLES:

MJ=Comanche Pickup ZJ=Grand Cherokee/Grand Wagoneer KDX VEHICLES
 SJ=Grand Wagoneer M1=Comanche
 XJ=Cherokee, Briarwood X1=Cherokee, Briarwood
 YJ=Wrangler Y1=Wrangler

AR = Use as Required - = Non Illustrated Part P.A.R. = Paint as Required

HOUSING STEERING COLUMN LOWER W/FLOOR GEAR SHIFT, W/O TILT CHEROKEE, BRIARWOOD, COMANCHE
Figure 19-1300

91J19 1300



ITEM	PART NUMBER	QTY	BODY	MODEL	DESCRIPTION
1					BOWL, Shift
	J813 4497	1			w/Manual Transmission
	8350 0218	1			w/Automatic Transmission
2	8350 0217	1			BALL, w/Automatic Transmission
3	8350 0237	1			SPRING, w/Automatic Transmission
4	8350 0219	1			PIN, w/Automatic Transmission
5	J448 8301	3			SCREW
6	8350 3698	1			ROD, Dimmer Switch Actuator
7	5600 3406	1			SWITCH, Headlamp Dimmer
8	J012 0361	1			NUT
9	J325 0576	1			SWITCH, Ignition Lock
10	J448 7772	1			SCREW
11	J813 3546	1			STUD
12	8350 0224	1			BRACKET, w/Automatic Transmission
13	8350 2097	1			JACKET ASSEMBLY
14	J812 9486	1			ADAPTER
15	J448 6713	1			BEARING
16	8350 2100	1			SHAFT, Steering Column (upper)
17					SHROUD, Shift Bowl
	8350 1374	1			w/Manual Transmission
	8350 0221	1			w/Automatic Transmission
18	3420 1193	2			SCREW
19	5200 1375	1			SUPPORT, Rod (Short)
	5207 7751	1			w/RHD
20	1150 2685	2			BOLT
21	1150 2812	2			NUT
22	1150 2764	4			SCREW
23	5200 0399	1			BRACKET
24					SHAFT, Steering Column (Lower)
	4713 943	1			w/Power Steering
	5200 1947	1			w/o Power Steering
25		2			BOLT, M8x1.25-30 (Not Serv.)
26	5200 1376	1			SUPPORT, Rod (Long)
	5207 7750	2			w/RHD
27	J448 7743	1			RETAINER
28	J448 7739	1			CLIP
29	2925 062	1			RING

MODEL CODES:

61=Pickup-6 Ft Box 74=4 Door Wagon T=2WD
 62=Pickup-7 Ft Box 77=Open Body 93" Wheelbase J,N,U=4WD
 72=2 Door Wagon 78=Open Body 103" Wheelbase

BODY STYLES:

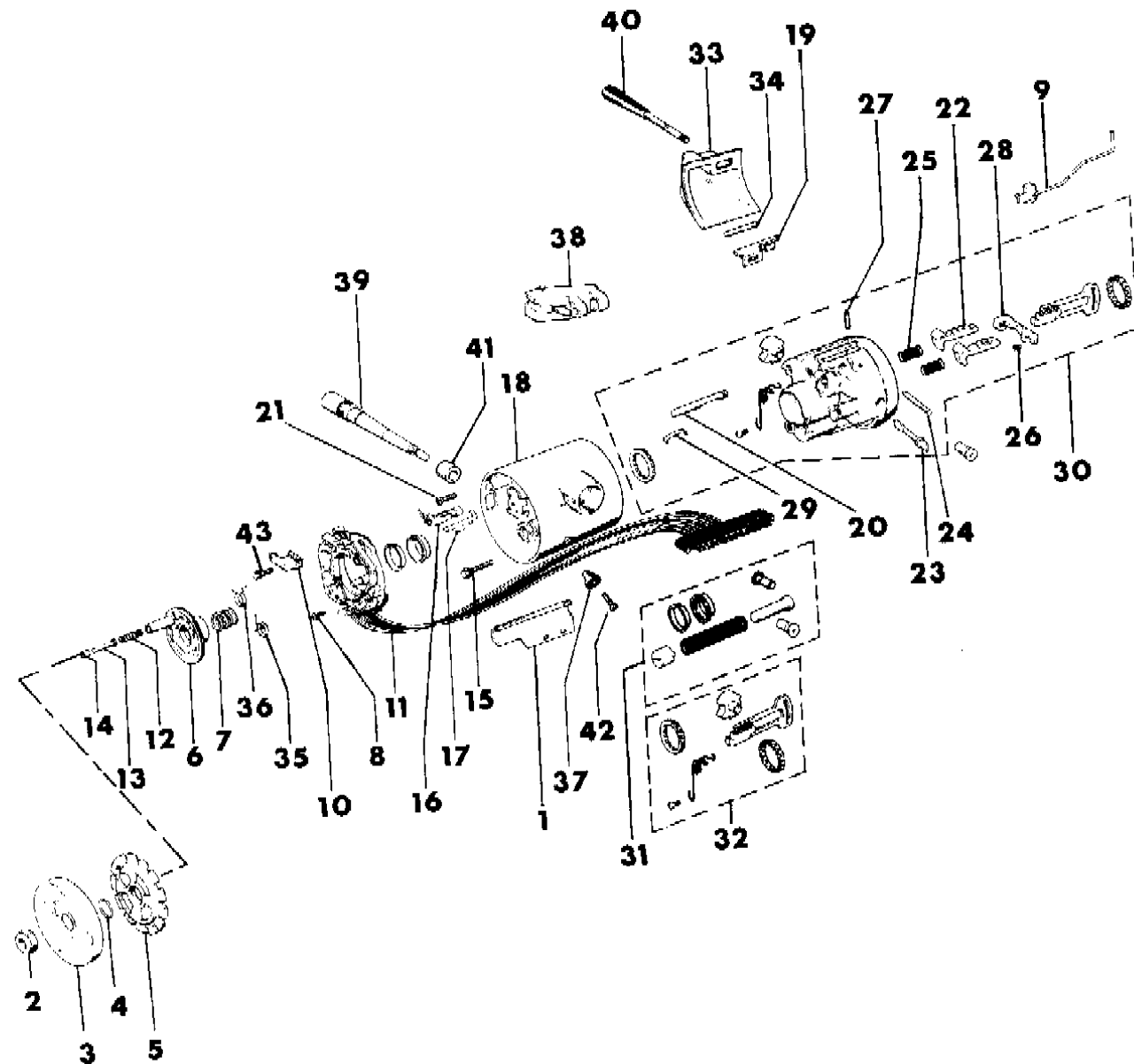
MJ=Comanche Pickup ZJ=Grand Cherokee/Grand Wagoneer KDX VEHICLES
 SJ=Grand Wagoneer M1=Comanche
 XJ=Cherokee, Briarwood X1=Cherokee, Briarwood
 YJ=Wrangler Y1=Wrangler

AR = Use as Required - = Non Illustrated Part P.A.R. = Paint as Required

HOUSING STEERING COLUMN UPPER W/FLOOR GEAR SHIFT, W/TILT CHEROKEE, BRIARWOOD, COMANCHE
Figure 19-1400

91J19 1400

ITEM	PART NUMBER	QTY	BODY	MODEL	DESCRIPTION
1	8350 0225	1			PROTECTOR
2	J420 0414	1			NUT
3	J322 8743	1			COVER, Shift Lock
4	2925 062	2			RING
5	J812 7874	1			LOCK
6	J448 7816	1			CAM, Cancelling
7	3575 981	1			SPRING
8	J448 8301	3			SCREW
9					ACTUATOR ASSEMBLY, Ignition Switch ***
	8350 0239	1			w/Manual Transmission ***
	8350 0227	1			w/Automatic Transmission
10	8350 1575	1			ARM, Switch Actuator
11	J322 9970	1			SWITCH, Turn Signal
12	5200 4402	1			SPRING
13	5200 4403	1			PIN
14	J318 7257	1			RETAINER
15	J813 3572	3			SCREW
16	J321 1424	1			SWITCH, Key Buzzer
17	J448 7853	1			CLIP
18	4636 805	1			COVER, Steering Column Housing
19	4019 787	1			ACTUATOR, Dimmer Switch Rod
20	3467 377	1			BOLT
21	8350 2103	1			SCREW
22					SHOE
	J448 7828	1			Rt.
	J812 2716	1			Lt.
23	J813 4191	1			SHAFT
24	J448 7822	1			PIN
25	J448 7832	2			SPRING
26	J320 8047	1			SPRING
27	J320 8043	1			PIN
28	J813 3567	1			LEVER
29	J448 7831	1			SPRING
30	8350 1104	1			HOUSING, Steering Column
31	8351 0054	1			PARTS PACKAGE
32	8351 0055	1			RACK PACKAGE
33	J813 4704	1			CAP
34	J813 3565	1			PIN
35	J812 9317	1			SPRING, Lt. Lower
36	J812 9335	1			SPRING, Rt. Upper
37	5200 3425	1			KNOB, Hazard Warning



MODEL CODES:

61=Pickup-6 Ft Box 74=4 Door Wagon T=2WD
 62=Pickup-7 Ft Box 77=Open Body 93" Wheelbase J,N,U=4WD
 72=2 Door Wagon 78=Open Body 103" Wheelbase

BODY STYLES:

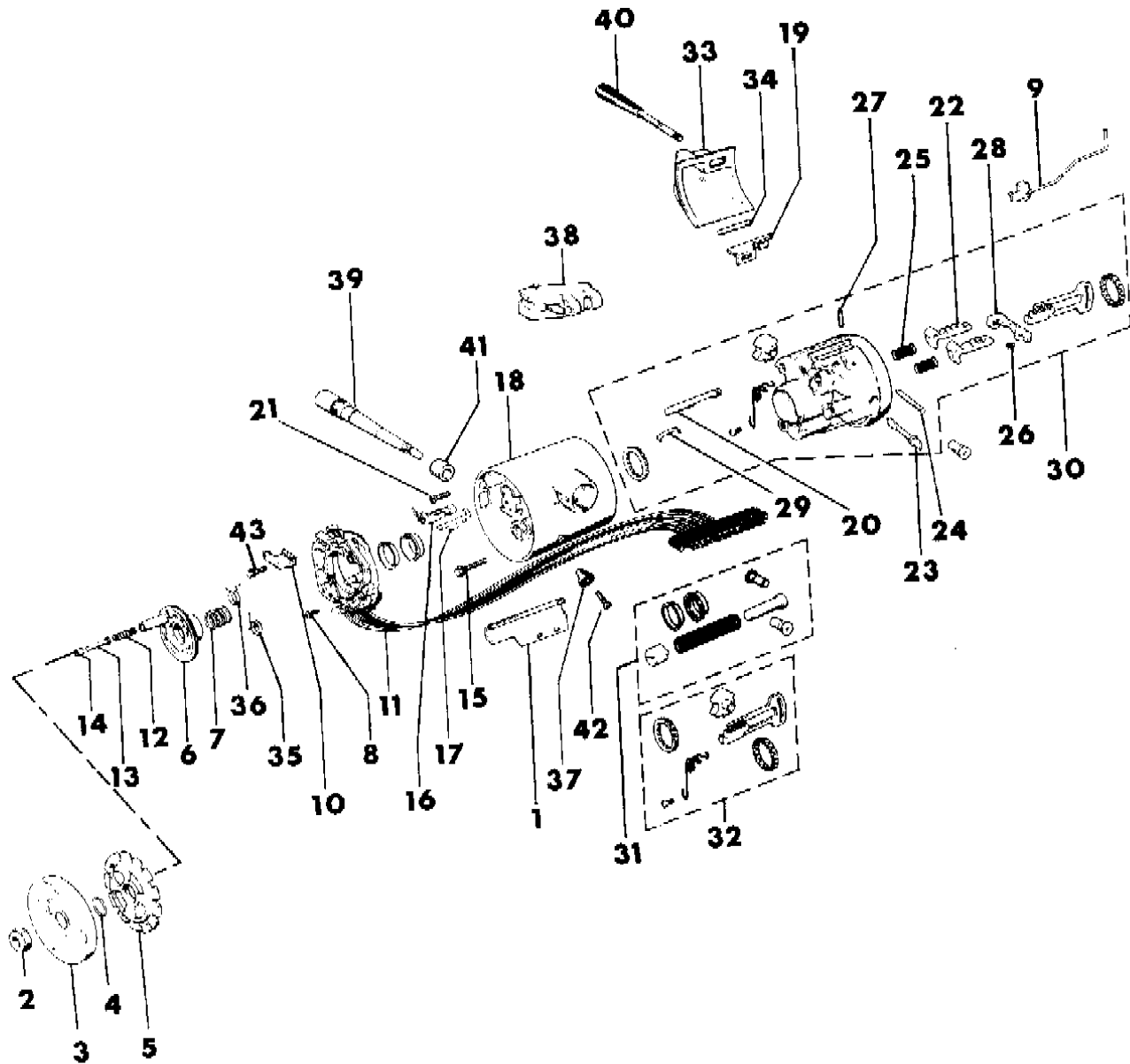
MJ=Comanche Pickup ZJ=Grand Cherokee/Grand Wagoneer KDX VEHICLES
 SJ=Grand Wagoneer M1=Comanche
 XJ=Cherokee, Briarwood X1=Cherokee, Briarwood
 YJ=Wrangler Y1=Wrangler

AR = Use as Required - = Non Illustrated Part P.A.R. = Paint as Required

HOUSING STEERING COLUMN UPPER W/FLOOR GEAR SHIFT, W/TILT CHEROKEE, BRIARWOOD, COMANCHE
Figure 19-1400

91J19 1400

ITEM	PART NUMBER	QTY	BODY	MODEL	DESCRIPTION
38					SWITCH ASSEMBLY, Wipers
	5600 0431	1			w/o Intermittent Wipers
	5600 0033	1			w/Intermittent Wipers
39					LEVER, Turn Signal
	5600 3867	1			w/o Intermittent Wipers, w/o Cruise Control
	5600 2951	1			w/Intermittent Wipers, w/o Cruise Control
	5600 4595	1			w/Intermittent Wipers, w/Cruise Control
40	5200 6207	1			LEVER, Wheel Release
41	5600 2285	1			INSULATOR
42	3420 2670	1			SCREW
43	J400 1267	1			SCREW



MODEL CODES:

61=Pickup-6 Ft Box 74=4 Door Wagon T=2WD
 62=Pickup-7 Ft Box 77=Open Body 93" Wheelbase J,N,U=4WD
 72=2 Door Wagon 78=Open Body 103" Wheelbase

BODY STYLES:

MJ=Comanche Pickup ZJ=Grand Cherokee/Grand Wagoneer KDX VEHICLES
 SJ=Grand Wagoneer M1=Comanche
 XJ=Cherokee, Briarwood X1=Cherokee, Briarwood
 YJ=Wrangler Y1=Wrangler

AR = Use as Required - = Non Illustrated Part P.A.R. = Paint as Required

HOUSING STEERING COLUMN LOWER W/FLOOR GEAR SHIFT, W/TILT CHEROKEE, BRIARWOOD, COMANCHE

Figure 19-1500

91J19 1500

ITEM	PART NUMBER	QTY	BODY	MODEL	DESCRIPTION
1	J812 8888	1			SHAFT, Steering Column Upper
2	4147 365	2			SPHERE
3	4147 365	1			SPRING
4	8350 2101	1			SHAFT ASSEMBLY, Steering Column Upper
5	J448 7867	4			SCREW
6	8350 1109	1			SUPPORT, w/Manual Transmission
7	8350 1369	1			SUPPORT, w/Automatic Transmission
8	8350 0224	1			BRACKET, w/Automatic Transmission
9	J320 8210	2			SCREW, w/Manual Transmission
10	J448 7860	1			PLATE
11	J812 8154	1			LEVER
12	4019 298	1			SPRING, w/Automatic Transmission
13					SHROUD, Shift Bowl
	8350 0359	1			w/Manual Transmission
	8350 0234	1			w/Automatic Transmission
14	8350 0233	1			ROD, Dimmer Switch Actuator
15	J325 0575	1			SWITCH, Ignition Lock
16	5600 3406	1			SWITCH, Headlamp Dimmer
17	J813 3546	1			STUD
18	J448 7772	1			SCREW
19	8350 2099	1			JACKET ASSEMBLY
20	J812 9486	1			ADAPTER
21	J448 6713	1			BEARING
22	8350 0231	1			PIN, w/Automatic Transmission
23	8350 0232	1			PIN, w/Automatic Transmission
24	8350 0235	1			SPRING, w/Automatic Transmission
25	3420 1193	2			SCREW
26	5200 1375	1			SUPPORT, Rod (Short)
	5502 7527	1	X1		w/RHD
27	1150 2685	2			BOLT
28	1150 2812	2			NUT
29	1150 2764	4			SCREW
30	5200 0399	1			BRACKET
31					SHAFT, Steering Column Lower
	4713 943	1			w/Power Steering
	5200 1947	1			w/o Power Steering
32	6502 441	2			BOLT, M8x1.25-30
33	5200 1376	1			SUPPORT, Rod (Long)
34	J012 0361	1			NUT
35	J813 3569	1			PLATE, w/Manual Transmission
36	J448 7743	1			RETAINER

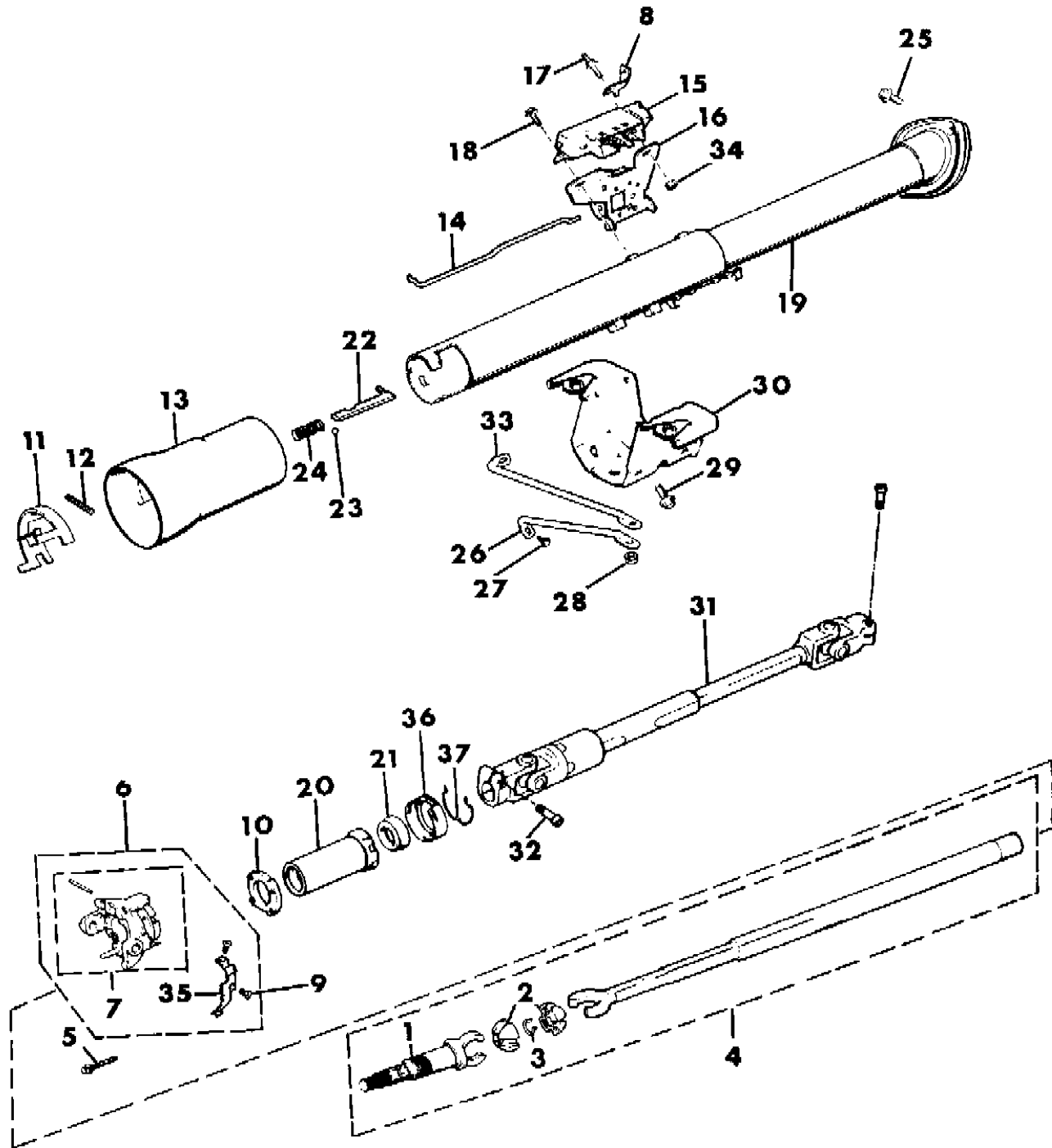
MODEL CODES:

61=Pickup-6 Ft Box 74=4 Door Wagon T=2WD
 62=Pickup-7 Ft Box 77=Open Body 93" Wheelbase J,N,U=4WD
 72=2 Door Wagon 78=Open Body 103" Wheelbase

BODY STYLES:

MJ=Comanche Pickup ZJ=Grand Cherokee/Grand Wagoneer KDX VEHICLES
 SJ=Grand Wagoneer M1=Comanche
 XJ=Cherokee, Briarwood Y1=Cherokee, Briarwood
 YJ=Wrangler Y1=Wrangler

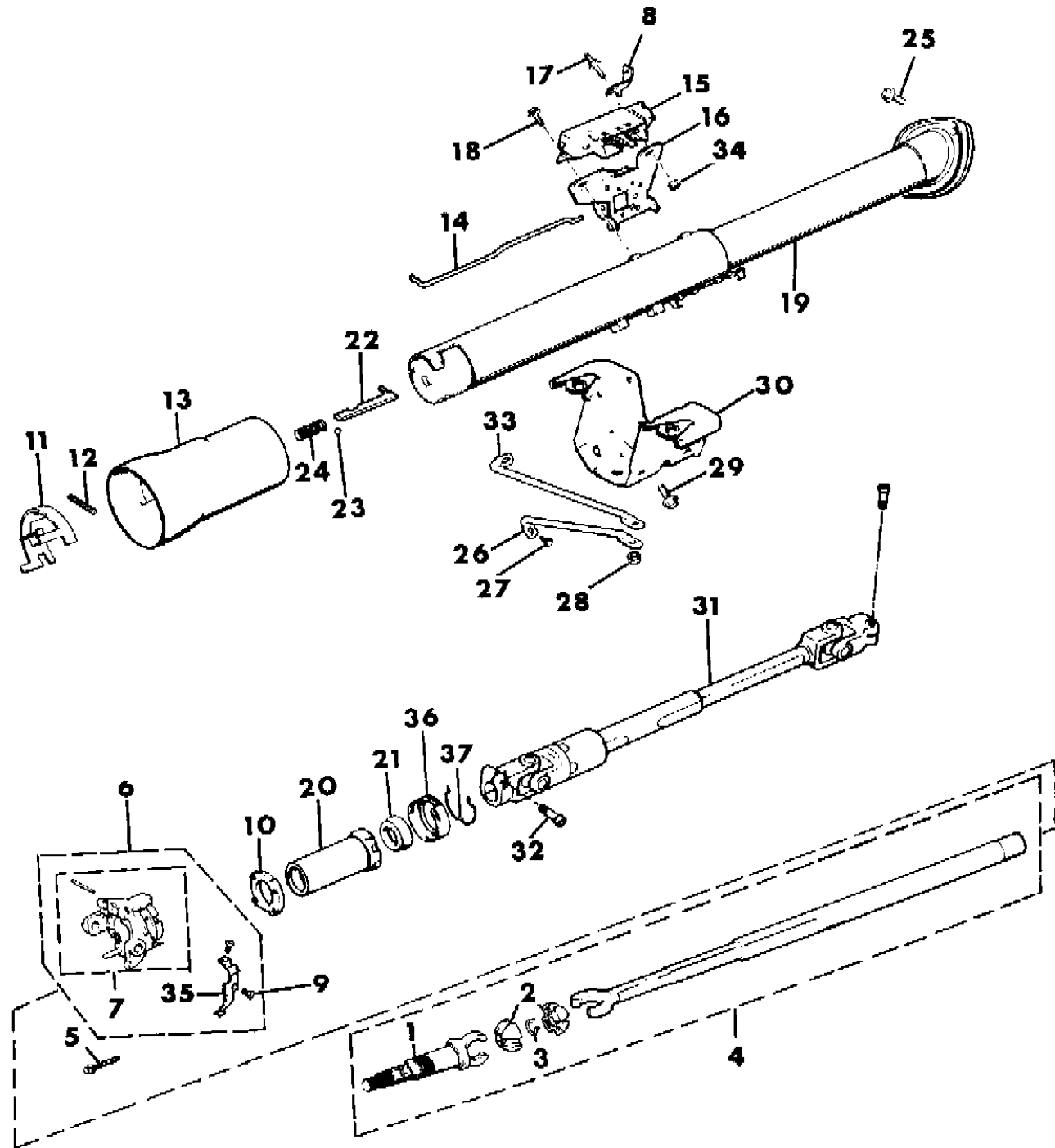
AR = Use as Required - = Non Illustrated Part P.A.R. = Paint as Required



HOUSING STEERING COLUMN LOWER W/FLOOR GEAR SHIFT, W/TILT CHEROKEE, BRIARWOOD, COMANCHE
Figure 19-1500

91J19 1500

ITEM	PART NUMBER	QTY	BODY	MODEL	DESCRIPTION
37	J448 7739	1			CLIP



MODEL CODES:

61=Pickup-6 Ft Box 74=4 Door Wagon T=2WD
 62=Pickup-7 Ft Box 77=Open Body 93" Wheelbase J,N,U=4WD
 72=2 Door Wagon 78=Open Body 103" Wheelbase

BODY STYLES:

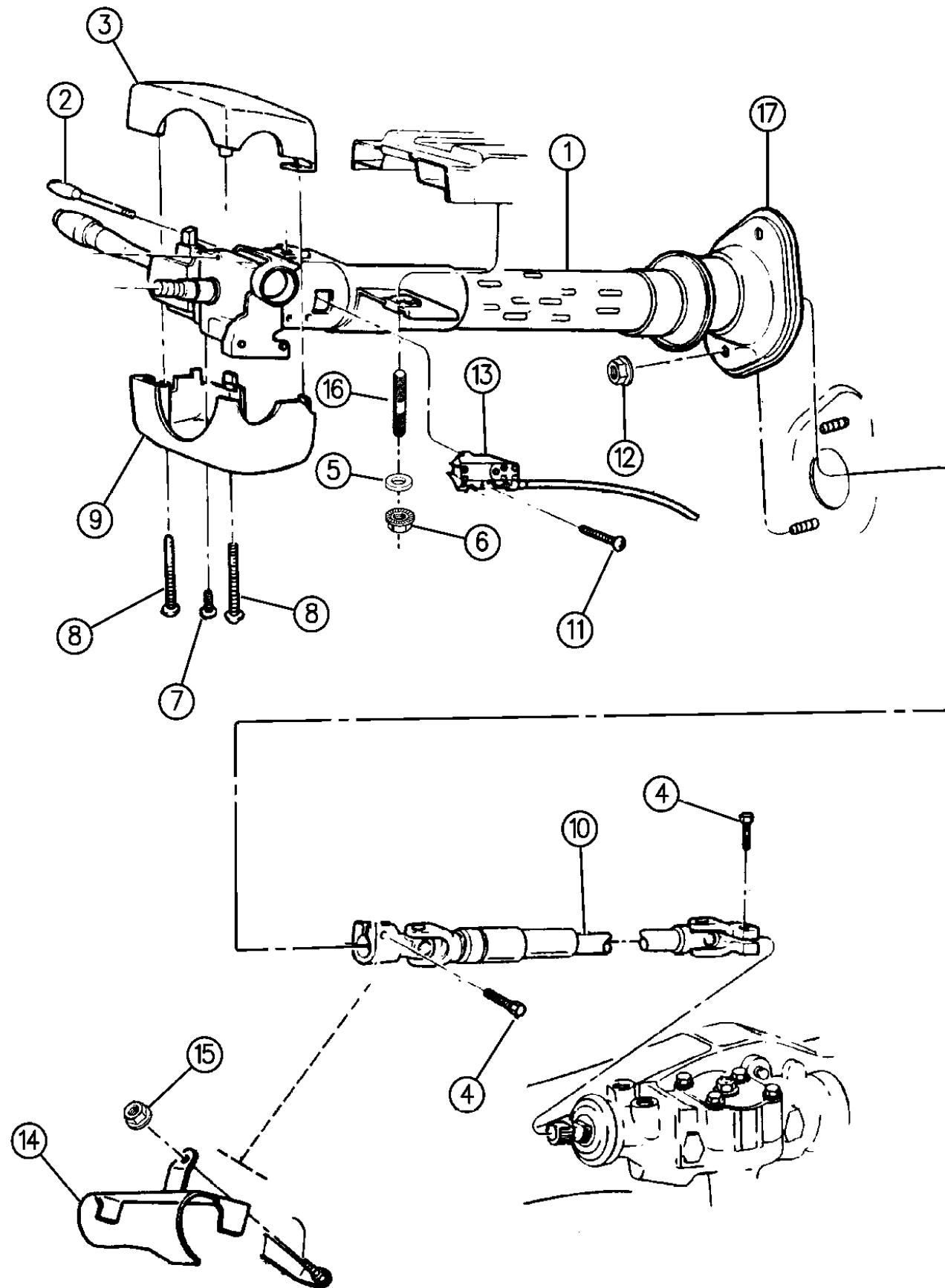
MJ=Comanche Pickup ZJ=Grand Cherokee/Grand Wagoneer KDX VEHICLES
 SJ=Grand Wagoneer M1=Comanche
 XJ=Cherokee, Briarwood X1=Cherokee, Briarwood
 YJ=Wrangler Y1=Wrangler

AR = Use as Required - = Non Illustrated Part P.A.R. = Paint as Required

COLUMN, STEERING UPPER AND LOWER GRAND CHEROKEE (ZJ)

Figure 19-1550

91J19 1550A



ITEM	PART NUMBER	QTY	BODY	MODEL	DESCRIPTION
1					COLUMN, Steering Service Assy.
	4723 078	1			w/o Tilt Steering
	4723 064	1			w/Tilt Steering
2	4470 103	1			LEVER, Tilt Release
3					SHROUD, Upper Lock Hsg.
	5511 4651	1			w/o Tilt Steering
	5511 4650	1			w/Tilt Steering
4		2			SCREW, M8x1.25-30 (Not Serv.)
5		2			WASHER, (Not Serv.)
6		2			NUT, Stud M6x1.0 (Not Serv.)
7		1			SCREW, (Not Serv.)
8	4470 105	2			SCREW
9	5511 4975	1			SHROUD, Lower Lock Hsg. w/Key Anti-Rattle Pad
	5511 4965	1			w/o Key Anti-Rattle Pad
10	5208 7728	1			SHAFT, Intermediate Assy.
11		2			SCREW, (Not Serv.)
12	3420 1711	2			NUT
13	5207 7992	1			CABLE, Park Interlock
-	5300 9882	1			CLIP, Lock Cable
14	5203 7508	1			SHIELD, Intermediate Shaft
15	3420 1711	1			NUT, Shield Mtd.
16	6502 390	2			STUD
	5274 178	2			Clip,Grounding,for 6502390 Stud ***
17	5207 7932	1			PLATE AND SEAL, Column Lower w/2 Hole Mounting ***
	5207 8854	1			w/3 Hole Mounting

MODEL CODES:

61=Pickup-6 Ft Box 74=4 Door Wagon T=2WD
 62=Pickup-7 Ft Box 77=Open Body 93" Wheelbase J,N,U=4WD
 72=2 Door Wagon 78=Open Body 103" Wheelbase

BODY STYLES:

MJ=Comanche Pickup ZJ=Grand Cherokee/Grand Wagoneer KDX VEHICLES
 SJ=Grand Wagoneer M1=Comanche
 XJ=Cherokee, Briarwood X1=Cherokee, Briarwood
 YJ=Wrangler Y1=Wrangler

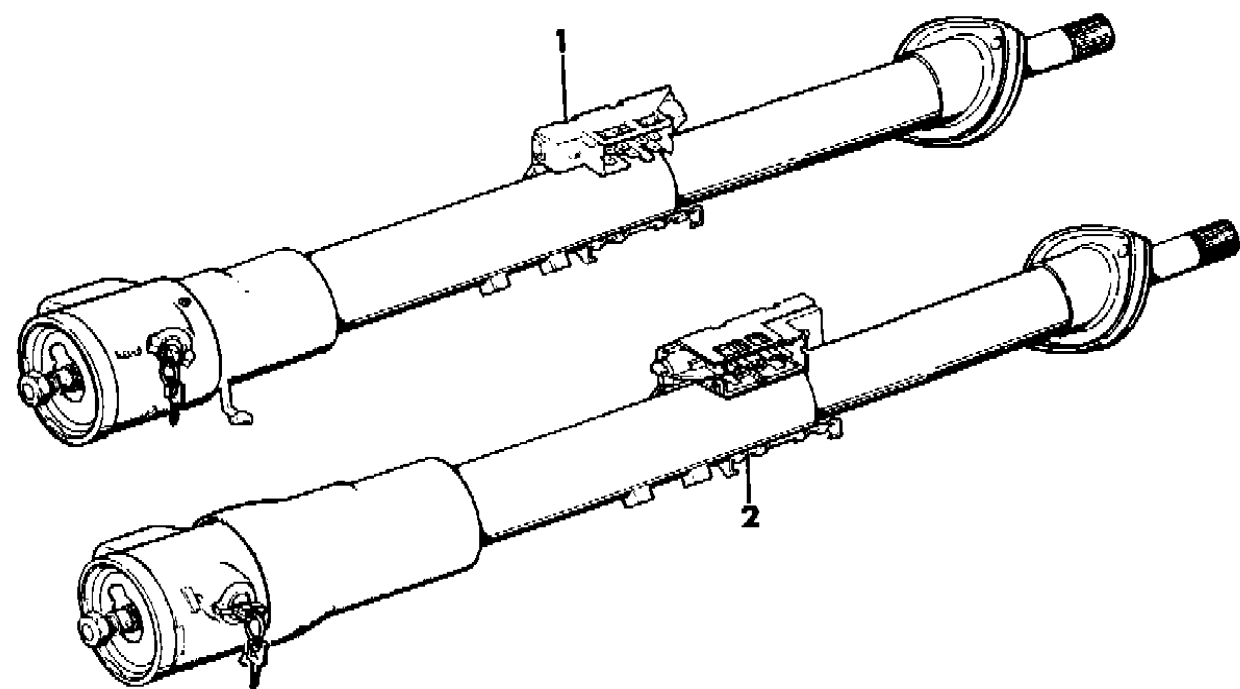
AR = Use as Required - = Non Illustrated Part P.A.R. = Paint as Required

COLUMN ASSEMBLY, STEERING W/COLUMN GEAR SHIFT COMANCHE, CHEROKEE (POLICE)

Figure 19-1600

91J19 1600

ITEM	PART NUMBER	QTY	BODY	MODEL	DESCRIPTION
1	5200 4953	1			COLUMN ASSEMBLY, w/Automatic Transmission, w/o Tilt, w/o Intermittent Wipers
	5200 4954	1			COLUMN ASSEMBLY, w/Automtic Transmission, w/o Tilt, w/ Intermittent Wipers
2	5200 4952	1			COLUMN ASSEMBLY, w/Automatic Transmission, w/Tilt, w/ Intermittent Wipers



MODEL CODES:

61=Pickup-6 Ft Box 74=4 Door Wagon T=2WD
 62=Pickup-7 Ft Box 77=Open Body 93" Wheelbase J,N,U=4WD
 72=2 Door Wagon 78=Open Body 103" Wheelbase

BODY STYLES:

MJ=Comanche Pickup ZJ=Grand Cherokee/Grand Wagoneer KDX VEHICLES
 SJ=Grand Wagoneer M1=Comanche
 XJ=Cherokee, Briarwood X1=Cherokee, Briarwood
 YJ=Wrangler Y1=Wrangler

AR = Use as Required - = Non Illustrated Part P.A.R. = Paint as Required

HOUSING STEERING COLUMN UPPER W/COLUMN GEAR SHIFT, W/O TILT COMANCHE

Figure 19-1700

91J19 1700

ITEM	PART NUMBER	QTY	BODY	MODEL	DESCRIPTION
1	8350 2566	1			PROTECTOR
2	J420 0414	1			NUT
3		1			COVER, Shift Lock (Not Required)
4	2925 062	2			RING
5	J812 7831	1			LOCK
6	J448 7711	1			CAM, Cancelling
7	J448 7765	1			SPRING
8	J448 8301	3			SCREW
9	J448 7799	1			GATE
10	8351 0088	1			ARM, Switch Actuator
11	J322 9970	1			SWITCH, Turn Signal
12	J448 7761	4			SCREW
13	J320 8008	1			WASHER
14	J321 1423	1			SWITCH, Key Buzzer
15	J448 7713	1			CLIP
16	8350 2552	1			CONTACT ***
17	3420 2670	1			SCREW
18	J812 7850	1			BEARING ASSEMBLY
19	8350 2551	1			BUSHING
20	J813 4703	1			RETAINER
21					SWITCH ASSEMBLY, Wipers
	5600 0031	1			w/o Intermittent Wipers
	5600 0032	1			w/Intermittent Wipers
22	8350 3476	1			HOUSING ASSEMBLY
23	J448 7897	1			BOLT
24	J448 7774	1			SPRING
25	8350 2610	1			RACK PACKAGE
26	J813 3553	2			SCREW
27	J448 7777	1			WASHER
28	J813 3538	1			PIN
29	8350 2553	1			COVER
30	5200 3425	1			KNOB, Hazard Warning
31					LEVER, Turn Signal
	5600 3867	1			w/o Cruise, w/o Intermittent Wipers
	5600 2951	1			w/o Cruise, w/Intermittent Wipers
	5600 0034	1			w/Cruise, w/Intermittent Wipers
32	5600 2285	1			INSULATOR
33	J400 1267	1			SCREW
34	J812 9317	1			SPRING, Left Lower
35	J812 9335	1			SPRING, Right Upper
36	5200 4402	1			SPRING

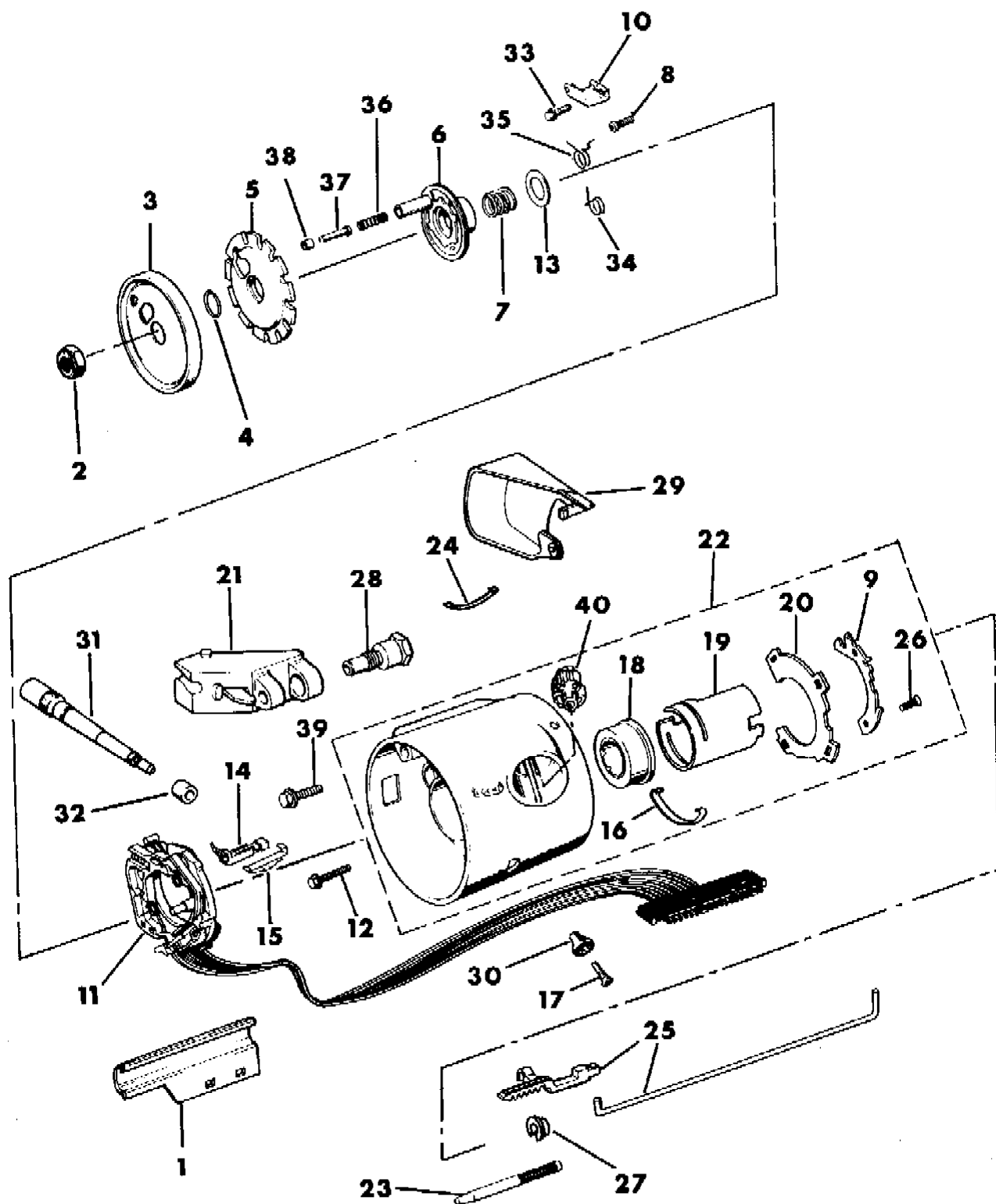
MODEL CODES:

61=Pickup-6 Ft Box 74=4 Door Wagon T=2WD
 62=Pickup-7 Ft Box 77=Open Body 93" Wheelbase J,N,U=4WD
 72=2 Door Wagon 78=Open Body 103" Wheelbase

BODY STYLES:

MJ=Comanche Pickup ZJ=Grand Cherokee/Grand Wagoneer KDX VEHICLES
 SJ=Grand Wagoneer M1=Comanche
 XJ=Cherokee, Briarwood X1=Cherokee, Briarwood
 YJ=Wrangler Y1=Wrangler

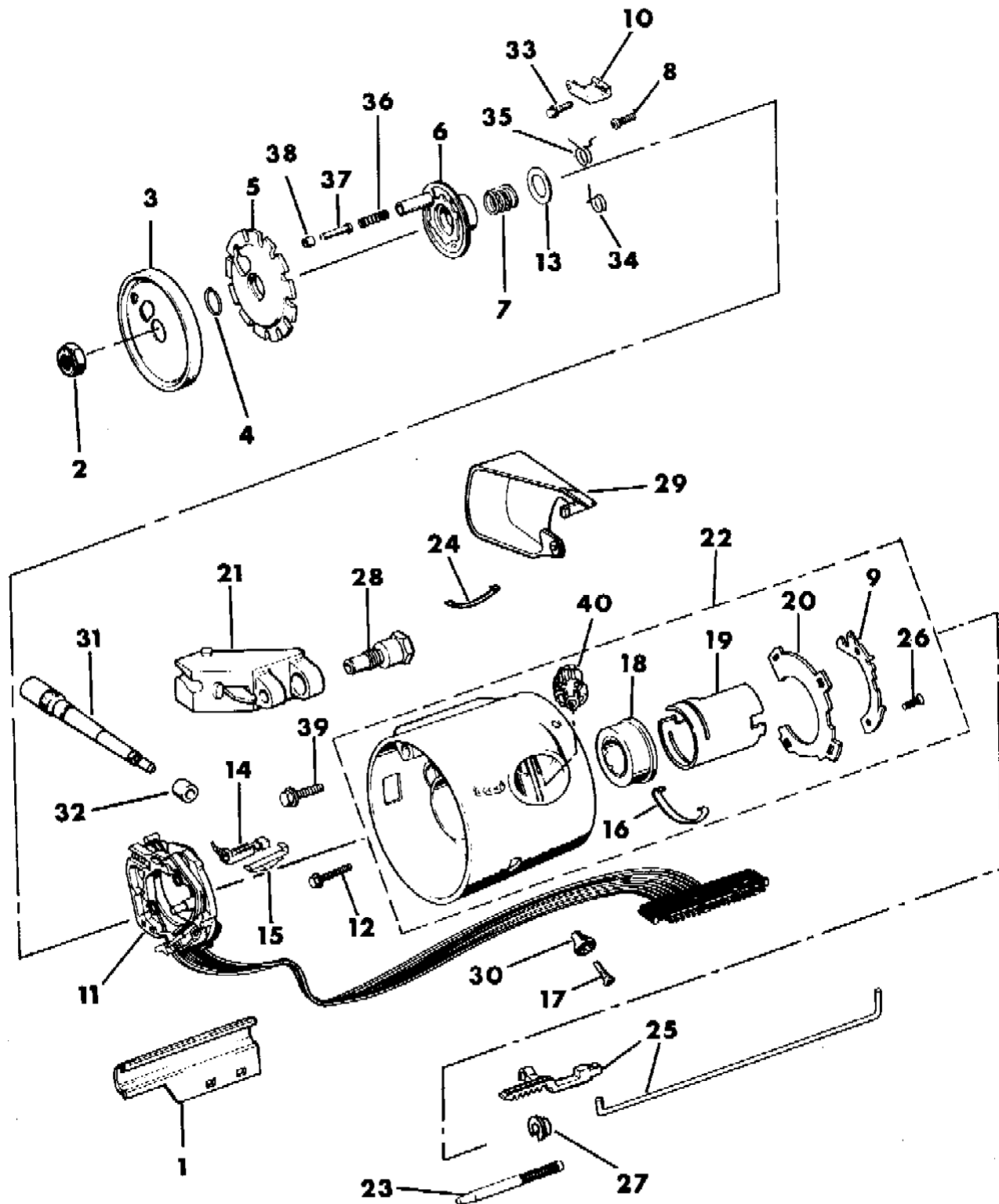
AR = Use as Required - = Non Illustrated Part P.A.R. = Paint as Required



HOUSING STEERING COLUMN UPPER W/COLUMN GEAR SHIFT, W/O TILT COMANCHE
Figure 19-1700

91J19 1700

ITEM	PART NUMBER	QTY	BODY	MODEL	DESCRIPTION
37	5200 4403	1			PIN
38	J318 7257	1			RETAINER
39	8350 2102	1			SCREW
40	J812 0097	1			SECTOR



MODEL CODES:

61=Pickup-6 Ft Box 74=4 Door Wagon T=2WD
 62=Pickup-7 Ft Box 77=Open Body 93" Wheelbase J,N,U=4WD
 72=2 Door Wagon 78=Open Body 103" Wheelbase

BODY STYLES:

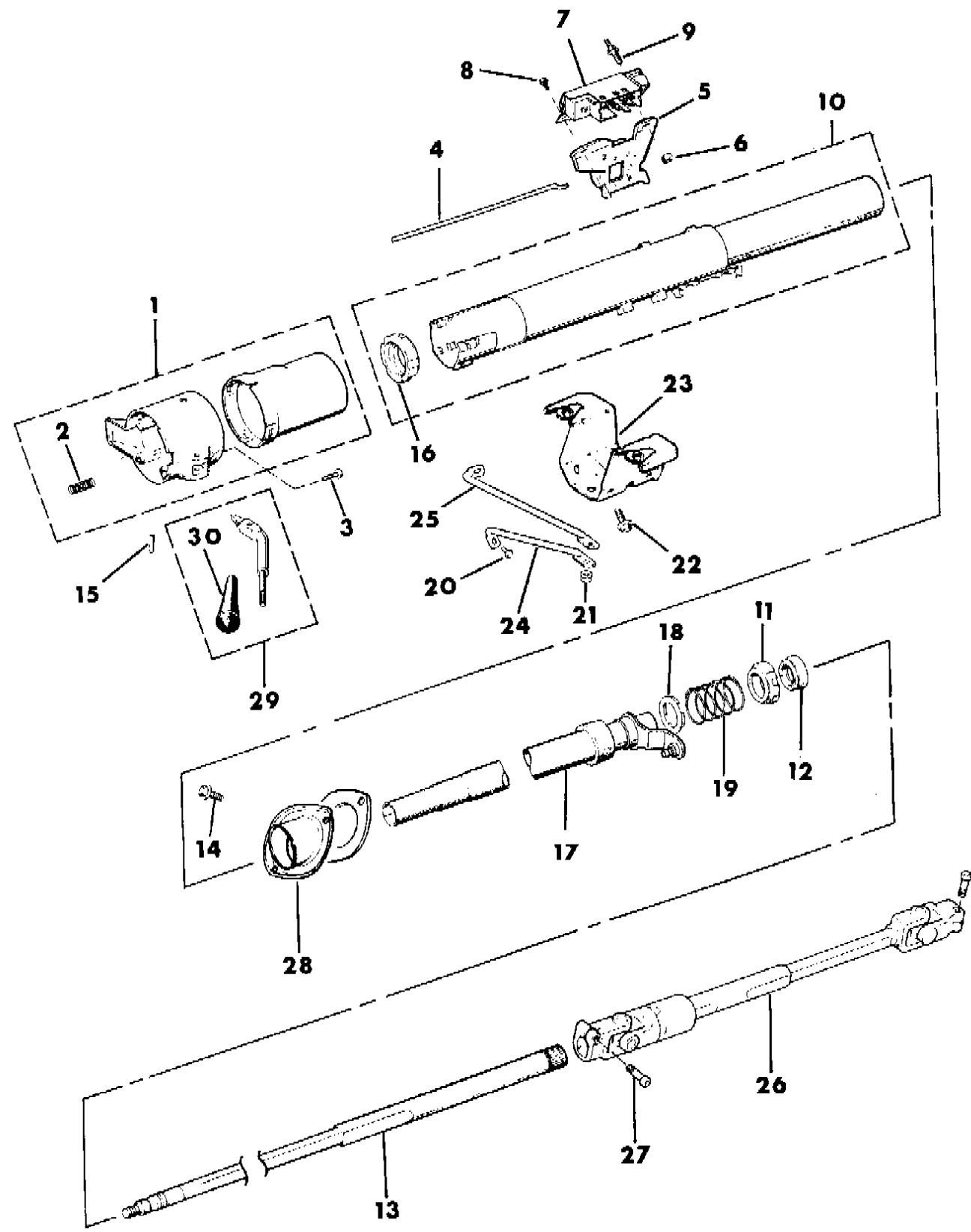
MJ=Comanche Pickup ZJ=Grand Cherokee/Grand Wagoneer KDX VEHICLES
 SJ=Grand Wagoneer M1=Comanche
 XJ=Cherokee, Briarwood X1=Cherokee, Briarwood
 YJ=Wrangler Y1=Wrangler

AR = Use as Required - = Non Illustrated Part P.A.R. = Paint as Required

HOUSING STEERING COLUMN LOWER W/COLUMN GEAR SHIFT, W/O TILT COMANCHE
Figure 19-1800

91J19 1800

ITEM	PART NUMBER	QTY	BODY	MODEL	DESCRIPTION
1	8350 4409	1			BOWL, Shift
2	J448 7791	1			SPRING
3	J448 8301	3			SCREW
4	8350 2567	1			ROD, Dimmer Switch Actuator
5	5600 3406	1			SWITCH, Headlamp Dimmer
6	J012 0361	1			NUT
7	J325 0576	1			SWITCH, Ignition Lock
8	J448 7772	1			SCREW
9	J813 3546	1			STUD
10	8350 2556	1			JACKET ASSEMBLY
11	8350 2561	1			ADAPTER
12	J448 6713	1			BEARING
13	8350 2100	1			SHAFT, Steering Column Upper
14	3420 1193	2			SCREW
15	J400 3925	1			PIN
16	J813 3557	1			BEARING
17	8350 2559	1			TUBE ASSEMBLY, Shift
18	J448 7779	1			WASHER
19	8350 2569	1			SPRING
20	1150 2685	2			BOLT
21	1150 2812	2			NUT
22	1150 2764	4			SCREW
23	5200 0399	1			BRACKET
24	5200 1375	1			SUPPORT, Rod (Short)
25	5200 1376	1			SUPPORT, Rod (Long)
26	5200 1947	1			SHAFT, Steering Column Lower w/o Power Steering
	4713 943	1			w/Power Steering
27		2			BOLT, M8x1.25-30 (Not Serv.)
28	8350 2563	1			PLATE
29	5200 3418	1			LEVER, Gear Shift
30	J321 6462	1			KNOB



MODEL CODES:
 61=Pickup-6 Ft Box 74=4 Door Wagon T=2WD
 62=Pickup-7 Ft Box 77=Open Body 93" Wheelbase J,N,U=4WD
 72=2 Door Wagon 78=Open Body 103" Wheelbase

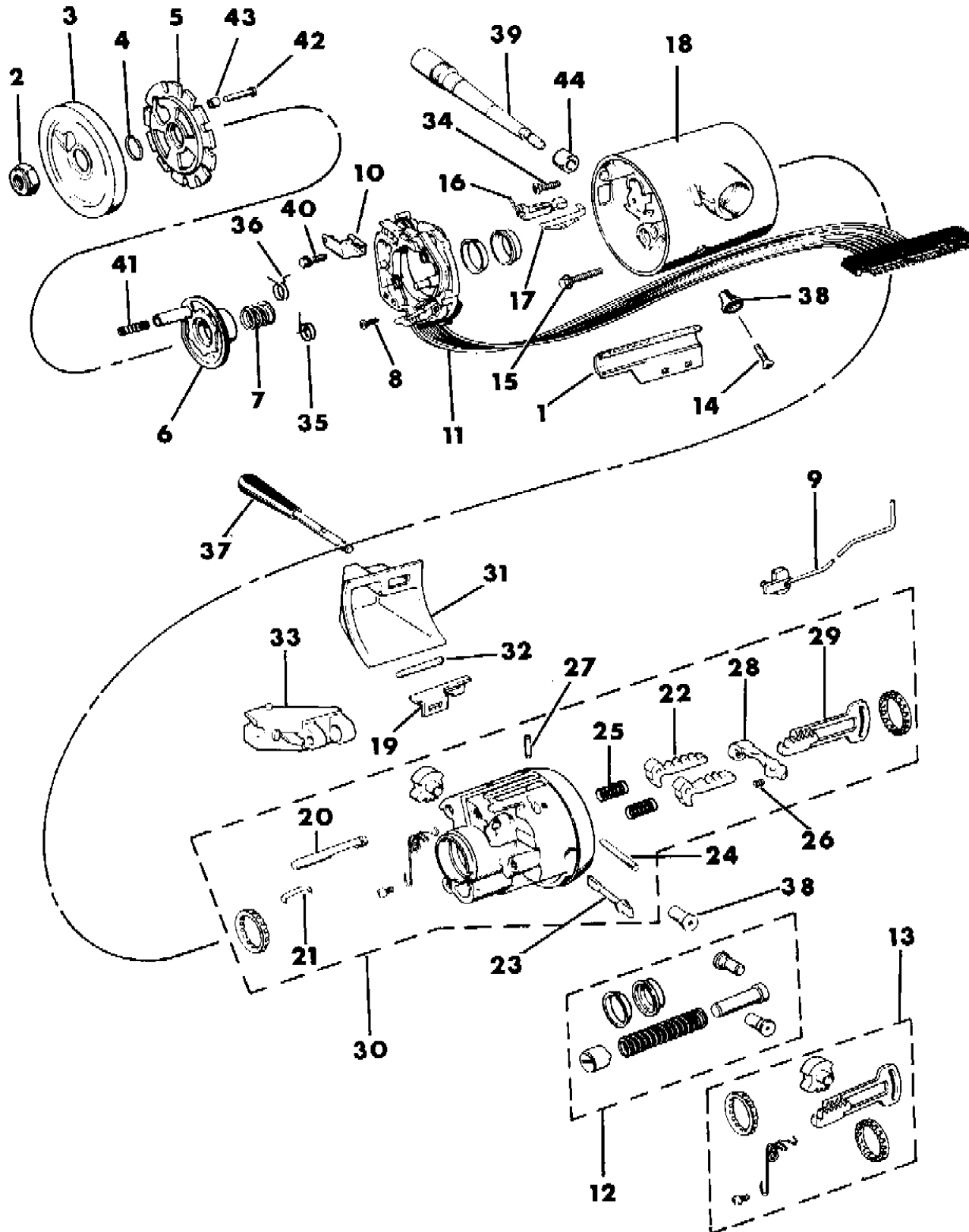
BODY STYLES:
 MJ=Comanche Pickup ZJ=Grand Cherokee/Grand Wagoneer KDX VEHICLES
 SJ=Grand Wagoneer M1=Comanche
 XJ=Cherokee, Briarwood X1=Cherokee, Briarwood
 YJ=Wrangler Y1=Wrangler

AR = Use as Required - = Non Illustrated Part P.A.R. = Paint as Required

HOUSING STEERING COLUMN UPPER W/COLUMN GEAR SHIFT, W/TILT COMANCHE, CHEROKEE (POLICE)

Figure 19-1900

91J19 1900



ITEM	PART NUMBER	QTY	BODY	MODEL	DESCRIPTION
1	8350 2566	1			PROTECTOR
2	J420 0414	1			NUT
3		1			COVER, Shift Lock (Not Required)
4	2925 062	2			RING
5	J812 7874	1			LOCK
6	J448 7816	1			CAM, Cancelling
7	3575 981	1			SPRING
8	J448 8301	3			SCREW
9	8350 2573	1			ACTUATOR ASSEMBLY, Ignition Switch ***
10	8350 1575	1			ARM, Switch Actuator
11	J322 9970	1			SWITCH, Turn Signal
12	8351 0054	1			PARTS PACKAGE
13	8351 0055	1			RACK PACKAGE
14	3420 2670	1			SCREW
15	J813 3572	3			SCREW
16	J321 1424	1			SWITCH, Key Buzzer
17	J448 7853	1			CLIP
18	8350 2096	1			COVER, Steering Column Housing
19	4019 787	1			ACTUATOR, Dimmer Switch Rod
20	3467 377	1			BOLT
21	J448 7831	1			SPRING
22	8350 2583	1			SHOE Lt.
	J448 7828	1			Rt.
23	J813 4191	1			SHAFT
24	J448 7822	1			PIN
25	J448 7832	2			SPRING
26	J320 8047	1			SPRING ***
27	J320 8043	1			PIN
28	J813 3567	1			LEVER
29	8351 0055	1			RACK
30	8350 2582	1			HOUSING, Steering Column
31	J813 4704	1			CAP
32	J813 3565	1			PIN
33	5600 0033	1			SWITCH ASSEMBLY, Intermittent Wipers
34	8350 2103	1			SCREW
35	J812 9317	1			SPRING, Left Lower
36	J812 9335	1			SPRING, Right Upper
37	5200 6207	1			LEVER, Wheel Release
38	5200 3425	1			KNOB, Hazard Warning
39					LEVER, Turn Signal

MODEL CODES:

61=Pickup-6 Ft Box 74=4 Door Wagon T=2WD
 62=Pickup-7 Ft Box 77=Open Body 93" Wheelbase J,N,U=4WD
 72=2 Door Wagon 78=Open Body 103" Wheelbase

BODY STYLES:

MJ=Comanche Pickup ZJ=Grand Cherokee/Grand Wagoneer KDX VEHICLES
 SJ=Grand Wagoneer M1=Comanche
 XJ=Cherokee, Briarwood X1=Cherokee, Briarwood
 YJ=Wrangler Y1=Wrangler

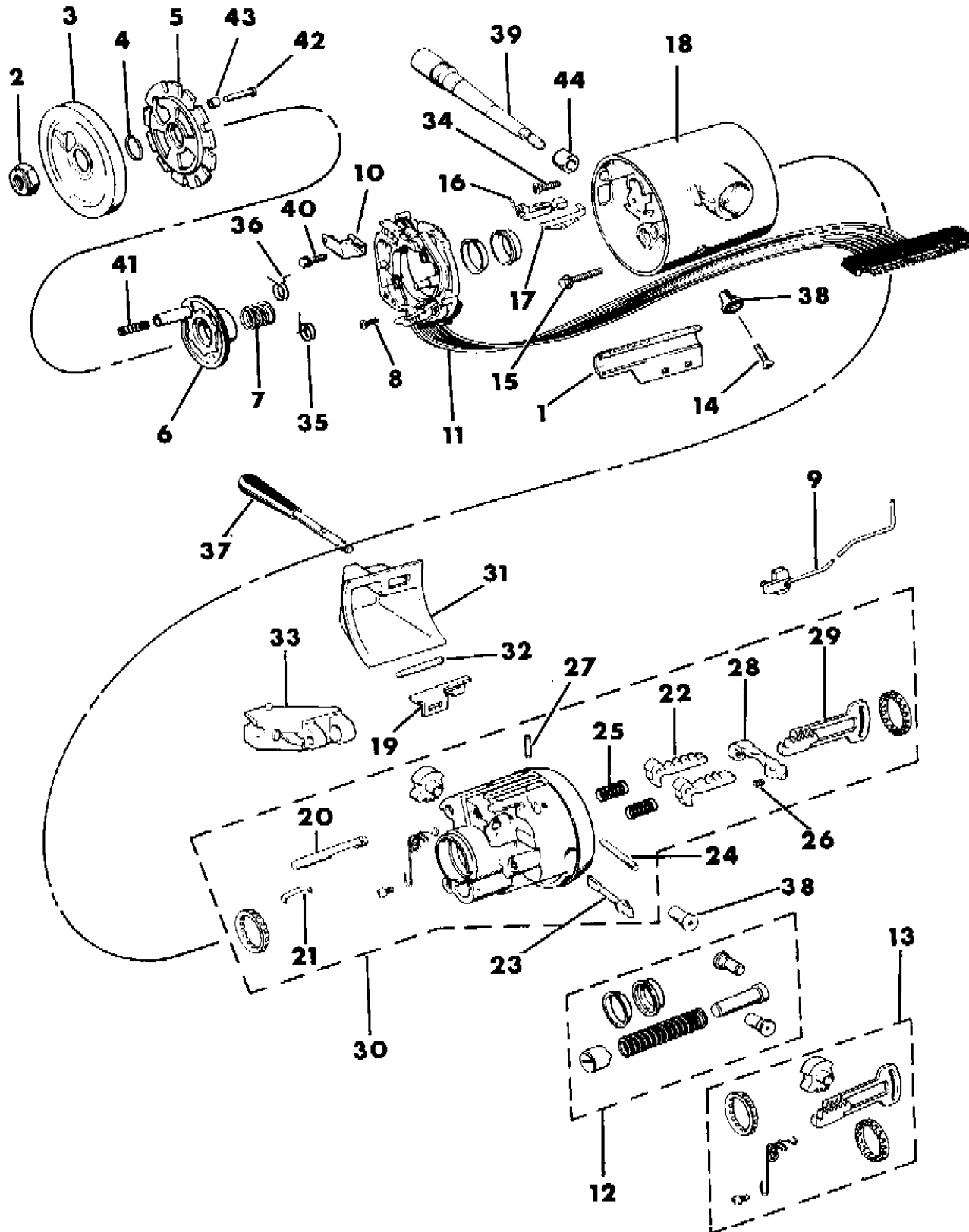
AR = Use as Required - = Non Illustrated Part P.A.R. = Paint as Required

HOUSING STEERING COLUMN UPPER W/COLUMN GEAR SHIFT, W/TILT COMANCHE, CHEROKEE (POLICE)

Figure 19-1900

91J19 1900

ITEM	PART NUMBER	QTY	BODY	MODEL	DESCRIPTION
	5600 2951	1			w/o Cruise Control
	5600 0034	1			w/Cruise Control
40	J400 1267	1			SCREW
41	5200 4402	1			SPRING
42	5200 4403	1			PIN
43	J318 7257	1			RETAINER
44	5600 2285	1			INSULATOR



MODEL CODES:

61=Pickup-6 Ft Box 74=4 Door Wagon T=2WD
 62=Pickup-7 Ft Box 77=Open Body 93" Wheelbase J,N,U=4WD
 72=2 Door Wagon 78=Open Body 103" Wheelbase

BODY STYLES:

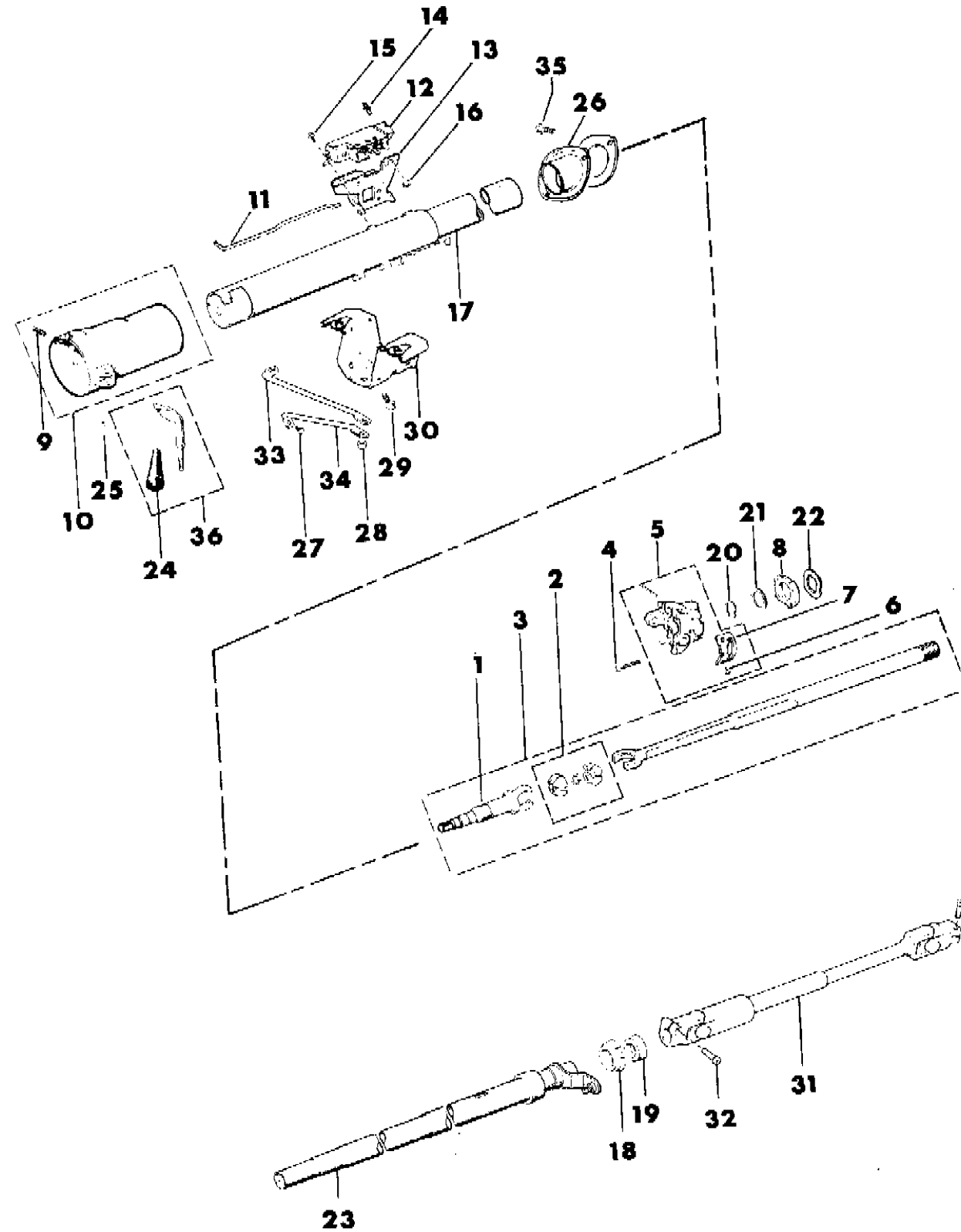
MJ=Comanche Pickup ZJ=Grand Cherokee/Grand Wagoneer KDX VEHICLES
 SJ=Grand Wagoneer M1=Comanche
 XJ=Cherokee, Briarwood X1=Cherokee, Briarwood
 YJ=Wrangler Y1=Wrangler

AR = Use as Required - = Non Illustrated Part P.A.R. = Paint as Required

HOUSING STEERING COLUMN LOWER W/COLUMN GEAR SHIFT, W/TILT COMANCHE, CHEROKEE (POLICE)

Figure 19-2000

91J19 2000



ITEM	PART NUMBER	QTY	BODY	MODEL	DESCRIPTION
1	J812 8888	1			SHAFT, Steering Column Upper
2	4147 365	1			SPHERE
3	8350 2101	1			SHAFT ASSEMBLY, Steering Column Upper
4	J448 7867	4			SCREW
5	8350 4415	1			SUPPORT ***
6	J320 8210	2			SCREW
7	8350 4412	1			GATE, Shift Lever
8	J448 7860	1			PLATE
9	8350 2107	1			SPRING
10	8350 3478	1			SHROUD, Shift Bowl
11	8350 2568	1			ROD, Dimmer Switch Actuator
12	J325 0575	1			SWITCH, Ignition Lock
13	5600 3406	1			SWITCH, Headlamp Dimmer
14	J813 3546	1			STUD
15	J448 7772	1			SCREW
16	J012 0361	1			NUT
17	8350 2557	1			JACKET ASSEMBLY
18	8350 2561	1			ADAPTER
19	J448 6713	1			BEARING
20	J448 7864	1			RING, Shift Tube Retaining
21	J448 7872	1			WASHER, Thrust
22	J448 7873	1			WASHER, Wave
23	8350 2558	1			TUBE ASSEMBLY, Shift
24	J321 6462	1			KNOB
25	J400 3925	1			PIN
26	8350 2563	1			PLATE
27	1150 2685	2			BOLT
28	1150 2812	2			NUT
29	1150 2764	4			SCREW
30	5200 0399	1			BRACKET
31	5200 1947	1			SHAFT, Steering Column Lower w/o Power Steering
	4713 943	1			w/Power Steering
32		2			BOLT, M8x1.25-30 (Not Serv.)
33	5200 1376	1			SUPPORT, Rod (Long)
34	5200 1375	1			SUPPORT, Rod (Short)
35	3420 1193	2			SCREW
36	5200 3095	1			LEVER, Gear Shift

MODEL CODES:

61=Pickup-6 Ft Box 74=4 Door Wagon T=2WD
 62=Pickup-7 Ft Box 77=Open Body 93" Wheelbase J,N,U=4WD
 72=2 Door Wagon 78=Open Body 103" Wheelbase

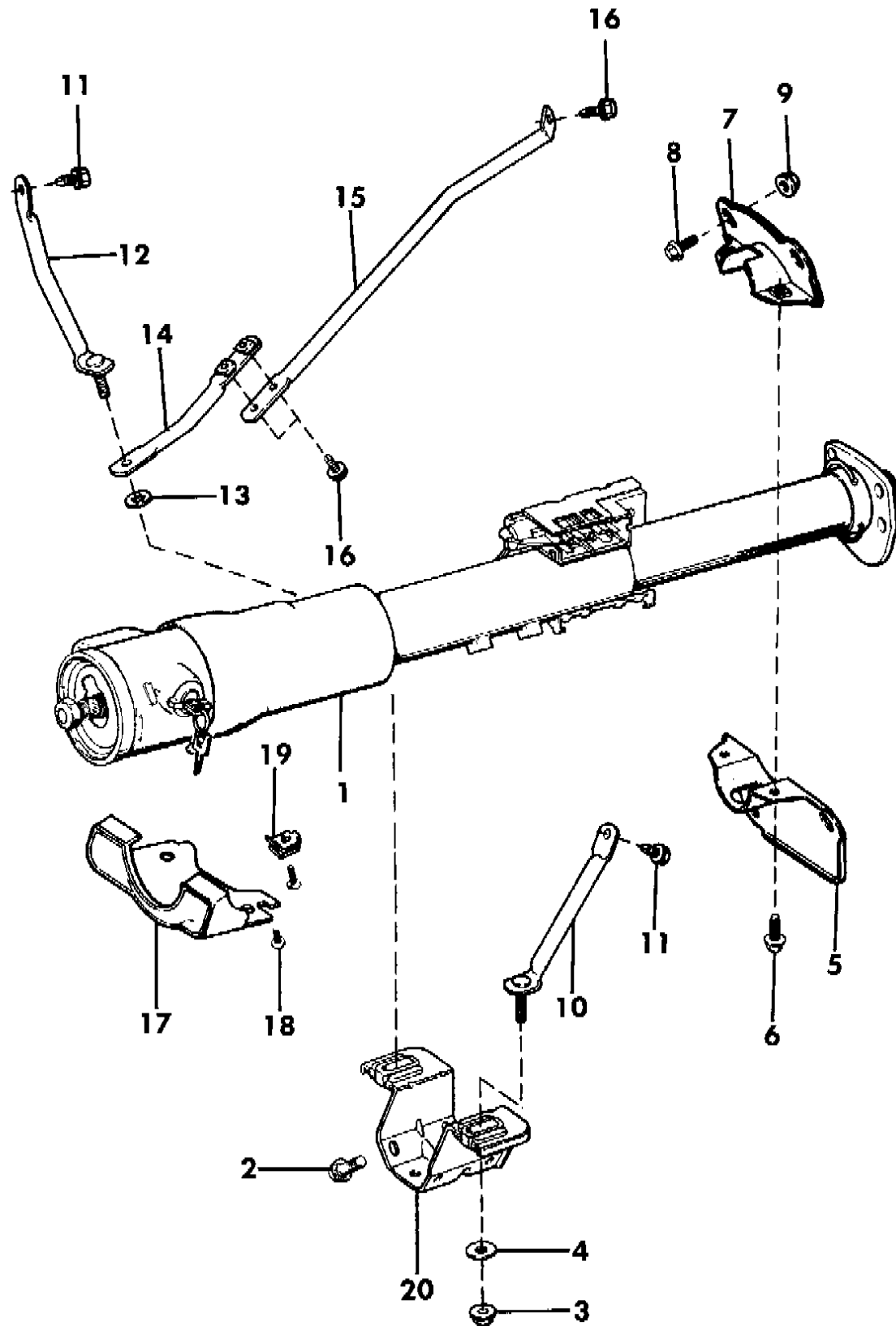
BODY STYLES:

MJ=Comanche Pickup ZJ=Grand Cherokee/Grand Wagoneer KDX VEHICLES
 SJ=Grand Wagoneer M1=Comanche
 XJ=Cherokee, Briarwood X1=Cherokee, Briarwood
 YJ=Wrangler Y1=Wrangler

AR = Use as Required - = Non Illustrated Part P.A.R. = Paint as Required

COLUMN ASSY., AND MOUNTING GRAND WAGONEER
Figure 19-2100

91J19 2100



ITEM	PART NUMBER	QTY	BODY	MODEL	DESCRIPTION
1	5200 6391	1			COLUMN ASSEMBLY, Steering
2	1150 2764	4			SCREW
3	J400 4747	2			NUT
4	J012 0391	2			WASHER
5	J319 6897	1			PLATE
6	J027 3573	2			SCREW
7	J536 3488	1			PLATE
8	J400 4520	4			SCREW
9	J400 4866	4			NUT
10	J575 2703	1			ROD
11	J400 5063	2			SCREW
12	J575 2788	1			ROD
13	J400 3084	1			NUT, Push
14	J576 1741	1			ROD
15	J576 1740	1			ROD
16	J400 1933	3			SCREW
17	5500 9633	1			COVER, (Dealer Paint)
18	3420 1314	4			SCREW
19	3420 1820	2			NUT
20	J535 1229	1			BRACKET

MODEL CODES:

61=Pickup-6 Ft Box 74=4 Door Wagon T=2WD
 62=Pickup-7 Ft Box 77=Open Body 93" Wheelbase J,N,U=4WD
 72=2 Door Wagon 78=Open Body 103" Wheelbase

BODY STYLES:

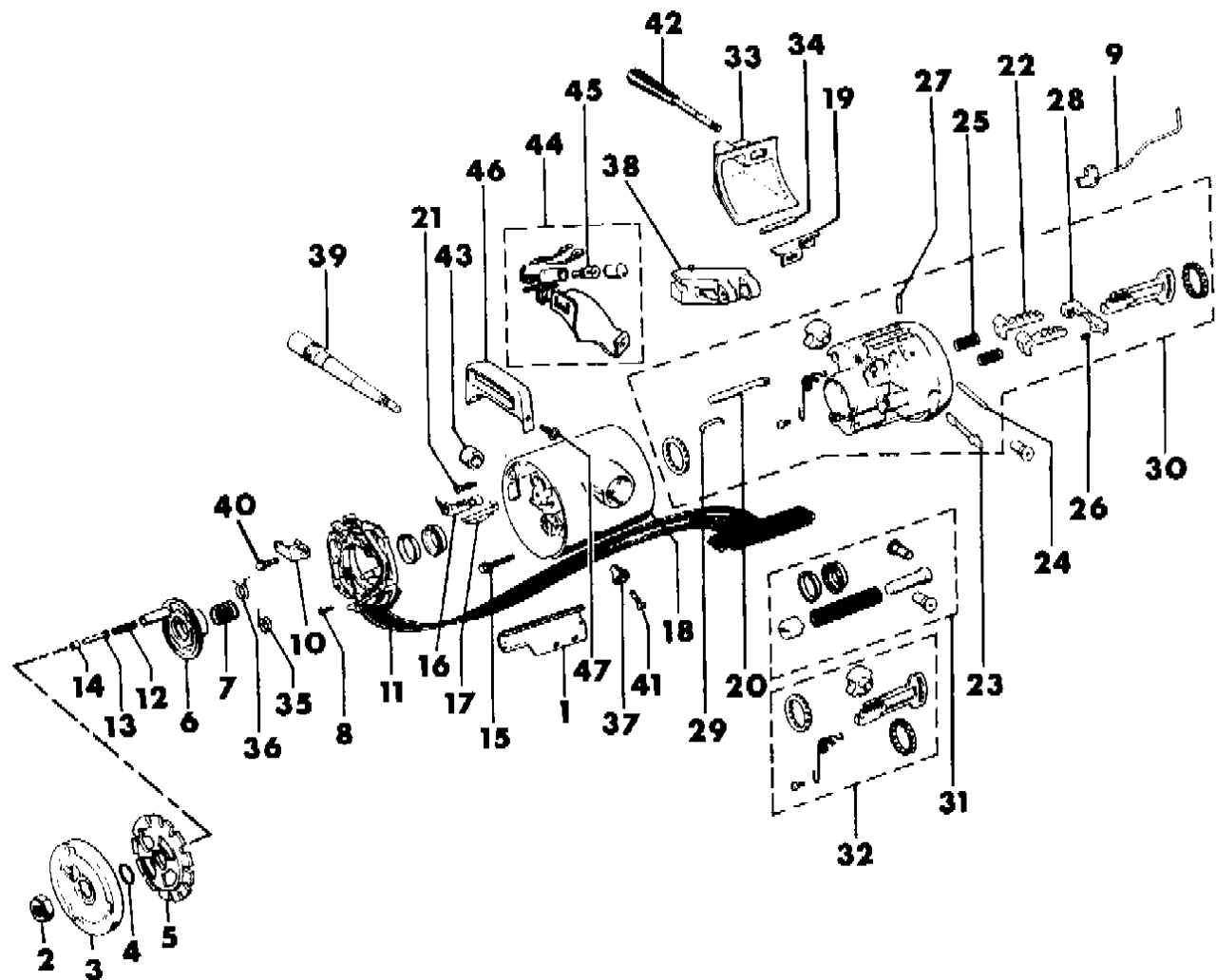
MJ=Comanche Pickup ZJ=Grand Cherokee/Grand Wagoneer KDX VEHICLES
 SJ=Grand Wagoneer M1=Comanche
 XJ=Cherokee, Briarwood X1=Cherokee, Briarwood
 YJ=Wrangler Y1=Wrangler

AR = Use as Required - = Non Illustrated Part P.A.R. = Paint as Required

HOUSING STEERING COLUMN UPPER W/COLUMN GEAR SHIFT, W/TILT GRAND WAGONEER
Figure 19-2200

91J19 2200

ITEM	PART NUMBER	QTY	BODY	MODEL	DESCRIPTION
1	8350 2566	1			PROTECTOR
2	J420 0414	1			NUT
3		1			COVER, Shift Lock (Not Required)
4	2925 062	1			RING
5	J812 7874	1			LOCK
6	J448 7816	1			CAM, Cancelling
7	3575 981	1			SPRING
8	J448 8301	3			SCREW
9	8350 2573	1			ACTUATOR ASSEMBLY, Ignition Switch ***
10	8350 1575	1			ARM, Switch Actuator
11	5600 2011	1			SWITCH, Turn Signal
12	5200 4402	1			SPRING
13	5200 4403	1			PIN
14	J318 7257	1			RETAINER
15	J813 3572	3			SCREW
16	J321 1424	1			SWITCH, Key Buzzer
17	J448 7853	1			CLIP
18	8350 4379	1			COVER, Steering Column Housing
19	4019 787	1			ACTUATOR, Dimmer Switch Rod
20	3467 377	1			BOLT
21	8350 2103	1			SCREW
22					SHOE
	8350 2583	1			Lt.
	J448 7828	1			Rt.
23	J813 4191	1			SHAFT
24	J448 7822	1			PIN
25	J448 7832	2			SPRING
26	J320 8047	1			SPRING
27	J320 8043	1			PIN
28	J813 3567	1			LEVER
29	J448 7831	1			SPRING
30	8350 2582	1			HOUSING, Steering Column
31	8351 0054	1			PARTS PACKAGE
32	8351 0055	1			RACK PACKAGE
33	J813 4704	1			CAP
34	J813 3565	1			PIN
35	J812 9317	1			SPRING, Lt. Lower
36	J812 9335	1			SPRING, Rt. Upper
37	5200 3425	1			KNOB, Hazard Warning
38	5600 0033	1			SWITCH ASSEMBLY, Intermittent Wipers
39	5600 4595	1			LEVER, Turn Signal



MODEL CODES:

61=Pickup-6 Ft Box 74=4 Door Wagon T=2WD
 62=Pickup-7 Ft Box 77=Open Body 93" Wheelbase J,N,U=4WD
 72=2 Door Wagon 78=Open Body 103" Wheelbase

BODY STYLES:

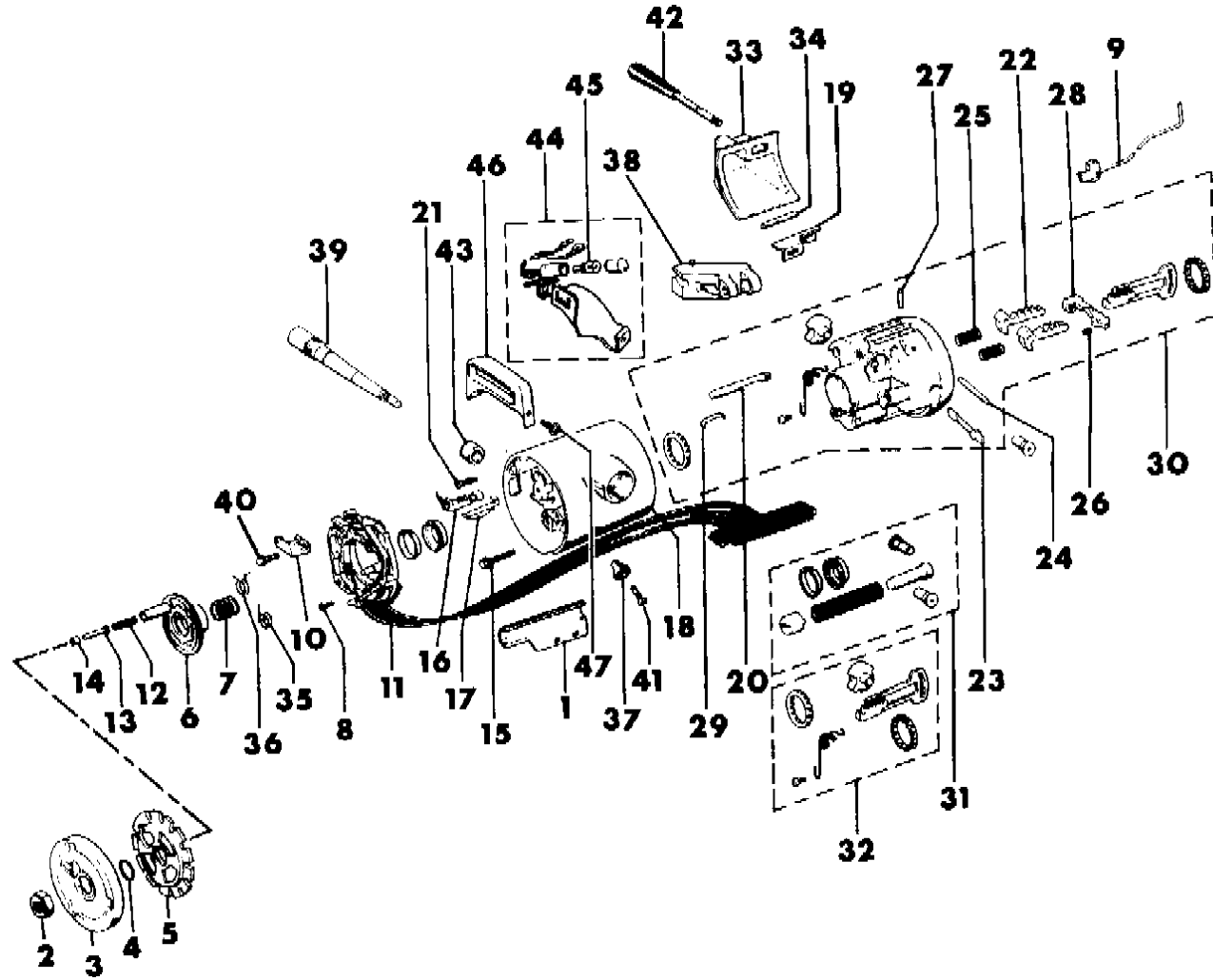
MJ=Comanche Pickup ZJ=Grand Cherokee/Grand Wagoneer KDX VEHICLES
 SJ=Grand Wagoneer M1=Comanche
 XJ=Cherokee, Briarwood X1=Cherokee, Briarwood
 YJ=Wrangler Y1=Wrangler

AR = Use as Required - = Non Illustrated Part P.A.R. = Paint as Required

HOUSING STEERING COLUMN UPPER W/COLUMN GEAR SHIFT, W/TILT GRAND WAGONEER
Figure 19-2200

91J19 2200

ITEM	PART NUMBER	QTY	BODY	MODEL	DESCRIPTION
40	J400 1267	1			SCREW
41	3420 2670	1			SCREW
42	J323 9880	1			LEVER, Wheel Release
43	5600 2285	1			INSULATOR
44	8350 2549	1			BRACKET
45	S943 6970	1			BULB
46	5200 3153	1			BEZEL, Gear Selector
47	J400 4812	2			SCREW



MODEL CODES:

61=Pickup-6 Ft Box 74=4 Door Wagon T=2WD
 62=Pickup-7 Ft Box 77=Open Body 93" Wheelbase J,N,U=4WD
 72=2 Door Wagon 78=Open Body 103" Wheelbase

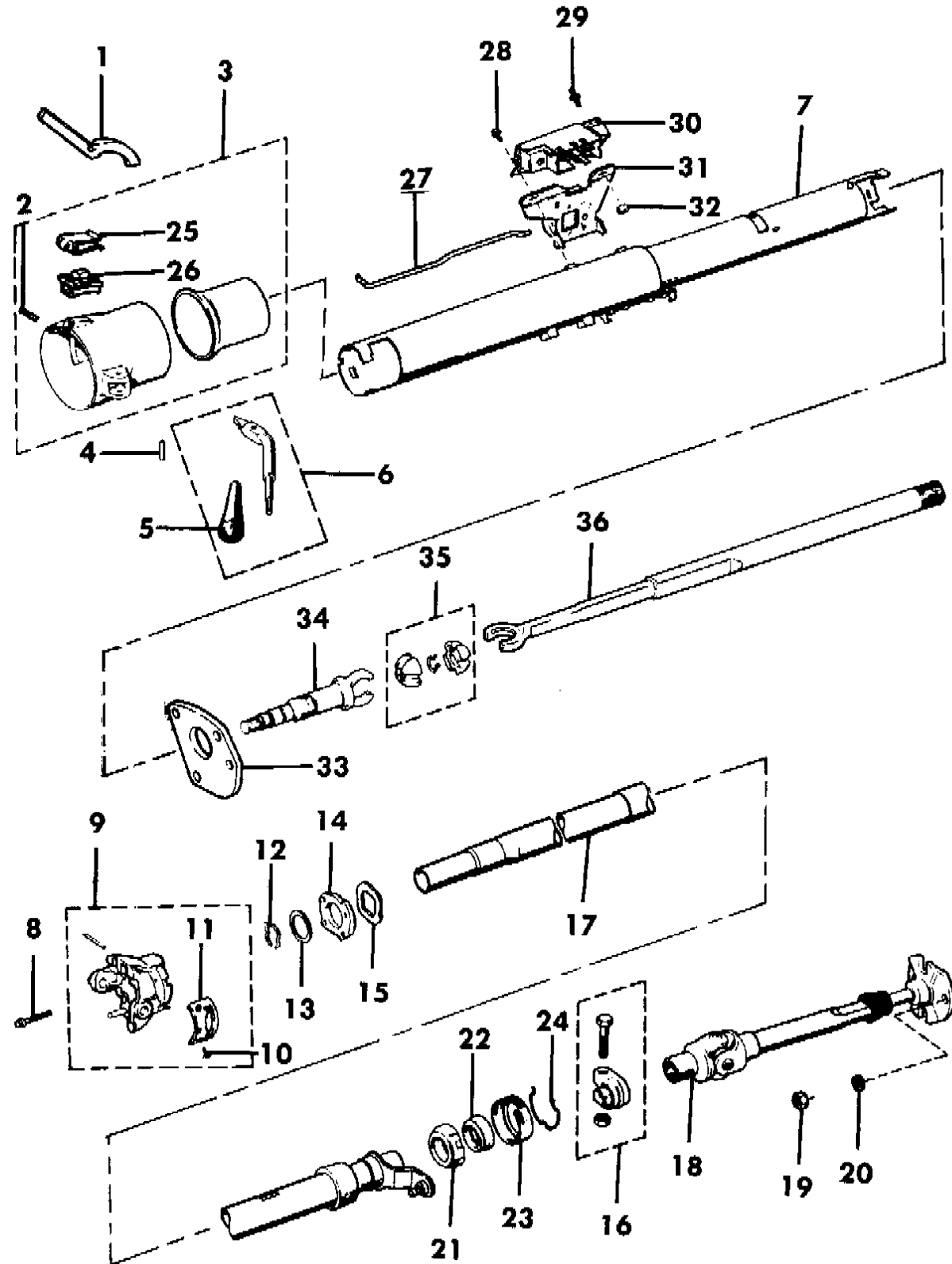
BODY STYLES:

MJ=Comanche Pickup ZJ=Grand Cherokee/Grand Wagoneer KDX VEHICLES
 SJ=Grand Wagoneer M1=Comanche
 XJ=Cherokee, Briarwood X1=Cherokee, Briarwood
 YJ=Wrangler Y1=Wrangler

AR = Use as Required - = Non Illustrated Part P.A.R. = Paint as Required

HOUSING STEERING COLUMN LOWER W/COLUMN GEAR SHIFT, W/TILT GRAND WAGONEER
Figure 19-2300

91J19 2300



ITEM	PART NUMBER	QTY	BODY	MODEL	DESCRIPTION
1	5200 3154	1			POINTER
2	8350 2107	1			SPRING
3	8350 2607	1			SHROUD, Shift Bowl
4	J400 3925	1			PIN
5	J321 6462	1			KNOB
6	5200 3095	1			LEVER, Gear Shift
7	8350 2608	1			JACKET ASSEMBLY
8	J448 7867	4			SCREW
9	8350 2560	1			SUPPORT
10	J320 8210	2			SCREW
11	J319 5616	1			GATE, Shift Lever
12	J448 7864	1			RING
13	J448 7872	1			WASHER
14	J448 7860	1			PLATE
15	J448 7873	1			WASHER
16	J320 9606	1			CLAMP PACKAGE
17	8350 2601	1			TUBE ASSEMBLY, Shift
18	J535 5766	1			SHAFT, Lower
19					NUT
	J012 0368	1			5/16"
	J012 0369	1			3/8"
20					WASHER
	J012 0214	1			5/16"
	J012 0382	1			3/8"
21	J448 7696	1			ADAPTER
22	J448 6713	1			BEARING
23	J448 7743	1			RETAINER
24	J448 7739	1			CLIP
25	8350 2572	1			CLIP
26	8350 2571	1			BRACKET
27	8350 2784	1			ROD
28	J448 7772	1			SCREW
29	J813 3546	1			STUD
30	J325 0575	1			SWITCH, Ignition lock
31	5600 4760	1			SWITCH, Headlamp Dimmer
32	J012 0361	1			NUT
33	J319 6896	1			SEAL
34	J812 8888	1			SHAFT, Upper
35	4147 365	1			SPHERE
36	8350 2602	1			SHAFT, Intermediate

MODEL CODES:

61=Pickup-6 Ft Box 74=4 Door Wagon T=2WD
 62=Pickup-7 Ft Box 77=Open Body 93" Wheelbase J,N,U=4WD
 72=2 Door Wagon 78=Open Body 103" Wheelbase

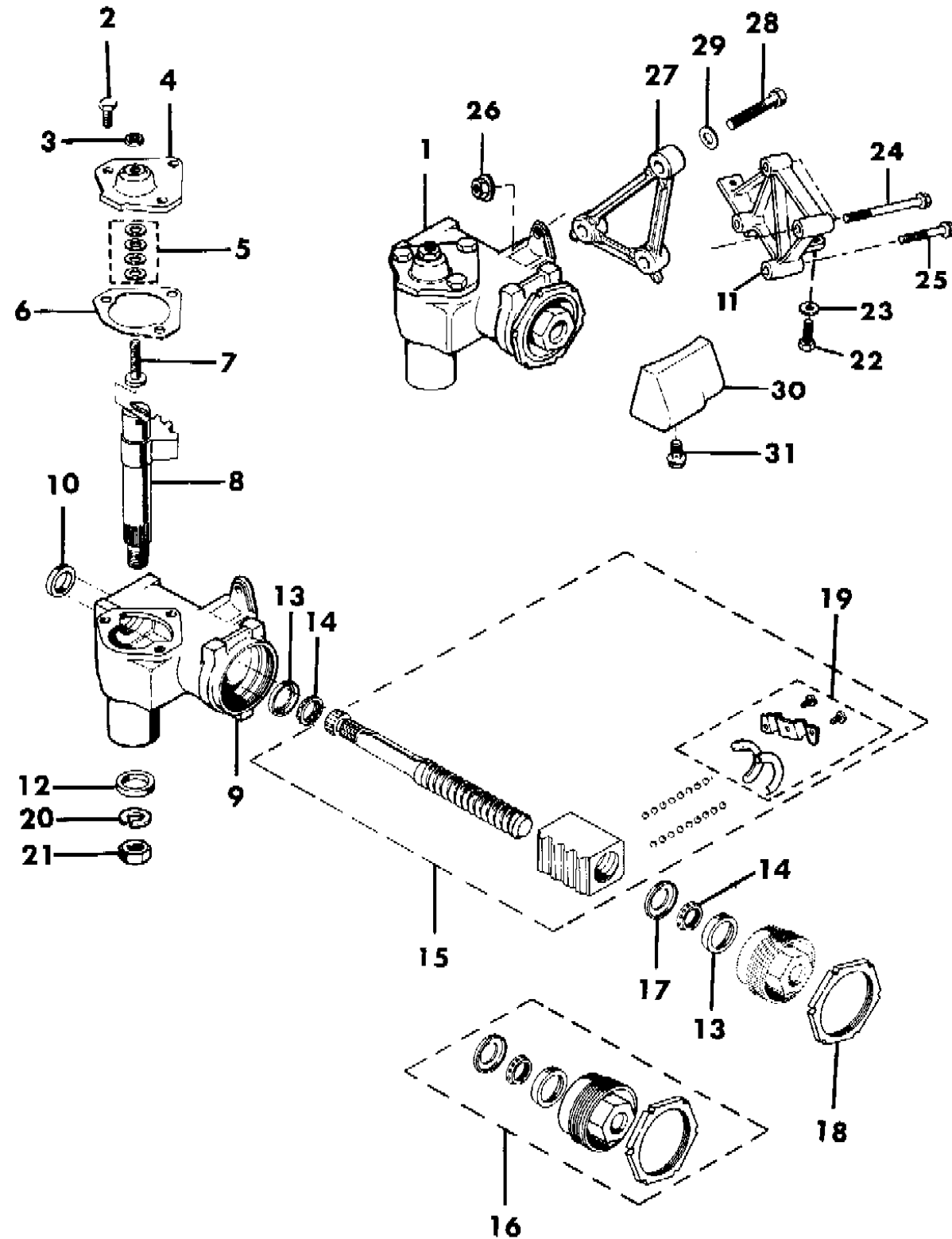
BODY STYLES:

MJ=Comanche Pickup ZJ=Grand Cherokee/Grand Wagoneer KDX VEHICLES
 SJ=Grand Wagoneer M1=Comanche
 XJ=Cherokee, Briarwood X1=Cherokee, Briarwood
 YJ=Wrangler Y1=Wrangler

AR = Use as Required - = Non Illustrated Part P.A.R. = Paint as Required

GEAR, STEERING W/O POWER STEERING WRANGLER, CHEROKEE, COMANCHE
Figure 19-2400

91J19 2400 B



ITEM	PART NUMBER	QTY	BODY	MODEL	DESCRIPTION
1	5200 0089	1			GEAR, Steering
2	J099 2295	3			BOLT
3	S027 2121	1			NUT
4	J448 6846	1			COVER, Gear
5	J094 0521	1			SHIM PACKAGE
6	J094 0522	1			GASKET
7	J448 6135	1			SCREW
8	J812 0221	1			SHAFT
9	8350 2351	1			HOUSING
10	J448 6141	1			SEAL
11	5204 0103	1	YJ		BRACKET
12	J448 6140	1			SEAL
13	J320 0492	2			CLIP
14	J320 0491	2			BEARING
15	8350 0248	1			SHAFT
16	8350 2352	1			ADJUSTER
17	J320 0493	1			RETAINER
18	J094 0533	1			NUT
19	J320 5677	1			GUIDE
20	S010 3336	1			WASHER
21	J320 0501	1			NUT
22	6034 140	2	YJ		BOLT, .500-13x2.5
23	J400 5397	2	YJ		WASHER
24	J400 7238	1	YJ		BOLT 5.0" length
	J400 5613	1	YJ		BOLT 5.5" length
25	J400 7250	2	YJ		BOLT
26	J400 7043	1			NUT
27	5200 0090	1	XJ, MJ		ADAPTER
28	J400 5612	3	XJ, MJ		BOLT
29	J400 3926	3	XJ, MJ		WASHER
30	5200 0881	1	XJ, MJ		BLOCK
31	3420 1193	1	XJ, MJ		SCREW

MODEL CODES:

61=Pickup-6 Ft Box 74=4 Door Wagon T=2WD
 62=Pickup-7 Ft Box 77=Open Body 93" Wheelbase J,N,U=4WD
 72=2 Door Wagon 78=Open Body 103" Wheelbase

BODY STYLES:

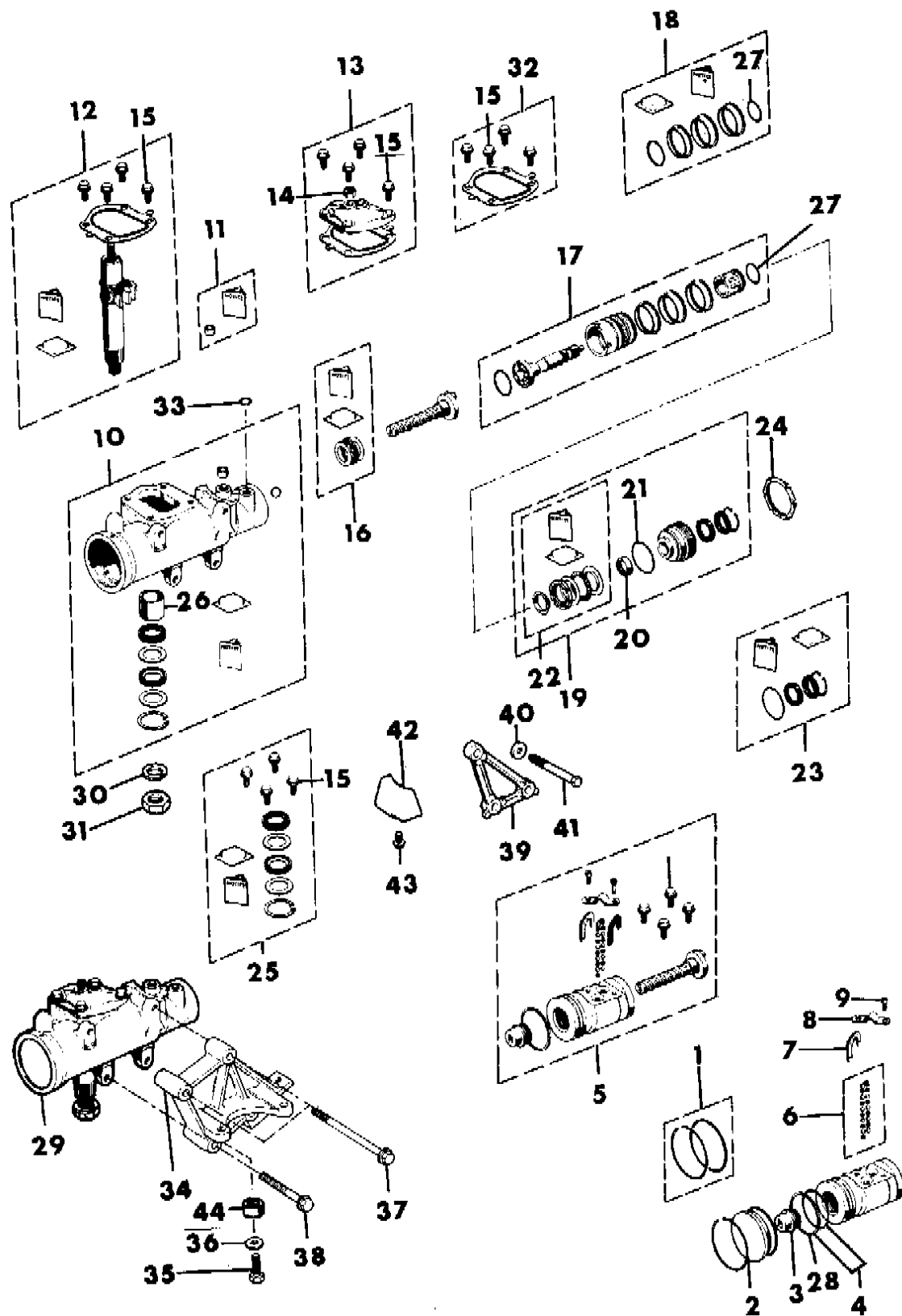
MJ=Comanche Pickup ZJ=Grand Cherokee/Grand Wagoneer KDX VEHICLES
 SJ=Grand Wagoneer M1=Comanche
 XJ=Cherokee, Briarwood X1=Cherokee, Briarwood
 YJ=Wrangler Y1=Wrangler

AR = Use as Required - = Non Illustrated Part P.A.R. = Paint as Required

GEAR, POWER STEERING WRANGLER, CHEROKEE, BRIARWOOD COMANCHE, GRAND CHEROKEE (ZJ)

Figure 19-2500

91J19 2500



ITEM	PART NUMBER	QTY	BODY	MODEL	DESCRIPTION
1	J812 5037	1			SEAL PACKAGE, Valve Ring
	4728 250	1	ZJ		
2	8350 2251	1			PLUG, Housing End
	4333 996	1	ZJ		
3	J812 7965	1			PLUG, Rack Piston
4	J812 5039	1			SEAL PACKAGE
	4728 249	1	ZJ		
5	J812 5471	1			RACK PACKAGE, Includes Piston 1991
	4713 061	1			1992-93
6	J320 4836	1			BALL PACKAGE, Rack/Piston
7	J094 0707	1			GUIDE
8	J320 4812	1			CLAMP
9	J320 7057	2			SCREW
10					HOUSING, Steering Gear
	J813 2537	1	YJ		
	J813 2579	1	X,M,ZJ		J ***
11	4637 937	1			VALVE
12					SHAFT
	3893 555	1	YJ		
	3491 343	1	ZJ		
13	J812 5033	1			COVER, Gear
14	J320 4818	1			NUT
15	J812 4191	4			BOLT
16	J812 7645	1			BEARING PACKAGE
17					VALVE PACKAGE
	8350 2924	1	YJ		1991
	4713 066	1	YJ		1992-93
	8350 2261	1	X,M,ZJ		
18	J320 4833	1			SEAL PACKAGE
19	J813 0152	1			BEARING PACKAGE
20	J813 0142	1			BEARING
21	J812 6247	1			O-RING
22	J813 0155	1			PLUG, Adjusting
23	J813 0157	1			SEAL PACKAGE
24	J812 8427	1			NUT
25	J813 4568	1			SEAL PACKAGE
26	J448 7154	1			BEARING
27	8350 1039	1			O-RING
28	J320 4814	1			RING
29					GEAR, STEERING
	5203 8003	1	YJ		

MODEL CODES:

61=Pickup-6 Ft Box 74=4 Door Wagon T=2WD
 62=Pickup-7 Ft Box 77=Open Body 93" Wheelbase J,N,U=4WD
 72=2 Door Wagon 78=Open Body 103" Wheelbase

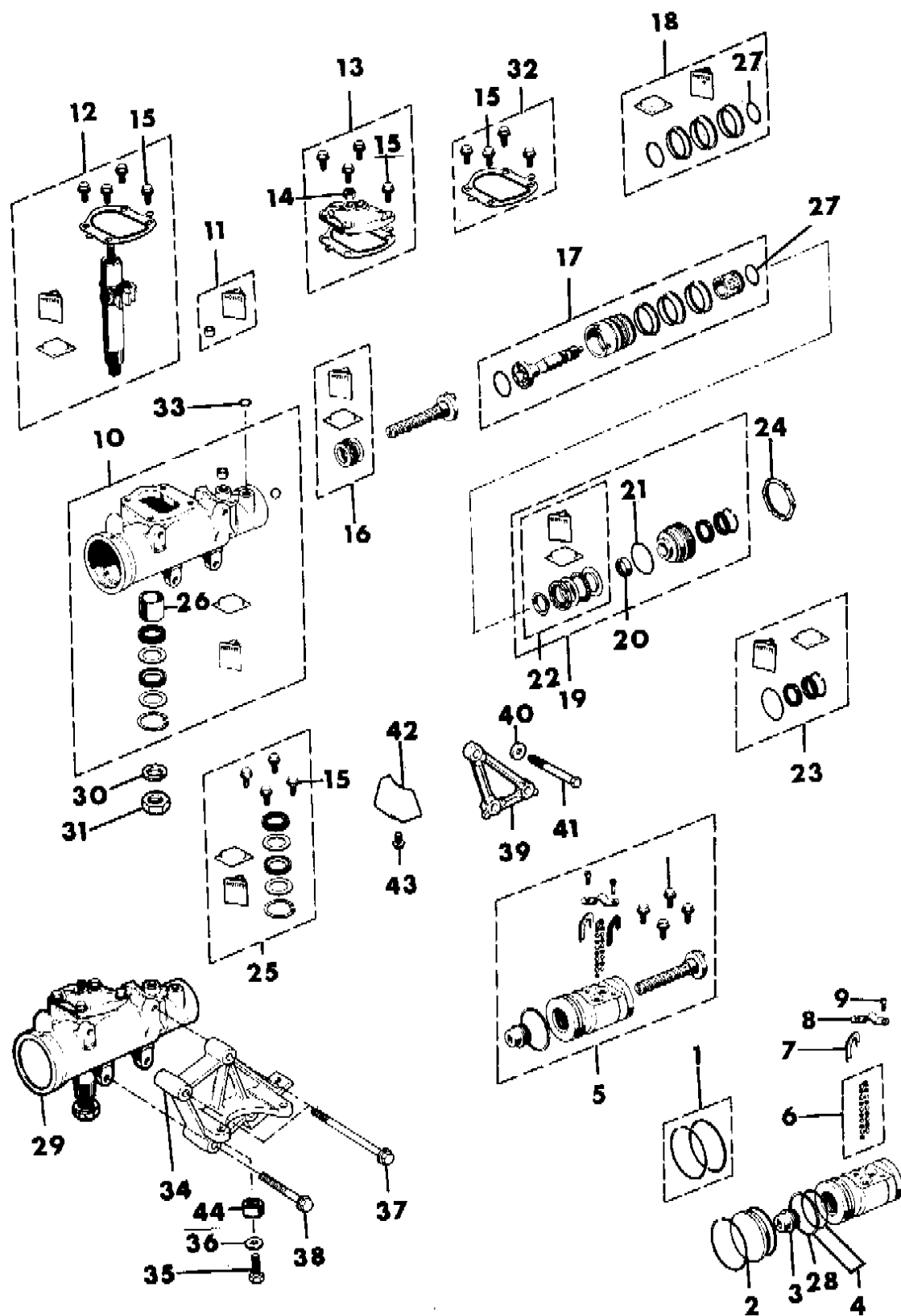
BODY STYLES:

MJ=Comanche Pickup ZJ=Grand Cherokee/Grand Wagoneer KDX VEHICLES
 SJ=Grand Wagoneer M1=Comanche
 XJ=Cherokee, Briarwood X1=Cherokee, Briarwood
 YJ=Wrangler Y1=Wrangler

AR = Use as Required - = Non Illustrated Part P.A.R. = Paint as Required

**GEAR, POWER STEERING WRANGLER, CHEROKEE, BRIARWOOD COMANCHE, GRAND CHEROKEE (ZJ)
Figure 19-2500**

91J19 2500



ITEM	PART NUMBER	QTY	BODY	MODEL	DESCRIPTION
	5203 8002	1	XJ, MJ		
	5208 7753	1	ZJ		w/o Trailer Tow
	5208 7754	1	ZJ		w/Trailer Tow (AHT or AHX)
	8350 6609	1	XJ		EUROPE - France Only
	5200 6511	1	XJ		w/RHD
30	S010 3336	1			WASHER
31	J320 0501	1			NUT
32	J812 5038	1			SEAL PACKAGE
33	J325 1183	2			SEAL
34	5200 4409	1	YJ		BRACKET
35	6034 140	2	YJ		BOLT, .500-13x2.5
36	J400 5397	2	YJ		WASHER
37					BOLT
	J400 7238	1	YJ		5.0" length
	J400 5613	1	YJ		5.5" length
	6034 539	3	ZJ		3.25 length
38	J400 7250	1	YJ		BOLT
39	5200 0090	1	XJ, MJ		ADAPTER
	5200 6512	1	XJ		w/RHD
40	J400 3926	3	XJ, MJ		WASHER
41	J400 6993	3	XJ, MJ		BOLT, 7/16x14x4.00
42	5200 0881	1	XJ, MJ		BLOCK
43	3420 1193	1	XJ, MJ		SCREW
44	5200 4566	2	YJ		BUSHING

MODEL CODES:

61=Pickup-6 Ft Box 74=4 Door Wagon T=2WD
 62=Pickup-7 Ft Box 77=Open Body 93" Wheelbase J,N,U=4WD
 72=2 Door Wagon 78=Open Body 103" Wheelbase

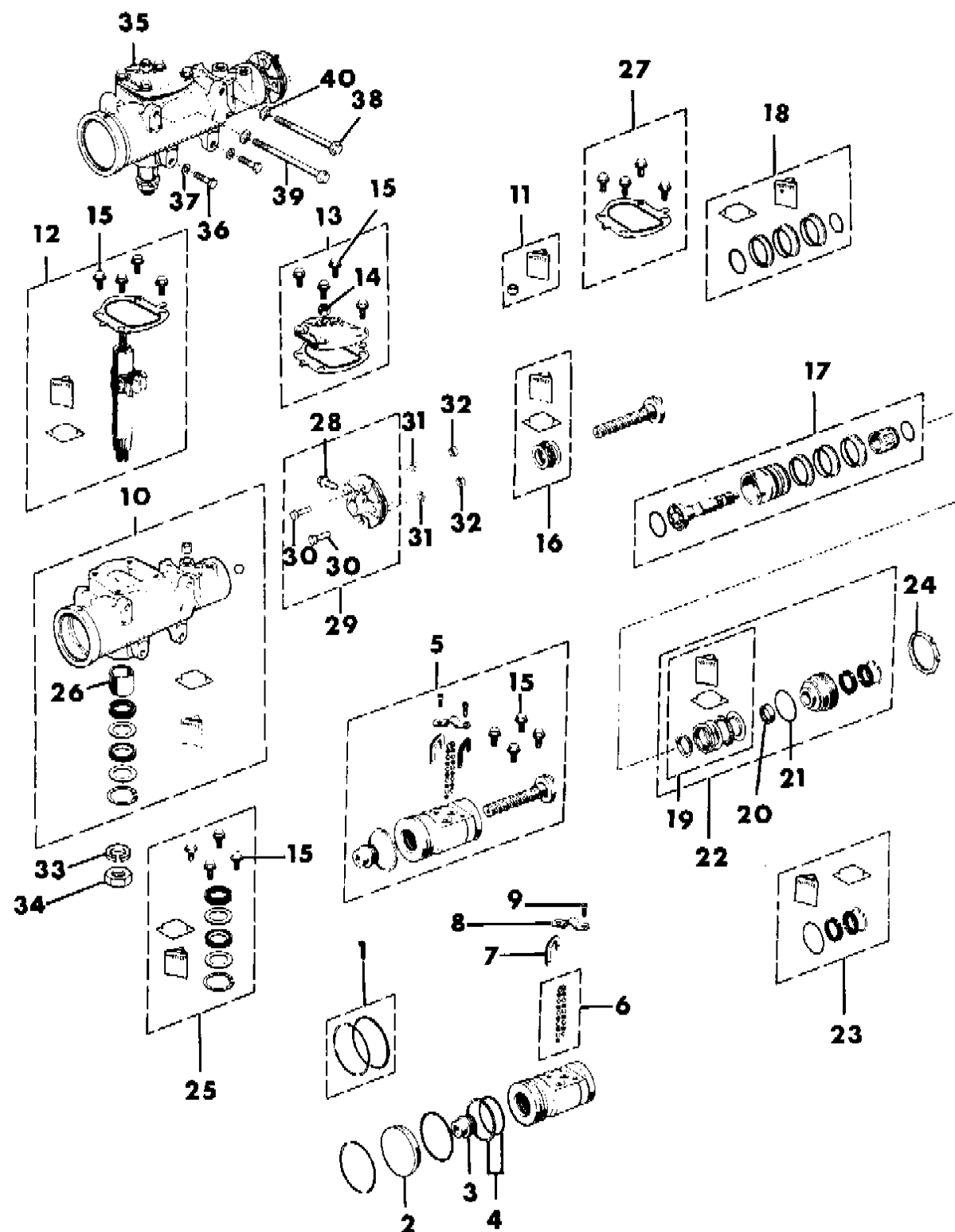
BODY STYLES:

MJ=Comanche Pickup ZJ=Grand Cherokee/Grand Wagoneer KDX VEHICLES
 SJ=Grand Wagoneer M1=Comanche
 XJ=Cherokee, Briarwood X1=Cherokee, Briarwood
 YJ=Wrangler Y1=Wrangler

AR = Use as Required - = Non Illustrated Part P.A.R. = Paint as Required

GEAR, POWER STEERING GRAND WAGONEER
Figure 19-2600

91J19 2600



ITEM	PART NUMBER	QTY	BODY	MODEL	DESCRIPTION
1	J812 5037	1			SEAL PACKAGE
2					PLUG
	8350 2251	1			Stamped EN
3	J812 7965	1			PLUG
4	J812 5039	1			SEAL PACKAGE
5	J812 5036	1			RACK PACKAGE, Includes Piston
6	J320 4836	1			BALL PACKAGE, Rack/Piston
7	J448 7887	2			GUIDE
8	J320 4812	1			CLAMP
9	J320 7057	2			SCREW
10	J813 2537	1			HOUSING
11	J813 2538	1			VALVE
12	J812 2958	1			SHAFT
13	J812 5033	1			COVER, Gear
14	J320 4818	1			NUT
15	J812 4191	4			BOLT
16	J812 7645	1			BEARING PACKAGE
17	8350 2261	1			VALVE PACKAGE
18	J320 4833	1			SEAL PACKAGE
19	J813 0152	1			BEARING PACKAGE
20	J813 0142	1			BEARING
21	J812 6247	1			O-RING
22	J813 0155	1			PLUG, Adjusting
23	J813 0157	1			SEAL PACKAGE
24	J812 8427	1			NUT
25	J813 4568	1			SEAL PACKAGE
26	J448 7154	1			BEARING
27	J812 5038	1			SEAL PACKAGE
28	J400 3934	1			BOLT
29	J812 7966	1			FLANGE
30					BOLT
	J448 6976	1			5/16"
	J320 8200	1			3/8"
31					WASHER
	J012 0214	1			5/16"
	J012 0382	1			3/8"
32					NUT
	J012 0368	1			5/16"
	J012 0369	1			3/8"
33	S010 3336	1			WASHER
34	J320 0501	1			NUT

MODEL CODES:

61=Pickup-6 Ft Box 74=4 Door Wagon T=2WD
 62=Pickup-7 Ft Box 77=Open Body 93" Wheelbase J,N,U=4WD
 72=2 Door Wagon 78=Open Body 103" Wheelbase

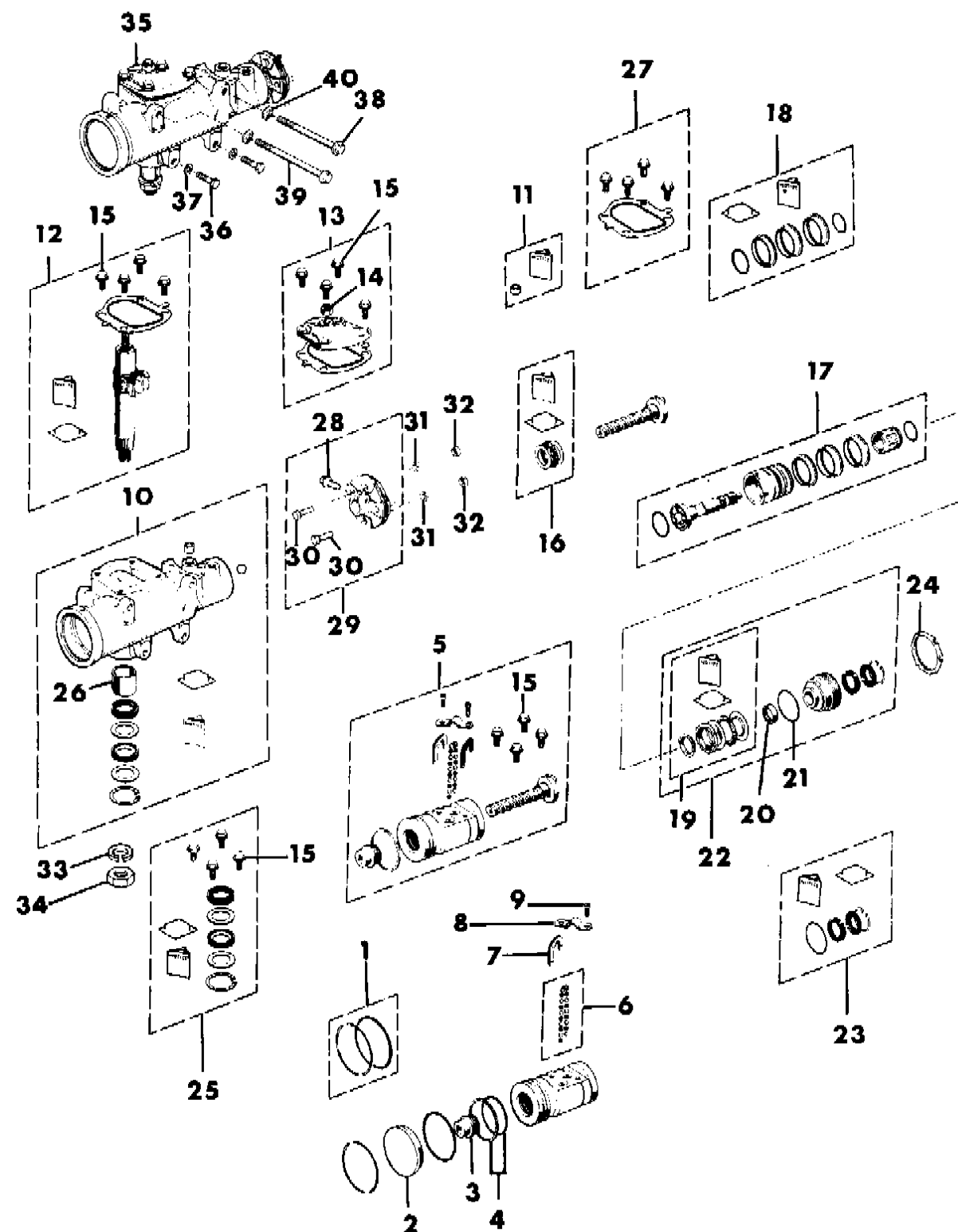
BODY STYLES:

MJ=Comanche Pickup ZJ=Grand Cherokee/Grand Wagoneer KDX VEHICLES
 SJ=Grand Wagoneer M1=Comanche
 XJ=Cherokee, Briarwood Y1=Cherokee, Briarwood
 YJ=Wrangler Y1=Wrangler

AR = Use as Required - = Non Illustrated Part P.A.R. = Paint as Required

GEAR, POWER STEERING GRAND WAGONEER
Figure 19-2600

91J19 2600



ITEM	PART NUMBER	QTY	BODY	MODEL	DESCRIPTION
35	5200 2085	1			GEAR, Steering
36	J942 4069	2			BOLT
37	J400 4809	2			WASHER
38	J400 5612	1			BOLT
39	J400 5613	1			BOLT
40	J400 4943	2			WASHER

MODEL CODES:

61=Pickup-6 Ft Box 74=4 Door Wagon T=2WD
 62=Pickup-7 Ft Box 77=Open Body 93" Wheelbase J,N,U=4WD
 72=2 Door Wagon 78=Open Body 103" Wheelbase

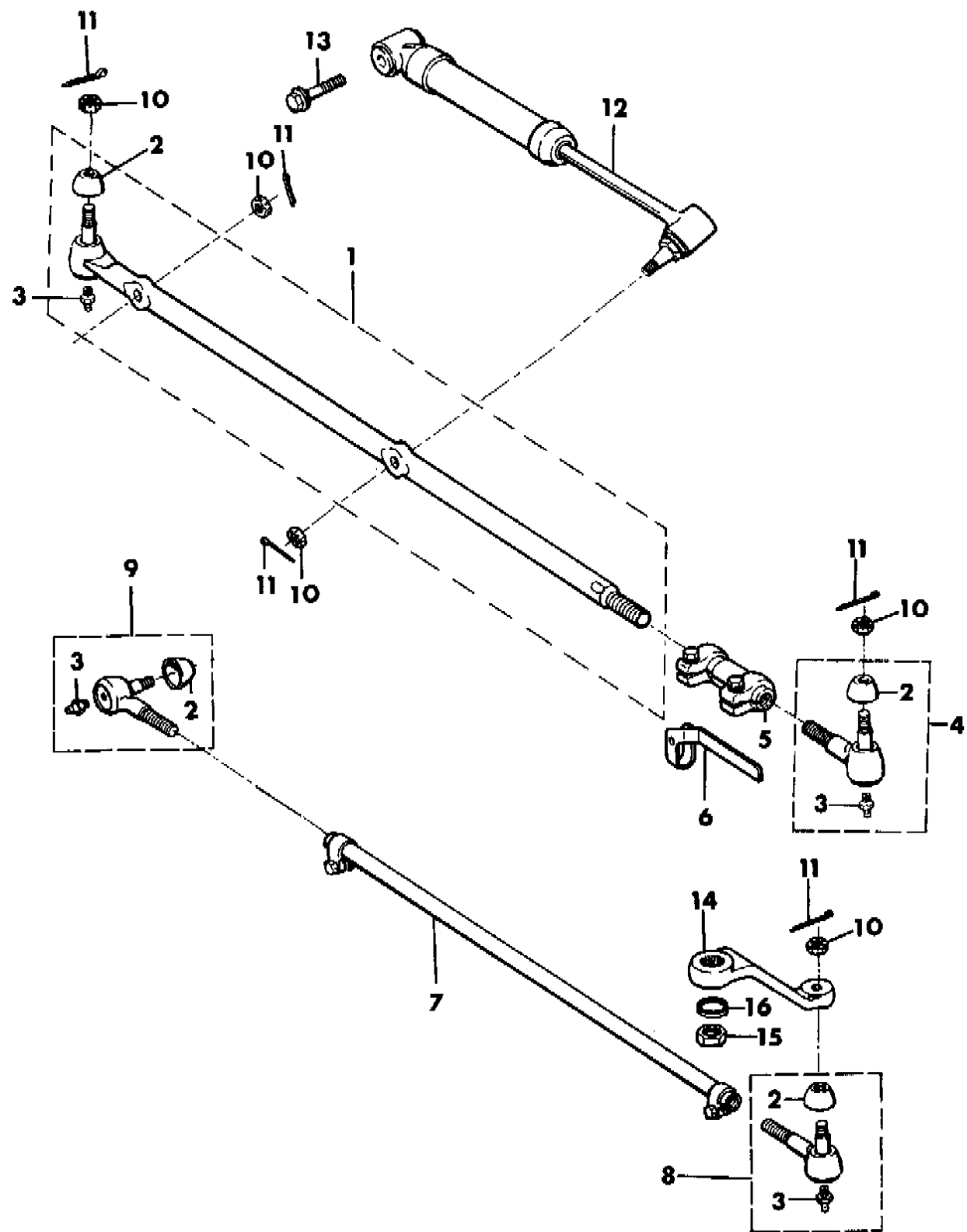
BODY STYLES:

MJ=Comanche Pickup ZJ=Grand Cherokee/Grand Wagoneer KDX VEHICLES
 SJ=Grand Wagoneer M1=Comanche
 XJ=Cherokee, Briarwood X1=Cherokee, Briarwood
 YJ=Wrangler Y1=Wrangler

AR = Use as Required - = Non Illustrated Part P.A.R. = Paint as Required

LINKAGE AND DAMPER WRANGLER
Figure 19-2700

91J19 2700



ITEM	PART NUMBER	QTY	BODY	MODEL	DESCRIPTION
1	5200 6602	1			END, Tie Rod Outer To Knuckle
2	5200 0988	4			COVER, Tie Rod End 1991
3	J027 1287	4			FITTING
4	5200 5739	1			END, Tie Rod
5	5200 6606	1			TUBE
6	5200 2547	1			BAR
7	5200 6608	1			TUBE
8	5200 5741	1			END, Tie Rod (Lt. Hand Th'd) To Pitman Arm
9	5200 5740	1			END, Tie Rod (Rt. Hand Th'd)
10	J027 4428	4			NUT
11	S011 9120	4			PIN, Cotter
12	5200 2739	1			DAMPER
13	J400 7388	1			BOLT
14					ARM, Pitman
	5204 0112	1			w/Power Steering
	5204 0110	1			w/o Power Steering
15	J320 0501	1			NUT
16	S010 3336	1			WASHER

MODEL CODES:

61=Pickup-6 Ft Box 74=4 Door Wagon T=2WD
62=Pickup-7 Ft Box 77=Open Body 93" Wheelbase J,N,U=4WD
72=2 Door Wagon 78=Open Body 103" Wheelbase

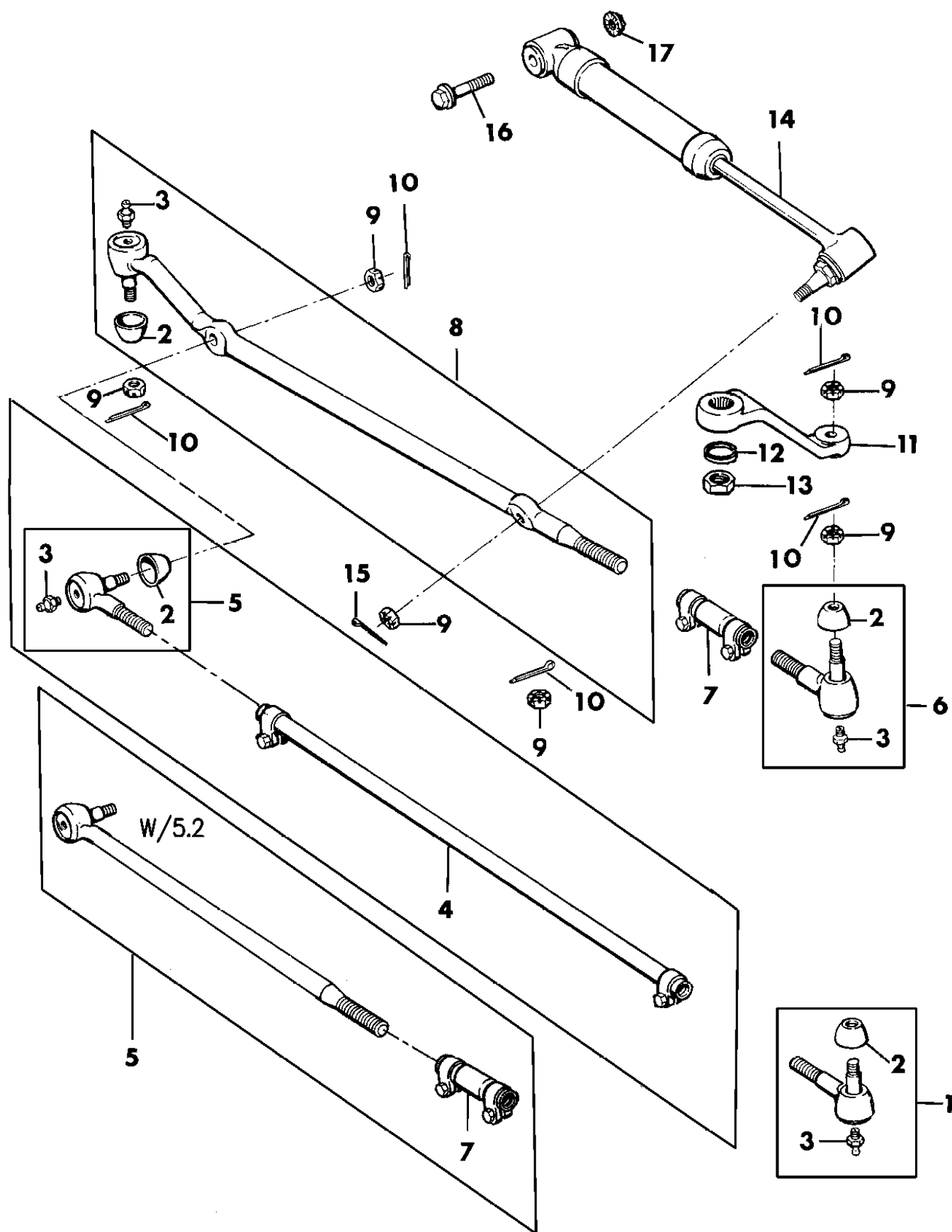
BODY STYLES:

MJ=Comanche Pickup ZJ=Grand Cherokee/Grand Wagoneer KDX VEHICLES
SJ=Grand Wagoneer M1=Comanche
XJ=Cherokee, Briarwood X1=Cherokee, Briarwood
YJ=Wrangler Y1=Wrangler

AR = Use as Required - = Non Illustrated Part P.A.R. = Paint as Required

LINKAGE AND DAMPER CHEROKEE, BRIARWOOD, COMANCHE GRAND CHEROKEE (ZJ)
Figure 19-2800

91J19 2800C



ITEM	PART NUMBER	QTY	BODY	MODEL	DESCRIPTION
1	5200 5741	1			END, Tie Rod Outer To Knuckle
	5200 5741	1	ZJ		w/4.0L Eng.
	5200 5739	1	ZJ		w/5.2L Eng.
2	5200 0988	4			COVER, Tie Rod End
3	8350 7064	4			FITTING
4	5200 5743	1			TUBE
	5208 7674	1	ZJ		w/4.0L Eng. (Long)
	5203 7536	1	ZJ		w/5.2L Eng. (Short)
5	5200 5740	1			END, Tie Rod (Rt. Hand Th'd)
	5200 5740	1	ZJ		w/4.0L Eng.
	5203 7996	1	ZJ		w/5.2L Eng.
6	5200 5739	1			END, Tie Rod (Lt. Hand Th'd) To Pitman Arm
	5200 5739	1	ZJ		w/4.0L Eng.
	5200 5739	1	ZJ		w/5.2L Eng.
7	5200 5742	1			TUBE
	5203 7536	1	ZJ		w/4.0L Eng.
	5203 7536	1	ZJ		w/5.2L Eng.
8	5200 6592	1			END, Tie Rod
	5200 6582	1			w/RHD
	5200 5738	1	ZJ		w/4.0L Eng. ***
	5203 7994	1	ZJ		w/5.2L Eng. (Draglink) ***
9	J027 4428	5			NUT
10	S011 9120	4			PIN, Cotter
11	5200 0615	1			ARM, Pitman
	5200 5285	1	ZJ		w/Power Steering
	5200 6505	1			w/Power Steering w/RHD
12	5200 0616	1			w/o Power Steering ***
	S010 3336	1			WASHER
	J320 0501	1			NUT
13	J323 6097	1			DAMPER
	5203 7506	1			w/RHD
	J323 6097	1	ZJ		
14	S011 9120	1			PIN, Cotter
15	1150 5098	1			BOLT
	6502 473	1	ZJ		
16	1150 2813	1			NUT
	6502 697	1	ZJ		
17					

MODEL CODES:

61=Pickup-6 Ft Box 74=4 Door Wagon T=2WD
62=Pickup-7 Ft Box 77=Open Body 93" Wheelbase J,N,U=4WD
72=2 Door Wagon 78=Open Body 103" Wheelbase

BODY STYLES:

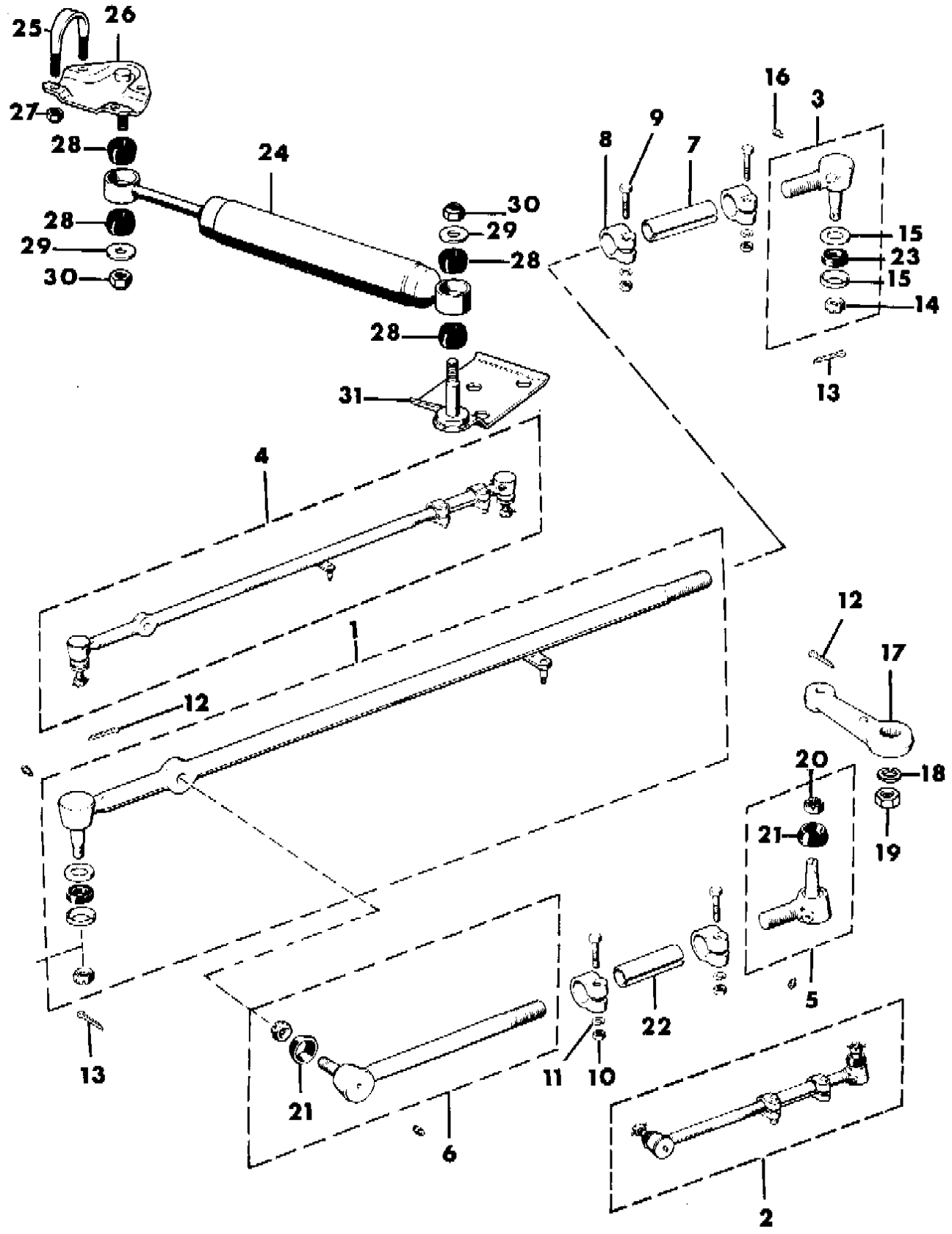
MJ=Comanche Pickup ZJ=Grand Cherokee/Grand Wagoneer KDX VEHICLES
SJ=Grand Wagoneer M1=Comanche
XJ=Cherokee, Briarwood X1=Cherokee, Briarwood
YJ=Wrangler Y1=Wrangler

AR = Use as Required - = Non Illustrated Part P.A.R. = Paint as Required

LINKAGE AND DAMPER GRAND WAGONEER
Figure 19-2900

91J19 2900

ITEM	PART NUMBER	QTY	BODY	MODEL	DESCRIPTION
1	J535 2665	1			ROD ASSEMBLY
2	J535 2421	1			ROD ASSEMBLY
3	J812 4817	1			END, Tie Rod
4	J812 4816	1			END, Tie Rod
5	J812 3319	1			END, Tie Rod
6	J812 3315	1			END, Tie Rod
7	J812 4819	1			TUBE
8	J080 6746	4			CLAMP
9	S045 4979	4			BOLT
10	J027 1506	4			NUT
11	J012 0383	4			WASHER
12	J013 7190	2			PIN, Cotter
13	S010 8635	2			PIN, Cotter
14	J812 4818	2			NUT
15	J812 4820	4			WASHER
16	J027 1287	4			FITTING
17	J535 2278	1			ARM, Pitman
18	S010 3336	1			WASHER
19	J320 0501	1			NUT
20	J812 3318	2			NUT
21	J812 3317	2			COVER, Tie Rod End
22	J812 3320	1			TUBE
23	J812 4821	2			COVER
24	J812 9434	1			DAMPER
25	J094 0121	2			U-BOLT
26	J535 3384	1			BRACKET
27	J941 6531	4			NUT
28	J063 7936	4			BUSHING
29	J012 0389	2			WASHER
30	J941 3215	2			NUT
31	J535 9695	1			BRACKET



MODEL CODES:
 61=Pickup-6 Ft Box 74=4 Door Wagon T=2WD
 62=Pickup-7 Ft Box 77=Open Body 93" Wheelbase J,N,U=4WD
 72=2 Door Wagon 78=Open Body 103" Wheelbase

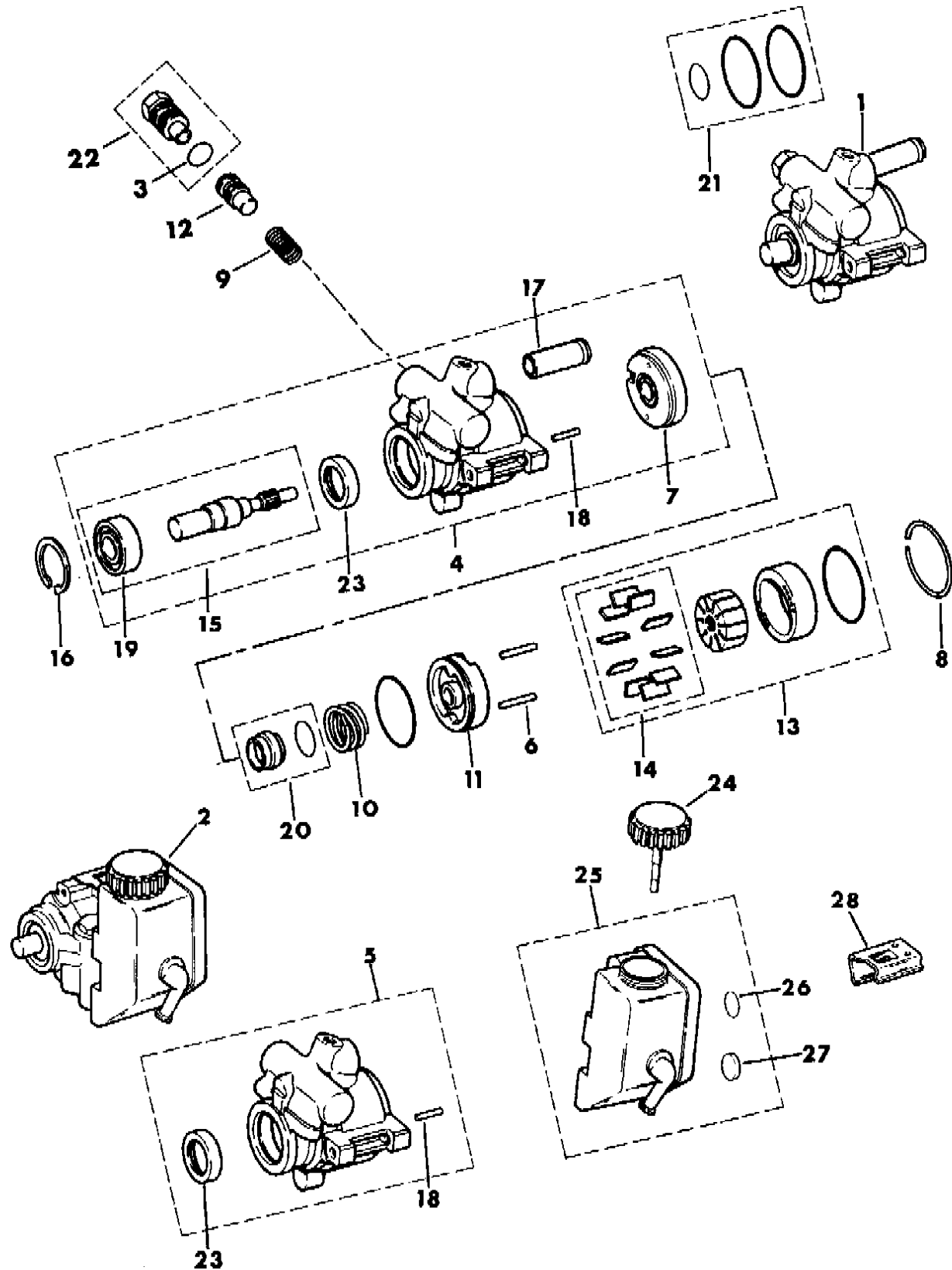
BODY STYLES:
 MJ=Comanche Pickup ZJ=Grand Cherokee/Grand Wagoneer KDX VEHICLES
 SJ=Grand Wagoneer M1=Comanche
 XJ=Cherokee, Briarwood X1=Cherokee, Briarwood
 YJ=Wrangler Y1=Wrangler

AR = Use as Required - = Non Illustrated Part P.A.R. = Paint as Required

PUMP, POWER STEERING CHEROKEE, BRIARWOOD, COMANCHE WRANGLER, GRAND CHEROKEE (ZJ)

Figure 19-3100

91J19 3100



ITEM	PART NUMBER	QTY	BODY	MODEL	DESCRIPTION
1					PUMP, Power Steering
	5300 7140	1	YJ		
	5200 6396	1			w/2.5L Eng. 1991
	5203 7566	1			w/2.5L Eng. 1992-93
	5203 7566	1			w/2.5L Eng. CHINA
2					PUMP, Power Steering
	5300 7140	1	YJ		
	5300 7995	1		MJ,XJ	w/4.0L Eng. 1991
	5203 7565	1			w/4.0L Eng. 1992
	5300 7383	1			w/4.0L Eng. 1993
	5200 6397	1			w/4.0L Eng., EUROPEAN 1991
	5203 7566	1			w/4.0L Eng., EUROPEAN 1992-93
	5203 7812	1	X1		w/4.0L Eng., RHD
	5208 8022	1	ZJ		w/4.0L Eng., w/Trailer Tow Pkg.
	5300 7383	1	ZJ		w/4.0L Eng., w/o Trailer Tow Pkg.
	5203 7812	1	ZJ		w/5.2L Eng., w/o Trailer Tow
	5208 7658	1	ZJ		w/5.2L Eng., w/Trailer Tow
3	J320 9671	1			SEAL
4	8350 3485	1			BODY PACKAGE, w/2.5L Eng.
5	8350 3491	1			BODY PACKAGE, w/4.0L Eng.
6	8350 1818	2			PIN
7	8350 1815	1			PLATE
8	8350 1821	1			RING
9	J320 9673	1			SPRING
10	8350 1822	1			SPRING
11	8350 4035	1			PLATE
12					VALVE
	8350 4436	1			w/2.5L Eng.
	8350 3489	1			w/4.0L Eng.
	8350 4436	1			w/4.0L Eng. EUROPE
13	8350 2168	1			RING PACKAGE
14	8350 1827	1			VANE PACKAGE
15	8350 4033	1			SHAFT
16	8350 1820	1			RING
17	8350 0266	1			TUBE, w/2.5L Eng.
18	8350 1828	1			PIN
19	8350 4034	1			BEARING
20	8350 1826	1			SLEEVE PACKAGE
21	8350 1825	1			SEAL PACKAGE
	4728 247	1	ZJ		w/Trailer Tow
22					FITTING

MODEL CODES:

61=Pickup-6 Ft Box 74=4 Door Wagon T=2WD
 62=Pickup-7 Ft Box 77=Open Body 93" Wheelbase J,N,U=4WD
 72=2 Door Wagon 78=Open Body 103" Wheelbase

BODY STYLES:

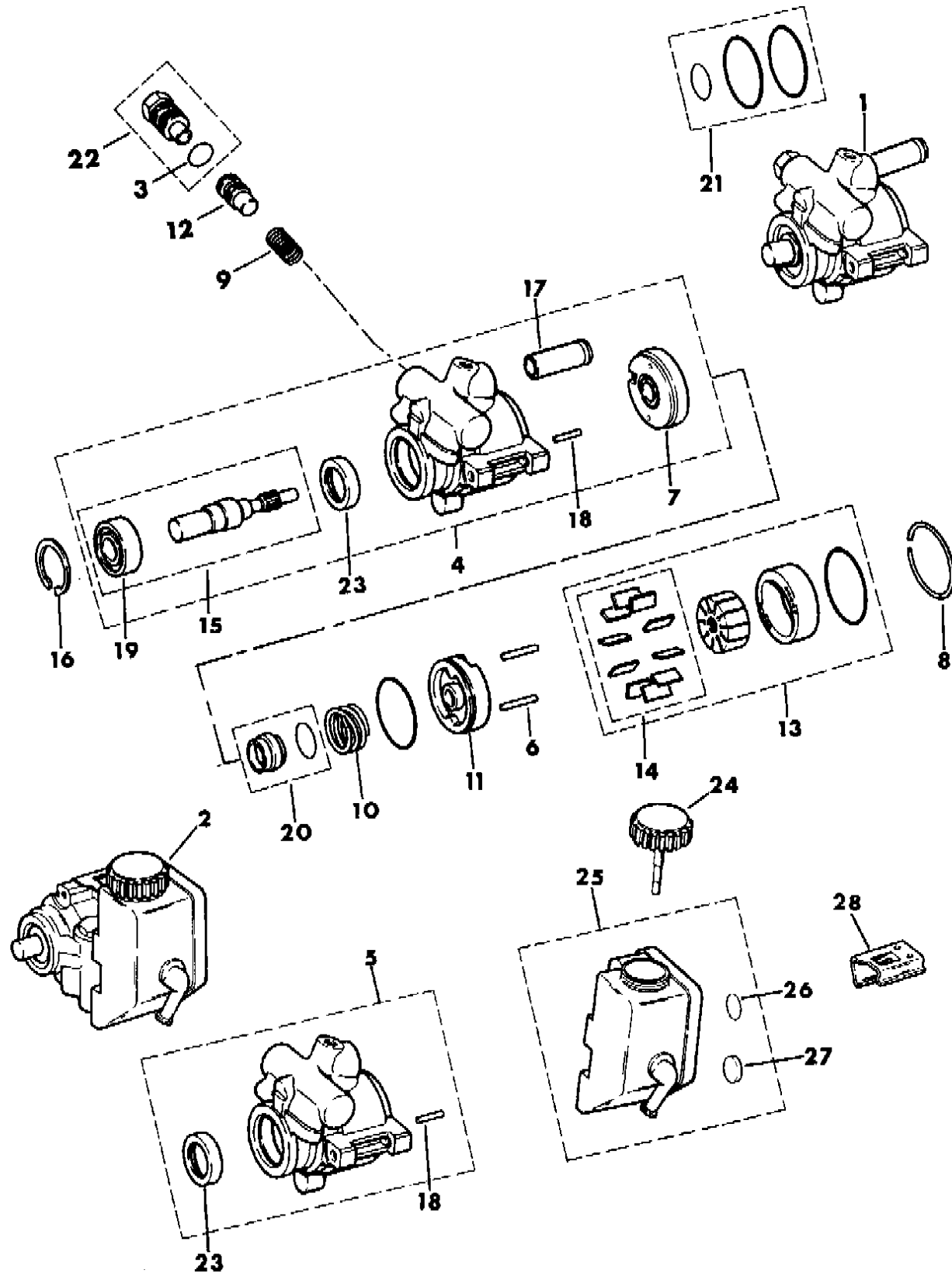
MJ=Comanche Pickup ZJ=Grand Cherokee/Grand Wagoneer KDX VEHICLES
 SJ=Grand Wagoneer M1=Comanche
 XJ=Cherokee, Briarwood X1=Cherokee, Briarwood
 YJ=Wrangler Y1=Wrangler

AR = Use as Required - = Non Illustrated Part P.A.R. = Paint as Required

PUMP, POWER STEERING CHEROKEE, BRIARWOOD, COMANCHE WRANGLER, GRAND CHEROKEE (ZJ)

Figure 19-3100

91J19 3100



ITEM	PART NUMBER	QTY	BODY	MODEL	DESCRIPTION
	8350 5299	1			w/2.5L Eng.
	8350 3484	1			w/4.0L Eng.
	8350 5299	1			w/4.0L Eng. EUROPE
23	8350 1814	1			SEAL
24	5274 317	1			CAP
25	5203 7544	1	MJ,XJ		RESERVIOR, 4.0L Engine ***
26	4333 377	1			SEAL, w/4.0L Eng.
27	8350 0243	1			MAGNET, w/4.0L Eng. ***
28					CLIP, w/4.0L Eng.
	5203 7547	1			Rt.
	5203 7546	1			Lt.

MODEL CODES:

61=Pickup-6 Ft Box 74=4 Door Wagon T=2WD
 62=Pickup-7 Ft Box 77=Open Body 93" Wheelbase J,N,U=4WD
 72=2 Door Wagon 78=Open Body 103" Wheelbase

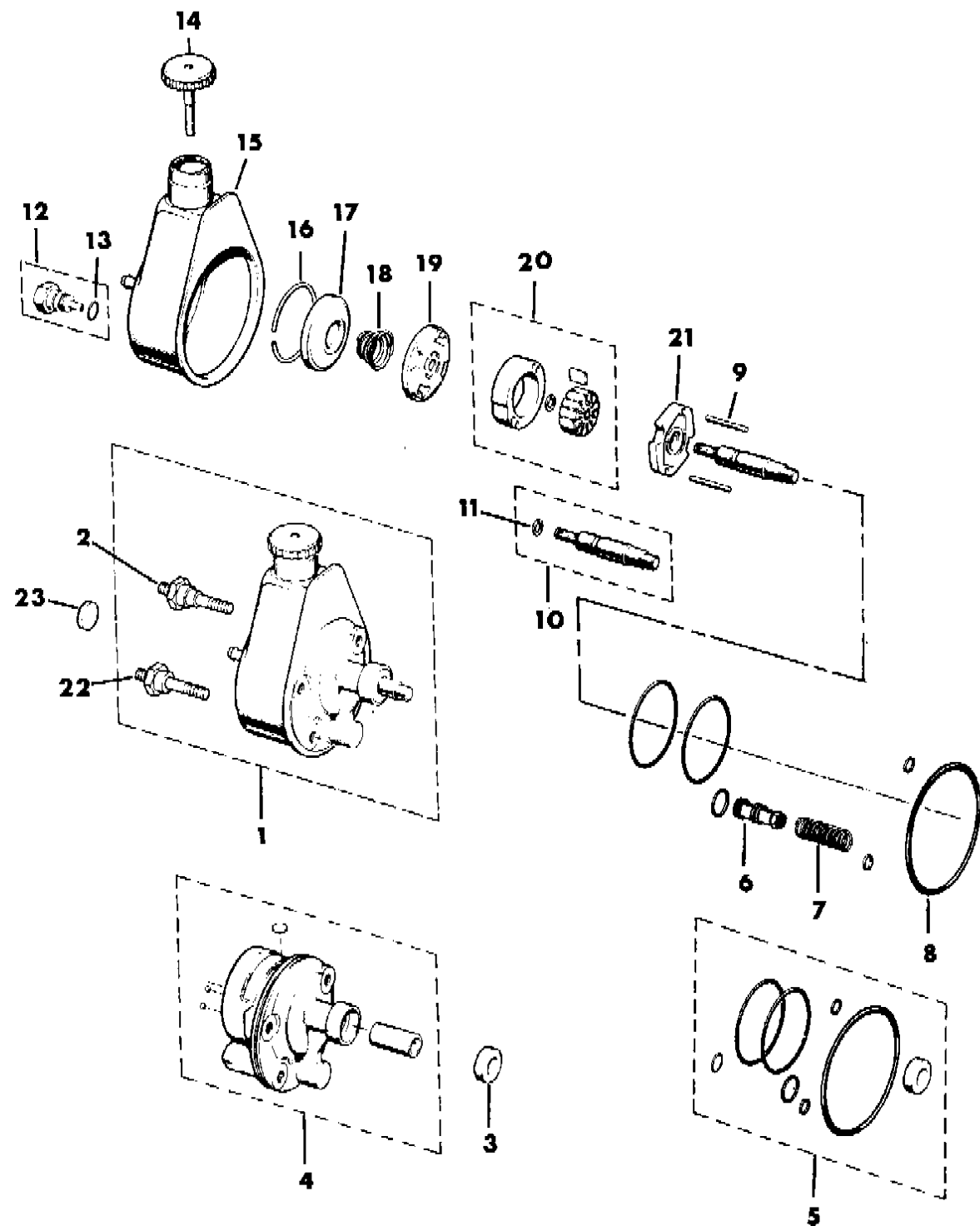
BODY STYLES:

MJ=Comanche Pickup ZJ=Grand Cherokee/Grand Wagoneer KDX VEHICLES
 SJ=Grand Wagoneer M1=Comanche
 XJ=Cherokee, Briarwood X1=Cherokee, Briarwood
 YJ=Wrangler Y1=Wrangler

AR = Use as Required - = Non Illustrated Part P.A.R. = Paint as Required

PUMP, POWER STEERING GRAND WAGONEER
Figure 19-3200

91J19 3200



ITEM	PART NUMBER	QTY	BODY	MODEL	DESCRIPTION
1	5300 2714	1			PUMP, Power Steering (Up To 10-22-90)
	5203 7568	1			(After 10-22-90)
2	J813 2474	1			STUD
3	J448 8330	1			SEAL
4	J813 2473	1			HOUSING
5	4333 377	1			SEAL PACKAGE
6	J812 5923	1			VALVE
7	J320 9673	1			SPRING
8	2537 828	1			SEAL
9	J320 9660	2			PIN
10	J813 3828	1			SHAFT PACKAGE
11	8350 0075	1			RING PACKAGE
12	8350 2088	1			FITTING
13	J320 9671	1			SEAL
14	J812 8467	1			CAP
15	J812 7369	1			RESERVOIR
16	J320 9664	1			RING
17	J320 9661	1			PLATE
18	J813 3958	1			SPRING
19	J813 3957	1			PLATE
20	J813 3829	1			RING PACKAGE
21	8350 0071	1			PLATE
22	J813 2475	1			STUD
23	8350 0243	1			MAGNET

MODEL CODES:

61=Pickup-6 Ft Box 74=4 Door Wagon T=2WD
 62=Pickup-7 Ft Box 77=Open Body 93" Wheelbase J,N,U=4WD
 72=2 Door Wagon 78=Open Body 103" Wheelbase

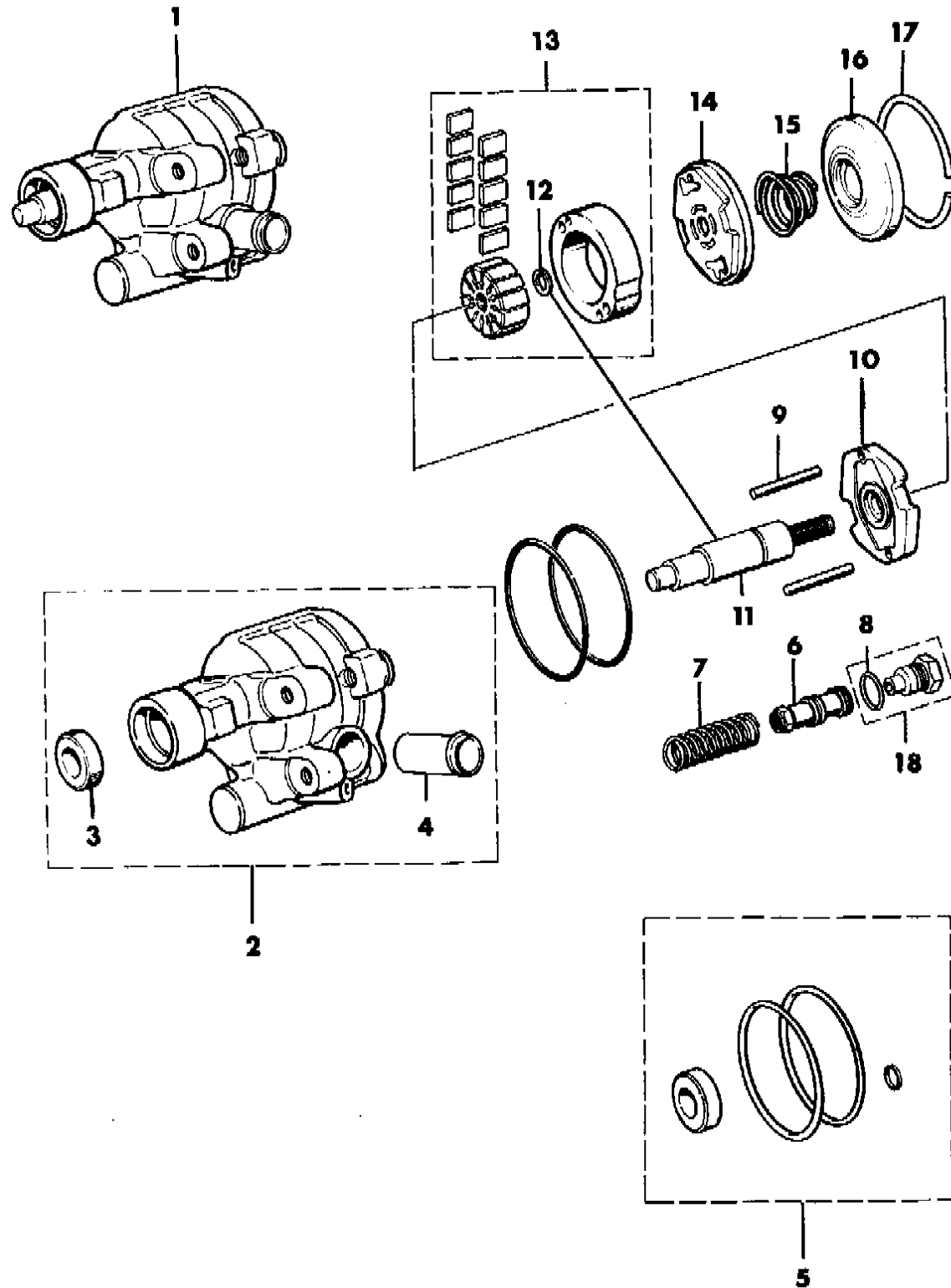
BODY STYLES:

MJ=Comanche Pickup ZJ=Grand Cherokee/Grand Wagoneer KDX VEHICLES
 SJ=Grand Wagoneer M1=Comanche
 XJ=Cherokee, Briarwood X1=Cherokee, Briarwood
 YJ=Wrangler Y1=Wrangler

AR = Use as Required - = Non Illustrated Part P.A.R. = Paint as Required

PUMP, POWER STEERING 2.1L DIESEL ENGINE CHEROKEE, BRIARWOOD
Figure 19-3300

91J19 3300



ITEM	PART NUMBER	QTY	BODY	MODEL	DESCRIPTION
1	5300 5254	1			PUMP, Power Steering
2	8350 0265	1			HOUSING
3	J448 8330	1			SEAL
4	8350 0266	1			TUBE
5	8350 0074	1			SEAL PACKAGE
6	J812 5923	1			VALVE
7	J320 9673	1			SPRING
8	J320 9671	1			SEAL
9	J320 9660	1			PIN
10	8350 0071	1			PLATE
11	J813 3828	1			SHAFT PACKAGE
12	8350 0075	1			RING PACKAGE
13	J813 3829	1			RING PACKAGE
14	J813 3957	1			PLATE
15	J813 3958	1			SPRING
16	J320 9661	1			PLATE
17	J320 9664	1			RING
18	8350 2088	1			FITTING

MODEL CODES:

61=Pickup-6 Ft Box 74=4 Door Wagon T=2WD
62=Pickup-7 Ft Box 77=Open Body 93" Wheelbase J,N,U=4WD
72=2 Door Wagon 78=Open Body 103" Wheelbase

BODY STYLES:

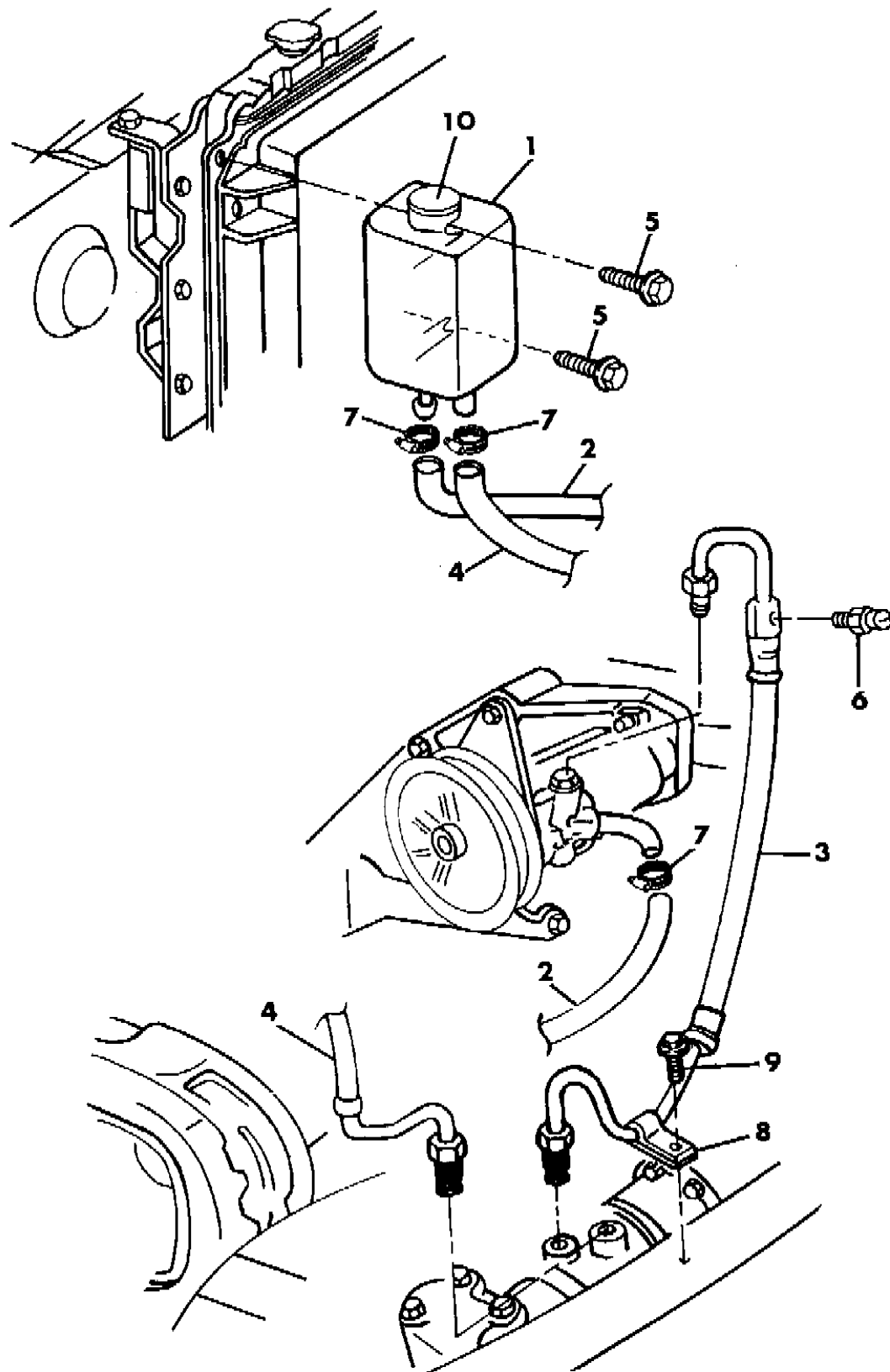
MJ=Comanche Pickup ZJ=Grand Cherokee/Grand Wagoneer KDX VEHICLES
SJ=Grand Wagoneer M1=Comanche
XJ=Cherokee, Briarwood X1=Cherokee, Briarwood
YJ=Wrangler Y1=Wrangler

AR = Use as Required - = Non Illustrated Part P.A.R. = Paint as Required

HOSES AND RESERVOIR, POWER STEERING WRANGLER YJ

Figure 19-3350

91J19 3350



ITEM	PART NUMBER	QTY	BODY	MODEL	DESCRIPTION
1	5200 4991	1			RESERVOIR ASSY. ***
2	5200 5411	1			HOSE, Return - Pump To Reservoir w/2.5L Eng.
	5200 4989	1			w/4.0L Eng.
3	5203 8014	1			HOSE, Presure w/2.5L Eng.
	5203 7644	1			w/4.0L Eng.
4	5203 8016	1			HOSE, Return - Gear To Reservoir
5	J400 3069	2			SCREW
6	5300 0970	1			SWITCH, High Presure
7	2448 770	2			CLAMP
8		1			CLIP, (Not Serv.)
9		1			SCREW, (Not, Serv.) 1/4-14x5/8
10	4470 380	1			CAP, Reservoir

MODEL CODES:

61=Pickup-6 Ft Box 74=4 Door Wagon T=2WD
 62=Pickup-7 Ft Box 77=Open Body 93" Wheelbase J,N,U=4WD
 72=2 Door Wagon 78=Open Body 103" Wheelbase

BODY STYLES:

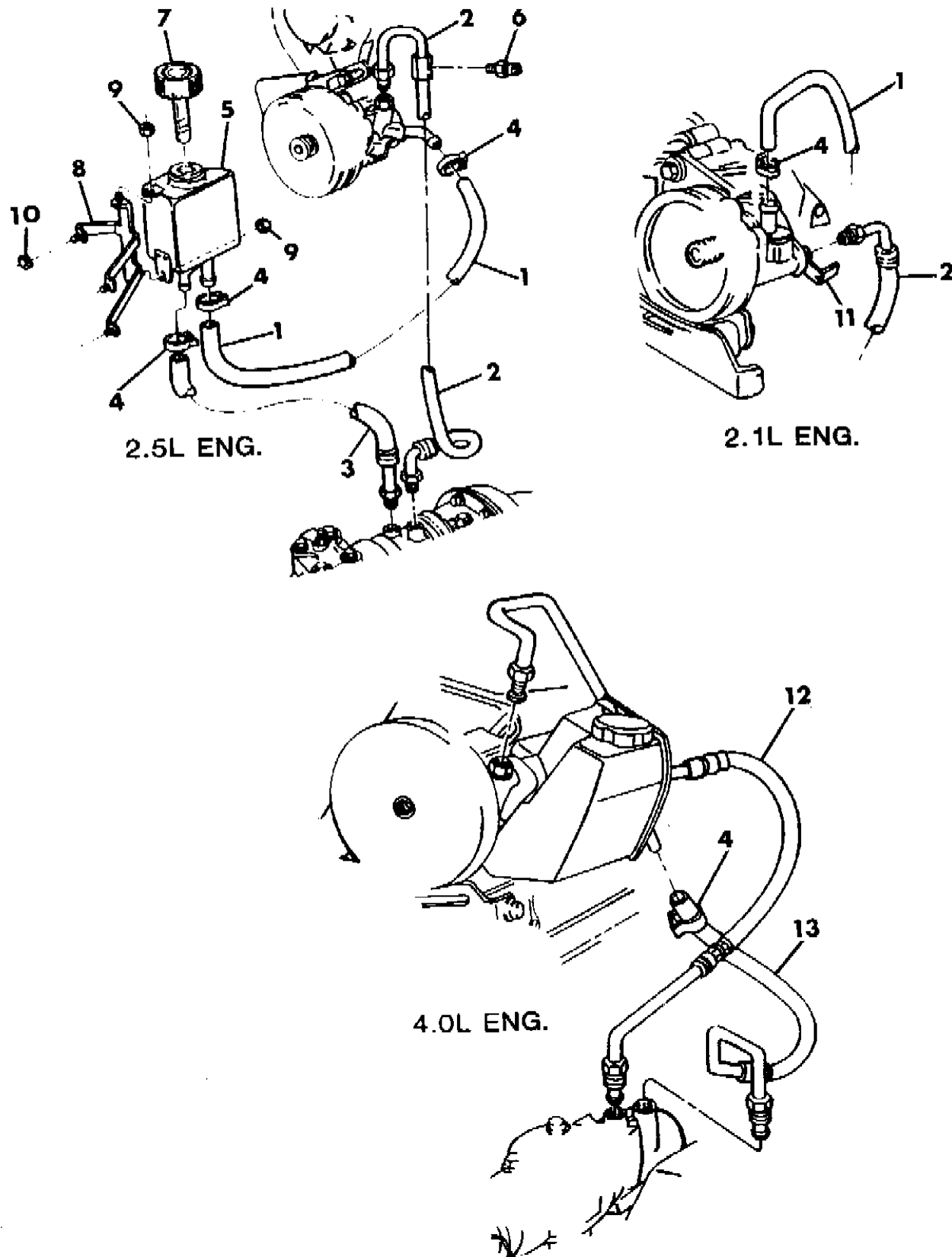
MJ=Comanche Pickup ZJ=Grand Cherokee/Grand Wagoneer KDX VEHICLES
 SJ=Grand Wagoneer M1=Comanche
 XJ=Cherokee, Briarwood X1=Cherokee, Briarwood
 YJ=Wrangler Y1=Wrangler

AR = Use as Required - = Non Illustrated Part P.A.R. = Paint as Required

HOSES AND RESERVOIR, POWER STEERING COMANCHE, CHEROKEE, BRIARWOOD GRAND CHEROKEE (ZJ)

Figure 19-3375

91J19 3375



ITEM	PART NUMBER	QTY	BODY	MODEL	DESCRIPTION
1	5200 5277	1			HOSE, Return - Reservoir To Pump w/2.5L Eng.
	5200 3139	1			w/2.1L Eng.
	5200 6503	1			w/2.5L Eng. w/RHD
2	5203 8015	1			HOSE, Presure - Pump To Gear w/2.5L Eng.
	5203 8113	1			w/2.5L Eng. KDX
	5200 3628	1			w/2.1L Eng.
	5203 8012	1			w/2.5L Eng., w/1BBL. Carb., w/RHD
	5208 7791	1			w/2.5L Eng., w/EFI., w/RHD
3	5200 3135	1			HOSE, Return - Reservoir To Gear w/2.5L Eng.
	5200 3140	1			w/2.1L Eng.
	5200 6504	1			w/2.5L Eng. w/RHD
4	2448 770	AR			CLAMP
5	5200 6395	1			RESERVOIR, w/2.1, 2.5L Eng.
6	5300 0970	1			SWITCH, High Presure
7	5200 5410	1			CAP, Reservoir
8	5200 3224	1			BRACKET, Reservoir w/2.5L Eng.
	5200 3225	1			w/2.1L Eng.
	5200 6502	1			w/2.5L Eng. w/RHD
9	1150 3745	2			NUT
10	1150 2722	3			NUT
11	5200 3629	1			BRACKET, w/2.1L Eng.
	4637 915	1			HOSE, Presure - Pump To Gear w/4.0L Eng.
	5208 7796	1			w/4.0L Eng., w/RHD
	5200 6454	1	ZJ		w/4.0L Eng. (Up To 7-17-92)
	5208 7677	1	ZJ		w/4.0L Eng. (After 7-17-92)
	5208 7678	1	ZJ		w/5.2L Eng.
13	5203 7645	1			HOSE, Return - Gear To Pump w/4.0L Eng.
	5208 7797	1			w/RHD
	5200 5280	1	ZJ		w/4.0L Eng.
	5208 7748	1	ZJ		w/5.2L Eng.

MODEL CODES:

61=Pickup-6 Ft Box 74=4 Door Wagon T=2WD
 62=Pickup-7 Ft Box 77=Open Body 93" Wheelbase J,N,U=4WD
 72=2 Door Wagon 78=Open Body 103" Wheelbase

BODY STYLES:

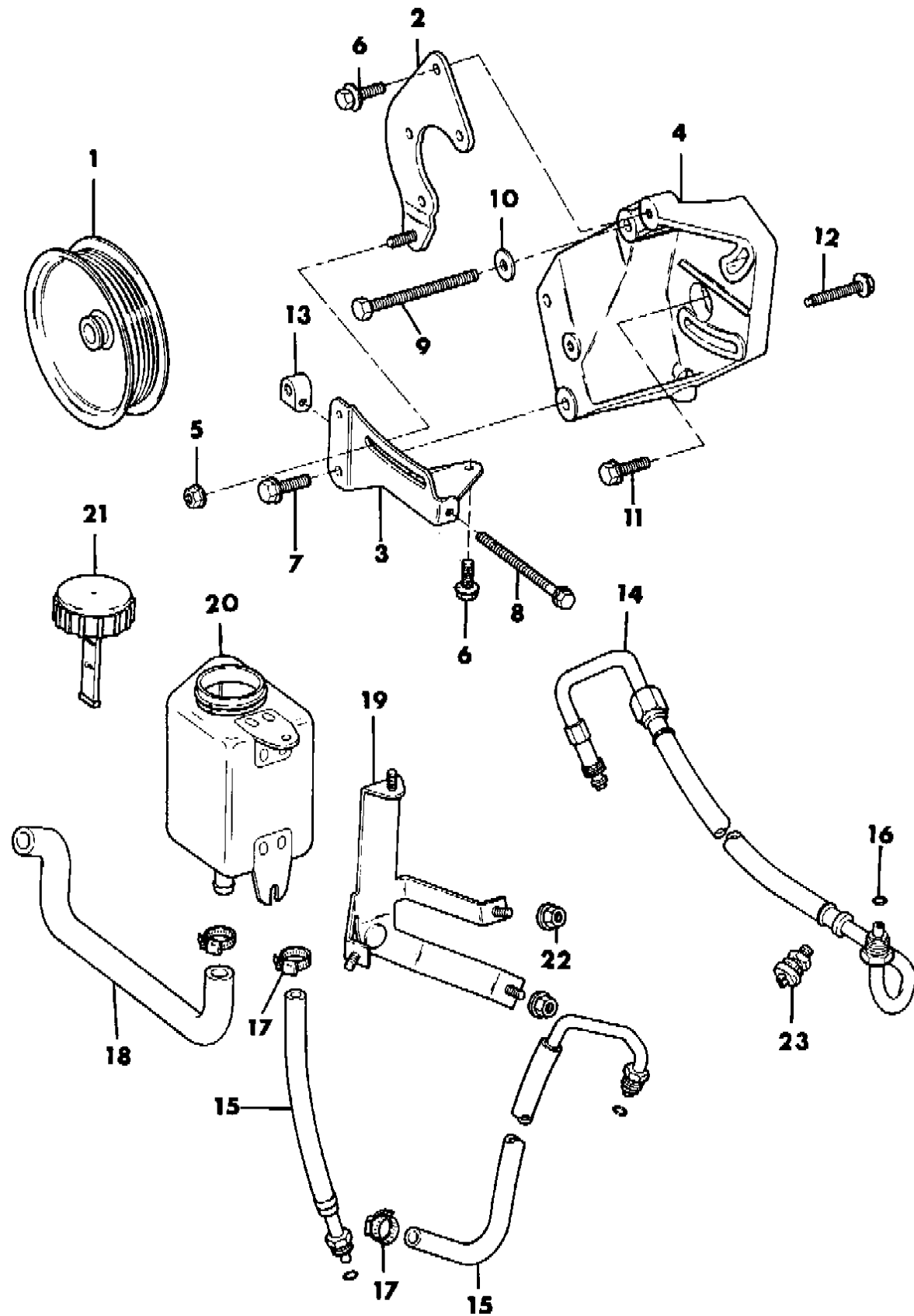
MJ=Comanche Pickup ZJ=Grand Cherokee/Grand Wagoneer KDX VEHICLES
 SJ=Grand Wagoneer M1=Comanche
 XJ=Cherokee, Briarwood X1=Cherokee, Briarwood
 YJ=Wrangler Y1=Wrangler

AR = Use as Required - = Non Illustrated Part P.A.R. = Paint as Required

PUMP MOUNTING, POWER STEERING CHEROKEE, BRIARWOOD, COMANCHE WRANGLER, GRAND CHEROKEE (ZJ)

Figure 19-3500

91J19 3500



ITEM	PART NUMBER	QTY	BODY	MODEL	DESCRIPTION
1					PULLEY
	5300 3805	1			w/2.5L Eng. 1991 (Metal Replacement For Plastic)
	5300 2909	1			w/2.5L Eng. Stamped 53007141 (1992-3)
	5301 0085	1	XJ		w/2.5L Eng. Europe
	5300 2909	1			w/4.0L Eng.
	5301 0085	1	XJ		w/4.0L Eng. Europe
	5301 0085	1	ZJ		w/4.0L Eng.
	5300 8619	1	ZJ		w/5.2L Eng.
2	5300 2911	1			BRACKET
	5301 0129	1			w/RHD
	5301 0130	1	ZJ		w/4.0L Eng.
	5300 8343	1	ZJ		w/5.2L Eng.
3	5300 2913	1			BRACKET
	5301 0146	1			w/RHD
4	5300 7616	1			BRACKET
5	3420 1918	1			NUT
6					SCREW
	3420 1818	1			Length = 25mm
	3420 1586	5			Length = 20mm
7	J400 6995	2			BOLT
8	3420 2480	1			BOLT
9	J045 6958	1			BOLT
		3	ZJ		w/5.2L Eng. (Not Serv.) 5/16-16x3"
10	J400 1161	1			WASHER
11	J812 5845	1			BOLT
		3	ZJ		w/5.2L Eng. (Not Serv.) 3/8-16x1"
12	3420 1819	2			SCREW
13	5300 2915	1			COLLAR
14					HOSE, Return
	5203 8015	1			w/2.5L Eng.
	5200 4965	1	XJ,MJ		w/4.0L Eng.
	5200 5280	1	ZJ		w/4.0L Eng.
	5208 7748	1	ZJ		w/5.2L Eng.
	5208 7796	1	XJ		w/4.0L Eng., w/RHD
15					HOSE, Pressure
	5200 3135	1			w/2.5L Eng.
	5203 7645	1	XJ,MJ		w/4.0L Eng.
	5200 6454	1	ZJ		w/4.0L Eng. (Up To 7-17-92)
	5208 7677	1	ZJ		w/4.0L Eng. (After 7-17-92)
	5208 7678	1	ZJ		w/5.2L Eng.
	5208 7797	1	X1		w/4.0L Eng., w/RHD

MODEL CODES:

61=Pickup-6 Ft Box 74=4 Door Wagon T=2WD
 62=Pickup-7 Ft Box 77=Open Body 93" Wheelbase J,N,U=4WD
 72=2 Door Wagon 78=Open Body 103" Wheelbase

BODY STYLES:

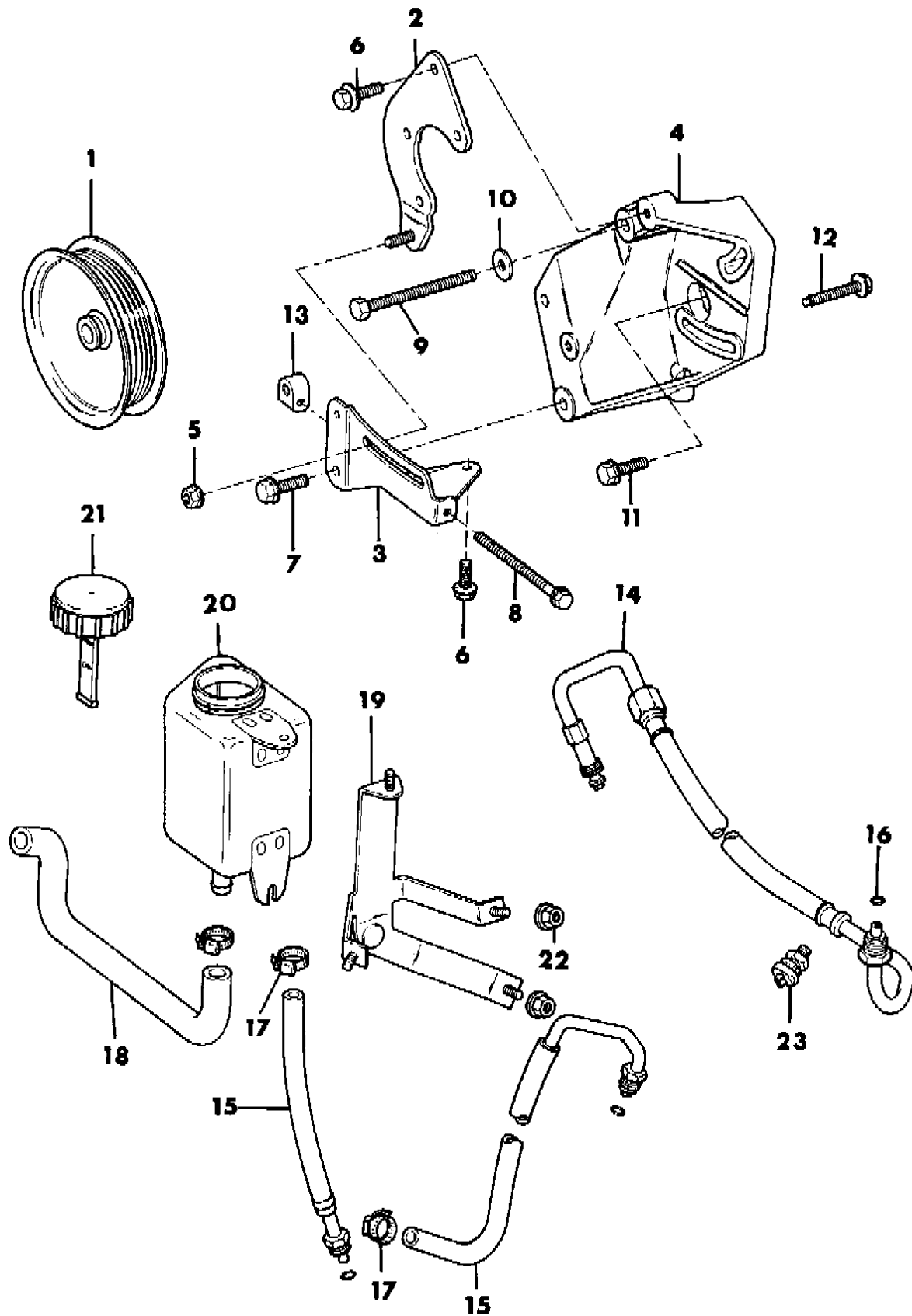
MJ=Comanche Pickup ZJ=Grand Cherokee/Grand Wagoneer KDX VEHICLES
 SJ=Grand Wagoneer M1=Comanche
 XJ=Cherokee, Briarwood Y1=Wrangler
 YJ=Wrangler

AR = Use as Required - = Non Illustrated Part P.A.R. = Paint as Required

PUMP MOUNTING, POWER STEERING CHEROKEE, BRIARWOOD, COMANCHE WRANGLER, GRAND CHEROKEE (ZJ)
Figure 19-3500

91J19 3500

ITEM	PART NUMBER	QTY	BODY	MODEL	DESCRIPTION
16	J325 1183	1			SEAL
17	J320 3076	AR			CLAMP
18	5200 5277	1			HOSE, w/2.5L Eng.
19	5200 3224	1			BRACKET, w/2.5L Eng.
20	5200 6395	1			RESERVOIR, w/2.5L Eng.
21	5200 3132	1			CAP, w/2.5L Eng.
22					NUT
	1150 2722	3			M5x0.8, w/2.5L Eng.
	1150 3745	2			M6x1.0, w/2.5L Eng.
23	5300 0970	1			SWITCH, High Pressure



MODEL CODES:

61=Pickup-6 Ft Box 74=4 Door Wagon T=2WD
 62=Pickup-7 Ft Box 77=Open Body 93" Wheelbase J,N,U=4WD
 72=2 Door Wagon 78=Open Body 103" Wheelbase

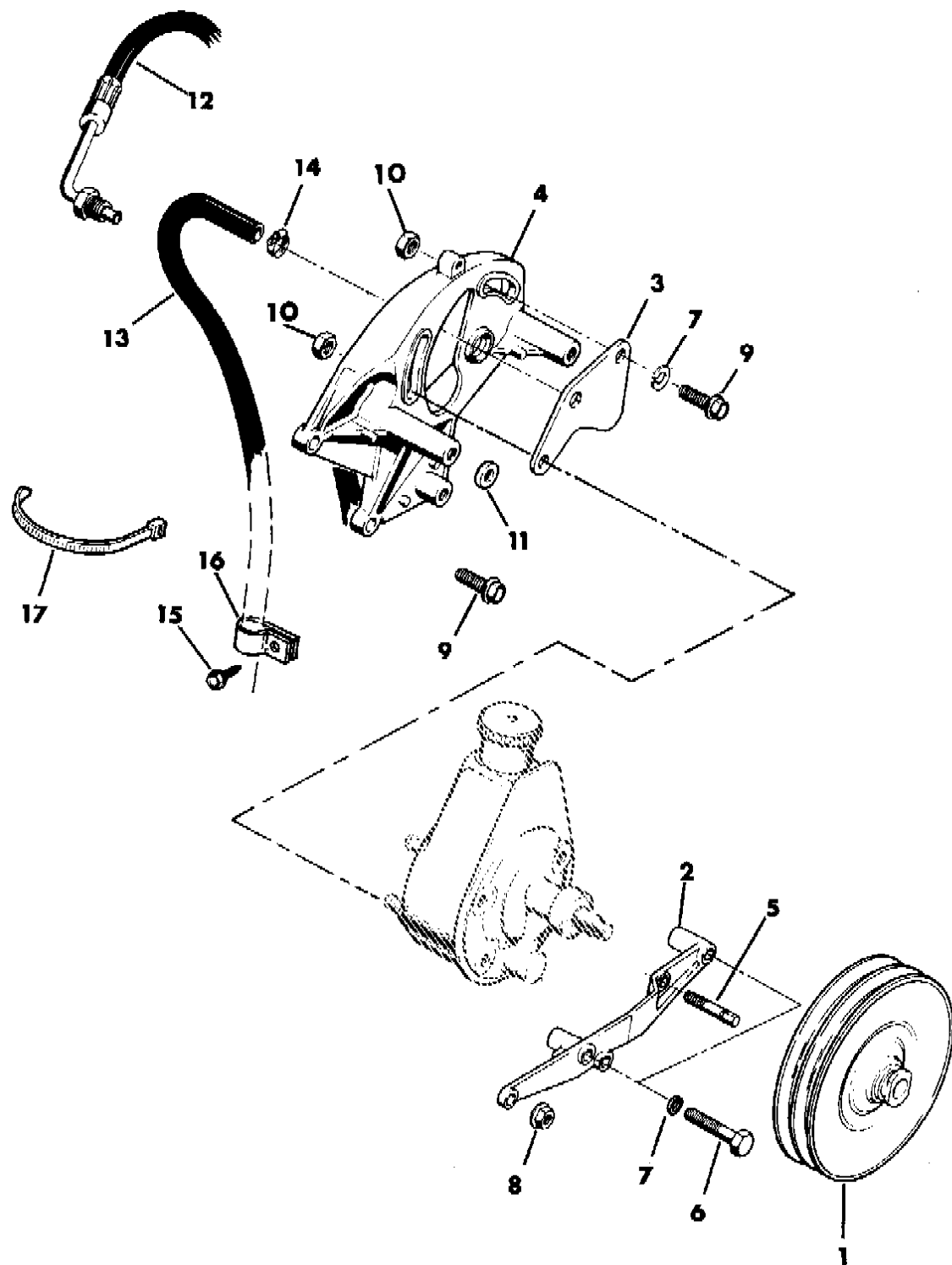
BODY STYLES:

MJ=Comanche Pickup ZJ=Grand Cherokee/Grand Wagoneer KDX VEHICLES
 SJ=Grand Wagoneer M1=Comanche
 XJ=Cherokee, Briarwood X1=Cherokee, Briarwood
 YJ=Wrangler Y1=Wrangler

AR = Use as Required - = Non Illustrated Part P.A.R. = Paint as Required

PUMP MOUNTING POWER STEERING GRAND WAGONEER
Figure 19-3600

91J19 3600



ITEM	PART NUMBER	QTY	BODY	MODEL	DESCRIPTION
1	J322 7674	1			PULLEY
2	J323 4995	1			BRACKET
3	J323 0990	1			BRACKET
4	J323 4992	1			BRACKET
5	J420 0080	1			STUD
6	J018 0137	2			BOLT
7	J400 3803	3			WASHER
8	J400 3869	1			NUT
9					BOLT
	J400 4010	2			Length = 1.12"
	J018 0125	1			Length = 1.38"
10	J420 0081	2			NUT
11	J400 1104	1			WASHER
12	5200 3079	1			HOSE
13	J537 0023	1			HOSE
14	J315 5600	1			CLAMP
15	1150 1940	1			BOLT
16	J400 4892	1			CLIP
17	J322 3227	1			STRAP

MODEL CODES:

61=Pickup-6 Ft Box 74=4 Door Wagon T=2WD
 62=Pickup-7 Ft Box 77=Open Body 93" Wheelbase J,N,U=4WD
 72=2 Door Wagon 78=Open Body 103" Wheelbase

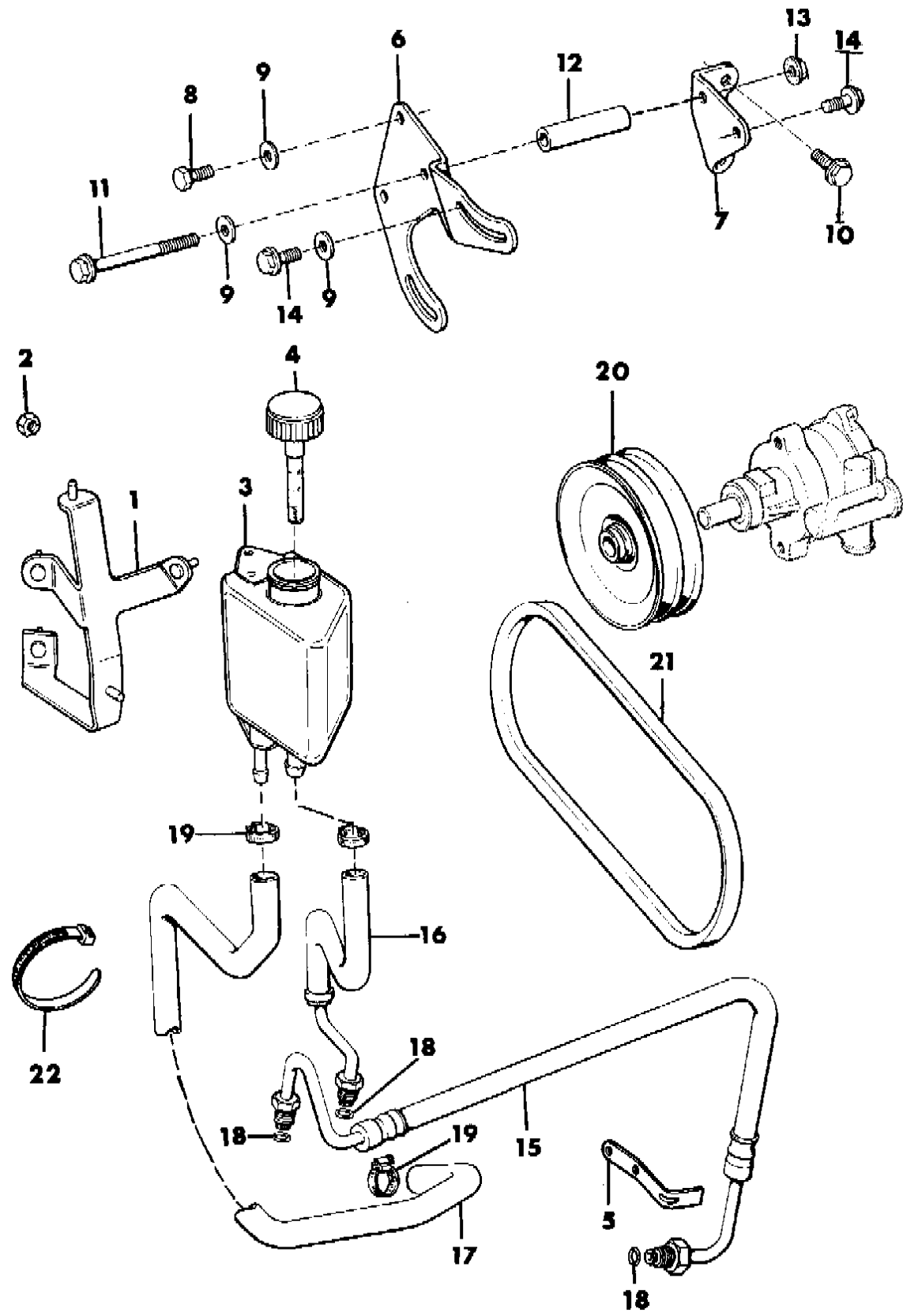
BODY STYLES:

MJ=Comanche Pickup ZJ=Grand Cherokee/Grand Wagoneer KDX VEHICLES
 SJ=Grand Wagoneer M1=Comanche
 XJ=Cherokee, Briarwood X1=Cherokee, Briarwood
 YJ=Wrangler Y1=Wrangler

AR = Use as Required - = Non Illustrated Part P.A.R. = Paint as Required

PUMP MOUNTING POWER STEERING, 2.1L DIESEL ENGINE CHEROKEE, BRIARWOOD
Figure 19-3700

91J19.3700



ITEM	PART NUMBER	QTY	BODY	MODEL	DESCRIPTION
1	5200 3225	1			BRACKET
2					NUT
	1150 2722	3			M5x0.8
	1150 3745	2			M6x1.0
3	5200 6395	1			RESERVOIR
4	5200 5410	1			CAP
5	5200 3629	1			BRACKET
6	5300 1768	1			BRACKET
7	5300 1769	1			BRACKET
8	S150 0832	2			BOLT
9	J400 1104	5			WASHER
10	3420 1586	2			BOLT
11	3420 2061	1			BOLT
12	3420 2052	1			SPACER
13	1150 2812	1			NUT
14	3420 1540	3			BOLT
15	5200 3628	1			HOSE
16	5200 3140	1			HOSE
17	5200 3139	1			HOSE
18	J325 1183	3			SEAL
19	J320 3076	3			CLAMP
20	5300 1767	1			PULLEY
21	JY01 5332	1			BELT
22	J322 3227	1			STRAP

MODEL CODES:

61=Pickup-6 Ft Box 74=4 Door Wagon T=2WD
 62=Pickup-7 Ft Box 77=Open Body 93" Wheelbase J,N,U=4WD
 72=2 Door Wagon 78=Open Body 103" Wheelbase

BODY STYLES:

MJ=Comanche Pickup ZJ=Grand Cherokee/Grand Wagoneer KDX VEHICLES
 SJ=Grand Wagoneer M1=Comanche
 XJ=Cherokee, Briarwood X1=Cherokee, Briarwood
 YJ=Wrangler Y1=Wrangler

AR = Use as Required - = Non Illustrated Part P.A.R. = Paint as Required

GROUP 21M - TRANSMISSION, MANUAL & TRANSFER CASE

ILLUSTRATION TITLE	GROUP-FIG. NO.
MANUAL TRANSMISSION AND TRANSFER CASE ASSEMBLIES	
MANUAL TRANSMISSION AND TRANSFER CASE ASSEMBLIES ALL MODELS	Fig. 21M-100
SKID PLATE ZJ - GRAND CHEROKEE	Fig. 21M-110
MANUAL TRANSMISSION - MODEL AX4, AX5	
CASE, EXTENSION & MISCELLANEOUS PARTS FOUR CYLINDER GAS OR DIESEL ENGINE, FOUR OR FIVE SPEED TRANSMISSION - AISIN - MODEL AX4 OR AX5	Fig. 21M-200
GEAR TRAIN, MANUAL TRANSMISSION FOUR CYLINDER GAS OR DIESEL ENGINE, FOUR OR FIVE SPEED TRANSMISSION - AISIN - MODEL AX4 OR AX5	Fig. 21M-300
FORKS, RAILS, SHAFTS, MANUAL TRANSMISSION FOUR CYLINDER GAS OR DIESEL ENGINE, FOUR OR FIVE SPEED TRANSMISSION - AISIN - MODEL AX4 OR AX5	Fig. 21M-400
MANUAL TRANSMISSION - MODEL AX15	
CASE, ADAPTER/EXTENSION & MISC. PARTS, MANUAL TRANSIX CYL. ENG. 4.0L, FIVE SPEED TRANSMISSION AISIN - MODEL AX 15	Fig. 21M-500
GEAR TRAIN, MANUAL TRANSMISSION SIX CYLINDER ENGINE 4.0L, FIVE SPEED TRANSMISSION AISIN - MODEL AX 15	Fig. 21M-600
GEAR TRAIN, REVERSE IDLER, MANUAL TRANSMISSION SIX CYLINDER ENGINE 4.0L, FIVE SPEED TRANSMISSION AISIN - MODEL AX 15	Fig. 21M-700
FORKS, RAILS, SHAFTS MANUAL TRANSMISSION SIX CYLINDER ENGINE 4.0L, FOUR OR FIVE SPEED TRANSMISSION - AISIN - AX15	Fig. 21M-800
MANUAL TRANSMISSION - GEARSHIFT CONTROLS	
CONTROLS, GEARSHIFT FIVE SPEED TRANSMISSION WRANGLER, YJ	Fig. 21M-900
CONTROLS, GEARSHIFT FOUR OR FIVE SPEED TRANSMISSION CHEROKEE OR COMANCHE	Fig. 21M-1000
TRANSFER CASE - MODEL 231	
CASE, EXTENSION AND MISCELLANEOUS PARTS N.P.G. MODEL 231 TRANSFER CASE WRANGLER, YJ, CHEROKEE, COMANCHE, ZJ	Fig. 21M-1100
GEAR TRAIN N.P.G. MODEL 231 TRANSFER CASE WRANGLER, YJ, CHEROKEE, COMANCHE, ZJ	Fig. 21M-1200
FORKS, RAILS, MISCELLANEOUS PARTS, SHIFT N.P.G. MODEL 231 TRANSFER CASE WRANGLER, YJ, CHEROKEE, COMANCHE, ZJ	Fig. 21M-1300
TRANSFER CASE - MODEL 242	
CASE, EXTENSION AND MISCELLANEOUS PARTS N.P.G. MODEL 242 TRANSFER CASE CHEROKEE, BRIARWOOD, COMANCHE, ZJ	Fig. 21M-1400
GEAR TRAIN N.P.G. MODEL 242 TRANSFER CASE CHEROKEE, BRIARWOOD, COMANCHE, ZJ	Fig. 21M-1500
FORKS, RAILS - SHIFTING N.P.G. MODEL 242 TRANSFER CASE CHEROKEE, BRIARWOOD, GRAND CHEROKEE	Fig. 21M-1600
TRANSFER CASE - MODEL 229	
CASE, EXTENSION AND MISC. PARTS N.P.G. MODEL 229 TRANSFER CASE GRAND WAGONEER	Fig. 21M-1700

ILLUSTRATION NOT AVAILABLE AT TIME OF PUBLICATION

GROUP 21M - TRANSMISSION, MANUAL & TRANSFER CASE

ILLUSTRATION TITLE

GROUP-FIG. NO.

TRANSFER CASE - MODEL 229 (Continued)

CASE, EXTENSION AND MISC. PARTS N.P.G. MODEL 229 TRANSFER CASE GRAND WAGONEER	Fig. 21M-1700
GEAR TRAIN N.P.G. MODEL 229 TRANSFER CASE GRAND WAGONEER	Fig. 21M-1800
FORKS, RAILS, SHAFTS, SHIFTING N.P.G. MODEL 229 TRANSFER CASE GRAND WAGONEER	Fig. 21M-1900
TRANSFER CASE - MODEL NPG 249 ZJ - GRAND CHEROKEE	Fig. 21M-1910

TRANSFER CASE - SHIFT CONTROLS

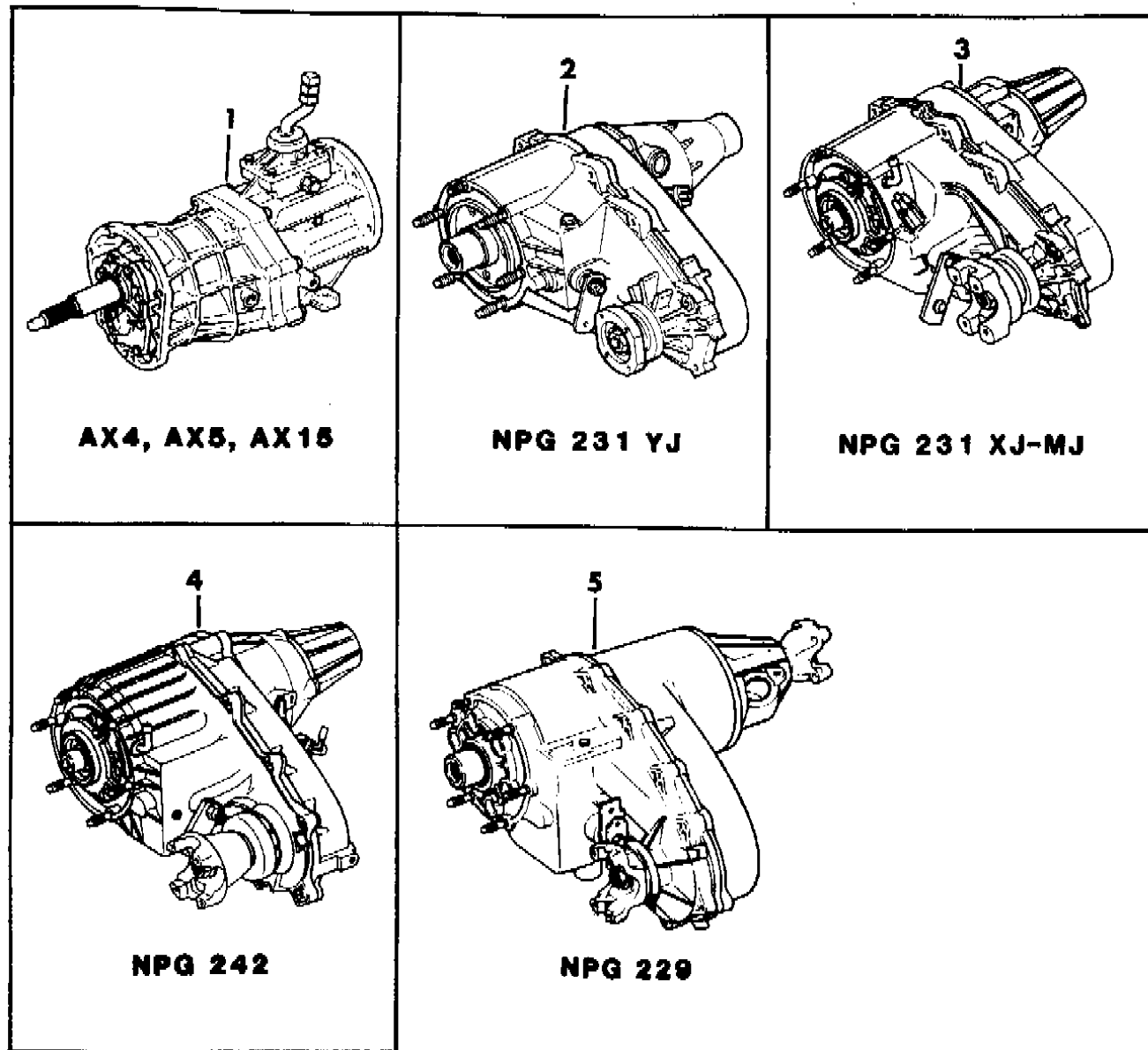
CONTROLS, SHIFT N.P.G. MODEL 231 WRANGLER, YJ	Fig. 21M-2000
CONTROLS, SHIFT N.P.G. MODEL 231 CHEROKEE, BRIARWOOD, COMANCHE	Fig. 21M-2100
GEAR SHIFT CONTROLS - FLOOR SHIFT ZJ - GRAND CHEROKEE	Fig. 21M-2110
CONTROLS, SHIFT N.P.G. MODEL 242 TRANSFER CASE CHEROKEE, BRIARWOOD, COMANCHE	Fig. 21M-2200
GEAR SHIFT CONTROLS - TRANSFER CASE ZJ - GRAND CHEROKEE	Fig. 21M-2210
CONTROLS, TRANSFER CASE SHIFT N.P.G. MODEL 229 WITH AUTOMATIC TRANSMISSION GRAND WAGONEER	Fig. 21M-2300
CONTROLS SWITCH, TRANSFER CASE VACUUM N.P.G. MODEL 229 GRAND WAGONEER	Fig. 21M-2400

SPEEDOMETER PINION, CABLES, PINION CHART

SPEEDOMETER PINION, CABLE, MISCELLANEOUS PARTS ALL MODELS	Fig. 21M-2500
SPEEDOMETER PINION ALL MODELS	Fig. 21M-2600
SPEEDOMETER PINION ZJ - GRAND CHEROKEE	Fig. 21M-2700

MANUAL TRANSMISSION AND TRANSFER CASE ASSEMBLIES ALL MODELS
Figure 21M-100

91J21 100



ITEM	PART NUMBER	QTY	BODY	MODEL	DESCRIPTION
1					TRANSMISSION ASSEMBLY
					4 SPEED
	5300 6168	1	MJ		AX4, 2.5L Four Cylinder Engine, 2WD
	5300 6172	1	MJ		AX4, 2.5L Four Cylinder Engine, 4WD 1991
	5210 8000	1	MJ		1992
	5300 5361	1	YJ		AX15, 4.0L Six Cylinder Engine, 4WD, EGYPT 1991
	5300 9531	1	YJ		1992
					5 SPEED
	5300 6176	1	YJ		AX5, 2.5L Four Cylinder Engine, 4WD
	5300 5360	1	YJ		AX15, 4.0L Six Cylinder Engine, 4WD 1991
	5300 9530	1	YJ		1992-93
	5300 6169	1	XJ, MJ		AX5, 2.5L Four Cylinder Engine, 2WD
	5300 6173	1	XJ, MJ		AX5, 2.5L Four Cylinder Engine, 4WD
	5300 6170	1	XJ, MJ		AX5, 2.1L Diesel Engine, 2WD 1991
	5300 6174	1	XJ, MJ		AX5, 2.1L Diesel Engine, 4WD, With Engine J8S-814 1991
	5210 8022	1	XJ, MJ		AX5, 2.1L Diesel Engine, 4WD, With Engine J8S-890
	5300 5386	1	XJ, MJ		AX15, 4.0L Six Cylinder Engine, 2WD 1991
	5300 9529	1	XJ, MJ		1992-93
	5300 5385	1	XJ, MJ		AX15, 4.0L Six Cylinder Engine, 4WD 1991
	5300 9528	1	XJ, MJ		1992-93
	5300 9526	1	ZJ		AX 15, 4.0L Six Cylinder Engine ***
2					TRANSFER CASE ASSEMBLY, MODEL NPG 231
					2.5L Four Cylinder Engine, With Five Speed Transmission
	5300 8211	1	YJ		1991-92
	5209 7894	1	YJ		1993
	5209 7524	1	YJ		2.5L Four Cylinder Engine, With Manual Transmission, KDX-Egypt (21 tooth)
	5300 8212	1	YJ		4.0L Six Cylinder Engine, With Five Speed Transmission
	5209 7893	1	YJ		4.0L Six Cylinder Engine, With Automatic Transmission
	5209 7523	1	YJ		4.0L Six Cylinder Engine, Manual Transmissions, KDX-Egypt, Venezuela, (23 Tooth)
3					TRANSFER CASE ASSEMBLY, MODEL NPG 231
					Up To 2-19-91
	5300 8207	1	XJ, MJ		2.5L Four Cylinder Engine, With Four or Five Speed Transmission
	5300 8207	1	XJ		2.5L Four Cylinder Engine, KDX-China
	5300 8207	1	XJ		2.1L Four Cylinder Diesel, With Five Speed Transmission
					After 2-19-91
	5209 7533	1	XJ, MJ		2.5L Four Cylinder Engine, With Four or Five SpeedTransmission
	5209 7533	1	XJ		2.5L Four Cylinder Engine, KDX-China

MODEL CODES:

61=Pickup-6 Ft Box 74=4 Door Wagon T=2WD
 62=Pickup-7 Ft Box 77=Open Body 93" Wheelbase J,N,U=4WD
 72=2 Door Wagon 78=Open Body 103" Wheelbase

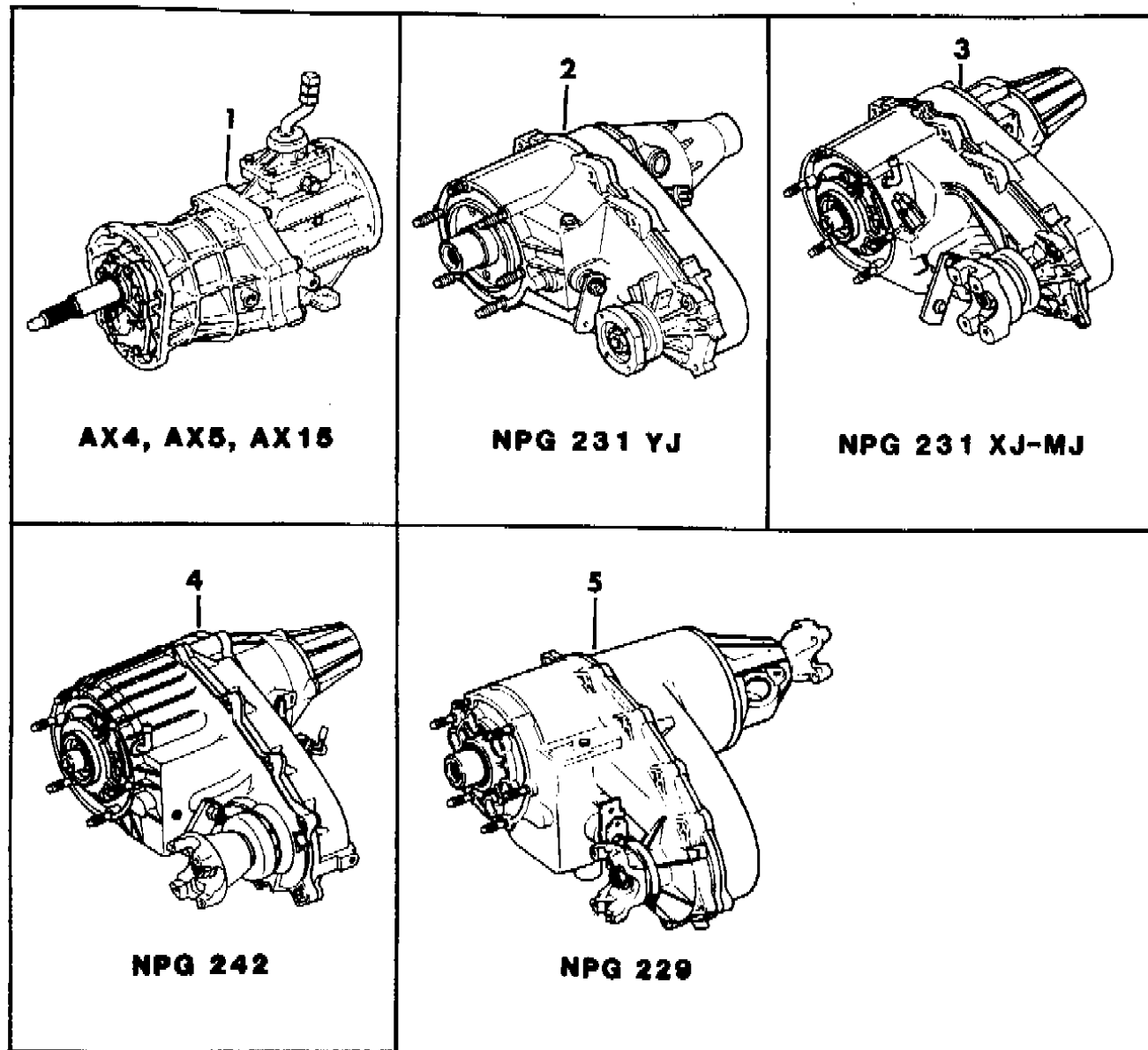
BODY STYLES:

MJ=Comanche Pickup ZJ=Grand Cherokee/Grand Wagoneer KDX VEHICLES
 SJ=Grand Wagoneer M1=Comanche
 XJ=Cherokee, Briarwood X1=Cherokee, Briarwood
 YJ=Wrangler Y1=Wrangler

AR = Use as Required - = Non Illustrated Part P.A.R. = Paint as Required

MANUAL TRANSMISSION AND TRANSFER CASE ASSEMBLIES ALL MODELS
Figure 21M-100

91J21 100



ITEM	PART NUMBER	QTY	BODY	MODEL	DESCRIPTION
	5209 7533	1	XJ		2.1L Four Cylinder Diesel, With Five Speed Transmission Up to 2-19-91
	5300 8209	1	XJ, MJ		4.0L Six Cylinder Engine, With Five Speed Aisin AX15 Transmission Or With Automatic Transmission
	5300 8209	1	XJ		4.0L Six Cylinder Engine, Five Speed Transmission, KDX-China After 2-19-91
	5209 7522	1	XJ, MJ		4.0L Six Cylinder Engine, With Five Speed Aisin AX15 Transmission or With Automatic Transmission (23tooth)
	5300 8208	1	XJ		4.0L Six Cylinder Engine, With Automatic Transmission, KDX- China 1991
	5209 7522	1	XJ		4.0L Six Cylinder Engine, Five Speed Transmission
	5209 7526	1	ZJ		4.0L Six Cylinder Engine, With Four Speed Automatic Transmission, A500SE Electric Shift, 1993
	5209 7534	1	ZJ		4.0L Six Cylinder Engine, With Four Speed Automatic Transmission, Aisin Warner, 1993
4	5209 7534	1	ZJ		4.0L Six Cylinder Engine, With All Manual Transmissions, 1993 TRANSFER CASE ASSEMBLY, Model NPG 242, With Automatic Transmission
	5300 7856	1	XJ		
	5300 8081	1	XJ, MJ		EUROPE
	5300 8223	1	XJ		KDX-Venezuela
	5300 9359	1	ZJ		4.0L 6 Cylinder Engine, w/ Auto Trans.
	5209 7528	1	ZJ		4.0L Six Cylinder Engine, With Four Speed Automatic Transmission, A500SE Electric Shift, 1993
5	5300 4882	1	SJ		TRANSFER CASE ASSEMBLY, Model NPG 229, With Automatic Transmission
	5209 7713	1	ZJ		TRANSFER CASE ASSY., Model NPG 249, w/ Auto Trans., 1992 ***
	5209 7530	1	ZJ		4.0L Six Cylinder Engine, With Four Speed Automatic Transmission, A500SE Electric Shift, 1993
	5209 7713	1	ZJ		4.0L Six Cylinder Engine, With Four Speed Automatic Transmission, Aisin Warner, 1993
	5209 7529	1	ZJ		5.2L Eight Cylinder Eng., With Four Speed Automatic Transmission, A518, 1993

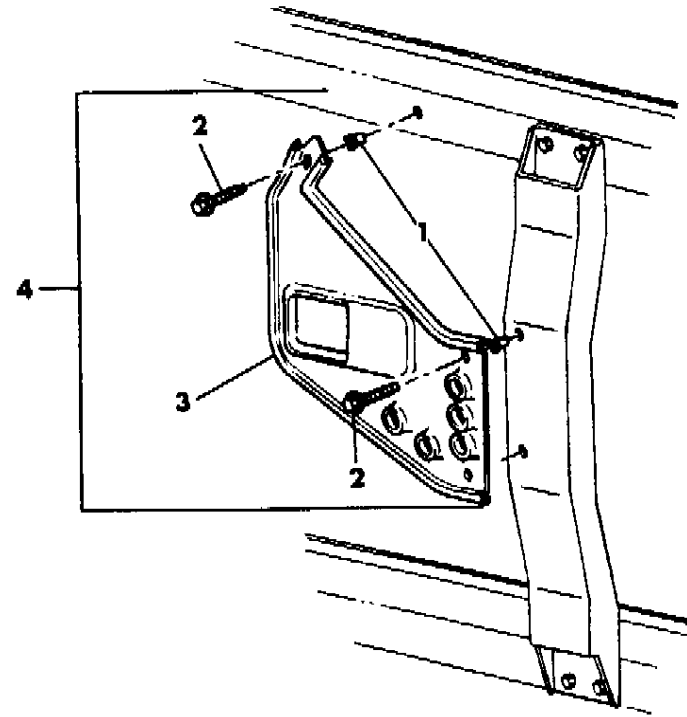
MODEL CODES:
61=Pickup-6 Ft Box 74=4 Door Wagon T=2WD
62=Pickup-7 Ft Box 77=Open Body 93" Wheelbase J,N,U=4WD
72=2 Door Wagon 78=Open Body 103" Wheelbase

BODY STYLES:
MJ=Comanche Pickup ZJ=Grand Cherokee/Grand Wagoneer KDX VEHICLES
SJ=Grand Wagoneer M1=Comanche
XJ=Cherokee, Briarwood X1=Cherokee, Briarwood
YJ=Wrangler Y1=Wrangler

AR = Use as Required - = Non Illustrated Part P.A.R. = Paint as Required

SKID PLATE ZJ - GRAND CHEROKEE
Figure 21M-110

91J21 110A



ITEM	PART NUMBER	QTY	BODY	MODEL	DESCRIPTION
1	6502 662	3			NUTSERT, Skid Plate Mounting ***
2	6502 467	3			SCREW, w/WASHER
3	5200 5437	1			PLATE, Transfer Case Skid
4	8220 1427	1			SKID PLATE PACKAGE, Transfer Case ***

MODEL CODES:

61=Pickup-6 Ft Box 74=4 Door Wagon T=2WD
 62=Pickup-7 Ft Box 77=Open Body 93" Wheelbase J,N,U=4WD
 72=2 Door Wagon 78=Open Body 103" Wheelbase

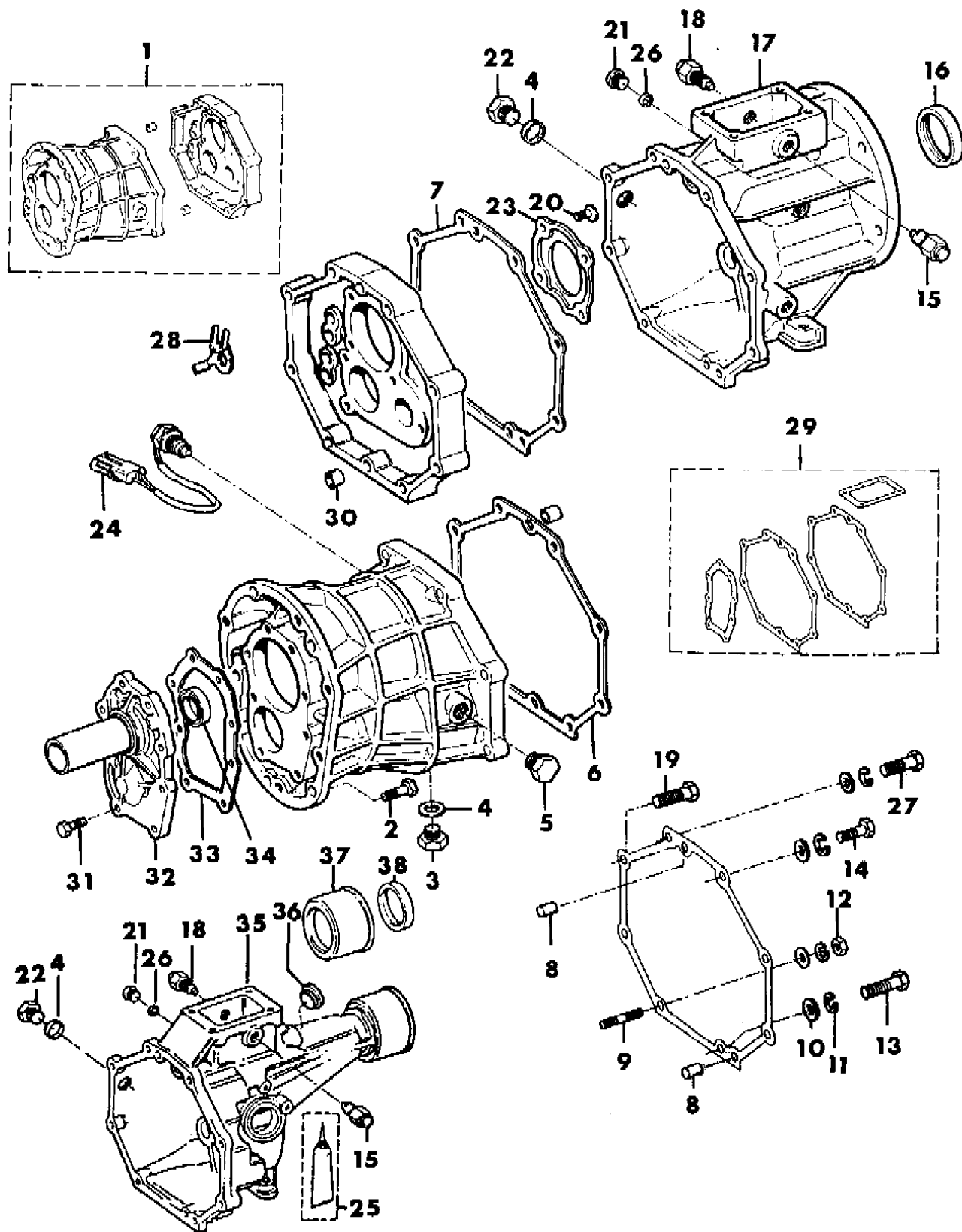
BODY STYLES:

MJ=Comanche Pickup ZJ=Grand Cherokee/Grand Wagoneer KDX VEHICLES
 SJ=Grand Wagoneer M1=Comanche
 XJ=Cherokee, Briarwood X1=Cherokee, Briarwood
 YJ=Wrangler Y1=Wrangler

AR = Use as Required - = Non Illustrated Part P.A.R. = Paint as Required

CASE, EXTENSION & MISCELLANEOUS PARTS FOUR CYLINDER GAS OR DIESEL ENGINE, FOUR OR FIVE SPEED TRANSMISSION - AISIN - MODEL AX4 OR AX5
Figure 21M-200

91J21 200



ITEM	PART NUMBER	QTY	BODY	MODEL	DESCRIPTION
1					CASE, Transmission
	8350 6016	1	YJ,XJMJ		With Five Speed Transmission
	8350 6015	1	XJ,MJ		With Four Speed Transmission
2					BOLT, Case
	3420 1914	9			Gas
	3420 2317	9			Diesel
3	4543 303	1			PLUG, Drain
4	8350 0513	2			GASKET, Plug
5	8350 0509	1			PLUG
6	8350 0506	1			GASKET, Intermediate Front
7	8350 0507	1			GASKET, Adapter
8	8350 0504	4			PIN
9	8350 0618	1			STUD
10	8350 0627	1			WASHER
11	8350 0626	1			WASHER
12	8350 0625	1			NUT
13	8350 3547	1			BOLT, With Washer
14	8350 3549	3			BOLT
15	5252 921	1			PIN ASSEMBLY, Reverse Restrict, Left ***
16	8350 3108	1			SEAL, Adapter
17					ADAPTER, Transmission 4WD
	8350 6039	1	YJ		With Four Cylinder Engine, With Five Speed Transmission
	8350 6037	1	XJ,MJ		With Four Cylinder Engine
	8350 6038	1	XJ,MJ		With Six Cylinder Engine, With Five Speed Transmission
18	8350 0515	1			PIN, Reverse, Right
19	8350 3548	1			BOLT, With Washer
20	8350 0511	4			SCREW
21	8350 0628	1			PLUG, Sensor
22	8350 0623	1			PLUG, Filler
23	8350 6034	1			RETAINER, Bearing Countershaft Rear
24	8350 0629	1			SWITCH, Back Up Lamp
25	4318 025	1			SEALER, Gasket ***
26	3300 0322	1			GASKET
27	8350 0972	2			BOLT
28	8350 3551	1			CLAMP
29	8350 0632	1			GASKET PACKAGE, Transmission Overhaul
30	8350 0539	2			PIN, King
31	3420 1818	8			BOLT
32					RETAINER
	8350 3112	1			Gas
	8350 2684	1			Diesel

MODEL CODES:

61=Pickup-6 Ft Box 74=4 Door Wagon T=2WD
62=Pickup-7 Ft Box 77=Open Body 93" Wheelbase J,N,U=4WD
72=2 Door Wagon 78=Open Body 103" Wheelbase

BODY STYLES:

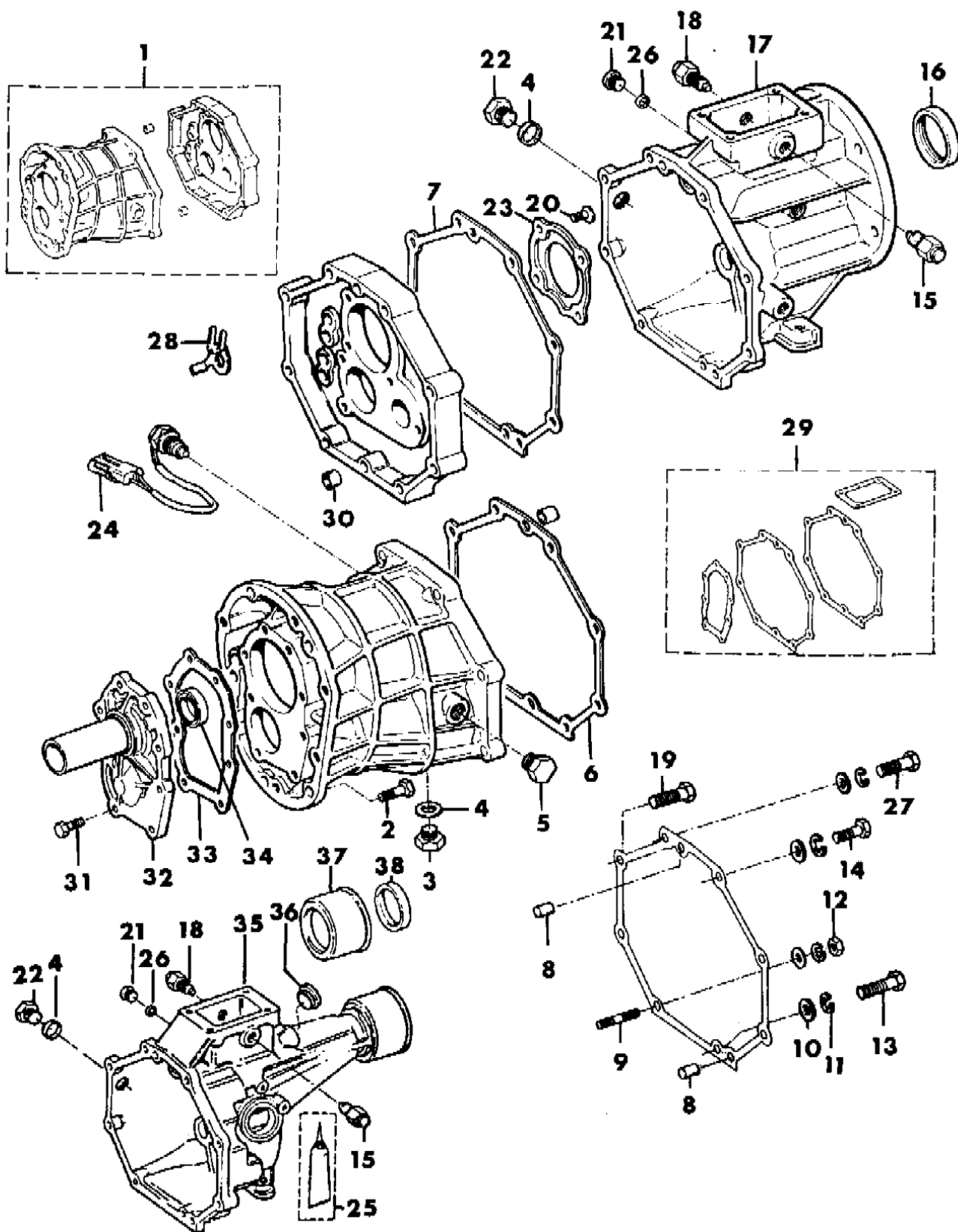
MJ=Comanche Pickup ZJ=Grand Cherokee/Grand Wagoneer KDX VEHICLES
SJ=Grand Wagoneer M1=Comanche
XJ=Cherokee, Briarwood X1=Cherokee, Briarwood
YJ=Wrangler Y1=Wrangler

AR = Use as Required - = Non Illustrated Part P.A.R. = Paint as Required

CASE, EXTENSION & MISCELLANEOUS PARTS FOUR CYLINDER GAS OR DIESEL ENGINE, FOUR OR FIVE SPEED TRANSMISSION - AISIN - MODEL AX4 OR AX5
Figure 21M-200

91J21 200

ITEM	PART NUMBER	QTY	BODY	MODEL	DESCRIPTION
33	8350 0505	1			GASKET
34	8350 6045	1			SEAL, Retainer
35					HOUSING ASSEMBLY, Extension 2WD
	8350 6013	1	XJ,MJ		With Four Speed Transmission
	8350 6014	1	XJ,MJ		With Five Speed Transmission
36	8350 2124	1			PLUG 2WD
37	8350 2123	1			DEFLECTOR 2WD ***
38	8350 2118	1			SEAL, Extension Housing Assembly, 2WD



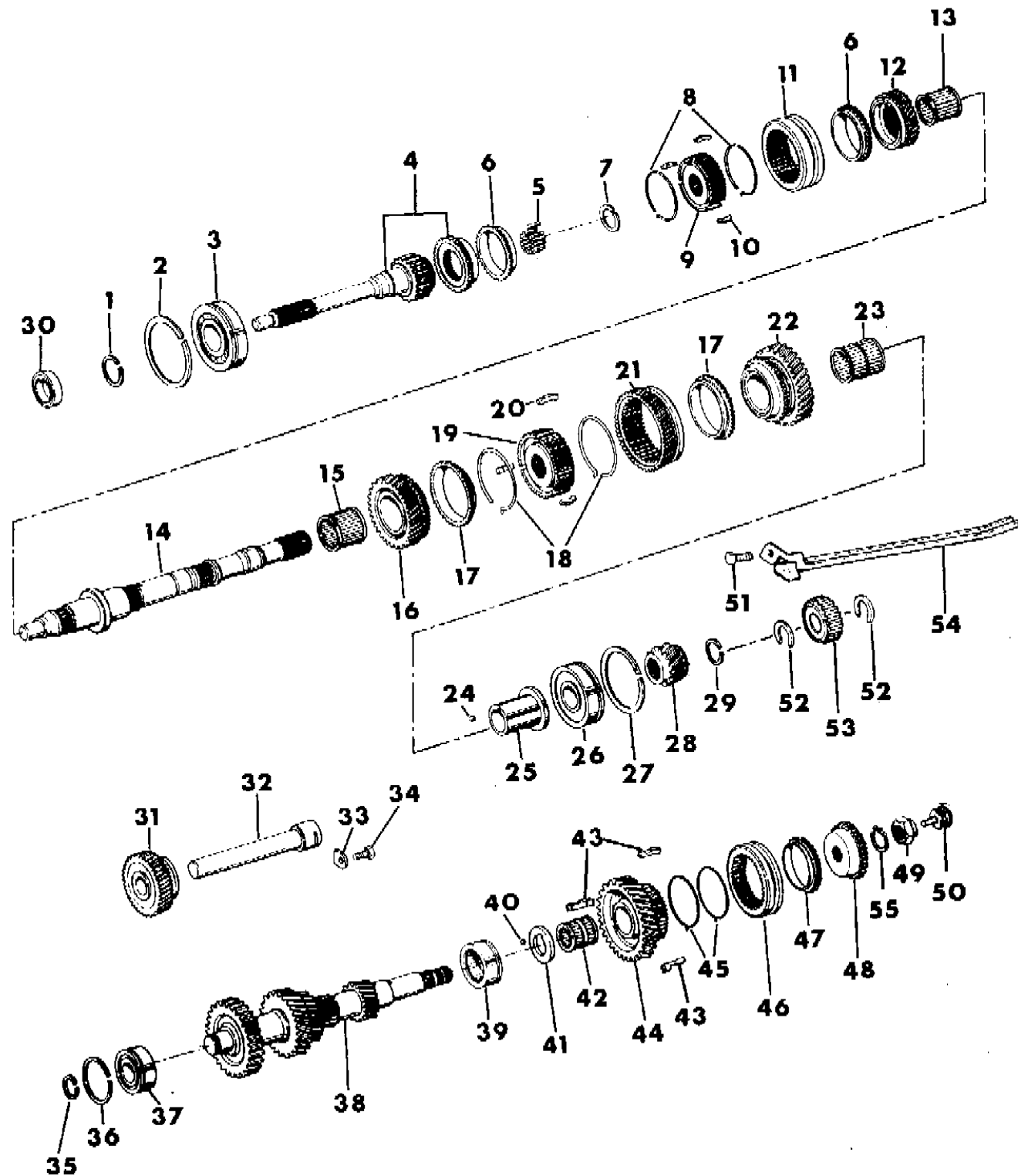
MODEL CODES:
 61=Pickup-6 Ft Box 74=4 Door Wagon T=2WD
 62=Pickup-7 Ft Box 77=Open Body 93" Wheelbase J,N,U=4WD
 72=2 Door Wagon 78=Open Body 103" Wheelbase

BODY STYLES:
 MJ=Comanche Pickup ZJ=Grand Cherokee/Grand Wagoneer KDX VEHICLES
 SJ=Grand Wagoneer M1=Comanche
 XJ=Cherokee, Briarwood X1=Cherokee, Briarwood
 YJ=Wrangler Y1=Wrangler

AR = Use as Required - = Non Illustrated Part P.A.R. = Paint as Required

GEAR TRAIN, MANUAL TRANSMISSION FOUR CYLINDER GAS OR DIESEL ENGINE, FOUR OR FIVE SPEED TRANSMISSION - AISIN - MODEL AX4 OR AX5
Figure 21M-300

91J21 300A



ITEM	PART NUMBER	QTY	BODY	MODEL	DESCRIPTION
1	8350 0645	AR			SNAP RING, Gear Train Shaft 2.05mm
	8350 0607	AR			2.10mm
	8350 0608	AR			2.15mm
	8350 0609	AR			2.20mm
	8350 0610	AR			2.25mm
	8350 0611	AR			2.30mm
	2	8350 0614	1		
3	8350 2681	1			BEARING
4	8350 6020	1			SHAFT, Input Gas
	8350 6021	1			Diesel
5	8350 2680	13			ROLLER, Input Gear Train
6	8350 0566	3			RING, Synchronizer
	8350 0598	AR			SNAP RING, Synchronizer Shift 1.75mm +.05
	8350 0599	AR			1.80mm +.05
	8350 0602	AR			1.85mm +.05
	8350 0603	AR			1.90mm +.05
	8350 0604	AR			1.95mm +.05
	8350 0605	AR			2.00mm +.05
8	8350 0606	AR			2.05mm +.05
8	8350 0568	4			SPRING, Synchronizer
9	8350 6027	1			SYNCHRONIZER, Clutch, 3rd and 4th
10	8350 6029	1			KEY, Synchronizer Clutch
11	8350 6028	1			SLEEVE, Synchronizer Clutch, 1st and 2nd
12	8350 6019	1			GEAR, Third Speed
13	8350 0576	1			BEARING
14	8350 2117	1			SHAFT, Output 2 Wheel Drive
	8350 3105	1			4 Wheel Drive
	8350 0577	1			BEARING
	8350 6018	1			GEAR, Second Speed
17	8350 0567	2			RING, Synchronizer
18	8350 0569	2			SPRING, Synchronizer
19	8350 0561	1			SYNCHRONIZER, 1st and 2nd Gear
20	8350 0564	3			KEY, Synchronizer
21	8350 0555	1			GEAR, Reverse
22	8350 6017	1			GEAR, First Speed
23	8350 6031	1			BEARING, First Gear
24	8350 0573	2			BALL, Reverse

MODEL CODES:

61=Pickup-6 Ft Box 74=4 Door Wagon T=2WD
 62=Pickup-7 Ft Box 77=Open Body 93" Wheelbase J,N,U=4WD
 72=2 Door Wagon 78=Open Body 103" Wheelbase

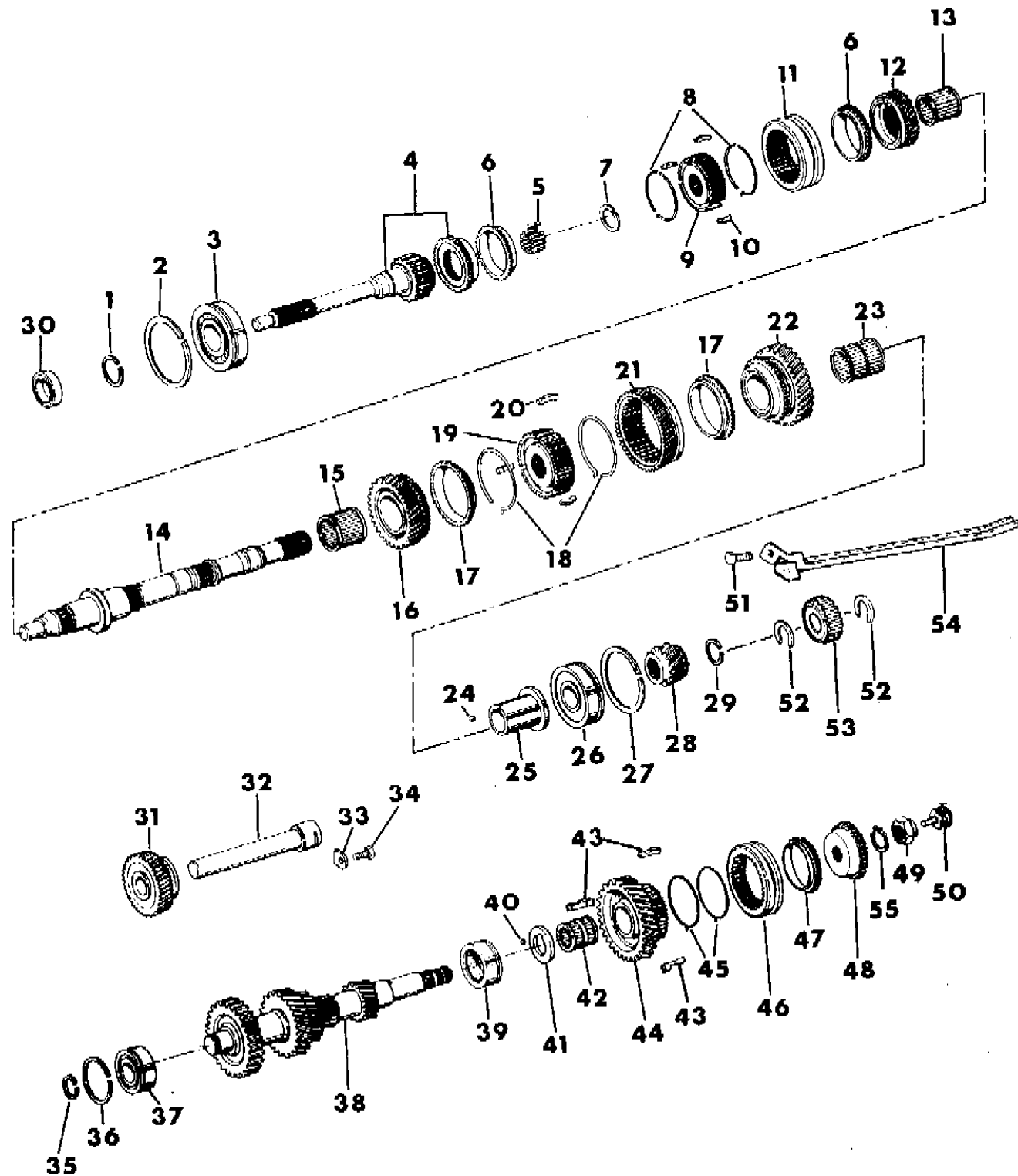
BODY STYLES:

MJ=Comanche Pickup ZJ=Grand Cherokee/Grand Wagoneer KDX VEHICLES
 SJ=Grand Wagoneer M1=Comanche
 XJ=Cherokee, Briarwood X1=Cherokee, Briarwood
 YJ=Wrangler Y1=Wrangler

AR = Use as Required - = Non Illustrated Part P.A.R. = Paint as Required

GEAR TRAIN, MANUAL TRANSMISSION FOUR CYLINDER GAS OR DIESEL ENGINE, FOUR OR FIVE SPEED TRANSMISSION - AISIN - MODEL AX4 OR AX5
Figure 21M-300

91J21 300A



ITEM	PART NUMBER	QTY	BODY	MODEL	DESCRIPTION
25	8350 6026	1			RACE, First Gear
26	8350 6030	1			BEARING
27	8350 0613	1			SNAP RING
28					GEAR, Fifth Speed
	8350 0971	1			Without Diesel Engine J8S-890
	4637 318	1			With J8S-890 Diesel Engine only
29					SNAP RING, Shift
	8350 0587	AR			2.67mm/2.72mm
	8350 0588	AR			2.73mm/2.78mm
	8350 0589	AR			2.79mm/2.84mm
	8350 0590	AR			2.85mm/2.90mm
	8350 0591	AR			2.91mm/2.96mm
	8350 0592	AR			2.97mm/3.02mm
	8350 0593	AR			3.03mm/3.08mm
	8350 0594	AR			3.09mm/3.14mm
	8350 0595	AR			3.15mm/3.20mm
	8350 0596	AR			3.21mm/3.26mm
	8350 0597	AR			3.27mm/3.32mm
30	8350 6045	1			SEAL, Outer
31	8350 3555	1			GEAR, Reverse Idler
32	8350 0570	1			SHAFT, Reverse Idler
33	8350 0571	1			STOPPER, Reverse Idler
34	8350 0615	1			BOLT, With Washer
35					SNAP RING
	8350 0581	AR			2.05mm
	8350 0582	AR			2.10mm
	8350 0583	AR			2.15mm
	8350 0584	AR			2.20mm
	8350 0585	AR			2.25mm
	8350 0586	AR			2.30mm
36	8350 0612	1			SNAP RING, Shaft
37	8350 6032	1			BEARING, Stamped "NACHI NUP 2205S1N C3"
38	8350 6023	1			GEAR, Cluster Manual Transmission
39	8350 6033	1			BEARING, Cluster Gear, Stamped "NACHI 31RUKSS2N C3"
40	8350 0573	2			BALL, Reverse
41	8350 6025	1			WASHER
42	8350 0644	1			BEARING, Needle
43	8350 0641	3			KEY, Synchronizer, Shifting No. 3
44					GEAR, Countershaft Fifth
	8350 6022	1			Without Diesel Engine J8S-890
	4637 317	1			With J8S-890 Diesel Engine only, w/ Trans. # 52108022

MODEL CODES:

61=Pickup-6 Ft Box 74=4 Door Wagon T=2WD
 62=Pickup-7 Ft Box 77=Open Body 93" Wheelbase J,N,U=4WD
 72=2 Door Wagon 78=Open Body 103" Wheelbase

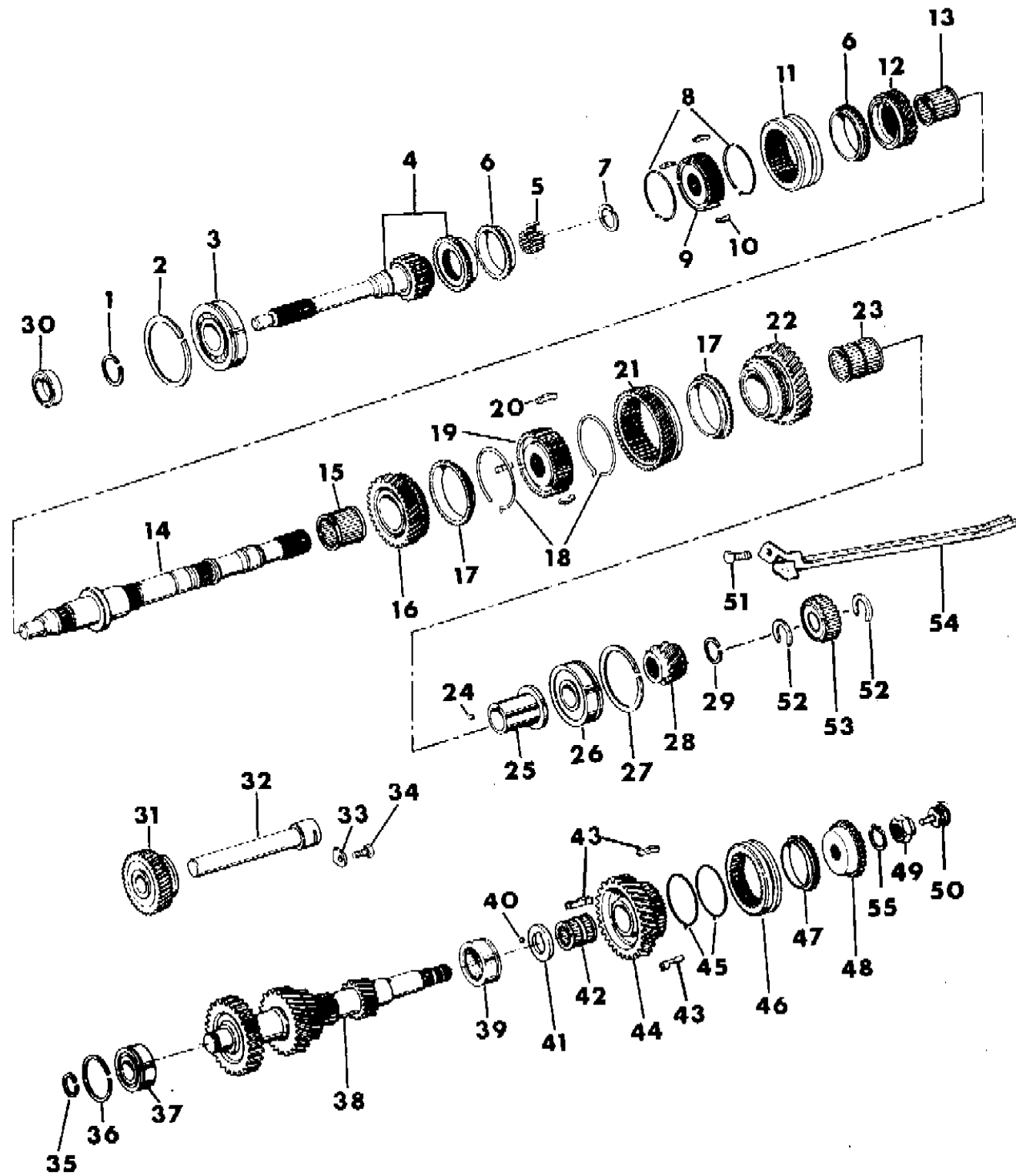
BODY STYLES:

MJ=Comanche Pickup ZJ=Grand Cherokee/Grand Wagoneer KDX VEHICLES
 SJ=Grand Wagoneer M1=Comanche
 XJ=Cherokee, Briarwood Y1=Wrangler
 YJ=Wrangler

AR = Use as Required - = Non Illustrated Part P.A.R. = Paint as Required

GEAR TRAIN, MANUAL TRANSMISSION FOUR CYLINDER GAS OR DIESEL ENGINE, FOUR OR FIVE SPEED TRANSMISSION - AISIN - MODEL AX4 OR AX5
Figure 21M-300

91J21 300A



ITEM	PART NUMBER	QTY	BODY	MODEL	DESCRIPTION
45	8350 0568	4			SPRING, Synchronizer
46	8350 0642	1			SLEEVE, Synchronizer
47	8350 0566	3			RING, Synchronizer
48	8350 6024	1			SPACER
49	8350 0572	1			NUT
50	8350 0646	1			PIPE, Oil Filler ***
51	8350 2126	1	XJ,MJ		BOLT, 2WD
52	8350 2125	2	XJ,MJ		RING, SNAP, 2WD
53	8350 2121	1	XJ,MJ		GEAR, Speedometer Drive, 2WD
54	8350 2122	1	XJ,MJ		PIPE, Oil Receiver, 2WD ***
55	8350 6035	1			RING, Snap Package

MODEL CODES:

61=Pickup-6 Ft Box 74=4 Door Wagon T=2WD
 62=Pickup-7 Ft Box 77=Open Body 93" Wheelbase J,N,U=4WD
 72=2 Door Wagon 78=Open Body 103" Wheelbase

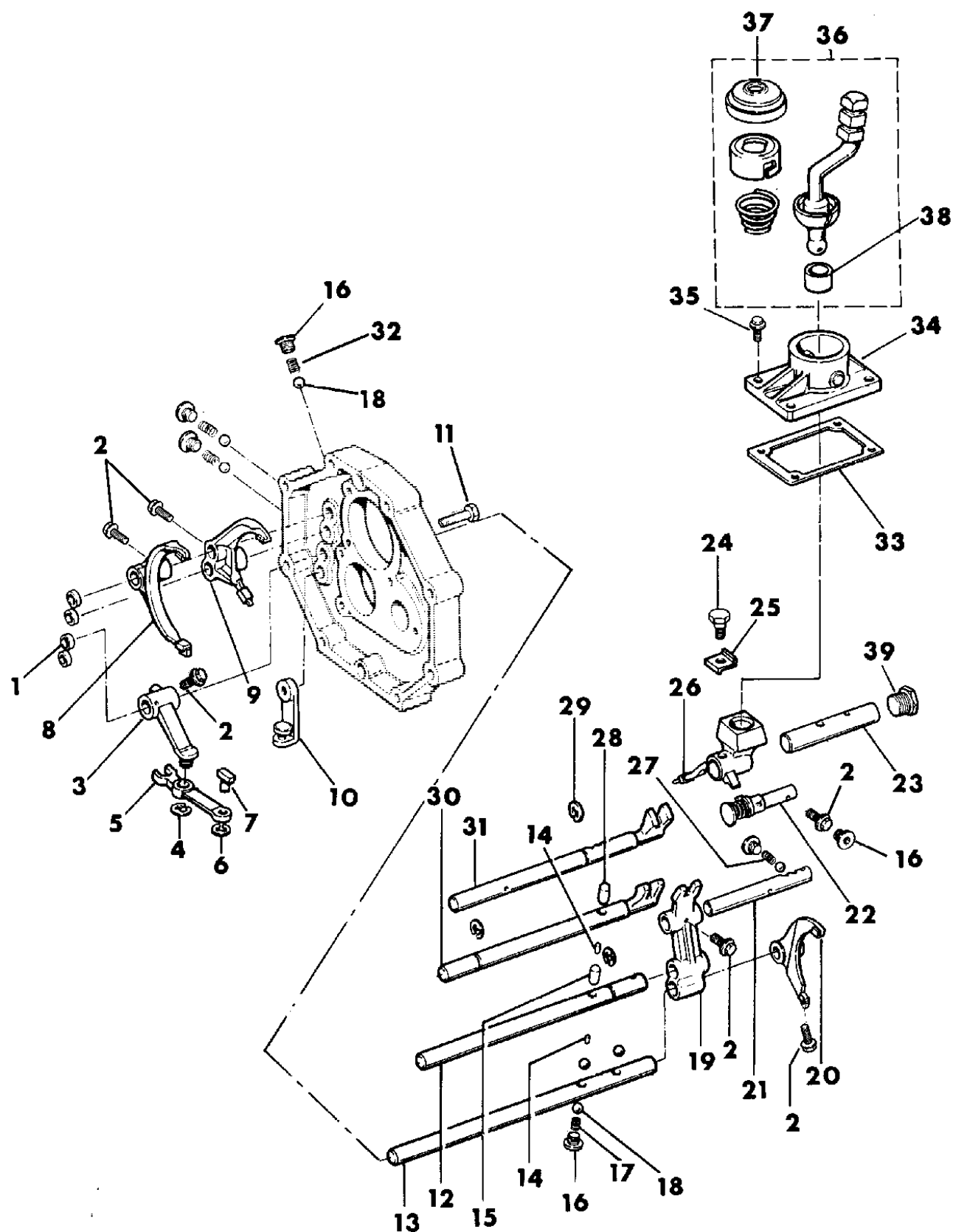
BODY STYLES:

MJ=Comanche Pickup ZJ=Grand Cherokee/Grand Wagoneer KDX VEHICLES
 SJ=Grand Wagoneer M1=Comanche
 XJ=Cherokee, Briarwood X1=Cherokee, Briarwood
 YJ=Wrangler Y1=Wrangler

AR = Use as Required - = Non Illustrated Part P.A.R. = Paint as Required

FORKS, RAILS, SHAFTS, MANUAL TRANSMISSION FOUR CYLINDER GAS OR DIESEL ENGINE, FOUR OR FIVE SPEED TRANSMISSION - AISIN - MODEL AX4 OR AX5
Figure 21M-400

91J21 400A



ITEM	PART NUMBER	QTY	BODY	MODEL	DESCRIPTION
1	8350 0503	4			PLUG
2	8350 2664	6			BOLT, With washer
3	8350 0526	1			FORK, Reverse
4	8350 0548	1			RING, Retaining
5	8350 0529	1			ARM, Reverse Shift
6	8350 0547	1			RING, Retaining
7	8350 3552	1			SHOE, Shift Arm
8	8350 2665	1			FORK, Gearshift No.2
9	8350 2662	1			FORK, Gearshift No.1
10	8350 0531	1			BRACKET
11	8350 0549	2			BOLT, With Washer ***
12					SHAFT, Gearshift No.3
	8350 6053	1			With Four Speed Transmission
	8350 6052	1			With Five Speed Transmission
13	8350 0538	1			SHAFT, Gearshift No.4
14	8350 0537	4			PIN
15	8350 0541	1			ROLLER
16	8350 3109	6			PLUG
17	8350 0638	1			SPRING, Shift Compression
18	8350 0542	7			BALL
19	8350 3553	1			HEAD, Reverse Shift, 3 Holes ***
20	8350 0637	1			FORK, Gearshift No.3
21	8350 0536	1			SHAFT, Gearshift No.5
22	8350 0635	1			PIN, Reverse Restrict
23	8350 0514	1			SHAFT, Shift Lever
24	8350 6036	1			BOLT
25	8350 0523	1			WASHER, Lock
26	8350 0636	1			HOUSING, Shift Lever
27	8350 0544	1			SPRING
28	8350 0543	1			ROLLER
29	5252 076	3			CLIP, Retaining, (1.5mm)
30	8350 6055	1			SHAFT, Gearshift No.1
31					SHAFT, Gearshift No.2
	8350 6048	1	XJ,MJ		With Four Speed Transmission
	8350 6047	1			With Five Speed Transmission
32	8350 0545	3			SPRING
33	8350 0521	1			GASKET
34					RETAINER, Control Shift Lever
	8350 3106	1	YJ		
	8350 0517	1	XJ,MJ		
35					BOLT

MODEL CODES:

61=Pickup-6 Ft Box 74=4 Door Wagon T=2WD
62=Pickup-7 Ft Box 77=Open Body 93" Wheelbase J,N,U=4WD
72=2 Door Wagon 78=Open Body 103" Wheelbase

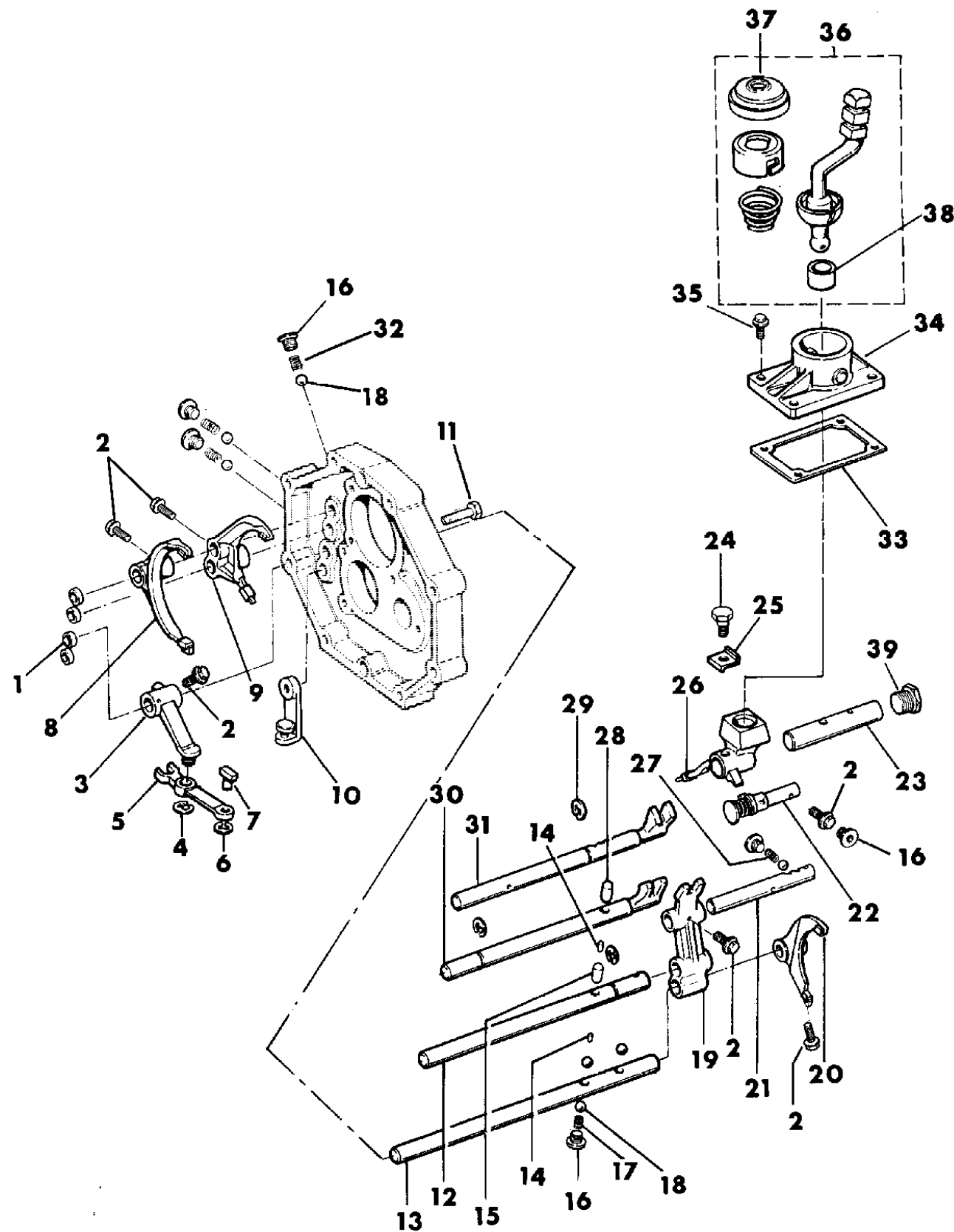
BODY STYLES:

MJ=Comanche Pickup ZJ=Grand Cherokee/Grand Wagoneer KDX VEHICLES
SJ=Grand Wagoneer M1=Comanche
XJ=Cherokee, Briarwood Y1=Cherokee, Briarwood
YJ=Wrangler Y1=Wrangler

AR = Use as Required - = Non Illustrated Part P.A.R. = Paint as Required

FORKS, RAILS, SHAFTS, MANUAL TRANSMISSION FOUR CYLINDER GAS OR DIESEL ENGINE, FOUR OR FIVE SPEED TRANSMISSION - AISIN - MODEL AX4 OR AX5
Figure 21M-400

91J21 400A



ITEM	PART NUMBER	QTY	BODY	MODEL	DESCRIPTION
	8350 3107	4	YJ		
	8350 0525	4	XJ,MJ		
36	8350 3110	1	YJ		LEVER, Gearshift
	8350 0518	1	XJ,MJ		Gas
	8350 1407	1	XJ,MJ		Diesel
37	8350 0520	1			BOOT
38	8350 0519	1			BUSHING
39	8350 0619	1			PLUG

MODEL CODES:

61=Pickup-6 Ft Box 74=4 Door Wagon T=2WD
62=Pickup-7 Ft Box 77=Open Body 93" Wheelbase J,N,U=4WD
72=2 Door Wagon 78=Open Body 103" Wheelbase

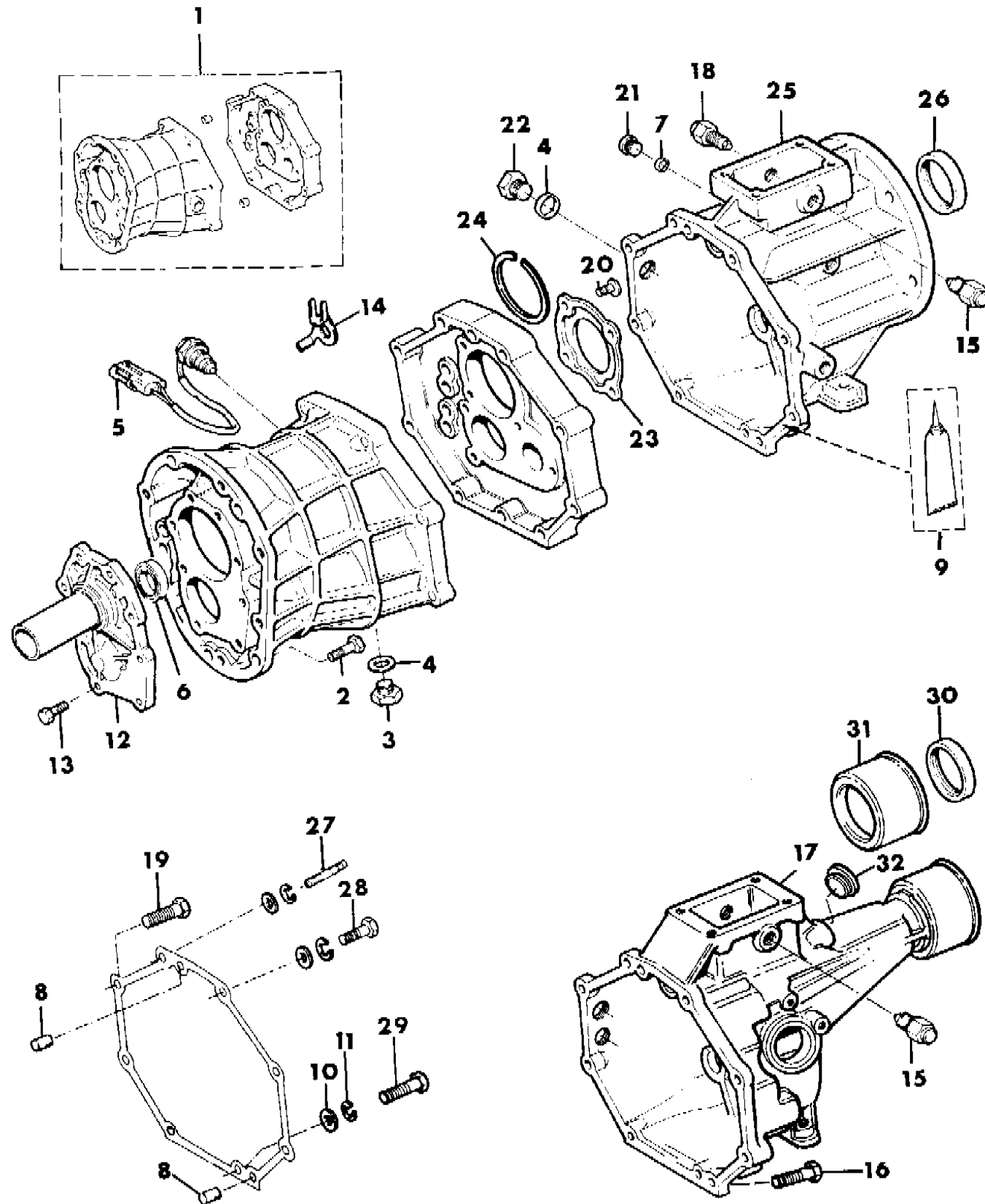
BODY STYLES:

MJ=Comanche Pickup ZJ=Grand Cherokee/Grand Wagoneer KDX VEHICLES
SJ=Grand Wagoneer M1=Comanche
XJ=Cherokee, Briarwood X1=Cherokee, Briarwood
YJ=Wrangler Y1=Wrangler

AR = Use as Required - = Non Illustrated Part P.A.R. = Paint as Required

CASE, ADAPTER/EXTENSION & MISC. PARTS, MANUAL TRANSIX CYL. ENG. 4.0L, FIVE SPEED TRANSMISSION AISIN - MODEL AX 15
Figure 21M-500

91J21 500A



ITEM	PART NUMBER	QTY	BODY	MODEL	DESCRIPTION
1	5252 034	1			CASE, Transmission
2	3420 1914	AR			BOLT, (M10x1.25x45mm)
3	8350 0512	1			PLUG, Drain
4	8350 0513	2			GASKET, Plug
5	8350 0629	1			SWITCH, Back-up
6	5252 053	1			SEAL, Retainer
7	3300 0322	1			GASKET
8	8350 0504	1			PIN
9	4318 025	1			SEALER, Gasket-in-a-tube ***
10	8350 0627	AR			WASHER
11	8350 0626	AR			WASHER
12	5252 052	1			RETAINER, Front Bearing 1991
	4636 367	1			1992-93
13	3420 1818	4	ZJ		BOLT, With Washer, (M8x1.25x25mm)
14	8350 3551	1			CLAMP
15	5252 921	1			PIN, Reverse
16	8350 6227	2			BOLT
17	8350 6225	1	XJ,MJ		EXTENSION, Housing, 2WD
18	5252 039	1			PIN, Reverse Restrict
19	8350 3548	2			BOLT, With Washer
20	3420 1818	4			BOLT, With Washer, (M8x1.25x25mm)
21	8350 0628	1			PLUG, Sensor
22	8350 0623	1			PLUG, Filler
23	5252 036	1			RETAINER, Output Shaft Rear Bearing
24	8350 6221	1			SNAP RING
25					ADAPTER, 4WD
	8350 6224	1	YJ		1991
	4636 373	1	YJ		1992-93
	8350 6223	1	XJ,MJ		1991
	4636 372	1	XJMJZJ		1992-93
26	8350 3108	1			SEAL, Adapter
27	8350 0972	2			STUD, (M10x1.25x105mm)
28	8350 3549	5			BOLT
29	8350 3547	5			BOLT, With Washer
30	8350 2118	1			SEAL, Extension Housing, 2WD
31	8350 2123	1			DEFLECTOR, Extension Housing, 2WD ***
32	8350 2124	1			PLUG, 2WD

MODEL CODES:

61=Pickup-6 Ft Box 74=4 Door Wagon T=2WD
62=Pickup-7 Ft Box 77=Open Body 93" Wheelbase J,N,U=4WD
72=2 Door Wagon 78=Open Body 103" Wheelbase

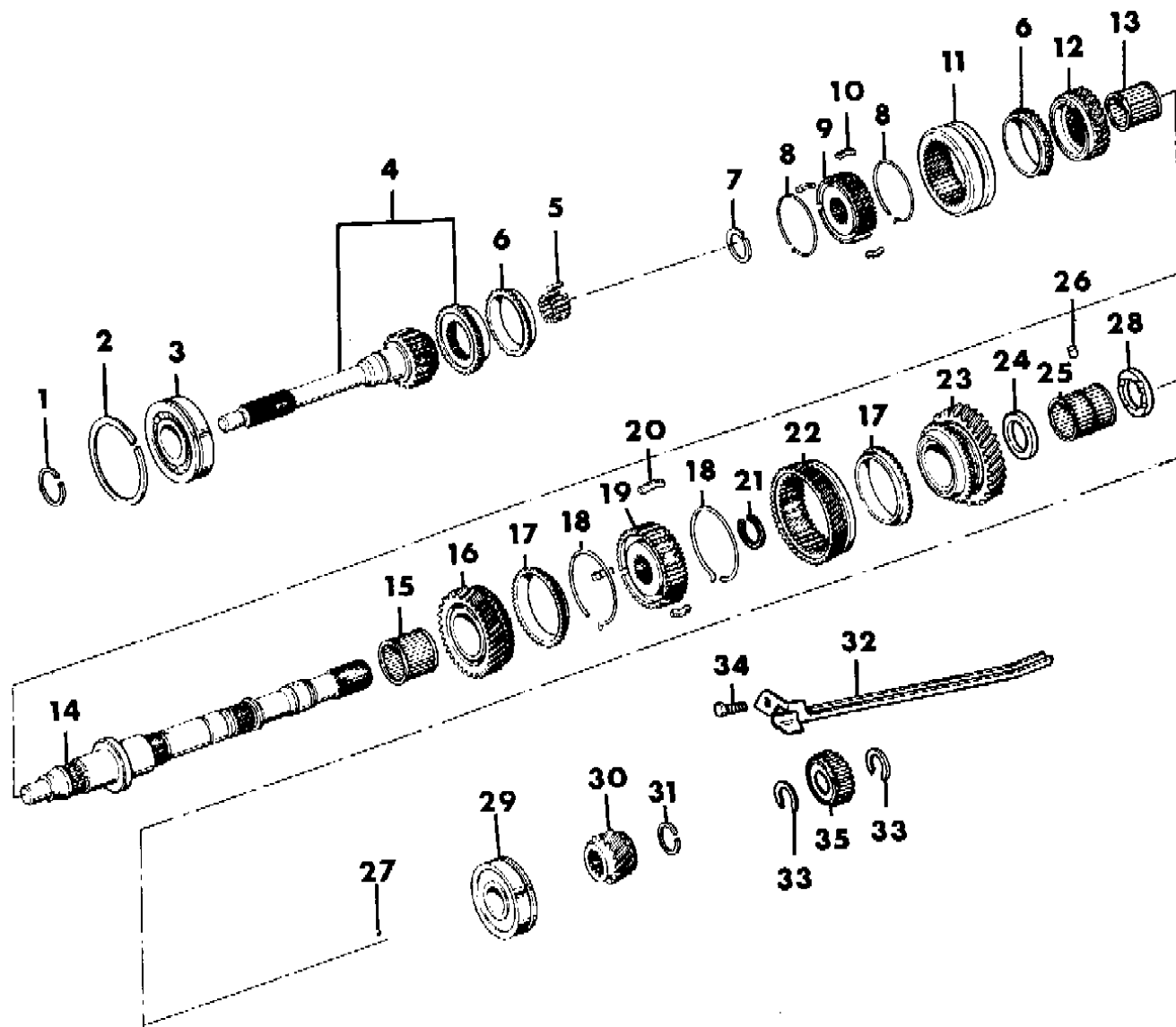
BODY STYLES:

MJ=Comanche Pickup ZJ=Grand Cherokee/Grand Wagoneer KDX VEHICLES
SJ=Grand Wagoneer M1=Comanche
XJ=Cherokee, Briarwood X1=Cherokee, Briarwood
YJ=Wrangler Y1=Wrangler

AR = Use as Required - = Non Illustrated Part P.A.R. = Paint as Required

GEAR TRAIN, MANUAL TRANSMISSION SIX CYLINDER ENGINE 4.0L, FIVE SPEED TRANSMISSION AISIN - MODEL AX 15
Figure 21M-600

91J21 600



ITEM	PART NUMBER	QTY	BODY	MODEL	DESCRIPTION	
1	8350 6099	AR			SNAP RING, Input Shaft Bearing Stamped A (X=2.10mm/2.15mm)	
	8350 6214	AR			Stamped B (X=2.15mm/2.20mm)	
	8350 6215	AR			Stamped C (X=2.20mm/2.25mm)	
	8350 6216	AR			Stamped D (X=2.25mm/2.30mm)	
	8350 6217	AR			Stamped E (X=2.30mm/2.35mm)	
	8350 6218	AR			Stamped F (X=2.35mm/2.40mm)	
	8350 6219	AR			Stamped G (X=2.40mm/2.45mm)	
	8350 6222	1			SNAP RING, Input Bearing, Case	
3	8350 6074	1		BEARING, Input Shaft (92mmODx25.5mmWD)		
4	5252 081	1			SHAFT, Input 1991	
	4636 370	1			1992-93	
5	8350 6078	1			BEARING, Input, Needle Roller, (36.4mmODx24mmWD)	
6	8350 6253	3			RING, Synchronizer 3rd & 4th, No. 2	
	7	8350 6086	AR			SNAP RING, Output Shaft, 3rd & 4th Synchronizer, Hub #2 Stamped A (X=1.80mm/1.85mm)
		8350 6087	AR			Stamped B (X=1.85mm/1.90mm)
		8350 6088	AR			Stamped C (X=1.90mm/1.95mm)
		8350 6089	AR			Stamped D (X=1.95mm/2.00mm)
		8350 6090	AR			Stamped E (X=2.00mm/2.05mm)
		8350 6091	AR			Stamped F (X=2.05mm/2.10mm)
		8350 6092	AR			Stamped G (X=2.10mm/2.15mm)
8	8350 6255	1			SPRING, Synchronizer	
9	8350 6248	1			SYNCHRONIZER, 3rd and 4th Gear, Clutch Hub #2	
10	8350 6251	3			KEY, Synchronizer, Shifting #2	
11	8350 6249	1			SLEEVE, Synchronizer, NO. 2	
12	5252 079	1			GEAR, Third	
13	8350 6077	1			BEARING, Needle, 3rd Gear, (3.85mmODx36.2mmWD)	
14	8350 6243	1			SHAFT, Output 4WD (16-1/8" Lg)	
	8350 6244	1			2WD (22-5/8" Lg)	
	8350 6076	1			BEARING, Needle Roller, 2nd Gear (52.8mmODx36mmWD)	
16	5252 078	1			GEAR, Second 1991	
	4636 369	1			1992-93	
17	8350 6252	2			RING, Synchronizer 1st & 2nd Gear, No. 1	
18	8350 6254	2			SPRING, Synchronizer Shifting Key	
19	8350 6247	1			HUB, Synchronizer, Clutch Hub #1, 1st and 2nd Gear	
20	8350 6250	3			KEY, Synchronizer, No. 1	
21					SNAP RING, Output Shaft Synchronizer, Hub #1	

MODEL CODES:

61=Pickup-6 Ft Box 74=4 Door Wagon T=2WD
 62=Pickup-7 Ft Box 77=Open Body 93" Wheelbase J,N,U=4WD
 72=2 Door Wagon 78=Open Body 103" Wheelbase

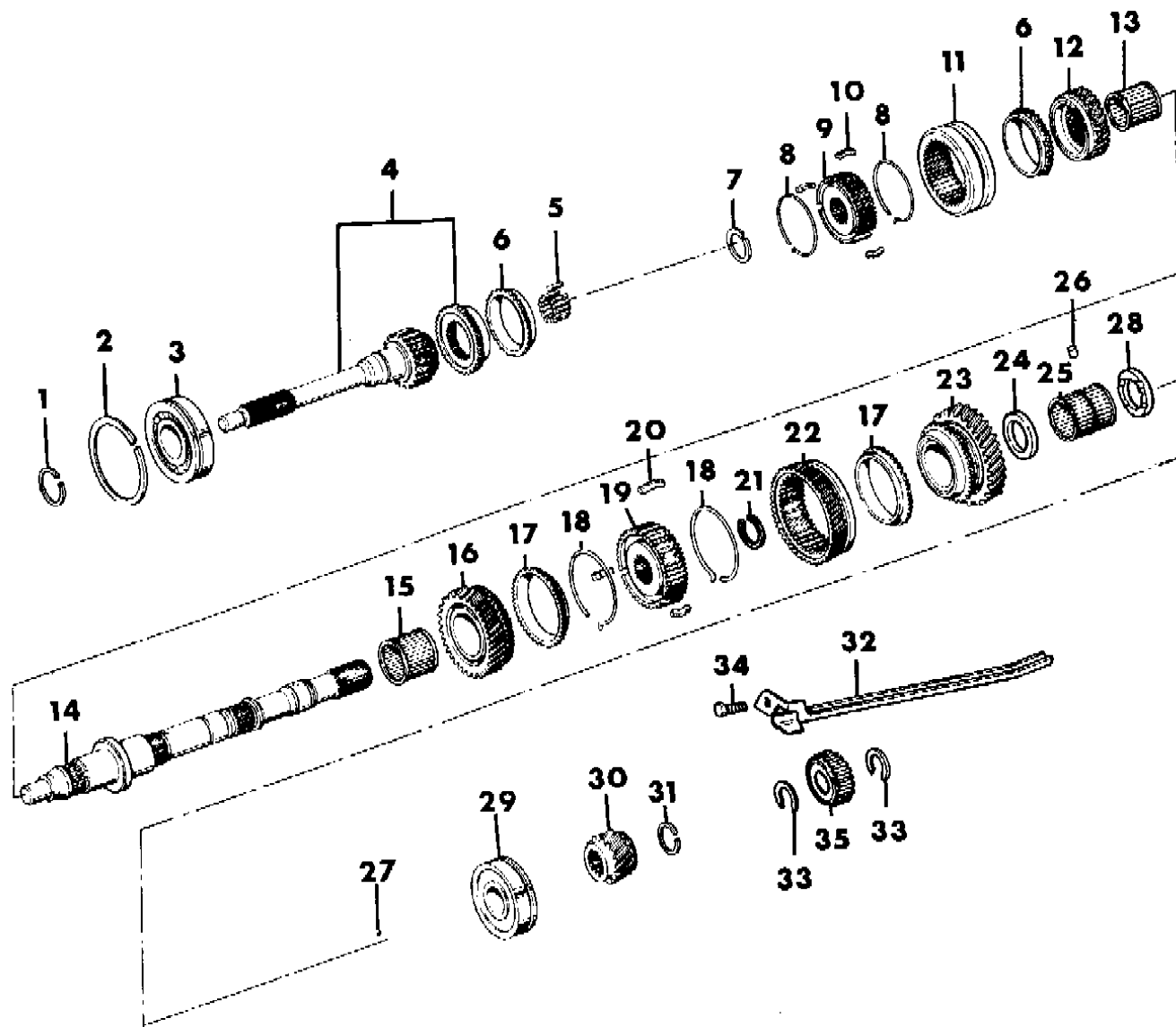
BODY STYLES:

MJ=Comanche Pickup ZJ=Grand Cherokee/Grand Wagoneer KDX VEHICLES
 SJ=Grand Wagoneer M1=Comanche
 XJ=Cherokee, Briarwood Y1=Cherokee, Briarwood
 YJ=Wrangler Y1=Wrangler

AR = Use as Required - = Non Illustrated Part P.A.R. = Paint as Required

GEAR TRAIN, MANUAL TRANSMISSION SIX CYLINDER ENGINE 4.0L, FIVE SPEED TRANSMISSION AISIN - MODEL AX 15
Figure 21M-600

91J21 600



ITEM	PART NUMBER	QTY	BODY	MODEL	DESCRIPTION
	8350 6093	AR			Stamped B (X=2.35mm/2.40mm)
	8350 6094	AR			Stamped C (X=2.40mm/2.45mm)
	8350 6095	AR			Stamped D (X=2.45mm/2.50mm)
	8350 6096	AR			Stamped E (X=2.50mm/2.55mm)
	8350 6097	AR			Stamped F (X=2.55mm/2.60mm)
	8350 6098	AR			Stamped G (X=2.60mm/2.65mm)
22	5252 082	1			GEAR, Reverse
23	5252 077	1			GEAR, First, 1991-92
	4636 368	1			1993
	4636 368	1	ZJ		
24	8350 6280	1			SPACER, Output Shaft 1st Gear
25	8350 6075	1			BEARING, Needle, 1st Gear, (45.8mmODx44.5mmWD)
26	8350 6008	1			PIN, Output Shaft 1st Gear
27	8350 0573	1			BALL, Reverse
28	8350 6246	1			WASHER, Thrust 1st Gear
29	8350 6073	1			BEARING, Output Shaft(85mmODx23mmWD)
30	5252 083	1			GEAR, Fifth
31					SNAP RING, Output Shaft 5th Gear
	8350 6268	AR			Stamped A (X=2.75mm/2.80mm)
	8350 6269	AR			Stamped B (X=2.80mm/2.85mm)
	8350 6270	AR			Stamped C (X=2.85mm/2.90mm)
	8350 6271	AR			Stamped D (X=2.90mm/2.95mm)
	8350 6272	AR			Stamped E (X=2.95mm/3.00mm)
	8350 6273	AR			Stamped F (X=3.00mm/3.05mm)
	8350 6274	AR			Stamped G (X=3.05mm/3.10mm)
	8350 6275	AR			Stamped H (X=3.10mm/3.15mm)
	8350 6276	AR			Stamped I (X=3.15mm/3.20mm)
	8350 6277	AR			Stamped I (X=3.20mm/3.25mm)
	8350 6278	AR			Stamped K (X=3.25mm/3.30mm)
	8350 6279	AR			Stamped L (X=3.30mm/3.35mm)
32	8350 6226	1	XJ,MJ		PIPE, Oil Receiver, 2WD, 1990-92 ***
	8350 0646	1	XJ		1993
33	8350 6229	2	XJ,MJ		SNAP RING, 2WD
34	8350 6227	2	XJ,MJ		BOLT, With Washer, 2WD
35	8350 6228	1	XJ,MJ		GEAR, Speedometer Drive, 2WD

MODEL CODES:

61=Pickup-6 Ft Box 74=4 Door Wagon T=2WD
 62=Pickup-7 Ft Box 77=Open Body 93" Wheelbase J,N,U=4WD
 72=2 Door Wagon 78=Open Body 103" Wheelbase

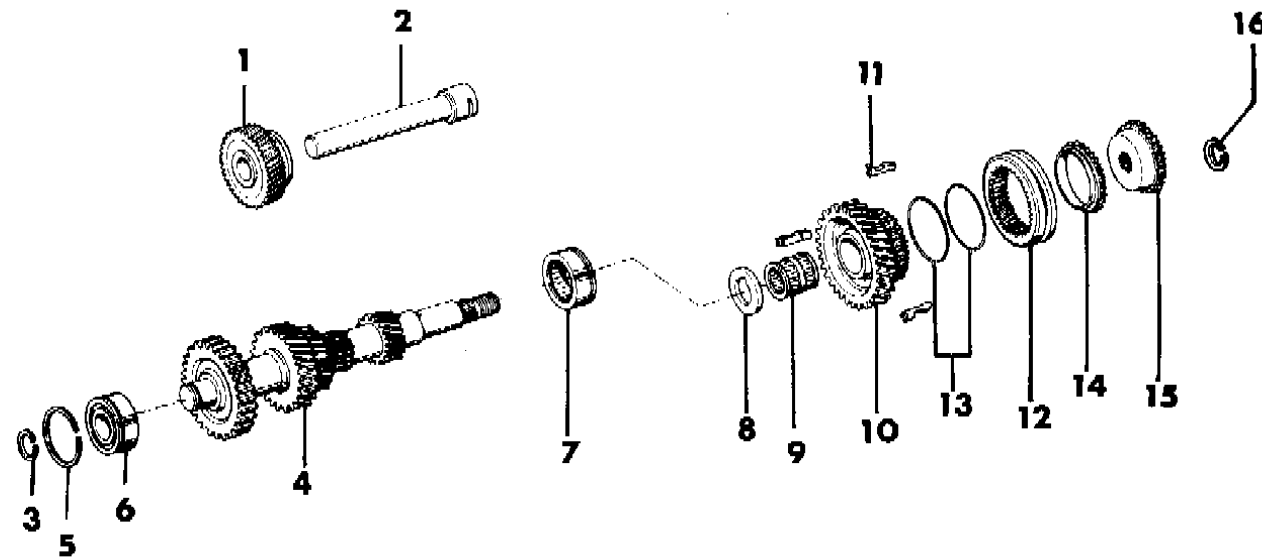
BODY STYLES:

MJ=Comanche Pickup ZJ=Grand Cherokee/Grand Wagoneer KDX VEHICLES
 SJ=Grand Wagoneer M1=Comanche
 XJ=Cherokee, Briarwood X1=Cherokee, Briarwood
 YJ=Wrangler Y1=Wrangler

AR = Use as Required - = Non Illustrated Part P.A.R. = Paint as Required

GEAR TRAIN, REVERSE IDLER, MANUAL TRANSMISSION SIX CYLINDER ENGINE 4.0L, FIVE SPEED TRANSMISSION AISIN - MODEL AX 15
Figure 21M-700

91J21 700



ITEM	PART NUMBER	QTY	BODY	MODEL	DESCRIPTION
1	5252 084	1			GEAR, Reverse Idler
2	8350 6258	1			SHAFT, Reverse Idler Gear
3					SNAP RING, Counter Shaft Front Bearing
	8350 6081	AR			Stamped A (X=2.00mm/2.05mm)
	8350 6082	AR			Stamped B (X=2.05mm/2.10mm)
	8350 6083	AR			Stamped C (X=2.10mm/2.15mm)
	8350 6084	AR			Stamped D (X=2.15mm/2.20mm)
	8350 6085	AR			Stamped E (X=2.20mm/2.25mm)
4					GEAR, Cluster Counter
	5252 085	1			1991
	4636 371	1			1992-93
5	8350 6220	1			SNAP RING, Center Front Bearing, Case
6	8350 6259	1			BEARING, Front Roller, No. 1 (53mmODx24mmWD)
7	8350 6080	1			BEARING, Rear Countershaft Needle Roller (64mmODx22mmWD)
8	8350 6245	1			WASHER, Thrust, 5th Gear
9	8350 6079	1			BEARING, 5TH Counter Gear, Needle Roller, (34.85mmODx37.5mmWD)
10	4637 535	1			GEAR PACKAGE, Fifth Counter Gear, (Used up to Transmission Serial #00705123) *** CONSISTS OF: 1 - 4637527 5th Counter Gear 3 - 4637532 Key #3 1 - 4637533 Ring #3 1 - 4637534 Spring #3
	4637 527	1			GEAR, 5TH Counter, (Used after Transmission Serial #00705123)
11					KEY, Synchronizer No. 3 5th Gear
	8350 6256	AR			Up to Transmission Serial #00705123
	4637 532	AR			After Transmission Serial #00705123
12	8350 6257	1			SLEEVE, Synchronizer No. 3, 5th Gear
13					SPRING, Synchronizer No. 3, 5th Gear
	8350 6254	1			Up to Transmission Serial #00705123
	4637 534	1			After Transmission Serial #00705123
	4637 534	1	ZJ		
14					RING, Synchronizer No. 3, 5th Gear
	8350 6253	AR			Up to Transmission Serial #00705123
	4637 533	AR			After Transmission Serial #00705123
	4637 533	AR	ZJ		
15	8350 6242	1			SPACER, /gear Spline No. 5
16					SNAP RING, Countershaft 5th Gear

MODEL CODES:

61=Pickup-6 Ft Box 74=4 Door Wagon T=2WD
 62=Pickup-7 Ft Box 77=Open Body 93" Wheelbase J,N,U=4WD
 72=2 Door Wagon 78=Open Body 103" Wheelbase

BODY STYLES:

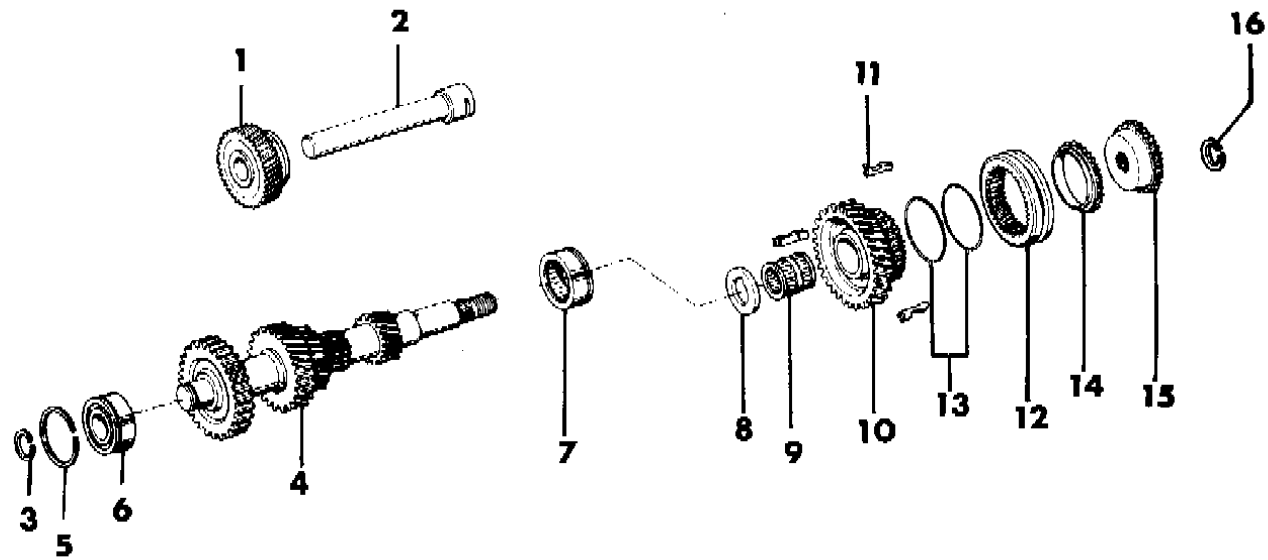
MJ=Comanche Pickup ZJ=Grand Cherokee/Grand Wagoneer KDX VEHICLES
 SJ=Grand Wagoneer M1=Comanche
 XJ=Cherokee, Briarwood X1=Cherokee, Briarwood
 YJ=Wrangler Y1=Wrangler

AR = Use as Required - = Non Illustrated Part P.A.R. = Paint as Required

GEAR TRAIN, REVERSE IDLER, MANUAL TRANSMISSION SIX CYLINDER ENGINE 4.0L, FIVE SPEED TRANSMISSION AISIN - MODEL AX 15
Figure 21M-700

91J21 700

ITEM	PART NUMBER	QTY	BODY	MODEL	DESCRIPTION
	8350 6260	AR			Stamped A (X=2.80mm/2.85mm)
	8350 6261	AR			Stamped B (X=2.85mm/2.90mm)
	8350 6262	AR			Stamped C (X=2.90mm/2.95mm)
	8350 6263	AR			Stamped D (X=2.95mm/3.00mm)
	8350 6264	AR			Stamped E (X=3.00mm/3.08mm)
	8350 6265	AR			Stamped F (X=3.05mm/3.10mm)
	8350 6266	AR			Stamped G (X=3.10mm/3.15mm)
	8350 6267	AR			Stamped H (X=3.15mm/3.20mm)



MODEL CODES:

61=Pickup-6 Ft Box 74=4 Door Wagon T=2WD
 62=Pickup-7 Ft Box 77=Open Body 93" Wheelbase J,N,U=4WD
 72=2 Door Wagon 78=Open Body 103" Wheelbase

BODY STYLES:

MJ=Comanche Pickup ZJ=Grand Cherokee/Grand Wagoneer KDX VEHICLES
 SJ=Grand Wagoneer M1=Comanche
 XJ=Cherokee, Briarwood X1=Cherokee, Briarwood
 YJ=Wrangler Y1=Wrangler

AR = Use as Required - = Non Illustrated Part P.A.R. = Paint as Required

FORKS, RAILS, SHAFTS MANUAL TRANSMISSION SIX CYLINDER ENGINE 4.0L, FOUR OR FIVE SPEED TRANSMISSION - AISIN - AX15
Figure 21M-800

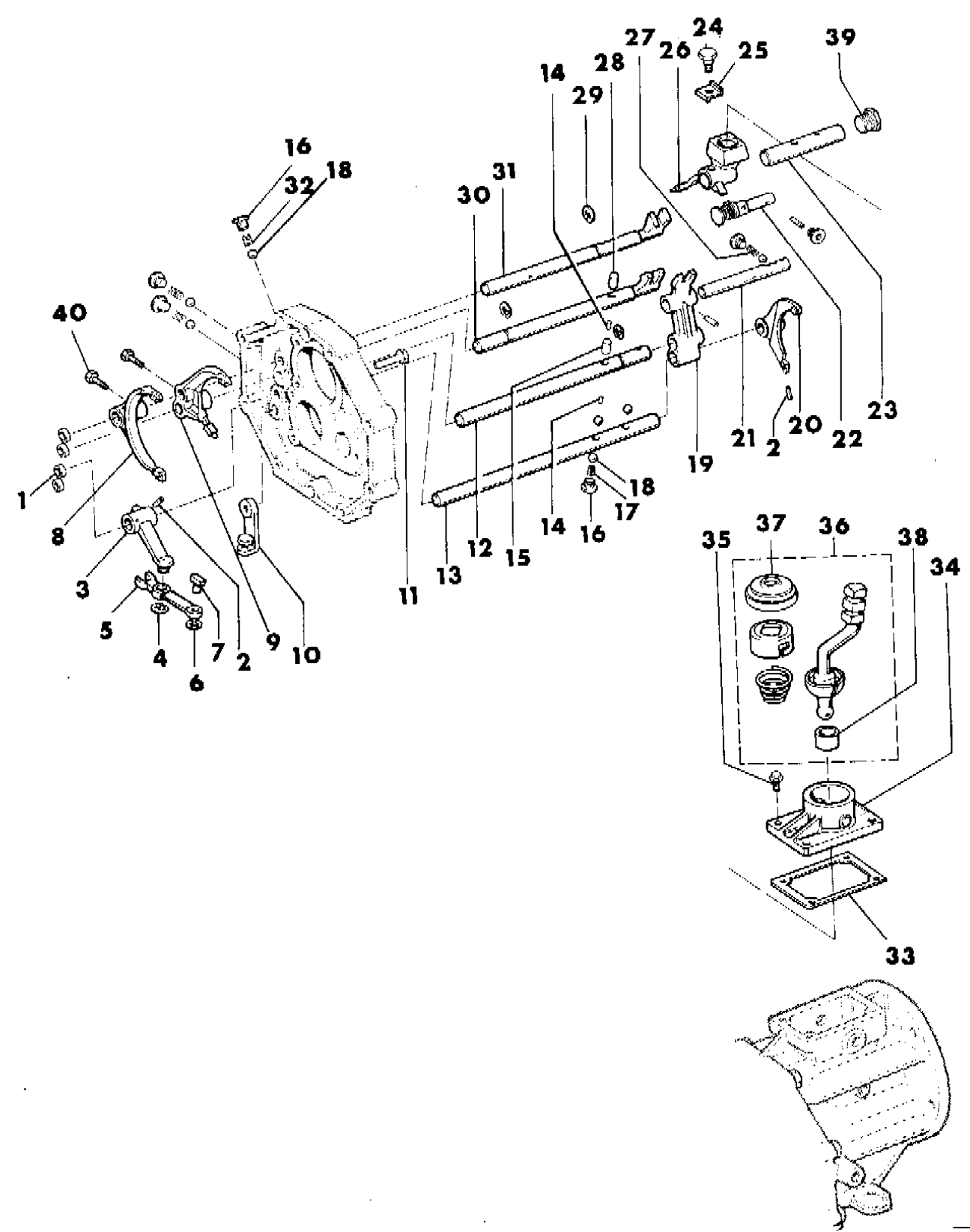
91J21 800

ITEM	PART NUMBER	QTY	BODY	MODEL	DESCRIPTION
1	8350 0503	4			PLUG, Shift Forks
2	8350 0540	AR			PIN
3	5252 056	1			FORK, Reverse
4	8350 0548	1			RING, Retaining
5	5252 060	1			ARM, Reverse Shift
6	8350 0547	1			RING, Retaining
7	5252 062	1			SHOE, Shift Arm
8	5252 058	1			FORK, Gear Shift No. 2
9	5252 057	1			FORK, Gear Shift No. 1
10	5252 063	1			BRACKET, Reverse Shift Arm
11	8350 0549	2			BOLT, Bearing Retainer
12	5252 070	1			SHAFT, Gear Shift No. 3
13					SHAFT, Gear Shift No. 4
	5252 071	1			Used with All Transmissions Except 53005361, 53009531 (4 Speed - Egypt)
	4636 806	1			Used with Transmission 53005361, 53009531 (4 Speed - Egypt)
	5252 071	1	ZJ		
14	8350 0537	4			PIN, Stright
15	8350 0541	1			PIN, Interlock (21.6mm)
16	8350 3109	6			PLUG
17	5252 075	1			SPRING, Compression
18	8350 0542	7			BALL, Gear Shift Fork Lock
19	5252 064	1			HEAD, Reverse Shift ***
20	5252 059	1			FORK, Gear Shift No. 3
21	5252 065	1			SHAFT, Gear Shift Fork No. 5
22	8350 0635	1			PIN, Reverse Restrict (except 4 Speed)
23	5252 037	1			SHAFT, Shift Lever
24	3420 1373	1			BOLT, Shift Lever
25	8350 0523	1			WASHER, Lock
26	5252 041	1	XJMJY		HOUSING, Shift Lever
27	8350 0544	1			SPRING
28	8350 0543	1			Pin, Interlock (30.3mm) ***
29	5252 076	3			SNAP RING, Shift Fork
30	5252 066	1			SHAFT, Gear Shift No. 1
31	5252 068	1			SHAFT, Gear Shift No. 2
32	8350 0545	3			SPRING
33	5252 043	1			GASKET
34					RETAINER, Control Shift
	5252 054	1	YJ,ZJ		
	5252 040	1	XJ,MJ		

MODEL CODES:
 61=Pickup-6 Ft Box 74=4 Door Wagon T=2WD
 62=Pickup-7 Ft Box 77=Open Body 93" Wheelbase J,N,U=4WD
 72=2 Door Wagon 78=Open Body 103" Wheelbase

BODY STYLES:
 MJ=Comanche Pickup ZJ=Grand Cherokee/Grand Wagoneer KDX VEHICLES
 SJ=Grand Wagoneer M1=Comanche
 XJ=Cherokee, Briarwood Y1=Cherokee, Briarwood
 YJ=Wrangler Y1=Wrangler

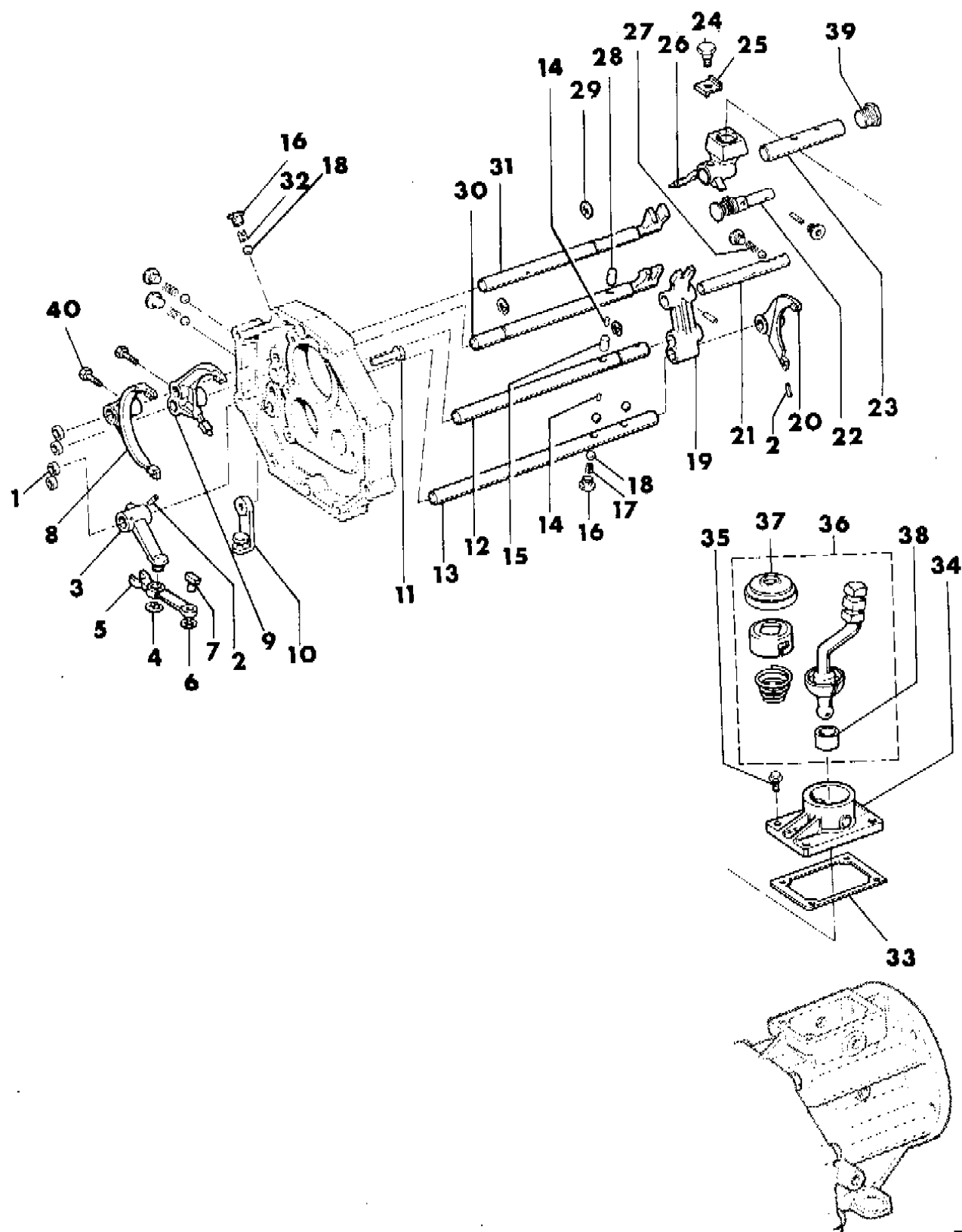
AR = Use as Required - = Non Illustrated Part P.A.R. = Paint as Required



FORKS, RAILS, SHAFTS MANUAL TRANSMISSION SIX CYLINDER ENGINE 4.0L, FOUR OR FIVE SPEED TRANSMISSION - AISIN - AX15
Figure 21M-800

91J21 800

ITEM	PART NUMBER	QTY	BODY	MODEL	DESCRIPTION
35					BOLT, Shift Lever Housing
	8350 0525	2	YJ		With Washer, Shift Control
	5252 211	2	YJ		Stud, With Washer
	8350 0525	4	XJ		With Washer, Shift Control
36					LEVER ASSEMBLY, Gear Shift
	5252 055	1	YJ		
	5252 042	1	XJ,MJ		
	4636 375	1	ZJ		
37	8350 0520	1			BOOT, Gear Shift Lever
38	8350 0519	1			BUSHING, Gear Shift Lever
39	8350 0619	1			PLUG, 4WD
40	5252 214	3			BOLT



MODEL CODES:

61=Pickup-6 Ft Box 74=4 Door Wagon T=2WD
62=Pickup-7 Ft Box 77=Open Body 93" Wheelbase J,N,U=4WD
72=2 Door Wagon 78=Open Body 103" Wheelbase

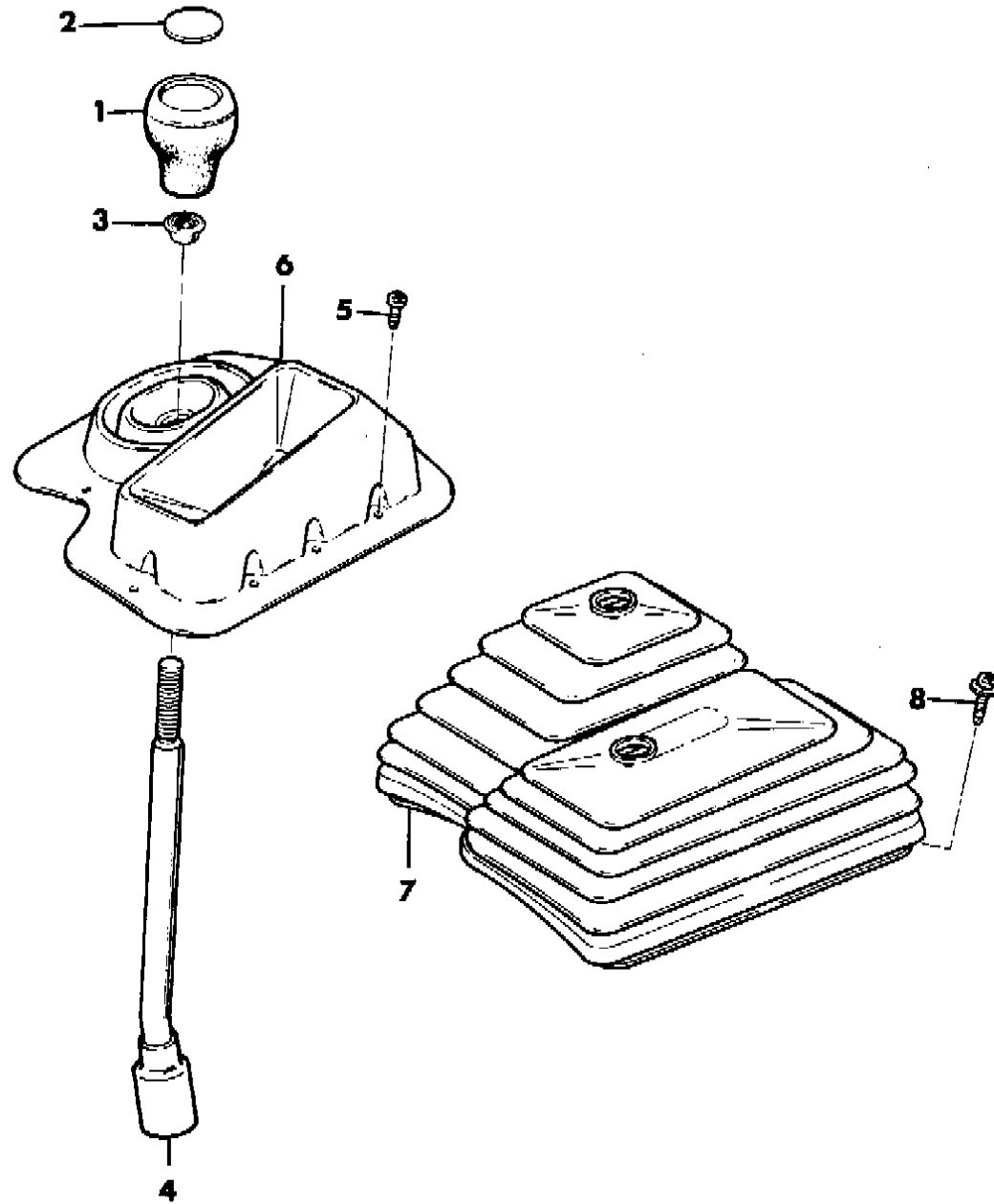
BODY STYLES:

MJ=Comanche Pickup ZJ=Grand Cherokee/Grand Wagoneer KDX VEHICLES
SJ=Grand Wagoneer M1=Comanche
XJ=Cherokee, Briarwood X1=Cherokee, Briarwood
YJ=Wrangler Y1=Wrangler

AR = Use as Required - = Non Illustrated Part P.A.R. = Paint as Required

CONTROLS, GEARSHIFT FIVE SPEED TRANSMISSION WRANGLER, YJ
Figure 21M-900

91J21 900



ITEM	PART NUMBER	QTY	BODY	MODEL	DESCRIPTION
1	J324 1062	1			KNOB, Gearshift Lever
2	J324 1073	1			INSERT
3	J400 6495	1			NUT
4	5300 2006	1			LEVER, Manual Gearshift
5	J400 6444	3			SCREW, (.62" Lg)
6	5300 5554	1			BOOT, Inner
7	5300 4539	1			BOOT, Outer
8	J400 5631	AR			SCREW, Hex Flanged Head, (M10-16x1.00mm)

MODEL CODES:

61=Pickup-6 Ft Box 74=4 Door Wagon T=2WD
 62=Pickup-7 Ft Box 77=Open Body 93" Wheelbase J,N,U=4WD
 72=2 Door Wagon 78=Open Body 103" Wheelbase

BODY STYLES:

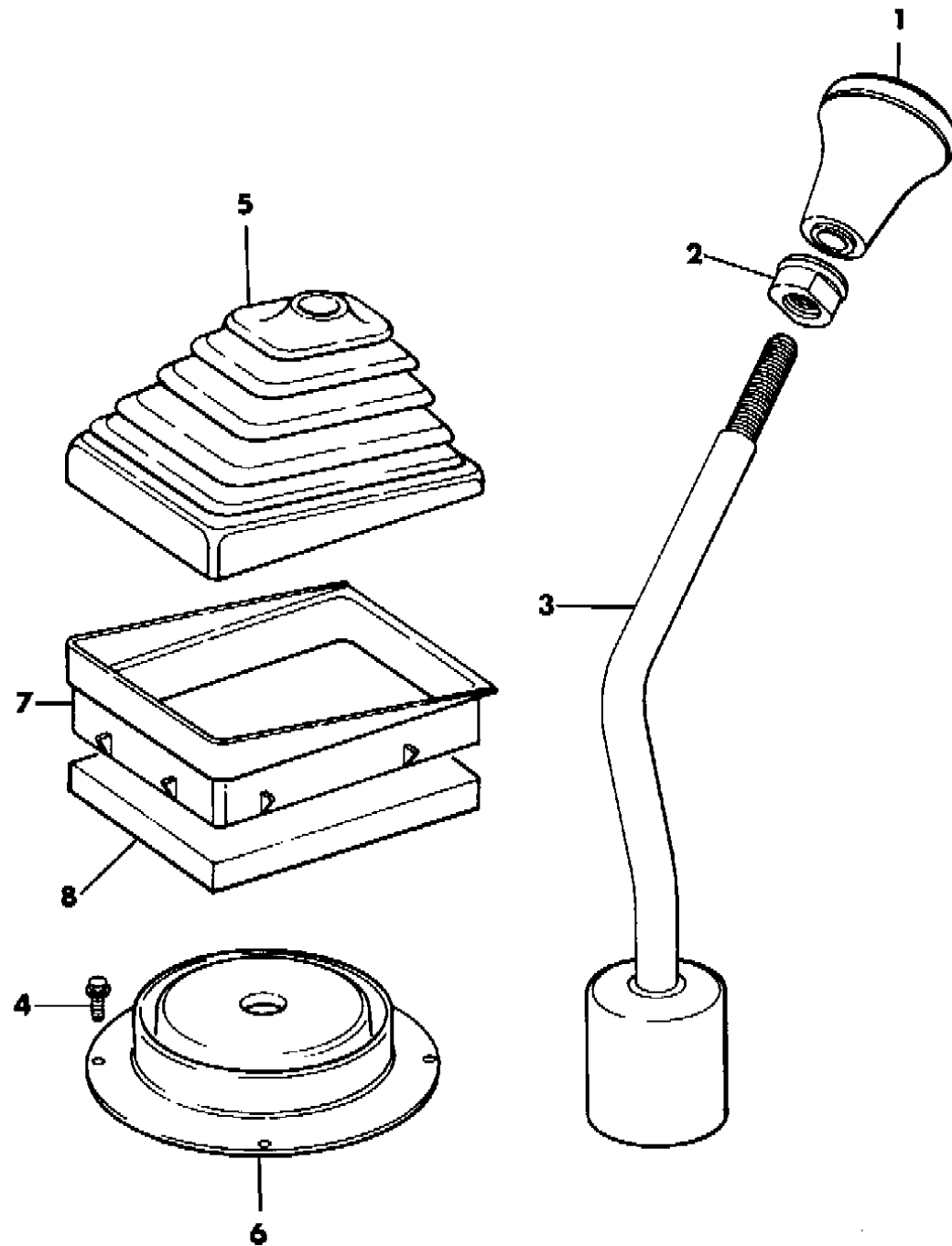
MJ=Comanche Pickup ZJ=Grand Cherokee/Grand Wagoneer KDX VEHICLES
 SJ=Grand Wagoneer M1=Comanche
 XJ=Cherokee, Briarwood X1=Cherokee, Briarwood
 YJ=Wrangler Y1=Wrangler

AR = Use as Required - = Non Illustrated Part P.A.R. = Paint as Required

CONTROLS, GEARSHIFT FOUR OR FIVE SPEED TRANSMISSION CHEROKEE OR COMANCHE

Figure 21M-1000

91J21 1000



ITEM	PART NUMBER	QTY	BODY	MODEL	DESCRIPTION
1					KNOB, Gear Shift
	5300 0604	1			With Four Speed Transmission
	5300 0605	1			With Five Speed Transmission
2	5300 0606	1			NUT, Shift Lever
3	5300 1480	1			LEVER ASSEMBLY, Manual Shift
4	1150 2843	4			SCREW, (M8-18x.50mm)
5	5300 4433	1			BOOT, Outer
6					BOOT, Inner
	5300 1553	1			With Four Cylinder Engine, Gas or Diesel
	5207 7566	1			KDX
	5300 5384	1			With Six Cylinder Engine
	5207 7567	1			KDX
7	5300 0056	1			BEZEL, Shift
8	5300 5395	1			INSULATOR, with Manual Transmission

MODEL CODES:

61=Pickup-6 Ft Box 74=4 Door Wagon T=2WD
 62=Pickup-7 Ft Box 77=Open Body 93" Wheelbase J,N,U=4WD
 72=2 Door Wagon 78=Open Body 103" Wheelbase

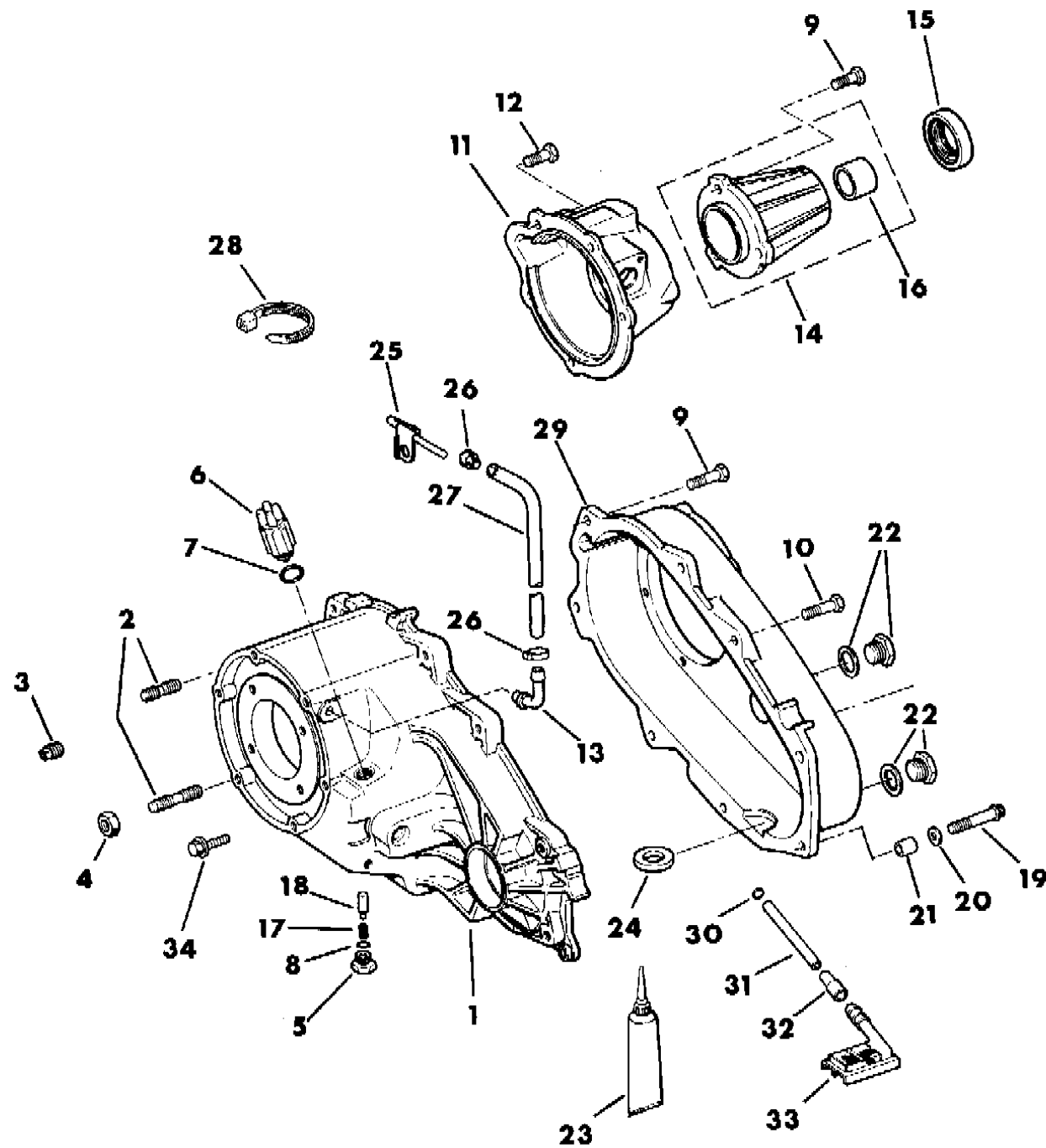
BODY STYLES:

MJ=Comanche Pickup ZJ=Grand Cherokee/Grand Wagoneer KDX VEHICLES
 SJ=Grand Wagoneer M1=Comanche
 XJ=Cherokee, Briarwood X1=Cherokee, Briarwood
 YJ=Wrangler Y1=Wrangler

AR = Use as Required - = Non Illustrated Part P.A.R. = Paint as Required

CASE, EXTENSION AND MISCELLANEOUS PARTS N.P.G. MODEL 231 TRANSFER CASE WRANGLER, YJ, CHEROKEE, COMANCHE, ZJ
Figure 21M-1100

91J21 1100



ITEM	PART NUMBER	QTY	BODY	MODEL	DESCRIPTION
1					CASE, Front
	5300 8214	1			w/ 52097522,52097523, 52097524, 52097533, 52097599, 52097695, 52097893, 52097894, 53008210, 53008211, 53008212, 52097890, (w/Switch Hole)
	5300 8220	1	XJ,MJ		w/ 53008207, 53008208, 53008209, (w/o Switch Hole)
2					STUD, Case Front
	4505 365	AR			36mm
3	5300 0502	1			PLUG
4	J400 6681	AR			NUT, Transfer Case
5	5300 8216	1			SCREW
6					SWITCH, Vacuum
	5300 1101	1			Without Transfer Cases 52097522, 52097523, 52097524, 52097533, 5209734, 53008210, 53008211, 53008212
	J813 4473	1			ELECTRIAL, With Transfer Case 52097522, 52097523, 52097524, 52097533
	5600 6901	1	ZJ		w/52097534, Stamped 52097696
7	4338 956	1			SEAL, O-Ring
8	4338 956	1			SEAL
9	J813 0984	8			BOLT, (M10-1.5x28mm)
10	J813 0979	1			BOLT, (M10-1.5x48mm)
11					RETAINER, Transfer Case Rear
	8350 3573	1	YJ,ZJ		
	4338 949	1	XJ,MJ		
12	J813 4472	5			BOLT, Transfer Case Rear
13	J813 1659	1			VENT
	4338 957	1	ZJ		
14	8350 3156	1			EXTENSION, Case Rear Housing
15	4638 904	1			SEAL, Transfer Case Rear Stamped "NPG 16104"
16	J813 4490	1			BUSHING, Transfer Case Extension Housing
	4338 945	1	ZJ		
17	5300 8218	1			SPRING
18	5300 8217	1			PLUNGER
19	1150 0831	2			BOLT, (M10-1.5x35mm)
20	J400 1104	2			WASHER
21	J813 0872	2			DOWEL
22	4210 616	2			PLUG, Transfer Case Rear Half
23	4318 025	AR			SEALER, Gasket-in-a-Tube ***
24	3681 601	1			MAGNET
25					TUBE & CLIP ASSEMBLY, Case Vent ***
	J535 2955	1	YJ		
	5300 0805	1	XJ,MJ		

MODEL CODES:

61=Pickup-6 Ft Box 74=4 Door Wagon T=2WD
62=Pickup-7 Ft Box 77=Open Body 93" Wheelbase J,N,U=4WD
72=2 Door Wagon 78=Open Body 103" Wheelbase

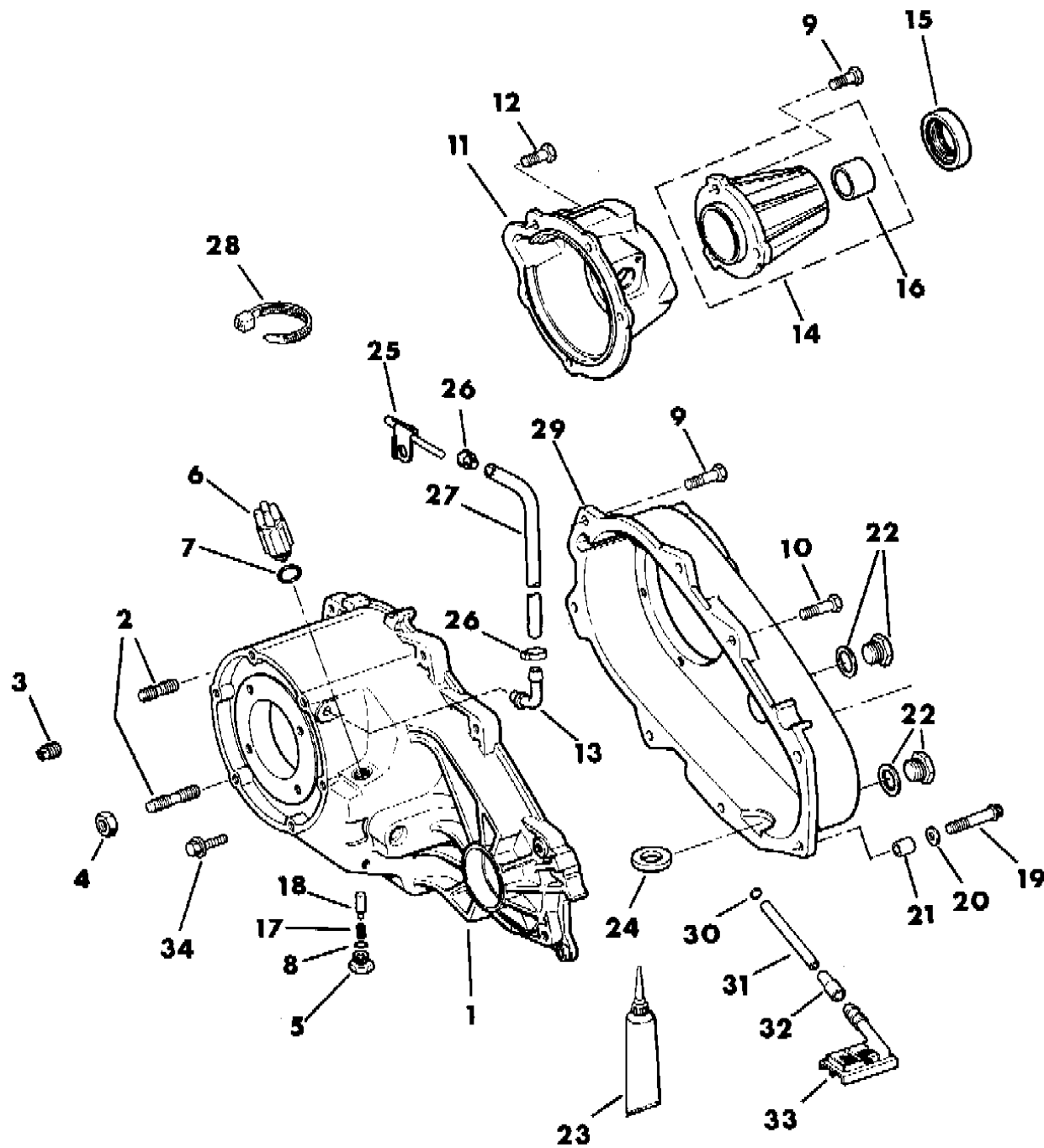
BODY STYLES:

MJ=Comanche Pickup ZJ=Grand Cherokee/Grand Wagoneer KDX VEHICLES
SJ=Grand Wagoneer M1=Comanche
XJ=Cherokee, Briarwood X1=Cherokee, Briarwood
YJ=Wrangler Y1=Wrangler

AR = Use as Required - = Non Illustrated Part P.A.R. = Paint as Required

CASE, EXTENSION AND MISCELLANEOUS PARTS N.P.G. MODEL 231 TRANSFER CASE WRANGLER, YJ, CHEROKEE, COMANCHE, ZJ
Figure 21M-1100

91J21 1100



ITEM	PART NUMBER	QTY	BODY	MODEL	DESCRIPTION
26	3300 0786	2			CLAMP
27	4443 176	AR			HOSE, (25' Roll)
28	6015 756	AR			STRAP
29	8350 3153	1			CASE, Rear
30	4338 942	1			SEAL, Oil
31	4338 941	1			TUBE, Oil
32	4443 175	AR			HOSE, (25' Roll)
33	4338 943	1			SCREEN
34	J400 6995	1			BOLT, (3/8-16x1.25)

MODEL CODES:

61=Pickup-6 Ft Box 74=4 Door Wagon T=2WD
 62=Pickup-7 Ft Box 77=Open Body 93" Wheelbase J,N,U=4WD
 72=2 Door Wagon 78=Open Body 103" Wheelbase

BODY STYLES:

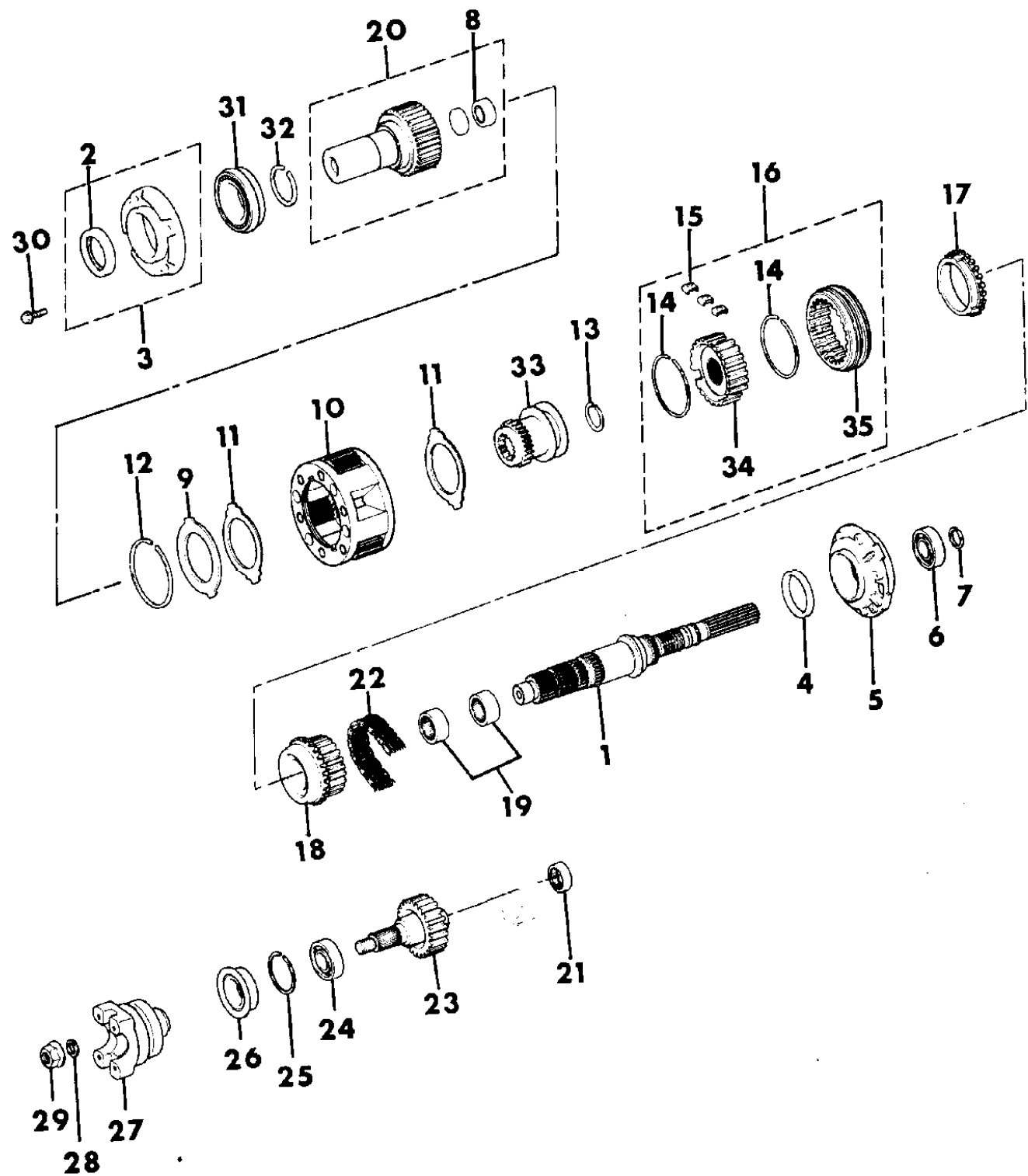
MJ=Comanche Pickup ZJ=Grand Cherokee/Grand Wagoneer KDX VEHICLES
 SJ=Grand Wagoneer M1=Comanche
 XJ=Cherokee, Briarwood X1=Cherokee, Briarwood
 YJ=Wrangler Y1=Wrangler

AR = Use as Required - = Non Illustrated Part P.A.R. = Paint as Required

GEAR TRAIN N.P.G. MODEL 231 TRANSFER CASE WRANGLER, YJ, CHEROKEE, COMANCHE, ZJ

Figure 21M-1200

91J21 1200C



ITEM	PART NUMBER	QTY	BODY	MODEL	DESCRIPTION
1	8350 3141	1			SHAFT, Main Drive
2	4167 929	1			SEAL, Oil
3	4338 972	1			RETAINER
4	4210 603	1			SEAL, Oil
5	4338 936	1			HOUSING, Oil Pump
6	4338 892	1			BEARING
7	J813 4488	1			RING
8	4338 913	1			BEARING, Input
	8350 3507	1			(Caged Bearing)
9	4338 909	1			PLATE, Strut Retaining
10	5300 6087	1			GEAR, Planetary Transfer Case
11	4338 908	2			RING, Thrust
12	4338 910	1			RING, Snap, Planetary Carrier
13	8350 3144	1			RING, Retaining
	4338 933	1	ZJ		
14	4329 524	2			SPRING
15	8350 0990	3			STRUT, Synchronizer
16					SYNCHRONIZER ASSEMBLY, Mode Shift
	4505 361	1			w/Transfer Case 53008207, 53008209, 53008208, 53008211, 52097894, 53008212, 52097893, 52097533, 52097522, 52097523, 53008210
17	4329 526	1			RING, Stop, w/53008207, 53008208, 53008209, 53008210, 53008211, 53008212
18					SPROCKET, Drive
	4636 963	1			w/Transfer Case 53008207, 52097533, 53008209, 52097522, 53008208, 53008211, 53008212, 53008210
	4741 238	1			w/Transfer Case 52097696, 52097526, 52097890, 52097888
19	4269 185	2			BEARINGS, Sprocket 231 Transfer Case ***
20					GEAR, Input, 231 Transfer Case
	5300 6085	1	YJ		23 Teeth, w/53008210, 52097893
	5300 6083	1	YJ,XJMJ		21 Teeth, w/52097533, 52097524, 53008211, 52087894
	8350 6065	1			23 Teeth-short
					w/52097522, 52097523, 52097696, 53008212, 52097695, 52097890, 53008209,52097534
	4761 068	1	ZJ		23 Teeth, w/52097526
21	4269 189	1			BEARING
22	4338 935	1			CHAIN, Drive Transfer Case
23	4338 934	1			SHAFT, Output, 231 Transfer Case
24	4338 892	1			BEARING, Output Shaft Front
25	4338 894	1			RING, Retaining
26	4338 893	1			SEAL, Oil, Front Output Shaft Yoke

MODEL CODES:

61=Pickup-6 Ft Box 74=4 Door Wagon T=2WD
 62=Pickup-7 Ft Box 77=Open Body 93" Wheelbase J,N,U=4WD
 72=2 Door Wagon 78=Open Body 103" Wheelbase

BODY STYLES:

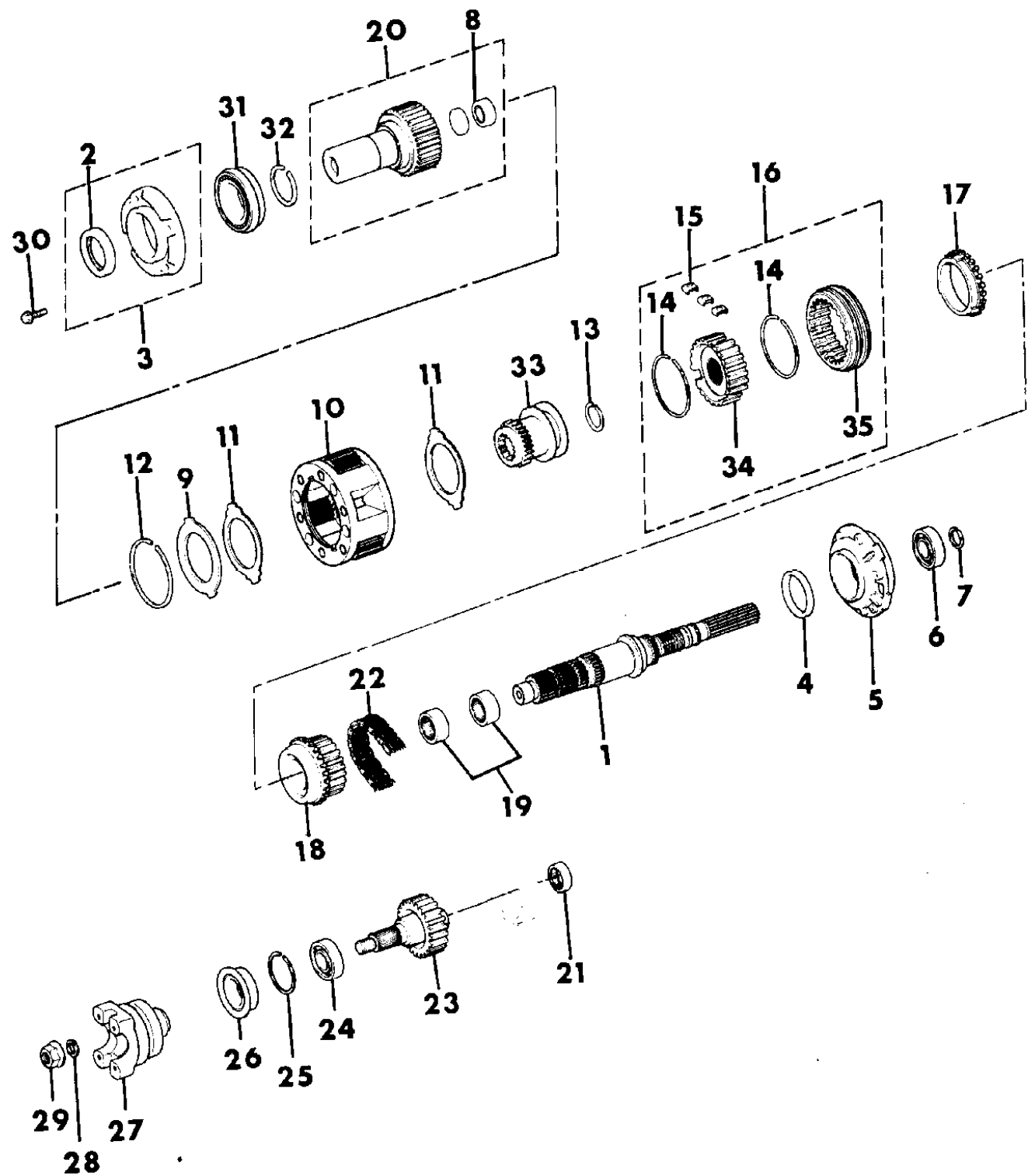
MJ=Comanche Pickup ZJ=Grand Cherokee/Grand Wagoneer KDX VEHICLES
 SJ=Grand Wagoneer M1=Comanche
 XJ=Cherokee, Briarwood X1=Cherokee, Briarwood
 YJ=Wrangler Y1=Wrangler

AR = Use as Required - = Non Illustrated Part P.A.R. = Paint as Required

GEAR TRAIN N.P.G. MODEL 231 TRANSFER CASE WRANGLER, YJ, CHEROKEE, COMANCHE, ZJ

Figure 21M-1200

91J21 1200C



ITEM	PART NUMBER	QTY	BODY	MODEL	DESCRIPTION
27					FLANGE, Yoke, Front Output Shaft, With Slinger
	8350 2829	1	YJ		
	8350 3161	1	XJ,MJ		
	4446 494	1	ZJ		
28	4446 487	1			WASHER, Yoke
29	4446 488	1			NUT, Front Output Shaft Yoke
30	6500 318	5			BOLT, Front Bearing Retainer
31	4338 891	1			BEARING, Front Retainer, Pilot Needle
32	3821 558	1			RING, Snap Bearing Retain
33	5300 6089	1			HUB, Range Shift
34	4741 240	1			HUB, Synchronizer w/Transfer Case 52097890, 52097888, 52097526, 52097534
35	4338 932	1			SLEEVE, w/Transfer Case 52097890, 52097888, 52097526
	4796 909	1			w/52097534

MODEL CODES:

61=Pickup-6 Ft Box 74=4 Door Wagon T=2WD
 62=Pickup-7 Ft Box 77=Open Body 93" Wheelbase J,N,U=4WD
 72=2 Door Wagon 78=Open Body 103" Wheelbase

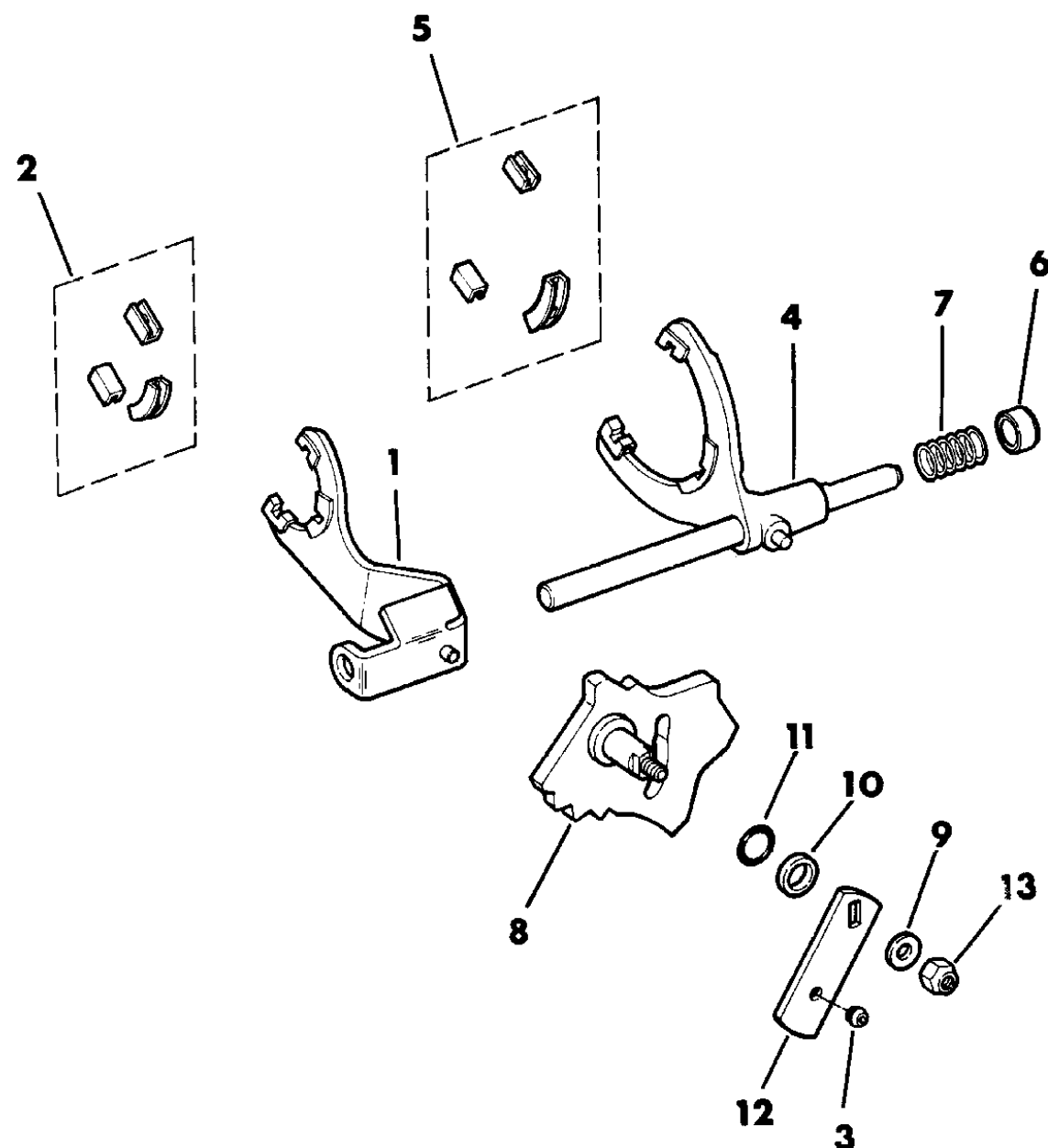
BODY STYLES:

MJ=Comanche Pickup ZJ=Grand Cherokee/Grand Wagoneer KDX VEHICLES
 SJ=Grand Wagoneer M1=Comanche
 XJ=Cherokee, Briarwood X1=Cherokee, Briarwood
 YJ=Wrangler Y1=Wrangler

AR = Use as Required - = Non Illustrated Part P.A.R. = Paint as Required

FORKS, RAILS, MISCELLANEOUS PARTS, SHIFT N.P.G. MODEL 231 TRANSFER CASE WRANGLER, YJ, CHEROKEE, COMANCHE, ZJ
Figure 21M-1300

91J21 1300A



ITEM	PART NUMBER	QTY	BODY	MODEL	DESCRIPTION
1	4638 913	1			FORK, Range Shift
2	4167 969	1	ZJ		PAD, Shift Fork
3	5300 4810	1			BUSHING, Shift Lever
4	4338 920	1			FORK, Mode Shift Transfer Case w/Transfer Case 53008207,52097533,53008209, 52097522, 53008211,52097524,53008212, 52097523
	4741 237	1			w/Transfer Case 52097696,52097526,52097890,52097888
	4761 227	1			w/Transfer Case 52097894,52097893
5	0015 866	1			PAD, Center
	4167 970	1	ZJ		
6	8350 3139	1			BUSHING, Rail Mode Shift
	4338 945	1	ZJ		
7	4338 925	1			SPRING, Mode Shifting Rail
8	4638 844	1			SECTOR, Transfer Case Shifting
	4638 846	1	ZJ		1992
	4638 844	1	ZJ		1993
9	0120 394	1			SPACER, Shift Lever
10	4167 964	1			SEAL, Transfer Case Sector
11	4167 963	1			O-RING, Sector Seal
12	5300 4421	1	YJ		LEVER, Transfer Case Shift 2.5L Four Cylinder Engine, w/53008210, 53008211, 53008212, 52097524
	5300 4420	1	YJ		4.0L Six Cylinder Engine, With Manual Transmission 1991
	5300 4420	1	YJ		w/ 52097523, 53008212 1992
	5300 4409	1	YJ		4.0L Six Cylinder Engine, With Automatic Transmission
	5300 4226	1	XJ,MJ		With Manual Transmission 1991
	5300 4226	1	XJ,MJ		w/ 52097522, w/ Manual or Auto Trans. 1992
13	0152 345	1			NUT, Shift Lever

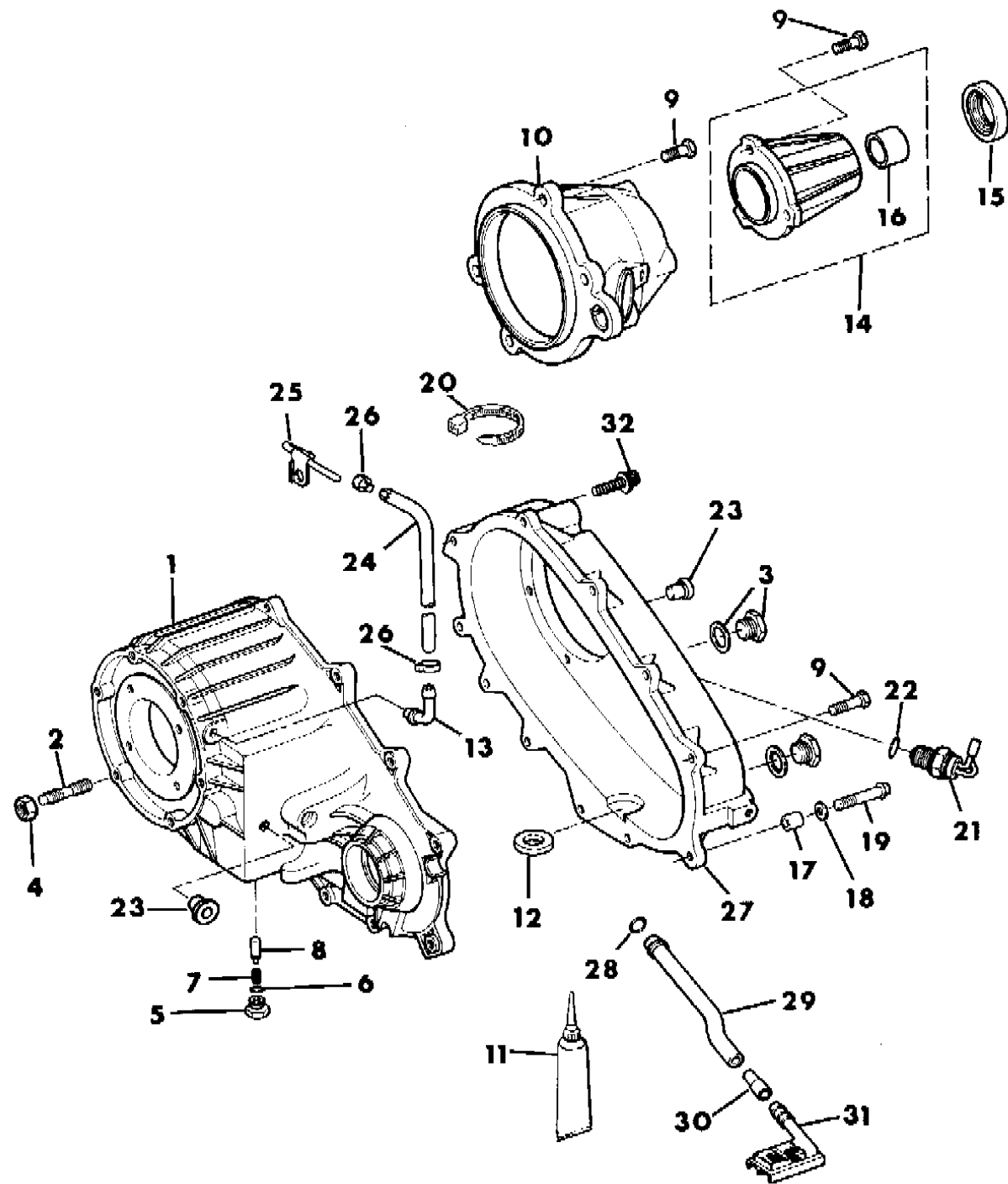
MODEL CODES:
 61=Pickup-6 Ft Box 74=4 Door Wagon T=2WD
 62=Pickup-7 Ft Box 77=Open Body 93" Wheelbase J,N,U=4WD
 72=2 Door Wagon 78=Open Body 103" Wheelbase

BODY STYLES:
 MJ=Comanche Pickup ZJ=Grand Cherokee/Grand Wagoneer KDX VEHICLES
 SJ=Grand Wagoneer M1=Comanche
 XJ=Cherokee, Briarwood X1=Cherokee, Briarwood
 YJ=Wrangler Y1=Wrangler

AR = Use as Required - = Non Illustrated Part P.A.R. = Paint as Required

CASE, EXTENSION AND MISCELLANEOUS PARTS N.P.G. MODEL 242 TRANSFER CASE CHEROKEE, BRIARWOOD, COMANCHE, ZJ
Figure 21M-1400

91J21 1400 A



ITEM	PART NUMBER	QTY	BODY	MODEL	DESCRIPTION
1	5300 8225	1			CASE, Front
	4638 947	1	ZJ		
2	4505 365	1			STUD, Front Case
3	4210 616	2			PLUG, Drain
4	J400 6681	AR			NUT
5	5300 8216	1			SCREW
6	8350 3128	1			SEAL
7	5300 8218	1			SPRING
8	5300 8217	1			PLUNGER
9	J813 0984	15			BOLT
10	8350 3524	1			RETAINER
	4638 955	1	ZJ		
11	4318 025	AR			SEALER, Gasket-in-a-Tube ***
12	3681 601	1			MAGNET
13	J813 1659	1			VENT
	4338 957	1	ZJ		
14	8350 3156	1			EXTENSION, Case
15	8350 1389	1			SEAL, Rear Output
	4638 904	1	ZJ		
16	J813 4490	1			BUSHING
17	J813 0872	2			DOWEL
18	J400 1104	2			WASHER
19	1150 0831	2			BOLT
20	6015 756	1			STRAP
21					SWITCH
	5600 6755	1	ZJ		
	8350 3525	1	XJ		
22	4338 956	1			SEAL
23	0015 105	2			PLUG
24	4443 176	AR			HOSE
25	5300 0805	1			TUBE
26	3300 0786	2			CLAMP
27	8350 3520	1			CASE, Rear
28	8350 3149	1			SEAL
	4338 942	1	ZJ		
29	8350 3523	1			TUBE
30	4443 175	AR			HOSE
31	8350 3152	1			SCREEN
	4338 943	1	ZJ		
32	J813 0979	1			BOLT

MODEL CODES:

61=Pickup-6 Ft Box 74=4 Door Wagon T=2WD
62=Pickup-7 Ft Box 77=Open Body 93" Wheelbase J,N,U=4WD
72=2 Door Wagon 78=Open Body 103" Wheelbase

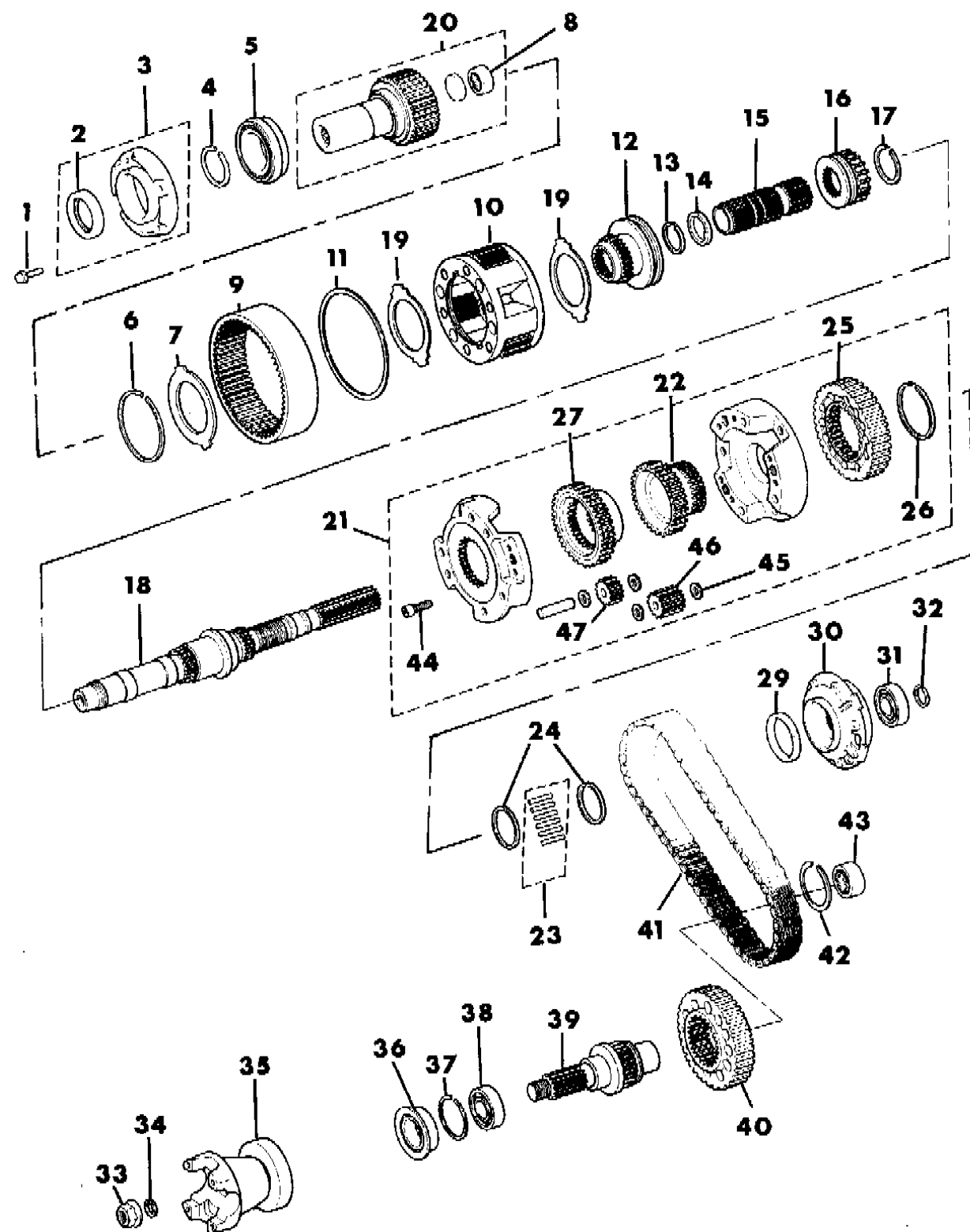
BODY STYLES:

MJ=Comanche Pickup ZJ=Grand Cherokee/Grand Wagoneer KDX VEHICLES
SJ=Grand Wagoneer M1=Comanche
XJ=Cherokee, Briarwood X1=Cherokee, Briarwood
YJ=Wrangler Y1=Wrangler

AR = Use as Required - = Non Illustrated Part P.A.R. = Paint as Required

GEAR TRAIN N.P.G. MODEL 242 TRANSFER CASE CHEROKEE, BRIARWOOD, COMANCHE, ZJ
Figure 21M-1500

91J21 1500



ITEM	PART NUMBER	QTY	BODY	MODEL	DESCRIPTION
1	6500 318	4			BOLT, Front Retainer
2	J535 9457	1			SEAL, Front Retainer
	4167 929	1	ZJ		
3	4338 973	1			RETAINER
4	3821 558	1			RING, Retaining
5	8350 3123	1			BEARING
	4338 891	1	ZJ		
6	8350 3527	1			RING, Retaining
	4338 910	1	ZJ		
7	8350 3526	1			RING, Retaining
	4338 909	1	ZJ		
8	8350 3507	1			BEARING, Input Shaft
9	8350 3122	1			GEAR, Annulus
10	5300 6087	1			GEAR, Planetary
11	4219 065	1			RING, Retaining
12	5300 6090	1			SLEEVE, Range Mode Shift
13	8350 3540	1			RING, Retaining
14	8350 3539	1			WASHER
15	8350 3538	1			SLEEVE, Intermediate
16	8350 3542	1			SLEEVE, Mode
17	8350 3537	1			RING, Retaining
18	8350 3528	1			SHAFT, Main Drive
19	4338 908	1			WASHER, Thrust
20	4636 792	1			GEAR, Input, (23 Teeth)
21	8350 3529	1			DIFFERENTIAL ASSEMBLY
22	8350 3530	1			SPROCKET
23	8350 3543	1			BEARING PACKAGE ***
24	8350 3533	2			SPACER
25	8350 3531	1			SPROCKET, Drive
26	8350 3532	1			RING, Retaining
27	8350 3536	1			GEAR
29	4210 603	1			SEAL
30	8350 3148	1			PUMP, Oil
	4338 936	1	ZJ		
31	4338 892	1			BEARING, Front Output
32	J813 4488	1			RING, Retaining
33	J813 0816	1			NUT
34	4210 973	1			WASHER, Rubber
35	0013 776	1			YOKE, Transfer Case, Front
	4210 611	1	ZJ		GUARD, Transfer Case Flange
36	8350 5290	1			SEAL, Output, Front

MODEL CODES:

61=Pickup-6 Ft Box 74=4 Door Wagon T=2WD
 62=Pickup-7 Ft Box 77=Open Body 93" Wheelbase J,N,U=4WD
 72=2 Door Wagon 78=Open Body 103" Wheelbase

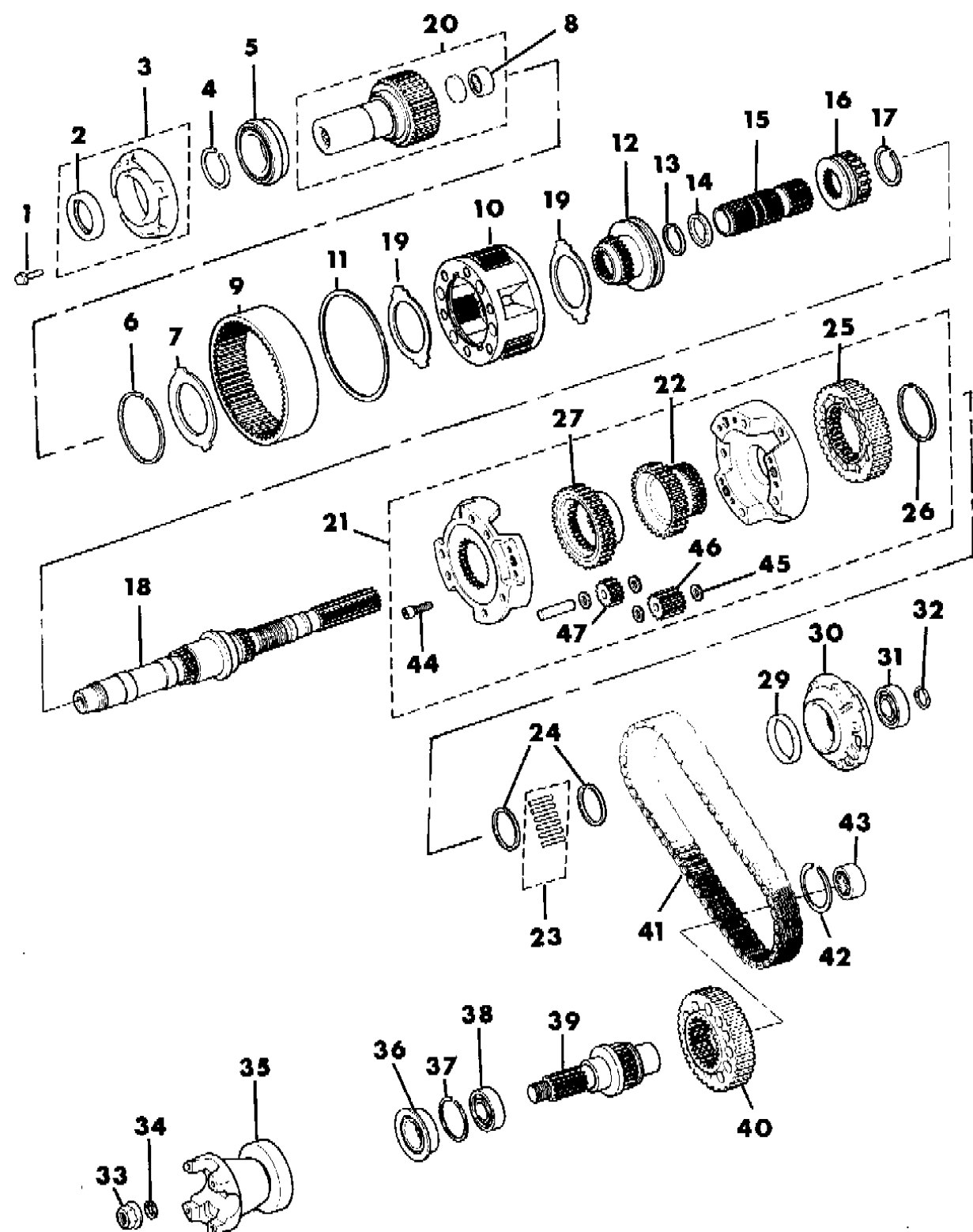
BODY STYLES:

MJ=Comanche Pickup ZJ=Grand Cherokee/Grand Wagoneer KDX VEHICLES
 SJ=Grand Wagoneer M1=Comanche
 XJ=Cherokee, Briarwood X1=Cherokee, Briarwood
 YJ=Wrangler Y1=Wrangler

AR = Use as Required - = Non Illustrated Part P.A.R. = Paint as Required

GEAR TRAIN N.P.G. MODEL 242 TRANSFER CASE CHEROKEE, BRIARWOOD, COMANCHE, ZJ
Figure 21M-1500

91J21 1500



ITEM	PART NUMBER	QTY	BODY	MODEL	DESCRIPTION
	4762 899	1	ZJ		
37	8350 3502	1			RING, Snap Bearing Front
38	4338 321	1			BEARING, Output, Front
39	8350 3517	1			SHAFT, Front Output
	4746 321	1	ZJ		1993 (Includes Item #40) ***
40	8350 3518	1	XJ		SPROCKET, Driven
41					CHAIN, Drive
	8350 4575	1	XJ		w/Transfer Case 53008223, 52098046 or 53007856
	4638 890	1	XJ		w/Transfer Case 53008081 or 52098045
	8350 4575	1	ZJ		
42	4167 991	1	XJ		RING, Retaining
43	4269 189	1			BEARING
44	8350 4167	6			BOLT, Transfer Case Differential
45	8350 4168	12			WASHER
46	8350 4169	3			GEAR, Transfer Case Differential
47	8350 4170	3			GEAR, Differential

MODEL CODES:
 61=Pickup-6 Ft Box 74=4 Door Wagon T=2WD
 62=Pickup-7 Ft Box 77=Open Body 93" Wheelbase J,N,U=4WD
 72=2 Door Wagon 78=Open Body 103" Wheelbase

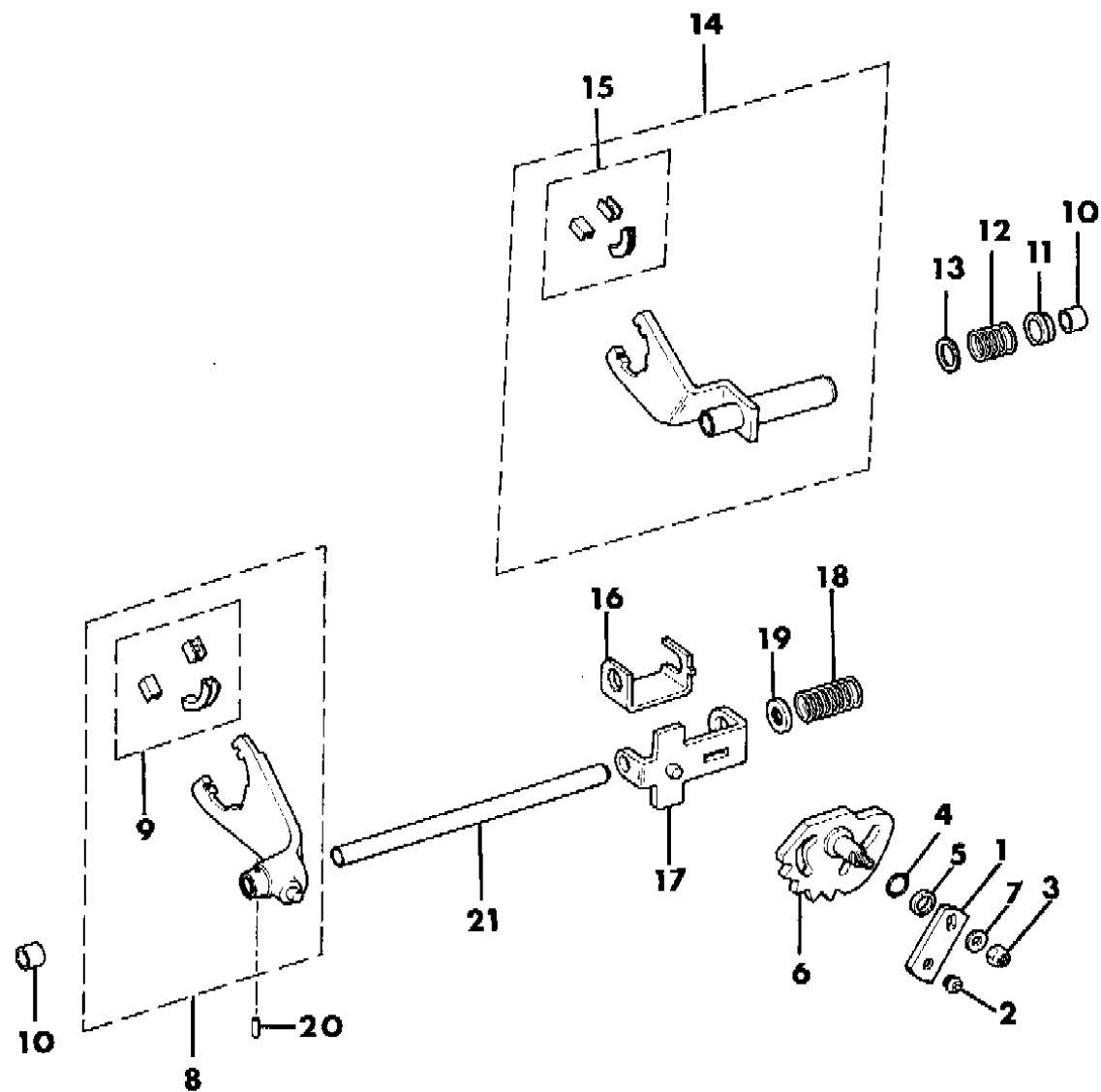
BODY STYLES:
 MJ=Comanche Pickup ZJ=Grand Cherokee/Grand Wagoneer KDX VEHICLES
 SJ=Grand Wagoneer M1=Comanche
 XJ=Cherokee, Briarwood X1=Cherokee, Briarwood
 YJ=Wrangler Y1=Wrangler

AR = Use as Required - = Non Illustrated Part P.A.R. = Paint as Required

FORKS, RAILS - SHIFTING N.P.G. MODEL 242 TRANSFER CASE CHEROKEE, BRIARWOOD, GRAND CHEROKEE

Figure 21M-1600

91J21 1600



ITEM	PART NUMBER	QTY	BODY	MODEL	DESCRIPTION
1	5300 4227	1			LEVER, Transfer Case Shifting
2	5300 4810	1			BUSHING, Shift Lever
3	J813 0813	1			NUT
4	4167 963	1			SEAL, Shift Lever
5	4167 964	1			RETAINING RING, Shift Lever ***
6	8350 3503	1	XJ		SECTOR, Transfer Case Shift
	4638 949	1	ZJ		
7	J400 1104	1			WASHER
8	8350 3508	1			FORK, Range Shift
9	0015 866	1	XJ		PAD PACKAGE, Shift Fork ***
	4167 969	2	ZJ		Outer
	4167 970	1	ZJ		Center
10	8350 3139	2			BUSHING, Mode Shift Rail
	J813 4291	2			
11	8350 3514	1			BUSHING, Shift Rail Retainer
	4338 945	1			
12	8350 3513	1			SPRING, Mode Shift Rail
13	8350 3512	1			WASHER, Mode Shift Rail
14	8350 3509	1	XJ		FORK, Mode Shift
	8350 3508	1	ZJ		
15	8350 0994	1	XJ		PAD PACKAGE, Shift Fork ***
	4167 969	2	ZJ		Outer
	4338 376	1	ZJ		Center
16	8350 3511	1			BRACKET, Shift, Inner
17	8350 3510	1			BRACKET, Shift, Outer
18	8350 3516	1			SPRING
19	8350 3515	1			CUP
20	1664 355	1			PIN, Shift Fork
21	8350 4469	1			RAIL, Shift Fork

MODEL CODES:

61=Pickup-6 Ft Box 74=4 Door Wagon T=2WD
 62=Pickup-7 Ft Box 77=Open Body 93" Wheelbase J,N,U=4WD
 72=2 Door Wagon 78=Open Body 103" Wheelbase

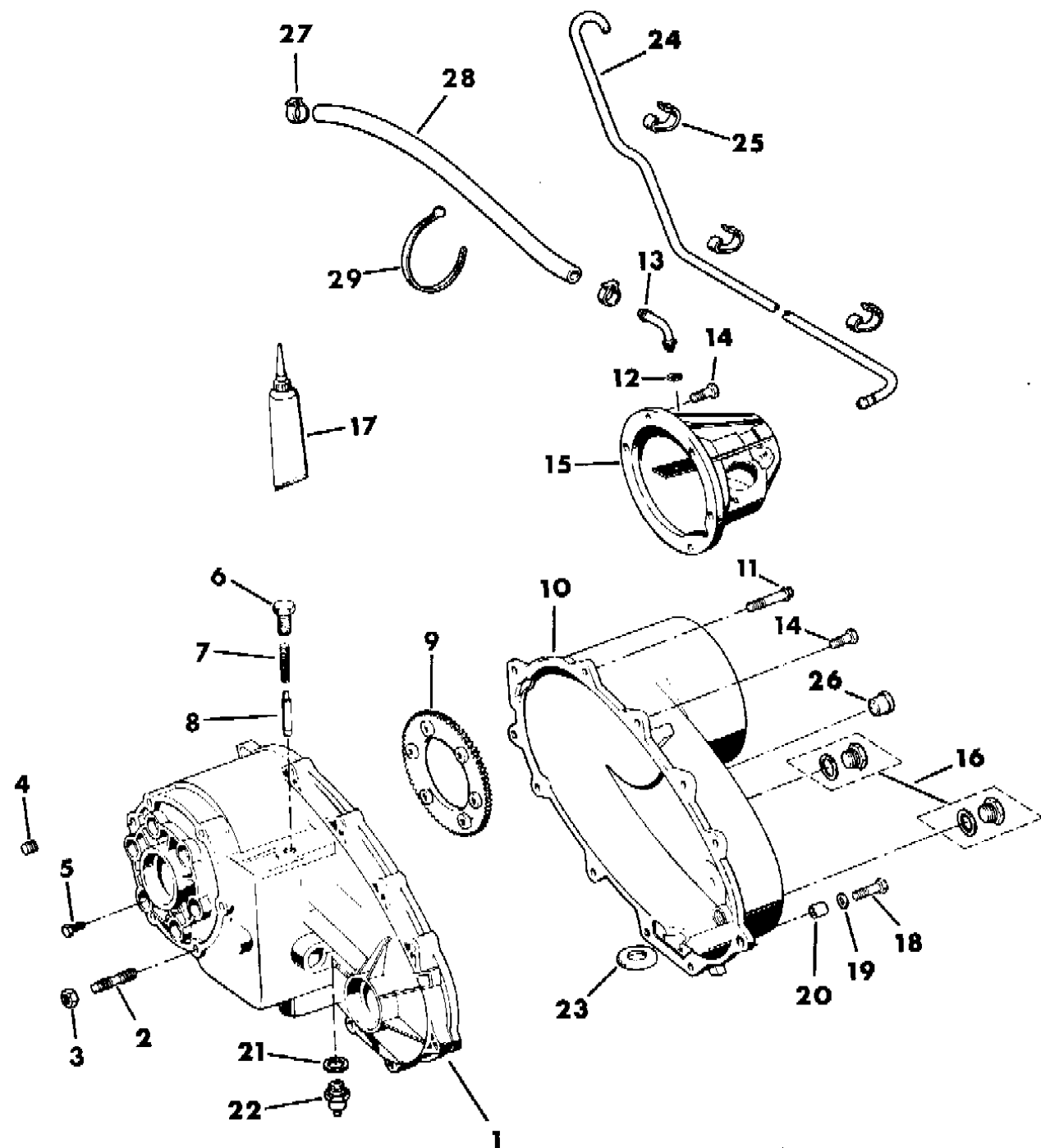
BODY STYLES:

MJ=Comanche Pickup ZJ=Grand Cherokee/Grand Wagoneer KDX VEHICLES
 SJ=Grand Wagoneer M1=Comanche
 XJ=Cherokee, Briarwood X1=Cherokee, Briarwood
 YJ=Wrangler Y1=Wrangler

AR = Use as Required - = Non Illustrated Part P.A.R. = Paint as Required

CASE, EXTENSION AND MISC. PARTS N.P.G. MODEL 229 TRANSFER CASE GRAND WAGONEER
Figure 21M-1700

91J21 1700



ITEM	PART NUMBER	QTY	BODY	MODEL	DESCRIPTION
1	0015 608	1			CASE, Front
2	4505 365	1			STUD, Front Case
3	J400 6681	6			NUT, Front Case Stud
4	5300 0502	1			PLUG, Front
5	J813 0874	6			BOLT, Front Case
6	J813 3641	1			SCREW, Plunger
7	J813 4289	1			SPRING, Plunger
8	4338 071	1			PLUNGER, Front Case
9	4167 931	1			PLATE, Front Case
10	0016 129	1			CASE, Rear
11	J813 0979	1			BOLT, Case Retention
12	J813 3743	1			SEAL, Vent
13	J813 1659	1			VENT, Retainer
14	1150 0830	AR			BOLT, Rear Retainer
15	0013 693	1			RETAINER, Transfer Case Rear
16	4210 616	2			PLUG, With Gasket
17	4318 025	AR			SEALER, Gasket-in-a-Tube ***
18	1150 0831	1			BOLT, Front Case
19	J400 1104	1			WASHER, Front Case
20	J813 0872	1			DOWEL, Front-Rear Case
21	J813 0830	1			SEAL, Mode Switch
22	8350 2652	1			SWITCH ASSEMBLY, Mode Transfer Case
23	3681 601	1			MAGNET
24	J536 1519	1			VENT LINE, Transfer Case ***
25	J313 7319	3			CLIP
26	0015 105	1			PLUG, Rear Case
27	3300 0786	2			CLAMP, Vent Line
28	4443 176	AR			HOSE, (25' Roll)
29	6015 756	1			STRAP, Plastic

MODEL CODES:

61=Pickup-6 Ft Box 74=4 Door Wagon T=2WD
62=Pickup-7 Ft Box 77=Open Body 93" Wheelbase J,N,U=4WD
72=2 Door Wagon 78=Open Body 103" Wheelbase

BODY STYLES:

MJ=Comanche Pickup ZJ=Grand Cherokee/Grand Wagoneer KDX VEHICLES
SJ=Grand Wagoneer M1=Comanche
XJ=Cherokee, Briarwood X1=Cherokee, Briarwood
YJ=Wrangler Y1=Wrangler

AR = Use as Required - = Non Illustrated Part P.A.R. = Paint as Required

GEAR TRAIN N.P.G. MODEL 229 TRANSFER CASE GRAND WAGONEER
Figure 21M-1800

91J21 1800

ITEM	PART NUMBER	QTY	BODY	MODEL	DESCRIPTION
1	0016 027	1			BEARING PACKAGE, Input Shaft ***
2	0015 786	1			SHAFT, Input
3	4269 187	1			BEARING, Planetary
4	4329 198	1			GEAR, Planetary
5	J813 0863	1			WASHER, Thrust
6	4167 954	1			GEAR, Transfer Case Annulus
7	0013 721	1			BUSHING, Planetary Gear
8	4167 959	1			WASHER, Thrust
9	3821 372	1			RING, Retaining
10	J813 0879	1			BEARING, Needle
11	0016 112	1			COLLAR, Shift
12	0016 111	1			COLLAR, Shift
13	0015 636	1			SHAFT, Main Drive
14	8350 0288	1			ROLLER PACKAGE, (Contains 82 pcs) ***
15	0015 004	1			SPACER, Main Shaft Roller
16	3821 366	1			SPACER
17	0013 854	1			GEAR, Viscous Clutch
18	0013 842	1			WASHER, Thrust
19	0013 841	1			SPACER, Roller
20	J813 1611	1			ROLLER PACKAGE ***
21	0015 285	1			CARRIER, Sprocket ***
22	4167 984	1			RING, Retaining
23	0015 450	1			SPROCKET, Drive
24	0015 283	1			GEAR, Sprocket Drive Clutch
25	0013 851	1			WASHER, Thrust
26	0013 836	1			GEAR, Side
27	0013 855	1			VISCOUS ASSEMBLY, Drive Coupling ***
28	8350 3570	1			BEARING
29	8350 5290	1			SEAL
30	0013 867	1			SHAFT, Rear Output
31	4446 463	1			PUMP, Oil
32	0015 461	1			GEAR, Speedometer Drive, (13 Teeth)
33	0015 128	1			SHIM PACKAGE, Output Shaft ***
34	0015 462	1			BEARING, Needle
35	4210 603	1			SEAL
36	J813 6626	1			BEARING
37	8350 2508	1			SEAL, Yoke
38	0013 775	1			YOKE PACKAGE ***
39	J813 0815	1			WASHER
40	J813 0816	2			NUT
41	4269 189	1			BEARING, Side Gear

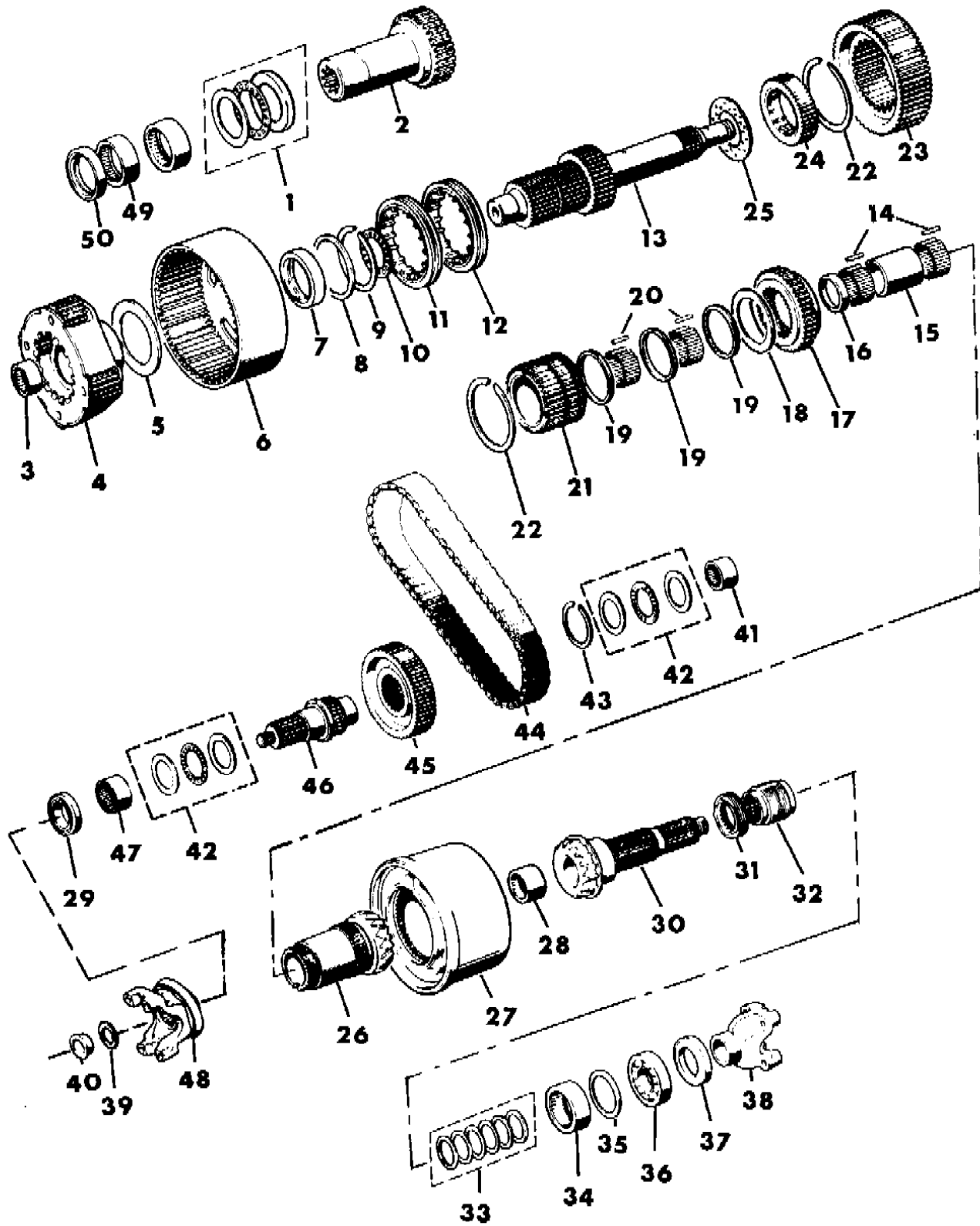
MODEL CODES:

61=Pickup-6 Ft Box 74=4 Door Wagon T=2WD
 62=Pickup-7 Ft Box 77=Open Body 93" Wheelbase J,N,U=4WD
 72=2 Door Wagon 78=Open Body 103" Wheelbase

BODY STYLES:

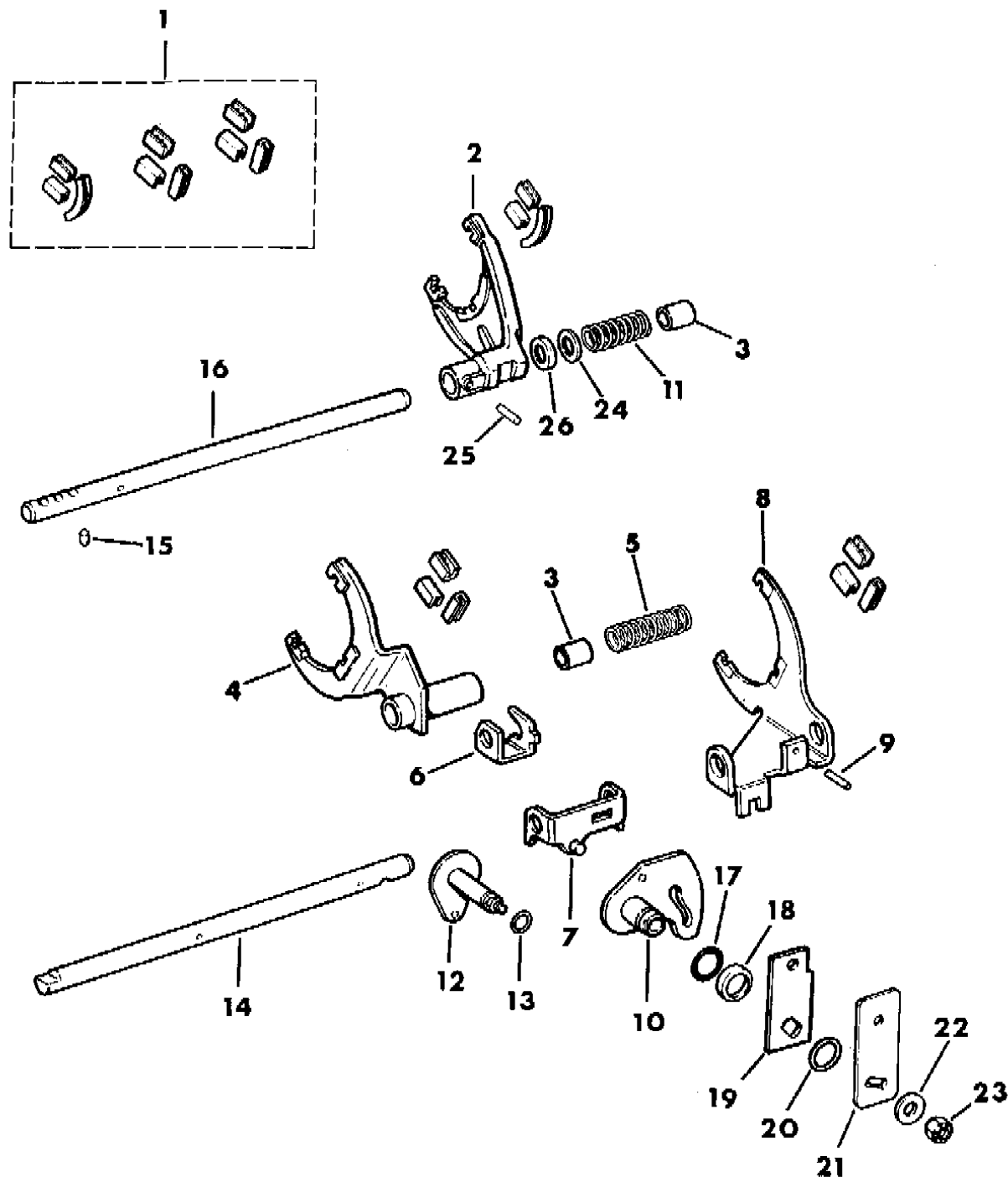
MJ=Comanche Pickup ZJ=Grand Cherokee/Grand Wagoneer KDX VEHICLES
 SJ=Grand Wagoneer M1=Comanche
 XJ=Cherokee, Briarwood X1=Cherokee, Briarwood
 YJ=Wrangler Y1=Wrangler

AR = Use as Required - = Non Illustrated Part P.A.R. = Paint as Required



FORKS, RAILS, SHAFTS, SHIFTING N.P.G. MODEL 229 TRANSFER CASE GRAND WAGONEER
Figure 21M-1900

91J21 1900



ITEM	PART NUMBER	QTY	BODY	MODEL	DESCRIPTION
1	0015 866	1			PAD PACKAGE, Shift Fork ***
2	0015 618	1			FORK, Range Shift
3	J813 4291	2			BUSHING
4	0015 621	1			FORK, Locking
5	J813 4286	1			SPRING, Locking Fork
6	0015 626	1			BRACKET, Locking Shift Fork
7	J813 4407	1			BRACKET ASSY
8	J813 4275	1			FORK, Mode Shift
9	J813 4307	1			PIN
10	0015 609	1			SECTOR, Range Shift
11	J813 4284	1			SPRING
12	0015 614	1			SECTOR, Mode Shift
13	0013 812	1			SEAL, Sector Shaft
14	8350 2612	1			RAIL, Transfer Case Mode Shift
15	J813 4283	1			PIN
16	0015 619	1			RAIL, Transfer Case Range Shift
17	J813 4299	1			SEAL
18	J813 4300	1			RETAINER
19	J813 4305	1			LEVER, Transfer Case Range Shift
20	J813 4304	1			SNAP RING
21	0015 640	1			LEVER, Transfer Case Mode Shift
22	J012 0393	1			WASHER
23	J813 4302	1			NUT
24	J813 4285	1			WASHER
25	1664 355	1			PIN
26	8350 3303	1			SPACER

MODEL CODES:

61=Pickup-6 Ft Box 74=4 Door Wagon T=2WD
 62=Pickup-7 Ft Box 77=Open Body 93" Wheelbase J,N,U=4WD
 72=2 Door Wagon 78=Open Body 103" Wheelbase

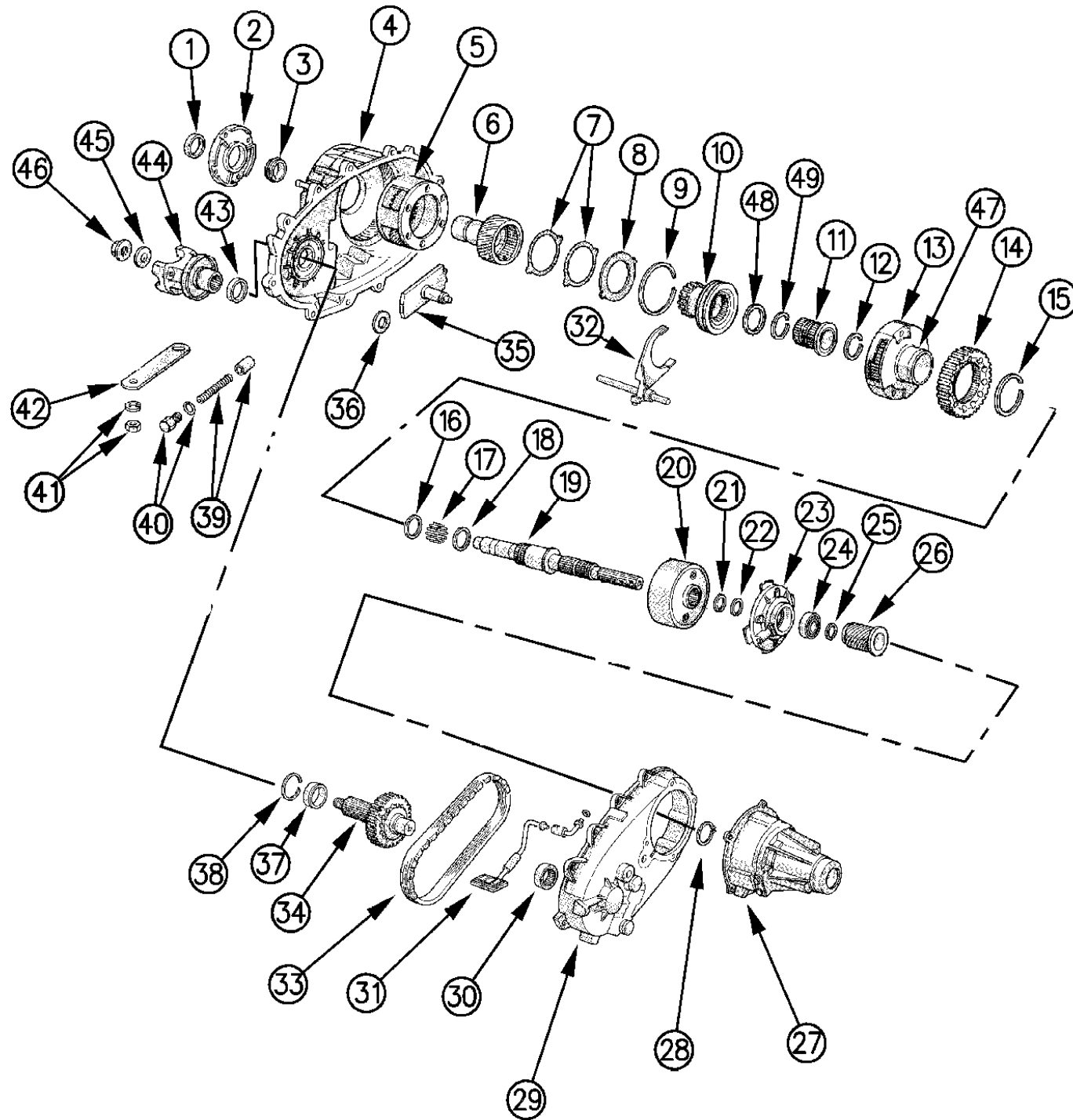
BODY STYLES:

MJ=Comanche Pickup ZJ=Grand Cherokee/Grand Wagoneer KDX VEHICLES
 SJ=Grand Wagoneer M1=Comanche
 XJ=Cherokee, Briarwood X1=Cherokee, Briarwood
 YJ=Wrangler Y1=Wrangler

AR = Use as Required - = Non Illustrated Part P.A.R. = Paint as Required

TRANSFER CASE - MODEL NPG 249 ZJ - GRAND CHEROKEE
Figure 21M-1910

91J21 1910B



ITEM	PART NUMBER	QTY	BODY	MODEL	DESCRIPTION
1	4167 929	1			SEAL, Transfer Case Front Input
2	4338 973	1			RETAINER, Input Gear
3	6500 318	4			BOLT
	4338 891	1			BEARING, Front Input Shaft
	3821 558	1			RETAINING RING, Transfer Case Front
	J813 4488	1			RING, Retaining
4	4638 881	1			CASE, Transfer, Front
	4219 065	1			RING, Transfer Case Annulus Gear Retaining
	4167 922	AR			STUD, Transfer Case Adapter
	8350 3122	1			GEAR
5	5600 6755	1			SWITCH, 4 WD, Indicator
	4338 957	1			VENT, Transfer Case
	5300 6087	1			PLANETARY ***
	6	4728 163	1		GEAR, Transfer Case Input
6	4636 792	1			w/Transfer Case 52097530,528
	4761 192	1			w/Transfer Case 52097713
	4761 192	1			w/Transfer Case 52097529
7	8350 3507	1			BEARING, Input Gear
	4338 908	2			WASHER, Thurst
	4338 909	1			RING
8	4338 910	1			RING, Retaining
9	5300 6090	1			SLEEVE, Range
10	4638 888	1			SHAFT, Transfer Case Intermediate Clutch
11	8350 3537	1			RING, Differenal Gear Snap
12	4723 917	1			DIFFERENAL, Transfer Case ***
13	4638 887	1			GEAR, Transfer Case Differenal
	3820 898	6			SCREW, Differnal Carrier
	8350 4168	1			WASHER, Differenal
	8350 4169	1			GEAR, Differenal Pinion
14	8350 4170	1			GEAR, Differenal Pinion
14	4728 157	1			SPROCKET, Drive
15	8350 3532	1			RING, Drive Sprocket Snap
16	8350 3533	1			SPACER, Sprocket Roller
17	8350 3543	1			BEARING, Needle
18	8350 3533	1			SPACER, Sprocket Roller
19	4728 155	1			SHAFT, Main
20	4723 918	1			COUPLING, Viscous ***
21	4638 895	1			RING, Viscous Retaining
22	4638 895	1			RING, Viscous Retaining
23	4638 896	1			PUMP, Garotor Scous
24	4638 899	1			BEARING, Rear Ouput

MODEL CODES:

61=Pickup-6 Ft Box 74=4 Door Wagon T=2WD
 62=Pickup-7 Ft Box 77=Open Body 93" Wheelbase J,N,U=4WD
 72=2 Door Wagon 78=Open Body 103" Wheelbase

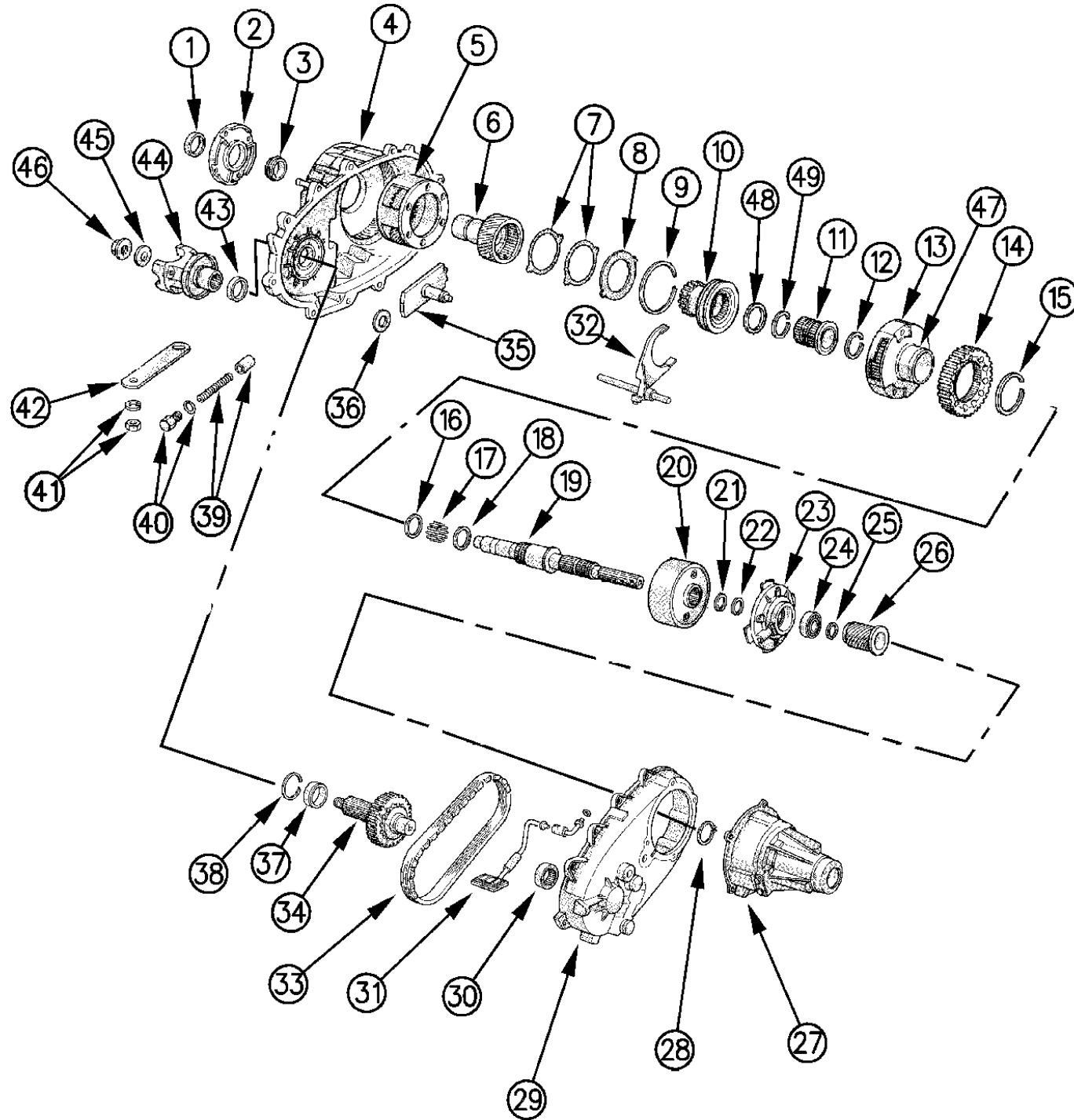
BODY STYLES:

MJ=Comanche Pickup ZJ=Grand Cherokee/Grand Wagoneer KDX VEHICLES
 SJ=Grand Wagoneer M1=Comanche
 XJ=Cherokee, Briarwood Y1=Cherokee, Briarwood
 YJ=Wrangler Y1=Wrangler

AR = Use as Required - = Non Illustrated Part P.A.R. = Paint as Required

TRANSFER CASE - MODEL NPG 249 ZJ - GRAND CHEROKEE
Figure 21M-1910

91J21 1910B



ITEM	PART NUMBER	QTY	BODY	MODEL	DESCRIPTION
25	4446 478	1			RING, Bearing Retainer
26	4638 900	1			GEAR, Speedometer Drive
27	4728 161	1			EXTENSION
	4638 902	1			BUSHING, Extension
	4638 903	1			STOP, Rear Output Yoke
	4638 904	1			SEAL, Rear Output Yoke
	2466 957	1			COVER, Transfer Output Shaft Bearing
	2801 398	1			GASKET, Transfer Output Shaft Bearing Cover
	4210 614	2			BOLT
	4210 616	1			PLUG, Transfer Case Rear Half
	4210 617	8			SCREW, Transfer Case Flange
	6501 371	4			BOLT, Retainer
28	4638 905	1			RING, Rear Output Yoke Retaining
29	4638 892	1			CASE, Transfer Case, Rear
30	4269 189	1			BEARING, Front Output Shaft, Rear
31	4338 943	1			SCREEN, Transfer Case
	4338 942	1			SEAL, Transfer Case Oil Tube
	4338 944	1			CONNECTOR, Transfer Case Tube
	4638 893	1			TUBE, Transfer Case Oil
	4728 160	1			TUBE, Transfer Case Oil
	4638 898	1			CONNECTOR, Oil Tube
32	8350 3508	1			FORK, Shift
	1664 355	1			PIN, Shift Fork to Rail Roll
	4167 969	2			PAD, Transfer Case Shift Fork
	4167 970	1			PAD, Transfer Case Shift Fork, Center
	8350 4469	1			RAIL, Shift Fork
33	4728 159	1			CHAIN
34	4728 158	1			SHAFT, Front Output
35	4638 889	1			SECTOR
	4167 963	1			SEAL, O-Ring
	4167 964	1			RETAINER
36	3681 601	1			MAGNET
37	2466 224	1			BEARING, Output Shaft
38	0631 809	1			RING, Retaining
39	5300 8217	1			PLUNGER, Poppet
	4638 497	1			SPRING, Poppet
40	5300 8216	1			SCREW, Poppet
	4338 956	1			SEAL
41	0152 345	1			NUT, Shift Lever
42	4638 906	1			LEVER, Transfer Case
	5300 4810	1			BUSHING, Gear Select Rod

MODEL CODES:

61=Pickup-6 Ft Box 74=4 Door Wagon T=2WD
 62=Pickup-7 Ft Box 77=Open Body 93" Wheelbase J,N,U=4WD
 72=2 Door Wagon 78=Open Body 103" Wheelbase

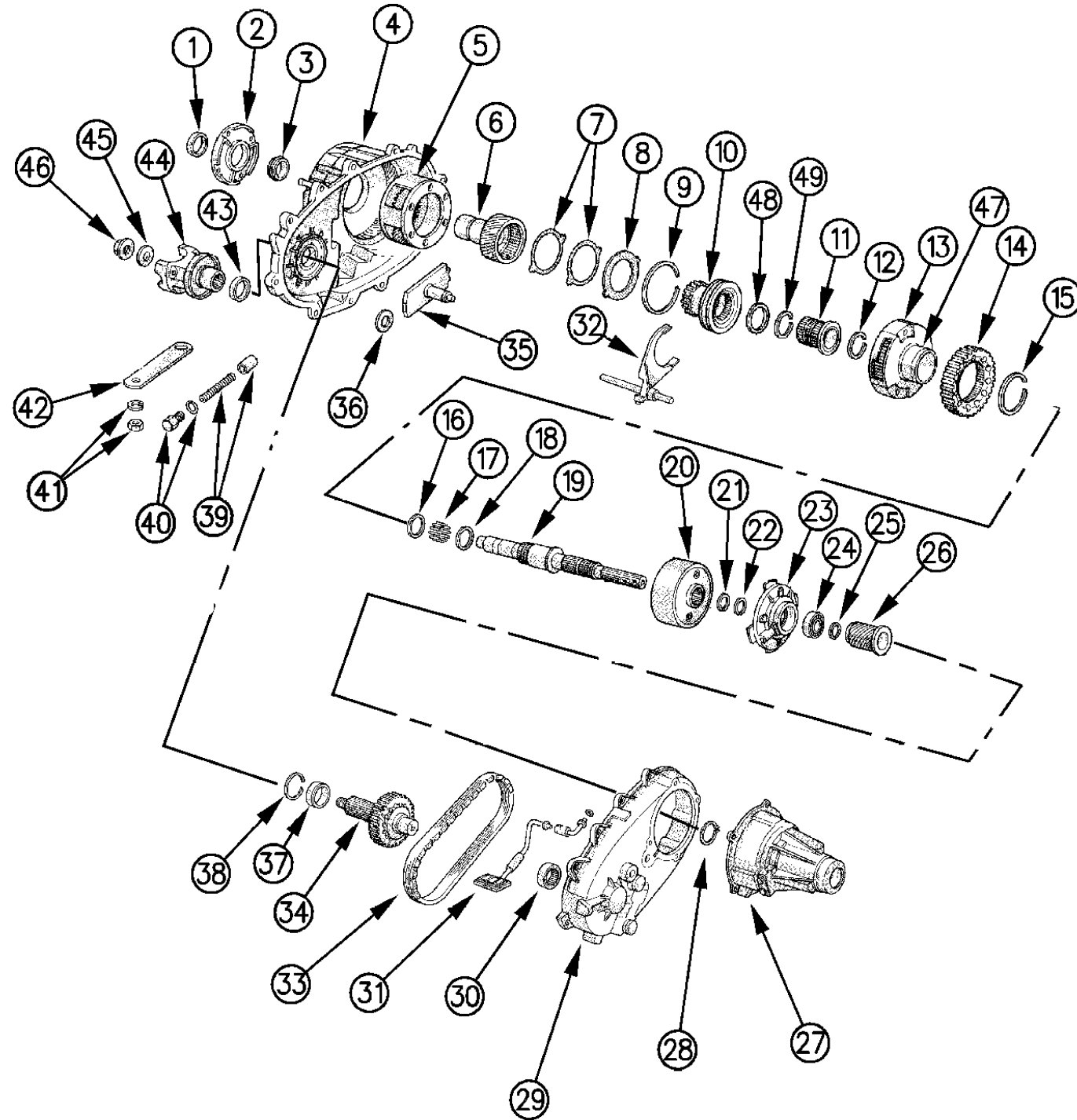
BODY STYLES:

MJ=Comanche Pickup ZJ=Grand Cherokee/Grand Wagoneer KDX VEHICLES
 SJ=Grand Wagoneer M1=Comanche
 XJ=Cherokee, Briarwood X1=Cherokee, Briarwood
 YJ=Wrangler Y1=Wrangler

AR = Use as Required - = Non Illustrated Part P.A.R. = Paint as Required

TRANSFER CASE - MODEL NPG 249 ZJ - GRAND CHEROKEE
Figure 21M-1910

91J21 1910B



ITEM	PART NUMBER	QTY	BODY	MODEL	DESCRIPTION
	2463 163	1			WASHER, Flat
43	4762 899	1			SEAL, Front Output Oil
44	0013 776	1			YOKE, Transfer Case
	4210 611	1			GUARD, Transfer Case Flange
45	4210 973	1			WASHER or SEAL, Transfer Case Yoke (Rubber) ***
46	4167 924	1			NUT, Transfer Case Yoke
47	4728 156	1			GEAR, Sprocket Carrier
48	8350 3539	1			RING, Thrust
49	8350 3540	1			RING, Retaining

MODEL CODES:

61=Pickup-6 Ft Box 74=4 Door Wagon T=2WD
 62=Pickup-7 Ft Box 77=Open Body 93" Wheelbase J,N,U=4WD
 72=2 Door Wagon 78=Open Body 103" Wheelbase

BODY STYLES:

MJ=Comanche Pickup ZJ=Grand Cherokee/Grand Wagoneer KDX VEHICLES
 SJ=Grand Wagoneer M1=Comanche
 XJ=Cherokee, Briarwood X1=Cherokee, Briarwood
 YJ=Wrangler Y1=Wrangler

AR = Use as Required - = Non Illustrated Part P.A.R. = Paint as Required

CONTROLS, SHIFT N.P.G. MODEL 231 WRANGLER, YJ
Figure 21M-2000

91J21 2000A

ITEM	PART NUMBER	QTY	BODY	MODEL	DESCRIPTION
1	5300 4376	1			INSERT, Shift Lever
2	J324 1062	1			KNOB, Shift
3	J400 6495	1			NUT
4	5300 3031	1			LEVER, Transfer Case Shift
5	J324 1239	1			CLIP
6	J324 1481	1			ISOLATOR, Shift Lever ***
7	5300 3029	1			LEVER
8	5300 3030	1			SPRING
9	5300 4157	1			PIN, Transfer Case Shift Pivot Upper
10	5300 3033	2			BUSHING, Lever
11	1150 5398	1			CLIP
12	5300 3038	1			BOLT, Lever Pivot
13	5300 3035	2			BUSHING
14	5300 2028	1			LEVER
15	3575 333	2			GROMMET
16	J400 6036	1			BOLT
17					ROD, Shift
18	5300 4338	1			2.5L Four Cylinder Engine, With Manual Transmission
	5300 4405	1			4.0L Six Cylinder Engine, With Manual Transmission
	5300 4407	1			4.0L Six Cylinder Engine, With Automatic Transmission
18					BRACKET & BRACE ASSEMBLY, Transfer Case Shift Lever Mounting. ***
	5300 4278	1			2.5L Four Cylinder Engine
	5300 5371	1			4.0L Six Cylinder Engine, With Manual Transmission
	5207 7656	1			1992-93
	5300 4280	1			4.0L Six Cylinder Engine, With Automatic Transmission
19	J400 6681	2			NUT
20	5300 4511	1			BOOT, Outer, With Automatic Transmission
21	5300 5553	1			BOOT, Inner, With Automatic Transmission
22	J545 9095	1			CLIP
23	J400 6444	AR			SCREW, (.62")
24	5300 4539	1			BOOT ASSEMBLY, Outer, With Manual Transmission
25	5300 5554	1			BOOT, Inner With Manual Transmission
26	J812 0054	1			SCREW
27	1150 2693	1			BOLT
28	5300 7920	1			HARNES, Vacuum ***
29	6015 756	1			STRAP
30	J536 4511	1			VALVE, Vacuum
31	5300 1102	1			SWITCH ASSEMBLY, 4WD Indicator Lamp
32	J400 6651	2			SCREW
33	J400 6633	AR			SCREW, (10-16x1)

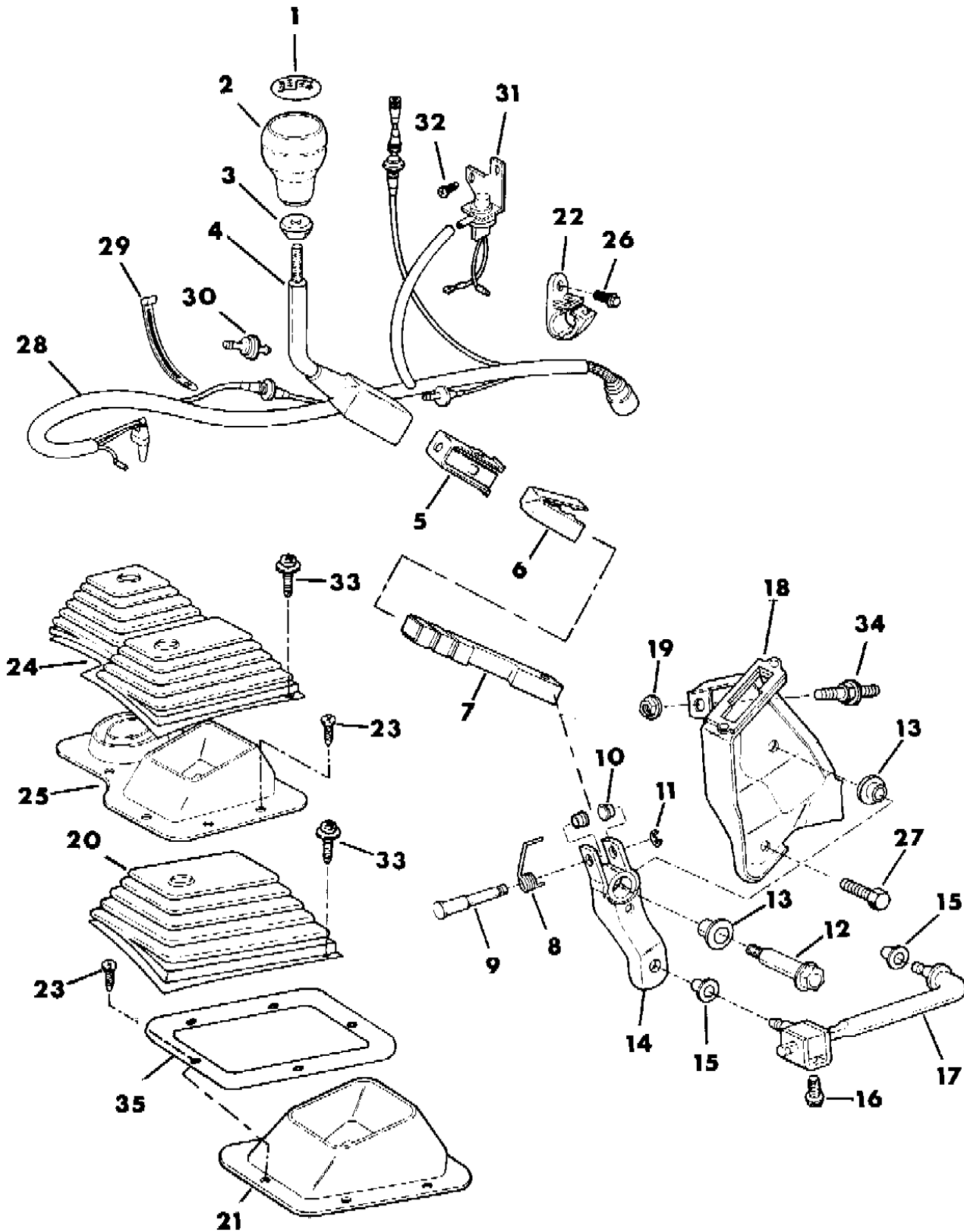
MODEL CODES:

61=Pickup-6 Ft Box 74=4 Door Wagon T=2WD
62=Pickup-7 Ft Box 77=Open Body 93" Wheelbase J,N,U=4WD
72=2 Door Wagon 78=Open Body 103" Wheelbase

BODY STYLES:

MJ=Comanche Pickup ZJ=Grand Cherokee/Grand Wagoneer KDX VEHICLES
SJ=Grand Wagoneer M1=Comanche
XJ=Cherokee, Briarwood X1=Cherokee, Briarwood
YJ=Wrangler Y1=Wrangler

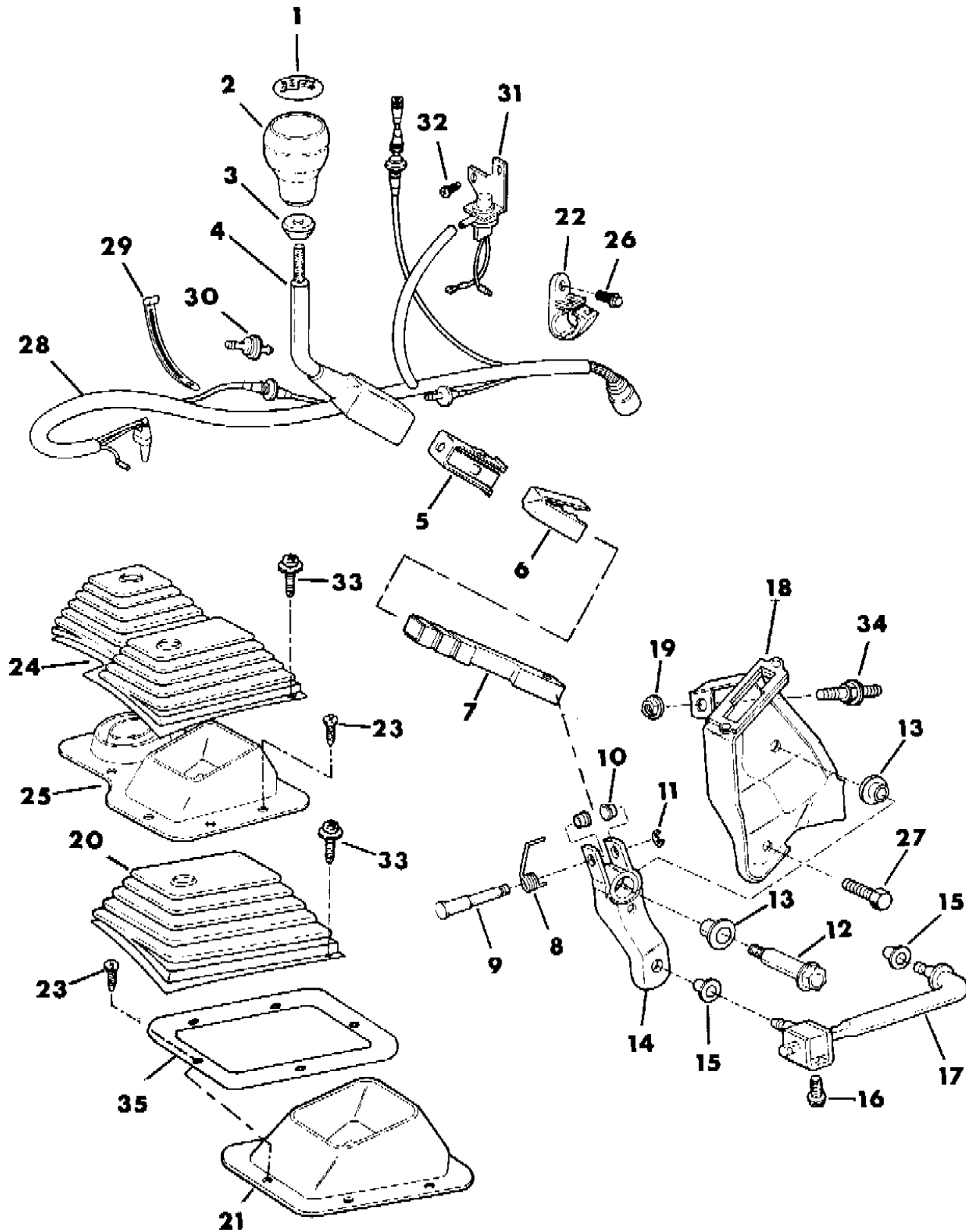
AR = Use as Required - = Non Illustrated Part P.A.R. = Paint as Required



CONTROLS, SHIFT N.P.G. MODEL 231 WRANGLER, YJ
Figure 21M-2000

91J21 2000A

ITEM	PART NUMBER	QTY	BODY	MODEL	DESCRIPTION
34	6033 157	2			STUD
35	5300 4295	1			RETAINER, Transfer Case Shift Lever Boot, With Automatic Transmission



MODEL CODES:

61=Pickup-6 Ft Box 74=4 Door Wagon T=2WD
62=Pickup-7 Ft Box 77=Open Body 93" Wheelbase J,N,U=4WD
72=2 Door Wagon 78=Open Body 103" Wheelbase

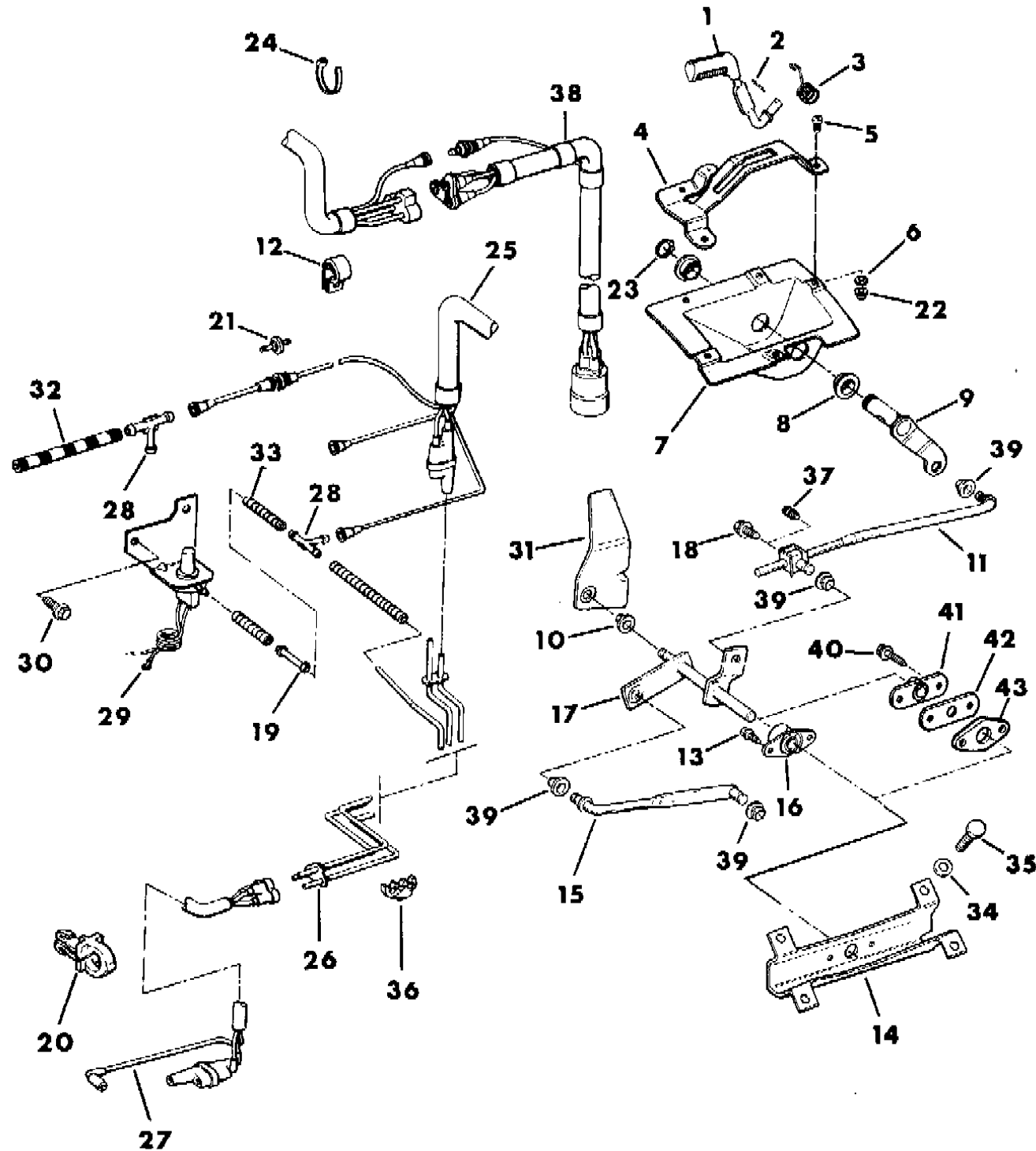
BODY STYLES:

MJ=Comanche Pickup ZJ=Grand Cherokee/Grand Wagoneer KDX VEHICLES
SJ=Grand Wagoneer M1=Comanche
XJ=Cherokee, Briarwood X1=Cherokee, Briarwood
YJ=Wrangler Y1=Wrangler

AR = Use as Required - = Non Illustrated Part P.A.R. = Paint as Required

CONTROLS, SHIFT N.P.G. MODEL 231 CHEROKEE, BRIARWOOD, COMANCHE
Figure 21M-2100

91J21 2100



ITEM	PART NUMBER	QTY	BODY	MODEL	DESCRIPTION
1	5300 3354	1			HANDLE, Transfer Case Shift
2	J400 6723	1			PIN, Locking
3	5300 0809	1			SPRING
4	5207 7650	1			RHD
	5300 4715	1			GATE
	5207 7649	1			KDX, RHD
5	3420 1277	5			SCREW
6	6100 839	2			RETAINER, Push Nut
7	5300 1284	1			HOUSING, Shift
8	5300 0639	2			BUSHING
9	5300 5150	1			LEVER
10	5300 4810	2			BUSHING
11					ROD, Shift
	5300 4863	1			2.5L Four Cylinder Engine
	5300 4863	1			4.0L Six Cylinder Engine, With Automatic Transmission
	5300 5552	1			4.0L Six Cylinder Engine, With Manual Transmission
	5300 4957	1			2.1L Diesel
12	J012 5928	1			CLIP, Retaining
13	1150 2453	2			BOLT
14	5300 4956	1			BRACKET
15					ROD, Shift
	5300 4941	1			2.5L Four Cylinder Engine, With Manual Transmission
	5300 5448	1			4.0L Six Cylinder Engine, With Five Speed Transmission
	5300 4942	1			4.0L Six Cylinder Engine, With Automatic Transmission
	5300 4945	1			2.1L Diesel
16	5300 3355	1			BEARING, Shaft to Bracket
17					SHAFT ASSY ***
	5300 5151	1			Except Six Cylinder Engine, With Manual Transmission
	5300 5445	1			With Six Cylinder Engine, With Manual Transmission
18	J400 6036	1			BOLT
19	J322 0180	1			CONNECTOR
20	3420 1633	3			CLIP
21	J536 4511	1			VALVE, Vacuum
22	3420 1578	5			RIVNUT, (M5x.8) ***
23	1150 5389	1			RING, Retaining
24	J369 3058	4			STRAP
25					HARNESS, Vacuum ***
	5300 3974	1			Except Four Cylinder Engine, EUROPE, MIDEAST, KDX
	5300 1100	1			With Four Cylinder Engine, EUROPE, MIDEAST, KDX
26	5300 1412	1			TUBE ASSEMBLY, Vacuum ***
27					HARNESS, Vacuum ***

MODEL CODES:

61=Pickup-6 Ft Box 74=4 Door Wagon T=2WD
 62=Pickup-7 Ft Box 77=Open Body 93" Wheelbase J,N,U=4WD
 72=2 Door Wagon 78=Open Body 103" Wheelbase

BODY STYLES:

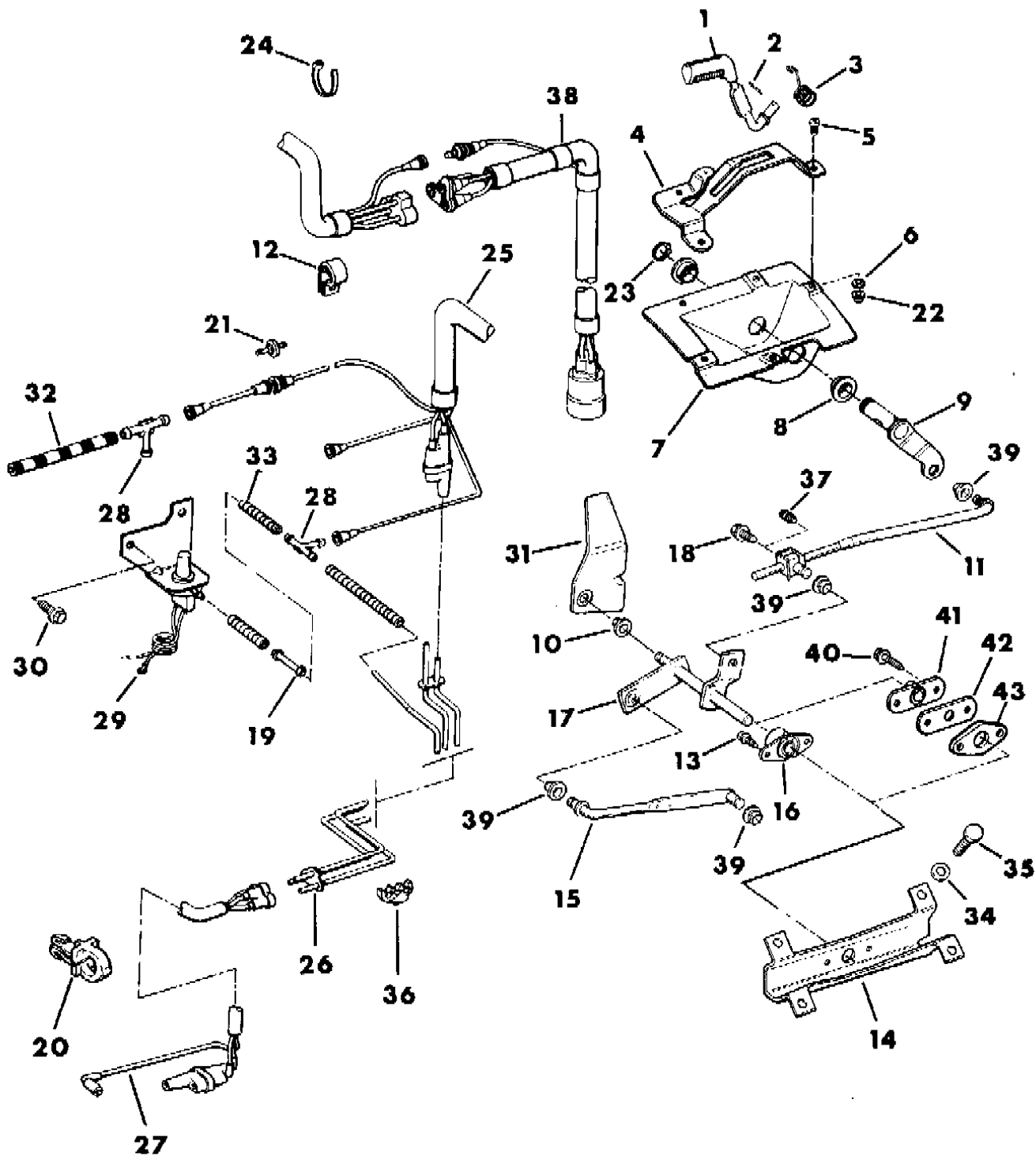
MJ=Comanche Pickup ZJ=Grand Cherokee/Grand Wagoneer KDX VEHICLES
 SJ=Grand Wagoneer M1=Comanche
 XJ=Cherokee, Briarwood Y1=Wrangler
 YJ=Wrangler

AR = Use as Required - = Non Illustrated Part P.A.R. = Paint as Required

CONTROLS, SHIFT N.P.G. MODEL 231 CHEROKEE, BRIARWOOD, COMANCHE

Figure 21M-2100

91J21 2100



ITEM	PART NUMBER	QTY	BODY	MODEL	DESCRIPTION
	5300 1408	1			Up to 2-19-91
	5300 7037	1			After 2-19-91 (With Electrical connection)
28	J323 2982	2			TEE
29	5300 1102	1			SWITCH ASSY, 4WD Indicator Lamp
30	3420 1895	2			SCREW, Switch
31					BRACKET, Transfer Case Torque Shaft Pivot
	5300 4917	1			2.5L Four Cylinder Engine, With Manual Transmission
	5300 5071	1			4.0L Six Cylinder Engine, With Automatic Transmission
	5207 7574	1			KDX 1992
	5300 5457	1			4.0L Six Cylinder Engine, With Manual Transmission
	5300 5368	1			KDX
	5300 4917	1			2.1L Diesel
32	8330 0080	AR			HOSE, Vacuum Bulk
33	J812 5812	AR			HOSE, Vacuum Bulk
34	J044 6188	4			WASHER
35	3420 2407	4			BOLT
36	5300 1242	2			CLIP, Retaining
37	J400 7498	1			SCREW, Set
38					HARNESS, Vacuum ***
	5300 4804	1			Except Four Cylinder Engine, EUROPE, MIDEAST, KDX
	5300 1100	1			With Four Cylinder Engine, EUROPE, MIDEAST, KDX
39	3575 333	3			GROMMET
40	3420 1691	2			SCREW, (1/4-14x.75")
41	5300 5094	1			BEARING
42	5300 5154	1			GASKET
43	5300 5037	1			SPACER

MODEL CODES:

61=Pickup-6 Ft Box 74=4 Door Wagon T=2WD
 62=Pickup-7 Ft Box 77=Open Body 93" Wheelbase J,N,U=4WD
 72=2 Door Wagon 78=Open Body 103" Wheelbase

BODY STYLES:

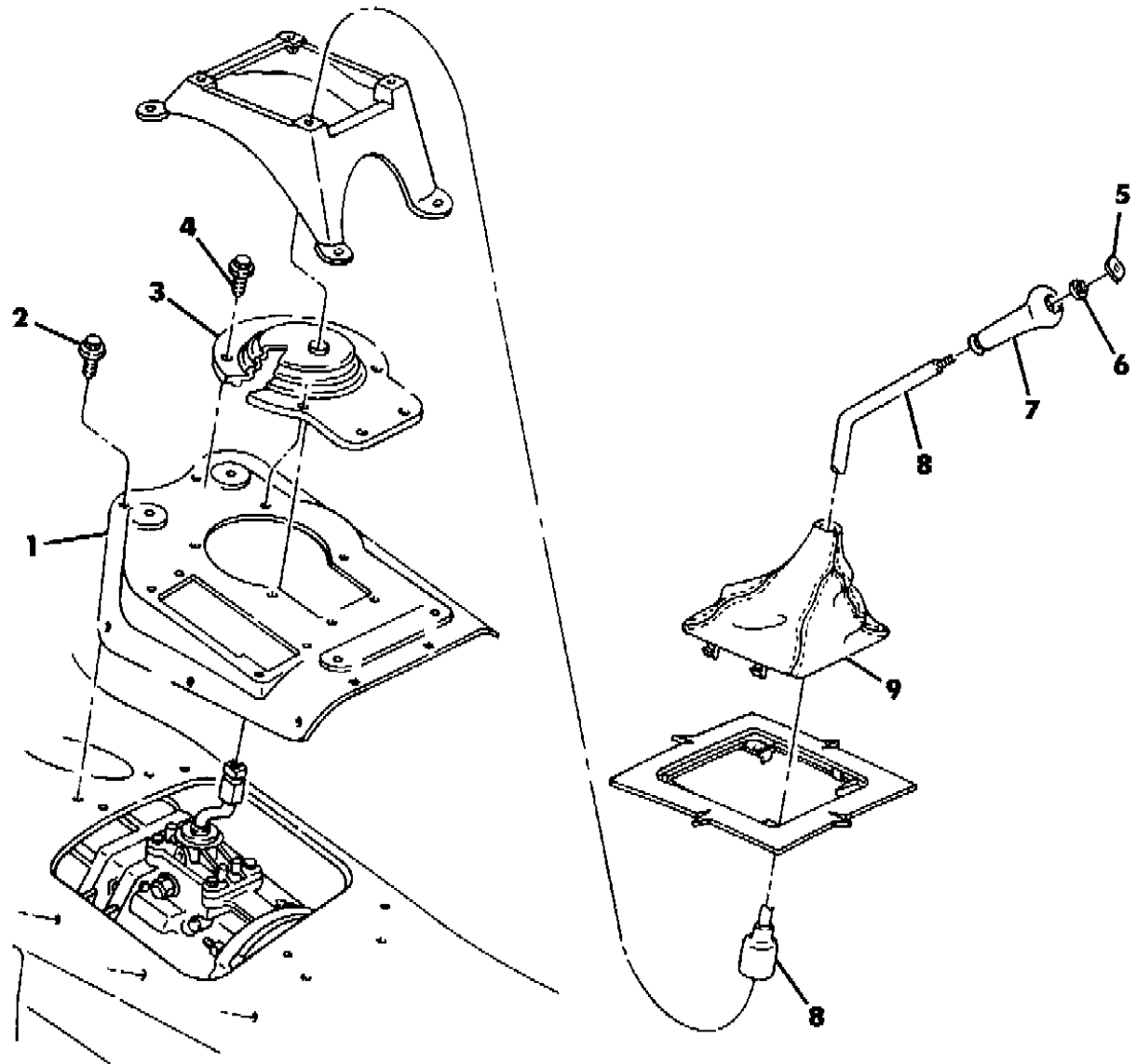
MJ=Comanche Pickup ZJ=Grand Cherokee/Grand Wagoneer KDX VEHICLES
 SJ=Grand Wagoneer M1=Comanche
 XJ=Cherokee, Briarwood X1=Cherokee, Briarwood
 YJ=Wrangler Y1=Wrangler

AR = Use as Required - = Non Illustrated Part P.A.R. = Paint as Required

GEAR SHIFT CONTROLS - FLOOR SHIFT ZJ - GRAND CHEROKEE
Figure 21M-2110

91J21 2110

ITEM	PART NUMBER	QTY	BODY	MODEL	DESCRIPTION
1	5523 4591	1			COVER, Trans.
2					SCREW
3	5300 7069	1			BOOT, MAnnual Trans., Lower
4	1150 2843	6			SCREW
5	5207 7533	1			INSERT, Shift Pattern
6	6501 635	1			NUT, Shift Knob Attaching
7	5300 7073	1			KNOB, Gearshift Lever
8	5207 8411	1			LEVER, Straight Stub Shift
9	5300 7070	1			BOOT, Shift Lever, Outer



MODEL CODES:

61=Pickup-6 Ft Box 74=4 Door Wagon T=2WD
 62=Pickup-7 Ft Box 77=Open Body 93" Wheelbase J,N,U=4WD
 72=2 Door Wagon 78=Open Body 103" Wheelbase

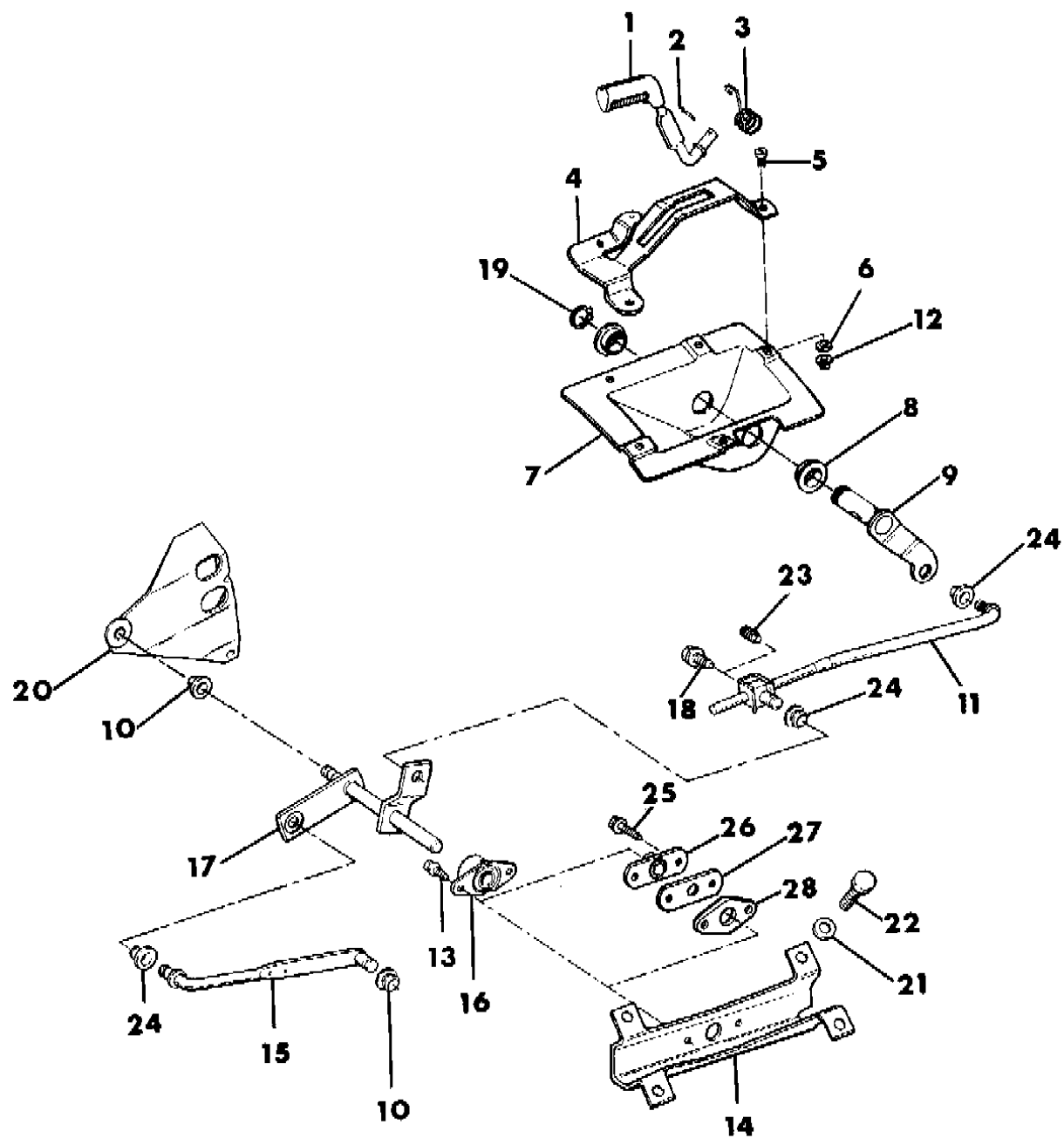
BODY STYLES:

MJ=Comanche Pickup ZJ=Grand Cherokee/Grand Wagoneer KDX VEHICLES
 SJ=Grand Wagoneer M1=Comanche
 XJ=Cherokee, Briarwood X1=Cherokee, Briarwood
 YJ=Wrangler Y1=Wrangler

AR = Use as Required - = Non Illustrated Part P.A.R. = Paint as Required

CONTROLS, SHIFT N.P.G. MODEL 242 TRANSFER CASE CHEROKEE, BRIARWOOD, COMANCHE
Figure 21M-2200

91J21 2200



ITEM	PART NUMBER	QTY	BODY	MODEL	DESCRIPTION
1	5300 3354	1			HANDLE, Transfer Case Shift
2	J400 6723	1			PIN, Locking
3	5300 0809	1			SPRING
4	5207 7650	1			RHD
4	5300 3475	1			GATE, Mode Selector ***
	5300 3475	1			RHD
5	3420 1277	5			SCREW
6	6100 839	2			RETAINER
7	5300 1284	1			HOUSING, Shift
8	5300 0639	2			BUSHING
9	5300 5150	1			LEVER AND PIN ASSEMBLY, Shift ***
10	5300 4810	2			BUSHING
11	5300 4863	1			ROD ASSEMBLY, Gear Selector with Clamp & Trunion ***
12	3420 1578	5			NUTSERT ***
13	3420 1895	2			BOLT
14	5300 4956	1			BRACKET
15	5300 4943	1			ROD, Torque Shift to Shift Lever
16	5300 3355	1			BEARING
17	5300 5151	1			SHAFT ASSEMBLY, Shift Linkage ***
18	J400 6036	1			BOLT
19	1150 5389	1			RING, Retaining
20	5300 5071	1			BRACKET ASSEMBLY, Torque Shift Pivot
21	J044 6188	4			WASHER
22	3420 2407	4			BOLT
23	J400 7498	1			SCREW, Set
24	3575 333	3			GROMMET
25	3420 1691	2			BOLT
26	5300 5094	1			BEARING ASSEMBLY, Side Flange Mounting ***
27	5300 5154	1			GASKET
28	5300 5037	1			BUSHING, Bearing Spacer

MODEL CODES:

61=Pickup-6 Ft Box 74=4 Door Wagon T=2WD
 62=Pickup-7 Ft Box 77=Open Body 93" Wheelbase J,N,U=4WD
 72=2 Door Wagon 78=Open Body 103" Wheelbase

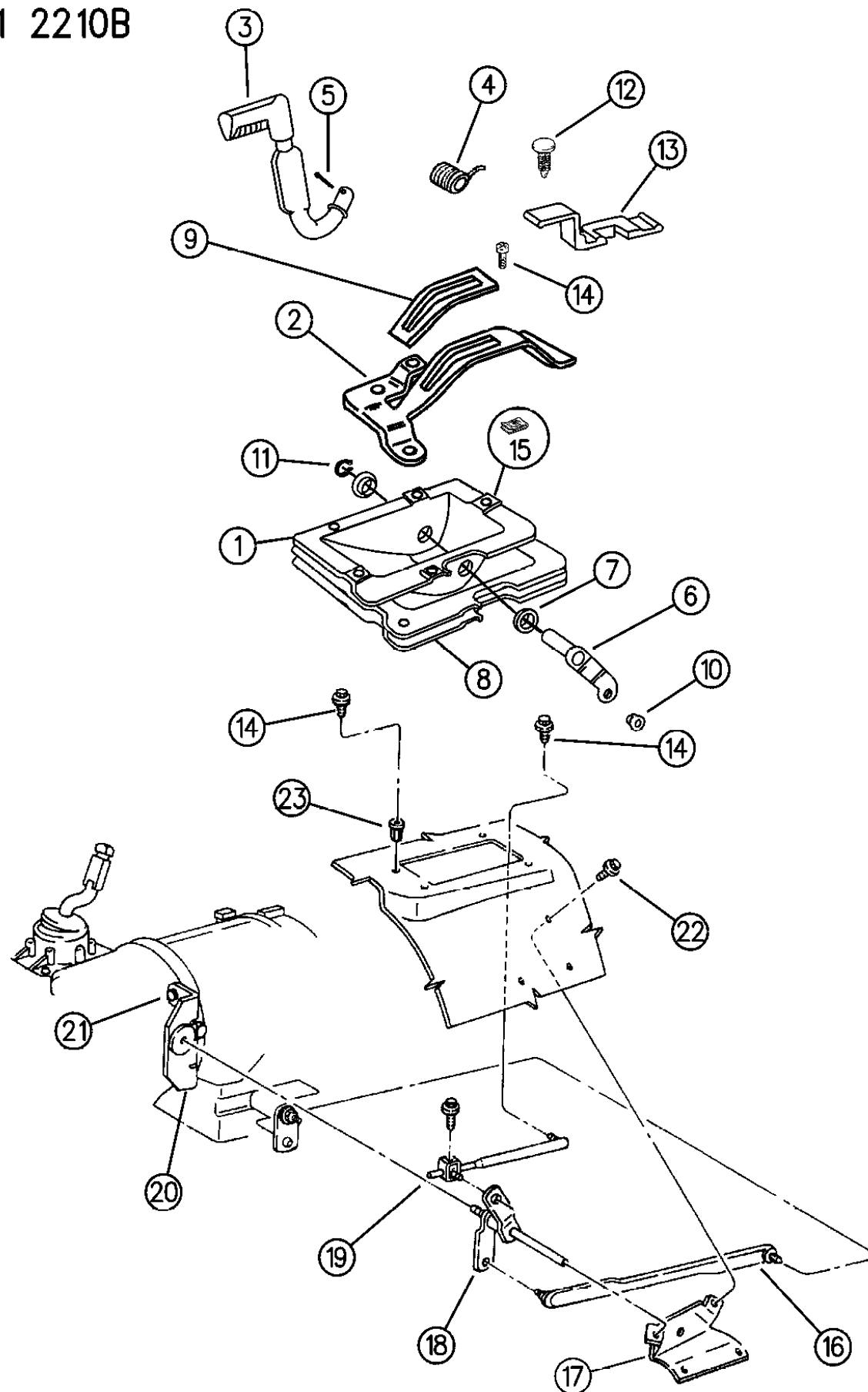
BODY STYLES:

MJ=Comanche Pickup ZJ=Grand Cherokee/Grand Wagoneer KDX VEHICLES
 SJ=Grand Wagoneer M1=Comanche
 XJ=Cherokee, Briarwood X1=Cherokee, Briarwood
 YJ=Wrangler Y1=Wrangler

AR = Use as Required - = Non Illustrated Part P.A.R. = Paint as Required

GEAR SHIFT CONTROLS - TRANSFER CASE ZJ - GRAND CHEROKEE
Figure 21M-2210

91J21 2210B



ITEM	PART NUMBER	QTY	BODY	MODEL	DESCRIPTION
1	5207 7519	1			HOUSING
2					GATE ***
	5207 7521	1			w/231 Transfer Case
	5207 7522	1			w/242
	5207 7523	1			w/249 Transfer Case
3	5207 7526	1			LEVER and HANDLE ***
4	5207 7527	1			SPRING
5	J400 6723	1			PIN, Transfer Case
6	5207 7528	1			PIN and LEVER ***
7	5300 0639	2			BUSHING
8	5207 8059	1			GASKET
9					LINER
					w/231
	5207 7668	1			1992
	5207 8506	1			1993
	5207 7670	1			w/249
10	J323 8418	1			SCREW, w/WASHER
11	1150 5389	1			RING, Retaining
12	5207 7671	1			FASTENER, Push
13					GAGE,(DNS) ***
14	3420 1277	AR			SCREW
15	1150 4118	1			RETAINER
16					ROD, Transfer Case Shift Lever
	5207 7515	1			w/ 5 Speed Manual Trans., w/ 231 Transfer Case 1992
	5207 7514	1			w/ 4 Speed Auto. Trans., w/ 231 Transfer Case 1992
	5207 7516	1			w/ 4 Speed Auto. Trans., w/ 242 or 249 Transfer Case 1992
	5207 8115	1			w/4 Speed Automatic Transmission A500 Electric Shift, w/231 or 242 Transfer Case 1993
	5207 8116	1			w/4 Speed Automatic Transmission A 500 Electric Shift, w/ 249 Transfer Case 1993
	5207 8117	1			w/ 5 Speed Manual Trans., w/ 231 Transfer case 1993
	5207 8119	1			w/ 4 Speed Automatic Transmission A518, w/ 249 Transfer Case 1993
	5207 8345	1			w/4 Speed Aisin Warner Automatic Transmission , w/231 or 232 Transfer Case 1993
	5207 8346	1			w/ 4 Speed Aisin Warner Automatic Transmission, w/249 Transfer Case 1993
17	5207 8022	1			BRACKET
18					SHAFT, Transfer Case Shaft
	5207 7503	1			w/ 5 Speed Manual Trans. 1992
	5207 8103	1			1993

MODEL CODES:

61=Pickup-6 Ft Box 74=4 Door Wagon T=2WD
 62=Pickup-7 Ft Box 77=Open Body 93" Wheelbase J,N,U=4WD
 72=2 Door Wagon 78=Open Body 103" Wheelbase

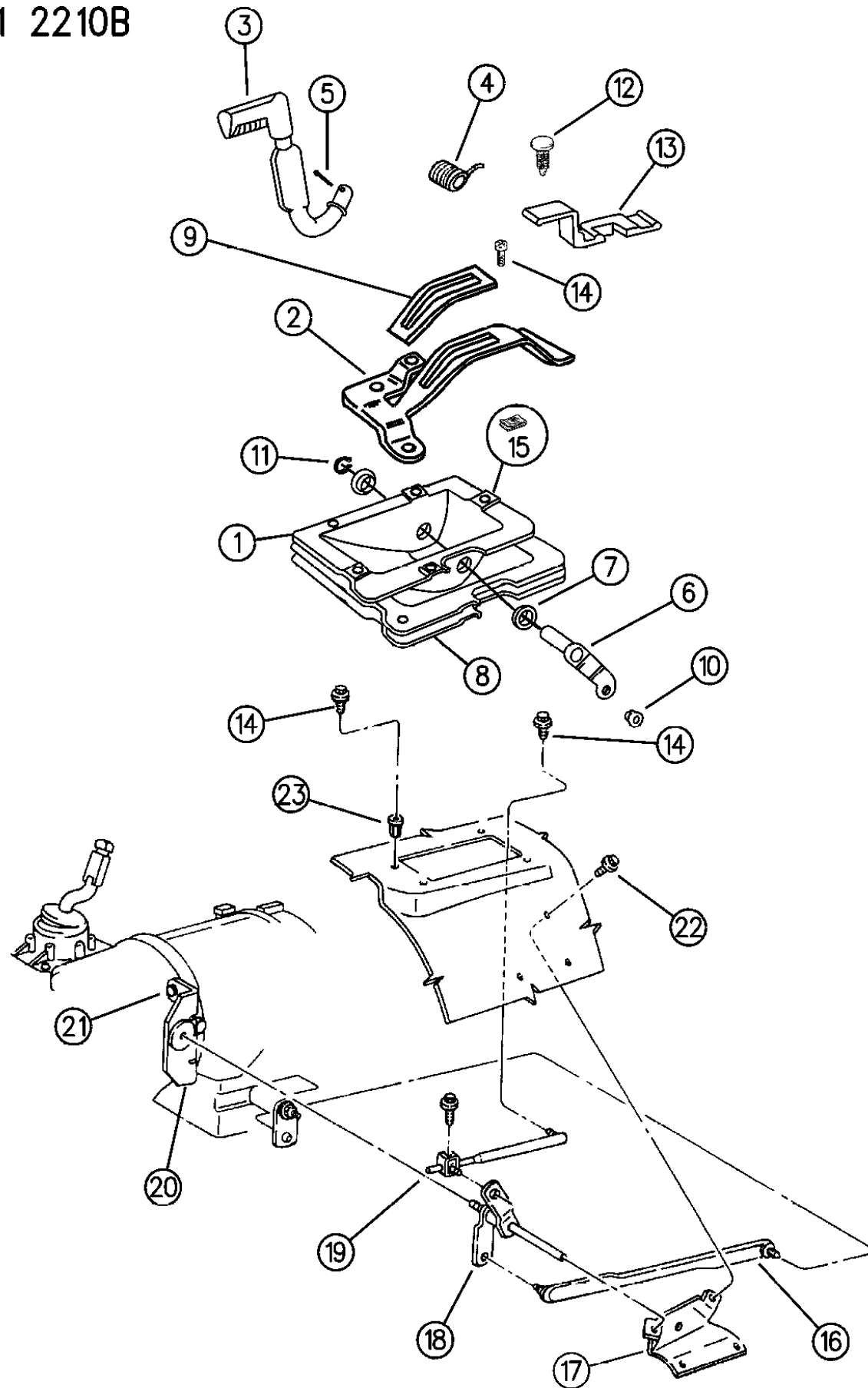
BODY STYLES:

MJ=Comanche Pickup ZJ=Grand Cherokee/Grand Wagoneer KDX VEHICLES
 SJ=Grand Wagoneer M1=Comanche
 XJ=Cherokee, Briarwood Y1=Cherokee, Briarwood
 YJ=Wrangler Y1=Wrangler

AR = Use as Required - = Non Illustrated Part P.A.R. = Paint as Required

GEAR SHIFT CONTROLS - TRANSFER CASE ZJ - GRAND CHEROKEE
Figure 21M-2210

91J21 2210B



ITEM	PART NUMBER	QTY	BODY	MODEL	DESCRIPTION
	5207 8025	1			w/ 4 Speed Auto. Trans. 1992
	5207 8400	1			1993
19	5300 4863	1			ROD, Gear Selector
20					BRACKET, Shift Lever
	5207 7507	1			w/ Manual Trans.
	5207 7509	1			w/ Auto Trans. 1992-93
21	J400 6681	1			Nut, w/ WASHER ***
22	3420 2407	4			SCREW
23	3420 2050	4			RIVET-NUT ***

MODEL CODES:

61=Pickup-6 Ft Box 74=4 Door Wagon T=2WD
 62=Pickup-7 Ft Box 77=Open Body 93" Wheelbase J,N,U=4WD
 72=2 Door Wagon 78=Open Body 103" Wheelbase

BODY STYLES:

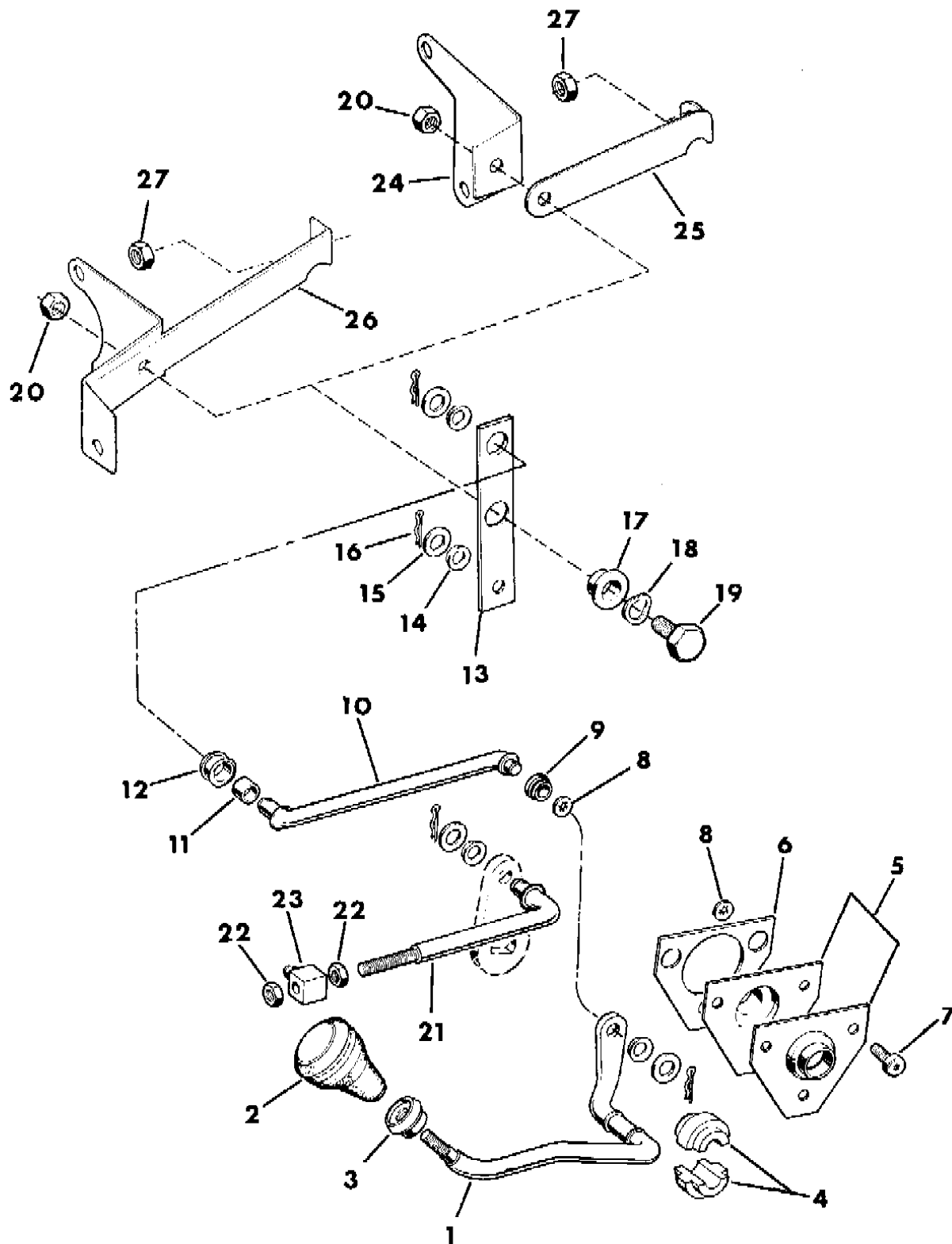
MJ=Comanche Pickup ZJ=Grand Cherokee/Grand Wagoneer KDX VEHICLES
 SJ=Grand Wagoneer M1=Comanche
 XJ=Cherokee, Briarwood X1=Cherokee, Briarwood
 YJ=Wrangler Y1=Wrangler

AR = Use as Required - = Non Illustrated Part P.A.R. = Paint as Required

CONTROLS, TRANSFER CASE SHIFT N.P.G. MODEL 229 WITH AUTOMATIC TRANSMISSION GRAND WAGONEER
Figure 21M-2300

91J21 2300 A

ITEM	PART NUMBER	QTY	BODY	MODEL	DESCRIPTION
1	J536 0102	1			LEVER, Transfer Case Shift
2	J536 3530	1			KNOB, Shift
3	J400 6495	1			NUT
4	J400 6487	2			BUSHING
5	J536 0114	2			COVER, Retainer Bearing, Floor Shift Rod
6	J536 0134	1			GASKET, Retainer Bearing, Floor Shift Rod
7	J400 5765	1			SCREW, (1/4-20x.625)
8	J400 5041	1			NUT, Push-on, (1/4-.078x.50)
9	3575 333	1			GROMMET
10	5300 4307	1			ROD, Shift
11	J318 7696	1			BUSHING
12	J318 7697	1			GROMMET
13	J536 3526	1			LEVER
14	J081 5535	3			WASHER, Wave
15	J094 3961	3			WASHER, Plain
16	J400 4295	3			PIN, Hitch
17	J400 6488	1			BUSHING
18	J400 6483	2			WASHER, Wave, (.59x.87x.10)
19	J400 6482	1			BOLT
20	J941 3534	1			NUT
21	J536 3528	1			ROD, Shift
22	J012 4824	2			NUT, Jam
23	J536 0930	1			SWIVEL, Lower Rod
24	J536 0052	1			BRACKET
25	J536 0072	1			BRACKET
26	J536 3522	1			BRACKET
27	J420 0081	1			NUT, (M10-1.5x13mm)



MODEL CODES:

61=Pickup-6 Ft Box 74=4 Door Wagon T=2WD
 62=Pickup-7 Ft Box 77=Open Body 93" Wheelbase J,N,U=4WD
 72=2 Door Wagon 78=Open Body 103" Wheelbase

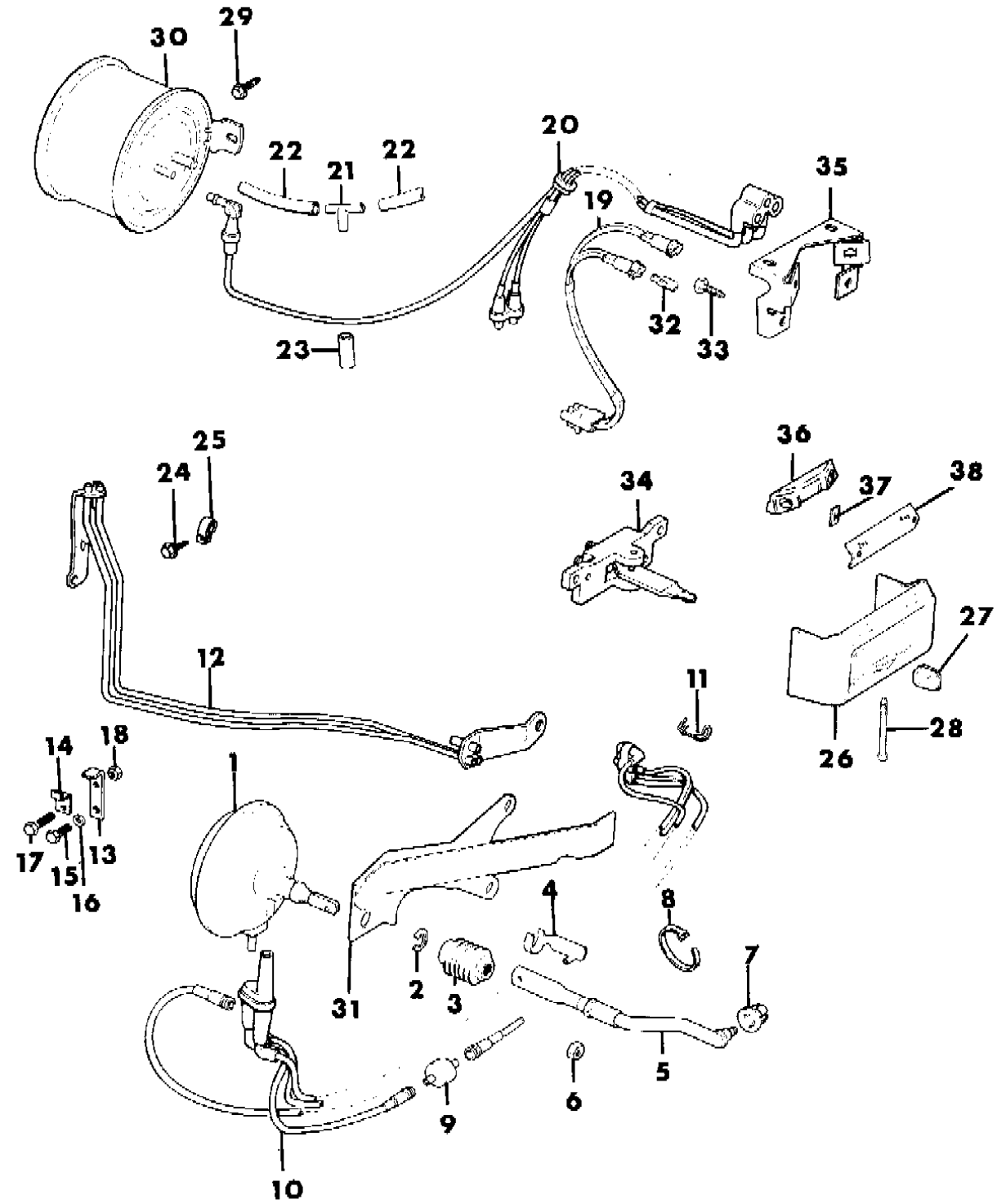
BODY STYLES:

MJ=Comanche Pickup ZJ=Grand Cherokee/Grand Wagoneer KDX VEHICLES
 SJ=Grand Wagoneer M1=Comanche
 XJ=Cherokee, Briarwood X1=Cherokee, Briarwood
 YJ=Wrangler Y1=Wrangler

AR = Use as Required - = Non Illustrated Part P.A.R. = Paint as Required

CONTROLS SWITCH, TRANSFER CASE VACUUM N.P.G. MODEL 229 GRAND WAGONEER
Figure 21M-2400

91J21 2400



ITEM	PART NUMBER	QTY	BODY	MODEL	DESCRIPTION
1	5300 4596	1			MOTOR, Vacuum
2	J400 6924	1			E-RING, Boot
3	J324 0126	1			BOOT, Shift Rod
4	J324 1415	1			CLIP
5	J536 3985	1			ROD ASSEMBLY, Adjusting ***
6	J012 4824	1			NUT
7	3575 333	1			GROMMET, Adjusting Rod
8	6015 756	3			STRAP, Vacuum Lines
9	J536 4511	1			VALVE, Vacuum Check
10	J536 5166	1			HARNESS, Vacuum Motor to Vacuum Tubes ***
11	J098 7269	1			RETAINER, Vacuum Harness
12	J536 5165	1			TUBE ASSEMBLY, Vacuum Disconnect ***
13	J536 4338	1			BRACKET, Vacuum Motor
14	J536 4175	1			CLIP
15	J400 6110	1			BOLT
16	J012 0388	1			WASHER
17	S018 0017	1			BOLT
18	J027 1172	1			NUT
19	J576 1733	1			WIRE, Front Axle Disconect Switch
20	5300 5194	1			HARNESS, Vacuum 2WD - 4WD ***
21	J323 9827	1			TEE, Vacuum Connector, (1/4x1/4x3/16)
22	8330 0080	AR			HOSE, Vacuum Bulk
23	J812 5995	AR			HOSE, Vacuum Bulk
24	J400 5600	1			SCREW
25	J014 0786	1			CLIP
26	5501 9846	1			BEZEL, Paint as Required
27	J324 1055	1			KNOB, Select Drive Switch
28	J400 7052	2			SCREW
29	J942 6241	2			SCREW
30	J323 2991	1			TANK, Vacuum
31	J536 3522	1			BRACKET AND STRAP ASSEMBLY, Motor ***
32	J320 9541	1			BULB
33	J400 5932	2			SCREW
34	5300 5279	1			SWITCH, Select Drive Lockout
35	J576 1732	1			BRACKET, Axle Disconnect Switch
36	J576 1999	1			SHIELD, Front Axle Disconnect Switch
37	J400 7069	2			NUT
38	J576 1923	1			LENS, 2WD/4WD and Light Bar

MODEL CODES:

61=Pickup-6 Ft Box 74=4 Door Wagon T=2WD
 62=Pickup-7 Ft Box 77=Open Body 93" Wheelbase J,N,U=4WD
 72=2 Door Wagon 78=Open Body 103" Wheelbase

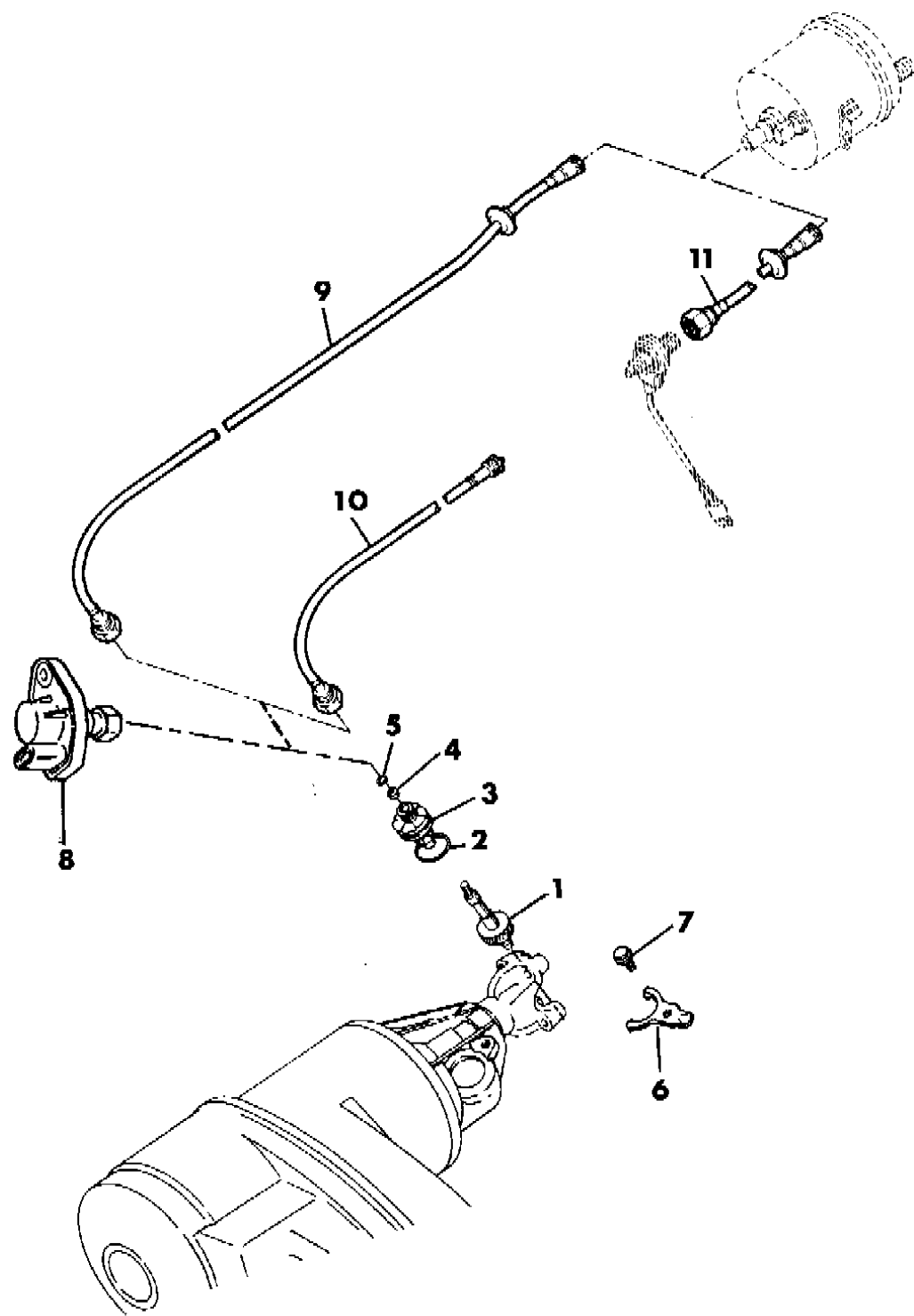
BODY STYLES:

MJ=Comanche Pickup ZJ=Grand Cherokee/Grand Wagoneer KDX VEHICLES
 SJ=Grand Wagoneer M1=Comanche
 XJ=Cherokee, Briarwood X1=Cherokee, Briarwood
 YJ=Wrangler Y1=Wrangler

AR = Use as Required - = Non Illustrated Part P.A.R. = Paint as Required

SPEEDOMETER PINION, CABLE, MISCELLANEOUS PARTS ALL MODELS
Figure 21M-2500

91J21 2500



ITEM	PART NUMBER	QTY	BODY	MODEL	DESCRIPTION
1					PINION ASSEMBLY, Speedometer Drive (Refer to Illustration 2600 for the Pinion Usage Chart) ***
	2538 926	1	SJ		26 Teeth, Red
	2538 929	1	YJXJMJ		29 Teeth, Black
	2538 929	1	ZJ		1992
	5206 7629	1	Y1		1993
	2538 930	1	YJXJMJ		30 Teeth, Yellow
	2538 930	1	ZJ		1992
	2538 931	1			31 Teeth, Green
	5206 7631	1	Y1		1993
	2538 933	1	YJMXXJ		33 Teeth, Yellow
	2538 933	1	ZJ		1992
	2538 933	1	Y1		1991
	2538 933	1	M1Y1		1992
	5206 7633	1			1993
	5206 7633	1	M1X1		1993
	2538 934	1	YJMXXJ		34 Teeth, Green
	2538 934	1	X1		1992
	5206 7634	1			1993
	2538 935	1	YJXJMJ		35 Teeth, Orange
	2538 935	1	X1Y1		1991
	2538 935	1			1992
	5206 7635	1			1993
	5206 7635	1	X1Y1		1993
	2538 936	1	XJMJ		36 Teeth, Red
	5206 7636	1	MJXJZJ		1993
	5206 7636	1	Y1		1993
	5206 7637	1	ZJ		37 Teeth, White 1993
	2538 939	1			39 Teeth, Green 1991
	2538 939	1	MJXJYJ		1992
	2538 939	1	X1Y1		1992
	5206 7639	1	MJXJYJ		1993
	5206 7639	1	X1		1993
	2538 940	1	YJXJMJ		40 Teeth, Orange
	5206 7640	1	MJYJXJ		1993
	5206 7640	1	X1Y1		1993
	2538 941	1	YJXJMJ		41 Teeth, Red
	2538 941	1	X1		
	2538 942	1	XJMJ		42 Teeth, White
2	6025 752	1			O-RING, Adapter
3					ADAPTER, Speedometer

MODEL CODES:

61=Pickup-6 Ft Box 74=4 Door Wagon T=2WD
 62=Pickup-7 Ft Box 77=Open Body 93" Wheelbase J,N,U=4WD
 72=2 Door Wagon 78=Open Body 103" Wheelbase

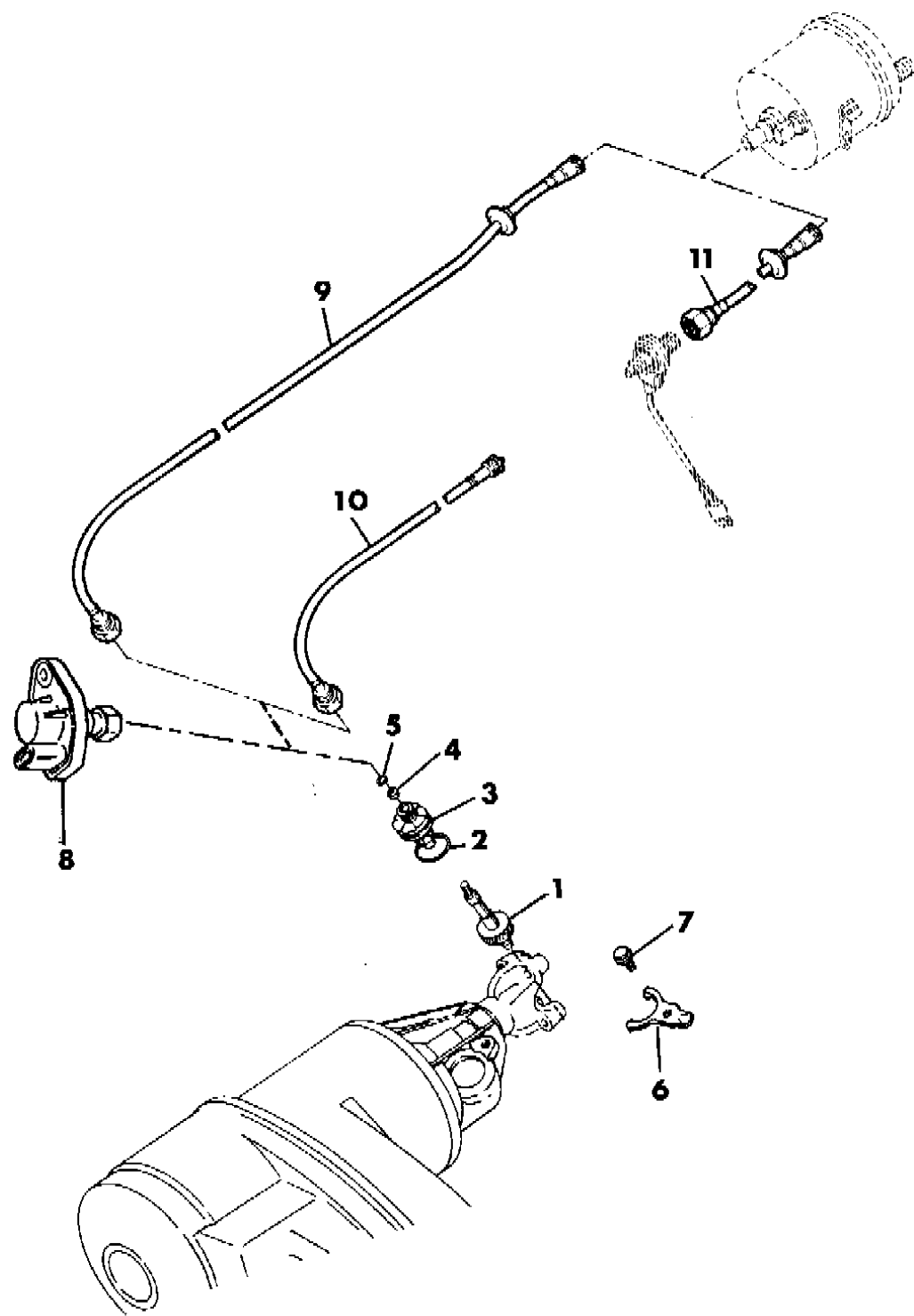
BODY STYLES:

MJ=Comanche Pickup ZJ=Grand Cherokee/Grand Wagoneer KDX VEHICLES
 SJ=Grand Wagoneer M1=Comanche
 XJ=Cherokee, Briarwood X1=Cherokee, Briarwood
 YJ=Wrangler Y1=Wrangler

AR = Use as Required - = Non Illustrated Part P.A.R. = Paint as Required

SPEEDOMETER PINION, CABLE, MISCELLANEOUS PARTS ALL MODELS
Figure 21M-2500

91J21 2500



ITEM	PART NUMBER	QTY	BODY	MODEL	DESCRIPTION
	2538 608	1			1991-92
	5600 6550	1	YJ,Y1		1992 Only
	5206 8367	1			1993
4	2538 588	1			SEAL, Speedo Pinion Retainer
5	4057 046	1			RETAINER, Ring
6	2892 399	1			CLAMP, Speedo Drive Pin Adapter
7	0180 077	1			SCREW & WASHER ASSEMBLY, (5/16-18x3/4) ***
8	5252 438	1	XJMJ		SENSOR PACKAGE, Distance ***
	5233 152	1	YJ,Y1		2 Pin, 1990 - 91
	5234 422	1	YJ,Y1		3 Pin, 1992
	5234 422	1			1993
	4439 081	AR			Connector, Repair
9					CABLE, Speedometer, Without Auto Speed Control
	5300 8108	1	YJ		
	J575 1959	1	SJ		
10	5300 5085	1	SJ		CABLE, Speedometer, Lower, With Auto Speed Control
11	J575 8491	1	SJ		Cable, Speedometer, Upper, With Auto Speed Control ***

MODEL CODES:

61=Pickup-6 Ft Box 74=4 Door Wagon T=2WD
 62=Pickup-7 Ft Box 77=Open Body 93" Wheelbase J,N,U=4WD
 72=2 Door Wagon 78=Open Body 103" Wheelbase

BODY STYLES:

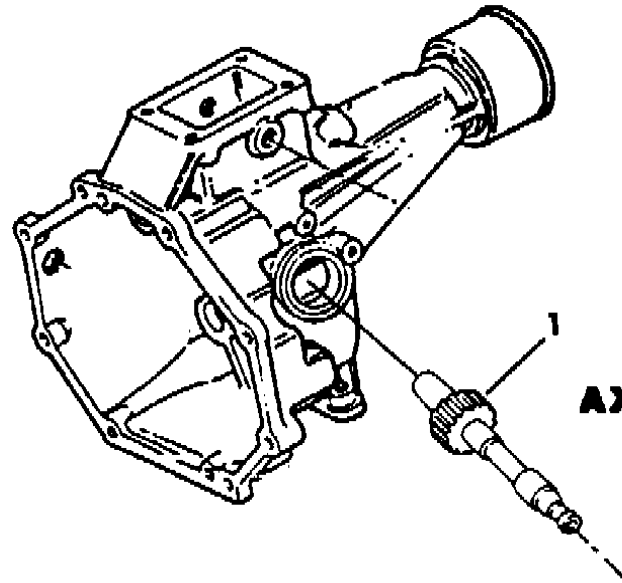
MJ=Comanche Pickup ZJ=Grand Cherokee/Grand Wagoneer KDX VEHICLES
 SJ=Grand Wagoneer M1=Comanche
 XJ=Cherokee, Briarwood X1=Cherokee, Briarwood
 YJ=Wrangler Y1=Wrangler

AR = Use as Required - = Non Illustrated Part P.A.R. = Paint as Required

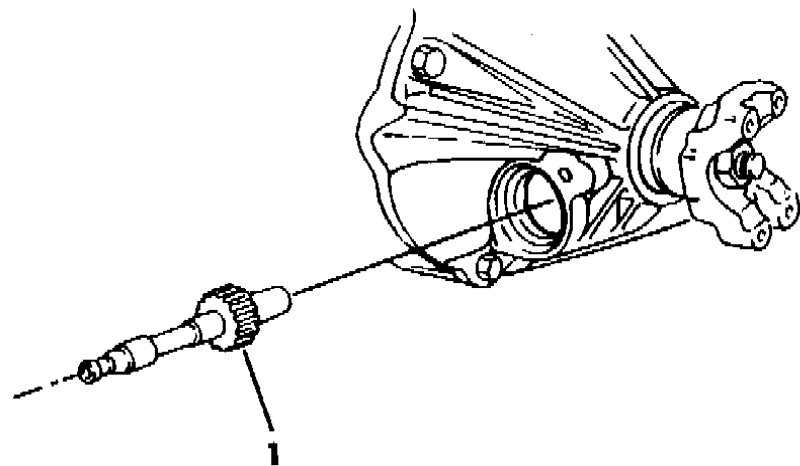
SPEEDOMETER PINION ALL MODELS

Figure 21M-2600

91J21 2600



AX4, AX5, AX15 (2 WD)



N.P.O. 231, 242 (4 WD)

ITEM	PART NUMBER	QTY	BODY	MODEL	DESCRIPTION
1					SPEEDOMETER PINION ***
	2538 926	1	26 Teet		2.72 Axle Ratio *** P235/75r15 A/S
	2538 929	1	29 Teet		3.07 Axle Ratio *** P225/75R15
	2538 930	1	30 Teet		All P215/75R15 & P225/70R15
	2538 931	1	31 Teet		P195/75R15 A/S, P205/75R15
	2538 931	1	31 Teet		3.31 Axle Ratio *** P235/75R15 A/S
	2538 933	1	33 Teet		3.55 Axle Ratio *** P225/75R15 Michelin
	2538 934	1	34 Teet		P215/75R15 HWY Michelin, P225/75R15 M&S Goodyear
	2538 935	1	35 Teet		P205/75R15, P215/75R15 M&S Goodyear, P225/70R15 A/S
	2538 936	1	36 Teet		Goodyear P195/75R15 A/S
	2538 939	1	39 Teet		4.11 Axle Ratio *** P225/75R15 M&S Michelin & Goodyear
	2538 940	1	40 Teet		P215/75R15, M&S Goodyear, HWY Michelin
	2538 941	1	41 Teet		P205/75R15, P225/70R15 A&S Goodyear
	2538 942	1	42 Teet		P195/75R15 A/S

MODEL CODES:

61=Pickup-6 Ft Box 74=4 Door Wagon T=2WD
 62=Pickup-7 Ft Box 77=Open Body 93" Wheelbase J,N,U=4WD
 72=2 Door Wagon 78=Open Body 103" Wheelbase

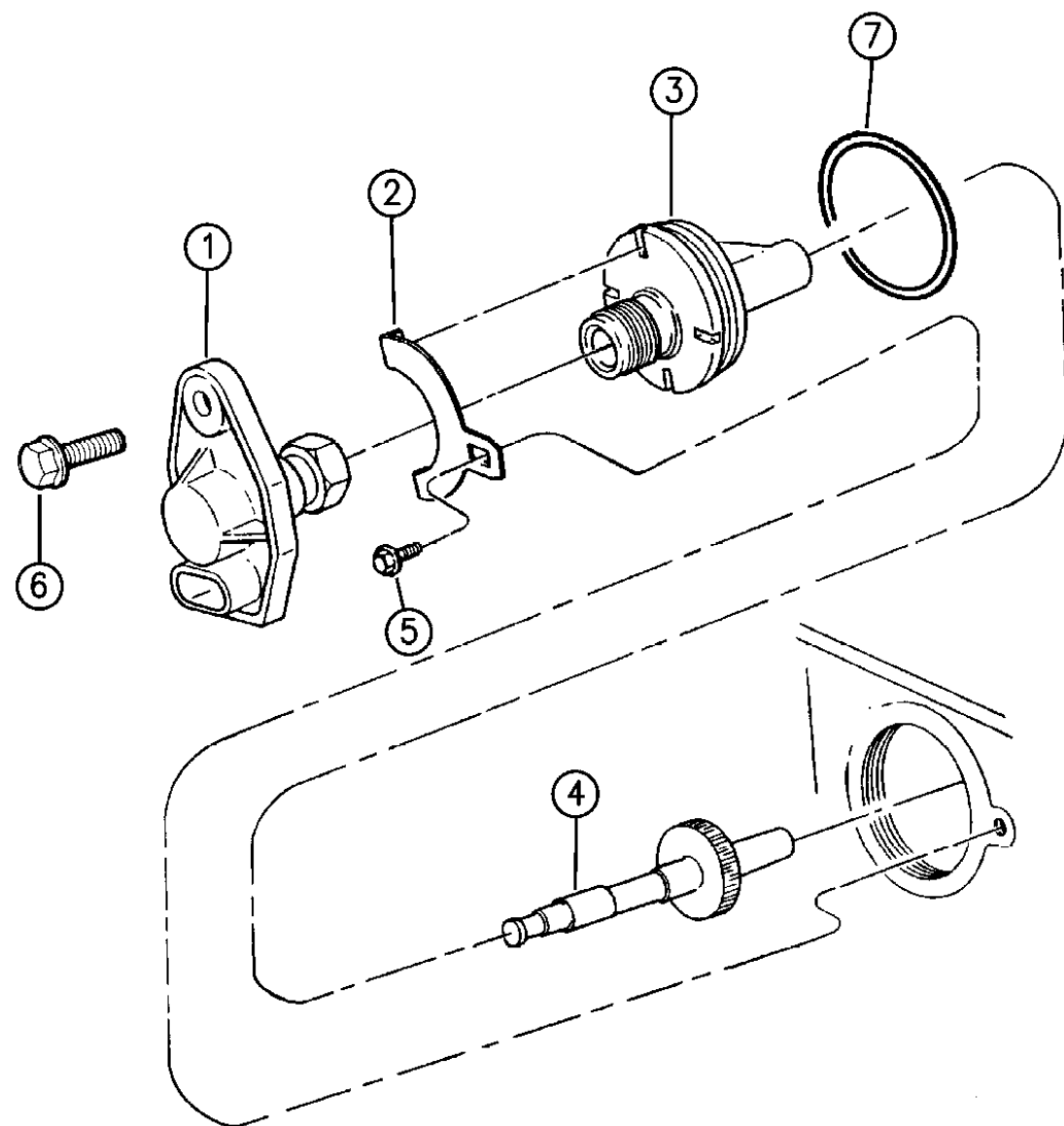
BODY STYLES:

MJ=Comanche Pickup ZJ=Grand Cherokee/Grand Wagoneer KDX VEHICLES
 SJ=Grand Wagoneer M1=Comanche
 XJ=Cherokee, Briarwood X1=Cherokee, Briarwood
 YJ=Wrangler Y1=Wrangler

AR = Use as Required - = Non Illustrated Part P.A.R. = Paint as Required

SPEEDOMETER PINION ZJ - GRAND CHEROKEE
Figure 21M-2700

91J21 2700A



ITEM	PART NUMBER	QTY	BODY	MODEL	DESCRIPTION
1					SENSOR, Distance
	5233 602	1			1992
	5234 422	1			1993
2	2892 399	1			CLAMP, Speedo Drive Pinion Adapter
3					ADAPTER, Speedo Pinion
	5300 6595	1			1992
	5206 8367	1			1993
4					PINION, Speedo Drive w/53006595
	2538 933	1			33 Teeth, w/ 3.5 to 1 Ratio, w/ P235/75 R15, Outside White Lettering, Mud and Snow Tire
	2538 935	1			w/ 3.5 to 1 Ratio, w/ P235/75 R15, Raised White Lettering or Black Side Wall, w/ P225/70 R15, Outside Wide Lettering, Eagle, All Season Tire
	2538 934	1			34 Teeth, w/ 3.5 to 1 Ratio, w/ P225/75 R15, Outside White Lettering, All Terrain or All Season Tire, Goodyear Brand tires.
					PINION, Speedo Drive W/52068367
					3.50 Axle Ratio ***
	5206 7633	1		33 Teet	P235/75R15 XL
	5206 7633	1		33 Teet	P225/75R15 Michelin
	5206 7634	1		34 Teet	P225/75R15 Goodyear
	5206 7635	1		35 Teet	P215/75R15 All
					3.70 Axle Ratio ***
	5206 7635	1		35 Teet	P225/75R15 OWL, A/T, A/S Michelin
	5206 7635	1		35 Teet	P235/75R15
	5206 7636	1		36 Teet	P225/75R15 OWL, M&S, A/S Goodyear
	5206 7637	1		37 Teet	P215/75R15, P225/70R15 OWL A/S Eagle GA
5	0181 086	1			SCREW, Speed Drive
6	0153 339	1			SCREW, Speed Sensor
7	6025 752	1			O-RING, Housing

MODEL CODES:

61=Pickup-6 Ft Box 74=4 Door Wagon T=2WD
 62=Pickup-7 Ft Box 77=Open Body 93" Wheelbase J,N,U=4WD
 72=2 Door Wagon 78=Open Body 103" Wheelbase

BODY STYLES:

MJ=Comanche Pickup ZJ=Grand Cherokee/Grand Wagoneer KDX VEHICLES
 SJ=Grand Wagoneer M1=Comanche
 XJ=Cherokee, Briarwood X1=Cherokee, Briarwood
 YJ=Wrangler Y1=Wrangler

AR = Use as Required - = Non Illustrated Part P.A.R. = Paint as Required

GROUP 21A - TRANSMISSION, AUTO.

ILLUSTRATION NOT AVAILABLE AT TIME OF PUBLICATION

ILLUSTRATION TITLE	GROUP-FIG. NO.
TRANSMISSION ASSEMBLIES, AUTOMATIC TRANSMISSION ALL MODELS	Fig. 21A-100
GASKET AND SEAL PACKAGE, REPAIR 1991: A999 / 1992-93: 32RH WRANGLER, YJ	Fig. 21A-200
CASE, ADAPTER AND MISC. PARTS AUTOMATIC TRANSMISSION, 1991: A999 / 1992-93: 32RHWANGLER, YJ	Fig. 21A-300
PUMP, OIL AND GEAR TRAIN 1991: A999 / 1992-93: 32RH WRANGLER, YJ	Fig. 21A-400
GOVERNOR AND PARKING SPRAG 1991: A999 / 1992-93: 32RH WRANGLER, YJ	Fig. 21A-500
SERVOS, ACCUMULATOR PISTON AND SPRING 1991: A999 / 1992-93: 32RH WRANGLER, YJ	Fig. 21A-600
VALVE BODY 1991: A999 / 1992-93: 32RH WRANGLER, YJ	Fig. 21A-700
CLUTCH, FRONT AND REAR 1991: A999 / 1992-93: 32RH WRANGLER, YJ	Fig. 21A-800
CASE, EXTENSION AND MISC. PARTS AUTOMATIC TRANSMISSION - AW4 CHEROKEE, BRIARWOOD, COMANCHE, GRAND CHEROKEE	Fig. 21A-900
LOCK, PARKING AUTOMATIC TRANSMISSION - AW4 CHEROKEE, BRIARWOOD, COMANCHE, GRAND CHEROKEE	Fig. 21A-1000
PUMP, OIL AND OVERDRIVE CLUTCH AUTOMATIC TRANSMISSION - AW4 CHEROKEE, BRIARWOOD, COMANCHE, GRAND CHEROKEE	Fig. 21A-1100
CLUTCHES, FORWARD AND DIRECT AUTOMATIC TRANSMISSION - AW4 CHEROKEE, BRIARWOOD, COMANCHE, GRAND CHEROKEE	Fig. 21A-1200
BRAKE, CLUTCH AND SUN GEAR AUTOMATIC TRANSMISSION - AW4 CHEROKEE, BRIARWOOD, COMANCHE, GRAND CHEROKEE	Fig. 21A-1300
VALVE BODY AND ELECTRONIC CONTROL AUTOMATIC TRANSMISSION - AW4 CHEROKEE, BRIARWOOD, COMANCHE, GRAND CHEROKEE	Fig. 21A-1400
GEAR TRAIN AND OUTPUT SHAFT AUTOMATIC TRANSMISSION - AW4 CHEROKEE, BRIARWOOD, COMANCHE, GRAND CHEROKEE	Fig. 21A-1500
LINKAGE, HARNESS, NEUTRAL SAFETY SWITCH AUTOMATIC TRANSMISSION - AW4 CHEROKEE, BRIARWOOD, COMANCHE, GRAND CHEROKEE	Fig. 21A-1600
CASE, ADAPTER & MISCELLANEOUS PARTS AUTOMATIC TRANSMISSION - A727 GRAND WAGONEER	Fig. 21A-1700
GASKET AND SEAL PACKAGE, REPAIR AUTOMATIC TRANSMISSION - A727 GRAND WAGONEER	Fig. 21A-1800
OIL PUMP, GEAR TRAIN, OUTPUT SHAFT AUTOMATIC TRANSMISSION - A727 GRAND WAGONEER ...	Fig. 21A-1900
GOVERNOR AND PARKING SPRAG AUTOMATIC TRANSMISSION - A727 GRAND WAGONEER	Fig. 21A-2000
SERVOS, ACCUMULATOR PISTON AND SPRING AUTOMATIC TRANSMISSION - A727 GRAND WAGONEER	Fig. 21A-2100
VALVE BODY AUTOMATIC TRANSMISSION - A727 GRAND WAGONEER	Fig. 21A-2200
CLUTCH, FRONT AND REAR AUTOMATIC TRANSMISSION - A727 GRAND WAGONEER	Fig. 21A-2300
CASE, AND RELATED PARTS AUTOMATIC TRANSMISSION, 4 SPEED, 42RE GRAND CHEROKEE ZJ ...	Fig. 21A-2400
EXTENSION, WEIGHT AND PARKING SPRAG AUTOMATIC TRANSMISSION, 4 SPEED - 42RE GRAND CHEROKEE ZJ	Fig. 21A-2500
PUMP, OIL WITH REACTION SHAFT AUTOMATIC TRANSMISSION, 4 SPEED - 42RE GRAND CHEROKEE ZJ	Fig. 21A-2600
SERVOS, ACCUMULATOR PISTON AND SPRING AUTOMATIC TRANSMISSION, 4 SPEED - 42RE GRAND CHEROKEE ZJ	Fig. 21A-2700

GROUP 21A - TRANSMISSION, AUTO.

ILLUSTRATION TITLE

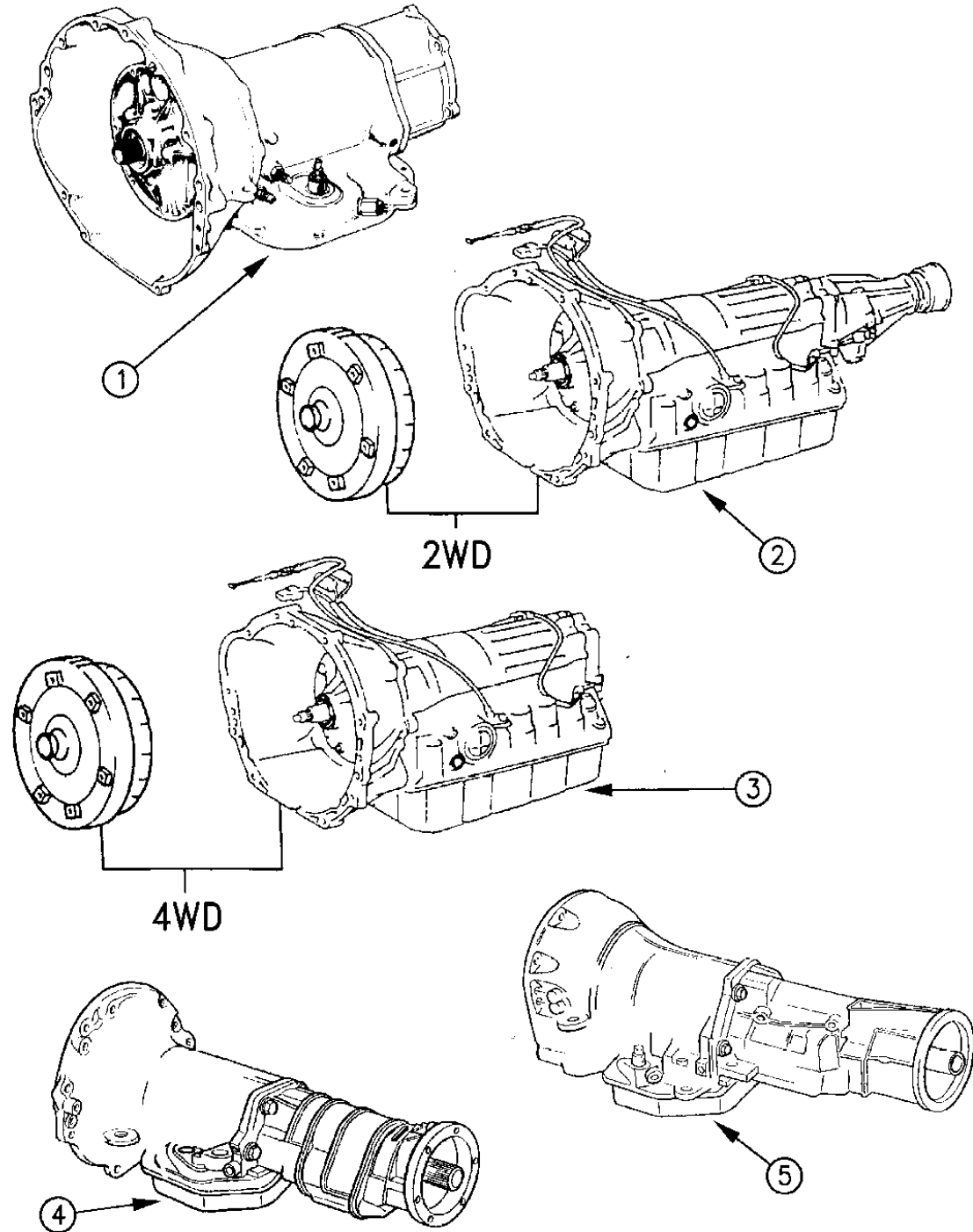
GROUP-FIG. NO.

SPEEDOMETER PINION, CABLES, PINION CHART (Continued)

BANDS, REVERSE AND KICKDOWN WITH LINKAGE AUTOMATIC TRANSMISSION, 4 SPEED - 42RE GRAND CHEROKEE ZJ	Fig. 21A-2800
VALVE BODY AUTOMATIC TRANSMISSION, 4 SPEED - 42RE GRAND CHEROKEE ZJ	Fig. 21A-2900
CLUTCH, FRONT AND REAR WITH GEAR TRAIN AUTOMATIC TRANSMISSION, 4 SPEED - 42RE GRAND CHEROKEE ZJ	Fig. 21A-3000
GEAR TRAIN AND INTERMEDIATE SHAFT AUTOMATIC TRANSMISSION, 4 SPEED - 42RE GRAND CHEROKEE ZJ	Fig. 21A-3100
CLUTCH, OVERDRIVE WITH GEAR TRAIN AUTOMATIC TRANSMISSION, 4 SPEED - 42RE GRAND CHEROKEE ZJ	Fig. 21A-3200
GOVERNOR AND OUTPUT SHAFT AUTOMATIC TRANSMISSION, 4 SPEED - 42RE GRAND CHEROKEE ZJ	Fig. 21A-3300
CASE, AND RELATED PARTS AUTOMATIC TRANSMISSION, 4 SPEED - 46RH GRAND CHEROKEE ZJ ..	Fig. 21A-3400
EXTENSION, AND PARKING SPRAG AUTOMATIC TRANSMISSION, 4 SPEED - 46RH GRAND CHEROKEE ZJ	Fig. 21A-3500
PUMP, OIL WITH REACTION SHAFT AUTOMATIC TRANSMISSION, 4 SPEED - 46RH GRAND CHEROKEE ZJ	Fig. 21A-3600
SERVOS, ACCUMULATOR PISTON AND SPRING AUTOMATIC TRANSMISSION, 4 SPEED - 46RH GRAND CHEROKEE ZJ	Fig. 21A-3700
BANDS, REVERSE AND KICKDOWN WITH LINKAGE AUTOMATIC TRANSMISSION, 4 SPEED - 46RH GRAND CHEROKEE ZJ	Fig. 21A-3800
VALVE BODY AUTOMATIC TRANSMISSION, 4 SPEED - 46RH GRAND CHEROKEE ZJ	Fig. 21A-3900
CLUTCH, FRONT AND REAR WITH GEAR TRAIN AUTOMATIC TRANSMISSION, 4 SPEED - 46RH GRAND CHEROKEE ZJ	Fig. 21A-4000
GEAR TRAIN AND INTERMEDIATE SHAFT AUTOMATIC TRANSMISSION, 4 SPEED - 46RH GRAND CHEROKEE ZJ	Fig. 21A-4100
CLUTCH, OVERDRIVE WITH GEAR TRAIN AUTOMATIC TRANSMISSION, 4 SPEED - 46RH GRAND CHEROKEE ZJ	Fig. 21A-4200
GOVERNOR AND OUTPUT SHAFT AUTOMATIC TRANSMISSION, 4 SPEED - 46RH GRAND CHEROKEE ZJ	Fig. 21A-4300
CONTROLS, SHIFT, LOWER, COLUMN AUTOMATIC TRANSMISSION WRANGLER, YJ	Fig. 21A-4400
CONTROLS, GEARSHIFT, FLOOR MOUNTED AUTOMATIC TRANSMISSION - AW4 CHEROKEE, BRIARWOOD, COMANCHE	Fig. 21A-4500
CONTROLS, GEARSHIFT, COLUMN MOUNTED AUTOMATIC TRANSMISSION CHEROKEE, COMANCHE ..	Fig. 21A-4600
CONTROLS, GEARSHIFT, FLOOR MOUNTED AUTOMATIC TRANSMISSION GRAND CHEROKEE, ZJ	Fig. 21A-4700
CONTROLS, SHIFT, LOWER, COLUMN AUTOMATIC TRANSMISSION GRAND WAGONEER	Fig. 21A-4800
CABLE, SPEEDOMETER WITH PINION AND ADAPTER AUTOMATIC TRANSMISSION WRANGLER, YJ ...	Fig. 21A-4900
CABLE, SPEEDOMETER AND PINION AUTOMATIC TRANSMISSION CHEROKEE, BRAIRWOOD, COMANCHE, GRAND CHEROKEE	Fig. 21A-5000
CABLE, SPEEDOMETER AND PINION AUTOMATIC TRANSMISSION GRAND WAGONEER	Fig. 21A-5100

TRANSMISSION ASSEMBLIES, AUTOMATIC TRANSMISSION ALL MODELS
Figure 21A-100

91J51 100A



ITEM	PART NUMBER	QTY	BODY	MODEL	DESCRIPTION
1					TRANSMISSION ASSEMBLY, Automatic
	5300 6925	1	YJ	4WD	1991: A999, (Non Lock-Up), Up To 1-11-1991
	5300 9265	1	YJ	4WD	1991: A999, (Non Lock-Up), After 1-11-1991
	5300 8145	1	YJ	4WD	1992: 32RH, (Non Lock-Up)
	5211 7697	1	YJ	4WD	1993: 32RH, (Non Lock-Up)
	4531 025	1	SJ	4WD	A727, Up To 3-26-1991
	5300 7778	1	SJ	4WD	After 3-26-1991
2					TRANSMISSION ASSEMBLY, Automatic, AW4
	5300 7997	1	XJ,MJ	2WD	6 Cyl. Eng.
	5300 7997	1	ZJ	2WD	6 Cyl. Eng.
3					TRANSMISSION ASSEMBLY, Automatic, AW4
	5300 7998	1	XJ,MJ	4WD	6 Cyl. Eng.
	5300 7998	1	ZJ	4WD	6 Cyl. Eng.
4					TRANSMISSION ASSEMBLY, Complete w/Overdrive Assy., 4 Speed Auto., Electric Shift, 42RE, 1993-1/2
	5211 8728	1	ZJ	2WD	6 Cyl. Eng., 1993-1/2
	5211 8729	1	ZJ	4WD	6 Cyl. Eng., 1993-1/2
					OVERDRIVE ASSEMBLY, 42RE Rear Unit w/Extension, 1993-1/2 ***
	4617 859	1	ZJ	2WD	6 Cyl. Eng., 1993-1/2
	4617 860	1	ZJ	4WD	6 Cyl. Eng., 1993-1/2
5					TRANSMISSION ASSEMBLY, Complete w/Overdrive Assy., 4 Speed Auto., 46RH, 1993
	5300 9204	1	ZJ	4WD	8 Cyl. 318 Eng., Up To 10-1-1992
	5211 8738	1	ZJ	4WD	8 Cyl. 318 Eng., After 10-1-1992
					OVERDRIVE ASSEMBLY, 46RH Rear Unit w/Extension, 1993 ***
	4617 474	1	ZJ	4WD	8 Cyl. 318 Eng., Up To 10-1-1992
	4617 865	1	ZJ	4WD	8 Cyl. 318 Eng., After 10-1-1992

MODEL CODES:

61=Pickup-6 Ft Box 74=4 Door Wagon T=2WD
 62=Pickup-7 Ft Box 77=Open Body 93" Wheelbase J,N,U=4WD
 72=2 Door Wagon 78=Open Body 103" Wheelbase

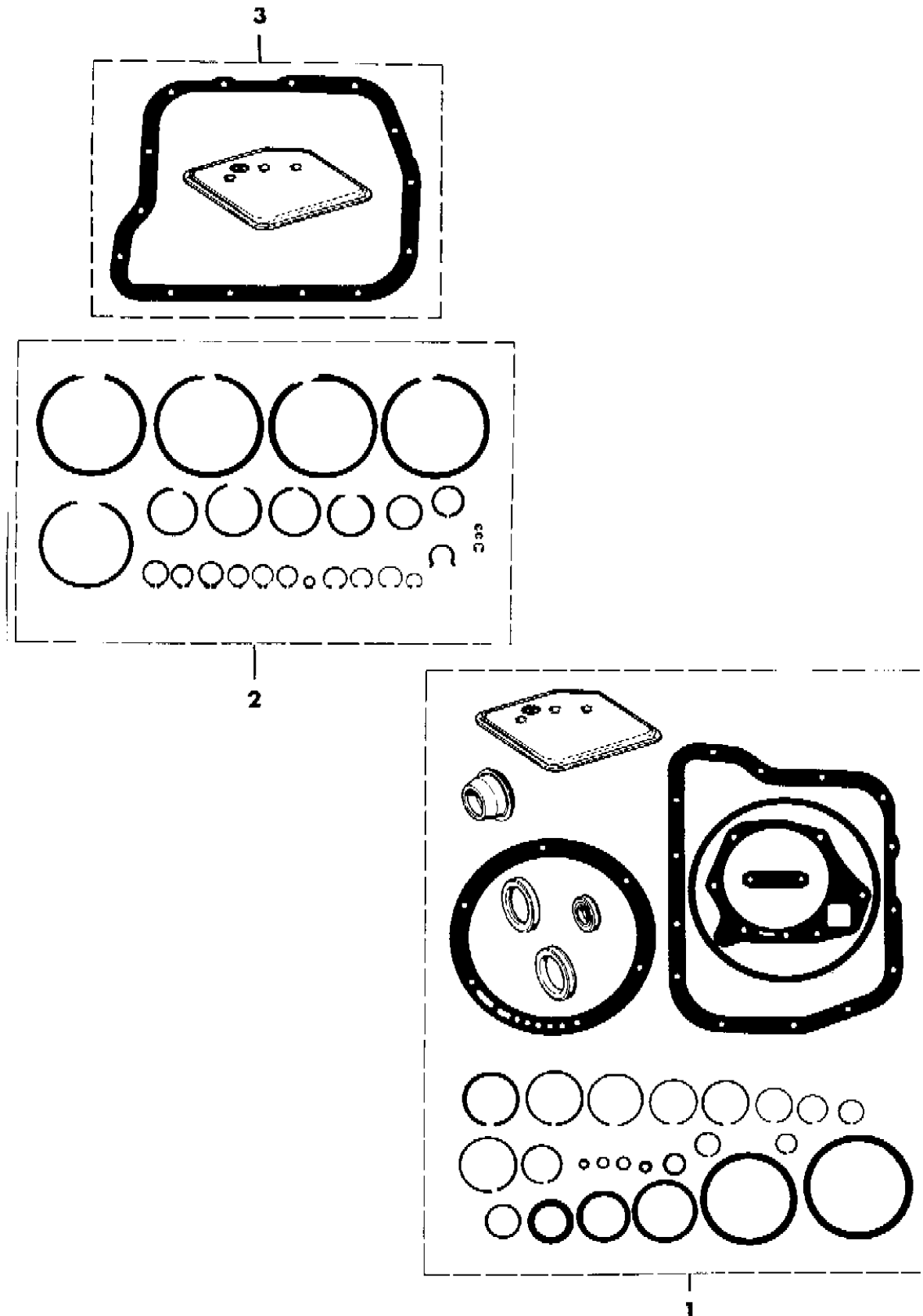
BODY STYLES:

MJ=Comanche Pickup ZJ=Grand Cherokee/Grand Wagoneer KDX VEHICLES
 SJ=Grand Wagoneer M1=Comanche
 XJ=Cherokee, Briarwood X1=Cherokee, Briarwood
 YJ=Wrangler Y1=Wrangler

AR = Use as Required - = Non Illustrated Part P.A.R. = Paint as Required

GASKET AND SEAL PACKAGE, REPAIR 1991: A999 / 1992-93: 32RH WRANGLER, YJ
Figure 21A-200

91J51 200



ITEM	PART NUMBER	QTY	BODY	MODEL	DESCRIPTION
1	4637 186	1			GASKET PACKAGE, Transmission Overhaul
2	J813 0351	1			SNAP RING PACKAGE, 1991 ***
	4637 240	1			1992
3	3515 996	1			FILTER, (Filter Only)

MODEL CODES:

61=Pickup-6 Ft Box 74=4 Door Wagon T=2WD
62=Pickup-7 Ft Box 77=Open Body 93" Wheelbase J,N,U=4WD
72=2 Door Wagon 78=Open Body 103" Wheelbase

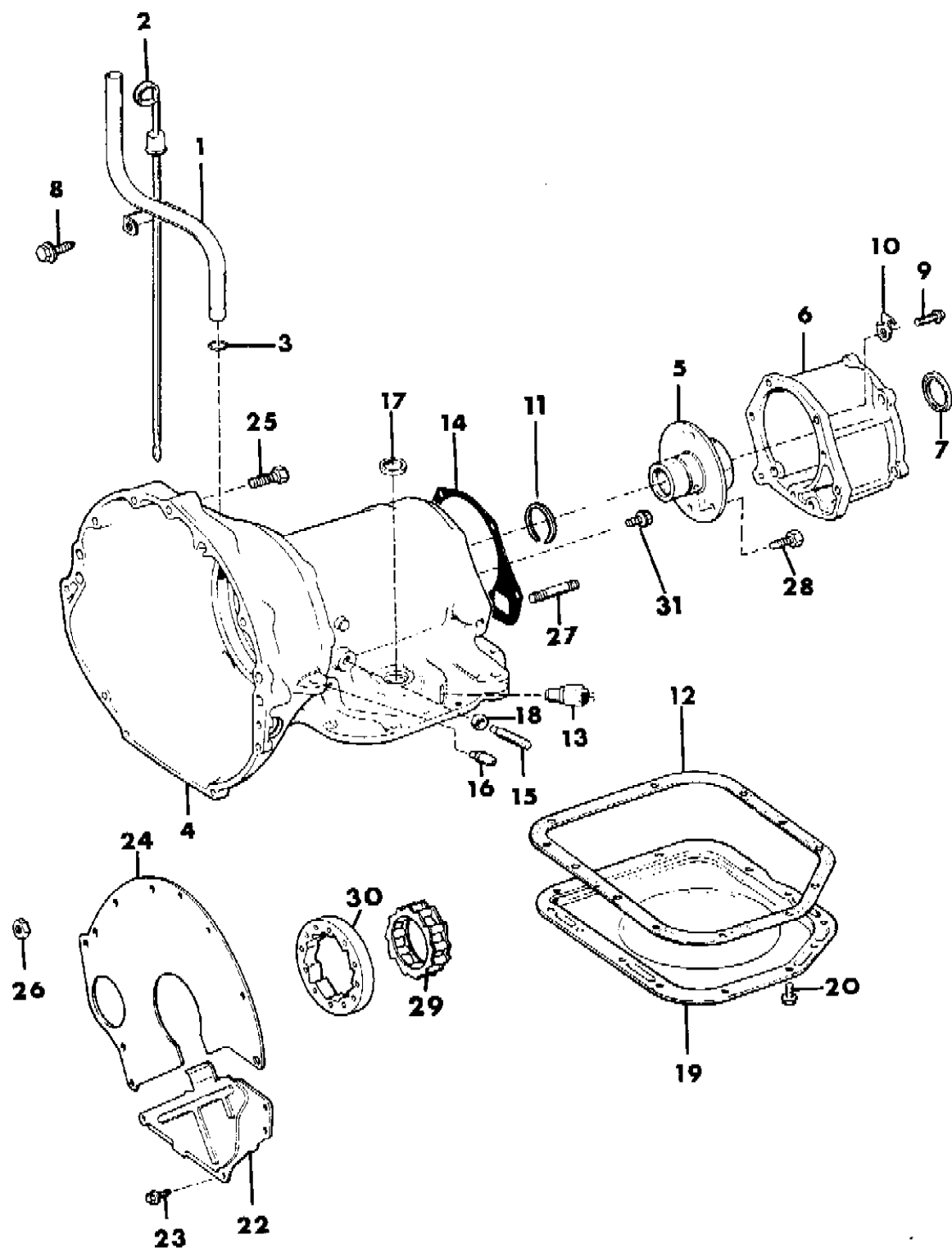
BODY STYLES:

MJ=Comanche Pickup ZJ=Grand Cherokee/Grand Wagoneer KDX VEHICLES
SJ=Grand Wagoneer M1=Comanche
XJ=Cherokee, Briarwood X1=Cherokee, Briarwood
YJ=Wrangler Y1=Wrangler

AR = Use as Required - = Non Illustrated Part P.A.R. = Paint as Required

CASE, ADAPTER AND MISC. PARTS AUTOMATIC TRANSMISSION, 1991: A999 / 1992-93: 32RHWRANGLER, YJ
Figure 21A-300

91J51 300



ITEM	PART NUMBER	QTY	BODY	MODEL	DESCRIPTION
1	5300 2009	1			TUBE, Oil Indicator
2	5300 3661	1			INDICATOR, Trans. Oil Level
3	J321 2885	1			O-RING, Oil Indicator Tube
4	4531 083	1			CASE, Automatic Trans.
	3681 601	1			MAGNET, Chip Collector (Not Shown)
	6028 095	AR			PLUG, Pressure Check, 1/8-27 Pipe
5	4431 433	1			SUPPORT, Shaft 6 Hole
6	4505 236	1			ADAPTER, Automatic Trans.
7	4269 956	1			SEAL, Adapter
8	J400 1701	1			SCREW
9	6030 849	5			BOLT, 3/8-16 x 1-3/8"
10	J812 1160	1			CLIP
11	6033 480	1			RING, Reverse Drum Retaining
12	4295 875	1			GASKET, Pan
13	4057 750	1			SWITCH, Neutral Starter and Back-Up Light Safety
14	2466 954	1			GASKET, Case To Adapter
15	1942 477	1			SCREW, Band Adjusting
16	6033 970	1			CONNECTOR, Oil Cooler Tube, 1/4-18 Pipe Thread
17	4505 098	1			SEAL, Manual Valve Lever Shaft
18		1			NUT, (Not Serviced)
19	4202 005	1			PAN, Trans. Oil
20	6023 355	14			SCREW, 5/16-18 x 5/8"
22	J321 3744	1			COVER
23	J400 0987	4			SCREW, 5/16-18 x 5/8"
24	J323 7847	1			SPACER
25	J400 1885	5			BOLT, 3/8-16 x 2-1/8"
	J400 4370	2			7/16-14 x 2-3/4"
26	J021 9422	2			NUT, 3/8-16
27	6033 157	1			STUD, Adapter to Case
28	6033 479	6			BOLT, 1/4-28 x 1-5/8"
29	4431 432	1			CLUTCH ASSEMBLY, Overrunning
30	4431 690	1			CAM, Overrunning Clutch
31	6033 616	5			SCREW, 1/4-28 x 7/8"

MODEL CODES:

61=Pickup-6 Ft Box 74=4 Door Wagon T=2WD
62=Pickup-7 Ft Box 77=Open Body 93" Wheelbase J,N,U=4WD
72=2 Door Wagon 78=Open Body 103" Wheelbase

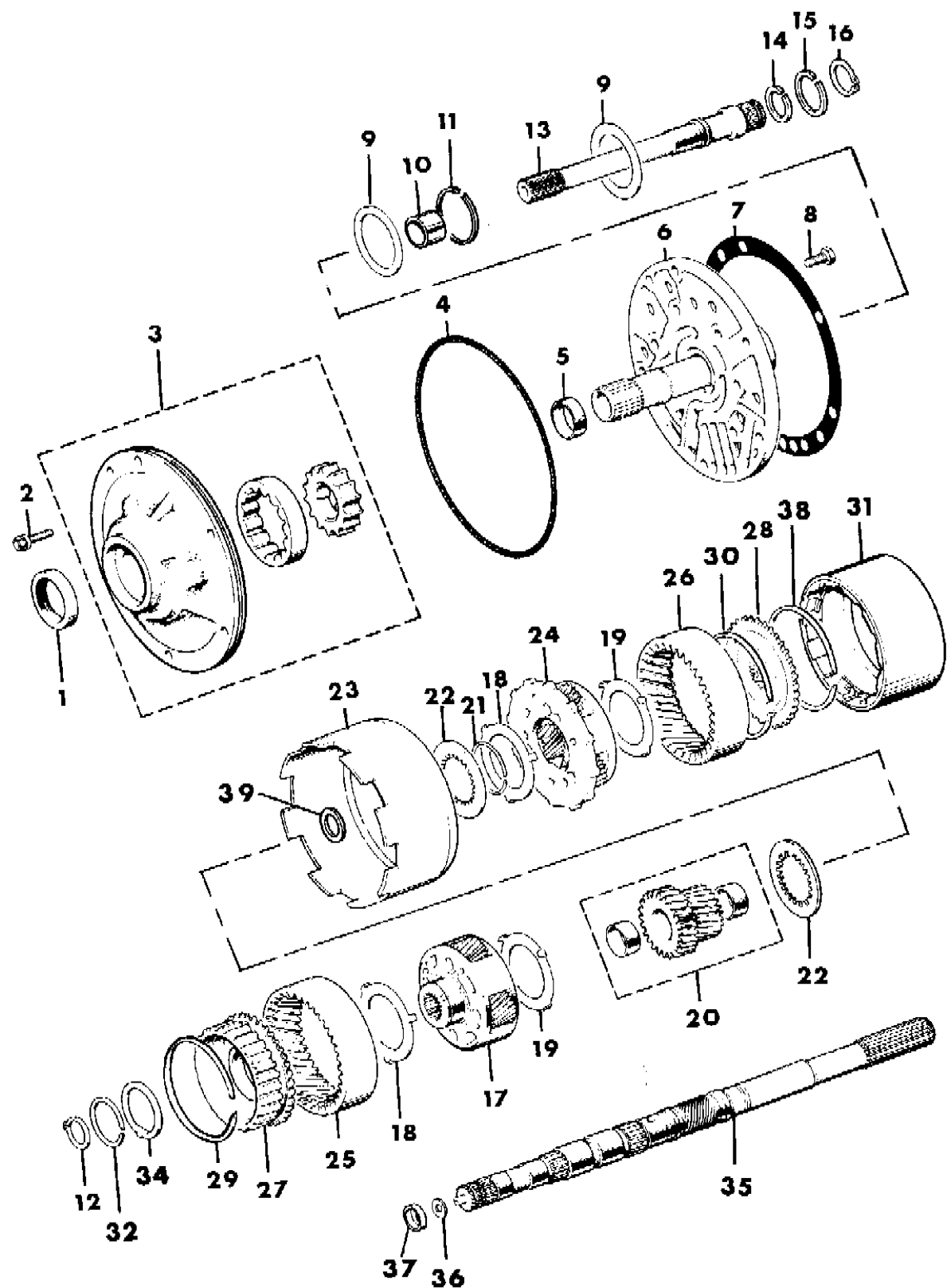
BODY STYLES:

MJ=Comanche Pickup ZJ=Grand Cherokee/Grand Wagoneer KDX VEHICLES
SJ=Grand Wagoneer M1=Comanche
XJ=Cherokee, Briarwood X1=Cherokee, Briarwood
YJ=Wrangler Y1=Wrangler

AR = Use as Required - = Non Illustrated Part P.A.R. = Paint as Required

PUMP, OIL AND GEAR TRAIN 1991: A999 / 1992-93: 32RH WRANGLER, YJ
Figure 21A-400

91J51 400A



ITEM	PART NUMBER	QTY	BODY	MODEL	DESCRIPTION
1	4412 475	1			SEAL, T/Converter Impeller Hub, 57.25mm O.D.
2	6023 943	6			SCREW, Pump
3	4130 192	1			PUMP, Trans. Oil, 1991-92
4	4740 267	1			PUMP ASSEMBLY, Oil (Consists of Item No. 3 and 6), 1993
5	2204 709	1			SEAL
6	2466 796	1			BUSHING, Oil Pump
7	4202 298	1			SHAFT, w/Support Reaction, (Consists of Items 3 and 6) 1991-2 (Serviced in Pump Assy. Item No. 3), 1993 ***
8	4028 364	1			GASKET, Reaction Support
9	0179 815	6			SCREW, Support, 5/16-18 x 11/16"
10	4617 167	2			WASHER, 2-5/8" O.D.
11	4058 635	1			BUSHING, .968" O.D.
12	4471 874	2			RING, Reaction Support, 2-1/16" I.D.
13	6026 289	AR			SNAP RING, Output Shaft .946" I.D., .040" Thk.
14	6030 938	AR			.910" I.D., .062" Thk., Green
15	6030 404	AR			.906" I.D., .084" Thk., White
16	4505 190	1			SHAFT, Input
17	J812 6778	1			RING, Sealing Input Shaft
18	1401 221	2			RING, Input Shaft Front Seal
19	6022 859	1			SNAP RING, Input Shaft, 57/64", .059" Thk.
20	4130 514	1			CARRIER, Front Planetary ***
21	4130 518	2			WASHER, 2-5/8" I.D., w/4 Tabs I.D.
22	3681 935	2			WASHER, 2" I.D., w/4 Tabs O.D.
23	4130 685	1			GEAR ASSEMBLY, Sun w/Bushings, 38T-28T
24	1942 439	1			RING, Sun Gear Lock, 1-41/64" O.D.
25	4471 566	2			PLATE
26	4431 593	1			SHELL, Sun Gear, 1991
27	4531 288	1			1992-93
28	4431 438	1			CARRIER ASSEMBLY, Rear Planetary
29	4130 512	1			GEAR, Front Annulus
30	3743 184	1			GEAR, Rear Annulus
31	4617 050	1			SUPPORT, w/Bushing Front Annulus Gear
32	3515 501	1			SUPPORT, Rear Annulus Gear
33	4130 513	1			SNAP RING, Front Annulus Gear, 5-5/8" O.D.
34	1942 444	1			SNAP RING, Rear Annulus Gear, 4-1/16" O.D.
35	4637 956	1			DRUM, Reverse, Includes Inner Race
36	6030 576	1			SNAP RING, Front Annulus Gear Support
37	3681 969	1			WASHER, Front Annulus Thrust
38	4505 245	1			SHAFT, Output, 1991
39	4617 320	1			1992-93

MODEL CODES:

61=Pickup-6 Ft Box 74=4 Door Wagon T=2WD
62=Pickup-7 Ft Box 77=Open Body 93" Wheelbase J,N,U=4WD
72=2 Door Wagon 78=Open Body 103" Wheelbase

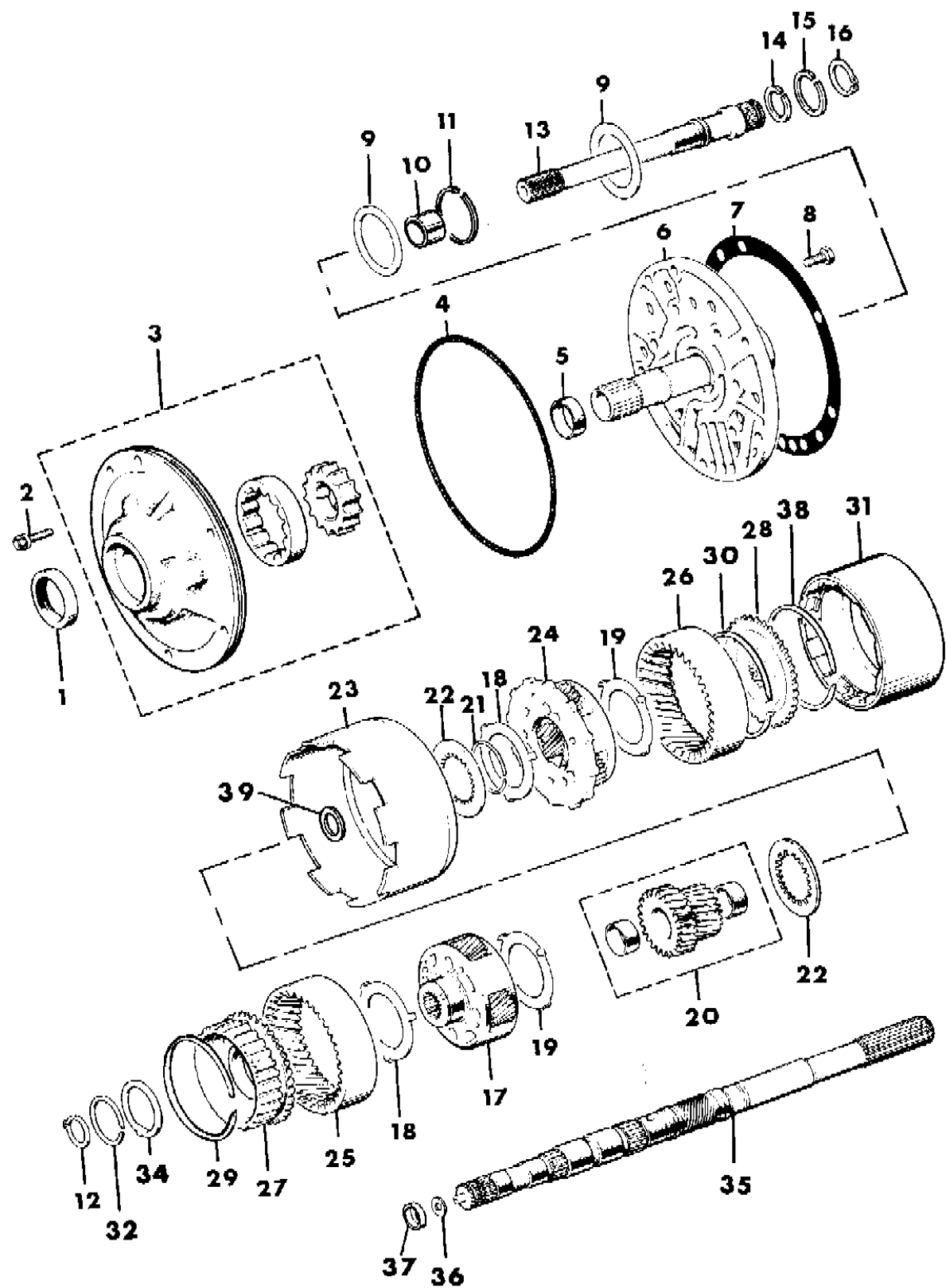
BODY STYLES:

MJ=Comanche Pickup ZJ=Grand Cherokee/Grand Wagoneer KDX VEHICLES
SJ=Grand Wagoneer M1=Comanche
XJ=Cherokee, Briarwood X1=Cherokee, Briarwood
YJ=Wrangler Y1=Wrangler

AR = Use as Required - = Non Illustrated Part P.A.R. = Paint as Required

PUMP, OIL AND GEAR TRAIN 1991: A999 / 1992-93: 32RH WRANGLER, YJ
Figure 21A-400

91J51 400A



ITEM	PART NUMBER	QTY	BODY	MODEL	DESCRIPTION
36					WASHER, Thrust Output Shaft
	4505 185	AR			.053" Thk.
	4505 186	AR			.069" Thk.
	4505 187	AR			.084" Thk.
37	4505 188	1			PLATE
38	6033 480	1			RING, Reverse Drum Retaining
39	4130 736	1			SPACER, Sun Gear, 4 Inner Teeth, 2" O.D.

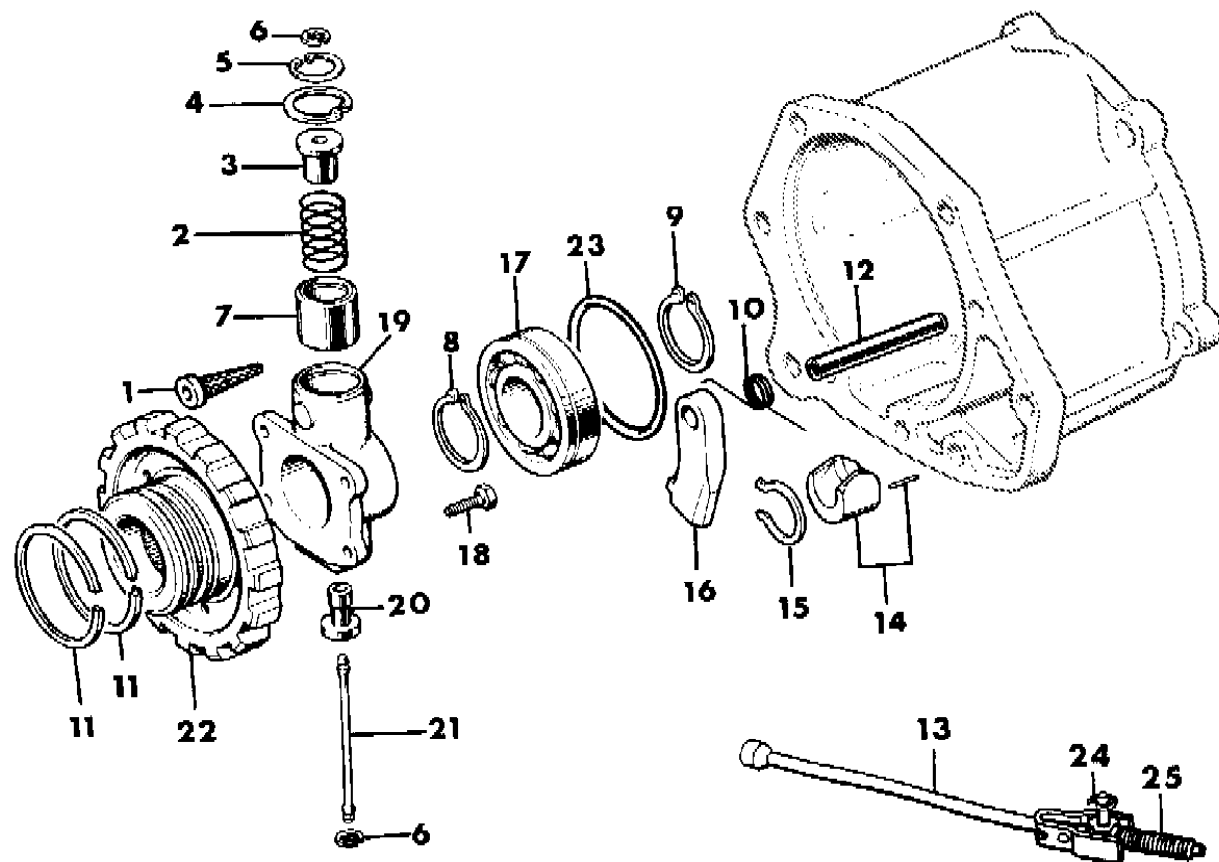
MODEL CODES:
 61=Pickup-6 Ft Box 74=4 Door Wagon T=2WD
 62=Pickup-7 Ft Box 77=Open Body 93" Wheelbase J,N,U=4WD
 72=2 Door Wagon 78=Open Body 103" Wheelbase

BODY STYLES:
 MJ=Comanche Pickup ZJ=Grand Cherokee/Grand Wagoneer KDX VEHICLES
 SJ=Grand Wagoneer M1=Comanche
 XJ=Cherokee, Briarwood Y1=Cherokee, Briarwood
 YJ=Wrangler Y1=Wrangler

AR = Use as Required - = Non Illustrated Part P.A.R. = Paint as Required

GOVERNOR AND PARKING SPRAG 1991: A999 / 1992-93: 32RH WRANGLER, YJ
Figure 21A-500

91J51 500



ITEM	PART NUMBER	QTY	BODY	MODEL	DESCRIPTION
	4186 874	1			BODY PACKAGE, Governor, 1991
	4713 173	1			1992 Consists Of: 1 - 4446151 BODY, Governor, 1991 1 - 4617650 BODY, Governor, 1992
					1 - 3743519 FILTER, Gov. 2 - 1942109 SEAL RING, Support 4 - 6031613 BOLT, Body 1 - 6027271 SNAP RING, Gov. Body, 1991
					1 - 4617597 RETAINER, Gov. Wt., 1992 1 - 6025031 SNAP RING, Weight, Outer, 1991 1 - 6031392 SNAP RING, Weight, Outer, 1992 1 - 3515479 VALVE, Governor, 1991
					1 - 4617064 VALVE, Governor, 1992 1 - 1556082 SHAFT, Gov. Valve 2 - 1638461 SNAP RING, Valve Shaft
	4723 685	1			BODY PACKAGE, Governor, 1993
	4617 173	1			WEIGHT PACKAGE, Governor, 1991 Consists Of: 1 - 4539146 WEIGHT, Inner 1 - 4539147 WEIGHT, Outer
					1 - 4130636 SPRING, 4.5 Lb. Spring Load 1 - 1636464 SNAP RING, Weight, Inner
	4617 512	1			WEIGHT PACKAGE, Governor (4800RPM), 1992 Consists Of: 1 - 4617513 WEIGHT, Inner 1 - 4617514 WEIGHT, Outer 1 - 4617515 SPRING 1 - 4617242 SNAP RING, Weight, Inner
	4617 592	1			WEIGHT PACKAGE, Governor (4800RPM), 1993 Consists Of: 1 - 4617513 WEIGHT, Inner 1 - 4617594 WEIGHT, Intermediate 1 - 4617590 WEIGHT, Outer 1 - 4617596 SPRING 1 - 4617242 SNAP RING, Weight, Inner
1	3743 519	1			FILTER, Governor
2	4130 636	1			SPRING, Weight, (Also Serviced in Weight Pkg. 4617173)
3	4539 146	1			WEIGHT, Governor, Inner (Also Serviced in Weight Pkg. 4617173)
4	6025 031	1			SNAP RING, Weight, Outer, 1991-92

MODEL CODES:

61=Pickup-6 Ft Box 74=4 Door Wagon T=2WD
62=Pickup-7 Ft Box 77=Open Body 93" Wheelbase J,N,U=4WD
72=2 Door Wagon 78=Open Body 103" Wheelbase

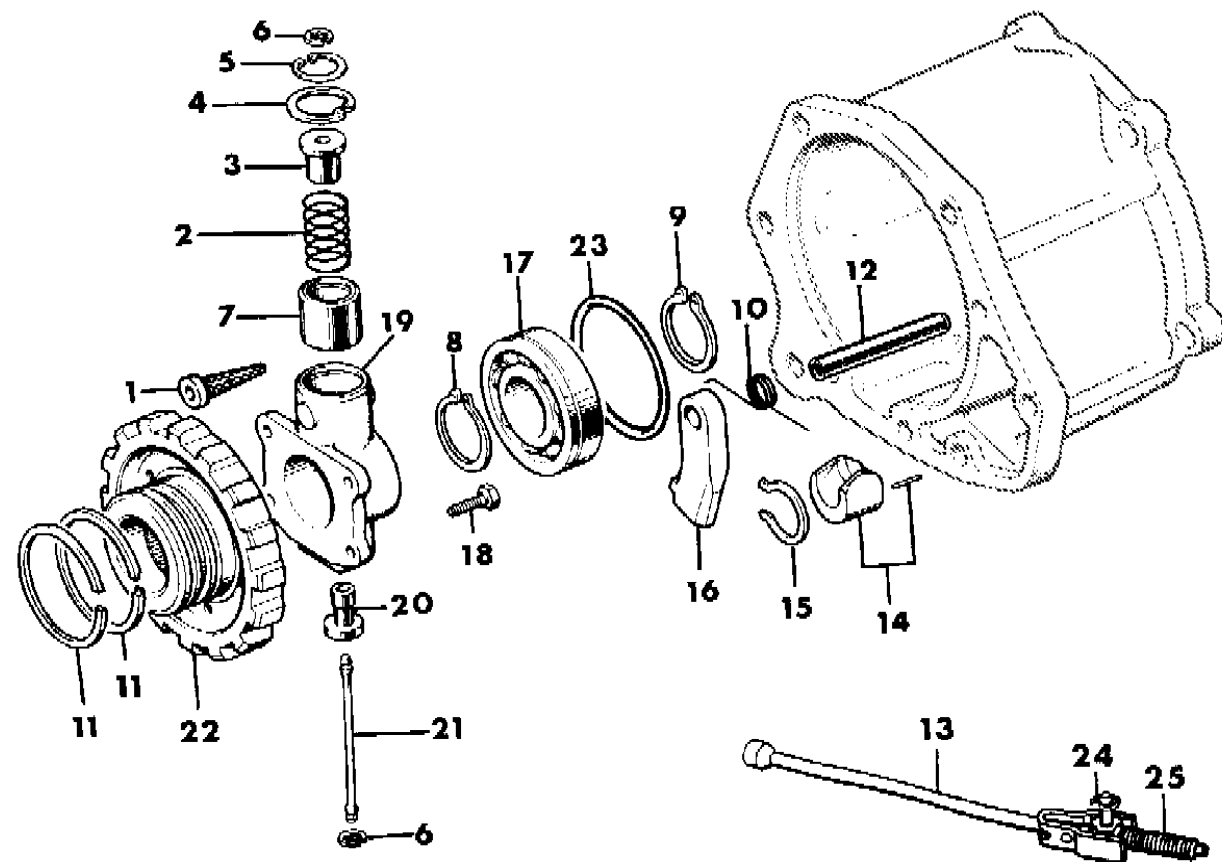
BODY STYLES:

MJ=Comanche Pickup ZJ=Grand Cherokee/Grand Wagoneer KDX VEHICLES
SJ=Grand Wagoneer M1=Comanche
XJ=Cherokee, Briarwood X1=Cherokee, Briarwood
YJ=Wrangler Y1=Wrangler

AR = Use as Required - = Non Illustrated Part P.A.R. = Paint as Required

GOVERNOR AND PARKING SPRAG 1991: A999 / 1992-93: 32RH WRANGLER, YJ
Figure 21A-500

91J51 500



ITEM	PART NUMBER	QTY	BODY	MODEL	DESCRIPTION
	6031 392	1			1993
5	1636 464	1			SNAP RING, Weight, Inner, 1991
	4617 242	1			1992-93
6	1638 461	2			SNAP RING, Valve Shaft
7	4539 147	1			WEIGHT, Governor, Outer (Also Serviced in Weight Pkg. 4617173)
8	6027 271	1			SNAP RING, Governor Body
9	6025 668	1			SNAP RING, Output Shaft Bearing, 1-1/16" I.D.
10	2466 909	1			SPRING
11	1942 109	2			RING, Gov. Suppt. Front Seal
12	2466 892	1			SHAFT
13	2466 906	1			ROD ASSEMBLY, Parking Sprag, 8" Lg.
14	2538 042	1			PLUG, Parking Sprag Reaction
15	2538 034	1			SNAP RING, Parking Sprag Reaction Plug
16	4471 415	1			SPRAG, Park, 5/8" Thick
17	4130 537	1			BEARING, Output Shaft, 2.83" O.D., 1.23" I.D.
18	6031 613	4			BOLT, Governor Body
19		1			BODY, Governor (Serviced in Body Pkg. 4186874,4713173, 4723685)
20	3515 479	1			VALVE, Governor, 1991
	4617 064	1			1992-93
21	1556 082	1			SHAFT, Governor Valve
22	3743 518	1			SUPPORT, Trans. Governor
23	6032 739	1			O-RING, Output Shaft Bearing
24	1626 749	1			E-RING, Rod
25		1			SPRING, (Serviced in Parking Sprag Rod Assy.)

MODEL CODES:

61=Pickup-6 Ft Box 74=4 Door Wagon T=2WD
62=Pickup-7 Ft Box 77=Open Body 93" Wheelbase J,N,U=4WD
72=2 Door Wagon 78=Open Body 103" Wheelbase

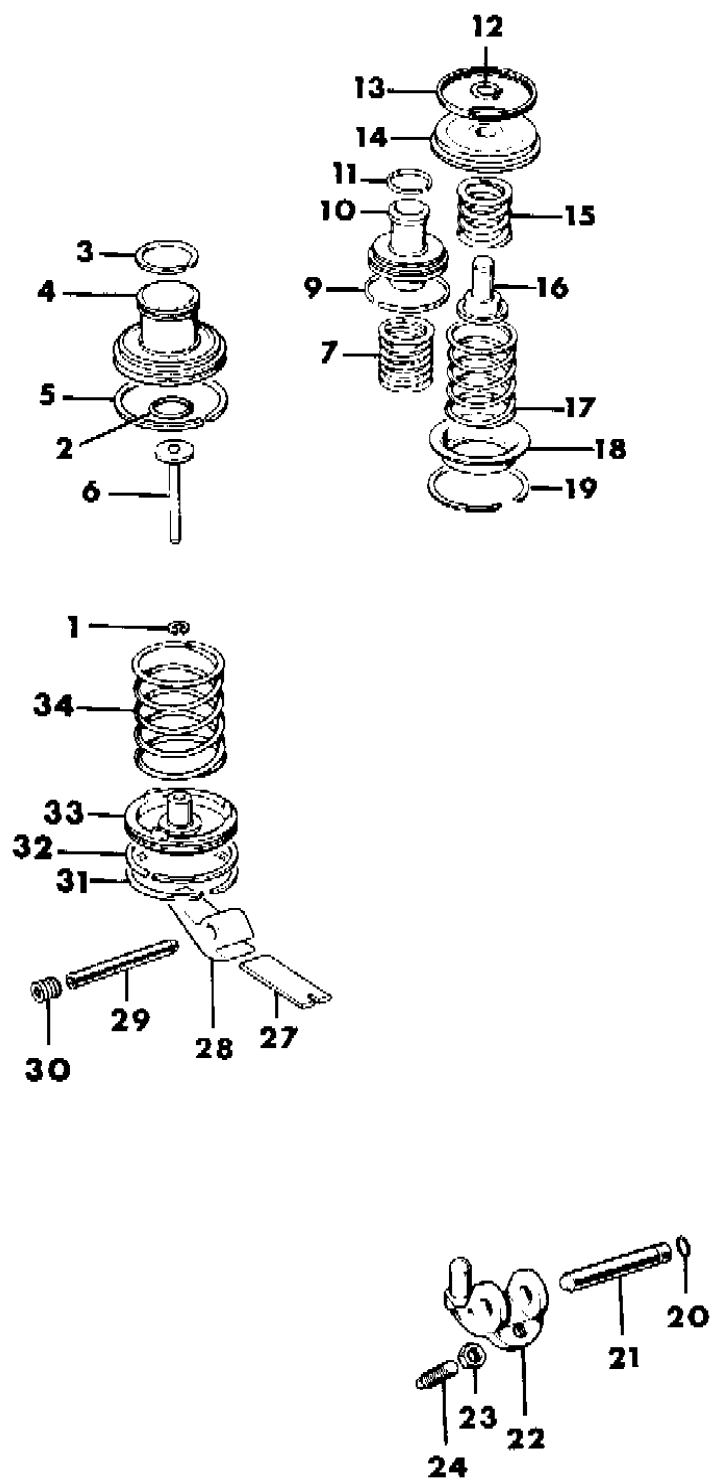
BODY STYLES:

MJ=Comanche Pickup ZJ=Grand Cherokee/Grand Wagoneer KDX VEHICLES
SJ=Grand Wagoneer M1=Comanche
XJ=Cherokee, Briarwood X1=Cherokee, Briarwood
YJ=Wrangler Y1=Wrangler

AR = Use as Required - = Non Illustrated Part P.A.R. = Paint as Required

SERVOS, ACCUMULATOR PISTON AND SPRING 1991: A999 / 1992-93: 32RH WRANGLER, YJ
Figure 21A-600

91J51 600



ITEM	PART NUMBER	QTY	BODY	MODEL	DESCRIPTION
1	6024 336	1			SNAP RING, Kickdown Servo Inner Piston
2	6028 864	1			O-RING, Kickdown Inner Piston
3	3743 033	1			RING, Kickdown Servo Piston Seal, 1" O.D.
4	4058 777	1			PISTON, Kickdown Servo
5	4295 966	1			RING, Kickdown Servo Piston Seal, 2-3/8" O.D.
6	4058 780	1			ROD, Kickdown Servo
7	3515 079	1			SPRING
9	3743 013	1			RING, Accumulator Piston Seal, Large
10	3743 650	1			PISTON, Accumulator
11	3743 010	1			RING, Accumulator Piston Seal, Small
12	6027 153	1			SNAP RING, Reverse Servo Plug
13	4202 864	1			SEAL, Reverse Servo Piston
14	2801 271	1			PISTON, Reverse Servo
15	4130 824	1			SPRING, Reverse Servo
16	3743 353	1			PLUG, Reverse Sevo Piston
17	2801 274	1			SPRING, Reverse Servo Piston
18	2464 463	1			RETAINER
19	2464 464	1			SNAP RING, Reverse Servo
20	6030 657	1			SEAL
21	3410 102	1			SHAFT, Reverse Band Lever
22	4202 764	1			LEVER, Reverse Band
23	0114 942	1			NUT, 3/8-24
24	2538 472	1			SCREW, Band Adjusting
27	3515 084	1			STRUT, Kickdown Band
28	2125 067	1			LEVER, Kickdown Band
29	4531 181	1			SHAFT, Kickdown Lever
30		1			PLUG, (Not Serviced)
31	6028 863	1			SNAP RING, Kickdown Servo
32	4295 966	1			RING, Kickdown Servo Guide Seal, 2-3/8" O.D.
33	3410 332	1			GUIDE
34	4531 119	1			SPRING, Kickdown Servo Piston

MODEL CODES:

61=Pickup-6 Ft Box 74=4 Door Wagon T=2WD
 62=Pickup-7 Ft Box 77=Open Body 93" Wheelbase J,N,U=4WD
 72=2 Door Wagon 78=Open Body 103" Wheelbase

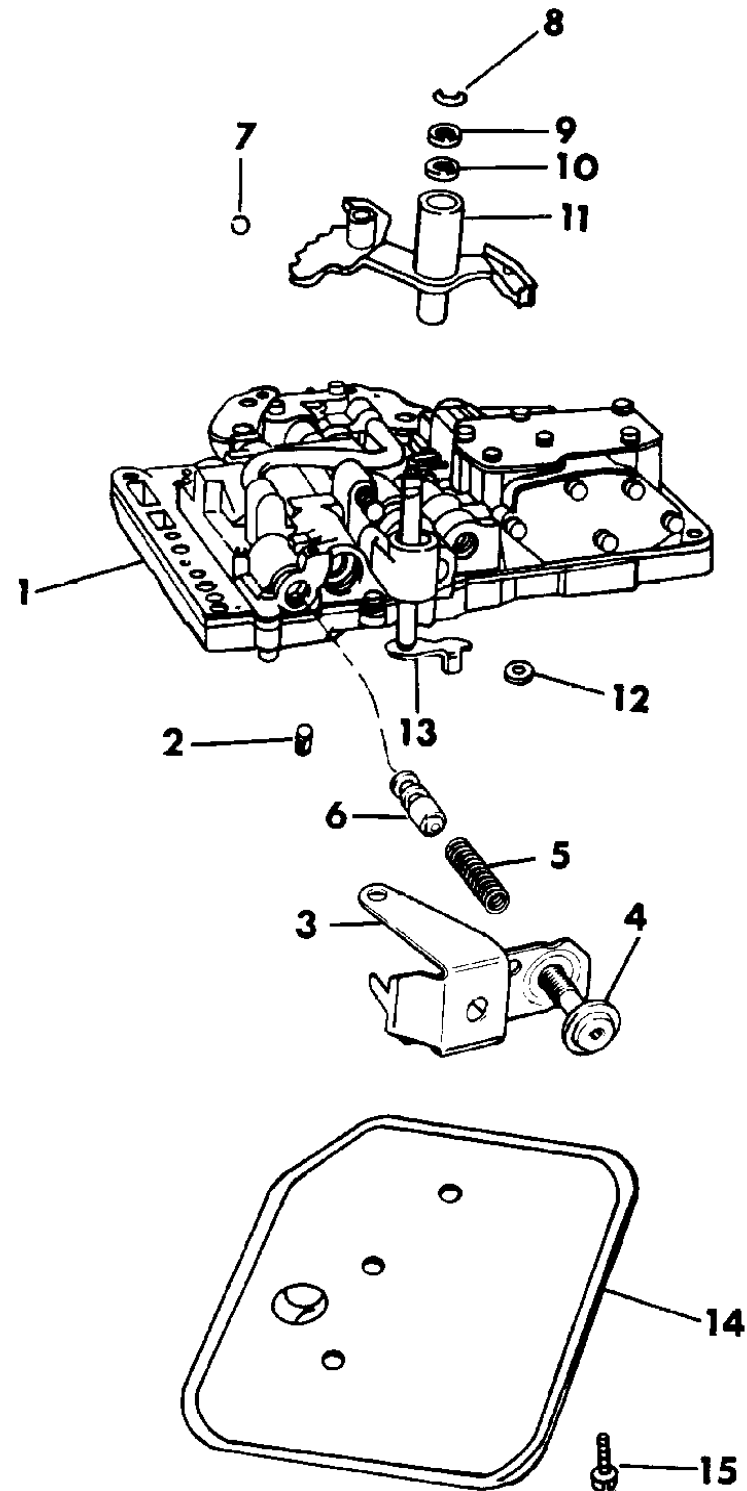
BODY STYLES:

MJ=Comanche Pickup ZJ=Grand Cherokee/Grand Wagoneer KDX VEHICLES
 SJ=Grand Wagoneer M1=Comanche
 XJ=Cherokee, Briarwood X1=Cherokee, Briarwood
 YJ=Wrangler Y1=Wrangler

AR = Use as Required - = Non Illustrated Part P.A.R. = Paint as Required

VALVE BODY 1991: A999 / 1992-93: 32RH WRANGLER, YJ
Figure 21A-700

91J51 700A



ITEM	PART NUMBER	QTY	BODY	MODEL	DESCRIPTION
1	4539 190	1			VALVE BODY ASSEMBLY, Use w/53006925 Trans.
	4617 198	1			w/53009265 Trans.
	4617 085	1			1992
	4617 466	1			1993
	4728 795	1			w/53008145
2	3878 313	1			SCREEN, Regulator Valve
3	3743 840	1			BRACKET, Throttle Pressure Adj. Screw
4	6030 609	1			SCREW, Throttle Pressure Adjusting
5	4130 492	1			SPRING, Switch Valve
6	4202 474	1			VALVE, Trans. Switch, 1991-92
	4505 036	1			1993
7	0147 488	1			BALL, Manual Lever Detent
8	6025 857	1			E-RING, Throttle Valve Lever Shaft
9	2538 062	1			WASHER, Throttle Valve Lever Shaft
10	2466 548	1			SEAL, Throttle Lever Shaft, Rubber, 5/8" O.D.
11	4531 159	1			LEVER, w/Insulator, Manual Valve
12	4505 098	1			SEAL, Manual Valve Shaft, 1-1/4" O.D.
13	3681 227	1			LEVER, Throttle Valve
14	3515 996	1			FILTER, Strainer, Trans. Oil
15	6033 826	3			SCREW, Oil Filter, 10-24 x 1-1/4" Lg.

MODEL CODES:

61=Pickup-6 Ft Box 74=4 Door Wagon T=2WD
62=Pickup-7 Ft Box 77=Open Body 93" Wheelbase J,N,U=4WD
72=2 Door Wagon 78=Open Body 103" Wheelbase

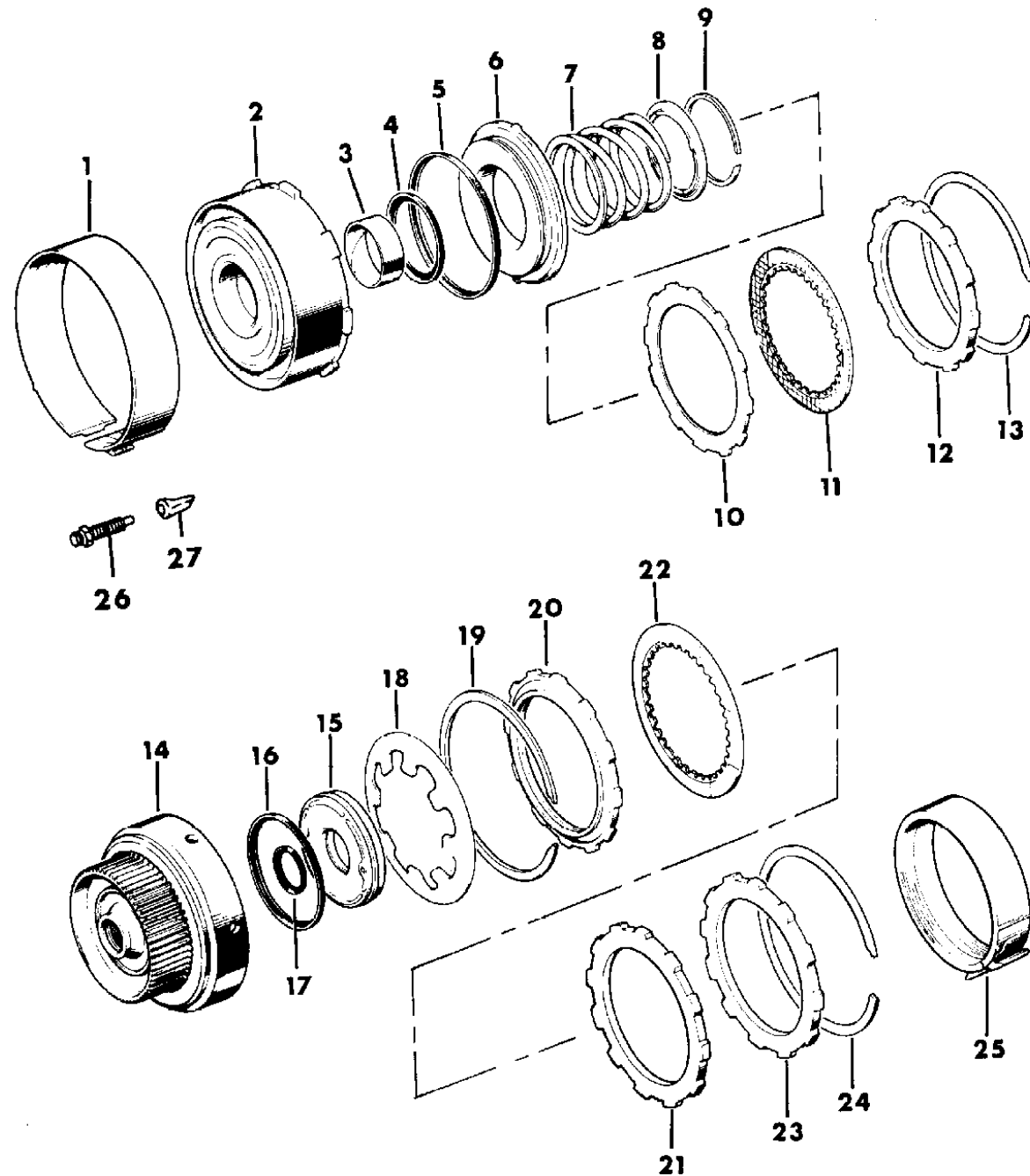
BODY STYLES:

MJ=Comanche Pickup ZJ=Grand Cherokee/Grand Wagoneer KDX VEHICLES
SJ=Grand Wagoneer M1=Comanche
XJ=Cherokee, Briarwood X1=Cherokee, Briarwood
YJ=Wrangler Y1=Wrangler

AR = Use as Required - = Non Illustrated Part P.A.R. = Paint as Required

CLUTCH, FRONT AND REAR 1991: A999 / 1992-93: 32RH WRANGLER, YJ
Figure 21A-800

91J51 800B



ITEM	PART NUMBER	QTY	BODY	MODEL	DESCRIPTION
1	4531 221	1			BAND, Kickdown, 1991
	4531 284	1			1992
	4617 849	1			1993
2	3743 382	1			RETAINER, Front Clutch, 1991
	4617 185	1			1992
3	4531 285	1			w/Bushing, 1993
	2801 727	1			BUSHING, Front Clutch
4	3515 176	1			SEAL, Front Clutch Piston, Inner
5	4058 487	1			SEAL, Front Clutch Piston, Outer
6	3743 384	1			PISTON, Front Clutch, 1991-92
	4617 154	1			1993
7	3515 054	1			SPRING
8	1942 399	1			RETAINER, Front Clutch Piston Spring, 1991-92
	4617 516	1			1993
9	1942 400	1			SNAP RING, Front Clutch Inner
10	1942 403	5			PLATE, Front Clutch
11	4329 805	5			DISC, Front Clutch Driven, 1991
	4617 362	4			1992-93
12	2801 969	1			PLATE, Frt. Clutch Pressure, Use w/53006925 Trans.
	4617 176	1			w/53009265 Trans.
	4617 176	1			1992-93
13	3410 571	1			SNAP RING, Front Clutch, Outer
14	4505 199	1			RETAINER, Rear Clutch
15	3515 716	1			PISTON ASSEMBLY, Rear Clutch
16	2538 695	1			SEAL, Rear Clutch Piston Outer
17	2538 510	1			SEAL, Rear Clutch Piston Inner
18	1942 414	1			SPRING, Rear Clutch Piston, 1991
	4617 191	1			1992-93
19	2466 283	1			SPRING, Clutch Wave
20	2466 281	1			PLATE, Clutch
21	1942 403	3			PLATE, Drive Rear Clutch
22	4539 178	4			DISC, Rear Clutch, Use w/53006925 Trans.
	4713 880	4			w/53009265 Trans.
23	4713 880	4			1992-93
	2801 969	1			PLATE, Rear Clutch Pressure, Use w/53006925 Trans.
24	4617 176	1			w/53009265 Trans.
	4617 176	1			1992-93
	4130 761	AR			SNAP RING, Rear Clutch Retaining, 5-11/32" O.D.
	4130 762	AR			.060" Thk., Use w/53006925 Trans.
	4539 121	AR			.074" Thk., w/53006925 Trans.
					w/53009265 Trans.

MODEL CODES:

61=Pickup-6 Ft Box 74=4 Door Wagon T=2WD
62=Pickup-7 Ft Box 77=Open Body 93" Wheelbase J,N,U=4WD
72=2 Door Wagon 78=Open Body 103" Wheelbase

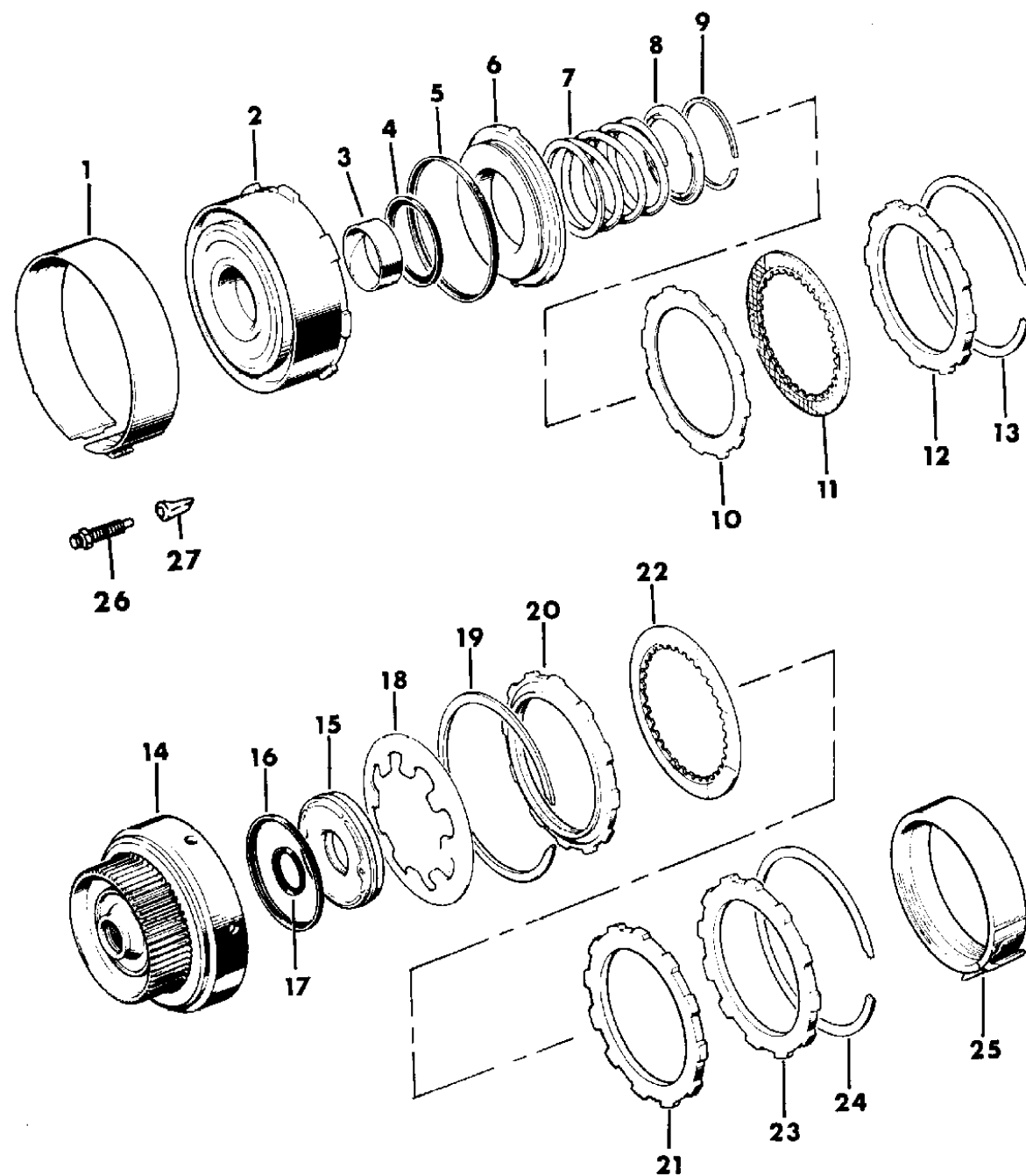
BODY STYLES:

MJ=Comanche Pickup ZJ=Grand Cherokee/Grand Wagoneer KDX VEHICLES
SJ=Grand Wagoneer M1=Comanche
XJ=Cherokee, Briarwood X1=Cherokee, Briarwood
YJ=Wrangler Y1=Wrangler

AR = Use as Required - = Non Illustrated Part P.A.R. = Paint as Required

CLUTCH, FRONT AND REAR 1991: A999 / 1992-93: 32RH WRANGLER, YJ
Figure 21A-800

91J51 800B



ITEM	PART NUMBER	QTY	BODY	MODEL	DESCRIPTION
	4539 121	AR			1992-93
	4130 763	AR			.098" Thk., w/53006925 Trans.
	4539 122	AR			w/53009265 Trans.
	4539 122	AR			1992-93
	4539 123	AR			w/53009265 Trans.
	4539 123	AR			1992-93
	4539 124	AR			w/53009265 Trans.
	4539 124	AR			1992-93
25	4443 187	1			BAND, Reverse
26	1942 477	1			SCREW, Kickdown Band Adjusting
27		1			NUT, Kickdown Band (Not Serviced)

MODEL CODES:

61=Pickup-6 Ft Box 74=4 Door Wagon T=2WD
62=Pickup-7 Ft Box 77=Open Body 93" Wheelbase J,N,U=4WD
72=2 Door Wagon 78=Open Body 103" Wheelbase

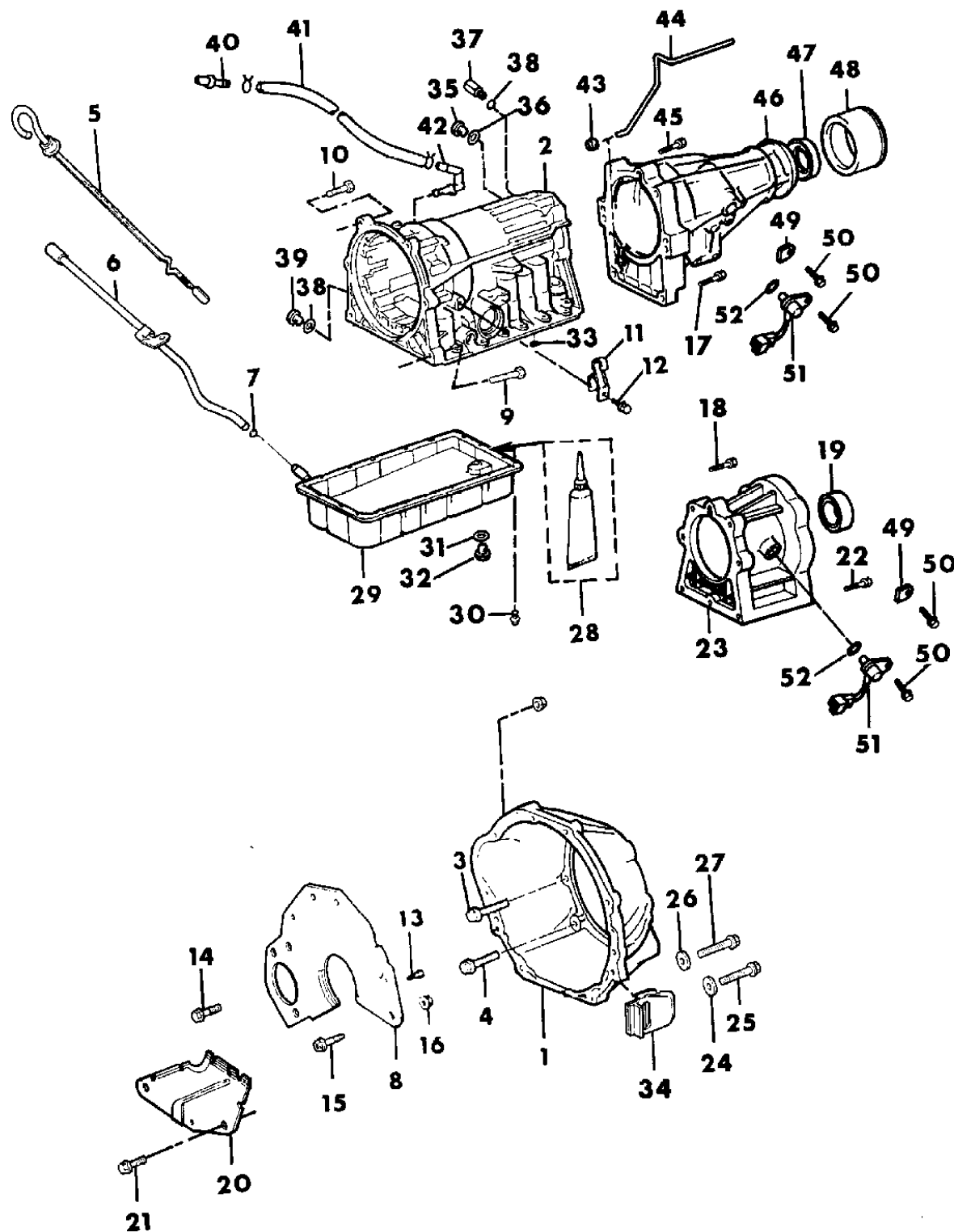
BODY STYLES:

MJ=Comanche Pickup ZJ=Grand Cherokee/Grand Wagoneer KDX VEHICLES
SJ=Grand Wagoneer M1=Comanche
XJ=Cherokee, Briarwood X1=Cherokee, Briarwood
YJ=Wrangler Y1=Wrangler

AR = Use as Required - = Non Illustrated Part P.A.R. = Paint as Required

CASE, EXTENSION AND MISC. PARTS AUTOMATIC TRANSMISSION - AW4 CHEROKEE, BRIARWOOD, COMANCHE, GRAND CHEROKEE
Figure 21A-900

91J51 900A



ITEM	PART NUMBER	QTY	BODY	MODEL	DESCRIPTION
1	8350 4062	1			HOUSING, Torque converter
2	8350 3745	1			CASE, Transmission
3	8350 3747	4			BOLT, w/Washer, M10x1.5x35mm
4	8350 4057	2			BOLT, w/Washer, M10x1.5x100mm
5	5300 3976	1	XJ,MJ		INDICATOR, Oil Level
	5300 8270	1	ZJ		
6	5300 2870	1	XJ,MJ		TUBE, Oil Indicator
	5300 7123	1	ZJ		
7	5300 3977	1			SEAL, O-Ring
8	5300 4907	1			SPACER
9	8350 3746	2			BOLT, w/Washer, M12x1.75x45mm
10	8350 3747	3			BOLT, w/Washer, M10x1.5x35mm
11	8350 3715	1			CLAMP
12	8350 3716	1			BOLT, w/Washer, M6x1x12mm
13	J942 8638	1			BOLT, 3/8-16x.62
14	1150 2850	3			BOLT, M8x1.25x20mm
15	1150 4922	2			BOLT, M12x1.75x50mm
16	1150 2723	2			NUT, M12x1.75mm
17	8350 3747	3			BOLT, M10x1.5x35mm
18	8350 4058	5		4WD	BOLT, w/Washer, M10x1.5x40mm
19	8350 4055	1		4WD	SEAL, Oil Lip, Adapter
20	5300 4908	1	XJ,MJ		COVER, Torque Converter
	5211 7767	1	ZJ		
21	1150 2628	3			BOLT, M8x1.25x30mm
22	8350 4057	2		4WD	BOLT
23	8350 4056	1		4WD	ADAPTER
24	S044 6363	2			WASHER, 3/8IDx7/8ODx.078
25	J018 0129	2			BOLT, 3/8-16x1.875
26	J400 5397	2			WASHER, 7/16IDx.875ODx.135
27	J942 7626	2			BOLT, 7/16-14x3.125
28	J899 3317	1			SEALER, RTV ***
29	8350 4037	1			PAN, Trans. Oil
30	8350 4039	19			BOLT
31	8350 4040	1			GASKET
32	8350 4041	1			PLUG, Drain
33	5252 444	1			GASKET
34	5300 5129	1			GROMMET, 1991
	5211 7660	1			1992-93
35	8350 3749	2			PLUG
36	8350 3750	2			O-RING
37	8350 3728	2			UNION

MODEL CODES:

61=Pickup-6 Ft Box 74=4 Door Wagon T=2WD
62=Pickup-7 Ft Box 77=Open Body 93" Wheelbase J,N,U=4WD
72=2 Door Wagon 78=Open Body 103" Wheelbase

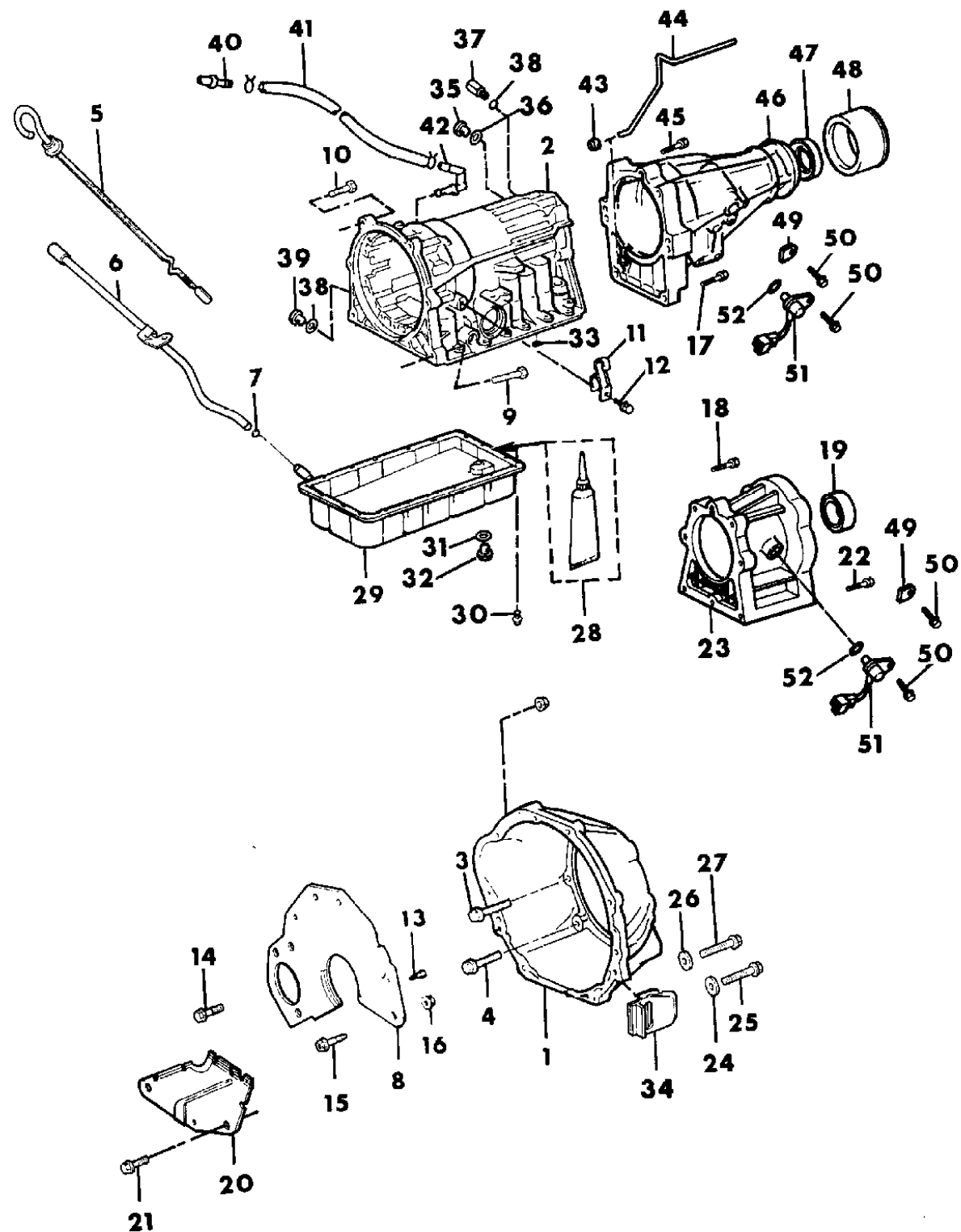
BODY STYLES:

MJ=Comanche Pickup ZJ=Grand Cherokee/Grand Wagoneer KDX VEHICLES
SJ=Grand Wagoneer M1=Comanche
XJ=Cherokee, Briarwood X1=Cherokee, Briarwood
YJ=Wrangler Y1=Wrangler

AR = Use as Required - = Non Illustrated Part P.A.R. = Paint as Required

CASE, EXTENSION AND MISC. PARTS AUTOMATIC TRANSMISSION - AW4 CHEROKEE, BRIARWOOD, COMANCHE, GRAND CHEROKEE
Figure 21A-900

91J51 900A



ITEM	PART NUMBER	QTY	BODY	MODEL	DESCRIPTION
38	8350 3727	2			O-RING
39	8350 3726	1			PLUG
40					BREATHER ***
	8350 3729	1		2WD	
	8350 3737	1		4WD	
41	8350 3720	1			HOSE
42	8350 3738	1			ADAPTER
43	8350 4052	1		2WD	GASKET, Housing Tube
44	8350 4053	1		2WD	TUBE, Housing Extension
45	8350 4051	4		2WD	BOLT, M10x1.5mm
46	8350 4046	1		2WD	EXTENSION
47	8350 4048	1		2WD	SEAL, Oil Lip, Extension
48	8350 4050	1		2WD	DEFLECTOR, Dust ***
49	8350 3721	1			PLATE
50	3420 1808	2			BOLT, M6x1x16mm
51	8350 3722	1			SENSOR, Speed
52	8350 3723	1			O-RING

MODEL CODES:

61=Pickup-6 Ft Box 74=4 Door Wagon T=2WD
62=Pickup-7 Ft Box 77=Open Body 93" Wheelbase J,N,U=4WD
72=2 Door Wagon 78=Open Body 103" Wheelbase

BODY STYLES:

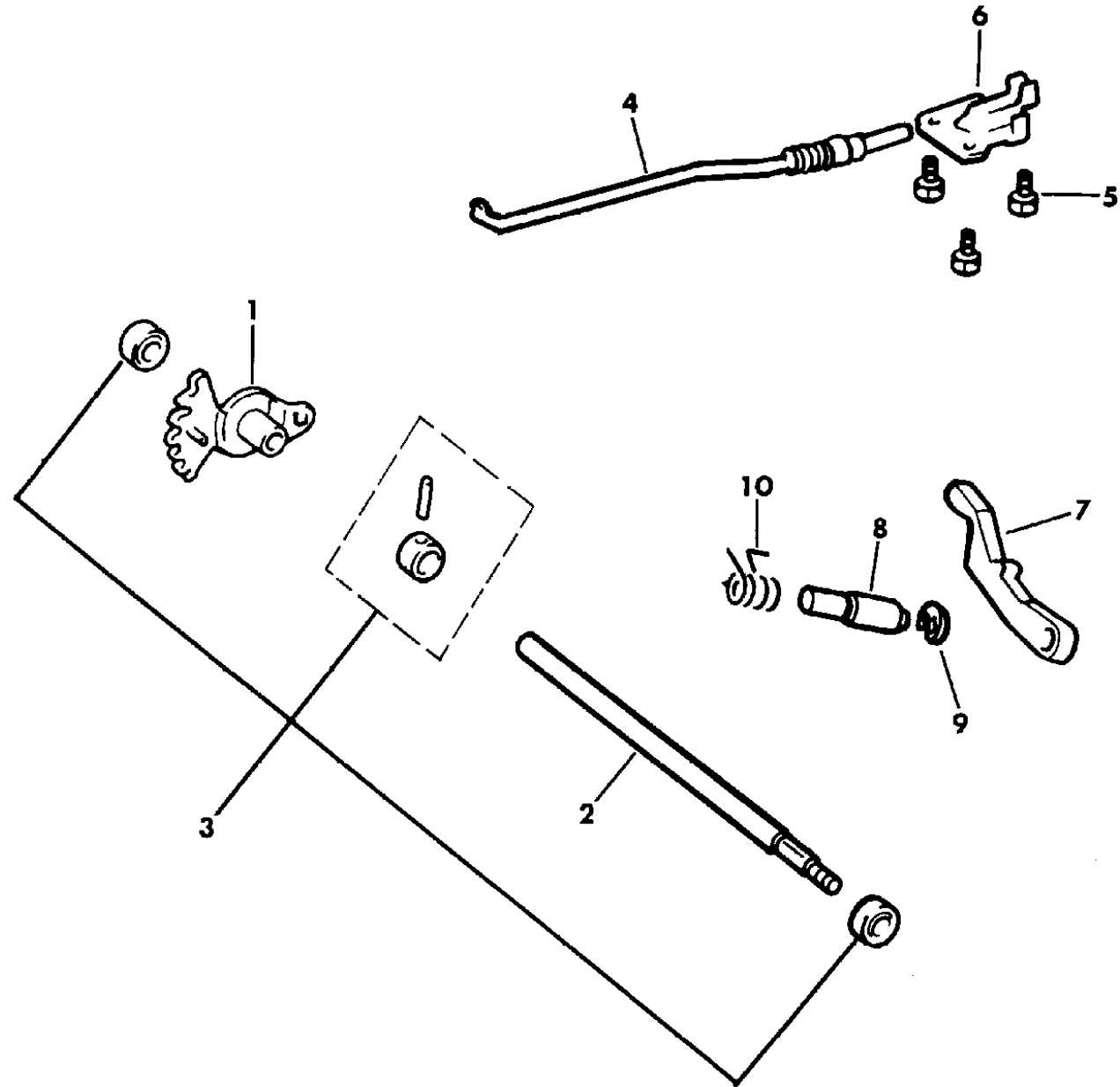
MJ=Comanche Pickup ZJ=Grand Cherokee/Grand Wagoneer KDX VEHICLES
SJ=Grand Wagoneer M1=Comanche
XJ=Cherokee, Briarwood X1=Cherokee, Briarwood
YJ=Wrangler Y1=Wrangler

AR = Use as Required - = Non Illustrated Part P.A.R. = Paint as Required

LOCK, PARKING AUTOMATIC TRANSMISSION - AW4 CHEROKEE, BRIARWOOD, COMANCHE, GRAND CHEROKEE
Figure 21A-1000

91J51 1000A

ITEM	PART NUMBER	QTY	BODY	MODEL	DESCRIPTION
1	8350 3774	1			LEVER, Manual Valve
2	8350 3725	1			SHAFT, Manual Valve Lever
3	8350 4332	1			REPAIR PACKAGE
4	8350 3781	1			ROD, Park Lock
5	8350 3783	3			BOLT, M6x1.0x14mm
6	8350 3780	1			BRACKET
7	8350 3779	1			PAWL
8	8350 3777	1			SHAFT
9	8350 3776	1			E-RING
10	8350 3778	1			SPRING



MODEL CODES:

61=Pickup-6 Ft Box 74=4 Door Wagon T=2WD
62=Pickup-7 Ft Box 77=Open Body 93" Wheelbase J,N,U=4WD
72=2 Door Wagon 78=Open Body 103" Wheelbase

BODY STYLES:

MJ=Comanche Pickup ZJ=Grand Cherokee/Grand Wagoneer KDX VEHICLES
SJ=Grand Wagoneer M1=Comanche
XJ=Cherokee, Briarwood X1=Cherokee, Briarwood
YJ=Wrangler Y1=Wrangler

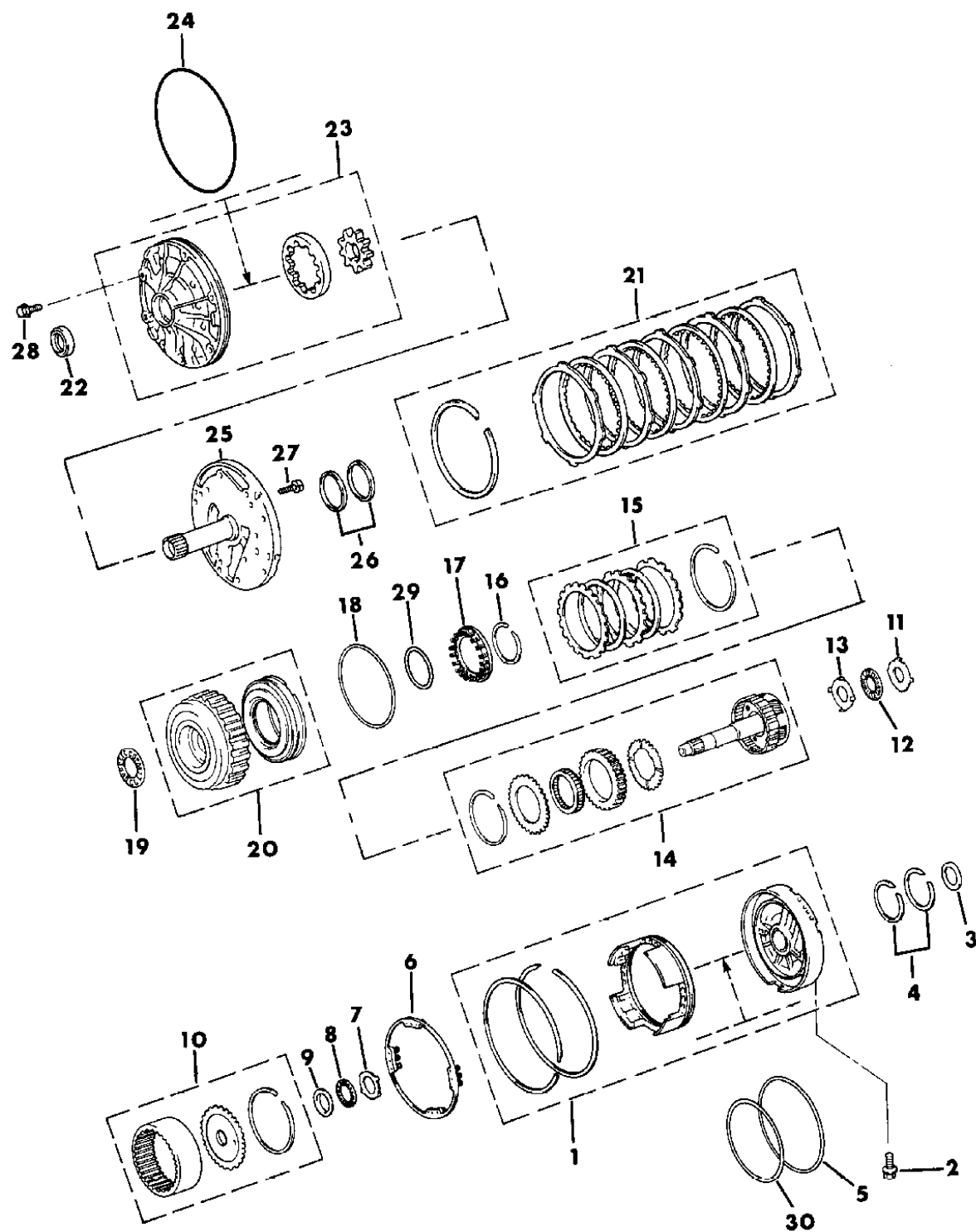
AR = Use as Required - = Non Illustrated Part P.A.R. = Paint as Required

PUMP, OIL AND OVERDRIVE CLUTCH AUTOMATIC TRANSMISSION - AW4 CHEROKEE, BRIARWOOD, COMANCHE, GRAND CHEROKEE

Figure 21A-1100

91J51 1100B

ITEM	PART NUMBER	QTY	BODY	MODEL	DESCRIPTION
1	4636 977	1			REPAIR PACKAGE, Overdrive Support ***
2	8350 3898	2			BOLT, Flange, M8x1.25x45mm
3	8350 3784	1			RACE, Bearing
4	8350 3757	2			RING
5	4636 782	1			O-RING, O/Drive Support, Outer
6	4636 784	1			SPRING, O/Drive Brake Return
7		1			RACE, Bearing (Serviced in 4637023 Repair Pkg.)
8		1			BEARING, (Serviced in 4637023 Repair Pkg.)
9		1			RACE, Bearing (Serviced in 4637023 Repair Pkg.)
10	4636 978	1			REPAIR PACKAGE ***
11	8350 3916	1			RACE, Bearing
12	8350 3802	1			BEARING
13	8350 3915	1			RACE, Bearing
14	4637 024	1			REPAIR PACKAGE, Planetary Gear ***
15	8350 4287	1			REPAIR PACKAGE, Direct Clutch
16	8350 3810	1			RING
17	8350 3928	1			SPRING
18	8350 3926	1			O-RING
19	8350 3939	1			BEARING ASSEMBLY
20	4637 025	1			CLUTCH ASSEMBLY, Overdrive
21	8350 4294	1			PLATE SET, Overdrive Clutch ***
22	8350 3752	1			OIL SEAL
23	8350 4283	1			PUMP ASSEMBLY
24	8350 3758	1			O-RING
25	4626 166	1			STATOR ***
26	8350 3757	2			OIL SEAL
27	4626 167	13			BOLT, Flange, M6x1.0x16mm
28	8350 3759	7			BOLT, w/Washer, M8x1.25x35mm
29	8350 3811	1			O-RING
30	4636 783	1			O-RING, O/Drive Support, Inner



MODEL CODES:
 61=Pickup-6 Ft Box 74=4 Door Wagon T=2WD
 62=Pickup-7 Ft Box 77=Open Body 93" Wheelbase J,N,U=4WD
 72=2 Door Wagon 78=Open Body 103" Wheelbase

BODY STYLES:
 MJ=Comanche Pickup ZJ=Grand Cherokee/Grand Wagoneer KDX VEHICLES
 SJ=Grand Wagoneer M1=Comanche
 XJ=Cherokee, Briarwood X1=Cherokee, Briarwood
 YJ=Wrangler Y1=Wrangler

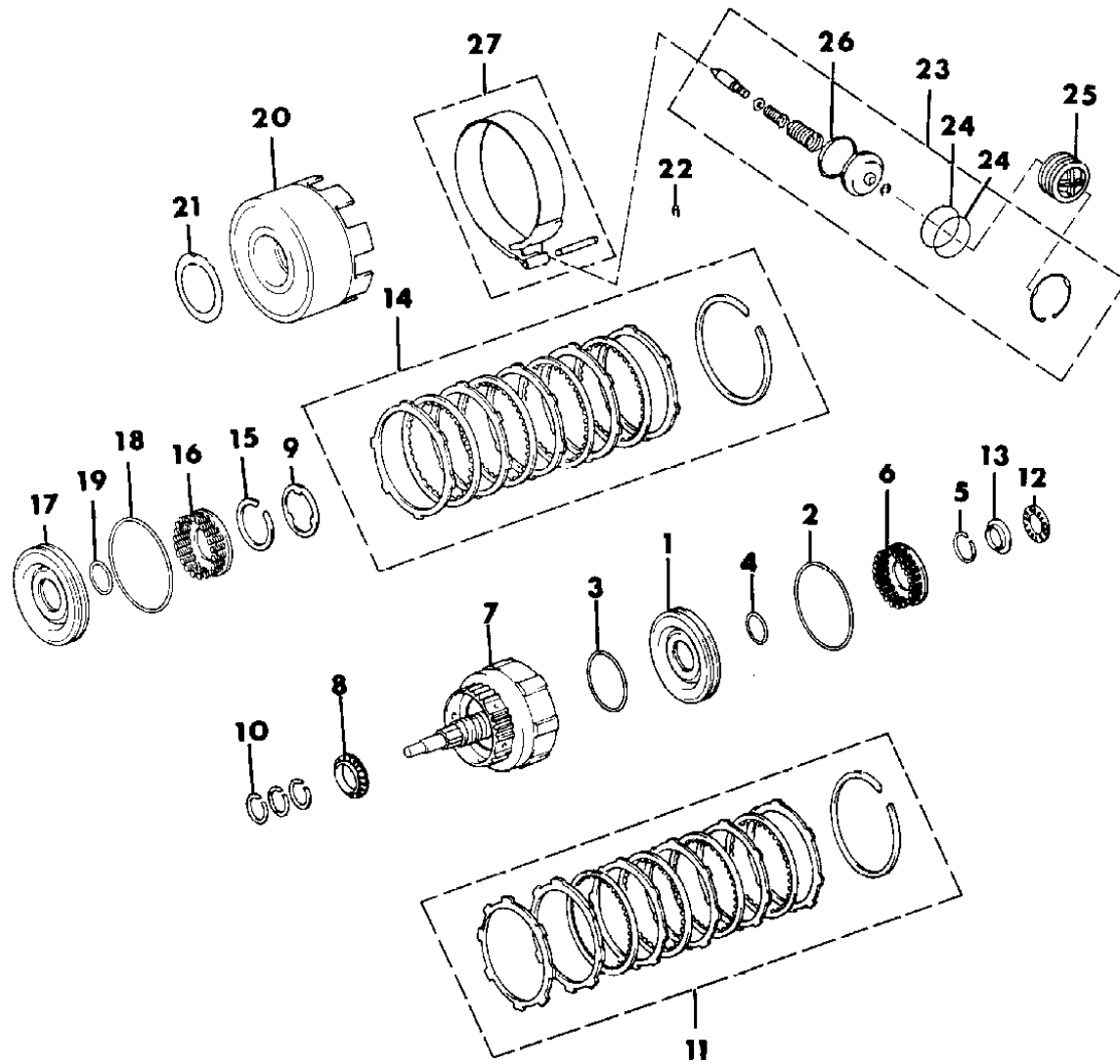
AR = Use as Required - = Non Illustrated Part P.A.R. = Paint as Required

CLUTCHES, FORWARD AND DIRECT AUTOMATIC TRANSMISSION - AW4 CHEROKEE, BRIARWOOD, COMANCHE, GRAND CHEROKEE

Figure 21A-1200

91J51 1200B

ITEM	PART NUMBER	QTY	BODY	MODEL	DESCRIPTION
1	4636 683	1			PISTON, Front Clutch
2	4637 006	1			O-RING
3	4626 170	1			O-RING
4	4626 176	1			O-RING
5	8350 3792	1			SNAP RING
6	8350 3793	1			SPRING
7	4626 169	1			SHAFT, Input
8	8350 3785	1			BEARING, Clutch
9	8350 3825	1			WASHER, Thrust
10	8350 3799	3			SEAL RING
11	8350 4300	1			REPAIR PACKAGE, Forward Clutch, 1991 ***
	4637 022	1			1992-93
12	8350 3802	1			BEARING
13	8350 3800	1			RACE
14	8350 4298	1			REPAIR PACKAGE, Direct Clutch ***
15	8350 3810	1			SNAP RING
16	8350 3813	1			SPRING ASSEMBLY ***
17	8350 3812	1			PISTON ASSEMBLY
18	4637 006	1			O-RING
19	8350 3811	1			O-RING
20	8350 3826	1			DRUM ASSEMBLY
21	8350 3825	1			WASHER
22		1			E-RING, Pin Retaining (Serviced in Pkg. Item No. 23,27
23	8350 4299	1			BRAKE ASSEMBLY, 2nd Coast
24	8350 3855	2			O-RING
25	8350 3853	1			COVER, 2nd Coast Brake
26	8350 3849	1			SEAL
27	8350 4311	1			REPAIR PACKAGE, 2nd Band ***



MODEL CODES:

61=Pickup-6 Ft Box 74=4 Door Wagon T=2WD
 62=Pickup-7 Ft Box 77=Open Body 93" Wheelbase J,N,U=4WD
 72=2 Door Wagon 78=Open Body 103" Wheelbase

BODY STYLES:

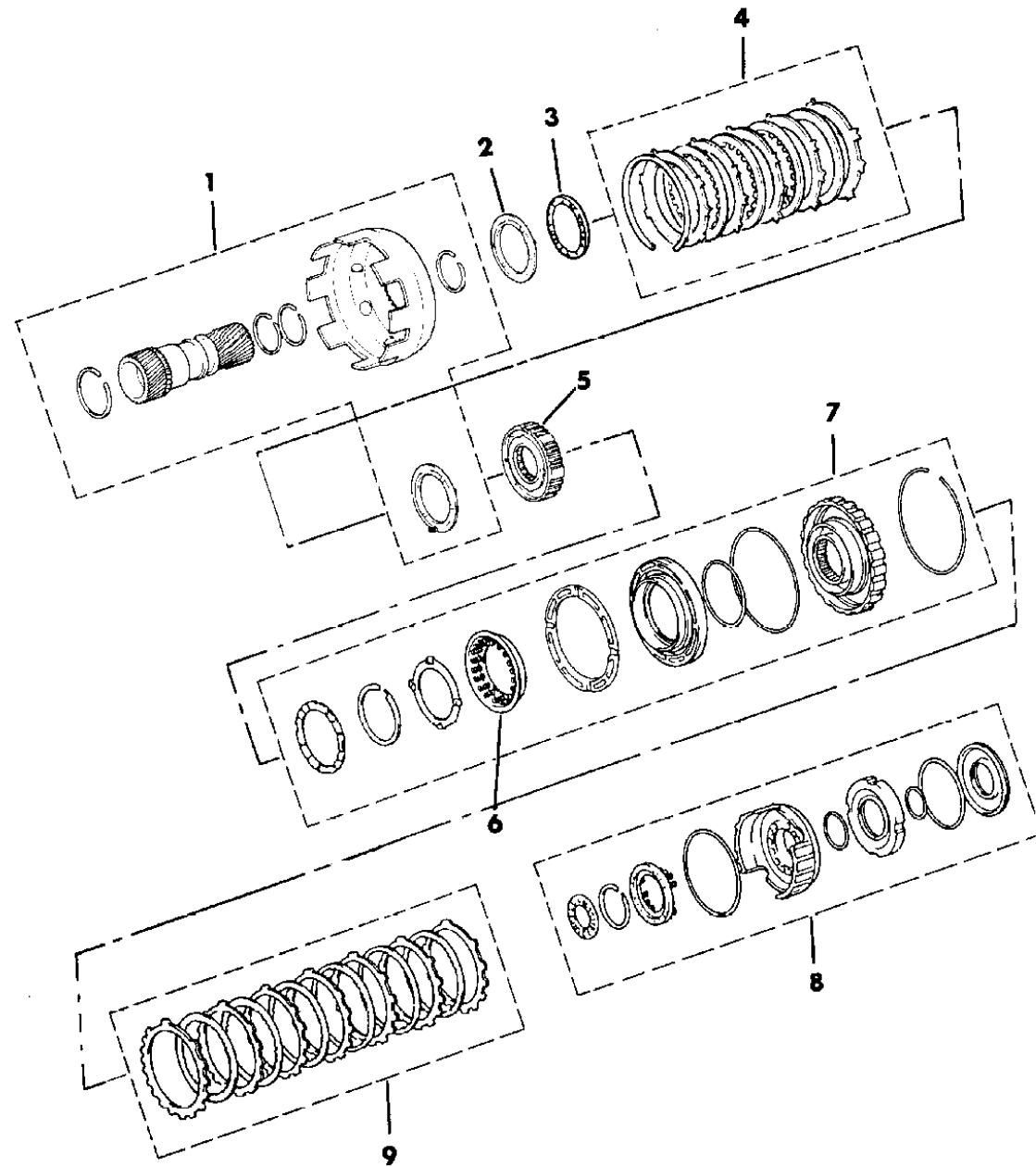
MJ=Comanche Pickup ZJ=Grand Cherokee/Grand Wagoneer KDX VEHICLES
 SJ=Grand Wagoneer M1=Comanche
 XJ=Cherokee, Briarwood X1=Cherokee, Briarwood
 YJ=Wrangler Y1=Wrangler

AR = Use as Required - = Non Illustrated Part P.A.R. = Paint as Required

BRAKE, CLUTCH AND SUN GEAR AUTOMATIC TRANSMISSION - AW4 CHEROKEE, BRIARWOOD, COMANCHE, GRAND CHEROKEE

Figure 21A-1300

91J51 1300B



ITEM	PART NUMBER	QTY	BODY	MODEL	DESCRIPTION
1	4637 035	1			REPAIR PACKAGE, Sun Gear ***
2	8350 3886	1			RACE, Bearing
3	8350 3885	1			BEARING, Thrust Roller
4	8350 4319	1			REPAIR PACKAGE, 2nd Brake Clutch ***
5	8350 3846	1			CLUTCH, One Way
6	8350 3837	1			SPRING ASSEMBLY ***
7	4636 979	1			REPAIR PACKAGE, 2nd Brake Piston ***
8	4637 032	1			REPAIR PACKAGE, 1st And Reverse ***
9	4637 034	1			REPAIR PACKAGE, Disc And Plate ***

MODEL CODES:

61=Pickup-6 Ft Box 74=4 Door Wagon T=2WD
 62=Pickup-7 Ft Box 77=Open Body 93" Wheelbase J,N,U=4WD
 72=2 Door Wagon 78=Open Body 103" Wheelbase

BODY STYLES:

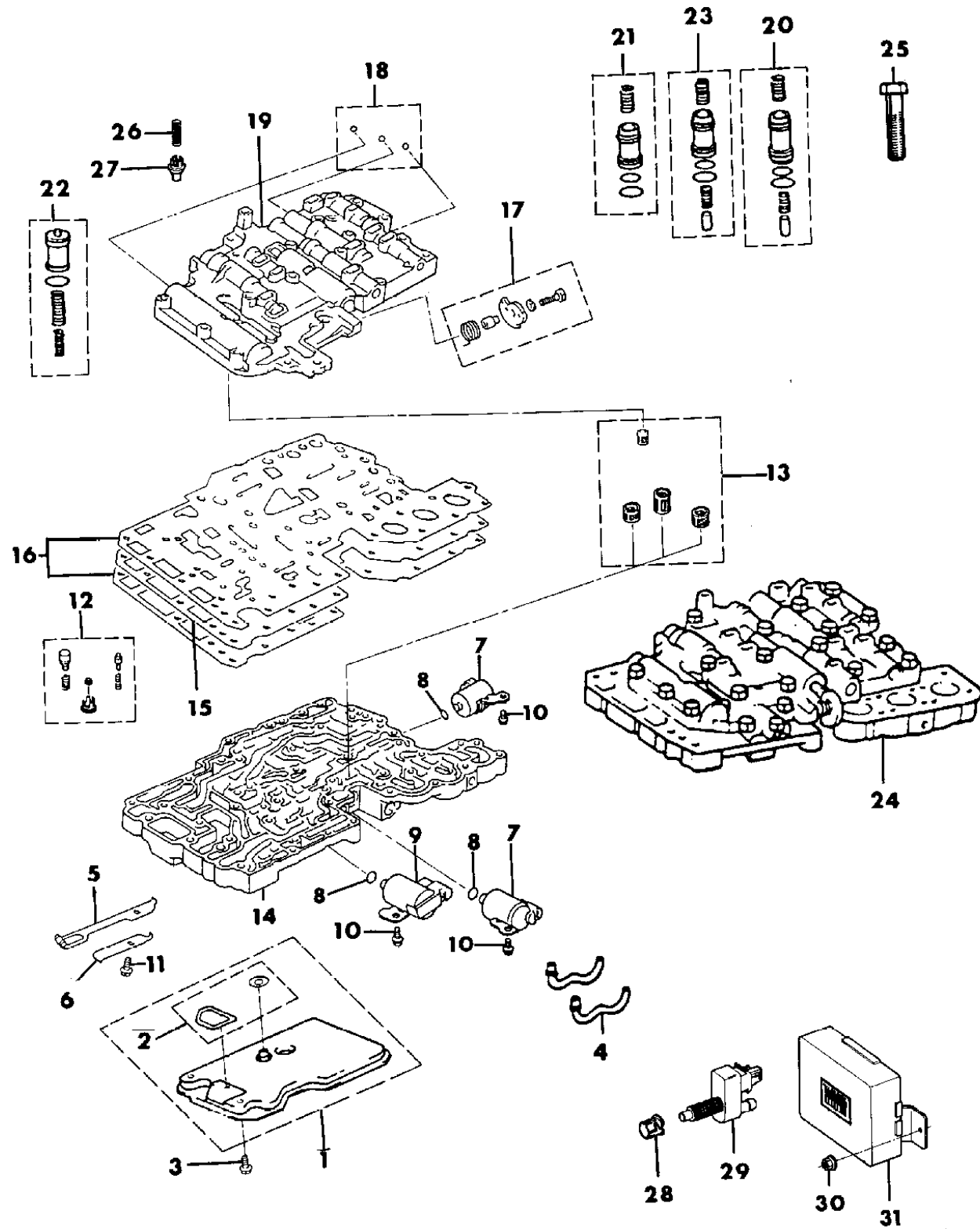
MJ=Comanche Pickup ZJ=Grand Cherokee/Grand Wagoneer KDX VEHICLES
 SJ=Grand Wagoneer M1=Comanche
 XJ=Cherokee, Briarwood X1=Cherokee, Briarwood
 YJ=Wrangler Y1=Wrangler

AR = Use as Required - = Non Illustrated Part P.A.R. = Paint as Required

VALVE BODY AND ELECTRONIC CONTROL AUTOMATIC TRANSMISSION - AW4 CHEROKEE, BRIARWOOD, COMANCHE, GRAND CHEROKEE

Figure 21A-1400

91J51 1400A



ITEM	PART NUMBER	QTY	BODY	MODEL	DESCRIPTION
1	8350 4032	1			FILTER ASSEMBLY ***
2	8350 4333	1			GASKET PACKAGE, Oil Filter
3	8350 4031	4			BOLT, Flange, M6x1.0x12mm
4	8350 4334	2			TUBE
5	8350 4016	1			SPRING, Manual Detent
6	8350 4015	1			COVER, Detent
7	8350 4043	2			SOLENOID, 1st & 2nd
8	8350 4065	3			O-RING
9	8350 4044	1			SOLENOID, 3rd Speed
10	8350 4031	3			BOLT, Flange Head, M6x1.0x12mm
11	8350 4014	1			BOLT, Flange, M6x1.0x16mm
12	8350 4335	1			VALVE PACKAGE, Check & Pressure Relief ***
13	8350 4336	1			STRAINER PACKAGE
14	8350 4356	1			BODY, Lower Valve
15	8350 3770	1			PLATE, 1991
	4637 468	1			1992-93
16	8350 4337	1			GASKET PACKAGE
17	4637 026	1			CAM PACKAGE, Throttle Valve
18	4637 031	1			BALL PACKAGE, Check (Qty.3) ***
19	8350 4355	1			BODY, Upper Valve
20	4637 030	1			ACCUMULATOR PACKAGE, B-2 ***
	4636 787	1			PISTON, Accumulator, B-2
21	4637 028	1			ACCUMULATOR PACKAGE, B-0 ***
	4636 788	1			PISTON, Accumulator, B-0
22	8350 4343	1			ACCUMULATOR PACKAGE, C-2 ***
23	4637 029	1			ACCUMULATOR PACKAGE, C-2 ***
	4636 786	1			PISTON, Accumulator, C-2
	8350 4017	1			PISTON, Accumulator, C-O (Not Shown)
	8350 4029	1			O-RING, Accumulator Strainer (Not Shown)
24	4626 168	1			VALVE ASSEMBLY, Rol Valve w/Solenoid
25					BOLT
	8350 4031	6			M6x1.0x12mm
	8350 4014	1			M6x1.0x16mm
	8350 4011	9			M5x0.8x20mm
	8350 4133	5			M6x1.0x23mm
	8350 4012	3			M5x0.8x28mm
	8350 4134	12			M6x1.0x32mm
	8350 4013	13			M5x0.8x38mm
26	8350 4036	1			SPRING
27	8350 4042	1			BODY, Check Ball
28	J400 6789	1			NUT

MODEL CODES:

61=Pickup-6 Ft Box 74=4 Door Wagon T=2WD
 62=Pickup-7 Ft Box 77=Open Body 93" Wheelbase J,N,U=4WD
 72=2 Door Wagon 78=Open Body 103" Wheelbase

BODY STYLES:

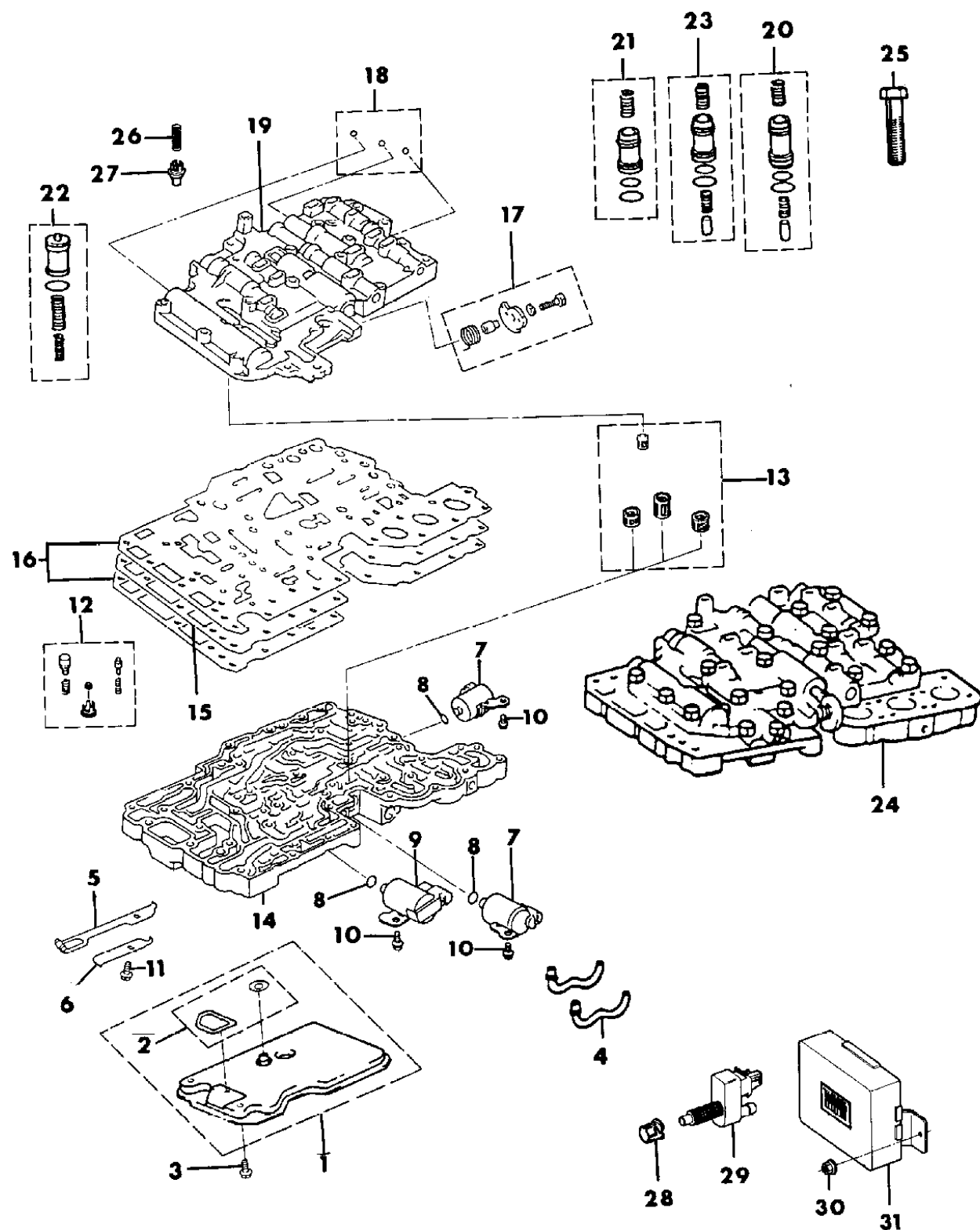
MJ=Comanche Pickup ZJ=Grand Cherokee/Grand Wagoneer KDX VEHICLES
 SJ=Grand Wagoneer M1=Comanche
 XJ=Cherokee, Briarwood X1=Cherokee, Briarwood
 YJ=Wrangler Y1=Wrangler

AR = Use as Required - = Non Illustrated Part P.A.R. = Paint as Required

VALVE BODY AND ELECTRONIC CONTROL AUTOMATIC TRANSMISSION - AW4 CHEROKEE, BRIARWOOD, COMANCHE, GRAND CHEROKEE

Figure 21A-1400

91J51 1400A



ITEM	PART NUMBER	QTY	BODY	MODEL	DESCRIPTION
29	5600 2281	1			SWITCH, Trans. Converter Cut-Out
30	1150 2702	2			NUT
31	5300 8383	1			MODULE, Transmission, 1991
	5602 6769	1	XJ,MJ		Except EUROPEAN, 1992-93
	5300 8383	1	XJ,MJ		w/EUROPEAN, 1992-93
	5300 9230	1	ZJ		MODULE, Trans. Control, (Located at Left Cowl Side)
	5300 9231	1	ZJ		BACKPLATE, Control Module Mtg. ***

MODEL CODES:
 61=Pickup-6 Ft Box 74=4 Door Wagon T=2WD
 62=Pickup-7 Ft Box 77=Open Body 93" Wheelbase J,N,U=4WD
 72=2 Door Wagon 78=Open Body 103" Wheelbase

BODY STYLES:
 MJ=Comanche Pickup ZJ=Grand Cherokee/Grand Wagoneer KDX VEHICLES
 SJ=Grand Wagoneer M1=Comanche
 XJ=Cherokee, Briarwood X1=Cherokee, Briarwood
 YJ=Wrangler Y1=Wrangler

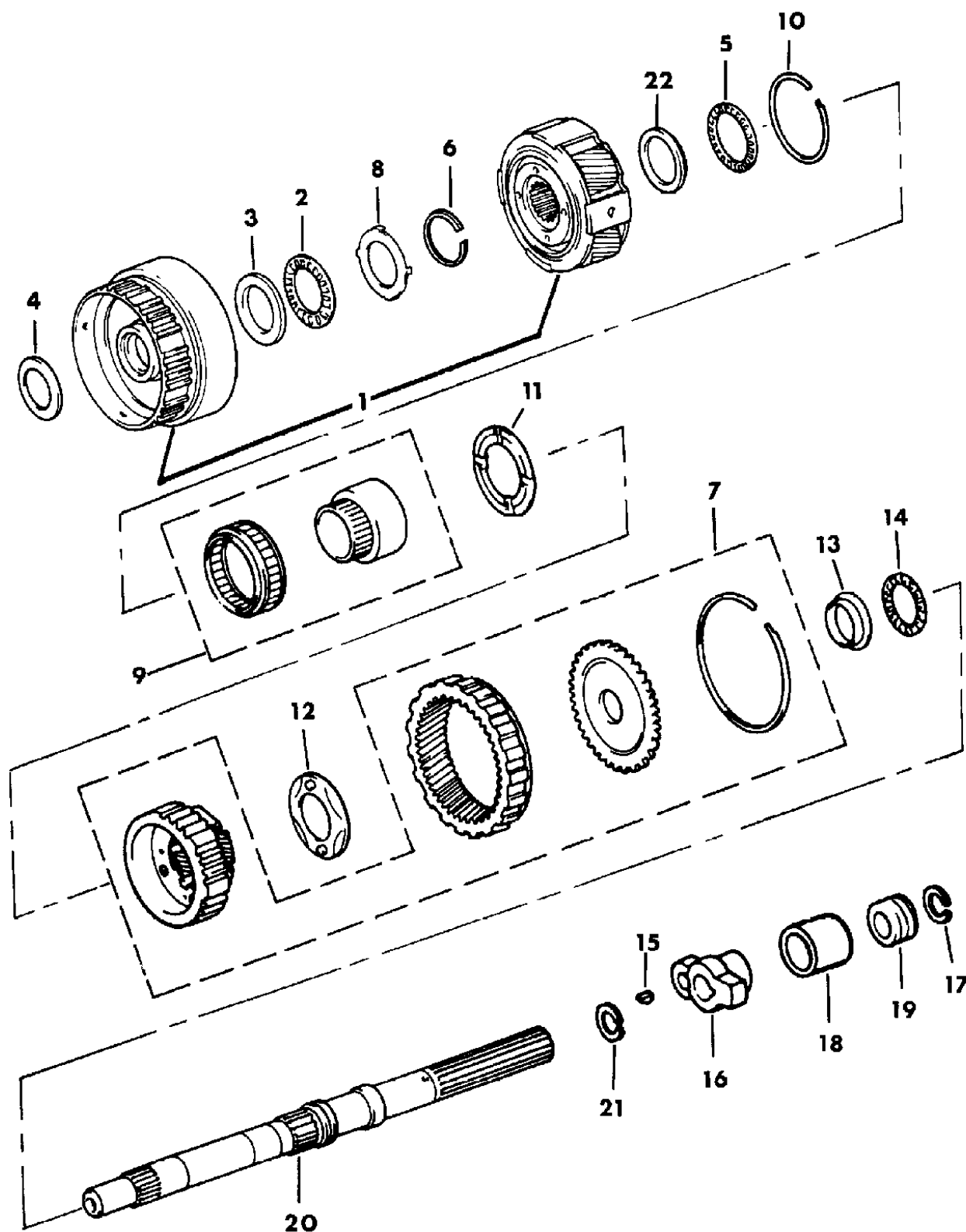
AR = Use as Required - = Non Illustrated Part P.A.R. = Paint as Required

GEAR TRAIN AND OUTPUT SHAFT AUTOMATIC TRANSMISSION - AW4 CHEROKEE, BRIARWOOD, COMANCHE, GRAND CHEROKEE

Figure 21A-1500

91J51 1500C

ITEM	PART NUMBER	QTY	BODY	MODEL	DESCRIPTION
1	8350 4326	1			GEAR, Front Planetary
2	8350 3874	1			BEARING
3	8350 3872	1			RACE, Thrust Bearing, Front
4	8350 3801	1			RACE
5	8350 3878	1			BEARING
6	8350 3879	1			SNAP RING
7	8350 4327	1			GEAR, Rear Planetary, 1991
	4637 037	1			1992-93
8	8350 3873	1			RACE, Thrust Bearing w/4 Tabs
9	4637 036	1			CLUTCH, One Way No. 2
10	8350 3890	1			SNAP RING
11	8350 3891	1			WASHER
12	8350 3893	1			WASHER
13	8350 3887	1			RACE
14	8350 3897	1			BEARING
15	8350 3947	1			KEY, Sensor
16	8350 3946	1			ROTOR, Sensor
17					SEAL RING
	8350 3945	1			2WD
	8350 3943	1			4WD
18	8350 3705	1			SPACER, 2WD
19	8350 3704	1			GEAR, Speedometer Drive, 2WD
20		1			SHAFT, Output
	8350 3944	1			2WD
	4636 789	1			4WD
21	8350 5652	1			SEAL, Oil Ring
22	8350 3877	1			RACE, Thrust Bearing, Rear



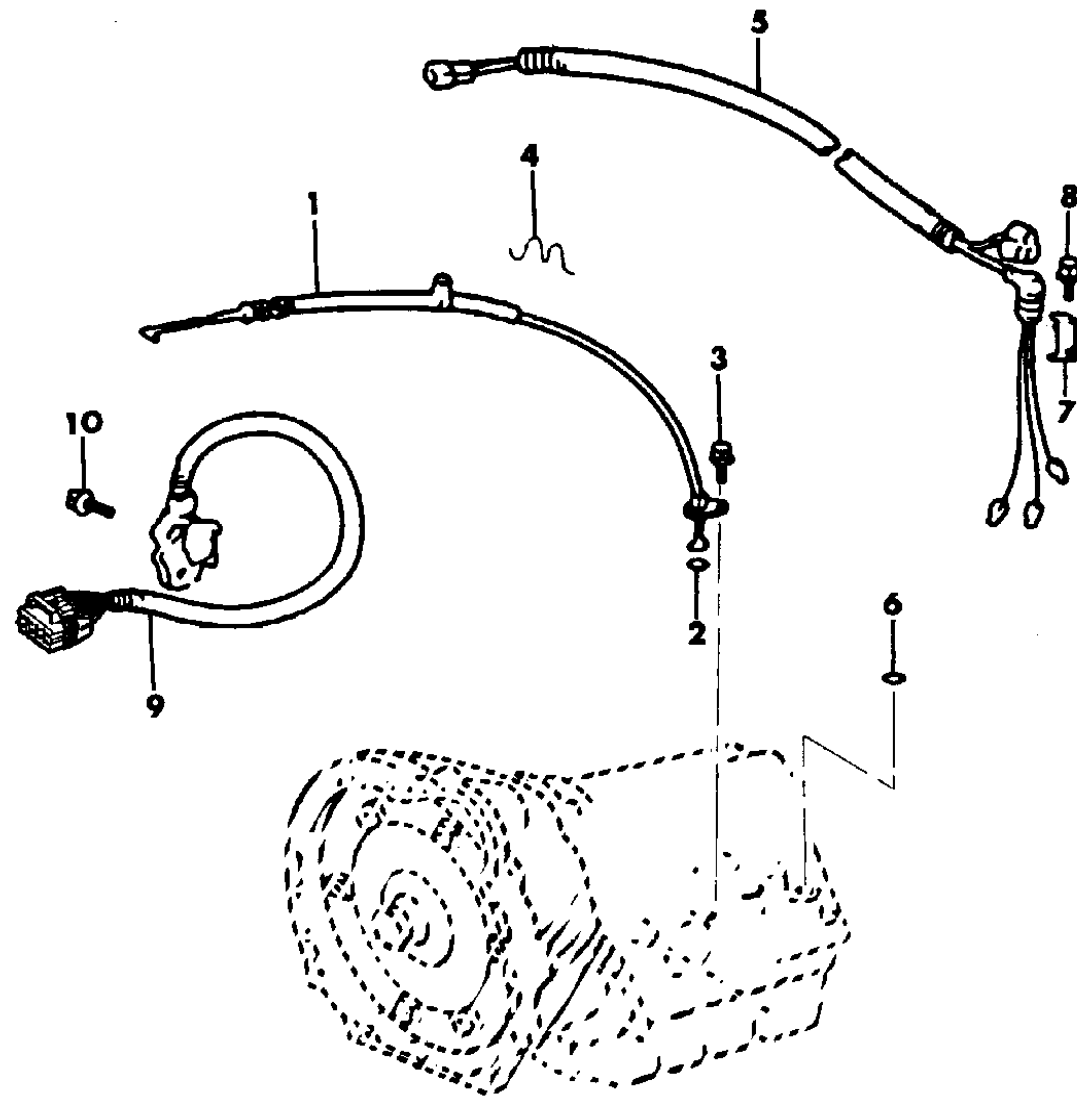
MODEL CODES:
 61=Pickup-6 Ft Box 74=4 Door Wagon T=2WD
 62=Pickup-7 Ft Box 77=Open Body 93" Wheelbase J,N,U=4WD
 72=2 Door Wagon 78=Open Body 103" Wheelbase

BODY STYLES:
 MJ=Comanche Pickup ZJ=Grand Cherokee/Grand Wagoneer KDX VEHICLES
 SJ=Grand Wagoneer M1=Comanche
 XJ=Cherokee, Briarwood X1=Cherokee, Briarwood
 YJ=Wrangler Y1=Wrangler

AR = Use as Required - = Non Illustrated Part P.A.R. = Paint as Required

LINKAGE, HARNESS, NEUTRAL SAFETY SWITCH AUTOMATIC TRANSMISSION - AW4 CHEROKEE, BRIARWOOD, COMANCHE, GRAND CHEROKEE
 Figure 21A-1600

91J51 1600A



ITEM	PART NUMBER	QTY	BODY	MODEL	DESCRIPTION
1	5207 7578	1			CABLE, Throttle Control
2	8350 3708	1			O-RING, Cable Seal
3	3420 1808	1			BOLT, Cable
4	8350 3710	1			CLAMP, Cable Retention
5					HARNESS, Trans. Solenoids and Module
	8350 3718	1		2WD	
	8350 3843	1		4WD	
6	8350 3719	1			O-RING
7	8350 3717	1			PLATE, Lock
8	8350 3716	1			BOLT, w/Washer, M6x1.0x12mm
9	8350 3712	1			SWITCH, Neutral Starter and Back-Up Light Safety
10	8350 3714	1			BOLT, M8x1.25x30mm

MODEL CODES:

61=Pickup-6 Ft Box 74=4 Door Wagon T=2WD
 62=Pickup-7 Ft Box 77=Open Body 93" Wheelbase J,N,U=4WD
 72=2 Door Wagon 78=Open Body 103" Wheelbase

BODY STYLES:

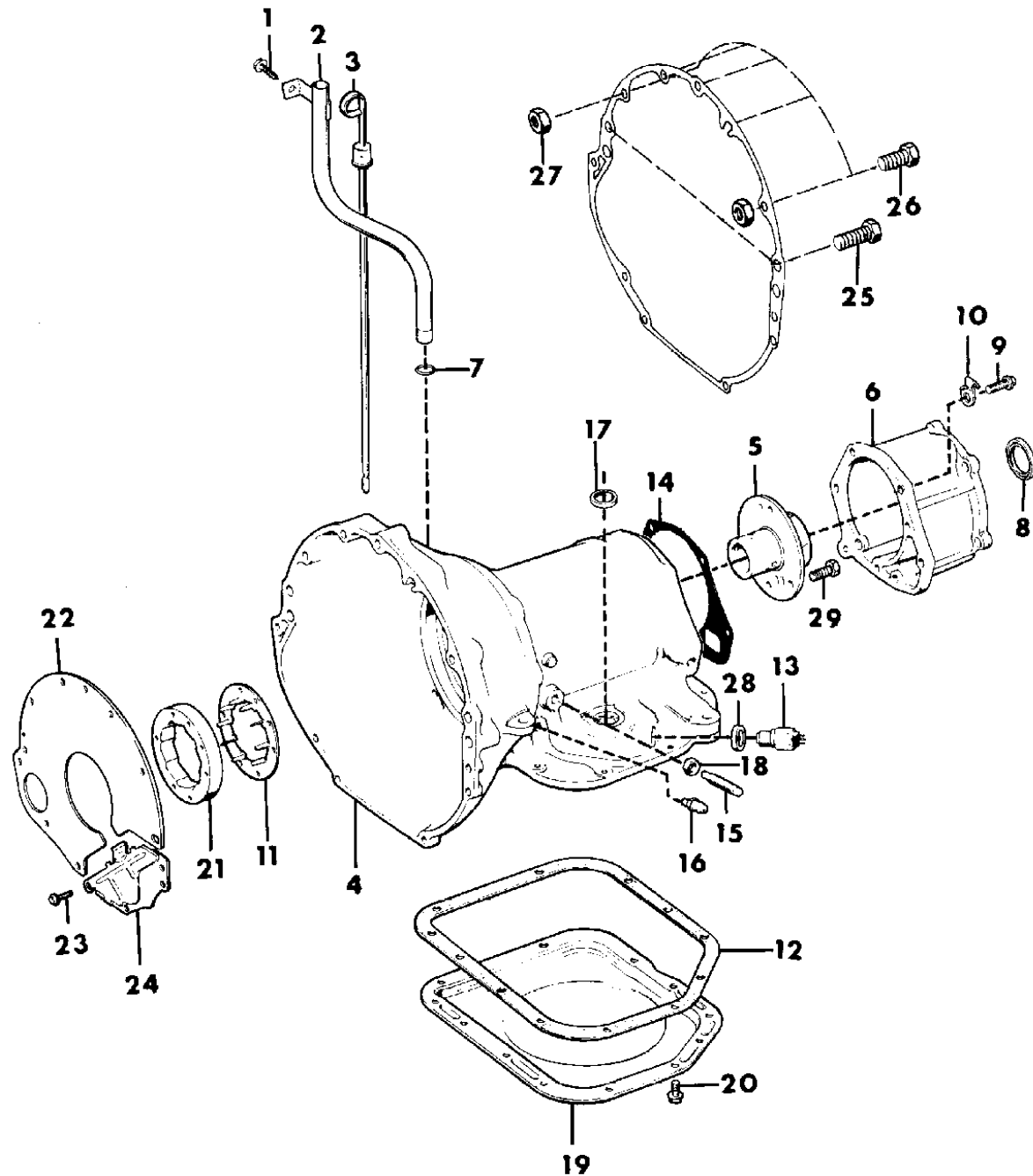
MJ=Comanche Pickup ZJ=Grand Cherokee/Grand Wagoneer KDX VEHICLES
 SJ=Grand Wagoneer M1=Comanche
 XJ=Cherokee, Briarwood X1=Cherokee, Briarwood
 YJ=Wrangler Y1=Wrangler

AR = Use as Required - = Non Illustrated Part P.A.R. = Paint as Required

CASE, ADAPTER & MISCELLANEOUS PARTS AUTOMATIC TRANSMISSION - A727 GRAND WAGONEER

Figure 21A-1700

91J51 1700A



ITEM	PART NUMBER	QTY	BODY	MODEL	DESCRIPTION
1	J018 0132	1			BOLT
2	J536 1276	1			TUBE, Oil Indicator
3	J536 3757	1			INDICATOR, Oil Level
4	4505 117	1			CASE, Transmission, Use w/4531025 Trans.
	4531 220	1			w/53007778 Trans.
	3681 601	1			MAGNET, Case Chip Collector
5	4505 118	1			SUPPORT, Output Shaft
6	4505 240	1			ADAPTER, Trans. to T/Case
7	J321 2885	1			SEAL, Oil Filler Tube
8	4269 956	1			SEAL, Adapter
9	6030 849	6			BOLT, 3/8-16 x 1-3/8"
10	J812 1160	1			CLIP
11	2801 426	1			RETAINER, "O" Running Clutch Spring
12	2464 324	1			GASKET, Pan
13	4057 750	1			SWITCH, Neutral Starter and Back-Up Light Safety
14	2466 954	1			GASKET, Adapter
15	2400 389	1			SCREW, Band Adjusting
16	6033 970	1			CONNECTOR, Oil Cooler Tube, Trans. End, 1/4-18 Pipe Thread
17	4505 098	1			SEAL
18		1			NUT, Adjusting Screw, (Not Serviced)
19	4531 198	1			PAN, Transmission Oil
20	6023 355	14			SCREW, Trans. Oil Pan, 5/16-18 x 5/8"
21	1942 095	1			CAM, "O" Running Clutch (w/12 Cam Lobes), Use w/4531025 Trans.
	4471 473	1			(w/14 Cam Lobes), w/53007778 Trans.
	0125 735	1			SET SCREW, O/Running Clutch Cam, 1/4-20 x 3/8"
22	J321 3743	1			SPACER
23	J400 0987	2			BOLT, Hex Hd w/Washer, 5/16-18 x 5/8"
24	J321 3744	1			COVER
25	J400 4370	AR			BOLT, 7/16-14 x 2-3/4"
26	J400 1885	AR			BOLT, 3/8-16 x 2-1/8"
27	J021 9422	1			NUT, 3/8-16
28	2408 143	1			SEAL
29	0179 818	4			SCREW, Output Shaft Support, 5/16-18 x 1"

MODEL CODES:

61=Pickup-6 Ft Box 74=4 Door Wagon T=2WD
 62=Pickup-7 Ft Box 77=Open Body 93" Wheelbase J,N,U=4WD
 72=2 Door Wagon 78=Open Body 103" Wheelbase

BODY STYLES:

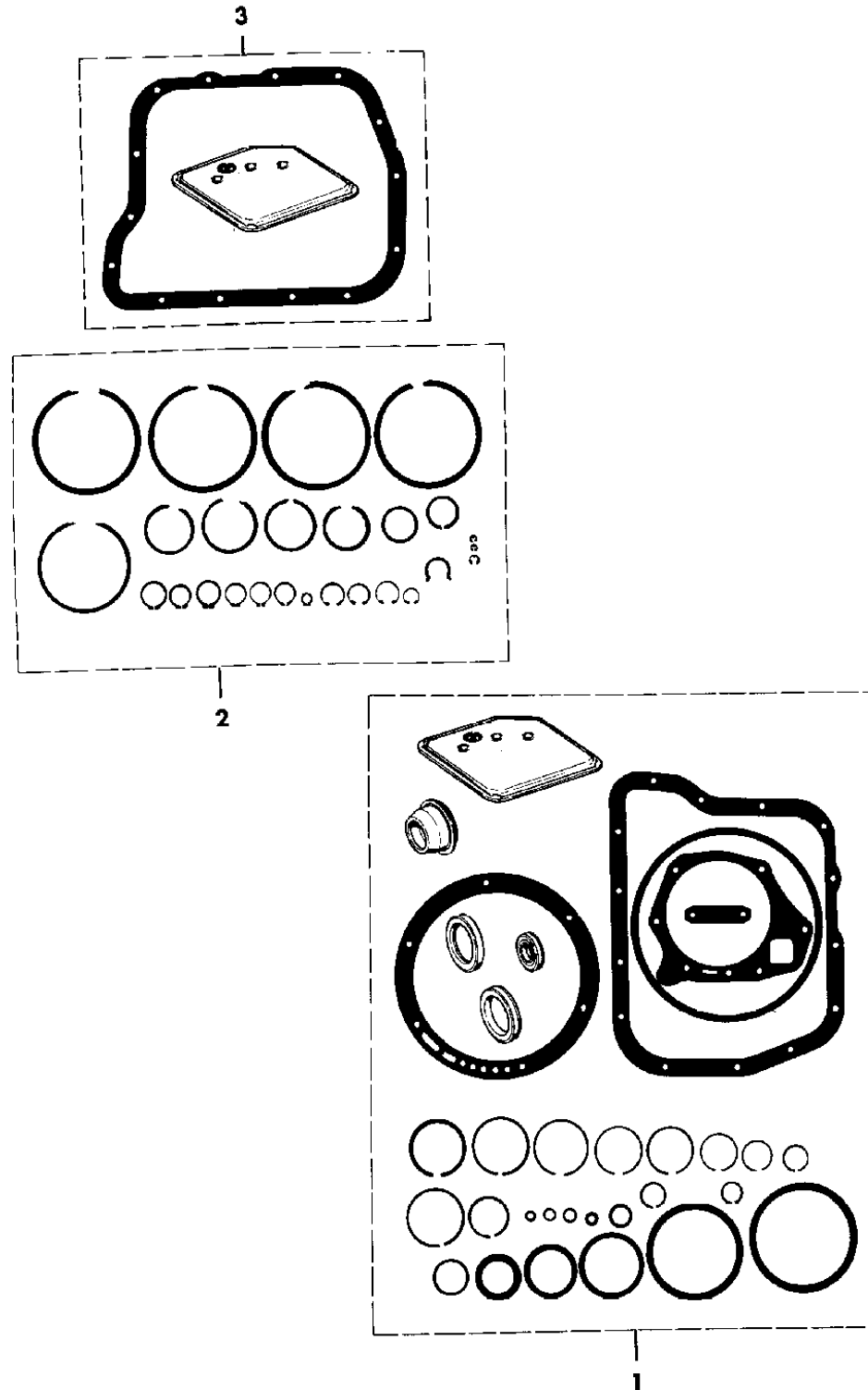
MJ=Comanche Pickup ZJ=Grand Cherokee/Grand Wagoneer KDX VEHICLES
 SJ=Grand Wagoneer M1=Comanche
 XJ=Cherokee, Briarwood X1=Cherokee, Briarwood
 YJ=Wrangler Y1=Wrangler

AR = Use as Required - = Non Illustrated Part P.A.R. = Paint as Required

GASKET AND SEAL PACKAGE, REPAIR AUTOMATIC TRANSMISSION - A727 GRAND WAGONEER
Figure 21A-1800

91J51 1800A

ITEM	PART NUMBER	QTY	BODY	MODEL	DESCRIPTION
1	4637 162	1			GASKET PACKAGE, Transmission Overhaul
2	4713 262	1			SNAP RING PACKAGE ***
3	3515 996	1			FILTER, (Filter Only)



MODEL CODES:

61=Pickup-6 Ft Box 74=4 Door Wagon T=2WD
 62=Pickup-7 Ft Box 77=Open Body 93" Wheelbase J,N,U=4WD
 72=2 Door Wagon 78=Open Body 103" Wheelbase

BODY STYLES:

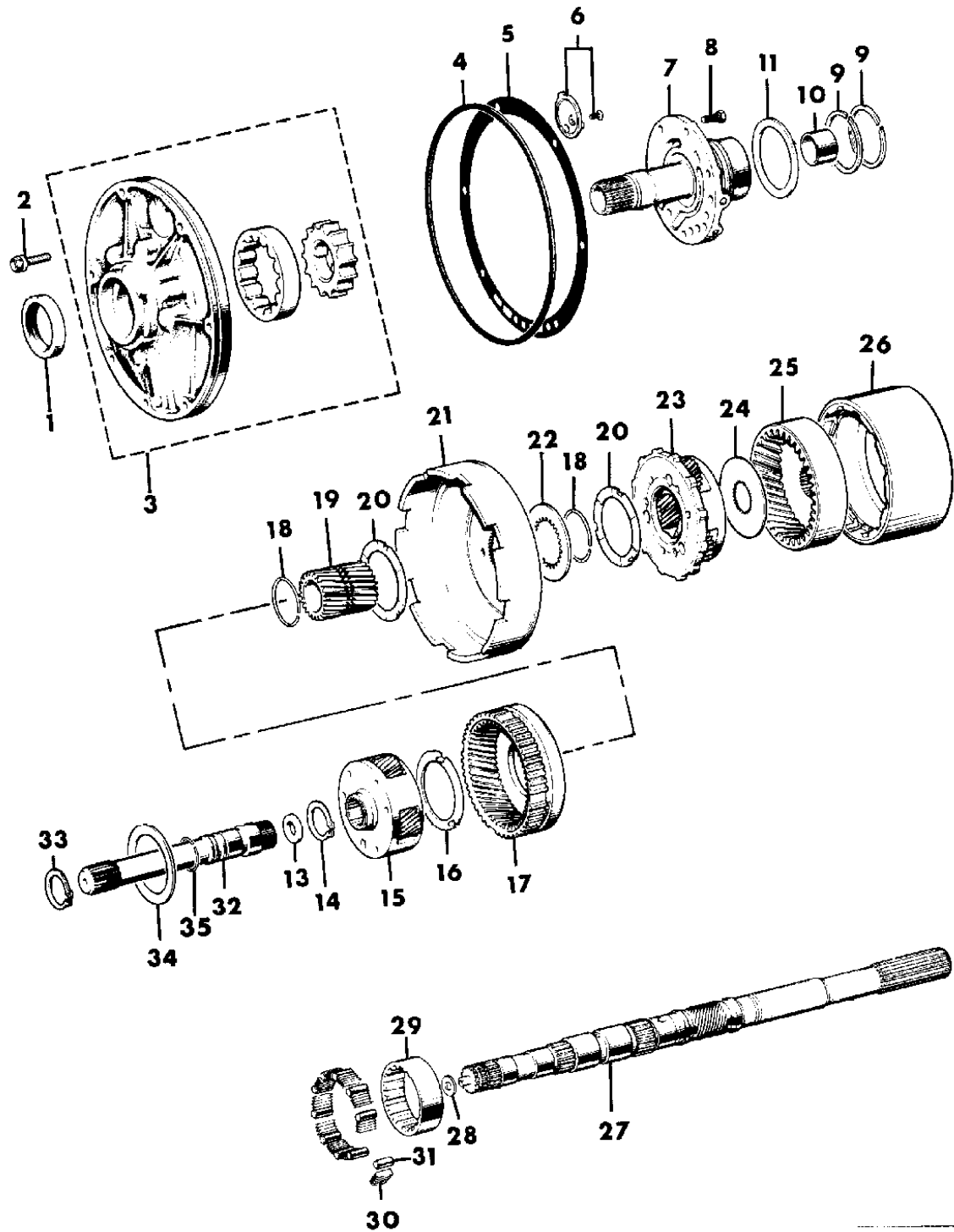
MJ=Comanche Pickup ZJ=Grand Cherokee/Grand Wagoneer KDX VEHICLES
 SJ=Grand Wagoneer M1=Comanche
 XJ=Cherokee, Briarwood X1=Cherokee, Briarwood
 YJ=Wrangler Y1=Wrangler

AR = Use as Required - = Non Illustrated Part P.A.R. = Paint as Required

OIL PUMP, GEAR TRAIN, OUTPUT SHAFT AUTOMATIC TRANSMISSION - A727 GRAND WAGONEER

Figure 21A-1900

91J51 1900A



ITEM	PART NUMBER	QTY	BODY	MODEL	DESCRIPTION
1	3515 137	1			SEAL, T/C Impeller Hub
2	6023 943	7			SCREW, w/Washer, Housing, 5/16-18 x 1-3/8"
3	4531 166	1			HOUSING, w/Bushing, Plug and Rotors Front Pump
4	1942 021	1			SEAL, Front Pump Housing
5	4028 377	1			GASKET
6	3420 087	1			BAFFLE
7	4471 445	1			SHAFT, w/Support Reaction
8	0179 815	6			BOLT, 5/16-18 x 11/16"
9	3743 689	2			RING, Reaction Shaft Support Seal
10	2801 348	1			BUSHING, Reaction Shaft, 1.30" O.D.
11					WASHER
	2204 622	AR			.062"
	2204 623	AR			.085"
	2400 284	AR			.103"
13	4505 186	1			WASHER, Output Shaft Thrust w/Three Point Bronze Face, .068" Thk.
14					SNAP RING, Output Shaft
	6030 982	AR			.048"
	6024 311	AR			.055"
	6024 312	AR			.062"
15	4428 224	1			CARRIER ASSEMBLY, Front Planetary 4 Pinion
16	2801 060	1			WASHER, Front Carrier, Thrust w/4 Tabs
	1942 081	1			WASHER, Sun Gear Driving Shell, Thrust w/3 Outside Tabs
17	2892 656	1			GEAR, Front Annulus
18	1736 521	2			RING, Locking
19	2801 311	1			GEAR, w/Bushing, Sun
20	1942 081	1			WASHER, Rear Planet Pinion Carrier, Thrust w/3 Outside Tabs
21	2400 662	1			SHELL, Sun Gear
22	1942 080	1			PLATE
23	2466 539	1			CARRIER ASSEMBLY, Rear Planetary
24	2400 580	1			PLATE
25	2538 185	1			GEAR, Rear Annulus
26	4505 095	1			DRUM, w/o Race, Reverse, Use w/4531025 Trans.
	4471 470	1			w/Race, w/53007778 Trans.
	6033 591	1			SNAP RING, Reverse Drum Retaining
27	4531 042	1			SHAFT, Output
28	4505 188	1			PLATE, Output Shaft Thrust
29	3420 100	1			RACE PACKAGE, w/Rollers and Springs, "O" Running Clutch (12 Ea.), Use w/4531025 Trans.
30	2808 673	1			ROLLER And SPRING PACKAGE, "O" Running Clutch (12 Ea.), Use w/4531025 Trans. ***

MODEL CODES:

61=Pickup-6 Ft Box 74=4 Door Wagon T=2WD
 62=Pickup-7 Ft Box 77=Open Body 93" Wheelbase J,N,U=4WD
 72=2 Door Wagon 78=Open Body 103" Wheelbase

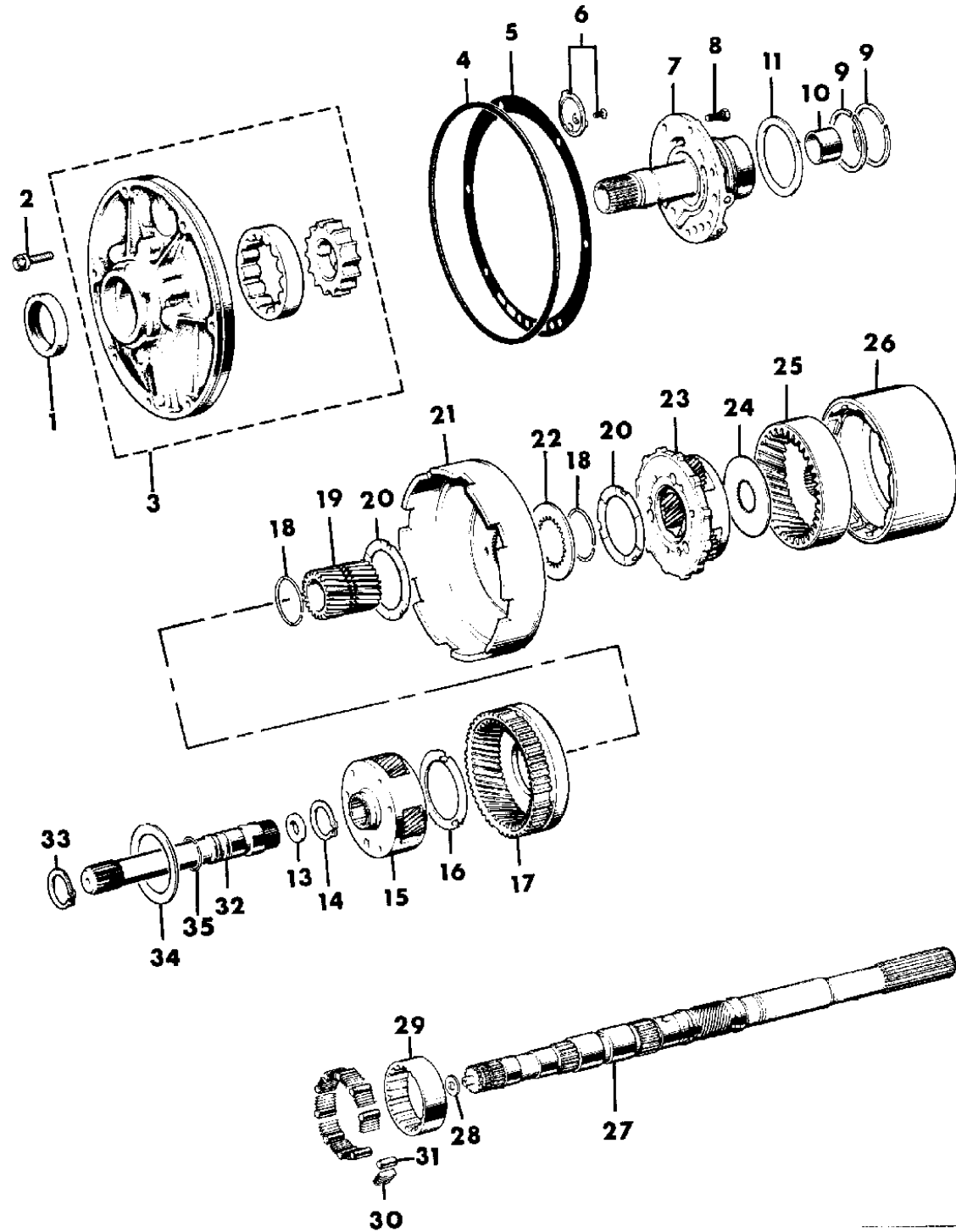
BODY STYLES:

MJ=Comanche Pickup ZJ=Grand Cherokee/Grand Wagoneer KDX VEHICLES
 SJ=Grand Wagoneer M1=Comanche
 XJ=Cherokee, Briarwood X1=Cherokee, Briarwood
 YJ=Wrangler Y1=Wrangler

AR = Use as Required - = Non Illustrated Part P.A.R. = Paint as Required

OIL PUMP, GEAR TRAIN, OUTPUT SHAFT AUTOMATIC TRANSMISSION - A727 GRAND WAGONEER
Figure 21A-1900

91J51 1900A



ITEM	PART NUMBER	QTY	BODY	MODEL	DESCRIPTION
	4617 199	1			CLUTCH ASSEMBLY, 14 Rollers, "O" Running Clutch.
31		1			ROLLER, Clutch (Serviced in 2808673 Pkg.)
32	4505 223	1			SHAFT, Input
33	2124 872	1			SNAP RING, Rear Clutch Piston Retainer
34	2204 622	1			WASHER
35	2801 054	2			RING, Input Shaft Seal Frt. & Rear, 1-3/16" O.D.
	4412 443	1			RING, Input Shaft Seal Rear

MODEL CODES:

61=Pickup-6 Ft Box 74=4 Door Wagon T=2WD
 62=Pickup-7 Ft Box 77=Open Body 93" Wheelbase J,N,U=4WD
 72=2 Door Wagon 78=Open Body 103" Wheelbase

BODY STYLES:

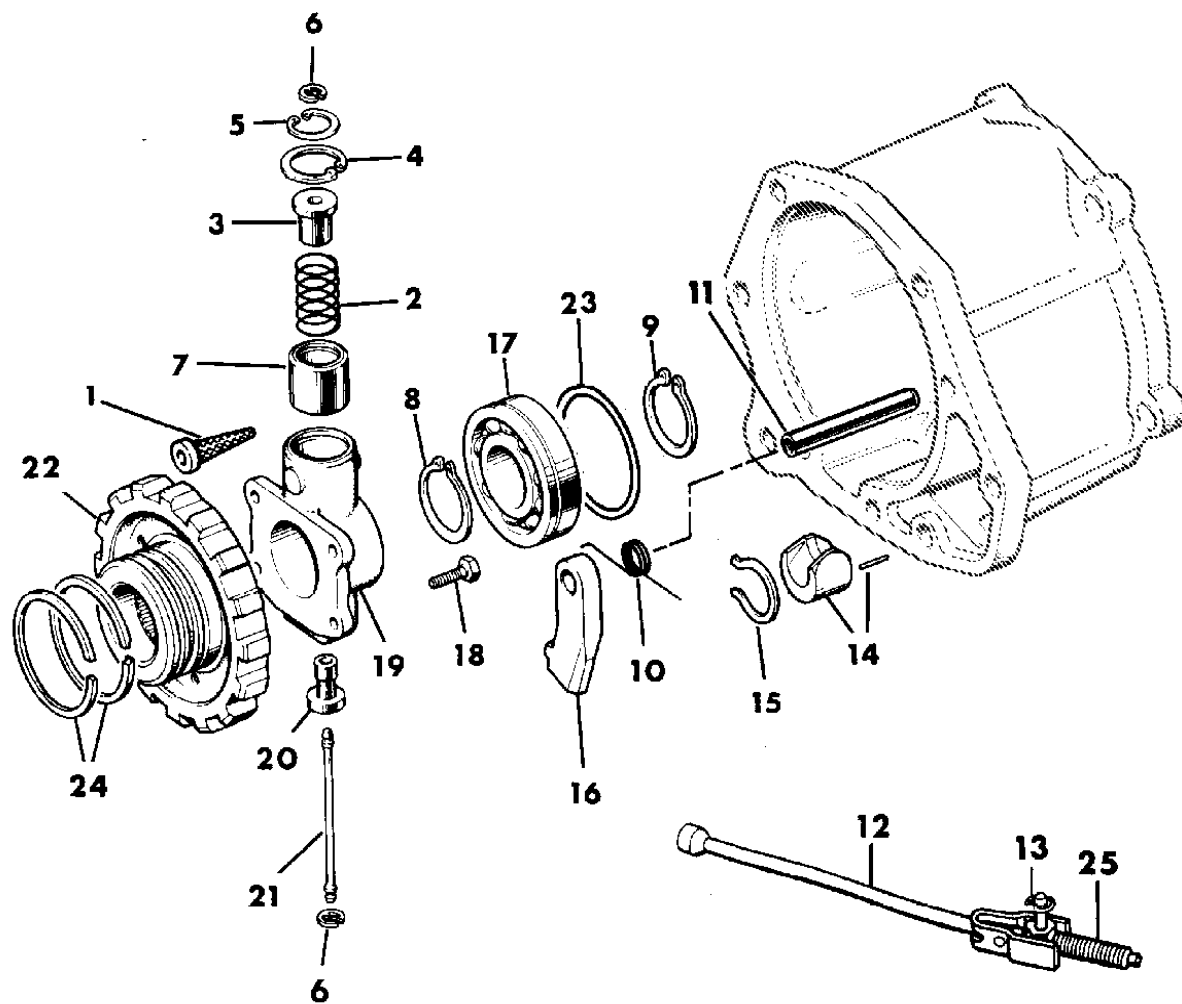
MJ=Comanche Pickup ZJ=Grand Cherokee/Grand Wagoneer KDX VEHICLES
 SJ=Grand Wagoneer M1=Comanche
 XJ=Cherokee, Briarwood X1=Cherokee, Briarwood
 YJ=Wrangler Y1=Wrangler

AR = Use as Required - = Non Illustrated Part P.A.R. = Paint as Required

GOVERNOR AND PARKING SPRAG AUTOMATIC TRANSMISSION - A727 GRAND WAGONEER

Figure 21A-2000

91J51 2000A



ITEM	PART NUMBER	QTY	BODY	MODEL	DESCRIPTION
	4186 875	1			BODY PACKAGE, Governor - A727 Consists Of: 1 - 4446152 BODY, Governor 1 - 3743519 FILTER, Gov. 2 - 1942109 SEAL RING, Support 4 - 6031613 BOLT, Body 1 - 6022817 SNAP RING, Gov. Body 1 - 6025031 SNAP RING, Weight, Outer 1 - 3515479 VALVE, Governor 1 - 1556082 SHAFT, Gov. Valve 2 - 1638461 SNAP RING, Valve Shaft
	4130 891	1			WEIGHT PACKAGE, Governor - A727 Consists Of: 1 - 3515482 WEIGHT, Inner 1 - 4130851 WEIGHT, Outer 1 - 4202043 SPRING, 3.0 Lb. Spring Load 1 - 1636464 SNAP RING, Weight, Inner
1	3743 519	1			FILTER, Governor
2		1			SPRING, (Serviced in 4130891 Wt. Pkg.)
3		1			WEIGHT, (Serviced in 4130891 Wt. Pkg.)
4	6025 031	1			SNAP RING
5	1636 464	1			SNAP RING
6	1638 461	2			SNAP RING
7		1			WEIGHT, Governor (Serviced in 4130891 Wt. Pkg.)
8	6022 817	1			SNAP RING, Governor Body
9	6025 570	1			SNAP RING, 1.26" I.D.
10	2466 909	1			SPRING
11	2466 892	1			SHAFT, Park Sprag
12	2466 894	1			ROD ASSEMBLY, Parking Sprag
13	1626 749	1			E-RING, Parking Sprag Rod
14	2538 042	1			PLUG
15	2538 034	1			SNAP RING
16	4471 415	1			SPRAG, Park (5/8" Thick)
17	2466 224	1			BEARING, Output Shaft
18	6031 613	4			BOLT, Governor Body
19		1			BODY, Governor (Serviced in 4186875 Body Pkg.)
20	3515 479	1			VALVE, Governor
21	1556 082	1			SHAFT, Governor
22	3743 517	1			SUPPORT, Governor
23	6032 739	1			O-RING, Bearing
24	1942 109	2			RING, Governor Support Seal

MODEL CODES:

61=Pickup-6 Ft Box 74=4 Door Wagon T=2WD
62=Pickup-7 Ft Box 77=Open Body 93" Wheelbase J,N,U=4WD
72=2 Door Wagon 78=Open Body 103" Wheelbase

BODY STYLES:

MJ=Comanche Pickup ZJ=Grand Cherokee/Grand Wagoneer KDX VEHICLES
SJ=Grand Wagoneer M1=Comanche
XJ=Cherokee, Briarwood X1=Cherokee, Briarwood
YJ=Wrangler Y1=Wrangler

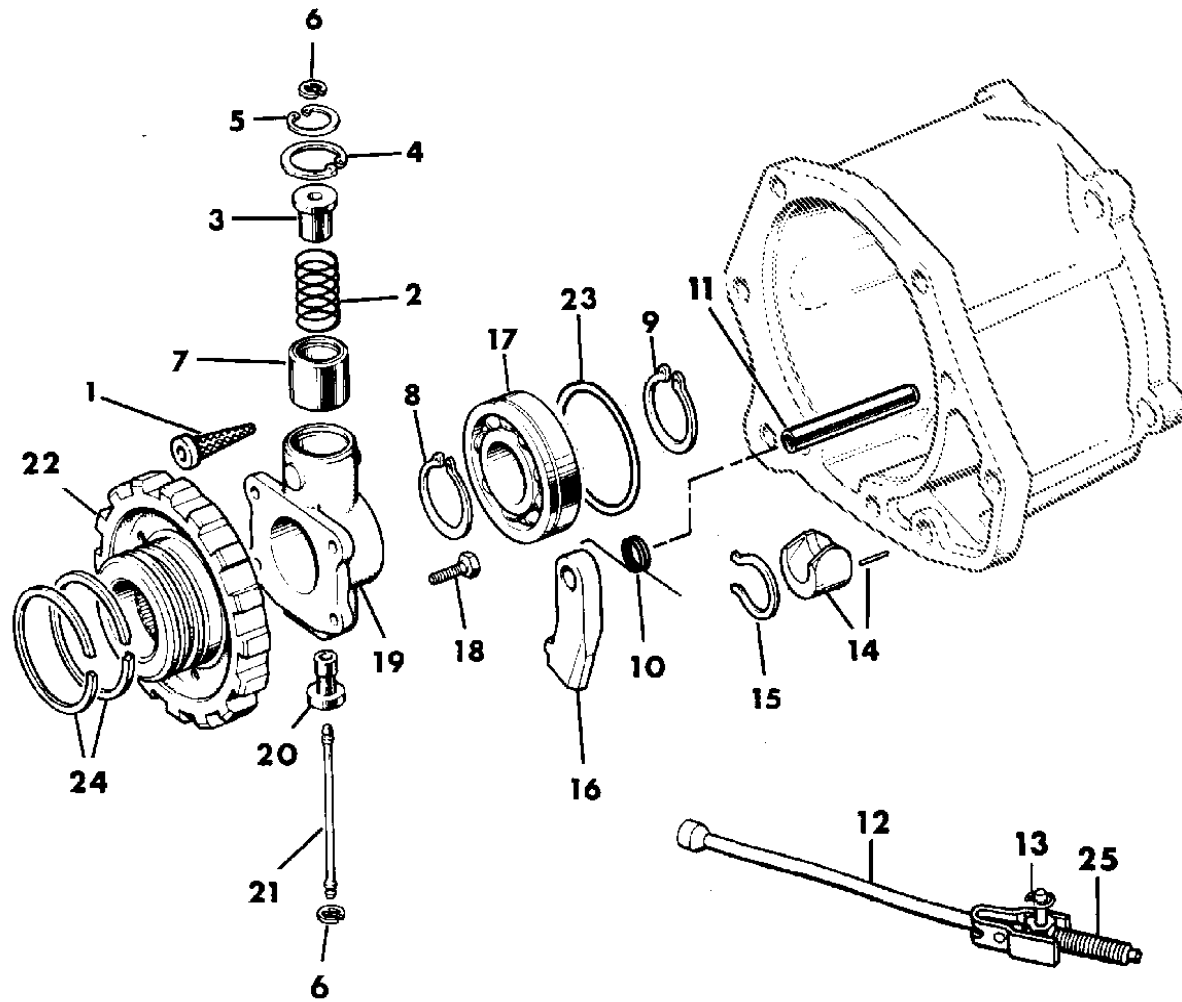
AR = Use as Required - = Non Illustrated Part P.A.R. = Paint as Required

GOVERNOR AND PARKING SPRAG AUTOMATIC TRANSMISSION - A727 GRAND WAGONEER

Figure 21A-2000

91J51 2000A

ITEM	PART NUMBER	QTY	BODY	MODEL	DESCRIPTION
25		1			SPRING, (Serviced in Parking Sprag Rod Assy.)



MODEL CODES:

61=Pickup-6 Ft Box 74=4 Door Wagon T=2WD
 62=Pickup-7 Ft Box 77=Open Body 93" Wheelbase J,N,U=4WD
 72=2 Door Wagon 78=Open Body 103" Wheelbase

BODY STYLES:

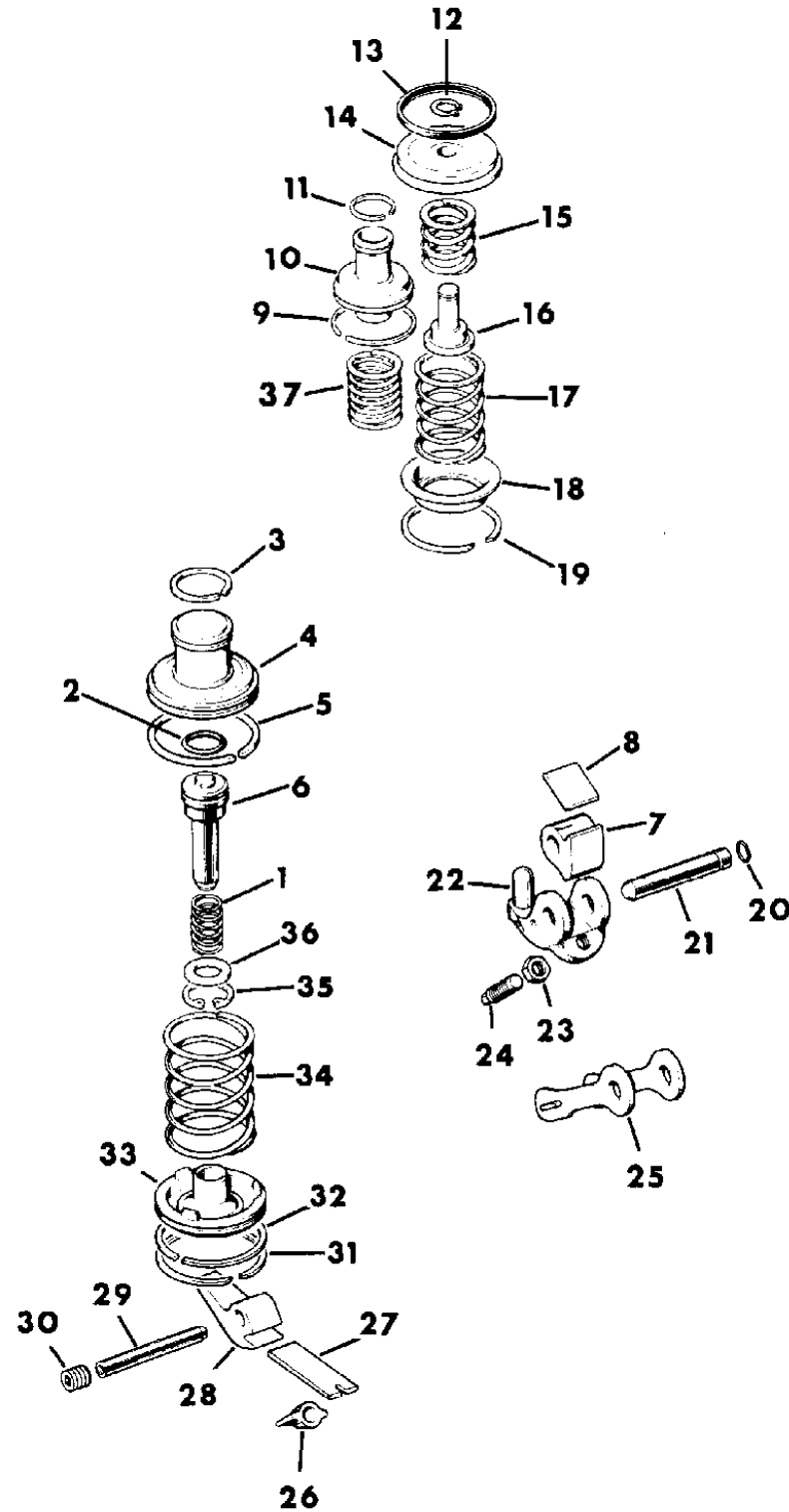
MJ=Comanche Pickup ZJ=Grand Cherokee/Grand Wagoneer KDX VEHICLES
 SJ=Grand Wagoneer M1=Comanche
 XJ=Cherokee, Briarwood X1=Cherokee, Briarwood
 YJ=Wrangler Y1=Wrangler

AR = Use as Required - = Non Illustrated Part P.A.R. = Paint as Required

SERVOS, ACCUMULATOR PISTON AND SPRING AUTOMATIC TRANSMISSION - A727 GRAND WAGONEER

Figure 21A-2100

91J51 2100B



ITEM	PART NUMBER	QTY	BODY	MODEL	DESCRIPTION
1	3410 444	1			SPRING
2	6028 864	1			SEAL
3	4443 190	1			RING, Kickdown Servo Piston Seal, Small
4	3410 440	1			PISTON, Kickdown Servo
5	1942 123	1			RING, Seal
6	3410 445	1			ROD, Kickdown Servo
7	2892 233	1			LEVER, Reverse Band Short, Use w/4531025 Trans.
	4617 014	1			w/53007778 Trans.
8	4505 092	1			STRUT, Reverse Band, Use w/4531025 Trans.
	4471 497	1			w/53007778 Trans.
9	3743 013	1			RING, Accumulator Seal
10	3743 650	1			PISTON, Accumulator
11	3743 010	1			RING, Accumulator Piston Seal, Small
12	6027 153	1			RING
13	4058 741	1			SEAL, Reverse Servo Piston
14	2801 281	1			PISTON, Reverse Servo
15	3743 580	1			SPRING, Reverse Servo Cushion
16	3743 353	1			PLUG
17	2801 241	1			SPRING, Reverse Servo Piston
18	1942 150	1			RETAINER
19	1942 130	1			SNAP RING, Spring Retainer
20	6030 910	1			SEAL, Reverse Band Shaft
21	2124 857	1			SHAFT, Band Lever
22	1942 137	1			LEVER, Reverse Band, Use w/4531025 Trans.
	4617 028	1			w/53007778 Trans.
23	0271 506	1			NUT, Adj. Screw Lock, 7/16-20
24	1942 141	1			SCREW, Reverse Band Adjusting
25	4505 093	1			LINK, Reverse Band, Use w/4531025 Trans.
	4617 044	1			w/53007778 Trans.
26	3743 338	1			ANCHOR, Kickdown Band
27	2124 848	1			STRUT, Kickdown Band
28	2204 952	1			LEVER
29	4531 181	1			SHAFT, Kickdown Lever
30	J812 1104	1			PLUG
31	1942 130	1			SNAP RING
32	1942 123	1			RING, Kickdown Servo Piston Seal
33	3410 441	1			GUIDE
34	3410 518	1			SPRING
35	6024 336	1			SNAP RING, 1-1/8" I.D.
36	3410 437	1			RETAINER
37	3515 079	1			SPRING, Accumulator, Lower

MODEL CODES:

61=Pickup-6 Ft Box 74=4 Door Wagon T=2WD
 62=Pickup-7 Ft Box 77=Open Body 93" Wheelbase J,N,U=4WD
 72=2 Door Wagon 78=Open Body 103" Wheelbase

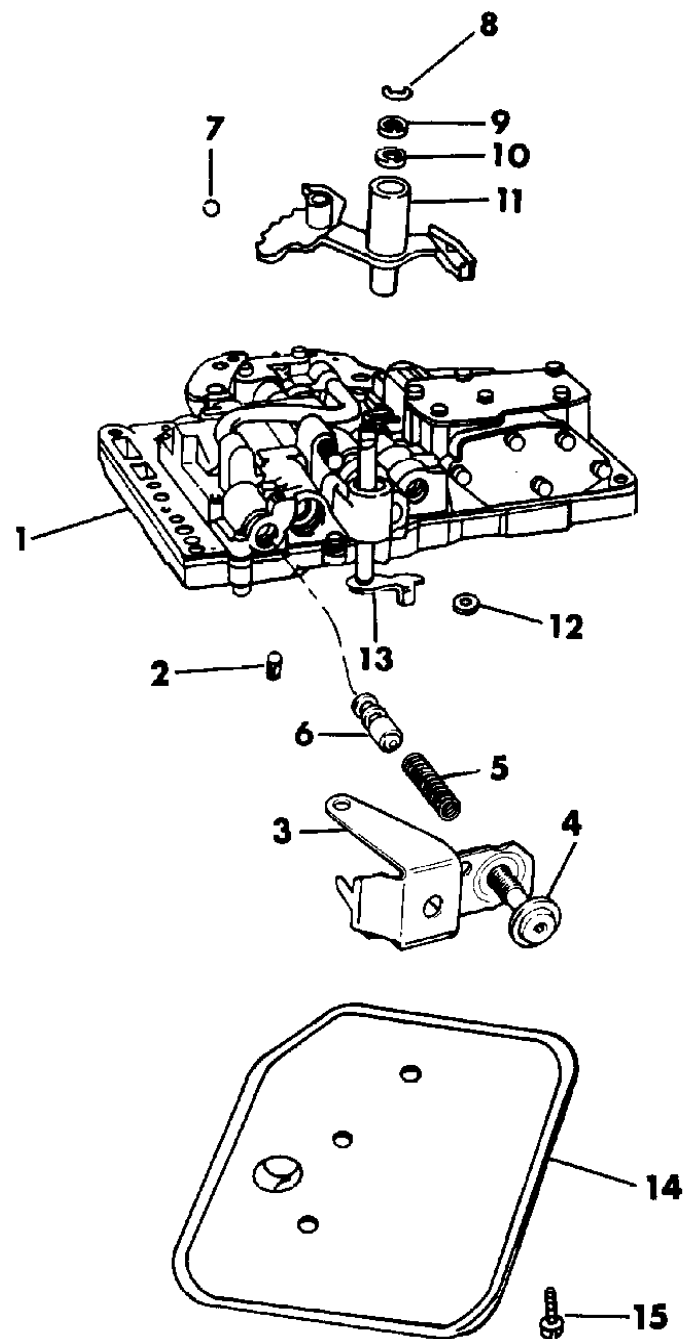
BODY STYLES:

MJ=Comanche Pickup ZJ=Grand Cherokee/Grand Wagoneer KDX VEHICLES
 SJ=Grand Wagoneer M1=Comanche
 XJ=Cherokee, Briarwood X1=Cherokee, Briarwood
 YJ=Wrangler Y1=Wrangler

AR = Use as Required - = Non Illustrated Part P.A.R. = Paint as Required

VALVE BODY AUTOMATIC TRANSMISSION - A727 GRAND WAGONEER
Figure 21A-2200

91J51 2200A



ITEM	PART NUMBER	QTY	BODY	MODEL	DESCRIPTION
1	4531 019	1			VALVE BODY ASSEMBLY
2	3878 313	1			SCREEN, Regulator Valve
3	3743 840	1			BRACKET, Throttle Pressure Adj. Screw
4	6030 609	1			SCREW, Throttle Pressure Adjusting
5	4130 492	1			SPRING, Switch Valve
6	4202 474	1			VALVE, Trans. Switch
7	0147 488	1			BALL, Manual Lever Detent
8	6025 857	1			E-RING, Throttle Valve Lever Shaft
9	2538 062	1			WASHER, Throttle Valve Lever Shaft
10	2466 548	1			SEAL, Throttle Lever Shaft, Rubber 5/8" O.D.
11	4531 159	1			LEVER, w/Insulator, Manual Valve
12	4505 098	1			SEAL, Manual Valve Shaft, 1-1/4" O.D.
13	3681 227	1			LEVER, Throttle Valve
14	3515 996	1			FILTER, Strainer, Trans. Oil
15	6033 826	3			SCREW, Oil Filter, 10-24 x 1-1/4" Lg.

MODEL CODES:

61=Pickup-6 Ft Box 74=4 Door Wagon T=2WD
 62=Pickup-7 Ft Box 77=Open Body 93" Wheelbase J,N,U=4WD
 72=2 Door Wagon 78=Open Body 103" Wheelbase

BODY STYLES:

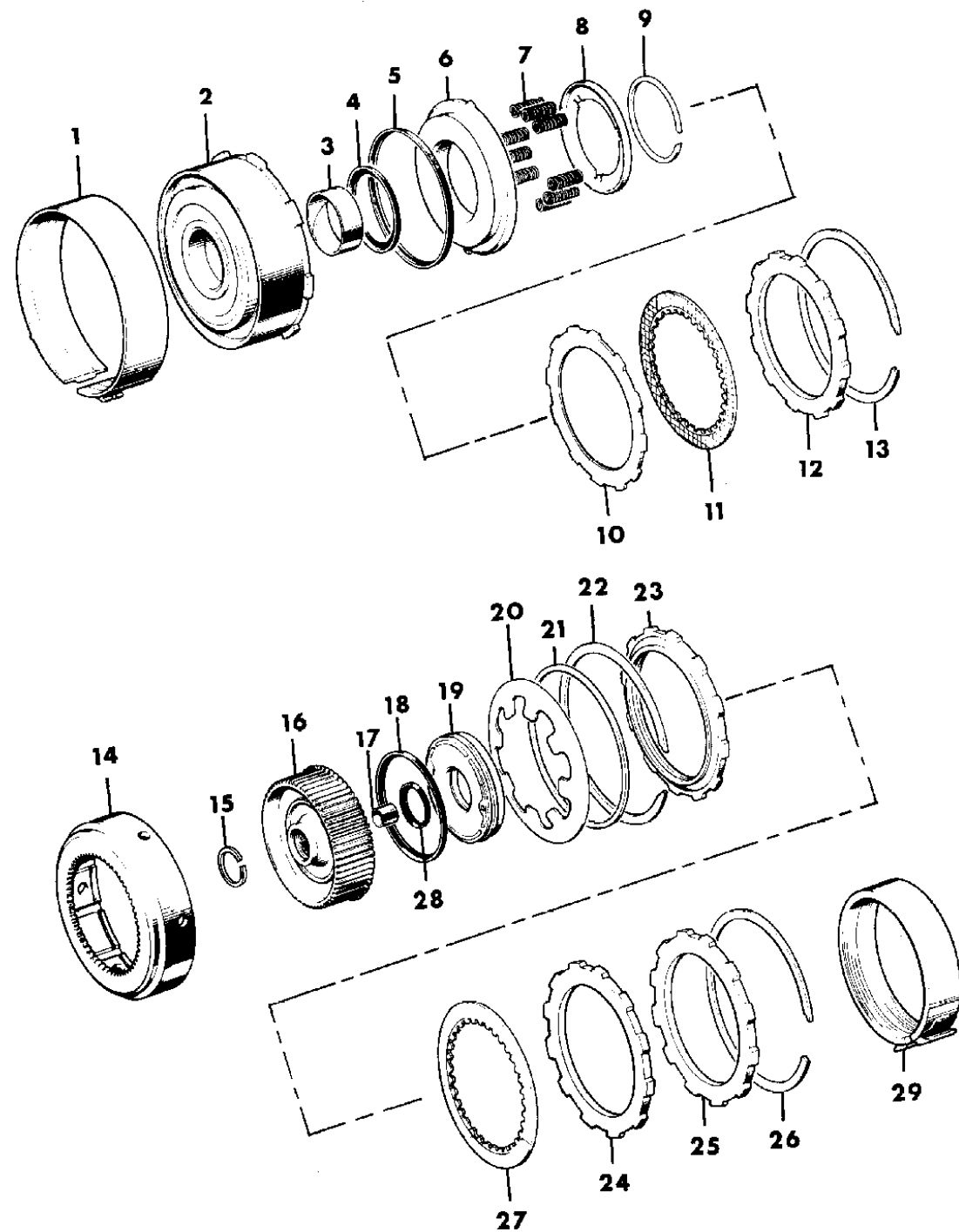
MJ=Comanche Pickup ZJ=Grand Cherokee/Grand Wagoneer KDX VEHICLES
 SJ=Grand Wagoneer M1=Comanche
 XJ=Cherokee, Briarwood X1=Cherokee, Briarwood
 YJ=Wrangler Y1=Wrangler

AR = Use as Required - = Non Illustrated Part P.A.R. = Paint as Required

CLUTCH, FRONT AND REAR AUTOMATIC TRANSMISSION - A727 GRAND WAGONEER

Figure 21A-2300

91J51 2300A



ITEM	PART NUMBER	QTY	BODY	MODEL	DESCRIPTION
1	3621 491	1			BAND, Kickdown
2	4058 648	1			RETAINER, Front Clutch
3	4058 647	1			BUSHING
4	3410 226	1			SEAL, Front Clutch Piston, Inner
5	4058 484	1			SEAL, Front Clutch Piston, Outer
6	2464 651	1			PISTON, Front Clutch
7	2801 243	11			SPRING, Front Clutch Piston
8	2801 949	1			RETAINER, Piston Spring
9	2124 824	1			SNAP RING, Piston Spring Retaining
10	2124 826	4			PLATE, Front Clutch
11	4531 066	4			DISC, Front Clutch
12	4617 567	1			PLATE, Pressure
13	3410 570	1			SNAP RING, Front Clutch, .050" Thk., 7-8/64" O.D.
14	3743 622	1			RETAINER, Rear Clutch
15	4058 443	1			RING, Rear Clutch Piston Retainer Seal
16	4505 224	1			RETAINER, Rear Clutch Piston
17		1			BUSHING, Piston Retainer (Serviced in Retainer)
18	2124 835	1			SEAL, Rear Clutch Piston, Outer
19	3743 624	1			PISTON, Rear Clutch
20	3743 621	1			SPRING, Rear Clutch Piston
21	3515 077	1			SPACER, 6-13/16" O.D.
22	2466 806	1			SPRING, Rear Clutch Wave
23	2466 803	1			PLATE, Rear Clutch Pressure, Front
24	2124 826	3			PLATE, Rear Clutch
25	2801 961	1			PLATE, Rear Clutch Reaction
26					SNAP RING, Rear Clutch Retainer, 7" O.D.
	1942 063	AR			.060" Thk.
	1942 064	AR			.074" Thk.
	1942 065	AR			.098" Thk.
	2466 811	AR			.106" Thk.
27	5252 259	1			DISC PACKAGE, Driven ***
28	1942 054	1			SEAL, Rear Clutch Piston, Inner
29	4505 091	1			BAND, Reverse, Use w/4531025 Trans.
	4471 476	1			Use w/53007778 Trans.

MODEL CODES:

61=Pickup-6 Ft Box 74=4 Door Wagon T=2WD
 62=Pickup-7 Ft Box 77=Open Body 93" Wheelbase J,N,U=4WD
 72=2 Door Wagon 78=Open Body 103" Wheelbase

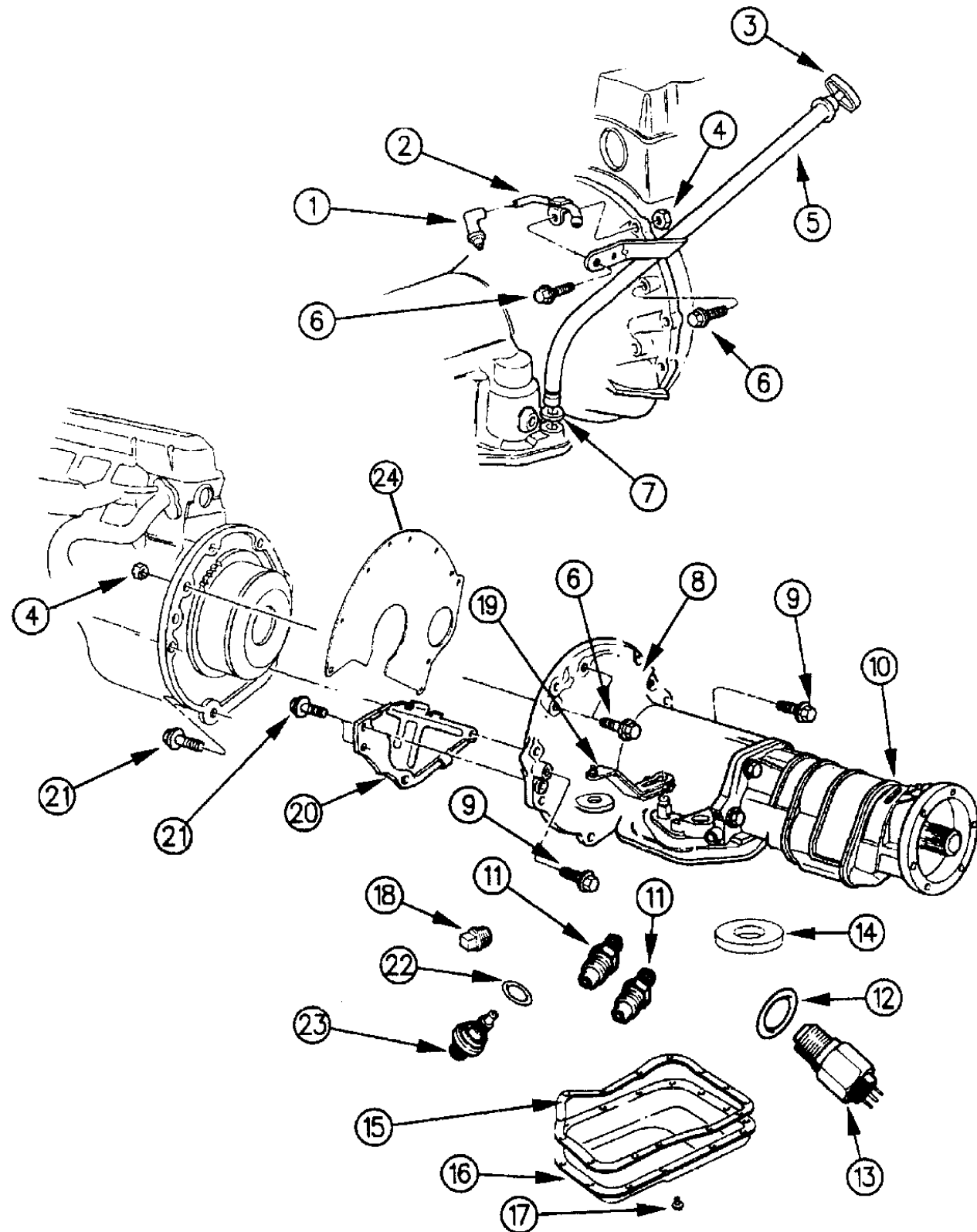
BODY STYLES:

MJ=Comanche Pickup ZJ=Grand Cherokee/Grand Wagoneer KDX VEHICLES
 SJ=Grand Wagoneer M1=Comanche
 XJ=Cherokee, Briarwood X1=Cherokee, Briarwood
 YJ=Wrangler Y1=Wrangler

AR = Use as Required - = Non Illustrated Part P.A.R. = Paint as Required

CASE, AND RELATED PARTS AUTOMATIC TRANSMISSION, 4 SPEED, 42RE GRAND CHEROKEE ZJ
Figure 21A-2400

91J51 2400B



ITEM	PART NUMBER	QTY	BODY	MODEL	DESCRIPTION
	4713 171	1			GASKET and SEAL PACKAGE, 42RE, Major Repair Consists Of: 1 - 4713108 GASKET & SEAL PKG., Front Pump 1 - 4713940 GASKET & SEAL PKG., Valve Body & Servo 1 - 5252926 GASKET & SEAL PKG., Frt. & Rr. Clutch 1 - 4713938 GASKET & SEAL PKG., Governor & Ext.
	4713 938	1			GASKET and SEAL PACKAGE, Overdrive Assembly, 42RE Consists Of: 1 - 2801398 GASKET, O/P Shaft Brg. Cover 1 - 3743519 FILTER, Gov., Oil 1 - 4269956 SEAL, Trans. Adapter 3 - 4461143 SEAL RINGS, Gov. Drive 1 - 4531192 GASKET, O/Drive Assy. to Case 1 - 4531216 SEAL, Extension Oil
1	5209 7701	1			HOSE, And Filter Assy.
2		1			TUBE, w/Clip Transfer Case Vent (Not Serviced)
3	5211 7710	1			INDICATOR, Trans. Oil Level
4	J021 9422	2			NUT
5	5211 7572	1			TUBE, Trans. Oil Filler
6	J400 1885	4			SCREW, Case Mounting
7	6030 608	1			SEAL, Oil Filler Tube
8	4617 232	1			CASE, Transmission
9	J400 4370	2			SCREW, Case Mtg., 7/16-14 x 2-3/4"
10		1			EXTENSION, or Adapter Trans. Case (Refer to Illus. 2500)
11	4617 517	2			CONNECTOR, Trans. Oil Cooler Quick Disconnect, 1/4-18 Pipe Thread (For 3/8 Tubing)
12	2408 143	1			WASHER, B/U Light Switch
13	4057 750	1			SWITCH, w/Washer, Neutral Starter and B/U Light, w/3 Prongs
14	3681 601	1			MAGNET, Case Chip Collector
15	4295 875	1			GASKET, Oil Pan
16	4617 220	1			PAN, Trans. Oil
17	4723 548	14			SCREW, w/Washer Oil Pan
18	6028 095	AR			PLUG, Pressure Check, 1/8-27 Pipe
19	5207 8251	1			LEVER, Manual Control
20	J321 3744	1			COVER, Case Dust Shield, Lower
21	J400 0987	3			SCREW, w/Washer, Case Cover, 5/16-18 x 5/8"
22	6501 701	1			O-RING, Speed Sensor (24mm)
23	4412 879	1			SENSOR, Output Speed (24mm)
24	J323 7847	1			SPACER, Trans. to Eng. Block, Upper

MODEL CODES:

61=Pickup-6 Ft Box 74=4 Door Wagon T=2WD
 62=Pickup-7 Ft Box 77=Open Body 93" Wheelbase J,N,U=4WD
 72=2 Door Wagon 78=Open Body 103" Wheelbase

BODY STYLES:

MJ=Comanche Pickup ZJ=Grand Cherokee/Grand Wagoneer KDX VEHICLES
 SJ=Grand Wagoneer M1=Comanche
 XJ=Cherokee, Briarwood X1=Cherokee, Briarwood
 YJ=Wrangler Y1=Wrangler

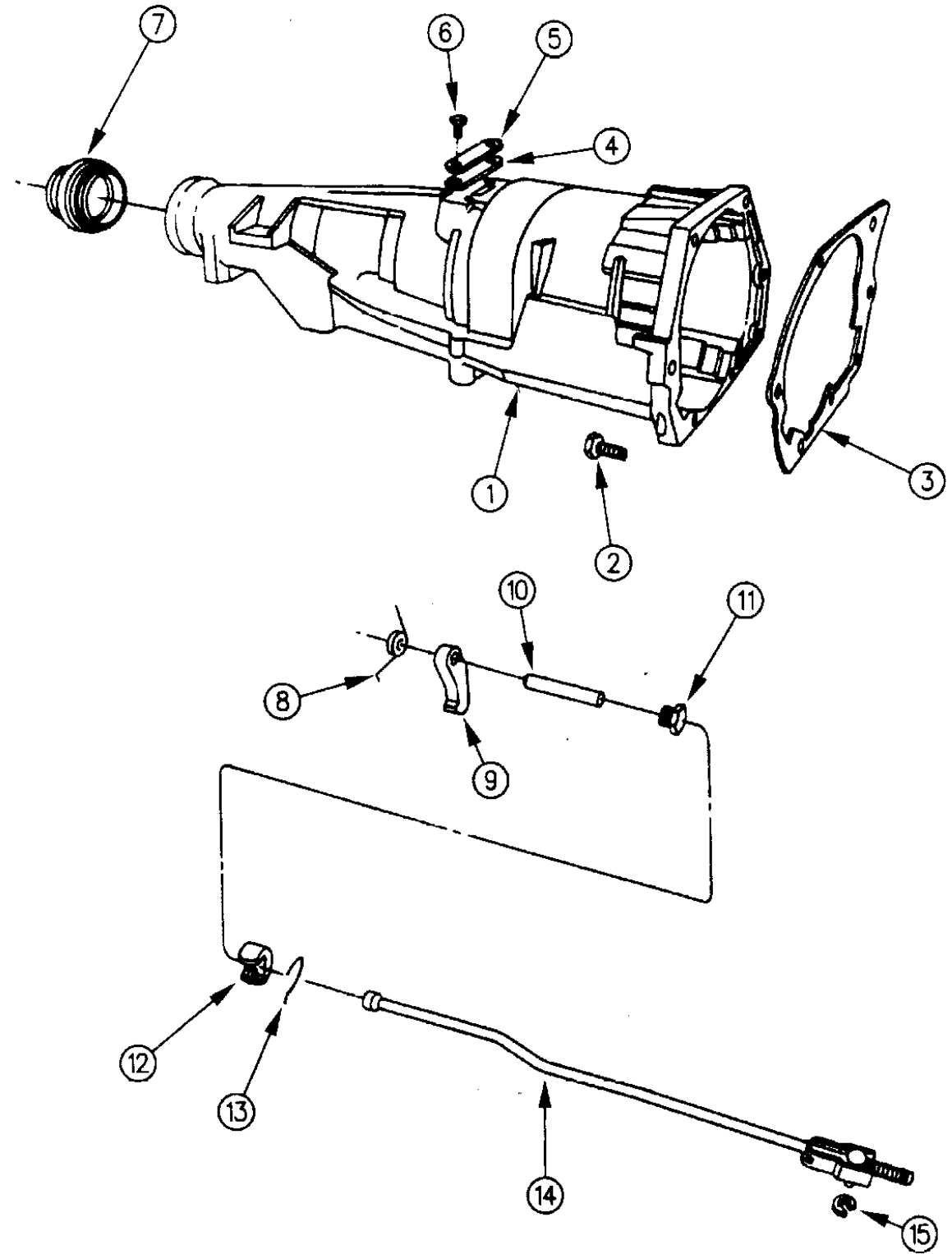
AR = Use as Required - = Non Illustrated Part P.A.R. = Paint as Required

EXTENSION, WEIGHT AND PARKING SPRAG AUTOMATIC TRANSMISSION, 4 SPEED - 42RE GRAND CHEROKEE ZJ

Figure 21A-2500

91J51 2500A

ITEM	PART NUMBER	QTY	BODY	MODEL	DESCRIPTION
1	4461 184	1		2WD	EXTENSION, w/Bushing, Case
	4461 135	1		4WD	ADAPTER, Case
2	6033 745	6			SCREW, Ext. to Case, 3/8-16 x 1-1/2"
	6034 224	1			
3	4471 564	1			GASKET, Extension or Adapter
4	2801 398	1			GASKET, Cover
5	2466 957	1			COVER, Ext. Bearing
6		7			SCREW, Cover, 1/4-20 x 5/8" (Not Serviced)
7	4531 216	1		2WD	OIL SEAL, Extension Yoke
	4269 956	1		4WD	Adapter, 2.56" O.D.
8	2466 909	1			SPRING, Parking Sprag
9	4471 415	1			SPRAG, Parking (5/8" Thick)
10	2466 892	1			SHAFT, Parking Sprag
11	1798 191	1			PLUG, Shaft Retaining
12	2538 042	1			PLUG, Parking Sprag Reaction
13	2538 034	1			SNAP RING, Reaction Plug
14	4431 748	1			ROD ASSEMBLY, Parking Sprag
15	1626 749	1			E-CLIP, Rod ***



MODEL CODES:

61=Pickup-6 Ft Box 74=4 Door Wagon T=2WD
 62=Pickup-7 Ft Box 77=Open Body 93" Wheelbase J,N,U=4WD
 72=2 Door Wagon 78=Open Body 103" Wheelbase

BODY STYLES:

MJ=Comanche Pickup ZJ=Grand Cherokee/Grand Wagoneer KDX VEHICLES
 SJ=Grand Wagoneer M1=Comanche
 XJ=Cherokee, Briarwood X1=Cherokee, Briarwood
 YJ=Wrangler Y1=Wrangler

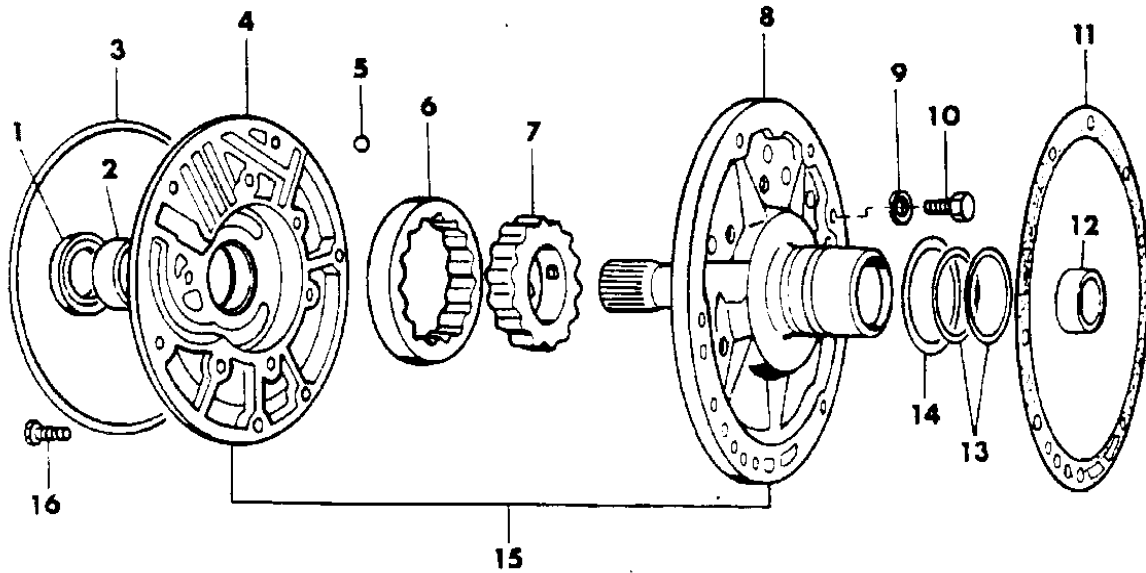
AR = Use as Required - = Non Illustrated Part P.A.R. = Paint as Required

PUMP, OIL WITH REACTION SHAFT AUTOMATIC TRANSMISSION, 4 SPEED - 42RE GRAND CHEROKEE ZJ

Figure 21A-2600

91J51 2600A

ITEM	PART NUMBER	QTY	BODY	MODEL	DESCRIPTION
	4713 108	1			GASKET and SEAL PACKAGE, Repair Front Pump Consists Of: 1 - 4412475 SEAL, T/C Impeller Hub 1 - 2204709 SEAL, Oil Pump Hsg. 2 - 4471874 SEAL RING, Reaction Shaft Support 2 - 1401221 SEAL RING, Input Shaft Front 1 - 4028333 SEAL RING, Rr. Clutch Retainer 1 - 2892358 SEAL RING, Gov. Support, Frt.r 1 - K685-2070 Instruction Sheet
1	4412 475	1			SEAL, T/C Impeller Hub, 57.25mm O.D.
2	2466 796	1			BUSHING, Frt. Pump Hsg.
3	2204 709	1			SEAL, Frt. Pump Hsg. 8-17/64" O.D.
4		1			HOUSING, w/Bushing, Rotors and Seal, Frt. Pump (Serviced in Assy. Item No. 15)
5	0104 918	AR			BALL, Reaction Shaft Suppt., 1/4" Dia.
6		1			ROTOR, (Serviced in Assy.)
7		1			ROTOR, (Serviced in Assy.)
8		1			SHAFT, w/Support, Reaction (Serviced in Item No. 15)
9		6			LOCK WASHER, (Not Serviced)
10	0179 815	6			SCREW, Support, 5/16-18 x 11/16"
11	4028 364	1			GASKET, Reaction Shaft Support
12	4058 635	1			BUSHING, Reaction Shaft
13	4471 874	2			RING, Seal Reaction Shaft Support, 2-1/16" I.D.
14	4617 786	2			WASHER, Frt. Clutch Thrust
15	4740 268	1			PUMP ASSEMBLY, Oil, Housing, Support and Reaction Shaft, w/ Lock-Up
16	6023 943	6			SCREW, w/Washer, Hsg. 5/16-18 x 1-3/8"



MODEL CODES:

61=Pickup-6 Ft Box 74=4 Door Wagon T=2WD
62=Pickup-7 Ft Box 77=Open Body 93" Wheelbase J,N,U=4WD
72=2 Door Wagon 78=Open Body 103" Wheelbase

BODY STYLES:

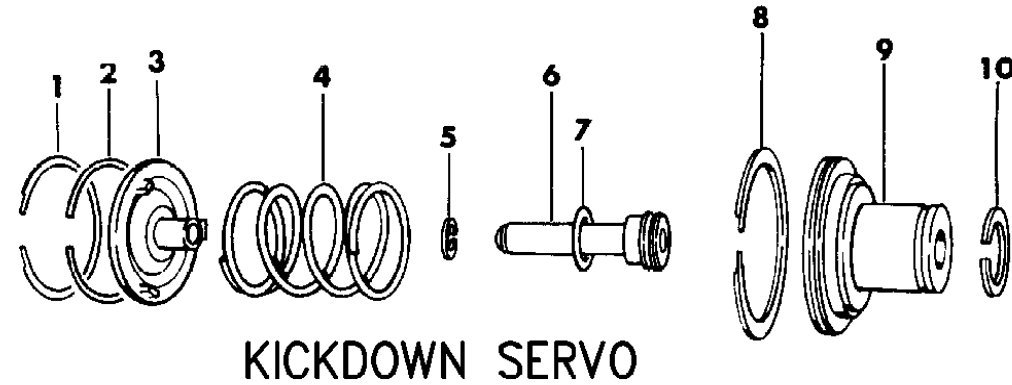
MJ=Comanche Pickup ZJ=Grand Cherokee/Grand Wagoneer KDX VEHICLES
SJ=Grand Wagoneer M1=Comanche
XJ=Cherokee, Briarwood X1=Cherokee, Briarwood
YJ=Wrangler Y1=Wrangler

AR = Use as Required - = Non Illustrated Part P.A.R. = Paint as Required

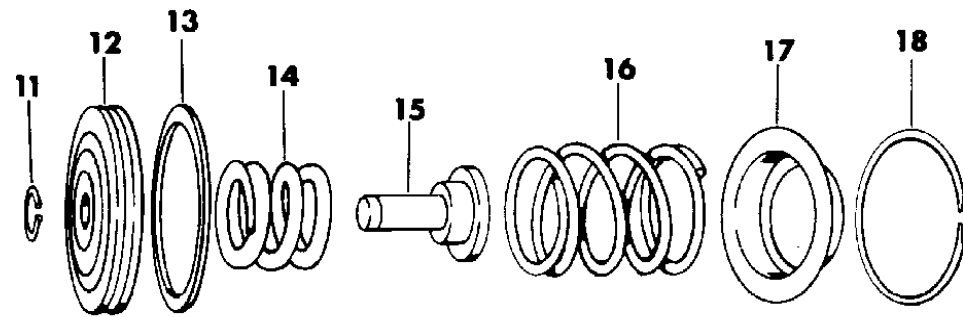
SERVOS, ACCUMULATOR PISTON AND SPRING AUTOMATIC TRANSMISSION, 4 SPEED - 42RE GRAND CHEROKEE ZJ

Figure 21A-2700

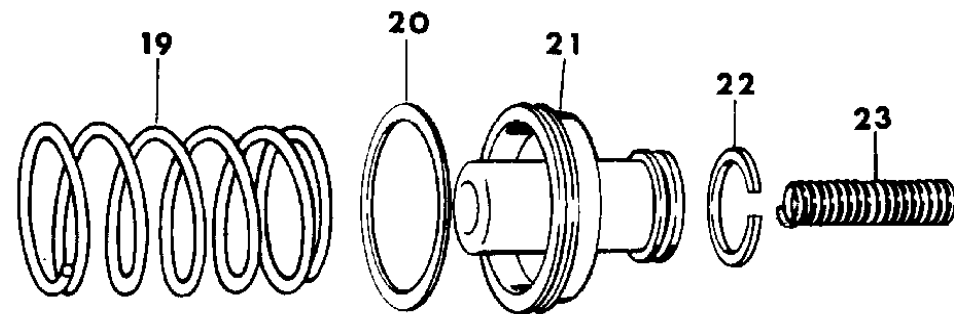
91J51 2700



KICKDOWN SERVO



LOW AND REVERSE SERVO



ACCUMULATOR PISTON AND SPRING

ITEM	PART NUMBER	QTY	BODY	MODEL	DESCRIPTION
1	6028 863	1			SNAP RING, Kickdown Servo Guide, 2-3/8" I.D.
2	4295 966	1			RING, Kickdown Servo Guide Seal, 2-3/8" I.D.
3	3410 332	1			GUIDE, Kickdown Servo
4	4531 119	1			SPRING, K/Down Servo Piston
5	6024 336	1			SNAP RING, Inner, 1-1/8" I.D.
6	4058 780	1			ROD, Kickdown Servo Piston
7	6028 864	1			SEAL, Kickdown Rod
8	4295 966	1			RING, Kickdown Servo Piston Seal, Large 2-3/8" O.D.
9	4058 777	1			PISTON, Kickdown Servo
10	3743 033	1			RING, Kickdown Servo Piston Seal, Small 1" O.D.
11	6027 153	1			RING, Reverse Servo Piston Plug, 7/16" I.D.
12	2801 271	1			PISTON, Reverse Servo
13	4202 864	1			SEAL, Reverse Servo Piston
14	4130 824	1			SPRING, Reverse Servo Cushion
15	3743 353	1			PLUG, Reverse Servo Piston
16	2801 274	1			SPRING, Reverse Servo Piston
17	2464 463	1			RETAINER, Reverse Servo Piston Spring
18	2464 464	1			SNAP RING, Reverse Servo Piston Spring Retainer
19	3515 079	1			SPRING, Accumulator, Lower
20	3743 013	1			RING, Accumulator Piston Seal, Large
21	3743 650	1			PISTON, Accumulator
22	3743 010	1			RING, Accumulator Piston Seal, Small
23	3515 114	1			SPRING, Upper

MODEL CODES:

61=Pickup-6 Ft Box 74=4 Door Wagon T=2WD
 62=Pickup-7 Ft Box 77=Open Body 93" Wheelbase J,N,U=4WD
 72=2 Door Wagon 78=Open Body 103" Wheelbase

BODY STYLES:

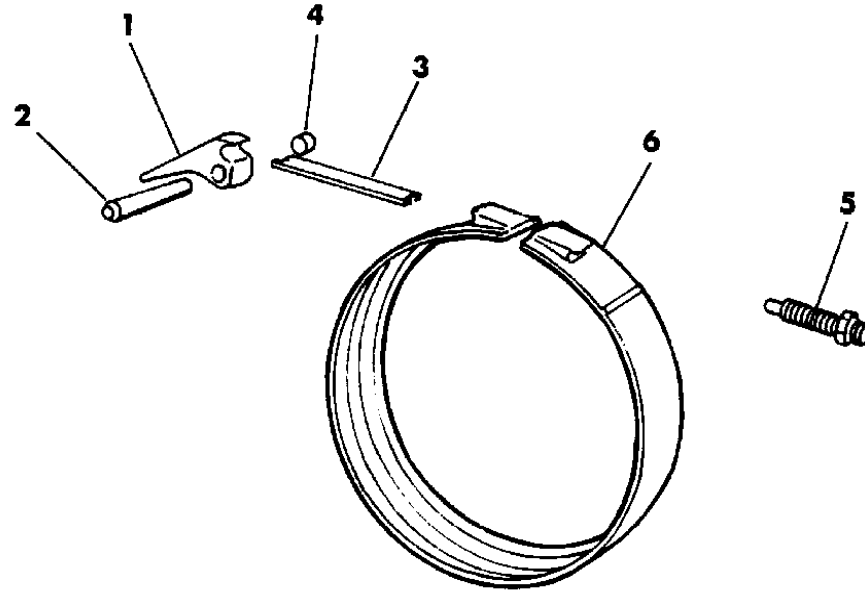
MJ=Comanche Pickup ZJ=Grand Cherokee/Grand Wagoneer KDX VEHICLES
 SJ=Grand Wagoneer M1=Comanche
 XJ=Cherokee, Briarwood X1=Cherokee, Briarwood
 YJ=Wrangler Y1=Wrangler

AR = Use as Required - = Non Illustrated Part P.A.R. = Paint as Required

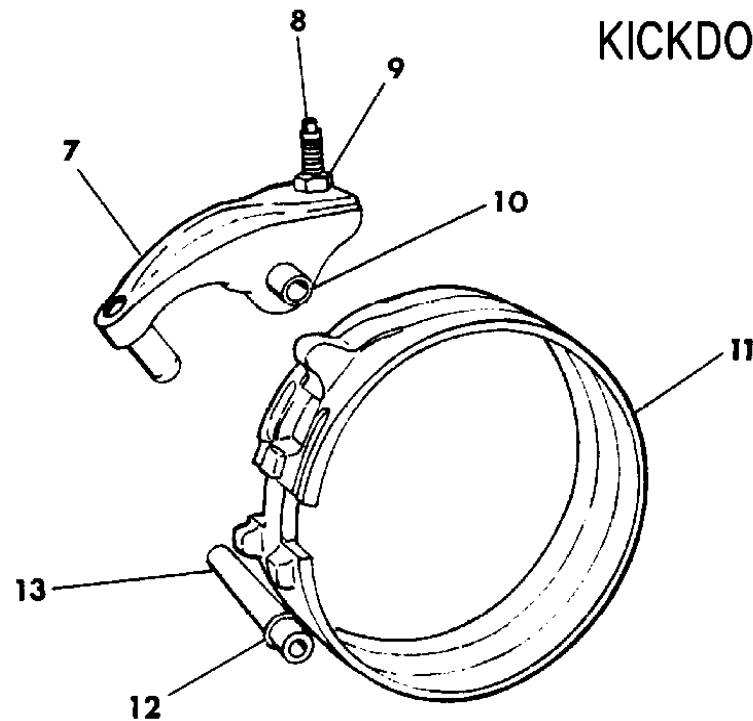
BANDS, REVERSE AND KICKDOWN WITH LINKAGE AUTOMATIC TRANSMISSION, 4 SPEED - 42RE GRAND CHEROKEE ZJ
Figure 21A-2800

91J51 2800

ITEM	PART NUMBER	QTY	BODY	MODEL	DESCRIPTION
1	3515 116	1			LEVER, Kickdown Band
2	4531 181	1			SHAFT, Kickdown Lever
3	3515 084	1			STRUT, Kickdown Band
4		1			PLUG, Shaft Lever, 1/4"-18 Pipe (Not Serviced)
5	1942 477	1			SCREW, Kickdown Band Adjusting
	0124 934	1			NUT, Kickdown Band Adj. Screw, 1/2-20
6	4531 284	1			BAND, Kickdown
7	4202 764	1			LEVER, w/Stem, Reverse Band
	4202 765	1			LEVER, Reverse Band
8	2538 472	1			SCREW, Reverse Band Adjusting
9	0114 942	1			NUT, Adj. Screw, Lock, 3/8-24
10	3410 102	1			SHAFT, Reverse Band Lever
11	4443 187	1			BAND, Reverse
12	6030 657	2			SEAL, Reverse Band Lever Shaft
13	3410 102	1			SHAFT, Reverse Band Reaction



KICKDOWN BAND



DOUBLE WRAP REVERSE BAND

MODEL CODES:

61=Pickup-6 Ft Box 74=4 Door Wagon T=2WD
 62=Pickup-7 Ft Box 77=Open Body 93" Wheelbase J,N,U=4WD
 72=2 Door Wagon 78=Open Body 103" Wheelbase

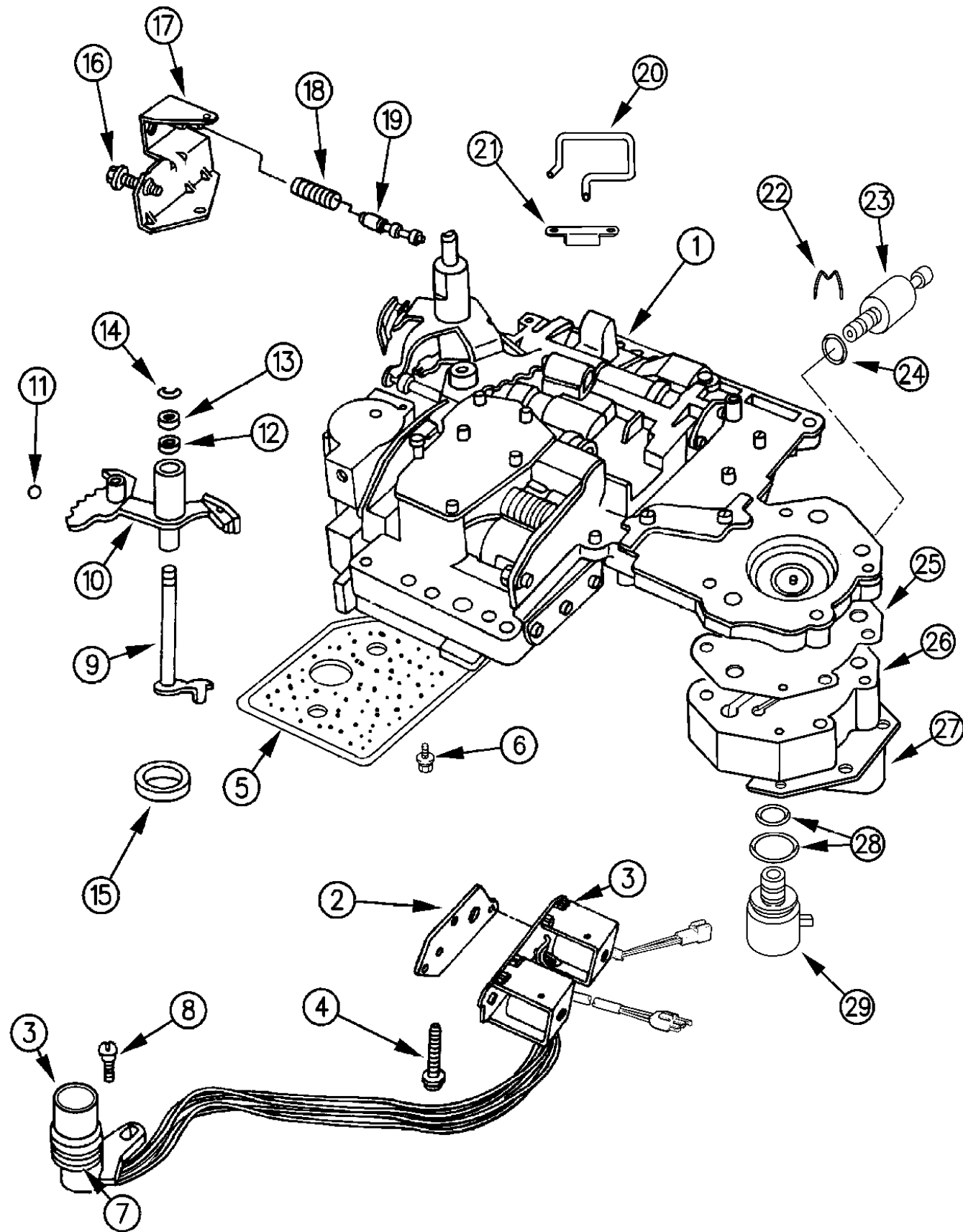
BODY STYLES:

MJ=Comanche Pickup ZJ=Grand Cherokee/Grand Wagoneer KDX VEHICLES
 SJ=Grand Wagoneer M1=Comanche
 XJ=Cherokee, Briarwood X1=Cherokee, Briarwood
 YJ=Wrangler Y1=Wrangler

AR = Use as Required - = Non Illustrated Part P.A.R. = Paint as Required

VALVE BODY AUTOMATIC TRANSMISSION, 4 SPEED - 42RE GRAND CHEROKEE ZJ
Figure 21A-2900

91J51 2900B



ITEM	PART NUMBER	QTY	BODY	MODEL	DESCRIPTION
	4713 940	1			GASKET and SEAL PACKAGE, Valve Body and Servo Recondition Consists Of: 1 - 3878313 SCREEN, Regulator Valve 1 - 4505098 SEAL, Manual Valve Shaft 1 - 6028864 SEAL, K/Down, Inner Piston 1 - 6030657 SEAL, Rev. Band Lever Shaft 1 - 4202864 SEAL, Rev. Servo Piston 1 - 2466548 SEAL, Throttle Lever Shaft 1 - 4295875 GASKET, Trans. Oil Pan 1 - 3743033 RING, Seal K/Dn. Servo Piston, Small 1 - 4295966 RING, Seal K/Dn. Servo Piston, Large 1 - 4295966 RING, Seal K/Dn. Servo Guide 1 - 3743010 RING, Seal Accumulator Piston, Small 1 - 3743013 RING, Seal Accumulator Piston, Large 1 - 4431958 RING, Seal 3&4 Accum. Piston, Large 1 - 4431959 RING, Seal 3&4 Accum. Piston, Small 1 - 3515996 FILTER, Trans. Oil 1 - 6033448 O-RING, Solenoid Wiring Connection 1 - 4446194 GASKET, Solenoid Assy. 1 - 6024336 SNAP RING, K/Down Inner Piston 1 - 6028863 SNAP RING, K/Down Servo 1 - 6027153 RING, Reverse Servo Plug 1 - 2464464 SNAP RING, Rev. Servo Piston Spring Ret.
1	4617 876	1			VALVE BODY, and Transfer Plate Assy., w/Lock-Up Valve
2	4446 194	1			GASKET, Solenoid
3	4617 463	1			SOLENOID, w/Wiring and 8 Prong Connector, w/Overdrive and Lock-Up Valve
4	0181 071	3			SCREW, Valve Body to Case, 1/4-20 x 1-3/4"
5	3515 996	1			FILTER, Trans. Oil
6	6033 826	3			SCREW, Oil Filter
7	6034 536	1			O-RING, Solenoid Wiring Connector
8	6033 985	1			SCREW, Solenoid Wiring Conn. Mtg.
9	3681 227	1			LEVER, Throttle Valve
10	4617 439	1			LEVER, w/Insulator, Manual Valve
11	0147 488	1			BALL, Manual Lever Detent, 11/32" Dia.
12	2466 548	1			SEAL, Throttle Lever Shaft, Rubber, 5/8" O.D.
13	2538 062	1			WASHER, Throttle Valve Lever Shaft
14	6025 857	1			E-RING, Throttle Valve Lever Shaft
15	4505 098	1			SEAL, Manual Valve , 1-1/4" O.D.
16	6030 609	1			SCREW, Throttle Pressure Adjusting

MODEL CODES:

61=Pickup-6 Ft Box 74=4 Door Wagon T=2WD
62=Pickup-7 Ft Box 77=Open Body 93" Wheelbase J,N,U=4WD
72=2 Door Wagon 78=Open Body 103" Wheelbase

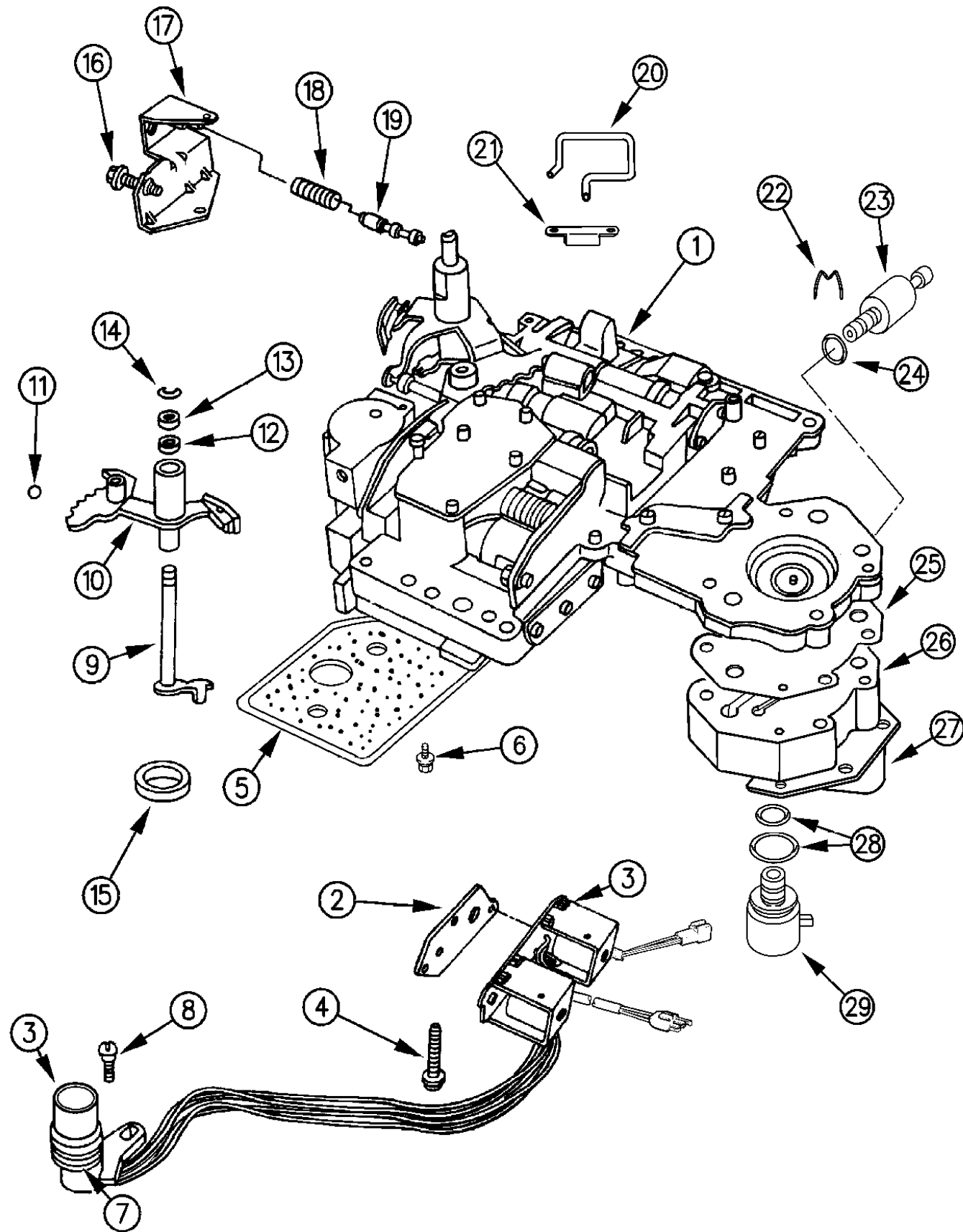
BODY STYLES:

MJ=Comanche Pickup ZJ=Grand Cherokee/Grand Wagoneer KDX VEHICLES
SJ=Grand Wagoneer M1=Comanche
XJ=Cherokee, Briarwood X1=Cherokee, Briarwood
YJ=Wrangler Y1=Wrangler

AR = Use as Required - = Non Illustrated Part P.A.R. = Paint as Required

VALVE BODY AUTOMATIC TRANSMISSION, 4 SPEED - 42RE GRAND CHEROKEE ZJ
Figure 21A-2900

91J51 2900B



ITEM	PART NUMBER	QTY	BODY	MODEL	DESCRIPTION
17	4617 010	1			BRACKET, Throttle Pressure Adj. Screw
18	4130 492	1			SPRING, Switch Valve
19	4505 036	1			VALVE, Trans. Switch
20	4617 008	1			Tube, Trans. Line Pressure Boost Valve Oil ***
21	4617 574	1			RETAINER, Line Pressure Boost Valve Oil Tube
22	4617 219	1			CLIP, Gov. Pressure Transducer Retaining
23	4617 215	1			SENSOR, Trans. Pressure, 3 Prong Connector
24	6034 493	1			O-RING, Pressure Sensor, .369 I.D.
25	4617 216	1			GASKET, Gov. Pressure Solenoid Body
26		1			BODY, Gov. Pressure Solenoid (Serviced in Assy.)
27	4617 211	1			RETAINER, Gov. Pressure Solenoid
28	4723 549	1			O-RING PACKAGE, Solenoid, .494 I.D., .873 I.D. ***
29	4617 210	1			SOLENOID, Trans. Governor Pressure, 2 Prong Connector
	3878 313	1			SCREEN, Regulator Valve (Not Shown)
	4348 907	1			SPRING, Limit Valve (Not Shown)

MODEL CODES:

61=Pickup-6 Ft Box 74=4 Door Wagon T=2WD
62=Pickup-7 Ft Box 77=Open Body 93" Wheelbase J,N,U=4WD
72=2 Door Wagon 78=Open Body 103" Wheelbase

BODY STYLES:

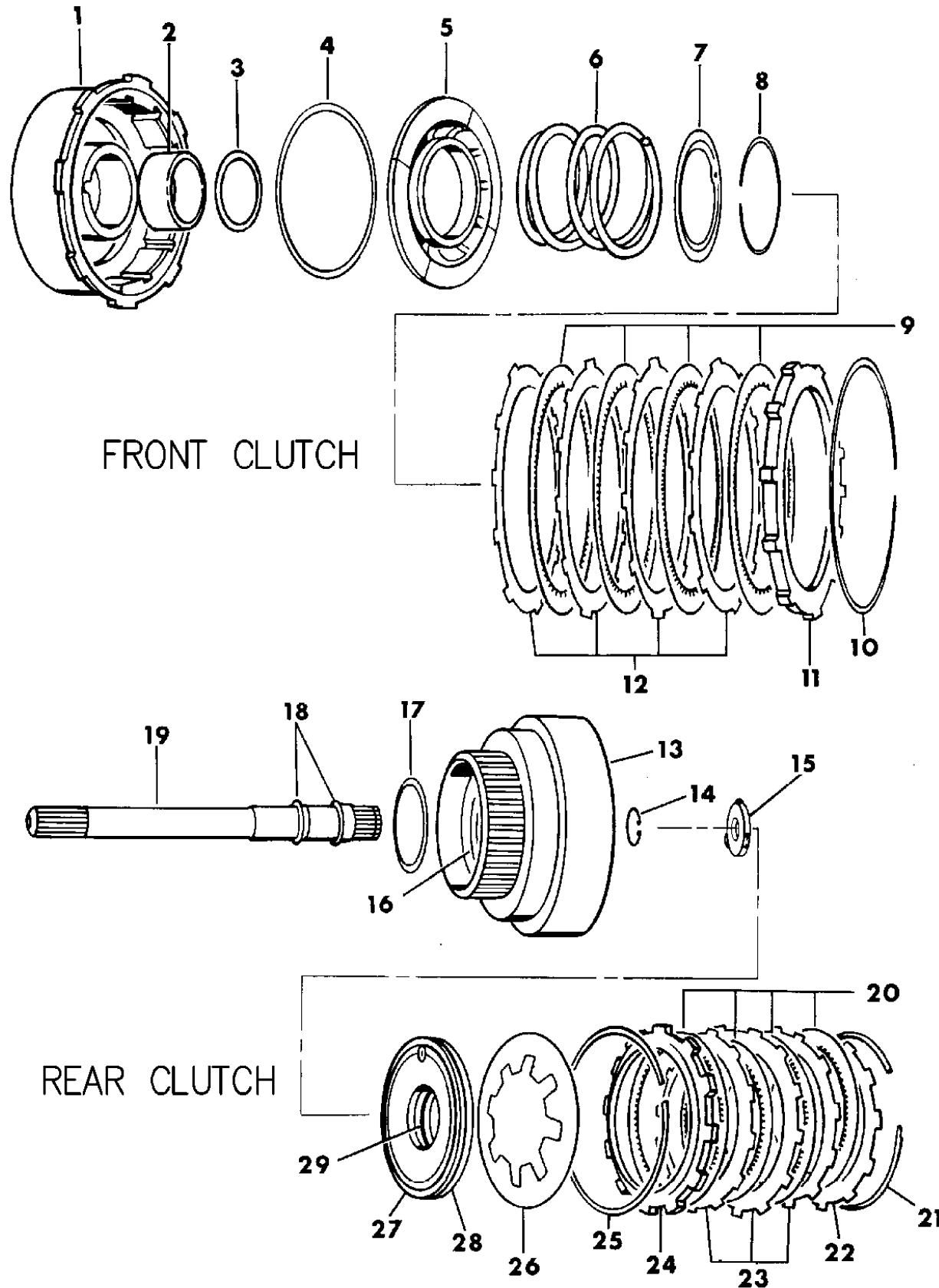
MJ=Comanche Pickup ZJ=Grand Cherokee/Grand Wagoneer KDX VEHICLES
SJ=Grand Wagoneer M1=Comanche
XJ=Cherokee, Briarwood X1=Cherokee, Briarwood
YJ=Wrangler Y1=Wrangler

AR = Use as Required - = Non Illustrated Part P.A.R. = Paint as Required

CLUTCH, FRONT AND REAR WITH GEAR TRAIN AUTOMATIC TRANSMISSION, 4 SPEED - 42RE GRAND CHEROKEE ZJ

Figure 21A-3000

91J51 3000



ITEM	PART NUMBER	QTY	BODY	MODEL	DESCRIPTION
	5252 926	1			SEAL and WASHER PACKAGE, Front and Rear Clutch Consists Of: 1 - 3515176 SEAL, Frt.Clutch Piston, Inner 1 - 4058487 SEAL, Frt.Clutch Piston, Outer 1 - 2538510 SEAL, Rear Clutch Piston, Inner 1 - 2538695 SEAL, Rear Clutch Piston, Outer 1 - 4505185 WASHER, Intermediate Shaft Thrust 1 - 4505186 WASHER, Intermediate Shaft Thrust 1 - 4505187 WASHER, Intermediate Shaft Thrust 1 - 4058982 PLATE, Intermediate Shaft Thrust
1	4531 285	1			RETAINER, w/Bushings, w/o Seals Frt. Clutch
2		2			BUSHING, Frt. Clutch Retainer (Serviced in Retainer)
3	3515 176	1			SEAL, Frt. Clutch Piston, Rubber, Inner
4	4058 487	1			SEAL, Frt. Clutch Piston, Outer
5	4617 154	1			PISTON, Frt. Clutch
6	0147 483	1			BALL, 3/16" Dia.
6	3515 054	1			SPRING, Frt. Clutch Piston, Yellow
7	4617 516	1			RETAINER, Frt. Clutch Piston Spring
8	0147 483	1			BALL, Check Valve, 3/16" Dia.
8	1942 400	1			SNAP RING, Frt. Clutch Inner, 2-7/16" O.D.
9	4617 362	4			DISC, Frt. Clutch
10	3410 571	1			SNAP RING, Frt. Clutch, Outer
11	4617 176	1			PLATE, Frt. Clutch Pressure
12	4617 325	4			PLATE, Frt. Clutch
13	4505 199	1			RETAINER, Rear Clutch
14	0147 483	1			BALL, Check Valve, 3/16" Dia.
14	6022 859	1			SNAP RING, Input Shaft 57/64", .059" Thk.
15					WASHER, Intermediate Shaft Thrust, w/3 Point Bronze Face
	4505 185	AR			.052" Thk., Gray
	4505 186	AR			.068" Thk., Red
	4505 187	AR			.083" Thk., Green
16	4028 333	1			SEAL, Rear Cl. Retainer Ring, 1-1/2" O.D., .009 Thk.
17	4617 786	2			WASHER, Frt. Clutch Thrust, 2-5/8" O.D.
18	1401 221	2			RING, Input Shaft Seal, Frt. and Rear
19	4505 189	1			SHAFT, Input
20	4713 880	4			DISC, Rear Clutch
21					SNAP RING, Rear Cl. Retainer, 5-11/32" O.D.
	4130 761	AR			.060" Thick
	4539 121	AR			.076" Thick
	4539 122	AR			.098" Thick
	4539 123	AR			.095" Thick

MODEL CODES:

61=Pickup-6 Ft Box 74=4 Door Wagon T=2WD
62=Pickup-7 Ft Box 77=Open Body 93" Wheelbase J,N,U=4WD
72=2 Door Wagon 78=Open Body 103" Wheelbase

BODY STYLES:

MJ=Comanche Pickup ZJ=Grand Cherokee/Grand Wagoneer KDX VEHICLES
SJ=Grand Wagoneer M1=Comanche
XJ=Cherokee, Briarwood X1=Cherokee, Briarwood
YJ=Wrangler Y1=Wrangler

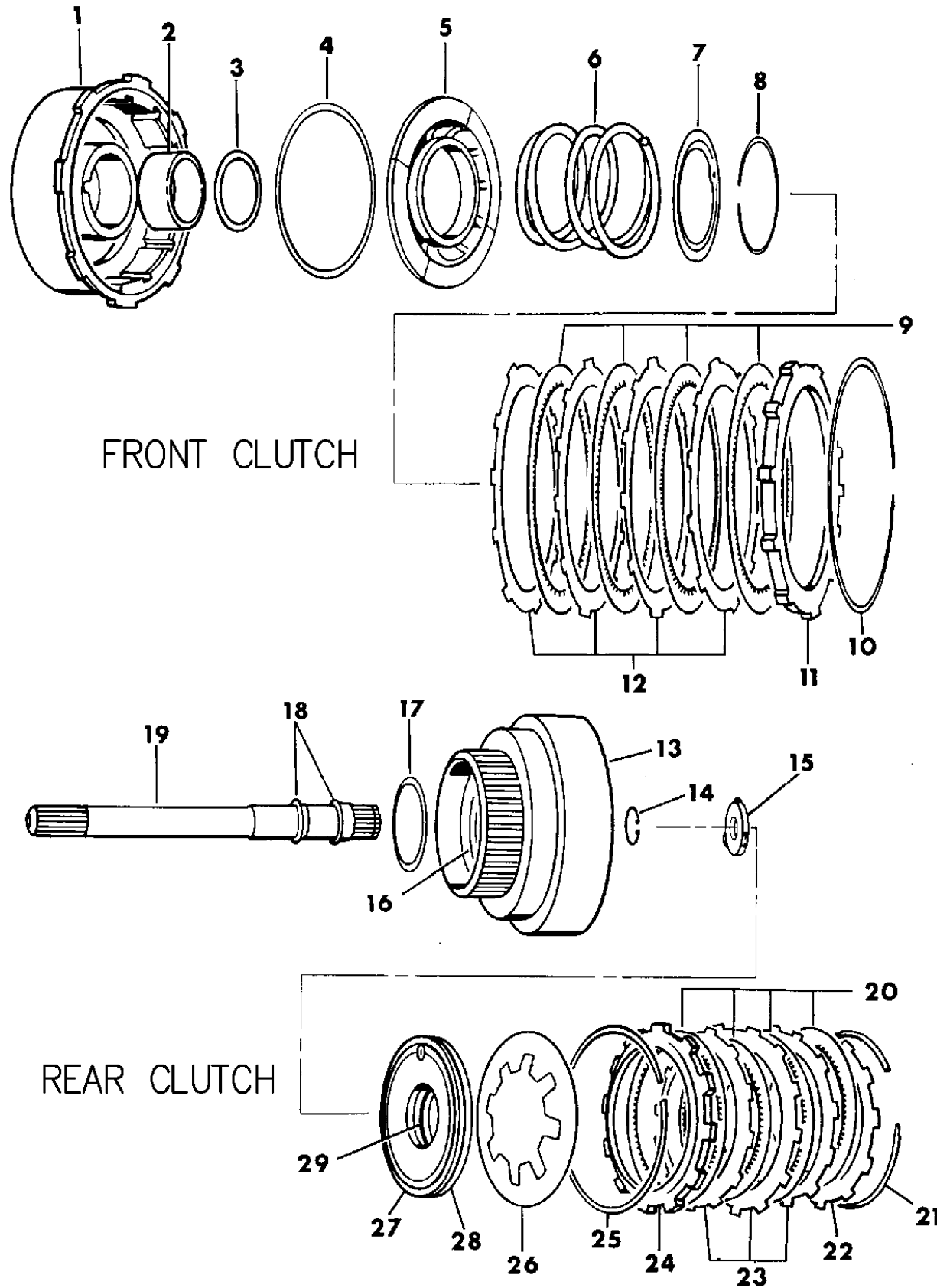
AR = Use as Required - = Non Illustrated Part P.A.R. = Paint as Required

CLUTCH, FRONT AND REAR WITH GEAR TRAIN AUTOMATIC TRANSMISSION, 4 SPEED - 42RE GRAND CHEROKEE ZJ

Figure 21A-3000

91J51 3000

ITEM	PART NUMBER	QTY	BODY	MODEL	DESCRIPTION
	4539 124	AR			.107" Thick
22	4617 176	1			PLATE, Rr. Clutch Pressure, Rear
23	1942 403	3			PLATE, Rear Clutch
24	2466 281	1			PLATE, Rear Clutch Pressure, Front
25	2466 283	1			SPRING, Rear Clutch Wave
26	4617 191	1			SPRING, Rear Clutch Piston
27	2538 695	1			SEAL, Rear Clutch Piston, Rubber, Outer
28	3515 716	1			PISTON, Rear Clutch
29	2538 510	1			SEAL, Rear Clutch Piston, Rubber, Inner



MODEL CODES:

61=Pickup-6 Ft Box 74=4 Door Wagon T=2WD
 62=Pickup-7 Ft Box 77=Open Body 93" Wheelbase J,N,U=4WD
 72=2 Door Wagon 78=Open Body 103" Wheelbase

BODY STYLES:

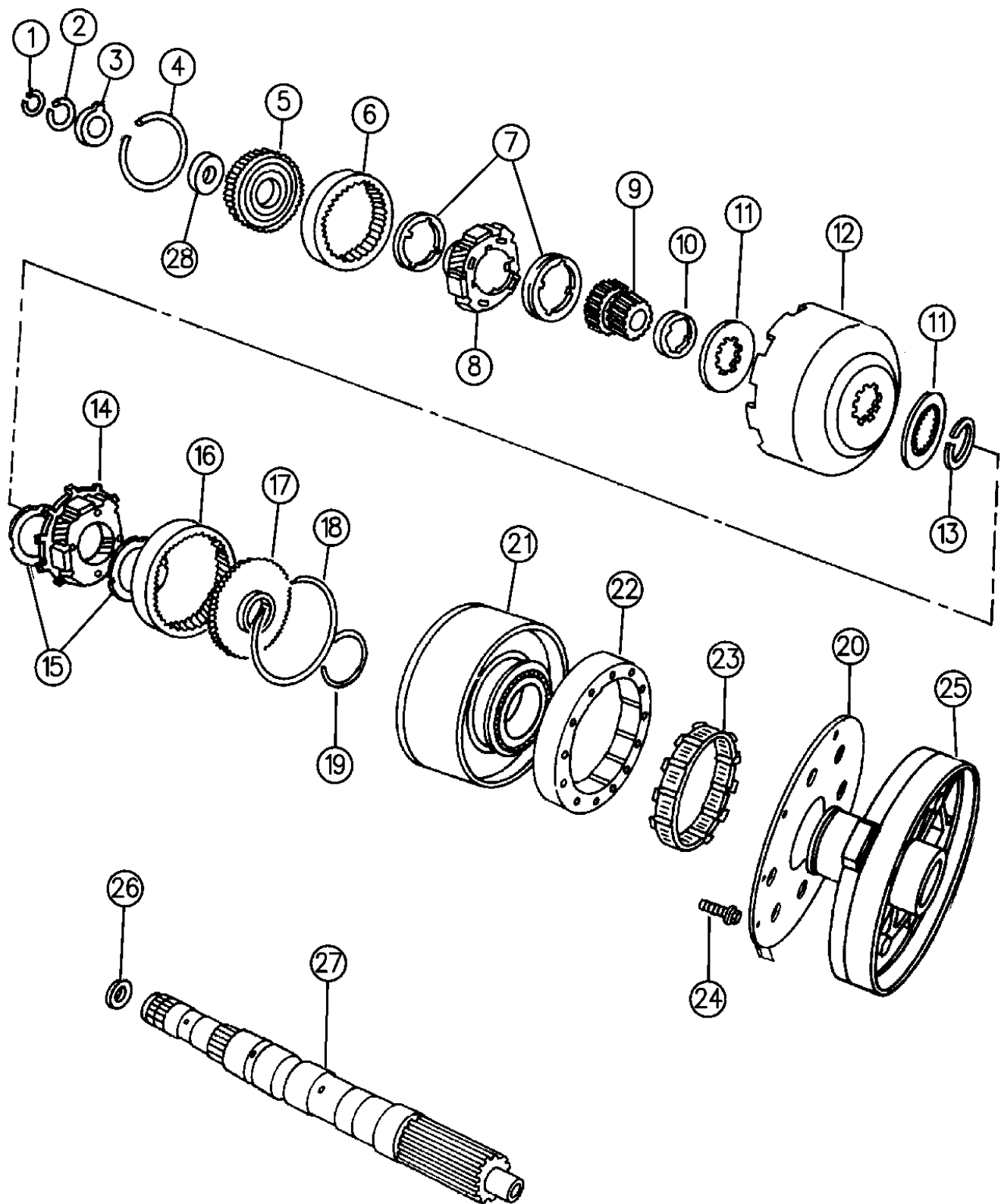
MJ=Comanche Pickup ZJ=Grand Cherokee/Grand Wagoneer KDX VEHICLES
 SJ=Grand Wagoneer M1=Comanche
 XJ=Cherokee, Briarwood X1=Cherokee, Briarwood
 YJ=Wrangler Y1=Wrangler

AR = Use as Required - = Non Illustrated Part P.A.R. = Paint as Required

GEAR TRAIN AND INTERMEDIATE SHAFT AUTOMATIC TRANSMISSION, 4 SPEED - 42RE GRAND CHEROKEE ZJ

Figure 21A-3100

91J51 3100A



ITEM	PART NUMBER	QTY	BODY	MODEL	DESCRIPTION
1					SNAP RING, Intermediate Shaft
	6026 289	AR			.946" I.D., .040" Thk.
	6030 938	AR			.910" I.D., .062" Thk.
	6030 404	AR			.906" I.D., .084" Thk.
2	6030 576	1			SNAP RING, Frt. Annulus Gear Support, 1-3/8" I.D.
3	3681 969	1			WASHER, Frt. Annulus Gear Support, Thrust w/Lip, 2-1/8" O.D.
4	4130 513	1			SNAP RING, Frt. Annulus Gear, 4-5/8" O.D.
5	4617 050	1			SUPPORT, w/Bushing, Frt. Annulus Gear
6	4130 512	1			GEAR, Front Annulus
7	4130 518	2			WASHER, Frt. Carrier Thrust, 2-5/8" I.D., w/4 Tabs I.D.
8	4130 514	1			CARRIER ASSEMBLY, Front Planet Pinion
9	4130 685	1			GEAR, w/Bushing, Sun 38T-28T
10	4130 736	1			SPACER, Sun Gear, 4 Inner Teeth, 2" O.D.
11	4471 566	2			PLATE, Sun Gear Driving Shell, Thrust
12	4531 288	1			SHELL, Sun Gear Driving
13	1942 439	1			RING, Sun Gear Driving Shell, Lock 1-41/64" O.D.
14	4431 438	1			CARRIER ASSEMBLY, Rear Planet Pinion
15	3681 935	2			WASHER, Rr. Carrier Thrust, 2" I.D., w/4 Tabs O.D.
16	3743 184	1			GEAR, Rear Annulus
17	3515 501	1			SUPPORT, Rr. Annulus Gear, 62T-28T, 4" O.D.
18	1942 444	1			SNAP RING, Rr. Annulus Gear, 4-1/16" O.D.
19	6033 480	1			RING, Reverse Drum Retaining
20	4471 564	1			GASKET, O/Drive Cl. Piston Retainer To Case
21	4637 956	1			DRUM, Reverse
22	4431 690	1			CAM, "O" Running Clutch
23	4431 432	1			CLUTCH, w/Rollers and Springs, "O" Running Clutch
24	6033 616	6			SCREW, Cam to Case, 1/4-28 x 7/8"
25	4617 246	1			RETAINER, Piston
26	4505 188	1			PLATE, Intermediate Shaft Thrust, .060" Thk.
27	4617 251	1			SHAFT, w/Plug, Intermediate
28	4617 775	1			PLATE, Front Annulus Gear Support Thrust, 2.168"O.D., 1.515", .030" Thick

MODEL CODES:

61=Pickup-6 Ft Box 74=4 Door Wagon T=2WD
 62=Pickup-7 Ft Box 77=Open Body 93" Wheelbase J,N,U=4WD
 72=2 Door Wagon 78=Open Body 103" Wheelbase

BODY STYLES:

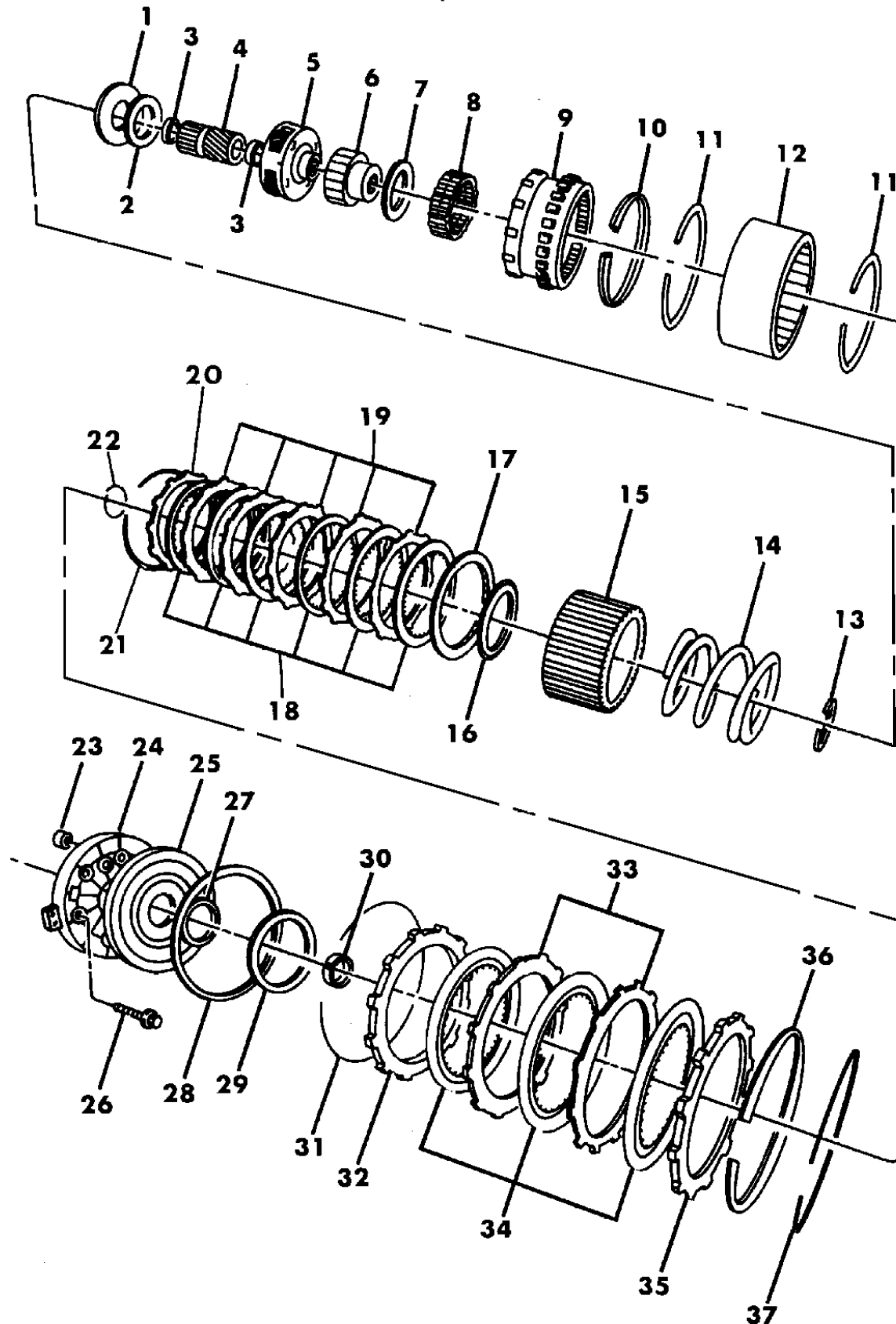
MJ=Comanche Pickup ZJ=Grand Cherokee/Grand Wagoneer KDX VEHICLES
 SJ=Grand Wagoneer M1=Comanche
 XJ=Cherokee, Briarwood X1=Cherokee, Briarwood
 YJ=Wrangler Y1=Wrangler

AR = Use as Required - = Non Illustrated Part P.A.R. = Paint as Required

CLUTCH, OVERDRIVE WITH GEAR TRAIN AUTOMATIC TRANSMISSION, 4 SPEED - 42RE GRAND CHEROKEE ZJ

Figure 21A-3200

91J51 3200A



ITEM	PART NUMBER	QTY	BODY	MODEL	DESCRIPTION
1	4461 125	1			PLATE, Direct Clutch Spring, Thrust
2	4461 126	1			BEARING, O/Drive, Thrust
3		2			BUSHING, O/Drive Sun Gear (Serv. in Sun Gear)
4	4461 022	1			GEAR, O/Drive Sun
5	4461 118	1			CARRIER ASSEMBLY, O/Drive Planet Pinion (4 Pinion)
6	4461 124	1			RACE, O/Drive "O" Running Clutch
7	4461 014	1			BEARING, O/Drive Race, Thrust
8	4461 015	1			CLUTCH ASSEMBLY, w/Rollers and Springs, O/Drive "O" Running
9	4461 012	1			GEAR, O/Drive Annulus
10	4461 059	1			SNAP RING, O/Drive Annulus Gear, 5-1/4" O.D.
11	4461 060	2			SNAP RING, Direct Clutch Drum to Annulus, 6" O.D.
12	4461 040	1			DRUM, Direct Clutch
13	4461 063	1			SNAP RING, Direct Clutch Spring Plate, 2-3/16" O.D.
14	4461 027	1			SPRING, Direct Clutch Coil
15	4461 072	1			HUB, Direct Clutch Spring Sliding
16	4446 724	1			BEARING, O/Drive Clutch Piston, Thrust
17	4461 030	1			PLATE, Direct Clutch Pressure
18	4461 042	8			DISC, Direct Clutch
19	4461 054	7			PLATE, Direct Clutch
20	4461 031	1			PLATE, Direct Clutch Reaction
21	4461 032	1			SPRING, Direct Clutch Wave
22	4461 064	1			SNAP RING, Direct Clutch Spring Sliding Hub, Round 1-7/8" O.D.
23	4412 583	1			FILTER, Piston Retainer
24	4617 246	1			RETAINER, O/Drive Clutch Piston
25	4431 695	1			PISTON, O/Drive Clutch
26	6033 479	6			SCREW, Retainer to Case, 1/4-28 x 1-5/8"
27	4431 697	1			SEAL, O/Drive Clutch Piston, Inner
28	4431 696	1			SEAL, O/Drive Clutch Piston, Outer
29					PLATE, O/Drive Clutch Piston, Selective Thrust
	4431 730	AR			.108 - .110" Thk.
	4431 585	AR			.123 - .125" Thk.
	4431 731	AR			.138 - .140" Thk.
	4431 586	AR			.153 - .155" Thk.
	4431 732	AR			.168 - .170" Thk.
	4431 587	AR			.183 - .185" Thk.
	4431 733	AR			.198 - .200" Thk.
	4431 588	AR			.213 - .215" Thk.
	4431 734	AR			.228 - .230" Thk.
	4431 590	AR			.243 - .245" Thk.
30					SPACER, Intermediate Shaft, Selective

MODEL CODES:

61=Pickup-6 Ft Box 74=4 Door Wagon T=2WD
 62=Pickup-7 Ft Box 77=Open Body 93" Wheelbase J,N,U=4WD
 72=2 Door Wagon 78=Open Body 103" Wheelbase

BODY STYLES:

MJ=Comanche Pickup ZJ=Grand Cherokee/Grand Wagoneer KDX VEHICLES
 SJ=Grand Wagoneer M1=Comanche
 XJ=Cherokee, Briarwood X1=Cherokee, Briarwood
 YJ=Wrangler Y1=Wrangler

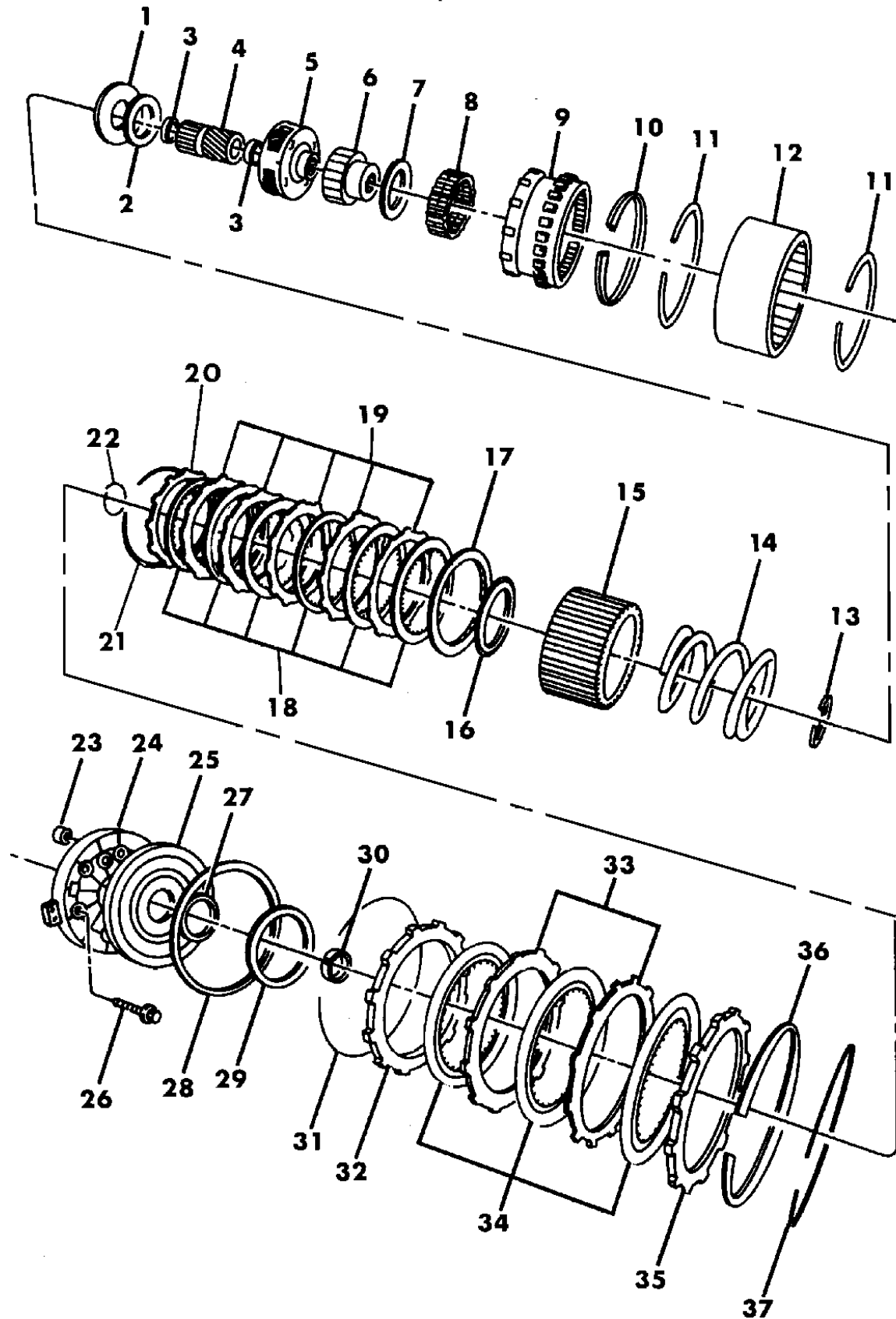
AR = Use as Required - = Non Illustrated Part P.A.R. = Paint as Required

CLUTCH, OVERDRIVE WITH GEAR TRAIN AUTOMATIC TRANSMISSION, 4 SPEED - 42RE GRAND CHEROKEE ZJ

Figure 21A-3200

91J51 3200A

ITEM	PART NUMBER	QTY	BODY	MODEL	DESCRIPTION
	4431 916	AR			.158" Thk.
	4431 917	AR			.175" Thk.
	4431 918	AR			.193" Thk.
	4431 919	AR			.211" Thk.
31	4461 082	1			SNAP RING, O/Drive Clutch Pressure Plate, Round 7" O.D.
32	4461 048	1			PLATE, O/Drive Clutch Pressure
33	4461 047	3			PLATE, O/Drive Clutch Separator
34	4461 181	4			DISC, O/Drive Clutch
35	4461 033	1			PLATE, O/Drive Clutch Reaction
36	4461 066	1			SPRING, O/Drive Clutch Wave
37	4461 065	1			SNAP RING, O/Drive Clutch Reaction Plate, 6-1/2" O.D.



MODEL CODES:

61=Pickup-6 Ft Box 74=4 Door Wagon T=2WD
 62=Pickup-7 Ft Box 77=Open Body 93" Wheelbase J,N,U=4WD
 72=2 Door Wagon 78=Open Body 103" Wheelbase

BODY STYLES:

MJ=Comanche Pickup ZJ=Grand Cherokee/Grand Wagoneer KDX VEHICLES
 SJ=Grand Wagoneer M1=Comanche
 XJ=Cherokee, Briarwood X1=Cherokee, Briarwood
 YJ=Wrangler Y1=Wrangler

AR = Use as Required - = Non Illustrated Part P.A.R. = Paint as Required

GOVERNOR AND OUTPUT SHAFT AUTOMATIC TRANSMISSION, 4 SPEED - 42RE GRAND CHEROKEE ZJ

Figure 21A-3300

91J51 3300

ITEM	PART NUMBER	QTY	BODY	MODEL	DESCRIPTION
	4713 938	1			GASKET and SEAL PACKAGE, Governor Repair Consists Of: 1 - 3743519 FILTER, Governor 1 - 4531192 GASKET, Ext. and Piston Retainer 1 - 2801398 GASKET, Brg. Cover
					3 - 4461143 SEAL RING, Gov. Drive 1 - 4531216 SEAL, O/P Shaft Yoke, 4x2 1 - 4269956 SEAL, Ext. Adapter, 4x4
	4728 459	1			BODY PACKAGE, Governor Repair Consists Of: 1 - 4617812 BODY, Governor 1 - 3743519 FILTER, Governor 3 - 4461143 SEAL RING, Gov. Drive
					4 - 6031613 BOLT, Gov. Body 1 - 6022817 SNAP RING, Gov. Body 1 - 6031392 SNAP RING, Gov., Outer Weight 1 - 4617064 Valve, Governor
					1 - 1556082 SHAFT, Gov. Valve 2 - 1638461 SNAP RING, Valve, Outer 1 - 2801398 GASKET, Brg. Cover 1 - 4531192 GASKET, Ext. and Piston Retainer
					1 - 4461056 RING, Gov. Drive 1 - 6034765 SNAP RING, Gov. Outer Wt. 1 - 4617597 RETAINER
	4617 805	1			WEIGHT PACKAGE, Governor (4800 RPM) Consists Of: 1 - 4617513 WEIGHT, Inner 1 - 4617802 WEIGHT, Intermediate 1 - 4617590 WEIGHT, Outer
					1 - 4617804 SPRING, Gov. Weight 1 - 6034723 Snap Ring, Inner Wt.
1	1638 461	2			SNAP RING, Governor Valve Shaft
2	1556 082	1			SHAFT, Governor Valve
3	3515 479	1			VALVE, Governor
4		1			BODY, Governor (Serv. in Pkg.)
5	6031 613	4			SCREW, Gov. Body Mtg., 1/4-20 x 3/4"
6		1			WEIGHT, Gov., Outer (Serv. in Pkg.)
7		1			SPRING, Gov. Weight (Serv. in Pkg.)
8		1			WEIGHT, Gov., Inner (Serv. in Pkg.)
9	4617 242	1			SNAP RING, Governor Weight, Inner
10	6025 031	1			SNAP RING, Governor Weight, Outer

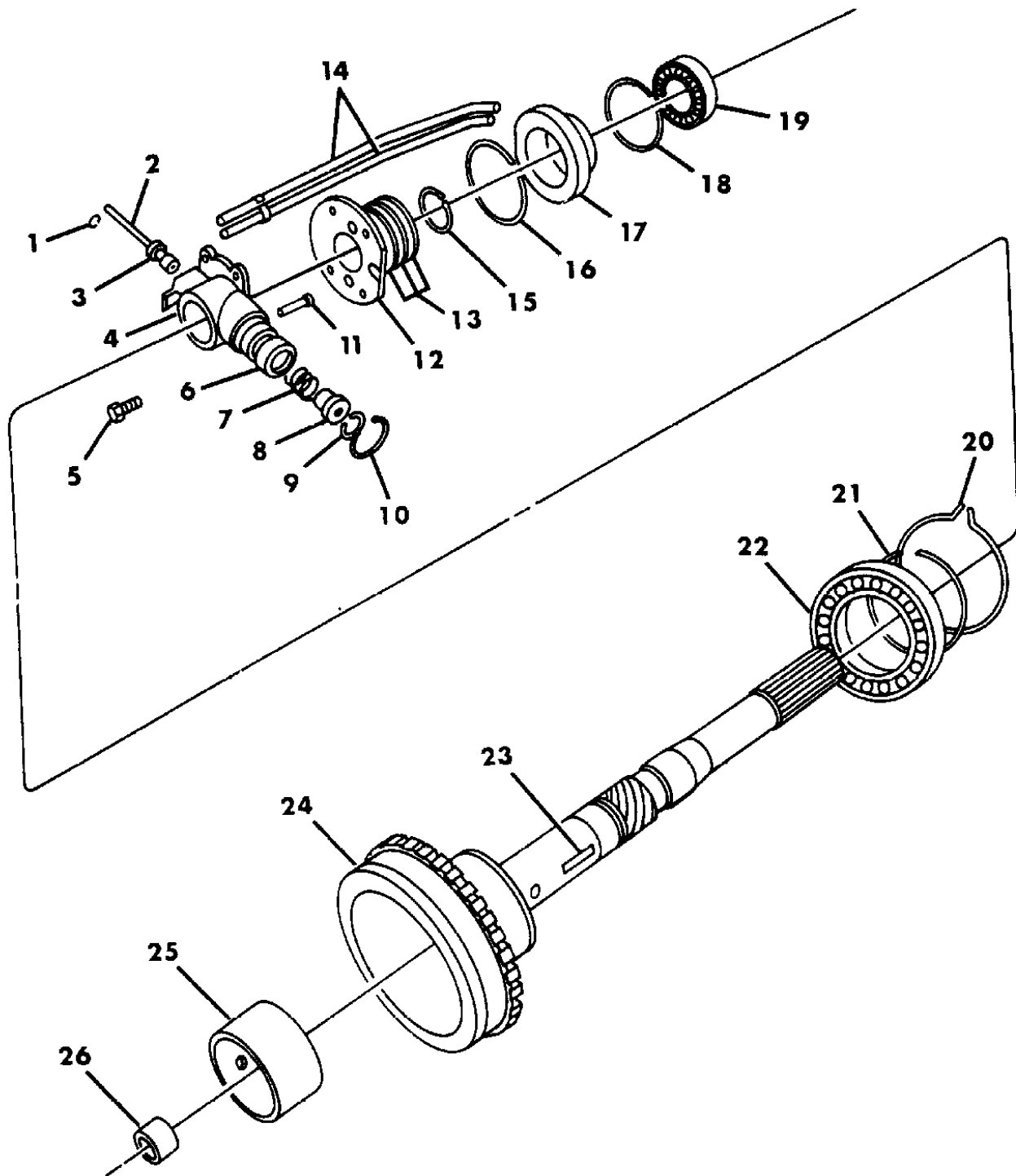
MODEL CODES:

61=Pickup-6 Ft Box 74=4 Door Wagon T=2WD
62=Pickup-7 Ft Box 77=Open Body 93" Wheelbase J,N,U=4WD
72=2 Door Wagon 78=Open Body 103" Wheelbase

BODY STYLES:

MJ=Comanche Pickup ZJ=Grand Cherokee/Grand Wagoneer KDX VEHICLES
SJ=Grand Wagoneer M1=Comanche
XJ=Cherokee, Briarwood X1=Cherokee, Briarwood
YJ=Wrangler Y1=Wrangler

AR = Use as Required - = Non Illustrated Part P.A.R. = Paint as Required

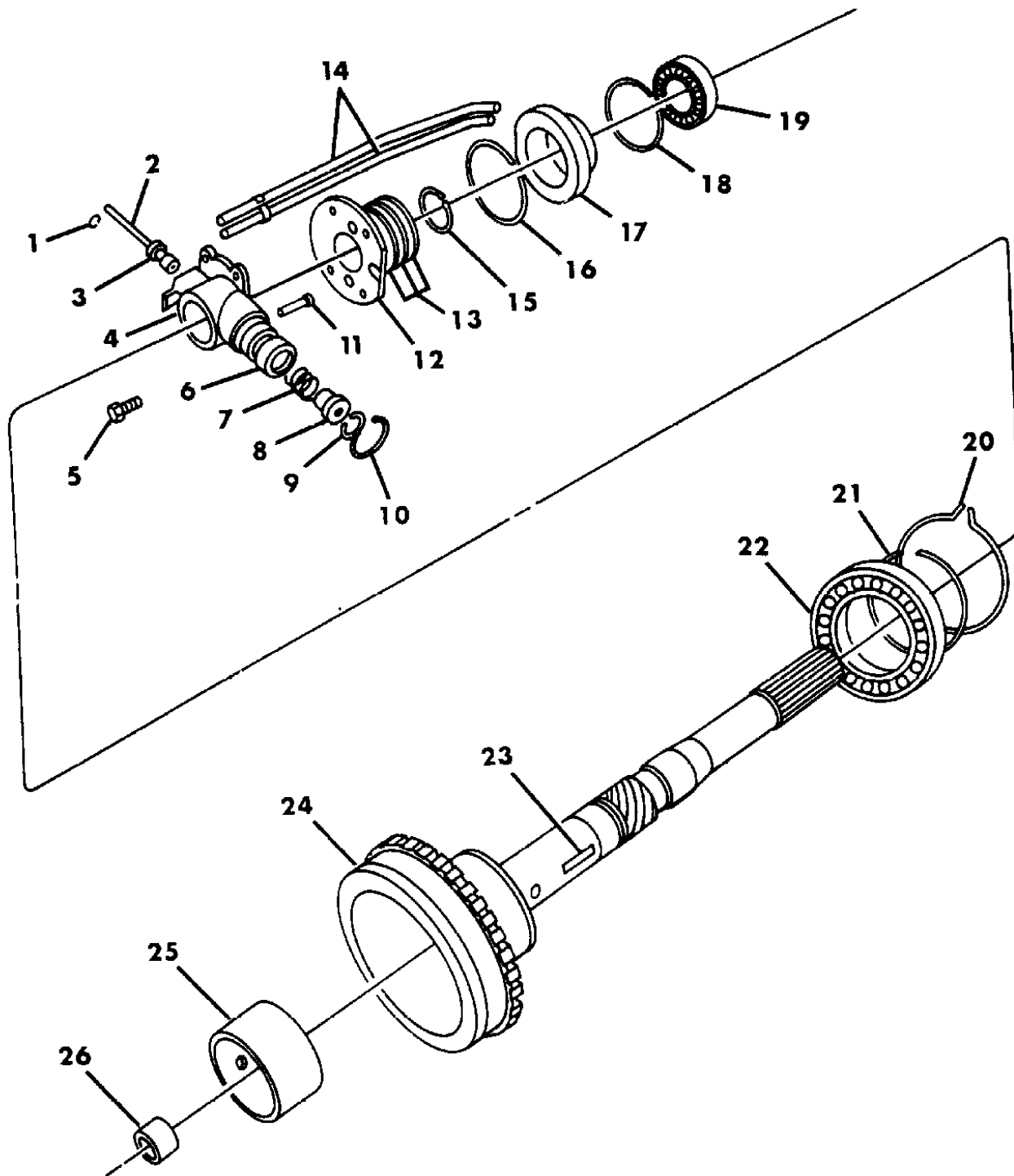


GOVERNOR AND OUTPUT SHAFT AUTOMATIC TRANSMISSION, 4 SPEED - 42RE GRAND CHEROKEE ZJ

Figure 21A-3300

91J51 3300

ITEM	PART NUMBER	QTY	BODY	MODEL	DESCRIPTION
11	3743 519	1			FILTER, Governor
12	4461 009	1			DRIVE, Governor, 1990-92 ***
	4461 150	1			1993
13	4461 143	3			SEAL RING, Governor Drive
14	4461 001	1			TUBE ASSEMBLY, w/Clip, Gov. Support
15	6022 817	1			SNAP RING, Governor Body
16	4461 056	1			SNAP RING, Governor Drive Support, 3-3/4" O.D.
17	4461 002	1			SUPPORT, Governor Drive
18	4461 069	1			SNAP RING, O/P Shaft Rear Brg.
19	2466 224	1			BEARING, O/P Shaft, Rear, 2.8344 O.D.
20	4461 057	1			SNAP RING, O/P Shaft Brg. to Case
21	4461 068	1			SNAP RING, O/P Shaft Front Brg.
22	4461 008	1			BEARING, O/P Shaft Front
23		1			KEY, O/P Shaft Gov. Drive (Not Serviced)
24					SHAFT ASSEMBLY, w/Bushings, Output
	4461 158	1			2WD
	4461 153	1			4WD
25	4461 006	1			BUSHING, O/P Shaft Inner
26		1			BUSHING, O/P Shaft Pilot, (Serviced in O/P Shaft)



MODEL CODES:

61=Pickup-6 Ft Box 74=4 Door Wagon T=2WD
 62=Pickup-7 Ft Box 77=Open Body 93" Wheelbase J,N,U=4WD
 72=2 Door Wagon 78=Open Body 103" Wheelbase

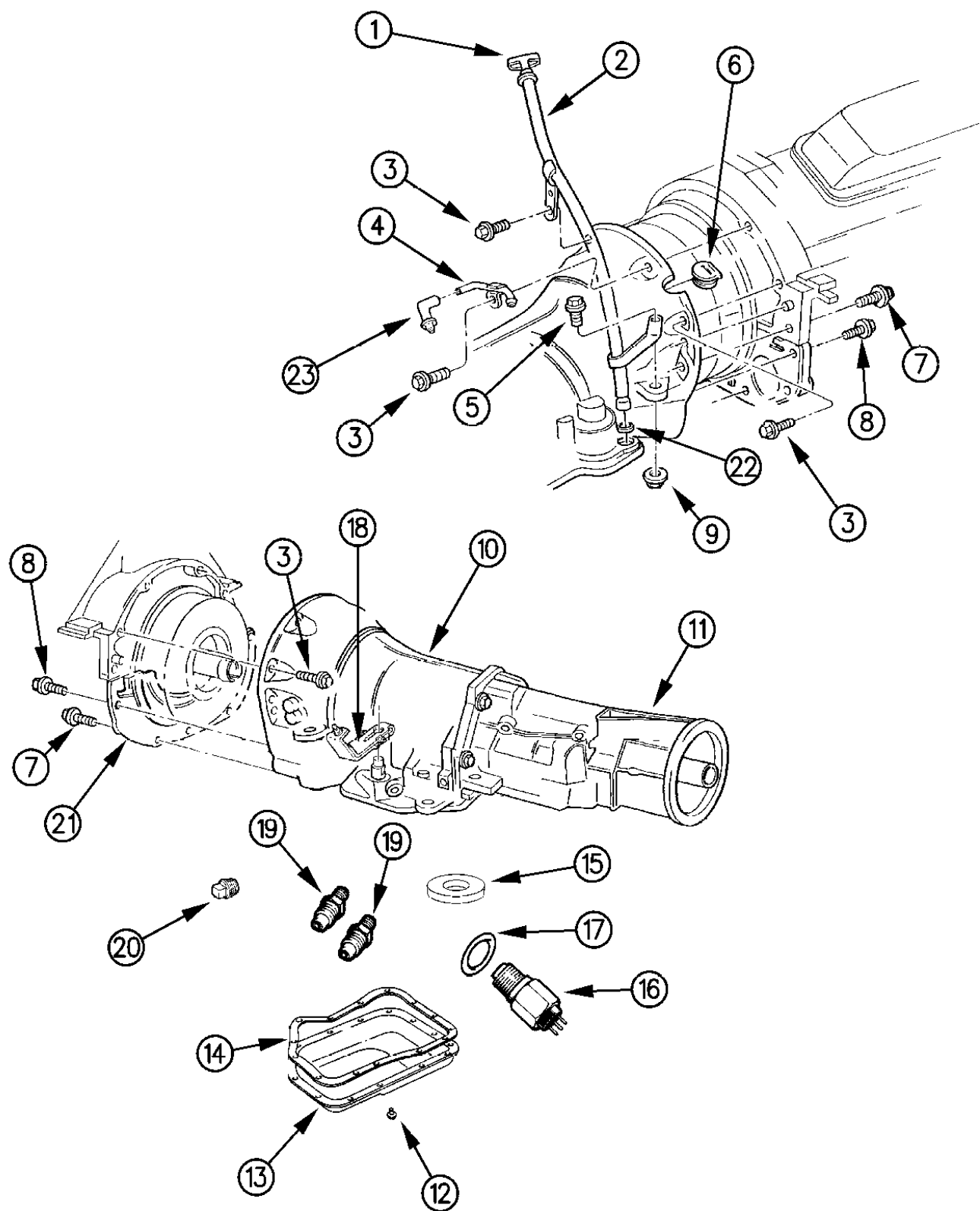
BODY STYLES:

MJ=Comanche Pickup ZJ=Grand Cherokee/Grand Wagoneer KDX VEHICLES
 SJ=Grand Wagoneer M1=Comanche
 XJ=Cherokee, Briarwood X1=Cherokee, Briarwood
 YJ=Wrangler Y1=Wrangler

AR = Use as Required - = Non Illustrated Part P.A.R. = Paint as Required

CASE, AND RELATED PARTS AUTOMATIC TRANSMISSION, 4 SPEED - 46RH GRAND CHEROKEE ZJ
Figure 21A-3400

91J51 3400



ITEM	PART NUMBER	QTY	BODY	MODEL	DESCRIPTION
	4713 279	1			GASKET and SEAL PACKAGE, A518, Major Repair
					Consists Of:
					1 - 4713276 GASKET & SEAL PKG., Valve Body & Servo
					1 - 4713126 GASKET & SEAL PKG., Gov. & Ext.
					1 - 4637078 GASKET & SEAL PKG., Frt. & Rr. Clutch
					1 - 4713049 GASKET & SEAL PKG., Frt. Pump
					1 - 4431696 SEAL, Cl. Piston, Outer
					1 - 4431697 SEAL, Cl. Piston, Inner
					1 - 4412583 FILTER, Piston Retainer
					1 - 4471565 GASKET, Piston Retainer to Case
1	5211 7710	1			INDICATOR, Trans. Oil Level
2	5300 9201	1			TUBE, Oil Pan Filler
3	6022 266	4			SCREW, Case to Block, 3/8-16 x 1-1/2"
4		1			TUBE, w/Clip, Transfer Case Vent (Not Serviced)
5	6024 027	1			SCREW, Case to Block, 7/16-14 x 1-1/4"
6	5211 7709	1			GROMMET, Timing Probe
7	6024 473	3			SCREW, Block to Case, 7/16-14 x 2"
8	6023 092	4			SCREW, Pan to Case, 1/4-20 x 1/2"
9	6025 021	1			NUT, 7/16-14
10	4539 046	1			CASE, Transmission
11		1			EXTENSION, or Adapter (Refer to Illus. 3500)
12	4723 548	14			SCREW, w/Washer, Oil Pan
13	4617 689	1			PAN, Trans. Oil
14	2464 324	1			GASKET, Oil Pan
15	3681 601	1			MAGNET, Case Chip Collector
16	3747 361	1			SWITCH, w/Washer Trans. Neutral Starter And B/U Light, w/3 Prongs
17	2408 143	1			WASHER, B/U Light Switch
18	5207 8253	1			LEVER, Manual Control
19	4617 517	2			CONNECTOR, Oil Cooler, Quick Disconnect 3/8 Tubing
20	6028 095	AR			PLUG, Pressure Check, 1/8-27 Pipe
21	5211 7556	1			COVER, Case Dust Shield, Lower
22	6030 608	1			SEAL, Oil Filler Tube
23	5209 7701	1			HOSE, And Filter Assy.

MODEL CODES:

61=Pickup-6 Ft Box 74=4 Door Wagon T=2WD
 62=Pickup-7 Ft Box 77=Open Body 93" Wheelbase J,N,U=4WD
 72=2 Door Wagon 78=Open Body 103" Wheelbase

BODY STYLES:

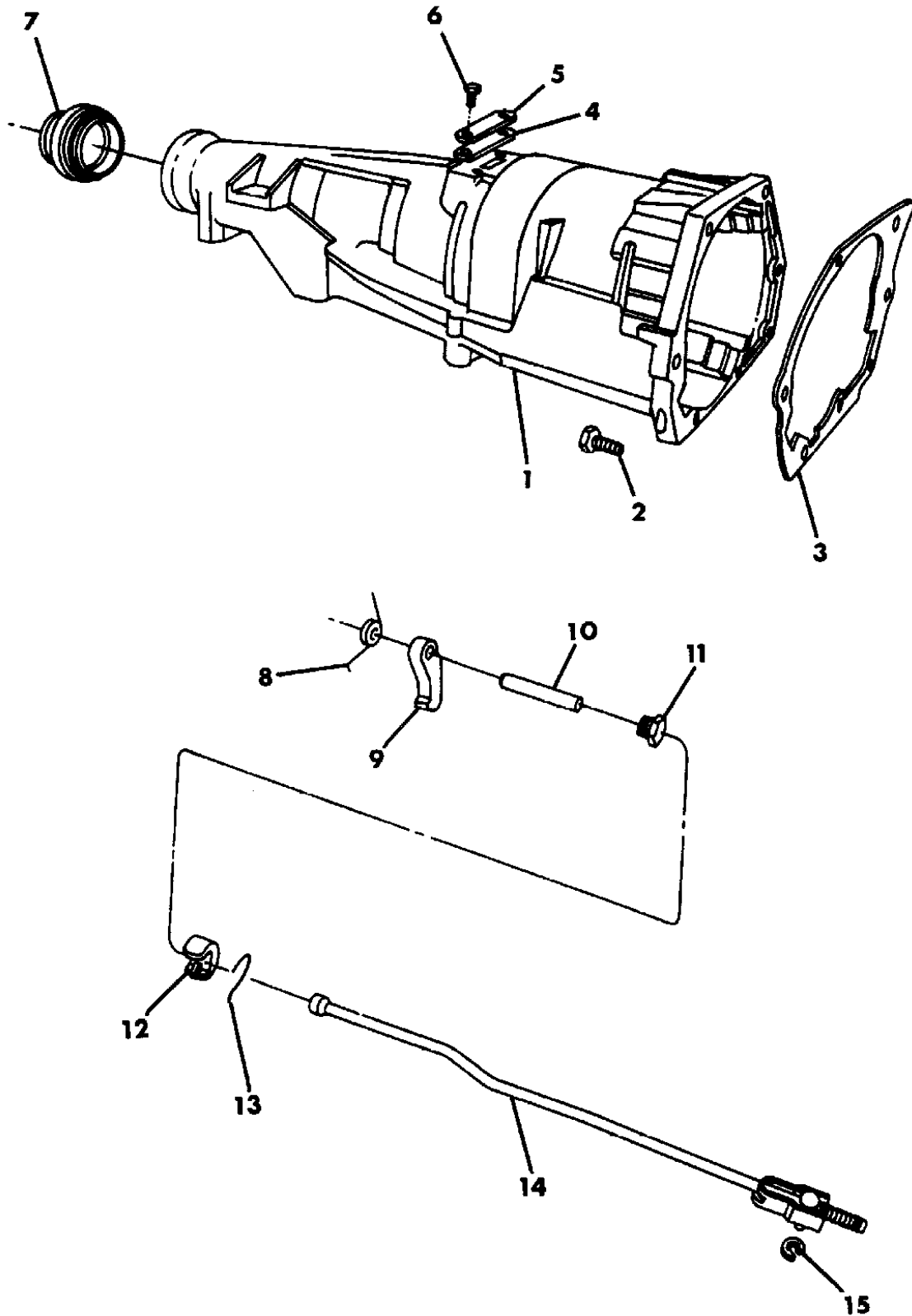
MJ=Comanche Pickup ZJ=Grand Cherokee/Grand Wagoneer KDX VEHICLES
 SJ=Grand Wagoneer M1=Comanche
 XJ=Cherokee, Briarwood X1=Cherokee, Briarwood
 YJ=Wrangler Y1=Wrangler

AR = Use as Required - = Non Illustrated Part P.A.R. = Paint as Required

EXTENSION, AND PARKING SPRAG AUTOMATIC TRANSMISSION, 4 SPEED - 46RH GRAND CHEROKEE ZJ

Figure 21A-3500

91J51 3500



ITEM	PART NUMBER	QTY	BODY	MODEL	DESCRIPTION
1		1		2WD	EXTENSION, Case
	4461 163	1		4WD	ADAPTER, Case
2	6033 745	7			SCREW, Ext. to Case, 3/8-16 x 1-1/2"
3	4471 565	1			GASKET, Extension or Adapter
4	2801 398	1			GASKET, Cover
5	2466 957	1			COVER, Ext. Bearing
6		2			SCREW, Cover, 1/4-20 x 5/8" (Not Serviced)
7	4269 956	1			OIL SEAL, Adapter, 2.56" O.D.
8	2466 909	1			SPRING, Parking Sprag
9	4471 415	1			SPRAG, Parking (5/8" Thick)
10	2466 892	1			SHAFT, Parking Sprag
11	1798 191	1			PLUG, Shaft Retaining
12	2538 042	1			PLUG, Parking Sprag Reaction
13	2538 034	1			SNAP RING, Reaction Plug
14	4471 478	1			ROD ASSEMBLY, Parking Sprag
15	1626 749	1			E-CLIP, Rod

MODEL CODES:

61=Pickup-6 Ft Box 74=4 Door Wagon T=2WD
 62=Pickup-7 Ft Box 77=Open Body 93" Wheelbase J,N,U=4WD
 72=2 Door Wagon 78=Open Body 103" Wheelbase

BODY STYLES:

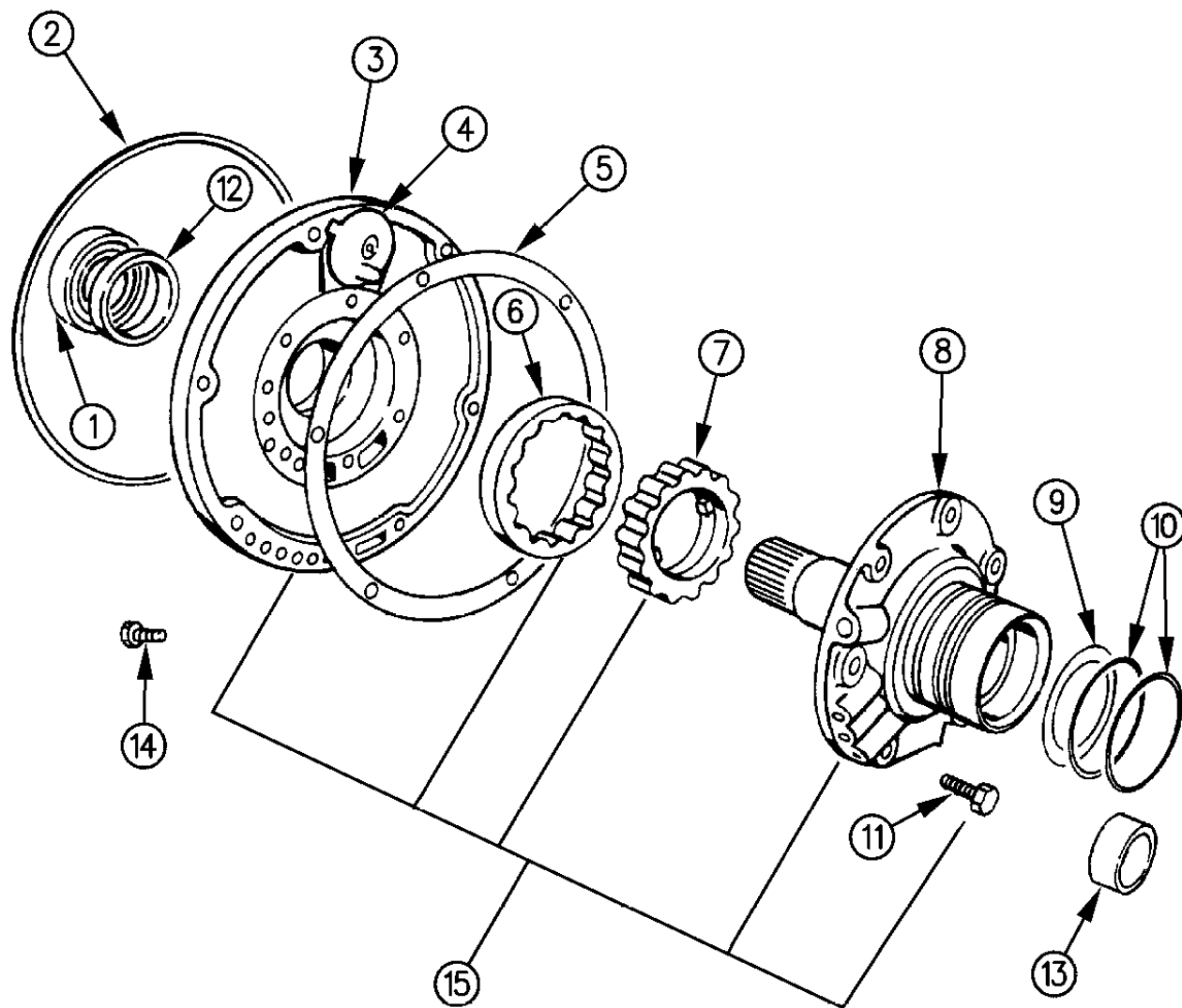
MJ=Comanche Pickup ZJ=Grand Cherokee/Grand Wagoneer KDX VEHICLES
 SJ=Grand Wagoneer M1=Comanche
 XJ=Cherokee, Briarwood X1=Cherokee, Briarwood
 YJ=Wrangler Y1=Wrangler

AR = Use as Required - = Non Illustrated Part P.A.R. = Paint as Required

PUMP, OIL WITH REACTION SHAFT AUTOMATIC TRANSMISSION, 4 SPEED - 46RH GRAND CHEROKEE ZJ

Figure 21A-3600

91J51 3600A



ITEM	PART NUMBER	QTY	BODY	MODEL	DESCRIPTION
	4713 049	1			GASKET and SEAL PACKAGE, Front Pump
					Consists Of:
					1 - 4531225 SEAL, T/C Impeller Hub
					1 - 1942021 SEAL, Oil Pump Hsg.
					1 - 4028377 GASKET, Oil Pump Hsg.
					2 - 2801054 SEAL RING, Input Shaft
					2 - 3743689 SEAL RING, Reaction Shaft Supt.
					1 - K685-1866 Instruction Sheet
1	4531 225	1			SEAL, T/C Impeller Hub
2	1942 021	1			SEAL, Frt. Pump Housing
3		1			HOUSING, w/Bushing, Plug and Rotors Frt. Pump (Serviced in Assy.)
4	3420 087	1			BAFFLE, w/Nail, Frt. Pump Hsg. Vent
5	4028 377	1			GASKET, Frt. Pump Housing
6		1			ROTOR, (Serviced in Hsg. Assy.)
7		1			ROTOR, (Serviced in Hsg. Assy.)
8	4505 034	1			SHAFT, w/Support, Reaction
9					WASHER, Frt. Clutch Thrust, Frt., 3-21/64" O.D.
	4617 161	AR			Green, .061" Thk.
	4617 162	AR			Red, .084" Thk.
	4617 166	AR			Yellow, .102" Thk.
10	3743 689	2			RING, Seal Reaction Shaft Support
11	0179 815	6			SCREW, Supt, 5/16-18 x 11/16"
12	4531 163	1			BUSHING, Frt. Pump Hsg.
13	2801 348	1			BUSHING, Reaction Shaft, 1.30" O.D.
14	6023 943	7			SCREW, w/Washer, Hsg. 5/16-18 x 1-3/8"
15	4728 662	1			PUMP ASSEMBLY, w/Housing, Support and Reaction Shaft Oil, w/Lock-Up

MODEL CODES:

61=Pickup-6 Ft Box 74=4 Door Wagon T=2WD
 62=Pickup-7 Ft Box 77=Open Body 93" Wheelbase J,N,U=4WD
 72=2 Door Wagon 78=Open Body 103" Wheelbase

BODY STYLES:

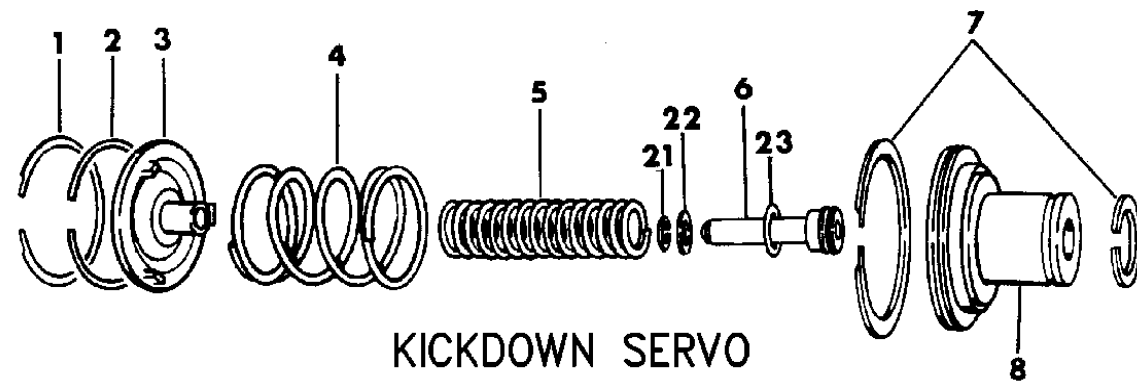
MJ=Comanche Pickup ZJ=Grand Cherokee/Grand Wagoneer KDX VEHICLES
 SJ=Grand Wagoneer M1=Comanche
 XJ=Cherokee, Briarwood X1=Cherokee, Briarwood
 YJ=Wrangler Y1=Wrangler

AR = Use as Required - = Non Illustrated Part P.A.R. = Paint as Required

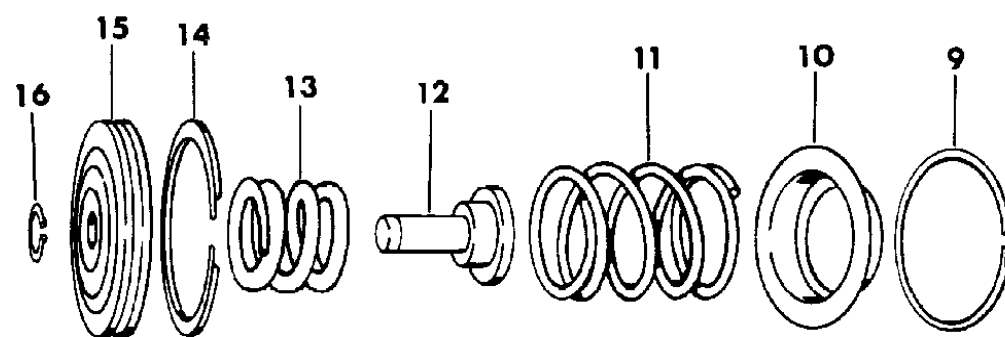
SERVOS, ACCUMULATOR PISTON AND SPRING AUTOMATIC TRANSMISSION, 4 SPEED - 46RH GRAND CHEROKEE ZJ

Figure 21A-3700

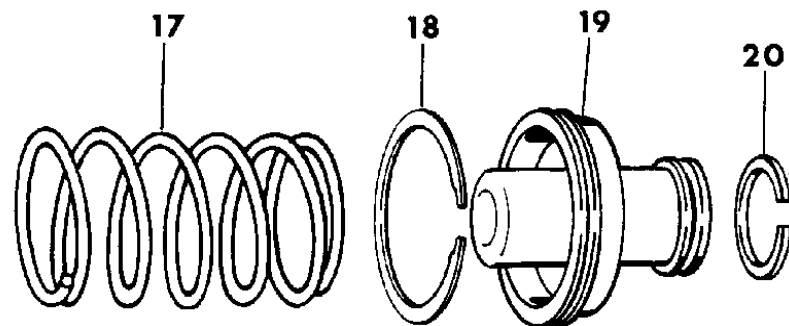
91J51 3700A



KICKDOWN SERVO



LOW AND REVERSE SERVO



ACCUMULATOR PISTON AND SPRING

ITEM	PART NUMBER	QTY	BODY	MODEL	DESCRIPTION
1	1942 130	1			SNAP RING, Kickdown Servo Guide
2	1942 123	1			RING, Kickdown Servo Guide Seal
3	3410 441	1			GUIDE, Kickdown Servo
4	4617 528	1			SPRING, K/Down Servo Piston, Outer
5	3410 444	1			SPRING, K/Down Servo Piston, Inner, 6 Coils
6	3410 445	1			PISTON, K/Down Servo, Inner
7	1942 123	1			RING, K/Down Servo Piston Seal, Large
8	4443 190	1			Small
8	3410 440	1			PISTON, K/Down Servo
9	1942 130	1			SNAP RING, Reverse Servo Piston Spring Retainer
10	1942 150	1			RETAINER, Reverse Servo Piston Spring
11	2801 241	1			SPRING, Reverse Servo Piston
12	3743 353	1			PLUG, Reverse Servo Piston, 1-53/64" Lgh.
13	3743 580	1			SPRING, Reverse Servo Cushion
14	4058 741	1			SEAL, Reverse Servo Piston, Rubber
15	2801 281	1			PISTON, Reverse Servo
16	6027 153	1			RING, Reverse Servo Piston Plug, 7/16" I.D.
17	3515 079	1			SPRING, Accumulator, Lower
18	3743 013	1			RING, Accumulator Piston Seal, Large
19	3743 650	1			PISTON, Accumulator
20	3743 010	1			RING, Accumulator Piston Seal, Small
21	6024 336	1			SNAP RING, Inner, 1-1/8" I.D.
22	3410 437	1			RETAINER, K/Down Piston Inner
23	6028 864	1			SEAL, Inner, 15/16 x 1-1/8" x3/32"

MODEL CODES:

61=Pickup-6 Ft Box 74=4 Door Wagon T=2WD
 62=Pickup-7 Ft Box 77=Open Body 93" Wheelbase J,N,U=4WD
 72=2 Door Wagon 78=Open Body 103" Wheelbase

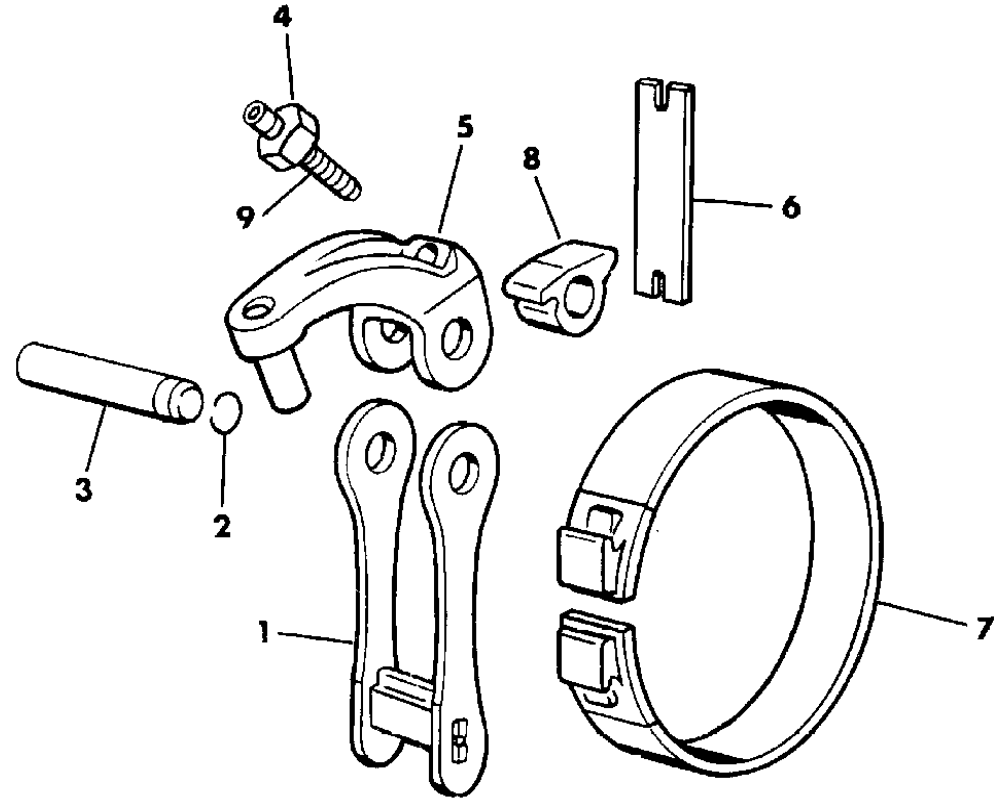
BODY STYLES:

MJ=Comanche Pickup ZJ=Grand Cherokee/Grand Wagoneer KDX VEHICLES
 SJ=Grand Wagoneer M1=Comanche
 XJ=Cherokee, Briarwood X1=Cherokee, Briarwood
 YJ=Wrangler Y1=Wrangler

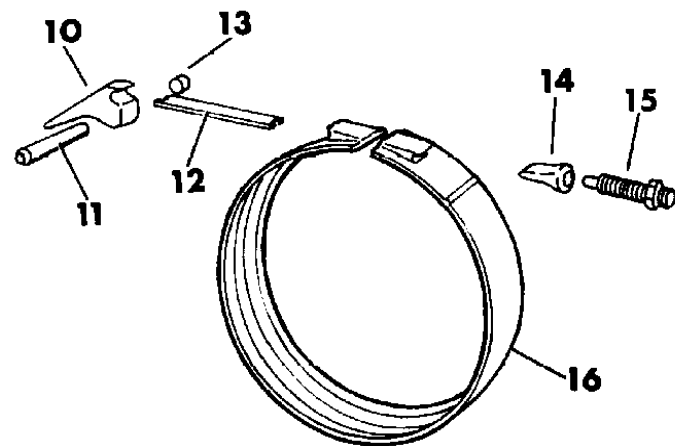
AR = Use as Required - = Non Illustrated Part P.A.R. = Paint as Required

BANDS, REVERSE AND KICKDOWN WITH LINKAGE AUTOMATIC TRANSMISSION, 4 SPEED - 46RH GRAND CHEROKEE ZJ
Figure 21A-3800

91J51 3800



REVERSE BAND



KICKDOWN BAND

ITEM	PART NUMBER	QTY	BODY	MODEL	DESCRIPTION
1	4617 044	1			LINK, w/Anchor, Reverse Band
2	6030 910	1			SEAL, Reverse Band Lever Shaft
3	2124 857	1			SHAFT, Reverse Band Lever
4	0271 506	1			NUT, Adj. Screw Lock, 7/16-20
5	4617 028	1			LEVER, w/Stem, Reverse Band
6	4471 497	1			STRUT, Reverse Band
7	4471 476	1			BAND, Reverse
8	4617 014	1			LEVER, Reverse Band Short
9	1942 141	1			SCREW, Reverse Band Adjusting
10	3515 116	1			LEVER, Kickdown Band
11	4531 181	1			SHAFT, Kickdown Lever
12	2124 848	1			STRUT, Kickdown Band
13		1			PLUG, Shaft Lever
14	3743 338	1			ANCHOR, Kickdown Band
15	2400 389	1			SCREW, Kickdown Band Adjusting
	0124 934	1			LOCK NUT, Kickdown Band Adj. Screw, 1/2-20
16	3621 491	1			BAND, Kickdown

MODEL CODES:

61=Pickup-6 Ft Box 74=4 Door Wagon T=2WD
 62=Pickup-7 Ft Box 77=Open Body 93" Wheelbase J,N,U=4WD
 72=2 Door Wagon 78=Open Body 103" Wheelbase

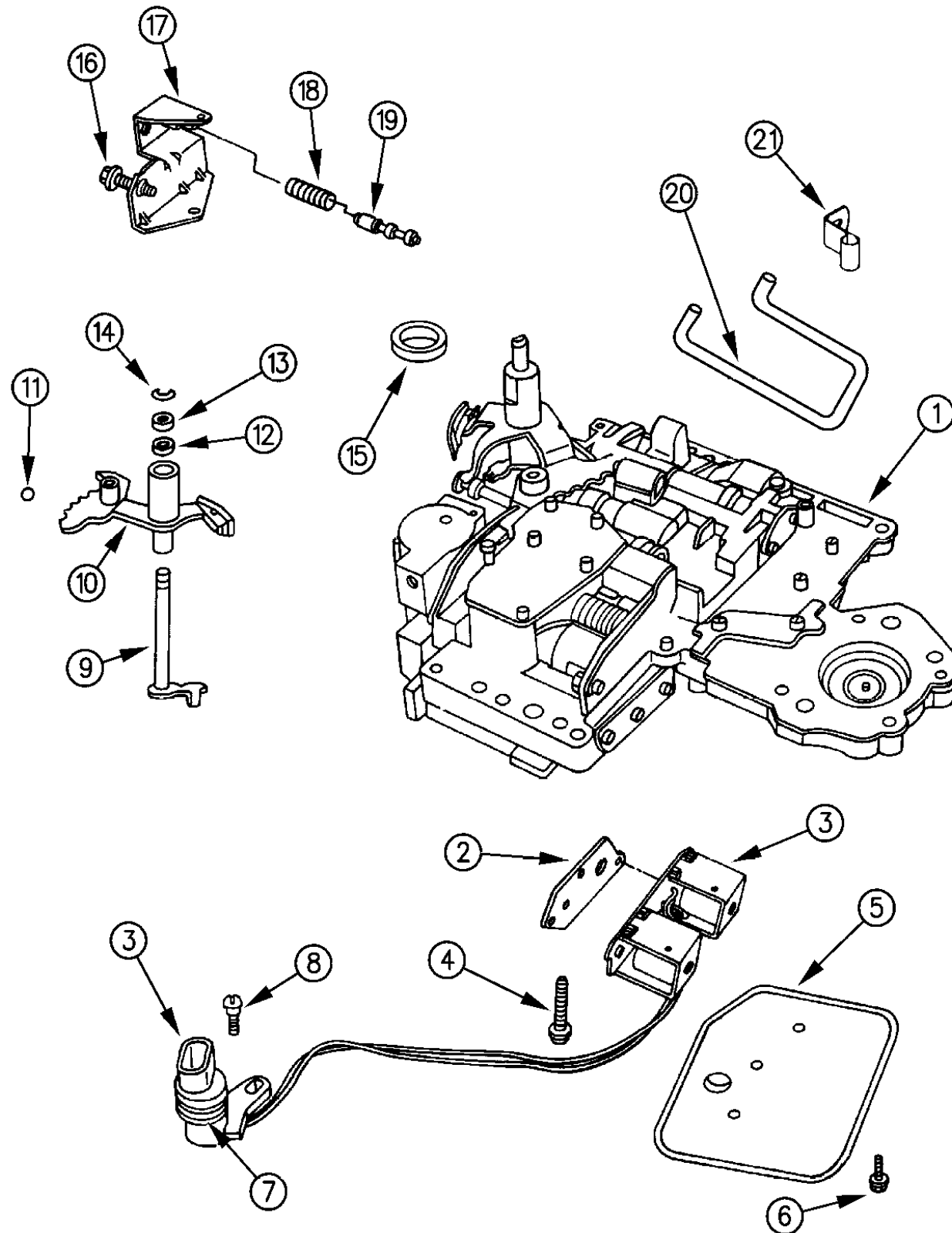
BODY STYLES:

MJ=Comanche Pickup ZJ=Grand Cherokee/Grand Wagoneer KDX VEHICLES
 SJ=Grand Wagoneer M1=Comanche
 XJ=Cherokee, Briarwood X1=Cherokee, Briarwood
 YJ=Wrangler Y1=Wrangler

AR = Use as Required - = Non Illustrated Part P.A.R. = Paint as Required

VALVE BODY AUTOMATIC TRANSMISSION, 4 SPEED - 46RH GRAND CHEROKEE ZJ
Figure 21A-3900

91J51 3900



ITEM	PART NUMBER	QTY	BODY	MODEL	DESCRIPTION
	4713 276	1			GASKET and SEAL PACKAGE, Valve Body And Servo Recondition Consists Of: 1 - 3878313 SCREEN, Reg. Valve 1 - 6028864 O-RING, K/Down Inner Piston 1 - 6030657 O-RING 1 - 2466548 SEAL, Throttle Lever Shaft 1 - 3743010 SEAL RING, Accum. Piston, Small 1 - 3743013 SEAL RING, Accum. Piston, Large 1 - 4431958 SEAL RING, (Scarf Cut) 1 - 3515996 FILTER, Trans. Oil 1 - 6033448 O-RING, Solenoid Wiring Connection 1 - 4446194 GASKET, Solenoid Assy. 1 - 6024336 SNAP RING, K/Down Inner Piston 1 - 4505098 SEAL, Manual Valve Lvr. Shaft 1 - 2464324 GASKET, Oil Pan
1	4617 482	1			VALVE BODY ASSEMBLY, w/Lock-Up Valve, Use w/53009204 Trans. w/52118738 Trans.
	4617 871	1			w/52118738 Trans.
2	4446 194	1			GASKET, Solenoid
3	4431 954	1			SOLENOID, Dual w/Wiring and 3 Prong Connector, w/Overdrive and w/Lock-Up Valve
4	0181 071	3			SCREW, Valve Body to Case, 1/4-20 x 1-3/4"
5	3515 996	1			FILTER, Trans. Oil
6	6033 826	3			SCREW, Oil Filter, 10-24 x 2-1/2"
7	6033 448	2			O-RING, Solenoid Wiring Connector
8	6033 985	1			SCREW, Solenoid Wiring Conn. Mtg.
9	3681 227	1			LEVER, Throttle Valve
10	4617 439	1			LEVER, w/Insulator, Manual Valve
11	0147 488	1			BALL, Manual Lever Detent, 11/32" Dia.
12	2466 548	1			SEAL, Throttle Lever Shaft, Rubber, 5/8" O.D.
13	2538 062	1			WASHER, Throttle Valve Lever Shaft
14	6025 857	1			E-RING, Throttle Valve Lever Shaft
15	4505 098	1			SEAL, Manual Valve, 1-1/4" O.D.
16	6030 609	1			SCREW, Throttle Pressure Adjusting
17	4617 010	1			BRACKET, Throttle Pressure Adj. Screw
18	4130 492	1			SPRING, Switch Valve
19	4505 036	1			VALVE, Trans. Lock-Up Switch
20	4617 008	1			TUBE, Boost Valve Oil Supply
21	4617 574	1			RETAINER, Boost Valve Oil Supply Tube

MODEL CODES:

61=Pickup-6 Ft Box 74=4 Door Wagon T=2WD
62=Pickup-7 Ft Box 77=Open Body 93" Wheelbase J,N,U=4WD
72=2 Door Wagon 78=Open Body 103" Wheelbase

BODY STYLES:

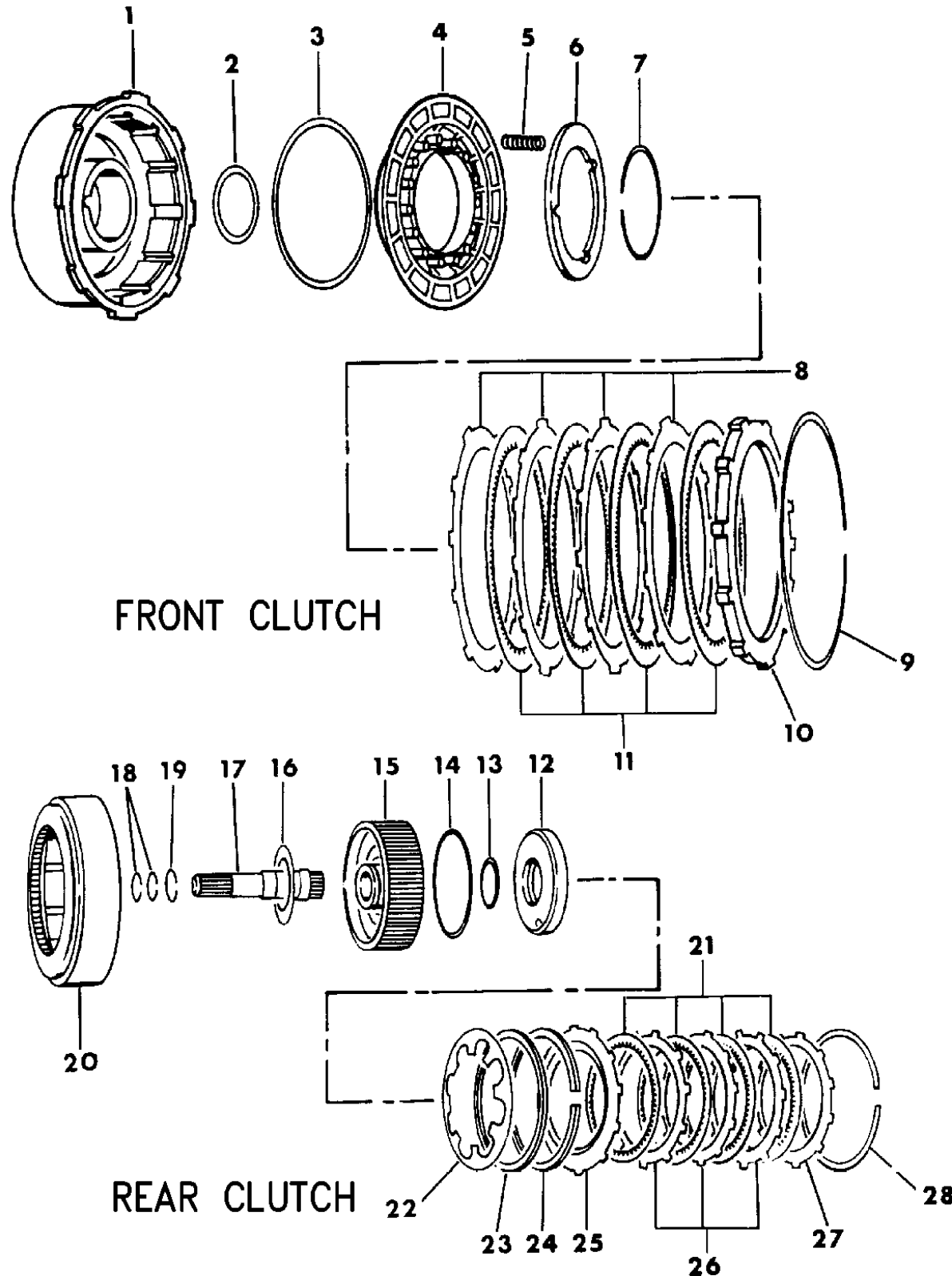
MJ=Comanche Pickup ZJ=Grand Cherokee/Grand Wagoneer KDX VEHICLES
SJ=Grand Wagoneer M1=Comanche
XJ=Cherokee, Briarwood X1=Cherokee, Briarwood
YJ=Wrangler Y1=Wrangler

AR = Use as Required - = Non Illustrated Part P.A.R. = Paint as Required

CLUTCH, FRONT AND REAR WITH GEAR TRAIN AUTOMATIC TRANSMISSION, 4 SPEED - 46RH GRAND CHEROKEE ZJ

Figure 21A-4000

91J51 4000



ITEM	PART NUMBER	QTY	BODY	MODEL	DESCRIPTION
	4637 078	1			SEAL PACKAGE, Front and Rear Clutch Consists Of: 1 - 3410226 SEAL, Frt. Clutch Piston, Inner 1 - 4058484 SEAL, Frt. Clutch Piston, Outer 1 - 1942054 SEAL, Rear Clutch Piston, Inner 1 - 2124835 SEAL, Rear Clutch Piston, Outer 1 - 4428222 WASHER, Intermed. Shaft Thrust 1 - 4505188 PLATE, Intermed. Shaft Thrust 1 - 4505186 WASHER, Intermed. Shaft Thrust
1	4058 437	1			RETAINER, w/Bushing, Front Clutch
	4058 647	1			BUSHING, Frt. Clutch Retainer
2	3410 226	1			SEAL, Frt. Clutch Piston, Inner
3	4058 484	1			SEAL, Frt. Clutch Piston, Outer
4	2464 651	1			PISTON, Frt. Clutch
	0147 483	1			BALL, 3/16" Dia.
5	2801 243	9			SPRING, Frt. Clutch Piston
6	2801 949	1			RETAINER, Frt. Clutch Piston Spring
	0147 483	1			BALL, 3/16" Dia.
7	2124 824	1			SNAP RING, Frt. Clutch, Inner, .060" Thk., 3" I.D.
8	4617 361	3			PLATE, Frt. Clutch
9	3410 570	1			SNAP RING, Frt. Clutch, .050" Thk., 7-8/64" O.D.
10	4617 567	1			PLATE, Frt. Clutch Reaction
11	4617 201	3			DISC, Frt. Clutch
12	3743 624	1			PISTON, Rr. Clutch
	0147 483	1			BALL, 3/16" Dia.
13	1942 054	1			SEAL, Rr. Clutch Piston, Inner
14	2124 835	1			SEAL, Rr. Clutch Piston, Outer
15	4505 224	1			RETAINER, Rear Clutch Piston
	4058 443	1			RING, Piston Ret. Oil Seal Lock, 1-7/8" O.D.
16	4617 161	1			WASHER, Frt. Clutch Thrust, Rear
17	4505 222	1			SHAFT, Input w/Lock-Up
	4505 222	1			w/Lock Up
18	2801 054	2			RING, Input Shaft Seal, Frt. & Rr., 1-3/16" O.D.
	4412 443	1			RING, Input Shaft Seal, Rear
19	2124 872	1			SNAP RING, Rr. Clutch Piston Retainer, .060" Thk., 1-31/64" O.D.
20	3743 622	1			RETAINER, Rear Clutch
21	5252 259	4			DISC, Rr. Clutch
22	3743 621	1			SPRING, Rr. Clutch Piston
23	3515 077	1			SPACER, Rr. Clutch Piston Spring, Plastic, 6-13/16" O.D.
24	2466 806	1			SPRING, Rr. Clutch Wave

MODEL CODES:

61=Pickup-6 Ft Box 74=4 Door Wagon T=2WD
62=Pickup-7 Ft Box 77=Open Body 93" Wheelbase J,N,U=4WD
72=2 Door Wagon 78=Open Body 103" Wheelbase

BODY STYLES:

MJ=Comanche Pickup ZJ=Grand Cherokee/Grand Wagoneer KDX VEHICLES
SJ=Grand Wagoneer M1=Comanche
XJ=Cherokee, Briarwood X1=Cherokee, Briarwood
YJ=Wrangler Y1=Wrangler

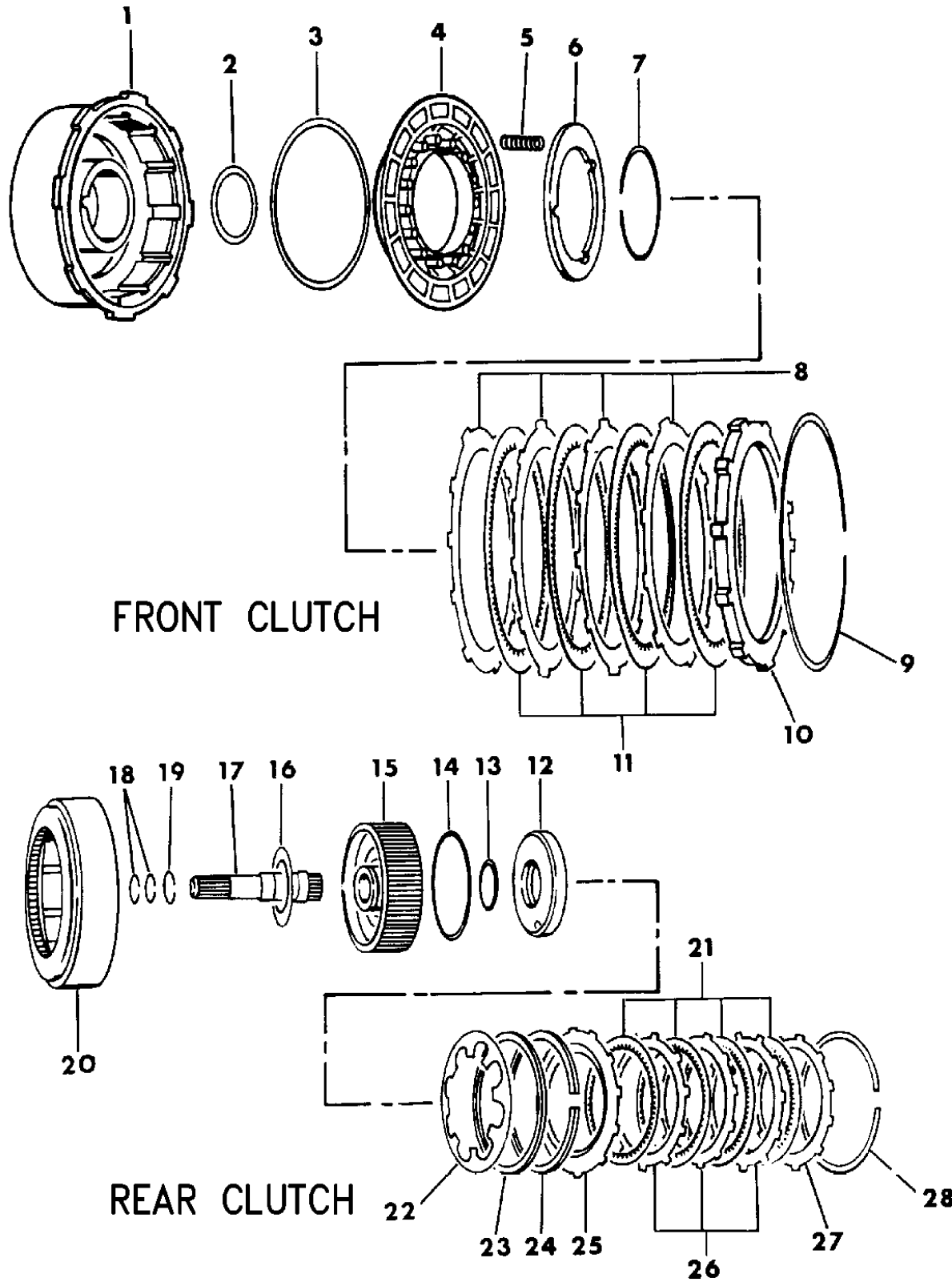
AR = Use as Required - = Non Illustrated Part P.A.R. = Paint as Required

CLUTCH, FRONT AND REAR WITH GEAR TRAIN AUTOMATIC TRANSMISSION, 4 SPEED - 46RH GRAND CHEROKEE ZJ

Figure 21A-4000

91J51 4000

ITEM	PART NUMBER	QTY	BODY	MODEL	DESCRIPTION
25	2466 803	1			PLATE, Rr. Clutch Pressure, Frt.
26	2124 826	3			PLATE, Rr. Clutch Separator
27	4617 567	1			PLATE, Rr. Clutch Reaction
28					SNAP RING, Rr. Clutch Reaction Plate, 7" O.D.
	1942 063	AR			.060" Thk.
	1942 064	AR			.074" Thk.
	1942 065	AR			.088" Thk.
	2466 811	AR			.106" Thk.



FRONT CLUTCH

REAR CLUTCH

MODEL CODES:
 61=Pickup-6 Ft Box 74=4 Door Wagon T=2WD
 62=Pickup-7 Ft Box 77=Open Body 93" Wheelbase J,N,U=4WD
 72=2 Door Wagon 78=Open Body 103" Wheelbase

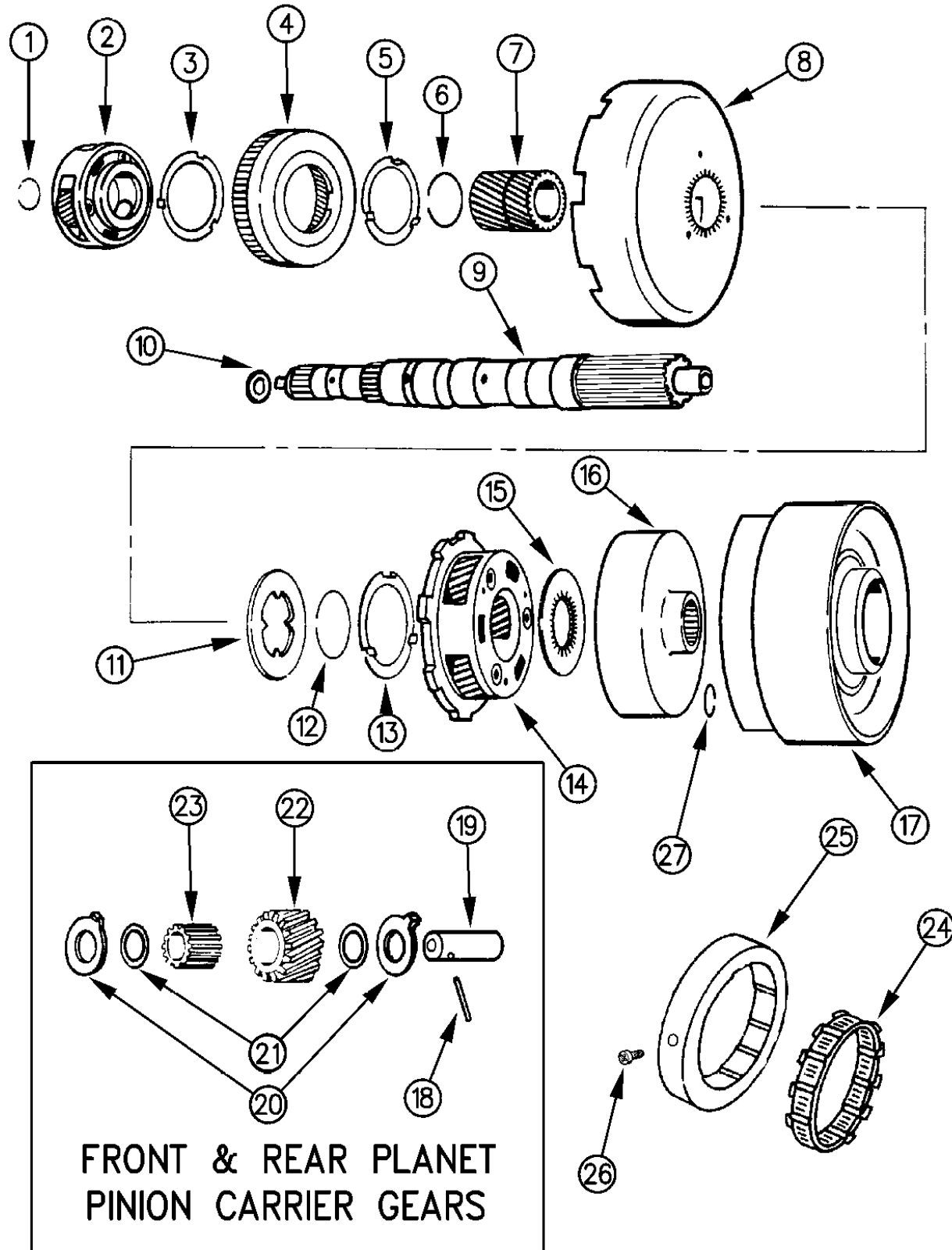
BODY STYLES:
 MJ=Comanche Pickup ZJ=Grand Cherokee/Grand Wagoneer KDX VEHICLES
 SJ=Grand Wagoneer M1=Comanche
 XJ=Cherokee, Briarwood X1=Cherokee, Briarwood
 YJ=Wrangler Y1=Wrangler

AR = Use as Required - = Non Illustrated Part P.A.R. = Paint as Required

GEAR TRAIN AND INTERMEDIATE SHAFT AUTOMATIC TRANSMISSION, 4 SPEED - 46RH GRAND CHEROKEE ZJ

Figure 21A-4100

91J51 4100



ITEM	PART NUMBER	QTY	BODY	MODEL	DESCRIPTION
1					SNAP RING, Intermediate Shaft
	6030 982	AR			.048-.052" Thk.
	6024 311	AR			.055-.059" Thk.
	6024 312	AR			.062-.066" Thk.
2	4428 224	1			CARRIER ASSEMBLY, Front Planet Pinion, 4 Pinion
3	2801 060	1			WASHER, Frt. Carrier Thrust, w/4 Tabs, 3-13/32" O.D.
4	2892 656	1			GEAR, w/Support Frt. Annulus, 2-1/2" I.D. Center Hole
5	1942 081	1			WASHER, Sun Gear Driving Shell Thrust, w/3 Outside Tabs
6	1736 521	1			RING, Sun Gear Driving Shell Lock
7	2801 311	1			GEAR, w/Bushing, Sun
8	2400 662	1			SHELL, Sun Gear Driving
9	4471 504	1			SHAFT PACKAGE, Intermediate
	4505 186	1			WASHER, Intermediate Shaft Thrust, w/3 Point Bronze Face, .068" Thk., Red
10	4505 188	1			PLATE, Intermediate Shaft, Thrust .060" Thk.
11	1942 080	1			PLATE, Sun Gear Driving Shell Thrust, w/4 Inside Tongs
12	1736 521	1			RING, Sun Gear Driving Shell Lock
13	2801 060	1			WASHER, Carrier Thrust, Rear, w/4 Tabs, 3-13/32" O.D.
14	2466 539	1			CARRIER ASSEMBLY, Rear Planet Pinion
15	2400 580	1			PLATE, Rear Annulus Gear Thrust, w/31 Inside Teeth, 3-23/64" O.D.
16	2538 185	1			GEAR, w/Support, Rear Annulus, 3-1/2" I.D. Center Hole
17	4471 470	1			DRUM, w/Race, Reverse (14 Rollers)
18	6024 666	AR			PIN, Frt. and Rr. Planet Pinion Shaft
19	4428 223	AR			SHAFT, Frt. and Rr. Planet Pinion
20	2801 315	AR			WASHER, Frt. and Rr. Planet Pinion
21	2204 649	AR			RING, Frt. and Rr. Pinion Roller Thrust
22	2400 667	AR			PINION, Frt. and Rr. Planet
23	3743 664	AR			ROLLER, Frt. and Rr. Pinion
24	4617 199	1			CLUTCH ASSEMBLY, 14 Rollers and Springs,"O" Running Clutch.
25	4471 473	1			CAM, "O" Running Clutch (14 Cam Lobes)
26	0125 735	1			SET SCREW, Cam Retaining, 1/4-20 x 3/8"
27	6033 591	1			SNAP RING, Reverse Drum Retaining

MODEL CODES:

61=Pickup-6 Ft Box 74=4 Door Wagon T=2WD
 62=Pickup-7 Ft Box 77=Open Body 93" Wheelbase J,N,U=4WD
 72=2 Door Wagon 78=Open Body 103" Wheelbase

BODY STYLES:

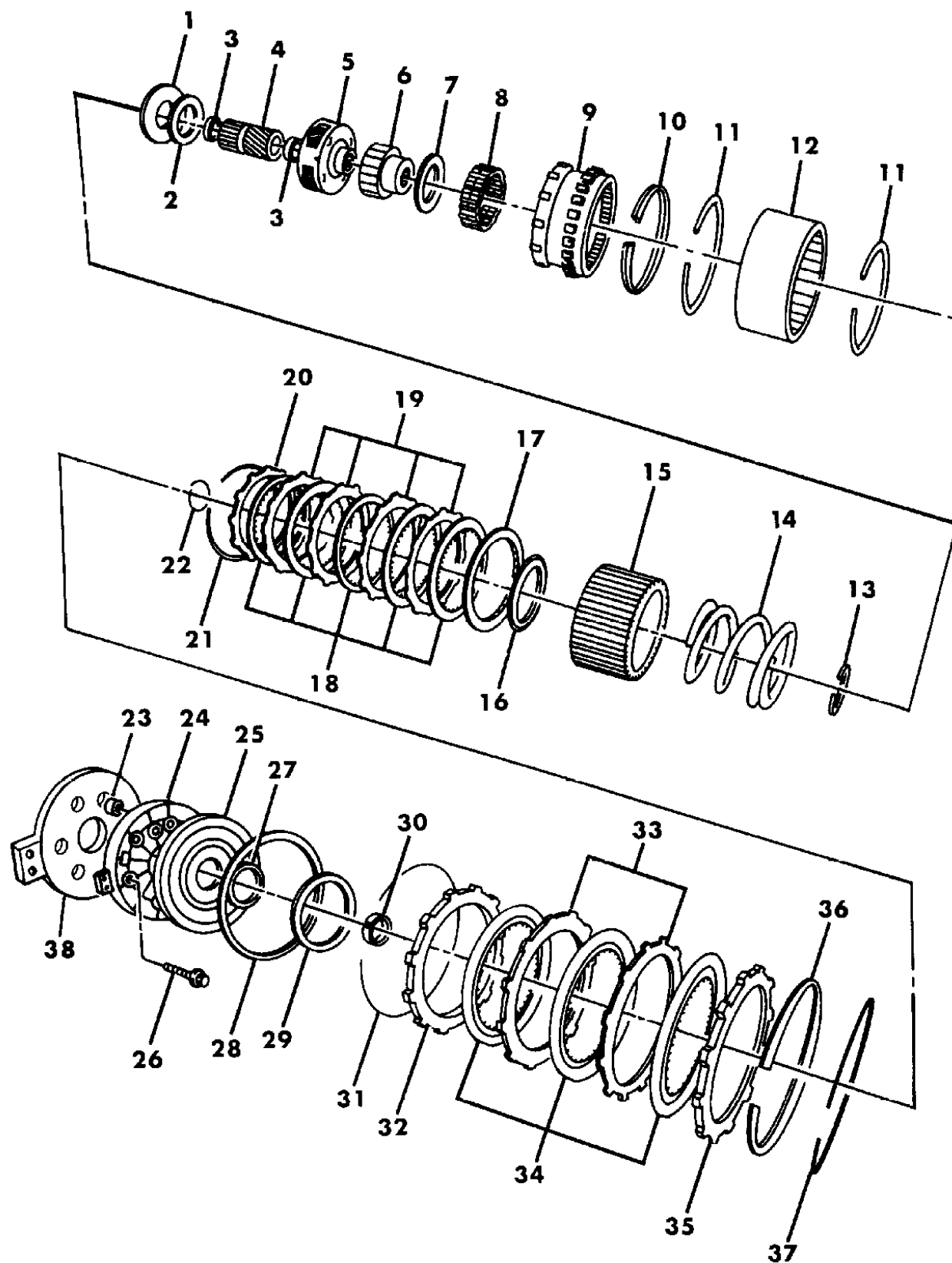
MJ=Comanche Pickup ZJ=Grand Cherokee/Grand Wagoneer KDX VEHICLES
 SJ=Grand Wagoneer M1=Comanche
 XJ=Cherokee, Briarwood X1=Cherokee, Briarwood
 YJ=Wrangler Y1=Wrangler

AR = Use as Required - = Non Illustrated Part P.A.R. = Paint as Required

CLUTCH, OVERDRIVE WITH GEAR TRAIN AUTOMATIC TRANSMISSION, 4 SPEED - 46RH GRAND CHEROKEE ZJ

Figure 21A-4200

91J51 4200



ITEM	PART NUMBER	QTY	BODY	MODEL	DESCRIPTION
1	4461 125	1			PLATE, direct Clutch Spring, Thrust
2	4461 126	1			BEARING, O/Drive, Thrust
3		2			BUSHING, O/Drive Sun Gear (Serv. in Sun Gear)
4	4461 022	1			GEAR, O/Drive Sun
5	4461 118	1			CARRIER ASSEMBLY, O/Drive Planet Pinion (4 Pinion)
6	4461 124	1			RACE, O/Drive "O" Running Clutch
7	4461 014	1			BEARING, O/Drive Race, Thrust
8	4461 015	1			CLUTCH ASSEMBLY, w/Rollers and Springs, O/Drive "O" Running
9	4461 012	1			GEAR, O/Drive Annulus
10	4461 059	1			SNAP RING, O/Drive Annulus Gear, 5-1/4" O.D.
11	4461 060	2			SNAP RING, Direct Clutch Drum to Annulus, 6" O.D.
12	4461 089	1			DRUM, Direct Clutch
13	4461 063	1			SNAP RING, Direct Clutch Spring Plate, 2-3/16" O.D.
14	4461 027	1			SPRING, Direct Clutch Coil
15	4461 072	1			HUB, Direct Clutch Spring Sliding
16	4446 724	1			BEARING, O/Drive Clutch Piston, Thrust
17	4461 030	1			PLATE, Direct Clutch Pressure
18	4461 042	8			DISC, Direct Clutch
19	4461 054	7			PLATE, Direct Clutch
20	4461 031	1			PLATE, Direct Clutch Reaction
21	4461 032	1			SPRING, Direct Clutch Wave
22	4461 064	1			SNAP RING, Direct Clutch Spring Sliding Hub, Round 1-7/8" O.D.
23	4412 583	1			FILTER, Piston Retainer
24	4471 502	1			RETAINER, O/Drive Clutch Piston
25	4431 695	1			PISTON, O/Drive Clutch
26	6033 479	6			SCREW, Retainer to Case, 1/4-28 x 1-5/8"
27	4431 697	1			SEAL, O/Drive Clutch Piston, Inner
28	4431 696	1			SEAL, O/Drive Clutch Piston, Outer
29					PLATE, O/Drive Clutch Piston, Selective Thrust, 3.10" Dia. I.D.
	4431 730	AR			.108 - .110" Thk.
	4431 585	AR			.123 - .125" Thk.
	4431 731	AR			.138 - .140" Thk.
	4431 586	AR			.153 - .155" Thk.
	4431 732	AR			.168 - .170" Thk.
	4431 587	AR			.183 - .185" Thk.
	4431 733	AR			.198 - .200" Thk.
	4431 588	AR			.213 - .215" Thk.
	4431 734	AR			.228 - .230" Thk.
	4431 590	AR			.243 - .245" Thk.
30					SPACER, Intermediate Shaft, 1.15" I.D., Selective

MODEL CODES:

61=Pickup-6 Ft Box 74=4 Door Wagon T=2WD
 62=Pickup-7 Ft Box 77=Open Body 93" Wheelbase J,N,U=4WD
 72=2 Door Wagon 78=Open Body 103" Wheelbase

BODY STYLES:

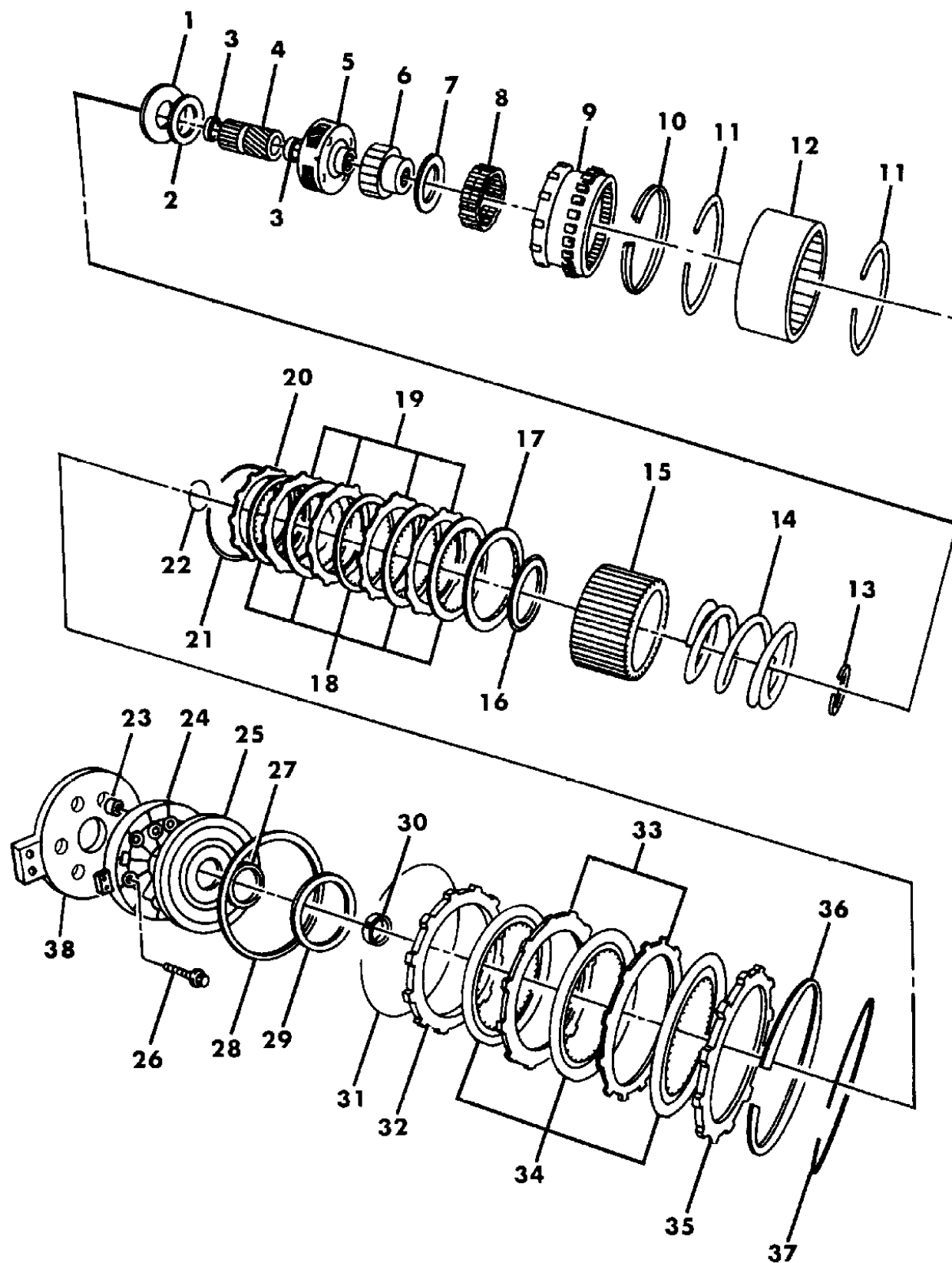
MJ=Comanche Pickup ZJ=Grand Cherokee/Grand Wagoneer KDX VEHICLES
 SJ=Grand Wagoneer M1=Comanche
 XJ=Cherokee, Briarwood X1=Cherokee, Briarwood
 YJ=Wrangler Y1=Wrangler

AR = Use as Required - = Non Illustrated Part P.A.R. = Paint as Required

CLUTCH, OVERDRIVE WITH GEAR TRAIN AUTOMATIC TRANSMISSION, 4 SPEED - 46RH GRAND CHEROKEE ZJ

Figure 21A-4200

91J51 4200



ITEM	PART NUMBER	QTY	BODY	MODEL	DESCRIPTION
	4431 916	AR			.158" Thk.
	4431 917	AR			.175" Thk.
	4431 918	AR			.193" Thk.
	4431 919	AR			.211" Thk.
31	4461 082	1			SNAP RING, O/Drive Clutch Pressure Plate, Round
32	4461 033	1			PLATE, O/Drive Clutch Pressure
33	4461 047	3			PLATE, O/Drive Clutch Separator
34	4461 181	4			DISC, O/Drive Clutch
35	4461 033	1			PLATE, O/Drive Clutch Reaction
36	4461 066	1			SPRING, O/Drive Clutch Wave
37	4461 065	1			SNAP RING, O/Drive Clutch Reaction Plate, 6-1/2" O.D.
38	4471 565	1			GASKET, O/Drive Cl. Piston Retainer & Ext. Adapter to Case

MODEL CODES:

61=Pickup-6 Ft Box 74=4 Door Wagon T=2WD
 62=Pickup-7 Ft Box 77=Open Body 93" Wheelbase J,N,U=4WD
 72=2 Door Wagon 78=Open Body 103" Wheelbase

BODY STYLES:

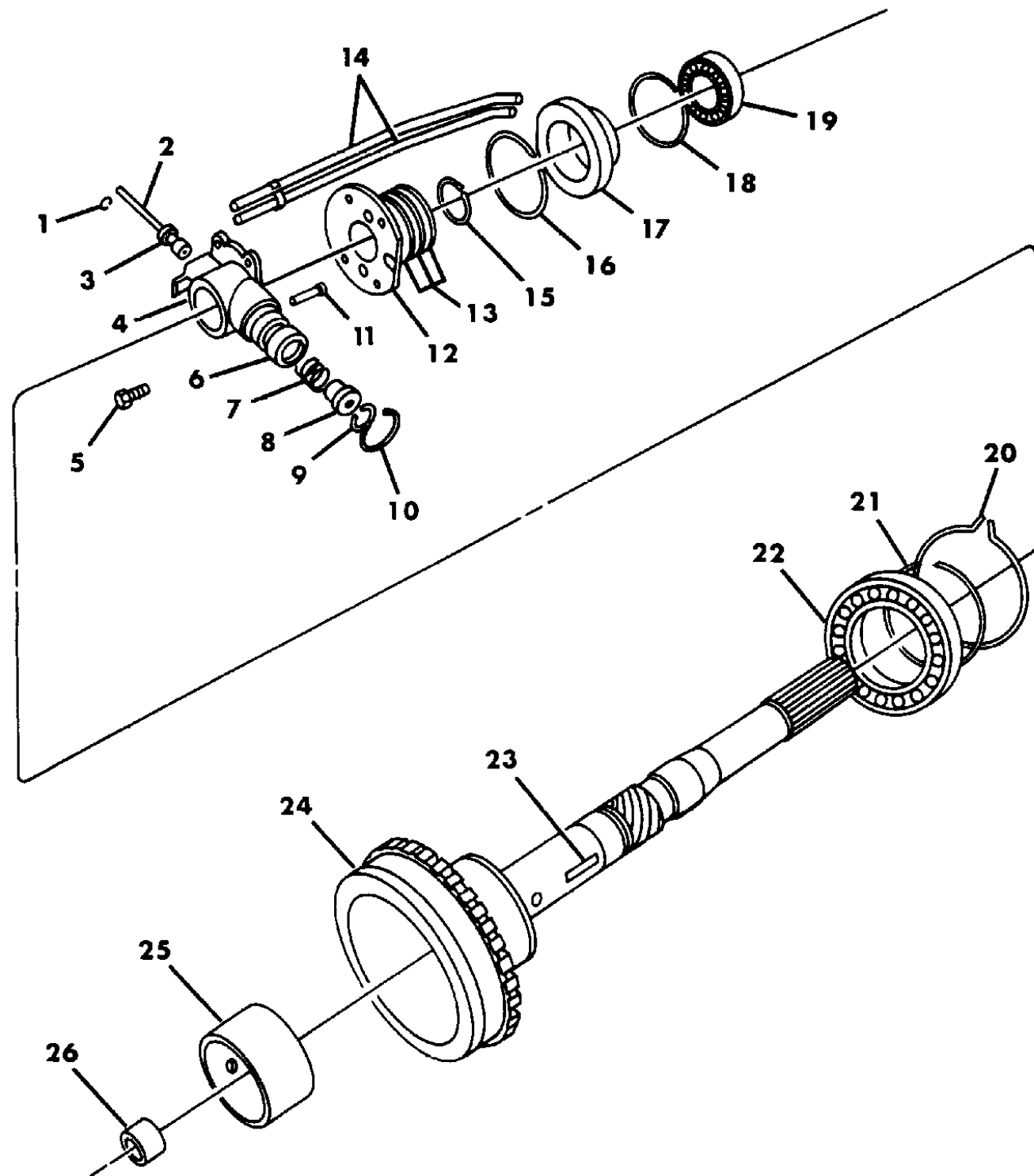
MJ=Comanche Pickup ZJ=Grand Cherokee/Grand Wagoneer KDX VEHICLES
 SJ=Grand Wagoneer M1=Comanche
 XJ=Cherokee, Briarwood X1=Cherokee, Briarwood
 YJ=Wrangler Y1=Wrangler

AR = Use as Required - = Non Illustrated Part P.A.R. = Paint as Required

GOVERNOR AND OUTPUT SHAFT AUTOMATIC TRANSMISSION, 4 SPEED - 46RH GRAND CHEROKEE ZJ

Figure 21A-4300

91J51 4300



ITEM	PART NUMBER	QTY	BODY	MODEL	DESCRIPTION
	4728 459	1			BODY PACKAGE, Governor Repair
					Consists Of:
					1 - 4617812 BODY, Governor
					1 - 3743519 Filter, Governor
					3 - 4461143 SEAL RING, Gov. Drive
					4 - 6031613 BOLT, Gov. Body
					1 - 6022817 SNAP RING, Gov. Body
					1 - 6031392 SNAP RING, Gov. Outer Weight
					1 - 4617064 VALVE, Governor
					1 - 1556082 SHAFT, Gov. Valve
					2 - 1638461 SNAP RING, Valve Outer
					1 - 2801398 GASKET, Brg. Cover
					1 - 4531192 GASKET, Ext. and Piston Ret.
					1 - 4461056 RING, Gov. Drive
					1 - 6034765 SNAP RING, Gov. Outer Wt.
					1 - 4617597 RETAINER, Gov. Weight
	4617 806	1			WEIGHT PACKAGE, Governor (4800RPM)
					Consists Of:
					1 - 4617588 WEIGHT, Inner
					1 - 4617801 WEIGHT, Intermediate
					1 - 4617590 WEIGHT, Outer
					1 - 4617803 SPRING, Gov. Wt.
					1 - 6034723 SNAP RING, Wt. Inner
1	1638 461	2			SNAP RING, Governor Valve Shaft
2	1556 082	1			SHAFT, Governor Valve
3	4617 064	1			VALVE, Governor
4		1			BODY, Governor (Serv. in Pkg.)
5	6031 613	2			SCREW, Gov. Body Mtg., 1/4-20 x 3/4"
	6034 788	2			1/4-20 x 1.33"
6		1			WEIGHT, Gov., Outer (Serv. in Pkg.)
7		1			SPRING, Gov. Weight (Serv. in Pkg.)
8		1			WEIGHT, Gov., Inner (Serv. in Pkg.)
9	6034 723	1			SNAP RING, Governor Weight, Inner
10	6031 392	1			SNAP RING, Governor Weight, Outer
11	3743 519	1			FILTER, Governor
12	4461 150	1			DRIVE, Governor ***
13	4461 143	3			SEAL RING, Governor Drive
14	4461 001	1			TUBE ASSEMBLY, w/Clip, Gov. Support
15	6022 817	1			SNAP RING, Governor Body
16	4461 056	1			SNAP RING, Governor Drive Support, 3-3/4" O.D.
17	4461 002	1			SUPPORT, Governor Drive

MODEL CODES:

61=Pickup-6 Ft Box 74=4 Door Wagon T=2WD
 62=Pickup-7 Ft Box 77=Open Body 93" Wheelbase J,N,U=4WD
 72=2 Door Wagon 78=Open Body 103" Wheelbase

BODY STYLES:

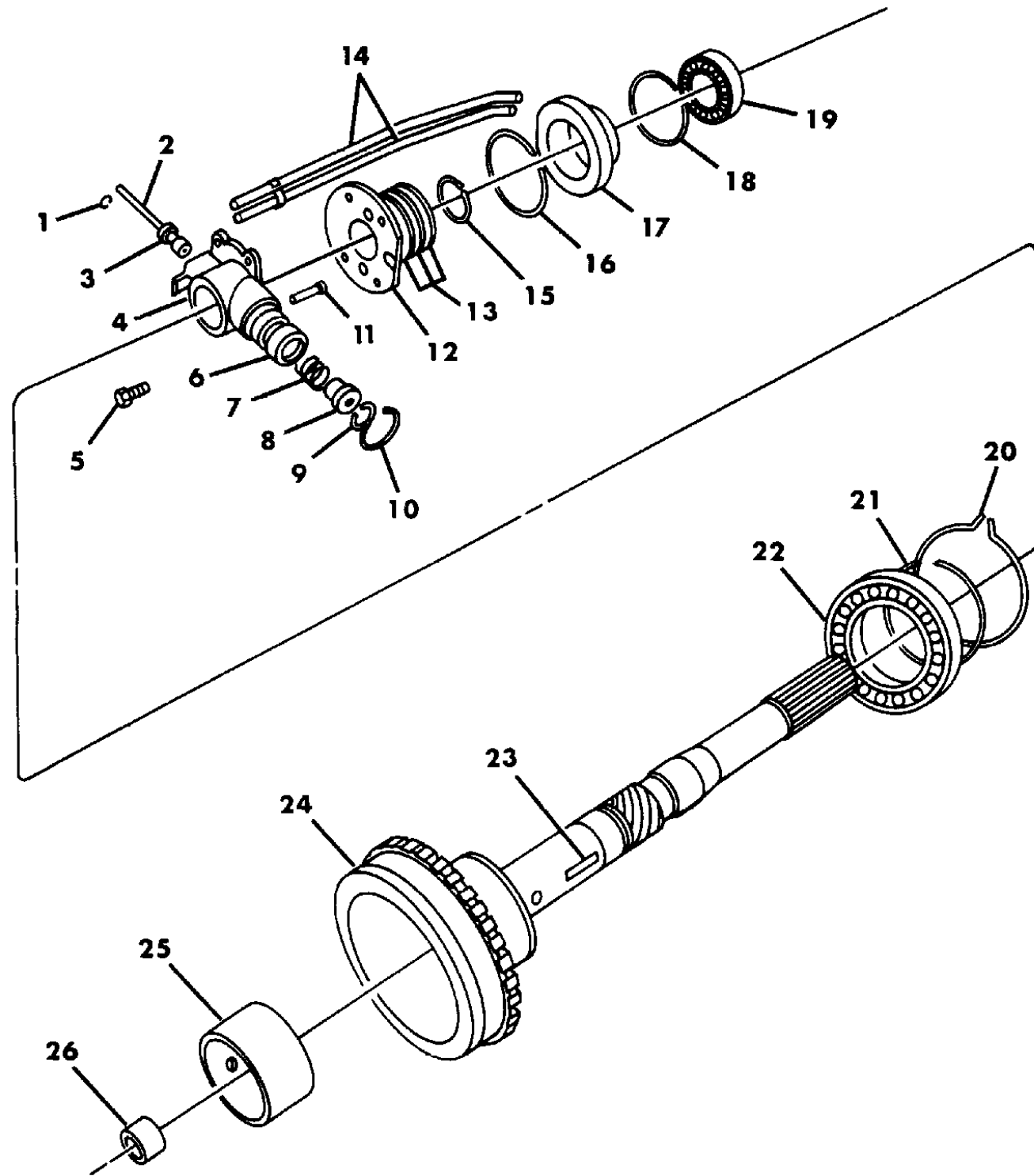
MJ=Comanche Pickup ZJ=Grand Cherokee/Grand Wagoneer KDX VEHICLES
 SJ=Grand Wagoneer M1=Comanche
 XJ=Cherokee, Briarwood Y1=Cherokee, Briarwood
 YJ=Wrangler Y1=Wrangler

AR = Use as Required - = Non Illustrated Part P.A.R. = Paint as Required

GOVERNOR AND OUTPUT SHAFT AUTOMATIC TRANSMISSION, 4 SPEED - 46RH GRAND CHEROKEE ZJ

Figure 21A-4300

91J51 4300



ITEM	PART NUMBER	QTY	BODY	MODEL	DESCRIPTION
18	4461 069	1			SNAP RING, O/P Shaft Rear Brg.
19	2466 224	1			BEARING, O/P Shaft, Rear, 2.8344 O.D.
20	4461 057	1			SNAP RING, O/P Shaft Brg. to Case
21	4461 068	1			SNAP RING, O/P Shaft Front Brg.
22	4461 008	1			BEARING, O/P Shaft Front
23		1			KEY, O/P Shaft Gov. Drive (Not Serviced)
24	4461 160	1			SHAFT ASSEMBLY, w/Bushings, Output
25	4461 006	1			BUSHING, O/P Shaft Inner
26		1			BUSHING, O/P Shaft Pilot (Serviced in O/P Shaft)

MODEL CODES:

61=Pickup-6 Ft Box 74=4 Door Wagon T=2WD
 62=Pickup-7 Ft Box 77=Open Body 93" Wheelbase J,N,U=4WD
 72=2 Door Wagon 78=Open Body 103" Wheelbase

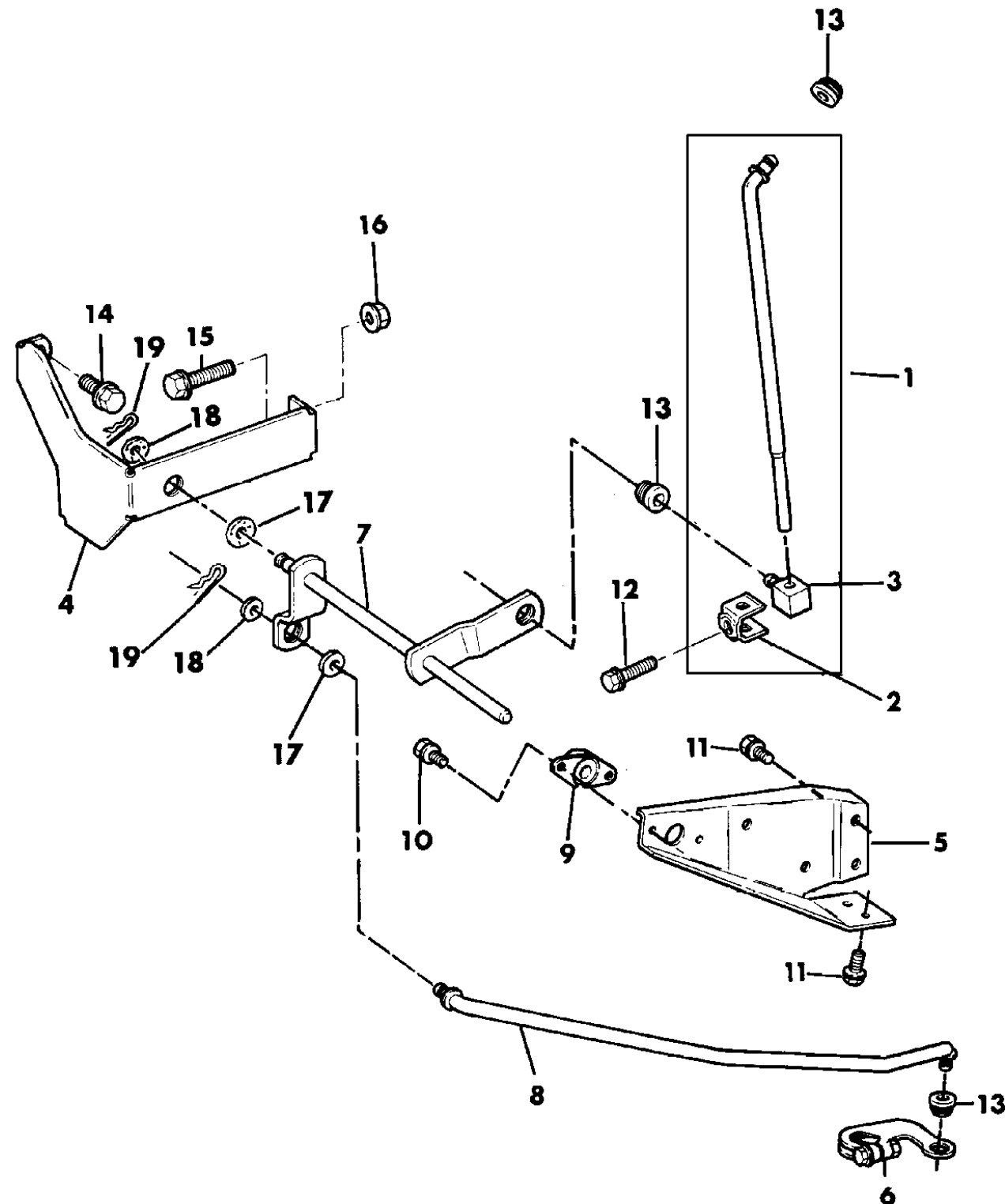
BODY STYLES:

MJ=Comanche Pickup ZJ=Grand Cherokee/Grand Wagoneer KDX VEHICLES
 SJ=Grand Wagoneer M1=Comanche
 XJ=Cherokee, Briarwood X1=Cherokee, Briarwood
 YJ=Wrangler Y1=Wrangler

AR = Use as Required - = Non Illustrated Part P.A.R. = Paint as Required

CONTROLS, SHIFT, LOWER, COLUMN AUTOMATIC TRANSMISSION WRANGLER, YJ
Figure 21A-4400

91J51 4400



ITEM	PART NUMBER	QTY	BODY	MODEL	DESCRIPTION
1	5204 0190	1			ROD, Shift
2	J323 4757	1			CLAMP
3	J323 8417	1			TRUNNION
4	5300 8528	1			BRACKET, Torque Shaft, Inner
5	5300 2020	1			BRACKET, Torque Shaft, Outer
6	5300 2026	1			LEVER, G/Shift Control
7	5300 8529	1			SHAFT, Torque Column Shift
8	5300 8530	1			ROD, Selector Lever
9	5300 3355	1			BEARING
10	J942 6241	2			SCREW, 1/4-14 x 1/2"
11	6032 953	4			SCREW, 5/16-18
12	J400 6036	1			BOLT, 5/16-18 x 1/2"
13	3575 333	3			BUSHING, Rod End
14	J400 7155	2			BOLT
15	J941 9076	1			BOLT, 7/16-14 x 1-3/8"
16	J400 4005	1			NUT, 7/16-14
17		2			WASHER, Spring (Not Serviced)
18	J012 0393	2			WASHER, Flat
19		2			PIN, Hair (Not Serviced)

MODEL CODES:

61=Pickup-6 Ft Box 74=4 Door Wagon T=2WD
 62=Pickup-7 Ft Box 77=Open Body 93" Wheelbase J,N,U=4WD
 72=2 Door Wagon 78=Open Body 103" Wheelbase

BODY STYLES:

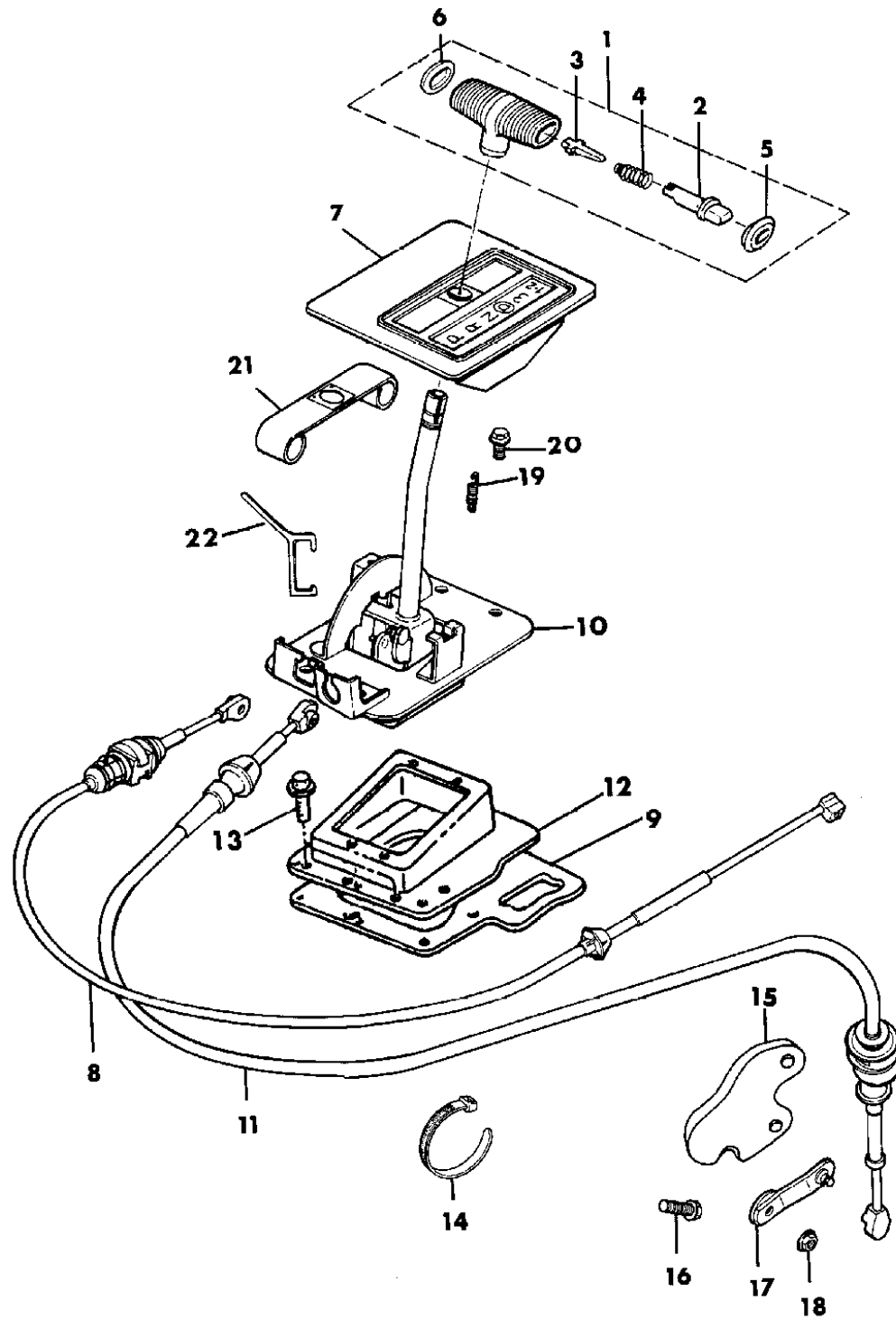
MJ=Comanche Pickup ZJ=Grand Cherokee/Grand Wagoneer KDX VEHICLES
 SJ=Grand Wagoneer M1=Comanche
 XJ=Cherokee, Briarwood X1=Cherokee, Briarwood
 YJ=Wrangler Y1=Wrangler

AR = Use as Required - = Non Illustrated Part P.A.R. = Paint as Required

CONTROLS, GEARSHIFT, FLOOR MOUNTED AUTOMATIC TRANSMISSION - AW4 CHEROKEE, BRIARWOOD, COMANCHE

Figure 21A-4500

91J51 4500B



ITEM	PART NUMBER	QTY	BODY	MODEL	DESCRIPTION
1	5207 7560	1			HANDLE, Lever
2	5300 0211	1			BUTTON
3	5300 0865	1			LEVER
4	5300 0866	1			SPRING
5	5207 7561	1			CAP, 1991
6	5207 7562	1			CAP, 1991
	4638 099	1			CAP PACKAGE, (Consists of 2- 52077562 Cap), 1992 ***
7	5511 4502	1			BEZEL, Shift, Up To 8-7-90
	5511 4582	1			After 8-7-90
	5511 4582	1			1992-93
	5511 5022	1		RHD	1993
8	5300 4560	1			CABLE, Gearshift Park Lock
9	5300 0659	1			SEAL, Shift Housing
10	5300 9223	1			HOUSING AND LEVER, Assy., Gearshift, 1991 ***
	5207 8080	1			1992
	5207 8382	1			1993
11	5207 7532	1			CABLE, Gearshift Lever
12	5300 0704	1			COVER, Shift Housing
13	J400 1701	9			SCREW, 10-16 x 1/2"
	1150 2843	2			SCREW, Use w/CHINA, VENEZEULA
14	3420 1788	1			STRAP
15	5300 7746	1			BRACKET, Shift Cable Mtg.
16	3420 1871	2			BOLT, M8x1.25x18
17	5300 7747	1			LEVER, Manual Valve Shaft Shift
18	J420 0046	1			NUT, M8x1.25
19	5300 3350	1			SPRING
20	1150 4284	4			BOLT, M8x1.25x18
21	5502 2192	1			SHIELD, Hsg. & Lever Assy., Up To 8-7-90
		1			After 8-7-90 (Not Required)
22	5300 8625	1			GAGE, Auto Floor Shift Gear Selector ***

MODEL CODES:

61=Pickup-6 Ft Box 74=4 Door Wagon T=2WD
 62=Pickup-7 Ft Box 77=Open Body 93" Wheelbase J,N,U=4WD
 72=2 Door Wagon 78=Open Body 103" Wheelbase

BODY STYLES:

MJ=Comanche Pickup ZJ=Grand Cherokee/Grand Wagoneer KDX VEHICLES
 SJ=Grand Wagoneer M1=Comanche
 XJ=Cherokee, Briarwood X1=Cherokee, Briarwood
 YJ=Wrangler Y1=Wrangler

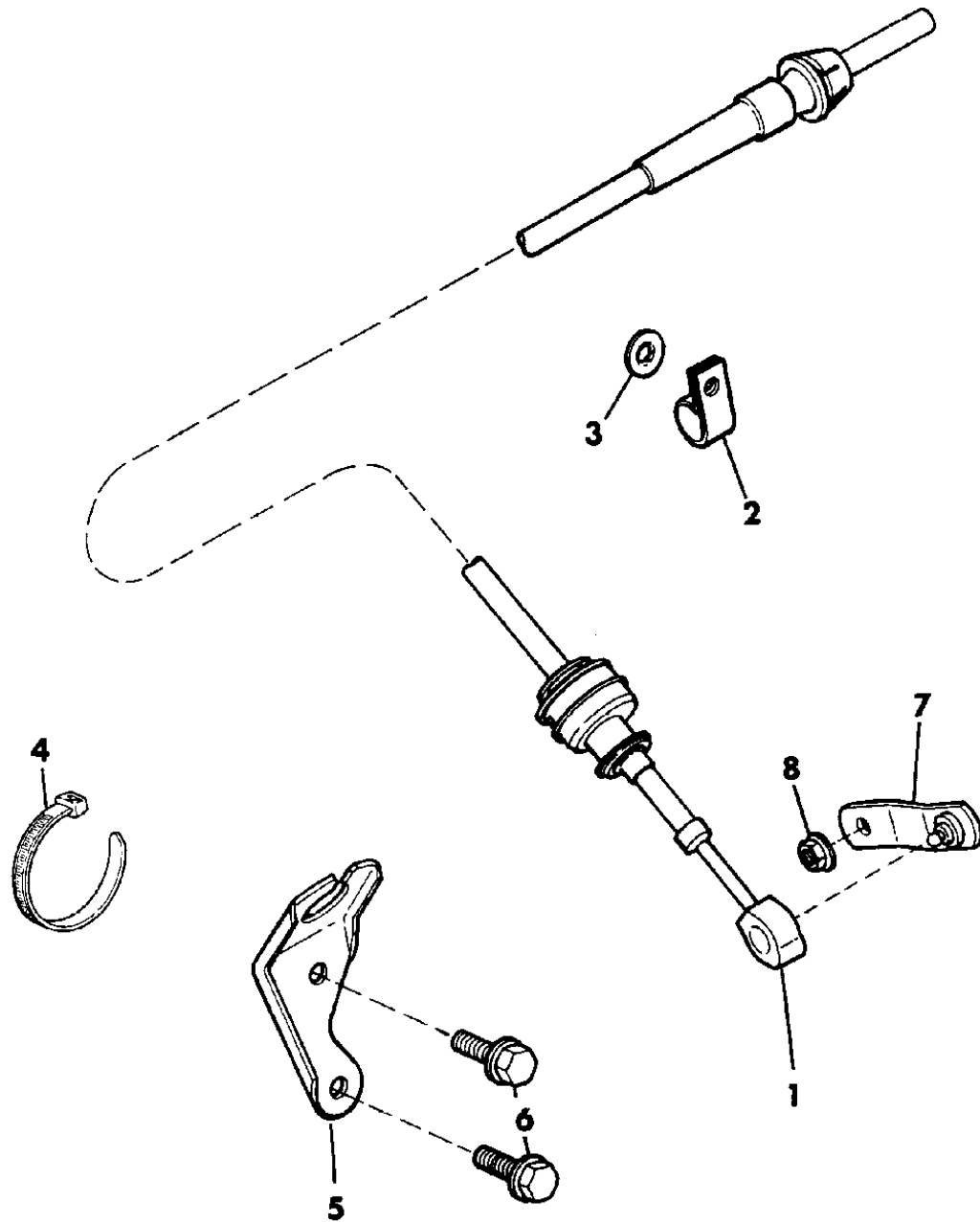
AR = Use as Required - = Non Illustrated Part P.A.R. = Paint as Required

CONTROLS, GEARSHIFT, COLUMN MOUNTED AUTOMATIC TRANSMISSION CHEROKEE, COMANCHE

Figure 21A-4600

91J51 4600

ITEM	PART NUMBER	QTY	BODY	MODEL	DESCRIPTION
1	5300 4562	1			CABLE, Gearshift
2	J012 5924	1			CLIP
3	J400 3084	1			NUT, Push 3/8 Dia.
4	3420 1788	1			STRAP
5	5300 7746	1			BRACKET
6	3420 1871	2			BOLT, M8x1.25x25
7	5300 7747	1			LEVER, Manual Valve Shaft Shift (Shaft Seals See Illus. No. 850)
8	J420 0046	1			NUT, M8x1.25



MODEL CODES:

61=Pickup-6 Ft Box 74=4 Door Wagon T=2WD
 62=Pickup-7 Ft Box 77=Open Body 93" Wheelbase J,N,U=4WD
 72=2 Door Wagon 78=Open Body 103" Wheelbase

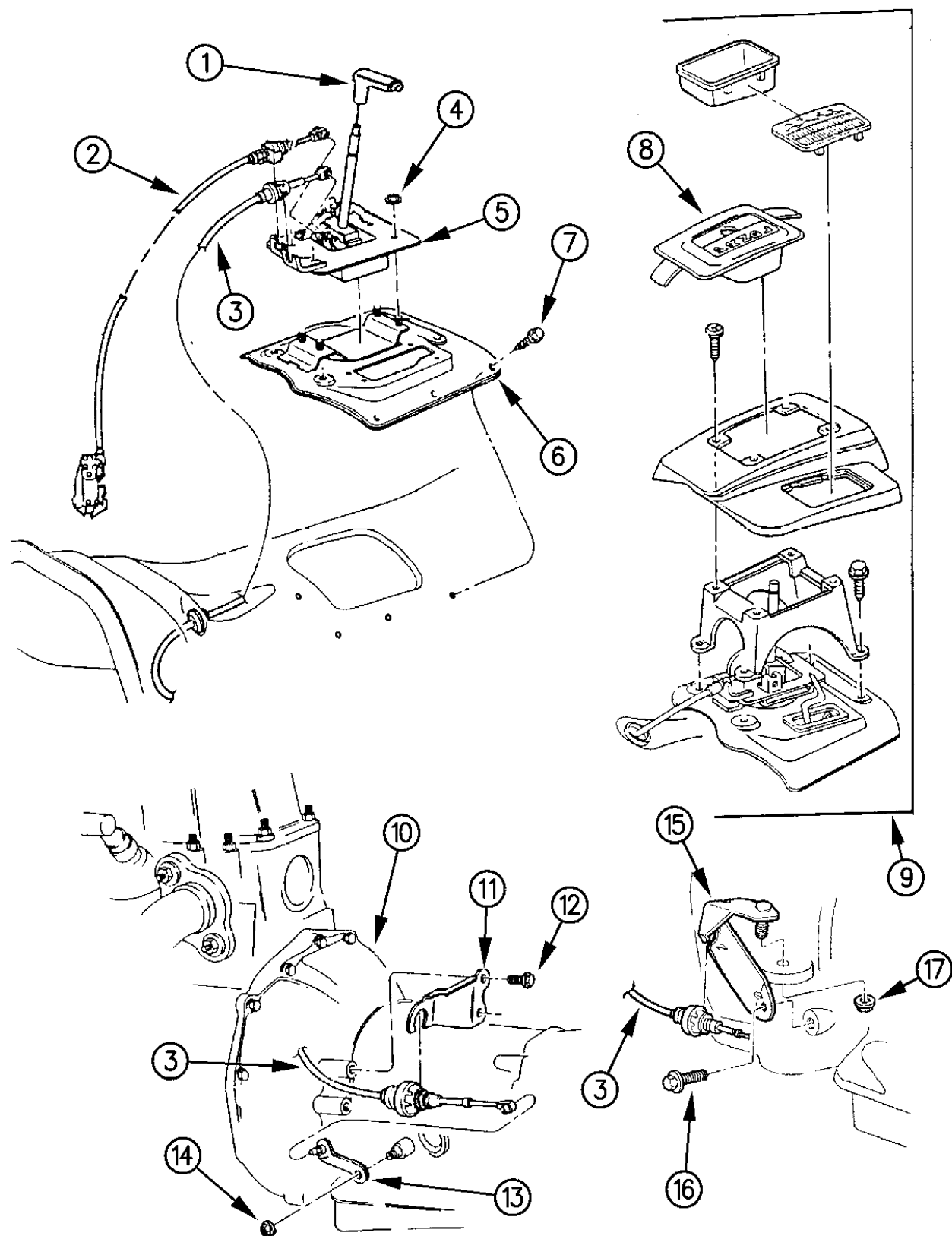
BODY STYLES:

MJ=Comanche Pickup ZJ=Grand Cherokee/Grand Wagoneer KDX VEHICLES
 SJ=Grand Wagoneer M1=Comanche
 XJ=Cherokee, Briarwood X1=Cherokee, Briarwood
 YJ=Wrangler Y1=Wrangler

AR = Use as Required - = Non Illustrated Part P.A.R. = Paint as Required

CONTROLS, GEARSHIFT, FLOOR MOUNTED AUTOMATIC TRANSMISSION GRAND CHEROKEE, ZJ
Figure 21A-4700

91J51 4700



ITEM	PART NUMBER	QTY	BODY	MODEL	DESCRIPTION
1	5300 7750	1			HANDLE, Trans. Gearshift
2	5207 7992	1			CABLE ASSEMBLY, Park Interlock
3	5207 8452	1			CABLE ASSEMBLY, Trans. Gearshift
	5300 8656	1			GROMMET, Gearshift Cable
4	6101 695	4			NUT, Shifter Hsg. Mounting
5	5300 7749	1			HOUSING and LEVER, Assy., Gearshift, Up To 7-16-92 ***
	5207 8384	1			After 7-16-92
	5300 3350	1			SPRING, Pawl Return (Not Shown)
6					COVER, Floor Shift Mtg.
	5300 7541	1			4x4
	5300 7349	1			4x2
7		10			SCREW, w/Washer (Not Serviced)
8	5503 3646	1			BEZEL, Floor Console, w/AW4 Trans.
	5502 9266	1			w/42RE,46RH Trans.
9					CONSOLE, Mini (Reference See Group 23A)
10					TRANSMISSION, (Reference)
11	5300 7746	1			BRACKET, Shift Cable Mounting, w/AW4 Trans.
12	6500 517	2			SCREW, w/Washer M8x1.25x27
13	5300 7747	1			LEVER, Manual Valve Shaft Shift, w/AW4 Trans.
	5207 8251	1			w/42RE Trans.
	5207 8253	1			w/46RH Trans.
14	J420 0046	1			NUT, Lever M8x1.25
15	5207 8255	1			BRACKET, Shift Cable Mounting, w/42RE Trans.
	5207 8256	1			w/46RH Trans.
16		1			SCREW, Shift Cable Mtg. Brkt., 5/16-18 x 3/4" (Not Serviced)
17	0152 476	1			NUT, Cable Brkt. Mtg., 7/16-14

MODEL CODES:
 61=Pickup-6 Ft Box 74=4 Door Wagon T=2WD
 62=Pickup-7 Ft Box 77=Open Body 93" Wheelbase J,N,U=4WD
 72=2 Door Wagon 78=Open Body 103" Wheelbase

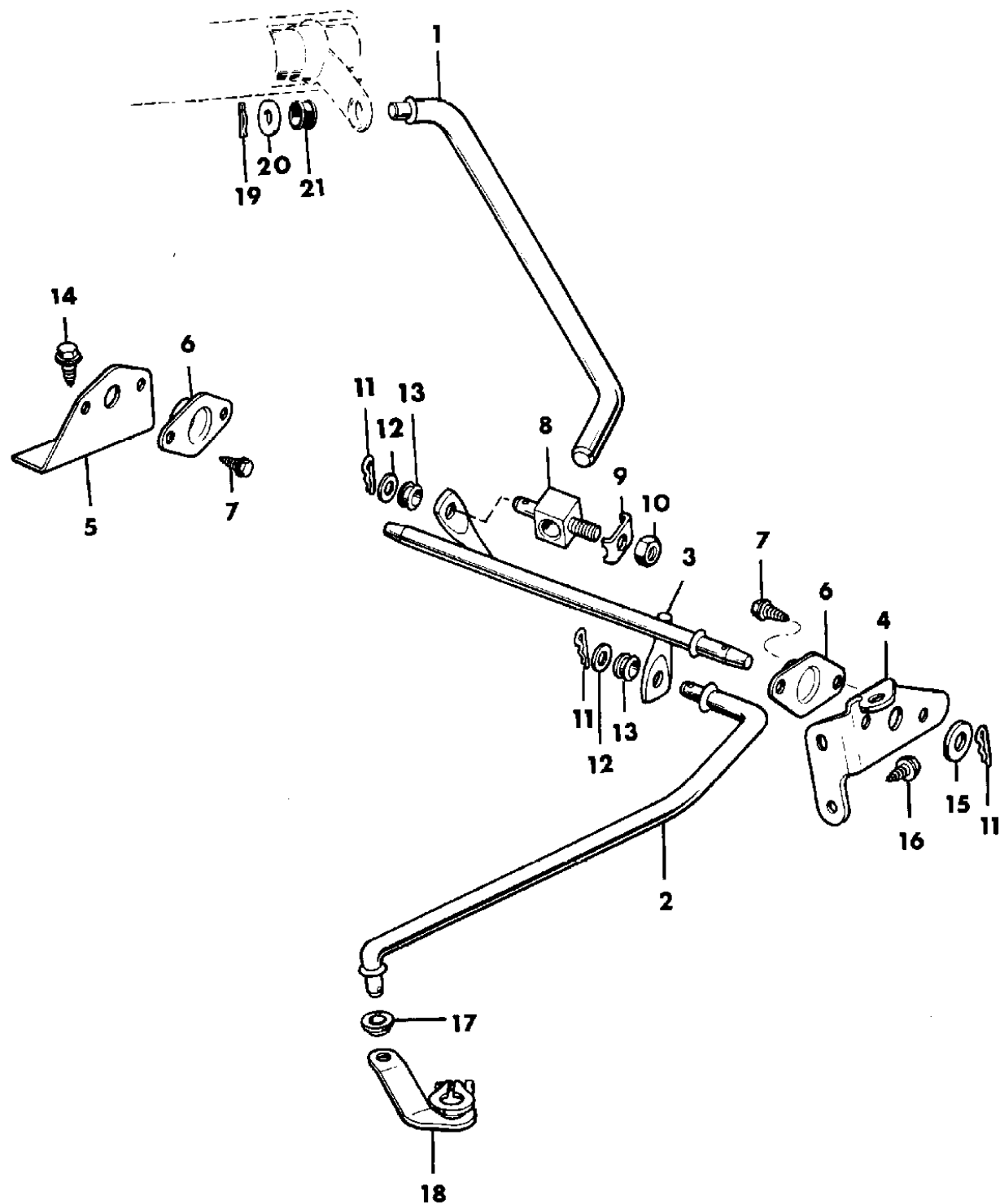
BODY STYLES:
 MJ=Comanche Pickup ZJ=Grand Cherokee/Grand Wagoneer KDX VEHICLES
 SJ=Grand Wagoneer M1=Comanche
 XJ=Cherokee, Briarwood Y1=Cherokee, Briarwood
 YJ=Wrangler Y1=Wrangler

AR = Use as Required - = Non Illustrated Part P.A.R. = Paint as Required

CONTROLS, SHIFT, LOWER, COLUMN AUTOMATIC TRANSMISSION GRAND WAGONEER
Figure 21A-4800

91J51 4800

ITEM	PART NUMBER	QTY	BODY	MODEL	DESCRIPTION
1	J536 0067	1			ROD, Shift
2	J536 3103	1			ROD, Shift, Lower
3	J536 0071	1			BELLCRANK
4	J536 0066	1			BRACKET, Control Rod Pivot, Lower
5	J536 0117	1			BRACKET
6	J535 2589	2			BEARING
7	J942 6241	4			SCREW, 1/4-14 x 1/2"
8	J536 0178	1			TRUNNION
9	J094 8180	1			CLIP
10	J941 6531	1			NUT, 5/16-24
11	J400 4295	3			COTTER PIN
12	J400 1091	2			WASHER, Flat
13	J321 2549	2			BUSHING
14	J400 1933	2			SCREW, 5/16-18 x 7/8"
15	J012 0388	1			WASHER, Flat
16	J400 6297	2			SCREW, 5/16-18 x 3/4"
17	3575 333	1			BUSHING
18	J536 3106	1			LEVER
19	J400 6486	1			COTTER PIN
20	J400 1102	1			WASHER, Flat
21	J319 4672	1			BUSHING



MODEL CODES:

61=Pickup-6 Ft Box 74=4 Door Wagon T=2WD
 62=Pickup-7 Ft Box 77=Open Body 93" Wheelbase J,N,U=4WD
 72=2 Door Wagon 78=Open Body 103" Wheelbase

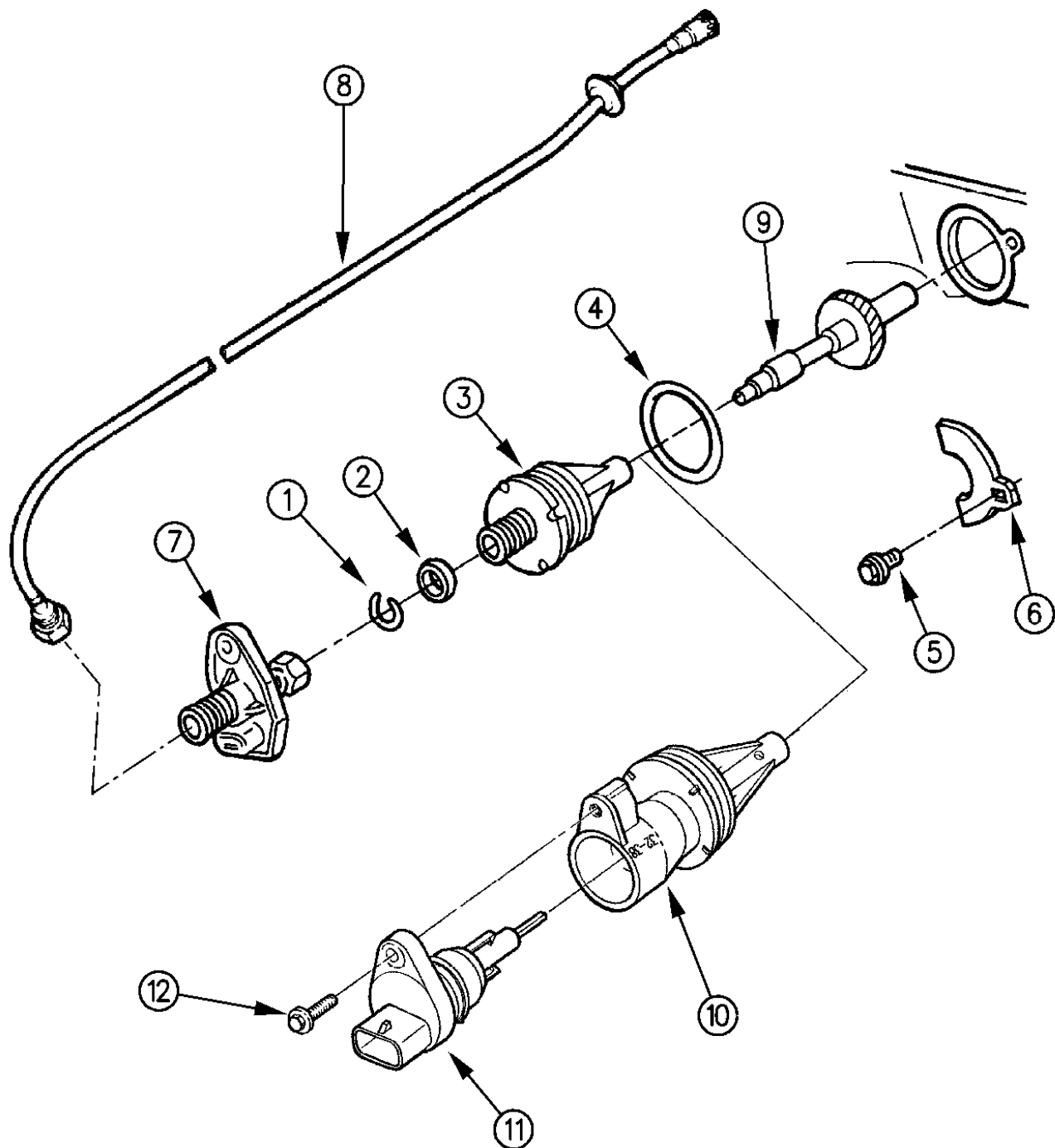
BODY STYLES:

MJ=Comanche Pickup ZJ=Grand Cherokee/Grand Wagoneer KDX VEHICLES
 SJ=Grand Wagoneer M1=Comanche
 XJ=Cherokee, Briarwood X1=Cherokee, Briarwood
 YJ=Wrangler Y1=Wrangler

AR = Use as Required - = Non Illustrated Part P.A.R. = Paint as Required

CABLE, SPEEDOMETER WITH PINION AND ADAPTER AUTOMATIC TRANSMISSION WRANGLER, YJ
Figure 21A-4900

91J51 4900A



ITEM	PART NUMBER	QTY	BODY	MODEL	DESCRIPTION
	4057 046	1			PINION PACKAGE, Speedometer, Small Parts Repair, 1991-92 Consists Of: 1 - 4058156 RETAINER, Speedo. Cable 1 - 6025752 O-RING, Retainer Outer 1 - 2538571 RING, Seal Retainer Inner 1 - 2538588 SEAL, Retainer Inner 1 - 4057047 SEAL, Pinion
1	2538 571	1			RING, Seal, Retainer, Inner (Serv. in 4057046 Pkg.)
2	2538 588	1			SEAL, Retainer, Inner (Serv. in 4057046 Pkg.)
3	2538 608	1			ADAPTER, Speedometer, 1991-92
	5600 6550	1			ADAPTER, Speedometer Sensor (Not Shown), 1992
4	6025 752	1			O-RING, Retainer, Outer
5	0181 086	1			SCREW, 5/16-18 x 3/4"
6	2892 399	1			CLAMP
7	5233 152	1			SENSOR, Distance, on Trans., w/2 Male Terminal Connectors, 1991
8	5300 8108	1			CABLE, Speedometer, 78" Long
9					GEAR, Speedometer Driven
	2538 929	AR			29 Teeth - Black, 1991-92
	5206 7629	AR			29 Teeth - Black, 1993
	2538 930	AR			30 Teeth - Yellow, 1991-92
	5206 7630	AR			30 Teeth - Yellow, 1993
	2538 931	AR			31 Teeth - Green, 1991-92
	5206 7631	AR			31 Teeth - Green, 1993
	2538 933	AR			33 Teeth - Yellow, 1991-92
	5206 7633	AR			33 Teeth - Yellow, 1993
	2538 934	AR			34 Teeth - Green, 1991-92
	5206 7634	AR			34 Teeth - Green, 1993
	2538 935	AR			35 Teeth - Orange, 1991-92
	5206 7635	AR			35 Teeth - Orange, 1993
	2538 939	AR			39 Teeth - Green, 1991-92
	5206 7639	AR			39 Teeth - Green, 1993
	2538 940	AR			40 Teeth - Orange, 1991-92
	5206 7640	AR			40 Teeth - Orange, 1993
	2538 941	AR			41 Teeth - Red, 1991-92
	5206 7641	AR			41 Teeth - Red, 1993
10	5206 7996	1			ADAPTER, or Retainer, Speedometer Pinion, 1993
11	5234 422	1			SENSOR, Distance, on Trans., w/3 Male Terminal Connectors, 1992,93
12	0153 339	1			SCREW, Sensor to Adapter, 1/4-20 x 7/8"

MODEL CODES:

61=Pickup-6 Ft Box 74=4 Door Wagon T=2WD
 62=Pickup-7 Ft Box 77=Open Body 93" Wheelbase J,N,U=4WD
 72=2 Door Wagon 78=Open Body 103" Wheelbase

BODY STYLES:

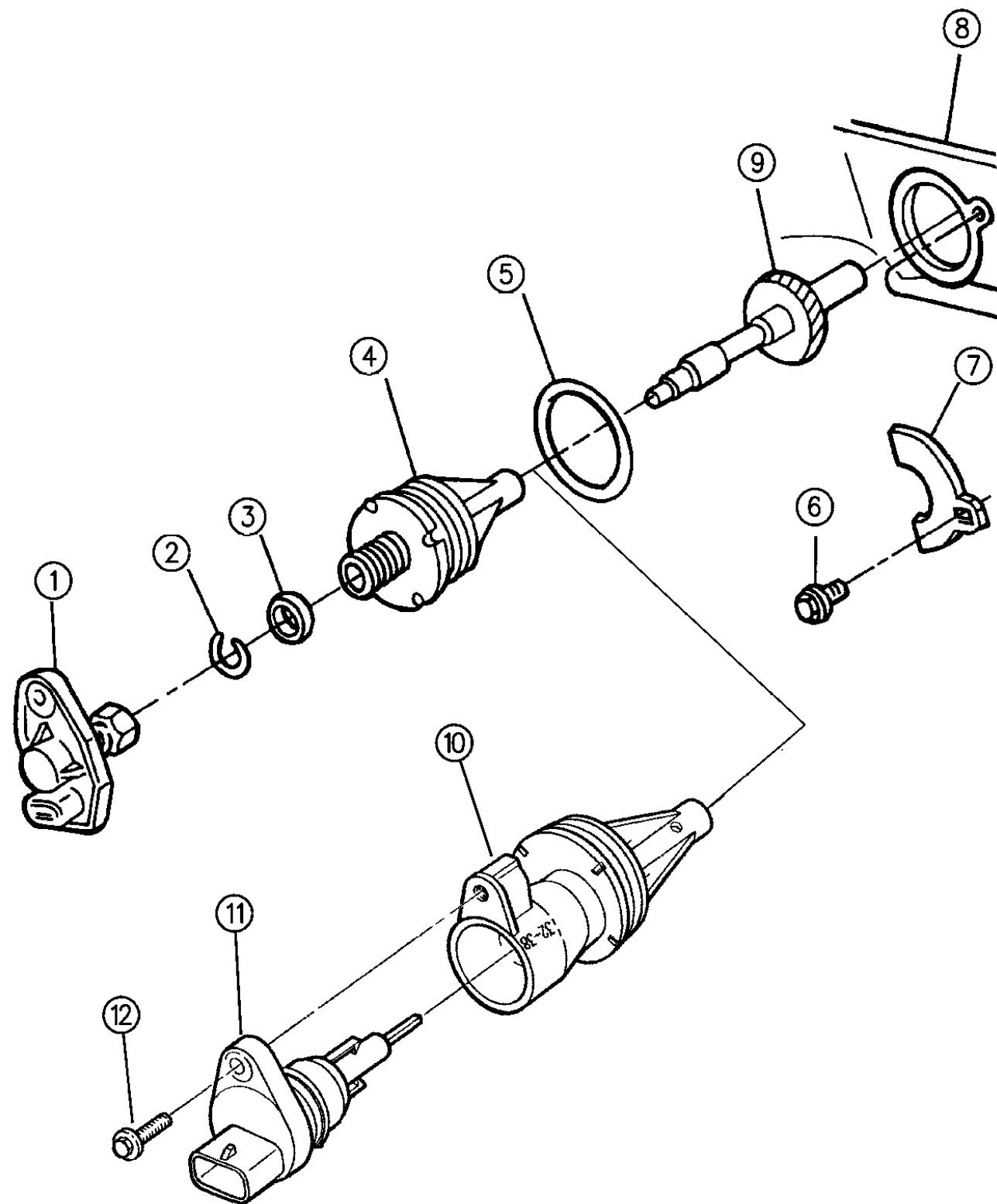
MJ=Comanche Pickup ZJ=Grand Cherokee/Grand Wagoneer KDX VEHICLES
 SJ=Grand Wagoneer M1=Comanche
 XJ=Cherokee, Briarwood X1=Cherokee, Briarwood
 YJ=Wrangler Y1=Wrangler

AR = Use as Required - = Non Illustrated Part P.A.R. = Paint as Required

CABLE, SPEEDOMETER AND PINION AUTOMATIC TRANSMISSION CHEROKEE, BRAIRWOOD, COMANCHE, GRAND CHEROKEE

Figure 21A-5000

91J51 5000B



ITEM	PART NUMBER	QTY	BODY	MODEL	DESCRIPTION
	4057 046	1			PINION PACKAGE, Speedometer, Small Parts Repair, 1991-92 Consists Of: 1 - 4058156 RETAINER, Speedo. Cable 1 - 6025752 O-RING, Retainer Outer 1 - 2538571 RING, Retainer Inner 1 - 2538588 SEAL, Retainer Inner 1 - 4057047 SEAL, Pinion
1	5252 438	1	XJ,MJ		SENSOR, Distance, on Trans. (Use Insul. Pkg. 4439081 For Connector Repair), 1991-92
2	2538 571	1			RING, Seal, Retainer, Inner (Serv. in 4057046 Pkg.), 1991-92
3	2538 588	1			SEAL, Retainer, Inner (Serv. in 4057046 Pkg.), 1991-92
4	2538 608	1	XJ,MJ		ADAPTER, Speedometer, 1991-92
5	6025 752	1			O-RING, Retainer, Outer
6	0181 086	1			SCREW, 5/16-18 x 3/4"
7	2892 399	1			CLAMP
8				2WD	TRANSMISSION, Pinion in Trans.
				4WD	TRANSFER CASE, Pinion in Transfer Case ***
9					PINION, Speedometer Drive
	2538 929	AR	XJ,MJ		29 Teeth - Black, 1991-92
	5206 7629	AR	XJ		29 Teeth - Black, 1993
	2538 930	AR	XJ,MJ		30 Teeth - Yellow, 1991-92
	5206 7630	AR	XJ		30 Teeth - Yellow, 1993
	2538 931	AR	XJ,MJ		31 Teeth - Green, 1991-92
	2538 933	AR	XJ,MJ		33 Teeth - Yellow, 1991-92
	5206 7633	AR	XJ		33 Teeth - Yellow, 1993
	2538 933	AR	ZJ		33 Teeth - Yellow, Up To 7-16-92
	5206 7633	AR	ZJ		33 Teeth - Yellow, After 7-16-92
	2538 934	AR	XJ,MJ		34 Teeth - Green, 1991-92
	5206 7634	AR	XJ		34 Teeth - Green, 1993
	2538 934	AR	ZJ		34 Teeth - Green, Up To 7-16-92
	5206 7634	AR	ZJ		34 Teeth - Green, After 7-16-92
	2538 935	AR	XJ,MJ		35 Teeth - Orange, 1991-92
	5206 7635	AR	XJ		35 Teeth - Orange, 1993
	2538 935	AR	ZJ		35 Teeth - Orange, Up To 7-16-92
	5206 7635	AR	ZJ		35 Teeth - Orange, After 7-16-92
	2538 936	AR	XJ,MJ		36 Teeth - Red, 1991-92
	5206 7636	AR	XJ		36 Teeth - Red, 1993
	5206 7636	AR	ZJ		36 Teeth - Red, After 7-16-92
	5206 7637	AR	ZJ		37 Teeth - White, After 7-16-92
	2538 939	AR	XJ,MJ		39 Teeth - Green, 1991-92
	5206 7639	AR	XJ		39 Teeth - Green, 1993

MODEL CODES:

61=Pickup-6 Ft Box 74=4 Door Wagon T=2WD
62=Pickup-7 Ft Box 77=Open Body 93" Wheelbase J,N,U=4WD
72=2 Door Wagon 78=Open Body 103" Wheelbase

BODY STYLES:

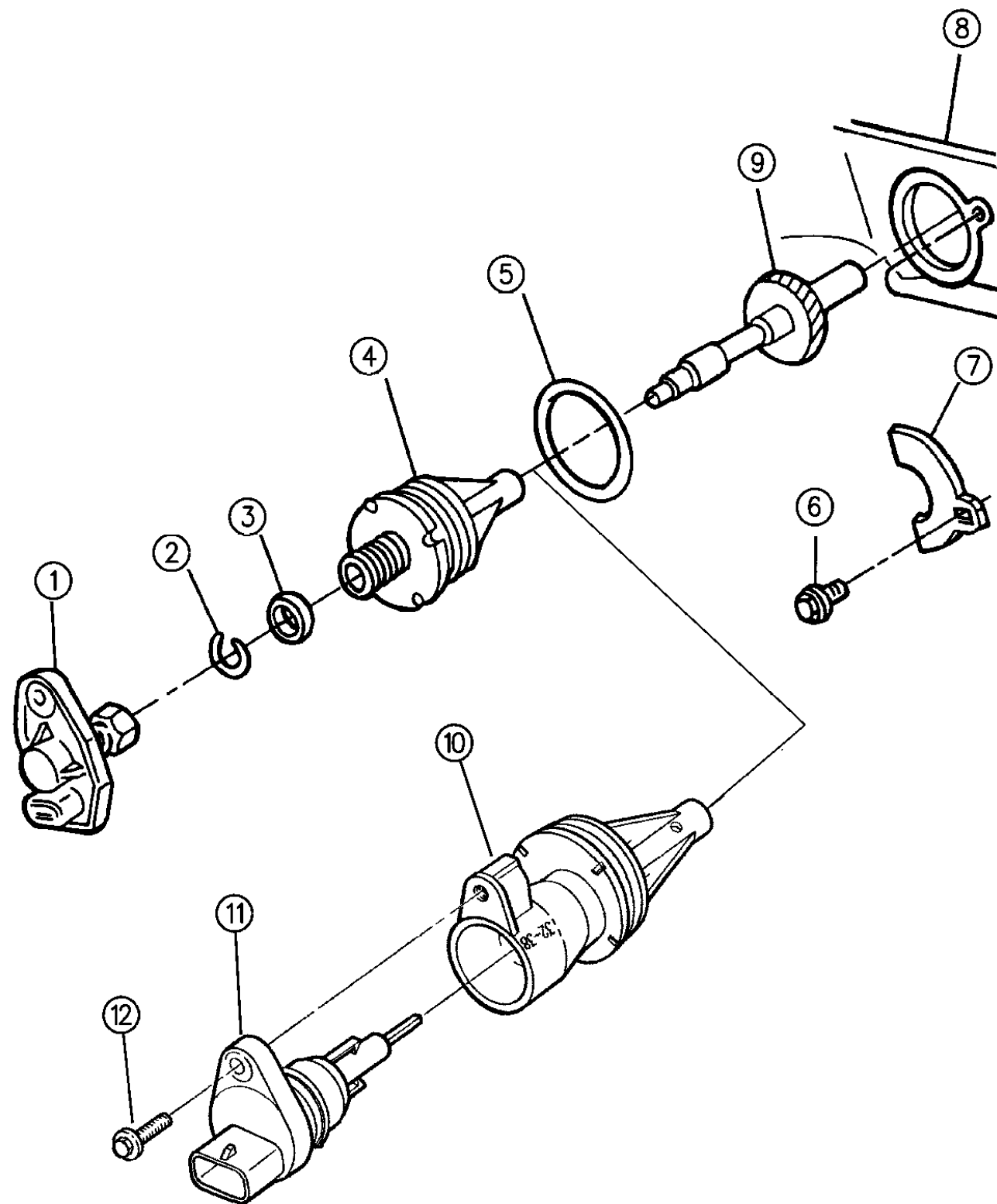
MJ=Comanche Pickup ZJ=Grand Cherokee/Grand Wagoneer KDX VEHICLES
SJ=Grand Wagoneer M1=Comanche
XJ=Cherokee, Briarwood X1=Cherokee, Briarwood
YJ=Wrangler Y1=Wrangler

AR = Use as Required - = Non Illustrated Part P.A.R. = Paint as Required

CABLE, SPEEDOMETER AND PINION AUTOMATIC TRANSMISSION CHEROKEE, BRAIRWOOD, COMANCHE, GRAND CHEROKEE

Figure 21A-5000

91J51 5000B



ITEM	PART NUMBER	QTY	BODY	MODEL	DESCRIPTION
	2538 940	AR	XJ,MJ		40 Teeth - Orange, 1991-92
	5206 7640	AR	XJ		40 Teeth - Orange, 1993
	2538 941	AR	XJ,MJ		41 Teeth - Red, 1991-92
	5206 7641	AR	XJ		41 Teeth - Red, 1993
	2538 942	AR	XJ,MJ		42 Teeth - White
10	5206 7996	1	XJ		ADAPTER, or Retainer, Speedometer, 1993
	5300 6595	1	ZJ		Up To 7-16-92
	5206 7996	1	ZJ		After 7-16-92
11	5234 422	1	XJ		SENSOR, Distance, on Trans., 1993
	5252 438	1	ZJ		Up To 7-16-92
	5234 422	1	ZJ		After 7-16-92
12	0153 339	1			SCREW, Sensor to Adapter, 1/4-20 x 7/8", 1993

MODEL CODES:

61=Pickup-6 Ft Box 74=4 Door Wagon T=2WD
 62=Pickup-7 Ft Box 77=Open Body 93" Wheelbase J,N,U=4WD
 72=2 Door Wagon 78=Open Body 103" Wheelbase

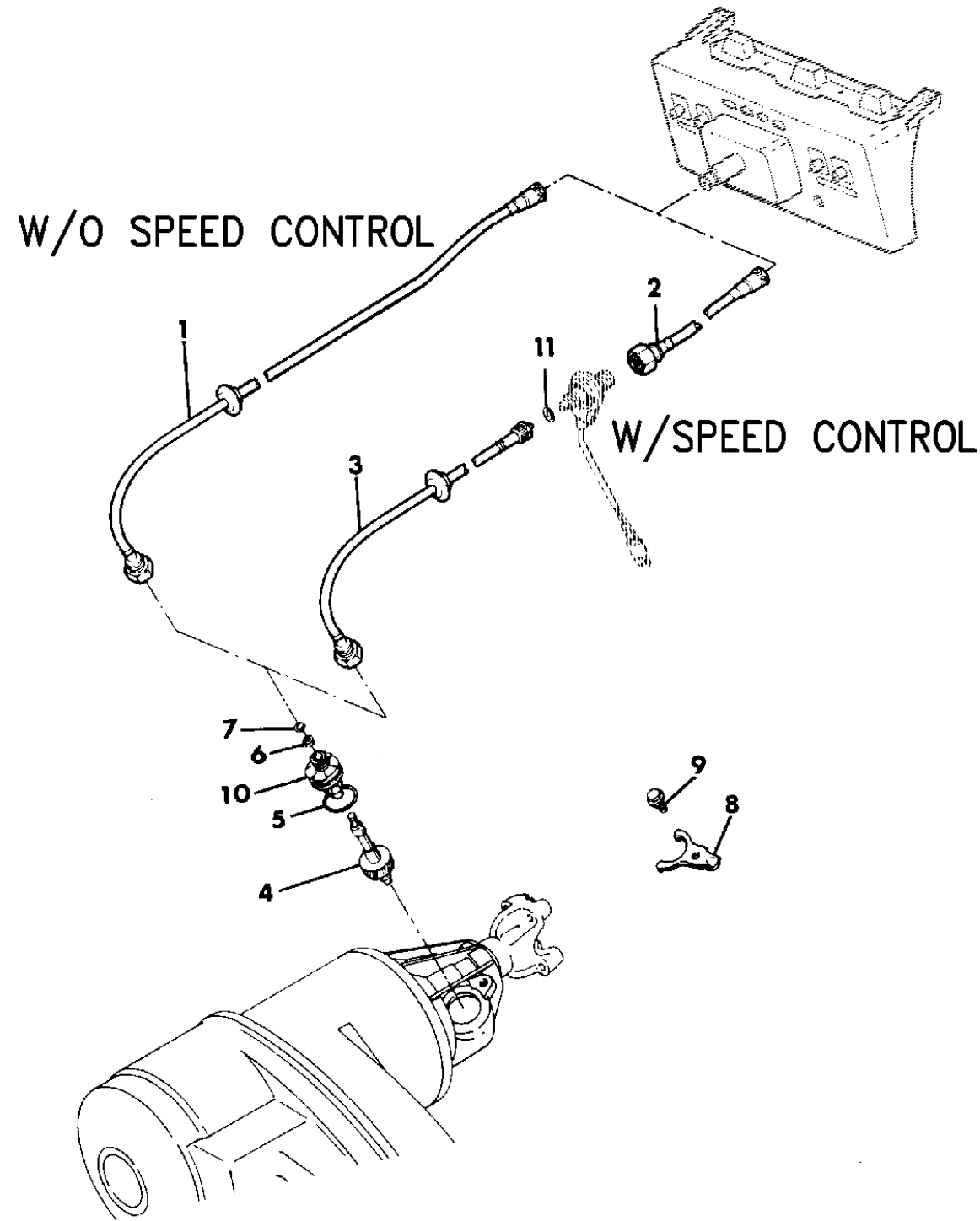
BODY STYLES:

MJ=Comanche Pickup ZJ=Grand Cherokee/Grand Wagoneer KDX VEHICLES
 SJ=Grand Wagoneer M1=Comanche
 XJ=Cherokee, Briarwood X1=Cherokee, Briarwood
 YJ=Wrangler Y1=Wrangler

AR = Use as Required - = Non Illustrated Part P.A.R. = Paint as Required

CABLE, SPEEDOMETER AND PINION AUTOMATIC TRANSMISSION GRAND WAGONEER
Figure 21A-5100

91J51 5100



ITEM	PART NUMBER	QTY	BODY	MODEL	DESCRIPTION
	4057 046	1			PINION PACKAGE, Speedometer, Small Parts Repair Consists Of: 1 - 4058156 RETAINER, Speedo. Cable 1 - 6025752 O-RING, Retainer Outer 1 - 2538571 RING, Retainer Inner 1 - 2538588 SEAL, Retainer Inner 1 - 4057047 SEAL, Pinion
1	J575 1959	1			CABLE, Speedometer, 69" Lg.
2	J575 8491	1			CABLE, Speedometer, Upper 29" Lg.
3	5300 5085	1			CABLE, Speedometer, Lower 61" Lg.
4					PINION, Speedometer Drive
	2538 926	AR			26 Teeth - Red (w/2.72 Rr. Axle Ratio)
	2538 931	AR			31 Teeth - Green (w/3.31 Rr. Axle Ratio)
5	6025 752	1			O-RING, Retainer, Outer
6	2538 588	1			SEAL, Retainer, Inner (Serv. in 4057046 Pkg.)
7	2538 571	1			RING, Seal, Retainer, Inner (Serv. in 4057046 Pkg.)
8	2892 399	1			CLAMP
9	0181 086	1			SCREW, 5/16-18 x 3/4"
10	2538 608	1			ADAPTER, Speedometer
11	J400 6555	1			O-RING

MODEL CODES:

61=Pickup-6 Ft Box 74=4 Door Wagon T=2WD
 62=Pickup-7 Ft Box 77=Open Body 93" Wheelbase J,N,U=4WD
 72=2 Door Wagon 78=Open Body 103" Wheelbase

BODY STYLES:

MJ=Comanche Pickup ZJ=Grand Cherokee/Grand Wagoneer KDX VEHICLES
 SJ=Grand Wagoneer M1=Comanche
 XJ=Cherokee, Briarwood X1=Cherokee, Briarwood
 YJ=Wrangler Y1=Wrangler

AR = Use as Required - = Non Illustrated Part P.A.R. = Paint as Required

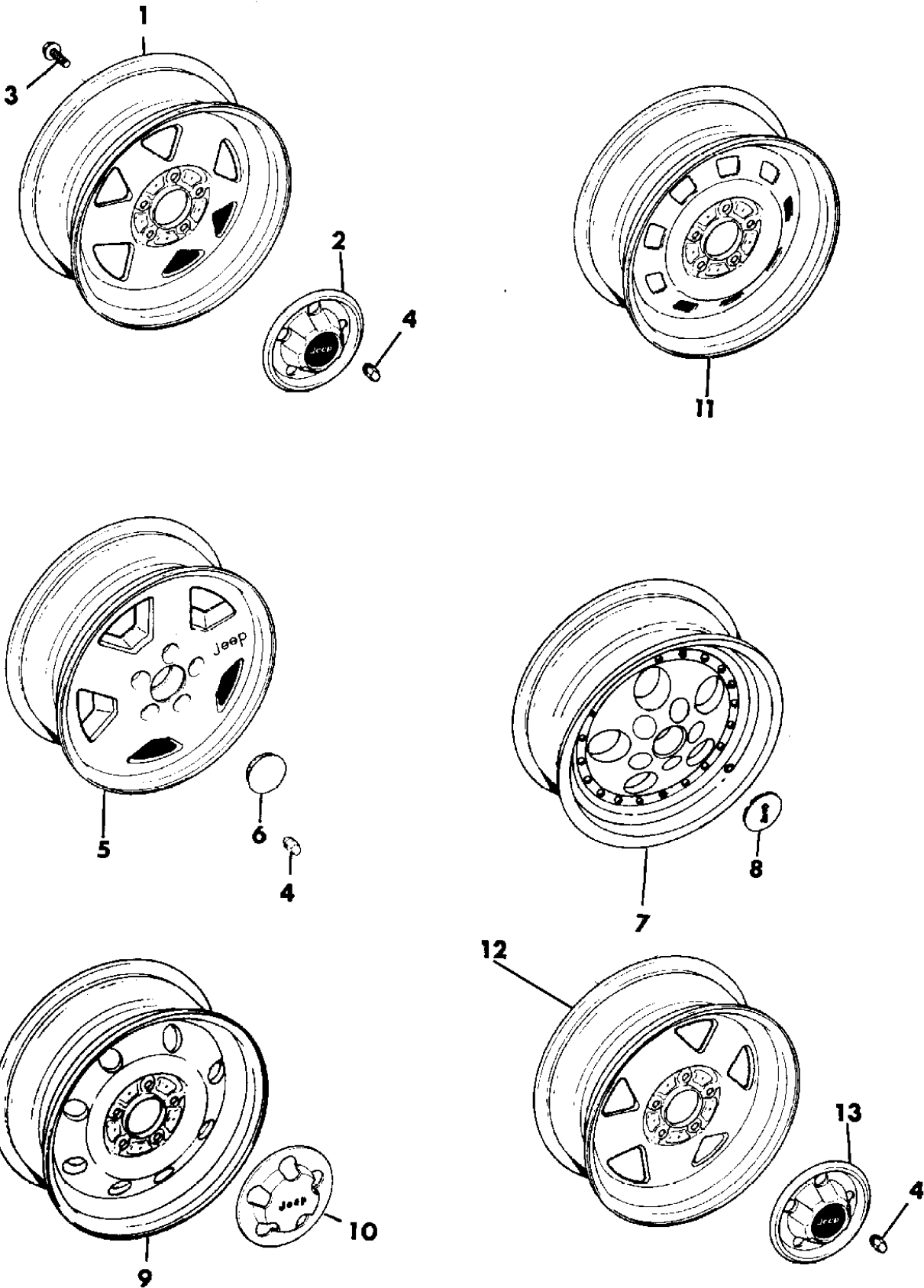
GROUP 22 - WHEELS

ILLUSTRATION TITLE	GROUP-FIG. NO.
WHEEL, CAPS AND COVERS WRANGLER, YJ	Fig. 22-100
WHEEL, SPARE TAILGATE MOUNTING WRANGLER, YJ	Fig. 22-200
WHEEL, SPARE MOUNTING WRANGLER, KDX	Fig. 22-300
JACK AND MOUNTING WRANGLER, YJ	Fig. 22-400
WHEEL, CAPS, AND COVERS CHEROKEE, BRIARWOOD, COMANCHE	Fig. 22-500
WHEEL, SPARE INSIDE MOUNTING CHEROKEE, BRIARWOOD	Fig. 22-600
WHEEL, SPARE OUTSIDE MOUNTING, SWING AWAY CHEROKEE, BRIARWOOD	Fig. 22-700
WHEEL, SPARE MOUNTING COMANCHE	Fig. 22-800
JACK AND MOUNTING CHEROKEE, BRIARWOOD, COMANCHE	Fig. 22-900
WHEEL, CAP, COVER GRAND CHEROKEE, ZJ	Fig. 22-925
WHEEL, SPARE INSIDE MOUNTING GRAND CHEROKEE, ZJ	Fig. 22-950
JACK AND MOUNTING GRAND CHEROKEE, ZJ	Fig. 22-975
WHEEL AND CAP GRAND WAGONEER - 1991	Fig. 22-1000
WHEEL, SPARE UNDERBODY MOUNTING GRAND WAGONEER - 1991	Fig. 22-1100
JACK AND STORAGE BAG GRAND WAGONEER - 1991	Fig. 22-1200

ILLUSTRATION NOT AVAILABLE AT TIME OF PUBLICATION

WHEEL, CAPS AND COVERS WRANGLER, YJ
Figure 22-100

91J22 100B



ITEM	PART NUMBER	QTY	BODY	MODEL	DESCRIPTION
1	5200 3714	AR			WHEEL, Styled Steel, 6 Spoke, 15x7.0 (WJD) KHAKI - 87J77, 1991
	5200 3938	AR			Sterling Metallic - 3D, 1991
	5CF7 2L4A	AR			6 Spoke, Argent, 1992-93
2	5200 0476	4			CAP, Hub w/Applique Chrome/Black, Cast# 52000153, 1991
	5200 1179	4			Black, 1991-93
	5200 1805	4			RING, Trim (15x6.0 Wheel), KDX (Not Shown)
	3420 2523	12			SCREW, M4.8x1.59x11
4	J400 6956	20			NUT, w/Cap, Lug
5	5200 3368	AR			WHEEL, Aluminum, 5 Spoke, 15x7.0 (WJN)
6	5200 2971	4			CAP, Hub
	5200 3621	4			CAP, Hub Black w/Jeep Logo Written in Gold
7	5200 7398	AR			WHEEL, Cast Aluminum, 10-Hole, 15x8.0 (WJ9)
8	5200 3759	AR			CAP, Hub w/Jeep Logo Written in Silver
9	5200 4765	AR			WHEEL, 16x6.0, KDX, Egypt (WDJ)
10	5200 4766	4			CAP, Hub w/Applique
11	5200 0022	AR			WHEEL, Steel, 15x6.0 (WJK) Silver, 15x6.0
	5200 3897	AR			Khaki, 15x6.0, 1991
	5200 0022	1			Silver, Spare
	5CC1 9L4A	4			WHEEL, 15x7.0 Steel 5 Spoke Full Face, Argent (P.A.R.), 5x114. 3mm B.C. (WJ5), 1992
12	5DH3 2L4A	4			Argent, (P.A.R.), 1993
	5CF3 4LJ1	4			CAP, Hub w/Jeep Logo, Sand Metallic, Center Black, Stamped 52057618 (1992)
	5CF3 4L4A	4			w/Jeep Logo, Argent (P.A.R.), Center Black, 1992-93

MODEL CODES:

61=Pickup-6 Ft Box 74=4 Door Wagon T=2WD
 62=Pickup-7 Ft Box 77=Open Body 93" Wheelbase J,N,U=4WD
 72=2 Door Wagon 78=Open Body 103" Wheelbase

BODY STYLES:

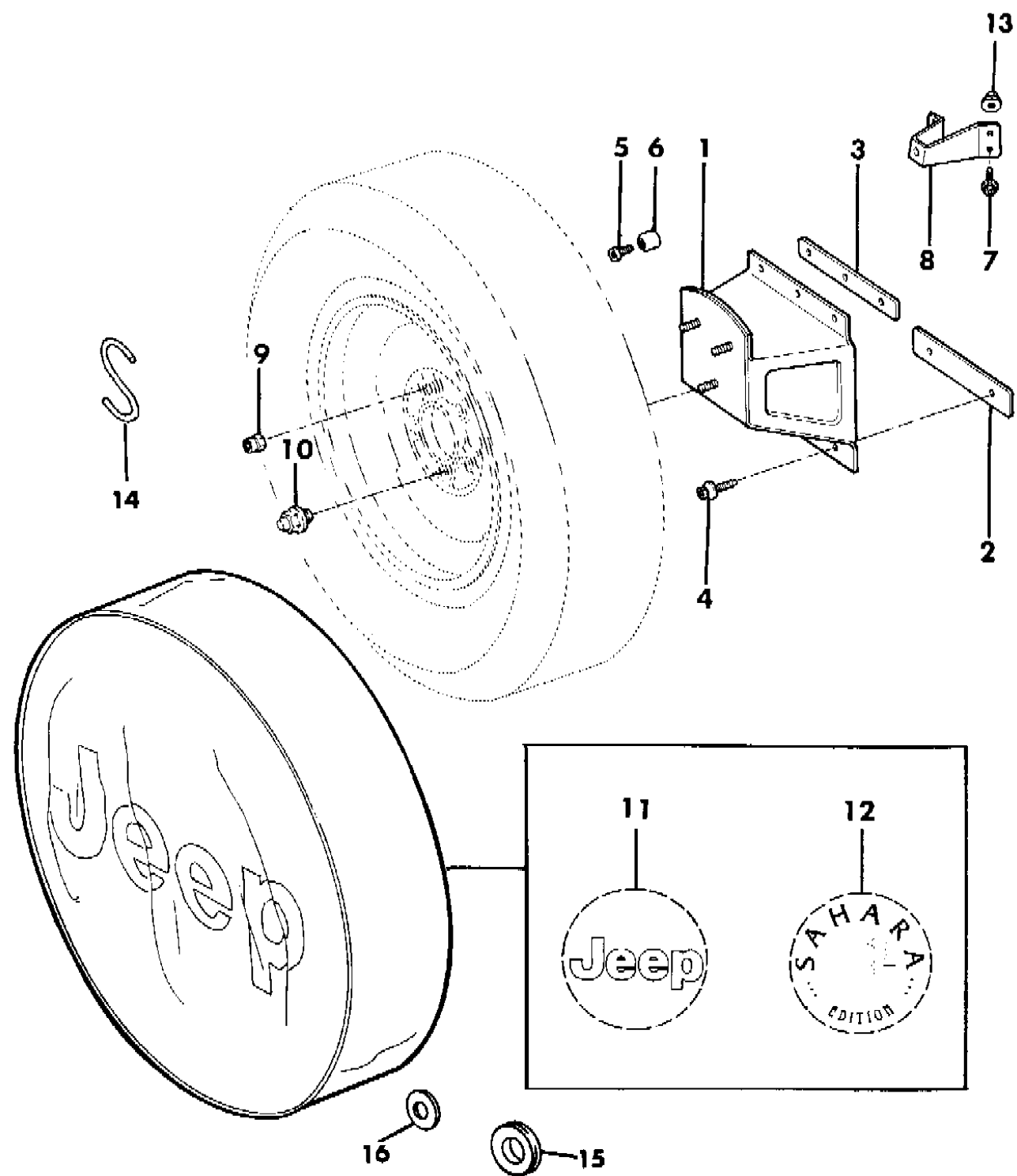
MJ=Comanche Pickup ZJ=Grand Cherokee/Grand Wagoneer KDX VEHICLES
 SJ=Grand Wagoneer M1=Comanche
 XJ=Cherokee, Briarwood Y1=Wrangler
 YJ=Wrangler

AR = Use as Required - = Non Illustrated Part P.A.R. = Paint as Required

WHEEL, SPARE TAILGATE MOUNTING WRANGLER, YJ

Figure 22-200

91J22 200 A



ITEM	PART NUMBER	QTY	BODY	MODEL	DESCRIPTION
1	5500 8243	1			BRACKET, Spare Tire Mounting
	5501 5857	1			EUROPE
2	5501 0928	1			GASKET
3	5501 0841	1			GASKET
4	J400 7319	5			SCREW
5	J400 7355	4			SCREW
6					BUMPER
	5500 8263	4			Length, 1.22", w/Compact Spare Tire
	5501 3350	4			Length, 1.62", w/Conventional Spare Tire
	5534 5519	4			Length, 1.85", w/Aluminum Wheel
7	J400 6850	4			SCREW
8	5500 8244	1			BRACKET, Spare Tire Stop
9	J400 7186	1			LOCK PACKAGE, Spare Wheel (McGARD)
					Consists Of:
					1 - Locknut
					1 - Key
					1 - Poly Bag
					1 - Registration Card
					1 - Label
10	J400 6956	2			NUT, w/Cap Lug
11	5AF1 6JX7	1			COVER, Spare Tire, Black (Used in Production For Islander)
12					COVER, Spare Tire
	5AF6 8JJ5	1			Khaki, 1991
	5CK1 1LJ5	1			Khaki, 1992-93
	5CK1 1LTB	1			Spice, 1992-93
	5AF6 8JJ5	1			KHAKI, Sahara, 1991
13	J941 6918	4			NUT, EUROPE, MIDEAST
14	J546 0441	1			HOOK, Spare Tire Cover
15	J546 1608	2			GROMMET, Spare Tire Cover
16	J546 1609	2			WASHER, Spare Tire Cover

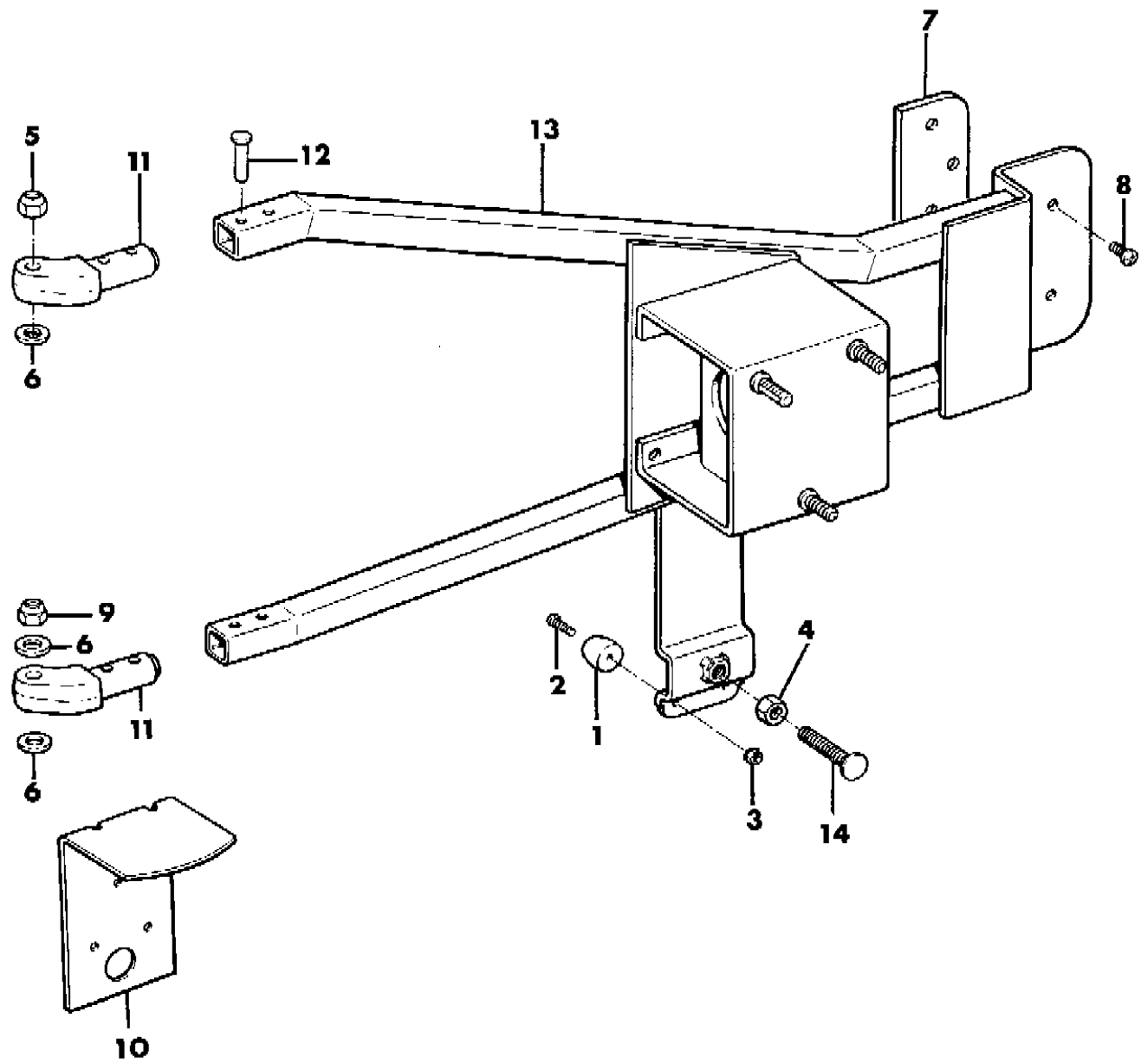
MODEL CODES:
 61=Pickup-6 Ft Box 74=4 Door Wagon T=2WD
 62=Pickup-7 Ft Box 77=Open Body 93" Wheelbase J,N,U=4WD
 72=2 Door Wagon 78=Open Body 103" Wheelbase

BODY STYLES:
 MJ=Comanche Pickup ZJ=Grand Cherokee/Grand Wagoneer KDX VEHICLES
 SJ=Grand Wagoneer M1=Comanche
 XJ=Cherokee, Briarwood X1=Cherokee, Briarwood
 YJ=Wrangler Y1=Wrangler

AR = Use as Required - = Non Illustrated Part P.A.R. = Paint as Required

WHEEL, SPARE MOUNTING WRANGLER, KDX
Figure 22-300

91J22 300



ITEM	PART NUMBER	QTY	BODY	MODEL	DESCRIPTION
1	J096 8734	2			BUMPER
2	J015 9947	2			SCREW
3	J027 1166	2			NUT
4	J012 0238	1			NUT
5	J805 2458	2			NUT
6	J400 7070	4			WASHER
7	J805 2220	1			PLATE
8	J400 6986	2			SCREW
9	J400 5739	2			NUT
10	J805 2261	1			BRACKET
11	J805 2197	2			ARM, Pivot
12	J805 3204	4			RIVET
13	5502 0098	1			CARRIER, Tire
14	J097 2773	1			BOLT

MODEL CODES:

61=Pickup-6 Ft Box 74=4 Door Wagon T=2WD
 62=Pickup-7 Ft Box 77=Open Body 93" Wheelbase J,N,U=4WD
 72=2 Door Wagon 78=Open Body 103" Wheelbase

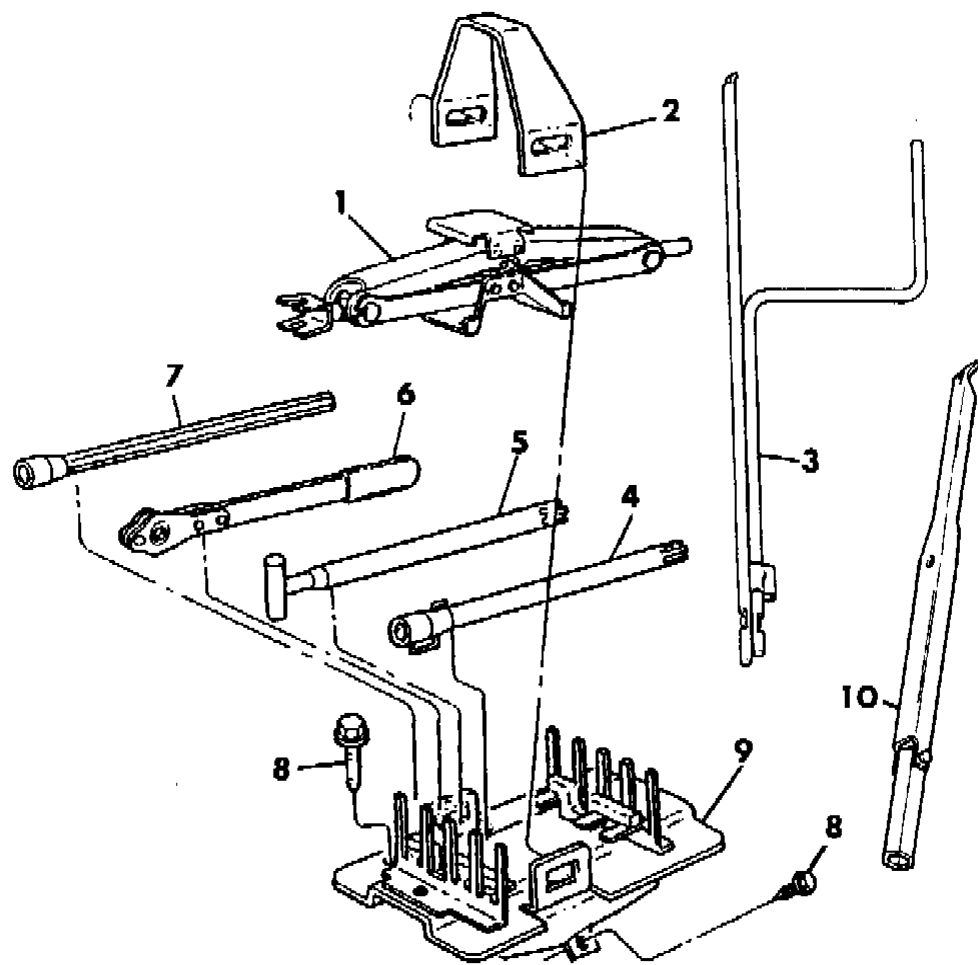
BODY STYLES:

MJ=Comanche Pickup ZJ=Grand Cherokee/Grand Wagoneer KDX VEHICLES
 SJ=Grand Wagoneer M1=Comanche
 XJ=Cherokee, Briarwood X1=Cherokee, Briarwood
 YJ=Wrangler Y1=Wrangler

AR = Use as Required - = Non Illustrated Part P.A.R. = Paint as Required

JACK AND MOUNTING WRANGLER, YJ
Figure 22-400

91J22 400 A



ITEM	PART NUMBER	QTY	BODY	MODEL	DESCRIPTION
1	5200 6166	1			JACK ASSEMBLY, Scissor Type ***
	4293 227	1			JACK, Screw Type 3000 Lb., KDX, Venezeula
2	4432 174	1			BRACKET, In Cab Jack Stowage, Upper
3	5200 3582	1			CRANK, Jack, KDX, VENEZEULA
4	5200 6169	1			EXTENSION, Jack Handle
5	5200 6170	1			T/BAR, Jack Handle ***
6	4522 119	1			CRANK, Jack Handle
7	5200 6867	1			WRENCH, Wheel
8	J400 6850	3			SCREW, w/Washer, 1/4-20 x 5/8"
9	5200 6859	1			BRACKET, In Cab Jack Stowage, Lower
10	5200 3583	1			WRENCH, Wheel, KDX, VENEZEULA
	5200 4655	1			LABEL, Jack Instruction
	5200 6186	1			LABEL, Jack Stowage

MODEL CODES:

61=Pickup-6 Ft Box 74=4 Door Wagon T=2WD
 62=Pickup-7 Ft Box 77=Open Body 93" Wheelbase J,N,U=4WD
 72=2 Door Wagon 78=Open Body 103" Wheelbase

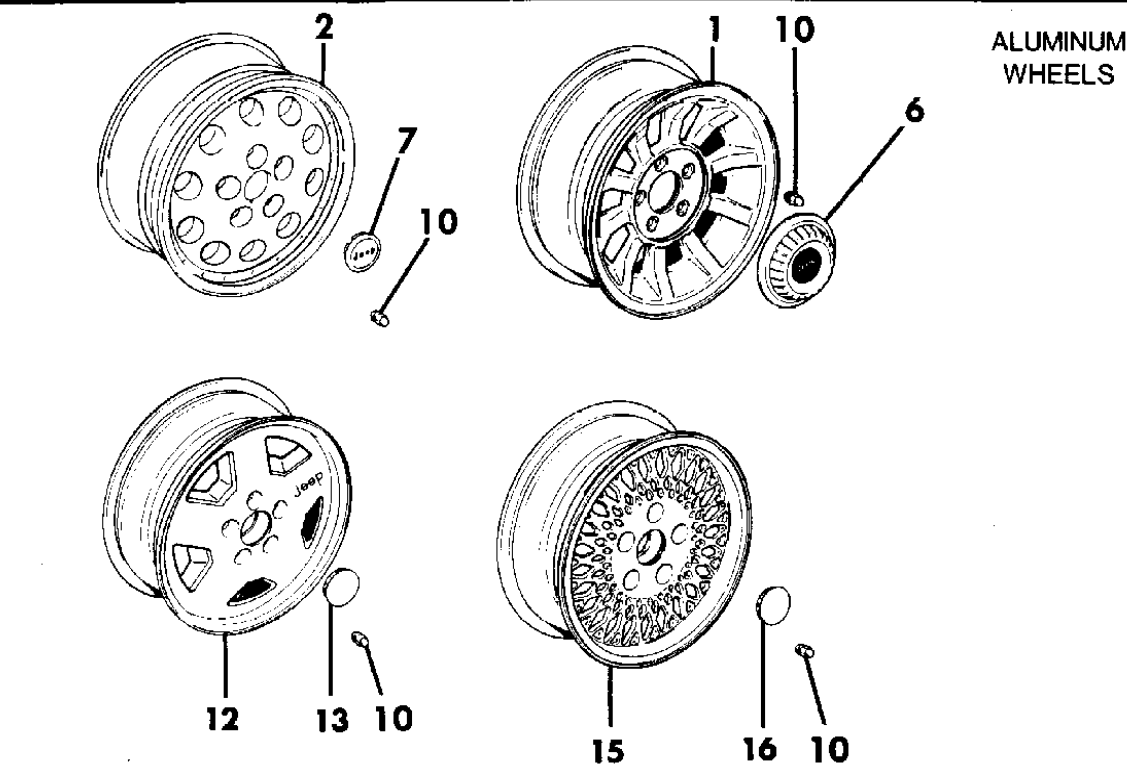
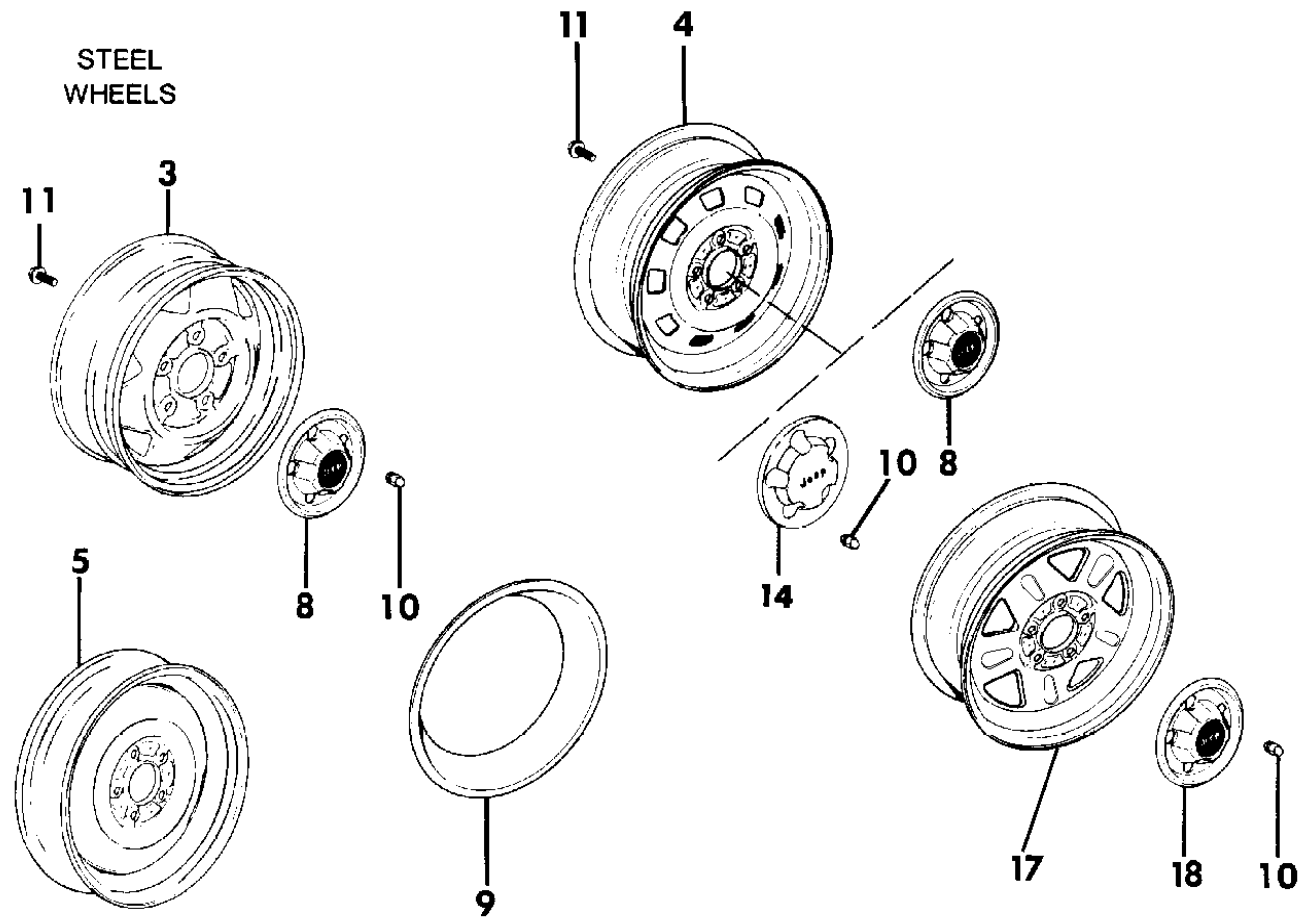
BODY STYLES:

MJ=Comanche Pickup ZJ=Grand Cherokee/Grand Wagoneer KDX VEHICLES
 SJ=Grand Wagoneer M1=Comanche
 XJ=Cherokee, Briarwood X1=Cherokee, Briarwood
 YJ=Wrangler Y1=Wrangler

AR = Use as Required - = Non Illustrated Part P.A.R. = Paint as Required

WHEEL, CAPS, AND COVERS CHEROKEE, BRIARWOOD, COMANCHE
Figure 22-500

91J22 500C



ITEM	PART NUMBER	QTY	BODY	MODEL	DESCRIPTION
1	5200 0025	AR	XJ		WHEEL, Aluminum, 15x7.0 (WJM), 1991
	5200 0025	AR			KDX, Venezeula, 1992
2	5200 3758	AR			WHEEL, Aluminum, 15x7.0 (WJH), 1991
	5205 8015	AR			1992-93
3					WHEEL, Styled Steel, 15x7.0-3D, 6 Spoke
	5200 3938	AR			Sterling Metallic, KDX, Venezeula (WJD), 1991
	5CF7 2L4A	AR			Argent, (WJD), 1992-93
4	5200 0022	AR			WHEEL, Steel Silver, 15x6.0 (WJK)
5	5200 0019	1			WHEEL, Compact Spare, 16x4.0
6	5200 0452	4			CAP, Hub, KDX, 1991
	5200 0452	4			KDX, Venezeula, 1992
7	5200 3759	4			CAP, Hub
8					CAP, Hub
	5200 0476	4			Chrome/Black, 1992
	5200 1179	4			Black
9	5200 1805	4			RING, Wheel Trim
10	J400 6956	20			NUT, w/Cap Lug
11	3420 2523	AR			SCREW, M4.8x1.59x11
12	5200 3368	AR			WHEEL, Aluminum, 5 Spoke, 15x7.0 (WJN)
13	5200 2971	4			CAP, Hub, Bright, Also Used w/92 Country
14	5200 3763	4	MJ		CAP, Hub
15					WHEEL, Cast Aluminum, 15x7.0, Machined-Face, Lattice
	4637 963	AR			Dark Cordovan (Limited), 1991
	4637 976	AR			Bright White (Limited)
	4637 977	AR			Black (Limited)
	4637 978	AR			Gold Metallic
	5CK0 2KS7	AR			Dark Silver Metallic (WJG), 1991-92
	5DH5 9MS7	AR			Dark Silver Metallic (WJG), 1993
	5DH5 9MV4	AR			Light Champagne (WJ1), 1993, Also Used w/92 Country
16	5200 3759	4			CAP, Hub w/Jeep Logo Written in Silver
	5200 3621	4			Black w/Jeep Logo Written in Gold
	5200 2971	4			Bright, Use With 5DH59MV4,MS7 Wheel, 1993
17	5CM1 0M4A	AR	XJ		WHEEL, Steel, 15x7.0, 5 Spoke Full Face, w/5 Elongated
					Dimples on The Spokes, Argent, 5x114.3mm B.C.(WJ5),
					Stamped 52057687, 1993
18	5CF3 4L4A	4	XJ		CAP, Hub w/Jeep Logo, Argent, Center Black, Stamped
					52057618, 1993

MODEL CODES:

61=Pickup-6 Ft Box 74=4 Door Wagon T=2WD
 62=Pickup-7 Ft Box 77=Open Body 93" Wheelbase J,N,U=4WD
 72=2 Door Wagon 78=Open Body 103" Wheelbase

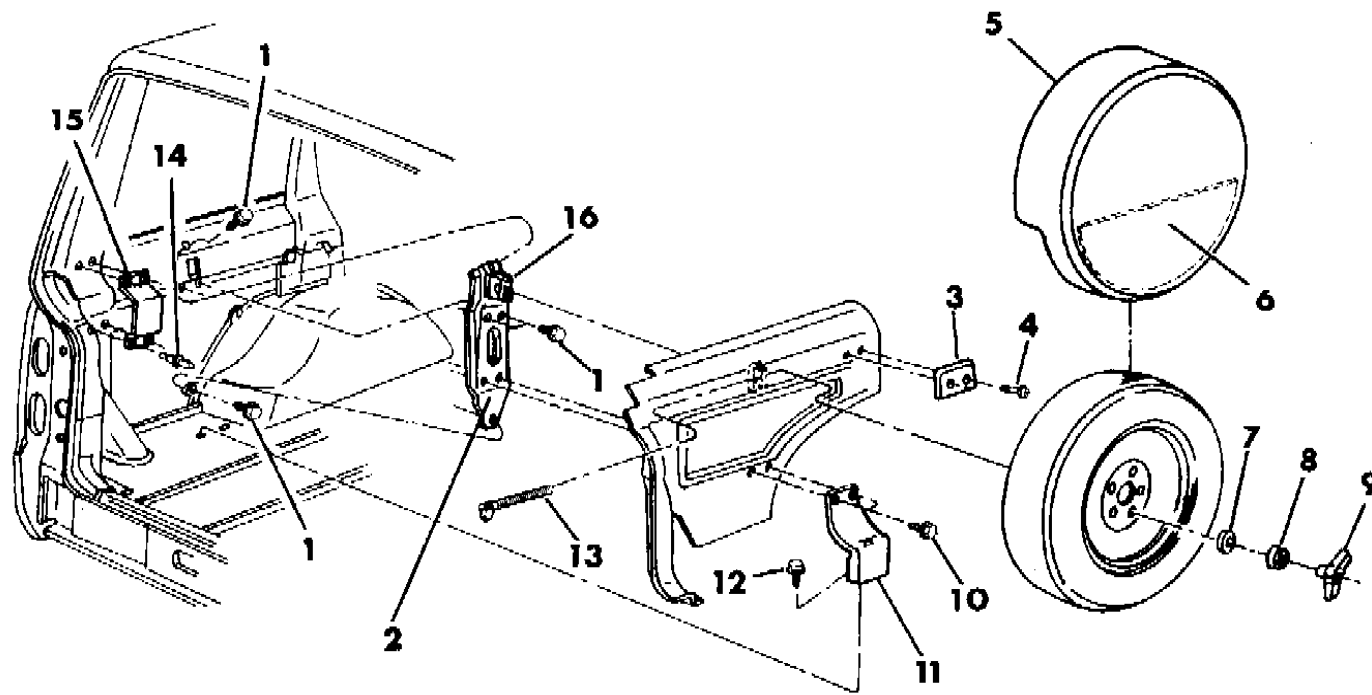
BODY STYLES:

MJ=Comanche Pickup ZJ=Grand Cherokee/Grand Wagoneer KDX VEHICLES
 SJ=Grand Wagoneer M1=Comanche
 XJ=Cherokee, Briarwood X1=Cherokee, Briarwood
 YJ=Wrangler Y1=Wrangler

AR = Use as Required - = Non Illustrated Part P.A.R. = Paint as Required

WHEEL, SPARE INSIDE MOUNTING CHEROKEE, BRIARWOOD
Figure 22-600

91J22 600 A



ITEM	PART NUMBER	QTY	BODY	MODEL	DESCRIPTION
1	3420 1381	4			SCREW, M6x1.0x20
2	5500 2009	1			BRACKET, Up To 3-10-92
	5534 5177	1			After 3-10-92
3					REST, Spare Tire (Not Serviced) ***
4					SCREW (Not Serviced) ***
5					COVER, Spare Tire, Inside Vinyl
					Tires Coded, T125, (Compact Spare)
	5AJ7 4JA8	1			Charcoal Vinyl
	5AJ7 4JH9	1			Cordovan Vinyl
	5AJ7 4JY6	1			Sand Vinyl
					Tires Coded, P195 or P205
	5AJ7 7JA8	1			Charcoal Vinyl, 1991
	5AJ7 7JA8	1			KDX, Venezeula, China, Egypt, 1992
	5AJ7 7JH9	1			Cordovan Vinyl, 1991
	5AJ7 7JH9	1			KDX, Venezeula, China, Egypt, 1992
	5AJ7 7JY6	1			Sand Vinyl, 1991
	5AJ7 7JY6	1			KDX, Venezeula, China, Egypt, 1992
					Tires Coded, P215 or P225
	5AJ7 8JY6	1			Sand Vinyl
	5AJ7 8JA8	1			Charcoal Vinyl
	5AJ7 8JH9	1			Cordovan Vinyl
6					LABEL, Jack with Spare Tire (Not Serviced)
7	J400 6404	1			WASHER
8					NUT, (Not Serviced)
9	5200 1643	1			WING NUT, M10x1.50
10	3420 1610	1			SCREW, w/Washer, M6x1.0x30
11	5500 0859	1			BRACKET, Spare Tire Mtg. to Floor
	5534 4556	1		RHD	
12	1150 0101	2			SCREW, M6.3x1.8x25
13					ROD, Tire Hold Down
	5200 0731	1			Length 125mm
	5200 2705	1			Length 174mm
	5200 0733	1			CAP, Tire Hold Down Rod Thread Protector (Not Shown)
14	3420 1197	AR			RIVET
15					BRACKET, Inside Spare Tire Trim Support Lwr. (Not Serviced)
	5534 4553	1		RHD	
16	5500 3494	1			BRACKET, Swing Bolt Retainer, Domestic, After 3-10-92
	5534 5292	1		RHD	

MODEL CODES:

61=Pickup-6 Ft Box 74=4 Door Wagon T=2WD
 62=Pickup-7 Ft Box 77=Open Body 93" Wheelbase J,N,U=4WD
 72=2 Door Wagon 78=Open Body 103" Wheelbase

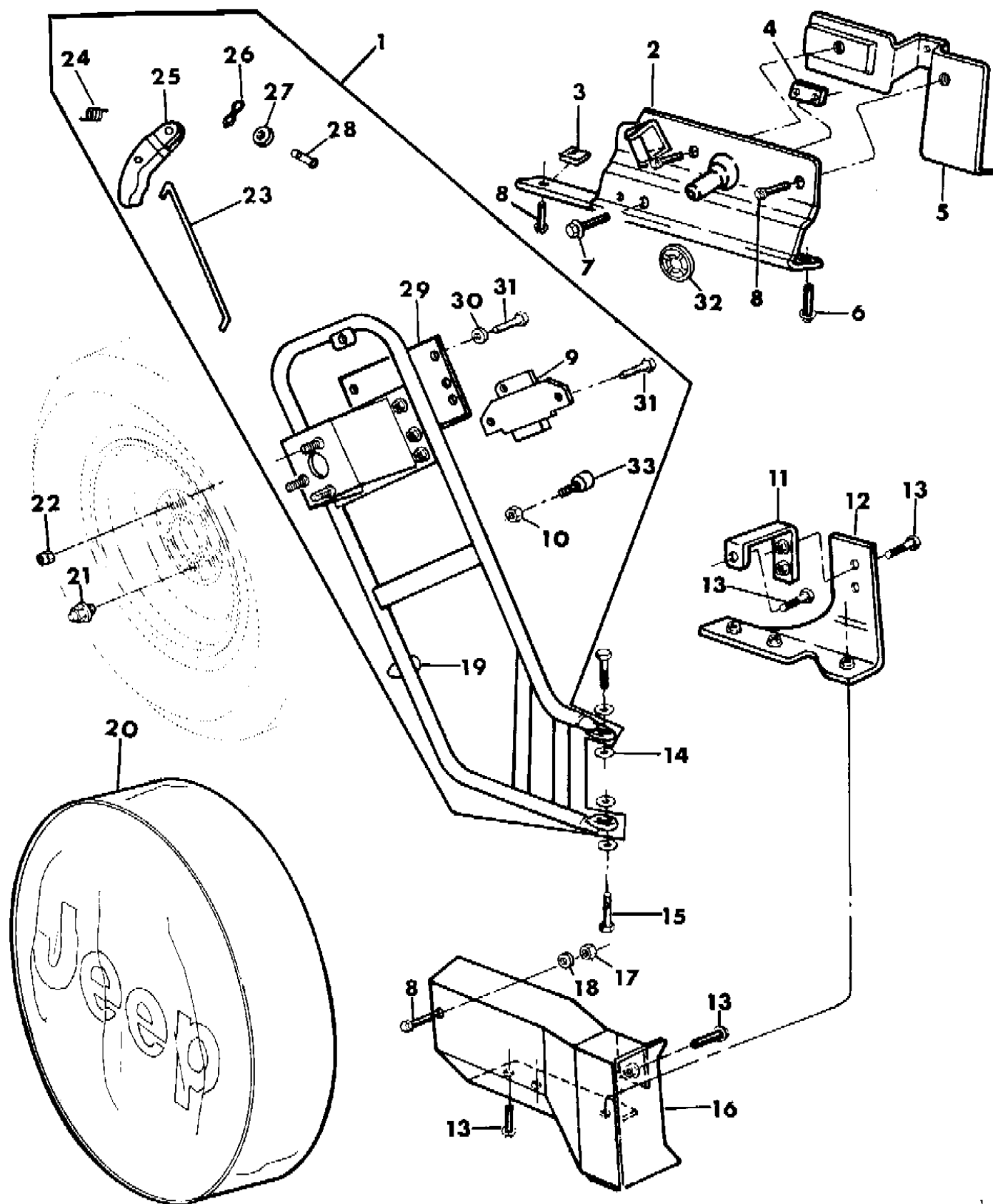
BODY STYLES:

MJ=Comanche Pickup ZJ=Grand Cherokee/Grand Wagoneer KDX VEHICLES
 SJ=Grand Wagoneer M1=Comanche
 XJ=Cherokee, Briarwood X1=Cherokee, Briarwood
 YJ=Wrangler Y1=Wrangler

AR = Use as Required - = Non Illustrated Part P.A.R. = Paint as Required

WHEEL, SPARE OUTSIDE MOUNTING, SWING AWAY CHEROKEE, BRIARWOOD
Figure 22-700

91J22 700



ITEM	PART NUMBER	QTY	BODY	MODEL	DESCRIPTION
1	5502 5329	1			CARRIER ASSEMBLY ***
2	5502 6244	1			REINFORCEMENT
3	6101 283	1			U-NUT
4	5502 6245	1			BRACKET
5	5502 6243	1			REINFORCEMENT
6	6502 334	1			BOLT, Torx M8x1.25x35
7	3420 2452	1			SCREW, w/Washer
8	3420 1596	5			BOLT, Pan Head Torx M8x1.25x22
9	5200 5822	1			MECHANISM, Lock ***
10	6100 219	1			NUT, Jam M10x1.50
11	5502 6247	1			REINFORCEMENT, Upper
12	5502 6246	1			REINFORCEMENT, Lower
13	3420 2467	7			BOLT, M8x1.25x30
14	8350 7112	1			BUSHING PACKAGE ***
15	6004 504	2			BOLT, Carrier Pivot
16	5200 5823	1			BRACKET ASSEMBLY ***
17	6101 467	1			NUT, M8x1.25
18	6501 000	1			WASHER, Flat
19	5200 5825	1			BUMPER, Lower
20	5501 6126	1			COVER, Black Spare
21	J400 6956	2			NUT, Acorn
22	J400 7186	1			NUT, Lock
23	5200 5821	1			ROD, Handle
24	5523 4511	1			SPRING, Handle Return
25	5200 5820	1			HANDLE
26	5523 4514	1			CLIP
27	5523 4513	1			WASHER
28	5523 4512	1			PIN, Handle to Weldment
29	5523 4515	1			PLATE, Adjuster
30	5523 4510	4			WASHER, Adjuster Plate
31	5523 4517	4			BOLT, Adjuster Plate and Latch
32	5523 4516	1			SLEEVE, Latch Pin
33	5200 5826	1			BUMPER, Upper

MODEL CODES:

61=Pickup-6 Ft Box 74=4 Door Wagon T=2WD
 62=Pickup-7 Ft Box 77=Open Body 93" Wheelbase J,N,U=4WD
 72=2 Door Wagon 78=Open Body 103" Wheelbase

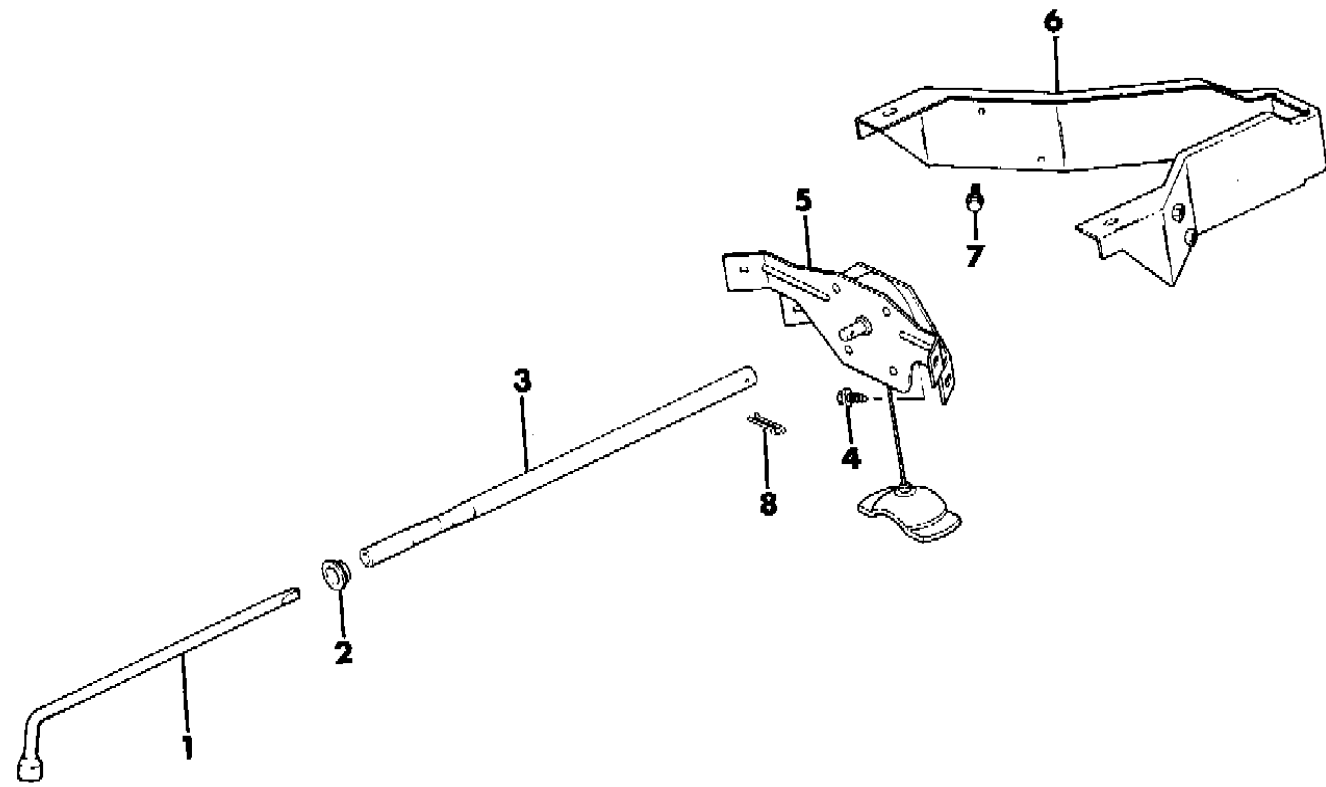
BODY STYLES:

MJ=Comanche Pickup ZJ=Grand Cherokee/Grand Wagoneer KDX VEHICLES
 SJ=Grand Wagoneer M1=Comanche
 XJ=Cherokee, Briarwood X1=Cherokee, Briarwood
 YJ=Wrangler Y1=Wrangler

AR = Use as Required - = Non Illustrated Part P.A.R. = Paint as Required

WHEEL, SPARE MOUNTING COMANCHE
Figure 22-800

91J22 800



ITEM	PART NUMBER	QTY	BODY	MODEL	DESCRIPTION
1	J535 4991	1			WRENCH, Lug
2	J400 7520	1			BUSHING
3					TUBE, Winch
	5200 3128	1			6 Foot Box
	5200 1286	1			7 Foot Box
4	3420 1888	4			SCREW
5	5200 7276	1			HOIST, Spare Tire ***
6	5200 3075	1			BRACKET, 6 Foot Box
7	3420 1888	4			SCREW, 6 Foot Box
8		1			PIN, Cotter 5X45mm (Not Serviced)

MODEL CODES:

61=Pickup-6 Ft Box 74=4 Door Wagon T=2WD
 62=Pickup-7 Ft Box 77=Open Body 93" Wheelbase J,N,U=4WD
 72=2 Door Wagon 78=Open Body 103" Wheelbase

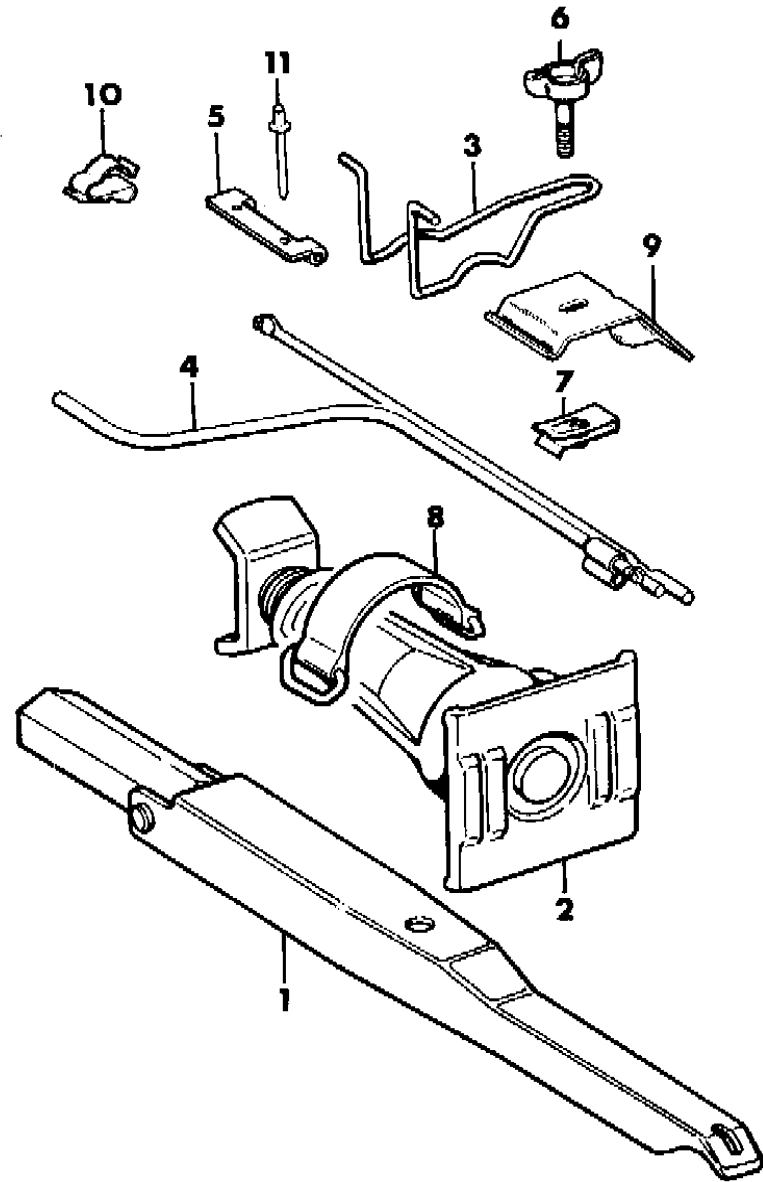
BODY STYLES:

MJ=Comanche Pickup ZJ=Grand Cherokee/Grand Wagoneer KDX VEHICLES
 SJ=Grand Wagoneer M1=Comanche
 XJ=Cherokee, Briarwood X1=Cherokee, Briarwood
 YJ=Wrangler Y1=Wrangler

AR = Use as Required - = Non Illustrated Part P.A.R. = Paint as Required

JACK AND MOUNTING CHEROKEE, BRIARWOOD, COMANCHE
Figure 22-900

91J22 900



ITEM	PART NUMBER	QTY	BODY	MODEL	DESCRIPTION
1					WRENCH, Lug
	5200 3583	1	XJ		
	J535 4991	1	MJ		
2	4293 227	1			JACK, Screw Type
3	5200 3474	1	XJ		RETAINER, Jack Hold Down
4					HANDLE, Jack Crank
	5200 1316	1	MJ		
	5200 3582	1	XJ		
5	5200 1202	1	XJ		BRACKET, Jack Hold Down Retainer
6	5200 0354	1			STUD
7	1150 0660	1	MJ		NUT, M8x1.25
8	5200 2077	1	MJ		STRAP, Hold Down
9	5200 1317	1	MJ		BRACKET, Jack
10	3420 2362	1	MJ		CLIP
11	3420 1684	2	XJ		RIVET

MODEL CODES:

61=Pickup-6 Ft Box 74=4 Door Wagon T=2WD
 62=Pickup-7 Ft Box 77=Open Body 93" Wheelbase J,N,U=4WD
 72=2 Door Wagon 78=Open Body 103" Wheelbase

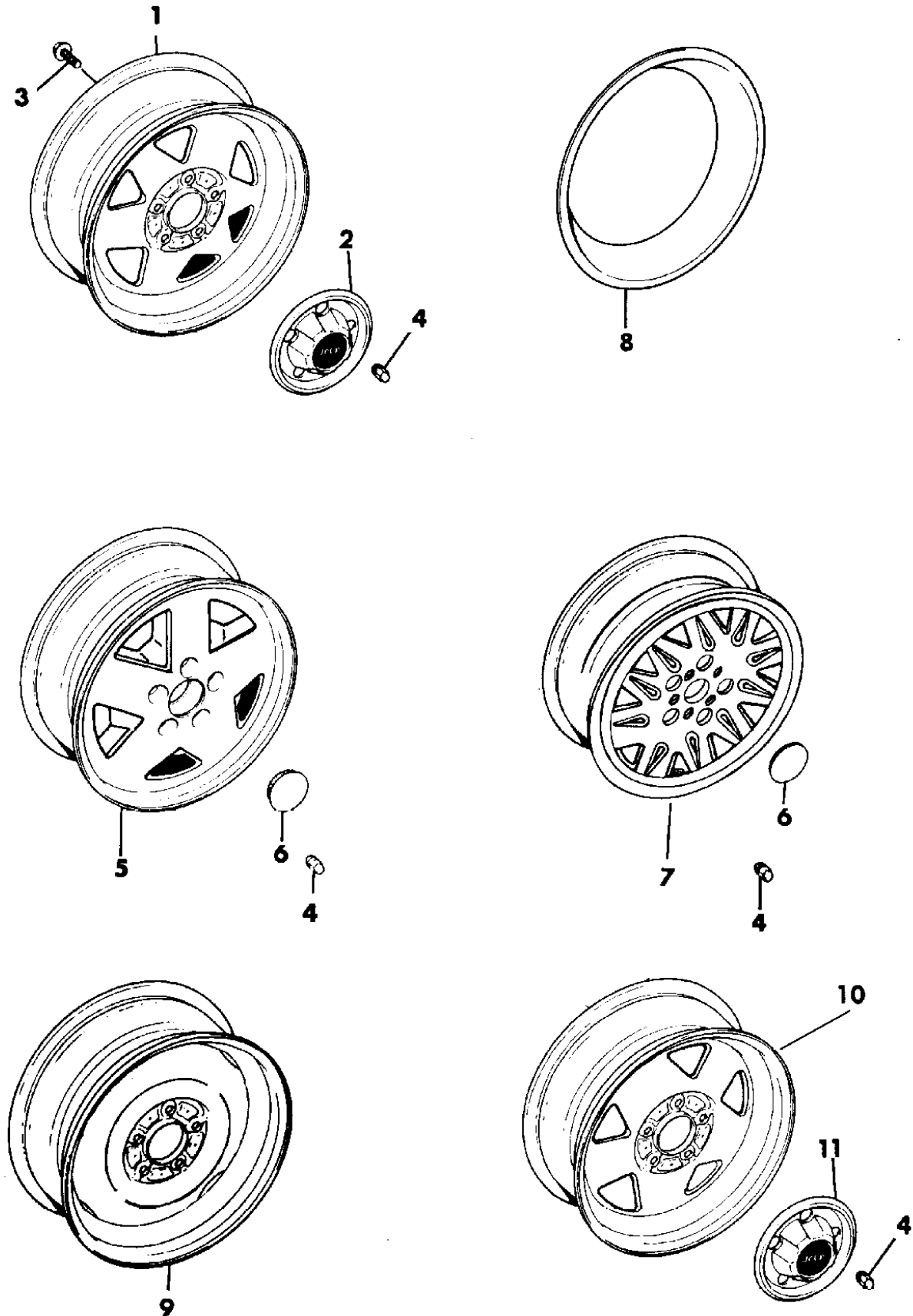
BODY STYLES:

MJ=Comanche Pickup ZJ=Grand Cherokee/Grand Wagoneer KDX VEHICLES
 SJ=Grand Wagoneer M1=Comanche
 XJ=Cherokee, Briarwood X1=Cherokee, Briarwood
 YJ=Wrangler Y1=Wrangler

AR = Use as Required - = Non Illustrated Part P.A.R. = Paint as Required

WHEEL, CAP, COVER GRAND CHEROKEE, ZJ
Figure 22-925

91J22 925B



ITEM	PART NUMBER	QTY	BODY	MODEL	DESCRIPTION
1	5CF7 2L4A	4			WHEEL, Steel 15x7.0, Argent 6 Spoke, 5x114.3mm B.C. (WJD and WKD)
2	5CF3 4L4A	4			CAP, Hub w/Applique, Argent, w/Jeep Logo, Center Black
3	3420 2523	20			SCREW, M4.8x1.59x11
4	J400 6956	20			NUT, w/Cap, Wheel Lug
5	5CC1 5LA1	4			WHEEL, Sport Cast Aluminum, 15x7.0JJ, Light Quartz, 5 Spoke, 5x114.3mm B.C. (w/Stamping # 52005270) (WJ6)
	5CC1 5LD2	4			Medium Argent
6	5200 5732	4			CAP, Center, Aluminum Surface Circular Brush (Use With (WJ6) Wheel)
	5CF9 7L3X	4			CAP, Center, Circular Brushed Aluminum, w/Semi Gloss Black Outlining Jeep Name (Use With (WJ7),(WJG) Wheel)
7	5CC1 8LY2	4			WHEEL, Luxury Cast Aluminum, 15x7.0JJ, Gold Metallic, 5x114.3mm B.C. (WJ7)
	5CC1 8MS7	4			Argent (WJG) Casting# 52005271
8	5200 6025	4			RING, 15" Wheel, Bright Trim (WMC)
9	5200 0019	1			WHEEL, 16x4JJ Compact Spare
10	5CC1 9L4A	4			WHEEL, Steel Full Face, 15x7.0, Argent 5 Spoke, 5x114.3mm B.C., (WJ5), Up To 7-16-92
	5DH3 2L4A	4			Argent, (SDP) (WJ5), After 7-16-92
11	5CF3 4L4A	4			CAP, Hub w/Applique, Argent, w/Jeep Logo, Center Black

MODEL CODES:

61=Pickup-6 Ft Box 74=4 Door Wagon T=2WD
62=Pickup-7 Ft Box 77=Open Body 93" Wheelbase J,N,U=4WD
72=2 Door Wagon 78=Open Body 103" Wheelbase

BODY STYLES:

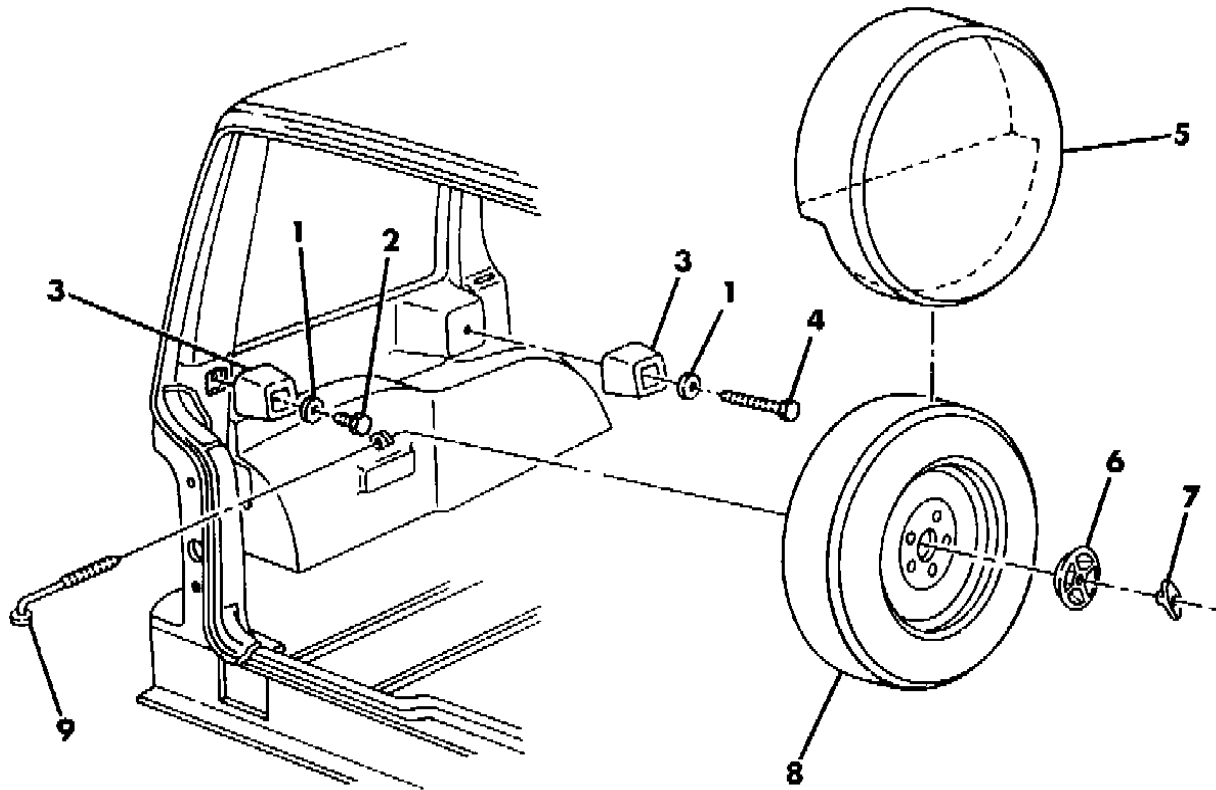
MJ=Comanche Pickup ZJ=Grand Cherokee/Grand Wagoneer KDX VEHICLES
SJ=Grand Wagoneer M1=Comanche
XJ=Cherokee, Briarwood X1=Cherokee, Briarwood
YJ=Wrangler Y1=Wrangler

AR = Use as Required - = Non Illustrated Part P.A.R. = Paint as Required

WHEEL, SPARE INSIDE MOUNTING GRAND CHEROKEE, ZJ
Figure 22-950

91J22 950

ITEM	PART NUMBER	QTY	BODY	MODEL	DESCRIPTION
1	6100 876	2			WASHER
2	6034 576	1			SCREW, Bumper, Rear
3	5502 7231	2			BUMPER, Full Size Tire
4		1			BOLT, Bumper, Front M6x1.0x80 (Not Serviced)
5					COVER, Spare Tire
					Tires Coded, T125 Compact Spare
	5AT9 8LD5	1			Med Quartz
	5AT9 8LF8	1			Dark Driftwood
	5AT9 8LMA	1			Crimson Red
	5AT9 8MV4	1			Lt. Champagne, 1993
					Tires Coded, T155, (Compact Spare)
	5DL8 5MD5	1			Med Quartz
	5DL8 5MF8	1			Dark Driftwood
	5DL8 5MMA	1			Crimson Red
	5DL8 5MV4	1			Lt. Champagne
					Tires Coded, P215
	5AT9 7LD5	1			Med Quartz
	5AT9 7LF8	1			Dark Driftwood
	5AT9 7LMA	1			Crimson Red
					Tires Coded, P225, (OWL) A/S Tire
	5AU4 4LD5	1			Med Quartz
	5AU4 4LF8	1			Dark Driftwood
	5AU4 4LMA	1			Crimson Red
	5AU4 4MV4	1			Lt. Champagne, 1993
					Tires Coded, P225, (OWL) EAGLE GT-A/S Tire
	5CW0 2LD5	1			Med Quartz
	5CW0 2LF8	1			Dark Driftwood
	5CW0 2LMA	1			Crimson Red
	5CW0 2MV4	1			Lt. Champagne
					Tires Coded, P235
	5AT9 9LD5	1			Med Quartz
	5AT9 9LF8	1			Dark Driftwood
	5AT9 9LMA	1			Crimson Red
	5AT9 9MV4	1			Lt. Champagne
6	5208 7669	1			CUP, Spare Tire Retention ***
7	4637 612	1			WING NUT, Tire Secure Bolt M10x1.50
8		1			WHEEL, Spare (Reference)
9	5200 2705	1			BOLT, Spare Tire Secure, 174mm Lg.



MODEL CODES:

61=Pickup-6 Ft Box 74=4 Door Wagon T=2WD
 62=Pickup-7 Ft Box 77=Open Body 93" Wheelbase J,N,U=4WD
 72=2 Door Wagon 78=Open Body 103" Wheelbase

BODY STYLES:

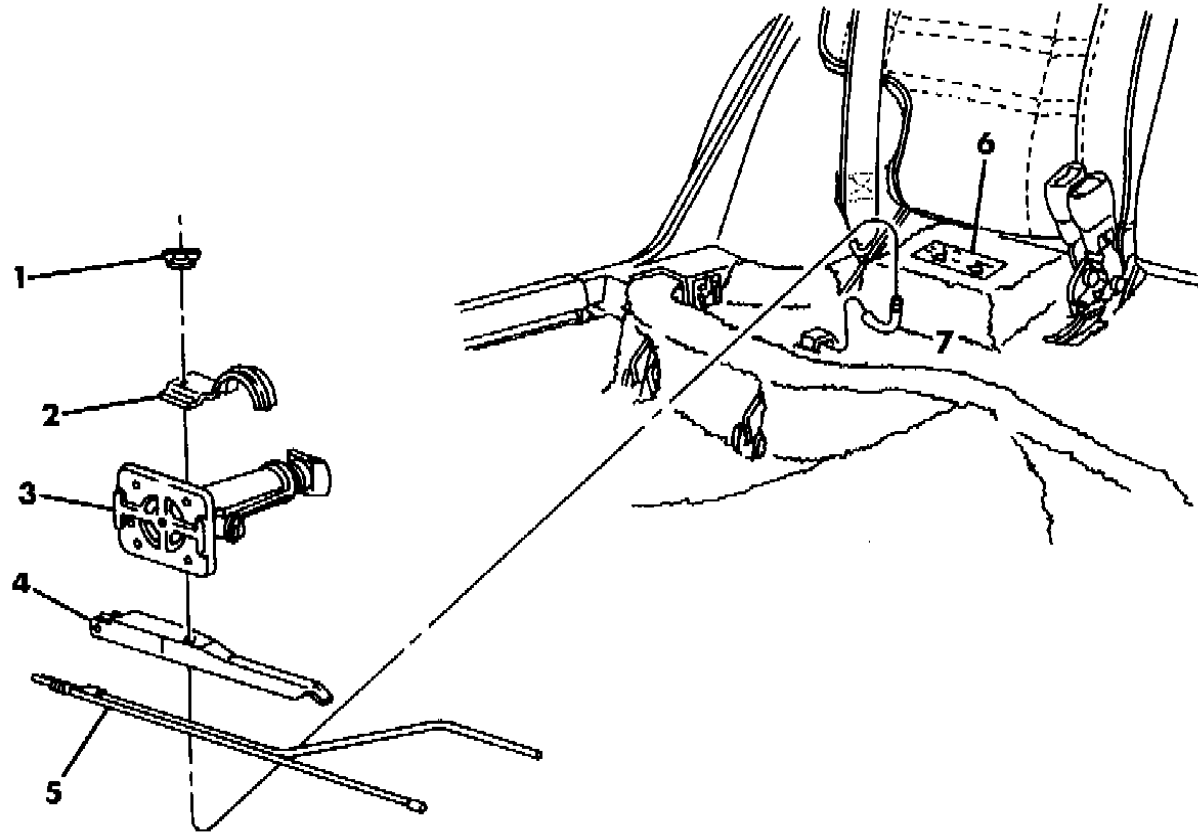
MJ=Comanche Pickup ZJ=Grand Cherokee/Grand Wagoneer KDX VEHICLES
 SJ=Grand Wagoneer M1=Comanche
 XJ=Cherokee, Briarwood X1=Cherokee, Briarwood
 YJ=Wrangler Y1=Wrangler

AR = Use as Required - = Non Illustrated Part P.A.R. = Paint as Required

JACK AND MOUNTING GRAND CHEROKEE, ZJ
Figure 22-975

91J22 975

ITEM	PART NUMBER	QTY	BODY	MODEL	DESCRIPTION
1	3420 1676	1			WING NUT, Jack Mounting
2	5200 5581	1			BRACKET, Jack Hold Down
3	4293 227	1			JACK, Screw Type
	5208 7666	1			PAD, Jack Block Rubber (Not Shown)
4	5200 3583	1			WRENCH, Wheel Lug Nut
5	5200 0221	1			HANDLE, Jack Crank
6		1			LABEL, Jack Stowage (Not Serviced)
7	5200 5582	1			BOLT, Jack Hold Down



MODEL CODES:

61=Pickup-6 Ft Box 74=4 Door Wagon T=2WD
 62=Pickup-7 Ft Box 77=Open Body 93" Wheelbase J,N,U=4WD
 72=2 Door Wagon 78=Open Body 103" Wheelbase

BODY STYLES:

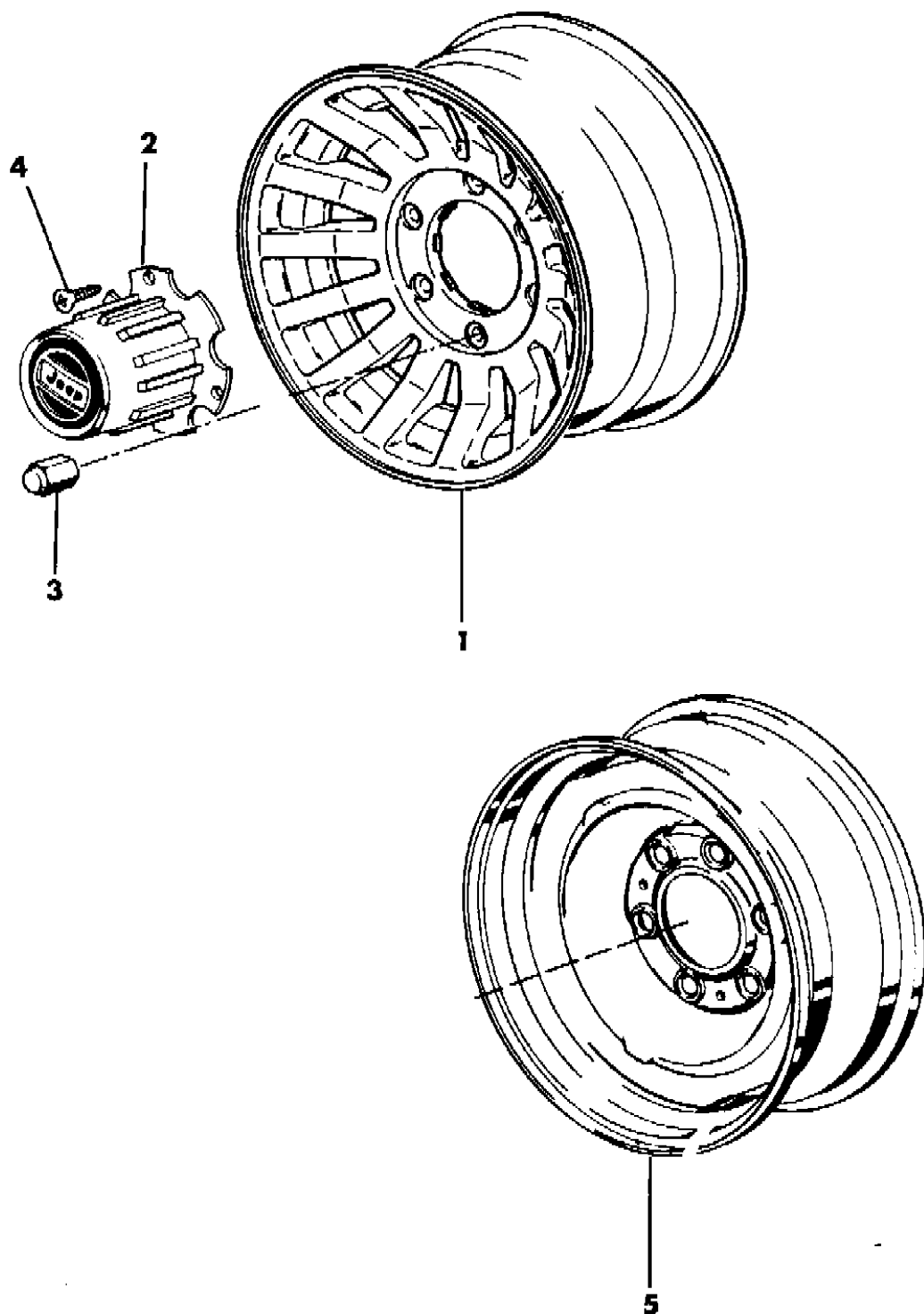
MJ=Comanche Pickup ZJ=Grand Cherokee/Grand Wagoneer KDX VEHICLES
 SJ=Grand Wagoneer M1=Comanche
 XJ=Cherokee, Briarwood X1=Cherokee, Briarwood
 YJ=Wrangler Y1=Wrangler

AR = Use as Required - = Non Illustrated Part P.A.R. = Paint as Required

WHEEL AND CAP GRAND WAGONEER - 1991
Figure 22-1000

91J22 1000

ITEM	PART NUMBER	QTY	BODY	MODEL	DESCRIPTION
1	5200 3473	AR			WHEEL, Gray, Aluminum, 15x7.0
2	5200 3046	4			CAP, Hub
3	J400 4844	20			NUT, Lug 3/4"
4	J400 4867	12			SCREW, 6mm
5	J535 9101	AR			WHEEL, Steel 15" Compact Spare, 15x6.0



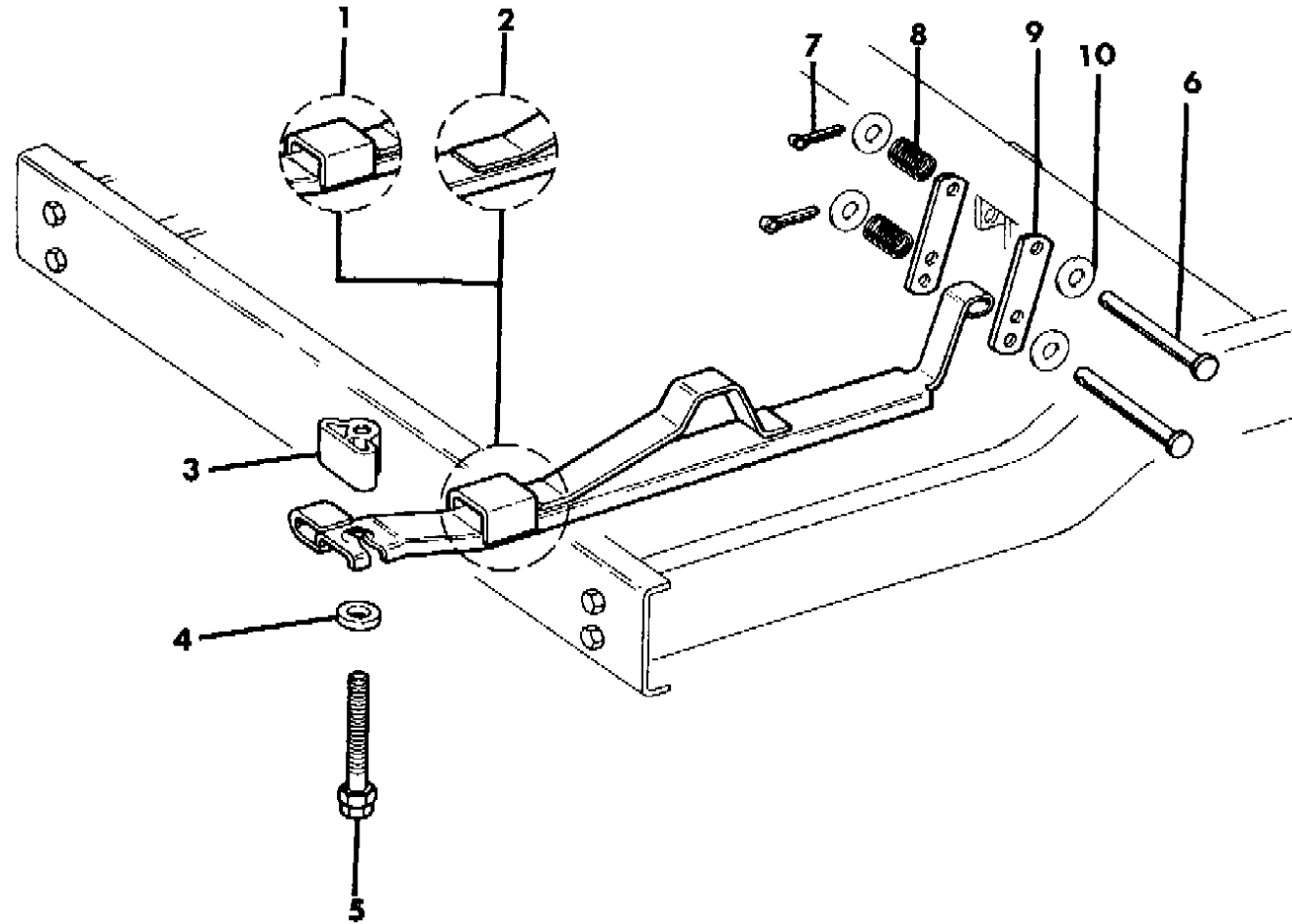
MODEL CODES:
 61=Pickup-6 Ft Box 74=4 Door Wagon T=2WD
 62=Pickup-7 Ft Box 77=Open Body 93" Wheelbase J,N,U=4WD
 72=2 Door Wagon 78=Open Body 103" Wheelbase

BODY STYLES:
 MJ=Comanche Pickup ZJ=Grand Cherokee/Grand Wagoneer KDX VEHICLES
 SJ=Grand Wagoneer M1=Comanche
 XJ=Cherokee, Briarwood X1=Cherokee, Briarwood
 YJ=Wrangler Y1=Wrangler

AR = Use as Required - = Non Illustrated Part P.A.R. = Paint as Required

WHEEL, SPARE UNDERBODY MOUNTING GRAND WAGONEER - 1991
Figure 22-1100

91J22 1100 A



ITEM	PART NUMBER	QTY	BODY	MODEL	DESCRIPTION
1					BAR, Mounting
	J536 4910	1			Class III Trailer Hitch
2					BAR, Mounting
	J535 4018	1			Class I Trailer Hitch
	J535 4018	1			w/o Trailer Hitch
3	J099 4719	1			NUT
4	J012 1458	AR			WASHER, Thickness .09"
	J099 8036	AR			SPACER, Thickness .38"
5					BOLT
	J400 4982	AR			P225 Tire, Length 5.5"
	J400 4983	AR			P235 Tire, Length 7.0"
6	J091 2217	2			PIN, Clevis
7	J012 1222	2			PIN, Cotter
8	J080 3356	2			SPRING
9	J535 7938	2			PLATE
10	J400 1104	4			WASHER, Flat

MODEL CODES:

61=Pickup-6 Ft Box 74=4 Door Wagon T=2WD
 62=Pickup-7 Ft Box 77=Open Body 93" Wheelbase J,N,U=4WD
 72=2 Door Wagon 78=Open Body 103" Wheelbase

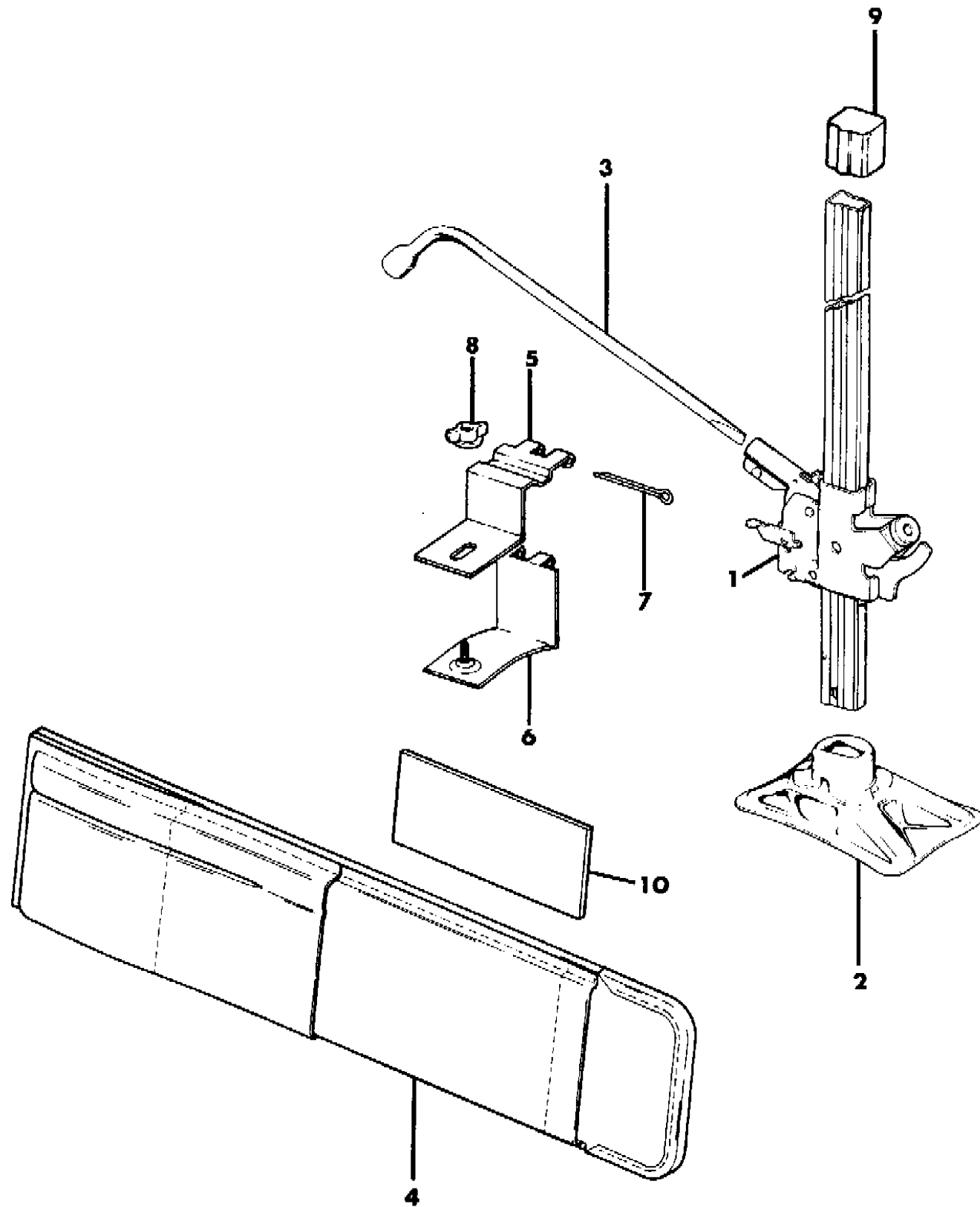
BODY STYLES:

MJ=Comanche Pickup ZJ=Grand Cherokee/Grand Wagoneer KDX VEHICLES
 SJ=Grand Wagoneer M1=Comanche
 XJ=Cherokee, Briarwood X1=Cherokee, Briarwood
 YJ=Wrangler Y1=Wrangler

AR = Use as Required - = Non Illustrated Part P.A.R. = Paint as Required

JACK AND STORAGE BAG GRAND WAGONEER - 1991
Figure 22-1200

91J22 1200



ITEM	PART NUMBER	QTY	BODY	MODEL	DESCRIPTION
1	J535 8904	1			JACK
2	J535 5009	1			BASE, Jack
3	J535 4991	1			WRENCH, Lug
4	5502 0270	1			BAG, Jack
5	5501 9521	1			BRACKET, Jack Storage, Upper
6	5501 9521	1			BRACKET, Hinge Half, Lower
7	J013 7214	1			PIN
8	J014 8312	1			NUT
9	5501 9524	1			CAP
10	J576 6468	1			INSULATOR ***

MODEL CODES:

61=Pickup-6 Ft Box 74=4 Door Wagon T=2WD
 62=Pickup-7 Ft Box 77=Open Body 93" Wheelbase J,N,U=4WD
 72=2 Door Wagon 78=Open Body 103" Wheelbase

BODY STYLES:

MJ=Comanche Pickup ZJ=Grand Cherokee/Grand Wagoneer KDX VEHICLES
 SJ=Grand Wagoneer M1=Comanche
 XJ=Cherokee, Briarwood X1=Cherokee, Briarwood
 YJ=Wrangler Y1=Wrangler

AR = Use as Required - = Non Illustrated Part P.A.R. = Paint as Required

GROUP 23 - BODY - EXTERIOR ORNAMENTATION

ILLUSTRATION TITLE **GROUP-FIG. NO.**

WRANGLER, YJ

EXTENSIONS FENDER AND REAR QUARTER WRANGLER, YJ - EXCEPT RENEGADE Fig. 23-100

DECALS AND NAMEPLATE WRANGLER, YJ Fig. 23-200

DECALS, BODYSIDE AND REAR "S" AND BASE MODEL, 1991-92 WRANGLER, YJ Fig. 23-250

DECALS, BODYSIDE BASE VEHICLE W/SPORT TAPES, 1993 WRANGLER, YJ Fig. 23-275

DECALS BODYSIDE AND REAR SAHARA, 1991 WRANGLER, YJ Fig. 23-300

DECALS, BODYSIDE AND REAR SAHARA, 1992-93 WRANGLER, YJ Fig. 23-325

DECALS, BODYSIDE AND REAR SAHARA, 1992-93 WRANGLER, YJ Fig. 23-350

DECALS, BODYSIDE AND REAR ISLANDER, 1991-92 WRANGLER, YJ Fig. 23-400

DECALS, BODYSIDE AND REAR LAREDO, EUROPE AND KDX, 1991-92 WRANGLER, YJ Fig. 23-500

DECALS, BODYSIDE AND REAR LIMITED, EUROPE, 1992-93 WRANGLER, YJ Fig. 23-525

DECALS, BODYSIDE AND REAR RENEGADE WRANGLER, YJ Fig. 23-550

CHEROKEE, XJ, 4 DOOR, (EXCEPT BRIARWOOD)

NAMEPLATES CHEROKEE 4 DOOR, EXCEPT BRIARWOOD - XJ Fig. 23-600

MOULDINGS, EXTERIOR, UPPER CHEROKEE 4 DOOR, EXCEPT BRIARWOOD - XJ Fig. 23-700

MOULDING AND CLADDING, EXTERIOR, LOWER CHEROKEE 4 DOOR - XJ Fig. 23-800

DECALS, EXTERIOR PIONEER, 1991 CHEROKEE 4 DOOR - XJ Fig. 23-900

DECALS, EXTERIOR LAREDO, 1991-92 CHEROKEE 4 DOOR - XJ Fig. 23-1000

DECALS, EXTERIOR LIMITED CHEROKEE 4 DOOR - XJ Fig. 23-1100

DECALS, EXTERIOR SPORT AND BASE CHEROKEE 4 DOOR - XJ Fig. 23-1200

DECALS, EXTERIOR COUNTRY, 1993 CHEROKEE 4 DOOR - XJ Fig. 23-1250

CHEROKEE, XJ, 2 DOOR

NAMEPLATES CHEROKEE 2 DOOR - XJ Fig. 23-1300

MOULDINGS, EXTERIOR, UPPER CHEROKEE 2 DOOR - XJ Fig. 23-1400

MOULDING AND CLADDING, EXTERIOR, LOWER CHEROKEE 2 DOOR - XJ Fig. 23-1500

DECALS, EXTERIOR PIONEER, 1991 CHEROKEE 2 DOOR - XJ Fig. 23-1600

DECALS, EXTERIOR LAREDO, 1991-92 CHEROKEE 2 DOOR - XJ Fig. 23-1700

DECALS, EXTERIOR SPORT CHEROKEE 2 DOOR - XJ Fig. 23-1900

DECALS, EXTERIOR COUNTRY, 1993 CHEROKEE 2 DOOR - XJ Fig. 23-1950

CHEROKEE, XJ, BRIARWOOD

NAMEPLATES CHEROKEE BRIARWOOD, 1991-92 - XJ Fig. 23-2000

MOULDINGS, EXTERIOR UPPER CHEROKEE BRIARWOOD, 1991-92 - XJ Fig. 23-2100

MOULDINGS, EXTERIOR, LOWER BRIARWOOD, 1991-92 - XJ Fig. 23-2200

DECALS, EXTERIOR BRIARWOOD, 1991-92 - XJ Fig. 23-2300

COMANCHE, MJ

NAMEPLATES COMANCHE - MJ Fig. 23-2400

MOULDINGS, EXTERIOR, UPPER COMANCHE - MJ Fig. 23-2500

ILLUSTRATION NOT AVAILABLE AT TIME OF PUBLICATION

GROUP 23 - BODY - EXTERIOR ORNAMENTATION

ILLUSTRATION TITLE

GROUP-FIG. NO.

COMANCHE, MJ (Continued)

MOULDINGS, EXTERIOR, UPPER COMANCHE - MJ	Fig. 23-2500
MOULDINGS, EXTERIOR, LOWER COMANCHE - MJ	Fig. 23-2600
DECALS, EXTERIOR BASE COMANCHE - MJ	Fig. 23-2700
DECALS, EXTERIOR ELIMINATOR COMANCHE - MJ	Fig. 23-2800
DECALS, EXTERIOR PIONEER COMANCHE - MJ	Fig. 23-2900
DECALS, EXTERIOR SPORTRUCK COMANCHE - MJ	Fig. 23-3000
DECALS SPORTRUCK, 1992-93 COMANCHE - MJ	Fig. 23-3050

GRAND WAGONEER, SJ

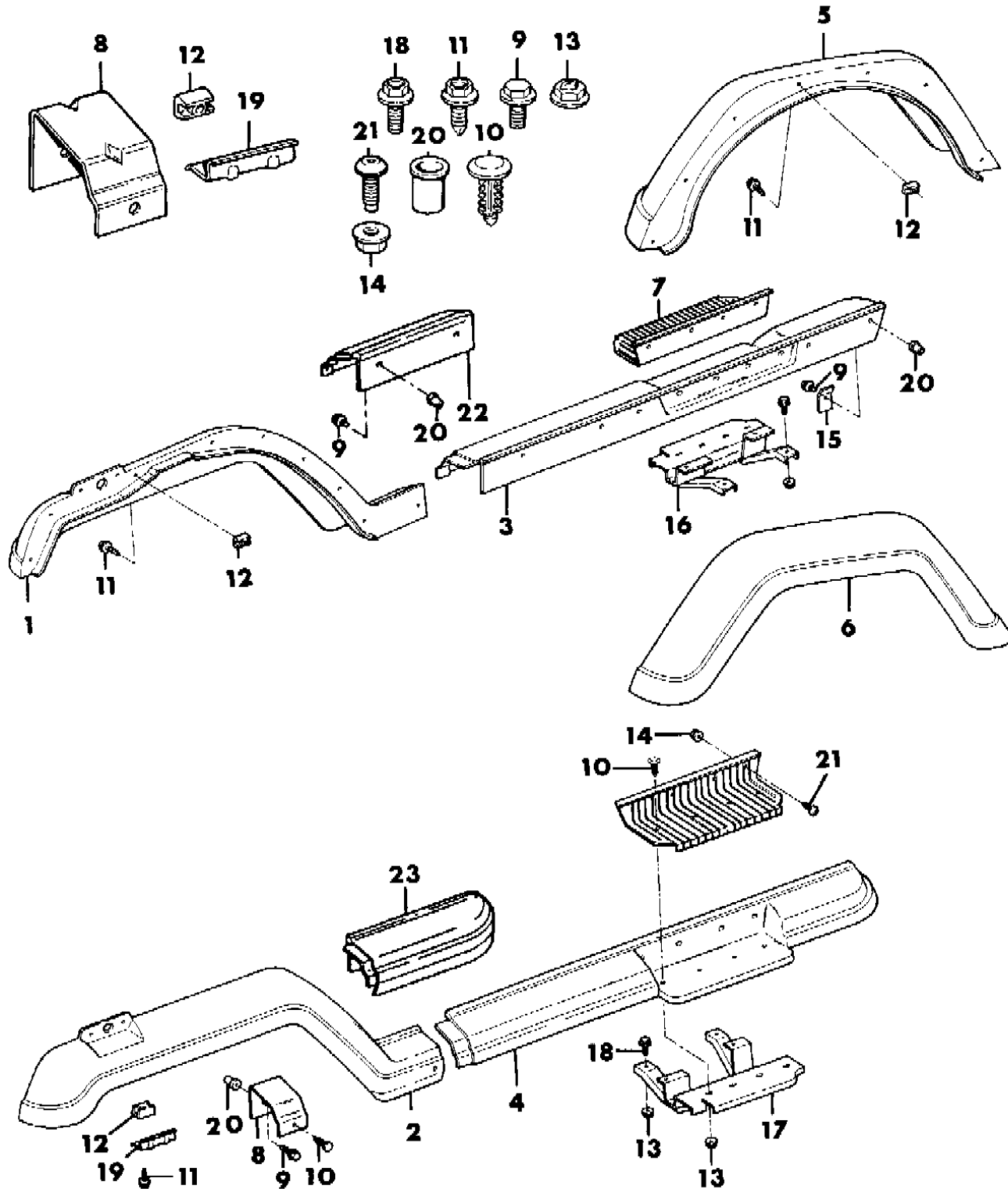
NAMEPLATES GRAND WAGONEER, 1991 - SJ	Fig. 23-3100
MOULDINGS, EXTERIOR, UPPER GRAND WAGONEER, 1991 - SJ	Fig. 23-3200
MOULDINGS, EXTERIOR, LOWER GRAND WAGONEER, 1991 - SJ	Fig. 23-3300
DECALS, EXTERIOR GRAND WAGONEER, 1991 - SJ	Fig. 23-3400

GRAND CHEROKEE, ZJ

NAMEPLATES AND DECALS GRAND CHEROKEE AND GRAND WAGONEER - ZJ	Fig. 23-3500
MOULDINGS, UPPER GRAND CHEROKEE AND GRAND WAGONEER, 1993 - ZJ	Fig. 23-3600
MOULDINGS, BODYSIDE GRAND CHEROKEE, BASE AND SPORT, 1993 - ZJ	Fig. 23-3700
CLADDING AND SILL MOULDINGS GRAND CHEROKEE, LAREDO AND LIMITED, 1993 - ZJ	Fig. 23-3800
TAPES GRAND CHEROKEE, LAREDO AND LIMITED, 1993 - ZJ	Fig. 23-3900
WOODGRAIN MOULDINGS AND WOODGRAIN OVERLAY GRAND WAGONEER, 1993 - ZJ	Fig. 23-4000

EXTENSIONS FENDER AND REAR QUARTER WRANGLER, YJ - EXCEPT RENEGADE
Figure 23-100

91J68 100



ITEM	PART NUMBER	QTY	BODY	MODEL	DESCRIPTION
1-2	5AH14-5 JX9	1			EXTENSION, Fender, P.A.R.
3-4					MOULDING, Body Side Step
As stock of colored mouldings is exhausted flat black parts will be provided P.A.R. ion as described in the Chrysler repair manual.					
	5AF94-5 JX9	1			Flat Black, P.A.R.
	5AF94-5 KC3	1			Blue Metallic
	5AF94-5 JJ6	1			Khaki Metallic
	5AF94-5 JW7	1			Bright White
	5AF94-5 JJ2	1			Malibu Yellow
5-6					EXTENSION, Rear Quarter
	5AH16-7 JX9	1		77	P.A.R.
	J575 7020-1	1		78	P.A.R., KDX - Egypt, Venezuela
7	5501 7500	2			APPLIQUE, Body Side Step
8	5500 8582	2			BRACKET, Mounting Front
9	J400 6906	8			BOLT, Bracket to Body and Moulding to Body
-		6			SCREW AND WASHER, Moulding to Body (154242 DNS, use 1/4-20) ***
10	J400 4919	2			FASTENER
11	J941 6223	32			SCREW
12	J400 4868	32			NUT
13	1150 2507	8			NUT
14	J400 4588	AR			NUT
15	5500 8583	AR			BRACKET, Mounting Rear
16-17	5500 9130-1	1			SUPPORT, Body Side Step
18	J400 5822	8			SCREW
19	5505 0157	2			BRACKET, Extension
20	J400 7101	8			NUTSERT, Bracket to Body and Moulding to Body ***
21	J400 7562	AR			SCREW
22-23	5500 7316-7	1			MOULDING, Body Side, P.A.R.
For Renegade Fender and Quarter Panel Extensions see Group 23A. ion as described in the Chrysler repair manual.					

MODEL CODES:

61=Pickup-6 Ft Box 74=4 Door Wagon T=2WD
62=Pickup-7 Ft Box 77=Open Body 93" Wheelbase J,N,U=4WD
72=2 Door Wagon 78=Open Body 103" Wheelbase

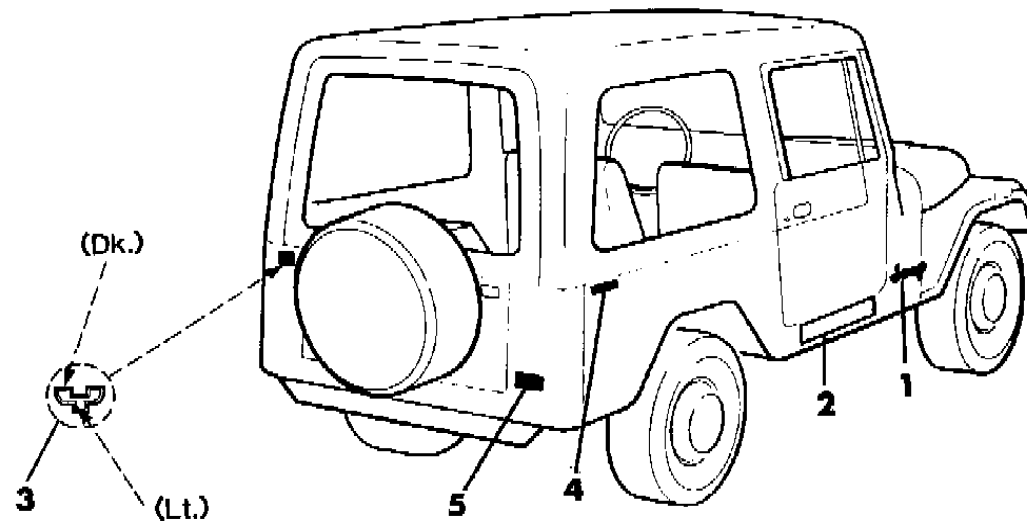
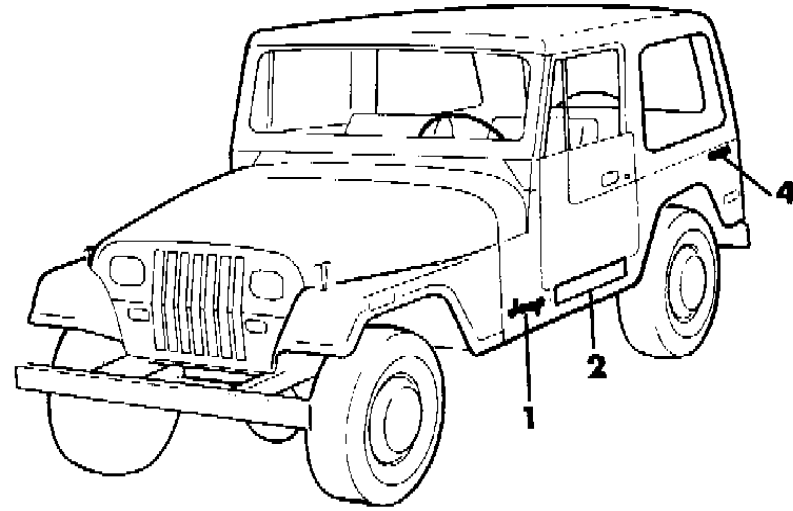
BODY STYLES:

MJ=Comanche Pickup ZJ=Grand Cherokee/Grand Wagoneer KDX VEHICLES
SJ=Grand Wagoneer M1=Comanche
XJ=Cherokee, Briarwood X1=Cherokee, Briarwood
YJ=Wrangler Y1=Wrangler

AR = Use as Required - = Non Illustrated Part P.A.R. = Paint as Required

DECALS AND NAMEPLATE WRANGLER, YJ
Figure 23-200

91J68 200A



ITEM	PART NUMBER	QTY	BODY	MODEL	DESCRIPTION
1					DECAL, "Jeep"
	5AS1 5JQ8	2			Dark Blue, 1991-92
	5AS1 5KC4	2			Glacier Blue, 1991-92
	5AS1 5JY3	2			Sand Metallic, 1991-92
	5AS1 5JK2	2			Light Sand Metallic, EUROPE, KDX, 1992
	5AS1 5KA2	2			Light Silver, 1991-93
	5AS1 5KA9	2			Dark Silver, 1991-93
	5AS1 5LV2	2			Berry Red Metallic, 1992-93
	5AS1 5LK1	2			Spice Metallic, 1992
	5AS1 5LT6	2			Spice, 1992
	5AS1 5LGC	2			Silver Green Metallic, 1992
	5AS1 5LJ4	2			Gold, EUROPE, 1992-93
	5AS1 5MU2	2			Medium Spice Metallic, 1993
	5AS1 5MQH	2			Turquoise, 1993
	5AS1 5MV5	2			Bright Red, 1993
2	J576 5270	2			PROTECTOR, Scuff, Clear
3					DECAL, "YJ", CANADA
					Dual Color Decal
	5AS3 2KAL	1			Light Silver, Dark Silver, CANADA, 1991-93
	5AS3 2JAP	1			Red, Yellow, CANADA, 1991
	5AS3 2LAK	1			Dark Green, Spice, CANADA, 1992
	5AS3 2MGU	1			Medium Spice Metallic, Dark Green, CANADA, 1993
	5AS3 2LUV	1			Medium Spice, Berry Red Metallic, CANADA, 1992
					Single Color Decal
	5AS3 2KC4	1			Glacier Blue, CANADA, 1992
	5AS3 2LK1	1			Spice, CANADA, 1992
	5AS3 2LGC	1			Silver Green Metallic, CANADA, 1992
4					NAMEPLATE OR DECAL, "WRANGLER" (not used in Canada) ***
	5501 0768	2			NAMEPLATE, 1991
					DECAL
	5CN7 4KQ8	2			Dark Blue, 1991-92
	5CN7 4KY3	2			Sand (yellow), 1991
	5CN7 4LK2	2			Light Sand Metallic, 1992
	5CN7 4KA2	2			Light Silver, 1991-93
	5CN7 4KA9	2			Dark Silver, 1991-93
	5CN7 4MQH	2			Turquoise, 1993
	5CN7 4MV5	2			Bright Red, 1993
	5CN7 4LT6	2			Bright Red, 1992
5					DECAL, "4.0L High Output"
	5CL0 6KQ8	1			Dark Blue, 1991-92
	5CL0 6KC4	1			Glacier Blue, 1991-92

MODEL CODES:

61=Pickup-6 Ft Box 74=4 Door Wagon T=2WD
62=Pickup-7 Ft Box 77=Open Body 93" Wheelbase J,N,U=4WD
72=2 Door Wagon 78=Open Body 103" Wheelbase

BODY STYLES:

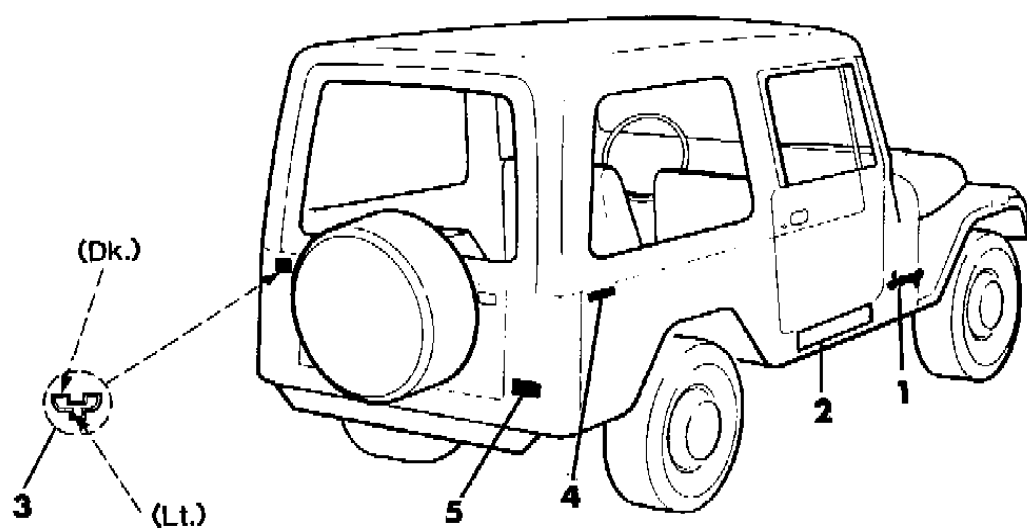
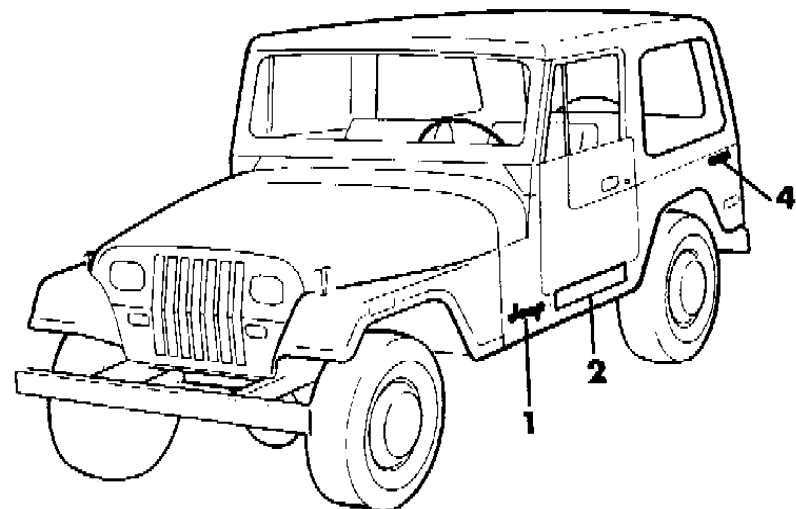
MJ=Comanche Pickup ZJ=Grand Cherokee/Grand Wagoneer KDX VEHICLES
SJ=Grand Wagoneer M1=Comanche
XJ=Cherokee, Briarwood X1=Cherokee, Briarwood
YJ=Wrangler Y1=Wrangler

AR = Use as Required - = Non Illustrated Part P.A.R. = Paint as Required

DECALS AND NAMEPLATE WRANGLER, YJ
Figure 23-200

91J68 200A

ITEM	PART NUMBER	QTY	BODY	MODEL	DESCRIPTION
	5CLO 6KY3	1			Sand, 1991
	5CLO 6LK2	1			Light Sand Metallic, 1992
	5CLO 6KA2	1			Light Silver, 1991-93
	5CLO 6KA9	1			Dark Silver, 1991-93
	5CLO 6LT6	1			Spice, 1992
	5CLO 6LK1	1			Spice Metallic, 1992
	5CLO 6LGC	1			Silver Green Metallic, 1992
	5CLO 6LJ4	1			Gold, EUROPE, 1992-93
	5CLO 6LV2	1			Berry Red Metallic, 1992-93
	5CLO 6MS1	1			Light Silver, 1993
	5CLO 6MQH	1			Turquoise, 1993
	5CLO 6MX9	1			Flat Black, KDX, 1993



MODEL CODES:

61=Pickup-6 Ft Box 74=4 Door Wagon T=2WD
62=Pickup-7 Ft Box 77=Open Body 93" Wheelbase J,N,U=4WD
72=2 Door Wagon 78=Open Body 103" Wheelbase

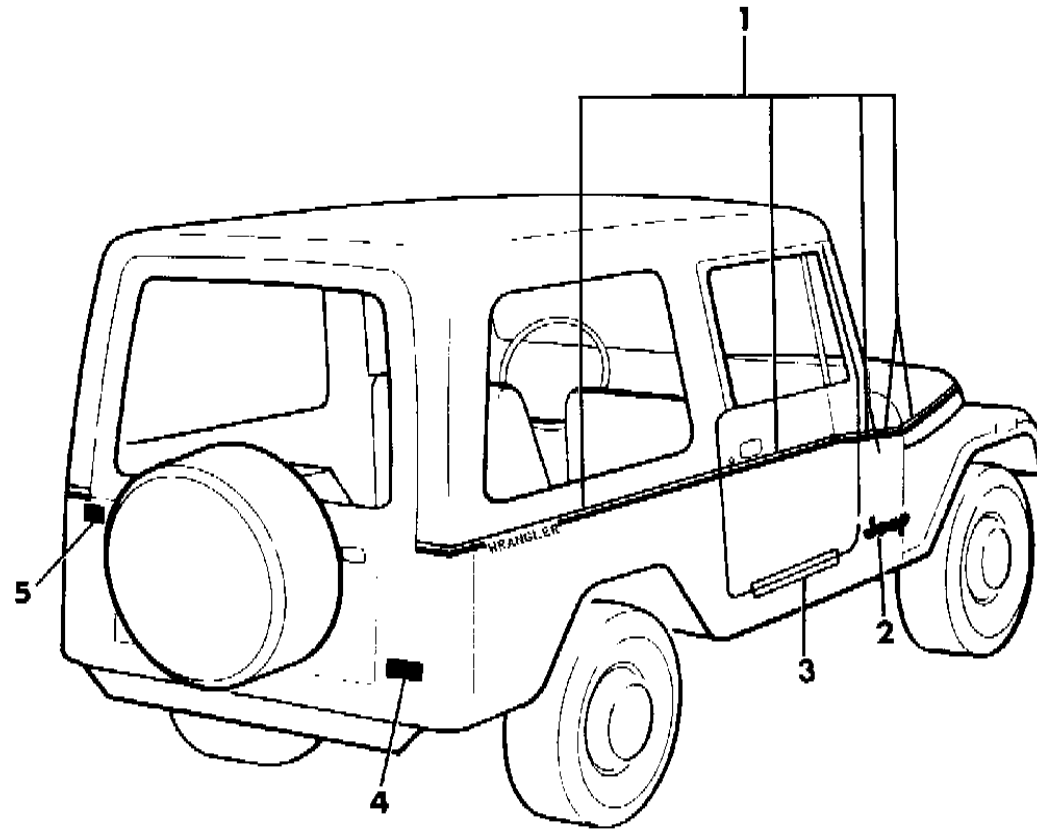
BODY STYLES:

MJ=Comanche Pickup ZJ=Grand Cherokee/Grand Wagoneer KDX VEHICLES
SJ=Grand Wagoneer M1=Comanche
XJ=Cherokee, Briarwood X1=Cherokee, Briarwood
YJ=Wrangler Y1=Wrangler

AR = Use as Required - = Non Illustrated Part P.A.R. = Paint as Required

DECALS, BODYSIDE AND REAR "S" AND BASE MODEL, 1991-92 WRANGLER, YJ
Figure 23-250

91J68 250A



ITEM	PART NUMBER	QTY	BODY	MODEL	DESCRIPTION
1					TAPE PACKAGE, Bodyside Except CANADA (in this package "WRANGLER" graphics are included in the quarter panel tape)
	4713 152-3	1			Glacier Blue, 1991-92
	4713 408-9	1			Silver Green Metallic, 1992
	4713 410-1	1			Spice Metallic, 1992 CANADA ("WRANGLER" graphics are omitted from the Canadian packages)
	4713 412-3	1			Glacier Blue, CANADA, 1991-92
	4713 414-5	1			Silver Green Metallic, CANADA, 1992
	4713 416-7	1			Spice Metallic, CANADA, 1992
2					DECAL, "Jeep"
	5AS1 5KC4	2			Glacier Blue, 1991-92
	5AS1 5LGC	2			Silver Green Metallic, 1992
	5AS1 5LK1	2			Spice Metallic, 1992
3	J576 5270	2			PROTECTOR, Door Opening, Clear
4					DECAL, "4.0L High Output"
	5CL0 6KC4	1			Glacier Blue, 1991-92
	5CL0 6LGC	1			Silver Green Metallic, 1992
	5CL0 6LK1	1			Spice Metallic, 1992
5					DECAL, "YJ", CANADA
	5AS3 2KC4	1			Glacier Blue, CANADA, 1991-92
	5AS3 2LGC	1			Silver Green Metallic, CANADA, 1992
	5AS3 2LK1	1			Spice Metallic, CANADA, 1992
	5AS3 2KAL	1			Light Silver, Dark Silver, CANADA, 1992-93

MODEL CODES:

61=Pickup-6 Ft Box 74=4 Door Wagon T=2WD
62=Pickup-7 Ft Box 77=Open Body 93" Wheelbase J,N,U=4WD
72=2 Door Wagon 78=Open Body 103" Wheelbase

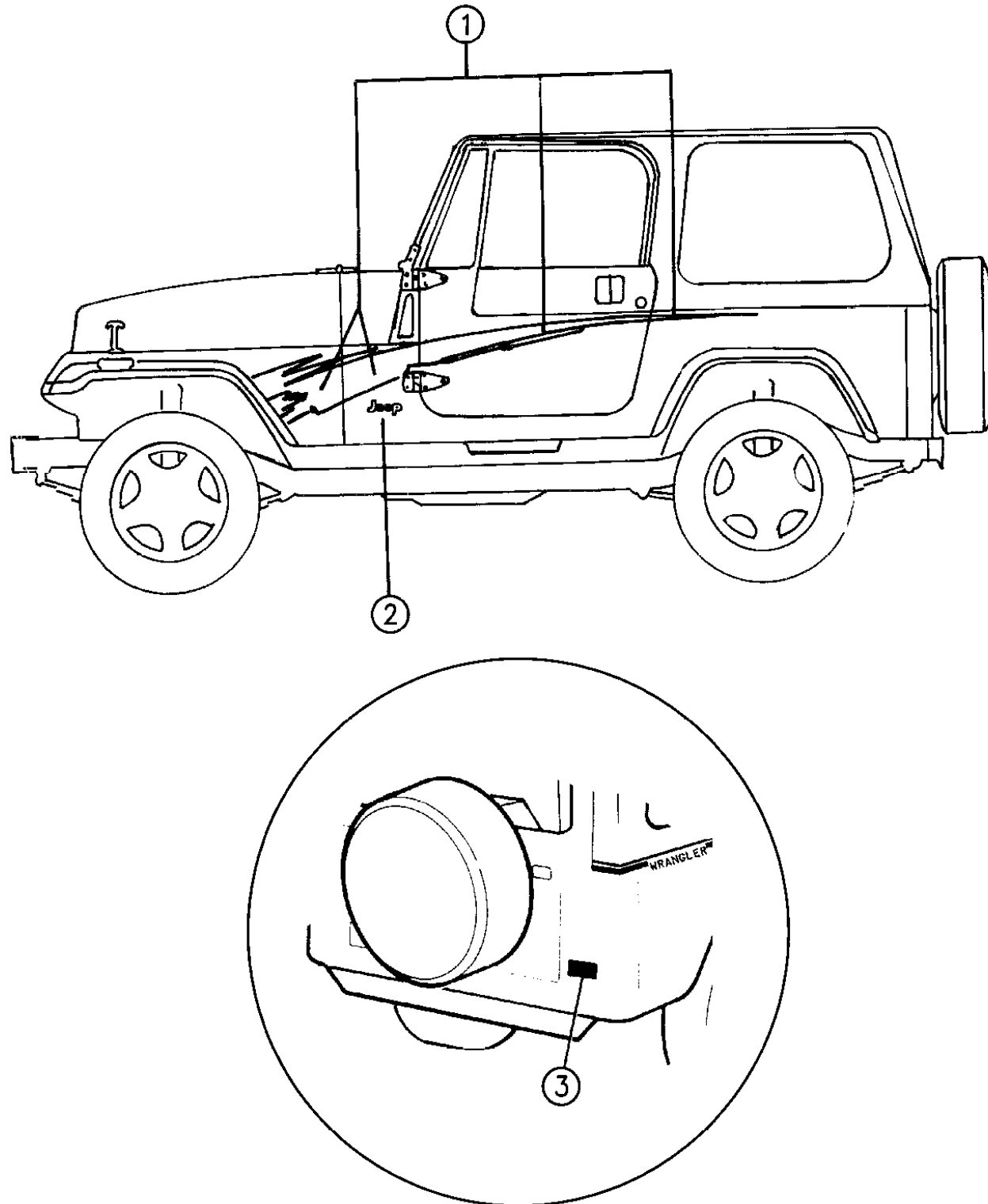
BODY STYLES:

MJ=Comanche Pickup ZJ=Grand Cherokee/Grand Wagoneer KDX VEHICLES
SJ=Grand Wagoneer M1=Comanche
XJ=Cherokee, Briarwood X1=Cherokee, Briarwood
YJ=Wrangler Y1=Wrangler

AR = Use as Required - = Non Illustrated Part P.A.R. = Paint as Required

DECALS, BODYSIDE BASE VEHICLE W/SPORT TAPES, 1993 WRANGLER, YJ
Figure 23-275

91J68 275A



ITEM	PART NUMBER	QTY	BODY	MODEL	DESCRIPTION
1					TAPE PACKAGE, Bodyside
	4723 532-3	1			Chartreuse Green/Turquoise/Dark Purple/Magenta
	4723 534-5	1			Radiant Silver/Light Silver/Dark Silver/ Bright Red
2					DECAL, "Jeep"
	5AS1 5MQH	2			Turquoise
	5AS1 5MV5	2			Bright Red
3					DECAL, "4.0 LITRE HIGH OUTPUT"
	5CL0 6MQH	1			Turquoise
	5CL0 6MS1	1			Light Silver

MODEL CODES:

61=Pickup-6 Ft Box 74=4 Door Wagon T=2WD
62=Pickup-7 Ft Box 77=Open Body 93" Wheelbase J,N,U=4WD
72=2 Door Wagon 78=Open Body 103" Wheelbase

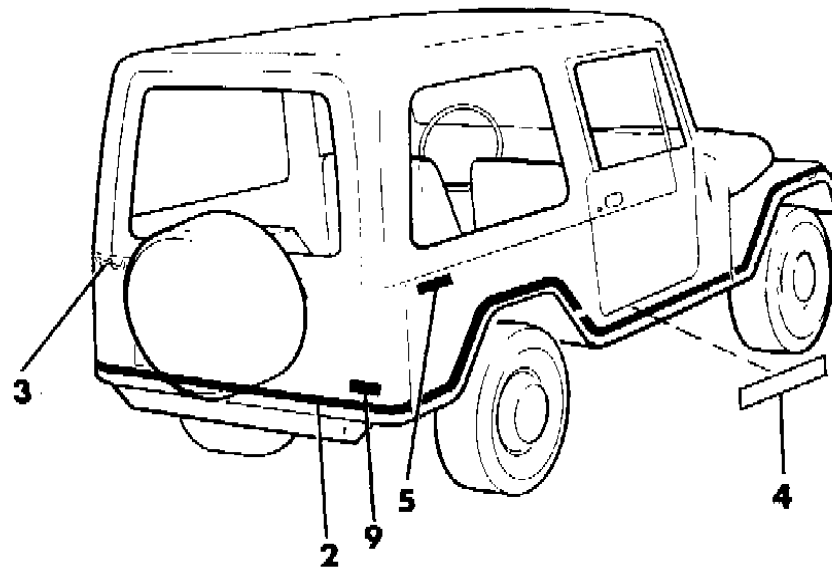
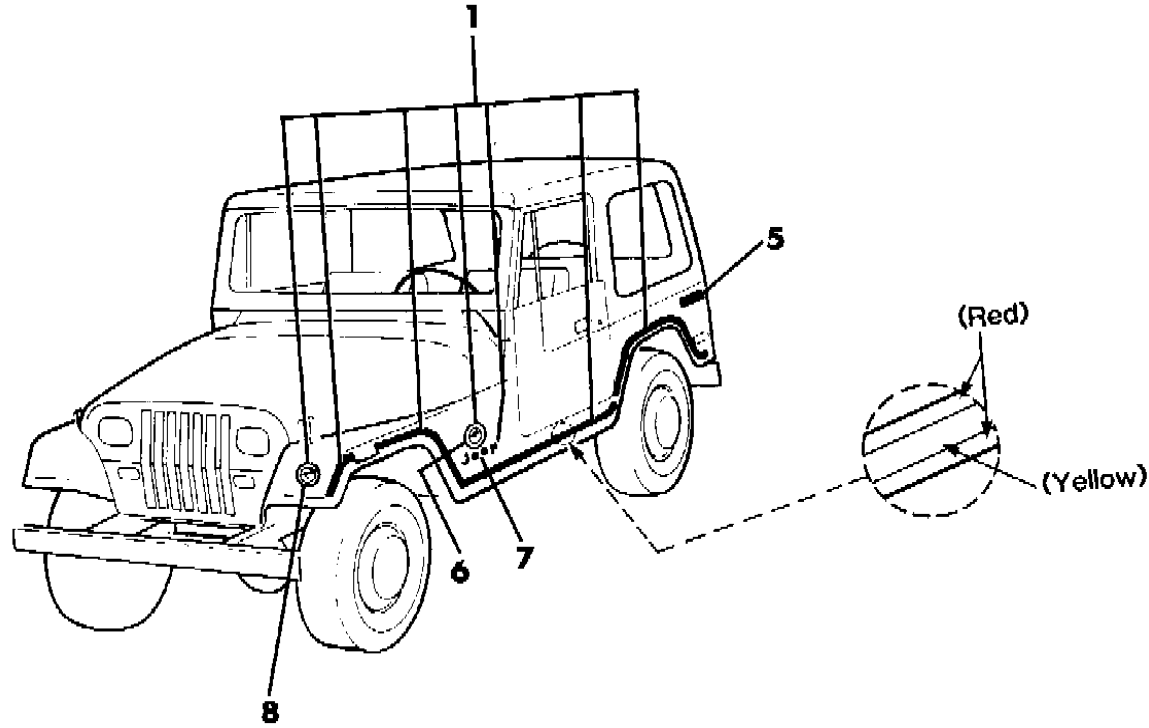
BODY STYLES:

MJ=Comanche Pickup ZJ=Grand Cherokee/Grand Wagoneer KDX VEHICLES
SJ=Grand Wagoneer M1=Comanche
XJ=Cherokee, Briarwood X1=Cherokee, Briarwood
YJ=Wrangler Y1=Wrangler

AR = Use as Required - = Non Illustrated Part P.A.R. = Paint as Required

DECALS BODYSIDE AND REAR SAHARA, 1991 WRANGLER, YJ
Figure 23-300

91J68 300A



ITEM	PART NUMBER	QTY	BODY	MODEL	DESCRIPTION
1	4636 086-7	1			TAPE PACKAGE, Bodyside
Sahara decal, fender front, is only in the left bodyside package ion as described in the Chrysler repair manual.					
2	5AS5 0JAP	1			DECAL, Rear Lower, Red/Yellow
3	5AS3 2JAP	1			DECAL, "YJ", CANADA
4	J576 5270	2			PROTECTOR, Scuff, Clear
5					NAMEPLATE OR DECAL, "WRANGLER" ***
	5501 0768	2			NAMEPLATE
	5CN7 4KY3	2			DECAL, Yellow (Sand)
For EUROPE applications fender front tape is not required ion as described in the Chrysler repair manual.					
6	5AS6 0JAP	2			DECAL, Fender Side, "SAHARA"
7	5AS1 5JY3	2			DECAL, "JEEP", Yellow (Sand)
8	5AS6 1JAP	1			DECAL, "SAHARA LOGO", Left Fender-Front
9	5CL0 6KY3	1			DECAL, "4.0L HIGH OUTPUT", Yellow (Sand)

MODEL CODES:

61=Pickup-6 Ft Box 74=4 Door Wagon T=2WD
62=Pickup-7 Ft Box 77=Open Body 93" Wheelbase J,N,U=4WD
72=2 Door Wagon 78=Open Body 103" Wheelbase

BODY STYLES:

MJ=Comanche Pickup ZJ=Grand Cherokee/Grand Wagoneer KDX VEHICLES
SJ=Grand Wagoneer M1=Comanche
XJ=Cherokee, Briarwood X1=Cherokee, Briarwood
YJ=Wrangler Y1=Wrangler

AR = Use as Required - = Non Illustrated Part P.A.R. = Paint as Required

DECALS, BODYSIDE AND REAR SAHARA, 1992-93 WRANGLER, YJ
Figure 23-325

ITEM	PART NUMBER	QTY	BODY	MODEL	DESCRIPTION
------	-------------	-----	------	-------	-------------

1	4761 680-1	1			DECAL PACKAGE, "JAMBOREE"
---	------------	---	--	--	---------------------------

NOTE: Modify to Fit. ion as described in the Chrysler repair manual.

ILLUSTRATION NOT AVAILABLE AT TIME OF PUBLICATION

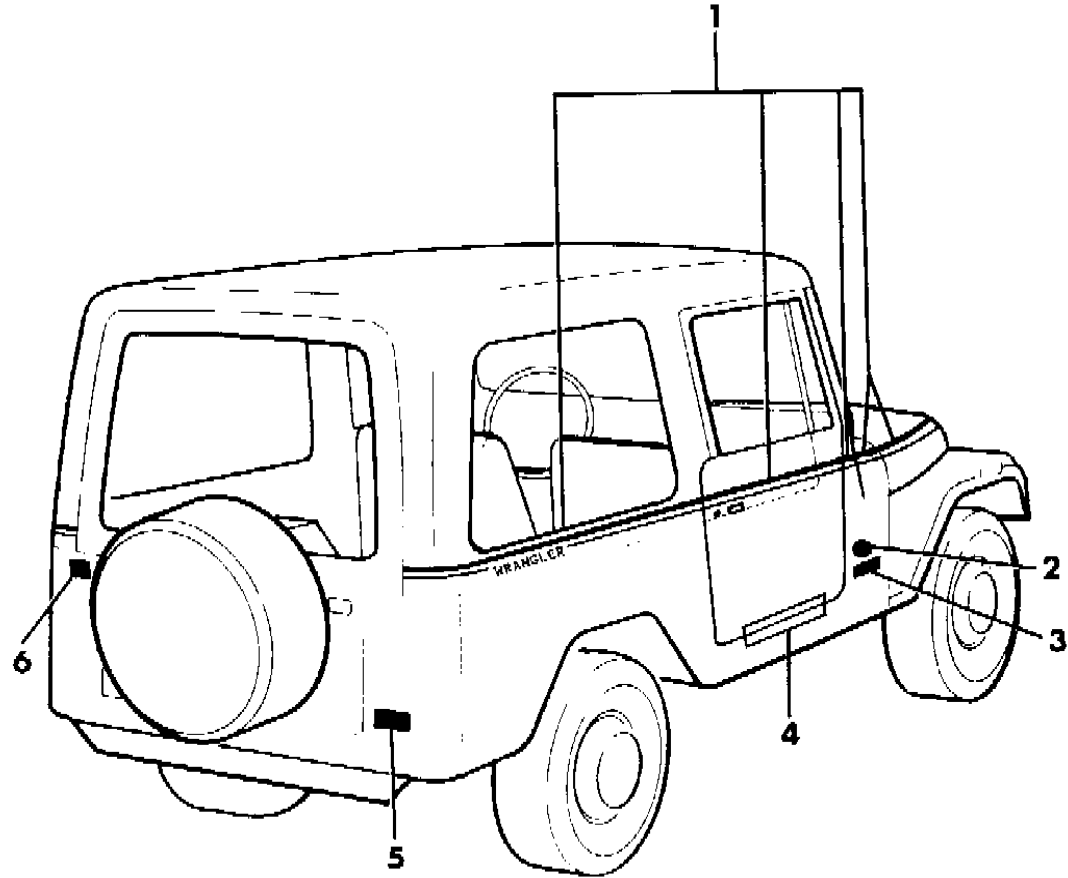
MODEL CODES:
 61=Pickup-6 Ft Box 74=4 Door Wagon T=2WD
 62=Pickup-7 Ft Box 77=Open Body 93" Wheelbase J,N,U=4WD
 72=2 Door Wagon 78=Open Body 103" Wheelbase

BODY STYLES:
 MJ=Comanche Pickup ZJ=Grand Cherokee/Grand Wagoneer KDX VEHICLES
 SJ=Grand Wagoneer M1=Comanche
 XJ=Cherokee, Briarwood X1=Cherokee, Briarwood
 YJ=Wrangler Y1=Wrangler

AR = Use as Required - = Non Illustrated Part P.A.R. = Paint as Required

DECALS, BODYSIDE AND REAR SAHARA, 1992-93 WRANGLER, YJ
Figure 23-325

91J68 350A



ITEM	PART NUMBER	QTY	BODY	MODEL	DESCRIPTION
1					TAPE PACKAGE, Bodyside
					NOTE: USA and EUROPE packages have "Wrangler" graphics in the quarter panel, CANADA does not. ion as described in the Chrysler repair manual.
	4637 822-3	1			Dark Green over Spice, USA, EUROPE, KDX, 1992
	4713 428-9	1			Dark Green over Spice, CANADA, 1992
	4713 948-9	1			Medium Spice Metallic over Berry Red Metallic, USA, EUROPE, 1992-93
	4713 946-7	1			Medium Spice Metallic over Berry Red Metallic, CANADA, 1992-93
	4720 072-3	1			Dark Green over Medium Spice Metallic, USA, EUROPE, 1993
	4720 070-1	1			Dark Green over Medium Spice Metallic, CANADA, 1993
2					DECAL, "SAHARA" Logo
	5AS6 0LAL	2			Low Gloss, 1992
	5AS6 0LTG	2			High Gloss, 1992-93
3					DECAL, "Jeep"
	5AS1 5LT6	2			Spice, 1992
	5AS1 5LV2	2			Berry Red Metallic, 1992-93
	5AS1 5MU2	2			Medium Spice Metallic, 1993
4	J576 5270	2			PROTECTOR, Door Opening, Clear
5					DECAL, "4.0L HIGH OUTPUT"
	5CL0 6LT6	1			Spice, 1992
	5CL0 6LV2	1			Berry Red Metallic, 1992-93
	5CL0 6MU2	1			Medium Spice Metallic, 1993
6					DECAL, "YJ", CANADA
	5AS3 2LAK	1			Dark Green, Spice, CANADA, 1992
	5AS3 2LUV	1			Medium Spice Metallic, Berry Red Metallic, CANADA, 1992-93
	5AS3 2MGU	1			Medium Spice Metallic, Dark Green, CANADA, 1993

MODEL CODES:

61=Pickup-6 Ft Box 74=4 Door Wagon T=2WD
62=Pickup-7 Ft Box 77=Open Body 93" Wheelbase J,N,U=4WD
72=2 Door Wagon 78=Open Body 103" Wheelbase

BODY STYLES:

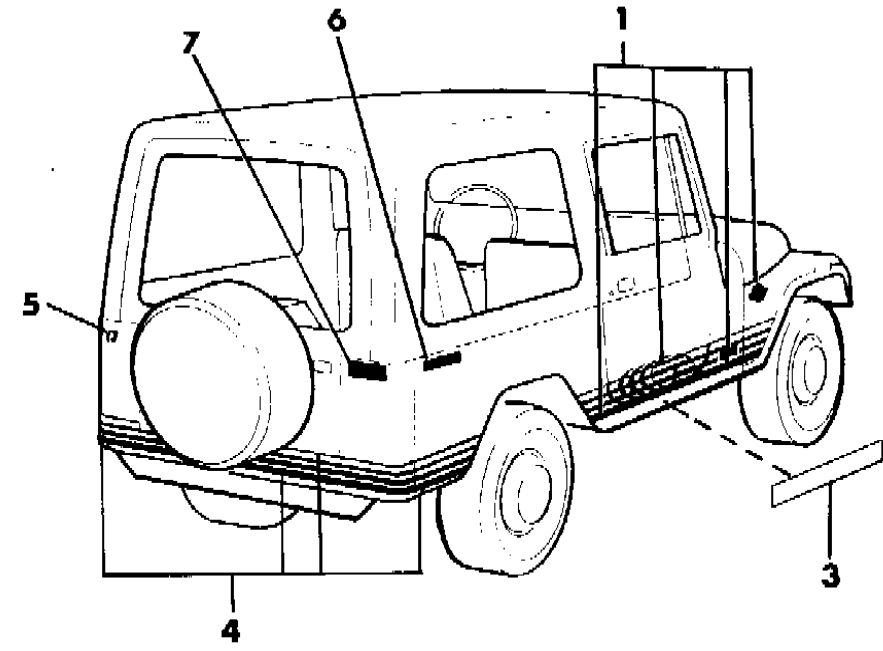
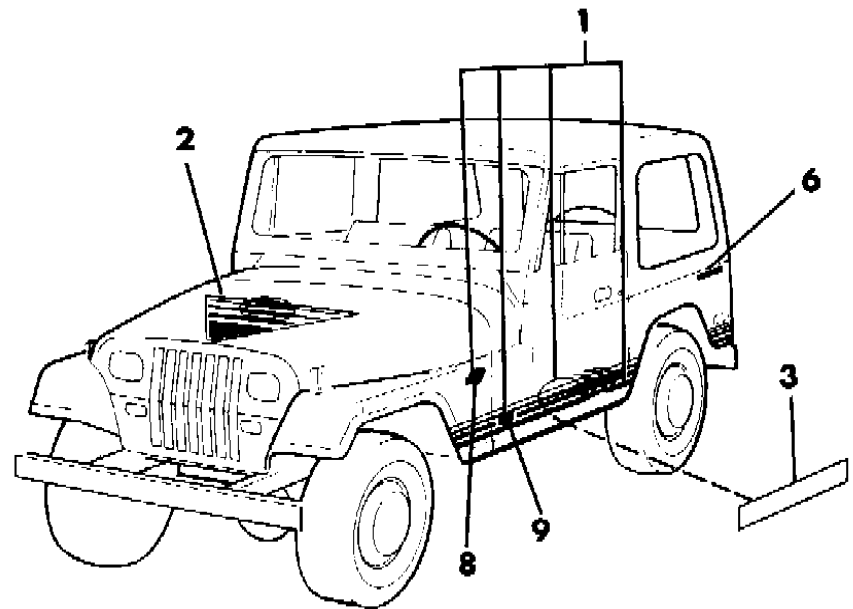
MJ=Comanche Pickup ZJ=Grand Cherokee/Grand Wagoneer KDX VEHICLES
SJ=Grand Wagoneer M1=Comanche
XJ=Cherokee, Briarwood X1=Cherokee, Briarwood
YJ=Wrangler Y1=Wrangler

AR = Use as Required - = Non Illustrated Part P.A.R. = Paint as Required

DECALS, BODYSIDE AND REAR ISLANDER, 1991-92 WRANGLER, YJ
Figure 23-400

91J68 400 B

ITEM	PART NUMBER	QTY	BODY	MODEL	DESCRIPTION
1	4636 092-3	1			TAPE PACKAGE, Bodyside
2	5AS1 7JAN	1			DECAL, Hood
3	J576 5270	2			PROTECTOR, Scuff, Clear
4	4636 095	1			TAPE PACKAGE, Rear End
5	5AS6 2JBD	1			DECAL, "YJ", CANADA
6	5CN7 4KQ8	2			DECAL, Quarter Panel, "WRANGLER", Blue (Squard Letters)
	5AS2 1JAN	2			With Round Letters
7	5CL0 6KQ8	1			DECAL, "4.0L High Output", Blue
8	5AS2 2JAP	2			DECAL, "ISLANDER LOGO"
9	5AS1 5JQ8	2			DECAL, "Jeep", Blue



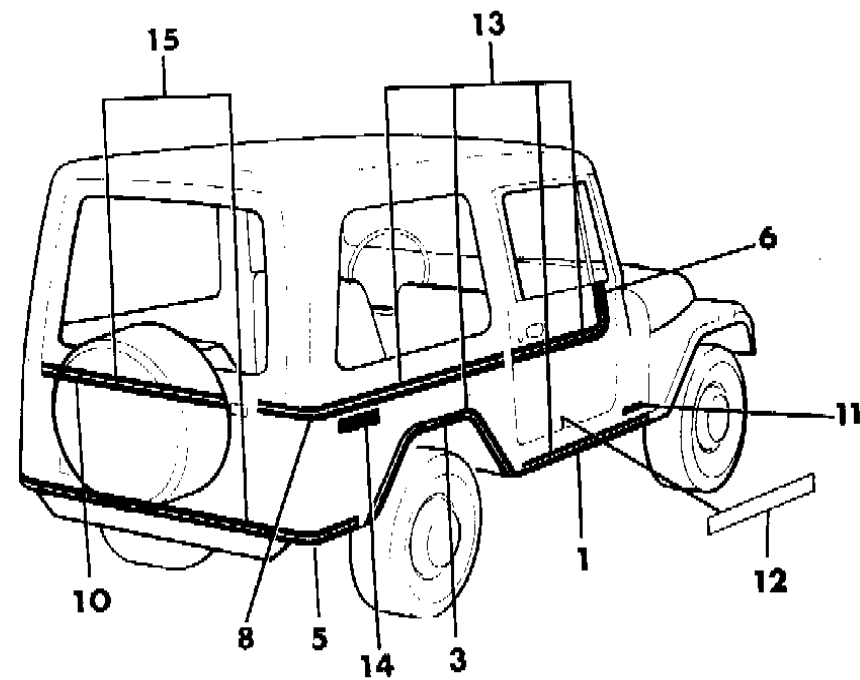
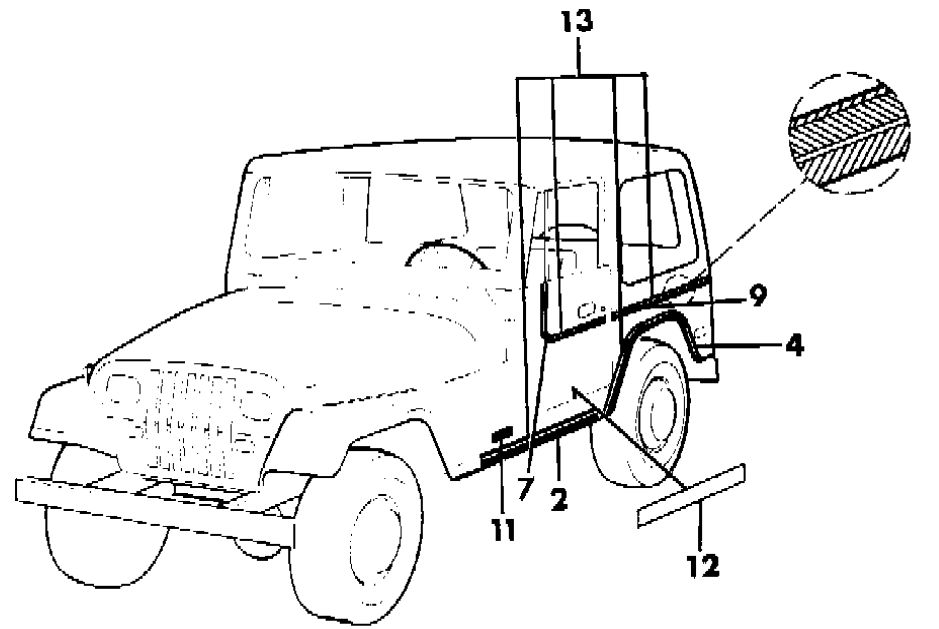
MODEL CODES:
 61=Pickup-6 Ft Box 74=4 Door Wagon T=2WD
 62=Pickup-7 Ft Box 77=Open Body 93" Wheelbase J,N,U=4WD
 72=2 Door Wagon 78=Open Body 103" Wheelbase

BODY STYLES:
 MJ=Comanche Pickup ZJ=Grand Cherokee/Grand Wagoneer KDX VEHICLES
 SJ=Grand Wagoneer M1=Comanche
 XJ=Cherokee, Briarwood X1=Cherokee, Briarwood
 YJ=Wrangler Y1=Wrangler

AR = Use as Required - = Non Illustrated Part P.A.R. = Paint as Required

DECALS, BODYSIDE AND REAR LAREDO, EUROPE AND KDX, 1991-92 WRANGLER, YJ
Figure 23-500

91J68 500A



ITEM	PART NUMBER	QTY	BODY	MODEL	DESCRIPTION
1-2	5AS04-5 KAN	1			DECAL, Body Side, Light Silver/Dark Silver
3-4	5AS06-7 KAN	1			DECAL, Rear Quarter, Light Silver/Dark Silver
5	5AS1 3KAN	1			DECAL, Rear Lower, Light Silver/Dark Silver
6-7	5AS08-9 KAN	1			DECAL, Door, Light Silver/Dark Silver
8-9	5AS10-1 KAN	1			DECAL, Body Side, Light Silver/Dark Silver
10	5AS1 2KAN	1			DECAL, Lift Door, Light Silver/ Dark Silver
11					DECAL, Cowl, "Jeep"
	5AS1 5KA2	2			Light Silver
	5AS1 5KA9	2			Dark Silver
	5AS1 5JK2	2			Light Sand Metallic, 1992
12	J576 5270	2			PROTECTOR, Scuff
13					TAPE PACKAGE, Bodyside
					Light Silver/Dark Silver, 1991-92
	4637 876	1			Right, Includes items 1,3,6 and 8
	4637 877	1			Left, Includes items 2,4,7 and 9
					Light Sand Metallic/Dark Sand Metallic, 1992
	4637 874	1			Right , Includes Items 1,3,6 and 8
	4637 875	1			Left, Includes items 2,4,7 and 9
14					NAMEPLATE OR DECAL, "WRANGLER" ***
	5501 0768	2			NAMEPLATE, 1991
					DECAL
	5CN7 4KA2	2			Light Silver, 1991-92
	5CN7 4KA9	2			Dark Silver, 1991-92
	5CN7 4LK2	2			Light Sand Metallic, 1992
15					TAPE PACKAGE, Tailgate
	4637 871	1			Light Silver/Dark Silver, Includes items 5 and 10, 1991-92
	4636 094	1			Light Sand Metallic/Dark Sand Metallic, includes items 5 and 10, 1992

MODEL CODES:

61=Pickup-6 Ft Box 74=4 Door Wagon T=2WD
62=Pickup-7 Ft Box 77=Open Body 93" Wheelbase J,N,U=4WD
72=2 Door Wagon 78=Open Body 103" Wheelbase

BODY STYLES:

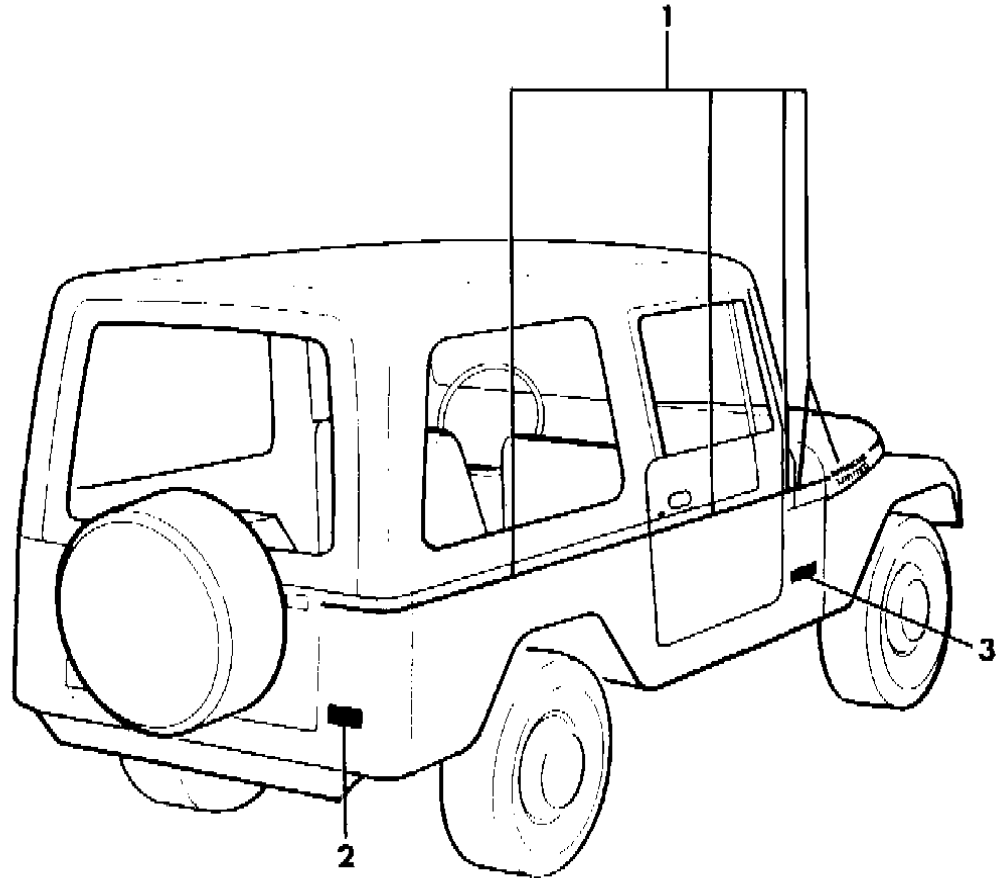
MJ=Comanche Pickup ZJ=Grand Cherokee/Grand Wagoneer KDX VEHICLES
SJ=Grand Wagoneer M1=Comanche
XJ=Cherokee, Briarwood X1=Cherokee, Briarwood
YJ=Wrangler Y1=Wrangler

AR = Use as Required - = Non Illustrated Part P.A.R. = Paint as Required

DECALS, BODYSIDE AND REAR LIMITED, EUROPE, 1992-93 WRANGLER, YJ
Figure 23-525

91J68 525

ITEM	PART NUMBER	QTY	BODY	MODEL	DESCRIPTION
1		1			TAPE PACKAGE, Bodyside, "WRANGLER LIMITED"
	4713 430-1				Gold
	4746 678-9				Silver
2		1			DECAL, "4.0L High Output"
	5CL0 6LJ4				Gold
	5CL0 6PA1				Silver
3		2			DECAL, "Jeep"
	5AS1 5LJ4				Gold
	5AS1 5PA1				Silver



MODEL CODES:

61=Pickup-6 Ft Box 74=4 Door Wagon T=2WD
62=Pickup-7 Ft Box 77=Open Body 93" Wheelbase J,N,U=4WD
72=2 Door Wagon 78=Open Body 103" Wheelbase

BODY STYLES:

MJ=Comanche Pickup ZJ=Grand Cherokee/Grand Wagoneer KDX VEHICLES
SJ=Grand Wagoneer M1=Comanche
XJ=Cherokee, Briarwood X1=Cherokee, Briarwood
YJ=Wrangler Y1=Wrangler

AR = Use as Required - = Non Illustrated Part P.A.R. = Paint as Required

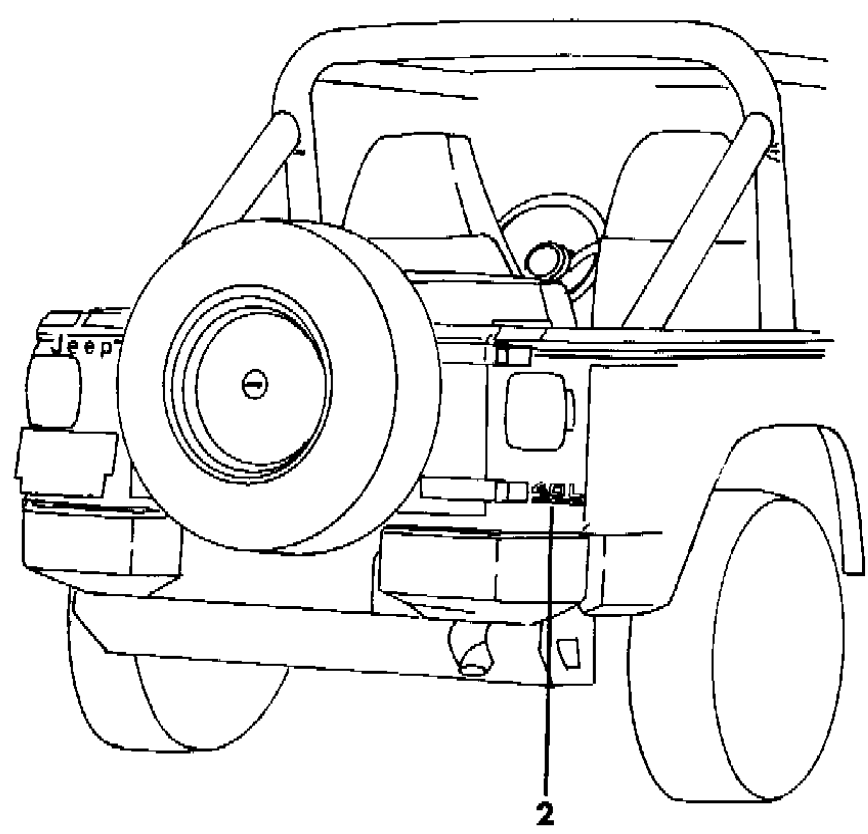
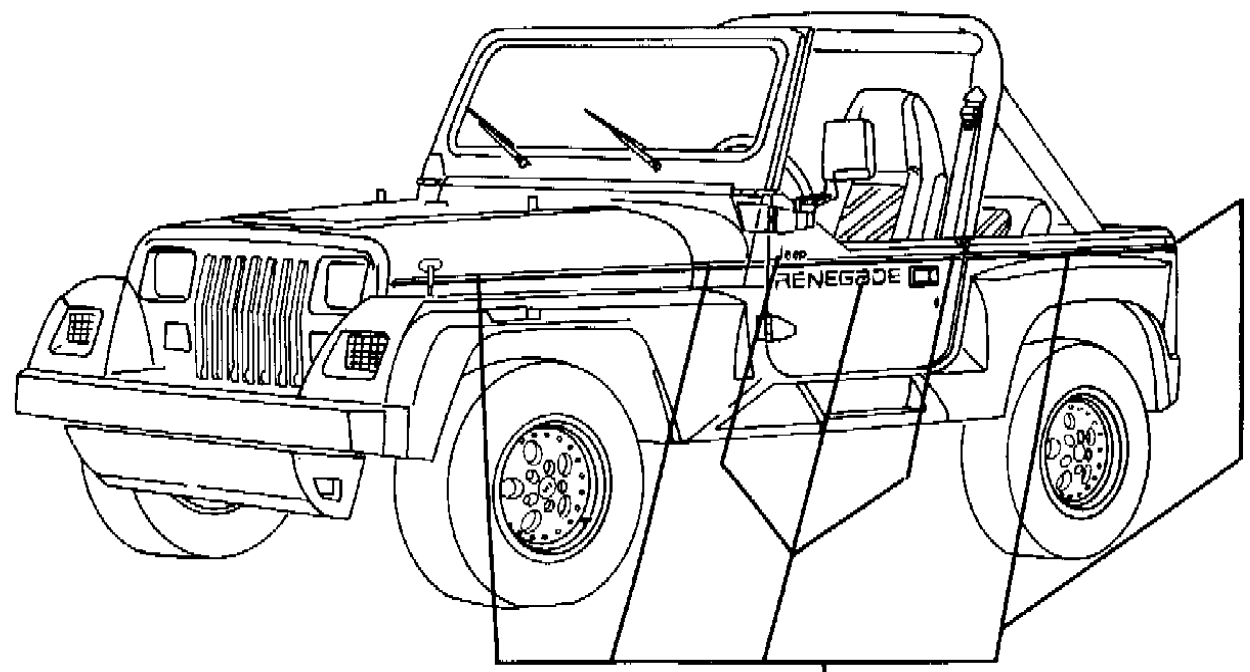
DECALS, BODYSIDE AND REAR RENEGADE WRANGLER, YJ
Figure 23-550

91J68 550

ITEM	PART NUMBER	QTY	BODY	MODEL	DESCRIPTION
------	-------------	-----	------	-------	-------------

1					TAPE PACKAGE, Bodyside and Rear Corner Panel
	4637 670-1	1			Black
	4419 510-1	1			Silver
	4720 142-3	1			Gold
The tapes above the tail lamps are included in the above packages. ion as described in the Chrysler repair manual.					

2					DECAL, Rear End "4.0L HIGH OUTPUT"
	4637 768	1			Black
	4419 520	1			Silver
	4720 134	1			Gold



MODEL CODES:
 61=Pickup-6 Ft Box 74=4 Door Wagon T=2WD
 62=Pickup-7 Ft Box 77=Open Body 93" Wheelbase J,N,U=4WD
 72=2 Door Wagon 78=Open Body 103" Wheelbase

BODY STYLES:
 MJ=Comanche Pickup ZJ=Grand Cherokee/Grand Wagoneer KDX VEHICLES
 SJ=Grand Wagoneer M1=Comanche
 XJ=Cherokee, Briarwood X1=Cherokee, Briarwood
 YJ=Wrangler Y1=Wrangler

AR = Use as Required - = Non Illustrated Part P.A.R. = Paint as Required

NAMEPLATES CHEROKEE 4 DOOR, EXCEPT BRIARWOOD - XJ
Figure 23-600

91J68 600 A

ITEM	PART NUMBER	QTY	BODY	MODEL	DESCRIPTION
1					NAMEPLATE, Liftgate
					"4.0 LITRE HIGH OUTPUT"
	5507 4601	1			Chrome, up to 4/1/91 (made of metal), 1991
	5529 5005	1			Chrome, 4/2/91 and later (made of plastic), 1991-92
	5507 4600	1			Gold, 1991-93
	5529 5280	1			Silver, 1993
	5529 5281	1			Champagne, 1993
	5501 0895	1			"Turbo Diesel", EUROPE
	5502 1078	1			Chrome, EUROPE, 1991-92
	5529 5257	1			Gold, EUROPE, 1991-93
					Silver, EUROPE, 1993
2					NAMEPLATE, "CHEROKEE", Fender or Liftgate
	5501 0897	AR			Chrome, 1991-92
	5501 8678	2			Gold, 1991-92
	5529 4991	2			Gold, EUROPE, 1993
	5529 5252	2			Silver, 1993
	5529 5251	2			Champagne, 1993
3					NAMEPLATE, "4X4", Rear Quarter
	5500 7817	2			Chrome, 1991-92
	5501 8684	2			Gold, 1991-92
NOTE: For 1993 see decal illustration (decal replaced nameplate). ion as described in the Chrysler repair manual.					
4					NAMEPLATE, Fender
	5501 0899	2			"Laredo", 1991-92
	5501 0898	2			"Pioneer", 1991
5					NAMEPLATE, "Jeep", on license plate visor
	5500 8340	1			Chrome, 1991-92
	5501 8682	1			Gold, 1991-93
	5529 5254	1			Silver, 1993
	5529 5253	1			Champagne, 1993
6					NAMEPLATE, "J"
	5501 0901	1			Chrome, up to 1/27/91 (mounts w/stud), 1991
	5529 4923	1			Chrome, 1/28/91 and later (w/self adhesive back), 1991-92
	5501 8679	1			Gold, up to 1/27/91, (mounts w/stud), 1991
	5529 4918	1			Gold, 1/28/91 and later, (w/self adhesive back), 1991-93
7					NAMEPLATE, "e"
	5501 0902	2			Chrome, up to 1/27/91 (mounts w/stud), 1991
	5529 4924	2			Chrome, 1/28/91 and later (w/self adhesive back), 1991-92
	5501 8680	2			Gold, up to 1/27/91 (mounts w/stud), 1991
	5529 4919	2			Gold, 1/28/91 and later (w/self adhesive back), 1991-93
8					NAMEPLATE, "p"
	5501 0903	1			Chrome, up to 1/27/91 (mounts w/stud), 1991

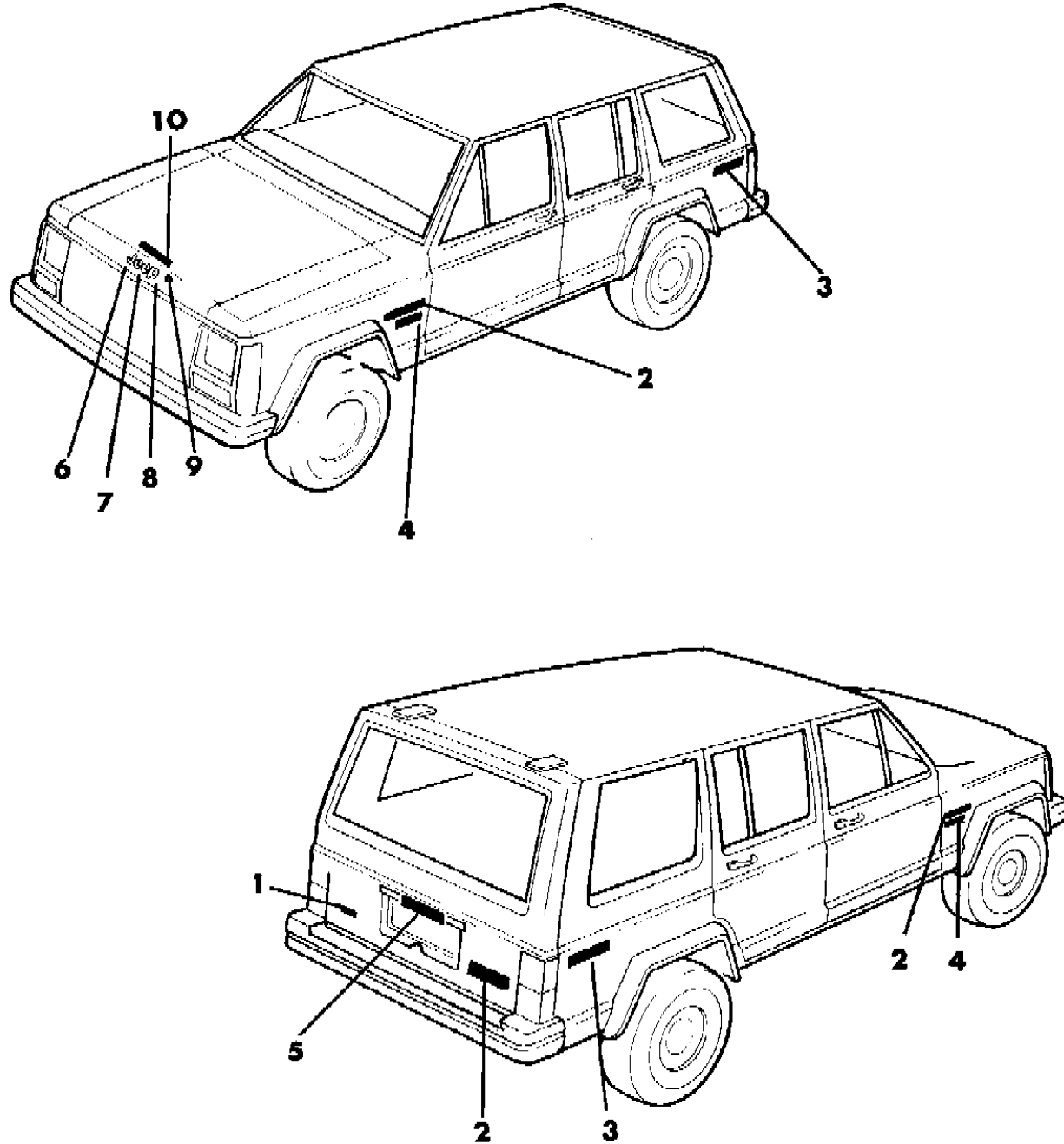
MODEL CODES:

61=Pickup-6 Ft Box 74=4 Door Wagon T=2WD
 62=Pickup-7 Ft Box 77=Open Body 93" Wheelbase J,N,U=4WD
 72=2 Door Wagon 78=Open Body 103" Wheelbase

BODY STYLES:

MJ=Comanche Pickup ZJ=Grand Cherokee/Grand Wagoneer KDX VEHICLES
 SJ=Grand Wagoneer M1=Comanche
 XJ=Cherokee, Briarwood X1=Cherokee, Briarwood
 YJ=Wrangler Y1=Wrangler

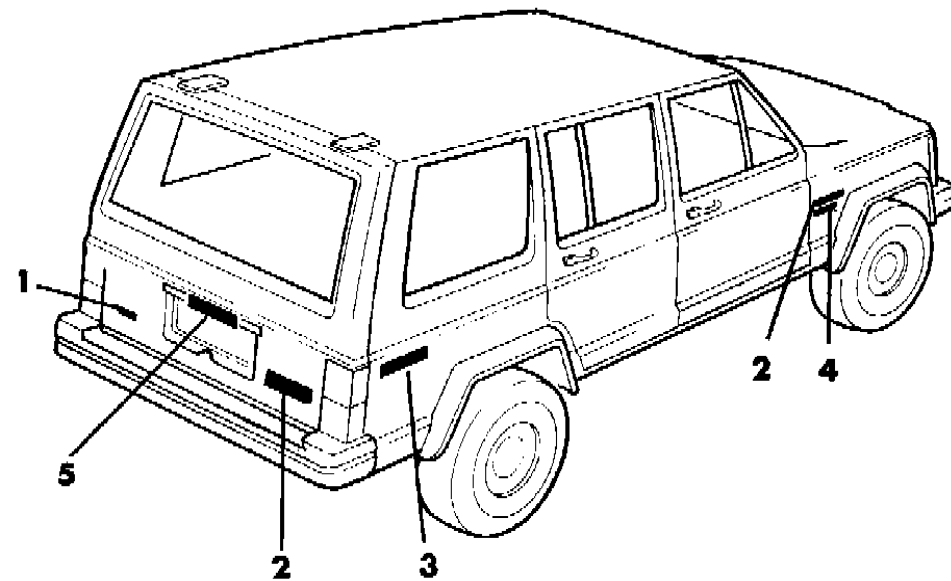
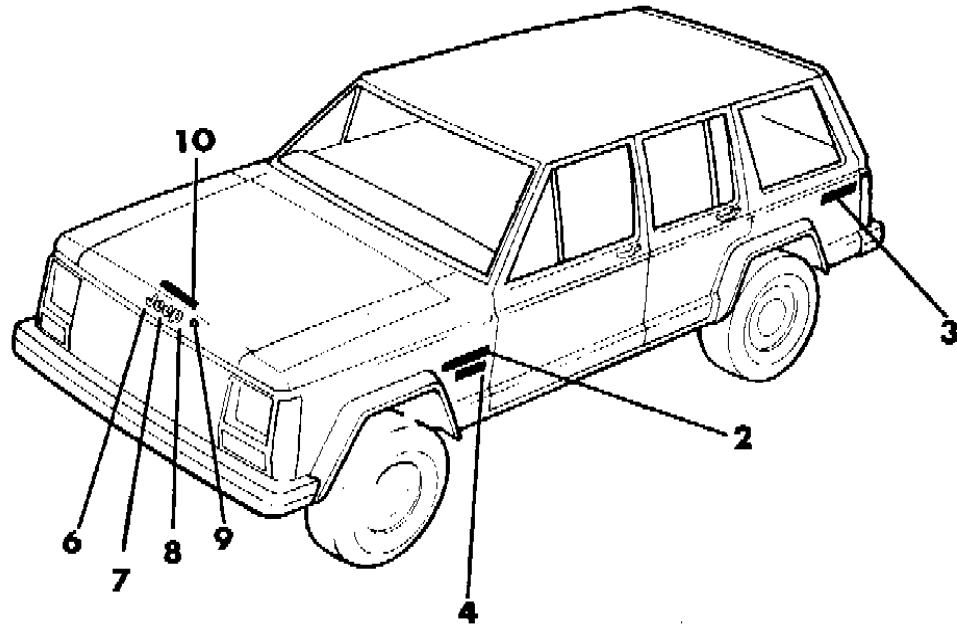
AR = Use as Required - = Non Illustrated Part P.A.R. = Paint as Required



NAMEPLATES CHEROKEE 4 DOOR, EXCEPT BRIARWOOD - XJ
Figure 23-600

91J68 600 A

ITEM	PART NUMBER	QTY	BODY	MODEL	DESCRIPTION
	5529 4925	1			Chrome, 1/28/91 and later (w/self adhesive back), 1991-92
	5501 8681	1			Gold, up to 1/27/91 (mounts w/stud), 1991
	5529 4920	1			Gold, 1/28/91 and later (w/self adhesive back), 1991-93
NOTE: For items 6, 7 and 8. As stock of individual letters is exhausted the following letter sets are available. ion as described in the Chrysler repair manual.					
NOTE: For 1993 only letter sets are available. ion as described in the Chrysler repair manual.					
-	5529 4922	1			LETTER SET, "Jeep", Chrome, (w/self adhesive back), 1991-92 ***
-	5529 4921	1			LETTER SET, "Jeep", Gold, (w/self adhesive back), 1991-93 ***
-	5529 5250	1			LETTER SET, "Jeep" Silver, 1993 ***
-	5529 5249	1			LETTER SET, "Jeep", Champagne, 1993 ***
9	1150 2557	AR			NUT, use 1 per letter or 2 per nameplate, up to 1/27/91 (1/28/91 and later use self adhesive)
10	5501 2986	1			NAMEPLATE, "Jeep", KDX- China, Turkey, Venezuela, 1991



MODEL CODES:

61=Pickup-6 Ft Box 74=4 Door Wagon T=2WD
 62=Pickup-7 Ft Box 77=Open Body 93" Wheelbase J,N,U=4WD
 72=2 Door Wagon 78=Open Body 103" Wheelbase

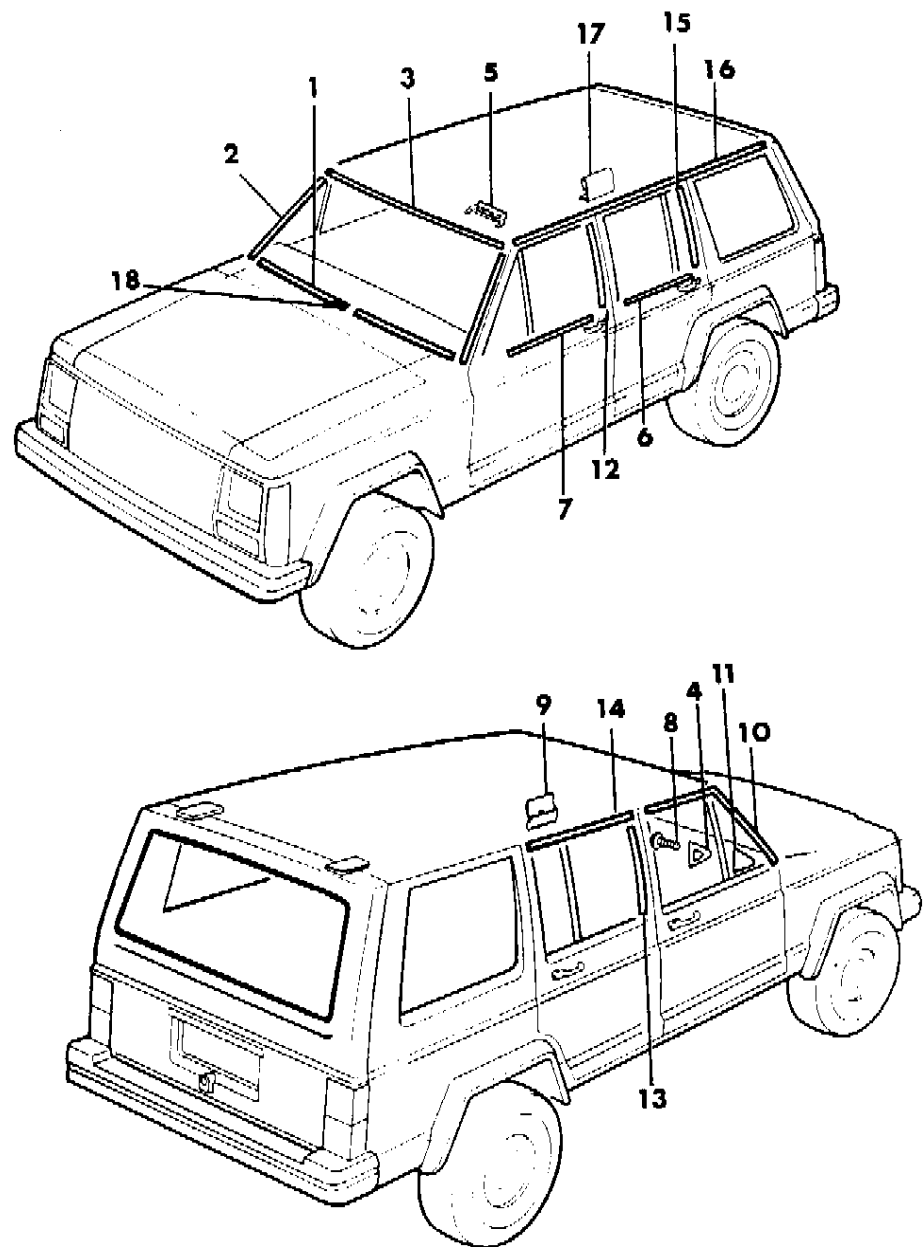
BODY STYLES:

MJ=Comanche Pickup ZJ=Grand Cherokee/Grand Wagoneer KDX VEHICLES
 SJ=Grand Wagoneer M1=Comanche
 XJ=Cherokee, Briarwood X1=Cherokee, Briarwood
 YJ=Wrangler Y1=Wrangler

AR = Use as Required - = Non Illustrated Part P.A.R. = Paint as Required

MOULDINGS, EXTERIOR, UPPER CHEROKEE 4 DOOR, EXCEPT BRIARWOOD - XJ
Figure 23-700

91J68 700A



ITEM	PART NUMBER	QTY	BODY	MODEL	DESCRIPTION
1					MOULDING, Windshield, Lower
	5502 6724-5	1			Black
	5502 6726-7	1			Bright
NOTE: The right moulding includes the cover for the moulding joint. ion as described in the Chrysler repair manual.					
2					MOULDING, Windshield, Side
	5500 0538-9	1			Black
	5500 0546-7	1			Bright
3					MOULDING, Windshield, Upper
	5500 0536	1			Black
	5500 0544	1			Bright
4	5500 5430-1	1			GASKET
5					CLIP, Windshield Moulding Attaching
	J400 6211	28			Production Type Part, 1991-92
	5500 2605	AR			Repair Type Part, (use this part if the production type part is not effective), 1991-92
	5513 4797	28			Production/Service Part, 1993
6					MOULDING, Rear Door Belt, Black
	5500 5294	2			1991 (clips not included)
	5529 4514	2			1992 (includes clips)
-	5500 5383	5			CLIP, Moulding
7					MOULDING, Front Door Belt, Black
	5529 4510-1	1			1991 (clips not included)
	5529 4510-1	1			1992-93 (Includes Clips)
-	5500 5383	3			CLIP, Moulding, 27mm high
-	5500 5384	1			CLIP, Moulding, 24mm high
8	3420 1957	4			SCREW
9					CLIP, Moulding Attaching
	5500 5384	4			height = 24mm
	5500 5383	AR			height = 27mm
10					MOULDING, Door, Black
	5500 5278-9	1			For vehicles built up to 1/14/92
	5513 4750-1	1			For vehicles built 1/15/92 and later
11	5500 5312-3	1			COVER, Less Mirror
12					MOULDING, Door, Black
	5500 5282-3	1			For vehicles built up to 1/14/92
	5513 4752-3	1			For vehicles built 1/15/92 and later
13	5500 5290-1	1			MOULDING, Door, Black
14					MOULDING, Door, Black
	5500 5292	2			For vehicles built up to 1/14/92
	5513 4754	2			For vehicles built 1/15/92 and later
15					MOULDING, Door, Black

MODEL CODES:

61=Pickup-6 Ft Box 74=4 Door Wagon T=2WD
 62=Pickup-7 Ft Box 77=Open Body 93" Wheelbase J,N,U=4WD
 72=2 Door Wagon 78=Open Body 103" Wheelbase

BODY STYLES:

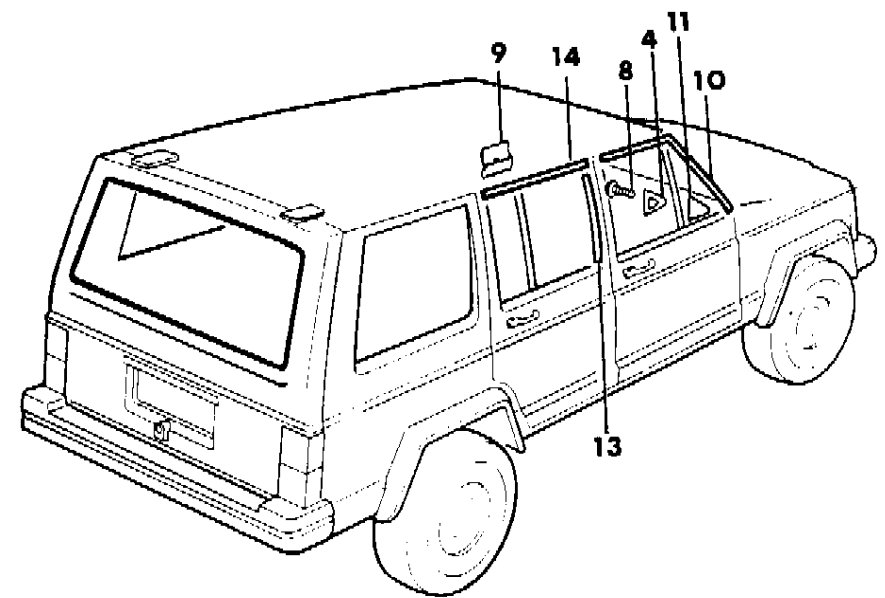
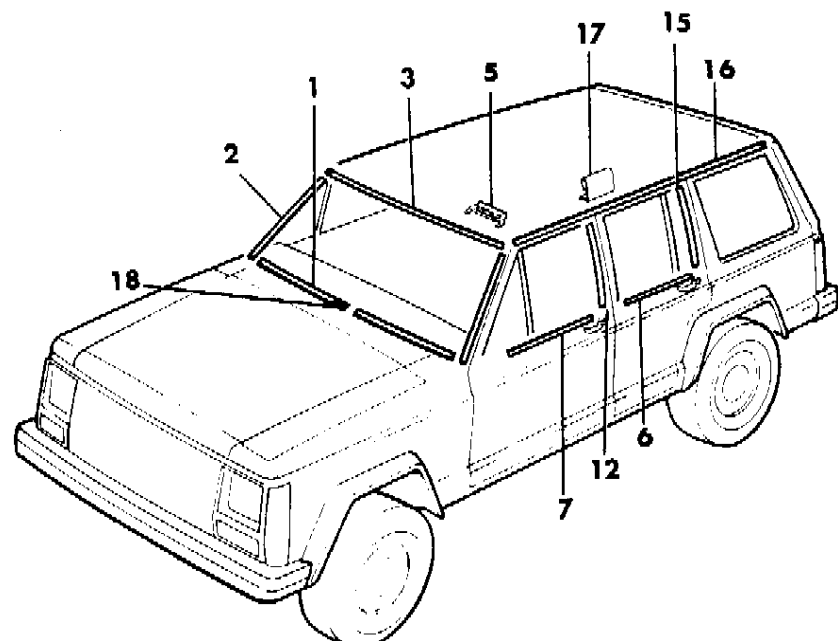
MJ=Comanche Pickup ZJ=Grand Cherokee/Grand Wagoneer KDX VEHICLES
 SJ=Grand Wagoneer M1=Comanche
 XJ=Cherokee, Briarwood X1=Cherokee, Briarwood
 YJ=Wrangler Y1=Wrangler

AR = Use as Required - = Non Illustrated Part P.A.R. = Paint as Required

MOULDINGS, EXTERIOR, UPPER CHEROKEE 4 DOOR, EXCEPT BRIARWOOD - XJ
Figure 23-700

91J68 700A

ITEM	PART NUMBER	QTY	BODY	MODEL	DESCRIPTION
	5500 5288-9	1			For vehicles built up to 1/14/92
	5513 4756-7	1			For vehicles built 1/15/92 and later
16	5501 3656-7	1			MOULDING, Drip Rail Bright
	5501 5886-7	1			Black
17	3500 2115	AR			CLIP, Drip Rail Attaching
18	5500 6386	1			COVER, Moulding Joint (only supplied in bright, P.A.R.) (this cover is included in the right windshield moulding)



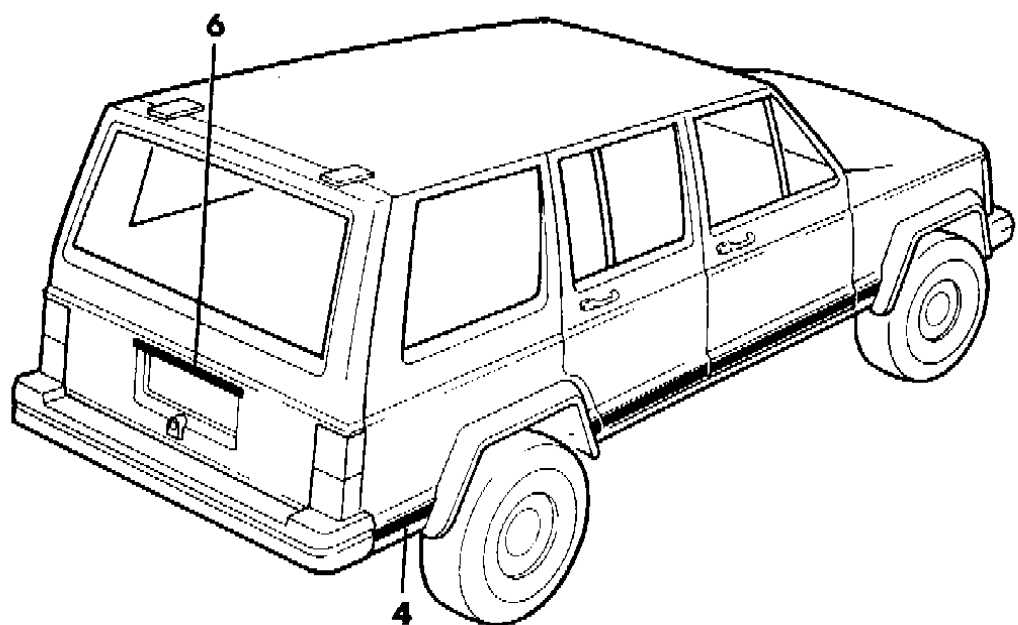
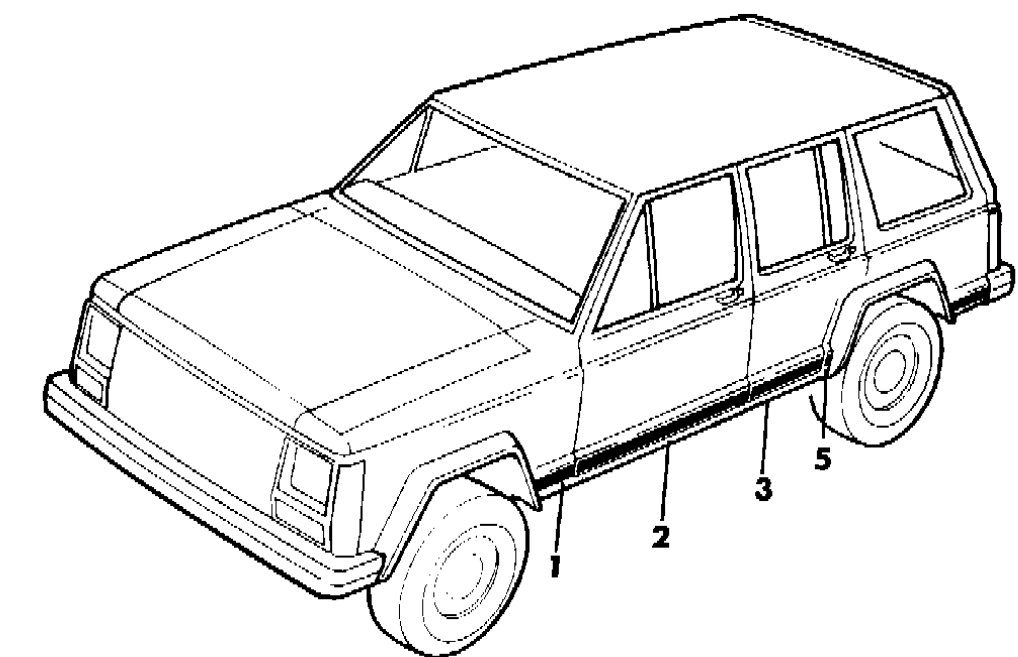
MODEL CODES:
 61=Pickup-6 Ft Box 74=4 Door Wagon T=2WD
 62=Pickup-7 Ft Box 77=Open Body 93" Wheelbase J,N,U=4WD
 72=2 Door Wagon 78=Open Body 103" Wheelbase

BODY STYLES:
 MJ=Comanche Pickup ZJ=Grand Cherokee/Grand Wagoneer KDX VEHICLES
 SJ=Grand Wagoneer M1=Comanche
 XJ=Cherokee, Briarwood X1=Cherokee, Briarwood
 YJ=Wrangler Y1=Wrangler

AR = Use as Required - = Non Illustrated Part P.A.R. = Paint as Required

MOULDING AND CLADDING, EXTERIOR, LOWER CHEROKEE 4 DOOR - XJ
Figure 23-800

91J68 800



ITEM	PART NUMBER	QTY	BODY	MODEL	DESCRIPTION
NOTE: This illustration represents moulding and cladding. Moulding is 2 3/8" wide, and cladding is 5 3/8" wide. ion as described in the Chrysler repair manual.					
1	MOULDING or CLADDING, Fender ***				
	4636 538-9	1			Cladding, P.A.R., 1991
	5CX92-3 LS7	1			Cladding, P.A.R., 1992-93
	5AJ52-3 JXZ	1			Moulding, Black/Bright, 1991
	5DA02-3 LXZ	1			Moulding, Black/Bright, 1992-93
	5DA02-3 MXR	1			Moulding, Black/Red, 1993
	5DA02-3 MX9	1			Moulding, Black/Black, 1993
	5AJ5 2JXY	1			Moulding, Rt. Black/Gold 1991
5AJ5 3JXY	1			Moulding, Lt. Black/Gold 1991	
2	MOULDING or CLADDING, Front Door ***				
	4636 546-7	1			Cladding, P.A.R., 1991
	5CX94-5 LS7	1			Cladding, P.A.R., 1992-93
	5AJ58-9 JXZ	1			Moulding, Black/Bright, 1991-93
	5AJ58-9 MXR	1			Moulding, Black/Red, 1993
	5AJ58-9 MX9	1			Moulding, Black/Black, 1993
5AJ58-9 JXY	1			Moulding, Black/Gold, EUROPE, 1991	
3	MOULDING or CLADDING, Rear Door ***				
	4636 562-3	1			Cladding, P.A.R., 1991
	5CX98-9 LS7	1			Cladding, P.A.R., 1992-93
	5AJ60-1 JXZ	1			Moulding, Black/Bright, 1991
	5DA06-7 LXZ	1			Moulding, Black/Bright, 1992-93
	5DA06-7 MXR	1			Moulding, Black/Red, 1993
	5DA06-7 MX9	1			MOULDING, Black/Black, 1993
	5AJ6 0JXY	1			Moulding, Rt. Black/Gold 1991
5AJ6 1JXY	1			Moulding, Lt. Black/Gold 1991	
4	MOULDING or CLADDING, Quarter Panel Rear (this moulding is 2 3/8" wide and Cladding is 4 1/8" wide) ***				
	4637 712-3	1			Cladding, P.A.R., 1991
	5CY04-5 LS7	1			Cladding, P.A.R., 1992-93
	5AJ62-3 JXZ	1			Moulding, Black/Bright, 1991
	5DA08-9 LXZ	1			Moulding, Black/Bright, 1992-93
	5DA08-9 MXR	1			Moulding, Black/Red, 1993
	5DA08-9 MX9	1			Moulding, Black/Black, 1993
	5AJ6 2JXY	1			Moulding, Rt. Black/Gold 1991
	5AJ6 3JXY	1			Moulding, Lt. Black/Gold 1991
	5	MOULDING or CLADDING, Quarter Panel Front ***			
4636 578-9		1			Cladding, P.A.R., 1991
	5CY02-3 LS7	1			Cladding, P.A.R., 1992

MODEL CODES:

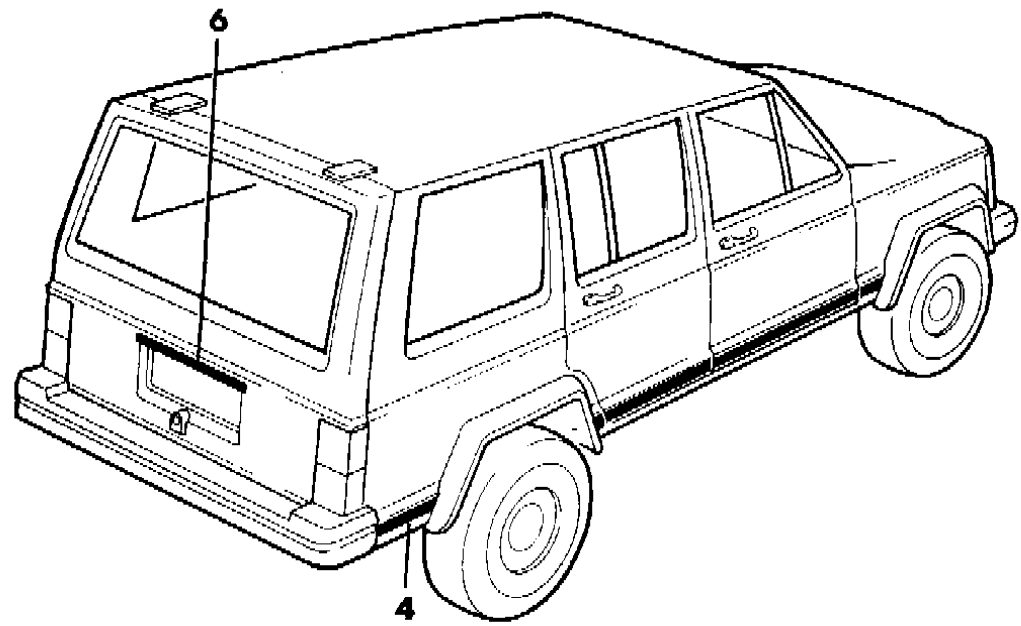
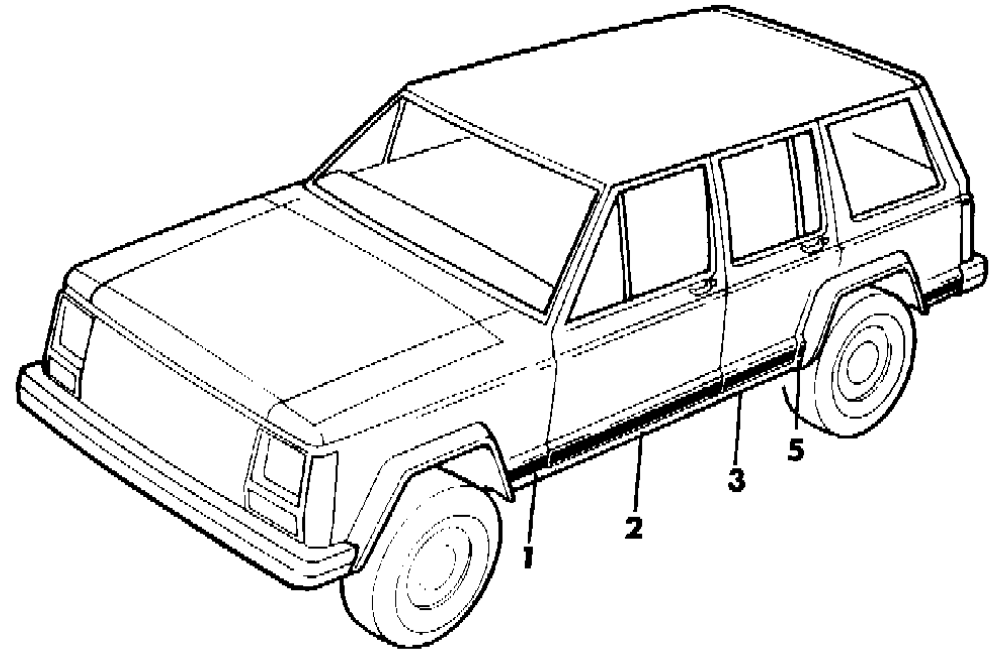
61=Pickup-6 Ft Box 74=4 Door Wagon T=2WD
 62=Pickup-7 Ft Box 77=Open Body 93" Wheelbase J,N,U=4WD
 72=2 Door Wagon 78=Open Body 103" Wheelbase

BODY STYLES:

MJ=Comanche Pickup ZJ=Grand Cherokee/Grand Wagoneer KDX VEHICLES
 SJ=Grand Wagoneer M1=Comanche
 XJ=Cherokee, Briarwood X1=Cherokee, Briarwood
 YJ=Wrangler Y1=Wrangler

AR = Use as Required - = Non Illustrated Part P.A.R. = Paint as Required

91J68 800



MOULDING AND CLADDING, EXTERIOR, LOWER CHEROKEE 4 DOOR - XJ
Figure 23-800

ITEM	PART NUMBER	QTY	BODY	MODEL	DESCRIPTION
NOTE: The only moulding used in this location applies to 1992-93 European vehicles. ion as described in the Chrysler repair manual.					
	5DA0 8MXR	1			Moulding, Red/Black RT. 1993
	5DA0 9MXR	1			Moulding, Red/Black LT. 1993
	5DA16-7 LXZ	1			Moulding, Black/Bright, 1992-93, EUROPE
	5DA16-7 MX9	1			Moulding, Black/Black, 1993, EUROPE
6					OVERLAY, License Plate, EUROPE, 1991-92
	5502 1383	1			w/Argent Letters, "Euro Package", EUROPE, 1991-92
	5502 1384	1			w/Gold Letters for "Limited", EUROPE, 1991-92
-	J400 1335	2			CLIP, Overlay Attaching, EUROPE, 1991-92
-	6031 115	2			RIVET, Overlay Attaching, EUROPE, 1991-92

NOTE: For 1993 the license plate overlay is no longer used, see nameplates (illustration 600). ion as described in the Chrysler repair manual.

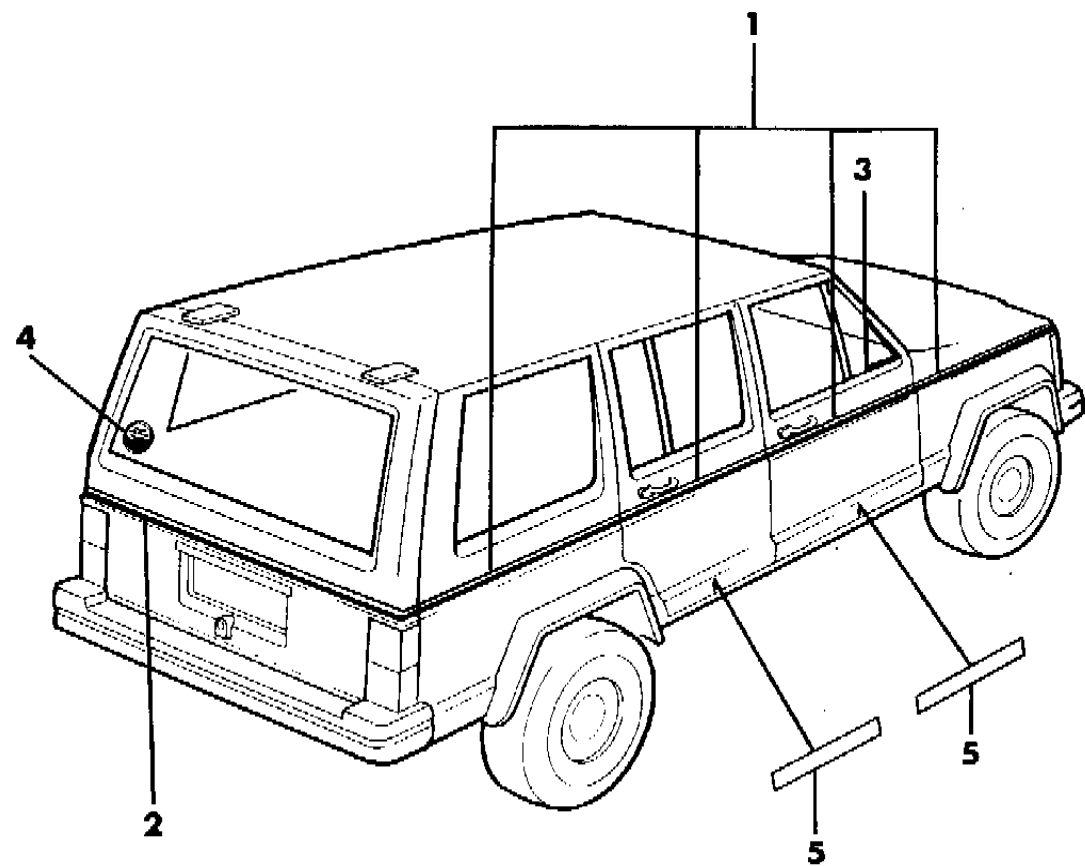
MODEL CODES:
61=Pickup-6 Ft Box 74=4 Door Wagon T=2WD
62=Pickup-7 Ft Box 77=Open Body 93" Wheelbase J,N,U=4WD
72=2 Door Wagon 78=Open Body 103" Wheelbase

BODY STYLES:
MJ=Comanche Pickup ZJ=Grand Cherokee/Grand Wagoneer KDX VEHICLES
SJ=Grand Wagoneer M1=Comanche
XJ=Cherokee, Briarwood X1=Cherokee, Briarwood
YJ=Wrangler Y1=Wrangler

AR = Use as Required - = Non Illustrated Part P.A.R. = Paint as Required

DECALS, EXTERIOR PIONEER, 1991 CHEROKEE 4 DOOR - XJ
Figure 23-900

91J68 900A



ITEM	PART NUMBER	QTY	BODY	MODEL	DESCRIPTION
1					TAPE PACKAGE, Bodyside
	4636 322-3	1			Almond
	4636 320-1	1			Red
	5252 788-9	1			Silver
2					DECAL, Liftgate
	5AL5 8KT2	1			Almond
	5AL5 8KV5	1			Red
	5AL5 8JA2	1			Silver
3	5500 6220-1	1			DECAL, Door, Black
4	5501 6564	1			DECAL, "Off Road Vehicle Package"
5	J576 5270	4			PROTECTOR, Door Opening, KDX - Venezuela

MODEL CODES:

61=Pickup-6 Ft Box 74=4 Door Wagon T=2WD
62=Pickup-7 Ft Box 77=Open Body 93" Wheelbase J,N,U=4WD
72=2 Door Wagon 78=Open Body 103" Wheelbase

BODY STYLES:

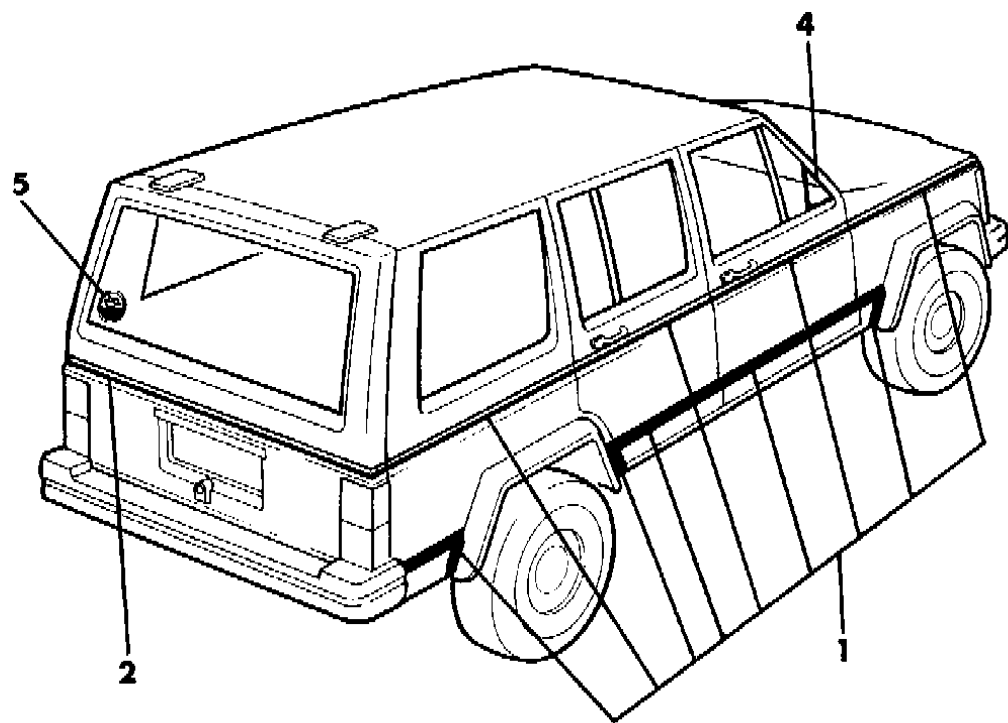
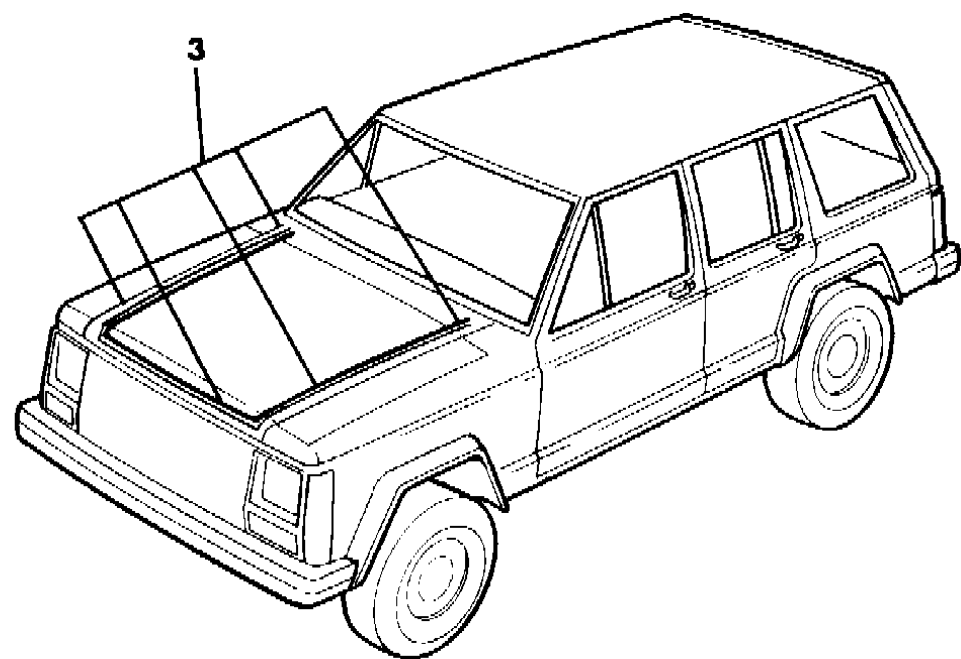
MJ=Comanche Pickup ZJ=Grand Cherokee/Grand Wagoneer KDX VEHICLES
SJ=Grand Wagoneer M1=Comanche
XJ=Cherokee, Briarwood X1=Cherokee, Briarwood
YJ=Wrangler Y1=Wrangler

AR = Use as Required - = Non Illustrated Part P.A.R. = Paint as Required

DECALS, EXTERIOR LAREDO, 1991-92 CHEROKEE 4 DOOR - XJ
Figure 23-1000

91J68 1000

ITEM	PART NUMBER	QTY	BODY	MODEL	DESCRIPTION
1					TAPE PACKAGE, Bodyside
	4637 528-9	1			Thin Silver over Thick Red, 1991-92
	4713 382-3	1			Thin Dark Silver over Thick Light Silver, 1992
Bodyside package includes upper pinstripe and lower textured-gloss decals. Use as described in the Chrysler repair manual.					
2					DECAL, Liftgate
	5AL5 8KAC	1			Thin Silver over Thick Red, 1991-92
	5AL5 8JAT	1			Thin Dark Silver over Thick Light Silver, 1992
3	4636 332	1			TAPE PACKAGE, Front End, Silver Metallic/Bright Red, 1991
NOTE: Item #3 is not used on 1992 vehicles. Use as described in the Chrysler repair manual.					
4	5500 6220-1	1			DECAL, Door, Black, 1991
5	5501 6564	1			DECAL, "Off Road Vehicle Package"



MODEL CODES:

61=Pickup-6 Ft Box 74=4 Door Wagon T=2WD
62=Pickup-7 Ft Box 77=Open Body 93" Wheelbase J,N,U=4WD
72=2 Door Wagon 78=Open Body 103" Wheelbase

BODY STYLES:

MJ=Comanche Pickup ZJ=Grand Cherokee/Grand Wagoneer KDX VEHICLES
SJ=Grand Wagoneer M1=Comanche
XJ=Cherokee, Briarwood X1=Cherokee, Briarwood
YJ=Wrangler Y1=Wrangler

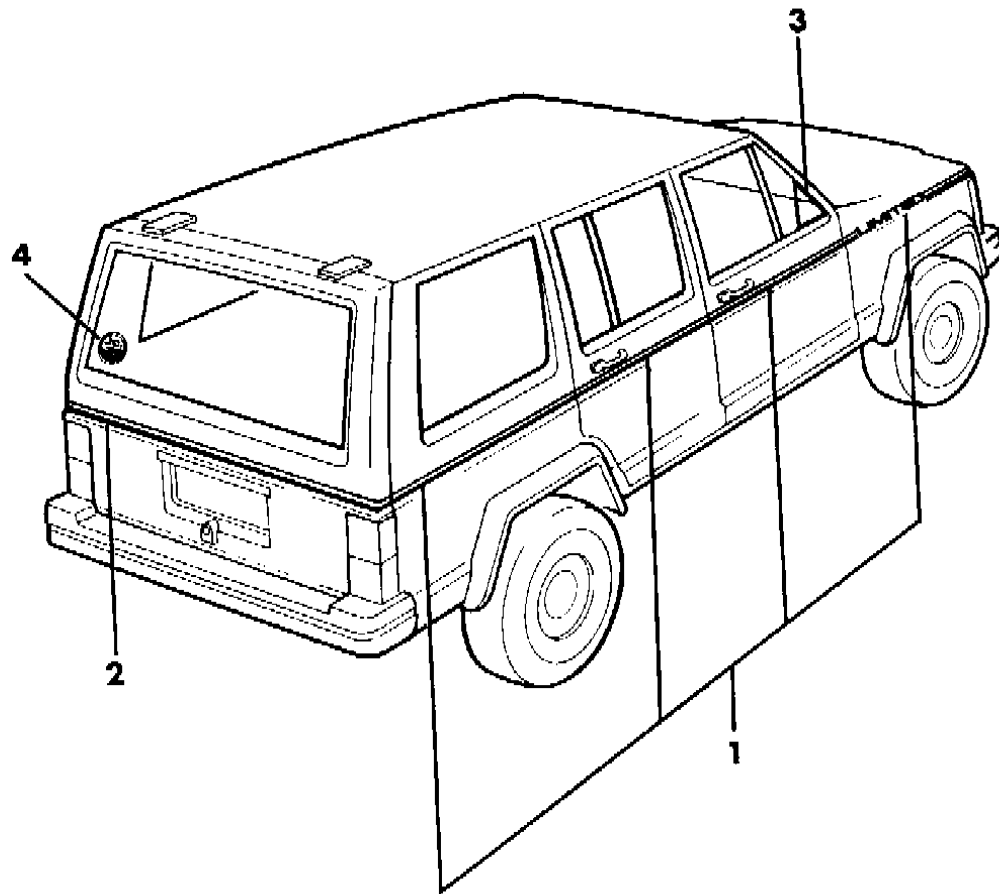
AR = Use as Required - = Non Illustrated Part P.A.R. = Paint as Required

DECALS, EXTERIOR LIMITED CHEROKEE 4 DOOR - XJ
Figure 23-1100

91J68 1100

ITEM	PART NUMBER	QTY	BODY	MODEL	DESCRIPTION
1					TAPE PACKAGE, Bodyside
	4636 754-5	1			Gold, up to approximately Feb. 1991
	4638 802-3	1			Gold, w/slight green tint, approximately Feb. 1991 and later
	4713 386-7	1			Silver, 1992
	4713 944-5	1			Light Quartz, 1993
2					DECAL, Liftgate
	5BM2 8KY2	1			Gold, built up to approximately Feb. 1991
	5BM2 8KJ4	1			Gold, w/slight green tint, approximately Feb. 1991 and later
	5BM2 8LS1	1			Silver, 1992
	5BM2 8LA1	1			Light Quartz, 1993
3	5500 6220-1	1			DECAL, Door, Black, 1991
4	5501 6564	1			DECAL, "Off Road Vehicle Package"

Vehicles built near Feb. 1991 (exact date unknown) may have Gold Decals or Gold Decals with a slight Green Tint. Look at the vehicle before ordering. ion as described in the Chrysler repair manual.



MODEL CODES:

61=Pickup-6 Ft Box 74=4 Door Wagon T=2WD
62=Pickup-7 Ft Box 77=Open Body 93" Wheelbase J,N,U=4WD
72=2 Door Wagon 78=Open Body 103" Wheelbase

BODY STYLES:

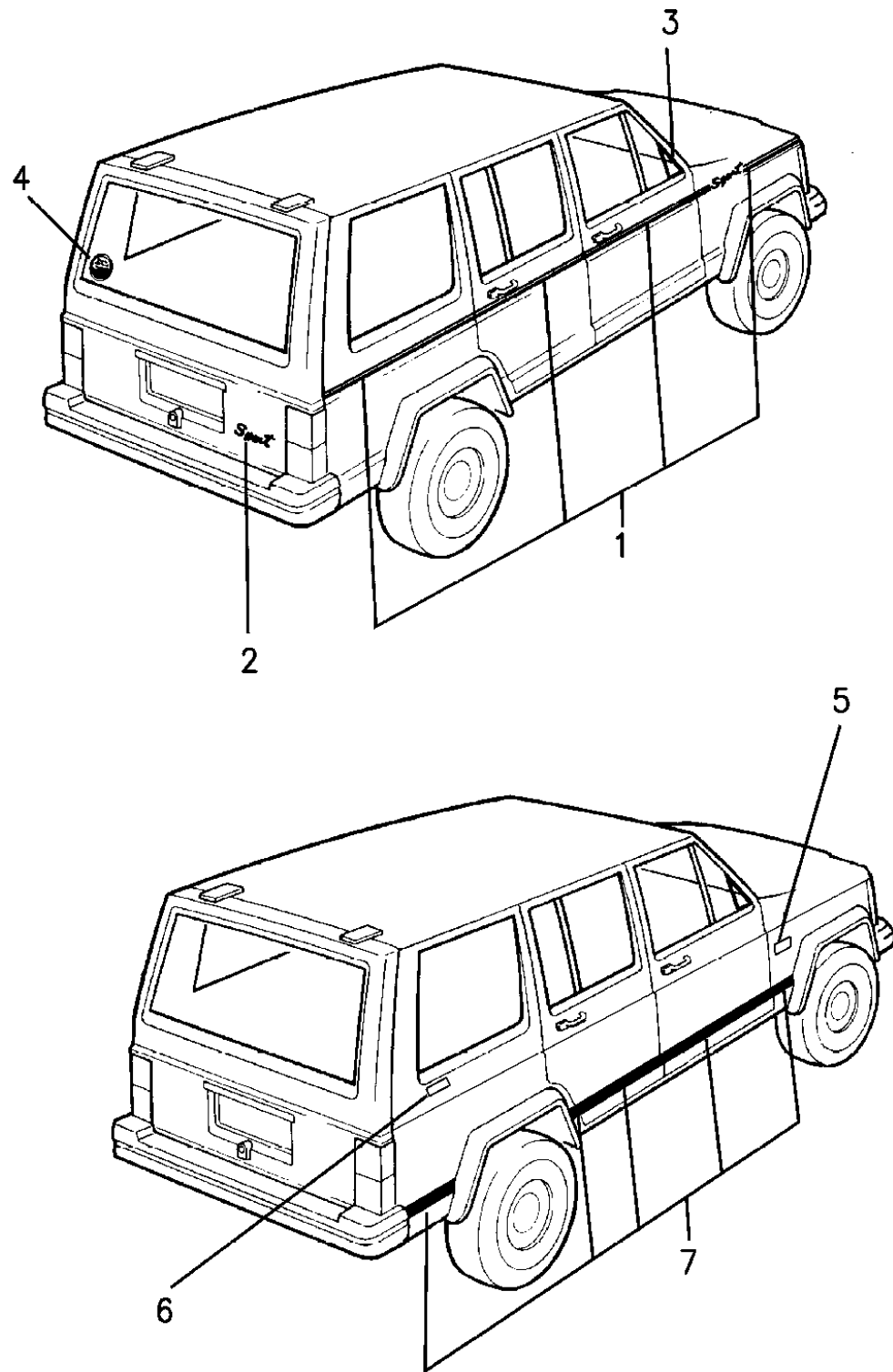
MJ=Comanche Pickup ZJ=Grand Cherokee/Grand Wagoneer KDX VEHICLES
SJ=Grand Wagoneer M1=Comanche
XJ=Cherokee, Briarwood X1=Cherokee, Briarwood
YJ=Wrangler Y1=Wrangler

AR = Use as Required - = Non Illustrated Part P.A.R. = Paint as Required

DECALS, EXTERIOR SPORT AND BASE CHEROKEE 4 DOOR - XJ

Figure 23-1200

91J68 1200B



ITEM	PART NUMBER	QTY	BODY	MODEL	DESCRIPTION
1					TAPE PACKAGE, Bodyside
	4637 074-5	1			Bright Red, Orange/Orange/Orange, 1991
	4713 072-3	1			Light Silver/Medium Silver/Dark Silver, 1992
NOTE: For Base vehicle in Europe and KDX markets "SPORT" lettering is deleted from fender tape. ion as described in the Chrysler repair manual.					
	4713 068-9	1			Light Silver/Medium Silver/Dark Silver, EUROPE, KDX, 1992-93
2					DECAL, Liftgate, "Sport"
	5AL7 2KAD	1			Bright Red, Orange/Orange/Orange, 1991
	5AL7 2LSS	1			Light Silver/Medium Silver/Dark Silver, 1992
3	5500 6220-1	1			DECAL, Door, Black, 1991
4	5501 6564	1			DECAL, "Off Road Vehicle Package"
5					DECAL, Fender, "SPORT", 1993
	5CW9 0MA1	2			Light Quartz
	5CW9 0MX9	2			Flat Black
6					DECAL, Quarter Panel, "4X4", 1993
	5DD9 6MA1	2			Light Quartz
	5DD9 6MX9	2			Flat Black
NOTE: Item 7 - "Blackout Tapes" are only used on vehicles with bodyside cladding. ion as described in the Chrysler repair manual.					
7					TAPE PACKAGE, Bodyside "Blackout Tape", 1993
	4723 438-9	1			Light Champagne
	4723 440-1	1			Flat Black
	4741 442-3	1			Dark Silver
NOTE: The following decal is new for KDX, 1993, the location of the decal is to be determined. ion as described in the Chrysler repair manual.					
-					DECAL, "4.0 Litre High Output", KDX
-	5CL0 6KA2	1			Light Silver, KDX, 1993
-	5CL0 6MX9	1			Flat Black, KDX, 1993

MODEL CODES:

61=Pickup-6 Ft Box 74=4 Door Wagon T=2WD
 62=Pickup-7 Ft Box 77=Open Body 93" Wheelbase J,N,U=4WD
 72=2 Door Wagon 78=Open Body 103" Wheelbase

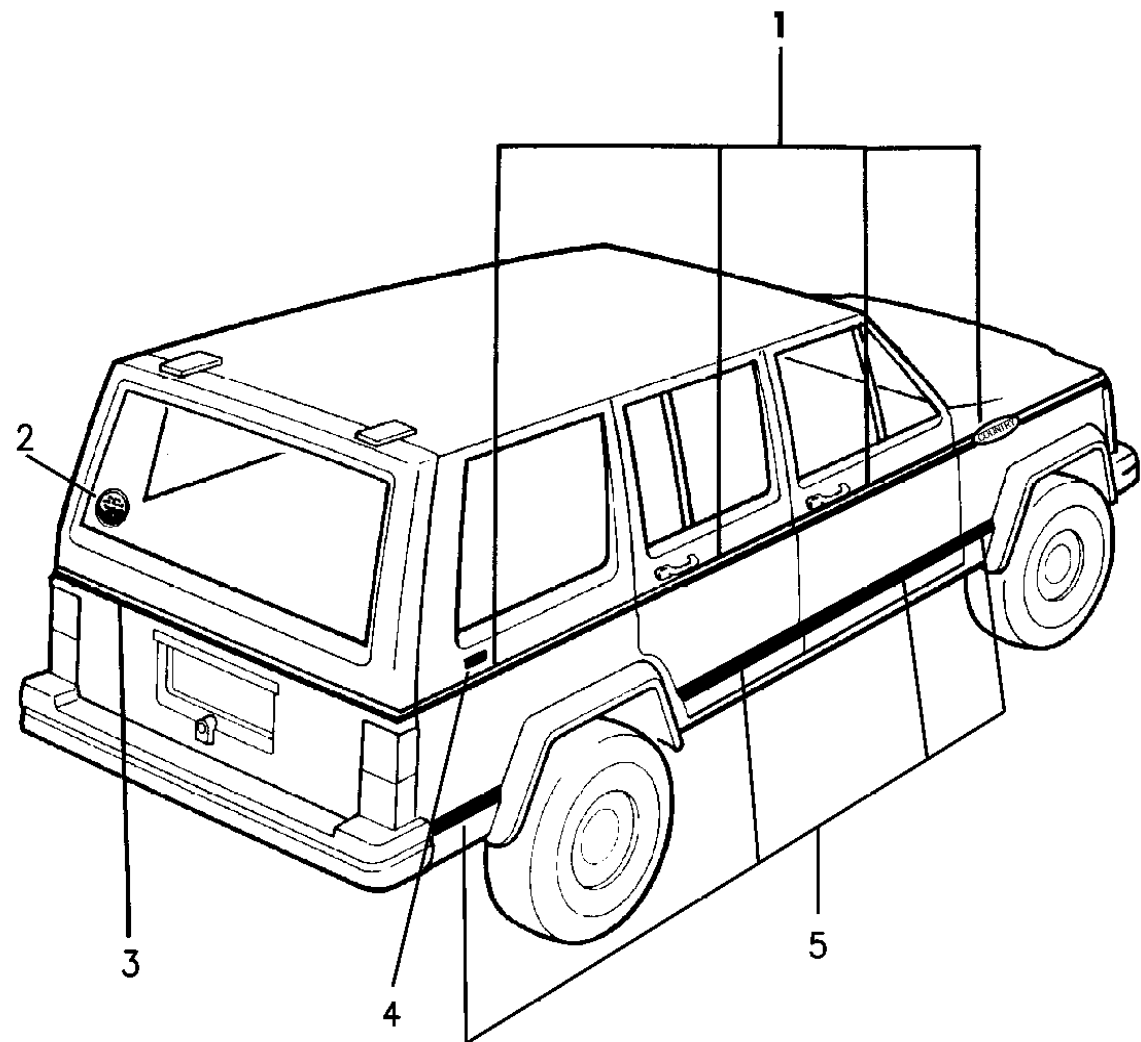
BODY STYLES:

MJ=Comanche Pickup ZJ=Grand Cherokee/Grand Wagoneer KDX VEHICLES
 SJ=Grand Wagoneer M1=Comanche
 XJ=Cherokee, Briarwood X1=Cherokee, Briarwood
 YJ=Wrangler Y1=Wrangler

AR = Use as Required - = Non Illustrated Part P.A.R. = Paint as Required

DECALS, EXTERIOR COUNTRY, 1993 CHEROKEE 4 DOOR - XJ
Figure 23-1250

91J68 1250A



ITEM	PART NUMBER	QTY	BODY	MODEL	DESCRIPTION
1					TAPE PACKAGE, Bodyside Upper (dual stripe w/COUNTRY graphics in fender tape)
	4723 412-3	1			Light Champagne
	4723 414-5	1			Flat Black
	4741 464-5	1			Light Silver
2	5501 6564	1			DECAL, "Off Road Vehicle Package"
3					DECAL, Liftgate, (dual stripe)
	5DE1 4MV3	1			Light Champagne
	5DE1 4MX9	1			Flat Black
	5DE1 4MA1	1			Light Silver
4					DECAL, Quarter Panel, "4X4"
	5DD9 6MJ4	2			Gold Metallic
	5DD9 6MA1	2			Light Quartz
	5DD9 6MV3	2			Light Champagne
	5DD9 6MX9	2			Flat Black
NOTE: Item 5 - "Blackout Tapes" are only used on vehicles with bodyside cladding. ion as described in the Chrysler repair manual.					
5					TAPE PACKAGE, Bodyside Lower "Blackout Tape"
	4723 438-9	1			Light Champagne
	4723 440-1	1			Flat Black
	4741 442-3	1			Dark Silver

MODEL CODES:

61=Pickup-6 Ft Box 74=4 Door Wagon T=2WD
62=Pickup-7 Ft Box 77=Open Body 93" Wheelbase J,N,U=4WD
72=2 Door Wagon 78=Open Body 103" Wheelbase

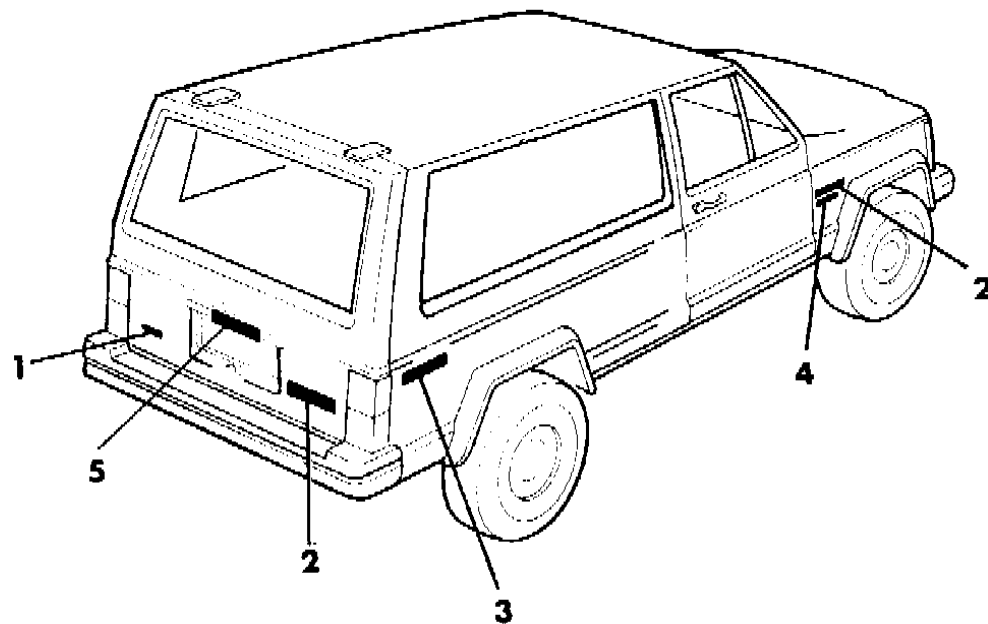
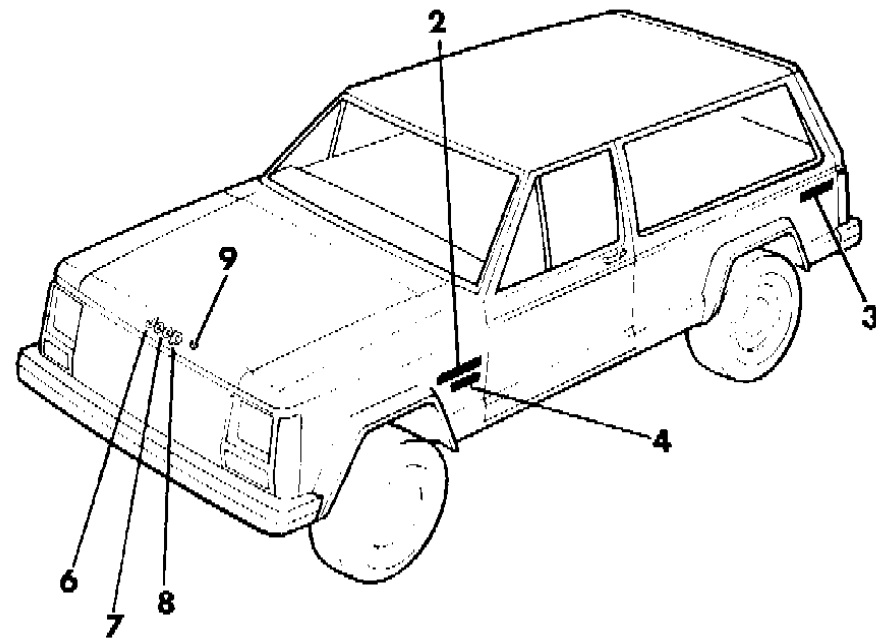
BODY STYLES:

MJ=Comanche Pickup ZJ=Grand Cherokee/Grand Wagoneer KDX VEHICLES
SJ=Grand Wagoneer M1=Comanche
XJ=Cherokee, Briarwood X1=Cherokee, Briarwood
YJ=Wrangler Y1=Wrangler

AR = Use as Required - = Non Illustrated Part P.A.R. = Paint as Required

NAMEPLATES CHEROKEE 2 DOOR - XJ
Figure 23-1300

91J68 1300 C



ITEM	PART NUMBER	QTY	BODY	MODEL	DESCRIPTION
1					NAMEPLATE
	5507 4601	1			"4.0 Litre HIGH OUTPUT", Chrome
	5529 5005	1			Built up to 4/1/91 (made of metal), 1991
	5529 5280	1			Built 4/2/91 and later (made of plastic), 1991-92
	5529 5281	1			Silver, 1993
					Champagne, 1993
					"Turbo Diesel"
	5501 0895	1			Chrome, EUROPE, 1991-92
	5529 5257	1			Silver, EUROPE, 1993
2					NAMEPLATE, "Cherokee", Fender or Liftgate
	5501 0897	AR			Chrome, 1991-92
	5529 5252	1			Silver, 1993
	5529 5251	2			Champagne, 1993
3	5500 7817	2			NAMEPLATE, "4x4", Chrome, Rear Quarter, 1991-92
					NOTE: For 1993 see decal illustration, (nameplate has been replaced by a decal). ion as described in the Chrysler repair manual.
4					NAMEPLATE, Fender
	5501 0899	2			"Laredo", 1991-92
	5501 0898	2			"Pioneer", 1991
5					NAMEPLATE, "Jeep" (on license plate visor)
	5500 8340	1			Chrome, 1991-92
	5529 5254	1			Silver, 1993
	5529 5253	1			Champagne, 1993
6					NAMEPLATE, "J", 1991-92
					Chrome
	5501 0901	1			Built up to 1/27/91 (mounts w/stud), 1991
	5529 4923	1			Built 1/28/91 and later (w/self adhesive back), 1991-92
7					NAMEPLATE, "e", 1991-92
					Chrome
	5501 0902	2			Built up to 1/27/91 (mounts w/stud), 1991
	5529 4924	2			Built 1/28/91 and later (w/self adhesive back), 1991-92
8					NAMEPLATE, "p"
					Chrome
	5501 0903	1			Built up to 1/27/91 (mounts w/stud), 1991
	5529 4925	1			Built 1/27/91 (w/self adhesive back), 1991-92
					NOTE: For items 6, 7 and 8. As stock of individual letters is exhausted the following letter set is available. ion as described in the Chrysler repair manual.
					NOTE: For 1993 only letter sets are available. ion as described in the Chrysler repair manual.
-					LETTER SET (includes J,e,e and p) ***
-	5529 4922	1			Chrome, (w/self adhesive back), 1991-92
-	5529 5250	1			Silver, 1993
-	5529 5249	1			Champagne, 1993

MODEL CODES:

61=Pickup-6 Ft Box 74=4 Door Wagon T=2WD
 62=Pickup-7 Ft Box 77=Open Body 93" Wheelbase J,N,U=4WD
 72=2 Door Wagon 78=Open Body 103" Wheelbase

BODY STYLES:

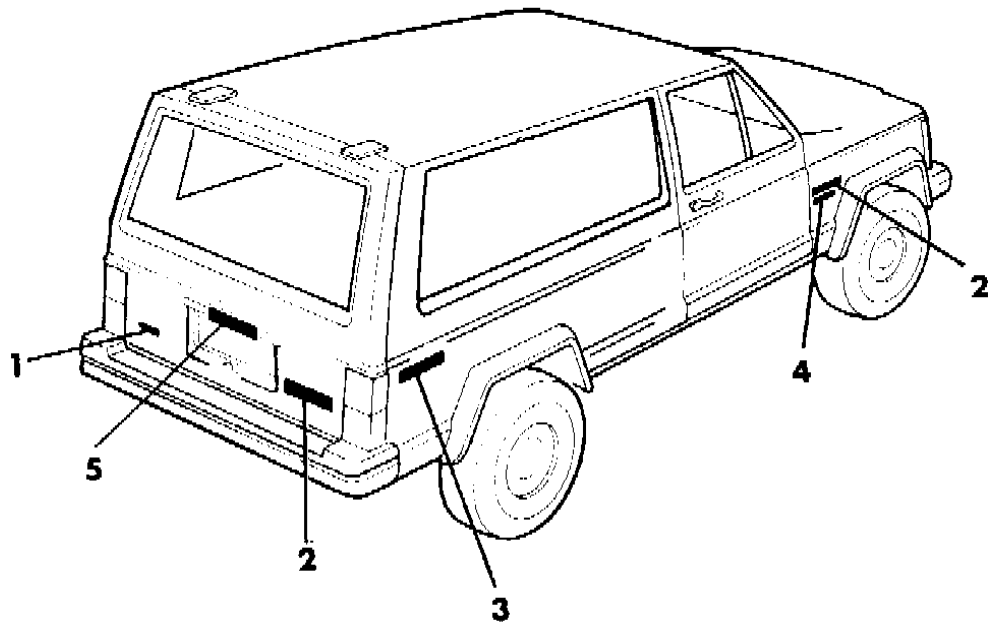
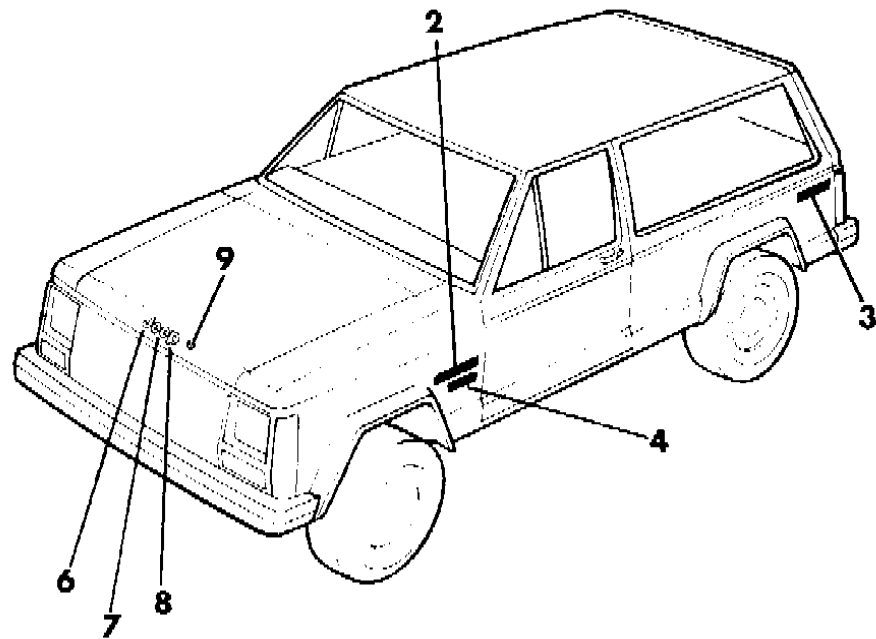
MJ=Comanche Pickup ZJ=Grand Cherokee/Grand Wagoneer KDX VEHICLES
 SJ=Grand Wagoneer M1=Comanche
 XJ=Cherokee, Briarwood X1=Cherokee, Briarwood
 YJ=Wrangler Y1=Wrangler

AR = Use as Required - = Non Illustrated Part P.A.R. = Paint as Required

NAMEPLATES CHEROKEE 2 DOOR - XJ
Figure 23-1300

91J68 1300 C

ITEM	PART NUMBER	QTY	BODY	MODEL	DESCRIPTION
9	1150 2557	4			NUT, use 1 per letter or 2 per nameplate, up to 1/27/91 (1/28/91 and later use self adhesive), 1991



MODEL CODES:

61=Pickup-6 Ft Box 74=4 Door Wagon T=2WD
62=Pickup-7 Ft Box 77=Open Body 93" Wheelbase J,N,U=4WD
72=2 Door Wagon 78=Open Body 103" Wheelbase

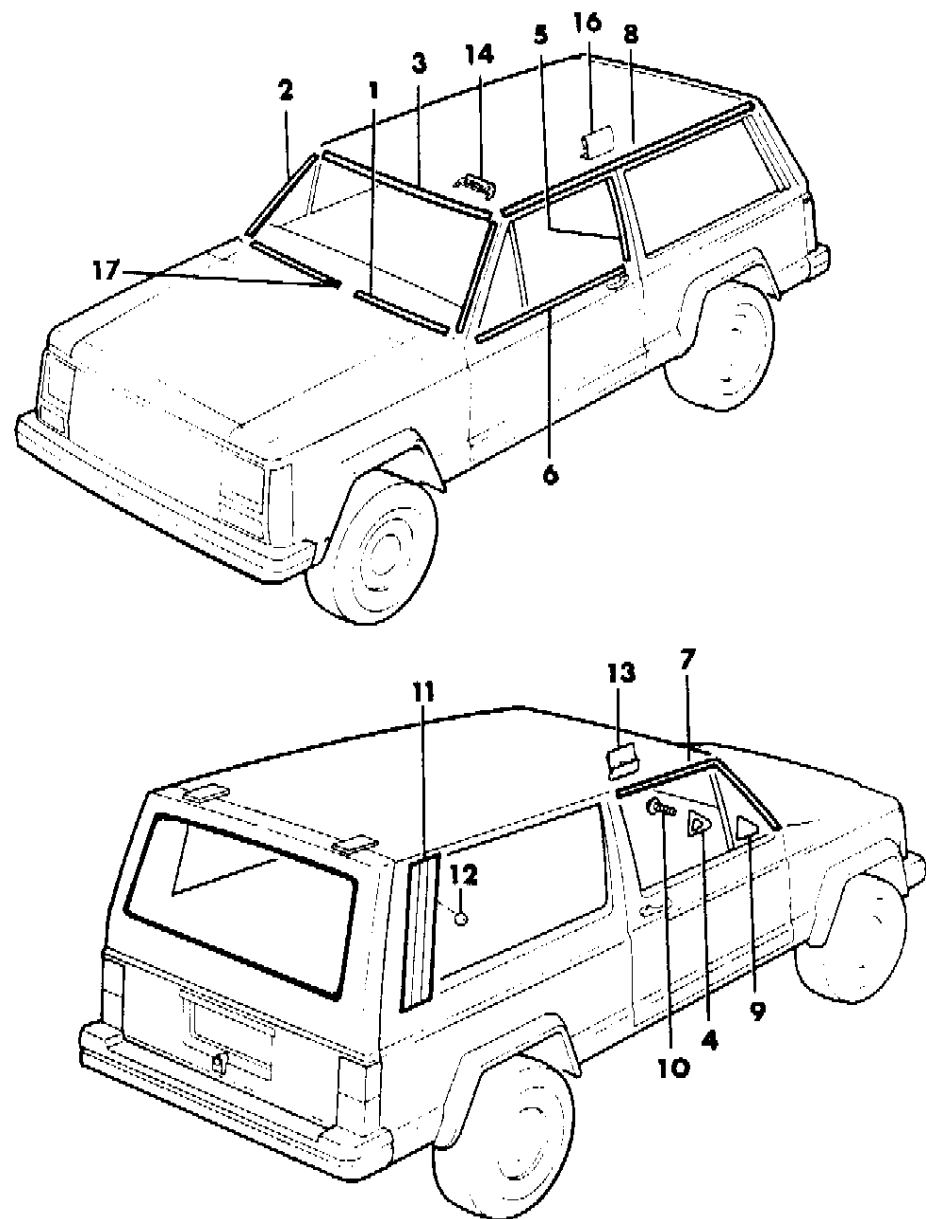
BODY STYLES:

MJ=Comanche Pickup ZJ=Grand Cherokee/Grand Wagoneer KDX VEHICLES
SJ=Grand Wagoneer M1=Comanche
XJ=Cherokee, Briarwood X1=Cherokee, Briarwood
YJ=Wrangler Y1=Wrangler

AR = Use as Required - = Non Illustrated Part P.A.R. = Paint as Required

MOULDINGS, EXTERIOR, UPPER CHEROKEE 2 DOOR - XJ
Figure 23-1400

91J68 1400B



ITEM	PART NUMBER	QTY	BODY	MODEL	DESCRIPTION
1					MOULDING, Windshield
	5502 6724-5	1			Black
	5502 6726-7	1			Bright
NOTE: The right moulding includes the cover for the moulding joint. ion as described in the Chrysler repair manual.					
2					MOULDING, Windshield
	5500 0538-9	1			Black
	5500 0546-7	1			Bright
3					MOULDING, Windshield
	5500 0536	1			Black
	5500 0544	1			Bright
4	5500 5430-1	1			GASKET
5					MOULDING, Door, Black
	5500 5282-3	1			For vehicles built up to 1/14/92
	5513 4752-3	1			For vehicles built 1/15/92 and later
6					MOULDING, Door Belt, Black
	5500 5286-7	1			1991 (clips not included)
	5529 4506-7	1			1992-93 (Includes Clips)
-	5500 5384	1			CLIP, 24mm high
-	5500 5383	4			CLIP, 27mm high
7					MOULDING, Door, Black
	5500 5280-1	1			For vehicles built up to 1/14/92
	5513 4748-9	1			For vehicles built 1/15/92 and later
8					MOULDING, Drip Rail
	5501 3656-7	1			Bright
	5501 5886-7	1			Black
9	5500 5312-3	1			COVER, (LESS MIRROR)
10	3420 1957	4			SCREW
11	5502 5788-9	1			APPLIQUE, Rear Quarter, P.A.R.
12	1150 1854	AR			NUT, Applique Attaching
13					CLIP, Door Moulding
	5500 5384	2			height = 24mm
	5500 5383	AR			height = 27mm
14					CLIP, Windshield Moulding Attaching
	J400 6211	28			Production Type Part, 1991-92
	5500 2605	AR			Repair Type Part, (use this part if the production type part is not effective), 1991-92
	5513 4797	28			Production/Service Part, 1993
16	3500 2115	AR			CLIP, Drip Rail Attaching
17	5500 6386	1			COVER, Moulding Joint (supplied in bright, P.A.R.) (this cover is included in the right windshield moulding)

MODEL CODES:

61=Pickup-6 Ft Box 74=4 Door Wagon T=2WD
 62=Pickup-7 Ft Box 77=Open Body 93" Wheelbase J,N,U=4WD
 72=2 Door Wagon 78=Open Body 103" Wheelbase

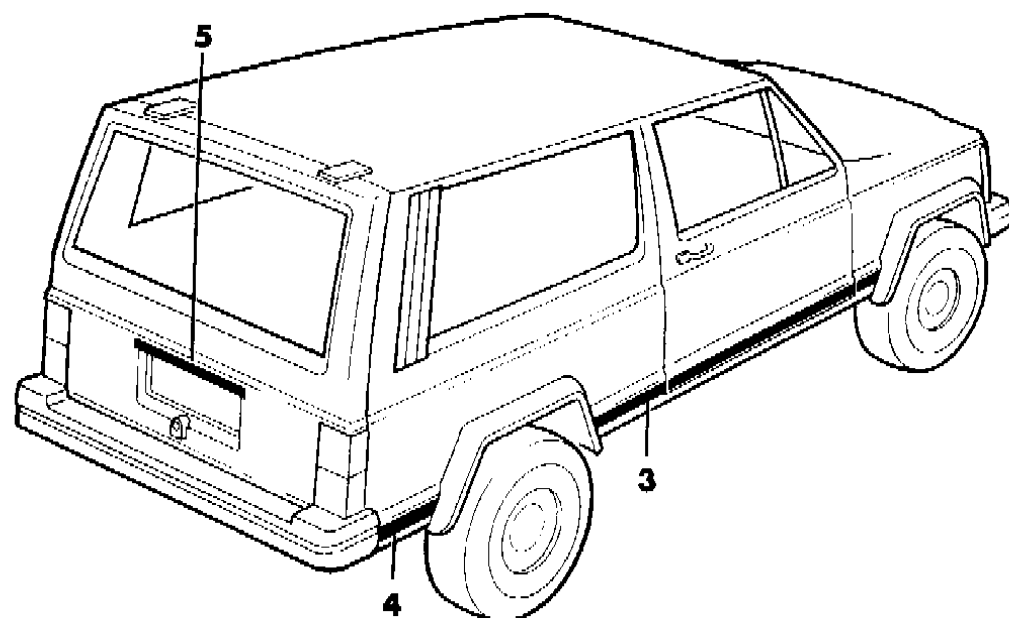
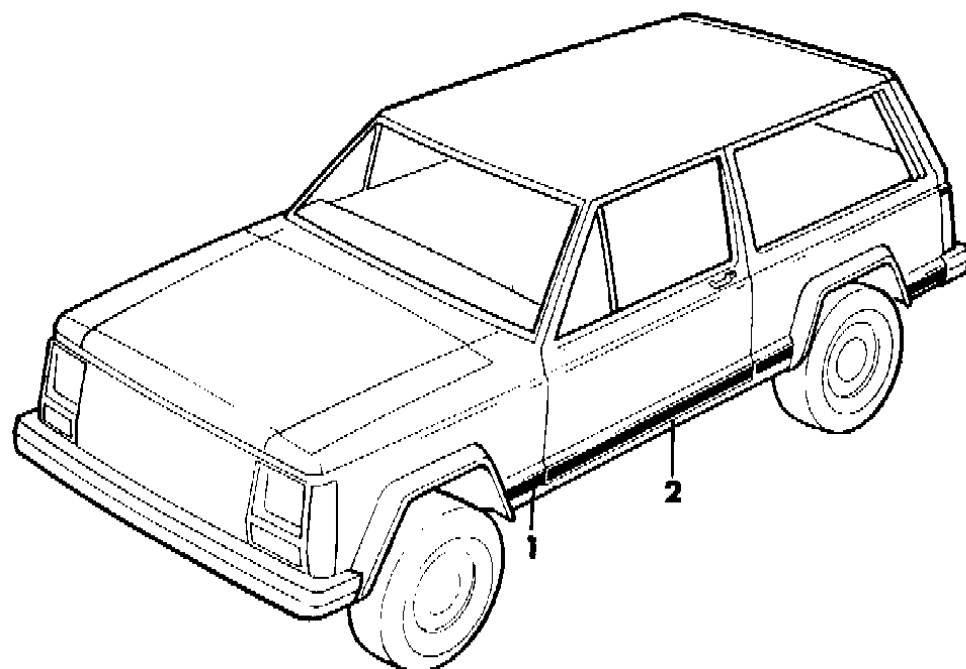
BODY STYLES:

MJ=Comanche Pickup ZJ=Grand Cherokee/Grand Wagoneer KDX VEHICLES
 SJ=Grand Wagoneer M1=Comanche
 XJ=Cherokee, Briarwood X1=Cherokee, Briarwood
 YJ=Wrangler Y1=Wrangler

AR = Use as Required - = Non Illustrated Part P.A.R. = Paint as Required

MOULDING AND CLADDING, EXTERIOR, LOWER CHEROKEE 2 DOOR - XJ
Figure 23-1500

91J68 1500



ITEM	PART NUMBER	QTY	BODY	MODEL	DESCRIPTION
NOTE: This illustration represents moulding and cladding. Moulding is 2 3/8" wide and cladding is 5 3/8" wide. ion as described in the Chrysler repair manual.					
1					MOULDING or CLADDING, Fender ***
	4636 538-9	1			Cladding, P.A.R., 1991
	5CX92-3 LS7	1			Cladding, P.A.R., 1992-93
	5AJ52-3 JXZ	1			Moulding, Black/Bright, 1991
	5DA02-3 LXZ	1			Moulding, Black/Bright, 1992-93
	5DA02-3 MXR	1			Moulding, Black/Red, 1993
	5DA02-3 MX9	1			Moulding, Black/Black, 1993
2					MOULDING or Cladding, Door ***
	4636 554-5	1			Cladding, P.A.R., 1991
	5CX96-7 LS7	1			Cladding, P.A.R., 1992
	5CX96-7 MV3	1			Cladding, P.A.R., 1993
	5AJ54-5 JXZ	1			Moulding, Black/Bright, 1991-93
	5AJ54-5 MXR	1			Moulding, Black/Red, 1993
	5AJ54-5 MX9	1			Moulding, Black/Black, 1993
3					MOULDING or CLADDING, Quarter Panel Front ***
	4636 570-1	1			Cladding, P.A.R., 1991
	5CY00-1 LS7	1			Cladding, P.A.R., 1992-93
	5CY00-1 MV3	1			Cladding, P.A.R., 1993
	5AJ56-7 JXZ	1			Moulding, Black/Bright, 1991
	5DA04-5 LXZ	1			Black/Bright, 1992-93
	5DA04-5 MXR	1			Moulding, Black/Red, 1993
	5DA04-5 MX9	1			Moulding, Black/Black, 1993
4					MOULDING or CLADDING, Quarter Panel Rear (This moulding is 2 3/8" wide and cladding is 4 1/8" wide) ***
	4637 712-3	1			Cladding, P.A.R., 1991
	5CY04-5 LS7	1			Cladding, P.A.R., 1992-93
	5AJ62-3 JXZ	1			Moulding, Black/Bright, 1991
	5DA08-9 LXZ	1			Moulding, Black/Bright, 1992-93
	5DA08-9 MXR	1			Moulding, Black/Red, 1993 ***
	5DA08-9 MX9	1			Moulding, Black/Black, 1993
5					OVERLAY, License Plate, EUROPE, 1991-92
	5502 1383	1			w/Argent Letters, "Euro Package", 1991-92
	5502 1384	1			w/Gold Letters, For "Limited", 1991-92
-	J400 1335	2			CLIP, Overlay Attaching, EUROPE, 1991-92
-	6031 115	2			RIVET, Overlay Attaching, EUROPE, 1991-92

NOTE: For 1993 the license plate visor is no longer used, see nameplates (illustration 1300). ion as described in the Chrysler repair manual.

NOTE: If cladding is not the correct color for the model year it must be painted. These are the only part numbers that are released for service. ion as described in the Chrysler repair manual.

MODEL CODES:

61=Pickup-6 Ft Box 74=4 Door Wagon T=2WD
 62=Pickup-7 Ft Box 77=Open Body 93" Wheelbase J,N,U=4WD
 72=2 Door Wagon 78=Open Body 103" Wheelbase

BODY STYLES:

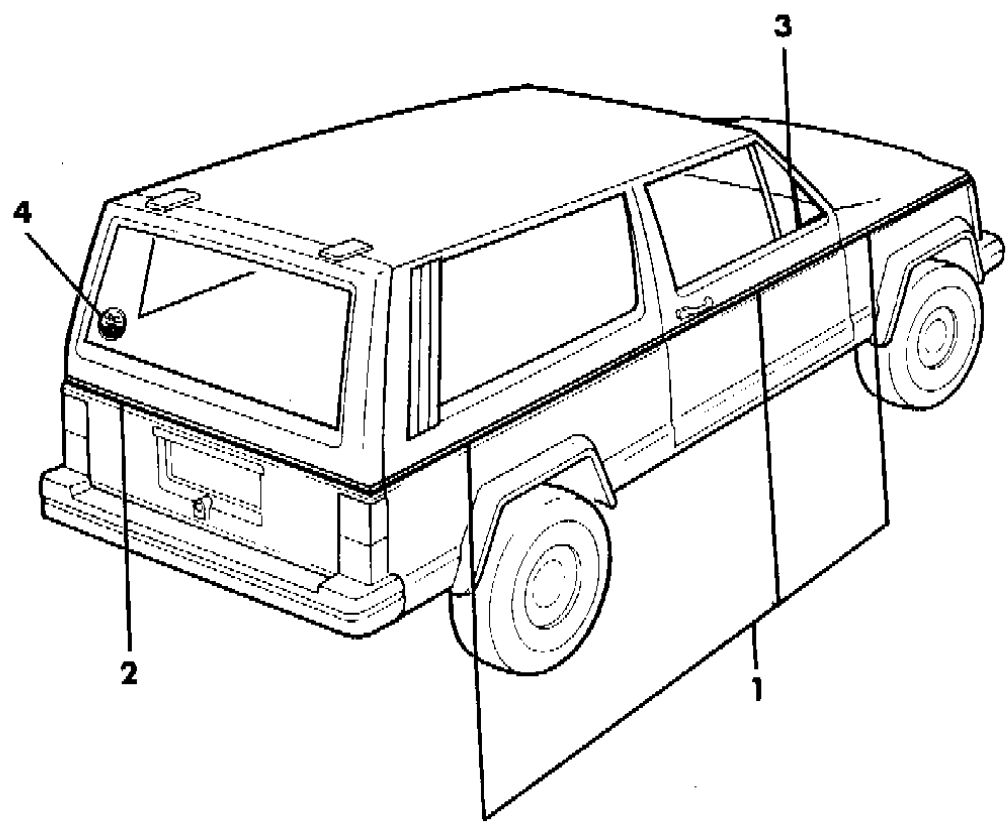
MJ=Comanche Pickup ZJ=Grand Cherokee/Grand Wagoneer KDX VEHICLES
 SJ=Grand Wagoneer M1=Comanche
 XJ=Cherokee, Briarwood X1=Cherokee, Briarwood
 YJ=Wrangler Y1=Wrangler

AR = Use as Required - = Non Illustrated Part P.A.R. = Paint as Required

DECALS, EXTERIOR PIONEER, 1991 CHEROKEE 2 DOOR - XJ
Figure 23-1600

91J68 1600

ITEM	PART NUMBER	QTY	BODY	MODEL	DESCRIPTION
1					TAPE PACKAGE, Bodyside
	4636 318-9	1			Almond
	4636 316-7	1			Red
	5252 782-3	1			Silver
2					DECAL, Liftgate
	5AL5 8KT2	1			Almond
	5AL5 8KV5	1			Red
	5AL5 8JA2	1			Silver
3	5500 6220-1	1			DECAL, Door, Black
4	5501 6564	1			DECAL, "Off Road Vehicle Package"



MODEL CODES:
 61=Pickup-6 Ft Box 74=4 Door Wagon T=2WD
 62=Pickup-7 Ft Box 77=Open Body 93" Wheelbase J,N,U=4WD
 72=2 Door Wagon 78=Open Body 103" Wheelbase

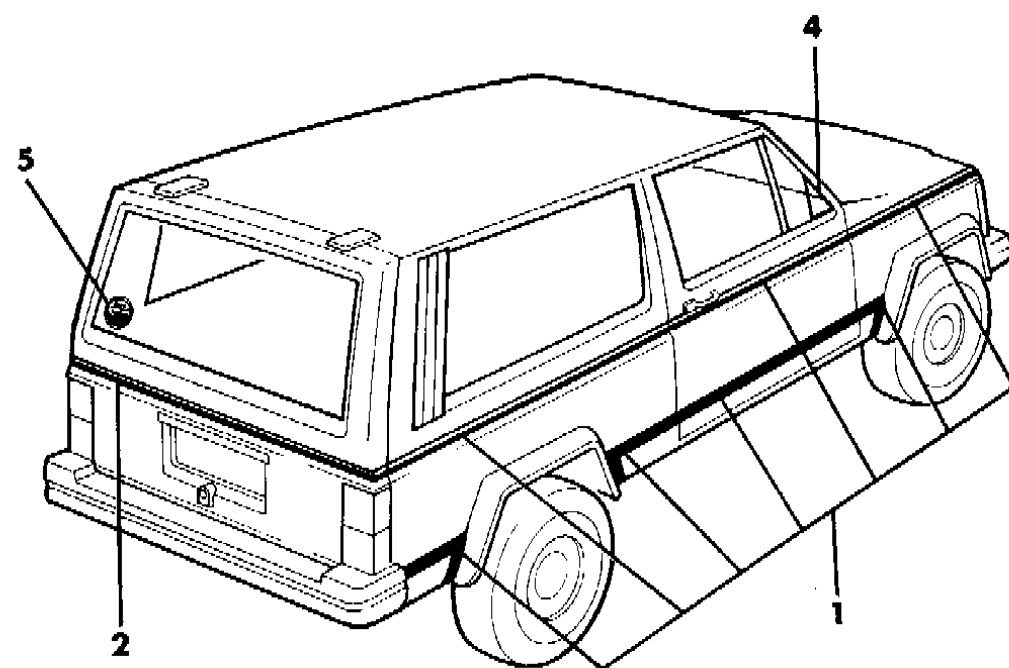
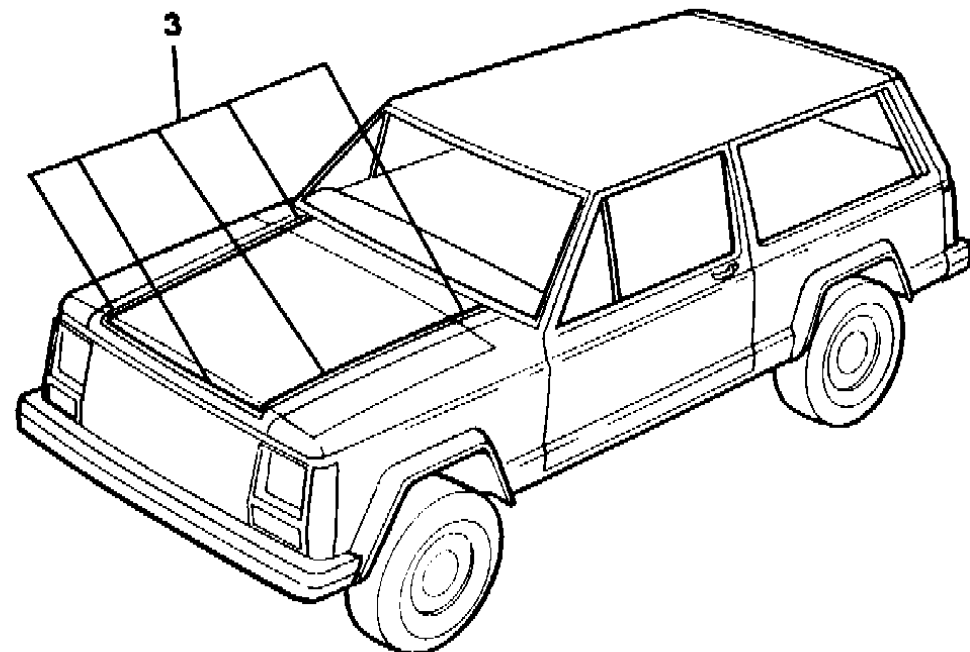
BODY STYLES:
 MJ=Comanche Pickup ZJ=Grand Cherokee/Grand Wagoneer KDX VEHICLES
 SJ=Grand Wagoneer M1=Comanche
 XJ=Cherokee, Briarwood X1=Cherokee, Briarwood
 YJ=Wrangler Y1=Wrangler

AR = Use as Required - = Non Illustrated Part P.A.R. = Paint as Required

DECALS, EXTERIOR LAREDO, 1991-92 CHEROKEE 2 DOOR - XJ
Figure 23-1700

91J68 1700

ITEM	PART NUMBER	QTY	BODY	MODEL	DESCRIPTION
1					TAPE PACKAGE, Bodyside
	4637 530-1	1			Thin Silver over Thick Red, 1991-92
	4713 384-5	1			Thin Dark Silver over Thick Light Silver, 1992
Bodyside package includes upper pinstripe and lower textured-gloss decals. ion as described in the Chrysler repair manual.					
2					DECAL, Liftgate
	5AL5 8KAC	1			Thin Silver over Thick Red, 1991-92
	5AL5 8JAT	1			Thin Dark Silver over Thick Light Silver, 1992
3	4636 332	1			TAPE PACKAGE, Front End, Silver Metallic/Bright Red, 1991
Item #3 is not used on 1992 vehicles. ion as described in the Chrysler repair manual.					
4	5500 6220-1	1			DECAL, Door, Black, 1991
5	5501 6564	1			DECAL, "Off Road Vehicle Package"



MODEL CODES:

61=Pickup-6 Ft Box 74=4 Door Wagon T=2WD
62=Pickup-7 Ft Box 77=Open Body 93" Wheelbase J,N,U=4WD
72=2 Door Wagon 78=Open Body 103" Wheelbase

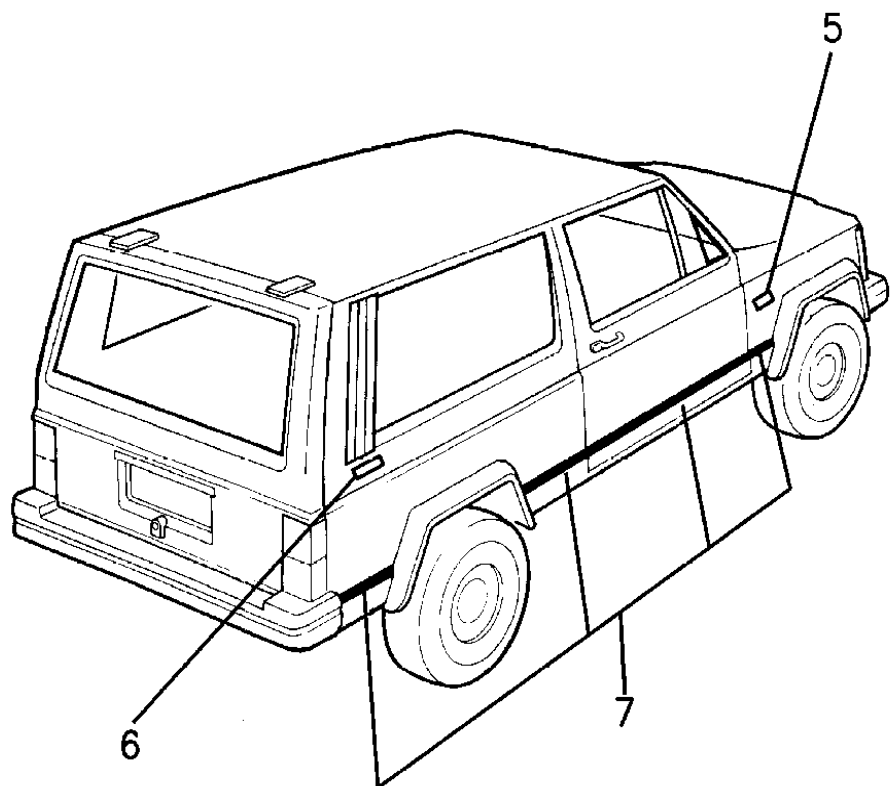
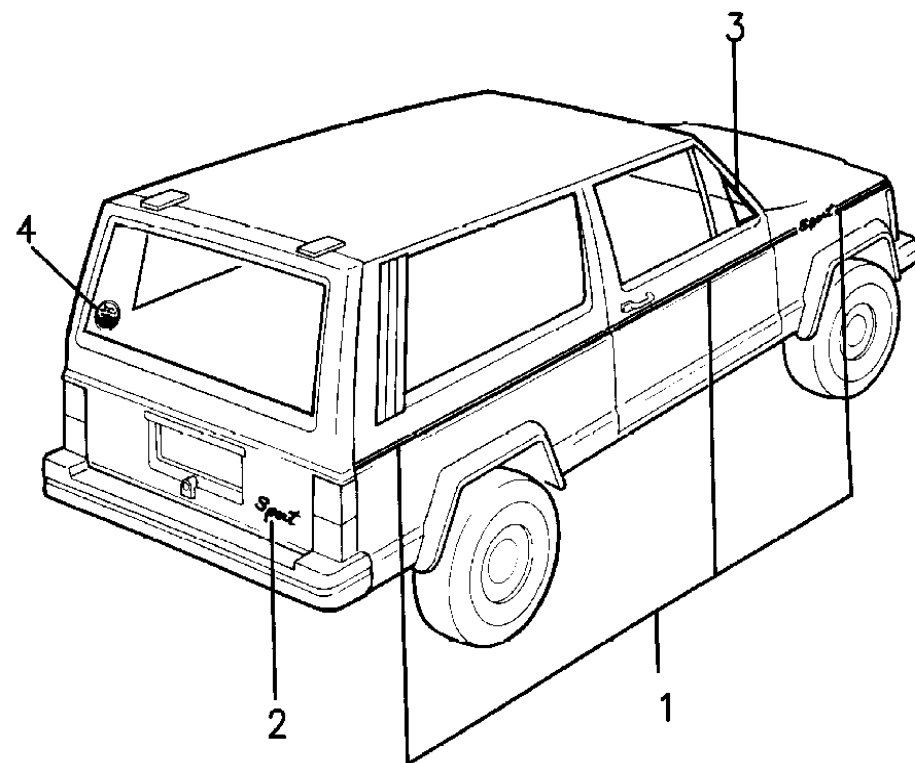
BODY STYLES:

MJ=Comanche Pickup ZJ=Grand Cherokee/Grand Wagoneer KDX VEHICLES
SJ=Grand Wagoneer M1=Comanche
XJ=Cherokee, Briarwood X1=Cherokee, Briarwood
YJ=Wrangler Y1=Wrangler

AR = Use as Required - = Non Illustrated Part P.A.R. = Paint as Required

DECALS, EXTERIOR SPORT CHEROKEE 2 DOOR - XJ
Figure 23-1900

91J68 1900B



ITEM	PART NUMBER	QTY	BODY	MODEL	DESCRIPTION
1	4636 324-5	1			Bright Red, Orange/Orange/Orange, 1991
	4713 070-1	1			Light Silver/Medium Silver/Dark Silver, 1992
2	5AL7 2KAD	1			Bright Red, Orange/Orange/Orange, 1991
	5AL7 2LSS	1			Light Silver/Medium Silver/Dark Silver, 1992
3	5500 6220-1	1			DECAL, Door, Black, 1991
4	5501 6564	1			DECAL, "Off Road Vehicle Package"
5	5CW9 0MA1	2			Light Quartz
	5CW9 0MX9	2			Flat Black
6	5DD9 6MA1	2			Light Quartz
	5DD9 6MX9	2			Flat Black
NOTE: Item 7 - "Blackout Tapes" are only used on vehicles with bodyside cladding. ion as described in the Chrysler repair manual.					
7	4723 426-7	1			Light Champagne
	4723 428-9	1			Flat Black
	4741 432-3	1			Dark Silver

MODEL CODES:

61=Pickup-6 Ft Box 74=4 Door Wagon T=2WD
62=Pickup-7 Ft Box 77=Open Body 93" Wheelbase J,N,U=4WD
72=2 Door Wagon 78=Open Body 103" Wheelbase

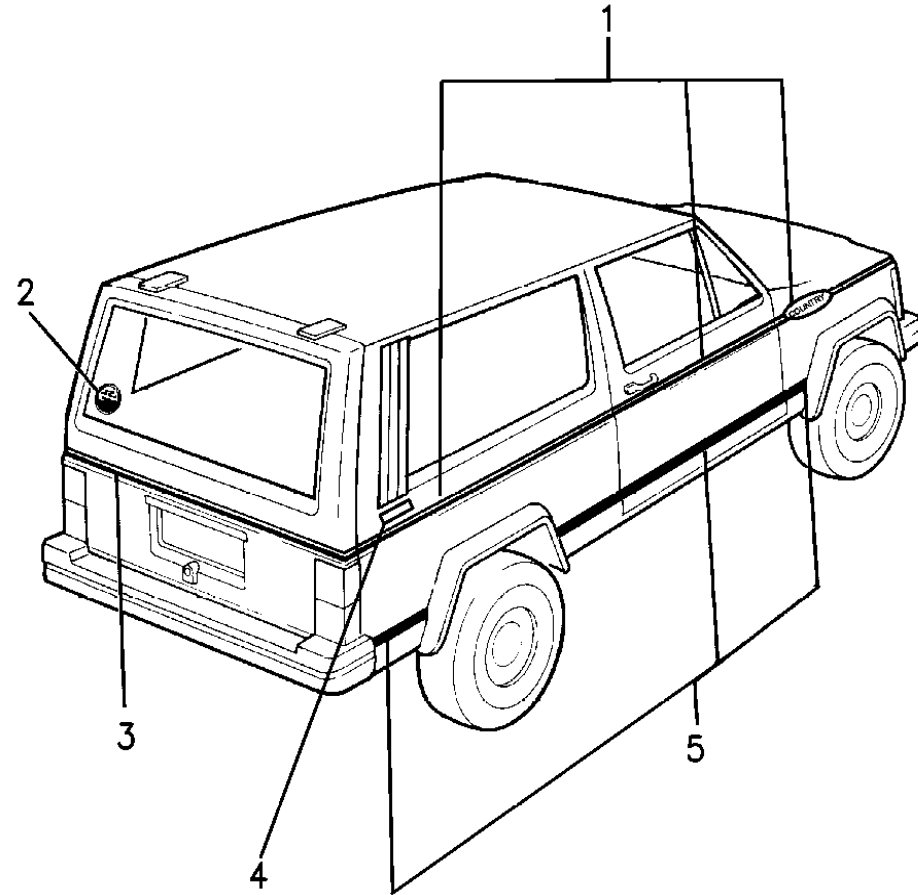
BODY STYLES:

MJ=Comanche Pickup ZJ=Grand Cherokee/Grand Wagoneer KDX VEHICLES
SJ=Grand Wagoneer M1=Comanche
XJ=Cherokee, Briarwood X1=Cherokee, Briarwood
YJ=Wrangler Y1=Wrangler

AR = Use as Required - = Non Illustrated Part P.A.R. = Paint as Required

DECALS, EXTERIOR COUNTRY, 1993 CHEROKEE 2 DOOR - XJ
Figure 23-1950

91J68 1950C



ITEM	PART NUMBER	QTY	BODY	MODEL	DESCRIPTION
1					TAPE PACKAGE, Bodyside Upper (dual stripe with country graphics in fender tape)
	4723 420-1	1			Light Champagne
	4723 422-3	1			Flat Black
	4741 470-1	1			Light Silver
2	5501 6564	1			DECAL, "Off Road Vehicle Package"
3					DECAL, Liftgate (dual stripe)
	5DE1 4MV3	1			Light Champagne
	5DE1 4MX9	1			Flat Black
	5DE1 4MA1	1			Quartz
4					DECAL, Quarter Panel, "4X4"
	5DD9 6MJ4	2			Gold Metallic
	5DD9 6MA1	2			Light Quartz
	5DD9 6MV3	2			Light Champagne
	5DD9 6MX9	2			Flat Black
NOTE: Item 5 - "Blackout Tapes" are only used on vehicles with bodyside cladding. ion as described in the Chrysler repair manual.					
5					TAPE PACKAGE, Bodyside Lower "Blackout Tape"
	4723 426-7	1			Light Champagne
	4723 428-9	1			Flat Black
	4741 432-3	1			Dark Silver

MODEL CODES:

61=Pickup-6 Ft Box 74=4 Door Wagon T=2WD
62=Pickup-7 Ft Box 77=Open Body 93" Wheelbase J,N,U=4WD
72=2 Door Wagon 78=Open Body 103" Wheelbase

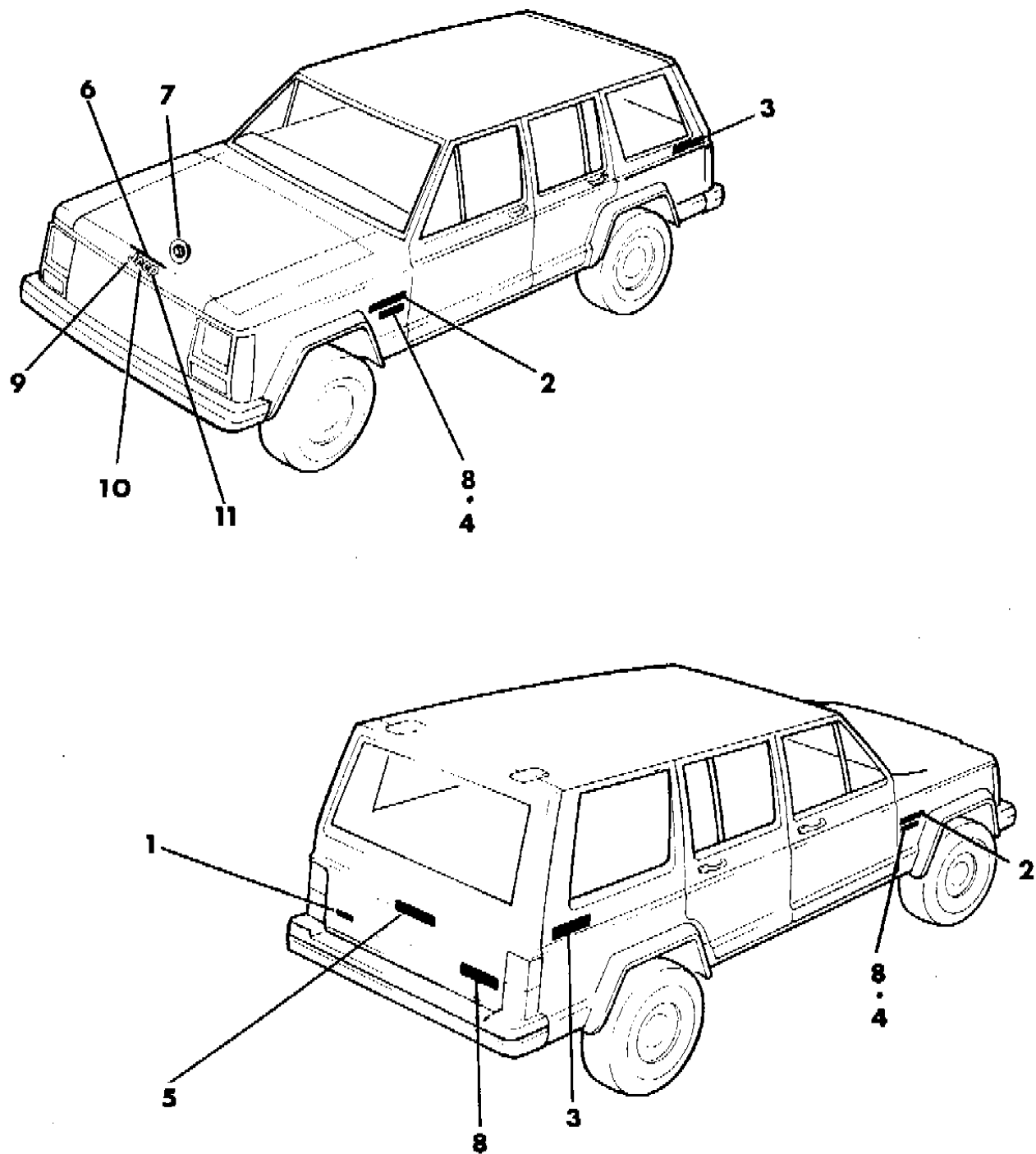
BODY STYLES:

MJ=Comanche Pickup ZJ=Grand Cherokee/Grand Wagoneer KDX VEHICLES
SJ=Grand Wagoneer M1=Comanche
XJ=Cherokee, Briarwood X1=Cherokee, Briarwood
YJ=Wrangler Y1=Wrangler

AR = Use as Required - = Non Illustrated Part P.A.R. = Paint as Required

NAMEPLATES CHEROKEE BRIARWOOD, 1991-92 - XJ
Figure 23-2000

91J68 2000 B



ITEM	PART NUMBER	QTY	BODY	MODEL	DESCRIPTION
1					NAMEPLATE
	5507 4601	1			"4.0 LITRE HIGH OUTPUT" Bright, Built up to 1/4/91 (made of metal)
	5529 5005	1			Bright, Built 4/2/91 and later (made of plastic)
	5507 4600	1			Gold, 1992, KDX - Venezuela
2					NAMEPLATE
	5501 0897	2			"CHEROKEE", Bright
	5501 8678	2			"CHEROKEE", Gold, KDX - Venezuela
	5529 4501	2			"BRIARWOOD"
	5501 0892	2			"WAGONEER", KDX - Venezuela
3	5500 7817	2			NAMEPLATE, "4X4", Rear Quarter
4	5501 0904	2			NAMEPLATE, "Limited", KDX - Venezuela
5					OVERLAY, or NAMEPLATE, Liftgate
	5501 3411	1			OVERLAY
-	3420 1684	2			RIVET, Overlay Attaching
	5501 8682	1			NAMEPLATE, "JEEP", Gold, 1992, KDX - Venezuela
6	5501 2986	1			NAMEPLATE, "Jeep", KDX - Venezuela, China
7	1150 2557	AR			NUT, up to 1/27/91 (1/28/91 and later use self adhesive)
8	5501 0892	1			NAMEPLATE, "WAGONEER", KDX - Venezuela
9					NAMEPLATE, "J"
	5501 0901	1			Bright, Built up to 1/27/91 (mounts w/stud)
	5529 4923	1			Bright, Built 1/28/91 and later (w/self adhesive back)
	5529 4918	1			Gold (w/self adhesive back), KDX - Venezuela
10					NAMEPLATE, "e"
	5501 0902	2			Bright, Built up to 1/27/91 (mounts w/stud)
	5529 4924	2			Bright, Built 1/28/91 and later (w/self adhesive back)
	5529 4919	2			Gold (w/self adhesive back), KDX - Venezuela
11					NAMEPLATE, "p"
	5501 0903	1			Bright, Built up to 1/27/91 (mounts w/stud)
	5529 4925	1			Bright, Built 1/28/91 and later (w/self adhesive back)
	5529 4920	1			Gold (w/self adhesive back), KDX - Venezuela
NOTE: For items 9, 10 and 11. As stock of individual letters is exhausted the following letter sets are available. ion as described in the Chrysler repair manual.					
-	5529 4922	1			LETTER SET, "Jeep", Chrome, (w/self adhesive back) ***
-	5529 4921	1			LETTER SET, "Jeep", Gold, (w/self adhesive back), KDX - Venezuela ***

MODEL CODES:

61=Pickup-6 Ft Box 74=4 Door Wagon T=2WD
 62=Pickup-7 Ft Box 77=Open Body 93" Wheelbase J,N,U=4WD
 72=2 Door Wagon 78=Open Body 103" Wheelbase

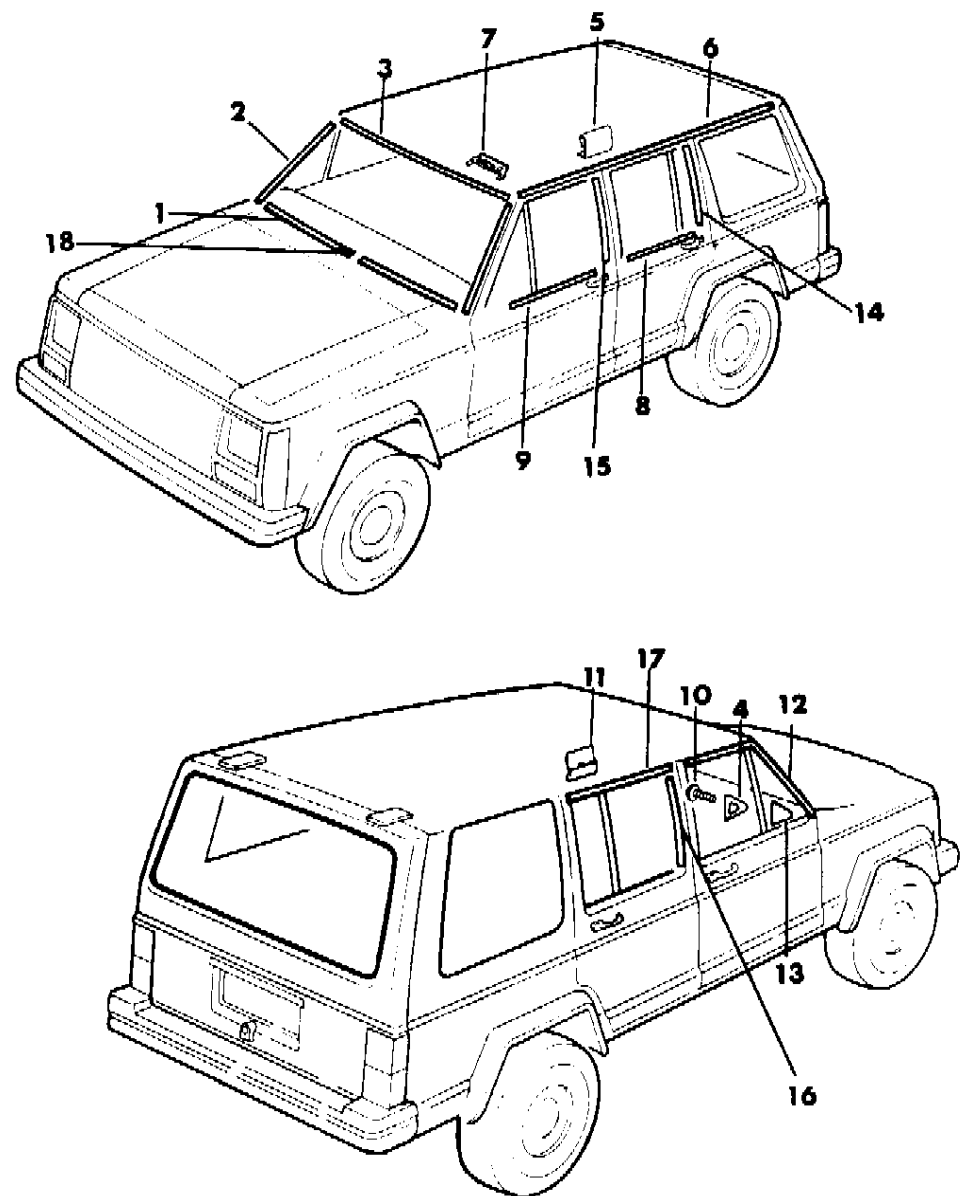
BODY STYLES:

MJ=Comanche Pickup ZJ=Grand Cherokee/Grand Wagoneer KDX VEHICLES
 SJ=Grand Wagoneer M1=Comanche
 XJ=Cherokee, Briarwood X1=Cherokee, Briarwood
 YJ=Wrangler Y1=Wrangler

AR = Use as Required - = Non Illustrated Part P.A.R. = Paint as Required

MOULDINGS, EXTERIOR UPPER CHEROKEE BRIARWOOD, 1991-92 - XJ
Figure 23-2100

91J68 21008



ITEM	PART NUMBER	QTY	BODY	MODEL	DESCRIPTION
1	5502 6726-7	1			MOULDING, Windshield, Bright
NOTE: The right moulding includes the cover for the moulding joint. ion as described in the Chrysler repair manual.					
2	5500 0546-7	1			MOULDING, Windshield, Bright
3	5500 0544	1			MOULDING, Windshield, Bright
4	5500 5430-1	1			GASKET, Mirror Hole Cover
5	3500 2115	AR			CLIP, Drip Rail Attaching
6	5501 3656-7	1			MOULDING, Drip
7					CLIP, Windshield Moulding Attaching
	J400 6211	28			Production Type Part
	5500 2605	AR			Repair Type Part, (use this part if the production type part is not effective)
8					MOULDING, Rear Door Belt, Black
	5500 5294	2			1991 (clips not included)
	5529 4514	2			1992 (includes clips)
-	5500 5383	5			CLIP, Moulding
9					MOULDING, Front Door Belt, Black
	5529 4510-1	1			1991, (clips not included)
	5529 4510-1	1			1992 (includes clips)
-	5500 5383	3			CLIP, 27mm high
-	5500 5384	1			CLIP, 24mm high
10	3420 1957	4			SCREW
11					CLIP, Moulding Attaching
	5500 5384	4			height = 24mm
	5500 5383	AR			height = 27mm
12					MOULDING, Door
	5500 5278-9	1			For vehicles built up to 1/14/92
	5513 4750-1	1			For vehicles built 1/15/92 and later
13	5500 5312-3	1			COVER, (less mirror)
14					MOULDING, Door, Black
	5500 5288-9	1			For vehicles built up to 1/14/92
	5513 4756-7	1			For vehicles built 1/15/92 and later
15					MOULDING, Door, Black
	5500 5282-3	1			For vehicles built up to 1/14/92
	5513 4752-3	1			For vehicles built 1/15/92 and later
16	5500 5290-1	1			MOULDING, Door, Black
17					MOULDING, Door, Black
	5500 5292	2			For vehicles built up to 1/14/92
	5513 4754	2			For vehicles built 1/15/92 and later
18	5500 6386	1			COVER, Moulding Joint (This cover is included in the right moulding)

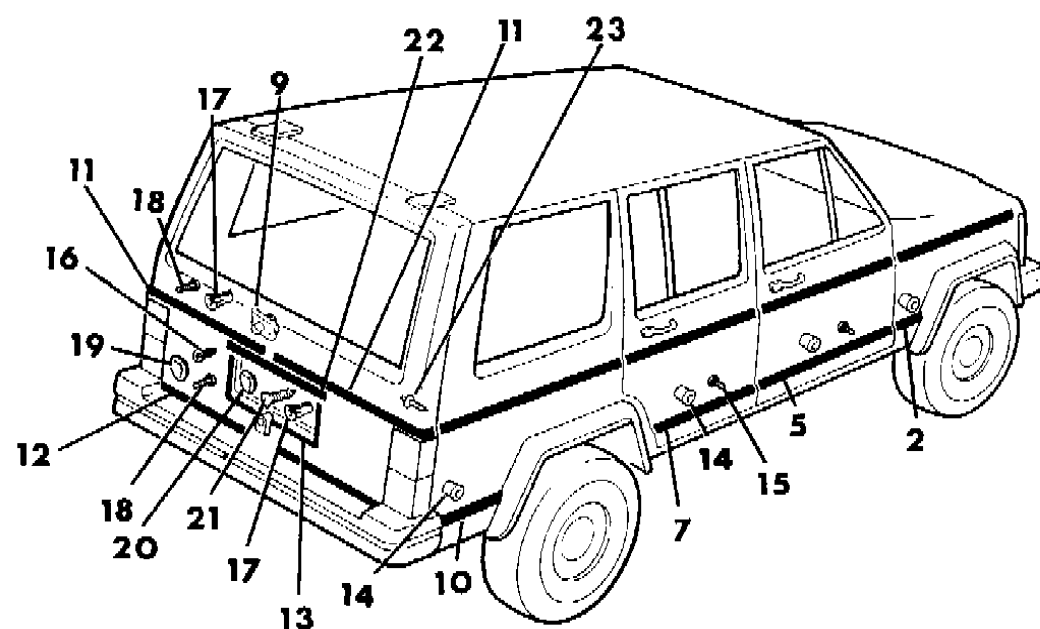
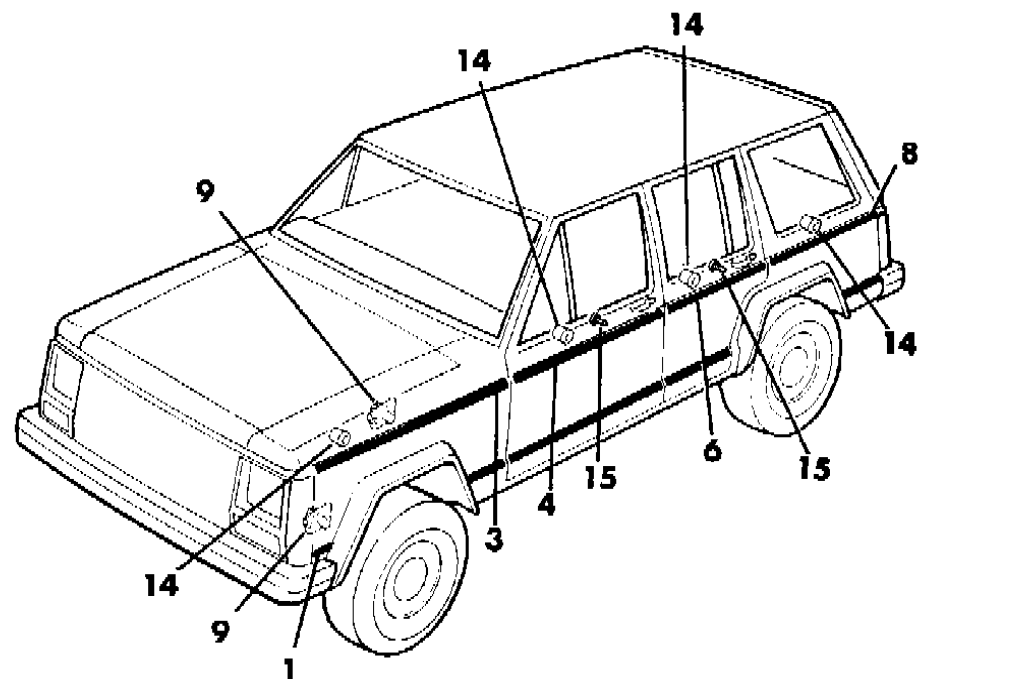
MODEL CODES:
61=Pickup-6 Ft Box 74=4 Door Wagon T=2WD
62=Pickup-7 Ft Box 77=Open Body 93" Wheelbase J,N,U=4WD
72=2 Door Wagon 78=Open Body 103" Wheelbase

BODY STYLES:
MJ=Comanche Pickup ZJ=Grand Cherokee/Grand Wagoneer KDX VEHICLES
SJ=Grand Wagoneer M1=Comanche
XJ=Cherokee, Briarwood X1=Cherokee, Briarwood
YJ=Wrangler Y1=Wrangler

AR = Use as Required - = Non Illustrated Part P.A.R. = Paint as Required

MOULDINGS, EXTERIOR, LOWER BRIARWOOD, 1991-92 - XJ
Figure 23-2200

91J68 2200



ITEM	PART NUMBER	QTY	BODY	MODEL	DESCRIPTION
1	5502 9036-7	1			MOULDING, Fender Lower Front
2	5502 9044-5	1			MOULDING, Fender Lower Rear
3	5502 9052-3	1			MOULDING, Fender Upper
4	5502 9060-1	1			MOULDING, Front Door Upper
5	5502 9070-1	1			MOULDING, Front Door Lower
6	5502 9080-1	1			MOULDING, Rear Door Upper
7	5502 9090-1	1			MOULDING, Rear Door Lower
8	5502 9114	2			MOULDING, Rear Quarter Upper
9	6004 002	AR			RETAINER
10	5502 9098-9	1			MOULDING, Rear Quarter Lower
11	5502 9106-7	1			MOULDING, Lift Door
12	5502 9117	2			MOULDING, Lift Door
13	5500 3828-9	1			MOULDING, License
14	3420 1767	AR			CLIP
15	3420 1797	12			SCREW
16	3420 2005	1			SCREW
17	3420 1782	AR			CLIP
18	3420 1798	AR			SCREW, Liftgate Moulding
19	1150 1855	2			NUT, Lower Liftgate Moulding Attaching
20	1150 1047	2			NUT, License Plate Surround Attaching
21	1150 2796	2			SCREW
22	5501 3411	1			OVERLAY, License Plate
-	3420 1684	2			RIVET, Overlay Attaching
23	3420 2204	2			RIVET

MODEL CODES:

61=Pickup-6 Ft Box 74=4 Door Wagon T=2WD
 62=Pickup-7 Ft Box 77=Open Body 93" Wheelbase J,N,U=4WD
 72=2 Door Wagon 78=Open Body 103" Wheelbase

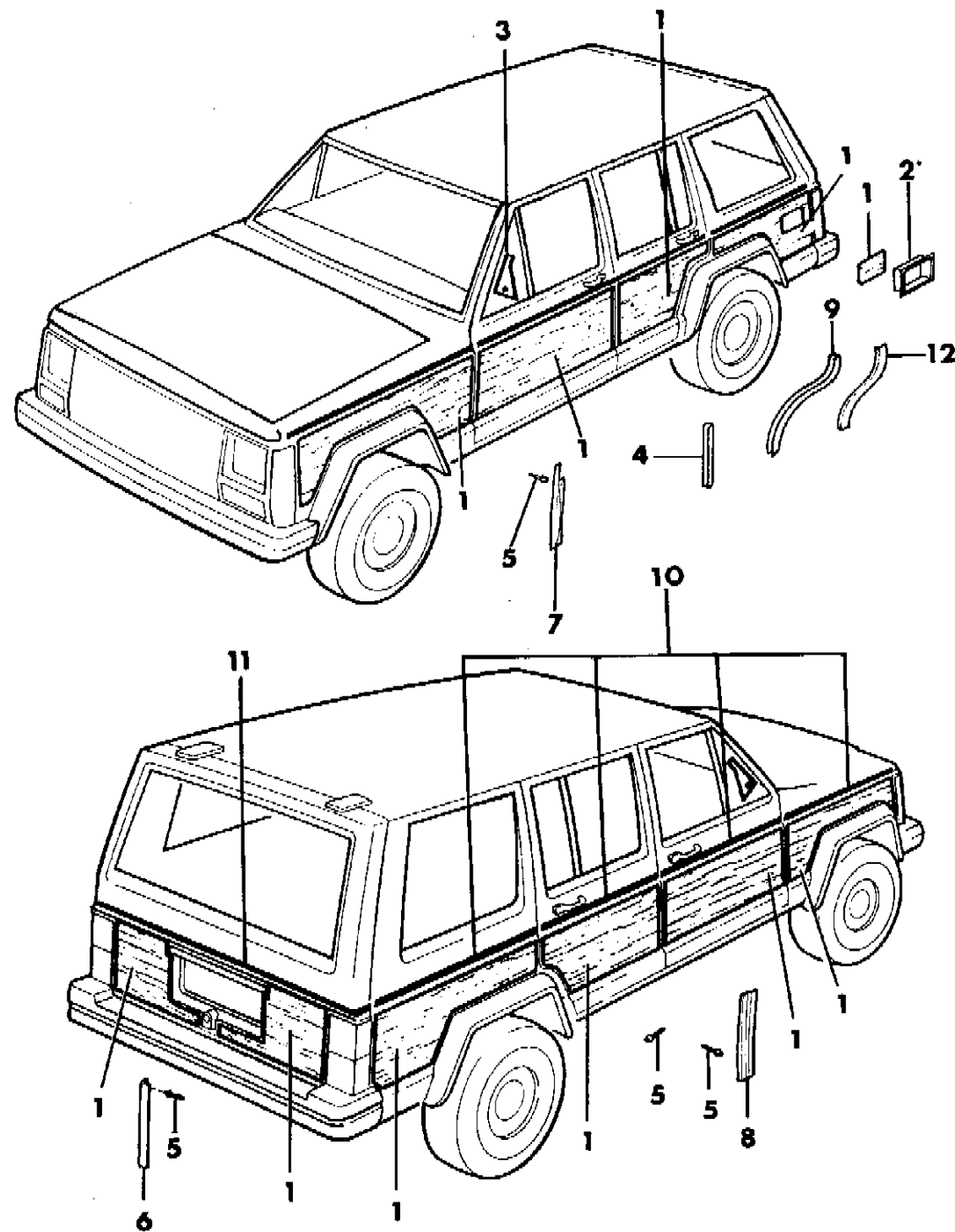
BODY STYLES:

MJ=Comanche Pickup ZJ=Grand Cherokee/Grand Wagoneer KDX VEHICLES
 SJ=Grand Wagoneer M1=Comanche
 XJ=Cherokee, Briarwood X1=Cherokee, Briarwood
 YJ=Wrangler Y1=Wrangler

AR = Use as Required - = Non Illustrated Part P.A.R. = Paint as Required

DECALS, EXTERIOR BRIARWOOD, 1991-92 - XJ
Figure 23-2300

91J68 2300 A



ITEM	PART NUMBER	QTY	BODY	MODEL	DESCRIPTION
1	4636 516	11			DECAL, Woodgrain, 16" X 60", Modification Required
2	5503 4372	1			RETAINER, Fuel Filler Opening
3	5500 6220-1	1			DECAL, Door, Black, 1991
4	5503 4380-1	1			GUARD, Front Door Edge
5	3420 2204	AR			RIVET, (8.5mm long)
6	5503 4374	2			RETAINER, Woodgrain Overlay Liftgate
7	5503 4382-3	1			RETAINER, Woodgrain Overlay Front Door
8	5503 4378-9	1			RETAINER, Woodgrain Overlay Rear Door
9	5503 4376-7	1			GUARD, Rear Door Edge
10	4636 322-3	1			TAPE PACKAGE, Bodyside, 1991 Almond
	4636 320-1	1			Red
	5252 788-9	1			Silver
11	5AL5 8KT2	1			DECAL, Liftgate, 1991 Almond
	5AL5 8KV5	1			Red
	5AL5 8JA2	1			Silver
12	5503 4370-1	1			RETAINER, Woodgrain Overlay Quarter Front
-	J576 5270	4			PROTECTOR, Door Opening, Clear, KDX - Venezuela

For 1992 tape stripes (items 10 and 11) have been cancelled. Use as described in the Chrysler repair manual.

MODEL CODES:

61=Pickup-6 Ft Box 74=4 Door Wagon T=2WD
62=Pickup-7 Ft Box 77=Open Body 93" Wheelbase J,N,U=4WD
72=2 Door Wagon 78=Open Body 103" Wheelbase

BODY STYLES:

MJ=Comanche Pickup ZJ=Grand Cherokee/Grand Wagoneer KDX VEHICLES
SJ=Grand Wagoneer M1=Comanche
XJ=Cherokee, Briarwood X1=Cherokee, Briarwood
YJ=Wrangler Y1=Wrangler

AR = Use as Required - = Non Illustrated Part P.A.R. = Paint as Required

NAMEPLATES COMANCHE - MJ
Figure 23-2400

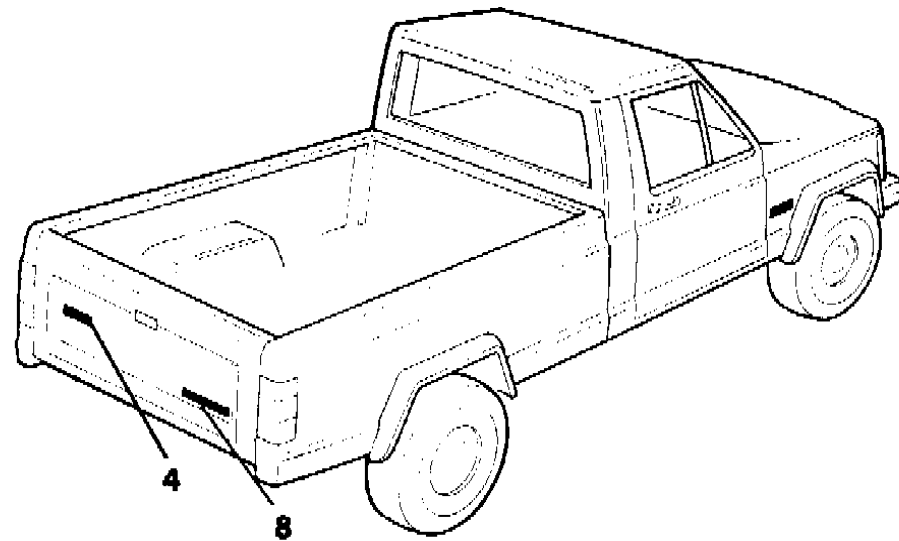
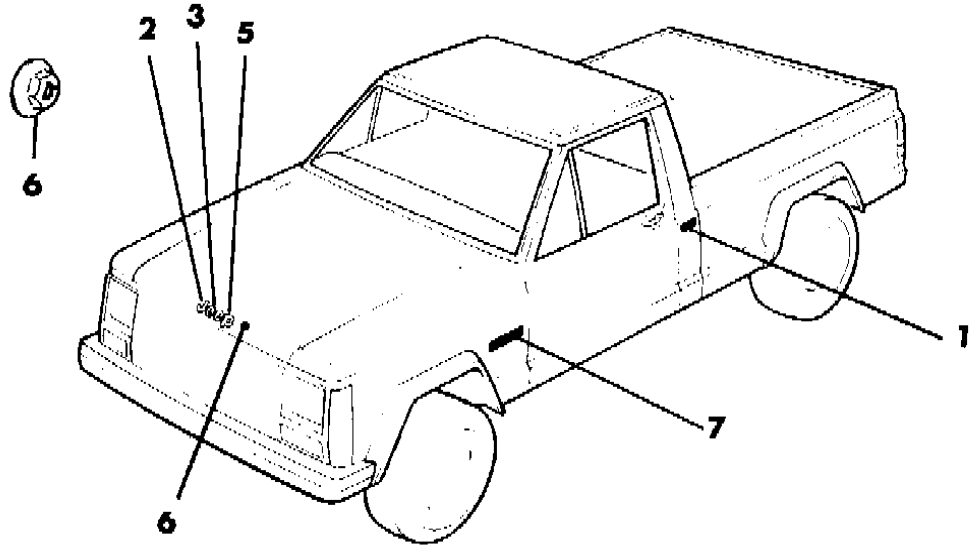
91J68 2400

ITEM	PART NUMBER	QTY	BODY	MODEL	DESCRIPTION
1	5500 7817	2			NAMEPLATE, "4x4"
2	5501 0901	1			NAMEPLATE, "J", 1991-92 Built up to 1/27/91 (mounts w/stud), 1991
	5529 4923	1			Built 1/28/91 and later (w/self adhesive back), 1991-92
3					NAMEPLATE, "e", 1991-92
	5501 0902	2			Built up to 1/27/91 (mounts w/stud), 1991
	5529 4924	2			Built 1/28/91 and later (w/self adhesive back), 1991-92
4					NAMEPLATE, "4.0 LITRE HIGH OUTPUT", Tailgate Built Before 4/1/91 (made of metal), 1991
	5507 4601	1			Built 4/2/91 and later (made of plastic), 1991-93
5					NAMEPLATE, "p", 1991-92
	5501 0903	1			Built up to 1/27/91 (mounts w/stud), 1991
	5529 4925	1			Built 1/28/91 and later (w/self adhesive back), 1991-92

NOTE: For items 2, 3 and 5. As stock of individual letters is exhausted the following letter set is available. ion as described in the Chrysler repair manual.

NOTE: For 1993 only letter sets are available. ion as described in the Chrysler repair manual.

-	5529 4922	1			LETTER SET, "Jeep", Chrome, (w/self adhesive back), 1991-92 ***
-	5529 5250	1			LETTER SET, Silver, 1993 ***
6	1150 2557	4			NUT, up to 1/27/91 (1/28/91 and later use self adhesive), 1991
7					NAMEPLATE, Fender
	5501 4472	1			"Comanche", Bright, 1991-92
	5529 5258	2			"Comanche", Silver/Black, 1993
	5501 0899	1			"LAREDO", KDX
8	5501 3576	1			NAMEPLATE, "METRIC TON", CANADA, EUROPE, KDX



MODEL CODES:

61=Pickup-6 Ft Box 74=4 Door Wagon T=2WD
62=Pickup-7 Ft Box 77=Open Body 93" Wheelbase J,N,U=4WD
72=2 Door Wagon 78=Open Body 103" Wheelbase

BODY STYLES:

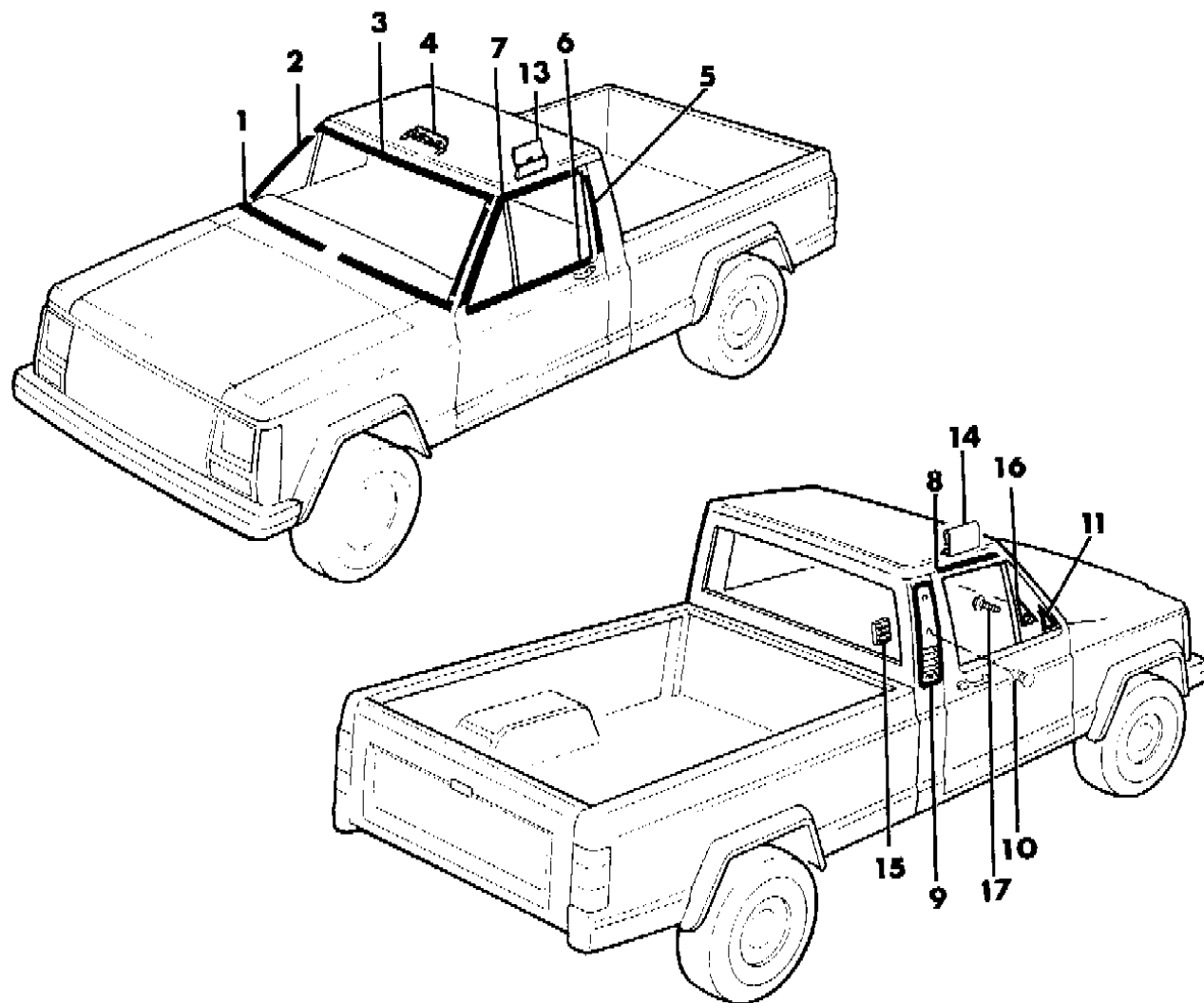
MJ=Comanche Pickup ZJ=Grand Cherokee/Grand Wagoneer KDX VEHICLES
SJ=Grand Wagoneer M1=Comanche
XJ=Cherokee, Briarwood X1=Cherokee, Briarwood
YJ=Wrangler Y1=Wrangler

AR = Use as Required - = Non Illustrated Part P.A.R. = Paint as Required

MOULDINGS, EXTERIOR, UPPER COMANCHE - MJ
Figure 23-2500

91J68 2500

ITEM	PART NUMBER	QTY	BODY	MODEL	DESCRIPTION
1					MOULDING, Windshield
	5502 6724-5	1			Black
	5502 6726-7	1			Bright
NOTE: The right moulding includes the cover for the moulding joint. ion as described in the Chrysler repair manual.					
2					MOULDING, Windshield
	5500 0538-9	1			Black
	5500 0546-7	1			Bright
3					MOULDING, Windshield
	5500 0536	1			Black
	5500 0544	1			Bright
4					CLIP, Windshield Moulding Attaching
	J400 6211	28			Production Type Part, 1991-92
	5500 2605	AR			Repair Type Part, (use this part if the production type part is not effective), 1991-92
	5513 4797	28			Production/Service Part, 1993
5					MOULDING, Door, Black
	5500 5282-3	1			For vehicles built up to 1/14/92
	5513 4752-3	1			For vehicles built 1/15/92 and later
6					MOULDING, Door Belt, Black
	5529 4510-1	1			1991 (clips not included)
	5529 4510-1	1			1992 (includes clips)
-	5500 5383	3			CLIP, Moulding, 27mm high
-	5500 5384	1			CLIP, Moulding, 24mm high
7					MOULDING, Door, Black
	5500 5278-9	1			For vehicles built up to 1/14/92
	5513 4750-1	1			For vehicles built 1/15/92 and later
8					MOULDING, Drip
	5501 3670-1	1			Bright
	5501 5914-5	1			Black
9	5500 9294-5	1			APPLIQUE, Cab Rear Quarter
10	3420 2335	8			FASTENER, Pinetree Type
11	5500 5312-3	1			COVER, (LESS MIRROR)
12	5500 6386	1			COVER, Moulding Joint (only supplied in bright, P.A.R.) (this cover is included in the right windshield moulding)
13					CLIP, Moulding Attaching
	5500 5384	AR			height = 24mm
	5500 5383	AR			height = 27mm
14	3500 2115	AR			CLIP, Drip Rail Attaching
15	5500 7673	2			EXHAUSTER, Air ***
16	5500 5430-1	1			GASKET
17	3420 1957	4			SCREW



MODEL CODES:

61=Pickup-6 Ft Box 74=4 Door Wagon T=2WD
 62=Pickup-7 Ft Box 77=Open Body 93" Wheelbase J,N,U=4WD
 72=2 Door Wagon 78=Open Body 103" Wheelbase

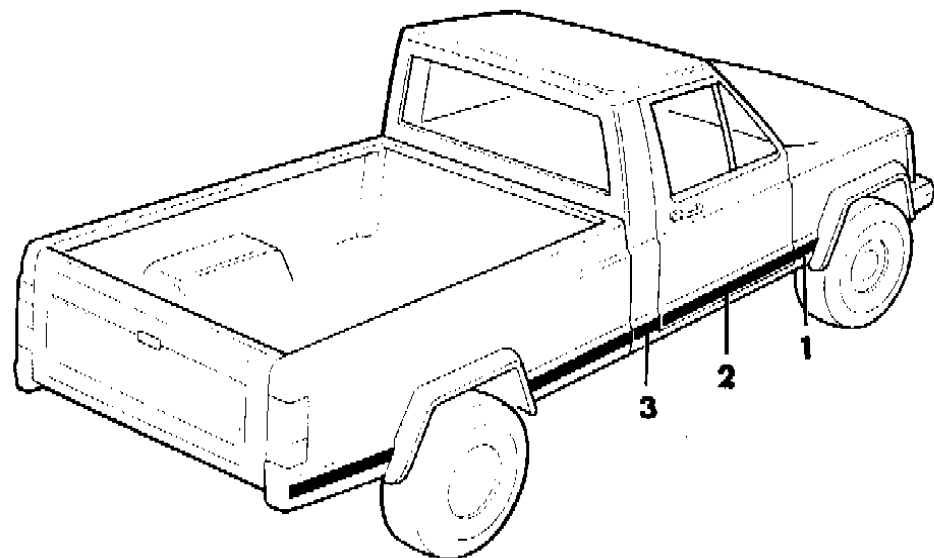
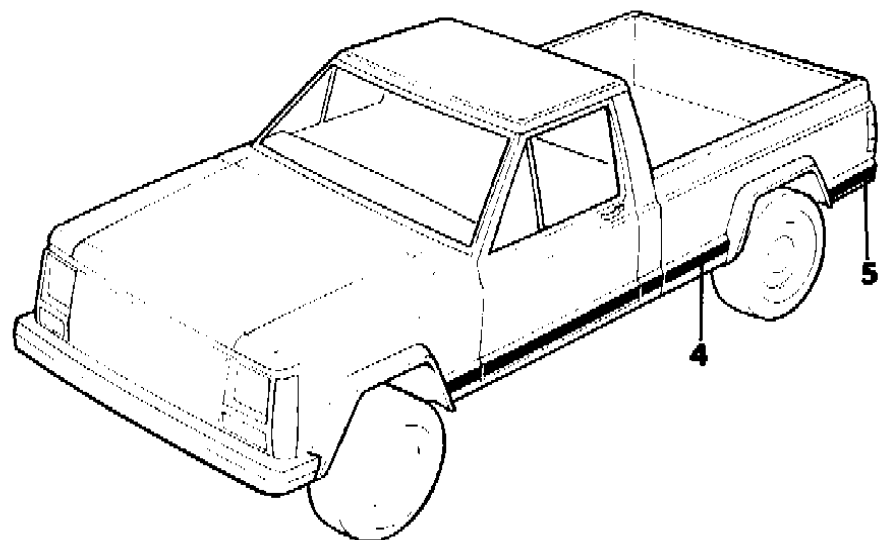
BODY STYLES:

MJ=Comanche Pickup ZJ=Grand Cherokee/Grand Wagoneer KDX VEHICLES
 SJ=Grand Wagoneer M1=Comanche
 XJ=Cherokee, Briarwood X1=Cherokee, Briarwood
 YJ=Wrangler Y1=Wrangler

AR = Use as Required - = Non Illustrated Part P.A.R. = Paint as Required

MOULDINGS, EXTERIOR, LOWER COMANCHE - MJ
Figure 23-2600

91J68 2600



ITEM	PART NUMBER	QTY	BODY	MODEL	DESCRIPTION
1					MOULDING, Fender, Black/Bright
	5AJ52-3 JXZ	1			1991
	5DA02-3 LXZ	1			1992-93
2	5AJ58-9 JXZ	1			MOULDING, Door, Black/Bright, 1991-93
3					MOULDING, Cab Rear Quarter, Black/Bright
	5AJ64-5 JXZ	1			1991
	5DA10-1 LXZ	1			1992-93
4					MOULDING, Cargo Box Front, Black/Bright
	5AJ66-7 JXZ	1		62	w/7 foot pickup box, 1991
	5DA14-5 LXZ	1		62	w/7 foot pick up box, 1992-93
	5AJ70-1 JXZ	1		61	w/6 foot pickup box, 1991
	5DA26-7 LXZ	1		61	w/6 foot pick up box, 1992-93
5					MOULDING, Cargo Box Rear, Black/Bright
	5AJ68-9 JXZ	1		62	w/7foot pickup box, 1991
	5DA18-9 LXZ	1		62	w/7 foot pickup box, 1992-93
	5AJ72-3 JXZ	1		61	w/6 foot pickup box, 1991
	5DA28-9 LXZ	1		61	w/6 foot pickup box, 1992-93

MODEL CODES:

61=Pickup-6 Ft Box 74=4 Door Wagon T=2WD
 62=Pickup-7 Ft Box 77=Open Body 93" Wheelbase J,N,U=4WD
 72=2 Door Wagon 78=Open Body 103" Wheelbase

BODY STYLES:

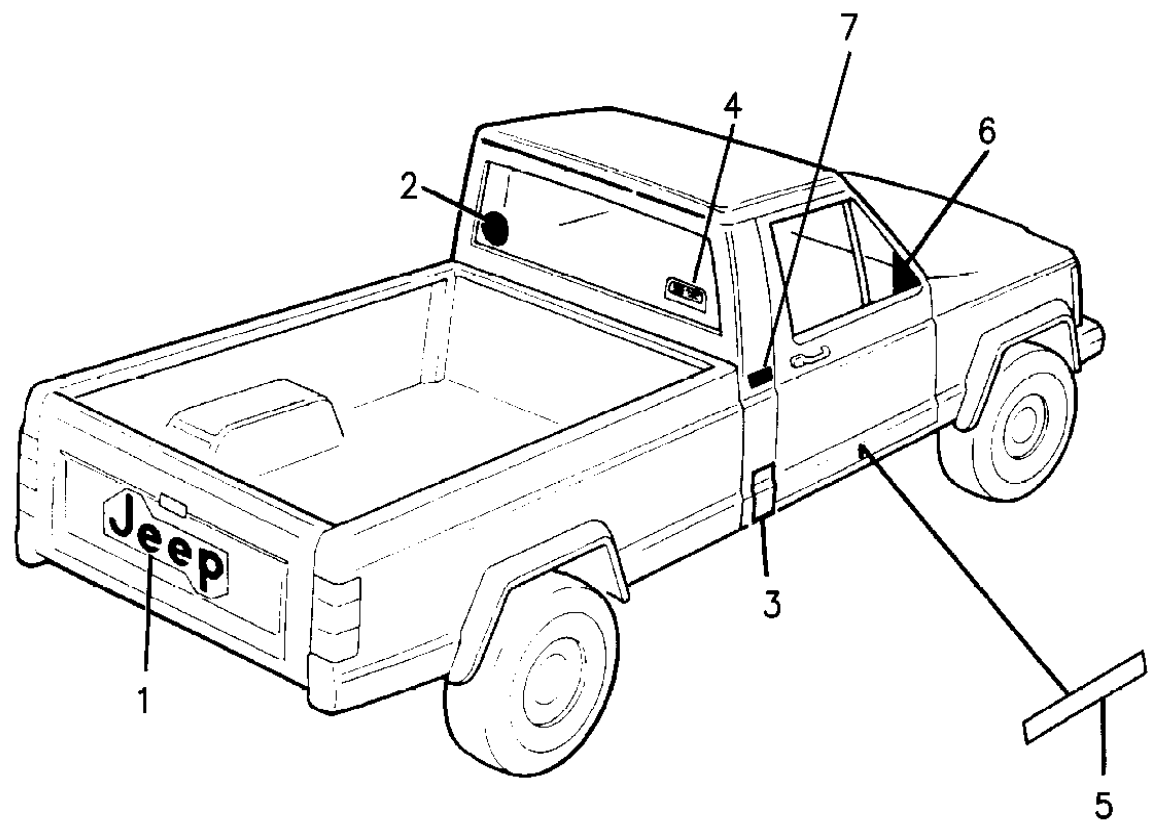
MJ=Comanche Pickup ZJ=Grand Cherokee/Grand Wagoneer KDX VEHICLES
 SJ=Grand Wagoneer M1=Comanche
 XJ=Cherokee, Briarwood X1=Cherokee, Briarwood
 YJ=Wrangler Y1=Wrangler

AR = Use as Required - = Non Illustrated Part P.A.R. = Paint as Required

DECALS, EXTERIOR BASE COMANCHE - MJ
Figure 23-2700

91J68 2700B

ITEM	PART NUMBER	QTY	BODY	MODEL	DESCRIPTION
1					DECAL, Tailgate
	5AE8 9KD5	1			Silver Metallic, 1991-92
	5AE8 9KS8	1			Charcoal Metallic, 1991-2
	5AE8 9KA7	1			Dark Silver, 1991-93
	5AE8 9LA1	1			Light Quartz, 1992-93
	5AE8 9JW4	1			Pearl White, 1991-92
	5AE8 9JX9	1			Flat Black, 1991-92
2	5501 6564	1			DECAL, "Off Road Package"
3	3501 9114-5	1			APPLIQUE, Cab Rear Quarter (stone guard)
4	5502 1150	1			DECAL, "Big Ton", USA
5	J576 5270	2	M1		PROTECTOR, Door Opening, KDX - Venezuela
6	5500 6220-1	1			DECAL, Door, Black, 1991
7					DECAL, Cab, "4x4"
	5DD9 6MA1	2			Light Quartz
	5DD9 6MA7	2			Dark Silver
NOTE: The following decal is new for KDX, 1993, the location of the decal is to be determined. ion as described in the Chrysler repair manual.					
-	5CL0 6KA2	1			Flat Black, KDX, 1993



MODEL CODES:
 61=Pickup-6 Ft Box 74=4 Door Wagon T=2WD
 62=Pickup-7 Ft Box 77=Open Body 93" Wheelbase J,N,U=4WD
 72=2 Door Wagon 78=Open Body 103" Wheelbase

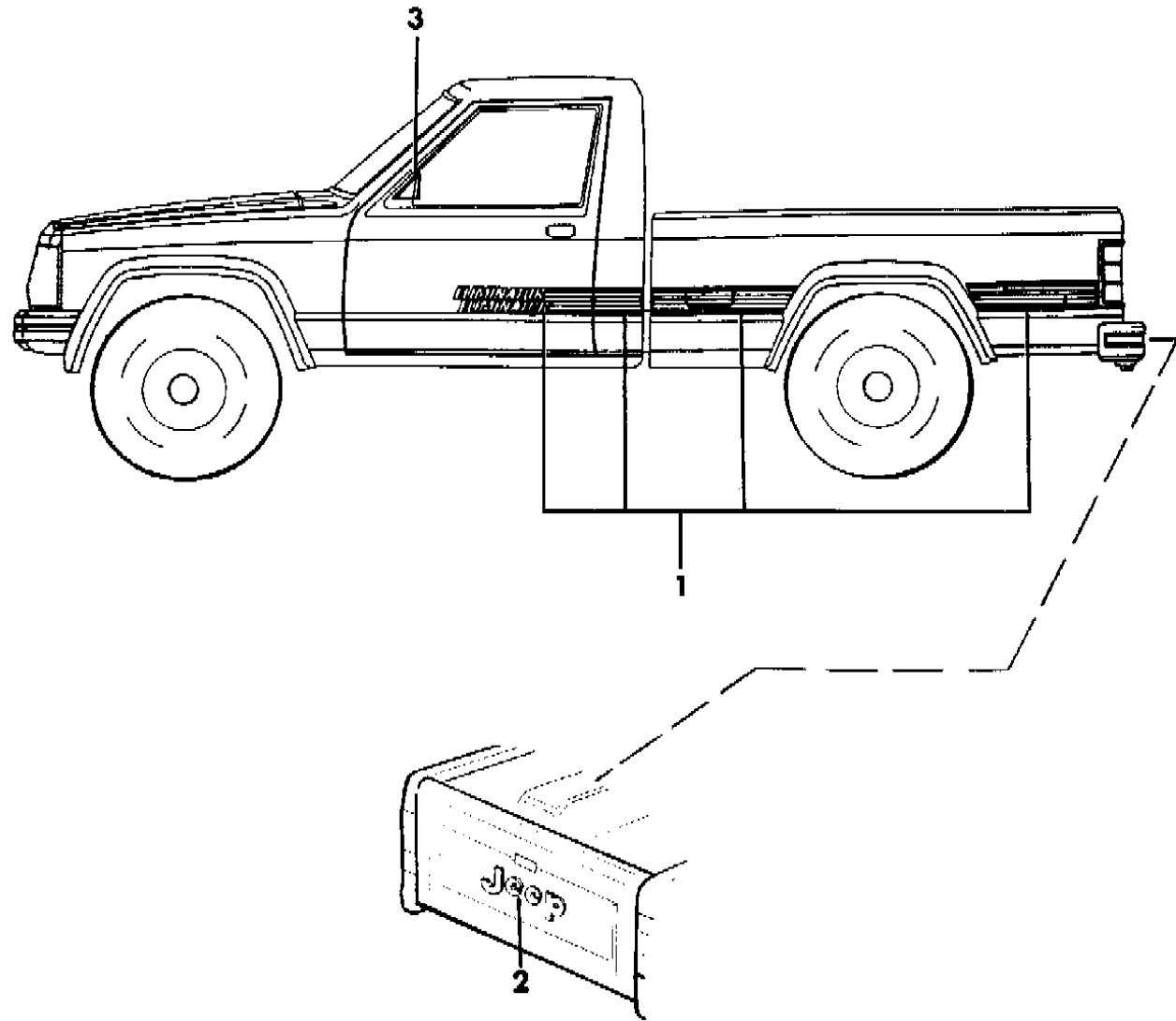
BODY STYLES:
 MJ=Comanche Pickup ZJ=Grand Cherokee/Grand Wagoneer KDX VEHICLES
 SJ=Grand Wagoneer M1=Comanche
 XJ=Cherokee, Briarwood X1=Cherokee, Briarwood
 YJ=Wrangler Y1=Wrangler

AR = Use as Required - = Non Illustrated Part P.A.R. = Paint as Required

DECALS, EXTERIOR ELIMINATOR COMANCHE - MJ
Figure 23-2800

91J68 2800

ITEM	PART NUMBER	QTY	BODY	MODEL	DESCRIPTION
1	4636 350-1	1		61	TAPE PACKAGE, Bodyside, Silver/Charcoal Left bodyside package includes decal for fuel filler door ion as described in the Chrysler repair manual.
2					DECAL, Tailgate, "Jeep"
	5AE8 9KD5	1			Silver Metallic
	5AE8 9KS8	1			Charcoal Metallic
	5AE8 9KA7	1			Dark Silver
	5AE8 9LA1	1			Light Quartz
	5AE8 9JW4	1			Pearl White
	5AE8 9JX9	1			Black
3	5500 6220-1	1			DECAL, Door, Black, 1991



MODEL CODES:

61=Pickup-6 Ft Box 74=4 Door Wagon T=2WD
 62=Pickup-7 Ft Box 77=Open Body 93" Wheelbase J,N,U=4WD
 72=2 Door Wagon 78=Open Body 103" Wheelbase

BODY STYLES:

MJ=Comanche Pickup ZJ=Grand Cherokee/Grand Wagoneer KDX VEHICLES
 SJ=Grand Wagoneer M1=Comanche
 XJ=Cherokee, Briarwood X1=Cherokee, Briarwood
 YJ=Wrangler Y1=Wrangler

AR = Use as Required - = Non Illustrated Part P.A.R. = Paint as Required

DECALS, EXTERIOR PIONEER COMANCHE - MJ
Figure 23-2900

91J68 2900 A

ITEM	PART NUMBER	QTY	BODY	MODEL	DESCRIPTION
------	-------------	-----	------	-------	-------------

1					TAPE PACKAGE, Bodyside, Dark Silver Metallic
	4636 346-7	1	61		
	4636 348-9	1	62		

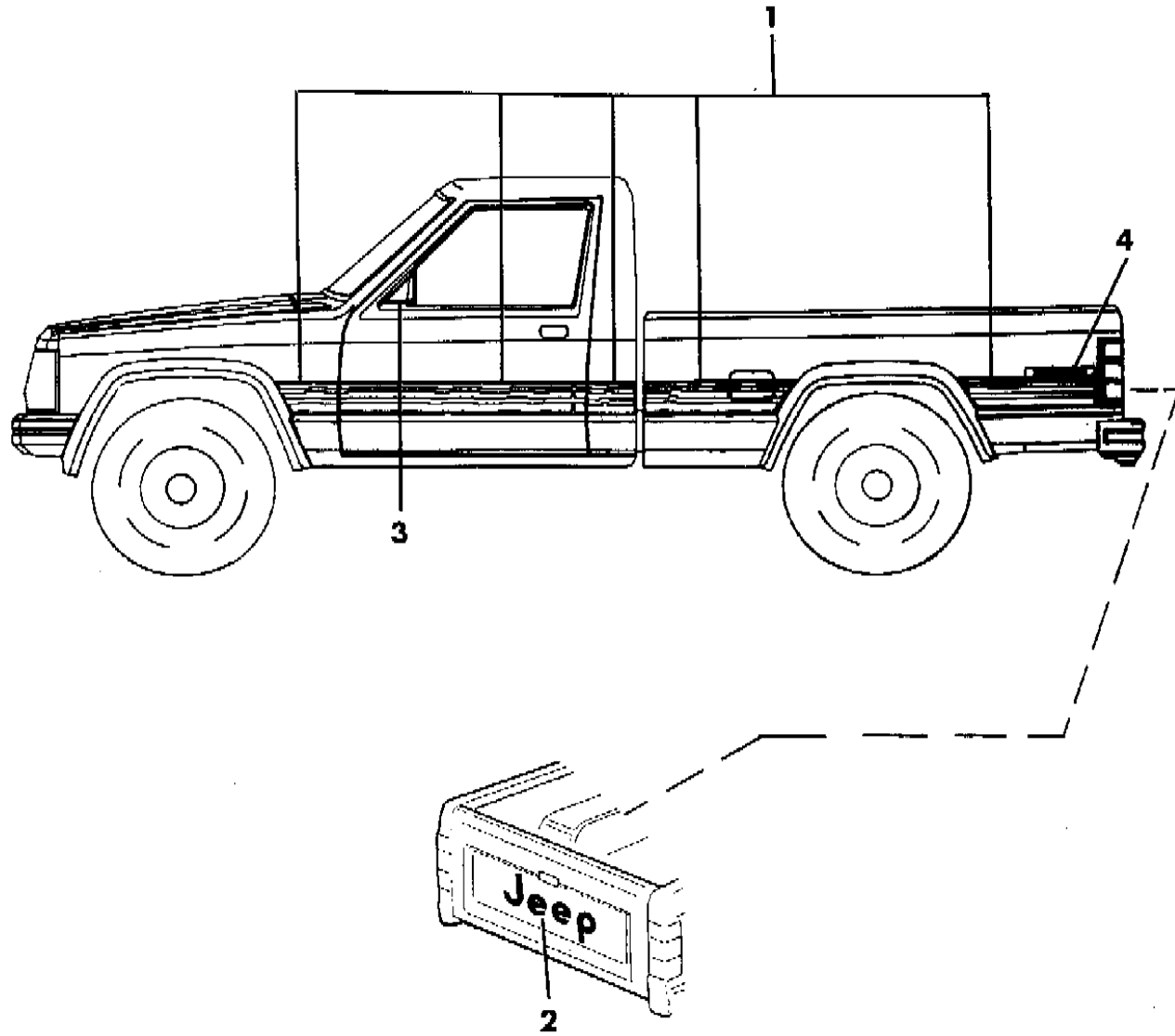
Bodyside package for left side includes decal for fuel filler door. ion as described in the Chrysler repair manual.
As of 4/23/91 the "PIONEER" decal has been removed from item 1, see item 4. ion as described in the Chrysler repair manual.

2					DECAL, Tailgate, "Jeep"
	5AE8 9KD5	1			Silver Metallic
	5AE8 9KS8	1			Charcoal Metallic
	5AE8 9KA7	1			Dark Silver
	5AE8 9LA1	1			Light Quartz
	5AE8 9JW4	1			Pearl White
	5AE8 9JX9	1			Black

3	5500 6220-1	1			DECAL, Door Black, 1991
---	-------------	---	--	--	-------------------------

4	5BJ6 8KA7	2			DECAL, "PIONEER", Dark Silver Metallic
---	-----------	---	--	--	--

Dark Silver Metallic Could Be Mistaken For Black. ion as described in the Chrysler repair manual.



MODEL CODES:

61=Pickup-6 Ft Box 74=4 Door Wagon T=2WD
62=Pickup-7 Ft Box 77=Open Body 93" Wheelbase J,N,U=4WD
72=2 Door Wagon 78=Open Body 103" Wheelbase

BODY STYLES:

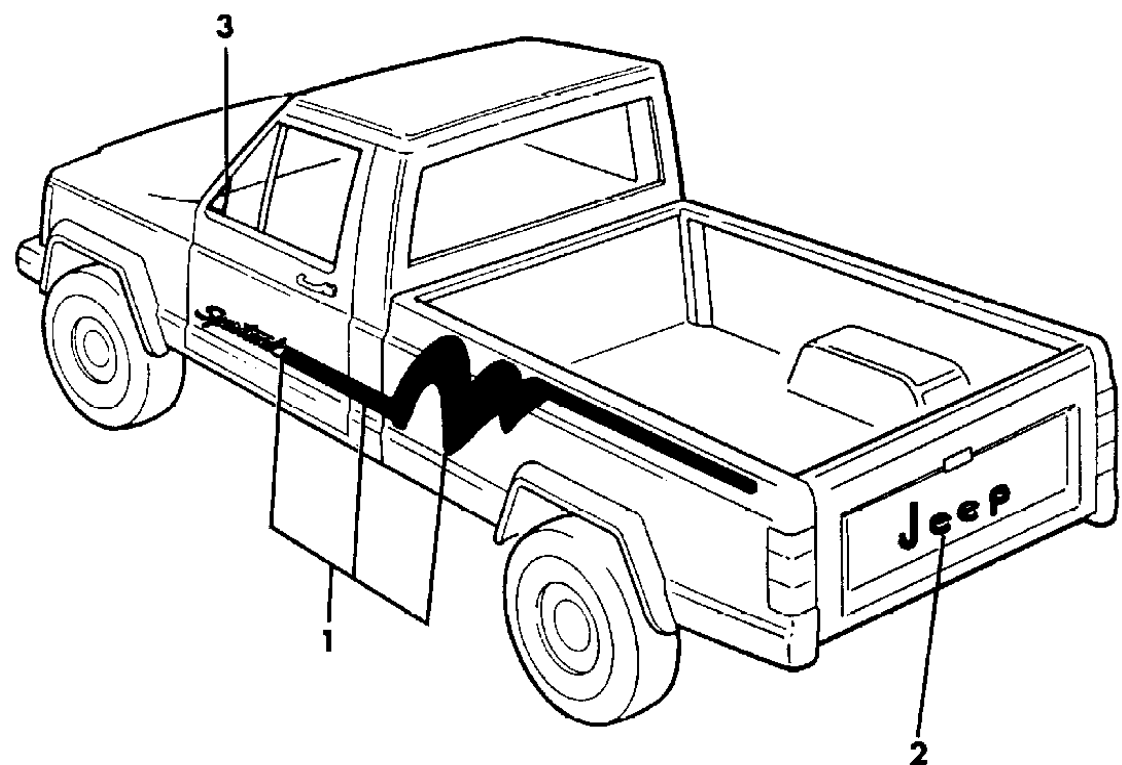
MJ=Comanche Pickup ZJ=Grand Cherokee/Grand Wagoneer KDX VEHICLES
SJ=Grand Wagoneer M1=Comanche
XJ=Cherokee, Briarwood X1=Cherokee, Briarwood
YJ=Wrangler Y1=Wrangler

AR = Use as Required - = Non Illustrated Part P.A.R. = Paint as Required

DECALS, EXTERIOR SPORTRUCK COMANCHE - MJ
Figure 23-3000

91J68 3000A

ITEM	PART NUMBER	QTY	BODY	MODEL	DESCRIPTION
1					TAPE PACKAGE, Bodyside
	4636 342-3	1		61	Orange Red/Dark Silver, 1991
	4636 344-5	1		61	Blue/Silver, 1991
	Bodyside package for left side includes decal for fuel filler door. ion as described in the Chrysler repair manual.				
2					DECAL, Tailgate, "Jeep"
	5AE8 9KD5	1			Silver Metallic
	5AE8 9KS8	1			Charcoal Metallic
	5AE8 9KA7	1			Dark Silver
	5AE8 9JW4	1			Pearl White
	5AE8 9JX9	1			Black
3	5500 6220-1	1			DECAL, Door, Black



MODEL CODES:

61=Pickup-6 Ft Box 74=4 Door Wagon T=2WD
 62=Pickup-7 Ft Box 77=Open Body 93" Wheelbase J,N,U=4WD
 72=2 Door Wagon 78=Open Body 103" Wheelbase

BODY STYLES:

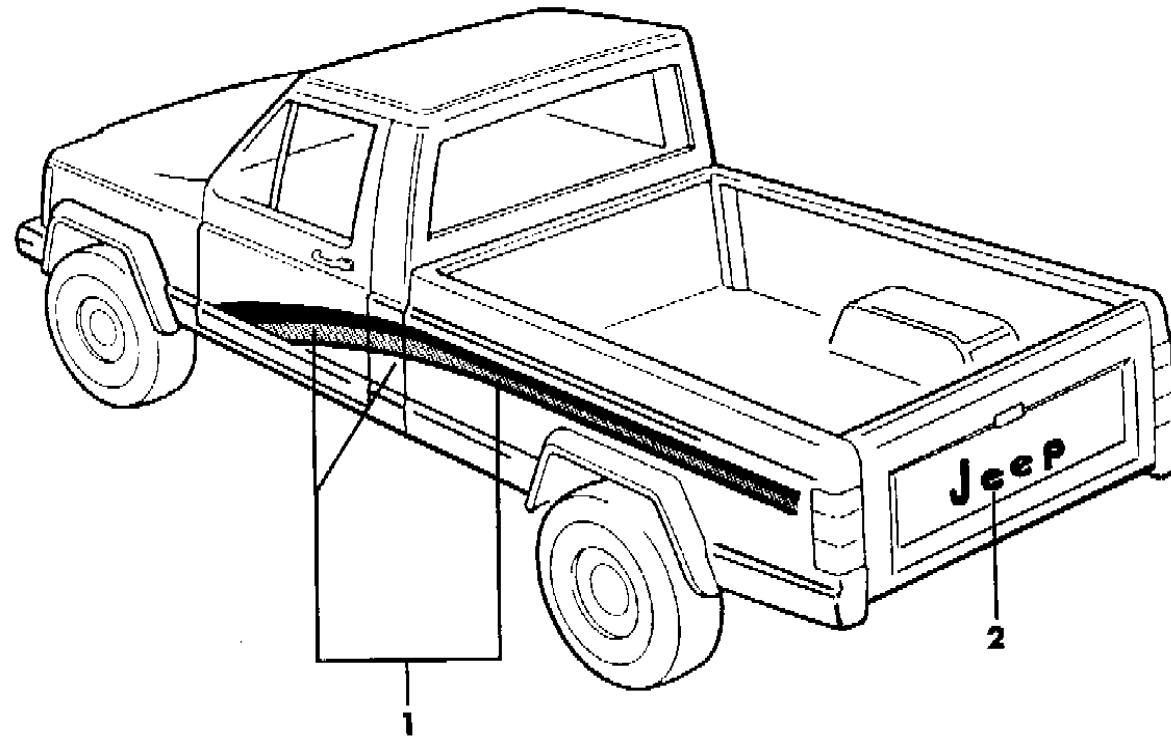
MJ=Comanche Pickup ZJ=Grand Cherokee/Grand Wagoneer KDX VEHICLES
 SJ=Grand Wagoneer M1=Comanche
 XJ=Cherokee, Briarwood X1=Cherokee, Briarwood
 YJ=Wrangler Y1=Wrangler

AR = Use as Required - = Non Illustrated Part P.A.R. = Paint as Required

DECALS SPORTRUCK, 1992-93 COMANCHE - MJ
Figure 23-3050

91J68 3050A

ITEM	PART NUMBER	QTY	BODY	MODEL	DESCRIPTION
1					TAPE PACKAGE, Bodyside, Red over Silver
	4713 404-5	1		61	w/6 foot box
	4713 406-7	1		62	w/7 foot box
2					DECAL, Tailgate, "Jeep"
	5AE8 9KD5	1			Silver Metallic
	5AE8 9KS8	1			Charcoal Metallic
	5AE8 9KA7	1			Dark Silver
	5AE8 9LA1	1			Light Quartz
	5AE8 9JW4	1			Pearl White
	5AE8 9JX9	1			Black



MODEL CODES:

61=Pickup-6 Ft Box 74=4 Door Wagon T=2WD
 62=Pickup-7 Ft Box 77=Open Body 93" Wheelbase J,N,U=4WD
 72=2 Door Wagon 78=Open Body 103" Wheelbase

BODY STYLES:

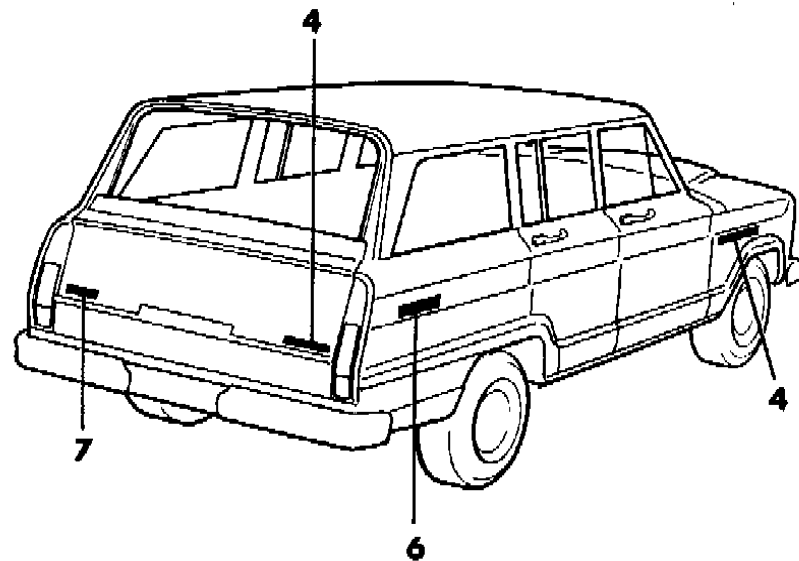
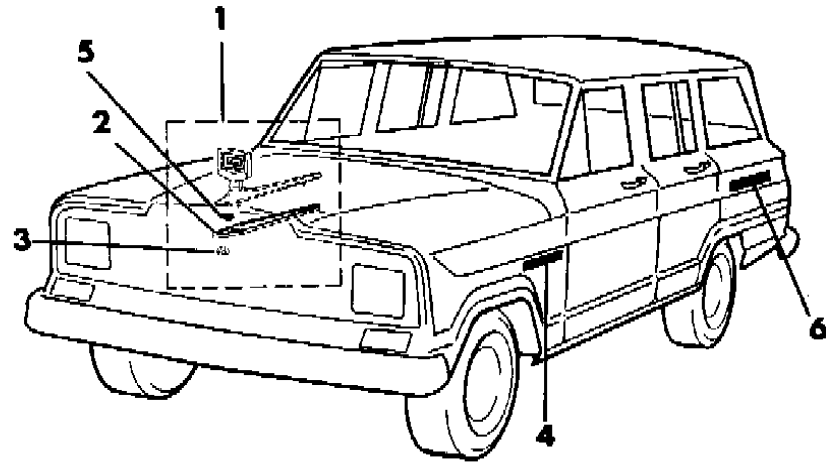
MJ=Comanche Pickup ZJ=Grand Cherokee/Grand Wagoneer KDX VEHICLES
 SJ=Grand Wagoneer M1=Comanche
 XJ=Cherokee, Briarwood X1=Cherokee, Briarwood
 YJ=Wrangler Y1=Wrangler

AR = Use as Required - = Non Illustrated Part P.A.R. = Paint as Required

NAMEPLATES GRAND WAGONEER, 1991 - SJ
Figure 23-3100

91J68 3100

ITEM	PART NUMBER	QTY	BODY	MODEL	DESCRIPTION
1	8350 2503	1			ORNAMENT KIT, Hood ***
2	5501 0384	1			GASKET
3	J942 0287	2			NUT
4	5501 3577	1			NAMEPLATE, "Grand Wagoneer"
5	J372 6662	1			RETAINER, Hood Ornament Spring
6	5500 7817	2			NAMEPLATE, "4x4"
7	5501 3578	1			NAMEPLATE, "V8"



MODEL CODES:

61=Pickup-6 Ft Box 74=4 Door Wagon T=2WD
 62=Pickup-7 Ft Box 77=Open Body 93" Wheelbase J,N,U=4WD
 72=2 Door Wagon 78=Open Body 103" Wheelbase

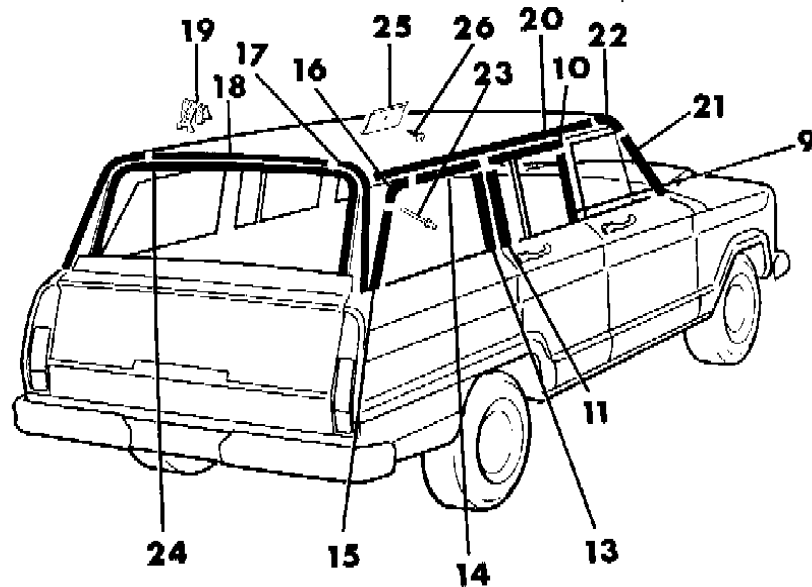
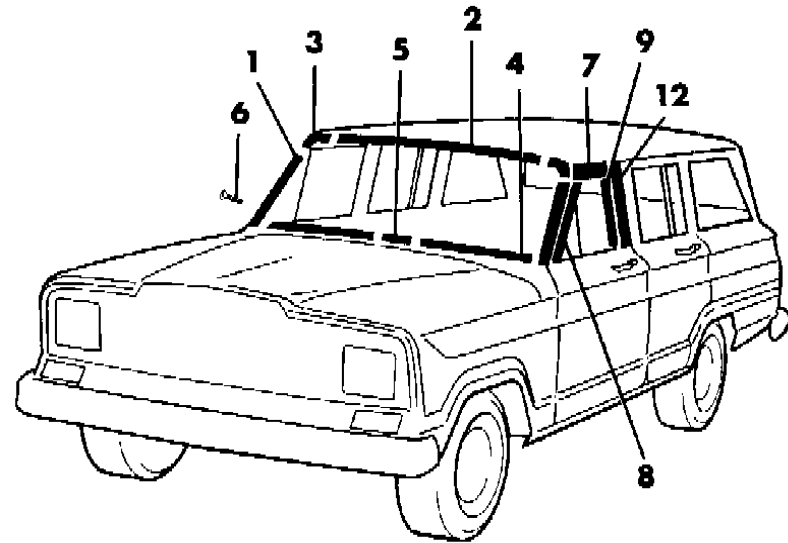
BODY STYLES:

MJ=Comanche Pickup ZJ=Grand Cherokee/Grand Wagoneer KDX VEHICLES
 SJ=Grand Wagoneer M1=Comanche
 XJ=Cherokee, Briarwood X1=Cherokee, Briarwood
 YJ=Wrangler Y1=Wrangler

AR = Use as Required - = Non Illustrated Part P.A.R. = Paint as Required

MOULDINGS, EXTERIOR, UPPER GRAND WAGONEER, 1991 - SJ
Figure 23-3200

91J68 3200



ITEM	PART NUMBER	QTY	BODY	MODEL	DESCRIPTION
1	J096 8348	1			MOULDING, Windshield Right
	J096 8347	1			Left
2	J096 0057	1			MOULDING, Windshield
3					CAP, Moulding
4	J096 8350	1			Right
	J096 8349	1			Left
4	J096 1178	1			MOULDING, Windshield Right
	J096 1177	1			Left
5	J096 1240	1			CAP, Moulding
6	J400 6409	AR			SCREW
7	J575 8506-7	1			MOULDING, Door
8	J096 0658	1			MOULDING, Door Right
	J096 0657	1			Left
9					MOULDING, Door Front and Rear
9	J096 0834	2			Right
	J096 0833	2			Left
10	J575 8508	2			MOULDING, Door
11	J096 0954	1			MOULDING, Door Right
	J096 0953	1			Left
12	J546 0017	2			MOULDING, "B" Pillar
13	J576 6440	1			MOULDING, Rear Quarter Right
	J576 6439	1			Left
14	J096 0952	1			MOULDING, Rear Quarter Right
	J096 0951	1			Left
15	J096 0873	2			MOULDING, Rear Quarter
16	J096 1032	2			CAP, Molding
17	J096 5620	1			MOULDING, Rear Quarter Right
	J096 5619	1			Left
18	J096 5623	1			MOULDING, Roof
19	J400 6693	AR			CLIP
20	J576 0634	2			MOULDING, Drip Right
	J576 0635	2			Left
21	J575 0560	2			MOULDING, Drip
22					CAP, Moulding
23					RIVET

MODEL CODES:

61=Pickup-6 Ft Box 74=4 Door Wagon T=2WD
 62=Pickup-7 Ft Box 77=Open Body 93" Wheelbase J,N,U=4WD
 72=2 Door Wagon 78=Open Body 103" Wheelbase

BODY STYLES:

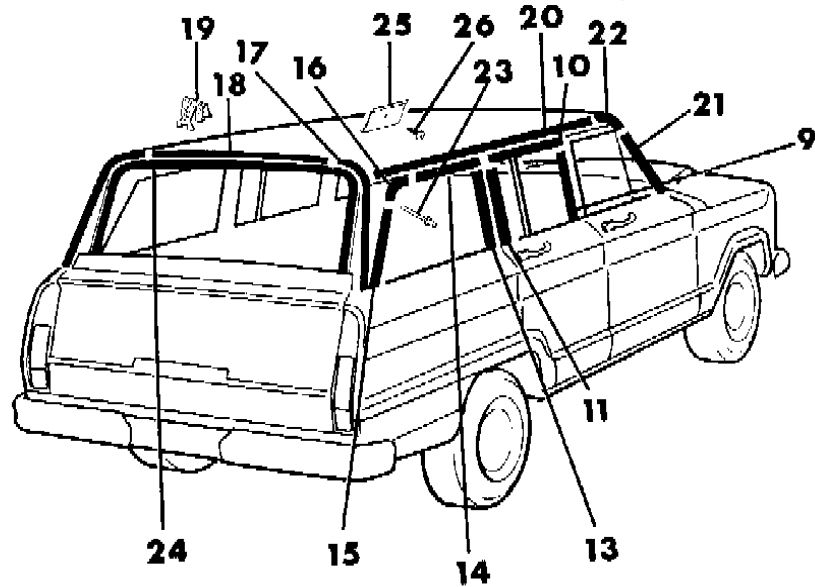
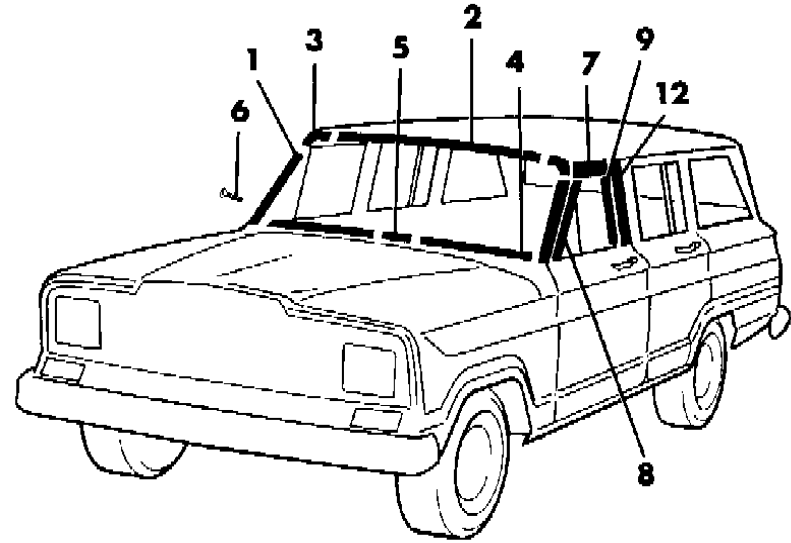
MJ=Comanche Pickup ZJ=Grand Cherokee/Grand Wagoneer KDX VEHICLES
 SJ=Grand Wagoneer M1=Comanche
 XJ=Cherokee, Briarwood X1=Cherokee, Briarwood
 YJ=Wrangler Y1=Wrangler

AR = Use as Required - = Non Illustrated Part P.A.R. = Paint as Required

MOULDINGS, EXTERIOR, UPPER GRAND WAGONEER, 1991 - SJ
Figure 23-3200

91J68 3200

ITEM	PART NUMBER	QTY	BODY	MODEL	DESCRIPTION
	J400 4962	AR			Moulding to Lock Pillar
	J400 5899	AR			Moulding Clip Attaching
24	J575 4191	1			MOULDING, Rear Window
25	J096 0882	AR			TRACK, Moulding
26	J400 4924	10			SCREW



MODEL CODES:

61=Pickup-6 Ft Box 74=4 Door Wagon T=2WD
 62=Pickup-7 Ft Box 77=Open Body 93" Wheelbase J,N,U=4WD
 72=2 Door Wagon 78=Open Body 103" Wheelbase

BODY STYLES:

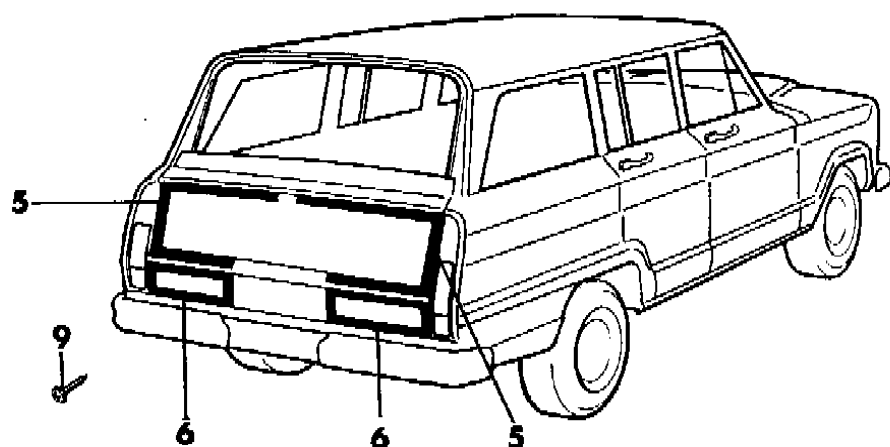
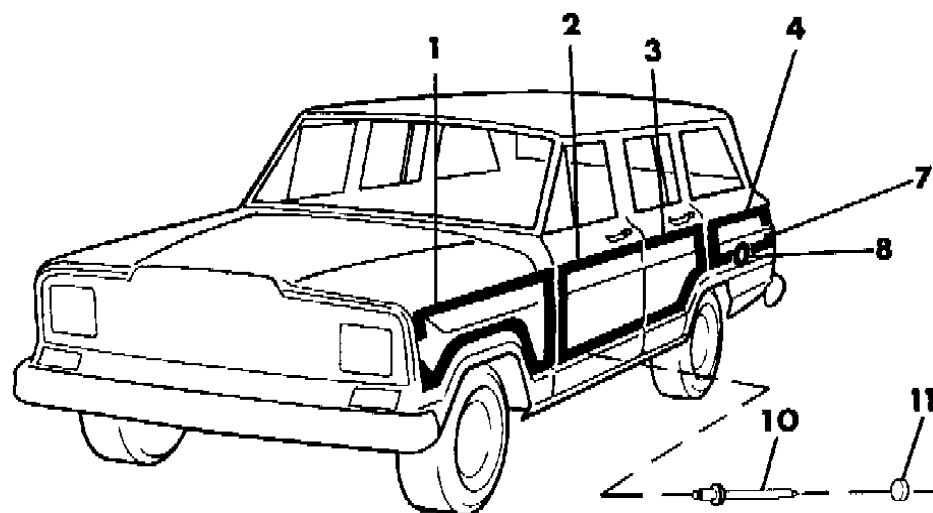
MJ=Comanche Pickup ZJ=Grand Cherokee/Grand Wagoneer KDX VEHICLES
 SJ=Grand Wagoneer M1=Comanche
 XJ=Cherokee, Briarwood X1=Cherokee, Briarwood
 YJ=Wrangler Y1=Wrangler

AR = Use as Required - = Non Illustrated Part P.A.R. = Paint as Required

MOULDINGS, EXTERIOR, LOWER GRAND WAGONEER, 1991 - SJ
Figure 23-3300

91J68 3300

ITEM	PART NUMBER	QTY	BODY	MODEL	DESCRIPTION
1	5502 5744-5	1			MOULDING, Fender
2	5502 5746-7	1			MOULDING, Door
3	5502 5748-9	1			MOULDING, Door
4	5502 5750-1	1			MOULDING, Rear Quarter
5	5502 5752-3	1			MOULDING, Tailgate
6					OVERLAY
	J575 4800	1			Right
	J575 4799	1			Left
7	5502 5743	1			MOULDING, Rear Quarter, used on left side only
8	J545 6634	1			RING, Trim
9	J400 4812	AR			SCREW
10	J400 4962	AR			RIVET
11	5252 124	AR			PLUG



MODEL CODES:

61=Pickup-6 Ft Box 74=4 Door Wagon T=2WD
 62=Pickup-7 Ft Box 77=Open Body 93" Wheelbase J,N,U=4WD
 72=2 Door Wagon 78=Open Body 103" Wheelbase

BODY STYLES:

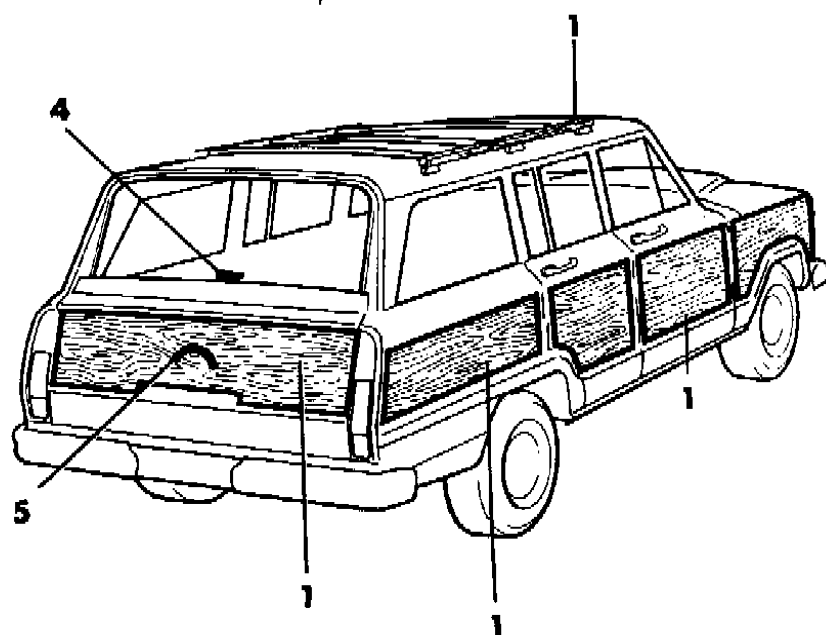
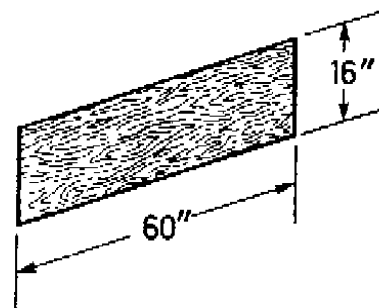
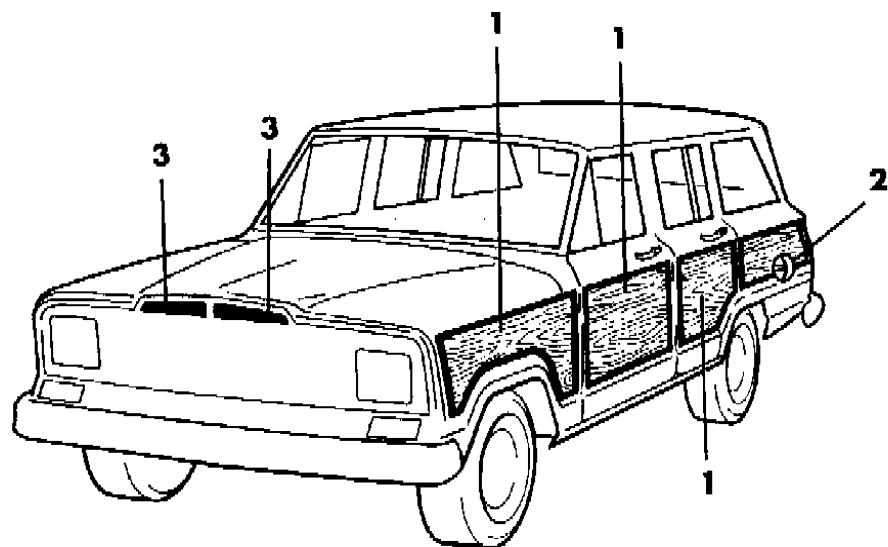
MJ=Comanche Pickup ZJ=Grand Cherokee/Grand Wagoneer KDX VEHICLES
 SJ=Grand Wagoneer M1=Comanche
 XJ=Cherokee, Briarwood X1=Cherokee, Briarwood
 YJ=Wrangler Y1=Wrangler

AR = Use as Required - = Non Illustrated Part P.A.R. = Paint as Required

DECALS, EXTERIOR GRAND WAGONEER, 1991 - SJ
Figure 23-3400

91J68 3400

ITEM	PART NUMBER	QTY	BODY	MODEL	DESCRIPTION
1	8350 3186	AR			DECAL, Woodgrain
2	J536 3394	1			RING, Retaining
3	5501 2578	1			DECAL, Grille Panel
4	J369 6965	1			DECAL, "Keep Window Closed While Driving"
5	5502 2196	1			DECAL, "ALWAYS REMOVE KEY"



MODEL CODES:

61=Pickup-6 Ft Box 74=4 Door Wagon T=2WD
62=Pickup-7 Ft Box 77=Open Body 93" Wheelbase J,N,U=4WD
72=2 Door Wagon 78=Open Body 103" Wheelbase

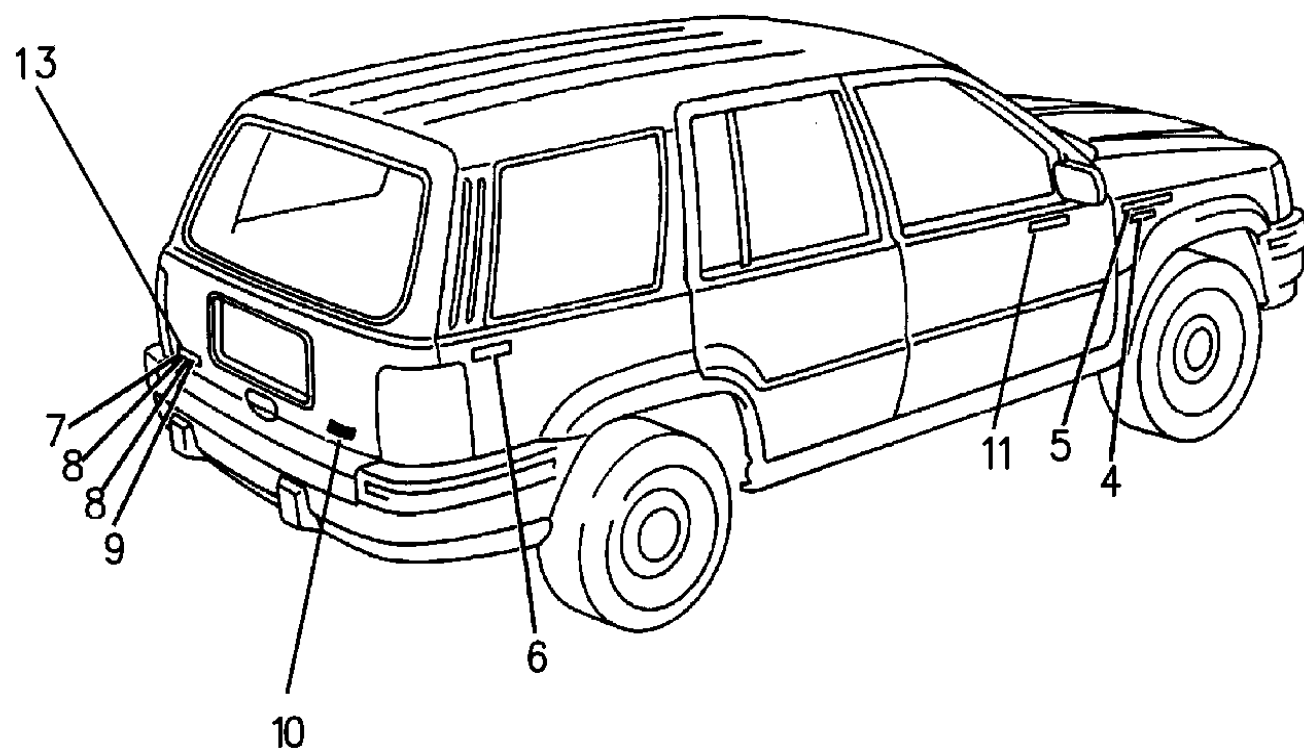
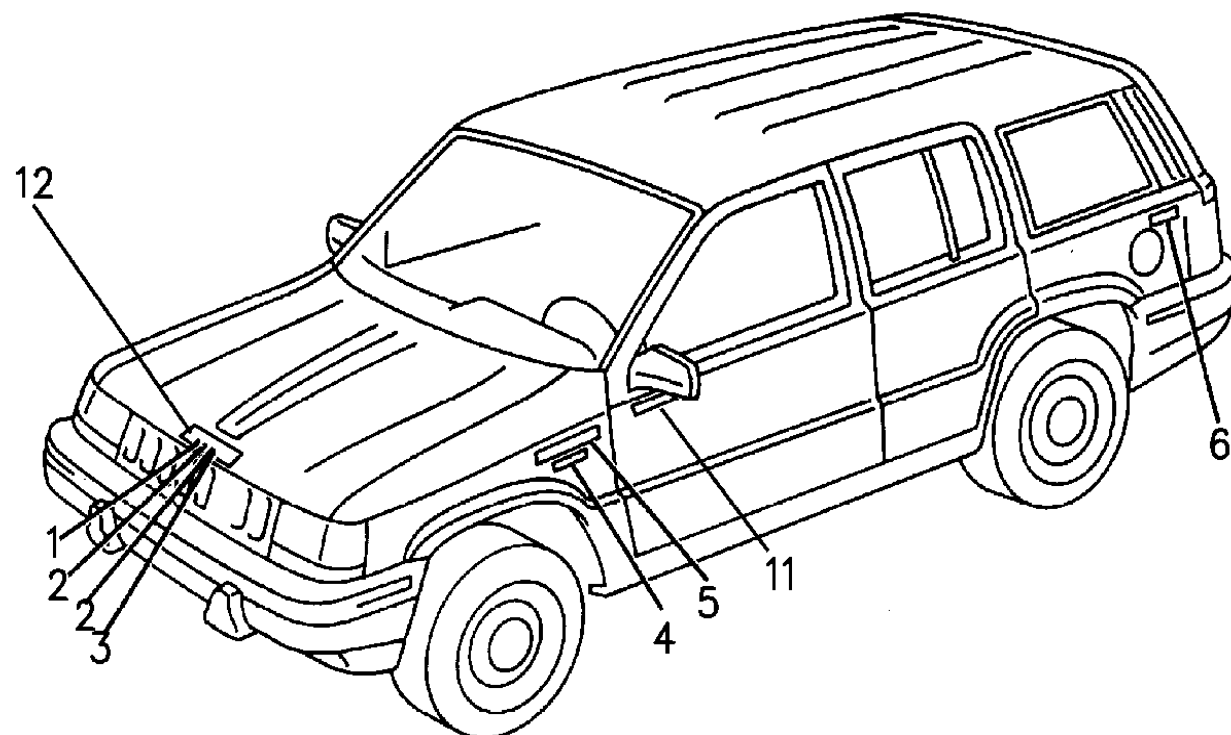
BODY STYLES:

MJ=Comanche Pickup ZJ=Grand Cherokee/Grand Wagoneer KDX VEHICLES
SJ=Grand Wagoneer M1=Comanche
XJ=Cherokee, Briarwood X1=Cherokee, Briarwood
YJ=Wrangler Y1=Wrangler

AR = Use as Required - = Non Illustrated Part P.A.R. = Paint as Required

NAMEPLATES AND DECALS GRAND CHEROKEE AND GRAND WAGONEER - ZJ
Figure 23-3500

91J68 3500C



ITEM	PART NUMBER	QTY	BODY	MODEL	DESCRIPTION
1					LETTER, Hood, "J" ***
	5529 4923	1			Bright
	5529 4918	1			"Old Gold", For vehicles built up to 10/5/92
		1			"New Gold", For vehicles built 10/5/92 and after (see item 12)
2					LETTER, Hood, "e" ***
	5529 4924	2			Bright
	5529 4919	2			"Old Gold", For vehicles built up to 10/5/92
		2			"New Gold", For vehicles built 10/5/92 and after (see item 12)
3					LETTER, Hood, "p" ***
	5529 4925	1			Bright
	5529 4920	1			"Old Gold", For vehicles built up to 10/5/92
		1			"New Gold", For vehicles built 10/5/92 and after (see item 12)
NOTE: For items 1, 2 and 3. As Stock of individual letters is exhausted letter sets are available. (see item 12) ion as described in the Chrysler repair manual.					
4					DECAL, Fender, "LAREDO"
	5CW8 8LA1	2			Light Quartz
	5CW8 8LA7	2			Dark Quartz
5					NAMEPLATE, Fender
					"GRAND CHEROKEE"
	5529 5220	2			Bright
	5529 5221	2			"Old Gold", For vehicles built up to 10/5/92
	5529 5410	2			"New Gold", For vehicles built 10/5/92 and after
5529 5245	2			"GRAND WAGONEER", Bright	
6					DECAL, Quarter Panel, "4X4"
	5CW9 6MYJ	2			Gold (outline)
	5CW9 6LA1	2			Light Quartz (outline)
	5CW9 6LA7	2			Dark Quartz (outline)
	5CW9 1LJ4	2			Gold (solid)
	5CW9 1MD1	2			Light Quartz (solid)
NOTE: Color "Light Quartz" may appear to look silver or white in contrast to various body colors. ion as described in the Chrysler repair manual.					
7					LETTER, Liftgate "J" ***
	5529 4983	1			Bright
	5529 4987	1			"Old Gold", For vehicles built up to 10/5/92
		1			"New Gold", For vehicles built 10/5/92 and later (see item 13)
8					LETTER, Liftgate, "e" ***
	5529 4984	2			Bright
	5529 4988	2			"Old Gold", For vehicles built up to 10/5/92
		2			"New Gold", For vehicles built 10/5/92 and later (see item 13)
9					LETTER, Liftgate, "p" ***
	5529 4985	1			Bright

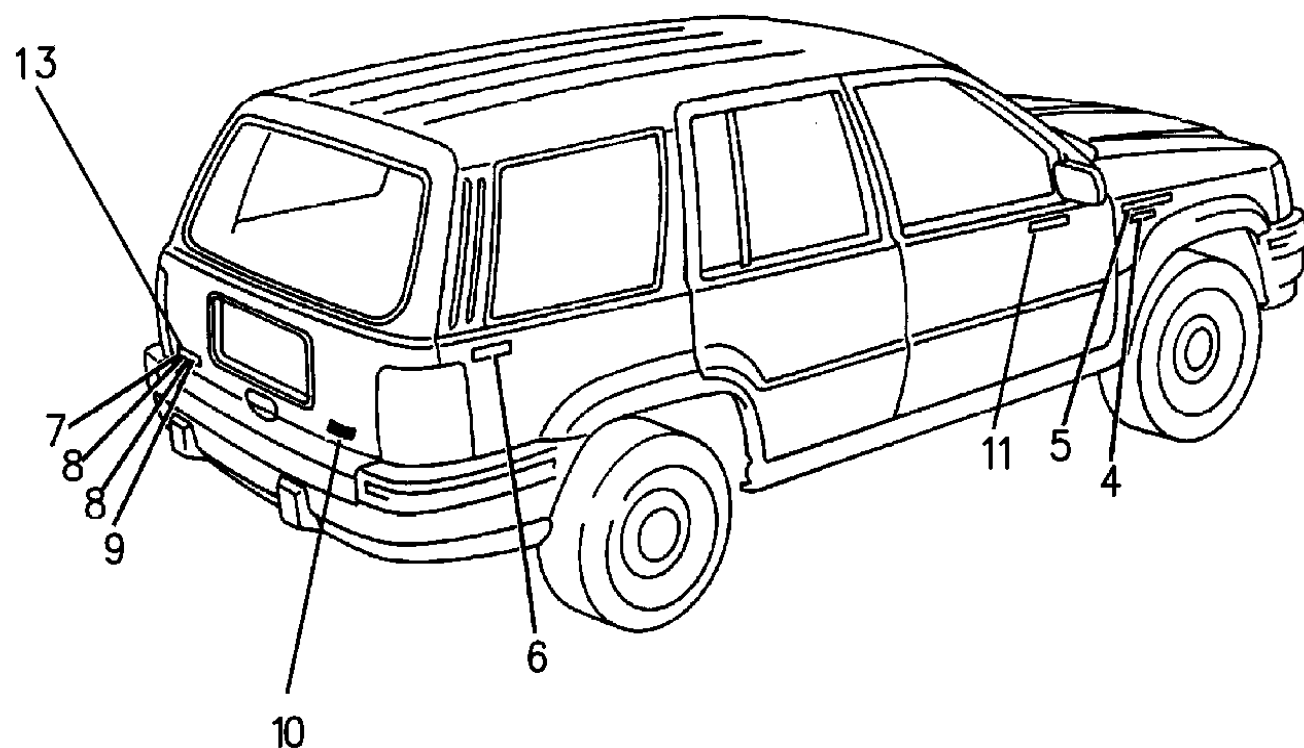
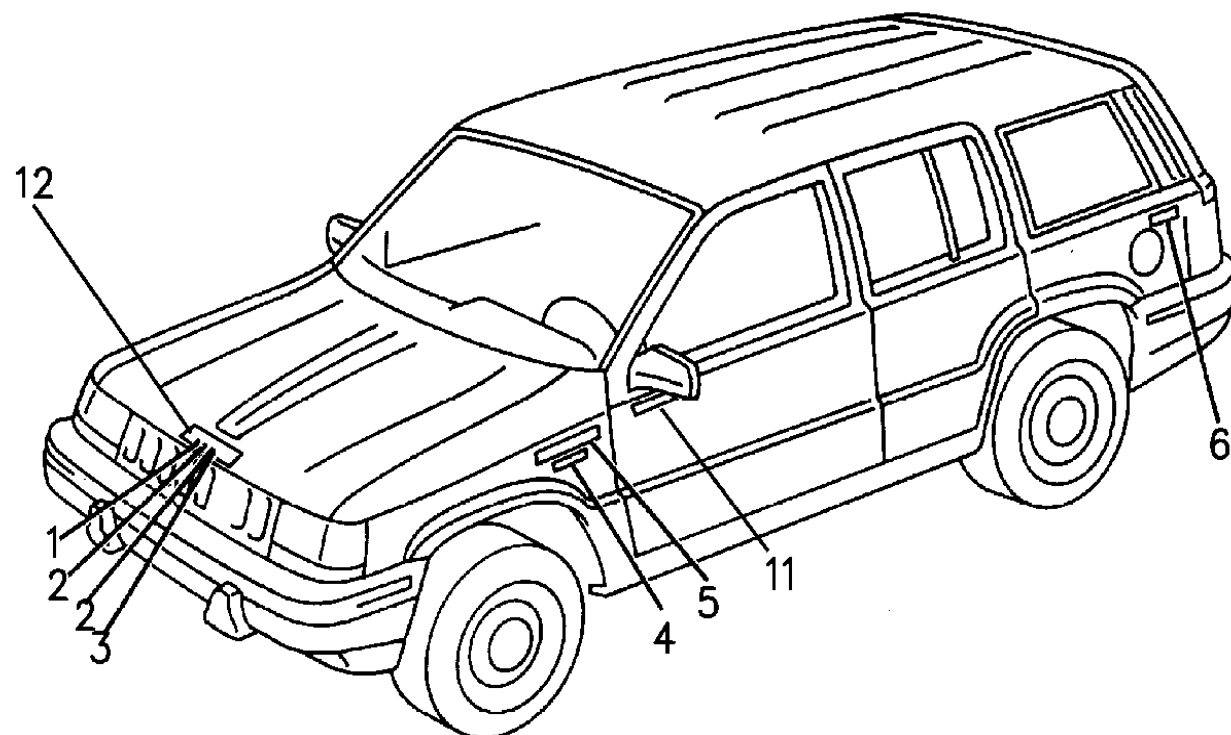
MODEL CODES:
61=Pickup-6 Ft Box 74=4 Door Wagon T=2WD
62=Pickup-7 Ft Box 77=Open Body 93" Wheelbase J,N,U=4WD
72=2 Door Wagon 78=Open Body 103" Wheelbase

BODY STYLES:
MJ=Comanche Pickup ZJ=Grand Cherokee/Grand Wagoneer KDX VEHICLES
SJ=Grand Wagoneer M1=Comanche
XJ=Cherokee, Briarwood X1=Cherokee, Briarwood
YJ=Wrangler Y1=Wrangler

AR = Use as Required - = Non Illustrated Part P.A.R. = Paint as Required

NAMEPLATES AND DECALS GRAND CHEROKEE AND GRAND WAGONEER - ZJ
Figure 23-3500

91J68 3500C



ITEM	PART NUMBER	QTY	BODY	MODEL	DESCRIPTION
	5529 4989	1			"Old Gold", For vehicles built up to 10/5/92
		1			"New Gold", For vehicles built 10/5/92 and after (see item 13)
10					NAMEPLATE, Liftgate, "V-8 5.2 LITRE MPI"
	5529 5223	1			Bright
	5529 5224	1			"Old Gold", For vehicles built up to 10/5/92
	5529 5415	1			"New Gold", For vehicles built 10/5/92 and after
11	5DL2 1MYJ	2			DECAL, Door, "LIMITED" "New Gold" color, for vehicles built 10/23/92 and after (this decal is used in conjunction w/PAINT stripe)

NOTE: Prior to 10/23/92 the "LIMITED" lettering is included in the TAPE stripe (see illustration 3900) ion as described in the Chrysler repair manual.

12					LETTER SET, Hood (J,e,e,p) ***
	5529 4922	1			Bright
	5529 4921	1			"Old Gold", For vehicles built up to 10/5/92
	5529 5411	1			"New Gold", For vehicles built 10/5/92
13					LETTER SET, Liftgate (J,e,e,p) ***
		1			Bright (see items 7-8-9)
		1			"Old Gold", For vehicles built up to 10/5/92 (see items 7-8-9)
	5529 5416	1			"New Gold", For vehicles built 10/5/92 and after
	5DL3 2MXW	1			DECAL ("UP COUNTRY SUSPENSION") ***

NOTE: "Old Gold" was used on vehicles built up to 10/5/92, "New Gold" is used on vehicles built 10/5/92 and later. "Old Gold" has a slight green tint. ion as described in the Chrysler repair manual.

NOTE: Individual letters VS. letter sets. Inconsistent availability is due to service policy changes at the time the various parts were released. ion as described in the Chrysler repair manual.

MODEL CODES:

61=Pickup-6 Ft Box 74=4 Door Wagon T=2WD
 62=Pickup-7 Ft Box 77=Open Body 93" Wheelbase J,N,U=4WD
 72=2 Door Wagon 78=Open Body 103" Wheelbase

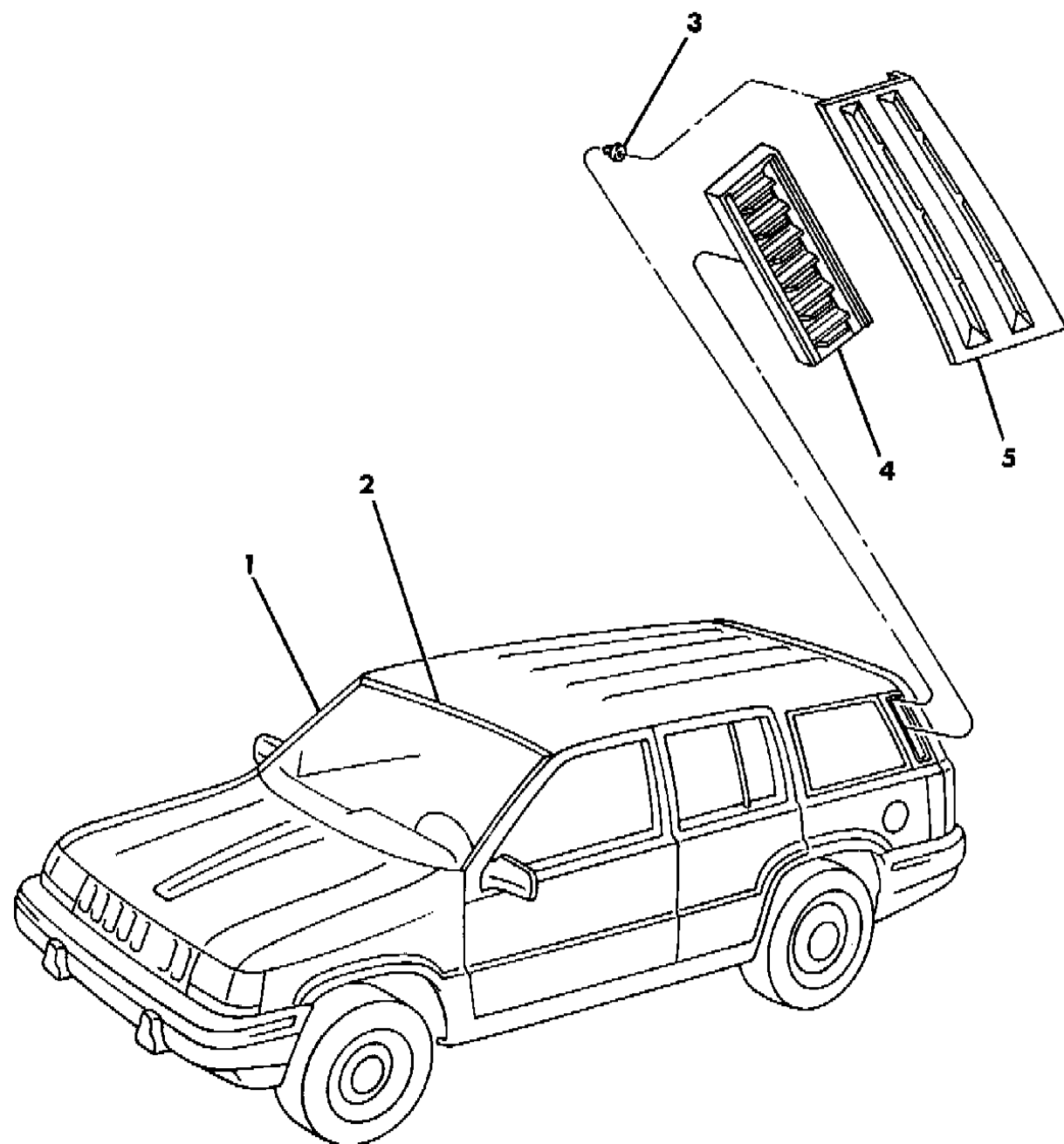
BODY STYLES:

MJ=Comanche Pickup ZJ=Grand Cherokee/Grand Wagoneer KDX VEHICLES
 SJ=Grand Wagoneer M1=Comanche
 XJ=Cherokee, Briarwood X1=Cherokee, Briarwood
 YJ=Wrangler Y1=Wrangler

AR = Use as Required - = Non Illustrated Part P.A.R. = Paint as Required

MOULDINGS, UPPER GRAND CHEROKEE AND GRAND WAGONEER, 1993 - ZJ
Figure 23-3600

91J68 3600



ITEM	PART NUMBER	QTY	BODY	MODEL	DESCRIPTION
1	5503 0364-5	1			MOULDING, Windshield Side, Black
2	5513 4847	1			MOULDING, Windshield Upper, Black
-	6033 605	8			SCREW, Windshield Moulding
3	6004 512	6			CLIP, Exhauster Applique
4					EXHAUSTER, Quarter Panel ***
	5600 6464	2			For vehicles built up to 7/16/72.
	5503 6049	2			For vehicles built 7/17/92 and after.
	4026 152	AR			HOSE, "D" Pillar Drain (Roll Stock)
5					APPLIQUE, Quarter Panel Exhauster
	5BJ16-7 LBD	1			Light Blue
	5BJ16-7 LC9	1			Deep Blue or Jewel Blue
	5BJ16-7 LDA	1			Bright Silver Quartz
	5BJ16-7 LD8	1			Dark Quartz Gray
	5BJ16-7 LE4	1			Colorado Red, for vehicles built up to 7/16/92
	5BJ16-7 MR4	1			Flame Red or Bright Red, for vehicles built 7/17/92 and later
	5BJ16-7 LG5	1			Hunter Green
	5BJ16-7 LM9	1			Black Cherry
	5BJ16-7 LX8	1			Black
	5BJ16-7 LW7	1			Bright White
	5BJ16-7 LFA	1			Light Driftwood
-	6034 542	6			STUD, (included in the applique)

MODEL CODES:

61=Pickup-6 Ft Box 74=4 Door Wagon T=2WD
 62=Pickup-7 Ft Box 77=Open Body 93" Wheelbase J,N,U=4WD
 72=2 Door Wagon 78=Open Body 103" Wheelbase

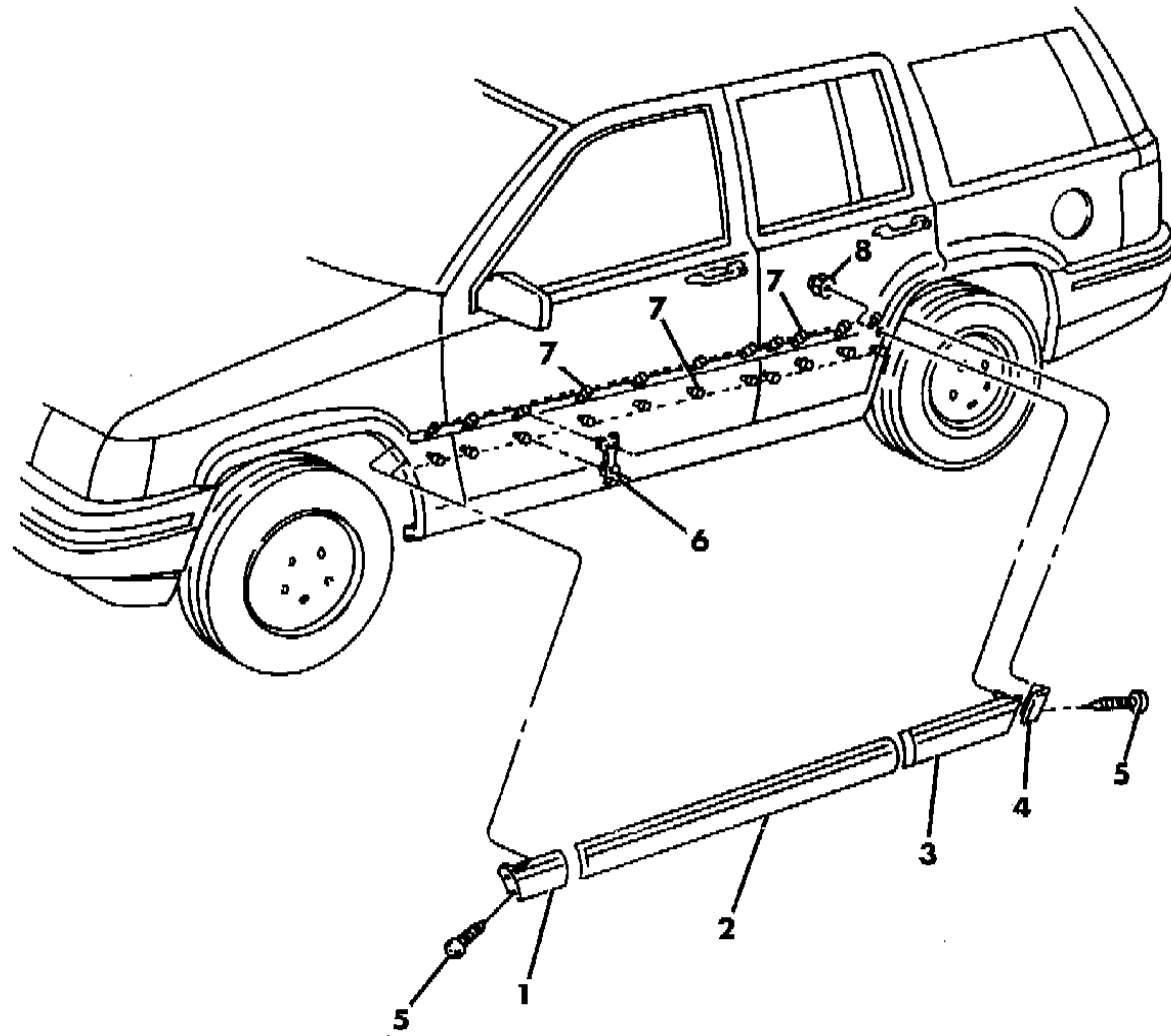
BODY STYLES:

MJ=Comanche Pickup ZJ=Grand Cherokee/Grand Wagoneer KDX VEHICLES
 SJ=Grand Wagoneer M1=Comanche
 XJ=Cherokee, Briarwood X1=Cherokee, Briarwood
 YJ=Wrangler Y1=Wrangler

AR = Use as Required - = Non Illustrated Part P.A.R. = Paint as Required

MOULDINGS, BODYSIDE GRAND CHEROKEE, BASE AND SPORT, 1993 - ZJ
Figure 23-3700

91J68 3700



ITEM	PART NUMBER	QTY	BODY	MODEL	DESCRIPTION
1	5529 4934-5	1			MOULDING ASSEMBLY, Fender, Black w/Bright Insert
-	5529 5170-1	1			INSERT, Fender Moulding, Bright
2	5529 4938-9	1			MOULDING ASSEMBLY, Front Door, Black w/Bright Insert
-	5529 5172-3	1			INSERT, Front Door Moulding, Bright
3	5529 4942-3	1			MOULDING ASSEMBLY, Rear Door, Black w/Bright Insert
-	5529 5174-5	1			INSERT, Rear Door Moulding, Bright
-	6502 872	2			NUT, Rear Door Moulding
4	5529 4944-5	1			MOULDING, Quarter Panel, Black
5		8			SCREW, Wheel Opening (not serviced .164-18X.875)
6	5529 4948	22			CLIP, Bull Horn
7		44			WELD STUD, (not serviced, use repair screw package)
-	4293 616	AR			SCREW, Repair Package
8	6502 872	2			NUT, Rear Door Moulding Attaching

MODEL CODES:

61=Pickup-6 Ft Box 74=4 Door Wagon T=2WD
62=Pickup-7 Ft Box 77=Open Body 93" Wheelbase J,N,U=4WD
72=2 Door Wagon 78=Open Body 103" Wheelbase

BODY STYLES:

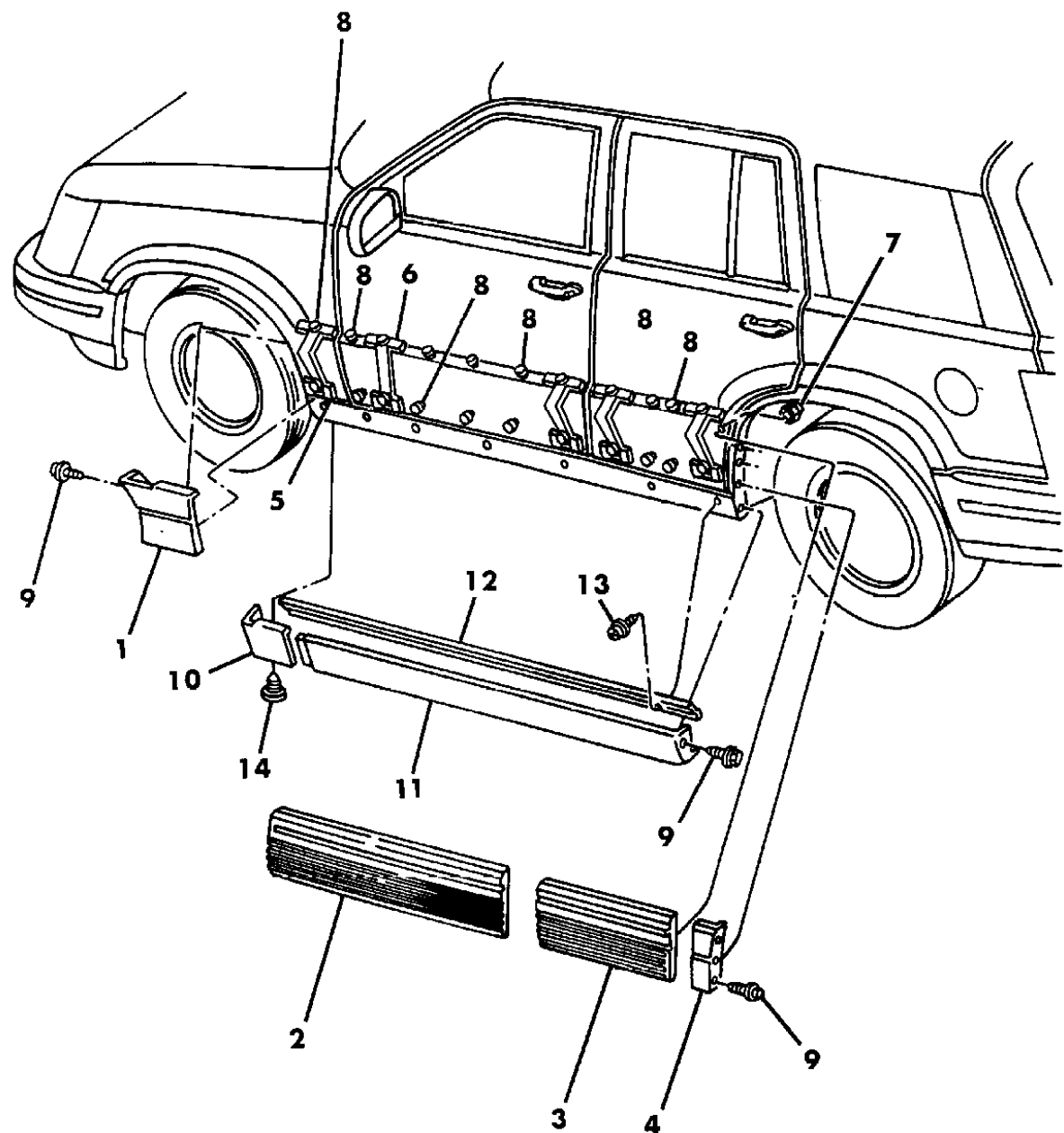
MJ=Comanche Pickup ZJ=Grand Cherokee/Grand Wagoneer KDX VEHICLES
SJ=Grand Wagoneer M1=Comanche
XJ=Cherokee, Briarwood X1=Cherokee, Briarwood
YJ=Wrangler Y1=Wrangler

AR = Use as Required - = Non Illustrated Part P.A.R. = Paint as Required

CLADDING AND SILL MOULDINGS GRAND CHEROKEE, LAREDO AND LIMITED, 1993 - ZJ
Figure 23-3800

91J68 3800A

ITEM	PART NUMBER	QTY	BODY	MODEL	DESCRIPTION
1					CLADDING ASSEMBLY, Fender, (includes insert) *** w/Gold Insert, P.A.R. (Limited)
	5CF40-1 LW7	1			For vehicles built up to 7/16/92 (w/"old gold color insert)
	5DG36-7 MW7	1			For vehicles built 7/17/92 thru 10/5/92 (w/"old gold color insert)
	5DG36-7 MWY	1			For vehicles built 10/5/92 and later (w/"new gold" color insert)
	5CF40-1 LS5	1			Dark Gray w/Black Insert (Laredo)
	NOTE: The insert is serviced in the cladding and it is also available separately. ion as described in the Chrysler repair manual.				
-	5CZ44-5 LJ4	1			INSERT, Fender Cladding, "Old Gold" color, for vehicles built up to 10/5/92
-	5CZ44-5 MY2	1			INSERT, Fender Cladding "New Gold" color, for vehicles built 10/5/92 and later
-	5CZ44-5 LX9	1			INSERT, Fender Cladding, Black
2					CLADDING ASSEMBLY, Front Door, (includes insert) *** w/Gold Insert, P.A.R. (Limited)
	5CF44-5 LW7	1			For vehicles built up to 7/16/92 (w/"old gold" color insert)
	5DG44-5 MW7	1			For vehicles built 7/17/92 thru 10/5/92 (w/"old gold color insert)
	5DG44-5 MWY	1			For vehicles built 10/5/92 and later (w/"new gold" color insert)
	5CF44-5 LS5	1			Dark Gray w/Black Insert (Laredo)
	NOTE: The insert is serviced in the cladding and it is also available separately. ion as described in the Chrysler repair manual.				
-	5CZ46-7 LJ4	1			INSERT, Front Door Cladding, "Old Gold" color, for vehicles built up to 10/05/92
-	5CZ46-7 MY2	1			INSERT, Front Door Cladding, "New Gold" color for vehicles built 10/5/92 and later
-	5CZ46-7 LX9	1			INSERT, Front Door Cladding, Black
3					CLADDING ASSEMBLY, Rear Door, (includes insert) *** w/Gold Insert, P.A.R. (Limited)
	5CF48-9 LW7	1			For vehicles built up to 7/16/92, (w/"old gold" color insert)
	5DG50-1 MW7	1			For vehicles built 7/17/92 thru 10/5/92, (w/"old gold" color insert)
	5DG5 0MWY	1			Rt., After 10-5-92 (With Gold Insert)
	5DG5 1MWY	1			Lt., After 10-5-92 (With Gold Insert)
	5CF48-9 LS5	1			Dark Gray w/Black Insert (Laredo)
	NOTE: The insert is serviced in the cladding and it is also available separately. ion as described in the Chrysler repair manual.				
-	5CZ48-9 LJ4	1			INSERT, Rear Door Cladding, "Old Gold" color, for vehicles built up to 10/5/92
-	5CZ48-9 MY2	1			INSERT, Rear Door Cladding, "New Gold" color, for vehicles built 10/5/92 and later
-	5CZ48-9 LX9	1			INSERT, Rear Door Cladding, Black
4					CLADDING, Quarter Panel *** P.A.R. (Limited)
	5CF50-1 LW7	1			For vehicles built up to 7/16/92



MODEL CODES:

61=Pickup-6 Ft Box 74=4 Door Wagon T=2WD
 62=Pickup-7 Ft Box 77=Open Body 93" Wheelbase J,N,U=4WD
 72=2 Door Wagon 78=Open Body 103" Wheelbase

BODY STYLES:

MJ=Comanche Pickup ZJ=Grand Cherokee/Grand Wagoneer KDX VEHICLES
 SJ=Grand Wagoneer M1=Comanche
 XJ=Cherokee, Briarwood X1=Cherokee, Briarwood
 YJ=Wrangler Y1=Wrangler

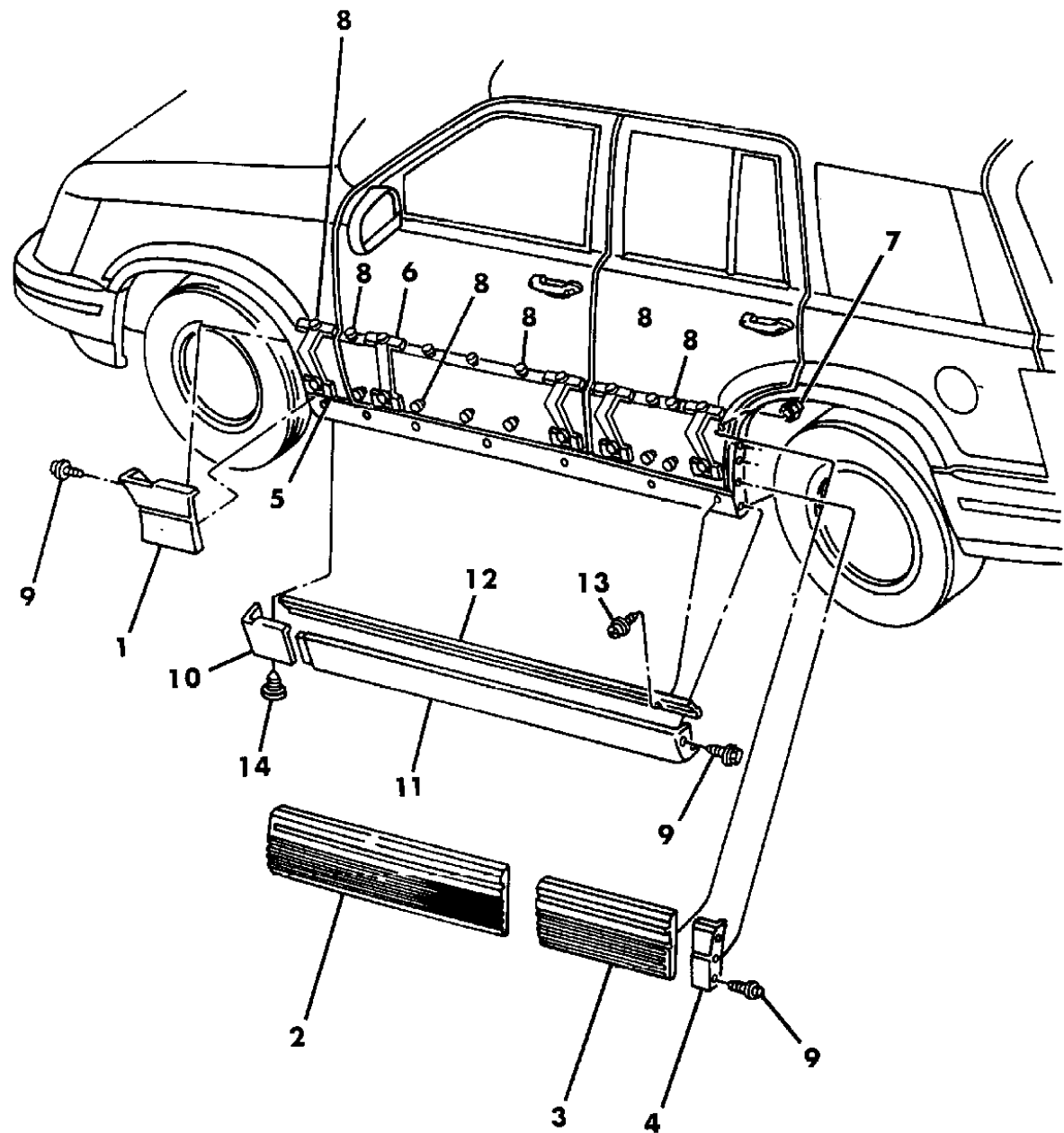
AR = Use as Required - = Non Illustrated Part P.A.R. = Paint as Required

CLADDING AND SILL MOULDINGS GRAND CHEROKEE, LAREDO AND LIMITED, 1993 - ZJ
Figure 23-3800

91J68 3800A

ITEM	PART NUMBER	QTY	BODY	MODEL	DESCRIPTION
	5DG54-5 MW7	1			For vehicles built 7/17/92 and later
	5CF50-1 LS5	1			Dark Gray (Laredo)
5	5529 4782-3	4			RETAINER, Cladding to Door Opening
6	5529 4777	14			RETAINER, Cladding to Door
7	6502 872	2			NUT, Rear Door Moulding
8		44			WELD STUD, (not serviced, use screw repair package)
-	4293 616	AR			SCREW, Repair Package, Moulding Retainer Attaching
9		AR			SCREW, Wheel Opening (not serviced, .164-18X.875)
10	5CJ46-7 LS5	1			MOULDING, Sill, Front, Dark Gray (Laredo)
11	5CJ50-1 LS5	1			MOULDING, Sill, Rear, Dark Gray (Laredo)
12	5529 4836-7	1			RAIL, Sill Moulding Upper Hanger (Laredo)
13		16			SCREW, w/Washer, Sill Rail Attaching (not serviced, use .164-18X.500 screw and 1/2" washer) (Laredo)
14	DP93 LS5	14			RETAINER, Sill Moulding Attaching (Laredo)

NOTE: Laredo claddings have a slightly textured finish. ion as described in the Chrysler repair manual.
 NOTE: Limited claddings have a smooth finish, (P.A.R.). ion as described in the Chrysler repair manual.
 NOTE: "Old Gold" color trim is used up to 10/5/92, "New Gold" Color trim is used 10/5/92 and later. ("Old Gold" has a very slight green tint) ion as described in the Chrysler repair manual.



MODEL CODES:

61=Pickup-6 Ft Box 74=4 Door Wagon T=2WD
 62=Pickup-7 Ft Box 77=Open Body 93" Wheelbase J,N,U=4WD
 72=2 Door Wagon 78=Open Body 103" Wheelbase

BODY STYLES:

MJ=Comanche Pickup ZJ=Grand Cherokee/Grand Wagoneer KDX VEHICLES
 SJ=Grand Wagoneer M1=Comanche
 XJ=Cherokee, Briarwood X1=Cherokee, Briarwood
 YJ=Wrangler Y1=Wrangler

AR = Use as Required - = Non Illustrated Part P.A.R. = Paint as Required

**TAPES GRAND CHEROKEE, LAREDO AND LIMITED, 1993 - ZJ
Figure 23-3900**

91J68 3900B

ITEM	PART NUMBER	QTY	BODY	MODEL	DESCRIPTION
1					TAPE PACKAGE, Upper Bodyside, Gold (includes lettering on door)
	4637 820-1	1			"Old Gold" color, (see note)
	4741 580-1	1			"New Gold" Color, (see note)
2					TAPE, Liftgate Upper, Gold
	5CF9 6LJ4	1			"Old Gold" color, (see note)
	5CF9 6MYJ	1			"New Gold" color (see note)
3	4728 019	2			TAPE PACKAGE, Bodyside, Dark Gray "blackout", used to cover gaps around door edge cladding (Laredo)
4	4728 022-3	1			TAPE PACKAGE, Sill, Dark Gray "blackout", used on top of the sill moulding (Laredo)
5	5DL2 1MYJ	2			DECAL, Door, "LIMITED", "New Gold" color (used w/ paint stripe on vehicles built 10/23/92 and after)

NOTE: Tape stripe "Old Gold" color (for vehicles built up to 10/4/92. ion as described in the Chrysler repair manual.

NOTE: Tape stripe "New Gold" color (for vehicles built between 10/5/92 and 10/23/92). ion as described in the Chrysler repair manual.

NOTE: Paint Stripe "New Gold" color (for vehicles built 10/23/92 and after) ion as described in the Chrysler repair manual.

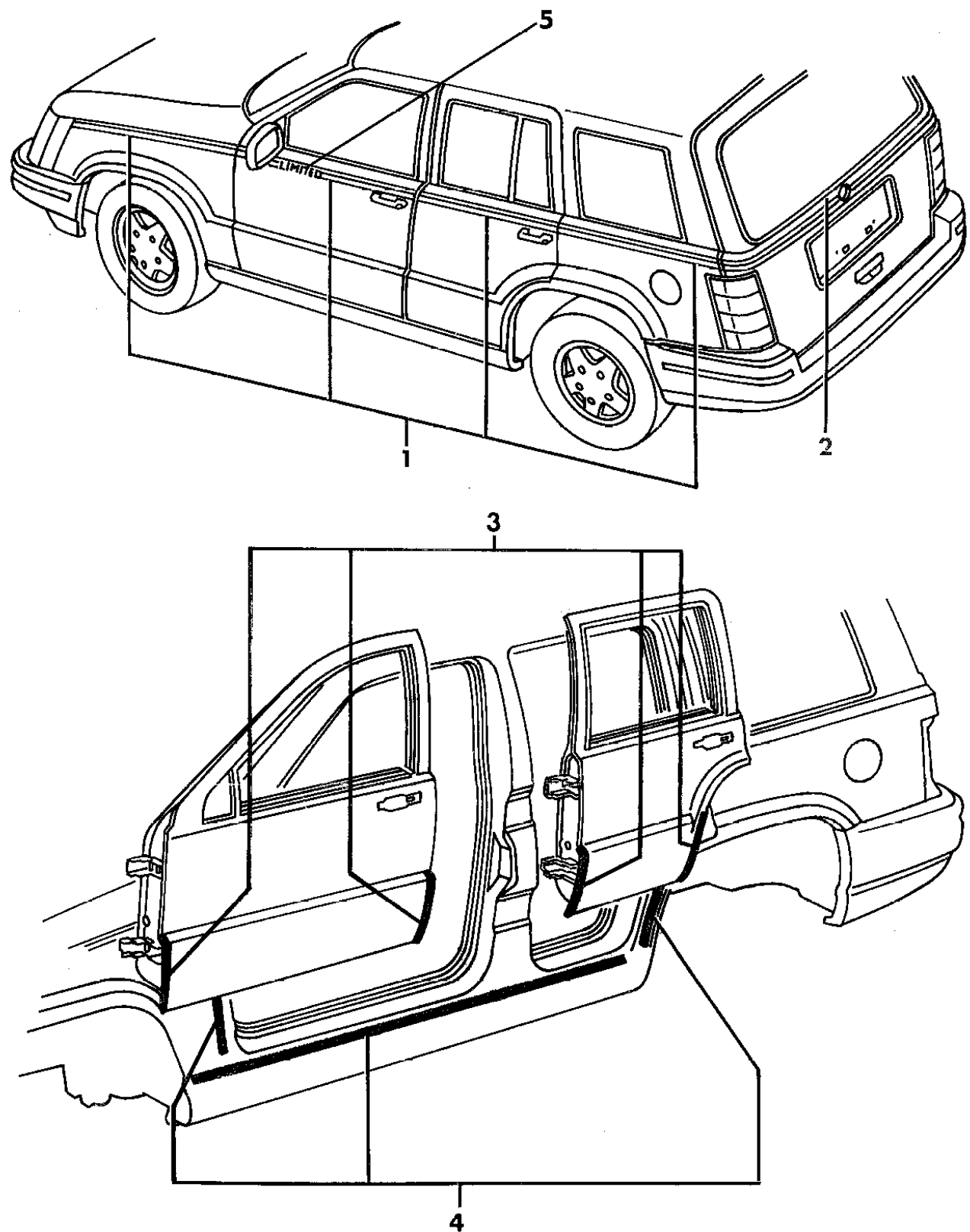
NOTE: All other stripes on ZJ's are paint. ion as described in the Chrysler repair manual.

NOTE: Also see 23-3500 for additional decals. ion as described in the Chrysler repair manual.

MODEL CODES:
 61=Pickup-6 Ft Box 74=4 Door Wagon T=2WD
 62=Pickup-7 Ft Box 77=Open Body 93" Wheelbase J,N,U=4WD
 72=2 Door Wagon 78=Open Body 103" Wheelbase

BODY STYLES:
 MJ=Comanche Pickup ZJ=Grand Cherokee/Grand Wagoneer KDX VEHICLES
 SJ=Grand Wagoneer M1=Comanche
 XJ=Cherokee, Briarwood X1=Cherokee, Briarwood
 YJ=Wrangler Y1=Wrangler

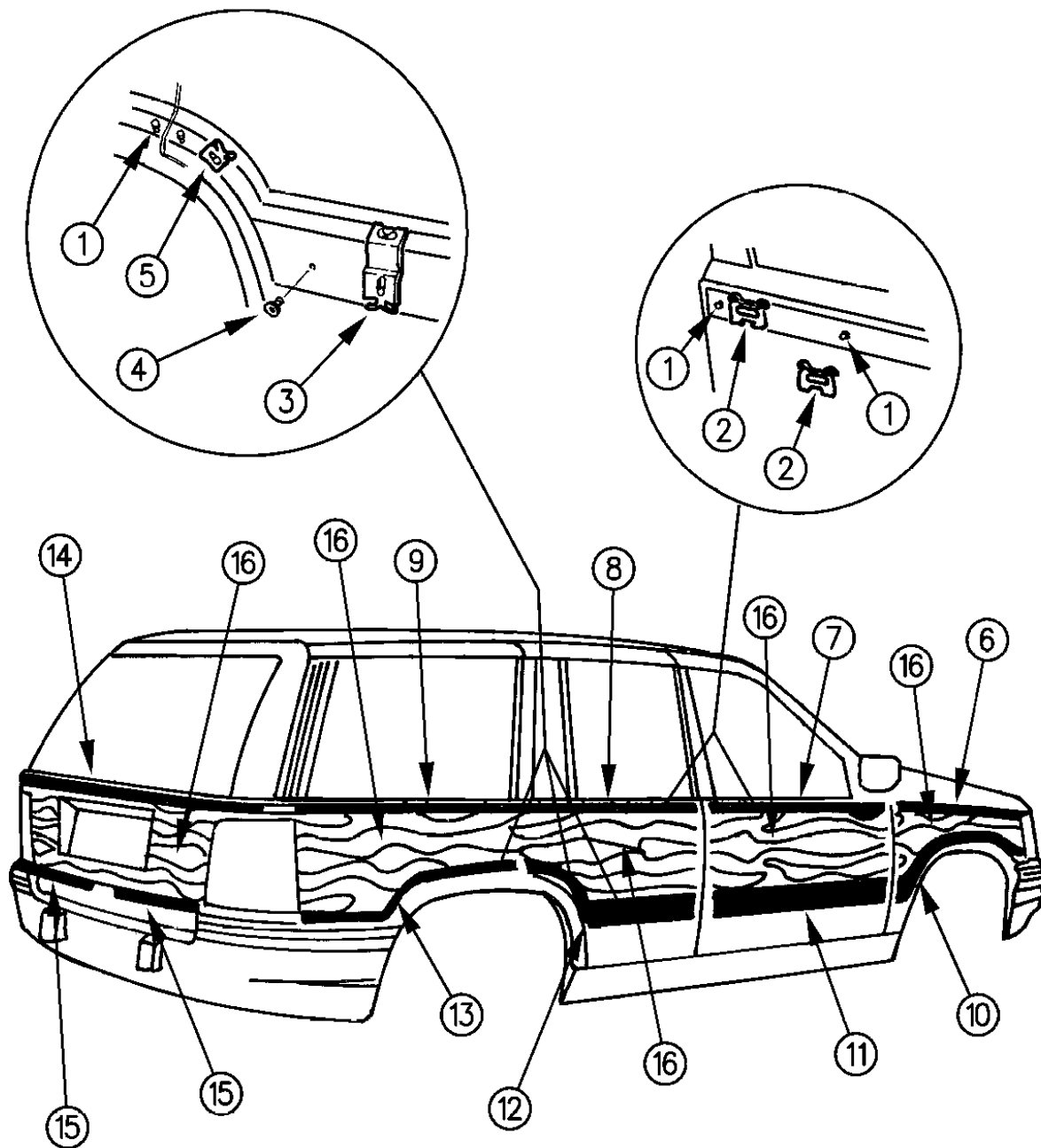
AR = Use as Required - = Non Illustrated Part P.A.R. = Paint as Required



WOODGRAIN MOULDINGS AND WOODGRAIN OVERLAY GRAND WAGONEER, 1993 - ZJ
Figure 23-4000

91J68 4000A

ITEM	PART NUMBER	QTY	BODY	MODEL	DESCRIPTION
NOTE: The inserts in items 10, 11 and 12 are only serviced in the moulding assembly. ion as described in the Chrysler repair manual.					
1	4293 616	AR			REPAIR SCREW PACKAGE, use to service production weld studs (1 package contains 6 screws) ***
2	5503 2546	69			CLIP, Woodgrain Moulding Retaining (use on all upper mouldings and the narrow portion of the lower mouldings)
3	5503 2554	18			CLIP, Lower Woodgrain Moulding Retaining (use on the wide portion)
4	4057 555	AR			BARREL NUT PACKAGE, Lower Woodgrain Moulding Stud Attaching (1 package contains 6 pieces)
5	5503 3622	20			CLIP, Woodgrain Moulding (use on curved areas around wheel opening)
6	5503 2538-9	1			MOULDING ASSEMBLY, Fender Upper Woodgrain
7	5503 2556-7	1			MOULDING ASSEMBLY, Front Door Upper Woodgrain
8	5503 2570-1	1			MOULDING ASSEMBLY, Rear Door Upper Woodgrain
9	5503 2586-7	1			MOULDING ASSEMBLY, Quarter Upper Woodgrain
10	5503 2548-9	1			MOULDING ASSEMBLY, Fender Lower Woodgrain (only the right moulding includes the makers mark pentastar)
-	4630 238	1			MAKER'S MARK, Pentastar (right fender moulding) ***
11	5503 2564-5	1			MOULDING ASSEMBLY, Front Door Lower Woodgrain
12	5503 2576-7	1			MOULDING ASSEMBLY, Rear Door Lower Woodgrain
13	5503 2592-3	1			MOULDING ASSEMBLY, Rear Quarter Lower Woodgrain
14	5503 2602	1			MOULDING ASSEMBLY, Liftgate Upper Woodgrain
15	5503 2608-9	1			MOULDING ASSEMBLY, Liftgate Lower Woodgrain
16	4713 889	AR			DECAL, Overlay, Accent Estate Woodgrain (this service overlay is 15" tall x 70" long, cut to fit)



MODEL CODES:

61=Pickup-6 Ft Box 74=4 Door Wagon T=2WD
 62=Pickup-7 Ft Box 77=Open Body 93" Wheelbase J,N,U=4WD
 72=2 Door Wagon 78=Open Body 103" Wheelbase

BODY STYLES:

MJ=Comanche Pickup ZJ=Grand Cherokee/Grand Wagoneer KDX VEHICLES
 SJ=Grand Wagoneer M1=Comanche
 XJ=Cherokee, Briarwood X1=Cherokee, Briarwood
 YJ=Wrangler Y1=Wrangler

AR = Use as Required - = Non Illustrated Part P.A.R. = Paint as Required

GROUP 23A - BODY - SHEET METAL EXCEPT DOORS

ILLUSTRATION TITLE	GROUP-FIG. NO.
PAN, FLOOR FRONT AND REAR WRANGLER, YJ	Fig. 23A-100
FENDERS, FRONT WRANGLER, YJ	Fig. 23A-200
FRONT FENDER & ROCKER PANEL RENEGADE	Fig. 23A-300
HOOD, LOCK AND CATCHES WRANGLER, YJ	Fig. 23A-400
PANELS, COWL AND DASH WRANGLER, YJ	Fig. 23A-500
WINDSHIELD FRAME, HINGES, AND SEALS WRANGLER, YJ	Fig. 23A-600
GLASS, MIRROR, INSIDE REAR VIEW LESS WORLD CAB WRANGLER, YJ	Fig. 23A-700
GLASS EUROPE, MIDEAST, KDX WRANGLER, Y1	Fig. 23A-800
TOP ENCLOSURE, HARD WRANGLER, YJ	Fig. 23A-900
PANELS, BODY SIDE WRANGLER, YJ	Fig. 23A-1000
QUARTER PANEL RENEGADE	Fig. 23A-1100
TAILGATE WRANGLER, YJ	Fig. 23A-1200
HINGES, TAILGATE WRANGLER, YJ	Fig. 23A-1300
SPORT BAR - 1991 WRANGLER, YJ	Fig. 23A-1400
SPORT BAR - 1992-93 WRANGLER, YJ	Fig. 23A-1450
SOFT TOP HARDWARE WITH HALF DOORS WRANGLER, YJ	Fig. 23A-1500
SOFT TOP AND WINDOWS WITH HALF DOORS WRANGLER, YJ	Fig. 23A-1600
SOFT TOP HARDWARE WITH FULL HARD DOORS WRANGLER, YJ	Fig. 23A-1700
SOFT TOP AND WINDOWS WITH FULL HARD DOORS WRANGLER, YJ	Fig. 23A-1800
SOFT TOP, FULL SOFT DOORS AND WINDOWS, EUROPE, KDX	Fig. 23A-1900
LIFT DOOR, LATCH AND HINGES - 1991 WITH HARD TOP ENCLOSURE WRANGLER, YJ	Fig. 23A-2000
LIFT DOOR GLASS AND RELATED PARTS - 1992-93 WITH HARD TOP ENCLOSURE WRANGLER, YJ	Fig. 23A-2050
LATCH AND STRIKER, TAILGATE WRANGLER, YJ	Fig. 23A-2100
ADD-A-TRUNK WRANGLER YJ	Fig. 23A-2150
PANS, FLOOR CHEROKEE, BRIARWOOD	Fig. 23A-2200
PAN, FLOOR COMANCHE	Fig. 23A-2300
PLATES, UNDERBODY SKID CHEROKEE, BRIARWOOD	Fig. 23A-2400
PLATES, UNDERBODY SKID COMANCHE	Fig. 23A-2500
PLUGS, BODY CHEROKEE, BRIARWOOD, COMANCHE	Fig. 23A-2600
PANELS, FRONT END INNER AND WHEELHOUSE CHEROKEE, BRIARWOOD, COMANCHE	Fig. 23A-2700
FENDERS, FRONT CHEROKEE, WAGONEER, COMANCHE	Fig. 23A-2800
HOOD, LATCH AND HINGES CHEROKEE, BRIARWOOD, COMANCHE	Fig. 23A-2900
PANELS, COWL AND DASH CHEROKEE, BRIARWOOD, COMANCHE	Fig. 23A-3000
COWL AND DASH PANEL R.H.D. XJ	Fig. 23A-3050
MIRROR INSIDE REAR VIEW CHEROKEE, BRIARWOOD, COMANCHE	Fig. 23A-3100
PANELS, BODY SIDE CHEROKEE 2 DOOR	Fig. 23A-3200
PANELS, BODY SIDE CHEROKEE, BRIARWOOD 4 DOOR	Fig. 23A-3300
PANELS, BODY SIDE AND REAR COMANCHE	Fig. 23A-3400
PANELS, REAR QUARTER CHEROKEE 2 DOOR	Fig. 23A-3500
FUEL FILLER HOUSING & DOOR CHEROKEE, BRIARWOOD	Fig. 23A-3550
PANELS, REAR QUARTER CHEROKEE, BRIARWOOD 4 DOOR	Fig. 23A-3600

ILLUSTRATION NOT AVAILABLE AT TIME OF PUBLICATION

GROUP 23A - BODY - SHEET METAL EXCEPT DOORS

GROUP 23A - BODY - SHEET METAL EXCEPT DOORS

ILLUSTRATION TITLE

GROUP-FIG. NO.

ILLUSTRATION TITLE

GROUP-FIG. NO.

GRAND CHEROKEE, ZJ (Continued)

PANELS, REAR QUARTER CHEROKEE, BRIARWOOD 4 DOOR Fig. 23A-3600

APPLIQUES, REAR QUARTER PANEL CHEROKEE, BRIARWOOD, COMANCHE Fig. 23A-3700

PANELS, LOAD BARRIER AND AUXILIARY FLOOR CHEROKEE 2 DOOR, FRENCH COMMERCIAL PACKAGE Fig. 23A-3800

TAILGATE, LATCHES AND HINGES COMANCHE Fig. 23A-3900

BOX, PICKUP COMANCHE Fig. 23A-4000

LIFT DOOR, LATCH AND HINGES CHEROKEE, BRIARWOOD Fig. 23A-4100

SPORT BAR COMANCHE Fig. 23A-4200

RACK, ROOF LUGGAGE CHEROKEE, BRIARWOOD Fig. 23A-4300

SUNROOF, POP-UP CHEROKEE, BRIARWOOD Fig. 23A-4400

PANELS, ROOF CHEROKEE, BRIARWOOD, COMANCHE Fig. 23A-4500

GLASS COMANCHE Fig. 23A-4600

SEAL, WINDOW COMANCHE Fig. 23A-4700

GLASS, REAR QUARTER FIXED CHEROKEE 2 DOOR Fig. 23A-4800

SEALS WINDOW CHEROKEE 2 DOOR Fig. 23A-4900

GLASS, STATIONARY WINDSHIELD, QUARTER AND LIFT DOOR CHEROKEE 2 DOOR Fig. 23A-5000

GLASS, STATIONARY WINDSHIELD, QUARTER, AND LIFT DOOR CHEROKEE 4 DOOR, BRIARWOOD Fig. 23A-5100

SEALS QUARTER AND LIFT DOOR WINDOW CHEROKEE 4 DOOR, BRIARWOOD Fig. 23A-5200

PAN, FLOOR GRAND WAGONEER, SJ Fig. 23A-5300

FENDERS, FRONT GRAND WAGONEER, SJ Fig. 23A-5400

HOOD GRAND WAGONEER, SJ Fig. 23A-5500

LOCK AND RELEASE, HOOD GRAND WAGONEER, SJ Fig. 23A-5600

PANELS, COWL AND DASH GRAND WAGONEER, SJ Fig. 23A-5700

MIRROR, INSIDE REAR VIEW GRAND WAGONEER, SJ Fig. 23A-5800

PANELS, BODY SIDE GRAND WAGONEER, SJ Fig. 23A-5900

PANELS, REAR QUARTER GRAND WAGONEER, SJ Fig. 23A-6000

TAILGATE AND HINGES GRAND WAGONEER, SJ Fig. 23A-6100

LATCHES, TAILGATE GRAND WAGONEER, SJ Fig. 23A-6200

REGULATOR, TAILGATE GLASS ELECTRIC GRAND WAGONEER, SJ Fig. 23A-6300

PANELS, ROOF GRAND WAGONEER, J10, J20 Fig. 23A-6400

SEALS & GLASS TINTED WINDSHIELD, QUARTER AND TAILGATE GRAND WAGONEER, SJ Fig. 23A-6500

RACK--ROOF LUGGAGE GRAND WAGONEER, SJ Fig. 23A-6600

SUNROOF TRACK AND ELECTRICAL GRAND WAGONEER, SJ Fig. 23A-6700

SUNROOF SLIDING GLASS AND HOUSING GRAND WAGONEER, SJ Fig. 23A-6800

PANS, FLOOR GRAND CHEROKEE, ZJ Fig. 23A-6900

FRONT END SKID PLATES GRAND CHEROKEE, ZJ Fig. 23A-7000

PLUGS, BODY GRAND CHEROKEE, ZJ Fig. 23A-7100

PANELS, FRONT END INNER AND WHEELHOUSE GRAND CHEROKEE, ZJ Fig. 23A-7200

FENDERS, FRONT GRAND CHEROKEE, ZJ Fig. 23A-7300

GRAND CHEROKEE, ZJ (Continued)

FENDERS, FRONT GRAND CHEROKEE, ZJ Fig. 23A-7300

HOOD, LATCH AND HINGES GRAND CHEROKEE, ZJ Fig. 23A-7400

PANELS, COWL AND DASH GRAND CHEROKEE, ZJ Fig. 23A-7500

PANELS, BODY SIDE GRAND CHEROKEE, ZJ Fig. 23A-7600

PANELS, REAR QUARTER GRAND CHEROKEE, ZJ Fig. 23A-7700

LIFT DOOR, LATCH AND HINGES GRAND CHEROKEE, ZJ Fig. 23A-7800

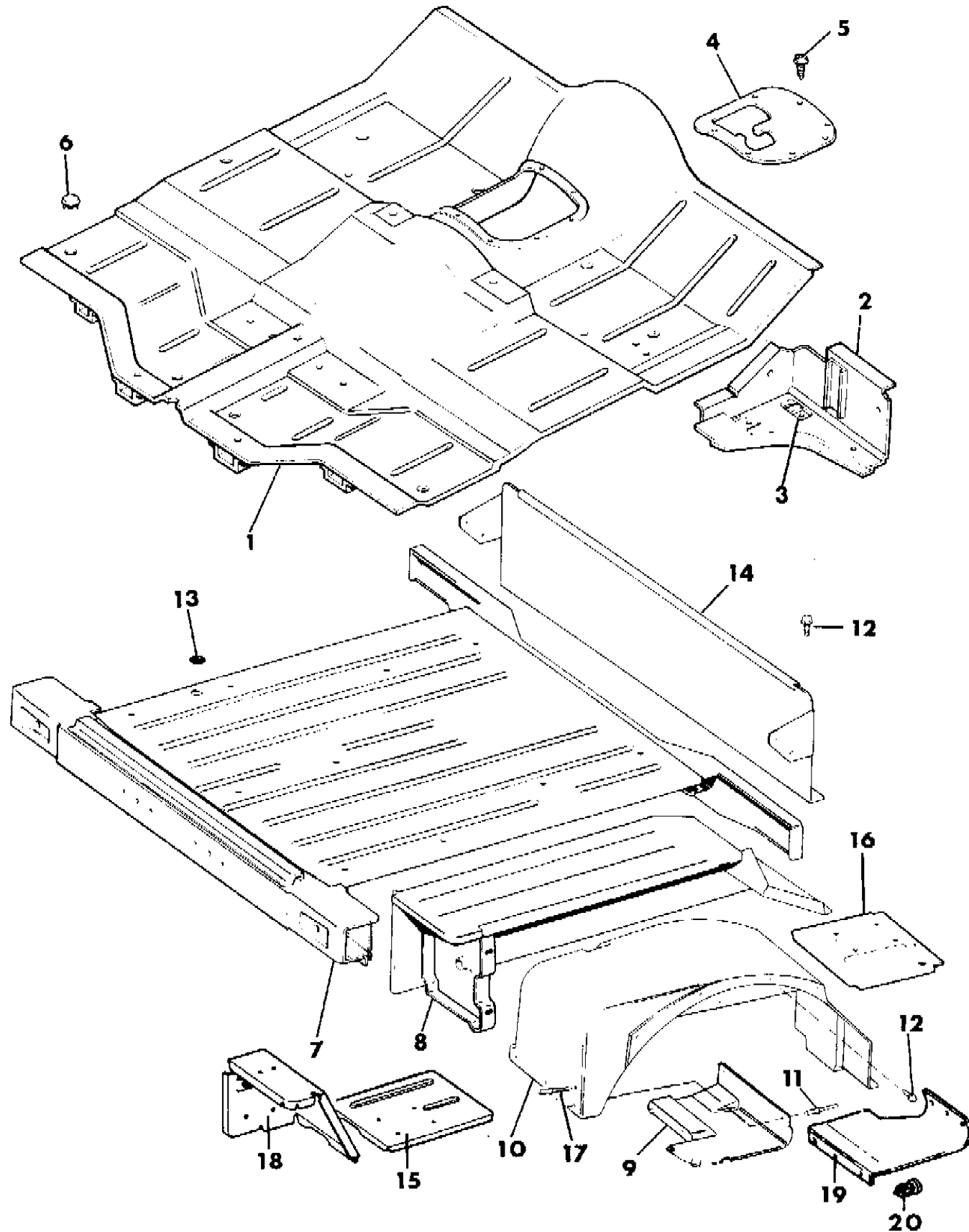
ROOF RACK GRAND CHEROKEE, ZJ Fig. 23A-7900

PANELS, ROOF GRAND CHEROKEE, ZJ Fig. 23A-8000

GLASS, WINDSHIELD, QUARTER, LIFT DOOR AND REAR VIEW MIRROR GRAND CHEROKEE, ZJ Fig. 23A-8100

PAN, FLOOR FRONT AND REAR WRANGLER, YJ
Figure 23A-100

91J69 100 D



ITEM	PART NUMBER	QTY	BODY	MODEL	DESCRIPTION
1					PAN, Front Floor
	5502 7311	1			Up to 2-5-91
	5534 4684	1			After 2-5-91
	5534 4659	1			1992
	5534 5936	1			1993
	5501 3668	4			FOOTMAN LOOP, Storage of Side Bars ***
	0152 438	8			SCREW, To Footman Loop
2	5501 0914-5	1			BRACKET, Body, KDX, Egypt, Venezuela, (Also Serviced in Item 1), 1991
3	J545 2448	1			RETAINER, Tapping Plate, (also serviced in item #1)
4					COVER, Floor Pan
	5505 0141	1			w/Auto. Trans.
	5505 0142	1			w/Manual Trans.
5	J400 6444	7			SCREW
6	5500 6578	11			PLUG
7					PAN, Rear Floor
	5534 4688	1			1991
	5534 4661	1			1992-93
-	4490 835	2			REINFORCEMENT, Shoulder Belt
8					WHEELHOUSE ASSEMBLY ***
					1991
	5501 0578	1			Right
	5502 0523	1			Left
	5534 4676-7	1			1992-93
	J575 8288	2	78		KDX - Egypt, Venezuela
9	5500 9592-3	1			SHIELD, Splash
10	5500 9590-1	1			PANEL, Inner Protection
11		AR			RIVET, Drive Pointed, (M6.2x22.80), (Not Serviced)
12	J943 1948	AR			SCREW
13					PLUG
	5500 6578	AR			For Drain Holes
	J400 7053	AR			For Rear Seat Mounting Holes, KDX
	J400 7076	8			For Sport Bar Hole, KDX - EGYPT
14	5502 5238	1			PANEL, Load Barrier, EUROPE
15	J575 6744-5	1	78		FILLER, Cargo Floor Rear, KDX - Egypt, Venezuela
16	5501 7632-3	1	78		FILLER, Cargo Floor Front, KDX - Egypt, Venezuela
17	J400 6012	4			RIVET
18	J575 8722-3	1	78		PANEL, Rear Corner Inner, KDX - Egypt, Venezuela
19	J575 8744-5	1	78		SHIELD, Splash, KDX - Egypt, Venezuela
20	J400 4919	1	78		FASTENER, KDX - Egypt, Venezuela

MODEL CODES:

61=Pickup-6 Ft Box 74=4 Door Wagon T=2WD
62=Pickup-7 Ft Box 77=Open Body 93" Wheelbase J,N,U=4WD
72=2 Door Wagon 78=Open Body 103" Wheelbase

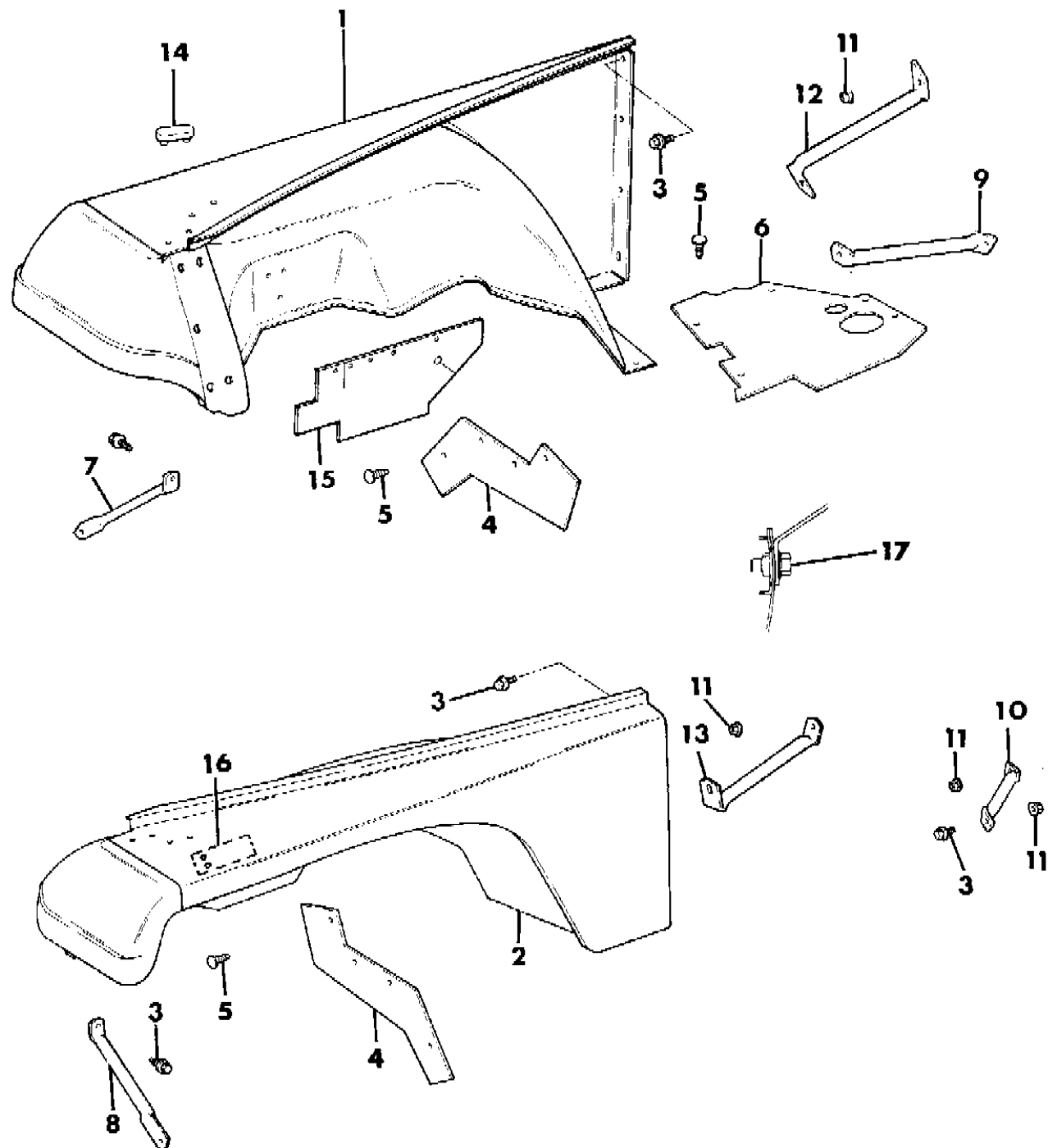
BODY STYLES:

MJ=Comanche Pickup ZJ=Grand Cherokee/Grand Wagoneer KDX VEHICLES
SJ=Grand Wagoneer M1=Comanche
XJ=Cherokee, Briarwood X1=Cherokee, Briarwood
YJ=Wrangler Y1=Wrangler

AR = Use as Required - = Non Illustrated Part P.A.R. = Paint as Required

FENDERS, FRONT WRANGLER, YJ
Figure 23A-200

91J69 200 A



ITEM	PART NUMBER	QTY	BODY	MODEL	DESCRIPTION
1-2		1			FENDER
	5502 7494-5				1991-92
	5534 5024-5				1993
	5534 5074-5				1991-93, Renegade Only
3	J400 4455	AR			SCREW
4	5501 0840	2			SHIELD, Splash
5	J400 4919	AR			FASTENER
6	5501 0838	2			SHIELD, Splash
7-8	5502 6584-5	1			SUPPORT
9-10	5505 0050-1	1			SUPPORT
11	J012 0376	AR			NUT
12	5505 0052	1			SUPPORT, Right
13	5505 0049	1			SUPPORT, Left
14	J400 7541	2			BUMPER
15		2			SHIELD, Splash
	5502 9492				Up to 1-11-93
	5525 4845				After 1-11-93
16	5501 0948	1			PLATE, Horn Bracket
17	5501 3193	1			REINFORCEMENT, Battery Tray Support

MODEL CODES:

61=Pickup-6 Ft Box 74=4 Door Wagon T=2WD
62=Pickup-7 Ft Box 77=Open Body 93" Wheelbase J,N,U=4WD
72=2 Door Wagon 78=Open Body 103" Wheelbase

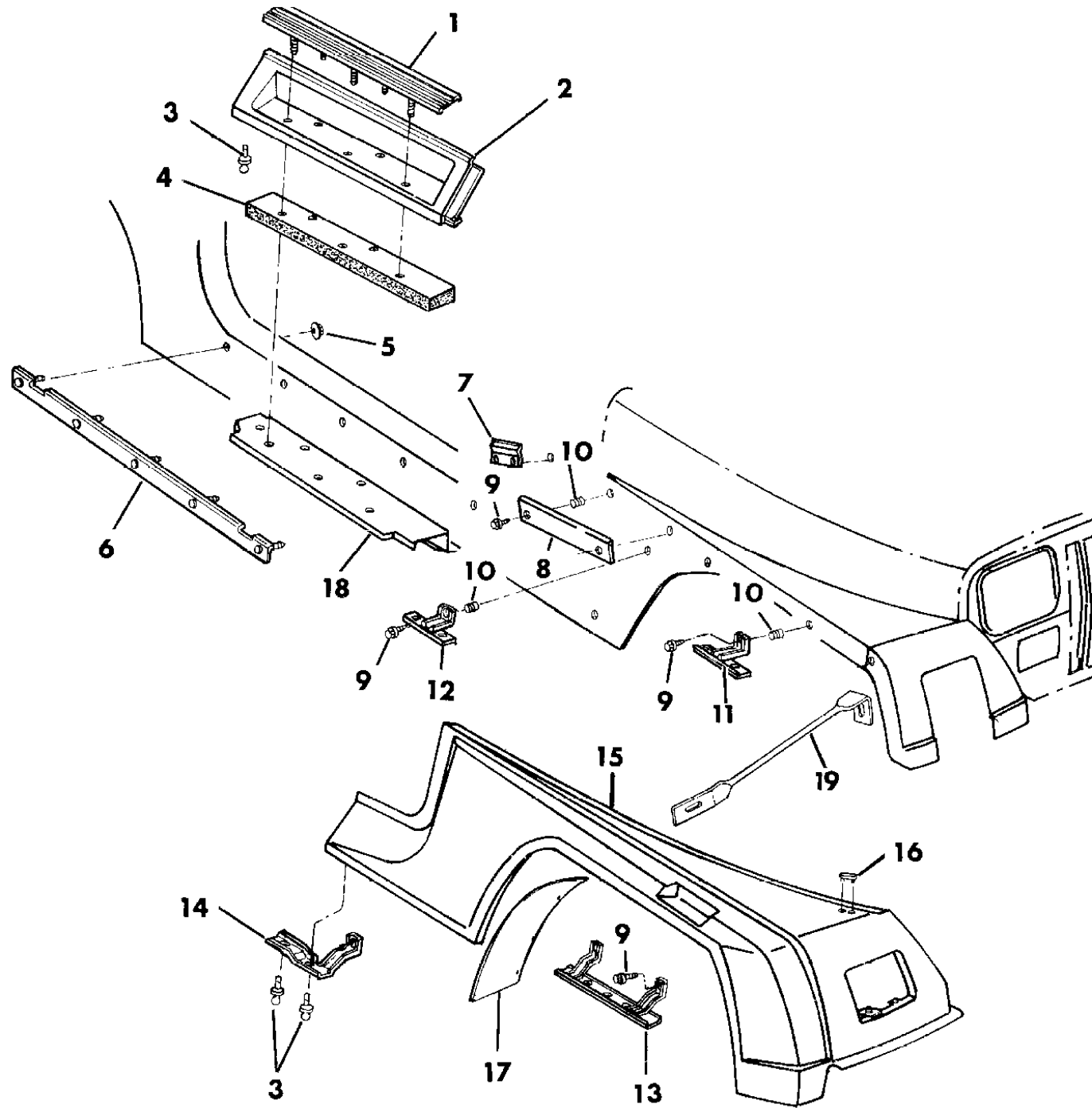
BODY STYLES:

MJ=Comanche Pickup ZJ=Grand Cherokee/Grand Wagoneer KDX VEHICLES
SJ=Grand Wagoneer M1=Comanche
XJ=Cherokee, Briarwood X1=Cherokee, Briarwood
YJ=Wrangler Y1=Wrangler

AR = Use as Required - = Non Illustrated Part P.A.R. = Paint as Required

FRONT FENDER & ROCKER PANEL RENEGADE
Figure 23A-300

91J69 300F



ITEM	PART NUMBER	QTY	BODY	MODEL	DESCRIPTION
1	8350 7262	1			STEP PAD ***
2	8350 7260-1	1			PANEL, Rocker Extension
3	4638 273	AR			PIN, Push
4	8350 7263	1			SPACER, Step Pad Side
5	6501 859	AR			NUT
6	4419 508	2			RETAINER
7	4419 509	1			RETAINER
8	8350 7264-5	1			RETAINER
9	6501 212	AR			BOLT
10	3420 1595	AR			RIVNUT ***
11	8350 7253	2			SUPPORT, Fender Ext. Upper Wheelhouse Front
12	8350 7254	2			SUPPORT, Fender Ext. Upper Wheelhouse Rear
13	4638 274-5	1			SUPPORT, Fender Ext. Lower Rear
14	4419 506-7	1			SUPPORT, Rocker Ext. Panel to Fender Ext. Panel
15	8350 7250-1	1			PANEL, Front Fender Ext.
-	4638 136	6			PIN, (To Front Fender)
16	8350 7259	2			BUMPER, Hood
17	4713 214	2			PANEL, Front Fender Wheel Opening Rear
18	5500 9130-1	1			SUPPORT, Body Side Step
19	4728 462-3	1			BRACE, 1992-93

MODEL CODES:

61=Pickup-6 Ft Box 74=4 Door Wagon T=2WD
 62=Pickup-7 Ft Box 77=Open Body 93" Wheelbase J,N,U=4WD
 72=2 Door Wagon 78=Open Body 103" Wheelbase

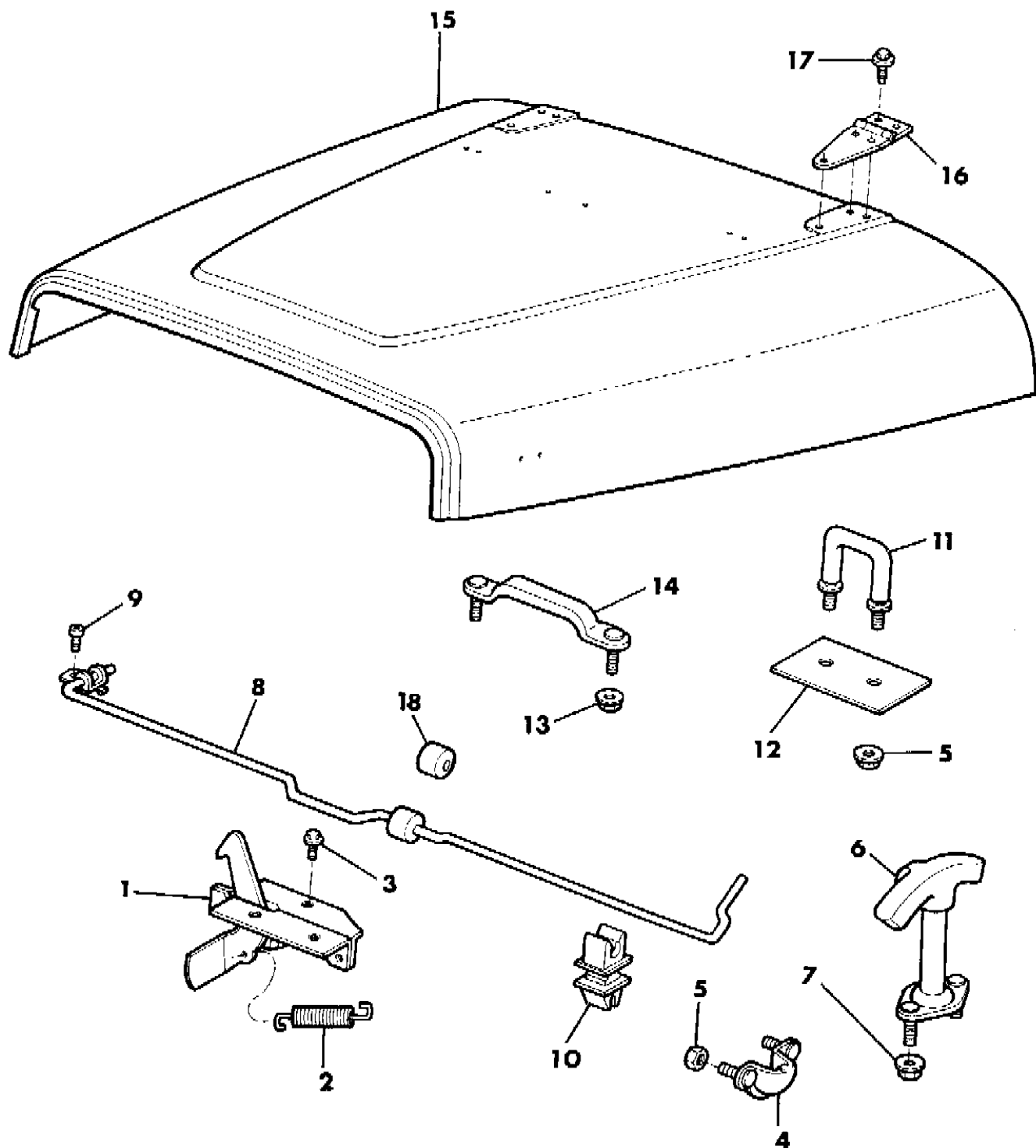
BODY STYLES:

MJ=Comanche Pickup ZJ=Grand Cherokee/Grand Wagoneer KDX VEHICLES
 SJ=Grand Wagoneer M1=Comanche
 XJ=Cherokee, Briarwood X1=Cherokee, Briarwood
 YJ=Wrangler Y1=Wrangler

AR = Use as Required - = Non Illustrated Part P.A.R. = Paint as Required

HOOD, LOCK AND CATCHES WRANGLER, YJ
Figure 23A-400

91J69 400



ITEM	PART NUMBER	QTY	BODY	MODEL	DESCRIPTION
1	5500 6868	1			LOCK ASSEMBLY, Hood ***
2	J097 8984	1			SPRING
3	J400 6393	3			SCREW
4	5500 9343	2			BRACKET
5	J027 1172	8			NUT
6	5500 9428	2			CATCH
7					NUT
	J400 4588	4			1991-92
	J027 1172	4			1993
8		1			ROD
	5505 0155				Up to 5-7-93
	5507 5538				After 5-7-93
9	J400 4554	2			SCREW
10	J400 7456	1			RETAINER
11	J813 4315	2			BUMPER
12					REINFORCEMENT
	J068 9294	2			1991-92
	5502 6031	2			KDX - Egypt, Venezuela
13	6025 001	2			NUT
14	5500 9342	1			LOOP, Footman
15					HOOD
	5502 8307	1			Up To 3-26-91
	5534 5059	1			After 3-26-91
16					HINGE, Hood
	5503 3954	2			Up To 2-11-91
	5507 4809	2			After 2-11-91
17	J400 7530	10			SCREW
18	5500 2258	1			BUMPER, Hood Support Rod

MODEL CODES:

61=Pickup-6 Ft Box 74=4 Door Wagon T=2WD
 62=Pickup-7 Ft Box 77=Open Body 93" Wheelbase J,N,U=4WD
 72=2 Door Wagon 78=Open Body 103" Wheelbase

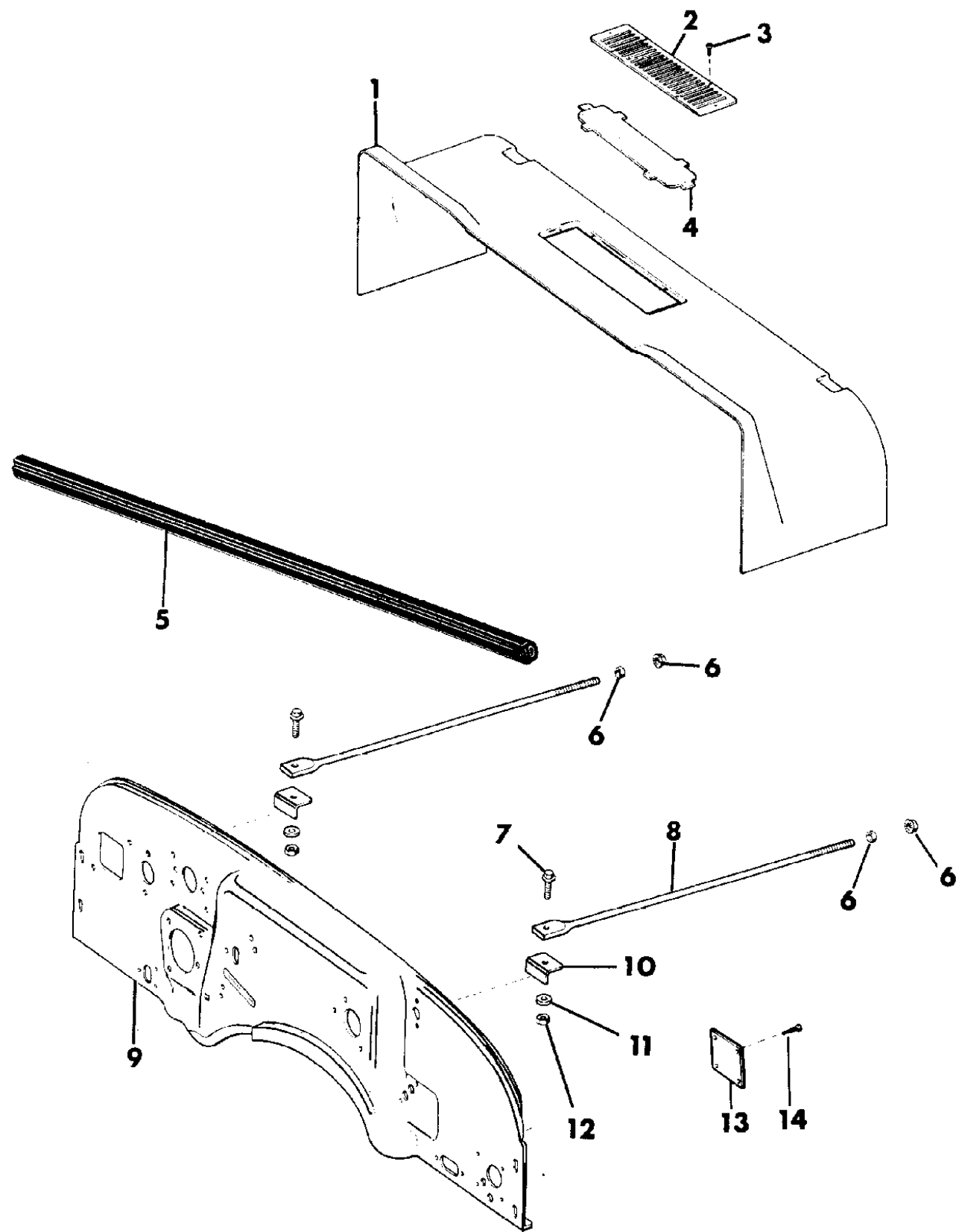
BODY STYLES:

MJ=Comanche Pickup ZJ=Grand Cherokee/Grand Wagoneer KDX VEHICLES
 SJ=Grand Wagoneer M1=Comanche
 XJ=Cherokee, Briarwood X1=Cherokee, Briarwood
 YJ=Wrangler Y1=Wrangler

AR = Use as Required - = Non Illustrated Part P.A.R. = Paint as Required

PANELS, COWL AND DASH WRANGLER, YJ
Figure 23A-500

91J69 500B



ITEM	PART NUMBER	QTY	BODY	MODEL	DESCRIPTION
1	5700 1485	1			PANEL, Cowl
2	5534 4749	1			GRILLE, Cowl Top
3		6			SCREW, (.164-15x.750), (Not Serviced)
4	5501 6164	1			SCREEN, Grille
5	5500 8119	1			WEATHERSEAL ***
6	J400 6681	2			NUT
7	J080 8319	2			BOLT
8	5505 0119	2			ROD
9					PANEL, Dash
	5502 6405	1			1991
	5534 5001	1			1992
	5534 5087	1			1993
10	J098 7066	2			BRACKET
11	J400 1104	4			WASHER
12	J012 0368	2			NUT, Hex
13	J546 2728	1			COVER, PLATE, Heater Blower Motor, KDX - Venezuela
14	J097 4764	4			SCREW, Cover Plate, KDX - Venezuela

MODEL CODES:

61=Pickup-6 Ft Box 74=4 Door Wagon T=2WD
62=Pickup-7 Ft Box 77=Open Body 93" Wheelbase J,N,U=4WD
72=2 Door Wagon 78=Open Body 103" Wheelbase

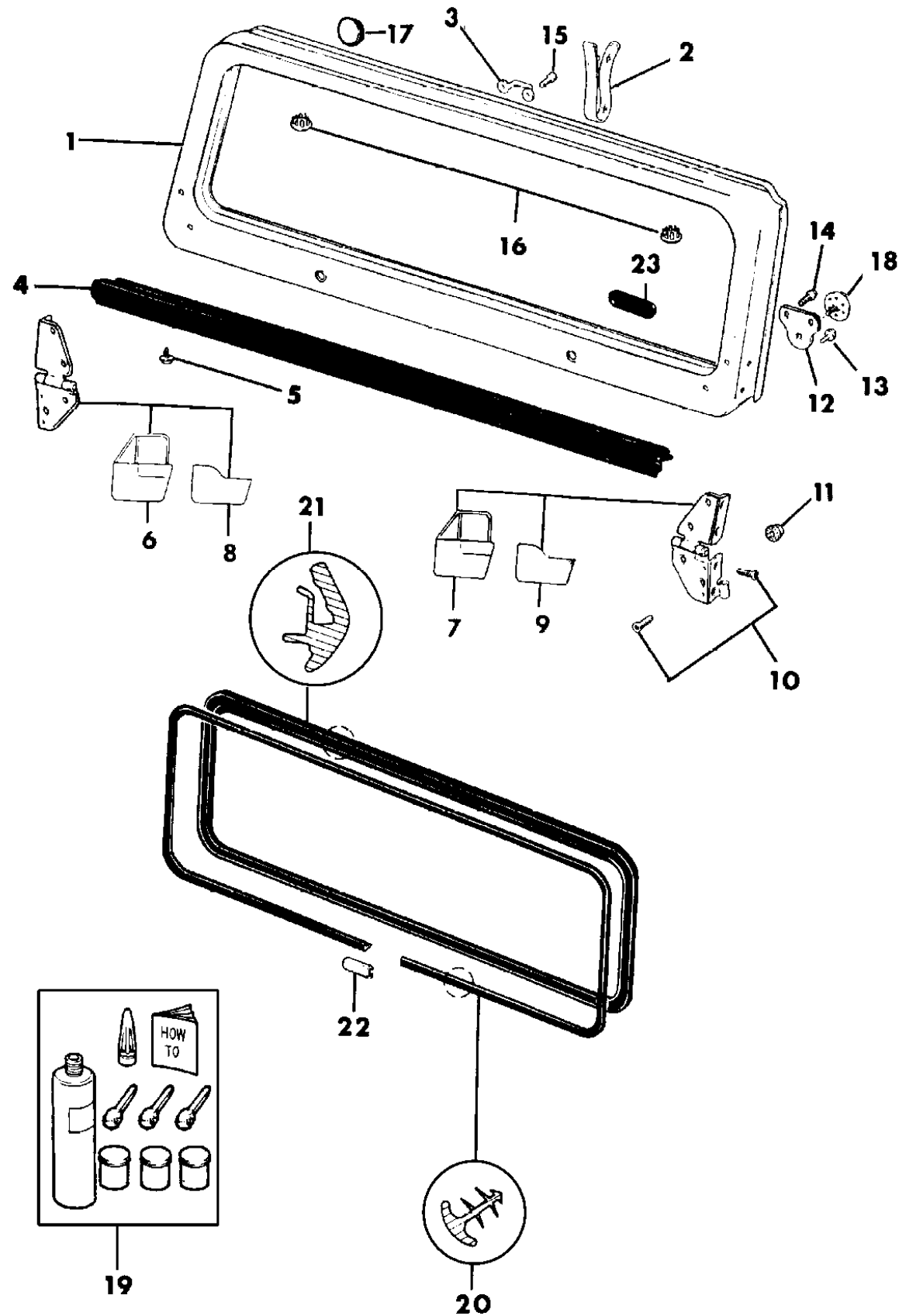
BODY STYLES:

MJ=Comanche Pickup ZJ=Grand Cherokee/Grand Wagoneer KDX VEHICLES
SJ=Grand Wagoneer M1=Comanche
XJ=Cherokee, Briarwood X1=Cherokee, Briarwood
YJ=Wrangler Y1=Wrangler

AR = Use as Required - = Non Illustrated Part P.A.R. = Paint as Required

WINDSHIELD FRAME, HINGES, AND SEALS WRANGLER, YJ
Figure 23A-600

91J69 600D



ITEM	PART NUMBER	QTY	BODY	MODEL	DESCRIPTION
1					FRAME, Windshield
	5502 8306	1			1991-92
	5513 5046	1			1993
2	J545 8890	2			STRAP, Windshield
3					LOOP, Footman
	5501 3666	1			Black
	5501 3667	1			Silver
4	5500 9127	1			SEAL, Windshield To Cowl
5	J400 4171	9			SCREW
6-7	5503 3958-9	1			HINGE, Windshield, 1991
8-9					HINGE, Windshield
	5503 3956-7	1			1992
	5507 4880-1				1993
	5507 4870	1			BUSHING, Self Lube
10		16			SCREW, (.312-18x1.00), (Not Serviced)
11	J012 0376	8			NUT
12	J545 3945	2			BRACKET, Windshield Hold Down
13	J400 7481	2			SCREW
14	J400 7220	4			SCREW
15	J400 4969	2			SCREW
16	J043 2453	2			PLUG
17	J400 7084	3			PLUG, Windshield Filler, World Cab, KDX - Egypt, Venezuela
18	J545 7045	2			KNOB, w/Shield Clamp, KDX - Venezuela
19	8310 0051	AR			MOUNTING PACKAGE, Windshield ***
20	5513 4655	1			MOULDING, Windshield Reveal
21	5501 9988	1			MOULDING, Garnish
22	5513 4656	1			CAP
23	J545 9153	1			PLUG, Wiper Access Hole

MODEL CODES:

61=Pickup-6 Ft Box 74=4 Door Wagon T=2WD
 62=Pickup-7 Ft Box 77=Open Body 93" Wheelbase J,N,U=4WD
 72=2 Door Wagon 78=Open Body 103" Wheelbase

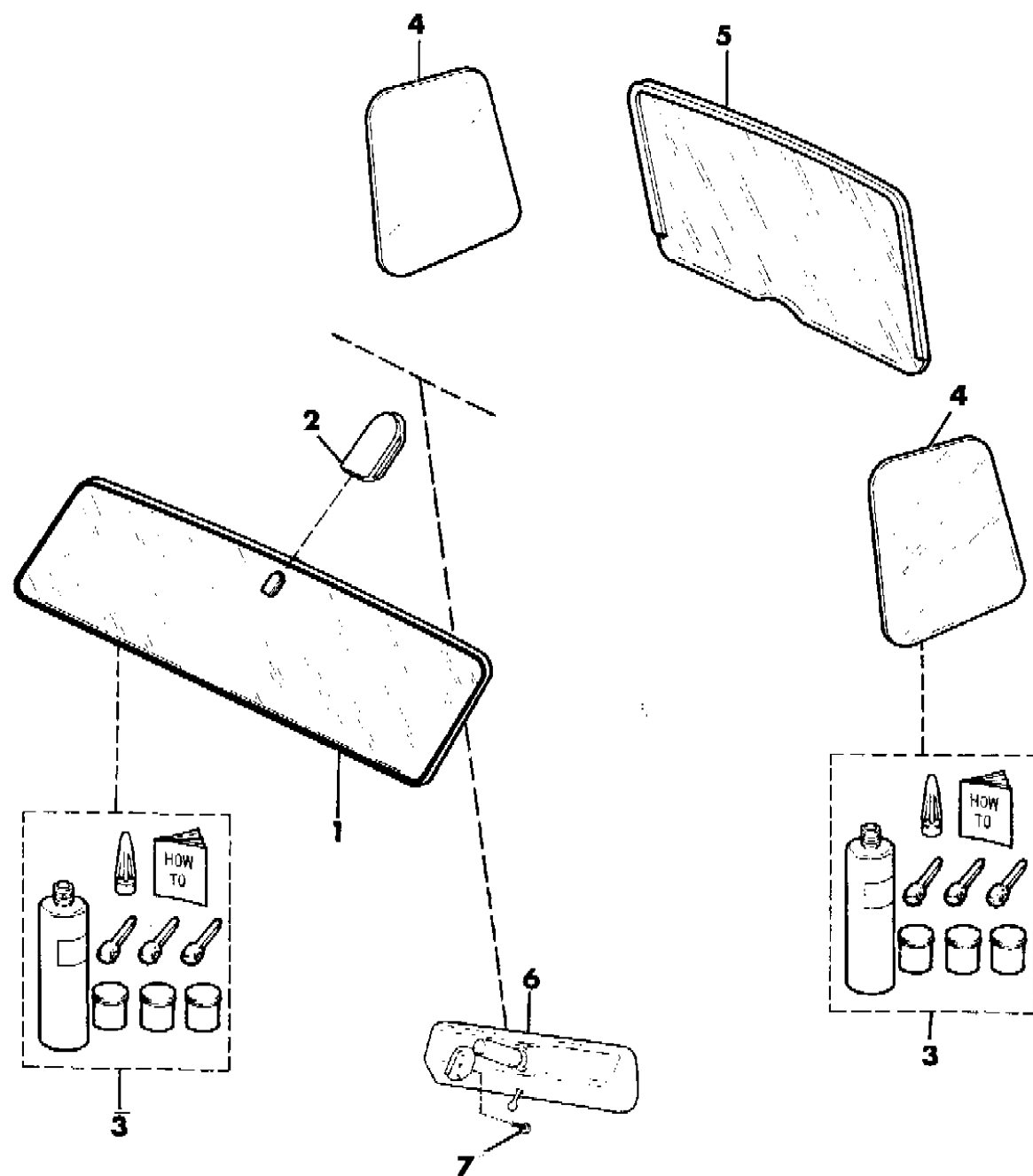
BODY STYLES:

MJ=Comanche Pickup ZJ=Grand Cherokee/Grand Wagoneer KDX VEHICLES
 SJ=Grand Wagoneer M1=Comanche
 XJ=Cherokee, Briarwood X1=Cherokee, Briarwood
 YJ=Wrangler Y1=Wrangler

AR = Use as Required - = Non Illustrated Part P.A.R. = Paint as Required

GLASS, MIRROR, INSIDE REAR VIEW LESS WORLD CAB WRANGLER, YJ
Figure 23A-700

91J69 700 A



ITEM	PART NUMBER	QTY	BODY	MODEL	DESCRIPTION
1					GLASS, Windshield w/tinted glass
	5501 0619	1			1991
	5513 4740	1			1992-93
2	J365 7374	1			SUPPORT, Inside Rear View Mirror Mounting (a)
3	8310 0051	1			MOUNTING PACKAGE, Windshield ***
4					GLASS, Quarter w/tinted glass
	5500 8266-7	1			Tinted
	5500 8270-1	1			Privacy, 1991
	5513 4626-7	1			Privacy, 1992, Up to 12-17-91
	5513 4800-1	1			Solarban, 1992-93, After 12-17-91 Up to 4-15-93
	5513 5180-1	1			Gray Tint, After 4-15-93
5					GLASS, Lift Door w/tinted glass
	4637 758	1			w/o Rear Window Defogger
	4637 759	1			w/ Rear Window Defogger
6	5500 9784	1			MIRROR, Inside Rear View
7	J400 5766	1			SCREW

(a) The Mirror Support is replacing Mirror Mounting Kit. When installing a Mirror Support, use Locktite #312 Adhesive and the Accelerator for Locktite Adhesive #312.

MODEL CODES:

61=Pickup-6 Ft Box 74=4 Door Wagon T=2WD
 62=Pickup-7 Ft Box 77=Open Body 93" Wheelbase J,N,U=4WD
 72=2 Door Wagon 78=Open Body 103" Wheelbase

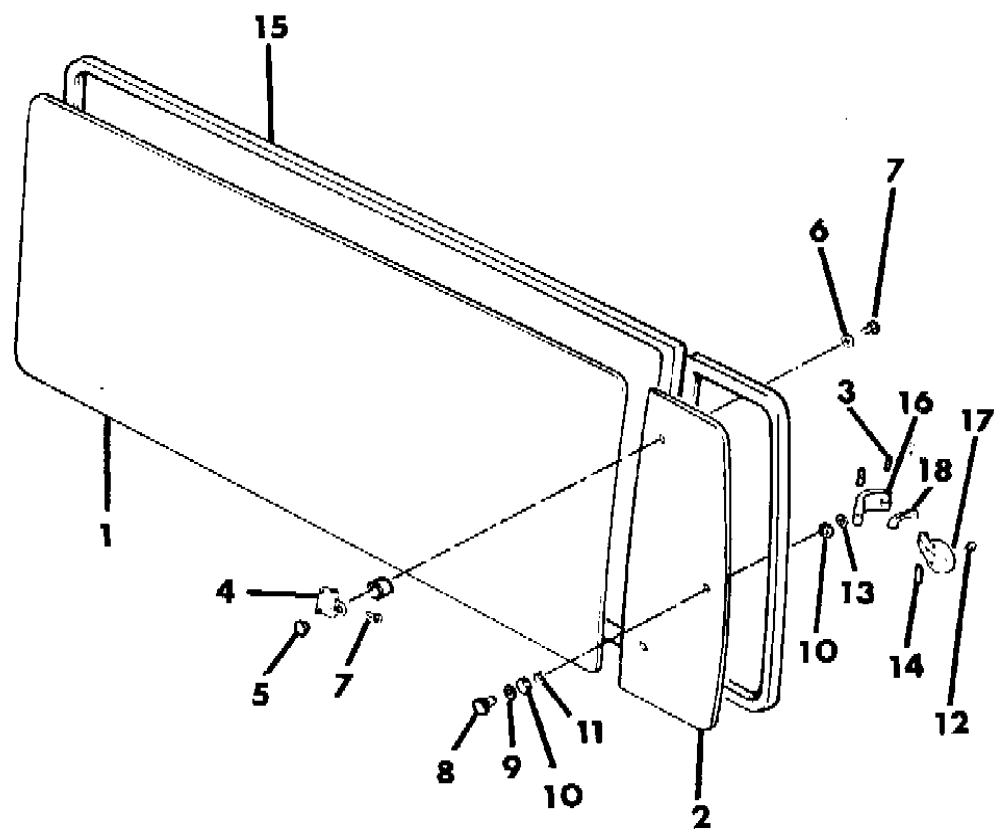
BODY STYLES:

MJ=Comanche Pickup ZJ=Grand Cherokee/Grand Wagoneer KDX VEHICLES
 SJ=Grand Wagoneer M1=Comanche
 XJ=Cherokee, Briarwood X1=Cherokee, Briarwood
 YJ=Wrangler Y1=Wrangler

AR = Use as Required - = Non Illustrated Part P.A.R. = Paint as Required

GLASS EUROPE, MIDEAST, KDX WRANGLER, Y1
Figure 23A-800

91J69 800 A



ITEM	PART NUMBER	QTY	BODY	MODEL	DESCRIPTION
1					GLASS, Quarter Tinted
	J805 2262	1	77		Right, KDX - Venezuela
	J805 2150	1	77		Left, KDX - Venezuela
	J805 2263	1	78		Right, KDX - Egypt, Venezuela
	J805 2153	1	78		Left, KDX - Egypt, Venezuela
2	9500 0620-1	1			GLASS, Flipper Window, Tinted, KDX - Egypt, Venezuela
3	J812 0648	2			PIN
4	9500 0617	4			HINGE
5	J805 2419	4			BUSHING
6	J805 2417	4			CAP
7	J805 2457	8			SCREW
8	J364 6215	2			STUD
9	J400 3578	2			WASHER, Wave
10	J364 6217	8			WASHER
11	J364 6218	2			WASHER
12	J805 2418	4			SCREW
13	J400 4570	2			NUT
14	J812 0648	2			PIN, Spring
15					WEATHERSTRIP, Quarter Glass, KDX - Egypt, Venezuela
	J805 2187	2	77		
	J805 2163	2	78		
16	J364 6460	1			HANDLE, Flipper Window
17	J805 2439	1			BRACKET, Flipper Window
18	J364 6461	1			LINK, Flipper Window

MODEL CODES:

61=Pickup-6 Ft Box 74=4 Door Wagon T=2WD
62=Pickup-7 Ft Box 77=Open Body 93" Wheelbase J,N,U=4WD
72=2 Door Wagon 78=Open Body 103" Wheelbase

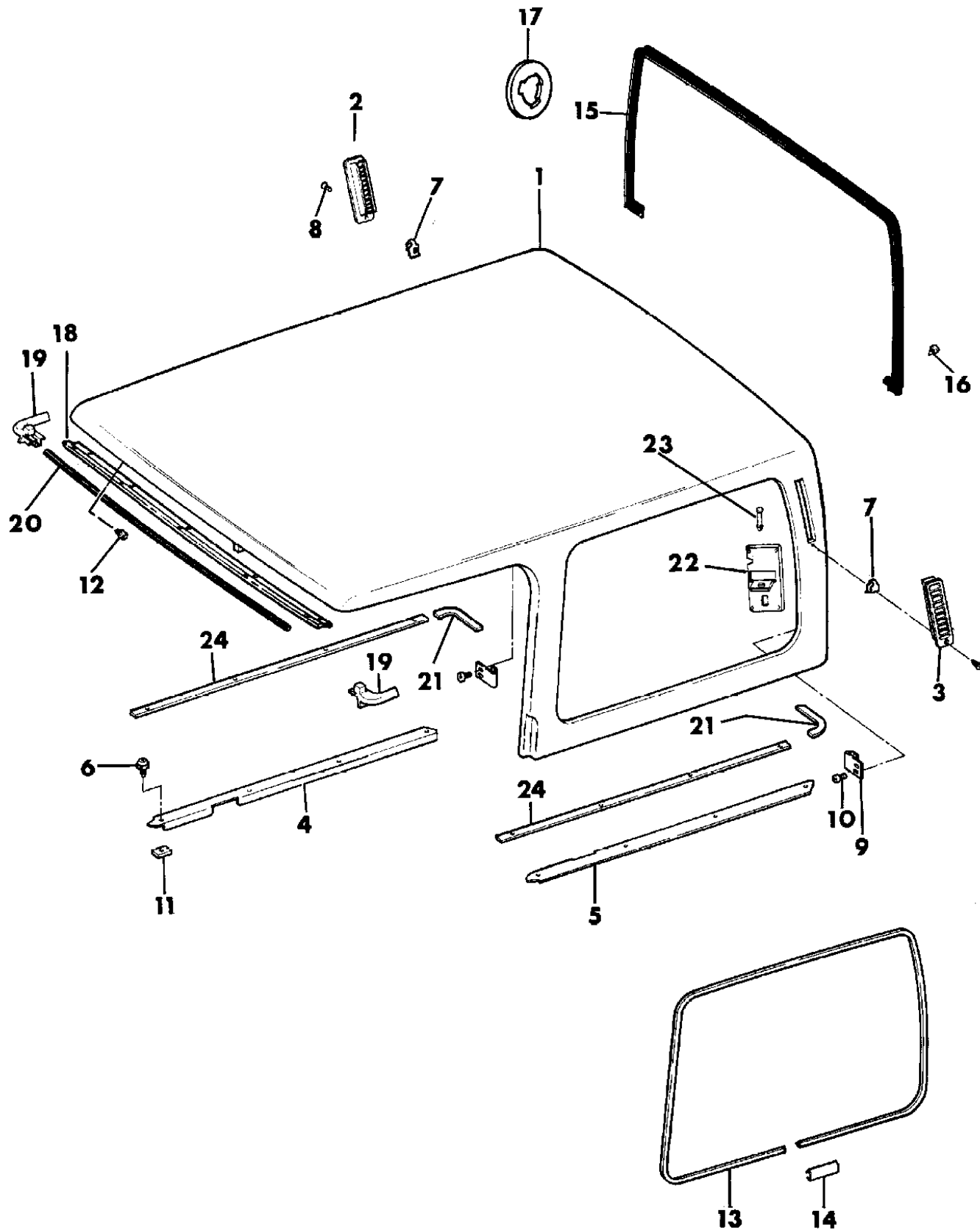
BODY STYLES:

MJ=Comanche Pickup ZJ=Grand Cherokee/Grand Wagoneer KDX VEHICLES
SJ=Grand Wagoneer M1=Comanche
XJ=Cherokee, Briarwood X1=Cherokee, Briarwood
YJ=Wrangler Y1=Wrangler

AR = Use as Required - = Non Illustrated Part P.A.R. = Paint as Required

TOP ENCLOSURE, HARD WRANGLER, YJ
Figure 23A-900

91J69 900C



ITEM	PART NUMBER	QTY	BODY	MODEL	DESCRIPTION
1					TOP ENCLOSURE, Hard ***
					1991
	5CE2 7KCX	1			Black
	5CE2 7KY8	1			Dark Sand
	5CE2 7KRC	1			Red
	5CE2 7KWC	1			White
					1992-93
	5CU2 5LCX				Black
	5CU2 5LRC	1			Red
	5CU2 5LTB	1			Spice
	5CU2 5LWC	1			White
2-3	5500 8540-1	1			EXHAUSTER, Air ***
4-5	5501 5798-9	1			MOULDING, Rear Quarter, 1991
6	J400 7007	8			SCREW
7	J400 6402	2			NUT, Spring
8	6034 207	2			SCREW
9	5502 7006	2			STRIKER, Lift Door, 1991
10	J400 7348	4			SCREW, 1991
11	J096 8155	8			PLATE, Tapping
12	J400 1701	5			SCREW
13					MOULDING, Quarter Window
	5500 9396	2			1991
	5513 4654	2			1992-93
14					CAP, End
	5500 9625	2			1991
	5513 4656	2			1992-93
15	5501 0064	1			WEATHERSTRIP, Lift Door Glass
16	J400 2465	4			SCREW
17	J400 5677	AR			SHIM, .04" Thick
	J400 5678	AR			SHIM, .09" Thick ***
18	5534 4543	1			PLATE, Hardtop Header Attach to Windshield
19					SEAL
	5502 5164-5	1			1991
	5513 4536-7	1			1992-93
20					SEAL, Windshield
	5505 2607	1			1991
	5534 4542	1			1992-93
21					SEAL
	J546 3864	1			Right
	J546 3863	1			Left
22	5600 3696	1			PLATE, Hardtop Disconnect

MODEL CODES:

61=Pickup-6 Ft Box 74=4 Door Wagon T=2WD
62=Pickup-7 Ft Box 77=Open Body 93" Wheelbase J,N,U=4WD
72=2 Door Wagon 78=Open Body 103" Wheelbase

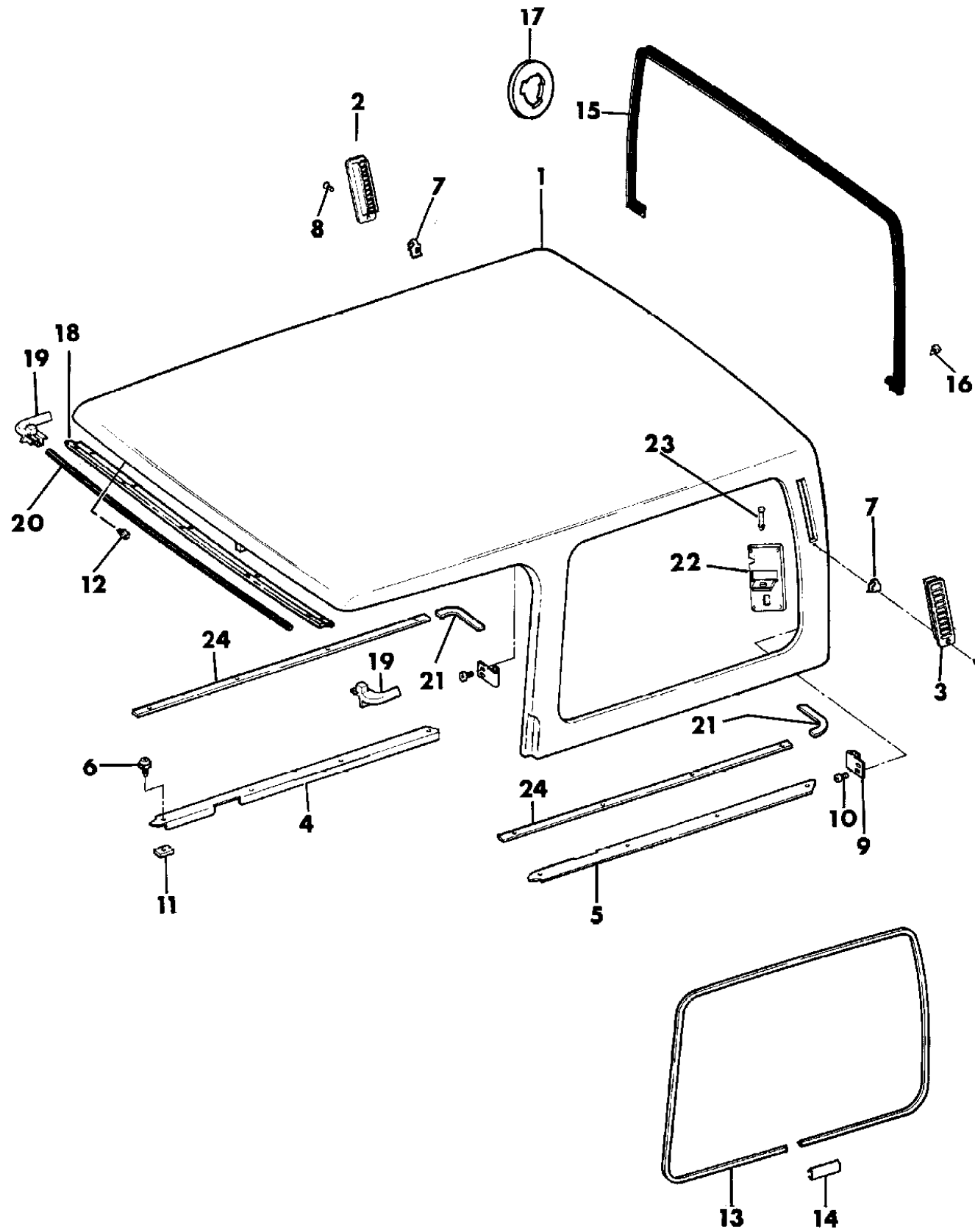
BODY STYLES:

MJ=Comanche Pickup ZJ=Grand Cherokee/Grand Wagoneer KDX VEHICLES
SJ=Grand Wagoneer M1=Comanche
XJ=Cherokee, Briarwood X1=Cherokee, Briarwood
YJ=Wrangler Y1=Wrangler

AR = Use as Required - = Non Illustrated Part P.A.R. = Paint as Required

TOP ENCLOSURE, HARD WRANGLER, YJ
Figure 23A-900

91J69 900C



ITEM	PART NUMBER	QTY	BODY	MODEL	DESCRIPTION
-	5502 5390	1			COVER, Disconnect Plate
-	6033 969	2			RETAINER, Cover, Push-In
23	5501 5114	2			PIN
24	J545 9582-3	1			SEAL

MODEL CODES:

61=Pickup-6 Ft Box 74=4 Door Wagon T=2WD
62=Pickup-7 Ft Box 77=Open Body 93" Wheelbase J,N,U=4WD
72=2 Door Wagon 78=Open Body 103" Wheelbase

BODY STYLES:

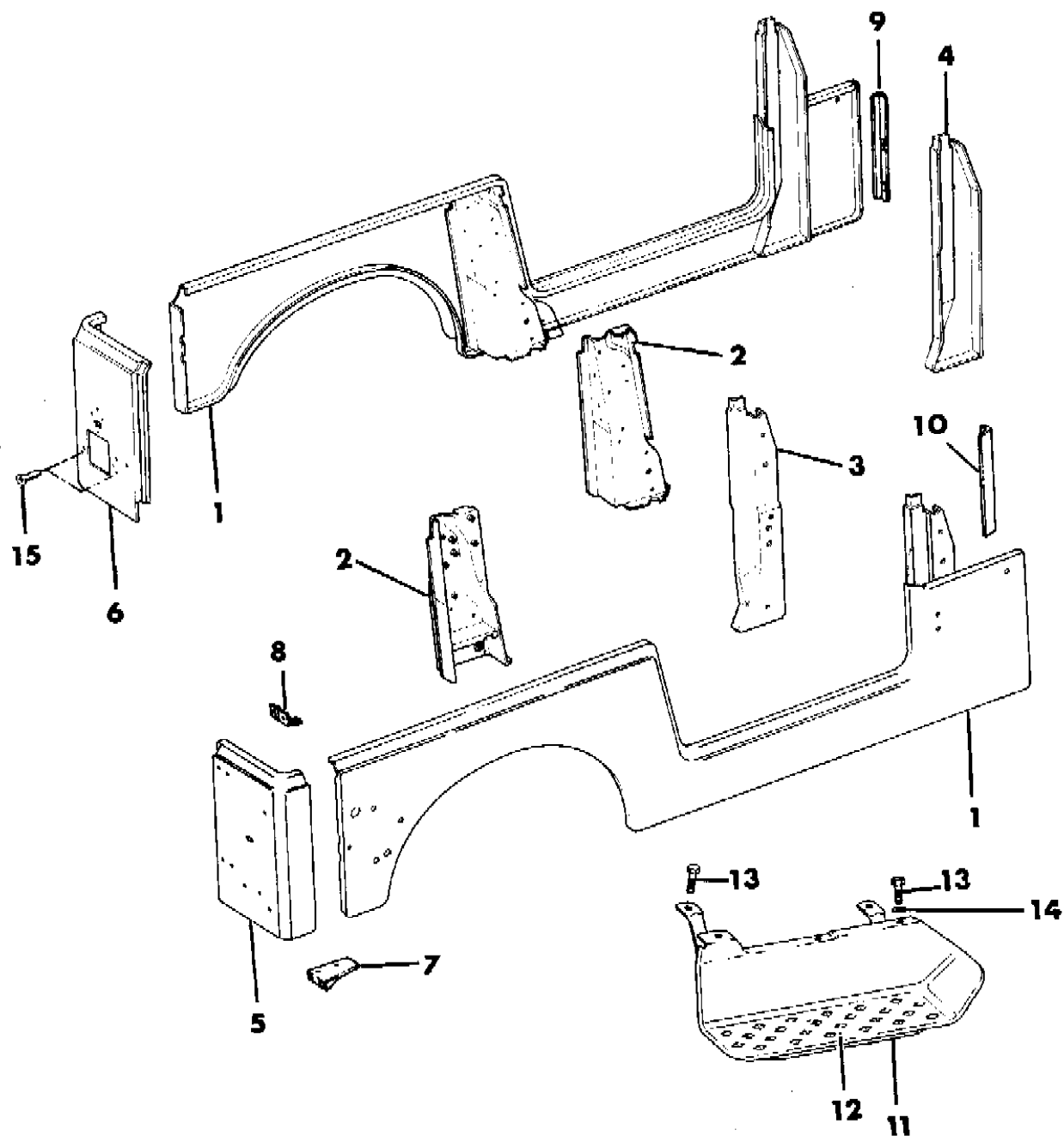
MJ=Comanche Pickup ZJ=Grand Cherokee/Grand Wagoneer KDX VEHICLES
SJ=Grand Wagoneer M1=Comanche
XJ=Cherokee, Briarwood X1=Cherokee, Briarwood
YJ=Wrangler Y1=Wrangler

AR = Use as Required - = Non Illustrated Part P.A.R. = Paint as Required

PANELS, BODY SIDE WRANGLER, YJ
Figure 23A-1000

91J69 1000 C

ITEM	PART NUMBER	QTY	BODY	MODEL	DESCRIPTION
1					PANEL, Side
	4741 590-1	1			
	5500 9786-7	1			KDX - Egypt, Venezuela
2					SUPPORT, Side Panel
	5502 9792-3	1			1991
	5534 4672-3	1			1992, (1993 KDX Only)
	5534 5894-5	1			1993
3	J545 3806	1			PILLAR, Cowl Right
4	J545 3805	1			PILLAR, Cowl Left
5	5505 0036	1			PANEL, Right
6	8350 3579	1			PANEL, Left
7	5500 9132	1			REINFORCEMENT, Lower Hinge
8	5500 8262	1			REINFORCEMENT, Upper Hinge
9	J068 3529	1			REINFORCEMENT, Side Panel, Left
10	J068 3530	1			REINFORCEMENT, Side Panel, Right
11	J575 8122-3	1			STEP ASSEMBLY, KDX - Egypt, Venezuela ***
12	J576 1538-9	1			TREAD, Step, KDX - Egypt, Venezuela ***
13	J018 0122	4			BOLT, KDX - Egypt, Venezuela
14	J400 4711	4			WASHER, KDX - Egypt, Venezuela
15	J400 5817	2			SCREW, Striker Mounting Bracket



MODEL CODES:

61=Pickup-6 Ft Box 74=4 Door Wagon T=2WD
62=Pickup-7 Ft Box 77=Open Body 93" Wheelbase J,N,U=4WD
72=2 Door Wagon 78=Open Body 103" Wheelbase

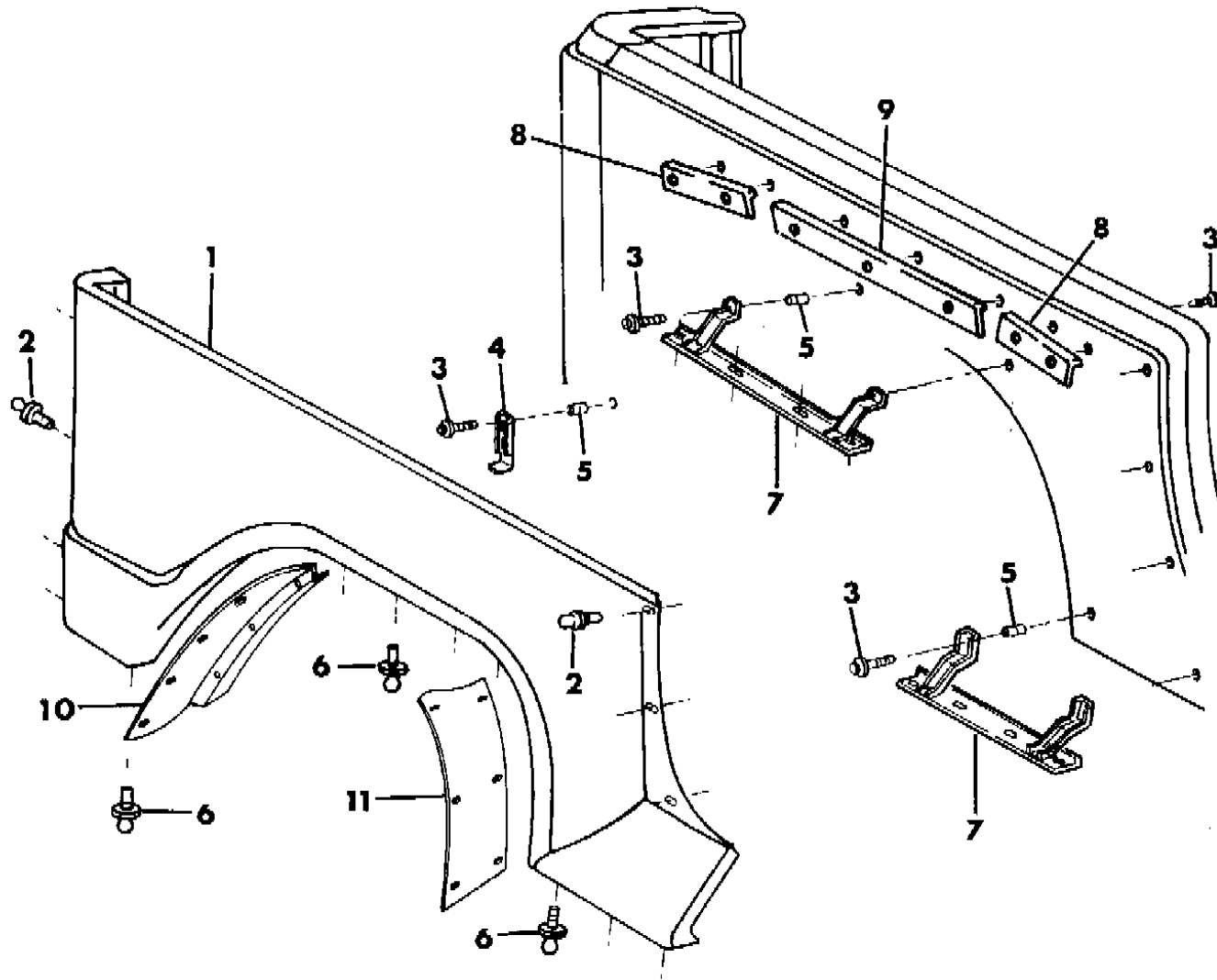
BODY STYLES:

MJ=Comanche Pickup ZJ=Grand Cherokee/Grand Wagoneer KDX VEHICLES
SJ=Grand Wagoneer M1=Comanche
XJ=Cherokee, Briarwood X1=Cherokee, Briarwood
YJ=Wrangler Y1=Wrangler

AR = Use as Required - = Non Illustrated Part P.A.R. = Paint as Required

QUARTER PANEL RENEGADE
Figure 23A-1100

91J69 1100B



ITEM	PART NUMBER	QTY	BODY	MODEL	DESCRIPTION
1	4419 522-3	1			PANEL, Quarter Extension
2	4638 136	AR			PUSH PIN, P.A.R. ***
3	6501 212	AR			BOLT
4	4638 277	2			SUPPORT, Qtr. Ext. Rear Lower
5	3420 1595	AR			RIVNUT ***
6	4638 273	AR			PUSH PIN ***
7	8350 7266	2			SUPPORT, Qtr. Ext. To Rocker Ext. Lower
8	4419 524	4			RETAINER, Qtr. Ext. Upper End
9	4419 521	2			RETAINER, Qtr. Ext. Upper Center
10	4713 212-3	1			PANEL, Rear Qtr. Wheel Opening - Rr.
11	4713 211	1			PANEL, Rear Qtr. Wheel Open Front

MODEL CODES:

61=Pickup-6 Ft Box 74=4 Door Wagon T=2WD
62=Pickup-7 Ft Box 77=Open Body 93" Wheelbase J,N,U=4WD
72=2 Door Wagon 78=Open Body 103" Wheelbase

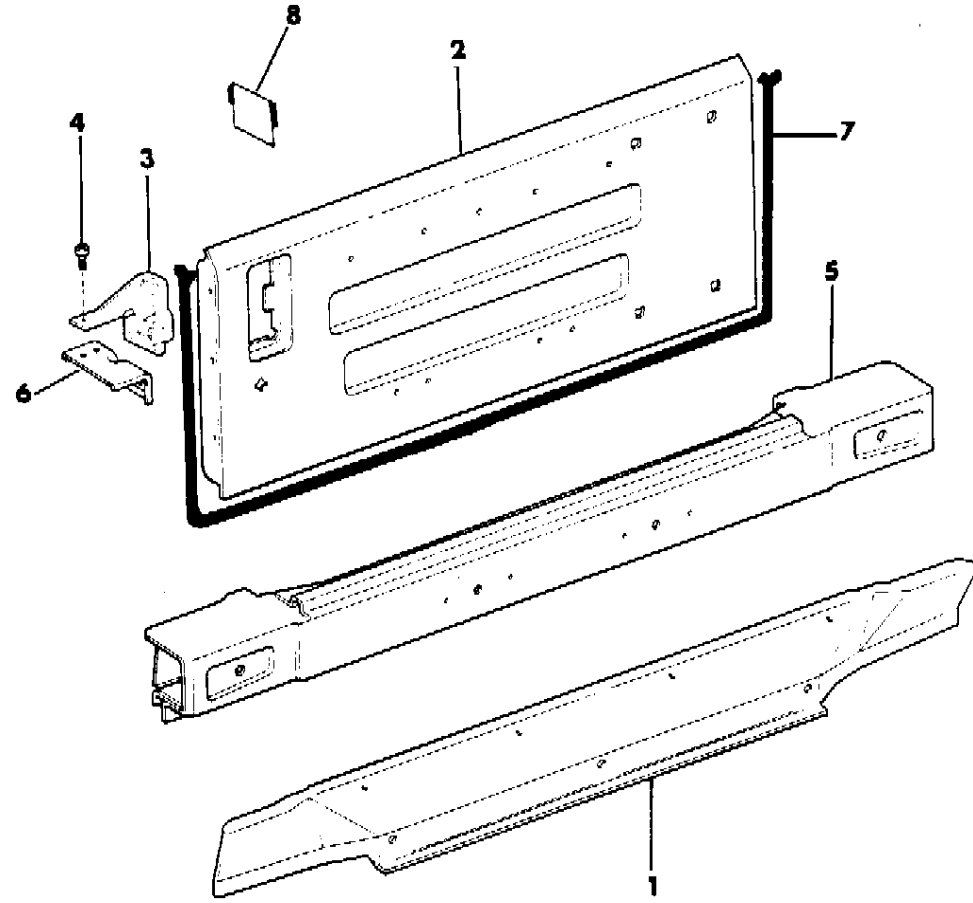
BODY STYLES:

MJ=Comanche Pickup ZJ=Grand Cherokee/Grand Wagoneer KDX VEHICLES
SJ=Grand Wagoneer M1=Comanche
XJ=Cherokee, Briarwood X1=Cherokee, Briarwood
YJ=Wrangler Y1=Wrangler

AR = Use as Required - = Non Illustrated Part P.A.R. = Paint as Required

TAILGATE WRANGLER, YJ
Figure 23A-1200

91J69 1200



ITEM	PART NUMBER	QTY	BODY	MODEL	DESCRIPTION
1	J546 0669	1			PANEL
2	5502 6844	1			TAILGATE
3	5501 5904	1			BRACKET
-	J400 6303	2			RIVET
4	J400 7536	10			SCREW
5	5505 0024	1			PANEL, Lower
6	5501 5903	1			REINFORCEMENT
7	5500 9742	1			WEATHERSTRIP
8	5502 5280	1			WATERSHIELD, Latch ***

MODEL CODES:

61=Pickup-6 Ft Box 74=4 Door Wagon T=2WD
62=Pickup-7 Ft Box 77=Open Body 93" Wheelbase J,N,U=4WD
72=2 Door Wagon 78=Open Body 103" Wheelbase

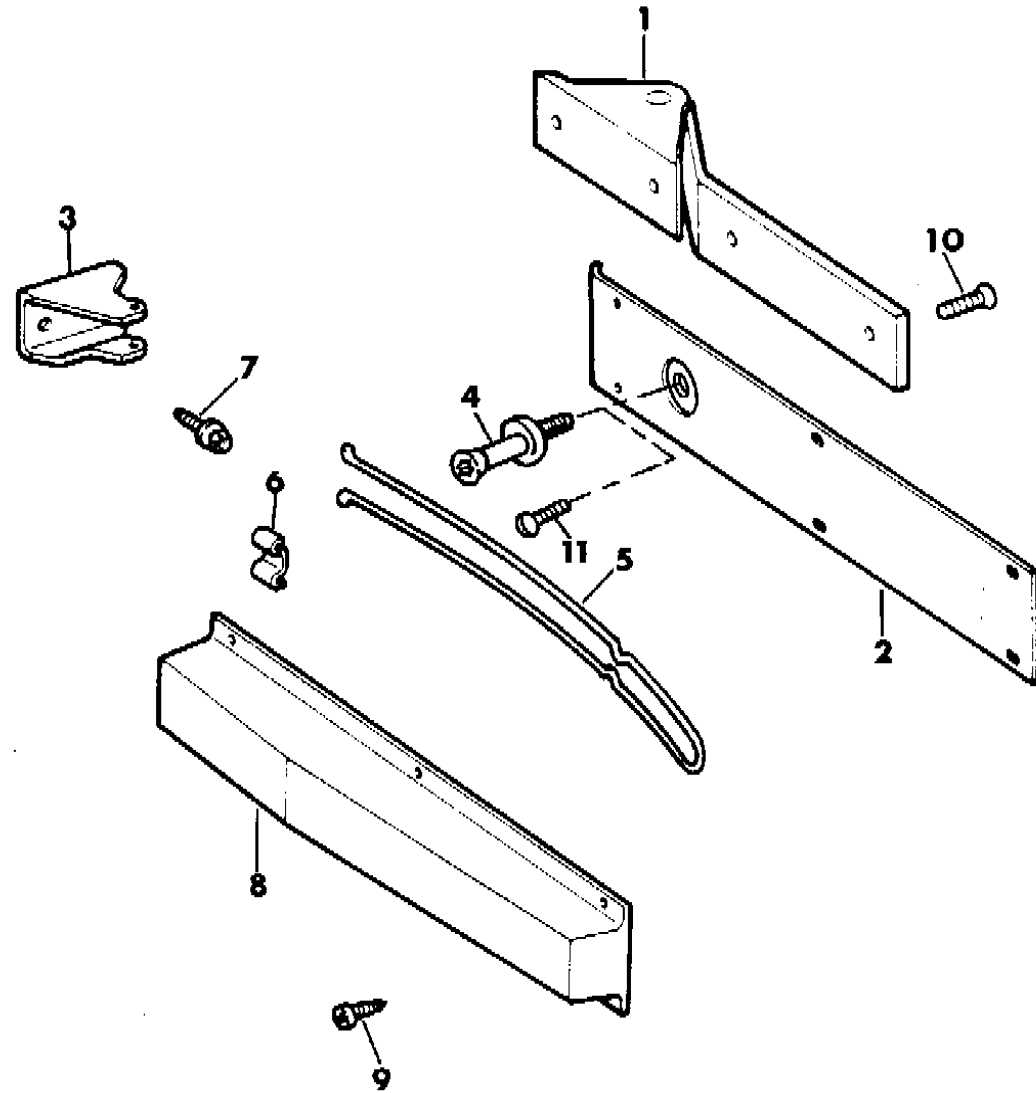
BODY STYLES:

MJ=Comanche Pickup ZJ=Grand Cherokee/Grand Wagoneer KDX VEHICLES
SJ=Grand Wagoneer M1=Comanche
XJ=Cherokee, Briarwood X1=Cherokee, Briarwood
YJ=Wrangler Y1=Wrangler

AR = Use as Required - = Non Illustrated Part P.A.R. = Paint as Required

HINGES, TAILGATE WRANGLER, YJ
Figure 23A-1300

91J69 1300 A



ITEM	PART NUMBER	QTY	BODY	MODEL	DESCRIPTION
1					HINGE, Tailgate
	5503 3931	2			
	5502 1074	2			w/Pintle Hook, (EUROPE, MIDEAST, KDX)
2	5500 9445	1			SHIELD
3	5500 9448	1			BRACKET
4	5500 9447	1			PIN, Renegade
5					ROD
	5507 4905	1			Renegade
	5507 4656	1			Renegade, KDX - Egypt, Venezuela
6	5500 9440	1			CLAMP
7	J400 4455	2			SCREW
8	5500 9444	1			COVER
9		6			SCREW, (Not Serviced), 10-16x.88
10	J400 4956	AR			SCREW
11	5507 4801	1			PLUG

MODEL CODES:

61=Pickup-6 Ft Box 74=4 Door Wagon T=2WD
 62=Pickup-7 Ft Box 77=Open Body 93" Wheelbase J,N,U=4WD
 72=2 Door Wagon 78=Open Body 103" Wheelbase

BODY STYLES:

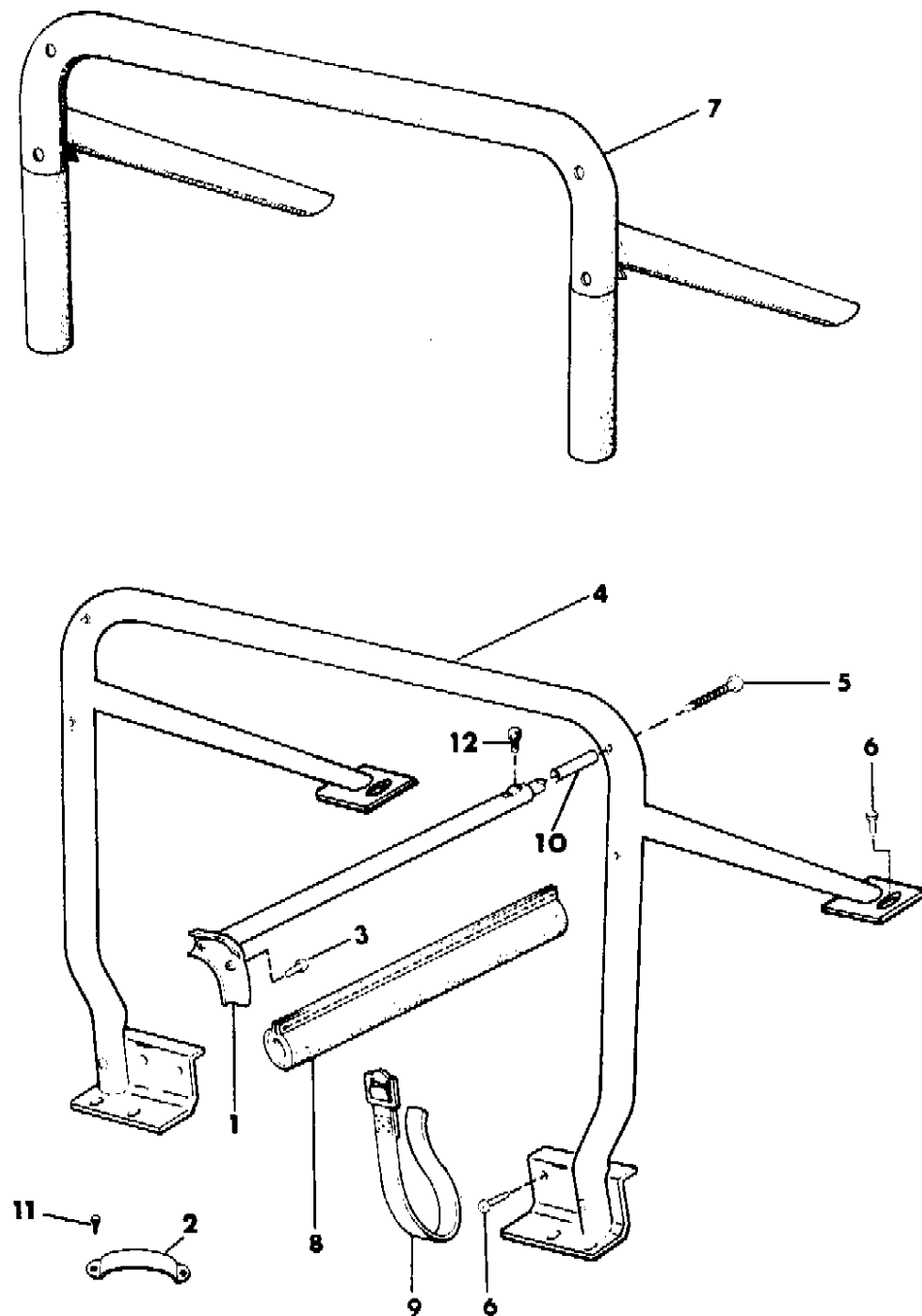
MJ=Comanche Pickup ZJ=Grand Cherokee/Grand Wagoneer KDX VEHICLES
 SJ=Grand Wagoneer M1=Comanche
 XJ=Cherokee, Briarwood X1=Cherokee, Briarwood
 YJ=Wrangler Y1=Wrangler

AR = Use as Required - = Non Illustrated Part P.A.R. = Paint as Required

SPORT BAR - 1991 WRANGLER, YJ
Figure 23A-1400

91J69 1400 D

ITEM	PART NUMBER	QTY	BODY	MODEL	DESCRIPTION
1	5502 9692-3	1			SIDE BAR ***
2	5501 3668	4			FOOTMAN LOOP, (side bar stowage) ***
3		8			SCREW, (not serviced, use .312-18 X 1.00)
4					SPORT BAR
	5502 8244	1			Up to 2-5-91
	5534 4690	1			After 2-5-91
	5534 4501	1			EUROPE, Up to 2-5-91
	5534 4691	1			EUROPE, After 2-5-91
5	J400 7446	2			BOLT
6	J400 7073	12			SCREW, Sport Bar to Floor
7					COVER, Sport Bar, 1991
					w/o Speakers
	5BJ2 0KX7	1			Black
	5BJ2 0KS1	1			Charcoal
	5BJ2 0KY6	1			Dark Sand
					w/Speakers
	5BJ2 1KX7	1			Black
	5BJ2 1KS1	1			Charcoal
	5BJ2 1KY6	1			Dark Sand
					EUROPE, With or Without Speakers
	5BJ2 2KX7	1			Black
	5BJ2 2KS1	1			Charcoal
	5BJ2 2KY6	1			Dark Sand
	5502 9744	1			Plastic, P.A.R. (w/Adjust D Ring), Includes Brushes And Retainers, EUROPE
	5502 9746	1			Plastic, P.A.R. (w/Adjust D Ring), EUROPE
8					COVER, Side Bar
	5AE9 9KX7	2			Black, w/o Speaker
	5BJ2 3KX7	2			Black, w/Speaker
	5AE9 9JS1	2			Charcoal, w/o Speaker
	5BJ2 3KS1	2			Charcoal, w/Speaker
	5AE9 9JY6	2			Dk. Sand, w/o Speaker
	5BJ2 3KY6	2			Dk. Sand, w/Speaker
9	5501 5916	4			STRAP, (side bar stowage)
10	5501 6410-1	1			ADAPTER
11	0152 438	8			SCREW, Footman Loop
12	J400 7463	2			BOLT, Torx Pan Head



MODEL CODES:

61=Pickup-6 Ft Box 74=4 Door Wagon T=2WD
 62=Pickup-7 Ft Box 77=Open Body 93" Wheelbase J,N,U=4WD
 72=2 Door Wagon 78=Open Body 103" Wheelbase

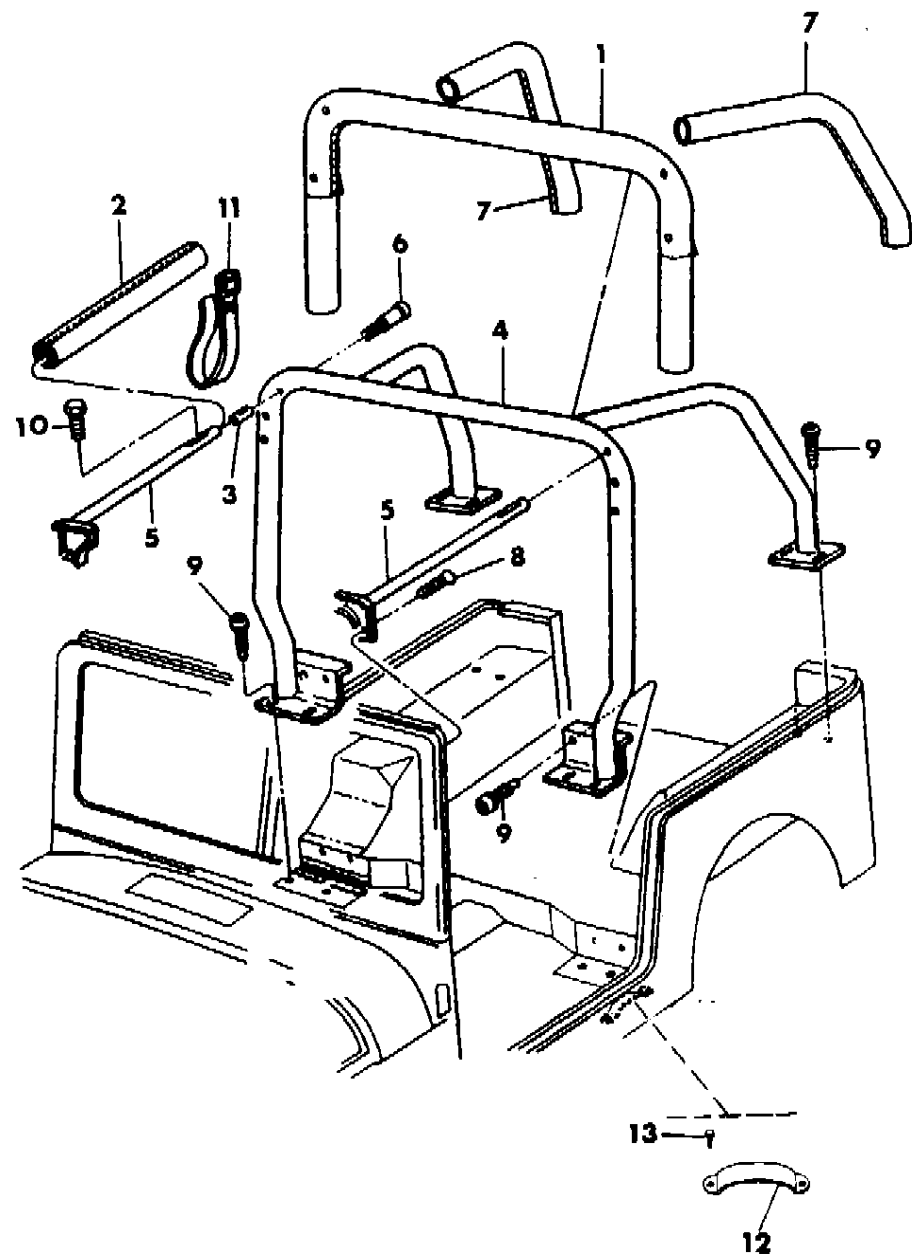
BODY STYLES:

MJ=Comanche Pickup ZJ=Grand Cherokee/Grand Wagoneer KDX VEHICLES
 SJ=Grand Wagoneer M1=Comanche
 XJ=Cherokee, Briarwood X1=Cherokee, Briarwood
 YJ=Wrangler Y1=Wrangler

AR = Use as Required - = Non Illustrated Part P.A.R. = Paint as Required

SPORT BAR - 1992-93 WRANGLER, YJ
Figure 23A-1450

91J69 1450 A



ITEM	PART NUMBER	QTY	BODY	MODEL	DESCRIPTION
1					PAD ASSEMBLY, Sport Bar Center ***
	5CE4 0LX7	1			Black
	5CE4 0LTB	1			Spice
	5CE4 1LX7	1			Black, EUROPE
	5CE4 1LTB	1			Spice, EUROPE
NOTE: Pad must be modified for use w/speakers. e Adhesive #312.					
2					COVER ASSEMBLY, Side Bar ***
	5AE9 9KX7	2			Black, w/o Speaker
	5BJ2 3KX7	2			Black w/Speakers
	5AE9 9LTB	2			Spice, w/o Speakers
	5BJ2 3LTB	2			Spice, w/Speakers
3	5501 6410-1	1			ADAPTER ASSEMBLY, Side Bar to Sport Bar ***
4					BAR ASSEMBLY, Sport ***
	5534 4665	1			Except Europe
	5534 4666	1			EUROPE
5					SIDE BAR ASSEMBLY, Windshield to Sport Bar ***
	5502 9692-3	1			1992
	5534 5700-1	1			1993
6	J400 7446	2			BOLT, Side Bar to Sport Bar
7					PAD ASSEMBLY, Sport Bar Rear ***
	5CE64-5 LX7	1			Black
	5CE64-5 LTB	1			Spice
8	6035 162	2			SCREW, .312-18x1.00
9	6034 359	12			SCREW, Sport Bar to Floor
10	J400 7463	2			BOLT, Side Bar Mounting
11	5501 5916	4			STRAP, Side Bar Stowage
12	5501 3668	4			FOOTMAN LOOP, Side Rail Stowage ***
13	0152 438	8			BOLT, Footman Loop

MODEL CODES:

61=Pickup-6 Ft Box 74=4 Door Wagon T=2WD
 62=Pickup-7 Ft Box 77=Open Body 93" Wheelbase J,N,U=4WD
 72=2 Door Wagon 78=Open Body 103" Wheelbase

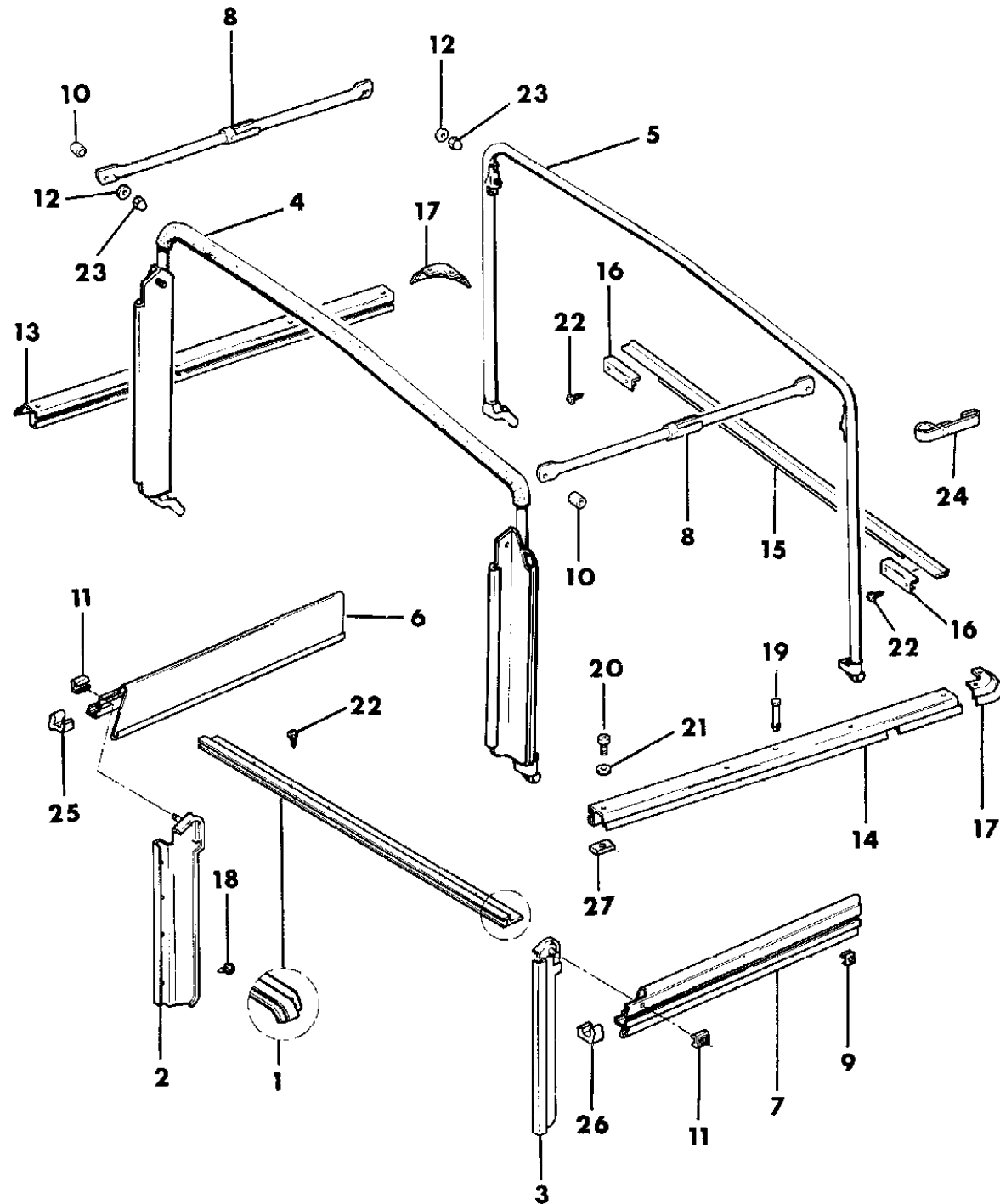
BODY STYLES:

MJ=Comanche Pickup ZJ=Grand Cherokee/Grand Wagoneer KDX VEHICLES
 SJ=Grand Wagoneer M1=Comanche
 XJ=Cherokee, Briarwood X1=Cherokee, Briarwood
 YJ=Wrangler Y1=Wrangler

AR = Use as Required - = Non Illustrated Part P.A.R. = Paint as Required

SOFT TOP HARDWARE WITH HALF DOORS WRANGLER, YJ
Figure 23A-1500

91J69 1500A



ITEM	PART NUMBER	QTY	BODY	MODEL	DESCRIPTION
1	8220 0921	1			RETAINER, Windshield
2-3					FLANGE, Door Sealing Front ***
	5501 3678-9	1			1991-92
	5521 5534-5	1			1993
4	8350 5252	1			BOW ASSEMBLY, Front Roof ***
5	5501 1006	1			BOW ASSEMBLY, Rear Roof ***
6-7	5501 0744-5	1			RAIL, Upper Door Drip
8	5502 6248	2			BAR, Spreader
9	5501 5378	10			CLIP, (includes stud)
-	J805 1615	10			STUD, (also included in the above clip)
10	5501 5108	2			SPACER, Spreader Bar
11	5501 3673	2			SLIDER, Drip Rail Lock
12	J400 7015	4			WASHER
13-14					RETAINER, Side Belt Rail
	5502 7330-1	1		77	w/93" W.B.
	5501 8024-5	1		78	Front, KDX w/103" W.B.
	5501 8028-9	1		78	Rear, KDX, w/103" W.B.
15	5502 6266	1			RETAINER, Tailgate Opening, w/Weather Seal
16	5502 0534-5	2			CLIP, Tailgate Retainer
17	5501 0734	2			RETAINER, Rear Corner Belt Rail
18	J400 3671	8			SCREW
19	5501 5114	4			PIN
20	J400 7484	12			BOLT
21	J012 0393	12			WASHER
22	J400 7487	17			SCREW
23	8350 4132	4			NUT, Acorn
24	5501 6035	1			STRAP, Bow Tie Down
25-26	5501 8718-9	1			CAP, End
27	J096 8155	12			PLATE, Tapping

MODEL CODES:

61=Pickup-6 Ft Box 74=4 Door Wagon T=2WD
62=Pickup-7 Ft Box 77=Open Body 93" Wheelbase J,N,U=4WD
72=2 Door Wagon 78=Open Body 103" Wheelbase

BODY STYLES:

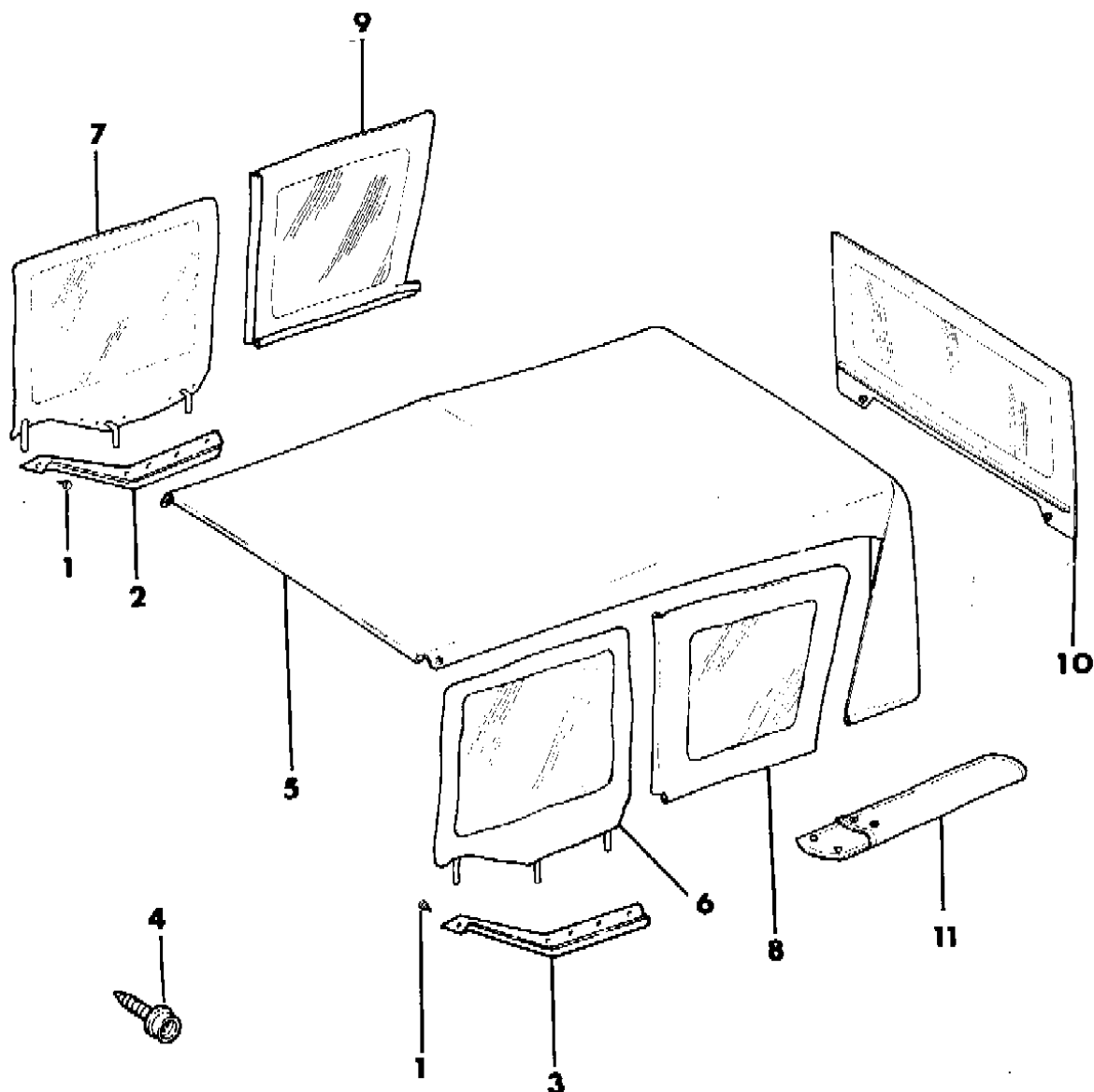
MJ=Comanche Pickup ZJ=Grand Cherokee/Grand Wagoneer KDX VEHICLES
SJ=Grand Wagoneer M1=Comanche
XJ=Cherokee, Briarwood X1=Cherokee, Briarwood
YJ=Wrangler Y1=Wrangler

AR = Use as Required - = Non Illustrated Part P.A.R. = Paint as Required

SOFT TOP AND WINDOWS WITH HALF DOORS WRANGLER, YJ
Figure 23A-1600

91J69 1600

ITEM	PART NUMBER	QTY	BODY	MODEL	DESCRIPTION
1	J400 7487	12			SCREW
2-3	5501 7744-5	1			RETAINER, Door
4	J400 7545	12			SCREW, Snap Head
5					TOP, Soft
	5BN7 9JX7	1	77		Black, 1991-93
	5CK1 0KX7	1	78		Black, KDX, 1991-92
	5BN7 9KJ7	1	77		Khaki, 1991-93
	5CK1 0KJ7	1	78		Khaki, KDX, 1991-92
	5BN7 9KYC	1	77		Dk. Sand, 1991
	5BN7 9LTB	1	77		Spice, 1992-93
	5CK1 0LTB	1	78		Spice, KDX, 1992
	5BN7 9KWC	1	77		White, 1991-93
	5CK1 0KWC	1	78		White, KDX, 1991-93
6-7					DOOR, Upper Soft
	5BA10-1 JX7	1			Black, 1991-93
	5BA10-1 KJ7	1			Khaki, 1991-93
	5BA10-1 KYC	1			Dk. Sand, 1991
	5BA10-1 LTB	1			Spice, 1992-93
	5BA10-1 KWC	1			White, 1991-93
8-9					GLASS, Quarter, Clear
	5AF78-9 JX7	1			Black, 1991-92
	5AF78-9 KJ7	1			Khaki, 1991-92
	5AF78-9 KYC	1			Dk. Sand, 1991
	5AF78-9 LTB	1			Spice, 1992
	5AF78-9 KWC	1			White, 1991-92
	5AF78-9 KWC	1			White, KDX-1993
	5DF92-3 MX7	1			Black
	5DF92-3 MJ7	1			Khaki
	5DF92-3 MTB	1			Spice
	5DF92-3 MWC	1			White
10					GLASS, Tailgate, Clear
	5AF7 7JX7	1			Black, 1991-92
	5AF7 7KJ7	1			Khaki, 1991-92
	5AF7 7KYC	1			Dk. Sand, 1991
	5AF7 7LTB	1			Spice, 1992
	5AF7 7KWC	1			White, 1991-92
	5AF7 7KWC	1			White, KDX-1993
	5DF9 4MX7	1			Black
	5DF9 4MJ7	1			Khaki



MODEL CODES:

61=Pickup-6 Ft Box 74=4 Door Wagon T=2WD
62=Pickup-7 Ft Box 77=Open Body 93" Wheelbase J,N,U=4WD
72=2 Door Wagon 78=Open Body 103" Wheelbase

BODY STYLES:

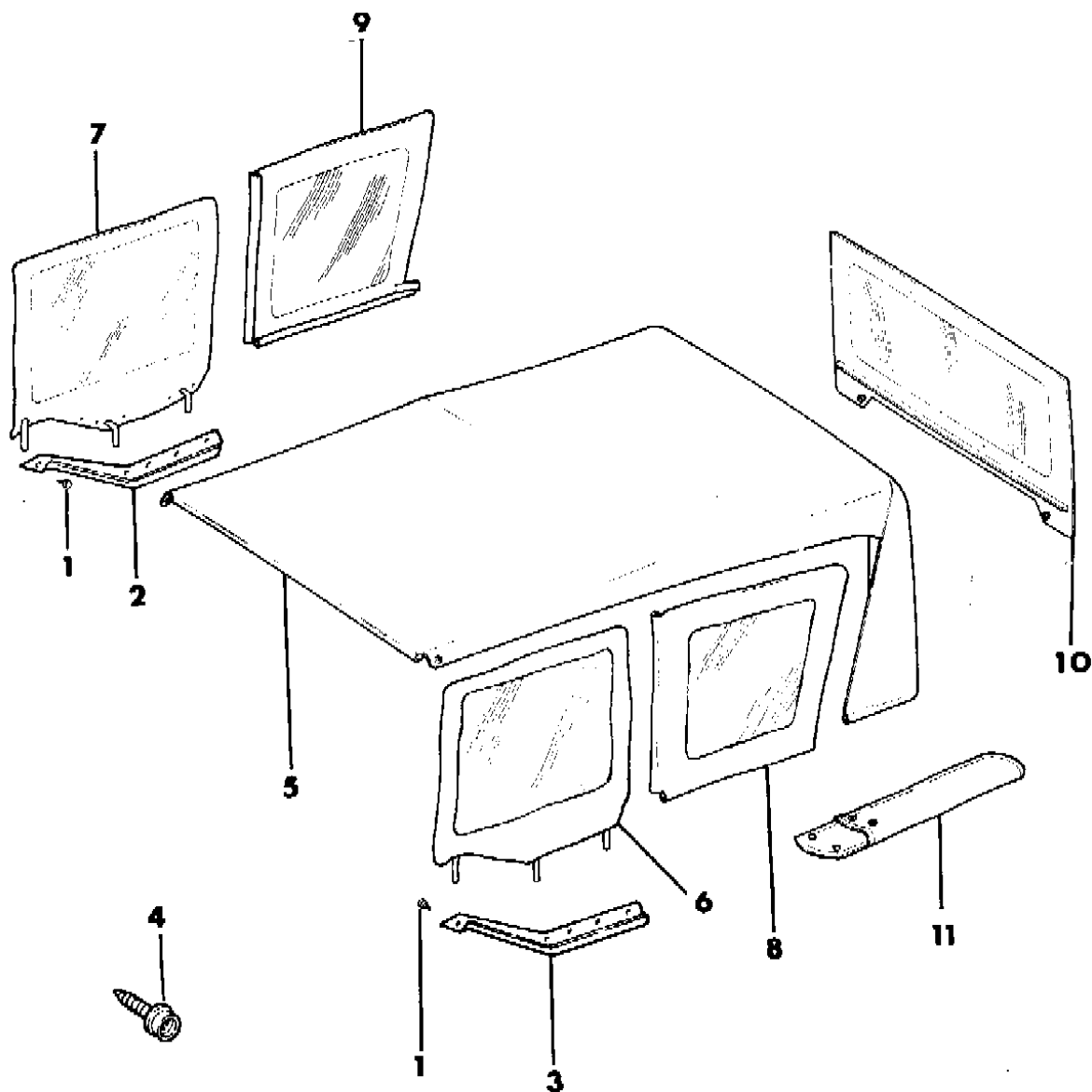
MJ=Comanche Pickup ZJ=Grand Cherokee/Grand Wagoneer KDX VEHICLES
SJ=Grand Wagoneer M1=Comanche
XJ=Cherokee, Briarwood X1=Cherokee, Briarwood
YJ=Wrangler Y1=Wrangler

AR = Use as Required - = Non Illustrated Part P.A.R. = Paint as Required

SOFT TOP AND WINDOWS WITH HALF DOORS WRANGLER, YJ
Figure 23A-1600

91J69 1600

ITEM	PART NUMBER	QTY	BODY	MODEL	DESCRIPTION
	5DF9 4MTB	1			Spice
	5DF9 4MWC	1			White
11					BAG, Window Stowage
	5AE8 2JX7	2			Black, 1991-93
	5AE8 2JJ5	2			Khaki, 1991



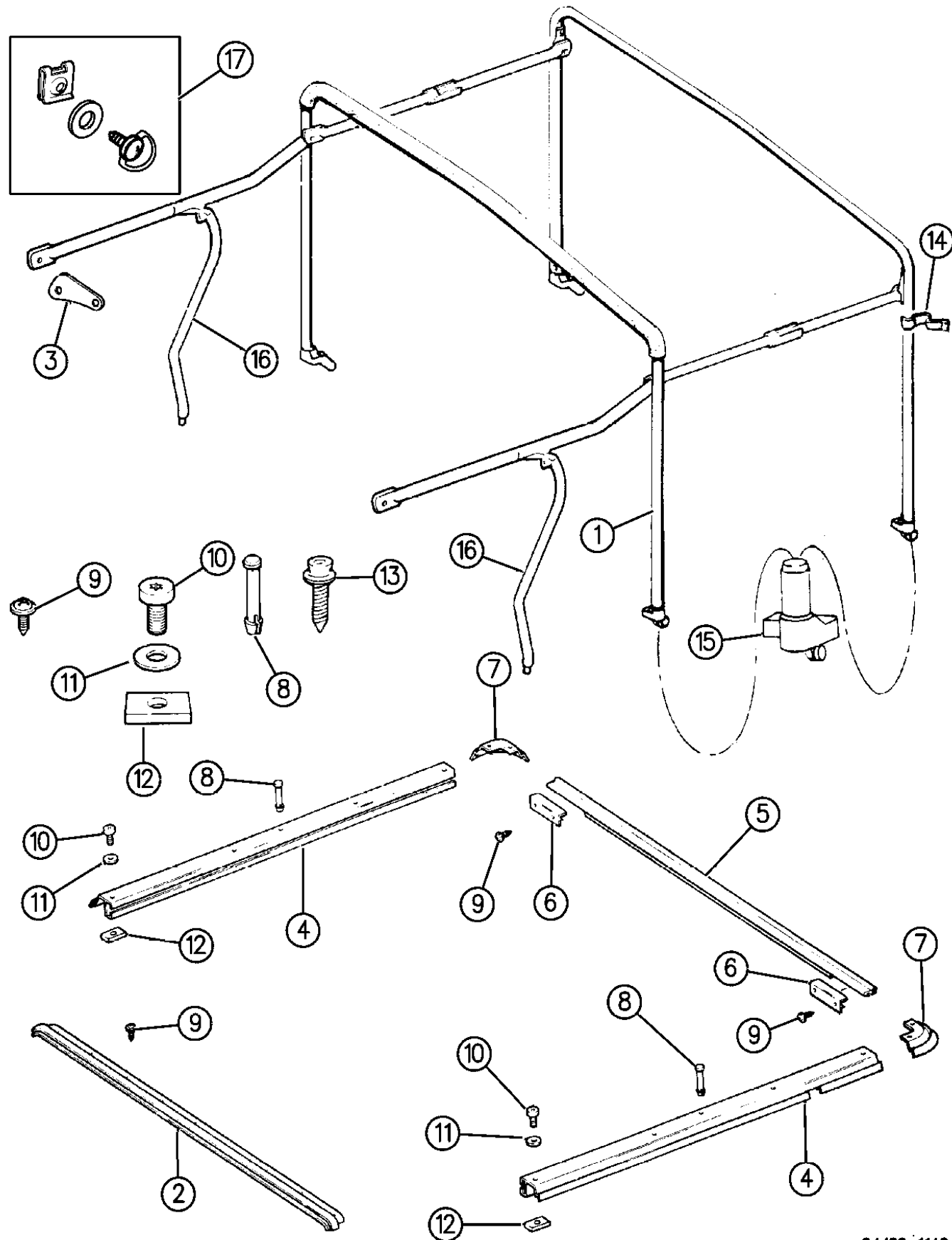
MODEL CODES:
 61=Pickup-6 Ft Box 74=4 Door Wagon T=2WD
 62=Pickup-7 Ft Box 77=Open Body 93" Wheelbase J,N,U=4WD
 72=2 Door Wagon 78=Open Body 103" Wheelbase

BODY STYLES:
 MJ=Comanche Pickup ZJ=Grand Cherokee/Grand Wagoneer KDX VEHICLES
 SJ=Grand Wagoneer M1=Comanche
 XJ=Cherokee, Briarwood X1=Cherokee, Briarwood
 YJ=Wrangler Y1=Wrangler

AR = Use as Required - = Non Illustrated Part P.A.R. = Paint as Required

SOFT TOP HARDWARE WITH FULL HARD DOORS WRANGLER, YJ
Figure 23A-1700

91J69 1700B



ITEM	PART NUMBER	QTY	BODY	MODEL	DESCRIPTION
1	5252 835	1			BOW AND DOOR FRAME ASSEMBLY, (Does not include the vertile door supports, item 16) ***
2	8220 0921	1			RETAINER, Windshield
3	8350 5014-5	1			BRACKET, Windshield
4					RETAINER, Side Belt Rail
	8350 5018	1			Right
	8350 5017	1			Left
5	5502 6266	1			RETAINER, Tailgate Opening
6	5502 0534-5	1			CLIP, Tailgate Retainer
7	5501 0734	2			RETAINER, Rear Corner Belt Rail
8	5501 5114	4			PIN
9	J400 7487	15			SCREW, .38" Long ***
	J400 3671	15			SCREW, .625" Long ***
10	J400 7484	12			BOLT
11	J012 0393	12			WASHER
12	J096 8155	12			PLATE, Tapping
13	J400 7545	2			SCREW, Snap Head
14	5501 6035	1			STRAP, Bow Tie Down
15					SLIDE, included in bow and door frame assy.
16	5252 355	1			SUPPORT
17	4773 633	1			SCREW PACKAGE, Attach Windshield Bracket To Support ***

MODEL CODES:

61=Pickup-6 Ft Box 74=4 Door Wagon T=2WD
62=Pickup-7 Ft Box 77=Open Body 93" Wheelbase J,N,U=4WD
72=2 Door Wagon 78=Open Body 103" Wheelbase

BODY STYLES:

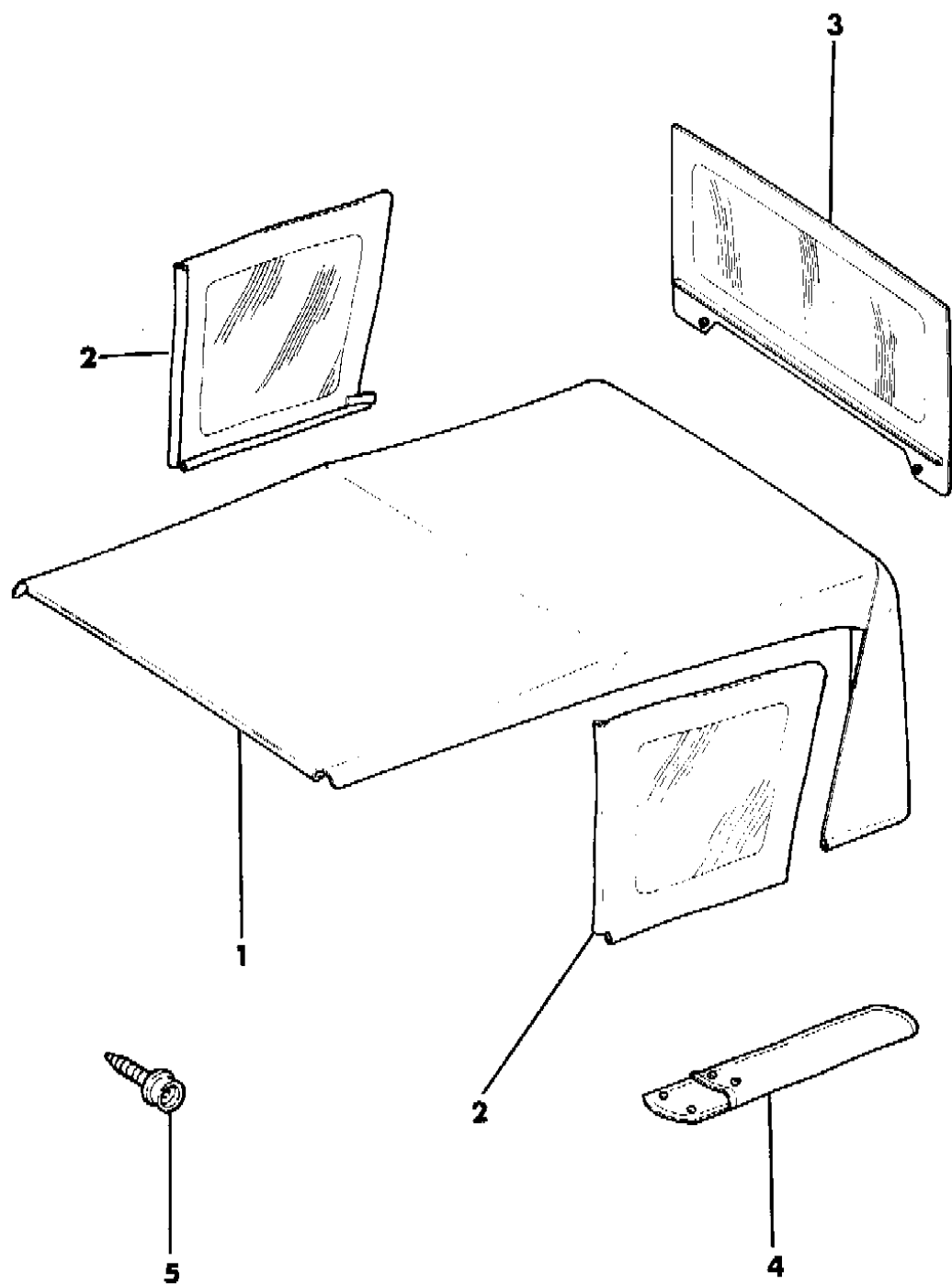
MJ=Comanche Pickup ZJ=Grand Cherokee/Grand Wagoneer KDX VEHICLES
SJ=Grand Wagoneer M1=Comanche
XJ=Cherokee, Briarwood X1=Cherokee, Briarwood
YJ=Wrangler Y1=Wrangler

94J69 1140

AR = Use as Required - = Non Illustrated Part P.A.R. = Paint as Required

SOFT TOP AND WINDOWS WITH FULL HARD DOORS WRANGLER, YJ
Figure 23A-1800

91J69 1800



ITEM	PART NUMBER	QTY	BODY	MODEL	DESCRIPTION
1					TOP, Soft
	8350 5031	1			Black Denim
	4637 404	1			Khaki
	4637 402	1			Dark Sand
	4740 360	1			Spice
	4637 403	1			Frost White
2					WINDOW, Quarter ***
	8350 5034-5	1			Black Denim
	4637 410-1	1			Khaki
	4637 406-7	1			Dark Sand
	4740 358-9	1			Spice
	4637 408-9	1			Frost White
3					WINDOW, Tailgate ***
	5AF7 7JX7	1			Black
	4637 367				Black Denim
	4637 368				Charcoal
	4637 374	1			Khaki
	4637 369				Sand
	4637 373	1			Dark Sand
	4740 357	1			Spice
	4637 372	1			Frost White
4					BAG, Window Stowage
	5AE8 2JX7	2			Black
	5AE8 2JJ5	2			Khaki
5	J400 7545	2			SCREW

MODEL CODES:

61=Pickup-6 Ft Box 74=4 Door Wagon T=2WD
62=Pickup-7 Ft Box 77=Open Body 93" Wheelbase J,N,U=4WD
72=2 Door Wagon 78=Open Body 103" Wheelbase

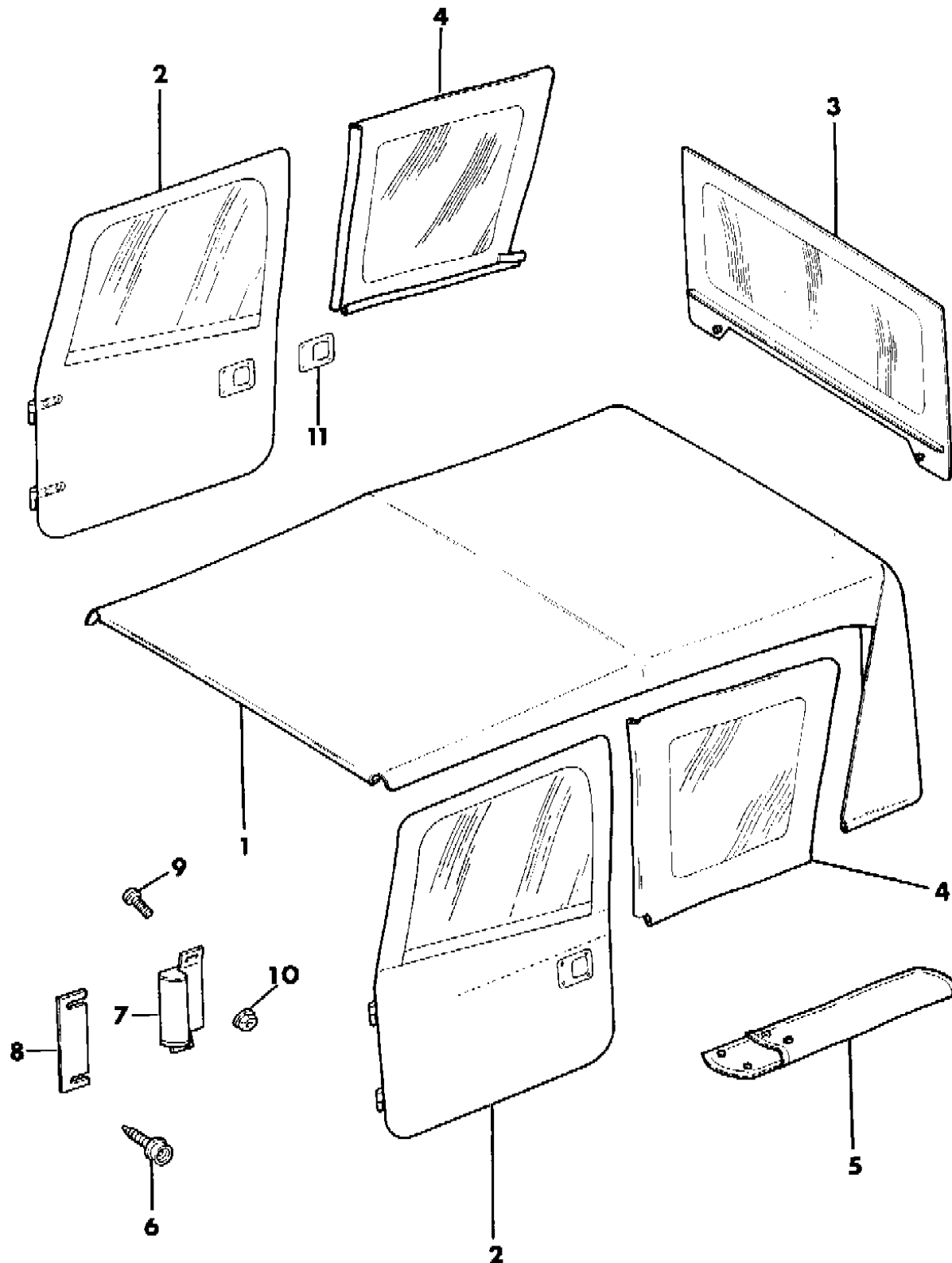
BODY STYLES:

MJ=Comanche Pickup ZJ=Grand Cherokee/Grand Wagoneer KDX VEHICLES
SJ=Grand Wagoneer M1=Comanche
XJ=Cherokee, Briarwood X1=Cherokee, Briarwood
YJ=Wrangler Y1=Wrangler

AR = Use as Required - = Non Illustrated Part P.A.R. = Paint as Required

SOFT TOP, FULL SOFT DOORS AND WINDOWS, EUROPE, KDX
Figure 23A-1900

91J69 1900



ITEM	PART NUMBER	QTY	BODY	MODEL	DESCRIPTION
1					TOP, Soft
	5BN7 9JX7	1		77	Black
	5BN7 9KJ7	1		77	Khaki
	5BN7 9KYC	1		77	Dk. Sand
	5BN7 9KWC	1		77	White
	5CK1 0KX7	1		78	Black, KDX - Egypt
	5CK1 0KJ7	1		78	Khaki, KDX - Egypt
	5CK1 0KYC	1		78	Dark Sand, KDX - Egypt
	5CK1 0KWC	1		78	White, KDX - Egypt
2	5AF32-3 JX7	1			DOOR, Soft, Black
3					GLASS, Tailgate
	5AF7 7JX7	1		77	Black
	5AF7 7KJ7	1		77	Khaki
	5AF7 7KYC	1		77	Dk. Sand
	5AF7 7KWC	1		77	White
	5AF7 7LTB	1		77	Spice
	5CK1 3KX7	1		78	Black, KDX - Egypt
	5CK1 3KJ7	1		78	Khaki, KDX - Egypt
	5CK1 3KYC	1		78	Dark Sand, KDX - Egypt
	5CK1 3KWC	1		78	White, KDX - Egypt
	5CK1 3LTB	1		78	Spice
4					GLASS, Quarter
	5AF78-9 JX7	1		77	Black
	5AF78-9 KJ7	1		77	Khaki
	5AF78-9 KYC	1		77	Dk. Sand
	5AF78-9 KWC	1		77	White
	5CK78-9 KX7	1		78	Black, KDX - Egypt
	5CK78-9 KJ7	1		78	Khaki, KDX - Egypt
	5CK78-9 KYC	1		78	Dark Sand, KDX - Egypt
	5CK78-9 KWC	1		78	White, KDX - Egypt
5					BAG, Window Stowage
	5AE8 2JX7	2			Black Denim
	5AE8 2JJ5	2			Olive Drab
6	J400 7545	12			SCREW, Snap Head
7	5502 0252-3	1			STRIKER, Door
8	5502 1820	AR			SHIM
9	J400 6189	4			SCREW
10	J027 1166	4			NUT
11	5501 8786	2			HANDLE ASSEMBLY

MODEL CODES:

61=Pickup-6 Ft Box 74=4 Door Wagon T=2WD
 62=Pickup-7 Ft Box 77=Open Body 93" Wheelbase J,N,U=4WD
 72=2 Door Wagon 78=Open Body 103" Wheelbase

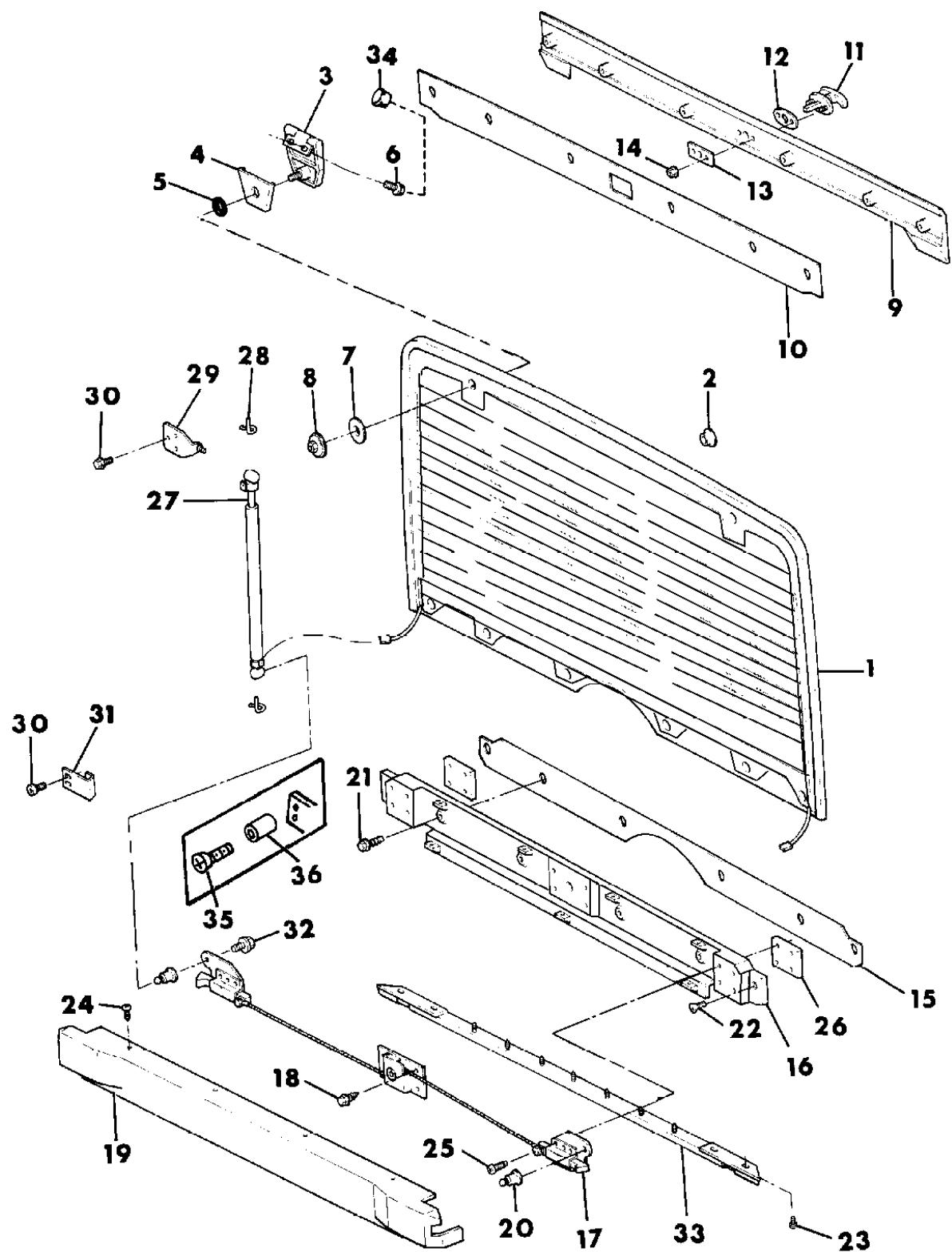
BODY STYLES:

MJ=Comanche Pickup ZJ=Grand Cherokee/Grand Wagoneer KDX VEHICLES
 SJ=Grand Wagoneer M1=Comanche
 XJ=Cherokee, Briarwood X1=Cherokee, Briarwood
 YJ=Wrangler Y1=Wrangler

AR = Use as Required - = Non Illustrated Part P.A.R. = Paint as Required

LIFT DOOR, LATCH AND HINGES - 1991 WITH HARD TOP ENCLOSURE WRANGLER, YJ
Figure 23A-2000

91J69 2000C



ITEM	PART NUMBER	QTY	BODY	MODEL	DESCRIPTION
1					GLASS, Lift Door
	4637 759	1			Tinted, w/ rear window defogger
	4637 758	1			Tinted, w/o rear window defogger
2					PLUG ***
	J400 7473	2			w/ rear window defogger
	J400 7443	2			w/o rear window defogger
3	5507 4548-9	1			HINGE, Lift Door
4	5500 9433	2			GASKET
5	5500 9788	2			SEAL
6	J400 6906	4			SCREW
7	5500 9434	2			BUSHING
8	J400 7384	2			NUT
9					MOULDING, Lift Door
	5AB3 2JCX	1			Black
	5AB3 2KRC	1			Radiant Red
	5AB3 2JY8	1			Sand
	5AB3 2KWC	1			White
10	5500 9576	1			GASKET
-	J098 1638	1			TAPE, Plastic Sealer 3/16" X 24"
11	5500 9857	1			HANDLE ASSEMBLY, Outside
12	J095 3289	1			GASKET
13	5500 9858	1			REINFORCEMENT
14	S027 4741	2			NUT
15	5500 9577	1			GASKET
16	5500 8531	1			PANEL, Lift Door Lower
17	5500 8148	1			LATCH, Lift Door
18	J400 4042	4			SCREW
19	5500 8532	1			MOULDING, Lift Door
20	J400 6230	2			BALL STUD ***
21	J400 7378	4			SCREW
22	J400 7379	2			SCREW
23					SCREW
	J400 2461	4			.625" long
	J400 2465	4			.750" long
24	J400 4112	7			SCREW
25	J400 7387	8			SCREW
26	5500 9868	2			PLATE, Tapping
27					SUPPORT, Lift Door
					w/ rear wdo. defogger
	5500 9866	2			Up to 10-19-90
	5502 9560	2			After 10-9-90

MODEL CODES:

61=Pickup-6 Ft Box 74=4 Door Wagon T=2WD
62=Pickup-7 Ft Box 77=Open Body 93" Wheelbase J,N,U=4WD
72=2 Door Wagon 78=Open Body 103" Wheelbase

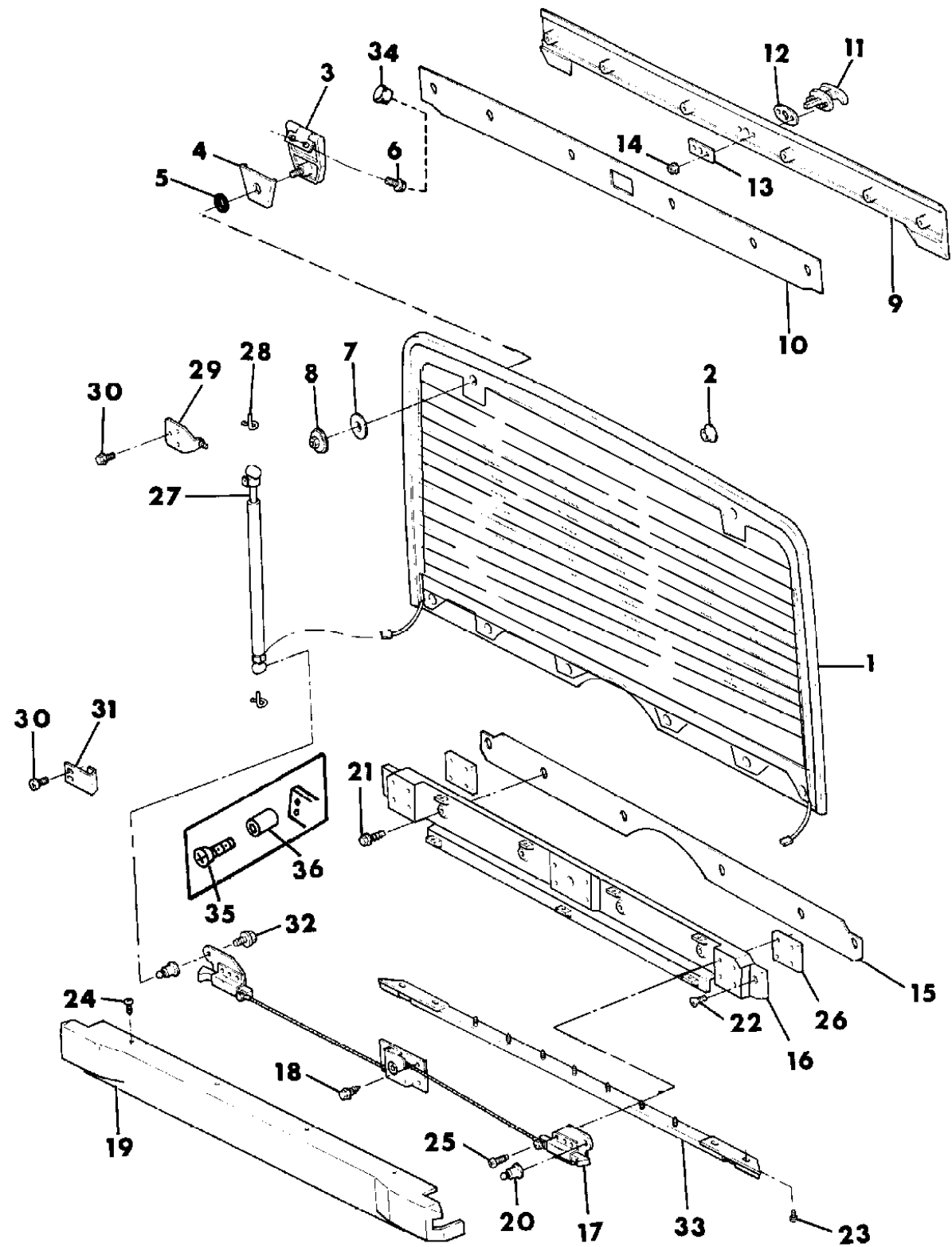
BODY STYLES:

MJ=Comanche Pickup ZJ=Grand Cherokee/Grand Wagoneer KDX VEHICLES
SJ=Grand Wagoneer M1=Comanche
XJ=Cherokee, Briarwood X1=Cherokee, Briarwood
YJ=Wrangler Y1=Wrangler

AR = Use as Required - = Non Illustrated Part P.A.R. = Paint as Required

LIFT DOOR, LATCH AND HINGES - 1991 WITH HARD TOP ENCLOSURE WRANGLER, YJ
Figure 23A-2000

91J69 2000C



ITEM	PART NUMBER	QTY	BODY	MODEL	DESCRIPTION
					w/o rear wdo. defogger
	5500 7272	2			Up to 11-12-90
	5502 9558	2			After 11-12-90
28	J367 9830	4			CLIP
29	5500 9992	2			BRACKET
	J369 6930	2			BALL STUD, (Included in 55009992 Bracket) ***
30	J400 7348	AR			BOLT
31	5501 7502	2			STRIKER, Lift Door
32	J400 7382	2			SCREW
33	5500 9398	1			WEATHERSTRIP
34	5501 9378	1			CAP, Protective
35		2			SCREW, .190-16x.500
36	J400 7503	2			BUMPER, Steel Insert

MODEL CODES:

61=Pickup-6 Ft Box 74=4 Door Wagon T=2WD
62=Pickup-7 Ft Box 77=Open Body 93" Wheelbase J,N,U=4WD
72=2 Door Wagon 78=Open Body 103" Wheelbase

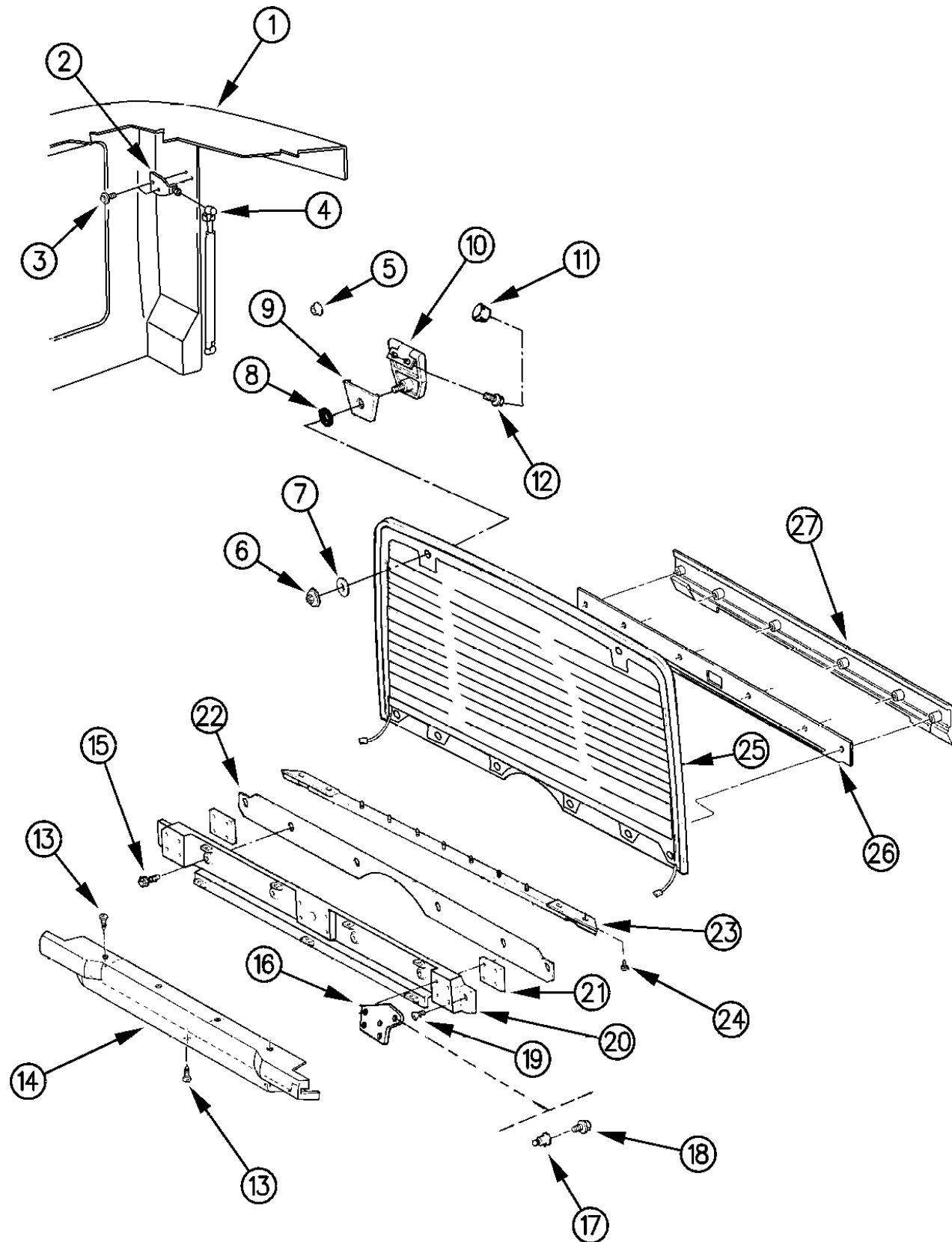
BODY STYLES:

MJ=Comanche Pickup ZJ=Grand Cherokee/Grand Wagoneer KDX VEHICLES
SJ=Grand Wagoneer M1=Comanche
XJ=Cherokee, Briarwood X1=Cherokee, Briarwood
YJ=Wrangler Y1=Wrangler

AR = Use as Required - = Non Illustrated Part P.A.R. = Paint as Required

LIFT DOOR GLASS AND RELATED PARTS - 1992-93 WITH HARD TOP ENCLOSURE WRANGLER, YJ
Figure 23A-2050

91J69 2050



ITEM	PART NUMBER	QTY	BODY	MODEL	DESCRIPTION
1		1			ENCLOSURE ASSEMBLY, (reference only) ***
2	5500 9992	2			BRACKET, Ball Stud Mounting
	J369 6930	2			BALL STUD, (Included in 55009992 Bracket) ***
3	J400 7348	6			BOLT, Ball Stud Bracket Mounting
4					CYLINDER, Liftglass Support
	5502 9560	1			w/Rear Window Defroster
	5502 9558	1			w/o Rear Window Defroster
5					PLUG
	J400 7473	2			For wire access hole in hard top (w/rear window defroster)
	J400 7443	2			For harness holes (used w/o rear window defroster)
6	J400 7384	2			NUT and WASHER, Liftgate Glass
7	5500 9434	2			BUSHING, Collar, Hinge to Glass
8	5500 9788	2			SEAL, Hinge to Liftglass
9	5500 9433	2			GASKET, Hinge to Glass
10	5507 4548-9	1			HINGE ASSEMBLY, Liftglass
11	5501 9378	1			CAP, Protective Cover, Hinge Stud
12	6034 500	4			SCREW and WASHER, Liftglass Hinge to Hardtop
13		7			SCREW, Liftglass Moulding (J9420554 not serviced, use .164-18x1.00)
14		1			MOULDING, Liftglass Lower Inner
	5507 4945				Up to 6-1-93
	5507 5539				After 6-1-93
15	J400 7378	4			SCREW
16	5507 4941	2			PLATE, Ball Stud
17	J400 6230	2			BALL STUD ***
18	J400 7382	2			SCREW
19	J400 7379	2			SCREW
20	5507 4940	1			PANEL, Liftglass Lower
21	5500 9868	2			PLATE, Tapping
22	5500 9577	1			GASKET, Liftglass Moulding to Glass
23	5500 9398	1			WEATHERSTRIP ASSEMBLY, Lift Glass ***
24	J400 2465	4			SCREW, Liftglass Weatherstrip
25					GLASS, Lift, Tinted
	4637 759	1			w/Rear Window Defroster
	4637 758	1			w/o Rear Window Defroster
26	5500 9576	1			GASKET, Outer Moulding to Glass
-	J098 1638	1			TAPE, Plastic Sealer 3/16"x24"
27					MOULDING, Liftglass Outer
	5CU3 6LCX	1			Black
	5CU3 6LRC	1			Radiant Red
	5CU3 6LTB	1			Spice

MODEL CODES:

61=Pickup-6 Ft Box 74=4 Door Wagon T=2WD
62=Pickup-7 Ft Box 77=Open Body 93" Wheelbase J,N,U=4WD
72=2 Door Wagon 78=Open Body 103" Wheelbase

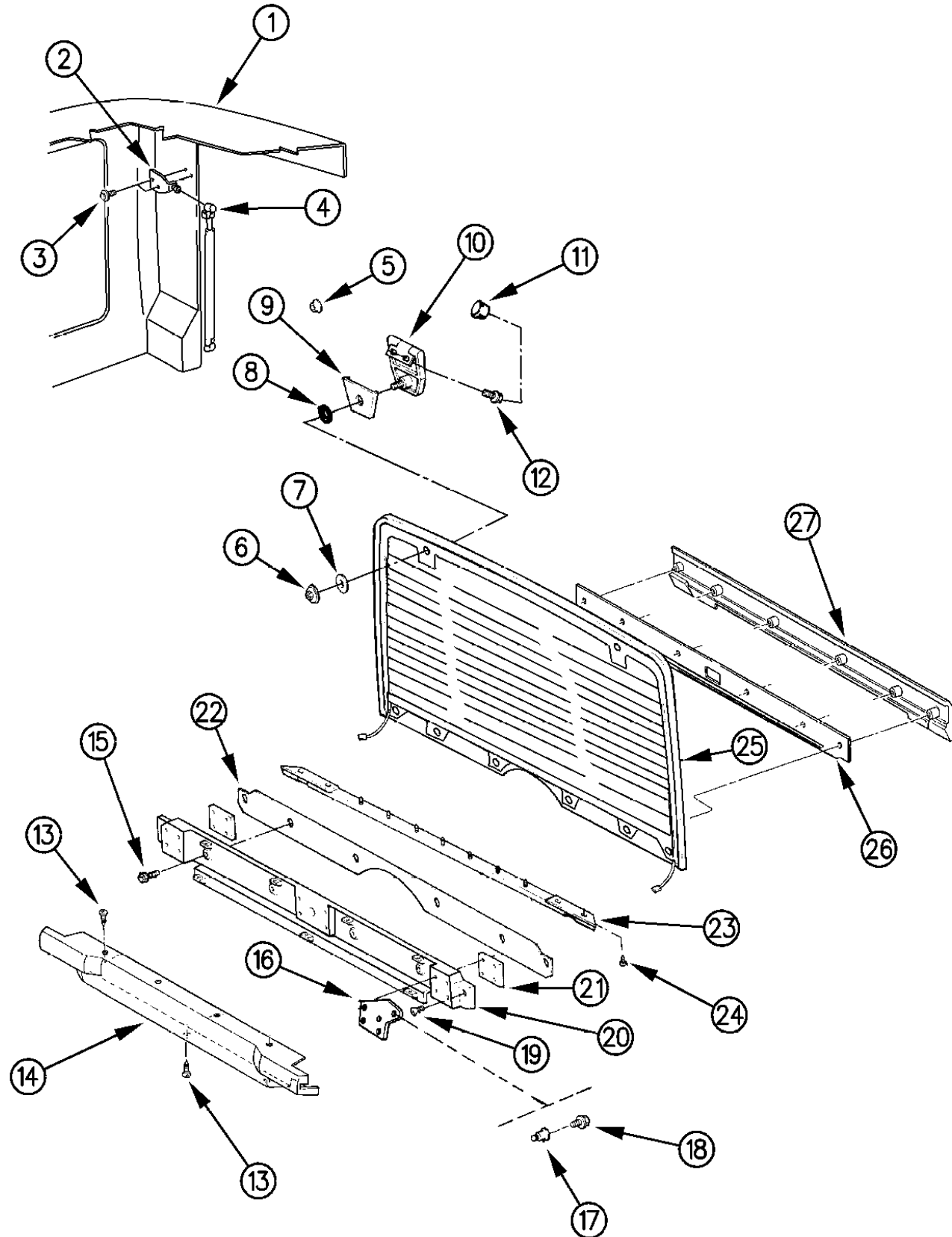
BODY STYLES:

MJ=Comanche Pickup ZJ=Grand Cherokee/Grand Wagoneer KDX VEHICLES
SJ=Grand Wagoneer M1=Comanche
XJ=Cherokee, Briarwood X1=Cherokee, Briarwood
YJ=Wrangler Y1=Wrangler

AR = Use as Required - = Non Illustrated Part P.A.R. = Paint as Required

LIFT DOOR GLASS AND RELATED PARTS - 1992-93 WITH HARD TOP ENCLOSURE WRANGLER, YJ
 Figure 23A-2050

91J69 2050



ITEM	PART NUMBER	QTY	BODY	MODEL	DESCRIPTION
------	-------------	-----	------	-------	-------------

	5CU3 6LWC	1			White
--	-----------	---	--	--	-------

MODEL CODES:

61=Pickup-6 Ft Box	74=4 Door Wagon	T=2WD
62=Pickup-7 Ft Box	77=Open Body 93" Wheelbase	J,N,U=4WD
72=2 Door Wagon	78=Open Body 103" Wheelbase	

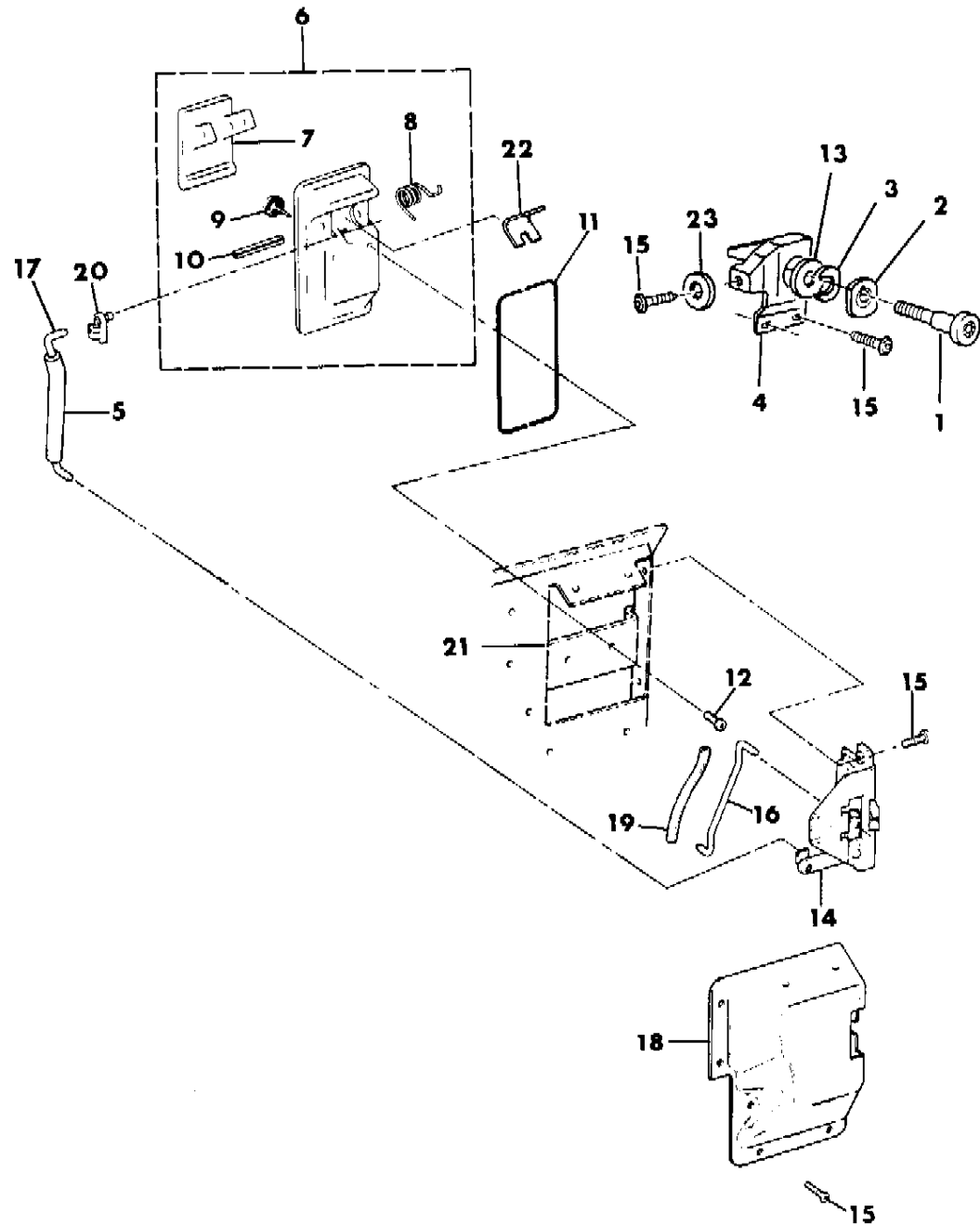
BODY STYLES:

MJ=Comanche Pickup	ZJ=Grand Cherokee/Grand Wagoneer	KDX VEHICLES
SJ=Grand Wagoneer		M1=Comanche
XJ=Cherokee, Briarwood		X1=Cherokee, Briarwood
YJ=Wrangler		Y1=Wrangler

AR = Use as Required - = Non Illustrated Part P.A.R. = Paint as Required

LATCH AND STRIKER, TAILGATE WRANGLER, YJ
Figure 23A-2100

91J69 2100F



ITEM	PART NUMBER	QTY	BODY	MODEL	DESCRIPTION
1	5534 4721	1			STRIKER, Tailgate
2	5502 4905	1			PLATE, Mounting
3	J575 8193	AR			SHIM, 1991
	5503 3620	1			WASHER, 1992
4	5501 5904	1			BRACKET, Assy. Tailgate Striker Mtg.
5	5502 4862	1			SLEEVE, 482mm
6	5500 8895	1			HANDLE, Tailgate
7	5500 8902	1			HANDLE
8	J363 1218	1			SPRING, Return
9	J400 3110	1			BUMPER, Door Handle
10	S045 5313	1			PIN, Spring
11	J374 3608	1			SEAL, Door Handle
12	J400 5969	2			SCREW
13	J448 8495	1			WASHER
14					LATCH, Tailgate
	5502 8376	1			1991
	5507 4947	1			1992-3
15	J400 7536	10			SCREW
16	5502 6849	1			ROD, Lock Cylinder
17	5500 8127	1			ROD, Tailgate Latch
18	5501 5300	1			COVER, Latch
19	J372 1174	1			SLEEVE, 27" Long ***
20	J400 3672	1			RETAINER
21	5500 8273	1			BRACKET, Tailgate Latch Mounting
22	5502 0076	1			SEAL
23		1			WASHER, (Not Serviced)

MODEL CODES:

61=Pickup-6 Ft Box 74=4 Door Wagon T=2WD
62=Pickup-7 Ft Box 77=Open Body 93" Wheelbase J,N,U=4WD
72=2 Door Wagon 78=Open Body 103" Wheelbase

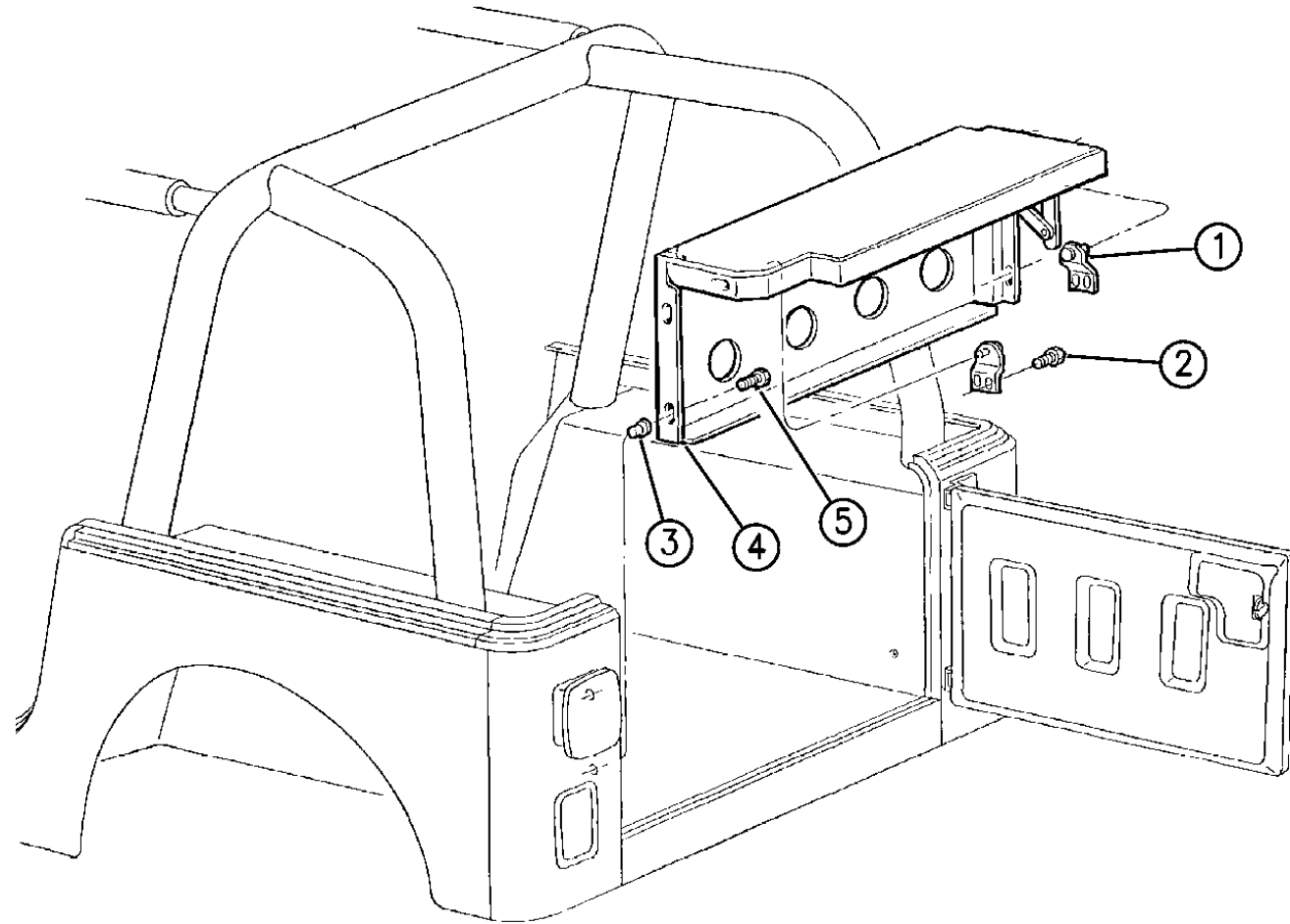
BODY STYLES:

MJ=Comanche Pickup ZJ=Grand Cherokee/Grand Wagoneer KDX VEHICLES
SJ=Grand Wagoneer M1=Comanche
XJ=Cherokee, Briarwood X1=Cherokee, Briarwood
YJ=Wrangler Y1=Wrangler

AR = Use as Required - = Non Illustrated Part P.A.R. = Paint as Required

ADD-A-TRUNK WRANGLER YJ
Figure 23A-2150

91J69 2150



ITEM	PART NUMBER	QTY	BODY	MODEL	DESCRIPTION
1	5521 5680	2			LATCH
2		4			SCREW, .190-16x.625, Not Serviced
3	6502 751	4			REV-NUT ***
4	5521 5678	1			PANEL
5	5521 5679	4			SCREW

MODEL CODES:

61=Pickup-6 Ft Box 74=4 Door Wagon T=2WD
 62=Pickup-7 Ft Box 77=Open Body 93" Wheelbase J,N,U=4WD
 72=2 Door Wagon 78=Open Body 103" Wheelbase

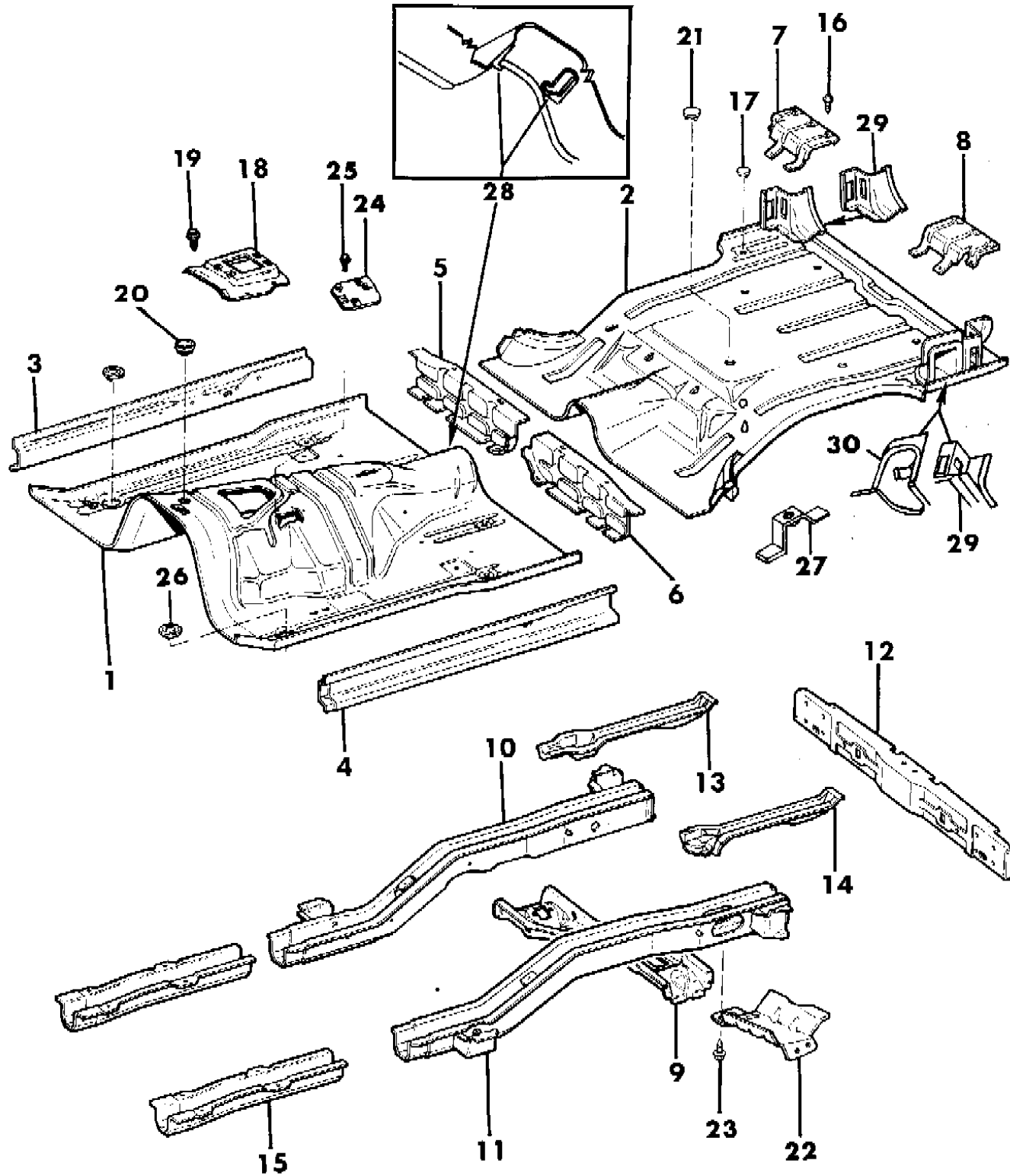
BODY STYLES:

MJ=Comanche Pickup ZJ=Grand Cherokee/Grand Wagoneer KDX VEHICLES
 SJ=Grand Wagoneer M1=Comanche
 XJ=Cherokee, Briarwood X1=Cherokee, Briarwood
 YJ=Wrangler Y1=Wrangler

AR = Use as Required - = Non Illustrated Part P.A.R. = Paint as Required

PANS, FLOOR CHEROKEE, BRIARWOOD
Figure 23A-2200

91J69 2200 A



ITEM	PART NUMBER	QTY	BODY	MODEL	DESCRIPTION
1					PAN, Front Floor
	5502 9297	1			1991
	5523 4795	1			1992-93
2					PAN, Rear Floor
	5502 9319	1			1991
	5523 4848	1			1992
	5534 5662	1			1993
3-4					SILL, Front Pan
	5700 0012-3	1			1991
	5523 4806-7	1			1992-93
5	5500 0008	1			CROSSMEMBER, Seat Right
6	5502 7851	1			CROSSMEMBER, Seat Left
7-8	5500 2230-1	1			COVER, Floor Pan
9					CROSSMEMBER, Shock
	5700 0020	1			1991-92
	5523 5018	1			1993
10					SILL, Rear Side, Right
	5523 4760	1			1991-92, (Up to 2-17-92)
	5523 5030	1			1992-93
11					SILL, Rear Side, Left
	5523 4595	1			1991
	5523 4895	1			1992, (Up to 2-17-92)
	5523 5031	1			1992-93, (After 2-17-92)
12	5700 0007	1			SILL, Rear Cross
13	5700 0022	1			SUPPORT, Fuel Tank Right
14	5500 2935	1			SUPPORT, Fuel Tank Left
15	5500 1206	2			SILL, Center
16	3420 2035	6			SCREW
17	5500 6578	10			PLUG, Drain
18					COVER, Transmission
	5300 0580	1			4 Cyl. Engine w/Manual Trans.
	5300 5141	1			6 Cyl. Engine w/Manual Trans.
	5300 0580	1			Diesel Engine w/Manual Trans.
	5300 0704	1			w/Floor Mounted Gear Shift, w/Auto. Trans.
	5500 7376	1			w/Column Shift and 2 W.D.
	5500 9171	1			w/Column Shift and 4 W.D.
19	J400 1701	AR			SCREW
20	J400 0499	1			PLUG
21	5513 4657	5			PLUG
22	5500 3285	1			SHIELD, Splash
23	3420 1895	4			SCREW

MODEL CODES:

61=Pickup-6 Ft Box 74=4 Door Wagon T=2WD
62=Pickup-7 Ft Box 77=Open Body 93" Wheelbase J,N,U=4WD
72=2 Door Wagon 78=Open Body 103" Wheelbase

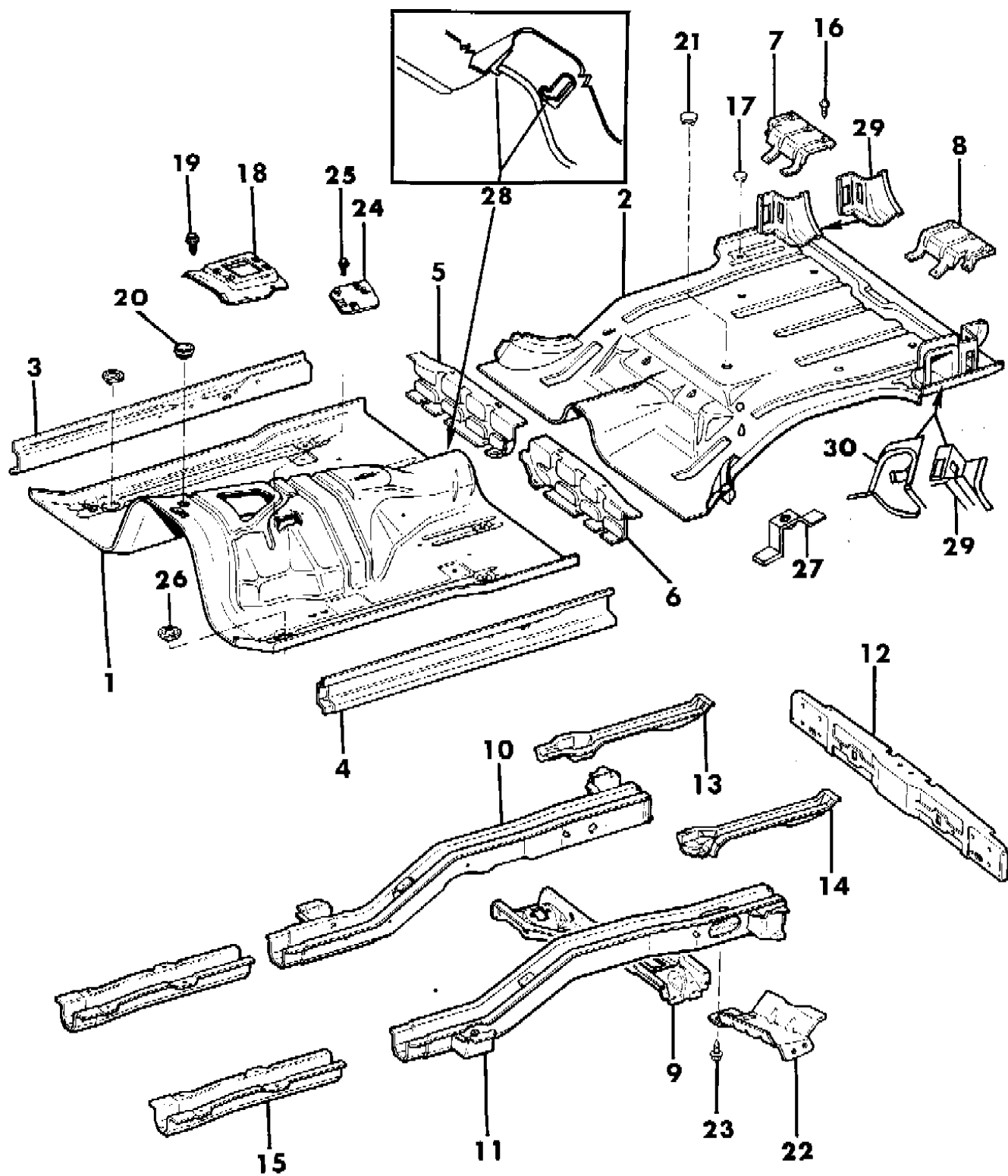
BODY STYLES:

MJ=Comanche Pickup ZJ=Grand Cherokee/Grand Wagoneer KDX VEHICLES
SJ=Grand Wagoneer M1=Comanche
XJ=Cherokee, Briarwood X1=Cherokee, Briarwood
YJ=Wrangler Y1=Wrangler

AR = Use as Required - = Non Illustrated Part P.A.R. = Paint as Required

PANS, FLOOR CHEROKEE, BRIARWOOD
Figure 23A-2200

91J69 2200 A



ITEM	PART NUMBER	QTY	BODY	MODEL	DESCRIPTION
24	5501 0460	1			COVER, Transfer Case 2WD
25	3420 1277	5			SCREW, 2WD
26	4586 052	2			PLUG
27	5500 1903	1			BRACKET, Jack
28					BRACKET, Hand Brake Cable Mounting
	5500 5177	2			1991, Hole 14.8/15.0
	5523 4712	2			1992-93, Hole 14.0/14.2
29	5534 5172-3	1			GUSSET
30	5700 0193	1			HOUSING, Fuel Filler, 1991

MODEL CODES:

61=Pickup-6 Ft Box 74=4 Door Wagon T=2WD
62=Pickup-7 Ft Box 77=Open Body 93" Wheelbase J,N,U=4WD
72=2 Door Wagon 78=Open Body 103" Wheelbase

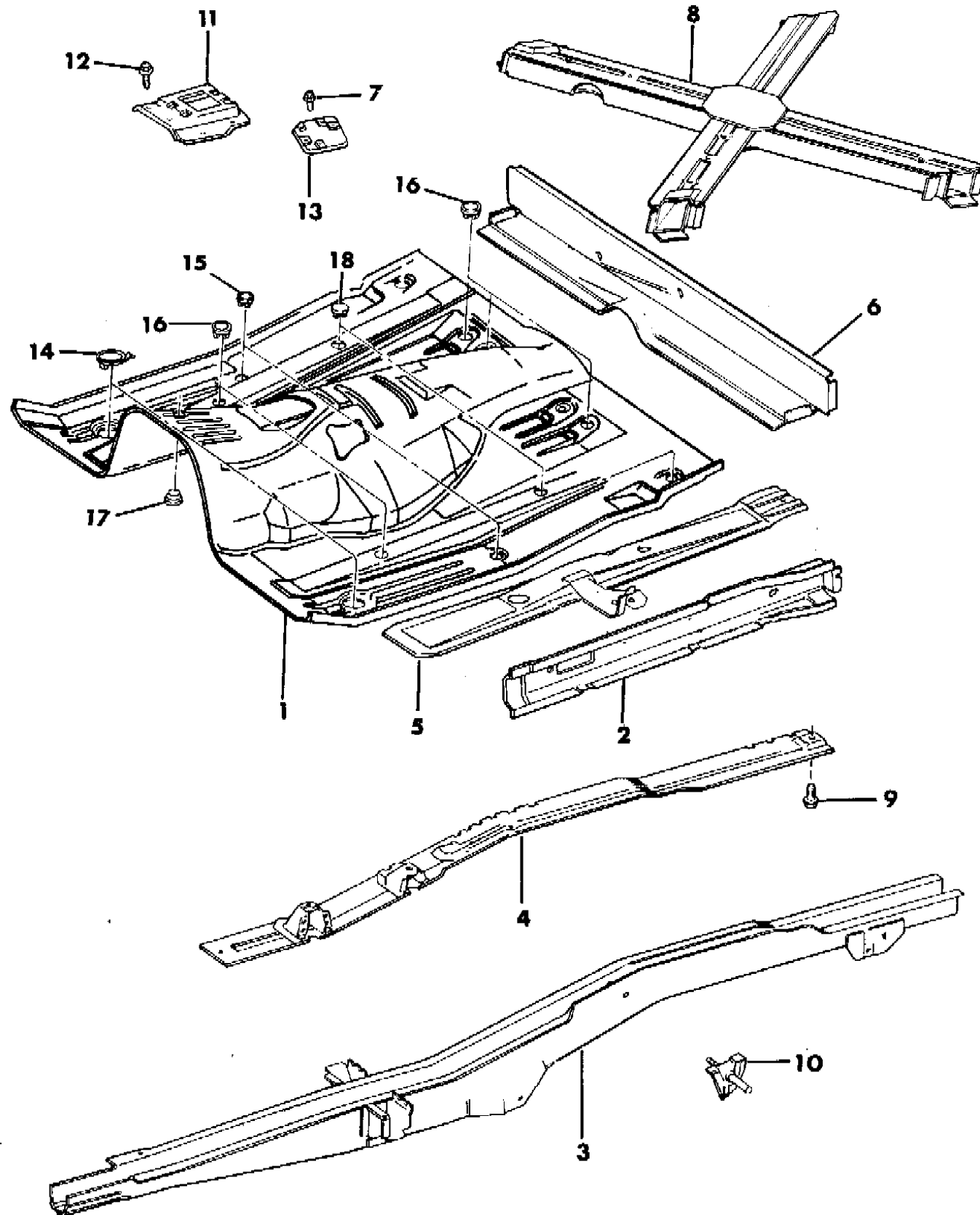
BODY STYLES:

MJ=Comanche Pickup ZJ=Grand Cherokee/Grand Wagoneer KDX VEHICLES
SJ=Grand Wagoneer M1=Comanche
XJ=Cherokee, Briarwood X1=Cherokee, Briarwood
YJ=Wrangler Y1=Wrangler

AR = Use as Required - = Non Illustrated Part P.A.R. = Paint as Required

PAN, FLOOR COMANCHE
Figure 23A-2300

91J69 2300 B



ITEM	PART NUMBER	QTY	BODY	MODEL	DESCRIPTION
1	5502 9483	1			PAN, Cab Floor
	5502 9484	1			1991, KDX - Venezuela
	5523 4814	1			1992
2	5700 0896-7	1			SILL, Body Side
	5523 4816	1			1992
3	5700 2178-9	1			RAIL, Cab and Pickup Box
	5700 2690-1	1			w/7 ft. pickup box
4	5700 0902-3	1			REINFORCEMENT, Rail Frame
	5700 0938-9	1			w/6 ft. pickup box
5	5700 2184-5	1			REINFORCEMENT, Cab Floor
6	5500 3470	1			CROSSMEMBER, Rear Cab Floor
7	3420 1277	1			SCREW, 2WD
8	5700 0917	1			CROSSMEMBER, Rear Rail
	5700 0935	1			w/7 ft. pickup box
	5700 0935	1			w/6 ft. pickup box
9	1150 2606	6			BOLT
10	5501 5400-1	1			BRACKET, Shock Absorber
11	5300 0580	1			COVER, Transmission
	5300 5141	1			4 Cyl. Engine w/Manual Trans.
	5300 0704	1			6 Cyl. Engine w/Manual Trans.
	5500 9171	1			w/Auto. Trans., w/Floor Mounted Gear Shift
	5500 7376	1			4WD, w/Column Mounted Gear Shift
	5500 7376	1			2WD, w/Column Mounted Gear Shift
12	J400 1701	9			SCREW
13	5501 0460	1			COVER, Transfer Case 2WD
14	4586 052	2			PLUG
15	5500 6578	10			PLUG
16	5500 6579	5			PLUG
17	J400 0499	1			PLUG
18	5500 9554	2			PLUG
-	5500 6579	5			PLUG, 38.1mm
-	J400 0499	1			PLUG, Vac. Harness
-	5500 9554	2			PLUG, Paint Carrier Holes

MODEL CODES:

61=Pickup-6 Ft Box 74=4 Door Wagon T=2WD
62=Pickup-7 Ft Box 77=Open Body 93" Wheelbase J,N,U=4WD
72=2 Door Wagon 78=Open Body 103" Wheelbase

BODY STYLES:

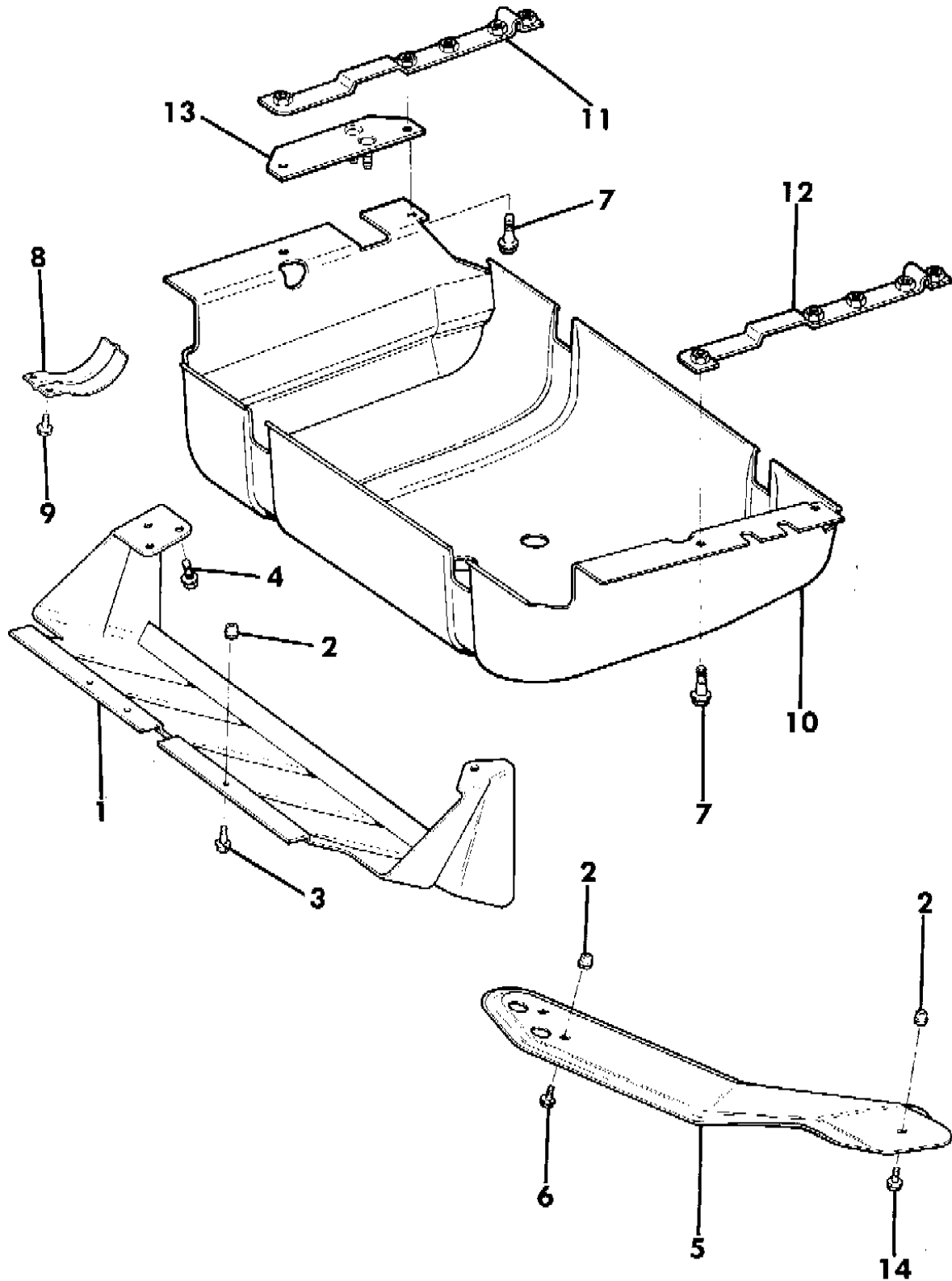
MJ=Comanche Pickup ZJ=Grand Cherokee/Grand Wagoneer KDX VEHICLES
SJ=Grand Wagoneer M1=Comanche
XJ=Cherokee, Briarwood X1=Cherokee, Briarwood
YJ=Wrangler Y1=Wrangler

AR = Use as Required - = Non Illustrated Part P.A.R. = Paint as Required

PLATES, UNDERBODY SKID CHEROKEE, BRIARWOOD
Figure 23A-2400

91J69 2400

ITEM	PART NUMBER	QTY	BODY	MODEL	DESCRIPTION
1	8220 0613	1			PLATE, Skid
2	3420 1575	6			NUTSERT
3	3420 1871	3			BOLT
4	3420 1540	3			BOLT
5	8220 0616	1			PLATE, Skid
6	1150 2850	2			BOLT, 20 mm Long
7	3420 1964	4			BOLT
8	5300 0739	1			PLATE, Skid, 1991
9	1150 4284	2			BOLT, 1991
10	5200 1512	1			PLATE, Skid
11-12	5200 1174-5	1			REINFORCEMENT, Sill
13	5200 1511	1			BRACKET, ASSEMBLY
14	1150 2850	1			BOLT, 35mm Long



MODEL CODES:

61=Pickup-6 Ft Box 74=4 Door Wagon T=2WD
62=Pickup-7 Ft Box 77=Open Body 93" Wheelbase J,N,U=4WD
72=2 Door Wagon 78=Open Body 103" Wheelbase

BODY STYLES:

MJ=Comanche Pickup ZJ=Grand Cherokee/Grand Wagoneer KDX VEHICLES
SJ=Grand Wagoneer M1=Comanche
XJ=Cherokee, Briarwood X1=Cherokee, Briarwood
YJ=Wrangler Y1=Wrangler

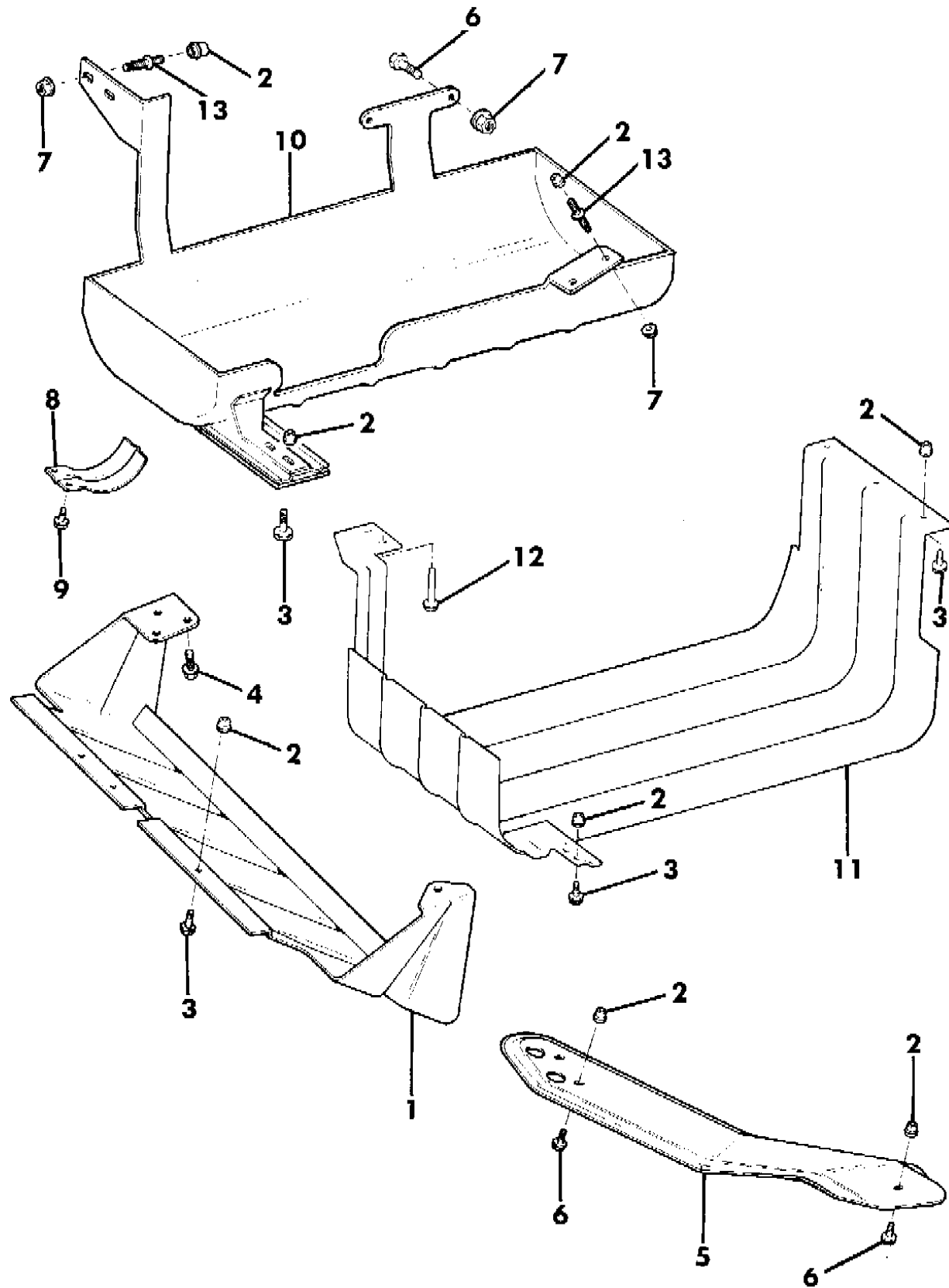
AR = Use as Required - = Non Illustrated Part P.A.R. = Paint as Required

PLATES, UNDERBODY SKID COMANCHE

Figure 23A-2500

91J69 2500

ITEM	PART NUMBER	QTY	BODY	MODEL	DESCRIPTION
1	8220 0613	1			PLATE, Skid
2	3420 1575	AR			NUTSERT
3	3420 1871	AR			BOLT
4	3420 1540	3			BOLT
5	8220 0616	1			PLATE, Skid
6	1150 2850	AR			BOLT
7	1150 1889	AR			NUT
8	5300 0739	1			PLATE, Skid
9	1150 4284	2			BOLT
10	5200 1806	1			PLATE, Skid, w/7 ft. pickup box
11	5200 2810	1			PLATE, Skid, w/6 ft. pickup box
12	3420 1559	2			BOLT
13	3420 2347	4			STUD



MODEL CODES:

61=Pickup-6 Ft Box 74=4 Door Wagon T=2WD
 62=Pickup-7 Ft Box 77=Open Body 93" Wheelbase J,N,U=4WD
 72=2 Door Wagon 78=Open Body 103" Wheelbase

BODY STYLES:

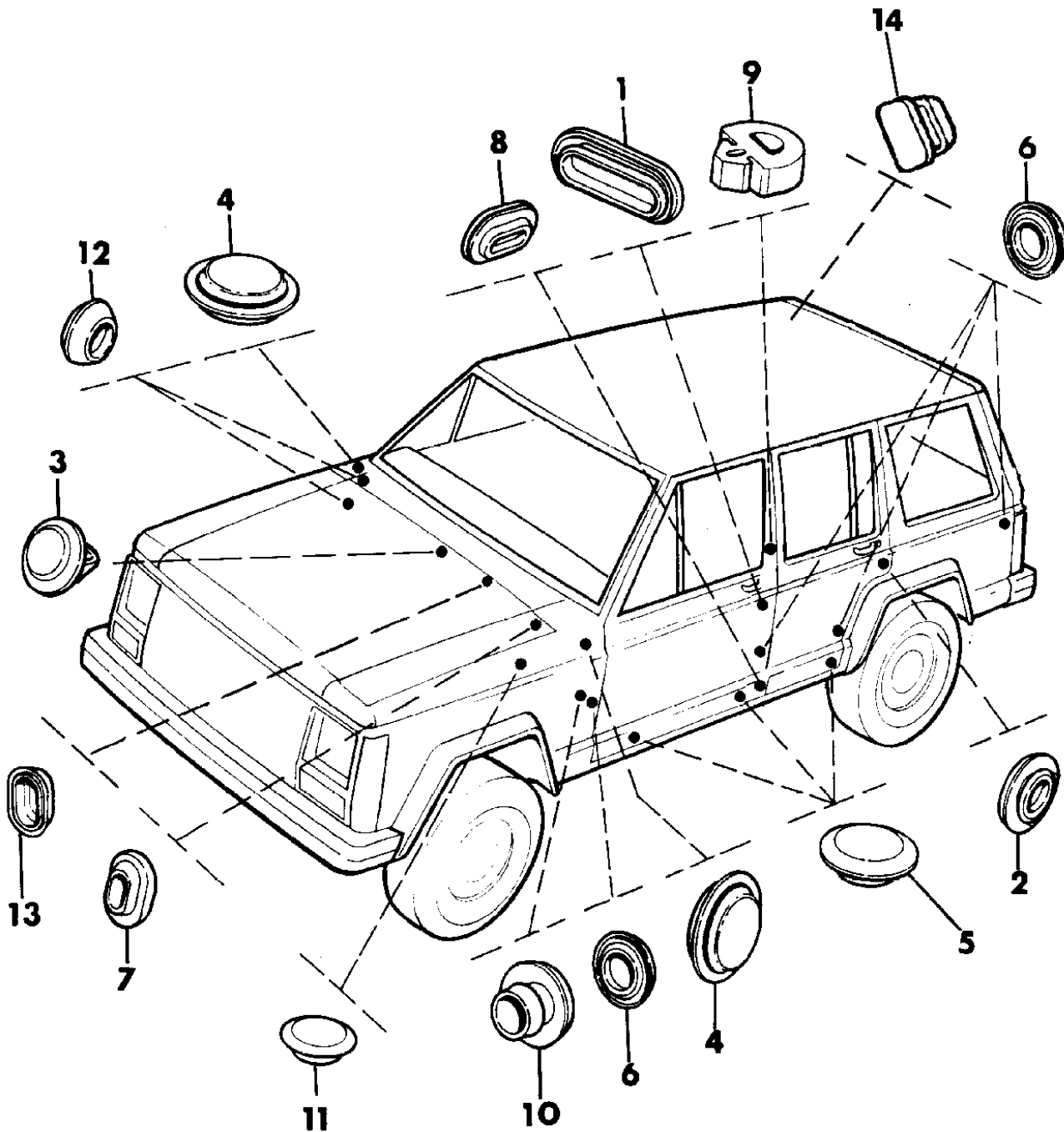
MJ=Comanche Pickup ZJ=Grand Cherokee/Grand Wagoneer KDX VEHICLES
 SJ=Grand Wagoneer M1=Comanche
 XJ=Cherokee, Briarwood X1=Cherokee, Briarwood
 YJ=Wrangler Y1=Wrangler

AR = Use as Required - = Non Illustrated Part P.A.R. = Paint as Required

PLUGS, BODY CHEROKEE, BRIARWOOD, COMANCHE

Figure 23A-2600

91J69 2600A



ITEM	PART NUMBER	QTY	BODY	MODEL	DESCRIPTION
1	5500 2368	2			PLUG
2	3420 2049	2			PLUG, for 16mm hole
3	5500 6578	2			PLUG, less factory air conditioning
4	J400 4649	4			PLUG
5					PLUG
	3420 1532	6			19.05mm Hole
	3420 1973	12			6.3mm Hole
6	5500 2367	8			PLUG
7	5500 5400	2			PLUG
8	3420 1613	2			PLUG
9	J363 1398	6			BUMPER, Door
10	3420 1614	2			PLUG
11	J400 5015	2			PLUG
12	J400 0377	2			PLUG
13	3420 2215	1			PLUG
14	5515 4659	1			PLUG, w/o Wiper

MODEL CODES:

61=Pickup-6 Ft Box 74=4 Door Wagon T=2WD
 62=Pickup-7 Ft Box 77=Open Body 93" Wheelbase J,N,U=4WD
 72=2 Door Wagon 78=Open Body 103" Wheelbase

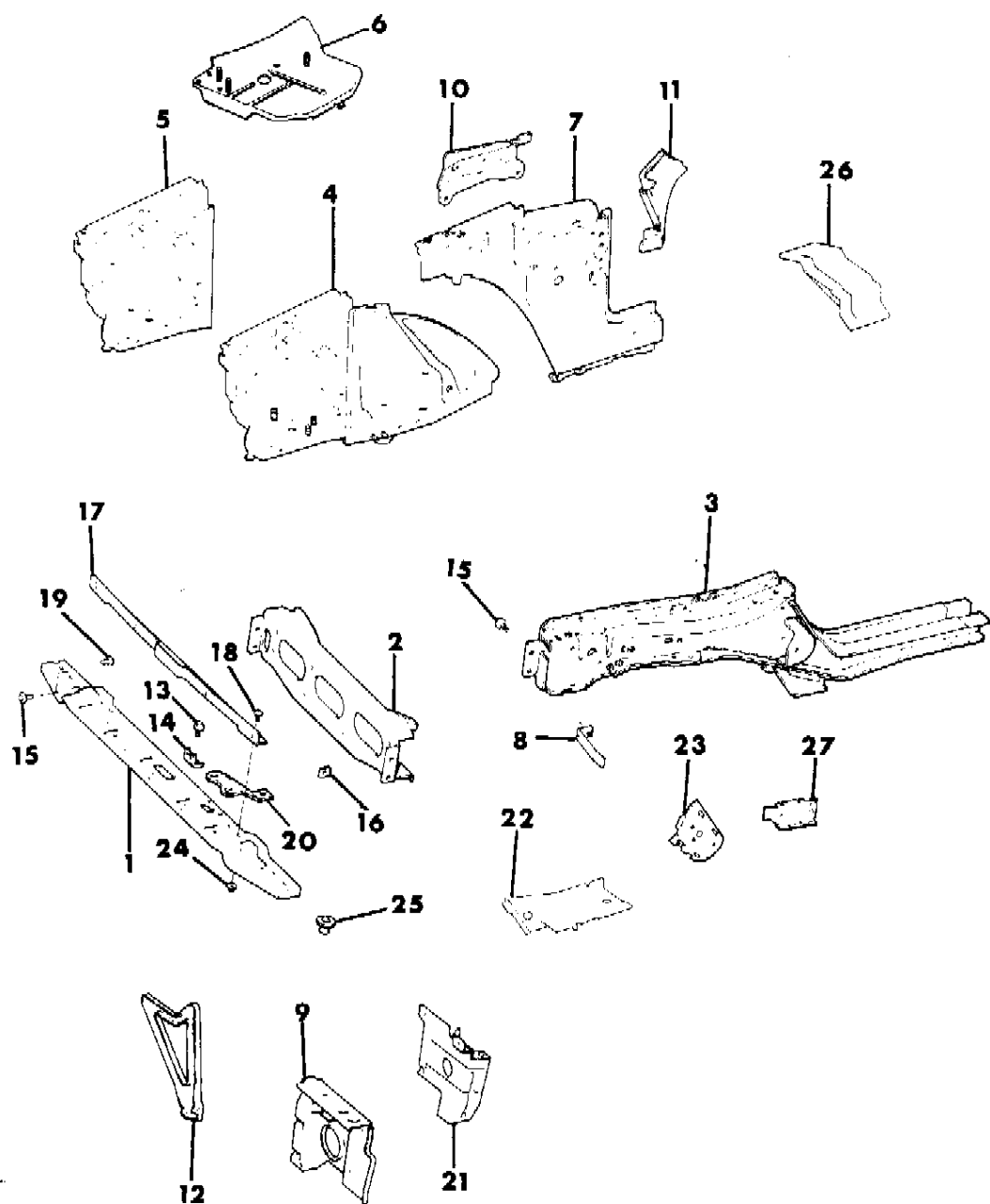
BODY STYLES:

MJ=Comanche Pickup ZJ=Grand Cherokee/Grand Wagoneer KDX VEHICLES
 SJ=Grand Wagoneer M1=Comanche
 XJ=Cherokee, Briarwood X1=Cherokee, Briarwood
 YJ=Wrangler Y1=Wrangler

AR = Use as Required - = Non Illustrated Part P.A.R. = Paint as Required

PANELS, FRONT END INNER AND WHEELHOUSE CHEROKEE, BRIARWOOD, COMANCHE
Figure 23A-2700

91J69 2700 B



ITEM	PART NUMBER	QTY	BODY	MODEL	DESCRIPTION
1					CROSSMEMBER, Radiator
	8350 4652	1			Gas Engine
	5501 1035	1			Diesel Engine
	5534 5445	1			RHD
2					CROSSMEMBER, Front Sill
	5500 9789	1			1991-92
	5534 5942	1			1993
3					SILL, Body Side
	5523 4508-9	1			1991
	5523 4822-3	1			1992
	5523 5072-3	1			1993
	5523 4916-7	1			1992, KDX - RHD
	5523 5082-3	1			1993, KDX - RHD
4	5534 5572-3	1			WHEELHOUSE, Assembly
-		1			PANEL, Front Wheelhouse Rear, RHD
	5534 5466				Right
	5534 5561				LEFT
	9428 962	3			SCREW, Left Side Only, .250-20x.625
5					WHEELHOUSE
	5502 7296-7	1			1990-91
	5502 6304-5	1			1992-93
	5534 5972-3	1			SUPPORT, Front Spring Shock Mounting
6	5501 5210	1			REINFORCEMENT, Battery Tray
7		1			PANEL, Cowl Side
	5502 7300-1	1			1991-92
	5534 5590-1	1			1993
8	5501 9221	2			REINFORCEMENT
9					BAFFLE, Radiator
	5700 0936-7	1			1991
	5534 5132-3	1			1992-93
10		1			REINFORCEMENT, Cowl
	5500 4564-5	1			
	5534 5340-1	1			RHD
11					REINFORCEMENT, Pillar
	5700 0202-3	1			
	5500 1264-5	1			KDX, China, Venezuela
12	5501 3176-7	1			BRACE, Side Sill
13	3420 1809	8			SCREW
14	5500 9473	1			BRACKET
15	3420 1808	5			SCREW
16	1150 3714	7			NUT

MODEL CODES:

61=Pickup-6 Ft Box 74=4 Door Wagon T=2WD
62=Pickup-7 Ft Box 77=Open Body 93" Wheelbase J,N,U=4WD
72=2 Door Wagon 78=Open Body 103" Wheelbase

BODY STYLES:

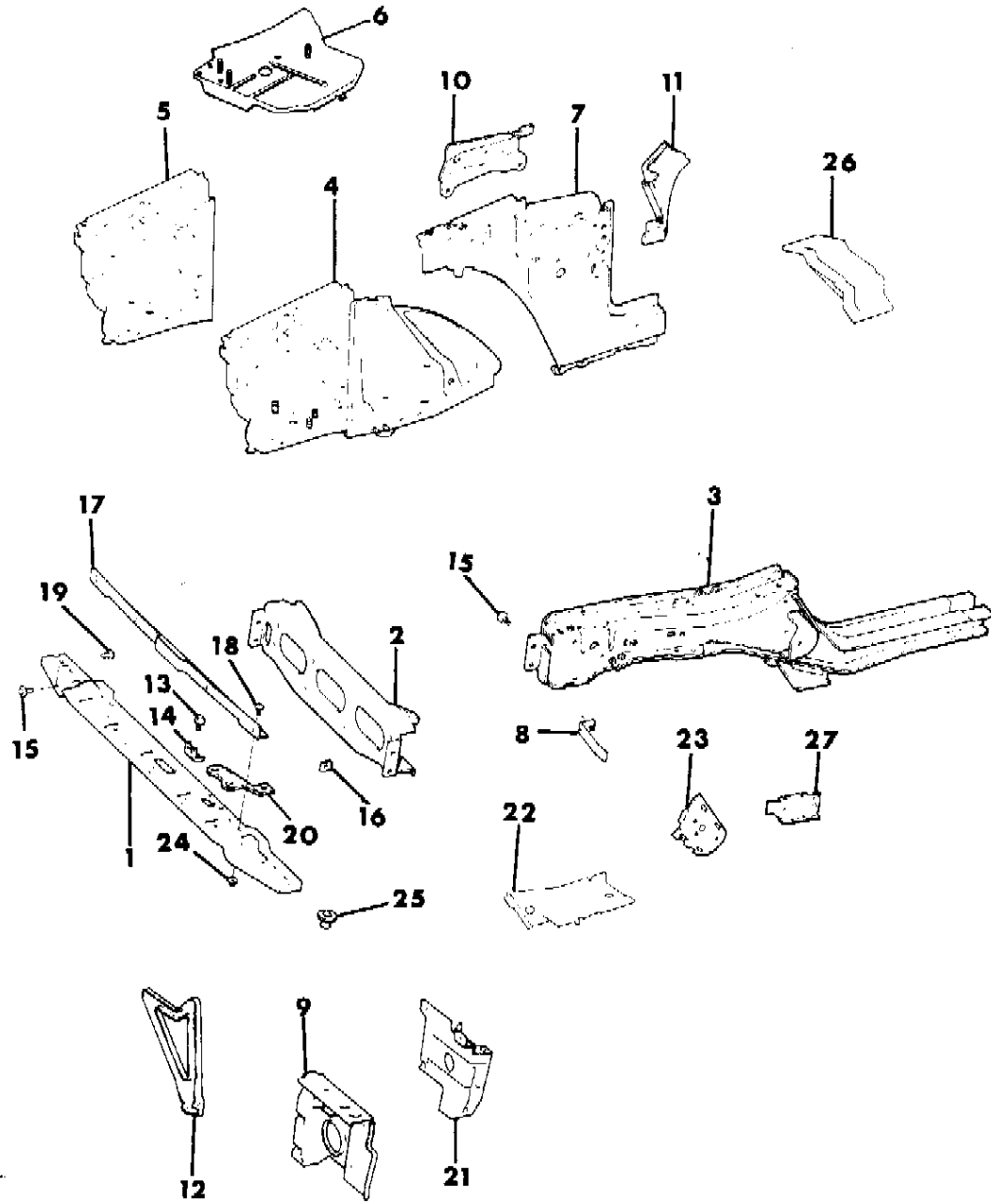
MJ=Comanche Pickup ZJ=Grand Cherokee/Grand Wagoneer KDX VEHICLES
SJ=Grand Wagoneer M1=Comanche
XJ=Cherokee, Briarwood X1=Cherokee, Briarwood
YJ=Wrangler Y1=Wrangler

AR = Use as Required - = Non Illustrated Part P.A.R. = Paint as Required

PANELS, FRONT END INNER AND WHEELHOUSE CHEROKEE, BRIARWOOD, COMANCHE
Figure 23A-2700

91J69 2700 B

ITEM	PART NUMBER	QTY	BODY	MODEL	DESCRIPTION
17	5501 0074	1			BRACKET, (Attaches header panel to radiator support)
18	3420 1450	4			SCREW
19	3420 2399	2			SCREW
20	5501 9697	1			BRACE
21					SUPPORT, Radiator 4 Cyl. or Diesel Engine
	5500 9188	1			Right
	5500 9187	1			Left, 1991-92
	5534 5449	1			Left, 1993
22	5500 5148-9	1	MJ		REINFORCEMENT, Side Sill
23	5500 6948-9	1			REINFORCEMENT, Inner Sill
24	3420 1246	4			NUT, Hex
25	3420 1348	2			NUT, Well
26	5500 5008	2	MJ		SUPPORT, Cab
27	5501 1056-7	1	MJ		BRACKET, Engine, Rear



MODEL CODES:

61=Pickup-6 Ft Box 74=4 Door Wagon T=2WD
62=Pickup-7 Ft Box 77=Open Body 93" Wheelbase J,N,U=4WD
72=2 Door Wagon 78=Open Body 103" Wheelbase

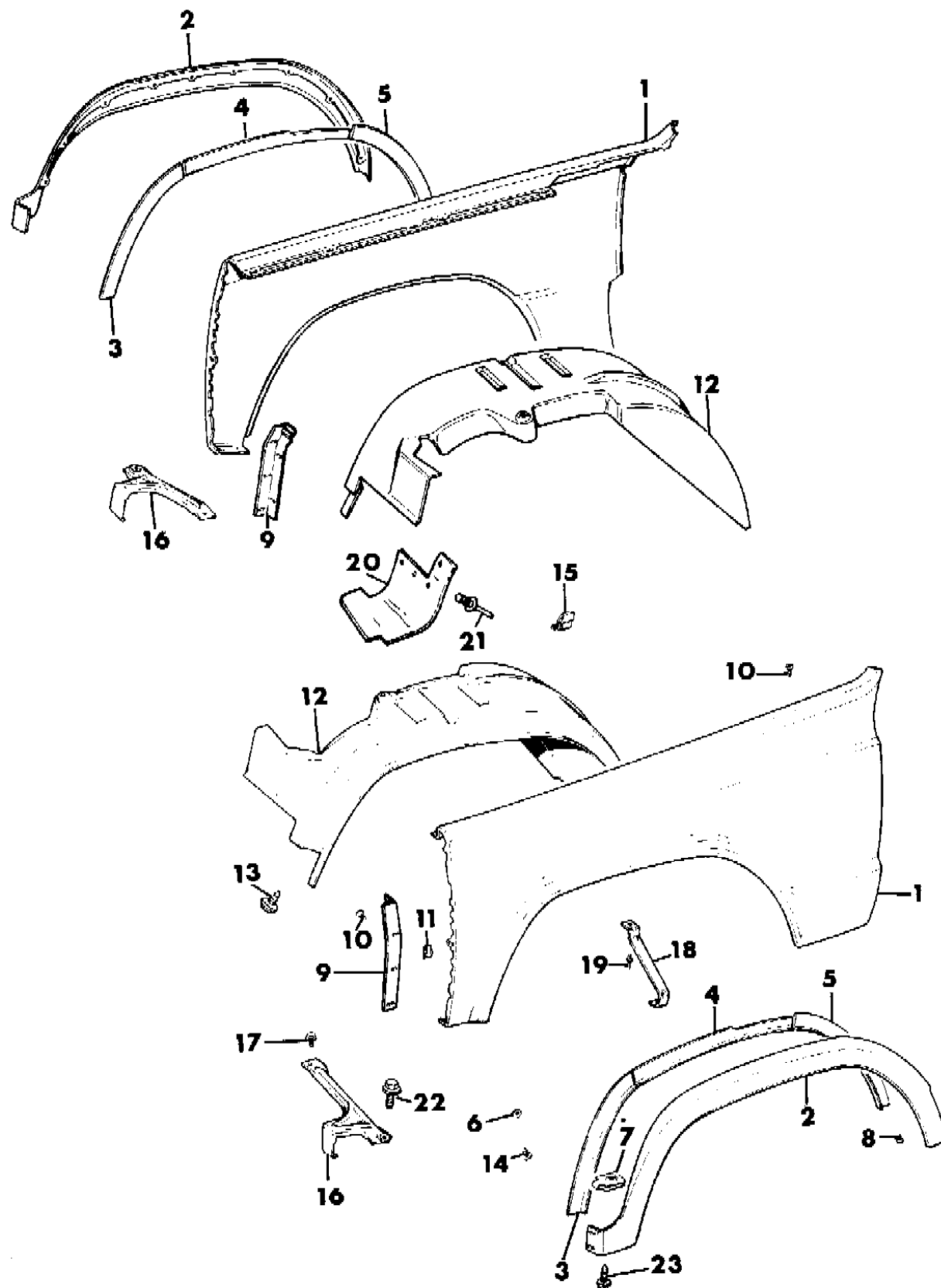
BODY STYLES:

MJ=Comanche Pickup ZJ=Grand Cherokee/Grand Wagoneer KDX VEHICLES
SJ=Grand Wagoneer M1=Comanche
XJ=Cherokee, Briarwood X1=Cherokee, Briarwood
YJ=Wrangler Y1=Wrangler

AR = Use as Required - = Non Illustrated Part P.A.R. = Paint as Required

FENDERS, FRONT CHEROKEE, WAGONEER, COMANCHE
Figure 23A-2800

91J69 2800 A



ITEM	PART NUMBER	QTY	BODY	MODEL	DESCRIPTION
1	5502 9858-9	1			FENDER, Modification Required
2	5AG08-9 JX8	1			APPLIQUE, Fender, P.A.R. Black
	5AG30-1 JX9	1			Flat Black
3	5500 3232-3	1			RETAINER, Applique
4	5500 3234	2			RETAINER, Applique
5	5500 3236-7	1			RETAINER, Applique
6	J420 0408	18			NUT
7	J044 5446	2			NUT
8	1150 2843	4			SCREW
9	5500 1112-3	1			SUPPORT, (Goes between fender and rad. support)
10	3420 1661	AR			SCREW
11	1150 3714	AR			NUT
12	5502 7152-3	1			PANEL, Inner Protective
13	J400 4919	16			FASTENER
14	J400 7117	14			SCREW
15	J368 9548	2			BUMPER, Hood
16	5500 4222-3	1			BRACE, (Goes between fender/rad. support & front spoiler)
17	3420 2575	2			SCREW
18	5500 3652	2			BRACE
19	3420 1208	2			RIVET
20	5500 6274	2			SEAL
21					RIVET
	3420 1631	8			1991
	6500 911	8			1992-93
22	3420 1895	2			SCREW
23	3420 2358	4			SCREW

MODEL CODES:

61=Pickup-6 Ft Box 74=4 Door Wagon T=2WD
62=Pickup-7 Ft Box 77=Open Body 93" Wheelbase J,N,U=4WD
72=2 Door Wagon 78=Open Body 103" Wheelbase

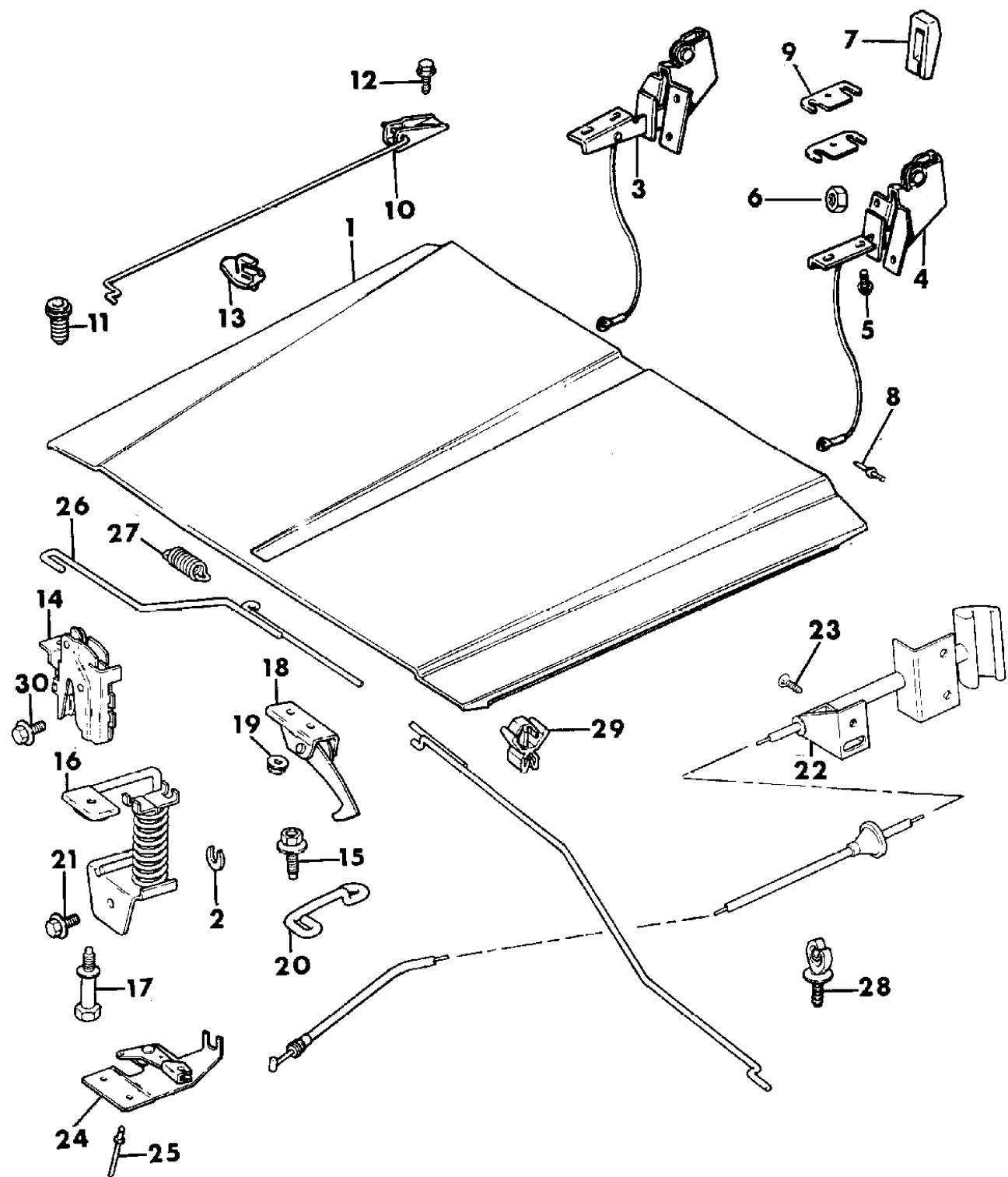
BODY STYLES:

MJ=Comanche Pickup ZJ=Grand Cherokee/Grand Wagoneer KDX VEHICLES
SJ=Grand Wagoneer M1=Comanche
XJ=Cherokee, Briarwood X1=Cherokee, Briarwood
YJ=Wrangler Y1=Wrangler

AR = Use as Required - = Non Illustrated Part P.A.R. = Paint as Required

HOOD, LATCH AND HINGES CHEROKEE, BRIARWOOD, COMANCHE
Figure 23A-2900

91J69 2900A



ITEM	PART NUMBER	QTY	BODY	MODEL	DESCRIPTION
1					HOOD
	5502 9916	1			1991
	5525 4574	1			1992-93
	5507 4797	1			KDX, China, Venezuela
2	3420 2581	AR			SHIM
3-4					HINGE, Hood
	5502 8504-5	1			1991-92
	5507 5180-1	1			1993
5	3420 1818	4			SCREW
6					NUT and WASHER
	3420 1358	6			1991-92
	6500 284	6			1993
7	5500 1982	2			SEAL
8	J400 5791	2			RIVET
9	J068 0435	4			SHIM
10	5501 7480	1			ROD
11					STOP, Hood, (Behind Lock Assy.)
	3420 1347	1			1991-92
	4103 165	1			1993
12	3420 1807	2			SCREW
13	5502 7404	1			CLIP, Hood Prop Rod
14	5500 9172	1			LOCK ASSEMBLY, Hood
15	3420 1970	2			SCREW
16	5500 9994	1			STRIKER, Latch
17	3420 2679	1			BOLT
18	5500 9998	1			LOCK ASSEMBLY, Hood
19	1150 3750	2			NUT
20	5500 9999	1			STRIKER, Latch
21	3420 2338	2			SCREW
22					CABLE, Hood Release
	5502 6030	1			
	5507 4547	1			KDX - RHD
23	3420 1453	3			SCREW
24	5507 4526	1			BELLCRANK ASSEMBLY ***
25	3420 1208	2			RIVET
26					ROD, Hood Latch
	5502 8928	1			UP to 10-7-92
	5507 5442	1			After 10-7-92
27	5502 9718	1			SPRING
28	3200 0404	2			CLIP
29	3420 2688	2			CLIP

MODEL CODES:

61=Pickup-6 Ft Box 74=4 Door Wagon T=2WD
 62=Pickup-7 Ft Box 77=Open Body 93" Wheelbase J,N,U=4WD
 72=2 Door Wagon 78=Open Body 103" Wheelbase

BODY STYLES:

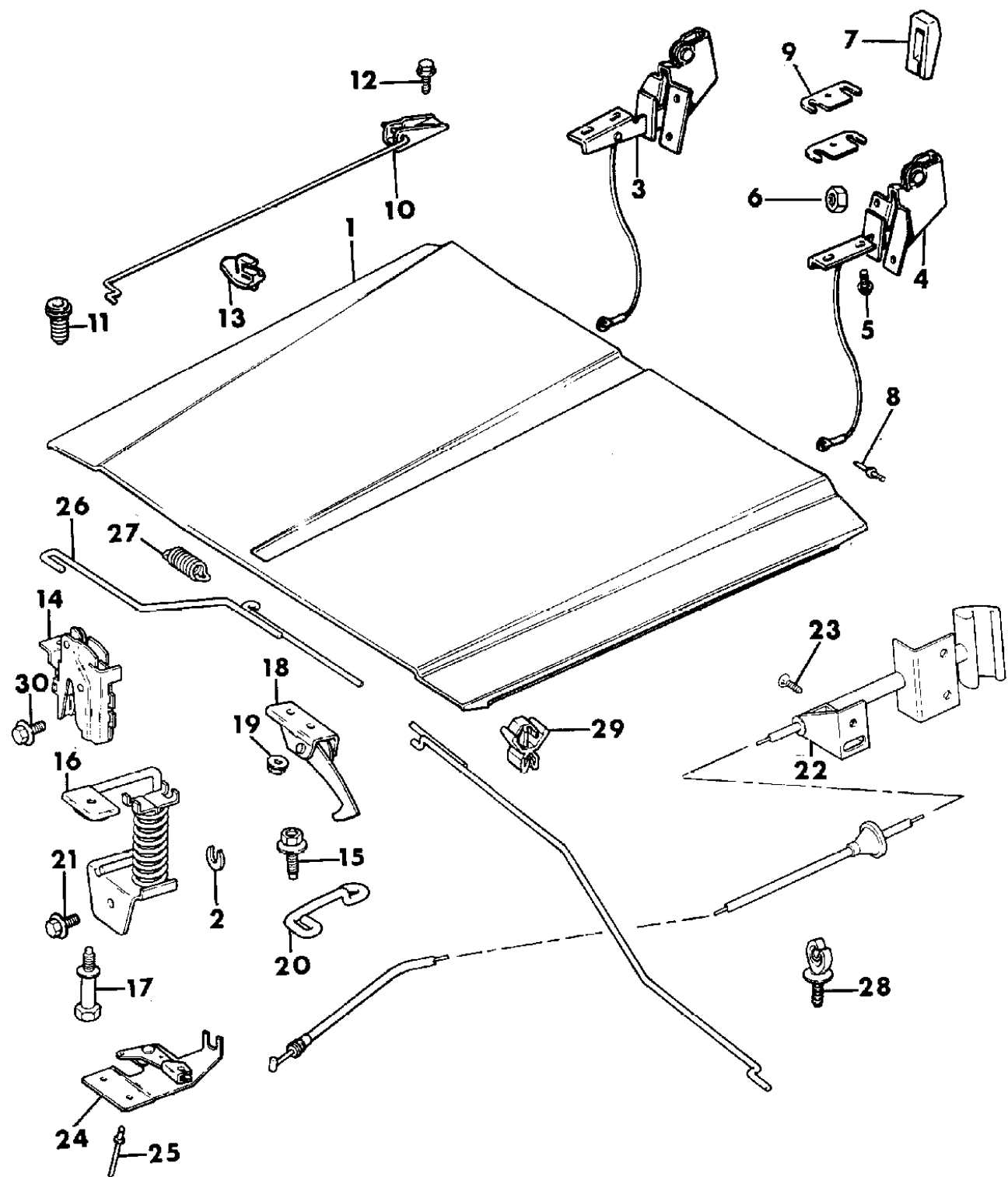
MJ=Comanche Pickup ZJ=Grand Cherokee/Grand Wagoneer KDX VEHICLES
 SJ=Grand Wagoneer M1=Comanche
 XJ=Cherokee, Briarwood X1=Cherokee, Briarwood
 YJ=Wrangler Y1=Wrangler

AR = Use as Required - = Non Illustrated Part P.A.R. = Paint as Required

HOOD, LATCH AND HINGES CHEROKEE, BRIARWOOD, COMANCHE
Figure 23A-2900

91J69 2900A

ITEM	PART NUMBER	QTY	BODY	MODEL	DESCRIPTION
30	3420 2005	2			SCREW



MODEL CODES:

61=Pickup-6 Ft Box 74=4 Door Wagon T=2WD
62=Pickup-7 Ft Box 77=Open Body 93" Wheelbase J,N,U=4WD
72=2 Door Wagon 78=Open Body 103" Wheelbase

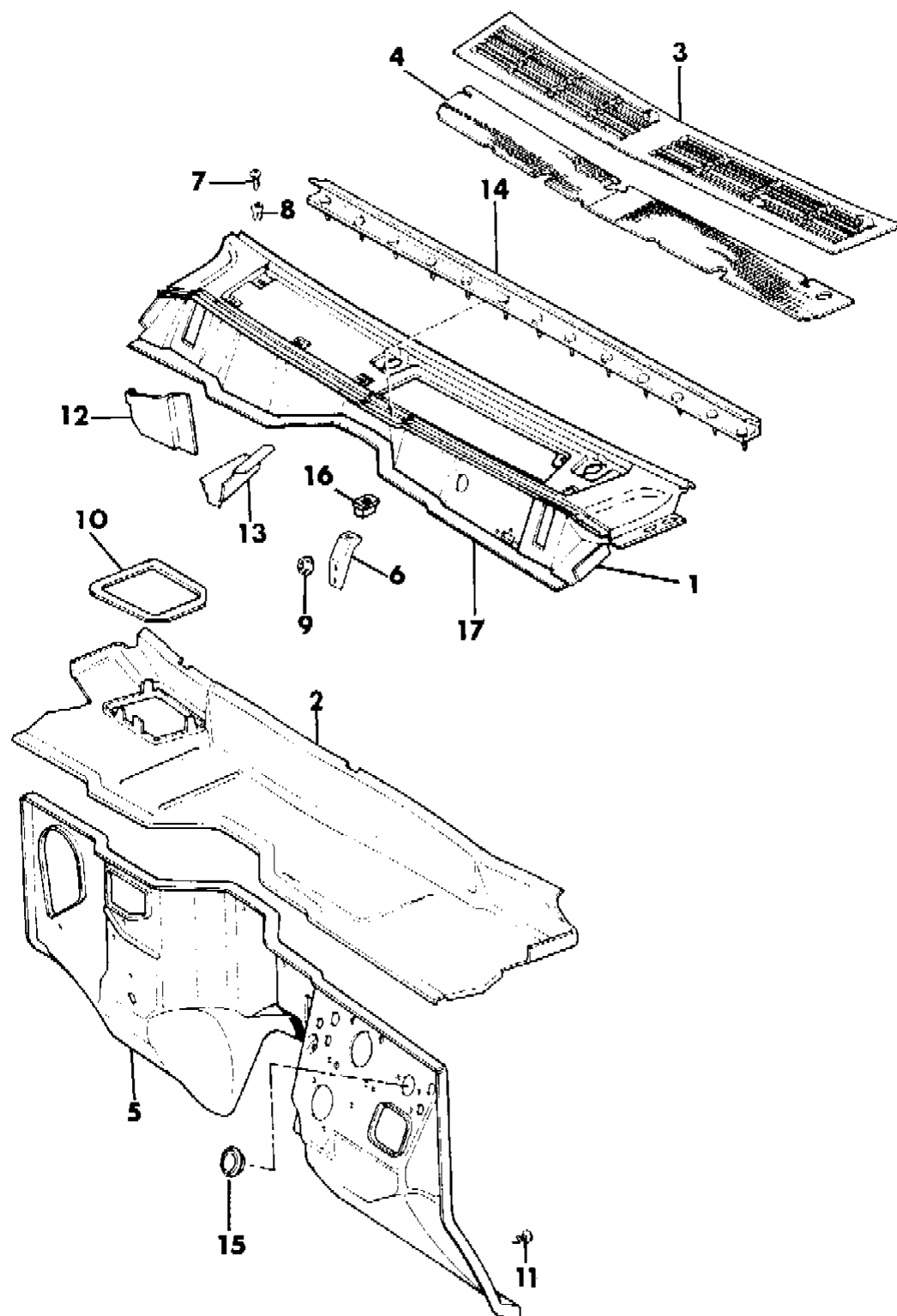
BODY STYLES:

MJ=Comanche Pickup ZJ=Grand Cherokee/Grand Wagoneer KDX VEHICLES
SJ=Grand Wagoneer M1=Comanche
XJ=Cherokee, Briarwood X1=Cherokee, Briarwood
YJ=Wrangler Y1=Wrangler

AR = Use as Required - = Non Illustrated Part P.A.R. = Paint as Required

PANELS, COWL AND DASH CHEROKEE, BRIARWOOD, COMANCHE
Figure 23A-3000

91J69 3000 B



ITEM	PART NUMBER	QTY	BODY	MODEL	DESCRIPTION
1	5502 8143	1			PANEL, Cowl Top
	5534 5056	1			1992, KDX - China, Venezuela, Egypt
	5502 7536	1			Right Hand Drive
2	5534 4720	1			PANEL, Air Chamber
	5534 5047	1			KDX - China, Egypt, Venezuela
3	5500 8832	1			GRILLE, Cowl Top
	5502 7696	1			Right Hand Drive
4	5500 8833	1			SCREEN, Grille
	5502 7697	1			Right Hand Drive
5	5502 7310	1			PANEL, Dash
	5502 7519	1			Right Hand Drive
6	5500 4869	1			BRACKET, Extension
7	3420 1230	8			SCREW
8	J400 5242	6			NUT
	3420 1358	2			NUT
10	5500 1008	1			SEAL, Heater Opening
11	J400 7117	6			FASTENER
12	5500 6544	1			SHIELD, Plenum Drain
	5502 7542	1			Right Hand Drive
	5500 4918	1			SHIELD, Cowl Top
13	5502 7543	1			Right Hand Drive
	5500 2649	1			SEAL, Cowl Top
	5513 4984	1			1991-92
14	5513 4984	1			1993
	J400 0334	1			PLUG
16	3420 1872	1			NUT
17	5534 5055	1			EXTENSION, Cowl Top
	5502 7537	1			Right Hand Drive

MODEL CODES:

61=Pickup-6 Ft Box 74=4 Door Wagon T=2WD
62=Pickup-7 Ft Box 77=Open Body 93" Wheelbase J,N,U=4WD
72=2 Door Wagon 78=Open Body 103" Wheelbase

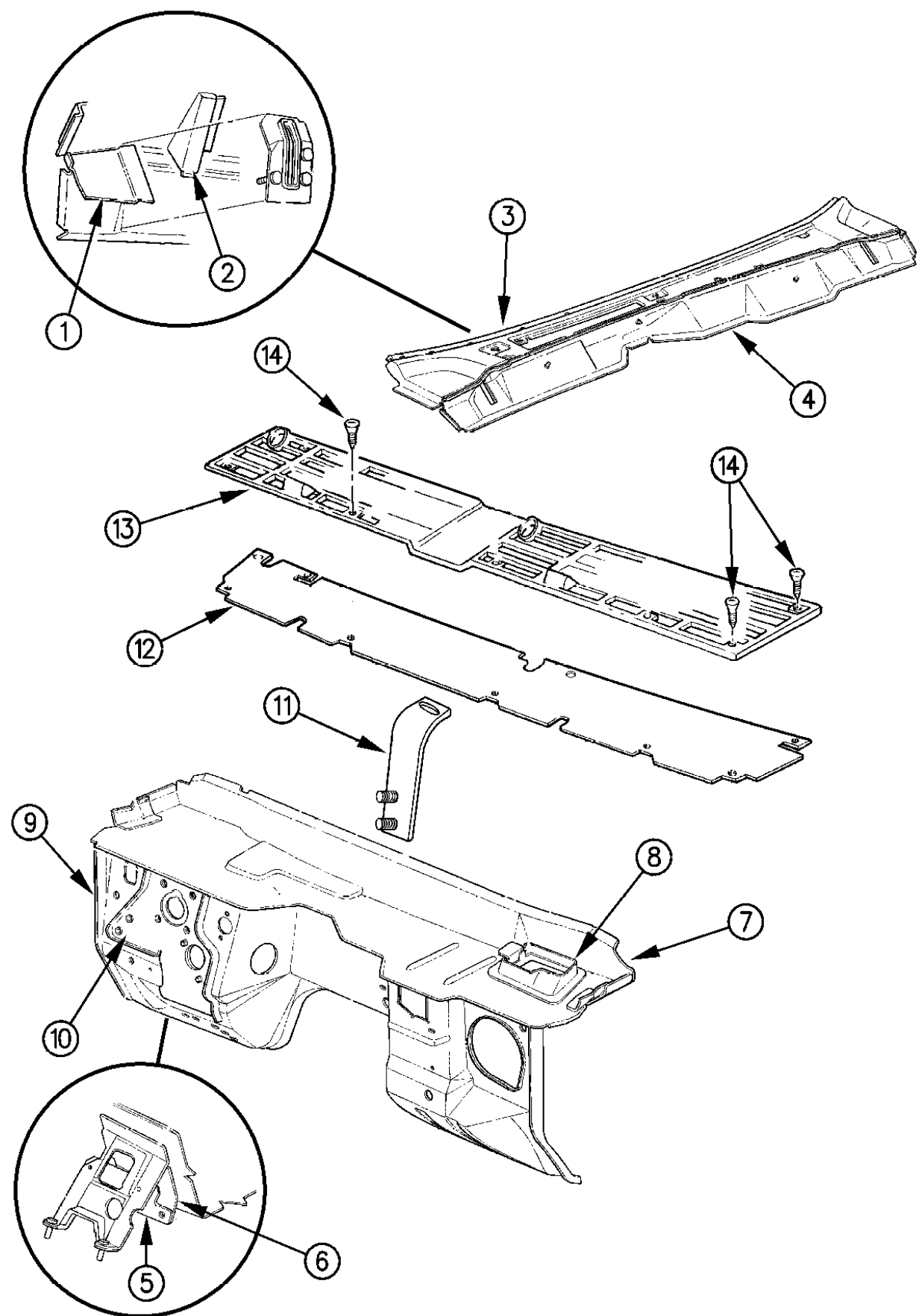
BODY STYLES:

MJ=Comanche Pickup ZJ=Grand Cherokee/Grand Wagoneer KDX VEHICLES
SJ=Grand Wagoneer M1=Comanche
XJ=Cherokee, Briarwood X1=Cherokee, Briarwood
YJ=Wrangler Y1=Wrangler

AR = Use as Required - = Non Illustrated Part P.A.R. = Paint as Required

COWL AND DASH PANEL R.H.D. XJ
Figure 23A-3050

91J69 3050



ITEM	PART NUMBER	QTY	BODY	MODEL	DESCRIPTION
1	5502 7542	1			SHIELD, Plemun Drain
2	5502 7543	1			SHIELD, Cowl Top
3	5502 7536	1			PANEL, Cowl Top
4	5502 7537	1			EXTENSION, Cowl Top
5	5502 7527	1			BRACE, Brake Pedal Bracket to Steering Column Support
6	5502 7523	1			SUPPORT, Cowl Air Chamber to Brake Pedal Bracket
7	5502 7524	1			PANEL, Cowl Air Chamber
8	5534 4552	1			DEFLECTOR, Cowl Air Chamber
9	5502 7519	1			PANEL, Dash
10	5502 7521	1			REINFORCEMENT, Brake Cylinder
11	5534 4629	1			BRACKET, Grille to Cowl Extension
12	5502 7697	1			SCREEN
13	5502 7696	1			GRILLE, Panel Cowl Top
14	3420 1230	7			SCREW

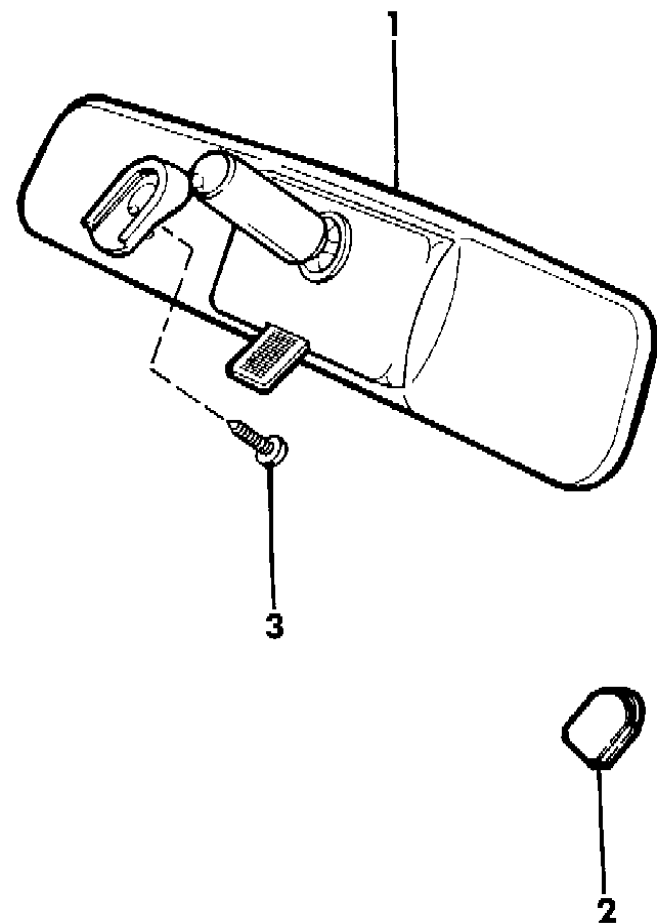
MODEL CODES:
 61=Pickup-6 Ft Box 74=4 Door Wagon T=2WD
 62=Pickup-7 Ft Box 77=Open Body 93" Wheelbase J,N,U=4WD
 72=2 Door Wagon 78=Open Body 103" Wheelbase

BODY STYLES:
 MJ=Comanche Pickup ZJ=Grand Cherokee/Grand Wagoneer KDX VEHICLES
 SJ=Grand Wagoneer M1=Comanche
 XJ=Cherokee, Briarwood X1=Cherokee, Briarwood
 YJ=Wrangler Y1=Wrangler

AR = Use as Required - = Non Illustrated Part P.A.R. = Paint as Required

MIRROR INSIDE REAR VIEW CHEROKEE, BRIARWOOD, COMANCHE
Figure 23A-3100

91J69 3100



ITEM	PART NUMBER	QTY	BODY	MODEL	DESCRIPTION
1					MIRROR, Inside Rear View
	3500 7638	1			1991
	4299 325	1			1992-93
2					SUPPORT, Inside Rear View Mirror
	J365 7374	1			1991
	4054 098	1			1992-93
3					SCREW
	J400 5766	1			1991
	6031 094	1			1992-93

(a) The Support is Replacing Mirror Mounting Kit. When installing a Mirror Support, Use Locktite #312 Adhesive and the Accelerator for Locktite #312. e Adhesive #312.

MODEL CODES:

61=Pickup-6 Ft Box 74=4 Door Wagon T=2WD
 62=Pickup-7 Ft Box 77=Open Body 93" Wheelbase J,N,U=4WD
 72=2 Door Wagon 78=Open Body 103" Wheelbase

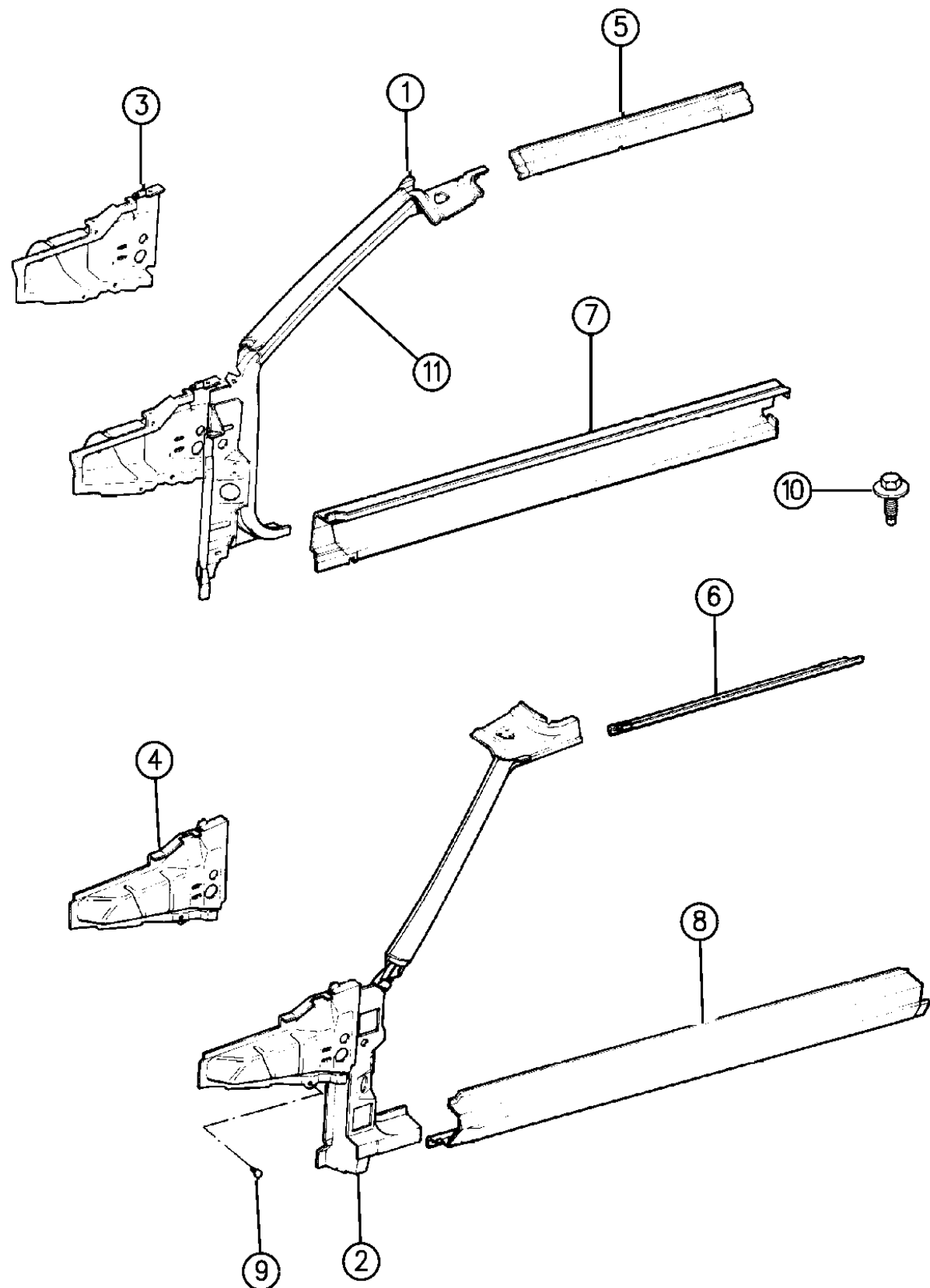
BODY STYLES:

MJ=Comanche Pickup ZJ=Grand Cherokee/Grand Wagoneer KDX VEHICLES
 SJ=Grand Wagoneer M1=Comanche
 XJ=Cherokee, Briarwood X1=Cherokee, Briarwood
 YJ=Wrangler Y1=Wrangler

AR = Use as Required - = Non Illustrated Part P.A.R. = Paint as Required

PANELS, BODY SIDE CHEROKEE 2 DOOR
Figure 23A-3200

91J69 3200A



ITEM	PART NUMBER	QTY	BODY	MODEL	DESCRIPTION
1-2					PILLAR, Hinge
	8350 7060-1	1			1991
	5534 4714-5	1			1992
	5534 5610-1	1			1993
3-4	5500 0848-9	1			PANEL, Cowl Side
5-6	5500 1006-7	1			RAIL, Roof Side
7-8	5500 1274-5	1			PANEL, Rocker
9	J400 7117	4			FASTENER, Cowl Panel
10	3420 1768	2			SCREW
11	5502 6038-9	1			REINFORCEMENT, Front Pillar Upper

MODEL CODES:

61=Pickup-6 Ft Box 74=4 Door Wagon T=2WD
62=Pickup-7 Ft Box 77=Open Body 93" Wheelbase J,N,U=4WD
72=2 Door Wagon 78=Open Body 103" Wheelbase

BODY STYLES:

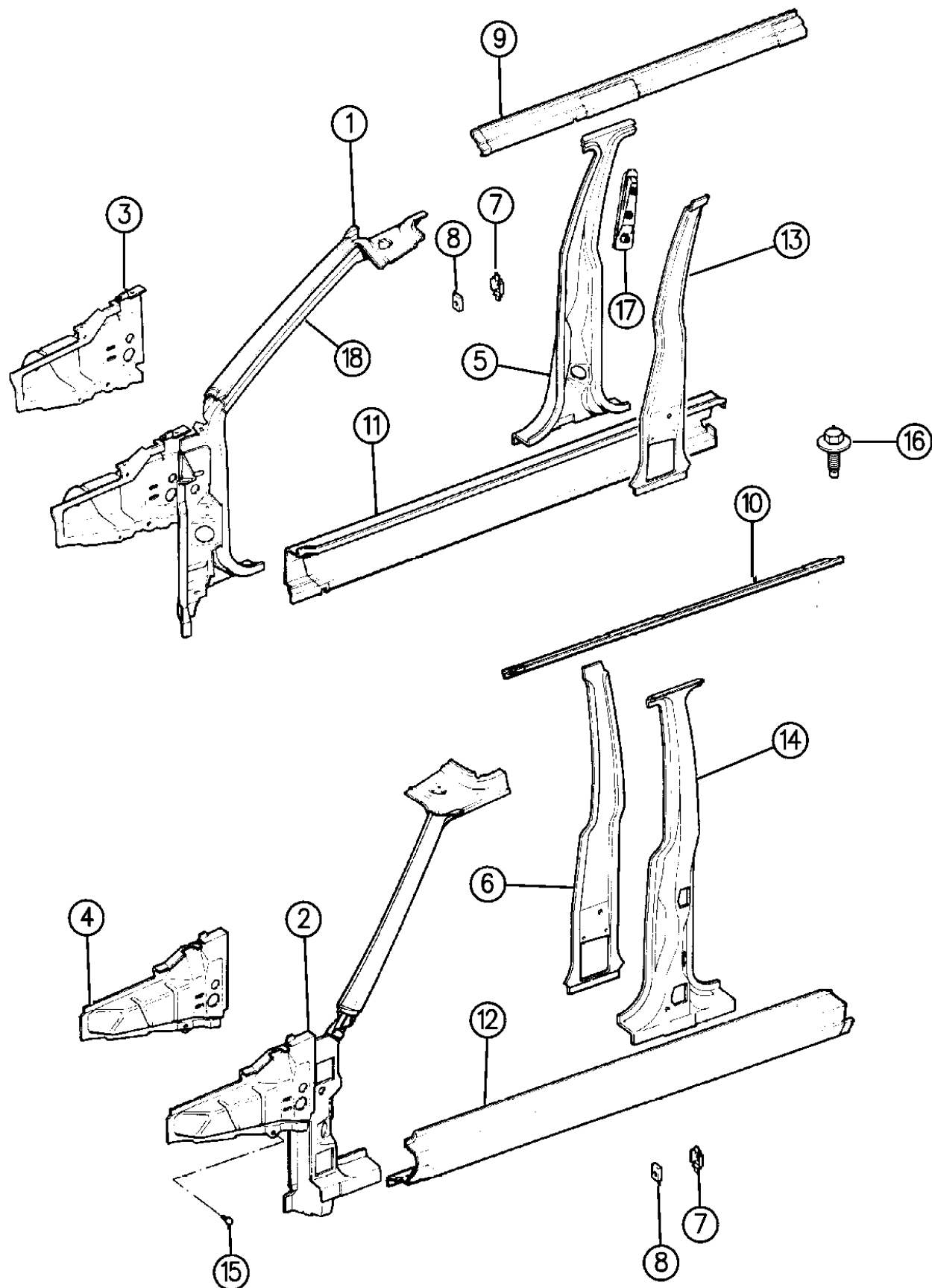
MJ=Comanche Pickup ZJ=Grand Cherokee/Grand Wagoneer KDX VEHICLES
SJ=Grand Wagoneer M1=Comanche
XJ=Cherokee, Briarwood X1=Cherokee, Briarwood
YJ=Wrangler Y1=Wrangler

AR = Use as Required - = Non Illustrated Part P.A.R. = Paint as Required

PANELS, BODY SIDE CHEROKEE, BRIARWOOD 4 DOOR
Figure 23A-3300

91J69 3300B

ITEM	PART NUMBER	QTY	BODY	MODEL	DESCRIPTION
1-2					PILLAR, Hinge
	8350 7060-1	1	XJ		1991
	5534 4714-5	1	XJ		1992
	5534 5610-1	1	XJ		1993
	5700 2640-1	1	X1		1991, KDX - China, Venezuela
	5517 4514-5	1	X1		1992, KDX - China, Egypt, Venezuela
	5534 5660-1	1	X1		1993, KDX
	5534 5722-3	1	X1		1992-93, RHD, KDX
	5534 5750-1	1	X1		1992-93, RHD, Alaska
3-4	5500 0848-9	1			PANEL, Cowl Side
5	8350 7076	1			PANEL, Center Pillar, Right
6	5534 4717	1			REINFORCEMENT, Left
7	5500 1284	2			RETAINER, Striker
8	5500 1286	2			PLATE, Striker
9-10	5500 0846-7	1			RAIL, Roof Side
11-12	5500 0174-5	1			PANEL, Rocker
13	5534 4716	1			REINFORCEMENT, Right
14	8350 7077	1			PANEL, Center Pillar, Left
15	J400 7117	4			FASTENER, Cowl Panel
16	3420 1768	6			SCREW
17	5502 9144	1			PLATE, Tapping, Shoulder Belt
18	5502 6038-9	1			REINFORCEMENT, Front Pillar Upper



MODEL CODES:

61=Pickup-6 Ft Box 74=4 Door Wagon T=2WD
62=Pickup-7 Ft Box 77=Open Body 93" Wheelbase J,N,U=4WD
72=2 Door Wagon 78=Open Body 103" Wheelbase

BODY STYLES:

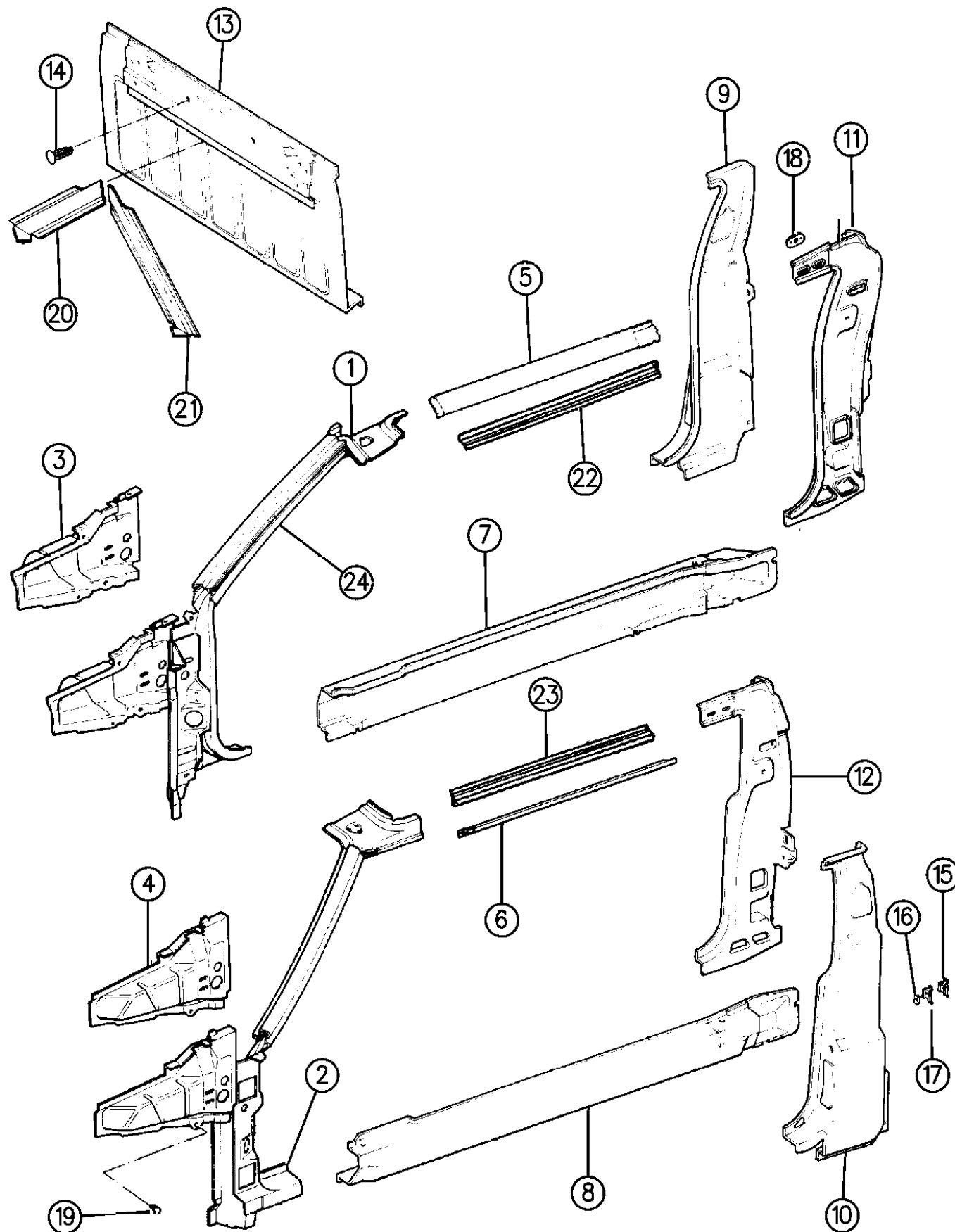
MJ=Comanche Pickup ZJ=Grand Cherokee/Grand Wagoneer KDX VEHICLES
SJ=Grand Wagoneer M1=Comanche
XJ=Cherokee, Briarwood X1=Cherokee, Briarwood
YJ=Wrangler Y1=Wrangler

AR = Use as Required - = Non Illustrated Part P.A.R. = Paint as Required

PANELS, BODY SIDE AND REAR COMANCHE

Figure 23A-3400

91J69 3400A



ITEM	PART NUMBER	QTY	BODY	MODEL	DESCRIPTION
1-2	8350 7060-1	1			PILLAR, Hinge
3-4	5500 0848-9	1			PANEL, Cowl Side
5-6	5500 3420-1	1			RAIL, Roof Side
7-8	5700 0856-7	1			PANEL, Rocker
9-10	5700 0858-9	1			PANEL, Rear Quarter
11-12	5700 0852-3	1			REINFORCEMENT, Lock Pillar, KDX - Venezuela
13	5700 0923	1			PANEL, Cab Rear
14	J400 4919	2			FASTENER
15	5700 0160	2			PLATE ASSEMBLY, Striker ***
16	5500 1286	1			PLATE, Striker
17	5500 1284	2			RETAINER, Striker
18	5500 2816	2			PLATE, Shoulder Harness
19	J400 7117	4			FASTENER, Cowl Panel
20-21	5501 7970-1	1			REINFORCEMENT, Panel
22-23	5500 3422-3	1			RAIL, Roof Side Inner
24	5502 6038-9	1			REINFORCEMENT, Front Pillar Upper

MODEL CODES:

61=Pickup-6 Ft Box 74=4 Door Wagon T=2WD
 62=Pickup-7 Ft Box 77=Open Body 93" Wheelbase J,N,U=4WD
 72=2 Door Wagon 78=Open Body 103" Wheelbase

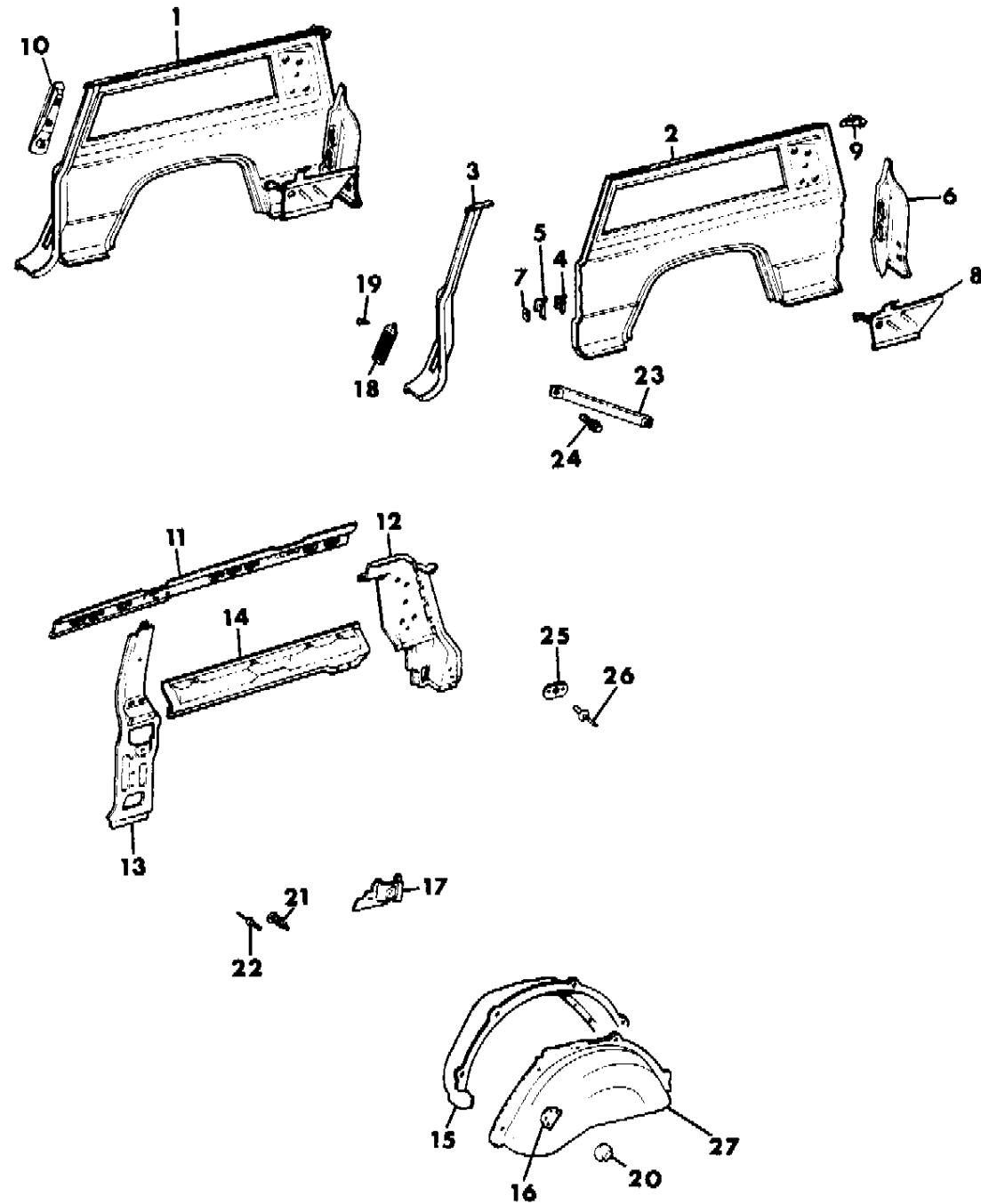
BODY STYLES:

MJ=Comanche Pickup ZJ=Grand Cherokee/Grand Wagoneer KDX VEHICLES
 SJ=Grand Wagoneer M1=Comanche
 XJ=Cherokee, Briarwood X1=Cherokee, Briarwood
 YJ=Wrangler Y1=Wrangler

AR = Use as Required - = Non Illustrated Part P.A.R. = Paint as Required

PANELS, REAR QUARTER CHEROKEE 2 DOOR
Figure 23A-3500

91J69 3500 D



ITEM	PART NUMBER	QTY	BODY	MODEL	DESCRIPTION
1		1			PANEL ASSEMBLY, Rear Quarter
	5700 0150				Right, 1991-93
	5700 0151				Left, 1991
	4741 585				Left, 1992-93
2	5502 5790-1	1			PANEL, Rear Quarter
3	5500 0866-7	1			PILLAR, Lock
4	5700 0576	2			PLATE, ASSEMBLY, Striker
5	5500 1284	2			RETAINER, Striker
6					PANEL, Taillamp
	5500 4112-3	1			1991-92
	5534 5760-1	1			1993
7	5500 1286	2			PLATE, Striker
8					PANEL, Side Extension
	5500 0026-7	1			1991-92
	5534 5164-5	1			1993
9	5500 1014-5	1			EXTENSION, Panel
10	5502 9144	2			PLATE , Tapping, Shoulder Belt
11					RAIL, Roof Side
	5502 5564-5	1			1991
	5534 5188-9	1			1992-93
12	5700 0156-7	1			PILLAR, Lift Door Opening
13	5502 9778-9	1			REINFORCEMENT
14	5534 4582-3	1			RAIL, Rear Quarter Belt
15	5500 0144-5	1			PANEL, Wheelhouse Outer
16	5502 6758	2			DOUBLER, Rear Wheelhouse Inner To Support Bracket, Rear Seat Hinge
17	5500 2120-1	1			BRACKET, Seat Latch
18	5500 1980	2			EXHAUSTER, Air ***
19	1150 1609	2			SCREW
20	5500 1231	1			BRACKET, Hinge Pivot
21	J400 7117	2			FASTENER
22	3420 1032	8			RIVET
23	5500 6218	2			BRACE, Door Lock Striker
24	3420 2036	4			SCREW
25	5500 2816	2			PLATE, Shoulder Harness
26	3420 1353	4			RIVET
27	5500 0146-7	1			PANEL, Wheelhouse Inner

MODEL CODES:

61=Pickup-6 Ft Box 74=4 Door Wagon T=2WD
62=Pickup-7 Ft Box 77=Open Body 93" Wheelbase J,N,U=4WD
72=2 Door Wagon 78=Open Body 103" Wheelbase

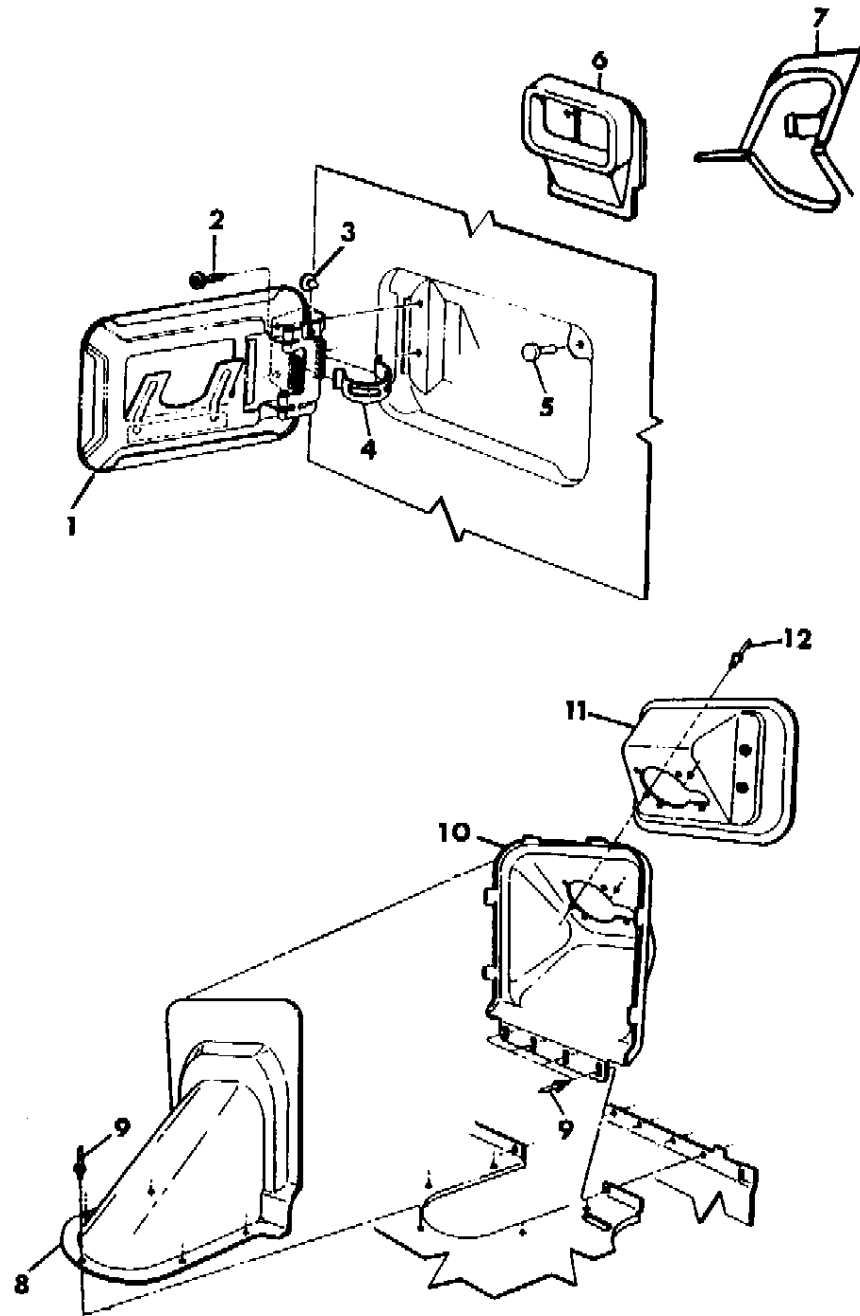
BODY STYLES:

MJ=Comanche Pickup ZJ=Grand Cherokee/Grand Wagoneer KDX VEHICLES
SJ=Grand Wagoneer M1=Comanche
XJ=Cherokee, Briarwood X1=Cherokee, Briarwood
YJ=Wrangler Y1=Wrangler

AR = Use as Required - = Non Illustrated Part P.A.R. = Paint as Required

FUEL FILLER HOUSING & DOOR CHEROKEE, BRIARWOOD
Figure 23A-3550

91J69 3550



ITEM	PART NUMBER	QTY	BODY	MODEL	DESCRIPTION
1	5500 0819	1			DOOR, Fuel Filler
2	3420 2399	2			SCREW
3	J063 5787	1			BUMPER, Door
4	5500 4206	1			SPRING, Door
5	3420 1812	1			BUMPER
6	5700 0177	1			HOUSING, Fuel Filler, Outer, 1991
7	5700 0193	1			HOUSING, 1991
8	5534 5623	1			HOUSING, Fuel Filler, (w/Seal), 1992-93
9	3420 1208	AR			RIVET, 1992-93
10	5534 5622	1			EXTENSION, Fuel Filler Housing, 1992-93
11	5534 5621	1			HOUSING, Fuel Filler Support, 1992-93
12	3420 1684	2			RIVET, 1992-93

MODEL CODES:

61=Pickup-6 Ft Box 74=4 Door Wagon T=2WD
62=Pickup-7 Ft Box 77=Open Body 93" Wheelbase J,N,U=4WD
72=2 Door Wagon 78=Open Body 103" Wheelbase

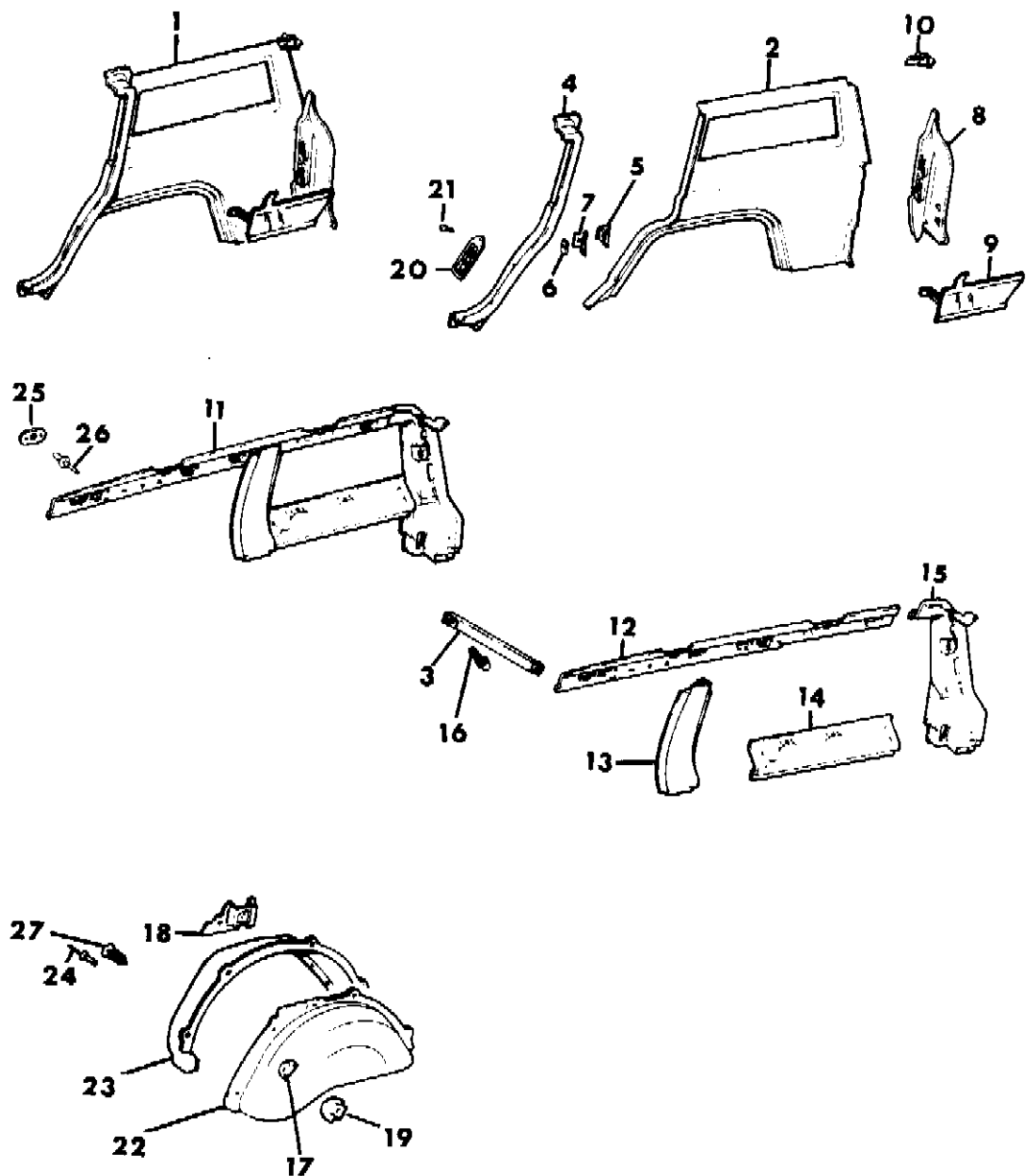
BODY STYLES:

MJ=Comanche Pickup ZJ=Grand Cherokee/Grand Wagoneer KDX VEHICLES
SJ=Grand Wagoneer M1=Comanche
XJ=Cherokee, Briarwood X1=Cherokee, Briarwood
YJ=Wrangler Y1=Wrangler

AR = Use as Required - = Non Illustrated Part P.A.R. = Paint as Required

PANELS, REAR QUARTER CHEROKEE, BRIARWOOD 4 DOOR
Figure 23A-3600

91J69 3600 B



ITEM	PART NUMBER	QTY	BODY	MODEL	DESCRIPTION
1		1			PANEL ASSEMBLY, Rear Quarter, Outer
	5700 0130				Right, 1991-93
	5700 0131	1			Left, 1991
	4741 573	1			Left, 1992-93
2	5500 0094-5	1			PANEL, Rear Quarter
3	5500 6218	2			BRACE, Door Lock Striker
4	5500 0844-5	1			PILLAR, Lock
5	5700 0160	2			PLATE, ASSEMBLY, Striker
6	5500 1286	2			PLATE, Striker
7	5500 1284	2			RETAINER, Striker
8					PANEL, Taillamp
	5500 4112-3	1			1991-92
	5534 5760-1	1			1993
9					PANEL, Side Extension
	5500 0026-7	1			1991-92
	5534 5164-5	1			1993
10	5500 1014-5	1			EXTENSION, Panel
11	5700 2680-1	1			PANEL, Rear Quarter Inner, KDX - CHINA, VENEZEULA
12					RAIL, Roof Side
	5502 5562-3	1			1991
	5534 5186-7	1			1992-93
13	5500 0116-7	1			REINFORCEMENT
14	5502 9602-3	1			RAIL, Rear Quarter Belt
15	5700 0136-7	1			PILLAR, Lift Door Opening
16	3420 2036	4			SCREW
17	5502 6758	2			DOUBLER, Rear Wheelhouse Inner To Support Bracket, Rear Seat Hinge
18	5500 2120-1	1			BRACKET, Seat Latch
19	5500 1231	1			BRACKET, Rear Seat Hinge Pivot
20	5500 1980	2			EXHAUSTER, Air ***
21	1150 1609	2			SCREW
22	5500 0146-7	1			PANEL, Wheelhouse Inner
23	5500 0144-5	1			PANEL, Wheelhouse Outer
24	3420 1032	8			RIVET
25	5500 2816	2			PLATE, Shoulder Harness
26	3420 1353	4			RIVET
27	J400 7117	2			FASTENER

MODEL CODES:

61=Pickup-6 Ft Box 74=4 Door Wagon T=2WD
62=Pickup-7 Ft Box 77=Open Body 93" Wheelbase J,N,U=4WD
72=2 Door Wagon 78=Open Body 103" Wheelbase

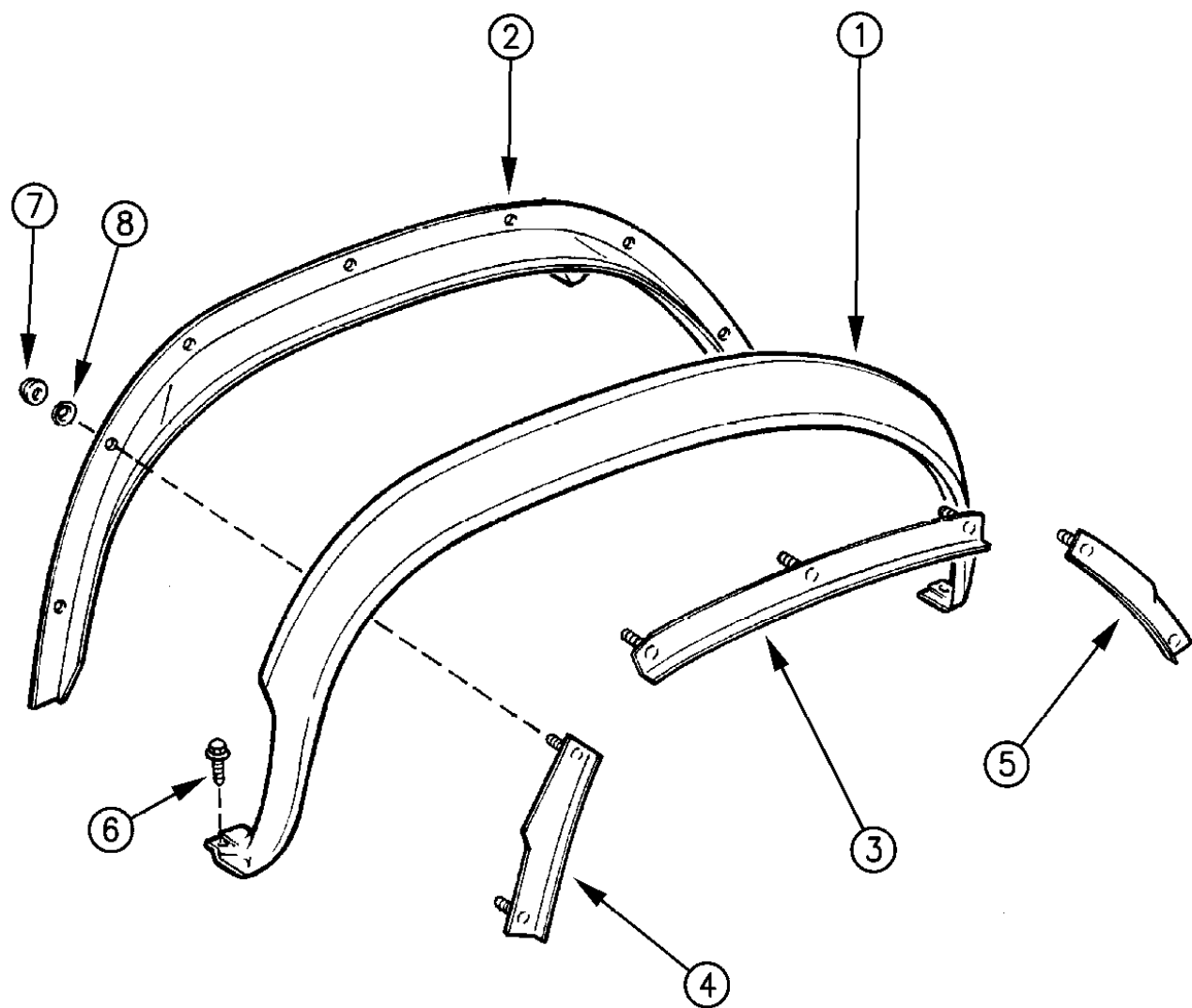
BODY STYLES:

MJ=Comanche Pickup ZJ=Grand Cherokee/Grand Wagoneer KDX VEHICLES
SJ=Grand Wagoneer M1=Comanche
XJ=Cherokee, Briarwood X1=Cherokee, Briarwood
YJ=Wrangler Y1=Wrangler

AR = Use as Required - = Non Illustrated Part P.A.R. = Paint as Required

APPLIQUES, REAR QUARTER PANEL CHEROKEE, BRIARWOOD, COMANCHE
Figure 23A-3700

91J69 3700A



ITEM	PART NUMBER	QTY	BODY	MODEL	DESCRIPTION
1					APPLIQUE, Rear Quarter, P.A.R.
	5AG24-5 JX9	1	XJ		Flat Black, P.A.R.
	5AG18-9 JX8	1	XJ		Gloss Black
	5AG28-9 JX9	1	MJ		Flat Black, P.A.R.
	5AG26-7 JX8	1	MJ		Gloss Black
2					PANEL, Inner Protective
	5500 4032-3	1	XJ		
	5500 6176-7	1	MJ		
3					RETAINER, Applique
	5500 3240	2	XJ		
	5500 4991	2	MJ		
4					RETAINER, Applique
	5500 3238-9	1	XJ		
	5500 4994-5	1	MJ		
5					RETAINER, Applique
	5500 3242-3	1	XJ		
	5500 4994-5	1	MJ		
6	1150 2843	4			SCREW
7	J420 0408	AR			NUT
8	J400 6866	10			NUT

MODEL CODES:

61=Pickup-6 Ft Box 74=4 Door Wagon T=2WD
 62=Pickup-7 Ft Box 77=Open Body 93" Wheelbase J,N,U=4WD
 72=2 Door Wagon 78=Open Body 103" Wheelbase

BODY STYLES:

MJ=Comanche Pickup ZJ=Grand Cherokee/Grand Wagoneer KDX VEHICLES
 SJ=Grand Wagoneer M1=Comanche
 XJ=Cherokee, Briarwood X1=Cherokee, Briarwood
 YJ=Wrangler Y1=Wrangler

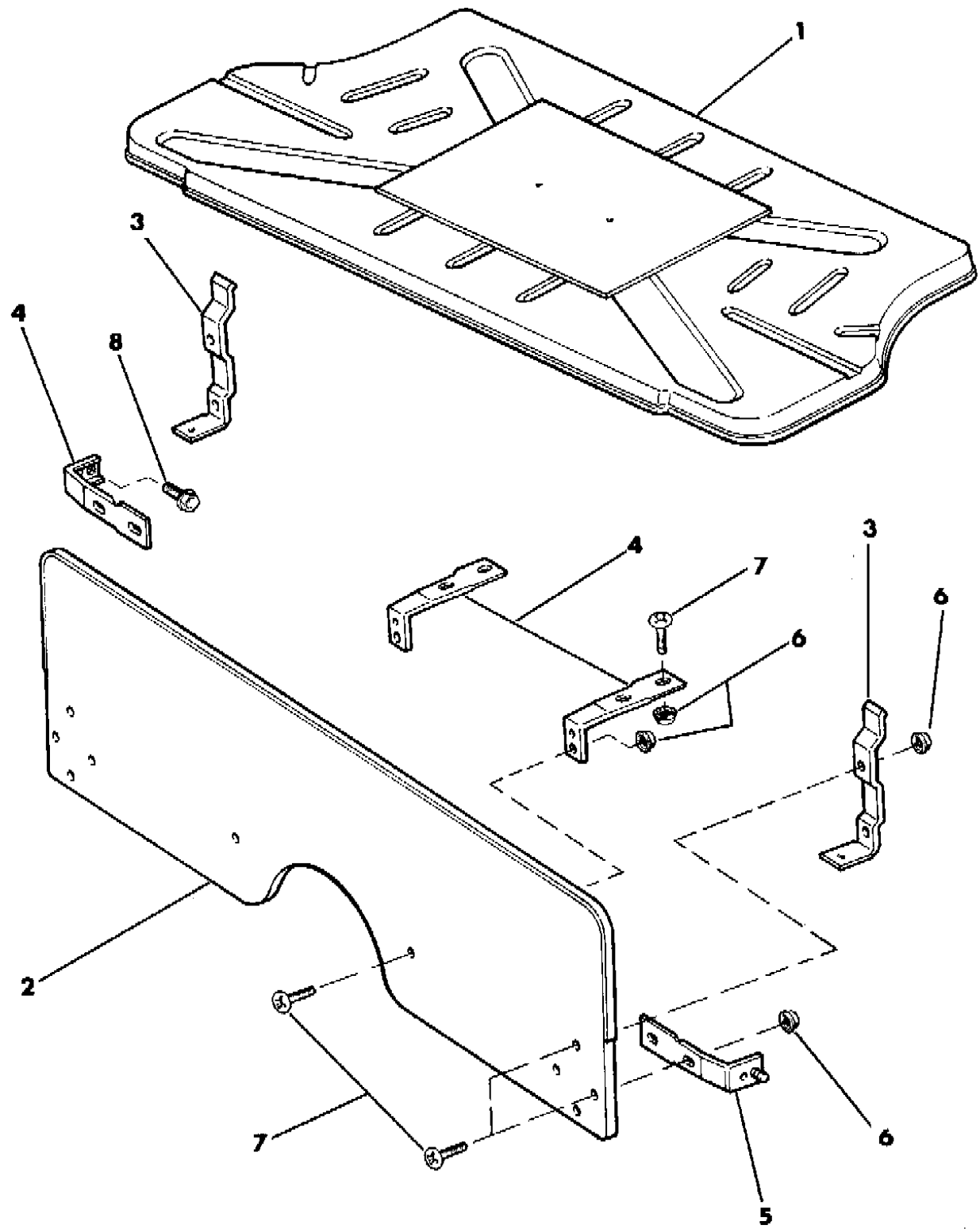
AR = Use as Required - = Non Illustrated Part P.A.R. = Paint as Required

PANELS, LOAD BARRIER AND AUXILIARY FLOOR CHEROKEE 2 DOOR, FRENCH COMMERCIAL PACKAGE

Figure 23A-3800

91J69 3800

ITEM	PART NUMBER	QTY	BODY	MODEL	DESCRIPTION
1	5502 6020	1			PANEL, Floor
2					PANEL, Load Barrier, (Not Serviced)
3	5AD7 7KA8	2			BRACKET, Floor P.A.R
4	5AD7 6JH9	AR			BRACKET, Sill
5	5AK4 8KA8	1			BRACKET, Sill
6	J400 3909	4			NUT
7	J400 5651	4			SCREW
8	3420 1749	1			BOLT



MODEL CODES:

61=Pickup-6 Ft Box 74=4 Door Wagon T=2WD
 62=Pickup-7 Ft Box 77=Open Body 93" Wheelbase J,N,U=4WD
 72=2 Door Wagon 78=Open Body 103" Wheelbase

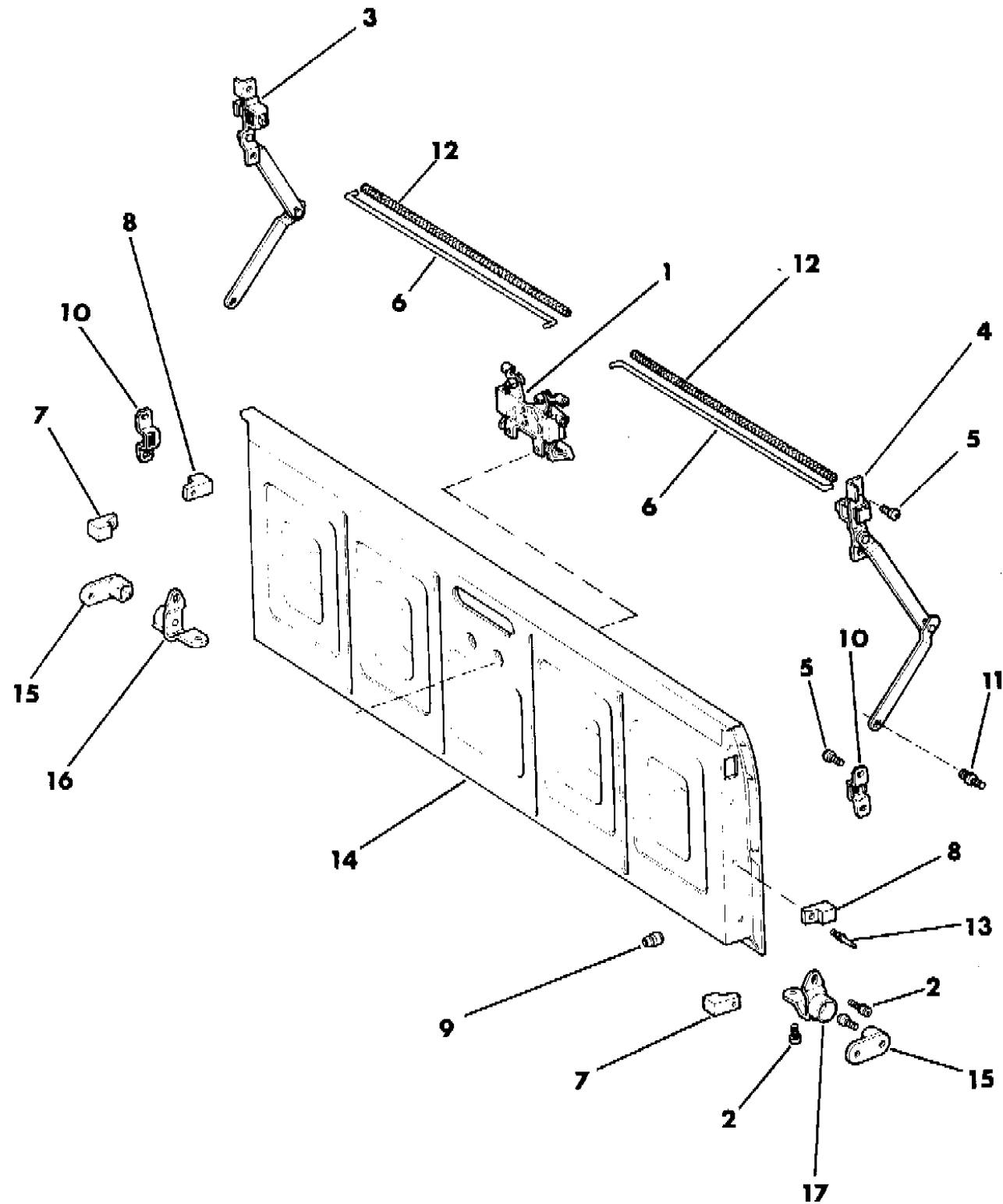
BODY STYLES:

MJ=Comanche Pickup ZJ=Grand Cherokee/Grand Wagoneer KDX VEHICLES
 SJ=Grand Wagoneer M1=Comanche
 XJ=Cherokee, Briarwood X1=Cherokee, Briarwood
 YJ=Wrangler Y1=Wrangler

AR = Use as Required - = Non Illustrated Part P.A.R. = Paint as Required

TAILGATE, LATCHES AND HINGES COMANCHE
Figure 23A-3900

91J69 3900 A



ITEM	PART NUMBER	QTY	BODY	MODEL	DESCRIPTION
1	5500 8103	1			HANDLE, Tailgate
2	3420 1596	8			BOLT
3	5500 4886	1			LATCH, (INCL. LINKAGE)
4	5500 4887	1			LATCH, (INCL. LINKAGE)
5	3420 1655	6			SCREW
6	5500 4889	2			ROD, Latch Release
7	5500 4883	2			BUMPER, Body Half
8	5500 4888	2			BUMPER, Tailgate Half
9	5500 4885	4			BUMPER, Tailgate Latch
10	5500 4892	2			STRIKER, Latch
11	3420 2113	2			SCREW
12		2			SLEEVE, (Not Serviced)
13	J400 6543	4			RIVET
14	5700 0890	1			TAILGATE, Pickup Box
15	5500 4884	2			HINGE, Tailgate
16	5500 4318	1			HINGE, Tailgate
17	5500 4319	1			HINGE, Tailgate

MODEL CODES:

61=Pickup-6 Ft Box 74=4 Door Wagon T=2WD
 62=Pickup-7 Ft Box 77=Open Body 93" Wheelbase J,N,U=4WD
 72=2 Door Wagon 78=Open Body 103" Wheelbase

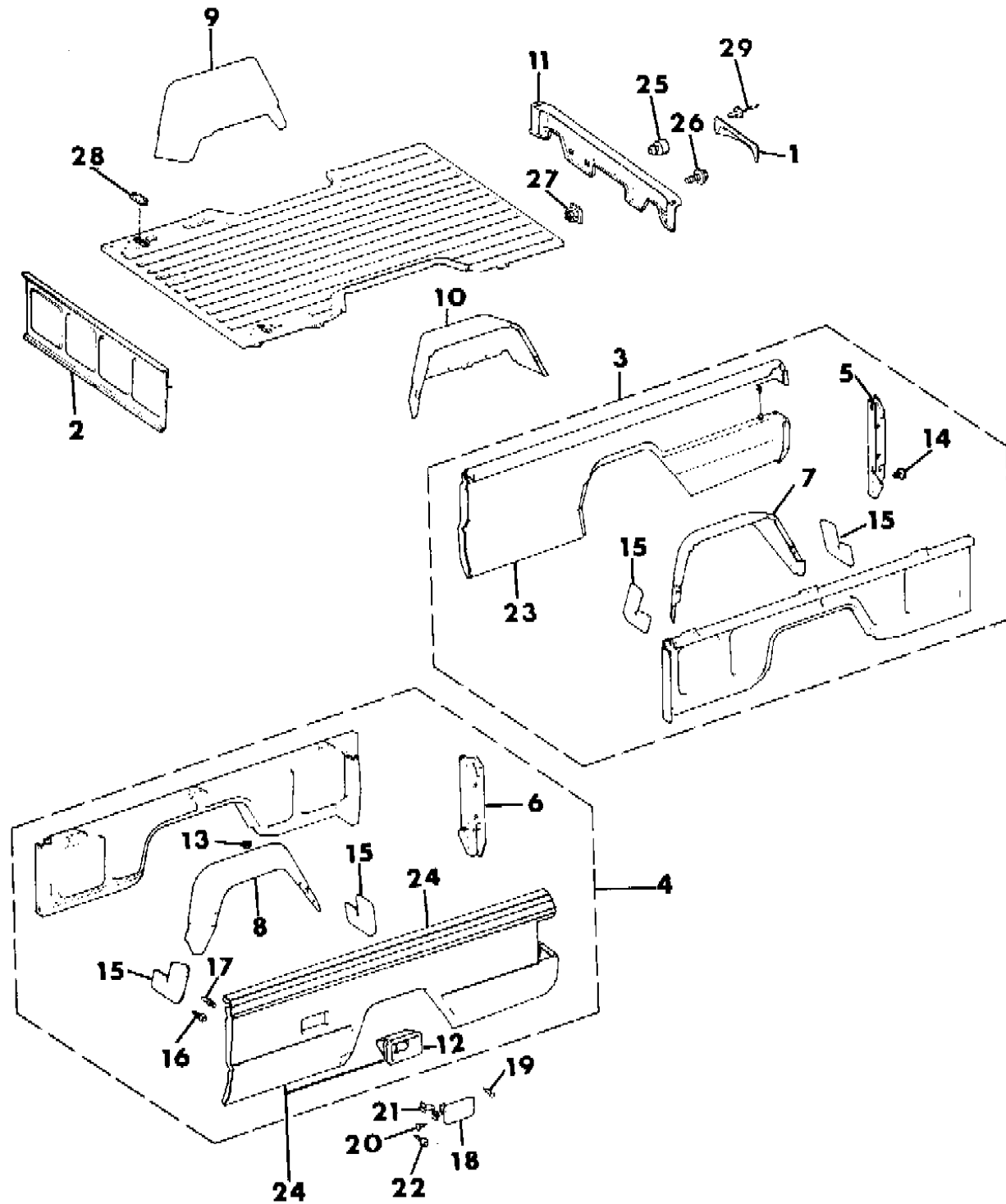
BODY STYLES:

MJ=Comanche Pickup ZJ=Grand Cherokee/Grand Wagoneer KDX VEHICLES
 SJ=Grand Wagoneer M1=Comanche
 XJ=Cherokee, Briarwood X1=Cherokee, Briarwood
 YJ=Wrangler Y1=Wrangler

AR = Use as Required - = Non Illustrated Part P.A.R. = Paint as Required

BOX, PICKUP COMANCHE
Figure 23A-4000

91J69 4000 A



ITEM	PART NUMBER	QTY	BODY	MODEL	DESCRIPTION
1	5500 9144	1			COVER
2	5700 0880	1			PANEL, Pickup Box, Front
3	5700 0884	1			PANEL, Pickup Box Side, Right, w/7 ft. pickup box
	5700 1992	1			PANEL, Pickup Box Side, Right, w/6 ft. pickup box
4	5700 0885	1			PANEL, Pickup Box Side, Left w/7 ft. pickup box
	5700 1993	1			PANEL, Pickup Box Side, Left w/6 ft. pickup box
5	5700 0876	1			PILLAR, Pickup Box Rear, Right
6	5700 0877	1			PILLAR, Pickup Box Rear, Left
7	5500 4042	1			FENDER, Pickup Box, Right
8	5500 4043	1			FENDER, Pickup Box, Left
9	5500 4040	1			PANEL, Wheelhouse Rear, Right
10	5500 4041	1			PANEL, Wheelhouse Rear, Left
11	5700 0872	1			CROSSMEMBER, Rear w/7 ft. pickup box
	5700 1991	1			CROSSMEMBER, Rear w/6 ft. pickup box
12	5500 8888	1			HOUSING, Fuel Filler
13	5500 6578	2			PLUG, Drain
14	J400 4919	2			FASTENER
15	5500 6178	4			GUARD, Splash
16	3420 1984	18			SCREW
17	3420 1631	2			RIVET
18	5500 0819	1			DOOR, Fuel Filler
19	3420 1812	1			BUMPER, Door
20	J063 5787	1			BUMPER, Door
21	5500 4206	1			SPRING, Door
22	3420 2399	2			SCREW
23	5500 3542	1			PANEL, Side, Right w/7 ft. pickup box
	5500 9136	1			PANEL, Side Right w/6 ft. pickup box
24	5700 0875	1			PANEL, Side Left w/7 ft. pickup box
	5700 1999	1			PANEL, Side Left w/6 ft. pickup box
25	3420 1202	2			BUMPER
26	3420 2091	2			SCREW
27	3420 1263	2			NUT
28	5500 9399	2			PLUG
29	3420 1208	5			RIVET

MODEL CODES:

61=Pickup-6 Ft Box 74=4 Door Wagon T=2WD
 62=Pickup-7 Ft Box 77=Open Body 93" Wheelbase J,N,U=4WD
 72=2 Door Wagon 78=Open Body 103" Wheelbase

BODY STYLES:

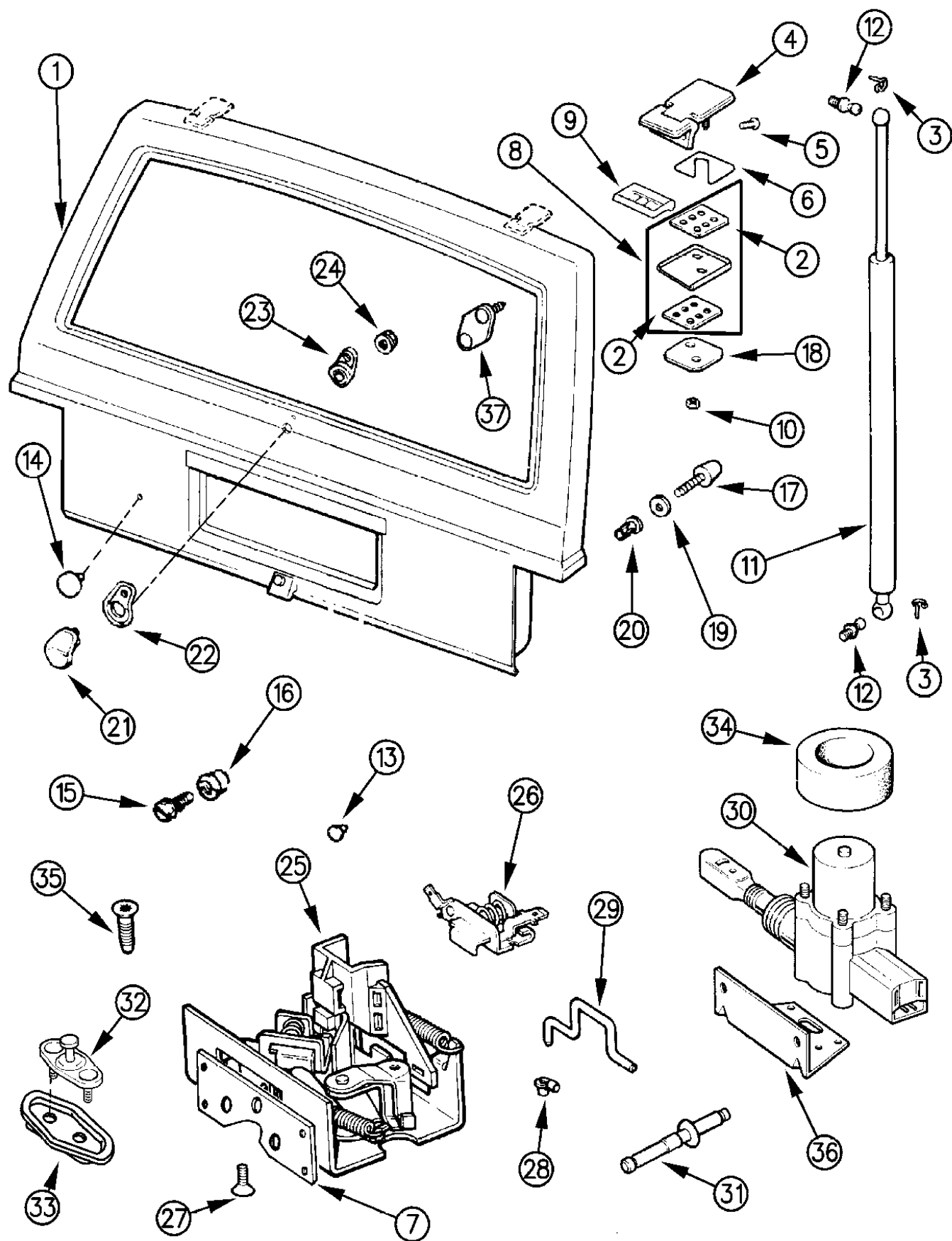
MJ=Comanche Pickup ZJ=Grand Cherokee/Grand Wagoneer KDX VEHICLES
 SJ=Grand Wagoneer M1=Comanche
 XJ=Cherokee, Briarwood X1=Cherokee, Briarwood
 YJ=Wrangler Y1=Wrangler

AR = Use as Required - = Non Illustrated Part P.A.R. = Paint as Required

LIFT DOOR, LATCH AND HINGES CHEROKEE, BRIARWOOD

Figure 23A-4100

91J69 4100C



ITEM	PART NUMBER	QTY	BODY	MODEL	DESCRIPTION
1	5502 7416	1			DOOR, Lift
2	5507 4538	4			SEAL, Hinge
3	J367 9830	4			CLIP
4					HINGE, Lift Door
	5507 4534-5	1			1991-92
	5507 5294-5	1			1993
5	3420 1925	4			SCREW
6	5507 4539	2			SHIM
7	5501 5398	1			PLATE, Liftgate Latch
8	5507 4536-7	1			GASKET
9	5500 1992-3	1			GASKET, Hinge
10	6500 284	4			NUT, Washer
11	5502 7180	2			SUPPORT, Lift Door
12					STUD, Ball
	5500 1430	4			1991-92
	5507 5204	4			1993
13	J400 4227	2			BUMPER, License
14	J323 4895	2			BUMPER, License
15	6502 407	2			SCREW
16	3420 1672	2			NUT
17	5500 5608	2			STOP, Lift Door
18	5507 4529	2			SHIM
19	5500 6770	2			SHIM
20	3420 1977	2			NUT
21	5500 6292	1			PLUG
22	5500 6293	1			GASKET
23	5500 6294	1			SPACER
24	J400 3084	1			NUT
25					LATCH, Lift Door
					w/ Cargo Lamp Switch
	5500 6865	1			1991-92
	5507 5279	1			1993
					w/o Cargo Lamp Switch
	5500 6864	1			1991-92
	5507 5278	1			1993
26	5600 0479	1			SWITCH, Cargo Lamp
27	3420 1996	3			SCREW
28	J400 3673	1			RETAINER
29	5500 0730	1			ROD, Lock Actuator
30	J813 4627	1			ACTUATOR, Power Lock
31	3420 1353	2			RIVET

MODEL CODES:

61=Pickup-6 Ft Box 74=4 Door Wagon T=2WD
 62=Pickup-7 Ft Box 77=Open Body 93" Wheelbase J,N,U=4WD
 72=2 Door Wagon 78=Open Body 103" Wheelbase

BODY STYLES:

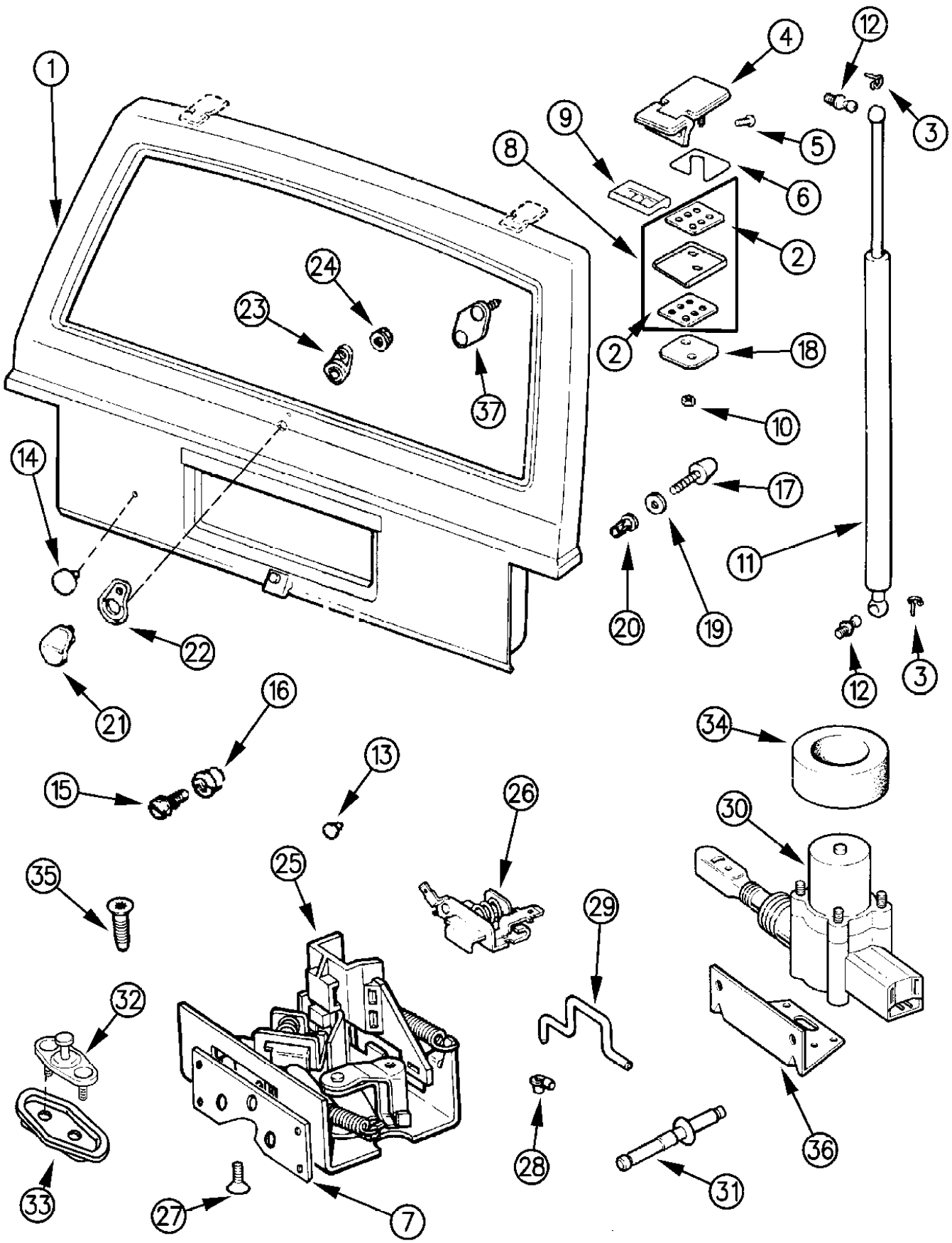
MJ=Comanche Pickup ZJ=Grand Cherokee/Grand Wagoneer KDX VEHICLES
 SJ=Grand Wagoneer M1=Comanche
 XJ=Cherokee, Briarwood Y1=Wrangler
 YJ=Wrangler

AR = Use as Required - = Non Illustrated Part P.A.R. = Paint as Required

LIFT DOOR, LATCH AND HINGES CHEROKEE, BRIARWOOD

Figure 23A-4100

91J69 4100C



ITEM	PART NUMBER	QTY	BODY	MODEL	DESCRIPTION
32	5507 4641				STRIKER, Latch
	4713 437	1			STRIKER, Pkg. (Contains Striker, Tapping Plate, Nut & Washer)
33	5500 2756	AR			SHIM, 1991
	5500 4352	1			RETAINER, 1992-93
34	5600 1242	1			INSULATOR
35	3420 1516	2			SCREW, 1991
36	J371 9474	1			BRACKET, Actuator
37	5515 4662	1			PLUG, Liftgate w/o Wiper

MODEL CODES:
 61=Pickup-6 Ft Box 74=4 Door Wagon T=2WD
 62=Pickup-7 Ft Box 77=Open Body 93" Wheelbase J,N,U=4WD
 72=2 Door Wagon 78=Open Body 103" Wheelbase

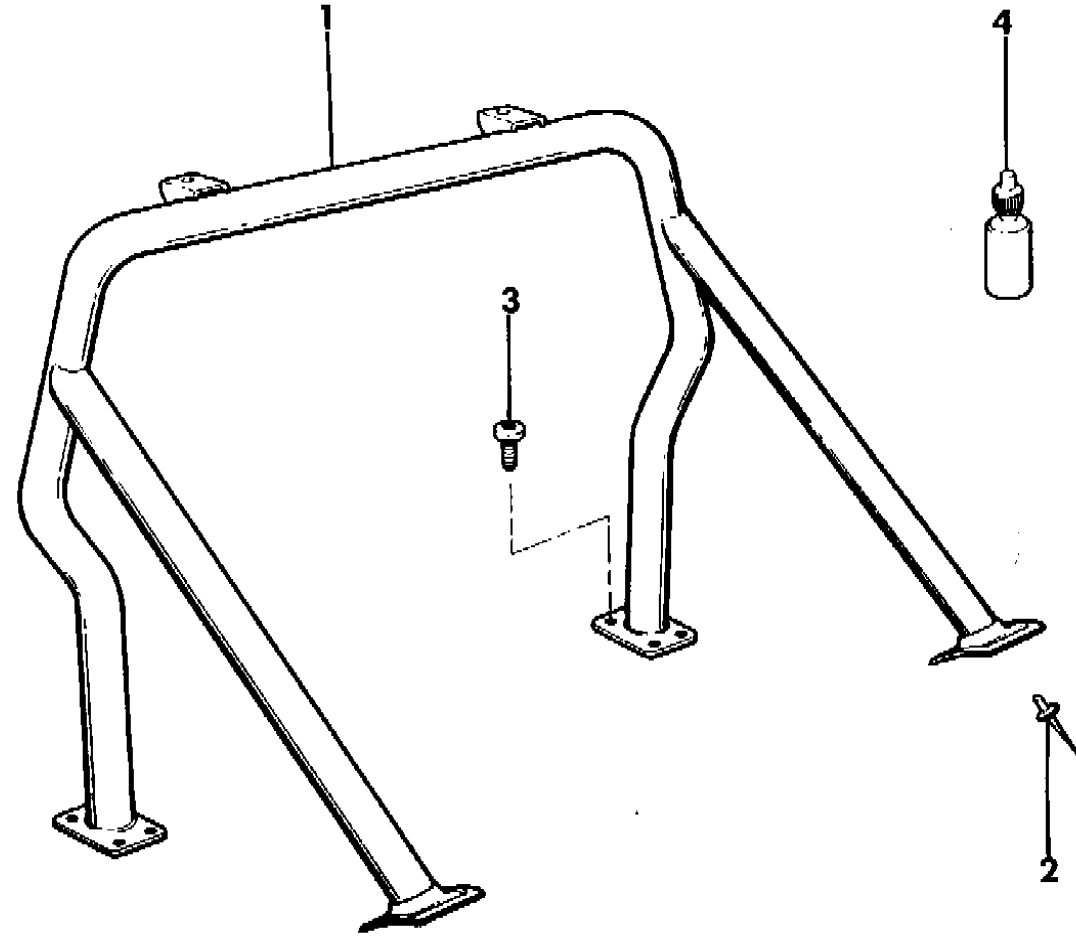
BODY STYLES:
 MJ=Comanche Pickup ZJ=Grand Cherokee/Grand Wagoneer KDX VEHICLES
 SJ=Grand Wagoneer M1=Comanche
 XJ=Cherokee, Briarwood X1=Cherokee, Briarwood
 YJ=Wrangler Y1=Wrangler

AR = Use as Required - = Non Illustrated Part P.A.R. = Paint as Required

SPORT BAR COMANCHE
Figure 23A-4200

91J69 4200

ITEM	PART NUMBER	QTY	BODY	MODEL	DESCRIPTION
1	8220 0359	1			SPORT BAR, w/7 ft. pickup box ***
	8220 0522	1			SPORT BAR, w/6 ft. pickup box ***
2	3420 1208	4			RIVET
3	3420 2158	26			BOLT
4	J812 9800	1			SEALER, Bolt



MODEL CODES:

61=Pickup-6 Ft Box 74=4 Door Wagon T=2WD
 62=Pickup-7 Ft Box 77=Open Body 93" Wheelbase J,N,U=4WD
 72=2 Door Wagon 78=Open Body 103" Wheelbase

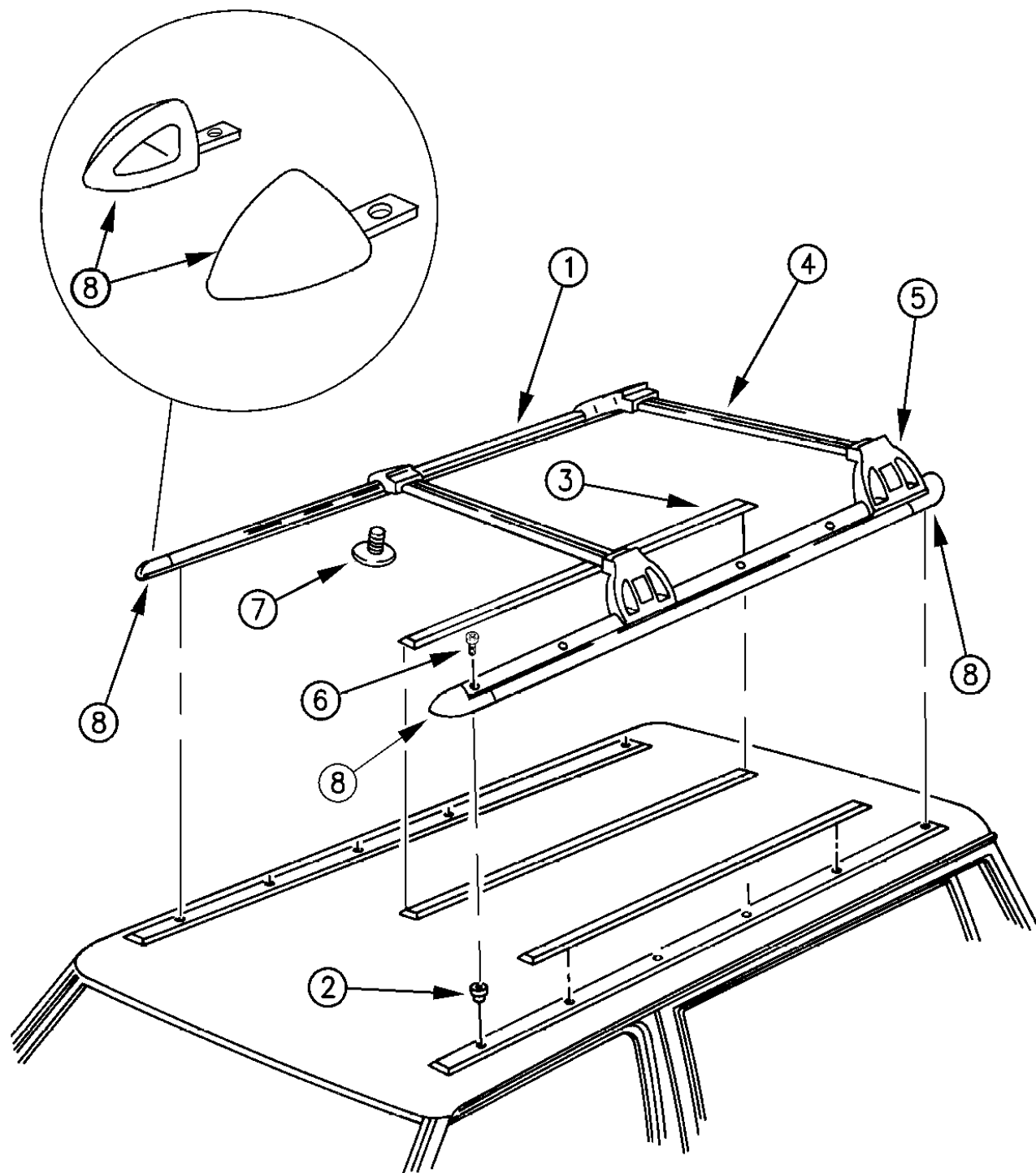
BODY STYLES:

MJ=Comanche Pickup ZJ=Grand Cherokee/Grand Wagoneer KDX VEHICLES
 SJ=Grand Wagoneer M1=Comanche
 XJ=Cherokee, Briarwood X1=Cherokee, Briarwood
 YJ=Wrangler Y1=Wrangler

AR = Use as Required - = Non Illustrated Part P.A.R. = Paint as Required

RACK, ROOF LUGGAGE CHEROKEE, BRIARWOOD
Figure 23A-4300

91J69 4300C



ITEM	PART NUMBER	QTY	BODY	MODEL	DESCRIPTION
1		2			RAIL, Slide
	5507 4650				1991, w/End Caps Black
	5507 4651				Bright
	5507 5115				1992-93, w/o End Caps Black
	5507 5116				Bright
2	6502 751	12			NUT
3					STRIP, Skid
	5502 5797	1			1991
	5507 5106	1			1992-93
4					RAIL, Cross
	5502 5809	2			Black
	5502 5795	2			Bright
5	5507 4633	4			STANCHION, Assy.
6	6502 667	12			SCREW
7	5507 4653	4			SCREW, Crossrail to Stanchion
8		2			END CAP, 1992-93
	5507 5084				Right Front and Left Rear
	5507 5085				Left Front and Right Rear

MODEL CODES:

61=Pickup-6 Ft Box 74=4 Door Wagon T=2WD
62=Pickup-7 Ft Box 77=Open Body 93" Wheelbase J,N,U=4WD
72=2 Door Wagon 78=Open Body 103" Wheelbase

BODY STYLES:

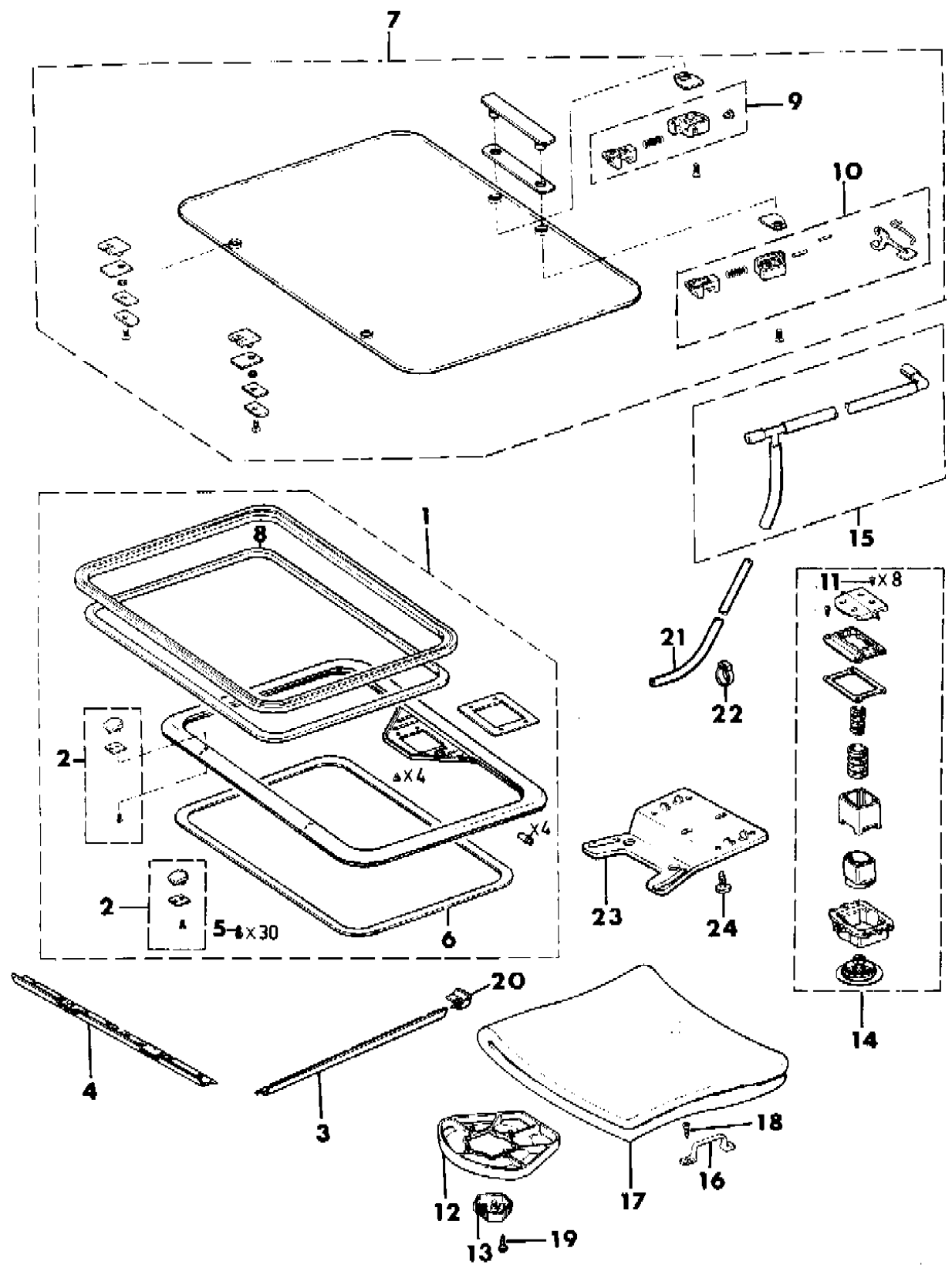
MJ=Comanche Pickup ZJ=Grand Cherokee/Grand Wagoneer KDX VEHICLES
SJ=Grand Wagoneer M1=Comanche
XJ=Cherokee, Briarwood X1=Cherokee, Briarwood
YJ=Wrangler Y1=Wrangler

AR = Use as Required - = Non Illustrated Part P.A.R. = Paint as Required

SUNROOF, POP-UP CHEROKEE, BRIARWOOD
Figure 23A-4400

91J69 4400

ITEM	PART NUMBER	QTY	BODY	MODEL	DESCRIPTION
1	8350 2073	1			FRAME KIT, Sunroof ***
2	8350 1043	2			HINGE KIT
3	8350 2075	2			RETAINER
4	8350 2076	2			RETAINER
5	8350 1046	30			SCREW
6	8350 1049	1			SEAL, Sunroof Flange
7	8350 2074	1			GLASS KIT, Sunroof ***
8	8350 2078	1			SEAL, Sunroof Inner
9	8350 1054	1			LATCH KIT
10	8350 1055	1			LATCH KIT
11	8350 1060	8			SCREW
12	8350 1061	1			PLATE, Handle
13	8350 1062	1			HANDLE
14	8350 1063	1			ADJUSTER KIT, Sunroof ***
15	5500 7626	2			TUBE KIT, Drain ***
-	3500 7820	2			ELBOW
-	3500 7821	2			TEE
16	5501 3668	2			LOOP, Footman
17	5500 9582	1			COVER, Sunroof Glass
18	J400 2809	4			SCREW
19	3420 2491	1			SCREW
20	8350 2077	4			RETAINER
21	5500 7976	2			TUBE, Drain
22	J322 7850	2			CLAMP
23	5500 7632	1			REINFORCEMENT
24	3420 1893	4			SCREW



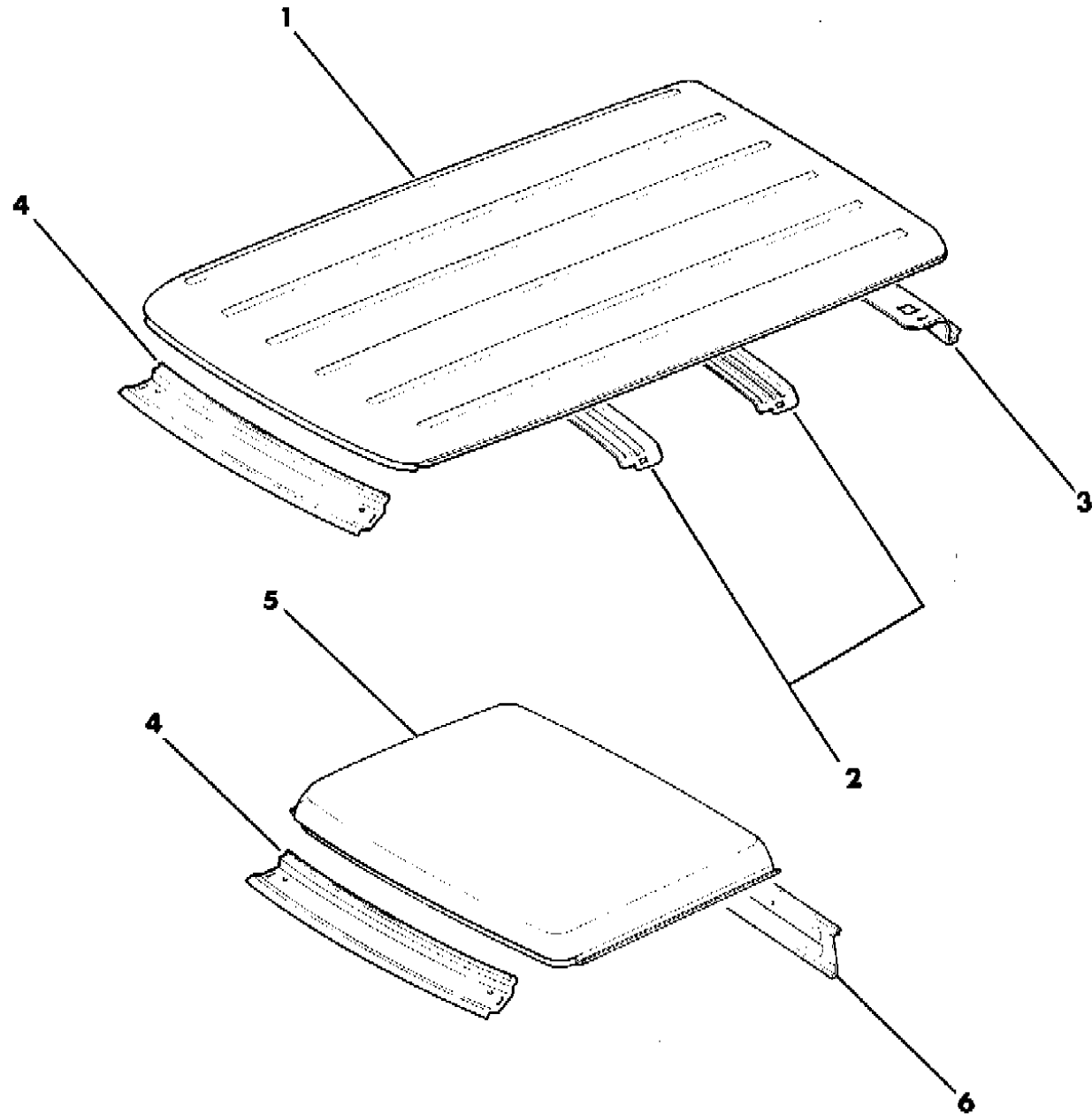
MODEL CODES:
 61=Pickup-6 Ft Box 74=4 Door Wagon T=2WD
 62=Pickup-7 Ft Box 77=Open Body 93" Wheelbase J,N,U=4WD
 72=2 Door Wagon 78=Open Body 103" Wheelbase

BODY STYLES:
 MJ=Comanche Pickup ZJ=Grand Cherokee/Grand Wagoneer KDX VEHICLES
 SJ=Grand Wagoneer M1=Comanche
 XJ=Cherokee, Briarwood X1=Cherokee, Briarwood
 YJ=Wrangler Y1=Wrangler

AR = Use as Required - = Non Illustrated Part P.A.R. = Paint as Required

PANELS, ROOF CHEROKEE, BRIARWOOD, COMANCHE
Figure 23A-4500

91J69 4500



ITEM	PART NUMBER	QTY	BODY	MODEL	DESCRIPTION
1					PANEL, Roof
	5507 4541	1	XJ		w/o Sunroof or Luggage Rack
	5502 5798	1	XJ		w/o Sunroof, w/Luggage Rack
	5525 4639	1	XJ		1991
					1992-93
					w/Sunroof And Luggage Rack
	5502 5804	1	XJ		1991
	5525 4638	1	XJ		1992
2	5500 0138	2	XJ		SUPPORT, Roof
3	5700 2012	1	XJ		HEADER, Door ***
4	5502 7632	1			HEADER, Front ***
5	5500 3424	1	MJ		PANEL, Roof
6	5500 3432	1	MJ		PANEL, Cab Header

MODEL CODES:

61=Pickup-6 Ft Box 74=4 Door Wagon T=2WD
 62=Pickup-7 Ft Box 77=Open Body 93" Wheelbase J,N,U=4WD
 72=2 Door Wagon 78=Open Body 103" Wheelbase

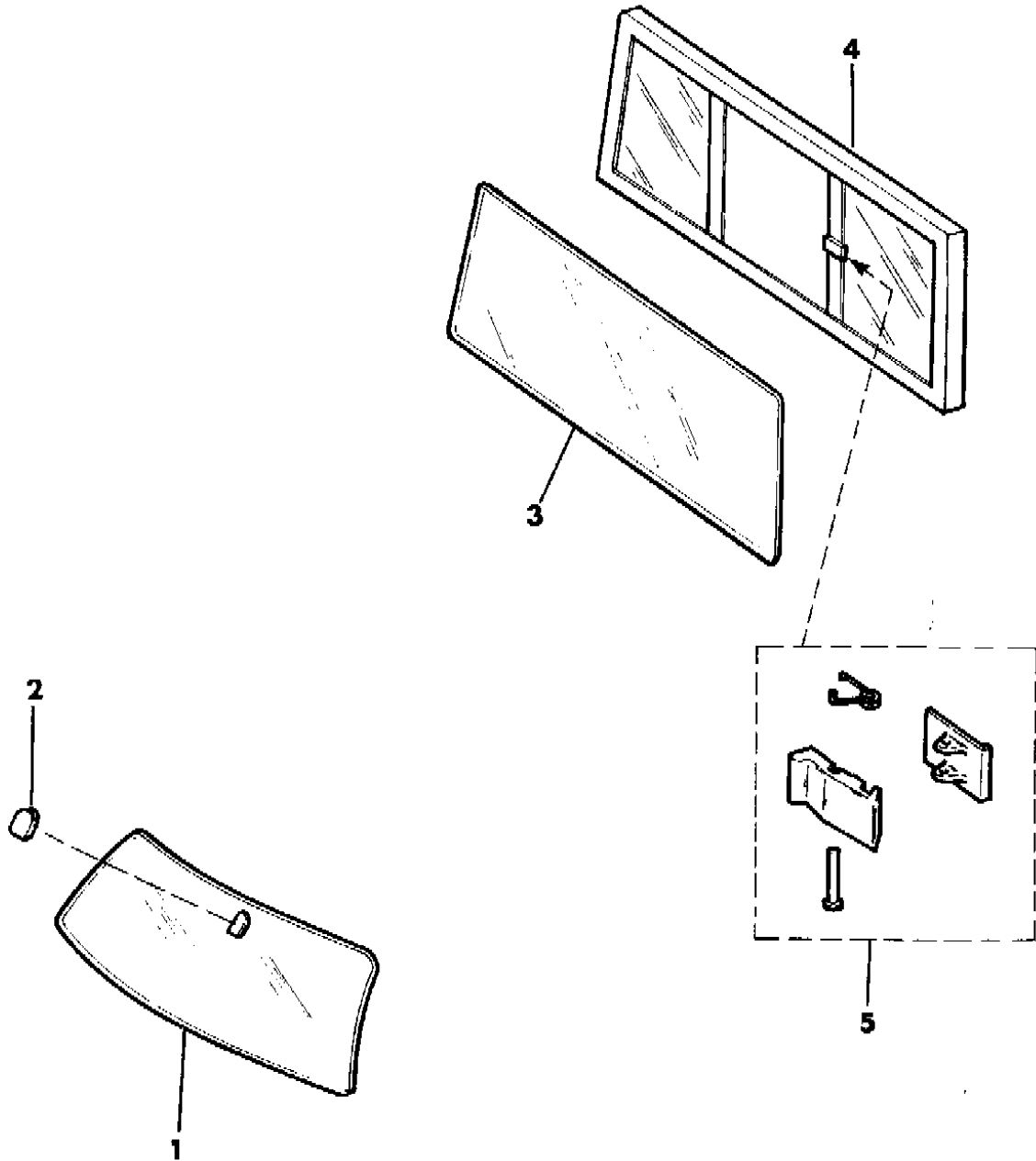
BODY STYLES:

MJ=Comanche Pickup ZJ=Grand Cherokee/Grand Wagoneer KDX VEHICLES
 SJ=Grand Wagoneer M1=Comanche
 XJ=Cherokee, Briarwood X1=Cherokee, Briarwood
 YJ=Wrangler Y1=Wrangler

AR = Use as Required - = Non Illustrated Part P.A.R. = Paint as Required

GLASS COMANCHE
Figure 23A-4600

91J69 4600



ITEM	PART NUMBER	QTY	BODY	MODEL	DESCRIPTION
1					GLASS, Windshield, Tinted
	5500 0553	1			1991
	5513 4793	1			1992
2	J365 7374	1			SUPPORT, Inside Rear View Mirror, 1991, (a)
	4054 098	1			BUTTON, Mirror, 1992
3	5500 4338	1			GLASS, Fixed Tinted
4	5500 4224	1			GLASS, Sliding Tinted
5	8350 3323	1			LOCK KIT

(a) The Support is Replacing Mirror Mounting Kit. When Installing a Mirror Support, use Locktite #312 and the Accelerator for Locktite Adhesive #312. e Adhesive #312.

MODEL CODES:
 61=Pickup-6 Ft Box 74=4 Door Wagon T=2WD
 62=Pickup-7 Ft Box 77=Open Body 93" Wheelbase J,N,U=4WD
 72=2 Door Wagon 78=Open Body 103" Wheelbase

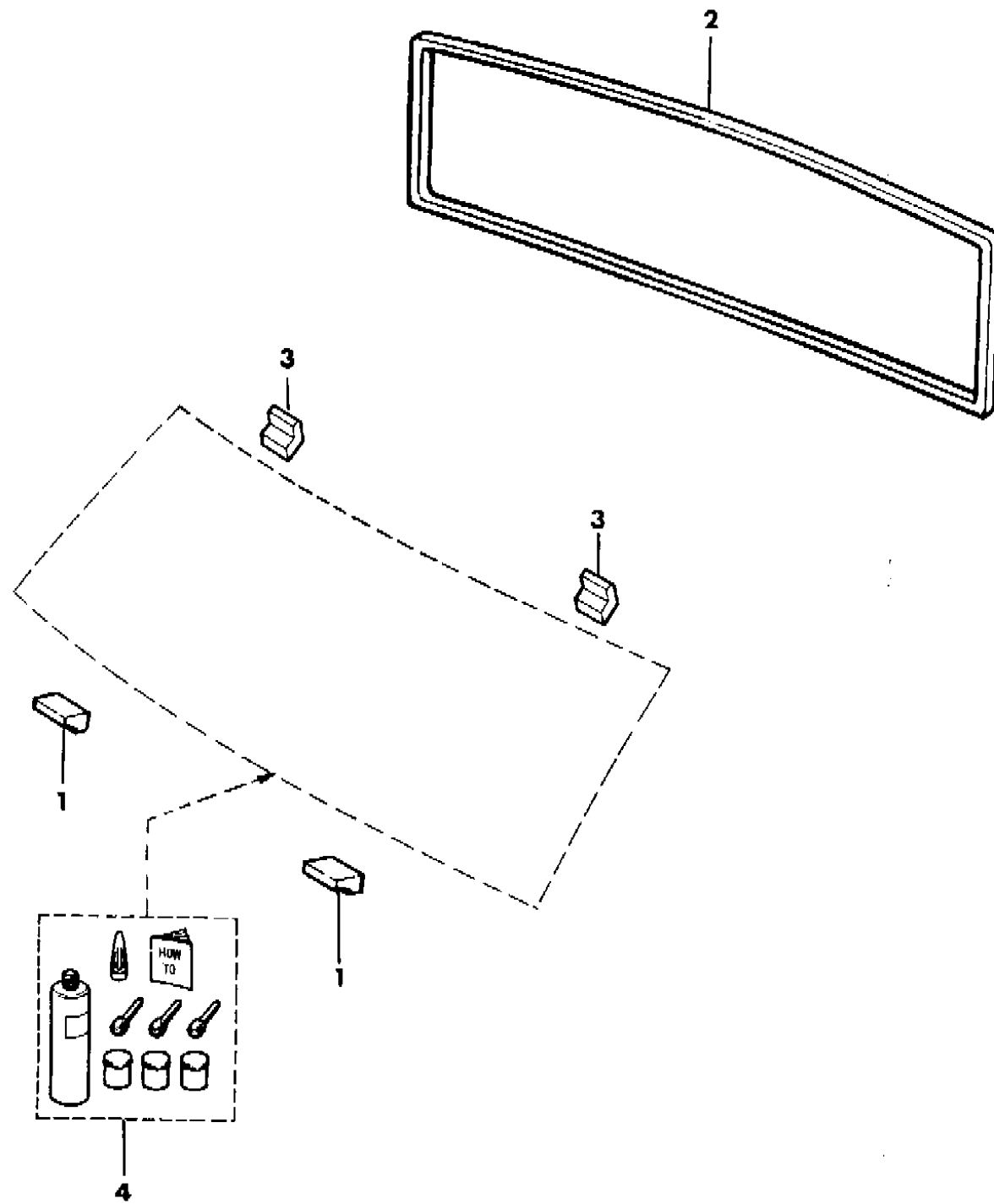
BODY STYLES:
 MJ=Comanche Pickup ZJ=Grand Cherokee/Grand Wagoneer KDX VEHICLES
 SJ=Grand Wagoneer M1=Comanche
 XJ=Cherokee, Briarwood X1=Cherokee, Briarwood
 YJ=Wrangler Y1=Wrangler

AR = Use as Required - = Non Illustrated Part P.A.R. = Paint as Required

SEAL, WINDOW COMANCHE
Figure 23A-4700

91J69 4700

ITEM	PART NUMBER	QTY	BODY	MODEL	DESCRIPTION
1	5500 2604	2			SPACER, Windshield Bottom, Soluble
2	5500 7123	1			SEAL, Rear Window
3	5505 2617	2			SPACER, Windshield Top, Soluble
4	8310 0051	AR			MOUNTING KIT, Windshield



MODEL CODES:

61=Pickup-6 Ft Box 74=4 Door Wagon T=2WD
62=Pickup-7 Ft Box 77=Open Body 93" Wheelbase J,N,U=4WD
72=2 Door Wagon 78=Open Body 103" Wheelbase

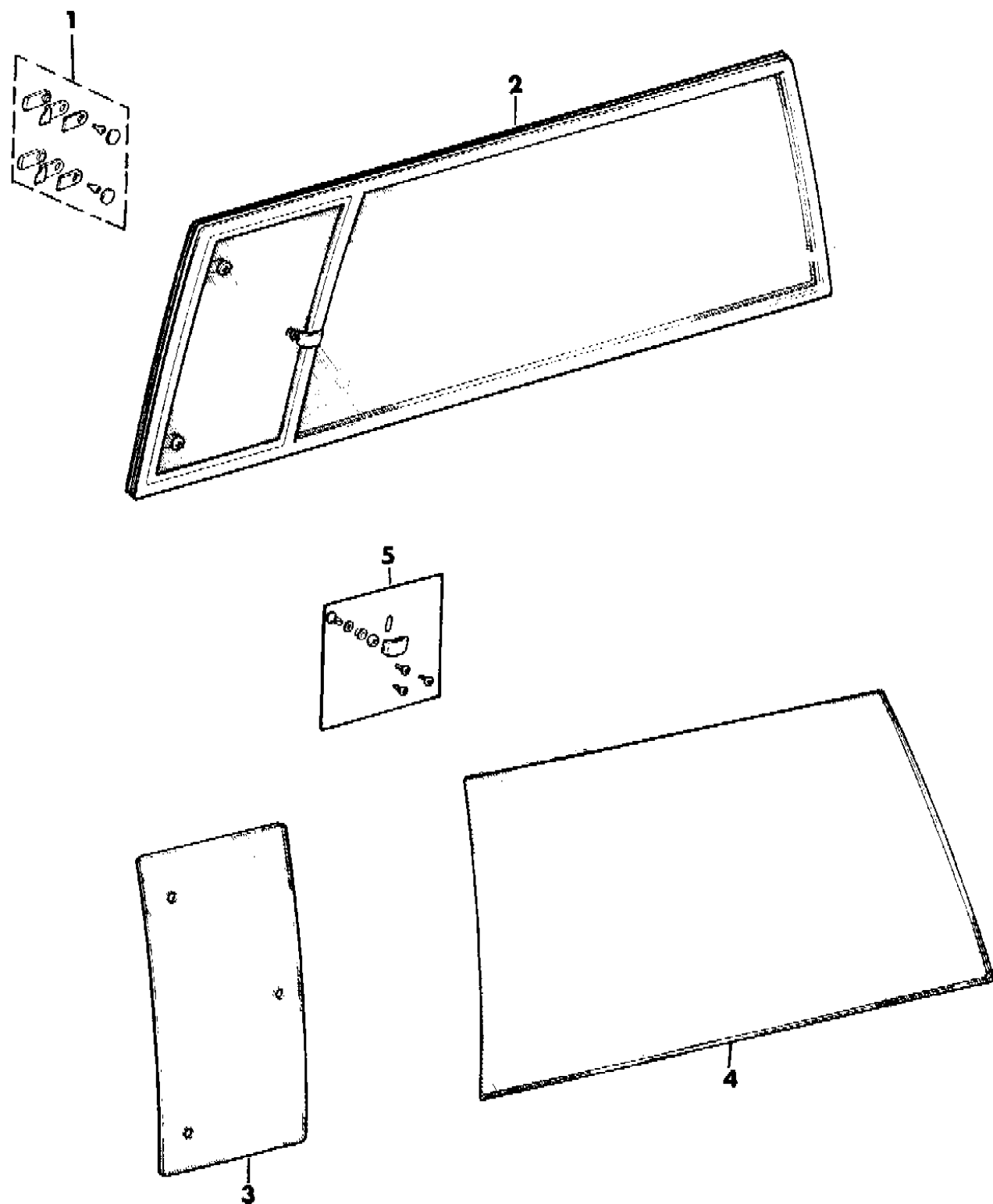
BODY STYLES:

MJ=Comanche Pickup ZJ=Grand Cherokee/Grand Wagoneer KDX VEHICLES
SJ=Grand Wagoneer M1=Comanche
XJ=Cherokee, Briarwood X1=Cherokee, Briarwood
YJ=Wrangler Y1=Wrangler

AR = Use as Required - = Non Illustrated Part P.A.R. = Paint as Required

GLASS, REAR QUARTER FIXED CHEROKEE 2 DOOR
Figure 23A-4800

91J69 4800 A



ITEM	PART NUMBER	QTY	BODY	MODEL	DESCRIPTION
1	8350 2274-5	1			HINGE KIT, (Before 9-16-91) ***
	4762 241	1			HINGE KIT, (After 9-16-91) ***
2	5500 7980-1	1			GLASS ASSEMBLY, Quarter and Vent Tinted, 1991 Privacy
	5501 9748-9	1			1991-92, Before 9-16-91
	5513 4642-3	1			1992-93, After 9-16-91
3	5500 7994-5	1			GLASS, Quarter Vent Tinted Tinted, 1991 Privacy
	5501 9744-5	1			1991-92, Before 9-16-91
	5513 4644-5	1			1992-93, After, 9-16-91
4	4713 872-3	1			GLASS, Quarter Privacy, 1992, After 9-16-91
NOTE: Vehicles built before 9/16/91 will require item 2 when replacing quarter glass. e Adhesive #312.					
5	8350 2272	2			HANDLE KIT, Quarter Window Vent, (Before 9-16-91) ***
	4773 489	2			After 9-16-91
-	J369 1123	1			GASKET, Handle Outer Stud, (Serviced in 83502272)
-	3420 2466	2			SCREW, Oval Head, Vent Window Hinges

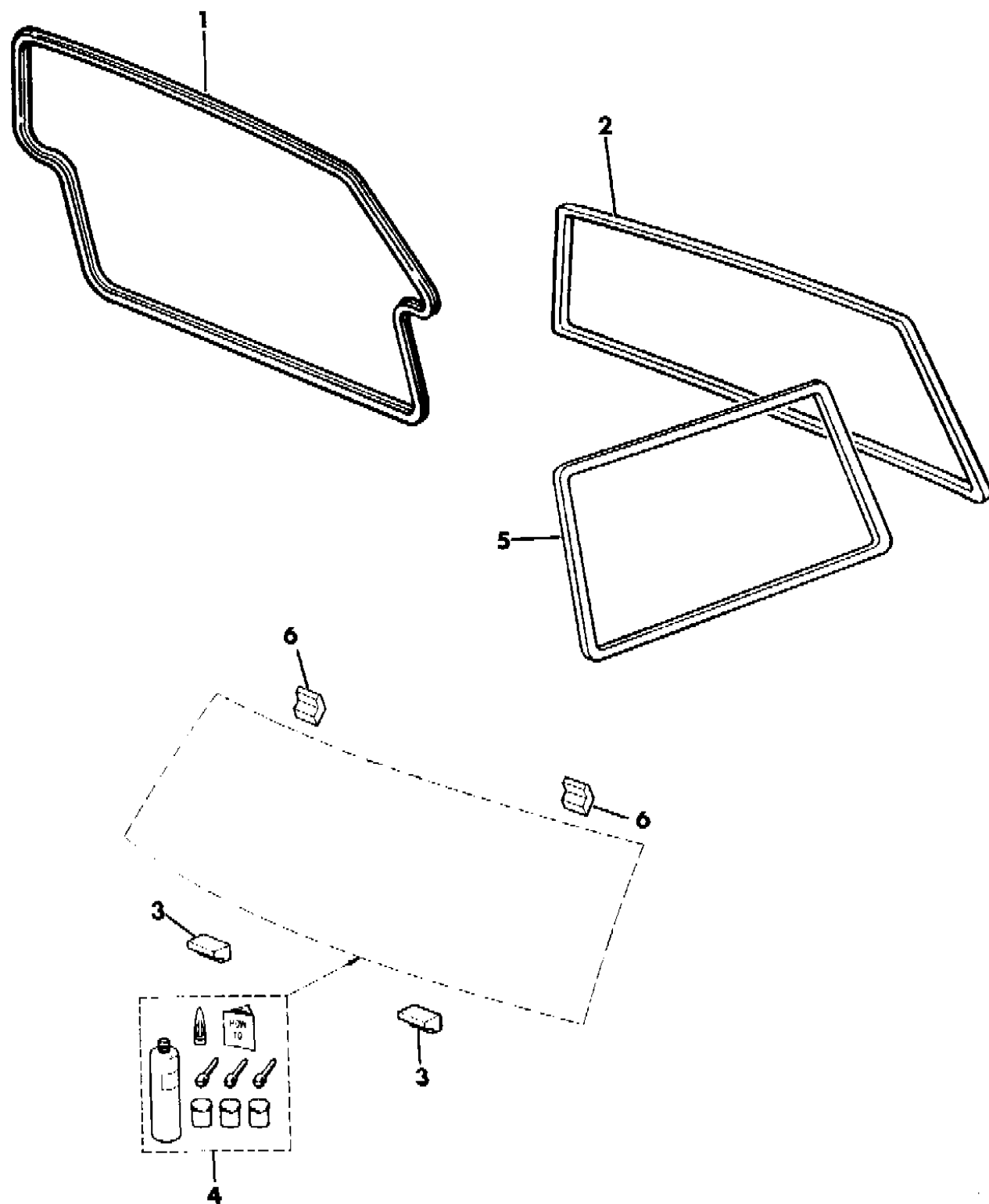
MODEL CODES:
61=Pickup-6 Ft Box 74=4 Door Wagon T=2WD
62=Pickup-7 Ft Box 77=Open Body 93" Wheelbase J,N,U=4WD
72=2 Door Wagon 78=Open Body 103" Wheelbase

BODY STYLES:
MJ=Comanche Pickup ZJ=Grand Cherokee/Grand Wagoneer KDX VEHICLES
SJ=Grand Wagoneer M1=Comanche
XJ=Cherokee, Briarwood X1=Cherokee, Briarwood
YJ=Wrangler Y1=Wrangler

AR = Use as Required - = Non Illustrated Part P.A.R. = Paint as Required

SEALS WINDOW CHEROKEE 2 DOOR
Figure 23A-4900

91J69 4900 A



ITEM	PART NUMBER	QTY	BODY	MODEL	DESCRIPTION
1	5501 5783	1			SEAL, Liftgate to Body
2	5502 5250	1			SEAL, Lift Door Glass
3	5500 2604	2			SPACER, Windshield Bottom
4	8310 0051	AR			MOUNTING KIT, Windshield
5	5500 7130-1	1			SEAL, Quarter Window
6	5505 2617	2			SPACER, Windshield Top

MODEL CODES:

61=Pickup-6 Ft Box 74=4 Door Wagon T=2WD
62=Pickup-7 Ft Box 77=Open Body 93" Wheelbase J,N,U=4WD
72=2 Door Wagon 78=Open Body 103" Wheelbase

BODY STYLES:

MJ=Comanche Pickup ZJ=Grand Cherokee/Grand Wagoneer KDX VEHICLES
SJ=Grand Wagoneer M1=Comanche
XJ=Cherokee, Briarwood X1=Cherokee, Briarwood
YJ=Wrangler Y1=Wrangler

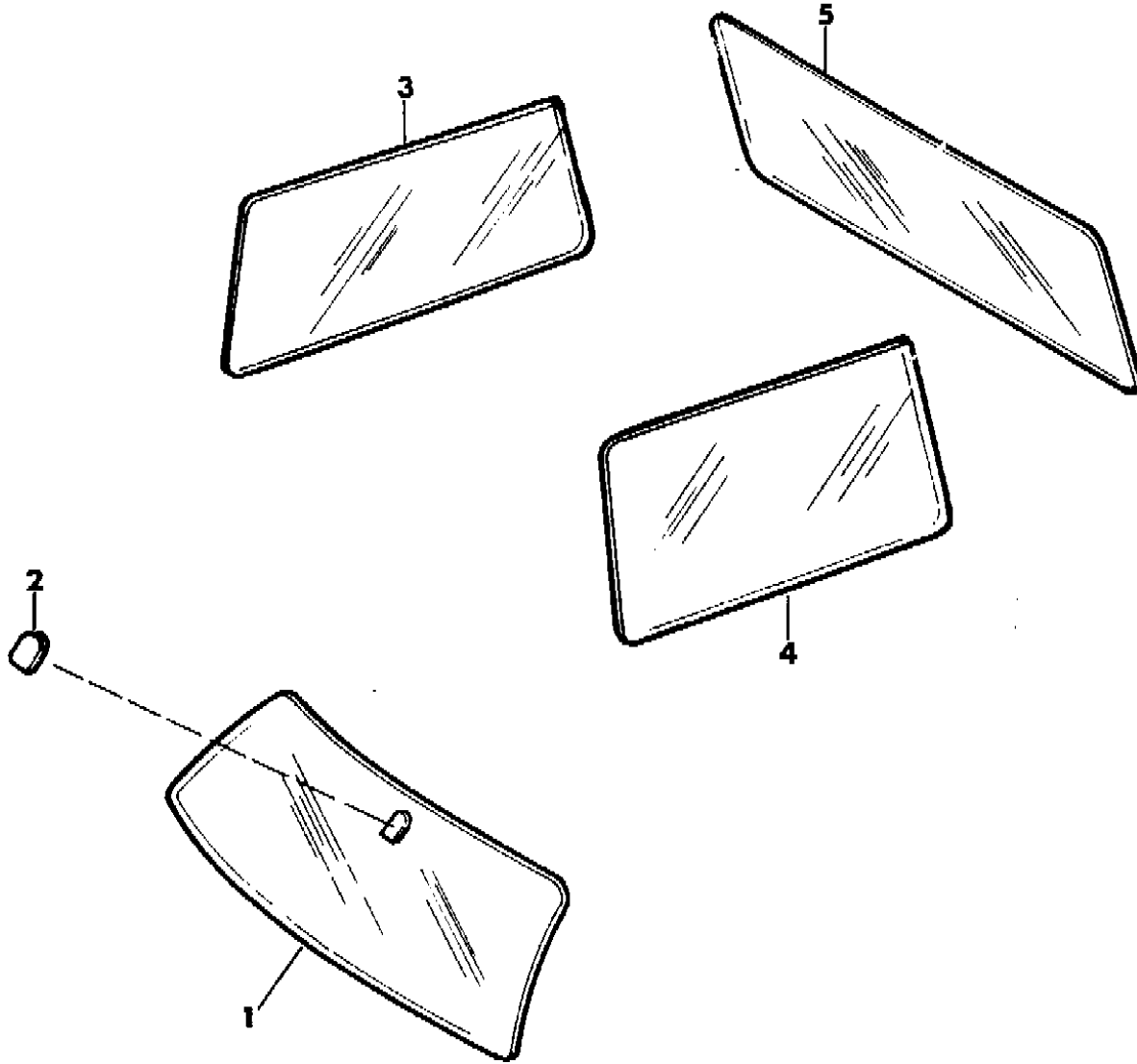
AR = Use as Required - = Non Illustrated Part P.A.R. = Paint as Required

GLASS, STATIONARY WINDSHIELD, QUARTER AND LIFT DOOR CHEROKEE 2 DOOR
Figure 23A-5000

91J69 5000

ITEM	PART NUMBER	QTY	BODY	MODEL	DESCRIPTION
1					GLASS, Windshield Tinted
	5500 0553	1			1991
	5513 4793	1			1992-93
2	J365 7374	1			SUPPORT, Inside Rear View Mirror, 1991, (a)
	4054 098	1			BUTTON, Mirror, 1992-93
3-4	5500 0186-7	1			GLASS, Quarter, Tinted
5					GLASS, Liftgate
					Tinted
	5500 9769	1			1991
	5513 4744	1			1992-93
					Tinted, w/rear window defogger
	5500 9770	1			1991
	5513 4743	1			1992-93
					Privacy, w/rear window defogger
	5501 8738	1			1991
	5513 4742	1			1992-93

(a) The Mirror Support is Replacing Mirror Mounting Kit. When Installing a Mirror Support, Use Locktite #312 Adhesive, and the Accelerator for Locktite #312.



MODEL CODES:

61=Pickup-6 Ft Box	74=4 Door Wagon	T=2WD
62=Pickup-7 Ft Box	77=Open Body 93" Wheelbase	J,N,U=4WD
72=2 Door Wagon	78=Open Body 103" Wheelbase	

BODY STYLES:

MJ=Comanche Pickup	ZJ=Grand Cherokee/Grand Wagoneer	KDX VEHICLES
SJ=Grand Wagoneer		M1=Comanche
XJ=Cherokee, Briarwood		X1=Cherokee, Briarwood
YJ=Wrangler		Y1=Wrangler

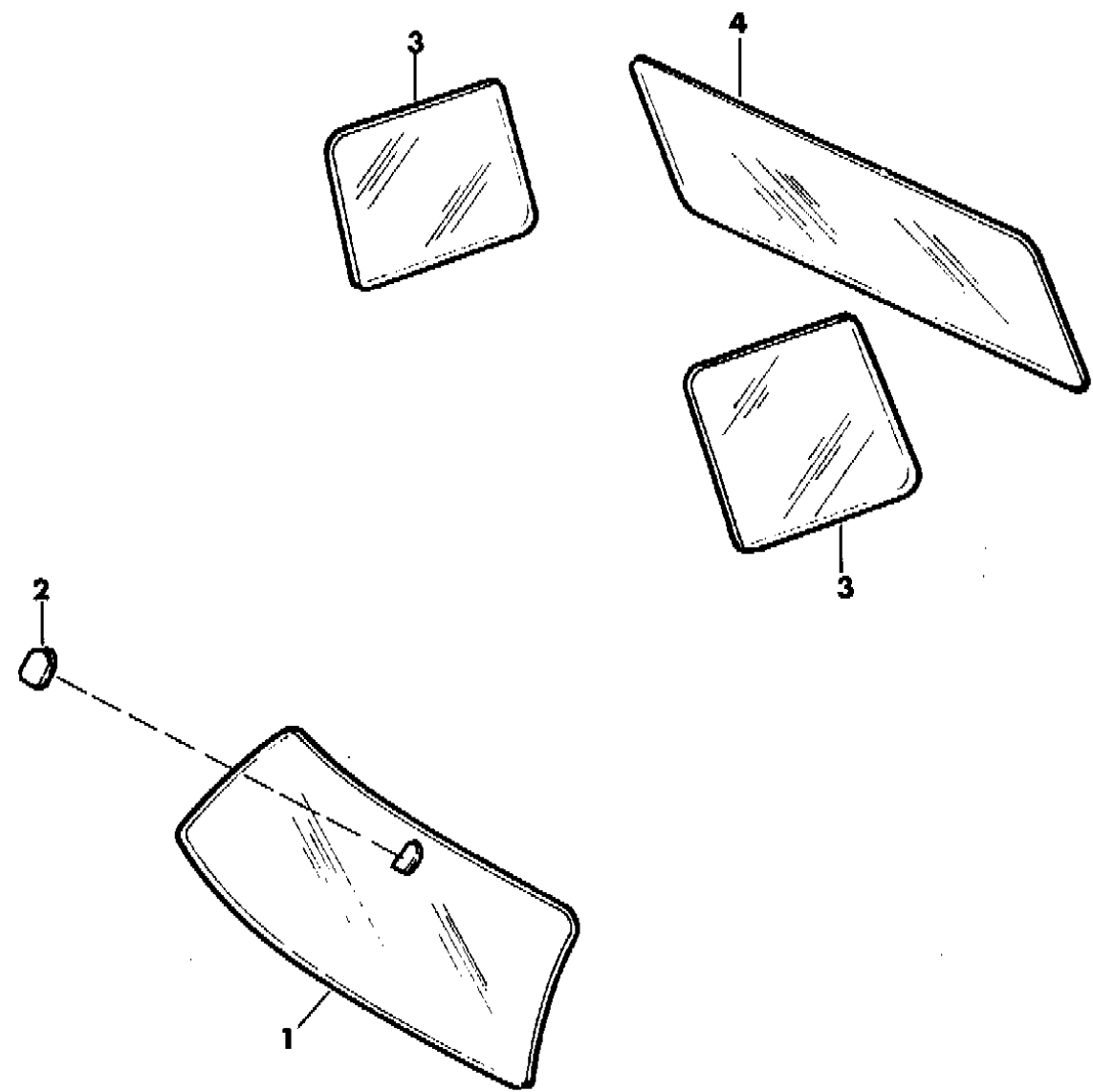
AR = Use as Required - = Non Illustrated Part P.A.R. = Paint as Required

GLASS, STATIONARY WINDSHIELD, QUARTER, AND LIFT DOOR CHEROKEE 4 DOOR, BRIARWOOD
Figure 23A-5100

91J69 5100

ITEM	PART NUMBER	QTY	BODY	MODEL	DESCRIPTION
1	5500 0553	1			GLASS, Windshield Tinted
	5513 4793	1			1991
2	J365 7374	1			SUPPORT, Inside Rear View Mirror Mounting, 1991, (a)
	4054 098	1			BUTTON, Mirror, 1992-93
3	5500 0700-1	1			GLASS, Quarter
	5501 8654-5	1			Tinted Privacy
4	5500 9769	1			GLASS, Lift Door
	5513 4744	1			Tinted
	5500 9770	1			1991
	5513 4743	1			1992-93
	5501 8738	1			Tinted, w/rear window defogger
	5513 4742	1			1991
	5501 8738	1			1991
	5513 4742	1			1992-93

(a) The Support is Replacing Mirror Mounting Kit. When Installing a Mirror Support, Use Locktite #312 Adhesive and the Accelerator for Locktite #312.



MODEL CODES:
 61=Pickup-6 Ft Box 74=4 Door Wagon T=2WD
 62=Pickup-7 Ft Box 77=Open Body 93" Wheelbase J,N,U=4WD
 72=2 Door Wagon 78=Open Body 103" Wheelbase

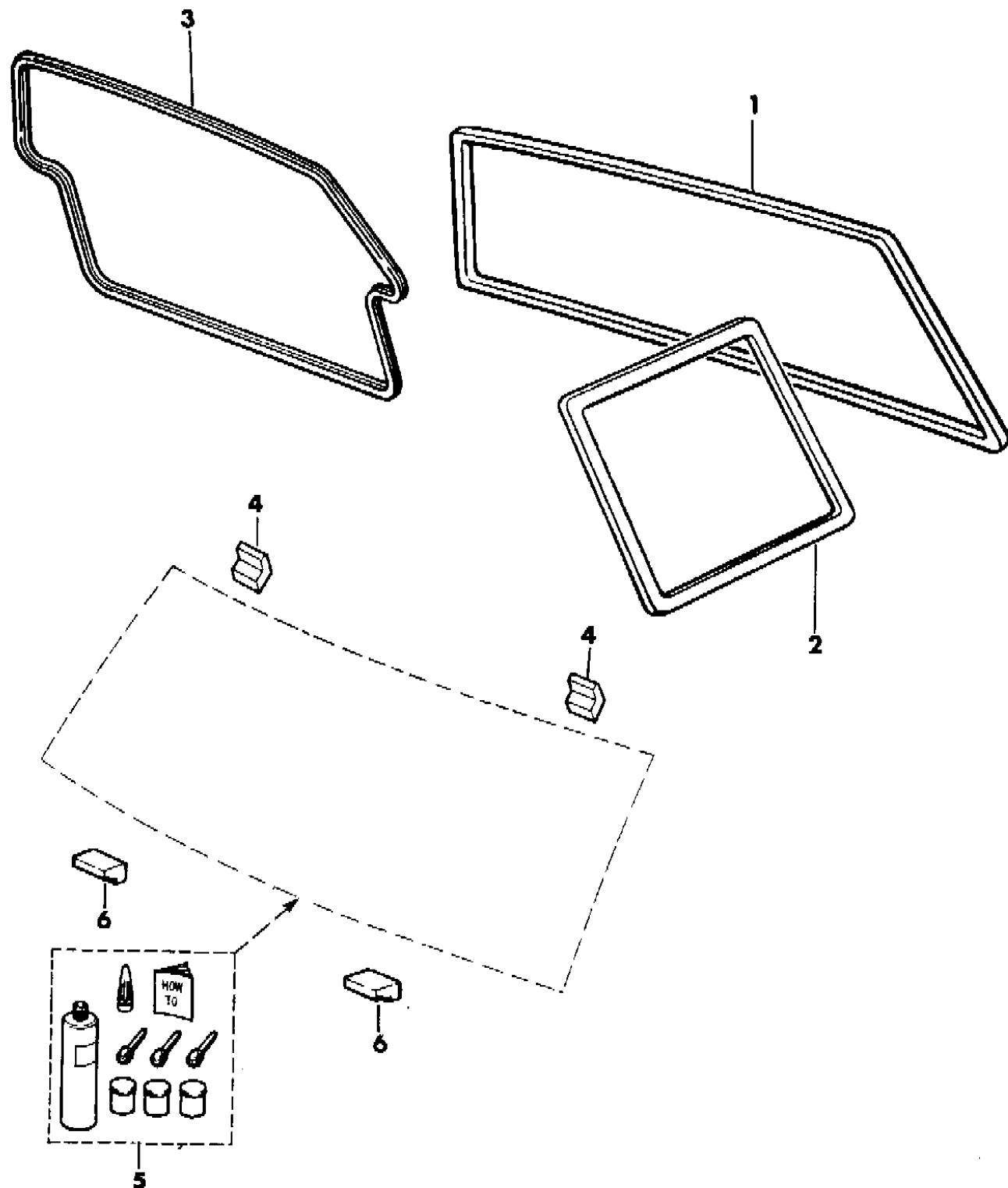
BODY STYLES:
 MJ=Comanche Pickup ZJ=Grand Cherokee/Grand Wagoneer KDX VEHICLES
 SJ=Grand Wagoneer M1=Comanche
 XJ=Cherokee, Briarwood X1=Cherokee, Briarwood
 YJ=Wrangler Y1=Wrangler

AR = Use as Required - = Non Illustrated Part P.A.R. = Paint as Required

SEALS QUARTER AND LIFT DOOR WINDOW CHEROKEE 4 DOOR, BRIARWOOD
Figure 23A-5200

91J69 5200 A

ITEM	PART NUMBER	QTY	BODY	MODEL	DESCRIPTION
1	5502 5250	1			SEAL, Lift Door Glass
2	5502 5248-9	1			SEAL, Quarter Window, Cherokee
3	5501 5783	1			SEAL, Liftgate to Body
4	5505 2617	2			SPACER, Windsheild Top
5	8310 0051	1			MOUNTING KIT
6	5500 2604	2			SPACER, Windshield Bottom



MODEL CODES:

61=Pickup-6 Ft Box 74=4 Door Wagon T=2WD
62=Pickup-7 Ft Box 77=Open Body 93" Wheelbase J,N,U=4WD
72=2 Door Wagon 78=Open Body 103" Wheelbase

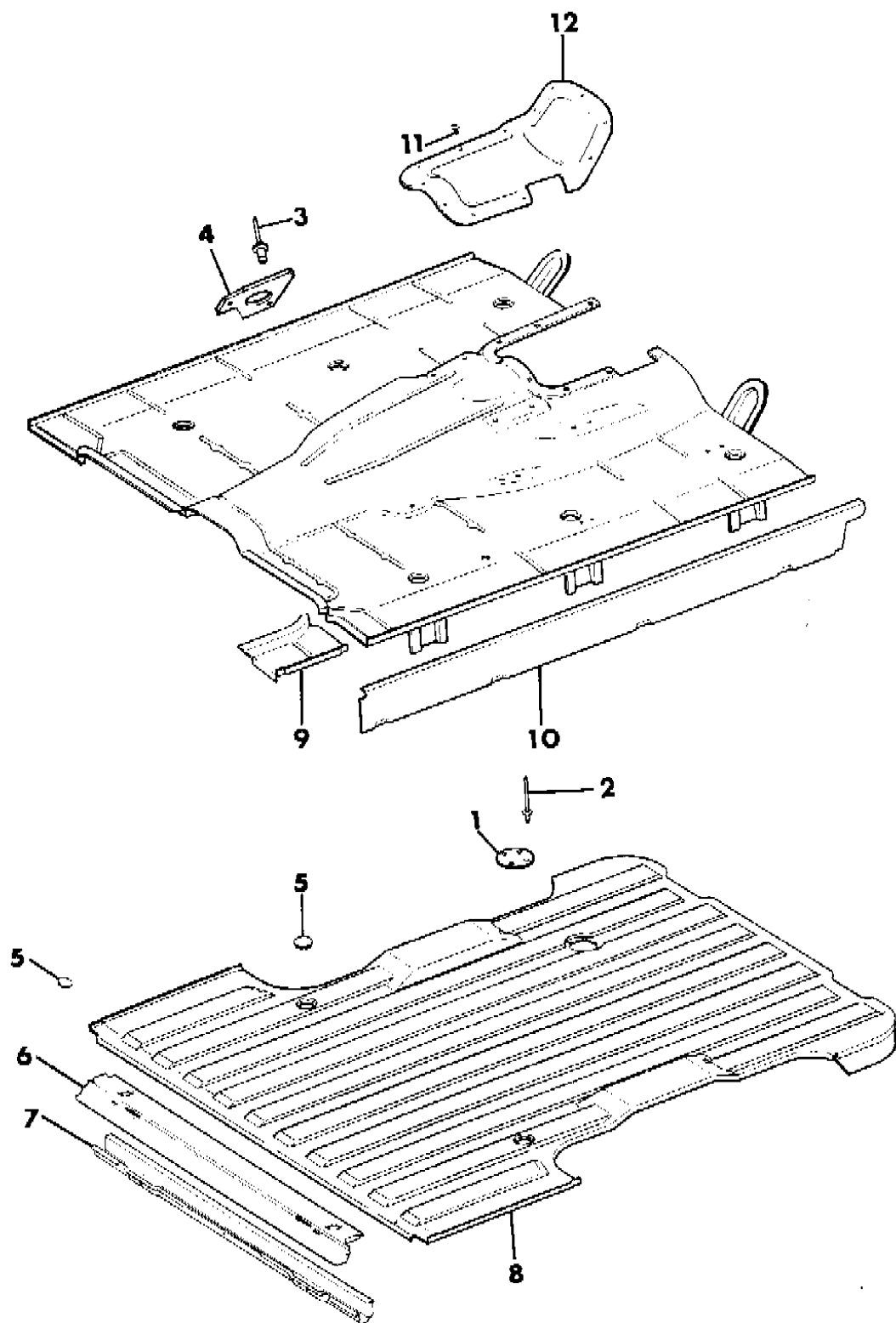
BODY STYLES:

MJ=Comanche Pickup ZJ=Grand Cherokee/Grand Wagoneer KDX VEHICLES
SJ=Grand Wagoneer M1=Comanche
XJ=Cherokee, Briarwood X1=Cherokee, Briarwood
YJ=Wrangler Y1=Wrangler

AR = Use as Required - = Non Illustrated Part P.A.R. = Paint as Required

PAN, FLOOR GRAND WAGONEER, SJ
Figure 23A-5300

91J69 5300



ITEM	PART NUMBER	QTY	BODY	MODEL	DESCRIPTION
1	J575 2636	1			PLATE
2	J400 5899	4			RIVET
3	J400 5300	2			RIVET
4	J575 1826	1			PLATE, Tapping
5	J400 6453	AR			PLUG
6	J545 1015	1			SILL, Rear Cross
7	5502 4906	1			REINFORCEMENT ASSEMBLY
	5502 4600	1			REINFORCEMENT
8	5502 4907	1			PANEL, Rear Floor
9					PANEL, Side Extension
	J545 1552	1			Right
	J545 1551	1			Left
10					SILL, Body Side
	J546 5032	1			Right
	J546 5031	1			Left
11	J067 3600	12			SCREW
12	J576 1124	1			COVER, Floor Pan

MODEL CODES:

61=Pickup-6 Ft Box 74=4 Door Wagon T=2WD
62=Pickup-7 Ft Box 77=Open Body 93" Wheelbase J,N,U=4WD
72=2 Door Wagon 78=Open Body 103" Wheelbase

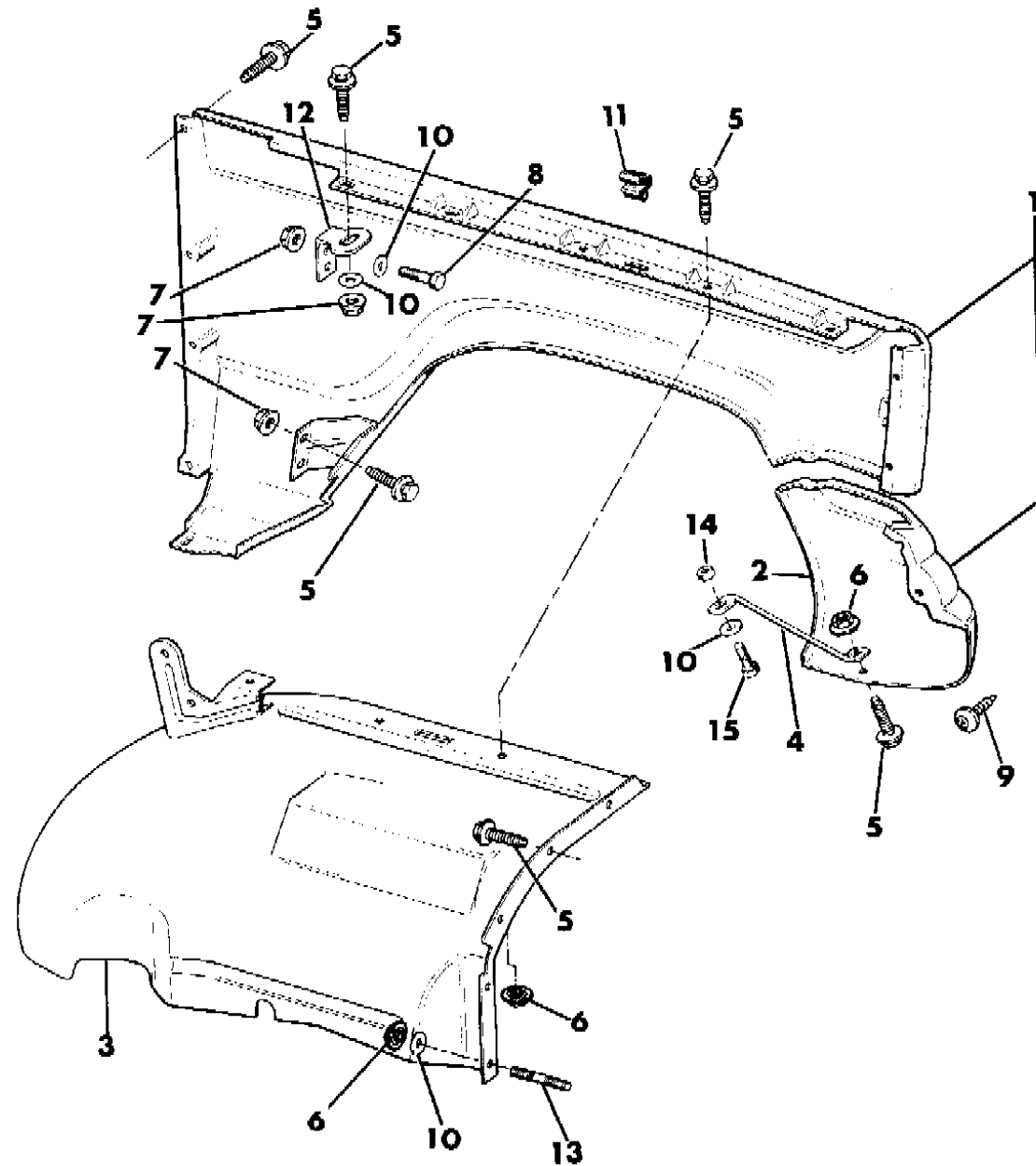
BODY STYLES:

MJ=Comanche Pickup ZJ=Grand Cherokee/Grand Wagoneer KDX VEHICLES
SJ=Grand Wagoneer M1=Comanche
XJ=Cherokee, Briarwood X1=Cherokee, Briarwood
YJ=Wrangler Y1=Wrangler

AR = Use as Required - = Non Illustrated Part P.A.R. = Paint as Required

FENDERS, FRONT GRAND WAGONEER, SJ
Figure 23A-5400

91J69 5400



ITEM	PART NUMBER	QTY	BODY	MODEL	DESCRIPTION
1					FENDER
	J546 5038	1			Right
	J546 5037	1			Left
2					EXTENSION
	J095 6730	1			Right
	J095 6729	1			Left
3	5525 4560-1	1			PANEL, Splash
4	J095 9692	1			BRACE
5	J400 4455	AR			SCREW, 1.12" Long
6	J400 7045	AR			NUT
7	J400 4866	AR			NUT
8	J400 1933	AR			SCREW, .88" Long
	J400 4455	AR			SCREW, 1.12" long
9	J400 5690	2			SCREW, .56" Long
10	S044 6363	AR			WASHER
11	J096 3331	4			BUMPER
12	J095 7407	2			BRACKET
13	J095 8166	2			STUD
14	J096 1069	2			NUT
15	J096 2398	2			SCREW, .75" Long

MODEL CODES:

61=Pickup-6 Ft Box 74=4 Door Wagon T=2WD
 62=Pickup-7 Ft Box 77=Open Body 93" Wheelbase J,N,U=4WD
 72=2 Door Wagon 78=Open Body 103" Wheelbase

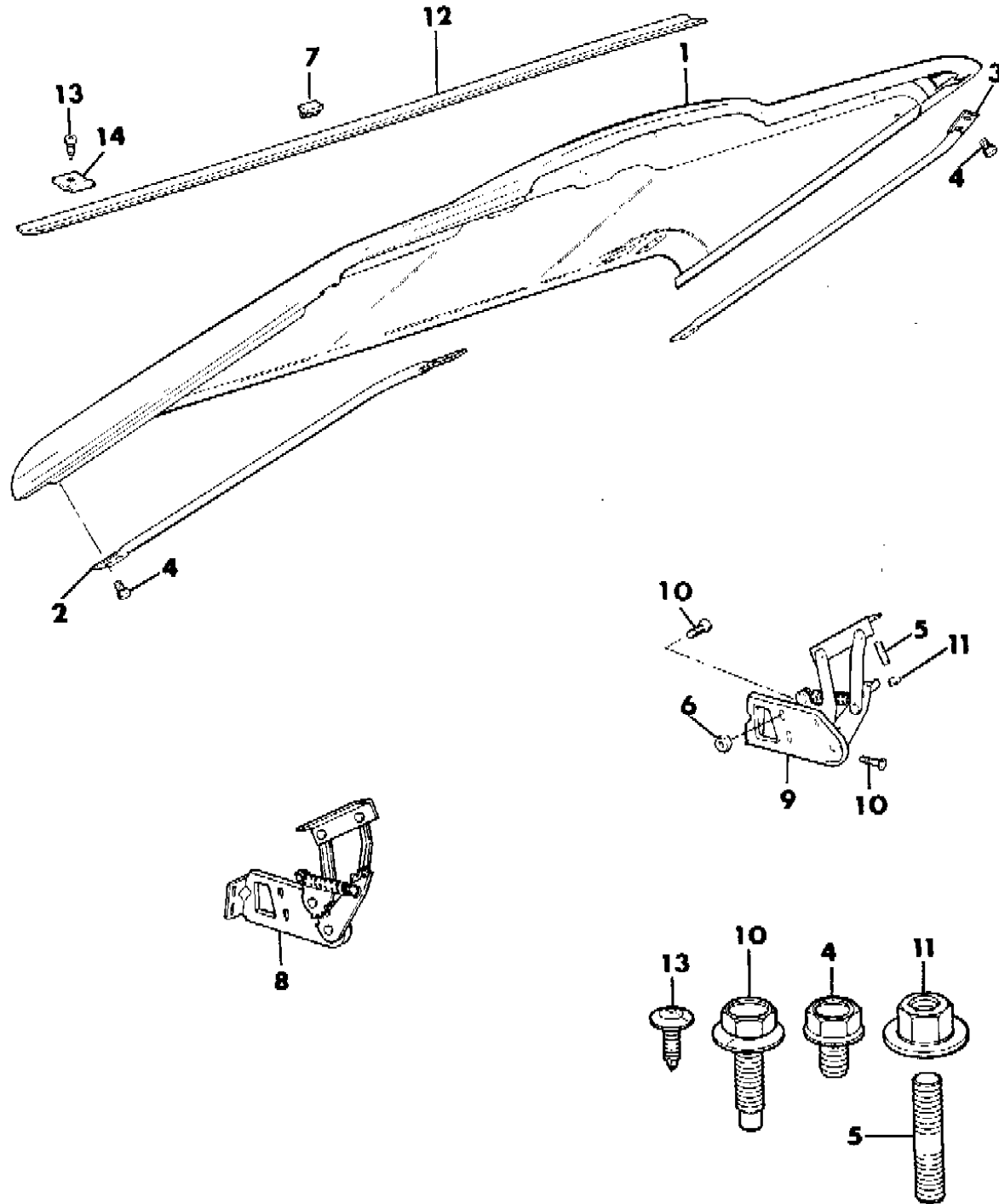
BODY STYLES:

MJ=Comanche Pickup ZJ=Grand Cherokee/Grand Wagoneer KDX VEHICLES
 SJ=Grand Wagoneer M1=Comanche
 XJ=Cherokee, Briarwood X1=Cherokee, Briarwood
 YJ=Wrangler Y1=Wrangler

AR = Use as Required - = Non Illustrated Part P.A.R. = Paint as Required

HOOD GRAND WAGONEER, SJ
Figure 23A-5500

91J69 5500



ITEM	PART NUMBER	QTY	BODY	MODEL	DESCRIPTION
1	5501 3208	1			HOOD, modification required
2	J098 5174	1			CROSSMEMBER, Right ***
3	J098 5173	1			CROSSMEMBER, Left ***
4	J400 3915	8			SCREW
5	J095 8166	4			STUD
6	J400 7045	4			NUT
7	J096 4703	1			BUMPER, Hood
8	J095 6964	1			HINGE, Hood Right
9	J095 6963	1			HINGE, Hood Left
10	J400 4455	AR			SCREW
11	J400 4866	AR			NUT
12	J545 9613	1			WEATHERSTRIP
13	J400 5690	AR			SCREW
14	J096 1332	4			CLAMP

MODEL CODES:

61=Pickup-6 Ft Box 74=4 Door Wagon T=2WD
62=Pickup-7 Ft Box 77=Open Body 93" Wheelbase J,N,U=4WD
72=2 Door Wagon 78=Open Body 103" Wheelbase

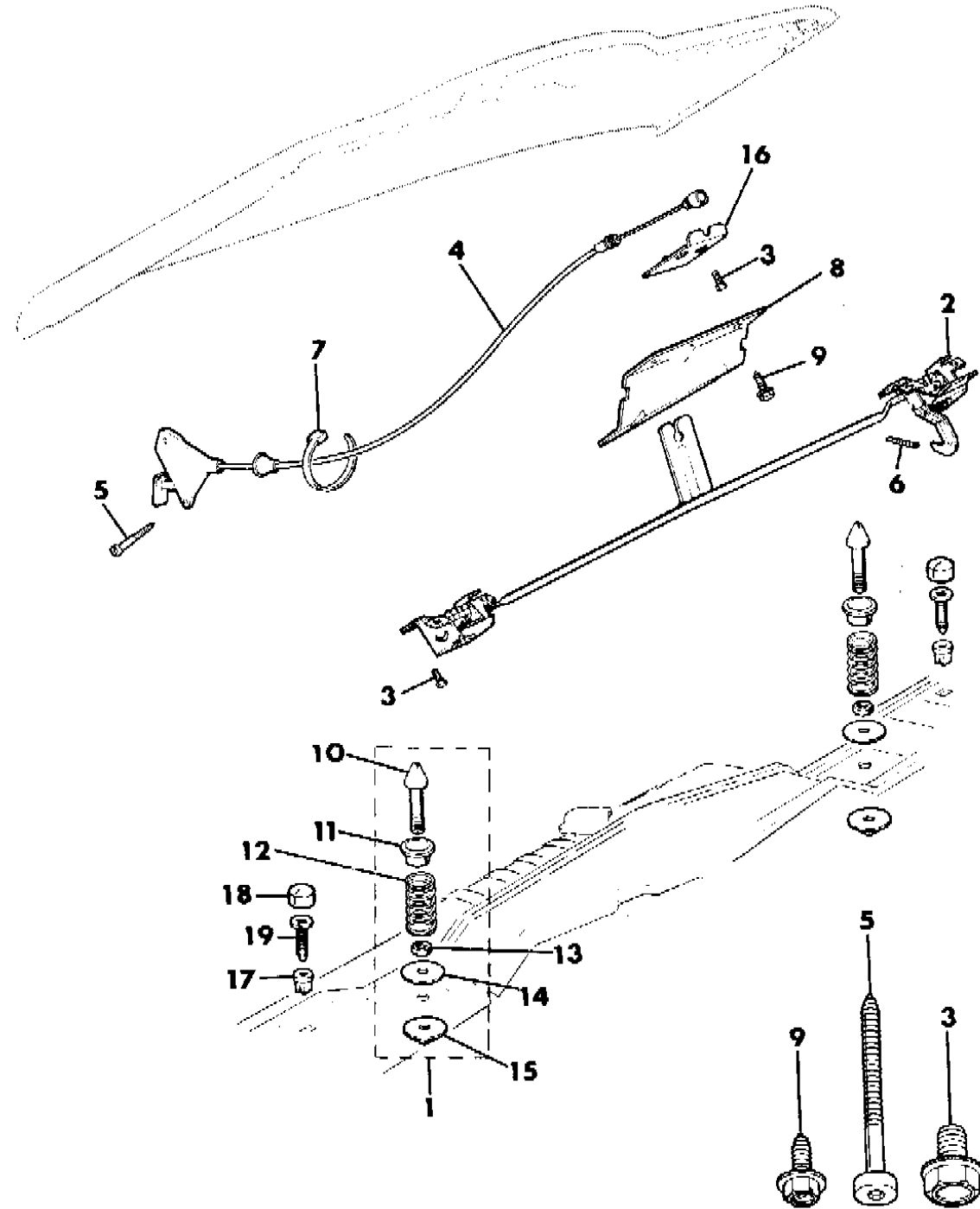
BODY STYLES:

MJ=Comanche Pickup ZJ=Grand Cherokee/Grand Wagoneer KDX VEHICLES
SJ=Grand Wagoneer M1=Comanche
XJ=Cherokee, Briarwood X1=Cherokee, Briarwood
YJ=Wrangler Y1=Wrangler

AR = Use as Required - = Non Illustrated Part P.A.R. = Paint as Required

LOCK AND RELEASE, HOOD GRAND WAGONEER, SJ
Figure 23A-5600

91J69 5600



ITEM	PART NUMBER	QTY	BODY	MODEL	DESCRIPTION
1	J095 6418	2			LOCK ASSEMBLY, Hood
2	J575 8026	1			LOCK ASSEMBLY, Hood
3	J400 3915	AR			SCREW
4	J575 8027	1			CABLE, Hood Release
5	J400 7478	2			SCREW
6	J097 2970	1			SPRING
7	J322 3227	2			STRAP
8	J575 8029	1			SHIELD
9	J812 0054	2			SCREW
10	J096 3338	2			LOCK
11	J096 3339	2			RETAINER
12	J096 3336	2			SPRING
13	S012 4934	2			NUT
14	J096 6112	2			WASHER
15	J096 3337	2			NUT
16	J575 8028	1			BRACKET
17	J095 8557	2			NUT
18	J095 8556	2			BUMPER, Hood
19	J096 0139	2			SCREW

MODEL CODES:

61=Pickup-6 Ft Box 74=4 Door Wagon T=2WD
 62=Pickup-7 Ft Box 77=Open Body 93" Wheelbase J,N,U=4WD
 72=2 Door Wagon 78=Open Body 103" Wheelbase

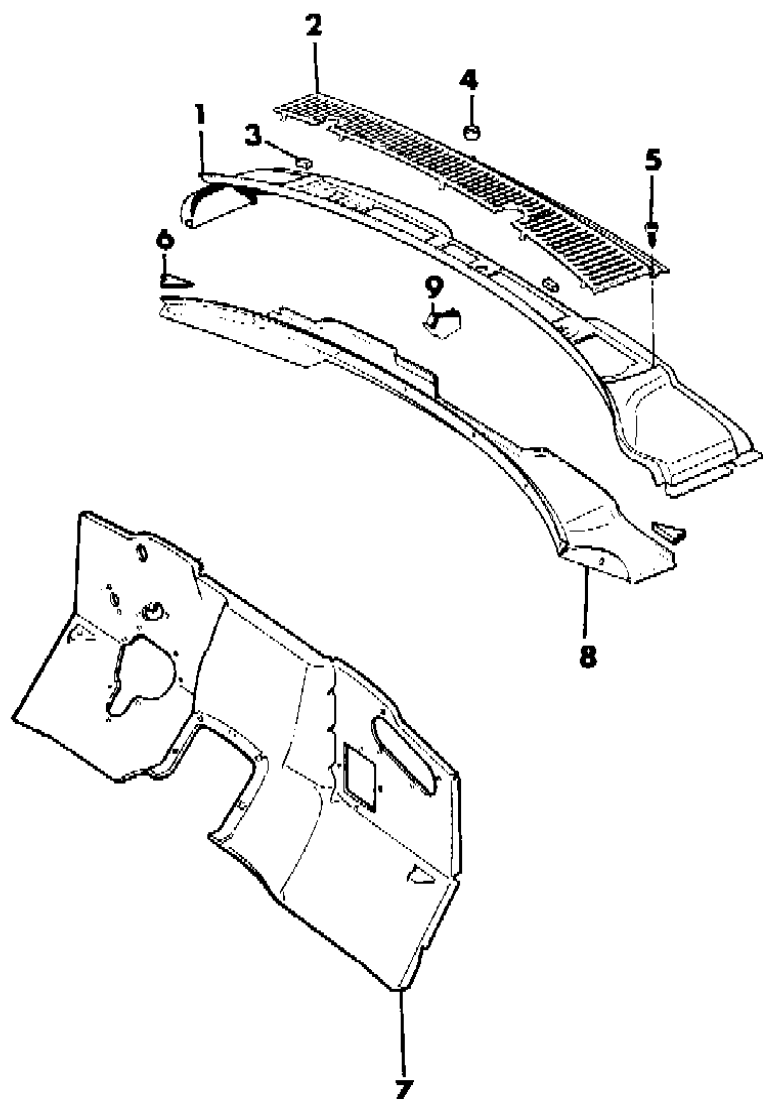
BODY STYLES:

MJ=Comanche Pickup ZJ=Grand Cherokee/Grand Wagoneer KDX VEHICLES
 SJ=Grand Wagoneer M1=Comanche
 XJ=Cherokee, Briarwood X1=Cherokee, Briarwood
 YJ=Wrangler Y1=Wrangler

AR = Use as Required - = Non Illustrated Part P.A.R. = Paint as Required

PANELS, COWL AND DASH GRAND WAGONEER, SJ
Figure 23A-5700

91J69 5700



ITEM	PART NUMBER	QTY	BODY	MODEL	DESCRIPTION
1	J545 1063	1			PANEL, Cowl Top
2	J095 2573	1			GRILLE, Cowl Top
3	J095 9739	9			SPACER
4	J096 4703	1			BUMPER, Hood
5	J400 5690	7			SCREW
6	J545 7194	2			SPACER
7	5502 5709	1			PANEL, Dash
8	J575 2844	1			PANEL, Cowl
9	J098 1310	1			SUPPORT

MODEL CODES:

61=Pickup-6 Ft Box 74=4 Door Wagon T=2WD
62=Pickup-7 Ft Box 77=Open Body 93" Wheelbase J,N,U=4WD
72=2 Door Wagon 78=Open Body 103" Wheelbase

BODY STYLES:

MJ=Comanche Pickup ZJ=Grand Cherokee/Grand Wagoneer KDX VEHICLES
SJ=Grand Wagoneer M1=Comanche
XJ=Cherokee, Briarwood X1=Cherokee, Briarwood
YJ=Wrangler Y1=Wrangler

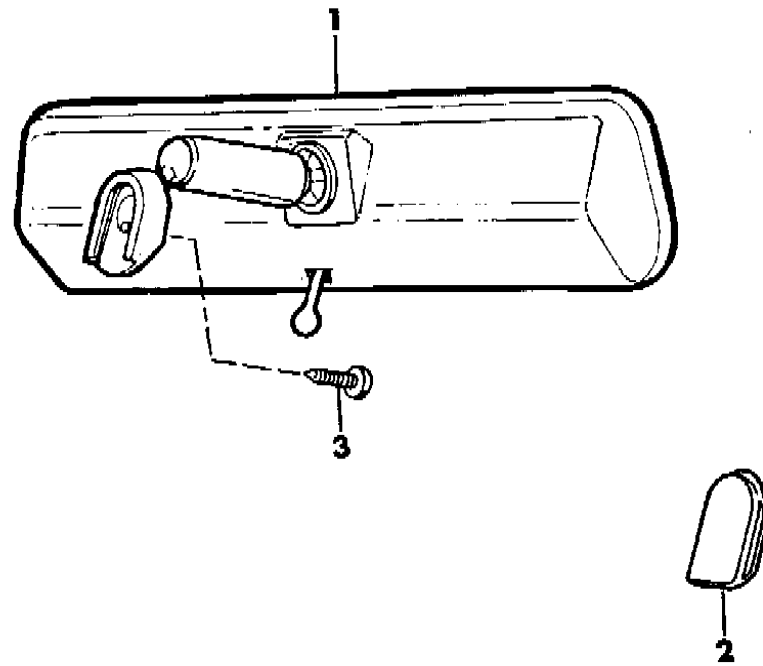
AR = Use as Required - = Non Illustrated Part P.A.R. = Paint as Required

MIRROR, INSIDE REAR VIEW GRAND WAGONEER, SJ
Figure 23A-5800

91J69 5800

ITEM	PART NUMBER	QTY	BODY	MODEL	DESCRIPTION
1	5500 9783	1			MIRROR, Inside Rear View
2	J365 7374	1			SUPPORT, Inside Rear View Mirror Mounting, (a)
3	J400 5766	1			SCREW

Note:(a) The Support is Replacing Mirror Mounting Kit. When installing a Mirror Support, use Locktite #312 Adhesive and the Accelerator for Locktite #312.



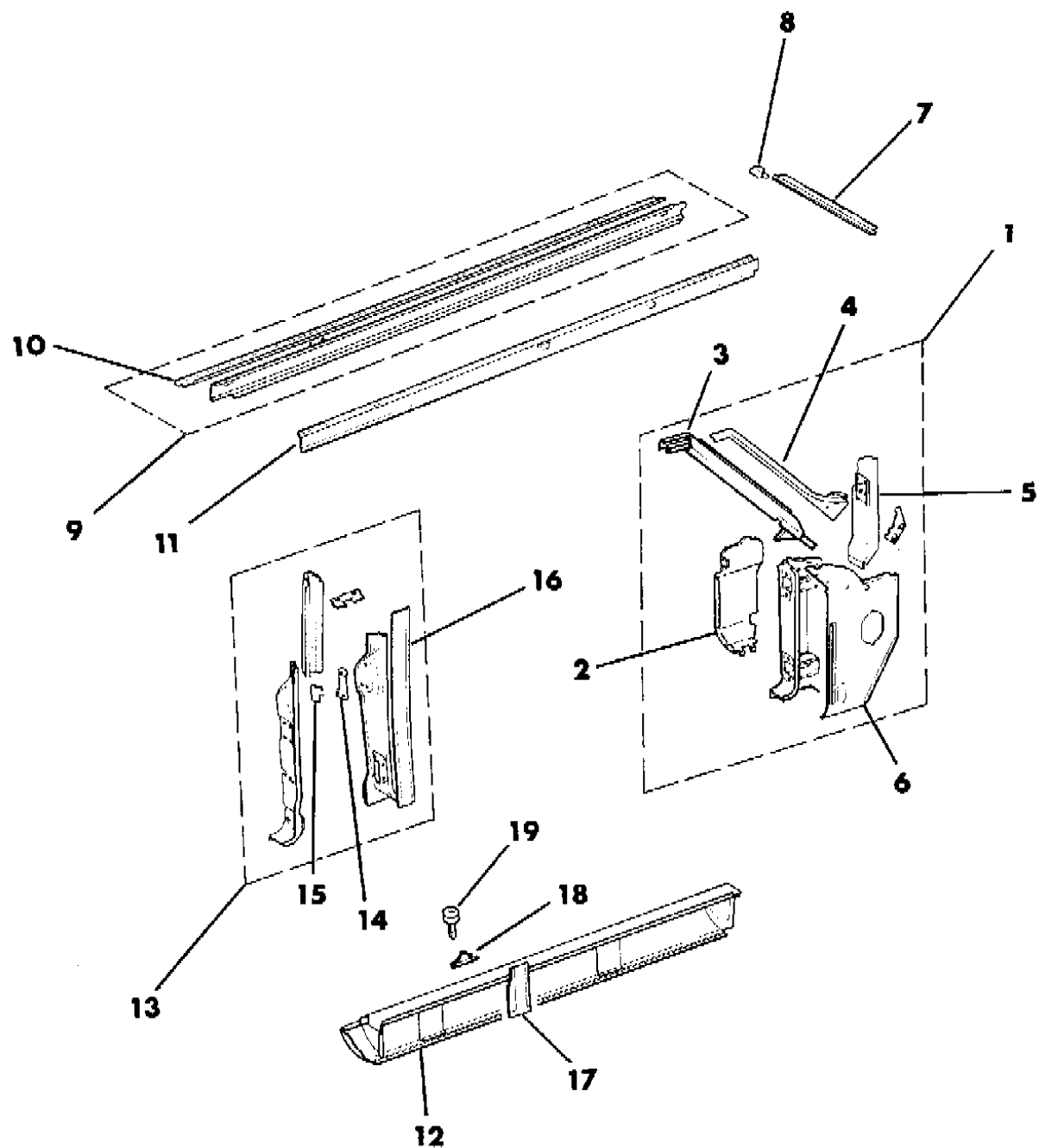
- MODEL CODES:**
 61=Pickup-6 Ft Box 74=4 Door Wagon T=2WD
 62=Pickup-7 Ft Box 77=Open Body 93" Wheelbase J,N,U=4WD
 72=2 Door Wagon 78=Open Body 103" Wheelbase
- BODY STYLES:**
 MJ=Comanche Pickup ZJ=Grand Cherokee/Grand Wagoneer KDX VEHICLES
 SJ=Grand Wagoneer M1=Comanche
 XJ=Cherokee, Briarwood X1=Cherokee, Briarwood
 YJ=Wrangler Y1=Wrangler

AR = Use as Required - = Non Illustrated Part P.A.R. = Paint as Required

PANELS, BODY SIDE GRAND WAGONEER, SJ
Figure 23A-5900

91J69 5900

ITEM	PART NUMBER	QTY	BODY	MODEL	DESCRIPTION
1	5502 6534-5	1			PILLAR, Hinge
2	J095 6636	1			PANEL, Cowl Side Right
	J095 6635	1			Left
3					PILLAR, Body
	J095 6778	1			Right
	J095 6777	1			Left
4					REINFORCEMENT, Pillar
	J095 6644	1			Right
	J095 6643	1			Left
5					PANEL, Cowl Side
	J095 7468	1			Right
	J545 0135	1			Left
6					PANEL, Inner
	J575 1926	1			Right
	J575 8033	1			Left
7					MOULDING, Drip
	J096 8210	1			Right
	J096 8209	1			Left
8	J096 8201	2			CAP, Molding
9					RAIL, Roof
	J096 5552	1			Right
	5502 1759	1			Left
10					MOULDING, Drip
	J096 5540	1			Right
	J096 5539	1			Left
11					RAIL, Roof Inner
	J545 4864	1			Right
	5502 1769	1			Left
12					PANEL, Rocker
	J546 5046	1			Right
	J546 5045	1			Left
13					PILLAR, Center
	J575 1716	1			Right
	5502 1763	1			Left
14	J575 0091	2			PLATE, Tapping
15	J575 0092	2			RETAINER, Tapping Plate
16					PANEL, Lock Pillar
	J545 8188	1			Right
	5502 1765	1			Left
17					PANEL, Lock Pillar



MODEL CODES:

61=Pickup-6 Ft Box 74=4 Door Wagon T=2WD
62=Pickup-7 Ft Box 77=Open Body 93" Wheelbase J,N,U=4WD
72=2 Door Wagon 78=Open Body 103" Wheelbase

BODY STYLES:

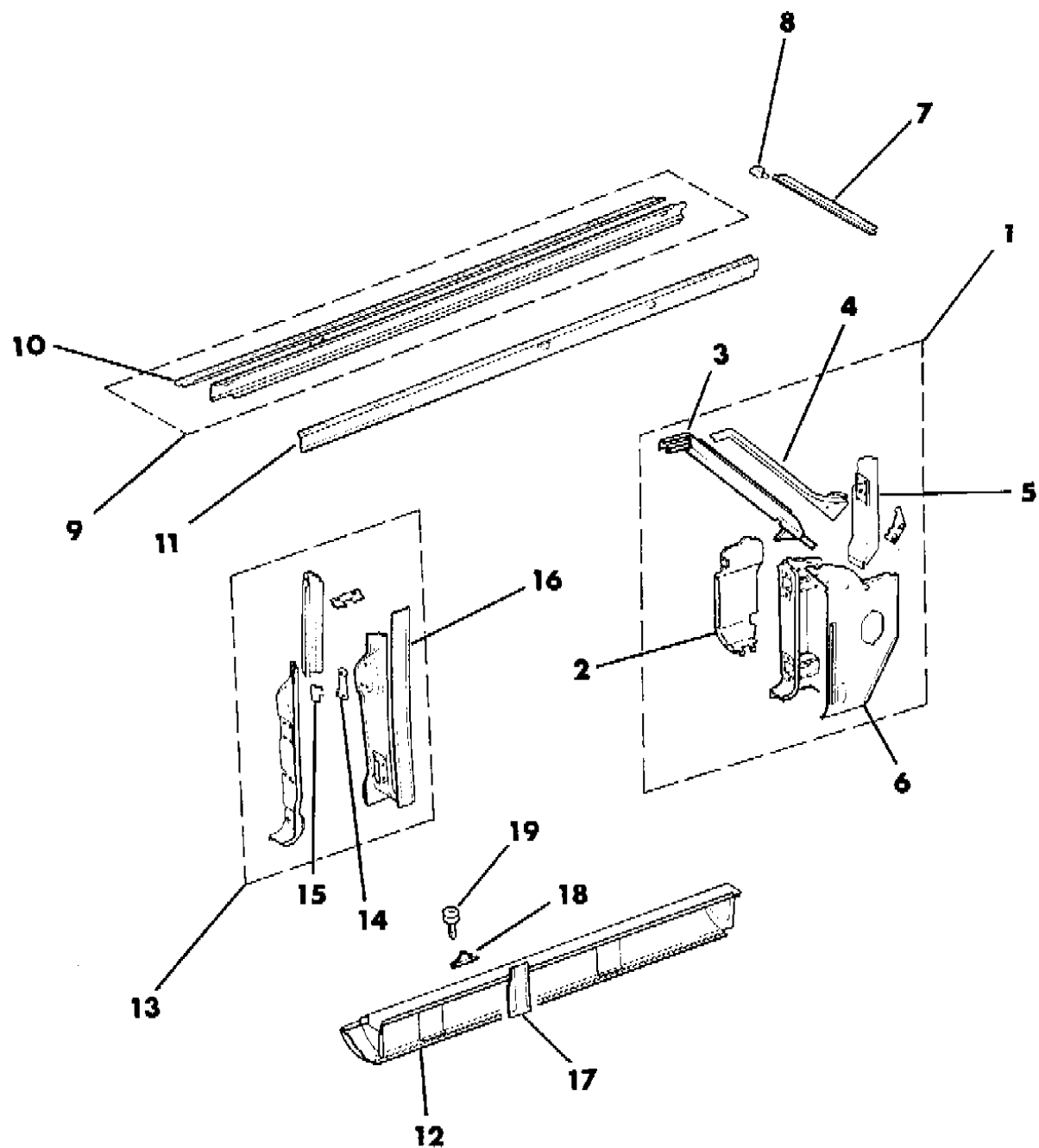
MJ=Comanche Pickup ZJ=Grand Cherokee/Grand Wagoneer KDX VEHICLES
SJ=Grand Wagoneer M1=Comanche
XJ=Cherokee, Briarwood X1=Cherokee, Briarwood
YJ=Wrangler Y1=Wrangler

AR = Use as Required - = Non Illustrated Part P.A.R. = Paint as Required

PANELS, BODY SIDE GRAND WAGONEER, SJ
Figure 23A-5900

91J69 5900

ITEM	PART NUMBER	QTY	BODY	MODEL	DESCRIPTION
	5502 6476	1			Right
	5502 5759	1			Left
18	J095 8568	1			PANEL, Lower Finish Right
	J095 8567	1			Left
19	J097 4764	2			SCREW



MODEL CODES:

61=Pickup-6 Ft Box 74=4 Door Wagon T=2WD
62=Pickup-7 Ft Box 77=Open Body 93" Wheelbase J,N,U=4WD
72=2 Door Wagon 78=Open Body 103" Wheelbase

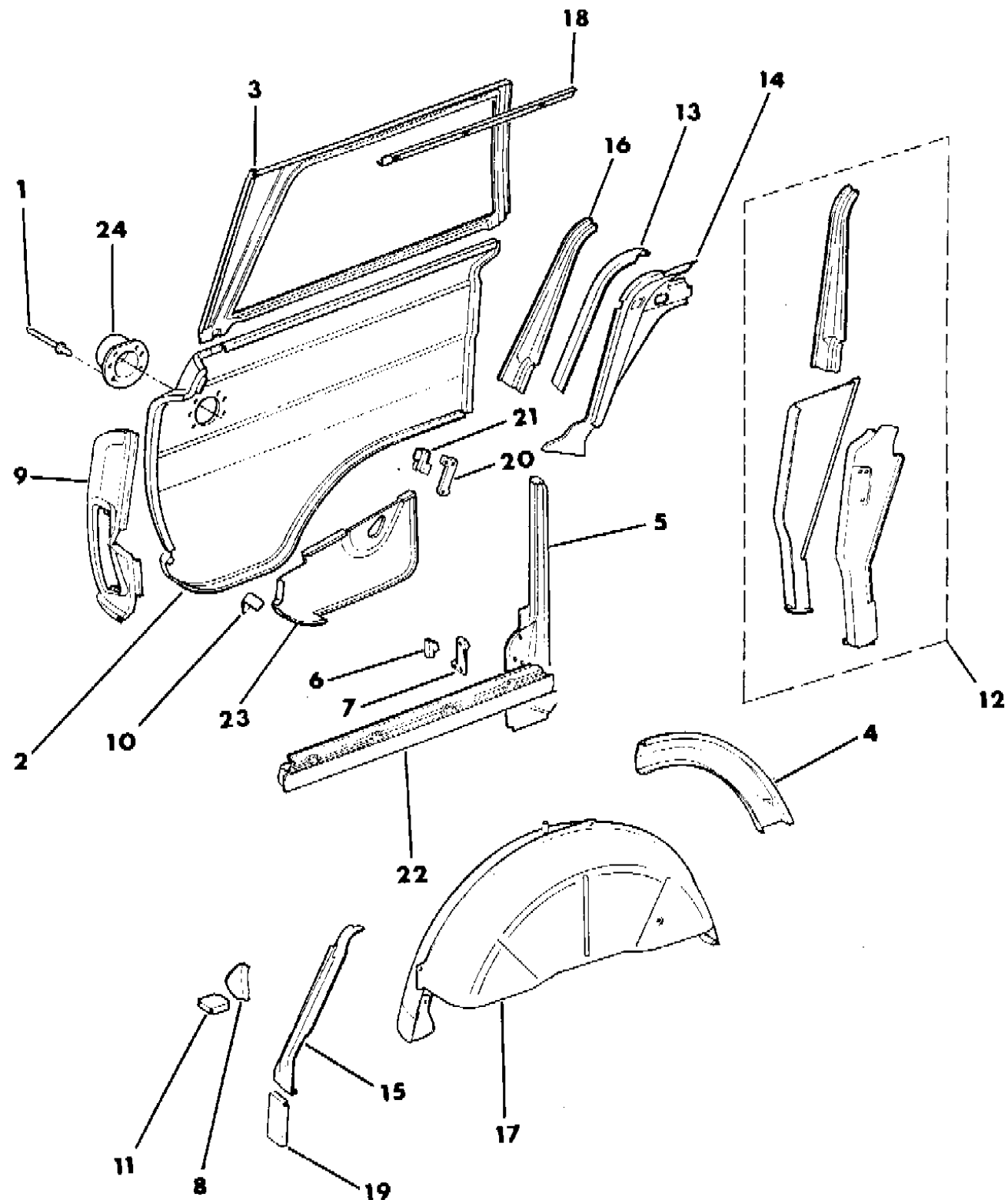
BODY STYLES:

MJ=Comanche Pickup ZJ=Grand Cherokee/Grand Wagoneer KDX VEHICLES
SJ=Grand Wagoneer M1=Comanche
XJ=Cherokee, Briarwood X1=Cherokee, Briarwood
YJ=Wrangler Y1=Wrangler

AR = Use as Required - = Non Illustrated Part P.A.R. = Paint as Required

PANELS, REAR QUARTER GRAND WAGONEER, SJ
Figure 23A-6000

91J69 6000



ITEM	PART NUMBER	QTY	BODY	MODEL	DESCRIPTION
1	J400 4962	6			RIVET
2	J576 4254-5	1			PANEL, Rear Quarter
3	J096 5548	1			PANEL, Quarter Upper Right
	J096 5547	1			Left
4	J095 6688	1			EXTENSION, Panel Right
	J095 6687	1			Left
5	J575 0133	1			PILLAR, Lock Right
	J575 0127	1			Left
6	J575 0092	2			RETAINER, Tapping Plate
7	J575 0091	2			PLATE, Tapping
8	J095 6632	1			FILLER, Panel Right
	J095 6631	1			Left
9	J545 0456	1			PANEL, Taillamp Right
	J545 0455	1			Left
10	J096 0162	1			BRACKET, Extension Right
	J096 0161	1			Left
11	J098 1426	2			FILLER
12	5502 0274	1			PILLAR, Body Right, w/Rear Wiper
	J575 0110	1			Left
13	J095 9410	1			EXTENSION, Pillar Right
	J095 9409	1			Left
14	J545 1144	1			PILLAR, Body Right
	J545 1143	1			Left
15	J545 1164	1			PANEL, Side Right
	J545 1163	1			Left
16	5501 8474	1			PILLAR, Body Right
	J095 6649	1			Left
17	5502 1658	1			PANEL, Wheelhouse Right
	J546 3613	1			Left

MODEL CODES:

61=Pickup-6 Ft Box 74=4 Door Wagon T=2WD
62=Pickup-7 Ft Box 77=Open Body 93" Wheelbase J,N,U=4WD
72=2 Door Wagon 78=Open Body 103" Wheelbase

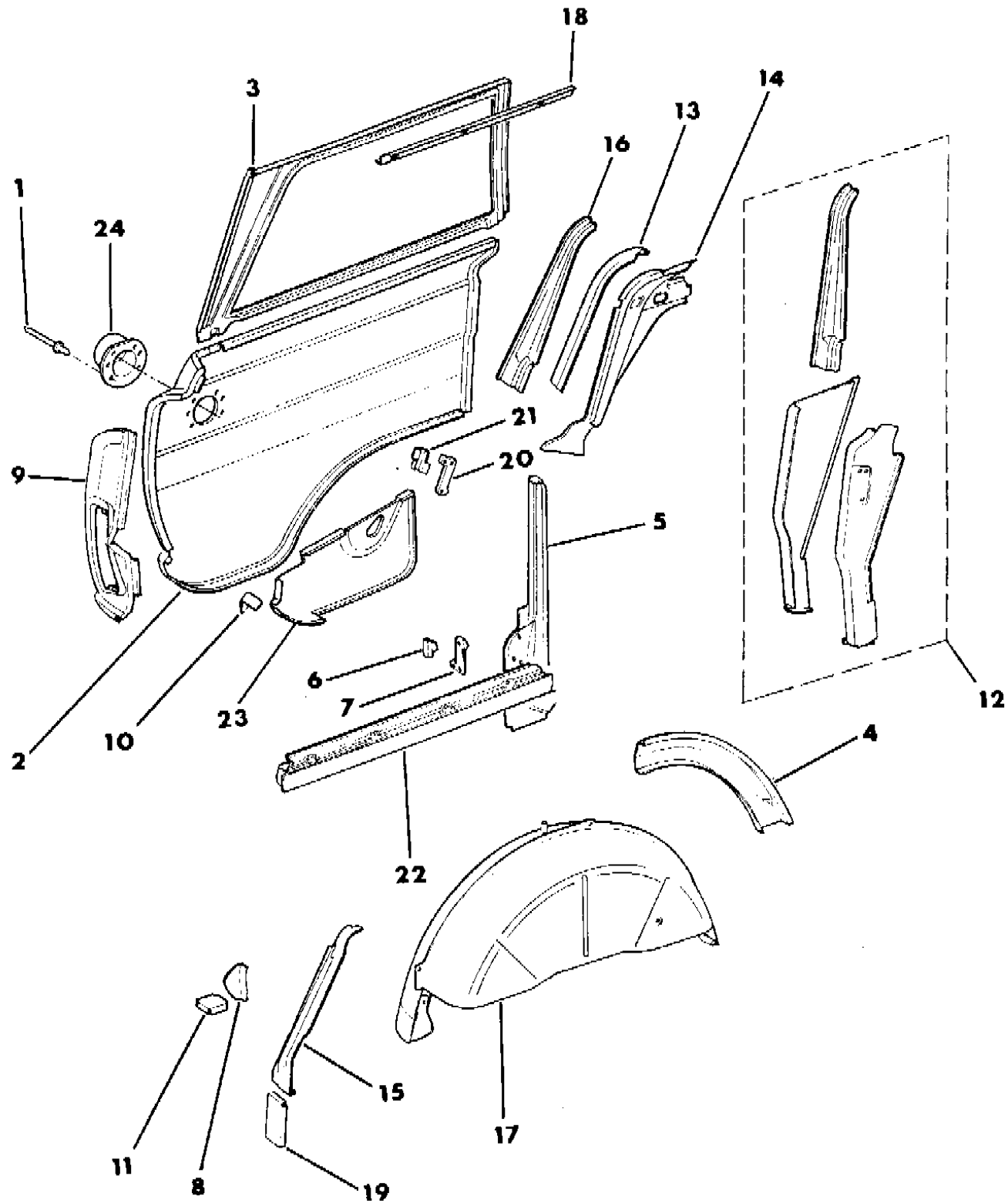
BODY STYLES:

MJ=Comanche Pickup ZJ=Grand Cherokee/Grand Wagoneer KDX VEHICLES
SJ=Grand Wagoneer M1=Comanche
XJ=Cherokee, Briarwood X1=Cherokee, Briarwood
YJ=Wrangler Y1=Wrangler

AR = Use as Required - = Non Illustrated Part P.A.R. = Paint as Required

PANELS, REAR QUARTER GRAND WAGONEER, SJ
Figure 23A-6000

91J69 6000



ITEM	PART NUMBER	QTY	BODY	MODEL	DESCRIPTION
18					FRAME, Quarter Window
	J095 6670	1			Right
	J095 6669	1			Left
19					PANEL, Side
	J095 8618	1			Right
	J095 8617	1			Left
20	J575 0363	2			PLATE, Tapping
21	J545 2448	2			RETAINER, Tapping
22					FRAME, Window
	J096 0930	1			Right
	J546 4215	1			Left
23					PANEL, Extension
	5501 9976	1			RIGHT
	5502 9152	1			Left
24	J536 3396	1			RETAINER, Filler

MODEL CODES:

61=Pickup-6 Ft Box 74=4 Door Wagon T=2WD
62=Pickup-7 Ft Box 77=Open Body 93" Wheelbase J,N,U=4WD
72=2 Door Wagon 78=Open Body 103" Wheelbase

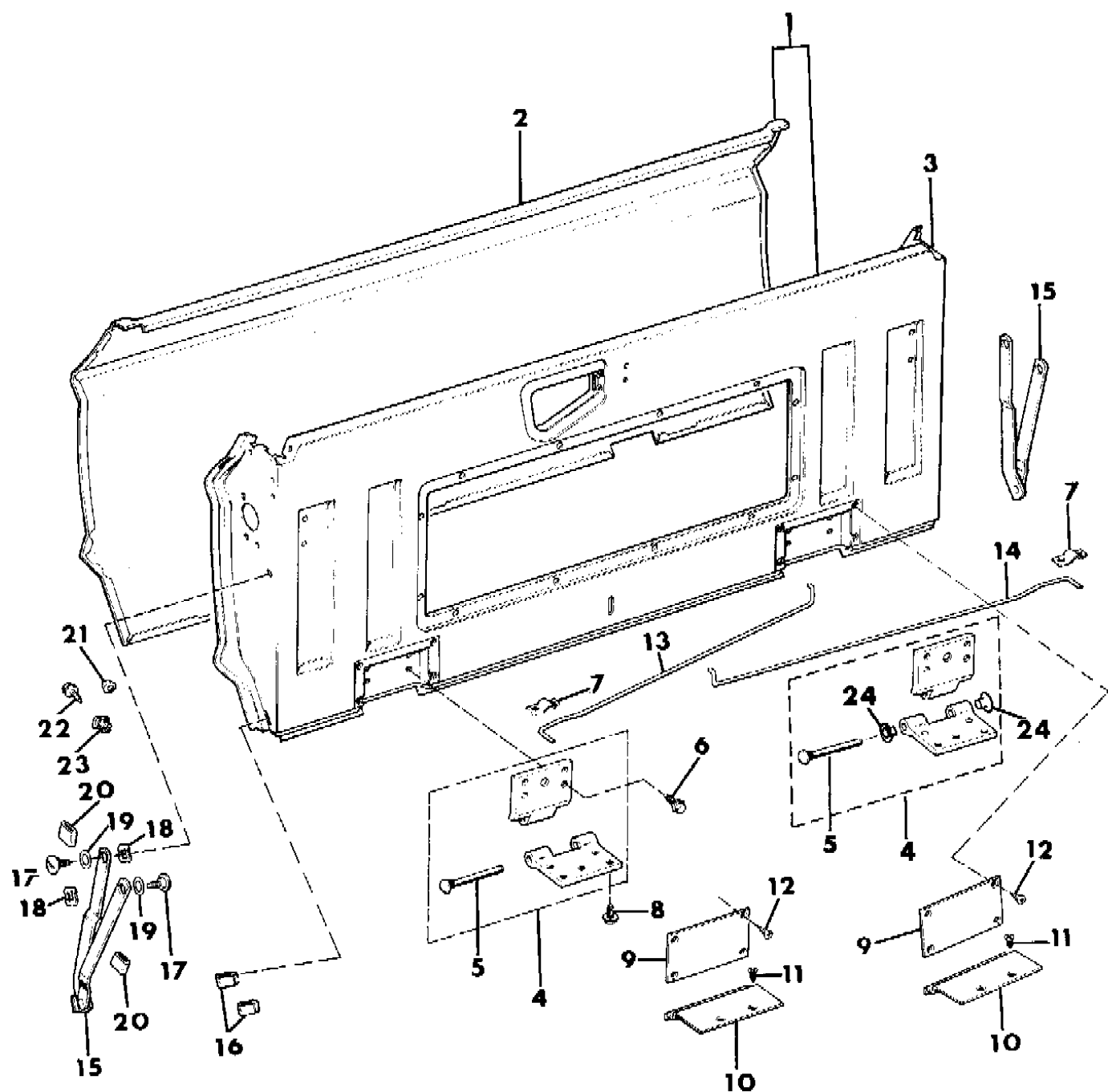
BODY STYLES:

MJ=Comanche Pickup ZJ=Grand Cherokee/Grand Wagoneer KDX VEHICLES
SJ=Grand Wagoneer M1=Comanche
XJ=Cherokee, Briarwood X1=Cherokee, Briarwood
YJ=Wrangler Y1=Wrangler

AR = Use as Required - = Non Illustrated Part P.A.R. = Paint as Required

TAILGATE AND HINGES GRAND WAGONEER, SJ
Figure 23A-6100

91J69 6100 A



ITEM	PART NUMBER	QTY	BODY	MODEL	DESCRIPTION
1	5501 8793	1			TAILGATE, w/Rear Wiper
2	5501 8794	1			PANEL, Quarter w/Rear Wiper
3	5501 8796	1			PANEL, Inner w/Rear Wiper
4	J575 1937	2			HINGE, Tailgate
5	J576 4063	2			PIN, Hinge
6	J400 3069	8			BOLT
7	J575 8338-9	1			BRACKET, Rod
8	J400 4455	8			BOLT
9	J545 1413	2			COVER, Hinge
10	J545 1437	2			COVER, Hinge
11	S016 3470	8			SCREW
12	J400 1477	8			SCREW
13	J545 1577	1			ROD, Hinge Torque Left
14	J545 1578	1			ROD, Hinge Torque Right
15	5502 5234-5	1			ARM, Tailgate Support
16	J096 4504	1			BUMPER
17	J095 7717	4			BOLT
18	J400 4711	4			WASHER
19	J095 8649	4			WASHER, Spring
20	J096 1095	4			SLEEVE
21	J400 4156	1			BUMPER, License
22	J812 0054	2			SCREW
23	J400 0141	2			NUT
24	J575 0918	2			BUSHING

MODEL CODES:
 61=Pickup-6 Ft Box 74=4 Door Wagon T=2WD
 62=Pickup-7 Ft Box 77=Open Body 93" Wheelbase J,N,U=4WD
 72=2 Door Wagon 78=Open Body 103" Wheelbase

BODY STYLES:
 MJ=Comanche Pickup ZJ=Grand Cherokee/Grand Wagoneer KDX VEHICLES
 SJ=Grand Wagoneer M1=Comanche
 XJ=Cherokee, Briarwood X1=Cherokee, Briarwood
 YJ=Wrangler Y1=Wrangler

AR = Use as Required - = Non Illustrated Part P.A.R. = Paint as Required

LATCHES, TAILGATE GRAND WAGONEER, SJ
Figure 23A-6200

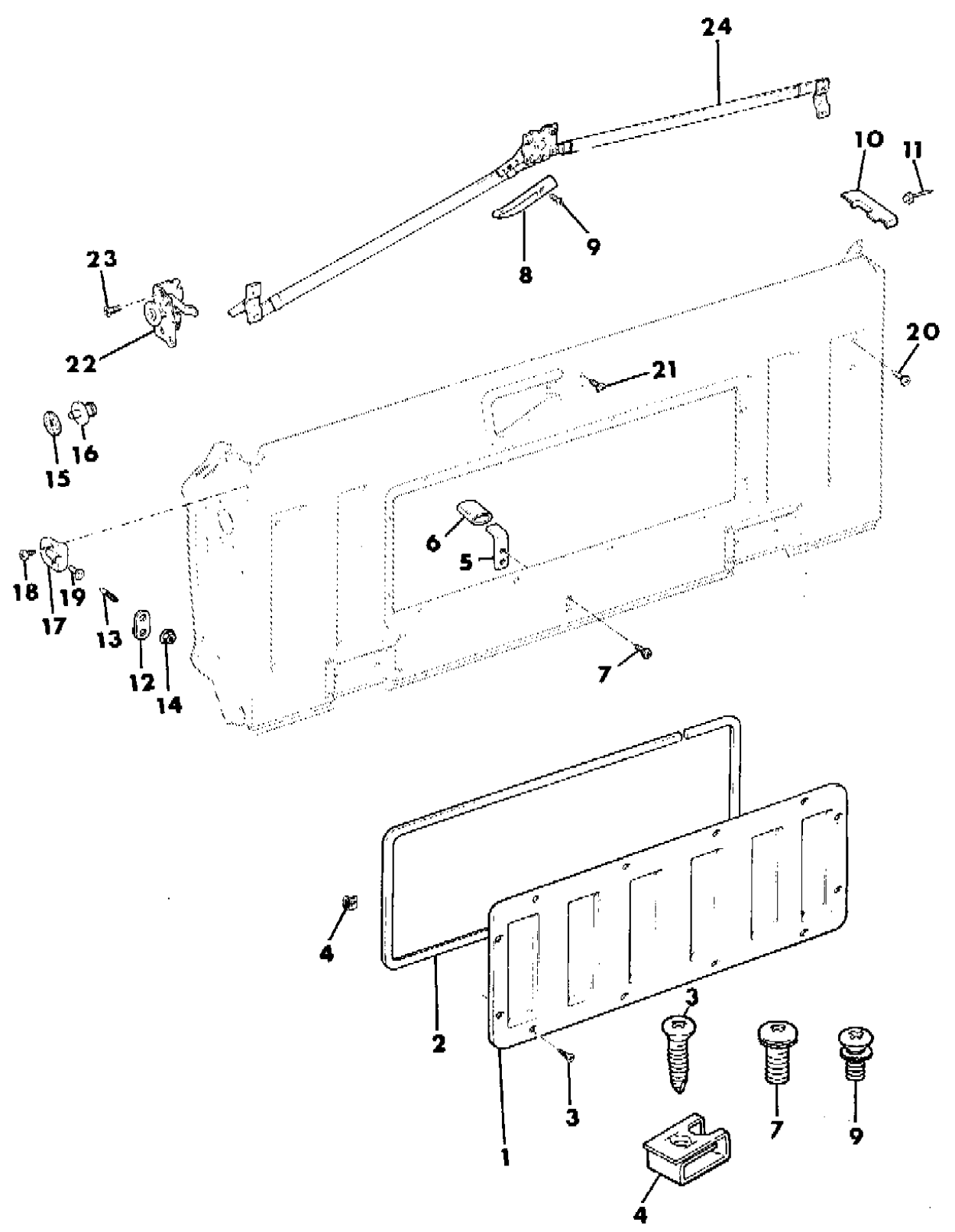
91J69 6200

ITEM	PART NUMBER	QTY	BODY	MODEL	DESCRIPTION
1	J095 2567	1			COVER
2	J098 4755	1			GASKET, Cover
3	J096 6227	12			SCREW, .75" long
4	J096 6217	12			NUT
5	5501 7816-7	1			BRACKET, Glass Stop
6	J097 6665	2			BUMPER, Stop
7	J027 2475	4			SCREW, .62" long
8	J095 6374	1			HANDLE, Inside
9	J096 0212	1			SCREW, .38" long
10					CAP, End
	J545 2498	1			Right
	J545 2497	1			Left
11	J400 4962	2			RIVET
12	J545 1569	2			PLATE
13	J400 5884	2			STUD
14	J400 4866	2			NUT
15	J400 6404	6			WASHER, Bite
16	J400 6406	2			STRIKER, Tailgate
17	J545 1600	2			RECEPTACLE, Dovetail Mounting
18	J400 3794	4			SCREW
19	J546 4444	2			INSERT
20	J018 8749	4			SCREW
21	J027 3333	4			SCREW
22					LATCH, Tailgate
	J575 0068	1			Right
	J575 0067	1			Left
23	J400 7032	6			SCREW
24	J096 1995	1			CONTROL, Tailgate Remote

MODEL CODES:
 61=Pickup-6 Ft Box 74=4 Door Wagon T=2WD
 62=Pickup-7 Ft Box 77=Open Body 93" Wheelbase J,N,U=4WD
 72=2 Door Wagon 78=Open Body 103" Wheelbase

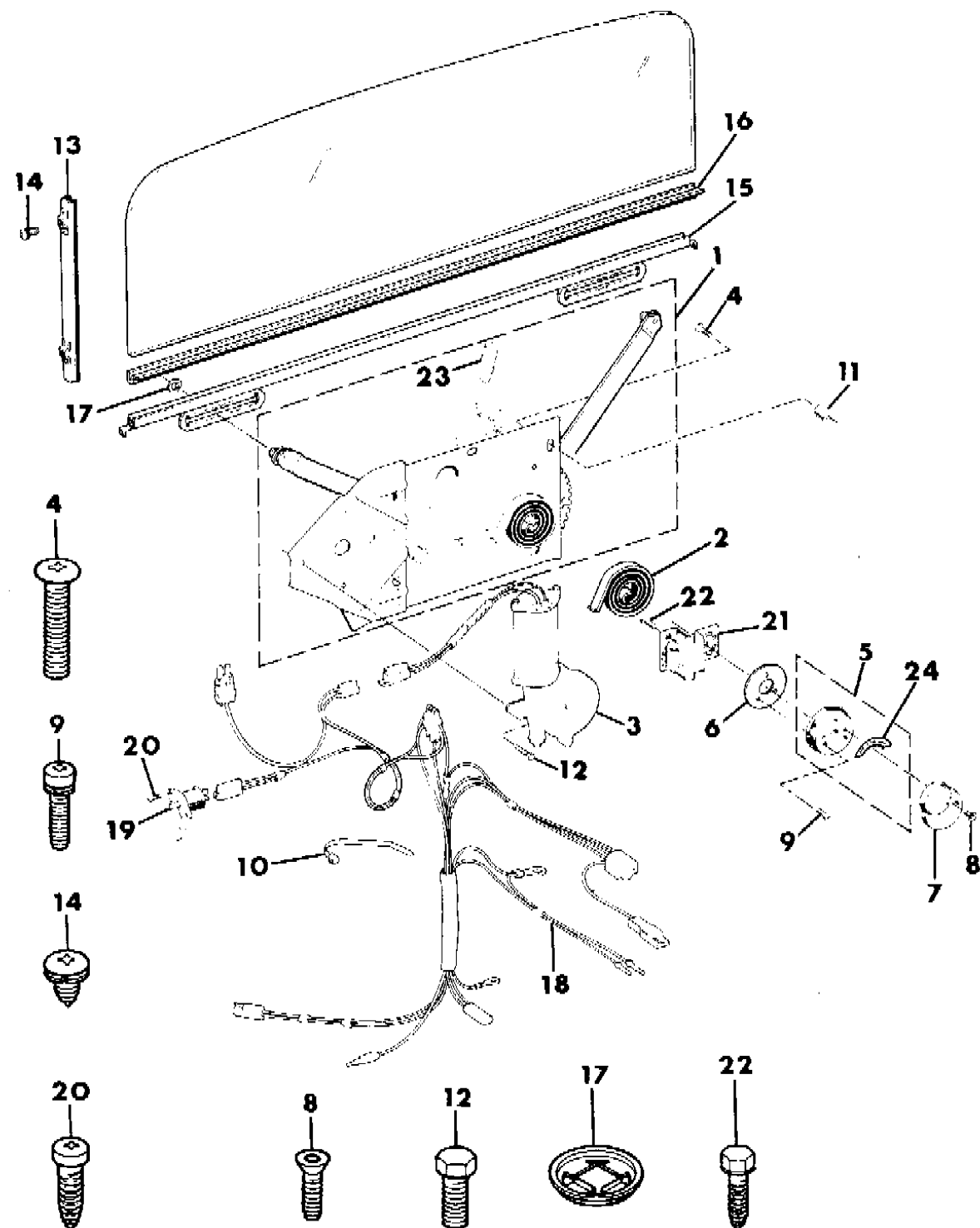
BODY STYLES:
 MJ=Comanche Pickup ZJ=Grand Cherokee/Grand Wagoneer KDX VEHICLES
 SJ=Grand Wagoneer M1=Comanche
 XJ=Cherokee, Briarwood Y1=Cherokee, Briarwood
 YJ=Wrangler Y1=Wrangler

AR = Use as Required - = Non Illustrated Part P.A.R. = Paint as Required



REGULATOR, TAILGATE GLASS ELECTRIC GRAND WAGONEER, SJ
Figure 23A-6300

91J69 6300



ITEM	PART NUMBER	QTY	BODY	MODEL	DESCRIPTION
1	8350 4949	1			REGULATOR, Glass
2	J812 9551	1			SPRING
3	8350 3429	1			MOTOR, Electric Window
4	J812 6447	6			SCREW
5	5502 2220	1			BASE, Regulator Switch
6	J096 0205	1			GASKET
7	J545 1502	1			COVER
8	J400 4969	2			SCREW
9	J400 0640	3			SCREW
10	J322 3227	3			STRAP
11	J812 5586	6			SPACER
12		3			SCREW, (Not Serv.)
13	J546 5084	2			CHANNEL, Window Guide
14	J097 9925	4			SCREW
15	J813 0454	1			CHANNEL, Glass Lifter
16	J546 9605	1			SEAL, Glass Lower
17	J098 0363	2			RETAINER
18	5600 2656	1			WIRING
19	J575 0087	1			SWITCH, Safety
20	J016 2077	2			SCREW
21	5600 3167	1			SWITCH, Tailgate Glass
22	J400 5559	2			SCREW
23	5600 3694	1			SWITCH, Regulator Lockout
24	5502 2196	1			DECAL, Key Removal ***

MODEL CODES:

61=Pickup-6 Ft Box 74=4 Door Wagon T=2WD
 62=Pickup-7 Ft Box 77=Open Body 93" Wheelbase J,N,U=4WD
 72=2 Door Wagon 78=Open Body 103" Wheelbase

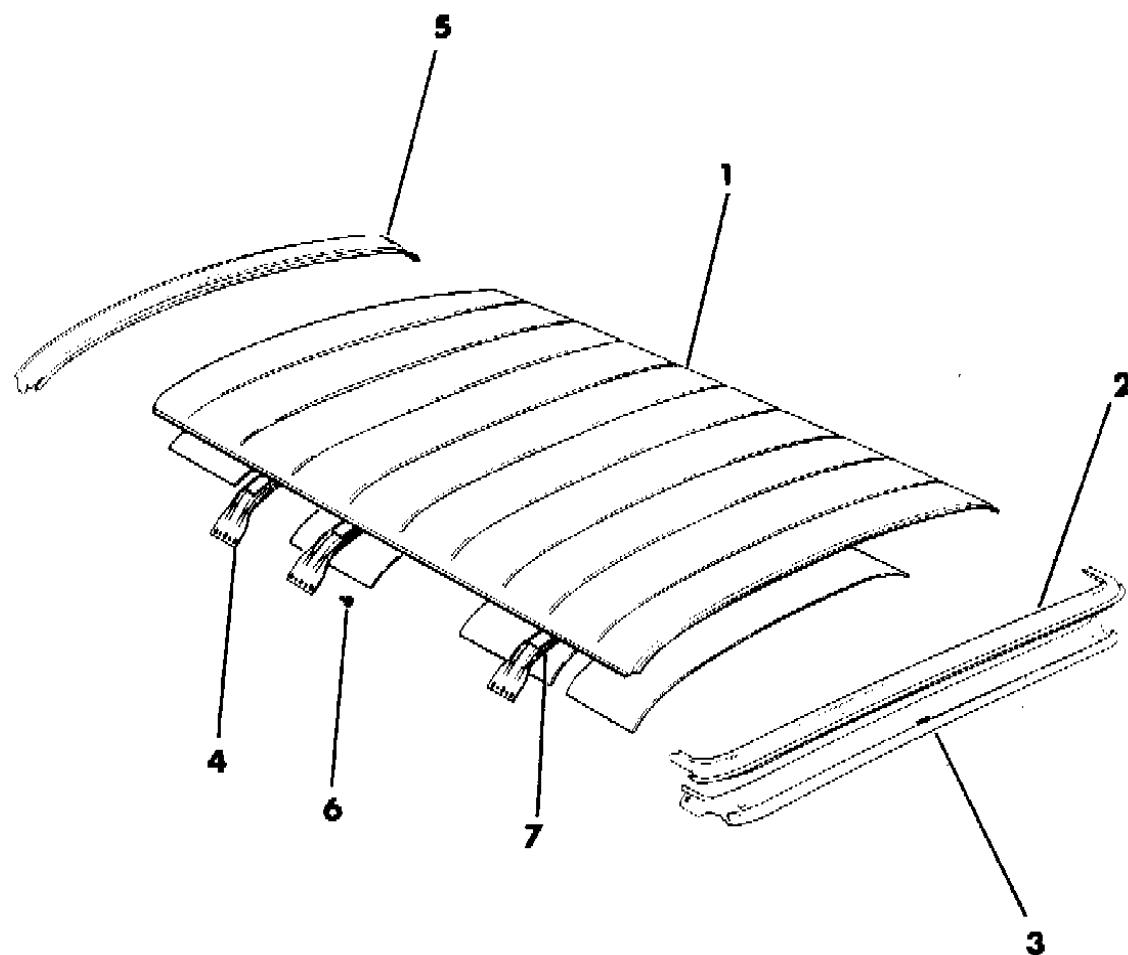
BODY STYLES:

MJ=Comanche Pickup ZJ=Grand Cherokee/Grand Wagoneer KDX VEHICLES
 SJ=Grand Wagoneer M1=Comanche
 XJ=Cherokee, Briarwood X1=Cherokee, Briarwood
 YJ=Wrangler Y1=Wrangler

AR = Use as Required - = Non Illustrated Part P.A.R. = Paint as Required

PANELS, ROOF GRAND WAGONEER, J10, J20
Figure 23A-6400

91J69 6400



ITEM	PART NUMBER	QTY	BODY	MODEL	DESCRIPTION
1					PANEL, Roof
	J096 5537	1			w/o Sunroof
	8350 5255	1			w/Sunroof Electric
2	5502 1773	1			HEADER, Front Upper ***
3	5502 1774	1			HEADER, Front Lower ***
4	J546 9863	3			SUPPORT, Roof (Modification Required)
5	J545 5370	1			HEADER, Rear ***
6	J400 4884	12			SCREW
7	J545 4867	3			PAD

MODEL CODES:

61=Pickup-6 Ft Box 74=4 Door Wagon T=2WD
 62=Pickup-7 Ft Box 77=Open Body 93" Wheelbase J,N,U=4WD
 72=2 Door Wagon 78=Open Body 103" Wheelbase

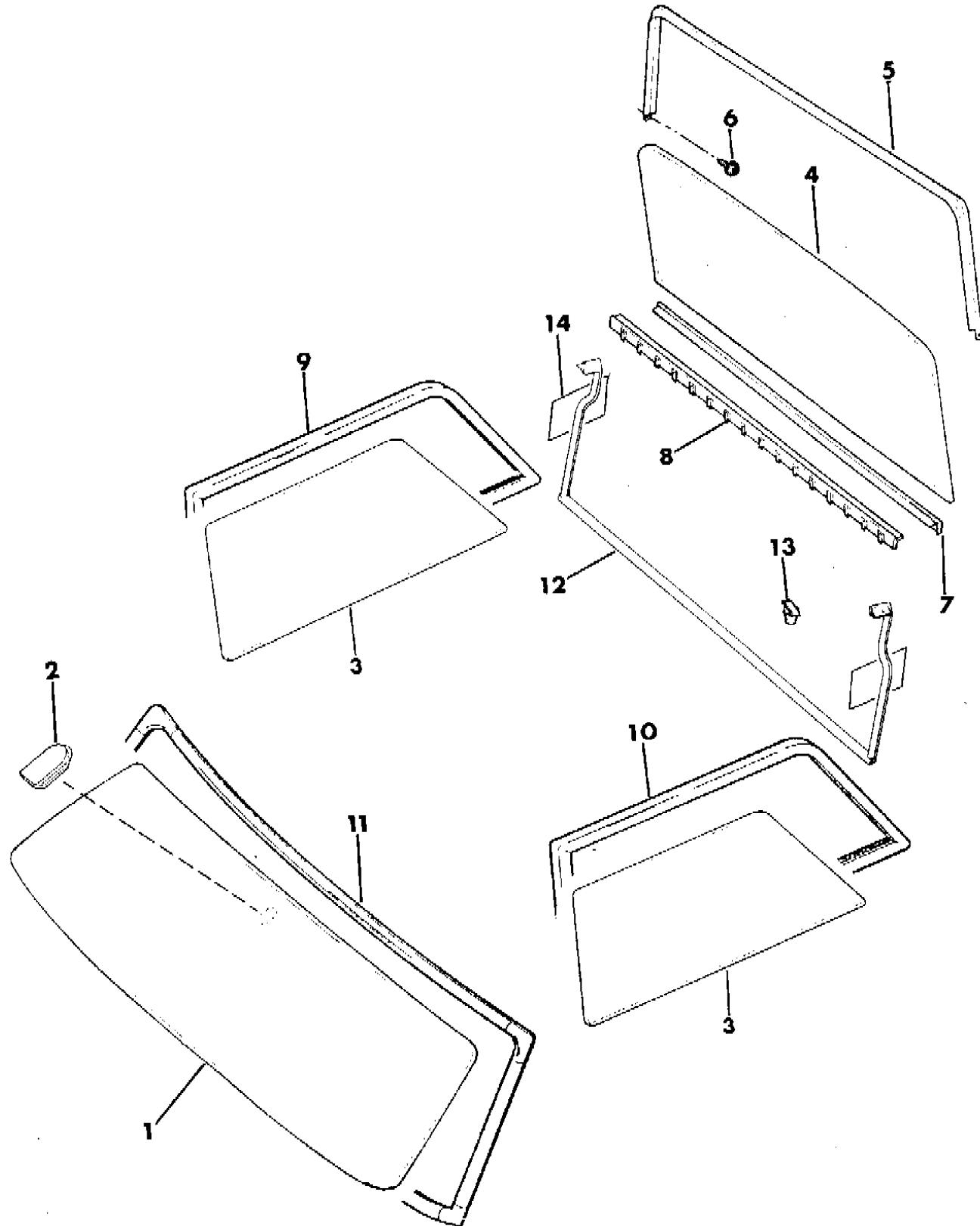
BODY STYLES:

MJ=Comanche Pickup ZJ=Grand Cherokee/Grand Wagoneer KDX VEHICLES
 SJ=Grand Wagoneer M1=Comanche
 XJ=Cherokee, Briarwood X1=Cherokee, Briarwood
 YJ=Wrangler Y1=Wrangler

AR = Use as Required - = Non Illustrated Part P.A.R. = Paint as Required

SEALS & GLASS TINTED WINDSHIELD, QUARTER AND TAILGATE GRAND WAGONEER, SJ
Figure 23A-6500

91J69 6500



ITEM	PART NUMBER	QTY	BODY	MODEL	DESCRIPTION
1	J546 9500	1			GLASS, Windshield
2	J365 7374	1			SUPPORT, Inside Rear View Mirror (a)
3	J546 9536	2			GLASS, Quarter
4	J575 2859	1			GLASS, Tailgate, Heated
5	J545 5966	1			CHANNEL, Glass
6	J400 4171	2			SCREW
7	5505 2566	1			WEATHERSTRIP, Tailgate Outer
8	J546 2332	1			WEATHERSTRIP, Tailgate Inner
9	J546 9532	1			SEAL, Quarter Window
10	J546 9531	1			SEAL, Quarter Window
11	J546 9504	1			SEAL, Windshield
12	J545 1573	1			SEAL, Tailgate Lower
13	J400 1916	11			FASTENER
14	5502 5166	2			WATERDAM, Tailgate Latch ***

(a) The Mirror Support is Replacing Mirror mounting Kit. When Installing a Mirror Support, Use Locktite #312 Adhesive and the Accelerator for Locktite #312.

MODEL CODES:

61=Pickup-6 Ft Box 74=4 Door Wagon T=2WD
 62=Pickup-7 Ft Box 77=Open Body 93" Wheelbase J,N,U=4WD
 72=2 Door Wagon 78=Open Body 103" Wheelbase

BODY STYLES:

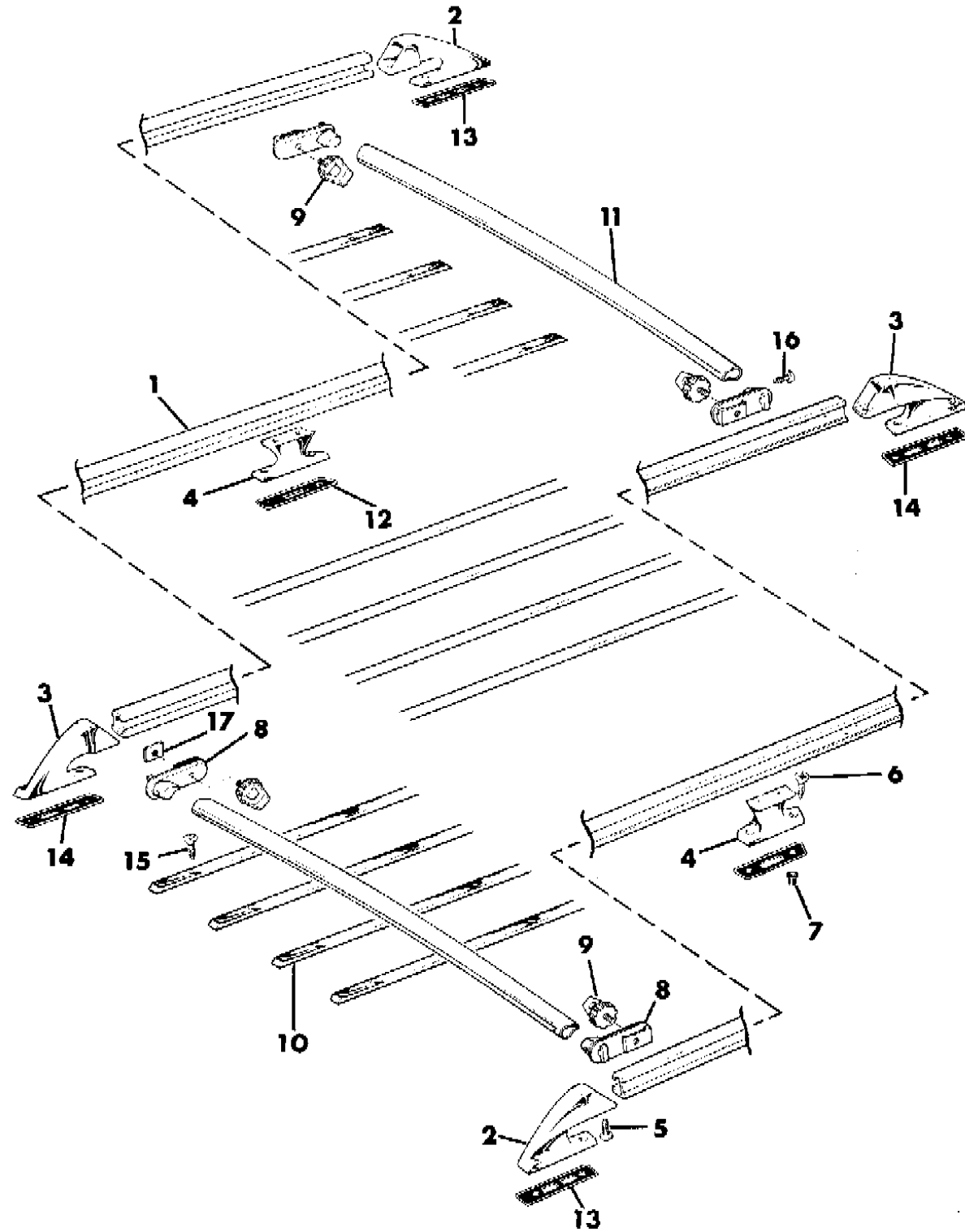
MJ=Comanche Pickup ZJ=Grand Cherokee/Grand Wagoneer KDX VEHICLES
 SJ=Grand Wagoneer M1=Comanche
 XJ=Cherokee, Briarwood X1=Cherokee, Briarwood
 YJ=Wrangler Y1=Wrangler

AR = Use as Required - = Non Illustrated Part P.A.R. = Paint as Required

RACK--ROOF LUGGAGE GRAND WAGONEER, SJ
Figure 23A-6600

91J69 6600

ITEM	PART NUMBER	QTY	BODY	MODEL	DESCRIPTION
1	J546 9360	2			RAIL, Side
2	J546 5663	2			SUPPORT, Side Rail Left Front and Right Rear
3	J546 5664	2			SUPPORT, Side Rail Right Front and Left Rear
4	J546 5675	2			SUPPORT, Center
5	J812 0052	8			SCREW
6	S941 6343	12			SCREW
7	J400 3120	12			NUT, Well
8					SLIDE, Side Rail
	5501 9486	2			Right
	8350 5569	2			Left
9	3502 2075	4			LOOP, Cargo Tie Down
10	5505 2610	4			STRIP, Skid
11	5501 9382	2			RAIL, Cross
12	J546 5676	2			PAD
13	J546 5666	2			PAD, Left Front and Right Rear ***
14	J546 5665	2			PAD, Right Front and Left Rear ***
15	J400 6401	12			SCREW
16	J016 3162	4			SCREW
17	5501 9490	4			PLATE, Tapping



MODEL CODES:

61=Pickup-6 Ft Box 74=4 Door Wagon T=2WD
 62=Pickup-7 Ft Box 77=Open Body 93" Wheelbase J,N,U=4WD
 72=2 Door Wagon 78=Open Body 103" Wheelbase

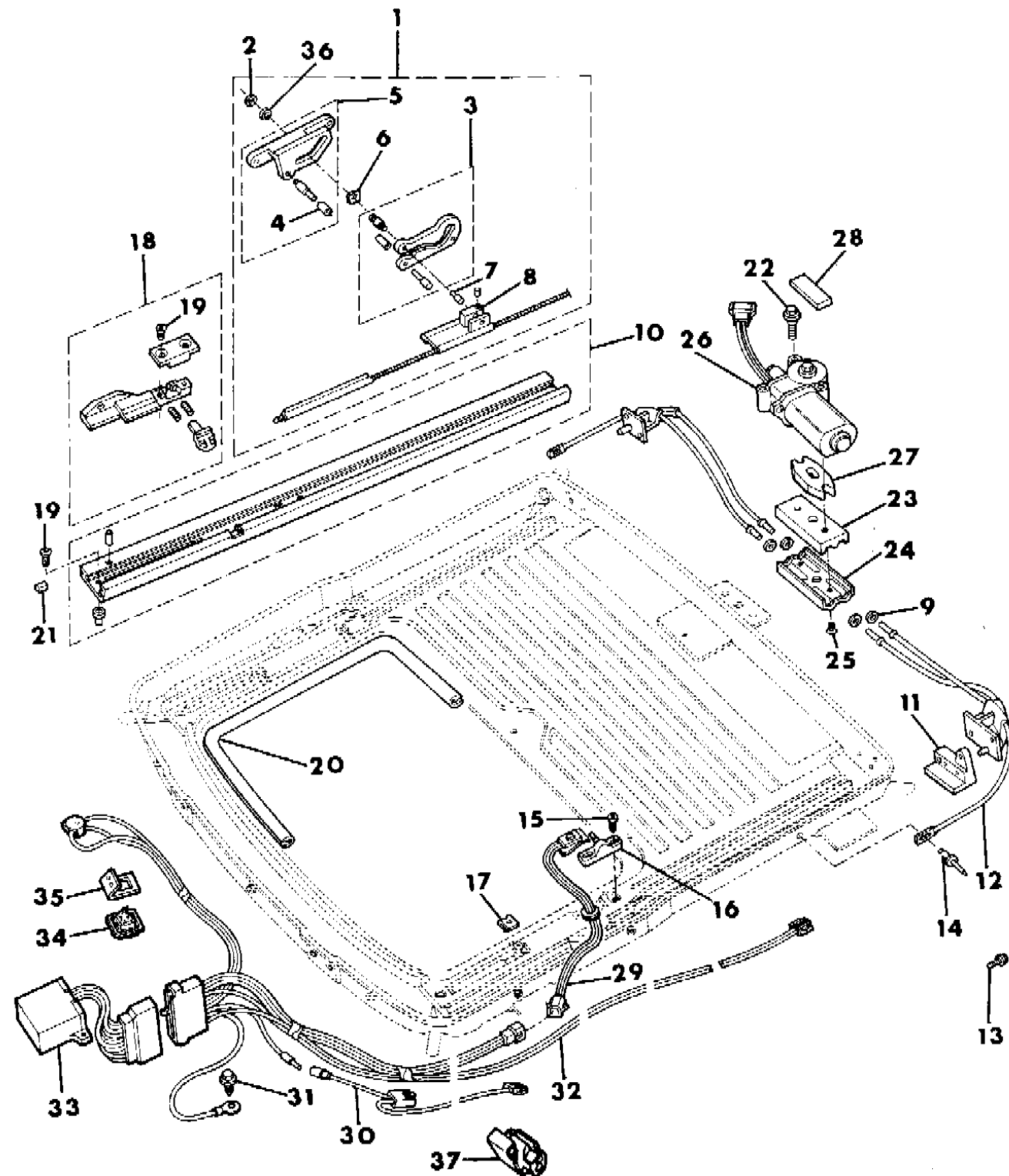
BODY STYLES:

MJ=Comanche Pickup ZJ=Grand Cherokee/Grand Wagoneer KDX VEHICLES
 SJ=Grand Wagoneer M1=Comanche
 XJ=Cherokee, Briarwood X1=Cherokee, Briarwood
 YJ=Wrangler Y1=Wrangler

AR = Use as Required - = Non Illustrated Part P.A.R. = Paint as Required

SUNROOF TRACK AND ELECTRICAL GRAND WAGONEER, SJ
Figure 23A-6700

91J69 6700 A



ITEM	PART NUMBER	QTY	BODY	MODEL	DESCRIPTION
1	8350 5644-5	1			GUIDE ASSEMBLY
2	8350 5339	2			RETAINER
3	4467 931	1			LINK ASSEMBLY ***
4	4467 925	AR			SLEEVE
5	4467 928-9	1			BLOCK PACKAGE, Sunroof ***
6	8350 5341	2			WASHER, Wave
7	8350 5340	2			PIN
8	8350 5642	1			GUIDE ASSEMBLY
9	4467 920	1			SEAL
10	8350 5312-3	1			TRACK ASSEMBLY ***
11	8350 5318-9	1			RETAINER
12	8350 5316-7	1			TUBE ASSEMBLY, Cable ***
13	8350 5380	AR			BOLT
14	8350 5321	1			RIVET
15	8350 5345	2			SCREW
16	4467 933	1			ACTUATOR
17	8350 5311	AR			NUT
18	8350 5634-5	1			GUIDE ASSEMBLY
19	8350 5309	AR			SCREW
20					WELT
	5252 621	1			Cordovan
	5252 620	1			Sand
21	8350 5314	2			PLUG
22	8350 5327	2			SCREW
23	8350 5646	1			RETAINER, Cable Lower
24	4467 922	1			COVER
25	8350 5324	2			SCREW
26	8350 5325	1			MOTOR
27	4172 243	1			SPACER
28	4467 918	1			PAD
29	8350 5315	1			SWITCH
30	8350 5373	1			WIRE, Jumper
31	8350 5383	1			SCREW
32	8350 5372	1			HARNESS, Wire
33	8350 5371	1			MODULE
34	8350 5370	1			SWITCH, Sunroof
35	8350 5369	1			BRACKET
36	8350 5338	2			WASHER
37	8350 5374	1			Connector, Wire Harness ***

MODEL CODES:

61=Pickup-6 Ft Box 74=4 Door Wagon T=2WD
 62=Pickup-7 Ft Box 77=Open Body 93" Wheelbase J,N,U=4WD
 72=2 Door Wagon 78=Open Body 103" Wheelbase

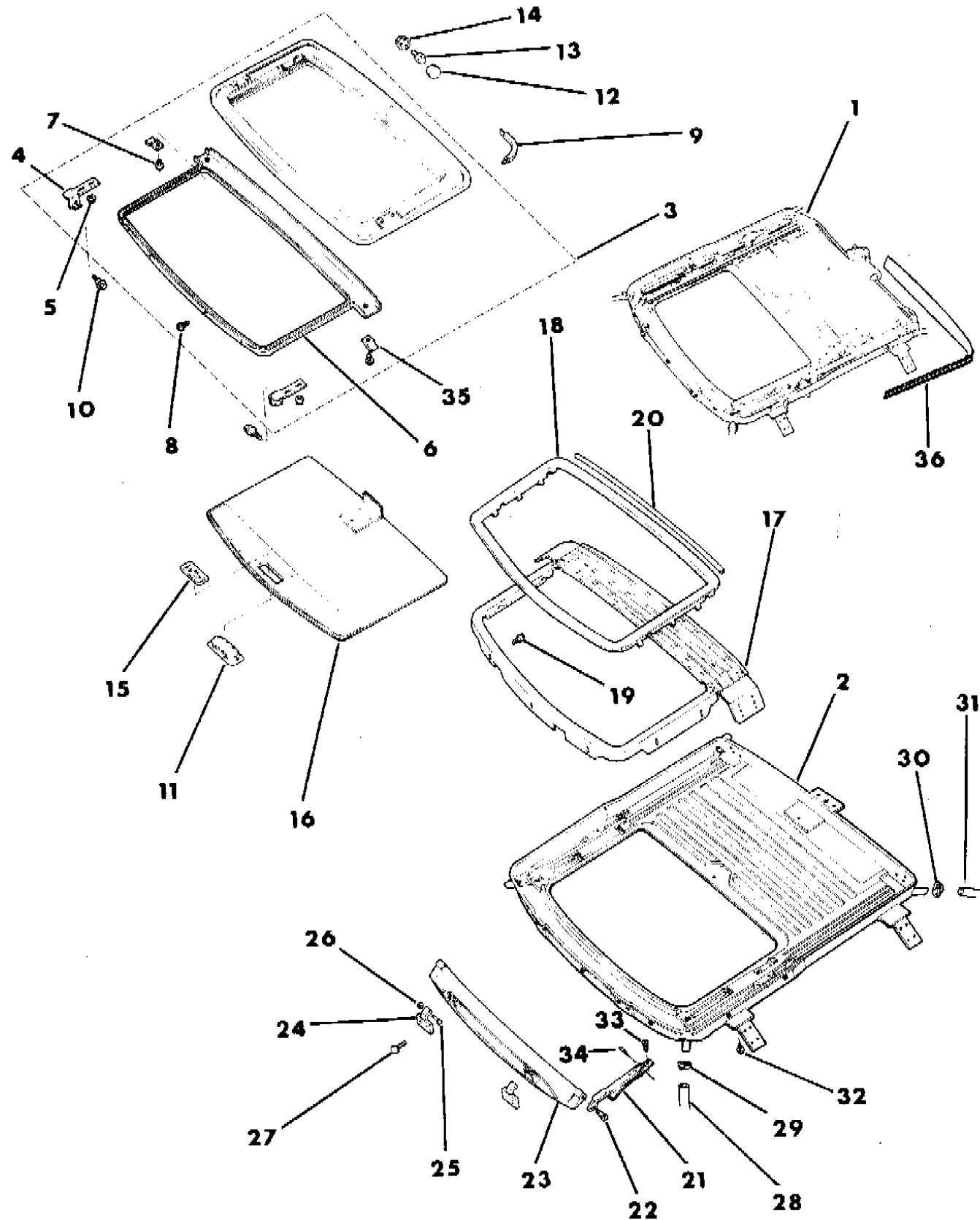
BODY STYLES:

MJ=Comanche Pickup ZJ=Grand Cherokee/Grand Wagoneer KDX VEHICLES
 SJ=Grand Wagoneer M1=Comanche
 XJ=Cherokee, Briarwood X1=Cherokee, Briarwood
 YJ=Wrangler Y1=Wrangler

AR = Use as Required - = Non Illustrated Part P.A.R. = Paint as Required

SUNROOF SLIDING GLASS AND HOUSING GRAND WAGONEER, SJ
Figure 23A-6800

91J69 6800



ITEM	PART NUMBER	QTY	BODY	MODEL	DESCRIPTION
1	8350 5300	1			HOUSING ASSEMBLY, Complete ***
2	8350 5382	1			HOUSING ASSEMBLY ***
3	8350 5348	1			GLASS PACKAGE, Sunroof ***
4	4467 940-1	1			BRACKET ASSEMBLY ***
5	8350 5351	4			NUT
6	8350 5353	1			BEZEL
7	8350 5354	2			SCREW
8	J045 7002	AR			SCREW
9	4467 939	1			INSERT, Bulk
10	4467 942	AR			BOLT
11	8350 5357	1			HANDLE, Sun Screen
12	4467 953	2			CAP
13	8350 5347	2			BOLT
14	4467 937	2			RETAINER
15	8350 5358	1			BEZEL
16					SUNSCREEN ***
	8350 5356	1			Cordovan
	4419 502	1			Dark Sand
17	8350 5359	1			REINFORCEMENT
18	8350 5360	1			MOLDING
19	4467 951	AR			BOLT
20	8350 5361	1			SHIM
21	8350 5307	2			ARM ASSEMBLY, Pivot ***
22	8350 5308	2			BOLT
23	8350 5632	1			DEFLECTOR, Air
24					BRACKET
	8350 5303	1			Right
	8350 5304	1			Left
25	8350 5305	2			PIN
26	8350 5306	2			RETAINER
27		4			SCREW, (Not Serv.)
28	8350 5367	2			HOSE, Drain
29	8350 5375	2			CLAMP, Hose, 14.5-16.5mm Dia.
30	8350 5376	2			CLAMP, Hose, 21.5mm Dia.
31	8350 5368	2			HOSE, Drain
32	8350 5383	AR			SCREW
33		AR			SCREW (8-18x.438) (not serviced)
34	6100 642	2			PIN, Spring Slotted Heavy
35	4467 945	2			GUIDE, Drain Trough
36	8350 5366	1			SEAL, Dust

MODEL CODES:

61=Pickup-6 Ft Box 74=4 Door Wagon T=2WD
 62=Pickup-7 Ft Box 77=Open Body 93" Wheelbase J,N,U=4WD
 72=2 Door Wagon 78=Open Body 103" Wheelbase

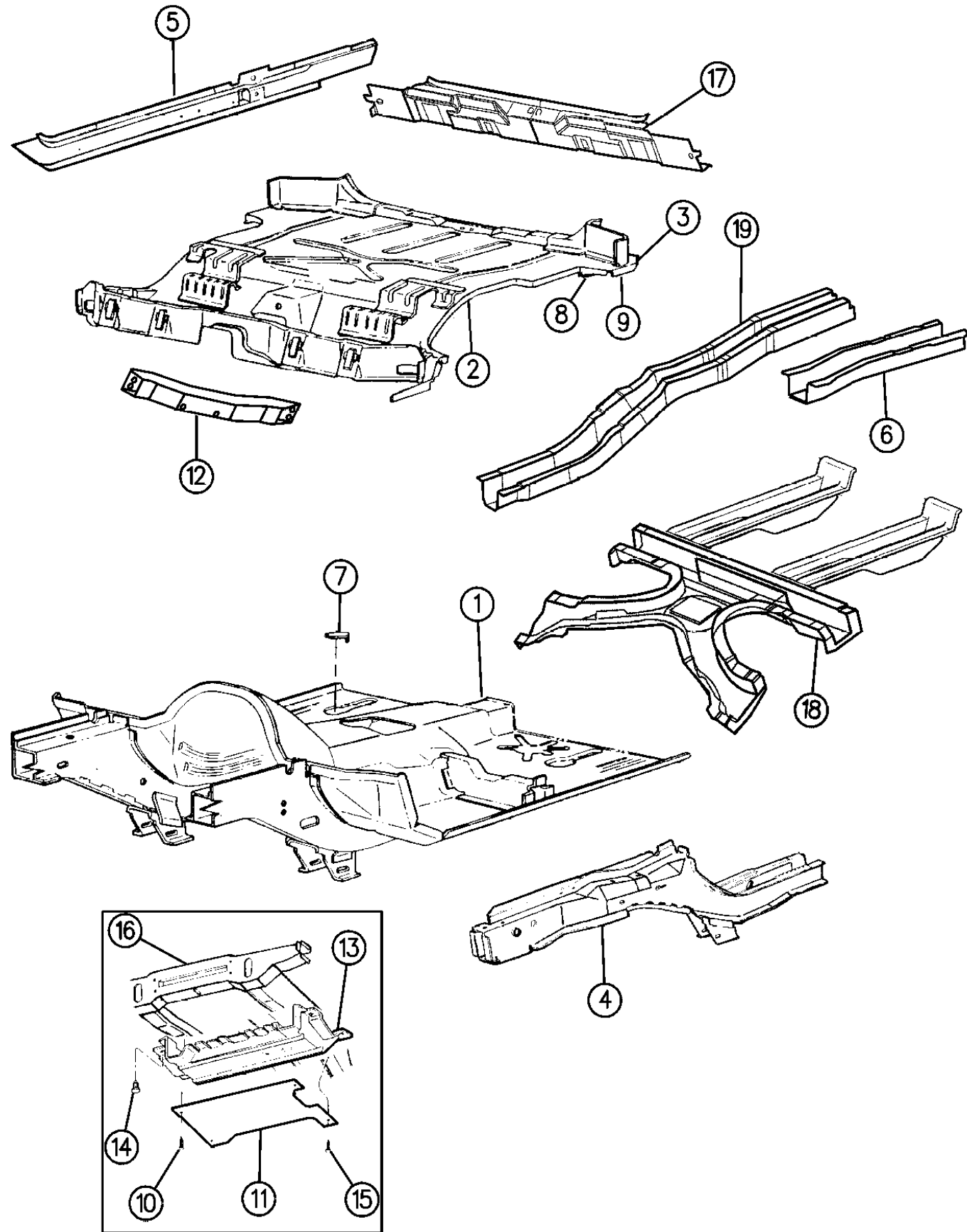
BODY STYLES:

MJ=Comanche Pickup ZJ=Grand Cherokee/Grand Wagoneer KDX VEHICLES
 SJ=Grand Wagoneer M1=Comanche
 XJ=Cherokee, Briarwood X1=Cherokee, Briarwood
 YJ=Wrangler Y1=Wrangler

AR = Use as Required - = Non Illustrated Part P.A.R. = Paint as Required

PANS, FLOOR GRAND CHEROKEE, ZJ
Figure 23A-6900

91J69 6900D



ITEM	PART NUMBER	QTY	BODY	MODEL	DESCRIPTION
1	5503 3441	1			PAN, Front Floor
2	5523 4564 4740 089	1			PAN, Rear Floor (w/Items 17,18,19)
3	5503 1440-1	1			GUSSET, Liftgate Opening to Floor
4	4728 778-9	1			SILL, Front
5	5523 4744-5	1			SILL, Side
6	5523 4743	2			SILL, Center
7	4586 055	18			PLUG, Floor Pan
8	5600 6276	2			PLUG
9	5513 4880	2			PLUG
10		4			RETAINER, (Not Serviced)
11					SHIELD, Underbody Splash
					1992
	5523 4698	1			Up to 1-10-92
	5523 5020	1			After 1-10-92
	5534 6021	1			For vehicles built after 7-16-92
12	5200 4309	1			CROSSMEMBER, Trans. Support
13	5503 5951	1			AIR DEFLECTOR, Radiator Lower
14	6502 868	4			CLIP, Air Deflector
15	6030 441	4			RETAINER, Radiator Baffle
16	5503 1446	1			CROSSMEMBER, Front Lower
17	4740 091	1			CROSSMEMBER, Assembly, Rear
18	4740 090	1			CROSSMEMBER ASSY., Floor & Fuel Tank ***
19	4740 094-5	1			SILL, Rear

MODEL CODES:

61=Pickup-6 Ft Box 74=4 Door Wagon T=2WD
62=Pickup-7 Ft Box 77=Open Body 93" Wheelbase J,N,U=4WD
72=2 Door Wagon 78=Open Body 103" Wheelbase

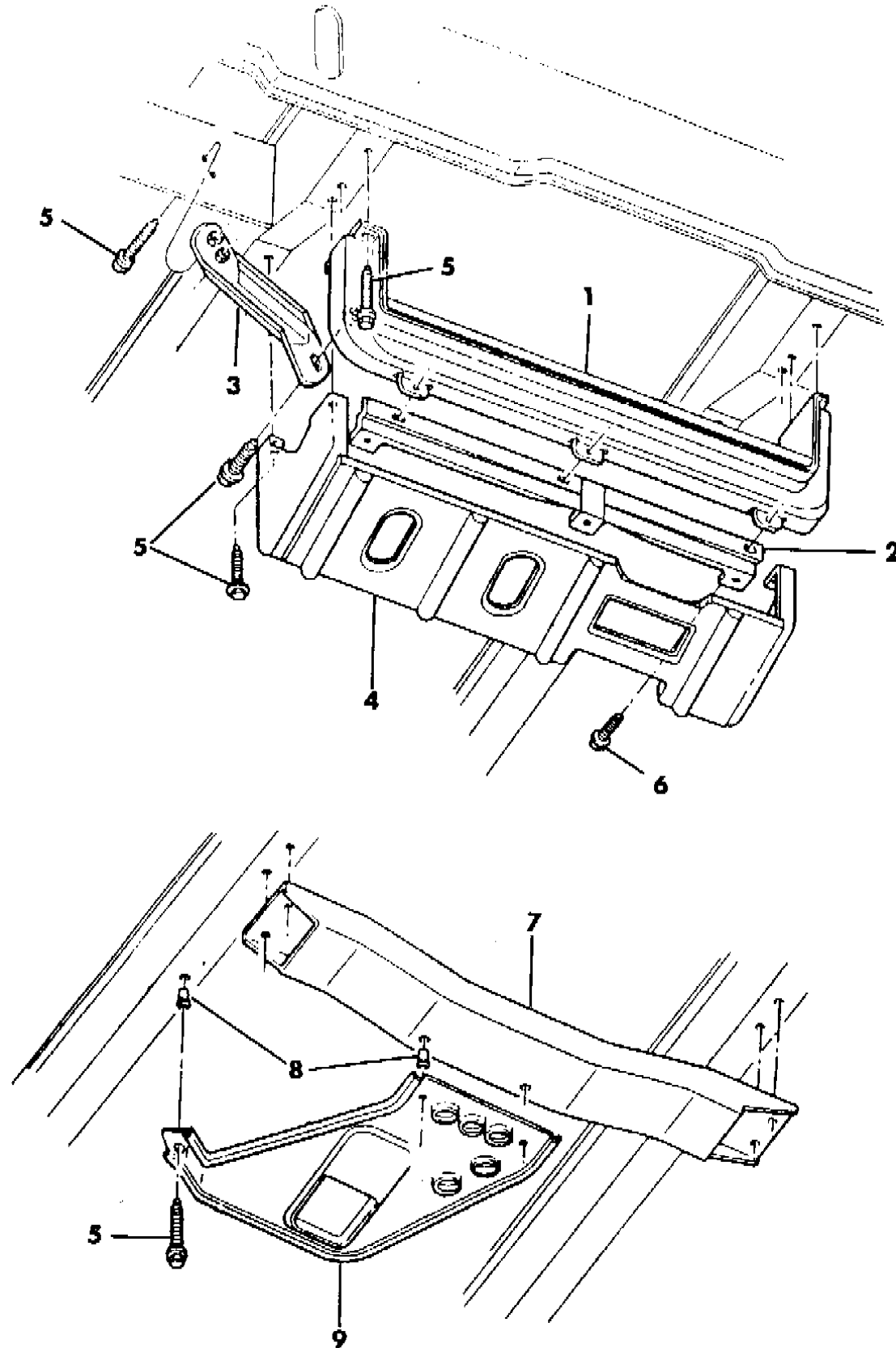
BODY STYLES:

MJ=Comanche Pickup ZJ=Grand Cherokee/Grand Wagoneer KDX VEHICLES
SJ=Grand Wagoneer M1=Comanche
XJ=Cherokee, Briarwood X1=Cherokee, Briarwood
YJ=Wrangler Y1=Wrangler

AR = Use as Required - = Non Illustrated Part P.A.R. = Paint as Required

FRONT END SKID PLATES GRAND CHEROKEE, ZJ
Figure 23A-7000

91J69 7000



ITEM	PART NUMBER	QTY	BODY	MODEL	DESCRIPTION
1	5205 7501	1			CROSSMEMBER, Radiator Support, Lower
2	5205 7505	1			BRACKET, Fascia Support
3	5205 7506-7	1			SUPPORT, Bracket, H/LP Panel
4	5200 5531	1			SKID PLATE ***
5		AR			SCREW and WASHER, M10x1.50x35, (Not Serviced)
6		3			SCREW, Tapping, 10x5/8, (Not Serviced)
7	5200 4309	1			CROSSMEMBER, Trans. Support
8	6502 662	3			NUTSERT, Skid Plate Mounting ***
9	5200 5437	1			PLATE, Skid, Transfer Case

MODEL CODES:

61=Pickup-6 Ft Box 74=4 Door Wagon T=2WD
 62=Pickup-7 Ft Box 77=Open Body 93" Wheelbase J,N,U=4WD
 72=2 Door Wagon 78=Open Body 103" Wheelbase

BODY STYLES:

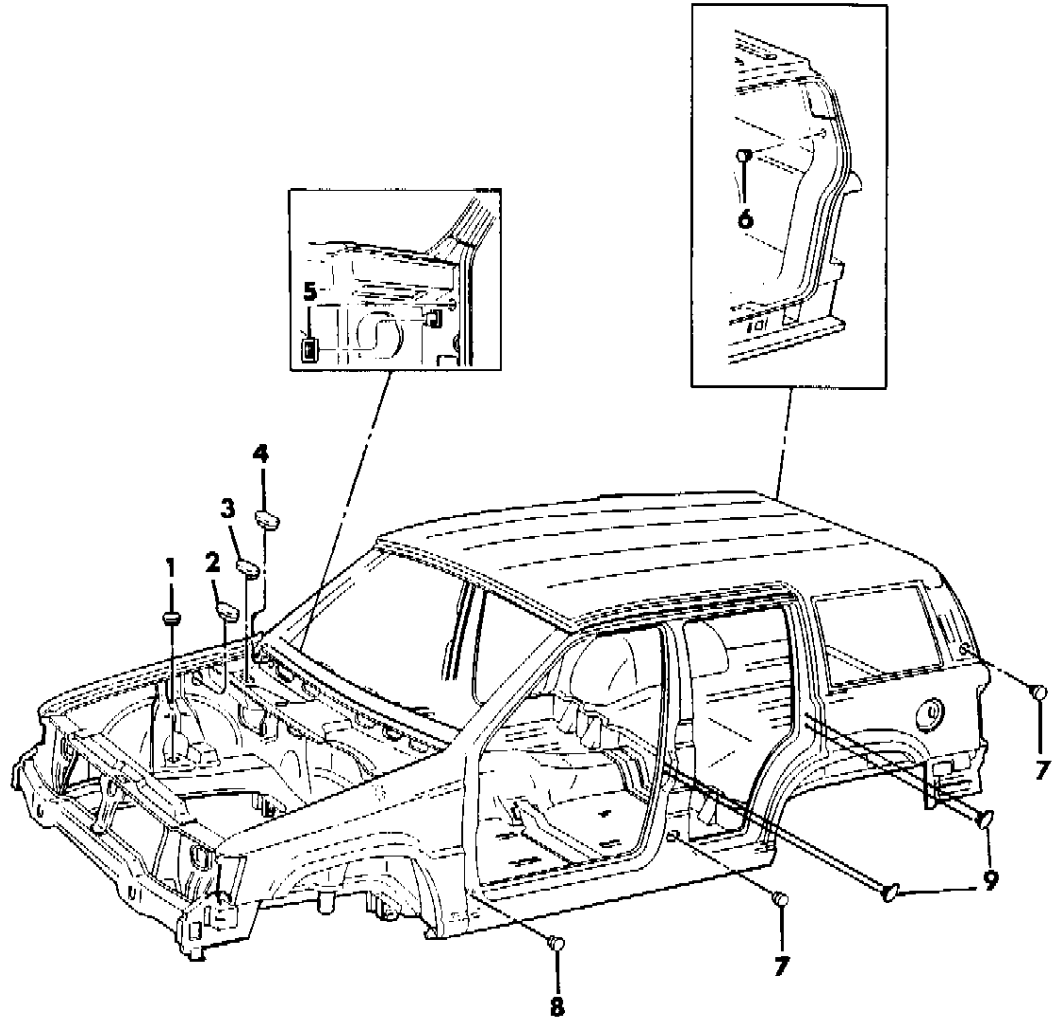
MJ=Comanche Pickup ZJ=Grand Cherokee/Grand Wagoneer KDX VEHICLES
 SJ=Grand Wagoneer M1=Comanche
 XJ=Cherokee, Briarwood X1=Cherokee, Briarwood
 YJ=Wrangler Y1=Wrangler

AR = Use as Required - = Non Illustrated Part P.A.R. = Paint as Required

PLUGS, BODY GRAND CHEROKEE, ZJ
Figure 23A-7100

91J69 7100B

ITEM	PART NUMBER	QTY	BODY	MODEL	DESCRIPTION
1	5500 2367	2			PLUG, Round
2	6004 507	2			PLUG, Rubber Cowl Side
3	4586 055	1			PLUG
4	5500 2368	1			PLUG, Oval
5	5513 4838	2			PLUG, Cowl Side, Rectangular
6	2860 332	2			PLUG, 'D' Pillar
7	3420 2804	4			PLUG, Oval
8	2480 957	2			PLUG, Round
9	4337 950	2			PLUG, Door Ajar



MODEL CODES:

61=Pickup-6 Ft Box 74=4 Door Wagon T=2WD
 62=Pickup-7 Ft Box 77=Open Body 93" Wheelbase J,N,U=4WD
 72=2 Door Wagon 78=Open Body 103" Wheelbase

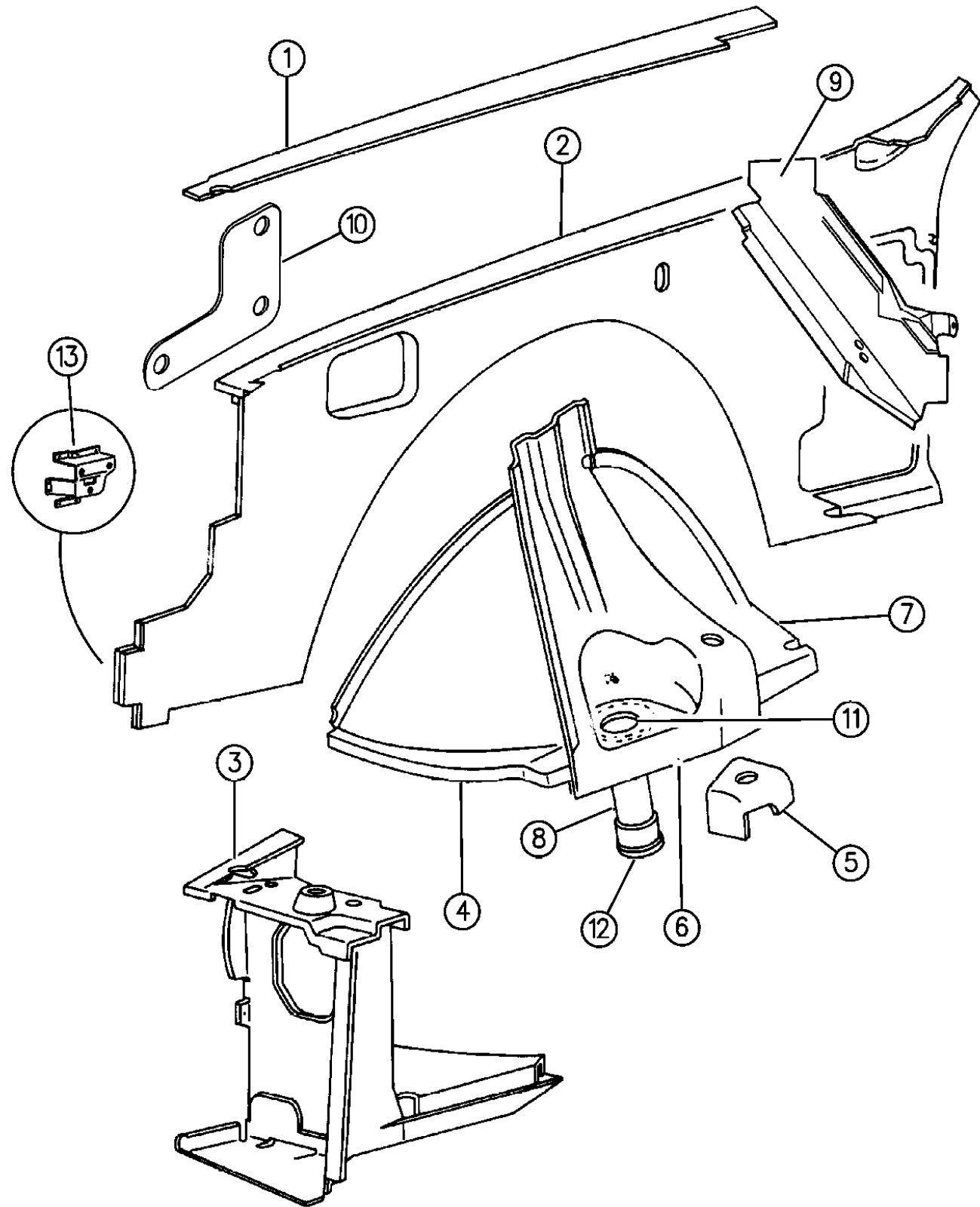
BODY STYLES:

MJ=Comanche Pickup ZJ=Grand Cherokee/Grand Wagoneer KDX VEHICLES
 SJ=Grand Wagoneer M1=Comanche
 XJ=Cherokee, Briarwood X1=Cherokee, Briarwood
 YJ=Wrangler Y1=Wrangler

AR = Use as Required - = Non Illustrated Part P.A.R. = Paint as Required

PANELS, FRONT END INNER AND WHEELHOUSE GRAND CHEROKEE, ZJ
Figure 23A-7200

91J69 7200C



ITEM	PART NUMBER	QTY	BODY	MODEL	DESCRIPTION
1	5503 1564-5	1			REINFORCEMENT, Cowl Side, Upper
2	5503 3280-1	1			PANEL, Cowl Side
3	5525 4738-9	1			PANEL, Radiator Side
4					PANEL, Front Wheelhouse, Front
	5503 3612	1			Right
	5503 1509	1			Left
5	5503 1838-9	1			REINFORCEMENT, Spring and Shock Mounting Support
6	5525 4566-7	1			SUPPORT ASSY., Front Suspension ***
7	5503 2510-1	1			PANEL, Front Wheelhouse, Rear
8	5534 5422	1			GUIDE, Front Suspension Spring Retainer, Outer
9	5503 3348-9	1			REINFORCEMENT, Cowl Side, Lower
10	5525 4583	1			PLATE, Tapping, Hood Release to Cowl Side, Left Only
11	5503 3071	2			GUIDE, Front Suspension Spring Retainer, Inner
12	5208 7635	2			RETAINER, Front Axle Jounce Bumper
13	5503 2816-7	1			BRACKET, Fender & Fascia Attach
	5208 7636	2			JOUNCE BUMPER, Front ***
	6100 402	2			BOLT, Attach Front Jounce Bumper

MODEL CODES:

61=Pickup-6 Ft Box 74=4 Door Wagon T=2WD
62=Pickup-7 Ft Box 77=Open Body 93" Wheelbase J,N,U=4WD
72=2 Door Wagon 78=Open Body 103" Wheelbase

BODY STYLES:

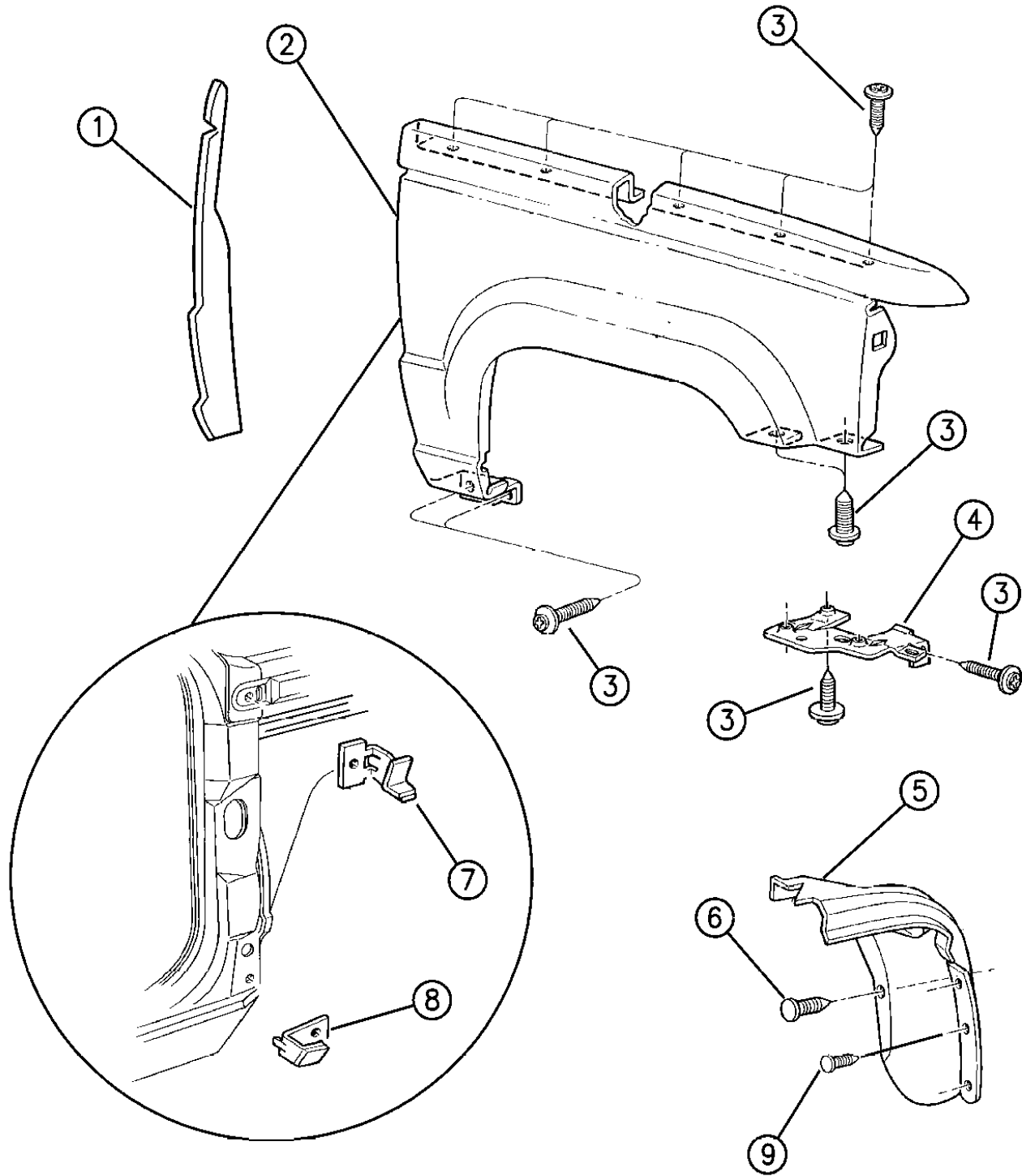
MJ=Comanche Pickup ZJ=Grand Cherokee/Grand Wagoneer KDX VEHICLES
SJ=Grand Wagoneer M1=Comanche
XJ=Cherokee, Briarwood X1=Cherokee, Briarwood
YJ=Wrangler Y1=Wrangler

AR = Use as Required - = Non Illustrated Part P.A.R. = Paint as Required

FENDERS, FRONT GRAND CHEROKEE, ZJ
Figure 23A-7300

91J69 7300A

ITEM	PART NUMBER	QTY	BODY	MODEL	DESCRIPTION
1	5513 4804-5	1			SEAL, Fender to Cowl
2	5503 1834-5	1			FENDER
3		AR			SCREW, Not Serviced, Torx, Round, M6-1.0 X 20.0
4	5503 3572-3	1			BRACKET, Fender Mounting, Front
5		1			LINER, Front Fender
	5503 1712-3				Laredo, w/Hole
	4761 852-3				w/o Hole
-	6502 871	6			BOLT and RETAINER, Fender Liner to Front Fascia ***
6	J400 4919	10			FASTENER
7		1			REINFORCEMENT, Upper Rear
	5525 4656-7				For Vehicles Built Up to 7-16-92
	5525 4800-1				For Vehicles Built After 7-16-92 and Up to 11-30-92
	5525 4832-3				After 11-30-92
8	5525 4660-1	1			REINFORCEMENT, Lower Rear
9	3420 1631	6			RIVET, Plastic



MODEL CODES:

61=Pickup-6 Ft Box 74=4 Door Wagon T=2WD
62=Pickup-7 Ft Box 77=Open Body 93" Wheelbase J,N,U=4WD
72=2 Door Wagon 78=Open Body 103" Wheelbase

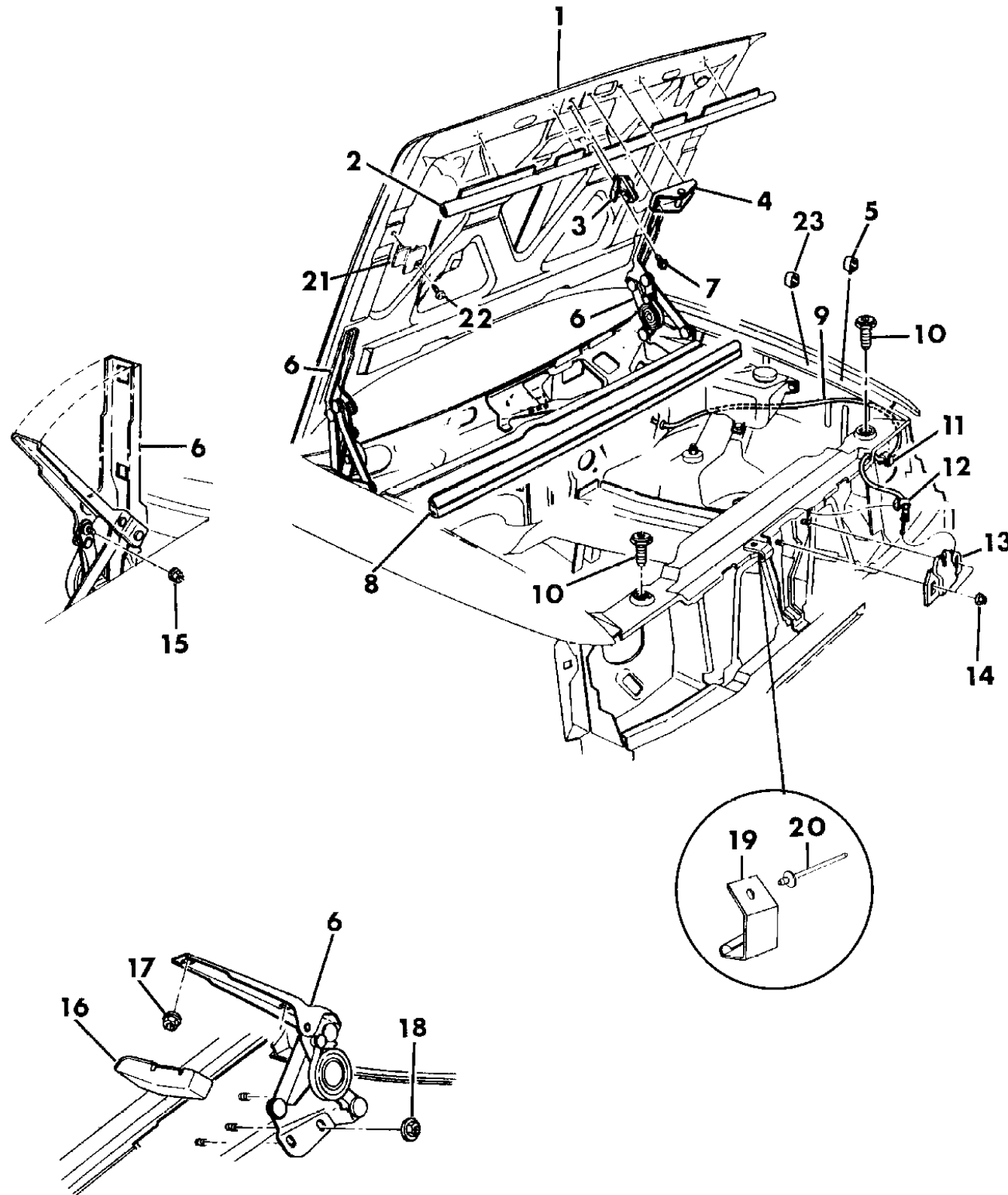
BODY STYLES:

MJ=Comanche Pickup ZJ=Grand Cherokee/Grand Wagoneer KDX VEHICLES
SJ=Grand Wagoneer M1=Comanche
XJ=Cherokee, Briarwood X1=Cherokee, Briarwood
YJ=Wrangler Y1=Wrangler

AR = Use as Required - = Non Illustrated Part P.A.R. = Paint as Required

HOOD, LATCH AND HINGES GRAND CHEROKEE, ZJ
Figure 23A-7400

91J69 7400C



ITEM	PART NUMBER	QTY	BODY	MODEL	DESCRIPTION
1	5503 3810	1			HOOD
2	5503 5971	1			SEAL, Hood
3					CATCH, Assy. Secondary
	5503 3640	1			For vehicles built up to 7-16-92
	5507 5322	1			For vehicles built after 7-16-92
4	5503 0115	1			STRIKER, Hood Latch
5					BUMPER, Hood Front Side
	5503 3473	2			For vehicles built up to 7-16-92
	5525 4775	2			For vehicles built after 7-16-92
6					HINGE
	5503 3434-5	1			For vehicles built up to 7-16-92
	5507 5324-5	1			For vehicles built after 7-16-92
7	6502 064	1			SCREW, Catch Assy.
8	5503 0432	1			SEAL, Assy, Hood
9	5503 0118	1			CABLE, Hood Release
10					BUMPER, Croosmember Hood Slam
	3420 1347	2			For vehicles built up to 7-16-92
	4103 165	2			For vehicles built after 7-16-92
11	6502 784	1			CLIP
12	3420 1966	1			CLIP
13					LATCH, Hood
	5503 0108	1			For vehicles built up to 7-16-92
	5507 5323	1			For vehicles built after 7-16-92
14	3420 2992	2			NUT and WASHER
15	6502 819	2			NUT
16		1			SEAL, Hood to Plenum End
	5513 4666-7	1			For vehicles built up to 7-16-92
	5513 4882-3	1			For vehicles built after 7-16-92
17	6100 051	4			NUT and WASHER
18	6101 445	6			NUT and WASHER
19	5503 2768	1			SKID PLATE, Hood Secondary Catch ***
20	3420 1032	1			RIVET
21	5600 6866	1			STRIKER, Security Alarm
22		1			SCREW, .164-15x.500, (Not Serviced)
23	5525 4803	2			BUMPER, Stop, w/Adhesive Backing
-					LABEL, Air Bag and Refrigerant
	5283 489	1			U.S., For vehicles built up to 7-16-92
	5303 0451	1			U.S., For vehicles built after 7-16-92
	5283 490	1			Canada

MODEL CODES:

61=Pickup-6 Ft Box 74=4 Door Wagon T=2WD
 62=Pickup-7 Ft Box 77=Open Body 93" Wheelbase J,N,U=4WD
 72=2 Door Wagon 78=Open Body 103" Wheelbase

BODY STYLES:

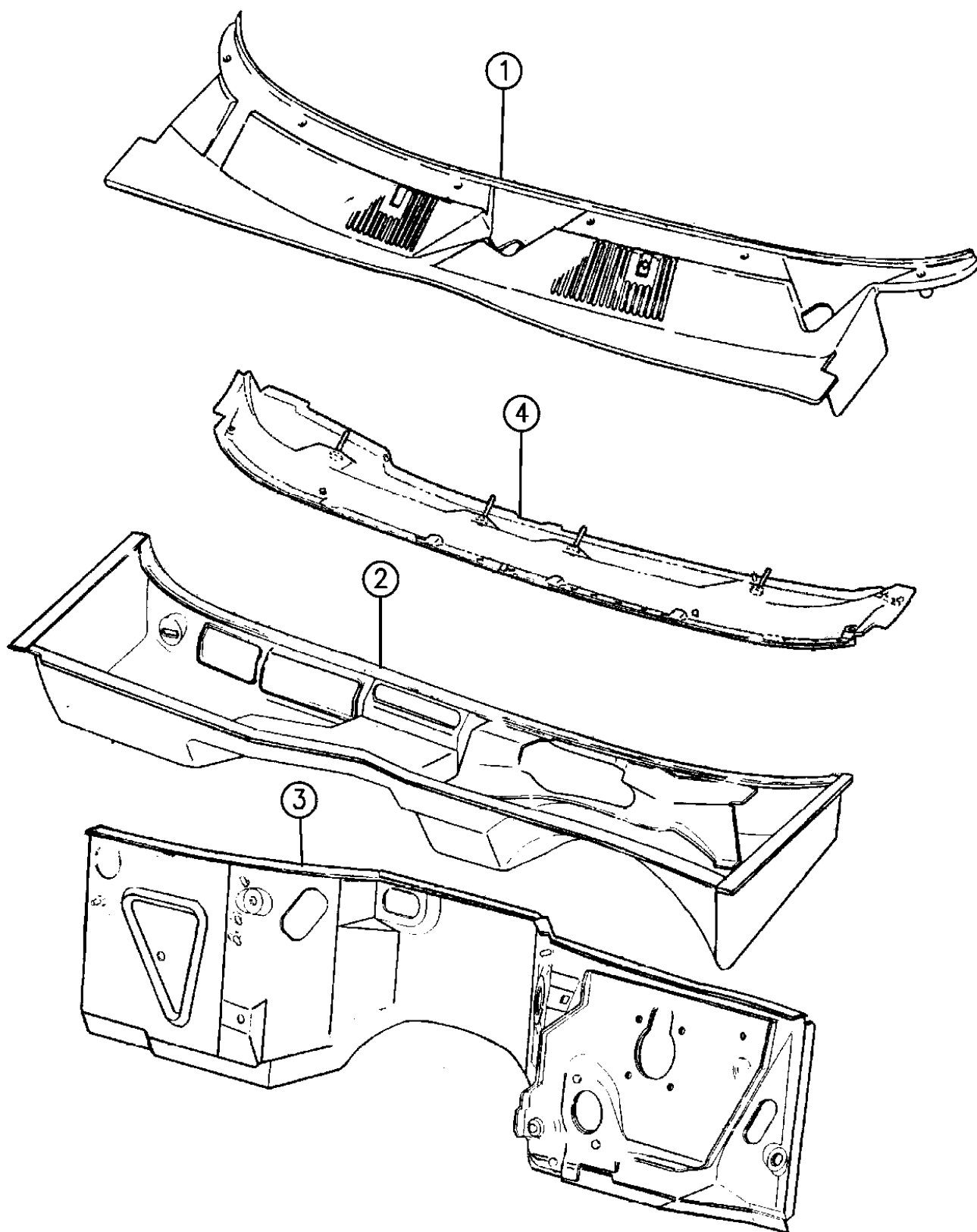
MJ=Comanche Pickup ZJ=Grand Cherokee/Grand Wagoneer KDX VEHICLES
 SJ=Grand Wagoneer M1=Comanche
 XJ=Cherokee, Briarwood X1=Cherokee, Briarwood
 YJ=Wrangler Y1=Wrangler

AR = Use as Required - = Non Illustrated Part P.A.R. = Paint as Required

PANELS, COWL AND DASH GRAND CHEROKEE, ZJ
Figure 23A-7500

91J69 7500A

ITEM	PART NUMBER	QTY	BODY	MODEL	DESCRIPTION
1	5503 5947	1			COVER, Cowl Grille
2	5503 3275	1			PLENUM ***
3					PANEL, Dash
	5503 3274	1			Up to 3-26-92
	5525 4765	1			After 3-26-92
4	5503 1824	1			PANEL ASSEMBLY, Cowl Top



MODEL CODES:

61=Pickup-6 Ft Box 74=4 Door Wagon T=2WD
62=Pickup-7 Ft Box 77=Open Body 93" Wheelbase J,N,U=4WD
72=2 Door Wagon 78=Open Body 103" Wheelbase

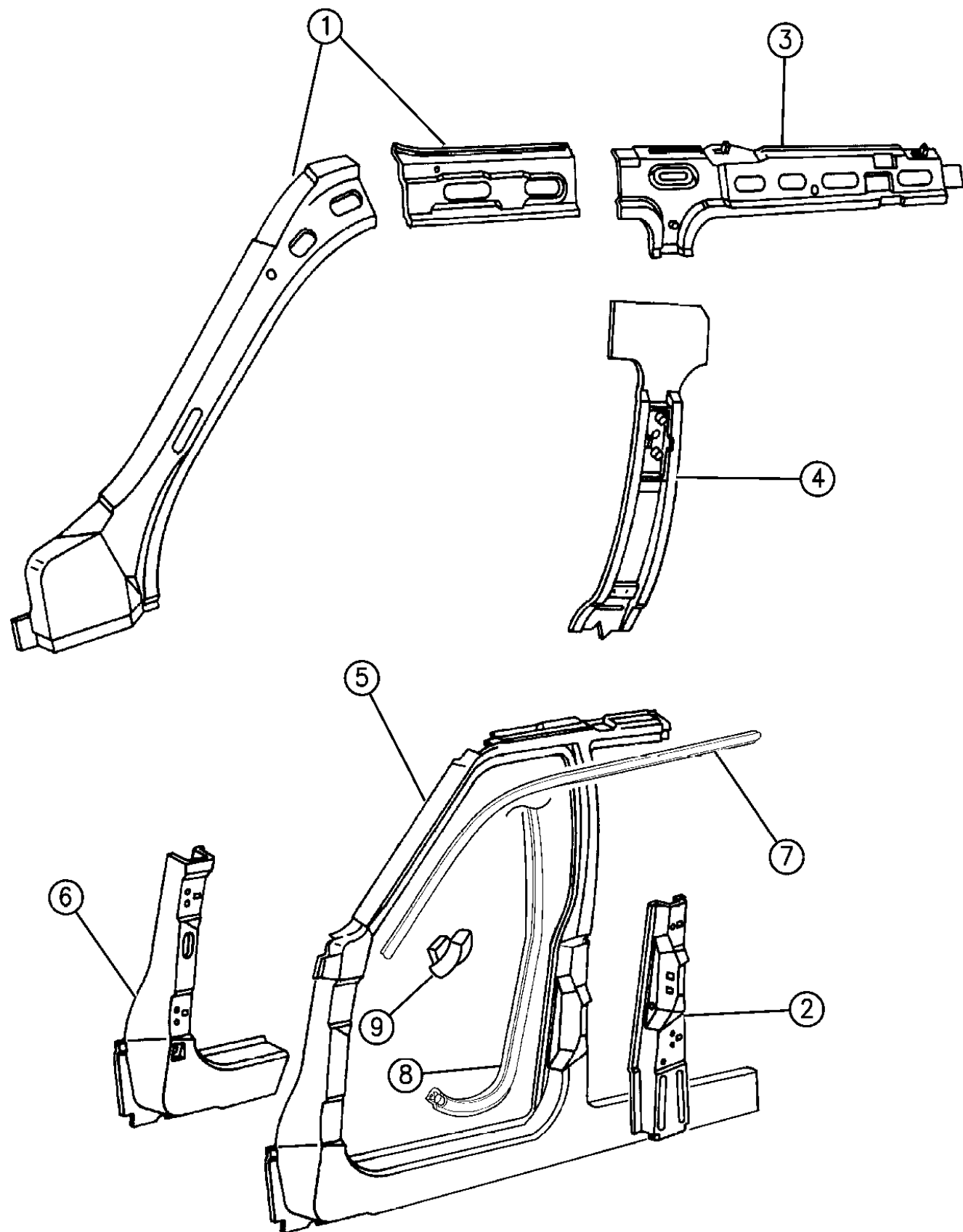
BODY STYLES:

MJ=Comanche Pickup ZJ=Grand Cherokee/Grand Wagoneer KDX VEHICLES
SJ=Grand Wagoneer M1=Comanche
XJ=Cherokee, Briarwood X1=Cherokee, Briarwood
YJ=Wrangler Y1=Wrangler

AR = Use as Required - = Non Illustrated Part P.A.R. = Paint as Required

PANELS, BODY SIDE GRAND CHEROKEE, ZJ
Figure 23A-7600

91J69 7600D



ITEM	PART NUMBER	QTY	BODY	MODEL	DESCRIPTION
1	5503 3284-5	1			PILLAR, Upper Front
2	5503 1556-7	1			REINFORCEMENT, Rear Door Hinge
3	5503 2752-3	1			RAIL, Roof Side Inner
4	5503 1850-1	1			PILLAR, Center, Inner For vehicles built up to 7-16-92
	5525 4648-9	1			For vehicles built after 7-16-92
5	5502 7104-5	1			PANEL, Bodyside Front, Outer
6	5503 1554-5	1			REINFORCEMENT, Front Door Hinge Pillar
7	5513 4570-1	1			SEAL, Bodyside Upper
8	5513 4722-3	1			SEAL, Front Door
9	5513 4790	2			BLOCKER, Seal Exterior A-Pillar ***

MODEL CODES:

61=Pickup-6 Ft Box 74=4 Door Wagon T=2WD
62=Pickup-7 Ft Box 77=Open Body 93" Wheelbase J,N,U=4WD
72=2 Door Wagon 78=Open Body 103" Wheelbase

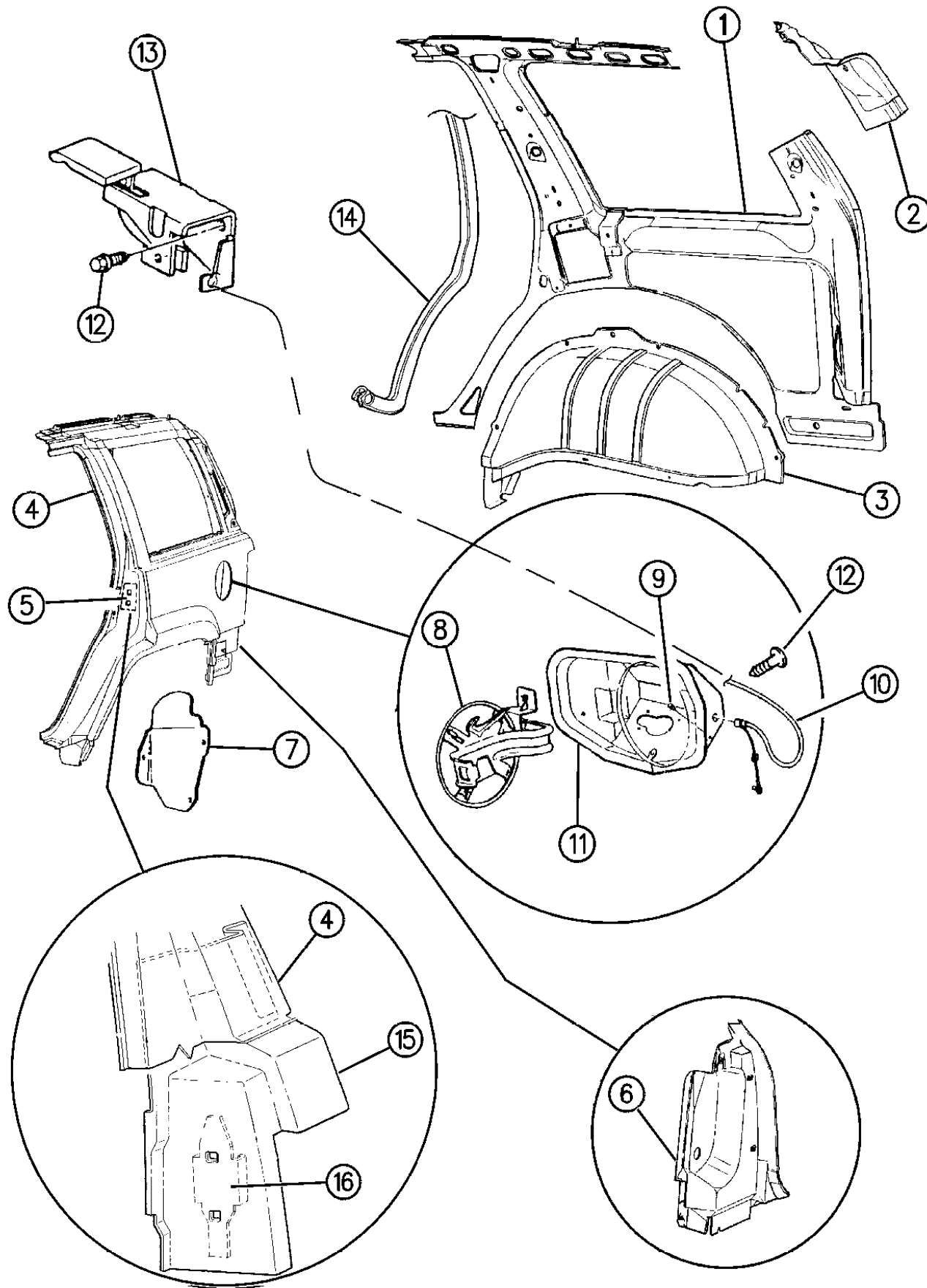
BODY STYLES:

MJ=Comanche Pickup ZJ=Grand Cherokee/Grand Wagoneer KDX VEHICLES
SJ=Grand Wagoneer M1=Comanche
XJ=Cherokee, Briarwood X1=Cherokee, Briarwood
YJ=Wrangler Y1=Wrangler

AR = Use as Required - = Non Illustrated Part P.A.R. = Paint as Required

PANELS, REAR QUARTER GRAND CHEROKEE, ZJ
Figure 23A-7700

91J69 7700E



ITEM	PART NUMBER	QTY	BODY	MODEL	DESCRIPTION
1	5513 4906-7	1			PANEL, Quarter Inner and Wheelhouse Outer
2	5503 1570-1	1			REINFORCEMENT, Quarter Inner Upper Rear
3		1			PANEL, Rear Wheelhouse, Inner
	5503 1552				Right
	5525 4795				Left
4	5502 7108-9	1			PANEL, Quarter Outer Right
5	4512 870	2			PLATE, Door Striker
6	5503 1544-5	1			PANEL, Tail Lamp Mounting
7	5503 1994-5	1			SHIELD, Splash, Rear Wheelhouse
-	6502 871	4			BOLT and RETAINER, Splash Shield to Rear Fascia ***
8	5503 0007	1			DOOR, Fuel Filler
9	4337 144	2			BUMPER
10	5503 0119	1			CABLE and LATCH, Fuel Filler Door
11	5503 2669	1			HOUSING, Fuel Filler
12	6501 350	AR			SCREW
13	5503 2190	1			HANDLE, Fuel Filler Door
14	5513 4724-5	1			SEAL, Rear Door
15	5525 4790-1	1			REINFORCEMENT, Rear Door Striker
16	4512 871	2			RETAINER, Door Striker Tapping Plate

MODEL CODES:

61=Pickup-6 Ft Box 74=4 Door Wagon T=2WD
62=Pickup-7 Ft Box 77=Open Body 93" Wheelbase J,N,U=4WD
72=2 Door Wagon 78=Open Body 103" Wheelbase

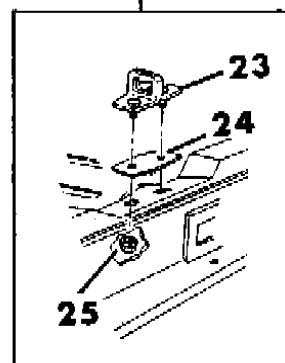
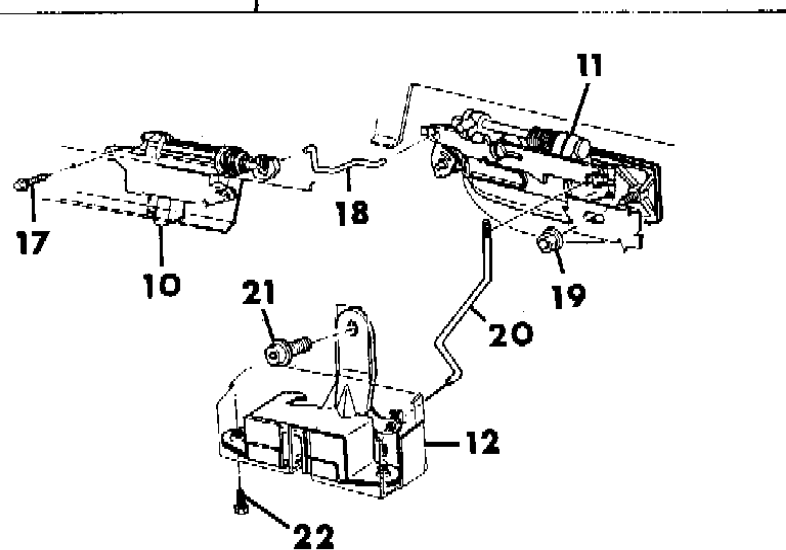
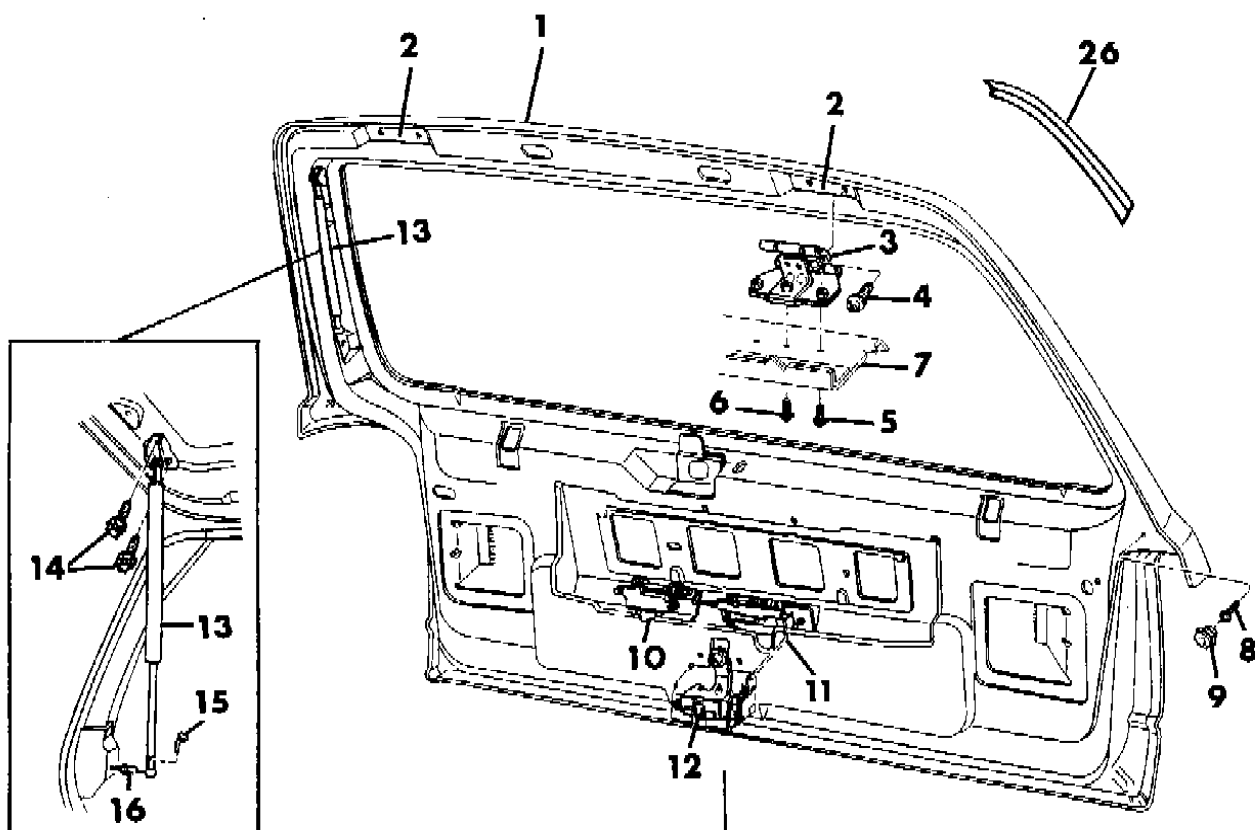
BODY STYLES:

MJ=Comanche Pickup ZJ=Grand Cherokee/Grand Wagoneer KDX VEHICLES
SJ=Grand Wagoneer M1=Comanche
XJ=Cherokee, Briarwood X1=Cherokee, Briarwood
YJ=Wrangler Y1=Wrangler

AR = Use as Required - = Non Illustrated Part P.A.R. = Paint as Required

LIFT DOOR, LATCH AND HINGES GRAND CHEROKEE, ZJ
Figure 23A-7800

91J69 7800 A



ITEM	PART NUMBER	QTY	BODY	MODEL	DESCRIPTION
1	5503 1696	1			DOOR, Lift
2	5525 4634-5	1			PLATE
3	4773 284	4			HINGE, Door
-	5507 4697	1			GASKET, (Also Serviced in Hinge Assy.)
4					SCREW
	6502 549	4			For vehicles built up to 7-16-92
	6502 986	4			For vehicles built after 7-16-92
5	6502 562	4			SCREW
6		2			SCREW, (Not Serviced) M8x1.25x20.00
7					HEADER ASSY., Reference Only ***
8	6034 718	2			SCREW
9	5525 4847	2			BUMPER
10	5600 5763	1			ACTUATOR, Liftgate, Electric
11	5503 3582	1			HANDLE
12					LATCH
	4638 252	1			For vehicles built up to 7-16-92
	4723 669	1			For vehicles A after to 7-16-92
	5600 5640	1			SWITCH, Security Alarm/Cargo Lamp, (Also For Dome Light Switch Without Security)
13	5507 4782-3	1			SUPPORT, Liftgate Gas Cylinder
14		4			SCREW, Not Serviced, M6x1.0x25
15	J367 9830	2			CLIP
16	5503 2047	2			BALL STUD ***
17		2			SCREW, Not Serviced, 1/4-14-3/4 Hex Flange
18	5600 5168	1			ROD, Acuator, Power Liftgate
19	6501 859	1			NUT, w/Washer
20	5503 1860	1			ROD, Liftgate Handle to Latch
21		1			SCREW
	6502 519				Up to 8-15-92
	6503 154				After 8-15-92
22	6502 623	2			SCREW
23					STRIKER
	5503 0114	1			Up to 1-6-92
	5507 5315	1			After 1-6-92
24					PLATE, Striker Seal
	5507 4834	1			Up to 1-6-92
	5507 5320	1			After 1-6-92
25					NUT
	6100 051	2			Up to 1-6-92
	6101 761	2			After 1-6-92
26	5502 9841	1			SEAL, Liftgate to Body

MODEL CODES:

61=Pickup-6 Ft Box 74=4 Door Wagon T=2WD
62=Pickup-7 Ft Box 77=Open Body 93" Wheelbase J,N,U=4WD
72=2 Door Wagon 78=Open Body 103" Wheelbase

BODY STYLES:

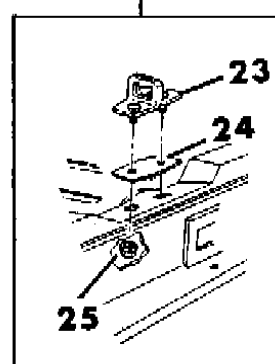
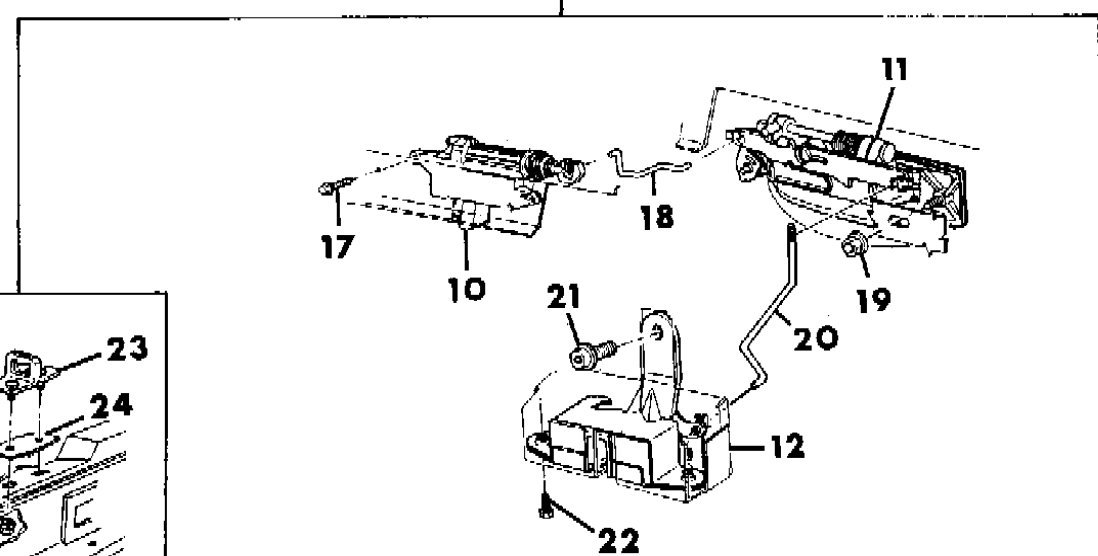
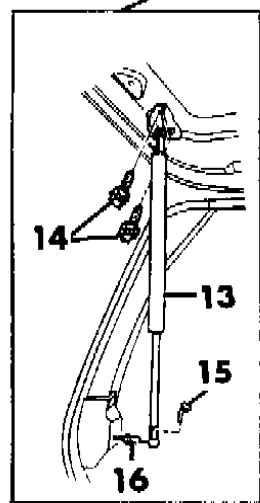
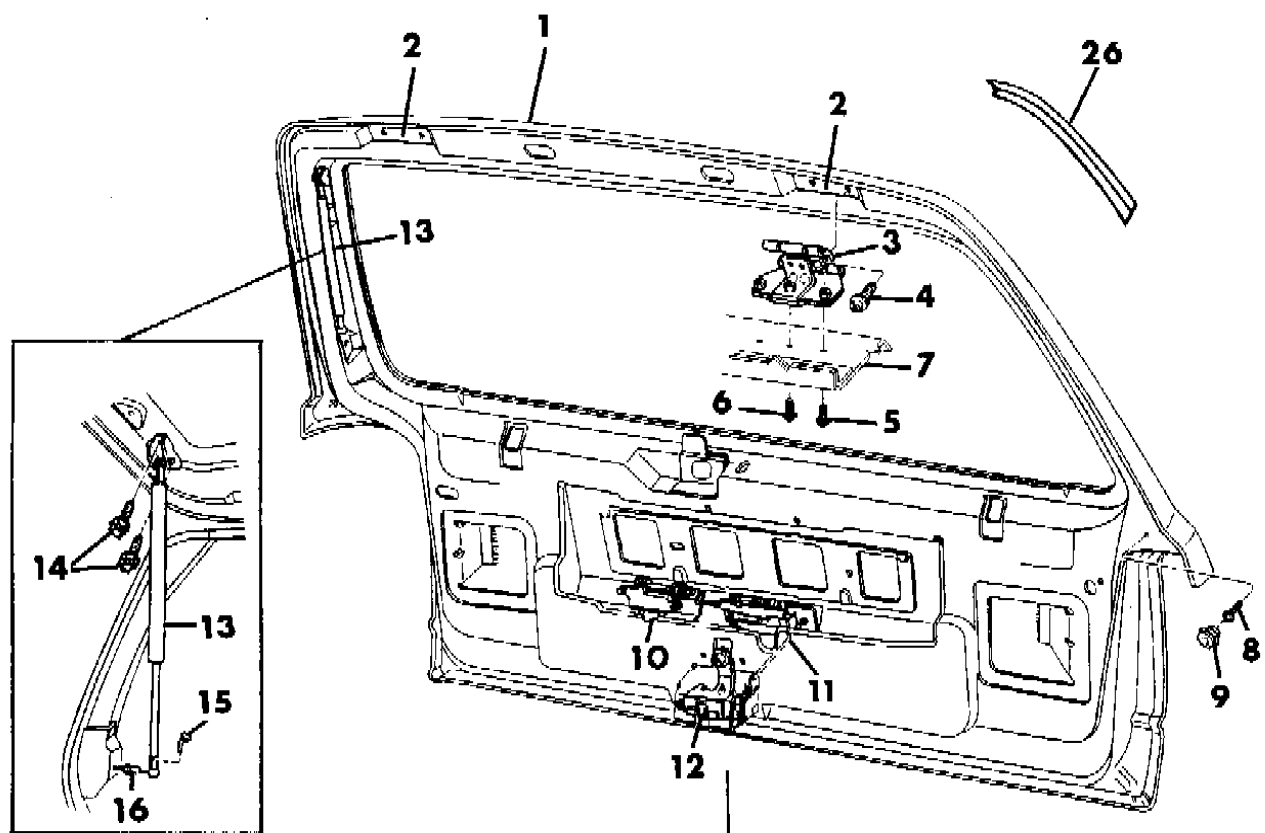
MJ=Comanche Pickup ZJ=Grand Cherokee/Grand Wagoneer KDX VEHICLES
SJ=Grand Wagoneer M1=Comanche
XJ=Cherokee, Briarwood X1=Cherokee, Briarwood
YJ=Wrangler Y1=Wrangler

AR = Use as Required - = Non Illustrated Part P.A.R. = Paint as Required

LIFT DOOR, LATCH AND HINGES GRAND CHEROKEE, ZJ
Figure 23A-7800

91J69 7800 A

ITEM	PART NUMBER	QTY	BODY	MODEL	DESCRIPTION
-	6034 195	2			SCREW, Attach License Plate



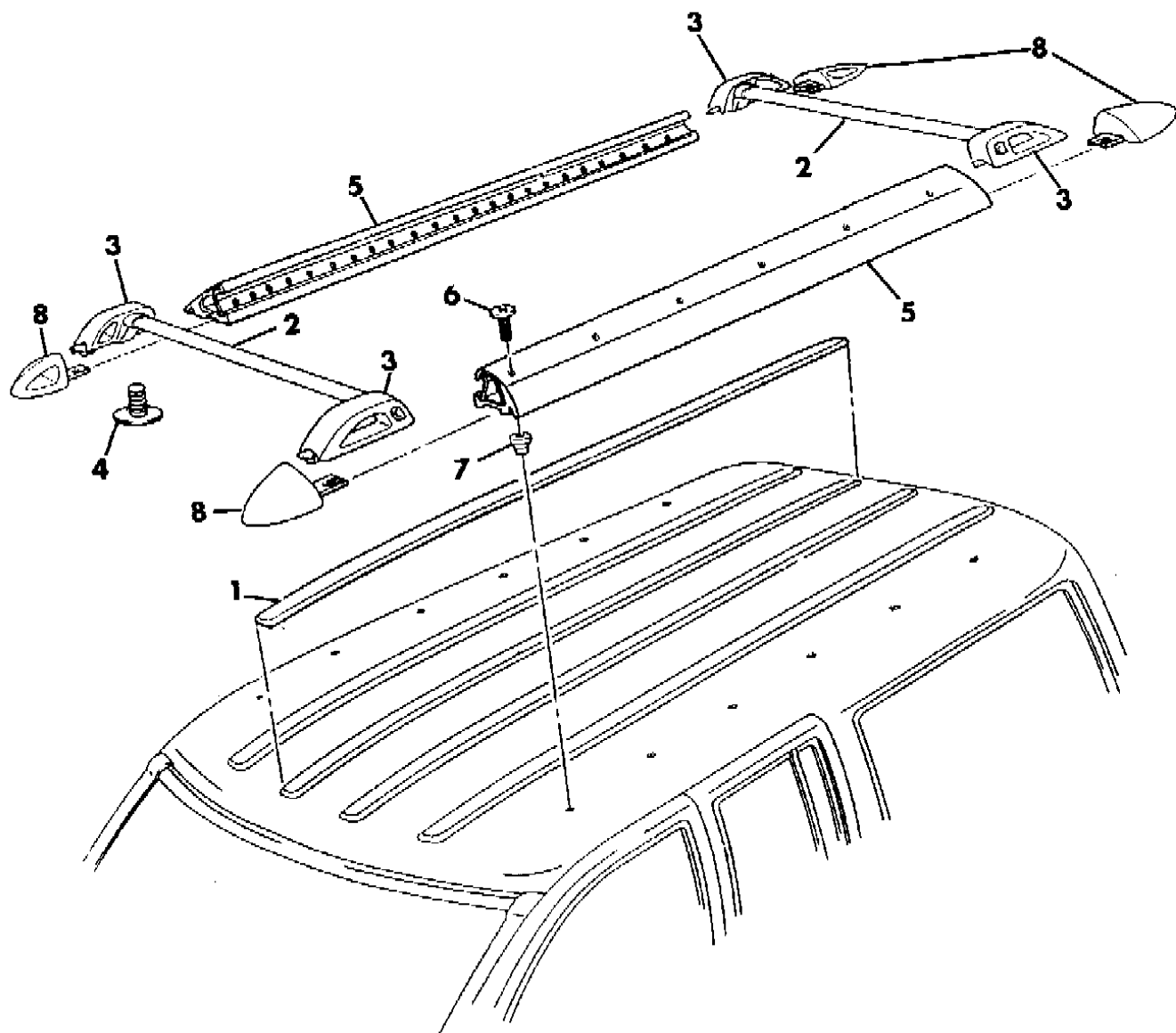
MODEL CODES:
 61=Pickup-6 Ft Box 74=4 Door Wagon T=2WD
 62=Pickup-7 Ft Box 77=Open Body 93" Wheelbase J,N,U=4WD
 72=2 Door Wagon 78=Open Body 103" Wheelbase

BODY STYLES:
 MJ=Comanche Pickup ZJ=Grand Cherokee/Grand Wagoneer KDX VEHICLES
 SJ=Grand Wagoneer M1=Comanche
 XJ=Cherokee, Briarwood X1=Cherokee, Briarwood
 YJ=Wrangler Y1=Wrangler

AR = Use as Required - = Non Illustrated Part P.A.R. = Paint as Required

ROOF RACK GRAND CHEROKEE, ZJ
Figure 23A-7900

91J69 7900



ITEM	PART NUMBER	QTY	BODY	MODEL	DESCRIPTION
1	5507 5107	4			SKID STRIP, Stick On
2	4761 783	2			CROSS RAIL *** Smooth, Up to 3-15-92
	4713 298				Rough, After 3-15-92
3	5507 4888-9	2			STANCHION
4	5507 4653	4			SCREW, Cross Rail to Stanchion
5	4761 784	2			RAIL, Roof to Slide Smooth, Up to 3-15-92
	5503 2194				Rough, After 3-15-92
-	4728 278	2			INSERT, Slide Rail
6	6502 667	12			SCREW
7	6502 751	12			RIVET NUT ***
8	5507 5084	2			END CAP Right, Up to 1-11-93
	5507 5085				Left, Up to 1-11-93
	5507 5544				Right, After 1-11-93
	5507 5545				Left, After 1-11-93

MODEL CODES:

61=Pickup-6 Ft Box 74=4 Door Wagon T=2WD
 62=Pickup-7 Ft Box 77=Open Body 93" Wheelbase J,N,U=4WD
 72=2 Door Wagon 78=Open Body 103" Wheelbase

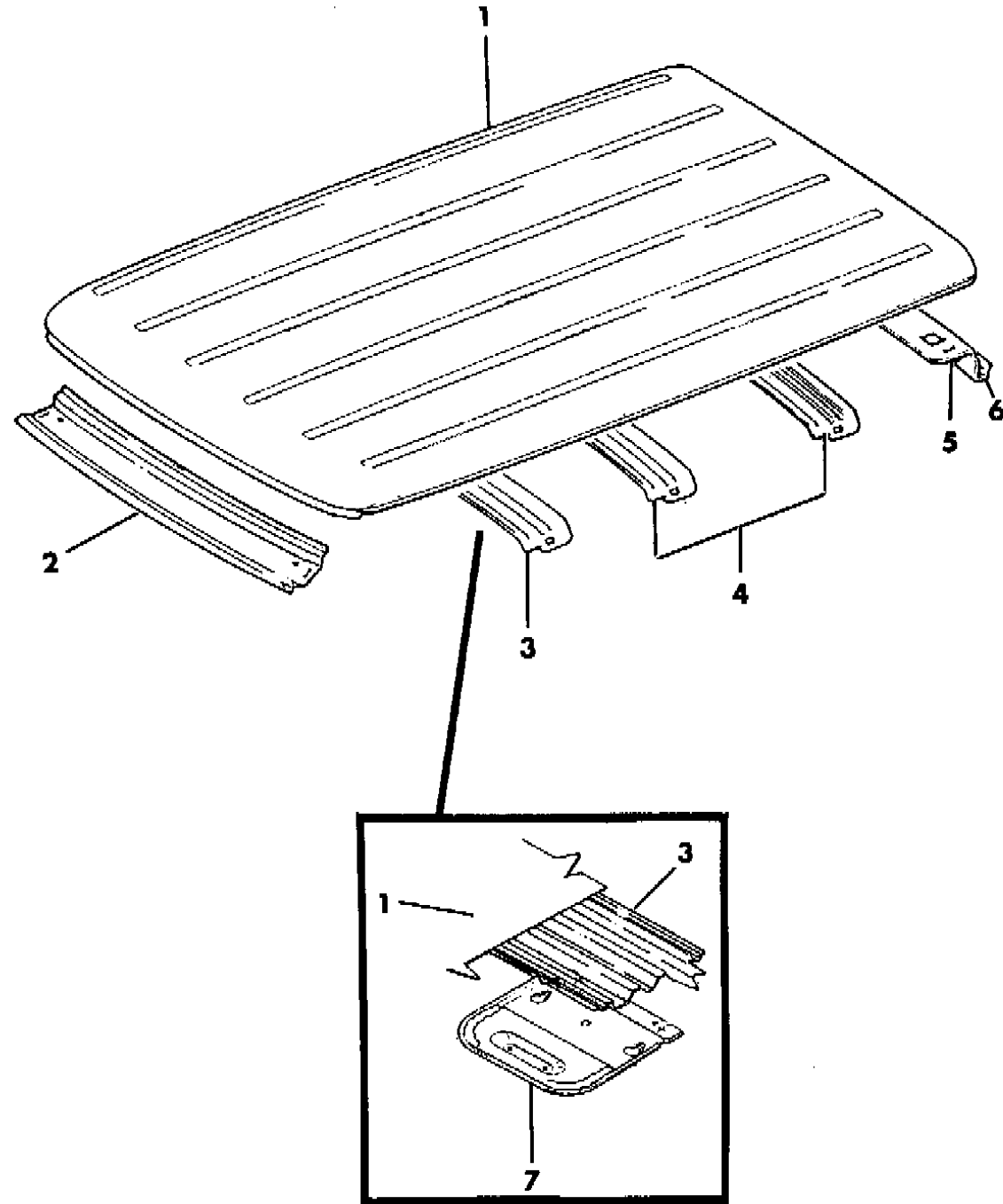
BODY STYLES:

MJ=Comanche Pickup ZJ=Grand Cherokee/Grand Wagoneer KDX VEHICLES
 SJ=Grand Wagoneer M1=Comanche
 XJ=Cherokee, Briarwood X1=Cherokee, Briarwood
 YJ=Wrangler Y1=Wrangler

AR = Use as Required - = Non Illustrated Part P.A.R. = Paint as Required

PANELS, ROOF GRAND CHEROKEE, ZJ
Figure 23A-8000

91J69 8000 A



ITEM	PART NUMBER	QTY	BODY	MODEL	DESCRIPTION
1					PANEL, Roof
	5503 1604	1			w/o Sunroof
	5525 4523	1			w/Sunroof
2	5503 2744	1			HEADER, Front ***
3	5503 2508	1			BOW
4	5503 2740	2			BOW
5	5503 2748	1			HEADER, Rear, Upper ***
6	5503 1616	1			HEADER, Rear, Lower ***
7	5503 2509	1			BRACKET, Dome Lamp Mounting, (Also Serviced in Item 3)

MODEL CODES:

61=Pickup-6 Ft Box 74=4 Door Wagon T=2WD
 62=Pickup-7 Ft Box 77=Open Body 93" Wheelbase J,N,U=4WD
 72=2 Door Wagon 78=Open Body 103" Wheelbase

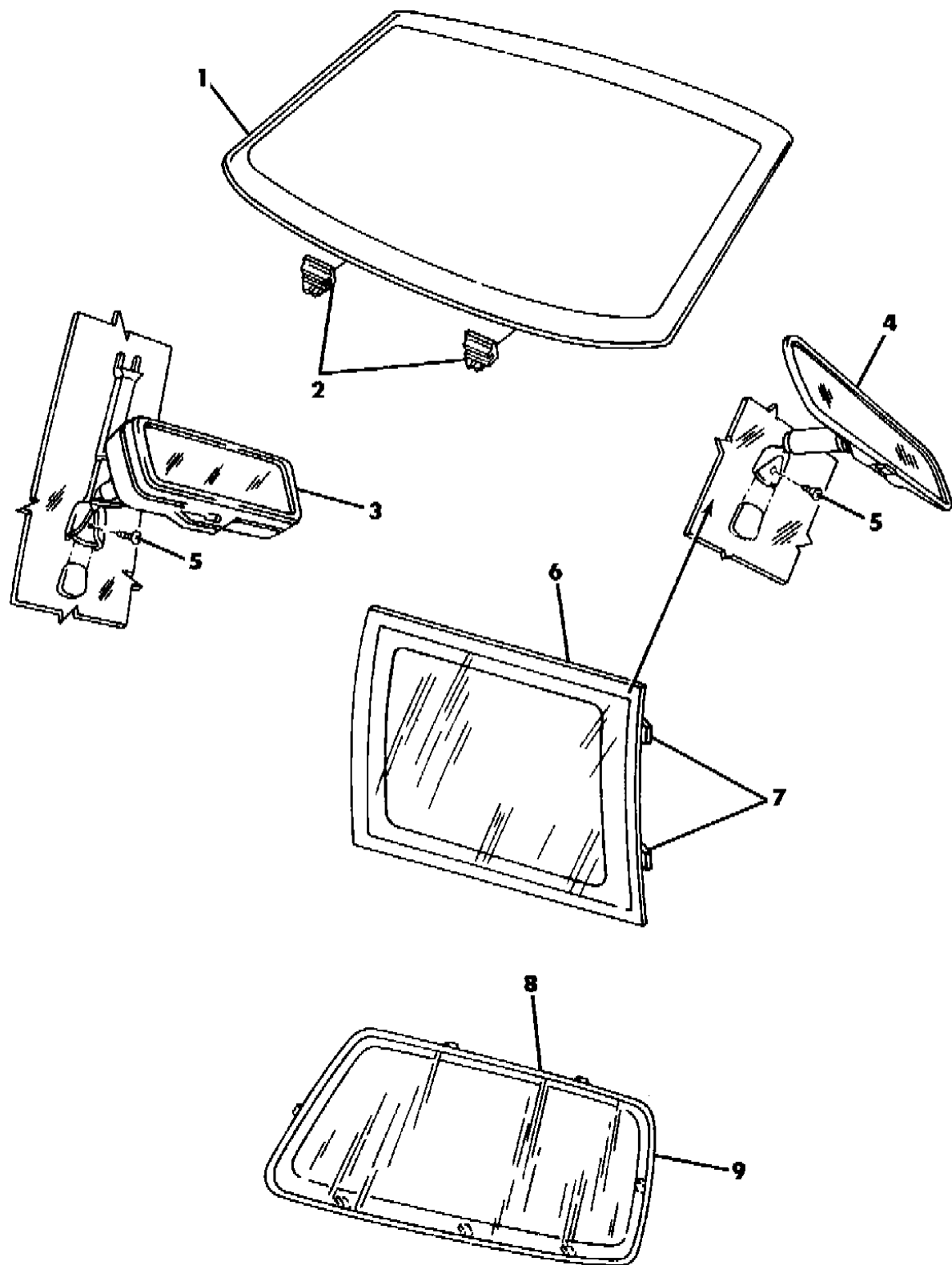
BODY STYLES:

MJ=Comanche Pickup ZJ=Grand Cherokee/Grand Wagoneer KDX VEHICLES
 SJ=Grand Wagoneer M1=Comanche
 XJ=Cherokee, Briarwood X1=Cherokee, Briarwood
 YJ=Wrangler Y1=Wrangler

AR = Use as Required - = Non Illustrated Part P.A.R. = Paint as Required

GLASS, WINDSHIELD, QUARTER, LIFT DOOR AND REAR VIEW MIRROR GRAND CHEROKEE, ZJ
Figure 23A-8100

91J69 8100



ITEM	PART NUMBER	QTY	BODY	MODEL	DESCRIPTION
1	5513 4868	1			WINDSHIELD, Tinted
-	4054 098	1			BUTTON, Mirror
-	4293 039	1			ADHESIVE, Mirror Attach
2	4416 497	2			SPACER, Windshield Align
3	4520 380	1			MIRROR, Electrochromic
-	5507 4840	1			WIRE COVER PACKAGE
	5507 4915	1			MIRROR, w/courtesy read light, (Used in vehicles w/sunroofs)
4	4299 325	1			MIRROR, Prismatic, Day Night
5	6031 094	1			SCREW
6					GLASS, Quarter Window
	5503 1876-7	1			Tinted
	5503 4002-3	1			Sunscreen
	5513 4618-9	1			Tinted, Export Equipment Pkg. (S/C-ABE)
7	6004 501	6			CLIP, Glass Retention, (6 per side)
8					GLASS, Lift Gate, Encapsulated
	5503 0336	1			Tinted, Non-Heated
	5503 0337	1			Tinted, Heated
	5503 4007	1			Sunscreen, Heated
	5513 4604	1			Tinted, Heated, Export Equipment Pk. (S/C-ABE)
9	6004 502	7			CLIP

MODEL CODES:

61=Pickup-6 Ft Box 74=4 Door Wagon T=2WD
 62=Pickup-7 Ft Box 77=Open Body 93" Wheelbase J,N,U=4WD
 72=2 Door Wagon 78=Open Body 103" Wheelbase

BODY STYLES:

MJ=Comanche Pickup ZJ=Grand Cherokee/Grand Wagoneer KDX VEHICLES
 SJ=Grand Wagoneer M1=Comanche
 XJ=Cherokee, Briarwood X1=Cherokee, Briarwood
 YJ=Wrangler Y1=Wrangler

AR = Use as Required - = Non Illustrated Part P.A.R. = Paint as Required

GROUP 23C - BODY - DOORS AND RELATED PARTS

ILLUSTRATION TITLE	GROUP-FIG. NO.
WRANGLER	
DOORS, FULL, FRONT HANDLES, LATCHES, RODS WRANGLER	Fig. 23C-100
DOOR, HALF HANDLES, LATCHES AND RODS WRANGLER	Fig. 23C-200
DOOR, FULL GLASS AND REGULATOR WRANGLER	Fig. 23C-300
WEATHERSTRIPS, DOOR WRANGLER	Fig. 23C-400
HINGES, DOOR WRANGLER	Fig. 23C-500
MIRRORS, EXTERIOR WRANGLER	Fig. 23C-600
DOOR, REAR, HANDLES AND LATCHES WORLD CAB WRANGLER	Fig. 23C-700
HINGES, REAR DOOR WORLD CAB WRANGLER	Fig. 23C-800
CHEROKEE, BRIARWOOD, COMANCHE	
DOOR, FRONT TWO DOOR WAGON CHEROKEE	Fig. 23C-900
DOORS, FRONT AND REAR FOUR DOOR CHEROKEE, BRIARWOOD	Fig. 23C-1000
DOOR, FRONT COMANCHE	Fig. 23C-1100
HINGES, DOOR FRONT AND REAR CHEROKEE, BRIARWOOD, COMANCHE	Fig. 23C-1200
DOOR, HANDLES AND ACTUATORS CHEROKEE, BRIARWOOD, COMANCHE	Fig. 23C-1300
DOOR, HANDLES AND CONTROLS CHEROKEE, BRIARWOOD, COMANCHE	Fig. 23C-1400
GLASS, DOOR FRONT AND REAR CHEROKEE, BRIARWOOD, COMANCHE	Fig. 23C-1500
REGULATOR, DOOR GLASS MANUAL CHEROKEE, BRIARWOOD, COMANCHE	Fig. 23C-1600
REGULATORS, DOOR ELECTRIC CHEROKEE, BRIARWOOD	Fig. 23C-1700
WEATHERSTRIPS, DOOR FRONT AND REAR CHEROKEE, BRIARWOOD, COMANCHE	Fig. 23C-1800
MIRRORS, EXTERIOR MANUAL CHEROKEE, BRIARWOOD, COMANCHE	Fig. 23C-1900
MIRRORS, EXTERIOR LOW PROFILE CHEROKEE, BRIARWOOD, COMANCHE	Fig. 23C-2000
MIRRORS, EXTERIOR REMOTE CONTROL CHEROKEE, BRIARWOOD, COMANCHE	Fig. 23C-2100
MIRRORS, EXTERIOR ELECTRIC CHEROKEE, BRIARWOOD	Fig. 23C-2200
GRAND WAGONEER	
DOORS FRONT AND REAR GRAND WAGONEER, 1991	Fig. 23C-2300
DOOR, LATCHES AND RODS FRONT AND REAR GRAND WAGONEER, 1991	Fig. 23C-2400
DOOR, CONTROLS GRAND WAGONEER, 1991	Fig. 23C-2500
REGULATOR, DOOR GLASS GRAND WAGONEER, 1991	Fig. 23C-2600
GLASS, DOOR FRONT AND REAR GRAND WAGONEER, 1991	Fig. 23C-2700
DOOR, WEATHERSTRIPS FRONT AND REAR GRAND WAGONEER, 1991	Fig. 23C-2800
MIRRORS, EXTERIOR GRAND WAGONEER, 1991	Fig. 23C-2900
GRAND CHEROKEE, GRAND WAGONEER	
DOOR, FRONT SHELL, HINGES, GLASS AND REGULATOR ZJ GRAND CHEROKEE, GRAND WAGONEER	Fig. 23C-3000
DOOR, FRONT SPEAKER AND REMOTE CONTROL ZJ GRAND CHEROKEE, GRAND WAGONEER	Fig. 23C-3100
DOOR, REAR SHELL, HINGES, GLASS AND REGULATOR ZJ GRAND CHEROKEE, GRAND WAGONEER	Fig. 23C-3200
DOOR, REAR SPEAKER AND REMOTE CONTROL ZJ GRAND CHEROKEE, GRAND WAGONEER	Fig. 23C-3300
DOOR, FRONT AND REAR WEATHERSTRIPS AND RUNS ZJ GRAND CHEROKEE, GRAND WAGONEER	Fig. 23C-3400

ILLUSTRATION NOT AVAILABLE AT TIME OF PUBLICATION

GROUP 23C - BODY - DOORS AND RELATED PARTS

ILLUSTRATION TITLE

GROUP-FIG. NO.

GRAND CHEROKEE, GRAND WAGONEER (Continued)

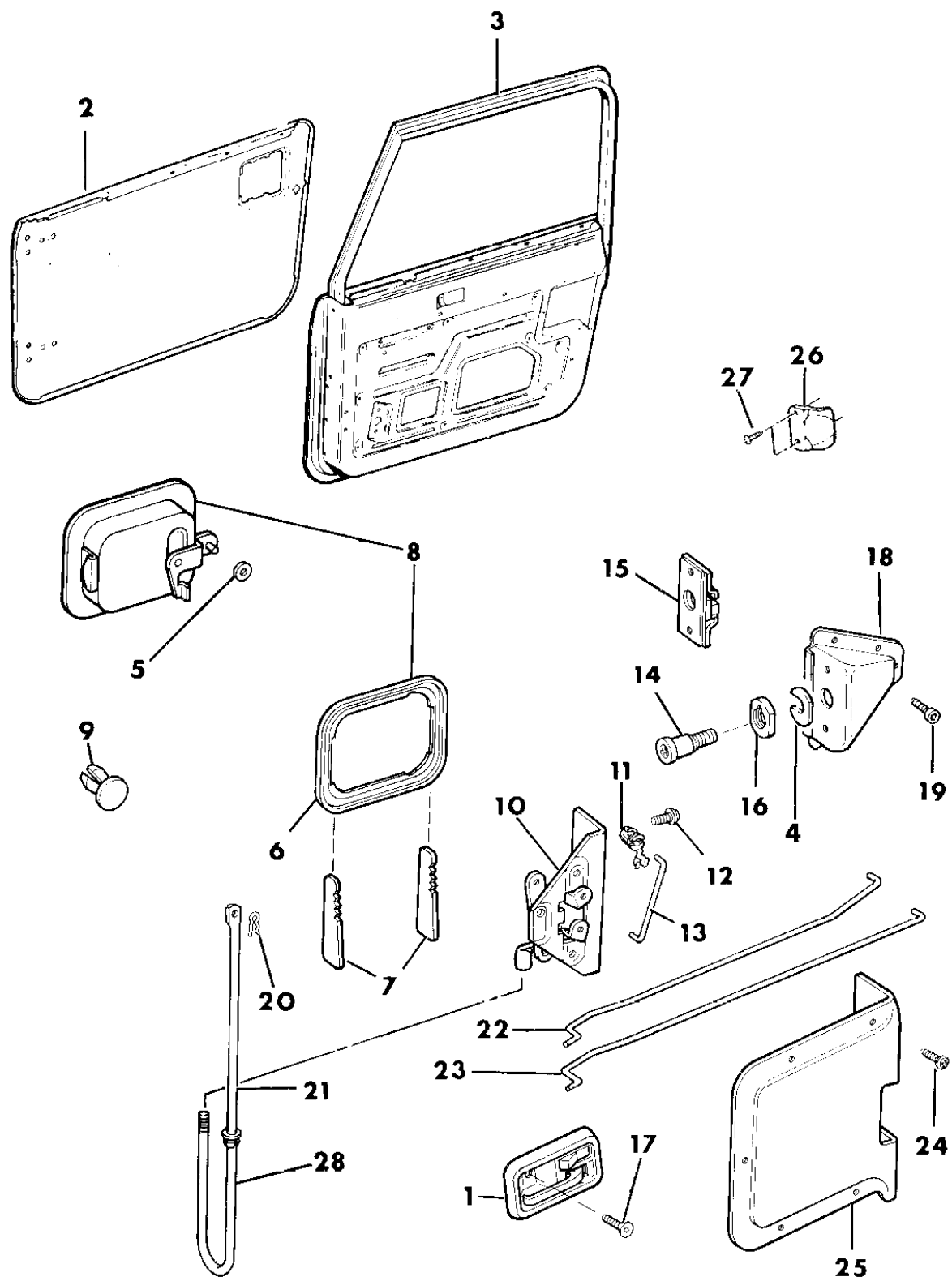
DOOR, FRONT AND REAR WEATHERSTRIPS AND RUNS ZJ GRAND CHEROKEE, GRAND WAGONEER Fig. 23C-3400

MIRRORS, EXTERIOR ZJ GRAND CHEROKEE, GRAND WAGONEER Fig. 23C-3500

DOORS, FULL, FRONT HANDLES, LATCHES, RODS WRANGLER
Figure 23C-100

91J71 100D

ITEM	PART NUMBER	QTY	BODY	MODEL	DESCRIPTION
1	5502 9578-9	1			HANDLE, R/Control
	6028 163	2			NUT, Att.
2	5502 6146-7	1			PANEL, Door Outer w/o World Cab
	J576 1130-1	1			w/World Cab
3	5534 5146-7	1			SHELL, Door
	5534 5766-7	1			KDX
	J556 8055	1			Right, w/World Cab
	J556 8054	1			Left, w/World Cab
4	J575 8193	4			SHIM
5	3420 1846	2			WASHER
6	J575 8174	2			GASKET
7	J575 8175	4			KEEPER
8	5502 8446-7	1			HANDLE, Exterior
	5502 8448-9	1			Laredo
9	J400 4949	4			PLUG
10	5502 8374-5	1			LATCH, Door
11	J400 4532	2			CLIP, w/Bushing
12	J400 6874	4			SCREW
13	5502 6850	2			ROD, Lock Cylinder
14	J575 8191	2			STRIKER, Door
15	J575 8194	2			PLATE, Tapping
16	J575 8192	2			PLATE, Striker
17	J400 6870	2			SCREW
18	5502 9454-5	1			COVER, Striker
19	J400 5817	AR			SCREW
20	J400 5122	AR			PIN, Hitch
21	5507 4544-5	1			ROD, Latch Release
22	5507 4670-1	1			ROD, Locking
23	5507 4672-3	1			ROD, R/Control
24	1150 1011	AR			SCREW
25					COVER, Latch
	J575 8170-1	1			1991
	5534 4730-1	1			1992-93
26	5502 9453	2			PROTECTOR, Striker
27		4			SCREW (DNS)
28		2			BUSHING (DNS)



MODEL CODES:

61=Pickup-6 Ft Box 74=4 Door Wagon T=2WD
62=Pickup-7 Ft Box 77=Open Body 93" Wheelbase J,N,U=4WD
72=2 Door Wagon 78=Open Body 103" Wheelbase

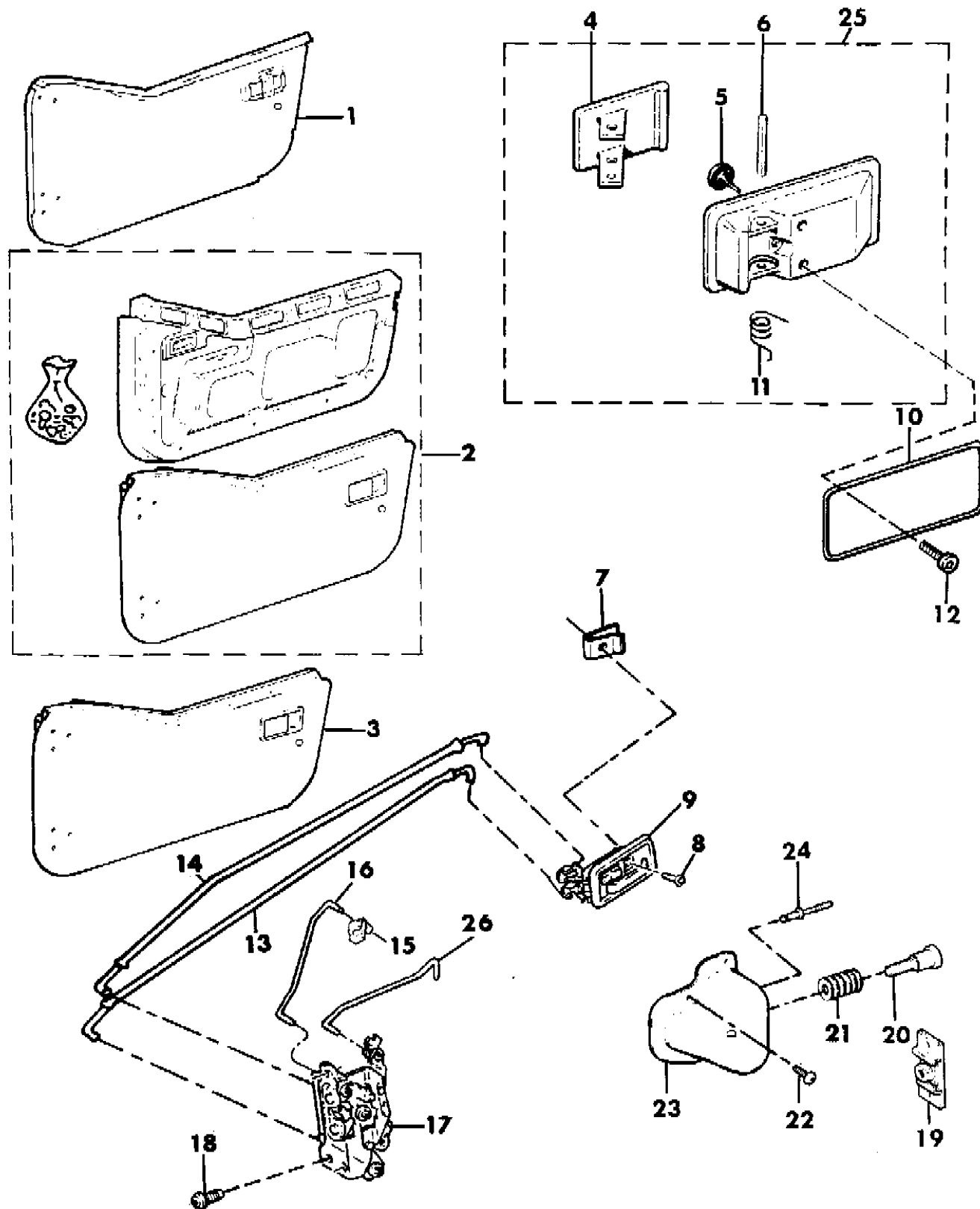
BODY STYLES:

MJ=Comanche Pickup ZJ=Grand Cherokee/Grand Wagoneer KDX VEHICLES
SJ=Grand Wagoneer M1=Comanche
XJ=Cherokee, Briarwood X1=Cherokee, Briarwood
YJ=Wrangler Y1=Wrangler

AR = Use as Required - = Non Illustrated Part P.A.R. = Paint as Required

DOOR, HALF HANDLES, LATCHES AND RODS WRANGLER
Figure 23C-200

91J71 200



ITEM	PART NUMBER	QTY	BODY	MODEL	DESCRIPTION
1	5502 5776-7	1			PANEL, Outer
2	4638 366	1			DOOR, Kit for Converting to 1/2 Hard Doors from Full Doors. Includes Right and Left Doors, w/Handles, Latches, Mirrors, Hinges, Seals and Hardware.
3	5502 5778-9	1			SHELL, Door
4	5500 8902	1			HANDLE, Exterior Right
	5501 5315	1			Left
5	J400 3110	2			BUMPER, Handle
6	S045 5313	2			PIN, Spring
7	J149 4251	2			NUT
8	J400 6870	2			SCREW
9	5502 5604-5	1			HANDLE, R/Control
10	J374 3608	2			SEAL, Door Handle
11	J363 1218-9	1			SPRING, Return
12	J400 5969	4			SCREW
13	5502 6072-3	1			ROD, R/Control to Latch 1991
	5507 4774-5	1			1992-93
14	5502 6070-1	1			ROD, Locking to Latch 1991
	5507 4770-1	1			1992-93
15	J400 3673	AR			RETAINER, Rod End Black
	J400 3672	AR			White
16	5507 4776-7	1			ROD, Exterior Handle to Latch
17	5502 5606-7	1			LATCH, Door
18	J400 6874	6			SCREW
19	J575 8194	2			PLATE, Tapping
20	5502 4904	2			STRIKER, Door
21	5503 3620	AR			WASHER
22	J400 5817	8			SCREW
23	J575 8468-9	1			COVER, Striker
24	J400 2185	4			RIVET
25	5500 8895	1			HANDLE, Exterior Right
	5501 5311	1			Left
26	5502 6852-3	1			ROD, Cylinder to Latch

MODEL CODES:

61=Pickup-6 Ft Box 74=4 Door Wagon T=2WD
 62=Pickup-7 Ft Box 77=Open Body 93" Wheelbase J,N,U=4WD
 72=2 Door Wagon 78=Open Body 103" Wheelbase

BODY STYLES:

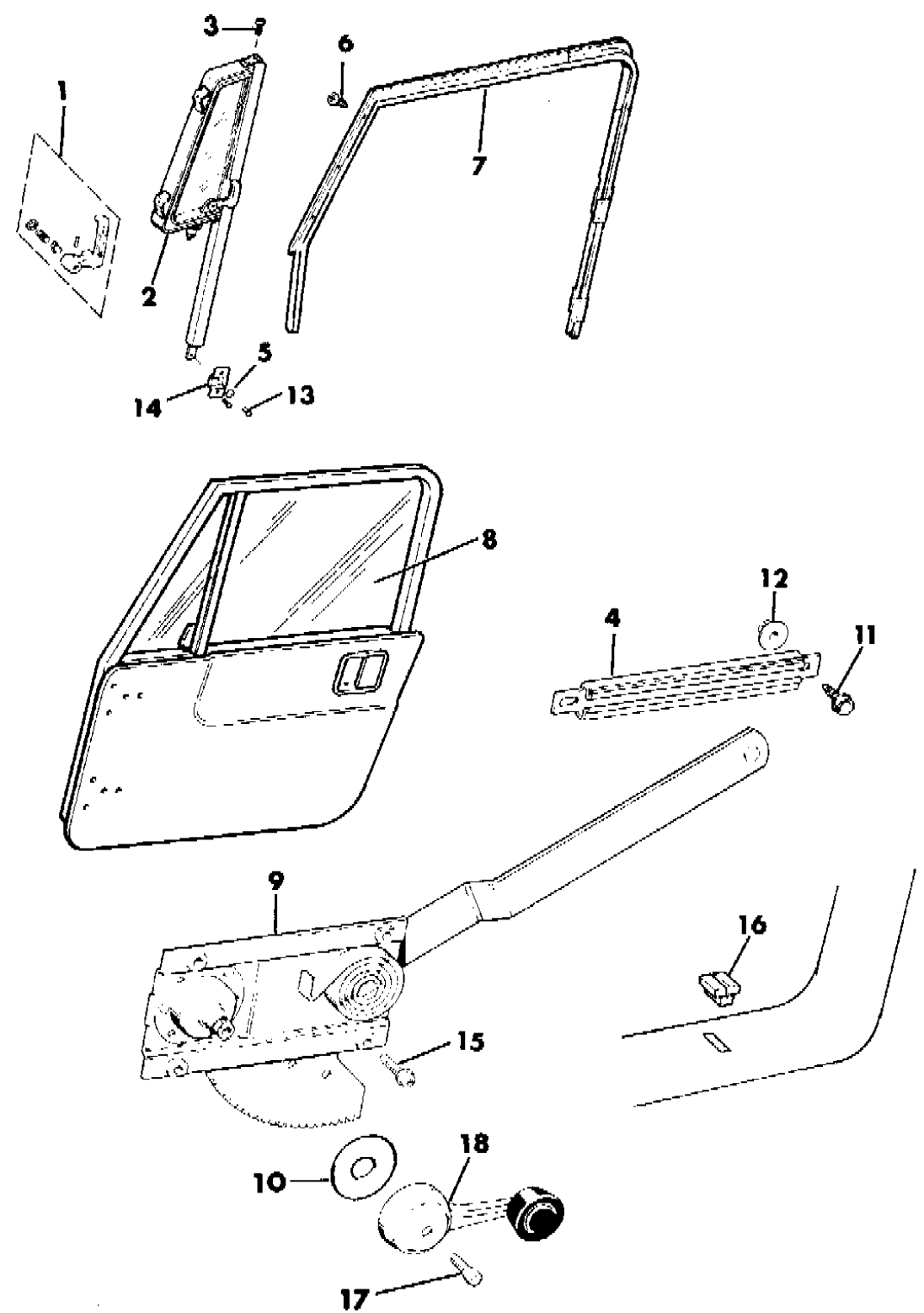
MJ=Comanche Pickup ZJ=Grand Cherokee/Grand Wagoneer KDX VEHICLES
 SJ=Grand Wagoneer M1=Comanche
 XJ=Cherokee, Briarwood X1=Cherokee, Briarwood
 YJ=Wrangler Y1=Wrangler

AR = Use as Required - = Non Illustrated Part P.A.R. = Paint as Required

DOOR, FULL GLASS AND REGULATOR WRANGLER
Figure 23C-300

91J71 300A

ITEM	PART NUMBER	QTY	BODY	MODEL	DESCRIPTION
1	J813 4852-3	1			HANDLE, Vent
2	5513 4608-9	1			VENT, Pivoting w/o World Cab
	J576 2326-7	1			w/World Cab
3	J045 7002	AR			SCREW
4	J545 4156	2			GUIDE, Glass
5	J012 0386	2			WASHER
6	J016 4487	2			SCREW
7					FRAME, Door Glass
	5503 4392-3	1			w/o World Cab
	5503 4394-5	1			w/World Cab
8					GLASS, Door
	5502 2404-5	1			Tinted
	J556 7898	1			Right, w/World Cab
	J556 7897	1			Left, w/World Cab
9					REGULATOR, Glass
	J545 4146	1			Right, 1991
	J545 4145	1			Left, 1991
	5507 4990-1	1			1992-93
10	4445 993	2			WASHER
11		8			SCREW (DNS)
12	J400 3706	4			GROMMET
13	J045 5683	AR			SCREW
14	J545 7300	2			BRACKET, Division Bar Mounting
15		AR			SCREW (DNS)
16	J576 4621	2			BUMPER, Stop
17	J400 5969	2			SCREW
18					HANDLE, Regulator
	J367 8907	2			1991
	4415 820	2			1992-93
	4415 824	2			COVER, Screw
	J400 4478	2			SCREW, Handle
	4445 993	2			SPACER, Handle



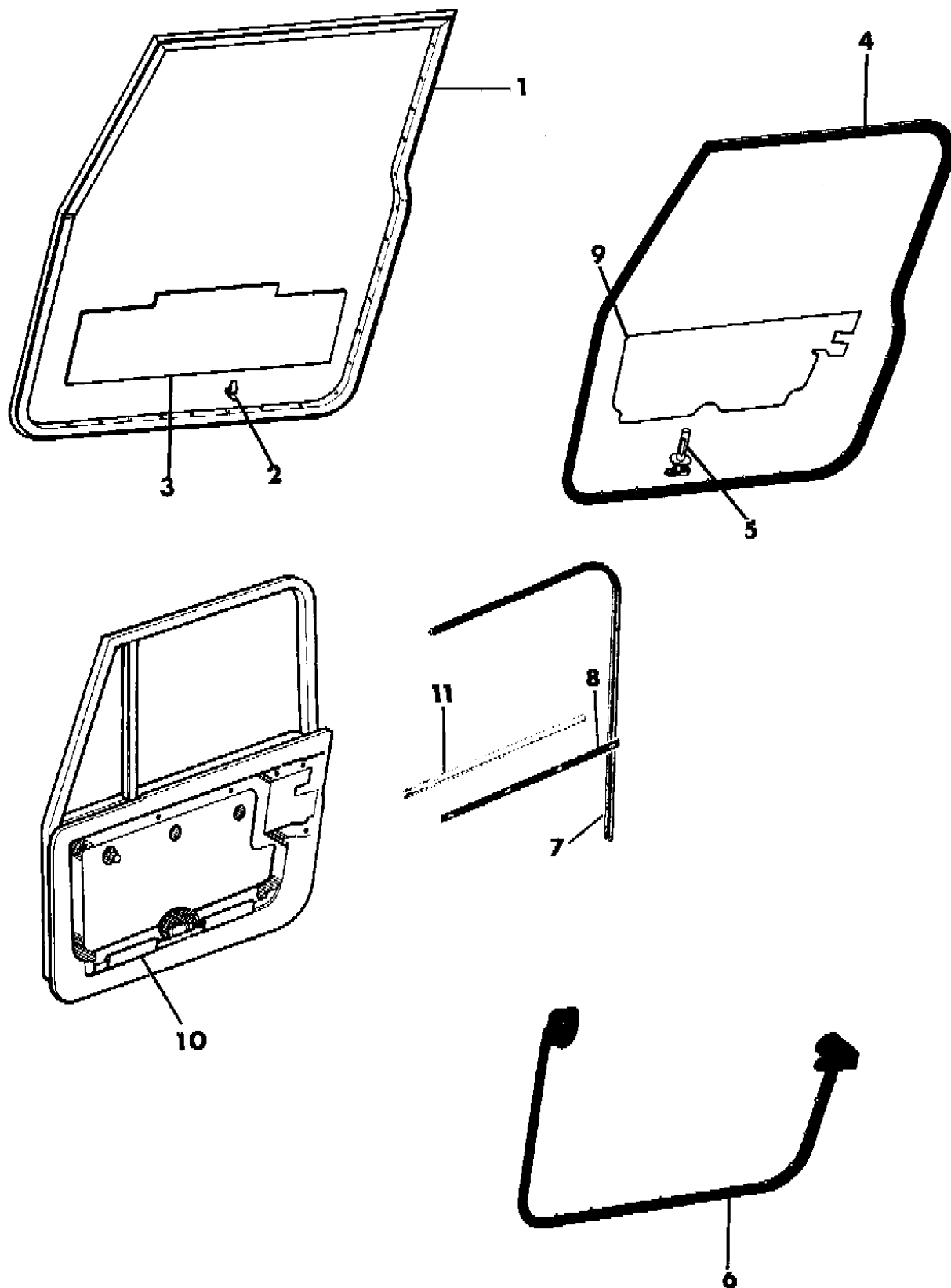
MODEL CODES:
61=Pickup-6 Ft Box 74=4 Door Wagon T=2WD
62=Pickup-7 Ft Box 77=Open Body 93" Wheelbase J,N,U=4WD
72=2 Door Wagon 78=Open Body 103" Wheelbase

BODY STYLES:
MJ=Comanche Pickup ZJ=Grand Cherokee/Grand Wagoneer KDX VEHICLES
SJ=Grand Wagoneer M1=Comanche
XJ=Cherokee, Briarwood X1=Cherokee, Briarwood
YJ=Wrangler Y1=Wrangler

AR = Use as Required - = Non Illustrated Part P.A.R. = Paint as Required

WEATHERSTRIPS, DOOR WRANGLER
Figure 23C-400

91J71 400A



ITEM	PART NUMBER	QTY	BODY	MODEL	DESCRIPTION
1					WEATHERSTRIP, w/World Cab
	J805 3259	1			Right
	J805 3258	1			Left
2	J400 1916	AR			FASTENER
3	J576 6604	4			WATERDAM, w/World Cab ***
4	5502 4872-3	1			WEATHERSTRIP, w/o World Cab
5	J400 1916	AR			FASTENER
6	5500 9828-9	1			WEATHERSTRIP, w/o World Cab
7	J545 7057	2			CHANNEL, Glass Run
8	J576 2384-5	1			WEATHERSTRIP, Belt Inner
9	5521 4766-7	1			SHIELD, Water
10	J576 6604	4			WATERSHIELD
11	5502 4254-5	1			WEATHERSTRIP, Belt Outer

MODEL CODES:

61=Pickup-6 Ft Box 74=4 Door Wagon T=2WD
 62=Pickup-7 Ft Box 77=Open Body 93" Wheelbase J,N,U=4WD
 72=2 Door Wagon 78=Open Body 103" Wheelbase

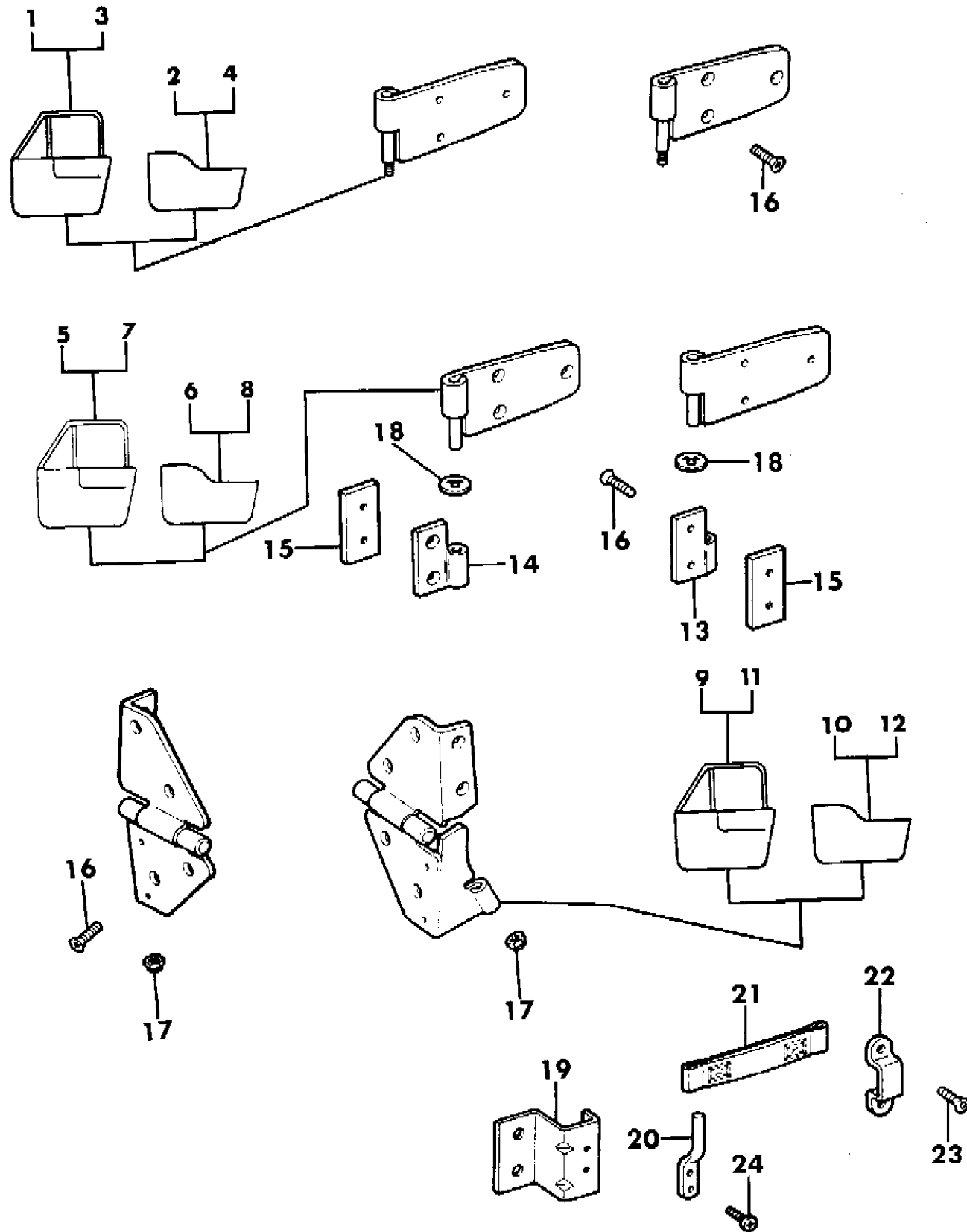
BODY STYLES:

MJ=Comanche Pickup ZJ=Grand Cherokee/Grand Wagoneer KDX VEHICLES
 SJ=Grand Wagoneer M1=Comanche
 XJ=Cherokee, Briarwood X1=Cherokee, Briarwood
 YJ=Wrangler Y1=Wrangler

AR = Use as Required - = Non Illustrated Part P.A.R. = Paint as Required

HINGES, DOOR WRANGLER
Figure 23C-500

91J71 500



ITEM	PART NUMBER	QTY	BODY	MODEL	DESCRIPTION
1	5503 3948	1			HINGE, Upper Door Half, Right
2	5503 3946	1			HINGE, Upper Door Half, Right Windshield Hinge Mounted Mirror Door Hinge Mounted Mirror
3	5503 3949	1			KDX 1993 HINGE, Upper Door Half, Left
4	5503 3945	1			HINGE, Upper Door Half, Left Windshield Hinge Mounted Mirror Door Hinge Mounted Mirror
5	5503 3950	1			HINGE, Lower Door Half, Right
6	5503 3942	1			HINGE, Lower Door Half, Right
7	5503 3951	1			HINGE, Lower Door Half, Left
8	5503 3943	1			HINGE, Lower Door Half, Left
9	5503 3956	1			HINGE, Upper Body Half, Right 1992
	5507 4880	1			1993
10	5507 4870	1			BUSHING, Self Lube
	5503 3958	1			HINGE, Upper Body Half, Right Windshield Hinge Mounted Mirror
	5503 3944	1			Door Hinge Mounted Mirror
11	5503 3957	1			HINGE, Upper Body Half, Left 1992
	5507 4881	1			1993
	5507 4870	1			BUSHING, Self Lube
12	5503 3959	1			HINGE, Upper Body Half, Left Windshield Hinge
13	5503 3952	1			HINGE, Lower Body Half, Right
14	5503 3953	1			HINGE, Lower Body Half, Left
15	J545 9281	2			PLATE, Tapping
16	J400 4956	AR			SCREW
17	J400 5755	2			NUT, Lock
18	J400 5678	4			SHIM w/o Hard Top
	J400 5677	4			w/Hard Top
19	J545 9280	2			BRACKET
20	J545 9286	2			PIN, Hook
21	J545 9207	2			STRAP
22	5501 3668	2			LOOP, Footman ***
23	J400 4995	2			SCREW
24	J400 6455	4			SCREW

MODEL CODES:

61=Pickup-6 Ft Box 74=4 Door Wagon T=2WD
62=Pickup-7 Ft Box 77=Open Body 93" Wheelbase J,N,U=4WD
72=2 Door Wagon 78=Open Body 103" Wheelbase

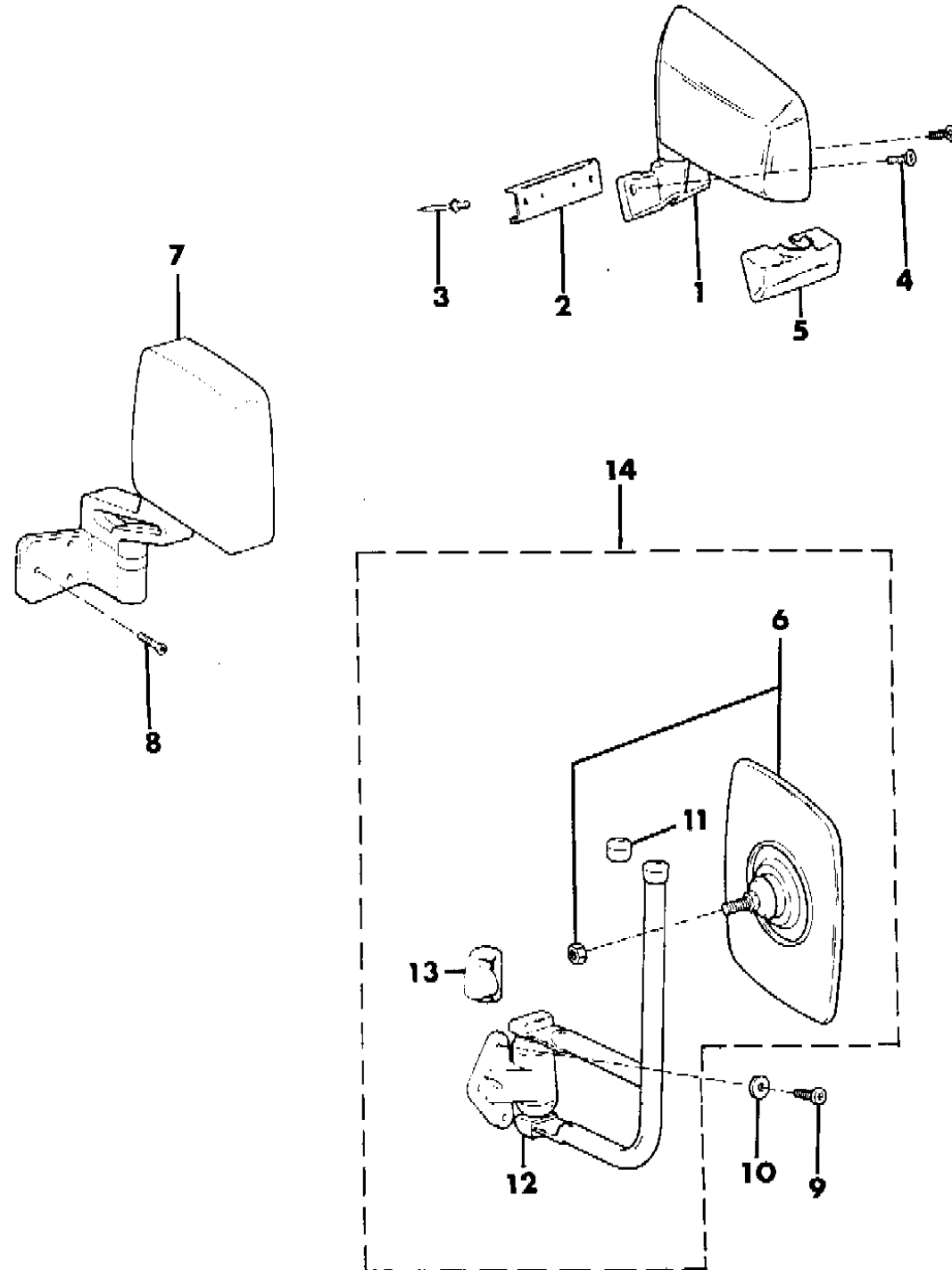
BODY STYLES:

MJ=Comanche Pickup ZJ=Grand Cherokee/Grand Wagoneer KDX VEHICLES
SJ=Grand Wagoneer M1=Comanche
XJ=Cherokee, Briarwood X1=Cherokee, Briarwood
YJ=Wrangler Y1=Wrangler

AR = Use as Required - = Non Illustrated Part P.A.R. = Paint as Required

MIRRORS, EXTERIOR WRANGLER
Figure 23C-600

91J71 600 A



ITEM	PART NUMBER	QTY	BODY	MODEL	DESCRIPTION
1					MIRROR
	5502 7207	1			Left
	5502 7208	1			Right
	5502 7209	1			Right, EUROPE
2	J576 1776	2			REINFORCEMENT, Mirror
3	J400 4962	4			RIVET
4	6034 120	4			SCREW
5	5502 7210	2			COVER
6	5501 2573	2			HEAD, Mirror
7					MIRROR
	5501 7542-3	1			EUROPE
	5507 4586-7	1			EUROPE
8	6034 120	6			SCREW
9	J400 5657	6			SCREW
10		6			WASHER (DNS)
11	8350 4073	2			CAP
12	5501 2574-5	1			ARM, Mirror
13	5501 2576	2			CAP, Protection
14	5501 2570-1	1			MIRROR

MODEL CODES:

61=Pickup-6 Ft Box 74=4 Door Wagon T=2WD
62=Pickup-7 Ft Box 77=Open Body 93" Wheelbase J,N,U=4WD
72=2 Door Wagon 78=Open Body 103" Wheelbase

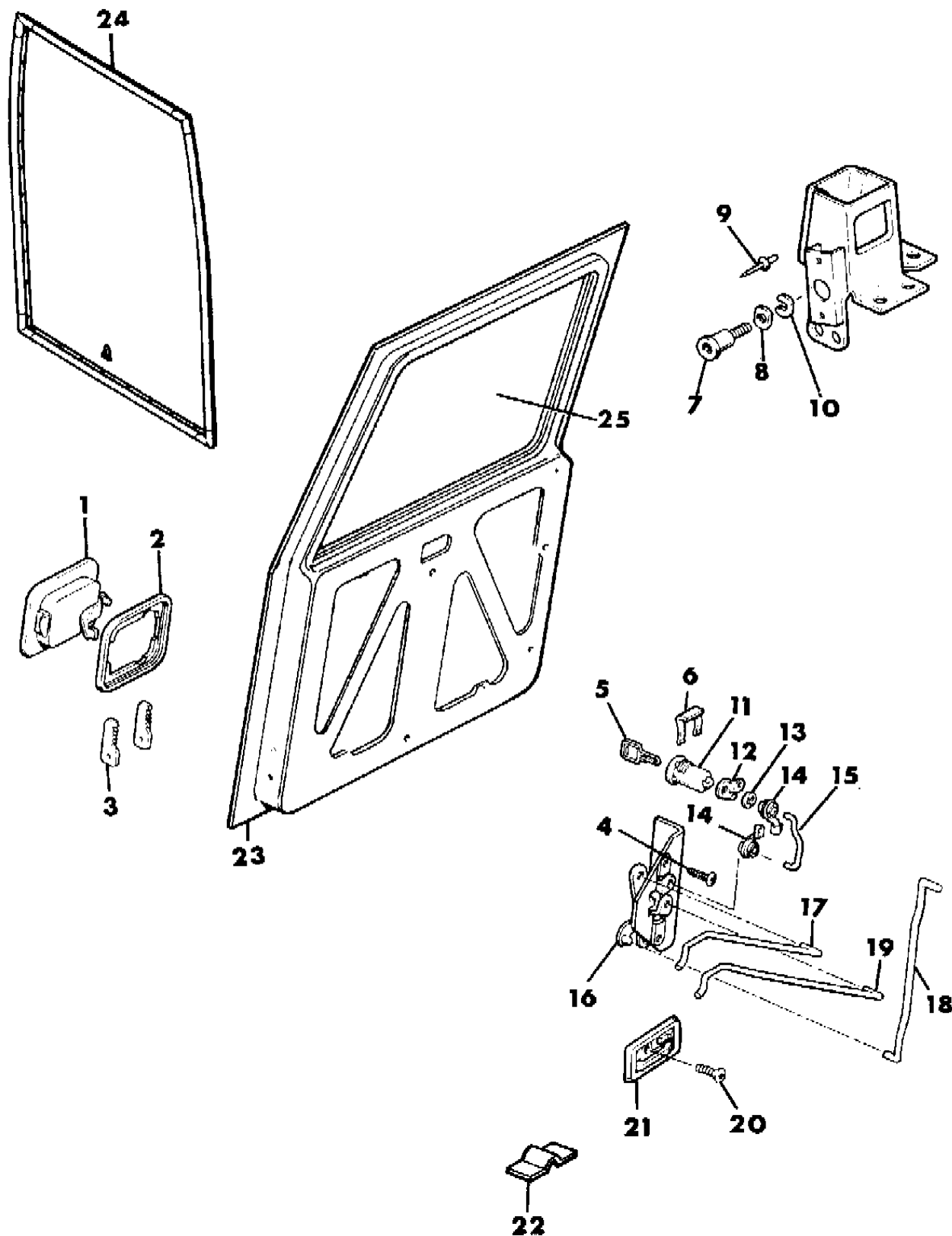
BODY STYLES:

MJ=Comanche Pickup ZJ=Grand Cherokee/Grand Wagoneer KDX VEHICLES
SJ=Grand Wagoneer M1=Comanche
XJ=Cherokee, Briarwood X1=Cherokee, Briarwood
YJ=Wrangler Y1=Wrangler

AR = Use as Required - = Non Illustrated Part P.A.R. = Paint as Required

**DOOR, REAR, HANDLES AND LATCHES WORLD CAB WRANGLER
Figure 23C-700**

91J71 700A



ITEM	PART NUMBER	QTY	BODY	MODEL	DESCRIPTION
1	J805 2561	1			HANDLE, Exterior
2	J575 8174	1			GASKET
3	J575 8175	2			KEEPER ***
4	J018 0020	4			SCREW
5	5502 5852	1			KEY
6	J351 6003	1			RETAINER, Lock
7	J575 8191	1			STRIKER, Door
8	J575 8192	1			PLATE, Striker
9	J400 6990	2			RIVET
10	J575 8193	1			SHIM
11		1			CYLINDER, See 23D
12	J805 2472	1			LEVER
13	J400 2250	1			RETAINER, Lock
14	J400 4532	2			CLIP, w/Bushing
15	J805 2459	1			ROD, Cylinder
16	J805 2563	1			LATCH, Door
17	J805 2461	1			ROD, Locking
18	8350 1148	1			ROD, Latch Release
19	J805 2463	1			ROD, Inside Handle to Latch
	J805 2464	1			ROD, Outside Handle to Latch
20	J400 6870	1			SCREW
21	T065 0261	1			HANDLE, Remote Control
22	J805 3241	2			CLIP, Drain
23		1			SHELL, Purchased Locally
24	J805 2124	1			WEATHERSTRIP
	J805 2122	1			SEAL
25	J805 2574	1			GLASS, Door

MODEL CODES:

61=Pickup-6 Ft Box 74=4 Door Wagon T=2WD
 62=Pickup-7 Ft Box 77=Open Body 93" Wheelbase J,N,U=4WD
 72=2 Door Wagon 78=Open Body 103" Wheelbase

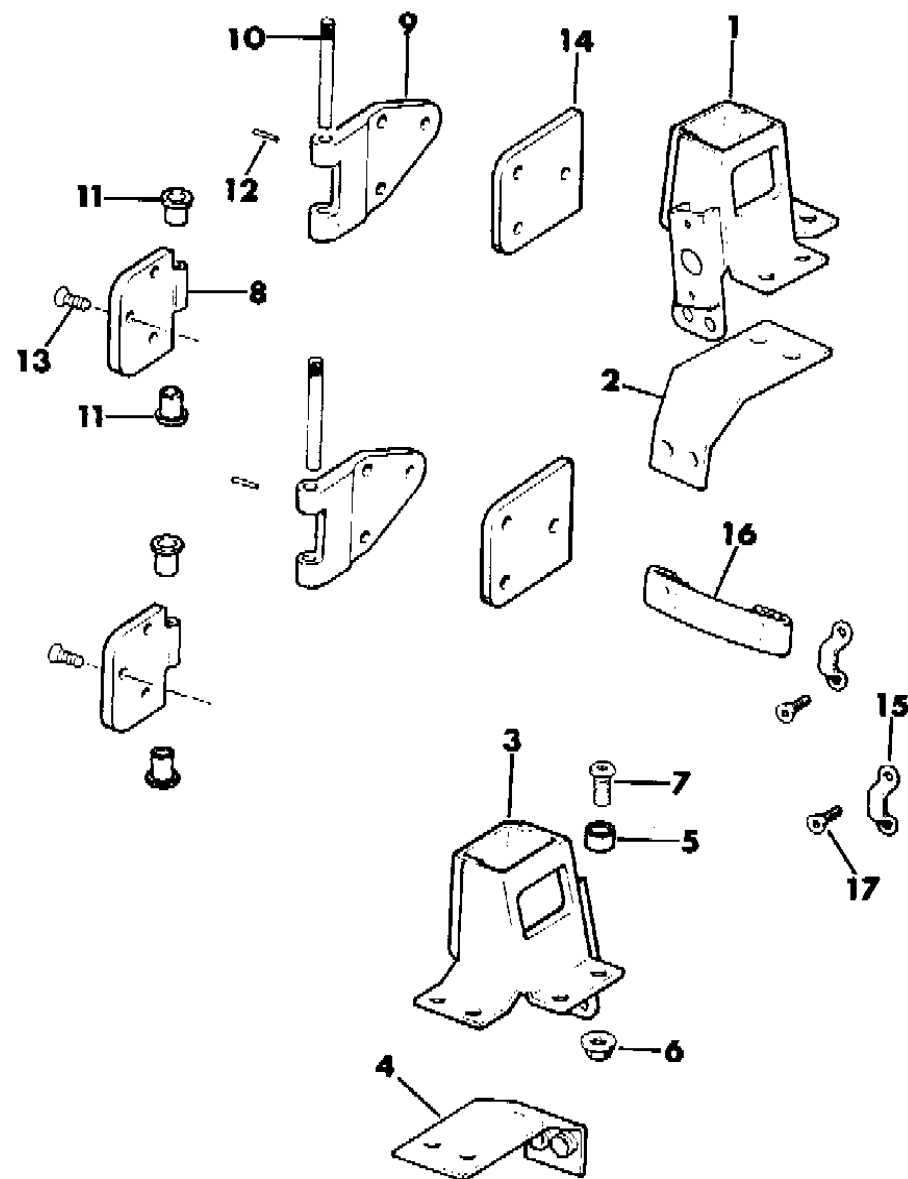
BODY STYLES:

MJ=Comanche Pickup ZJ=Grand Cherokee/Grand Wagoneer KDX VEHICLES
 SJ=Grand Wagoneer M1=Comanche
 XJ=Cherokee, Briarwood X1=Cherokee, Briarwood
 YJ=Wrangler Y1=Wrangler

AR = Use as Required - = Non Illustrated Part P.A.R. = Paint as Required

HINGES, REAR DOOR WORLD CAB WRANGLER
Figure 23C-800

91J71 800



ITEM	PART NUMBER	QTY	BODY	MODEL	DESCRIPTION
1	8350 0183	1			BRACKET, Striker Mtg.
2	J805 2409	1			REINFORCEMENT
3	J805 2568	1			REINFORCEMENT ASSEMBLY ***
	J805 2567	1			REINFORCEMENT
4	J805 2408	1			REINFORCEMENT
5	J400 6826	1			WASHER
6	J400 4747	1			NUT
7	J400 5651	8			BOLT
8	J805 2160	2			HINGE
9	J805 2161	2			HINGE
10	J805 2194	2			PIN
11	J805 2193	4			BEARING
12	J027 3936	2			PIN
13	J400 5831	6			SCREW
14	J805 2037	2			PLATE, Tapping
15	5501 3666	2			LOOP ***
16	J545 9207	1			STRAP
17	J400 7088	4			SCREW

MODEL CODES:

61=Pickup-6 Ft Box 74=4 Door Wagon T=2WD
 62=Pickup-7 Ft Box 77=Open Body 93" Wheelbase J,N,U=4WD
 72=2 Door Wagon 78=Open Body 103" Wheelbase

BODY STYLES:

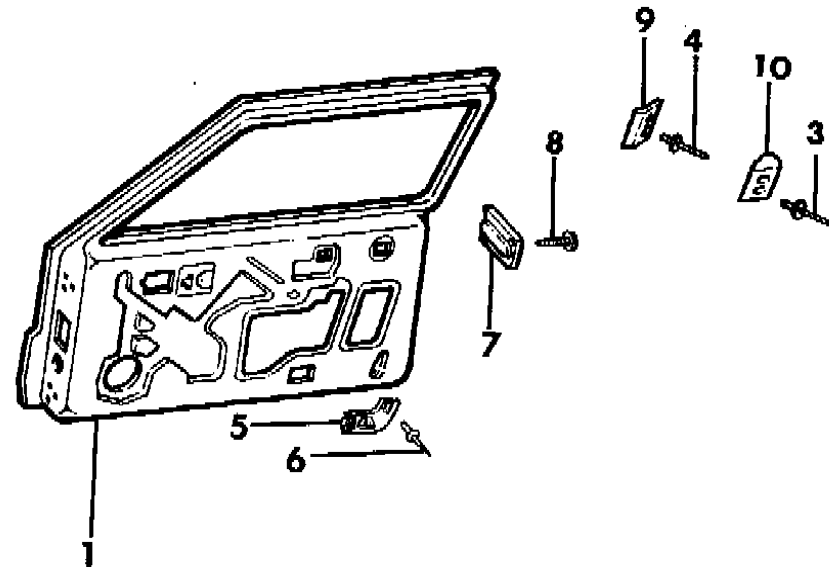
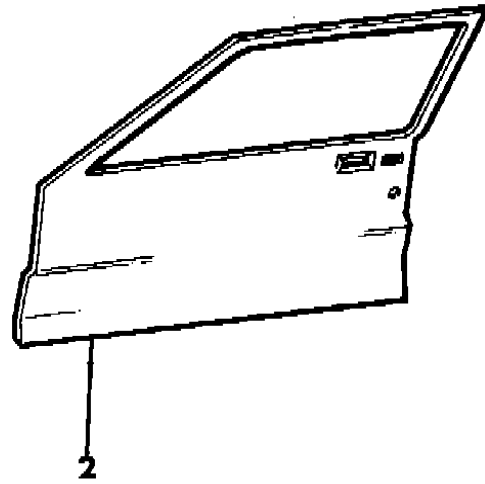
MJ=Comanche Pickup ZJ=Grand Cherokee/Grand Wagoneer KDX VEHICLES
 SJ=Grand Wagoneer M1=Comanche
 XJ=Cherokee, Briarwood X1=Cherokee, Briarwood
 YJ=Wrangler Y1=Wrangler

AR = Use as Required - = Non Illustrated Part P.A.R. = Paint as Required

DOOR, FRONT TWO DOOR WAGON CHEROKEE
Figure 23C-900

91J71 900A

ITEM	PART NUMBER	QTY	BODY	MODEL	DESCRIPTION
1	5534 4760-1	1			SHELL, Door
	J363 1398	2			BUMPER, Door
2	5502 7434-5	1			PANEL, Repair
3	J400 6543	AR			RIVET
4	3420 1684	2			RIVET
5	5500 1278-9	1			BRACKET, Armrest
6	3420 1353	4			RIVET
7	5500 6224-5	1			SPACER
8	1150 0055	4			SCREW
9	5500 6216	2			REINFORCEMENT
10	5500 6214-5	1			SPACER



MODEL CODES:

61=Pickup-6 Ft Box 74=4 Door Wagon T=2WD
62=Pickup-7 Ft Box 77=Open Body 93" Wheelbase J,N,U=4WD
72=2 Door Wagon 78=Open Body 103" Wheelbase

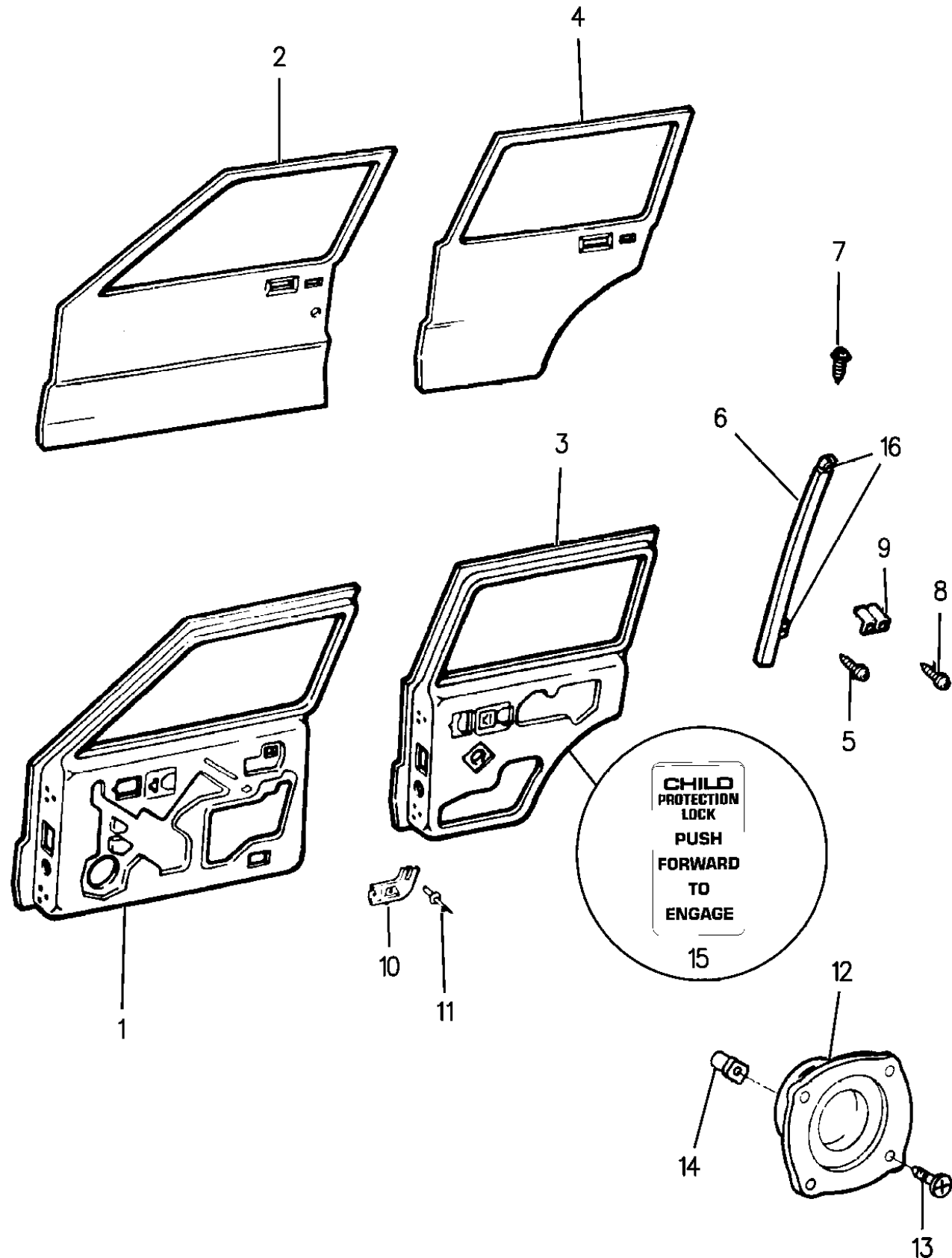
BODY STYLES:

MJ=Comanche Pickup ZJ=Grand Cherokee/Grand Wagoneer KDX VEHICLES
SJ=Grand Wagoneer M1=Comanche
XJ=Cherokee, Briarwood X1=Cherokee, Briarwood
YJ=Wrangler Y1=Wrangler

AR = Use as Required - = Non Illustrated Part P.A.R. = Paint as Required

DOORS, FRONT AND REAR FOUR DOOR CHEROKEE, BRIARWOOD
Figure 23C-1000

91J71 1000A



ITEM	PART NUMBER	QTY	BODY	MODEL	DESCRIPTION
1	5534 4618-9	1			SHELL, Door Cherokee
	5534 4620-1	1			Briarwood
	5517 4506-7	1			KDX
2	5502 9924-5	1			PANEL, Repair Briarwood
	5502 9920-1	1			Cherokee
3	5502 9926-7	1			SHELL, Door Cherokee
	5517 4504-5	1			KDX
	5502 5888-9	1			Briarwood
4	5700 2666-7	1			PANEL, Repair Cherokee
	5500 5696-7	1			Briarwood
5	3420 1450	2			SCREW
6	5500 2350-1	1			BAR, Division
7	3420 2035	2			SCREW
8	3420 1450	4			SCREW
9	5500 3650	2			RETAINER
10	5500 1278-9	1			BRACKET, Armrest
11	3420 1353	4			RIVET
12		2			SPEAKER (See Group 8A) ***
13	J448 9487	8			SCREW
14	J400 5242	8			NUT
15	4445 060	2			LABEL, Child Protection Door Lock
16	5500 0244	2			BRACKET, Division Bar

MODEL CODES:

61=Pickup-6 Ft Box 74=4 Door Wagon T=2WD
62=Pickup-7 Ft Box 77=Open Body 93" Wheelbase J,N,U=4WD
72=2 Door Wagon 78=Open Body 103" Wheelbase

BODY STYLES:

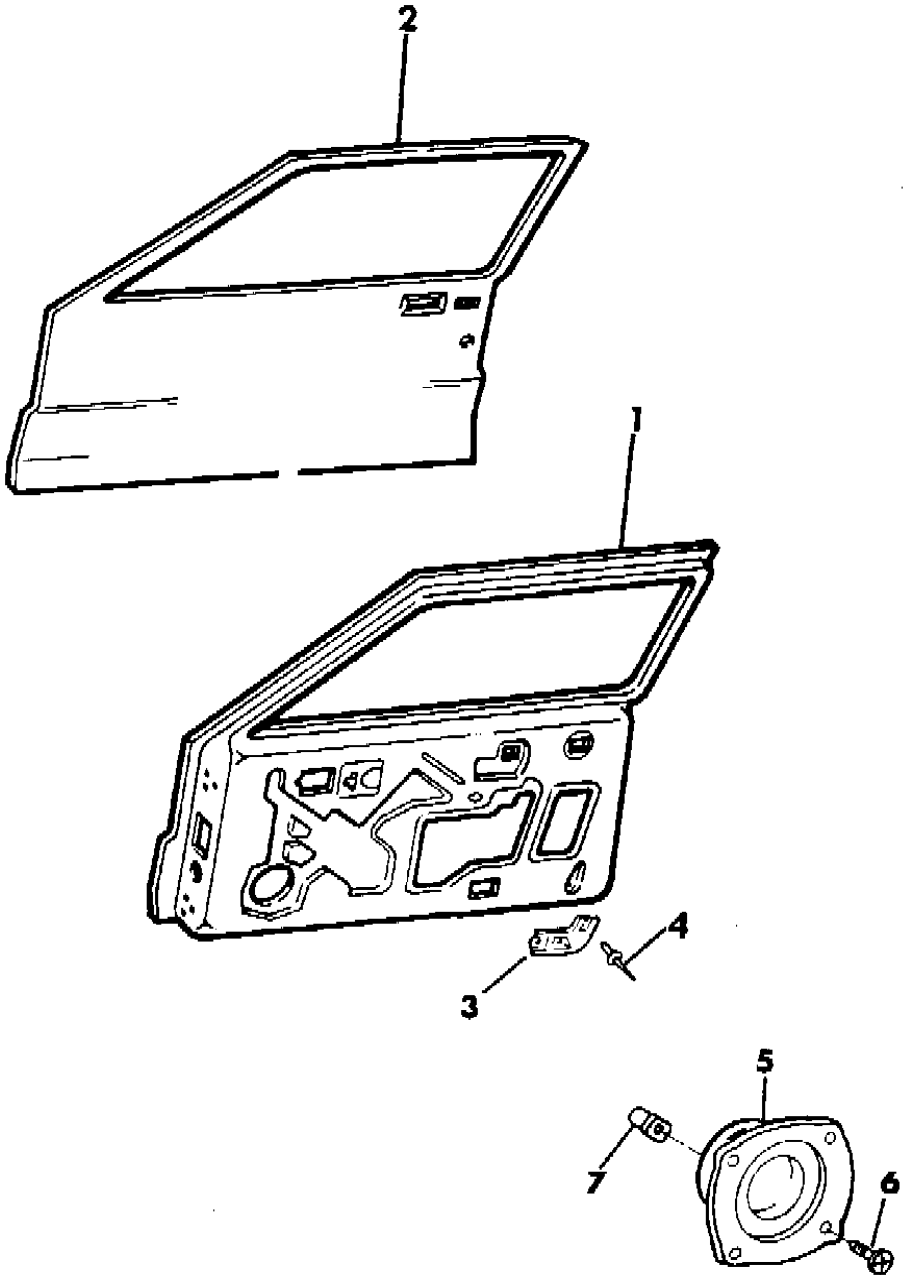
MJ=Comanche Pickup ZJ=Grand Cherokee/Grand Wagoneer KDX VEHICLES
SJ=Grand Wagoneer M1=Comanche
XJ=Cherokee, Briarwood X1=Cherokee, Briarwood
YJ=Wrangler Y1=Wrangler

AR = Use as Required - = Non Illustrated Part P.A.R. = Paint as Required

DOOR, FRONT COMANCHE
Figure 23C-1100

91J71 1100

ITEM	PART NUMBER	QTY	BODY	MODEL	DESCRIPTION
1	5534 4618-9	1			SHELL, Door
	5517 4506-7	1			KDX
2	5502 9924-5	1			PANEL, Repair
	5502 9920-1	1			KDX
3	5500 1278-9	1			BRACKET, Armrest
4	3420 1353	4			RIVET
5	5600 1880	2			SPEAKER
6	J448 9487	8			SCREW
7	J400 5242	8			NUT



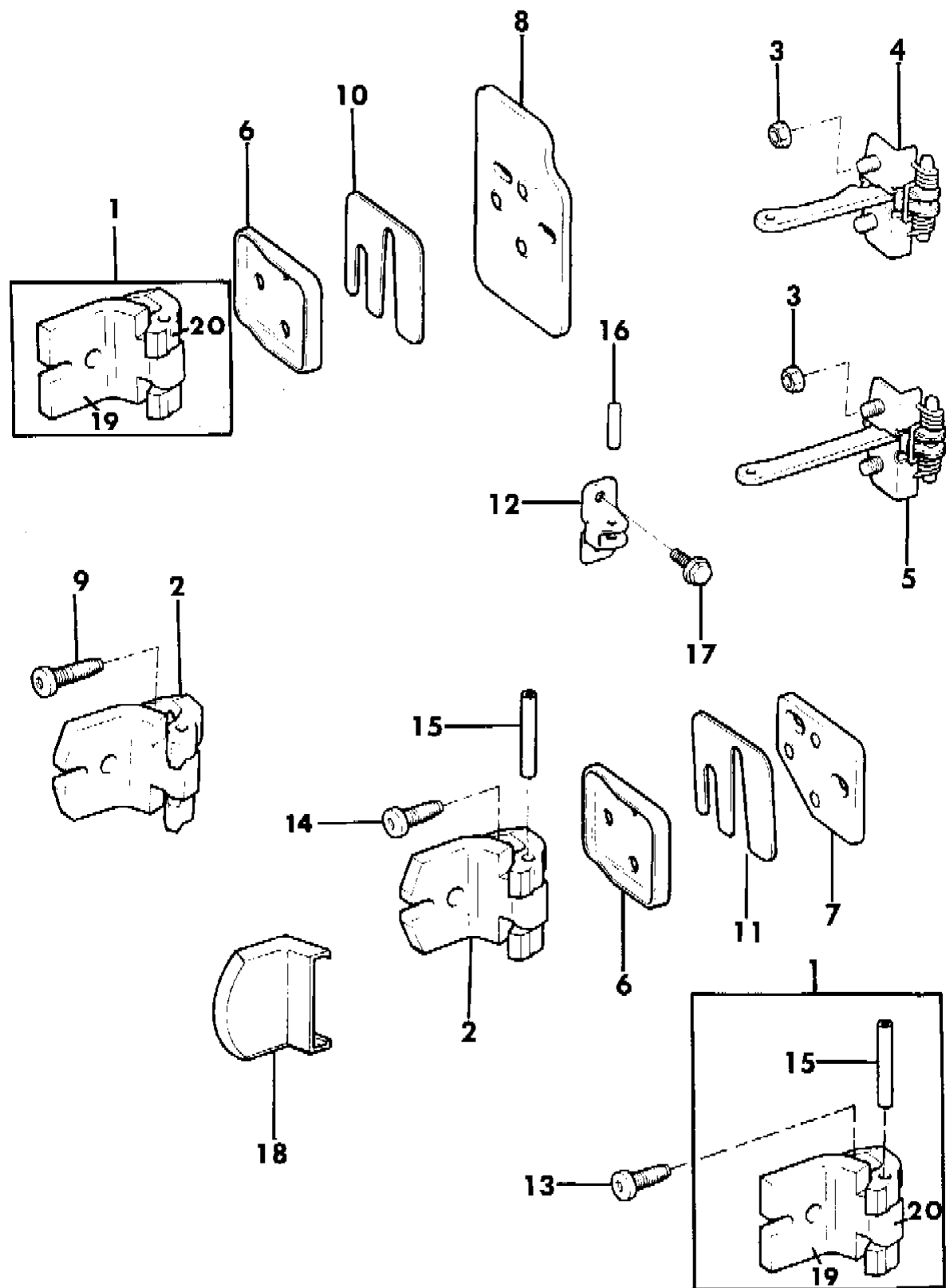
MODEL CODES:
 61=Pickup-6 Ft Box 74=4 Door Wagon T=2WD
 62=Pickup-7 Ft Box 77=Open Body 93" Wheelbase J,N,U=4WD
 72=2 Door Wagon 78=Open Body 103" Wheelbase

BODY STYLES:
 MJ=Comanche Pickup ZJ=Grand Cherokee/Grand Wagoneer KDX VEHICLES
 SJ=Grand Wagoneer M1=Comanche
 XJ=Cherokee, Briarwood X1=Cherokee, Briarwood
 YJ=Wrangler Y1=Wrangler

AR = Use as Required - = Non Illustrated Part P.A.R. = Paint as Required

HINGES, DOOR FRONT AND REAR CHEROKEE, BRIARWOOD, COMANCHE
Figure 23C-1200

91J71 1200B



ITEM	PART NUMBER	QTY	BODY	MODEL	DESCRIPTION
1	5507 4634	4			HINGE ASSEMBLY, Front Door ***
2	5500 0762	4			HINGE, Rear Door
3	1150 3750	8			NUT
4	5500 0783	2			ARM, Door Check
5	5500 0818	2			ARM, Door Check
6	5500 4597	8			PLATE, Shim
7	5500 0248-9	1			PLATE, Hinge Mtg.
8	5500 4600-1	1			PLATE, Hinge Mtg.
9	3420 1987	12			BOLT
10-11	5500 4920	AR			SHIM
12	5500 2361	4			BRACKET, Check Arm
13	3420 1987	AR			BOLT
14	3420 1987	4			BOLT
15	4638 276	8			PIN, Hinge
16	5501 2900	4			PIN, Check Arm
17	3420 1756	8			SCREW
18	5500 6643	4			COVER, Rear Hinge
19	5507 4638	4			Hinge, Door Half ***
20	5507 4636	4			HINGE, Body Half

MODEL CODES:

61=Pickup-6 Ft Box 74=4 Door Wagon T=2WD
 62=Pickup-7 Ft Box 77=Open Body 93" Wheelbase J,N,U=4WD
 72=2 Door Wagon 78=Open Body 103" Wheelbase

BODY STYLES:

MJ=Comanche Pickup ZJ=Grand Cherokee/Grand Wagoneer KDX VEHICLES
 SJ=Grand Wagoneer M1=Comanche
 XJ=Cherokee, Briarwood X1=Cherokee, Briarwood
 YJ=Wrangler Y1=Wrangler

AR = Use as Required - = Non Illustrated Part P.A.R. = Paint as Required

DOOR, HANDLES AND ACTUATORS CHEROKEE, BRIARWOOD, COMANCHE
Figure 23C-1300

91J71 1300B

ITEM	PART NUMBER	QTY	BODY	MODEL	DESCRIPTION
1					HANDLE, Exterior
	5502 4926-7	AR			Black
	5500 0560-1	AR			Bright
2	J420 0306	AR			NUT
3	5500 2180	AR			GASKET, Front of Handle
4	5500 2181	AR			GASKET, Rear of Handle
5					BUTTON, Push
	5500 7469	AR			Black
	5500 2173	AR			Bright
	4638 701	AR			BUTTON, w/Rod
6	5500 2176	AR			GASKET
7	5500 2177	AR			SPRING
8	5500 2178	AR			BUSHING
9	5500 2188-9	1			BELLCRANK
10	3420 1339	AR			SCREW
11	5503 4166	AR			STRIKER, w/Bracket
	5500 2371	AR			STRIKER
12	5502 7898	AR			Shield, Striker ***
13	6034 196	AR			WASHER
14		1			LATCH, Front Door
	5500 0766-7	1			
	5507 5470-1	1		XJ	1993 RHD
15	6501 220	AR			SCREW
16	5502 6382-3	1			LATCH, Rear Door
17	J813 4627	AR			ACTUATOR, Door Lock
18	J371 9474	AR			BRACKET
19					ROD, Actuator
	5500 0780-1	2			Four Door and Truck
	5500 0836-7	1			Two Door
20					ROD, Lock Cylinder
	5507 4922-3	1			Four Door Wagon and Truck
	5502 6710-1	1			Two Door Wagon
21					ROD
	5500 1954-5	1			Four Door and Truck
	5500 0563	2			Two Door
22	5500 1968	2			ROD, Rear Door
23-24	5257 478-9	AR			CLIP, w/Bushing
25	J813 0358	AR			PACKAGE, Fastener

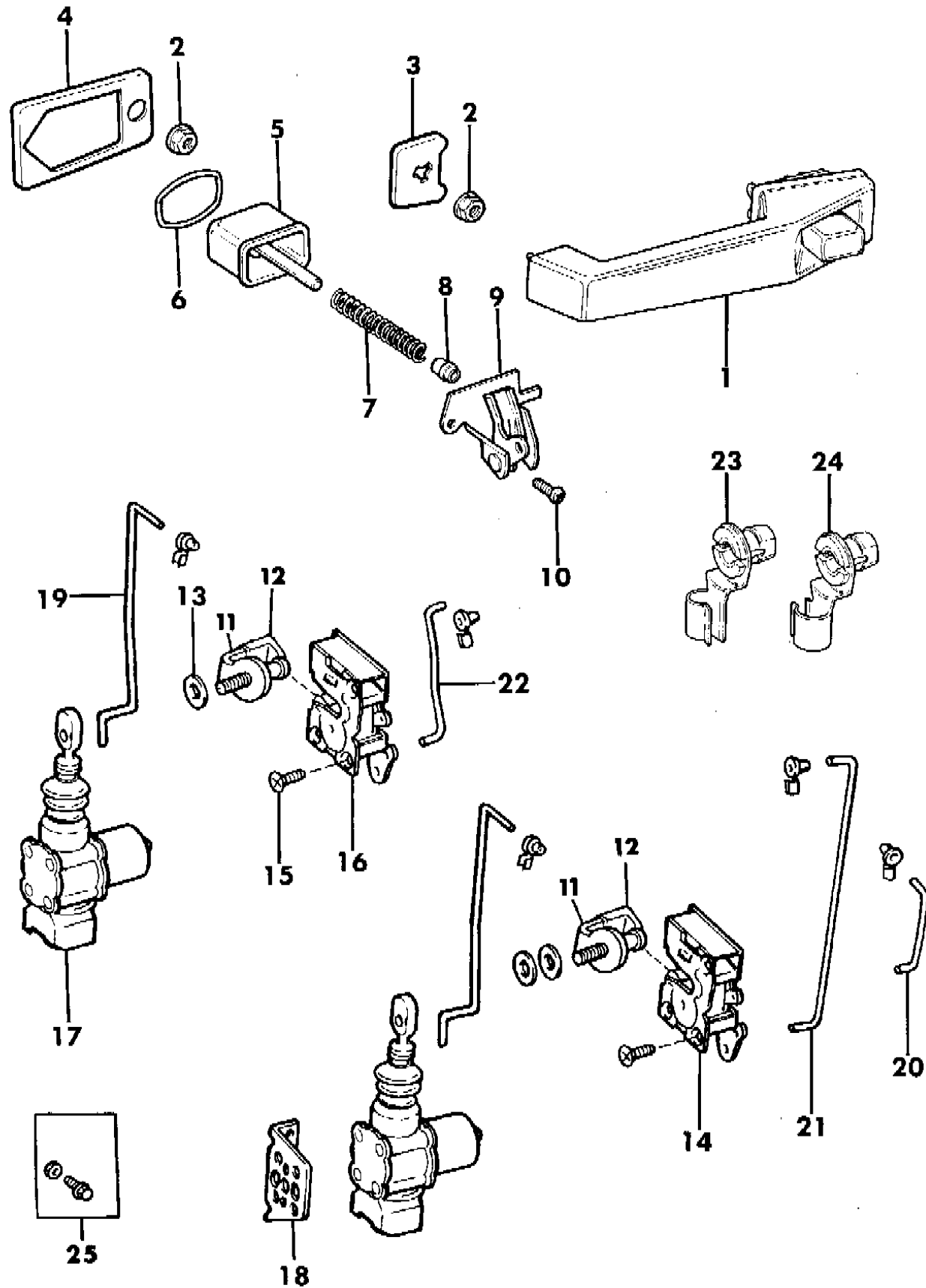
MODEL CODES:

61=Pickup-6 Ft Box 74=4 Door Wagon T=2WD
 62=Pickup-7 Ft Box 77=Open Body 93" Wheelbase J,N,U=4WD
 72=2 Door Wagon 78=Open Body 103" Wheelbase

BODY STYLES:

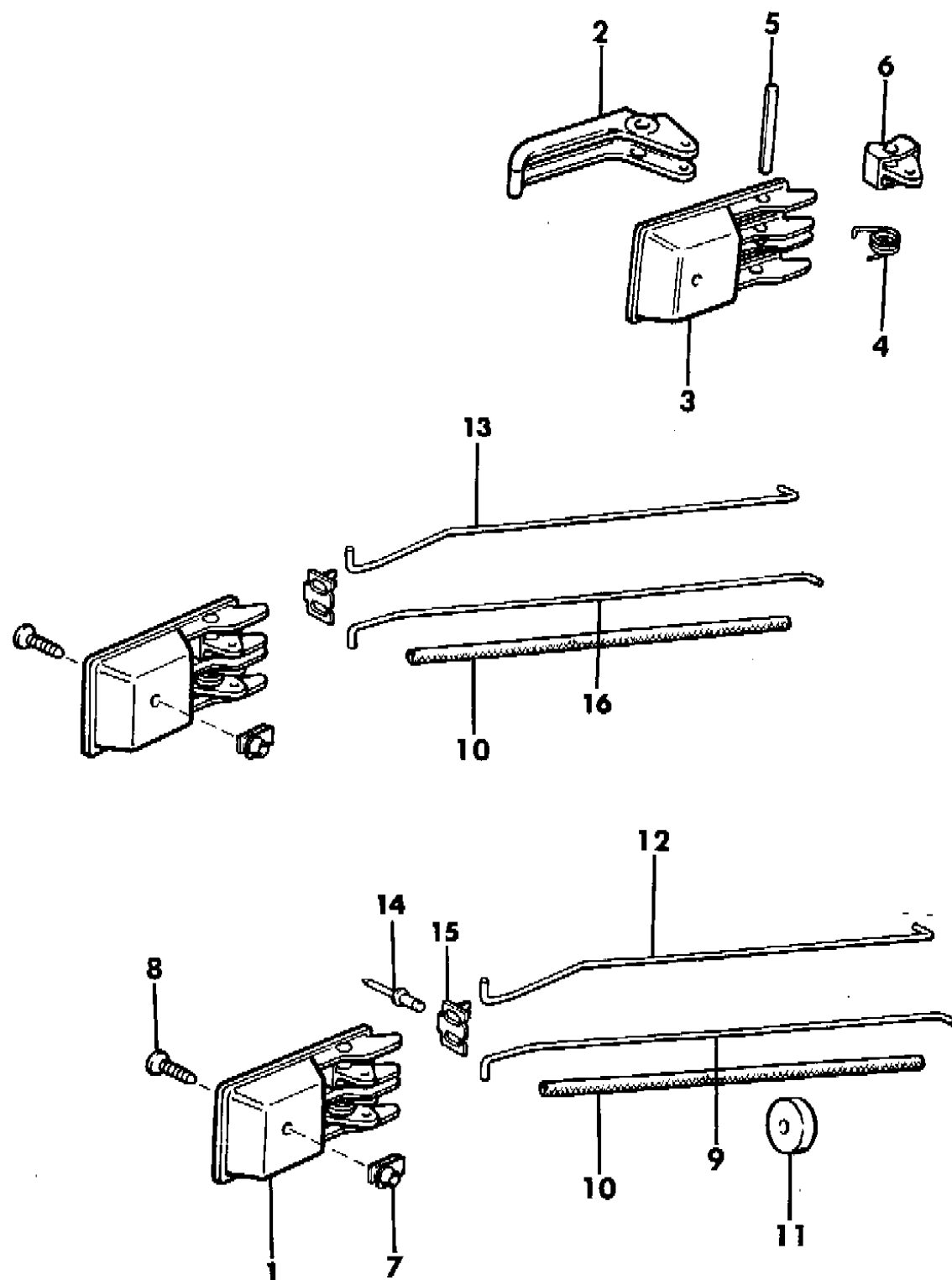
MJ=Comanche Pickup ZJ=Grand Cherokee/Grand Wagoneer KDX VEHICLES
 SJ=Grand Wagoneer M1=Comanche
 XJ=Cherokee, Briarwood Y1=Cherokee, Briarwood
 YJ=Wrangler Y1=Wrangler

AR = Use as Required - = Non Illustrated Part P.A.R. = Paint as Required



DOOR, HANDLES AND CONTROLS CHEROKEE, BRIARWOOD, COMANCHE
Figure 23C-1400

91J71 1400A



ITEM	PART NUMBER	QTY	BODY	MODEL	DESCRIPTION
1	5500 0870-1	1			HANDLE ASSEMBLY, Remote ***
2	5500 2182-3	1			HANDLE
3	5500 2154-5	2			CUP
4	5500 2184	4			SPRING
5	5500 2873	4			PIN
6	5500 2186-7	2			BUTTON
7	1150 0654	4			NUT
8	S150 0405	4			SCREW
9					ROD, Remote Control
	5500 1958-9	1			Four Door and Truck
	5500 1952-3	1			Two Door
10	3502 3988	2			SLEEVE
11	5507 4657	2			SILENCER
12					ROD, Locking
	5500 1962-3	1			Four Door and Truck
	5500 1956-7	1			Two Door
13	5500 1970-1	1			ROD, Locking
14	3420 1197	4			RIVET
15	5500 2083	4			RETAINER
16	5500 1966-7	1			ROD, Remote Control

MODEL CODES:

61=Pickup-6 Ft Box 74=4 Door Wagon T=2WD
 62=Pickup-7 Ft Box 77=Open Body 93" Wheelbase J,N,U=4WD
 72=2 Door Wagon 78=Open Body 103" Wheelbase

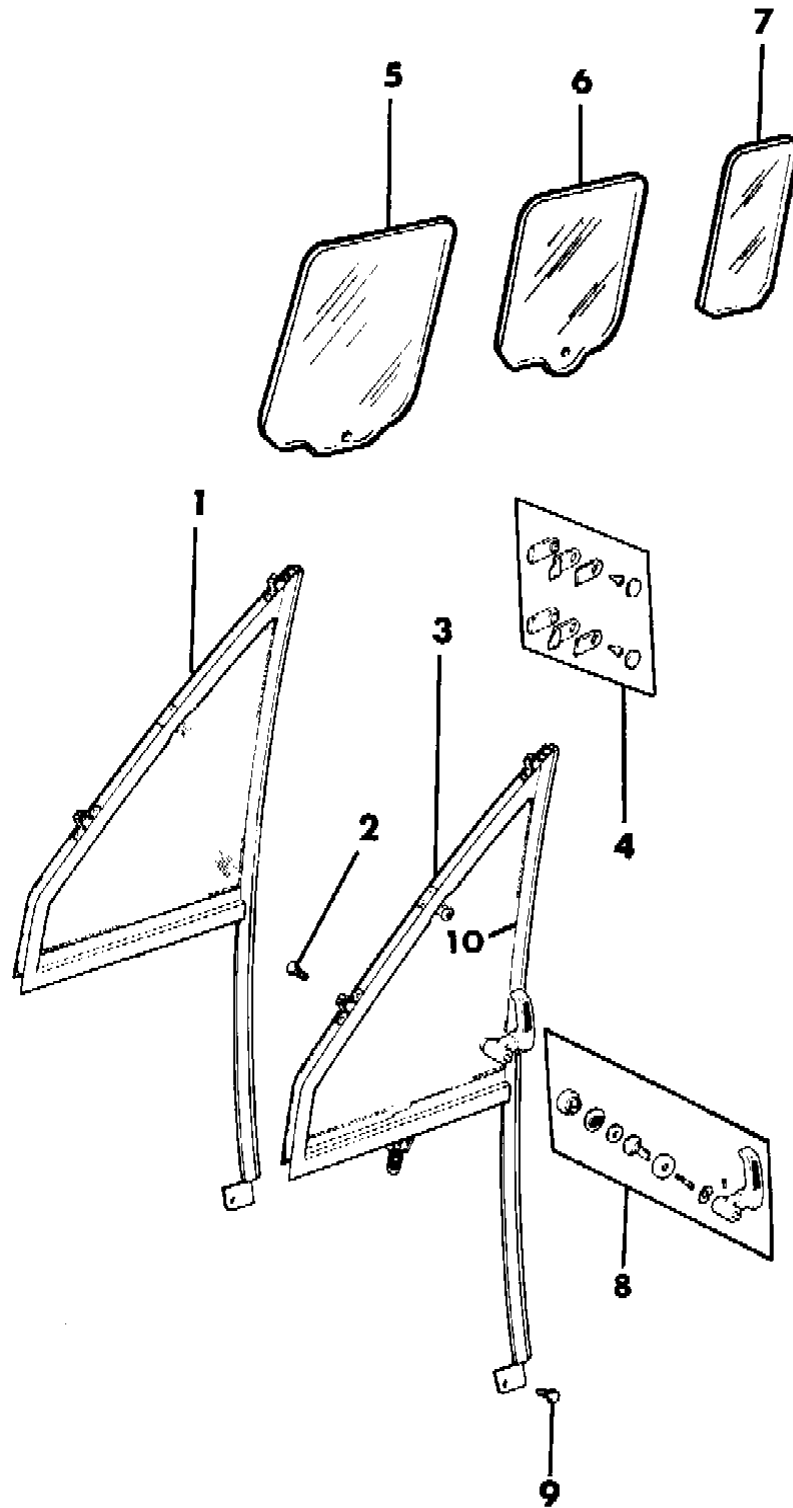
BODY STYLES:

MJ=Comanche Pickup ZJ=Grand Cherokee/Grand Wagoneer KDX VEHICLES
 SJ=Grand Wagoneer M1=Comanche
 XJ=Cherokee, Briarwood X1=Cherokee, Briarwood
 YJ=Wrangler Y1=Wrangler

AR = Use as Required - = Non Illustrated Part P.A.R. = Paint as Required

GLASS, DOOR FRONT AND REAR CHEROKEE, BRIARWOOD, COMANCHE
Figure 23C-1500

91J71 1500C



ITEM	PART NUMBER	QTY	BODY	MODEL	DESCRIPTION
1					VENT, Fixed, Tinted
	5513 4694-5	1			1991-92
	4728 926-7	1			1993
2	3420 2035	4			SCREW
3					VENT, Pivoting, Tinted
	5502 8138-9	1			1991-92
	4728 924-5	1			1993
4					PACKAGE, Hinge Qtr. Vent Glass
	8350 2274-5	1			Up to 9-16-91
	4762 241	2			After 9-16-91
5					GLASS, Door, Front
	5500 0576-7	1			Tinted, Four Door Cherokee and Two Door Comanche
	5500 0580-1	1			Tinted, Two Door, Cherokee
6					GLASS, Rear Door
	5500 0590-1	1			Tinted, Four Door
	5501 8650-1	1			Privacy, Four Door
7					GLASS, Fixed, Rear Door
	5500 0620-1	1			Tinted, Four Door
	5501 8652-3	1			Privacy, Four Door
8					PACKAGE, Vent Handle
	8350 4102	1			Right
	8350 4101	1			Left
9	3420 1809	2			SCREW
10		1			WEATHERSTRIP, Vent Glass
	5502 4300-1	1			(PIVOT)
		1			(Fixed) Serviced In Glass Assembly

MODEL CODES:

61=Pickup-6 Ft Box 74=4 Door Wagon T=2WD
 62=Pickup-7 Ft Box 77=Open Body 93" Wheelbase J,N,U=4WD
 72=2 Door Wagon 78=Open Body 103" Wheelbase

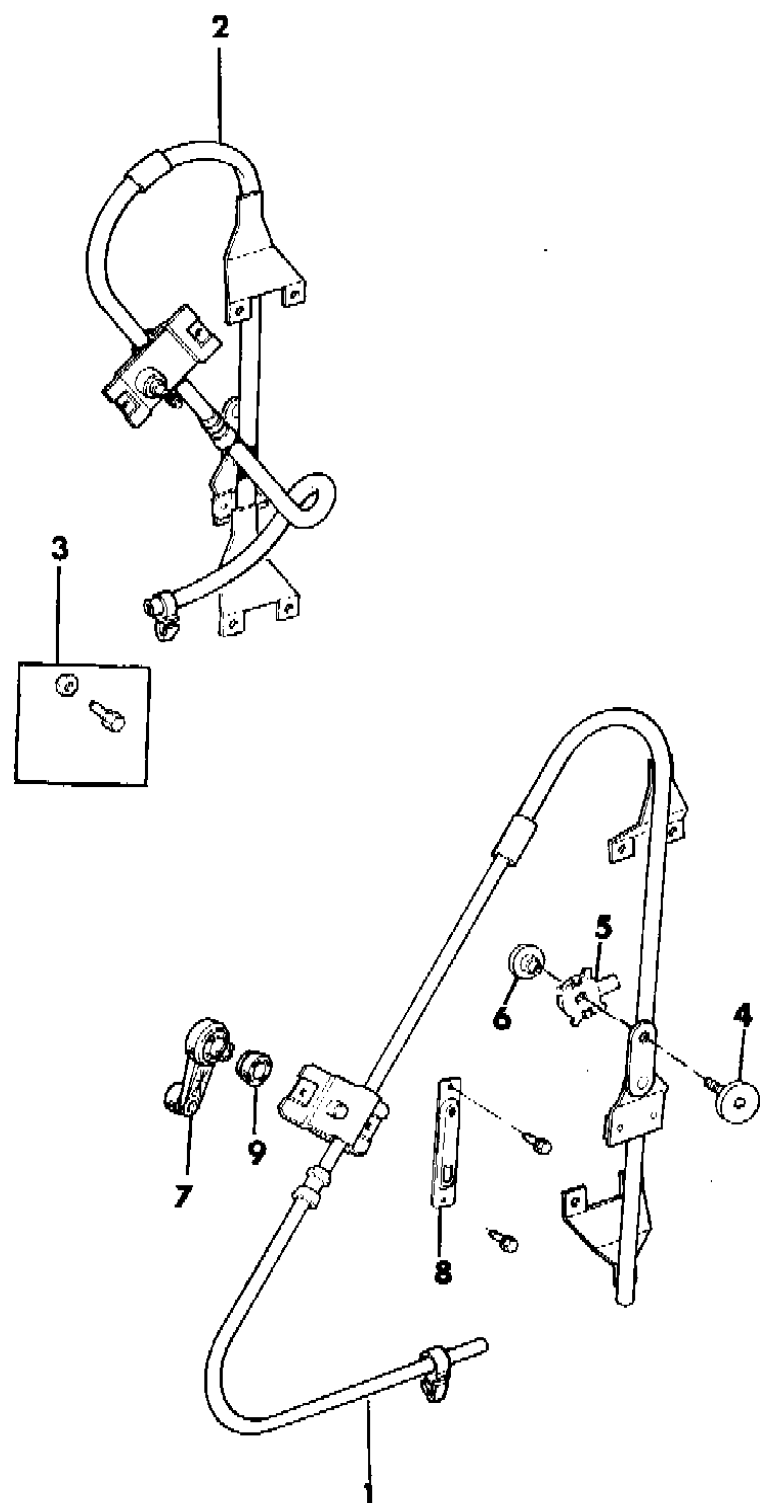
BODY STYLES:

MJ=Comanche Pickup ZJ=Grand Cherokee/Grand Wagoneer KDX VEHICLES
 SJ=Grand Wagoneer M1=Comanche
 XJ=Cherokee, Briarwood X1=Cherokee, Briarwood
 YJ=Wrangler Y1=Wrangler

AR = Use as Required - = Non Illustrated Part P.A.R. = Paint as Required

REGULATOR, DOOR GLASS MANUAL CHEROKEE, BRIARWOOD, COMANCHE
Figure 23C-1600

91J71 1600 C



ITEM	PART NUMBER	QTY	BODY	MODEL	DESCRIPTION
1					REGULATOR, Glass, Front
	5515 4716-7	1			1991-93
	5515 4750-1	1		XJ	1993 Postal Pkg. RHD
2	5515 4524-5	1			REGULATOR, Glass, Rear
3	3420 1450	AR			SCREW, Regulator Mtg.
4	5515 4511	2			BOLT, Spanner
5	4584 372	2			RETAINER
6	4415 943	2			RETAINER
7					HANDLE, Regulator
	5AB8 4JH9	2			Cordovan
	5AB8 4JS1	2			Charcoal
	5AB8 4KY6	2			Sand
	5AB8 4LX9	2			Black
8	5500 5444	2			STRAP
9					SPACER, Handle
	5AB8 6JH9	2			Cordovan
	5AB8 6JS1	2			Charcoal
	5AB8 6KY6	2			Sand
	5AB8 6MX9	2			Black

MODEL CODES:

61=Pickup-6 Ft Box 74=4 Door Wagon T=2WD
 62=Pickup-7 Ft Box 77=Open Body 93" Wheelbase J,N,U=4WD
 72=2 Door Wagon 78=Open Body 103" Wheelbase

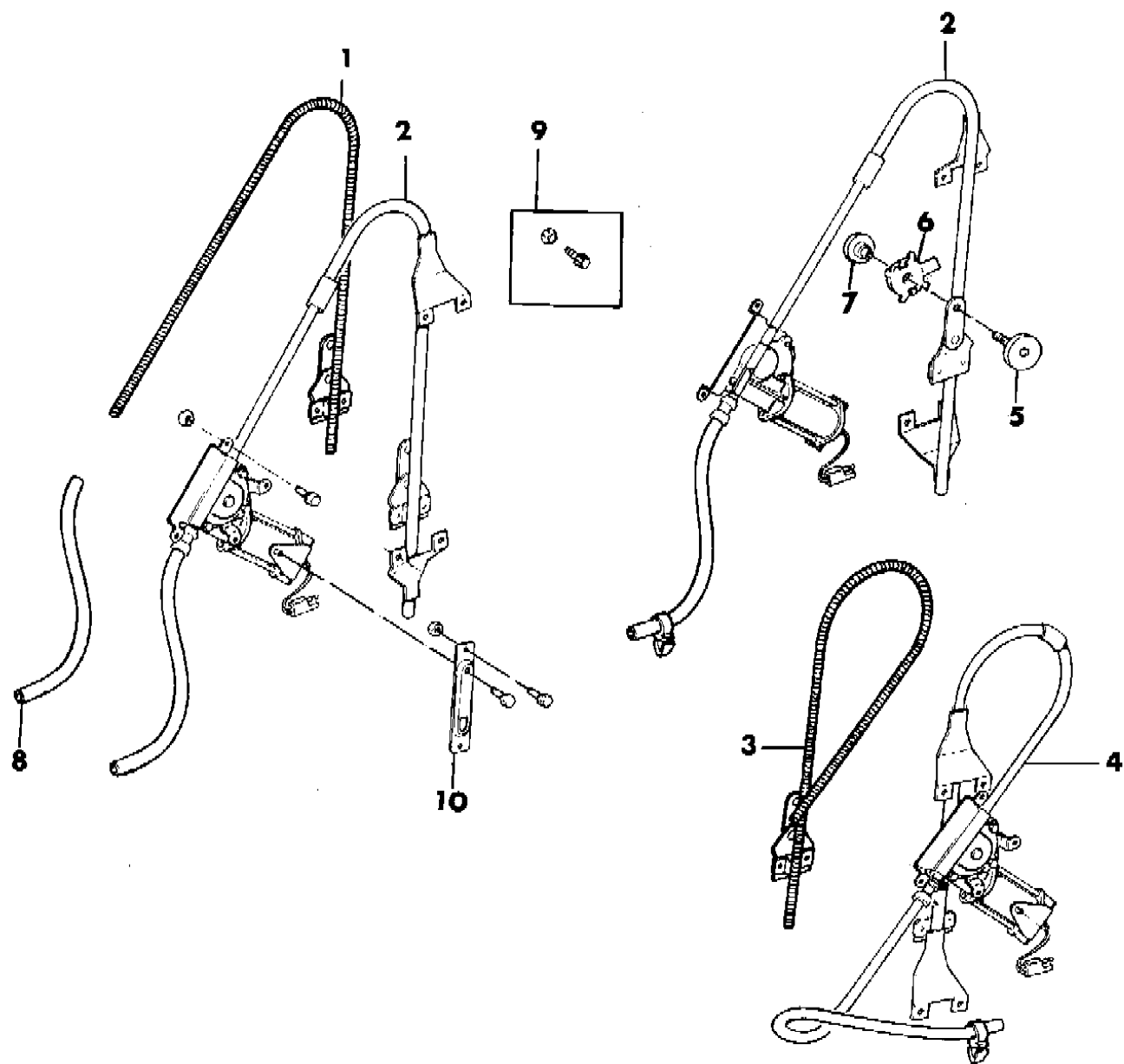
BODY STYLES:

MJ=Comanche Pickup ZJ=Grand Cherokee/Grand Wagoneer KDX VEHICLES
 SJ=Grand Wagoneer M1=Comanche
 XJ=Cherokee, Briarwood X1=Cherokee, Briarwood
 YJ=Wrangler Y1=Wrangler

AR = Use as Required - = Non Illustrated Part P.A.R. = Paint as Required

REGULATORS, DOOR ELECTRIC CHEROKEE, BRIARWOOD
Figure 23C-1700

91J71 1700 B



ITEM	PART NUMBER	QTY	BODY	MODEL	DESCRIPTION
1	8350 2178	2			CABLE, Drive Front
2					REGULATOR, Front Glass
	5503 4114-5	1			1991
	5515 4628-9	1			1992-93
					MOTOR, Regulator
	4723 910	1			Right, 1992-93
	4723 911	1			Left, 1992-93
3	8350 2179	2			CABLE, Drive Rear
4					REGULATOR, Rear Glass
	5503 4116-7	1			1991
	5515 4624-5	1			1992-93
					MOTOR, Regulator
	4723 912	1			Right, 1992-93
	4723 913	1			Left, 1992-93
5	5515 4511	2			BOLT
6	4584 372	2			RETAINER
7	4415 943	2			RETAINER
8	8350 2180	4			HOSE
9	3420 1450	AR			SCREW, Regulator Mtg.
10	5500 5444	2			STRAP

MODEL CODES:

61=Pickup-6 Ft Box 74=4 Door Wagon T=2WD
 62=Pickup-7 Ft Box 77=Open Body 93" Wheelbase J,N,U=4WD
 72=2 Door Wagon 78=Open Body 103" Wheelbase

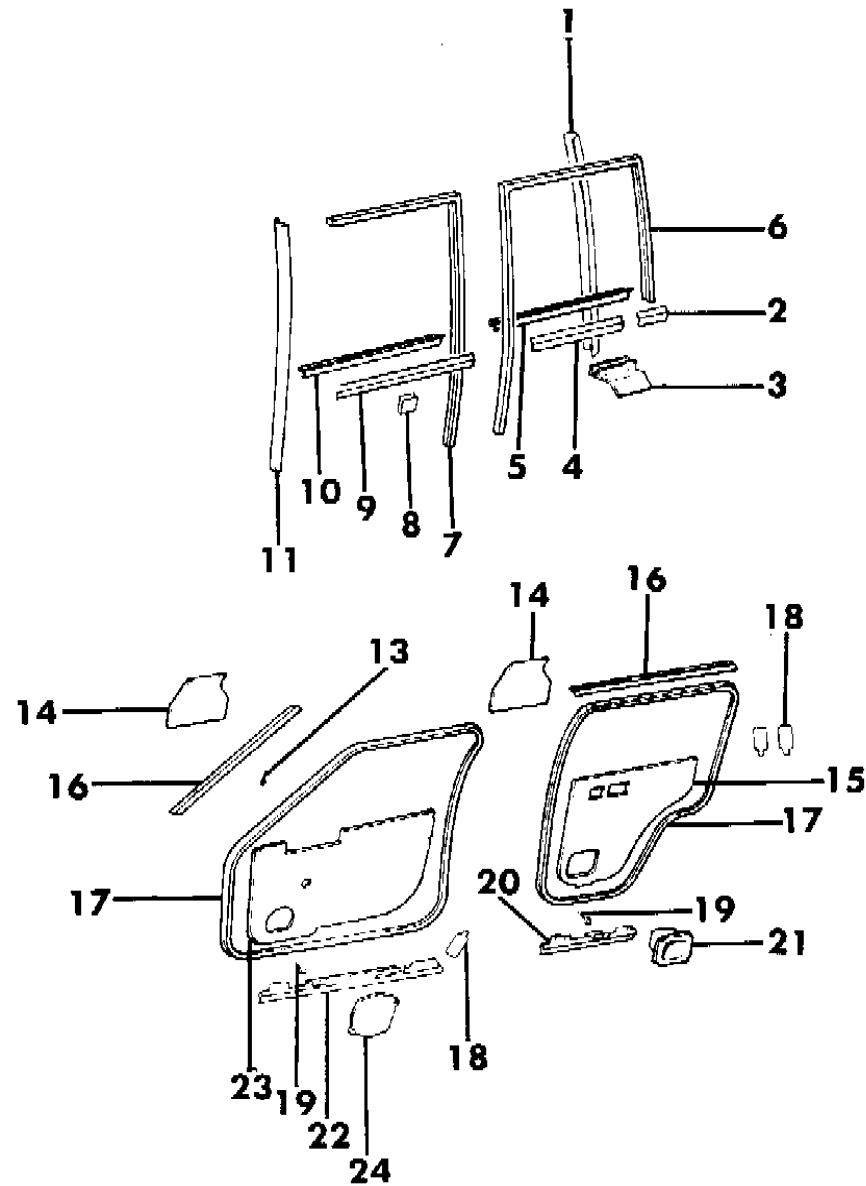
BODY STYLES:

MJ=Comanche Pickup ZJ=Grand Cherokee/Grand Wagoneer KDX VEHICLES
 SJ=Grand Wagoneer M1=Comanche
 XJ=Cherokee, Briarwood X1=Cherokee, Briarwood
 YJ=Wrangler Y1=Wrangler

AR = Use as Required - = Non Illustrated Part P.A.R. = Paint as Required

WEATHERSTRIPS, DOOR FRONT AND REAR CHEROKEE, BRIARWOOD, COMANCHE
Figure 23C-1800

91J71 1800



ITEM	PART NUMBER	QTY	BODY	MODEL	DESCRIPTION
1	5500 5666	2			WEATHERSTRIP, Glass Run
2	5500 5377	2			WEATHERSTRIP, Outer
3	5500 6518	2			DEFLECTOR, Water
4	5500 5304	2			WEATHERSTRIP, Outer
5	5500 5532-3	1			WEATHERSTRIP, Inner
6	5500 5316-7	1			WEATHERSTRIP, Glass Run
7					CHANNEL, Glass Run
	5500 5318-9	1			Two Door
	5500 5314-5	1			Four Door and Truck
8	5500 5383	AR			CLIP
9					WEATHERSTRIP, Outer
	5500 5306-7	1			Two Door
	5500 5302-3	1			Four Door and Truck
10					WEATHERSTRIP, Inner
	5500 5530-1	1			Two Door
	5500 5528-9	1			Four Door and Truck
11	5500 2337	2			WEATHERSTRIP, Glass Run
13	3420 2855	AR			RIVET
	3420 2035	2			SCREW
14	5502 7146-7	1			SHIELD, Switch
15					WATERDAM, Door ***
	5500 3626-7	1			Up to 10-1-91
	5525 4680-1	1			After 10-1-91
16	5513 4514	AR			SEAL, Secondary
17					SEAL, Door
	5502 5514	AR			Front
	5502 5518	AR			Rear
18	5500 6632	AR			WATERDAM, Hole Cover
19	3420 1496	AR			RIVET
20	5513 4852	AR			SEAL, Door
21	5500 5178	2			POCKET, Ash Tray
22					SEAL, Door
	5513 4854	2			Two Door
	5513 4856	AR			Four Door and Truck
23					WATERDAM, Door
	5500 3622-3	1			Two Door, Up to 10-1-91
	5525 4676-7	1			Two Door, After 10-1-91
	5500 3624-5	1			Four Door and Truck, Up to 11-1-91
	5525 4678-9	1			Four Door and Truck, After 11-1-91
24	5500 3628	2			WATERDAM, Speaker

MODEL CODES:

61=Pickup-6 Ft Box 74=4 Door Wagon T=2WD
 62=Pickup-7 Ft Box 77=Open Body 93" Wheelbase J,N,U=4WD
 72=2 Door Wagon 78=Open Body 103" Wheelbase

BODY STYLES:

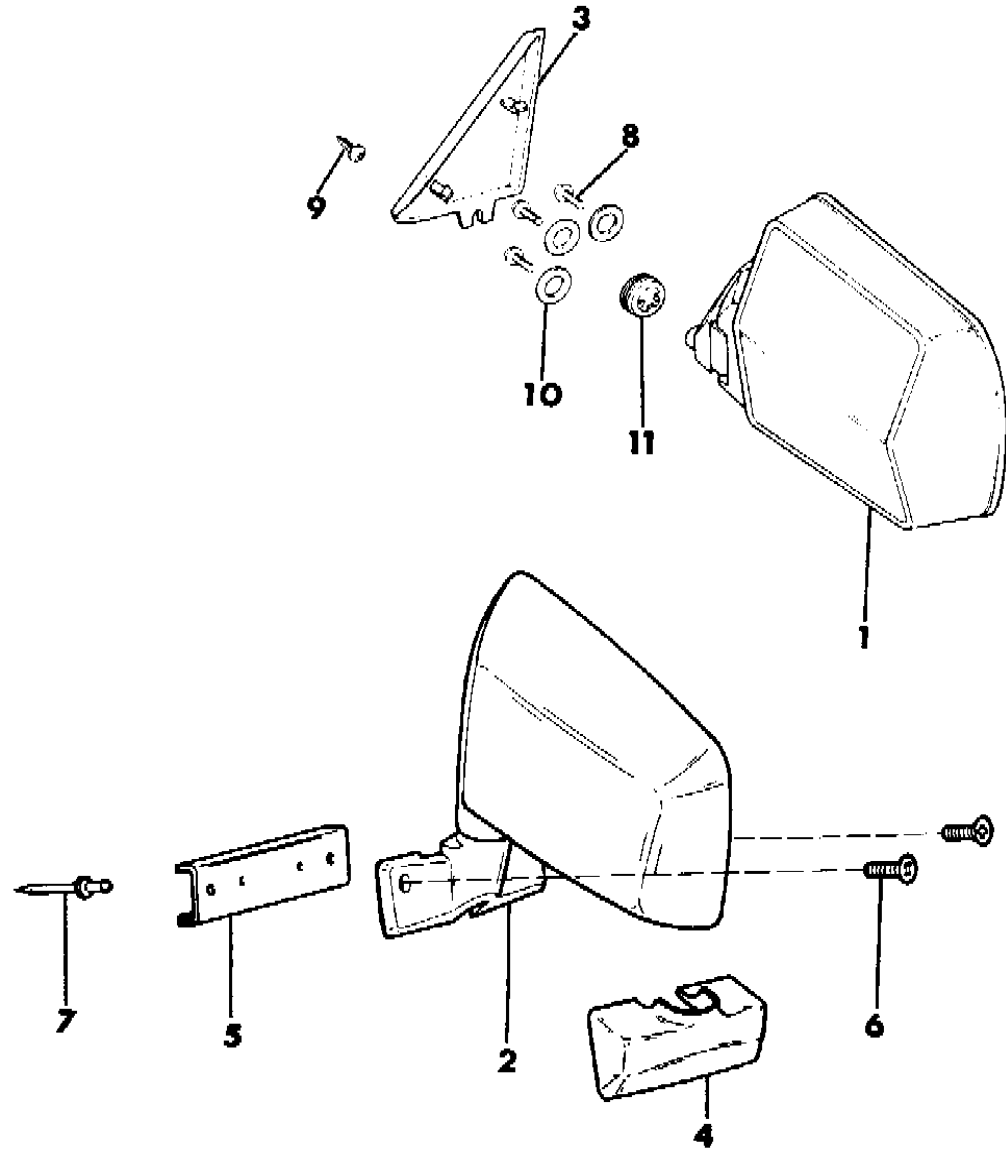
MJ=Comanche Pickup ZJ=Grand Cherokee/Grand Wagoneer KDX VEHICLES
 SJ=Grand Wagoneer M1=Comanche
 XJ=Cherokee, Briarwood X1=Cherokee, Briarwood
 YJ=Wrangler Y1=Wrangler

AR = Use as Required - = Non Illustrated Part P.A.R. = Paint as Required

MIRRORS, EXTERIOR MANUAL CHEROKEE, BRIARWOOD, COMANCHE
Figure 23C-1900

91J71 1900

ITEM	PART NUMBER	QTY	BODY	MODEL	DESCRIPTION
1					MIRROR
	5503 4131	1			Left, Black
	8220 0314	1			Right (Truck) Black
2	5502 7207	1			MIRROR (Black) Left, Flat ***
3	5500 8030-1	1			COVER
4	5502 7210	2			COVER
5	J576 1776	2			REINFORCEMENT, Mirror
6		4			SCREW (DNS)
7	J400 4962	4			RIVET
8	3420 2005	6			SCREW
9	3420 1314	2			SCREW
10	5500 5025	6			O-RING
11	5500 6488	2			GROMMET



MODEL CODES:

61=Pickup-6 Ft Box 74=4 Door Wagon T=2WD
62=Pickup-7 Ft Box 77=Open Body 93" Wheelbase J,N,U=4WD
72=2 Door Wagon 78=Open Body 103" Wheelbase

BODY STYLES:

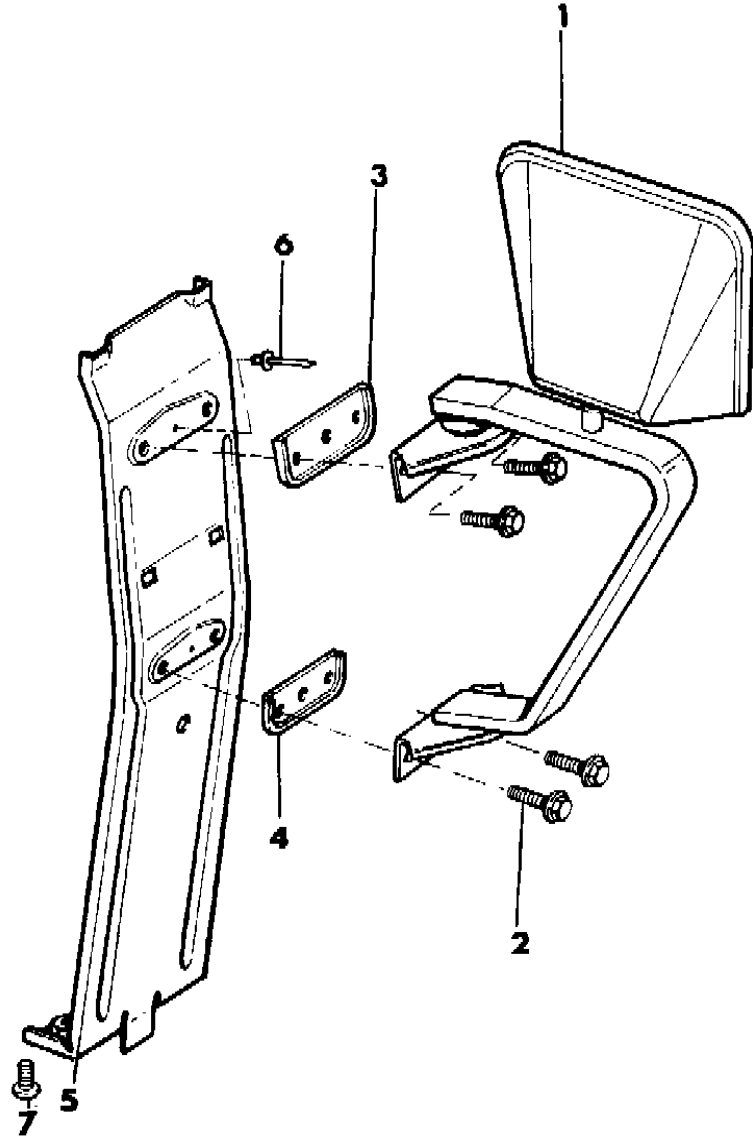
MJ=Comanche Pickup ZJ=Grand Cherokee/Grand Wagoneer KDX VEHICLES
SJ=Grand Wagoneer M1=Comanche
XJ=Cherokee, Briarwood X1=Cherokee, Briarwood
YJ=Wrangler Y1=Wrangler

AR = Use as Required - = Non Illustrated Part P.A.R. = Paint as Required

MIRRORS, EXTERIOR LOW PROFILE CHEROKEE, BRIARWOOD, COMANCHE
Figure 23C-2000

91J71 2000

ITEM	PART NUMBER	QTY	BODY	MODEL	DESCRIPTION
1	5500 0534	2			MIRROR
2	3420 1604	AR			BOLT
3	5500 1948	2			GASKET
4	5500 1949	2			GASKET
5	5500 4966	2			REINFORCEMENT
6	3420 1684	4			RIVET
7	3420 1808	4			SCREW



MODEL CODES:

61=Pickup-6 Ft Box 74=4 Door Wagon T=2WD
62=Pickup-7 Ft Box 77=Open Body 93" Wheelbase J,N,U=4WD
72=2 Door Wagon 78=Open Body 103" Wheelbase

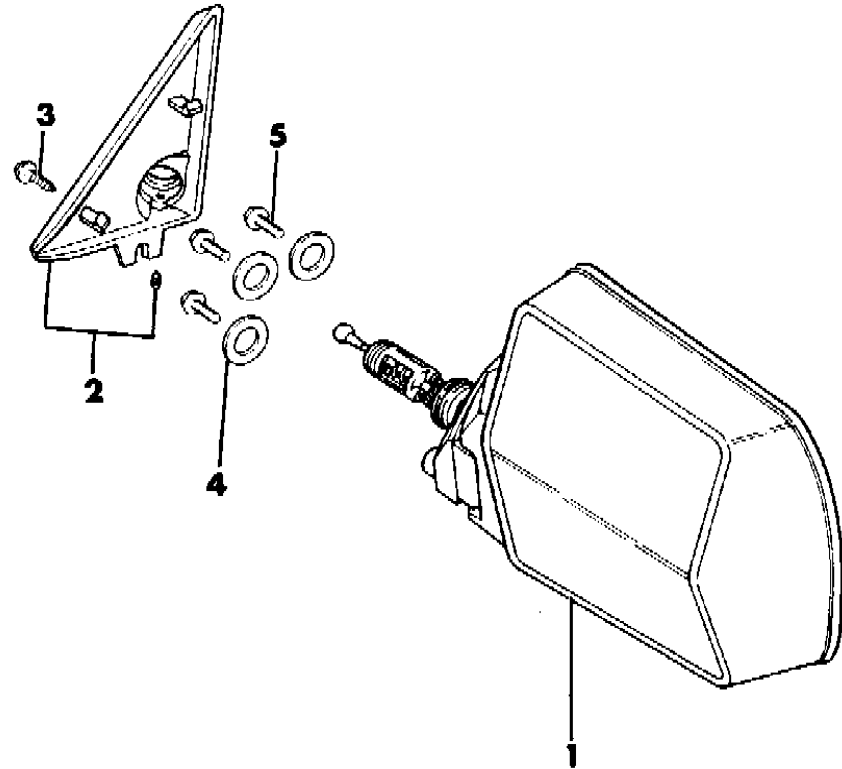
BODY STYLES:

MJ=Comanche Pickup ZJ=Grand Cherokee/Grand Wagoneer KDX VEHICLES
SJ=Grand Wagoneer M1=Comanche
XJ=Cherokee, Briarwood X1=Cherokee, Briarwood
YJ=Wrangler Y1=Wrangler

AR = Use as Required - = Non Illustrated Part P.A.R. = Paint as Required

MIRRORS, EXTERIOR REMOTE CONTROL CHEROKEE, BRIARWOOD, COMANCHE
Figure 23C-2100

91J71 2100



ITEM	PART NUMBER	QTY	BODY	MODEL	DESCRIPTION
1					MIRROR
	5507 4574-5	1			Remote w/Fixed Head (Black) 1992-93
	5503 4120-1	1			Remote (Bright) 1991-92
	5503 4122-3	1			Remote w/Foldaway Head (Black)
	5503 4124-5	1			Remote w/Foldaway Head EXPORT (Black) 1991-93
	5502 7701	1			Left, R.H.D.
	5502 7700	1			Right, R.H.D.
	5507 4703	2			REINFORCEMENT, Mirror R.H.D.
2	5500 8034-5	1			COVER, Mirror
3	3420 1314	2			SCREW
4	5500 5025	6			O-RING
5	3420 2005	6			SCREW

MODEL CODES:

61=Pickup-6 Ft Box 74=4 Door Wagon T=2WD
62=Pickup-7 Ft Box 77=Open Body 93" Wheelbase J,N,U=4WD
72=2 Door Wagon 78=Open Body 103" Wheelbase

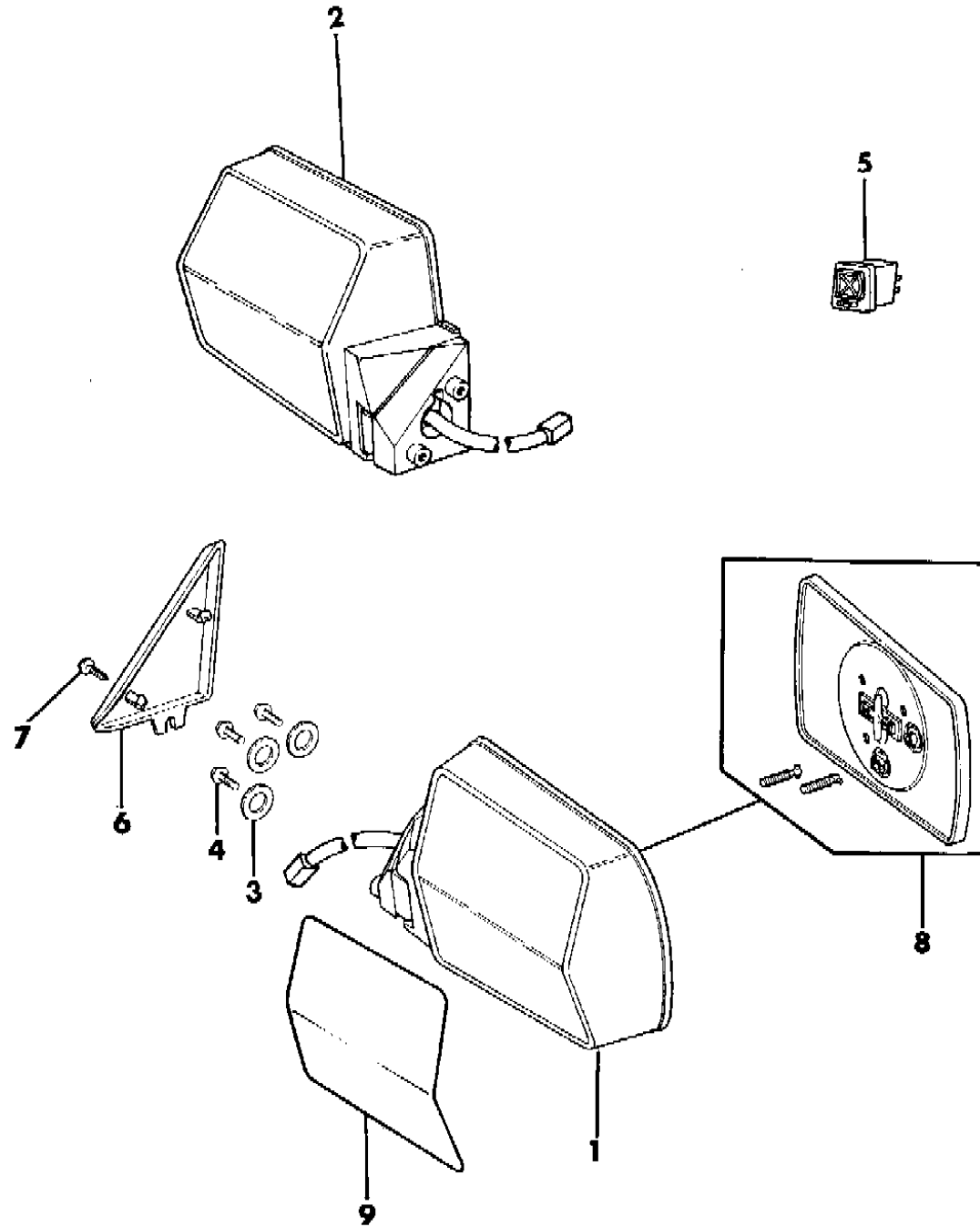
BODY STYLES:

MJ=Comanche Pickup ZJ=Grand Cherokee/Grand Wagoneer KDX VEHICLES
SJ=Grand Wagoneer M1=Comanche
XJ=Cherokee, Briarwood X1=Cherokee, Briarwood
YJ=Wrangler Y1=Wrangler

AR = Use as Required - = Non Illustrated Part P.A.R. = Paint as Required

MIRRORS, EXTERIOR ELECTRIC CHEROKEE, BRIARWOOD
Figure 23C-2200

91J71 2200A



ITEM	PART NUMBER	QTY	BODY	MODEL	DESCRIPTION
1					MIRROR, Electric, Left
	5503 4129	1			Flat Black
	5507 5433	1			Flat Black, 1993
	5515 4683	1			R.H.D.
	5503 4127	1			Bright
	5507 5435	1			Bright, 1993
	5BF6 5KS7	1			Charcoal
	5BF6 5KW7	1			White
	5BF6 5KX8	1			Black
	5BF6 5KE9	1			Cordovan
	5BF6 5LG5	1			Green
	5BF6 5LB8	1			Blue
	5BF6 5KE4	1			Red
2					MIRROR, Electric, Right
	5503 4128	1			Flat Black, ECE
	5507 5432	1			Flat Black, 1993
	5515 4682	1			R.H.D.
	5503 4126	1			Bright
	5507 5434	1			Bright, 1993
	5BF6 4KS7	1			Charcoal
	5BF6 4KW7	1			White
	5BF6 4KX8	1			Black
	5BF6 4KE9	1			Cordovan
	5BF6 4LG5	1			Green
	5BF6 4LB8	1			Blue
	5BF6 4KE4	1			Red
3	5500 5025	6			O-RING
4	3420 1314	AR			SCREW
5	5600 0911	1			SWITCH, Mirror
6	5500 8030-1	1			COVER, Mirror
7	3420 1314	2			SCREW
8					GLASS, Mirror
	8350 3628	1			Right
	8350 3627	1			Left
9					DECAL, Mirror
	8350 6356-7	1			Black Cherry
	8350 6360-1	1			Midnight Blue Metallic
	8350 6358-9	1			White

MODEL CODES:

61=Pickup-6 Ft Box 74=4 Door Wagon T=2WD
62=Pickup-7 Ft Box 77=Open Body 93" Wheelbase J,N,U=4WD
72=2 Door Wagon 78=Open Body 103" Wheelbase

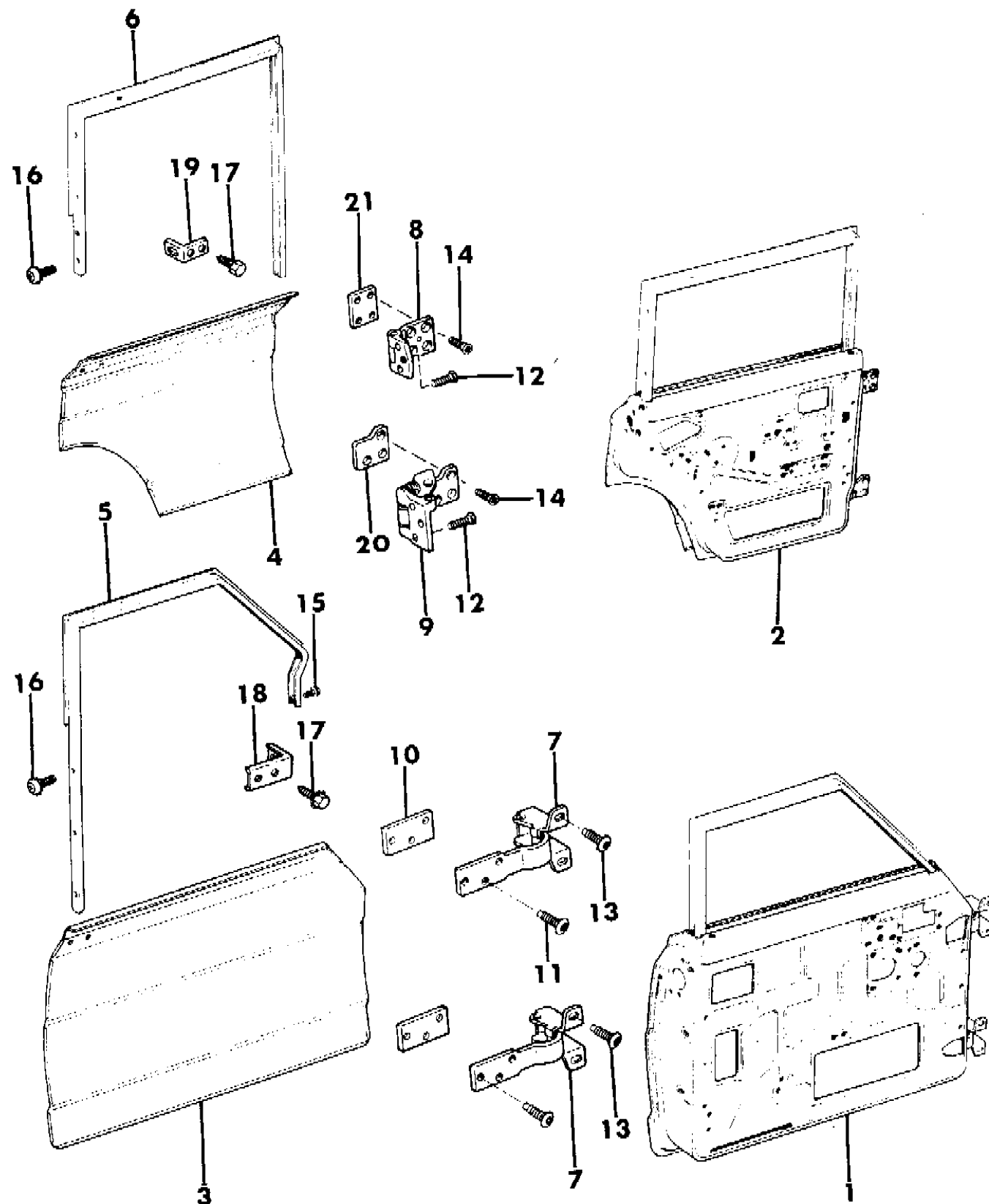
BODY STYLES:

MJ=Comanche Pickup ZJ=Grand Cherokee/Grand Wagoneer KDX VEHICLES
SJ=Grand Wagoneer M1=Comanche
XJ=Cherokee, Briarwood X1=Cherokee, Briarwood
YJ=Wrangler Y1=Wrangler

AR = Use as Required - = Non Illustrated Part P.A.R. = Paint as Required

DOORS FRONT AND REAR GRAND WAGONEER, 1991
Figure 23C-2300

91J71 2300



ITEM	PART NUMBER	QTY	BODY	MODEL	DESCRIPTION
1	5502 4570-1	1			SHELL, Front Door
2	J576 1254-5	1			SHELL, Rear Door
3					PANEL, Front Repair
	J575 0388	1			Right
	J575 0387	1			Left
4					PANEL, Rear Repair
	J095 7362	1			Right
	J095 7361	1			Left
5	J575 8502-3	1			FRAME, Front Glass
6	J575 8496-7	1			FRAME, Rear Glass
7	5502 8500-1	2			HINGE, Front Door
8					HINGE, Rear Door Upper
	J545 5208	1			Right
	J545 5207	1			Left
9					HINGE, Rear Door Lower
	J545 5206	1			Right
	J545 5205	1			Left
10	J095 2621	4			PLATE, Tapping
11	J400 7073	AR			SCREW
12	J400 7003	AR			SCREW
13	J400 7073	AR			SCREW
14	J400 5831	AR			SCREW
15	J400 3069	2			SCREW
16	J097 9925	AR			SCREW
17	J400 4801	AR			BOLT
18	J095 7719	2			BRACKET, Division Bar Mtg.
19	J095 7757	2			BRACKET, Division Bar Mtg.
20	J095 8682	2			SHIM, Hinge
21	J095 8699	2			SHIM, Hinge

MODEL CODES:

61=Pickup-6 Ft Box 74=4 Door Wagon T=2WD
 62=Pickup-7 Ft Box 77=Open Body 93" Wheelbase J,N,U=4WD
 72=2 Door Wagon 78=Open Body 103" Wheelbase

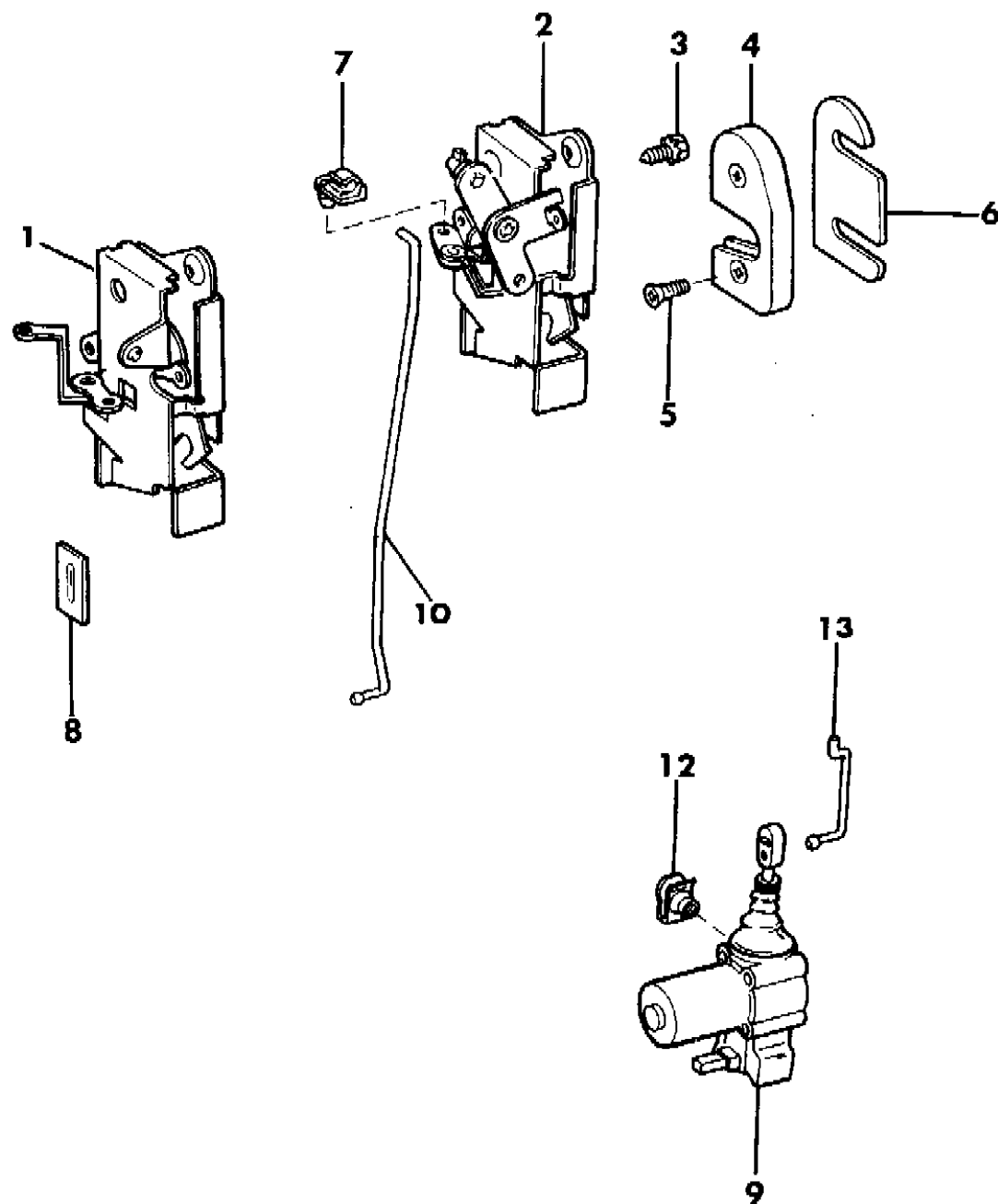
BODY STYLES:

MJ=Comanche Pickup ZJ=Grand Cherokee/Grand Wagoneer KDX VEHICLES
 SJ=Grand Wagoneer M1=Comanche
 XJ=Cherokee, Briarwood X1=Cherokee, Briarwood
 YJ=Wrangler Y1=Wrangler

AR = Use as Required - = Non Illustrated Part P.A.R. = Paint as Required

DOOR, LATCHES AND RODS FRONT AND REAR GRAND WAGONEER, 1991
Figure 23C-2400

91J71 2400



ITEM	PART NUMBER	QTY	BODY	MODEL	DESCRIPTION
1	5502 7884-5	1			LATCH, Front Door
2	5502 7886-7	1			LATCH, Rear Door
3	J400 7032	AR			SCREW
4	J575 0082	2			STRIKER, Door Front, Rear Right
	J575 0081	2			Left
5	J400 6434	AR			SCREW
6	J575 0093	AR			SHIM, Door, Front, Rear
7	J400 3672	2			RETAINER
8	J576 6754	2			SEAL, Dust
9	J369 8628-9	2			ACTUATOR, Door (Frt.,Rr) Lock
10	5502 2136-7	1			ROD, Rear Actuator to B/Crank
12	J400 4201	AR			NUT
13	J575 1074	2			ROD, Actuator

MODEL CODES:

61=Pickup-6 Ft Box 74=4 Door Wagon T=2WD
 62=Pickup-7 Ft Box 77=Open Body 93" Wheelbase J,N,U=4WD
 72=2 Door Wagon 78=Open Body 103" Wheelbase

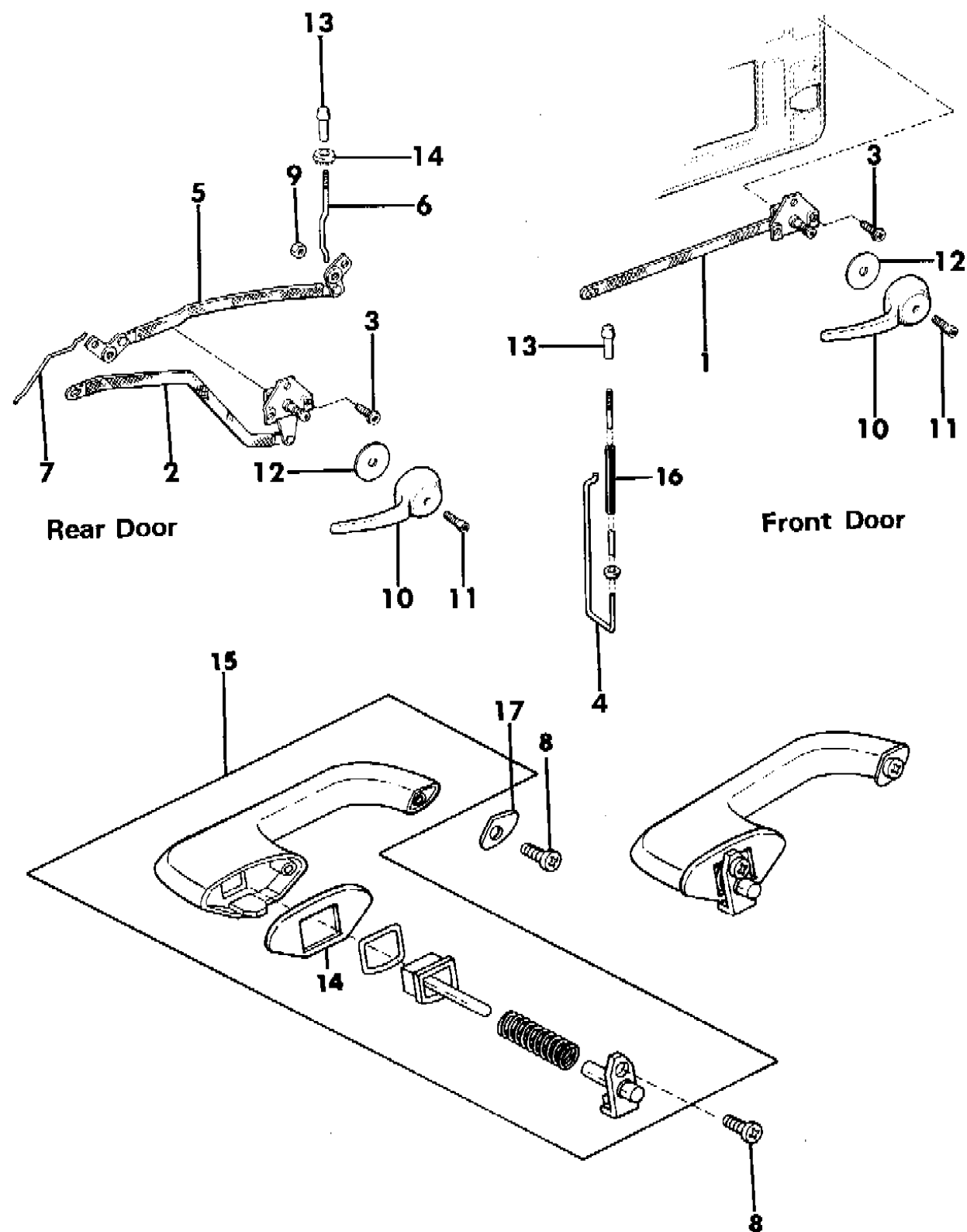
BODY STYLES:

MJ=Comanche Pickup ZJ=Grand Cherokee/Grand Wagoneer KDX VEHICLES
 SJ=Grand Wagoneer M1=Comanche
 XJ=Cherokee, Briarwood X1=Cherokee, Briarwood
 YJ=Wrangler Y1=Wrangler

AR = Use as Required - = Non Illustrated Part P.A.R. = Paint as Required

DOOR, CONTROLS GRAND WAGONEER, 1991
Figure 23C-2500

91J71 2500A



ITEM	PART NUMBER	QTY	BODY	MODEL	DESCRIPTION
1	J545 5998-9	1			CONTROL, Remote
2	J545 5894	1			CONTROL, Door Remote *** Right
	J545 5893	1			Left
3	J098 1780	12			SCREW
4	5502 6006-7	1			LEVER, Lock Rod
5	5501 7444-5	1			BELLCRANK, Locking
6	J575 2018	1			ROD, Locking Right
	J575 2017	1			Left
7	5502 2138	2			ROD, Lock Actuator
8	J098 1780	AR			SCREW
9	J027 1166	4			NUT, Hex
10	J545 5997	4			HANDLE, R/Control
11	J097 3442	4			SCREW
12	J098 7527	4			WASHER
13	J098 9957	4			BUTTON, Lock
14	J096 0388	2			GASKET, Rear Right
	J096 0387	2			Left
15	J095 6856	2			HANDLE Right
	J095 6855	2			Left
16	J096 1848	2			INSULATION
17	J096 0394	2			GASKET, Front Right
	J096 0393	2			Left

MODEL CODES:

61=Pickup-6 Ft Box 74=4 Door Wagon T=2WD
 62=Pickup-7 Ft Box 77=Open Body 93" Wheelbase J,N,U=4WD
 72=2 Door Wagon 78=Open Body 103" Wheelbase

BODY STYLES:

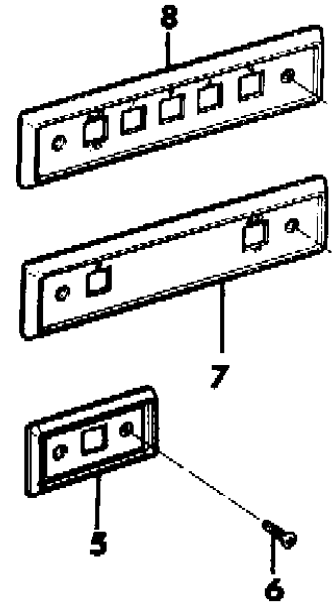
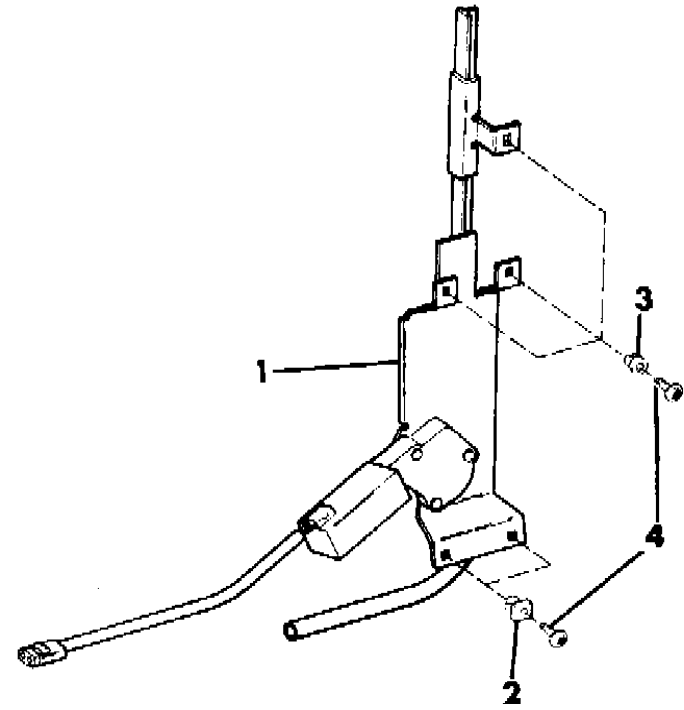
MJ=Comanche Pickup ZJ=Grand Cherokee/Grand Wagoneer KDX VEHICLES
 SJ=Grand Wagoneer M1=Comanche
 XJ=Cherokee, Briarwood X1=Cherokee, Briarwood
 YJ=Wrangler Y1=Wrangler

AR = Use as Required - = Non Illustrated Part P.A.R. = Paint as Required

REGULATOR, DOOR GLASS GRAND WAGONEER, 1991
Figure 23C-2600

91J71 2600

ITEM	PART NUMBER	QTY	BODY	MODEL	DESCRIPTION
1					REGULATOR
	5515 4562-3	1			Front
	5515 4564-5	1			Rear
2					NUT, Push
	J400 0141	AR			Front Doors
	J400 7029	AR			Rear Doors
3					NUT, Push
	J400 0141	AR			Front Doors
	J400 7030	AR			Rear Doors
4	J400 5789	20			SCREW
5	5501 1081	2			BEZEL, Rear Switch
6	J941 6327	AR			SCREW
7	5501 1084	1			BEZEL, Glass and Door Locks, Right
8	5501 1085	1			BEZEL, Glass and Door Locks, Left



MODEL CODES:

61=Pickup-6 Ft Box 74=4 Door Wagon T=2WD
 62=Pickup-7 Ft Box 77=Open Body 93" Wheelbase J,N,U=4WD
 72=2 Door Wagon 78=Open Body 103" Wheelbase

BODY STYLES:

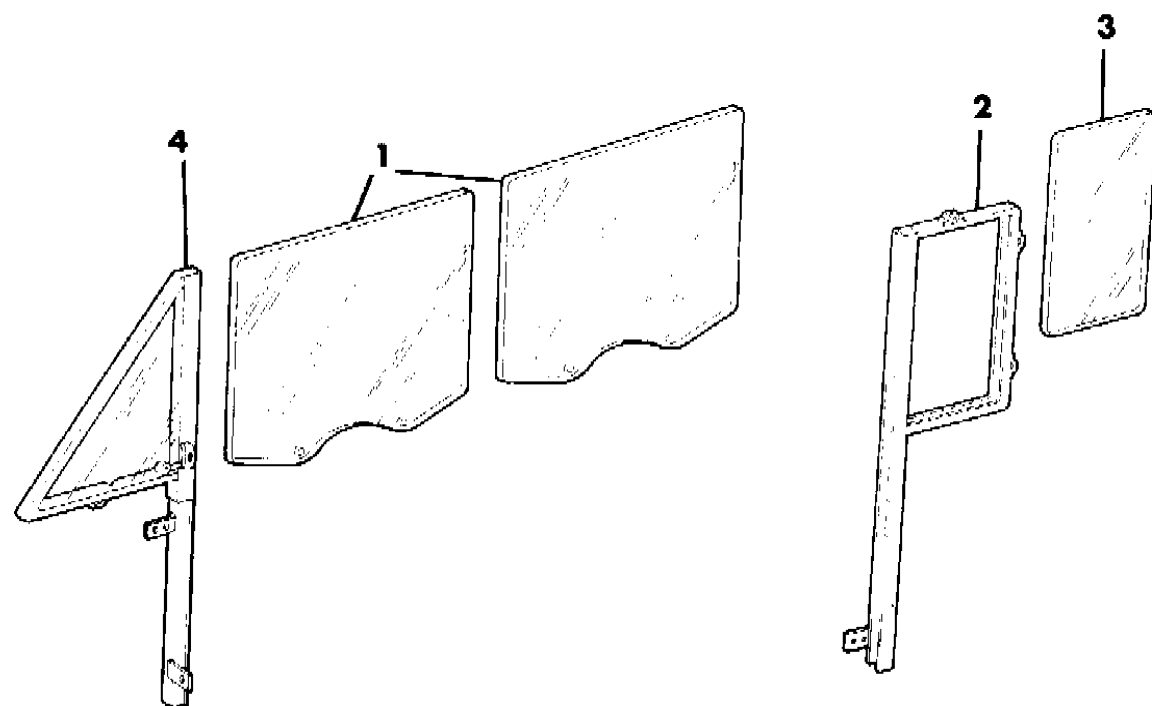
MJ=Comanche Pickup ZJ=Grand Cherokee/Grand Wagoneer KDX VEHICLES
 SJ=Grand Wagoneer M1=Comanche
 XJ=Cherokee, Briarwood X1=Cherokee, Briarwood
 YJ=Wrangler Y1=Wrangler

AR = Use as Required - = Non Illustrated Part P.A.R. = Paint as Required

GLASS, DOOR FRONT AND REAR GRAND WAGONEER, 1991
Figure 23C-2700

91J71 2700 A

ITEM	PART NUMBER	QTY	BODY	MODEL	DESCRIPTION
1	J576 1295	4			GLASS, Door
2	J575 2756-7	1			GLASS, w/Frame
3	J546 9520	2			GLASS, Fixed
4	5501 8600-1	1			VENT, Pivoting



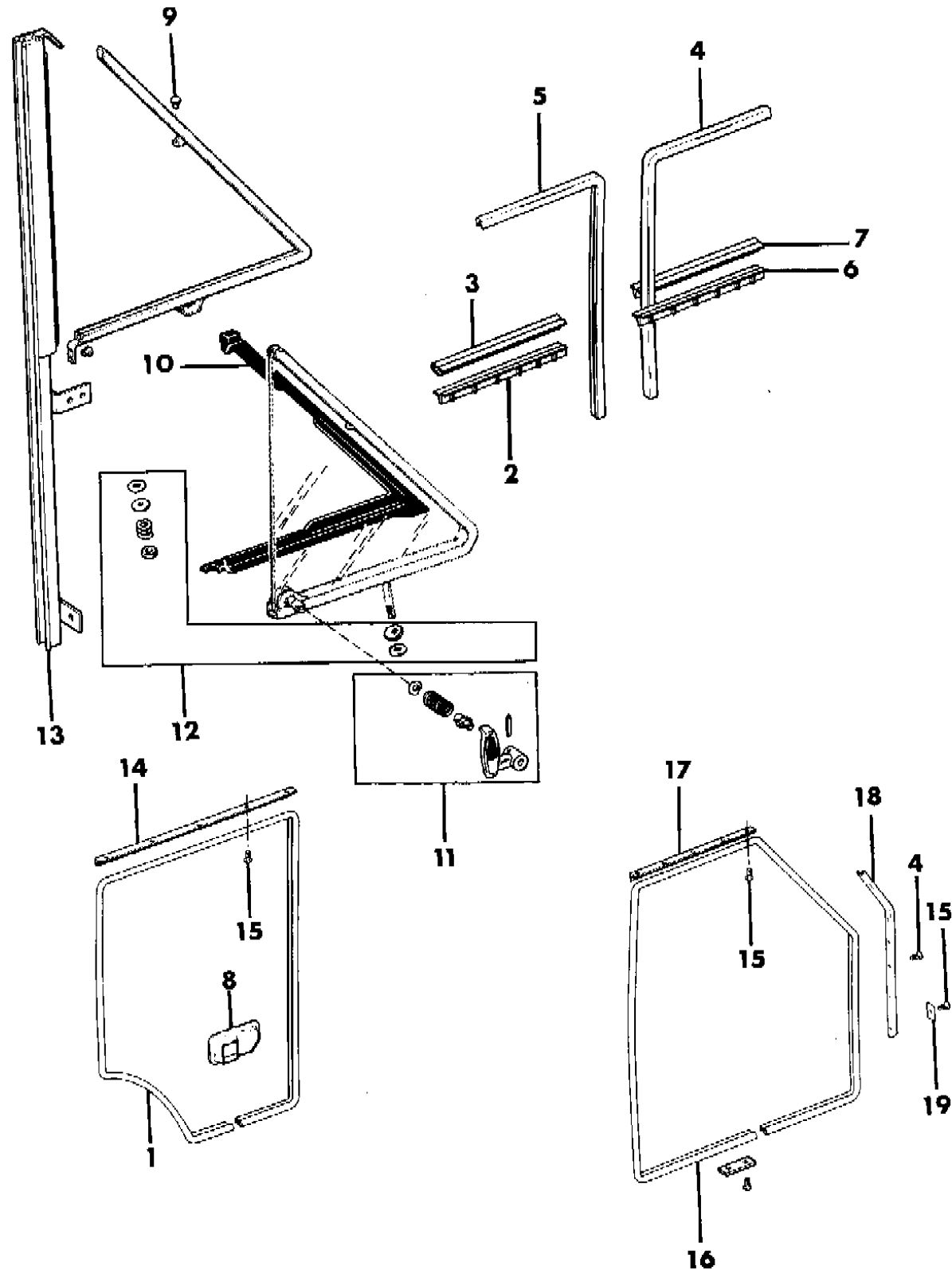
MODEL CODES:
 61=Pickup-6 Ft Box 74=4 Door Wagon T=2WD
 62=Pickup-7 Ft Box 77=Open Body 93" Wheelbase J,N,U=4WD
 72=2 Door Wagon 78=Open Body 103" Wheelbase

BODY STYLES:
 MJ=Comanche Pickup ZJ=Grand Cherokee/Grand Wagoneer KDX VEHICLES
 SJ=Grand Wagoneer M1=Comanche
 XJ=Cherokee, Briarwood X1=Cherokee, Briarwood
 YJ=Wrangler Y1=Wrangler

AR = Use as Required - = Non Illustrated Part P.A.R. = Paint as Required

DOOR, WEATHERSTRIPS FRONT AND REAR GRAND WAGONEER, 1991
Figure 23C-2800

91J71 2800B



ITEM	PART NUMBER	QTY	BODY	MODEL	DESCRIPTION
1					SEAL, Door
	5505 2552	1			Right
	5505 2551	1			Left
2	J576 1986	2			WEATHERSTRIP, Inner
3	J576 1982	2			WEATHERSTRIP, Outer
4	J546 9514	2			CHANNEL, Glass Run
5	J546 9507	2			CHANNEL, Glass Run
6	J576 1984	2			WEATHERSTRIP, Inner
7	J576 1983	2			WEATHERSTRIP, Outer
8	J575 4522-3	1			SHIELD, Switch
9	J941 7282	AR			SCREW
10	J546 5718-9	1			WEATHERSTRIP, Vent
11	J812 8926-7	1			PACKAGE, Vent Handle
12	J812 8928	1			PACKAGE, Spring
13	J575 2750-1	1			BAR, Division
14	J098 5015	2			SHIELD
15	J400 6637	AR			RIVET
16					SEAL, Door
	5505 2550	1			Right
	5505 2549	1			Left
17	J098 5014	2			SHIELD
18	5505 2554-5	1			SHIELD
19	J400 7269	2			WASHER

MODEL CODES:

61=Pickup-6 Ft Box 74=4 Door Wagon T=2WD
 62=Pickup-7 Ft Box 77=Open Body 93" Wheelbase J,N,U=4WD
 72=2 Door Wagon 78=Open Body 103" Wheelbase

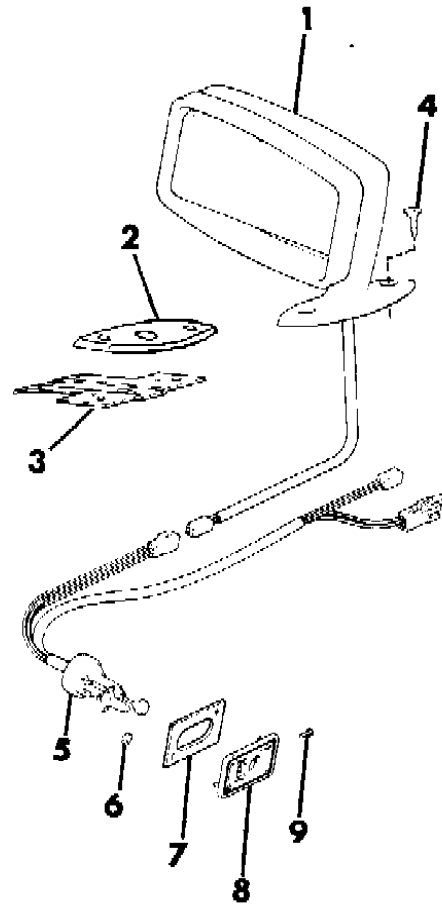
BODY STYLES:

MJ=Comanche Pickup ZJ=Grand Cherokee/Grand Wagoneer KDX VEHICLES
 SJ=Grand Wagoneer M1=Comanche
 XJ=Cherokee, Briarwood X1=Cherokee, Briarwood
 YJ=Wrangler Y1=Wrangler

AR = Use as Required - = Non Illustrated Part P.A.R. = Paint as Required

MIRRORS, EXTERIOR GRAND WAGONEER, 1991
Figure 23C-2900

91J71 2900 A



ITEM	PART NUMBER	QTY	BODY	MODEL	DESCRIPTION
1	J575 2986-7	2			MIRROR, Electric
2	J575 1960	2			GASKET, Mirror
3	J575 1974	2			REINFORCEMENT, Mirror
4	J420 0317	AR			SCREW
5	J575 6932	1			SWITCH, Mirror
6	J400 7022	2			NUT
7	J575 2278	2			RETAINER, Switch
8	J374 0893	1			ESCUTCHEON
9	J420 0322	1			SCREW

MODEL CODES:

61=Pickup-6 Ft Box 74=4 Door Wagon T=2WD
62=Pickup-7 Ft Box 77=Open Body 93" Wheelbase J,N,U=4WD
72=2 Door Wagon 78=Open Body 103" Wheelbase

BODY STYLES:

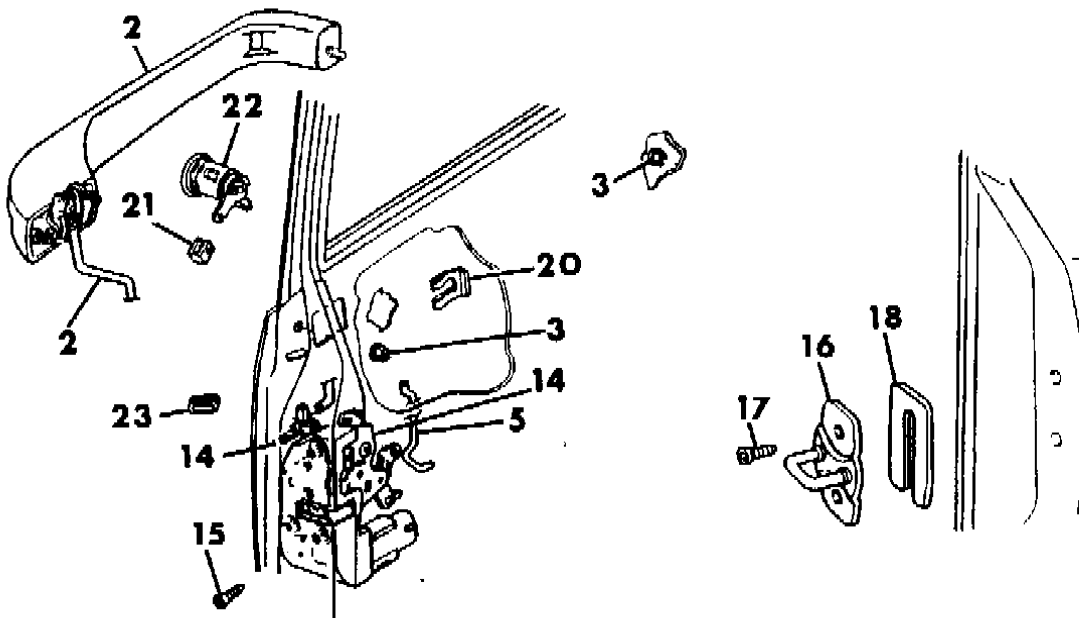
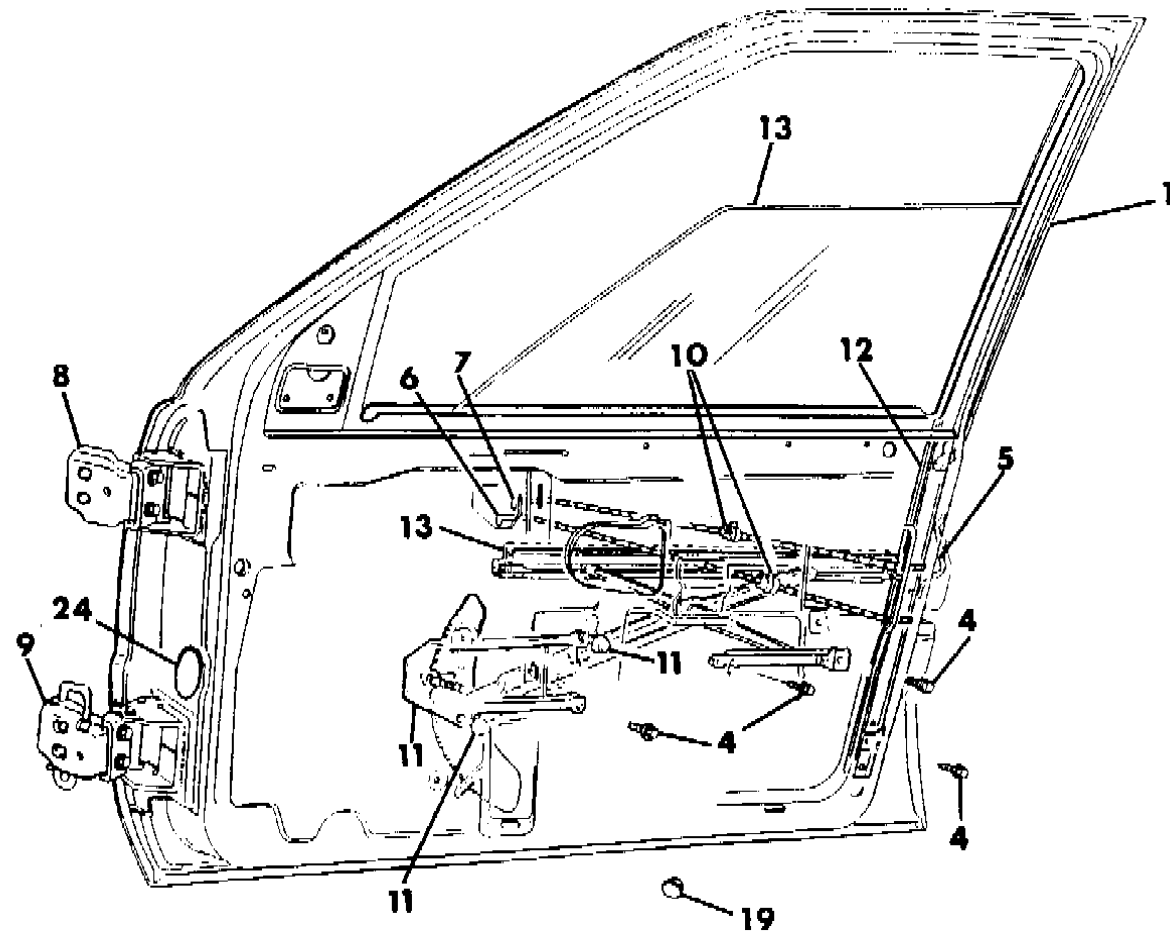
MJ=Comanche Pickup ZJ=Grand Cherokee/Grand Wagoneer KDX VEHICLES
SJ=Grand Wagoneer M1=Comanche
XJ=Cherokee, Briarwood X1=Cherokee, Briarwood
YJ=Wrangler Y1=Wrangler

AR = Use as Required - = Non Illustrated Part P.A.R. = Paint as Required

DOOR, FRONT SHELL, HINGES, GLASS AND REGULATOR ZJ GRAND CHEROKEE, GRAND WAGONEER

Figure 23C-3000

91J71 3000



ITEM	PART NUMBER	QTY	BODY	MODEL	DESCRIPTION
1	4723 636-7	1			SHELL, Door
	5503 1632-3	1			PANEL, Repair
2	5503 0044-5	1			HANDLE, Exterior
3	J420 0306	4			NUT
4		AR			SCREW (DNS)
5	5503 0092-3	1			ROD, Lock Cylinder to Latch
6	5507 4826-7	1			ROD, Latch
7	5507 4828-9	1			ROD, Release to Latch
8					HINGE, Upper
	5503 3502	2			Body Half
	5507 4665	2			Door Half w/Bushing and Pin
9					HINGE, Lower
	5503 3520-1	1			Door Half w/Bushing and Pin
	5503 3518-9	1			Body Half
	6502 529	8			SCREW
10	3882 620	4			CLIP, Anti-Rattle
11					REGULATOR, Glass
	5503 0084-5	1			Manual
	4638 452-3	1			Electric
	5600 5164-5	1			MOTOR, Regulator
12	5507 5274-5	1			CHANNEL, w/Weatherstrip
	5507 4802	2			BUMPER, Channel
13	5503 2704-5	1			GLASS, Door
	5503 3414-5	1			EUROPEAN
	6502 691	4			NUT, Glass Att.
14					LATCH, Door
	5503 3436-7	1			w/o Power Locks
	5503 3438-9	1			w/Power Locks
15	6033 876	6			SCREW
16	4520 288	2			STRIKER, Latch
17	6502 055	4			SCREW
18	4520 289	AR			SPACER
19		2			PLUG (DNS)
20	2583 377	2			RETAINER, Cylinder
21	4336 136	2			CLIP, Anti-Rattle
22					CYLINDER, Lock, See Group 23D
23	5500 2368	2			PLUG
24	5500 2367	2			PLUG

MODEL CODES:

61=Pickup-6 Ft Box 74=4 Door Wagon T=2WD
 62=Pickup-7 Ft Box 77=Open Body 93" Wheelbase J,N,U=4WD
 72=2 Door Wagon 78=Open Body 103" Wheelbase

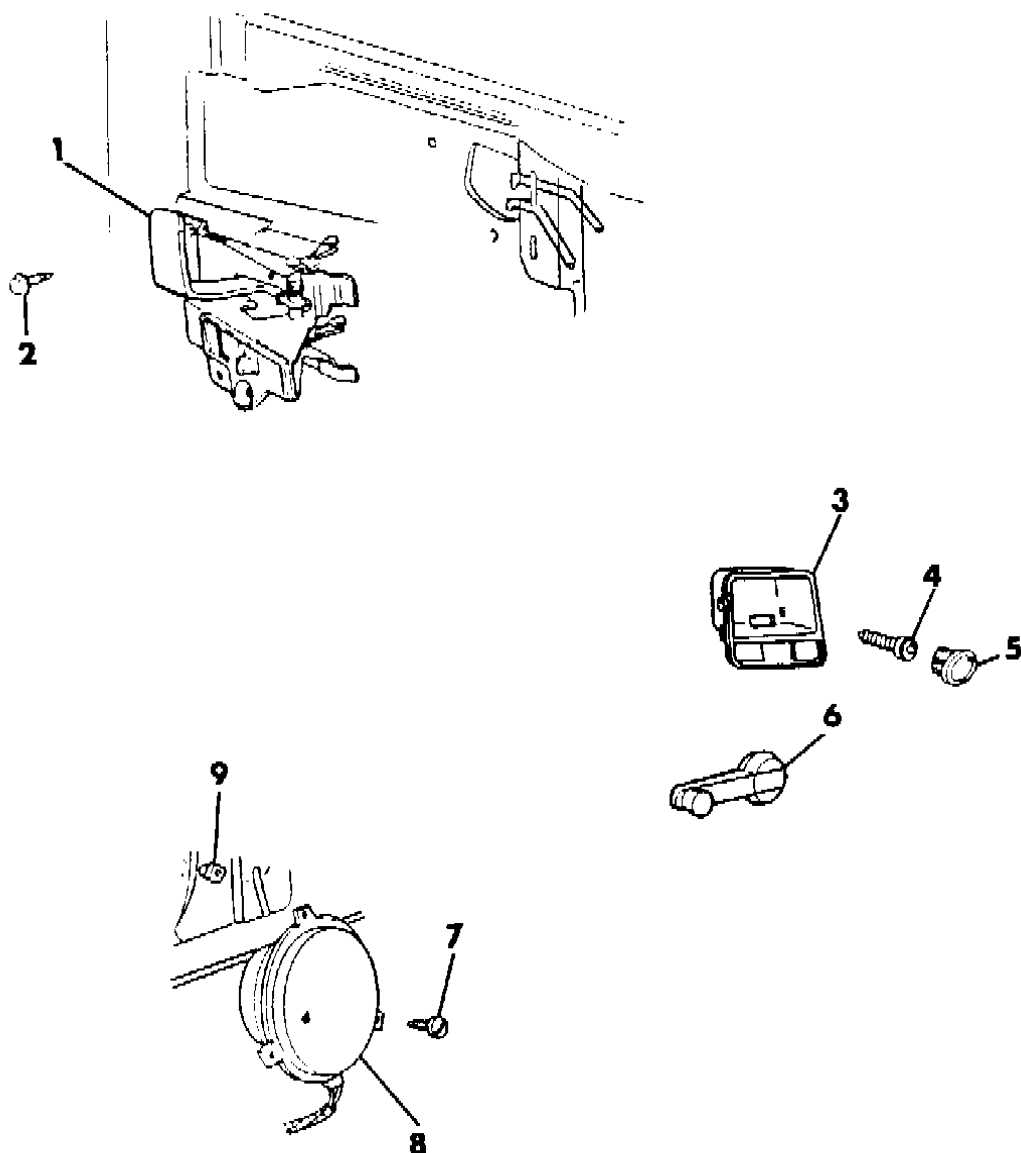
BODY STYLES:

MJ=Comanche Pickup ZJ=Grand Cherokee/Grand Wagoneer KDX VEHICLES
 SJ=Grand Wagoneer M1=Comanche
 XJ=Cherokee, Briarwood X1=Cherokee, Briarwood
 YJ=Wrangler Y1=Wrangler

AR = Use as Required - = Non Illustrated Part P.A.R. = Paint as Required

DOOR, FRONT SPEAKER AND REMOTE CONTROL ZJ GRAND CHEROKEE, GRAND WAGONEER
Figure 23C-3100

91J71 3100



ITEM	PART NUMBER	QTY	BODY	MODEL	DESCRIPTION
1					CONTROL, Remote
	5503 0042-3	1			w/o Limited Package
	5507 5234-5	1			w/Limited Package
2		4			SCREW (DNS)
3	5503 1108-9	1			BEZEL, Remote Control
4	6032 723	AR			SCREW
5	5521 4828	2			PLUG
6					HANDLE, Regulator
	5AB8 4JH9	2			Cordovan
	5AB8 4JS1	2			Charcoal
	5AB8 4LX9	2			Black
	5AB8 4KY6	2			Sand
	5507 5229	2			SPACER, Handle
7		AR			SCREW (DNS)
8					SPEAKER
	5600 5005	2			Four Speaker System
	5600 5006	2			Six Speaker System
9	3420 1263	6			NUT

MODEL CODES:

61=Pickup-6 Ft Box 74=4 Door Wagon T=2WD
 62=Pickup-7 Ft Box 77=Open Body 93" Wheelbase J,N,U=4WD
 72=2 Door Wagon 78=Open Body 103" Wheelbase

BODY STYLES:

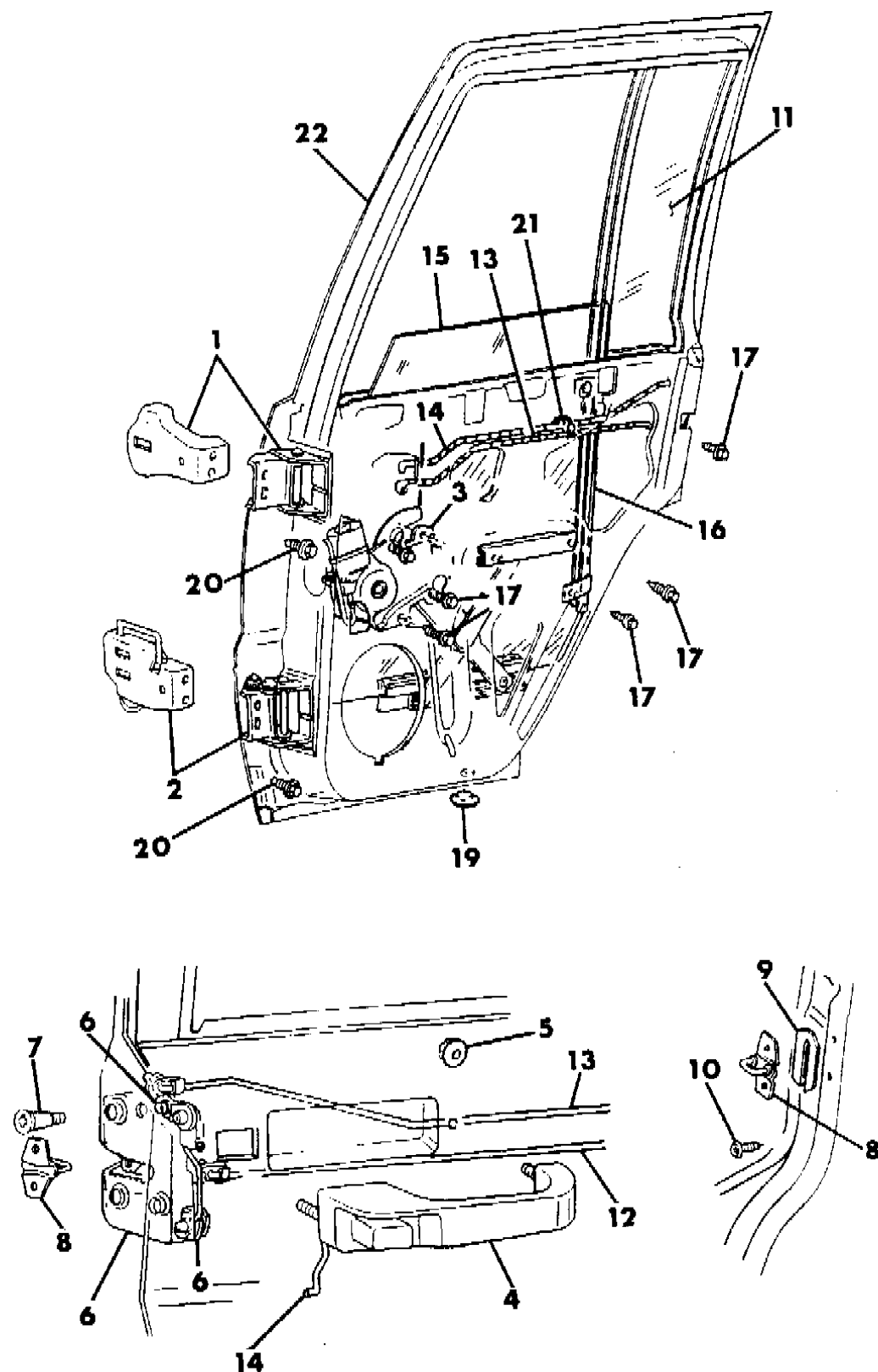
MJ=Comanche Pickup ZJ=Grand Cherokee/Grand Wagoneer KDX VEHICLES
 SJ=Grand Wagoneer M1=Comanche
 XJ=Cherokee, Briarwood X1=Cherokee, Briarwood
 YJ=Wrangler Y1=Wrangler

AR = Use as Required - = Non Illustrated Part P.A.R. = Paint as Required

DOOR, REAR SHELL, HINGES, GLASS AND REGULATOR ZJ GRAND CHEROKEE, GRAND WAGONEER

Figure 23C-3200

91J71 3200



ITEM	PART NUMBER	QTY	BODY	MODEL	DESCRIPTION
1					HINGE, Upper
	5507 4666	2			Door Half
	5503 3791	2			Body Half
2					HINGE, Lower
	5507 4758-9	1			Body Half
	5507 4762-3	1			Door Half
3					REGULATOR, Glass
	5503 0086-7	1			Manual
	4638 454-5	1			Electric
	5515 4620-1	1			MOTOR, Regulator
4					HANDLE, Exterior
	5503 0048-9	1			
	3882 620	2			CLIP, Anti-Rattle
5	J420 0306	4			NUT
6					LATCH, Door
	5507 4806-7	1			w/o Power Locks
	5507 4804-5	1			w/Power Locks
	4615 722	2			LABEL, Child Guard
7	6033 876	6			SCREW, Latch Att.
8	4520 288	2			STRIKER, Latch
9	4520 289	2			SPACER, Latch
10	6502 055	2			SCREW
11					GLASS, Fixed (surrounded by metal frame, includes upper and rear exterior seal)
	5503 2648-9	1			Tinted
	5503 4000-1	1			Sunscreen
	5513 4970-1	1			(ECE)
	4396 978	1			LABEL, Child Guard
12	5507 4830-1	1			ROD, Lock to Latch
13	5507 4832-3	1			ROD, Release to Latch
14	5503 0098-9	1			ROD, Latch to Handle
15					GLASS, Movable
	5503 2708-9	1			Tinted
	5503 3994-5	1			Sunscreen
	5503 3418-9	1			EUROPEAN
16	5503 1854-5	1			CHANNEL, Lower Glass Run
17		AR			SCREW (DNS)
19		2			PLUG (DNS)
20		8			SCREW (DNS)
21	4615 779	2			CLIP, Anti-Rattle
22	4723 638-9	1			SHELL, Door
	5503 1636-7	1			PANEL, Repair

MODEL CODES:

61=Pickup-6 Ft Box 74=4 Door Wagon T=2WD
 62=Pickup-7 Ft Box 77=Open Body 93" Wheelbase J,N,U=4WD
 72=2 Door Wagon 78=Open Body 103" Wheelbase

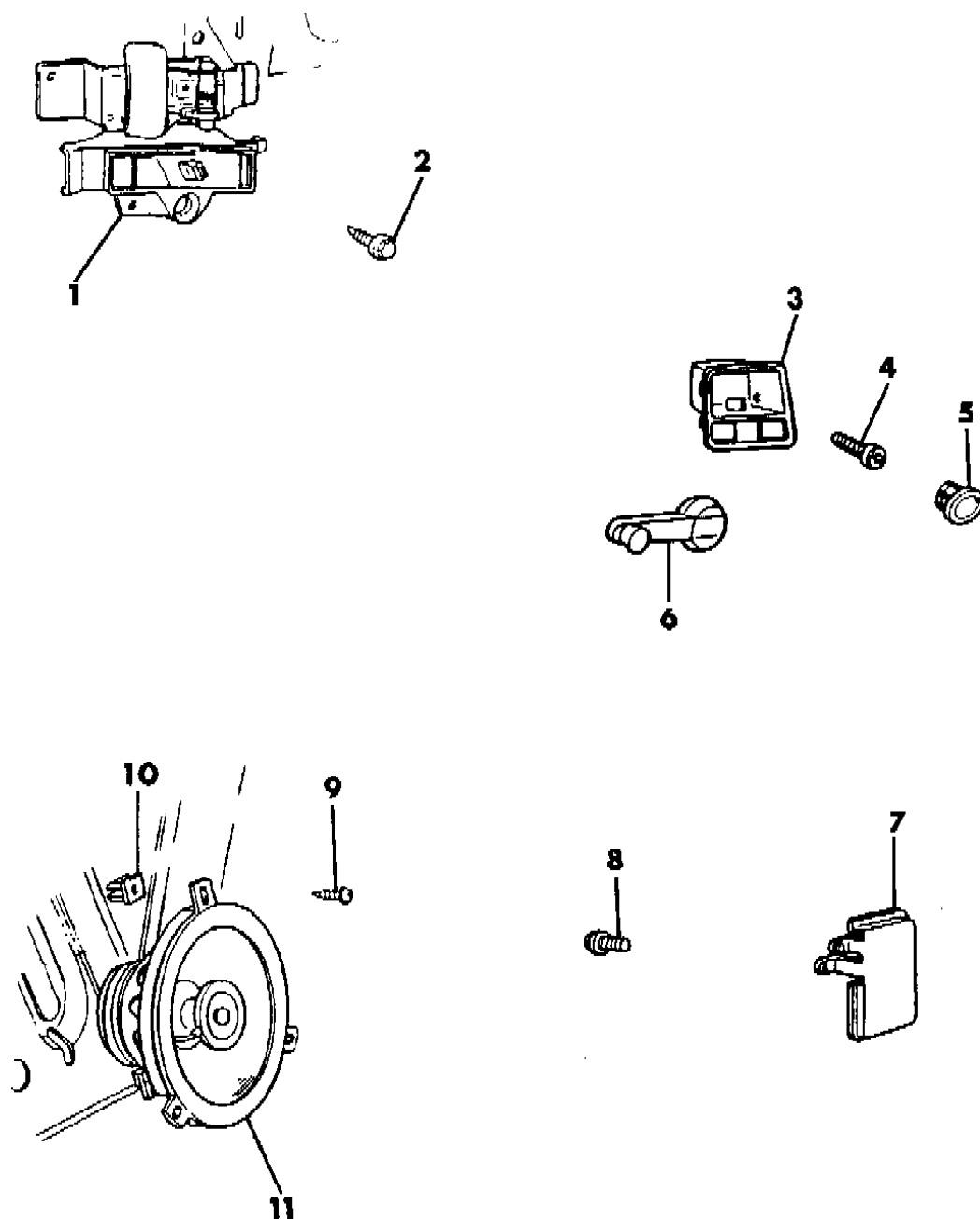
BODY STYLES:

MJ=Comanche Pickup ZJ=Grand Cherokee/Grand Wagoneer KDX VEHICLES
 SJ=Grand Wagoneer M1=Comanche
 XJ=Cherokee, Briarwood X1=Cherokee, Briarwood
 YJ=Wrangler Y1=Wrangler

AR = Use as Required - = Non Illustrated Part P.A.R. = Paint as Required

DOOR, REAR SPEAKER AND REMOTE CONTROL ZJ GRAND CHEROKEE, GRAND WAGONEER
Figure 23C-3300

91J71 3300



ITEM	PART NUMBER	QTY	BODY	MODEL	DESCRIPTION
1		1			CONTROL, Remote
	5507 5234-5				w/Limited Package
	5503 0042-3				w/o Limited Package
2		4			SCREW (DNS)
3	5503 1108-9	1			BEZEL, Remote Control
4	6032 723	6			SCREW
5	5521 4828	2			PLUG
6					HANDLE, Regulator
	5AB8 4JH9	2			Cordovan
	5AB8 4JS1	2			Charcoal
	5AB8 4LX9	2			Black
	5AB8 4KY6	2			Sand
7	5521 4832	2			COVER, Switch
8		4			SCREW (DNS)
9		6			SCREW (DNS)
10	3420 1263	6			NUT
11					SPEAKER
	5600 5005	2			Four Speaker System
	5600 5436	2			Six Speaker System

MODEL CODES:

61=Pickup-6 Ft Box 74=4 Door Wagon T=2WD
 62=Pickup-7 Ft Box 77=Open Body 93" Wheelbase J,N,U=4WD
 72=2 Door Wagon 78=Open Body 103" Wheelbase

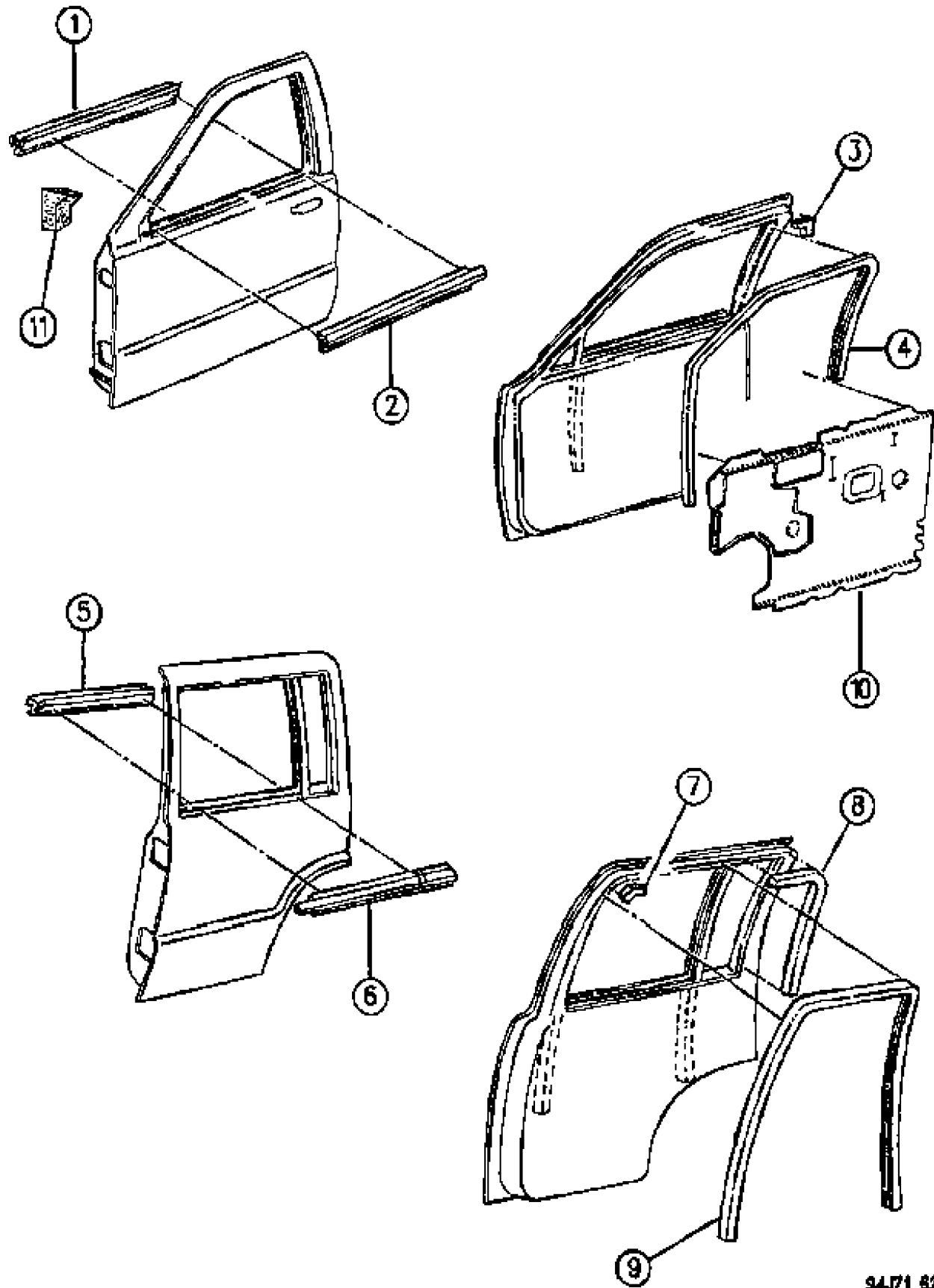
BODY STYLES:

MJ=Comanche Pickup ZJ=Grand Cherokee/Grand Wagoneer KDX VEHICLES
 SJ=Grand Wagoneer M1=Comanche
 XJ=Cherokee, Briarwood X1=Cherokee, Briarwood
 YJ=Wrangler Y1=Wrangler

AR = Use as Required - = Non Illustrated Part P.A.R. = Paint as Required

DOOR, FRONT AND REAR WEATHERSTRIPS AND RUNS ZJ GRAND CHEROKEE, GRAND WAGONEER
Figure 23C-3400

91J71 3400B



ITEM	PART NUMBER	QTY	BODY	MODEL	DESCRIPTION
1	5513 4862-3	1			WEATHERSTRIP, Belt Inner, Front
2	5503 0416-7	1			WEATHERSTRIP, Belt Outer, Front
3		AR			FOAM (DNS) ***
4	5513 4966-7	1			SEAL, Front Door Glass Run
5	5513 4964-5	1			WEATHERSTRIP, Belt Inner, Rear
6	5503 0426-7	1			WEATHERSTRIP, Belt Outer, Rear
	6502 811	AR			SCREW
7-8		AR			FOAM (DNS) ***
9	5513 4962-3	1			SEAL, Rear Door Glass Run
10	5513 5008-9	1			INSULATOR, Front Door ***
11		2			FOAM, (DNS) ***

NOTE: The seal on the edge of rear door fixed glass is only serviced in the glass assembly. e #312.

MODEL CODES:

61=Pickup-6 Ft Box 74=4 Door Wagon T=2WD
62=Pickup-7 Ft Box 77=Open Body 93" Wheelbase J,N,U=4WD
72=2 Door Wagon 78=Open Body 103" Wheelbase

BODY STYLES:

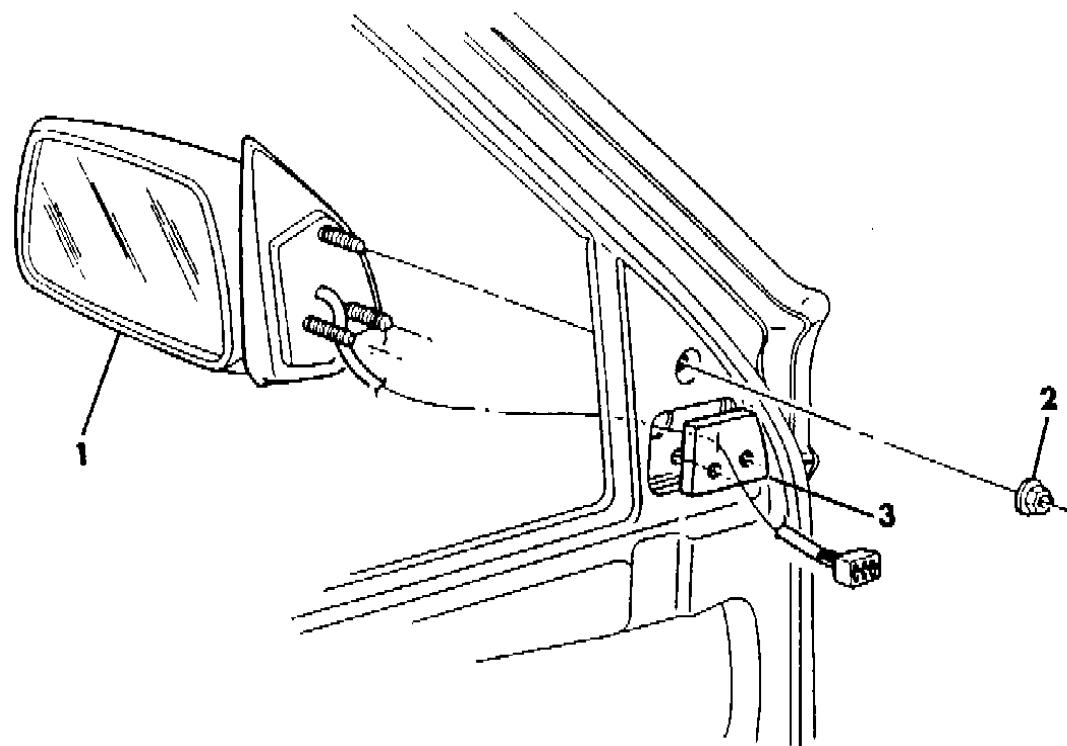
MJ=Comanche Pickup ZJ=Grand Cherokee/Grand Wagoneer KDX VEHICLES
SJ=Grand Wagoneer M1=Comanche
XJ=Cherokee, Briarwood X1=Cherokee, Briarwood
YJ=Wrangler Y1=Wrangler

91J71 3400B

AR = Use as Required - = Non Illustrated Part P.A.R. = Paint as Required

MIRRORS, EXTERIOR ZJ GRAND CHEROKEE, GRAND WAGONEER
Figure 23C-3500

91J71 3500



ITEM	PART NUMBER	QTY	BODY	MODEL	DESCRIPTION
1					MIRROR, Heated Electric
	5AT82-3 LX8	1			Black
	5AT82-3 LW7	1			White
	5AT82-3 LG5	1			Green
	5AT82-3 LC9	1			Blue
	5AT82-3 MR4	1			Red
	5AT82-3 LE4	1			Colorado Red
	5AT82-3 MM9	1			Black Cherry
	5AT82-3 MFA	1			Light Driftwood
	5507 4824-5	1			Flat Black MIRROR, Heated Electric (ECE)
	5DG06-7 MC9	1			Blue
	5DG06-7 MFA	1			Driftwood
	5DG06-7 MG5	1			Green
	5DG06-7 MM9	1			Black Cherry
	5DG06-7 MR4	1			Red
	5DG06-7 MW7	1			White
	5DG06-7 MX8	1			Black
	5507 4654-5	1			Flat Black
	4723 792-3	1			GLASS, Electric Mirror (ECE)
	4723 788-9	1			GLASS, Replacement (Heated)
	5503 0176-7	1			MIRROR, Manual
	5503 0186-7	1			MIRROR, Manual Low Profile
	4498 154	1			GLASS, Manual(Convex) Right
	5503 3642-3	1			MIRROR, Electric (Non-Heated)
	4723 786-7				GLASS, Electric (Non-Heated) COVER, Switch
	5AU5 0LD5	1			Quartz
	5AU5 0LF8	1			Driftwood
	5AU5 0LM6	1			Red
2	J420 0408	6			NUT
3	5513 4765	2			SEAL, Mirror Att.

MODEL CODES:

61=Pickup-6 Ft Box 74=4 Door Wagon T=2WD
62=Pickup-7 Ft Box 77=Open Body 93" Wheelbase J,N,U=4WD
72=2 Door Wagon 78=Open Body 103" Wheelbase

BODY STYLES:

MJ=Comanche Pickup ZJ=Grand Cherokee/Grand Wagoneer KDX VEHICLES
SJ=Grand Wagoneer M1=Comanche
XJ=Cherokee, Briarwood X1=Cherokee, Briarwood
YJ=Wrangler Y1=Wrangler

AR = Use as Required - = Non Illustrated Part P.A.R. = Paint as Required

GROUP 23D - WIPER & WASHER AND CYLINDER & KEYS

ILLUSTRATION TITLE	GROUP-FIG. NO.
LOCK CYLINDERS	
LOCK CYLINDERS AND KEYS WRANGLER	Fig. 23D-100
LOCK CYLINDERS AND KEYS CHEROKEE, BRAIRWOOD, COMANCHE	Fig. 23D-200
LOCK CYLINDERS AND KEYS ZJ GRAND CHEROKEE	Fig. 23D-210
LOCK CYLINDERS AND KEYS GRAND WAGONEER, 1991	Fig. 23D-300
DOUBLE BITTED LOCK CYLINDER REPAIR COMPONENTS	Fig. 23D-310
WIPER AND WASHER SYSTEMS	
WINDSHIELD WIPER SYSTEM WRANGLER	Fig. 23D-400
REAR WIPER SYSTEM WITH HARD TOP WRANGLER	Fig. 23D-500
WASHER SYSTEM WINDSHIELD AND REAR WRANGLER	Fig. 23D-600
WINDSHIELD WIPER SYSTEM CHEROKEE, BRIARWOOD, COMANCHE	Fig. 23D-700
REAR WIPER SYSTEM CHEROKEE, BRIARWOOD	Fig. 23D-800
WINDSHIELD AND REAR WASHER SYSTEM CHEROKEE, BRIARWOOD	Fig. 23D-900
WINDSHIELD WIPER AND WASHER SYSTEM ZJ GRAND CHEROKEE	Fig. 23D-910
REAR WIPER AND WASHER SYSTEM ZJ GRAND CHEROKEE	Fig. 23D-920
WINDSHIELD WIPER AND WASHER SYSTEM GRAND WAGONEER, 1991	Fig. 23D-1000
REAR WIPER AND WASHER SYSTEM GRAND WAGONEER, 1991	Fig. 23D-1100

ILLUSTRATION NOT AVAILABLE AT TIME OF PUBLICATION

LOCK CYLINDERS AND KEYS WRANGLER
Figure 23D-100

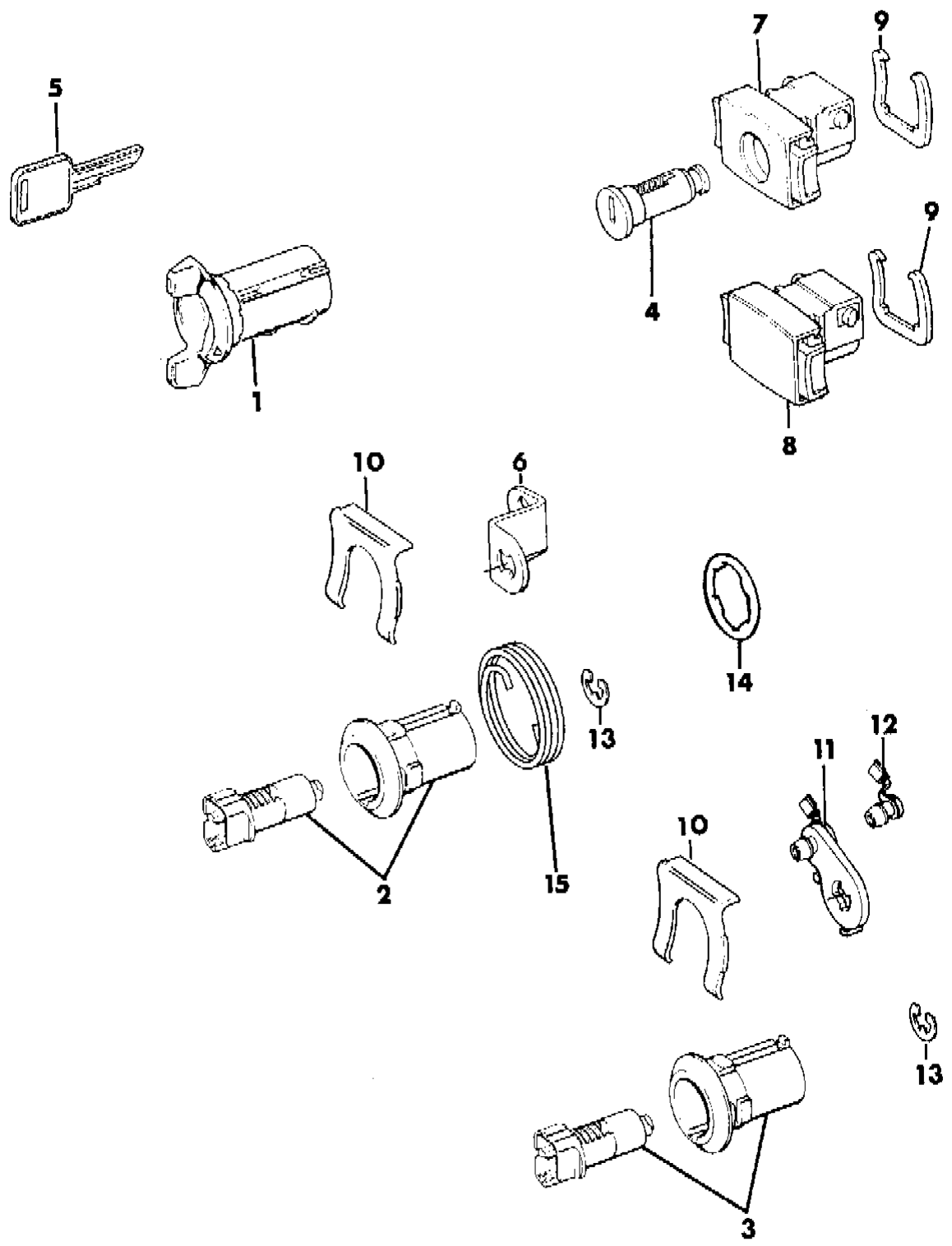
91J72 100C

ITEM	PART NUMBER	QTY	BODY	MODEL	DESCRIPTION
NOTE: All Cylinders are Uncoded e #312.					
1	5257 145	1			CYLINDER, Ignition Lock 1991-92
	4720 929	1			1993
2	4637 581	1			CYLINDER, Door Lock 1991-92
	4720 931	1			1993
3	4637 582	1			CYLINDER, Tailgate Lock 1991-92
	4723 586	1			1993
4	4637 585	1			CYLINDER, Glovebox Lock 1991-92
	4723 578	1			1993
5	4637 592	AR			KEY, Blank 1991-92
	4720 933	AR			1993
6					LEVER, Door Lock Cylinder
	5257 154	2			Soft Top
	5507 4504-5	1			Hard Top
7					HOUSING, Glovebox Latch, Locking
	5BL1 4KY6	1			Sand
	5BL1 4KA8	1			Charcoal
	5BL1 4KH9	1			Cordovan
8	5507 4510	1			HOUSING, Non-Locking
9	5500 6506	1			RETAINER, Glovebox Cylinder
10	2583 377	AR			RETAINER, Door, Tailgate Cylinder
11	5257 153	1			LEVER, Tailgate Cylinder
12	J400 4533	1			CLIP, w/Bushing
13	J400 2250	AR			RETAINER, Cylinder
14	5507 4799	AR			GASKET, Lock Cylinder
15	4378 793	2			SPRING, Return, Door Lock Cylinder

MODEL CODES:
 61=Pickup-6 Ft Box 74=4 Door Wagon T=2WD
 62=Pickup-7 Ft Box 77=Open Body 93" Wheelbase J,N,U=4WD
 72=2 Door Wagon 78=Open Body 103" Wheelbase

BODY STYLES:
 MJ=Comanche Pickup ZJ=Grand Cherokee/Grand Wagoneer KDX VEHICLES
 SJ=Grand Wagoneer M1=Comanche
 XJ=Cherokee, Briarwood X1=Cherokee, Briarwood
 YJ=Wrangler Y1=Wrangler

AR = Use as Required - = Non Illustrated Part P.A.R. = Paint as Required



LOCK CYLINDERS AND KEYS CHEROKEE, BRAIRWOOD, COMANCHE
Figure 23D-200

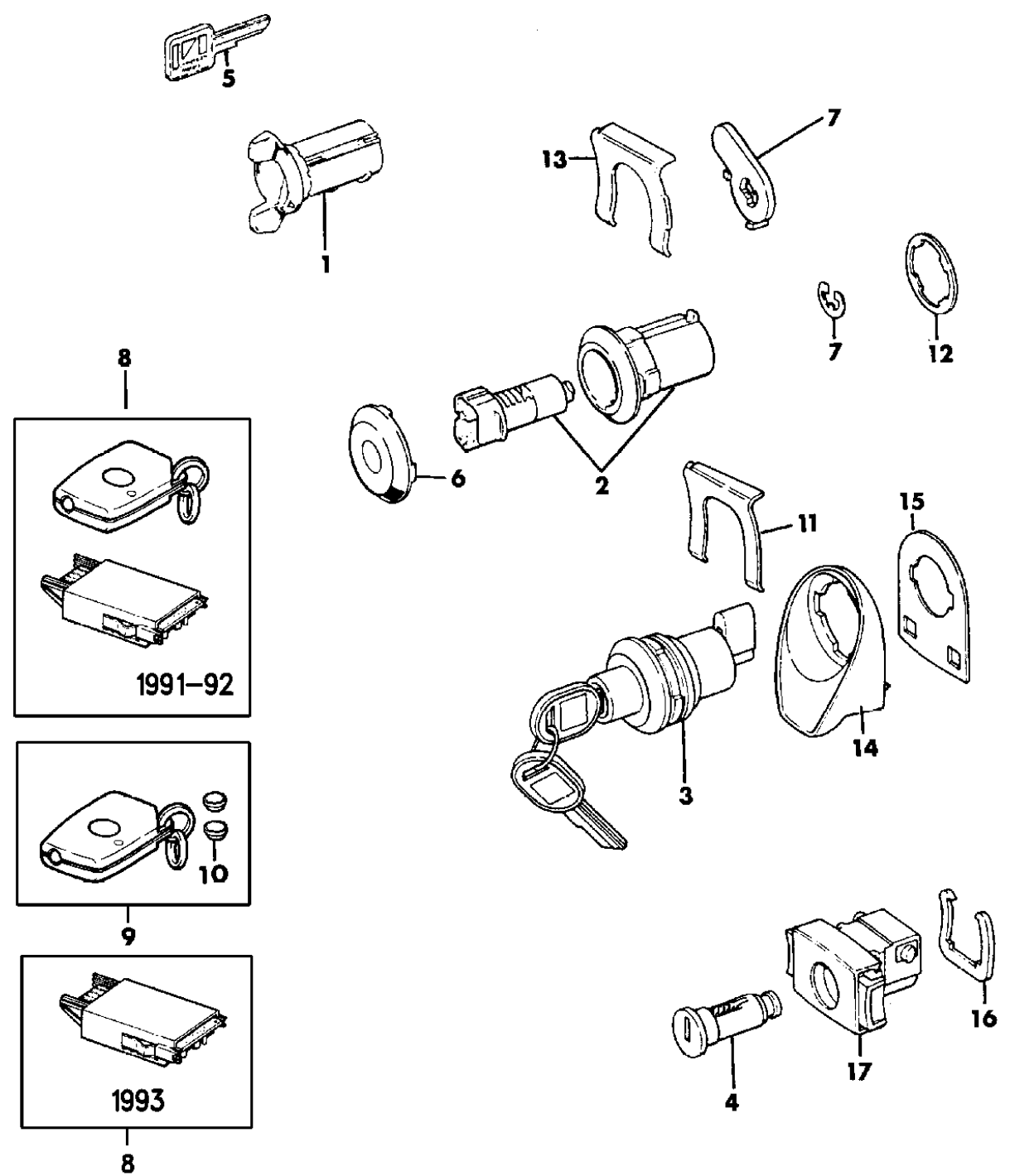
91J72 200C

ITEM	PART NUMBER	QTY	BODY	MODEL	DESCRIPTION
NOTE: All Cylinders are Uncoded e #312.					
1	5257 145	1			CYLINDER, Ignition Lock 1991-92
	4720 929	1			1993
2	4637 581	1			CYLINDER, Door Lock 1991-92
	4720 931	1			1993
3	4637 584	1			CYLINDER, Liftgate Lock 1991-92
	4723 584	1			1993
	4638 754	1			SENSOR, Security Alarm CAP, Liftgate Cylinder Service Inner, Bright
	4637 588	AR			Outer, Bright
	4637 589	AR			Inner, Black
	4637 590	AR			Outer, Black
4	4637 585	1			CYLINDER, Glovebox Lock 1991-92
	4723 578	1			1993
5	4637 592	AR			KEY, Blank 1991-92
	4720 933	AR			1993
6	5257 152	2			CAP, Door Cylinder Service Cap Bright
	5257 148	2			Black
7	5257 154	AR		MJ	LEVER, Door Cylinder
	5507 4504	AR		XJ	
	4336 136	2			CLIP, Lever
8	5600 4146	1			MODULE, Keyless Entry 1991-92
	5600 6908	1			1993 w/o Overhead Console
	5600 7164	1			1993 w/Overhead Console
	8350 5263	1			LENS, Receiver
	5DH5 5MS1	1			HOUSING, Keyless Entry
9	5600 5918	1			TRANSMITTER, Keyless Entry *** 1991-92
	5600 6909	1			1993
10	8350 4802	AR			BATTERY, Receiver *** 1991-92
	4746 217	AR			1993

MODEL CODES:
61=Pickup-6 Ft Box 74=4 Door Wagon T=2WD
62=Pickup-7 Ft Box 77=Open Body 93" Wheelbase J,N,U=4WD
72=2 Door Wagon 78=Open Body 103" Wheelbase

BODY STYLES:
MJ=Comanche Pickup ZJ=Grand Cherokee/Grand Wagoneer KDX VEHICLES
SJ=Grand Wagoneer M1=Comanche
XJ=Cherokee, Briarwood X1=Cherokee, Briarwood
YJ=Wrangler Y1=Wrangler

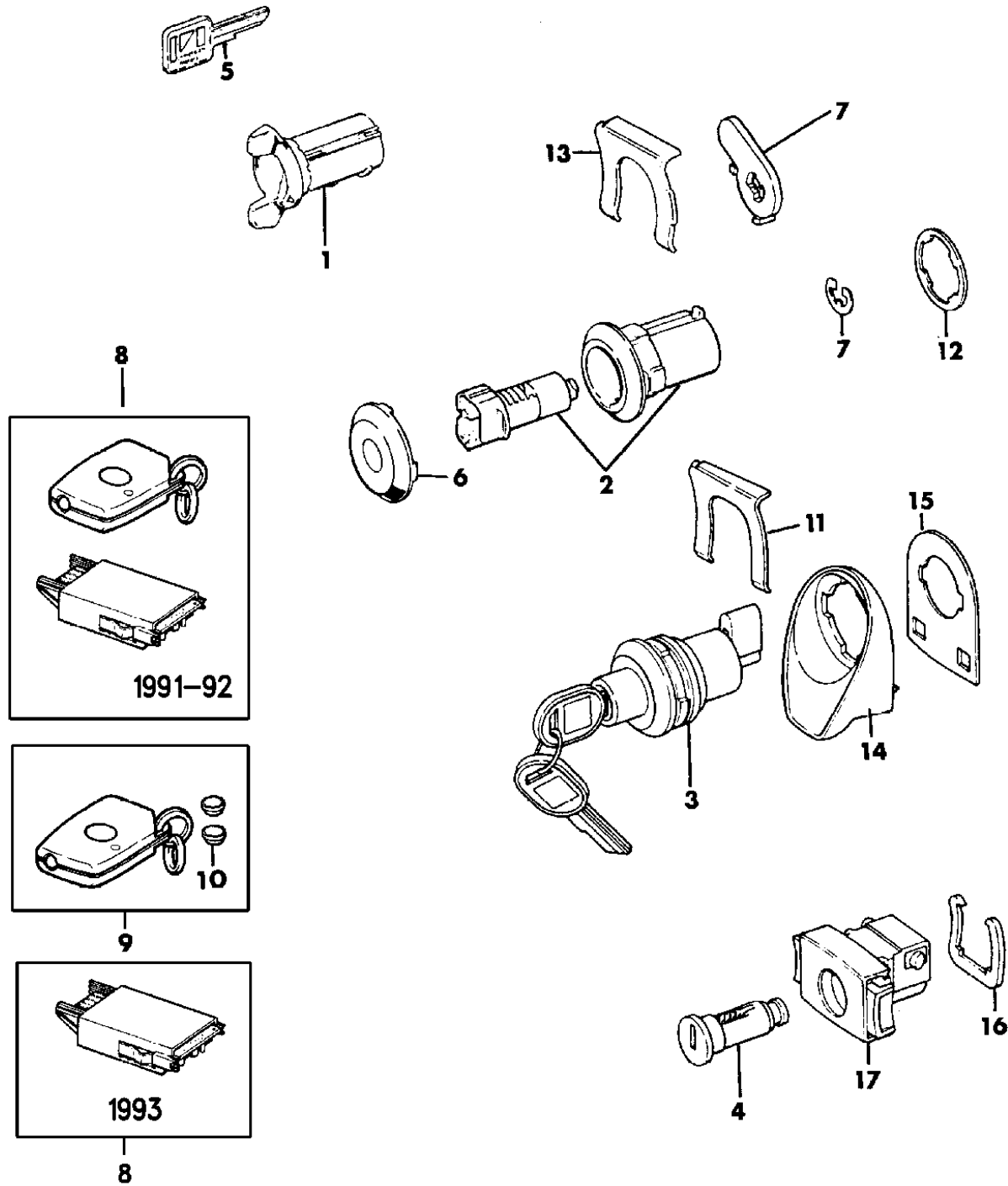
AR = Use as Required - = Non Illustrated Part P.A.R. = Paint as Required



LOCK CYLINDERS AND KEYS CHEROKEE, BRAIRWOOD, COMANCHE
Figure 23D-200

91J72 200C

ITEM	PART NUMBER	QTY	BODY	MODEL	DESCRIPTION
11	J367 9995	1			RETAINER, Tailgate Lock
12	2583 860	1			GASKET
13	2583 377	2			RETAINER, Cylinder
14	5500 1135	1			HANDLE
15	5500 5162	1			GASKET
16	5500 6506	1			RETAINER, Cylinder
17					LATCH
	5BL1 4KA8	1			Charcoal
	5BL1 4KH9	1			Cordovan
	5BL1 4KY6	1			Tan



MODEL CODES:

61=Pickup-6 Ft Box 74=4 Door Wagon T=2WD
 62=Pickup-7 Ft Box 77=Open Body 93" Wheelbase J,N,U=4WD
 72=2 Door Wagon 78=Open Body 103" Wheelbase

BODY STYLES:

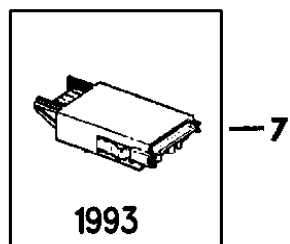
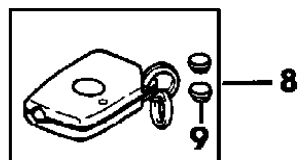
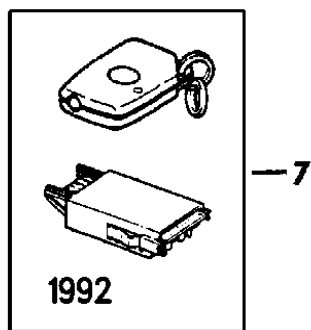
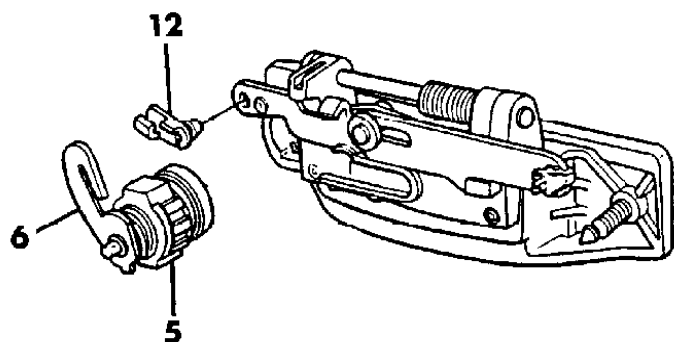
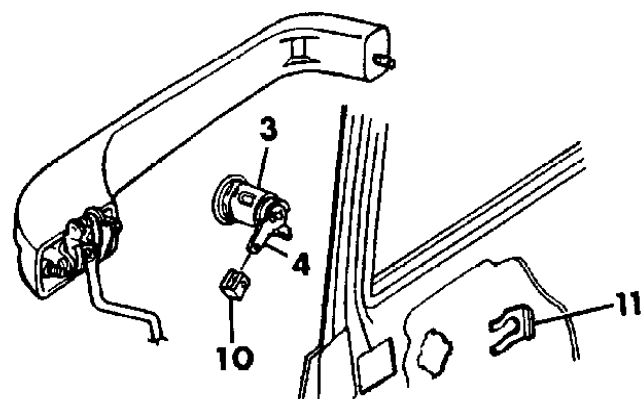
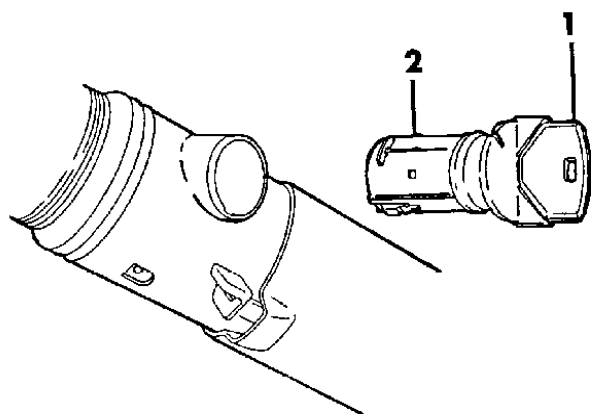
MJ=Comanche Pickup ZJ=Grand Cherokee/Grand Wagoneer KDX VEHICLES
 SJ=Grand Wagoneer M1=Comanche
 XJ=Cherokee, Briarwood X1=Cherokee, Briarwood
 YJ=Wrangler Y1=Wrangler

AR = Use as Required - = Non Illustrated Part P.A.R. = Paint as Required

LOCK CYLINDERS AND KEYS ZJ GRAND CHEROKEE
Figure 23D-210

91J72 210A

ITEM	PART NUMBER	QTY	BODY	MODEL	DESCRIPTION
NOTE: All Cylinders are Uncoded e #312.					
1		AR			KEY, Blank
	4637 592	AR			Up to 7/15/92
	4720 933	AR			After 7/15/92
2		1			CYLINDER, Ignition
	5257 145				Up to 7/15/92
	4723 289				After 7/15/92
3		2			CYLINDER, Door Lock
	4637 581				Up to 7/15/92
	4720 931				After 7/15/92
	5507 4799	2			GASKET, Door/Liftgate Cylinder
	4480 116	2			CLIP, Door Cylinder to Housing
	4378 793	1			SPRING, Return, Door Lock Cylinder
4	5257 154	2			LEVER, Door Cylinder
5		1			CYLINDER, Liftgate Lock
	4723 319	1			Up to 7/15/92
	4723 485	1			After 7/15/92
6	4723 582	1			LEVER, Liftgate Cylinder
7					MODULE, Keyless Entry
	5600 4146	1			Up to 7-15-92
	5600 7164	1			After 7-15-92
8					TRANSMITTER, Keyless Entry ***
	8350 4801	1			Up to 7-15-92
	5600 6909	1			After 7-15-92
9	4746 217	AR			BATTERY, Receiver (after 7/15/92) ***
	8350 4802				Battery, Transmitter (up to 7/15/92) ***
10	4336 136	2			CLIP
11	2583 377	2			RETAINER, Cylinder
12	5507 5139	1			CLIP
	4746 315				LOCK CYLINDER, Glove Box ***



MODEL CODES:

61=Pickup-6 Ft Box 74=4 Door Wagon T=2WD
 62=Pickup-7 Ft Box 77=Open Body 93" Wheelbase J,N,U=4WD
 72=2 Door Wagon 78=Open Body 103" Wheelbase

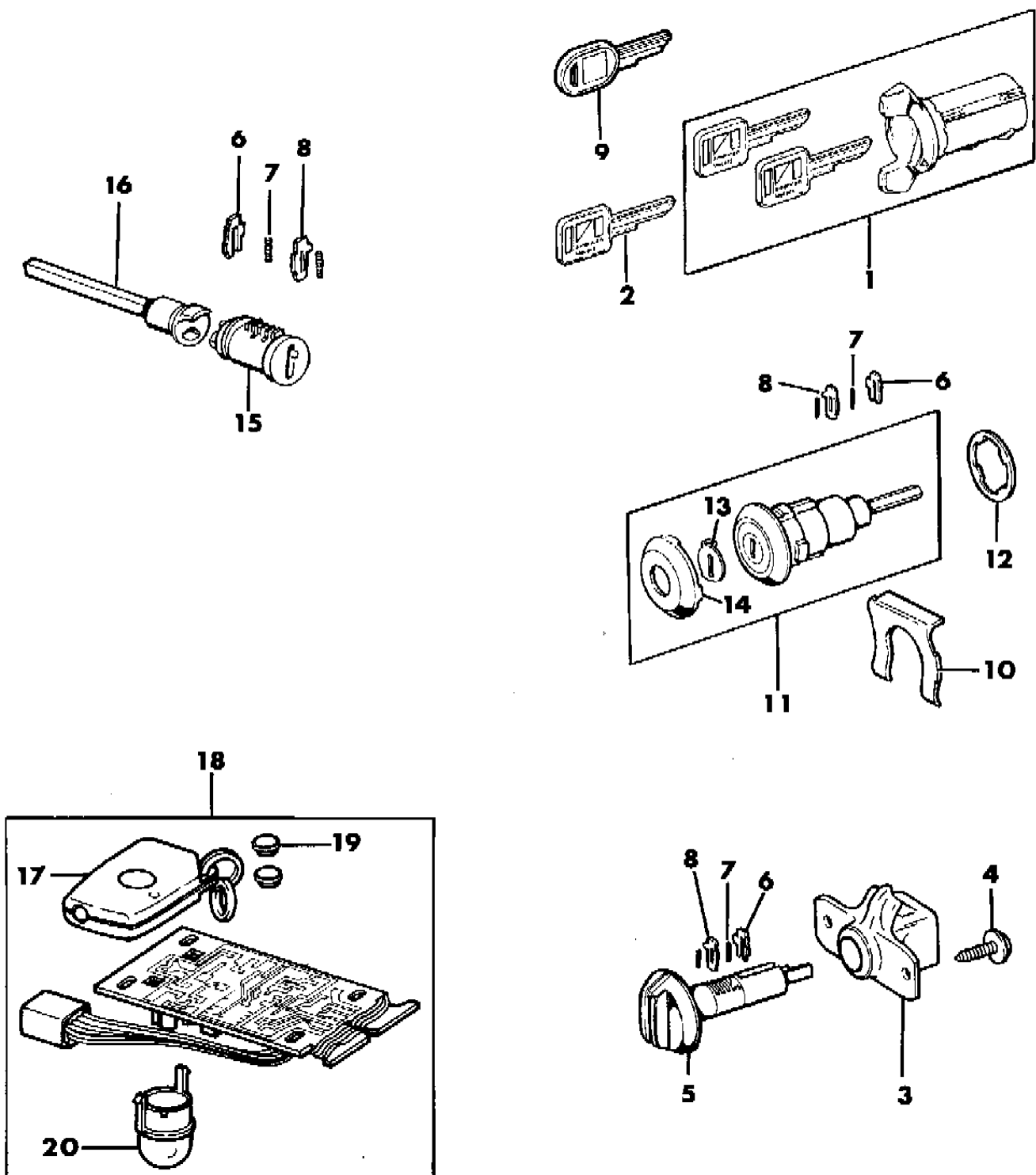
BODY STYLES:

MJ=Comanche Pickup ZJ=Grand Cherokee/Grand Wagoneer KDX VEHICLES
 SJ=Grand Wagoneer M1=Comanche
 XJ=Cherokee, Briarwood X1=Cherokee, Briarwood
 YJ=Wrangler Y1=Wrangler

AR = Use as Required - = Non Illustrated Part P.A.R. = Paint as Required

LOCK CYLINDERS AND KEYS GRAND WAGONEER, 1991
Figure 23D-300

91J72 300 B



ITEM	PART NUMBER	QTY	BODY	MODEL	DESCRIPTION
1	5502 6014	1			CYLINDER, Ignition Lock
2	8350 6298	AR			KEY, Blank
3	5501 5376	1			HOUSING, Glove Box Lock
4	J400 3671	2			SCREW
5	J812 5764	1			CYLINDER, Glove Box
6	J812 2875	1			RETAINER, Tumbler
7	J812 2881	AR			SPRING
8	J812 2876	AR			TUMBLER, Lock ***
	J812 2877	AR			1
	J812 2878	AR			2
	J812 2879	AR			3
	J812 2880	AR			4
9	5502 5852	AR			KEY, Blank
10	J098 7269	2			RETAINER, Lock
	J576 6754	1			SEAL, Retainer
11	J812 8289	2			CYLINDER, Door Lock
12	J098 7272	2			GASKET
13	J813 3585	2			SHUTTER, Lock
14	J812 7677	2			CAP
15	8350 5385	1			CYLINDER, Tailgate
16	J096 2048	1			SHAFT, Cylinder, w/Electric Regulator
17	5600 5918	1			TRANSMITTER, Keyless Entry ***
18	5600 4146	1			PACKAGE, Keyless Entry Receiver
19	8350 4802	2			BATTERY
20	8350 6368	1			LENS

MODEL CODES:

61=Pickup-6 Ft Box 74=4 Door Wagon T=2WD
 62=Pickup-7 Ft Box 77=Open Body 93" Wheelbase J,N,U=4WD
 72=2 Door Wagon 78=Open Body 103" Wheelbase

BODY STYLES:

MJ=Comanche Pickup ZJ=Grand Cherokee/Grand Wagoneer KDX VEHICLES
 SJ=Grand Wagoneer M1=Comanche
 XJ=Cherokee, Briarwood X1=Cherokee, Briarwood
 YJ=Wrangler Y1=Wrangler

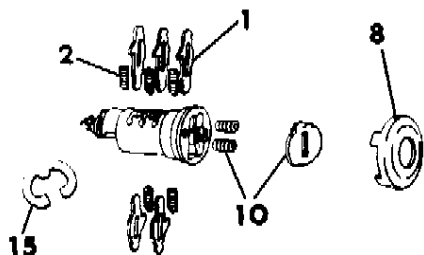
AR = Use as Required - = Non Illustrated Part P.A.R. = Paint as Required

DOUBLE BITTED LOCK CYLINDER REPAIR COMPONENTS
Figure 23D-310

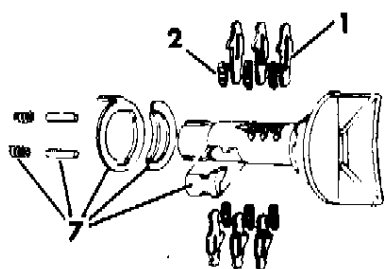
91J72 310

ITEM	PART NUMBER	QTY	BODY	MODEL	DESCRIPTION
	4720 457	1			SERVICE and REPAIR PACKAGE, Lock Cylinder
1					TUMBLER, Cylinder ***
	5257 132	AR			No.1
	5257 133	AR			No.2
	5257 134	AR			No.3
	5257 135	AR			No.4
2	4378 794	AR			SPRING, Tumbler
3	4378 785	AR			DRIVER, Ignition Lock Cylinder, Standard ***
4	5257 137	AR			DRIVER, Ignition Lock Cylinder, Push to Lock ***
5	4378 787	AR			DRIVER, Ignition Lock Cylinder, Spiral Pin ***
6	4378 786	AR			PRE-PACK, Ignition Cylinder, w/o Tilt ***
7	4378 789	AR			PRE-PACK, Ignition Cylinder, w/Tilt ***
8					CAP, Door Cylinder
	5257 152	AR			Bright
	4378 792	AR			Black
9	4378 793	AR			SPRING, Door Cylinder Return
10					SHUTTER, Door and L/Gate ***
	4378 816	AR			Bright
	4378 791	AR			Black
11	6101 638	AR			PIN, Spiral
12	5257 148	AR			CAP, L/Gate Cylinder
13	4480 116	AR			RETAINER, Cylinder
14					KEY
	4378 751	AR			Capsulated
	4378 753	AR			Valet
15	6032 107	AR			CLIP, "C"

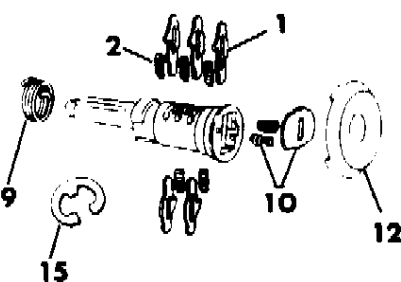
DOOR LOCK SERVICE PACKAGE UNCODED



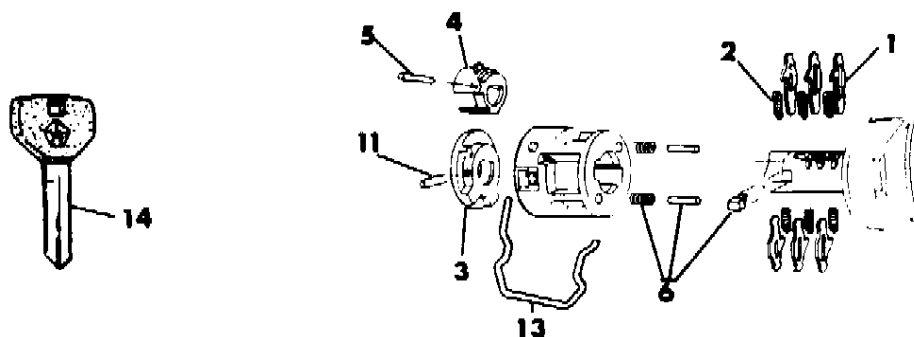
TILT IGNITION LOCK SERVICE PACKAGE UNCODED



L/GATE LOCK SERVICE PACKAGE UNCODED



PUSH TO LOCK (PTL) AND STANDARD COLUMN IGNITION LOCK SERVICE PACKAGE UNCODED



MODEL CODES:

61=Pickup-6 Ft Box 74=4 Door Wagon T=2WD
62=Pickup-7 Ft Box 77=Open Body 93" Wheelbase J,N,U=4WD
72=2 Door Wagon 78=Open Body 103" Wheelbase

BODY STYLES:

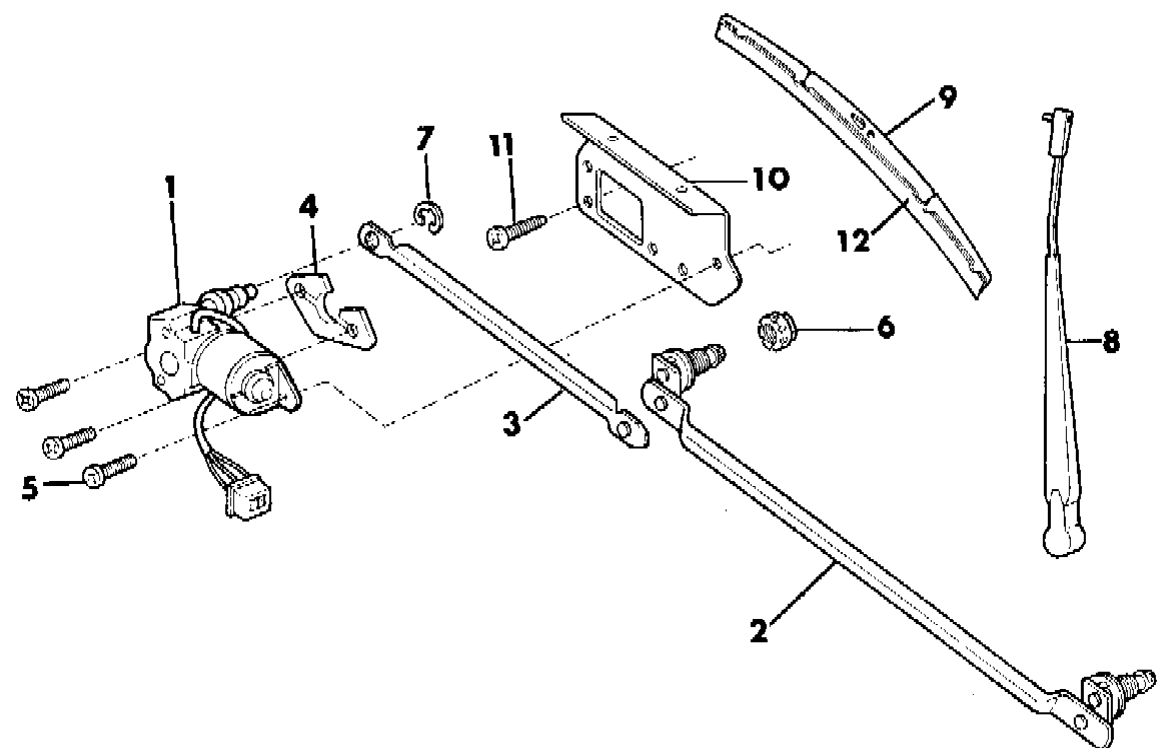
MJ=Comanche Pickup ZJ=Grand Cherokee/Grand Wagoneer KDX VEHICLES
SJ=Grand Wagoneer M1=Comanche
XJ=Cherokee, Briarwood X1=Cherokee, Briarwood
YJ=Wrangler Y1=Wrangler

AR = Use as Required - = Non Illustrated Part P.A.R. = Paint as Required

WINDSHIELD WIPER SYSTEM WRANGLER
Figure 23D-400

91J72 400B

ITEM	PART NUMBER	QTY	BODY	MODEL	DESCRIPTION
1	5603 0005	1			MOTOR, Wiper
	5600 3982	1			PLUG, Tether
	J400 3630	2			RIVET, Motor
2	5600 3535	1			PIVOT, Wiper
3	5600 3536	1			ARM, Drive
4	5603 0015	1			GASKET, Motor
5	J400 5765	3			SCREW
6	3600 0269	2			NUT
7	1150 5398	1			RING, Retaining
8	5603 0012	2			ARM, Wiper
9	5500 0299	2			BLADE, Wiper
10	5AB1 0JY6	1			PLATE
11	J400 4710	2			SCREW
12	4713 123	2			REFILL, Blade



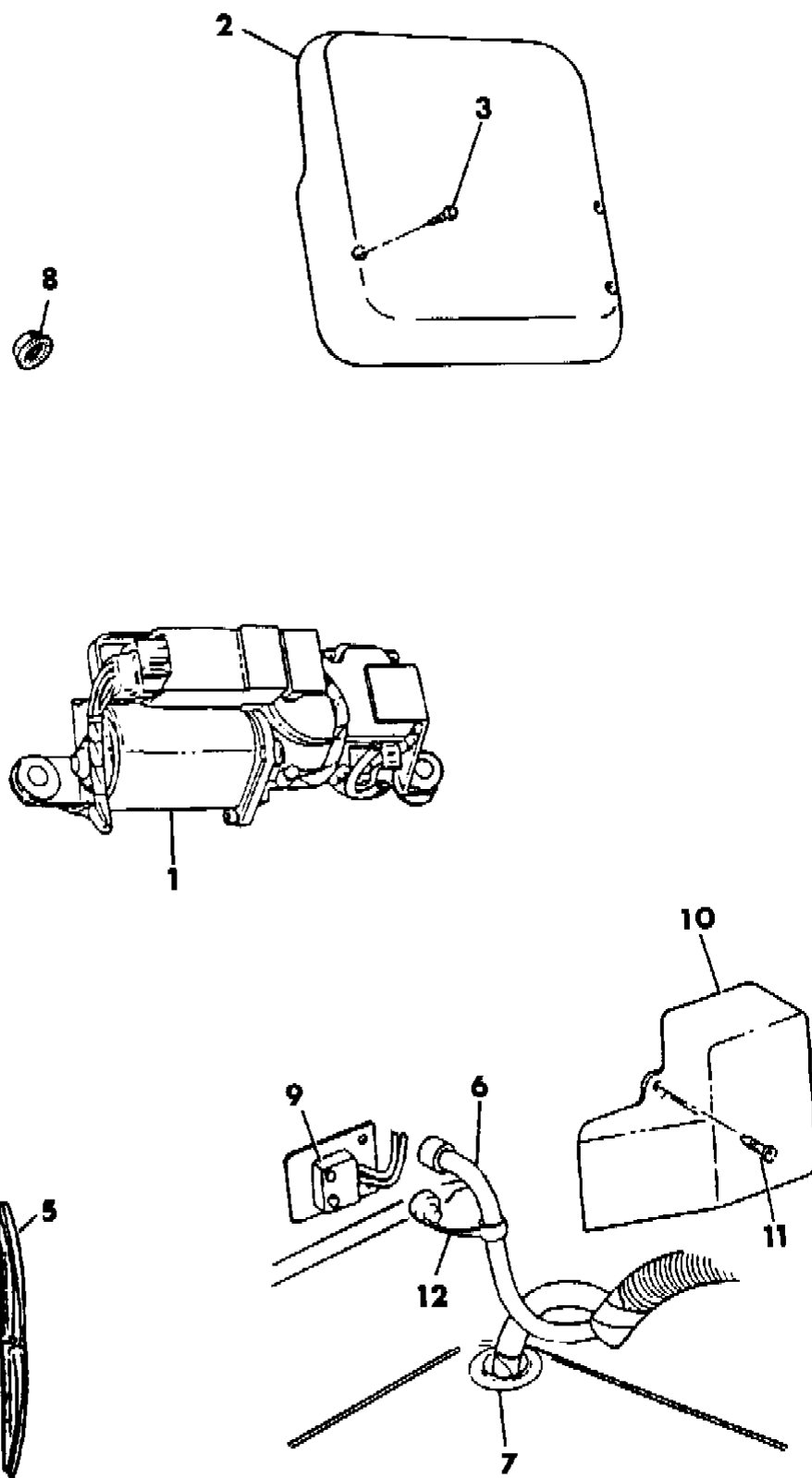
MODEL CODES:
61=Pickup-6 Ft Box 74=4 Door Wagon T=2WD
62=Pickup-7 Ft Box 77=Open Body 93" Wheelbase J,N,U=4WD
72=2 Door Wagon 78=Open Body 103" Wheelbase

BODY STYLES:
MJ=Comanche Pickup ZJ=Grand Cherokee/Grand Wagoneer KDX VEHICLES
SJ=Grand Wagoneer M1=Comanche
XJ=Cherokee, Briarwood X1=Cherokee, Briarwood
YJ=Wrangler Y1=Wrangler

AR = Use as Required - = Non Illustrated Part P.A.R. = Paint as Required

REAR WIPER SYSTEM WITH HARD TOP WRANGLER
Figure 23D-500

91J72 500 C



ITEM	PART NUMBER	QTY	BODY	MODEL	DESCRIPTION
1	5515 4539	1			MOTOR, Wiper
	5515 4556	1			SPACER, Motor Shaft Outer to Glass
2	5515 4538	1			COVER
3		AR			SCREW (DNS)
4	5603 0012	1			ARM, Wiper
5	4389 063	1			BLADE, Wiper
6	4439 003	AR			HOSE
7	5600 3075	1			GROMMET
8	5600 3682	1			NUT
9	5600 4566	1			SWITCH, Lockout
10	5502 5390	1			COVER, Switch
11	6033 969	1			SCREW
12	5600 3982	1			STRAP, Plug
13	5211 078	1			REFILL, Blade

MODEL CODES:

61=Pickup-6 Ft Box 74=4 Door Wagon T=2WD
 62=Pickup-7 Ft Box 77=Open Body 93" Wheelbase J,N,U=4WD
 72=2 Door Wagon 78=Open Body 103" Wheelbase

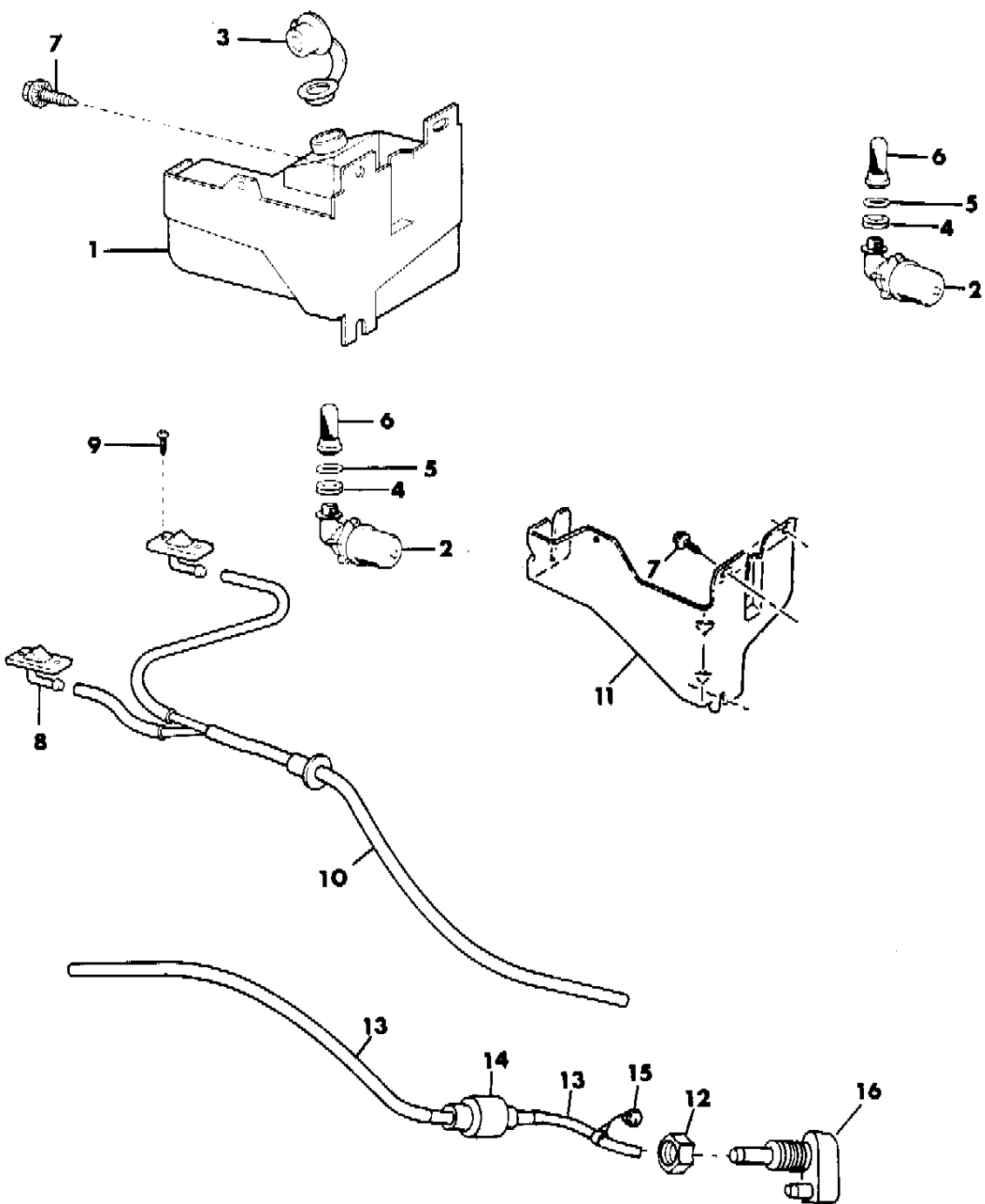
BODY STYLES:

MJ=Comanche Pickup ZJ=Grand Cherokee/Grand Wagoneer KDX VEHICLES
 SJ=Grand Wagoneer M1=Comanche
 XJ=Cherokee, Briarwood X1=Cherokee, Briarwood
 YJ=Wrangler Y1=Wrangler

AR = Use as Required - = Non Illustrated Part P.A.R. = Paint as Required

WASHER SYSTEM WINDSHIELD AND REAR WRANGLER
Figure 23D-600

91J72 600B



ITEM	PART NUMBER	QTY	BODY	MODEL	DESCRIPTION
1		1			RESERVOIR, Washer
	5502 8213				Single
	5515 4744				Stamped w/55026290
	5502 8212				Dual
2	5252 217	1			PUMP, Washer
	3600 2582				PUMP, Winshield Washer (rear washers)
3	5600 2054	1			CAP, Reservoir
4	5600 0592	AR			SEAL
5	5600 0594	AR			WASHER
6	5600 0593	AR			NUT, Filter
7	J400 4801	3			SCREW
8	5600 1759	2			NOZZLE, Windshield Washer
9	J400 4801	4			SCREW
10	3600 1628	1			HOSE
11	5502 6288	1			BRACKET, Reservoir Support
12	5515 4587	1			NUT, Nozzle Mtg.
13	4439 003	AR			HOSE, Bulk
14	5600 6162	1			VALVE, Check, Rear Washer
	5600 3696				PLATE, Hardtop Disconnect (holds check valve)
15	5600 3982	1			STRAP, Plug
16	5515 4588	1			NOZZLE, Rear Washer

MODEL CODES:

61=Pickup-6 Ft Box 74=4 Door Wagon T=2WD
 62=Pickup-7 Ft Box 77=Open Body 93" Wheelbase J,N,U=4WD
 72=2 Door Wagon 78=Open Body 103" Wheelbase

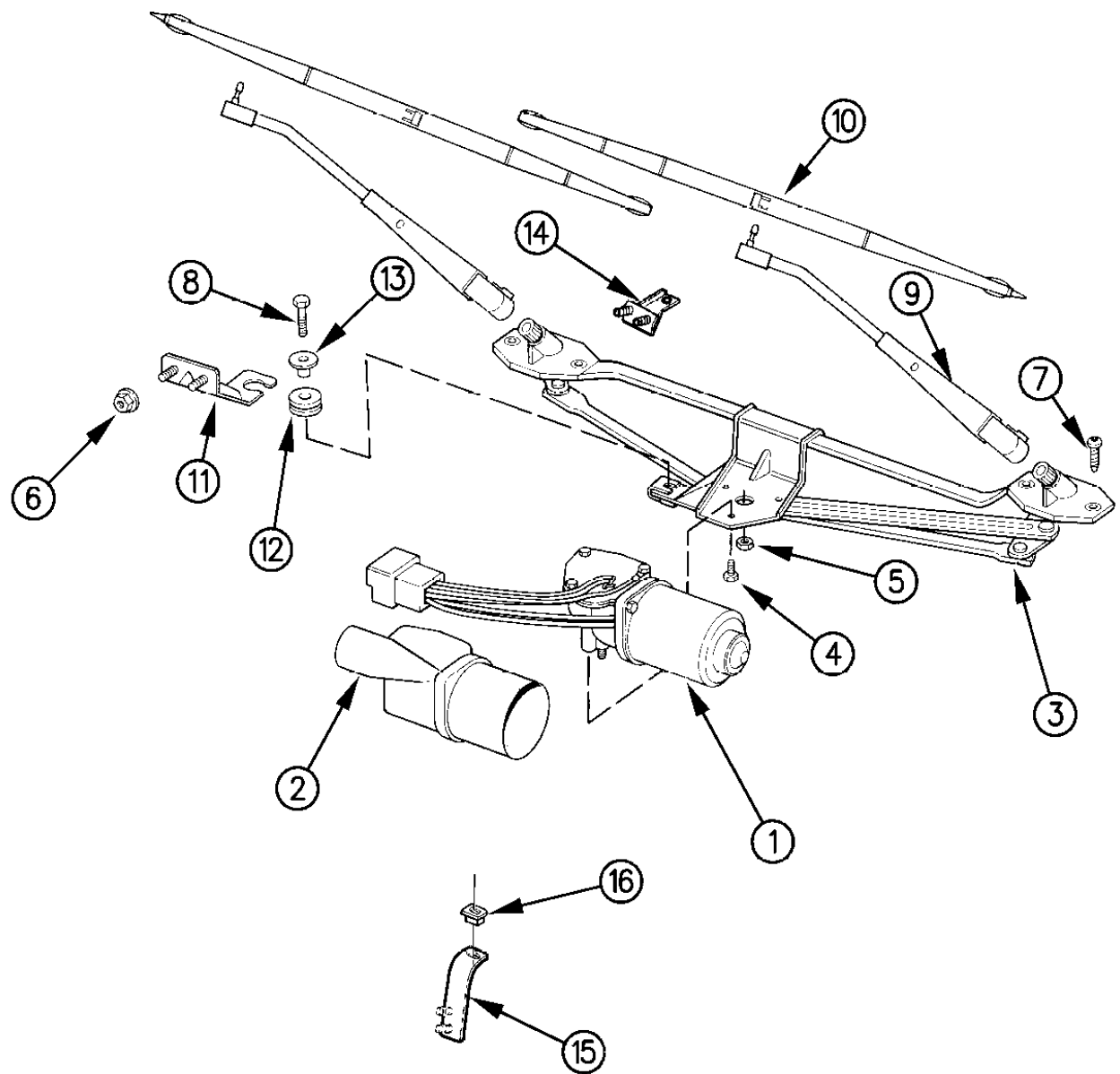
BODY STYLES:

MJ=Comanche Pickup ZJ=Grand Cherokee/Grand Wagoneer KDX VEHICLES
 SJ=Grand Wagoneer M1=Comanche
 XJ=Cherokee, Briarwood X1=Cherokee, Briarwood
 YJ=Wrangler Y1=Wrangler

AR = Use as Required - = Non Illustrated Part P.A.R. = Paint as Required

WINDSHIELD WIPER SYSTEM CHEROKEE, BRIARWOOD, COMANCHE
Figure 23D-700

91J72 700A



ITEM	PART NUMBER	QTY	BODY	MODEL	DESCRIPTION
1	4723 460	1			MOTOR, Wiper
		1			MOTOR w/Crank ***
	5515 4611				
	5600 5834				1992-93 (RHD)
2	5600 0901	1			COVER, Motor
3	8350 0660	1			LINKAGE, Wiper
4		3			BOLT (DNS)
5	1150 3750	1			NUT
6	3420 1358	2			NUT
7	3420 1496	4			SCREW
8	3420 1686	1			BOLT
9	5600 1132	2			ARM, Wiper
	5515 4596	2		RHD	1992-93
10	5600 1133	2			BLADE, w/Refill
11	5515 4526	1			BRACKET, w/Grommet Module Mtg.
12	5500 5397	1			GROMMET
13	5500 5398	1			SPACER
14	5502 7816	1		RHD	BRACKET, Motor Mtg.
15	5534 4629	1		RHD	BRACKET, Cowl Ext.
16	3420 1872	1			NUT, Plastic

MODEL CODES:

61=Pickup-6 Ft Box 74=4 Door Wagon T=2WD
 62=Pickup-7 Ft Box 77=Open Body 93" Wheelbase J,N,U=4WD
 72=2 Door Wagon 78=Open Body 103" Wheelbase

BODY STYLES:

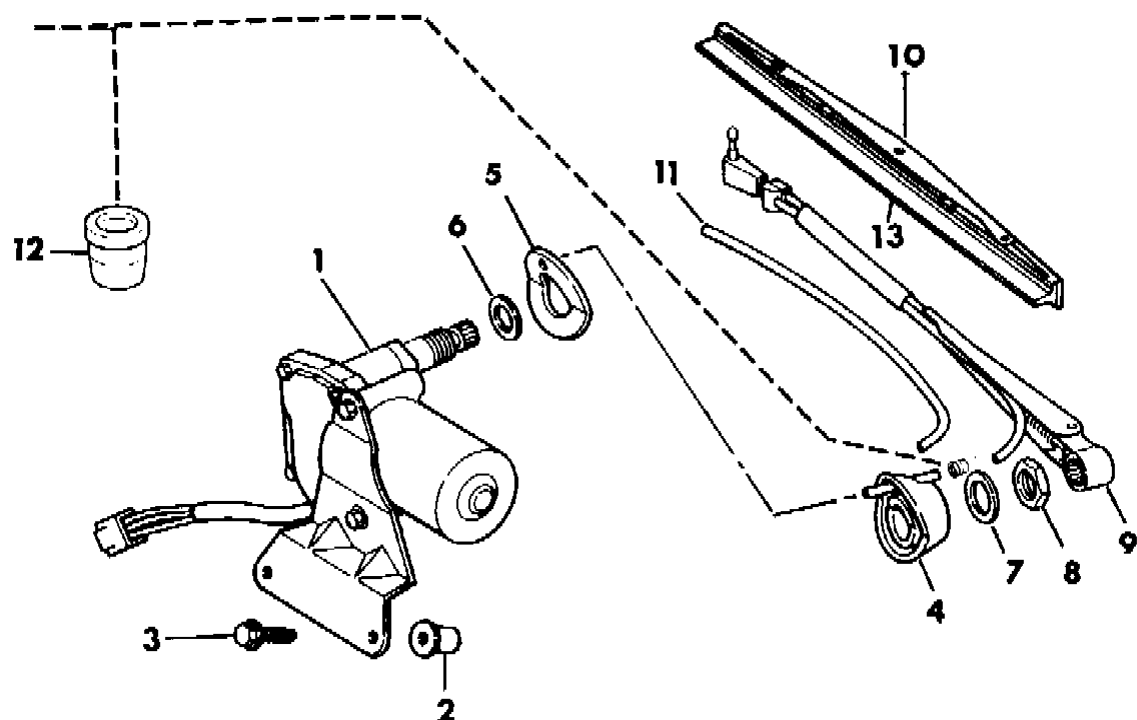
MJ=Comanche Pickup ZJ=Grand Cherokee/Grand Wagoneer KDX VEHICLES
 SJ=Grand Wagoneer M1=Comanche
 XJ=Cherokee, Briarwood X1=Cherokee, Briarwood
 YJ=Wrangler Y1=Wrangler

AR = Use as Required - = Non Illustrated Part P.A.R. = Paint as Required

REAR WIPER SYSTEM CHEROKEE, BRIARWOOD
Figure 23D-800

91J72 800A

ITEM	PART NUMBER	QTY	BODY	MODEL	DESCRIPTION
1	5600 6336	1			MOTOR, Wiper
2	3420 1589	2			NUT, Well
3	3420 1686	2			SCREW
4	5500 0302	1			BEZEL, Wiper
5	5500 5024	1			GASKET
6	5500 5126	1			SEAL
7	6502 395	1			WASHER
8	6502 299	1			NUT
9	5600 0598	1			ARM, Wiper, w/Nozzle
10	5500 0299	1			BLADE, Wiper
11	3600 0423	AR			HOSE
12	3420 1767	12			CLIP
13	4713 123	1			REFILL, Blade



MODEL CODES:
 61=Pickup-6 Ft Box 74=4 Door Wagon T=2WD
 62=Pickup-7 Ft Box 77=Open Body 93" Wheelbase J,N,U=4WD
 72=2 Door Wagon 78=Open Body 103" Wheelbase

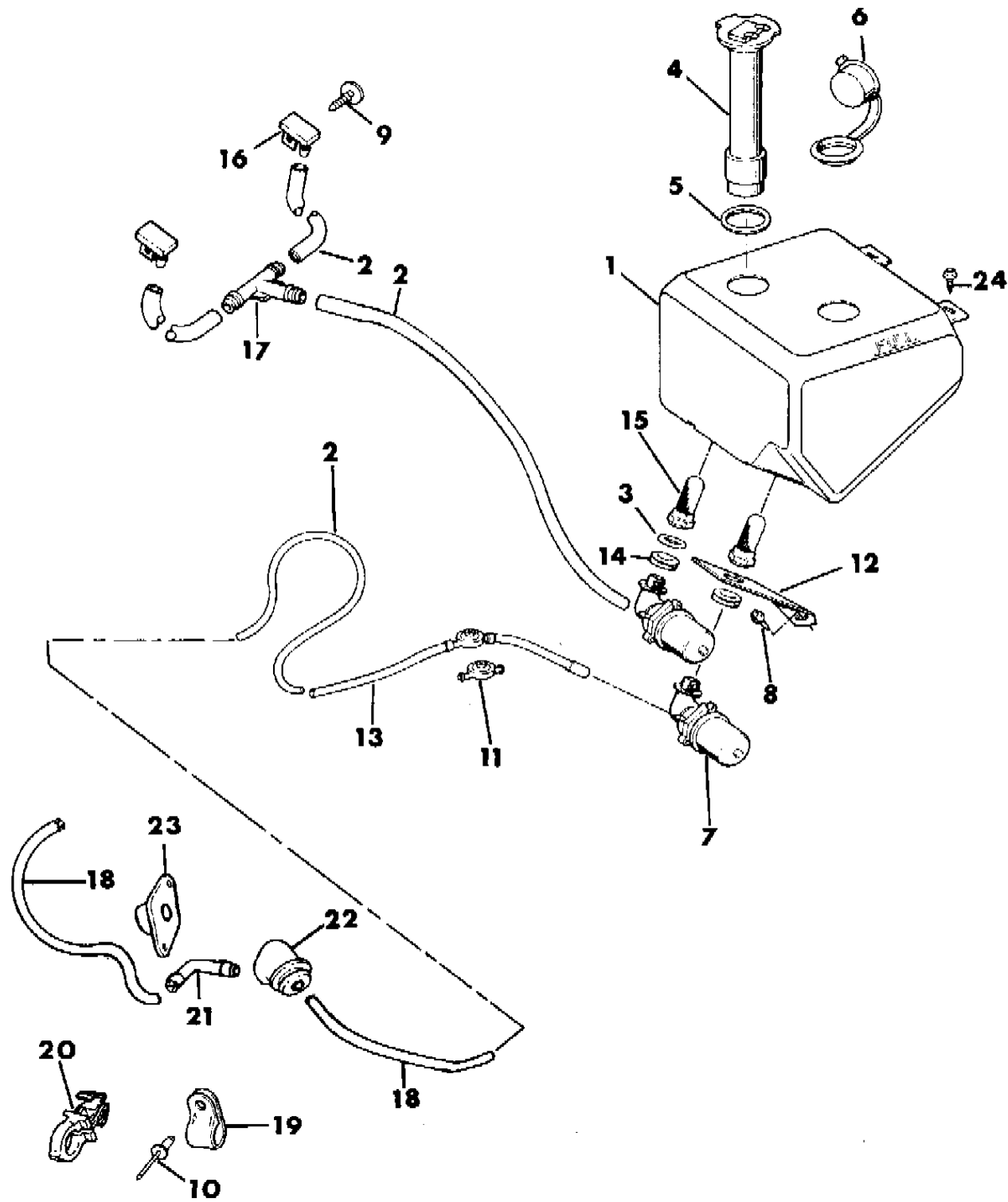
BODY STYLES:
 MJ=Comanche Pickup ZJ=Grand Cherokee/Grand Wagoneer KDX VEHICLES
 SJ=Grand Wagoneer M1=Comanche
 XJ=Cherokee, Briarwood X1=Cherokee, Briarwood
 YJ=Wrangler Y1=Wrangler

AR = Use as Required - = Non Illustrated Part P.A.R. = Paint as Required

WINDSHIELD AND REAR WASHER SYSTEM CHEROKEE, BRIARWOOD
Figure 23D-900

91J72 900A

ITEM	PART NUMBER	QTY	BODY	MODEL	DESCRIPTION
1					RESERVOIR, Washer
	5600 0867	1			w/o Rear Washer, 1991
	5600 0875	1			w/Rear Washer, 1991
	5515 4605	1			w/o Rear Washer, 1992-93 Gas Engine
	5515 4602	1			w/Rear Washer, 1992-93 Gas Engine
2	4439 003	AR			HOSE
3	5600 0594	1			WASHER
4					SENSOR, Fluid Level
	5600 0698	1			1992-93, Gas Engine
	5600 0873	1			Diesel/Right Hand Drive
	5600 0873	1			1991, Gas Engine
5	5600 0595	1			GASKET, Sensor
6					CAP, Reservoir
	5600 0699	1			1991
	5600 5210	1			1992-93
	5600 0699				RHD, 1992-93
7					PUMP, Washer
	5515 4613	1			Front
	3600 1132	1			Rear
8	3420 1784	3			SCREW
9	J400 4262	2			CLIP
10	3420 1197	1			RIVET
11	5600 6162	1			VALVE, Check
12	5600 0870	1			BRACKET, Reservoir
13	4439 003	AR			HOSE
14	5600 0592	AR			SEAL, Filter Nut
15	5600 0593	AR			NUT, Filter
16	5600 1601	2			NOZZLE, Washer
17	J321 0891	1			CONNECTOR, Tee
18	4439 003	AR			HOSE, Rear Washer
19	3420 1904	1			CLIP
20	J400 6550	20			CLIP, Nylon
21	J323 4225	1			CONNECTOR
22	J417 0917	1			GROMMET, Tube
23	J417 0317	1			GROMMET, Wire
24	3420 2358	2			SCREW



MODEL CODES:

61=Pickup-6 Ft Box 74=4 Door Wagon T=2WD
 62=Pickup-7 Ft Box 77=Open Body 93" Wheelbase J,N,U=4WD
 72=2 Door Wagon 78=Open Body 103" Wheelbase

BODY STYLES:

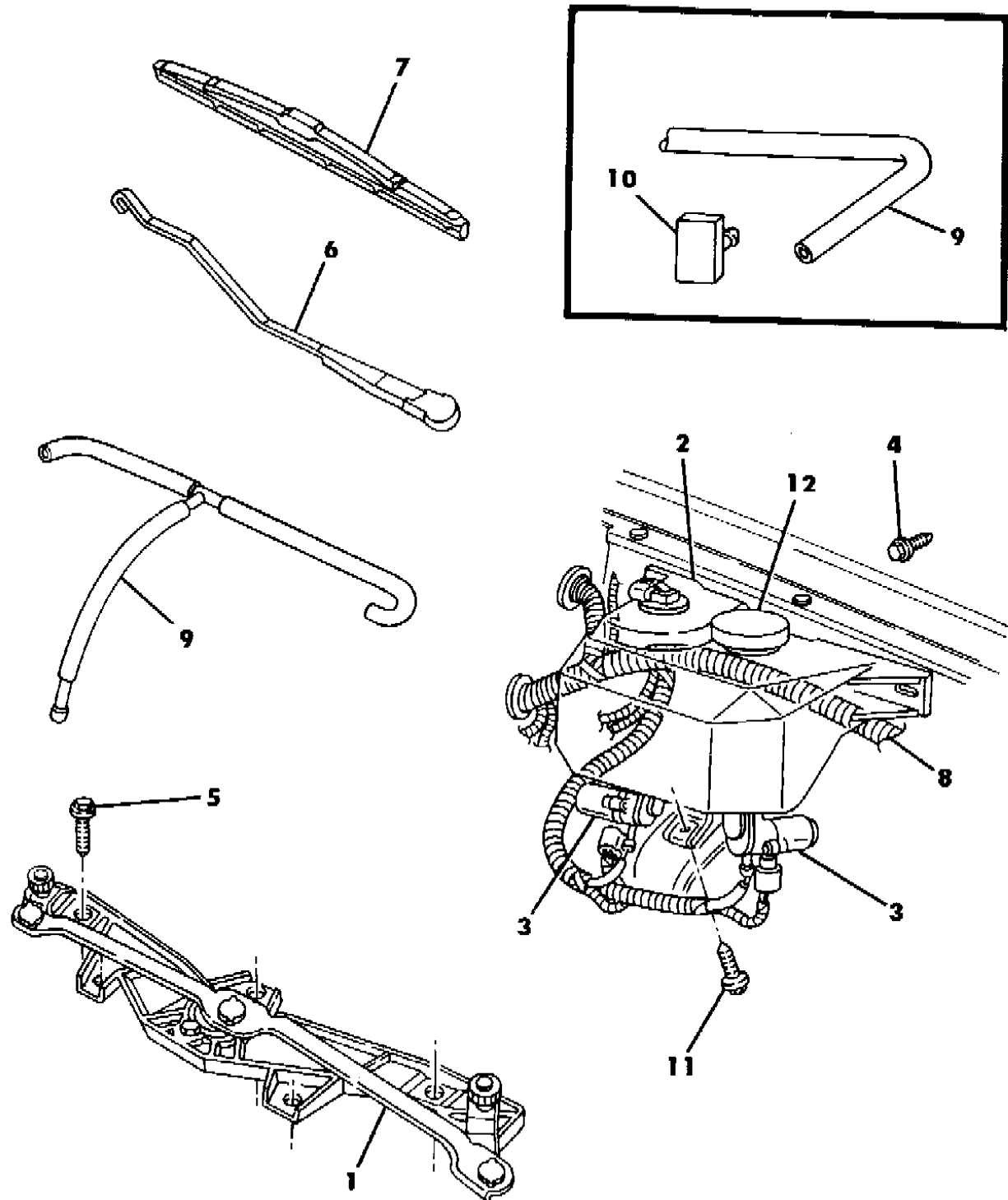
MJ=Comanche Pickup ZJ=Grand Cherokee/Grand Wagoneer KDX VEHICLES
 SJ=Grand Wagoneer M1=Comanche
 XJ=Cherokee, Briarwood X1=Cherokee, Briarwood
 YJ=Wrangler Y1=Wrangler

AR = Use as Required - = Non Illustrated Part P.A.R. = Paint as Required

WINDSHIELD WIPER AND WASHER SYSTEM ZJ GRAND CHEROKEE
Figure 23D-910

91J72 910

ITEM	PART NUMBER	QTY	BODY	MODEL	DESCRIPTION
1	5600 5182	1			LINKAGE, w/Pivot ***
	5600 5181	1			MOTOR, Wiper
2					RESERVOIR, Washer
	5600 5420	1			w/Vehicle Monitor
	5600 5461	1			w/o Vehicle Monitor
	5600 5209	1			SENSOR, Fluid
	5600 0595	1			GASKET, Sensor
	5600 0592	2			SEAL, Filter
	5600 0594	2			WASHER, Filter
	5600 0593	2			NUT, Filter
3	4713 733	2			PUMP, Washer
4	6501 230	2			SCREW
5	3420 1686	5			BOLT
6	5600 5184	2			ARM, Wiper
7	5600 5186	2			BLADE, w/Refill
8		1			HARNASS, H/Lamp and Dash, See Group 8 ***
9	5515 4690	AR			HOSE, Washer
	5503 5949	2			CLIP, Hose
	3671 410	1			TEE, Hose
10	5600 5414	2			NOZZLE, Washer
11		1			SCREW (DNS)
12	5600 5210	1			CAP, Reservoir



MODEL CODES:

61=Pickup-6 Ft Box 74=4 Door Wagon T=2WD
 62=Pickup-7 Ft Box 77=Open Body 93" Wheelbase J,N,U=4WD
 72=2 Door Wagon 78=Open Body 103" Wheelbase

BODY STYLES:

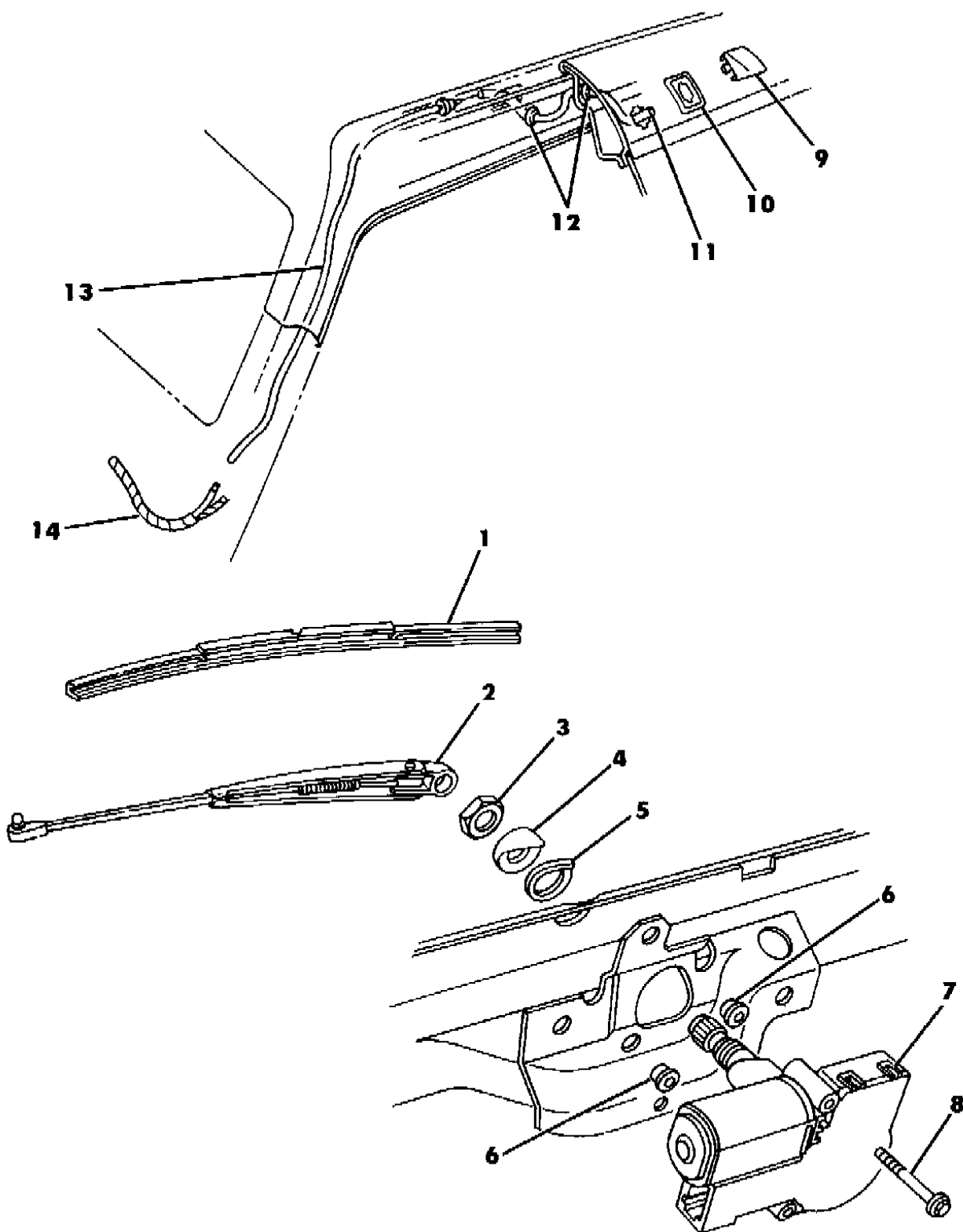
MJ=Comanche Pickup ZJ=Grand Cherokee/Grand Wagoneer KDX VEHICLES
 SJ=Grand Wagoneer M1=Comanche
 XJ=Cherokee, Briarwood X1=Cherokee, Briarwood
 YJ=Wrangler Y1=Wrangler

AR = Use as Required - = Non Illustrated Part P.A.R. = Paint as Required

REAR WIPER AND WASHER SYSTEM ZJ GRAND CHEROKEE
Figure 23D-920

91J72 920

ITEM	PART NUMBER	QTY	BODY	MODEL	DESCRIPTION
1	5500 0299	1			BLADE, w/Refill
	4713 123	1			REFILL, Blade
2	5600 5195	1			ARM, Wiper
	5501 7818	2			PLUG, Wiper Shaft Hole
3	6502 263	1			NUT
4	5600 5200	1			BEZEL, Arm Mtg.
5	5600 5201	1			GASKET, Arm Mtg.
6		2			NUT (DNS)
7	5600 5194	1			MOTOR, Wiper
8	6502 727	2			SCREW
9	5600 5203	1			NOZZLE, Washer
	3300 0808	2			CONNECTOR, 1/8 x 1/8
10		1			SEAL, Serviced in 9
11	5600 5793	1			TUBE, Washer
12	5515 4622	1			GROMMET
13	5600 6162	1			VALVE, Check
	5515 4535	1			HOSE, Valve to Nozzle



MODEL CODES:
61=Pickup-6 Ft Box 74=4 Door Wagon T=2WD
62=Pickup-7 Ft Box 77=Open Body 93" Wheelbase J,N,U=4WD
72=2 Door Wagon 78=Open Body 103" Wheelbase

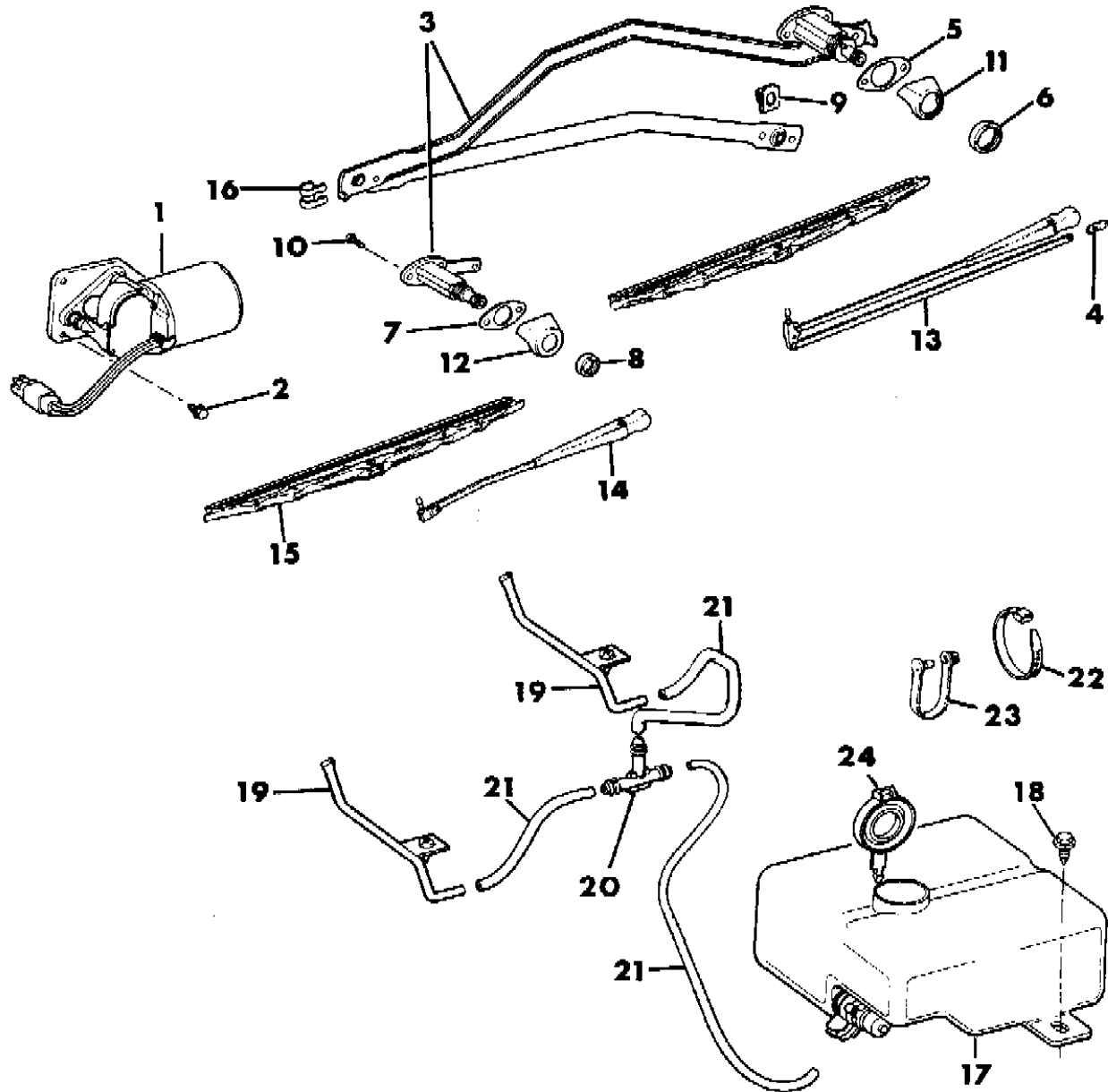
BODY STYLES:
MJ=Comanche Pickup ZJ=Grand Cherokee/Grand Wagoneer KDX VEHICLES
SJ=Grand Wagoneer M1=Comanche
XJ=Cherokee, Briarwood X1=Cherokee, Briarwood
YJ=Wrangler Y1=Wrangler

AR = Use as Required - = Non Illustrated Part P.A.R. = Paint as Required

WINDSHIELD WIPER AND WASHER SYSTEM GRAND WAGONEER, 1991
Figure 23D-1000

91J72 1000

ITEM	PART NUMBER	QTY	BODY	MODEL	DESCRIPTION
1	5600 2909	1			MOTOR, w/Drive Arm
	5600 2913	1			GASKET, Motor Seal
2	J400 6455	3			SCREW
3	J575 8474	1			LINKAGE, Wiper
4	J812 8491	2			CLIP
5	J546 2415	1			GASKET
6	J400 6450	1			NUT
7	J095 7871	1			GASKET
8	J400 6452	1			NUT
9	J366 5764	1			CLIP
10	J400 7001	4			SCREW
11	J575 1149	1			ESCUTCHEON
12	J575 1144	1			ESCUTCHEON
13	J575 8475	1			ARM, Wiper
14	J575 1155	1			ARM, Wiper
15	4270 468	2			REFILL, Wiper
16	J095 7868	2			CLIP
17	J545 4940	1			RESERVOIR, Washer
18	9421 073	2			SCREW
19	J545 8180	2			NOZZLE, Washer
20	J321 0891	1			TEE
21	4439 003	AR			HOSE
22	J322 3227	2			STRAP
23	J400 1712	1			CLIP, Cable
24	J448 9483	1			CAP, Reservoir



MODEL CODES:

61=Pickup-6 Ft Box 74=4 Door Wagon T=2WD
 62=Pickup-7 Ft Box 77=Open Body 93" Wheelbase J,N,U=4WD
 72=2 Door Wagon 78=Open Body 103" Wheelbase

BODY STYLES:

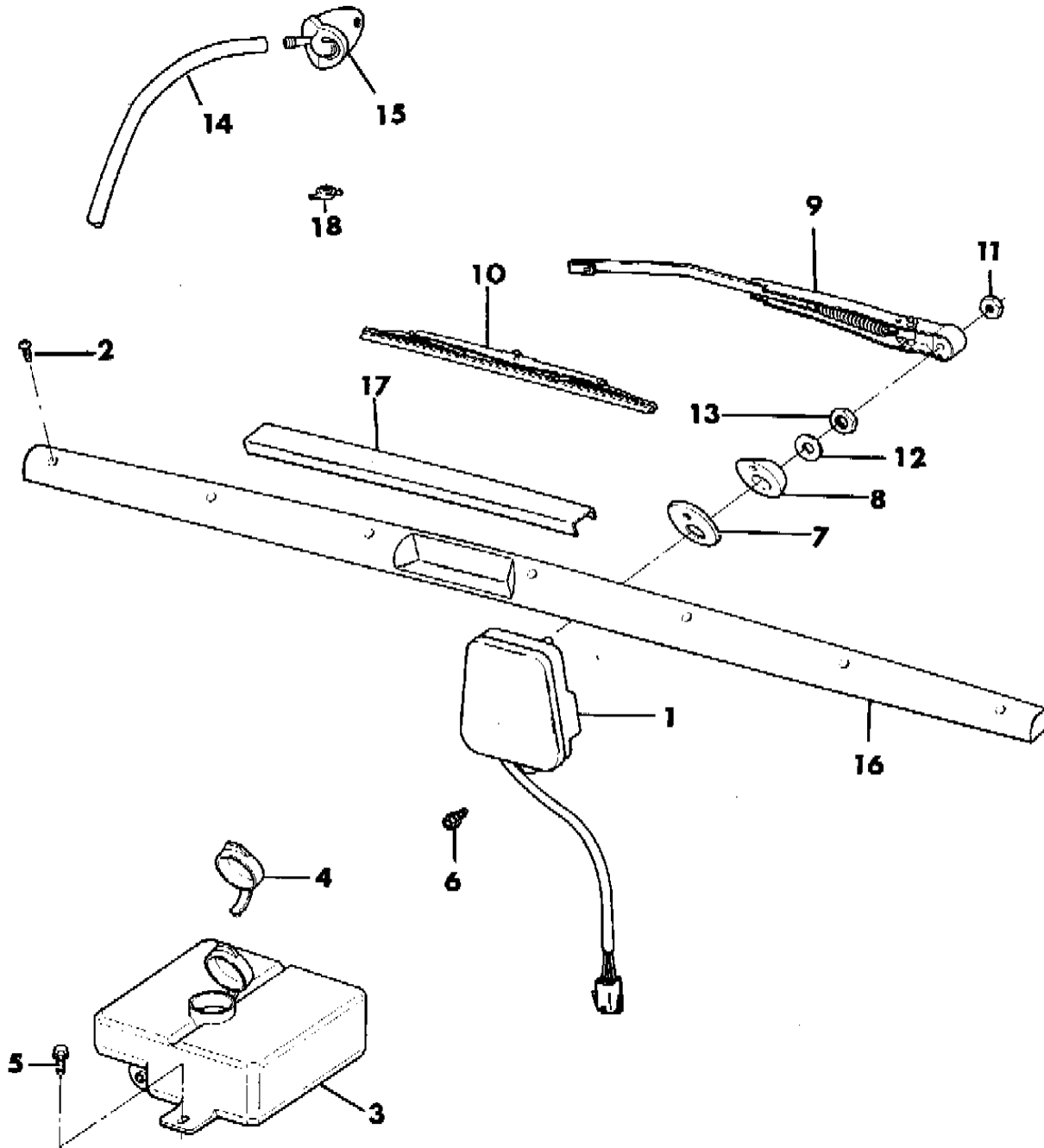
MJ=Comanche Pickup ZJ=Grand Cherokee/Grand Wagoneer KDX VEHICLES
 SJ=Grand Wagoneer M1=Comanche
 XJ=Cherokee, Briarwood X1=Cherokee, Briarwood
 YJ=Wrangler Y1=Wrangler

AR = Use as Required - = Non Illustrated Part P.A.R. = Paint as Required

REAR WIPER AND WASHER SYSTEM GRAND WAGONEER, 1991
Figure 23D-1100

91J72 1100

ITEM	PART NUMBER	QTY	BODY	MODEL	DESCRIPTION
1	5600 2636	1			MOTOR, Wiper
2	J400 2461	7			SCREW
3	J545 4940	1			RESERVOIR, Washer
4	J448 9483	1			CAP, Reservoir
5	9421 073	1			SCREW
6	J400 2203	1			SCREW
7	5600 2721	1			SEAL
8	5600 2640	1			BEZEL
9	5600 2641	1			ARM, w/Head Cover
10	5600 2642	1			REFILL, Wiper
11	3420 2838	1			NUT
12	3420 2666	1			WASHER
13	3420 2678	1			NUT
14	4439 003	AR			HOSE
15	5600 6394	1			NOZZLE, Washer
16	5AF3 8KY6	1			PROTECTOR, Glass Tan
	5AF3 8JH9	1			Cordovan
17	5502 1468	1			PROTECTOR, Vinyl
18	5600 6162	1			VALVE, Check



MODEL CODES:

61=Pickup-6 Ft Box 74=4 Door Wagon T=2WD
62=Pickup-7 Ft Box 77=Open Body 93" Wheelbase J,N,U=4WD
72=2 Door Wagon 78=Open Body 103" Wheelbase

BODY STYLES:

MJ=Comanche Pickup ZJ=Grand Cherokee/Grand Wagoneer KDX VEHICLES
SJ=Grand Wagoneer M1=Comanche
XJ=Cherokee, Briarwood X1=Cherokee, Briarwood
YJ=Wrangler Y1=Wrangler

AR = Use as Required - = Non Illustrated Part P.A.R. = Paint as Required

GROUP 24 - HEATER AND AIR CONDITIONING

ILLUSTRATION TITLE	GROUP-FIG. NO.
HEATER CONTROLS	
CONTROLS, HEATER AND FRESH AIR WRANGLER, YJ	Fig. 24-100
CONTROL, HEATER GRAND CHEROKEE (ZJ)	Fig. 24-150
HEATER UNIT	
HEATER UNIT WRANGLER, YJ	Fig. 24-200
HOUSING AND CORE, HEATER CHEROKEE, BRIARWOOD, COMANCHE	Fig. 24-300
HEATER UNIT GRAND CHEROKEE (ZJ)	Fig. 24-350
CORE AND BLOWER MOTOR, HEATER GRAND WAGONEER (SJ) 1991	Fig. 24-400
HEATER PLUMBING	
PLUMBING, HEATER WRANGLER, YJ	Fig. 24-500
HOSES, HEATER 2.5L GAS ENGINE AND DIESEL ENGINE CHEROKEE, BRIARWOOD, COMANCHE	Fig. 24-600
HOSES, HEATER 4.0L ENGINE CHEROKEE, BRIARWOOD, COMANCHE	Fig. 24-700
HOSES, HEATER GRAND CHEROKEE (ZJ) 4.0L ENGINE	Fig. 24-750
HOSES, HEATER GRAND CHEROKEE (ZJ) 5.2L ENGINE	Fig. 24-770
HOSES, HEATER GRAND WAGONEER	Fig. 24-800
AIR CONDITIONING CONTROLS	
CONTROLS, HEATER AND AIR CONDITIONING CHEROKEE, BRIARWOOD, COMANCHE	Fig. 24-900
CONTROL, AIR CONDITIONING GRAND CHEROKEE (ZJ)	Fig. 24-950
CONTROLS, HEATER AND AIR CONDITIONING GRAND WAGONEER (SJ) 1991	Fig. 24-1000
AIR CONDITIONING AND HEATER UNIT	
EVAPORATOR AND BLOWER, AIR CONDITIONING WRANGLER, YJ	Fig. 24-1100
BLOWER MOTOR AND HOUSING HEATER AND AIR CONDITIONING CHEROKEE, BRIARWOOD, COMANCHE	Fig. 24-1200
CORE, EVAPORATOR CHEROKEE, BRIARWOOD, COMANCHE	Fig. 24-1300
AIR CONDITIONING UNIT GRAND CHEROKEE (ZJ)	Fig. 24-1330
AIR CONDITIONING UNIT A.T.C. GRAND CHEROKEE (ZJ)	Fig. 24-1350
AIR CONDITIONING UNIT GRAND WAGONEER (SJ) 1991	Fig. 24-1400
AIR CONDITIONING AND HEATER PLUMBING	
RECEIVER/DRIER AND HOSES WRANGLER, YJ	Fig. 24-1500
RECEIVER/DRIER, CONDENSER AND HOSES 4 CYLINDER ENGINE W/FACTORY AIR CONDITIONING CHEROKEE, BRIARWOOD, COMANCHE	Fig. 24-1600
RECEIVER/DRIER, CONDENSER AND HOSES 6 CYLINDER ENGINE W/FACTORY AIR CONDITIONING CHEROKEE, BRIARWOOD, COMANCHE	Fig. 24-1700
RECEIVER/DRIER, CONDENSER AND HOSES DIESEL ENGINE W/FACTORY AIR CONDITIONING CHEROKEE, BRIARWOOD, COMANCHE	Fig. 24-1800
LINES, HEATER AND AIR CONDITIONING VACUUM CHEROKEE, BRIARWOOD, COMANCHE	Fig. 24-1900
LINES, CONDENSER GRAND CHEROKEE (ZJ) 4.0L ENGINE	Fig. 24-1950

ILLUSTRATION NOT AVAILABLE AT TIME OF PUBLICATION

GROUP 24 - HEATER AND AIR CONDITIONING

ILLUSTRATION TITLE

GROUP-FIG. NO.

AIR CONDITIONING AND HEATER PLUMBING (Continued)

LINES, CONDENSER GRAND CHEROKEE (ZJ) 4.0L ENGINE	Fig. 24-1950
LINES, CONDENSER GRAND CHEROKEE (ZJ) 5.2L ENGINE	Fig. 24-1970
RECEIVER/DRIER, CONDENSER AND HOSES W/AIR CONDITIONING GRAND WAGONEER (SJ) 1991 ...	Fig. 24-2000

AIR COMPRESSOR AND MOUNTING

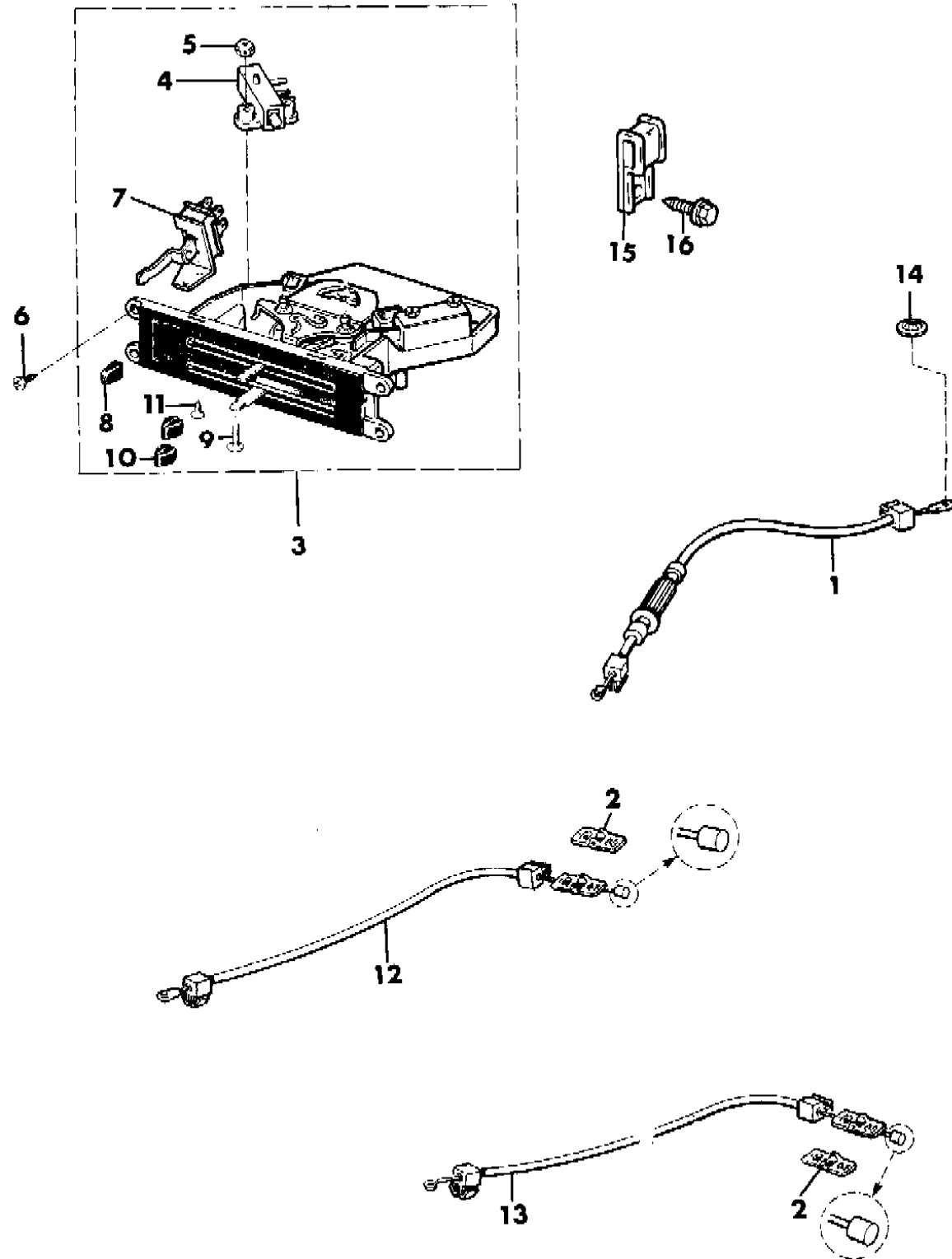
COMPRESSOR 6 CYLINDER ENGINE W/FACTORY AIR CONDITIONING WRANGLER, YJ	Fig. 24-2100
COMPRESSOR, AIR CONDITIONING CHEROKEE, BRIARWOOD, COMANCHE	Fig. 24-2200
COMPRESSOR, AIR CONDITIONING GRAND CHEROKEE (ZJ)	Fig. 24-2300
COMPRESSOR, AIR CONDITIONING, YORK EIGHT CYLINDER GRAND WAGONEER (SJ) 1991	Fig. 24-2400
COMPRESSOR, AIR CONDITIONING, SANDEN 8 CYLINDER ENGINE GRAND WAGONEER (SJ) 1991 ...	Fig. 24-2500
COMPRESSOR MOUNTING CHEROKEE, BRIARWOOD, COMANCHE WRANGLER	Fig. 24-2600
COMPRESSOR MOUNTING GRAND CHEROKEE (ZJ)	Fig. 24-2650
COMPRESSOR MOUNTING, AIR CONDITIONING 8 CYLINDER ENGINE GRAND WAGONEER (SJ) 1991 ..	Fig. 24-2700

AIR DUCTS AND OUTLETS

AIR DISTRIBUTION DUCTS, FRESH AIR WRANGLER, YJ	Fig. 24-2800
AIR DUCT AND OUTLET, FRESH AIR W/O HEATER EUROPE, MIDEAST, KDX WRANGLER	Fig. 24-2900
AIR DUCTS AND OUTLETS CHEROKEE, BRIARWOOD, COMANCHE	Fig. 24-3000
AIR DUCTS AND OUTLETS GRAND CHEROKEE (ZJ)	Fig. 24-3050
AIR DUCT, HEATING AND DEFROSTING GRAND WAGONEER (SJ) 1991	Fig. 24-3100
AIR DUCTS AND OUTLETS, FRESH AIR INTAKE GRAND WAGONEER (SJ) 1991	Fig. 24-3200

CONTROLS, HEATER AND FRESH AIR WRANGLER, YJ
Figure 24-100

91J24 100A



ITEM	PART NUMBER	QTY	BODY	MODEL	DESCRIPTION
1	5600 2698	1			CABLE, Air Vent
2	5600 2700	1			CLIP
3					CONTROL, Heater
	5603 0034	1			1991
	5503 5744	1			1992-93
4	J369 3112	1			SWITCH, Vacuum
5	J400 3625	2			NUT
6	J400 3671	4			SCREW
7					SWITCH, Heater
	8350 4250	1			4 Terminal
	J369 3111	1			5 Terminal
8	J322 2059	1			KNOB, Heater Blower Switch
9	J400 1267	2			SCREW
10	J322 2060	2			KNOB, Heater Control
11	J812 2837	2			SCREW
12					CABLE, Defroster Control
	5600 2696	1			1991-92
	5503 5970	1			1993
13	5600 2699	1			CABLE, Temperature Control
	J400 5751	2			NUT, Cable
14	J400 1714	AR			NUT
15	J400 5669	1			CLAMP
16	J942 1073	1			SCREW

MODEL CODES:

61=Pickup-6 Ft Box 74=4 Door Wagon T=2WD
 62=Pickup-7 Ft Box 77=Open Body 93" Wheelbase J,N,U=4WD
 72=2 Door Wagon 78=Open Body 103" Wheelbase

BODY STYLES:

MJ=Comanche Pickup ZJ=Grand Cherokee/Grand Wagoneer KDX VEHICLES
 SJ=Grand Wagoneer M1=Comanche
 XJ=Cherokee, Briarwood X1=Cherokee, Briarwood
 YJ=Wrangler Y1=Wrangler

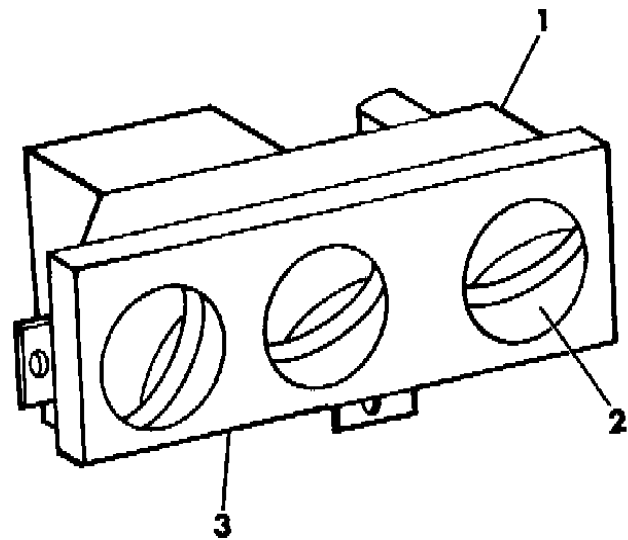
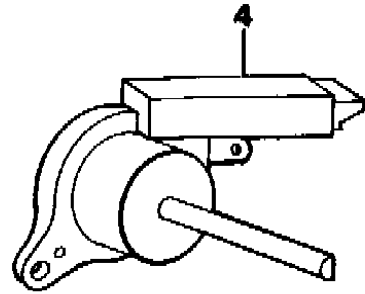
AR = Use as Required - = Non Illustrated Part P.A.R. = Paint as Required

CONTROL, HEATER GRAND CHEROKEE (ZJ)

Figure 24-150

91J24 150

ITEM	PART NUMBER	QTY	BODY	MODEL	DESCRIPTION
1					CONTROL, Heater
	5600 5938	1			Up to 4-20-93
	5503 5965	1			After 4-20-93
2	4720 841	3			KNOB
3	4720 845	1			FACEPLATE ***
	4720 843	2			LAMP, Faceplate
4	4720 846	1			VALVE, Rotary Vacuum, w/Harness



MODEL CODES:

61=Pickup-6 Ft Box 74=4 Door Wagon T=2WD
 62=Pickup-7 Ft Box 77=Open Body 93" Wheelbase J,N,U=4WD
 72=2 Door Wagon 78=Open Body 103" Wheelbase

BODY STYLES:

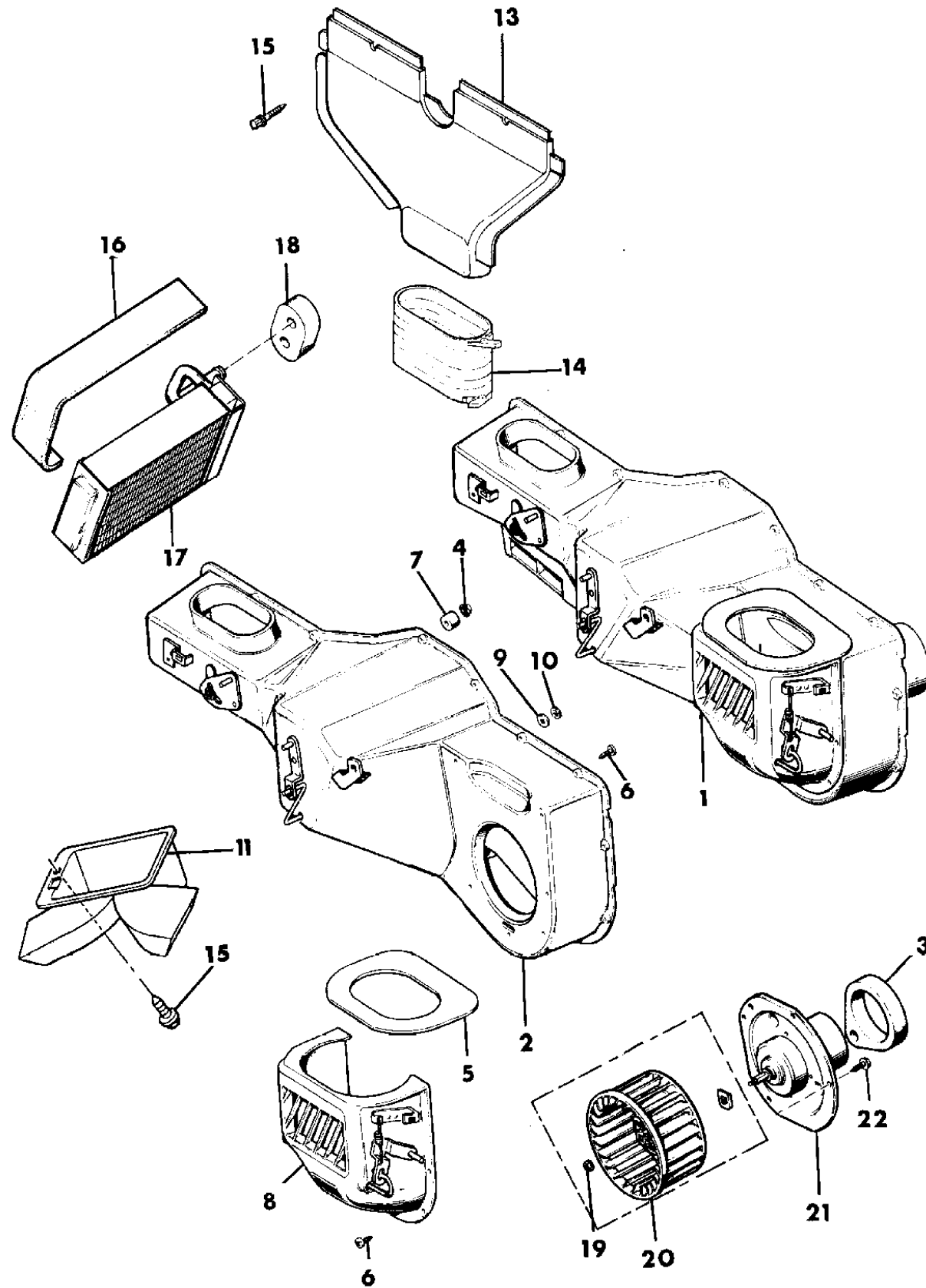
MJ=Comanche Pickup ZJ=Grand Cherokee/Grand Wagoneer KDX VEHICLES
 SJ=Grand Wagoneer M1=Comanche
 XJ=Cherokee, Briarwood X1=Cherokee, Briarwood
 YJ=Wrangler Y1=Wrangler

AR = Use as Required - = Non Illustrated Part P.A.R. = Paint as Required

HEATER UNIT WRANGLER, YJ
Figure 24-200

91J24 200C

ITEM	PART NUMBER	QTY	BODY	MODEL	DESCRIPTION
1		1			HEATER ASSEMBLY (Serviced in component parts) ***
2	5503 5791	1			CASE ASSEMBLY, Heater ***
	5503 5699	1			BACKPLATE ASSEMBLY, Heater Case ***
	5600 1463	1			DOOR, Defrost, w/Linkage
	5600 1460	1			DOOR, Air Blend
3	5503 5566	1			SEAL
4	J027 1172	4			NUT
5	J546 3794	1			SEAL
6	J400 4566	AR			SCREW
7	J546 2713	4			SPACER
	5503 5991	4			1993
8	5600 1465	1			HOUSING, Damper
9	J400 3089	1			WASHER
10	J400 1714	1			NUT, Push
11	5503 5618	1			DUCT, Floor
13	8350 5131	1			DUCT, Defroster
14	5600 1477	1			HOSE
15	3420 1688	2			SCREW
16	J546 2704	1			SEAL, Heater Core
17	5600 1459	1			CORE, Heater
18	5600 4535	1			SEAL, Heater Core Tubes
19	J420 0306	1			NUT
20	5503 5644	1			WHEEL, Blower
21	5503 5565	1			MOTOR, Blower
-					RESISTER, Blower Motor ***
	J096 1042	1			1991
	5503 5958	1			1992-3
22	9421 073	5			SCREW



MODEL CODES:

61=Pickup-6 Ft Box 74=4 Door Wagon T=2WD
62=Pickup-7 Ft Box 77=Open Body 93" Wheelbase J,N,U=4WD
72=2 Door Wagon 78=Open Body 103" Wheelbase

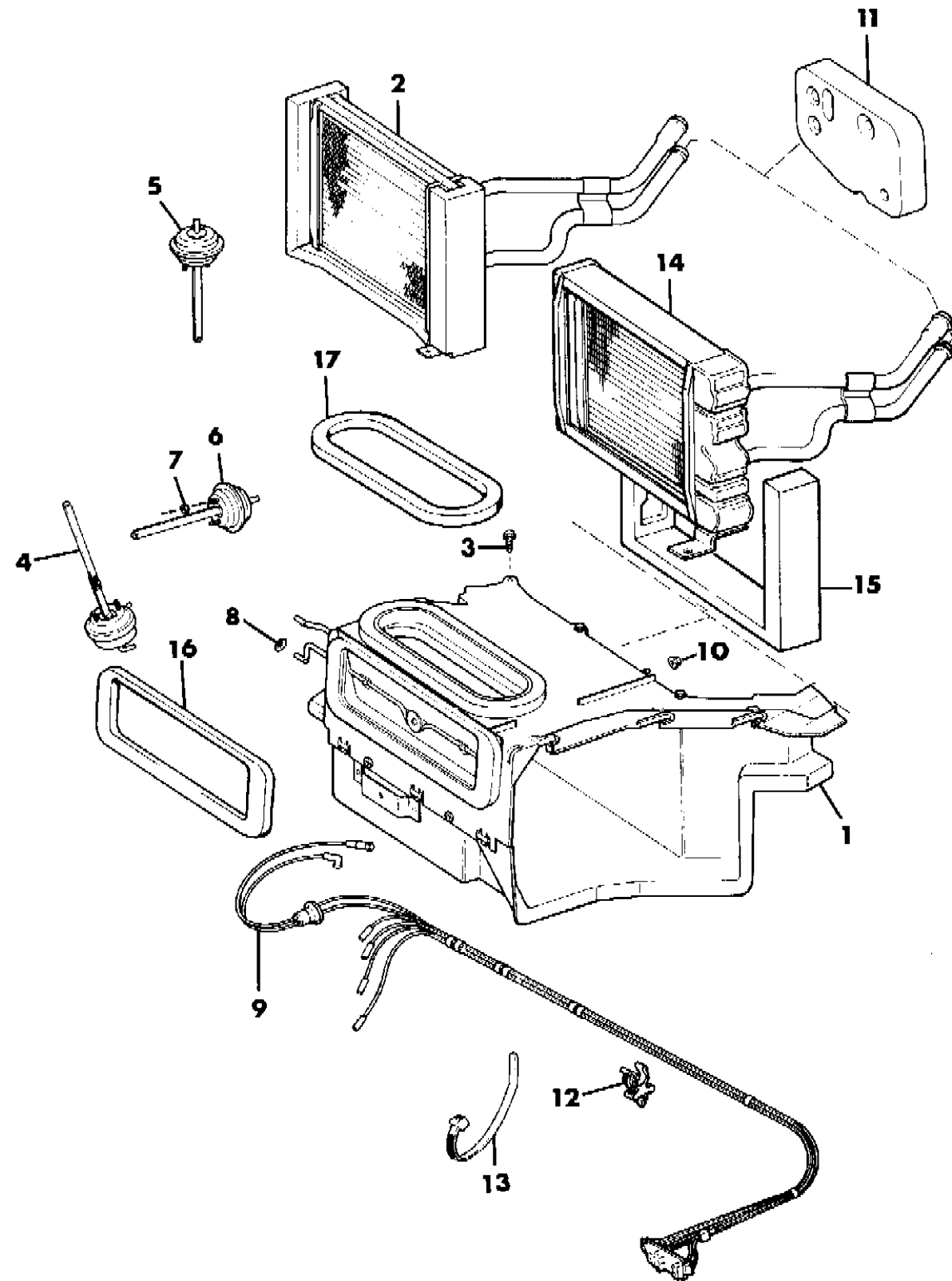
BODY STYLES:

MJ=Comanche Pickup ZJ=Grand Cherokee/Grand Wagoneer KDX VEHICLES
SJ=Grand Wagoneer M1=Comanche
XJ=Cherokee, Briarwood X1=Cherokee, Briarwood
YJ=Wrangler Y1=Wrangler

AR = Use as Required - = Non Illustrated Part P.A.R. = Paint as Required

HOUSING AND CORE, HEATER CHEROKEE, BRIARWOOD, COMANCHE
Figure 24-300

91J24 300



ITEM	PART NUMBER	QTY	BODY	MODEL	DESCRIPTION
1					HOUSING, Heater
	8350 0957	1			w/o Air Cond.
	8350 0959	1			w/Air Cond.
	4773 093	1			RHD
2	5600 0049	1			CORE, Heater
	4644 136	1			RHD
3	3420 1366	3			SCREW
4	5503 5706	1			MOTOR, Heater Vacuum, Defroster
5	5600 0044	1			MOTOR, Heater Vacuum, Floor
6	5600 0198	1			MOTOR, Heater Vacuum, Inst. Panel Outlet
7	3420 1001	AR			NUT
8	J400 0369	AR			NUT, Push
9					HOSE, Vacuum
	5600 4341	1			w/o Air Cond.
	5600 4340	1			w/Air Cond.
	5600 1771	1			w/Air Cond. CHINA
	J400 4302	1			CLAMP, Hose, Spring
10	3420 1358	2			NUT
11					SEAL, Heater Core Tubes to Dash
	5600 6310	1			Heater
	5600 6312	1			Air Conditioning
12	J417 5263	2			CLIP
13	J322 3227	1			STRAP
14	5600 1321	1			CORE, Heater, w/Diesel Engine
15	5600 1322	1			SEAL, Heater Core, w/Diesel Engine
16	5600 0533	1			SEAL
17	5600 0513	1			SEAL

MODEL CODES:

61=Pickup-6 Ft Box 74=4 Door Wagon T=2WD
 62=Pickup-7 Ft Box 77=Open Body 93" Wheelbase J,N,U=4WD
 72=2 Door Wagon 78=Open Body 103" Wheelbase

BODY STYLES:

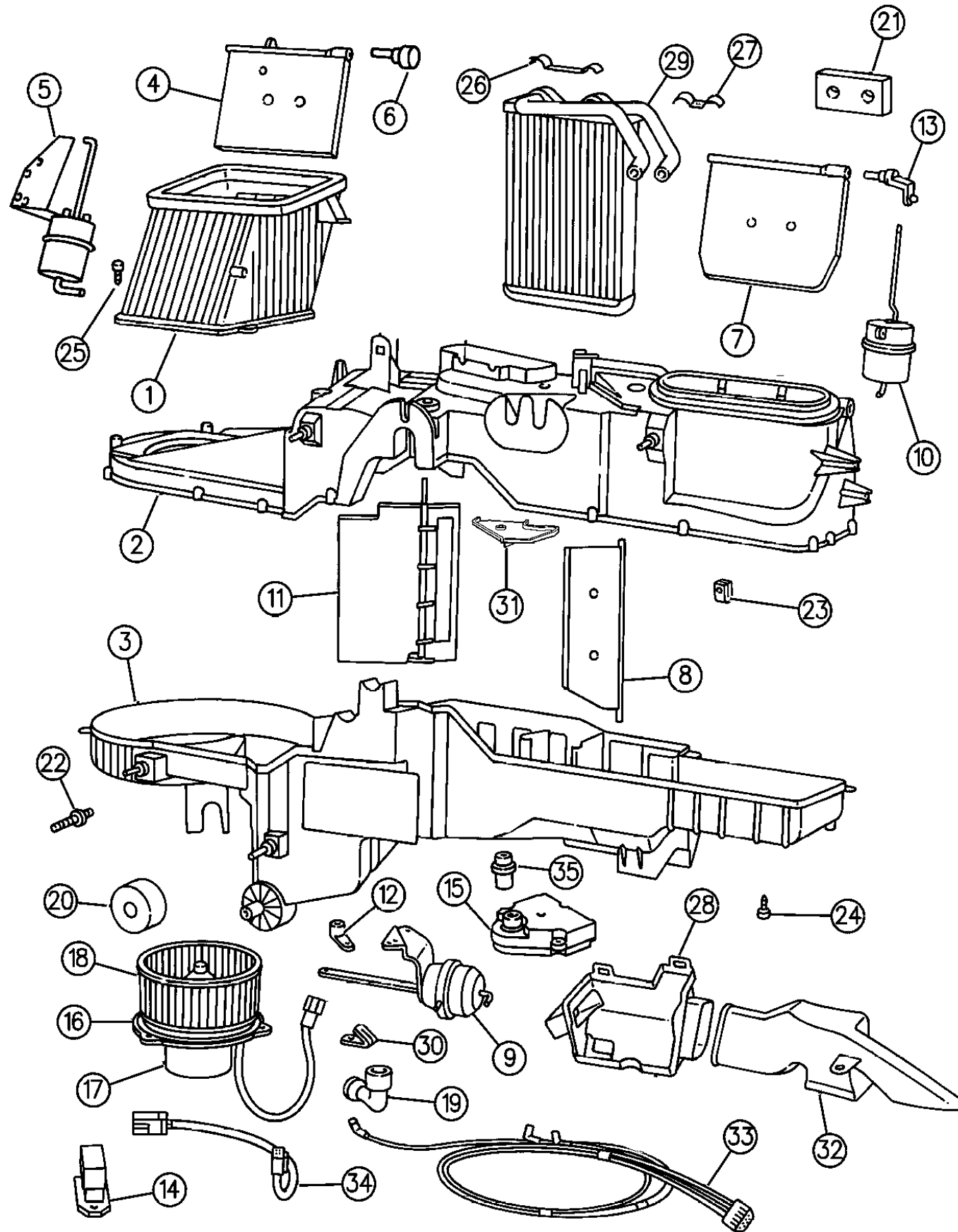
MJ=Comanche Pickup ZJ=Grand Cherokee/Grand Wagoneer KDX VEHICLES
 SJ=Grand Wagoneer M1=Comanche
 XJ=Cherokee, Briarwood X1=Cherokee, Briarwood
 YJ=Wrangler Y1=Wrangler

AR = Use as Required - = Non Illustrated Part P.A.R. = Paint as Required

HEATER UNIT GRAND CHEROKEE (ZJ)

Figure 24-350

91J24 350A



ITEM	PART NUMBER	QTY	BODY	MODEL	DESCRIPTION
1	4720 549	1			HOUSING, Fresh and Recirc.
2	4720 546	1			HOUSING, Upper
3	4720 547	1			HOUSING, Lower
4	4720 026	1			DOOR, Fresh Air
5	4720 349	1			ACTUATOR, Fresh Air Door
6	4720 029	1			RETAINER, Fresh Air Vent
7	4720 023	1			DOOR, Vent/Defrost
8	4720 022	1			DOOR, Floor Duct
9	4720 282	1			ACTUATOR, Floor Duct
10	4720 279	1			ACTUATOR, Vent/Defrost
11	4720 011	1			DOOR, Temp.
12	4720 347	1			LEVER, Floor
13	4720 348	1			LEVER, Vent/Defrost
14	4720 278	1			RESISTOR, Motor
15	4720 015	1			SERVO, Temp. Door
16	4720 039	1			SEAL, Motor
17	4720 006	1			MOTOR, Blower
18	4720 009	1			WHEEL, Motor
19	5210 066	1			TUBE, Motor Vent
20	4720 037	1			SEAL, Evaporator Drain to Dash
21	4720 033	1			SEAL, Tubes to Dash
	4720 035	1			Case to Dash
22	4720 032	4			STUD, Mounting
23	4720 045	1			U-NUT
24	4720 533	21			SCREW
25	4720 534	14			SCREW
26	4720 555	1			CLAMP
27	4720 028	1			RETAINER, Core Tubes
28	4720 010	1			DUCT, Heater
29	4720 008	1			CORE ASSEMBLY ***
30	4720 031	2			CLAMP, Harness Retaining
31	4746 572	1			COVER
32	4720 560	1			DUCT
33	4720 350	1			LINE, Vacuum, Control
34	4720 531	1			WIRING
35	4720 014	1			LEVER, Temp. Door

MODEL CODES:

61=Pickup-6 Ft Box 74=4 Door Wagon T=2WD
 62=Pickup-7 Ft Box 77=Open Body 93" Wheelbase J,N,U=4WD
 72=2 Door Wagon 78=Open Body 103" Wheelbase

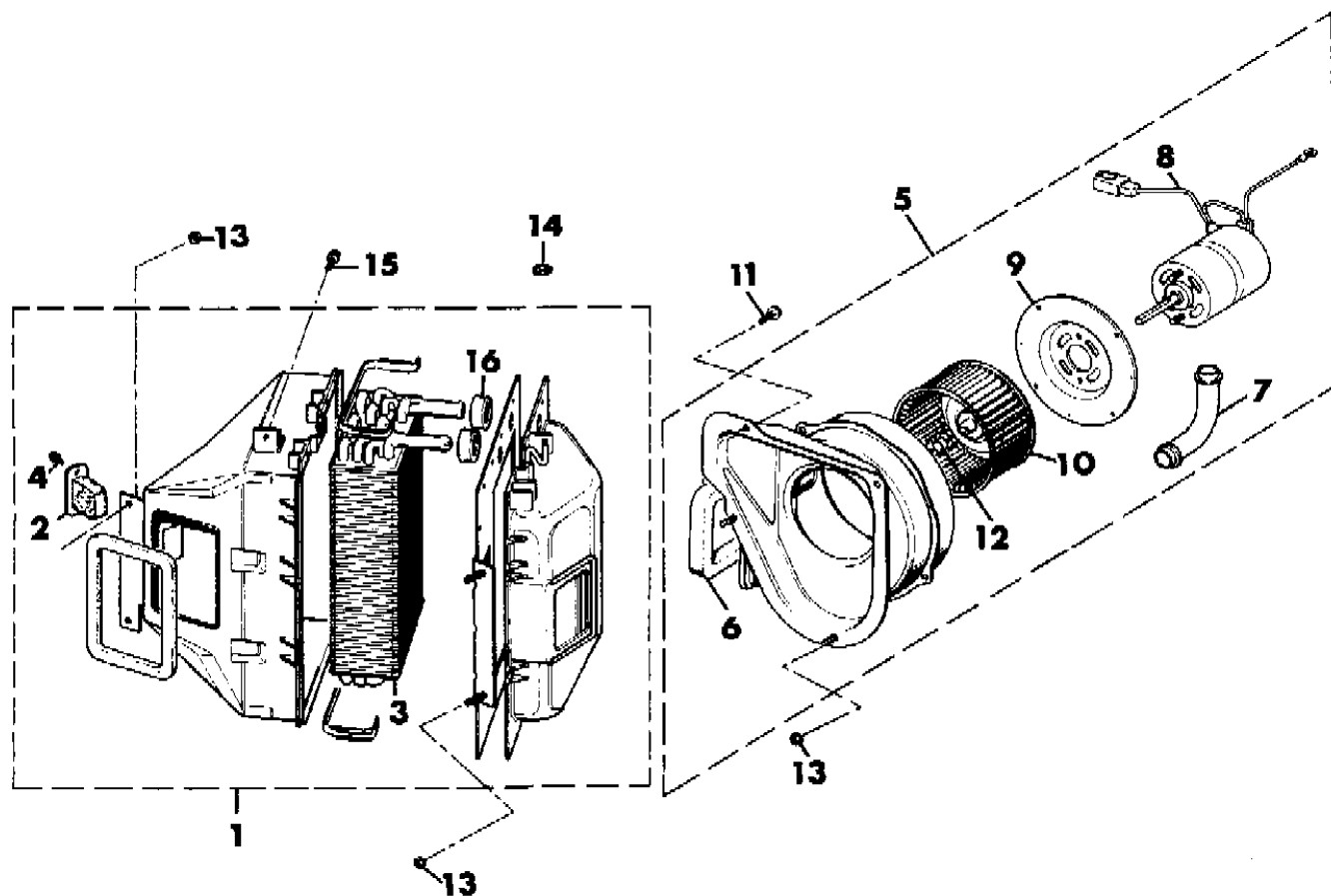
BODY STYLES:

MJ=Comanche Pickup ZJ=Grand Cherokee/Grand Wagoneer KDX VEHICLES
 SJ=Grand Wagoneer M1=Comanche
 XJ=Cherokee, Briarwood X1=Cherokee, Briarwood
 YJ=Wrangler Y1=Wrangler

AR = Use as Required - = Non Illustrated Part P.A.R. = Paint as Required

CORE AND BLOWER MOTOR, HEATER GRAND WAGONEER (SJ) 1991
Figure 24-400

91J24 400



ITEM	PART NUMBER	QTY	BODY	MODEL	DESCRIPTION
1	5600 3915	1			HEATER
2	5600 3913	1			RESISTOR
3	J812 8784	1			CORE, Heater
4	J812 0054	2			SCREW
5	J546 4398	1			BLOWER, Heater
6	J546 4395	1			GASKET
7	J322 0580	1			TUBE, Cooling
8	J812 8778	1			MOTOR, Blower
9	J546 4439	1			PLATE, Blower Motor Mounting
10	J322 0588	1			WHEEL, Blower
11	J942 3952	2			SCREW
12	J318 1643	1			CLAMP
13	J027 1172	AR			NUT
14	J400 6866	1			NUT, Push
15	J812 0052	1			SCREW
16	J546 4422	2			SEAL

MODEL CODES:

61=Pickup-6 Ft Box 74=4 Door Wagon T=2WD
 62=Pickup-7 Ft Box 77=Open Body 93" Wheelbase J,N,U=4WD
 72=2 Door Wagon 78=Open Body 103" Wheelbase

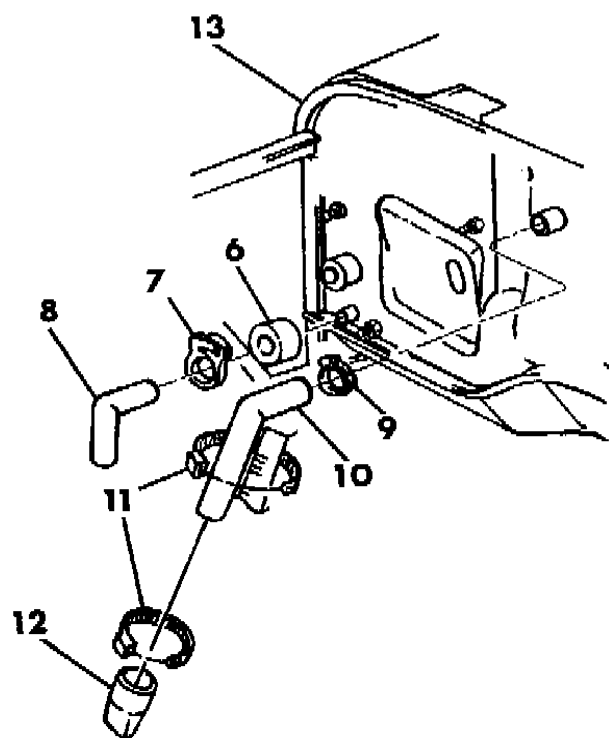
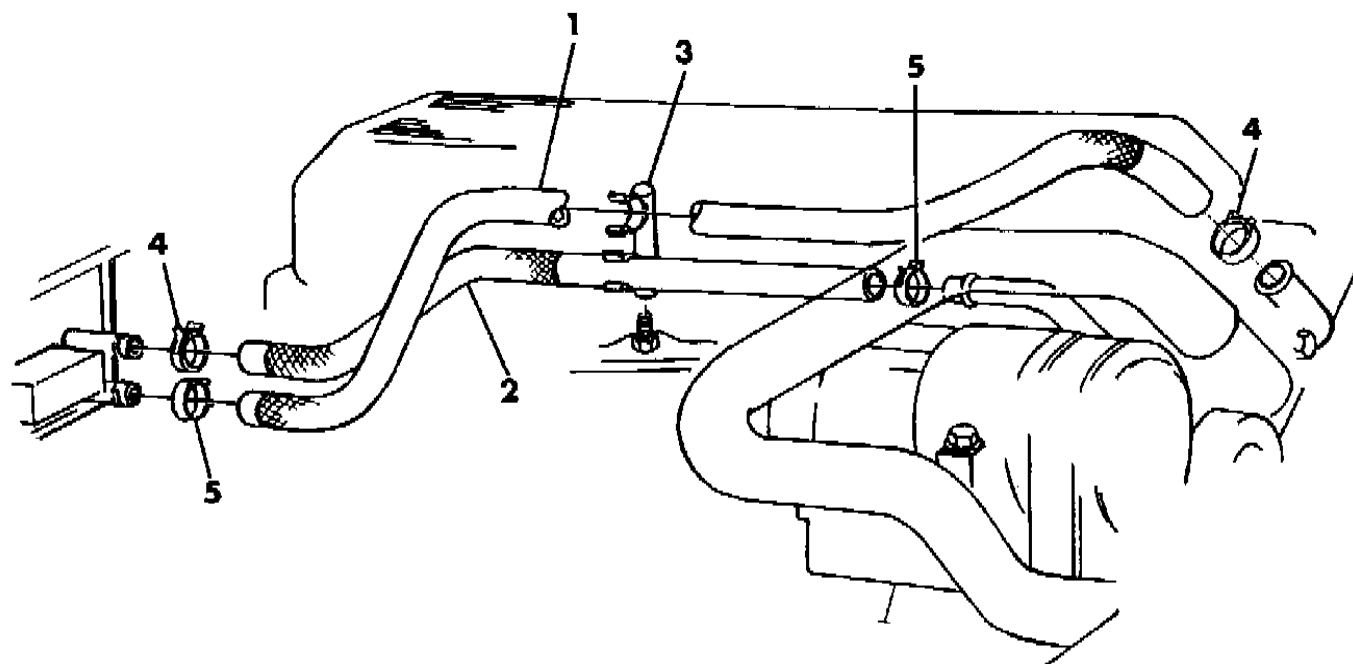
BODY STYLES:

MJ=Comanche Pickup ZJ=Grand Cherokee/Grand Wagoneer KDX VEHICLES
 SJ=Grand Wagoneer M1=Comanche
 XJ=Cherokee, Briarwood X1=Cherokee, Briarwood
 YJ=Wrangler Y1=Wrangler

AR = Use as Required - = Non Illustrated Part P.A.R. = Paint as Required

PLUMBING, HEATER WRANGLER, YJ
Figure 24-500

91J24 500 A



ITEM	PART NUMBER	QTY	BODY	MODEL	DESCRIPTION
1					HOSE AND SLEEVE, Thermostat to Core ***
	5600 4710	1			2.5L Engine
	5600 4708	1			4.0L Engine
2					HOSE AND SLEEVE, Core to Pump ***
	5600 4712	1			2.5L Engine
	5503 6221	1			4.0L Engine (Up to 9-3-91)
	5600 4709	1			4.0L Engine (After 9-3-91)
	5503 6221	1			1993
3					BRACKET, Hose Support
	3300 1640	1			1991
	5503 5789	1			1992
	5503 5933	1			1993
4	6502 017	2			CLAMP
5	6502 018	2			CLAMP
6	J546 2712	1			SEAL, Heater Drain to Dash
7		1			CLAMP (Not Serviced)
8	J546 3814	1			HOSE, Water Drain
9		1			CLAMP (Not Serviced)
10	J546 3813	1			HOSE, Air Duct Drain
11	6015 756	2			STRAP
12	J098 7079	1			CAP, Drain Hose
13					BODY (Reference) ***
-	5503 5912	1			HOSE, Heater By-Pass, 4.0L Engine EXPORT

MODEL CODES:

61=Pickup-6 Ft Box 74=4 Door Wagon T=2WD
62=Pickup-7 Ft Box 77=Open Body 93" Wheelbase J,N,U=4WD
72=2 Door Wagon 78=Open Body 103" Wheelbase

BODY STYLES:

MJ=Comanche Pickup ZJ=Grand Cherokee/Grand Wagoneer KDX VEHICLES
SJ=Grand Wagoneer M1=Comanche
XJ=Cherokee, Briarwood X1=Cherokee, Briarwood
YJ=Wrangler Y1=Wrangler

AR = Use as Required - = Non Illustrated Part P.A.R. = Paint as Required

HOSES, HEATER 2.5L GAS ENGINE AND DIESEL ENGINE CHEROKEE, BRIARWOOD, COMANCHE

Figure 24-600

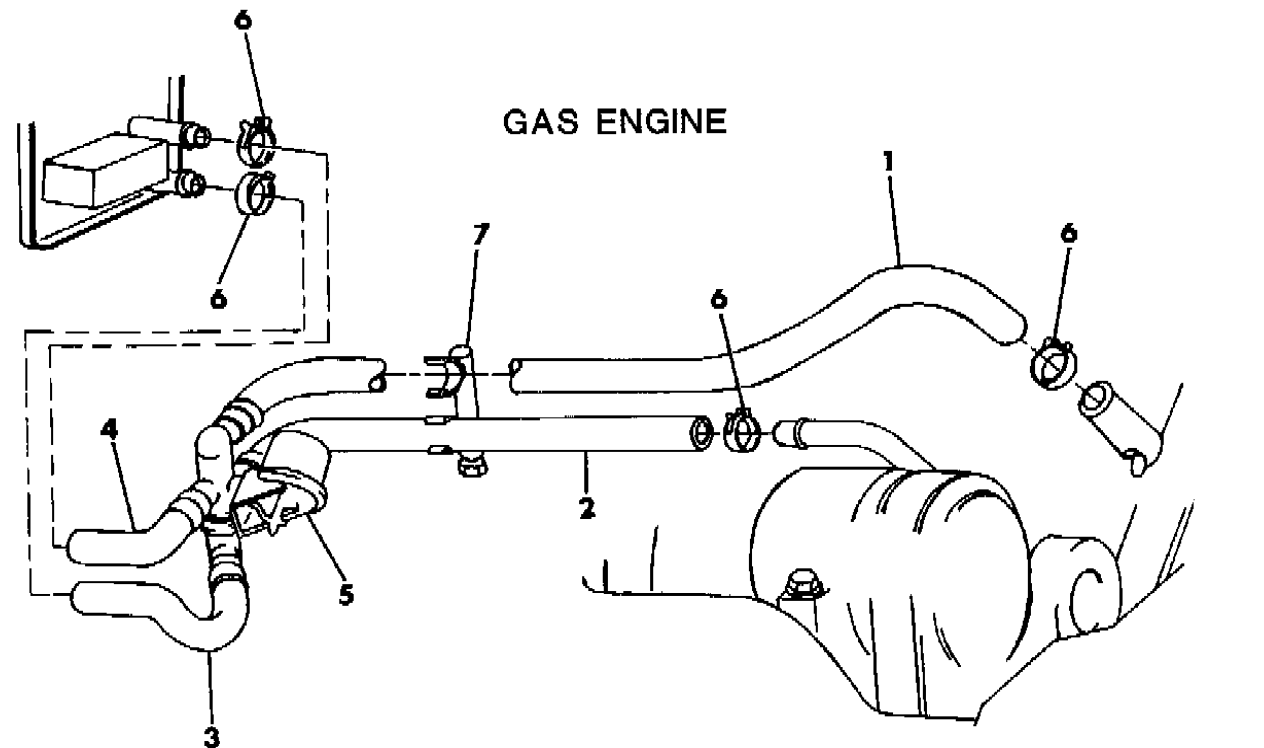
91J24 600A

ITEM	PART NUMBER	QTY	BODY	MODEL	DESCRIPTION
1	5600 4786	1			HOSE AND SLEEVE ASSEMBLY, T/Stat to Water Valve ***
	5200 3840	1			CHINA
	5600 1254	1			Manifold to Water Pump - CHINA
	4637 938	1			SLEEVE
2	5600 4788	1			HOSE AND SLEEVE ASSEMBLY, Water Valve to Pump ***
	5200 3917	1			CHINA 1991
	5503 6161	1			CHINA 1992
	5503 5960	1			CHINA 1993
3	5600 4784	1			HOSE, Water Valve to Heater Core
	5503 5802	1			RHD
4	5600 4787	1			HOSE, Core to Water Valve, Return
	5200 3887	1			CHINA
	5503 5803	1			RHD
5	5600 5900	1			VALVE, Water
	5600 2522	1			Vacuum Operated CHINA
6					CLAMP
	6502 017	AR			25.2 - 28.9mm
	6502 018	AR			22.0 - 26.0 mm
7	3300 1640	1			BRACKET, Hose Support
8	5200 1603	1			CLIP
9	J320 3076	AR			CLAMP, Hose
10	5600 0712	1			BRACKET
11	3420 1489	1			SCREW
12	J322 3227	AR			STRAP
13	5600 1265	1			HOSE, Diesel Engine
14	J322 2290	1			VALVE, Heater, Diesel Engine
15	5600 1277	1			HOSE, Core to Pump, Diesel Engine
16	5600 1696	1			HOSE, Diesel Engine

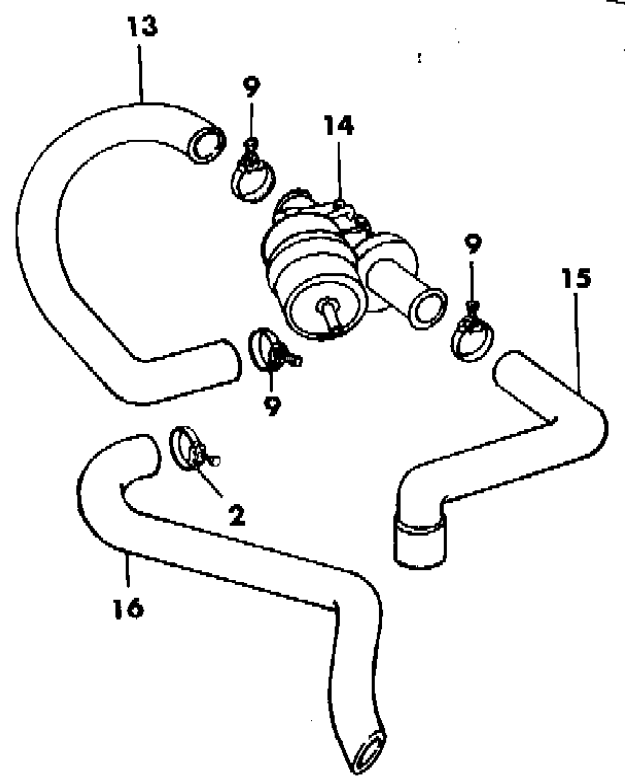
MODEL CODES:
 61=Pickup-6 Ft Box 74=4 Door Wagon T=2WD
 62=Pickup-7 Ft Box 77=Open Body 93" Wheelbase J,N,U=4WD
 72=2 Door Wagon 78=Open Body 103" Wheelbase

BODY STYLES:
 MJ=Comanche Pickup ZJ=Grand Cherokee/Grand Wagoneer KDX VEHICLES
 SJ=Grand Wagoneer M1=Comanche
 XJ=Cherokee, Briarwood X1=Cherokee, Briarwood
 YJ=Wrangler Y1=Wrangler

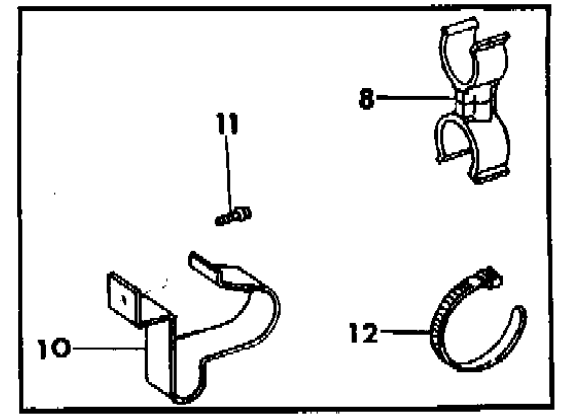
AR = Use as Required - = Non Illustrated Part P.A.R. = Paint as Required



GAS ENGINE

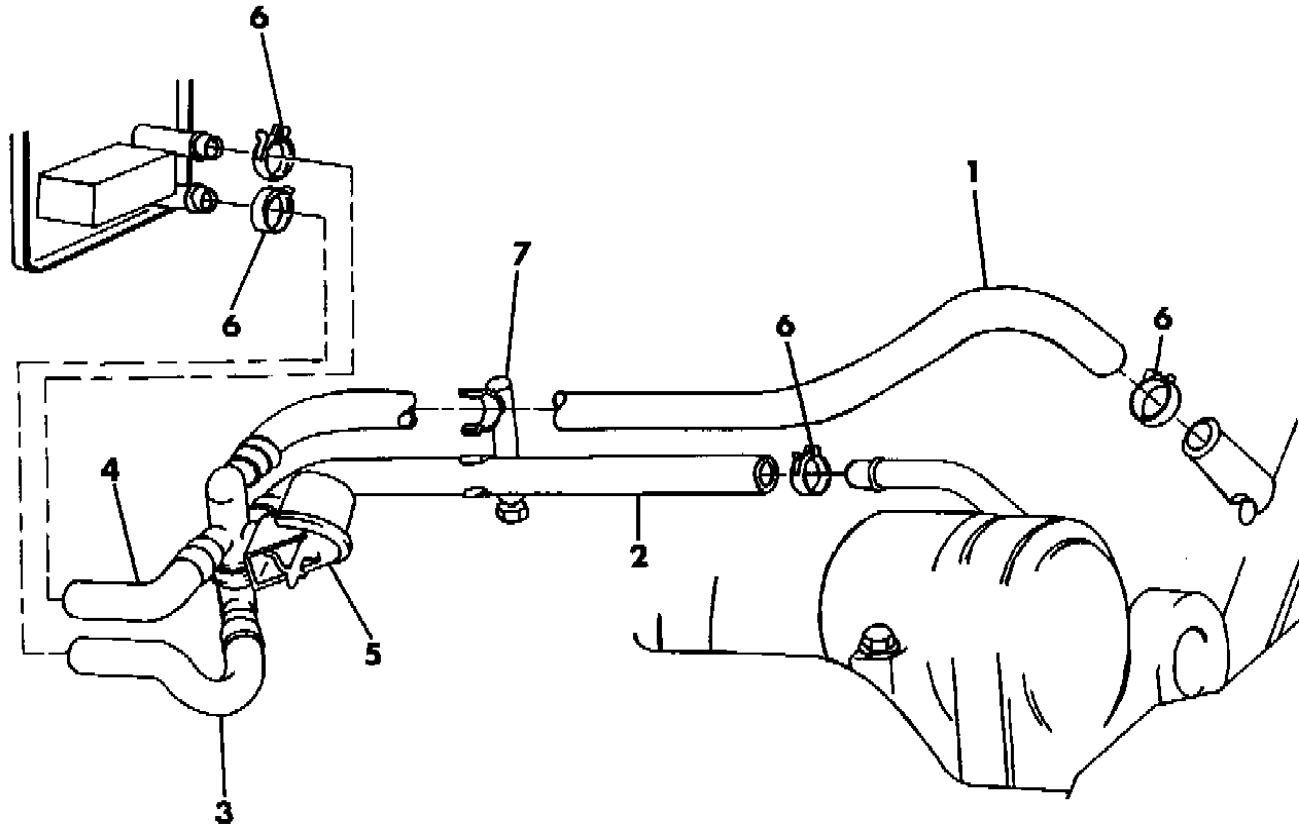


DIESEL ENGINE



HOSES, HEATER 4.0L ENGINE CHEROKEE, BRIARWOOD, COMANCHE
Figure 24-700

91J24 700 A



ITEM	PART NUMBER	QTY	BODY	MODEL	DESCRIPTION
1	5600 4783	1			HOSE AND SLEEVE ASSEMBLY, T/Stat to Water Valve ***
	5503 5910	1			RHD
	4637 938	1			SLEEVE
2	5200 5752	1			HOSE AND SLEEVE, Valve to Pump ***
	5503 5909	1			RHD
3	5600 4784	1			HOSE, Valve to Core
4	5600 4787	1			HOSE, Core to Valve
5	5600 5900	1			VALVE, Water, 4 Port
6					CLAMP
	6502 017	AR			22.0 - 26.0 mm
	6502 018	AR			25.2 - 28.9 mm
7	3300 1640	1			BRACKET, Hose Support

MODEL CODES:

61=Pickup-6 Ft Box 74=4 Door Wagon T=2WD
 62=Pickup-7 Ft Box 77=Open Body 93" Wheelbase J,N,U=4WD
 72=2 Door Wagon 78=Open Body 103" Wheelbase

BODY STYLES:

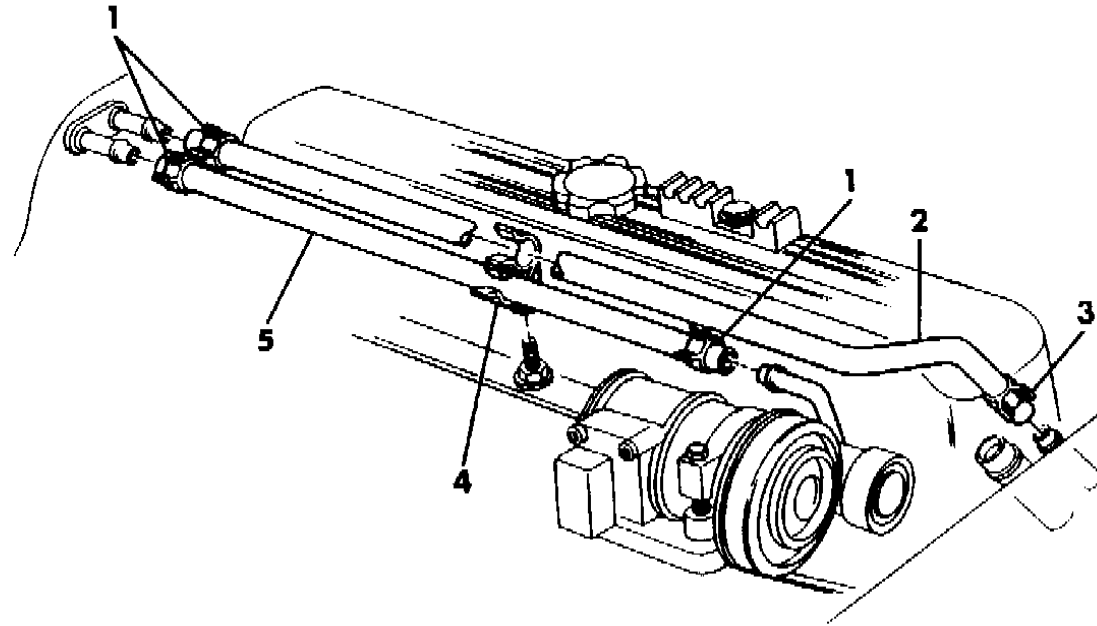
MJ=Comanche Pickup ZJ=Grand Cherokee/Grand Wagoneer KDX VEHICLES
 SJ=Grand Wagoneer M1=Comanche
 XJ=Cherokee, Briarwood X1=Cherokee, Briarwood
 YJ=Wrangler Y1=Wrangler

AR = Use as Required - = Non Illustrated Part P.A.R. = Paint as Required

HOSES, HEATER GRAND CHEROKEE (ZJ) 4.0L ENGINE
Figure 24-750

91J24 750

ITEM	PART NUMBER	QTY	BODY	MODEL	DESCRIPTION
1	6502 017	AR			CLAMP
2	5503 6145	1			HOSE, Supply
3	6502 018	1			CLAMP
4	5503 5933	1			BRACKET, Hose Retaining
5	5503 6144	1			HOSE, Return



MODEL CODES:

61=Pickup-6 Ft Box 74=4 Door Wagon T=2WD
 62=Pickup-7 Ft Box 77=Open Body 93" Wheelbase J,N,U=4WD
 72=2 Door Wagon 78=Open Body 103" Wheelbase

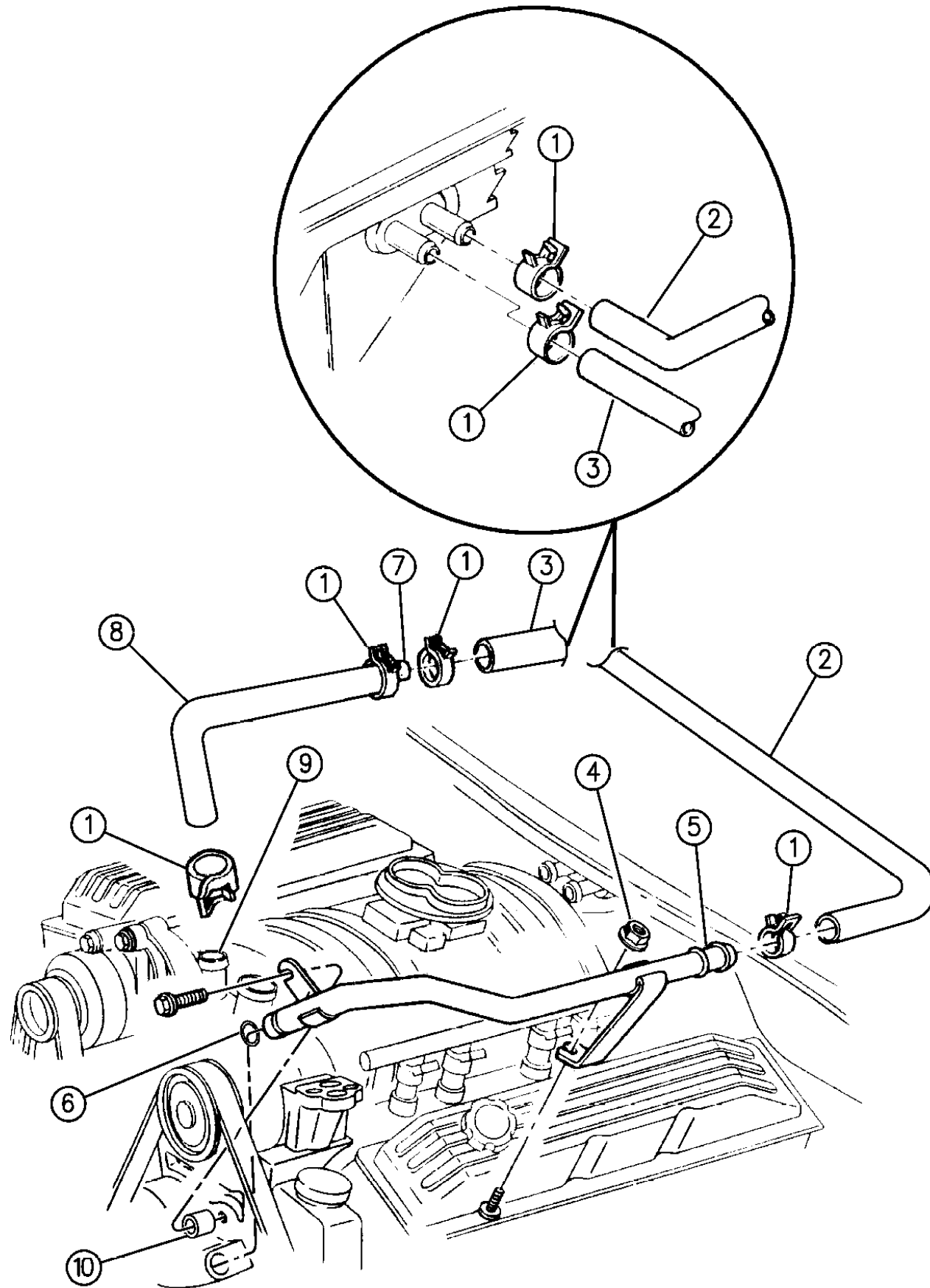
BODY STYLES:

MJ=Comanche Pickup ZJ=Grand Cherokee/Grand Wagoneer KDX VEHICLES
 SJ=Grand Wagoneer M1=Comanche
 XJ=Cherokee, Briarwood X1=Cherokee, Briarwood
 YJ=Wrangler Y1=Wrangler

AR = Use as Required - = Non Illustrated Part P.A.R. = Paint as Required

HOSES, HEATER GRAND CHEROKEE (ZJ) 5.2L ENGINE
Figure 24-770

91J24 770B



ITEM	PART NUMBER	QTY	BODY	MODEL	DESCRIPTION
1	6502 017	4			CLAMP
2	5600 6575	1			HOSE, Heater Return
3	5503 6087	1			HOSE, Heater Supply
4	6034 677	1			CLIP
4	6033 560	1			NUT
5	5503 6159	1			TUBE, Heater Return
6	4746 864	1			O-RING, Tube to Water Pump
-	5503 5876	1			SPACER, Return Tube
	4361 121	1			TUBE, Insert
8	5503 6089	1			HOSE, Supply
	5503 5944	1			Nipple ***
	5503 5876	1			SPACER, Return Tube

MODEL CODES:

61=Pickup-6 Ft Box 74=4 Door Wagon T=2WD
62=Pickup-7 Ft Box 77=Open Body 93" Wheelbase J,N,U=4WD
72=2 Door Wagon 78=Open Body 103" Wheelbase

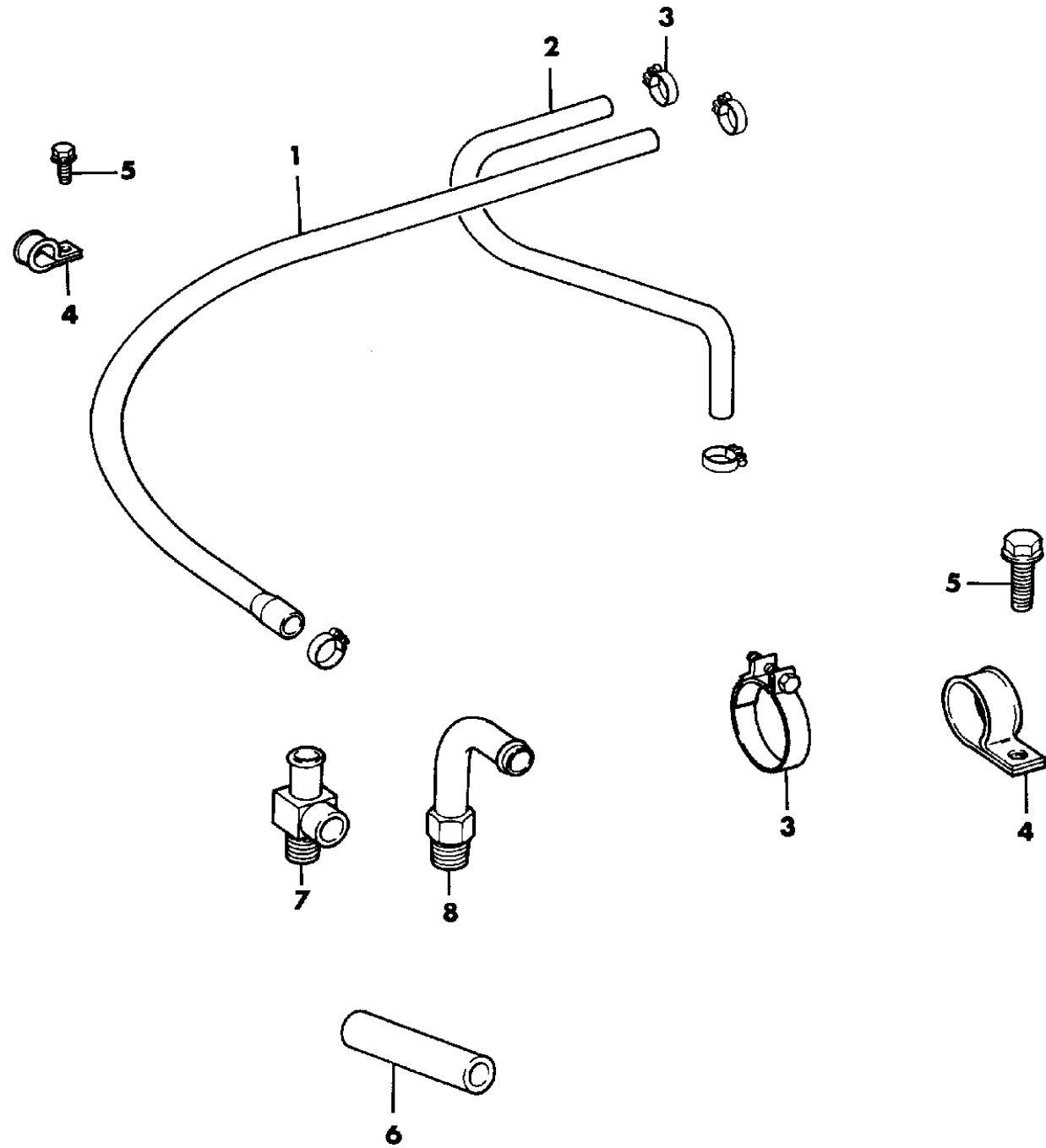
BODY STYLES:

MJ=Comanche Pickup ZJ=Grand Cherokee/Grand Wagoneer KDX VEHICLES
SJ=Grand Wagoneer M1=Comanche
XJ=Cherokee, Briarwood X1=Cherokee, Briarwood
YJ=Wrangler Y1=Wrangler

AR = Use as Required - = Non Illustrated Part P.A.R. = Paint as Required

HOSES, HEATER GRAND WAGONEER
Figure 24-800

8J24 800



ITEM	PART NUMBER	QTY	BODY	MODEL	DESCRIPTION
1	J576 5301	1			HOSE, Core to Pump
2	J576 4195	1			HOSE, Manifold to Heater Core
3	S044 3632	AR			CLAMP
4	J400 3838	1			CLIP
5	J400 1814	1			SCREW
6	J535 4540	1			PROTECTOR, Hose
7	5300 0680	1			FITTING, 90 Degree
8	J321 9631	1			NIPPLE, Manifold

MODEL CODES:

61=Pickup-6 Ft Box 74=4 Door Wagon T=2WD
62=Pickup-7 Ft Box 77=Open Body 93" Wheelbase J,N,U=4WD
72=2 Door Wagon 78=Open Body 103" Wheelbase

BODY STYLES:

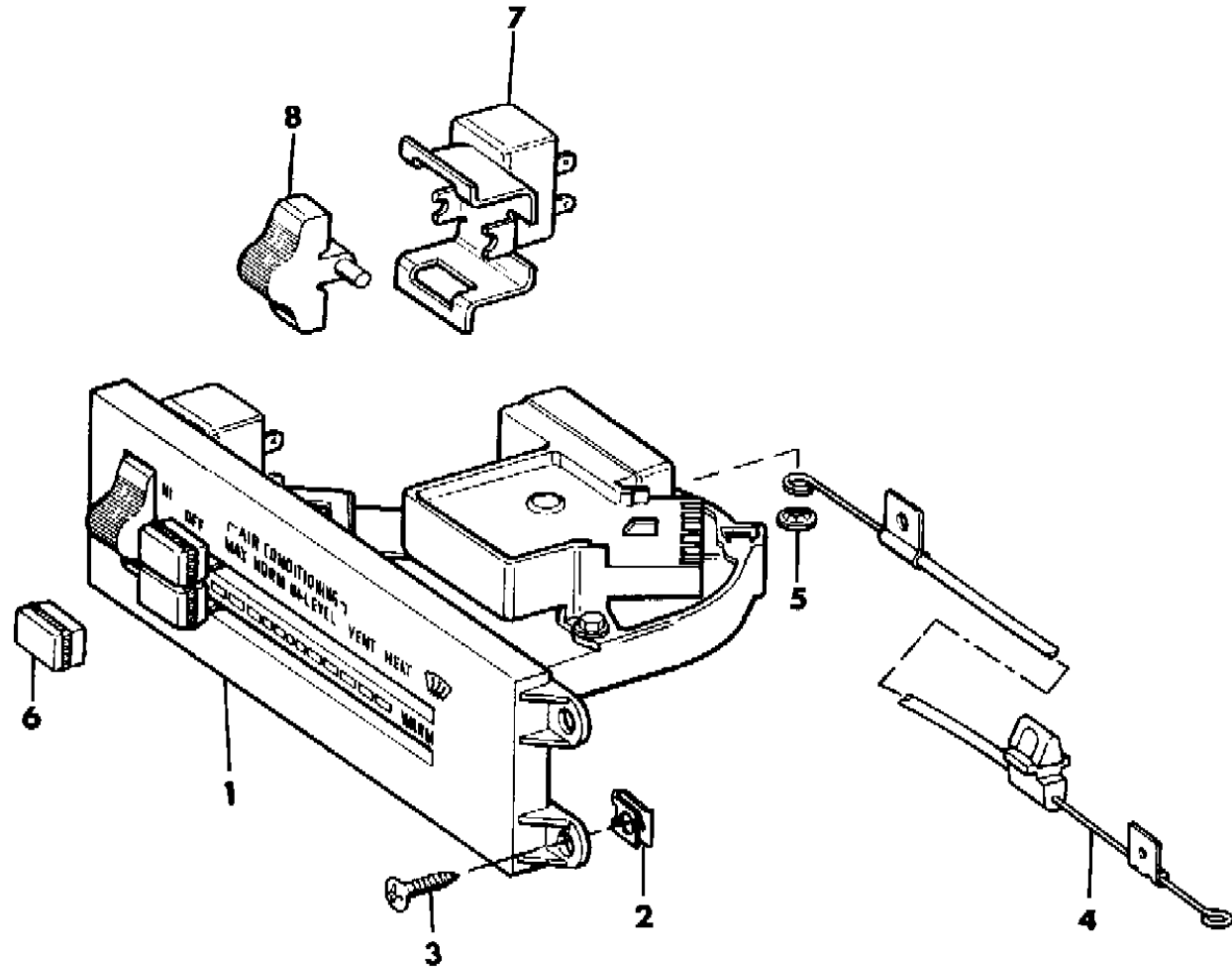
MJ=Comanche Pickup ZJ=Grand Cherokee/Grand Wagoneer KDX VEHICLES
SJ=Grand Wagoneer M1=Comanche
XJ=Cherokee, Briarwood X1=Cherokee, Briarwood
YJ=Wrangler Y1=Wrangler

AR = Use as Required - = Non Illustrated Part P.A.R. = Paint as Required

CONTROLS, HEATER AND AIR CONDITIONING CHEROKEE, BRIARWOOD, COMANCHE
Figure 24-900

91J24 900

ITEM	PART NUMBER	QTY	BODY	MODEL	DESCRIPTION
1					CONTROL, Heater and A/C
	5600 1761	1			w/o Air Cond. 1991
	5503 5748	1			w/o Air Cond. 1992-93
	5503 5920	1			w/o Air Cond. RHD
	5600 1762	1			w/Air Cond. 1991
	5503 5749	1			w/Air Cond. 1992-93
	5503 6004	1			RHD
2	J400 4223	4			NUT
3	J400 2461	4			SCREW
4					CABLE, Blend Air Door
	5600 3542	1			1991-92
	5503 5943	1			1993
5	J400 6866	1			NUT
6	8350 2718	2			KNOB
7	8350 2719	1			SWITCH, Blower
8	8350 2721	1			WHEEL, Thumb



MODEL CODES:

61=Pickup-6 Ft Box 74=4 Door Wagon T=2WD
 62=Pickup-7 Ft Box 77=Open Body 93" Wheelbase J,N,U=4WD
 72=2 Door Wagon 78=Open Body 103" Wheelbase

BODY STYLES:

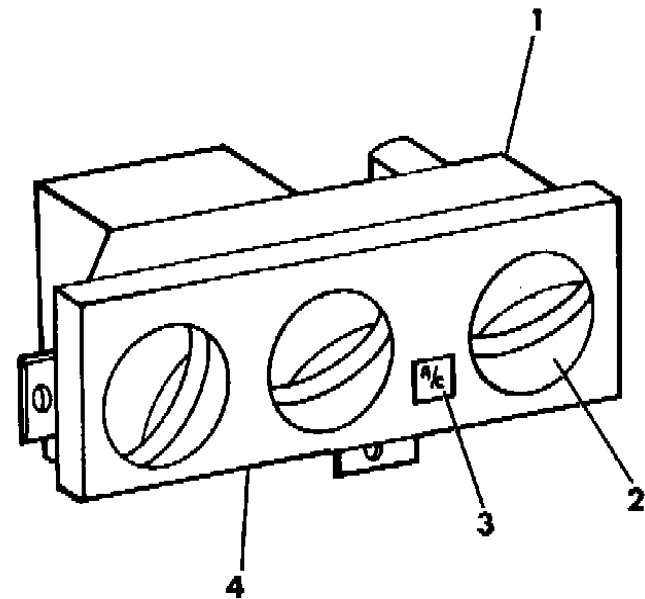
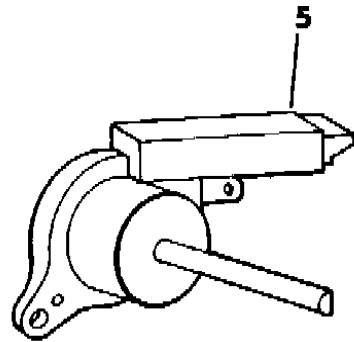
MJ=Comanche Pickup ZJ=Grand Cherokee/Grand Wagoneer KDX VEHICLES
 SJ=Grand Wagoneer M1=Comanche
 XJ=Cherokee, Briarwood X1=Cherokee, Briarwood
 YJ=Wrangler Y1=Wrangler

AR = Use as Required - = Non Illustrated Part P.A.R. = Paint as Required

CONTROL, AIR CONDITIONING GRAND CHEROKEE (ZJ)
Figure 24-950

91J24 950

ITEM	PART NUMBER	QTY	BODY	MODEL	DESCRIPTION
1					CONTROL, A/C, w/Vac. Harness Lead
	5600 5939	1			Up to 11-10-92
	5503 5964	1			(Comes w/Vacuum Harness, approx. 14" Long), After 11-10-92
	5503 5928	1			w/A.T.C.
2	4720 841	3			KNOB
3	4720 676	1			BUTTON, A/C
4	4720 844	1			FACEPLATE, A/C ***
	4720 842	1			LAMP, A/C Button
	4720 843	2			LAMP, Faceplate
5	4720 846	1			VALVE, Rotary Vacuum (Up to 11-10-92) (After 11-10-92 Valve is serviced in Control Assembly)
-	5503 5918	1			SUPPORT, Control, Rear



MODEL CODES:

61=Pickup-6 Ft Box 74=4 Door Wagon T=2WD
 62=Pickup-7 Ft Box 77=Open Body 93" Wheelbase J,N,U=4WD
 72=2 Door Wagon 78=Open Body 103" Wheelbase

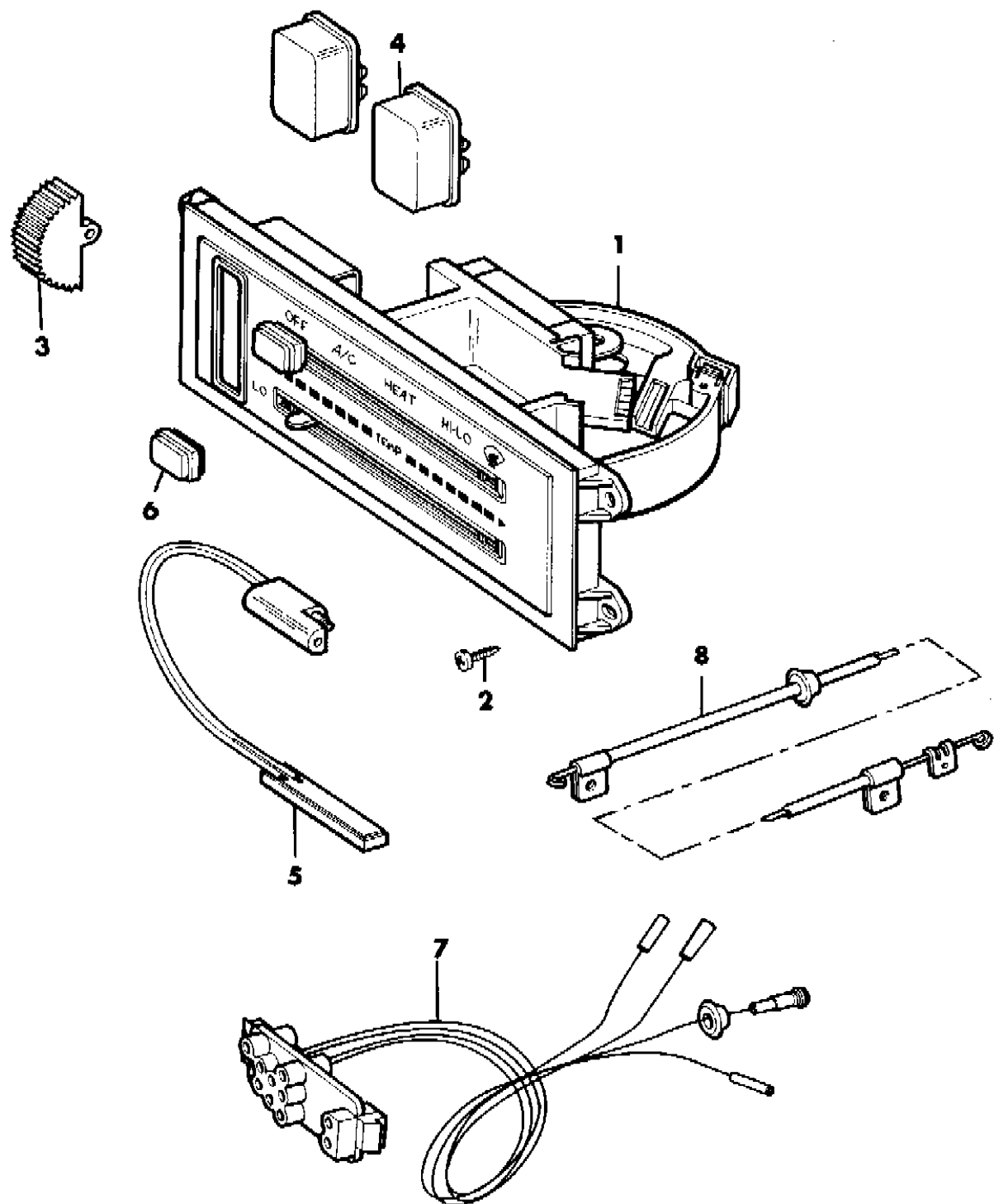
BODY STYLES:

MJ=Comanche Pickup ZJ=Grand Cherokee/Grand Wagoneer KDX VEHICLES
 SJ=Grand Wagoneer M1=Comanche
 XJ=Cherokee, Briarwood X1=Cherokee, Briarwood
 YJ=Wrangler Y1=Wrangler

AR = Use as Required - = Non Illustrated Part P.A.R. = Paint as Required

CONTROLS, HEATER AND AIR CONDITIONING GRAND WAGONEER (SJ) 1991
Figure 24-1000

91J24 1000



ITEM	PART NUMBER	QTY	BODY	MODEL	DESCRIPTION
1	5600 1492	1			CONTROL, Heater
2	J301 6471	4			SCREW
3	8350 2721	1			WHEEL, Thumb
4					SWITCH, Heater
	8350 2719	1			w/o Factory Air Cond.
	8350 2720	1			w/Factory Air Cond.
5	8350 2722	1			POTENTIOMETER, w/Factory Air Cond. ***
6	8350 2718	2			KNOB, Heater and Air Conditioning Control
7	5600 4190	1			HARNESS, Vacuum
8	5600 3524	1			CABLE, Temperature Control

MODEL CODES:

61=Pickup-6 Ft Box 74=4 Door Wagon T=2WD
 62=Pickup-7 Ft Box 77=Open Body 93" Wheelbase J,N,U=4WD
 72=2 Door Wagon 78=Open Body 103" Wheelbase

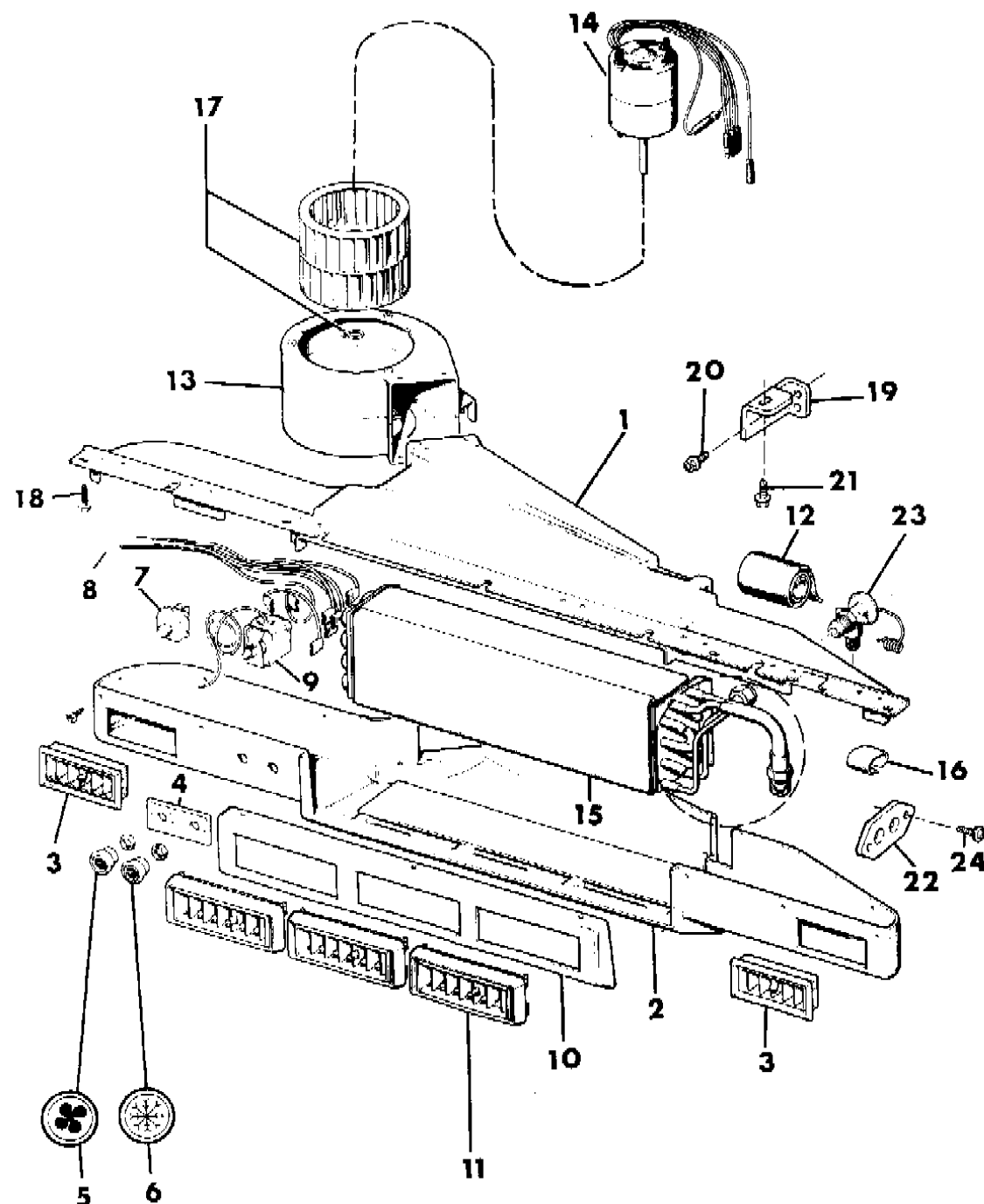
BODY STYLES:

MJ=Comanche Pickup ZJ=Grand Cherokee/Grand Wagoneer KDX VEHICLES
 SJ=Grand Wagoneer M1=Comanche
 XJ=Cherokee, Briarwood X1=Cherokee, Briarwood
 YJ=Wrangler Y1=Wrangler

AR = Use as Required - = Non Illustrated Part P.A.R. = Paint as Required

EVAPORATOR AND BLOWER, AIR CONDITIONING WRANGLER, YJ
Figure 24-1100

91J24 1100B



ITEM	PART NUMBER	QTY	BODY	MODEL	DESCRIPTION
1					HOUSING, Upper
	8350 2974	1			Up to 11-27-91
	4720 701	1			After 11-27-91
2					HOUSING, Lower
	8350 2975	1			Up to 4-15-91
	4723 147	1			After 4-15-91, w/Outlets
	4773 395	AR			CLIP, Housing Attaching
3					OUTLET, Air
	J812 8135	2			Silver and Black
	4638 164	2			Black, Up to 4-15-91
	4723 148	1			Black, After 4-15-91
4					PLATE
	J812 8133	1			Silver and Black
	4638 165	1			Black
5	J813 3710	1			KNOB, Blower Switch
6	J813 3711	1			KNOB, Temperature Control
7	J812 9018	1			SWITCH, Air Conditioning Blower
8	J813 2666	1			HARNESS
9					THERMOSTAT
	J812 1840	1			1991
	4740 421	1			1992-93
10					PANEL, Outlet Mounting
	5600 4733	1			Up to 4-15-91
	4723 150	1			After 4-15-91, w/Outlets
11					OUTLET, Air
	J812 8134	3			Silver and Black
	4638 166	3			Black, Up to 4-15-91
	4723 149	1			Black, After 4-15-91
12	J369 3126	1			TAPE, Insulation
13	J812 8128	1			HOUSING, Blower/Evaporator
14					MOTOR, Blower
	J812 6691	1			1991-92
	4741 584	1			1993
-	J812 8139	1			BRACKET, Mounting
	5503 5566	1			SEAL, Blower Motor to Dash
15	5600 4686	1			CORE, Evaporator
16	J812 1901	1			CLAMP, Expansion Valve Bulb
17	J812 6991	1			WHEEL, Blower
18	J812 0054	4			SCREW
19	J576 3697	1			BRACKET, Support
20	J400 4077	2			SCREW

MODEL CODES:

61=Pickup-6 Ft Box 74=4 Door Wagon T=2WD
 62=Pickup-7 Ft Box 77=Open Body 93" Wheelbase J,N,U=4WD
 72=2 Door Wagon 78=Open Body 103" Wheelbase

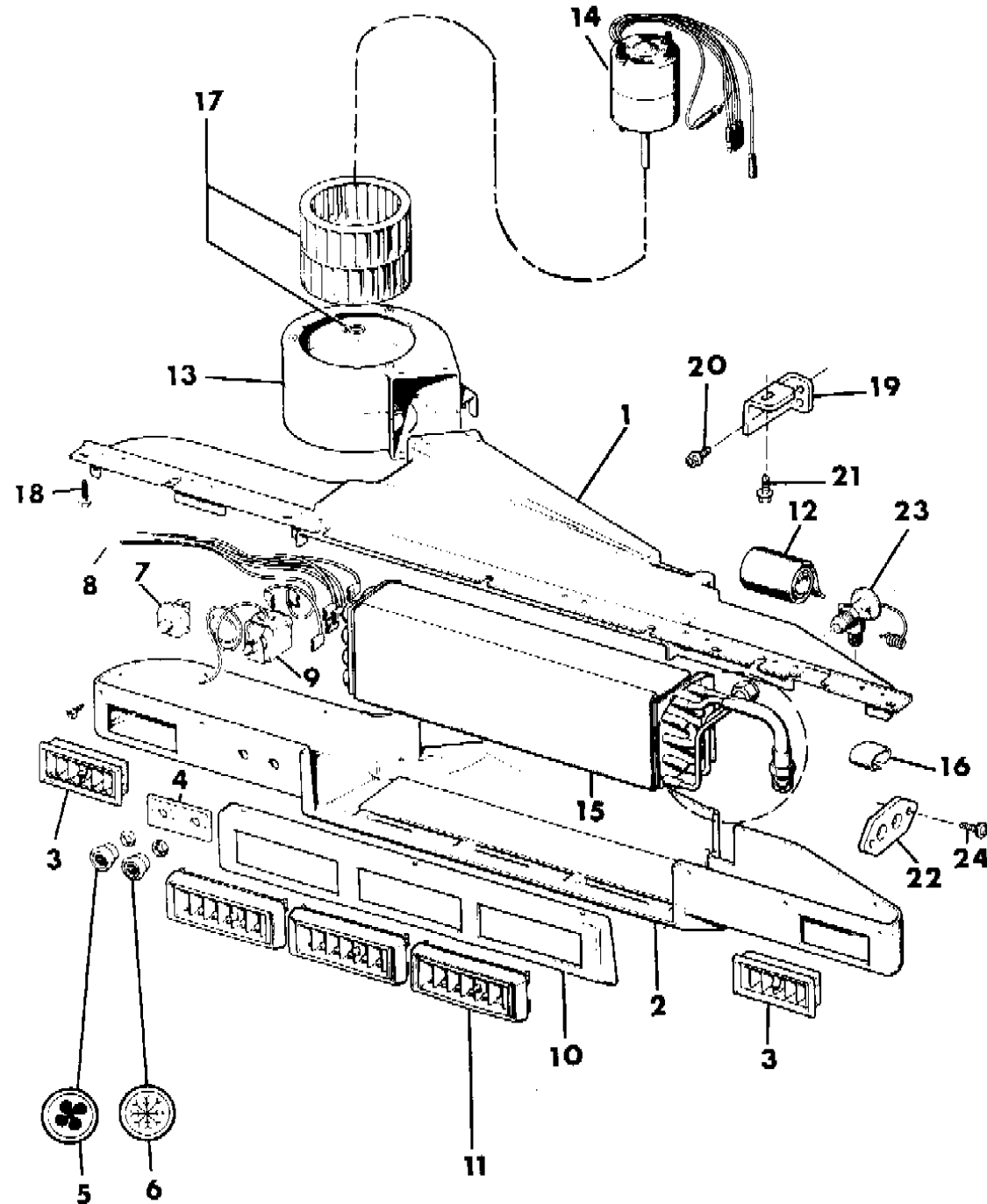
BODY STYLES:

MJ=Comanche Pickup ZJ=Grand Cherokee/Grand Wagoneer KDX VEHICLES
 SJ=Grand Wagoneer M1=Comanche
 XJ=Cherokee, Briarwood X1=Cherokee, Briarwood
 YJ=Wrangler Y1=Wrangler

AR = Use as Required - = Non Illustrated Part P.A.R. = Paint as Required

EVAPORATOR AND BLOWER, AIR CONDITIONING WRANGLER, YJ
Figure 24-1100

91J24 1100B



ITEM	PART NUMBER	QTY	BODY	MODEL	DESCRIPTION
21	J400 1701	1			SCREW
22	J318 5484	1			GROMMET
23	5600 4689	1			VALVE, Expansion
24	J400 4642	2			SCREW

MODEL CODES:

61=Pickup-6 Ft Box 74=4 Door Wagon T=2WD
 62=Pickup-7 Ft Box 77=Open Body 93" Wheelbase J,N,U=4WD
 72=2 Door Wagon 78=Open Body 103" Wheelbase

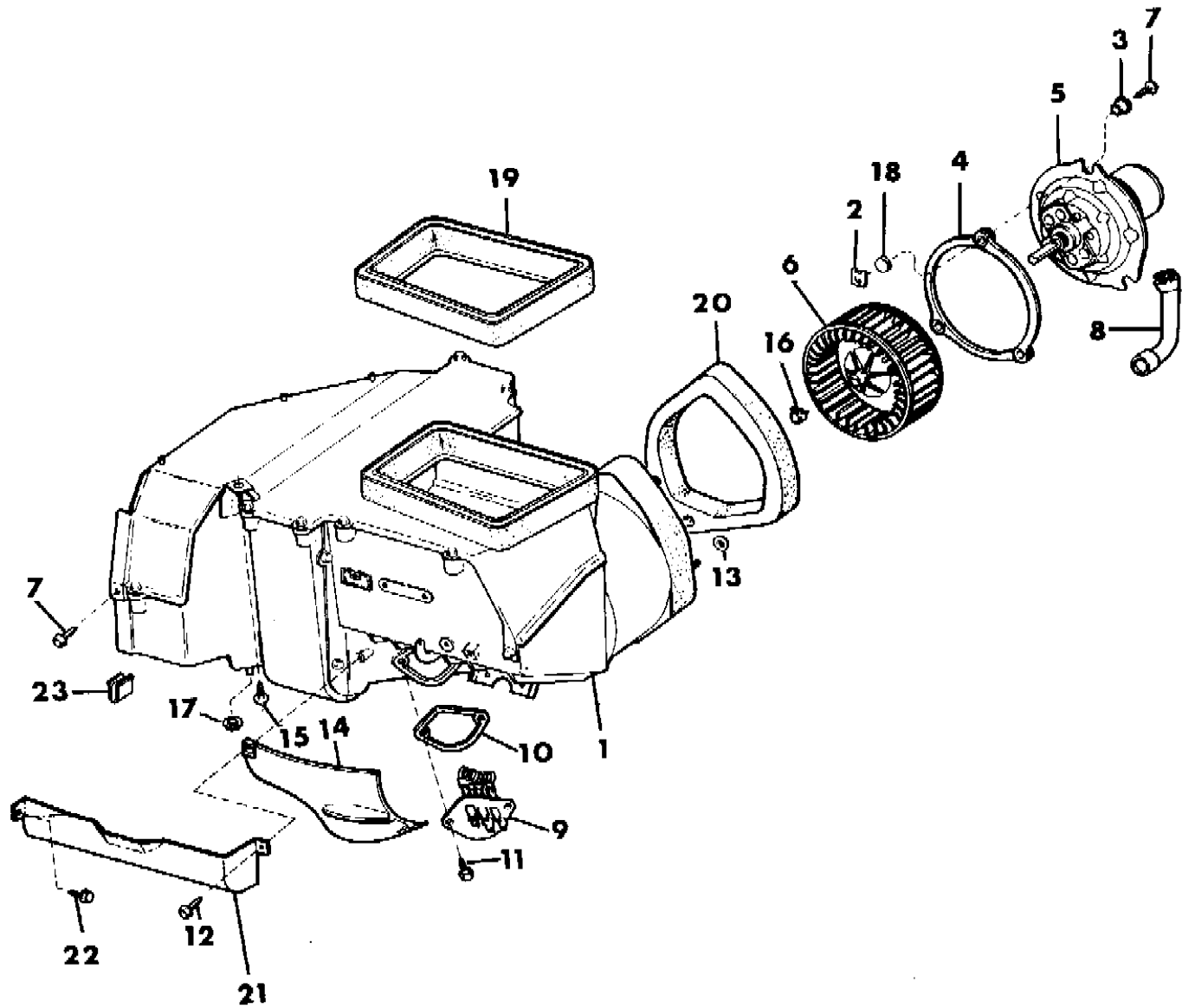
BODY STYLES:

MJ=Comanche Pickup ZJ=Grand Cherokee/Grand Wagoneer KDX VEHICLES
 SJ=Grand Wagoneer M1=Comanche
 XJ=Cherokee, Briarwood X1=Cherokee, Briarwood
 YJ=Wrangler Y1=Wrangler

AR = Use as Required - = Non Illustrated Part P.A.R. = Paint as Required

BLOWER MOTOR AND HOUSING HEATER AND AIR CONDITIONING CHEROKEE, BRIARWOOD, COMANCHE
Figure 24-1200

91J24 1200



ITEM	PART NUMBER	QTY	BODY	MODEL	DESCRIPTION
1					HOUSING, Blower
	8350 0958	1			2.5L and 4.0L Engine w/o Air Cond.
	8350 0960	1			2.5 and 4.0L Engine w/Factory Installed Air Cond. (part modification required)
	8350 1869	1			Diesel Engine, w/o Factory Installed Air Cond.
	8350 1868	1			Diesel Engine, w/Factory Installed Air Cond. (part modification required)
	4773 093	1			RHD
	4797 795				RHD HOUSING ASSEMBLY, Re-Circulation A/C & Heating
					Housing
2	3420 1363	3			NUT, U-type
3	5600 0176	3			SPACER
4	5600 0171	1			GASKET
5	5600 2858	1			MOTOR, Blower
6	5600 0174	1			WHEEL, Blower
7	J812 4425	5			SCREW
8	5600 0178	1			TUBE, Cooling
9	5503 6000	1			RESISTOR
10	5600 0682	1			SEAL
11	3420 1366	2			SCREW
12	3420 1365	1			SCREW, EUROPE
13	3420 1358	3			NUT
14	5600 0622	1			COVER, Resistor
	5503 5643	1			RHD
15	3420 2344	1			SCREW
16	J318 0725	1			CLAMP
17	J400 6866	1			NUT, Push
18	5600 1195	3			SEAL
19					SEAL, Evap. and Blower Housing to Plenum
	5600 1196	1			1991
	5503 5704	1			1992-93
	5600 1062	1			RETAINER, Seal
20	5600 1295	1			SEAL, Housing to Dash
	5503 5705	1			1993
21					COVER, Blend Air Cable
	5503 5950	1			
	5600 2634	1			EUROPE
22	J941 7855	1			SCREW, EUROPE
23	6026 450	1			CLIP

MODEL CODES:

61=Pickup-6 Ft Box 74=4 Door Wagon T=2WD
 62=Pickup-7 Ft Box 77=Open Body 93" Wheelbase J,N,U=4WD
 72=2 Door Wagon 78=Open Body 103" Wheelbase

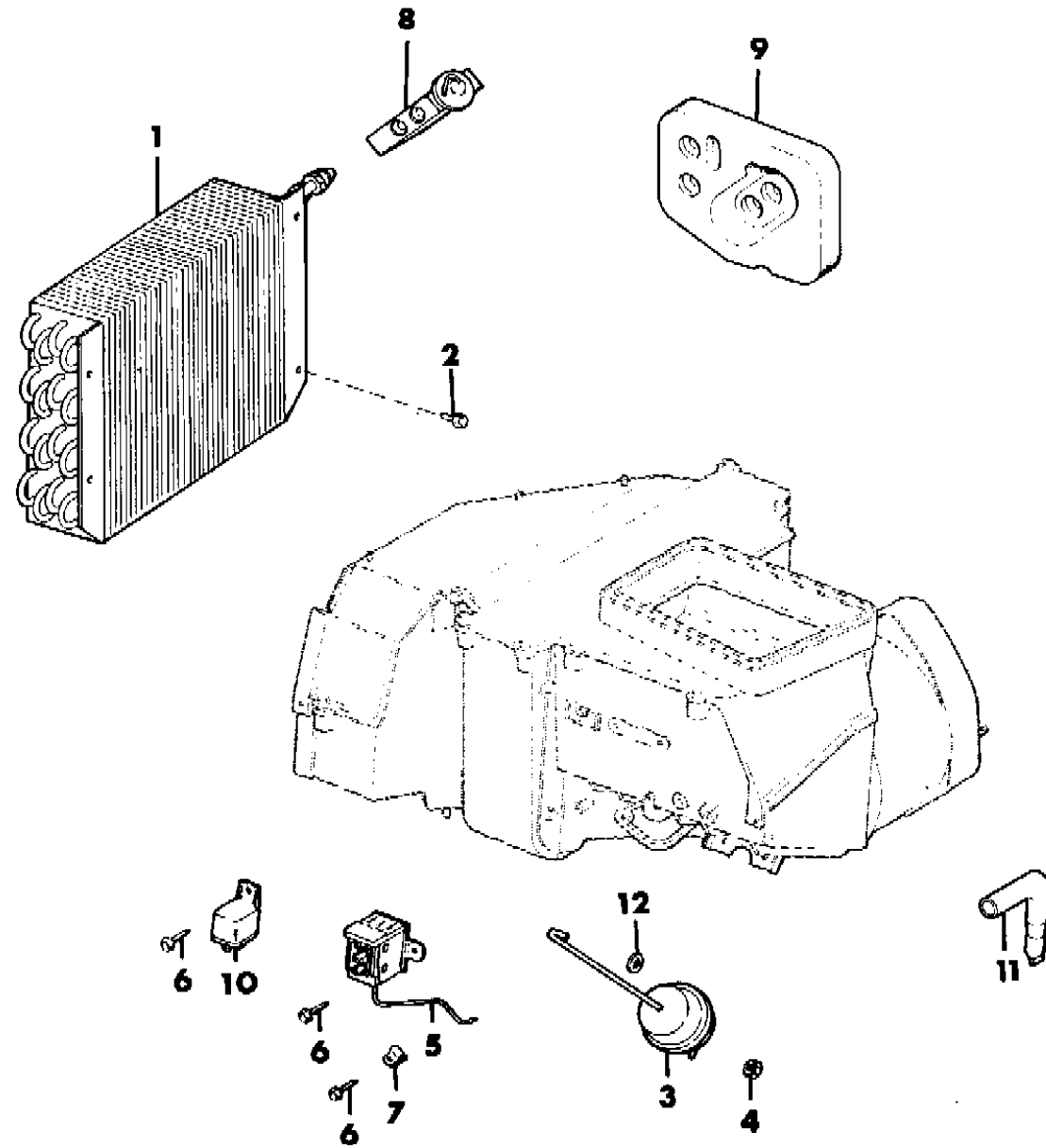
BODY STYLES:

MJ=Comanche Pickup ZJ=Grand Cherokee/Grand Wagoneer KDX VEHICLES
 SJ=Grand Wagoneer M1=Comanche
 XJ=Cherokee, Briarwood X1=Cherokee, Briarwood
 YJ=Wrangler Y1=Wrangler

AR = Use as Required - = Non Illustrated Part P.A.R. = Paint as Required

CORE, EVAPORATOR CHEROKEE, BRIARWOOD, COMANCHE
Figure 24-1300

91J24 1300



ITEM	PART NUMBER	QTY	BODY	MODEL	DESCRIPTION
1	5600 6218	1			CORE, Evaporator
	5503 6021	1			RHD
	5600 2568	1			CHINA
2	1150 2843	4			SCREW
3	5600 0208	1			MOTOR, Evaporator Vacuum
4	3420 1001	2			NUT
5					CONTROL, Thermostat
	5503 5503	1			Gas Engine
	5600 2688	1			Gas Engine CHINA
	5503 5641	1			Diesel Engine
	5503 5641	1			RHD
6	3420 1366	4			SCREW
7	J317 7100	1			CLIP
8	5600 6070	1			VALVE, Expansion
	5600 3173	1			CHINA
9	5600 6312	1			SEAL, A/C and Heater Core Tubes to Dash
10	3300 1776	1			RELAY, Evaporator
11	5600 0726	1			TUBE, Drain
	5503 5559	1			RHD
12	J400 0369	1			NUT, Push

MODEL CODES:

61=Pickup-6 Ft Box 74=4 Door Wagon T=2WD
 62=Pickup-7 Ft Box 77=Open Body 93" Wheelbase J,N,U=4WD
 72=2 Door Wagon 78=Open Body 103" Wheelbase

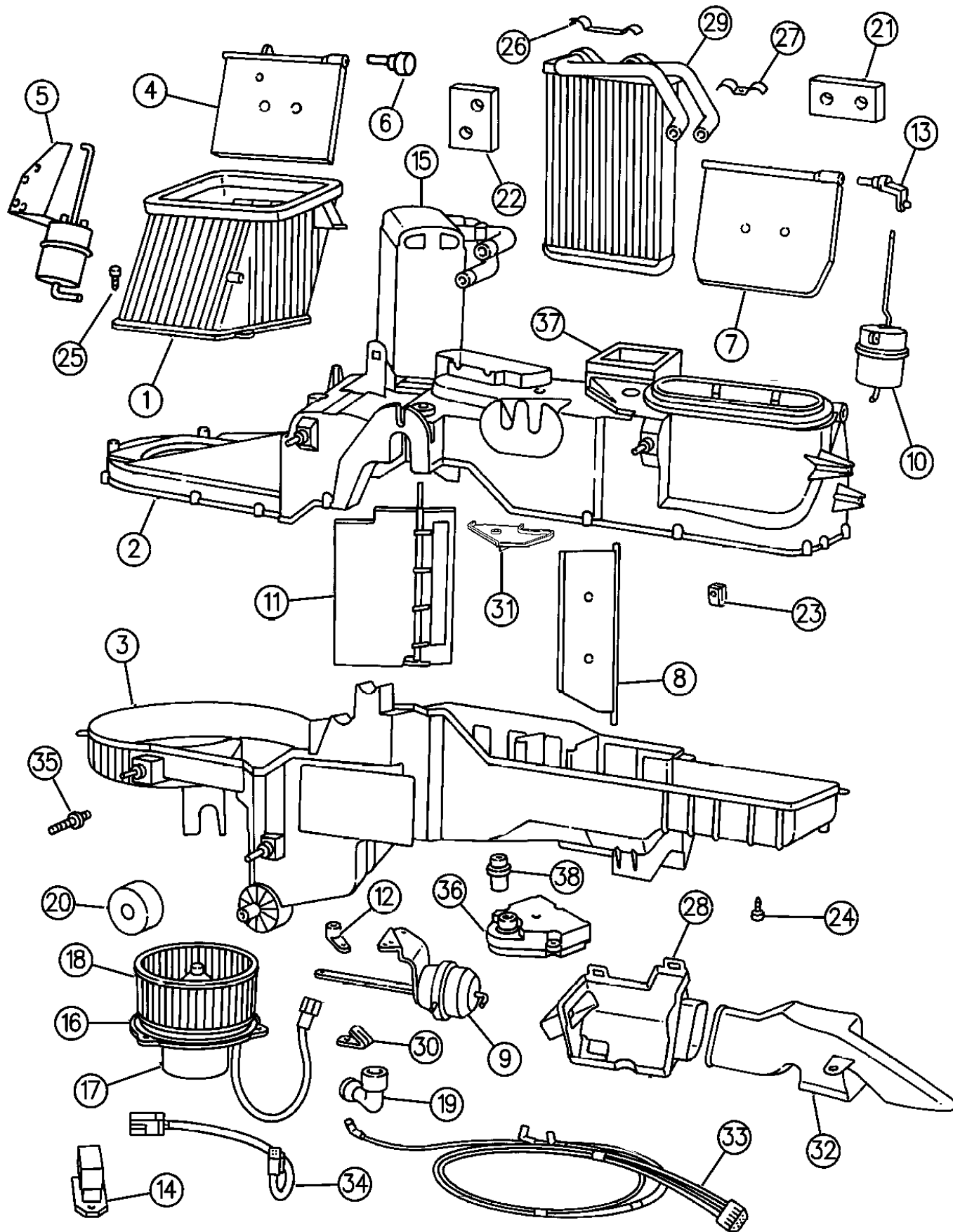
BODY STYLES:

MJ=Comanche Pickup ZJ=Grand Cherokee/Grand Wagoneer KDX VEHICLES
 SJ=Grand Wagoneer M1=Comanche
 XJ=Cherokee, Briarwood X1=Cherokee, Briarwood
 YJ=Wrangler Y1=Wrangler

AR = Use as Required - = Non Illustrated Part P.A.R. = Paint as Required

**AIR CONDITIONING UNIT GRAND CHEROKEE (ZJ)
Figure 24-1330**

91J24 1330A



ITEM	PART NUMBER	QTY	BODY	MODEL	DESCRIPTION
1	4720 549	1			HOUSING, Fresh and Recirc.
2	4720 546	1			HOUSING, Upper
3	4720 547	1			HOUSING, Lower
4	4720 026	1			DOOR, Fresh Air
5	4720 349	1			ACTUATOR, Fresh Air Door
6	4720 029	1			RETAINER, Fresh Air Door
7	4720 023	1			DOOR, Vent/Defrost
8	4720 022	1			DOOR, Heater Floor Duct
9	4720 282	1			ACTUATOR, Floor Duct
10	4720 279	1			ACTUATOR, Vent/Defrost
11	4720 011	1			DOOR, Temp.
12	4720 347	1			LEVER, Floor Duct Door
13	4720 348	1			LEVER, Vent/Defrost Door
-	4740 166	1			LEVER, With Spring, Mode Door
14	4720 278	1			RESISTOR, Blower Motor
15	4723 518	1			EVAPORATOR, Core
16	4720 039	1			SEAL, Blower Motor
17	4720 006	1			MOTOR, Blower
18	4720 009	1			WHEEL, Motor
19	5210 066	1			TUBE, Motor Vent
20	4720 037	1			SEAL, Evaporator Drain to Dash
21	4720 033	1			SEAL, Heater Tubes to Dash
22	4720 034	1			SEAL, Evaporator Tubes to Dash
23	4720 045	1			U-NUT
24	4720 533	21			SCREW
25	4720 534	14			SCREW
26	4720 555	1			CLAMP
27	4720 028	1			RETAINER, Heater Core Tubes
28	4720 010	1			DUCT, Floor
29	4720 008	1			CORE ASSEMBLY, Heater ***
30	4720 031	1			RETAINER
31	4746 572	1			COVER
32	4720 560	1			DUCT, Air
33	4720 350	1			LINE, Vacuum
34	4720 531	1			HARNESS, Wiring
35	4720 032	4			STUD, Mounting
36	4720 015	1			SERVO, Temp. Door, Stamped 16124922
37	4720 546	1			DUCT, Air
38	4720 014	1			LEVER, Temp.

MODEL CODES:

61=Pickup-6 Ft Box 74=4 Door Wagon T=2WD
 62=Pickup-7 Ft Box 77=Open Body 93" Wheelbase J,N,U=4WD
 72=2 Door Wagon 78=Open Body 103" Wheelbase

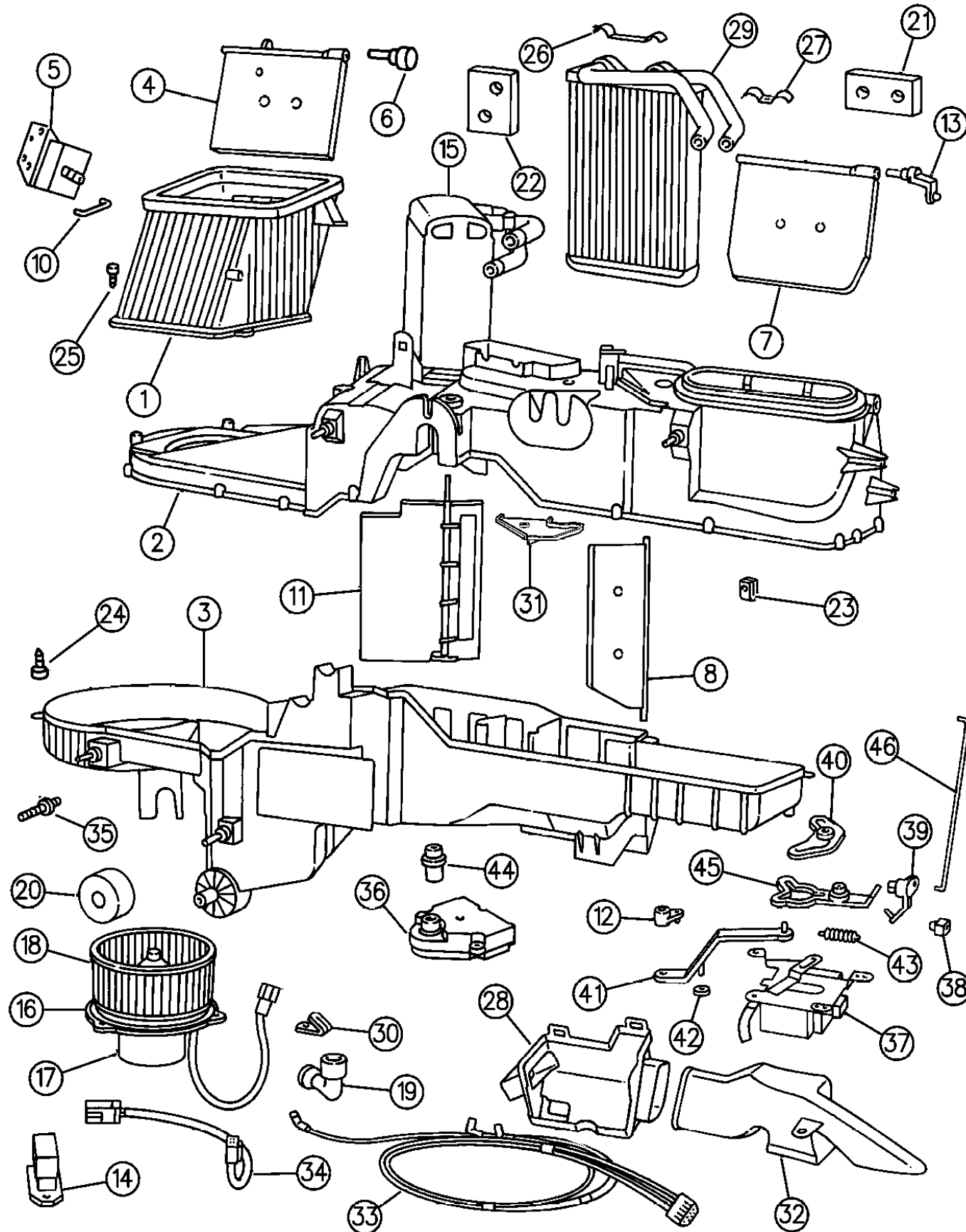
BODY STYLES:

MJ=Comanche Pickup ZJ=Grand Cherokee/Grand Wagoneer KDX VEHICLES
 SJ=Grand Wagoneer M1=Comanche
 XJ=Cherokee, Briarwood X1=Cherokee, Briarwood
 YJ=Wrangler Y1=Wrangler

AR = Use as Required - = Non Illustrated Part P.A.R. = Paint as Required

AIR CONDITIONING UNIT A.T.C. GRAND CHEROKEE (ZJ)
Figure 24-1350

91J24 1350D



ITEM	PART NUMBER	QTY	BODY	MODEL	DESCRIPTION
1	4720 549	1			HOUSING, Fresh and Recirc.
2	4720 546	1			HOUSING, Upper
3	4720 548	1			HOUSING, Lower
4	4720 558	1			BUSHING
4	4720 024	1			DOOR, Fresh Air
5	4720 563	1			ACTUATOR, Fresh Air Door, Stamped 063700-3780
6	4720 029	1			RETAINER, Fresh Air Door
7	4720 023	1			DOOR, Vent/Defrost
8	4720 022	1			DOOR, Floor Duct
9	4720 282	1			ACTUATOR, Floor Duct
10	4720 562	1			SHAFT, Door
11	4720 011	1			DOOR, Temp.
12	4720 573	1			LEVER
13	4720 348	1			LEVER, Vent/Defrost
14	4720 046	1			MODULE, Power (Resistor, Motor)
15	4723 518	1			EVAPORATOR, Core
-	4728 766				O RING, Evap. To Line ***
-	4721 767				O RING, Evap. To Drier ***
16	4720 039	1			SEAL, Motor
17	4720 006	1			MOTOR, Blower
18	4720 009	1			WHEEL, Motor
19	5210 066	1			TUBE, Motor Vent
20	4720 037	1			SEAL, Evaporator Drain to Dash
21	4720 033	1			SEAL, Heater Tubes to Dash
22	4720 034	1			SEAL, Evaporator Tubes to Dash
23	4720 045	1			U-NUT
24	4720 533	21			SCREW
25	4720 534	14			SCREW
26	4720 555	1			CLAMP
27	4720 028	1			RETAINER, Heater Core Tubes
28	4720 010	1			DUCT, Floor
29	4720 008	1			CORE ASSEMBLY, Heater ***
30	4720 031	2			CLAMP
31	4746 572	1			COVER
32	4720 560	1			DUCT, Air
33	4720 350	1			LINE, Vacuum
34	4720 532	1			HARNESS, Wiring
35	4720 032	4			STUD, Mounting
36	4647 039	1			MODULE, Door, Casting# 16124952, E1822533S
37	4720 569	1			ACTUATOR, Heat and Defrost Door (Mode) (AA113800 1362)
38	4720 576	1			CLIP

MODEL CODES:

61=Pickup-6 Ft Box 74=4 Door Wagon T=2WD
 62=Pickup-7 Ft Box 77=Open Body 93" Wheelbase J,N,U=4WD
 72=2 Door Wagon 78=Open Body 103" Wheelbase

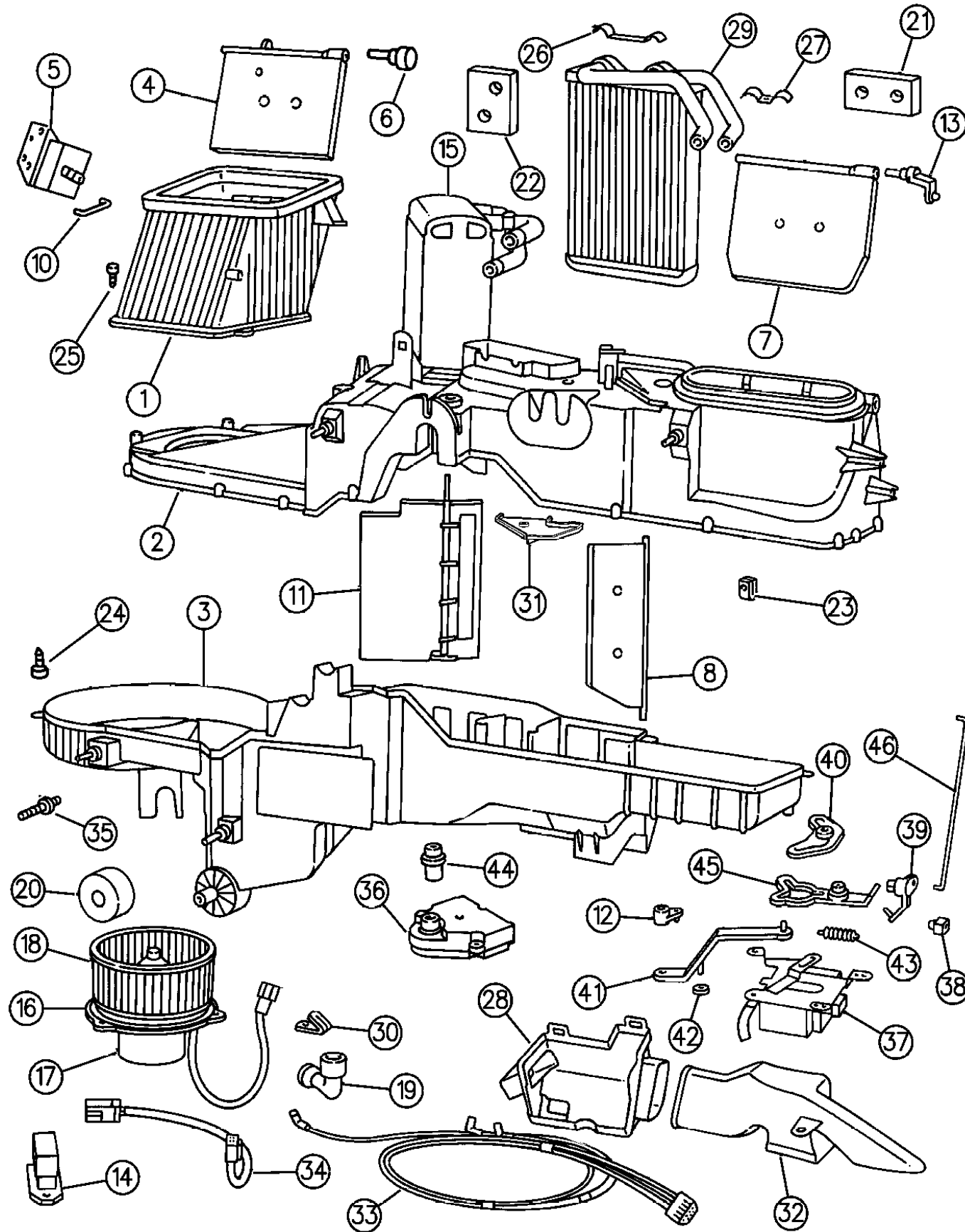
BODY STYLES:

MJ=Comanche Pickup ZJ=Grand Cherokee/Grand Wagoneer KDX VEHICLES
 SJ=Grand Wagoneer M1=Comanche
 XJ=Cherokee, Briarwood X1=Cherokee, Briarwood
 YJ=Wrangler Y1=Wrangler

AR = Use as Required - = Non Illustrated Part P.A.R. = Paint as Required

AIR CONDITIONING UNIT A.T.C. GRAND CHEROKEE (ZJ)
Figure 24-1350

91J24 1350D



ITEM	PART NUMBER	QTY	BODY	MODEL	DESCRIPTION
39	4720 572	1			LEVER
40	4720 559	1			PLATE
41	4740 166	1			LEVER
42	4746 882	1			WASHER
43	4746 883	1			SPRING
44	4720 014	1			LEVER, Temp.
45	4762 086	1			PLATE
46	4720 571	1			SHAFT, A/C/Heater Door

MODEL CODES:

61=Pickup-6 Ft Box 74=4 Door Wagon T=2WD
 62=Pickup-7 Ft Box 77=Open Body 93" Wheelbase J,N,U=4WD
 72=2 Door Wagon 78=Open Body 103" Wheelbase

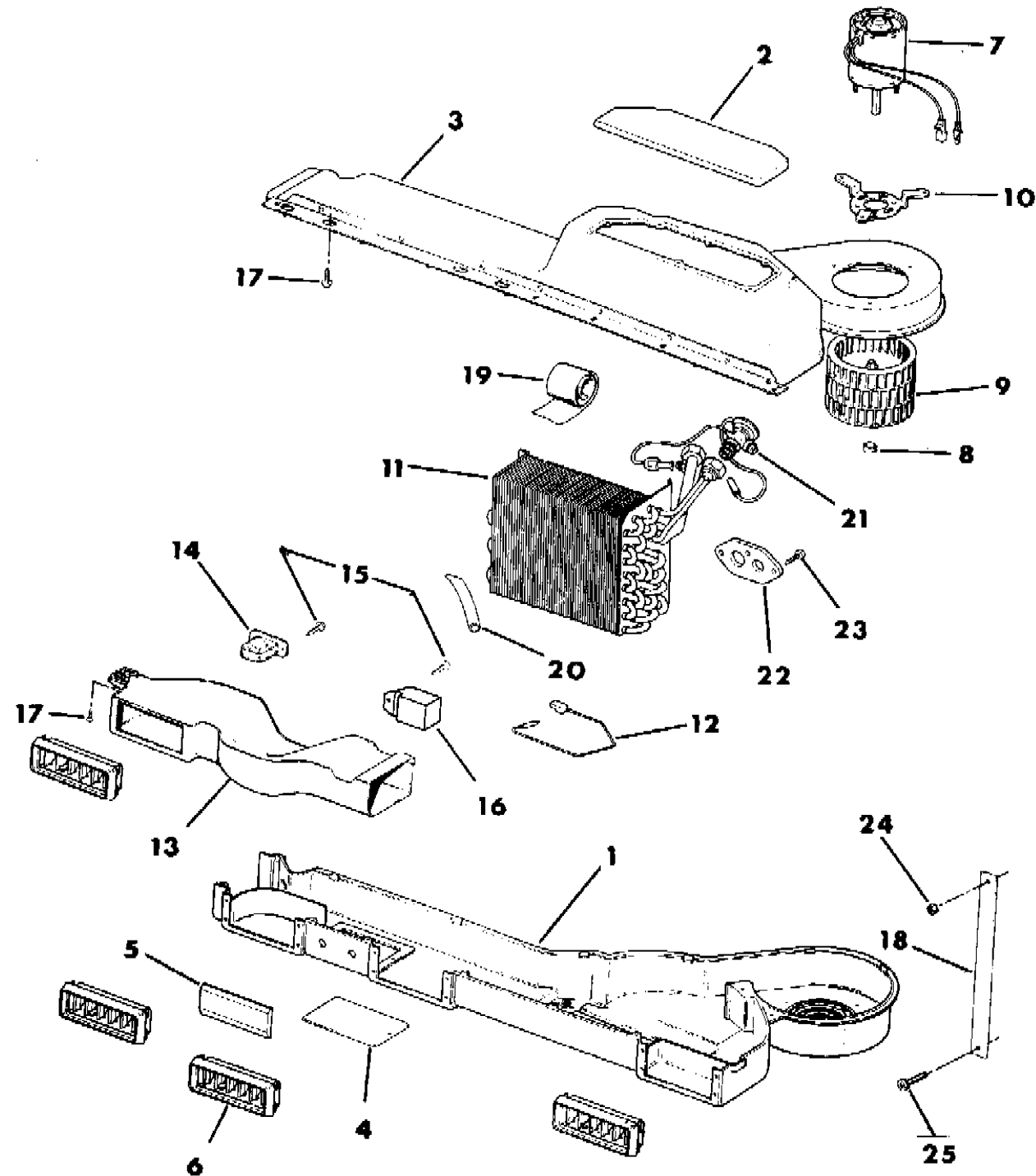
BODY STYLES:

MJ=Comanche Pickup ZJ=Grand Cherokee/Grand Wagoneer KDX VEHICLES
 SJ=Grand Wagoneer M1=Comanche
 XJ=Cherokee, Briarwood X1=Cherokee, Briarwood
 YJ=Wrangler Y1=Wrangler

AR = Use as Required - = Non Illustrated Part P.A.R. = Paint as Required

AIR CONDITIONING UNIT GRAND WAGONEER (SJ) 1991
Figure 24-1400

91J24 1400



ITEM	PART NUMBER	QTY	BODY	MODEL	DESCRIPTION
1	5AJ9 0JY6	1			HOUSING, Lower, (P.A.R.)
2	5AA5 5JY6	1			COVER, Housing, (P.A.R.)
3	5AA5 4JY6	1			HOUSING, Upper, (P.A.R.)
4	5AA5 6JY6	1			PLATE, (P.A.R.)
5	5AJ8 9JY6	1			PLATE, Cover, (P.A.R.)
6	5AA8 2JY6	1			OUTLET, Air, (P.A.R.)
7	5600 2007	1			MOTOR, Blower
8	J318 1643	1			CLAMP
9	J575 1934	1			WHEEL, Blower
10	J546 3811	1			BRACKET, Motor Mounting
11	5600 1962	1			CORE, Evaporator
12	5600 3923	1			THERMISTOR ***
13	8350 2636	1			HOUSING, Extension, (P.A.R.)
14	5600 3913	1			RESISTOR
15	J400 4566	4			SCREW
16	5600 1959	1			THERMOSTAT
17	J400 2311	AR			SCREW
18	J545 5069	1			BRACKET
19	J369 3126	1			INSULATION
20	J575 2862	1			TUBE, Drain
21	J546 4379	1			VALVE, Expansion
22	J318 5484	1			GROMMET
23	J448 9487	2			SCREW
24	J027 1172	1			NUT
25	J045 6334	1			SCREW

NOTE: (P.A.R.) - Paint as Required e #312.

MODEL CODES:

61=Pickup-6 Ft Box 74=4 Door Wagon T=2WD
 62=Pickup-7 Ft Box 77=Open Body 93" Wheelbase J,N,U=4WD
 72=2 Door Wagon 78=Open Body 103" Wheelbase

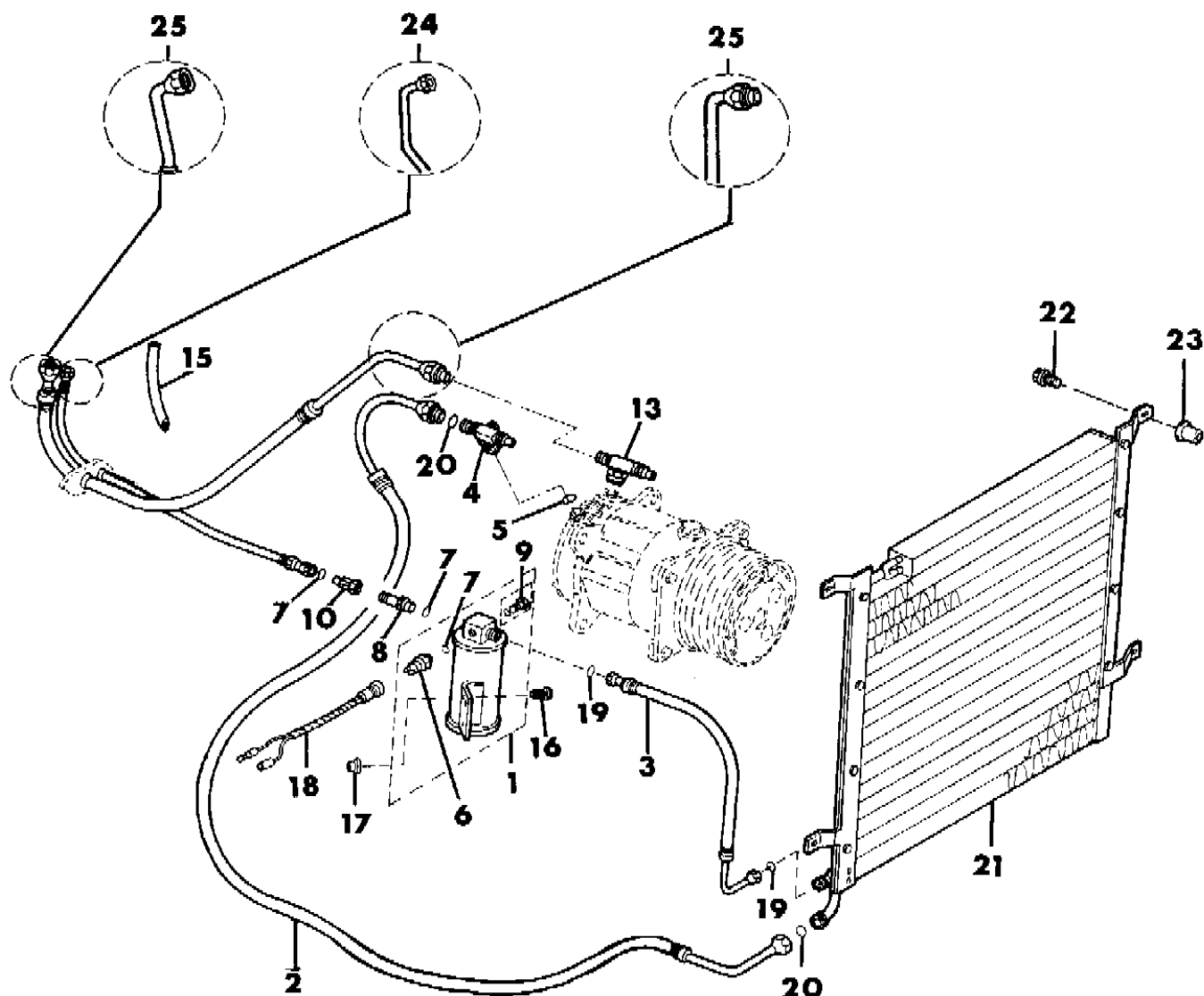
BODY STYLES:

MJ=Comanche Pickup ZJ=Grand Cherokee/Grand Wagoneer KDX VEHICLES
 SJ=Grand Wagoneer M1=Comanche
 XJ=Cherokee, Briarwood X1=Cherokee, Briarwood
 YJ=Wrangler Y1=Wrangler

AR = Use as Required - = Non Illustrated Part P.A.R. = Paint as Required

RECEIVER/DRIER AND HOSES WRANGLER, YJ
Figure 24-1500

91J24 1500



ITEM	PART NUMBER	QTY	BODY	MODEL	DESCRIPTION
1		1			RECEIVER/DRIER ***
	5600 1485				(R12)
2					HOSE, Compressor to Condenser
	5600 4347	1			1991-92
	5503 5969	1			1993
3					HOSE, Condenser to Receiver
	5600 1487	1			1991
	5503 5582	1			1992-93
4	5300 1290	1			VALVE, Discharge
5	J322 2353	1			O-RING
6	J374 1260	1			SWITCH, Low Pressure Cut Off
7	J317 1788	AR			O-RING
8	J317 1794	1			COUPLING, Male
9	J369 2994	1			VALVE PACKAGE, Relief ***
10	J317 1795	1			COUPLING, Female
13	3600 1011	1			VALVE, Suction
14	S012 0530	1			CLIP
15	5503 5645	1			HOSE, Drain
16	J941 4428	3			SCREW
17	J400 5237	3			NUT, Well
18	J576 3596	1			WIRE, Low Freon
19	J321 2113	2			O-RING
20	J321 2112	2			O-RING
21	5600 1484	1			CORE, Condenser, 4 Cyl. and 6 Cyl. Engines
22	J400 6906	4			SCREW
23	J400 3120	4			NUT, Well
24					HOSE, Receiver To Evaporator
	5600 4688	1			1991
	5503 5581	1			1992
	5503 5747	1			1993
25	5600 4386	1			HOSE, Evaporator To Compressor



MODEL CODES:

61=Pickup-6 Ft Box 74=4 Door Wagon T=2WD
62=Pickup-7 Ft Box 77=Open Body 93" Wheelbase J,N,U=4WD
72=2 Door Wagon 78=Open Body 103" Wheelbase

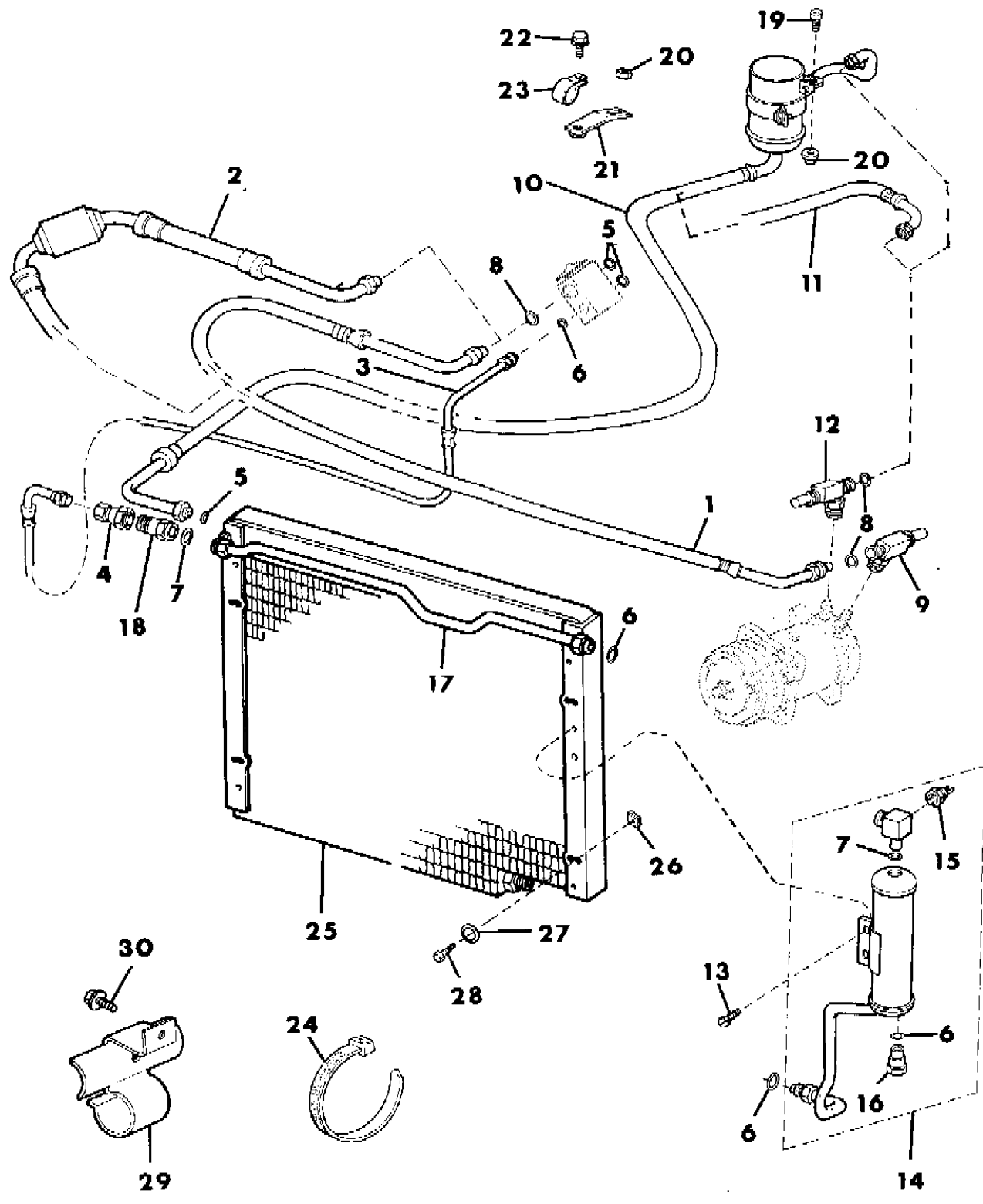
BODY STYLES:

MJ=Comanche Pickup ZJ=Grand Cherokee/Grand Wagoneer KDX VEHICLES
SJ=Grand Wagoneer M1=Comanche
XJ=Cherokee, Briarwood X1=Cherokee, Briarwood
YJ=Wrangler Y1=Wrangler

AR = Use as Required - = Non Illustrated Part P.A.R. = Paint as Required

RECEIVER/DRIER, CONDENSER AND HOSES 4 CYLINDER ENGINE W/FACTORY AIR CONDITIONING CHEROKEE, BRIARWOOD, COMANCHE
 Figure 24-1600

91J24 1600



ITEM	PART NUMBER	QTY	BODY	MODEL	DESCRIPTION
1					HOSE, Evaporator to Compressor, w/o Muffler
	5600 4382	1		1991	
	5503 5882	1		1992-93	
	5503 5512	1		RHD	
2	5600 2950	1			HOSE, Evaporator to Compressor, w/Muffler
3	5600 4383	1			HOSE, Receiver to Evaporator
	5600 2196	1		CHINA	
	5503 5516	1		RHD	
4	J317 1795	1			COUPLING, Female
5	J321 2112	AR			O-RING
6	J321 2113	AR			O-RING
7	J317 1788	AR			O-RING
8	J322 2353	AR			O-RING
9					VALVE, Suction
	3600 1011	1			
	5600 0879	1		KDX	
	5503 5509	1		RHD	
10	5300 1438	1			HOSE, Compressor to Conditioner, w/Muffler
11	5600 4352	1			HOSE, Compressor to Conditioner, w/o Muffler
	5600 2947	1		CHINA	
	5503 5689	1		RHD	
12	5300 1290	1			VALVE, Discharge
13	9421 073	2			SCREW
14	5600 1938	1			DRIER, Receiver
	5503 5508	1		RHD	
15	J374 1260	1			SWITCH, Cut-Off
16	J369 2994	1			VALVE PACKAGE, Relief ***
17	5600 2191	1			TUBE, Receiver
	5503 5770	1		RHD	
18	J317 1794	1			COUPLING, Male
19	J420 0446	1			BOLT
20	1150 6007	2			NUT
21	J369 3058	1			STRAP, Hose Support
22	3420 1897	1			BOLT
23	J372 8150	1			CLIP
24	J322 3227	1			STRAP
25	5600 2190	1			CORE, Condenser
	5503 5952	1		RHD	
26	1150 0660	4			NUT
27	1150 0323	4			WASHER
28	1150 5066	4			SCREW

MODEL CODES:

61=Pickup-6 Ft Box 74=4 Door Wagon T=2WD
 62=Pickup-7 Ft Box 77=Open Body 93" Wheelbase J,N,U=4WD
 72=2 Door Wagon 78=Open Body 103" Wheelbase

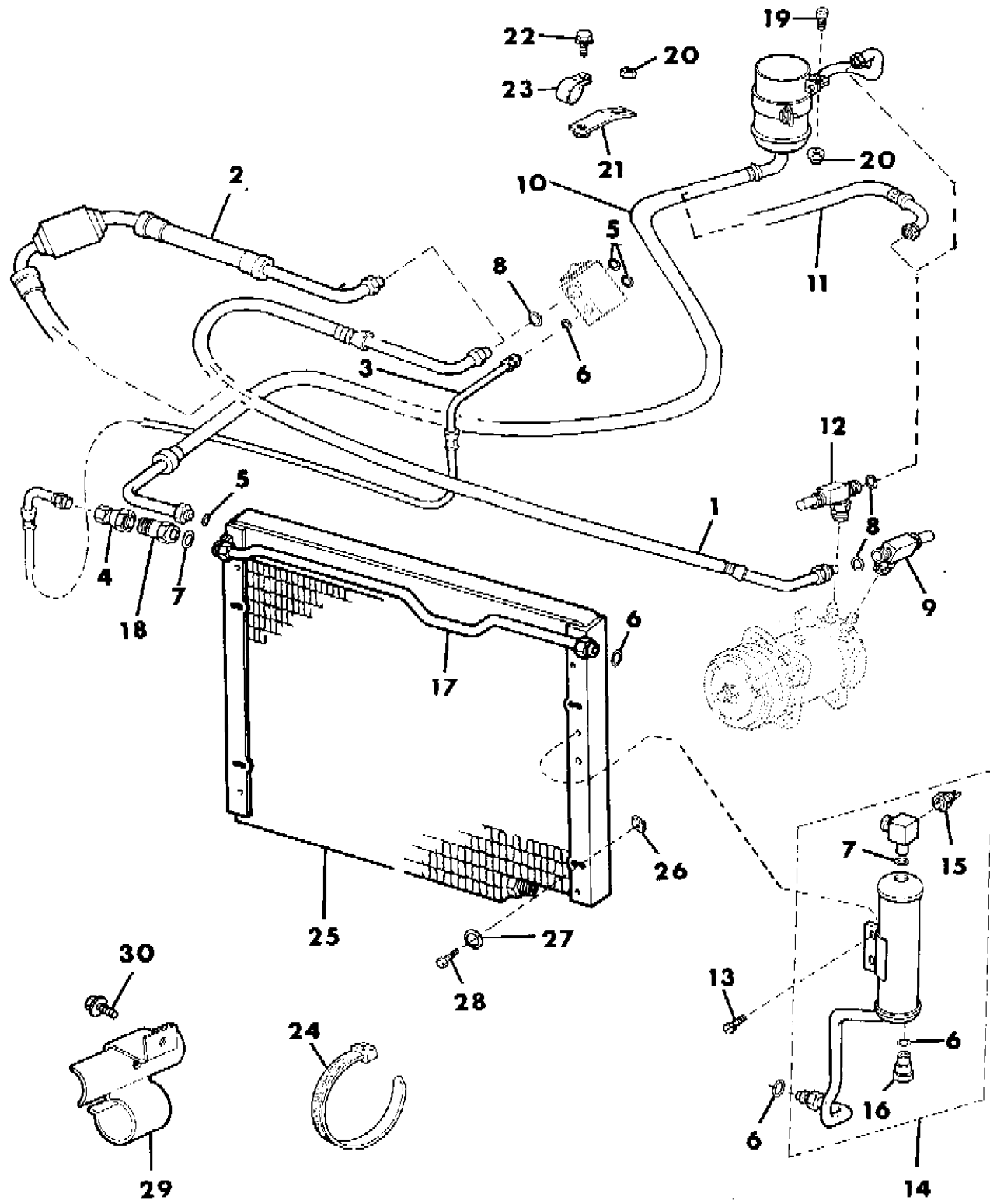
BODY STYLES:

MJ=Comanche Pickup ZJ=Grand Cherokee/Grand Wagoneer KDX VEHICLES
 SJ=Grand Wagoneer M1=Comanche
 XJ=Cherokee, Briarwood Y1=Wrangler
 YJ=Wrangler

AR = Use as Required - = Non Illustrated Part P.A.R. = Paint as Required

RECEIVER/DRIER, CONDENSER AND HOSES 4 CYLINDER ENGINE W/FACTORY AIR CONDITIONING CHEROKEE, BRIARWOOD, COMANCHE
 Figure 24-1600

91J24 1600



ITEM	PART NUMBER	QTY	BODY	MODEL	DESCRIPTION
29	5600 1275	1			BRACKET, Hose Support
30	3420 1489	1			SCREW

MODEL CODES:

61=Pickup-6 Ft Box 74=4 Door Wagon T=2WD
 62=Pickup-7 Ft Box 77=Open Body 93" Wheelbase J,N,U=4WD
 72=2 Door Wagon 78=Open Body 103" Wheelbase

BODY STYLES:

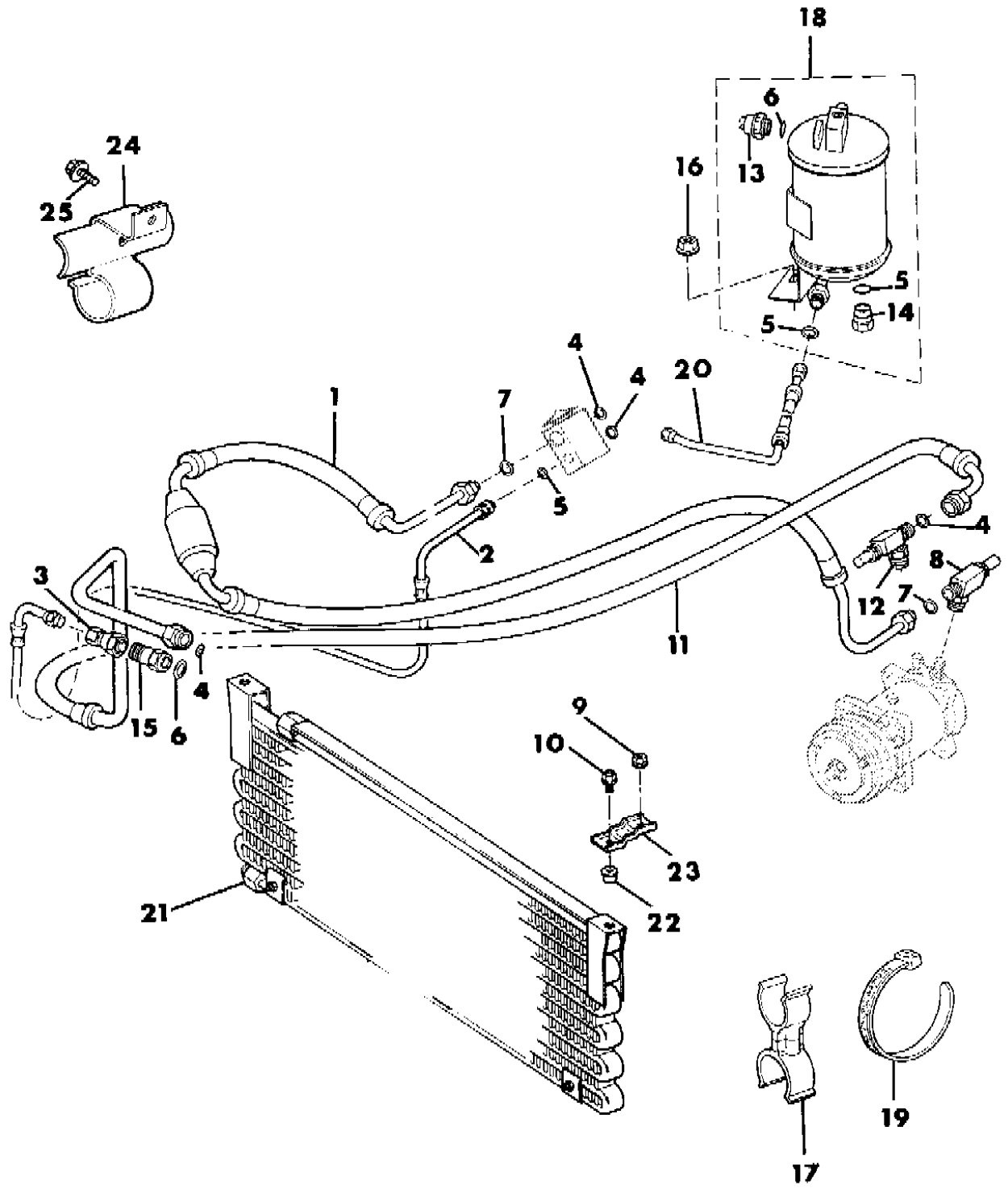
MJ=Comanche Pickup ZJ=Grand Cherokee/Grand Wagoneer KDX VEHICLES
 SJ=Grand Wagoneer M1=Comanche
 XJ=Cherokee, Briarwood X1=Cherokee, Briarwood
 YJ=Wrangler Y1=Wrangler

AR = Use as Required - = Non Illustrated Part P.A.R. = Paint as Required

RECEIVER/DRIER, CONDENSER AND HOSES 6 CYLINDER ENGINE W/FACTORY AIR CONDITIONING CHEROKEE, BRIARWOOD, COMANCHE
 Figure 24-1700

91J24 1700A

ITEM	PART NUMBER	QTY	BODY	MODEL	DESCRIPTION
1					HOSE, Evaporator to Compressor
	5600 2684	1			w/Muffler 1991
	5600 4379	1			w/o Muffler 1991-92
	5503 5886	1			w/o Muffler 1993
	5503 5513	1			RHD
2	5600 4839	1			HOSE, Receiver to Condenser
	5503 5518	1			RHD
3	J317 1795	1			COUPLING, Female
4	J321 2112	AR			O-RING
5	J321 2113	AR			O-RING
6	J317 1788	AR			O-RING
7	J322 2353	AR			O-RING
8	3600 1011	1			VALVE, Suction
9	1150 2722	2			NUT
10	J400 6906	1			SCREW
11	5600 4350	1			HOSE, Compressor to Condenser
	5503 5515	1			RHD
12	5300 1290	1			VALVE, Discharge
13	J374 1260	1			SWITCH, Cut-Off
14	J369 2994	1			VALVE PACKAGE, Relief ***
15	J317 1794	1			COUPLING, Male
16	3420 1711	1			NUT
17	5600 1786	1			CLIP
18					DRIER, Receiver
	5600 4840	1			1991
	5503 5772	1			1992-93
19	J322 3227	1			STRAP
20	5600 4378	1			HOSE, Receiver to Evaporator
	5503 5517	1			RHD
21	5600 2957	1			CORE, Condenser
	5503 5999	1			RHD
22	J400 3120	1			NUT
23	5600 2231	2			BRACKET, Radiator to Condenser
	J400 7348	2			BOLT, Condenser Mounting Bracket
24	5600 1275	1			BRACKET, Hose to Support
25	3420 1489	1			SCREW



MODEL CODES:

61=Pickup-6 Ft Box 74=4 Door Wagon T=2WD
 62=Pickup-7 Ft Box 77=Open Body 93" Wheelbase J,N,U=4WD
 72=2 Door Wagon 78=Open Body 103" Wheelbase

BODY STYLES:

MJ=Comanche Pickup ZJ=Grand Cherokee/Grand Wagoneer KDX VEHICLES
 SJ=Grand Wagoneer M1=Comanche
 XJ=Cherokee, Briarwood X1=Cherokee, Briarwood
 YJ=Wrangler Y1=Wrangler

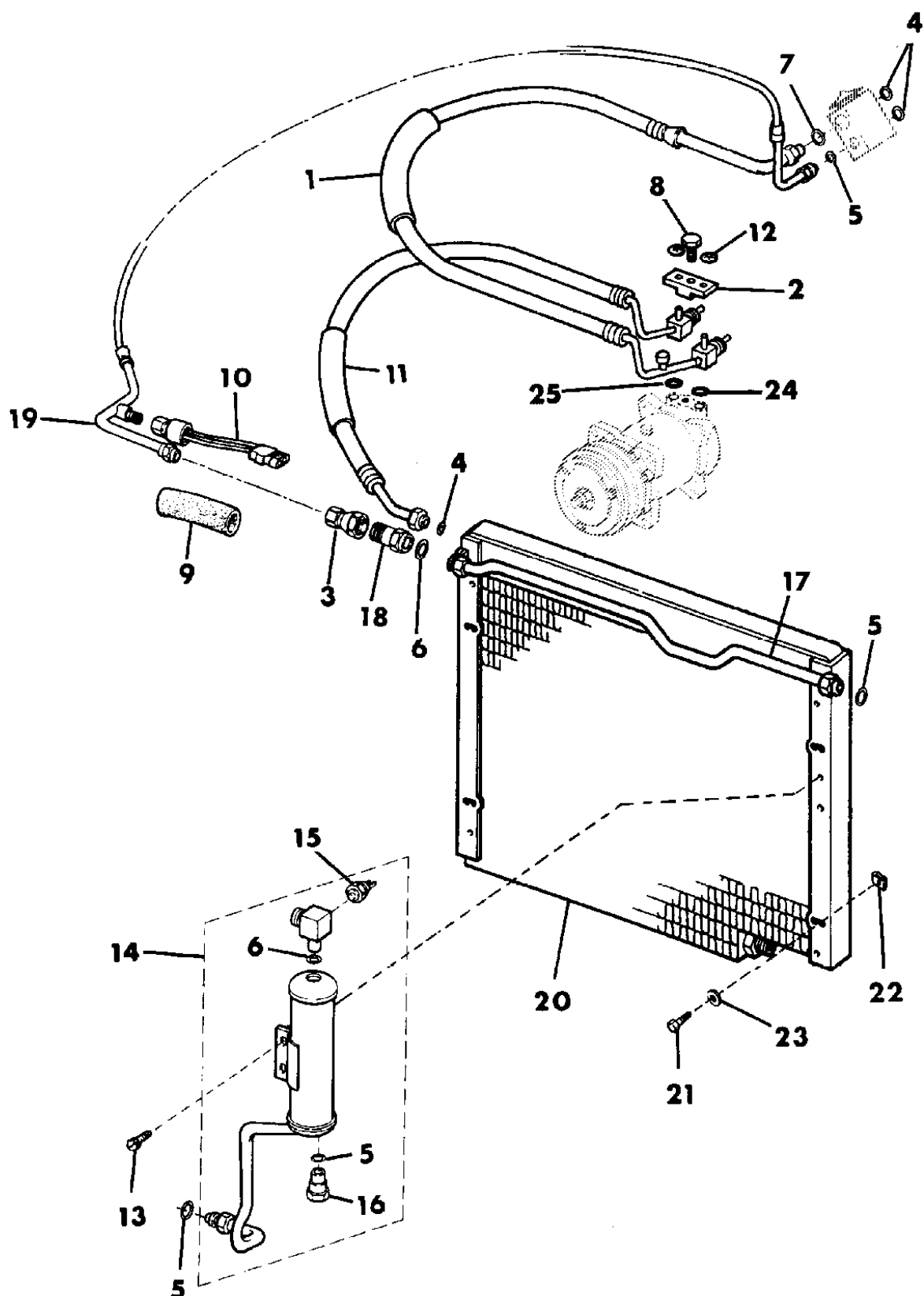
AR = Use as Required - = Non Illustrated Part P.A.R. = Paint as Required

RECEIVER/DRIER, CONDENSER AND HOSES DIESEL ENGINE W/FACTORY AIR CONDITIONING CHEROKEE, BRIARWOOD, COMANCHE

Figure 24-1800

91J24 1800A

ITEM	PART NUMBER	QTY	BODY	MODEL	DESCRIPTION
1	5600 1273	1			HOSE, Evaporator to Compressor, Including Valve
2	5600 1403	1			RETAINER, Valve
3	J317 1795	1			COUPLING, Female
4	J321 2112	3			O-RING
5	J321 2113	4			O-RING
6	J317 1788	2			O-RING
7	J322 2353	1			O-RING
8	3420 2171	1			SCREW
9	J369 3082	1			INSULATOR (Part must be Modified for this Application)
10	5600 1310	1			SWITCH, Cut-Off, High Pressure
11	5600 6196	1			HOSE, Compressor to Condenser, Including Valve
12	J400 6866	2			NUT, Push
13	9421 073	2			SCREW
14	5600 1938	1			RECEIVER/DRIER ***
15	J374 1260	1			SWITCH, Cut-Off, Low Pressure
16	J369 2994	1			VALVE PACKAGE, Relief ***
17	5600 2202	1			TUBE, Receiver
18	J317 1794	1			COUPLING, Male
19	5600 2201	1			HOSE, Receiver to Evaporator
	5600 6195	1			1991 1992-93
20	5600 2205	1			CORE, Condenser
21	1150 5066	4			SCREW
22	1150 0660	4			NUT
23	1150 0323	4			WASHER
24	J374 1266	1			O-RING
25	J374 1267	1			O-RING



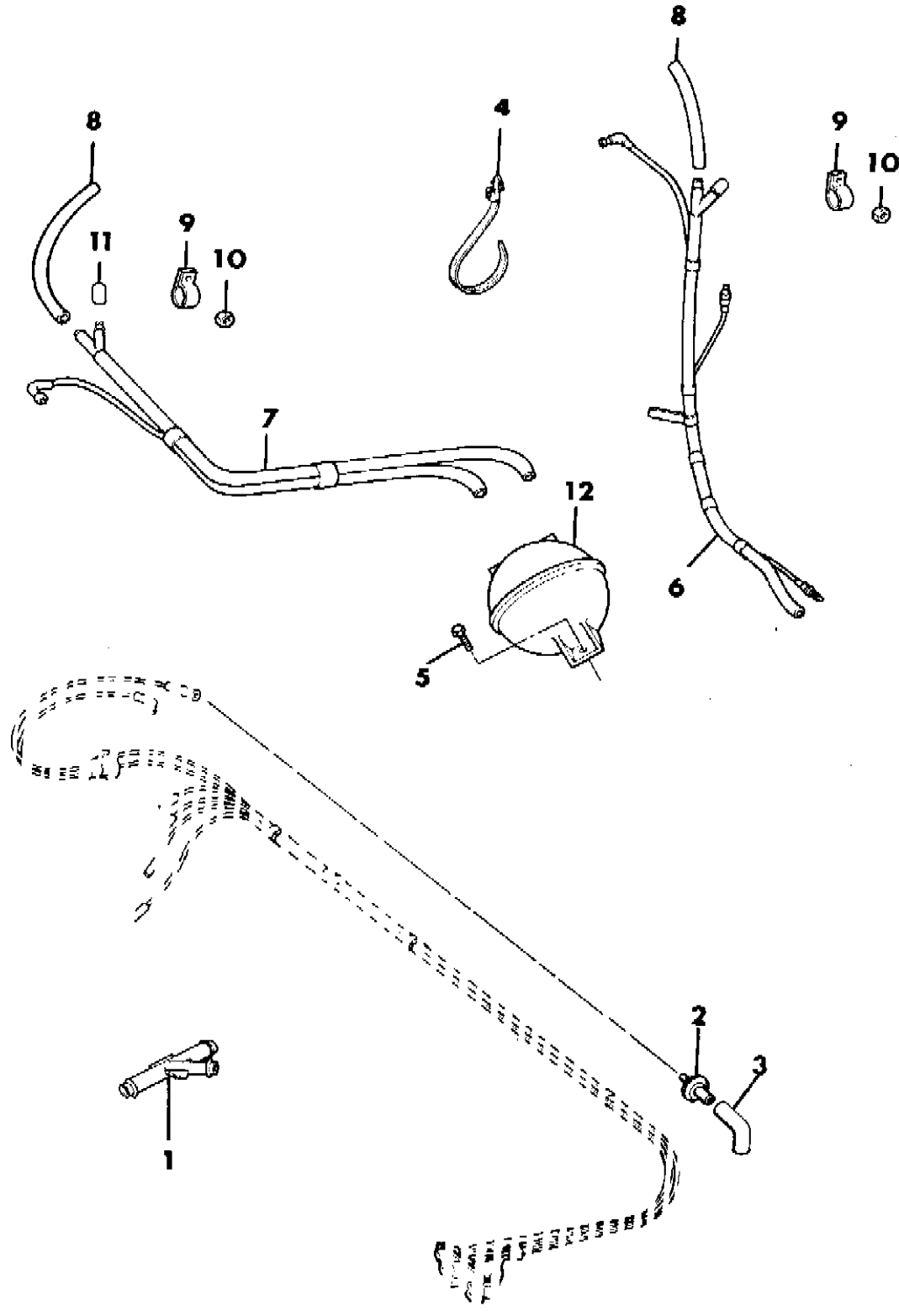
MODEL CODES:
 61=Pickup-6 Ft Box 74=4 Door Wagon T=2WD
 62=Pickup-7 Ft Box 77=Open Body 93" Wheelbase J,N,U=4WD
 72=2 Door Wagon 78=Open Body 103" Wheelbase

BODY STYLES:
 MJ=Comanche Pickup ZJ=Grand Cherokee/Grand Wagoneer KDX VEHICLES
 SJ=Grand Wagoneer M1=Comanche
 XJ=Cherokee, Briarwood X1=Cherokee, Briarwood
 YJ=Wrangler Y1=Wrangler

AR = Use as Required - = Non Illustrated Part P.A.R. = Paint as Required

LINES, HEATER AND AIR CONDITIONING VACUUM CHEROKEE, BRIARWOOD, COMANCHE
Figure 24-1900

91J24 1900



ITEM	PART NUMBER	QTY	BODY	MODEL	DESCRIPTION
1	J400 6848	1			CONNECTOR, Diesel Engine
2	J322 5641	1			VALVE, Check, Diesel Engine
3	3300 0657	1			HOSE, Diesel Engine
	5503 5510	1			HOSE and CHECK VALVE ASSEMBLY, 2.5L Engine RHD ***
4	3420 1788	1			STRAP, w/o Diesel Engine
5	3420 1895	2			SCREW
6	5503 5650	1			HOSE ASSEMBLY, Vacuum, w/Check Valve 4.0L Engine ***
7	5503 5649	1			HOSE ASSEMBLY, Vacuum, w/Check Valve 2.5L Engine ***
	5600 2562	1			CHINA
8	8330 0080	AR			HOSE, Vacuum
9	J417 5263	1			CLIP, 4.0L Engine
10	J941 6918	1			NUT, 4.0L Engine
11	3420 2137	AR			CAP, Vacuum, Diesel Engine
12	5200 4366	1			TANK, Vacuum
	3600 1728	1			CHINA

MODEL CODES:

61=Pickup-6 Ft Box 74=4 Door Wagon T=2WD
62=Pickup-7 Ft Box 77=Open Body 93" Wheelbase J,N,U=4WD
72=2 Door Wagon 78=Open Body 103" Wheelbase

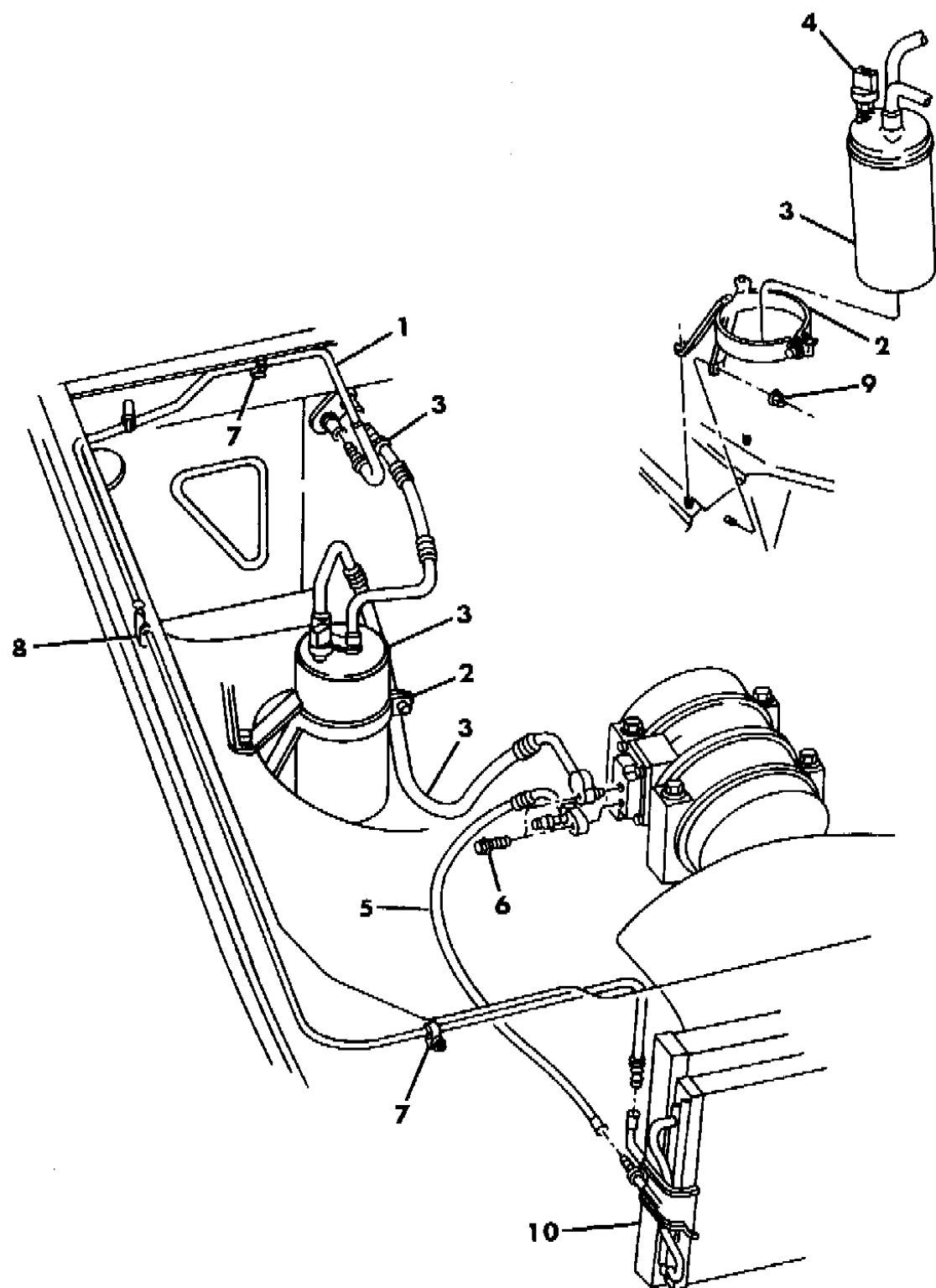
BODY STYLES:

MJ=Comanche Pickup ZJ=Grand Cherokee/Grand Wagoneer KDX VEHICLES
SJ=Grand Wagoneer M1=Comanche
XJ=Cherokee, Briarwood X1=Cherokee, Briarwood
YJ=Wrangler Y1=Wrangler

AR = Use as Required - = Non Illustrated Part P.A.R. = Paint as Required

LINES, CONDENSER GRAND CHEROKEE (ZJ) 4.0L ENGINE
Figure 24-1950

91J24 1950



ITEM	PART NUMBER	QTY	BODY	MODEL	DESCRIPTION
1	4728 855	1			LINE, Liquid
	4778 359	1			VALVE-CHARGE PORT, Line Assembly A/C Liquid ***
	4740 400	1			O-RING, Accumulator Suction Line to Compressor
	4728 856	AR			SPRING, Quick Connect
	4728 766	4			O-RING, Liquid Line to Evaporator and Condenser (7 1/16 I.D.)
	4713 571	1			PORT, Charging ***
	5503 5972	1			CAP, Charge Port
	4728 951	1			O-RING, Charging Port
2	5503 5741	1			BRACKET, Accum. Assembly
3					ACCUMULATOR, w/Hoses ***
	4720 847	1			Up to 7-16-92
	4740 773	1			After 7-16-92
	5503 6152	1			with Top Mounted Manifold Hoses
4	4740 401	2			O-RING, Accumulator Hose to Evaporator
	4713 511	1			SWITCH, A/C Cycling
	4728 705	1			O-RING, Cycling Switch
5					LINE, Discharge
	4713 570	1			with Side Mounted Manifold Hoses
	5503 6195	1			with Top Mounted Manifold Hoses
	4596 152	3			CLIP, Quick Disconnect, Discharge Line
	4596 153	1			CLIP, Quick Disconnect, Suction Line
	4728 364	1			O-RING, to Compressor (Large)
	4728 363	1			O-RING, Discharge Line (Small)
	4713 572	1			SWITCH, High Pressure Cut-Out
	4728 808	1			O-RING, Switch
6	4723 477	2			BOLT, Line to Compressor
7	5503 5757	2			RETAINER
8	5503 5758	1			RETAINER, Liquid Line Mounting
9	6501 140	AR			NUT, Lock
10	5600 5016	1			CONDENSER
-	6101 719	2			SCREW, Condenser to Radiator

MODEL CODES:

61=Pickup-6 Ft Box 74=4 Door Wagon T=2WD
62=Pickup-7 Ft Box 77=Open Body 93" Wheelbase J,N,U=4WD
72=2 Door Wagon 78=Open Body 103" Wheelbase

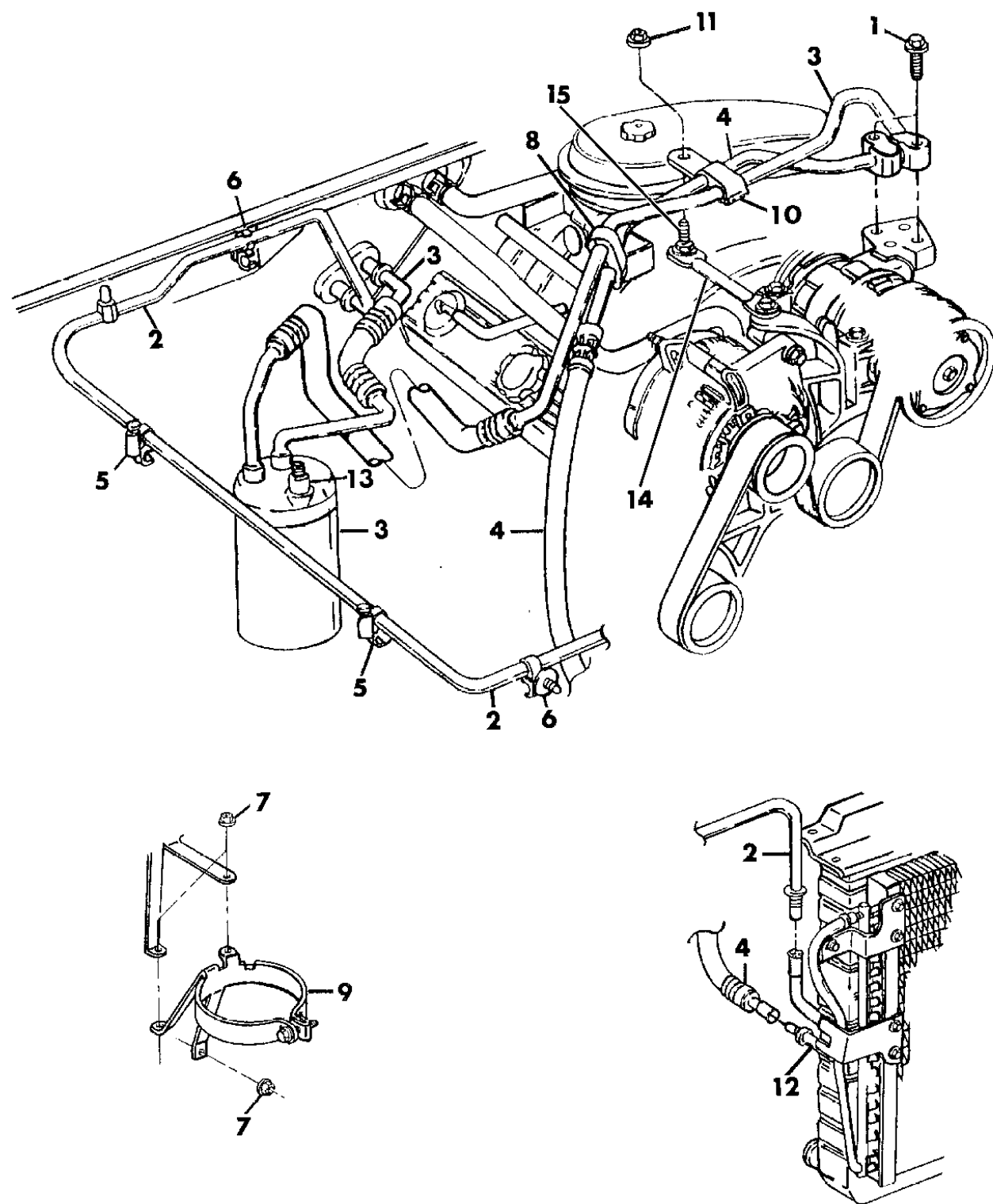
BODY STYLES:

MJ=Comanche Pickup ZJ=Grand Cherokee/Grand Wagoneer KDX VEHICLES
SJ=Grand Wagoneer M1=Comanche
XJ=Cherokee, Briarwood X1=Cherokee, Briarwood
YJ=Wrangler Y1=Wrangler

AR = Use as Required - = Non Illustrated Part P.A.R. = Paint as Required

LINES, CONDENSER GRAND CHEROKEE (ZJ) 5.2L ENGINE
Figure 24-1970

91J24 1970B



ITEM	PART NUMBER	QTY	BODY	MODEL	DESCRIPTION
1		2			SCREW, Hose to Compressor (Not Serviced)
2	4728 855	1			LINE, A/C Liquid
-					RETAINER, Quick Connect
	4596 152	1			Black
	4596 153	1			Silver
	4778 359	1			VALVE-CHARGE PORT, Line Assembly A/C Liquid ***
	4740 400	1			O-RING, Accumulator Suction Line to Compressor
	4728 856	1			SPRING, Quick Connect
	4728 766	4			O-RING, Liquid Line to Evaporator and Condenser
	4713 571	1			PORT, Charge ***
	5503 5972	1			CAP, Charge Port
	4728 951	1			O-RING, Charging Port
3					ACCUMULATOR, w/Hoses ***
	4723 709	1			Up to 7-16-92
	4740 767	1			After 7-16-92
	4740 401	2			O-RING, Accumulator to Condenser
4	4723 714	1			LINE, A/C Discharge
	4728 364	1			O-RING, Discharge Line to Compressor
	4713 572	1			SWITCH, High Pressure Cut-Out
	4740 401	1			O-RING, Cut-Out Switch
5	5503 5758	2			RETAINER, Liquid Line Mounting
6	5503 5757	2			RETAINER, Line Mounting
7	6100 515	3			NUT, Bracket Mounting
8	5503 5784	1			CLIP
9	5503 5741	1			BRACKET, Accumulator
10	5503 5945	1			CLIP, Hose to Manifold
11					NUT and WASHER (Not Serviced)
12	5600 5016	1			CONDENSER
	4728 766	2			O-RING, Condenser to Discharge Line (7/16 I.D.)
13	4713 511	1			SWITCH, Cycling
-	4728 705	1			O-RING, Switch
14	5300 8746	1			BRACE
15	6034 438	1			STUD

MODEL CODES:

61=Pickup-6 Ft Box 74=4 Door Wagon T=2WD
62=Pickup-7 Ft Box 77=Open Body 93" Wheelbase J,N,U=4WD
72=2 Door Wagon 78=Open Body 103" Wheelbase

BODY STYLES:

MJ=Comanche Pickup ZJ=Grand Cherokee/Grand Wagoneer KDX VEHICLES
SJ=Grand Wagoneer M1=Comanche
XJ=Cherokee, Briarwood X1=Cherokee, Briarwood
YJ=Wrangler Y1=Wrangler

AR = Use as Required - = Non Illustrated Part P.A.R. = Paint as Required

RECEIVER/DRIER, CONDENSER AND HOSES W/AIR CONDITIONING GRAND WAGONEER (SJ) 1991

Figure 24-2000

91J24 2000

ITEM	PART NUMBER	QTY	BODY	MODEL	DESCRIPTION
1					VALVE, Discharge
	J545 9856	1			w/York Compressor
	5600 3162	1			w/Sanden Compressor
2					VALVE, Suction
	J545 9857	1			w/York Compressor
	5600 3161	1			w/Sanden Compressor
3					HOSE, Evaporator to Compressor
	J546 3854	1			w/York Compressor
	5600 3318	1			w/Sanden Compressor
4	J317 1788	AR			O-RING
5	J576 3649	1			HOSE, Quick Coupling to Evaporator
6	J576 3526	1			WIRE, Low Freon
7	J374 1260	1			SWITCH, Cut-Off
8	J813 0314	1			RECEIVER/DRIER ***
9	J813 0316	1			TUBE, Receiver
10	J813 0317	1			HOSE, Receiver to Quick Coupling
11					HOSE, Compressor to Condenser
	J813 0318	1			w/York Compressor
	8350 5636	1			w/Sanden Compressor
12	S016 1895	AR			SCREW
13	J012 0525	1			CLIP
14	1150 2843	1			SCREW
15	J812 0054	2			SCREW
16	J044 5446	2			NUT
17	J317 1794	1			COUPLING, Male
18	J317 1795	1			COUPLING, Female ***
19	S012 0530	2			CLIP
20	J400 3838	1			CLIP
21	J322 3227	AR			STRAP
22	J813 0312	1			CORE, Condenser
23	J400 1042	4			SCREW

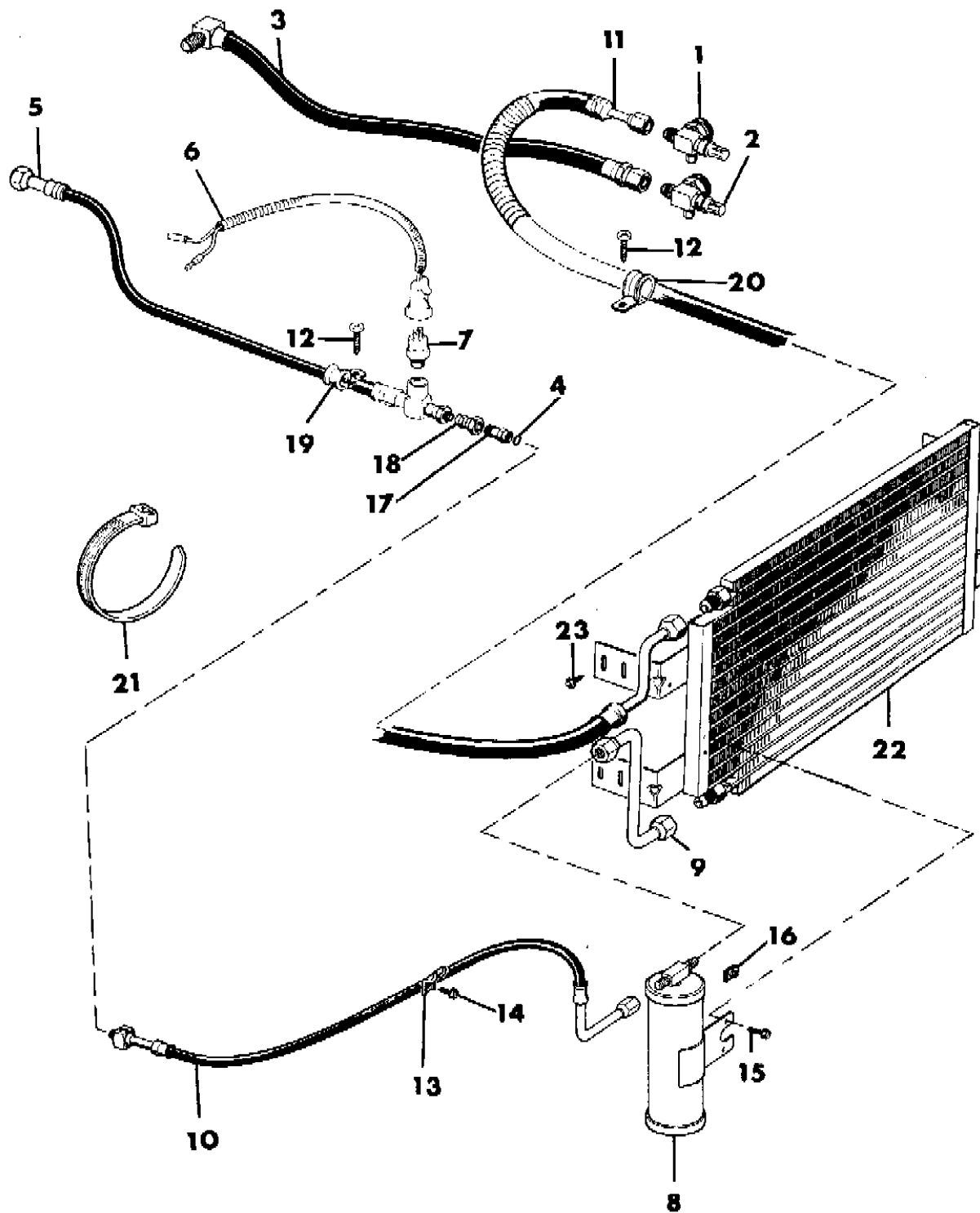
MODEL CODES:

61=Pickup-6 Ft Box 74=4 Door Wagon T=2WD
 62=Pickup-7 Ft Box 77=Open Body 93" Wheelbase J,N,U=4WD
 72=2 Door Wagon 78=Open Body 103" Wheelbase

BODY STYLES:

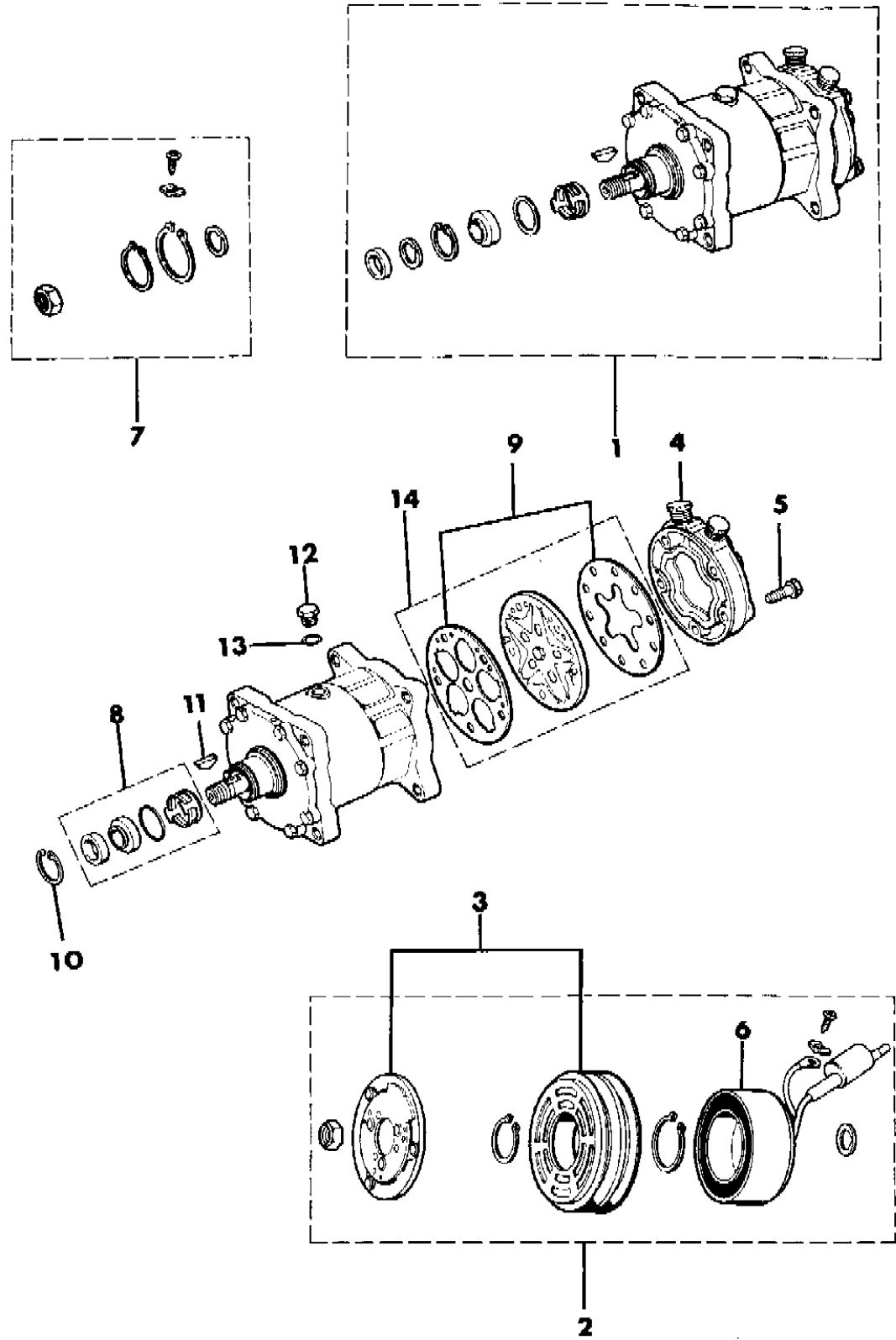
MJ=Comanche Pickup ZJ=Grand Cherokee/Grand Wagoneer KDX VEHICLES
 SJ=Grand Wagoneer M1=Comanche
 XJ=Cherokee, Briarwood X1=Cherokee, Briarwood
 YJ=Wrangler Y1=Wrangler

AR = Use as Required - = Non Illustrated Part P.A.R. = Paint as Required



COMPRESSOR 6 CYLINDER ENGINE W/FACTORY AIR CONDITIONING WRANGLER, YJ
Figure 24-2100

91J24 2100



ITEM	PART NUMBER	QTY	BODY	MODEL	DESCRIPTION
1					COMPRESSOR
	4637 171	1			Up to 12-23-93
	4762 972	1			After 12-23-93
2					CLUTCH
	4637 173	1			Up to 12-23-93
	4762 973	1			After 12-23-93
3	4637 174	1			PULLEY, Drive
4	4637 172	1			HEAD, Cylinder
	8350 600	1			BOLT, Cylinder Head
5	4637 157	5			SCREW
6	4637 175	1			COIL, Clutch
7	4637 176	1			CLUTCH PACKAGE, Service ***
8	4638 981	1			SEAL PACKAGE, Front, w/Felt Ring
9	4637 154	1			GASKET PACKAGE
10	4637 141	1			RING, Snap
11	J813 3191	1			KEY, Shaft
12	4637 156	1			PLUG, Filler
13	J813 3184	1			O-RING
14	J813 3187	1			PLATE PACKAGE ***

MODEL CODES:

61=Pickup-6 Ft Box 74=4 Door Wagon T=2WD
 62=Pickup-7 Ft Box 77=Open Body 93" Wheelbase J,N,U=4WD
 72=2 Door Wagon 78=Open Body 103" Wheelbase

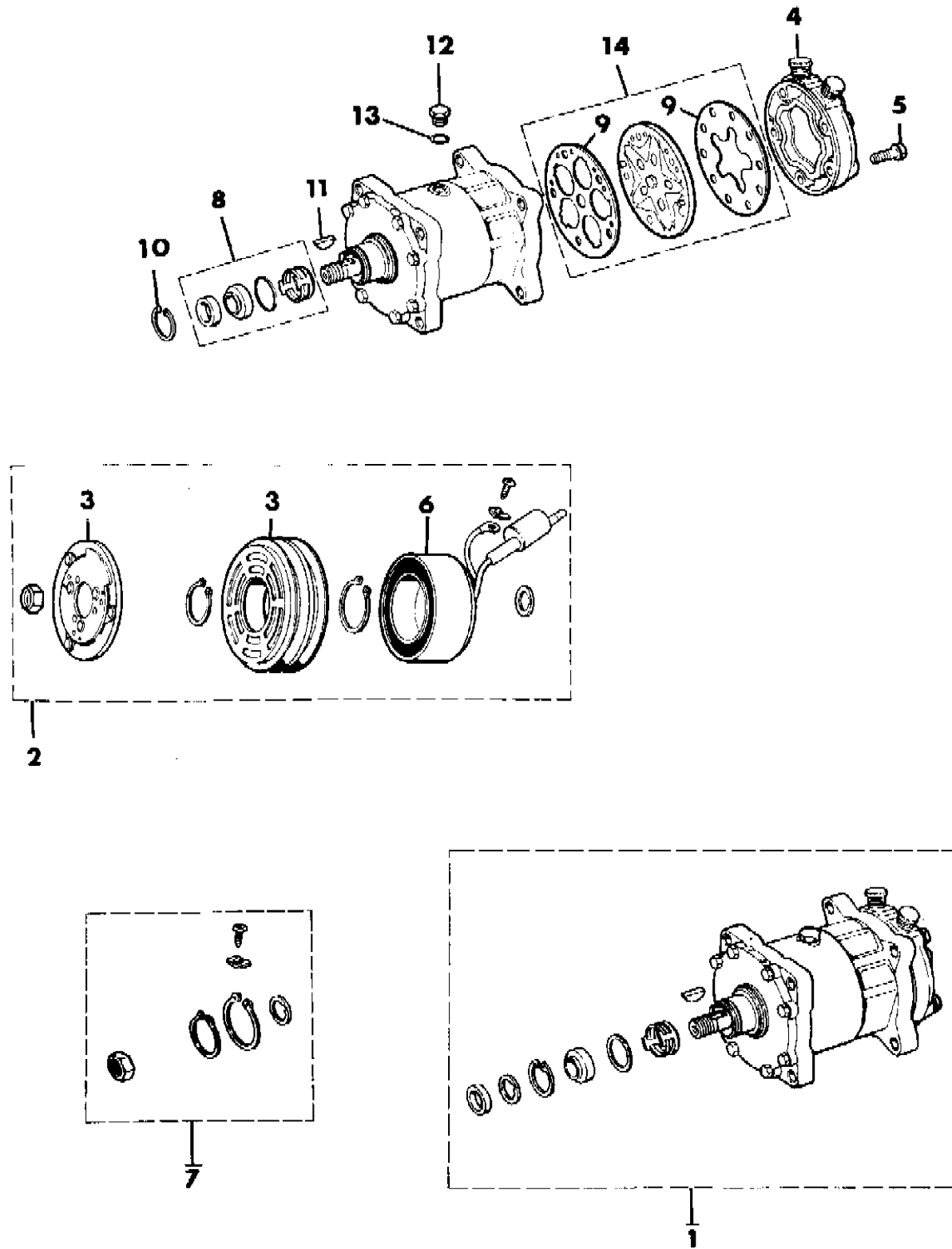
BODY STYLES:

MJ=Comanche Pickup ZJ=Grand Cherokee/Grand Wagoneer KDX VEHICLES
 SJ=Grand Wagoneer M1=Comanche
 XJ=Cherokee, Briarwood X1=Cherokee, Briarwood
 YJ=Wrangler Y1=Wrangler

AR = Use as Required - = Non Illustrated Part P.A.R. = Paint as Required

COMPRESSOR, AIR CONDITIONING CHEROKEE, BRIARWOOD, COMANCHE
Figure 24-2200

91J24 2200



ITEM	PART NUMBER	QTY	BODY	MODEL	DESCRIPTION
1					COMPRESSOR
	4637 171	1			
	4762 974	1			RHD
	8350 1450	1			Diesel Engine
	5503 5680	1			MANIFOLD, A/C Suction & Discharge RHD ***
2					CLUTCH ASSEMBLY, Complete ***
	4637 173	1			
	4762 975	1			RHD
	8351 0033	1			Diesel Engine
3	4637 174	1			PULLEY, Clutch Drive
	J813 4177	1			Diesel Engine
4	4637 172	1			HEAD, Cylinder, w/Gasket
	J813 4179	1			Diesel Engine
5	4637 157	6			SCREW, Cylinder Head
	J813 3189	1			Diesel Engine
6	4637 175	1			COIL, Clutch
	8351 0032	1			Diesel Engine
7	4637 176	1			CLUTCH PACKAGE, Service ***
	J813 3192	1			Diesel Engine
8	4638 981	1			SEAL PACKAGE, Front, w/Felt Ring
	J813 3183	1			Diesel Engine
9	4637 154	1			GASKET PACKAGE
	4637 107	1			Diesel Engine
10	4637 141	1			RING, Snap
	J813 3182	1			Diesel Engine
11	J813 3191	1			KEY, Shaft
12	4637 156	1			PLUG, Filler
	J813 3185	1			PLUG, Oil Drain
13	J813 3184	1			O-RING
14	4637 134	1			PLATE PACKAGE, w/Gasket ***

MODEL CODES:

61=Pickup-6 Ft Box 74=4 Door Wagon T=2WD
 62=Pickup-7 Ft Box 77=Open Body 93" Wheelbase J,N,U=4WD
 72=2 Door Wagon 78=Open Body 103" Wheelbase

BODY STYLES:

MJ=Comanche Pickup ZJ=Grand Cherokee/Grand Wagoneer KDX VEHICLES
 SJ=Grand Wagoneer M1=Comanche
 XJ=Cherokee, Briarwood X1=Cherokee, Briarwood
 YJ=Wrangler Y1=Wrangler

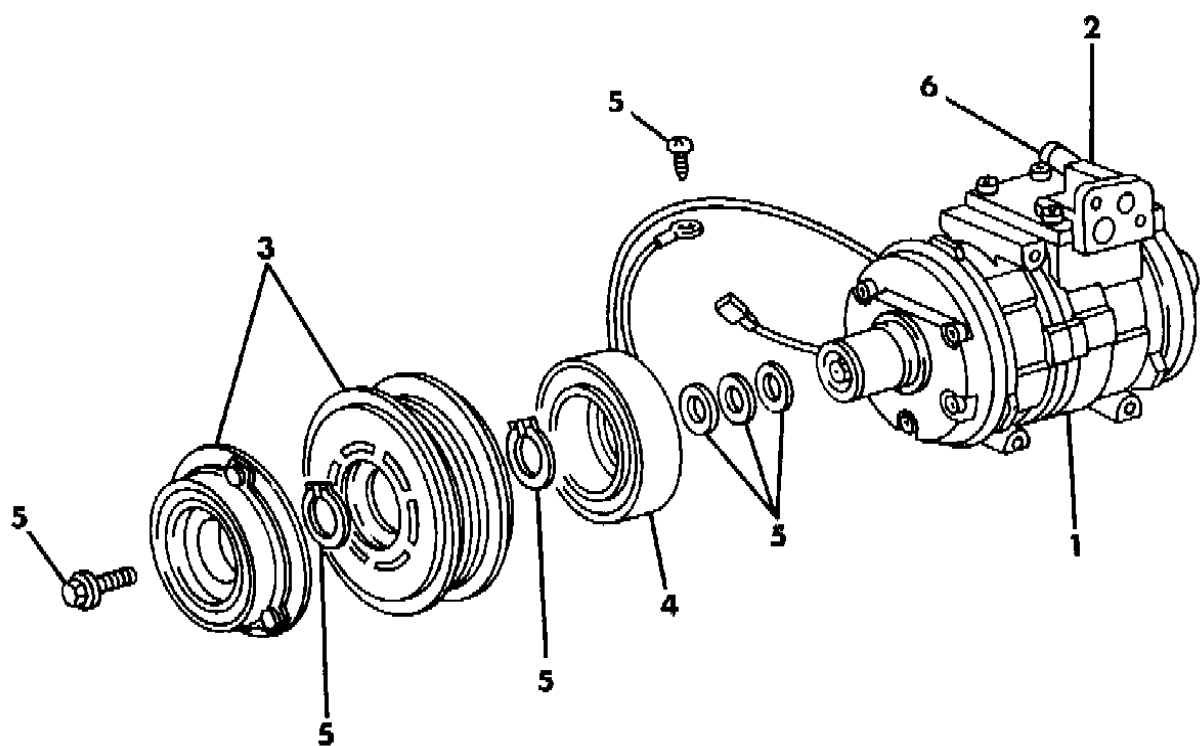
AR = Use as Required - = Non Illustrated Part P.A.R. = Paint as Required

COMPRESSOR, AIR CONDITIONING GRAND CHEROKEE (ZJ)

Figure 24-2300

91J24 2300 A

ITEM	PART NUMBER	QTY	BODY	MODEL	DESCRIPTION
1	4720 833	1			COMPRESSOR, w/o Manifold, w/o Clutch
2					MANIFOLD, w/Seal ***
	4720 837	1			4.0L Engine, w/Side Mounted Hoses
	4761 702	1			4.0L Engine, w/Top Mounted Hoses
	4740 682	1			5.2L Engine
	4720 849	4			BOLT, Manifold Mounting
	4728 854	1			SEAL, Manifold To Compressor
3					PULLEY AND ARMATURE ***
	4720 834	1			4.0L Engine
	4740 683	1			5.2L Engine
4	4720 836	1			COIL AND DIODE ASSEMBLY ***
5	4720 835	1			CLUTCH OVERHAUL PKG. ***
					Consists of:
					1 - Snap Ring (Coil)
					1 - Snap Ring (Pulley)
					3 - Shim (.1 .3 .5)
					1 - Bolt (Pulley Mounting)
					1 - Bracket (Diode)
					1 - Screw (Diode Bracket Mounting)
6	4720 848	1			VALVE, High Pressure Release



MODEL CODES:

61=Pickup-6 Ft Box 74=4 Door Wagon T=2WD
 62=Pickup-7 Ft Box 77=Open Body 93" Wheelbase J,N,U=4WD
 72=2 Door Wagon 78=Open Body 103" Wheelbase

BODY STYLES:

MJ=Comanche Pickup ZJ=Grand Cherokee/Grand Wagoneer KDX VEHICLES
 SJ=Grand Wagoneer M1=Comanche
 XJ=Cherokee, Briarwood X1=Cherokee, Briarwood
 YJ=Wrangler Y1=Wrangler

AR = Use as Required - = Non Illustrated Part P.A.R. = Paint as Required

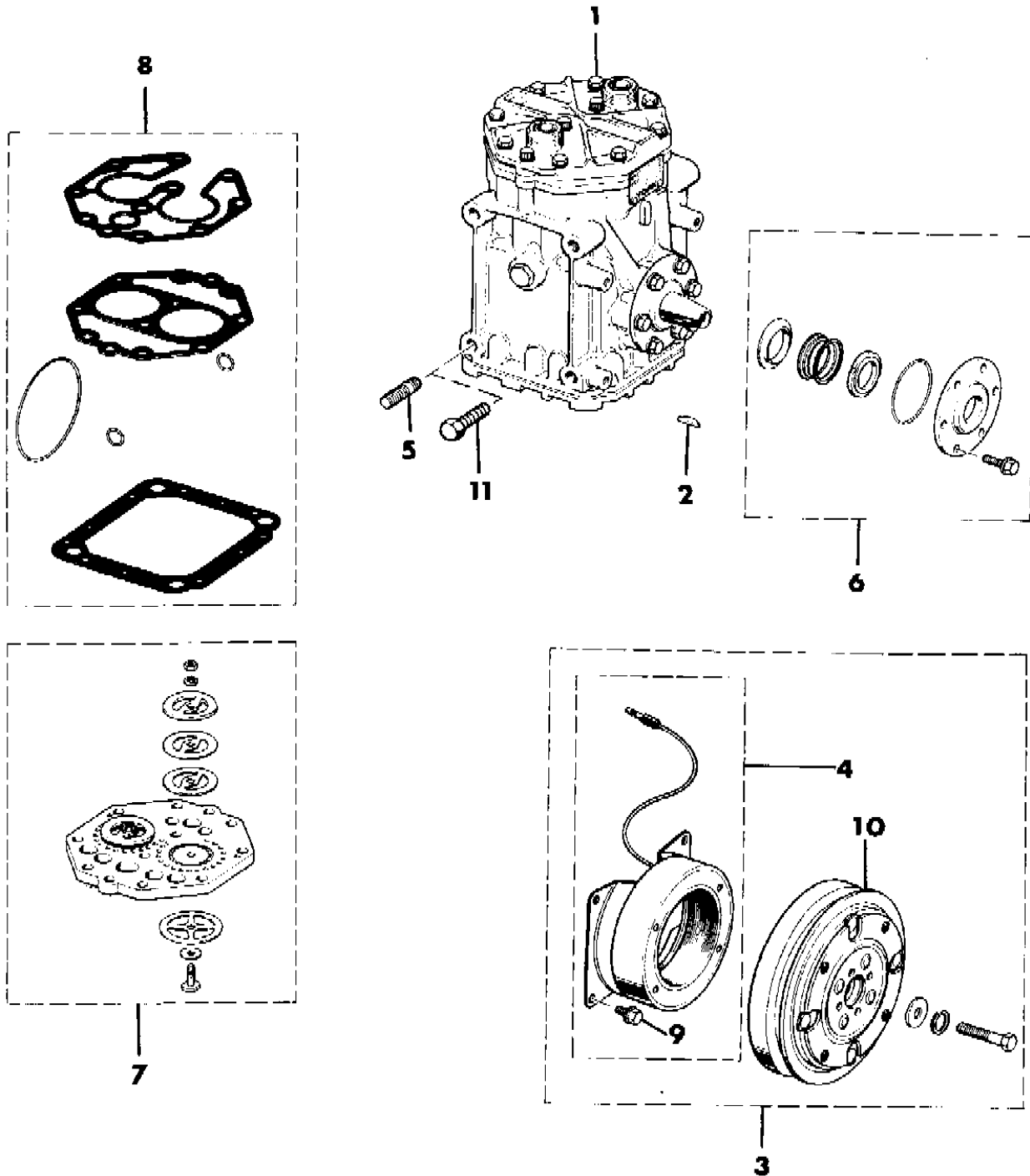
COMPRESSOR, AIR CONDITIONING, YORK EIGHT CYLINDER GRAND WAGONEER (SJ) 1991
Figure 24-2400

91J24 2400

ITEM	PART NUMBER	QTY	BODY	MODEL	DESCRIPTION
1	J322 8826	1			COMPRESSOR
2	J369 3097	1			KEY, Shaft
3	J576 1332	1			CLUTCH
4					COIL
	J812 8244	1			See Note A
	J813 4174	1			See Note B
5	J400 7462	3			STUD
6	J812 0180	1			SEAL PACKAGE
7	J812 7440	1			PLATE PACKAGE ***
8	J812 2073	1			GASKET PACKAGE
9	J400 0741	4			SCREW
10					PULLEY, Drive
	J812 9533	1			See Note A
	J813 4175	1			See Note B
11	J018 0122	4			SCREW

A - Use Pulley J8129533 or Coil J8128244 if the Compressor in the Vehicle has the Part Number of the Production Clutch Assembly 3692973 or J3692973 stamped to the Face of its Pulley.

B - Use Pulley J8134175 or Coil J8134174 if the Compressor in the Vehicle has the Part Number of the Production Clutch 5751322 or J5761322 shown on a Tag affixed to the Face of its Pulley. A Second Tag will show the name of the Vendor (OGURA).



MODEL CODES:

61=Pickup-6 Ft Box 74=4 Door Wagon T=2WD
 62=Pickup-7 Ft Box 77=Open Body 93" Wheelbase J,N,U=4WD
 72=2 Door Wagon 78=Open Body 103" Wheelbase

BODY STYLES:

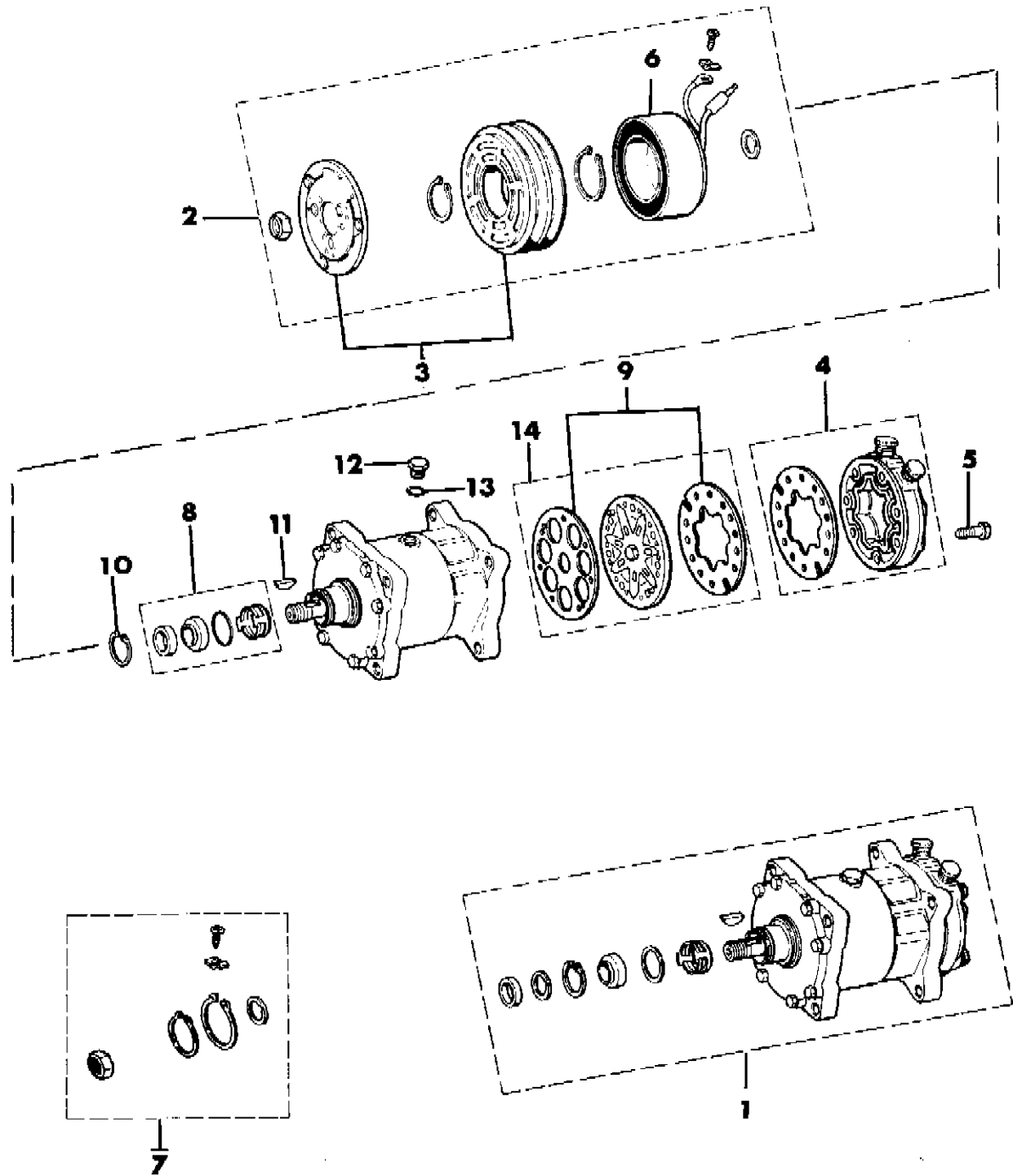
MJ=Comanche Pickup ZJ=Grand Cherokee/Grand Wagoneer KDX VEHICLES
 SJ=Grand Wagoneer M1=Comanche
 XJ=Cherokee, Briarwood X1=Cherokee, Briarwood
 YJ=Wrangler Y1=Wrangler

AR = Use as Required - = Non Illustrated Part P.A.R. = Paint as Required

COMPRESSOR, AIR CONDITIONING, SANDEN 8 CYLINDER ENGINE GRAND WAGONEER (SJ) 1991
Figure 24-2500

91J24 2500

ITEM	PART NUMBER	QTY	BODY	MODEL	DESCRIPTION
1	8350 5575	1			COMPRESSOR, Air Conditioning
2	8350 5577	1			CLUTCH, Compressor
3	8350 5578	1			PULLEY, Clutch Drive
4	8350 5576	1			HEAD PACKAGE, Cylinder ***
5	J813 3189	6			SCREW
6	8350 4884	1			COIL, Compressor Clutch
7	8350 4885	1			CLUTCH PACKAGE, Service ***
8	8350 4807	1			SEAL PACKAGE, Shaft
9	4637 111	1			GASKET PACKAGE, Compressor
10	8350 4808	1			RING, Snap
11	J813 3191	1			KEY, Shaft
12	J813 3185	1			PLUG, Filler
13	J813 3184	1			O-RING
14	4637 110	1			PLATE PACKAGE, Compressor ***



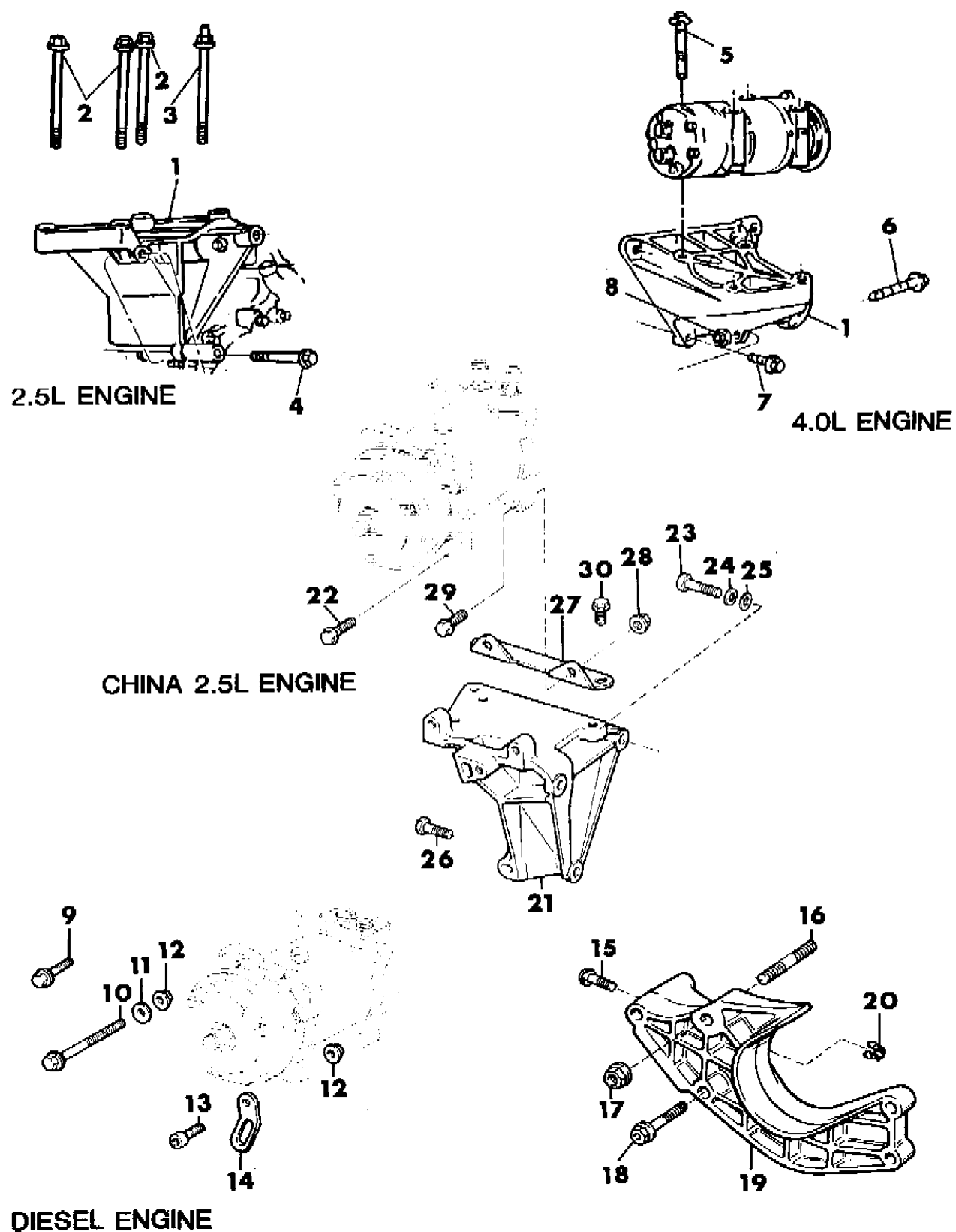
MODEL CODES:
 61=Pickup-6 Ft Box 74=4 Door Wagon T=2WD
 62=Pickup-7 Ft Box 77=Open Body 93" Wheelbase J,N,U=4WD
 72=2 Door Wagon 78=Open Body 103" Wheelbase

BODY STYLES:
 MJ=Comanche Pickup ZJ=Grand Cherokee/Grand Wagoneer KDX VEHICLES
 SJ=Grand Wagoneer M1=Comanche
 XJ=Cherokee, Briarwood X1=Cherokee, Briarwood
 YJ=Wrangler Y1=Wrangler

AR = Use as Required - = Non Illustrated Part P.A.R. = Paint as Required

COMPRESSOR MOUNTING CHEROKEE, BRIARWOOD, COMANCHE WRANGLER
Figure 24-2600

91J24 2600 A



ITEM	PART NUMBER	QTY	BODY	MODEL	DESCRIPTION
1					BRACKET
	5300 7600	1			2.5L Engine
	5300 6548	1			4.0L Engine
	5300 0530	1			CHINA
	5301 0090	1			RHD
2		3			STUD (Not Serviced)
3	6502 145	1			STUD
4					BOLT
	6502 138	1			
	J018 0129	1			CHINA
	J400 1102	1			WASHER, Flat, Compressor Mounting Bracket CHINA
5		1			STUD, M8 x 1.25-100 (Not Serviced)
6	6502 957	1			BOLT
7	6025 063	1			SCREW AND WASHER ***
8	6502 135	1			NUT
9	3420 1819	2			BOLT
10	6101 420	1			BOLT 130mm
11	J400 1104	1			WASHER
12	1150 2812	3			NUT
13	J420 0446	1			BOLT 35mm
14					STRAP, Adjusting
	4713 466	1			1991
	5301 0084	1			1992-93
	5301 0083	1			1992-93, Rear
15	3420 1869	2			BOLT 35mm
16	3420 1744	1			STUD 85mm
17	J420 0081	1			NUT
18	3420 2047	1			BOLT 65mm
19	5300 1771	1			BRACKET
20	5300 0548	1			SPACER
21	5300 0530	1			BRACKET, Mounting
22	6502 137	2			BOLT, 35mm
23	J018 0129	1			BOLT
24	J012 0382	1			WASHER
25	J400 1102	1			WASHER
26	J400 6995	2			BOLT
27	5300 0529	1			BRACKET, Mounting
28	1150 6007	AR			NUT
29	1150 2689	2			BOLT
30	3420 1868	2			BOLT

MODEL CODES:

61=Pickup-6 Ft Box 74=4 Door Wagon T=2WD
 62=Pickup-7 Ft Box 77=Open Body 93" Wheelbase J,N,U=4WD
 72=2 Door Wagon 78=Open Body 103" Wheelbase

BODY STYLES:

MJ=Comanche Pickup ZJ=Grand Cherokee/Grand Wagoneer KDX VEHICLES
 SJ=Grand Wagoneer M1=Comanche
 XJ=Cherokee, Briarwood X1=Cherokee, Briarwood
 YJ=Wrangler Y1=Wrangler

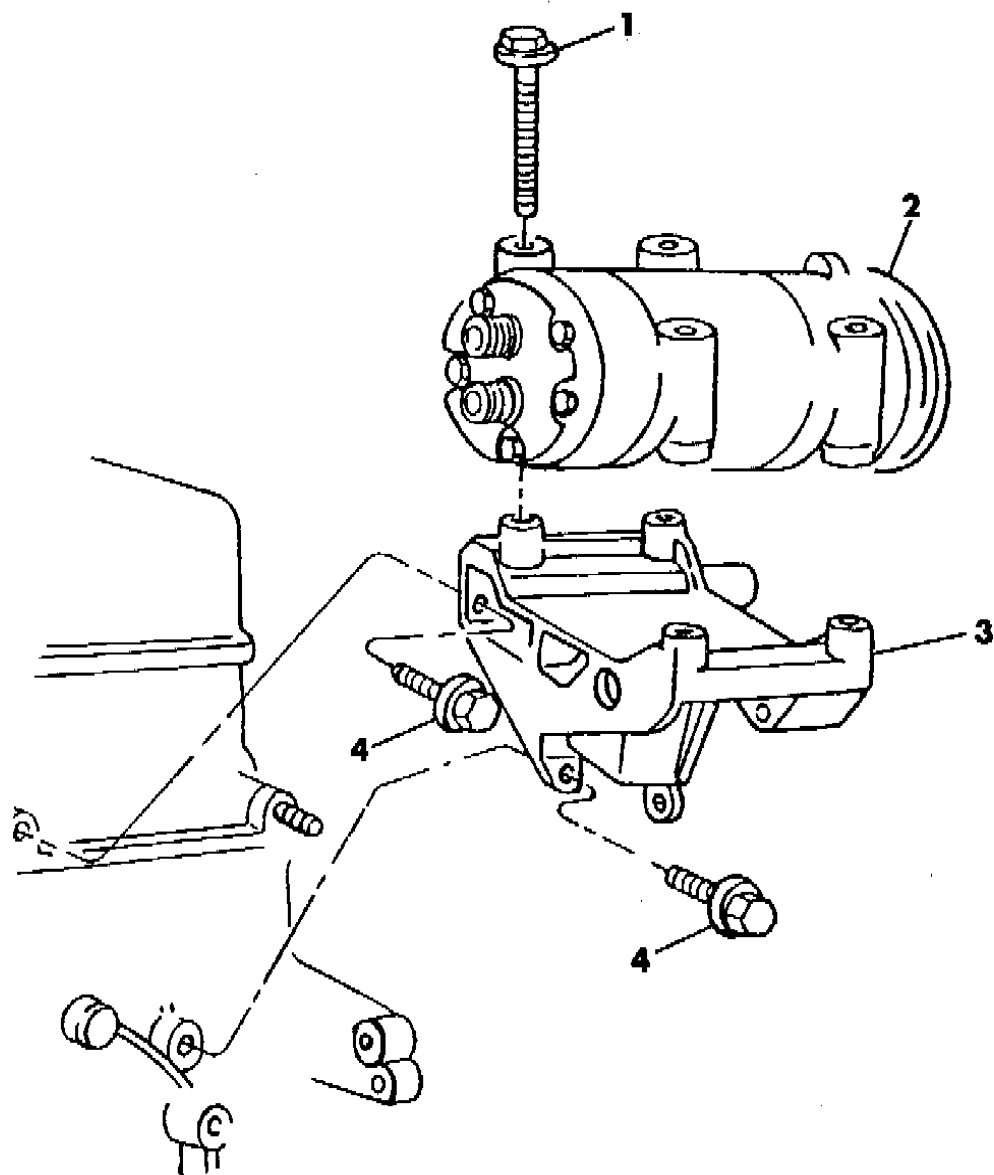
AR = Use as Required - = Non Illustrated Part P.A.R. = Paint as Required

COMPRESSOR MOUNTING GRAND CHEROKEE (ZJ)

Figure 24-2650

91J24 2650

ITEM	PART NUMBER	QTY	BODY	MODEL	DESCRIPTION
1		4			BOLT, M8 x 1.25-1 (Not Serviced)
2					COMPRESSOR (Reference)
3	5300 8443	1			BRACKET, Mounting
4	6025 063	2			BOLT



MODEL CODES:

61=Pickup-6 Ft Box 74=4 Door Wagon T=2WD
 62=Pickup-7 Ft Box 77=Open Body 93" Wheelbase J,N,U=4WD
 72=2 Door Wagon 78=Open Body 103" Wheelbase

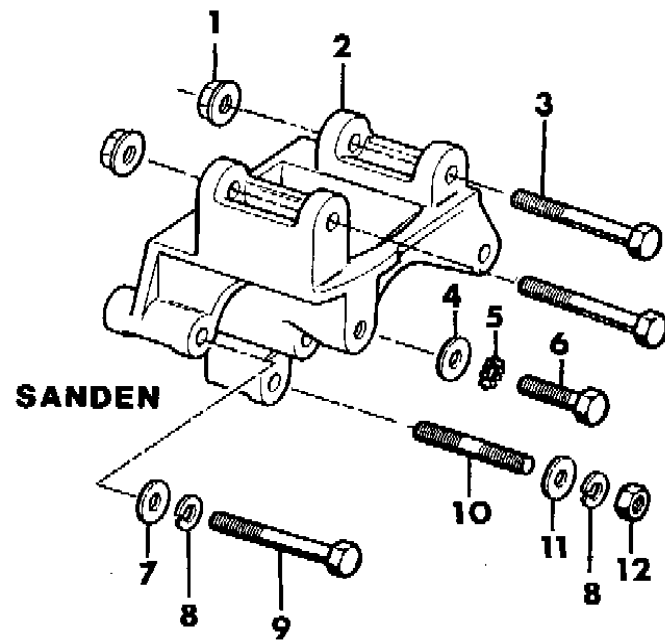
BODY STYLES:

MJ=Comanche Pickup ZJ=Grand Cherokee/Grand Wagoneer KDX VEHICLES
 SJ=Grand Wagoneer M1=Comanche
 XJ=Cherokee, Briarwood X1=Cherokee, Briarwood
 YJ=Wrangler Y1=Wrangler

AR = Use as Required - = Non Illustrated Part P.A.R. = Paint as Required

COMPRESSOR MOUNTING, AIR CONDITIONING 8 CYLINDER ENGINE GRAND WAGONEER (SJ) 1991
Figure 24-2700

91J24 2700



ITEM	PART NUMBER	QTY	BODY	MODEL	DESCRIPTION
1	S941 1507	2			NUT
2	5300 5420	1			BRACKET, Mounting
3	J941 7624	2			SCREW
4	J400 1102	4			WASHER
5	J012 0930	4			WASHER
6	J018 0122	AR			SCREW
7	J400 1289	1			SPACER
8	J400 4809	2			WASHER
9	J018 0161	1			SCREW
10	J400 5587	1			STUD
11	J400 1116	1			WASHER
12	J027 1506	1			NUT

MODEL CODES:

61=Pickup-6 Ft Box 74=4 Door Wagon T=2WD
 62=Pickup-7 Ft Box 77=Open Body 93" Wheelbase J,N,U=4WD
 72=2 Door Wagon 78=Open Body 103" Wheelbase

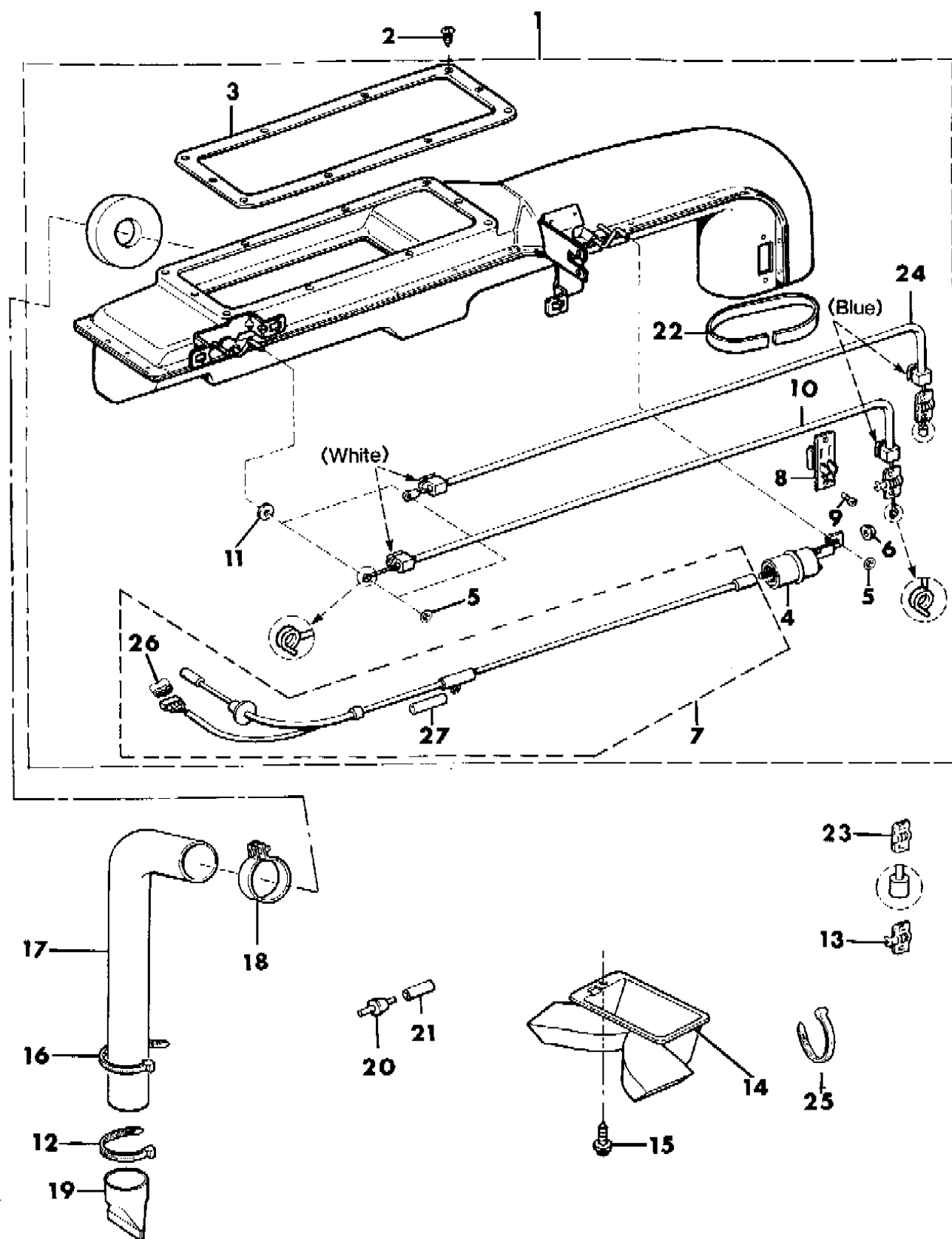
BODY STYLES:

MJ=Comanche Pickup ZJ=Grand Cherokee/Grand Wagoneer KDX VEHICLES
 SJ=Grand Wagoneer M1=Comanche
 XJ=Cherokee, Briarwood X1=Cherokee, Briarwood
 YJ=Wrangler Y1=Wrangler

AR = Use as Required - = Non Illustrated Part P.A.R. = Paint as Required

AIR DISTRIBUTION DUCTS, FRESH AIR WRANGLER, YJ
Figure 24-2800

91J24 2800A



ITEM	PART NUMBER	QTY	BODY	MODEL	DESCRIPTION
1					DUCT, Air
	5600 6304	1		1991	
	5503 6323	1		1992-93	
2	J400 4112	2			SCREW
3	5505 2592	1			GASKET, Air Vent
4	5600 1456	1			MOTOR, Vacuum
5	J400 1714	2			NUT
6	3420 1001	2			NUT
7					HARNESS, Vacuum
	5600 6302	1		1991-92	
	5503 5989	1		1993	
	J417 5263	1			CLIP, Harness
8					RESISTOR
	J096 1042	1		1991	
	5503 5958	1		1992-93	
9	3420 1298	2			SCREW
10	5600 2697	1			CABLE, Air Vent
11	J044 6152	1			WASHER
12	J322 3227	AR			STRAP
13	J400 5761	1			CLIP
14	5503 5618	1			DUCT, Floor Air
15	9416 639	1			SCREW
16	J400 6101	1			STRAP
17					HOSE, Drain
	J546 3813	1		1991	
	5503 5887	1		1992-93	
18	J320 3078	1			CLAMP
19	J098 7079	1			CAP, Drain
20	J322 5641	1			VALVE, Check
21	8330 0080	AR			HOSE, Vacuum (1 ft. length)
22	5600 2581	1			SEAL, Duct
23	5600 2700	1			CLIP
24	5600 2697	1			CABLE, Air Vent
25	J323 0270	1			STRAP
26	5600 6302	1			CONNECTOR
27	5600 6302	1			CONNECTOR

MODEL CODES:

61=Pickup-6 Ft Box 74=4 Door Wagon T=2WD
 62=Pickup-7 Ft Box 77=Open Body 93" Wheelbase J,N,U=4WD
 72=2 Door Wagon 78=Open Body 103" Wheelbase

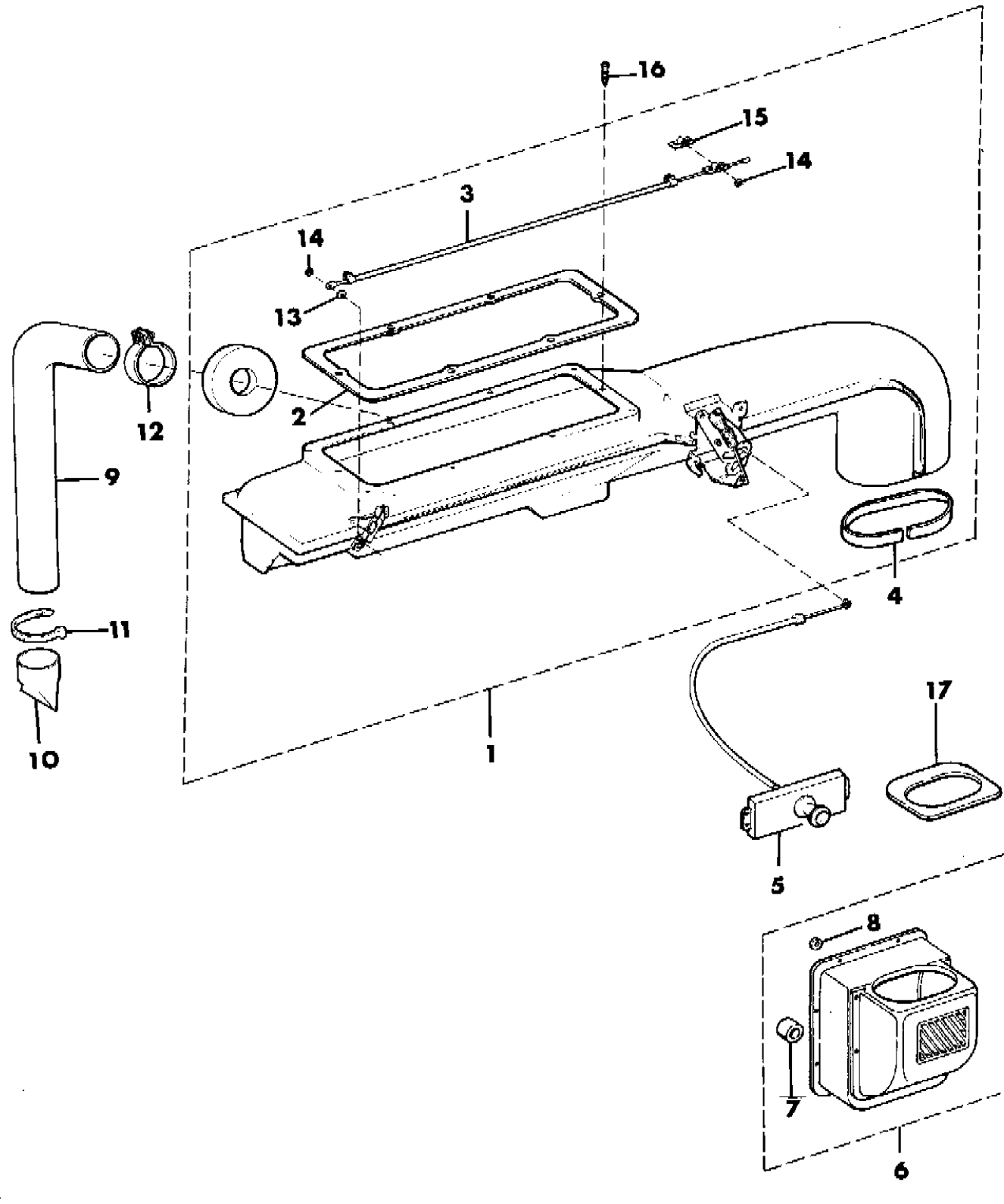
BODY STYLES:

MJ=Comanche Pickup ZJ=Grand Cherokee/Grand Wagoneer KDX VEHICLES
 SJ=Grand Wagoneer M1=Comanche
 XJ=Cherokee, Briarwood X1=Cherokee, Briarwood
 YJ=Wrangler Y1=Wrangler

AR = Use as Required - = Non Illustrated Part P.A.R. = Paint as Required

AIR DUCT AND OUTLET, FRESH AIR W/O HEATER EUROPE, MIDEAST, KDX WRANGLER
Figure 24-2900

91J24 2900



ITEM	PART NUMBER	QTY	BODY	MODEL	DESCRIPTION
1	5600 2051	1			DUCT, Air
2	5505 2592	1			GASKET, Air Vent
3	5600 2964	1			CABLE, Air Vent
4	5600 2581	1			SEAL, Duct
5	5603 0036	1			CONTROL, Vent
6	5600 2560	6			INLET, Fresh Air
7	J546 2712	1			SEAL, Drain
8	J575 1404	2			SPACER
9	J546 3813	1			HOSE, Drain
10	J098 7079	1			CAP, Drain
11	J322 3227	1			STRAP
12	J320 3078	1			CLAMP
13	J044 6152	1			WASHER
14	J400 1714	AR			NUT, Push
15	5600 2700	1			CLIP
16	J400 4112	4			SCREW
17	J546 3794	1			SEAL

MODEL CODES:

61=Pickup-6 Ft Box 74=4 Door Wagon T=2WD
 62=Pickup-7 Ft Box 77=Open Body 93" Wheelbase J,N,U=4WD
 72=2 Door Wagon 78=Open Body 103" Wheelbase

BODY STYLES:

MJ=Comanche Pickup ZJ=Grand Cherokee/Grand Wagoneer KDX VEHICLES
 SJ=Grand Wagoneer M1=Comanche
 XJ=Cherokee, Briarwood X1=Cherokee, Briarwood
 YJ=Wrangler Y1=Wrangler

AR = Use as Required - = Non Illustrated Part P.A.R. = Paint as Required

AIR DUCTS AND OUTLETS CHEROKEE, BRIARWOOD, COMANCHE
Figure 24-3000

91J24 3000 B

ITEM	PART NUMBER	QTY	BODY	MODEL	DESCRIPTION
1					BEZEL, Defroster
	5AC3 8JH9	1			Cordovan
	5BF8 0LH9	1			Cordovan RHD
	5AC3 8JA8	1			Charcoal
	5BF8 0LA8	1			Charcoal RHD
	5AC3 8JY6	1			Dark Sand
	5BF8 0LY6	1			Dark Sand RHD
2		3			SCREW (Not Serviced)
3	5500 2603	2			RETAINER
4	5500 2424	1			SEAL
	5511 4602	1			RHD
5	5500 2425	1			SEAL
	5511 5025	1			RHD
6	1150 1119	2			SCREW
7	J400 4223	8			NUT
8	5500 5896	1			DUCT, Side Defroster
9	5511 4654	1			PANEL, Defroster Air Duct
	5503 5665	1			RHD
	3420 1340	2			SCREW, Air Duct Panel, RHD
10	3420 2502	4			NUT
11	5500 2205	1			DUCT, Side Defroster
12	J400 0383	4			NUT
13	5AG7 2JY6	1			BEZEL, Lower, Right
14	5500 2875	1			GASKET
15	J400 2461	4			SCREW
16	J400 4689	2			NUT
17	5AC1 7JY6	1			PANEL, Inst. Panel, Lower
18	3420 1474	2			SCREW
19	1150 0055	7			SCREW
20	J400 7056	1			SCREW
21	J448 9487	2			SCREW
22					DUCT, Floor, w/o Console
	5600 0610	1			1991
	5503 5786	1			1992-93
	5503 5666	1			RHD
23	3420 2344	2			SCREW
24	1150 0656	2			NUT
25	1150 0656	4			NUT
26	5500 0929	1			OUTLET, Air
27	5600 1218	1			OVERLAY ***
28					DUCT, Blower to Console w/Floor Console

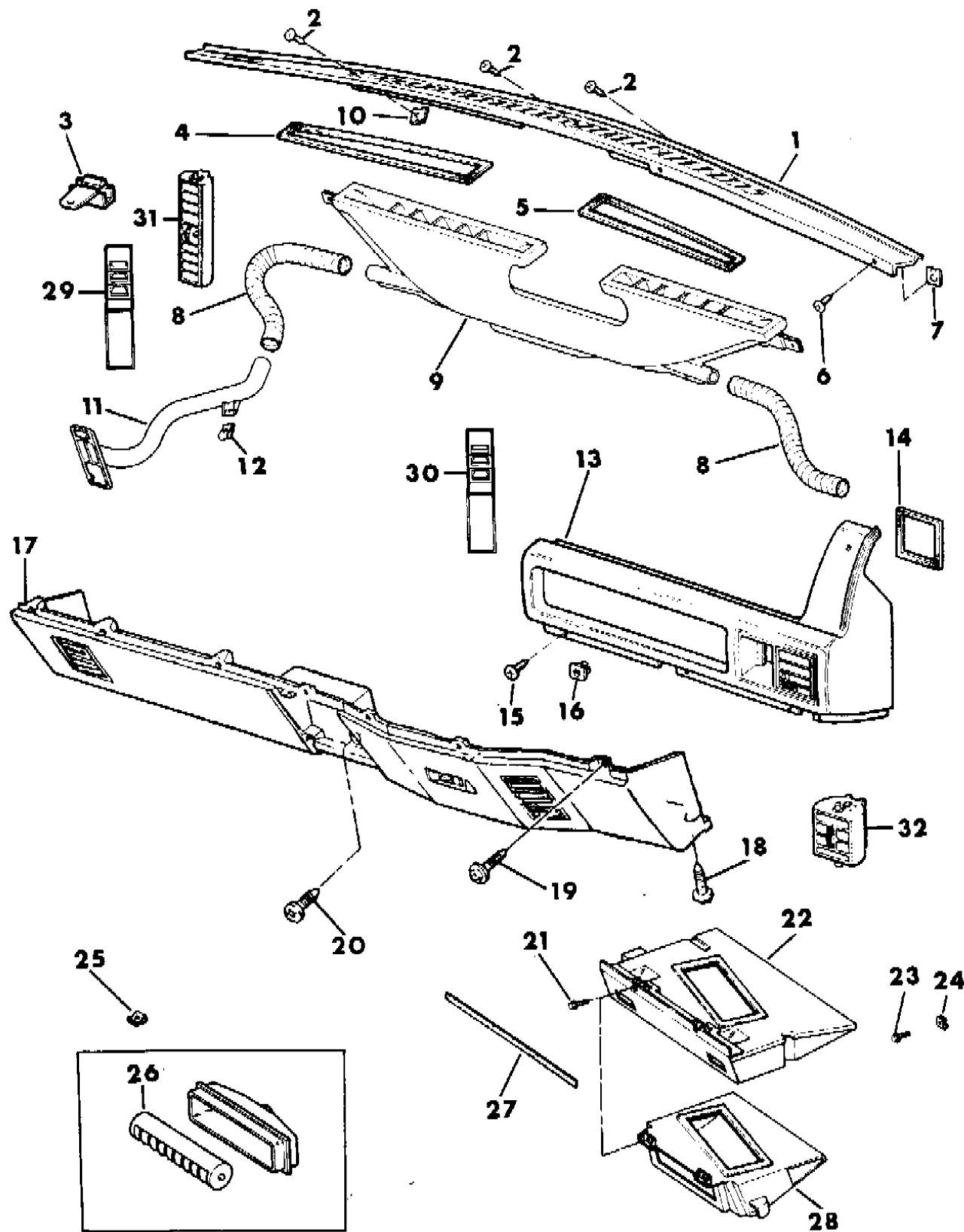
MODEL CODES:

61=Pickup-6 Ft Box 74=4 Door Wagon T=2WD
 62=Pickup-7 Ft Box 77=Open Body 93" Wheelbase J,N,U=4WD
 72=2 Door Wagon 78=Open Body 103" Wheelbase

BODY STYLES:

MJ=Comanche Pickup ZJ=Grand Cherokee/Grand Wagoneer KDX VEHICLES
 SJ=Grand Wagoneer M1=Comanche
 XJ=Cherokee, Briarwood X1=Cherokee, Briarwood
 YJ=Wrangler Y1=Wrangler

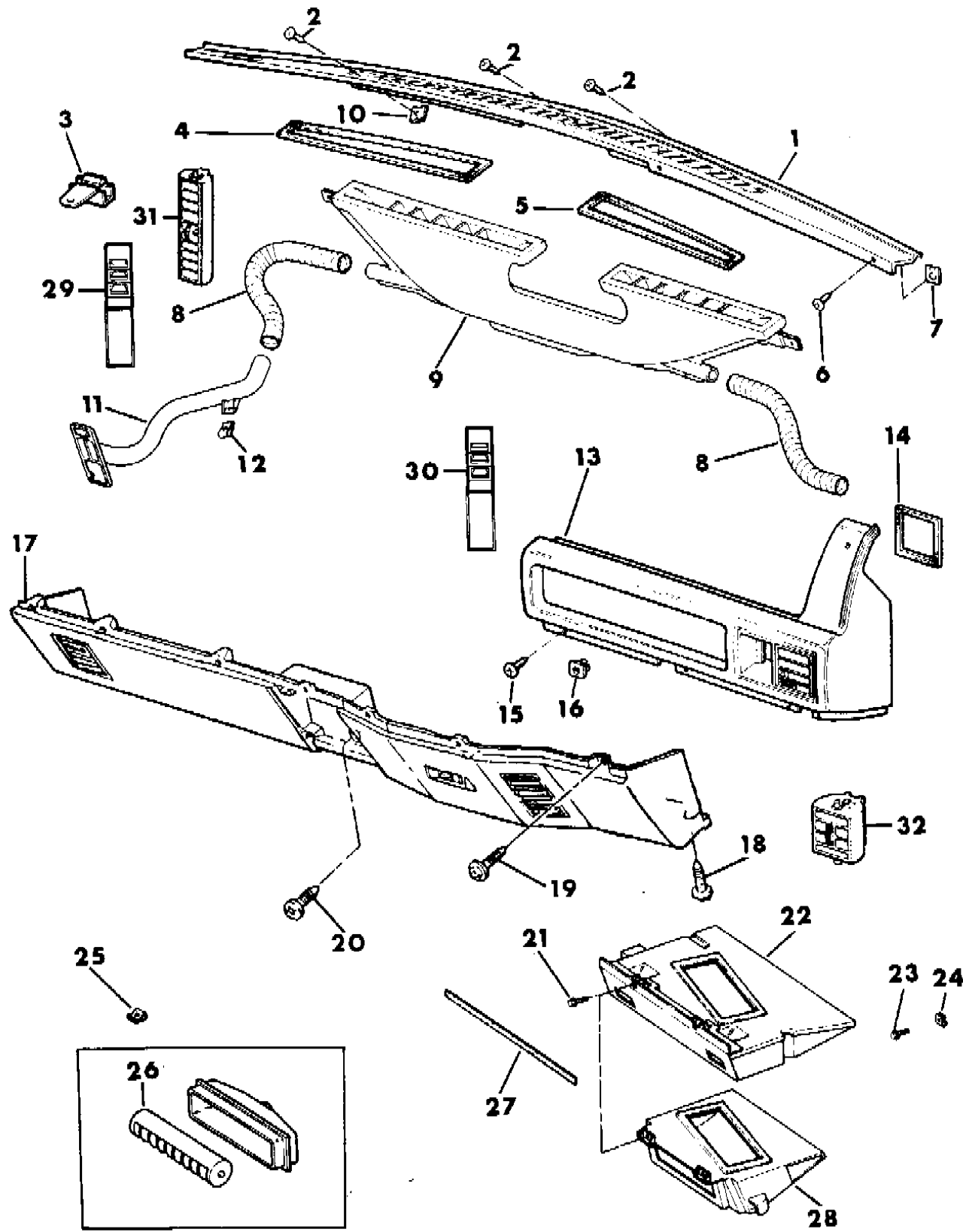
AR = Use as Required - = Non Illustrated Part P.A.R. = Paint as Required



AIR DUCTS AND OUTLETS CHEROKEE, BRIARWOOD, COMANCHE
Figure 24-3000

91J24 3000 B

ITEM	PART NUMBER	QTY	BODY	MODEL	DESCRIPTION
	5600 0584	1			1991
	5503 5787	1			1992-93
	5503 5667	1			RHD
29	5500 0931	1			BEZEL, Air Outlet
30	5500 2056	1			BEZEL, Air Outlet
31					OUTLET, Air
	5501 7671	2			Black
	5500 4027	2			Bright
32					OUTLET, Air
	5501 7680	1			Black
	5500 4026	1			Bright



MODEL CODES:

61=Pickup-6 Ft Box 74=4 Door Wagon T=2WD
 62=Pickup-7 Ft Box 77=Open Body 93" Wheelbase J,N,U=4WD
 72=2 Door Wagon 78=Open Body 103" Wheelbase

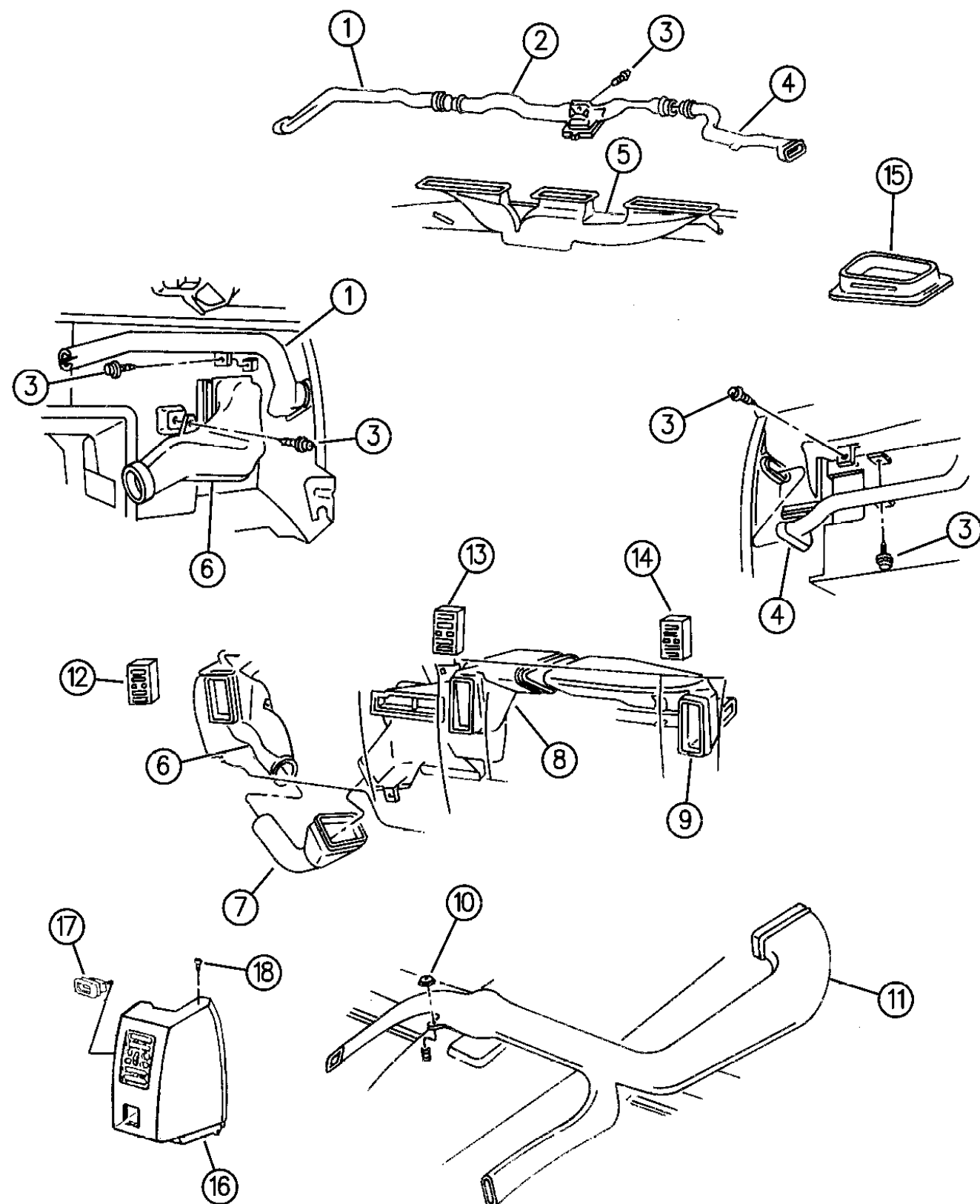
BODY STYLES:

MJ=Comanche Pickup ZJ=Grand Cherokee/Grand Wagoneer KDX VEHICLES
 SJ=Grand Wagoneer M1=Comanche
 XJ=Cherokee, Briarwood X1=Cherokee, Briarwood
 YJ=Wrangler Y1=Wrangler

AR = Use as Required - = Non Illustrated Part P.A.R. = Paint as Required

**AIR DUCTS AND OUTLETS GRAND CHEROKEE (ZJ)
Figure 24-3050**

91J24 3050B



ITEM	PART NUMBER	QTY	BODY	MODEL	DESCRIPTION
1	5503 1785	1			DUCT, Side, Window Defrost, Left
2	5511 4936	1			DUCT, Side, Window Defrost, Center
3		6			SCREW (Not Serviced)
4	5503 1784	1			DUCT, Side, Window Defrost, Right
5	5600 5018	1			DUCT, Defroster
6	5511 4939	1			DUCT, Air Outlet, Left
7	5511 4800	1			DUCT, Center, Left
8	5511 4937	1			DUCT
9	5511 4940	1			DUCT, Outlet, Right
10	6100 839	1			NUT, Push
11	5503 5914	1			DUCT, Rear Floor Heat
12					BARREL ASSEMBLY, Air Outlet, Left ***
	5DE3 9LD5	1			Silver
	5DE3 9LF8	1			Dark Driftwood
	5DE3 9LM6	1			Red
	5DE3 9MV4	1			Lt. Champagne
13					BARREL ASSEMBLY, Outlet, Center ***
	5DE4 0LD5	1			Silver
	5DE4 0LF8	1			Dark Driftwood
	5DE4 0LM6	1			Red
	5DE4 0MV4	1			Lt. Champagne
14					BARREL ASSEMBLY, Outlet, Right ***
	5DE3 8LD5	1			Silver
	5DE3 8LF8	1			Dark Driftwood
	5DE3 8LM6	1			Red
	5DE3 8MV4	1			Lt. Champagne
15	5503 5825	1			BAFFLE, Inlet ***
16					BEZEL ASSEMBLY, Air Outlet, Left ***
					Contains Bezel, Housing, and Barrel
	5DF2 1LD5	1			Silver
	5DF2 1LF8	1			Dark Driftwood
	5DF2 1LM6	1			Red
	5DF2 1MV4	1			Lt. Champagne
17	5503 0275	2			SEAL ASSEMBLY, Duct ***
18					SCREW (Not Serviced)

MODEL CODES:

61=Pickup-6 Ft Box 74=4 Door Wagon T=2WD
62=Pickup-7 Ft Box 77=Open Body 93" Wheelbase J,N,U=4WD
72=2 Door Wagon 78=Open Body 103" Wheelbase

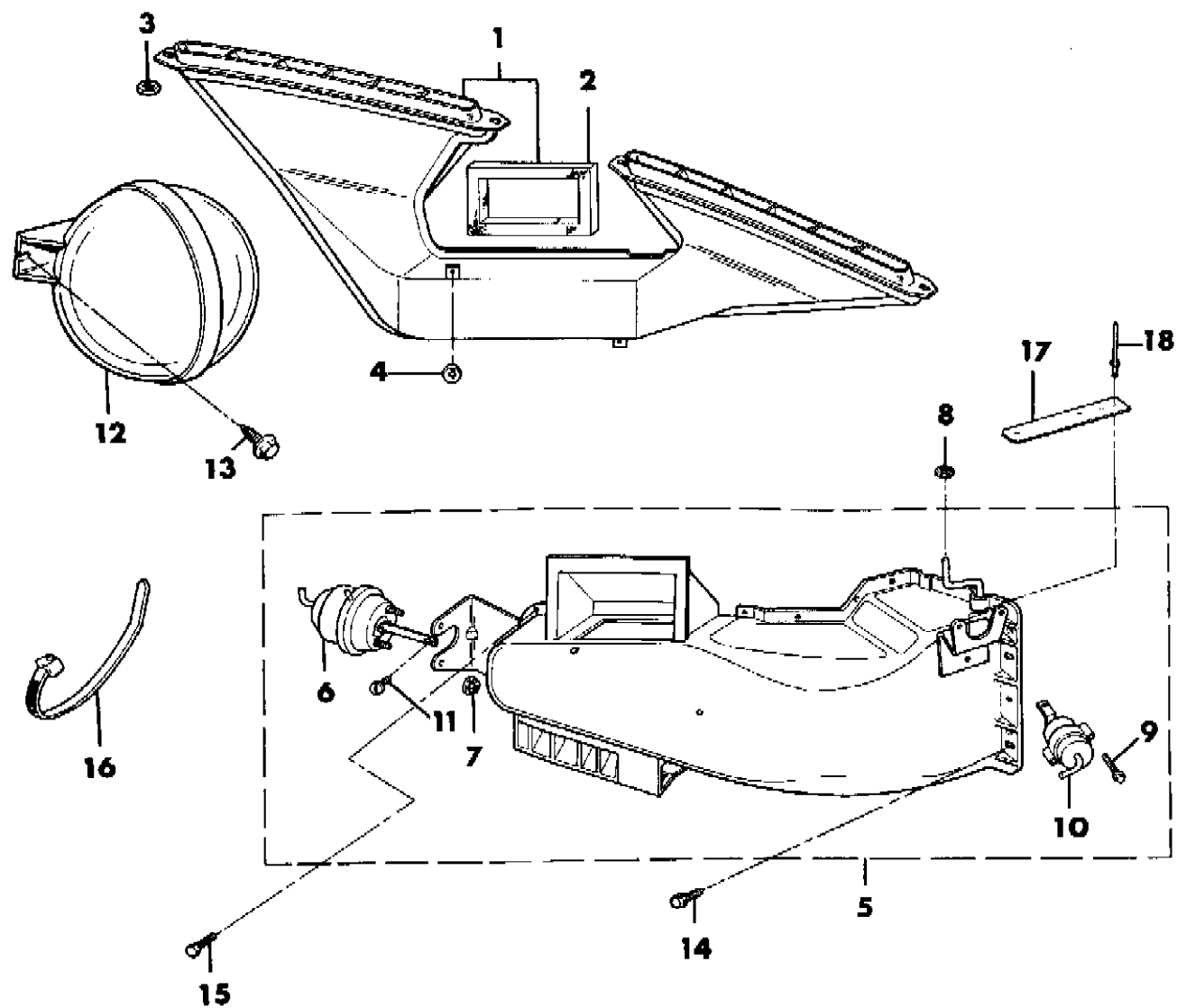
BODY STYLES:

MJ=Comanche Pickup ZJ=Grand Cherokee/Grand Wagoneer KDX VEHICLES
SJ=Grand Wagoneer M1=Comanche
XJ=Cherokee, Briarwood X1=Cherokee, Briarwood
YJ=Wrangler Y1=Wrangler

AR = Use as Required - = Non Illustrated Part P.A.R. = Paint as Required

AIR DUCT, HEATING AND DEFROSTING GRAND WAGONEER (SJ) 1991
Figure 24-3100

91J24 3100



ITEM	PART NUMBER	QTY	BODY	MODEL	DESCRIPTION
1	5600 1689	1			DUCT, Windshield Defroster
2	5600 1837	1			SEAL, Duct
3	J942 0863	4			NUT
4	J400 3084	2			NUT
5	5600 1499	1			HOUSING, Heat Distributor
6	5600 1500	1			MOTOR, Vacuum
7	3420 1001	2			NUT
8	J400 1714	1			CLIP
9	J400 5057	2			SCREW
10	J546 6016	1			MOTOR, Vacuum
11	J400 3924	1			SCREW
12	5300 3408	1			TANK, Vacuum
13	J942 6241	2			SCREW
14	J942 3952	2			SCREW
15	S045 1673	1			SCREW
16	J322 3227	2			STRAP
17	5600 2687	1			BRACKET, Keyless Entry Relay
18	3420 1975	2			RIVET

MODEL CODES:

61=Pickup-6 Ft Box 74=4 Door Wagon T=2WD
 62=Pickup-7 Ft Box 77=Open Body 93" Wheelbase J,N,U=4WD
 72=2 Door Wagon 78=Open Body 103" Wheelbase

BODY STYLES:

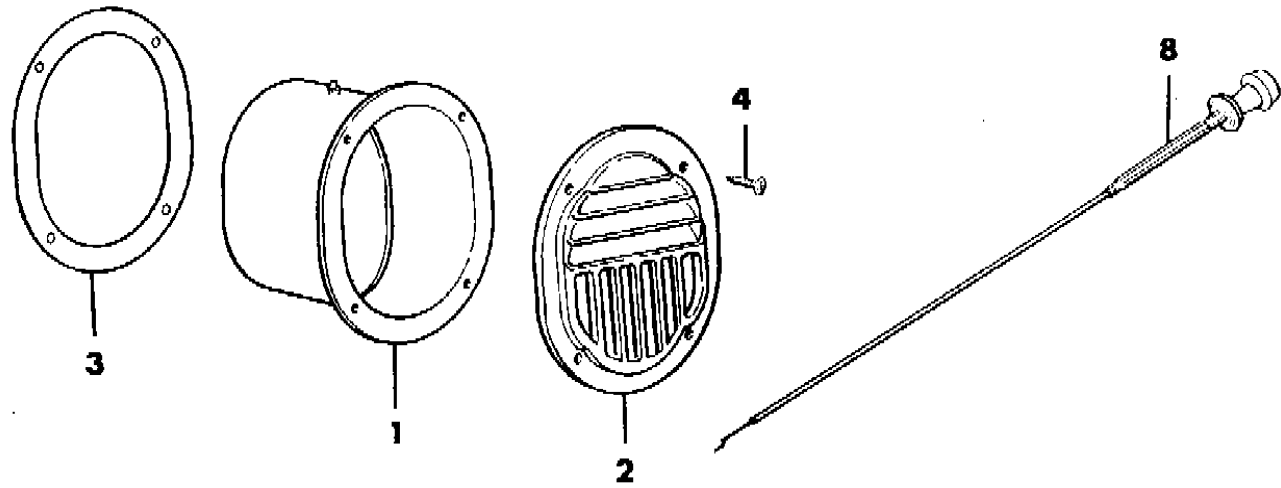
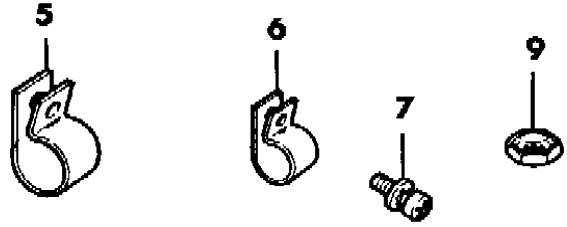
MJ=Comanche Pickup ZJ=Grand Cherokee/Grand Wagoneer KDX VEHICLES
 SJ=Grand Wagoneer M1=Comanche
 XJ=Cherokee, Briarwood X1=Cherokee, Briarwood
 YJ=Wrangler Y1=Wrangler

AR = Use as Required - = Non Illustrated Part P.A.R. = Paint as Required

AIR DUCTS AND OUTLETS, FRESH AIR INTAKE GRAND WAGONEER (SJ) 1991
Figure 24-3200

91J24 3200

ITEM	PART NUMBER	QTY	BODY	MODEL	DESCRIPTION
1					DUCT, Fresh Air Intake
	J095 9518	1			Right
	J096 0889	1			Left
2	J096 0153	2			PLATE, Cover
3	J096 2430	2			GASKET
4	J097 3467	8			SCREW
5	J012 0523	1			CLIP
6	J012 0520	2			CLIP
7	J045 4782	2			SCREW
8	5600 1618-9	1			CABLE, Air Vent
9	J942 0168	2			NUT



MODEL CODES:

61=Pickup-6 Ft Box 74=4 Door Wagon T=2WD
 62=Pickup-7 Ft Box 77=Open Body 93" Wheelbase J,N,U=4WD
 72=2 Door Wagon 78=Open Body 103" Wheelbase

BODY STYLES:

MJ=Comanche Pickup ZJ=Grand Cherokee/Grand Wagoneer KDX VEHICLES
 SJ=Grand Wagoneer M1=Comanche
 XJ=Cherokee, Briarwood X1=Cherokee, Briarwood
 YJ=Wrangler Y1=Wrangler

AR = Use as Required - = Non Illustrated Part P.A.R. = Paint as Required

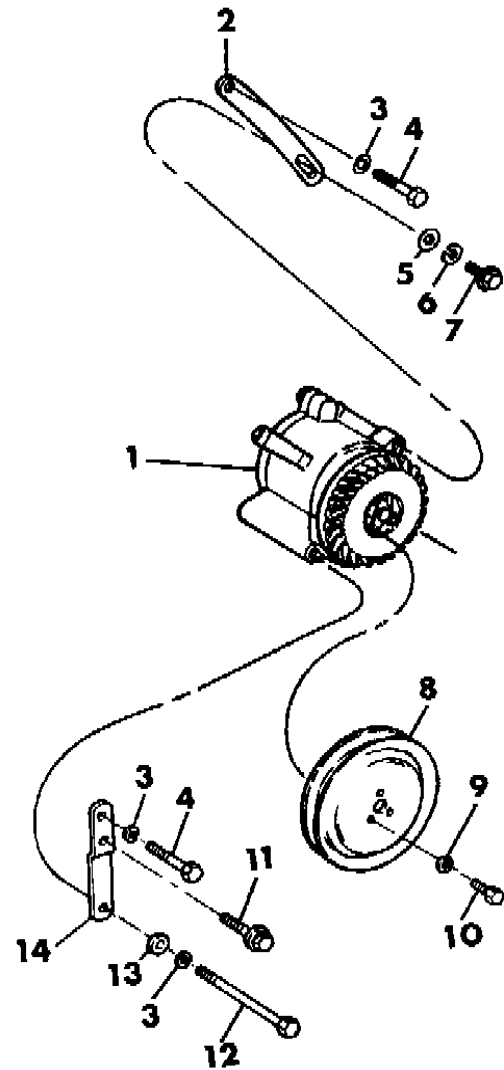
GROUP 25 - EMISSION SYSTEMS

ILLUSTRATION TITLE	GROUP-FIG. NO.
AIR PUMPS AND AIR PUMP TUBING	
AIR PUMP 5.9L ENGINE GRAND WAGONEER	Fig. 25-100
AIR PUMP TUBING 5.9L ENGINE GRAND WAGONEER	Fig. 25-200
EGR SYSTEM	
EGR SYSTEM GRAND CHEROKEE GRAND WAGONEER	Fig. 25-300
VAPOR CANISTERS	
VAPOR CANISTER WRANGLER, CHEROKEE, BRIARWOOD, GRAND CHEROKEE, COMANCHE	Fig. 25-400
VACUUM HARNESS WRANGLER, CHEROKEE, BRIARWOOD, GRAND CHEROKEE, COMANCHE	Fig. 25-500
VAPOR CANISTER GRAND WAGONEER	Fig. 25-600
PCV SYSTEMS	
PCV SYSTEM 2.5L CARBURETED ENGINE CHEROKEE, BRIARWOOD	Fig. 25-700
CCV SYSTEM 2.5 CARBURETED ENGINE CHEROKEE 1993	Fig. 25-750
PCV SYSTEM 5.9L ENGINE GRAND WAGONEER	Fig. 25-800
EMISSION LABELS	Fig. 25-900

ILLUSTRATION NOT AVAILABLE AT TIME OF PUBLICATION

AIR PUMP 5.9L ENGINE GRAND WAGONEER
Figure 25-100

91J25 100



ITEM	PART NUMBER	QTY	BODY	MODEL	DESCRIPTION
1					PUMP, Air
	J813 4211	1			6mm
	5300 5087	1			8mm
2	J322 9874	1			BRACKET, Adjusting
3	J400 3803	3			WASHER, Lock
4	J018 0137	2			BOLT
5	J806 0072	1			WASHER
6	1150 0207	1			WASHER, Lock
7	1150 0829	1			BOLT
8					PULLEY, Air Pump
	J535 5780	1			6mm
	5300 5088	1			8mm
9					WASHER, Lock
	S150 3963	3			6mm
	J012 0214	3			8mm
10					BOLT
	1150 3877	3			6mm
	1150 4336	3			8mm
11	J027 4195	1			SCREW
12		1			BOLT, Pivot (not serviced)
13	J400 1104	1			WASHER
14	J322 7683	1			BRACKET, Mounting

MODEL CODES:

61=Pickup-6 Ft Box 74=4 Door Wagon T=2WD
 62=Pickup-7 Ft Box 77=Open Body 93" Wheelbase J,N,U=4WD
 72=2 Door Wagon 78=Open Body 103" Wheelbase

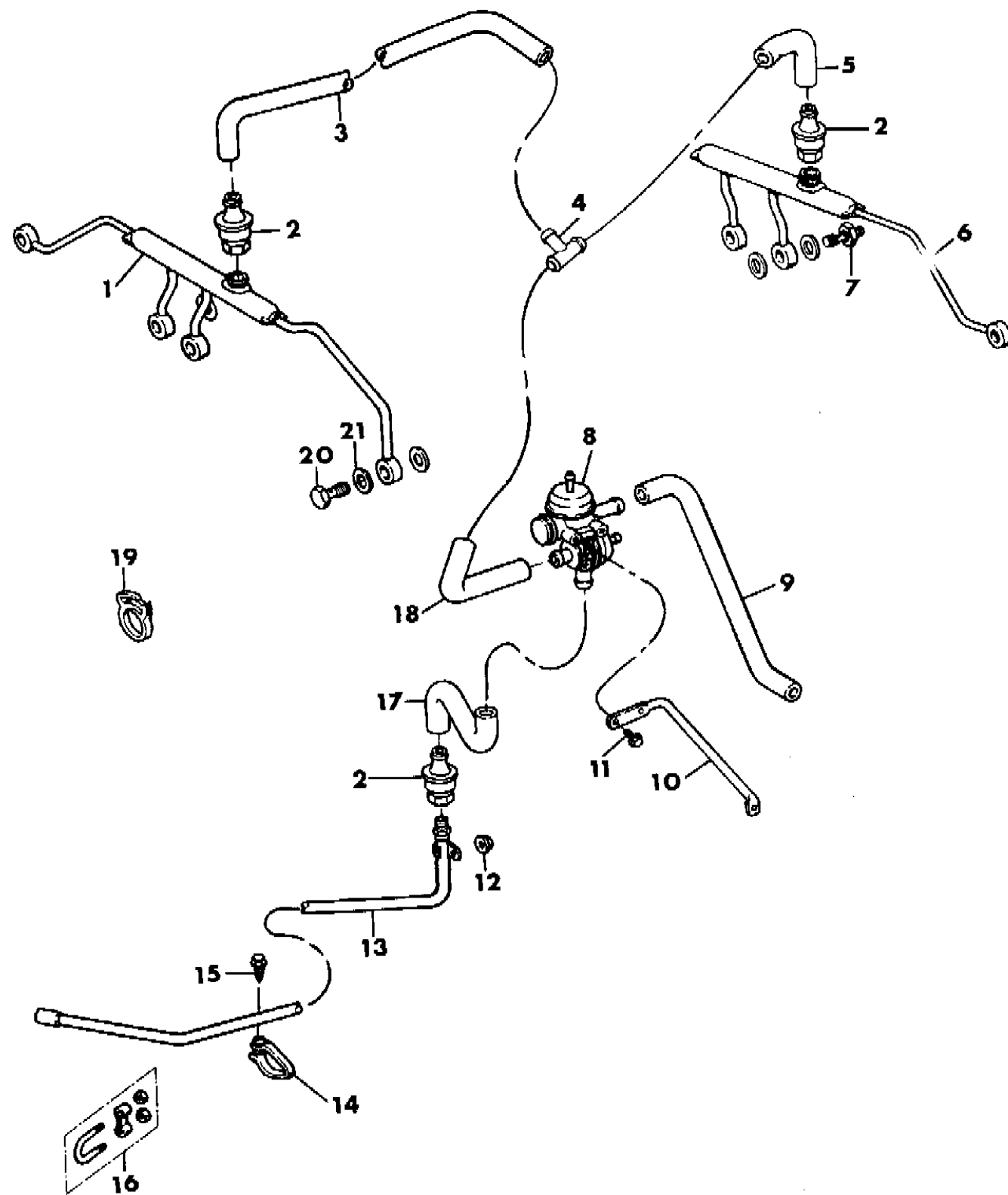
BODY STYLES:

MJ=Comanche Pickup ZJ=Grand Cherokee/Grand Wagoneer KDX VEHICLES
 SJ=Grand Wagoneer M1=Comanche
 XJ=Cherokee, Briarwood X1=Cherokee, Briarwood
 YJ=Wrangler Y1=Wrangler

AR = Use as Required - = Non Illustrated Part P.A.R. = Paint as Required

AIR PUMP TUBING 5.9L ENGINE GRAND WAGONEER
Figure 25-200

91J25 200



ITEM	PART NUMBER	QTY	BODY	MODEL	DESCRIPTION
1	J323 4692	1			MANIFOLD, Air Injection - Right ***
2	J323 3960	3			VALVE, Check
3	5300 2376	1			HOSE, Upstream
4	3300 1752	1			CONNECTOR, Tee
5	5300 2375	1			HOSE, Upstream
6	J323 4691	1			MANIFOLD, Air Injection - Left ***
7	J400 7222	1			BOLT
8	5300 2380	1			VALVE, Control
9	5300 2382	1			HOSE, Inlet
10	5300 2379	1			BRACKET, Mounting
11	J400 7326	2			SCREW
12	J400 4008	1			NUT
13	J536 4861	1			TUBE, Downstream
14	J536 4880	2			CLAMP
15	J400 4692	2			SCREW
16	J323 7055	1			CLAMP ASSEMBLY ***
17	5300 2378	1			HOSE, Downstream
18	5300 2377	1			HOSE, Outlet
19	J400 6819	10			CLAMP, Hose
20	J322 9425	6			BOLT
21	J004 4042	14			GASKET

MODEL CODES:

61=Pickup-6 Ft Box 74=4 Door Wagon T=2WD
 62=Pickup-7 Ft Box 77=Open Body 93" Wheelbase J,N,U=4WD
 72=2 Door Wagon 78=Open Body 103" Wheelbase

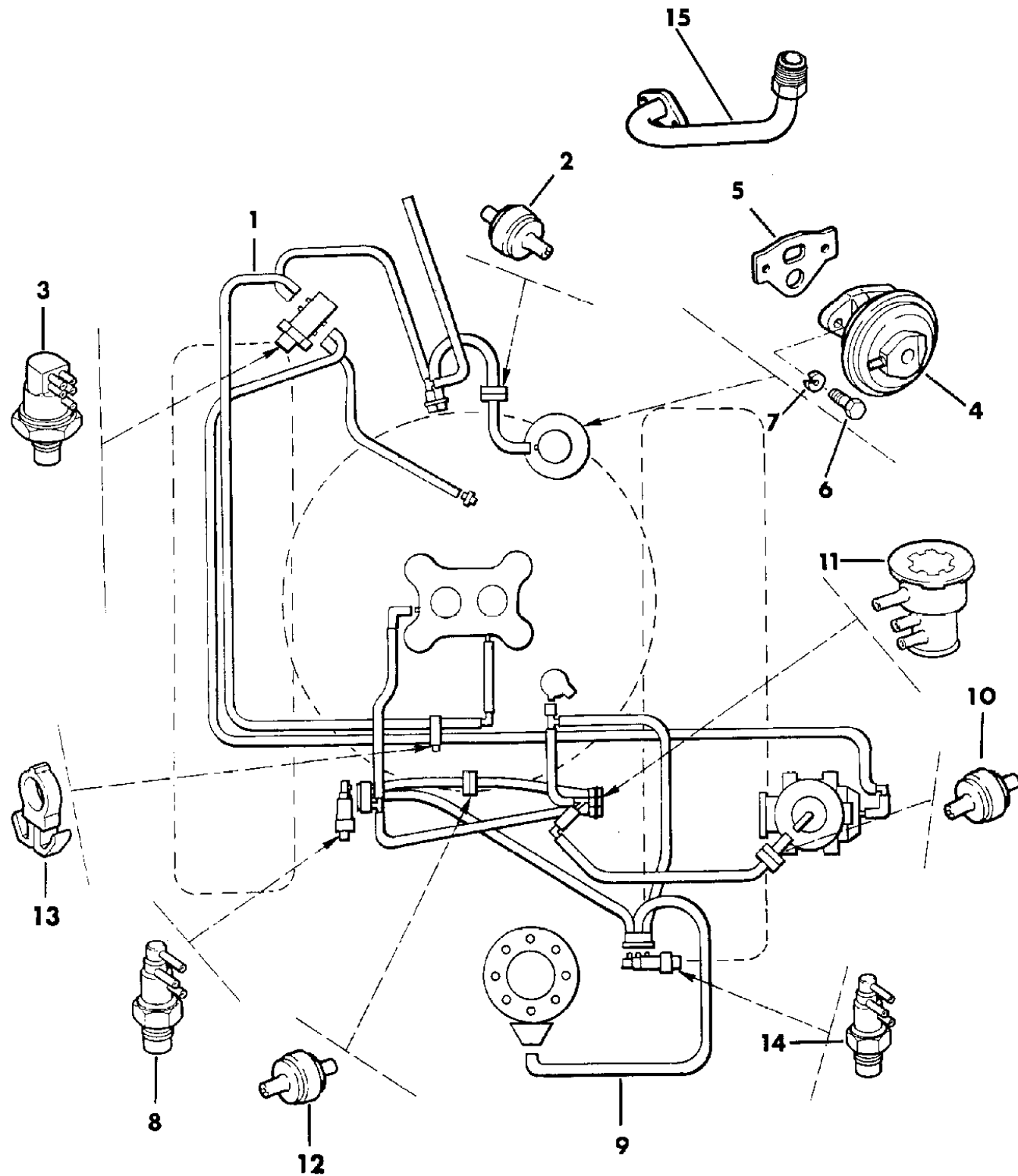
BODY STYLES:

MJ=Comanche Pickup ZJ=Grand Cherokee/Grand Wagoneer KDX VEHICLES
 SJ=Grand Wagoneer M1=Comanche
 XJ=Cherokee, Briarwood X1=Cherokee, Briarwood
 YJ=Wrangler Y1=Wrangler

AR = Use as Required - = Non Illustrated Part P.A.R. = Paint as Required

EGR SYSTEM GRAND CHEROKEE GRAND WAGONEER
Figure 25-300

91J25 300A



ITEM	PART NUMBER	QTY	BODY	MODEL	DESCRIPTION
1	5300 9410	1	SJ		HARNES, EGR Vacuum - Federal, High Altitude
2	J323 6284	1	SJ		VALVE, Delay - Black/Purple
3	3300 1669	1	SJ		SWITCH, Dual Function - U.S. and Canada
4					VALVE, EGR
	5300 6332	1	SJ		5.9 L Engine
	4287 784	1	ZJ		5.2 L Engine
	5300 5086	1	SJ		TRANSDUCER, EGR Valve (not shown)
5					GASKET
	3300 4185	1	SJ		EGR Valve, 5.9L Engine
	4300 297	1	ZJ		EGR Valve, 5.2l Engine
	5301 0000	1	ZJ		EGR Tube, 5.2L Engine
6	J018 0078	2	SJ		BOLT
7	J012 0214	2	SJ		WASHER, Lock
8	J323 5917	1	SJ		SWITCH, Spark CTO
9	5300 7710	1	SJ		HARNES, Distributor Vacuum
10	5300 2381	1	SJ		VALVE, Reverse Delay - Blue/White - U.S., High Alt. and Canada
11	J323 3991	1	SJ		VALVE, Non-Linear
12	J323 6285	1	SJ		VALVE, Reverse Delay - Purple/White
13	J400 6550	1	SJ		CLIP
14	J535 8881	1	SJ		SWITCH, HDC CTO
15	5301 0154	1	ZJ		EGR TUBE, 5.2L Engine ***
	5301 0000	1	ZJ		GASKET, Tube
		2	ZJ		SCREW (DNS)

MODEL CODES:

61=Pickup-6 Ft Box 74=4 Door Wagon T=2WD
 62=Pickup-7 Ft Box 77=Open Body 93" Wheelbase J,N,U=4WD
 72=2 Door Wagon 78=Open Body 103" Wheelbase

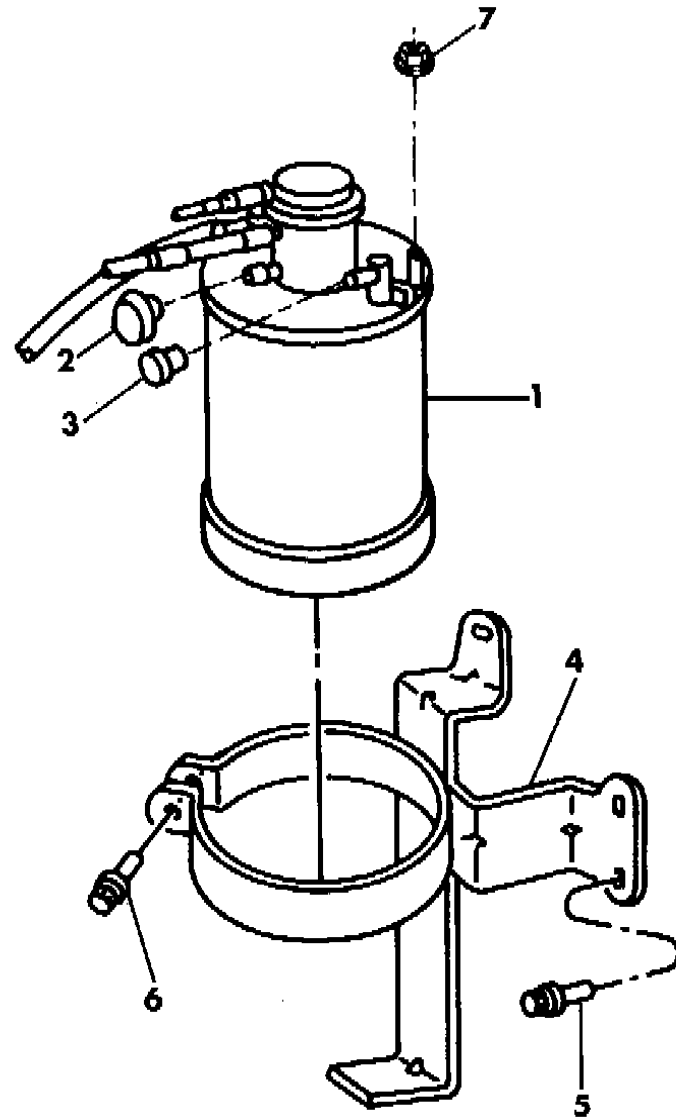
BODY STYLES:

MJ=Comanche Pickup ZJ=Grand Cherokee/Grand Wagoneer KDX VEHICLES
 SJ=Grand Wagoneer M1=Comanche
 XJ=Cherokee, Briarwood Y1=Wrangler
 YJ=Wrangler

AR = Use as Required - = Non Illustrated Part P.A.R. = Paint as Required

VAPOR CANISTER WRANGLER, CHEROKEE, BRIARWOOD, GRAND CHEROKEE, COMANCHE
Figure 25-400

91J25 400 A



ITEM	PART NUMBER	QTY	BODY	MODEL	DESCRIPTION
1	5300 9641	1			VAPOR CANISTER ***
	5300 9641	1	ZJ		1993 Up to 7/17/92 ***
	5303 0500	1	ZJ		1993 After 7/17/92 ***
2	4192 074	1			CAP, Dust
3	3733 285	1			CAP, Bowl Vent Nipple
4	5300 9759	1	YJ		BRACKET, Canister Mounting
	5300 7836	1	MJ,XJ		
5	6022 202	3	YJ		SCREW
	J400 1701	3	MJ,XJ		
6	J942 0882	1			SCREW
7	0120 375	3	ZJ		NUT

MODEL CODES:

61=Pickup-6 Ft Box 74=4 Door Wagon T=2WD
62=Pickup-7 Ft Box 77=Open Body 93" Wheelbase J,N,U=4WD
72=2 Door Wagon 78=Open Body 103" Wheelbase

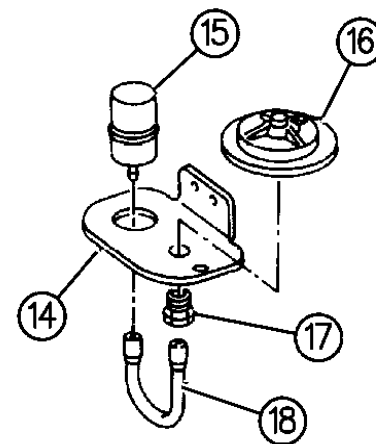
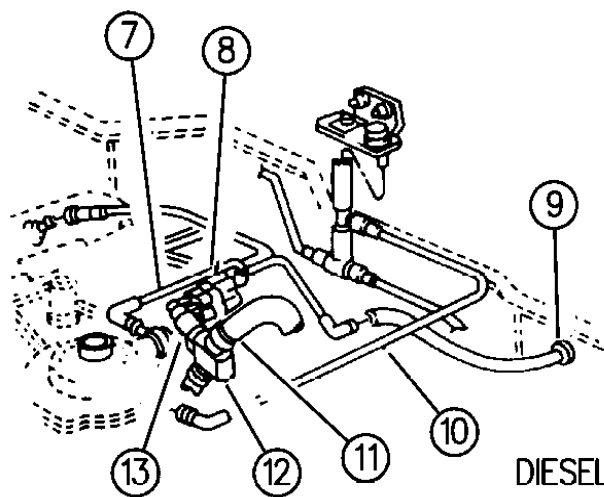
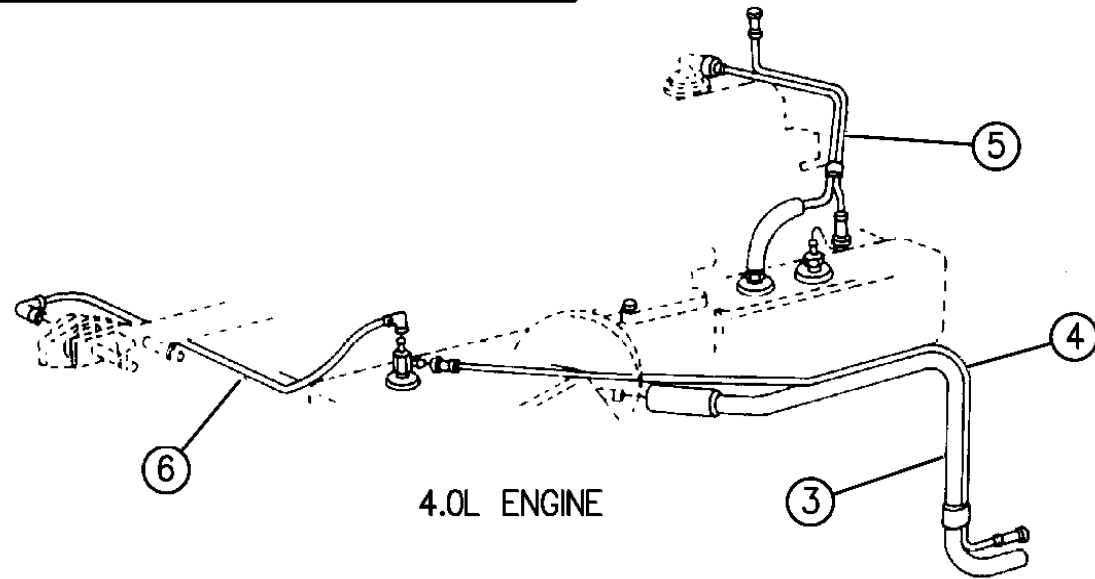
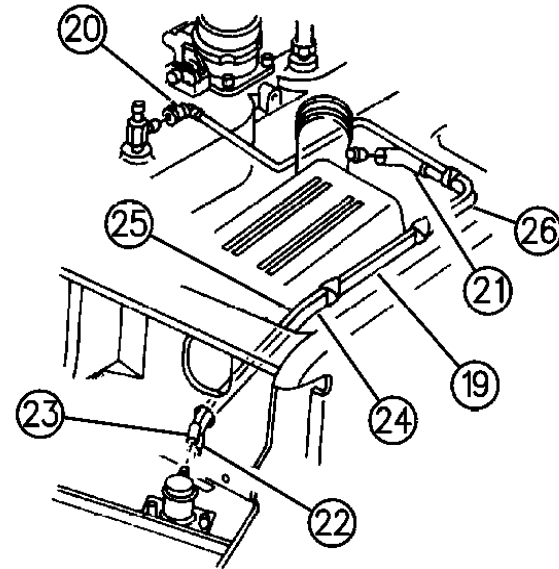
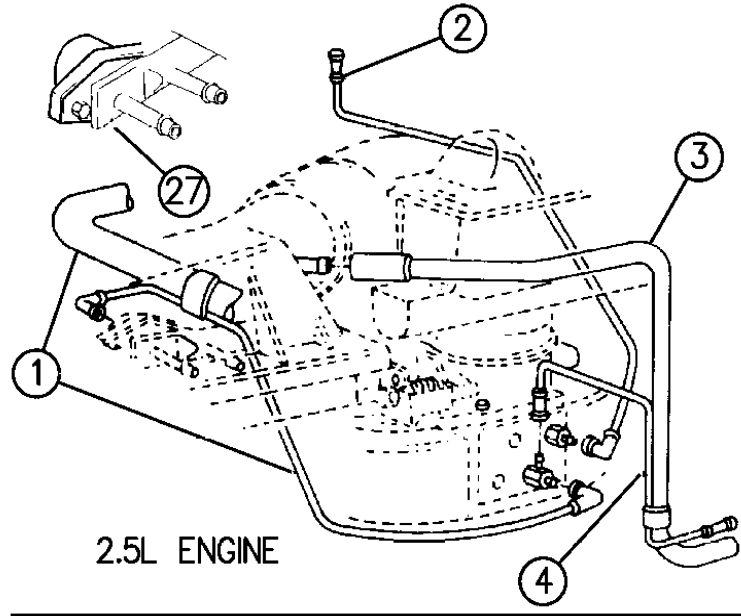
BODY STYLES:

MJ=Comanche Pickup ZJ=Grand Cherokee/Grand Wagoneer KDX VEHICLES
SJ=Grand Wagoneer M1=Comanche
XJ=Cherokee, Briarwood X1=Cherokee, Briarwood
YJ=Wrangler Y1=Wrangler

AR = Use as Required - = Non Illustrated Part P.A.R. = Paint as Required

VACUUM HARNESS WRANGLER, CHEROKEE, BRIARWOOD, GRAND CHEROKEE, COMANCHE
Figure 25-500

91J25 500D



ITEM	PART NUMBER	QTY	BODY	MODEL	DESCRIPTION
1	5303 0189	1			TUBE, Crankcase Vent Valve and Fuel Pressure Regulator to Intake Manifold
2	5300 6226	1	YJ		TUBE, M.A.P. Sensor
	5300 6228	1	MJ,XJ		
3					TUBE, Air Cleaner to Canister
	5303 0029	1	YJ		2.5L Eng.
	5303 0030	1	YJ		4.0L Eng.
	5303 0034	1	MJ,XJ		2.5L ENG., 1991-92
	5303 0336	1	XJ		2.5L ENG., 1993
	5303 0253	1	MJ,XJ		4.0L Eng. 1992
4					TUBE, Manifold Vacuum to Canister
	5300 9757	1	YJ		2.5L Eng.
	5300 9755	1	MJ,XJ		2.5L ENG., 1991-92
	5303 0420	1	XJ		2.5L ENG., 1993
	5300 9758	1	YJ		4.0L Eng., 1991-92
	5303 0252	1	MJ,XJ		4.0L Eng., 1992
5	5300 6227	1	YJ		TUBE, M.A.P. Sensor and Crankcase Vent Valve to Intake Manifold
	5300 6229	1	MJ,XJ		
	5300 7421	1	ZJ		
6	5300 6235	1			TUBE, Fuel Pressure Regulator to Intake Manifold
	5300 6235	1	ZJ		
7	5300 1927	1	MJ,XJ		HARNESS, Vacuum
8	J323 5265	1	MJ,XJ		CONNECTOR, 3 Port
9	5600 1448	1	MJ,XJ		HOSE, Boost Gauge
10					HARNESS, Vacuum
	5300 2441	1	MJ,XJ		1991
	5303 0088	1	MJ,XJ		1992
11	3300 0785	2	MJ,XJ		CLAMP
12	5300 1859	1	MJ,XJ		TUBE, Turbo Cut-Off Switch
13	5300 1747	1	MJ,XJ		SWITCH, Thermo Vacuum Cut-Off
14	5300 2241	1	MJ,XJ		BRACKET and FILTER ASSEMBLY, Pressure Regulator ***
15	5300 1929	1	MJ,XJ		FILTER, Pressure Regulator
16	5300 1928	1	MJ,XJ		REGULATOR, Pressure ***
17	3420 2172	1	MJ,XJ		NUT
18	5300 2240	1	MJ,XJ		HOSE, Filter to Pressure Regulator
19	5303 0062	1	ZJ		HARNESS, Canister Purge, 4.0 Engine
20	5303 0006	2	ZJ		CONNECTOR
21			ZJ		CONNECTOR
	5303 0238	1			4.0L Engine
	5303 0009	1			5.2L Engine

MODEL CODES:

61=Pickup-6 Ft Box 74=4 Door Wagon T=2WD
62=Pickup-7 Ft Box 77=Open Body 93" Wheelbase J,N,U=4WD
72=2 Door Wagon 78=Open Body 103" Wheelbase

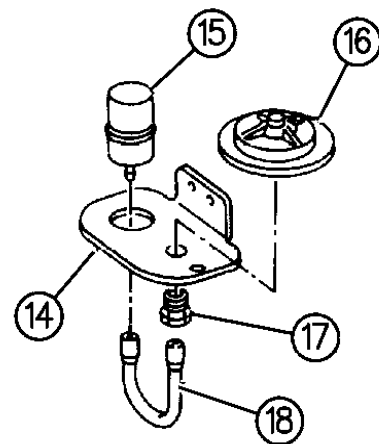
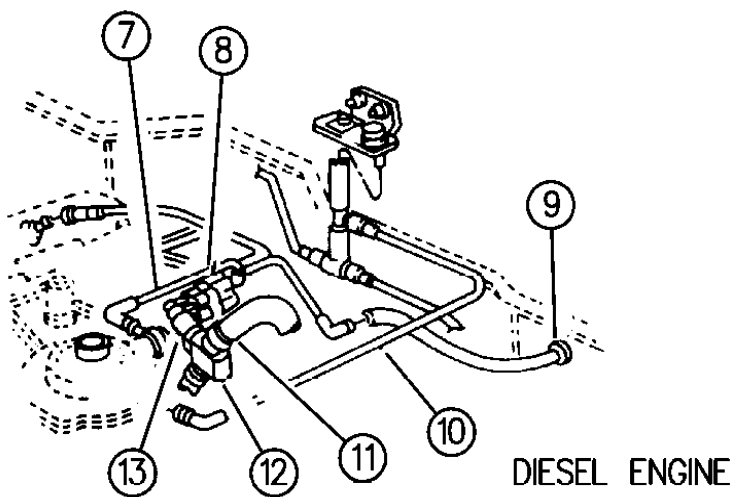
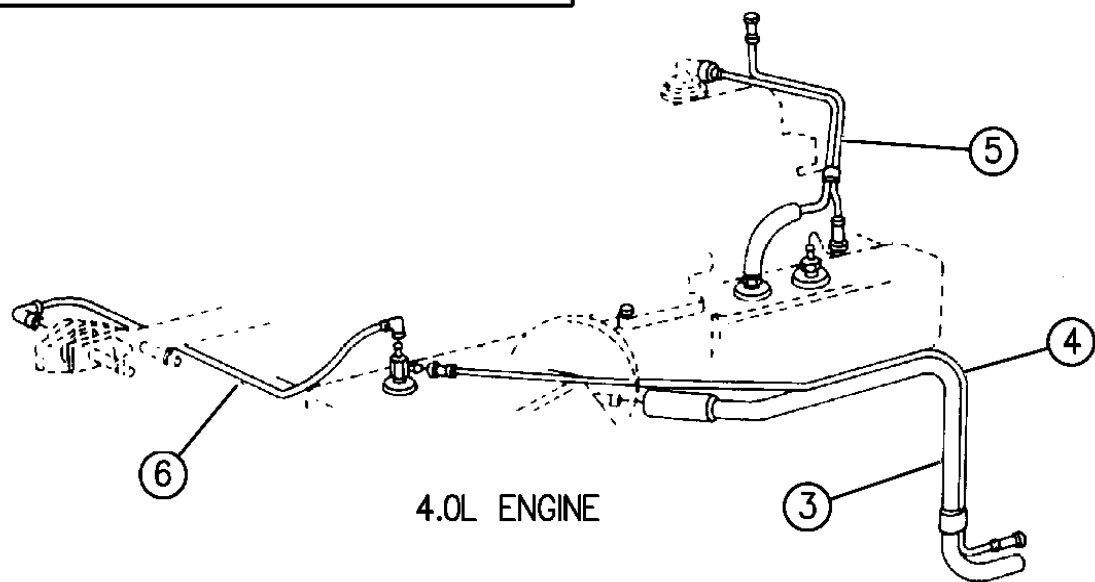
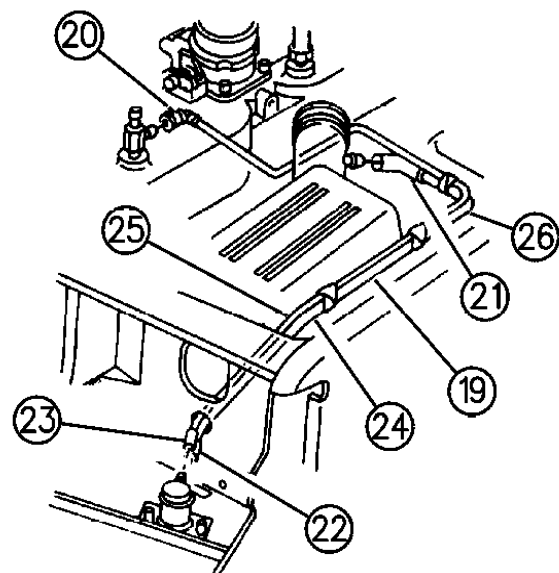
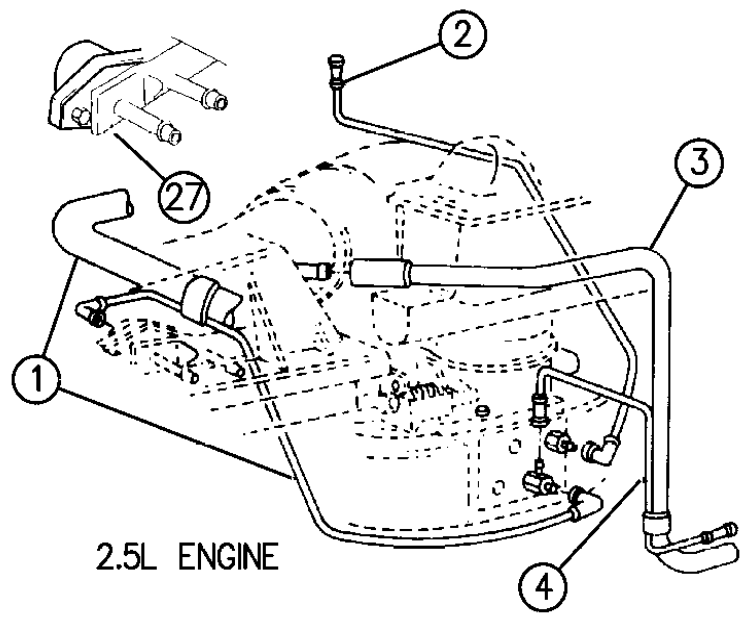
BODY STYLES:

MJ=Comanche Pickup ZJ=Grand Cherokee/Grand Wagoneer KDX VEHICLES
SJ=Grand Wagoneer M1=Comanche
XJ=Cherokee, Briarwood X1=Cherokee, Briarwood
YJ=Wrangler Y1=Wrangler

AR = Use as Required - = Non Illustrated Part P.A.R. = Paint as Required

VACUUM HARNESS WRANGLER, CHEROKEE, BRIARWOOD, GRAND CHEROKEE, COMANCHE
Figure 25-500

91J25 500D



ITEM	PART NUMBER	QTY	BODY	MODEL	DESCRIPTION
22	5303 0003	1	ZJ		CONNECTOR, 5.2L Engine
23	4288 207	1	ZJ		HOSE, Formed, 5.2L Engine
24	4104 272	AR	ZJ		TUBE, 1/4 Black, 5.2L Engine
25	3780 508	AR	ZJ		TUBE, Nylon, 5.2L Engine
26	4364 375	AR	ZJ		TUBE, Convoluted 3/8 Roll Stock, 5.2L Engine
27	5227 635	1			SOLENOID, Vacuum, 5.2L Engine
	5227 034	1			BRACKET, Solenoid 5.2L Engine

MODEL CODES:

61=Pickup-6 Ft Box 74=4 Door Wagon T=2WD
62=Pickup-7 Ft Box 77=Open Body 93" Wheelbase J,N,U=4WD
72=2 Door Wagon 78=Open Body 103" Wheelbase

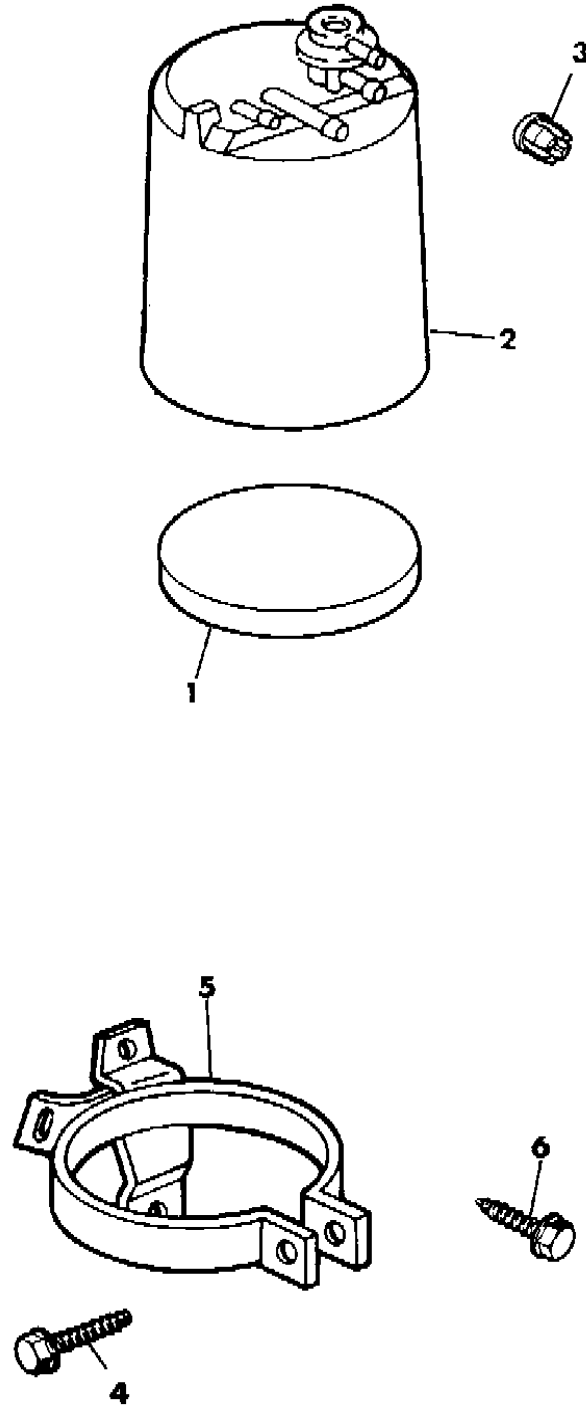
BODY STYLES:

MJ=Comanche Pickup ZJ=Grand Cherokee/Grand Wagoneer KDX VEHICLES
SJ=Grand Wagoneer M1=Comanche
XJ=Cherokee, Briarwood X1=Cherokee, Briarwood
YJ=Wrangler Y1=Wrangler

AR = Use as Required - = Non Illustrated Part P.A.R. = Paint as Required

VAPOR CANISTER GRAND WAGONEER
Figure 25-600

91J25 600



ITEM	PART NUMBER	QTY	BODY	MODEL	DESCRIPTION
1	J322 7279	1			FILTER
2	J323 9479	1			CANISTER, Vapor
3	J321 3949	1			PLUG, Metering
4	J942 0882	1			SCREW
5	J535 8524	1			BRACKET, Mounting
6	J400 5559	3			SCREW

MODEL CODES:

61=Pickup-6 Ft Box 74=4 Door Wagon T=2WD
62=Pickup-7 Ft Box 77=Open Body 93" Wheelbase J,N,U=4WD
72=2 Door Wagon 78=Open Body 103" Wheelbase

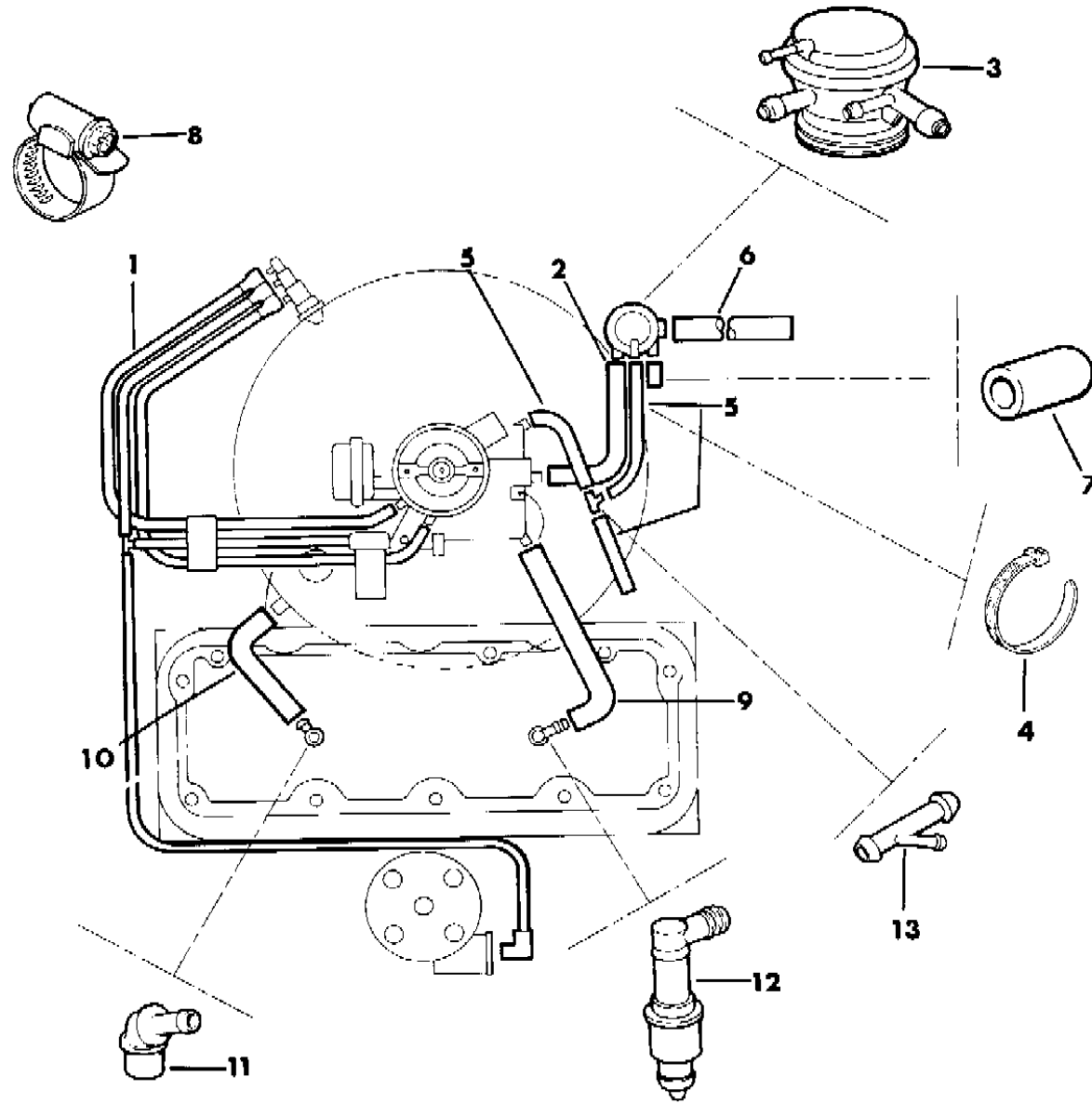
BODY STYLES:

MJ=Comanche Pickup ZJ=Grand Cherokee/Grand Wagoneer KDX VEHICLES
SJ=Grand Wagoneer M1=Comanche
XJ=Cherokee, Briarwood X1=Cherokee, Briarwood
YJ=Wrangler Y1=Wrangler

AR = Use as Required - = Non Illustrated Part P.A.R. = Paint as Required

PCV SYSTEM 2.5L CARBURETED ENGINE CHEROKEE, BRIARWOOD
Figure 25-700

91J25 700



ITEM	PART NUMBER	QTY	BODY	MODEL	DESCRIPTION
1	5300 5175	1			HARNES, Vacuum
2	3300 1332	1			HOSE, Vent
3	5300 5104	1			VALVE ASSEMBLY, Bowl Vent
4	6015 756	1			STRAP, Tie
5	4439 003	1			HOSE, Vacuum - Bulk
6	J812 5781	1			HOSE, Vent
7	J323 8283	1			CAP
8	3300 0785	AR			CLAMP, Hose
9	5300 5098	1			HOSE, Crankcase Vent
10	5300 0611	1			HOSE, Crankcase Vent
11	J323 6685	1			ELBOW
12	3300 1239	1			VALVE, PCV
13	8310 0020	1			FITTING, Vacuum

MODEL CODES:

61=Pickup-6 Ft Box 74=4 Door Wagon T=2WD
 62=Pickup-7 Ft Box 77=Open Body 93" Wheelbase J,N,U=4WD
 72=2 Door Wagon 78=Open Body 103" Wheelbase

BODY STYLES:

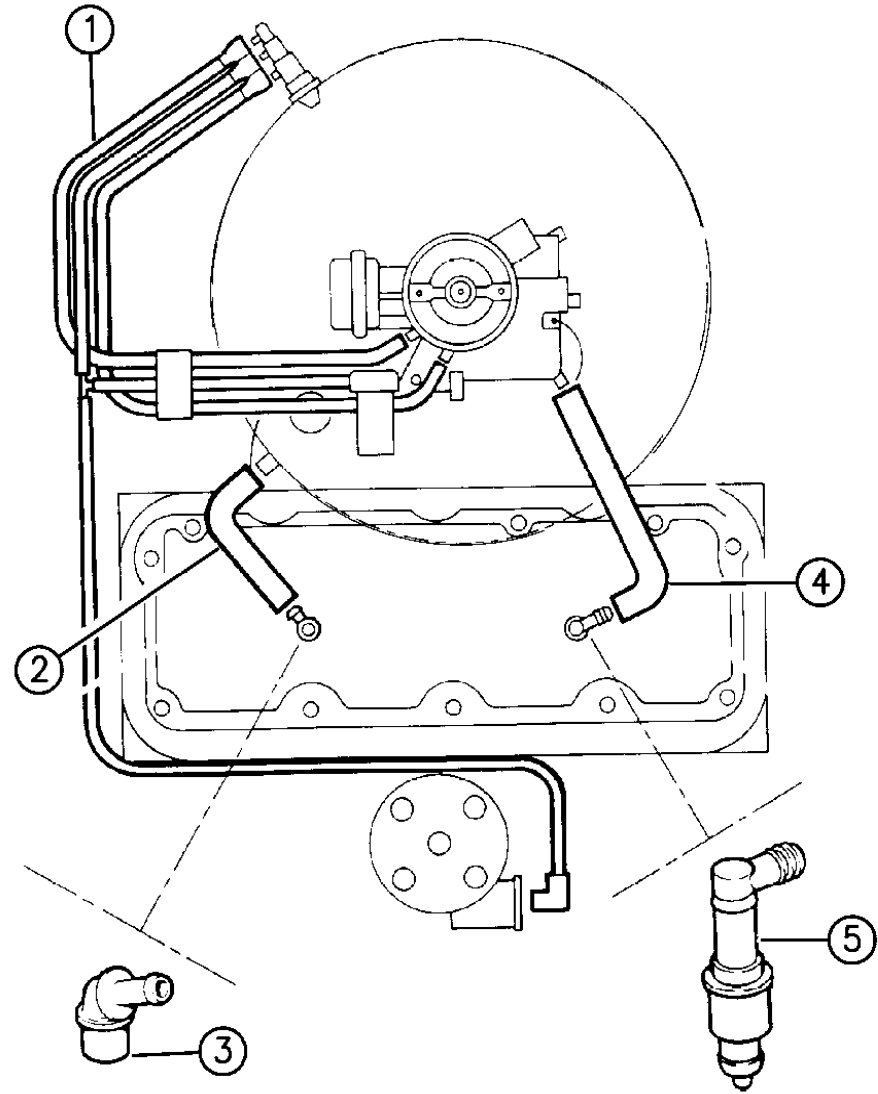
MJ=Comanche Pickup ZJ=Grand Cherokee/Grand Wagoneer KDX VEHICLES
 SJ=Grand Wagoneer M1=Comanche
 XJ=Cherokee, Briarwood X1=Cherokee, Briarwood
 YJ=Wrangler Y1=Wrangler

AR = Use as Required - = Non Illustrated Part P.A.R. = Paint as Required

CCV SYSTEM 2.5 CARBURETED ENGINE CHEROKEE 1993

Figure 25-750

91J25 750



ITEM	PART NUMBER	QTY	BODY	MODEL	DESCRIPTION
1	5303 2269	1			HARNES, Vacuum
	5303 0540	1			SWITCH, Three Port Vacuum
2	5303 0528	1			HOSE, Vent
3	5303 0497	1			ELBOW
4	5303 0527	1			TUBE, Ccv to Intake
5	3300 4175	1			CONNECTOR

MODEL CODES:

61=Pickup-6 Ft Box 74=4 Door Wagon T=2WD
 62=Pickup-7 Ft Box 77=Open Body 93" Wheelbase J,N,U=4WD
 72=2 Door Wagon 78=Open Body 103" Wheelbase

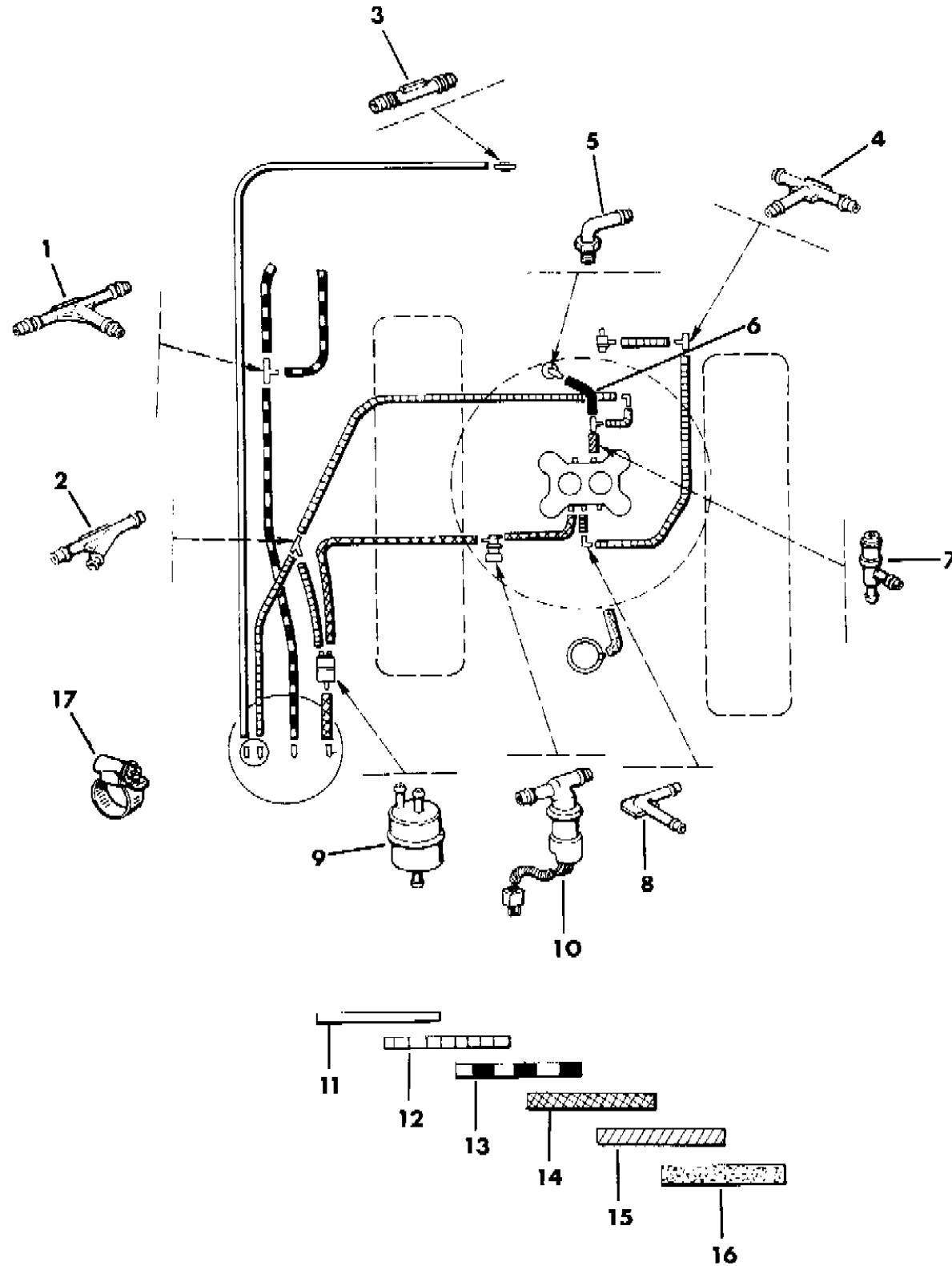
BODY STYLES:

MJ=Comanche Pickup ZJ=Grand Cherokee/Grand Wagoneer KDX VEHICLES
 SJ=Grand Wagoneer M1=Comanche
 XJ=Cherokee, Briarwood X1=Cherokee, Briarwood
 YJ=Wrangler Y1=Wrangler

AR = Use as Required - = Non Illustrated Part P.A.R. = Paint as Required

PCV SYSTEM 5.9L ENGINE GRAND WAGONEER
Figure 25-800

91J25 800



ITEM	PART NUMBER	QTY	BODY	MODEL	DESCRIPTION
1	J400 6635	1			CONNECTOR, Tee
2	J400 6848	1			CONNECTOR, Y
3	J322 0180	1			CONNECTOR
4	J323 2982	1			CONNECTOR, Tee
5	J323 4264	1			TUBE ASSEMBLY, PCV
6	J323 4267	1			HOSE
7	J323 4216	1			VALVE, PCV
8	3300 2356	2			ELBOW, 90 Degrees
9	3300 1586	1			TRAP, Liquid
10	5300 0848	1			VALVE, Solenoid
11	8350 5727	1			HOSE - Bulk .16" I.D.
12	8330 0080	1			HOSE - Bulk .22" I.D.
13	J535 0898	1			HOSE - Bulk .28" I.D.
14	J812 5883	1			HOSE - Bulk .34" I.D.
15	J812 5781	1			HOSE - Bulk .38" I.D.
16	J812 5841	1			HOSE - Bulk .50" I.D.
17					CLAMP, Hose
					.47" to .78"
	3300 0785	AR			.47" to .78"
	3300 0784	AR			.67" to .98"

MODEL CODES:

61=Pickup-6 Ft Box 74=4 Door Wagon T=2WD
 62=Pickup-7 Ft Box 77=Open Body 93" Wheelbase J,N,U=4WD
 72=2 Door Wagon 78=Open Body 103" Wheelbase

BODY STYLES:

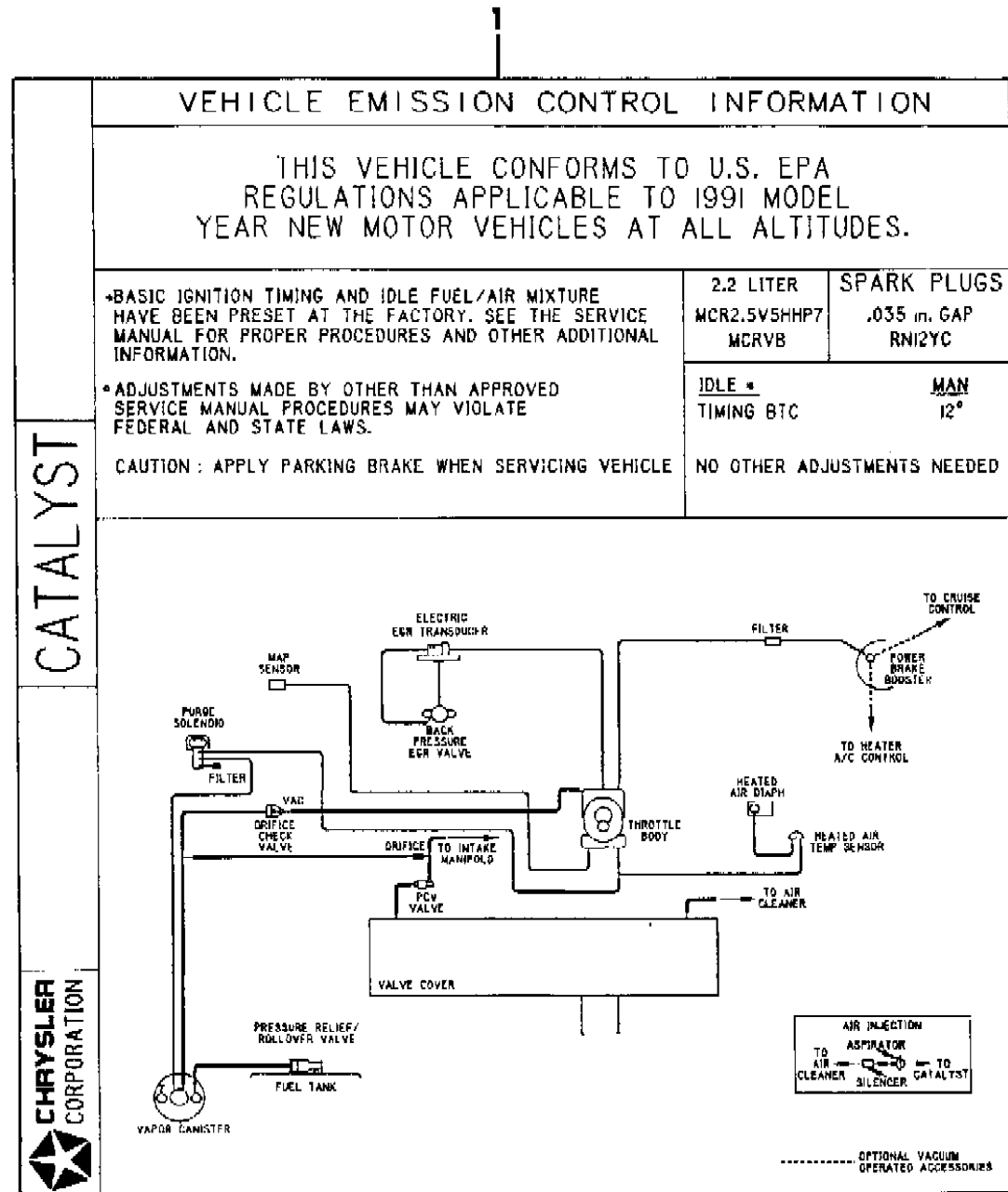
MJ=Comanche Pickup ZJ=Grand Cherokee/Grand Wagoneer KDX VEHICLES
 SJ=Grand Wagoneer M1=Comanche
 XJ=Cherokee, Briarwood Y1=Wrangler
 YJ=Wrangler

AR = Use as Required - = Non Illustrated Part P.A.R. = Paint as Required

EMISSION LABELS

Figure 25-900

91J25 900



ITEM	PART NUMBER	QTY	BODY	MODEL	DESCRIPTION
1	LABEL, Emission Adjustment and Routing				
	5277 255	1	YJ		2.5L Eng. - Federal, High Altitude - Man. Trans. 1991
	5303 1011	1	YJ		1992
	5277 257	1	YJ		2.5L Eng. - Calif. - Man. Trans. 1991
	5303 1012	1	YJ		1992
	5303 0142	1	YJ,XJ		2.5L Engine, Federal, High Altitude, w/o California 1993
	5303 0143	1	YJ,XJ		2.5L Engine, Federal for California 1993
	5303 0144	1	YJ,XJ		2.5L Engine, Federal, Manual Transmission 1993
	5277 260	1	XJ,MJ		2.5L Eng. - Federal, High Altitude - Man. Trans. 1991
	5303 1011	1	XJ,MJ		1992
	5277 261	1	XJ,MJ		2.5L Eng. - Calif. - Man. Trans. 1991
	5303 1012	1	XJ,MJ		1992
	5277 269	1	YJ		4.0L Eng. - Federal, High Altitude 1991
	5303 1014	1	YJ		1992
	5277 273	1	YJ		4.0L Eng. - Calif. 1991
	5303 1015	1	YJ		1992
	5303 0148	1	YJ,XJ		4.0L Engine, Federal, High Altitude, w/o California 1993
	5303 0149	1	YJ,XJ		4.0L Engine, California 1993
	5303 0151	1	YJ,XJ		4.0L Engine, Federal for California 1993
	5303 0152	1	YJ,XJ		4.0L Engine, Federal 1993
	5277 264	1	XJ	J,T	4.0L Eng. - Federal, High Altitude 1991
	5303 1014	1	XJ	J,T	1992
	5277 264	1	XJ	N	4.0L Eng. - Federal and/or High Altitude w/Air Cond. - Auto. Trans. 1991
	5303 1014	1	XJ	N	4.0L Eng. - Federal or High Altitude w/Air Cond. - Auto. Trans. 1992
	5277 264	1	MJ	J	4.0L Eng. - Federal, High Altitude 1991
	5303 1014	1	MJ	J	1992
	5277 264	1	XJ	T	4.0L Eng. - Calif. w/Air Cond. 1991
	5303 1015	1	XJ	T	1992
	5277 265	1	XJ	J,T	4.0L Eng. - Calif. w/o Air Cond. 1991
	5303 1015	1	XJ	J,T	1992
	5277 265	1	XJ	J-72	4.0L Eng. - Calif. w/Air Cond. 1991
	5303 1015	1	XJ	J-72	1992
	5277 265	1	XJ	J-74	4.0L Eng. - Calif. w/Air Cond. - Man. Trans. 1991
	5303 1015	1	XJ	J-74	1992
	5300 7529	1	ZJ		4.0L Eng. - Federal, High Altitude, 1992
	5303 0145	1	ZJ		4.0L Engine, Federal, High Altitude, U.S., Europe, 1993
	5300 7530	1	ZJ		4.0L Eng. - Calif. w/Manual Trans. 1992
	5303 0146	1	ZJ		1993
	5300 7531	1	ZJ		4.0L Eng. - Calif. w/Automatic Trans. 1992

MODEL CODES:

61=Pickup-6 Ft Box 74=4 Door Wagon T=2WD
 62=Pickup-7 Ft Box 77=Open Body 93" Wheelbase J,N,U=4WD
 72=2 Door Wagon 78=Open Body 103" Wheelbase

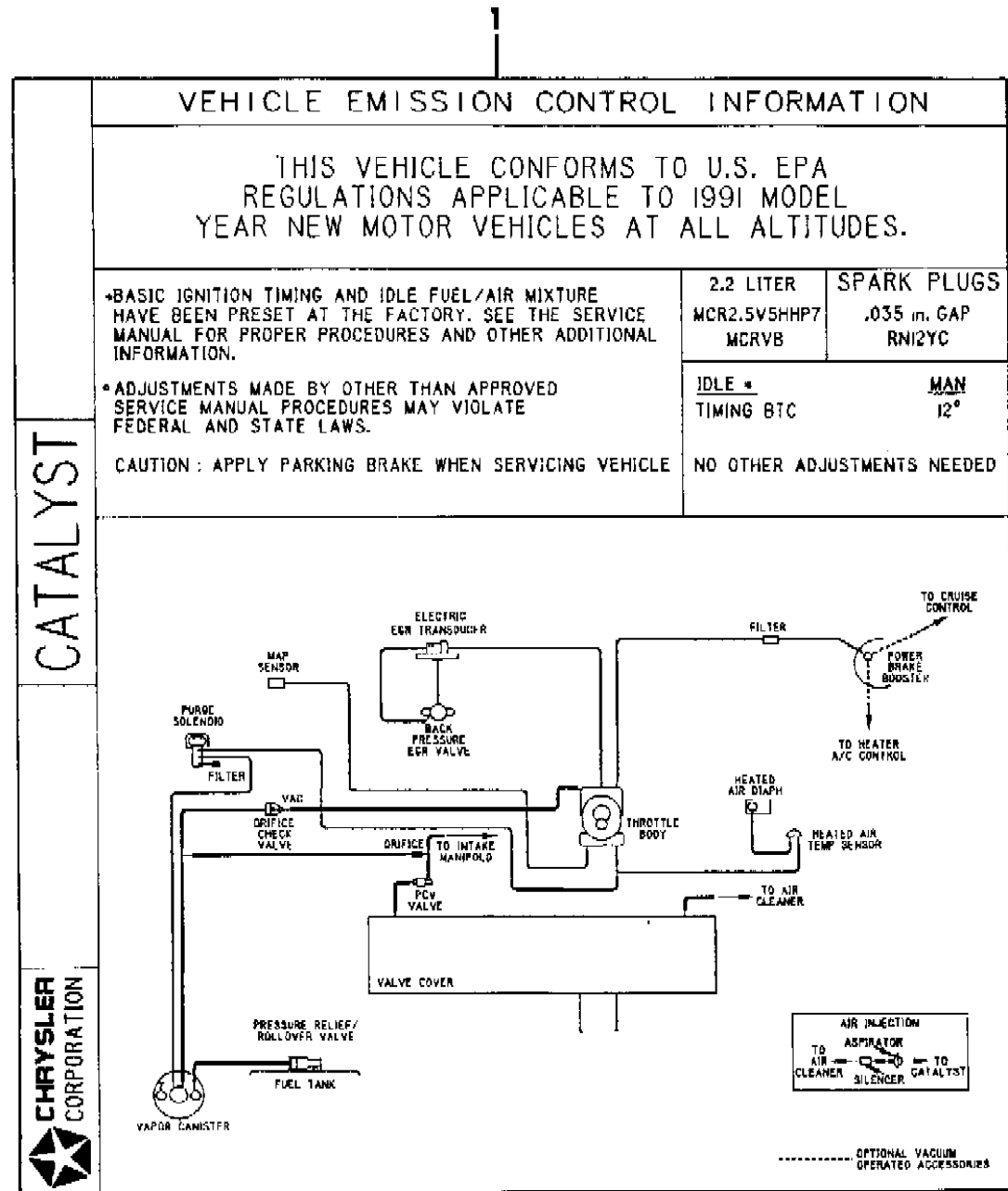
BODY STYLES:

MJ=Comanche Pickup ZJ=Grand Cherokee/Grand Wagoneer KDX VEHICLES
 SJ=Grand Wagoneer M1=Comanche
 XJ=Cherokee, Briarwood X1=Cherokee, Briarwood
 YJ=Wrangler Y1=Wrangler

AR = Use as Required - = Non Illustrated Part P.A.R. = Paint as Required

EMISSION LABELS
Figure 25-900

91J25 900



CATALYST



ITEM	PART NUMBER	QTY	BODY	MODEL	DESCRIPTION
	5303 0147	1	ZJ		1993
	5303 0153	1	ZJ		4.0L Engine, Canada 1993
	5277 265	1	MJ	T	4.0L Eng. - Calif. 1991
	5303 1015	1	MJ	T	1992
	5277 265	1	MJ	J	4.0L Eng. - Calif. w/o Air Cond. w/6 Ft. Box - Man. Trans. 1991
	5303 1015	1	MJ	J	1992
	5277 266	1	XJ	J,N-74	4.0L Eng. - Calif. w/Air Cond. - Auto. Trans. 1991
	5303 1016	1	XJ	J,N-74	1992
	5277 266	1	MJ	J	4.0L Eng. - Calif. w/o Air Cond. w/6 Ft. Box - Auto. Trans. 1991
	5303 1016	1	MJ	J	1992
	5277 266	1	MJ	J	4.0L Eng. - Calif. w/o Air Cond. w/7 Ft. Box 1991
	5303 1016	1	MJ	J	1992
	5277 266	1	MJ	J	4.0L Eng. - Calif. w/Air Cond. 1991
	5303 1016	1	MJ	J	1992
	5303 1288	1	ZJ		5.2L Engine, Federal, High Altitude, w/o California, U.S., Europe, 1993
	5303 1290	1	ZJ		5.2L Engine, Canada, 1993
	5303 1289	1	ZJ		5.2L Engine, Federal for California, 1993
	5277 279	1	SJ		5.9L Eng. - Federal, w/o Federal Emission Vehicle for Calif.
	5277 280	1	SJ		5.9L Eng. - Federal, w/Federal Emission Vehicle for Calif.
	5277 282	1	SJ		5.9L Eng. - High Altitude

MODEL CODES:

61=Pickup-6 Ft Box 74=4 Door Wagon T=2WD
 62=Pickup-7 Ft Box 77=Open Body 93" Wheelbase J,N,U=4WD
 72=2 Door Wagon 78=Open Body 103" Wheelbase

BODY STYLES:

MJ=Comanche Pickup ZJ=Grand Cherokee/Grand Wagoneer KDX VEHICLES
 SJ=Grand Wagoneer M1=Comanche
 XJ=Cherokee, Briarwood X1=Cherokee, Briarwood
 YJ=Wrangler Y1=Wrangler

AR = Use as Required - = Non Illustrated Part P.A.R. = Paint as Required

GROUP 27 - WRANGLER

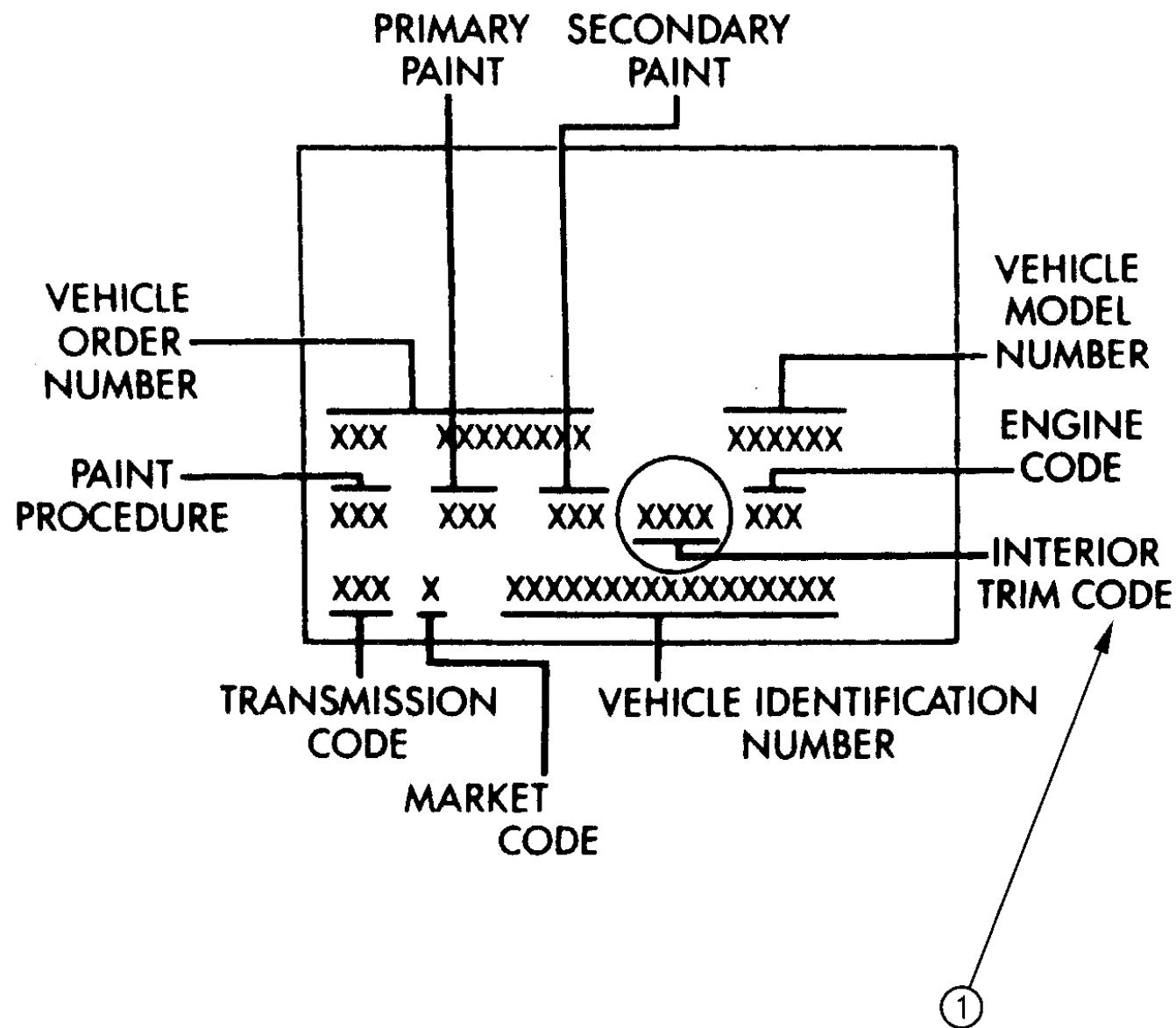
ILLUSTRATION TITLE	GROUP-FIG. NO.
TRIM CODE DEFINED WRANGLER, YJ	Fig. 27-99
INSULATION COWL AND HOOD WRANGLER, YJ	Fig. 27-100
SUNVISORS WRANGLER, YJ	Fig. 27-200
CARPETS AND INTERIOR TRIM PANELS WRANGLER, YJ	Fig. 27-300
DOOR TRIM PANELS HALF HARD DOORS WRANGLER, YJ	Fig. 27-400
DOOR TRIM PANELS FULL HARD DOORS WRANGLER, YJ	Fig. 27-500
SEAT ASSEMBLIES, SEAT COVERS AND SEAT TRACKS FRONT SEAT WRANGLER, YJ	Fig. 27-600
SEAT ASSEMBLIES AND SEAT COVERS REAR SEAT WRANGLER, YJ, 1991	Fig. 27-700
SEAT ASSEMBLIES AND SEAT COVERS REAR SEAT WRANGLER, YJ, 1992-93	Fig. 27-750
SEAT BELTS WRANGLER, YJ - 1991	Fig. 27-900
SEAT BELTS WRANGLER, YJ - 1992-93	Fig. 27-950

ILLUSTRATION NOT AVAILABLE AT TIME OF PUBLICATION

TRIM CODE DEFINED WRANGLER, YJ

Figure 27-99

91J27 099



ITEM	PART NUMBER	QTY	BODY	MODEL	DESCRIPTION
------	-------------	-----	------	-------	-------------

NOTE: The body code plate is located on the left side of the dash panel in the engine compartment. Tag affixed to the Face of its Pulley. A Second Tag will show the name of the Vendor (OGURA).

1 INTERIOR TRIM CODE (4 DIGET) ***

NOTE: THE FIRST TWO DIGETS OF THE CODE INDICATE THE SEAT STYLE. Tag affixed to the Face of its Pulley. A Second Tag will show the name of the Vendor (OGURA).

T5--High back bucket seats w/reclining seat backs and cloth inserts. Tag affixed to the Face of its Pulley. A Second Tag will show the name of the Vendor (OGURA).

C5-- High back bucket seats w/reclining seat backs and two color cloth inserts. Tag affixed to the Face of its Pulley. A Second Tag will show the name of the Vendor (OGURA).

LJ-- High back bucket seats w/reclining seat backs and leather inserts. (Europe only) Tag affixed to the Face of its Pulley. A Second Tag will show the name of the Vendor (OGURA).

P6-- High back bucket seat w/reclining seat backs and vinyl inserts. Tag affixed to the Face of its Pulley. A Second Tag will show the name of the Vendor (OGURA).

L6-- High back bucket seats w/non-reclining seat backs and vinyl inserts. (A rear seat is not available w/L6-- trim code.) Tag affixed to the Face of its Pulley. A Second Tag will show the name of the Vendor (OGURA).

NOTE: The LAST TWO DIGETS OF THE CODE INDICATE THE INTERIOR COLOR. Tag affixed to the Face of its Pulley. A Second Tag will show the name of the Vendor (OGURA).

--XS = Charcoal Tag affixed to the Face of its Pulley. A Second Tag will show the name of the Vendor (OGURA).

--Y6 = Dark Sand Tag affixed to the Face of its Pulley. A Second Tag will show the name of the Vendor (OGURA).

--XT = Spice, 1992 Tag affixed to the Face of its Pulley. A Second Tag will show the name of the Vendor (OGURA).

--TB = Spice, 1993 Tag affixed to the Face of its Pulley. A Second Tag will show the name of the Vendor (OGURA).

--XG or --TG = Dark Green Tag affixed to the Face of its Pulley. A Second Tag will show the name of the Vendor (OGURA).

--RX = Radiant Red Tag affixed to the Face of its Pulley. A Second Tag will show the name of the Vendor (OGURA).

--TB = Spice Tag affixed to the Face of its Pulley. A Second Tag will show the name of the Vendor (OGURA).

MODEL CODES:

61=Pickup-6 Ft Box 74=4 Door Wagon T=2WD
 62=Pickup-7 Ft Box 77=Open Body 93" Wheelbase J,N,U=4WD
 72=2 Door Wagon 78=Open Body 103" Wheelbase

BODY STYLES:

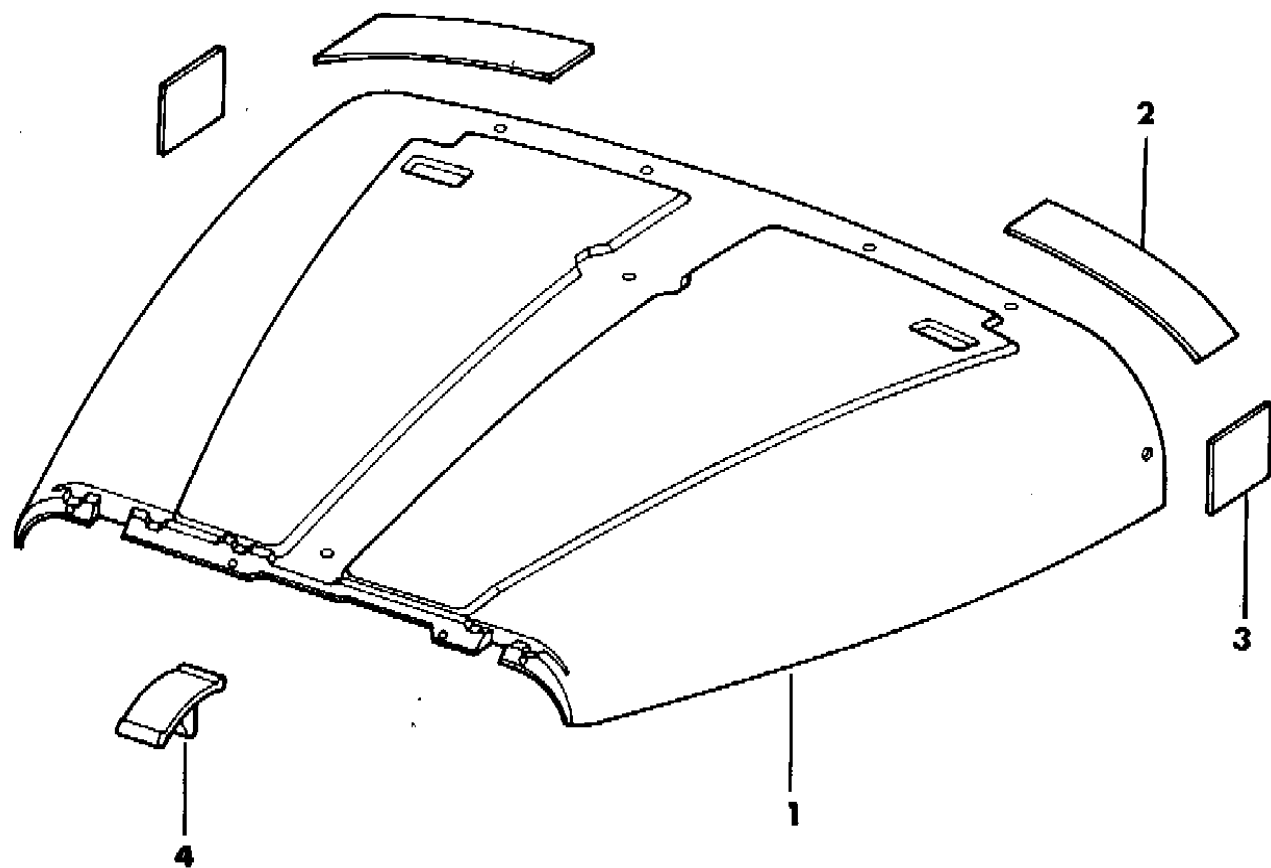
MJ=Comanche Pickup ZJ=Grand Cherokee/Grand Wagoneer KDX VEHICLES
 SJ=Grand Wagoneer M1=Comanche
 XJ=Cherokee, Briarwood X1=Cherokee, Briarwood
 YJ=Wrangler Y1=Wrangler

AR = Use as Required - = Non Illustrated Part P.A.R. = Paint as Required

INSULATION COWL AND HOOD WRANGLER, YJ
Figure 27-100

91J27 100

ITEM	PART NUMBER	QTY	BODY	MODEL	DESCRIPTION
1					INSULATION, Hood
	5500 7802	1			1991
	5507 4734	1			1992-93
2	5500 7804	2			INSULATION, Cowl Top
3	5500 7805	2			INSULATION, Cowl Side
4	6003 351	12			FASTENER, Hood Insulation



MODEL CODES:

61=Pickup-6 Ft Box 74=4 Door Wagon T=2WD
 62=Pickup-7 Ft Box 77=Open Body 93" Wheelbase J,N,U=4WD
 72=2 Door Wagon 78=Open Body 103" Wheelbase

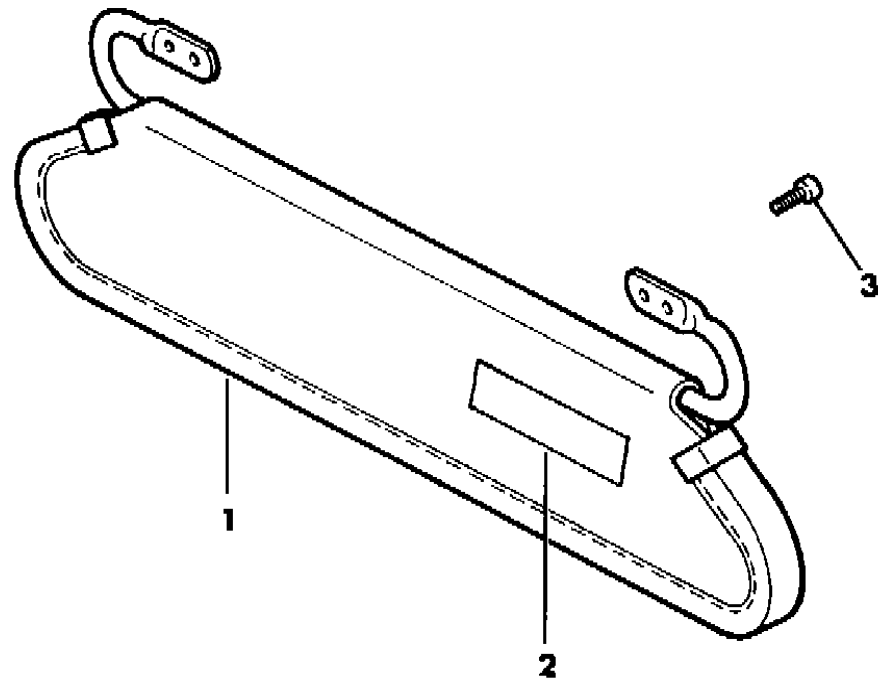
BODY STYLES:

MJ=Comanche Pickup ZJ=Grand Cherokee/Grand Wagoneer KDX VEHICLES
 SJ=Grand Wagoneer M1=Comanche
 XJ=Cherokee, Briarwood X1=Cherokee, Briarwood
 YJ=Wrangler Y1=Wrangler

AR = Use as Required - = Non Illustrated Part P.A.R. = Paint as Required

SUNVISORS WRANGLER, YJ
Figure 27-200

91J27 200



ITEM	PART NUMBER	QTY	BODY	MODEL	DESCRIPTION
1					SUNVISOR ***
	5AE78-9 JS1	1			Charcoal, 1991
	5AE78-9 KXA	1			Cinder, 1991
	5CS34-5 LXA	1			Cinder, 1992-93
	5CS34-5 LTB	1			Spice, 1992-93
	5AE78-9 KY6	1			Dark Sand, 1991
2					LABEL, Sunvisor
	5500 9555	1			English, Safety Warning
	5500 9556	1			French, Safety Warning
	5501 9388	1			Command Track, (English), USA, CANADA
	5501 9389	1			Command Track (French), CANADA, EUROPE
3	J400 5969	8			SCREW

MODEL CODES:

61=Pickup-6 Ft Box 74=4 Door Wagon T=2WD
 62=Pickup-7 Ft Box 77=Open Body 93" Wheelbase J,N,U=4WD
 72=2 Door Wagon 78=Open Body 103" Wheelbase

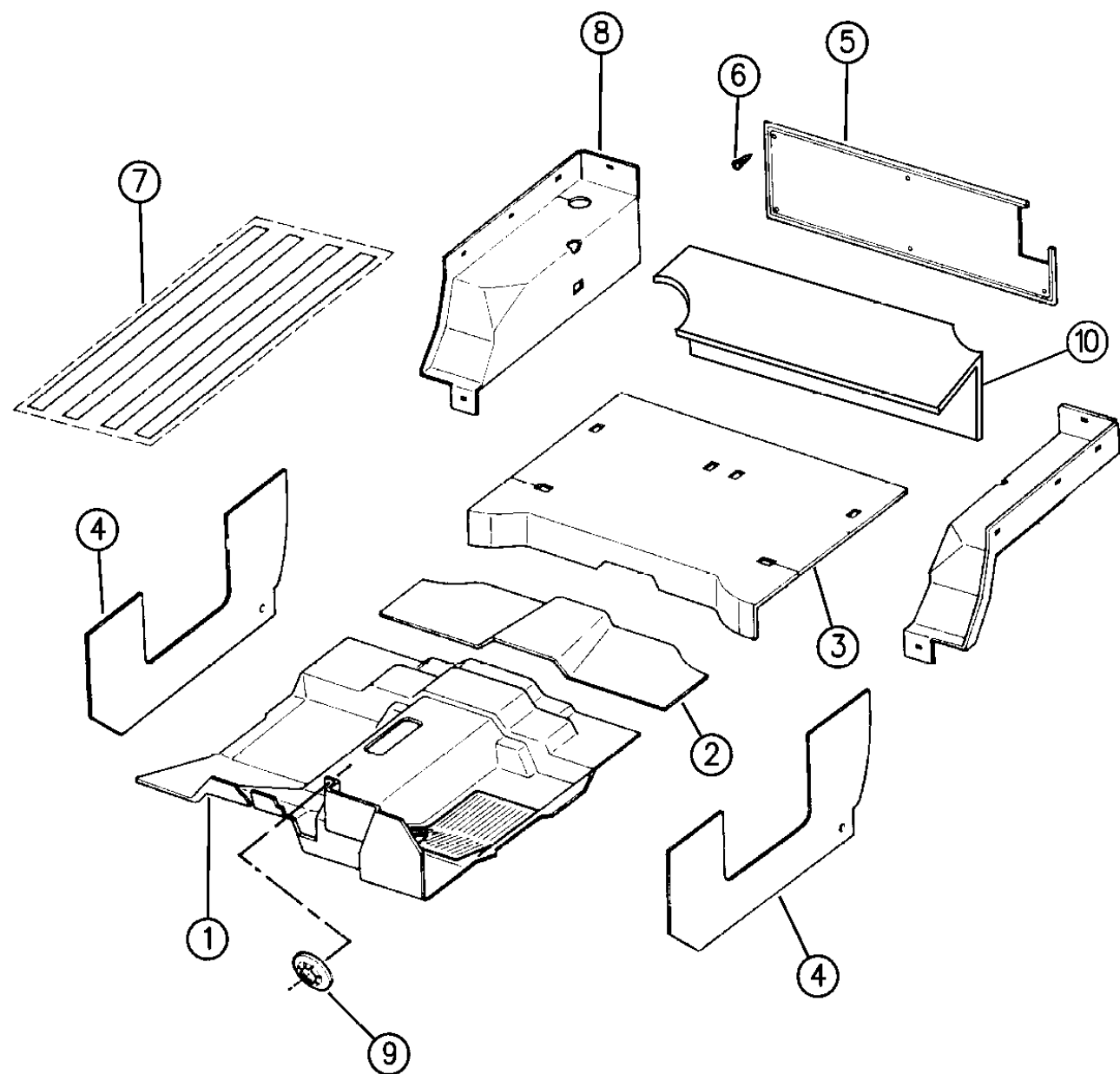
BODY STYLES:

MJ=Comanche Pickup ZJ=Grand Cherokee/Grand Wagoneer KDX VEHICLES
 SJ=Grand Wagoneer M1=Comanche
 XJ=Cherokee, Briarwood X1=Cherokee, Briarwood
 YJ=Wrangler Y1=Wrangler

AR = Use as Required - = Non Illustrated Part P.A.R. = Paint as Required

CARPETS AND INTERIOR TRIM PANELS WRANGLER, YJ
Figure 27-300

91J27 300B



ITEM	PART NUMBER	QTY	BODY	MODEL	DESCRIPTION
1					CARPET, Floor, Front
					w/ Extra Quiet Insulation, 12 ounce short pile
	5BJ4 4KRC	1			Radiant Red, 1991-93
	5BJ4 4KXA	1			Cinder, 1991-93
	5BJ4 4KY6	1			Dark Sand, 1991
	5BJ4 4LTB	1			Spice, 1992-93
					w/o Extra Quiet Insulation, 20 ounce
	5BJ5 0KXA	1			Cinder, 1991-93
	5BJ5 0KY6	1			Dark Sand, 1991
	5BJ5 0LTB	1			Spice, 1992-93
	5BJ5 0LG8	1			Dark Green, 1992-93
					Modification required when used w/manual trans. Tag affixed to the Face of its Pulley. A Second Tag will show the name of the Vendor (OGURA).
-	5AY9 1KXA	1			CARPET, Front Floor Mini, Cinder
2					CARPET, Floor, Rear
					w/Extra Quiet Insulation, 12 ounce, short pile
	5BJ4 6KRC	1			Radiant Red, 1991
	5CU0 1LRC	1			Radiant Red, Except EUROPE - Austria, 1992
	5DA2 0LRC	1			Radiant Red, EUROPE - Austria, 1992
	HH39 MRC	1			Radiant Red, 1993
	5BJ4 6KXA	1			Cinder, 1991
	5CU0 1LXA	1			Cinder, Except EUROPE - Austria, 1992
	HH39 MXA	1			Cinder, 1993
	5DA2 0LXA	1			Cinder, EUROPE - Austria, 1992
	5BJ4 6KY6	1			Dark Sand, 1991
	5CU0 1LTB	1			Spice, Except EUROPE - Austria, 1992
	5DA2 0LTB	1			Spice, EUROPE - Austria, 1992
	HH39 MTB	1			Spice, 1993
					w/Insulation, To Secure The Front Seat Carpet-Is Less Seatbelt Anchor Holes and Has Snaps
	JX66 MXA	1			Cinder
	JX66 MTB	1			Spice
	JX66 MRC	1			Radiant Red
					w/o Extra Quiet Insulation, 20 ounce
	5BJ4 0KRC	1			Radiant Red, KDX - Egypt, Venezuela, 1991
	5CU0 2LRC	1			Radiant Red, KDX - Egypt, Venezuela, 1992
	5BJ4 0KXA	1			Cinder, 1991
	5CU0 2LXA	1			Cinder, Except EUROPE - Austria, 1992
	5DA2 1LXA	1			Cinder, EUROPE, Austria, 1992
	5DE5 6MXA	1			Cinder, 1993
	5BJ4 0KY6	1			Dark Sand, 1991

MODEL CODES:

61=Pickup-6 Ft Box 74=4 Door Wagon T=2WD
 62=Pickup-7 Ft Box 77=Open Body 93" Wheelbase J,N,U=4WD
 72=2 Door Wagon 78=Open Body 103" Wheelbase

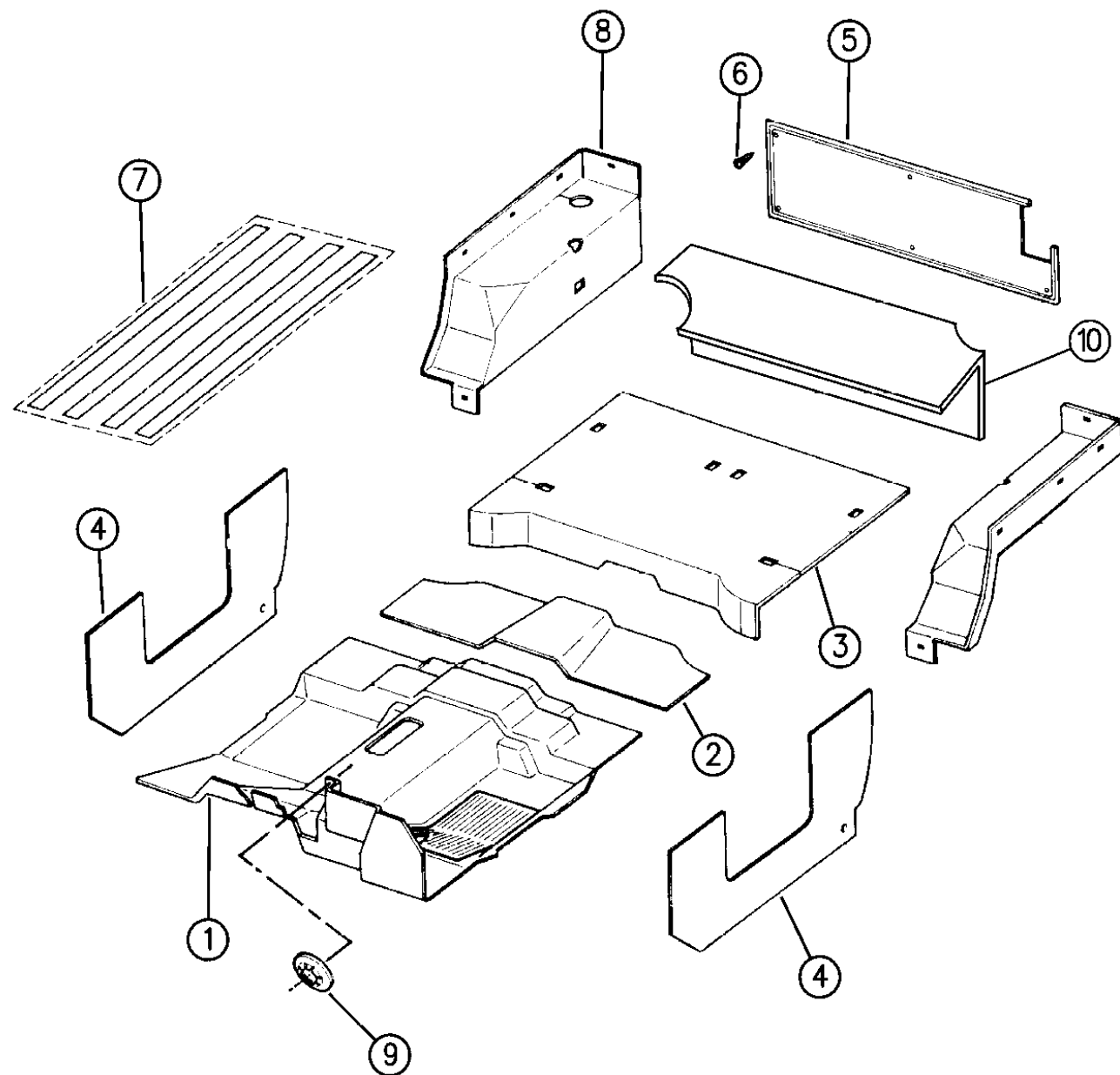
BODY STYLES:

MJ=Comanche Pickup ZJ=Grand Cherokee/Grand Wagoneer KDX VEHICLES
 SJ=Grand Wagoneer M1=Comanche
 XJ=Cherokee, Briarwood X1=Cherokee, Briarwood
 YJ=Wrangler Y1=Wrangler

AR = Use as Required - = Non Illustrated Part P.A.R. = Paint as Required

CARPETS AND INTERIOR TRIM PANELS WRANGLER, YJ
Figure 27-300

91J27 300B



ITEM	PART NUMBER	QTY	BODY	MODEL	DESCRIPTION
	5CU0 2LTB	1			Spice, Except EUROPE - Austria, 1992
	5DA2 1LTB	1			Spice, EUROPE - Austria, 1992
	5DE5 6MTB	1			Spice, 1993
	5CU0 2LG8	1			Dark Green, Except EUROPE - Austria, 1992
	5DA2 1LG8	1			Dark Green, EUROPE - Austria, 1992
	5DE5 6MG8	1			Dark Green, , 1993
3					CARPET, Cargo
					w/Extra Quiet Insulation, 12 ounce
	5AF2 2KRC	1		77	Radiant Red, 1991
	5DB1 2LRC	1		77	Radiant Red, 1992-93
	5AF2 2KXA	1		77	Cinder, 1991
	5DB1 2LXA	1		77	Cinder, 1992-93
	5AF2 2JY6	1		77	Dark Sand, 1991
	5DB1 2LTB	1		77	Spice, 1992-93
					w/o Extra Quiet Insulation, 20 ounce
	5AF2 1KXA	1		77	Cinder, 1991
	5DB1 4LXA	1		77	Cinder, 1992-93
	5AF2 1JY6	1		77	Dark Sand, 1991
	5DB1 4LTB	1		77	Spice, 1992-93
	5DB1 4LG8	1		77	Dark Green, 1992-93
The following cargo carpets are for KDX - vehicles w/long wheel base. Tag affixed to the Face of its Pulley. A Second Tag will show the name of the Vendor (OGURA).					
	5CL3 8KXA	1		78	Cinder, KDX - Egypt, 1991-93
	5CL3 8KY6	1		78	Dark Sand, KDX - Egypt, 1991
	5CL3 8LTB	1		78	Spice, KDX - Egypt, 1992-93
-	5521 4801	1		78	MAT, Rear Cargo Floor, Rubber, KDX - EGYPT
4					CARPET, Side Trim
	5AR94-5 KRC	1			Radiant Red, 1991-92
	5DE58-9 MRC	1			Radiant Red, 1993
	5AR94-5 KXA	1			Cinder, 1991-92
	5DE58-9 MXA	1			Cinder, 1993
	5AR94-5 JY6	1			Dark Sand, 1991
	5AR94-5 LTB	1			Spice, 1992
	5DE58-9 MTB	1			Spice, 1993
	5AR94-5 LG8	1			Dark Green, 1992
	5DE58-9 MG8	1			Dark Green, 1993
5					CARPET, Tailgate
	5AU4 9KRC	1			Radiant Red
	5AU4 9KXA	1			Cinder
	5AU4 9LTB	1			Spice, 1992
					w/o Extra Quiet Insulation, 14 ounce (SAHARA)

MODEL CODES:

61=Pickup-6 Ft Box 74=4 Door Wagon T=2WD
 62=Pickup-7 Ft Box 77=Open Body 93" Wheelbase J,N,U=4WD
 72=2 Door Wagon 78=Open Body 103" Wheelbase

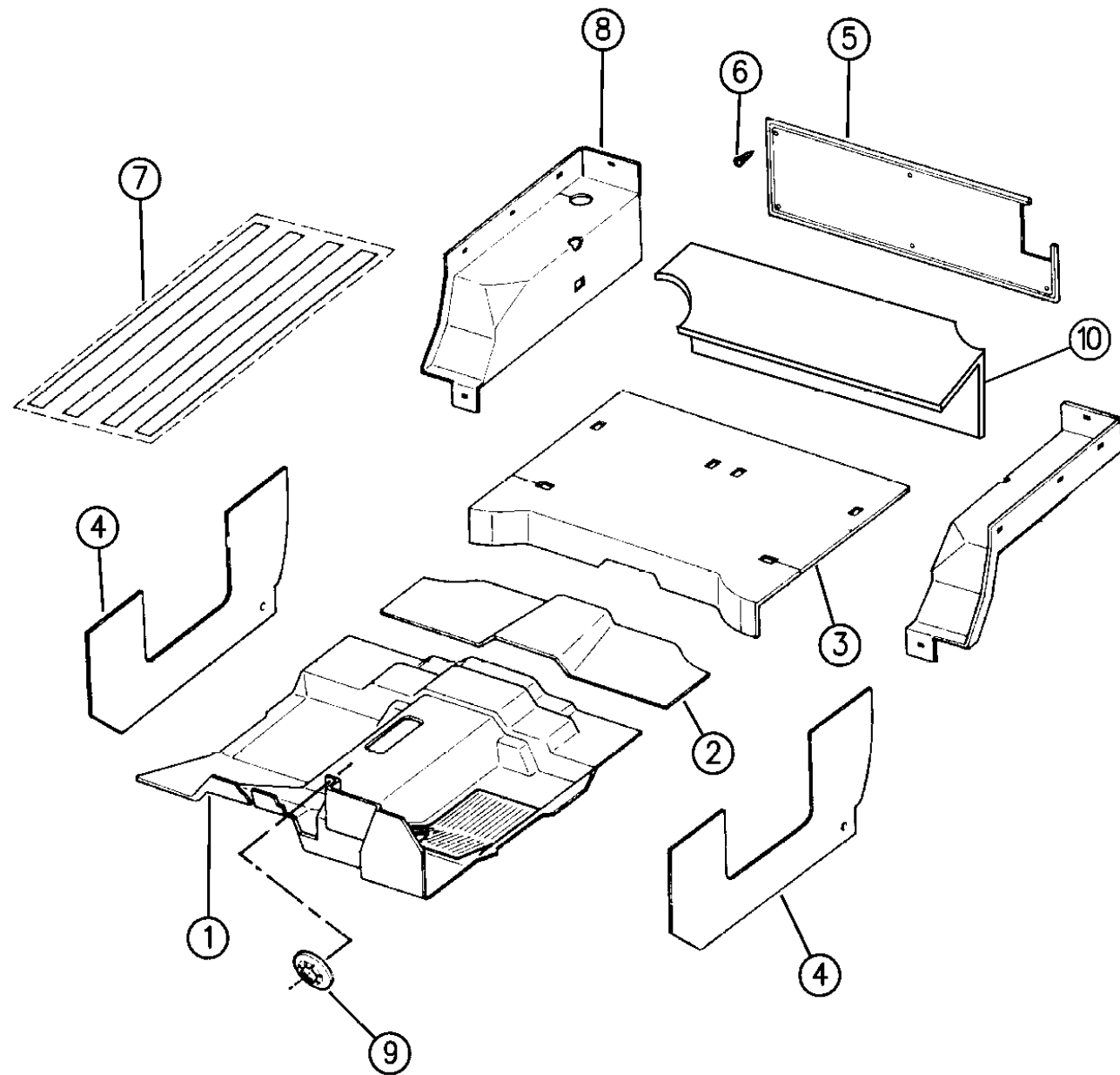
BODY STYLES:

MJ=Comanche Pickup ZJ=Grand Cherokee/Grand Wagoneer KDX VEHICLES
 SJ=Grand Wagoneer M1=Comanche
 XJ=Cherokee, Briarwood Y1=Wrangler
 YJ=Wrangler

AR = Use as Required - = Non Illustrated Part P.A.R. = Paint as Required

CARPETS AND INTERIOR TRIM PANELS WRANGLER, YJ
Figure 27-300

91J27 300B



ITEM	PART NUMBER	QTY	BODY	MODEL	DESCRIPTION
	5AY1 2JY6	1			Dark Sand
6	J400 1776	12			SCREW, EUROPE
7	J805 2571	4			STRIP, Skid, KDX - Venezuela, Egypt ***
8					CARPET, Wheelhouse w/ Extra Quiet Insulation
	5AP44-5 KRC	1		77	Radiant Red, 1991
	5DA86-7 LRC	1		77	Radiant Red, 1992-93
	5AP44-5 KXA	1		77	Cinder, 1991
	5DA86-7 LXA	1		77	Cinder, 1992-93
	5AP44-5 JY6	1		77	Dark Sand, 1991
	5DA86-7 LTB	1		77	Spice, 1992-93 w/o Extra Quiet Insulation
	5AP46-7 KXA	1		77	Cinder, 1991
	5DA92-3 LXA	1		77	Cinder, 1992-93
	5AP46-7 JY6	1		77	Dark Sand, 1991
	5DA92-3 LTB	1		77	Spice, 1992-93
	5DA92-3 LG8	1		77	Dark Green, 1992-93
The following wheelhouse carpets are for KDX - vehicles w/long wheel base. Tag affixed to the Face of its Pulley. A Second Tag will show the name of the Vendor (OGURA).					
	5CL3 4KXA	1		78	Cinder, KDX - Egypt
	5CL3 4LTB	1		78	Spice, KDX - Egypt
9	3420 2014	2			NUT, Push On (carpet to steering column plate)
10					CARPET, Used For Add-A-Trunk
	5DM3 8MG8	1			Dark Green
	5DM3 8MRC	1			Radiant Red
	5DM3 8MTB	1			Spice
	5DM3 8MXA	1			Cinder

MODEL CODES:

61=Pickup-6 Ft Box 74=4 Door Wagon T=2WD
 62=Pickup-7 Ft Box 77=Open Body 93" Wheelbase J,N,U=4WD
 72=2 Door Wagon 78=Open Body 103" Wheelbase

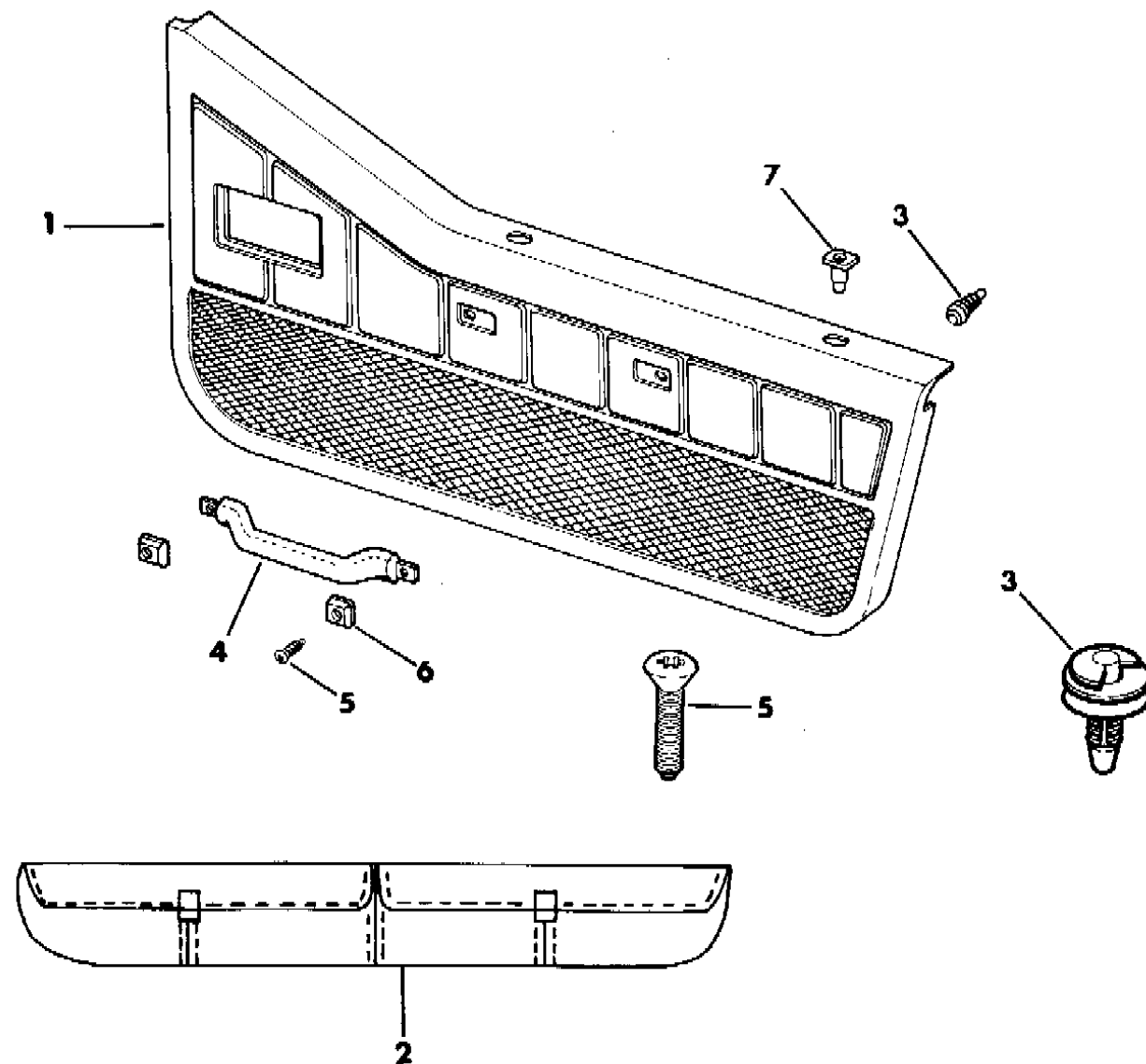
BODY STYLES:

MJ=Comanche Pickup ZJ=Grand Cherokee/Grand Wagoneer KDX VEHICLES
 SJ=Grand Wagoneer M1=Comanche
 XJ=Cherokee, Briarwood X1=Cherokee, Briarwood
 YJ=Wrangler Y1=Wrangler

AR = Use as Required - = Non Illustrated Part P.A.R. = Paint as Required

DOOR TRIM PANELS HALF HARD DOORS WRANGLER, YJ
Figure 27-400

91J27 400 A



ITEM	PART NUMBER	QTY	BODY	MODEL	DESCRIPTION
1					PANEL, Door Trim
					Base Vehicle , "S" Package, Limited and "Renegade" 1991, P.A.R.
	5AY24-5 KY6	1			1992-93, P.A.R.
	5AY24-5 LTB	1			"Islander"
	5AY26-7 KXA	1			Cinder, 1991 w/knotted style map pockets
	5CU40-1 KXA	1			Cinder, 1991-92 w/weaved style map pocket
	5CU40-1 LTB	1			Spice, 1992 w/weaved style map pockets
	5AY28-9 KY6	1			Dark Sand, w/khaki pockets, 1991
	5AY28-9 LG8	1			Dark Green, w/Brown Pocket 1992-93
2					POCKET, Door Trim
	5AX62-3 JJ5	1			Khaki, 1991
	5AX62-3 LG8	1			Dark Green, 1992-93
3	6033 862	18			FASTENER
4					HANDLE, Assist
	5AE5 0KRC	2			Radiant Red, 1991-93
	5AE5 0KXA	2			Cinder, 1991-93
	5AE5 0KY6	2			Dark Sand, 1991
	5AE5 0LG8	2			Dark Green, 1992-93
	5AE5 0LTB	2			Spice, 1992-93
5	J400 7397	4			SCREW
6	5500 9804	4			CAP, End
7					GROMMET
	5AG2 2KRC	6			Radiant Red, 1991-93
	5AG2 2KXA	6			Cinder, 1991-93
	5AG2 2KY6	6			Dark Sand, 1991
	5AG2 2LG8	6			Dark Green, 1992-93
	5AG2 2LTB	6			Spice, 1992-93

MODEL CODES:

61=Pickup-6 Ft Box 74=4 Door Wagon T=2WD
 62=Pickup-7 Ft Box 77=Open Body 93" Wheelbase J,N,U=4WD
 72=2 Door Wagon 78=Open Body 103" Wheelbase

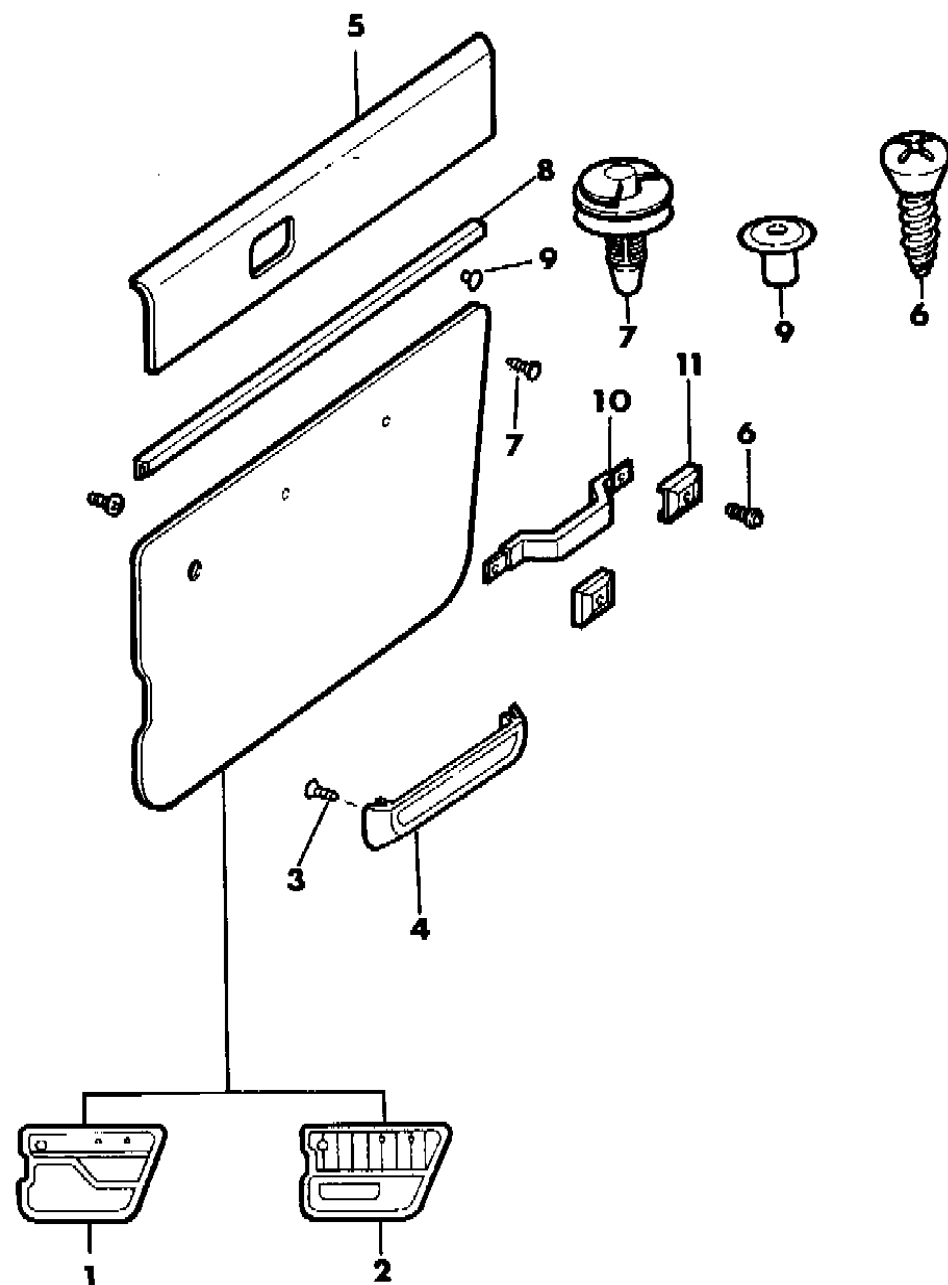
BODY STYLES:

MJ=Comanche Pickup ZJ=Grand Cherokee/Grand Wagoneer KDX VEHICLES
 SJ=Grand Wagoneer M1=Comanche
 XJ=Cherokee, Briarwood X1=Cherokee, Briarwood
 YJ=Wrangler Y1=Wrangler

AR = Use as Required - = Non Illustrated Part P.A.R. = Paint as Required

DOOR TRIM PANELS FULL HARD DOORS WRANGLER, YJ
Figure 27-500

91J27 500



ITEM	PART NUMBER	QTY	BODY	MODEL	DESCRIPTION
1					PANEL, Door Trim "S", "Base" and "Islander"
	5AE12-3 KXA	1			Cinder, 1991-93
	5AE12-3 KY6	1			Dark Sand, 1991
	5AE12-3 LTB	1			Spice, 1992-93
2					PANEL, Door Trim "Sahara", " Renegade", "Laredo" and "Limited"
	5AE14-5 KRC	1			Radiant Red, 1991-93
	5AE14-5 KXA	1			Cinder, 1991-93
	5AE14-5 KY6	1			Dark Sand, 1991
	5AE14-5 LTB	1			Spice, 1992-93
	5AE14-5 LG8	1			Dark Green, 1992-93
3	3420 2074	10			SCREW, Stowage Bin
4	5AB8 9JY6	2			PANEL, Stowage Bin, P.A.R.
5					PANEL Door Trim Upper (used w/item 2) ***
	5BF74-5 KRC	1			Radiant Red, 1991-93
	5BF74-5 KXA	1			Cinder, 1991-93
	5BF74-5 KY6	1			Dark Sand, 1991
	5BF74-5 LTB	1			Spice, 1992-93
	5BF74-5 LG8	1			Dark Green, 1992-93
6	J400 6901	4			SCREW, Assist Handle Mounting
7	6033 862	18			FASTENER, Door Trim Panel Mounting
8	5502 9868	2			RETAINER ASSEMBLY, Front Door Trim ***
9					RIVET, Door Trim Panel Mounting
	J400 4515	6			Except KDX - Venezuela
	3420 1197	6			KDX _ Venezuela
10					HANDLE, Assist
	5AE5 0KRC	2			Radiant Red, 1991-93
	5AE5 0KXA	2			Cinder, 1991-93
	5AE5 0KY6	2			Dark Sand, 1991
	5AE5 0LG8	2			Dark Green, 1992-93
	5AE5 0LTB	2			Spice, 1992-93
11	5500 9804	4			CAP, End

MODEL CODES:

61=Pickup-6 Ft Box 74=4 Door Wagon T=2WD
62=Pickup-7 Ft Box 77=Open Body 93" Wheelbase J,N,U=4WD
72=2 Door Wagon 78=Open Body 103" Wheelbase

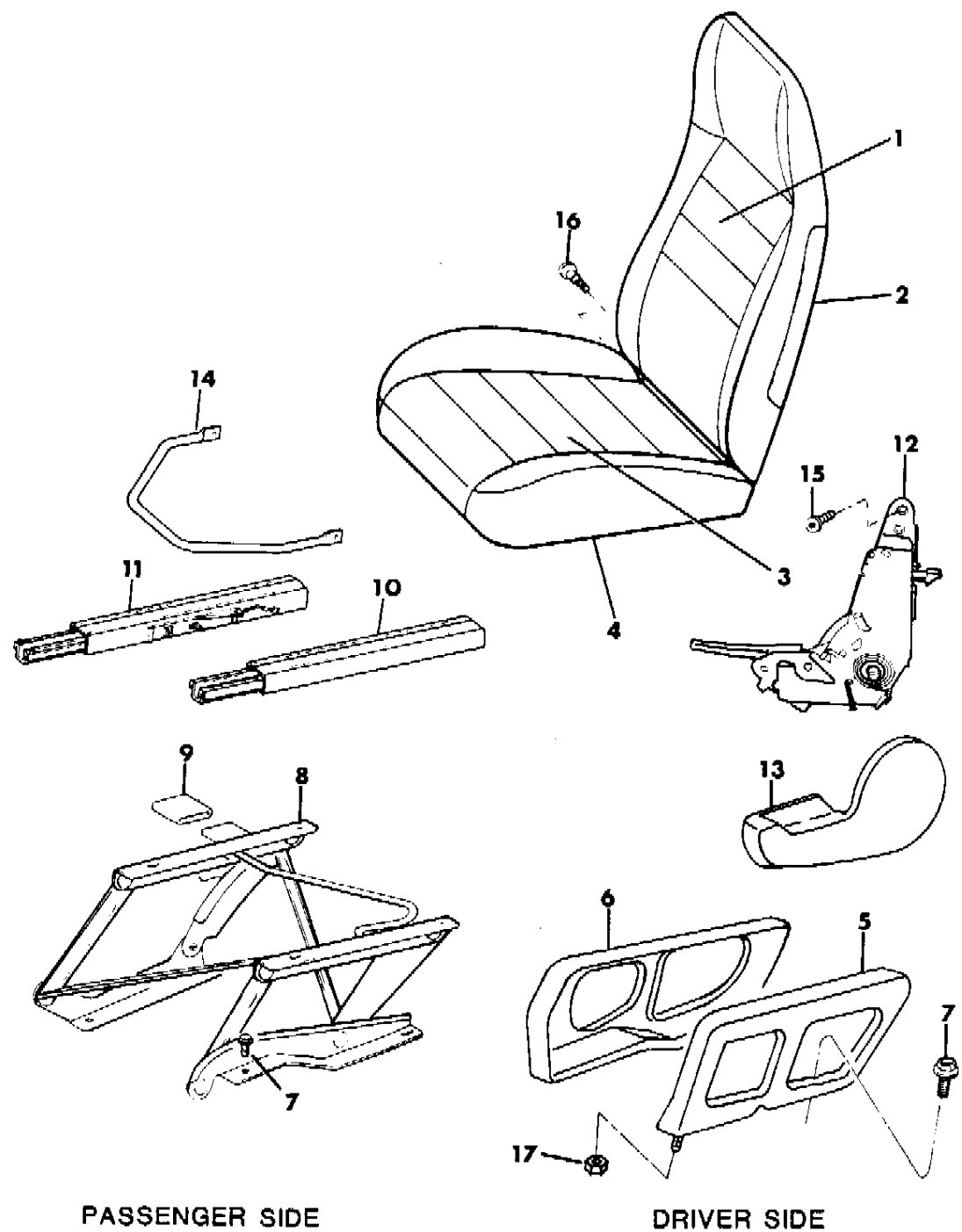
BODY STYLES:

MJ=Comanche Pickup ZJ=Grand Cherokee/Grand Wagoneer KDX VEHICLES
SJ=Grand Wagoneer M1=Comanche
XJ=Cherokee, Briarwood X1=Cherokee, Briarwood
YJ=Wrangler Y1=Wrangler

AR = Use as Required - = Non Illustrated Part P.A.R. = Paint as Required

SEAT ASSEMBLIES, SEAT COVERS AND SEAT TRACKS FRONT SEAT WRANGLER, YJ
Figure 27-600

91J27 600 C



ITEM	PART NUMBER	QTY	BODY	MODEL	DESCRIPTION
1					COVER, Seat Back
					Charcoal
	5CK40-1 KS1	1			Vinyl, (L6XS or P6XS), 1991
	5CR70-1 LS1	1			Vinyl, (L6XS), 1992
	5DD44-5 LS1	1			Vinyl, (L6XS), 1993
	5CR58-9 LS1	1			Vinyl, (P6XS), 1992-93
	5CK30-1 KS1	1			Cloth, (T5XS), 1991-93
	5CK40-1 KY6	1			Dark Sand, Vinyl, (L6Y6 or P6Y6), 1991
	5BB98-9 KJ5	1			Khaki, Cloth, (C5Y6), 1991
	5BB98-9 LG8	1			Dark Green, Cloth, (C5XG or C5TG), 1992-93
	5CK30-1 KRC	1			Radiant Red, Cloth, (T5RX), 1991-93
					Spice
	5CR70-1 LTB	1			Vinyl, (L6XT), 1992
	5DD44-5 LTB	1			Vinyl, (L6TB), 1993
	5CR58-9 LTB	1			Vinyl, (P6XT or P6TB), 1992-93
	5CK30-1 LTB	1			Cloth, (T5XT or T5TB), 1992-93
	5DA66-7 LTB	1			Leather, (LJTB), EUROPE, 1992-93
2					BACK ASSEMBLY COMPLETE, includes cover ***
					Charcoal
	5CK54-5 JS1	1			Vinyl, (L6XS), 1991
	5CR68-9 LS1	1			Vinyl, (L6XS), 1992
	5DD46-7 LS1	1			Vinyl, (L6XS), 1993
	5CK38-9 KS1	1			Vinyl, (P6XS), 1991
	5CR56-7 LS1	1			Vinyl, (P6XS), 1992-93
	5CK28-9 KS1	1			Cloth, (T5XS), 1991-93
					Dark Sand
	5CK54-5 KY6	1			Vinyl, (L6Y6), 1991
	5CK38-9 KY6	1			Vinyl, (P6Y6), 1991
	5BB94-5 KJ5	1			Khaki, Cloth, (C5Y6), 1991
	5BB94-5 LG8	1			Dark Green, Cloth, (C5XG or C5TG), 1992-93
	5CK28-9 KRC	1			Radiant Red, Cloth, (T5RX), 1991-93
					Spice
	5CR68-9 LTB	1			Vinyl, (L6XT), 1992
	5DD46-7 LTB	1			Vinyl, (L6TB), 1993
	5CR56-7 LTB	1			Vinyl, (P6XT or P6TB), 1992-93
	5CK28-9 LTB	1			Cloth, (T5XT or T5TB), 1992-93
	5DA64-5 LTB	1			Leather, (LJTB), 1992-93, EUROPE
3					COVER, Cushion
					Charcoal
	5CK52-3 KS1	1			Vinyl, (L6XS), 1991
	5CR66-7 LS1	1			Vinyl, (L6XS), 1992-93

MODEL CODES:

61=Pickup-6 Ft Box 74=4 Door Wagon T=2WD
 62=Pickup-7 Ft Box 77=Open Body 93" Wheelbase J,N,U=4WD
 72=2 Door Wagon 78=Open Body 103" Wheelbase

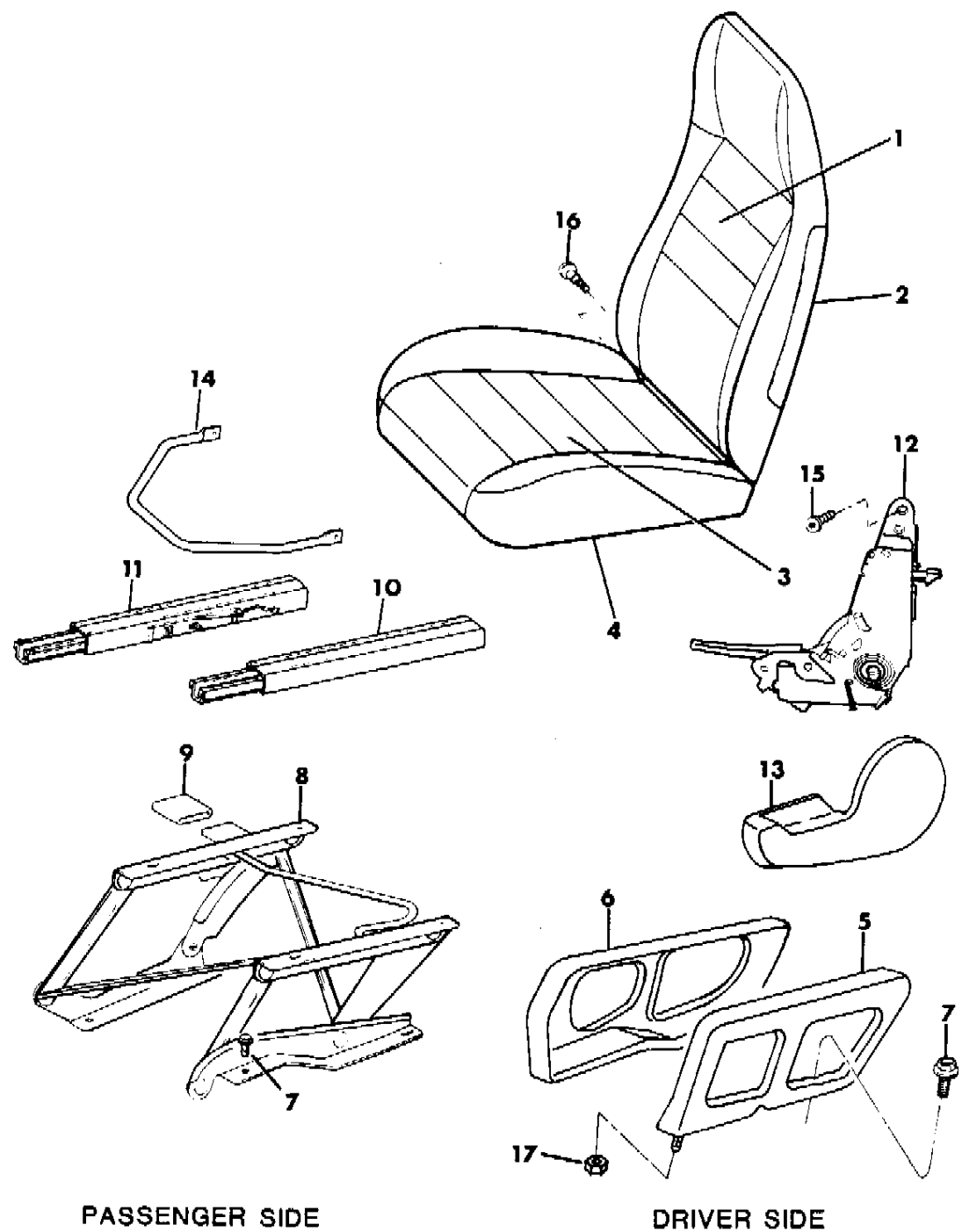
BODY STYLES:

MJ=Comanche Pickup ZJ=Grand Cherokee/Grand Wagoneer KDX VEHICLES
 SJ=Grand Wagoneer M1=Comanche
 XJ=Cherokee, Briarwood X1=Cherokee, Briarwood
 YJ=Wrangler Y1=Wrangler

AR = Use as Required - = Non Illustrated Part P.A.R. = Paint as Required

SEAT ASSEMBLIES, SEAT COVERS AND SEAT TRACKS FRONT SEAT WRANGLER, YJ
Figure 27-600

91J27 600 C



ITEM	PART NUMBER	QTY	BODY	MODEL	DESCRIPTION
	5CK46-7 KS1	1			Vinyl, (P6XS), 1991
	5CR54-5 LS1	1			Vinyl, (P6XS), 1992-93
	5AX70-1 KS1	1			Cloth, (T5XS), 1992-93 Dark Sand
	5CK52-3 KY6	1			Vinyl, (L6Y6), 1991
	5CK46-7 KY6	1			Vinyl, (P6Y6), 1991
	5BB96-7 KJ5	1			Khaki, Cloth, (C5Y6), 1991
	5BB96-7 LG8	1			Dark Green, Cloth, (C5XG or C5TG), 1992-93
	5AX70-1 KRC	1			Radiant Red, Cloth, (T5RX), 1991-93 Spice
	5CR66-7 LTB	1			Vinyl, (L6XT or L6TB), 1992-93
	5CR54-5 LTB	1			Vinyl, (P6XT or P6TB), 1992-93
	5AX70-1 LTB	1			Cloth, (T5XT or T5TB), 1992-93
4	5DA62-3 LTB	1			Leather, (LJTB), EUROPE, 1992-93 CUSHION ASSEMBLY COMPLETE, includes cover *** Charcoal
	5CK50-1 JS1	1			Vinyl, (L6XS), 1991
	5CR64-5 LS1	1			Vinyl, (L6XS), 1992-93
	5CK44-5 KS1	1			Vinyl, (P6XS), 1991
	5CR52-3 LS1	1			Vinyl, (P6XS), 1992-93
	5AX68-9 KS1	1			Cloth, (T5XS), 1991-93 Dark Sand
	5CK50-1 KY6	1			Vinyl, (L6Y6), 1991
	5CK44-5 KY6	1			Vinyl, (P6Y6), 1991
	5BB92-3 KJ5	1			Khaki, Cloth, (C5Y6)
	5BB92-3 LG8	1			Dark Green, Cloth, (C5XG or C5TG), 1992-93
	5AX68-9 KRC	1			Radiant Red, Cloth, (T5RX), 1991-93 Spice
	5CR64-5 LTB	1			Vinyl, (L6XT or L6TB), 1992-93Vinyl
	5CR52-3 LTB	1			Vinyl, (P6XT or P6TB), 1992-93
	5AX68-9 LTB	1			Cloth, (T5XT or T5TB), 1992-93
	5DA60-1 LTB	1			Leather, (LJTB), EUROPE, 1992-93
5	4638 616	1			RISER, Driver Seat, Outboard
6	4638 615	1			RISER, Driver Seat, Inboard Side
-	6025 011	2			NUT, (driver seat riser to floor pan)
NOTE: Vehicles built for Austria w/Traveling inboard belts require the following parts. Tag affixed to the Face of its Pulley. A Second Tag will show the name of the Vendor (OGURA).					
-	4713 461	1			RISER ASSEMBLY, Driver Seat, EUROPE - Austria ***
-	5519 5131	1			REINFORCEMENT, Left Travel Cable Anchor Plug Unused Hole, EUROPE - Austria
7	J545 0077	AR			BOLT, use 2 for driver side or 4 for passenger side.

MODEL CODES:

61=Pickup-6 Ft Box 74=4 Door Wagon T=2WD
 62=Pickup-7 Ft Box 77=Open Body 93" Wheelbase J,N,U=4WD
 72=2 Door Wagon 78=Open Body 103" Wheelbase

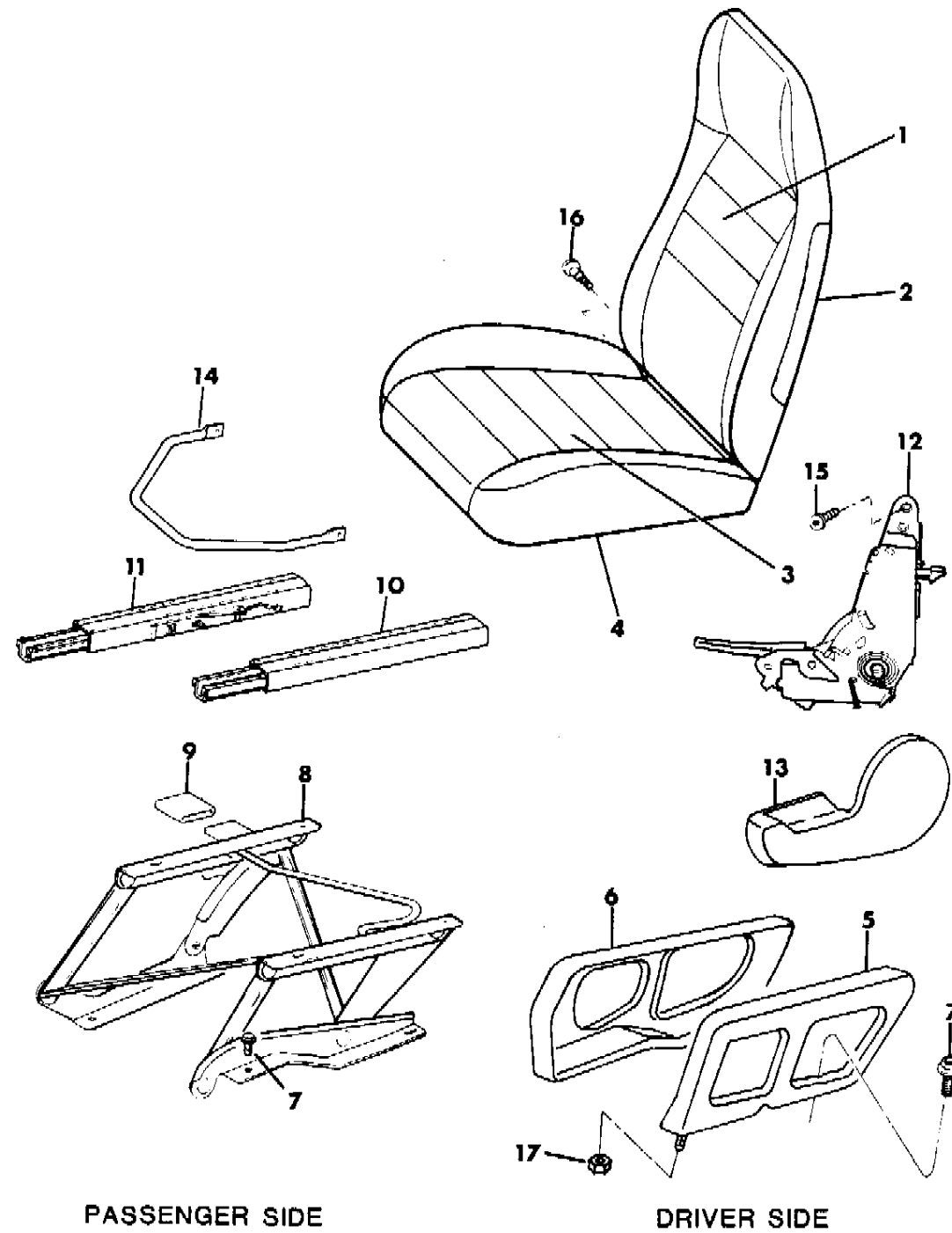
BODY STYLES:

MJ=Comanche Pickup ZJ=Grand Cherokee/Grand Wagoneer KDX VEHICLES
 SJ=Grand Wagoneer M1=Comanche
 XJ=Cherokee, Briarwood X1=Cherokee, Briarwood
 YJ=Wrangler Y1=Wrangler

AR = Use as Required - = Non Illustrated Part P.A.R. = Paint as Required

SEAT ASSEMBLIES, SEAT COVERS AND SEAT TRACKS FRONT SEAT WRANGLER, YJ
Figure 27-600

91J27 600 C



ITEM	PART NUMBER	QTY	BODY	MODEL	DESCRIPTION
8	4637 904	1			RISER ASSEMBLY, Folding, Passenger Seat ***
9	J545 8945	1			PROTECTOR
10	4638 613	2			TRACK, Passenger Seat Outboard or Driver Seat Inboard
-	4638 915	1			TRACK, EUROPE - Austria (used on driver seat outboard w/ Traveling Inboard Buckle)
11	4638 614	2			TRACK, Driver Seat Outboard or Passenger Seat Inboard
-	4638 914	1			TRACK, EUROPE - Austria (used on driver seat inboard - w/ Traveling Inboard Buckle)
12					RECLINER ASSEMBLY ***
	4637 905	1			Driver seat, (includes lever)
	4637 906	1			Passenger Seat
-	4637 920-1	1			PLATE, Used On Non-Reclining Seats
13	4637 908-9	1			COVER, Recliner, P.A.R.
14	4638 586	2			HANDLE, SEAT Adjusting
15	4638 582	8			BOLT, Torx, Seat Recliner Attaching
16	4638 585	2			BOLT, Shoulder, Seat Back Frame to Seat Cushion Frame
17	6025 011	2			NUT, Driver Seat Riser Mounting

MODEL CODES:

61=Pickup-6 Ft Box 74=4 Door Wagon T=2WD
 62=Pickup-7 Ft Box 77=Open Body 93" Wheelbase J,N,U=4WD
 72=2 Door Wagon 78=Open Body 103" Wheelbase

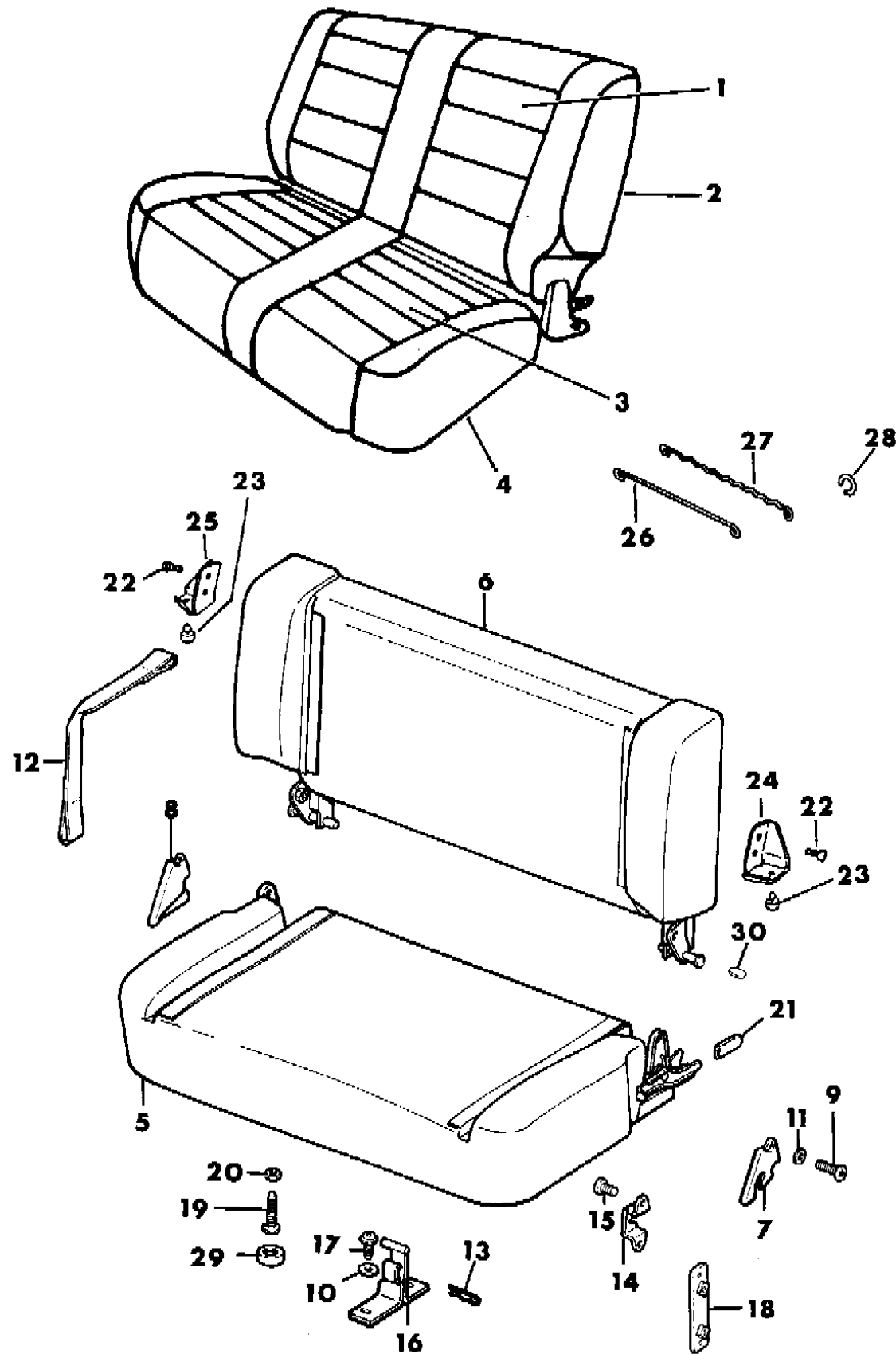
BODY STYLES:

MJ=Comanche Pickup ZJ=Grand Cherokee/Grand Wagoneer KDX VEHICLES
 SJ=Grand Wagoneer M1=Comanche
 XJ=Cherokee, Briarwood X1=Cherokee, Briarwood
 YJ=Wrangler Y1=Wrangler

AR = Use as Required - = Non Illustrated Part P.A.R. = Paint as Required

SEAT ASSEMBLIES AND SEAT COVERS REAR SEAT WRANGLER, YJ, 1991
Figure 27-700

91J27 700B



ITEM	PART NUMBER	QTY	BODY	MODEL	DESCRIPTION
1					COVER, Seat Back
	5AJ0 4JJ5	1			Khaki, (C5Y6), Cloth
					Charcoal
	5AX8 4KS1	1			(T5XS), Cloth
	5CK6 8KS1	1			(P6XS), Vinyl
	5AX8 4KRC	1			Radiant Red, (T5RX), Cloth
2	5CK6 8KY6	1			Dark Sand, (P6Y6), Vinyl
					BACK ASSEMBLY COMPLETE, includes cover ***
					Khaki
	5AJ3 2JJ5	1			(C5Y6), EUROPE
	5AJ3 0JJ5	1			(C5Y6), Except EUROPE
					Charcoal
	5BF0 0KS1	1			(T5XS), Cloth, EUROPE, KDX - Egypt
	5AX8 2KS1	1			(T5XS), Cloth, Except EUROPE
	5CK7 6JS1	1			(P6XS), Vinyl, EUROPE
	5CK6 6JS1	1			(P6XS), Vinyl, Except EUROPE
					Radiant Red
	5BF0 0KRC	1			(T5RX), Cloth, EUROPE, KDX - Egypt
	5AX8 2KRC	1			(T5RX), Cloth, Except EUROPE
					Dark Sand
	5CK7 6KY6	1			(P6Y6), Vinyl, EUROPE
5CK6 6KY6	1			(P6Y6), Vinyl, Except EUROPE	
3					COVER, Cushion
	5AJ0 3KJ5	1			Khaki, (C5Y6), Cloth
					Charcoal
	5AX8 0KS1	1			(T5XS), Cloth
	5CK6 2KS1	1			(P6XS), Vinyl
4	5AX8 0KRC	1			Radiant Red, (T5RX), Cloth
	5CK6 2KY6	1			Dark Sand, (P6Y6), Vinyl
					CUSHION ASSEMBLY COMPLETE, includes cover ***
	5AJ2 9JJ5	1			Khaki, (C5Y6), Cloth
5					Charcoal
	5AX7 8KS1	1			(T5XS), Cloth
	5CK6 0JS1	1			(P6XS), Vinyl
	5AX7 8KRC	1			Radiant Red, (T5RX), Cloth
	5CK6 0KY6	1			Dark Sand, (P6Y6), Vinyl
	5500 7755	1			FRAME AND PAD, Seat Cushion (w/lever included) ***
-	4713 789	1			LEVER ASSEMBLY, Rear Seat Release ***
-	4713 792	1			SPRING, Rear Seat Release Lever
-	4713 799	1			WASHER, Rear Seat Release Lever
-	4713 793	1			RETAINING RING, (push nut) ***

MODEL CODES:

61=Pickup-6 Ft Box 74=4 Door Wagon T=2WD
 62=Pickup-7 Ft Box 77=Open Body 93" Wheelbase J,N,U=4WD
 72=2 Door Wagon 78=Open Body 103" Wheelbase

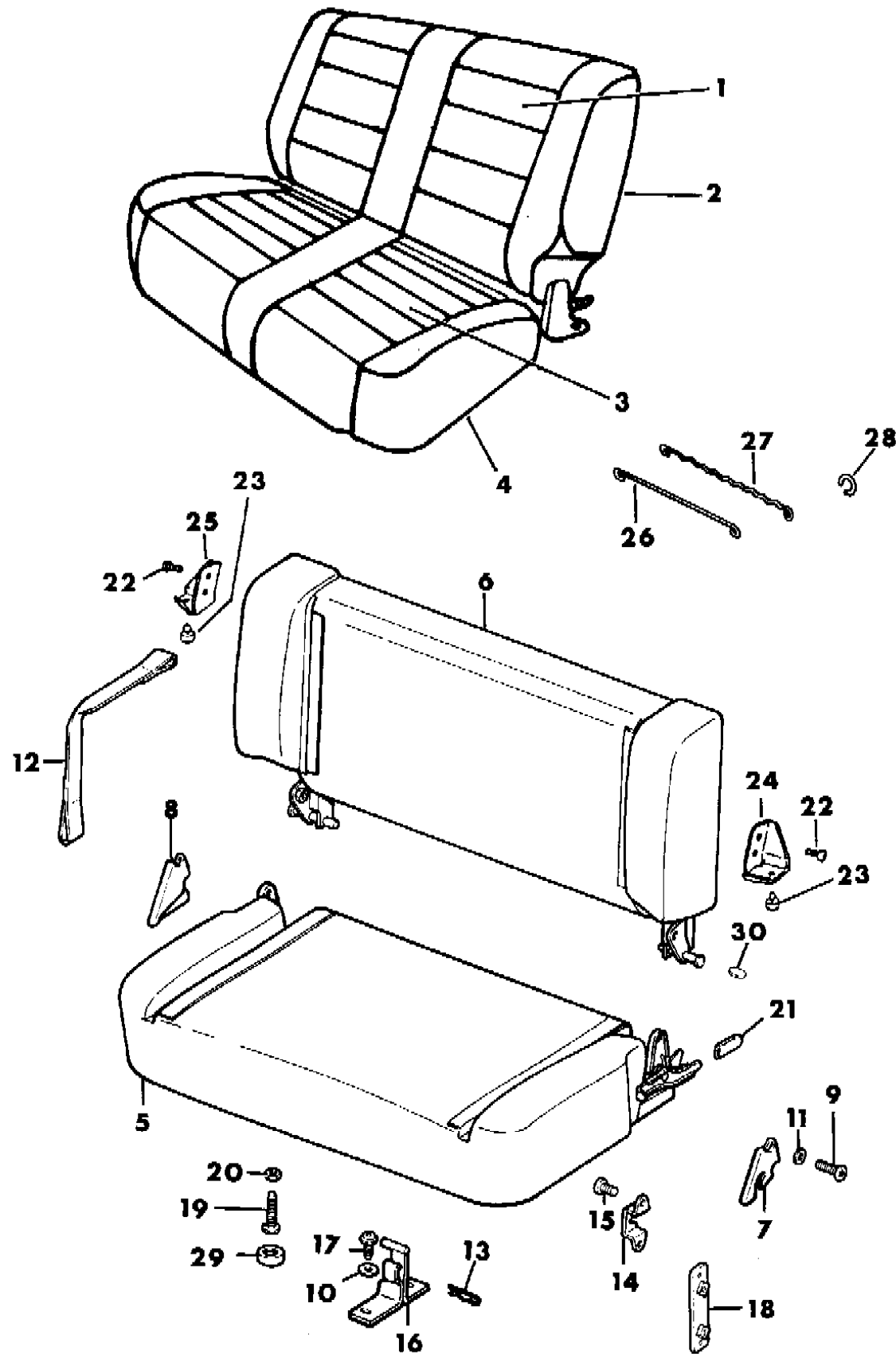
BODY STYLES:

MJ=Comanche Pickup ZJ=Grand Cherokee/Grand Wagoneer KDX VEHICLES
 SJ=Grand Wagoneer M1=Comanche
 XJ=Cherokee, Briarwood Y1=Wrangler
 YJ=Wrangler

AR = Use as Required - = Non Illustrated Part P.A.R. = Paint as Required

SEAT ASSEMBLIES AND SEAT COVERS REAR SEAT WRANGLER, YJ, 1991
Figure 27-700

91J27 700B



ITEM	PART NUMBER	QTY	BODY	MODEL	DESCRIPTION
6					FRAME AND PAD, Seat Back ***
	5502 4688	1			Except EUROPE
	5502 4728	1			EUROPE
7	5500 7753	1			COVER, Hinge
8	5500 7752	1			COVER, Hinge
9	3420 2315	4			BOLT
10	J400 7317	2			WASHER
11	J400 7315	2			WASHER
12					STRAP
	5501 4330	1			Except KDX - Venezuela
	J545 6009	1			KDX - Venezuela
13	J400 6061	2			PIN, Locking
14	5500 7759	2			BRACKET, Lock Striker
15	J400 5603	4			SCREW
16	J576 6317	2			BRACKET, Pivot
17	J400 4626	4			SCREW
18	5500 7760	2			REINFORCEMENT
19	J096 8343	3			SCREW
20	J012 0376	3			NUT
21	5500 8065	1			COVER, Latch
22	J018 0016	4			BOLT, EUROPE
23	J323 4895	2			BUMPER, EUROPE
24	5500 9425	1			BRACKET, w/Bumper, Left, EUROPE
25	5500 9424	1			BRACKET, w/Bumper, Right, EUROPE
26	J096 9187	4			WIRE
27	J362 1468	2			WIRE
28	J436 3256	AR			RING
29	J095 8556	3			BUMPER
30	J098 1583	4			CUSHION, Anti Rattle, Outer Hinge Half, KDX - Venezuela

NOTE: Graphics are not available for the following parts. Tag affixed to the Face of its Pulley. A Second Tag will show the name of the Vendor (OGURA).

-	J400 1934	1			FASTENER, (floor hole plug), KDX - Egypt
-	J080 3356	1			SPRING, KDX - Venezuela
-	J400 5807	1			SCREW, Shoulder Bolt, Truss Head, Torx, 5/16 - 18 X .850", KDX - Venezuela
-	J400 5806	2			SCREW, Shoulder, Pan Head, Chrome, Philips #10 - 12 X 7/8", KDX - Venezuela
-	J400 6197	2			SCREW, Shoulder Bolt, Pan Head, Torx, #10 - 24 X 3/4", KDX - Venezuela

MODEL CODES:

61=Pickup-6 Ft Box 74=4 Door Wagon T=2WD
62=Pickup-7 Ft Box 77=Open Body 93" Wheelbase J,N,U=4WD
72=2 Door Wagon 78=Open Body 103" Wheelbase

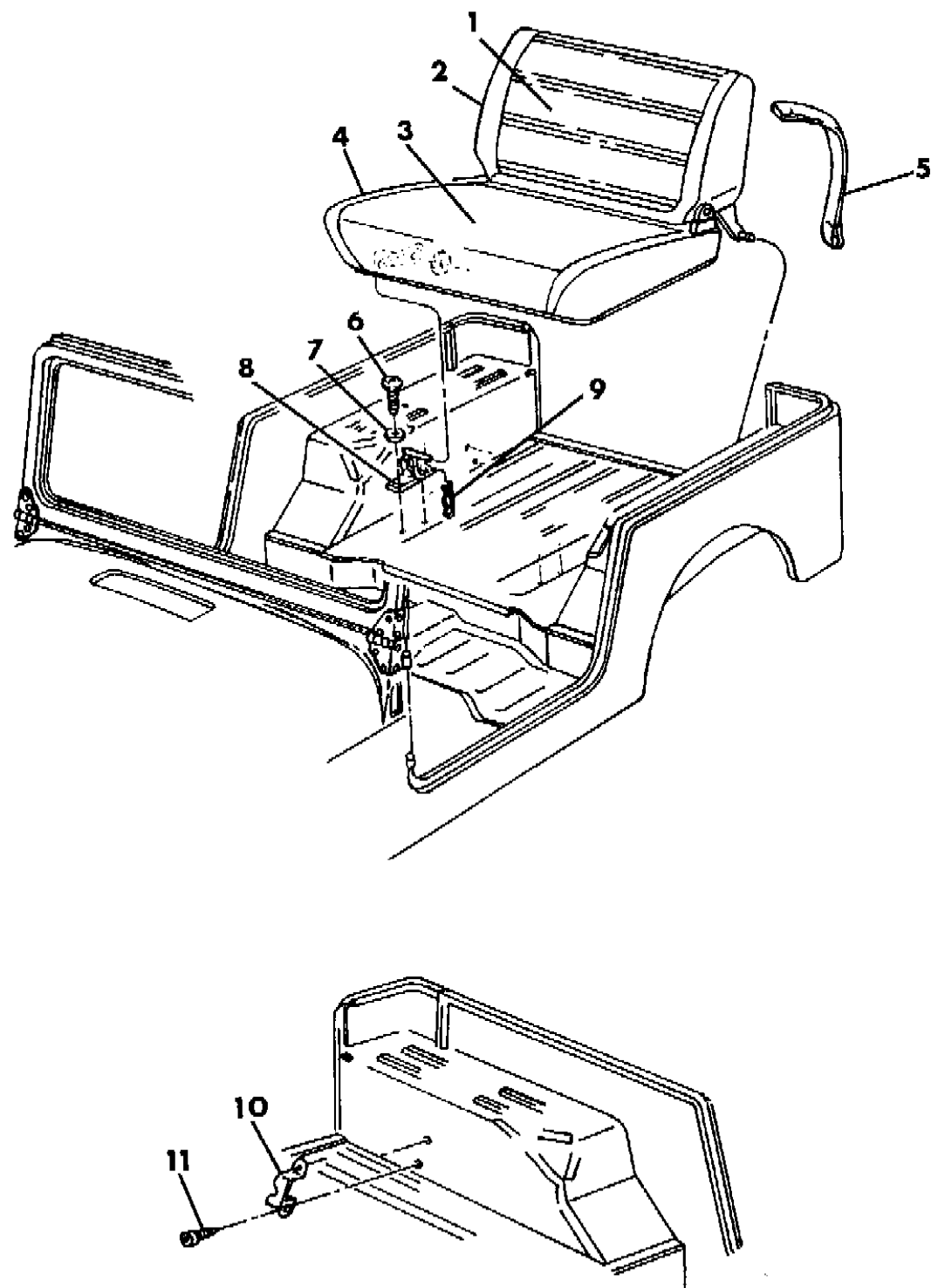
BODY STYLES:

MJ=Comanche Pickup ZJ=Grand Cherokee/Grand Wagoneer KDX VEHICLES
SJ=Grand Wagoneer M1=Comanche
XJ=Cherokee, Briarwood X1=Cherokee, Briarwood
YJ=Wrangler Y1=Wrangler

AR = Use as Required - = Non Illustrated Part P.A.R. = Paint as Required

SEAT ASSEMBLIES AND SEAT COVERS REAR SEAT WRANGLER, YJ, 1992-93
Figure 27-750

91J27 750



ITEM	PART NUMBER	QTY	BODY	MODEL	DESCRIPTION	
1	COVER, Seat Back					
	5CH4 0LG8	1			Dark Green, (C5XG or C5TG), Cloth Charcoal	
	5CH5 2LS1	1			(T5XS), Cloth	
	5CH2 8LS1	1			(P6XS), Vinyl	
	5CH5 2LRC	1			Radiant Red, (T5RX), Cloth Spice	
	5CH2 8LTB	1			(P6XT or P6TB), Vinyl	
	5CH5 2LTB	1			(T5XT or T5TB), Cloth	
	5DA7 6LTB	1			(LJTB), Leather, EUROPE	
	2	BACK ASSEMBLY COMPLETE, includes cover ***				
		5CH3 8LG8	1			Dark Green, (C5XG or C5TG), Cloth Charcoal
5CH5 0LS1		1			(T5XS), Cloth	
5CH2 6LS1		1			(P6XS), Vinyl	
5CH5 0LRC		1			Radiant Red, (T5RX), Cloth Spice	
5CH2 6LTB		1			(P6XT or P6TB), Vinyl	
5CH5 0LTB		1			(T5XT or T5TB), Cloth	
5DA7 4LTB		1			(LJTB), Leather, EUROPE	
3		COVER, Cushion				
	5CH3 6LG8	1			Dark Green, (C5XG or C5TG), Cloth Charcoal	
	5CH4 8LS1	1			(T5XS), Cloth	
	5CH2 4LS1	1			(P6XS), Vinyl	
	5CH4 8LRC	1			Radiant Red, (T5RX), Cloth Spice	
	5CH2 4LTB	1			(P6XT or P6TB), Vinyl	
	5CH4 8LTB	1			(T5XT or T5TB), Cloth	
5DA7 2LTB	1			(LJTB), Leather, EUROPE		
4	CUSHION ASSEMBLY COMPLETE, includes cover and release lever ***					
	5CH3 4LG8	1			Dark Green, (C5XG or C5TG), Cloth Charcoal	
	5CH4 6LS1	1			(T5XS), Cloth	
	5CH2 2LS1	1			(P6XS), Vinyl	
	5CH4 6LRC	1			Radiant Red, (T5RX), Cloth Spice	
	5CH2 2LTB	1			(P6XT), Vinyl	
	5CH4 6LTB	1			(T5XT), Cloth	
	5DA7 0LTB	1			(LJTB), Leather, EUROPE	

MODEL CODES:

61=Pickup-6 Ft Box 74=4 Door Wagon T=2WD
 62=Pickup-7 Ft Box 77=Open Body 93" Wheelbase J,N,U=4WD
 72=2 Door Wagon 78=Open Body 103" Wheelbase

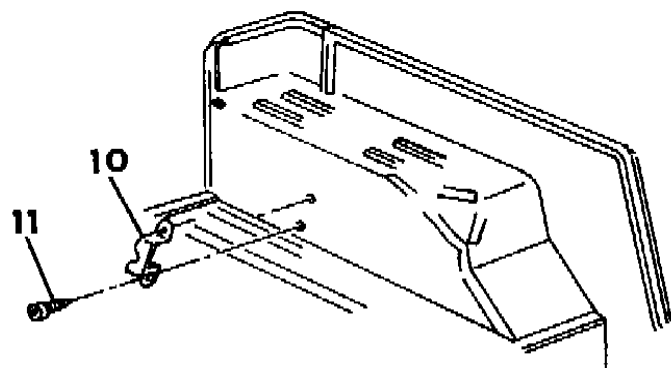
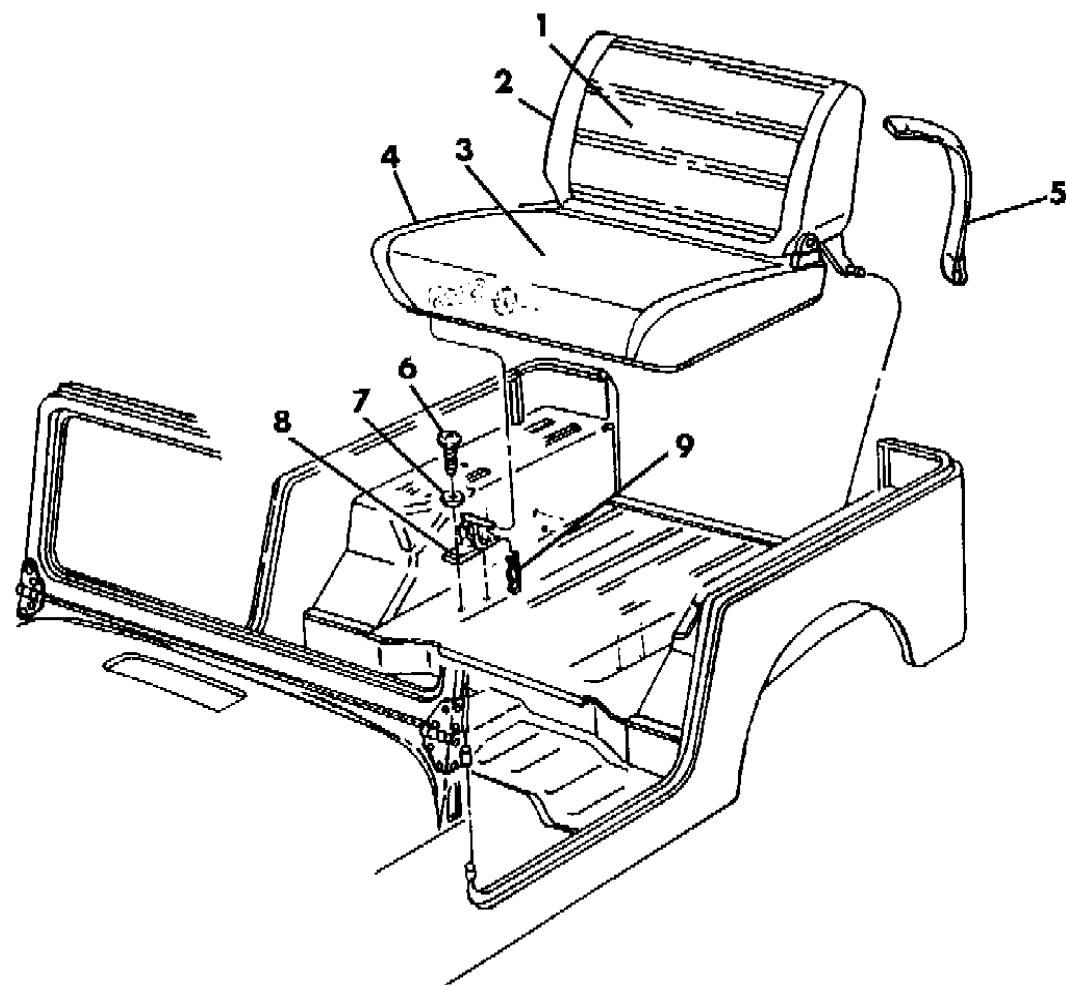
BODY STYLES:

MJ=Comanche Pickup ZJ=Grand Cherokee/Grand Wagoneer KDX VEHICLES
 SJ=Grand Wagoneer M1=Comanche
 XJ=Cherokee, Briarwood X1=Cherokee, Briarwood
 YJ=Wrangler Y1=Wrangler

AR = Use as Required - = Non Illustrated Part P.A.R. = Paint as Required

SEAT ASSEMBLIES AND SEAT COVERS REAR SEAT WRANGLER, YJ, 1992-93
Figure 27-750

91J27 750



ITEM	PART NUMBER	QTY	BODY	MODEL	DESCRIPTION
-	4713 794	1			LEVER ASSEMBLY, Rear Seat Release ***
-	4713 795	1			SPRING, Rear Seat Release Lever
-	4713 799	2			WASHER, Rear Seat Pivot, Black Nylon
-	4638 585	3			BOLT, Torx, Shoulder, (seat back pivot and release lever)
5	5501 4330	1			STRAP, Rear Seat Retaining
6	J400 4626	4			SCREW
7	J400 7317	4			WASHER
8	J576 6317	2			BRACKET ASSEMBLY, Rear Seat Pivot ***
9	J400 6061	2			PIN, (cushion frame to pivot bracket)
10	5500 7759	2			BRACKET, Rear Seat Back Lock Striker
11	6034 564	4			SCREW
-	4637 926-7	1			BRACKET ASSEMBLY, (includes bumper), EUROPE, KDX ***

MODEL CODES:

61=Pickup-6 Ft Box 74=4 Door Wagon T=2WD
 62=Pickup-7 Ft Box 77=Open Body 93" Wheelbase J,N,U=4WD
 72=2 Door Wagon 78=Open Body 103" Wheelbase

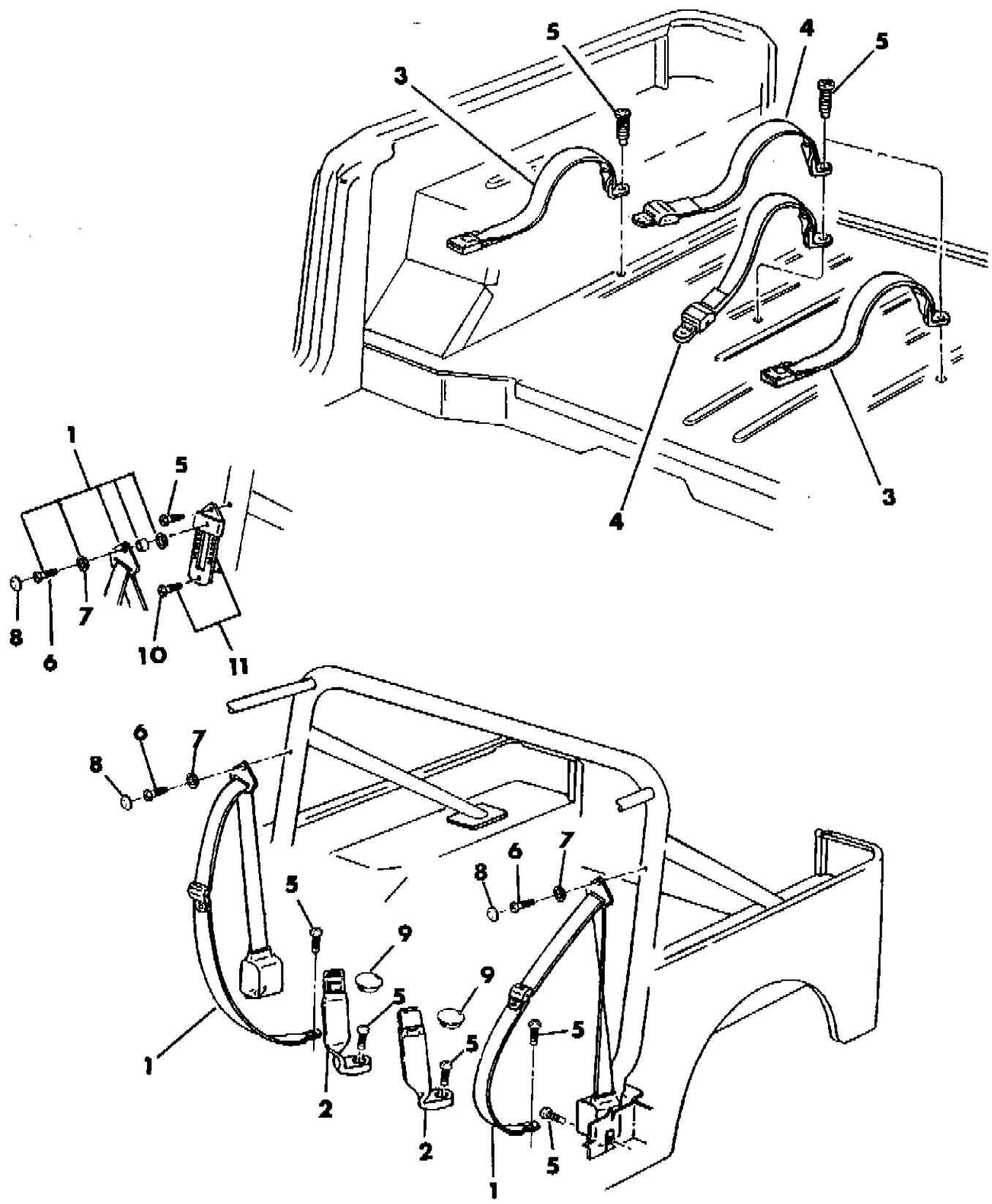
BODY STYLES:

MJ=Comanche Pickup ZJ=Grand Cherokee/Grand Wagoneer KDX VEHICLES
 SJ=Grand Wagoneer M1=Comanche
 XJ=Cherokee, Briarwood X1=Cherokee, Briarwood
 YJ=Wrangler Y1=Wrangler

AR = Use as Required - = Non Illustrated Part P.A.R. = Paint as Required

SEAT BELTS WRANGLER, YJ - 1991
Figure 27-900

91J27 900



ITEM	PART NUMBER	QTY	BODY	MODEL	DESCRIPTION
1					BELT, Retractor Assembly, Black
	5502 9192-3	1			Except EUROPE
	5502 9190-1	1			EUROPE
2					BELT, Buckle Assembly, front seat inner, Black
	5502 7660-1	1			Except EUROPE
	5502 7658-9	1			EUROPE
3					BELT, Buckle Assembly, rear seat outer, Black
	5501 3092	2			Except EUROPE
	5502 7620	2			EUROPE
4					BELT, Tongue and Adjuster, inner, Black
	5501 3094	2			Except EUROPE
	5502 2168	2			EUROPE
5	J400 6998	AR			BOLT
-	J400 1934	AR			FASTENER, Seat Belt Hole, KDX (w/o seatbelts)
6					BOLT
	J400 5506	2			Except EUROPE
	6034 230	2			EUROPE
7	J400 7264	2			WASHER
8	J400 7263	2			CAP
9	5502 6552	2			PLUG
10	6502 438	2			BOLT, EUROPE
11	5502 9194	2			ADJUSTER, Turning Loop, EUROPE
NOTE: Seat belt extenders are also in the accessory catalog. Tag affixed to the Face of its Pulley. A Second Tag will show the name of the Vendor (OGURA).					
-	8350 5482	1			EXTENDER, Seat Belt

MODEL CODES:

61=Pickup-6 Ft Box 74=4 Door Wagon T=2WD
62=Pickup-7 Ft Box 77=Open Body 93" Wheelbase J,N,U=4WD
72=2 Door Wagon 78=Open Body 103" Wheelbase

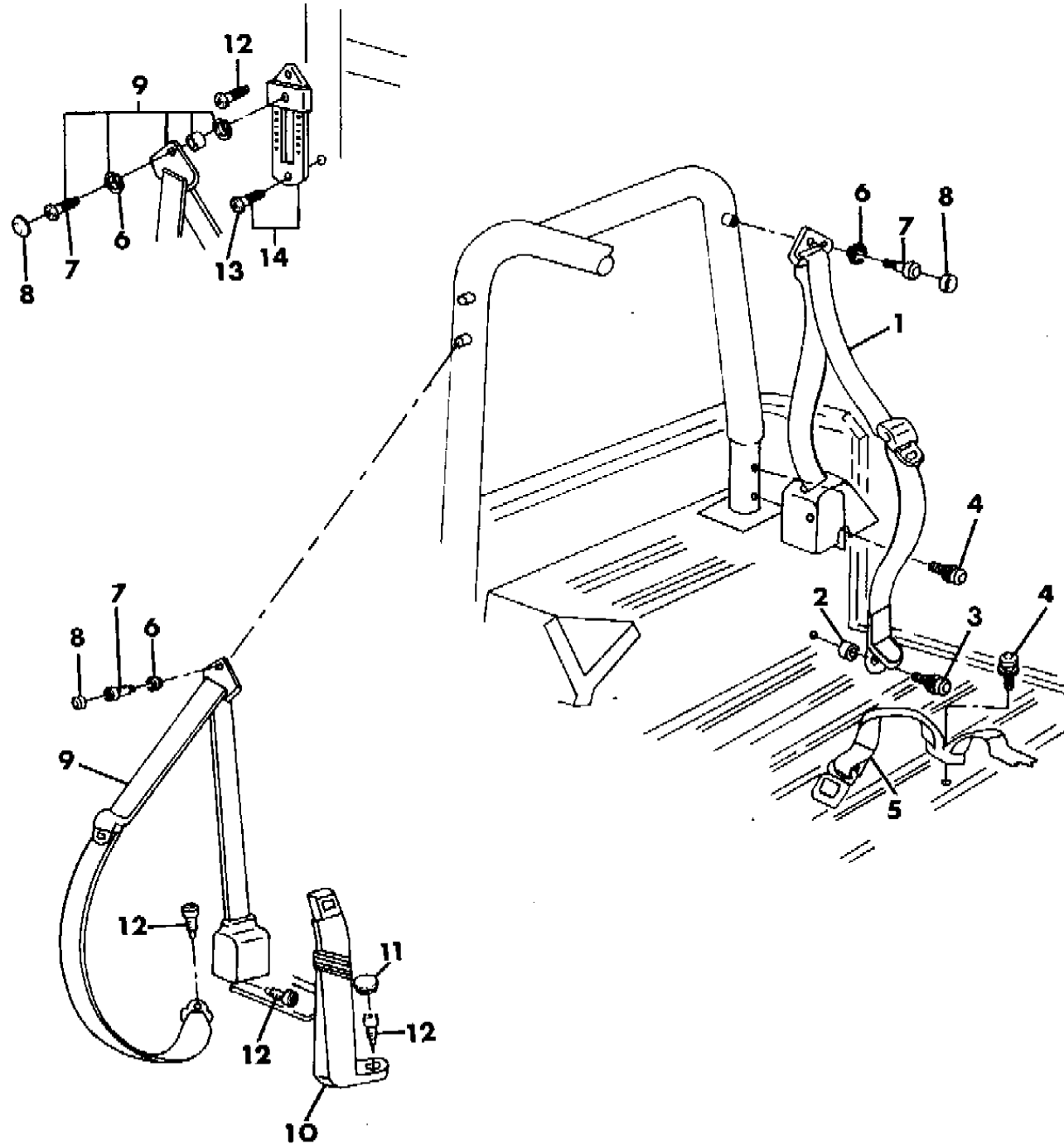
BODY STYLES:

MJ=Comanche Pickup ZJ=Grand Cherokee/Grand Wagoneer KDX VEHICLES
SJ=Grand Wagoneer M1=Comanche
XJ=Cherokee, Briarwood X1=Cherokee, Briarwood
YJ=Wrangler Y1=Wrangler

AR = Use as Required - = Non Illustrated Part P.A.R. = Paint as Required

SEAT BELTS WRANGLER, YJ - 1992-93
Figure 27-950

91J27 950



ITEM	PART NUMBER	QTY	BODY	MODEL	DESCRIPTION
1					BELT, Rear Seat Retractor Assembly (includes items 2,3,4,6 and 7)
	5502 9706-7	1			Except EUROPE
	5502 9702-3	1			EUROPE
2					SPACER, (only serviced in seat belt assy - item 1)
3					BOLT, (only serviced in seat belt assy. - item 1)
4					FASTENER
	6034 385	AR			BOLT, 1.38" Long
	6034 383	AR			BOLT, 1.5" Long
	J400 1934	2			FASTENER, (hole plug) used w/o seat belts, KDX - Egypt
5					BELT, Buckle Assembly, Rear Seat
	5502 9708	2			Except EUROPE
	5502 9704	2			EUROPE
-	J400 1934	2			FASTENER, Seat Belt Hole, KDX (w/o seat belts)
6	J400 7264	2			WASHER, Turning Loop Bolt
7	6034 457	2			BOLT, Turning Loop
8	J400 7263	2			CAP, Turning Loop Bolt
9					BELT, Front Seat Retractor Assembly (includes items 6 and 7)
	5502 9192-3	1			Except EUROPE, 1992
	5531 4656-7	1			Except EUROPE, 1993
	5502 9190-1	1			EUROPE, 1992
	5531 4654-5	1			EUROPE, 1993
	5531 4669	1			EUROPE - Austria, Left (use w/traveling inboard buckle), 1992
	5531 4696	1			EUROPE - Austria, Left, (use w/traveling inboard buckle), 1993
10					BELT, Buckle Assembly, Front Seat Inner (includes item 12)
					Passenger Seat
	5502 7660	1			Except EUROPE
	5531 4578	1			EUROPE
					Driver Seat
	5502 7661	1			Except EUROPE
	5531 4579	1			EUROPE
	5531 4547	1			EUROPE - Austria (w/traveling inboard buckle)
-	J400 7337	1			BOLT, EUROPE - Austria (seat belt to driver seat)
11	5502 6552	2			PLUG, Button, (1.31 diameter)
12					FASTENER
	6034 385	AR			BOLT, 1.38" Long
	6034 383	AR			BOLT, 1.5" Long
	J400 1934	2			FASTENER, (hole plug) used w/o seat belts, KDX - Egypt
13	6502 438	2			BOLT, EUROPE
14	5502 9194	2			ADJUSTER, Turning Loop, EUROPE
-	J400 4926	2	Y1		PLUG, Front Seat Belt Hole, KDX - Egypt

MODEL CODES:

61=Pickup-6 Ft Box 74=4 Door Wagon T=2WD
62=Pickup-7 Ft Box 77=Open Body 93" Wheelbase J,N,U=4WD
72=2 Door Wagon 78=Open Body 103" Wheelbase

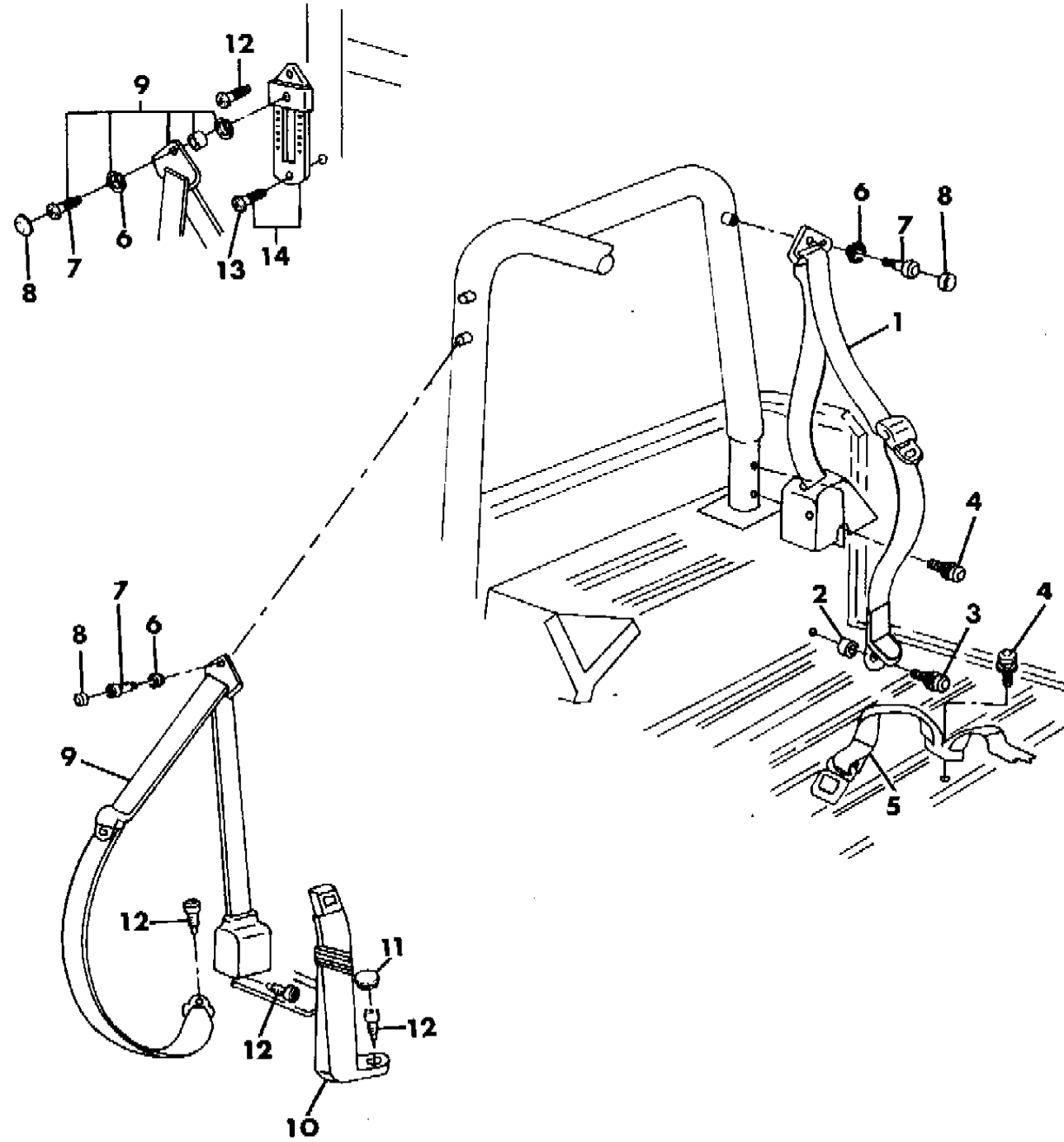
BODY STYLES:

MJ=Comanche Pickup ZJ=Grand Cherokee/Grand Wagoneer KDX VEHICLES
SJ=Grand Wagoneer M1=Comanche
XJ=Cherokee, Briarwood X1=Cherokee, Briarwood
YJ=Wrangler Y1=Wrangler

AR = Use as Required - = Non Illustrated Part P.A.R. = Paint as Required

SEAT BELTS WRANGLER, YJ - 1992-93
Figure 27-950

91J27 950



ITEM	PART NUMBER	QTY	BODY	MODEL	DESCRIPTION
-	J400 4888	1	Y1		PLUG, Rear Seat Belt Hole (for vehicles w/lap belts), KDX - Egypt
NOTE: Seat belt extenders are also in the accessory catalog. Tag affixed to the Face of its Pulley. A Second Tag will show the name of the Vendor (OGURA).					
-	8350 5482	1			EXTENDER, Seat Belt

MODEL CODES:

61=Pickup-6 Ft Box 74=4 Door Wagon T=2WD
 62=Pickup-7 Ft Box 77=Open Body 93" Wheelbase J,N,U=4WD
 72=2 Door Wagon 78=Open Body 103" Wheelbase

BODY STYLES:

MJ=Comanche Pickup ZJ=Grand Cherokee/Grand Wagoneer KDX VEHICLES
 SJ=Grand Wagoneer M1=Comanche
 XJ=Cherokee, Briarwood X1=Cherokee, Briarwood
 YJ=Wrangler Y1=Wrangler

AR = Use as Required - = Non Illustrated Part P.A.R. = Paint as Required

GROUP 43 - CHEROKEE, BRIARWOOD, COMANCHE

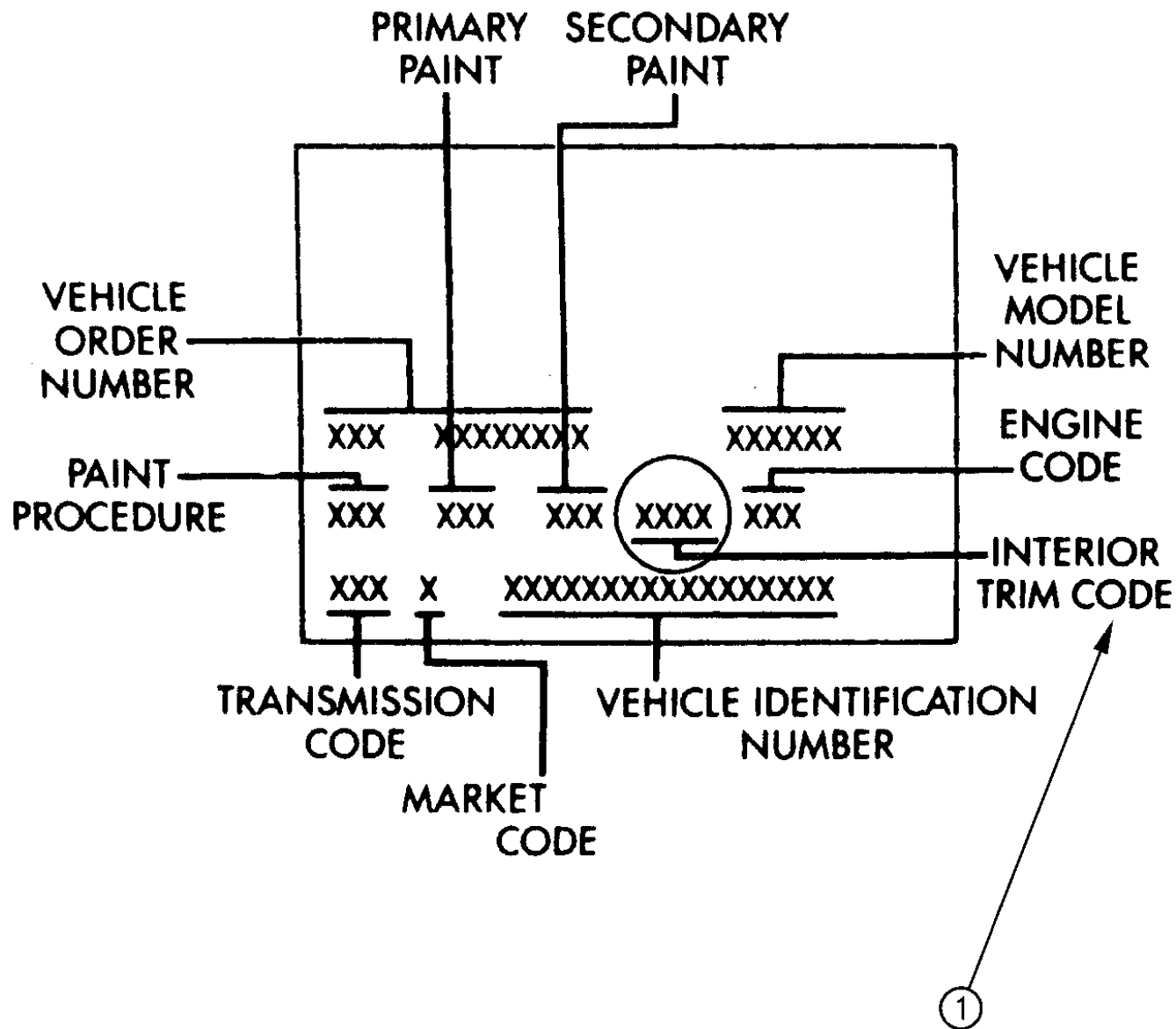
ILLUSTRATION TITLE	GROUP-FIG. NO.
TRIM CODE DEFINED CHEROKEE AND COMANCHE	Fig. 43-99
INSULATION CHEROKEE AND COMANCHE	Fig. 43-100
HEADLINER AND UPPER TRIM MOULDINGS COMANCHE	Fig. 43-200
HEADLINER AND UPPER TRIM MOULDINGS CHEROKEE	Fig. 43-300
VISORS AND VANITY MIRRORS CHEROKEE AND COMANCHE	Fig. 43-400
PANELS, INTERIOR TRIM, FRONT CHEROKEE 2 DOOR	Fig. 43-500
PANELS, INTERIOR TRIM, REAR CHEROKEE 2 DOOR	Fig. 43-600
PANELS, INTERIOR TRIM COMANCHE	Fig. 43-700
PANELS, INTERIOR TRIM, FRONT CHEROKEE 4 DOOR	Fig. 43-800
PANELS, INTERIOR TRIM, REAR CHEROKEE 4 DOOR	Fig. 43-900
CARPETS AND MATS CHEROKEE AND COMANCHE	Fig. 43-1000
PANELS, DOOR TRIM TYPE 1 (WITH UPPER GARNISH MOULDINGS) CHEROKEE 4 DOOR	Fig. 43-1100
INTERIOR TRIM PARTS, DOOR CHEROKEE	Fig. 43-1200
PANELS, DOOR TRIM CHEROKEE 2 DOOR	Fig. 43-1300
PANELS, DOOR TRIM TYPE 2 (WITHOUT UPPER GARNISH MOULDINGS) CHEROKEE 4 DOOR	Fig. 43-1400
PANELS, DOOR TRIM COMANCHE	Fig. 43-1500
INTERIOR TRIM PARTS, DOOR COMANCHE	Fig. 43-1600
FRAME AND PAD BUCKET SEATS CHEROKEE 2 DOOR AND COMANCHE	Fig. 43-1700
FRAME AND PAD BUCKET SEATS CHEROKEE 4 DOOR	Fig. 43-1800
FRAME AND PAD BENCH SEAT COMANCHE	Fig. 43-1900
FRAME AND PAD REAR SEAT CHEROKEE	Fig. 43-2000
COVERS, SEAT UPHOLSTERY CHEROKEE	Fig. 43-2100
COVERS, SEAT UPHOLSTERY COMANCHE	Fig. 43-2200
TRACKS, LESS POWER SEATS BUCKET SEAT CHEROKEE	Fig. 43-2300
TRACKS, WITH POWER SEATS BUCKET SEAT CHEROKEE	Fig. 43-2400
TRACKS, SEAT COMANCHE	Fig. 43-2500
SEAT BELTS, FRONT SEAT CHEROKEE 2 DOOR	Fig. 43-2600
SEAT BELTS, FRONT SEAT CHEROKEE 4 DOOR	Fig. 43-2700
SEAT BELTS, FRONT, W/TRAVELLING INBOARD BUCKLE EUROPE-AUSTRIA CHEROKEE	Fig. 43-2750
SEAT BELTS COMANCHE	Fig. 43-2800
SEATBELTS, REAR SEAT CHEROKEE	Fig. 43-2900
COVER, CARGO CHEROKEE	Fig. 43-3000

ILLUSTRATION NOT AVAILABLE AT TIME OF PUBLICATION

TRIM CODE DEFINED CHEROKEE AND COMANCHE

Figure 43-99

91J43 099



ITEM	PART NUMBER	QTY	BODY	MODEL	DESCRIPTION
------	-------------	-----	------	-------	-------------

NOTE: The body code plate is located on the left side of the dash panel in the engine compartment. Tag affixed to the Face of its Pulley. A Second Tag will show the name of the Vendor (OGURA).

1 INTERIOR TRIM CODE (4 DIGET) ***

NOTE: THE FIRST TWO DIGETS OF THE CODE INDICATE THE SEAT STYLE. Tag affixed to the Face of its Pulley. A Second Tag will show the name of the Vendor (OGURA).

AL-- Bucket seats w/"non-perforated leather" inserts - XJ. Tag affixed to the Face of its Pulley. A Second Tag will show the name of the Vendor (OGURA).

XL-- Bucket seats w/"perforated leather" inserts - XJ. Tag affixed to the Face of its Pulley. A Second Tag will show the name of the Vendor (OGURA).

Q7-- Bucket seats w/"Luggage cloth" inserts - MJ-XJ. Tag affixed to the Face of its Pulley. A Second Tag will show the name of the Vendor (OGURA).

A7-- Bucket seats w/"Jamaica cloth" inserts - MJ, XJ. Tag affixed to the Face of its Pulley. A Second Tag will show the name of the Vendor (OGURA).

C8-- Bucket seats w/"Jayne vinyl" inserts - MJ. Tag affixed to the Face of its Pulley. A Second Tag will show the name of the Vendor (OGURA).

B1-- Bench seat w/"straight no-notch" cushion and "Jamaica cloth" inserts - MJ. Tag affixed to the Face of its Pulley. A Second Tag will show the name of the Vendor (OGURA).

C1-- Bench seat w/"notched" cushion and "Jamaica cloth" inserts - MJ. Tag affixed to the Face of its Pulley. A Second Tag will show the name of the Vendor (OGURA).

A2-- Bench seat w/"straight no-notched" cushion and "Jayne vinyl" inserts - MJ. Tag affixed to the Face of its Pulley. A Second Tag will show the name of the Vendor (OGURA).

D4-- Bench seat w/"notched" cushion and "Jayne vinyl" inserts - MJ. Tag affixed to the Face of its Pulley. A Second Tag will show the name of the Vendor (OGURA).

NOTE: The LAST TWO DIGETS OF THE CODE INDICATE THE INTERIOR COLOR. Tag affixed to the Face of its Pulley. A Second Tag will show the name of the Vendor (OGURA).

--H9 = Cordovan Tag affixed to the Face of its Pulley. A Second Tag will show the name of the Vendor (OGURA).

--SA = Charcoal Tag affixed to the Face of its Pulley. A Second Tag will show the name of the Vendor (OGURA).

--Y6 = Dark Sand Tag affixed to the Face of its Pulley. A Second Tag will show the name of the Vendor (OGURA).

MODEL CODES:

61=Pickup-6 Ft Box 74=4 Door Wagon T=2WD
 62=Pickup-7 Ft Box 77=Open Body 93" Wheelbase J,N,U=4WD
 72=2 Door Wagon 78=Open Body 103" Wheelbase

BODY STYLES:

MJ=Comanche Pickup ZJ=Grand Cherokee/Grand Wagoneer KDX VEHICLES
 SJ=Grand Wagoneer M1=Comanche
 XJ=Cherokee, Briarwood X1=Cherokee, Briarwood
 YJ=Wrangler Y1=Wrangler

AR = Use as Required - = Non Illustrated Part P.A.R. = Paint as Required

INSULATION CHEROKEE AND COMANCHE
Figure 43-100

91J43 100

ITEM	PART NUMBER	QTY	BODY	MODEL	DESCRIPTION
1					INSULATION, Hood
	5502 6308	1	MJ,XJ		1991-92
	5521 5339	1	XJ		1993
2					INSULATION, Dash, Inner Left Hand Drive Vehicles
	5501 9376	1	MJ,XJ		w/Diesel Engine, EUROPE, 1991
	5521 4834	1	XJ		w/Diesel Engine, EUROPE, 1992
	5521 5309	1	XJ		w/Diesel Engine, EUROPE, 1993
	5521 4750	1	MJ,XJ		w/Gas Engine, 1991
	5521 4835	1	MJ,XJ		w/Gas Engine, 1992
	5521 5308	1			w/Gas Engine, 1993 Right Hand Drive Vehicles
	5502 7712	1	XJ		w/Gas Engine, RHD, KDX, 1992
	5521 5611	1	XJ		w/Gas Engine, RHD, 1993
3	5500 8106	1	MJ		INSULATION, Back Panel, 1991
4	5500 2684	1			INSULATION, Cowl, Right
5	5500 4230	1			INSULATION, Toe Board
6-7	5501 0852-3	1	MJ		INSULATION, Quarter Panel, 1991
8	5500 8104	2	MJ		INSULATION, Quarter Panel, 1991
9	3420 1782	4			CLIP
10					INSULATION, Outer Dash, (w/Diesel Engine), EUROPE
	5501 4756	1	MJ,XJ		1991, EUROPE
	5521 4852	1	XJ		1992, EUROPE
	5534 5961	1	XJ		1993, EUROPE
11	J308 1054	7			CLIP, Insulation to Dash
12	6003 351	13			FASTENER, Hood Silencer
13	J400 3095	2			SCREW, Hood Insulation, w/Diesel Engine, EUROPE
14	J400 5955	4			NUT, Push, Hood Insulation, Diesel Engine, EUROPE
15	J400 0235	2			NUT, Push, Insulation to Accelerator Stud
16	5500 2685	1	XJ		INSULATION, Cowl, Left
17	1150 0101	4			BOLT, Dash Insulation Attaching, w/Diesel Engine, EUROPE
18	1150 0323	4			WASHER, Dash Insulation, w/Diesel Engine, EUROPE

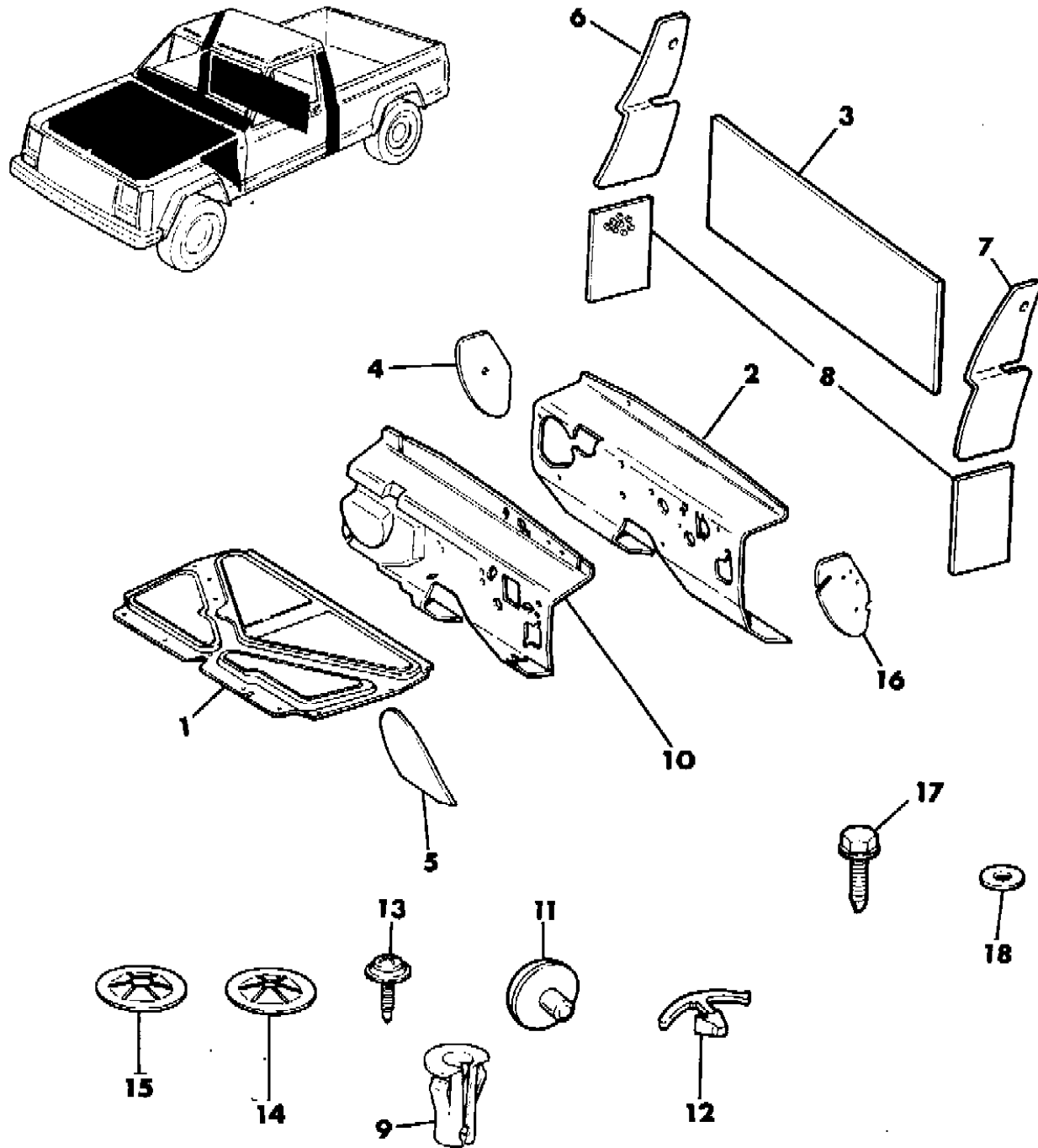
MODEL CODES:

61=Pickup-6 Ft Box 74=4 Door Wagon T=2WD
 62=Pickup-7 Ft Box 77=Open Body 93" Wheelbase J,N,U=4WD
 72=2 Door Wagon 78=Open Body 103" Wheelbase

BODY STYLES:

MJ=Comanche Pickup ZJ=Grand Cherokee/Grand Wagoneer KDX VEHICLES
 SJ=Grand Wagoneer M1=Comanche
 XJ=Cherokee, Briarwood X1=Cherokee, Briarwood
 YJ=Wrangler Y1=Wrangler

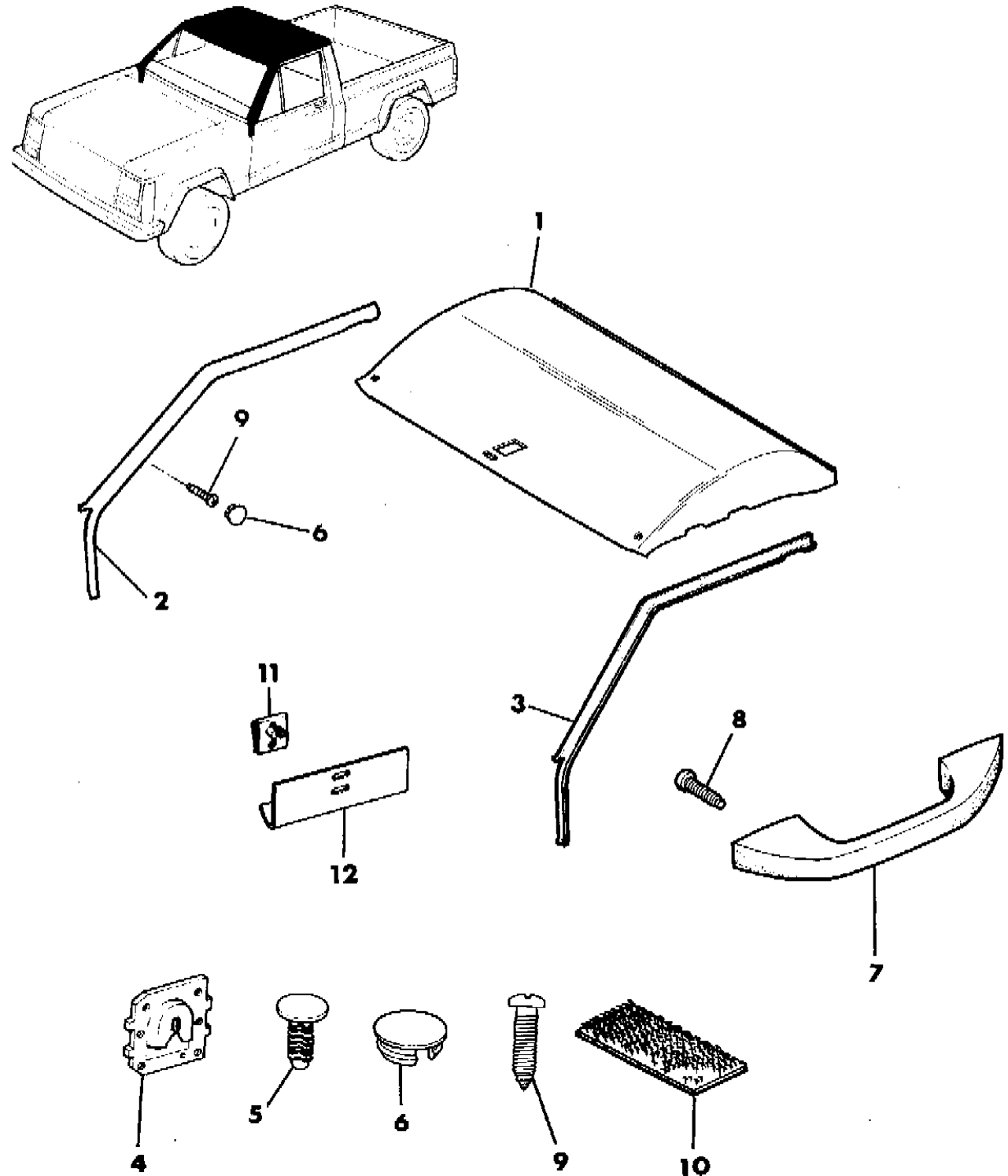
AR = Use as Required - = Non Illustrated Part P.A.R. = Paint as Required



HEADLINER AND UPPER TRIM MOULDINGS COMANCHE

Figure 43-200

91J43 200 A



ITEM	PART NUMBER	QTY	BODY	MODEL	DESCRIPTION
1					HEADLINER
	5CJ0 6JS1	1			Charcoal
	5CJ0 6JH9	1			Cordovan
	5CJ0 6KY6	1			Dark Sand
NOTE: Modify headliner for use w/sunroof. Tag affixed to the Face of its Pulley. A Second Tag will show the name of the Vendor (OGURA).					
2	5AD6 8JS1	1			MOULDING, Garnish, Right, P.A.R.
3	5AD6 9JS1	1			MOULDING, Garnish, Left, P.A.R.
4	3420 1299	2			CLIP, Windshield Garnish Moulding
5	3420 1545	2			CLIP
6					PLUG
	AW91 HS1	4			Charcoal
	AW91 HH9	4			Cordovan
	AW91 KY6	4			Dark Sand
7					HANDLE, Assist (includes covers for mounting screws)
					1991-92
	5AD9 0JS1	1			Charcoal
	5AD9 0JH9	1			Cordovan
	5AD9 0KY6	1			Dark Sand
					1993
	5CX1 0LS1	1			Charcoal
	5CX1 0LY6	1			Dark Sand
8	3420 2189	2			SCREW, for mounting assist handle
9	J400 2465	4			SCREW, Windshield Garnish Moulding
10	5500 6362	2			FASTENER, Velcro Hook, Header to Headliner
11	J400 0322	2			CLIP, Headliner Mounting, "U" Type
12	J368 1225	2			RETAINER, Headliner Mounting

MODEL CODES:
 61=Pickup-6 Ft Box 74=4 Door Wagon T=2WD
 62=Pickup-7 Ft Box 77=Open Body 93" Wheelbase J,N,U=4WD
 72=2 Door Wagon 78=Open Body 103" Wheelbase

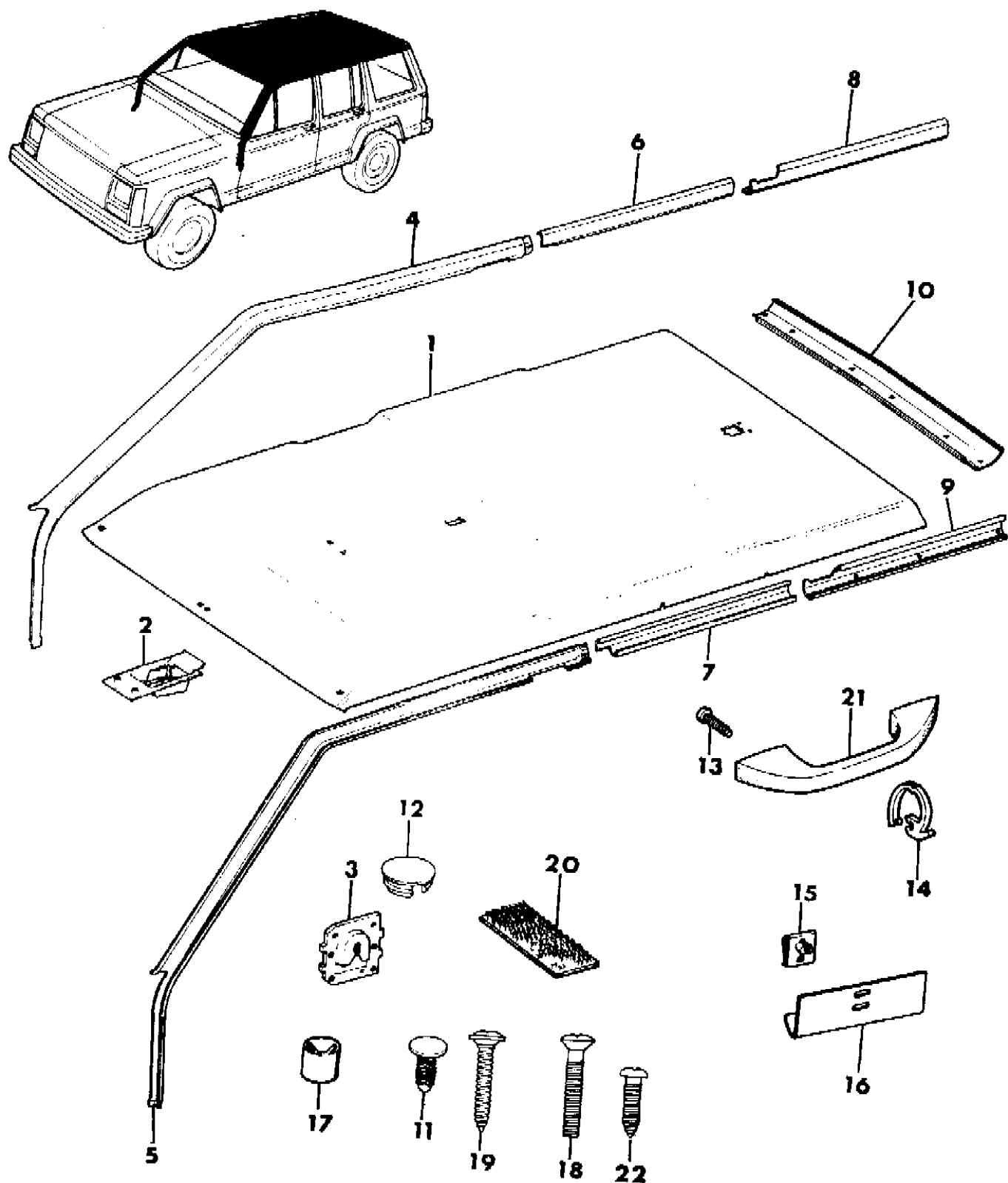
BODY STYLES:
 MJ=Comanche Pickup ZJ=Grand Cherokee/Grand Wagoneer KDX VEHICLES
 SJ=Grand Wagoneer M1=Comanche
 XJ=Cherokee, Briarwood X1=Cherokee, Briarwood
 YJ=Wrangler Y1=Wrangler

AR = Use as Required - = Non Illustrated Part P.A.R. = Paint as Required

HEADLINER AND UPPER TRIM MOULDINGS CHEROKEE

Figure 43-300

91J43 300



ITEM	PART NUMBER	QTY	BODY	MODEL	DESCRIPTION
1					HEADLINER
					w/o Sunroof, 1991-92 Vehicles Built Before 9/3/91
	5CJ0 7JS1	1			Charcoal
	5CJ0 7JH9	1			Cordovan
	5CJ0 7KY6	1			Dark Sand
	5CJ0 9KS1	1			Charcoal, EUROPE, Commercial Package
	NOTE: Front fold of material on headliner has been removed on vehicles built 9/3/91 and later. Tag affixed to the Face of its Pulley. A Second Tag will show the name of the Vendor (OGURA).				
					w/o Sunroof, 1992 Vehicles Built 9/3/91 and Later
	5CZ2 1LS1	1			Charcoal
	5CZ2 1LH9	1			Cordovan
	5CZ2 1LY6	1			Dark Sand
	5CZ2 2LS1	1			Charcoal, EUROPE, Commercial Package
					w/o Sunroof, 1993
	5DG3 9LS1	1			Charcoal
	5DG3 9LY6	1			Dark Sand
	5DG4 0LS1	1			Charcoal, EUROPE, Commercial Package
					w/Sunroof, 1991-92
	5CJ0 8JS1	1			Charcoal
	5CJ0 8JH9	1			Cordovan
	5CJ0 8KY6	1			Dark Sand
	NOTE: For 1993 the factory installed sunroof is no longer an available option. Tag affixed to the Face of its Pulley. A Second Tag will show the name of the Vendor (OGURA).				
	NOTE: For 1993 vehicles w/Export Equipment Package the following part will service the restraint holes in the headliner. Tag affixed to the Face of its Pulley. A Second Tag will show the name of the Vendor (OGURA).				
-					PLUG, Headliner Restraint Hole, EUROPE
-	5DK1 9MS1	3			Charcoal, EUROPE
-	5DK1 9MY6	3			Dark Sand, EUROPE
2					HOUSING, Keyless Entry, P.A.R.
	5CD8 0KY6	1			1991
	5CK9 2KY6	1			1992
	5DH5 5MS1	1			1993
3	3420 1299	AR			CLIP, Windshield Garnish Moulding
4					MOULDING, Garnish, Right
	5AD6 8JS1	1			4 Door, P.A.R.
	5AD7 2KY6	1			2 Door, P.A.R.
5					MOULDING, Garnish, Left
	5AD6 9JS1	1			4 Door, P.A.R.
	5AD7 3KY6	1			2 Door, Left Hand Drive, P.A.R.
	5CN6 1MY6	1			2 Door, Right Hand Drive, P.A.R.
6-7	5AC62-3 JS1	1			MOULDING, Headlining, 4 Door, P.A.R.

MODEL CODES:

61=Pickup-6 Ft Box 74=4 Door Wagon T=2WD
 62=Pickup-7 Ft Box 77=Open Body 93" Wheelbase J,N,U=4WD
 72=2 Door Wagon 78=Open Body 103" Wheelbase

BODY STYLES:

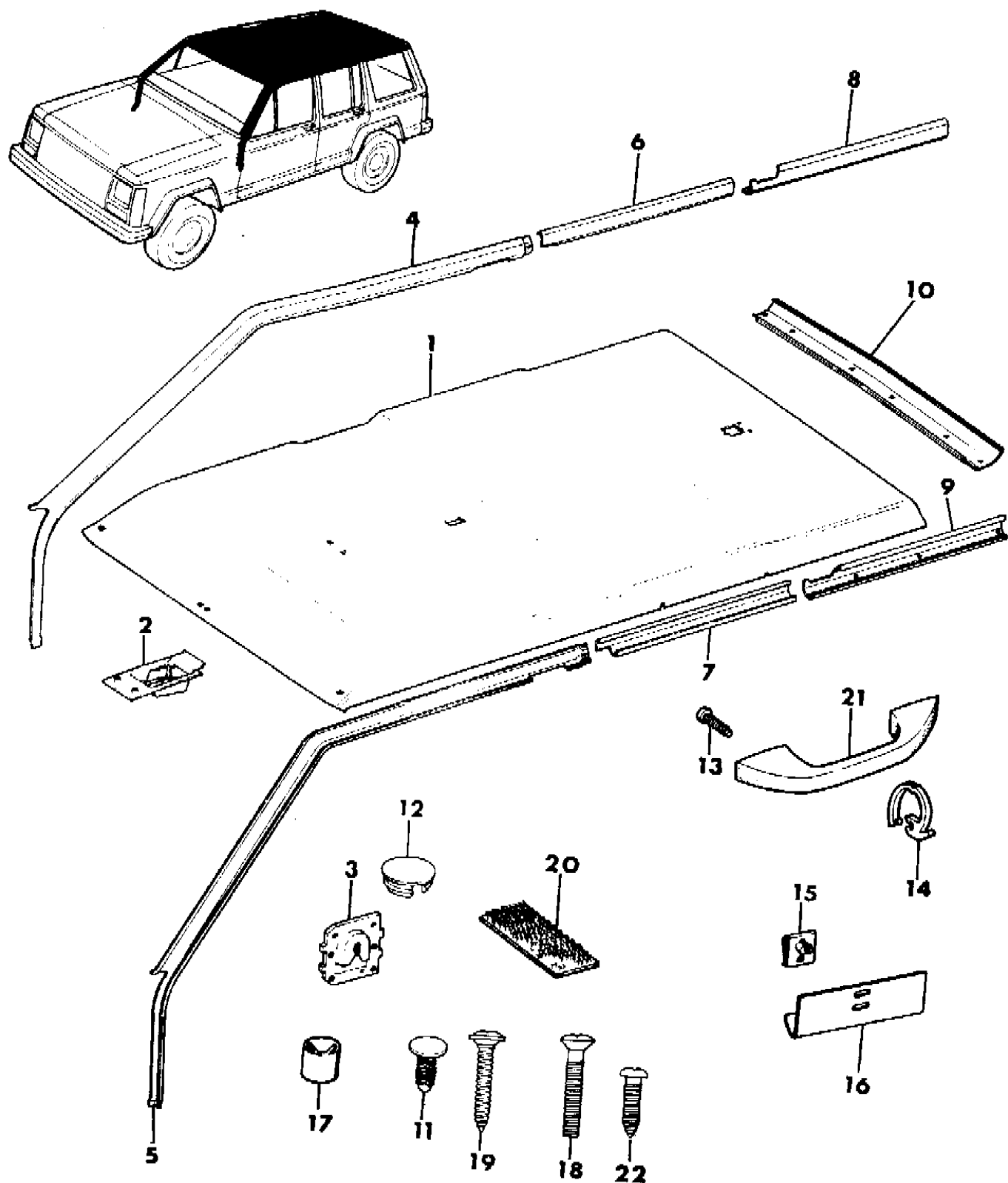
MJ=Comanche Pickup ZJ=Grand Cherokee/Grand Wagoneer KDX VEHICLES
 SJ=Grand Wagoneer M1=Comanche
 XJ=Cherokee, Briarwood Y1=Cherokee, Briarwood
 YJ=Wrangler Y1=Wrangler

AR = Use as Required - = Non Illustrated Part P.A.R. = Paint as Required

HEADLINER AND UPPER TRIM MOULDINGS CHEROKEE

Figure 43-300

91J43 300



ITEM	PART NUMBER	QTY	BODY	MODEL	DESCRIPTION
8-9					MOULDING, Headlining
	5AC2 6TC3	1			4 Door, P.A.R.
	5AD2 7TC3	1			Right
					Left
					2 Door, P.A.R.
	5AD7 4KY6	1			Right
	5AD7 5KY6	1			Left
10	5500 2886	1			MOULDING, Lift Door, P.A.R.
11	3420 1545	6			FASTENER, Garnish Moulding
12					PLUG
	AW91 HS1	4			Charcoal
	AW91 HH9	4			Cordovan
	AW91 KY6	4			Dark Sand
13	3420 2189	6			SCREW
14					HOOK, Coat
	5AD9 1JS1	2			Charcoal
	5AD9 1JH9	2			Cordovan
	5AD9 1KY6	2			Dark Sand
15	J400 0322	4			CLIP, Headliner Mounting, "U" Type
16	J368 1225	4			RETAINER, Headliner Mounting
17	5500 2520	2	72		SPACER, Headliner/Side Rear Moulding
18	1150 1150	10			SCREW, w/7mm head, Headliner Side Moulding
19	J400 6563	6			SCREW, w/9mm head, Headliner Side Moulding
20	5500 6362	2			FASTENER, Velcro Hook, Header to Headliner
21					HANDLE, Assist (includes covers for mounting screws)
					1991-92
	5AD9 0JS1	AR			Charcoal
	5AD9 0JH9	AR			Cordovan
	5AD9 0KY6	AR			Dark Sand
					1993
	5CX1 0LS1	AR			Charcoal
	5CX1 0LY6	AR			Dark Sand
22	J400 2465	4			SCREW, Windshield Garnish Moulding

MODEL CODES:

61=Pickup-6 Ft Box 74=4 Door Wagon T=2WD
 62=Pickup-7 Ft Box 77=Open Body 93" Wheelbase J,N,U=4WD
 72=2 Door Wagon 78=Open Body 103" Wheelbase

BODY STYLES:

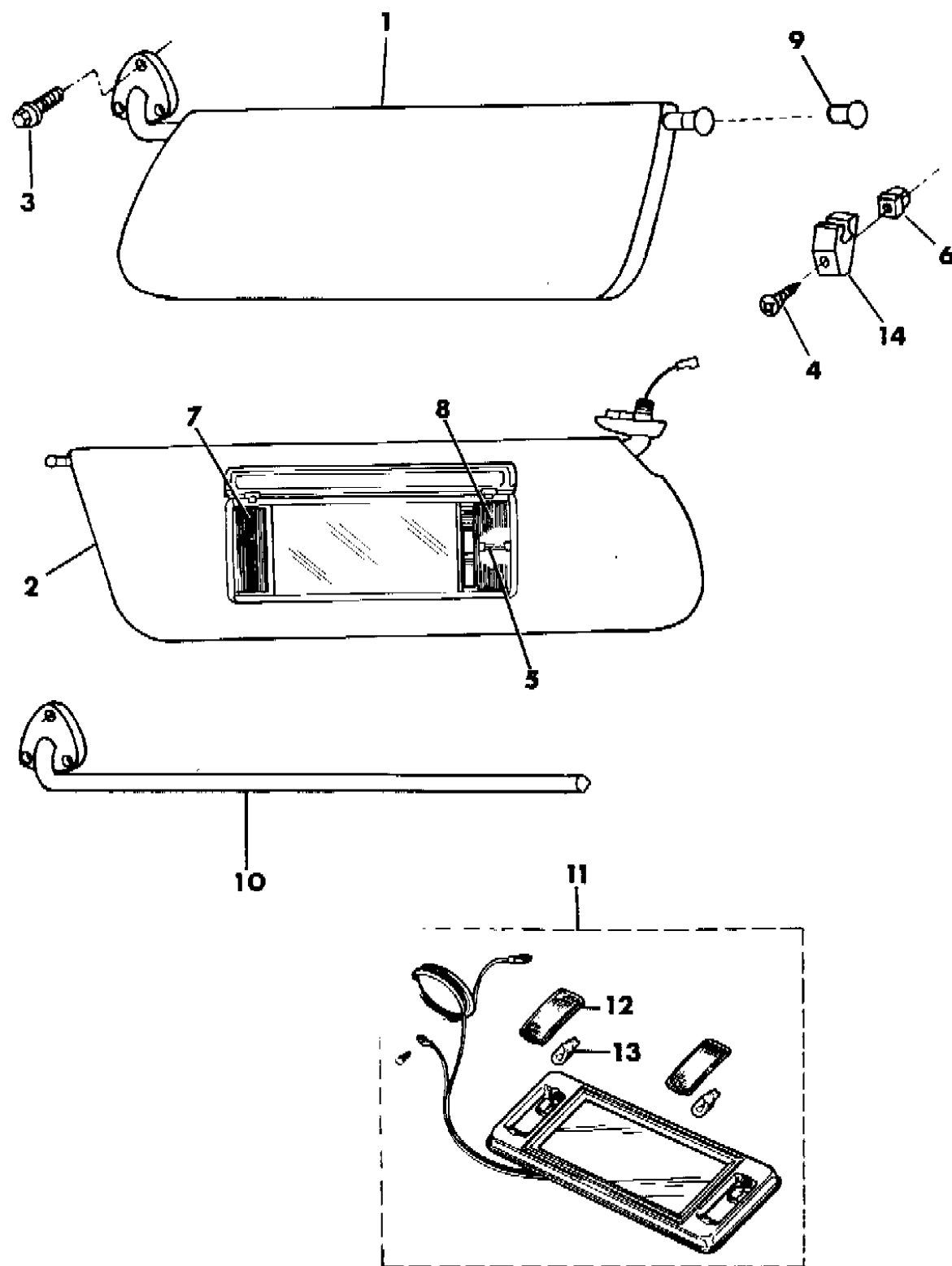
MJ=Comanche Pickup ZJ=Grand Cherokee/Grand Wagoneer KDX VEHICLES
 SJ=Grand Wagoneer M1=Comanche
 XJ=Cherokee, Briarwood Y1=Wrangler
 YJ=Wrangler

AR = Use as Required - = Non Illustrated Part P.A.R. = Paint as Required

VISORS AND VANITY MIRRORS CHEROKEE AND COMANCHE

Figure 43-400

91J43 400 A



ITEM	PART NUMBER	QTY	BODY	MODEL	DESCRIPTION
1					VISOR ASSEMBLY, Non-Lighted ***
	5AW4 4JS1	1	MJ		Charcoal Right, 1991
	5CT5 4KS1	1	MJ		Right, 1992-93
	4637 116	1	MJ		Left, 1991
	5CT5 7KS1	1	MJ		Left, 1992-93
	5AW4 4JH9	1	MJ		Cordovan Right, 1991
	5CT5 4KH9	1	MJ		Right, 1992
	4637 115	1	MJ		Left, 1991
	5CT5 7KH9	1	MJ		Left, 1992
	5AW4 4KY6	1	MJ		Dark Sand Right, 1991
	5CT5 4KY6	1	MJ		Right, 1992
	4637 118	1	MJ		Left, 1991
	5CT5 7KY6	1	MJ		Left, 1992-93
	5AW44-5 JS1	1	XJ		Charcoal 1991
	5CT54-5 KS1	1	XJ		1992-93
	5AW44-5 JH9	1	XJ		Cordovan 1991
	5CT54-5 KH9	1	XJ		1992
	5AW44-5 KY6	1	XJ		Dark Sand 1991
	5CT54-5 KY6	1	XJ		1992-93
When the original stock of 1991 visors is exhausted, the following packages will service 1991 vehicles. Tag affixed to the Face of its Pulley. A Second Tag will show the name of the Vendor (OGURA).					
-					VISOR ASSEMBLY PACKAGE (includes right and left) ***
	4713 310	1	MJ		Charcoal
	4713 309	1	MJ		Cordovan
	4713 311	1	MJ		Dark Sand
	4713 284	1	XJ		Charcoal
	4713 283	1	XJ		Cordovan
	4713 285	1	XJ		Dark Sand
2					VISOR ASSEMBLY, Lighted ***
This Style Visor Assembly Is Not Used For 1992 MJ. Tag affixed to the Face of its Pulley. A Second Tag will show the name of the Vendor (OGURA).					
	5CG3 4KS1	1	MJ,XJ		Right Charcoal
	5CG3 4KH9	1	MJ,XJ		Cordovan
	5CG3 4KY6	1	MJ,XJ		Dark Sand

MODEL CODES:
 61=Pickup-6 Ft Box 74=4 Door Wagon T=2WD
 62=Pickup-7 Ft Box 77=Open Body 93" Wheelbase J,N,U=4WD
 72=2 Door Wagon 78=Open Body 103" Wheelbase

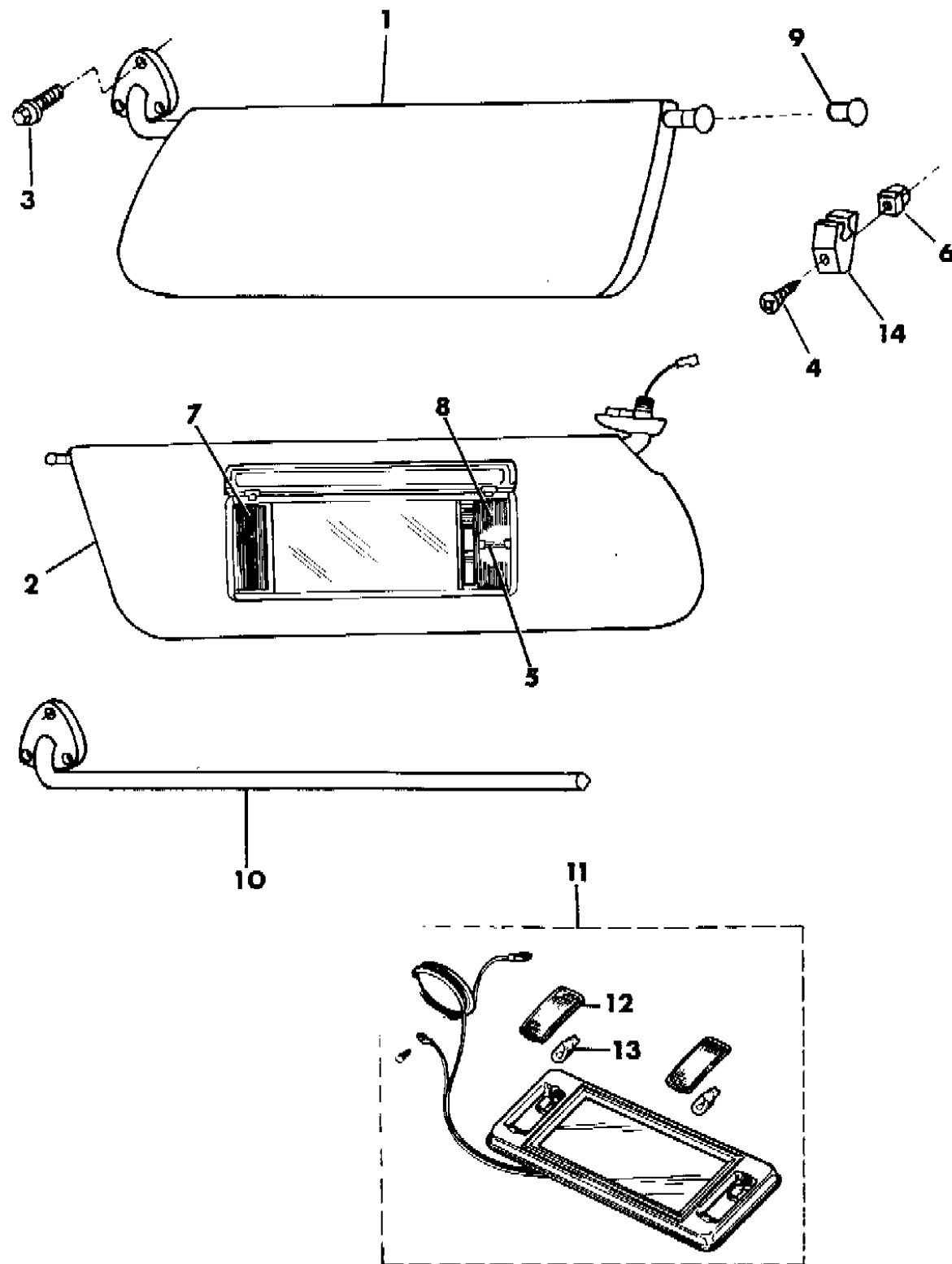
BODY STYLES:
 MJ=Comanche Pickup ZJ=Grand Cherokee/Grand Wagoneer KDX VEHICLES
 SJ=Grand Wagoneer M1=Comanche
 XJ=Cherokee, Briarwood X1=Cherokee, Briarwood
 YJ=Wrangler Y1=Wrangler

AR = Use as Required - = Non Illustrated Part P.A.R. = Paint as Required

VISORS AND VANITY MIRRORS CHEROKEE AND COMANCHE

Figure 43-400

91J43 400 A



ITEM	PART NUMBER	QTY	BODY	MODEL	DESCRIPTION
					Left
	5CG3 5KS1	1	XJ		Charcoal
	5CG3 9KS1	1	MJ		Charcoal
	5CG3 5KH9	1	XJ		Cordovan
	5CG3 9KH9	1	MJ		Cordovan
	5CG3 5KY6	1	XJ		Dark Sand
	5CG3 9KY6	1	MJ		Dark Sand
3	1150 1150	6			SCREW
4	3420 1398	4			SCREW, Clip Mounting
5	6501 966	2			BULB
6	J400 5242	2			NUT, Push In
7	4620 137	1			LENS, Left
8	4620 136	1			LENS AND BUTTON ASSEMBLY, Right ***
9					TIP, Used w/non lighted sunvisor
	J360 4833	2			Black, KDX - Venezuela
	H315 JS1	2			Charcoal
	H315 JH9	2			Cordovan
	H315 KY6	2			Dark Sand
10	5CC28-9 JX8	1			BRACKET AND ROD, KDX - Venezuela ***
11					MIRROR ASSEMBLY, KDX - Venezuela ***
	5AF2 0JH9	1			Cordovan
	5AF2 0JS1	1			Charcoal
	5AF2 0KY6	1			Dark Sand
12	4410 693	2			LENS, KDX - Venezuela
13	9433 184	2			BULB, KDX - Venezuela
14					CLIP
	DF49 JS1	1			Charcoal
	DF49 JH9	1			Cordovan
	DF49 KY6	1			Dark Sand
-	5500 9558	1	XJ		LABEL, Left Visor, Closed Body Warning (FRENCH)
-	5502 0086	1	MJ,XJ		LABEL, (Command Track Shift Pattern)
-	5600 4761	1	XJ		PIG TAIL, Black, KDX - Venezuela ***
-	5600 4762	1	XJ		PIG TAIL, Blue, KDX - Venezuela ***

MODEL CODES:

61=Pickup-6 Ft Box 74=4 Door Wagon T=2WD
 62=Pickup-7 Ft Box 77=Open Body 93" Wheelbase J,N,U=4WD
 72=2 Door Wagon 78=Open Body 103" Wheelbase

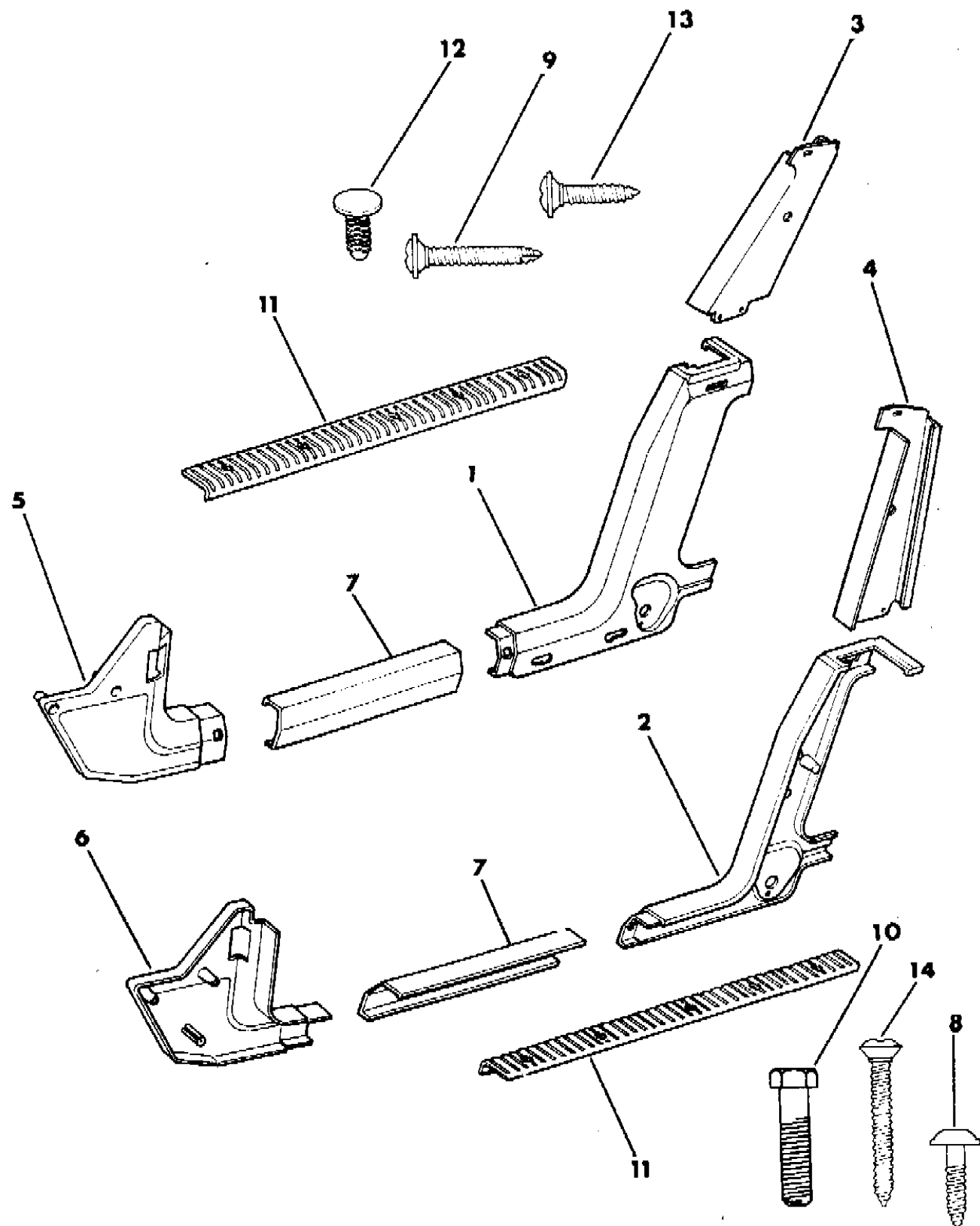
BODY STYLES:

MJ=Comanche Pickup ZJ=Grand Cherokee/Grand Wagoneer KDX VEHICLES
 SJ=Grand Wagoneer M1=Comanche
 XJ=Cherokee, Briarwood X1=Cherokee, Briarwood
 YJ=Wrangler Y1=Wrangler

AR = Use as Required - = Non Illustrated Part P.A.R. = Paint as Required

PANELS, INTERIOR TRIM, FRONT CHEROKEE 2 DOOR
Figure 43-500

91J43 500



ITEM	PART NUMBER	QTY	BODY	MODEL	DESCRIPTION
1-2					PANEL, Quarter Trim, P.A.R.
	5AC3 0KY6	1			Stamped 55000456
	5AC3 1KY6	1			Stamped 55000457
3-4					COVER, Lock Pillar Except EUROPE
	5AC76-7 JS1	1			Charcoal
	5AC76-7 JH9	1			Cordovan
	5AC76-7 KY6	1			Dark Sand EUROPE, Includes Bezel Assembly w/adjust D ring
	5BF98-9 KS1	1			Charcoal, EUROPE
	5BF98-9 KH9	1			Cordovan, EUROPE
	5BF98-9 KY6	1			Dark Sand, EUROPE
5-6					PANEL, Cowl Trim, P.A.R.
	5AC36-7 KY6	1			1991-92, P.A.R.
	5DD06-7 LY6	1			1993, P.A.R.
	5CG92-3 LS1	1			1993, Right Hand Drive, Charcoal
	5CG92-3 LY6	1			1993, Right Hand Drive, Dark Sand
7					PLATE, Inner Scuff
	5AC4 4JS1	2			Charcoal
	5AC4 4JH9	2			Cordovan
	5AC4 4KY6	2			Dark Sand
8	3420 1314	8			SCREW, 13mm Long
9	3420 1468	2			SCREW, 25mm Long
10					SCREW
	1150 3059	4			20mm Long
	3420 1540	2			30mm Long
11	5500 3374	2			PLATE, Scuff
12	3420 1545	4			FASTENER, Push
13	3420 1403	10			SCREW, 13mm Long
14	3420 1400	10			SCREW, 40mm Long

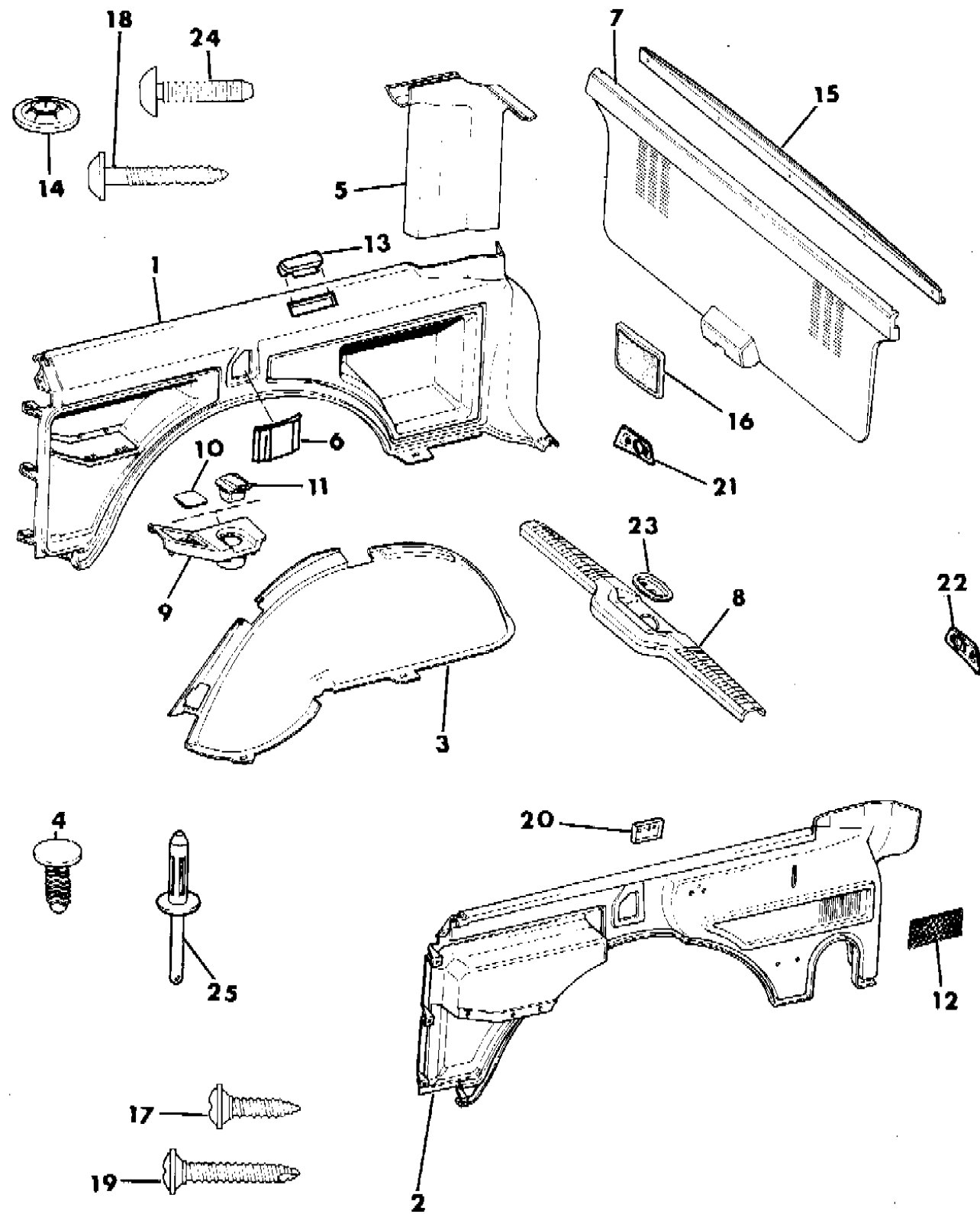
MODEL CODES:
 61=Pickup-6 Ft Box 74=4 Door Wagon T=2WD
 62=Pickup-7 Ft Box 77=Open Body 93" Wheelbase J,N,U=4WD
 72=2 Door Wagon 78=Open Body 103" Wheelbase

BODY STYLES:
 MJ=Comanche Pickup ZJ=Grand Cherokee/Grand Wagoneer KDX VEHICLES
 SJ=Grand Wagoneer M1=Comanche
 XJ=Cherokee, Briarwood Y1=Cherokee, Briarwood
 YJ=Wrangler Y1=Wrangler

AR = Use as Required - = Non Illustrated Part P.A.R. = Paint as Required

PANELS, INTERIOR TRIM, REAR CHEROKEE 2 DOOR
Figure 43-600

91J43 600 A



ITEM	PART NUMBER	QTY	BODY	MODEL	DESCRIPTION
1-2					PANEL, Quarter Trim (includes insulation)
	5AT02-3 JS1	1			Charcoal, 1991
	5CT10-1 LS1	1			Charcoal, 1992-93
	5AT02-3 JH9	1			Cordovan, 1991
	5CT10-1 LH9	1			Cordovan, 1992
	5AT02-3 KY6	1			Dark Sand, 1991
	5CT10-1 LY6	1			Dark Sand, 1992-93
-	5500 5498	1			INSULATION, Right Quarter Trim Panel, Front Piece
-	5500 5497	1			INSULATION, Right Quarter Trim Panel, Rear Piece
-	5500 5499	1			INSULATION, Left Quarter Trim Panel, Front Piece
-	5500 2687	1			INSULATION, Left Quarter Trim Panel, Rear Piece
-					FASTENER, Quarter Trim Panel, Used w/Outside Mounted Spare Tire
-	5AA3 5JS1	1			Charcoal
-	5AA3 5JH9	1			Cordovan
-	5AA3 5KY6	1			Dark Sand
3					COVER, Wheelhouse, rubber
	5AC58-9 JS1	1			Charcoal
	5AC58-9 KY6	1			Dark Sand
4	6502 078	11			CLIP-RETAINER, Trim Panel to Liftgate ***
5	5AC78-9 KY6	1			COVER, Lift Door Pillar, P.A.R.
6	5AZ9 7KS1	2			COVER, Rear Seat Back Striker Opening, EUROPE, Commercial Package
7					PANEL, Lift Door Trim
	5AE1 8KY6	1			Rubber, P.A.R., 1991
	5CP4 9LY6	1			Rubber, P.A.R., 1992-93 w/Carpet
	5AE1 9JS1	1			Charcoal
	5AE1 9JH9	1			Cordovan
	5AE1 9KY6	1			Dark Sand
8					PLATE, Lift Door Scuff
	5AC5 5JS1	1			Charcoal
	5AC5 5JH9	1			Cordovan
	5AC5 5KY6	1			Dark Sand
9					COVER, Armrest, Serviced in Quarter Trim Panel
10					COVER, used w/o Ashtray
	5AC6 4JS1	2			Charcoal
	5AC6 4JH9	2			Cordovan
	5AC6 4KY6	2			Dark Sand
11	5AC6 0JS1	2			ASHTRAY, P.A.R., 1991 ***
12	5500 4406	1			SCREEN, Louver

MODEL CODES:

61=Pickup-6 Ft Box 74=4 Door Wagon T=2WD
62=Pickup-7 Ft Box 77=Open Body 93" Wheelbase J,N,U=4WD
72=2 Door Wagon 78=Open Body 103" Wheelbase

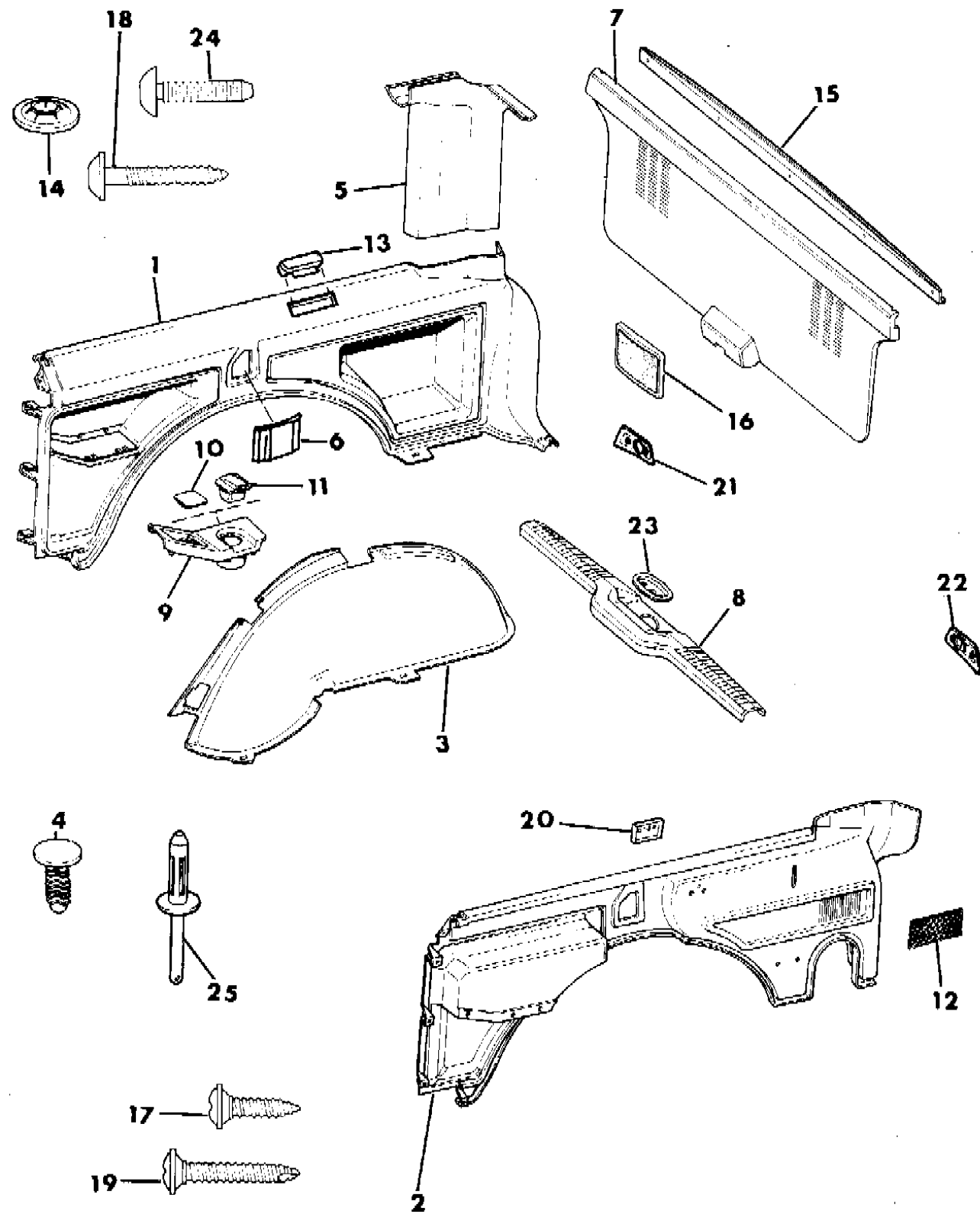
BODY STYLES:

MJ=Comanche Pickup ZJ=Grand Cherokee/Grand Wagoneer KDX VEHICLES
SJ=Grand Wagoneer M1=Comanche
XJ=Cherokee, Briarwood Y1=Cherokee, Briarwood
YJ=Wrangler Y1=Wrangler

AR = Use as Required - = Non Illustrated Part P.A.R. = Paint as Required

PANELS, INTERIOR TRIM, REAR CHEROKEE 2 DOOR
Figure 43-600

91J43 600 A



ITEM	PART NUMBER	QTY	BODY	MODEL	DESCRIPTION
13	5BJ1 8KS1	2			BEZEL, Quarter Trim Plug, EUROPE Comercial Package
14	3420 1481	6			NUT, Push (armrest cover to quarter trim panel)
15	5500 8064	1			RETAINER, Liftgate Trim
16	5AB9 3JY6	2			GRILLE, Speaker (used w/premium radio) 1991-92, P.A.R.
	5DB3 0LY6	2			1993, P.A.R.
-	3420 2419	AR			SCREW, 4 Per Speaker Grille
17	3420 1397	2			SCREW Quarter Trim Panel Mounting
	J400 4315	4			Upper Liftgate Pillar Mounting
	3420 1400	2			40mm Long
18	3420 1468	4			SCREW, 25mm Long
19	3420 1398	6			SCREW
20	5AC9 1JS1	1			PAD, Spare Tire Rest Charcoal
	5AC9 1JH9	1			Cordovan
	5AC9 1KY6	1			Dark Sand
21	5500 5230	1			COVER, Rear Header
22	5501 5080	1			COVER, Rear Header
23	5500 4352	1			RETAINER, Scuff Plate
24	3420 1946	4			SCREW, 19mm Long
25	3420 1621	5			RIVET, Liftgate Trim Retainer

MODEL CODES:

61=Pickup-6 Ft Box 74=4 Door Wagon T=2WD
62=Pickup-7 Ft Box 77=Open Body 93" Wheelbase J,N,U=4WD
72=2 Door Wagon 78=Open Body 103" Wheelbase

BODY STYLES:

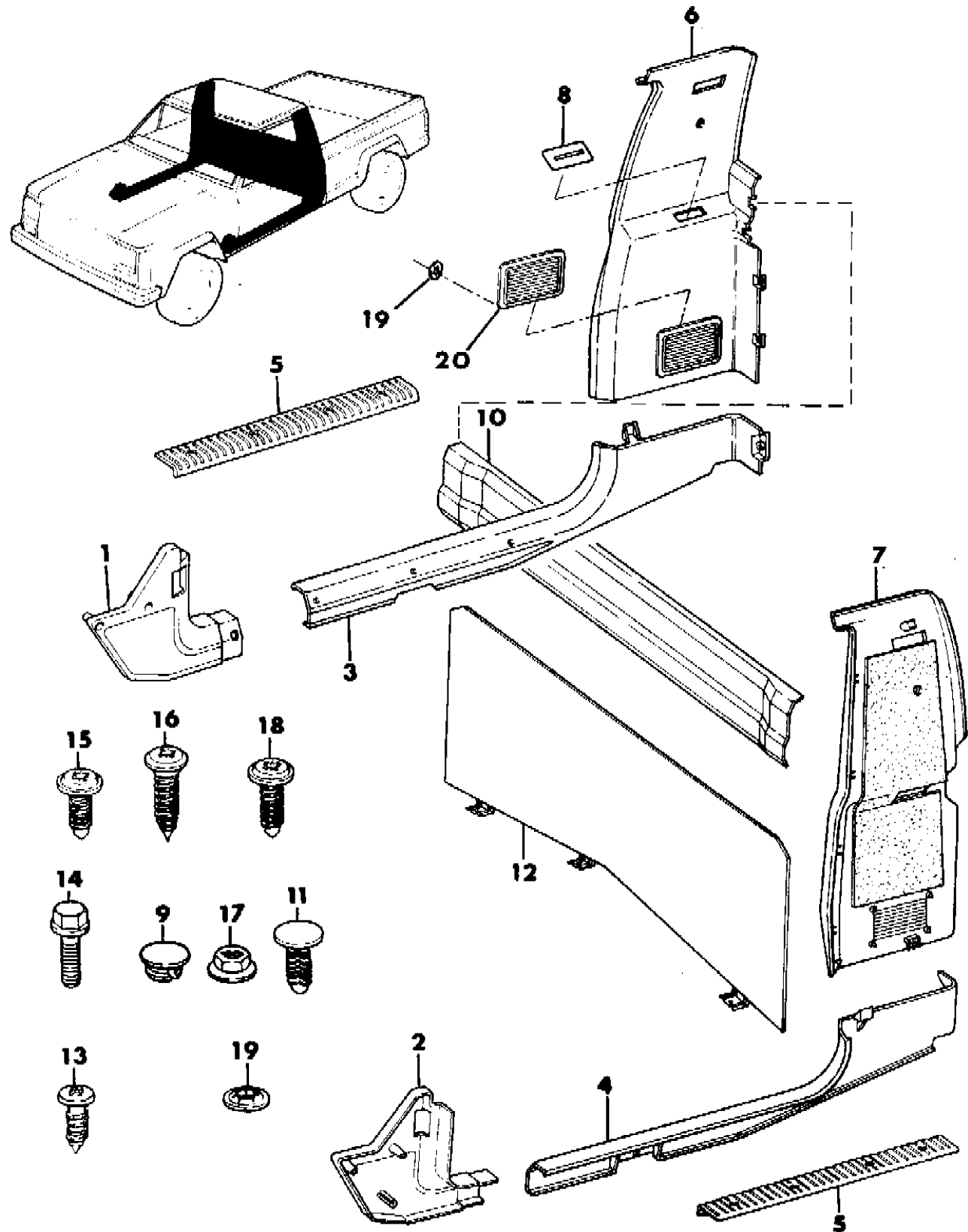
MJ=Comanche Pickup ZJ=Grand Cherokee/Grand Wagoneer KDX VEHICLES
SJ=Grand Wagoneer M1=Comanche
XJ=Cherokee, Briarwood X1=Cherokee, Briarwood
YJ=Wrangler Y1=Wrangler

AR = Use as Required - = Non Illustrated Part P.A.R. = Paint as Required

PANELS, INTERIOR TRIM COMANCHE

Figure 43-700

91J43 700



ITEM	PART NUMBER	QTY	BODY	MODEL	DESCRIPTION
1	5AC3 6KY6	1			PANEL, Cowl Trim, Right 1991-92, P.A.R.
	5DD0 6LY6	1			1993, P.A.R.
2	5AD4 9KY6	1			PANEL, Cowl Trim, Left 1991-92, P.A.R.
	5DF8 1LY6	1			1993, P.A.R.
3-4	5AD30-1 JS1	1			PLATE, Inner Scuff Charcoal
	5AD30-1 JH9	1			Cordovan
	5AD30-1 JY6	1			Dark Sand
-	1150 1932	2			NUT, Scuff Plate Inner Mounting
5	5500 3370	2			PLATE, Outer Scuff
6-7	5AE26-7 KY6	1			PANEL, Quarter Trim, P.A.R.
-	1150 1932	4			NUT, Lower Quarter Trim Panel
8	5AE2 3JS1	2			ESCUTCHEON, Seat Belt, Charcoal
	5AE2 3JH9	2			Cordovan
	5AE2 3KY6	2			Dark Sand
9	AW91 HS1	10			PLUG, Button Charcoal
	AW91 HH9	10			Cordovan
	AW91 KY6	10			Dark Sand
10	5AF0 8KY6	1			PANEL, Center Trim Upper, P.A.R.
11	3420 1545	10			CLIP
12	5AD8 9JA8	1			PANEL, Center Trim Lower Dark Charcoal
	5AD8 9JH9	1			Cordovan
	5AD8 9JY6	1			Dark Sand
13	1150 1610	4			SCREW, 16mm Long
14	1150 3059	4			SCREW 20mm Long
	3420 1540	2			30mm Long
15	3420 1314	2			SCREW, 13mm Long
16	3420 1400	6			SCREW, 40mm Long
17	1150 1932	6			NUT
18	3420 1468	2			SCREW, 25mm Long
19	J400 0271	8			FASTENER, Push On
20	5AE2 4KY6	2			GRILLE, Speaker/Exhauster, P.A.R.

MODEL CODES:

61=Pickup-6 Ft Box 74=4 Door Wagon T=2WD
 62=Pickup-7 Ft Box 77=Open Body 93" Wheelbase J,N,U=4WD
 72=2 Door Wagon 78=Open Body 103" Wheelbase

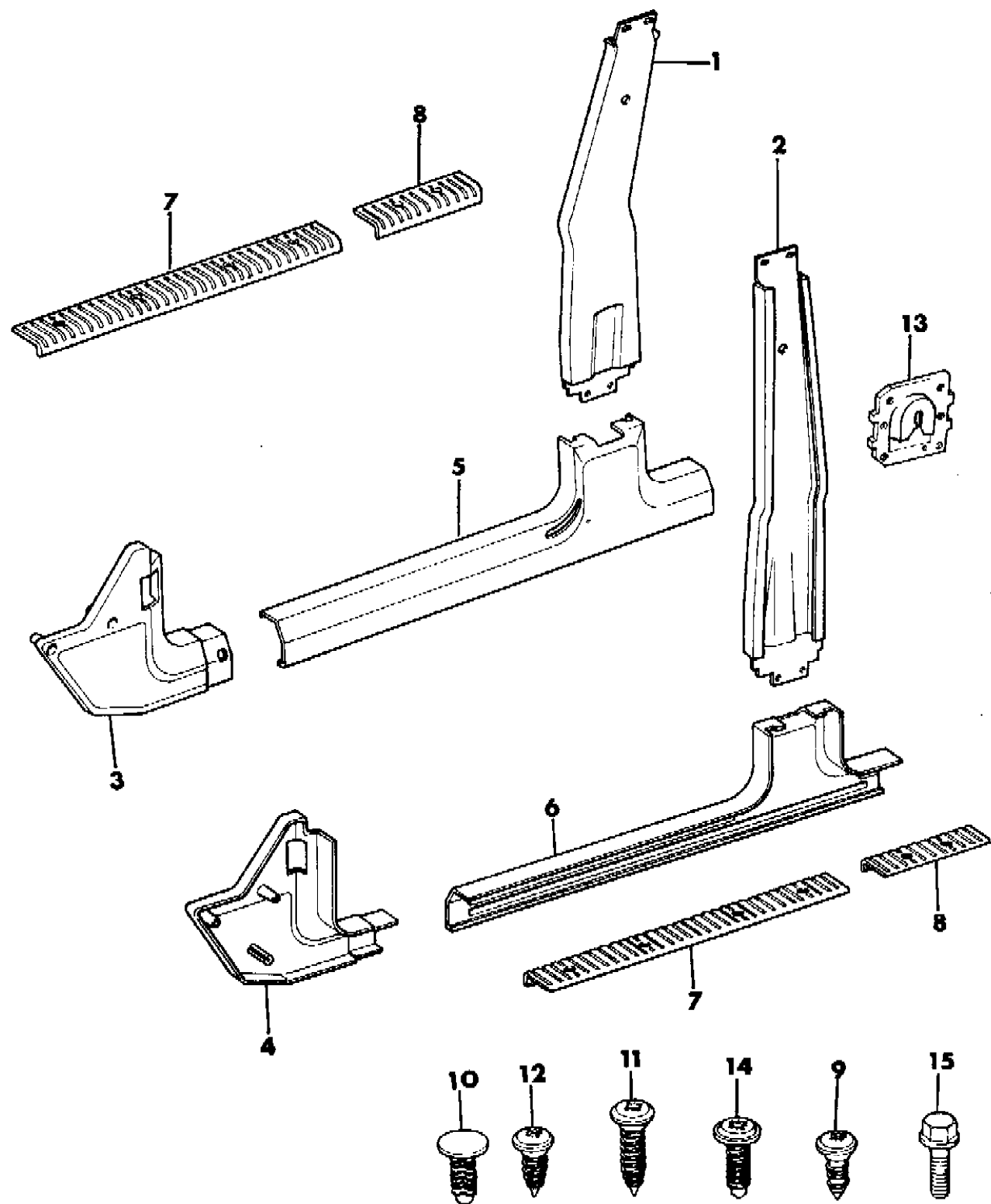
BODY STYLES:

MJ=Comanche Pickup ZJ=Grand Cherokee/Grand Wagoneer KDX VEHICLES
 SJ=Grand Wagoneer M1=Comanche
 XJ=Cherokee, Briarwood X1=Cherokee, Briarwood
 YJ=Wrangler Y1=Wrangler

AR = Use as Required - = Non Illustrated Part P.A.R. = Paint as Required

PANELS, INTERIOR TRIM, FRONT CHEROKEE 4 DOOR
Figure 43-800

91J43 800



ITEM	PART NUMBER	QTY	BODY	MODEL	DESCRIPTION
1-2					PANEL, Center Trim Upper
	5AC72-3 KY6	1			Except EUROPE P.A.R.
	5BG06-7 KS1	1			EUROPE, Includes Bezel Assembly w/adjust D ring
	5BG06-7 KH9	1			Charcoal, EUROPE
	5BG06-7 KY6	1			Cordovan, EUROPE
					Dark Sand, EUROPE
3-4					PANEL, Cowl Trim
	5AC36-7 KY6	1			Left Hand Drive, P.A.R., 1991-92
	5DD06-7 LY6	1			Left Hand Drive, P.A.R., 1993
					Right Hand Drive
	5CG92-3 LS1	1			Charcoal, Right Hand Drive
	5CG92-3 LH9	1			Cordovan, Right Hand Drive
	5CG92-3 LY6	1			Dark Sand, Right Hand Drive
5-6					COVER, Center Trim Lower
	5AC3 2JS1	1			Charcoal
	5AC3 3JS1	1			Charcoal, Stamped 55000467, LH Side
	5AC32-3 JH9	1			Cordovan
	5AC32-3 KY6	1			Dark Sand
7	5500 3370	2			PLATE, Scuff
8	5500 3372	2			PLATE, Scuff
9	3420 1403	12			SCREW, 13mm Long
10	3420 1545	8			CLIP
11	3420 1400	10			SCREW, 40mm Long
12	3420 1314	4			SCREW, 13mm Long
13	3420 1299	2			CLIP
14	3420 1468	4			SCREW, 25mm Long
15					SCREW
	1150 3059	4			20mm Long
	3420 1540	2			30mm Long

MODEL CODES:

61=Pickup-6 Ft Box 74=4 Door Wagon T=2WD
62=Pickup-7 Ft Box 77=Open Body 93" Wheelbase J,N,U=4WD
72=2 Door Wagon 78=Open Body 103" Wheelbase

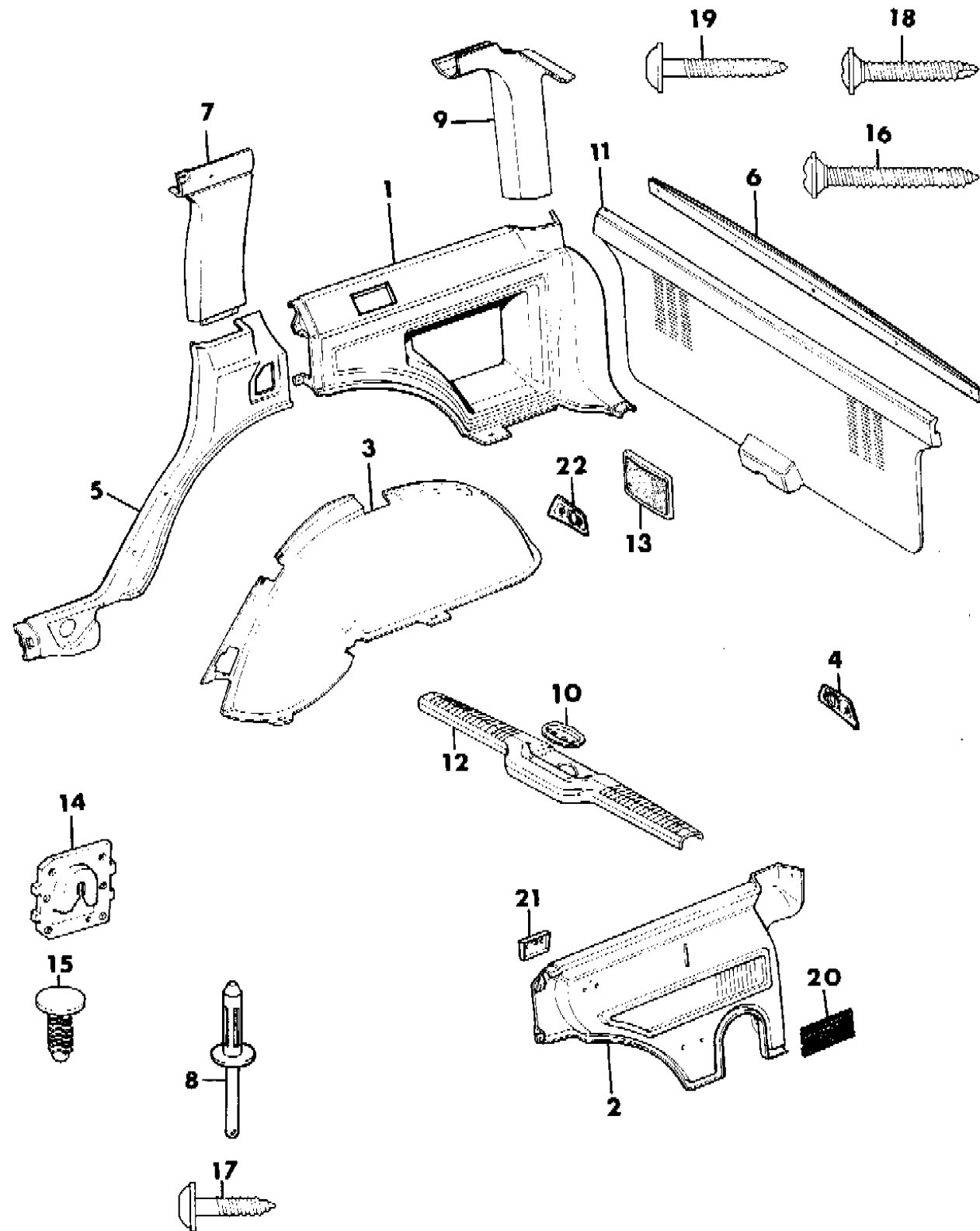
BODY STYLES:

MJ=Comanche Pickup ZJ=Grand Cherokee/Grand Wagoneer KDX VEHICLES
SJ=Grand Wagoneer M1=Comanche
XJ=Cherokee, Briarwood X1=Cherokee, Briarwood
YJ=Wrangler Y1=Wrangler

AR = Use as Required - = Non Illustrated Part P.A.R. = Paint as Required

PANELS, INTERIOR TRIM, REAR CHEROKEE 4 DOOR
Figure 43-900

91J43 900A



ITEM	PART NUMBER	QTY	BODY	MODEL	DESCRIPTION
1-2	5AZ90-1 KY6	1			PANEL, Quarter Trim, P.A.R. (includes insulation)
-	5500 5497	1			INSULATION, Right Quarter Trim Panel
-	5500 2687	1			INSULATION, Left Quarter Trim Panel
-					FASTENER, Quarter Trim Panel, Used w/Outside Mounted Spare Tire
-	5AA3 5JS1	1			Charcoal
-	5AA3 5JH9	1			Cordovan
-	5AA3 5KY6	1			Dark Sand
3					COVER, Wheelhouse, Rubber
	5AC58-9 JS1	1			Charcoal
	5AC58-9 JH9	1			Cordovan, 1991, KDX - China
	5AC58-9 KY6	1			Dark Sand
For 1992 Item 3 is KDX - Egypt Only Tag affixed to the Face of its Pulley. A Second Tag will show the name of the Vendor (OGURA).					
4	5501 5080	1			COVER, Rear Header, Left
5	5AC40-1 KY6	1			PANEL, Extension, P.A.R.
6	5500 8064	1			RETAINER, Liftgate Trim
7	5AC74-5 KY6	1			COVER, Lock Pillar, P.A.R.
8	3420 1621	5			RIVET, Liftgate Trim Retainer
9	5AC80-1 KY6	1			COVER, Lift Door Pillar, P.A.R.
10	5500 4352	1			RETAINER, Scuff Plate
11					PANEL, Lift Door Trim
	5AE1 8KY6	1			Rubber, P.A.R., 1991 all markets, 1992-93 - KDX
	5CP4 9LY6	1			Rubber, P.A.R., 1992-93 w/Carpet
	5AE1 9JS1	1			Charcoal, 1991-93
	5CY1 4LS1	1			Charcoal, KDX - Egypt, 1992-93
	5AE1 9JH9	1			Cordovan, 1991-92
	5CY1 4LH9	1			Cordovan, KDX - Egypt, 1992
	5AE1 9KY6	1			Dark Sand, 1991-93
	5CY1 4LY6	1			Dark Sand, KDX - Egypt, 1992-93
12					PLATE, Lift Door Scuff
	5AC5 5JS1	1			Charcoal
	5AC5 5JH9	1			Cordovan
	5AC5 5KY6	1			Dark Sand
13					GRILLE, Liftgate Speaker
	5AB9 3JY6	2			w/Premium Sound, P.A.R., 1991-92
	5DB3 0LY6	2			w/Premium Sound, P.A.R., 1993
-	3420 2419	8			SCREW, Speaker Grille, w/Premium Sound
	5AB8 5JY6	2			w/o Premium Sound, P.A.R., 1991-93
-	J400 0271	8			RETAINER, w/o Premium Sound

MODEL CODES:

61=Pickup-6 Ft Box 74=4 Door Wagon T=2WD
62=Pickup-7 Ft Box 77=Open Body 93" Wheelbase J,N,U=4WD
72=2 Door Wagon 78=Open Body 103" Wheelbase

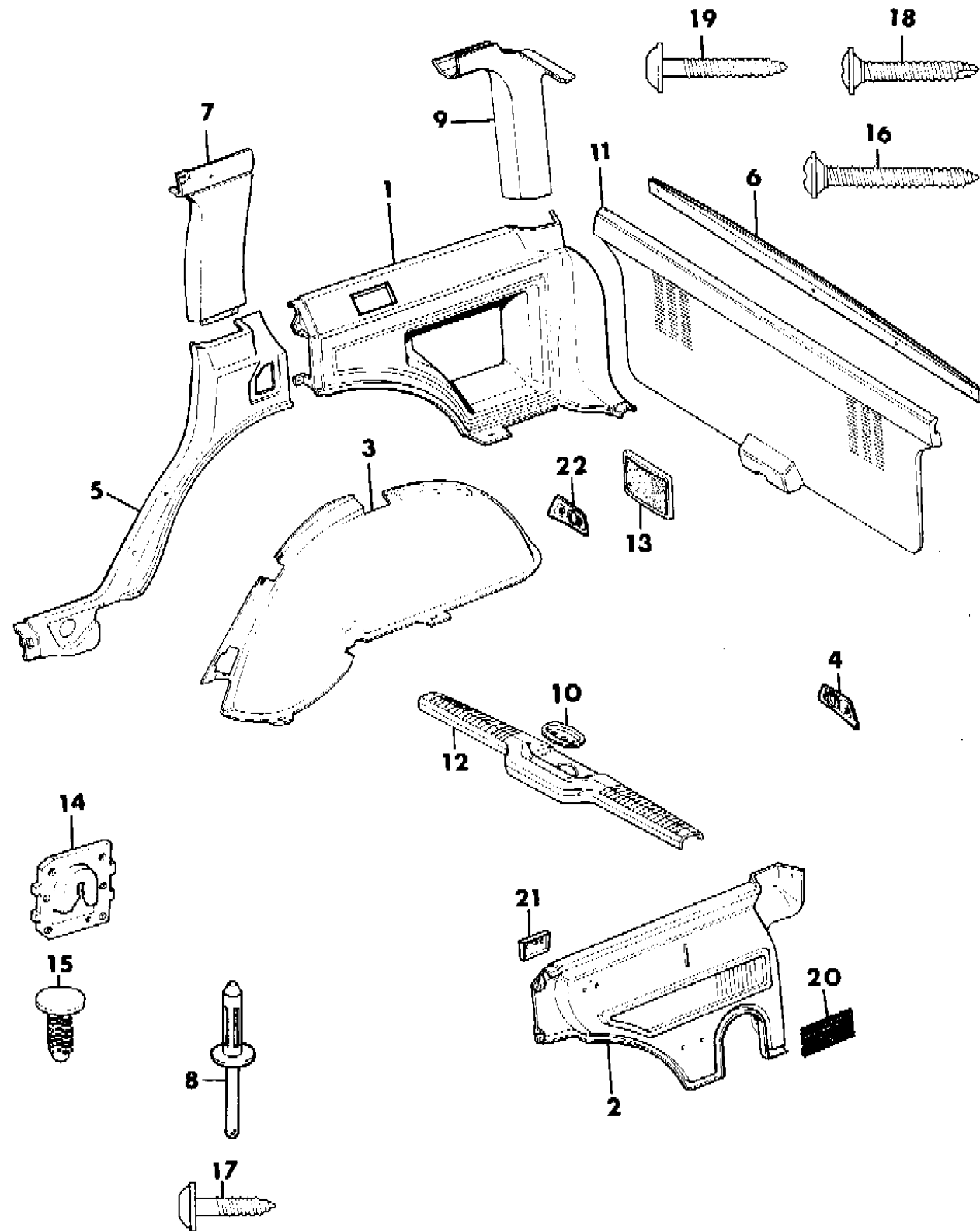
BODY STYLES:

MJ=Comanche Pickup ZJ=Grand Cherokee/Grand Wagoneer KDX VEHICLES
SJ=Grand Wagoneer M1=Comanche
XJ=Cherokee, Briarwood X1=Cherokee, Briarwood
YJ=Wrangler Y1=Wrangler

AR = Use as Required - = Non Illustrated Part P.A.R. = Paint as Required

PANELS, INTERIOR TRIM, REAR CHEROKEE 4 DOOR
Figure 43-900

91J43 900A



ITEM	PART NUMBER	QTY	BODY	MODEL	DESCRIPTION
14	3420 1299	4			RETAINER, Clip
15	3420 1545	AR			RETAINER Garnish Moulding Attaching
	6502 078	11			Trim Panel To Liftgate
16					SCREW
	3420 1403	4			(13mm) Quarter Trim Panel Mounting
	J400 4315	4			(16mm) Upper Liftgate Pillar Mounting
	3420 1400	AR			40mm
17	3420 1314	8			SCREW, 13mm Long
18	3420 1398	6			SCREW, 25mm Long
19	3420 1468	4			SCREW, 25mm Long
20	5500 4406	1			SCREEN, Louver
21					PAD, Spare Tire Rest
					w/Left Hand Drive
	5AC9 1JS1	1			Charcoal
	5AC9 1JH9	1			Cordovan
	5AC9 1KY6	1			Dark Sand
					w/Right Hand Drive
	5CP1 4LS1	1			Charcoal, RHD
	5CP1 4LH9	1			Cordovan, RHD
	5CP1 4LY6	1			Dark Sand, RHD
22	5500 5230	1			COVER, Rear Header, Right

MODEL CODES:

61=Pickup-6 Ft Box 74=4 Door Wagon T=2WD
62=Pickup-7 Ft Box 77=Open Body 93" Wheelbase J,N,U=4WD
72=2 Door Wagon 78=Open Body 103" Wheelbase

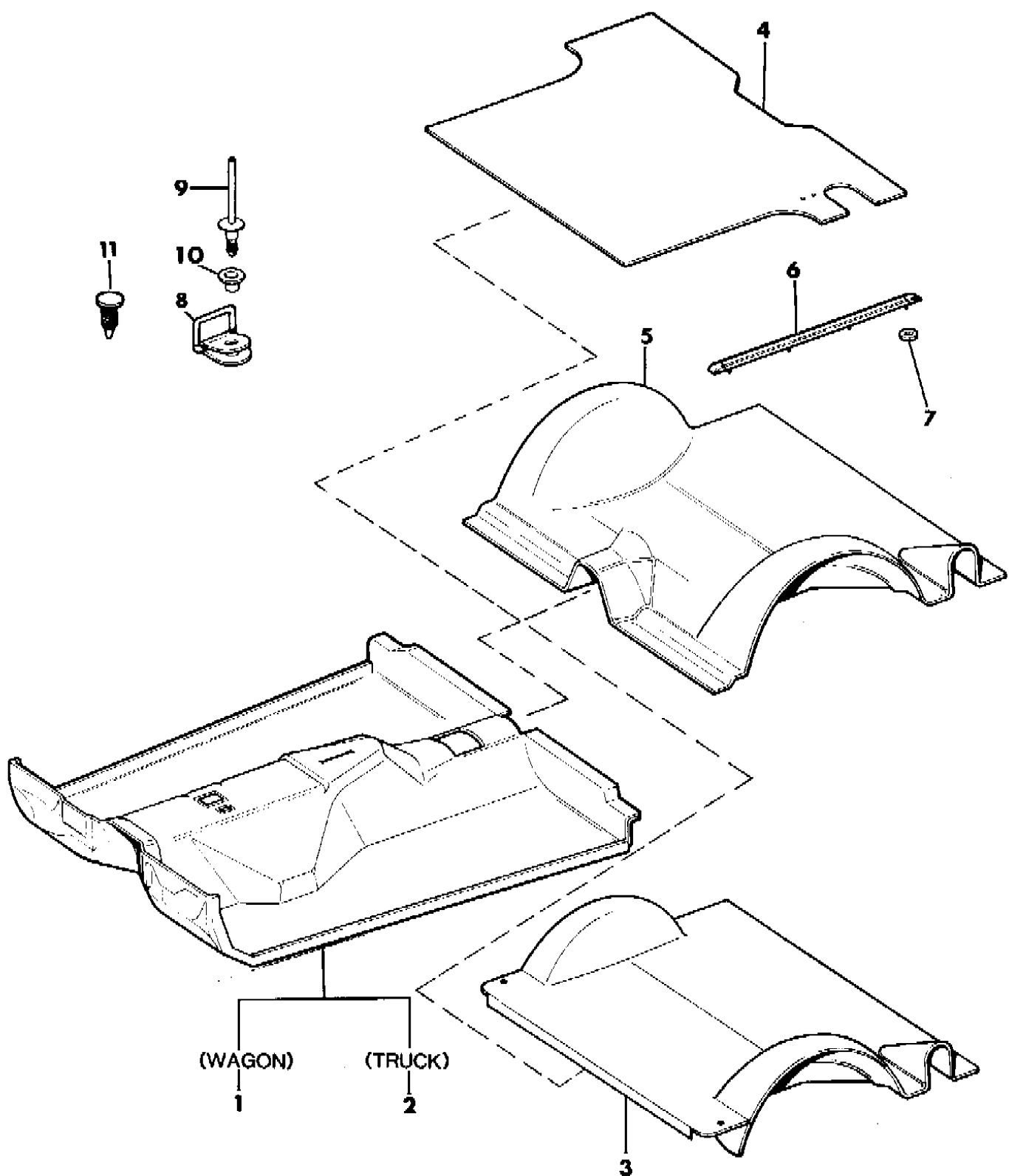
BODY STYLES:

MJ=Comanche Pickup ZJ=Grand Cherokee/Grand Wagoneer KDX VEHICLES
SJ=Grand Wagoneer M1=Comanche
XJ=Cherokee, Briarwood X1=Cherokee, Briarwood
YJ=Wrangler Y1=Wrangler

AR = Use as Required - = Non Illustrated Part P.A.R. = Paint as Required

CARPETS AND MATS CHEROKEE AND COMANCHE
Figure 43-1000

91J43 1000 A



ITEM	PART NUMBER	QTY	BODY	MODEL	DESCRIPTION
1			XJ		CARPET, Front Floor
					w/USA, CAN, X1
					12 Ounce, Short Pile, Right Hand Drive
	5BG7 9LA8	1			Charcoal, RHD
	5BG7 9LH9	1			Cordovan, RHD
	5BG7 9LY6	1			Dark Sand, RHD
					12 Ounce, Short Pile, Left Hand Drive
	5BA4 5JA8	1			Charcoal
	5BA4 5JH9	1			Cordovan
	5BA4 5JY6	1			Dark Sand
					w/EUR-XJ, Postal Vehicle ***
					16 Ounce Long Pile, Right Hand Drive
	5DC2 6MA8	1			Charcoal, RHD
	5DC2 6MY6	1			Dark Sand, RHD
					16 Ounce, Long Pile, Left Hand Drive
	5BA4 7JA8	1			Charcoal
	5BA4 7JH9	1			Cordovan
	5BA4 7JY6	1			Dark Sand
					MAT, Black Rubber, Heavy Duty
	5500 8700	1			1991
	5521 5299	1			1991-92
NOTE: FOOT REST for RHD vehicles w/auto trans. (not yet illustrated) consists of the following parts Tag affixed to the Face of its Pulley. A Second Tag will show the name of the Vendor (OGURA).					
-	5511 5066	1			PAD, Footrest, For Right Hand Drive, EUROPE
-	5511 5067	1			BRACKET, Foot Rest Mounting, Right Hand Drive, EUROPE
-		1			SCREW, Pad Mounting, EUROPE (153832 not serviced use .190-16x1.00)
-		1			SCREW, Floor Panel Foot Rest (154235 not serviced)
2			MJ		CARPET, Floor
					w/Floor Shift
	5BD7 8JA8	1			Charcoal
	5BD7 8JH9	1			Cordovan
	5BD7 8JY6	1			Dark Sand
					w/Column Shift
	5BG7 6JA8	1			Charcoal
	5BG7 6JH9	1			Cordovan
	5BG7 6JY6	1			Dark Sand
	5500 6431	1			MAT, Black Rubber
3					CARPET, Cargo, EUROPE, Commercial Package
	5BF7 3KA8	1			Charcoal, 1991
	5CR7 4KA8	1			Charcoal, 1992

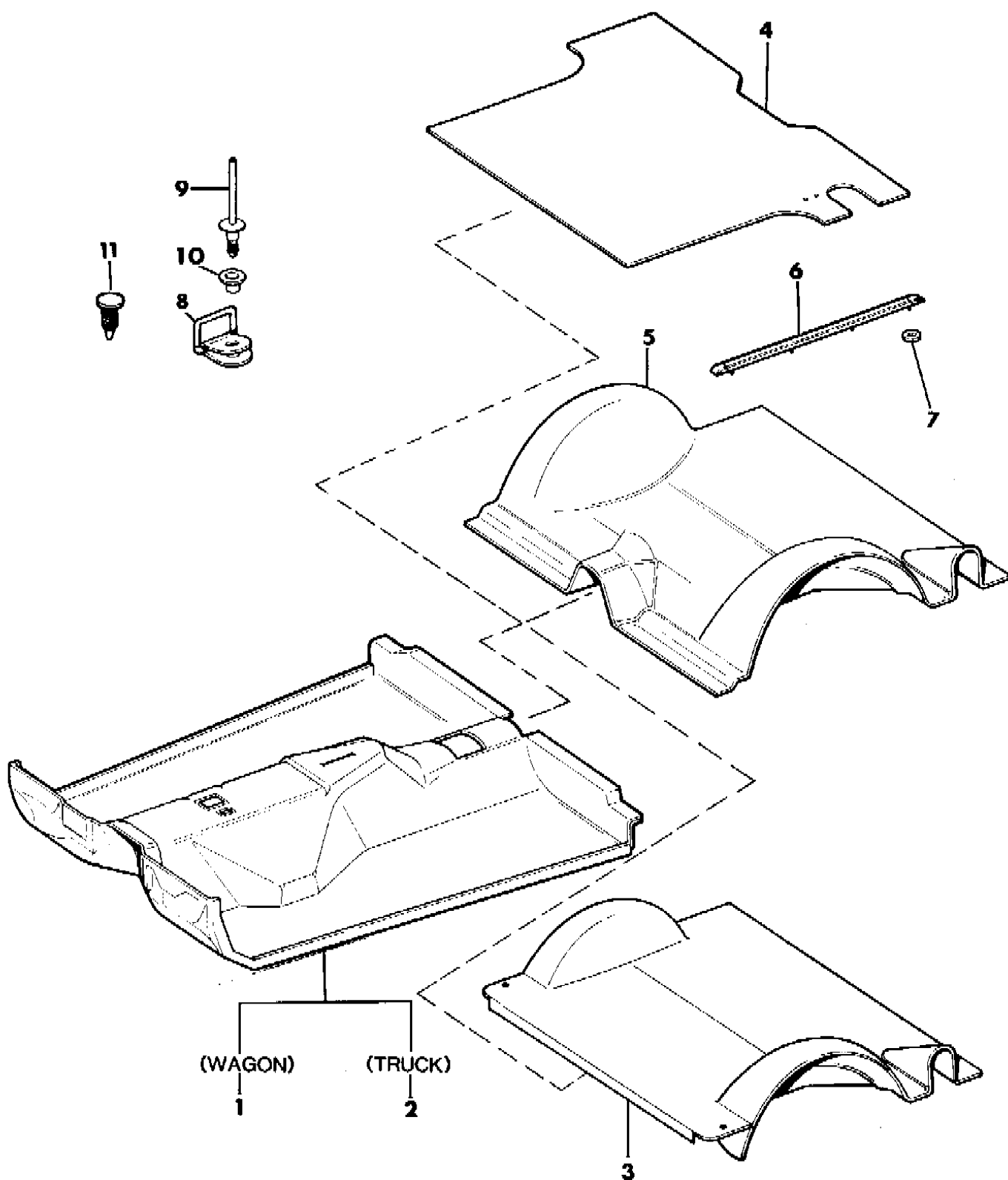
MODEL CODES:
61=Pickup-6 Ft Box 74=4 Door Wagon T=2WD
62=Pickup-7 Ft Box 77=Open Body 93" Wheelbase J,N,U=4WD
72=2 Door Wagon 78=Open Body 103" Wheelbase

BODY STYLES:
MJ=Comanche Pickup ZJ=Grand Cherokee/Grand Wagoneer KDX VEHICLES
SJ=Grand Wagoneer M1=Comanche
XJ=Cherokee, Briarwood Y1=Cherokee, Briarwood
YJ=Wrangler Y1=Wrangler

AR = Use as Required - = Non Illustrated Part P.A.R. = Paint as Required

CARPETS AND MATS CHEROKEE AND COMANCHE
Figure 43-1000

91J43 1000 A



ITEM	PART NUMBER	QTY	BODY	MODEL	DESCRIPTION
	5DE0 6MA8	1			Charcoal, 1993
4	5500 8727	1			MAT, Rear Cargo, Black Rubber
5					CARPET, Cargo 1991
	5CC0 2KA8	1			Dark Charcoal
	5CC0 2KH9	1			Cordovan
	5CC0 2KY6	1			Dark Sand 1992, Left Hand Drive
	5DB6 3LA8	1			Charcoal
	5DB6 3LH9	1			Cordovan
	5DB6 3LY6	1			Dark Sand 1992, Right Hand Drive, KDX
	5CH6 0LA8	1			Charcoal, RHD, KDX
	5CH6 0LH9	1			Cordovan, RHD, KDX
	5CH6 0LY6	1			Dark Sand, RHD, KDX 1993, Right and Left Hand Drive
	5DE0 5MA8	1			Charcoal
	5DE0 5MY6	1			Dark Sand

NOTE: Carpet must be modified for use w/skid strips. Tag affixed to the Face of its Pulley. A Second Tag will show the name of the Vendor (OGURA).

6	5500 1078	4			STRIP, Skid ***
7	3420 2014	8			NUT, Push
8	5502 5872	2			LOOP, Cargo Tie Down ***
9	3420 2083	2			RIVET
10	3420 2365	2			WASHER
11	5AA3 5KA8	2		72	FASTENER, Dark Charcoal, w/Commercial Package, EUROPE

NOTE: Floor Mats Are Serviced in the Accessories Catalog. Tag affixed to the Face of its Pulley. A Second Tag will show the name of the Vendor (OGURA).

MODEL CODES:

61=Pickup-6 Ft Box 74=4 Door Wagon T=2WD
 62=Pickup-7 Ft Box 77=Open Body 93" Wheelbase J,N,U=4WD
 72=2 Door Wagon 78=Open Body 103" Wheelbase

BODY STYLES:

MJ=Comanche Pickup ZJ=Grand Cherokee/Grand Wagoneer KDX VEHICLES
 SJ=Grand Wagoneer M1=Comanche
 XJ=Cherokee, Briarwood X1=Cherokee, Briarwood
 YJ=Wrangler Y1=Wrangler

AR = Use as Required - = Non Illustrated Part P.A.R. = Paint as Required

PANELS, DOOR TRIM TYPE 1 (WITH UPPER GARNISH MOULDINGS) CHEROKEE 4 DOOR
Figure 43-1100

91J43 1100

ITEM	PART NUMBER	QTY	BODY	MODEL	DESCRIPTION
1					RIVET, Bracket to Door
	3420 1197	4			1991-92
	J400 5899	4			1993
2	5500 3629	2			BRACKET, Door Trim
3					PANEL, Front Door Trim
					1991-92
	5BH94-5 KH9	1			Cordovan
	5BH94-5 KY6	1			Dark Sand
					1993
	5DD90-1 MSA	1			Charcoal
	5DD90-1 MY6	1			Dark Sand
4	J400 0459	4			NUT
5	3420 1681	AR			CLIP
6	3420 1299	2			CLIP, Retaining
7					PANEL, Rear Door Trim
					1991-92, Except KDX- Venezuela
	4636 532-3	1			Cordovan
	4636 534-5	1			Dark Sand
					1991-92 KDX - Venezuela
	5AD38-9 JSA	1			Charcoal
	5AD38-9 KY6	1			Dark Sand
					1993
	5DD92-3 MSA	1			Charcoal
	5DD92-3 MY6	1			Dark Sand
8	5502 9606	2			NAMEPLATE, "Cherokee", 1991-92 ***
9					MOULDING, Front Trim Panel, Upper Garnish
					1991-92
	5BK84-5 KH9	1			Cordovan
	5BK84-5 KY6	1			Dark Sand
					1993
	5DD66-7 MS1	1			Charcoal
	5DD66-7 MY6	1			Dark Sand
10	3420 1545	10			CLIP
11					MOULDING, Trim Panel
					1991-92
	5BL78-9 KH9	1			Cordovan, Except KDX - Venezuela
	5AC88-9 JS1	1			Charcoal, KDX - Venezuela
	5BL78-9 KY6	1			Dark Sand, Except KDX - Venezuela
	5AC88-9 KY6	1			Dark Sand, KDX - Venezuela
					1993
	5DD70-1 MS1	1			Charcoal

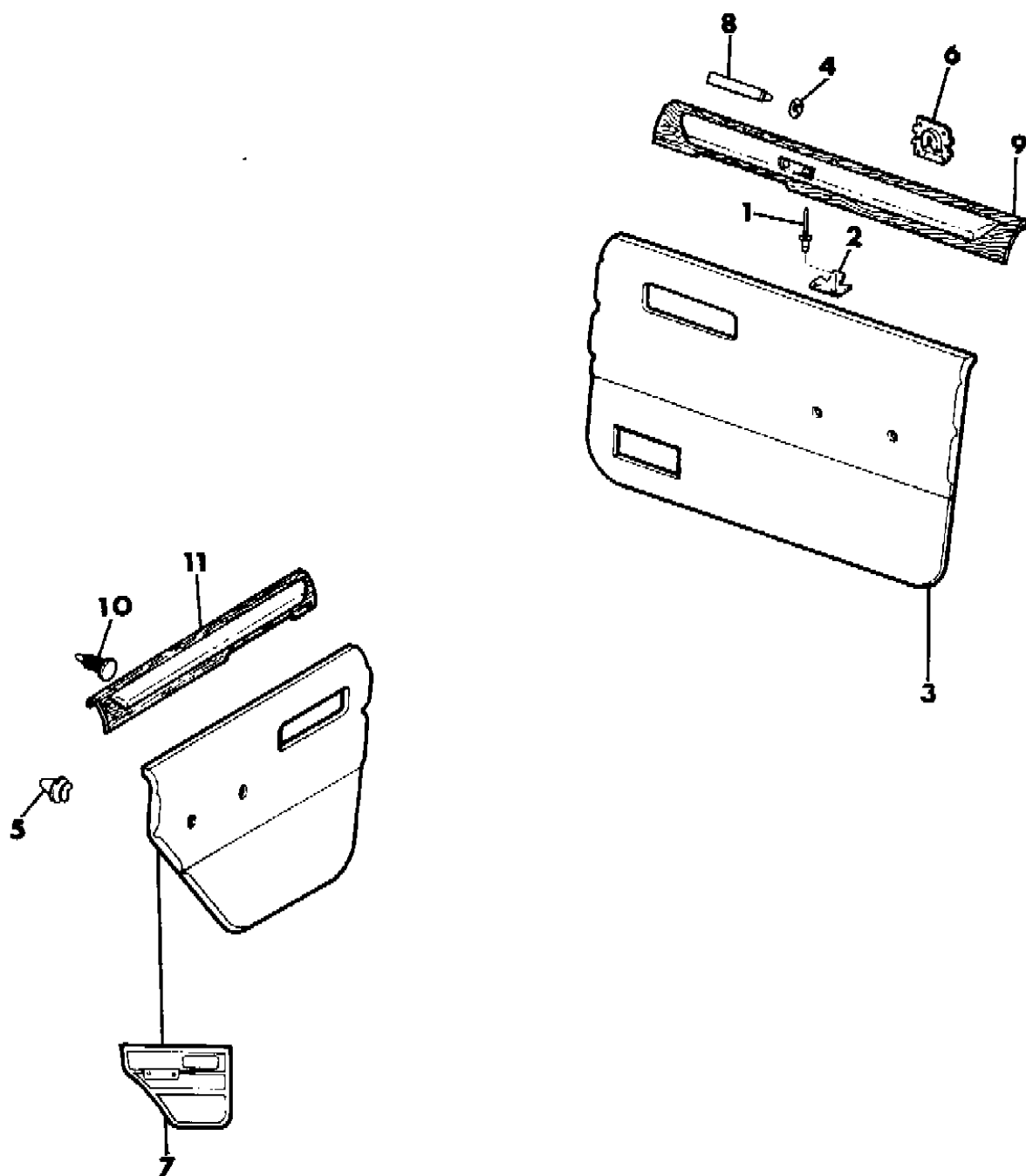
MODEL CODES:

61=Pickup-6 Ft Box 74=4 Door Wagon T=2WD
62=Pickup-7 Ft Box 77=Open Body 93" Wheelbase J,N,U=4WD
72=2 Door Wagon 78=Open Body 103" Wheelbase

BODY STYLES:

MJ=Comanche Pickup ZJ=Grand Cherokee/Grand Wagoneer KDX VEHICLES
SJ=Grand Wagoneer M1=Comanche
XJ=Cherokee, Briarwood X1=Cherokee, Briarwood
YJ=Wrangler Y1=Wrangler

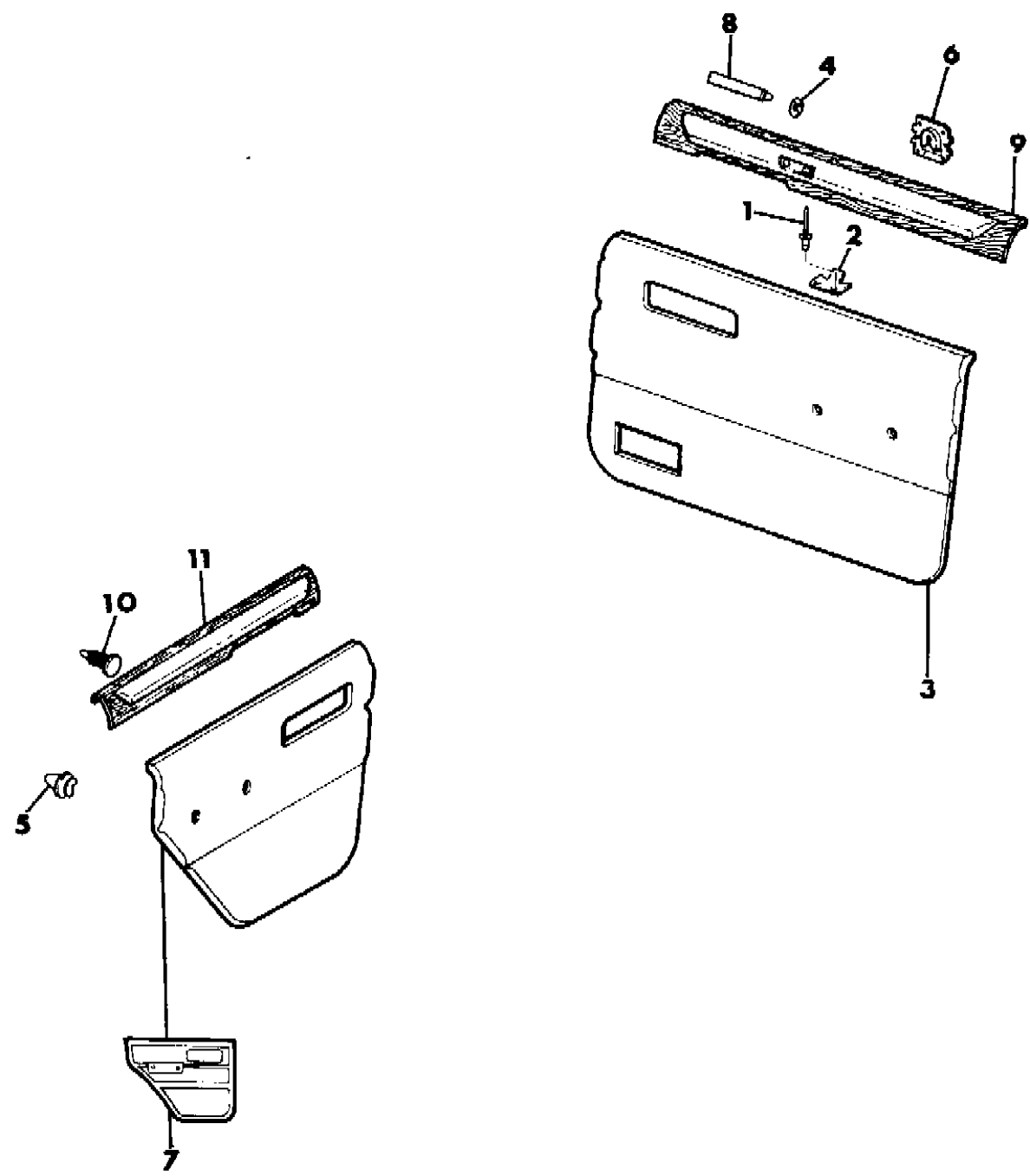
AR = Use as Required - = Non Illustrated Part P.A.R. = Paint as Required



PANELS, DOOR TRIM TYPE 1 (WITH UPPER GARNISH MOULDINGS) CHEROKEE 4 DOOR
Figure 43-1100

91J43 1100

ITEM	PART NUMBER	QTY	BODY	MODEL	DESCRIPTION
	5DD70-1 MY6	1			Dark Sand



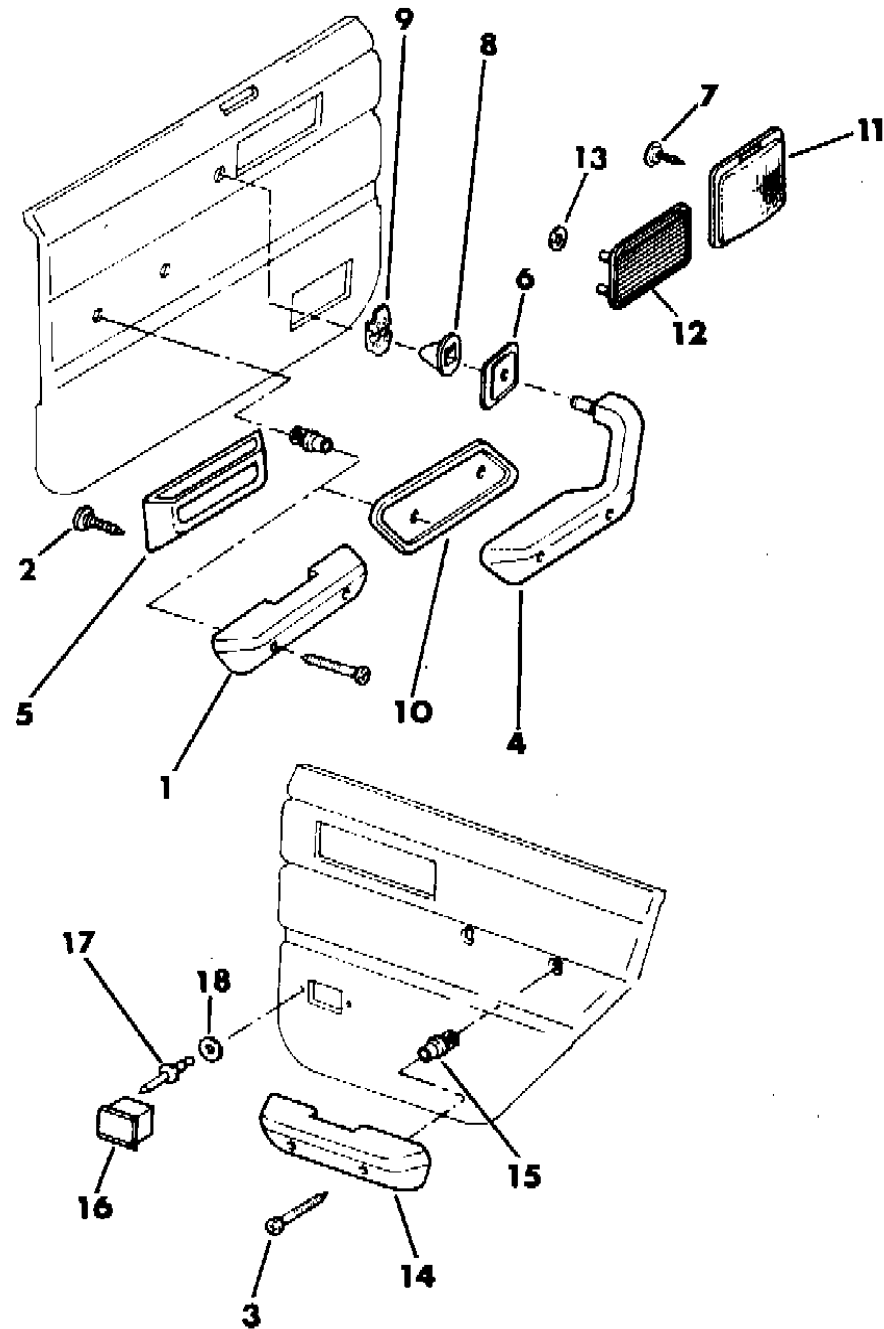
MODEL CODES:
 61=Pickup-6 Ft Box 74=4 Door Wagon T=2WD
 62=Pickup-7 Ft Box 77=Open Body 93" Wheelbase J,N,U=4WD
 72=2 Door Wagon 78=Open Body 103" Wheelbase

BODY STYLES:
 MJ=Comanche Pickup ZJ=Grand Cherokee/Grand Wagoneer KDX VEHICLES
 SJ=Grand Wagoneer M1=Comanche
 XJ=Cherokee, Briarwood X1=Cherokee, Briarwood
 YJ=Wrangler Y1=Wrangler

AR = Use as Required - = Non Illustrated Part P.A.R. = Paint as Required

INTERIOR TRIM PARTS, DOOR CHEROKEE
Figure 43-1200

91J43 1200



ITEM	PART NUMBER	QTY	BODY	MODEL	DESCRIPTION
1					ARMREST
					Left
	5AW6 9JS1	1			Charcoal
	5AW6 9JH9	1			Cordovan
	5AW6 9KY6	1			Dark Sand
					Right
	5AW6 8JS1	1			Charcoal
	5AW6 8JH9	1			Cordovan
	5AW6 8KY6	1			Dark Sand
2	3420 2074	10			SCREW, Stowage Bin
3					SCREW
	1150 0068	AR			Armrest Mounting
	3420 1298	AR			Armrest Assembly
4					ARMREST
	5AB98-9 JS1	1			Charcoal
	5AB98-9 JA8	1			Dark Charcoal
	5AB98-9 JH9	1			Cordovan
	5AB98-9 JY6	1			Dark Sand
5	5AB8 9JY6	2			PANEL, Stowage Bin, P.A.R.
6	5500 3128-9	1			BEZEL, Armrest, 1991, KDX - Venezuela
7	3420 2419	8			SCREW, Speaker Grille
8	J307 7045	2			NIPPLE, Armrest
9					CLIP, Armrest Mounting
	J307 6062	2			For vehicles built before 10/22/91
	5521 5152	2			For vehicles built 10/22/91 and later
10	3500 1916-7	1			ESCUTCHEON, Armrest, 1991, KDX - Venezuela
11					GRILLE, Door Speaker (w/Premium Radio)
	5AB9 3JY6	2			1991-92, P.A.R.
	5DB3 0LY6	2			1993, P.A.R.
12	5AB8 5JY6	2			GRILLE, Speaker/Exhauster, P.A.R. (w/o Premium Radio)
13	J400 0271	8			FASTENER
14					ARMREST, 4 Door
	5AC3 4JS1	2			Charcoal
	5AC3 4JA8	2			Dark Charcoal
	5AC3 4JH9	2			Cordovan
	5AC3 4JY6	2			Dark Sand
15					CLIP, Retainer, Armrest Mounting
	6502 112	8			4 Door
	6502 112	4			2 Door
16	5AC3 5JY6	2			ASHTRAY, 4 Door, P.A.R. ***
17	3420 2602	4			RIVET

MODEL CODES:

61=Pickup-6 Ft Box 74=4 Door Wagon T=2WD
 62=Pickup-7 Ft Box 77=Open Body 93" Wheelbase J,N,U=4WD
 72=2 Door Wagon 78=Open Body 103" Wheelbase

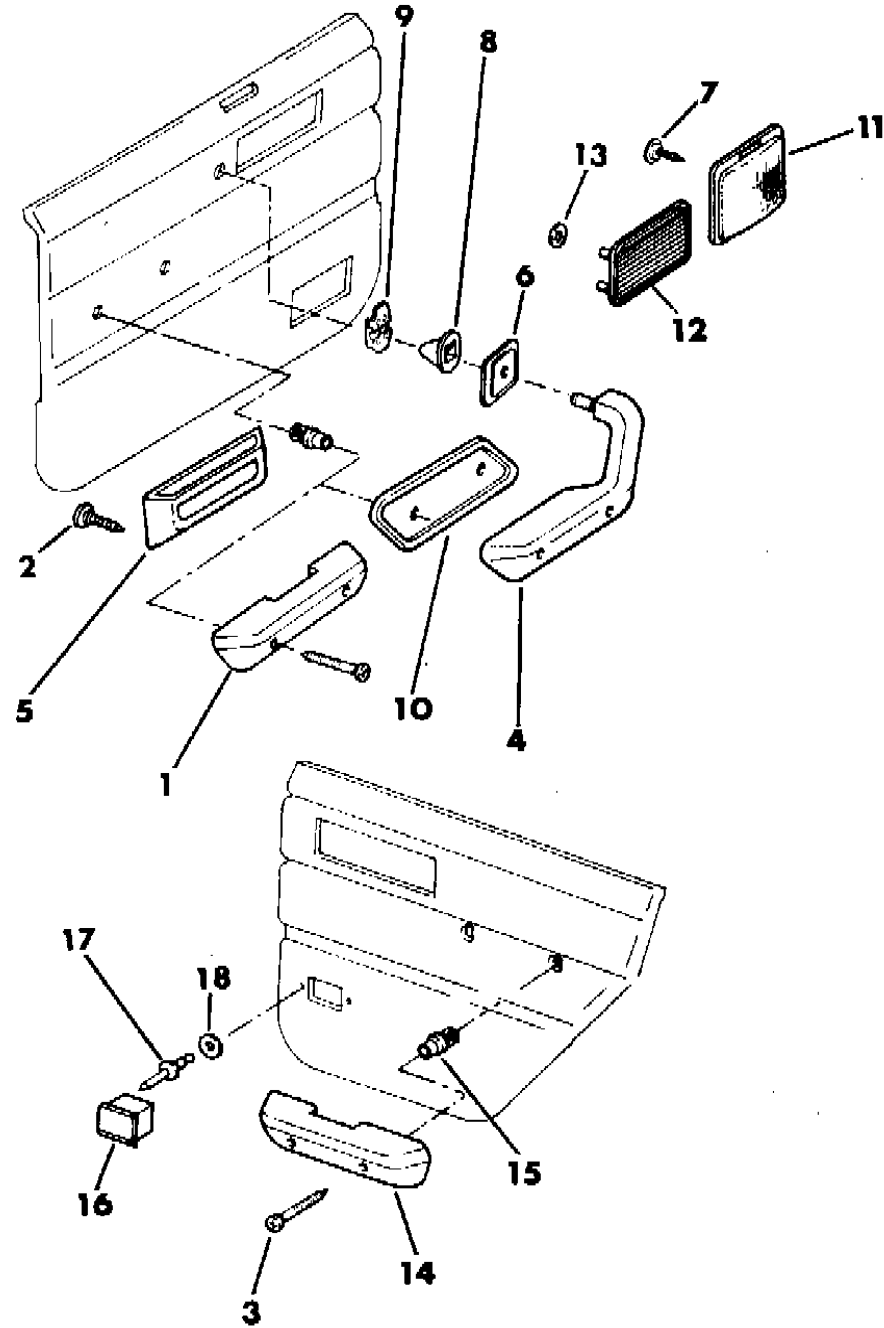
BODY STYLES:

MJ=Comanche Pickup ZJ=Grand Cherokee/Grand Wagoneer KDX VEHICLES
 SJ=Grand Wagoneer M1=Comanche
 XJ=Cherokee, Briarwood X1=Cherokee, Briarwood
 YJ=Wrangler Y1=Wrangler

AR = Use as Required - = Non Illustrated Part P.A.R. = Paint as Required

INTERIOR TRIM PARTS, DOOR CHEROKEE
Figure 43-1200

91J43 1200



ITEM	PART NUMBER	QTY	BODY	MODEL	DESCRIPTION
18	1150 0348	4			WASHER, 4 Door

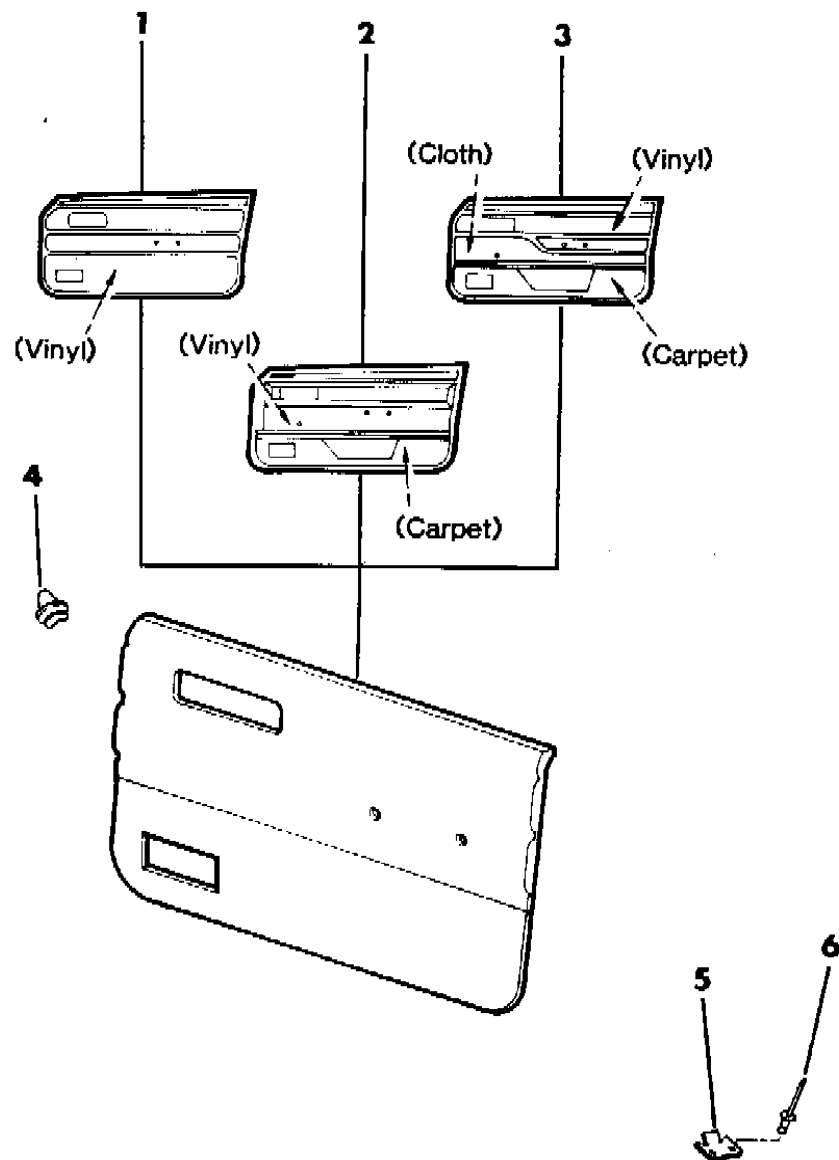
MODEL CODES:
 61=Pickup-6 Ft Box 74=4 Door Wagon T=2WD
 62=Pickup-7 Ft Box 77=Open Body 93" Wheelbase J,N,U=4WD
 72=2 Door Wagon 78=Open Body 103" Wheelbase

BODY STYLES:
 MJ=Comanche Pickup ZJ=Grand Cherokee/Grand Wagoneer KDX VEHICLES
 SJ=Grand Wagoneer M1=Comanche
 XJ=Cherokee, Briarwood X1=Cherokee, Briarwood
 YJ=Wrangler Y1=Wrangler

AR = Use as Required - = Non Illustrated Part P.A.R. = Paint as Required

PANELS, DOOR TRIM CHEROKEE 2 DOOR
Figure 43-1300

91J43 1300



ITEM	PART NUMBER	QTY	BODY	MODEL	DESCRIPTION
1					PANEL, Door Trim
	5AE62-3 JSA	1			All Vinyl Charcoal
	5AE62-3 KY6	1			Dark Sand
2					PANEL, Door Trim
	5AE64-5 JSA	1			Vinyl and Carpet Charcoal
	5AE64-5 JH9	1			Cordovan
	5AE64-5 KY6	1			Dark Sand
3					PANEL, Door Trim
	5AE72-3 JSA	1			Vinyl, Cloth and Carpet Charcoal, built up to 8/30/92
	5AE72-3 MSA	1			Charcoal, built 8/31/92 and after
	5AE72-3 JH9	1			Cordovan
	5AE72-3 KY6	1			Dark Sand
4	3420 1681	30			CLIP
5	5500 3629	2			BRACKET, Door Trim
6	3420 1197	4			RIVET

MODEL CODES:

61=Pickup-6 Ft Box 74=4 Door Wagon T=2WD
62=Pickup-7 Ft Box 77=Open Body 93" Wheelbase J,N,U=4WD
72=2 Door Wagon 78=Open Body 103" Wheelbase

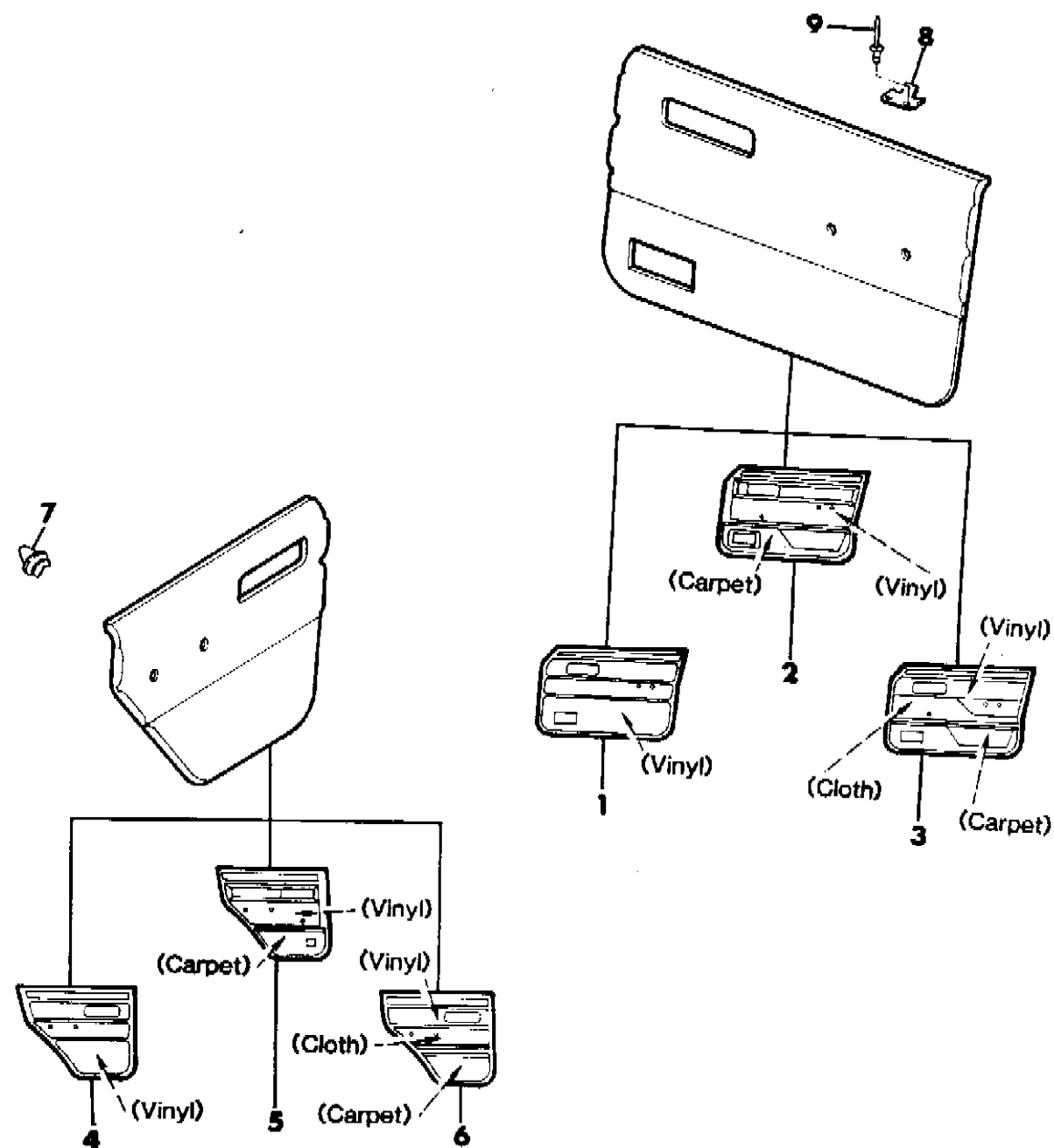
BODY STYLES:

MJ=Comanche Pickup ZJ=Grand Cherokee/Grand Wagoneer KDX VEHICLES
SJ=Grand Wagoneer M1=Comanche
XJ=Cherokee, Briarwood X1=Cherokee, Briarwood
YJ=Wrangler Y1=Wrangler

AR = Use as Required - = Non Illustrated Part P.A.R. = Paint as Required

PANELS, DOOR TRIM TYPE 2 (WITHOUT UPPER GARNISH MOULDINGS) CHEROKEE 4 DOOR
Figure 43-1400

91J43 1400



ITEM	PART NUMBER	QTY	BODY	MODEL	DESCRIPTION
1					PANEL, Front Door Trim
	5AE56-7 JSA	1			All Vinyl Charcoal
	5AE56-7 JH9	1			Cordovan
	5AE56-7 KY6	1			Dark Sand
	5CY12-3 LSA	1			KDX - Egypt, 1992 Charcoal, KDX - Egypt
	5CY12-3 LH9	1			Cordovan, KDX - Egypt
	5CY12-3 LY6	1			Dark Sand, KDX - Egypt
2					PANEL, Front Door Trim
	5AE58-9 JSA	1			Vinyl and Carpet Charcoal
	5AE58-9 JH9	1			Cordovan
	5AE58-9 KY6	1			Dark Sand "Limited", 1991-92 (Use Up To 4-3-92)
	5AG50-1 JSA	1			Charcoal
	5AG50-1 KY6	1			Dark Sand (Use After 4-3-92)
	5DE92-3 LSA	1			Charcoal
	5DE92-3 LY6	1			Dark Sand
3					PANEL, Front Door Trim
	5AE60-1 JSA	1			Vinyl, Cloth and Carpet Charcoal, built up to 8/30/92
	5AE60-1 MSA	1			Charcoal, built 8/31/92 and after
	5AE60-1 JH9	1			Cordovan
	5AE60-1 KY6	1			Dark Sand
4					PANEL, Rear Door Trim
	5AE68-9 JSA	1			All Vinyl Charcoal
	5AE68-9 KY6	1			Dark Sand
5					PANEL, Rear Door Trim
	5AE70-1 JSA	1			Vinyl and Carpet Charcoal, 1991 (w/hole for ash receiver)
	5CP50-1 KSA	1			Charcoal, 1991-93 (w/o hole for ash receiver)
	5AE70-1 JH9	1			Cordovan, 1991 (w/hole for ash receiver)
	5CP50-1 KH9	1			Cordovan, 1991-92 (w/o hole for ash receiver)
	5AE70-1 KY6	1			Dark Sand, 1991 (w/hole for ash receiver)
	5CP50-1 KY6	1			Dark Sand, 1991-93 (w/o hole for ash receiver)
	5AG62-3 JSA	1			"Limited", 1991-92 Charcoal

MODEL CODES:

61=Pickup-6 Ft Box 74=4 Door Wagon T=2WD
62=Pickup-7 Ft Box 77=Open Body 93" Wheelbase J,N,U=4WD
72=2 Door Wagon 78=Open Body 103" Wheelbase

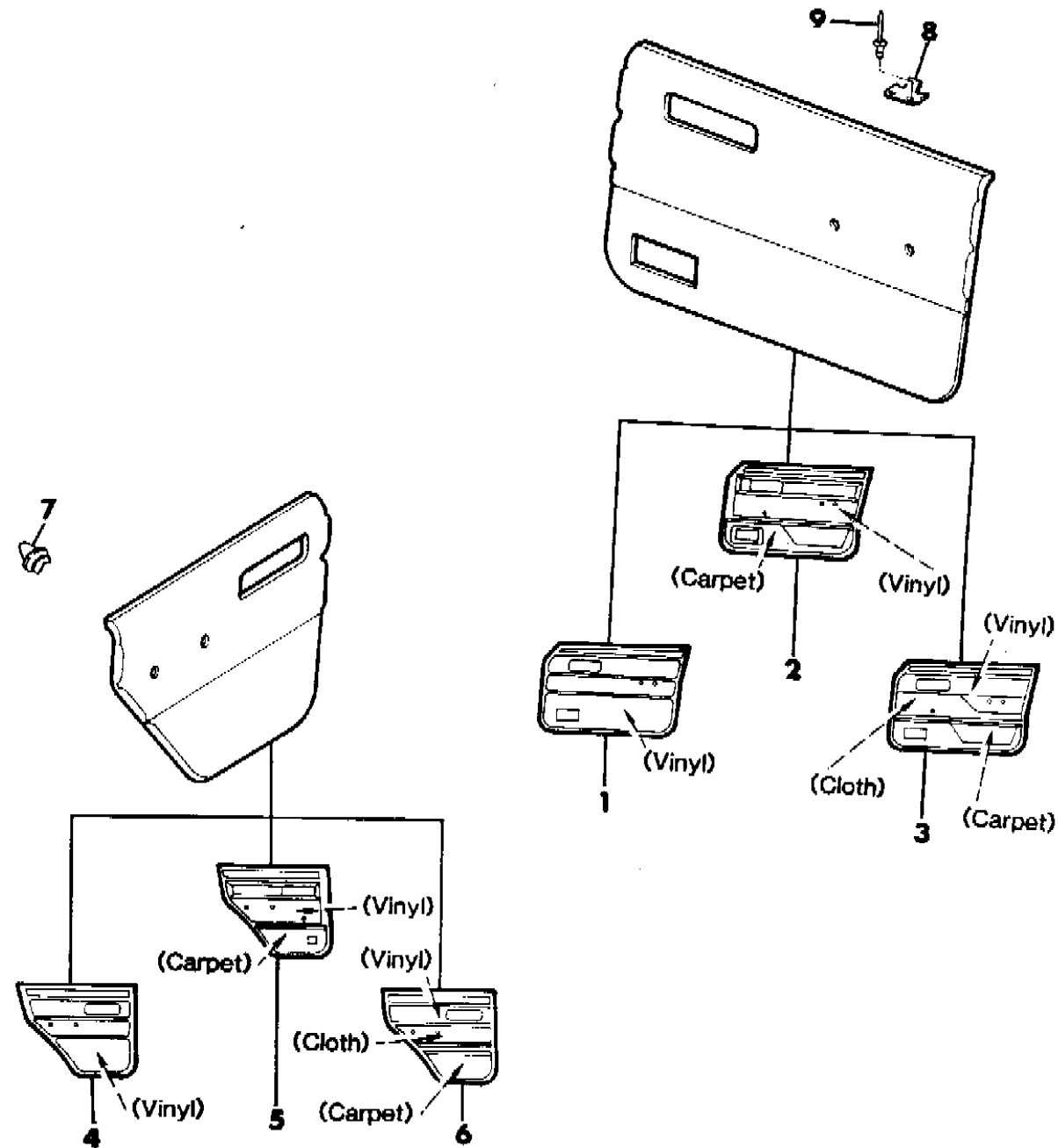
BODY STYLES:

MJ=Comanche Pickup ZJ=Grand Cherokee/Grand Wagoneer KDX VEHICLES
SJ=Grand Wagoneer M1=Comanche
XJ=Cherokee, Briarwood X1=Cherokee, Briarwood
YJ=Wrangler Y1=Wrangler

AR = Use as Required - = Non Illustrated Part P.A.R. = Paint as Required

PANELS, DOOR TRIM TYPE 2 (WITHOUT UPPER GARNISH MOULDINGS) CHEROKEE 4 DOOR
Figure 43-1400

91J43 1400



ITEM	PART NUMBER	QTY	BODY	MODEL	DESCRIPTION
	5AG62-3 KY6	1			Dark Sand
6					PANEL, Rear Door Trim Vinyl, Cloth and Carpet
	5AE66-7 JSA	1			Charcoal, built up to 8/30/92
	5AE66-7 MSA	1			Charcoal, built 8/31/92 and after
	5AE66-7 JH9	1			Cordovan
	5AE66-7 KY6	1			Dark Sand
7	3420 1681	26			CLIP
8	5500 3629	2			BRACKET, Door Trim
9					RIVET, Bracket to Door
	3420 1197	4			1991-92
	J400 5899	4			1993

MODEL CODES:

61=Pickup-6 Ft Box 74=4 Door Wagon T=2WD
62=Pickup-7 Ft Box 77=Open Body 93" Wheelbase J,N,U=4WD
72=2 Door Wagon 78=Open Body 103" Wheelbase

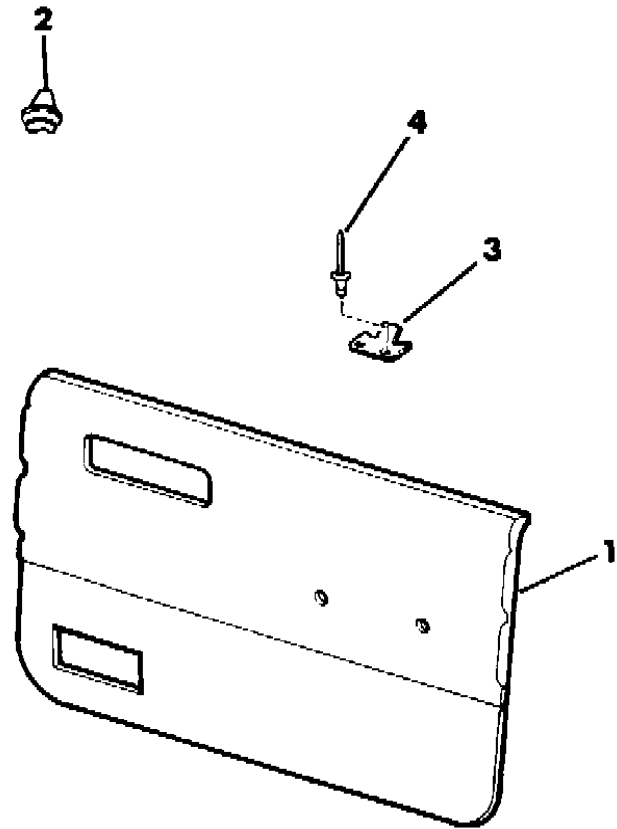
BODY STYLES:

MJ=Comanche Pickup ZJ=Grand Cherokee/Grand Wagoneer KDX VEHICLES
SJ=Grand Wagoneer M1=Comanche
XJ=Cherokee, Briarwood X1=Cherokee, Briarwood
YJ=Wrangler Y1=Wrangler

AR = Use as Required - = Non Illustrated Part P.A.R. = Paint as Required

PANELS, DOOR TRIM COMANCHE
Figure 43-1500

91J43 1500



ITEM	PART NUMBER	QTY	BODY	MODEL	DESCRIPTION
1					PANEL, Door Trim
	5AE56-7 JSA	1			All Vinyl Charcoal
	5AE56-7 JH9	1			Cordovan
	5AE56-7 KY6	1			Dark Sand
	5AE58-9 JSA	1			Vinyl and Carpet Charcoal
	5AE58-9 JH9	1			Cordovan
	5AE58-9 KY6	1			Dark Sand
2	3420 1681	26			CLIP
3	5500 3629	2			BRACKET, Door Trim
4					RIVET, Bracket to Door
	3420 1197	4			1991-92
	J400 5899	4			1993

MODEL CODES:

61=Pickup-6 Ft Box 74=4 Door Wagon T=2WD
62=Pickup-7 Ft Box 77=Open Body 93" Wheelbase J,N,U=4WD
72=2 Door Wagon 78=Open Body 103" Wheelbase

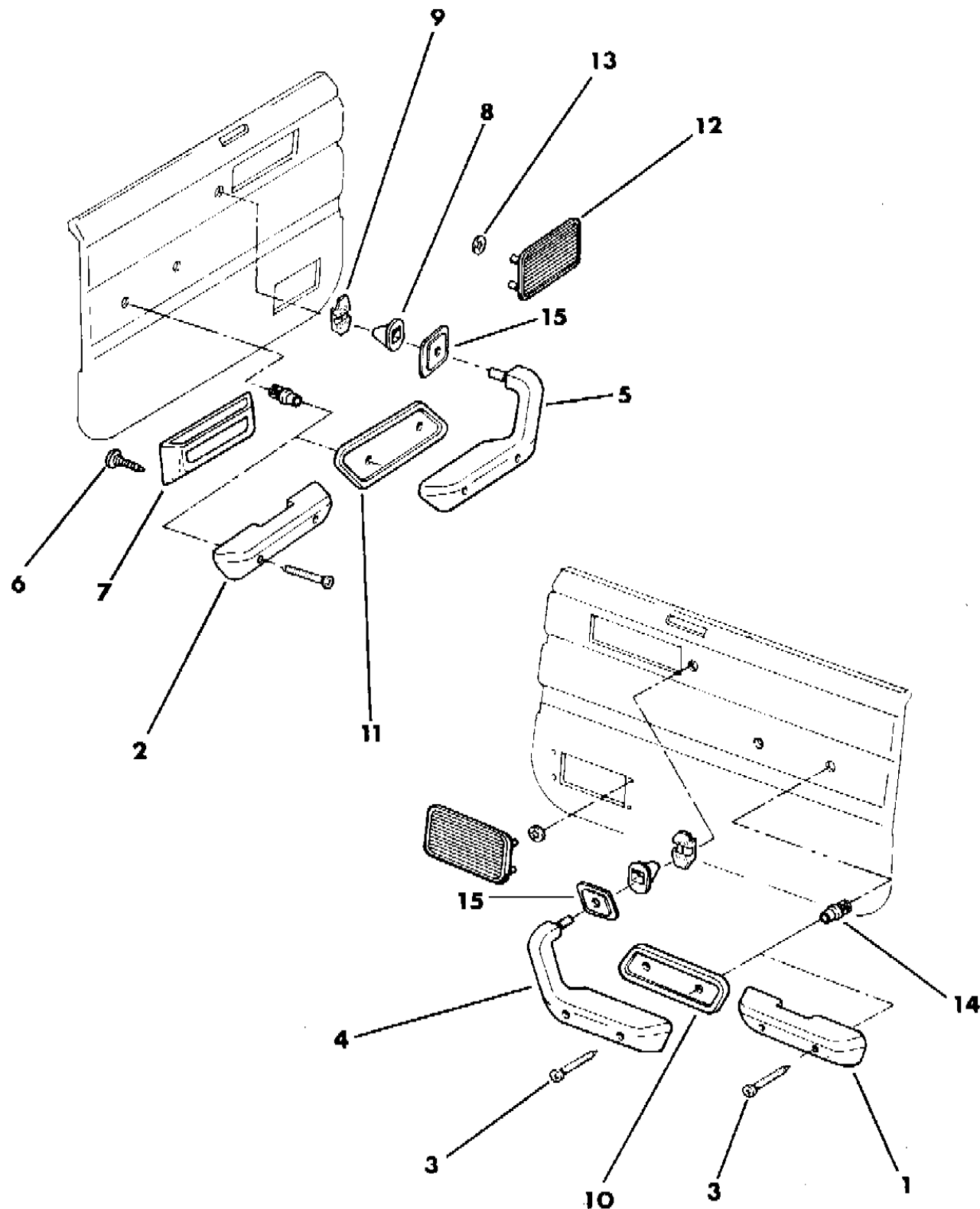
BODY STYLES:

MJ=Comanche Pickup ZJ=Grand Cherokee/Grand Wagoneer KDX VEHICLES
SJ=Grand Wagoneer M1=Comanche
XJ=Cherokee, Briarwood X1=Cherokee, Briarwood
YJ=Wrangler Y1=Wrangler

AR = Use as Required - = Non Illustrated Part P.A.R. = Paint as Required

INTERIOR TRIM PARTS, DOOR COMANCHE
Figure 43-1600

91J43 1600 A



ITEM	PART NUMBER	QTY	BODY	MODEL	DESCRIPTION
1					ARMREST, Right
	5AC3 4JS1	1		61	Charcoal
	5AC3 4JH9	1		61	Cordovan
	5AC3 4JY6	1		61	Dark Sand
	5AW6 8JS1	1		62	Charcoal
	5AW6 8JH9	1		62	Cordovan
2					ARMREST, Left
	5AC3 4JS1	1		61	Charcoal
	5AC3 4JH9	1		61	Cordovan
	5AC3 4JY6	1		61	Dark Sand
	5AW6 9JS1	1		62	Charcoal
	5AW6 9JH9	1		62	Cordovan
3					SCREW
	1150 0068	4			Armrest Mounting
	3420 1298	AR			Armrest Assembly
4-5					ARMREST
	5AB98-9 JS1	1			Charcoal
	5AB98-9 JH9	1			Cordovan
6					SCREW, Stowage Bin
	3420 2074	10			
	5AB8 9JY6	2			PANEL, Stowage Bin
7					NIPPLE, Armrest
8	J307 7045	2			
9					CLIP, Armrest Mounting
	J307 6062	2			For vehicles built before 10/22/91
	5521 5152	2			For vehicles built 10/22/91 and later
10-11	3500 1916-7	1			ESCUTCHEON, Armrest, 1991, KDX - Venezuela
12	5AB8 5JY6	2			GRILLE, Speaker/Exhauster, P.A.R.
13	J400 0271	8			FASTENER
14	6502 112	4			CLIP, Retainer, armrest mounting
15	5500 3128-9	1			BEZEL, 1991, KDX - Venezuela

MODEL CODES:

61=Pickup-6 Ft Box 74=4 Door Wagon T=2WD
 62=Pickup-7 Ft Box 77=Open Body 93" Wheelbase J,N,U=4WD
 72=2 Door Wagon 78=Open Body 103" Wheelbase

BODY STYLES:

MJ=Comanche Pickup ZJ=Grand Cherokee/Grand Wagoneer KDX VEHICLES
 SJ=Grand Wagoneer M1=Comanche
 XJ=Cherokee, Briarwood X1=Cherokee, Briarwood
 YJ=Wrangler Y1=Wrangler

AR = Use as Required - = Non Illustrated Part P.A.R. = Paint as Required

FRAME AND PAD BUCKET SEATS CHEROKEE 2 DOOR AND COMANCHE
Figure 43-1700

91J43 1700

ITEM	PART NUMBER	QTY	BODY	MODEL	DESCRIPTION
1-2					FRAME, Seat
	5502 6296-7	1			w/o Reclining Seat Back, 1991-93
	5519 5022-3	1			w/o Reclining Seat Back, EUROPE - Austria, 1992-93
	5502 7460-1	1			w/Reclining Seat Back, 1991-92
	5519 4888-9	1			w/Reclining Seat Back, 1993
	5519 5024-5	1			w/Reclining Seat Back, EUROPE - Austria, 1992-93
	5519 5348-9	1			w/Reclining Seat Back and Heavy Duty Police Package
3	3500 0762	2			PAD, Cushion
4	3500 2769	2			PAD, Back
5	1150 4735	4			BOLT
6	3500 1690	2			PAD, Headrest
7	3500 3669	2			POST, Headrest ***
-	J400 2461	4			SCREW, for headrest post assembly
8	3500 9926	4			CYLINDER, Headrest
9	3500 4712	2			COVER, Bracket
10	3500 4713	2			COVER, Bracket
11	3500 3686	1			HANDLE, Recliner, Right Seat, Outboard
12	3500 2930	1			HANDLE, Recliner, Left Seat, Outboard
13	3500 6735	2			GASKET, Lever
14	5AB8 8JY1	2			BEZEL, Back Lever, P.A.R.
15	3500 3105	2			BEZEL, Lock
16	3420 1487	4			SCREW
17	3420 1466	4			SCREW
18					KNOB, Seat Latch
	5AC6 8JS1	2			Charcoal
	5AC6 8JH9	2			Cordovan
	5AC6 8JY6	2			Dark Sand
19	J045 5735	2			PIN, Spring
20	3500 6068	2			CABLE, Seat Release
21	3500 6069	2			SPRING, Return
22	3500 6526	2			COVER, Latch
23	4778 342	4			BUMPER PACKAGE, Stop
24	3500 5470	2			PAD, Back
25	3501 1228	2			PAD, Side Wing
26	3501 1229	2			PAD, Side Wing
27	3420 1314	4			SCREW
28	3420 1888	8			SCREW
29	3420 1658	4			NUT

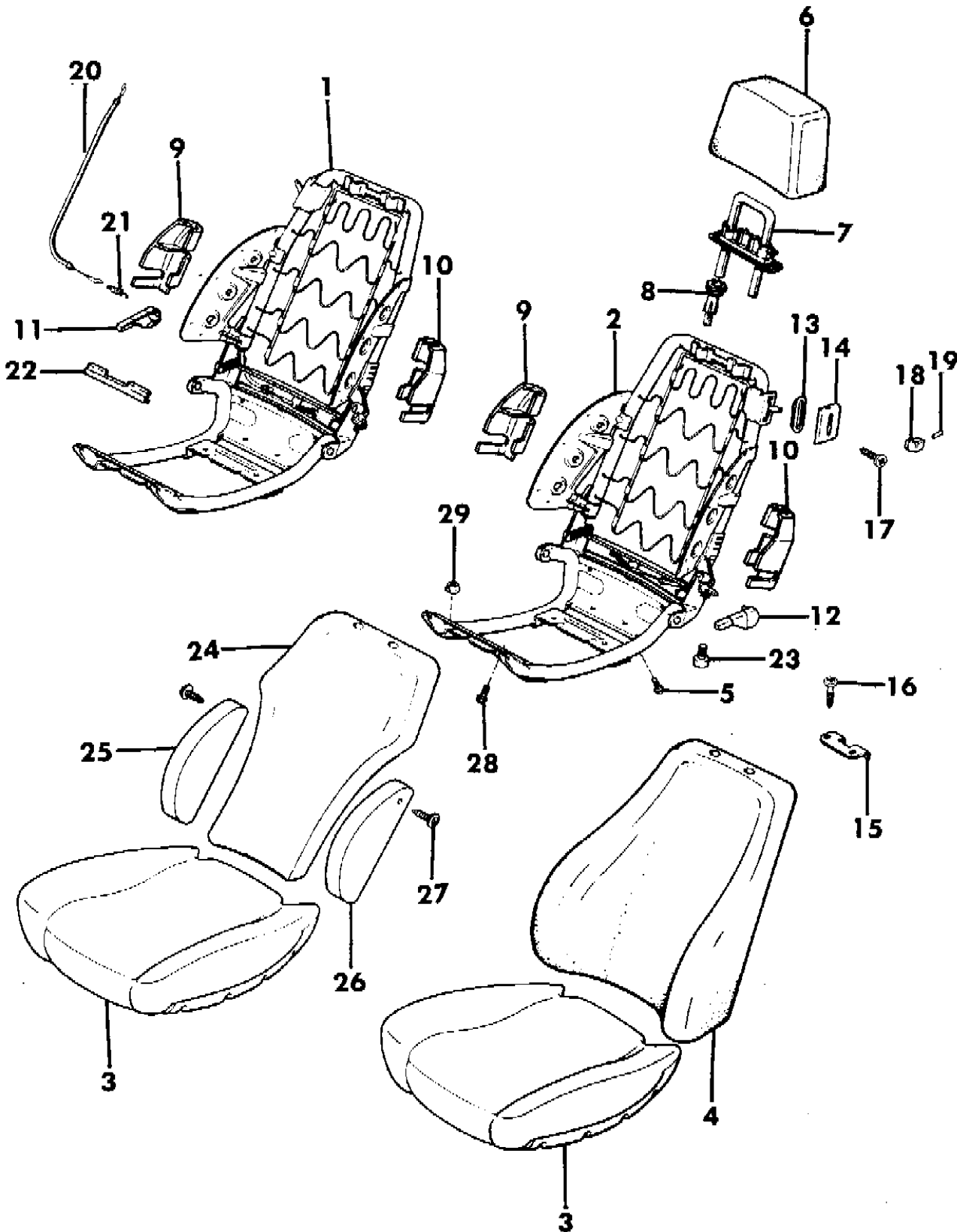
MODEL CODES:

61=Pickup-6 Ft Box 74=4 Door Wagon T=2WD
 62=Pickup-7 Ft Box 77=Open Body 93" Wheelbase J,N,U=4WD
 72=2 Door Wagon 78=Open Body 103" Wheelbase

BODY STYLES:

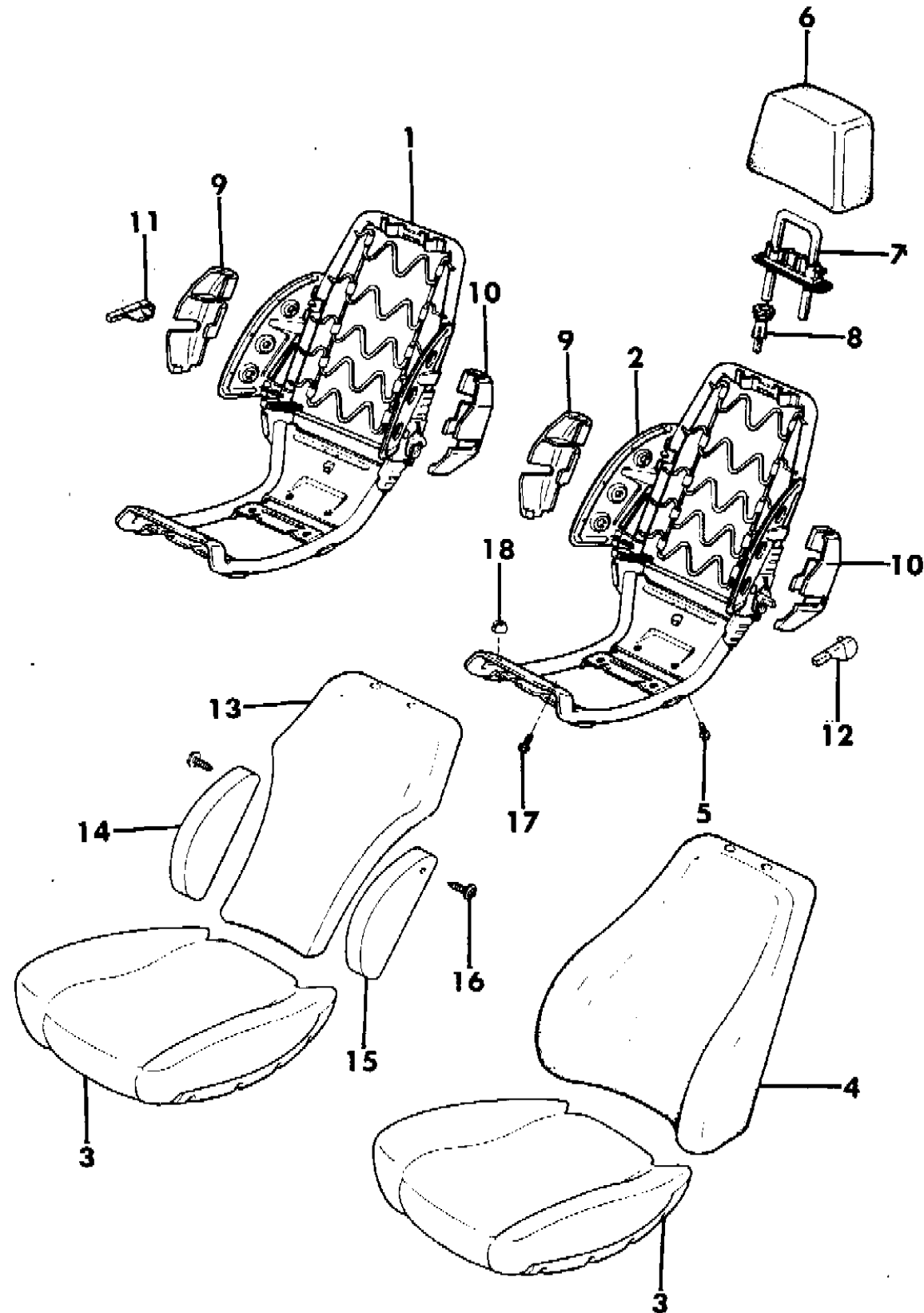
MJ=Comanche Pickup ZJ=Grand Cherokee/Grand Wagoneer KDX VEHICLES
 SJ=Grand Wagoneer M1=Comanche
 XJ=Cherokee, Briarwood X1=Cherokee, Briarwood
 YJ=Wrangler Y1=Wrangler

AR = Use as Required - = Non Illustrated Part P.A.R. = Paint as Required



FRAME AND PAD BUCKET SEATS CHEROKEE 4 DOOR
Figure 43-1800

91J43 1800



ITEM	PART NUMBER	QTY	BODY	MODEL	DESCRIPTION
1					FRAME, Seat, Right
	5502 8904	1			w/o Reclining Seat Back, 1991-93
	5519 5020	1			w/o Reclining Seat Back, EUROPE - Austria, 1992-93
	5502 8902	1			w/Reclining Seat Back, 1991-92
	5519 4880	1			w/Reclining Seat Back, 1993
	5519 5018	1			w/Reclining Seat Back, EUROPE - Austria, 1992-93
	5519 5346	1			w/Reclining Seat Back and Police Package, Heavy Duty
2					FRAME, Seat, Left
	5502 8904	1			w/o Reclining Seat Back, 1991-93
	5519 5021	1			w/o Reclining Seat Back, EUROPE - Austria, 1992-93
	5502 8903	1			w/Reclining Seat Back, 1991-92
	5519 4881	1			w/Reclining Seat Back, 1993
	5519 5019	1			w/Reclining Seat Back, EUROPE - Austria
	5519 5347	1			w/Reclining Seat Back and Police Package, Heavy Duty
3	3500 0762	2			PAD ASSEMBLY, Cushion ***
4	3500 2769	2			PAD, Back
5	1150 4735	4			BOLT
6	3500 1690	2			PAD, Headrest
7	3500 3669	2			POST, Headrest
-	J400 2461	4			SCREW, Headrest Post Assembly
8	4720 755	4			CYLINDER, Headrest
9	3500 4710	2			COVER, Bracket
10	3500 4711	2			COVER, Bracket
11	3500 3686	1			HANDLE, Recliner, Right Seat, Outboard
12	3500 2930	1			HANDLE, Left Seat, Outboard
13	3500 5470	2			PAD, Back
14	3501 1228	2			PAD, Side Wing
15	3501 1229	2			PAD, Side Wing
16	3420 1314	4			SCREW
17	3420 1888	8			SCREW
18	3420 1658	4			NUT

MODEL CODES:

61=Pickup-6 Ft Box 74=4 Door Wagon T=2WD
 62=Pickup-7 Ft Box 77=Open Body 93" Wheelbase J,N,U=4WD
 72=2 Door Wagon 78=Open Body 103" Wheelbase

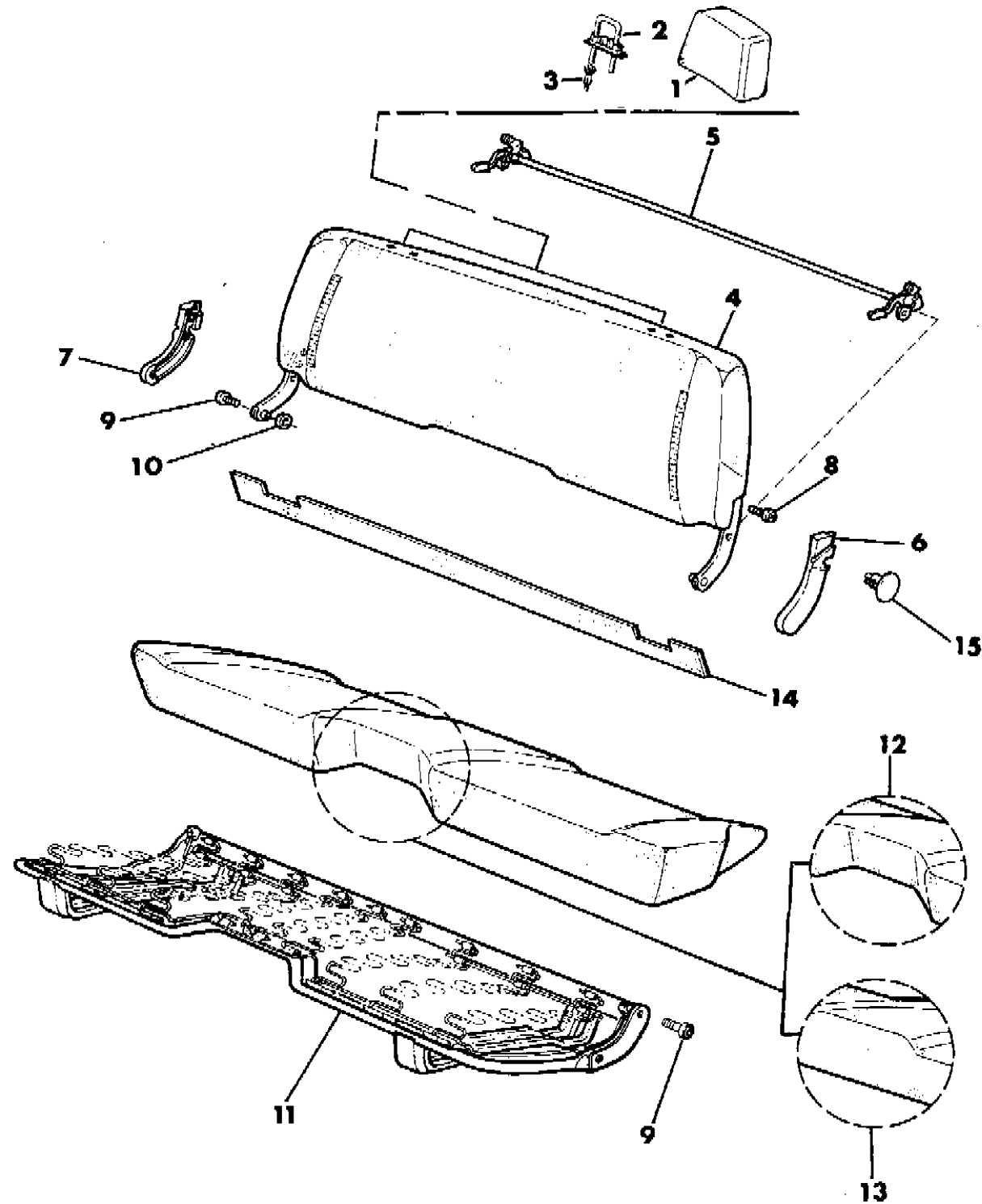
BODY STYLES:

MJ=Comanche Pickup ZJ=Grand Cherokee/Grand Wagoneer KDX VEHICLES
 SJ=Grand Wagoneer M1=Comanche
 XJ=Cherokee, Briarwood X1=Cherokee, Briarwood
 YJ=Wrangler Y1=Wrangler

AR = Use as Required - = Non Illustrated Part P.A.R. = Paint as Required

FRAME AND PAD BENCH SEAT COMANCHE
Figure 43-1900

91J43 1900



ITEM	PART NUMBER	QTY	BODY	MODEL	DESCRIPTION
1	3501 3969	2			PAD, Headrest
2	3500 3669	2			POST, Headrest ***
-	J400 2461	2			SCREW, Headrest Post Assembly
3	3500 9926	4			CYLINDER
4	5519 4584	1			FRAME, Seat Back w/Pad
5	5500 8835	1			LATCH, Seat Back
-	1150 2811	4			NUT, Latch Mounting
6-7					COVER, Hinge
	5AE38-9 KA8	1			Dark Charcoal
	5AE38-9 JH9	1			Cordovan
	5AE38-9 KY6	1			Dark Sand
8	3420 1655	4			BOLT, Lock to Seat Back
9	3420 2181	AR			BOLT
10	J400 7070	2			WASHER
11					FRAME, Cushion
	5252 433	1			1991
	5519 4998	1			1992
12	5500 4292	1			PAD, Cushion
13	5500 9710	1			PAD, Cushion
14	J374 1218	1			PROTECTOR, Cushion Edge
15	3420 1845	4			RIVET

MODEL CODES:

61=Pickup-6 Ft Box 74=4 Door Wagon T=2WD
 62=Pickup-7 Ft Box 77=Open Body 93" Wheelbase J,N,U=4WD
 72=2 Door Wagon 78=Open Body 103" Wheelbase

BODY STYLES:

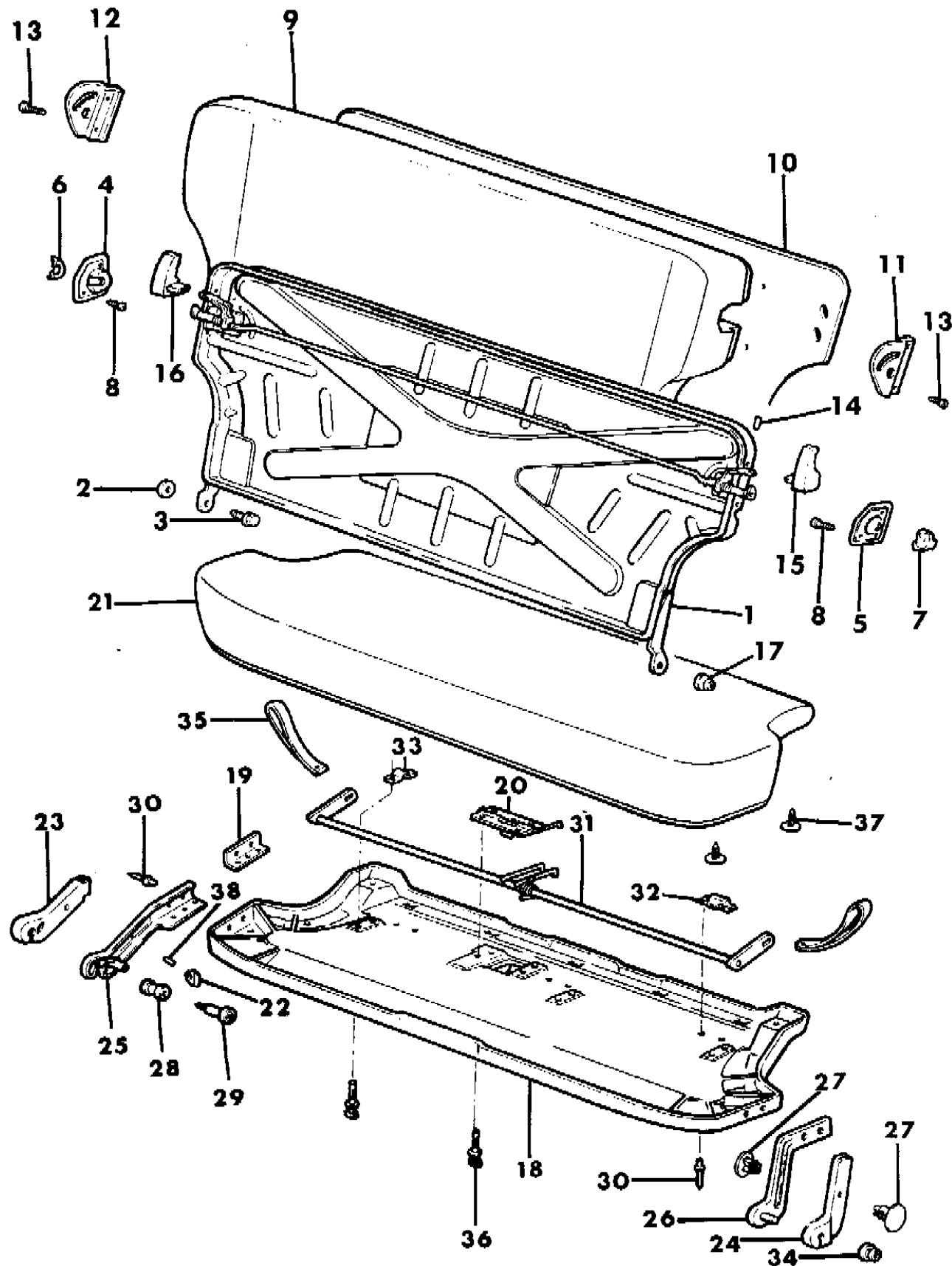
MJ=Comanche Pickup ZJ=Grand Cherokee/Grand Wagoneer KDX VEHICLES
 SJ=Grand Wagoneer M1=Comanche
 XJ=Cherokee, Briarwood X1=Cherokee, Briarwood
 YJ=Wrangler Y1=Wrangler

AR = Use as Required - = Non Illustrated Part P.A.R. = Paint as Required

FRAME AND PAD REAR SEAT CHEROKEE

Figure 43-2000

91J43 2000



ITEM	PART NUMBER	QTY	BODY	MODEL	DESCRIPTION
1					PANEL, Back
	5502 6016	1			Except EUROPE
	5502 6022	1			EUROPE
	5502 6020	1	72		w/European Commercial Package, EUROPE
2	5500 5617	AR			SPACER
3	3420 1537	2			SCREW, Rear Seat Back Hinge
4-5	5500 0416-7	1			BRACKET, Lock Striker
6-7	5500 1212-3	1			BUMPER, Latch Striker
8	3420 2189	6			SCREW
9					PAD, Back
	5500 0405	1			1991
	5529 4776	1			1992-93
10	5500 3616	1			BOARD, Foundation
11-12					BEZEL, Back Trim
	5AC66-7 JS1	1			Charcoal
	5AC66-7 JA8	1			Dark Charcoal
	5AC66-7 JH9	1			Cordovan
	5AC66-7 JY6	1			Dark Sand
13	3420 1314	4			SCREW
14	J045 5735	3			PIN, Spring
15-16					KNOB, Seat Latch
	5AD46-7 JS1	1			Charcoal
	5AD46-7 JA8	1			Dark Charcoal
	5AD46-7 JH9	1			Cordovan
	5AD46-7 JY6	1			Dark Sand
17	5500 1230	1			GROMMET
18					PANEL, Cushion
	5500 1214	1			1991-92
	5519 5237	1			1993
19	5500 2833	2			REINFORCEMENT
20					LATCH, Cushion
	5500 0426	1			1991-92
	5519 5372	1			1993
-	6500 911	4			RIVET, Latch to Panel
21	5500 4573	1			PAD, Cushion
22					KNOB, Seat Latch
	5AC6 8JS1	1			Charcoal
	5AC6 8JA8	1			Dark Charcoal
	5AC6 8JH9	1			Cordovan
	5AC6 8JY6	1			Dark Sand
23-24					COVER, Hinge

MODEL CODES:

61=Pickup-6 Ft Box 74=4 Door Wagon T=2WD
 62=Pickup-7 Ft Box 77=Open Body 93" Wheelbase J,N,U=4WD
 72=2 Door Wagon 78=Open Body 103" Wheelbase

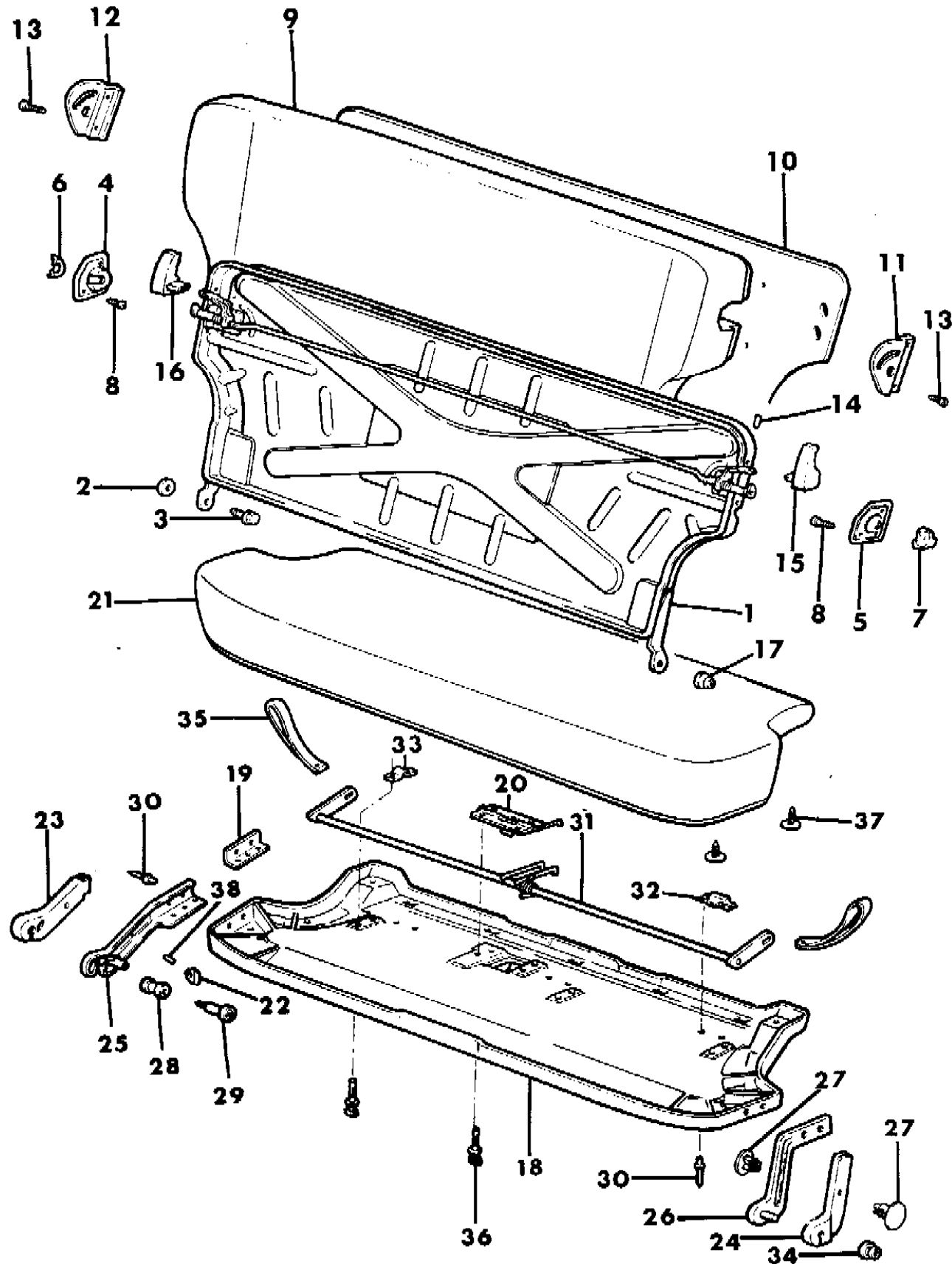
BODY STYLES:

MJ=Comanche Pickup ZJ=Grand Cherokee/Grand Wagoneer KDX VEHICLES
 SJ=Grand Wagoneer M1=Comanche
 XJ=Cherokee, Briarwood Y1=Wrangler
 YJ=Wrangler

AR = Use as Required - = Non Illustrated Part P.A.R. = Paint as Required

FRAME AND PAD REAR SEAT CHEROKEE
Figure 43-2000

91J43 2000



ITEM	PART NUMBER	QTY	BODY	MODEL	DESCRIPTION
	5AC46-7 KS1	1			Charcoal
	5AC46-7 JA8	1			Dark Charcoal
	5AC46-7 JH9	1			Cordovan
	5AC46-7 JY6	1			Sand
25-26	5500 1136-7	1			HINGE, Latch
27	3420 1845	4			RIVET, Ratchet Type, Hinge Cover Mounting
28	5500 2437	1			BUSHING
29	3420 1530	1			BOLT
30	3420 1557	8			RIVET, Dome Head Type, Hinge to Cushion Panel
31	5500 4302	1			RELEASE, Latch
32	5500 4317	3			BRACKET, Pad Retainer
33	5500 4301	3			BRACKET, Latch
34	5500 1230	1			GROMMET
35					STRAP, Seat Latch
	5AJ4 7JS1	2			Charcoal
	5AJ4 7JH9	2			Cordovan
	5AJ4 7JXB	2			Dark Charcoal
	5AJ4 7JY6	2			Dark Sand
36	3420 2078	AR			RIVET, Plastic
37					FASTENER
	5AA3 4JS1	6			Charcoal
	5AA3 4JH9	6			Cordovan
	5AA3 4JA8	6			Dark Charcoal
	5AA3 4JY6	6			Sand
38	J045 5735	1			PIN, Spring

MODEL CODES:

61=Pickup-6 Ft Box 74=4 Door Wagon T=2WD
62=Pickup-7 Ft Box 77=Open Body 93" Wheelbase J,N,U=4WD
72=2 Door Wagon 78=Open Body 103" Wheelbase

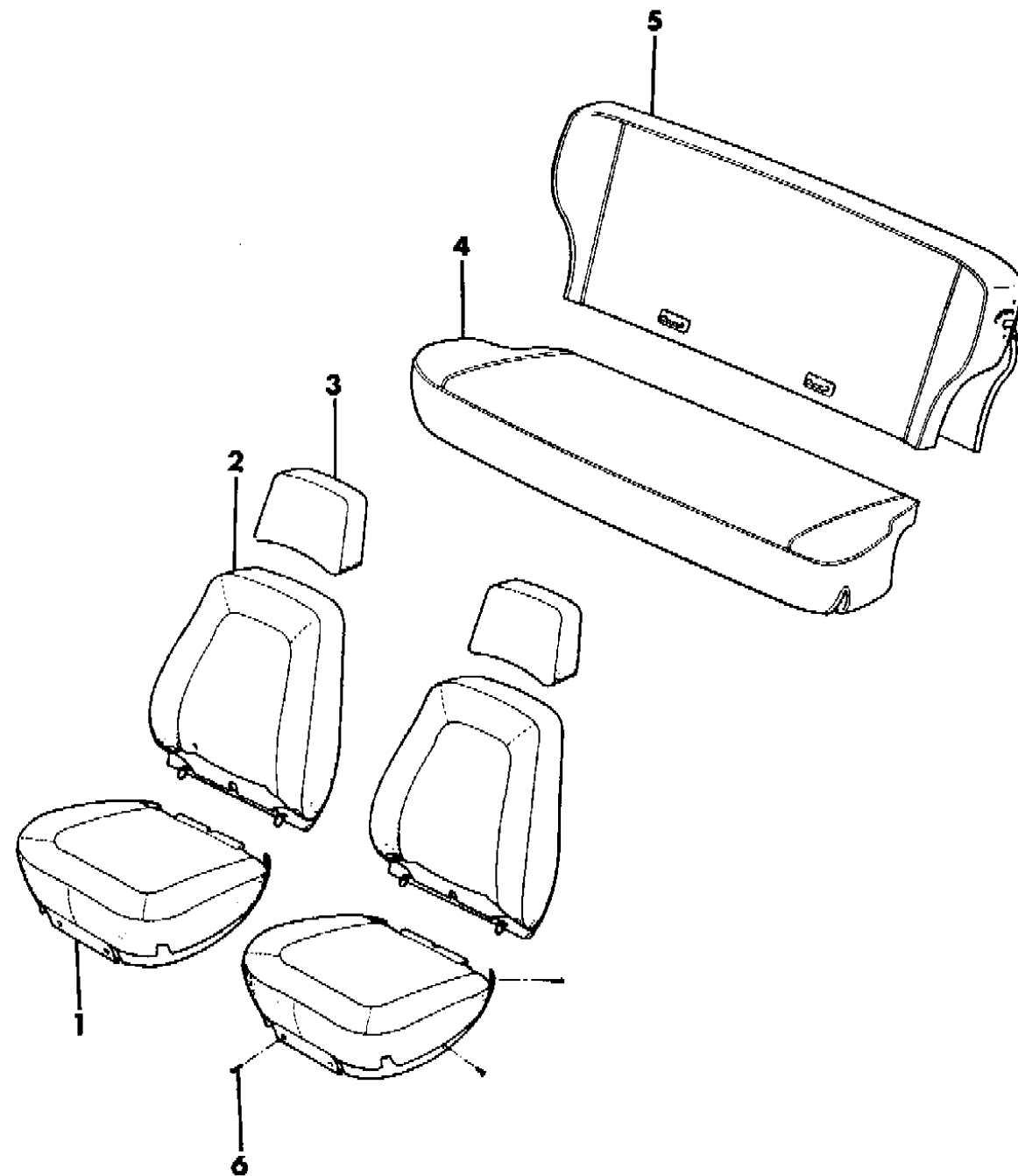
BODY STYLES:

MJ=Comanche Pickup ZJ=Grand Cherokee/Grand Wagoneer KDX VEHICLES
SJ=Grand Wagoneer M1=Comanche
XJ=Cherokee, Briarwood X1=Cherokee, Briarwood
YJ=Wrangler Y1=Wrangler

AR = Use as Required - = Non Illustrated Part P.A.R. = Paint as Required

COVERS, SEAT UPHOLSTERY CHEROKEE
Figure 43-2100

91J43 2100A



ITEM	PART NUMBER	QTY	BODY	MODEL	DESCRIPTION
1					COVER, Cushion
NOTE: Item 1; For 1991-92 vehicles the cushion covers are right and left handed. For 1993 vehicles the right and left cushion covers are identical. Tag affixed to the Face of its Pulley. A Second Tag will show the name of the Vendor (OGURA).					
					Luggage Cloth
	5AH36-7 JS1	1	72		Charcoal, (Q7SA), 1991-92
	5DD3 0LS1	2	72		Charcoal, (Q7SA), 1993, built up to 8/30/92
	5DD3 0MS1	2	72		Charcoal, (Q7SA), 1993, built 8/31/92 and after
	5AK50-1 JS1	1	74		Charcoal, (Q7SA), 1991-92
	5DD2 8LS1	2	74		Charcoal, (Q7SA), 1993, built up to 8/30/92
	5DD2 8MS1	2	74		Charcoal, (Q7SA), 1993, built 8/31/92 and after
	5AH36-7 JH9	1	72		Cordovan, (Q7H9), 1991-92
	5AK50-1 JH9	1	74		Cordovan, (Q7H9), 1991-92
	5AH36-7 JY6	1	72		Dark Sand, (Q7Y6), 1991-92
	5DD3 0LY6	2	72		Dark Sand, (Q7Y6), 1993
	5AK50-1 JY6	1	74		Dark Sand, (Q7Y6), 1991-92
	5DD2 8LY6	2	74		Dark Sand, (Q7Y6), 1993
					Jamaica Cloth
	5CC72-3 KA8	1	72		Dark Charcoal, (A7SA), 1991-92
	5DD3 4LA8	2	72		Dark Charcoal, (A7SA), 1993
	5CC76-7 KA8	1	74		Dark Charcoal, (A7SA), 1991-92
	5DD3 2LA8	2	74		Dark Charcoal, (A7SA), 1993
	5CC72-3 KH9	1	72		Cordovan, (A7H9), 1991-92
	5CC76-7 KH9	1	74		Cordovan, (A7H9), 1991-92
	5CC72-3 KY6	1	72		Dark Sand, (A7Y6), 1991-92
	5DD3 4LY6	2	72		Dark Sand, (A7Y6), 1993
	5CC76-7 KY6	1	74		Dark Sand, (A7Y6), 1991-92
	5DD3 2LY6	2	74		Dark Sand, (A7Y6), 1993
					Leather
	5AH64-5 JXB	1	74		Charcoal, (XLSA), 1991-92
	5DD2 6LXB	2	74		Charcoal, (XLSA), 1993
	5BE14-5 KH9	1	74		Cordovan, (ALH9), 1991-92
	5AH64-5 JY6	1	74		Dark Sand, (XLY6), 1991-92
	5DD2 6LY6	2	74		Dark Sand, (XLY6), 1993
	5BE14-5 KY6	1	74		Dark Sand, (ALY6), 1991-92
	5DD2 4LY6	2	74		Dark Sand, (ALY6), 1993
					Vinyl
	5CC62-3 KS1	1	72		Charcoal, (C8SA), 1991-92
	5DD3 8LS1	2	72		Charcoal, (C8SA), 1993
	5CC68-9 KS1	1	74		Charcoal, (C8SA), 1991-92
	5DD3 6LS1	2	74		Charcoal, (C8SA), 1993
	5CC62-3 KY6	1	72		Dark Sand, (C8Y6), 1991-92

MODEL CODES:

61=Pickup-6 Ft Box 74=4 Door Wagon T=2WD
 62=Pickup-7 Ft Box 77=Open Body 93" Wheelbase J,N,U=4WD
 72=2 Door Wagon 78=Open Body 103" Wheelbase

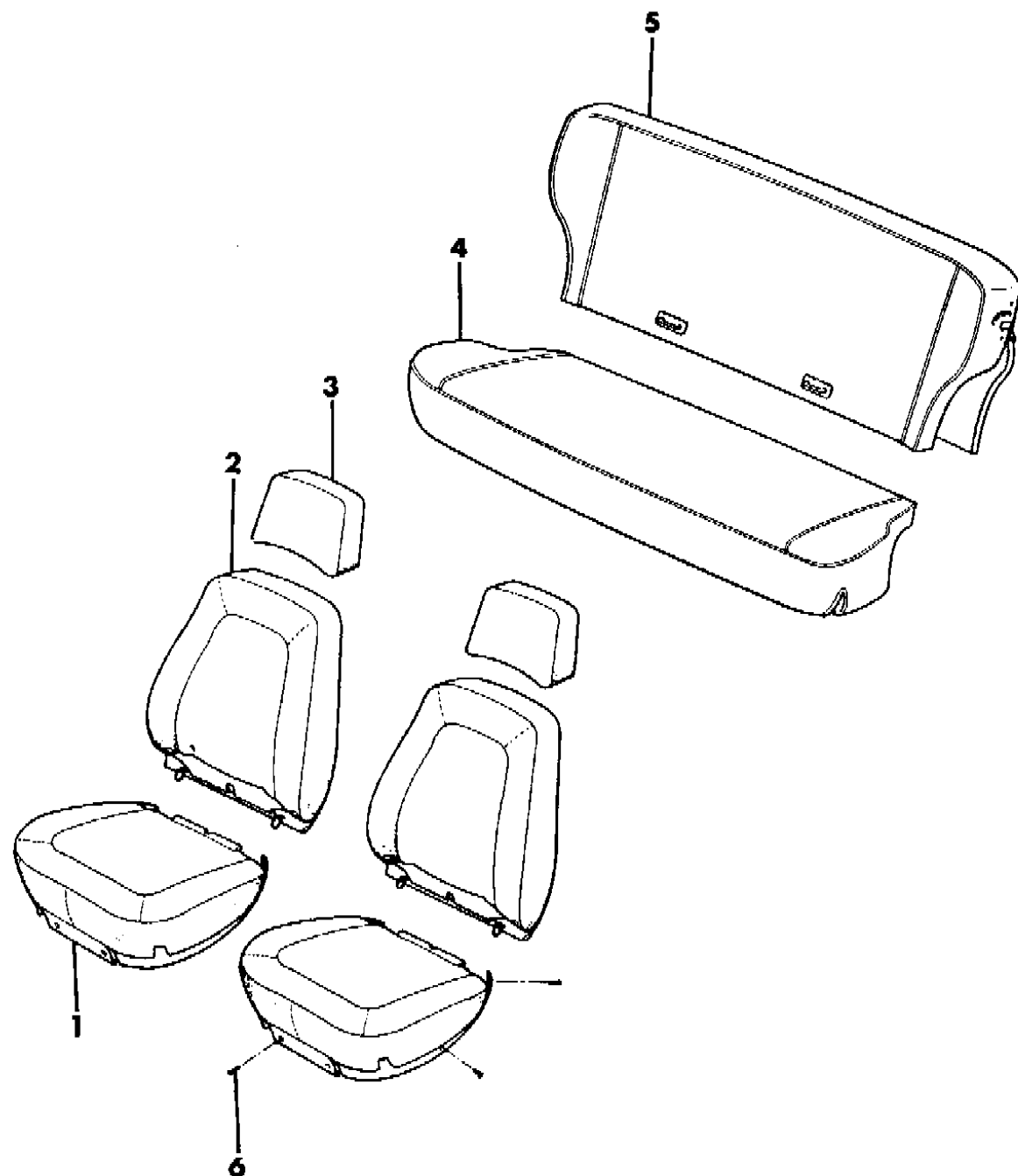
BODY STYLES:

MJ=Comanche Pickup ZJ=Grand Cherokee/Grand Wagoneer KDX VEHICLES
 SJ=Grand Wagoneer M1=Comanche
 XJ=Cherokee, Briarwood X1=Cherokee, Briarwood
 YJ=Wrangler Y1=Wrangler

AR = Use as Required - = Non Illustrated Part P.A.R. = Paint as Required

COVERS, SEAT UPHOLSTERY CHEROKEE
Figure 43-2100

91J43 2100A



ITEM	PART NUMBER	QTY	BODY	MODEL	DESCRIPTION
	5DD3 8LY6	2	72		Dark Sand, (C8Y6), 1993
	5CC68-9 KY6	1	74		Dark Sand, (C8Y6), 1991-92
	5DD3 6LY6	2	74		Dark Sand, (C8Y6), 1993
2					COVER, Back Luggage Cloth
	5AK52-3 JS1	1	72		Charcoal, (Q7SA), built up to 8/30/92
	5AK52-3 MS1	1	72		Charcoal, (Q7SA), built 8/31/92 and after
	5AK5 4JS1	2	74		Charcoal, (Q7SA), built up to 8/30/92
	5AK5 4MS1	2	74		Charcoal, (Q7SA), built 8/31/92 and after
	5AK52-3 JH9	1	72		Cordovan, (Q7H9)
	5AK5 4JH9	2	74		Cordovan, (Q7H9)
	5AK52-3 JY6	1	72		Dark Sand, (Q7Y6)
	5AK5 4JY6	2	74		Dark Sand, (Q7Y6)
					Jamaica Cloth
	5CC7 4KA8	2	72		Dark Charcoal, (A7SA)
	5CC7 8KA8	2	74		Dark Charcoal, (A7SA)
	5CC7 4KH9	2	72		Cordovan, (A7H9)
	5CC7 8KH9	2	74		Cordovan, (A7H9)
	5CC7 4KY6	2	72		Dark Sand, (A7Y6)
	5CC7 8KY6	2	74		Dark Sand, (A7Y6)
					Leather
	5CC8 0KXB	2	74		Charcoal, (XLSA)
	5CC8 8KH9	2	74		Cordovan, (ALH9)
	5CC8 0KY6	2	74		Dark Sand, (XLY6)
	5CC8 8KY6	2	74		Dark Sand, (ALY6)
					Vinyl
	5CC6 6KS1	2	72		Charcoal, (C8SA)
	5CC7 0KS1	2	74		Charcoal, (C8SA)
	5CC6 6KY6	2	72		Dark Sand, (C8Y6)
	5CC7 0KY6	2	74		Dark Sand, (C8Y6)
-	5519 5548	AR			RING, Front Seat Back Cover Bottom
3					COVER, Headrest Charcoal
	5CC9 2KS1	2			(Q7SA), built up to 8/30/92
	5CC9 2MS1	2			(Q7SA), built 8/31/92 and after
	5AJ4 9JS1	2			(A7SA or C8SA)
	5AY9 4JXB	2			(XLSA)
					Cordovan
	5CC9 2KH9	2			(Q7H9)
	5AJ4 9JH9	2			(A7H9)
	5AY9 4KH9	2			(ALH9)

MODEL CODES:

61=Pickup-6 Ft Box 74=4 Door Wagon T=2WD
 62=Pickup-7 Ft Box 77=Open Body 93" Wheelbase J,N,U=4WD
 72=2 Door Wagon 78=Open Body 103" Wheelbase

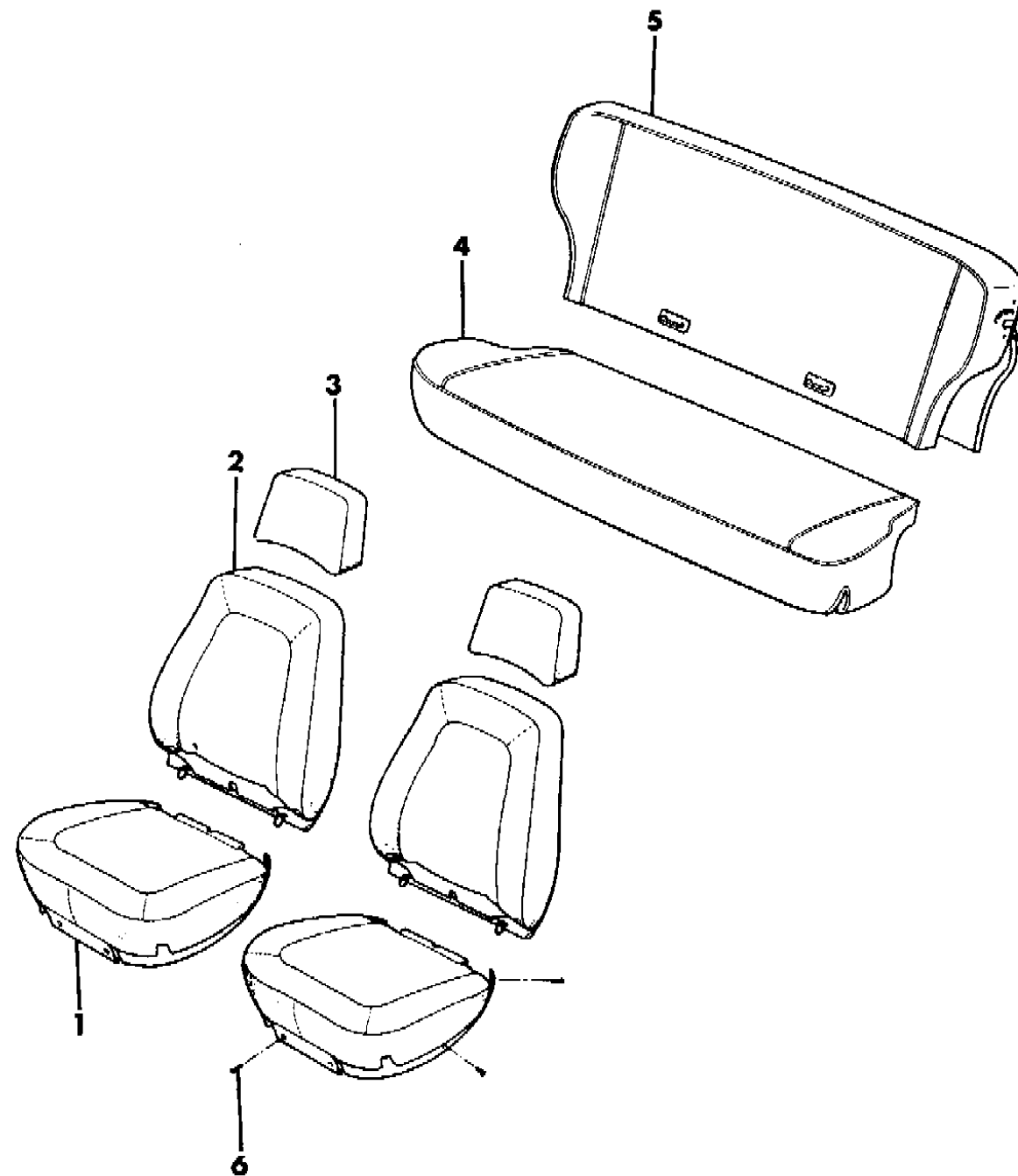
BODY STYLES:

MJ=Comanche Pickup ZJ=Grand Cherokee/Grand Wagoneer KDX VEHICLES
 SJ=Grand Wagoneer M1=Comanche
 XJ=Cherokee, Briarwood X1=Cherokee, Briarwood
 YJ=Wrangler Y1=Wrangler

AR = Use as Required - = Non Illustrated Part P.A.R. = Paint as Required

COVERS, SEAT UPHOLSTERY CHEROKEE
Figure 43-2100

91J43 2100A



ITEM	PART NUMBER	QTY	BODY	MODEL	DESCRIPTION
					Dark Sand
	5CC9 2KY6	2			(Q7Y6)
	5AJ4 9KY6	2			(A7Y6 or C8Y6)
	5AY9 4JY6	2			(XLY6 or ALY6)
4					COVER, Cushion
					Luggage Cloth
	5AK5 5JS1	1			Charcoal, (Q7SA), built up to 8/30/92
	5AK5 5MS1	1			Charcoal, (Q7SA), built 8/31/92 and after
	5AK5 5JH9	1			Cordovan, (Q7H9)
	5AK5 5JY6	1			Dark Sand, (Q7Y6)
					Jamaica Cloth
	5CC5 8KA8	1			Dark Charcoal, (A7SA)
	5CC5 8KH9	1			Cordovan, (A7H9)
	5CC5 8KY6	1			Dark Sand, (A7Y6)
					Leather
	5AH8 3JXB	1			Charcoal, (XLSA)
	5BE0 2KH9	1			Cordovan, (ALH9)
	5AH8 3JY6	1			Dark Sand, (XLY6)
	5BE0 2KY6	1			Dark Sand, (ALY6)
					Vinyl
	5CC5 4KS1	1			Charcoal, (C8SA)
	5CC5 4KY6	1			Dark Sand, (C8Y6)
5					COVER, Back
					Luggage Cloth
	5CC8 4KS1	1			Charcoal, (Q7SA), 1991
	5CY7 8LS1	1			Charcoal, (Q7SA), 1992-93, built up to 8/30/92
	5CY7 8MS1	1			Charcoal, (Q7SA), 1993, built 8/31/92 and after
	5CC8 4KH9	1			Cordovan, (Q7H9), 1991
	5CY7 8LH9	1			Cordovan, (Q7H9), 1992
	5CC8 4KY6	1			Dark Sand, (Q7Y6), 1991
	5CY7 8LY6	1			Dark Sand, (Q7Y6), 1992-93
					Jamaica Cloth
	5CC6 0KA8	1			Dark Charcoal, (A7SA), 1991
	5CY8 0LA8	1			Dark Charcoal, (A7SA), 1992-3
	5CC6 0KH9	1			Cordovan, (A7H9), 1991
	5CY8 0LH9	1			Cordovan, (A7H9), 1992
	5CC6 0KY6	1			Dark Sand, (A7Y6), 1991
	5CY8 0LY6	1			Dark Sand, (A7Y6), 1992-93
					Leather
	5CC8 2KXB	1			Charcoal, (XLSA), 1991
	5CY7 6LXB	1			Charcoal, (XLSA), 1992-93

MODEL CODES:

61=Pickup-6 Ft Box 74=4 Door Wagon T=2WD
 62=Pickup-7 Ft Box 77=Open Body 93" Wheelbase J,N,U=4WD
 72=2 Door Wagon 78=Open Body 103" Wheelbase

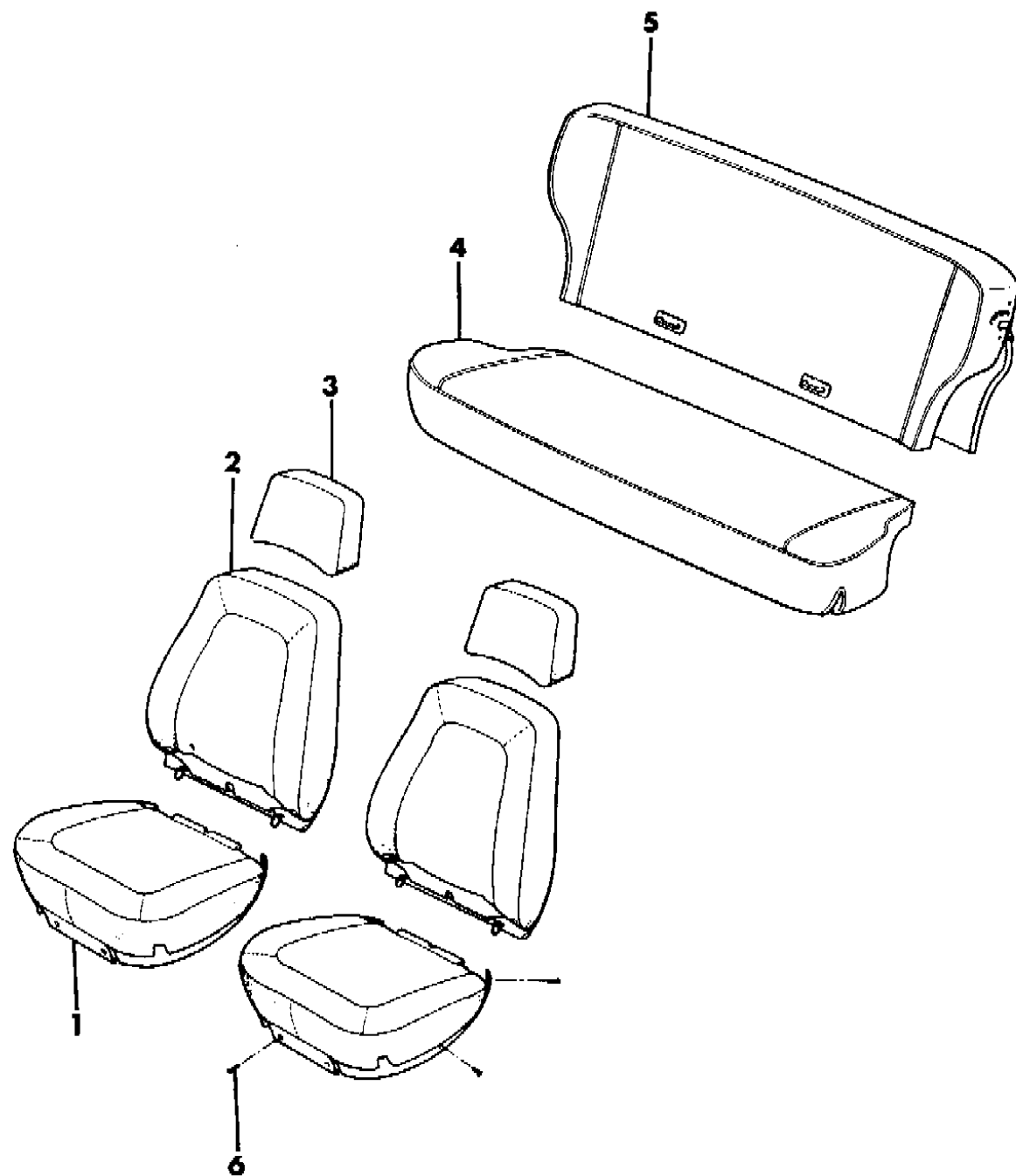
BODY STYLES:

MJ=Comanche Pickup ZJ=Grand Cherokee/Grand Wagoneer KDX VEHICLES
 SJ=Grand Wagoneer M1=Comanche
 XJ=Cherokee, Briarwood X1=Cherokee, Briarwood
 YJ=Wrangler Y1=Wrangler

AR = Use as Required - = Non Illustrated Part P.A.R. = Paint as Required

COVERS, SEAT UPHOLSTERY CHEROKEE
Figure 43-2100

91J43 2100A



ITEM	PART NUMBER	QTY	BODY	MODEL	DESCRIPTION
	5CC8 6KH9	1			Cordovan, (ALH9), 1991
	5CY7 2LH9	1			Cordovan, (ALH9), 1992
	5CC8 2KY6	1			Dark Sand, (XLY6), 1991
	5CY7 6LY6	1			Dark Sand, (XLY6), 1992-93
	5CC8 6KY6	1			Dark Sand, (ALY6), 1991
	5CY7 2LY6	1			Dark Sand, (ALY6), 1992-93
	5CC5 6KS1	1			Vinyl
	5CY8 2LS1	1			Charcoal, (C8SA), 1991
	5CC5 6KY6	1			Charcoal, (C8SA), 1992-93
	5CY8 2LY6	1			Dark Sand, (C8Y6), 1991
6	3420 1314	AR			Dark Sand, (C8Y6), 1992-93
					SCREW

NOTE: The following material (roll goods) are available, order by the inch. Example; to receive 20 liner inches of material - order quantity of 20. Tag affixed to the Face of its Pulley. A Second Tag will show the name of the Vendor (OGURA).

-					BODYCLOTH, Jamaica, 60" Wide
-	R095 KA8	AR			Dark Charcoal, (C1SA or A7SA)
-	R095 KH9	AR			Cordovan, (C1H9 or A7H9)
-	R095 KY6	AR			Dark Sand, (C1Y6 or A7Y6)
-					Vinyl, Jayne Grain, 59" Wide ***
-	R610 KS1	AR			Charcoal, (D4SA or C8SA)
-	R610 KH9	AR			Cordovan, (D4H9)
-	R610 KY6	AR			Dark Sand, (D4Y6 or C8Y6)

MODEL CODES:

61=Pickup-6 Ft Box 74=4 Door Wagon T=2WD
 62=Pickup-7 Ft Box 77=Open Body 93" Wheelbase J,N,U=4WD
 72=2 Door Wagon 78=Open Body 103" Wheelbase

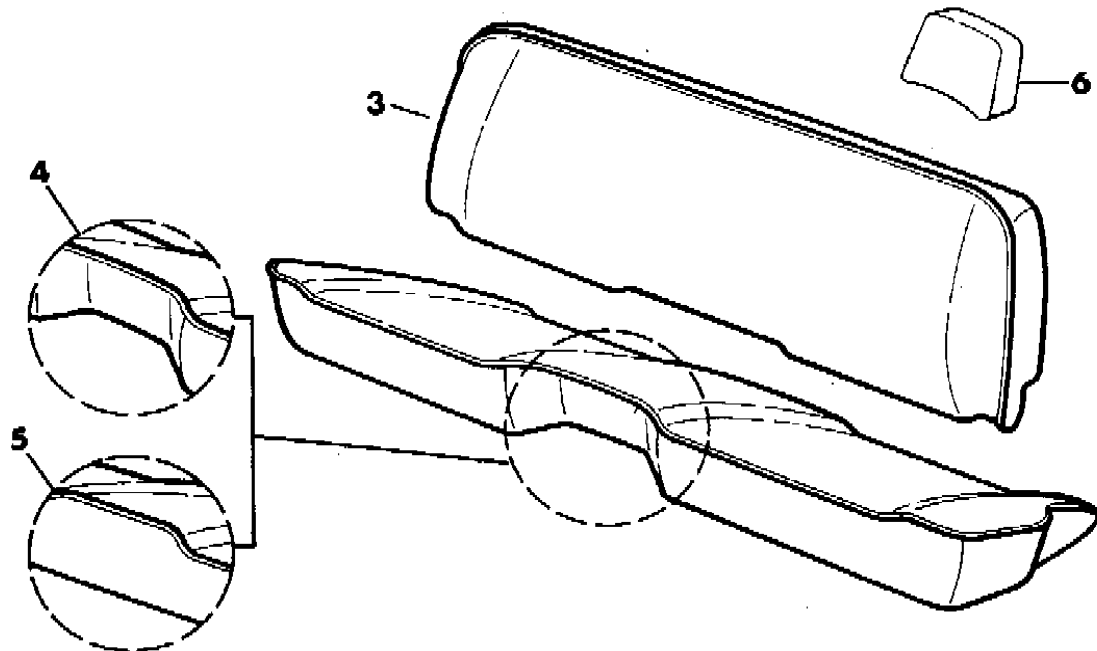
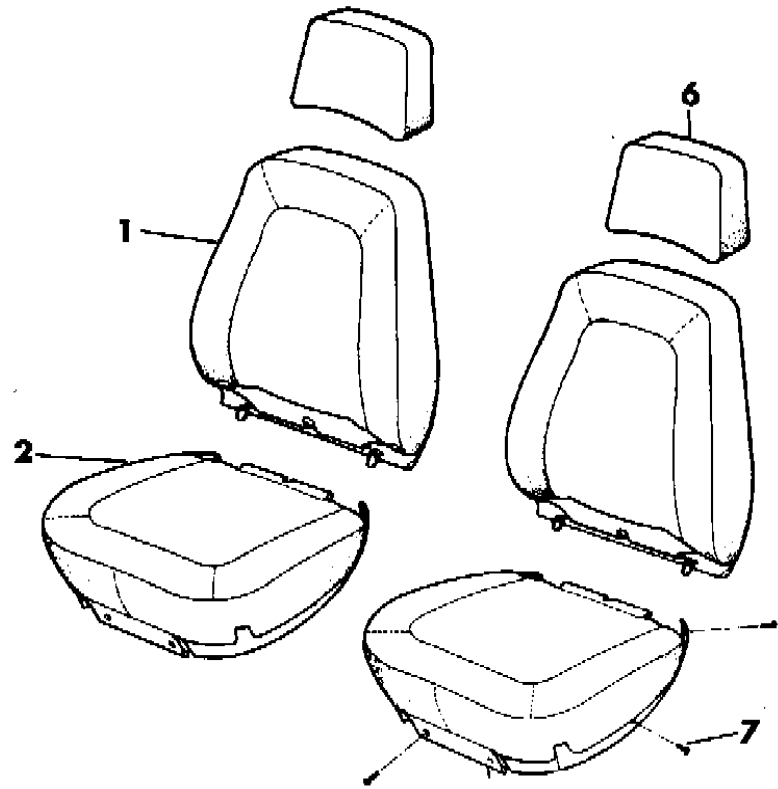
BODY STYLES:

MJ=Comanche Pickup ZJ=Grand Cherokee/Grand Wagoneer KDX VEHICLES
 SJ=Grand Wagoneer M1=Comanche
 XJ=Cherokee, Briarwood X1=Cherokee, Briarwood
 YJ=Wrangler Y1=Wrangler

AR = Use as Required - = Non Illustrated Part P.A.R. = Paint as Required

COVERS, SEAT UPHOLSTERY COMANCHE
Figure 43-2200

91J43 2200



ITEM	PART NUMBER	QTY	BODY	MODEL	DESCRIPTION
1					COVER, Back
	5AH38-9 JS1	1			Luggage Cloth Charcoal, (Q7SA), built up to 8/30/92
	5AH38-9 MS1	1			Charcoal, (Q7SA), built 8/31/92 and after Jamaica Cloth
	5CY8 4LA8	2			Charcoal, (A7SA)
	5CY8 4LH9	2			Cordovan, (A7H9)
	5CY8 4LY6	2			Dark Sand, (A7Y6) Vinyl
	5CC6 4KS1	2			Charcoal, (A7SA)
	5CC6 4KH9	2			Cordovan, (A7SA)
	5CC6 4KY6	2			Dark Sand, (A7Y6)
2					COVER, Cushion
					NOTE: Item 2; For 1991-92 vehicles the cushion covers are right and left handed. For 1993 the right and left cushion covers are identical. Tag affixed to the Face of its Pulley. A Second Tag will show the name of the Vendor (OGURA).
	5AH36-7 JS1	1			Luggage Cloth Charcoal, (Q7SA), 1991-92
	5DD3 0LS1	2			Charcoal, (Q7SA), 1993, built up to 8/30/92
	5DD3 0MS1	2			Charcoal, (Q7SA), 1993, built 8/31/92 and after Jamaica Cloth
	5CC72-3 KA8	1			Charcoal, (A7SA), 1991-92
	5DD3 4LA8	2			Charcoal, (A7SA), 1993
	5CC72-3 KH9	1			Cordovan, (A7H9), 1991-92
	5CC72-3 KY6	1			Dark Sand, (A7Y6), 1991-92
	5DD3 4LY6	2			Dark Sand, (A7Y6), 1993 Vinyl
	5CC62-3 KS1	1			Charcoal, (A7SA), 1991-92
	5DD3 8LS1	2			Charcoal, (A7SA), 1993
	5CC62-3 KH9	1			Cordovan, (A7H9), 1991-92
	5CC62-3 KY6	1			Dark Sand, (A7Y6), 1991-92
3					COVER, Back
					Jamaica Cloth
	5BG3 9KA8	1			Dark Charcoal, (B1SA or C1SA)
	5BG3 9KH9	1			Cordovan, (B1H9 or C1H9)
	5BG3 9KY6	1			Dark Sand, (B1Y6 or C1Y6) Vinyl
	5BG3 8KS1	1			Charcoal, (A2SA or D4SA)
	5BG3 8KH9	1			Cordovan, (A2H9 or D4H9)
	5BG3 8KY6	1			Dark Sand, (A2Y6 or D4Y6)
4					COVER, Cushion, w/Notched Front Jamaica Cloth

MODEL CODES:

61=Pickup-6 Ft Box 74=4 Door Wagon T=2WD
 62=Pickup-7 Ft Box 77=Open Body 93" Wheelbase J,N,U=4WD
 72=2 Door Wagon 78=Open Body 103" Wheelbase

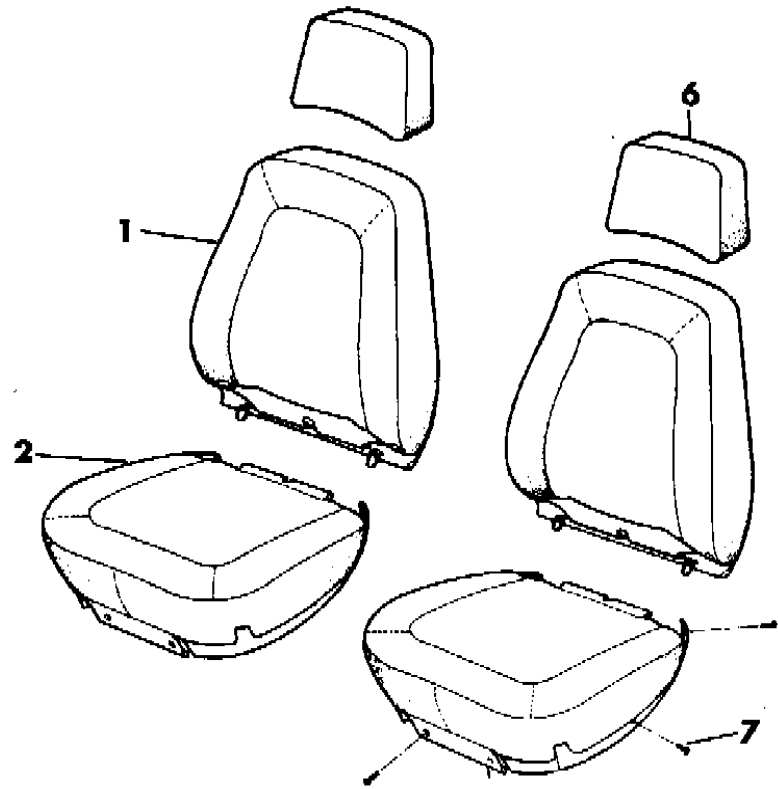
BODY STYLES:

MJ=Comanche Pickup ZJ=Grand Cherokee/Grand Wagoneer KDX VEHICLES
 SJ=Grand Wagoneer M1=Comanche
 XJ=Cherokee, Briarwood X1=Cherokee, Briarwood
 YJ=Wrangler Y1=Wrangler

AR = Use as Required - = Non Illustrated Part P.A.R. = Paint as Required

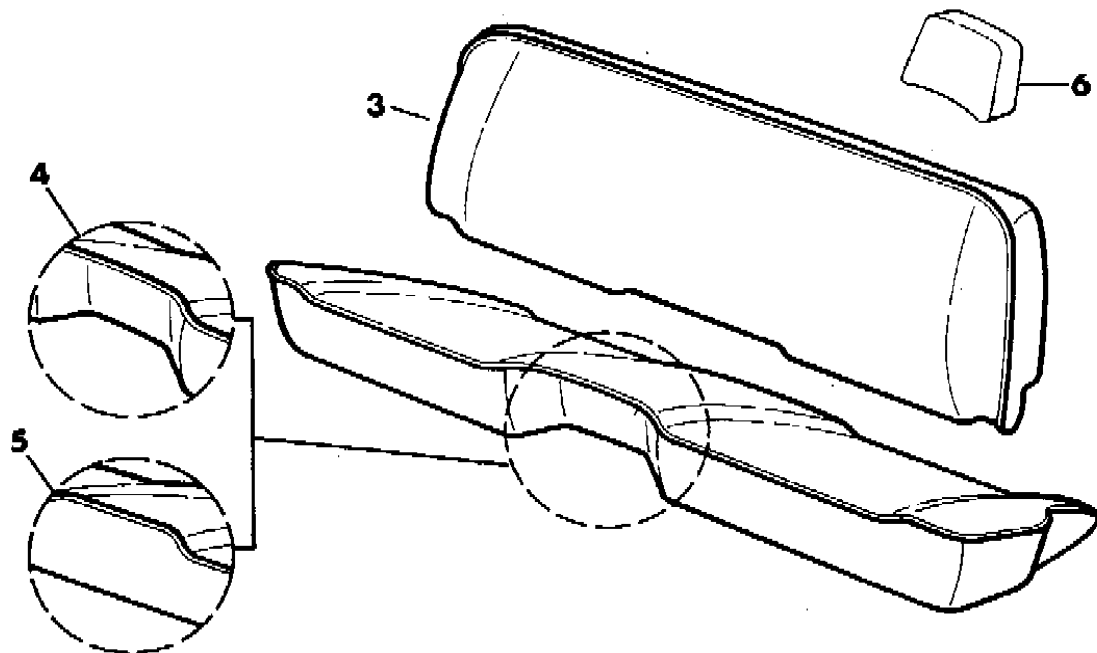
COVERS, SEAT UPHOLSTERY COMANCHE
Figure 43-2200

91J43 2200



ITEM	PART NUMBER	QTY	BODY	MODEL	DESCRIPTION
	5BG3 5KA8	1			Dark Charcoal, (C1SA)
	5BG3 5KH9	1			Cordovan, (C1H9)
	5BG3 5KY6	1			Dark Sand, (C1Y6)
	5BG3 4KS1	1			Vinyl Charcoal, (D4SA)
	5BG3 4KH9	1			Cordovan, (D4H9)
	5BG3 4KY6	1			Dark Sand, (D4Y6)
5					COVER, Cushion, w/o Notched Front Jamaica Cloth
	5BG3 7KA8	1			Charcoal, (B1SA)
	5BG3 7KH9	1			Cordovan, (B1H9)
	5BG3 7KY6	1			Dark Sand, (B1Y6)
	5BG3 6KS1	1			Vinyl Charcoal, (A2SA)
	5BG3 6KH9	1			Cordovan, (A2H9)
	5BG3 6KY6	1			Dark Sand, (A2Y6)
6					COVER, Headrest w/Bench Seat
	5BA8 2JS1	2			Charcoal, (A2SA or B1SA or C1SA or D4SA)
	5BA8 2JH9	2			Cordovan, (A2H9 or B1H9 or C1H9 or D4H9)
	5BA8 2KY6	2			Dark Sand, (A2Y6 or B1Y6 or C1Y6 or D4Y6)
	5AJ4 9JS1	2			w/Bucket Seat Charcoal, (Q7SA)
7	3420 1314	12			SCREW

NOTE: For bodycloth or vinyl (roll goods) see illustration 2100. Tag affixed to the Face of its Pulley. A Second Tag will show the name of the Vendor (OGURA).



MODEL CODES:

61=Pickup-6 Ft Box 74=4 Door Wagon T=2WD
62=Pickup-7 Ft Box 77=Open Body 93" Wheelbase J,N,U=4WD
72=2 Door Wagon 78=Open Body 103" Wheelbase

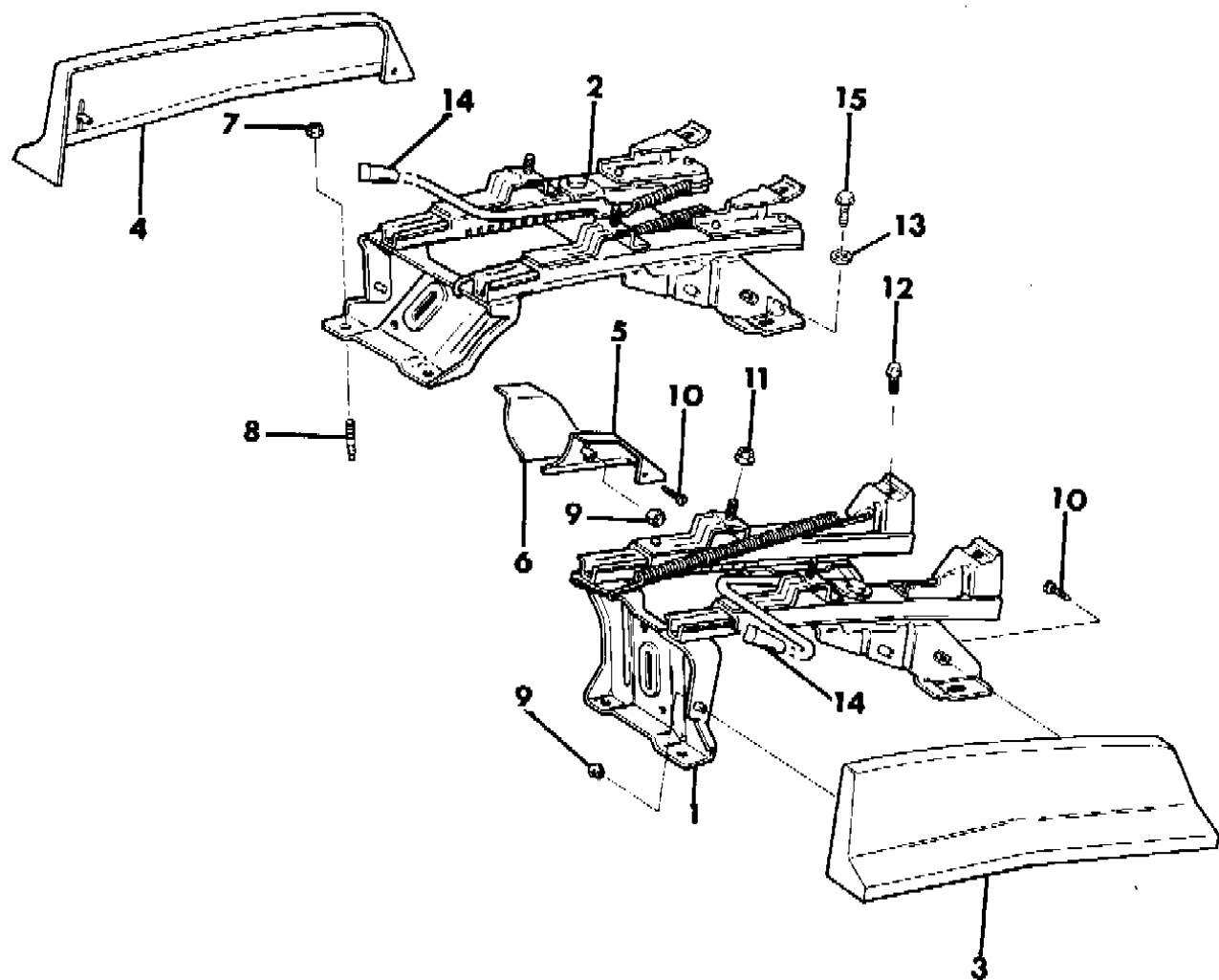
BODY STYLES:

MJ=Comanche Pickup ZJ=Grand Cherokee/Grand Wagoneer KDX VEHICLES
SJ=Grand Wagoneer M1=Comanche
XJ=Cherokee, Briarwood X1=Cherokee, Briarwood
YJ=Wrangler Y1=Wrangler

AR = Use as Required - = Non Illustrated Part P.A.R. = Paint as Required

TRACKS, LESS POWER SEATS BUCKET SEAT CHEROKEE
Figure 43-2300

91J43 2300 A



ITEM	PART NUMBER	QTY	BODY	MODEL	DESCRIPTION
1					TRACK, Seat, Left
	5500 0381	1			Except, Europe - Austria (1991-93)
	5519 5085	1			EUROPE - Austria, (must have traveling inboard buckle seat belts)
	5519 5403	1			w/Police Package, Heavy Duty
-	J545 5277	2			SPACER, Seat Track Mounting, KDX - Venezuela
2					TRACK, Seat, Right
	5500 0382	1			Except Europe - Austria (1991-92)
	5519 5084	1			EUROPE - Austria, (must have traveling inboard buckle seat belts)
	5519 5402	1			w/Police Package, Heavy Duty
-	J545 5277	2			SPACER, Seat track Mounting, KDX - Venezuela
3-4					COVER, Track
	5AC20-1 JA8	1			Dark Charcoal
	5AC20-1 JH9	1			Cordovan
	5AC20-1 JY6	1			Dark Sand
5					COVER, Track, Inner Right
	4637 042	1			Dark Charcoal
	4637 044	1			Cordovan
	4637 043	1			Dark Sand
6					COVER, Track, Inner Left
	4637 039	1			Dark Charcoal
	4637 041	1			Cordovan
	4637 040	1			Dark Sand
7	1150 2811	4			NUT
8	3420 2209	4			STUD
9	J400 0235	4			NUT, Push
10					Fastener, Track Cover ***
	J400 2461	AR			SCREW
	3420 2138	8			FASTENER, KDX - Venezuela
11	6101 467	4			NUT
12	1150 4735	4			BOLT
13	1150 0323	4			WASHER
14	8350 1412	2			KNOB, Seat Latch
15	3420 1888	4			SCREW

MODEL CODES:

61=Pickup-6 Ft Box 74=4 Door Wagon T=2WD
62=Pickup-7 Ft Box 77=Open Body 93" Wheelbase J,N,U=4WD
72=2 Door Wagon 78=Open Body 103" Wheelbase

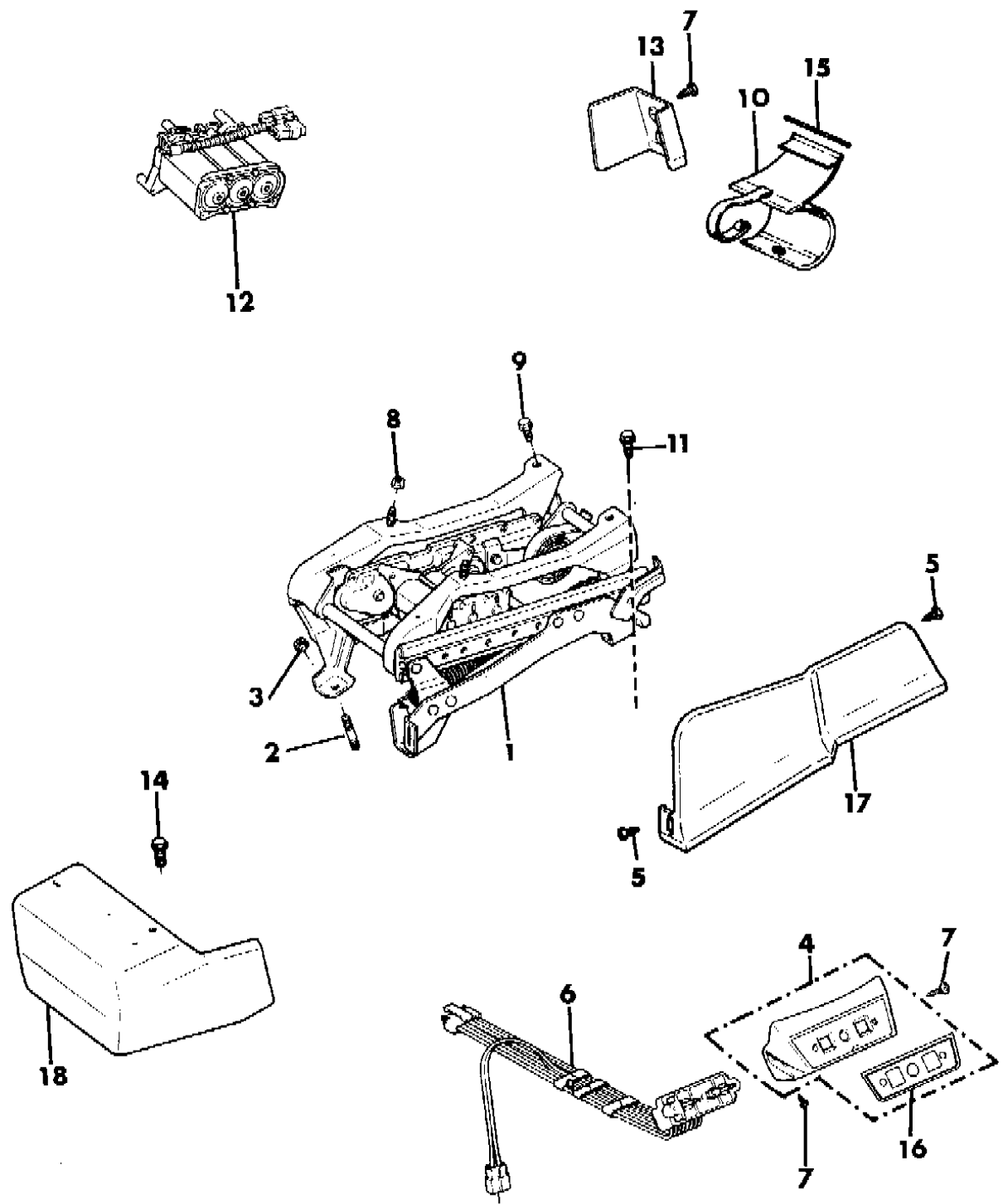
BODY STYLES:

MJ=Comanche Pickup ZJ=Grand Cherokee/Grand Wagoneer KDX VEHICLES
SJ=Grand Wagoneer M1=Comanche
XJ=Cherokee, Briarwood X1=Cherokee, Briarwood
YJ=Wrangler Y1=Wrangler

AR = Use as Required - = Non Illustrated Part P.A.R. = Paint as Required

TRACKS, WITH POWER SEATS BUCKET SEAT CHEROKEE
Figure 43-2400

91J43 2400A



ITEM	PART NUMBER	QTY	BODY	MODEL	DESCRIPTION
1					TRACK, Power Seat
	5600 6288-9	1			1991
	5519 5090-1	1			1992
	5519 5320-1	1			1993
2	3420 2209	8			STUD
3	1150 2811	8			NUT
4		1			BEZEL AND OVERLAY ASSEMBLY ***
	5AD34-5 JA8	1			Dark Charcoal
	5AD34-5 JH9	1			Cordovan
	5AD34-5 KY6	1			Dark Sand
					NOTE: As stock is exhausted in colors primed parts are to be used for service. Tag affixed to the Face of its Pulley. A Second Tag will show the name of the Vendor (OGURA).
	5500 4510-1	1			Primed, P.A.R. (does not include item 16)
5	J400 2461	AR			SCREW
6	5601 6948-9	1			SWITCH ASSEMBLY, Power Seat ***
7		4			SCREW, (not serviced, use M4x0.7x16)
8	1150 2729	4			NUT
9	1150 4735	4			BOLT
10					COVER, Carpet
	5AD5 7JA8	1			Right Seat w/12 ounce carpet, 1991, EUROPE Charcoal (A7SA), EUROPE
	5AD5 7JH9	1			Cordovan (A7H9), EUROPE
	5AD5 7JY6	1			Dark Sand (A7Y6), EUROPE
					Left Seat w/12 Ounce Carpet, 1991, EUROPE
	5AD5 6JA8	1			Charcoal (A7SA), EUROPE
	5AD5 6JH9	1			Cordovan (A7H9), EUROPE
	5AD5 6JY6	1			Dark Sand (A7Y6), EUROPE
					Right Seat w/16 Ounce Carpet
	5AD5 5JA8	1			Charcoal (XLSA or Q7SA)
	5AD5 5JH9	1			Cordovan (Q7H9 or ALH9)
	5AD5 5JY6	1			Dark Sand (XLY6 or Q7Y6 or ALY6)
					Left Seat w/16 Ounce Carpet
	5AD5 4JA8	1			Charcoal (XLSA or Q7SA)
	5AD5 4JH9	1			Cordovan (Q7H9 or ALH9)
	5AD5 4JY6	1			Dark Sand (XLY6 or Q7Y6 or ALY6)
11	3420 1888	2			SCREW
12	5600 6286	2			MOTOR, Power Seat
13					COVER, Track Inner, P.A.R.
	5AD1 0JY6	1			Right Seat, Inboard
	5AD1 1JY6	1			Left Seat, Inboard
14	3420 1314	4			SCREW

MODEL CODES:
 61=Pickup-6 Ft Box 74=4 Door Wagon T=2WD
 62=Pickup-7 Ft Box 77=Open Body 93" Wheelbase J,N,U=4WD
 72=2 Door Wagon 78=Open Body 103" Wheelbase

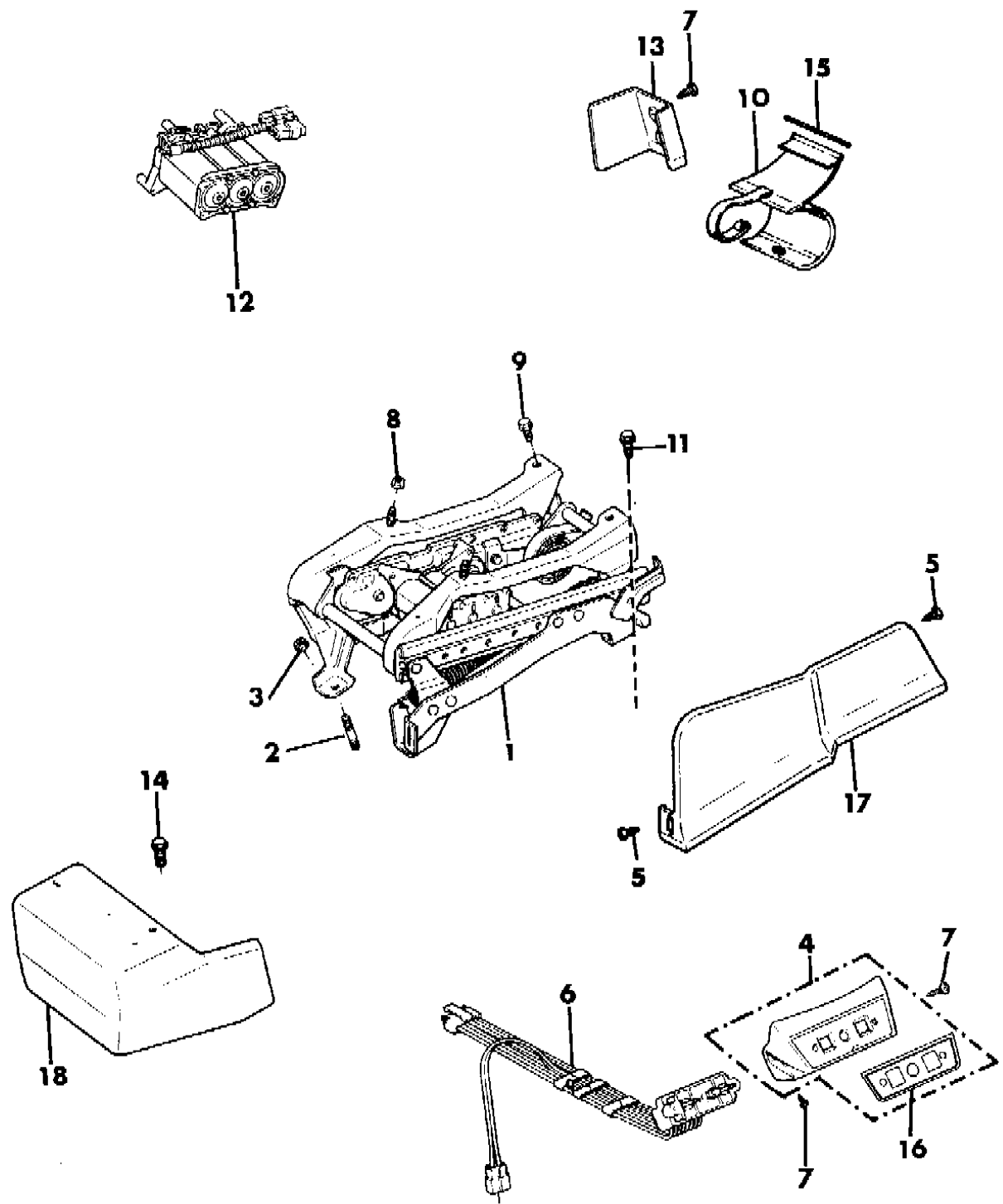
BODY STYLES:
 MJ=Comanche Pickup ZJ=Grand Cherokee/Grand Wagoneer KDX VEHICLES
 SJ=Grand Wagoneer M1=Comanche
 XJ=Cherokee, Briarwood X1=Cherokee, Briarwood
 YJ=Wrangler Y1=Wrangler

AR = Use as Required - = Non Illustrated Part P.A.R. = Paint as Required

TRACKS, WITH POWER SEATS BUCKET SEAT CHEROKEE
Figure 43-2400

91J43 2400A

ITEM	PART NUMBER	QTY	BODY	MODEL	DESCRIPTION
15	5500 3346	2			WIRE, Cover
16	5500 6716	2			OVERLAY, Black ***
17	5AD06-7 JY6	1			COVER, Track, Outer Lower, P.A.R.
18	5AD5 8JY6	1			COVER, Track, Outer Upper, P.A.R. Right
	5AD0 9JY6	1			Left



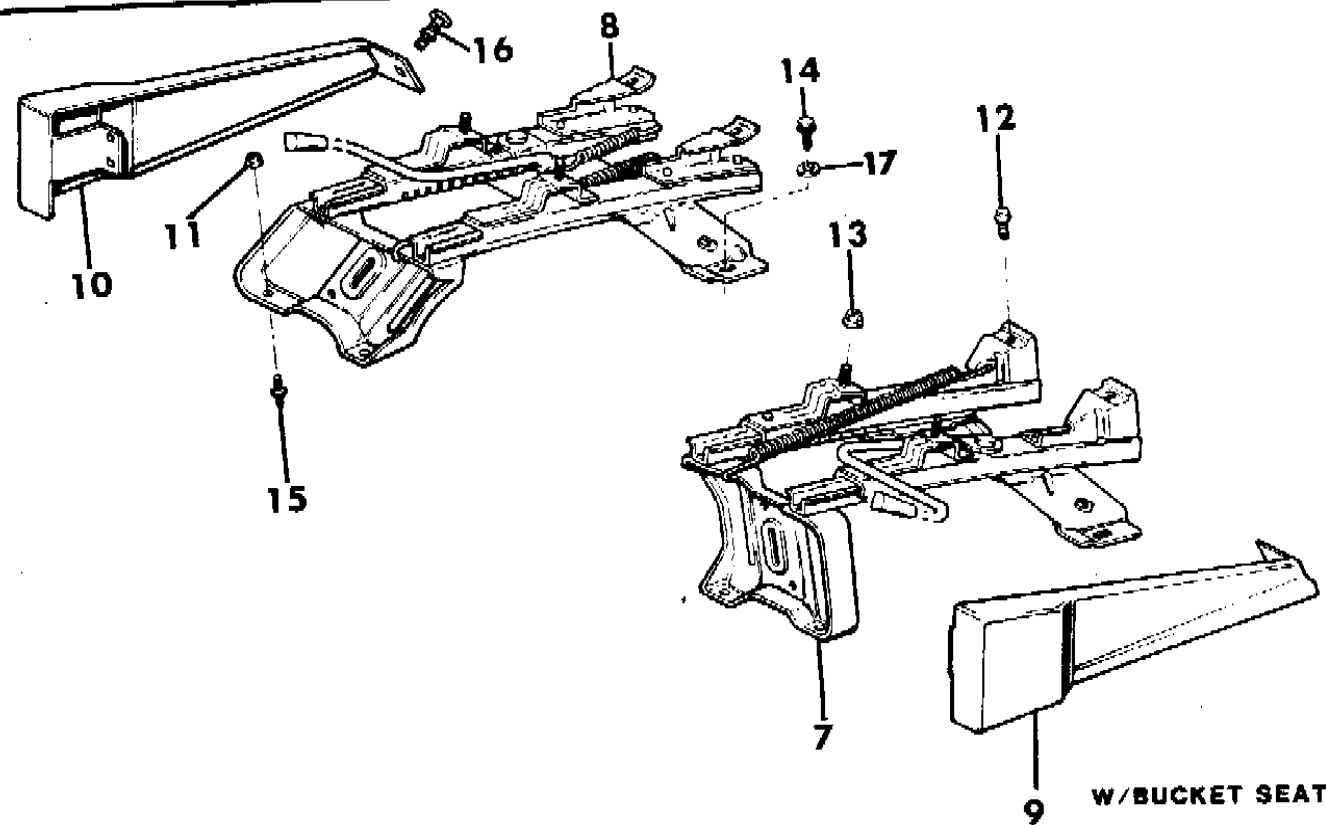
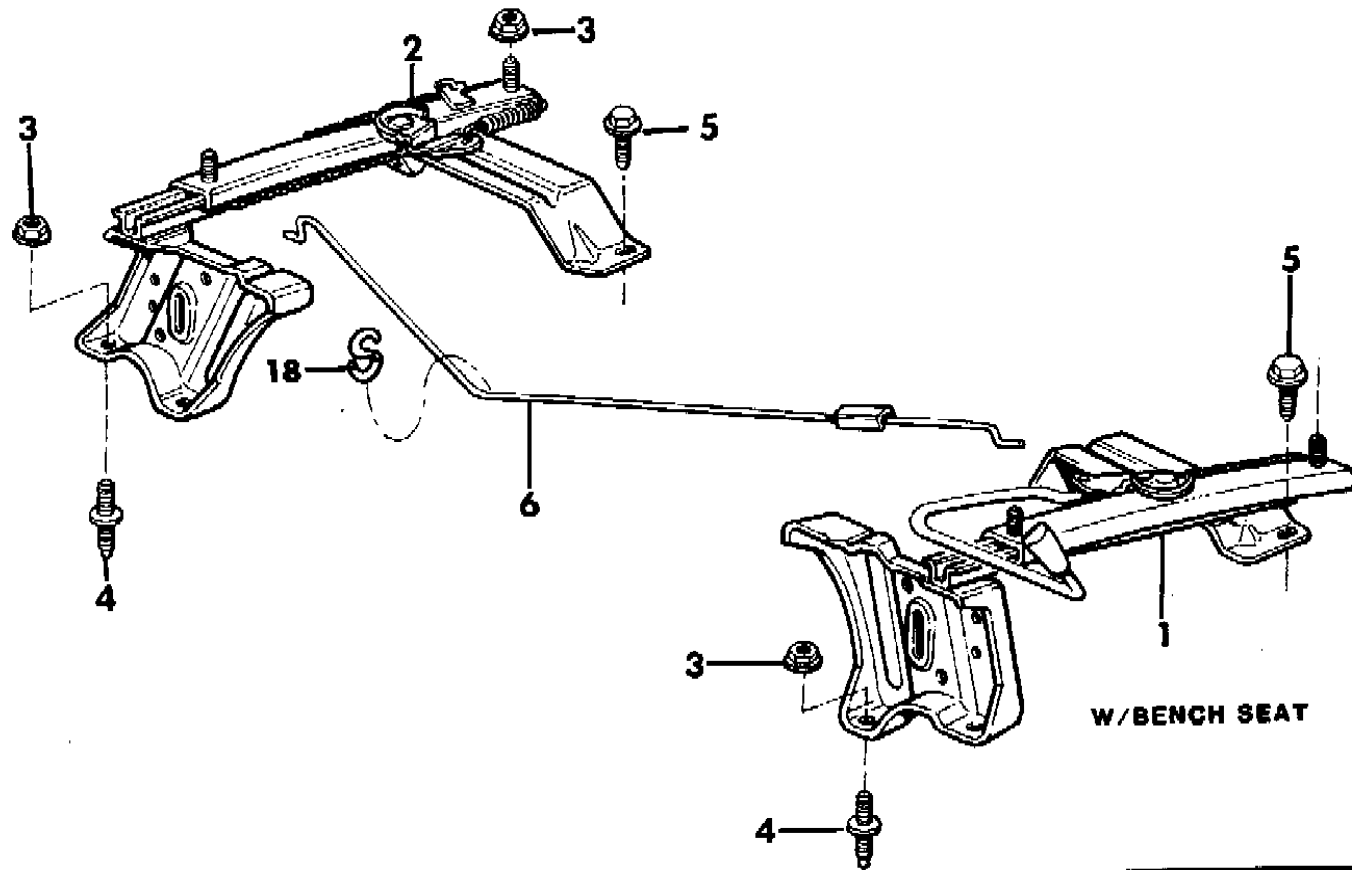
MODEL CODES:
 61=Pickup-6 Ft Box 74=4 Door Wagon T=2WD
 62=Pickup-7 Ft Box 77=Open Body 93" Wheelbase J,N,U=4WD
 72=2 Door Wagon 78=Open Body 103" Wheelbase

BODY STYLES:
 MJ=Comanche Pickup ZJ=Grand Cherokee/Grand Wagoneer KDX VEHICLES
 SJ=Grand Wagoneer M1=Comanche
 XJ=Cherokee, Briarwood X1=Cherokee, Briarwood
 YJ=Wrangler Y1=Wrangler

AR = Use as Required - = Non Illustrated Part P.A.R. = Paint as Required

TRACKS, SEAT COMANCHE
Figure 43-2500

91J43 2500



ITEM	PART NUMBER	QTY	BODY	MODEL	DESCRIPTION
1	5500 4295	1			TRACK, Seat, Left
2	5500 4294	1			TRACK, Seat, Right
3	1150 2811	8			NUT
4	3420 2209	4			STUD
5	3420 1888	4			SCREW
6	5502 7148	1			WIRE, Seat Adjuster
7-8	5500 4296-7	1			TRACK, Seat
-	J545 5277	4			SPACER, Seat Track Mounting, KDX - Venezuela
9-10	5AD50-1 JY6	1			COVER, Track, Outer, P.A.R.
-	J400 0235	4			NUT, Push On, For Mounting Cover to Track
11	1150 2811	8			NUT
12	1150 4735	4			BOLT
13	3420 1658	4			NUT
14	3420 1888	1			SCREW
15	3420 2209	4			STUD
16	3420 2138	6			FASTENER
17	1150 0323	4			WASHER
18	5500 9257	2			GUIDE, Track Connector Wire Assembly

MODEL CODES:

61=Pickup-6 Ft Box 74=4 Door Wagon T=2WD
62=Pickup-7 Ft Box 77=Open Body 93" Wheelbase J,N,U=4WD
72=2 Door Wagon 78=Open Body 103" Wheelbase

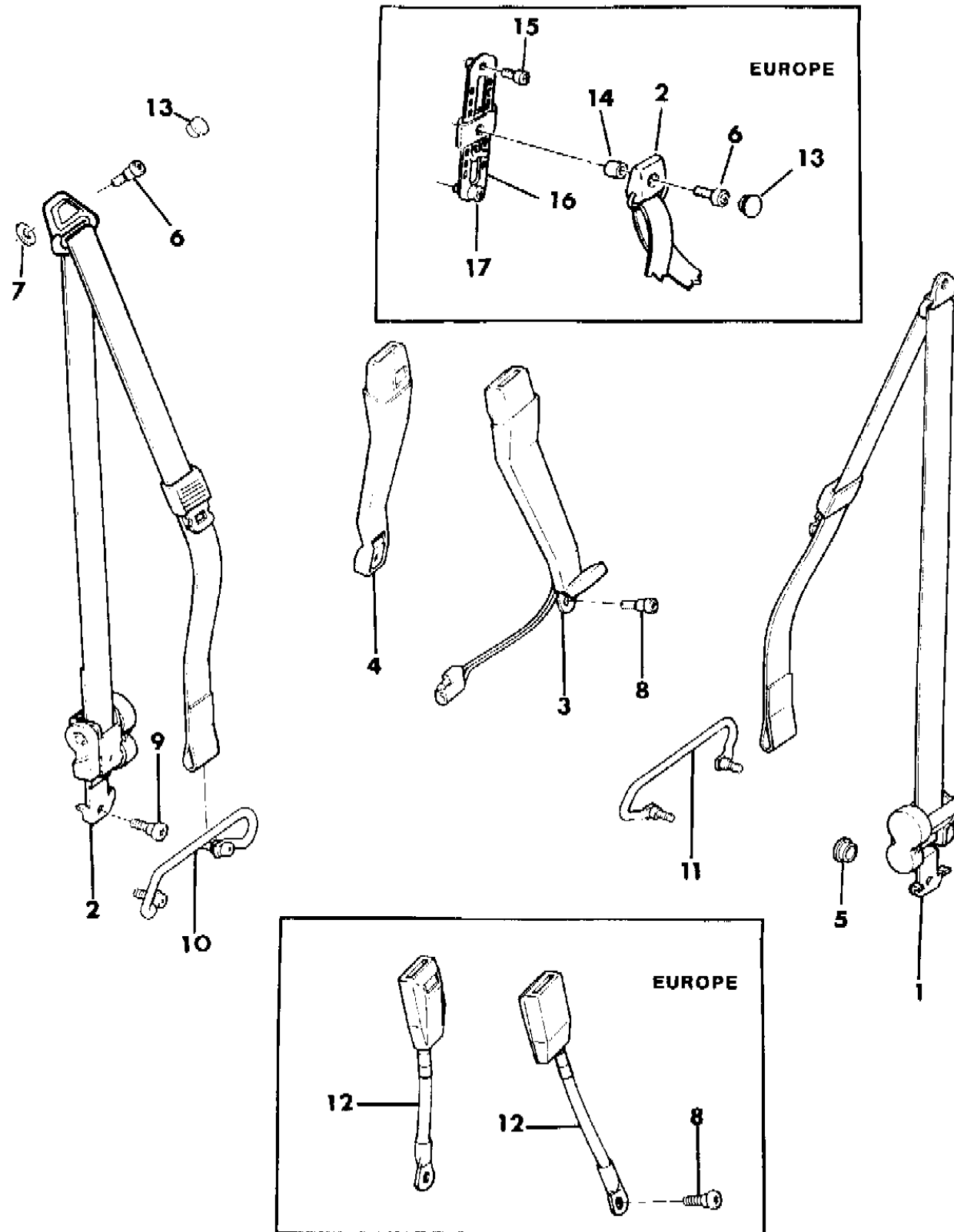
BODY STYLES:

MJ=Comanche Pickup ZJ=Grand Cherokee/Grand Wagoneer KDX VEHICLES
SJ=Grand Wagoneer M1=Comanche
XJ=Cherokee, Briarwood X1=Cherokee, Briarwood
YJ=Wrangler Y1=Wrangler

AR = Use as Required - = Non Illustrated Part P.A.R. = Paint as Required

SEAT BELTS, FRONT SEAT CHEROKEE 2 DOOR
Figure 43-2600

91J43 2600 A



ITEM	PART NUMBER	QTY	BODY	MODEL	DESCRIPTION
1-2					BELT, Retractor Assembly
	5BK5 4KX9	2			Black, EUROPE, 1991-93
	5CS6 2LX9	2			Black, EUROPE - Austria, 1993 Except EUROPE
	5AX10-1 JA8	1			Dark Charcoal, 1991, Built Up To 10/14/90
	5CF62-3 KA8	1			Dark Charcoal, 1991, Built 10/15/90 And Later
	5CS72-3 LA8	1			Dark Charcoal, 1992
	5DC92-3 MA8	1			Dark Charcoal, 1993
	5AX10-1 JH9	1			Cordovan, 1991, Built Up To 10/14/90
	5CF62-3 KH9	1			Cordovan, 1991, Built 10/15/90 And Later
	5CS72-3 LH9	1			Cordovan, 1992
	5AX10-1 JY6	1			Dark Sand, 1991, Built Up To 10/14/90
	5CF62-3 KY6	1			Dark Sand, 1991, Built 10/15/90 And Later
	5CS72-3 LY6	1			Dark Sand, 1992
	5DC92-3 MY6	1			Dark Sand, 1993
3					BELT, Buckle Half, Left Inboard, Except EUROPE
	5AF5 1JA8	1			Dark Charcoal, 1991
	5CR9 5LA8	1			Dark Charcoal, 1992-93
	5AF5 1JH9	1			Cordovan, 1991
	5CR9 5LH9	1			Cordovan, 1992
	5AF5 1JY6	1			Dark Sand, 1991
	5CR9 5LY6	1			Dark Sand, 1992-93
4					BELT, Buckle Half, Right Inboard, Except Europe
	5AF7 0JA8	1			Dark Charcoal, 1991
	5CR9 4LA8	1			Dark Charcoal, 1992-93
	5AF7 0JH9	1			Cordovan, 1991
	5CR9 4LH9	1			Cordovan, 1992
	5AF7 0JY6	1			Dark Sand, 1991
	5CR9 4LY6	1			Dark Sand, 1992-93
5					COVER, Bolt
	5AB2 2JA8	2			Dark Charcoal
	5AB2 2JH9	2			Cordovan
	5AB2 2JY6	2			Dark Sand
6					BOLT, Seat Belt Web Guide Mounting
	6034 449	2			Except EUROPE
	6034 230	2			EUROPE
7					WASHER
	J400 7315	2			
8					BOLT, Buckle Half Mounting
	J400 5505	2			Except EUROPE, 1991
	6034 449	2			Except EUROPE, 1992-93
	J400 6366	2			EUROPE, 1991

MODEL CODES:

61=Pickup-6 Ft Box 74=4 Door Wagon T=2WD
62=Pickup-7 Ft Box 77=Open Body 93" Wheelbase J,N,U=4WD
72=2 Door Wagon 78=Open Body 103" Wheelbase

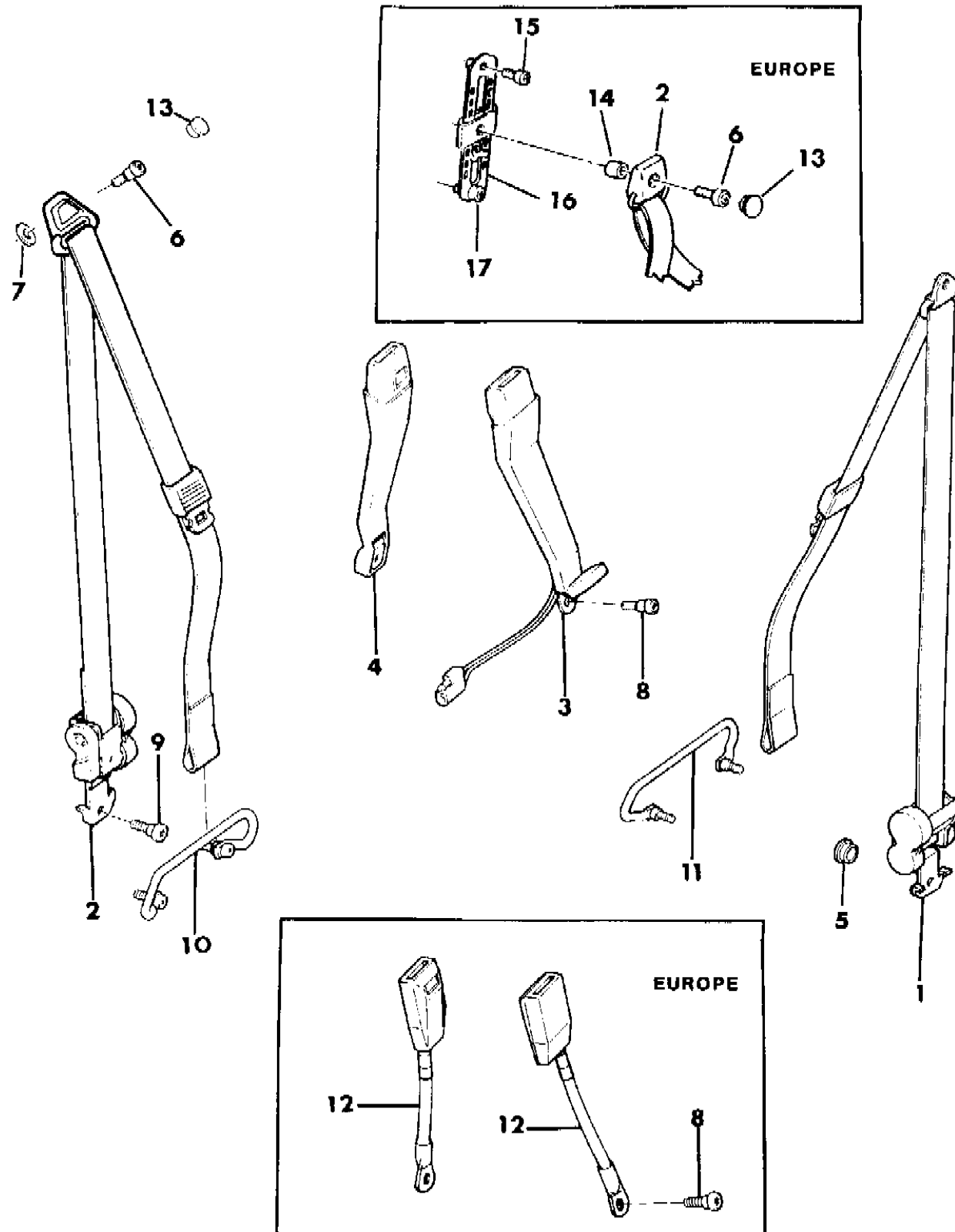
BODY STYLES:

MJ=Comanche Pickup ZJ=Grand Cherokee/Grand Wagoneer KDX VEHICLES
SJ=Grand Wagoneer M1=Comanche
XJ=Cherokee, Briarwood X1=Cherokee, Briarwood
YJ=Wrangler Y1=Wrangler

AR = Use as Required - = Non Illustrated Part P.A.R. = Paint as Required

SEAT BELTS, FRONT SEAT CHEROKEE 2 DOOR
Figure 43-2600

91J43 2600 A



ITEM	PART NUMBER	QTY	BODY	MODEL	DESCRIPTION
	6034 394	2			EUROPE, 1992-93
9	J400 7574	2			BOLT 1991
	6034 383	2			1992-93
10-11					BAR ASSEMBLY, Web Slide (includes bolts) ***
	5500 2948-9	1			1991
	5531 4570-1	1			1992-93
-	6034 449	4			BOLT, Slide Bar Mounting
12					BELT, Inner Buckle
	5500 5588	2			EUROPE, 1991-93
NOTE: For vehicles w/Traveling Inboard Buckle (built for Austria) see illustration 2750. Tag affixed to the Face of its Pulley. A Second Tag will show the name of the Vendor (OGURA).					
13					COVER, Bolt
	5AB9 6HA8	2			Charcoal
	5AB9 6JH9	2			Cordovan
	5AB9 6JY6	2			Dark Sand
	5AB9 6KX9	2			Black, EUROPE
14	5503 4472	2			SPACER, Turning Loop, EUROPE
15	J400 6998	2			BOLT
16					ADJUSTER, Turning Loop, EUROPE
	5502 7818	2			1991, EUROPE
	5531 4558	2			1992-93 EUROPE
17	6502 438	2			SCREW (included in adjuster) ***
NOTE: Seat belt extenders are also in the accessory catalog. Tag affixed to the Face of its Pulley. A Second Tag will show the name of the Vendor (OGURA).					
-	8350 5482	1			EXTENDER, Seat Belt

MODEL CODES:

61=Pickup-6 Ft Box 74=4 Door Wagon T=2WD
62=Pickup-7 Ft Box 77=Open Body 93" Wheelbase J,N,U=4WD
72=2 Door Wagon 78=Open Body 103" Wheelbase

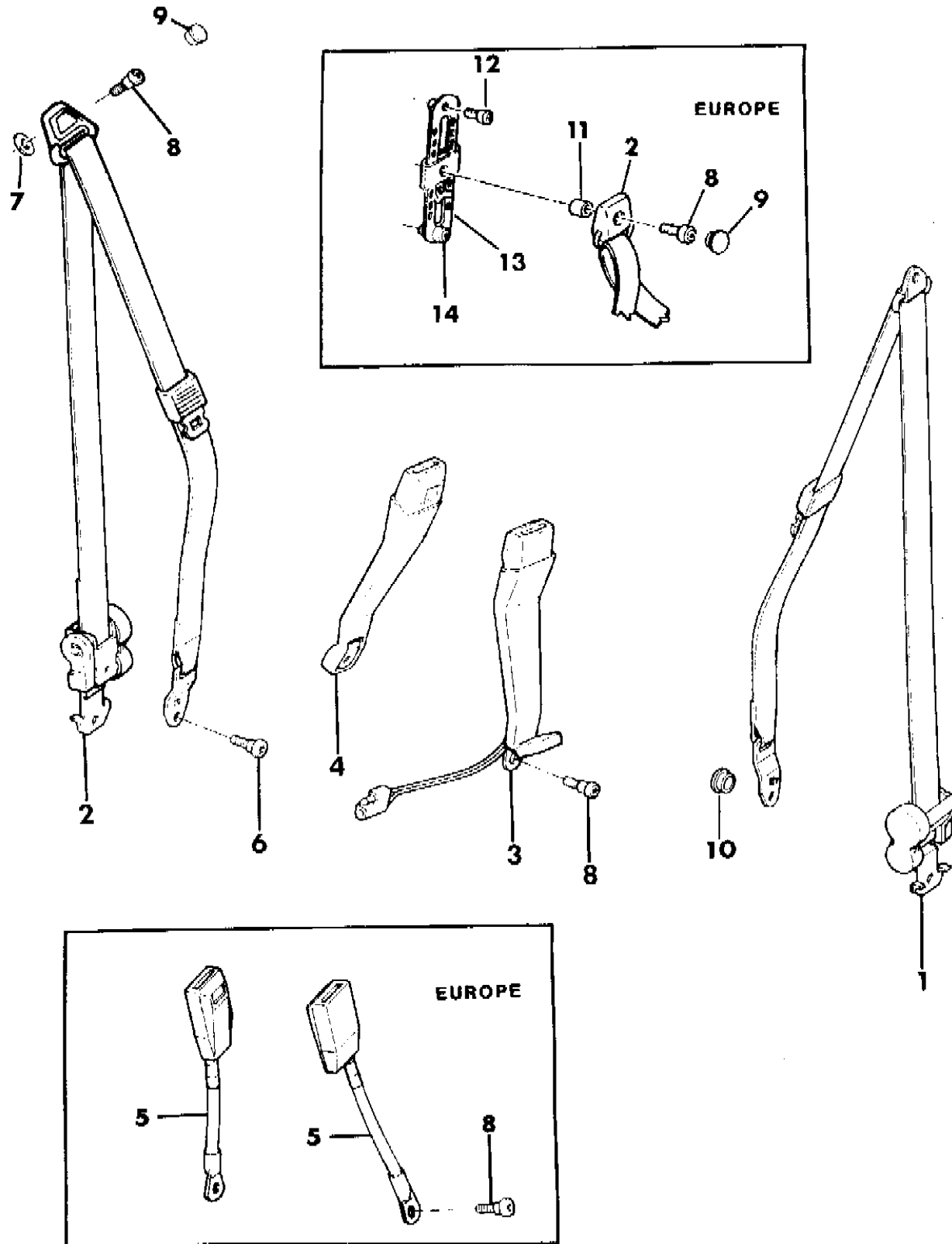
BODY STYLES:

MJ=Comanche Pickup ZJ=Grand Cherokee/Grand Wagoneer KDX VEHICLES
SJ=Grand Wagoneer M1=Comanche
XJ=Cherokee, Briarwood X1=Cherokee, Briarwood
YJ=Wrangler Y1=Wrangler

AR = Use as Required - = Non Illustrated Part P.A.R. = Paint as Required

SEAT BELTS, FRONT SEAT CHEROKEE 4 DOOR
Figure 43-2700

91J43 2700 A



ITEM	PART NUMBER	QTY	BODY	MODEL	DESCRIPTION
1-2					BELT, Retractor Assembly
	5AJ40-1 JA8	1			Dark Charcoal, 1991, Built Up To 10/14/90
	5CF60-1 KA8	1			Dark Charcoal, 1991-92, Built 10/15/90 And Later
	5DC86-7 MA8	1			Dark Charcoal, 1993
	5AJ40-1 JH9	1			Cordovan, 1991, Built Up To 10/14/90
	5CF60-1 KH9	1			Cordovan, 1991-92, Built 10/15/90 And Later
	5AJ40-1 JY6	1			Dark Sand, 1991, Built Up To 10/14/90
	5CF60-1 KY6	1			Dark Sand, 1991-92, Built 10/15/90 And Later
	5DC86-7 MY6	1			Dark Sand, 1993
	5BK52-3 KX9	1			Black, EUROPE, 1991-93
	5CS64-5 LX9	1			Black, EUROPE - Austria, 1992-93
3					BELT, Buckle Half, Left, Inboard, Except EUROPE
	5AF5 1JA8	1			Charcoal, 1991
	5CR9 5LA8	1			Charcoal, 1992-93
	5AF5 1JH9	1			Cordovan, 1991
	5CR9 5LH9	1			Cordovan, 1992
	5AF5 1JY6	1			Dark Sand, 1991
	5CR9 5LY6	1			Dark Sand, 1992-93
4					BELT, Buckle Half, Right, Inboard Except EUROPE
	5AF7 0JA8	1			Dark Charcoal, 1991
	5CR9 4LA8	1			Dark Charcoal, 1992-93
	5AF7 0JH9	1			Cordovan, 1991
	5CR9 4LH9	1			Cordovan, 1992
	5AF7 0JY6	1			Dark Sand, 1991
	5CR9 4LY6	1			Dark Sand, 1992-93
5					BELT, Inner Buckle
	5500 5588	2			EUROPE, 1991-93
NOTE: For vehicles w/Traveling Inboard Buckle (built for Austria) see illustration 2750. Tag affixed to the Face of its Pulley. A Second Tag will show the name of the Vendor (OGURA).					
6					BOLT
	J400 7574	2			1991
	6034 383	2			1992-93
7					WASHER
	J400 7315	2			
8					BOLT
	J400 5505	2			Buckle Half Mounting, Except EUROPE, 1991
	J400 6366	2			Buckle Half Mounting, EUROPE, 1991
	6034 394	2			Buckle Half Mounting, 1992
	J400 6366	2			Web Guide Mounting, 1991
	6034 394	2			Web Guide Mounting, 1992-93
9					COVER, Bolt
	5AB9 6HA8	2			Dark Charcoal

MODEL CODES:

61=Pickup-6 Ft Box 74=4 Door Wagon T=2WD
62=Pickup-7 Ft Box 77=Open Body 93" Wheelbase J,N,U=4WD
72=2 Door Wagon 78=Open Body 103" Wheelbase

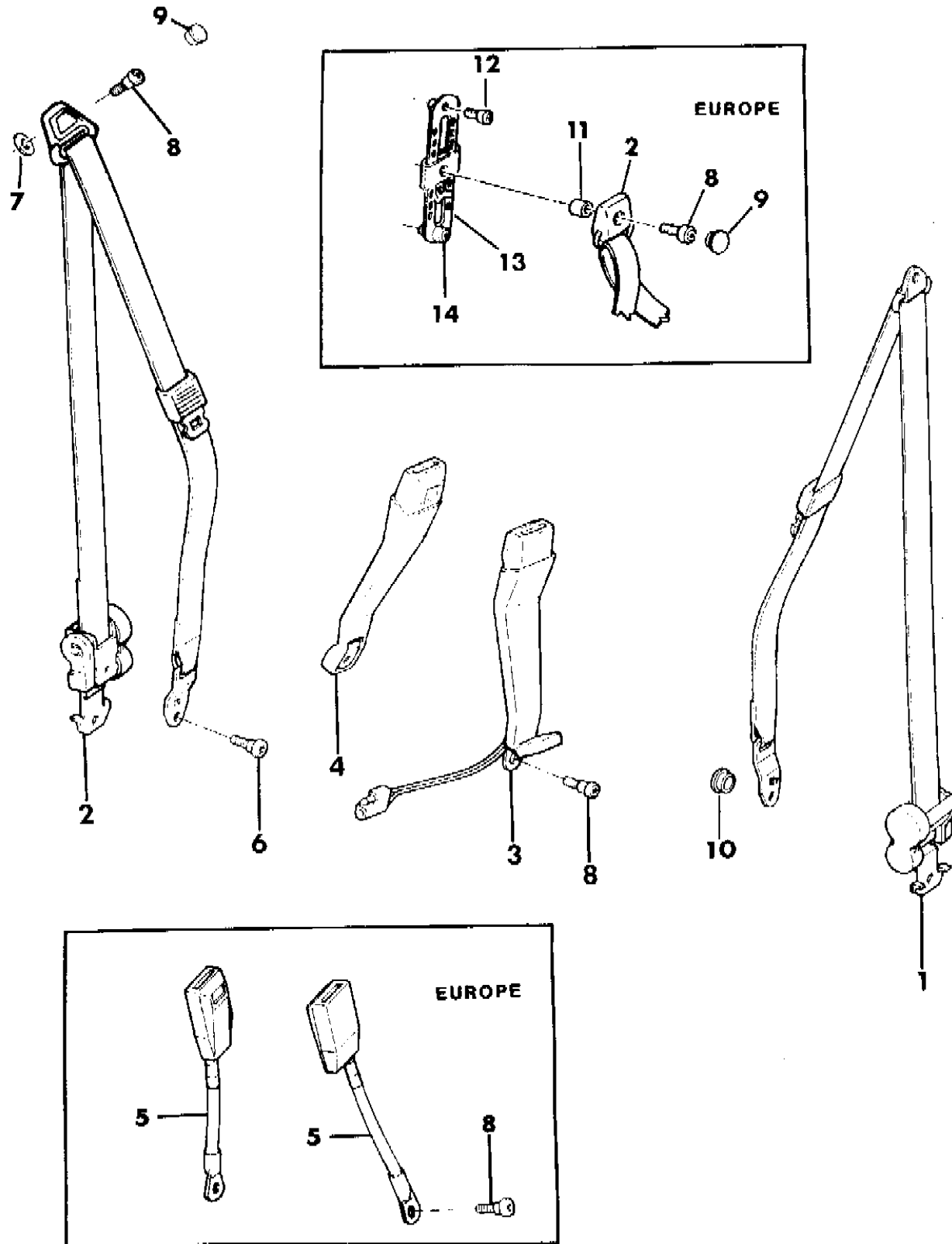
BODY STYLES:

MJ=Comanche Pickup ZJ=Grand Cherokee/Grand Wagoneer KDX VEHICLES
SJ=Grand Wagoneer M1=Comanche
XJ=Cherokee, Briarwood X1=Cherokee, Briarwood
YJ=Wrangler Y1=Wrangler

AR = Use as Required - = Non Illustrated Part P.A.R. = Paint as Required

SEAT BELTS, FRONT SEAT CHEROKEE 4 DOOR
Figure 43-2700

91J43 2700 A



ITEM	PART NUMBER	QTY	BODY	MODEL	DESCRIPTION
	5AB9 6JH9	2			Cordovan
	5AB9 6JY6	2			Dark Sand
	5AB9 6KX9	2			Black, EUROPE
10					COVER, Bolt
	5AB2 2JA8	2			Dark Sand
	5AB2 2JH9	2			Cordovan
	5AB2 2JY6	2			Dark Sand
11	5503 4472	2			SPACER, Turning Loop, EUROPE
12	J400 6998	2			BOLT
13					ADJUSTER, Turning Loop, EUROPE
	5502 7818	2			1991, EUROPE
	5531 4558	2			1992-93, EUROPE
14	6502 438	2			SCREW (included in adjuster) ***

NOTE: Seat belt extenders are also in the accessory catalog. Tag affixed to the Face of its Pulley. A Second Tag will show the name of the Vendor (OGURA).

-	8350 5482	1			EXTENDER, Seat Belt
---	-----------	---	--	--	---------------------

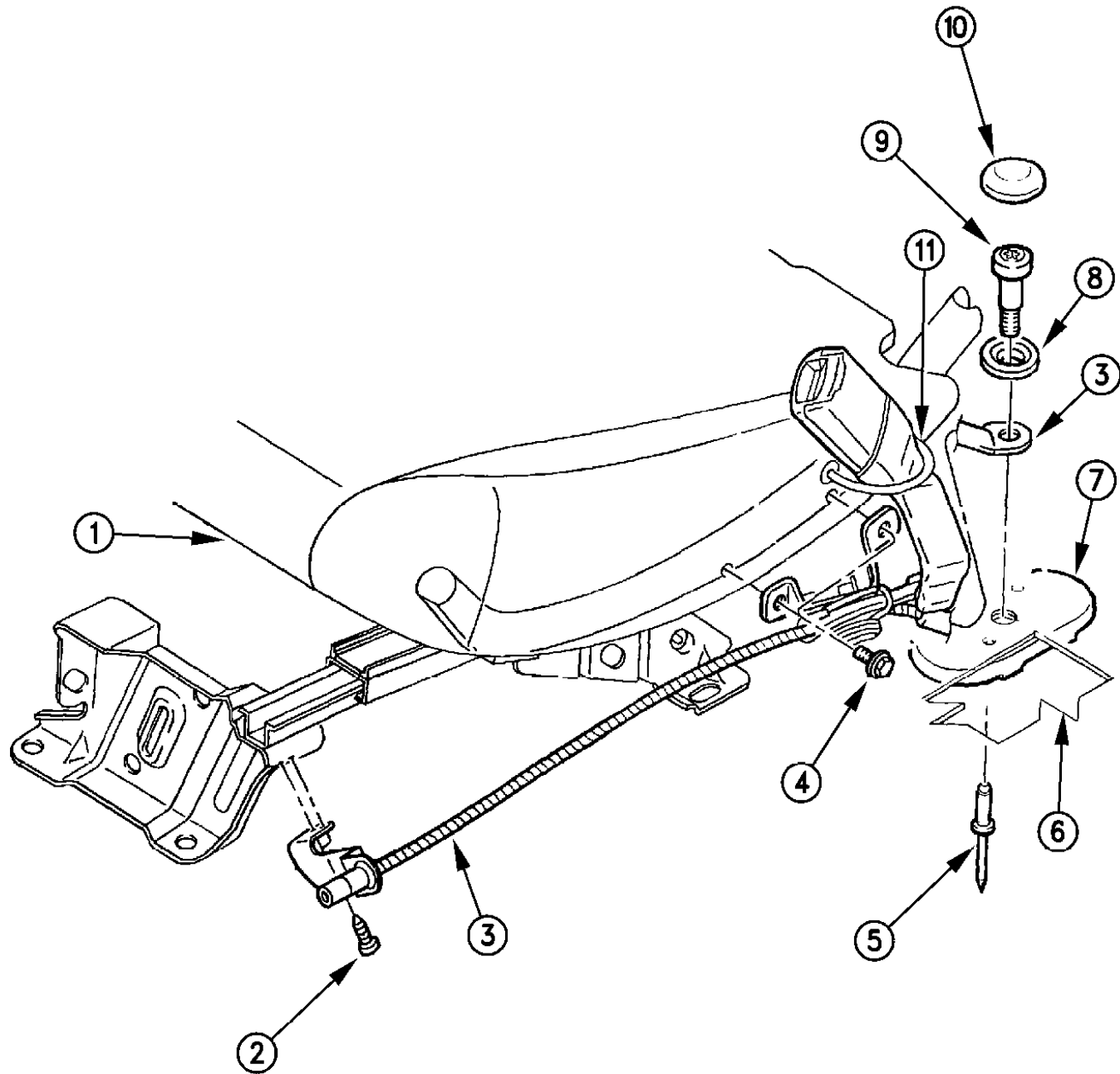
MODEL CODES:
 61=Pickup-6 Ft Box 74=4 Door Wagon T=2WD
 62=Pickup-7 Ft Box 77=Open Body 93" Wheelbase J,N,U=4WD
 72=2 Door Wagon 78=Open Body 103" Wheelbase

BODY STYLES:
 MJ=Comanche Pickup ZJ=Grand Cherokee/Grand Wagoneer KDX VEHICLES
 SJ=Grand Wagoneer M1=Comanche
 XJ=Cherokee, Briarwood X1=Cherokee, Briarwood
 YJ=Wrangler Y1=Wrangler

AR = Use as Required - = Non Illustrated Part P.A.R. = Paint as Required

SEAT BELTS, FRONT, W/TRAVELLING INBOARD BUCKLE EUROPE-AUSTRIA CHEROKEE
Figure 43-2750

91J43 2750



ITEM	PART NUMBER	QTY	BODY	MODEL	DESCRIPTION
------	-------------	-----	------	-------	-------------

NOTE: This illustration only represents the traveling inboard buckle used in Austria. Also see illustration 2600 and 2700 for other seat belt parts. Tag affixed to the Face of its Pulley. A Second Tag will show the name of the Vendor (OGURA).

1					SEAT ASSEMBLY, (reference) ***
2		4			SCREW, (not serviced, use .164-18x.625)
3	5CM78-9 LX9	1			BUCKLE ASSEMBLY, Traveling Front Inner ***
4	3420 1611	4			SCREW, Travel Lock Bracket to Seat
5	6033 688	4			RIVET, (under floor pan reinforcement attaching)
6					BODY, (reference) ***
7		2			BRACKET, (seat belt anchor under floor pan - not serviced)
8	J400 7264	2			WASHER, Travel Cable Anchor Bolt
-	J400 7264	2			WASHER, Unused Hole in Floor Pan Bolt
9	J400 6366	1			BOLT, Travel Cable Anchor
-	J400 7337	2			BOLT, Plug Unused Hole in Floor Pan
10	J400 7263	2			CAP, Travel Cable Anchor Bolt
-	J400 7263	2			CAP, Bolt/Plug Unused Hole in Floor Pan
11					STRAP, Elastic (not required for service)

MODEL CODES:

61=Pickup-6 Ft Box 74=4 Door Wagon T=2WD
 62=Pickup-7 Ft Box 77=Open Body 93" Wheelbase J,N,U=4WD
 72=2 Door Wagon 78=Open Body 103" Wheelbase

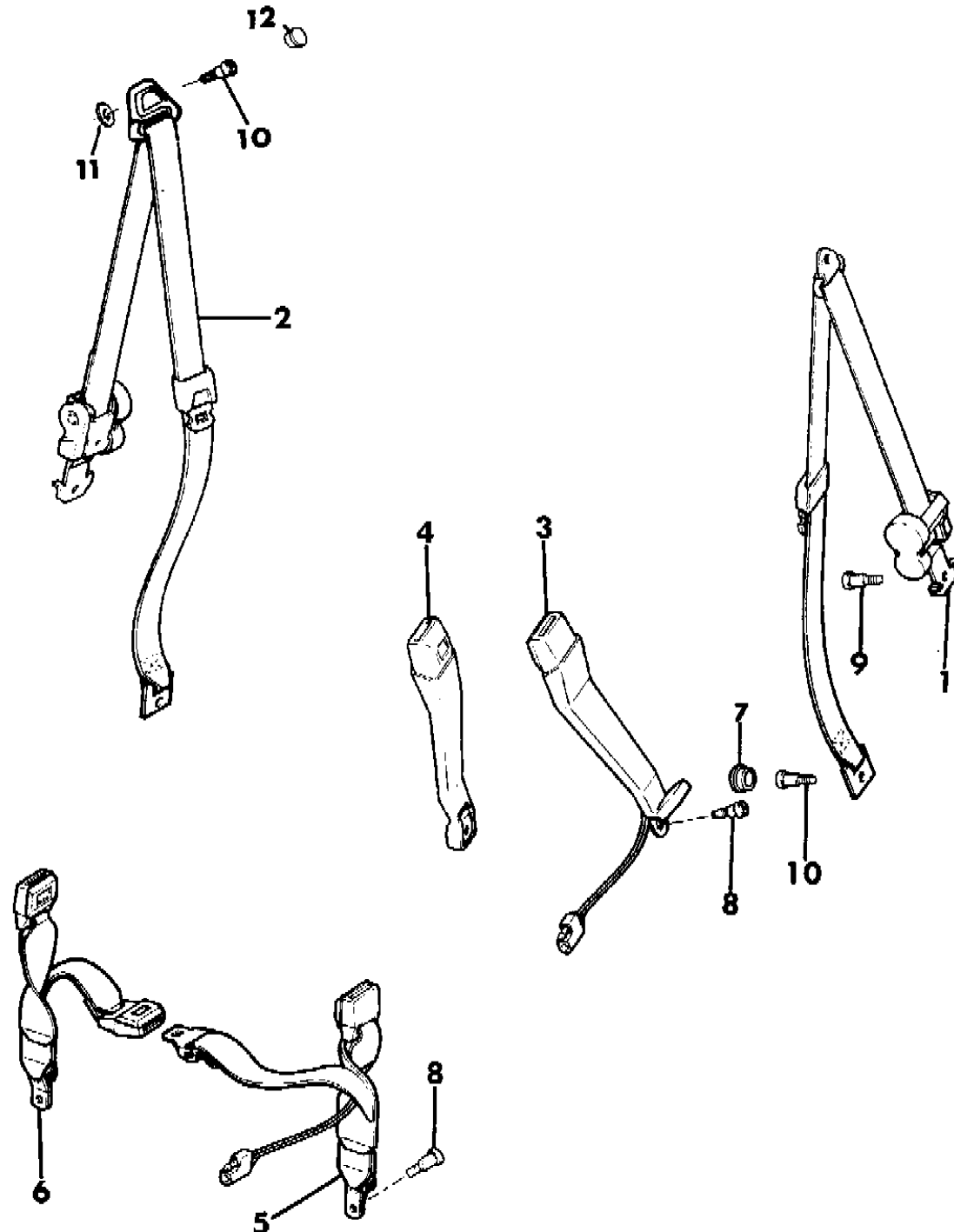
BODY STYLES:

MJ=Comanche Pickup ZJ=Grand Cherokee/Grand Wagoneer KDX VEHICLES
 SJ=Grand Wagoneer M1=Comanche
 XJ=Cherokee, Briarwood X1=Cherokee, Briarwood
 YJ=Wrangler Y1=Wrangler

AR = Use as Required - = Non Illustrated Part P.A.R. = Paint as Required

SEAT BELTS COMANCHE
Figure 43-2800

91J43 2800



ITEM	PART NUMBER	QTY	BODY	MODEL	DESCRIPTION
1-2					BELT, Retractor Assembly
	5AJ44-5 JA8	1			Dark Charcoal
	5AJ44-5 JH9	1			Cordovan
	5AJ44-5 JY6	1			Dark Sand
3					BELT, Buckle Half, Left, Inboard, (w/Bucket Seats)
	5AF5 1JA8	1			Dark Charcoal, 1991
	5CR9 5LA8	1			Dark Charcoal, 1992-93
	5AF5 1JH9	1			Cordovan, 1991
	5CR9 5LH9	1			Cordovan, 1992
	5AF5 1JY6	1			Dark Sand, 1991
	5CR9 5LY6	1			Dark Sand, 1992-93
4					BELT, Buckle Half, Right, Inboard, (w/Bucket Seat)
	5AF7 0JA8	1			Dark Charcoal, 1991
	5CR9 4LA8	1			Dark Charcoal, 1992-93
	5AF7 0JH9	1			Cordovan, 1991
	5CR9 4LH9	1			Cordovan, 1992
	5AF7 0JY6	1			Dark Sand, 1991
	5CR9 4LY6	1			Dark Sand, 1992-93
5					BELT, Buckle and Tip, Left Inboard, (w/Bench Seat)
	5AF4 7JA8	1			Dark Charcoal
	5AF4 7JH9	1			Cordovan
	5AF4 7JY6	1			Dark Sand
6					BELT, Double Buckle, Right Inboard, (w/Bench Seat)
	5AF4 6JA8	1			Dark Charcoal
	5AF4 6JH9	1			Cordovan
	5AF4 6JY6	1			Dark Sand
7					COVER, Bolt
	5AB2 2JA8	2			Dark Charcoal
	5AB2 2JH9	2			Cordovan
	5AB2 2JY6	2			Dark Sand
8					BOLT
	J400 6366	2			1991, w/Bench Seat
	J400 5505	2			1991, w/Bucket Seats
	6034 394	2			1992-93
9					BOLT
	J400 7574	2			1991
	6034 383	2			1992-93
10					BOLT
	J400 5507	4			1991
	6034 394	4			1992
11					WASHER
	J400 7315	2			

MODEL CODES:

61=Pickup-6 Ft Box 74=4 Door Wagon T=2WD
 62=Pickup-7 Ft Box 77=Open Body 93" Wheelbase J,N,U=4WD
 72=2 Door Wagon 78=Open Body 103" Wheelbase

BODY STYLES:

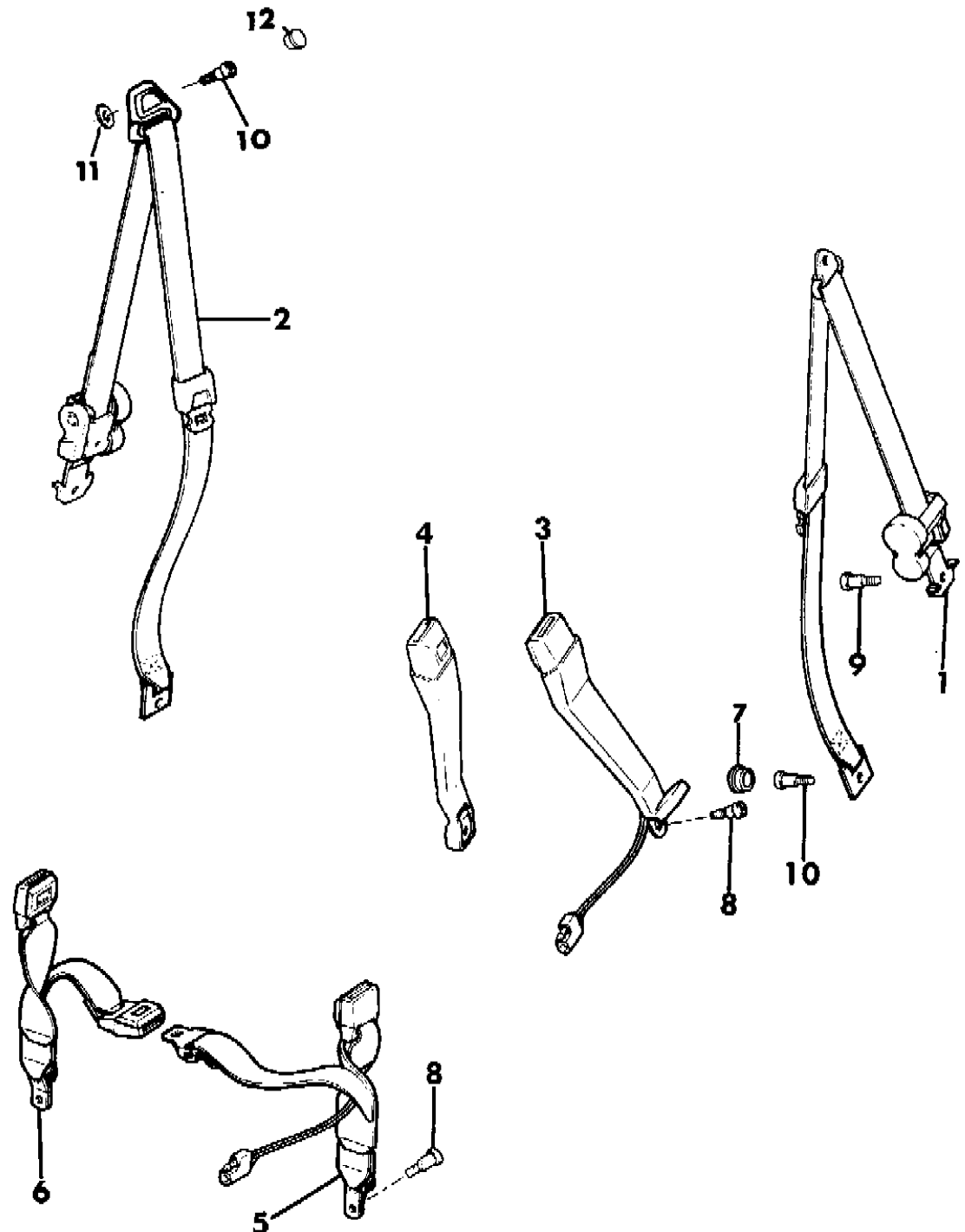
MJ=Comanche Pickup ZJ=Grand Cherokee/Grand Wagoneer KDX VEHICLES
 SJ=Grand Wagoneer M1=Comanche
 XJ=Cherokee, Briarwood X1=Cherokee, Briarwood
 YJ=Wrangler Y1=Wrangler

AR = Use as Required - = Non Illustrated Part P.A.R. = Paint as Required

SEAT BELTS COMANCHE
Figure 43-2800

91J43 2800

ITEM	PART NUMBER	QTY	BODY	MODEL	DESCRIPTION
12					COVER, Bolt
	5AB9 6HA8	2			Dark Charcoal
	5AB9 6JH9	2			Cordovan
	5AB9 6JY6	2			Dark Sand
NOTE: Seat belt extenders are also in the accessory catalog. Tag affixed to the Face of its Pulley. A Second Tag will show the name of the Vendor (OGURA).					
-	8350 5482	1			EXTENDER, Seat Belt



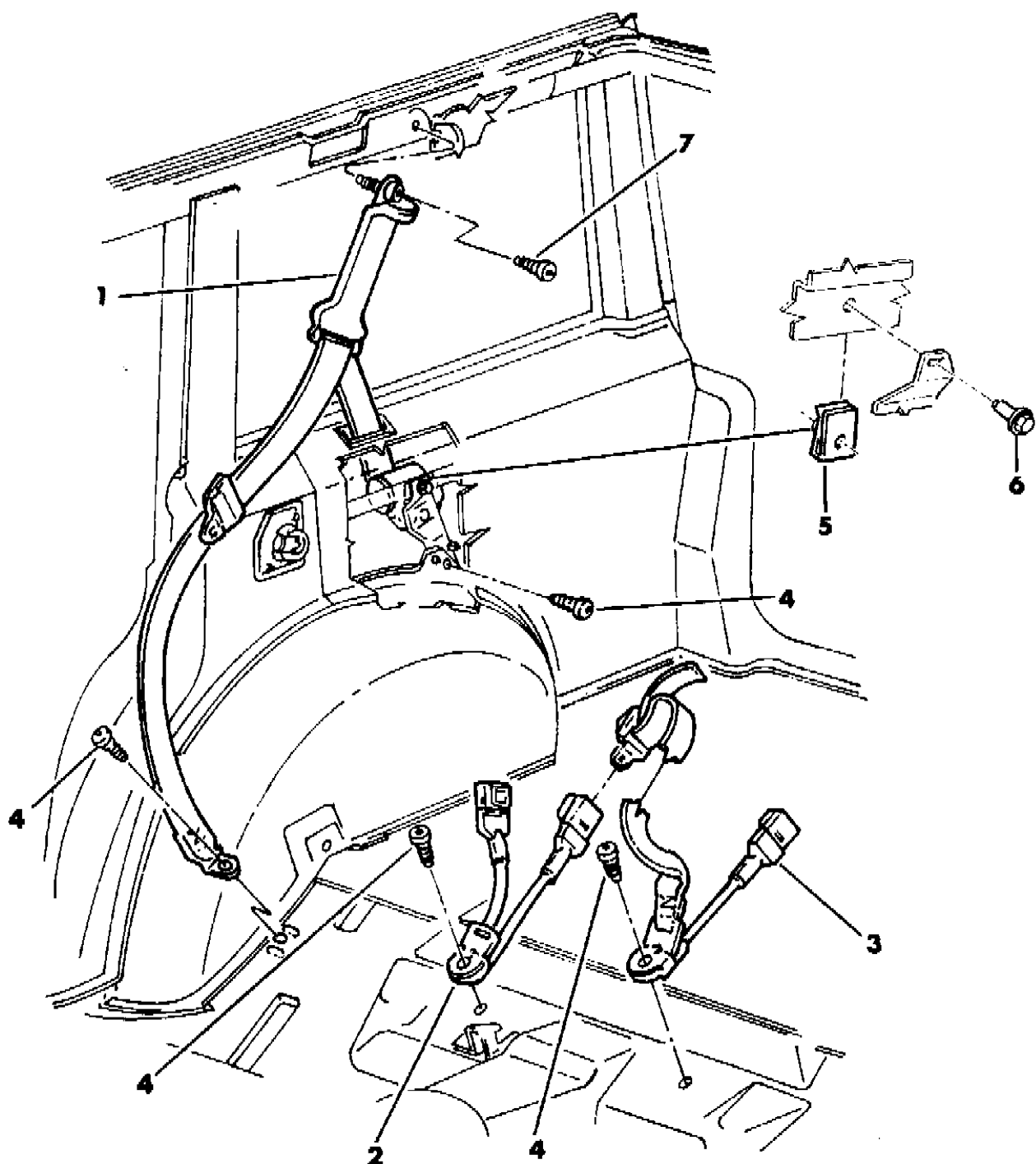
MODEL CODES:
 61=Pickup-6 Ft Box 74=4 Door Wagon T=2WD
 62=Pickup-7 Ft Box 77=Open Body 93" Wheelbase J,N,U=4WD
 72=2 Door Wagon 78=Open Body 103" Wheelbase

BODY STYLES:
 MJ=Comanche Pickup ZJ=Grand Cherokee/Grand Wagoneer KDX VEHICLES
 SJ=Grand Wagoneer M1=Comanche
 XJ=Cherokee, Briarwood X1=Cherokee, Briarwood
 YJ=Wrangler Y1=Wrangler

AR = Use as Required - = Non Illustrated Part P.A.R. = Paint as Required

SEATBELTS, REAR SEAT CHEROKEE
Figure 43-2900

91J43 2900



ITEM	PART NUMBER	QTY	BODY	MODEL	DESCRIPTION
1					BELT, Retractor and Belt Assembly
					Except EUROPE
	5BD74-5 JA8	1			Dark Charcoal, 1991, Built Up To 9/16/90
	5CF64-5 KA8	1			Dark Charcoal, 1991, Built 9/17/90 And Later
	5CR98-9 LA8	1			Dark Charcoal, 1992
	5DC84-5 MA8	1			Dark Charcoal, 1993
	5BD74-5 JH9	1			Cordovan, 1991, Built Up To 9/16/90
	5CF64-5 KH9	1			Cordovan, 1991, Built 9/17/90 And Later
	5CR98-9 LH9	1			Cordovan, 1992
	5BD74-5 JY6	1			Dark Sand, 1991, Built Up To 9/16/90
	5CF64-5 KY6	1			Dark Sand, 1991, Built 9/17/90 And Later
	5CR98-9 LY6	1			Dark Sand, 1992
	5DC84-5 MY6	1			Dark Sand, 1993
					EUROPE
	5BD80-1 JX9	1			Black, EUROPE, 1991, Built Up To 9/16/90
	5CK80-1 JX9	1			Black, EUROPE, 1991, Built 9/17/90 And Later
	5CR96-7 LX9	1			Black, EUROPE, 1992-93
2					BELT, Buckle Assembly, Inner Right
					Except EUROPE
	5BD7 6JA8	1			Dark Charcoal
	5BD7 6JH9	1			Cordovan
	5BD7 6JY6	1			Dark Sand
					EUROPE
	5BE4 8JX9	1			Black, EUROPE
3					BELT, Belt and Buckle Assembly, Inner Left
					Except EUROPE
	5BD7 7JA8	1			Dark Charcoal
	5BD7 7JH9	1			Cordovan
	5BD7 7JY6	1			Dark Sand
					EUROPE
	5BE4 9JX9	1			Black, EUROPE
4					BOLT
	J400 6998	6			1991
	6034 383	4			1992-93, Belt/Retractor Mounting
	J400 6998	2			1992-93, Belt and Buckle Assembly Mounting
5	1150 3714	2			NUT, U-Type
6	6100 275	2			SCREW
7	J400 7124	2			BOLT, Shoulder (also included in item #1)
	4519 075	AR			ANCHOR PACKAGE, Teather Child Restraint ***

NOTE: Escutcheon For Rear Seat Belt Is Part Of Seat Belt Tag affixed to the Face of its Pulley. A Second Tag will show the name of the Vendor (OGURA).

MODEL CODES:

61=Pickup-6 Ft Box 74=4 Door Wagon T=2WD
 62=Pickup-7 Ft Box 77=Open Body 93" Wheelbase J,N,U=4WD
 72=2 Door Wagon 78=Open Body 103" Wheelbase

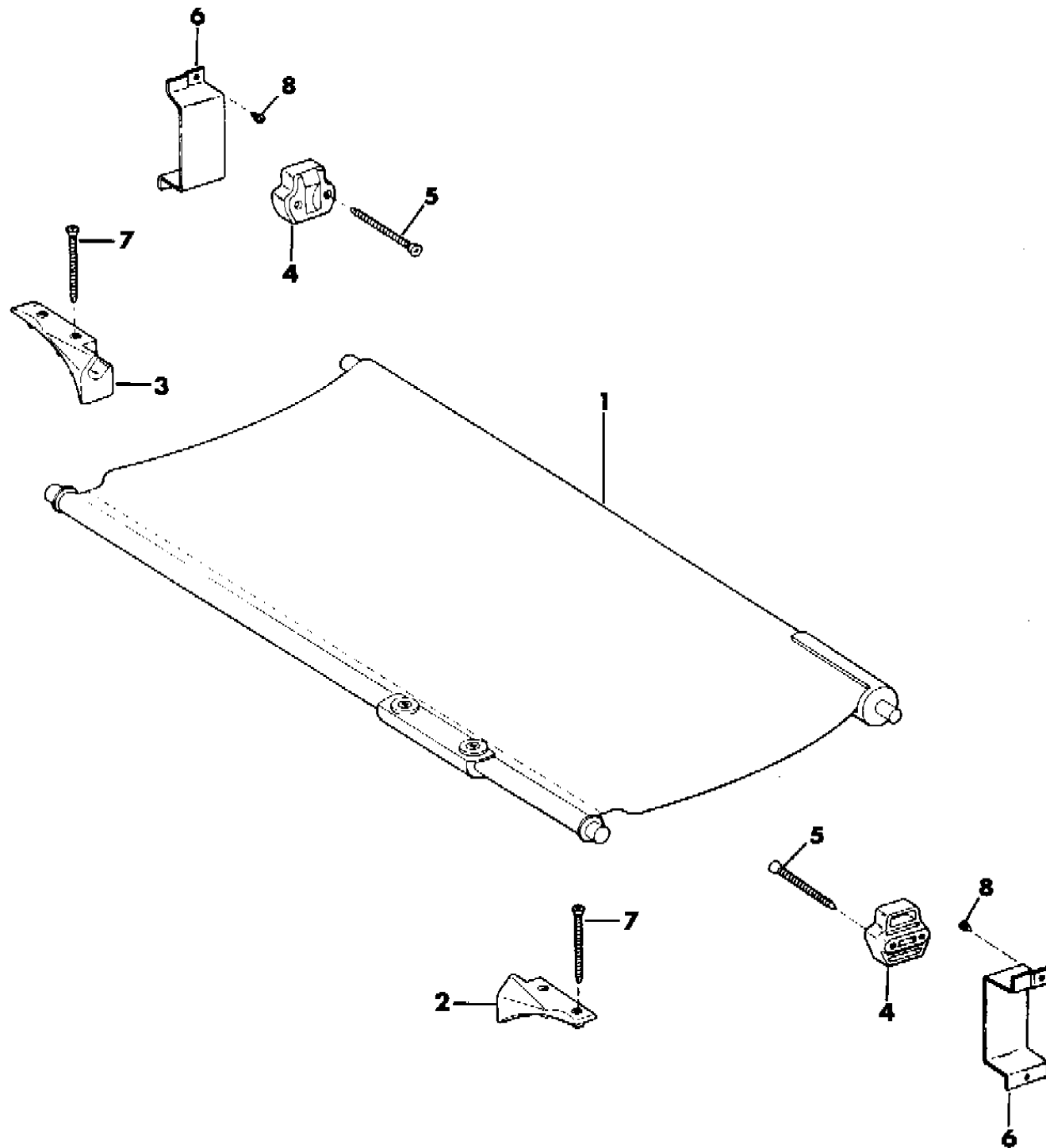
BODY STYLES:

MJ=Comanche Pickup ZJ=Grand Cherokee/Grand Wagoneer KDX VEHICLES
 SJ=Grand Wagoneer M1=Comanche
 XJ=Cherokee, Briarwood Y1=Wrangler
 YJ=Wrangler

AR = Use as Required - = Non Illustrated Part P.A.R. = Paint as Required

COVER, CARGO CHEROKEE
Figure 43-3000

91J43 3000 A



ITEM	PART NUMBER	QTY	BODY	MODEL	DESCRIPTION
1					COVER, Cargo
					w/Inside Mounted Compact Spare Tire
	5AF6 0JS1	1			Charcoal, 1991-92
	5DF8 4LS1	1			Charcoal, 1993
	5AF6 0JH9	1			Cordovan, 1993
	5AF6 0KY6	1			Dark Sand, 1991-92
	5DF8 4LY6	1			Dark Sand, 1993
					w/Inside Mounted Conventional Spare Tire
	5AF6 1JS1	1			Charcoal, 1991-92
	5DF8 5LS1	1			Charcoal, 1993
	5AF6 1JH9	1			Cordovan, 1991-92
	5AF6 1KY6	1			Dark Sand, 1991-92
	5DF8 5LY6	1			Dark Sand, 1993
					Right Hand Drive Vehicles w/Conventional Spare Tire
	5DG6 8MS1	1			Charcoal, RHD, 1993
	5DG6 8MY6	1			Dark Sand, RHD, 1993
2					BRACKET, Cargo Cover, Right
	5AF6 2JS1	1			Charcoal
	5AF6 2JH9	1			Cordovan
	5AF6 2KY6	1			Dark Sand
3					BRACKET, Cargo Cover, Left
	5AF6 3JS1	1			Charcoal
	5AF6 3JH9	1			Cordovan
	5AF6 3KY6	1			Dark Sand
4					BRACKET, Cargo Cover
	5AF7 1JS1	2			Charcoal
	5AF7 1JH9	2			Cordovan
	5AF7 1KY6	2			Dark Sand
5	1150 1614	4			SCREW
6	5502 5592	2			EXTENSION
7	3420 1400	4			SCREW
8	J400 1701	4			SCREW

MODEL CODES:

61=Pickup-6 Ft Box 74=4 Door Wagon T=2WD
 62=Pickup-7 Ft Box 77=Open Body 93" Wheelbase J,N,U=4WD
 72=2 Door Wagon 78=Open Body 103" Wheelbase

BODY STYLES:

MJ=Comanche Pickup ZJ=Grand Cherokee/Grand Wagoneer KDX VEHICLES
 SJ=Grand Wagoneer M1=Comanche
 XJ=Cherokee, Briarwood X1=Cherokee, Briarwood
 YJ=Wrangler Y1=Wrangler

AR = Use as Required - = Non Illustrated Part P.A.R. = Paint as Required

GROUP 29 - GRAND CHEROKEE

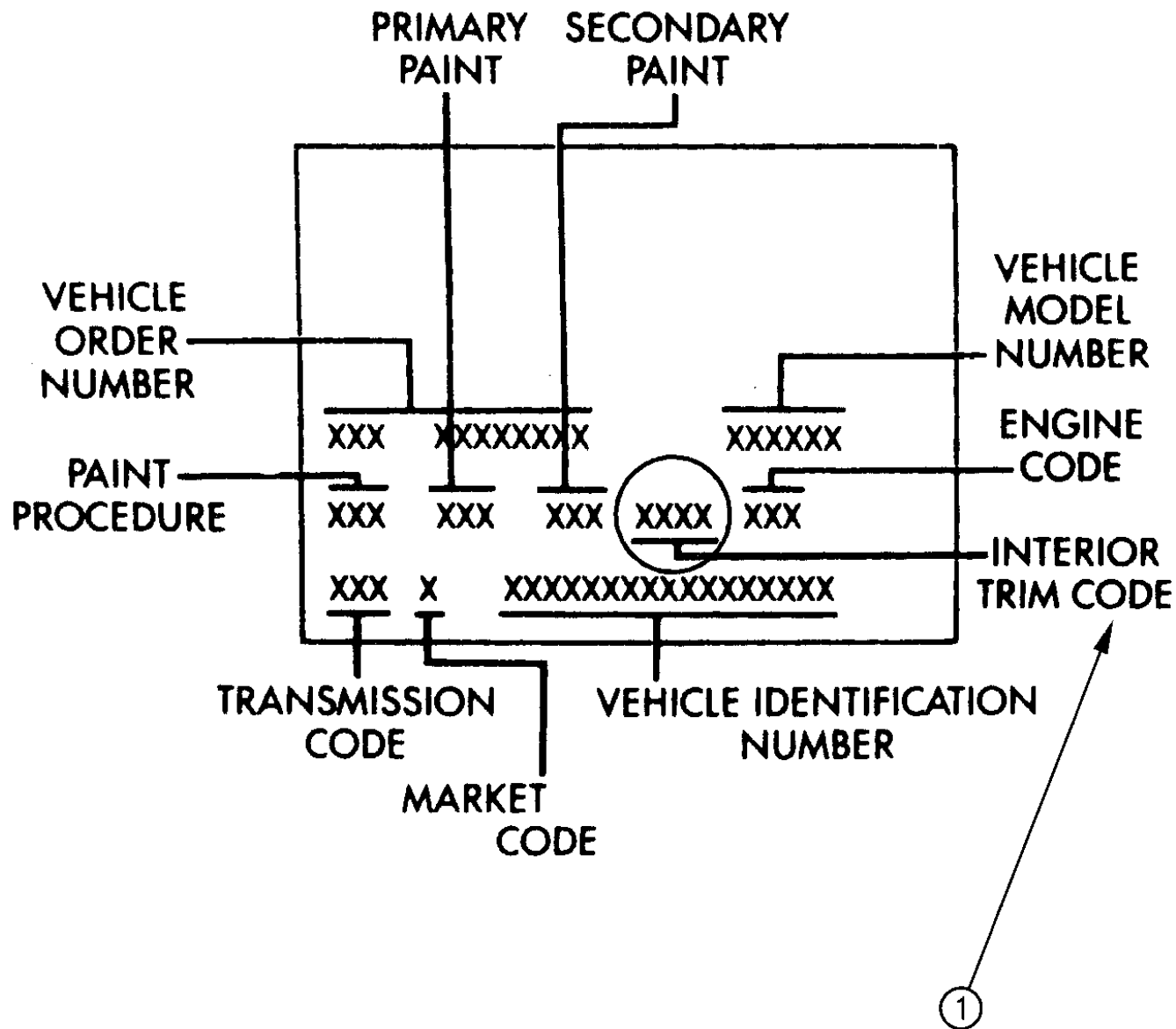
ILLUSTRATION TITLE	GROUP-FIG. NO.
TRIM CODE DEFINED - GRAND CHEROKEE AND GRAND WAGONEER - ZJ	Fig. 29-99
INSULATION - GRAND CHEROKEE AND GRAND WAGONEER - ZJ	Fig. 29-100
HEADLINER AND ASSIST HANDLES - GRAND CHEROKEE AND GRAND WAGONEER - ZJ	Fig. 29-200
SUNVISORS - GRAND CHEROKEE AND GRAND WAGONEER - ZJ	Fig. 29-300
INTERIOR TRIM PANELS AND GARNISH MOULDINGS - GRAND CHEROKEE AND GRAND WAGONEER - ZJ	Fig. 29-400
PANELS, LIFTGATE AND SCUFF PLATE - GRAND CHEROKEE AND GRAND WAGONEER - ZJ	Fig. 29-500
CARPET - GRAND CHEROKEE AND GRAND WAGONEER - ZJ	Fig. 29-600
PANELS, DOOR TRIM - GRAND CHEROKEE AND GRAND WAGONEER - ZJ	Fig. 29-700
RECLINER AND SEAT TRACK - FRONT SEAT - GRAND CHEROKEE AND GRAND WAGONEER - ZJ	Fig. 29-800
SEAT COVERS AND SEAT ASSEMBLIES - FRONT SEAT - GRAND CHEROKEE AND GRAND WAGONEER - ZJ	Fig. 29-900
SEATS - REAR SEAT - GRAND CHEROKEE AND GRAND WAGONEER - ZJ	Fig. 29-1000
SEAT BELTS - FRONT SEAT - GRAND CHEROKEE AND GRAND WAGONEER - ZJ	Fig. 29-1100
SEAT BELTS - REAR SEAT - GRAND CHEROKEE AND GRAND WAGONEER - ZJ	Fig. 29-1200
CARGO COVER AND CARGO LOOPS - GRAND CHEROKEE AND GRAND WAGONEER - ZJ	Fig. 29-1300

ILLUSTRATION NOT AVAILABLE AT TIME OF PUBLICATION

TRIM CODE DEFINED - GRAND CHEROKEE AND GRAND WAGONEER - ZJ

Figure 29-99

91J29 099



ITEM	PART NUMBER	QTY	BODY	MODEL	DESCRIPTION
------	-------------	-----	------	-------	-------------

NOTE: The body code plate is located on the left side of the dash panel in the engine compartment. Tag affixed to the Face of its Pulley. A Second Tag will show the name of the Vendor (OGURA).

1 INTERIOR TRIM CODE (4 DIGET) ***

NOTE: THE FIRST TWO DIGETS OF THE CODE INDICATE THE SEAT STYLE. Tag affixed to the Face of its Pulley. A Second Tag will show the name of the Vendor (OGURA).

AL-- Low back bucket seats w/"perforated leather" inserts and adjustable headrests. Tag affixed to the Face of its Pulley. A Second Tag will show the name of the Vendor (OGURA).

BL-- Low back bucket seats w/"buscuit style leather" inserts and adjustable headrests. Tag affixed to the Face of its Pulley. A Second Tag will show the name of the Vendor (OGURA).

M7-- Low back bucket seats w/"Barton/Bishop cloth" inserts and adjustable headrests. Tag affixed to the Face of its Pulley. A Second Tag will show the name of the Vendor (OGURA).

M5-- High back bucket seat w/"Barton/Bishop cloth" inserts and integral headrests. Tag affixed to the Face of its Pulley. A Second Tag will show the name of the Vendor (OGURA).

J5-- High back bucket seats w/"Jasper cloth" inserts and integral headrests. Tag affixed to the Face of its Pulley. A Second Tag will show the name of the Vendor (OGURA).

NOTE: The LAST TWO DIGETS OF THE CODE INDICATE THE INTERIOR COLOR. Tag affixed to the Face of its Pulley. A Second Tag will show the name of the Vendor (OGURA).

--DW = Quartz (only used w/BLDW trim code) Tag affixed to the Face of its Pulley. A Second Tag will show the name of the Vendor (OGURA).

--D5 = Quartz Tag affixed to the Face of its Pulley. A Second Tag will show the name of the Vendor (OGURA).

--FF = Driftwood Tag affixed to the Face of its Pulley. A Second Tag will show the name of the Vendor (OGURA).

--M6 = Crimson Red Tag affixed to the Face of its Pulley. A Second Tag will show the name of the Vendor (OGURA).

--V4 = Champagne Tag affixed to the Face of its Pulley. A Second Tag will show the name of the Vendor (OGURA).

MODEL CODES:

61=Pickup-6 Ft Box 74=4 Door Wagon T=2WD
 62=Pickup-7 Ft Box 77=Open Body 93" Wheelbase J,N,U=4WD
 72=2 Door Wagon 78=Open Body 103" Wheelbase

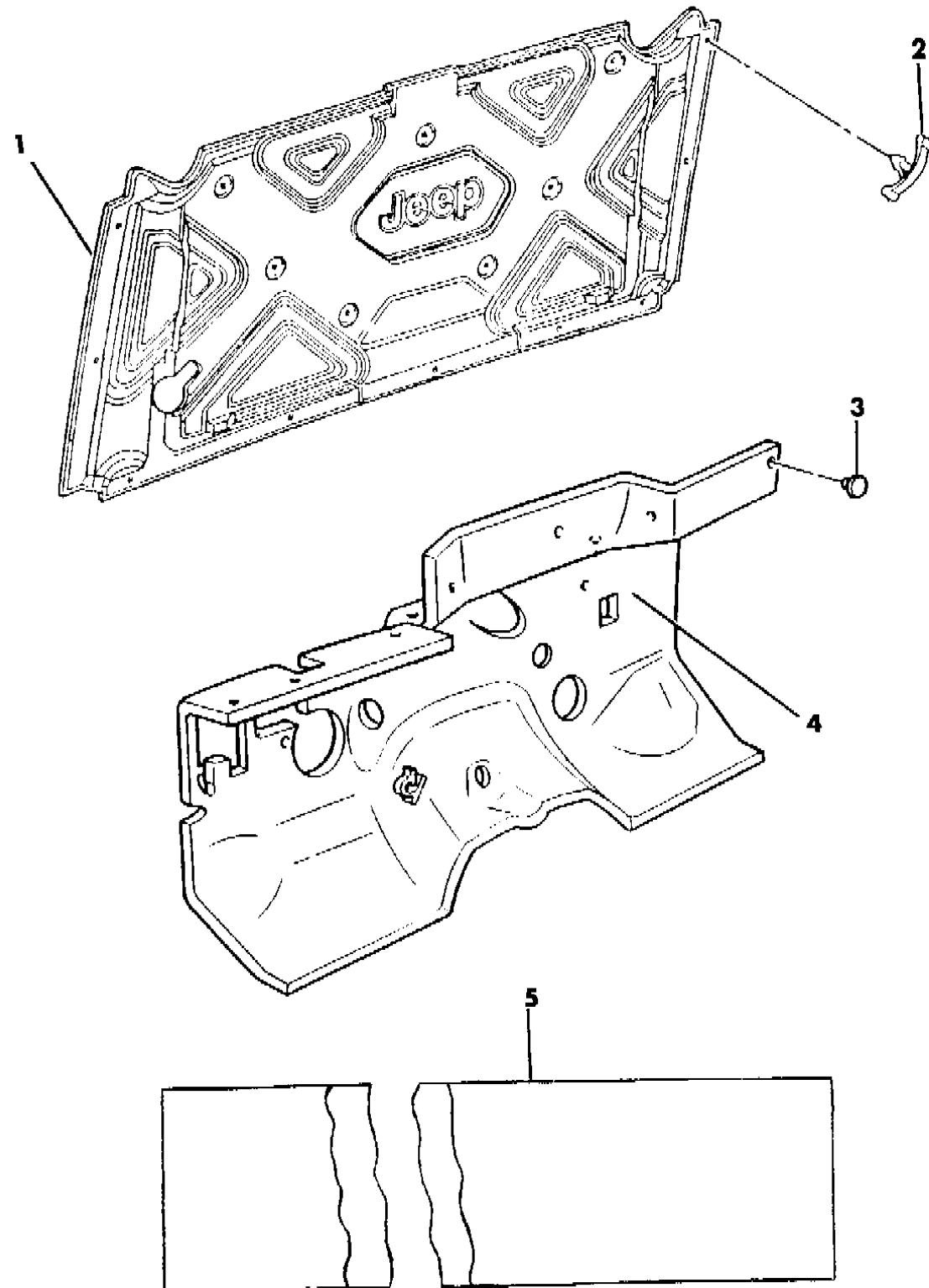
BODY STYLES:

MJ=Comanche Pickup ZJ=Grand Cherokee/Grand Wagoneer KDX VEHICLES
 SJ=Grand Wagoneer M1=Comanche
 XJ=Cherokee, Briarwood X1=Cherokee, Briarwood
 YJ=Wrangler Y1=Wrangler

AR = Use as Required - = Non Illustrated Part P.A.R. = Paint as Required

INSULATION - GRAND CHEROKEE AND GRAND WAGONEER - ZJ
Figure 29-100

91J29 100



ITEM	PART NUMBER	QTY	BODY	MODEL	DESCRIPTION
1					INSULATION, Hood
	5503 0684	1			For vehicles built up to 7/16/92
	5521 5330	1			For vehicles built 7/17/92 and after
2	6003 351	16			FASTENER, Hood insulation
3	J308 1054	12			CLIP, Insulation to Dash
4					INSULATION, Dash Inner
	5503 0682	1			For vehicles built up to 7/16/92
	5521 5364	1			For vehicles built 7/17/92 and after
5	4386 474	2			SILENCER, Quarter Inner Wheelhouse, Front (3" thick X 4" tall X 8" long)

NOTE: For insulation on trim panels, look up the trim part and if the insulation is serviced it will be listed as a non illustrated part. Tag affixed to the Face of its Pulley. A Second Tag will show the name of the Vendor (OGURA).

MODEL CODES:

61=Pickup-6 Ft Box 74=4 Door Wagon T=2WD
 62=Pickup-7 Ft Box 77=Open Body 93" Wheelbase J,N,U=4WD
 72=2 Door Wagon 78=Open Body 103" Wheelbase

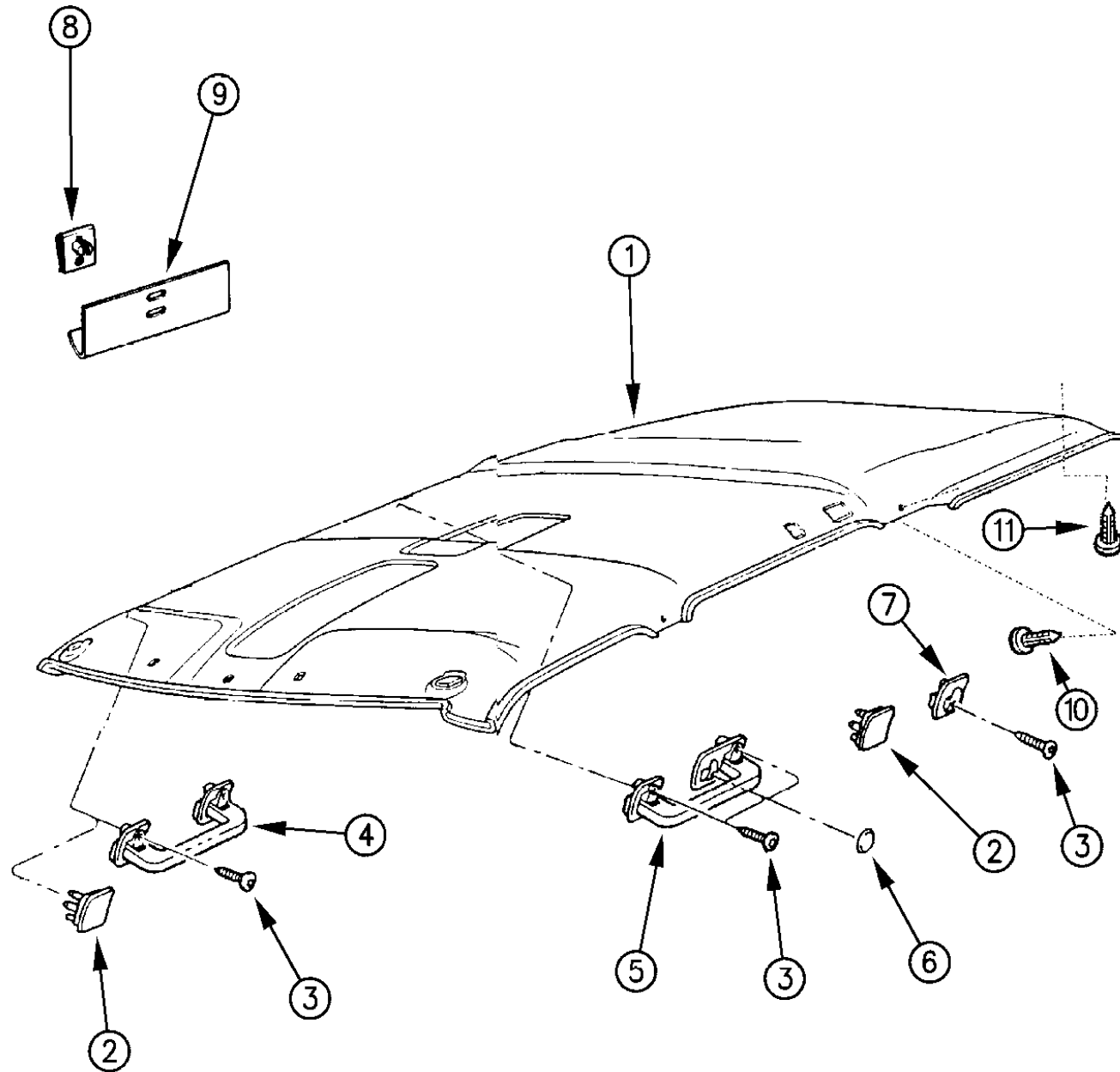
BODY STYLES:

MJ=Comanche Pickup ZJ=Grand Cherokee/Grand Wagoneer KDX VEHICLES
 SJ=Grand Wagoneer M1=Comanche
 XJ=Cherokee, Briarwood X1=Cherokee, Briarwood
 YJ=Wrangler Y1=Wrangler

AR = Use as Required - = Non Illustrated Part P.A.R. = Paint as Required

HEADLINER AND ASSIST HANDLES - GRAND CHEROKEE AND GRAND WAGONEER - ZJ
Figure 29-200

91J29 200A



ITEM	PART NUMBER	QTY	BODY	MODEL	DESCRIPTION
1					HEADLINER ASSEMBLY ***
					w/Overhead Console
	5CK3 4LD5	1			Medium Quartz, USA, CANADA
	5DK8 8MD5	1			Medium Quartz, EUROPE
	5CK3 4LF4	1			Light Driftwood, USA, CANADA
	5DK8 8MF4	1			Light Driftwood, EUROPE
	5CK3 4LMA	1			Crimson Red, USA, CANADA
	5DK8 8MMA	1			Crimson Red, EUROPE
	5CK3 4MV4	1			Light Champagne, USA, CANADA
	5DK8 8MV4	1			Light Champagne, EUROPE
					w/o Overhead Console
	5AR9 6LD5	1			Medium Quartz, USA, CANADA
	5DK8 9MD5	1			Medium Quartz, EUROPE
	5AR9 6LF4	1			Light Driftwood, USA, CANADA
	5DK8 9MF4	1			Light Driftwood, EUROPE
	5AR9 6LMA	1			Crimson Red, USA, CANADA
	5DK8 9MMA	1			Crimson Red, EUROPE
2					BEZEL, Headliner Plug (used w/o assist handles)
	5AS9 6LD5	4			Medium Quartz
	5AS9 6LF4	4			Light Driftwood
	5AS9 6LM6	4			Red
3					SCREW
	6034 699	8			Assist Handle Mounting
	6034 699	2			Coat Hook Mounting
4					HANDLE, Assist, Right Front
					For vehicles built up to 7/16/92. Tag affixed to the Face of its Pulley. A Second Tag will show the name of the Vendor (OGURA).
	5AS9 2LD5	1			Medium Quartz
	5AS9 2LF4	1			Light Driftwood
	5AS9 2LM6	1			Red
					For vehicles built 7/17/92 and after. Tag affixed to the Face of its Pulley. A Second Tag will show the name of the Vendor (OGURA).
	5DG0 2LD5	1			Medium Quartz
	5DG0 2LF4	1			Light Driftwood
	5DG0 2LM6	1			Red
	5DG0 2MV4	1			Light Champagne
5					HANDLE, Assist, Rear
					For vehicles built up to 7/16/92. Tag affixed to the Face of its Pulley. A Second Tag will show the name of the Vendor (OGURA).
	5AS90-1 LD5	1			Medium Quartz
	5AS90-1 LF4	1			Light Driftwood
	5AS90-1 LM6	1			Red
					For vehicles built 7/17/92 and after. Tag affixed to the Face of its Pulley. A Second Tag will show the name of the Vendor (OGURA).
	5DG04-5 LD5	1			Medium Quartz

MODEL CODES:

61=Pickup-6 Ft Box 74=4 Door Wagon T=2WD
 62=Pickup-7 Ft Box 77=Open Body 93" Wheelbase J,N,U=4WD
 72=2 Door Wagon 78=Open Body 103" Wheelbase

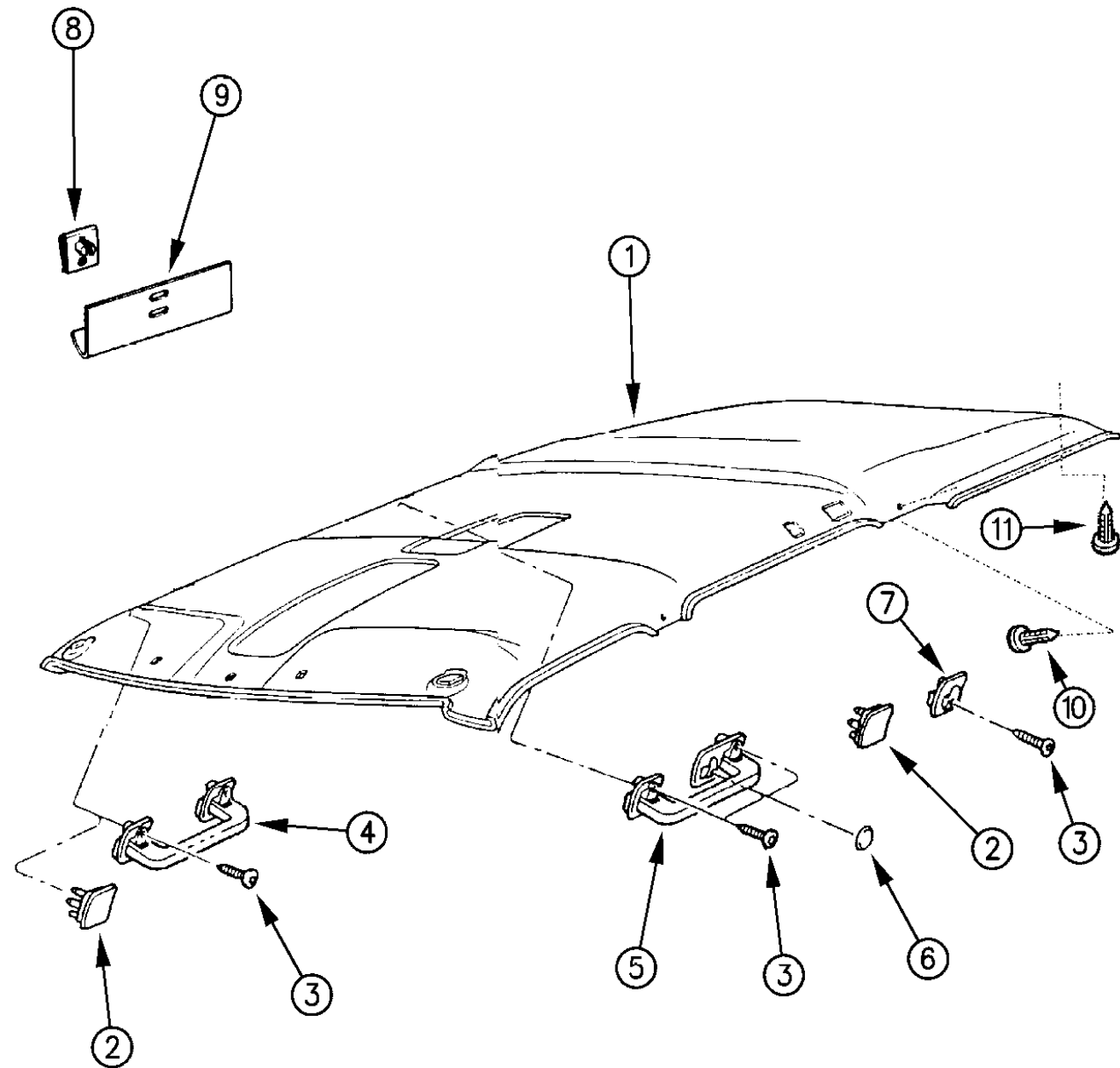
BODY STYLES:

MJ=Comanche Pickup ZJ=Grand Cherokee/Grand Wagoneer KDX VEHICLES
 SJ=Grand Wagoneer M1=Comanche
 XJ=Cherokee, Briarwood X1=Cherokee, Briarwood
 YJ=Wrangler Y1=Wrangler

AR = Use as Required - = Non Illustrated Part P.A.R. = Paint as Required

HEADLINER AND ASSIST HANDLES - GRAND CHEROKEE AND GRAND WAGONEER - ZJ
Figure 29-200

91J29 200A



ITEM	PART NUMBER	QTY	BODY	MODEL	DESCRIPTION
	5DG04-5 LF4	1			Light Driftwood
	5DG04-5 LM6	1			Red
	5DG04-5 MV4	1			Light Champagne
6					CAP, Assist Handle or Coat Handle
	5BA0 6LD5	AR			Medium Quartz
	5BA0 6LF4	AR			Light Driftwood
	5BA0 6LM6	AR			Red
	5BA0 6MV4	AR			Light Champagne
7					BEZEL, Coat Hook (used w/o assist handles)
	5AS94-5 LD5	2			Medium Quartz
	5AS94-5 LF4	2			Light Driftwood
	5AS94-5 LM6	2			Red
8	J400 0322	2			CLIP, Headliner Mounting, U Type
9	J368 1225	4			RETAINER, Headliner Mounting
10	6034 608	2			RETAINER, Headliner Mounting (xmass tree type)
11					RETAINER, Headliner Mounting (button/pin type)
	H452 KD5	2			Medium Quartz
	H452 LF4	2			Light Driftwood
	H452 LMA	2			Crimson Red
	H452 KV4	2			Light Champagne

MODEL CODES:

61=Pickup-6 Ft Box 74=4 Door Wagon T=2WD
 62=Pickup-7 Ft Box 77=Open Body 93" Wheelbase J,N,U=4WD
 72=2 Door Wagon 78=Open Body 103" Wheelbase

BODY STYLES:

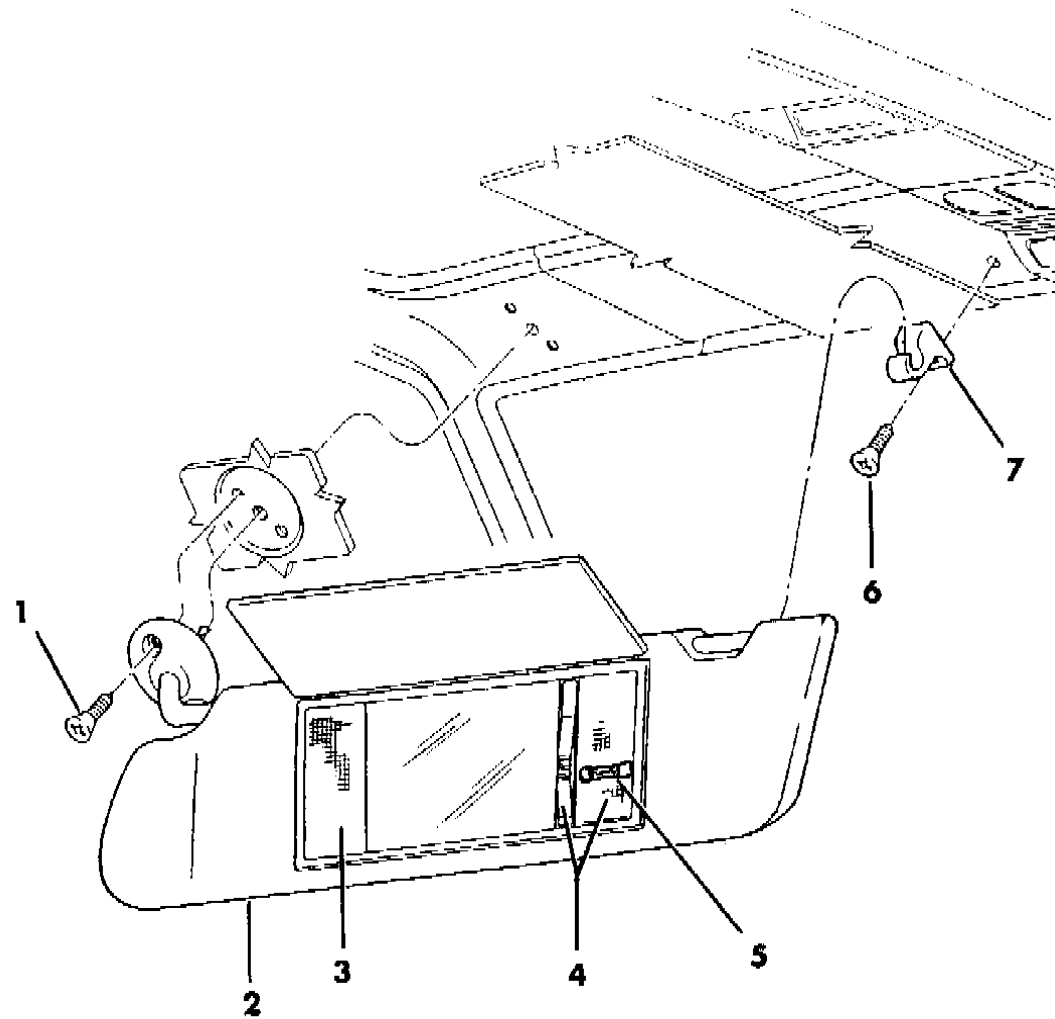
MJ=Comanche Pickup ZJ=Grand Cherokee/Grand Wagoneer KDX VEHICLES
 SJ=Grand Wagoneer M1=Comanche
 XJ=Cherokee, Briarwood X1=Cherokee, Briarwood
 YJ=Wrangler Y1=Wrangler

AR = Use as Required - = Non Illustrated Part P.A.R. = Paint as Required

SUNVISORS - GRAND CHEROKEE AND GRAND WAGONEER - ZJ

Figure 29-300

91J29 300



ITEM	PART NUMBER	QTY	BODY	MODEL	DESCRIPTION
1		4			SCREW, (152996 not serviced, use .190 - 16 X .750)
2					SUNVISOR ASSEMBLY, (the bracket, item 7, is included in this assembly) ***
	5CZ18-9 LD5	1			Lighted Medium Quartz
	5CZ18-9 LF4	1			Light Driftwood
	5CZ18-9 LMA	1			Crimson Red
	5CZ18-9 MV4	1			Light Champagne Unlighted
	5CZ26-7 LD5	1			Medium Quartz
	5CZ26-7 LF4	1			Light Driftwood
	5CZ26-7 LMA	1			Crimson Red
3	4620 137	2			LENS, Left Side of Mirror
4	4620 136	2			LENS AND BUTTON ASSEMBLY, Right Side of Mirror ***
5	6501 966	4			BULB
6		2			SCREW, (152996 not serviced, use .190 - 16 X .750)
7					BRACKET, Sunvisor Support, (also available in sunvisor assembly)
	5DM4 5MD5	2	ZG		Medium Quartz
	5DM4 5MF4	2	ZG		Light Driftwood
	5CJ5 3LMA	2	ALL		Crimson Red
	5DM4 5MV4	2	ZG		Light Champagne
	5EZ9 2RV4	2	ZJ,Z1		Champagne
	5EZ9 2RF4	2	ZJ,Z1		Driftwood
	5EZ9 2RD5	2	ZJ,Z1		Quartz

MODEL CODES:

61=Pickup-6 Ft Box 74=4 Door Wagon T=2WD
 62=Pickup-7 Ft Box 77=Open Body 93" Wheelbase J,N,U=4WD
 72=2 Door Wagon 78=Open Body 103" Wheelbase

BODY STYLES:

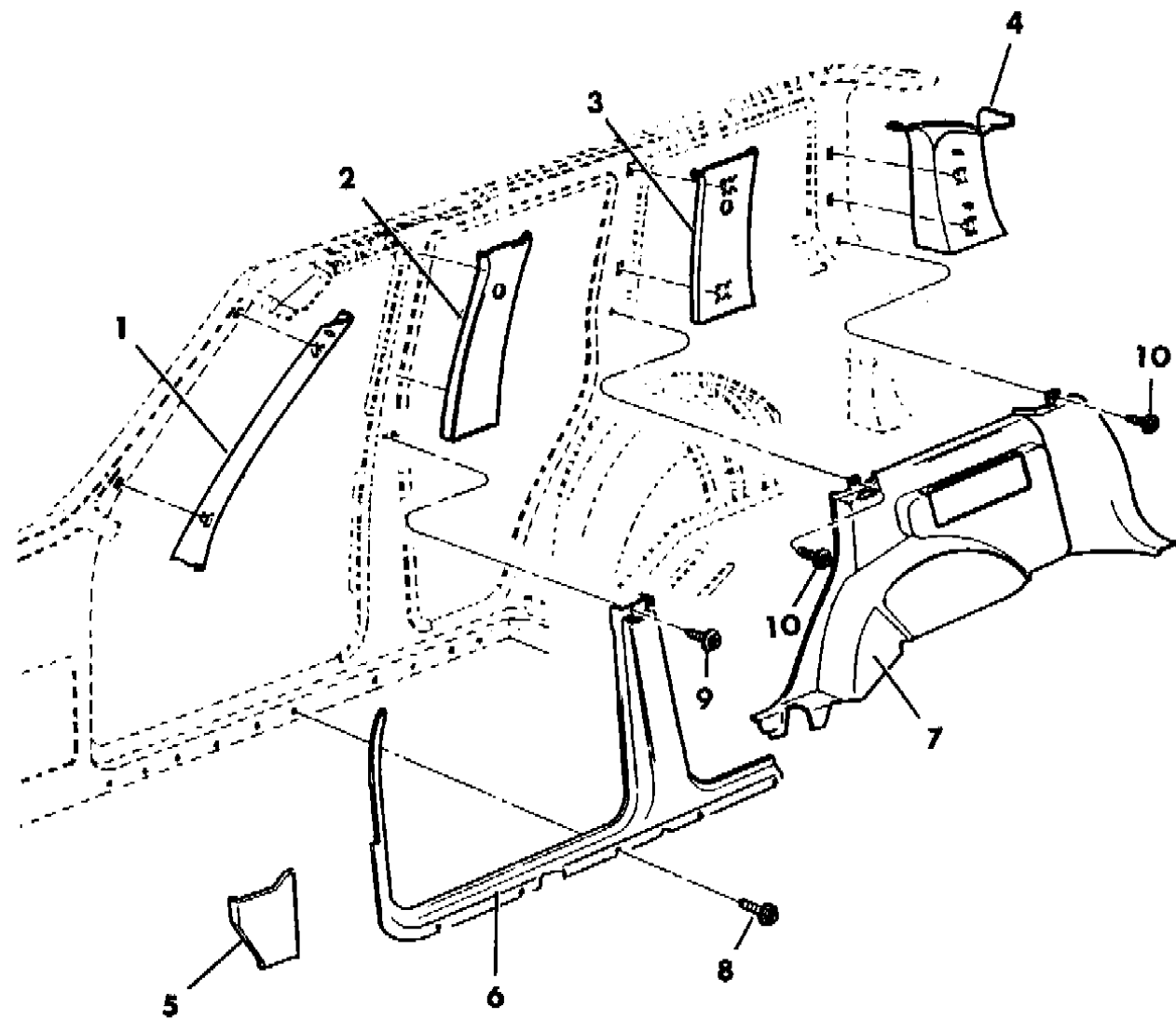
MJ=Comanche Pickup ZJ=Grand Cherokee/Grand Wagoneer KDX VEHICLES
 SJ=Grand Wagoneer M1=Comanche
 XJ=Cherokee, Briarwood X1=Cherokee, Briarwood
 YJ=Wrangler Y1=Wrangler

AR = Use as Required - = Non Illustrated Part P.A.R. = Paint as Required

INTERIOR TRIM PANELS AND GARNISH MOULDINGS - GRAND CHEROKEE AND GRAND WAGONEER - ZJ

Figure 29-400

91J29 400



ITEM	PART NUMBER	QTY	BODY	MODEL	DESCRIPTION
1					MOULDING ASSEMBLY, Windshield Side (includes clips) ***
	5AN86-7 LD5	1			Medium Quartz
	5AN86-7 LF4	1			Light Driftwood
	5AN86-7 LM6	1			Red
	5AN86-7 MV4	1			Light Champagne
2					PANEL ASSEMBLY, "B" Pillar Upper (includes insulation) *** w/small round hole for attaching seatbelt to the "B" pillar
	5AN90-1 LD5	1			Medium Quartz
	5AN90-1 LF4	1			Light Driftwood
	5AN90-1 LM6	1			Red
	5AN90-1 MV4	1			Light Champagne w/slotted opening for attaching EURO style seatbelt to the "B" pillar
	5CW06-7 MD5	1			Medium Quartz, EUROPE
	5CW06-7 MF4	1			Light Driftwood, EUROPE
	5CW06-7 MM6	1			Crimson Red, EUROPE
	5CW06-7 MV4	1			Light Champagne, EUROPE
3					PANEL ASSEMBLY, "C" Pillar (includes clips) *** w/o Insulation
	5AN96-7 LD5	1			Medium Quartz
	5AN96-7 LF4	1			Light Driftwood
	5AN96-7 LM6	1			Red w/Insulation
	5AN98-9 LD5	1			Medium Quartz
	5AN98-9 LF4	1			Light Driftwood
	5AN98-9 LM6	1			Red
	5AN98-9 MV4	1			Light Champagne
-	5503 3372-3	1			INSULATION, "C" Pillar Trim Panel
4					PANEL ASSEMBLY, "D" Pillar (includes nail, retainer and clips) *** For vehicles built up to 7/16/92. Tag affixed to the Face of its Pulley. A Second Tag will show the name of the Vendor (OGURA). w/o Insulation
	5AN92-3 LD5	1			Medium Quartz
	5AN92-3 LF4	1			Light Driftwood
	5AN92-3 LM6	1			Red w/Insulation
	5AN94-5 LD5	1			Medium Quartz
	5AN94-5 LF4	1			Light Driftwood
	5AN94-5 LM6	1			Red
-	5503 3368-9	1			INSULATION, "D" Pillar Trim Panel For vehicles built 7/17/92 and after. Tag affixed to the Face of its Pulley. A Second Tag will show the name of the Vendor (OGURA). w/ or w/o insulation, (serviced part includes insulation) ***

MODEL CODES:

61=Pickup-6 Ft Box 74=4 Door Wagon T=2WD
62=Pickup-7 Ft Box 77=Open Body 93" Wheelbase J,N,U=4WD
72=2 Door Wagon 78=Open Body 103" Wheelbase

BODY STYLES:

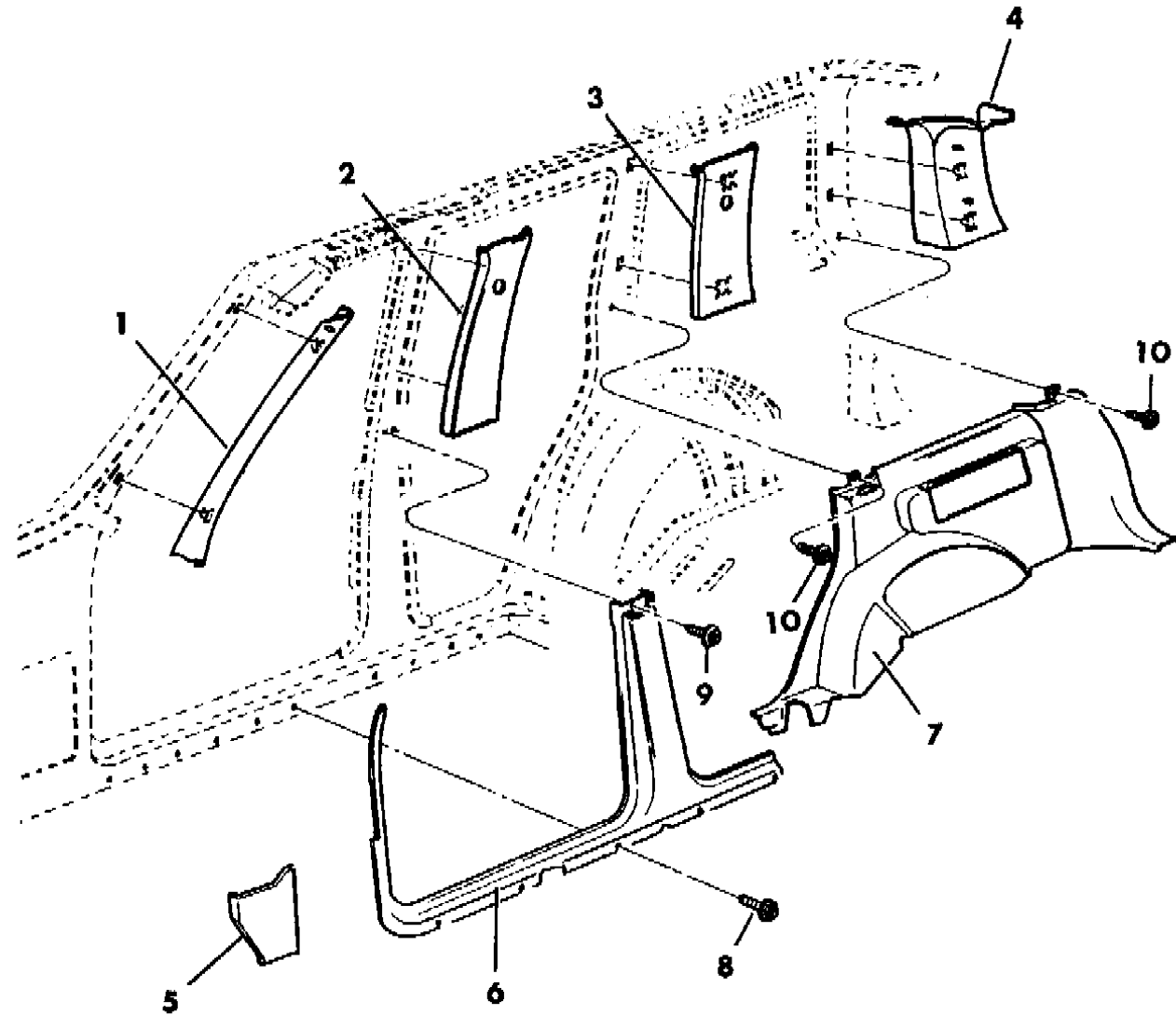
MJ=Comanche Pickup ZJ=Grand Cherokee/Grand Wagoneer KDX VEHICLES
SJ=Grand Wagoneer M1=Comanche
XJ=Cherokee, Briarwood X1=Cherokee, Briarwood
YJ=Wrangler Y1=Wrangler

AR = Use as Required - = Non Illustrated Part P.A.R. = Paint as Required

INTERIOR TRIM PANELS AND GARNISH MOULDINGS - GRAND CHEROKEE AND GRAND WAGONEER - ZJ

Figure 29-400

91J29 400



ITEM	PART NUMBER	QTY	BODY	MODEL	DESCRIPTION
	5DG76-7 LD5	1			Medium Quartz
	5DG76-7 LF4	1			Light Driftwood
	5DG76-7 LM6	1			Red
	5DG76-7 MV4	1			Light Champagne
-	5503 3368-9	1			INSULATION, "D" Pillar Trim Panel
5					PANEL ASSEMBLY, Cowl Trim ***
	5DC46-7 LD5	1			Medium Quartz
	5DC46-7 LF8	1			Dark Driftwood
	5DC46-7 LMA	1			Crimson Red
	5DC46-7 MV4	1			Light Champagne
-	3420 2447	4			U-NUT, (also included in the cowl trim panel)
6					PANEL, "B" Pillar Trim, Lower
For vehicles built up to 7/16/92. Tag affixed to the Face of its Pulley. A Second Tag will show the name of the Vendor (OGURA).					
	5AT38-9 LD5	1			Medium Quartz
	5AT38-9 LF8	1			Dark Driftwood
	5AT38-9 LMA	1			Crimson Red
For vehicles built 7/17/92 and after. Tag affixed to the Face of its Pulley. A Second Tag will show the name of the Vendor (OGURA).					
	5DG72-3 LD5	1			Medium Quartz
	5DG72-3 LF8	1			Dark Driftwood
	5DG72-3 LMA	1			Crimson Red
	5DG72-3 MV4	1			Light Champagne
7					PANEL ASSEMBLY, Quarter Trim (includes carpet and seatbelt stowage retainer) ***
NOTE: The left quarter trim panel includes the fuel filler remote access door and spare tire standoff. Tag affixed to the Face of its Pulley. A Second Tag will show the name of the Vendor (OGURA).					
Left, w/o Cargo Cover Mounting Bracket and w/o Insulation					
For vehicles built up to 7/16/92. Tag affixed to the Face of its Pulley. A Second Tag will show the name of the Vendor (OGURA).					
	5AP1 1LD5	1			Medium Quartz
	5AP1 1LF8	1			Dark Driftwood
	5AP1 1LMA	1			Crimson Red
For vehicles built 7/17/92 and after. Tag affixed to the Face of its Pulley. A Second Tag will show the name of the Vendor (OGURA).					
	5DH1 5LD5	1			Medium Quartz
	5DH1 5LF8	1			Dark Driftwood
	5DH1 5LMA	1			Crimson Red
Left, w/Cargo Cover Mounting Bracket and Insulation					
For vehicles built up to 7/16/92. Tag affixed to the Face of its Pulley. A Second Tag will show the name of the Vendor (OGURA).					
	5AP1 3LD5	1			Medium Quartz
	5AP1 3LF8	1			Dark Driftwood
	5AP1 3LMA	1			Crimson Red
For vehicles built 7/17/92 and after. Tag affixed to the Face of its Pulley. A Second Tag will show the name of the Vendor (OGURA).					
	5DH1 7LD5	1			Medium Quartz

MODEL CODES:

61=Pickup-6 Ft Box 74=4 Door Wagon T=2WD
 62=Pickup-7 Ft Box 77=Open Body 93" Wheelbase J,N,U=4WD
 72=2 Door Wagon 78=Open Body 103" Wheelbase

BODY STYLES:

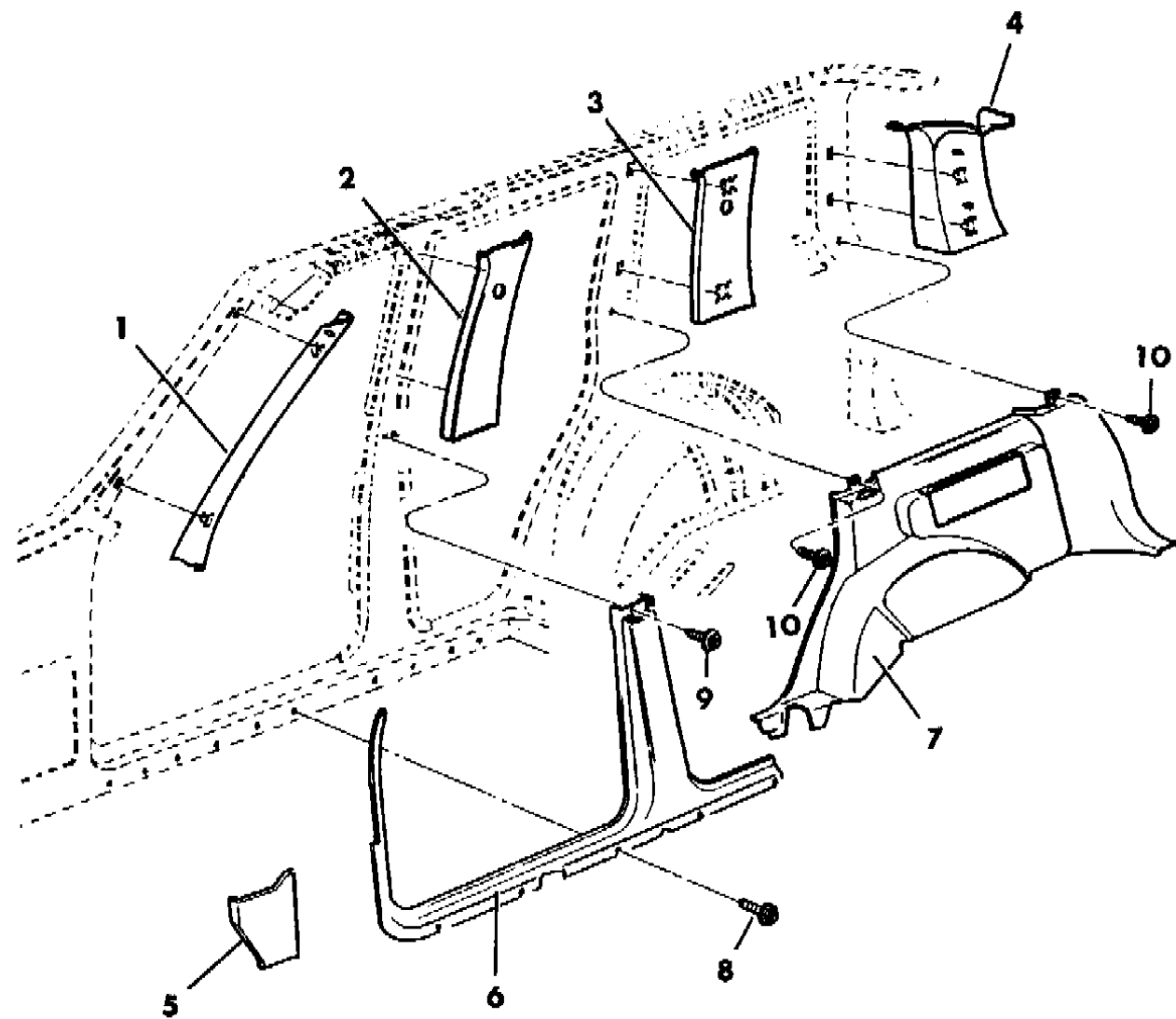
MJ=Comanche Pickup ZJ=Grand Cherokee/Grand Wagoneer KDX VEHICLES
 SJ=Grand Wagoneer M1=Comanche
 XJ=Cherokee, Briarwood X1=Cherokee, Briarwood
 YJ=Wrangler Y1=Wrangler

AR = Use as Required - = Non Illustrated Part P.A.R. = Paint as Required

INTERIOR TRIM PANELS AND GARNISH MOULDINGS - GRAND CHEROKEE AND GRAND WAGONEER - ZJ

Figure 29-400

91J29 400



ITEM	PART NUMBER	QTY	BODY	MODEL	DESCRIPTION
	5DH1 7LF8	1			Dark Driftwood
	5DH1 7LMA	1			Crimson Red
	5DH1 7MVV	1			Light Champagne
-					ACCESS DOOR, Left Quarter Trim Panel Fuel Filler Release ***
-	5AT1 2LD5	1			Medium Quartz
-	5AT1 2LF8	1			Dark Driftwood
-	5AT1 2LMA	1			Crimson Red
-	5AT1 2MV4	1			Light Champagne
					Right, w/o Cargo Cover Mounting Bracket and w/o Insulation
For vehicles built up to 7/16/92. Tag affixed to the Face of its Pulley. A Second Tag will show the name of the Vendor (OGURA).					
	5AP1 0LD5	1			Medium Quartz
	5AP1 0LF8	1			Dark Driftwood
	5AP1 0LMA	1			Crimson Red
For vehicles built 7/17/92 and after. Tag affixed to the Face of its Pulley. A Second Tag will show the name of the Vendor (OGURA).					
	5DH1 4LD5	1			Medium Quartz
	5DH1 4LF8	1			Dark Driftwood
	5DH1 4LMA	1			Crimson Red
					Right, w/Cargo Cover Mounting Bracket and Insulation
For vehicles built up to 7/16/92. Tag affixed to the Face of its Pulley. A Second Tag will show the name of the Vendor (OGURA).					
	5AP1 2LD5	1			Medium Quartz
	5AP1 2LF8	1			Dark Driftwood
	5AP1 2LMA	1			Crimson Red
For vehicles built 7/17/92 and after. Tag affixed to the Face of its Pulley. A Second Tag will show the name of the Vendor (OGURA).					
	5DH1 6LD5	1			Medium Quartz
	5DH1 6LF8	1			Dark Driftwood
	5DH1 6LMA	1			Crimson Red
	5DH1 6MVV	1			Light Champagne
-					RETAINER, Seat Belt Stowage (also included in right and left quarter trim panel)
For vehicles built up to 7/16/92. Tag affixed to the Face of its Pulley. A Second Tag will show the name of the Vendor (OGURA).					
-	5DF5 0LD5	2			Medium Quartz
-	5DF5 0LF8	2			Dark Driftwood
-	5DF5 0LMA	2			Crimson Red
For vehicles built 7/17/92 and after. Tag affixed to the Face of its Pulley. A Second Tag will show the name of the Vendor (OGURA).					
-	5DG1 8LD5	1			Medium Quartz
-	5DG1 8LF8	1			Dark Driftwood
-	5DG1 8LMA	1			Crimson Red
-	5DG1 8MV4	1			Light Champagne
-	6032 976	1			RIVET, Seatbelt Stowage Retainer to Panel
8					SCREW, (6034404 not serviced use .164 - 18 X .925)
9	0154 114	4			SCREW

MODEL CODES:

61=Pickup-6 Ft Box 74=4 Door Wagon T=2WD
 62=Pickup-7 Ft Box 77=Open Body 93" Wheelbase J,N,U=4WD
 72=2 Door Wagon 78=Open Body 103" Wheelbase

BODY STYLES:

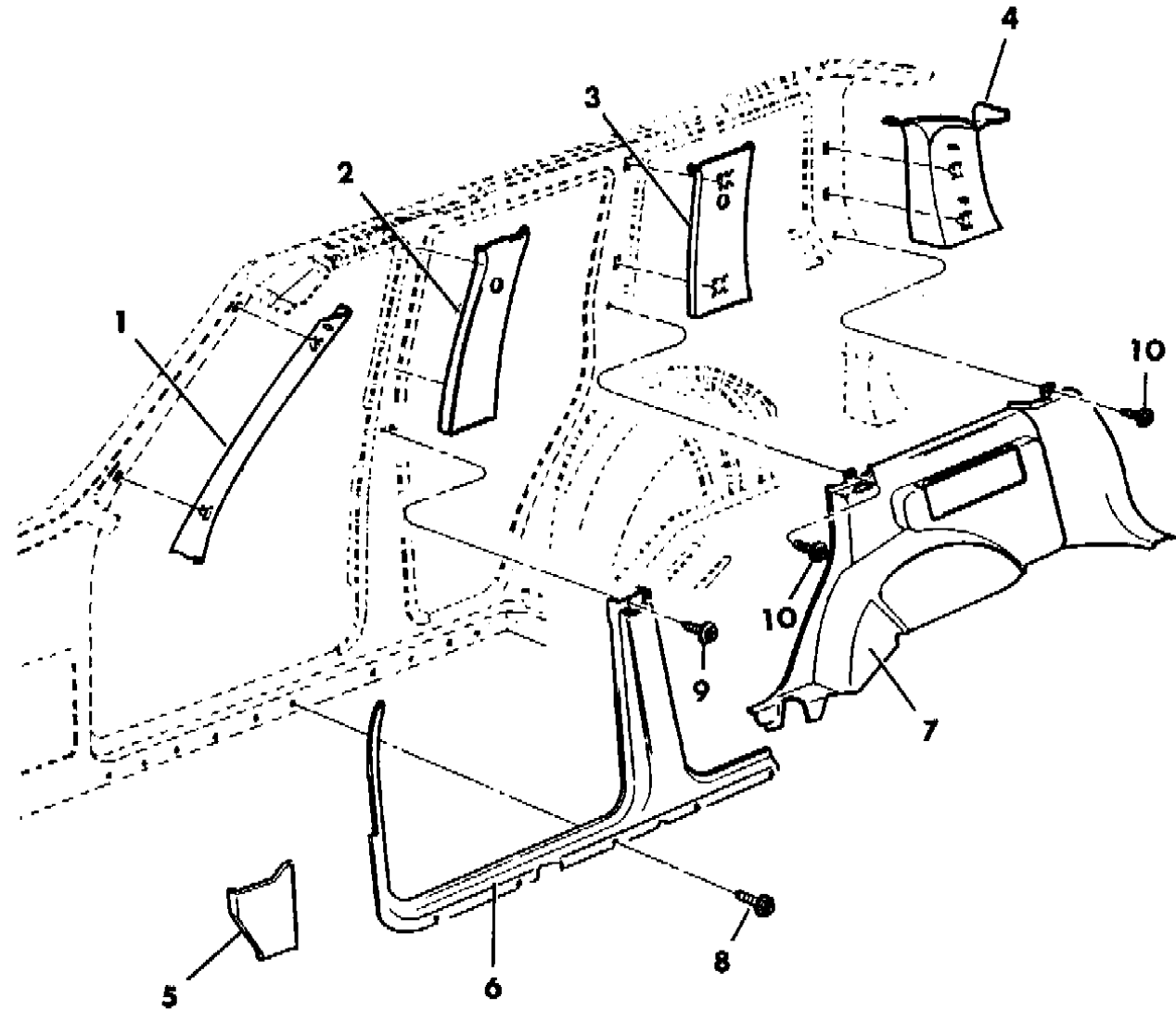
MJ=Comanche Pickup ZJ=Grand Cherokee/Grand Wagoneer KDX VEHICLES
 SJ=Grand Wagoneer M1=Comanche
 XJ=Cherokee, Briarwood X1=Cherokee, Briarwood
 YJ=Wrangler Y1=Wrangler

AR = Use as Required - = Non Illustrated Part P.A.R. = Paint as Required

INTERIOR TRIM PANELS AND GARNISH MOULDINGS - GRAND CHEROKEE AND GRAND WAGONEER - ZJ
Figure 29-400

91J29 400

ITEM	PART NUMBER	QTY	BODY	MODEL	DESCRIPTION
10		4			SCREW, (154133 not serviced use .164 - 18 X .625)



MODEL CODES:

61=Pickup-6 Ft Box	74=4 Door Wagon	T=2WD
62=Pickup-7 Ft Box	77=Open Body 93" Wheelbase	J,N,U=4WD
72=2 Door Wagon	78=Open Body 103" Wheelbase	

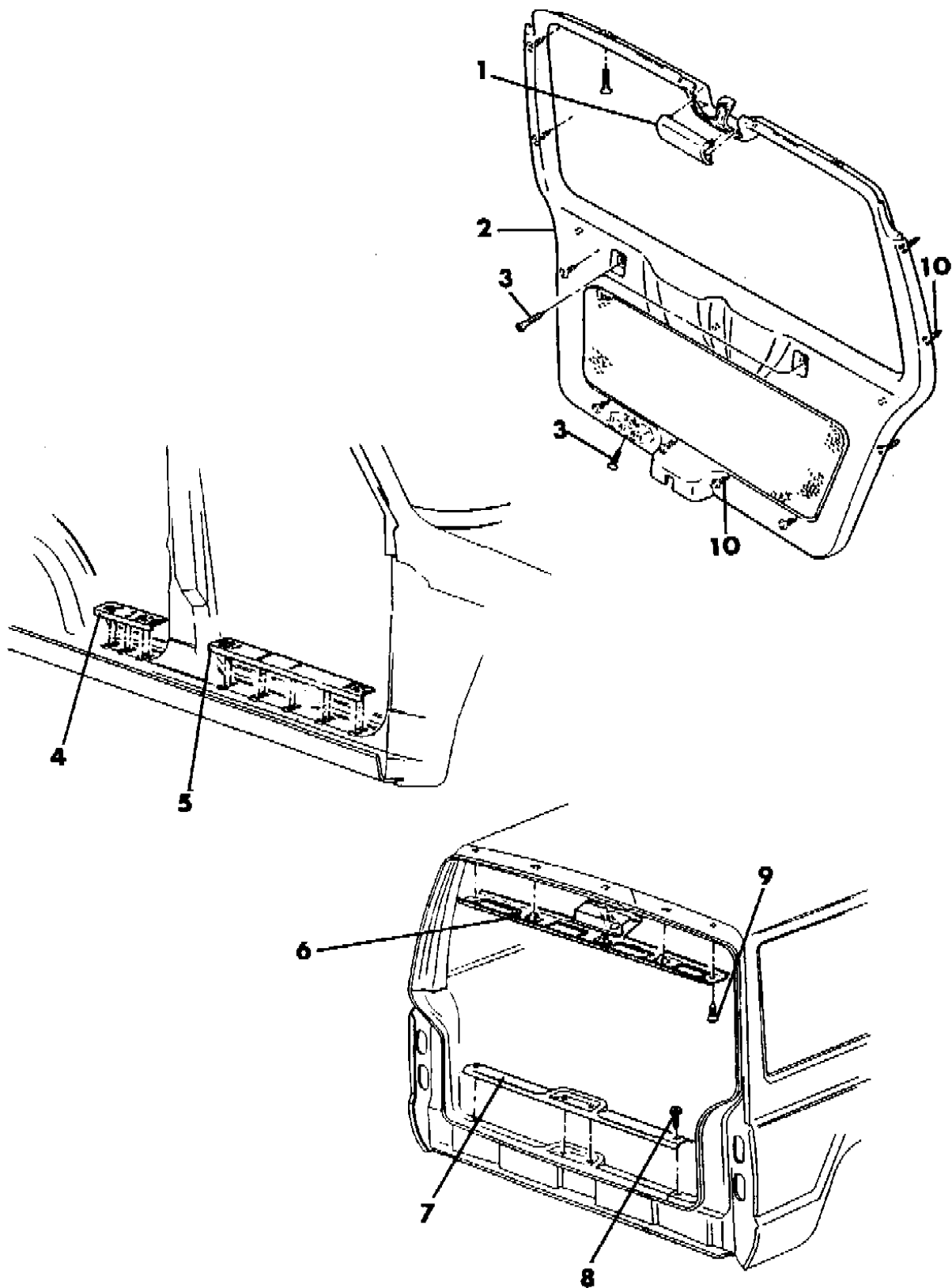
BODY STYLES:

MJ=Comanche Pickup	ZJ=Grand Cherokee/Grand Wagoneer	KDX VEHICLES
SJ=Grand Wagoneer		M1=Comanche
XJ=Cherokee, Briarwood		X1=Cherokee, Briarwood
YJ=Wrangler		Y1=Wrangler

AR = Use as Required - = Non Illustrated Part P.A.R. = Paint as Required

PANELS, LIFTGATE AND SCUFF PLATE - GRAND CHEROKEE AND GRAND WAGONEER - ZJ
Figure 29-500

91J29 500



ITEM	PART NUMBER	QTY	BODY	MODEL	DESCRIPTION
1					COVER, Bulb Access
	5AW5 4LD5	1			Medium Quartz
	5AW5 4LF8	1			Dark Driftwood
	5AW5 4LM6	1			Crimson Red
	5AW5 4MV4	1			Light Champagne
2					PANEL ASSEMBLY, Liftgate Trim (includes fasteners, seal, grab pocket cup and carpeting) ***
					For vehicles built up to 7/16/92. Tag affixed to the Face of its Pulley. A Second Tag will show the name of the Vendor (OGURA). w/o Insulation
	5AP0 8LD5	1			Medium Quartz
	5AP0 8LF8	1			Dark Driftwood
	5AP0 8LM6	1			Crimson Red
					w/Insulation
	5AP0 6LD5	1			Medium Quartz
	5AP0 6LF8	1			Dark Driftwood
	5AP0 6LM6	1			Crimson Red
					For vehicles built 7/17/92 and after. Tag affixed to the Face of its Pulley. A Second Tag will show the name of the Vendor (OGURA). w/Insulation, (w/o insulation is no longer available)
	5DF6 8LD5	1			Medium Quartz
	5DF6 8LF8	1			Dark Driftwood
	5DF6 8LM6	1			Crimson Red
	5DF6 8MVV	1			Light Champagne
-	5521 4842	1			INSULATION, Liftgate Trim Panel Upper
3		6			SCREW, Trim Panel Attaching, (not serviced, 8-18X 1.625)
4	5503 0746-7	1			PLATE, Scuff, Rear Door Sill
5	5503 0744-5	1			PLATE, Scuff, Front Door Sill
6	5AP0 4LF4	1			PANEL ASSEMBLY, Liftgate Opening Upper (includes lamp assembly w/bulb, louvers and clips), P.A.R. ***
-	5CU0 0LF4	4			LOUVER, Lift Gate Opening Moulding, P.A.R. ***
-	J400 3086	1			BULB, Liftgate Opening Moulding Lamp
7					PANEL, Lift Gate Opening, Lower
					For vehicles built up to 7/16/92. Tag affixed to the Face of its Pulley. A Second Tag will show the name of the Vendor (OGURA).
	5AT4 9LD5	1			Medium Quartz
	5AT4 9LF8	1			Dark Driftwood
	5AT4 9LM6	1			Crimson Red
					For vehicles built 7/17/92 and after. Tag affixed to the Face of its Pulley. A Second Tag will show the name of the Vendor (OGURA).
	5DG7 1LD5	1			Medium Quartz
	5DG7 1LF8	1			Dark Driftwood
	5DG7 1LM6	1			Crimson Red
	5DG7 1MV4	1			Light Champagne
8		4			SCREW, (154133, not serviced, use .164-18x.625)

MODEL CODES:

61=Pickup-6 Ft Box 74=4 Door Wagon T=2WD
62=Pickup-7 Ft Box 77=Open Body 93" Wheelbase J,N,U=4WD
72=2 Door Wagon 78=Open Body 103" Wheelbase

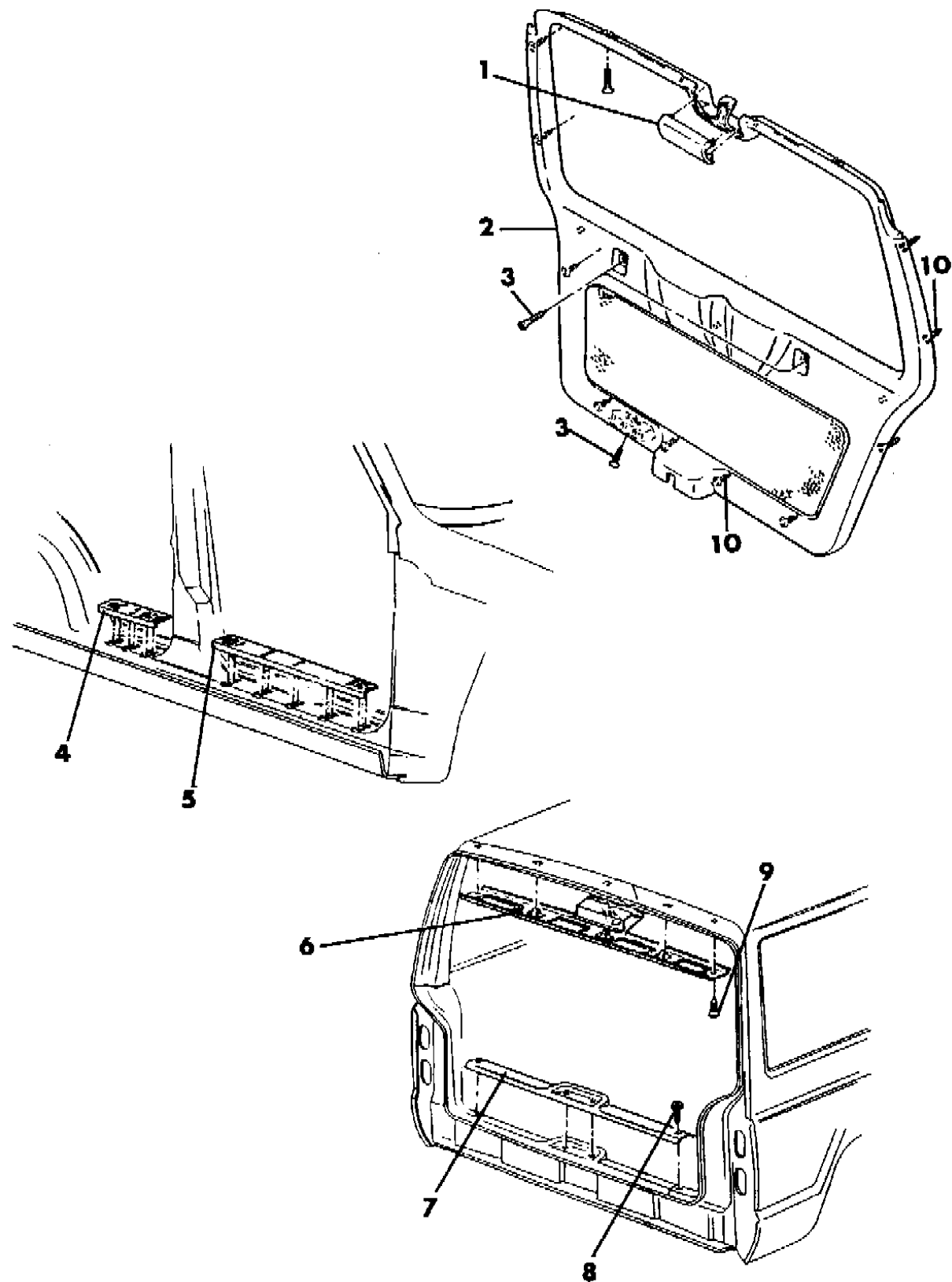
BODY STYLES:

MJ=Comanche Pickup ZJ=Grand Cherokee/Grand Wagoneer KDX VEHICLES
SJ=Grand Wagoneer M1=Comanche
XJ=Cherokee, Briarwood X1=Cherokee, Briarwood
YJ=Wrangler Y1=Wrangler

AR = Use as Required - = Non Illustrated Part P.A.R. = Paint as Required

PANELS, LIFTGATE AND SCUFF PLATE - GRAND CHEROKEE AND GRAND WAGONEER - ZJ
Figure 29-500

91J29 500



ITEM	PART NUMBER	QTY	BODY	MODEL	DESCRIPTION
9		2			SCREW, 30mm Long (34202473 not serviced)
10					FASTENER, Push In (also included in the liftgate trim panel assembly)
	3420 2599	10			For vehicles built up to 7/16/92
	6502 991	10			For vehicles built 7/17/92 and later
NOTE: A hardware package is available for vehicles experiencing a rattle in the liftgate trim panel. See Technical Service Bulletin C23-26-2. Tag affixed to the Face of its Pulley. A Second Tag will show the name of the Vendor (OGURA).					
-	4740 959	1			REPAIR PACKAGE, Liftgate Trim Panel Rattle ***

MODEL CODES:

61=Pickup-6 Ft Box 74=4 Door Wagon T=2WD
62=Pickup-7 Ft Box 77=Open Body 93" Wheelbase J,N,U=4WD
72=2 Door Wagon 78=Open Body 103" Wheelbase

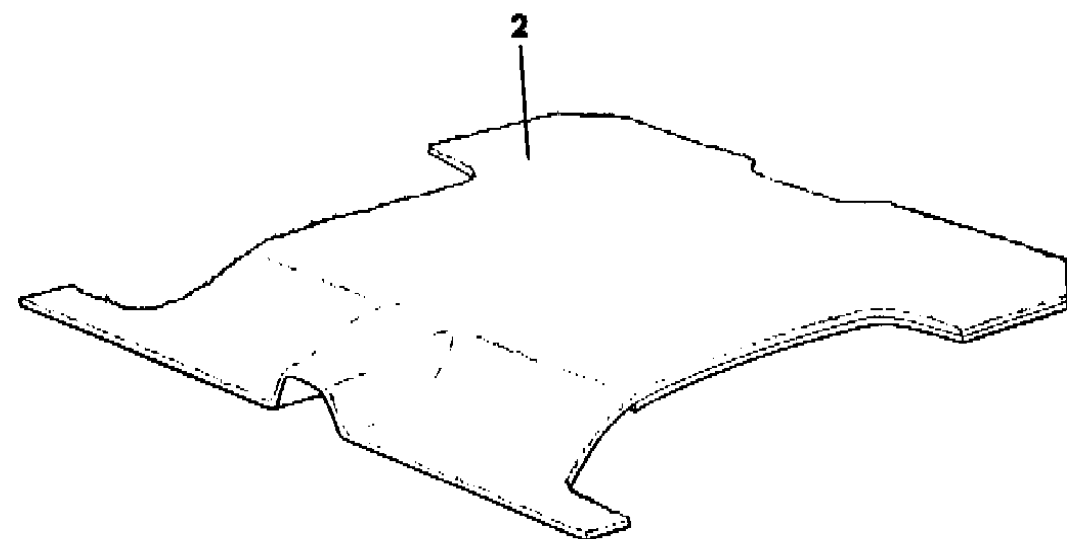
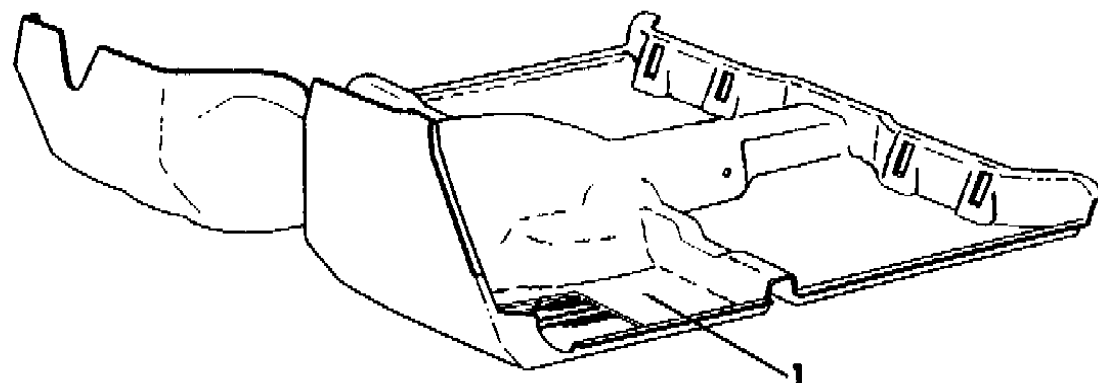
BODY STYLES:

MJ=Comanche Pickup ZJ=Grand Cherokee/Grand Wagoneer KDX VEHICLES
SJ=Grand Wagoneer M1=Comanche
XJ=Cherokee, Briarwood X1=Cherokee, Briarwood
YJ=Wrangler Y1=Wrangler

AR = Use as Required - = Non Illustrated Part P.A.R. = Paint as Required

CARPET - GRAND CHEROKEE AND GRAND WAGONEER - ZJ
Figure 29-600

91J29 600A



ITEM	PART NUMBER	QTY	BODY	MODEL	DESCRIPTION
1					CARPET, Passenger Area
					12 Ounce (use on Base and Sport model)
					For vehicles built up to 7/16/92. Tag affixed to the Face of its Pulley. A Second Tag will show the name of the Vendor (OGURA).
	5AP2 7LD5	1			Medium Quartz
	5AP2 7LF7	1			Dark Driftwood
	5AP2 7LM6	1			Crimson Red
					For vehicles built 7/17/92 and after. Tag affixed to the Face of its Pulley. A Second Tag will show the name of the Vendor (OGURA).
	5DH3 6MD5	1			Medium Quartz
	5DH3 6MF7	1			Dark Driftwood
	5DH3 6MM6	1			Crimson Red
					18 Ounce (use on Limited, Laredo or Grand Wagoneer model)
					For vehicles built up to 7/16/92. Tag affixed to the Face of its Pulley. A Second Tag will show the name of the Vendor (OGURA).
	5AP2 5LD5	1			Medium Quartz
	5AP2 5LF7	1			Dark Driftwood
	5AP2 5LM6	1			Crimson Red
					For vehicles built 7/17/92 and after. Tag affixed to the Face of its Pulley. A Second Tag will show the name of the Vendor (OGURA).
	5DH3 7MD5	1			Medium Quartz
	5DH3 7MF7	1			Dark Driftwood
	5DH3 7MM6	1			Crimson Red
	5DH3 7MV8	1			Medium Champagne
2					CARPET, Cargo Area
					12 Ounce (use on Sport and Base model- w/o skid strips)
					For vehicles built up to 7/16/92. Tag affixed to the Face of its Pulley. A Second Tag will show the name of the Vendor (OGURA).
	5AP3 1LD5	1			Medium Quartz
	5AP3 1LF7	1			Dark Driftwood
	5AP3 1LM6	1			Crimson Red
					For vehicles built 7/17/92 and after. Tag affixed to the Face of its Pulley. A Second Tag will show the name of the Vendor (OGURA).
	5DH7 2MD5	1			Medium Quartz
	5DH7 2MF7	1			Dark Driftwood
	5DH7 2MM6	1			Crimson Red
					18 Ounce (use on Limited, Laredo or Grand Wagoneer model, includes skid strips)
					For vehicles built up to 7/16/92. Tag affixed to the Face of its Pulley. A Second Tag will show the name of the Vendor (OGURA).
	5AP3 5LD5	1			Medium Quartz
	5AP3 5LF7	1			Dark Driftwood
	5AP3 5LM6	1			Crimson Red
					For vehicles built 7/17/92 and after. Tag affixed to the Face of its Pulley. A Second Tag will show the name of the Vendor (OGURA).
	5DH7 4MD5	1			Medium Quartz
	5DH7 4MF7	1			Dark Driftwood
	5DH7 4MM6	1			Crimson Red
	5DH7 4MV8	1			Medium Champagne

MODEL CODES:

61=Pickup-6 Ft Box 74=4 Door Wagon T=2WD
 62=Pickup-7 Ft Box 77=Open Body 93" Wheelbase J,N,U=4WD
 72=2 Door Wagon 78=Open Body 103" Wheelbase

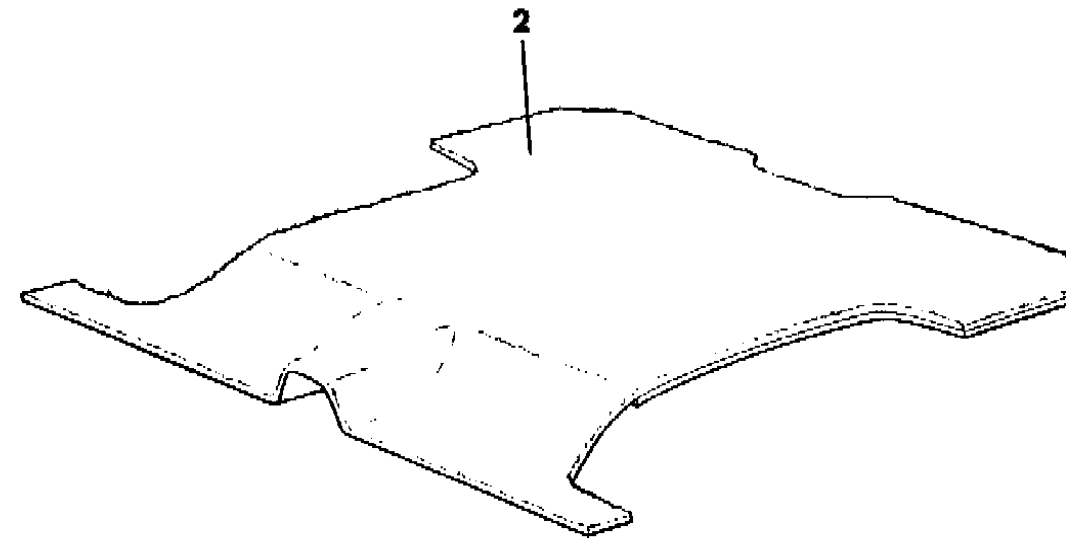
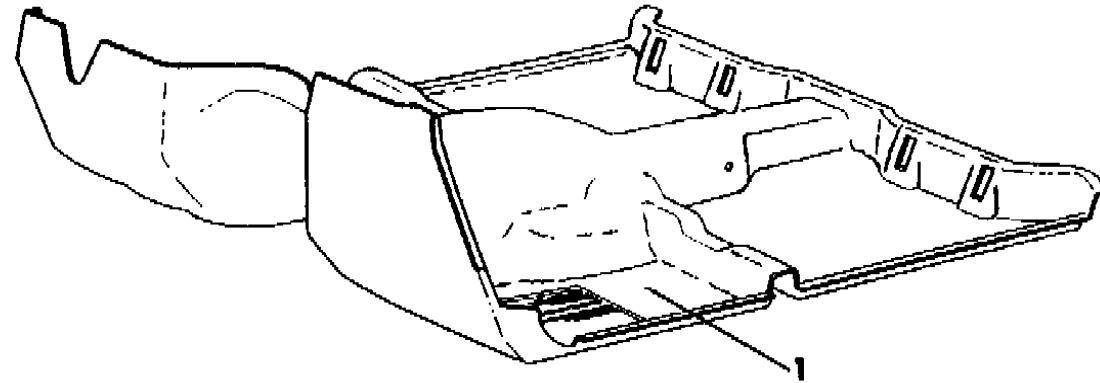
BODY STYLES:

MJ=Comanche Pickup ZJ=Grand Cherokee/Grand Wagoneer KDX VEHICLES
 SJ=Grand Wagoneer M1=Comanche
 XJ=Cherokee, Briarwood X1=Cherokee, Briarwood
 YJ=Wrangler Y1=Wrangler

AR = Use as Required - = Non Illustrated Part P.A.R. = Paint as Required

CARPET - GRAND CHEROKEE AND GRAND WAGONEER - ZJ
Figure 29-600

91J29 600A



ITEM	PART NUMBER	QTY	BODY	MODEL	DESCRIPTION
-	6033 018	20			FASTENER, Skid Strip To Carpet
NOTE: The following floor mats are also listed in the accessory catalog. Tag affixed to the Face of its Pulley. A Second Tag will show the name of the Vendor (OGURA).					
-					MAT PACKAGE, Front Floor, w/o Logo, (contains right and left) ***
-	8220 1368	1			Medium Quartz
-	8220 1369	1			Dark Driftwood
-	8220 1370	1			Crimson Red
-	8220 1663	1			Medium Champagne
-					MAT PACKAGE, Passenger Area Rear Floor, w/o Logo (consists of 2 mats) ***
-	8220 1371	1			Medium Quartz
-	8220 1372	1			Dark Driftwood
-	8220 1373	1			Crimson Red
-	8220 1664	1			Medium Champagne

MODEL CODES:

61=Pickup-6 Ft Box 74=4 Door Wagon T=2WD
 62=Pickup-7 Ft Box 77=Open Body 93" Wheelbase J,N,U=4WD
 72=2 Door Wagon 78=Open Body 103" Wheelbase

BODY STYLES:

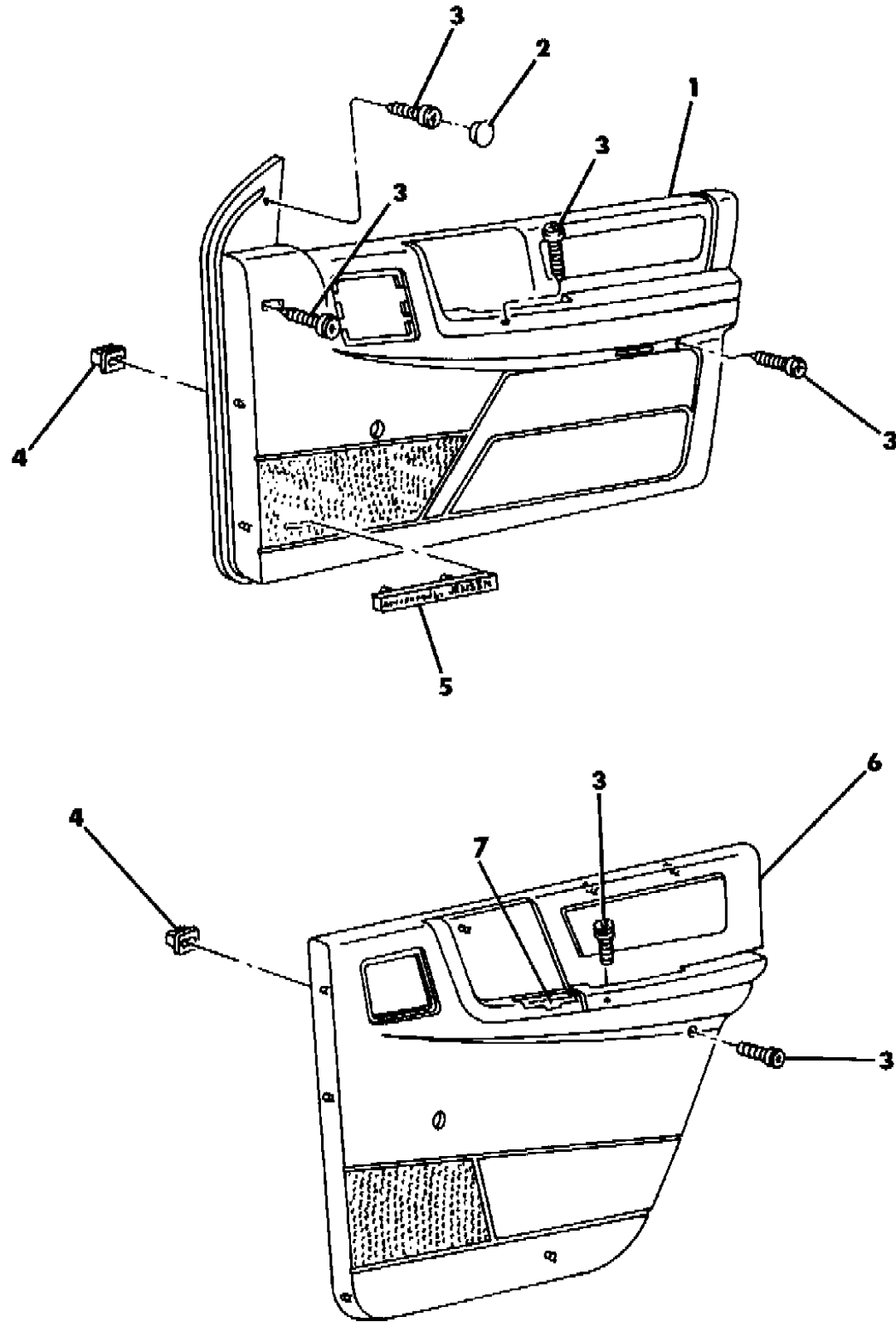
MJ=Comanche Pickup ZJ=Grand Cherokee/Grand Wagoneer KDX VEHICLES
 SJ=Grand Wagoneer M1=Comanche
 XJ=Cherokee, Briarwood X1=Cherokee, Briarwood
 YJ=Wrangler Y1=Wrangler

AR = Use as Required - = Non Illustrated Part P.A.R. = Paint as Required

PANELS, DOOR TRIM - GRAND CHEROKEE AND GRAND WAGONEER - ZJ

Figure 29-700

91J29 700A



ITEM	PART NUMBER	QTY	BODY	MODEL	DESCRIPTION
1					PANEL, Front Door Trim, (includes retaining pins)
					NOTE: The "LIMITED" and "GRAND WAGONEER" door trim panel is serviced w/o the Lamp. See group 8 for lamp. Tag affixed to the Face of its Pulley. A Second Tag will show the name of the Vendor (OGURA).
					"LIMITED" and "GRAND WAGONEER" Model
	GU64-5 LD5	1			Medium Quartz
	GU64-5 LF8	1			Dark Driftwood
	GU64-5 LM6	1			Red
	GU64-5 MV4	1			Light Champagne
					NOTE: The "LAREDO" Door trim panel is serviced w/o the reflector. See REFLECTOR listed below. Tag affixed to the Face of its Pulley. A Second Tag will show the name of the Vendor (OGURA).
					"LAREDO" Model w/Power Windows
	GU62-3 LD5	1			Medium Quartz
	GU62-3 LF8	1			Dark Driftwood
	GU62-3 LM6	1			Red
					"LAREDO" Model w/o Power Windows
	GU58-9 LD5	1			Medium Quartz
	GU58-9 LF8	1			Dark Driftwood
	GU58-9 LM6	1			Red
-	5503 1730-1	1			REFLECTOR ASSEMBLY, Front Door Trim Panel, LAREDO model ***
					NOTE: The "BASE and SPORT" door trim panel is serviced w/the cover for the lamp/reflector hole. Tag affixed to the Face of its Pulley. A Second Tag will show the name of the Vendor (OGURA).
					"BASE and SPORT" Model w/Power Windows (less switches)
	GU56-7 LD5	1			Medium Quartz
	GU56-7 LF8	1			Dark Driftwood
	GU56-7 LM6	1			Red
					"BASE and SPORT" Model w/o Power Windows
	5AM98-9 LD5	1			Medium Quartz
	5AM98-9 LF8	1			Dark Driftwood
	5AM98-9 LM6	1			Red
-	4720 494-5	1			COVER, Trim Panel, (used on Base and Sport Model) P.A.R.
-	6502 907	22			PIN, Door Trim Panel Retaining
2	J400 7443	2			PLUG
3					SCREW
	6032 723	10			Front Door Trim Panel Attaching
	6032 723	6			Rear Door Trim Panel Attaching
4					NUT, Plastic (closed end)
	3420 1872	6			Front Door Trim Panel Attaching
	3420 1872	4			Rear Door Trim Panel Attaching
5	5503 2016	2			NAMEPLATE, Trim Panel, (used w/6 speaker stereo) ***
-					FASTENER, Nameplate, not serviced

MODEL CODES:

61=Pickup-6 Ft Box 74=4 Door Wagon T=2WD
 62=Pickup-7 Ft Box 77=Open Body 93" Wheelbase J,N,U=4WD
 72=2 Door Wagon 78=Open Body 103" Wheelbase

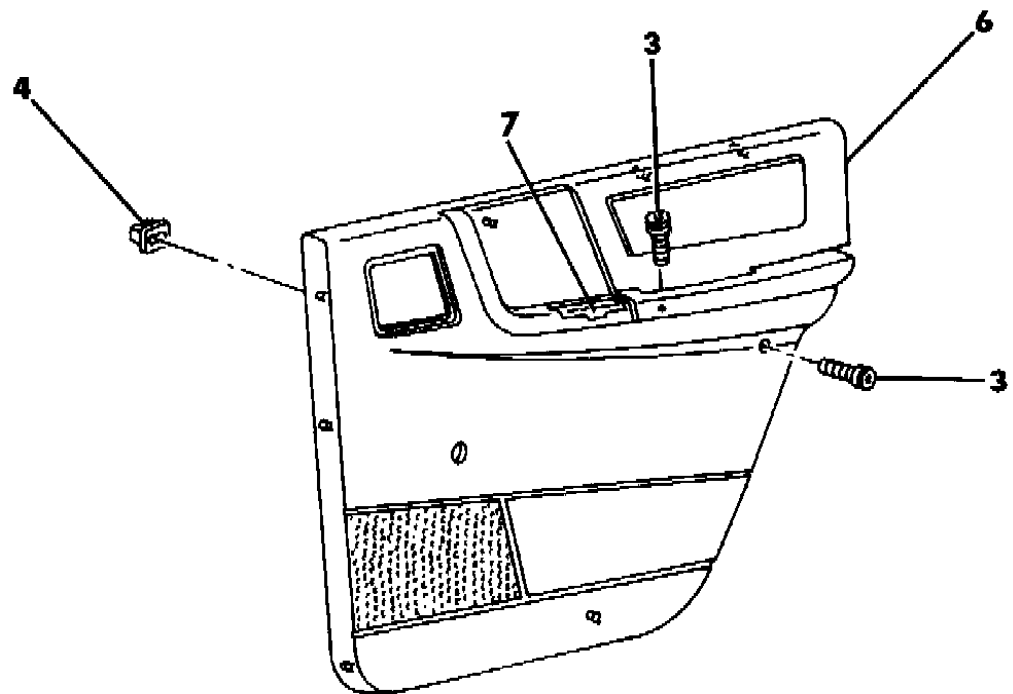
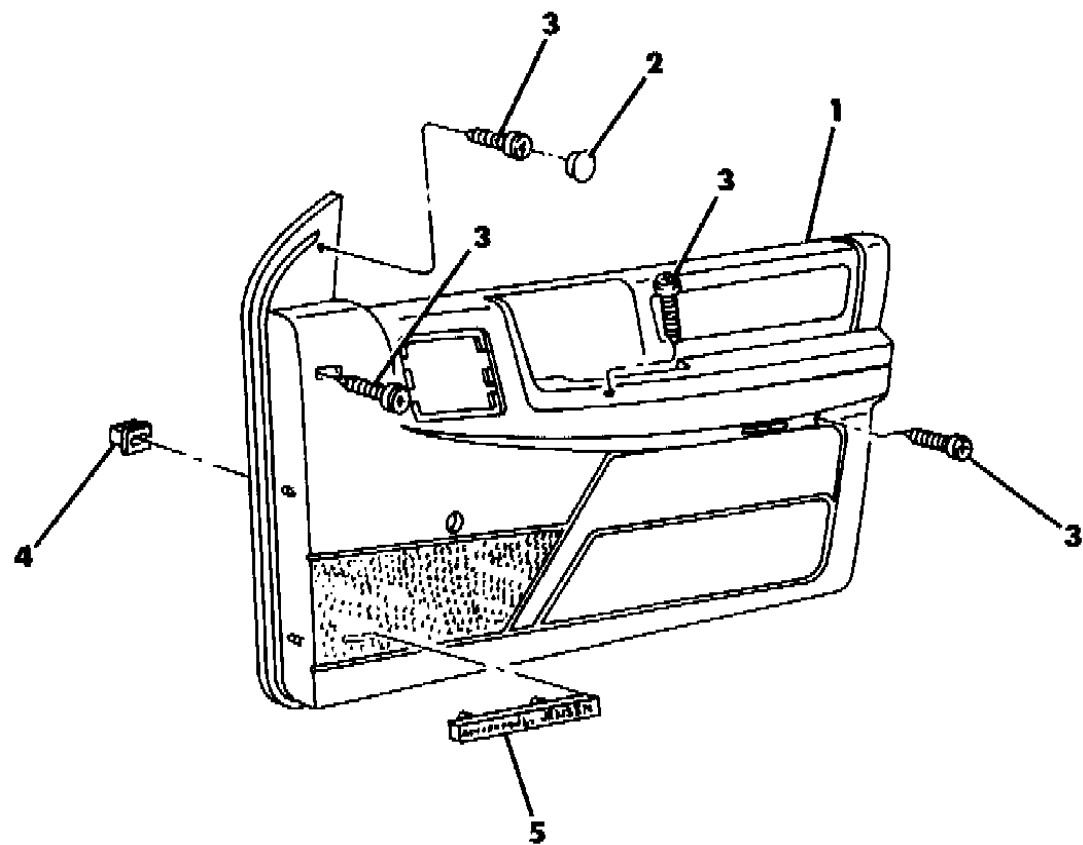
BODY STYLES:

MJ=Comanche Pickup ZJ=Grand Cherokee/Grand Wagoneer KDX VEHICLES
 SJ=Grand Wagoneer M1=Comanche
 XJ=Cherokee, Briarwood X1=Cherokee, Briarwood
 YJ=Wrangler Y1=Wrangler

AR = Use as Required - = Non Illustrated Part P.A.R. = Paint as Required

PANELS, DOOR TRIM - GRAND CHEROKEE AND GRAND WAGONEER - ZJ
Figure 29-700

91J29 700 A



ITEM	PART NUMBER	QTY	BODY	MODEL	DESCRIPTION
6					PANEL, Rear Door Trim, (includes retaining pins) "LIMITED" and "GRAND WAGONEER" Model
	GV18-9 LD5	1			Medium Quartz
	GV18-9 LF8	1			Dark Driftwood
	GV18-9 LM6	1			Red
	GV18-9 MV4	1			Light Champagne
					NOTE: A window switch cover is included w/"LAREDO" and "Sport" panels. Tag affixed to the Face of its Pulley. A Second Tag will show the name of the Vendor (OGURA).
					"LAREDO" Model, (w/ or w/o Power Windows)
	4720 614-5	1			Medium Quartz
	4720 616-7	1			Dark Driftwood
	4720 618-9	1			Red
					"BASE and SPORT" Models, (w/ or w/o Power Windows)
	4720 604-5	1			Medium Quartz
	4720 606-7	1			Dark Driftwood
	4720 608-9	1			Red
-	5521 4832	2			COVER, Window Switch Opening, Rear Door (use w/manual windows)
-	6502 907	16			PIN, Door Trim Panel Retaining
7	4720 574-5	1			ASHTRAY ASSEMBLY, Rear Door ***

NOTE: Switch Bezel Comes With Door Panel Tag affixed to the Face of its Pulley. A Second Tag will show the name of the Vendor (OGURA).

NOTE: For switches and lamps see group 8. Tag affixed to the Face of its Pulley. A Second Tag will show the name of the Vendor (OGURA).

NOTE: For bezels and handles see group 23C. Tag affixed to the Face of its Pulley. A Second Tag will show the name of the Vendor (OGURA).

MODEL CODES:

61=Pickup-6 Ft Box 74=4 Door Wagon T=2WD
62=Pickup-7 Ft Box 77=Open Body 93" Wheelbase J,N,U=4WD
72=2 Door Wagon 78=Open Body 103" Wheelbase

BODY STYLES:

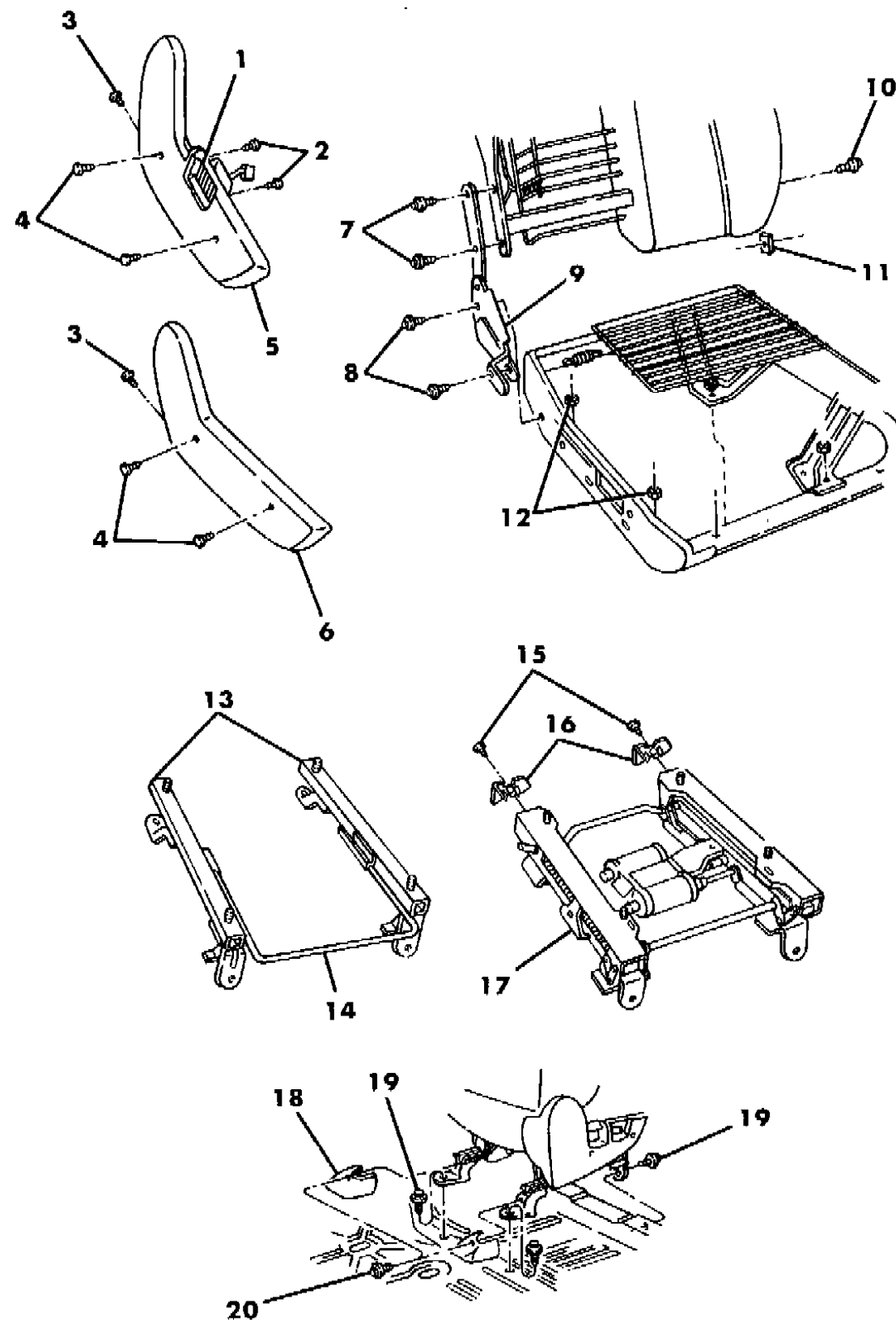
MJ=Comanche Pickup ZJ=Grand Cherokee/Grand Wagoneer KDX VEHICLES
SJ=Grand Wagoneer M1=Comanche
XJ=Cherokee, Briarwood X1=Cherokee, Briarwood
YJ=Wrangler Y1=Wrangler

AR = Use as Required - = Non Illustrated Part P.A.R. = Paint as Required

RECLINER AND SEAT TRACK - FRONT SEAT - GRAND CHEROKEE AND GRAND WAGONEER - ZJ

Figure 29-800

91J29 800



ITEM	PART NUMBER	QTY	BODY	MODEL	DESCRIPTION
1	4373 666	2			SWITCH ASSEMBLY, Power Seat (includes the knobs, which are not serviced separately) ***
-	5600 5772-3	1			HARNESS, Seat Switch to Seat Motor ***
2		4			SCREW, Seat Switch Mounting (not serviced, use 10 - 16 X .62)
3	4720 769	2			SCREW, Side Shield Attaching
4	4720 770	4			SCREW, Side Shield Attaching
5					SHIELD, Side (does not include switch, see item 1)
	GS02-3 MW8	1			Light Quartz (used w/trim code BLDW)
	GS02-3 LD5	1			Medium Quartz
	GS02-3 LF8	1			Dark Driftwood
	GS02-3 LMA	1			Crimson Red
	GS02-3 MV4	1			Light Champagne
6					SHIELD, Side (used w/manual seat adjusters)
	GS00-1 LD5	1			Medium Quartz
	GS00-1 LF8	1			Dark Driftwood
	GS00-1 LMA	1			Crimson Red
7	4720 768	4			BOLT, Recliner to Seatback
8	4713 968	4			BOLT, Recliner to Cushion Frame
9	4713 964-5	1			Recliner Assembly, Front Seat Back ***
10	4713 980	2			BOLT, Pivot
11	4713 982	2			U-NUT, Front Seat Back Frame
12	4720 766	8			NUT, Adjuster to Seat Cushion Frame
NOTE: The seat frames and pads are only serviced as covered assemblies, see illustration 900. Tag affixed to the Face of its Pulley. A Second Tag will show the name of the Vendor (OGURA).					
13					ADJUSTER, Manual Seat Track (order by description)
NOTE: Use w/o Export Equipment Package. Tag affixed to the Face of its Pulley. A Second Tag will show the name of the Vendor (OGURA).					
	4720 763	1			Passenger Seat, Outboard
	4720 764	2			Passenger Seat Inboard and Driver Seat Outboard
	4720 765	1			Driver Seat Inboard
NOTE: Use w/Export Equipment Package. Tag affixed to the Face of its Pulley. A Second Tag will show the name of the Vendor (OGURA).					
	4723 859	1			Passenger Seat Outboard, EUROPE
	4723 862	1			Passenger Seat Inboard, EUROPE
	4723 858	1			Driver Seat Outboard, EUROPE
	4723 861	1			Driver Seat Inboard, EUROPE
14	4713 930	2			HANDLE, Front Seat Adjuster
15					SCREW, (not serviced, use 8 - 18 X .62)
16					SHIELD, Rear of Power Adjuster
					Right side of driver or passenger seat w/o Export Equipment Package
	4720 771	2			

MODEL CODES:

61=Pickup-6 Ft Box 74=4 Door Wagon T=2WD
 62=Pickup-7 Ft Box 77=Open Body 93" Wheelbase J,N,U=4WD
 72=2 Door Wagon 78=Open Body 103" Wheelbase

BODY STYLES:

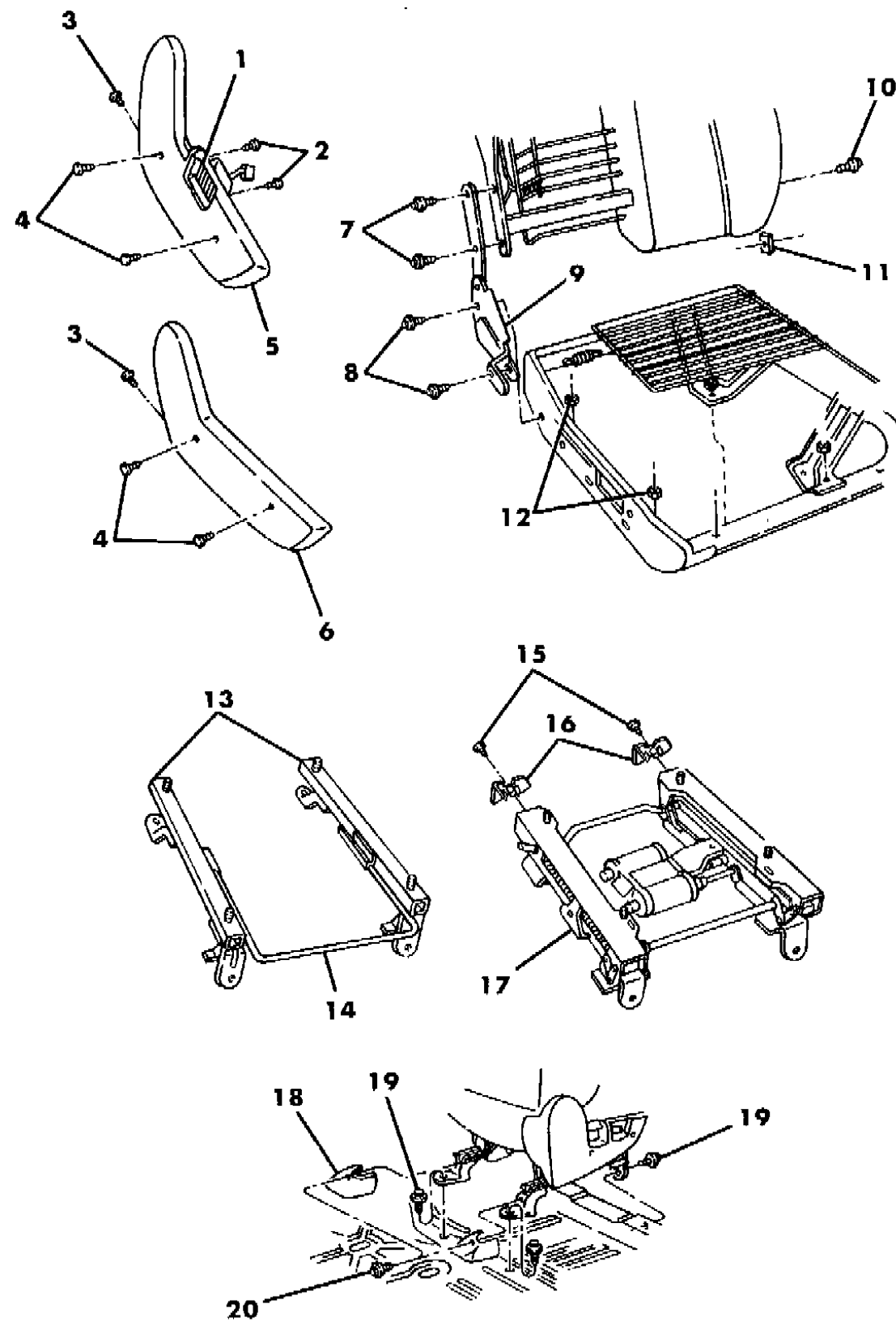
MJ=Comanche Pickup ZJ=Grand Cherokee/Grand Wagoneer KDX VEHICLES
 SJ=Grand Wagoneer M1=Comanche
 XJ=Cherokee, Briarwood Y1=Cherokee, Briarwood
 YJ=Wrangler Y1=Wrangler

AR = Use as Required - = Non Illustrated Part P.A.R. = Paint as Required

RECLINER AND SEAT TRACK - FRONT SEAT - GRAND CHEROKEE AND GRAND WAGONEER - ZJ

Figure 29-800

91J29 800



ITEM	PART NUMBER	QTY	BODY	MODEL	DESCRIPTION
	4723 888	2			w/Export Equipment Package, EUROPE
	4720 772	2			Left side of driver or passenger seat
	4723 889	2			w/o Export Equipment Package
17					w/Export Equipment Package, EUROPE
					ADJUSTER, Power Seat Track (includes the motor which is not serviced separately)
	4713 924-5	1			w/o Export Equipment Package
	4723 864-5	1			w/Export Equipment Package, EUROPE
18					COVER, Power Seat Track
	5CC1 6LD5	4			Medium Quartz
	5CC1 6LF8	4			Dark Driftwood
	5CC1 6LMA	4			Crimson Red
	5CC1 6MV4	4			Light Champagne
19	6501 093	8			SCREW, Seat Adjuster to Floor
20		4			SCREW, Cover to Power Seat Adjuster, (not serviced, use 8 - 18 X .375)

NOTE: (S/C-ABE) = Export Equipment Package (optional for Europe market). Tag affixed to the Face of its Pulley. A Second Tag will show the name of the Vendor (OGURA).

MODEL CODES:

61=Pickup-6 Ft Box 74=4 Door Wagon T=2WD
 62=Pickup-7 Ft Box 77=Open Body 93" Wheelbase J,N,U=4WD
 72=2 Door Wagon 78=Open Body 103" Wheelbase

BODY STYLES:

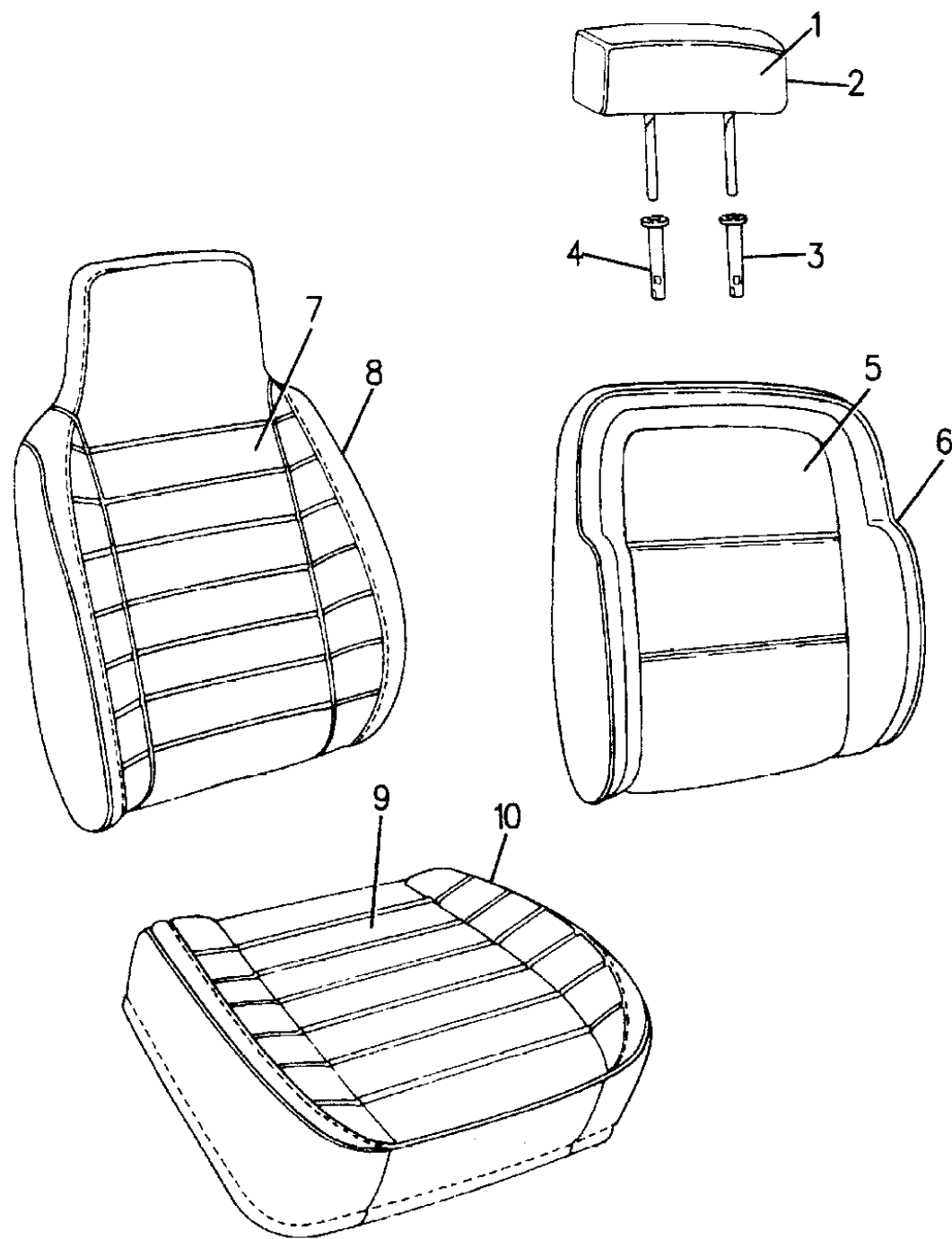
MJ=Comanche Pickup ZJ=Grand Cherokee/Grand Wagoneer KDX VEHICLES
 SJ=Grand Wagoneer M1=Comanche
 XJ=Cherokee, Briarwood X1=Cherokee, Briarwood
 YJ=Wrangler Y1=Wrangler

AR = Use as Required - = Non Illustrated Part P.A.R. = Paint as Required

SEAT COVERS AND SEAT ASSEMBLIES - FRONT SEAT - GRAND CHEROKEE AND GRAND WAGONEER - ZJ

Figure 29-900

91J29 900A



ITEM	PART NUMBER	QTY	BODY	MODEL	DESCRIPTION
1					COVER, Headrest
	GS50 LD5	2			w/AL-- Trim Code (Limited) Medium Quartz, (ALD5)
	GS50 LF8	2			Dark Driftwood, (ALFF)
	GS50 MV4	2			Light Champagne, (ALV4)
	HG77 MW8	2			w/BL-- Trim Code (Grand Wagoneer) Light Quartz, (BLDW)
	HG77 MF8	2			Dark Driftwood, (BLFF)
	HG77 MV4	2			Light Champagne, (BLV4)
	HG89 MD5	2			w/M7-- Trim Code (Laredo Low Back, EUROPE) Medium Quartz, (M7D5) EUROPE
	HG89 MF7	2			Dark Brownstone, (M7FF), EUROPE
	HG89 MMA	2			Crimson Red, (M7M6), EUROPE
2					HEADREST ASSEMBLY, Includes Pad Assembly w/Cover ***
	GS27 LD5	2			w/AL-- Trim Code (Limited) Medium Quartz, (ALD5)
	HG47 MD5	2			Medium Quartz, (ALD5) w/(S/C-ABE), EUROPE
	GS27 LF8	2			Dark Driftwood, (ALFF)
	HG47 MF8	2			Dark Driftwood, (ALFF) w/(S/C-ABE), EUROPE
	GS27 MV4	2			Light Champagne, (ALV4)
	HG47 MV4	2			Light Champagne, (ALV4) w/(S/C-ABE), EUROPE
	HG49 MW8	2			w/BL-- Trim Code (Grand Wagoneer) Light Quartz, (BLDW)
	HG49 MF8	2			Dark Driftwood, (BLFF)
	HG49 MV4	2			Light Champagne, (BLV4)
	HG45 MD5	2			w/M7-- Trim Code (Laredo Low Back, EUROPE) Medium Quartz, (M7D5), EUROPE
	HG45 MF7	2			Dark Brownstone, (M7FF), EUROPE
	HG45 MMA	2			Crimson Red, (M7M6), EUROPE
3					CYLINDER, w/o Latch
	4720 762	2			w/o Export Equipment Package
	4723 835	2			w/Export Equipment Package, EUROPE
4					CYLINDER, w/Latch
	4720 755	2			w/o Export Equipment Package
	4723 834	2			w/Export Equipment Package, EUROPE
5					COVER ASSEMBLY, Low Back Style Seat ***
	GV69 LD5	2			w/AL-- Trim Code, Leather (Limited) Medium Quartz, (ALD5)
	GV69 LF8	2			Dark Driftwood, (ALFF)
	GV69 MV4	2			Light Champagne, (ALV4)
					w/BL-- Trim Code, Leather (Grand Wagoneer)

MODEL CODES:

61=Pickup-6 Ft Box 74=4 Door Wagon T=2WD
 62=Pickup-7 Ft Box 77=Open Body 93" Wheelbase J,N,U=4WD
 72=2 Door Wagon 78=Open Body 103" Wheelbase

BODY STYLES:

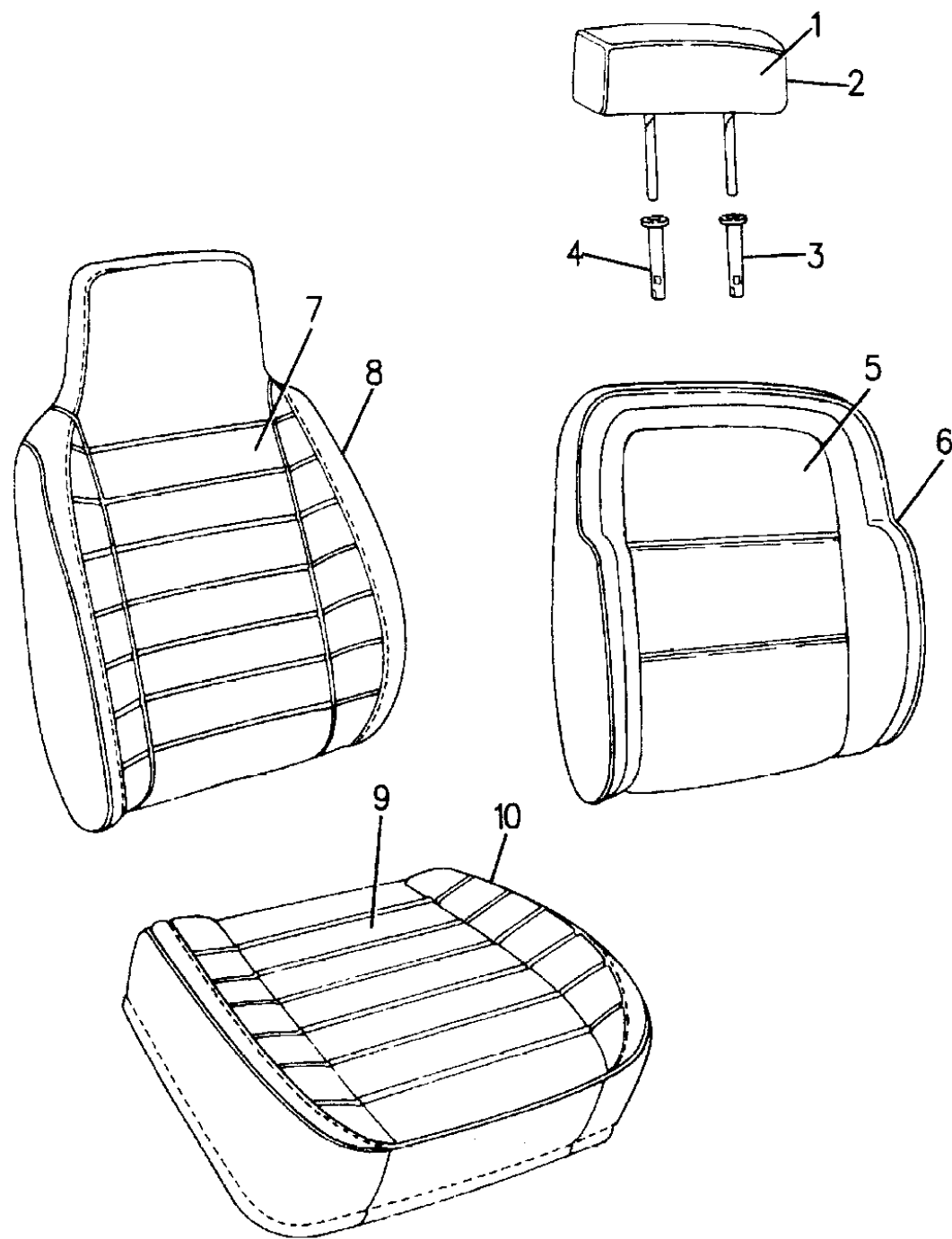
MJ=Comanche Pickup ZJ=Grand Cherokee/Grand Wagoneer KDX VEHICLES
 SJ=Grand Wagoneer M1=Comanche
 XJ=Cherokee, Briarwood X1=Cherokee, Briarwood
 YJ=Wrangler Y1=Wrangler

AR = Use as Required - = Non Illustrated Part P.A.R. = Paint as Required

SEAT COVERS AND SEAT ASSEMBLIES - FRONT SEAT - GRAND CHEROKEE AND GRAND WAGONEER - ZJ

Figure 29-900

91J29 900A



ITEM	PART NUMBER	QTY	BODY	MODEL	DESCRIPTION
	HG43 MW8	2			Light Quartz, (BLDW)
	HG43 MF8	2			Dark Driftwood, (BLFF)
	HG43 MV4	2			Light Champagne, (BLV4)
	HG41 MD5	2			w/M7-- Trim Code, Barton Cloth (Laredo Low Back, EUROPE)
	HG41 MF7	2			Medium Quartz, (M7D5), EUROPE
	HG41 MMA	2			Dark Brownstone, (M7FF), EUROPE
6					Crimson Red, (M7M6), EUROPE
					BACK ASSEMBLY, Low Back Style, Includes Frame, Pad and Cover
					w/AL-- Trim Code, Leather (Limited)
	GR62-3 LD5	1			Medium Quartz, (ALD5)
	HG80-1 MD5	1			Medium Quartz, (ALD5) w/(S/C-ABE), EUROPE
	GR62-3 LF8	1			Dark Driftwood, (ALFF)
	HG80-1 MF8	1			Dark Driftwood, (ALFF) w/(S/C-ABE), EUROPE
	GR62-3 MV4	1			Light Champagne, (ALV4)
	HG80-1 MV4	1			Light Champagne, (ALV4) w/(S/C-ABE), EUROPE
					w/BL-- Trim Code, Leather (Grand Wagoneer)
	HG82-3 MW8	1			Light Quartz, (BLDW)
	HG82-3 MF8	1			Dark Driftwood, (BLFF)
	HG82-3 MV4	1			Light Champagne, (BLV4)
					w/M7-- Trim Code, Barton Cloth (Laredo Low Back, EUROPE)
	HG78-9 MD5	1			Medium Quartz, (M7D5), EUROPE
	HG78-9 MF7	1			Dark Brownstone, (M7FF), EUROPE
	HG78-9 MMA	1			Crimson Red, (M7M6), EUROPE
7					COVER ASSEMBLY, Seat Back, High Back Style ***
					w/J5-- Trim Code, Jasper Cloth (Base and Sport)
	GV67 LD5	2			Medium Quartz, (J5D5)
	GV67 LF7	2			Dark Brownstone, (J5FF)
	GV67 LMA	2			Crimson Red, (J5M6)
					w/M5-- Trim Code, Barton Cloth (Laredo)
	GV70 LD5	2			Medium Quartz, (M5D5)
	GV70 LF3	2			Brownstone, (M5FF)
	GV70 LMA	2			Crimson Red, (M5M6)
8					BACK ASSEMBLY, High Back Style, Includes Frame, Pad and Cover
					w/J5-- Trim Code, Jasper Cloth (Base and Sport)
	GR56-7 LD5	1			Medium Quartz, (J5D5)
	GR56-7 LF7	1			Dark Brownstone, (J5FF)
	GR56-7 LMA	1			Crimson Red, (J5M6)
					w/M5-- Trim Code, Barton Cloth (Laredo)
	GR58-9 LD5	1			Medium Quartz, (M5D5)

MODEL CODES:

61=Pickup-6 Ft Box 74=4 Door Wagon T=2WD
 62=Pickup-7 Ft Box 77=Open Body 93" Wheelbase J,N,U=4WD
 72=2 Door Wagon 78=Open Body 103" Wheelbase

BODY STYLES:

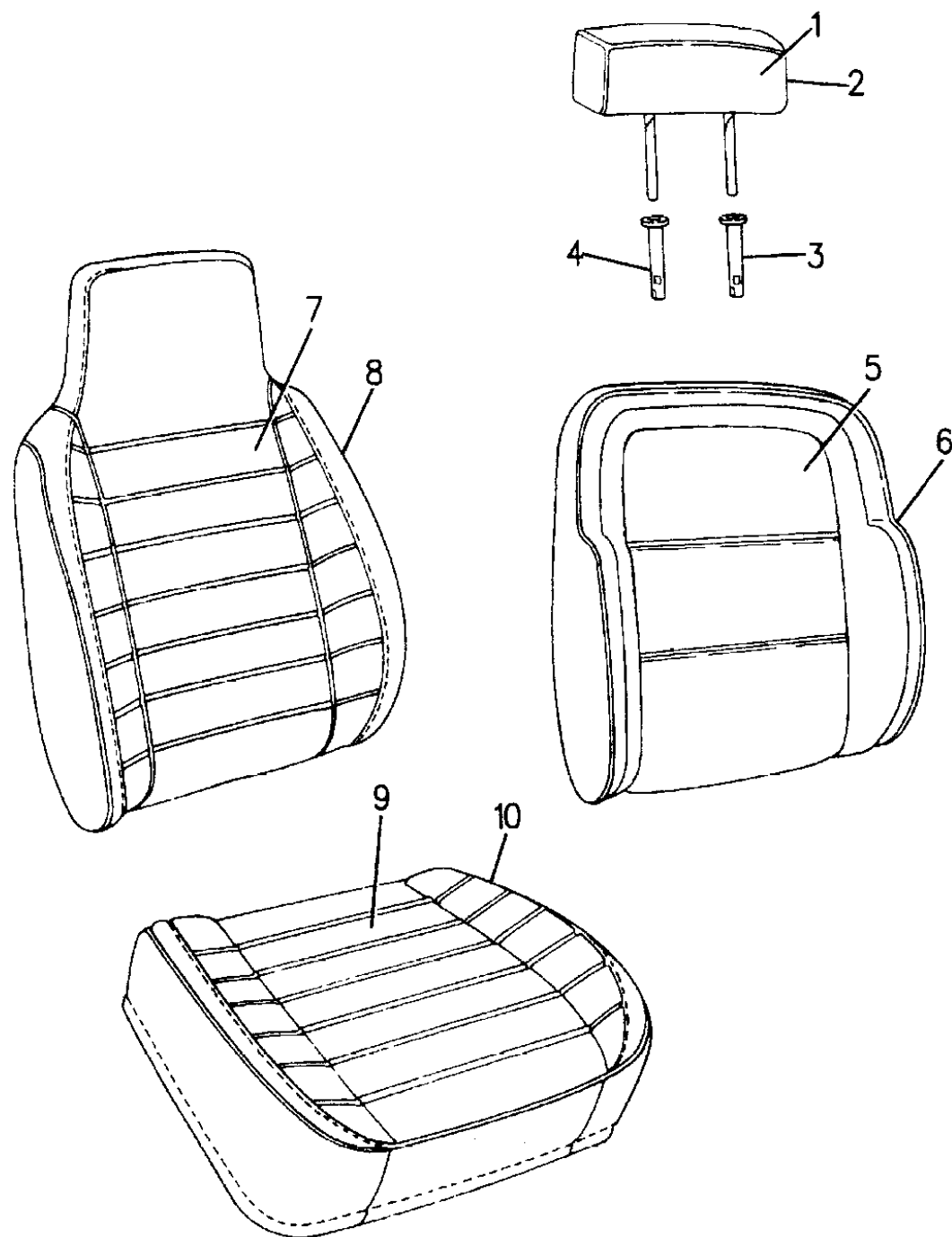
MJ=Comanche Pickup ZJ=Grand Cherokee/Grand Wagoneer KDX VEHICLES
 SJ=Grand Wagoneer M1=Comanche
 XJ=Cherokee, Briarwood Y1=Wrangler
 YJ=Wrangler

AR = Use as Required - = Non Illustrated Part P.A.R. = Paint as Required

SEAT COVERS AND SEAT ASSEMBLIES - FRONT SEAT - GRAND CHEROKEE AND GRAND WAGONEER - ZJ

Figure 29-900

91J29 900A



ITEM	PART NUMBER	QTY	BODY	MODEL	DESCRIPTION
9	GR58-9 LF3	1			Brownstone, (M5FF)
	GR58-9 LMA	1			Crimson Red, (M5M6)
	COVER ASSEMBLY, Seat Cushion ***				
					w/J5-- Trim Code, Jasper Cloth (Base and Sport)
	GP98-9 LD5	1			Medium Quartz, (J5D5)
	GP98-9 LF7	1			Dark Brownstone, (J5FF)
	GP98-9 LMA	1			Crimson Red, (J5M6)
					w/M5-- and M7-- Trim Code, Barton Cloth (Laredo)
	GR00-1 LD5	1			Medium Quartz, (M5D5 and M7D5)
	GR00-1 LF3	1			Brownstone, (M5FF)
GR00-1 MF7	1			Dark Brownstone, (M7FF), EUROPE	
GR00-1 LMA	1			Crimson Red, (M5M6 and M7M6)	
				w/AL-- Trim Code, Leather (Limited)	
10	GR04-5 LD5	1			Medium Quartz, (ALD5)
	GR04-5 LF8	1			Dark Driftwood, (ALFF)
	GR04-5 MV4	1			Light Champagne, (ALV4)
	w/BL-- Trim Code, Leather (Grand Wagoneer)				
	HG84-5 MW8	1			Light Quartz, (BLDW)
	HG84-5 MF8	1			Dark Driftwood, (BLFF)
	HG84-5 MV4	1			Light Champagne, (BLV4)
	CUSHION ASSEMBLY, Includes Frame, Pad and Cover ***				
					w/J5-- Trim Code, Jasper Cloth (Base and Sport)
	GP84-5 LD5	1			Medium Quartz, (J5D5)
GP84-5 LF7	1			Dark Brownstone, (J5FF)	
GP84-5 LMA	1			Crimson Red, (J5M6)	
				w/M5-- and M7-- Trim Code, Barton Cloth (Laredo)	
GP88-9 LD5	1			Medium Quartz, (M5D5 and M7D5)	
GP88-9 LF3	1			Brownstone, (M5FF)	
GP88-9 MF7	1			Dark Brownstone, (M7FF), EUROPE	
GP88-9 LMA	1			Crimson Red, (M5M6 and M7M6)	
				w/AL-- Trim Code, Leather (Limited)	
GP94-5 LD5	1			Medium Quartz, (ALD5)	
GP94-5 LF8	1			Dark Driftwood, (ALFF)	
GP94-5 MV4	1			Light Champagne, (ALV4)	
				w/BL-- Trim Code, Leather (Grand Wagoneer)	
HG94-5 MW8	1			Light Quartz, (BLDW)	
HG94-5 MF8	1			Dark Driftwood, (BLFF)	
HG94-5 MV4	1			Light Champagne, (BLV4)	

NOTE: The following materials (roll goods) are available, order by the inch. Example; to receive 20 liner inches of material - order quantity of 20. Tag affixed to the Face of its Pulley. A Second Tag will show the name of the Vendor (OGURA).

- BODYCLOTH, Classic Chianti, 59" Wide ***

MODEL CODES:

61=Pickup-6 Ft Box 74=4 Door Wagon T=2WD
 62=Pickup-7 Ft Box 77=Open Body 93" Wheelbase J,N,U=4WD
 72=2 Door Wagon 78=Open Body 103" Wheelbase

BODY STYLES:

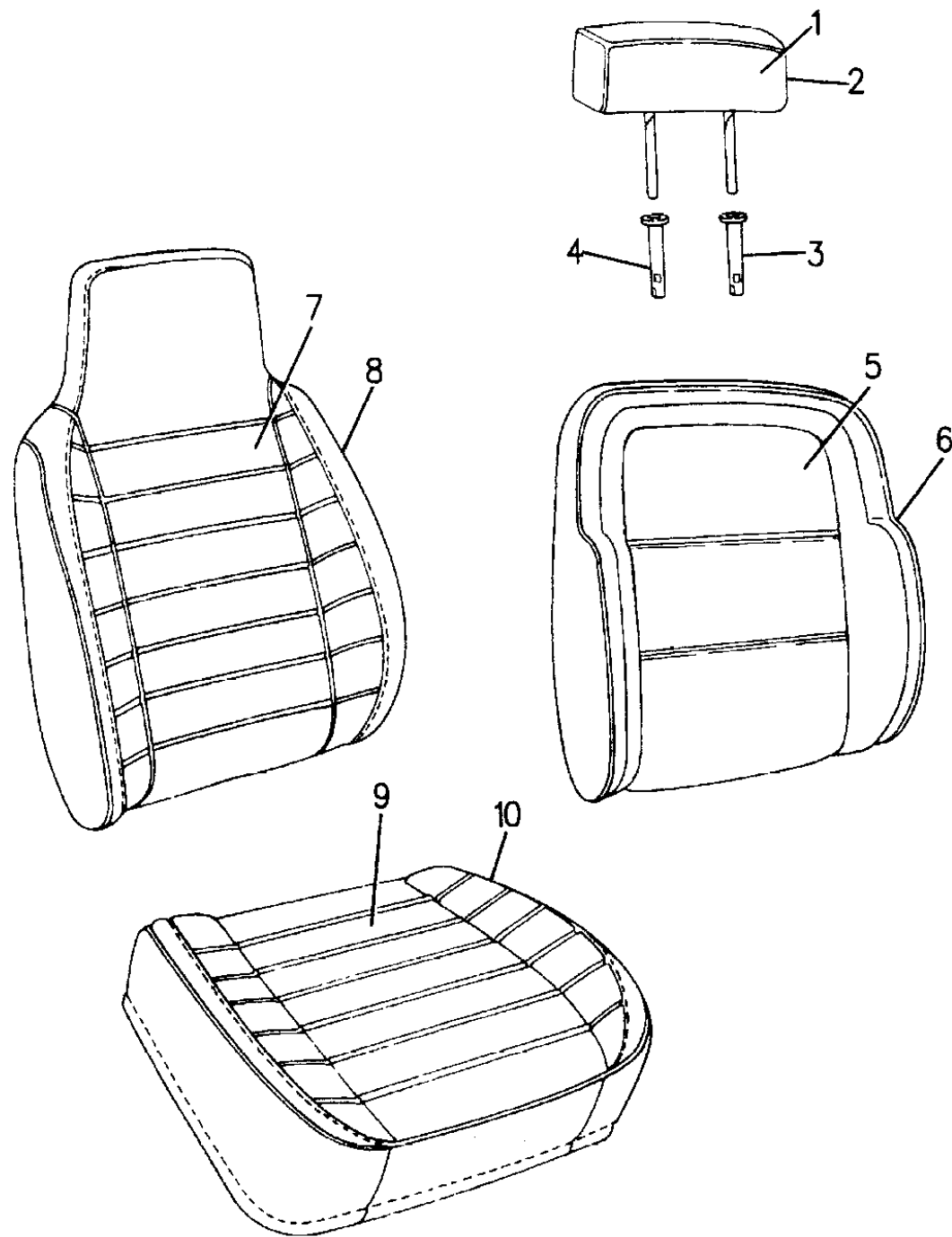
MJ=Comanche Pickup ZJ=Grand Cherokee/Grand Wagoneer KDX VEHICLES
 SJ=Grand Wagoneer M1=Comanche
 XJ=Cherokee, Briarwood X1=Cherokee, Briarwood
 YJ=Wrangler Y1=Wrangler

AR = Use as Required - = Non Illustrated Part P.A.R. = Paint as Required

SEAT COVERS AND SEAT ASSEMBLIES - FRONT SEAT - GRAND CHEROKEE AND GRAND WAGONEER - ZJ

Figure 29-900

91J29 900A



ITEM	PART NUMBER	QTY	BODY	MODEL	DESCRIPTION
-	R027 HD5	AR			Medium Quartz, (J5D5 or ALD5)
-	R027 LF7	AR			Dark Brownstone, (J5FF or ALD5)
-	R027 LM7	AR			Dusty Rose, (J5M6)
-					BODYCLOTH, Barton, 54" Wide ***
-	R094 LD5	AR			Medium Quartz, (M5D5)
-	R094 KF7	AR			Dark Brownstone, (M5FF)
-	R094 LMA	AR			Crimson Red, (M5M6)
-					BODYCLOTH, Bishop, 54" Wide ***
-	R098 LD5	AR			Medium Quartz, (M5D5)
-	R098 LF7	AR			Dark Brownstone, (M5FF)
-	R098 LMA	AR			Crimson Red, (M5M6)
NOTE: (S/C-ABE) = Export Equipment Package (optional for Europe market) Tag affixed to the Face of its Pulley. A Second Tag will show the name of the Vendor (OGURA).					
-	4761 889	1			SPACER PKG, Seat Back Service Kit ***

MODEL CODES:

61=Pickup-6 Ft Box 74=4 Door Wagon T=2WD
 62=Pickup-7 Ft Box 77=Open Body 93" Wheelbase J,N,U=4WD
 72=2 Door Wagon 78=Open Body 103" Wheelbase

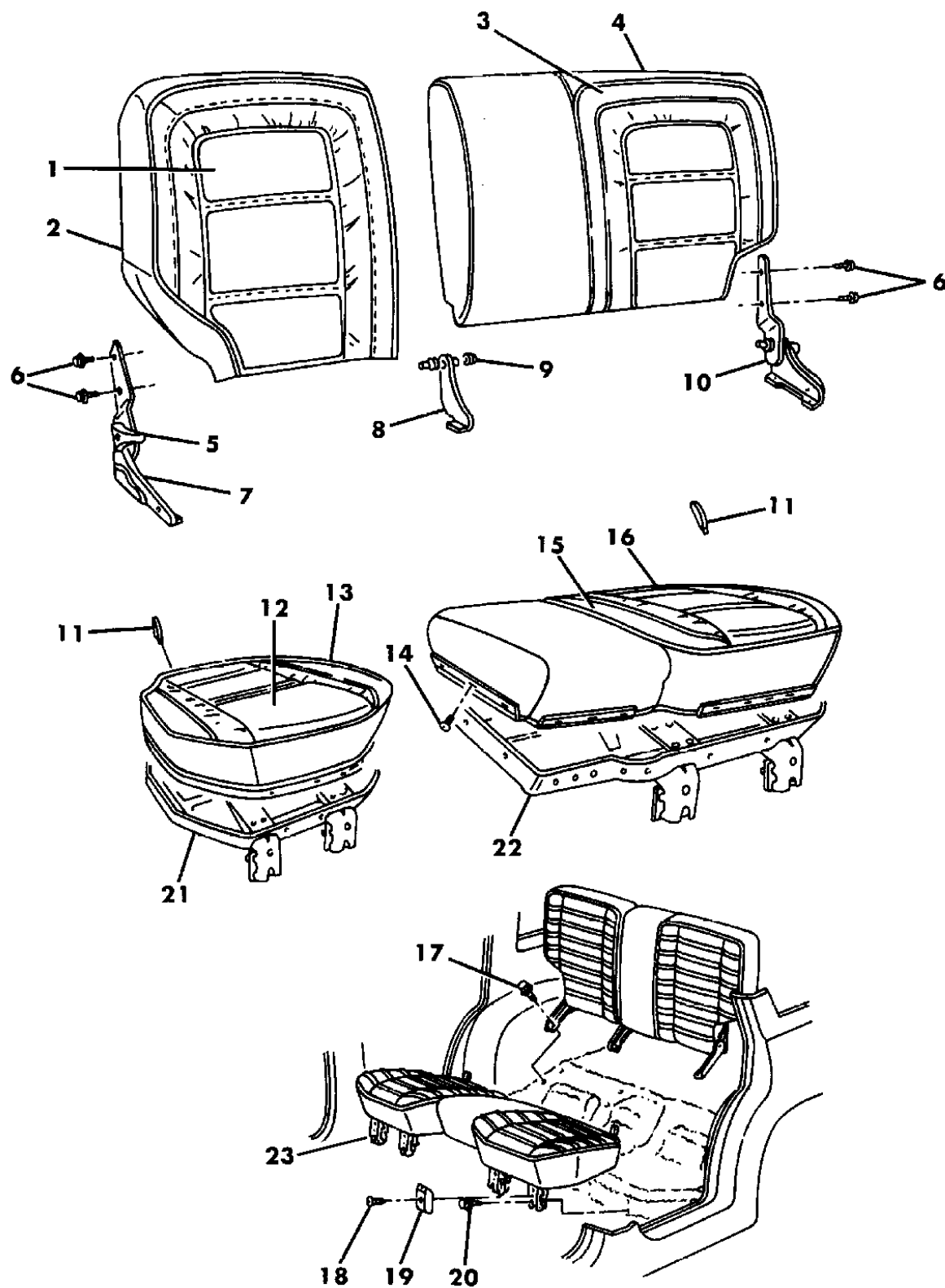
BODY STYLES:

MJ=Comanche Pickup ZJ=Grand Cherokee/Grand Wagoneer KDX VEHICLES
 SJ=Grand Wagoneer M1=Comanche
 XJ=Cherokee, Briarwood X1=Cherokee, Briarwood
 YJ=Wrangler Y1=Wrangler

AR = Use as Required - = Non Illustrated Part P.A.R. = Paint as Required

SEATS - REAR SEAT - GRAND CHEROKEE AND GRAND WAGONEER - ZJ
Figure 29-1000

91J29 1000A



ITEM	PART NUMBER	QTY	BODY	MODEL	DESCRIPTION
1					COVER ASSEMBLY, 40% Seat Back ***
	GV85 LD5	1			w/J5-- Trim Code, Jasper Cloth (Base and Sport) Medium Quartz, (J5D5)
	GV85 LF7	1			Dark Brownstone, (J5FF)
	GV85 LMA	1			Crimson Red, (J5M6)
	GV87 LD5	1			w/M5-- and M7-- Trim Code, Barton Cloth (Laredo) Medium Quartz, (M5D5 and M7D5)
	GV87 LF3	1			Brownstone, (M5FF)
	GV87 MF7	1			Dark Brownstone, (M7FF), EUROPE
	GV87 LMA	1			Crimson Red, (M5M6 and M7M6)
	GV89 LD5	1			w/AL-- Trim Code, Leather (Limited) Medium Quartz, (ALD5)
	GV89 LF8	1			Dark Driftwood, (ALFF)
	GV89 MV4	1			Light Champagne, (ALV4) w/BL-- Trim Code, Leather (Grand Wagoneer)
	HG67 MW8	1			Light Quartz, (BLDW)
	HG67 MF8	1			Dark Driftwood, (BLFF)
	HG67 MV4	1			Light Champagne, (BLV4)
2					BACK ASSEMBLY, 40%, Includes Frame, Pad and Cover
	GV79 LD5	1			w/J5-- Trim Code, Jasper Cloth (Base and Sport) Medium Quartz, (J5D5)
	GV79 LF7	1			Dark Brownstone, (J5FF)
	GV79 LMA	1			Crimson Red, (J5M6)
	GV81 LD5	1			w/M5-- and M7-- Trim Code, Barton Cloth (Laredo) Medium Quartz, (M5D5 and M7D5)
	GV81 LF3	1			Brownstone, (M5FF)
	GV81 MF7	1			Dark Brownstone, (M7FF), EUROPE
	GV81 LMA	1			Crimson Red, (M5M6 and M7M6)
	GV83 LD5	1			w/AL-- Trim Code, Leather (Limited) Medium Quartz, (ALD5)
	GV83 LF8	1			Dark Driftwood, (ALFF)
	GV83 MV4	1			Light Champagne, (ALV4) w/BL-- Trim Code, Leather (Grand Wagoneer)
	HG98 MF8	1			Light Quartz, (BLDW)
	HG98 MF8	1			Dark Driftwood, (BLFF)
	HG98 MV4	1			Light Champagne, (BLV4)
3					COVER ASSEMBLY, 60%, Seat Back ***
	GV86 LD5	1			w/J5-- Trim Code, Jasper Cloth (Base and Sport) Medium Quartz, (J5D5)
	GV86 LF7	1			Dark Brownstone, (J5FF)
	GV86 LMA	1			Crimson Red, (J5M6)

MODEL CODES:

61=Pickup-6 Ft Box 74=4 Door Wagon T=2WD
 62=Pickup-7 Ft Box 77=Open Body 93" Wheelbase J,N,U=4WD
 72=2 Door Wagon 78=Open Body 103" Wheelbase

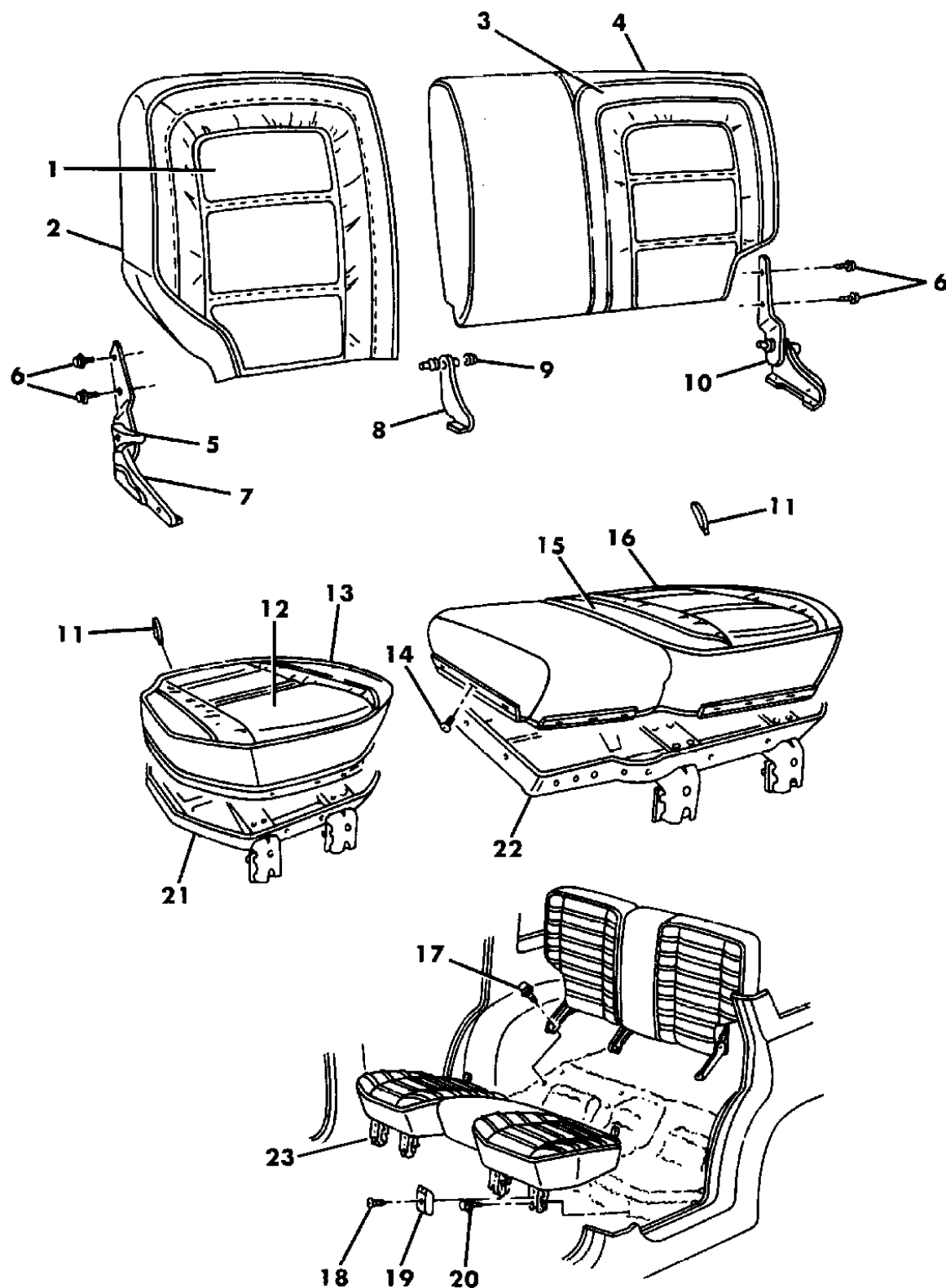
BODY STYLES:

MJ=Comanche Pickup ZJ=Grand Cherokee/Grand Wagoneer KDX VEHICLES
 SJ=Grand Wagoneer M1=Comanche
 XJ=Cherokee, Briarwood X1=Cherokee, Briarwood
 YJ=Wrangler Y1=Wrangler

AR = Use as Required - = Non Illustrated Part P.A.R. = Paint as Required

SEATS - REAR SEAT - GRAND CHEROKEE AND GRAND WAGONEER - ZJ
Figure 29-1000

91J29 1000A



ITEM	PART NUMBER	QTY	BODY	MODEL	DESCRIPTION
					w/M5-- and M7-- Trim Code, Barton Cloth (Laredo)
	GV88 LD5	1			Medium Quartz, (M5D5 and M7D5)
	GV88 LF3	1			Brownstone, (M5FF)
	GV88 MF7	1			Dark Brownstone, (M7FF), EUROPE
	GV88 LMA	1			Crimson Red, (M5M6)
					w/AL-- Trim Code, Leather (Limited)
	GV90 LD5	1			Medium Quartz, (ALD5)
	GV90 LF8	1			Dark Driftwood, (ALFF)
	GV90 MV4	1			Light Champagne, (ALV4)
					w/BL-- Trim Code, Leather (Grand Wagoneer)
	HG69 MW8	1			Light Quartz, (BLDW)
	HG69 MF8	1			Dark Driftwood, (BLFF)
	HG69 MV4	1			Light Champagne, (BLV4)
4					BACK ASSEMBLY, 60%, Includes Frame, Pad and Cover w/J5-- Trim Code, Jasper Cloth (Base and Sport)
	GV80 LD5	1			Medium Quartz, (J5D5)
	GV80 LF7	1			Dark Brownstone, (J5FF)
	GV80 LMA	1			Crimson Red, (J5M6)
					w/M5-- and M7-- Trim Code, Barton Cloth (Laredo)
	GV82 LD5	1			Medium Quartz, (M5D5 and M7D5)
	GV82 LF3	1			Brownstone, (M5FF)
	GV82 MF7	1			Dark Brownstone, (M7FF), EUROPE
	GV82 LMA	1			Crimson Red, (M5M6 and M7M6)
					w/AL-- Trim Code, Leather (Limited)
	GV84 LD5	1			Medium Quartz, (ALD5)
	GV84 LF8	1			Dark Driftwood, (ALFF)
	GV84 MV4	1			Light Champagne, (ALV4)
					w/BL-- Trim Code, Leather (Grand Wagoneer)
	HG99 MW8	1			Light Quartz, (BLDW)
	HG99 MF8	1			Dark Driftwood, (BLFF)
	HG99 MV4	1			Light Champagne, (BLV4)
5	4720 813	2			HANDLE, Latch Actuating (this handle is also included as part of item 7 & 10 latch assembly)
-	4713 800	2			SCREW, (for attaching handle to latch)
6	4713 968	4			BOLT, Latch to Seat Back
7	4713 232	1			LATCH ASSEMBLY, Right, Includes latch, handle, and cover ***
-	4720 813	2			HANDLE, Latch Actuating
-	4713 800	2			SCREW, (for attaching handle to latch)
-	4720 586-7	1			COVER, Latch, Black (also included in latchassembly)
-	4728 280	2			RIVNUT ASSEMBLY, (for attaching cover to latch) ***
8	4720 807	1			BRACKET, Center Pivot

MODEL CODES:

61=Pickup-6 Ft Box 74=4 Door Wagon T=2WD
62=Pickup-7 Ft Box 77=Open Body 93" Wheelbase J,N,U=4WD
72=2 Door Wagon 78=Open Body 103" Wheelbase

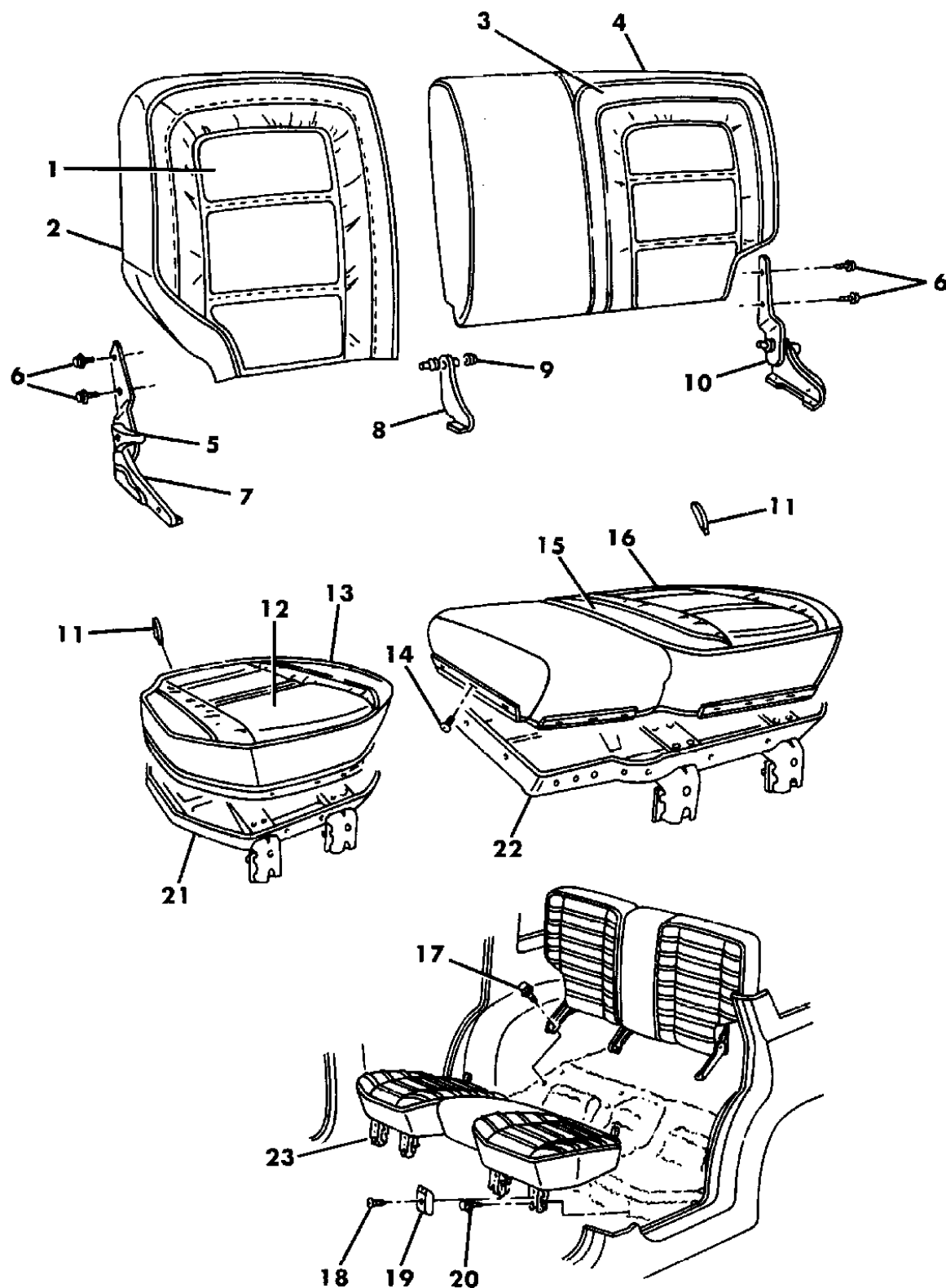
BODY STYLES:

MJ=Comanche Pickup ZJ=Grand Cherokee/Grand Wagoneer KDX VEHICLES
SJ=Grand Wagoneer M1=Comanche
XJ=Cherokee, Briarwood X1=Cherokee, Briarwood
YJ=Wrangler Y1=Wrangler

AR = Use as Required - = Non Illustrated Part P.A.R. = Paint as Required

SEATS - REAR SEAT - GRAND CHEROKEE AND GRAND WAGONEER - ZJ
Figure 29-1000

91J29 1000A



ITEM	PART NUMBER	QTY	BODY	MODEL	DESCRIPTION
9	4720 795	1			GROMMET, Center Pivot
10	4713 233	1			LATCH ASSEMBLY, (includes latch handle and cover) ***
NOTE: See item #7 for available components of the latch assembly. Tag affixed to the Face of its Pulley. A Second Tag will show the name of the Vendor (OGURA).					
11					STRAP, Pull (rear seat cushion)
	HC66 MW8	2			Light Quartz, (w/trim code BLDW)
	HC66 LD5	2			Medium Quartz
	HC66 LF8	2			Dark Driftwood
	HC66 LMA	2			Crimson Red
	HC66 MV4	2			Light Champagne
12					COVER ASSEMBLY, 40% Cushion ***
					w/J5-- Trim Code, Jasper Cloth (Base and Sport)
	GV47 LD5	1			Medium Quartz, (J5D5)
	GV47 LF7	1			Dark Brownstone, (J5FF)
	GV47 LMA	1			Crimson Red, (J5M6)
					w/M5-- and M7-- Trim Code, Barton Cloth (Laredo)
	GV49 LD5	1			Medium Quartz, (M5D5 and M7D5)
	GV49 LF3	1			Brownstone, (M5FF)
	GV49 MF7	1			Dark Brownstone, (M7FF), EUROPE
	GV49 LMA	1			Crimson Red, (M5M6 and M7M6)
					w/AL-- Trim Code, Leather (Limited)
	GV51 LD5	1			Medium Quartz, (ALD5)
	GV51 LF8	1			Dark Driftwood, (ALFF)
	GV51 MV4	1			Light Champagne, (ALV4)
					w/BL-- Trim Code, Leather (Grand Wagoneer)
	HG71 MW8	1			Light Quartz, (BLDW)
	HG71 MF8	1			Dark Driftwood, (BLFF)
	HG71 MV4	1			Light Champagne, (BLV4)
13					CUSHION ASSEMBLY, 40%, Includes Frame, Pad and Cover ***
					w/J5-- Trim Code, Jasper Cloth (Base and Sport)
	GV39 LD5	1			Medium Quartz, (J5D5)
	GV39 LF7	1			Dark Brownstone, (J5FF)
	GV39 LMA	1			Crimson Red, (J5M6)
					w/M5-- and M7-- Trim Code, Barton Cloth (Laredo)
	GV43 LD5	1			Medium Quartz, (M5D5 and M7D5)
	GV43 LF3	1			Brownstone, (M5FF)
	GV43 MF7	1			Dark Brownstone, (M7FF), EUROPE
	GV43 LMA	1			Crimson Red, (M5M6 and M7M6)
					w/AL-- Trim Code, Leather (Limited)
	GV45 LD5	1			Medium Quartz, (ALD5)
	GV45 LF8	1			Dark Driftwood, (ALFF)

MODEL CODES:

61=Pickup-6 Ft Box 74=4 Door Wagon T=2WD
 62=Pickup-7 Ft Box 77=Open Body 93" Wheelbase J,N,U=4WD
 72=2 Door Wagon 78=Open Body 103" Wheelbase

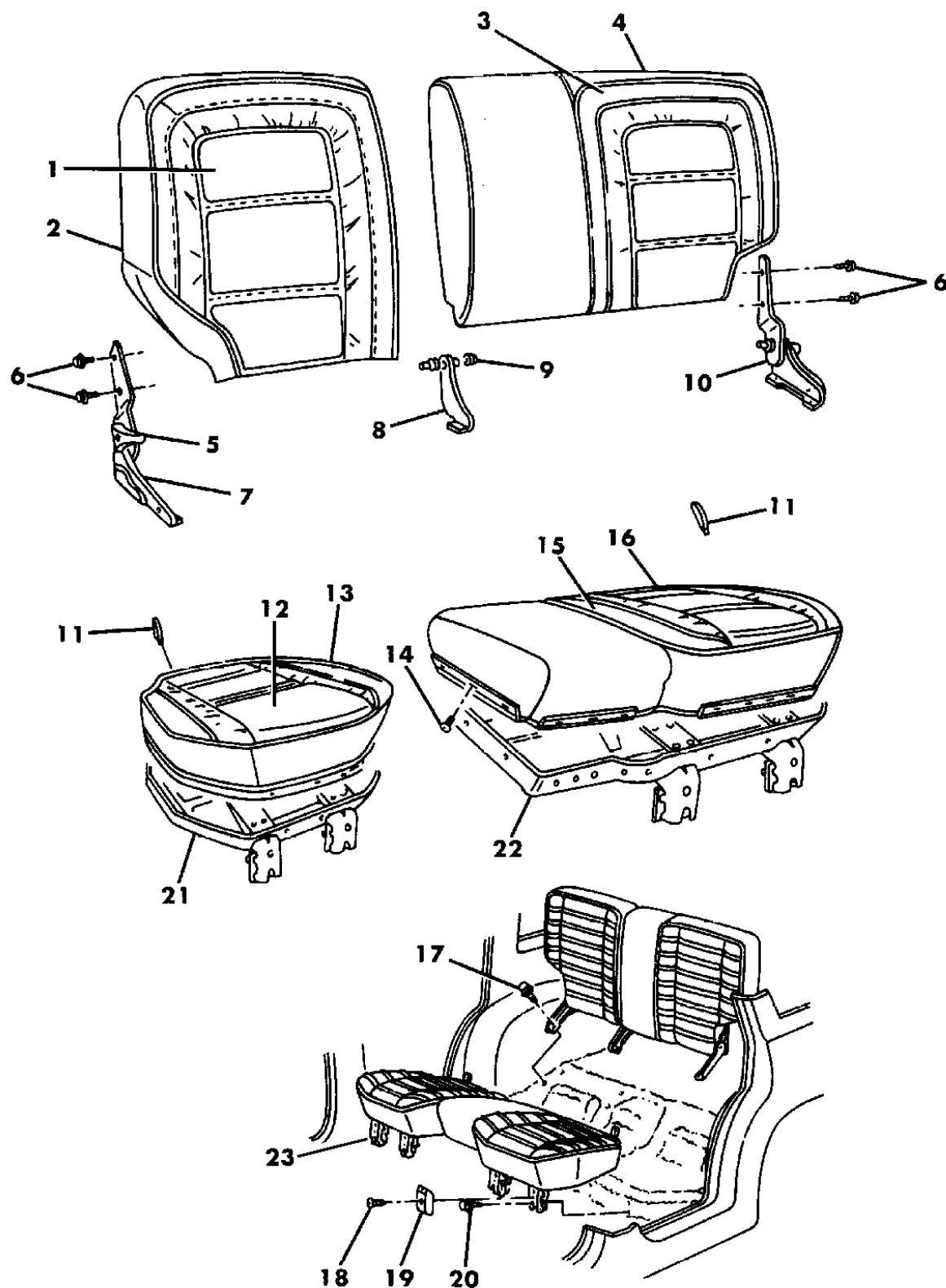
BODY STYLES:

MJ=Comanche Pickup ZJ=Grand Cherokee/Grand Wagoneer KDX VEHICLES
 SJ=Grand Wagoneer M1=Comanche
 XJ=Cherokee, Briarwood X1=Cherokee, Briarwood
 YJ=Wrangler Y1=Wrangler

AR = Use as Required - = Non Illustrated Part P.A.R. = Paint as Required

SEATS - REAR SEAT - GRAND CHEROKEE AND GRAND WAGONEER - ZJ
Figure 29-1000

91J29 1000A



ITEM	PART NUMBER	QTY	BODY	MODEL	DESCRIPTION
	GV45 MV4	1			Light Champagne, (ALV4) w/BL-- Trim Code, Leather (Grand Wagoneer)
	HG96 MW8	1			Light Quartz, (BLDW)
	HG96 MF8	1			Dark Driftwood, (BLFF)
	HG96 MV4	1			Light Champagne, (BLV4)
14	4720 778	18			RETAINER, Rear Seat Cushion Cover, (pinetree type)
15					COVER ASSEMBLY, 60% Cushion *** w/J5-- Trim Code, Jasper Cloth (Base and Sport)
	GV48 LD5	1			Medium Quartz, (J5D5)
	GV48 LF7	1			Dark Brownstone, (J5FF)
	GV48 LMA	1			Crimson Red, (J5M6) w/M5-- and M7-- Trim Code, Barton Cloth (Laredo)
	GV50 LD5	1			Medium Quartz, (M5D5 and M7D5)
	GV50 LF3	1			Brownstone, (M5FF)
	GV50 MF7	1			Dark Brownstone, (M7FF), EUROPE
	GV50 LMA	1			Crimson Red, (M5M6 and M7M6) w/AL-- Trim Code, Leather (Limited)
	GV54 LD5	1			Medium Quartz, (ALD5)
	GV54 LF8	1			Dark Driftwood, (ALFF)
	GV54 MV4	1			Light Champagne, (ALV4) w/BL-- Trim Code, Leather (Grand Wagoneer)
	HG73 MW8	1			Light Quartz, (BLDW)
	HG73 MF8	1			Dark Driftwood, (BLFF)
	HG73 MV4	1			Light Champagne, (BLV4)
16					CUSHION ASSEMBLY, 60%, Includes Frame, Pad and Cover *** w/J5-- Trim Code, Jasper Cloth (Base and Sport)
	GV42 LD5	1			Medium Quartz, (J5D5)
	GV42 LF7	1			Dark Brownstone, (J5FF)
	GV42 LMA	1			Crimson Red, (J5MA) w/M5-- and M7-- Trim Code, Barton Cloth (Laredo)
	GV44 LD5	1			Medium Quartz, (M5D5 and M7D5)
	GV44 LF3	1			Brownstone, (M5FF)
	GV44 MF7	1			Dark Brownstone, (M7FF), EUROPE
	GV44 LMA	1			Crimson Red, (M5M6 and M7M6) w/AL-- Trim Code, Leather (Limited)
	GV46 LD5	1			Medium Quartz, (ALD5)
	GV46 LF8	1			Dark Driftwood, (ALFF)
	GV46 MV4	1			Light Champagne, (ALM6) w/BL-- Trim Code (Grand Wagoneer)
	HG97 MW8	1			Light Quartz, (BLDW)
	HG97 MF8	1			Dark Driftwood, (BLFF)

MODEL CODES:

61=Pickup-6 Ft Box 74=4 Door Wagon T=2WD
 62=Pickup-7 Ft Box 77=Open Body 93" Wheelbase J,N,U=4WD
 72=2 Door Wagon 78=Open Body 103" Wheelbase

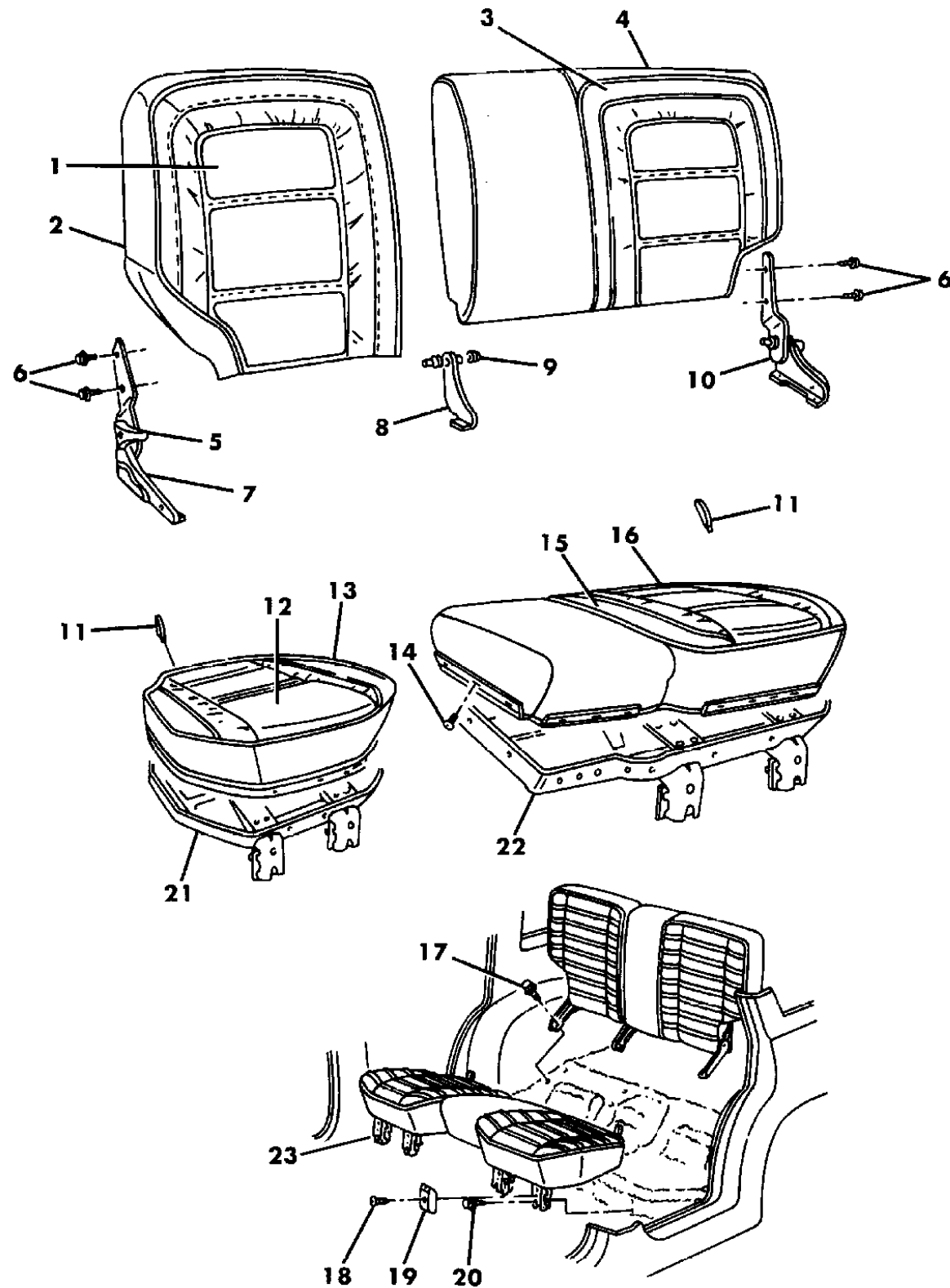
BODY STYLES:

MJ=Comanche Pickup ZJ=Grand Cherokee/Grand Wagoneer KDX VEHICLES
 SJ=Grand Wagoneer M1=Comanche
 XJ=Cherokee, Briarwood Y1=Cherokee, Briarwood
 YJ=Wrangler Y1=Wrangler

AR = Use as Required - = Non Illustrated Part P.A.R. = Paint as Required

SEATS - REAR SEAT - GRAND CHEROKEE AND GRAND WAGONEER - ZJ
Figure 29-1000

91J29 1000A



ITEM	PART NUMBER	QTY	BODY	MODEL	DESCRIPTION
	HG97 MV4	1			Light Champagne, (BLV4)
17	6101 255	6			SCREW and WASHER, Pivot and Latch to Floor
18		4			SCREW, (not serviced, use 8 - 18 X .375)
19	5503 0548	4			COVER, Hinge
20	6100 548	8			SCREW and WASHER, Cushion Hinge To Floor
21	4720 780	1			PANEL, 40%, Cushion Base, Includes Hinges
	4746 962	1			PANEL, 40% Cushion Base, Includes Hinges and Headrest Storage Holes
22	4720 781	1			PANEL, 60%, Cushion Base, Includes Hinges
	4746 963	1			PANEL, 60% Cushion Base, Includes Hinges and Headrest Storage Holes
23	5519 5551	1			HINGE PLATE, Rear Seat Cushion ***

NOTE: For bodycloth material (roll goods) see illustration 900. Tag affixed to the Face of its Pulley. A Second Tag will show the name of the Vendor (OGURA).

MODEL CODES:

61=Pickup-6 Ft Box 74=4 Door Wagon T=2WD
62=Pickup-7 Ft Box 77=Open Body 93" Wheelbase J,N,U=4WD
72=2 Door Wagon 78=Open Body 103" Wheelbase

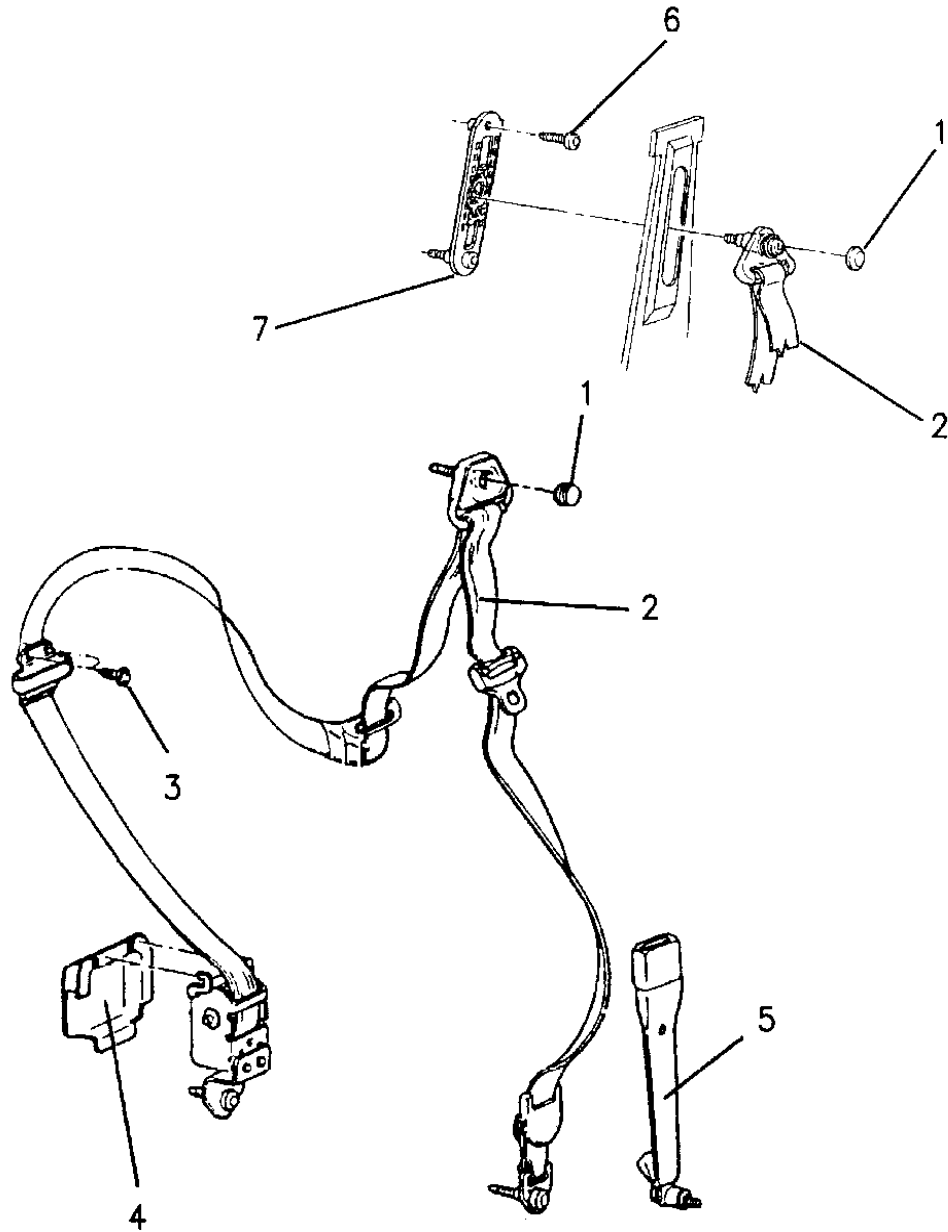
BODY STYLES:

MJ=Comanche Pickup ZJ=Grand Cherokee/Grand Wagoneer KDX VEHICLES
SJ=Grand Wagoneer M1=Comanche
XJ=Cherokee, Briarwood X1=Cherokee, Briarwood
YJ=Wrangler Y1=Wrangler

AR = Use as Required - = Non Illustrated Part P.A.R. = Paint as Required

SEAT BELTS - FRONT SEAT - GRAND CHEROKEE AND GRAND WAGONEER - ZJ
Figure 29-1100

91J29 1100A



ITEM	PART NUMBER	QTY	BODY	MODEL	DESCRIPTION
1					CAP, Guide Cover
					w/o Export Equipment Package
	5AB9 6LD5	2			Medium Quartz
	5AB9 6LF8	2			Dark Driftwood
	5AB9 6LM6	2			Crimson Red
	5AB9 6MV4	2			Light Champagne
	F877 JX9	2			w/Export Equipmtent Package, Black, EUROPE
2					SEAT BELT, Retractor and Belt Assembly (includes mounting bolts) ***
					w/o Export Equipment Package
	5AU00-1 LD5	1			Medium Quartz
	5AU00-1 LF8	1			Dark Driftwood
	5AU00-1 LM6	1			Crimson Red
	5AU00-1 MV4	1			Light Champagne
	5BE86-7 MX9	1			w/Export Equipment Package, Black, EUROPE
3	0154 114	4			SCREW, Seat Belt to "B" Pillar
4	5531 4564-5	1			SHIELD, Retractor Protector
5					SEAT BELT, Buckle Assembly Inner (includes bolt) ***
					w/o Export Equipment Package, (bolts to the floor)
	5AU02-3 LD5	1			Medium Quartz
	5AU02-3 LF8	1			Dark Driftwood
	5AU02-3 LM6	1			Crimson Red
	5AU02-3 MV4	1			Light Champagne
					w/Export Equipment Package, (bolts to the seat)
	5BE8 8MX9	1			Passenger Seat, Black, EUROPE
	5BE8 9MX9	1			Driver Seat Inner, Black, EUROPE
-	6033 999	2			BOLT, Buckle Attaching
-	4723 871	2			WASHER, Seatbelt Buckle to Seat w/Export Equipment Package, EUROPE
-	4723 872	2			SPACER, Seatbelt Buckle to Seat w/Export Equipment Package, EUROPE
6					BOLT, (included in the turning loop adjuster, use M10x1.50x30), w/Export Equipment Package, EUROPE
7	5531 4697	2			ADJUSTER ASSEMBLY, Turning Loop Height, w/Export Equipment Package, EUROPE ***
-	6502 985	2			SCREW, Adjuster to "B" pillar, EUROPE
					NOTE: (S/C-ABE) = Export Equipment Package (optional for Europe Market) Tag affixed to the Face of its Pulley. A Second Tag will show the name of the Vendor (OGURA).
					NOTE: Seat belt extenders are also in the accessory catalog. Tag affixed to the Face of its Pulley. A Second Tag will show the name of the Vendor (OGURA).
-	5260 606	1			EXTENDER, Seat Belt

MODEL CODES:

61=Pickup-6 Ft Box 74=4 Door Wagon T=2WD
 62=Pickup-7 Ft Box 77=Open Body 93" Wheelbase J,N,U=4WD
 72=2 Door Wagon 78=Open Body 103" Wheelbase

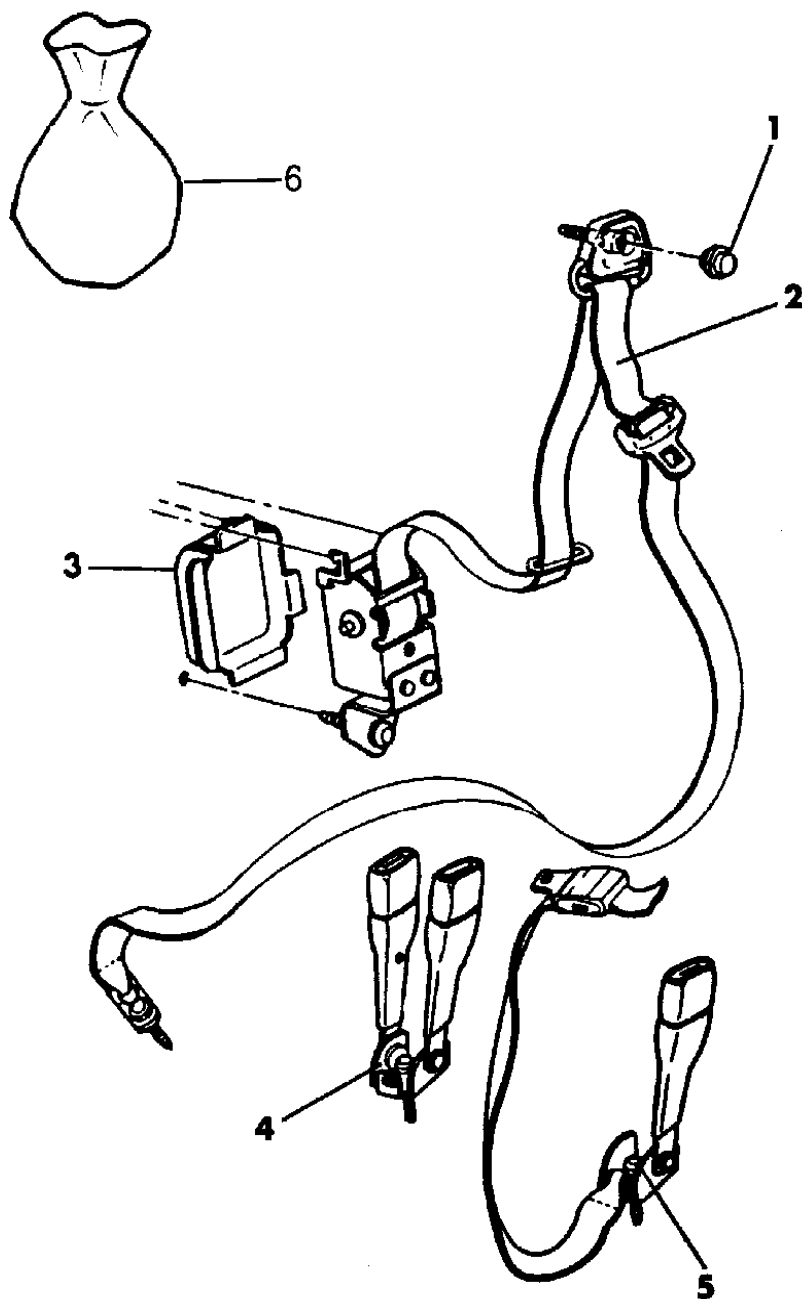
BODY STYLES:

MJ=Comanche Pickup ZJ=Grand Cherokee/Grand Wagoneer KDX VEHICLES
 SJ=Grand Wagoneer M1=Comanche
 XJ=Cherokee, Briarwood X1=Cherokee, Briarwood
 YJ=Wrangler Y1=Wrangler

AR = Use as Required - = Non Illustrated Part P.A.R. = Paint as Required

SEAT BELTS - REAR SEAT - GRAND CHEROKEE AND GRAND WAGONEER - ZJ
Figure 29-1200

91J29 1200A



ITEM	PART NUMBER	QTY	BODY	MODEL	DESCRIPTION
1					CAP, Guide Cover
	5AB9 6LD5	2			Medium Quartz
	5AB9 6LF8	2			Dark Driftwood
	5AB9 6LM6	2			Crimson Red
	5AB9 6MV4	2			Light Champagne
	F877 JX9	2			Black, w/Export Equipment Package, EUROPE
2					SEAT BELT, Retractor and Belt Assembly (includes mounting bolts) ***
	5AU18-9 LD5	1			Medium Quartz
	5AU18-9 LF8	1			Dark Driftwood
	5AU18-9 LM6	1			Crimson Red
	5AU18-9 MV4	1			Light Champagne
	5BE90-1 MX9	1			Black, w/Export Equipment Package, EUROPE
3	5531 4566-7	1			SHIELD, Retractor Protector
4					SEAT BELT, Buckle Assembly (includes 2 buckle assembly w/ mounting bolt) ***
	5AU2 0LD5	1			Medium Quartz
	5AU2 0LF8	1			Dark Driftwood
	5AU2 0LM6	1			Crimson Red
	5AU2 0MV4	1			Light Champagne
	5BE9 2MX9	1			Black, w/Export Equipment Package, EUROPE
					RIGHT, Inboard (To Allow Use Of Rear Seat Belt When Seat Back Is Folded Down)
	KL85 LD5	1			Quartz
	KL85 LF8	1			Driftwood
	KL85 LM6	1			Red
	KL85 MV4	1			Champagne
	KL85 MX9	1			Red
5					SEAT BELT, Lap Belt (tip and buckle assembly w/mounting bolt) ***
	5AU2 1LD5	1			Medium Quartz
	5AU2 1LF8	1			Dark Driftwood
	5AU2 1LM6	1			Crimson Red
	5AU2 1MV4	1			Light Champagne
	5BE9 3MX9	1			Black, w/Export Equipment Package, EUROPE
6	4728 952	1			ANCHOR PKG., Tether Child Seat ***

MODEL CODES:

61=Pickup-6 Ft Box 74=4 Door Wagon T=2WD
62=Pickup-7 Ft Box 77=Open Body 93" Wheelbase J,N,U=4WD
72=2 Door Wagon 78=Open Body 103" Wheelbase

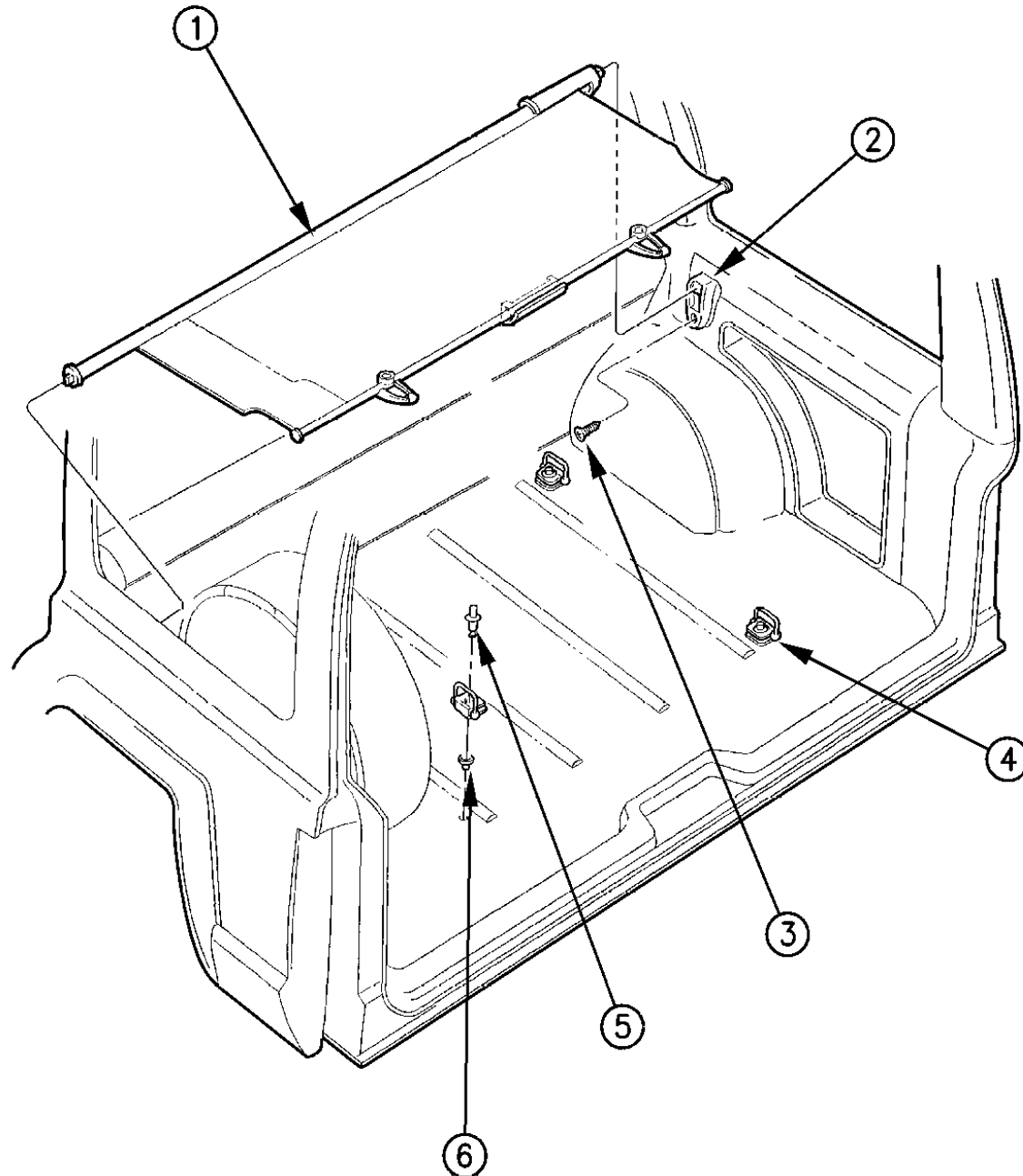
BODY STYLES:

MJ=Comanche Pickup ZJ=Grand Cherokee/Grand Wagoneer KDX VEHICLES
SJ=Grand Wagoneer M1=Comanche
XJ=Cherokee, Briarwood X1=Cherokee, Briarwood
YJ=Wrangler Y1=Wrangler

AR = Use as Required - = Non Illustrated Part P.A.R. = Paint as Required

CARGO COVER AND CARGO LOOPS - GRAND CHEROKEE AND GRAND WAGONEER - ZJ
Figure 29-1300

91J29 1300A



ITEM	PART NUMBER	QTY	BODY	MODEL	DESCRIPTION
1					COVER, Cargo Area USED w/SMALL SPARE TIRE
	For vehicles built up to 7/16/92. Tag affixed to the Face of its Pulley. A Second Tag will show the name of the Vendor (OGURA).				
	5AR7 6LD5	1			Medium Quartz
	5AR7 6LF8	1			Dark Driftwood
	5AR7 6LMA	1			Crimson Red
-	4762 327	1			LABEL, Cargo Cover
	For vehicles built 7/17/92 and after. Tag affixed to the Face of its Pulley. A Second Tag will show the name of the Vendor (OGURA).				
	5DH5 6LD5	1			Medium Quartz
	5DH5 6LF8	1			Dark Driftwood
	5DH5 6LMA	1			Crimson Red
	5DH5 6MV4	1			Light Champagne USED w/LARGE SPARE TIRE
	For vehicles built up to 7/16/92. Tag affixed to the Face of its Pulley. A Second Tag will show the name of the Vendor (OGURA).				
	5AR7 8LD5	1			Medium Quartz
	5AR7 8LF8	1			Dark Driftwood
	5AR7 8LMA	1			Crimson Red
	For vehicles built 7/17/92 and after. Tag affixed to the Face of its Pulley. A Second Tag will show the name of the Vendor (OGURA).				
	5DH5 7LD5	1			Medium Quartz
	5DH5 7LF8	1			Dark Driftwood
	5DH5 7LMA	1			Crimson Red
	5DH5 7MV4	1			Light Champagne
2		2			BRACKET, Cargo Cover (serviced only in the quarter trim panel)
3		2			SCREW, (fastens bracket and trim panel to the sheet metal), not serviced, use #8 - 18 X 1.625
4	5502 5872	4			LOOP ASSEMBLY, Cargo Tie Down ***
5	3420 2083	4			RIVET, Cargo Loop Mounting
6	3420 2365	4			WASHER, Cargo Loop Mounting

MODEL CODES:

61=Pickup-6 Ft Box 74=4 Door Wagon T=2WD
 62=Pickup-7 Ft Box 77=Open Body 93" Wheelbase J,N,U=4WD
 72=2 Door Wagon 78=Open Body 103" Wheelbase

BODY STYLES:

MJ=Comanche Pickup ZJ=Grand Cherokee/Grand Wagoneer KDX VEHICLES
 SJ=Grand Wagoneer M1=Comanche
 XJ=Cherokee, Briarwood X1=Cherokee, Briarwood
 YJ=Wrangler Y1=Wrangler

AR = Use as Required - = Non Illustrated Part P.A.R. = Paint as Required

GROUP 28 - GRAND WAGONEER

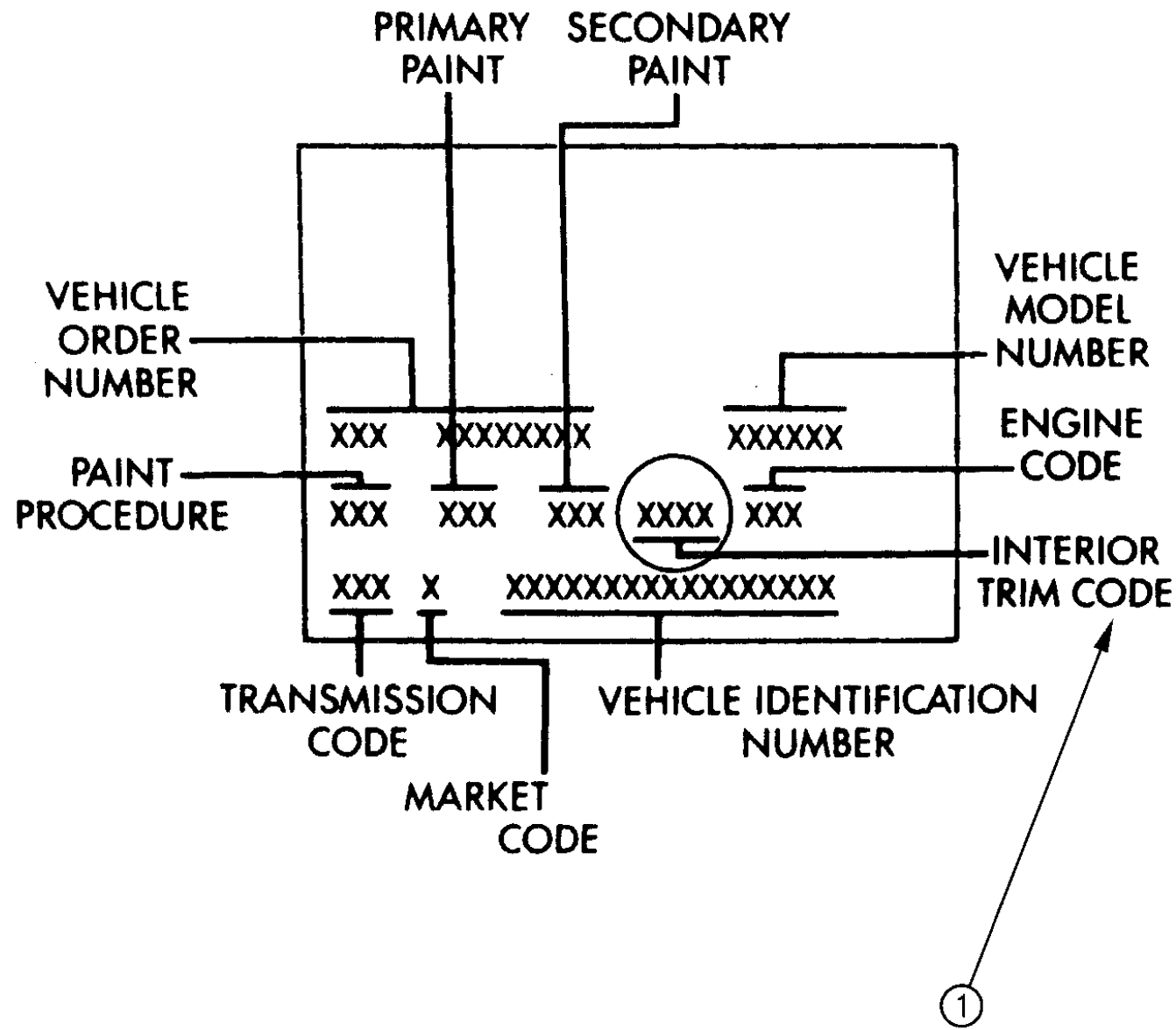
ILLUSTRATION TITLE	GROUP-FIG. NO.
TRIM CODE DEFINED GRAND WAGONEER - SJ	Fig. 28-99
INSULATION GRAND WAGONEER, SJ, 1991	Fig. 28-100
HEADLINING, WITH SLIDING SUNROOF GRAND WAGONEER, SJ, 1991	Fig. 28-200
HEADLINING AND UPPER TRIM MOULDINGS GRAND WAGONEER, SJ, 1991	Fig. 28-300
VISORS AND VANITY MIRROR GRAND WAGONEER, SJ, 1991	Fig. 28-400
PANELS, INTERIOR TRIM GRAND WAGONEER, SJ, 1991	Fig. 28-500
CARPETS AND MATS GRAND WAGONEER, SJ, 1991	Fig. 28-600
PANELS, DOOR TRIM GRAND WAGONEER, SJ, 1991	Fig. 28-700
INTERIOR TRIM PARTS, DOOR GRAND WAGONEER, SJ, 1991	Fig. 28-800
FRAME, PAD, AND COVERS ARMREST AND CENTER CUSHION GRAND WAGONEER, SJ, 1991	Fig. 28-900
FRAME, PAD, AND COVERS BUCKET SEAT GRAND WAGONEER, SJ, 1991	Fig. 28-1000
FRAME, PAD, AND COVERS REAR SEAT GRAND WAGONEER, SJ, 1991	Fig. 28-1100
TRACKS, W/ POWER SEATS BUCKET SEAT GRAND WAGONEER, SJ, 1991	Fig. 28-1200
SEAT BELTS, FRONT AND REAR GRAND WAGONEER, SJ, 1991	Fig. 28-1300
COVER, CARGO GRAND WAGONEER, SJ, 1991	Fig. 28-1400

ILLUSTRATION NOT AVAILABLE AT TIME OF PUBLICATION

TRIM CODE DEFINED GRAND WAGONEER - SJ

Figure 28-99

91J28 099



ITEM	PART NUMBER	QTY	BODY	MODEL	DESCRIPTION
------	-------------	-----	------	-------	-------------

NOTE: The trim code is located on the body code plate. Tag affixed to the Face of its Pulley. A Second Tag will show the name of the Vendor (OGURA).

1 INTERIOR TRIM CODE (4 DIGET) ***

NOTE: THE FIRST TWO DIGETS OF THE CODE INDICATE THE SEAT STYLE. Tag affixed to the Face of its Pulley. A Second Tag will show the name of the Vendor (OGURA).

AL-- Low back bucket seats w/"leather and cloth" inserts and adjustable headrests. Tag affixed to the Face of its Pulley. A Second Tag will show the name of the Vendor (OGURA).

NOTE: The LAST TWO DIGETS OF THE CODE INDICATE THE INTERIOR COLOR. Tag affixed to the Face of its Pulley. A Second Tag will show the name of the Vendor (OGURA).

--H9 = Cordovan Tag affixed to the Face of its Pulley. A Second Tag will show the name of the Vendor (OGURA).

--Y6 = Dark Sand Tag affixed to the Face of its Pulley. A Second Tag will show the name of the Vendor (OGURA).

MODEL CODES:

61=Pickup-6 Ft Box 74=4 Door Wagon T=2WD
 62=Pickup-7 Ft Box 77=Open Body 93" Wheelbase J,N,U=4WD
 72=2 Door Wagon 78=Open Body 103" Wheelbase

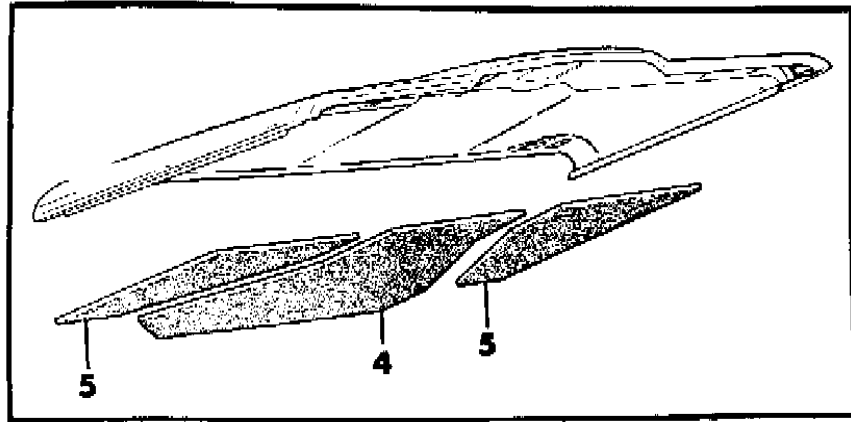
BODY STYLES:

MJ=Comanche Pickup ZJ=Grand Cherokee/Grand Wagoneer KDX VEHICLES
 SJ=Grand Wagoneer M1=Comanche
 XJ=Cherokee, Briarwood X1=Cherokee, Briarwood
 YJ=Wrangler Y1=Wrangler

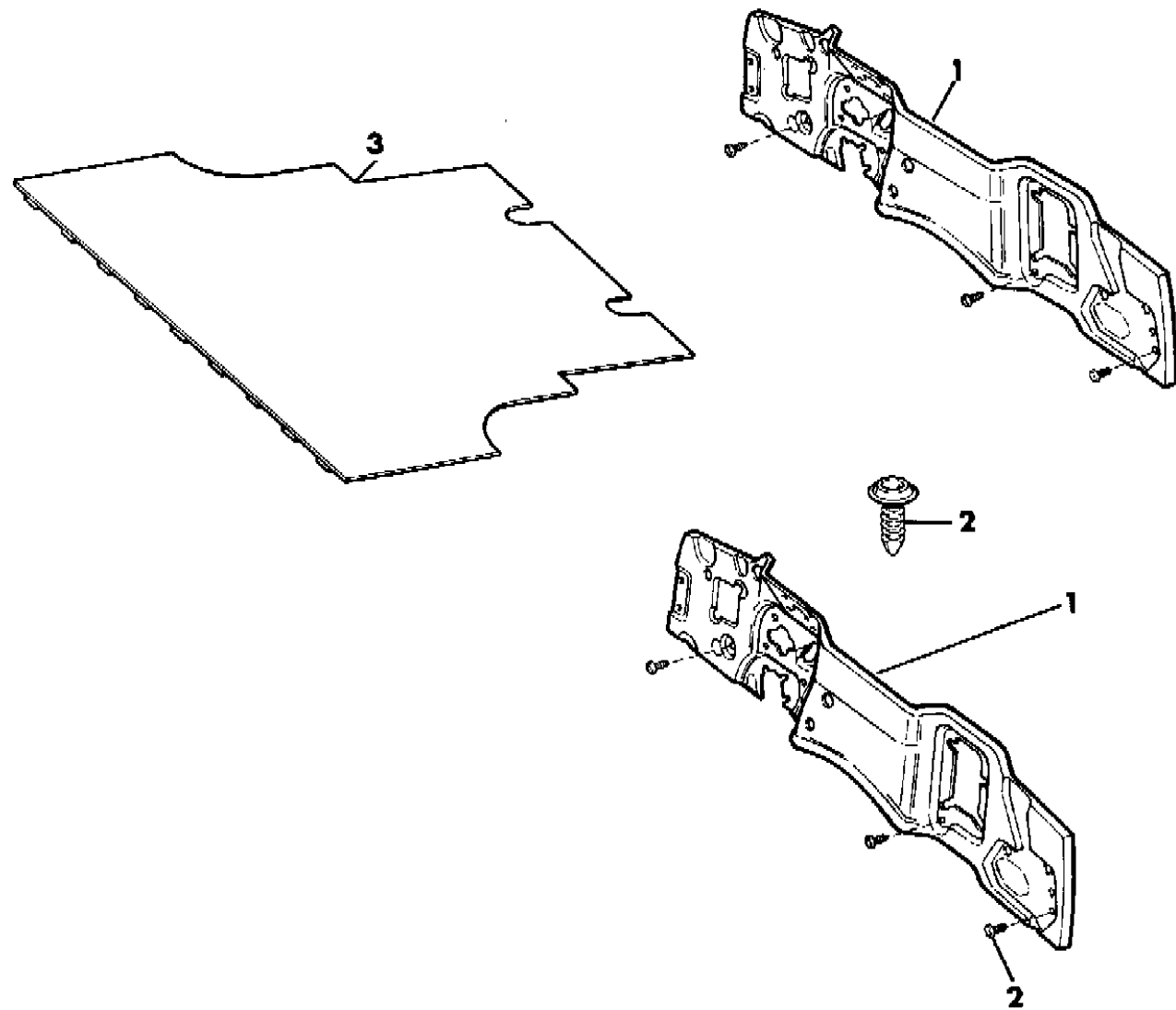
AR = Use as Required - = Non Illustrated Part P.A.R. = Paint as Required

INSULATION GRAND WAGONEER, SJ, 1991
Figure 28-100

91J28 100



ITEM	PART NUMBER	QTY	BODY	MODEL	DESCRIPTION
1	J576 4337	1			INSULATION, Dash
2	J400 1934	3			FASTENER
3	5501 1510	1			INSULATION, Cargo
4	J546 0143	1			INSULATION, Hood
5	J546 0166	2			INSULATION, Hood



MODEL CODES:

61=Pickup-6 Ft Box 74=4 Door Wagon T=2WD
62=Pickup-7 Ft Box 77=Open Body 93" Wheelbase J,N,U=4WD
72=2 Door Wagon 78=Open Body 103" Wheelbase

BODY STYLES:

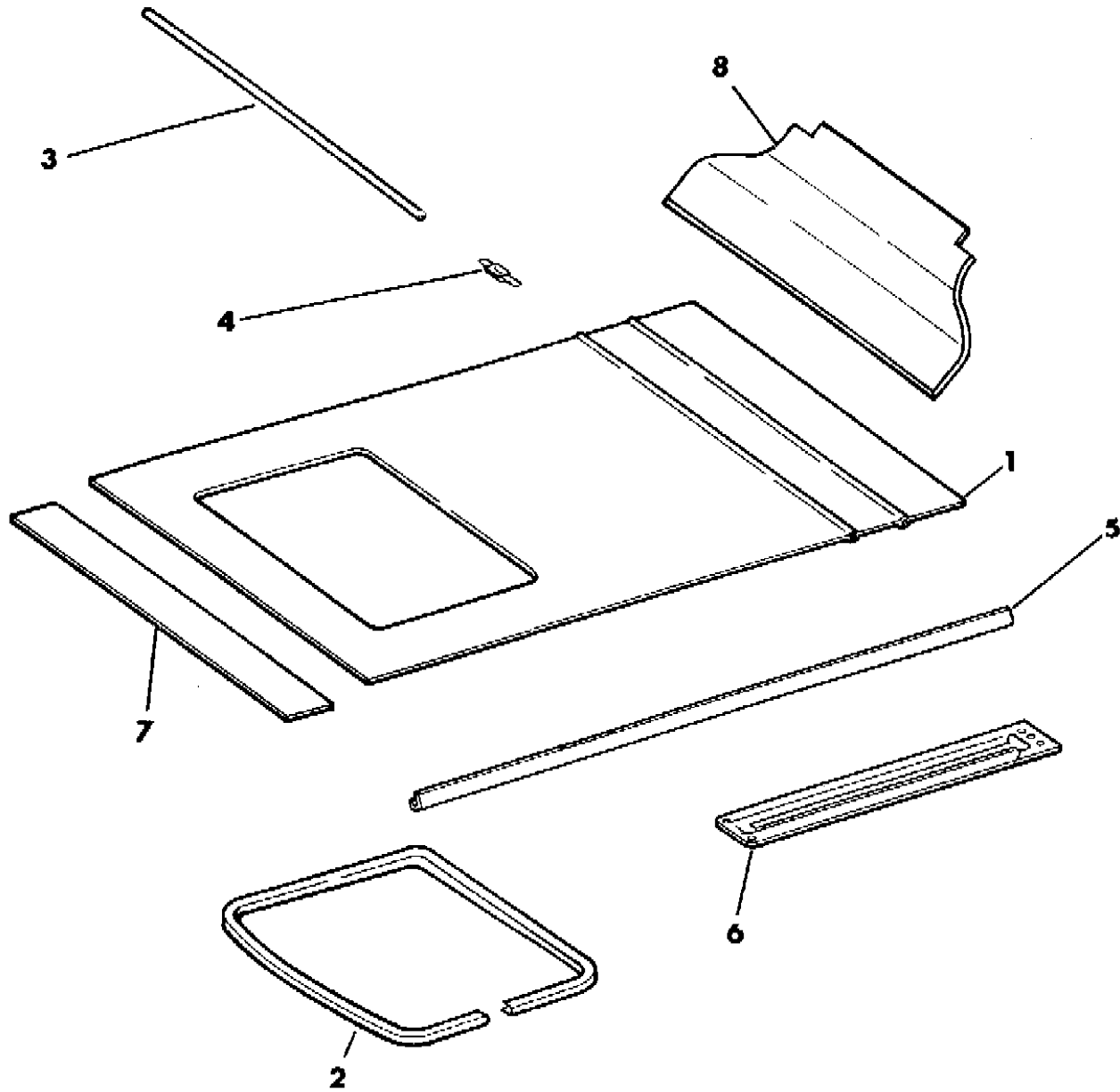
MJ=Comanche Pickup ZJ=Grand Cherokee/Grand Wagoneer KDX VEHICLES
SJ=Grand Wagoneer M1=Comanche
XJ=Cherokee, Briarwood X1=Cherokee, Briarwood
YJ=Wrangler Y1=Wrangler

AR = Use as Required - = Non Illustrated Part P.A.R. = Paint as Required

HEADLINING, WITH SLIDING SUNROOF GRAND WAGONEER, SJ, 1991
Figure 28-200

91J28 200

ITEM	PART NUMBER	QTY	BODY	MODEL	DESCRIPTION
1					HEADLINING ***
	8350 5365	1			Cordovan
	4419 503	1			Dark Sand
2					WELT, Headlining
	5252 621	1			Cordovan
	4419 504	1			Dark Sand
3	J813 3213	2			WIRE
4	J813 3723	4			CLIP
5	8350 4470-1	1			RETAINER
6	J813 3216	2			BRACKET
7	8350 5363	1			FOUNDATION, Headliner, Front ***
8	8350 5362	1			FOUNDATION, Headliner, Rear ***



MODEL CODES:

61=Pickup-6 Ft Box 74=4 Door Wagon T=2WD
 62=Pickup-7 Ft Box 77=Open Body 93" Wheelbase J,N,U=4WD
 72=2 Door Wagon 78=Open Body 103" Wheelbase

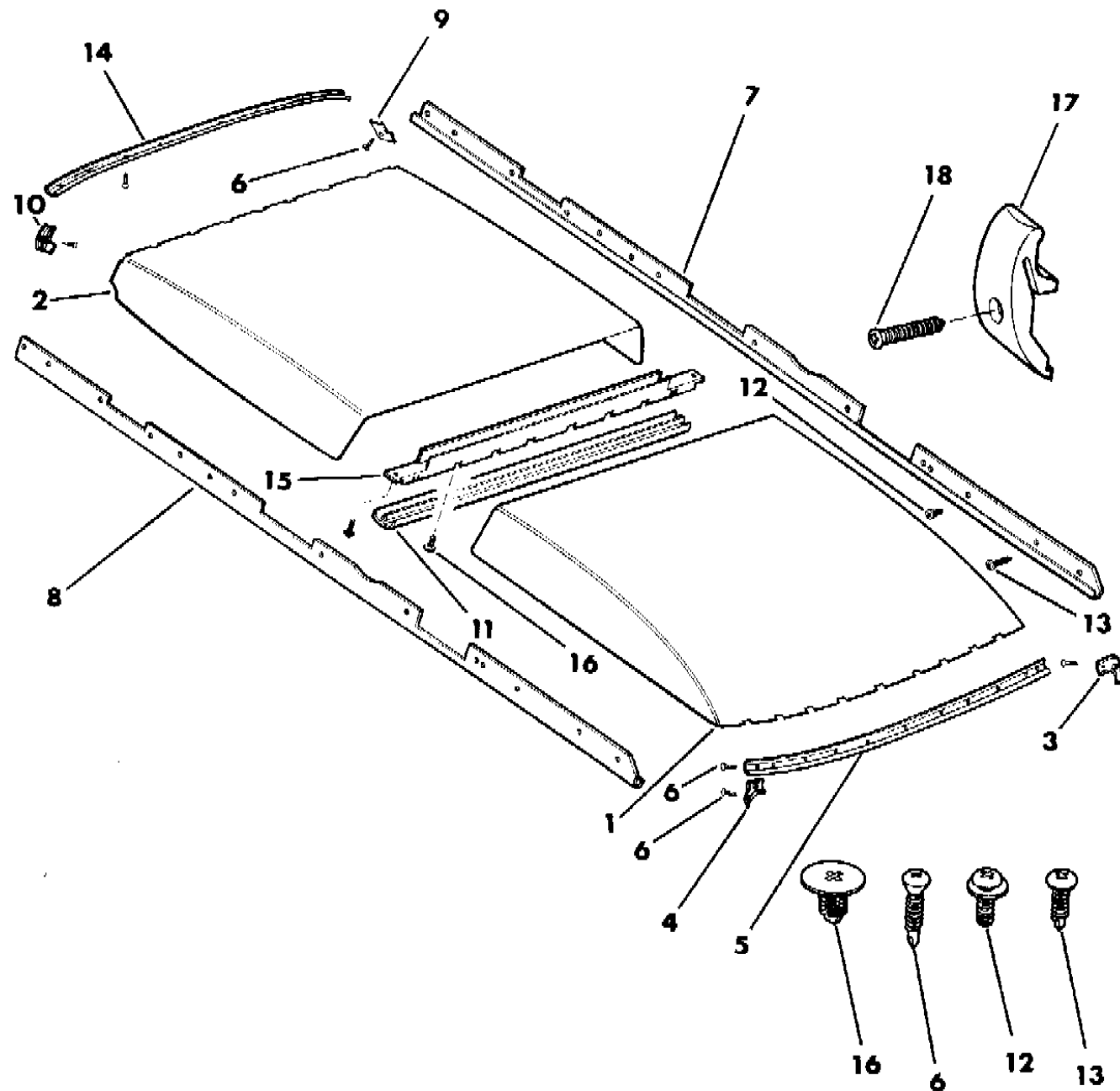
BODY STYLES:

MJ=Comanche Pickup ZJ=Grand Cherokee/Grand Wagoneer KDX VEHICLES
 SJ=Grand Wagoneer M1=Comanche
 XJ=Cherokee, Briarwood X1=Cherokee, Briarwood
 YJ=Wrangler Y1=Wrangler

AR = Use as Required - = Non Illustrated Part P.A.R. = Paint as Required

HEADLINING AND UPPER TRIM MOULDINGS GRAND WAGONEER, SJ, 1991
Figure 28-300

91J28 300 A



ITEM	PART NUMBER	QTY	BODY	MODEL	DESCRIPTION
1					HEADLINING, Front ***
	5AA7 8JH9	1			Cordovan
	5AA7 8KY6	1			Dark Sand
2					HEADLINING, Rear ***
	5AG9 6JH9	1			Cordovan
	5AG9 6KY6	1			Dark Sand
3					CAP, Moulding, Left
	5AA4 3JH9	1			Cordovan
	5AA4 3KY6	1			Dark Sand
4					CAP, Moulding, Right
	5AA4 2JH9	1			Cordovan
	5AA4 2KY6	1			Dark Sand
5	J545 3683	1			MOULDING, Header, P.A.R.
6	J400 4930	22			SCREW
7					MOULDING, Headlining, Left
	5AA3 9JH9	1			Cordovan
	5AA3 9KY6	1			Dark Sand
8					MOULDING, Headlining, Right
	5AA3 8JH9	1			Cordovan
	5AA3 8KY6	1			Dark Sand
9					CAP, Moulding, Left
	5AA4 5JH9	1			Cordovan
	5AA4 5KY6	1			Dark Sand
10					CAP, Moulding, Right
	5AA4 4JH9	1			Cordovan
	5AA4 4KY6	1			Dark Sand
11					MOULDING, Headlining
	5AA7 4JH9	1			Cordovan
	5AA7 4KY6	1			Dark Sand
12	J097 4764	16			SCREW
13	J400 4924	2			SCREW
14	J545 3689	1			MOULDING, Rear Garnish
15	J546 9297	1			RETAINER
16	J400 6088	8			FASTENER
17	5AA1 9KY6	2			HOOK, Coat, P.A.R.
18	J942 2397	2			SCREW

MODEL CODES:

61=Pickup-6 Ft Box 74=4 Door Wagon T=2WD
 62=Pickup-7 Ft Box 77=Open Body 93" Wheelbase J,N,U=4WD
 72=2 Door Wagon 78=Open Body 103" Wheelbase

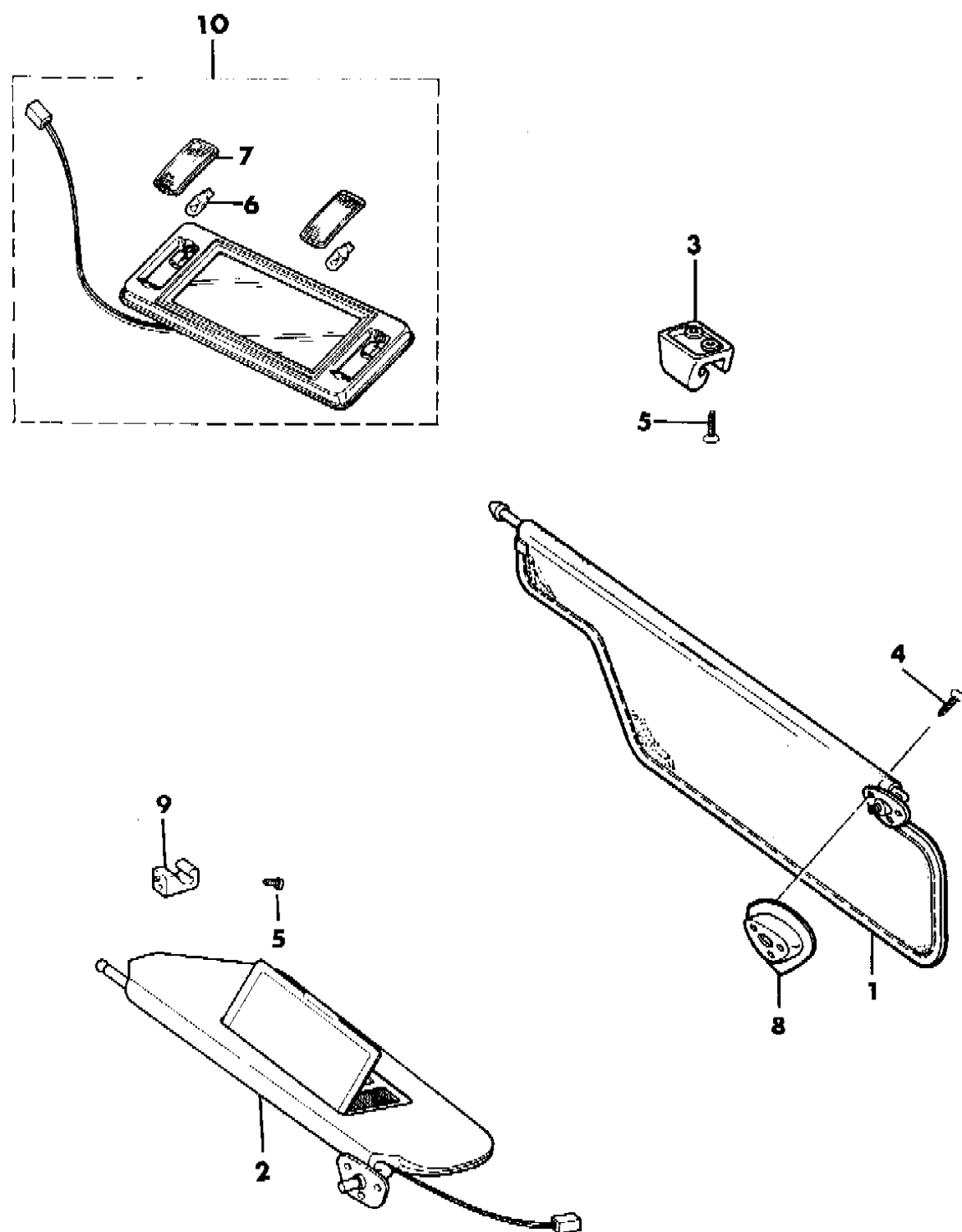
BODY STYLES:

MJ=Comanche Pickup ZJ=Grand Cherokee/Grand Wagoneer KDX VEHICLES
 SJ=Grand Wagoneer M1=Comanche
 XJ=Cherokee, Briarwood X1=Cherokee, Briarwood
 YJ=Wrangler Y1=Wrangler

AR = Use as Required - = Non Illustrated Part P.A.R. = Paint as Required

VISORS AND VANITY MIRROR GRAND WAGONEER, SJ, 1991
Figure 28-400

91J28 400 B



ITEM	PART NUMBER	QTY	BODY	MODEL	DESCRIPTION
1					VISOR, Used w/Sun Roof
					Right (for lighted vanity see item 10)
	5AG9 2JH9	1			Cordovan
	5AG9 2KY6	1			Dark Sand
					Left ***
	5AG9 5JH9	1			Cordovan
	5AG9 5KY6	1			Dark Sand
	Vehicles w/sun roof only have lighted vanity on passenger side Tag affixed to the Face of its Pulley. A Second Tag will show the name of the Vendor (OGURA).				
2					VISOR, w/Overhead Console
					Right ***
	5CG3 6KH9	1			Cordovan
	5CG3 6KY6	1			Dark Sand
					Left
	5CG3 7KH9	1			Cordovan, Except KDX
	5CG4 3KH9	1			Cordovan, KDX
	5CG3 7KY6	1			Dark Sand, Except KDX
	5CG4 3KY6	1			Dark Sand, KDX
-	6501 966	4			BULB
-	4620 136	2			LENS, Right side of vanity (includes button)
-	4620 137	2			LENS, Left side of vanity
3					SUPPORT, Visor, Used w/Sun Roof
	5AA9 5JH9	1			Cordovan
	5AA9 5KY6	1			Dark Sand
4	6032 584	6			SCREW
5		2			SCREW, (not serviced) use .164 - 18 X .750
6	J400 3086	2			BULB, Vanity, used on vehicles w/sunroof
7	J812 8734	2			LENS, Vanity, used on vehicles w/sunroof
8					ESCUTCHEON
					Right
	5AA0 4JH9	1			Cordovan
	5AA0 4KY6	1			Dark Sand
					Left, w/o Overhead Console
	5AA0 5JH9	1			Cordovan
	5AA0 5KY6	1			Dark Sand
					Left, w/Overhead Console
	5AH0 7JH9	1			Cordovan
	5AH0 7KY6	1			Dark Sand
9					SUPPORT, Visor, w/Overhead Console
	DF49 JH9	2			Cordovan
	DF49 KY6	2			Dark Sand

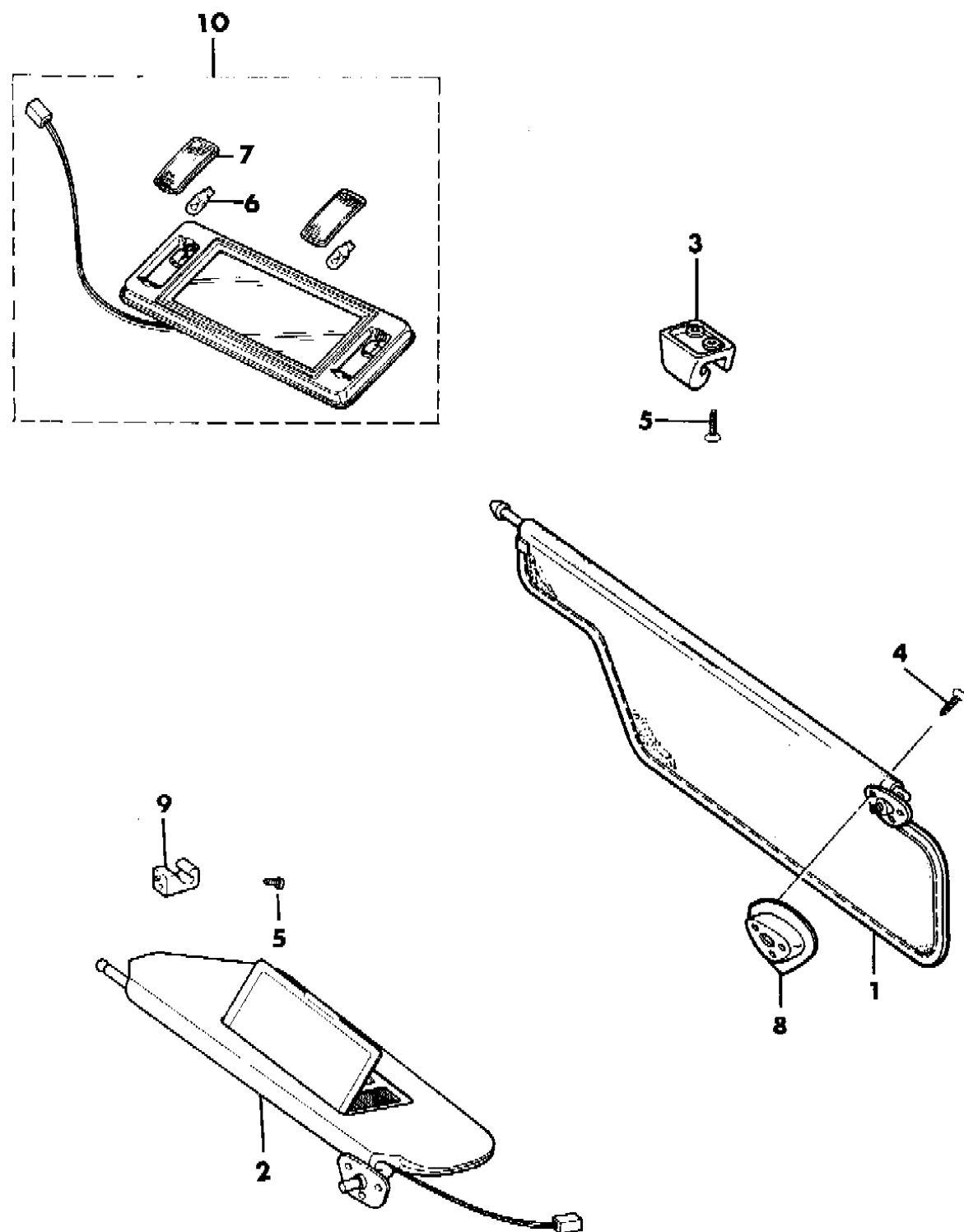
MODEL CODES:
61=Pickup-6 Ft Box 74=4 Door Wagon T=2WD
62=Pickup-7 Ft Box 77=Open Body 93" Wheelbase J,N,U=4WD
72=2 Door Wagon 78=Open Body 103" Wheelbase

BODY STYLES:
MJ=Comanche Pickup ZJ=Grand Cherokee/Grand Wagoneer KDX VEHICLES
SJ=Grand Wagoneer M1=Comanche
XJ=Cherokee, Briarwood Y1=Cherokee, Briarwood
YJ=Wrangler Y1=Wrangler

AR = Use as Required - = Non Illustrated Part P.A.R. = Paint as Required

VISORS AND VANITY MIRROR GRAND WAGONEER, SJ, 1991
Figure 28-400

91J28 400 B



ITEM	PART NUMBER	QTY	BODY	MODEL	DESCRIPTION
------	-------------	-----	------	-------	-------------

10					MIRROR, Vanity, w/o Overhead Console, Right
	5AF2 0JH9	1			Cordovan
	5AF2 0KY6	1			Dark Sand

MODEL CODES:

61=Pickup-6 Ft Box	74=4 Door Wagon	T=2WD
62=Pickup-7 Ft Box	77=Open Body 93" Wheelbase	J,N,U=4WD
72=2 Door Wagon	78=Open Body 103" Wheelbase	

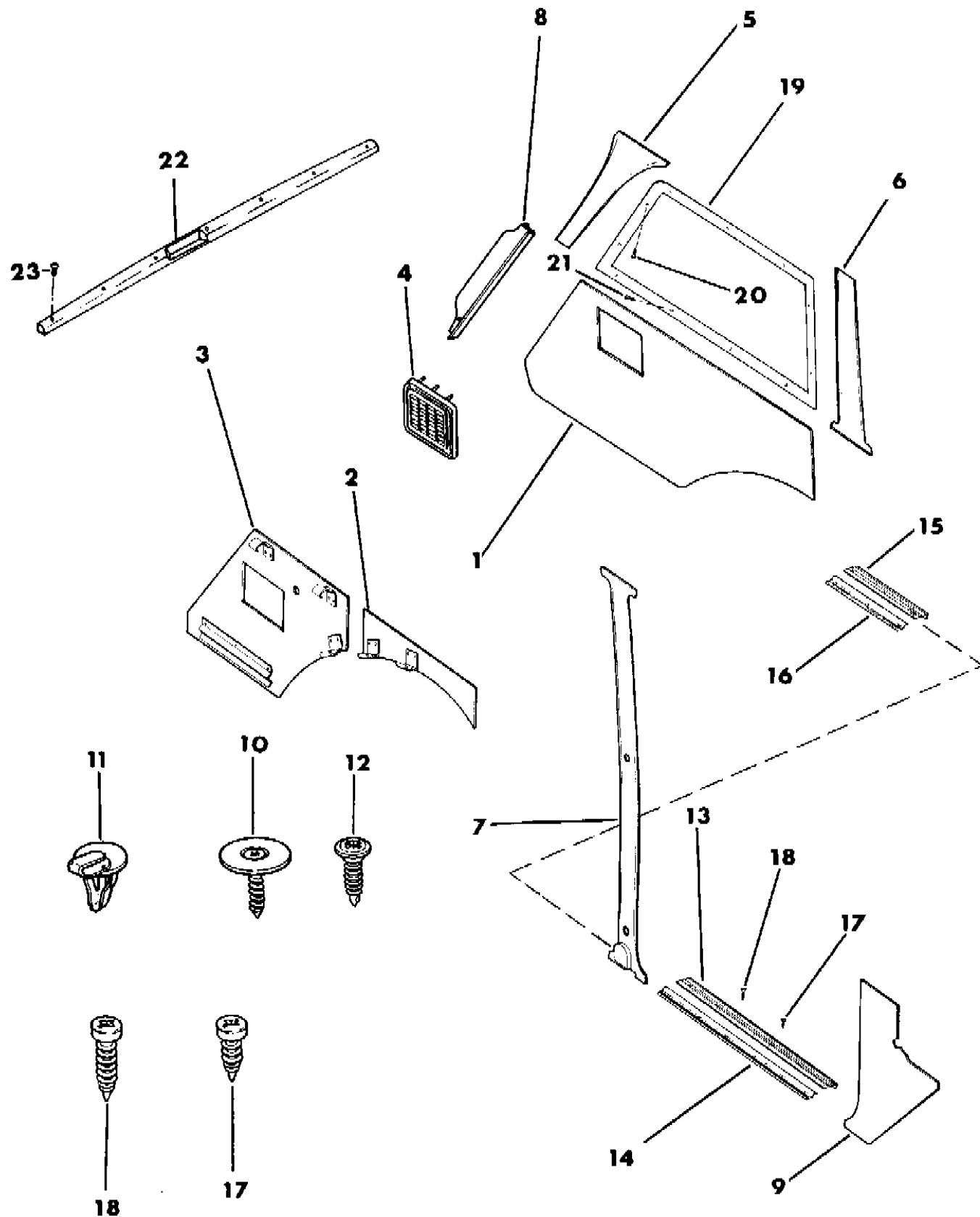
BODY STYLES:

MJ=Comanche Pickup	ZJ=Grand Cherokee/Grand Wagoneer	KDX VEHICLES
SJ=Grand Wagoneer		M1=Comanche
XJ=Cherokee, Briarwood		X1=Cherokee, Briarwood
YJ=Wrangler		Y1=Wrangler

AR = Use as Required - = Non Illustrated Part P.A.R. = Paint as Required

PANELS, INTERIOR TRIM GRAND WAGONEER, SJ, 1991
Figure 28-500

91J28 500



ITEM	PART NUMBER	QTY	BODY	MODEL	DESCRIPTION
1					PANEL, Quarter Trim, Left
	5AG3 3JH9	1			Cordovan
	5AG3 3KY6	1			Dark Sand
2					PANEL, Quarter Trim, Right
	5AG3 6JH9	1			Cordovan
	5AG3 6KY6	1			Dark Sand
3					PANEL, Quarter Trim, Right
	5AG3 2JH9	1			Cordovan
	5AG3 2KY6	1			Dark Sand
4	5AB9 3JY6	2			GRILLE, w/Bezel Rear Speaker, P.A.R.
5					PANEL, Quarter Trim
	5AG40-1 JH9	1			Cordovan
	5AG40-1 KY6	1			Dark Sand
6					PANEL, Quarter Trim
	5AA06-7 JH9	1			Cordovan
	5AA06-7 KY6	1			Dark Sand
7					PANEL, Center Pillar, P.A.R.
	5AB04-5 KY6	1			Left
8	5252 484-5	1			COVER, "D" Pillar, P.A.R.
9					PANEL, Cowl Trim
	5AA92-3 JH9	1			Cordovan
	5AA92-3 KY6	1			Dark Sand
10	3420 2419	4			SCREW
11	J400 4047	10			CLIP, Trim Panel
12	J097 4764	4			SCREW
13	J546 8673	2			PLATE, Scuff, Outer
14	J545 0534	2			PLATE, Scuff, Inner
15	J546 8674	2			PLATE, Scuff, Outer
16	J545 0535	2			PLATE, Scuff, Inner
17	J400 4924	1			SCREW (8-18x.44)
18	J942 2397	1			SCREW, 8-18x1.00
19					MOULDING, Quarter Window, P.A.R.
	J095 7852	1			Right
	J095 7851	1			Left
20	J400 4938	14			SCREW
21	J016 8626	18			SCREW, 10-12x1.50
22					PROTECTOR, Tailgate Glass
	5AF3 8JH9	1			Cordovan
	5AF3 8KY6	1			Dark Sand
23	J400 2461	7			SCREW

MODEL CODES:

61=Pickup-6 Ft Box 74=4 Door Wagon T=2WD
62=Pickup-7 Ft Box 77=Open Body 93" Wheelbase J,N,U=4WD
72=2 Door Wagon 78=Open Body 103" Wheelbase

BODY STYLES:

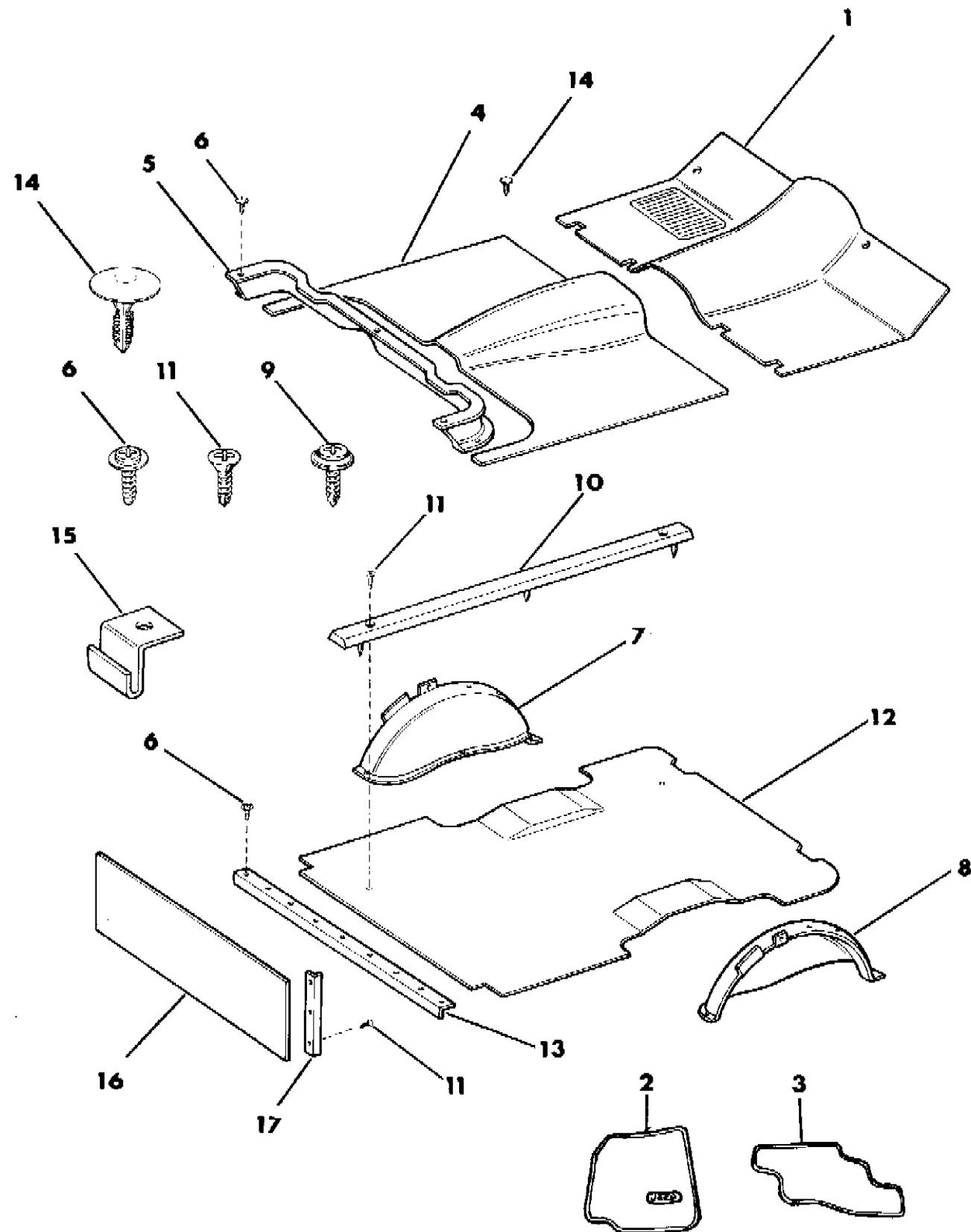
MJ=Comanche Pickup ZJ=Grand Cherokee/Grand Wagoneer KDX VEHICLES
SJ=Grand Wagoneer M1=Comanche
XJ=Cherokee, Briarwood X1=Cherokee, Briarwood
YJ=Wrangler Y1=Wrangler

AR = Use as Required - = Non Illustrated Part P.A.R. = Paint as Required

CARPETS AND MATS GRAND WAGONEER, SJ, 1991

Figure 28-600

91J28 600



ITEM	PART NUMBER	QTY	BODY	MODEL	DESCRIPTION
1	5AE9 0JH9	1			CARPET, Front Floor Cordovan
	5AE9 0JY6	1			Dark Sand
2					FLOOR MATS, Carpeted Front, Set of Two
	5252 240	1			Cordovan
	5252 241	1			Dark Sand
3					FLOOR MATS, Carpeted Rear, Set of Two
	5252 242	1			Cordovan
	5252 243	1			Dark Sand
4	5AA9 4JH9	1			CARPET, Rear Cordovan
	5AA9 4JY6	1			Dark Sand
5					PANEL, Floor Riser Trim
	4636 531	1			Cordovan
	4636 536	1			Dark Sand
6	J097 4764	AR			SCREW, .50" Long ***
7					COVER, Wheelhouse
	5AA8 1JH9	1			Cordovan
	5AA8 1JY6	1			Dark Sand
8					COVER, Wheelhouse
	5AA8 0JH9	1			Cordovan
	5AA8 0JY6	1			Dark Sand
9	J400 1776	12			SCREW, .56" Long ***
10					STRIP, Skid ***
	J545 6616	2			X = 17"
	J545 6615	2			X = 26"
	J545 5576	3			X = 48"
11	J400 4955	28			SCREW, 1.00" Long ***
12					CARPET, Rear Cargo
	5AA4 8JH9	1			CARPET Cordovan
	5AA4 8JY6	1			Dark Sand
13	J096 6036	1			RETAINER
14	J400 4875	8			PLUG, P.A.R.
15	J545 5596	6			BRACKET, Support
16					CARPET, Tailgate
	5AA7 6JH9	1			Cordovan
	5AA7 6JY6	1			Dark Sand
17	J545 5577	7			STRIP, Skid

MODEL CODES:

61=Pickup-6 Ft Box 74=4 Door Wagon T=2WD
 62=Pickup-7 Ft Box 77=Open Body 93" Wheelbase J,N,U=4WD
 72=2 Door Wagon 78=Open Body 103" Wheelbase

BODY STYLES:

MJ=Comanche Pickup ZJ=Grand Cherokee/Grand Wagoneer KDX VEHICLES
 SJ=Grand Wagoneer M1=Comanche
 XJ=Cherokee, Briarwood Y1=Wrangler
 YJ=Wrangler

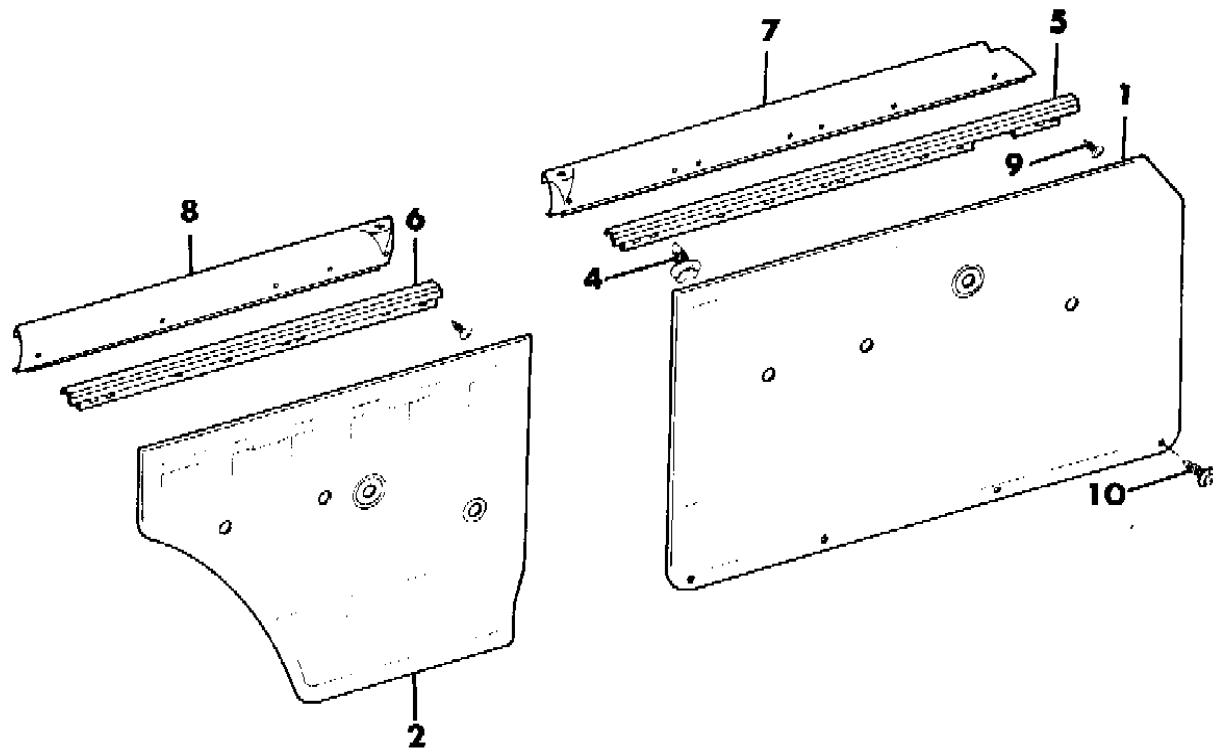
AR = Use as Required - = Non Illustrated Part P.A.R. = Paint as Required

PANELS, DOOR TRIM GRAND WAGONEER, SJ, 1991

Figure 28-700

91J28 700

ITEM	PART NUMBER	QTY	BODY	MODEL	DESCRIPTION
1					PANEL, Door Trim
	5BB62-3 JH9	1			Cordovan
	5BB62-3 KY6	1			Dark Sand
2					PANEL, Door Trim
	5BA24-5 JH9	1			Cordovan
	5BA24-5 KY6	1			Dark Sand
3	J400 6179	28			FASTENER
4	J400 6176	28			FASTENER
5					RETAINER, Trim Panel
	5AA0 8JH9	2			Cordovan, Built Up To 10/28/90
	5BL6 8KH9	2			Cordovan, Built 10/29/90 And Later
	5AA0 8KY6	2			Dark Sand, Built Up To 10/28/90
	5BL6 8KY6	2			Dark Sand, Built 10/29/90 And Later
6					RETAINER, Trim Panel
	5AA0 9JH9	2			Cordovan, Built Up To 10/28/90
	5BL7 0JH9	2			Cordovan, Built 10/29/90 and Later
	5AA0 9KY6	2			Dark Sand, Built Up To 10/28/90
	5BL7 0JY6	2			Dark Sand, Built 10/29/90 And Later
7	5501 1076-7	1			MOULDING, Trim Panel
8	5501 1078-9	1			MOULDING, Trim Panel
9	J400 4812	16			SCREW, .38" Long
10	J400 3095	14			SCREW, .75" Long ***



MODEL CODES:

61=Pickup-6 Ft Box 74=4 Door Wagon T=2WD
 62=Pickup-7 Ft Box 77=Open Body 93" Wheelbase J,N,U=4WD
 72=2 Door Wagon 78=Open Body 103" Wheelbase

BODY STYLES:

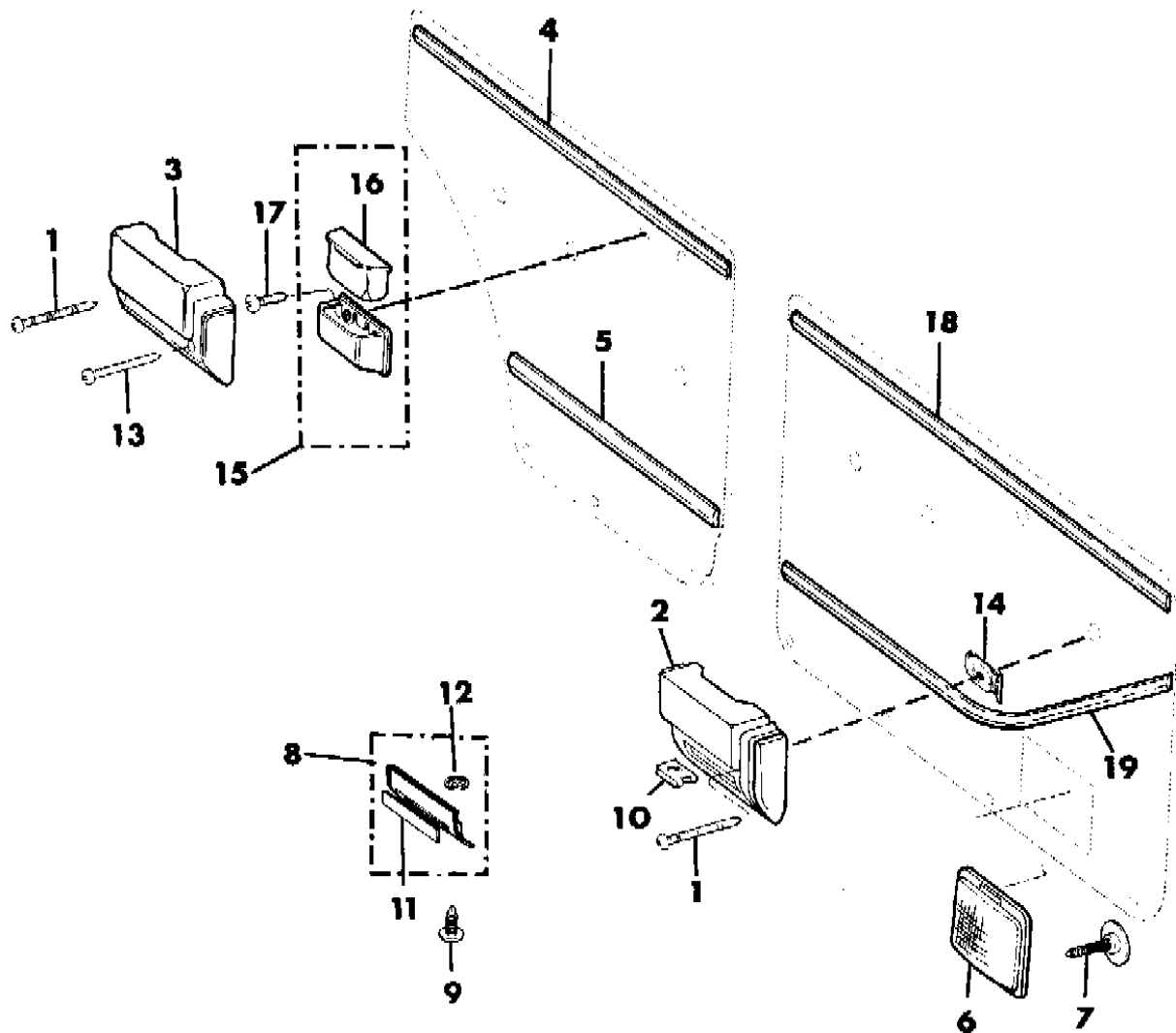
MJ=Comanche Pickup ZJ=Grand Cherokee/Grand Wagoneer KDX VEHICLES
 SJ=Grand Wagoneer M1=Comanche
 XJ=Cherokee, Briarwood X1=Cherokee, Briarwood
 YJ=Wrangler Y1=Wrangler

AR = Use as Required - = Non Illustrated Part P.A.R. = Paint as Required

INTERIOR TRIM PARTS, DOOR GRAND WAGONEER, SJ, 1991
Figure 28-800

91J28 800

ITEM	PART NUMBER	QTY	BODY	MODEL	DESCRIPTION
1	J045 0614	6			SCREW, 2.25" long
2	5AA3 1JH9	2			ARMREST, Front Door Cordovan
	5AA3 1KY6	2			Dark Sand
3					ARMREST, Rear Door
	5AA2 6JH9	2			Cordovan
	5AA2 6KY6	2			Dark Sand
4	5501 5324	2			MOULDING, Rear Door Upper
5	5501 1086	2			MOULDING, Rear Door Lower
6	5AB9 3JY6	2			GRILLE, Speaker, P.A.R.
7	3420 2419	8			SCREW
8	5501 1327	2			INSERT, Armrest
9	J400 4642	4			SCREW, .56" Long
10	J943 3155	4			NUT, U-Type
11	J373 5331	2			REFLECTOR, Insert ***
12	J400 1714	4			NUT, Push, .190" I.D.
13	S016 2113	2			SCREW, 2.00" long
14	J400 4058	8			NUT, Spring
15					ASHTRAY ASSEMBLY ***
	5AA1 4JH9	2			Cordovan
	5AA1 4KY6	2			Dark Sand
16	J364 9527	2			ASHTRAY ***
17	3420 1467	6			SCREW
18	5501 5322	2			MOULDING, Front Door Upper
19	5501 1068-9	1			MOULDING, Front Door Lower



MODEL CODES:

61=Pickup-6 Ft Box 74=4 Door Wagon T=2WD
62=Pickup-7 Ft Box 77=Open Body 93" Wheelbase J,N,U=4WD
72=2 Door Wagon 78=Open Body 103" Wheelbase

BODY STYLES:

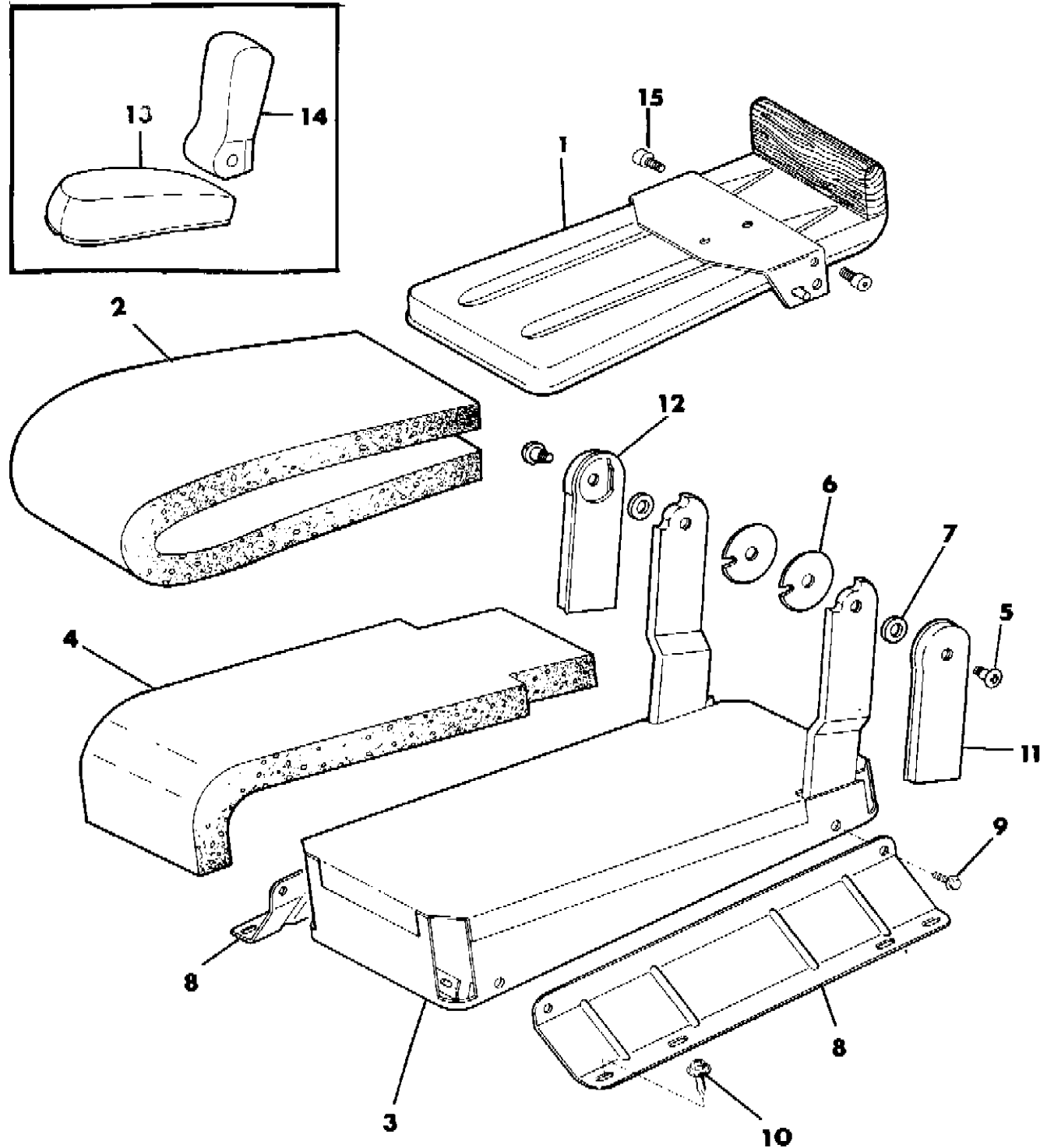
MJ=Comanche Pickup ZJ=Grand Cherokee/Grand Wagoneer KDX VEHICLES
SJ=Grand Wagoneer M1=Comanche
XJ=Cherokee, Briarwood X1=Cherokee, Briarwood
YJ=Wrangler Y1=Wrangler

AR = Use as Required - = Non Illustrated Part P.A.R. = Paint as Required

FRAME, PAD, AND COVERS ARMREST AND CENTER CUSHION GRAND WAGONEER, SJ, 1991

Figure 28-900

91J28 900



ITEM	PART NUMBER	QTY	BODY	MODEL	DESCRIPTION
1	J575 5613	1			FRAME, Back
2	J545 2137	1			PAD, Back
3	J545 2147	1			FRAME, Cushion
4	J545 2154	1			PAD, Cushion
5	J400 6131	2			SCREW
6	J352 0016	2			PROTECTOR
7	J400 1104	2			WASHER
8	J545 6380	2			SUPPORT
9	J400 4081	4			SCREW
10	J400 4455	4			SCREW
11					COVER, Bracket
	5AA4 7JH9	1			Cordovan
	5AA4 7JY6	1			Dark Sand
12					COVER, Bracket
	5AA4 6JH9	1			Cordovan
	5AA4 6JY6	1			Dark Sand
13					COVER, Armrest
	5AH7 6JH9	1			Cordovan
	5AH7 6JY6	1			Dark Sand
14					COVER, Armrest
	5AH7 7JH9	1			Cordovan
	5AH7 7JY6	1			Dark Sand
15	J400 6131	2			SCREW, Torx

MODEL CODES:

61=Pickup-6 Ft Box 74=4 Door Wagon T=2WD
 62=Pickup-7 Ft Box 77=Open Body 93" Wheelbase J,N,U=4WD
 72=2 Door Wagon 78=Open Body 103" Wheelbase

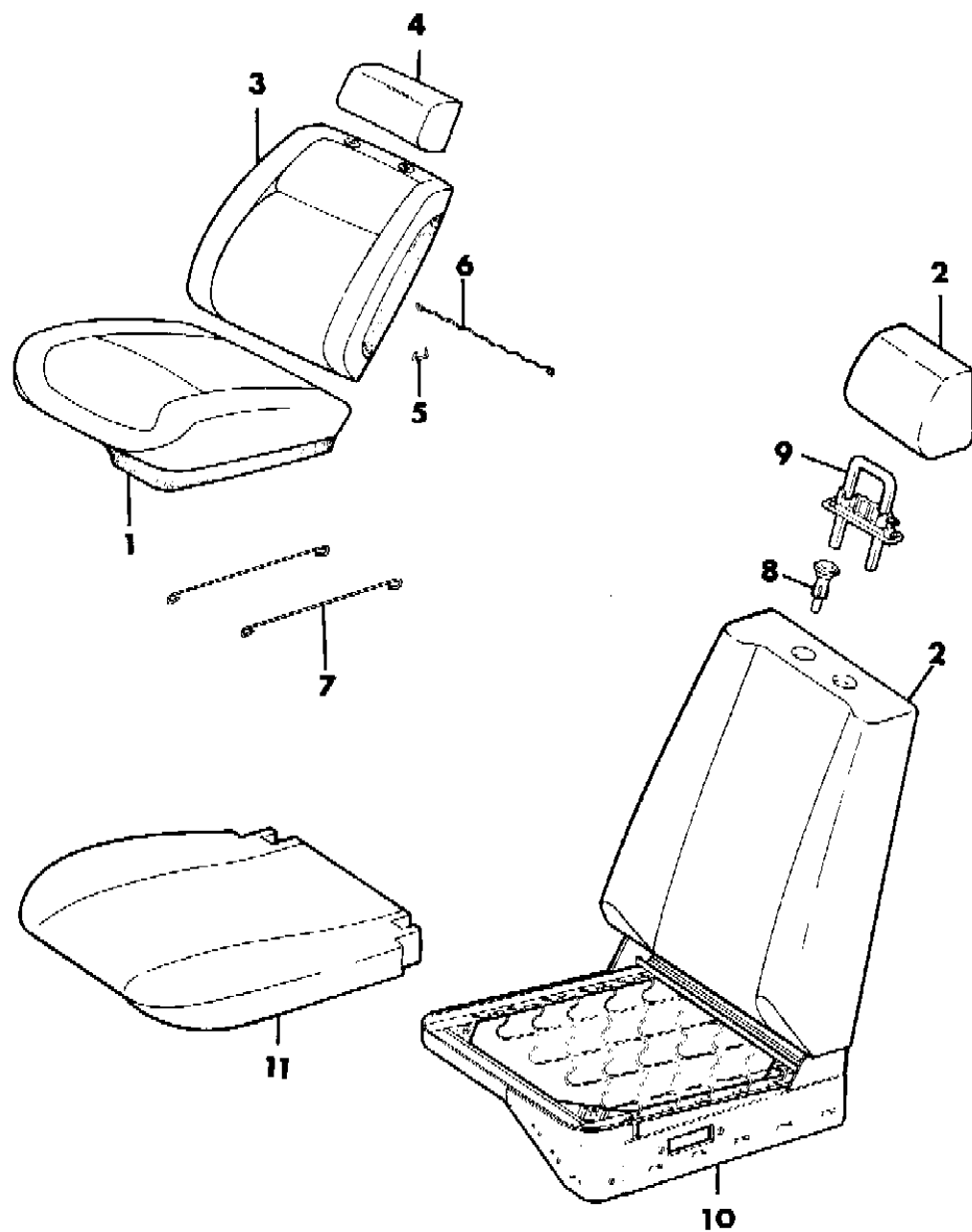
BODY STYLES:

MJ=Comanche Pickup ZJ=Grand Cherokee/Grand Wagoneer KDX VEHICLES
 SJ=Grand Wagoneer M1=Comanche
 XJ=Cherokee, Briarwood X1=Cherokee, Briarwood
 YJ=Wrangler Y1=Wrangler

AR = Use as Required - = Non Illustrated Part P.A.R. = Paint as Required

FRAME, PAD, AND COVERS BUCKET SEAT GRAND WAGONEER, SJ, 1991
Figure 28-1000

91J28 1000



ITEM	PART NUMBER	QTY	BODY	MODEL	DESCRIPTION
1					COVER, Cushion
	5AH68-9 JH9	1			Cordovan, (ALH9)
	5AH68-9 JY6	1			Dark Sand, (ALY6)
2	3500 1690	2			PAD, Headrest
3					COVER, Back
	5AH7 0JH9	2			Cordovan, (ALH9)
	5AH7 0JY6	2			Dark Sand, (ALY6)
4					COVER, Headrest
	5AJ4 8JH9	2			Cordovan, (ALH9)
	5AJ4 8JY6	2			Dark Sand, (ALY6)
5	J436 3256	AR			RING
6	J362 1468	2			WIRE, Back Cover
7	J545 2230	4			WIRE, Cover
8	3500 9926	4			CYLINDER, Headrest
9	3500 3669	2			POST, Headrest ***
10	J576 6598-9	1			FRAME, Seat
11	J545 8622	2			PAD, Cushion

MODEL CODES:

61=Pickup-6 Ft Box 74=4 Door Wagon T=2WD
62=Pickup-7 Ft Box 77=Open Body 93" Wheelbase J,N,U=4WD
72=2 Door Wagon 78=Open Body 103" Wheelbase

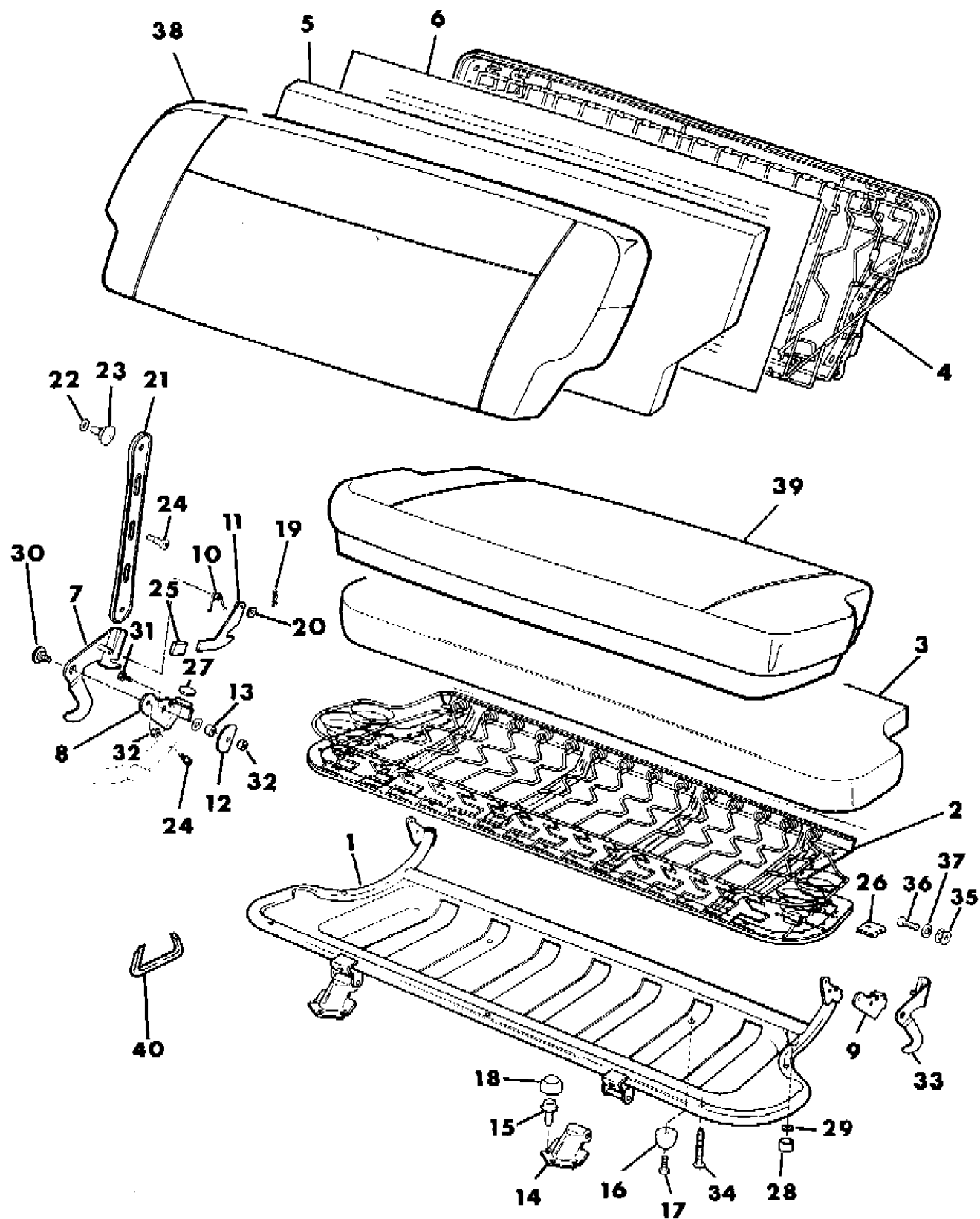
BODY STYLES:

MJ=Comanche Pickup ZJ=Grand Cherokee/Grand Wagoneer KDX VEHICLES
SJ=Grand Wagoneer M1=Comanche
XJ=Cherokee, Briarwood X1=Cherokee, Briarwood
YJ=Wrangler Y1=Wrangler

AR = Use as Required - = Non Illustrated Part P.A.R. = Paint as Required

FRAME, PAD, AND COVERS REAR SEAT GRAND WAGONEER, SJ, 1991
Figure 28-1100

91J28 1100



ITEM	PART NUMBER	QTY	BODY	MODEL	DESCRIPTION
1	J545 1749	1			FRAME, Cushion
2	J545 1752	1			SPRING, Cushion
3	J098 8178	1			PAD, Cushion
4	5502 5266	1			FRAME, Back
5	J545 0748	1			PAD, Back
6	J545 6885	1			PROTECTOR
7	J545 9072	1			HINGE, Seat Back
8	J545 7302	1			HINGE, Latch
9	J545 7301	1			HINGE, Latch
10	J098 7303	1			SPRING, Lock
11	J098 7301	1			LATCH, Seat Back
12	J098 1570	1			GUIDE
13	J098 1574	1			SPACER
14	J545 2032	2			BRACKET, Hinge Pivot
15	J400 4455	6			SCREW
16	J096 8071	2			BUMPER
17	J016 3219	2			SCREW
18	J545 1758	2			BUMPER
19	J400 4295	1			PIN, Hitch
20	J400 4437	1			WASHER
21					STRAP
	5AA5 0JH9	1			Cordovan
	5AA5 0KY6	1			Dark Sand
22	J013 8485	1			WASHER
23	J400 5807	1			BOLT
24	J400 6197	2			SCREW
25	J576 2102	1			PROTECTOR
26	J400 6655	5			NUT, U-Type
27	J098 1583	2			CUSHION
28	J081 6278	2			CAP, End
29	J012 0388	2			WASHER
30	J095 7717	2			BOLT
31	J400 4979	1			SCREW
32	J941 3447	2			NUT
33	J575 2997	1			HINGE, Latch
34	J096 3325	5			SCREW
35	J545 1571	2			SPOOL, Rear Seat Latch
36	5502 5968	2			SCREW
37	J400 5641	AR			WASHER, Plain
38					COVER, Back
	5AH8 7JH9	1			Cordovan, (ALH9)

MODEL CODES:

61=Pickup-6 Ft Box 74=4 Door Wagon T=2WD
62=Pickup-7 Ft Box 77=Open Body 93" Wheelbase J,N,U=4WD
72=2 Door Wagon 78=Open Body 103" Wheelbase

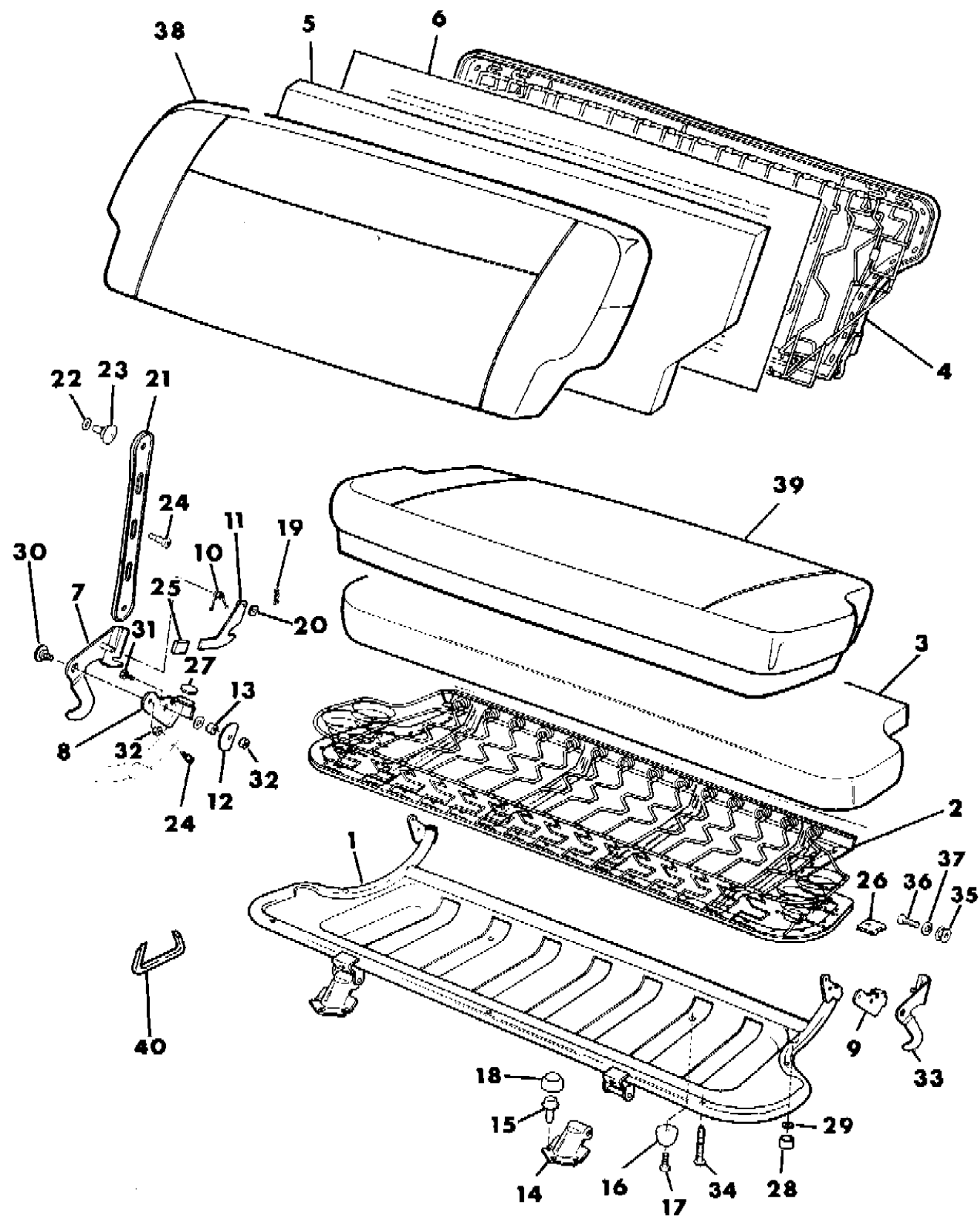
BODY STYLES:

MJ=Comanche Pickup ZJ=Grand Cherokee/Grand Wagoneer KDX VEHICLES
SJ=Grand Wagoneer M1=Comanche
XJ=Cherokee, Briarwood X1=Cherokee, Briarwood
YJ=Wrangler Y1=Wrangler

AR = Use as Required - = Non Illustrated Part P.A.R. = Paint as Required

FRAME, PAD, AND COVERS REAR SEAT GRAND WAGONEER, SJ, 1991
Figure 28-1100

91J28 1100



ITEM	PART NUMBER	QTY	BODY	MODEL	DESCRIPTION
	5AH8 7JY6	1			Dark Sand, (ALY6)
39	5AH8 6JH9	1			COVER, Cushion Cordovan, (ALH9)
	5AH8 6JY6	1			Dark Sand, (ALY6)
40	J436 3256	AR			RING

MODEL CODES:

61=Pickup-6 Ft Box 74=4 Door Wagon T=2WD
62=Pickup-7 Ft Box 77=Open Body 93" Wheelbase J,N,U=4WD
72=2 Door Wagon 78=Open Body 103" Wheelbase

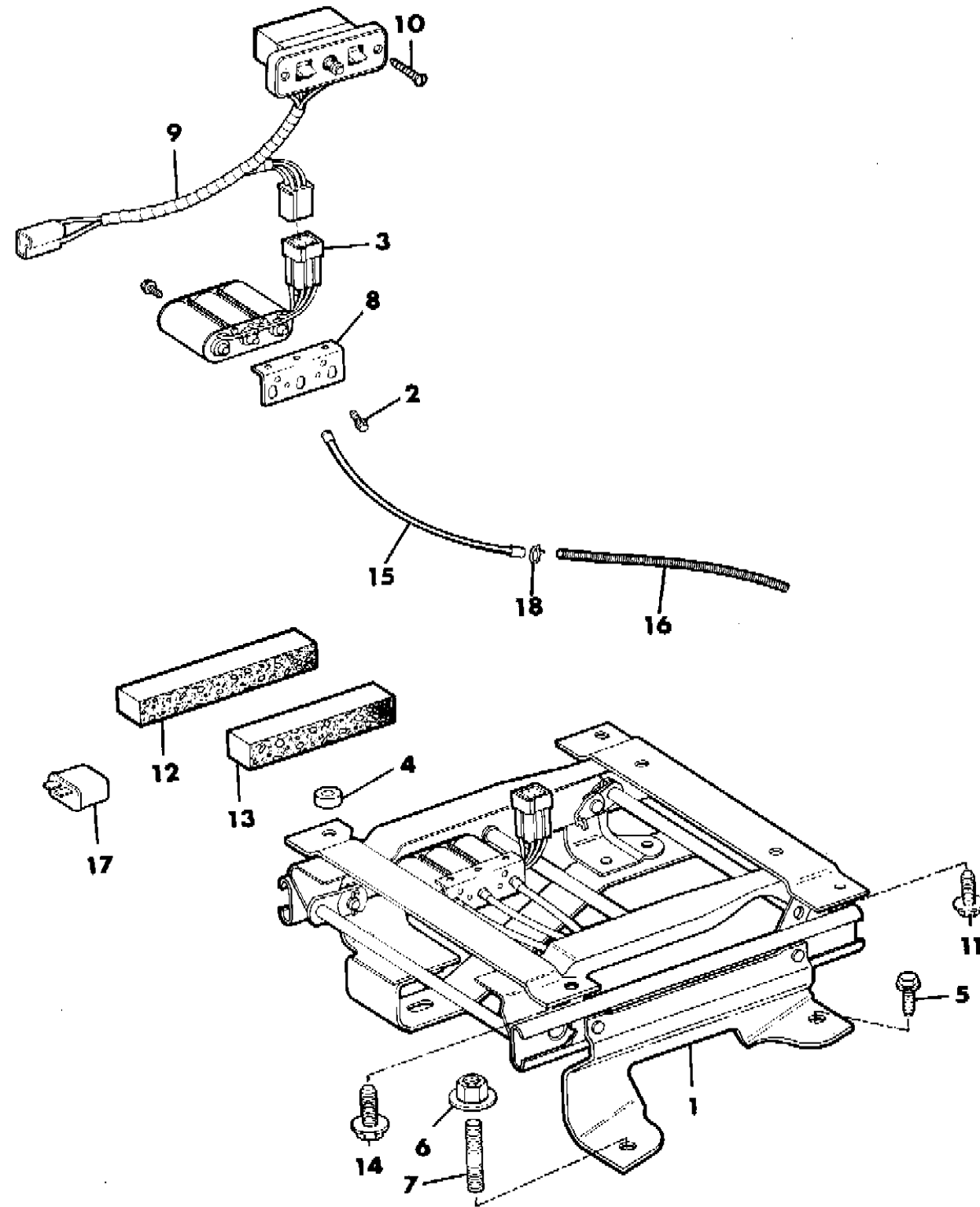
BODY STYLES:

MJ=Comanche Pickup ZJ=Grand Cherokee/Grand Wagoneer KDX VEHICLES
SJ=Grand Wagoneer M1=Comanche
XJ=Cherokee, Briarwood X1=Cherokee, Briarwood
YJ=Wrangler Y1=Wrangler

AR = Use as Required - = Non Illustrated Part P.A.R. = Paint as Required

TRACKS, W/ POWER SEATS BUCKET SEAT GRAND WAGONEER, SJ, 1991
Figure 28-1200

91J28 1200



ITEM	PART NUMBER	QTY	BODY	MODEL	DESCRIPTION
1					TRACK, Power Seat
	J575 1964	1			Driver Seat
	J575 1965	1			Passenger Seat
2	J812 0054	8			SCREW
3	J813 1636	2			MOTOR, Assy. Power Seat
4	J066 9842	12			SPACER
5	J400 4860	2			BOLT
6	J400 4322	6			NUT
7	J400 4912	6			STUD
8	J813 2663	2			BRACKET
9	J576 1773	1			SWITCH, Assy. Power Seat, Left
10	J320 9830	4			SCREW
11	J400 4926	4			SCREW, 1.00" Long
12	J575 5304	2			PAD, Deadener, 11.00" Long
13	J575 5303	2			PAD, Deadener, 9.00" Long
14	J400 4927	4			SCREW, 1.50" Long
15					TUBE, Assy. Cable
	8350 1362	2			X= 6.25"
	8350 1361	2			X= 6.69"
	8350 1365	2			X= 7.88"
	8350 1363	2			X= 8.38"
	J813 3263	2			X= 8.62"
	8350 1364	2			X= 8.88"
16					CABLE, Power Seat
	8350 1354	2			X= 7.25"
	8350 1352	2			X= 7.75"
	8350 1359	2			X= 9.00"
	8351 0189	2			X= 9.44"
	8350 1353	2			X= 9.75"
	8350 1358	2			X= 10.0"
17	8350 7005	1			BREAKER, Circuit ***
18	2448 770	6			CLAMP

MODEL CODES:

61=Pickup-6 Ft Box 74=4 Door Wagon T=2WD
62=Pickup-7 Ft Box 77=Open Body 93" Wheelbase J,N,U=4WD
72=2 Door Wagon 78=Open Body 103" Wheelbase

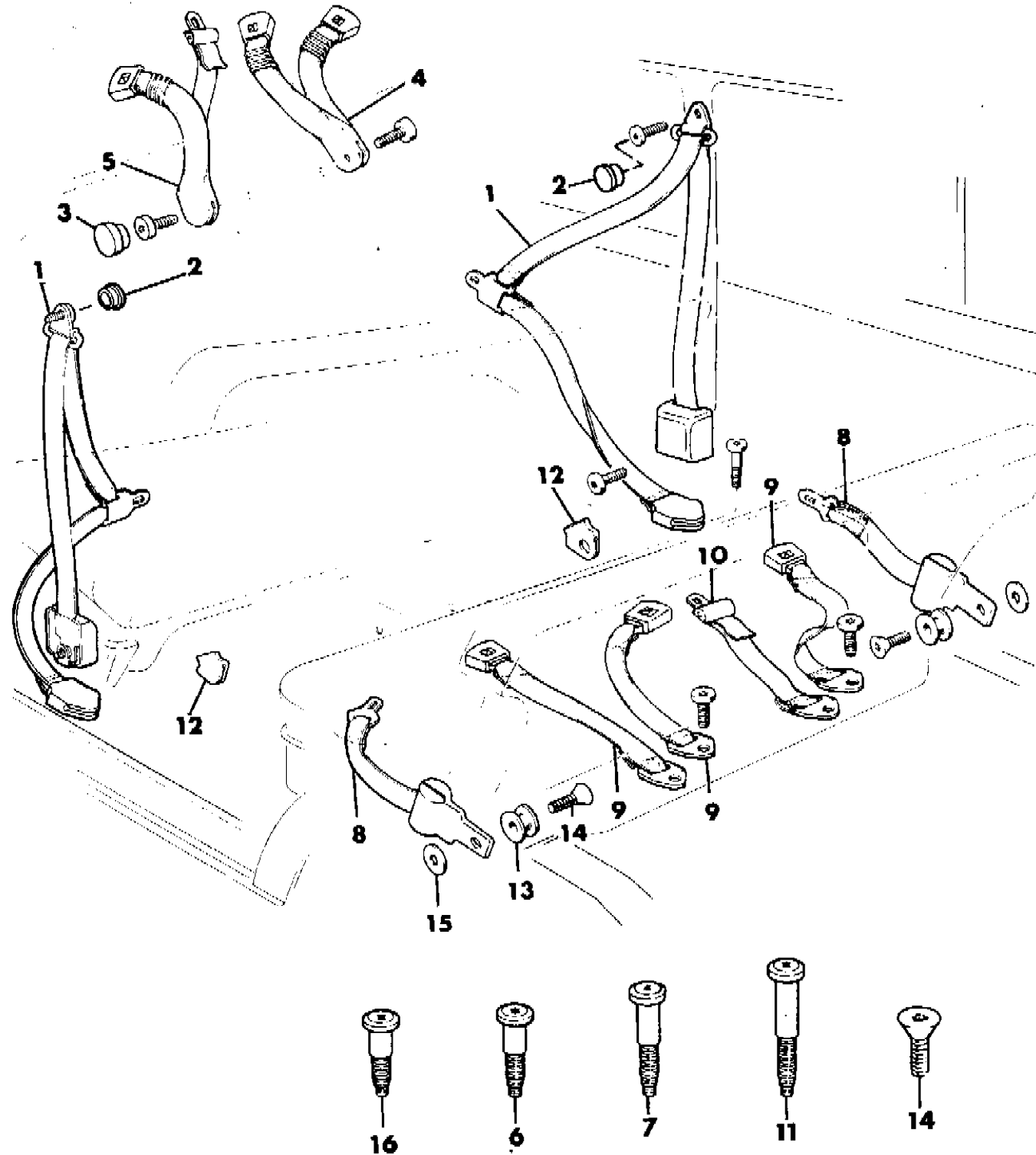
BODY STYLES:

MJ=Comanche Pickup ZJ=Grand Cherokee/Grand Wagoneer KDX VEHICLES
SJ=Grand Wagoneer M1=Comanche
XJ=Cherokee, Briarwood X1=Cherokee, Briarwood
YJ=Wrangler Y1=Wrangler

AR = Use as Required - = Non Illustrated Part P.A.R. = Paint as Required

SEAT BELTS, FRONT AND REAR GRAND WAGONEER, SJ, 1991
Figure 28-1300

91J28 1300



ITEM	PART NUMBER	QTY	BODY	MODEL	DESCRIPTION
1					SEAT BELT ***
	5AH0 2JH9	2			Cordovan
	5AH0 2JY6	2			Dark Sand
2					COVER, Web Guide
	5AB9 6JH9	2			Cordovan
	5AB9 6JY6	2			Dark Sand
3					COVER, Bolt
	5AB2 2JH9	2			Cordovan
	5AB2 2JY6	2			Dark Sand
4					SEAT BELT
	5AF5 4JH9	1			Cordovan
	5AF5 4JY6	1			Dark Sand
5					SEAT BELT
	5AF8 1JH9	1			Cordovan
	5AF8 1JY6	1			Dark Sand
6	J400 5506	AR			BOLT, 1.45" long
7	J400 5507	1			BOLT, 1.87" long
8					SEAT BELT ***
	5AF5 5JH9	2			Cordovan
	5AF5 5JY6	2			Dark Sand
9					SEAT BELT
	5AF5 2JH9	3			Cordovan
	5AF5 2JY6	3			Dark Sand
10					SEAT BELT ***
	5AF5 3JH9	1			Cordovan
	5AF5 3JY6	1			Dark Sand
11	J400 5607	4			BOLT, 2.62" Long
12					COVER, Bolt
	5AA2 2JH9	2			Cordovan
	5AA2 2JY6	2			Dark Sand
13	J545 1571	2			RETAINER
14	5502 5968	2			SCREW
15	S012 0390	4			WASHER
16	J400 5505	AR			BOLT, 1.32" Long
					NOTE: Seat belt extenders are also in the accessory catalog. Tag affixed to the Face of its Pulley. A Second Tag will show the name of the Vendor (OGURA).
-	8350 5482	1			EXTENDER, Seat Belt

MODEL CODES:

61=Pickup-6 Ft Box 74=4 Door Wagon T=2WD
 62=Pickup-7 Ft Box 77=Open Body 93" Wheelbase J,N,U=4WD
 72=2 Door Wagon 78=Open Body 103" Wheelbase

BODY STYLES:

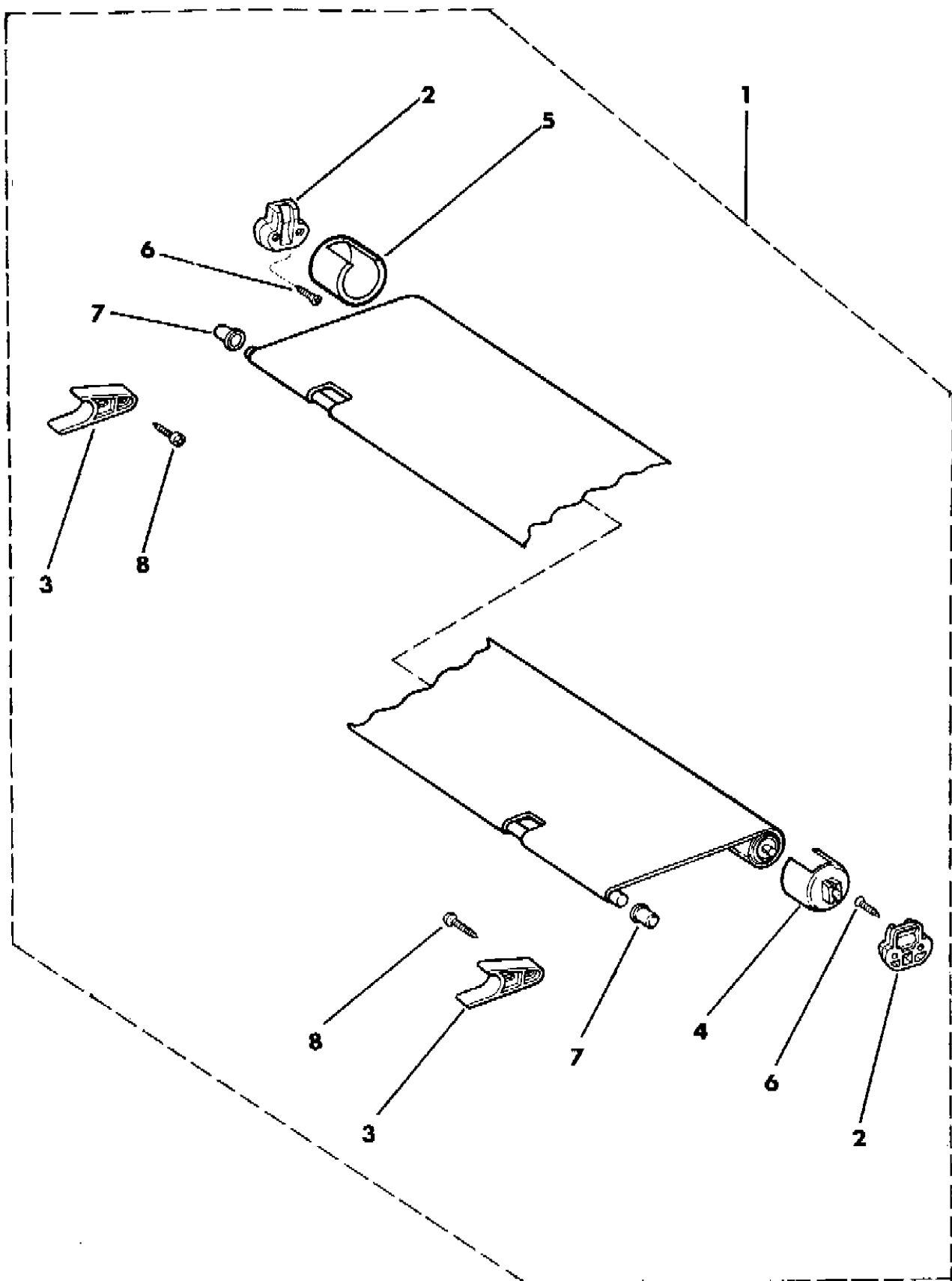
MJ=Comanche Pickup ZJ=Grand Cherokee/Grand Wagoneer KDX VEHICLES
 SJ=Grand Wagoneer M1=Comanche
 XJ=Cherokee, Briarwood X1=Cherokee, Briarwood
 YJ=Wrangler Y1=Wrangler

AR = Use as Required - = Non Illustrated Part P.A.R. = Paint as Required

COVER, CARGO GRAND WAGONEER, SJ, 1991
Figure 28-1400

91J28 1400

ITEM	PART NUMBER	QTY	BODY	MODEL	DESCRIPTION
1					COVER, Cargo
	5AE8 4JH9	1			Cordovan
	5AE8 4KY6	1			Dark Sand
2					BRACKET, Cargo Cover
	5AH0 5JH9	2			Cordovan
	5AH0 5KY6	2			Dark Sand
3					BRACKET, Cargo Cover
	5AH0 6JH9	2			Cordovan
	5AH0 6KY6	2			Dark Sand
4	J813 3744	1			CAP, Cargo Cover, Right, P.A.R.
5	J813 3745	1			CAP, Cargo Cover, Left, P.A.R.
6	J942 6530	4			SCREW
7	8350 0432	2			CAP, End, P.A.R.
8	J942 2397	4			SCREW



MODEL CODES:
 61=Pickup-6 Ft Box 74=4 Door Wagon T=2WD
 62=Pickup-7 Ft Box 77=Open Body 93" Wheelbase J,N,U=4WD
 72=2 Door Wagon 78=Open Body 103" Wheelbase

BODY STYLES:
 MJ=Comanche Pickup ZJ=Grand Cherokee/Grand Wagoneer KDX VEHICLES
 SJ=Grand Wagoneer M1=Comanche
 XJ=Cherokee, Briarwood X1=Cherokee, Briarwood
 YJ=Wrangler Y1=Wrangler

AR = Use as Required - = Non Illustrated Part P.A.R. = Paint as Required