

# 1997-1999 JEEP CHEROKEE (XJ)

## PARTS CATALOG

ILLUSTRATION AND TEXT  
(CHASSIS - BODY - TRIM)

July 2003

**SUPERSEDES**  
March 2003  
ENGLISH



Jeep

CHRYSLER • PLYMOUTH • DODGE • JEEP

**THE MOPAR DIFFERENCE**

## INDEX TO INFORMATION PAGES

The use of this Parts Catalog and the arrangement of information herein is explained in the General Information Section as indexed below.

Abbreviations .....	INF-13
Alphabetic Index .....	INF-10
Body Code Plate Interpretation .....	INF-12
Catalog Groups - Titles & Contents .....	INF-2
How to Use This Catalog and Locate Parts .....	INF-8
Illustration Index .....	INF-10
Illustration Numbering Index .....	INF-9
Index.....	INF-1
Logical Illustration Index.....	INF-3
Logical Illustrations .....	INF-9
Numerical Index .....	INF-10
Page Numbering.....	INF-9
Part Packages .....	INF-10
Standard Parts.....	INF-10
Symbols Used in this Catalog.....	INF-9
VIN Plate Decoding Information .....	INF-11

## CATALOG GROUPS - TITLES & CONTENT

Group	Content
002	Front Suspension & Drive
003	Rear Axle
004	Parking Brake -
005	Service Brakes
006	Clutch
007	Cooling
008	Electrical
009	Engine Mounting
011	Exhaust
013	Frames and Bumpers
014	Fuel
016	Propeller Shafts and U-Joints
017	Rear Suspension
019	Steering
022	Wheels, Covers and Jacks
024	Air Conditioning & Heater
025	Emission Systems
08A	Instrument Panel and Radios and Consoles
2 5L4	Engine 2 5L Four Cylinder
2 5LD	Engine 2 5L Four Cylinder (Turbo Diesel)
21P	Speedometer Pinions
231	Transfer Case Model 231
23D	Wiper/Lock Cylinder and Keys
242	Transfer Case Model 242
30RH	Automatic Transmission 3 Speed
4 0L	Engine 4 0L Six Cylinder
AW4	Automatic Transmission 4 Speed
AX	Manual Transmission 5 Speed
DXJ	Doors and Related Parts
EXJ	Exterior Ornamentation
IXJ	Interior Trim
SXJ	Body Sheet Metal Except Doors

## LOGICAL ILLUSTRATION INDEX

Group	Logical Illustration	Logical Illustration Name
002	100	Front Suspension
002	200	Front Axle Drive Shafts
002	300	Front Axle Housing
002	400	Front Axle Assembly
002	600	Front Axle Differential
003	100	Rear Axle
003	200	Differential and Housing
003	300	Rear Axle Vent
003	400	Rear Axle Shafts
004	100	Parking Brake Lever and Cables
005	100	Front Brakes
005	200	Rear Brakes
005	300	Power Brake Booster
005	400	Brake Master Cylinder
005	500	Brake Lines and Hoses
005	600	Brake Pedals
006	100	Clutch
006	200	Clutch Housing
006	300	Clutch Controls
006	400	Clutch Pedals
007	100	Radiator and Related Parts
007	200	Water Pump and Related Parts
007	300	Tank, Coolant Engine
007	400	Pulleys and Related Parts
007	500	Drive Belts
007	600	Lines, Transmission Oil Cooler
007	700	Grilles
008	100	Starters
008	1000	Battery Tray and Cables
008	1100	Lamps - Front, Rear and Courtesy
008	1200	Wiring-Engine & Related Parts
008	1300	Wiring-Headlamp to Dash
008	1400	Wiring-Instrument Panel

008	1500	Wiring-Body & Accessories
008	1600	Wiring Repair
008	1900	Spark Plugs-Cables-Coils
008	200	Alternators
008	300	Distributor
008	400	Modules
008	500	Relays
008	600	Sensors
008	700	Single Board Engine Controllers
008	800	Switches
008	900	Horns
009	100	Engine Mounting
011	100	Exhaust System
011	200	Heat Shields
013	200	Front Bumper and Fascia
013	300	Rear Bumper and Fascia
013	600	Trailer Tow
014	100	Tank, Fuel
014	1000	Speed Control
014	1100	Accelerator Pedal
014	200	Fuel Tank Filler Tube
014	300	Fuel Lines
014	400	Fuel Rail
014	500	Fuel Pump and Sending Unit
014	600	Throttle Body
014	700	Throttle Controls
014	800	Air Cleaner
014	900	Air Intake System
016	100	Propeller Shaft
017	100	Rear Suspension
019	100	Steering Wheel
019	200	Steering Column
019	300	Steering Gear
019	400	Steering Linkage
019	500	Power Steering Pump
019	700	Power Steering Hoses

022	100	Wheels and Hardware
022	200	Wheel Covers and Center Caps
022	300	Jack Stowage
022	400	Spare Tire Stowage
024	100	Air Conditioner and Heater Units
024	200	Air Conditioner and Heater Plumbing
024	300	Air Conditioner and Heater Controls
024	400	Air Conditioning Compressor
024	500	Air Conditioning Compressor Mounting
024	600	Air Ducts and Outlets
025	100	Emission Labels
025	200	EGR System
025	300	Vacuum Canister
025	400	Emission Harness
08A	100	Instrument Panel
08A	200	Instrument Panel Cluster
08A	300	Radio, Antenna, and Speakers
08A	400	Consoles
2.5L4	200	Cylinder Head
2.5L4	300	Cylinder Block
2.5L4	400	Crankshaft, Piston and Drive Plate
2.5L4	500	Camshafts & Valves
2.5L4	600	Timing Belt and Cover
2.5L4	700	Engine Oiling
2.5L4	800	Manifolds
2.5L4	900	Crankcase Ventilation
2.5LD	200	Cylinder Head
2.5LD	300	Cylinder Block
2.5LD	400	Crankshaft, Piston and Drive Plate
2.5LD	500	Camshafts & Valves
2.5LD	600	Timing Belt and Cover
2.5LD	700	Engine Oiling
2.5LD	800	Manifolds
2.5LD	900	Crankcase Ventilation
21P	100	Speedometer Pinions
231	100	Transfer Case Assembly

231	1200	Gearshift Controls
231	200	Case and Related Parts
231	400	Gear Train
231	900	Fork and Rails
23D	100	Lock Cylinders and Keys
23D	200	Windshield Wiper and Washer Systems
23D	300	Rear Wiper and Washer System
242	100	Transfer Case Assembly
242	1200	Gearshift Controls
242	200	Case and Related Parts
242	400	Gear Train
242	900	Fork and Rails
30RH	100	Transmission Assembly
30RH	1200	Gearshift Controls
30RH	200	Case and Extension
30RH	300	Oil Pump
30RH	400	Gear Train
30RH	500	Bands, Reverse and Kickdown
30RH	600	Governor
30RH	700	Valve Body
4.0L	200	Cylinder Head
4.0L	300	Cylinder Block
4.0L	400	Crankshaft, Piston and Torque Converter
4.0L	500	Camshafts & Valves
4.0L	600	Timing Belt and Cover
4.0L	700	Engine Oiling
4.0L	800	Manifolds
4.0L	900	Crankcase Ventilation
AW4	100	Transmission Assembly
AW4	1200	Gearshift Controls
AW4	200	Case and Extension
AW4	300	Oil Pump
AW4	400	Gear Train
AW4	500	Bands, Reverse and Kickdown
AW4	700	Valve Body
AX	100	Transmission Assembly

AX	1200	Gearshift Controls
AX	200	Case and Extension
AX	400	Gear Train
AX	900	Fork and Rails
DXJ	100	Front Door
DXJ	200	Rear Door
DXJ	500	Exterior Mirror
DXJ	600	Weatherstrips and Seals
EXJ	100	Nameplates
EXJ	200	Moldings and Ornamentation
EXJ	300	Decals and Tapestripes
IXJ	100	Headliner and Visor
IXJ	1000	Lift Gate Trim
IXJ	200	Moldings, Scuff Plates
IXJ	300	Carpet and Tonneau Cover
IXJ	400	Door Trim Panels-Front and Sliding
IXJ	500	Front Seats and Attaching Parts
IXJ	600	Rear Seats and Attaching Parts
IXJ	700	Seat Belts-Front and Rear
IXJ	800	Adjusters, Covers, Shields, and Risers
SXJ	1100	Roof Panels
SXJ	1300	Liftgate Panel
SXJ	1600	Luggage Rack
SXJ	200	Floor Pans
SXJ	300	Plugs
SXJ	400	Front Fenders
SXJ	500	Hood & Hood Release
SXJ	600	Cowl and Dash Panel
SXJ	700	Glass and Rear View Mirror
SXJ	800	Aperture Panel
SXJ	900	Quarter Panel and Pillar



## HOW TO USE THIS CATALOG AND LOCATE PARTS

**This Catalog is divided into Part Groups in which illustrations for parts of a similar function and/or location are published. The Group contents listing on the next page shows the type of parts contained in each group. Tabs are provided or available to separate each group.**

Several methods may be used to locate a specific part.

**Option 1:** From the Group Contents listing Select the group which would most logically contain the part to be found. Open the catalog to the beginning of that group. The first page of the group will contain the part. Turn to the selected illustration and locate the part by reviewing the illustration item numbers and associated text information following the illustration.

**Option 2:** If the "noun" name of the part you seek is known, an alphabetical index of Nouns and illustration titles is provided to assist in finding the part. Several keys may be found in this index.

RESERVOIR, Power Steering Oil Pump Group 19	Group Reference
ALTERNATOR All Engines 8-210	Illustration Reference
BELT, Front Seat Imdl/710/3	Illustration/Item Reference

Group by Model _____	}
Illustration Number _____	
Item _____	

**Option 3:** If the part number is known but the applications need to be determined, refer to the numerical index. This index shows the group, illustration number and each part listed in the catalog. Multiple references mean the part is listed more than once.

**Option 4:** Other options such as group identifiers exist in these catalogs. For Example, Group 23 Body has been broken in sections, i.e. 23A Sheet Metal now is S(model code). Example: SGS for model GS. Group 23C Doors now is D(model code) ex DGS. Group 23 Exterior Ornamentation now is E(model code). This same logic applies to the Interior Trim Section (ex. IGS).

The Group 9 Engine sections in prior parts catalogs had been numbered 9A, 9B, 9C, etc. There was no real meaning to this numbering scheme. In this new MACS produced catalog the group numbering scheme is as follows: 2.5LD means 2.5 Liter Diesel Engine; 2.0L means 2.0 Liter Four Cylinder Gas Engine, 3.3L6T means 3.3 Liter Six Cylinder Transverse Mounted Engine; and 3.8L means 3.8 Liter Six Cylinder Engine. Also note that Engine Mounting parts are located in Group 9.

## PAGE NUMBERING

Two-part page numbers are used throughout this catalog. The first part of the page designation indicates one major group or section. The second part indicates the actual page number in the group. For example:

2-1 indicates Group 2, Front Suspension, Page 1  
 3-4 indicates Group 3, Axle Rear, Page 4

In the maintenance of the Loose Leaf Parts Catalog Revision Service, it may become necessary to add information beyond the capacity of the page. In this event, an "A" page will be used. For example, if it becomes necessary, because of change, to add several part numbers to page 2-1 and space does not permit the addition, you will be given Page 2-1A. Page 2-1A should be filed immediately following Page 2-1.

Figure and Item Numbers are also commonly used to identify locations in the Catalog, ie, 14-910/8 refers to Group 14, illustration 910, Item Number 8. Illustration Numbers are always ascending sequential within the Groups.

## SYMBOLS USED IN THIS CATALOG

The Following symbols are commonly used with Part Number and Quantity information in this Catalog:

AR - Indicates the quantity required may vary or is to be determined by the user

PAR - Indicates "Paint As Required"

BLANK - Indicates "All Condition"

- = "Not Illustrated"

## LOGICAL ILLUSTRATIONS

Refer to Illustration in front of each group. This will give assistance to as how each group is broken down and what Specific Illustration should be referenced.

## ILLUSTRATION NUMBERING INDEX

Illustration numbers in this Catalog are Group standards. This indicates group and consistent content. EXAMPLE 8-100 is a Logical Illustration for Starters. 8-101 to 8-199 are Specific Illustrations used for Starters for all Catalogs. 8-200 will contain Alternators for all Catalogs and so on. Always refer to group index in front of each group.

## ILLUSTRATION INDEX

This index is a compilation of catalog parts description data with reference to illustrations, figures and key numbers as shown.

Fender 1e, Model . . .Group: S(Model) . . .Illustration 410  
(Fender is located in Sheet Metal Section (S) in Illustration 410)

The first page of each group contains a listing of all illustrations and group breakdown within that group  
Also refer to illustrations alphabetically listed in information section

## ALPHABETIC INDEX

This index is a compilation of catalog parts description data with a reference to the location of the item by Group, Figure, and Key Number as shown in the following example:

Housing, w/Pump. . .Group 7 Illustration 210 Item 10  
(Housing, w/Pump. . . 7-210/10)

The index will be expanded progressively as data is added to computer files. To locate a part by name refer to the Alphabetical Index. This index indicates the group and illustration and item number where the part is located. Alphabetical Index can be found in INF section of this Catalog.

## NUMERICAL INDEX

A listing of Part Numbers contained in the catalog. The numbers are in numerical sequence with reference to the group and Illustration and item number where the part is located

## PARTS PACKAGES

Service Parts Packages, containing all parts needed for specific service operation, are listed in their respective groups with related parts. The listing will show adaptability and model application.

## STANDARD PARTS

Important attaching standard parts such as bolts, nuts, etc, are generally listed in the text of the respective major parts groups

## VIN PLATE DECODING INFORMATION

<b>1</b>	<b>2</b>	<b>3</b>	<b>4</b>	<b>5</b>	<b>6</b>	<b>7</b>	<b>8</b>	<b>9</b>	<b>10</b>	<b>11</b>	<b>12 thru 17</b>
Country	Make	Vehicle Type	Other	Line	Series	Body Style	Engine	Check Digit	Model Year	Assy. Plant	Sequence No.

The following table interprets the VIN Plate positions shown above.

Position	Interpretation	Codes = Description
1	Country of Origin	1 = U S
2	Make	J = Jeep
3	Vehicle type	4 = MPV
4	GVWR & Pass Safety	D=0-1360 kg (0-3000 lbs) E=1361-1814 kg (3001-4000 lbs) F=1815-2267 kg (4001-5000 lbs) G=2268-2721 kg (5001-6000 lbs) H=2722-3175 kg (6001-7000 lbs) J=3176-3628 kg (7001-8000 lbs) K=3629-4082 kg (8001-9000 lbs) L=4083-4535 kg (9001-10000 lbs) M=4536-6350 kg (10001-14000 lbs)
5	Vehicle Line	J = Cherokee 4x4 (LHD),(RHD) N = Cherokee 4x4 (RHD) B = Cherokee 4x2 (RHD) T = Cherokee 4x2 (LHD)
6	Series	2 = SE 6 = Sport 7 = Country
7	Body Style	7 = 2 Dr Sport Utility 8 = 4 Dr Sport Utility
8	Engine	P = 2.5L Gas Unleaded (EPE) S = 4.0L Gas Unleaded (ERH) M = 2.5L Diesel (ENC) H = 2.5L Gas Leaded (EPE) V = 4.0L Leaded (ERH)
9	Check Digit	
10	Model Year	V = 1997, W = 1998, X = 1999
11	Assembly Plant	L = Toledo #1
12 thru 17	Vehicle Build Sequence	Model Year Assembly Sequence

## BODY CODE PLATE INTERPRETATION

The Body Code Plate is located on the Left Front Side Shield or Wheel Housing or the Upper Radiator Support. The Plate contains 7 rows of data. The bottom 3 rows are reserved for the specific information as depicted below. Starting at the fourth row (following the reserved portion), other Sales Codes used to build a specific vehicle are listed in the ascending order by ALPHA sequence.

1	2	3	4	5	6	7	8	9	10	11	12	13	14	15	16	17	18	19	20	21
22	23	24	25	26	27	28	29	30	31	32	33	34	35	36	37	38	39			
40	41	42	43	44	45	46	47	48	49	50	51	52	53	54	55	56	57	58	59	60

1-12	VEHICLE ORDER NUMBER
13-15	VINYL ROOF CODE/DOOR COMBO CODES
16-18	VEHICLE SHELL CAR LINE
19	PRICE CLASS
20-21	BODY TYPE
22-24	PAINT PROCEDURE
25-28	PRIMARY PAINT
29-32	SECONDARY PAINT
33-36	INTERIOR TRIM CODE
37-39	ENGINE CODES
40-42	TRANSMISSION CODES
43	MARKET CODES
44-46	VEHICLE IDENTIFICATION NUMBER (VIN) For definition of the Elements and the individual position see Vin Plate Defined

## ABBREVIATIONS

A/C	Air Conditioner
ABS	Anti-Lock Brakes System
AR	As Required
ATC	Automatic Temperature Control
AWD	All Wheel Drive
BUX	Built Up Export
CV	Constant Velocity
DOHC	Dual (or Double) OverHead Cam
EFI	Electronic Fuel Injection
EGR	Exhaust Gas Recirculation
ECU	Electronic Control Unit
FWD	Front Wheel Drive
HEX	HEXagon
HCU	Hydraulic Control Unit
I/D	Inside Diameter
L	Liter
LED	Light Emitting Diode
MAP	Manifold Absolute Pressure
MPH	Miles Per Hour
O/D	Outside Diameter
P/S	Power Steering
PSI	Pounds per Square Inch
PSF	Pounds per Square Foot
PRNODL	Park, Reverse, Neutral, Overdrive, Drive, Low
PRNDL	Park, Reverse, Neutral, Drive, Low
PTO	Power Take Off
RFI	Radio Frequency Interference
RPM	Revolutions Per Minute
RTV	Room Temperature Vulcanizer (sealant)
T/BODY	Throttle BODY
U/BODY	Under BODY
SOHC	Single OverHead Cam
PAR	Paint As Required

# Group – 002

## Front Suspension & Drive

### GROUP 2 - Front Suspension & Drive

Illustration Title

Group-Fig. No.

#### Front Suspension

Arms,Control,Upper and Lower 1997 XJ .....	Fig. 002-110
Arms,Control,Upper and Lower 1998 XJ .....	Fig. 002-110
Arms,Control,Upper and Lower 1999 XJ .....	Fig. 002-110
Springs and Shocks,Front 1997 XJ .....	Fig. 002-120
Spring and Shocks,Front 1998 XJ .....	Fig. 002-120
Spring and Shocks,Front 1999 XJ .....	Fig. 002-120
Front Stabilizer Bar and Track Bar 1997 XJ .....	Fig. 002-130
Front Stabilizer Bar and Track Bar 1998 XJ .....	Fig. 002-130
Front Stabilizer Bar and Track Bar 1999 XJ .....	Fig. 002-130

#### Front Axle Drive Shafts

Shafts, Front Axle 1997 XJ .....	Fig. 002-210
Shafts,Front Axle 1998 XJ .....	Fig. 002-210
Shafts,Front Axle 1999 XJ .....	Fig. 002-210

#### Front Axle Housing

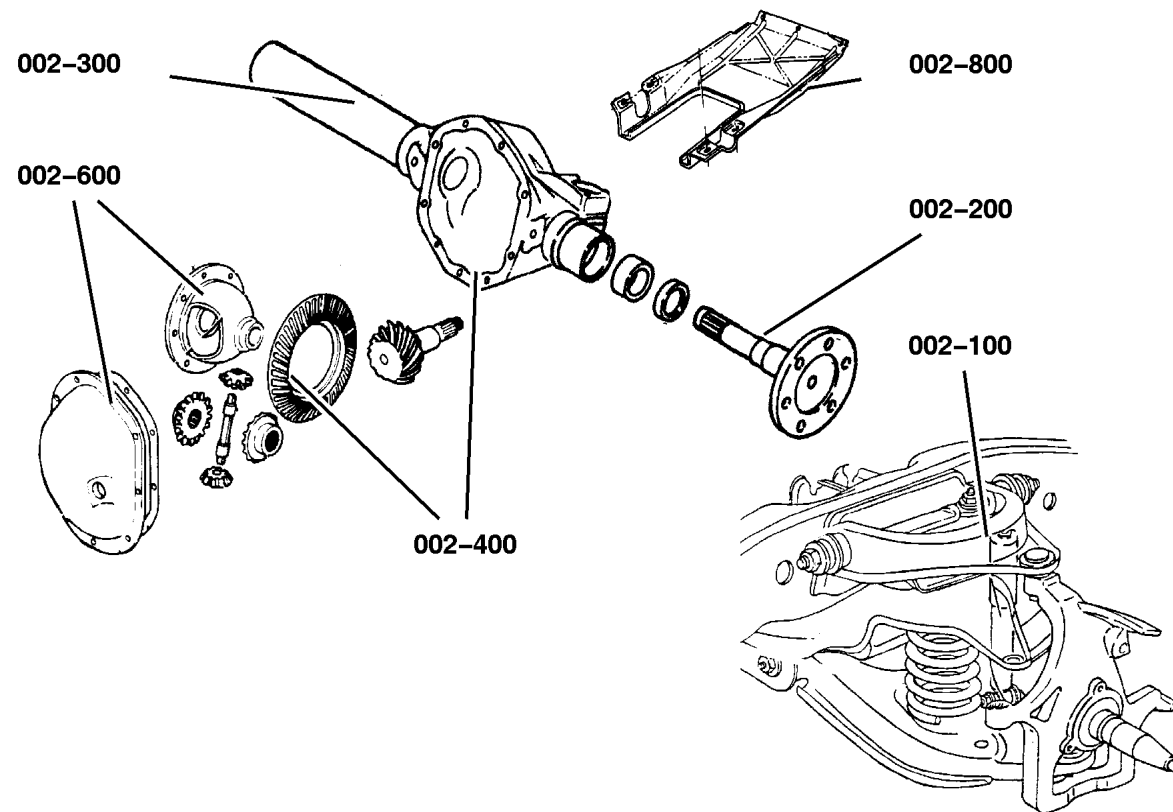
Housing,Front Axle,2 Wheel Drive 1997 XJ .....	Fig. 002-310
Housing,Front Axle,2 Wheel Drive 1998 XJ .....	Fig. 002-310
Housing,Front Axle,2 Wheel Drive 1999 XJ .....	Fig. 002-310
Housing,Front Axle,4 Wheel Drive 1997 XJ .....	Fig. 002-320
Housing,Front Axle,4 Wheel Drive 1998 XJ .....	Fig. 002-320
Housing,Front Axle,4 Wheel Drive 1999 XJ .....	Fig. 002-320

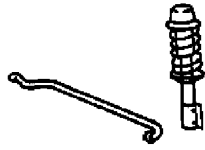
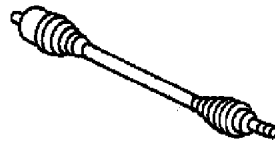
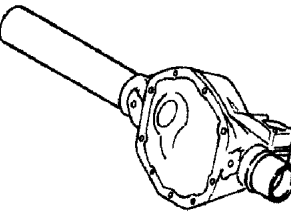
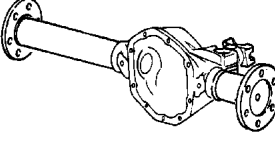
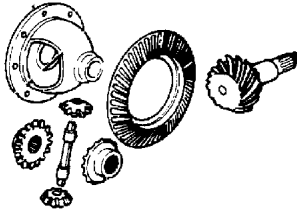
#### Front Axle Assembly

Axle Assembly,Front,4 Wheel Drive 1997 XJ .....	Fig. 002-410
Axle Assembly, Front 4 Wheel Drive 1998 XJ .....	Fig. 002-410
Axle Assembly, Front 4 Wheel Drive 1999 XJ .....	Fig. 002-410

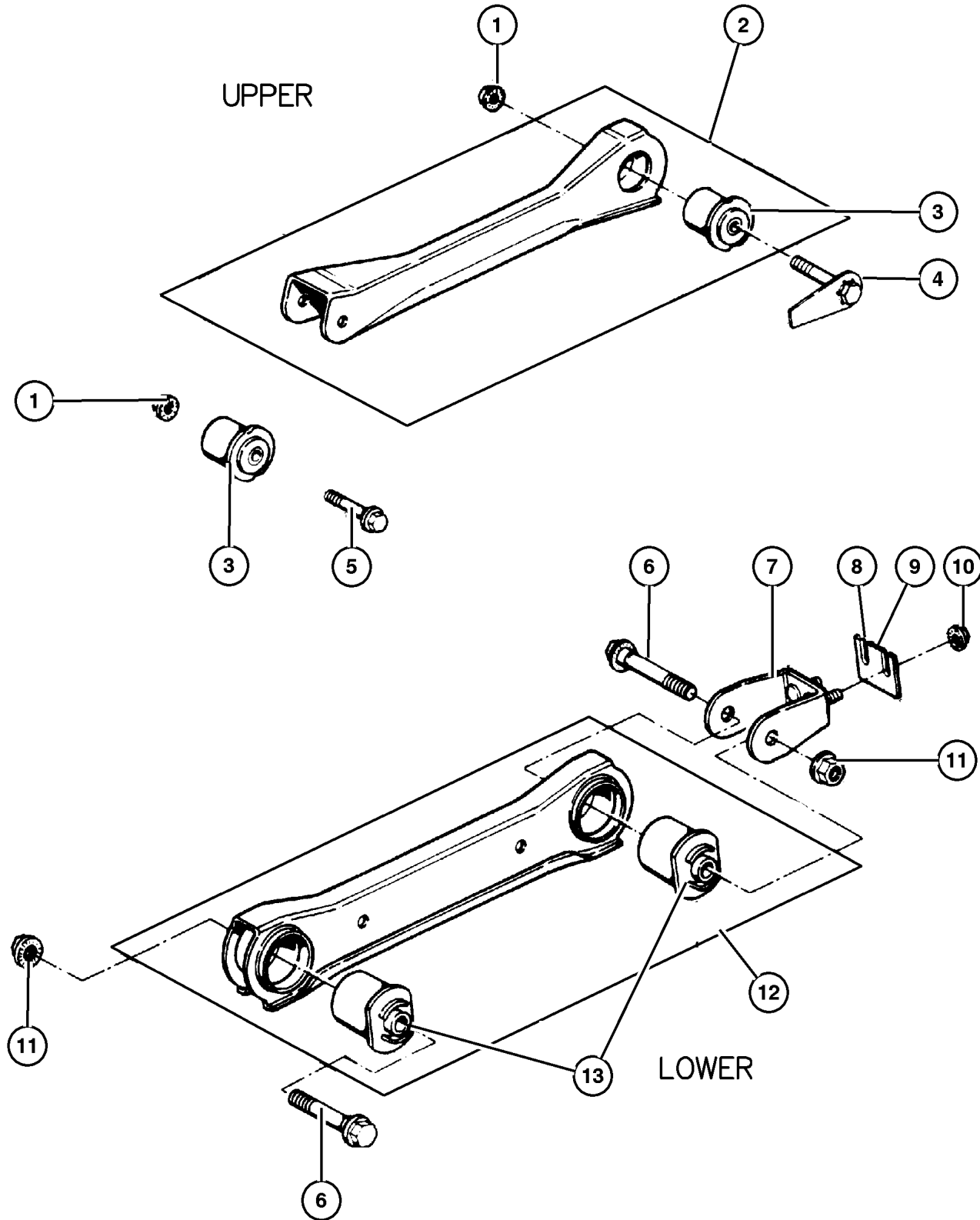
#### Front Axle Differential

Differential,Front Axle 1997 XJ .....	Fig. 002-610
Differential,Front Axle 1998 XJ .....	Fig. 002-610
Differential,Front Axle 1999 XJ .....	Fig. 002-610



<p><b>002-100</b> Front Suspension</p> 	<p><b>002-200</b> Front Axle Drive Shafts</p> 	<p><b>002-300</b> Front Axle Housing</p> 	<p><b>002-400</b> Front Axle Assembly</p> 
<p><b>002-600</b> Front Axle Differential</p> 			

Arms,Control,Upper and Lower 1997 XJ  
Figure 002-110



ITEM	PART NUMBER	QTY	LINE	SERIES	BODY	ENGINE	TRANS	TRIM	DESCRIPTION
1	1150 6007	4							NUT, Hex Flange, M10x1.5, UCA to Sill and Axle, Mounting
2	5208 7710	2							ARM, Control, Upper
3	5203 8025	2							BUSHING, Control Arm, UCA to Sill and Axle
4	6505 153AA	2							BOLT, M10x1.50x85, UCA to Sill, Mounting
5	6505 154AA	2							BOLT, UCA to Axle, Mounting
6	3420 1334	4							BOLT, Hex Flange Head, M14x2.00x110, LCA to Clevis and Axle, Mounting
7	5200 0532	2							CLEVIS, Lower Suspension Arm, To Sill
8	5200 0234	AR							SHIM, Control Arm, Caster and Pinion Angle Adjusting-.9mm Thick
9	5200 3976	AR							SHIM, Pinion Angle, Caster and Pinion Angle Adjusting-.4mm Thick
10	6101 695	4							NUT, Hex Flange Lock, Clevis to Sill, Mounting
11	1150 2814	4							NUT, Hex Flange Lock, M14x2, LCA to Clevis and Axle, Mounting
12	5200 1162	2							ARM, Control, Lower
13	5200 1161	4							BUSHING, Control Arm, Lower

JEEP CHEROKEE (XJ)

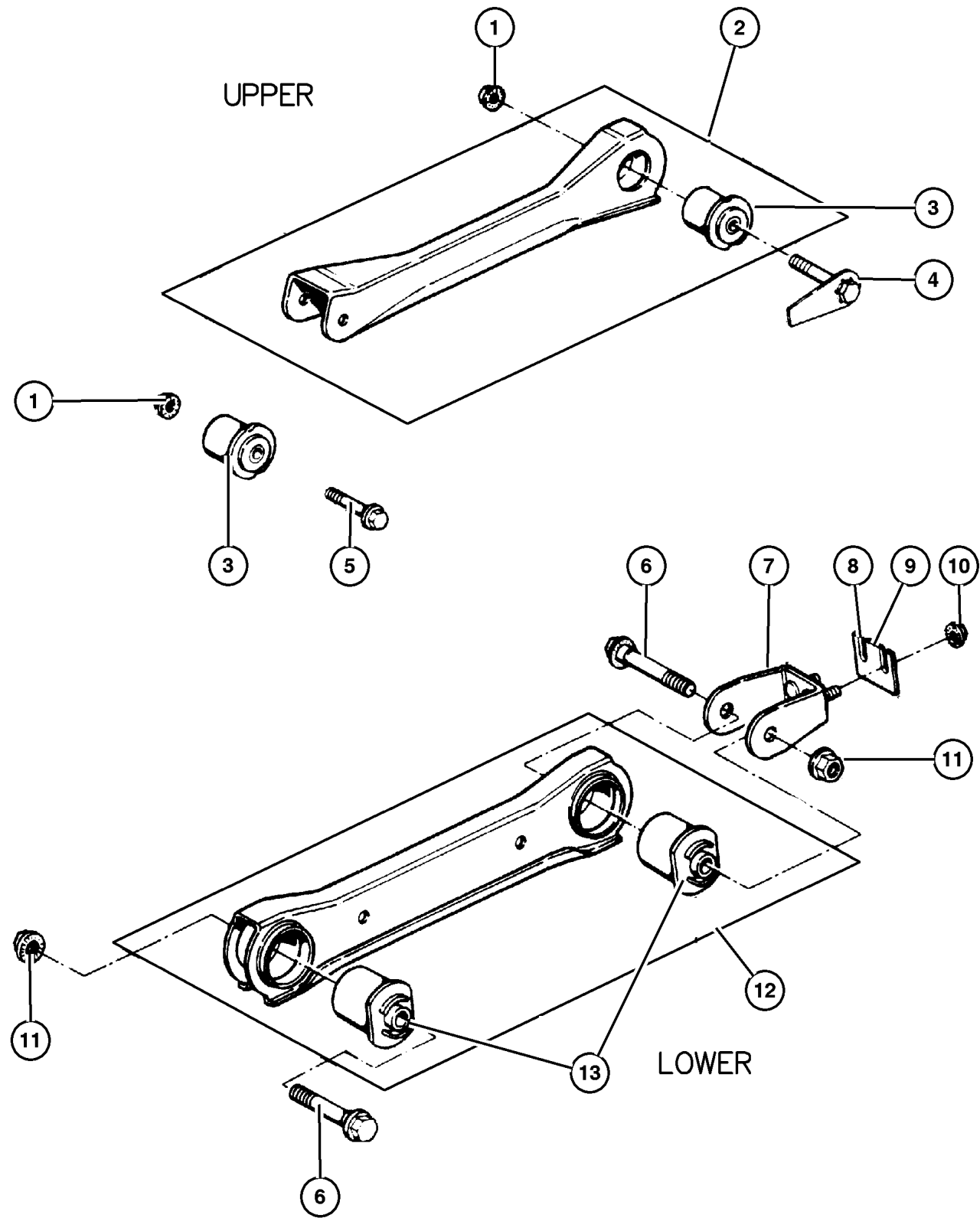
SERIES	LINE	BODY	ENGINE	TRANSMISSION
L=Low Line	J=LHD (4WD) U=RHD (4WD) T=LHD (2WD) B=RHD (2WD)	74=4 DR. (101.4 WB) 72=2 DR. (101.4 WB)	ENC,EN0=2.5L 4 cyl. Turbo Die ERH,ER0=4.0L Power Tech I-6 EPE,EP0=Magnum 2.5L SMPI	DDQ=5Spd Man. DGS=4 Spd. Auto. AISIN DG0=All Auto Trans DBB=All Manual Trans.

AR = Use as required - = Non illustrated part # = New this model year

July 4, 2003

Arms,Control,Upper and Lower 1998 XJ  
Figure 002-110

ITEM	PART NUMBER	QTY	LINE	SERIES	BODY	ENGINE	TRANS	TRIM	DESCRIPTION
1	1150 6007	4							NUT, Hex Flange, M10x1.5, UCA to Sill and Axle, Mounting
2	5208 7710	2							ARM, Control, Upper
3	5203 8025	2							BUSHING, Control Arm, UCA to Sill and Axle
4	6505 153AA	2							BOLT, M10x1.50x85, UCA to Sill, Mounting
5	6505 154AA	2							BOLT, UCA to Axle, Mounting
6	3420 1334	4							BOLT, Hex Flange Head, M14x2.00x110, LCA to Clevis and Axle, Mounting
7	5200 0532	2							CLEVIS, Lower Suspension Arm, To Sill
8	5200 0234	AR							SHIM, Control Arm, Caster and Pinion Angle Adjusting-.9mm Thick
9	5200 3976	AR							SHIM, Pinion Angle, Caster and Pinion Angle Adjusting-.4mm Thick
10	6101 695	4							NUT, Hex Flange Lock, Clevis to Sill, Mounting
11	1150 2814	4							NUT, Hex Flange Lock, M14x2, LCA to Clevis and Axle, Mounting
12	5200 1162	2							ARM, Control, Lower
13	5200 1161	4							BUSHING, Control Arm, Lower



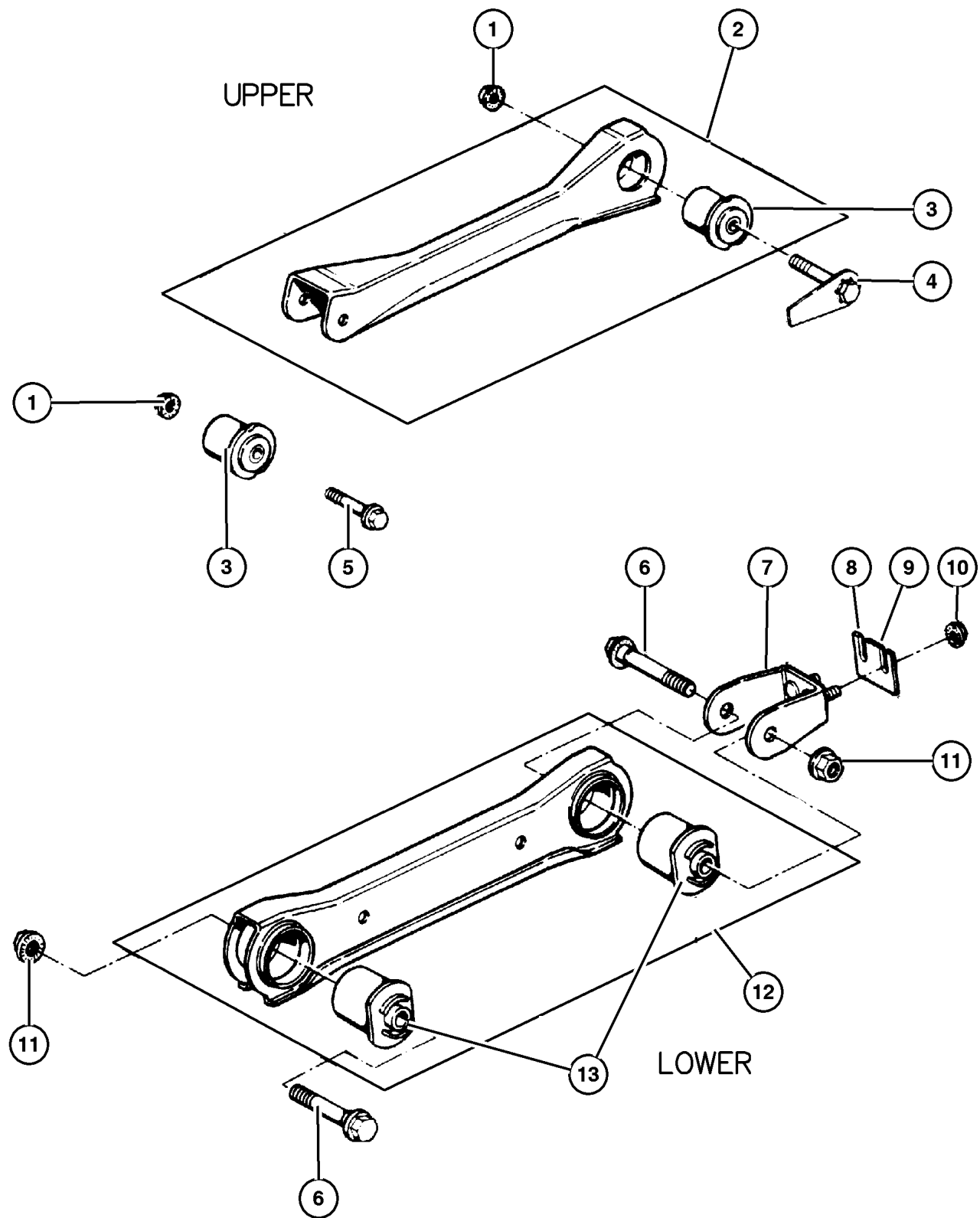
JEEP CHEROKEE (XJ)				
SERIES	LINE	BODY	ENGINE	TRANSMISSION
L=Low Line	J=LHD (4WD) U=RHD (4WD) T=LHD (2WD) B=RHD (2WD)	74=4 DR. (101.4 WB) 72=2 DR. (101.4 WB)	ENC,EN0=2.5L 4 cyl. Turbo Die ERH,ER0=4.0L Power Tech I-6 EPE,EP0=Magnum 2.5L SMPI	DDQ=5Spd Man. DGS=4 Spd. Auto. AISIN DG0=All Auto Trans DBB=All Manual Trans.

AR = Use as required - = Non illustrated part # = New this model year

July 4, 2003

**Arms,Control,Upper and Lower 1999 XJ**  
**Figure 002-110**

ITEM	PART NUMBER	QTY	LINE	SERIES	BODY	ENGINE	TRANS	TRIM	DESCRIPTION
1	1150 6007	2							NUT, Hex Flange, M10x1.5, UCA to Sill and Axle, Mounting
2	5208 7710	2							ARM, Control, Upper
3	5203 8025	2							BUSHING, Control Arm, UCA to Sill and Axle
4	6505 153AA	2							BOLT, M10x1.50x85, UCA to Sill, Mounting
5	6505 154AA	2							BOLT, UCA to Axle, Mounting
6	3420 1334	4							BOLT, Hex Flange Head, M14x2.00x110, LCA to Clevis and Axle, Mounting
7	5200 0532	2							CLEVIS, Lower Suspension Arm, To Sill
8	5200 0234	AR							SHIM, Control Arm, Caster and Pinion Angle Adjusting-.9mm Thick
9	5200 3976	AR							SHIM, Pinion Angle, Caster and Pinion Angle Adjusting-.4mm Thick
10	6101 695	4							NUT, Hex Flange Lock, Clevis to Sill, Mounting
11	1150 2814	4							NUT, Hex Flange Lock, M14x2, LCA to Clevis and Axle, Mounting
12	5200 1162	2							ARM, Control, Lower
13	5200 1161	4							BUSHING, Control Arm, Lower

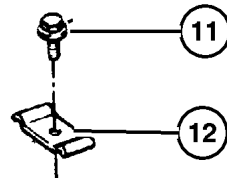
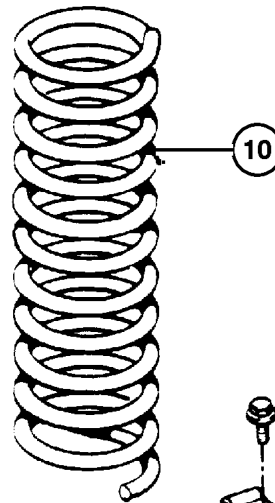
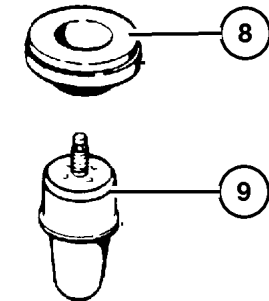
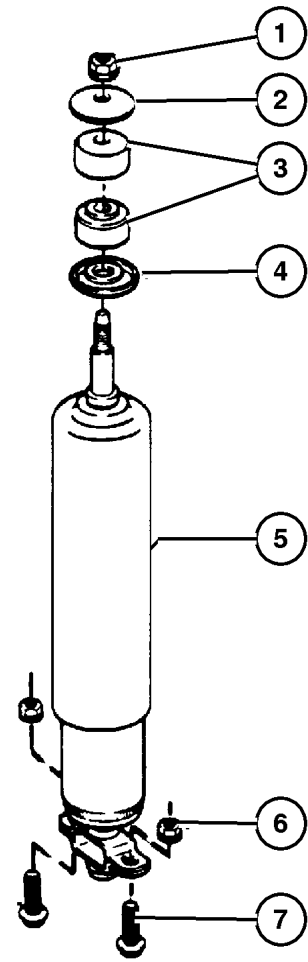


<b>JEEP CHEROKEE (XJ)</b>				
SERIES	LINE	BODY	ENGINE	TRANSMISSION
L=Low Line	J=LHD (4WD) U=RHD (4WD) T=LHD (2WD) B=RHD (2WD)	74=4 DR. (101.4 WB) 72=2 DR. (101.4 WB)	ENC,EN0=2.5L 4 cyl. Turbo Die ERH,ER0=4.0L Power Tech I-6 EPE,EP0=Magnum 2.5L SMPI	DDQ=5Spd Man. DGS=4 Spd. Auto. AISIN DG0=All Auto Trans DBB=All Manual Trans.

AR = Use as required - = Non illustrated part # = New this model year

July 4, 2003

**Springs and Shocks,Front 1997 XJ**  
**Figure 002-120**



ITEM	PART NUMBER	QTY	LINE	SERIES	BODY	ENGINE	TRANS	TRIM	DESCRIPTION
Note:Sales Codes;									
[SDA]=Suspension - Normal Duty									
[SDB]=Suspension - Heavy Duty									
[SDU]=Shocks - High Pressure Gas Charged									
[ZFD] Thru [ZVJ]= Spring Group Types, Found on Individual Vehicle Sales Code Listing.									
1	6502 556	2							NUT, Hex, M10-1.5, Upper Shock, Mounting
2	5203 8805	2							RETAINER, Shock Absorber, Upper Shock, Mounting
3	5208 7768	2							GROMMET, Shock Absorber, Upper Shock, Mounting
4	5203 8809	2							RETAINER, Shock Absorber, Lower Shock, Mounting
5									SHOCK ABSORBER PACKAGE, Suspension, Front
	4897 413AA	2							[SDA]
	4897 414AA	2							[SDB]
	4897 412AA	2	J, U						[SDU]
6	6101 695	4							NUT, Hex Flange Lock, Lower Shock, Mounting
7	6502 555	4							BOLT, M8x1.25x30, Lower Shock, Mounting
8	5200 0229	2							ISOLATOR, Spring, Upper
9	5200 4295	2							BUMPER, Jounce, Upper
10									SPRING, Front Coil
	5200 1113	1							[ZUD,ZFD]
	5200 1122	1							[ZVF,ZGF]
	5200 1123	1							[ZVG,ZGG]
	5200 1124	1							[ZVH,ZGH]
	5200 1125	1							[ZVJ,ZGJ]
	5200 1793	1							[ZVK,ZGK]
	5200 1794	1							[ZVL,ZGL]
	5200 1114	1							[ZUE,ZFE]
	5200 1115	1							[ZUF,ZFF]
	5200 1116	1							[ZUG,ZFG]
	5200 1117	1							[ZUH,ZFH]
	5200 1118	1							[ZUJ,ZFJ]
	5200 1119	1							[ZUK,ZFK]
	5200 1120	1							[ZVD,ZGD]
	5200 1121	1							[ZVE,ZGE]
11	3420 1888	2							SCREW, Hex Head, Lower Front Coil, Mounting

**JEEP CHEROKEE (XJ)**

SERIES	LINE	BODY	ENGINE	TRANSMISSION
L=Low Line	J=LHD (4WD) U=RHD (4WD) T=LHD (2WD) B=RHD (2WD)	74=4 DR. (101.4 WB) 72=2 DR. (101.4 WB)	ENC,EN0=2.5L 4 cyl. Turbo Die ERH,ER0=4.0L Power Tech I-6 EPE,EP0=Magnum 2.5L SMPI	DDQ=5Spd Man. DGS=4 Spd. Auto. AISIN DG0=All Auto Trans DBB=All Manual Trans.

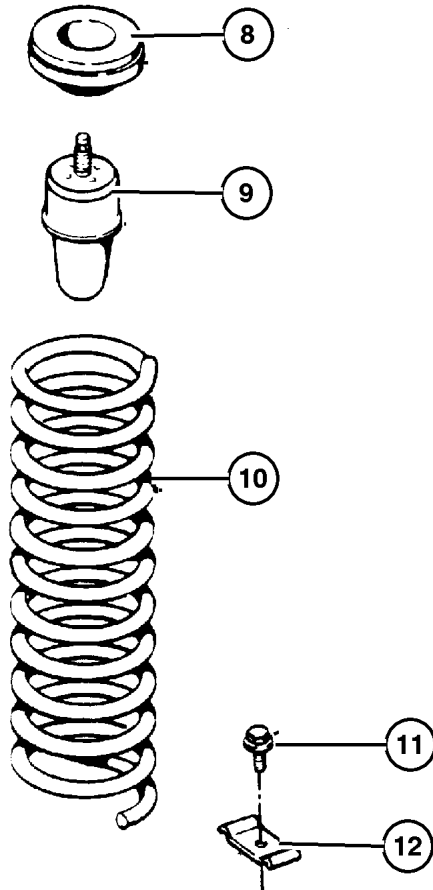
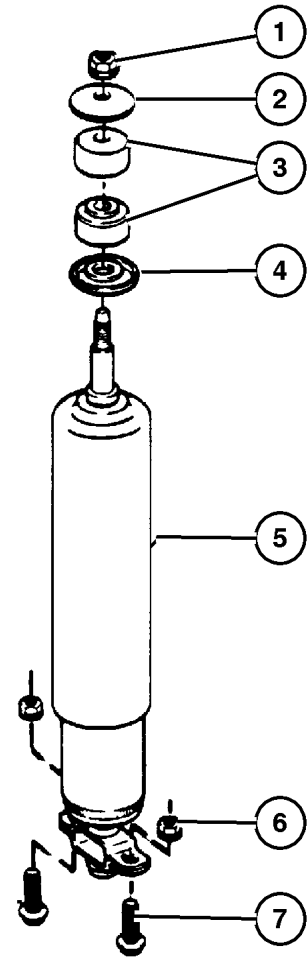
AR = Use as required - = Non illustrated part # = New this model year

July 4, 2003





## Spring and Shocks, Front 1998 XJ Figure 002-120



ITEM	PART NUMBER	QTY	LINE	SERIES	BODY	ENGINE	TRANS	TRIM	DESCRIPTION
Note: Sales Codes;									
[SDA]=Suspension - Normal Duty									
[SDB]=Suspension - Heavy Duty									
[SDU]=Shocks - High Pressure Gas Charged									
[ZFD] Thru [ZVJ]= Spring Group Types, Found on Individual Vehicle Sales Code Listing.									
1	6502 556	2							NUT, Hex, M10-1.5, Upper Shock, Mounting
2	5203 8805	2							RETAINER, Shock Absorber, Upper Shock, Mounting
3	5208 7768	2							GROMMET, Shock Absorber, Upper Shock, Mounting
4	5203 8809	2							RETAINER, Shock Absorber, Lower Shock, Mounting
5									SHOCK ABSORBER PACKAGE, Suspension, Front
	4897 413AA	2							[SDA]
	4897 414AA	2							[SDB]
	4897 412AA	2	J, U						[SDU]
6	6101 695	4							NUT, Hex Flange Lock, Lower Shock, Mounting
7	6502 555	4							BOLT, M8x1.25x30, Lower Shock, Mounting
8	5200 0229	2							ISOLATOR, Spring, Upper
9	5200 4295	2							BUMPER, Jounce, Upper
10									SPRING, Front Coil
	5200 1113	1							[ZUD,ZFD]
	5200 1122	1							[ZVF,ZGF]
	5200 1123	1							[ZVG,ZGG]
	5200 1124	1							[ZVH,ZGH]
	5200 1125	1							[ZVJ,ZGJ]
	5200 1793	1							[ZVK,ZGK]
	5200 1794	1							[ZVL,ZGL]
	5200 1114	1							[ZUE,ZFE]
	5200 1115	1							[ZUF,ZFF]
	5200 1116	1							[ZUG,ZFG]
	5200 1117	1							[ZUH,ZFH]
	5200 1118	1							[ZUJ,ZFJ]
	5200 1119	1							[ZUK,ZFK]
	5200 1120	1							[ZVD,ZGD]
	5200 1121	1							[ZVE,ZGE]
11	3420 1888	2							SCREW, Hex Head, Lower Front Coil, Mounting

### JEEP CHEROKEE (XJ)

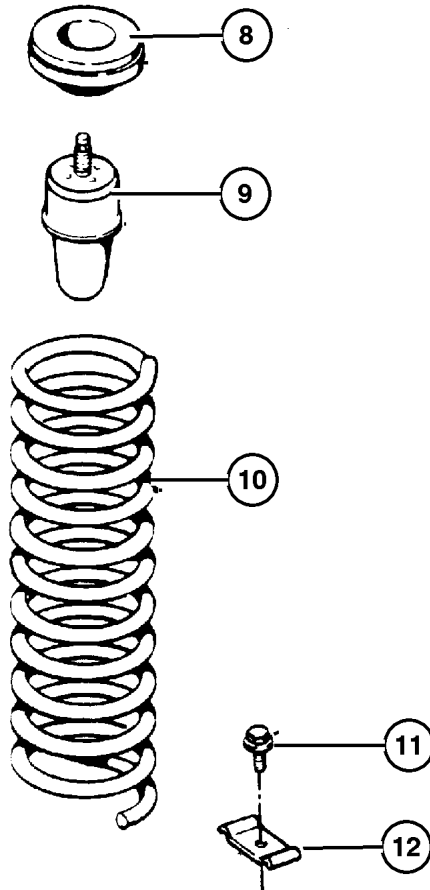
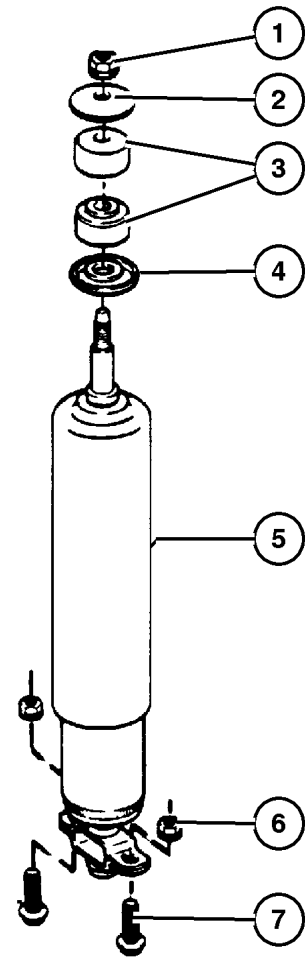
SERIES	LINE	BODY	ENGINE	TRANSMISSION
L=Low Line	J=LHD (4WD) U=RHD (4WD) T=LHD (2WD) B=RHD (2WD)	74=4 DR. (101.4 WB) 72=2 DR. (101.4 WB)	ENC,EN0=2.5L 4 cyl. Turbo Die ERH,ER0=4.0L Power Tech I-6 EPE,EP0=Magnum 2.5L SMPI	DDQ=5Spd Man. DGS=4 Spd. Auto. AISIN DG0=All Auto Trans DBB=All Manual Trans.

AR = Use as required - = Non illustrated part # = New this model year

July 4, 2003



## Spring and Shocks,Front 1999 XJ Figure 002-120



ITEM	PART NUMBER	QTY	LINE	SERIES	BODY	ENGINE	TRANS	TRIM	DESCRIPTION
Note:Sales Codes;									
[SDA]=Suspension - Normal Duty									
[SDB]=Suspension - Heavy Duty									
[SDU]=Shocks - High Pressure Gas Charged									
[ZFD] Thru [ZVJ]= Spring Group Types, Found on Individual Vehicle Sales Code Listing.									
1	6502 556	2							NUT, Hex, M10-1.5, Upper Shock, Mounting
2	5203 8805	2							RETAINER, Shock Absorber, Upper Shock, Mounting
3	5208 7768	2							GROMMET, Shock Absorber, Upper Shock, Mounting
4	5203 8809	2							RETAINER, Shock Absorber, Lower Shock, Mounting
5									SHOCK ABSORBER PACKAGE, Suspension, Front
	#4897 413AD	2							[SDA]
	#4897 414AD	2							[SDB]
	#4897 412AD	2		J, U					[SDU]
6	6101 695	4							NUT, Hex Flange Lock, Lower Shock, Mounting
7	6502 555	4							BOLT, M8x1.25x30, Lower Shock, Mounting
8	5200 0229	2							ISOLATOR, Spring, Upper
9	5200 4295	2							BUMPER, Jounce, Upper
10									SPRING, Front Coil
	5200 1113	1							[ZUD,ZFD]
	5200 1122	1							[ZVF,ZGF]
	5200 1123	1							[ZVG,ZGG]
	5200 1124	1							[ZVH,ZGH]
	5200 1125	1							[ZVJ,ZGJ]
	5200 1793	1							[ZVK,ZGK]
	5200 1794	1							[ZVL,ZGL]
	5200 1114	1							[ZUE,ZFE]
	5200 1115	1							[ZUF,ZFF]
	5200 1116	1							[ZUG,ZFG]
	5200 1117	1							[ZUH,ZFH]
	5200 1118	1							[ZUJ,ZFJ]
	5200 1119	1							[ZUK,ZFK]
	5200 1120	1							[ZVD,ZGD]
	5200 1121	1							[ZVE,ZGE]
11	3420 1888	2							SCREW, Hex Head, Lower Front Coil, Mounting

### JEEP CHEROKEE (XJ)

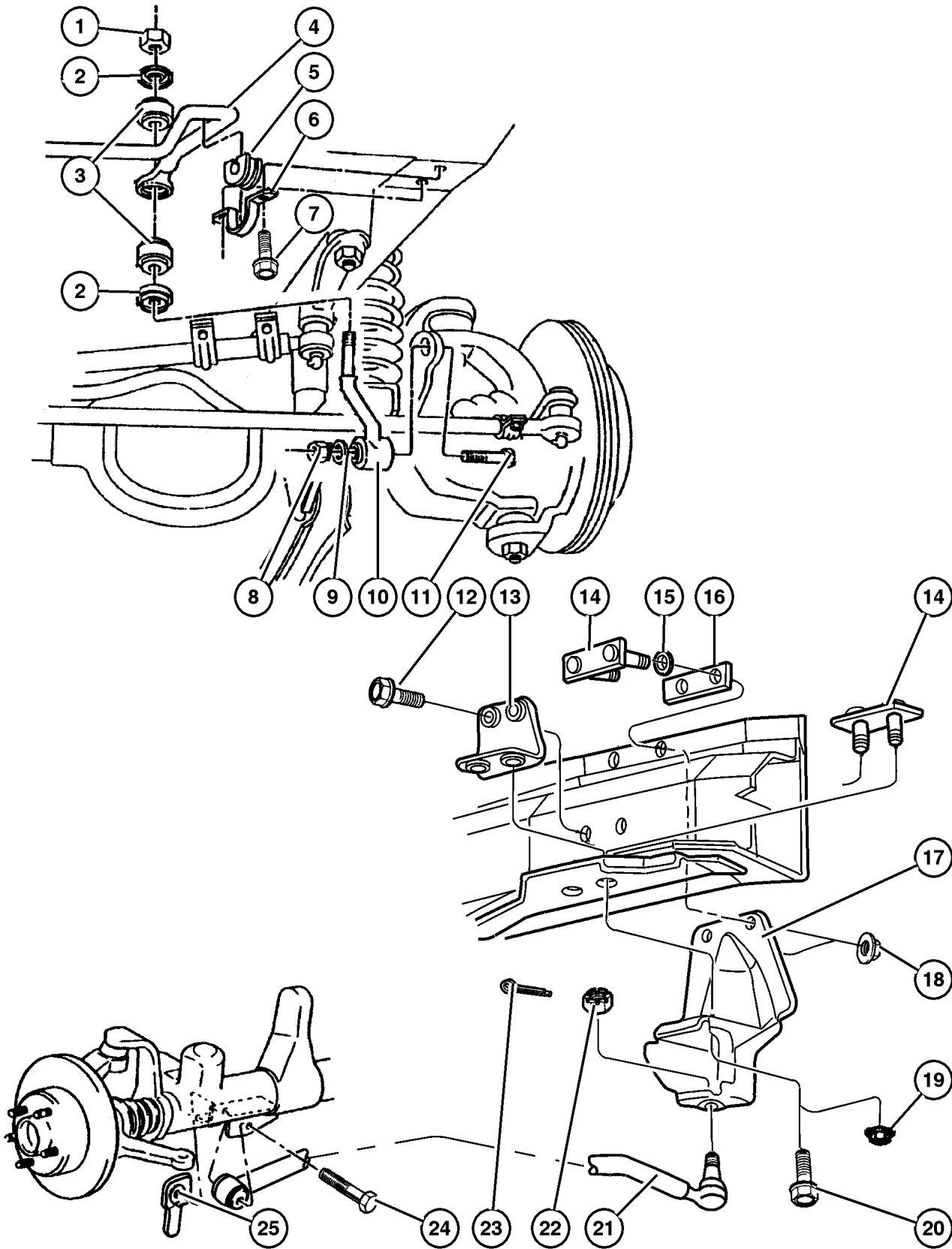
SERIES	LINE	BODY	ENGINE	TRANSMISSION
L=Low Line	J=LHD (4WD) U=RHD (4WD) T=LHD (2WD) B=RHD (2WD)	74=4 DR. (101.4 WB) 72=2 DR. (101.4 WB)	ENC,EN0=2.5L 4 cyl. Turbo Die ERH,ER0=4.0L Power Tech I-6 EPE,EP0=Magnum 2.5L SMPI	DDQ=5Spd Man. DGS=4 Spd. Auto. AISIN DG0=All Auto Trans DBB=All Manual Trans.

AR = Use as required - = Non illustrated part # = New this model year

July 4, 2003



**Front Stabilizer Bar and Track Bar 1997 XJ**  
**Figure 002-130**



ITEM	PART NUMBER	QTY	LINE	SERIES	BODY	ENGINE	TRANS	TRIM	DESCRIPTION
Note; Sales Codes;									
[ENC]=Engine - 2.5L Diesel									
[EP0]=Engines - All 2.5L Gas									
[ER0]=Engines - All 4.0L Gas									
1									NUT, M10x1.50, (NOT SERVICED) (Not Serviced)
2	5208 7668	4							RETAINER, Sway Bar, Mounting
3	5200 1132	4							GROMMET, Sway Bar, Mounting
4	5208 7859	1							BAR, Front Sway
5	5208 8523	2							CUSHION, Sway Eliminator, Mounting
6	5208 7865	2							RETAINER, Sway Bar, Mounting
7	3420 1540	4							BOLT AND WASHER, Implement Attaching, Sway Bar Retainer, Mounting
8	6502 697	2							NUT, Hex Flange Lock, M12x1.75, Sway Bar Link to Axle, Mounting
9									WASHER, Flat, (NOT SERVICED) (Not Serviced)
10	5203 7849	2							LINK, Sway Eliminator, Mounting
11	6503 032	2							SCREW, Pan Head, M12 x 1.75 x 58.00, Sway Bar Link to Axle, Mounting
12									BOLT, Hex Flange Head, M10x1. 50x35
	6502 137	2				ENC			Reinforcement, Mounting
		2	B			EP0, ER0			Reinforcement, Mounting
13									REINFORCEMENT, Track Bar
	5203 7507	1	B, U						Mounting
	5208 7861	1	J, T			ENC			Mounting
14									PLATE, Track Bar
	5200 1493	1	J, T			EP0			Mounting
15									Mounting
	J012 0396	1	B, U			EP0			WASHER, Flat, .531x1.09
16									BRACKET, Sill, (NOT SERVICED) (Not Serviced)
17									BRACKET, Track Bar
	5200 6508	1	B, U						Mounting
	5200 7121	1	J, T						Mounting
18	6502 697	2							NUT, Hex Flange Lock, M12x1.75, Bracket to Reinforcement, Mounting

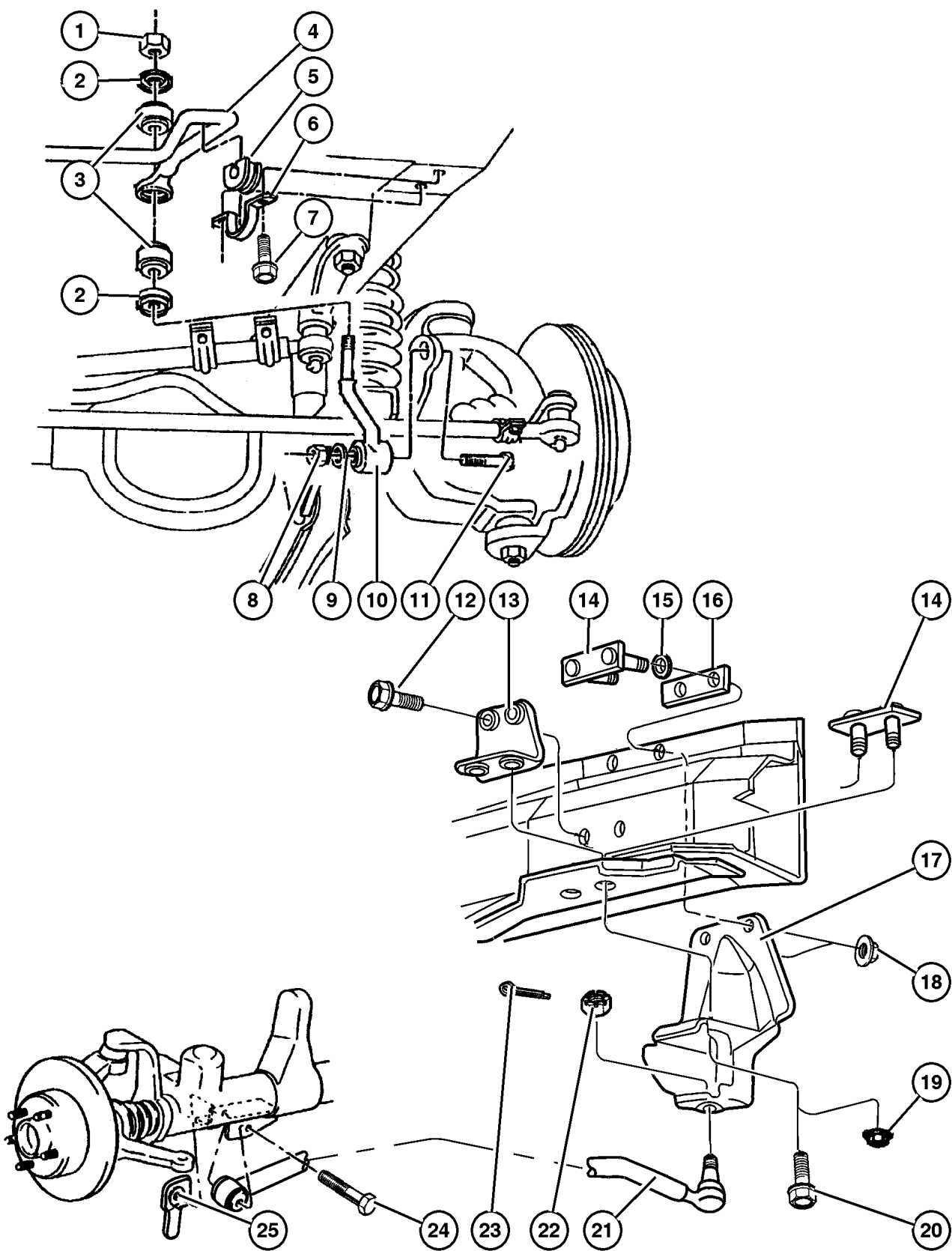
**JEEP CHEROKEE (XJ)**

SERIES	LINE	BODY	ENGINE	TRANSMISSION
L=Low Line	J=LHD (4WD) U=RHD (4WD) T=LHD (2WD) B=RHD (2WD)	74=4 DR. (101.4 WB) 72=2 DR. (101.4 WB)	ENC,EN0=2.5L 4 cyl. Turbo Die ERH,ER0=4.0L Power Tech I-6 EPE,EP0=Magnum 2.5L SMPI	DDQ=5Spd Man. DGS=4 Spd. Auto. AISIN DG0=All Auto Trans DBB=All Manual Trans.

AR = Use as required - = Non illustrated part # = New this model year

July 4, 2003

**Front Stabilizer Bar and Track Bar 1997 XJ**  
**Figure 002-130**



ITEM	PART NUMBER	QTY	LINE	SERIES	BODY	ENGINE	TRANS	TRIM	DESCRIPTION
19	6502 697	2							NUT, Hex Flange Lock, M12x1.75, Bracket to Track Bar Plate, Mounting
20	3420 1964	2							BOLT, Hex Flange Head, M12x1.75x40, Bracket to Reinforcement, Mounting
21	5200 7118	1	J, T						BAR, Track
	5305 4317	1	B, U						
22	J027 4428	1							NUT, Hex Slotted, Track Bar to Bracket, Mounting
23	3420 2101	1							PIN, Cotter, Track Bar, Mounting
24									SCREW AND WASHER, Hex Head, M10x1.5x70, (NOT SERVICED) (Not Serviced)
25	5208 7888	1	B, U						NUT, Hex Flange Lock, M10x1.5, Track Bar To Axle, Mounting

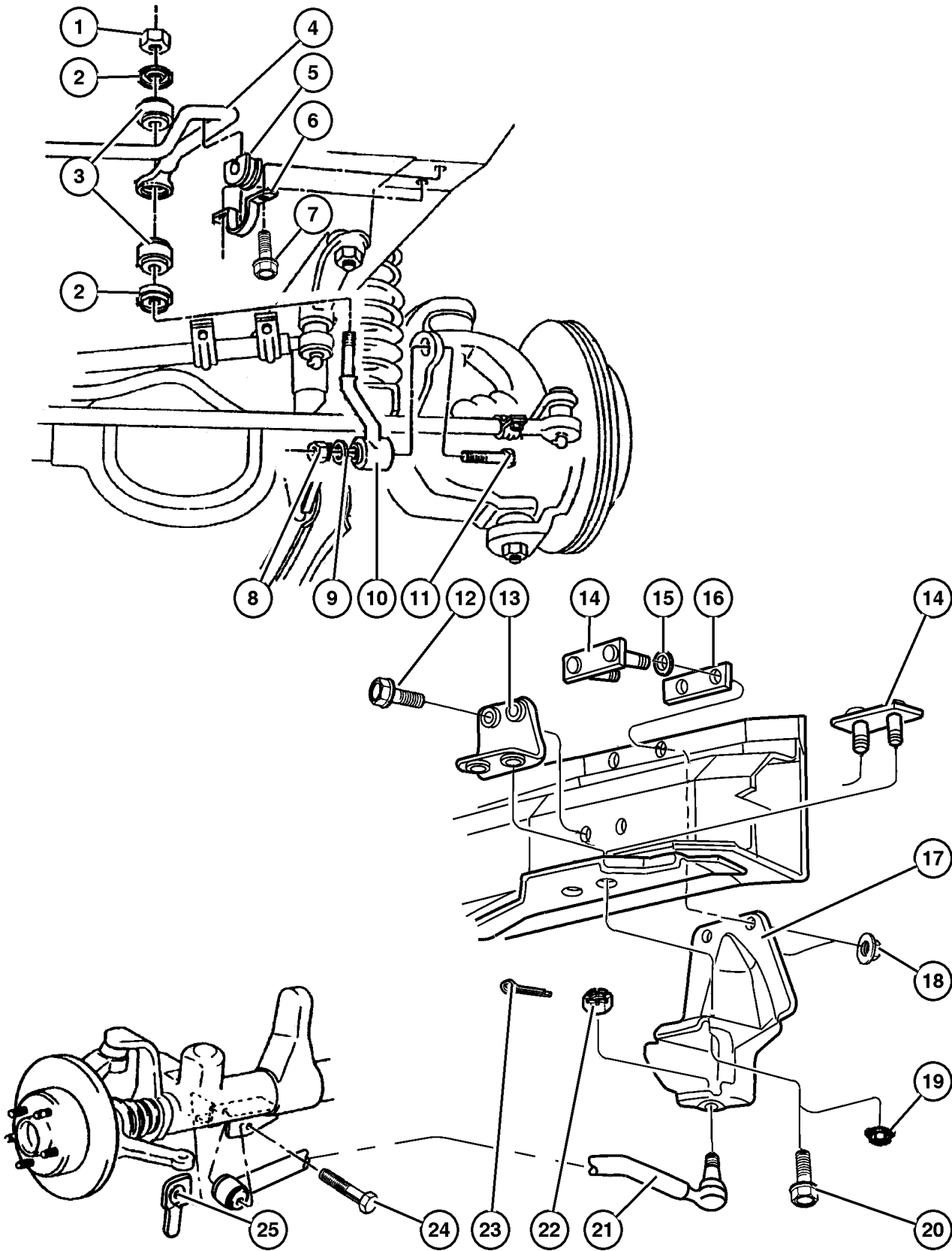
**JEEP CHEROKEE (XJ)**

SERIES	LINE	BODY	ENGINE	TRANSMISSION
L=Low Line	J=LHD (4WD) U=RHD (4WD) T=LHD (2WD) B=RHD (2WD)	74=4 DR. (101.4 WB) 72=2 DR. (101.4 WB)	ENC,EN0=2.5L 4 cyl. Turbo Die ERH,ER0=4.0L Power Tech I-6 EPE,EP0=Magnum 2.5L SMPI	DDQ=5Spd Man. DGS=4 Spd. Auto. AISIN DG0=All Auto Trans DBB=All Manual Trans.

AR = Use as required - = Non illustrated part # = New this model year

July 4, 2003

**Front Stabilizer Bar and Track Bar 1998 XJ**  
**Figure 002-130**



ITEM	PART NUMBER	QTY	LINE	SERIES	BODY	ENGINE	TRANS	TRIM	DESCRIPTION
Note; Sales Codes;									
[ENC]=Engine - 2.5L Diesel									
[EP0]=Engines - All 2.5L Gas									
[ER0]=Engines - All 4.0L Gas									
1									NUT, M10x1.50, (NOT SERVICED) (Not Serviced)
2	5208 7668	4							RETAINER, Sway Bar, Mounting
3	5200 1132	4							GROMMET, Sway Bar, Mounting
4	5208 7859	1							BAR, Front Sway
5	5208 8523	2							CUSHION, Sway Eliminator, Mounting
6	5208 7865	2							RETAINER, Sway Bar, Mounting
7	3420 1540	4							BOLT AND WASHER, Implement Attaching, Sway Bar Retainer, Mounting
8	6502 697	2							NUT, Hex Flange Lock, M12x1.75, Sway Bar Link to Axle, Mounting
9									WASHER, Flat, (NOT SERVICED) (Not Serviced)
10	5203 7849	2							LINK, Sway Eliminator, Mounting
11	6503 032	2							SCREW, Pan Head, M12 x 1.75 x 58.00, Sway Bar Link to Axle, Mounting
12									BOLT, Hex Flange Head, M10x1. 50x35
	6502 137	2				ENC			Reinforcement, Mounting
		2	B, U			EP0, ER0			Reinforcement, Mounting
13									REINFORCEMENT, Track Bar Mounting
	5203 7507	1	B, U						Mounting
	5208 7861	1	J, T			ENC			Mounting
14									PLATE, Track Bar Mounting
	5200 1493	1	J, T			EP0			Mounting
15	J012 0396	1	B, U			EP0			WASHER, Flat, .531x1.09
16									BRACKET, Sill, (NOT SERVICED) (Not Serviced)
17									BRACKET, Track Bar Mounting
	52006 508AC	1	B, U						Mounting
	52007 121AC	1	J, T						Mounting
18	6502 697	2							NUT, Hex Flange Lock, M12x1.75, Bracket to Reinforcement, Mounting

**JEEP CHEROKEE (XJ)**

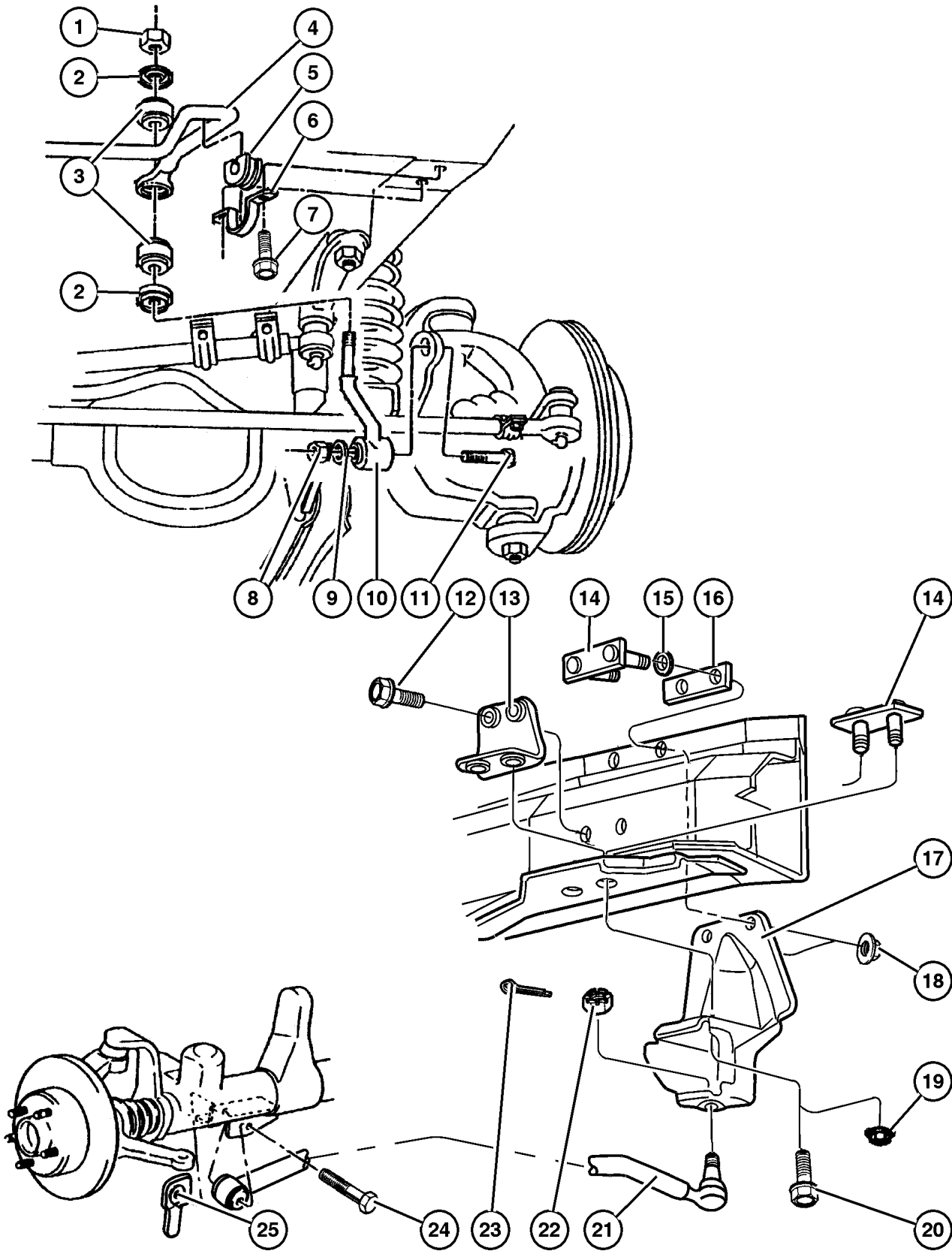
SERIES	LINE	BODY	ENGINE	TRANSMISSION
L=Low Line	J=LHD (4WD) U=RHD (4WD) T=LHD (2WD) B=RHD (2WD)	74=4 DR. (101.4 WB) 72=2 DR. (101.4 WB)	ENC,EN0=2.5L 4 cyl. Turbo Die ERH,ER0=4.0L Power Tech I-6 EPE,EP0=Magnum 2.5L SMPI	DDQ=5Spd Man. DGS=4 Spd. Auto. AISIN DG0=All Auto Trans DBB=All Manual Trans.

AR = Use as required - = Non illustrated part # = New this model year

July 4, 2003



**Front Stabilizer Bar and Track Bar 1998 XJ**  
**Figure 002-130**



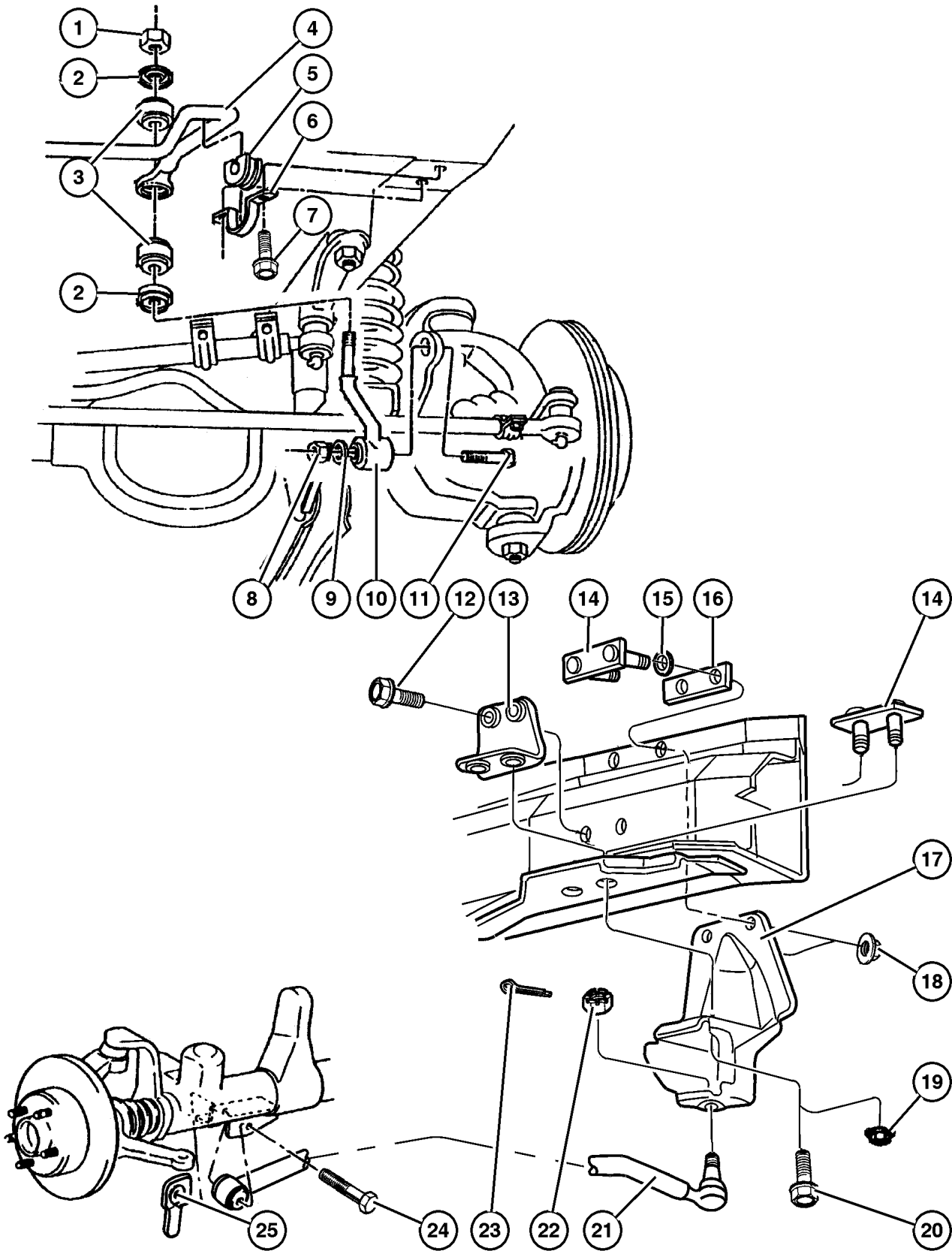
ITEM	PART NUMBER	QTY	LINE	SERIES	BODY	ENGINE	TRANS	TRIM	DESCRIPTION
19	6502 697	2							NUT, Hex Flange Lock, M12x1.75, Bracket to Track Bar Plate, Mounting
20	3420 1964	2							BOLT, Hex Flange Head, M12x1.75x40, Bracket to Reinforcement, Mounting
21	5200 7118	1	J, T						BAR, Track
	5305 4317	1	B, U						
22	J027 4428	1							NUT, Hex Slotted, Track Bar to Bracket, Mounting
23	3420 2101	1							PIN, Cotter, Track Bar, Mounting
24	6505 549AA	1							SCREW, Track Bar To Axle, Mounting
25	5208 7888	1	B, U						NUT, Hex Flange Lock, M10x1.5, Track Bar To Axle, Mounting

<b>JEEP CHEROKEE (XJ)</b>				
SERIES	LINE	BODY	ENGINE	TRANSMISSION
L=Low Line	J=LHD (4WD) U=RHD (4WD) T=LHD (2WD) B=RHD (2WD)	74=4 DR. (101.4 WB) 72=2 DR. (101.4 WB)	ENC,EN0=2.5L 4 cyl. Turbo Die ERH,ER0=4.0L Power Tech I-6 EPE,EP0=Magnum 2.5L SMPI	DDQ=5Spd Man. DGS=4 Spd. Auto. AISIN DG0=All Auto Trans DBB=All Manual Trans.

AR = Use as required - = Non illustrated part # = New this model year

July 4, 2003

**Front Stabilizer Bar and Track Bar 1999 XJ**  
**Figure 002-130**



ITEM	PART NUMBER	QTY	LINE	SERIES	BODY	ENGINE	TRANS	TRIM	DESCRIPTION
Note; Sales Codes;									
[ENC]=Engine - 2.5L Diesel									
[EP0]=Engines - All 2.5L Gas									
[ER0]=Engines - All 4.0L Gas									
1									NUT, M10x1.50, (NOT SERVICED) (Not Serviced)
2	5208 7668	4							RETAINER, Sway Bar, Mounting
3	5200 1132	4							GROMMET, Sway Bar, Mounting
4	5208 7859	1							BAR, Front Sway
5	5208 8523	2							CUSHION, Sway Eliminator, Mounting
6	5208 7865	2							RETAINER, Sway Bar, Mounting
7	3420 1540	4							BOLT AND WASHER, Implement Attaching, Sway Bar Retainer, Mounting
8	6502 697	2							NUT, Hex Flange Lock, M12x1.75, Sway Bar Link to Axle, Mounting
9									WASHER, Flat, (NOT SERVICED) (Not Serviced)
10	5203 7849	2							LINK, Sway Eliminator, Mounting
11	6503 032	2							SCREW, Pan Head, M12 x 1.75 x 58.00, Sway Bar Link to Axle, Mounting
12									BOLT, Hex Flange Head, M10x1. 50x35
	6502 137	2				ENC			Reinforcement, Mounting
		2	B, U			EP0, ER0			Reinforcement, Mounting
13									REINFORCEMENT, Track Bar Mounting
	5203 7507	1	B, U						Mounting
	5208 7861	1	J, T			ENC			Mounting
14									PLATE, Track Bar Mounting
	5200 1493	1	J, T			EP0			Mounting
15	J012 0396	1	B, U			EP0			WASHER, Flat, .531x1.09
16									BRACKET, Sill, (NOT SERVICED) (Not Serviced)
17									BRACKET, Track Bar Mounting
	52006 508AC	1	B, U						Mounting
	52007 121AC	1	J, T						Mounting
18	6502 697	2							NUT, Hex Flange Lock, M12x1.75, Bracket to Reinforcement, Mounting

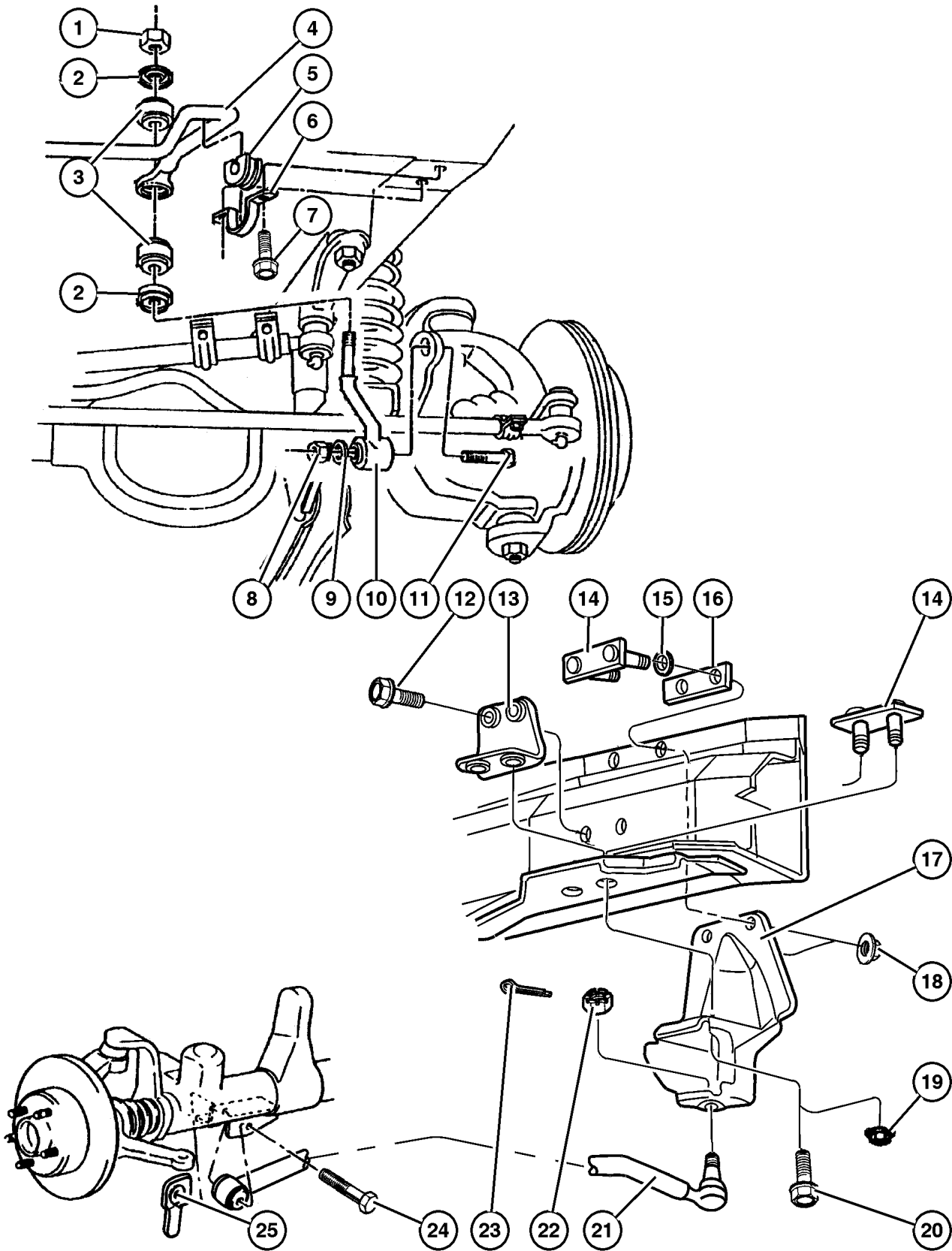
**JEEP CHEROKEE (XJ)**

SERIES	LINE	BODY	ENGINE	TRANSMISSION
L=Low Line	J=LHD (4WD) U=RHD (4WD) T=LHD (2WD) B=RHD (2WD)	74=4 DR. (101.4 WB) 72=2 DR. (101.4 WB)	ENC,EN0=2.5L 4 cyl. Turbo Die ERH,ER0=4.0L Power Tech I-6 EPE,EP0=Magnum 2.5L SMPI	DDQ=5Spd Man. DGS=4 Spd. Auto. AISIN DG0=All Auto Trans DBB=All Manual Trans.

AR = Use as required - = Non illustrated part # = New this model year

July 4, 2003

**Front Stabilizer Bar and Track Bar 1999 XJ**  
**Figure 002-130**



ITEM	PART NUMBER	QTY	LINE	SERIES	BODY	ENGINE	TRANS	TRIM	DESCRIPTION
19	6502 697	2							NUT, Hex Flange Lock, M12x1.75, Bracket to Track Bar Plate, Mounting
20	3420 1964	2							BOLT, Hex Flange Head, M12x1.75x40, Bracket to Reinforcement, Mounting
21	5200 7118	1	J, T						BAR, Track
	5305 4317	1	B, U						
22	J027 4428	1							NUT, Hex Slotted, Track Bar to Bracket, Mounting
23	3420 2101	1							PIN, Cotter, Track Bar, Mounting
24	#6505 549AA	1							SCREW, Track Bar To Axle, Mounting
25	#6506 264AA	1	J, T						NUT, Hex Flange Lock, M10x1.5 Track Bar To Axle, Mounting
	5208 7888	1	B, U						

<b>JEEP CHEROKEE (XJ)</b>				
SERIES	LINE	BODY	ENGINE	TRANSMISSION
L=Low Line	J=LHD (4WD) U=RHD (4WD) T=LHD (2WD) B=RHD (2WD)	74=4 DR. (101.4 WB) 72=2 DR. (101.4 WB)	ENC,EN0=2.5L 4 cyl. Turbo Die ERH,ER0=4.0L Power Tech I-6 EPE,EP0=Magnum 2.5L SMPI	DDQ=5Spd Man. DGS=4 Spd. Auto. AISIN DG0=All Auto Trans DBB=All Manual Trans.

AR = Use as required - = Non illustrated part # = New this model year

July 4, 2003

**Shafts, Front Axle 1997 XJ**  
**Figure 002-210**

ITEM	PART NUMBER	QTY	LINE	SERIES	BODY	ENGINE	TRANS	TRIM	DESCRIPTION
------	-------------	-----	------	--------	------	--------	-------	------	-------------

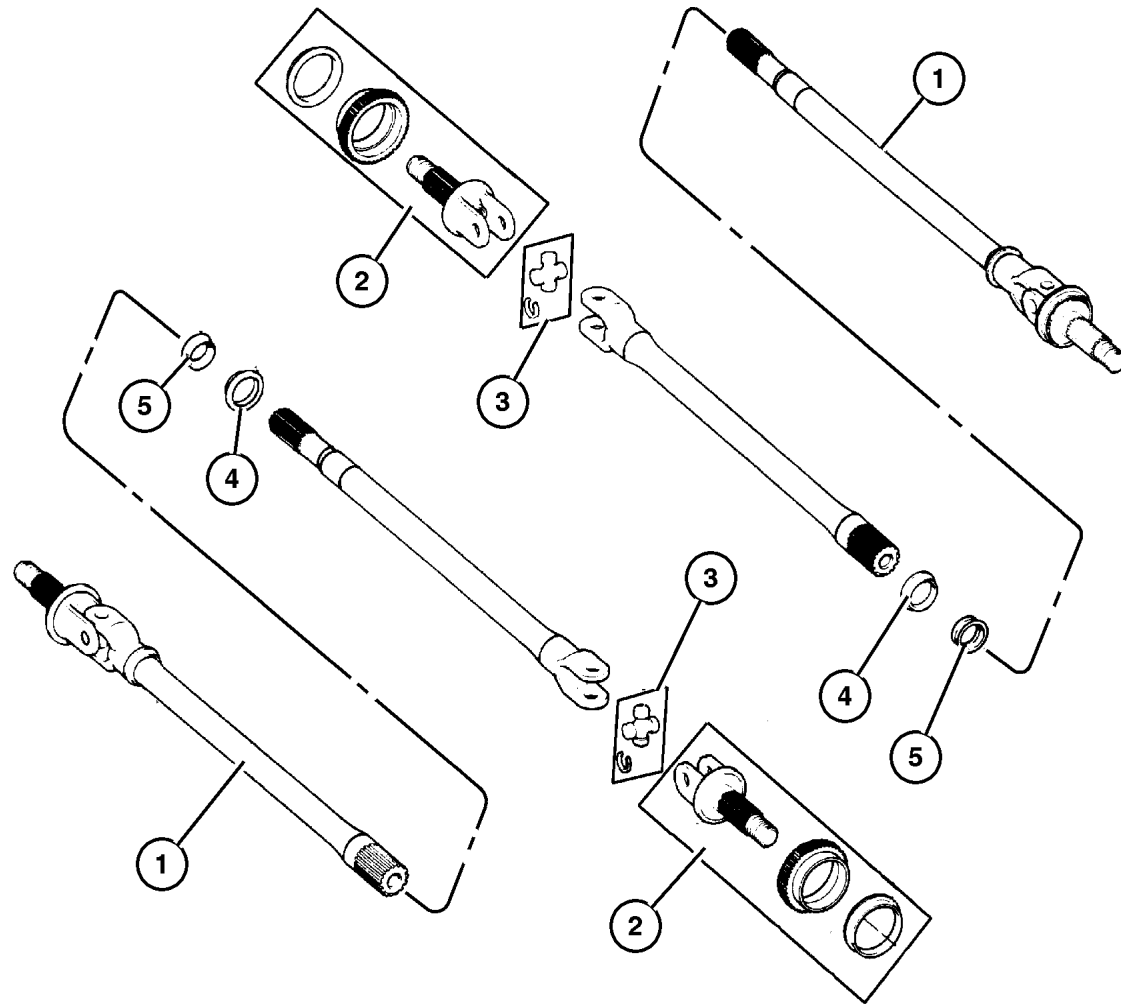
Note;Sales Codes:

[BGA]=Brakes - Power Front Disc/Rear Drum

[BGK]=Brakes - 4 Wheel Anti-Lock

[ENC]=Engine - 2.5L 4 Cylinder Turbo Diesel

1									SHAFT, Axle
	4874 302	1	J						[BGA], Right
	4874 303	1	J						[BGA], Left
	4874 306	1	J						[BGK], Right
	4874 307	1	J						[BGK], Left
	4874 302	1	U			ENC			[BGA], Right
	4874 303	1	U			ENC			[BGA], Left
	4874 306	1	U			ENC			[BGK], Right
	4874 307	1	U			ENC			[BGK], Left
2									SHAFT, Axle
	8350 0184	2	J						[BGA], Right or Left
	4728 984	2	J						[BGK], Right or Left
	8350 0184	2	U			ENC			[BGA], Right or Left
	4728 984	2	U			ENC			[BGK], Right or Left
3									U JOINT, Front Axle
	4137 757	2	J						
		2	U			ENC			
4									SLINGER, Oil
	4882 135	2	J						
		2	U			ENC			
5									SEAL, Axle Drive Shaft
	4874 477	2	J						
		2	U			ENC			



**JEEP CHEROKEE (XJ)**

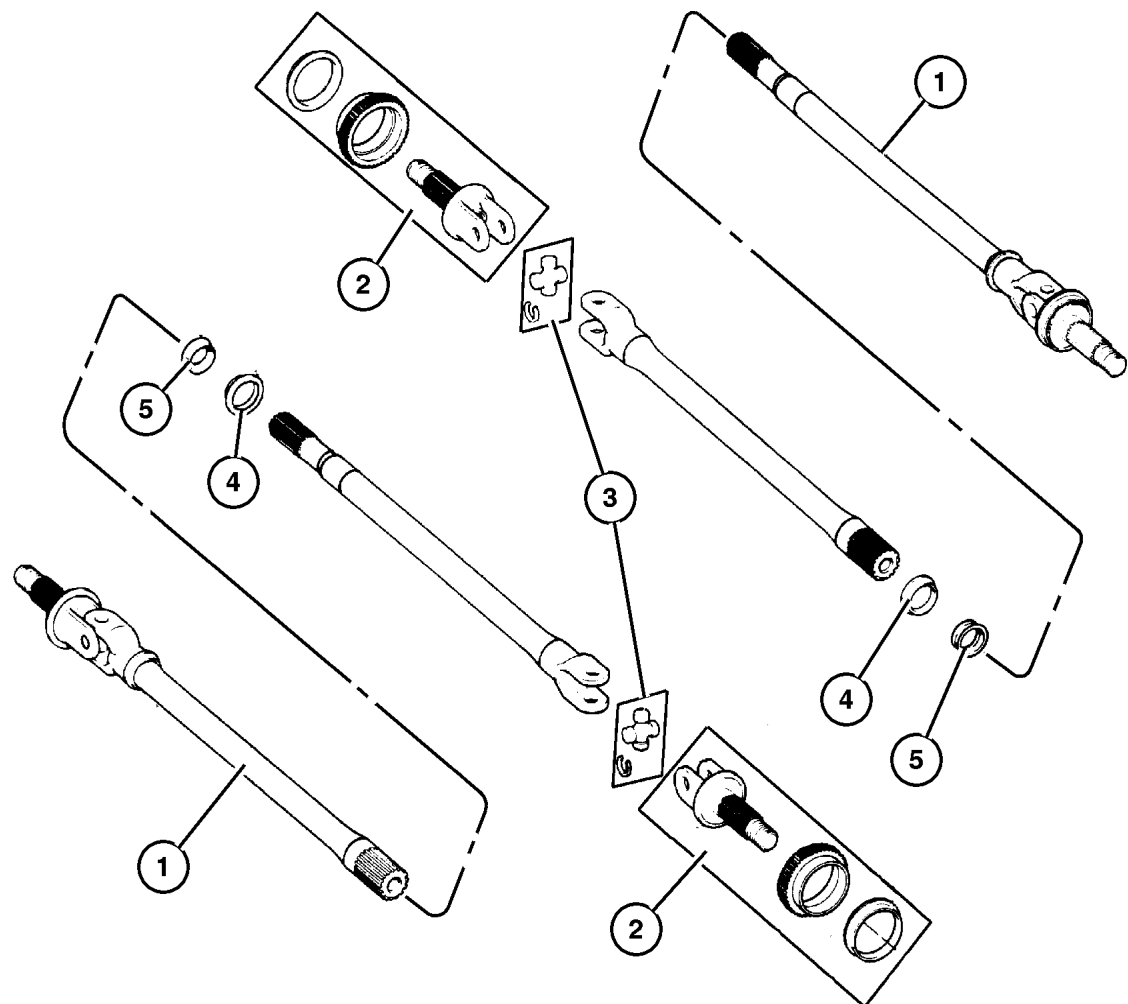
SERIES	LINE	BODY	ENGINE	TRANSMISSION
L=Low Line	J=LHD (4WD) U=RHD (4WD) T=LHD (2WD) B=RHD (2WD)	74=4 DR. (101.4 WB) 72=2 DR. (101.4 WB)	ENC,EN0=2.5L 4 cyl. Turbo Die ERH,ER0=4.0L Power Tech I-6 EPE,EP0=Magnum 2.5L SMPI	DDQ=5Spd Man. DGS=4 Spd. Auto. AISIN DG0=All Auto Trans DBB=All Manual Trans.

AR = Use as required - = Non illustrated part # = New this model year

July 4, 2003

Shafts,Front Axle 1998 XJ  
Figure 002-210

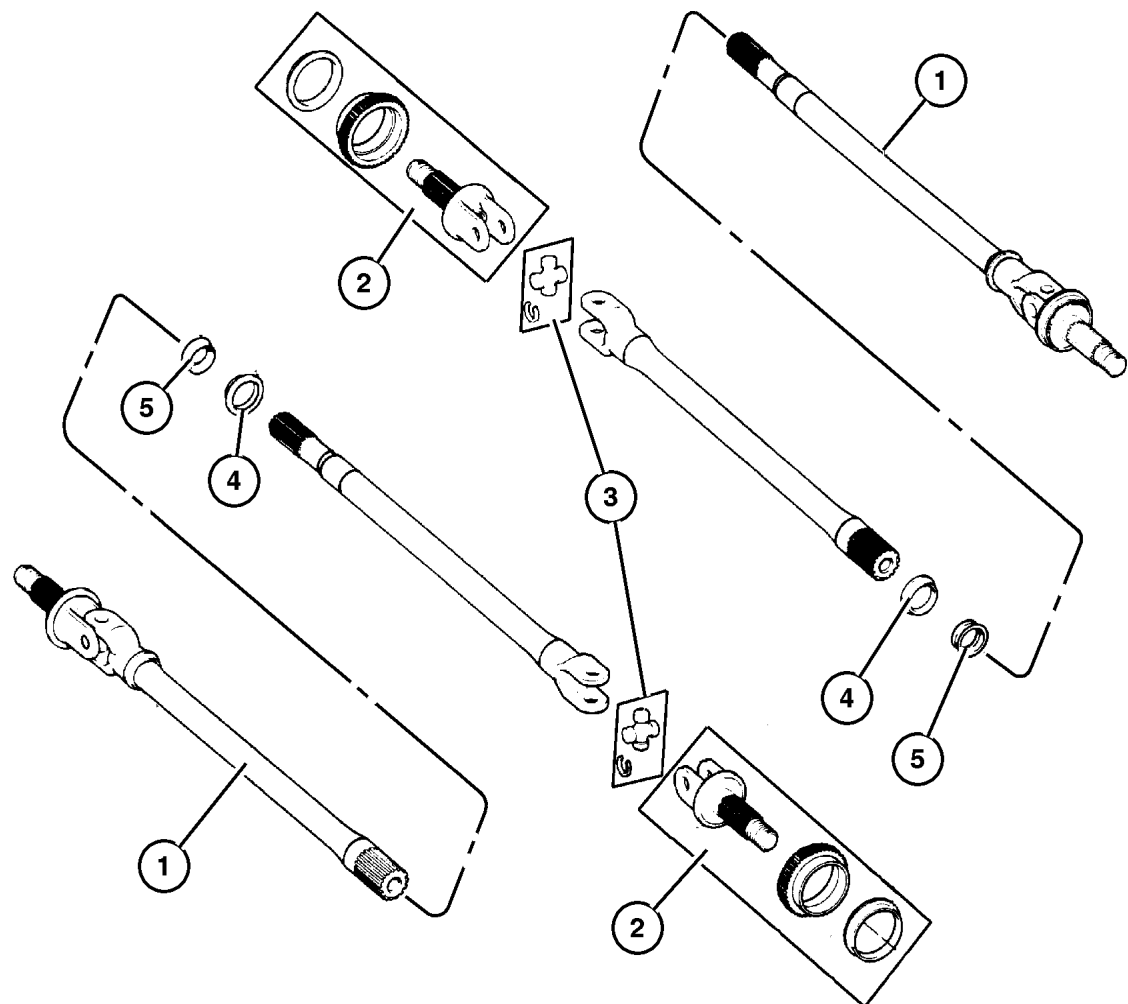
ITEM	PART NUMBER	QTY	LINE	SERIES	BODY	ENGINE	TRANS	TRIM	DESCRIPTION
Note;Sales Codes:									
[BGA]=Brakes - Power Front Disc/Rear Drum									
[BGK]=Brakes - 4 Wheel Anti-Lock									
1									SHAFT, Axle
	4874 302	1	J						[BGA], Right
	4874 303	1	J						[BGA], Left
	4874 306	1	J						[BGK], Right
	4874 307	1	J						[BGK], Left
	4874 302	1	U						[BGA], Right
	4874 303	1	U						[BGA], Left
	4874 306	1	U						[BGK], Right
	4874 307	1	U						[BGK], Left
2									SHAFT, Axle
	8350 0184	2	J						[BGA], Right or Left
	4728 984	2	J						[BGK], Right or Left
	8350 0184	2	U						[BGA], Right or Left
	4728 984	2	U						[BGK], Right or Left
3									U JOINT, Front Axle
	4137 757	2	J						Right or Left
		2	U						Right or Left
4									SLINGER, Oil
	4882 135	2	J						Right or Left
		2	U						Right or Left
5									SEAL, Axle Drive Shaft
	4874 477	2	J						Right or Left
		2	U						Right or Left



JEEP CHEROKEE (XJ)				
SERIES	LINE	BODY	ENGINE	TRANSMISSION
L=Low Line	J=LHD (4WD) U=RHD (4WD) T=LHD (2WD) B=RHD (2WD)	74=4 DR. (101.4 WB) 72=2 DR. (101.4 WB)	ENC,EN0=2.5L 4 cyl. Turbo Die ERH,ER0=4.0L Power Tech I-6 EPE,EP0=Magnum 2.5L SMPI	DDQ=5Spd Man. DGS=4 Spd. Auto. AISIN DG0=All Auto Trans DBB=All Manual Trans.

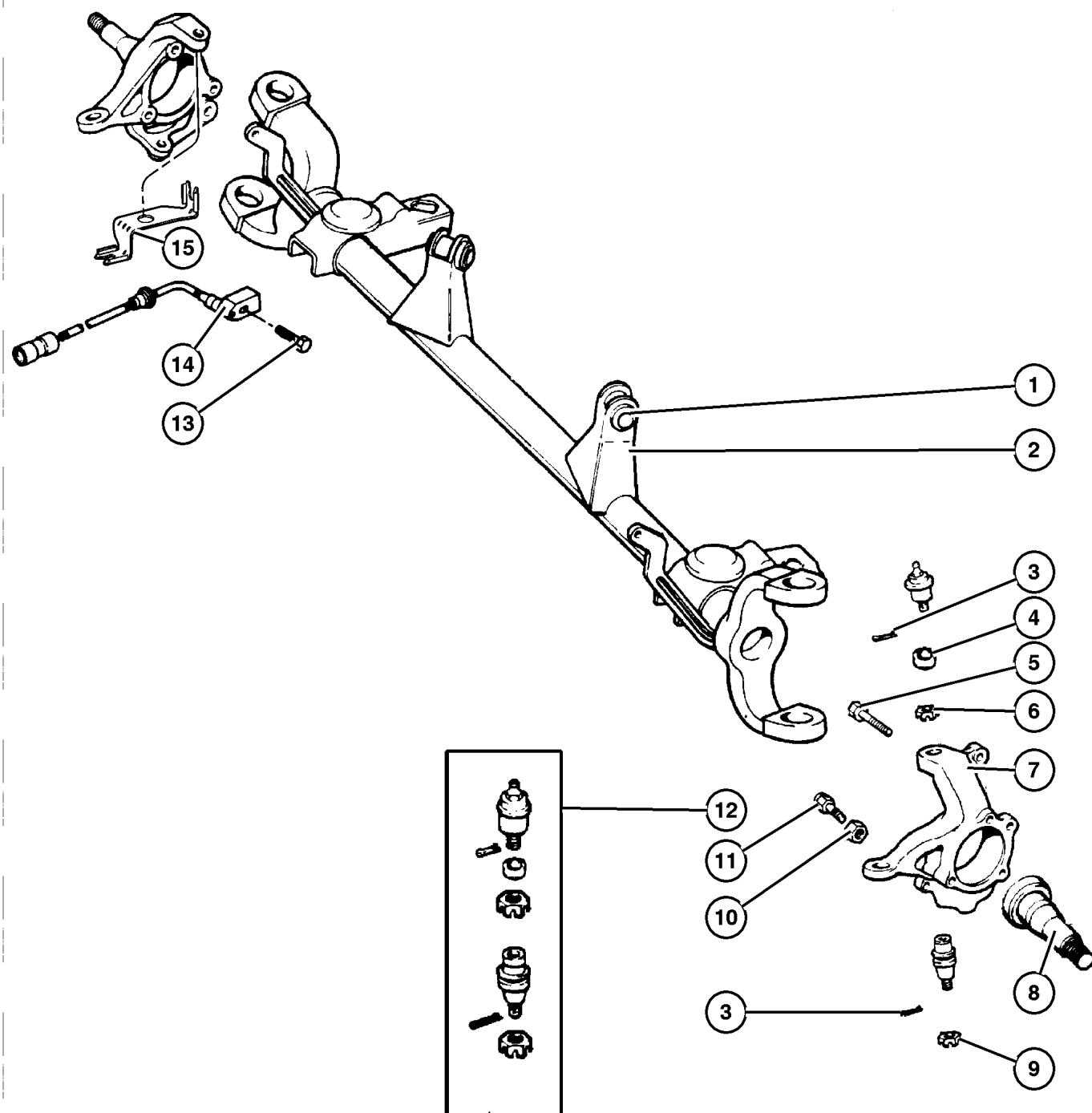
**Shafts,Front Axle 1999 XJ**  
**Figure 002-210**

ITEM	PART NUMBER	QTY	LINE	SERIES	BODY	ENGINE	TRANS	TRIM	DESCRIPTION
Note;Sales Codes:									
[BGA]=Brakes - Power Front Disc/Rear Drum									
[BGK]=Brakes - 4 Wheel Anti-Lock									
1									SHAFT, Axle
	4874 302	1	J						[BGA], Right
	4874 303	1	J						[BGA], Left
	4874 306	1	J						[BGK], Right
	4874 307	1	J						[BGK], Left
	4874 302	1	U						[BGA], Right
	4874 303	1	U						[BGA], Left
	4874 306	1	U						[BGK], Right
	4874 307	1	U						[BGK], Left
2									SHAFT, Axle
	8350 0184	2	J						[BGA], Right or Left
	4728 984	2	J						[BGK], Right or Left
	8350 0184	2	U						[BGA], Right or Left
	4728 984	2	U						[BGK], Right or Left
3									U JOINT, Front Axle
	4137 757	2	J						Right or Left
		2	U						Right or Left
4									SLINGER, Oil
	4882 135	2	J						Right or Left
		2	U						Right or Left
5									SEAL, Axle Drive Shaft
	4874 477	2	J						Right or Left
		2	U						Right or Left



<b>JEEP CHEROKEE (XJ)</b>				
SERIES	LINE	BODY	ENGINE	TRANSMISSION
L=Low Line	J=LHD (4WD) U=RHD (4WD) T=LHD (2WD) B=RHD (2WD)	74=4 DR. (101.4 WB) 72=2 DR. (101.4 WB)	ENC,EN0=2.5L 4 cyl. Turbo Die ERH,ER0=4.0L Power Tech I-6 EPE,EP0=Magnum 2.5L SMPI	DDQ=5Spd Man. DGS=4 Spd. Auto. AISIN DG0=All Auto Trans DBB=All Manual Trans.

Housing,Front Axle,2 Wheel Drive 1997 XJ  
Figure 002-310



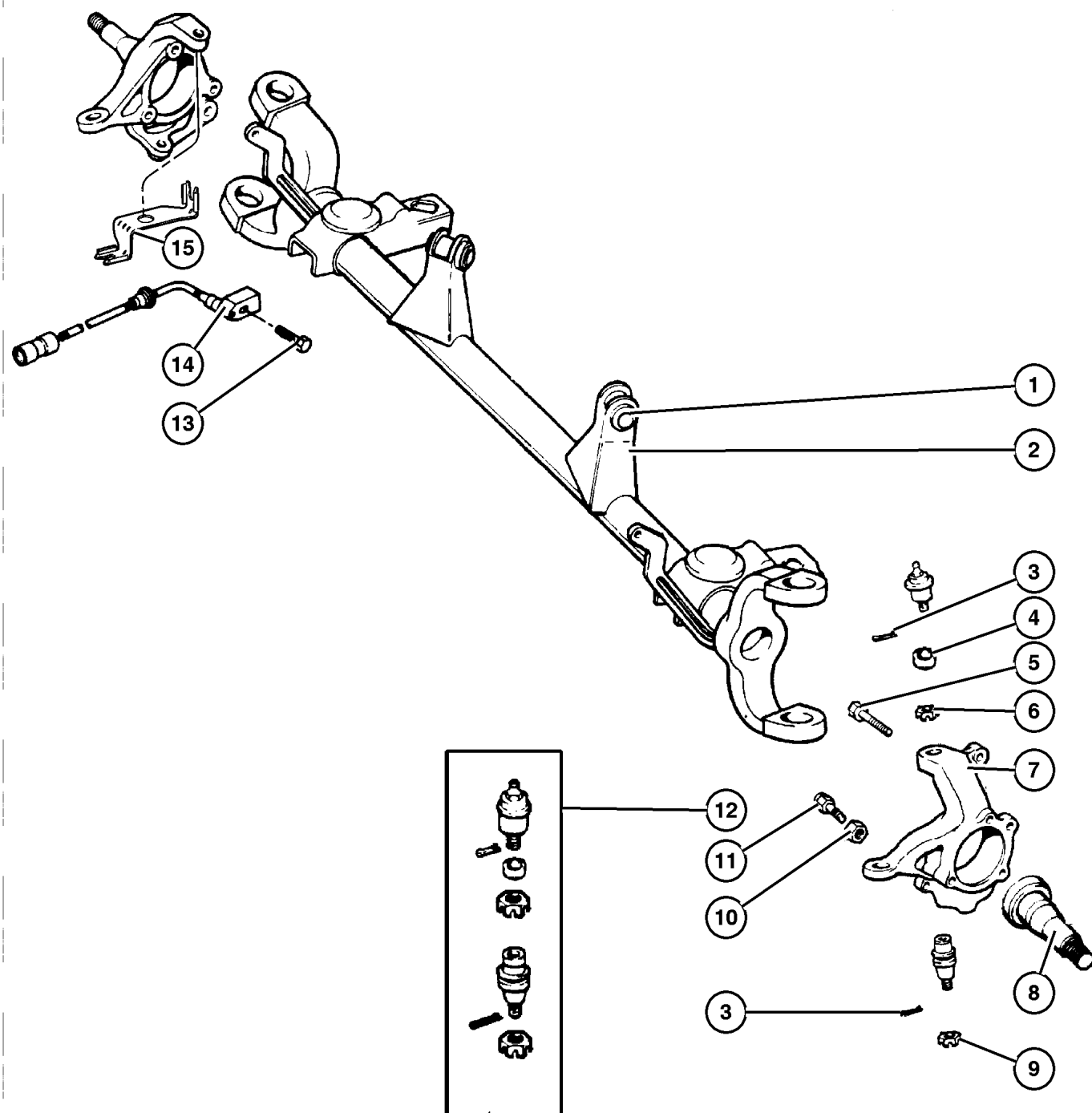
ITEM	PART NUMBER	QTY	LINE	SERIES	BODY	ENGINE	TRANS	TRIM	DESCRIPTION
1									BUSHING, Control Arm
	5203 8025	2	B						
		2	T						
2									HOUSING, Front Axle
	4773 430	1	B						
	4773 452	1	T						
3									PIN, Cotter
	J812 1392	1	B						
		1	T						
4									RING, Ball Joint
	8350 0203	2	B						
		2	T						
5									BOLT
	3420 1535	6	B						
		6	T						
6									NUT, Steering Knuckle Socket
	J012 5258	2	B						
		2	T						
7									KNUCKLE, Front
	5206 7576	1	B						Right
	5206 7577	1	B						Left
	5206 7576	1	T						Right
	5206 7577	1	T						Left
8									SHAFT, Dummy
	4741 011	2	B						Right or Left
		2	T						Right or Left
9									NUT
	J812 3318	2	B						
		2	T						
10									NUT, Steering Knuckle Stop
	S011 4494	2	B						Stop
		2	T						Stop
11									BOLT, Steering Knuckle Stop
	1791 701	2	B						
		2	T						
12									BALL JOINT KIT, Knuckle
	8350 0202	2	B						
		2	T						
13									BOLT
	8350 4920	2	B						ABS Sensor, Mounting
		2	T						ABS Sensor, Mounting
14									SENSOR, Anti-Lock Brakes

JEEP CHEROKEE (XJ)  
 SERIES LINE BODY ENGINE TRANSMISSION  
 L=Low Line J=LHD (4WD) 74=4 DR. (101.4 WB) ENC,EN0=2.5L 4 cyl. Turbo Die DDQ=5Spd Man.  
 U=RHD (4WD) 72=2 DR. (101.4 WB) ERH,ER0=4.0L Power Tech I-6 DGS=4 Spd. Auto. AISIN  
 T=LHD (2WD) EPE,EP0=Magnum 2.5L SMPI DG0=All Auto Trans  
 B=RHD (2WD) DBB=All Manual Trans.

AR = Use as required - = Non illustrated part # = New this model year

July 4, 2003

Housing,Front Axle,2 Wheel Drive 1997 XJ  
Figure 002-310



ITEM	PART NUMBER	QTY	LINE	SERIES	BODY	ENGINE	TRANS	TRIM	DESCRIPTION
	5600 5217	2	B						
		2	T						
15									BRACKET, Brake Sensor
	5602 6766	1	B						Right
	5602 6767	1	B						Left
	5602 6766	1	T						Right
	5602 6767	1	T						Left

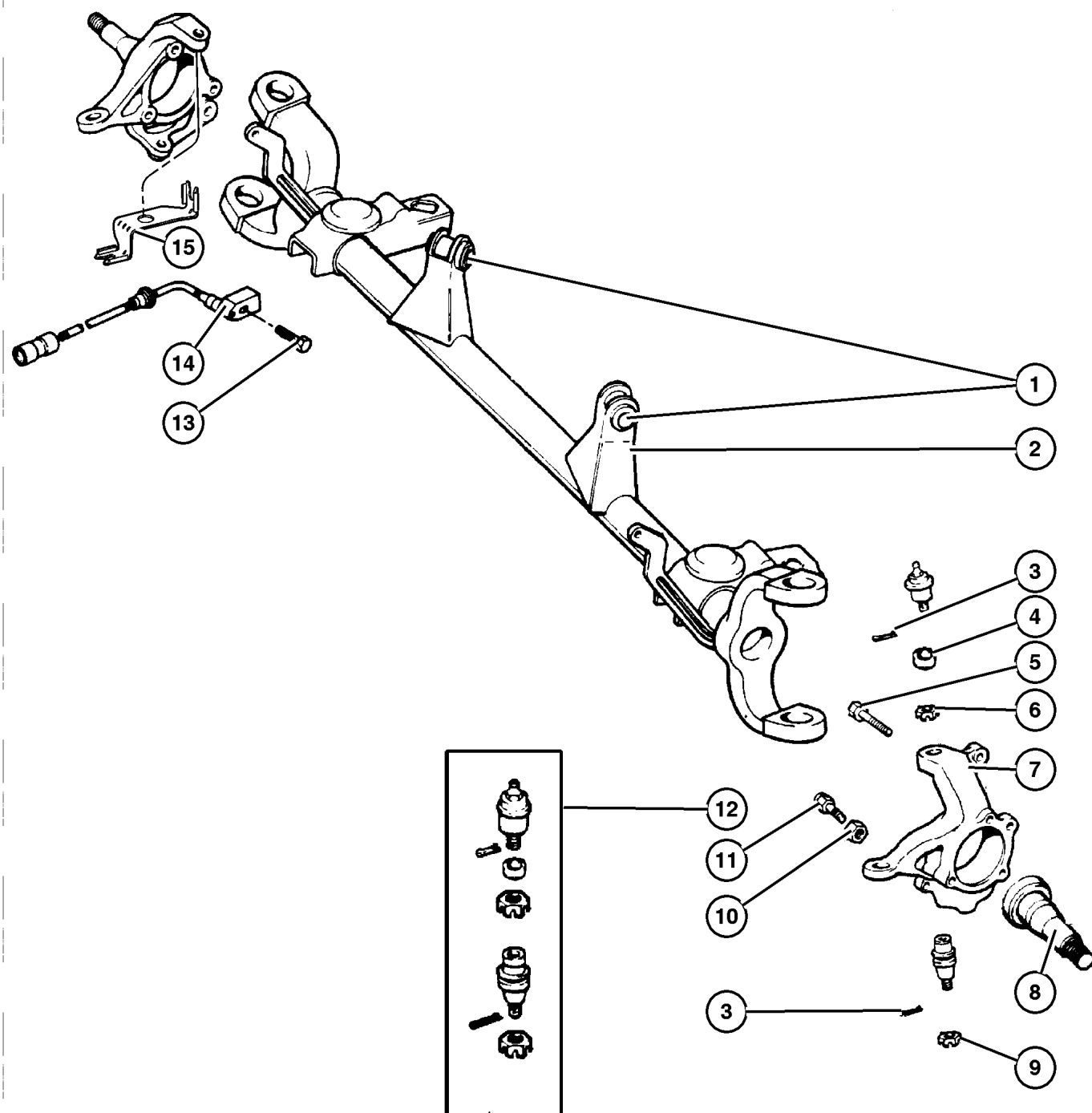
JEEP CHEROKEE (XJ)				
SERIES	LINE	BODY	ENGINE	TRANSMISSION
L=Low Line	J=LHD (4WD) U=RHD (4WD) T=LHD (2WD) B=RHD (2WD)	74=4 DR. (101.4 WB) 72=2 DR. (101.4 WB)	ENC,EN0=2.5L 4 cyl. Turbo Die ERH,ER0=4.0L Power Tech I-6 EPE,EP0=Magnum 2.5L SMPI	DDQ=5Spd Man. DGS=4 Spd. Auto. AISIN DG0=All Auto Trans DBB=All Manual Trans.

AR = Use as required - = Non illustrated part # = New this model year

July 4, 2003



Housing,Front Axle,2 Wheel Drive 1998 XJ  
Figure 002-310



ITEM	PART NUMBER	QTY	LINE	SERIES	BODY	ENGINE	TRANS	TRIM	DESCRIPTION
1									BUSHING, Control Arm
	5203 8025	2	B		74				
		2	T						
2									HOUSING, Front Axle
	4773 430	1	B		74				
	4773 452	1	T						
3									PIN, Cotter
	J013 7214	2	B		74				
		2	T						
4									RING, Ball Joint
	8350 0203	2	B		74				
		2	T						
5									BOLT
	3420 1535	6	B		74				
		6	T						
6									NUT, Steering Knuckle Socket
	J012 5258	2	B		74				
		2	T						
7									KNUCKLE, Front
	5206 7576	1	B		74				Right
	5206 7577	1	B		74				Left
	5206 7576	1	T						Right
	5206 7577	1	T						Left
8									SHAFT, Dummy
	4741 011	2	B		74				Right or Left
		2	T						Right or Left
9									NUT
	J812 3318	2	B		74				
		2	T						
10									NUT, Steering Knuckle Stop
	S011 4494	2	B		74				Stop
		2	T						Stop
11									BOLT, Steering Knuckle Stop
	1791 701	2	B		74				
		2	T						
12									BALL JOINT KIT, Knuckle
	8350 0202	2	B		74				
		2	T						
13									BOLT
	8350 4920	2	B		74				ABS Sensor, Mounting
		2	T						ABS Sensor, Mounting
14									SENSOR, Anti-Lock Brakes

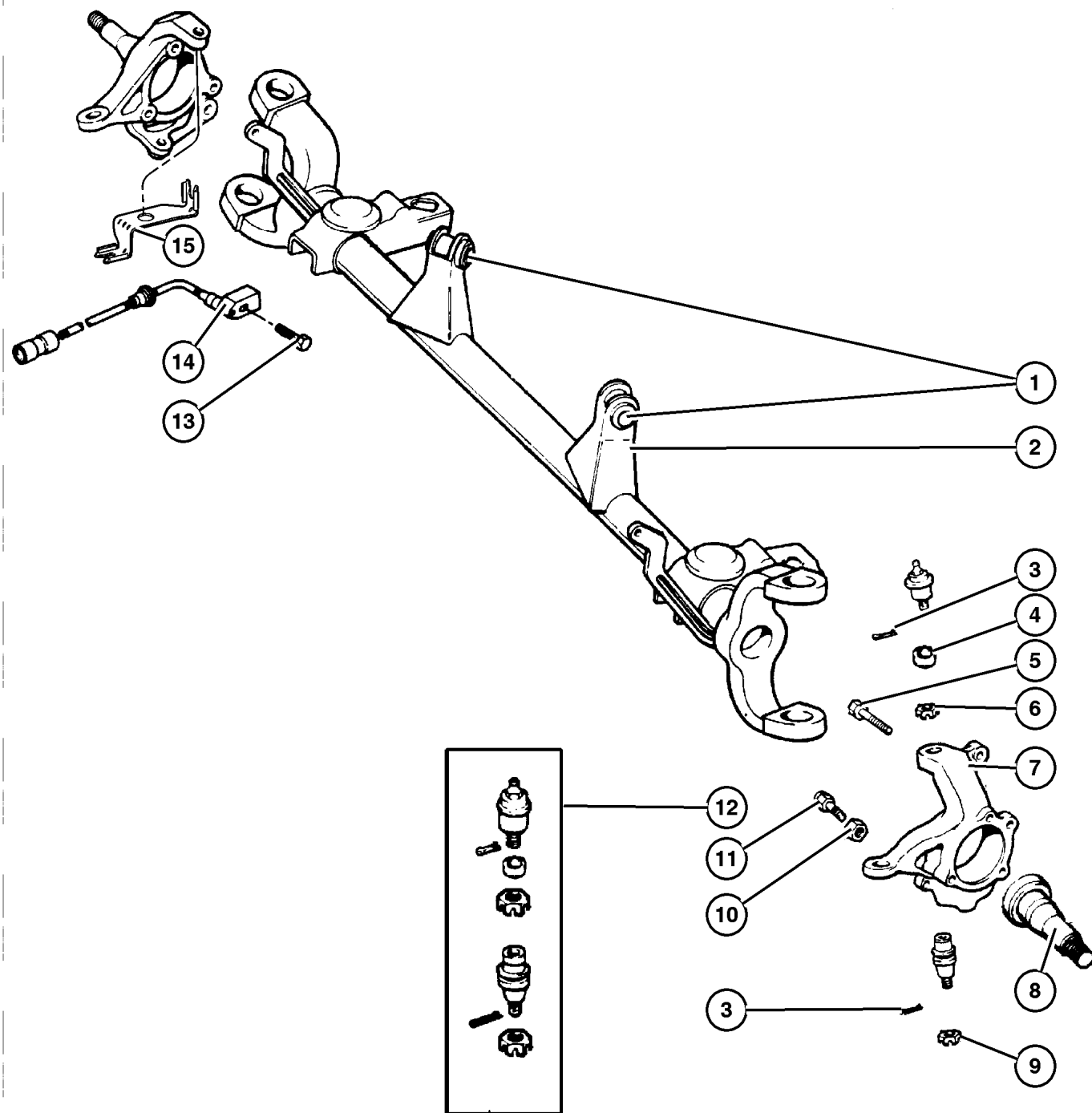
JEEP CHEROKEE (XJ)

SERIES	LINE	BODY	ENGINE	TRANSMISSION
L=Low Line	J=LHD (4WD) U=RHD (4WD) T=LHD (2WD) B=RHD (2WD)	74=4 DR. (101.4 WB) 72=2 DR. (101.4 WB)	ENC,EN0=2.5L 4 cyl. Turbo Die ERH,ER0=4.0L Power Tech I-6 EPE,EP0=Magnum 2.5L SMPI	DDQ=5Spd Man. DGS=4 Spd. Auto. AISIN DG0=All Auto Trans DBB=All Manual Trans.

AR = Use as required - = Non illustrated part # = New this model year

July 4, 2003

Housing,Front Axle,2 Wheel Drive 1998 XJ  
Figure 002-310



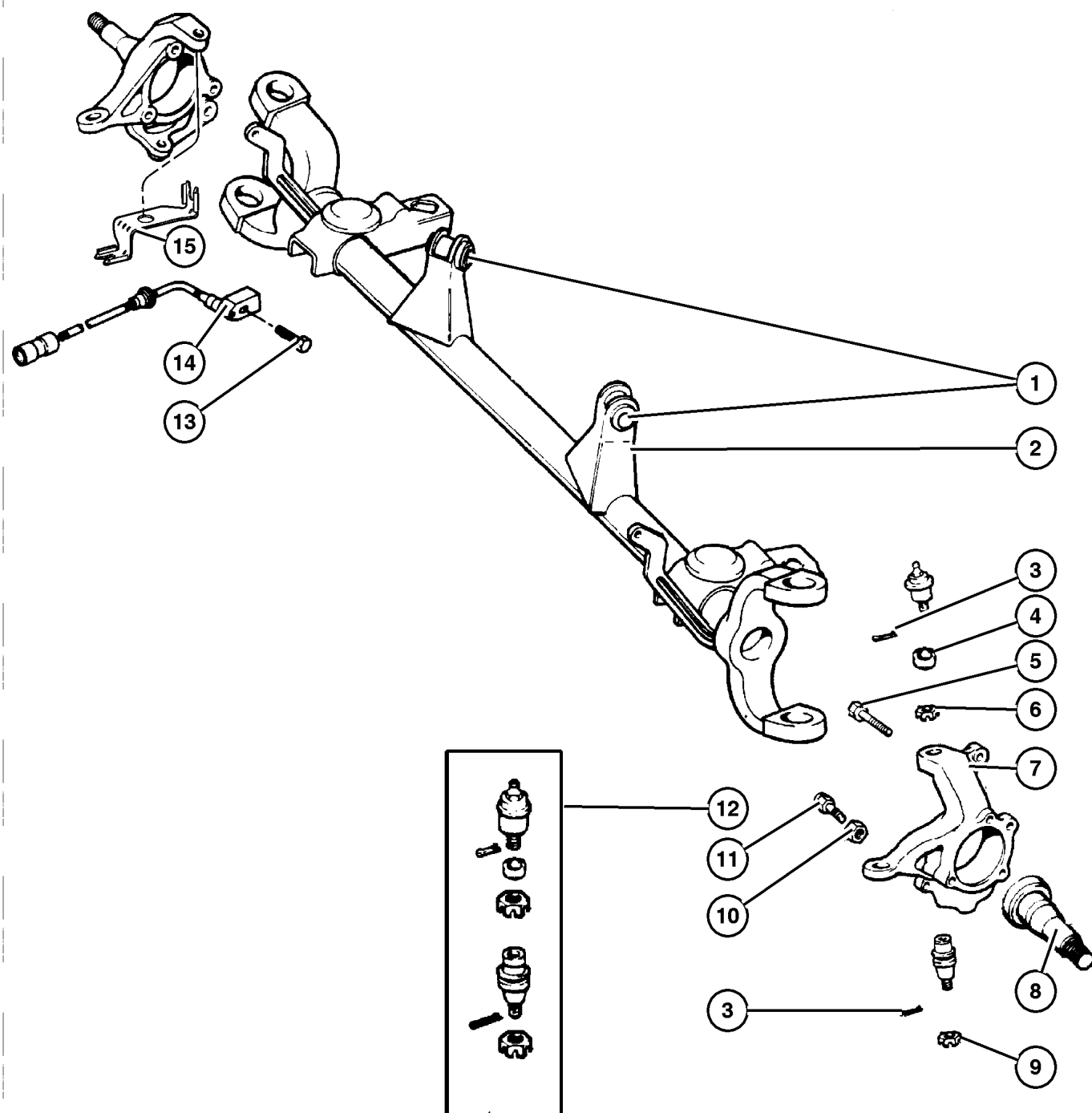
ITEM	PART NUMBER	QTY	LINE	SERIES	BODY	ENGINE	TRANS	TRIM	DESCRIPTION
	5600 5217	2	B		74				
		2	T						
15	5602 6766	1	B		74				BRACKET, Brake Sensor Right
	5602 6767	1	B		74				Left
	5602 6766	1	T						Right
	5602 6767	1	T						Left

JEEP CHEROKEE (XJ)  
 SERIES LINE BODY ENGINE TRANSMISSION  
 L=Low Line J=LHD (4WD) 74=4 DR. (101.4 WB) ENC,EN0=2.5L 4 cyl. Turbo Die DDQ=5Spd Man.  
 U=RHD (4WD) 72=2 DR. (101.4 WB) ERH,ER0=4.0L Power Tech I-6 DGS=4 Spd. Auto. AISIN  
 T=LHD (2WD) EPE,EP0=Magnum 2.5L SMPI DG0=All Auto Trans  
 B=RHD (2WD) DBB=All Manual Trans.

AR = Use as required - = Non illustrated part # = New this model year

July 4, 2003

Housing,Front Axle,2 Wheel Drive 1999 XJ  
Figure 002-310



ITEM	PART NUMBER	QTY	LINE	SERIES	BODY	ENGINE	TRANS	TRIM	DESCRIPTION
1									BUSHING, Control Arm
	5203 8025	2	B		74				
		2	T						
2									HOUSING, Front Axle
	4773 430	1	B		74				
	4773 452	1	T						
3									PIN, Cotter
	J013 7214	2	B		74				
		2	T						
4									RING, Ball Joint
	8350 0203	2	B		74				
		2	T						
5									BOLT
	3420 1535	6	B		74				
		6	T						
6	J012 5258	2	T						NUT, Steering Knuckle Socket
7									KNUCKLE, Front
	5206 7576	1	B		74				Right
	5206 7577	1	B		74				Left
	5206 7576	1	T						Right
	5206 7577	1	T						Left
8									SHAFT, Dummy
	4741 011	2	B		74				Right or Left
		2	T						Right or Left
9	J812 3318	2	T						NUT
10									NUT, Steering Knuckle
	S011 4494	2	B		74				Stop
		2	T						Stop
11									BOLT, Steering Knuckle Stop
	1791 701	2	B		74				
		2	T						
12									BALL JOINT KIT, Knuckle
	8350 0202	2	B		74				
		2	T						
13									BOLT
	8350 4920	2	B		74				ABS Sensor, Mounting
		2	T						ABS Sensor, Mounting
14									SENSOR, Anti-Lock Brakes
	5600 5217	2	B		74				
		2	T						
15									BRACKET, Brake Sensor
	5602 6766	1	B		74				Right

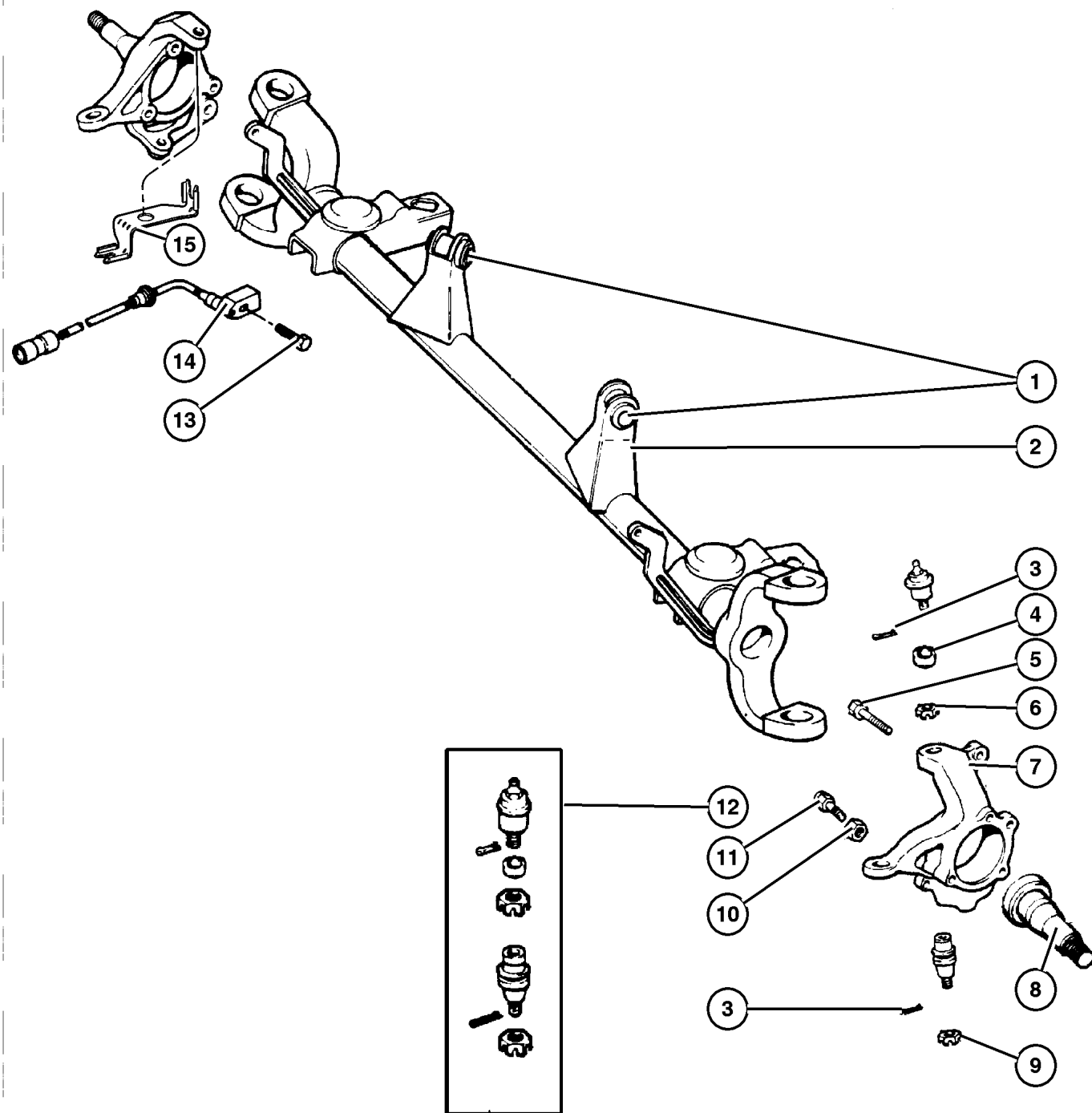
JEEP CHEROKEE (XJ)

SERIES	LINE	BODY	ENGINE	TRANSMISSION
L=Low Line	J=LHD (4WD) U=RHD (4WD) T=LHD (2WD) B=RHD (2WD)	74=4 DR. (101.4 WB) 72=2 DR. (101.4 WB)	ENC,EN0=2.5L 4 cyl. Turbo Die ERH,ER0=4.0L Power Tech I-6 EPE,EP0=Magnum 2.5L SMPI	DDQ=5Spd Man. DGS=4 Spd. Auto. AISIN DG0=All Auto Trans DBB=All Manual Trans.

AR = Use as required - = Non illustrated part # = New this model year

July 4, 2003

Housing,Front Axle,2 Wheel Drive 1999 XJ  
Figure 002-310



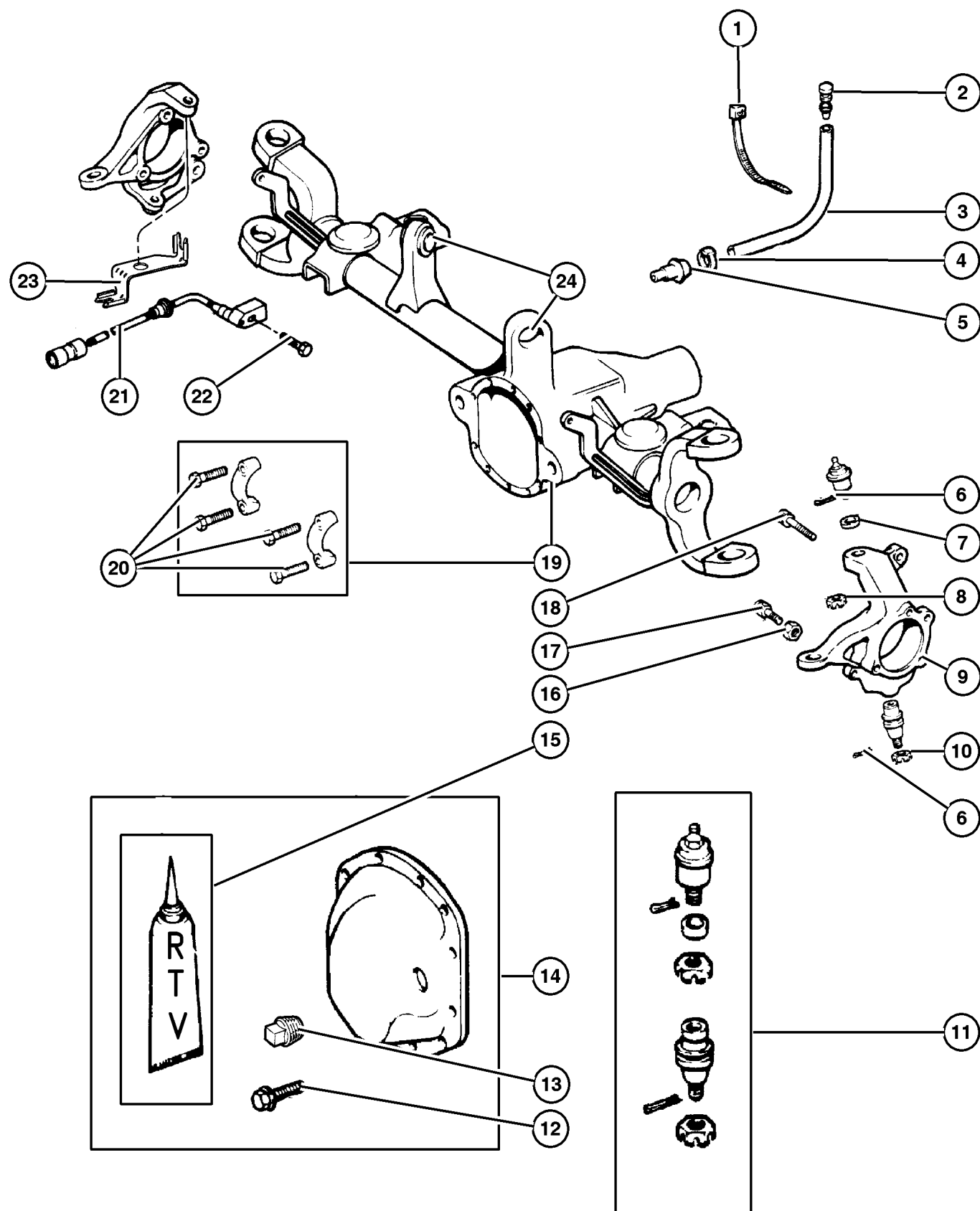
ITEM	PART NUMBER	QTY	LINE	SERIES	BODY	ENGINE	TRANS	TRIM	DESCRIPTION
	5602 6767	1	B		74				Left
	5602 6766	1	T						Right
	5602 6767	1	T						Left

JEEP CHEROKEE (XJ)				
SERIES	LINE	BODY	ENGINE	TRANSMISSION
L=Low Line	J=LHD (4WD) U=RHD (4WD) T=LHD (2WD) B=RHD (2WD)	74=4 DR. (101.4 WB) 72=2 DR. (101.4 WB)	ENC,EN0=2.5L 4 cyl. Turbo Die ERH,ER0=4.0L Power Tech I-6 EPE,EP0=Magnum 2.5L SMPI	DDQ=5Spd Man. DGS=4 Spd. Auto. AISIN DG0=All Auto Trans DBB=All Manual Trans.

AR = Use as required - = Non illustrated part # = New this model year

July 4, 2003

## Housing,Front Axle,4 Wheel Drive 1997 XJ Figure 002-320



ITEM	PART NUMBER	QTY	LINE	SERIES	BODY	ENGINE	TRANS	TRIM	DESCRIPTION
Note: Sales Codes;									
[ENC]=Engine - 2.5L 4 Cylinder Turbo Diesel									
[EN0]=Engines - All 4/5 Cylinder Turbo Diesel									
[EP0]=Engines - All 2.5L 4 Cylinder Gas									
[ER0]=Engines - All 4.0L 6 Cylinder Gas									
1	4641 780	1	J, U						STRAP, Tie, Holds Upper Vent Hose
2	J535 2955	1	J, U						VENT, Axle, Upper
3	HFV0 0516	1	J, U						HOSE, Fuel And Vapor, 25 Foot Roll 5/16", Axle Vent
4	6502 081	1	J, U						CLAMP, Oil Cooler Line, Lower
5	8350 4653	1	J						Lower
		1	U						Lower
6	1101 0069	6	J						PIN, Cotter, M4x40.00
		6	U						
7	8350 0203	2	J						RING, Ball Joint
		2	U						
8	J027 4428	1							NUT, Hex Slotted
9	5206 7576	1	J						Right
	5206 7577	1	J						Left
	5206 7576	1	U						Right
	5206 7577	1	U						Left
10	J812 3318	2	J						NUT
		2	U						
11	8350 0202	2	J						BALL JOINT KIT, Knuckle
		2	U						
12	2954 031	10	J						BOLT, Differential Cover
		10	U						
13	J400 4751	1	J			EP0, ER0			PLUG, Differential Cover
14	5252 583	1	J						COVER, Differential
		1	U						
15	4318 025	1	J, U			ENC ER0			SEALANT, RTV
16	S011 4494	2	J						NUT, Steering Knuckle
									Stop

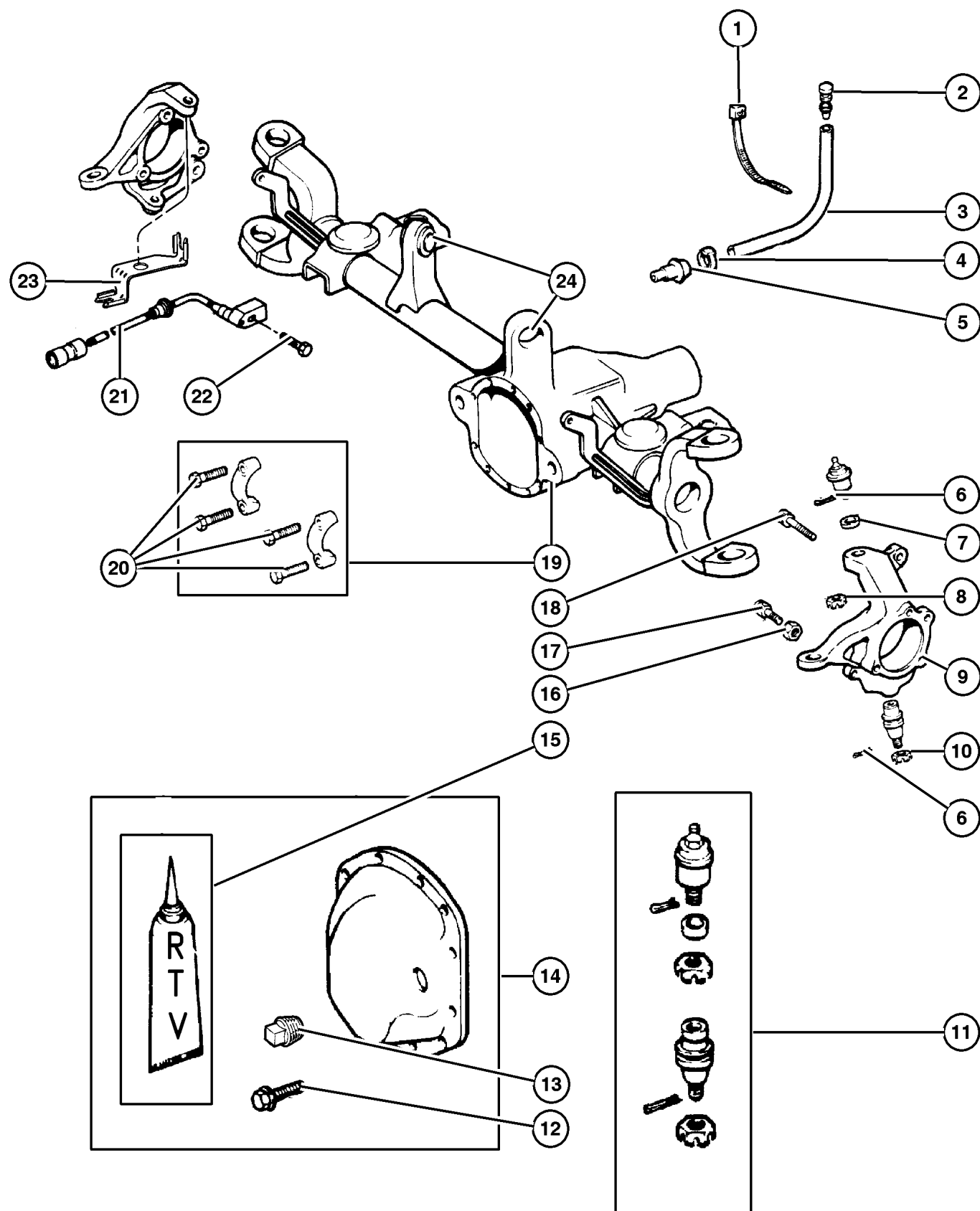
### JEEP CHEROKEE (XJ)

SERIES	LINE	BODY	ENGINE	TRANSMISSION
L=Low Line	J=LHD (4WD) U=RHD (4WD) T=LHD (2WD) B=RHD (2WD)	74=4 DR. (101.4 WB) 72=2 DR. (101.4 WB)	ENC,EN0=2.5L 4 cyl. Turbo Die ERH,ER0=4.0L Power Tech I-6 EPE,EP0=Magnum 2.5L SMPI	DDQ=5Spd Man. DGS=4 Spd. Auto. AISIN DG0=All Auto Trans DBB=All Manual Trans.

AR = Use as required - = Non illustrated part # = New this model year

July 4, 2003

### Housing,Front Axle,4 Wheel Drive 1997 XJ Figure 002-320



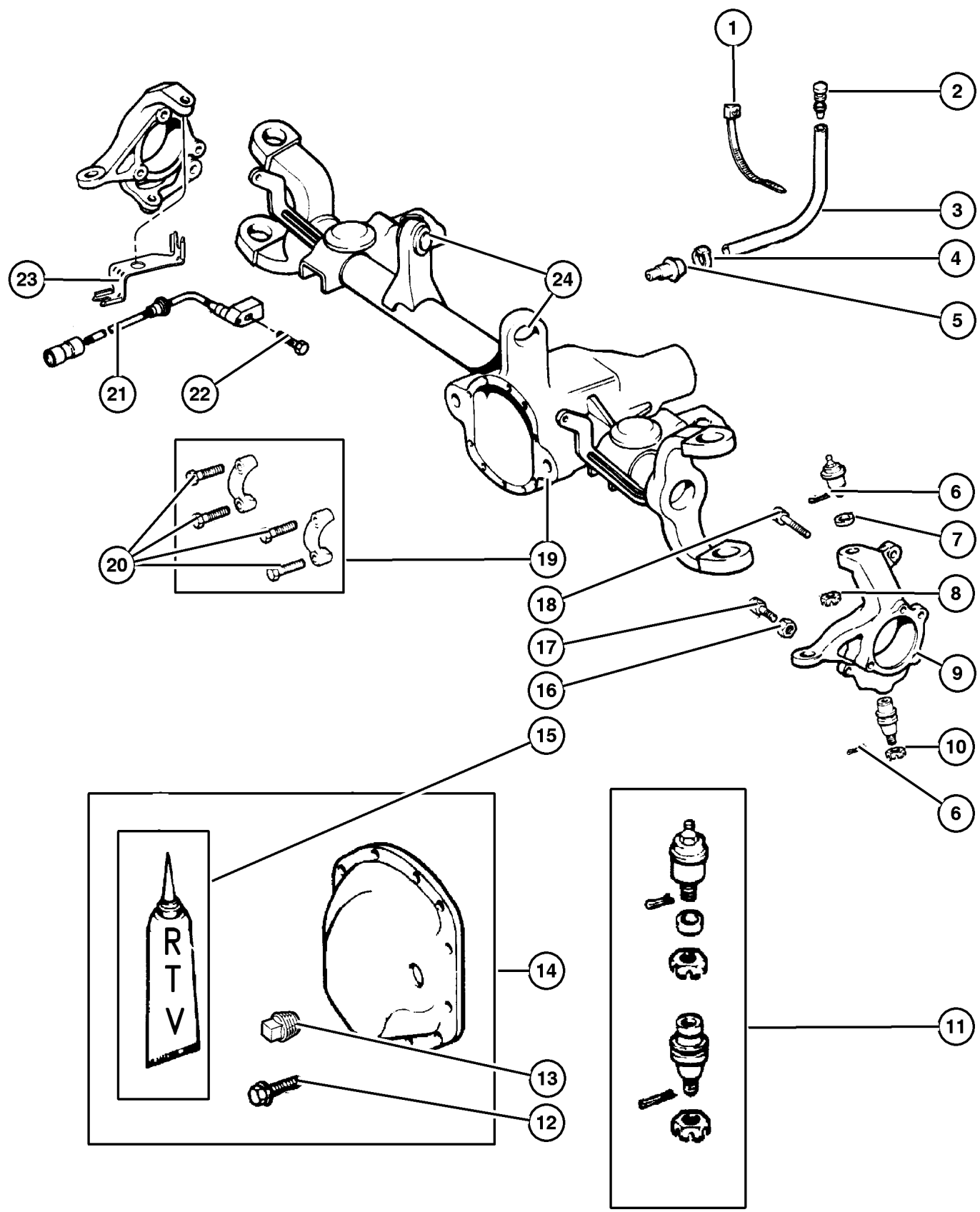
ITEM	PART NUMBER	QTY	LINE	SERIES	BODY	ENGINE	TRANS	TRIM	DESCRIPTION
		2	U			ENC			Stop
17	1791 701	2	J						BOLT, Steering Knuckle Stop
		2	U			ENC			
18	3420 1535	6	J						BOLT Knuckle to Hub and Bearing, Mounting
		6	U						Knuckle to Hub and Bearing, Mounting
19	4773 429	1	J						HOUSING, Front Axle With Control Arm Bushings
	4778 905	1	J			ENC			With Control Arm Bushings
	4773 458	1	U						With Control Arm Bushings
	4797 774	1	U			ENC			With Control Arm Bushings
20	5003 648AA	4	J						BOLT, Differential
		4	U			ENC			
21	5600 5217	2	J						SENSOR, Anti-Lock Brakes
		2	U			ENC			
22	8350 4920	2	J						BOLT ABS Sensor, Mounting
		2	U			ENC			ABS Sensor, Mounting
23	5602 6766	1	J						BRACKET, Brake Sensor ABS, Right
	5602 6767	1	J						ABS, Left
	5602 6766	1	U			ENC			ABS, Right
	5602 6767	1	U			ENC			ABS, Left
24	5203 8025	2	J						BUSHING, Control Arm Front, Upper
		2	U			ENC			Front, Upper

**JEEP CHEROKEE (XJ)**  
 SERIES LINE BODY ENGINE TRANSMISSION  
 L=Low Line J=LHD (4WD) 74=4 DR. (101.4 WB) ENC,EN0=2.5L 4 cyl. Turbo Die DDQ=5Spd Man.  
 U=RHD (4WD) 72=2 DR. (101.4 WB) ERH,ER0=4.0L Power Tech I-6 DGS=4 Spd. Auto. AISIN  
 T=LHD (2WD) EPE,EP0=Magnum 2.5L SMPI DG0=All Auto Trans  
 B=RHD (2WD) DBB=All Manual Trans.

AR = Use as required - = Non illustrated part # = New this model year

July 4, 2003

### Housing,Front Axle,4 Wheel Drive 1998 XJ Figure 002-320



ITEM	PART NUMBER	QTY	LINE	SERIES	BODY	ENGINE	TRANS	TRIM	DESCRIPTION
Note: Sales Codes;									
[ENC]=Engine - 2.5L 4 Cylinder Turbo Diesel									
[EN0]=Engines - All 4/5 Cylinder Turbo Diesel									
[EP0]=Engines - All 2.5L 4 Cylinder Gas									
[ER0]=Engines - All 4.0L 6 Cylinder Gas									
1	4641 780	1	J, U						STRAP, Tie, Holds Upper Vent Hose
2	J535 2955	1	J, U						VENT, Axle, Upper
3	HFV0 0516	1	J, U						HOSE, Fuel And Vapor, 25 Foot Roll 5/16", Axle Vent
4	6502 081	2	J, U						CLAMP, Oil Cooler Line, Lower
5	8350 4653	1	J						Lower
		1	U						Lower
6									PIN, Cotter, M4x40.00
	1101 0069	6	J						
		6	U						
7									RING, Ball Joint
	8350 0203	2	J						
		2	U						
8	J012 5258	2	J						NUT, Steering Knuckle Socket
		2	U						
9									KNUCKLE, Front
	5206 7576	1	J						Right
	5206 7577	1	J						Left
	5206 7576	1	U						Right
	5206 7577	1	U						Left
10	J812 3318	2	J						NUT
		2	U						
11									BALL JOINT KIT, Knuckle
	8350 0202	2	J						
		2	U						
12									BOLT, Differential Cover
	2954 031	10	J						
		10	U						
13									PLUG, Differential Cover
	J400 4751	1	J						
		1	U						
14									COVER, Differential
	5252 583	1	J						
		1	U						
15									SEALANT, RTV

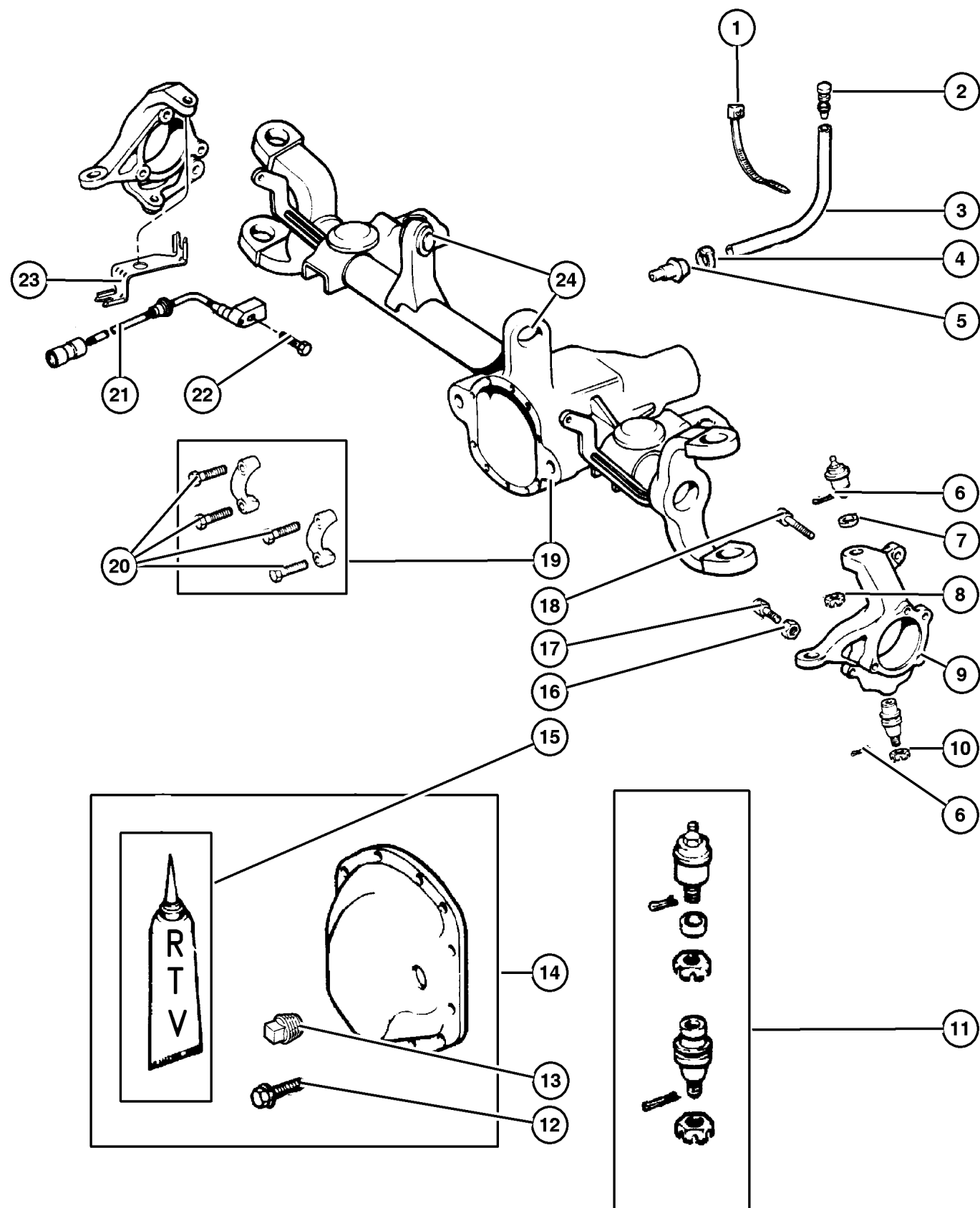
**JEEP CHEROKEE (XJ)**

SERIES	LINE	BODY	ENGINE	TRANSMISSION
L=Low Line	J=LHD (4WD) U=RHD (4WD) T=LHD (2WD) B=RHD (2WD)	74=4 DR. (101.4 WB) 72=2 DR. (101.4 WB)	ENC,EN0=2.5L 4 cyl. Turbo Die ERH,ER0=4.0L Power Tech I-6 EPE,EP0=Magnum 2.5L SMPI	DDQ=5Spd Man. DGS=4 Spd. Auto. AISIN DG0=All Auto Trans DBB=All Manual Trans.

AR = Use as required - = Non illustrated part # = New this model year

July 4, 2003

Housing,Front Axle,4 Wheel Drive 1998 XJ  
Figure 002-320



ITEM	PART NUMBER	QTY	LINE	SERIES	BODY	ENGINE	TRANS	TRIM	DESCRIPTION
	4318 025	1	J, U			ER0			
		1	J, U			EP0	DDQ		
16	S011 4494	2	J						NUT, Steering Knuckle Stop
		2	U						Stop
17	1791 701	2	J						BOLT, Steering Knuckle Stop
		2	U						
18	3420 1535	6	J						BOLT
		6	U						Knuckle to Hub and Bearing, Mounting
		6	U						Knuckle to Hub and Bearing, Mounting
19	4778 905	1	J			ENC			HOUSING, Front Axle
	4773 429	1	J						Includes Item 24
	4797 774	1	U			ENC			Includes Item 24
	4773 458	1	U						Includes Item 24
20	5003 648AA	4	J						BOLT, Differential
		4	U						
21	5600 5217	2	J						SENSOR, Anti-Lock Brakes
		2	U						
22	8350 4920	2	J						BOLT
		2	U						ABS Sensor, Mounting
		2	U						ABS Sensor, Mounting
23	5602 6766	1	J						BRACKET, Brake Sensor
	5602 6767	1	J						ABS, Right
	5602 6766	1	U						ABS, Left
	5602 6767	1	U						ABS, Right
	5602 6767	1	U						ABS, Left
24	5203 8025	2	J						BUSHING, Control Arm
		2	U						Front, Upper
		2	U						Front, Upper

JEEP CHEROKEE (XJ)

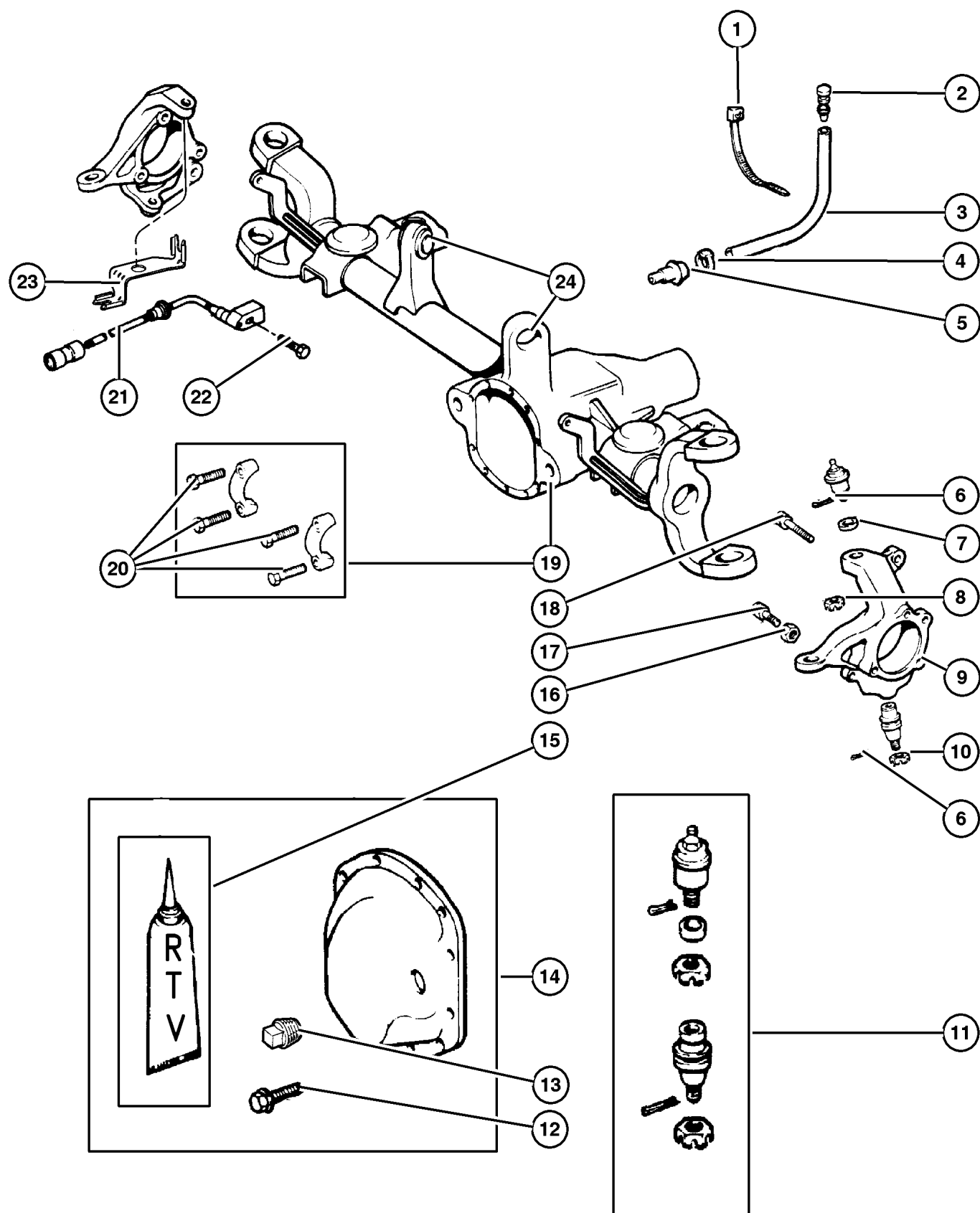
SERIES	LINE	BODY	ENGINE	TRANSMISSION
L=Low Line	J=LHD (4WD) U=RHD (4WD) T=LHD (2WD) B=RHD (2WD)	74=4 DR. (101.4 WB) 72=2 DR. (101.4 WB)	ENC,EN0=2.5L 4 cyl. Turbo Die ERH,ER0=4.0L Power Tech I-6 EPE,EP0=Magnum 2.5L SMPI	DDQ=5Spd Man. DGS=4 Spd. Auto. AISIN DG0=All Auto Trans DBB=All Manual Trans.

AR = Use as required - = Non illustrated part # = New this model year

July 4, 2003



### Housing,Front Axle,4 Wheel Drive 1999 XJ Figure 002-320



ITEM	PART NUMBER	QTY	LINE	SERIES	BODY	ENGINE	TRANS	TRIM	DESCRIPTION
Note: Sales Codes;									
[ENC]=Engine - 2.5L 4 Cylinder Turbo Diesel									
[EN0]=Engines - All 4/5 Cylinder Turbo Diesel									
[EP0]=Engines - All 2.5L 4 Cylinder Gas									
[ER0]=Engines - All 4.0L 6 Cylinder Gas									
1	4641 780	1	J, U						STRAP, Tie, Holds Upper Vent Hose
2	J535 2955	1	J, U						VENT, Axle, Upper
3	HFV0 0516	1	J, U						HOSE, Fuel And Vapor, 25 Foot Roll 5/16", Axle Vent
4	6502 081	2	J, U						CLAMP, Oil Cooler Line, Lower
5	8350 4653	1	J						Lower
		1	U						Lower
6									PIN, Cotter, M4x40.00
	1101 0069	6	J						
		6	U						
7									RING, Ball Joint
	8350 0203	2	J						
		2	U						
8	J012 5258	2	J						NUT, Steering Knuckle Socket
		2	U						
9									KNUCKLE, Front
	5206 7576	1	J						Right
	5206 7577	1	J						Left
	5206 7576	1	U						Right
	5206 7577	1	U						Left
10									NUT
	J812 3318	2	J						
		2	U						
11									BALL JOINT KIT, Knuckle
	8350 0202	2	J						
		2	U						
12									BOLT, Differential Cover
	2954 031	10	J						
		10	U						
13									PLUG, Differential Cover
	J400 4751	1	J						
		1	U						
14									COVER, Differential
	5252 583	1	J						
		1	U						
15									SEALANT, RTV

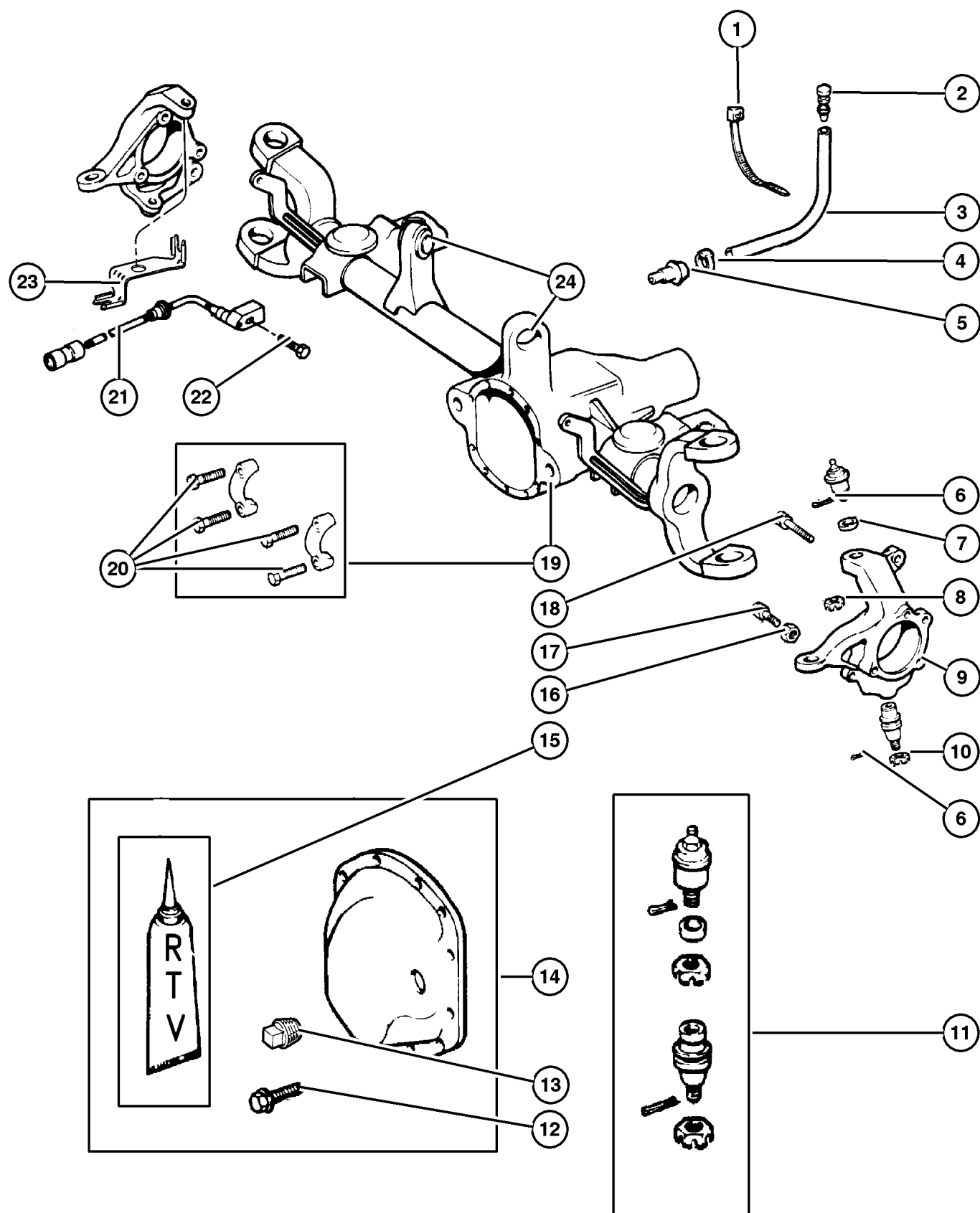
**JEEP CHEROKEE (XJ)**

SERIES	LINE	BODY	ENGINE	TRANSMISSION
L=Low Line	J=LHD (4WD) U=RHD (4WD) T=LHD (2WD) B=RHD (2WD)	74=4 DR. (101.4 WB) 72=2 DR. (101.4 WB)	ENC,EN0=2.5L 4 cyl. Turbo Die ERH,ER0=4.0L Power Tech I-6 EPE,EP0=Magnum 2.5L SMPI	DDQ=5Spd Man. DGS=4 Spd. Auto. AISIN DG0=All Auto Trans DBB=All Manual Trans.

AR = Use as required - = Non illustrated part # = New this model year

July 4, 2003

Housing,Front Axle,4 Wheel Drive 1999 XJ  
Figure 002-320



ITEM	PART NUMBER	QTY	LINE	SERIES	BODY	ENGINE	TRANS	TRIM	DESCRIPTION
	5010 884AA	1	J, U			EP0	DDQ		
		1	J, U			ER0	DDQ		
16	S011 4494	2	J						NUT, Steering Knuckle Stop
		2	U						Stop
17									BOLT, Steering Knuckle Stop
	1791 701	2	J						
		2	U						
18									BOLT
	3420 1535	6	J						Knuckle to Hub and Bearing, Mounting
		6	U						Knuckle to Hub and Bearing, Mounting
19									HOUSING, Front Axle
	4778 905	1	J			ENC			Includes Item 24
	4773 429	1	J						Includes Item 24
	4797 774	1	U			ENC			Includes Item 24
	4773 458	1	U						Includes Item 24
20									BOLT, Differential
	5003 648AA	4	J						
		4	U						
21									SENSOR, Anti-Lock Brakes
	5600 5217	2	J						
		2	U						
22									BOLT
	8350 4920	2	J						ABS Sensor, Mounting
		2	U						ABS Sensor, Mounting
23									BRACKET, Brake Sensor
	5602 6766	1	J						ABS, Right
	5602 6767	1	J						ABS, Left
	5602 6766	1	U						ABS, Right
	5602 6767	1	U						ABS, Left
24									BUSHING, Control Arm
	5203 8025	2	J						Front, Upper
		2	U						Front, Upper

JEEP CHEROKEE (XJ)

SERIES	LINE	BODY	ENGINE	TRANSMISSION
L=Low Line	J=LHD (4WD) U=RHD (4WD) T=LHD (2WD) B=RHD (2WD)	74=4 DR. (101.4 WB) 72=2 DR. (101.4 WB)	ENC,EN0=2.5L 4 cyl. Turbo Die ERH,ER0=4.0L Power Tech I-6 EPE,EP0=Magnum 2.5L SMPI	DDQ=5Spd Man. DGS=4 Spd. Auto. AISIN DG0=All Auto Trans DBB=All Manual Trans.

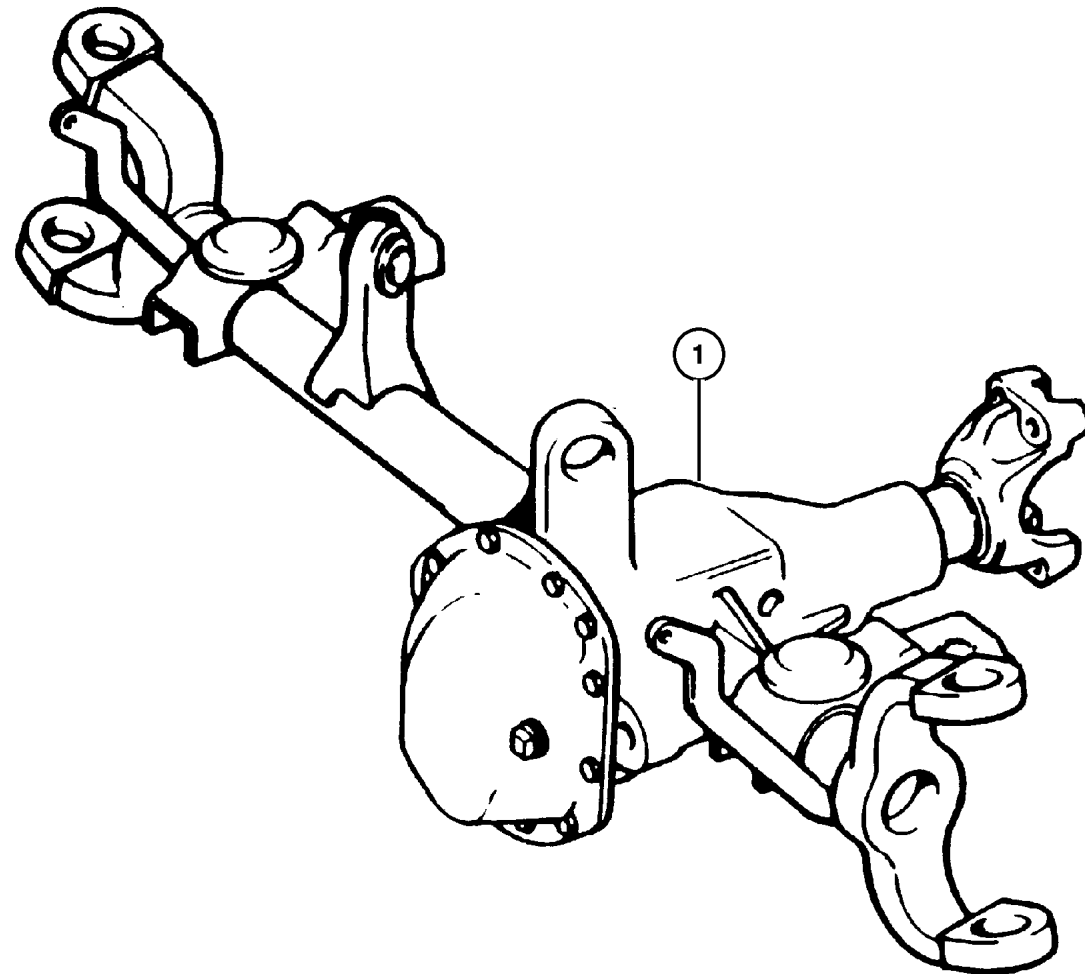
AR = Use as required - = Non illustrated part # = New this model year

July 4, 2003

**Axle Assembly,Front,4 Wheel Drive 1997 XJ**  
**Figure 002-410**

ITEM	PART NUMBER	QTY	LINE	SERIES	BODY	ENGINE	TRANS	TRIM	DESCRIPTION
------	-------------	-----	------	--------	------	--------	-------	------	-------------

Note: Sales Codes;  
 [DMD]=AXLE RATIO - 3.55  
 [DME]=Axle Ratio - 3.73  
 [DMF]=Axle Ratio - 4.10  
 [DMM]=Axle Ratio - 3.07  
 [ENC]=Engine - 2.5L 4 Cylinder Turbo Diesel  
 [EN0]=Engines - All 4/5 Cylinder Turbo Diesel  
 [EP0]=Engines - All 2.5L 4 Cylinder Gas  
 [ER0]=Engines - All 4.0L 6 Cylinder Gas



1									AXLE, Service Front
	4773 453	1	J						[DMM] Tag #52069193,52069198
	4778 909	1	J			ENC			[DME] Tag# 52068737, 52068738
	4773 428	1	J			EP0,			[DMD] Tag #52069194,52069197
						ER0			
	4773 454	1	J						[DMF] Tag,# 52069195
	4773 457	1	U						[DMD] Tag,# 52069199,52069200
	4797 780	1	U			ENC			[DME] Tag# 5209300,5209301
	4798 029	1	U						[DMF] Tag,# 52069201

**JEEP CHEROKEE (XJ)**

SERIES	LINE	BODY	ENGINE	TRANSMISSION
L=Low Line	J=LHD (4WD) U=RHD (4WD) T=LHD (2WD) B=RHD (2WD)	74=4 DR. (101.4 WB) 72=2 DR. (101.4 WB)	ENC,EN0=2.5L 4 cyl. Turbo Die ERH,ER0=4.0L Power Tech I-6 EPE,EP0=Magnum 2.5L SMPI	DDQ=5Spd Man. DGS=4 Spd. Auto. AISIN DG0=All Auto Trans DBB=All Manual Trans.

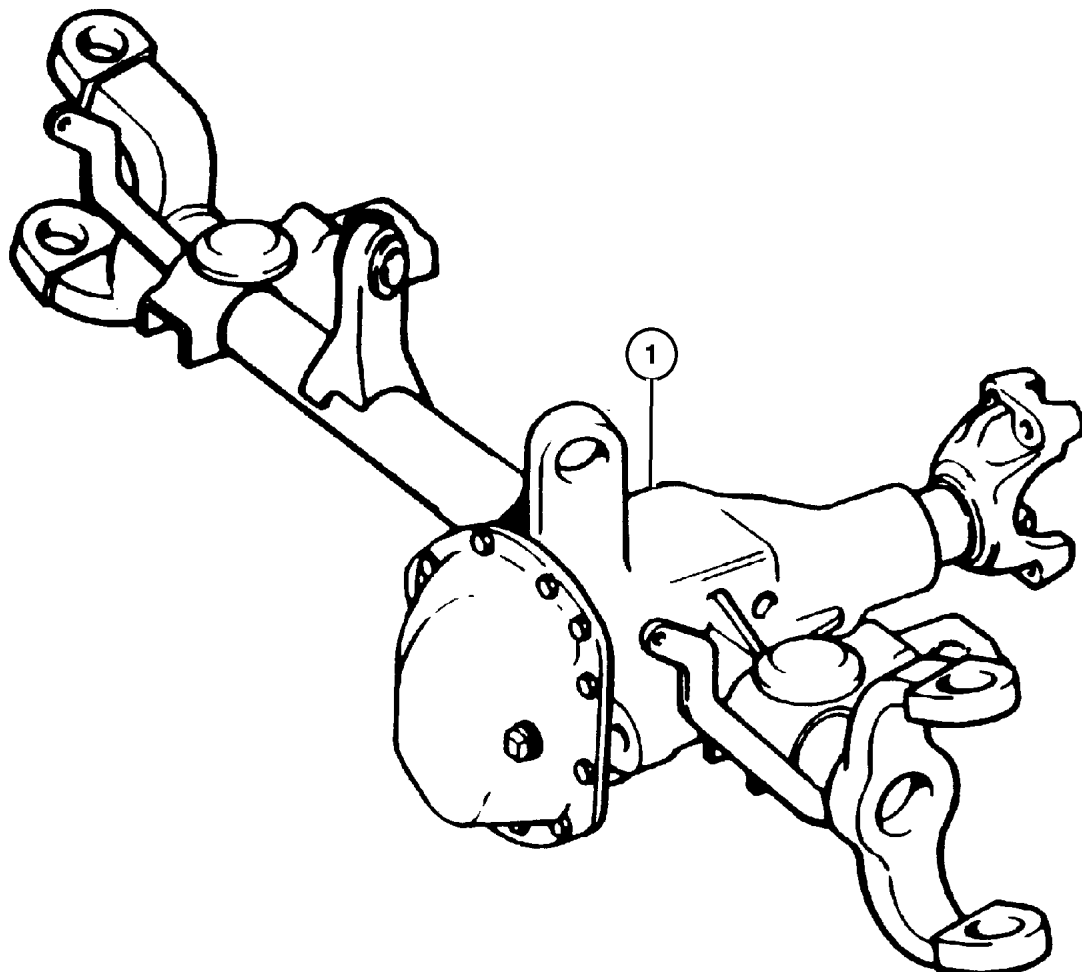
AR = Use as required - = Non illustrated part # = New this model year

July 4, 2003

**Axle Assembly, Front 4 Wheel Drive 1998 XJ**  
**Figure 002-410**

ITEM	PART NUMBER	QTY	LINE	SERIES	BODY	ENGINE	TRANS	TRIM	DESCRIPTION
------	-------------	-----	------	--------	------	--------	-------	------	-------------

Note: Sales Codes;  
 [DMD]=Axle Ratio - 3.55  
 [DME]=Axle Ratio - 3.73  
 [DMF]=Axle Ratio - 4.10  
 [DMM]=Axle Ratio - 3.07  
 [ENC]=Engine - 2.5L 4 Cylinder Turbo Diesel  
 [EP0]=Engines - All 2.5L 4 Cylinder Gas  
 [ER0]=Engines - All 4.0L 6 Cylinder Gas



ITEM	PART NUMBER	QTY	LINE	SERIES	BODY	ENGINE	TRANS	TRIM	DESCRIPTION
1									AXLE, Service Front
	4773 428	1	J			EP0, ER0			[DMD] Tag# 52069194AC, 52069197AC
	4778 909	1	J			ENC			[DME] Tag# 52068737AC, 52068738AC
	4773 454	1	J						[DMF] Tag# 52069195AC
	4773 453	1	J						[DMM] Tag# 52069193AC, 52069198AC
	4773 457	1	U						[DMD] Tag# 52069199AC, 52069200AC
	4797 780	1	U			ENC			[DME] Tag# 52099300AC, 52099301AC
	4798 029	1	U						[DMF] Tag# 52069201AC

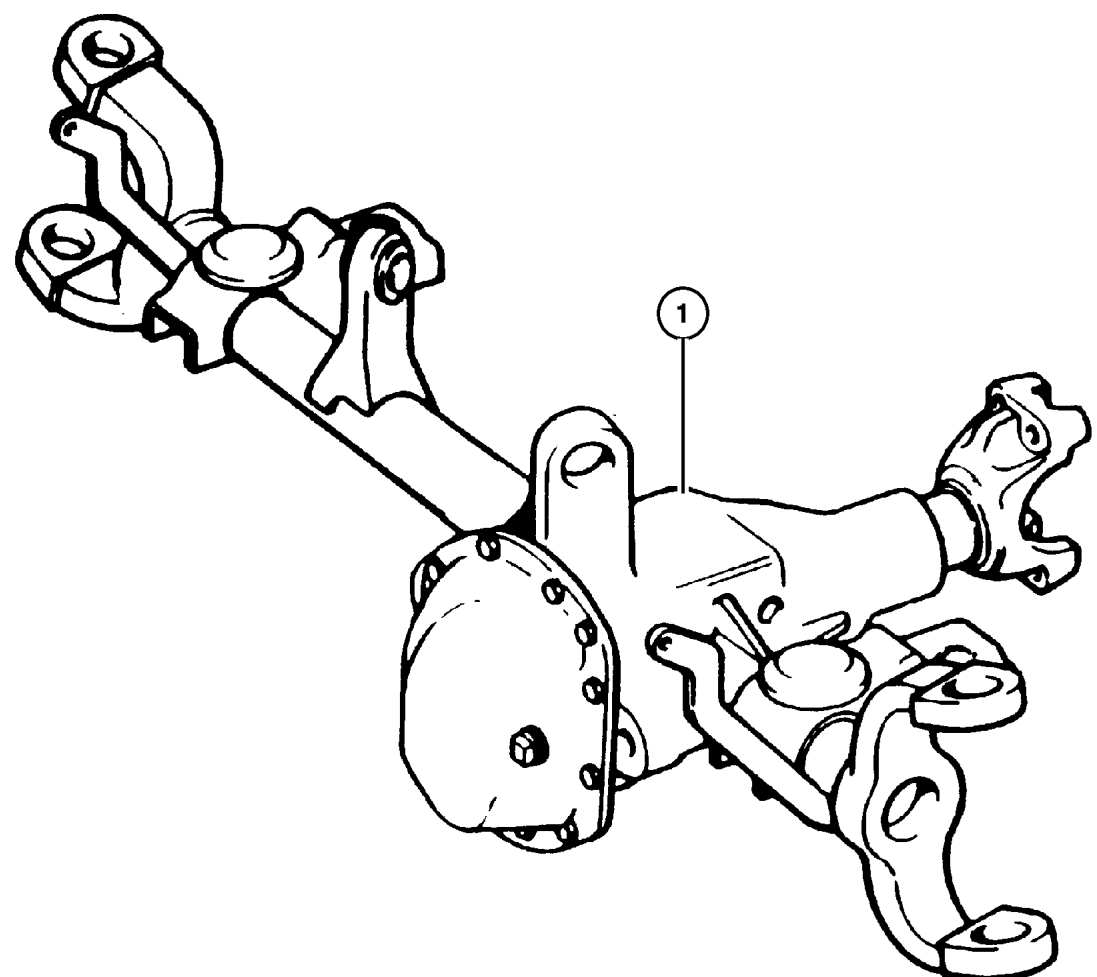
JEEP CHEROKEE (XJ)				
SERIES	LINE	BODY	ENGINE	TRANSMISSION
L=Low Line	J=LHD (4WD) U=RHD (4WD) T=LHD (2WD) B=RHD (2WD)	74=4 DR. (101.4 WB) 72=2 DR. (101.4 WB)	ENC,EN0=2.5L 4 cyl. Turbo Die ERH,ER0=4.0L Power Tech I-6 EPE,EP0=Magnum 2.5L SMPI	DDQ=5Spd Man. DGS=4 Spd. Auto. AISIN DG0=All Auto Trans DBB=All Manual Trans.

**Axle Assembly, Front 4 Wheel Drive 1999 XJ**  
**Figure 002-410**

ITEM	PART NUMBER	QTY	LINE	SERIES	BODY	ENGINE	TRANS	TRIM	DESCRIPTION
------	-------------	-----	------	--------	------	--------	-------	------	-------------

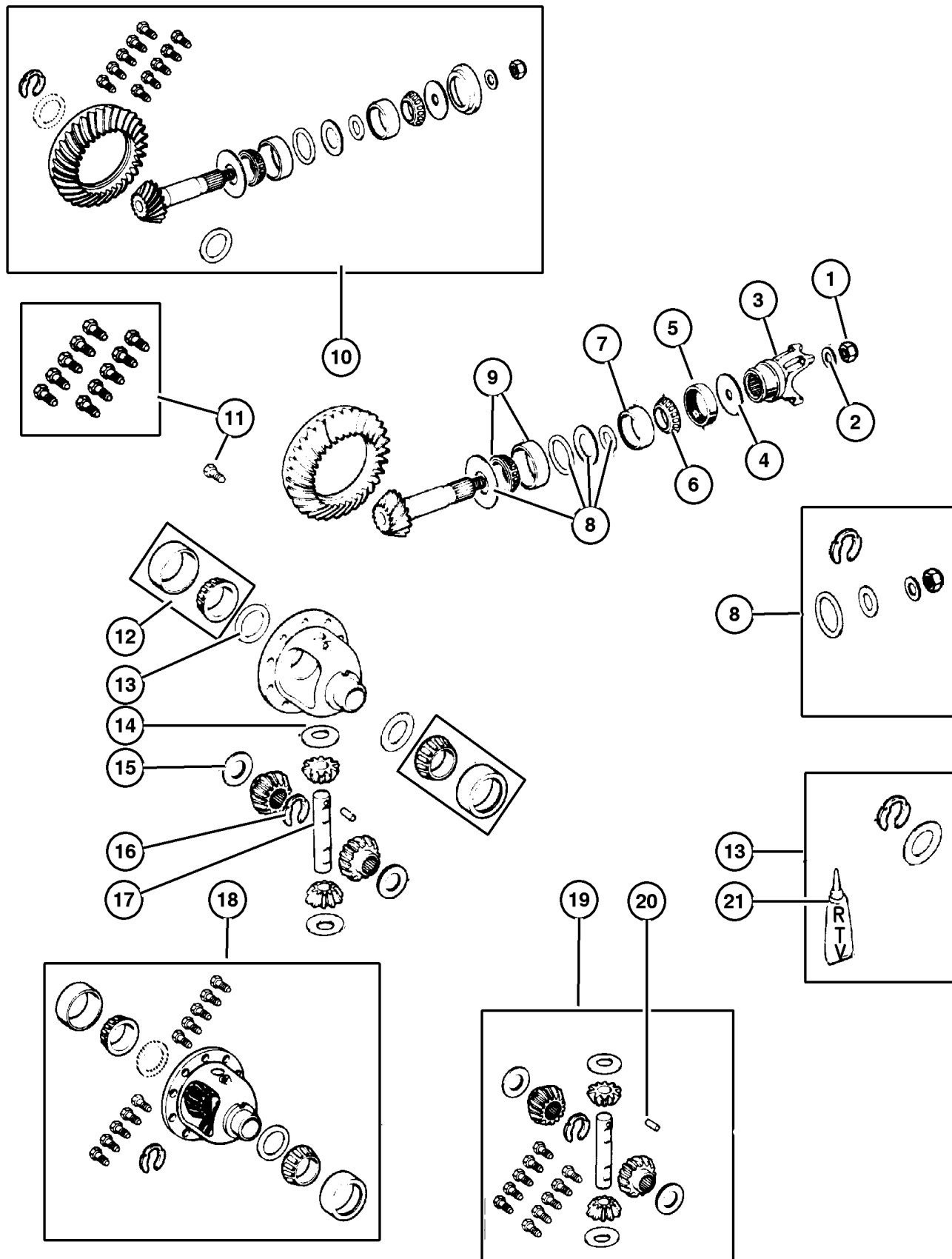
Note: Sales Codes;  
[DMD]=Axle Ratio - 3.55  
[DME]=Axle Ratio - 3.73  
[DMF]=Axle Ratio - 4.10  
[DMM]=Axle Ratio - 3.07  
[ENC]=Engine - 2.5L 4 Cylinder Turbo Diesel

1									AXLE, Service Front
	4773 453	1	J						[DMM]
	4773 428	1	J						[DMD]
	4778 909	1	J			ENC			[DME]
	4773 454	1	J						[DMF]
	4773 457	1	U						[DMD]
	4797 780	1	U			ENC			[DME]
	4798 029	1	U						[DMF]



JEEP CHEROKEE (XJ)				
SERIES	LINE	BODY	ENGINE	TRANSMISSION
L=Low Line	J=LHD (4WD) U=RHD (4WD) T=LHD (2WD) B=RHD (2WD)	74=4 DR. (101.4 WB) 72=2 DR. (101.4 WB)	ENC,EN0=2.5L 4 cyl. Turbo Die ERH,ER0=4.0L Power Tech I-6 EPE,EP0=Magnum 2.5L SMPI	DDQ=5Spd Man. DGS=4 Spd. Auto. AISIN DG0=All Auto Trans DBB=All Manual Trans.

Differential,Front Axle 1997 XJ  
Figure 002-610



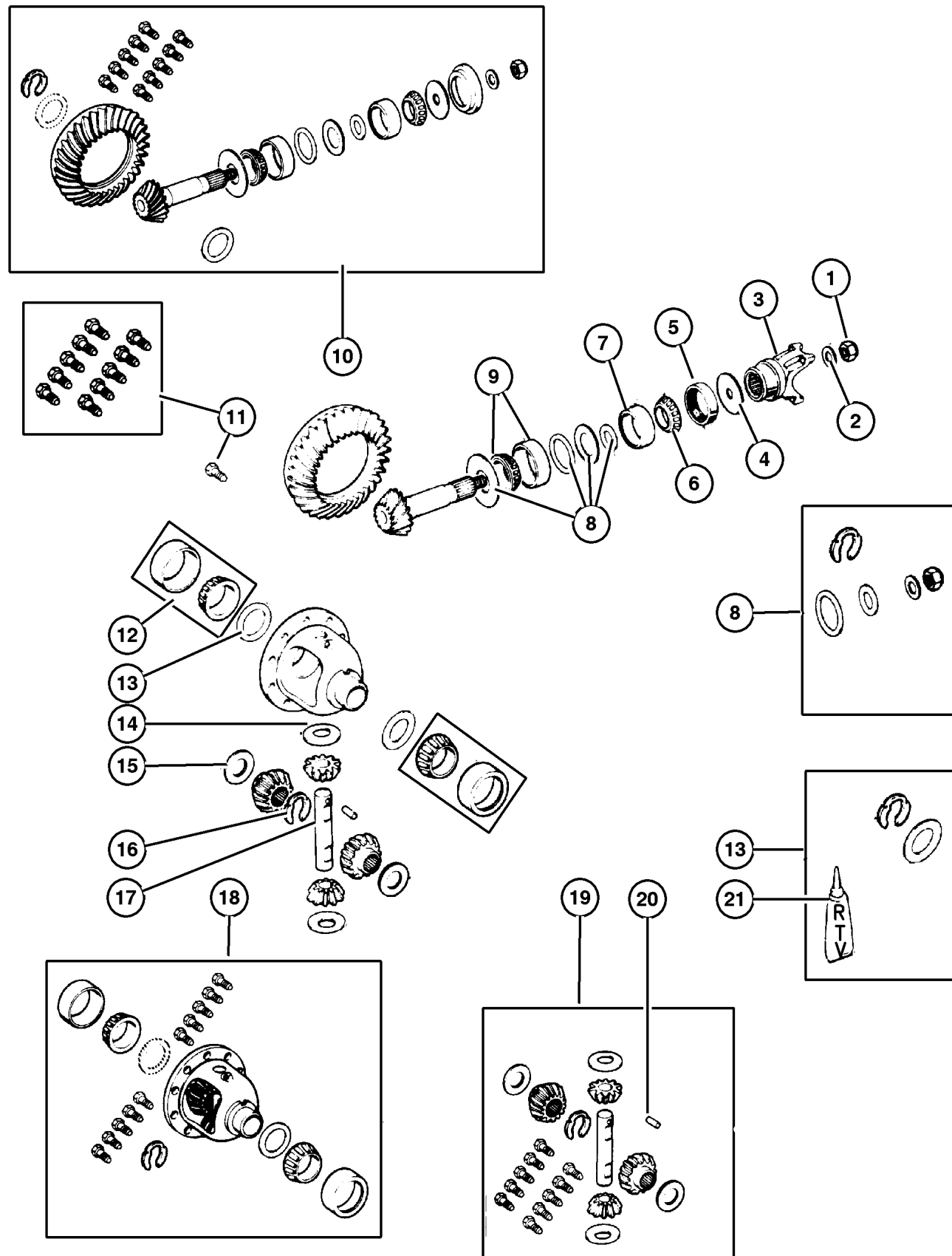
ITEM	PART NUMBER	QTY	LINE	SERIES	BODY	ENGINE	TRANS	TRIM	DESCRIPTION
Note: Sales Codes;									
[DMD]=Axle Ratio - 3.55									
[DME]=Axle Ratio - 3.73									
[DMF]=Axle Ratio - 4.10									
[DMM]=Axle Ratio - 3.07									
[ENC]=Engine - 2.5L 4 Cylinder Turbo Diesel									
[EP0]=Engine - All 2.5L 4 Cylinder gas									
[ER0]=Engines - All 4.0L 6 Cylinder Gas									
1									NUT, Pinion Yoke
	1791 575	1	J						
		1	U						
2									WASHER, Pinion Yoke
	1791 576	1	J						
		1	U						
3									YOKE, Axle
	8350 3388	1	J						
		1	U						
4									SLINGER, Drive Pinion
	4031 974	1	J						
		1	U						
5									SEAL, Drive Pinion
	4746 772	1	J						
		1	U						
6									BEARING, Drive Pinion Front
	J005 2878	1	J						
		1	U						
7									CUP, Drive Pinion Bearing Front
	J005 2879	1	J						
		1	U						
8									SHIM KIT, Pinion Shaft
	8350 0192	1	J						
		1	U						
9									BEARING, Drive Pinion Bearing and Cup, Rear
	J812 6499	1	J						
		1	U						
10									GEAR KIT, Ring And Pinion [DMM]
	8350 0187	1	J						
	4746 074	1	J			ENC			[DME]
	8350 5480	1	J			EP0, ER0			[DMD]
	8350 2353	1	J						[DMF]
	8350 5480	1	U						[DMD]

JEEP CHEROKEE (XJ)				
SERIES	LINE	BODY	ENGINE	TRANSMISSION
L=Low Line	J=LHD (4WD) U=RHD (4WD) T=LHD (2WD) B=RHD (2WD)	74=4 DR. (101.4 WB) 72=2 DR. (101.4 WB)	ENC,EN0=2.5L 4 cyl. Turbo Die ERH,ER0=4.0L Power Tech I-6 EPE,EP0=Magnum 2.5L SMPI	DDQ=5Spd Man. DGS=4 Spd. Auto. AISIN DG0=All Auto Trans DBB=All Manual Trans.

AR = Use as required - = Non illustrated part # = New this model year

July 4, 2003

Differential,Front Axle 1997 XJ  
Figure 002-610



ITEM	PART NUMBER	QTY	LINE	SERIES	BODY	ENGINE	TRANS	TRIM	DESCRIPTION
	4746 074	1	U			ENC			[DME]
	8350 2353	1	U						[DMF]
11	5252 503	10	J						SCREW, Drive Gear
		10	U						
12	J812 6500	1	J						BEARING, Differential Consists of 2 Bearings and 2 Cups
		1	U						Consists of 2 Bearings and 2 Cups
13									SHIM KIT, Differential
	8350 0191	1	J						
		1	U						
14	J812 0831	2	U						WASHER, Pinion Gear Thrust
		2	J						Thrust
15	J813 3724	2	J						WASHER, Side Gear Thrust
		2	U						Thrust
16									SNAP RING, Front Axle Shaft
	4137 739	2	J						
		2	U						
17									SHAFT, Differential
	5003 840AA	1	J						Pinion
		1	U						Pinion
18									CASE, Differential
	5252 582	1	J						[DMM,DMD] With Internal Parts
	5252 590	1	J						[DME,DMF] With Internal Parts
	5252 582	1	U						[DMD] With Internal Parts
	5252 590	1	U						[DME,DMF] With Internal Parts
19									GEAR KIT, Center Differential
	5252 591	1	J						
		1	U						
20									PIN, Differential Shaft
	1791 563	1	J						
		1	U						
21									SEALANT, RTV
	5010 884AA	1	J						
		1	U						

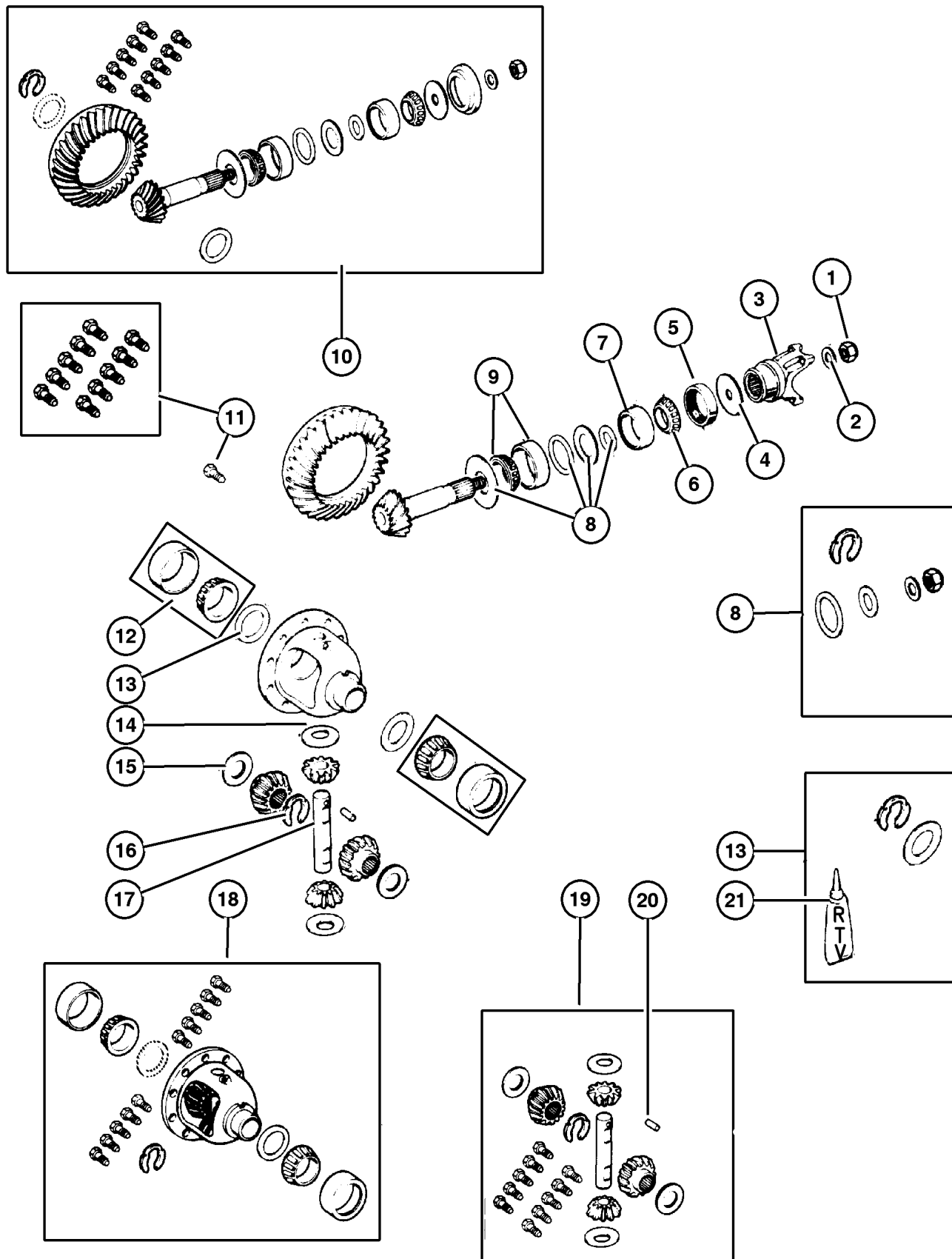
JEEP CHEROKEE (XJ)

SERIES	LINE	BODY	ENGINE	TRANSMISSION
L=Low Line	J=LHD (4WD) U=RHD (4WD) T=LHD (2WD) B=RHD (2WD)	74=4 DR. (101.4 WB) 72=2 DR. (101.4 WB)	ENC,EN0=2.5L 4 cyl. Turbo Die ERH,ER0=4.0L Power Tech I-6 EPE,EP0=Magnum 2.5L SMPI	DDQ=5Spd Man. DGS=4 Spd. Auto. AISIN DG0=All Auto Trans DBB=All Manual Trans.

AR = Use as required - = Non illustrated part # = New this model year

July 4, 2003

Differential,Front Axle 1998 XJ  
Figure 002-610



ITEM	PART NUMBER	QTY	LINE	SERIES	BODY	ENGINE	TRANS	TRIM	DESCRIPTION
Note: Sales Codes;									
[DMD]=Axle Ratio - 3.55									
[DME]=Axle Ratio - 3.73									
[DMF]=Axle Ratio - 4.10									
[DMM]=Axle Ratio - 3.07									
[ENC]=Engine - 2.5L 4 Cylinder Turbo Diesel									
[EP0]=Engine - All 2.5L 4 Cylinder gas									
[ER0]=Engines - All 4.0L 6 Cylinder Gas									
1									NUT, Pinion Yoke
	1791 575	1	J						
		1	U						
2									WASHER, Pinion Yoke
	1791 576	1	J						
		1	U						
3									YOKE, Axle
	8350 3388	1	J						
		1	U						
4									SLINGER, Drive Pinion
	4031 974	1	J						
		1	U						
5									SEAL, Drive Pinion
	4746 772	1	J						
		1	U						
6									BEARING, Drive Pinion Front
	J005 2878	1	J						
		1	U						Front
7									CUP, Drive Pinion Bearing Front
	J005 2879	1	J						
		1	U						Front
8									SHIM KIT, Pinion Shaft
	8350 0192	1	J						
		1	U						
9									BEARING, Drive Pinion Bearing and Cup, Rear
	J812 6499	1	J						
		1	U						Bearing and Cup, Rear
10									GEAR KIT, Ring And Pinion [DMM]
	8350 0187	1	J						
	8350 5480	1	J			EP0, ER0			[DMD]
		1	J			ENC			[DME]
	4746 074	1	J						[DMF]
	8350 2353	1	J						[DMD]
	8350 5480	1	U						

**JEEP CHEROKEE (XJ)**

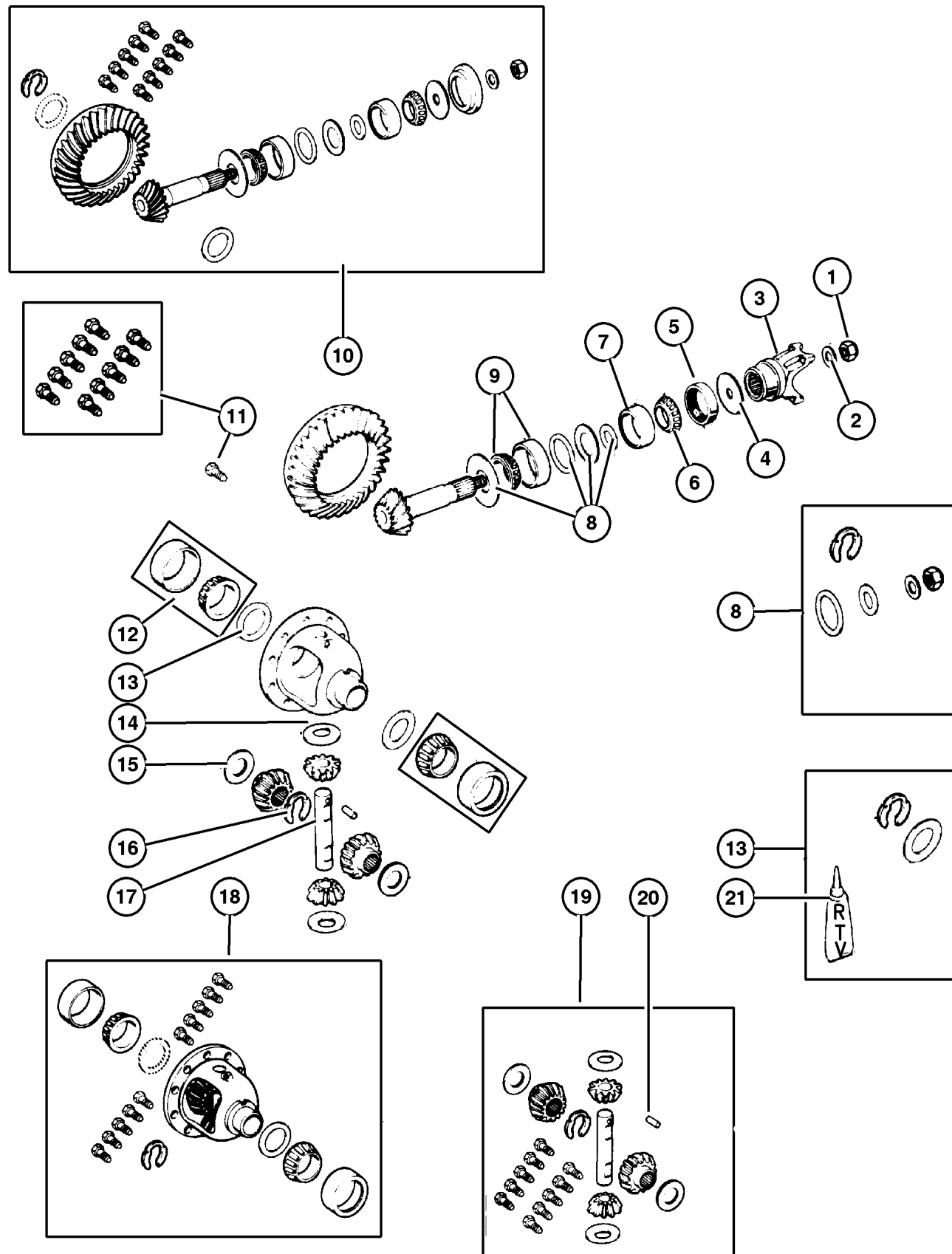
SERIES	LINE	BODY	ENGINE	TRANSMISSION
L=Low Line	J=LHD (4WD) U=RHD (4WD) T=LHD (2WD) B=RHD (2WD)	74=4 DR. (101.4 WB) 72=2 DR. (101.4 WB)	ENC,EN0=2.5L 4 cyl. Turbo Die ERH,ER0=4.0L Power Tech I-6 EPE,EP0=Magnum 2.5L SMPI	DDQ=5Spd Man. DGS=4 Spd. Auto. AISIN DG0=All Auto Trans DBB=All Manual Trans.

AR = Use as required - = Non illustrated part # = New this model year

July 4, 2003



Differential,Front Axle 1998 XJ  
Figure 002-610



ITEM	PART NUMBER	QTY	LINE	SERIES	BODY	ENGINE	TRANS	TRIM	DESCRIPTION
	4746 074	1	U			ENC			[DME]
	8350 2353	1	U						[DMF]
11	5252 503	10	J						SCREW, Drive Gear
		10	U						
12	J812 6500	1	J						BEARING, Differential Consists of 2 Bearings and 2 Cups
		1	U						Consists of 2 Bearings and 2 Cups
13									SHIM KIT, Differential
	8350 0191	1	J						
		1	U						
14	J812 0831	2	J						WASHER, Pinion Gear Thrust
		2	U						Thrust
15	J813 3724	2	J						WASHER, Side Gear Thrust
		2	U						Thrust
16									SNAP RING, Front Axle Shaft
	4137 739	1	J						
		2	U						
17									SHAFT, Differential
	5003 840AA	1	J						Pinion
		1	U						Pinion
18									CASE, Differential
	5252 582	1	J						[DMM,DMD]
	5252 590	1	J						[DME,DMF]
	5252 582	1	U						[DMD]
	5252 590	1	U						[DME,DMF]
19									GEAR KIT, Center Differential
	5252 591	1	J						
		1	U						
20									PIN, Differential Shaft
	1791 563	1	J						
		1	U						
21									SEALANT, RTV
	5010 884AA	1	J						
		1	U						

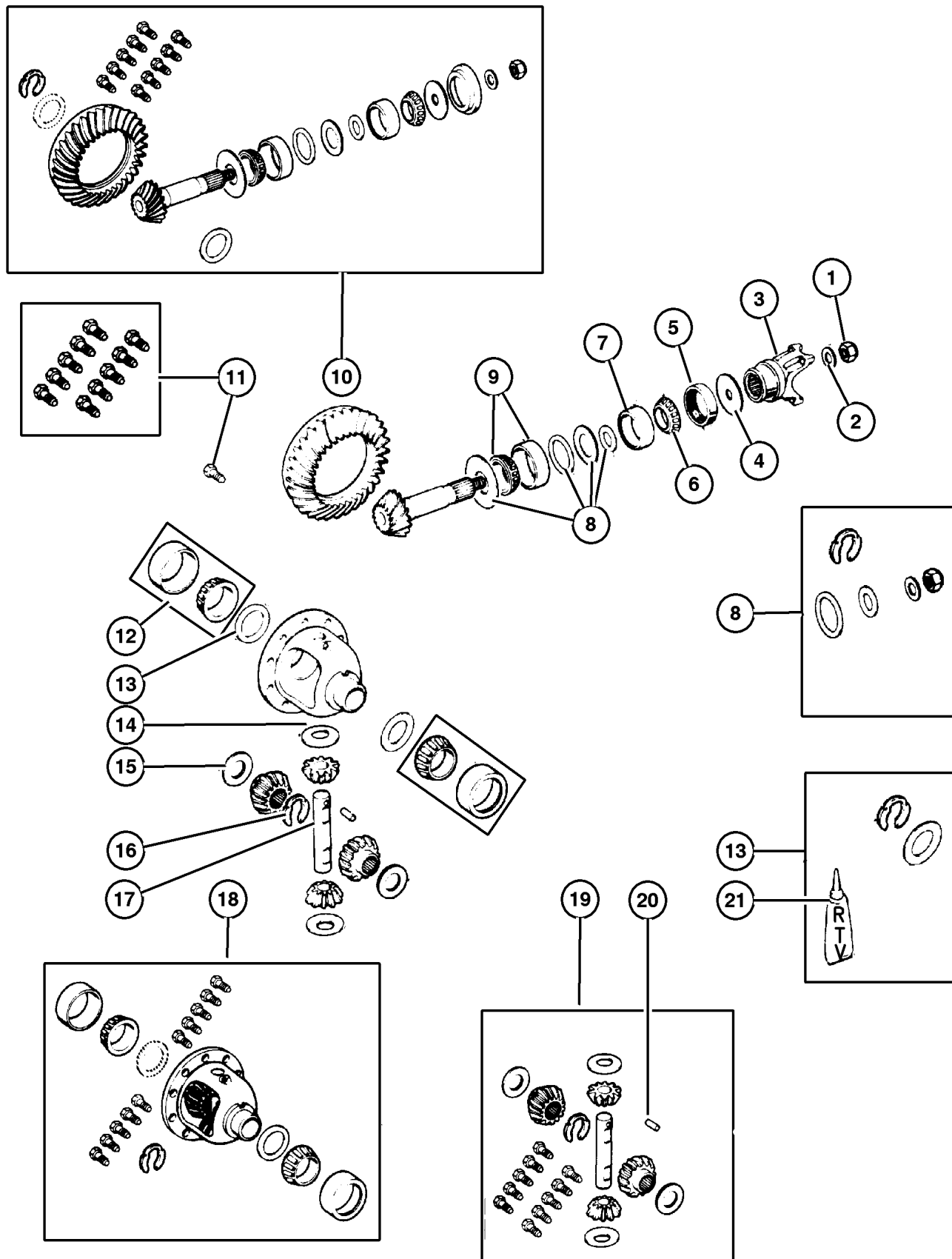
JEEP CHEROKEE (XJ)

SERIES	LINE	BODY	ENGINE	TRANSMISSION
L=Low Line	J=LHD (4WD) U=RHD (4WD) T=LHD (2WD) B=RHD (2WD)	74=4 DR. (101.4 WB) 72=2 DR. (101.4 WB)	ENC,EN0=2.5L 4 cyl. Turbo Die ERH,ER0=4.0L Power Tech I-6 EPE,EP0=Magnum 2.5L SMPI	DDQ=5Spd Man. DGS=4 Spd. Auto. AISIN DG0=All Auto Trans DBB=All Manual Trans.

AR = Use as required - = Non illustrated part # = New this model year

July 4, 2003

**Differential,Front Axle 1999 XJ**  
**Figure 002-610**



ITEM	PART NUMBER	QTY	LINE	SERIES	BODY	ENGINE	TRANS	TRIM	DESCRIPTION
Note: Sales Codes;									
[DMD]=Axle Ratio - 3.55									
[DME]=Axle Ratio - 3.73									
[DMF]=Axle Ratio - 4.10									
[DMM]=Axle Ratio - 3.07									
[ENC]=Engine - 2.5L 4 Cylinder Turbo Diesel									
[EP0]=Engine - All 2.5L 4 Cylinder gas									
[ER0]=Engines - All 4.0L 6 Cylinder Gas									
1									NUT, Pinion Yoke
	1791 575	1	J						
		1	U						
2									WASHER, Pinion Yoke
	1791 576	1	J						
		1	U						
3									YOKE, Axle
	8350 3388	1	J						
		1	U						
4									SLINGER, Drive Pinion
	4031 974	1	J						
		1	U						
5									SEAL, Drive Pinion
	4746 772	1	J						
		1	U						
6									BEARING, Drive Pinion Front
	J005 2878	1	J						
		1	U						Front
7									CUP, Drive Pinion Bearing Front
	J005 2879	1	J						
		1	U						Front
8									SHIM KIT, Pinion Shaft
	8350 0192	1	J						
		1	U						
9									BEARING, Drive Pinion Bearing and Cup, Rear
	J812 6499	1	J						
		1	U						Bearing and Cup, Rear
10									GEAR KIT, Ring And Pinion [DMM]
	8350 0187	1	J						
	8350 5480	1	J			EP0, ER0			[DMD]
		1	J			ENC			[DME]
	4746 074	1	J						[DMF]
	8350 2353	1	J						[DMF]
	8350 5480	1	U						[DMD]

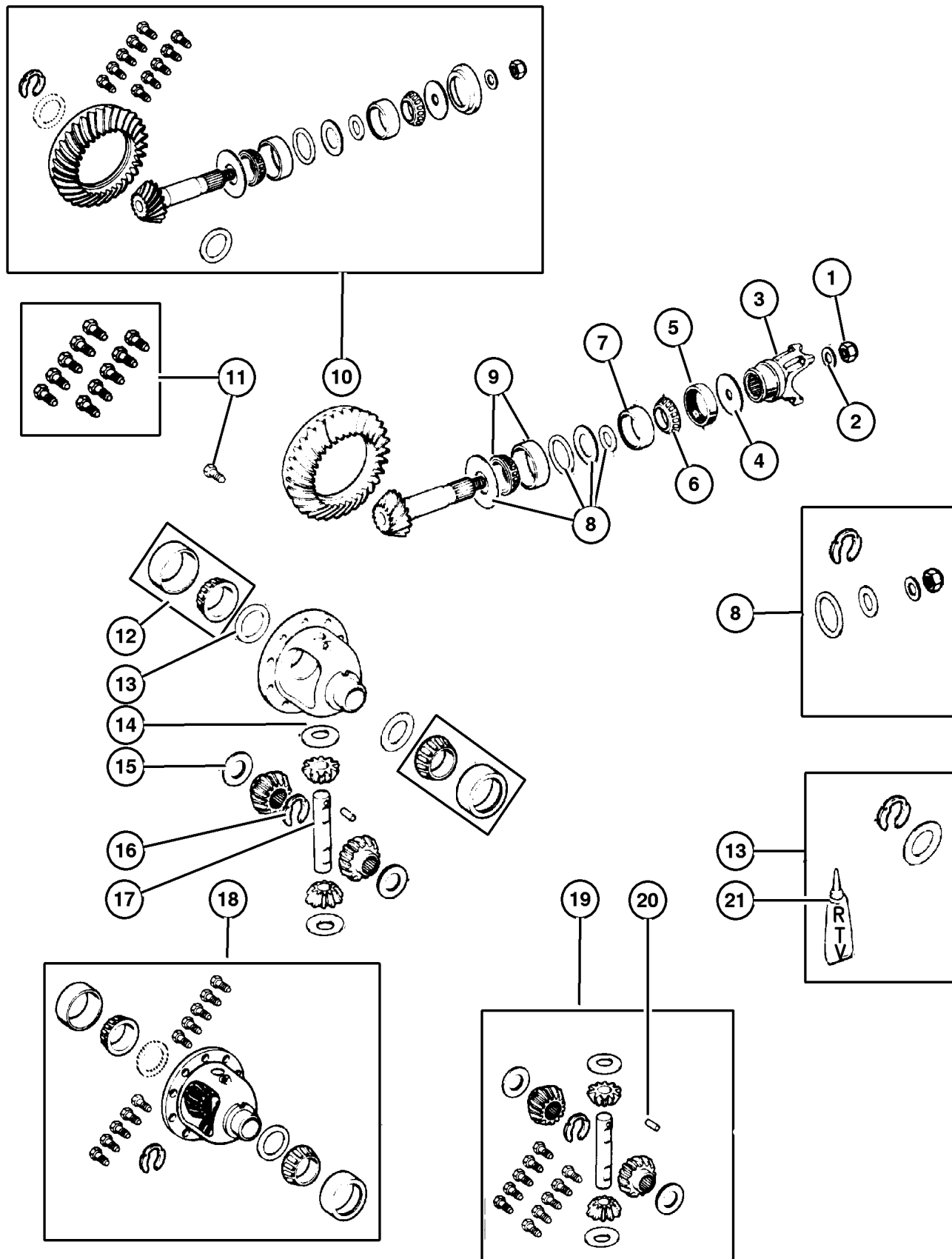
**JEEP CHEROKEE (XJ)**

SERIES	LINE	BODY	ENGINE	TRANSMISSION
L=Low Line	J=LHD (4WD) U=RHD (4WD) T=LHD (2WD) B=RHD (2WD)	74=4 DR. (101.4 WB) 72=2 DR. (101.4 WB)	ENC,EN0=2.5L 4 cyl. Turbo Die ERH,ER0=4.0L Power Tech I-6 EPE,EP0=Magnum 2.5L SMPI	DDQ=5Spd Man. DGS=4 Spd. Auto. AISIN DG0=All Auto Trans DBB=All Manual Trans.

AR = Use as required - = Non illustrated part # = New this model year

July 4, 2003

Differential,Front Axle 1999 XJ  
Figure 002-610



ITEM	PART NUMBER	QTY	LINE	SERIES	BODY	ENGINE	TRANS	TRIM	DESCRIPTION
	4746 074	1	U			ENC			[DME]
	8350 2353	1	U						[DMF]
11	5252 503	10	J						SCREW, Drive Gear
		10	U						
12	J812 6500	1	J						BEARING, Differential Consists of 2 Bearing and 2 Cups
		1	U						Consists of 2 Bearing and 2 Cups
13									SHIM KIT, Differential
	8350 0191	1	J						
		1	U						
14	J812 0831	2	J						WASHER, Pinion Gear Thrust
		2	U						Thrust
15	J813 3724	2	J						WASHER, Side Gear Thrust
		2	U						Thrust
16	4137 739	2	J			EP0, ER0			SNAP RING, Front Axle Shaft
		2	U						
17	5003 840AA	1	J						SHAFT, Differential Pinion
		1	U						Pinion
18									CASE, Differential
	5252 582	1	J						[DMM,DMD]
	5252 590	1	J						[DME,DMF]
	5252 582	1	U						[DMD]
	5252 590	1	U						[DME,DMF]
19									GEAR KIT, Center Differential
	5252 591	1	J						
		1	U						
20									PIN, Differential Shaft
	1791 563	1	J						
		1	U						
21									SEALANT, RTV
	5010 884AA	1	J						
		1	U						

JEEP CHEROKEE (XJ)

SERIES	LINE	BODY	ENGINE	TRANSMISSION
L=Low Line	J=LHD (4WD) U=RHD (4WD) T=LHD (2WD) B=RHD (2WD)	74=4 DR. (101.4 WB) 72=2 DR. (101.4 WB)	ENC,EN0=2.5L 4 cyl. Turbo Die ERH,ER0=4.0L Power Tech I-6 EPE,EP0=Magnum 2.5L SMPI	DDQ=5Spd Man. DGS=4 Spd. Auto. AISIN DG0=All Auto Trans DBB=All Manual Trans.

AR = Use as required - = Non illustrated part # = New this model year

July 4, 2003

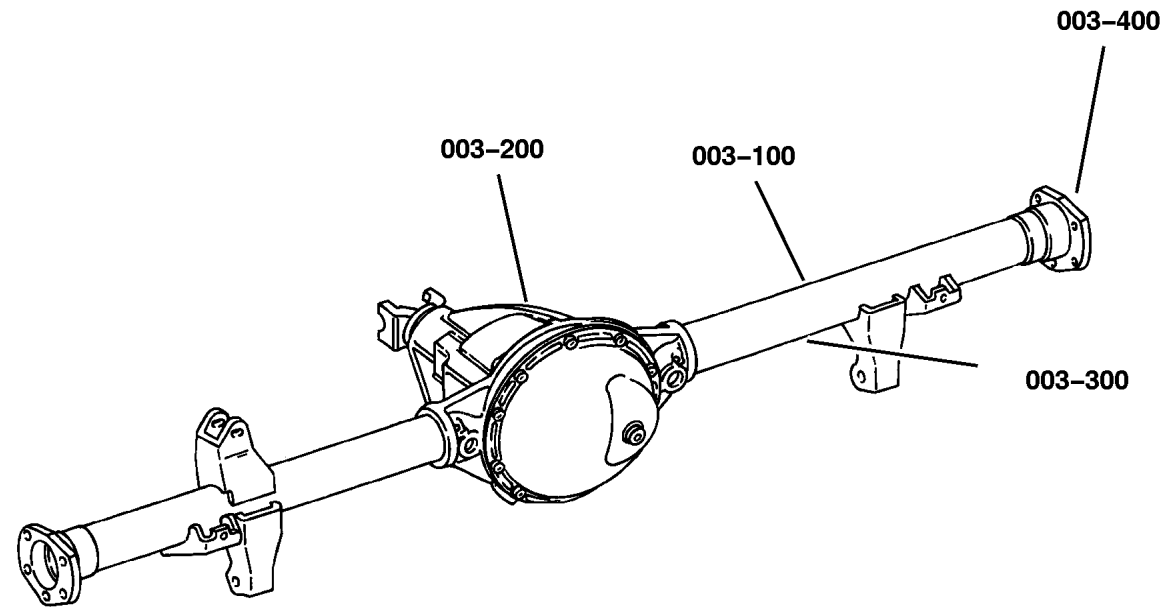
# Group – 003

## Rear Axle

### GROUP 3 - Rear Axle

Illustration Title

Group-Fig. No.



#### Rear Axle

Axle Assembly,Rear,Corporate Model 8.25 1999 XJ .....	Fig. 003-110
Axle Assembly, Rear Chrysler Model 8.25 1997 XJ .....	Fig. 003-120
Axle Assembly, Rear Chrysler Model 8.25 1998 XJ .....	Fig. 003-120
Axle Assembly, Rear,Dana Model 35 1999 XJ .....	Fig. 003-120
Axle Assembly, Rear Dana Model 35 1997 XJ .....	Fig. 003-130
Axle Assembly, Rear Dana Model 35 1998 XJ .....	Fig. 003-130

#### Differential and Housing

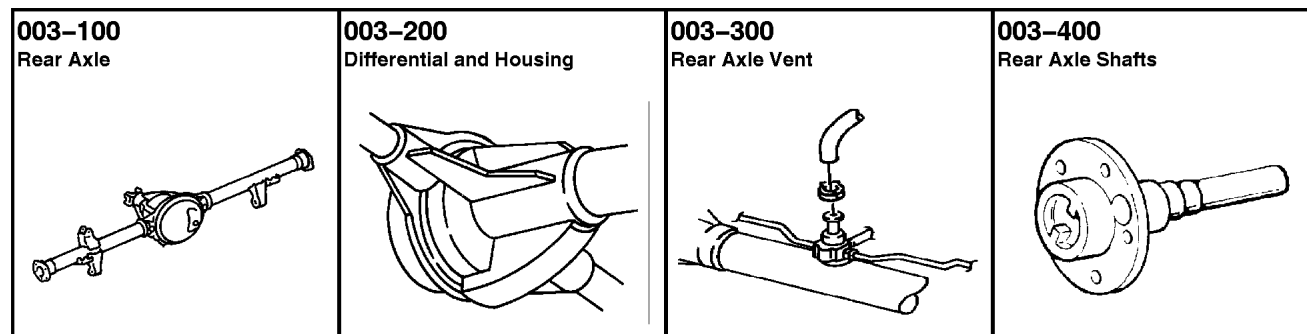
Differential and Housing,Corporate Model 8.25 [DRA] 1999 XJ .....	Fig. 003-210
Housing, Rear Axle Dana Model 35 1997 XJ .....	Fig. 003-250
Housing, Rear Axle Dana Model 35 1998 XJ .....	Fig. 003-250
Housing, Rear Axle Dana Model 35 1999 XJ .....	Fig. 003-250
Differential, Non-Locking Dana Model 35 1997 XJ .....	Fig. 003-260
Differential, Non-Locking Dana Model 35 1998 XJ .....	Fig. 003-260
Differential, Non-Locking Dana Model 35 1999 XJ .....	Fig. 003-260
Differential, Locking Dana Model 35 1997 XJ .....	Fig. 003-270
Differential, Locking Dana Model 35 1998 XJ .....	Fig. 003-270
Differential, Locking Dana Model 35 1999 XJ .....	Fig. 003-270

#### Rear Axle Vent

Vent, Axle 1997 XJ .....	Fig. 003-305
Vent, Axle 1998 XJ .....	Fig. 003-305
Vent, Axle 1999 XJ .....	Fig. 003-305

#### Rear Axle Shafts

Shaft, Rear Axle Dana Model 35 1997 XJ .....	Fig. 003-430
Shaft, Rear Axle Dana Model 35 1998 XJ .....	Fig. 003-430
Shaft, Rear Axle Dana Model 35 1999 XJ .....	Fig. 003-430

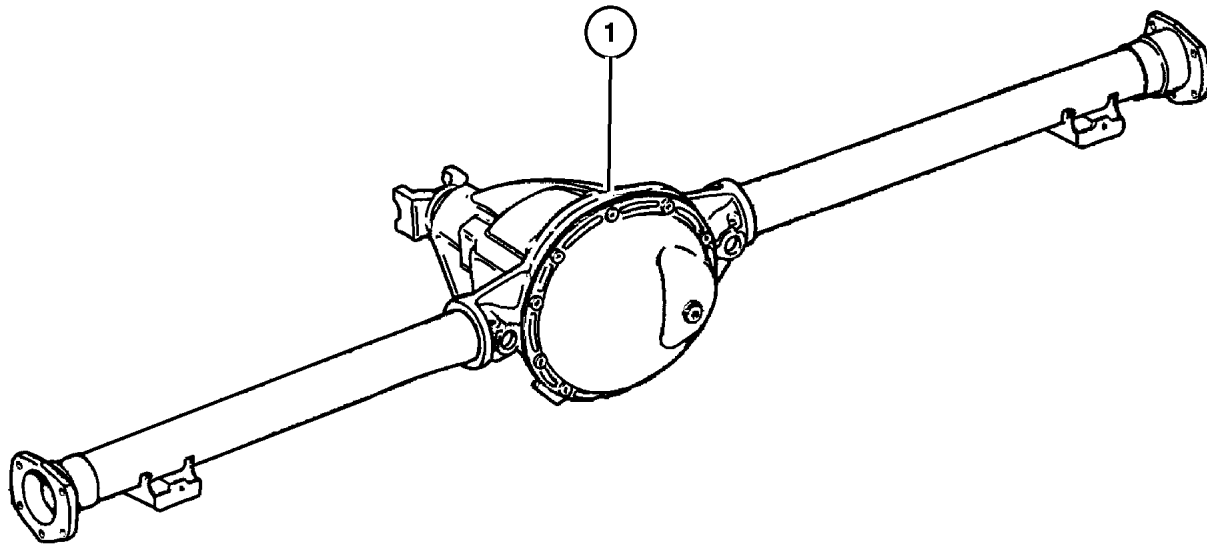


**Axle Assembly,Rear,Corporate Model 8.25 1999 XJ  
Figure 003-110**

ITEM	PART NUMBER	QTY	LINE	SERIES	BODY	ENGINE	TRANS	TRIM	DESCRIPTION
------	-------------	-----	------	--------	------	--------	-------	------	-------------

Note:Sales Codes;  
 [DMD]=Axle Ratio - 3.55  
 [DMF]=Axle Ratio - 4.10  
 [DMM]=Axle Ratio - 3.07  
 [DSA] =Axle - Trac-Lok Differential

1									AXLE, Service Rear
	4886 139AB	1							[DMM] with Tag# 52098715AD
	4886 140AB	1							[DMM,DSA] Tag# 52099380AD
	4886 138AA	1							[DMD] Tag # 52098716AD
	4886 133AA	1							[DMD,DSA] Tag# 52098717AD
	4886 148AB	1							[DMF] Tag# 52098718AD
	4886 145AB	1							[DMF,DSA] Tag# 52099381AD



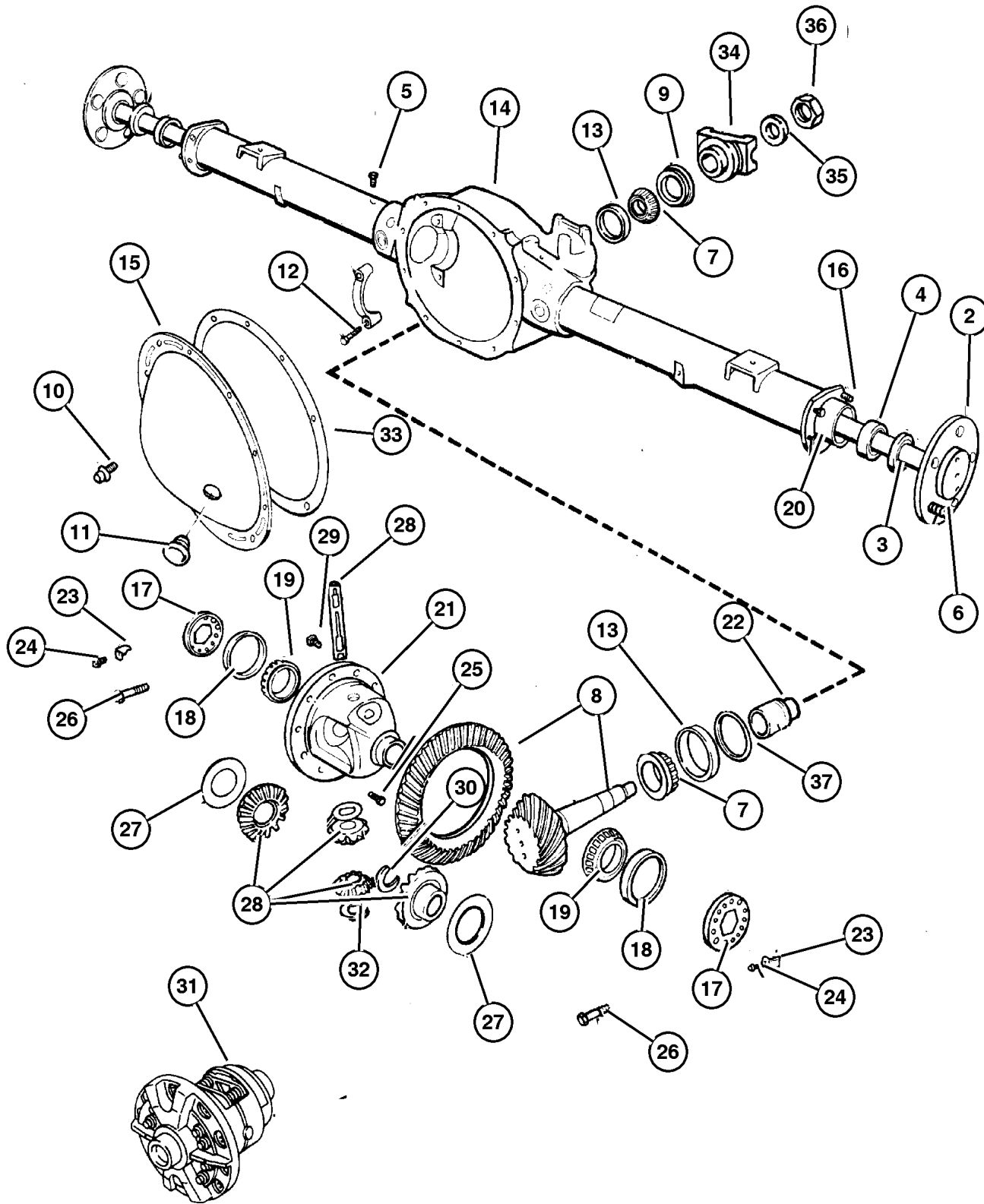
**JEEP CHEROKEE (XJ)**

SERIES	LINE	BODY	ENGINE	TRANSMISSION
L=Low Line	J=LHD (4WD) U=RHD (4WD) T=LHD (2WD) B=RHD (2WD)	74=4 DR. (101.4 WB) 72=2 DR. (101.4 WB)	ENC,EN0=2.5L 4 cyl. Turbo Die ERH,ER0=4.0L Power Tech I-6 EPE,EP0=Magnum 2.5L SMPI	DDQ=5Spd Man. DGS=4 Spd. Auto. AISIN DG0=All Auto Trans DBB=All Manual Trans.

AR = Use as required - = Non illustrated part # = New this model year

July 4, 2003

**Axle Assembly, Rear Chrysler Model 8.25 1997 XJ**  
**Figure 003-120**



ITEM	PART NUMBER	QTY	LINE	SERIES	BODY	ENGINE	TRANS	TRIM	DESCRIPTION
-1									AXLE, Service Rear
	4886 133AA	1							3.55 Ratio Tag# 52098717, 52098717AC, w/Anti-Spin
	4886 138AA	1							3.55 Ratio Tag# 52098716, 52098716AC, w/o Anti-Spin
	4886 139AA	1							3.07 Ratio Tag# 52098715, 52099380AB, w/o Anti-Spin
	4886 140AA	1							3.07 Ratio, Tag# 52099380, 52099380AB, w/ Anti-Spin
	4886 145AA	1							4.10 Ratio, Tag# 52099381, 5209871AB, w/Anti-Spin
	4886 148AA	1							4.10 Ratio, Tag# 52098719, 52098719AB, w/o Anti-Spin
2	5209 8902								SHAFT, Axle
3	4137 426								SEAL, Axle Drive Shaft
4	3744 495	2							BEARING PACKAGE, Wheel Bearing Outer
5									SCREW, Brake Tee, .437-20x2.07, (NOT SERVICED) (Not Serviced)
6	8350 3053	10							STUD, Hub
7									BEARING, Drive Pinion
	2070 316								Outer
	2800 484								Inner
8									GEAR PACKAGE, Ring And Pinion
	4720 973								4.10 Ratio
	4728 707								3.07 Ratio
	4856 540								3.55 Ratio
9	5206 7595								SEAL, Drive Pinion
10	6033 043								SCREW AND WASHER, Hex Flange Head, .312-18x.562
11	3723 687								PLUG, Differential Cover
12	3432 695								SCREW, Hex Head, .50-13x2.38
13									CUP, Drive Pinion Bearing
	2070 317								Outer
	2800 485								Inner
14	4886 134AA	1							HOUSING, Axle
15	4049 689	1							COVER PACKAGE, Differential
16	3723 668	8							STUD, Brake Support, .375-24x1.00
17	3507 876	2							ADJUSTER, Differential Bearing
18	3723 569	1							CUP, Differential Side Bearing
19	1790 541	1							BEARING, Differential
20	0152 345	1	J						NUT, .375-24
21	5209 8776	1							CASE, Differential

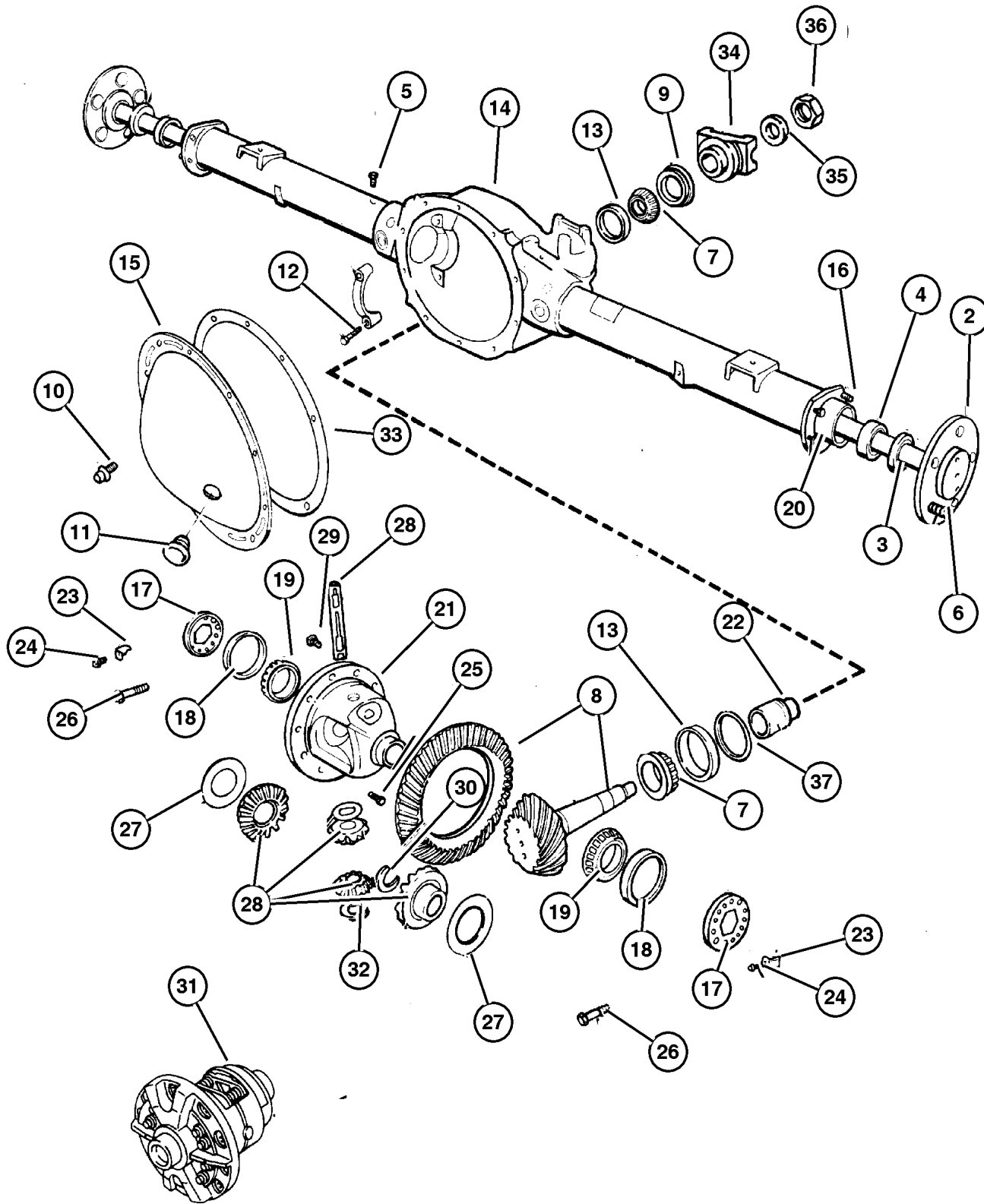
**JEEP CHEROKEE (XJ)**

SERIES	LINE	BODY	ENGINE	TRANSMISSION
L=Low Line	J=LHD (4WD) U=RHD (4WD) T=LHD (2WD) B=RHD (2WD)	74=4 DR. (101.4 WB) 72=2 DR. (101.4 WB)	ENC,EN0=2.5L 4 cyl. Turbo Die ERH,ER0=4.0L Power Tech I-6 EPE,EP0=Magnum 2.5L SMPI	DDQ=5Spd Man. DGS=4 Spd. Auto. AISIN DG0=All Auto Trans DBB=All Manual Trans.

AR = Use as required - = Non illustrated part # = New this model year

July 4, 2003

**Axle Assembly, Rear Chrysler Model 8.25 1997 XJ**  
**Figure 003-120**



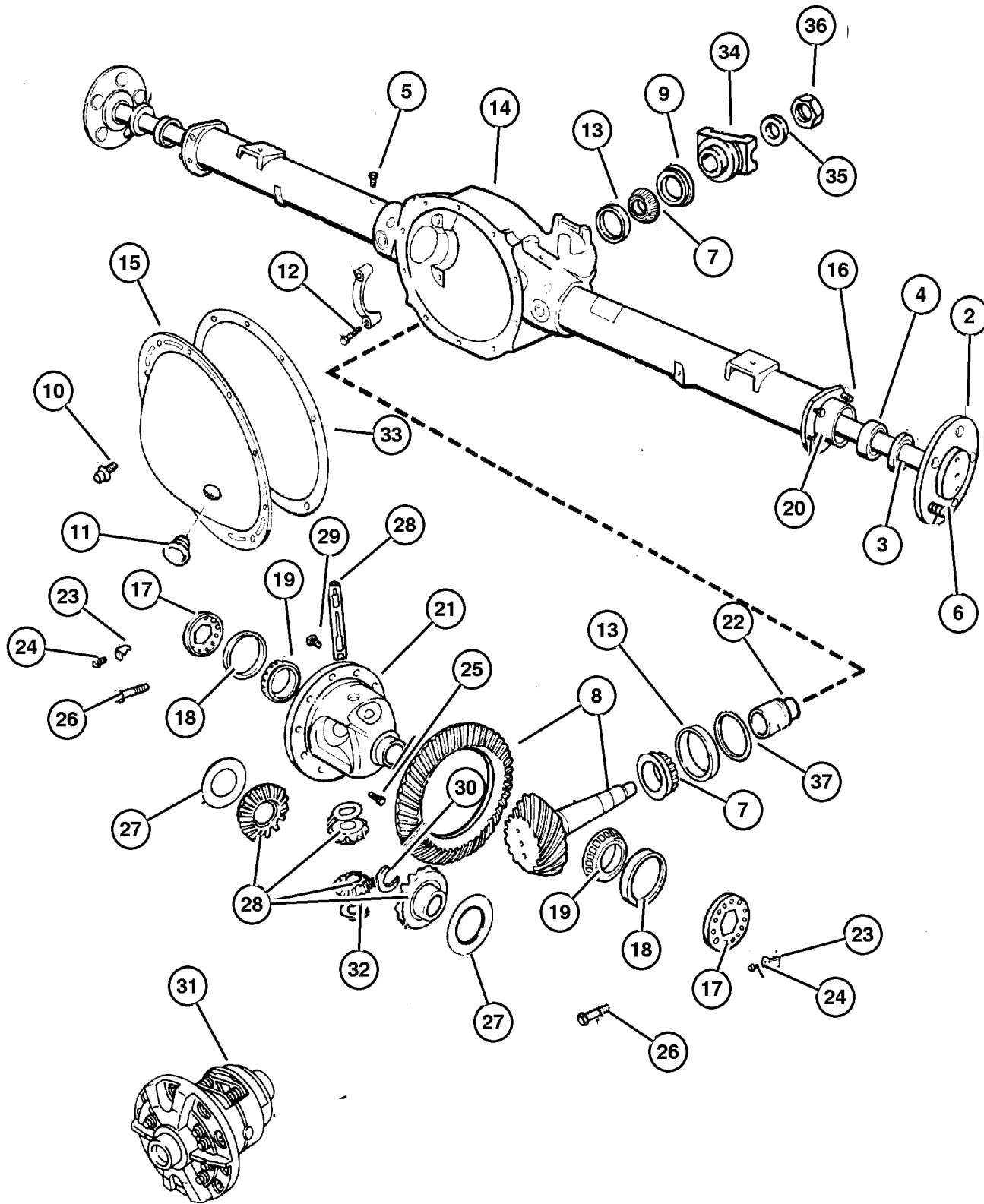
ITEM	PART NUMBER	QTY	LINE	SERIES	BODY	ENGINE	TRANS	TRIM	DESCRIPTION
22	3507 575	1							SPACER, Drive Pinion Bearing
23	3723 859	1							LOCK, Differential Bearing
24	6023 092	2							SCREW AND WASHER, Hex Head, .25-20x.50
25	3507 724	1							SCREW, Hex Head, .312-18x1.80
26	3432 695	4							SCREW, Hex Head, .50-13x2.38
27	8350 0191	1	U						SHIM KIT, Differential
		1	J						
28	4883 087	1							GEAR PACKAGE, Differential
29	4443 158	1							BOLT KIT
30	5206 9426	2							RETAINER, Axle Shaft
31	5209 8778	1							CASE, Differential, With Anti-Spin
32	2852 912	1							WASHER, Pinion Thrust
33	4318 025	1	J, U						SEALANT, RTV
34	5206 8839	1							YOKE, Axle
35	2070 117	1							WASHER, Pinion Yoke
36	6028 041	1							NUT, Hex, .875-14
37	3723 520	1							SHIM, Drive Pinion Bearing, .020

JEEP CHEROKEE (XJ)				
SERIES	LINE	BODY	ENGINE	TRANSMISSION
L=Low Line	J=LHD (4WD) U=RHD (4WD) T=LHD (2WD) B=RHD (2WD)	74=4 DR. (101.4 WB) 72=2 DR. (101.4 WB)	ENC,EN0=2.5L 4 cyl. Turbo Die ERH,ER0=4.0L Power Tech I-6 EPE,EP0=Magnum 2.5L SMPI	DDQ=5Spd Man. DGS=4 Spd. Auto. AISIN DG0=All Auto Trans DBB=All Manual Trans.

AR = Use as required - = Non illustrated part # = New this model year

July 4, 2003

**Axle Assembly, Rear Chrysler Model 8.25 1998 XJ**  
**Figure 003-120**



ITEM	PART NUMBER	QTY	LINE	SERIES	BODY	ENGINE	TRANS	TRIM	DESCRIPTION
-1									AXLE, Service Rear
	4886 133AA	1							3.55 Ratio Tag# 52098717, 52098717AC, w/Anti-Spin
	4886 138AA	1							3.55 Ratio Tag# 52098716, 52098716AC, w/o Anti-Spin
	4886 139AA	1							3.07 Ratio Tag# 52098715, 52099380AB, w/o Anti-Spin
	4886 140AA	1							3.07 Ratio, Tag# 52099380, 52099380AB, w/ Anti-Spin
	4886 145AA	1							4.10 Ratio, Tag# 52099381, 5209871AB, w/Anti-Spin
	4886 148AA	1							4.10 Ratio, Tag# 52098719, 52098719AB, w/o Anti-Spin
	5011 693AA	1							SHAFT, Axle
	2	5209 8902	2						SEAL, Axle Drive Shaft
	3	4137 426	2						BEARING PACKAGE, Wheel
	4	3744 495	2						Bearing Outer
	5								SCREW, Brake Tee, .437-20x2.07, (NOT SERVICED) (Not Serviced)
	6	8350 3053	10						STUD, Hub
	7								BEARING, Drive Pinion
		2070 316	1						Conv Outer
		2800 484	1						Conv Inner
	8								GEAR PACKAGE, Ring And Pinion
		4720 973	1						4.10
		4728 707	1						3.07
		4856 540	1						3.55
	9	5206 7595	1						SEAL, Drive Pinion
	10	6033 043	10						SCREW AND WASHER, Hex Flange Head, .312-18x.562
	11	3723 687	1						PLUG, Differential Cover
	12	3432 695	4						SCREW, Hex Head, .50-13x2.38
	13								CUP, Drive Pinion Bearing
		2070 317	1						Outer
		2800 485	1						Inner
	14	4886 134AA	1						HOUSING, Axle
	15	4049 689	1						COVER PACKAGE, Differential
	16	3723 668	8						STUD, Brake Support, .375-24x1.00
	17	3507 876	2						ADJUSTER, Differential Bearing
	18	3723 569	2						CUP, Differential Side Bearing
	19	1790 541	2						BEARING, Differential

**JEEP CHEROKEE (XJ)**

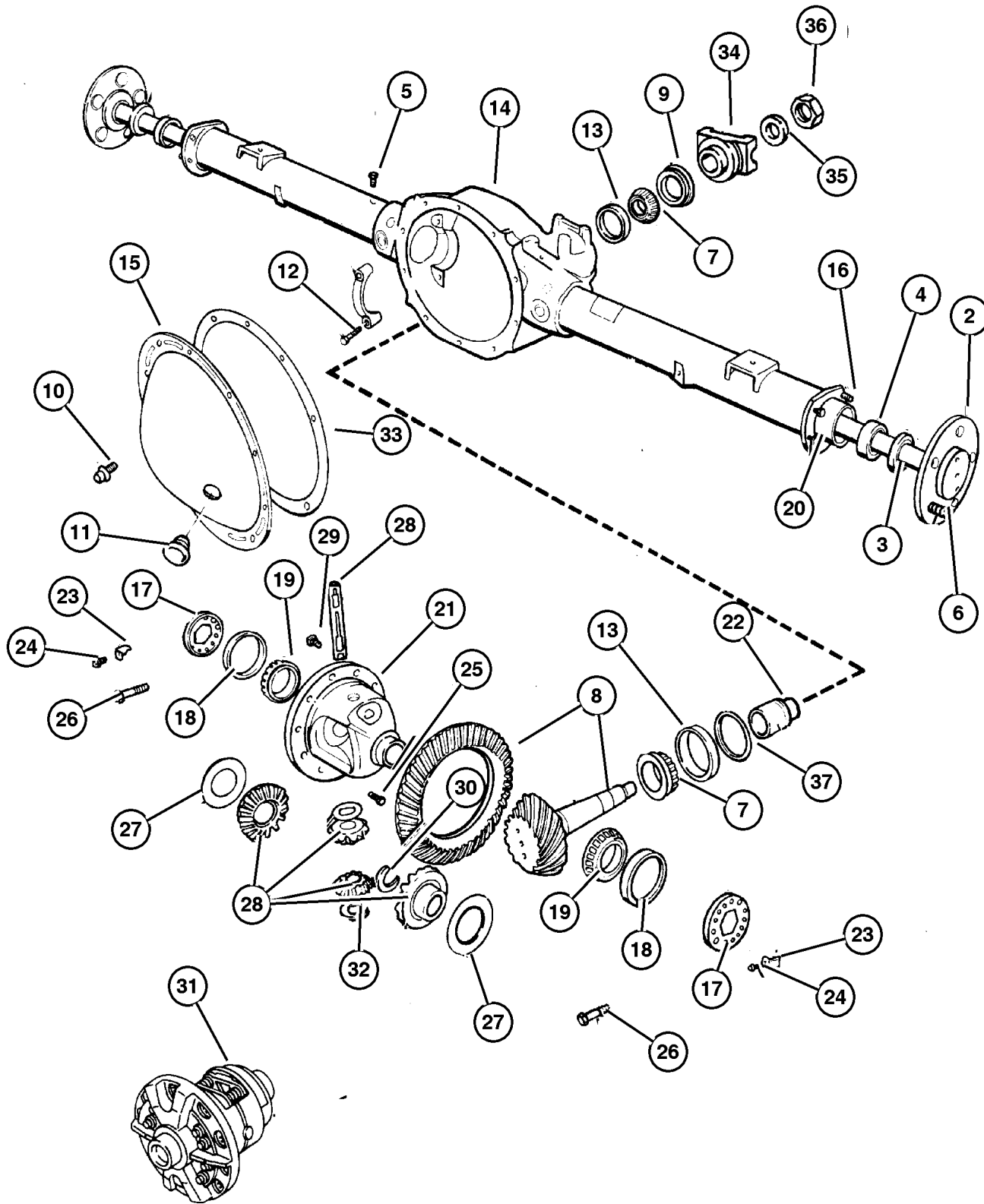
SERIES	LINE	BODY	ENGINE	TRANSMISSION
L=Low Line	J=LHD (4WD) U=RHD (4WD) T=LHD (2WD) B=RHD (2WD)	74=4 DR. (101.4 WB) 72=2 DR. (101.4 WB)	ENC,EN0=2.5L 4 cyl. Turbo Die ERH,ER0=4.0L Power Tech I-6 EPE,EP0=Magnum 2.5L SMPI	DDQ=5Spd Man. DGS=4 Spd. Auto. AISIN DG0=All Auto Trans DBB=All Manual Trans.

AR = Use as required - = Non illustrated part # = New this model year

July 4, 2003



Axle Assembly, Rear Chrysler Model 8.25 1998 XJ  
Figure 003-120



ITEM	PART NUMBER	QTY	LINE	SERIES	BODY	ENGINE	TRANS	TRIM	DESCRIPTION
20	0152 345	1	J, U						NUT, .375-24
21	5209 8776	1							CASE, Differential
22	3507 575	1							SPACER, Drive Pinion Bearing
23	3723 859	2							LOCK, Differential Bearing
24	6023 092	2							SCREW AND WASHER, Hex Head, .25-20x.50
25	3507 724	1							SCREW, Hex Head, .312-18x1.80
26	3432 695	4							SCREW, Hex Head, .50-13x2.38
27	4883 085	1							WASHER PACKAGE, Side Gear Thrust
28	4883 087	1							GEAR PACKAGE, Differential
29	4720 891	1							BOLT KIT
30	5206 9426	2							RETAINER, Axle Shaft
31									CASE, Differential
	5209 8776	1							Conv.
	5209 8778	1							Trac - Lok
32	2852 912	2							WASHER, Pinion Thrust
33	4318 025	1	J, U						SEALANT, RTV
34	5206 8839	1							YOKE, Axle
35	2070 117	1							WASHER, Pinion Yoke
36	6028 041	1							NUT, Hex, .875-14
37	3723 520	AR							SHIM, Drive Pinion Bearing, .020

JEEP CHEROKEE (XJ)

SERIES	LINE	BODY	ENGINE	TRANSMISSION
L=Low Line	J=LHD (4WD) U=RHD (4WD) T=LHD (2WD) B=RHD (2WD)	74=4 DR. (101.4 WB) 72=2 DR. (101.4 WB)	ENC,EN0=2.5L 4 cyl. Turbo Die ERH,ER0=4.0L Power Tech I-6 EPE,EP0=Magnum 2.5L SMPI	DDQ=5Spd Man. DGS=4 Spd. Auto. AISIN DG0=All Auto Trans DBB=All Manual Trans.

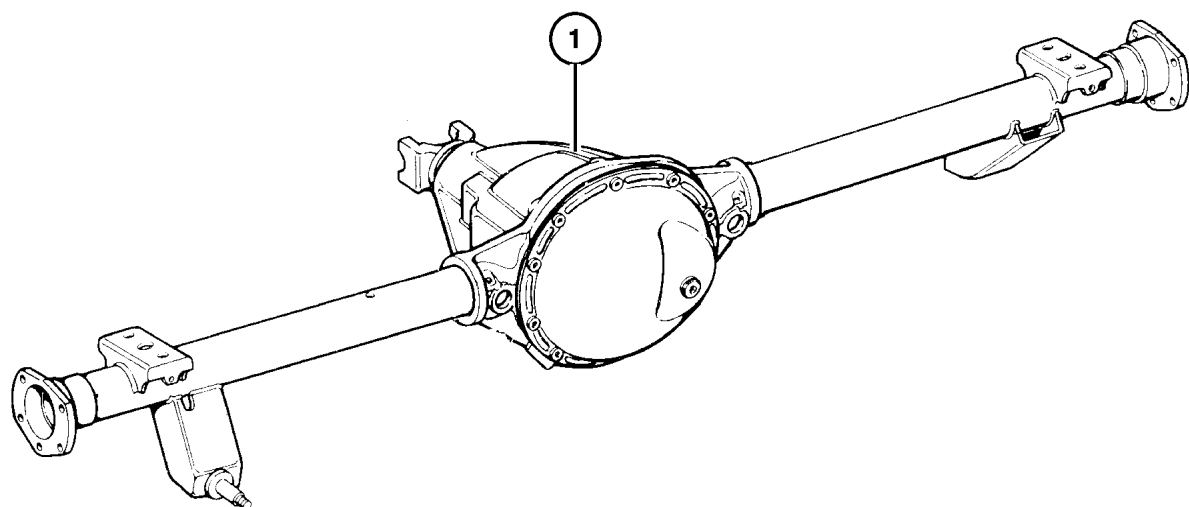
AR = Use as required - = Non illustrated part # = New this model year

July 4, 2003

**Axle Assembly, Rear, Dana Model 35 1999 XJ  
Figure 003-120**

ITEM	PART NUMBER	QTY	LINE	SERIES	BODY	ENGINE	TRANS	TRIM	DESCRIPTION
------	-------------	-----	------	--------	------	--------	-------	------	-------------

Note: Sales Codes;  
 [DMD]=Axle Ratio - 3.55  
 [DMF]=Axle Ratio - 4.10  
 [DMM]= Axle Ratio - 3.07  
 [DRJ]=Axle - Rear, Dana M35/194MM RBI  
 [DRM]=Axle - Rear, Dana 35C/194MM  
 [DSA] =Axle - Trac-Lok Differential



1	5011 693AA	1							AXLE, Service Rear [DRJ,DMM,BGA,DSA] Tag# 52111769AB
	4882 527	1							[DRJ,DMM,BGK,DSA] Tag# 52099459AC
	4882 529	1							[DRJ,DMM,BGK] Tag# 52099474AC
	5011 690AA	1							[DRM,DMD,BGA,DSA] Tag# 52111770AB
	4797 571	1							[DRM,DMD,BGK,DSA] Tag#52099457AC, 52099458AC
	4797 553	1							[DRM,DMD,BGK] Tag# 52099473AC
	4882 560	1							[DRM,DME,BGK,DSA] Tag# 52099460AC
	4798 093	1							[DRM,DME,BGA,DSA] Tag# 52099468AC

**JEEP CHEROKEE (XJ)**

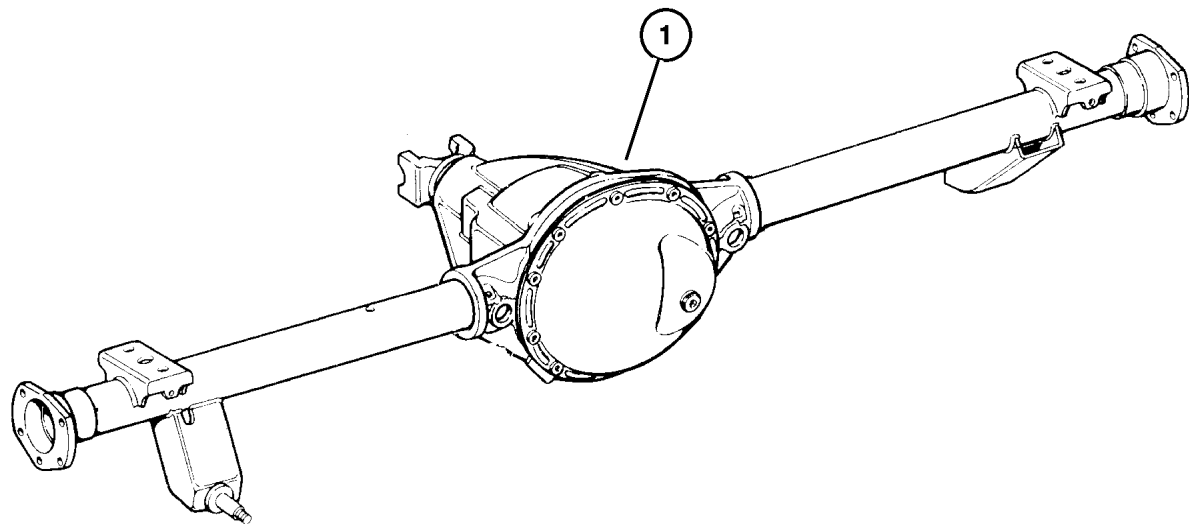
SERIES	LINE	BODY	ENGINE	TRANSMISSION
L=Low Line	J=LHD (4WD) U=RHD (4WD) T=LHD (2WD) B=RHD (2WD)	74=4 DR. (101.4 WB) 72=2 DR. (101.4 WB)	ENC,EN0=2.5L 4 cyl. Turbo Die ERH,ER0=4.0L Power Tech I-6 EPE,EP0=Magnum 2.5L SMPI	DDQ=5Spd Man. DGS=4 Spd. Auto. AISIN DG0=All Auto Trans DBB=All Manual Trans.

AR = Use as required - = Non illustrated part # = New this model year

July 4, 2003

**Axle Assembly, Rear Dana Model 35 1997 XJ**  
**Figure 003-130**

ITEM	PART NUMBER	QTY	LINE	SERIES	BODY	ENGINE	TRANS	TRIM	DESCRIPTION
1									AXLE, Service Rear
	4797 553	1							3.55 Ratio, Tag# 52099473, 52099473AB, w/o Anti-Spin
	4797 571	1							3.55 Ratio, Tag# 52099458, 52099457, w/Anti-Spin
	4798 093	1							3.73 Ratio, Tag# 52099468 w/Anti-Spin w/o Anti-Lock Brakes
	4856 491	1							3.73 Ratio Tag# 52099467 w/o Anti-Spin
	4882 529	1							3.07 Ratio, Tag# 52099474, 52099474AB, w/o Anti-Spin
	4882 560	1							3.73 Ratio, Tag# 52099460 w/ Anti-Spin and Anti-Lock Brakes
	4882 527	1							3.07 Ratio, Tag# 52099459 w/Anti-Spin



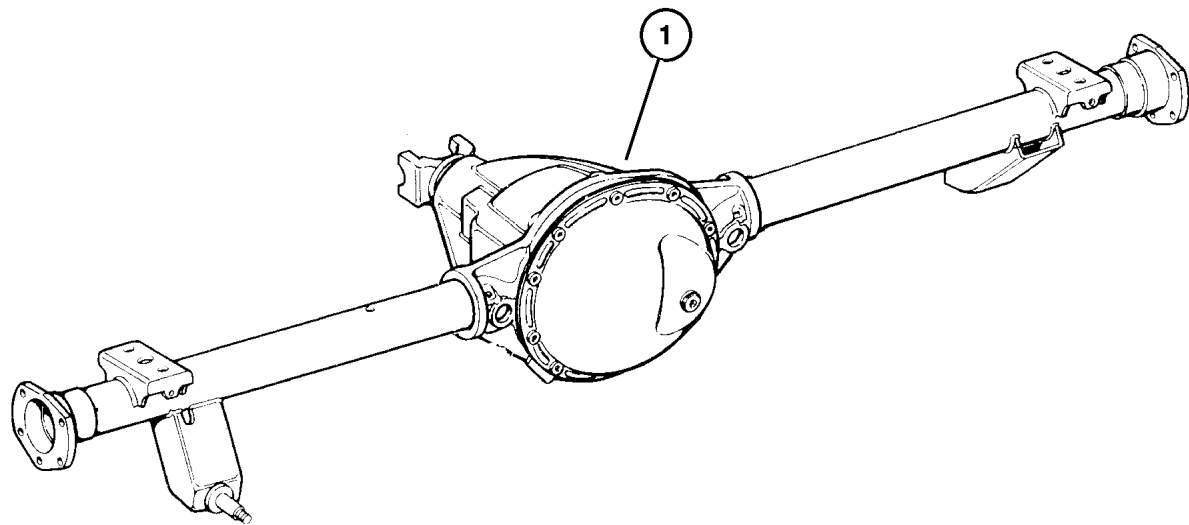
JEEP CHEROKEE (XJ)				
SERIES	LINE	BODY	ENGINE	TRANSMISSION
L=Low Line	J=LHD (4WD) U=RHD (4WD) T=LHD (2WD) B=RHD (2WD)	74=4 DR. (101.4 WB) 72=2 DR. (101.4 WB)	ENC,EN0=2.5L 4 cyl. Turbo Die ERH,ER0=4.0L Power Tech I-6 EPE,EP0=Magnum 2.5L SMPI	DDQ=5Spd Man. DGS=4 Spd. Auto. AISIN DG0=All Auto Trans DBB=All Manual Trans.

AR = Use as required - = Non illustrated part # = New this model year

July 4, 2003

**Axle Assembly, Rear Dana Model 35 1998 XJ  
Figure 003-130**

ITEM	PART NUMBER	QTY	LINE	SERIES	BODY	ENGINE	TRANS	TRIM	DESCRIPTION
1									AXLE, Service Rear
	4797 553	1							3.55 Ratio, Tag# 52099473, 52099473AB, w/o Anti-Spin
	4797 571	1							3.55 Ratio, Tag# 52099458, 52099457, w/Anti-Spin
	4798 093	1							3.73 Ratio, Tag# 52099468 w/Anti-Spin w/o Anti-Lock Brakes
	4856 491	1							3.73 Ratio Tag# 52099467 w/o Anti-Spin
	4882 529	1							3.07 Ratio, Tag# 52099474, 52099474AB, w/o Anti-Spin
	4882 560	1							3.73 Ratio, Tag# 52099460 w/ Anti-Spin and Anti-Lock Brakes
	4882 527	1							3.07 Ratio, Tag# 52099459 w/Anti-Spin

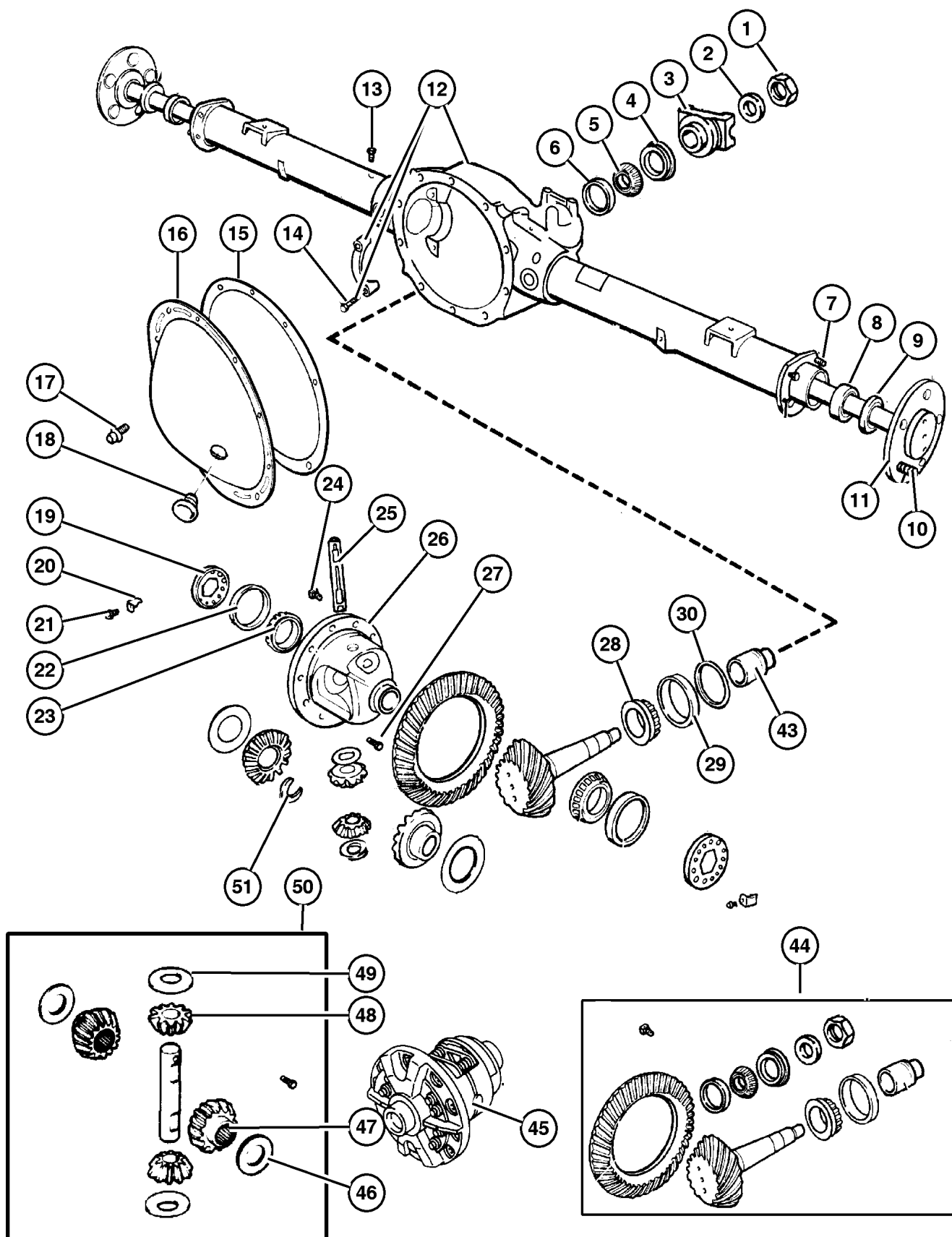


JEEP CHEROKEE (XJ)				
SERIES	LINE	BODY	ENGINE	TRANSMISSION
L=Low Line	J=LHD (4WD) U=RHD (4WD) T=LHD (2WD) B=RHD (2WD)	74=4 DR. (101.4 WB) 72=2 DR. (101.4 WB)	ENC,EN0=2.5L 4 cyl. Turbo Die ERH,ER0=4.0L Power Tech I-6 EPE,EP0=Magnum 2.5L SMPI	DDQ=5Spd Man. DGS=4 Spd. Auto. AISIN DG0=All Auto Trans DBB=All Manual Trans.

AR = Use as required - = Non illustrated part # = New this model year

July 4, 2003

**Differential and Housing, Corporate Model 8.25 [DRA] 1999 XJ**  
**Figure 003-210**



ITEM	PART NUMBER	QTY	LINE	SERIES	BODY	ENGINE	TRANS	TRIM	DESCRIPTION
Note: Sales Codes;									
[DMM]= Axle Ratio - 3.07									
[DMD]=Axle Ratio - 3.55									
[DMF]=Axle Ratio - 4.10									
[DRA] =Axle - Rear, Corporate 8.25									
[DSA] =Axle - Trac-Lok Differential									
1	6028 041	1							NUT, Pinion Yoke
2	2070 117	1							WASHER, Pinion Yoke
3	5206 8839	1							YOKE, Axle
4	5206 7595	1							SEAL, Drive Pinion
5	2070 316	1							BEARING, Drive Pinion, Front
6	2070 317	1							CUP, Drive Pinion Bearing, Front
7	3723 668	8							STUD, Axle Housing to Backing
8	3507 898AB	2							Plate, Mounting
9	52070 427AA	2							BEARING, Wheel
10	5300 8135	10							SEAL, Axle Drive Shaft
11	5209 8902	2							STUD, Hub
12	4886 134AA	1							SHAFT, Axle
	5011 249AA	1							HOUSING, Axle
									[DMM]
									[DMD,DMF]
13	5206 7508	1							BOLT, Axle Vent
14	3432 695	4							SCREW, Hex Head, .50-13x2.38, Carrier Bearing Cap, Mounting
15	5010 884AA	1	J, U						SEALANT, RTV
16	3723 681AC	1							COVER, Differential
17	6033 043	10							SCREW AND WASHER, Hex Flange Head, .312-18x.562
18	3723 687	1							PLUG, Differential Cover
19	3507 876	2							ADJUSTER, Differential Bearing
20	3723 859	2							LOCK, Differential Bearing
21	6023 092	2							SCREW AND WASHER, Hex Head, .25-20x.50, Differential Bearing
									Lock
22	3723 569	2							CUP, Differential Side Bearing
23	1790 541	2							BEARING, Differential
24	4443 158	1							SCREW PACKAGE, Axle Drive Gear, Ring Gear, Mounting
25	5206 9657	1							SHAFT, Differential Pinion, Also Serviced In Differential Gear Package, without [DSA]
26	5209 8776	1							CASE, Differential, without [DSA] without Internal Parts

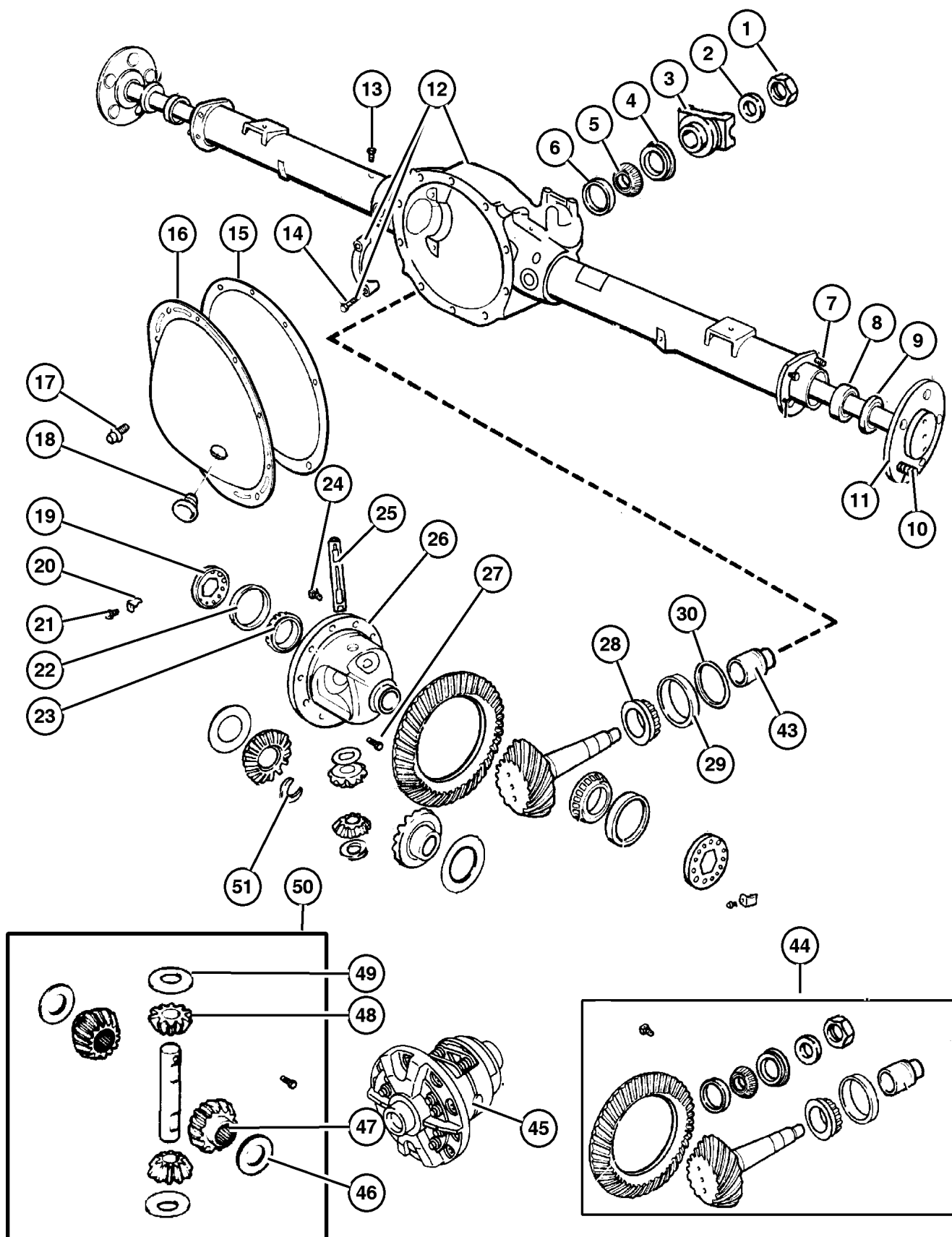
**JEEP CHEROKEE (XJ)**

SERIES	LINE	BODY	ENGINE	TRANSMISSION
L=Low Line	J=LHD (4WD) U=RHD (4WD) T=LHD (2WD) B=RHD (2WD)	74=4 DR. (101.4 WB) 72=2 DR. (101.4 WB)	ENC,EN0=2.5L 4 cyl. Turbo Die ERH,ER0=4.0L Power Tech I-6 EPE,EP0=Magnum 2.5L SMPI	DDQ=5Spd Man. DGS=4 Spd. Auto. AISIN DG0=All Auto Trans DBB=All Manual Trans.

AR = Use as required - = Non illustrated part # = New this model year

July 4, 2003

**Differential and Housing, Corporate Model 8.25 [DRA] 1999 XJ**  
**Figure 003-210**



ITEM	PART NUMBER	QTY	LINE	SERIES	BODY	ENGINE	TRANS	TRIM	DESCRIPTION
27	3507 724	2							SCREW, Hex Head, .312-18x1.80, Also Serviced in Differential Gear Package
28	2800 484	1							BEARING, Drive Pinion, Rear
29	2800 485	1							CUP, Drive Pinion Bearing, Rear
30	3723 520	AR							SHIM, Drive Pinion Bearing, .020
-31	3723 522	AR							SHIM, Drive Pinion Bearing, .022
-32	3723 524	AR							SHIM, Drive Pinion Bearing, .024
-33	3723 526	AR							SHIM, Drive Pinion Bearing, .026
-34	3723 527	AR							SHIM, Drive Pinion Bearing, .027
-35	3723 528	AR							SHIM, Drive Pinion Bearing, .028
-36	3723 529	AR							SHIM, Drive Pinion Bearing, .029
-37	3723 530	AR							SHIM, Drive Pinion Bearing, .030
-38	3723 531	AR							SHIM, Drive Pinion Bearing, .031
-39	3723 532	AR							SHIM, Drive Pinion Bearing, .032
-40	3723 534	AR							SHIM, Drive Pinion Bearing, .034
-41	3723 536	AR							SHIM, Drive Pinion Bearing, .036
-42	3723 538	AR							SHIM, Drive Pinion Bearing, .038
43	3507 575	1							SPACER, Drive Pinion Bearing, Crush
44									GEAR KIT, Ring And Pinion
	4728 707AC	1							[DMM] Includes Items 1,2,24,43 Only
	4856 540AC	1							[DMD] Includes All Items in Box
	4720 973AB	1							[DMF] Includes All Items in Box
45	5209 8778	1							CASE, Differential, with [DSA] with Internal Parts
46	4883 085	1							WASHER PACKAGE, Side Gear Thrust, Also Serviced In Differential Gear Package, without [DSA]
47	5206 9429	2							GEAR, Differential, Also Serviced In Differential Gear Package, without [DSA]
48	5206 9655	2							PINION, Differential, Also Serviced In Differential Gear Package, without [DSA]
49	2852 912	2							WASHER, Pinion Thrust, Also Serviced In Differential Gear Package, without [DSA]
50	4883 087	1							GEAR PACKAGE, Differential, without [DSA]
51	5206 9426	2							RETAINER, Axle Shaft

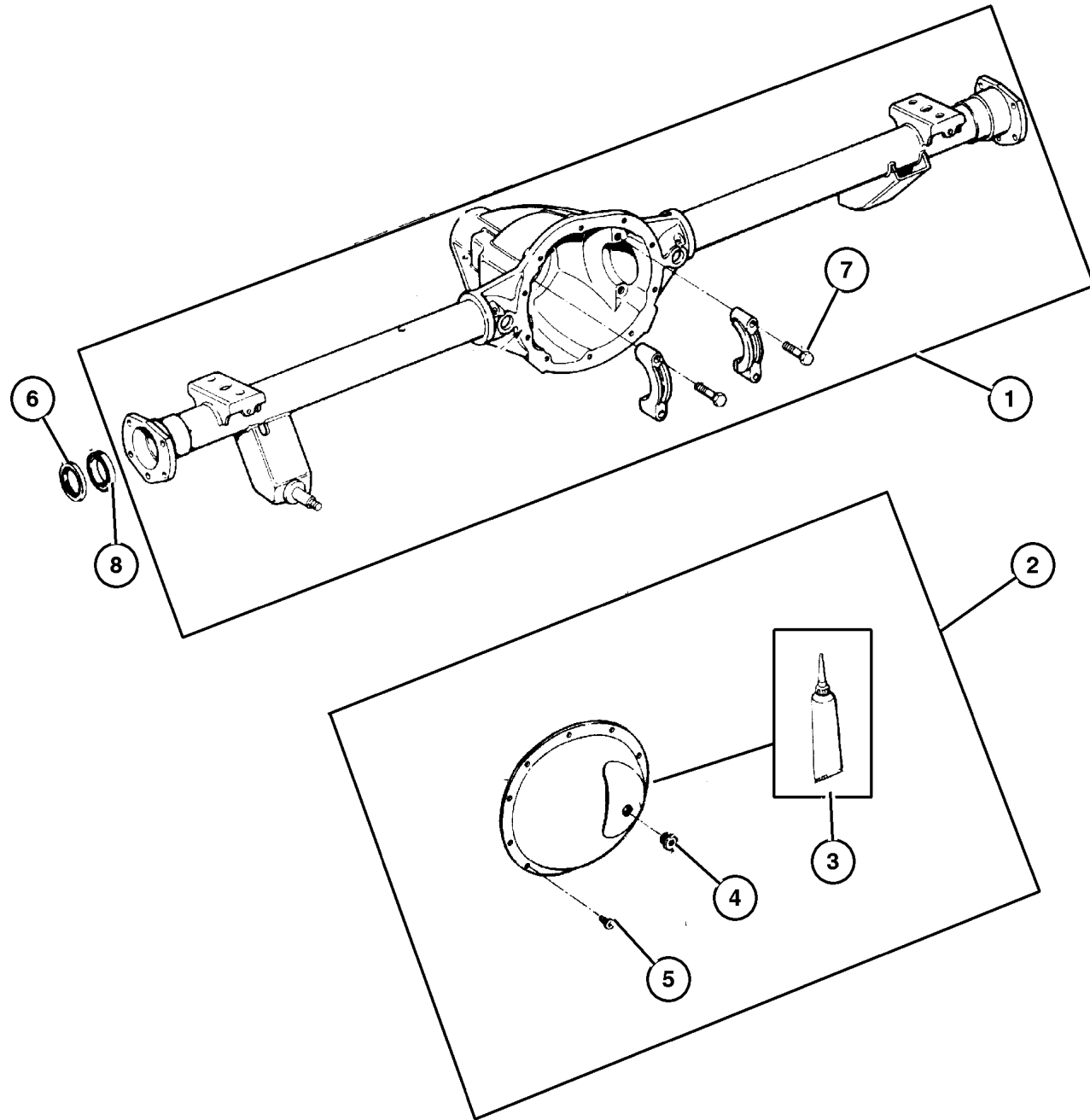
**JEEP CHEROKEE (XJ)**

SERIES	LINE	BODY	ENGINE	TRANSMISSION
L=Low Line	J=LHD (4WD) U=RHD (4WD) T=LHD (2WD) B=RHD (2WD)	74=4 DR. (101.4 WB) 72=2 DR. (101.4 WB)	ENC,EN0=2.5L 4 cyl. Turbo Die ERH,ER0=4.0L Power Tech I-6 EPE,EP0=Magnum 2.5L SMPI	DDQ=5Spd Man. DGS=4 Spd. Auto. AISIN DG0=All Auto Trans DBB=All Manual Trans.

AR = Use as required - = Non illustrated part # = New this model year

July 4, 2003

Housing, Rear Axle Dana Model 35 1997 XJ  
Figure 003-250



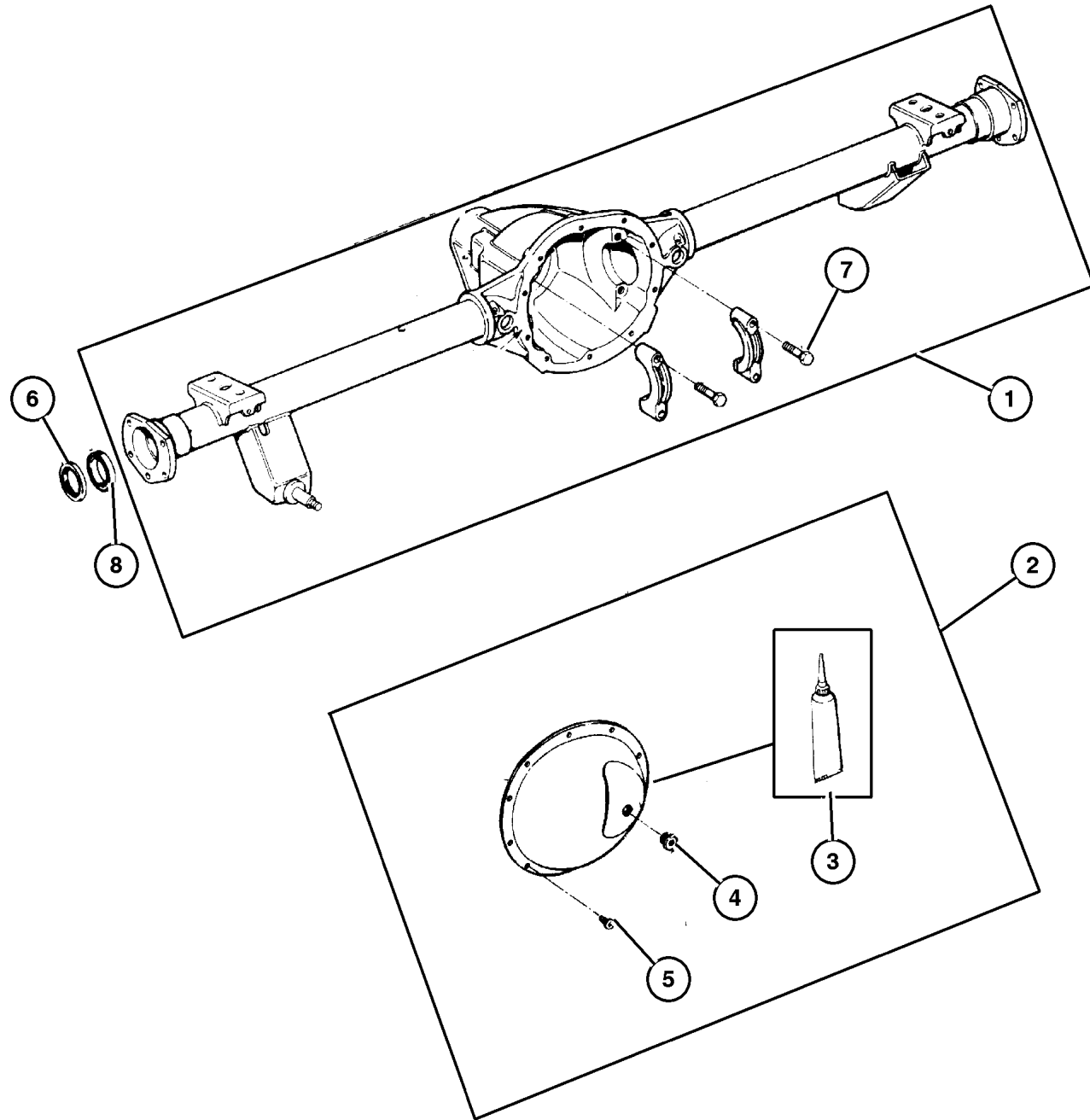
ITEM	PART NUMBER	QTY	LINE	SERIES	BODY	ENGINE	TRANS	TRIM	DESCRIPTION
1									HOUSING, Rear Axle
	4636 168	1							3.55 Ratio
	4798 092	1							3.07, 3.73, Ratio
2	5252 493	1							COVER, Differential
3	4318 025	1	B						SEALANT, RTV
4	5252 504	1							PLUG, Differential Cover
5	J400 6708	10							SCREW, Pan Head, .312-18x.56
6	4856 336	2							SEAL, Axle Drive Shaft
7	J400 6553	4							BOLT, Differential
8	J813 4586	2							BEARING, Axle Shaft

JEEP CHEROKEE (XJ)				
SERIES	LINE	BODY	ENGINE	TRANSMISSION
L=Low Line	J=LHD (4WD) U=RHD (4WD) T=LHD (2WD) B=RHD (2WD)	74=4 DR. (101.4 WB) 72=2 DR. (101.4 WB)	ENC,EN0=2.5L 4 cyl. Turbo Die ERH,ER0=4.0L Power Tech I-6 EPE,EP0=Magnum 2.5L SMPI	DDQ=5Spd Man. DGS=4 Spd. Auto. AISIN DG0=All Auto Trans DBB=All Manual Trans.

AR = Use as required - = Non illustrated part # = New this model year

July 4, 2003

Housing, Rear Axle Dana Model 35 1998 XJ  
Figure 003-250



ITEM	PART NUMBER	QTY	LINE	SERIES	BODY	ENGINE	TRANS	TRIM	DESCRIPTION
1									HOUSING, Rear Axle
	4636 168	1							3.55 Ratio
	4798 092	1							3.07, 3.73, Ratio
2	5252 493	1							COVER, Differential
3	4318 025	1	J, U						SEALANT, RTV
4	5252 504	1							PLUG, Differential Cover
5	J400 6708	10							SCREW, Pan Head, .312-18x.56
6	4856 336	2							SEAL, Axle Drive Shaft
7	J400 6553	4							BOLT, Differential
8	J813 4586	2							BEARING, Axle Shaft

**JEEP CHEROKEE (XJ)**

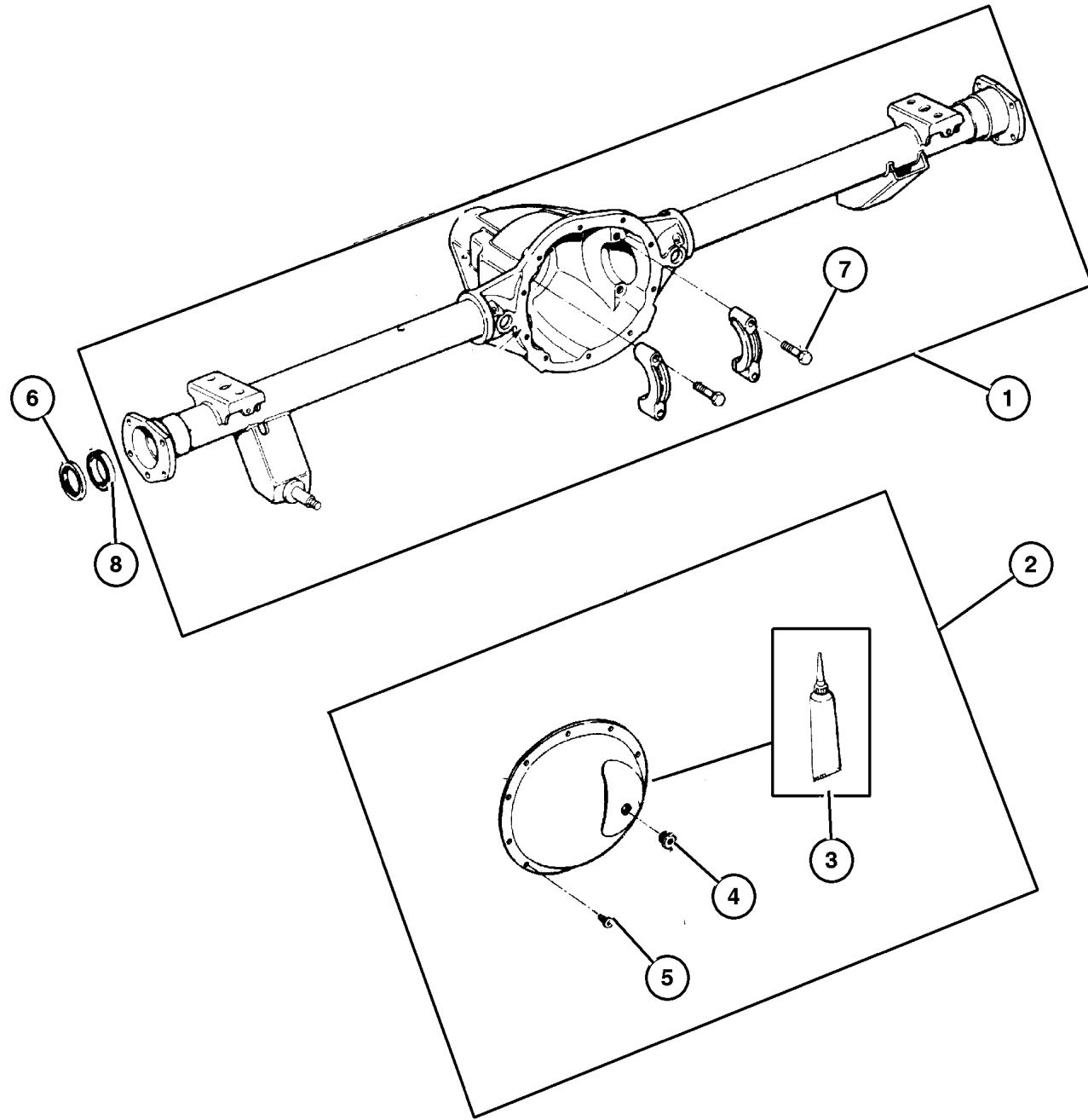
SERIES	LINE	BODY	ENGINE	TRANSMISSION
L=Low Line	J=LHD (4WD) U=RHD (4WD) T=LHD (2WD) B=RHD (2WD)	74=4 DR. (101.4 WB) 72=2 DR. (101.4 WB)	ENC,EN0=2.5L 4 cyl. Turbo Die ERH,ER0=4.0L Power Tech I-6 EPE,EP0=Magnum 2.5L SMPI	DDQ=5Spd Man. DGS=4 Spd. Auto. AISIN DG0=All Auto Trans DBB=All Manual Trans.

AR = Use as required - = Non illustrated part # = New this model year

July 4, 2003



Housing, Rear Axle Dana Model 35 1999 XJ  
Figure 003-250



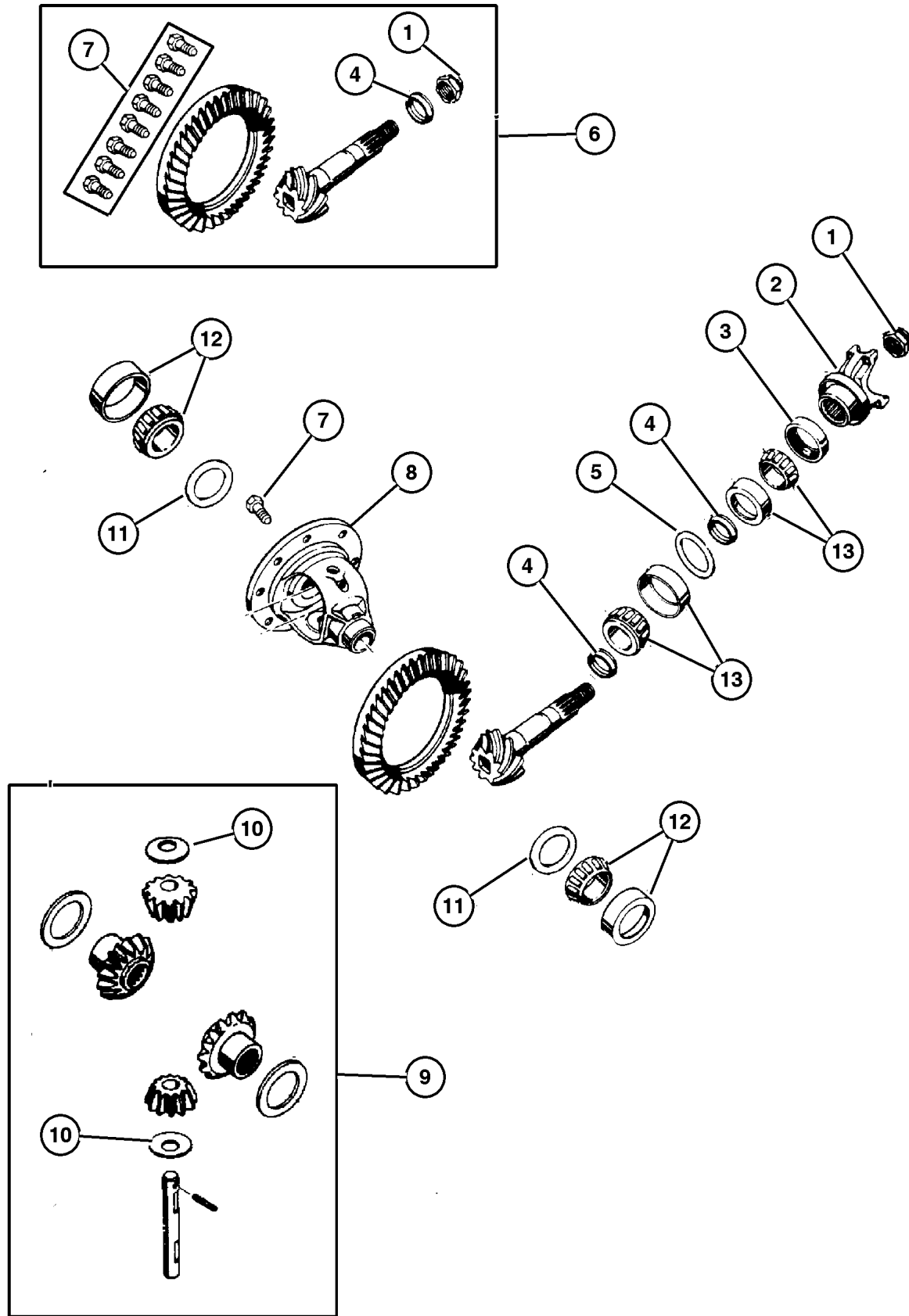
ITEM	PART NUMBER	QTY	LINE	SERIES	BODY	ENGINE	TRANS	TRIM	DESCRIPTION
1									HOUSING, Rear Axle
	4636 168	1							3.55 Ratio
	4798 092	1							3.07, 3.73, Ratio
2	5252 493	1							COVER, Differential
3	4318 025	1	J, U						SEALANT, RTV
4	5252 504	1							PLUG, Differential Cover
5	J400 6708	10							SCREW, Pan Head, .312-18x.56
6	4856 336	2							SEAL, Axle Drive Shaft
7	J400 6553	4							BOLT, Differential
8	J813 4586	2							BEARING, Axle Shaft

JEEP CHEROKEE (XJ)				
SERIES	LINE	BODY	ENGINE	TRANSMISSION
L=Low Line	J=LHD (4WD) U=RHD (4WD) T=LHD (2WD) B=RHD (2WD)	74=4 DR. (101.4 WB) 72=2 DR. (101.4 WB)	ENC,EN0=2.5L 4 cyl. Turbo Die ERH,ER0=4.0L Power Tech I-6 EPE,EP0=Magnum 2.5L SMPI	DDQ=5Spd Man. DGS=4 Spd. Auto. AISIN DG0=All Auto Trans DBB=All Manual Trans.

AR = Use as required - = Non illustrated part # = New this model year

July 4, 2003

Differential, Non-Locking Dana Model 35 1997 XJ  
Figure 003-260



ITEM	PART NUMBER	QTY	LINE	SERIES	BODY	ENGINE	TRANS	TRIM	DESCRIPTION
1	4720 895	1							NUT, Pinion Yoke
2	4797 552	1							YOKE, Axle
3	8350 4946	1							SEAL, Drive Pinion
4	J317 5779	1							SPACER, Drive Pinion Bearing
5	4720 922	1							SHIM KIT, Pinion Shaft
6									GEAR KIT, Ring And Pinion
	8350 5472	1							3.07 Ratio
	4761 676	1							3.55 Ratio
	4761 678	1							3.73 Ratio
7	4720 891	1							BOLT KIT
8									CASE, Differential
	4740 833	1							3.07 Ratio
	4740 834	1							3.55, 3.73 Ratio
9	4740 670	1							GEAR KIT, Center Differential
10	J812 0831	2	J						WASHER, Flat
11	8350 3004	1							SHIM KIT, Differential
12	J812 6500	1							BEARING, Differential, Consists of 2 Bearings and 2 Cups
13									BEARING, Drive Pinion
	5252 508	1							Bearing and Cup, Front
	5252 507	1							Bearing and Cup, Rear

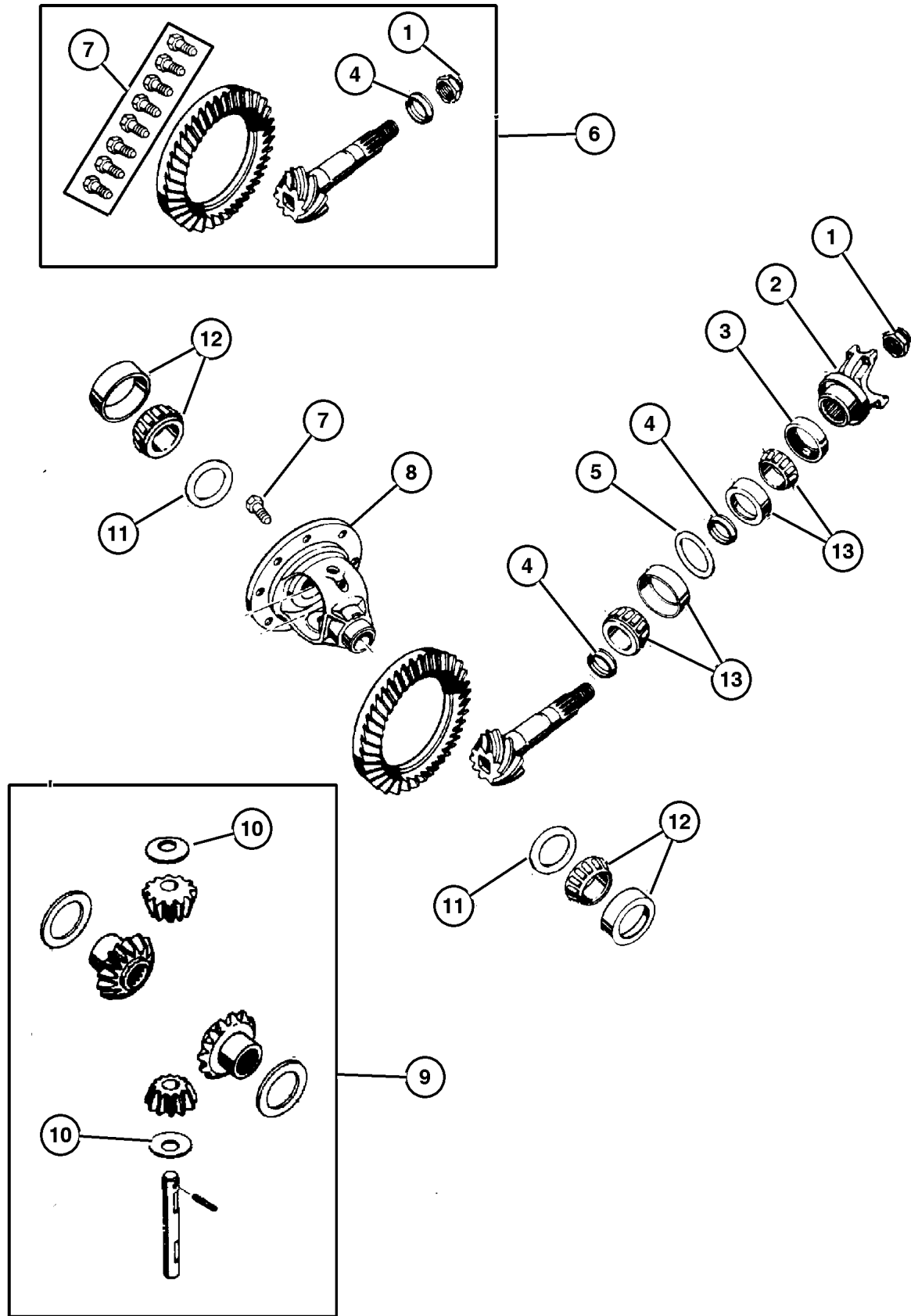
JEEP CHEROKEE (XJ)

SERIES	LINE	BODY	ENGINE	TRANSMISSION
L=Low Line	J=LHD (4WD) U=RHD (4WD) T=LHD (2WD) B=RHD (2WD)	74=4 DR. (101.4 WB) 72=2 DR. (101.4 WB)	ENC,EN0=2.5L 4 cyl. Turbo Die ERH,ER0=4.0L Power Tech I-6 EPE,EP0=Magnum 2.5L SMPI	DDQ=5Spd Man. DGS=4 Spd. Auto. AISIN DG0=All Auto Trans DBB=All Manual Trans.

AR = Use as required - = Non illustrated part # = New this model year

July 4, 2003

Differential, Non-Locking Dana Model 35 1998 XJ  
Figure 003-260



ITEM	PART NUMBER	QTY	LINE	SERIES	BODY	ENGINE	TRANS	TRIM	DESCRIPTION
1	4720 895	1							NUT, Pinion Yoke
2	4797 552	1							YOKE, Axle
3	8350 4946	1							SEAL, Drive Pinion
4	J317 5779	1							SPACER, Drive Pinion Bearing
5	4720 922	1							SHIM KIT, Pinion Shaft
6									GEAR KIT, Ring And Pinion
	8350 5472	1							3.07 Ratio
	4761 676	1							3.55 Ratio
	4761 678	1							3.73 Ratio
7	4720 891	1							BOLT KIT
8	4740 834	1							CASE, Differential
9	4740 670	1							GEAR KIT, Center Differential
10									WASHER, Flat
	J420 0096	2					J		
		2					U		
11	8350 3004	1							SHIM KIT, Differential
12	J812 6500	1							BEARING, Differential, Consists of 2 Bearings and 2 Cups
13									BEARING, Drive Pinion
	5252 508	1							Bearing and Cup, Front
	5252 507	1							Bearing and Cup, Rear

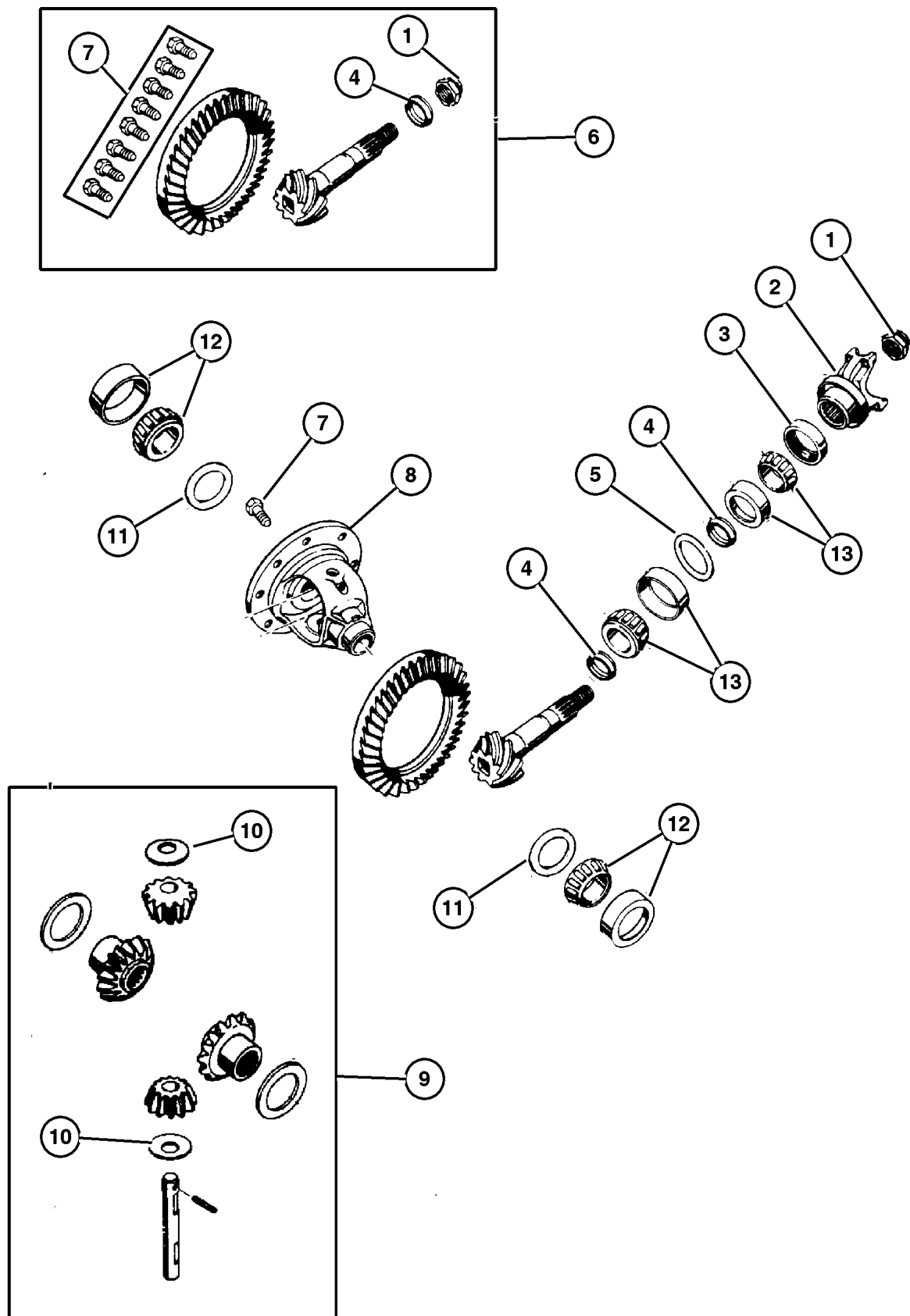
JEEP CHEROKEE (XJ)

SERIES	LINE	BODY	ENGINE	TRANSMISSION
L=Low Line	J=LHD (4WD) U=RHD (4WD) T=LHD (2WD) B=RHD (2WD)	74=4 DR. (101.4 WB) 72=2 DR. (101.4 WB)	ENC,EN0=2.5L 4 cyl. Turbo Die ERH,ER0=4.0L Power Tech I-6 EPE,EP0=Magnum 2.5L SMPI	DDQ=5Spd Man. DGS=4 Spd. Auto. AISIN DG0=All Auto Trans DBB=All Manual Trans.

AR = Use as required - = Non illustrated part # = New this model year

July 4, 2003

Differential, Non-Locking Dana Model 35 1999 XJ  
Figure 003-260



ITEM	PART NUMBER	QTY	LINE	SERIES	BODY	ENGINE	TRANS	TRIM	DESCRIPTION
1	4720 895	1							NUT, Pinion Yoke
2	4797 552	1							YOKE, Axle
3	8350 4946	1							SEAL, Drive Pinion
4	J317 5779	1							SPACER, Drive Pinion Bearing
5	4720 922	1							SHIM KIT, Pinion Shaft
6									GEAR KIT, Ring And Pinion
	8350 5472	1							3.07 Ratio
	4761 676	1							3.55 Ratio
	4761 678	1							3.73 Ratio
7	4720 891	1							BOLT KIT
8	4740 834	1							CASE, Differential
9	4740 670	1							GEAR KIT, Center Differential
10									WASHER, Flat
	J420 0096	2	J						
		2	B		74				
11	8350 3004	1							SHIM KIT, Differential
12	J812 6500	1							BEARING, Differential, Consists of 2 Bearing and 2 Cups
13									BEARING, Drive Pinion
	5252 508	1							Bearing and Cup, Front
	5252 507	1							Bearing and Cup, Rear

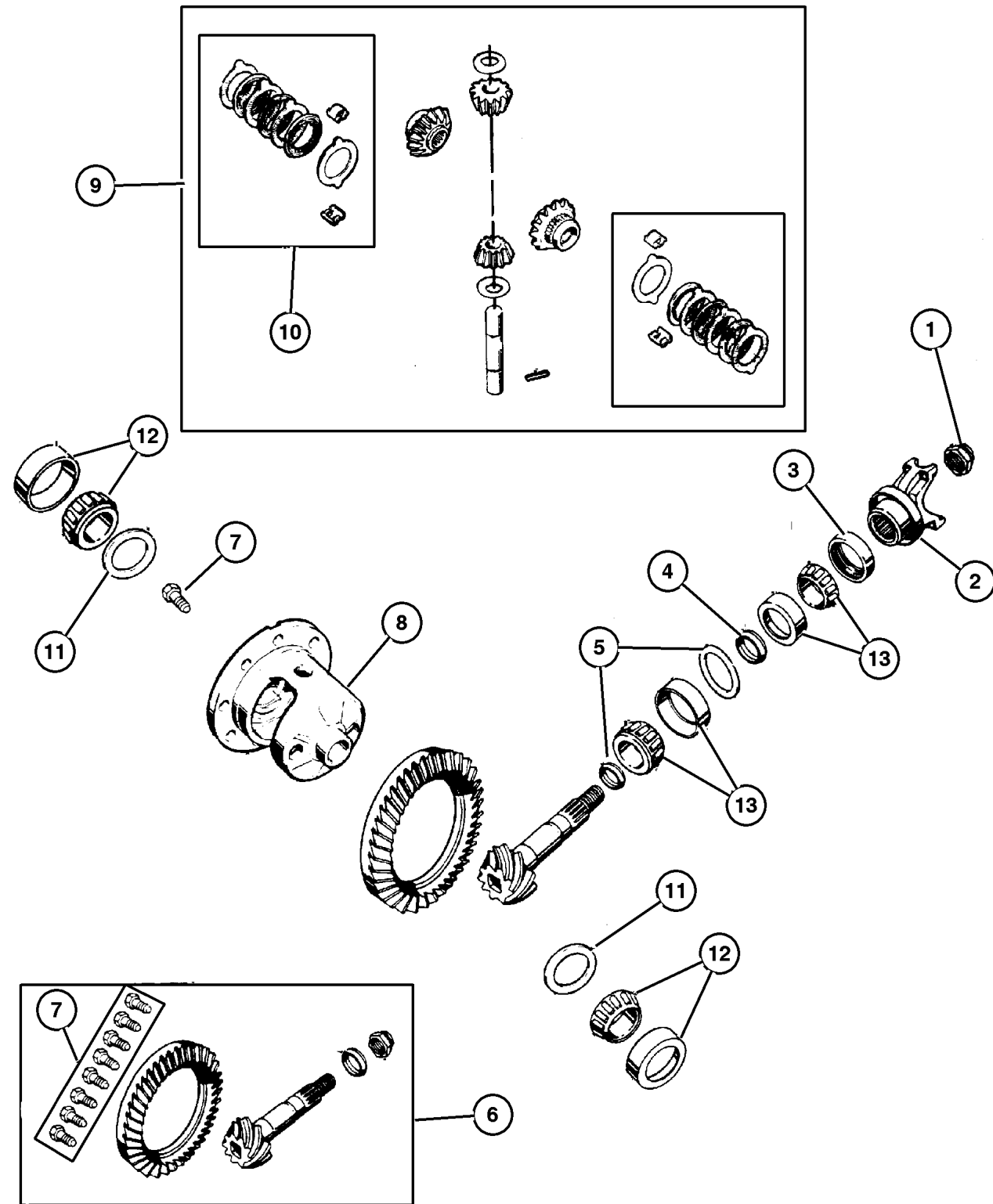
JEEP CHEROKEE (XJ)

SERIES	LINE	BODY	ENGINE	TRANSMISSION
L=Low Line	J=LHD (4WD) U=RHD (4WD) T=LHD (2WD) B=RHD (2WD)	74=4 DR. (101.4 WB) 72=2 DR. (101.4 WB)	ENC,EN0=2.5L 4 cyl. Turbo Die ERH,ER0=4.0L Power Tech I-6 EPE,EP0=Magnum 2.5L SMPI	DDQ=5Spd Man. DGS=4 Spd. Auto. AISIN DG0=All Auto Trans DBB=All Manual Trans.

AR = Use as required - = Non illustrated part # = New this model year

July 4, 2003

**Differential, Locking Dana Model 35 1997 XJ**  
**Figure 003-270**



ITEM	PART NUMBER	QTY	LINE	SERIES	BODY	ENGINE	TRANS	TRIM	DESCRIPTION
1	4720 895	1							NUT, Pinion Yoke
2	4746 835	1							YOKE, Axle Use on Axle #52099468AB
	4797 552	1							Use on Axle #52099473
3	8350 4946	1							SEAL, Drive Pinion
4	J317 5779	1							SPACER, Drive Pinion Bearing
5	4720 922	1							SHIM KIT, Pinion Shaft
6	8350 5472	1							GEAR KIT, Ring And Pinion 3.07 Ratio
	4761 676	1							3.55 Ratio
	4761 678	1							3.73 Ratio
7	4720 891	1							BOLT KIT
8	5252 496	1							CASE, Differential, 3.55, 3.73 Ratio
9	4773 010	1							GEAR KIT, Center Differential
10	5252 506	1							DISC AND PLATE KIT, Differential
11	8350 3004	1							SHIM KIT, Differential
12	J812 6500	1							BEARING, Differential, Consists of 2 Bearings and 2 Cups
13	5252 508	1							BEARING, Drive Pinion Bearing and Cup, Front
	5252 507	1							Bearing and Cup, Rear

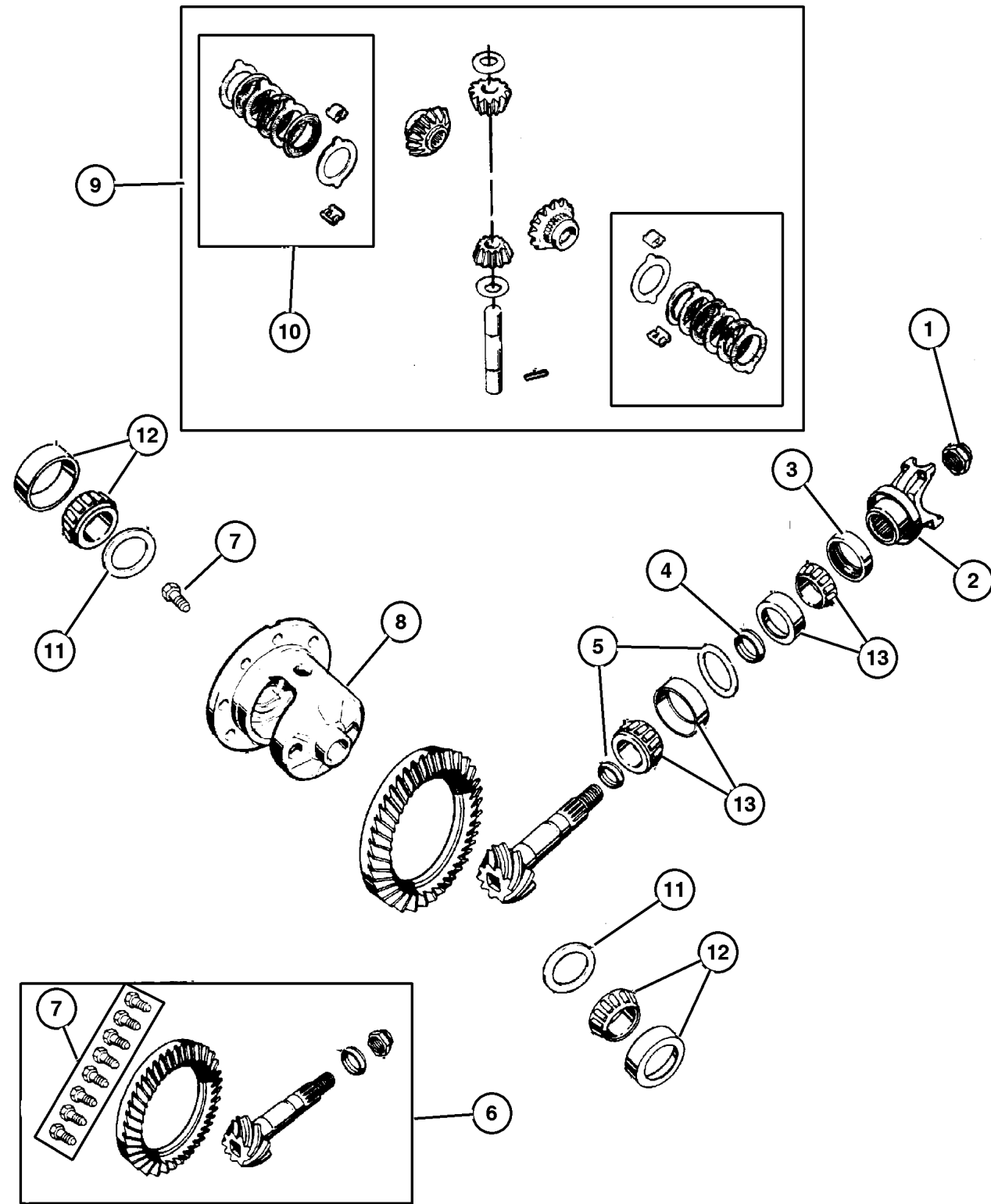
**JEEP CHEROKEE (XJ)**

SERIES	LINE	BODY	ENGINE	TRANSMISSION
L=Low Line	J=LHD (4WD) U=RHD (4WD) T=LHD (2WD) B=RHD (2WD)	74=4 DR. (101.4 WB) 72=2 DR. (101.4 WB)	ENC,EN0=2.5L 4 cyl. Turbo Die ERH,ER0=4.0L Power Tech I-6 EPE,EP0=Magnum 2.5L SMPI	DDQ=5Spd Man. DGS=4 Spd. Auto. AISIN DG0=All Auto Trans DBB=All Manual Trans.

AR = Use as required - = Non illustrated part # = New this model year

July 4, 2003

Differential, Locking Dana Model 35 1998 XJ  
Figure 003-270



ITEM	PART NUMBER	QTY	LINE	SERIES	BODY	ENGINE	TRANS	TRIM	DESCRIPTION
1	4720 895	1							NUT, Pinion Yoke
2	4746 835	1							YOKE, Axle Use on Axle #52099468AB
	4797 552	1							Use on Axle #52099473AB
3	8350 4946	1							SEAL, Drive Pinion
4	J317 5779	1							SPACER, Drive Pinion Bearing
5	4720 922	1							SHIM KIT, Pinion Shaft
6	8350 5472	1							GEAR KIT, Ring And Pinion 3.07 Ratio
	4761 676	1							3.55 Ratio
	4761 678	1							3.73 Ratio
7	4720 891	1							BOLT KIT
8	4740 833	1							CASE, Differential 3.55
	4740 834	1							3.73
	5252 496	1							Trac - Lok
	5252 512	1							3.07 ratio Trac - Lok ABS
9	4773 010	1							GEAR KIT, Center Differential
10	5252 506	1							DISC AND PLATE KIT, Differential
11	8350 3004	1							SHIM KIT, Differential
12	J812 6500	1							BEARING, Differential, Consists of 2 Bearings and 2 Cups
13	5252 508	1							BEARING, Drive Pinion Bearing and Cup, Front
	5252 507	1							Bearing and Cup, Rear

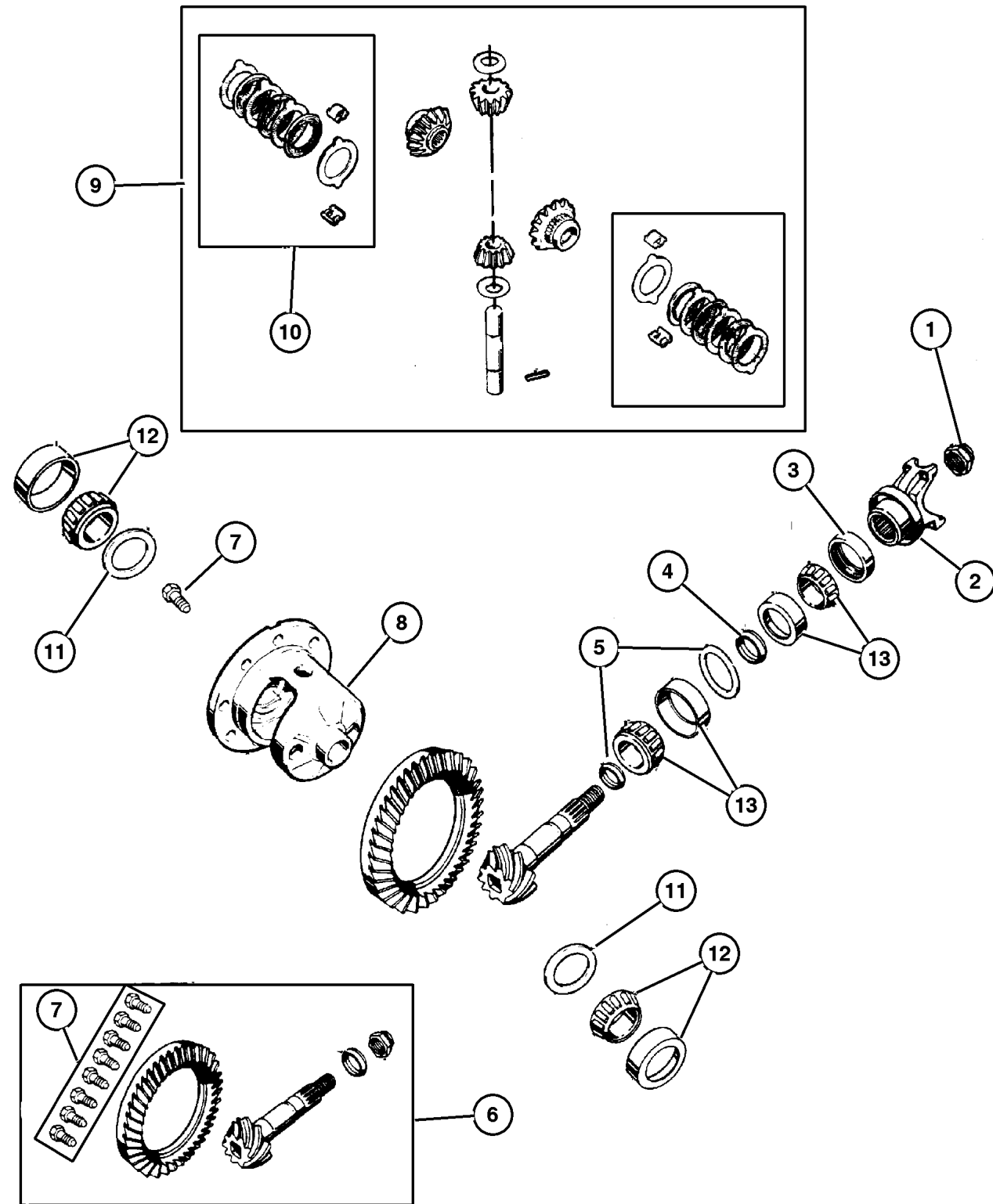
JEEP CHEROKEE (XJ)

SERIES	LINE	BODY	ENGINE	TRANSMISSION
L=Low Line	J=LHD (4WD) U=RHD (4WD) T=LHD (2WD) B=RHD (2WD)	74=4 DR. (101.4 WB) 72=2 DR. (101.4 WB)	ENC,EN0=2.5L 4 cyl. Turbo Die ERH,ER0=4.0L Power Tech I-6 EPE,EP0=Magnum 2.5L SMPI	DDQ=5Spd Man. DGS=4 Spd. Auto. AISIN DG0=All Auto Trans DBB=All Manual Trans.

AR = Use as required - = Non illustrated part # = New this model year

July 4, 2003

**Differential, Locking Dana Model 35 1999 XJ**  
**Figure 003-270**



ITEM	PART NUMBER	QTY	LINE	SERIES	BODY	ENGINE	TRANS	TRIM	DESCRIPTION
1	4720 895	1							NUT, Pinion Yoke
2	4746 835	1							YOKE, Axle Use on Axle #52099468AB
	4797 552	1							Use on Axle #52111770AA
3	8350 4946	1							SEAL, Drive Pinion
4	J317 5779	1							SPACER, Drive Pinion Bearing
5	4720 922	1							SHIM KIT, Pinion Shaft
6	8350 5472	1							GEAR KIT, Ring And Pinion 3.07 Ratio
	4761 676	1							3.55 Ratio
	4761 678	1							3.73 Ratio
7	4720 891	1							BOLT KIT
8	4740 833	1							CASE, Differential 3.55
	4740 834	1							3.73
	5252 496	1							Trac - Lok
	5252 512	1							3.07 ratio Trac - Lok ABS
9	4773 010	1							GEAR KIT, Center Differential
10	5252 506	1							DISC AND PLATE KIT, Differential
11	8350 3004	1							SHIM KIT, Differential
12	J812 6500	1							BEARING, Differential, Consists of 2 Bearings and 2 Cups
13	5252 508	1							BEARING, Drive Pinion Bearing and Cup, Front
	5252 507	1							Bearing and Cup, Rear

**JEEP CHEROKEE (XJ)**

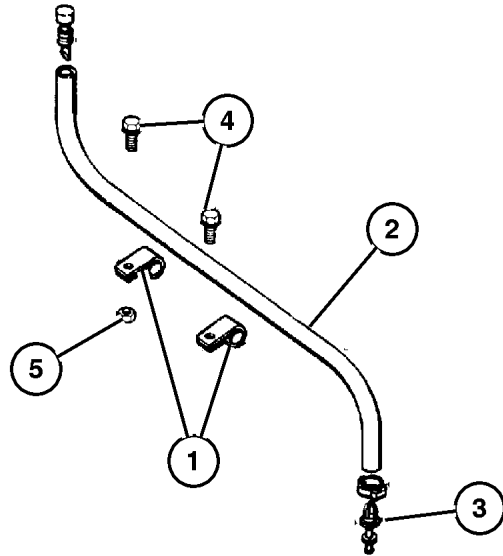
SERIES	LINE	BODY	ENGINE	TRANSMISSION
L=Low Line	J=LHD (4WD) U=RHD (4WD) T=LHD (2WD) B=RHD (2WD)	74=4 DR. (101.4 WB) 72=2 DR. (101.4 WB)	ENC,EN0=2.5L 4 cyl. Turbo Die ERH,ER0=4.0L Power Tech I-6 EPE,EP0=Magnum 2.5L SMPI	DDQ=5Spd Man. DGS=4 Spd. Auto. AISIN DG0=All Auto Trans DBB=All Manual Trans.

AR = Use as required - = Non illustrated part # = New this model year

July 4, 2003

Vent, Axle 1997 XJ  
Figure 003-305

ITEM	PART NUMBER	QTY	LINE	SERIES	BODY	ENGINE	TRANS	TRIM	DESCRIPTION
1									CLIP, Wrap Around, (NOT SERVICED) (Not Serviced)
2	4443 176	1							HOSE, Fuel, .31 I.D. 50 Foot Roll
3	J318 7999	1							VENT, Axle
4									SCREW, Hex Flange Head Tapping, .312-18x.625, (NOT SERVICED) (Not Serviced)
5									NUT, Hex, .190-24, (NOT SERVICED) (Not Serviced)



JEEP CHEROKEE (XJ)				
SERIES	LINE	BODY	ENGINE	TRANSMISSION
L=Low Line	J=LHD (4WD) U=RHD (4WD) T=LHD (2WD) B=RHD (2WD)	74=4 DR. (101.4 WB) 72=2 DR. (101.4 WB)	ENC,EN0=2.5L 4 cyl. Turbo Die ERH,ER0=4.0L Power Tech I-6 EPE,EP0=Magnum 2.5L SMPI	DDQ=5Spd Man. DGS=4 Spd. Auto. AISIN DG0=All Auto Trans DBB=All Manual Trans.

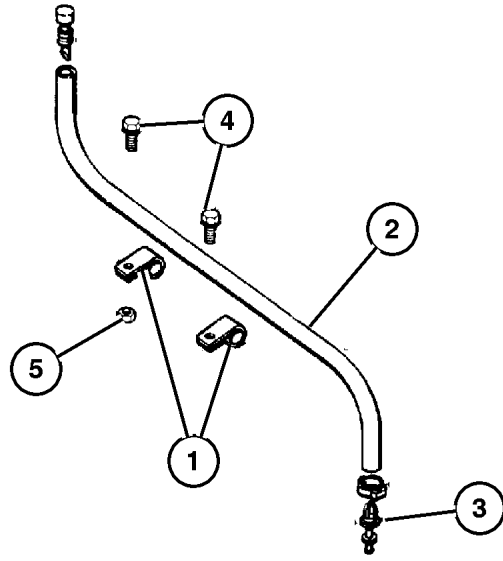
AR = Use as required - = Non illustrated part # = New this model year

July 4, 2003



Vent, Axle 1998 XJ  
Figure 003-305

ITEM	PART NUMBER	QTY	LINE	SERIES	BODY	ENGINE	TRANS	TRIM	DESCRIPTION
1									CLIP, Wrap Around, (NOT SERVICED) (Not Serviced)
2	4443 176	1							HOSE, Fuel, .31 I.D. 50 Foot Roll
3	J318 7999	1							VENT, Axle
4									SCREW, Hex Flange Head Tapping, .312-18x.625, (NOT SERVICED) (Not Serviced)
5									NUT, Hex, .190-24, (NOT SERVICED) (Not Serviced)



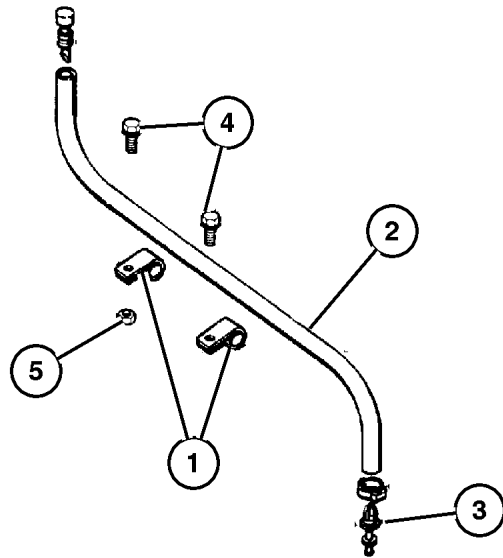
JEEP CHEROKEE (XJ)				
SERIES	LINE	BODY	ENGINE	TRANSMISSION
L=Low Line	J=LHD (4WD) U=RHD (4WD) T=LHD (2WD) B=RHD (2WD)	74=4 DR. (101.4 WB) 72=2 DR. (101.4 WB)	ENC,EN0=2.5L 4 cyl. Turbo Die ERH,ER0=4.0L Power Tech I-6 EPE,EP0=Magnum 2.5L SMPI	DDQ=5Spd Man. DGS=4 Spd. Auto. AISIN DG0=All Auto Trans DBB=All Manual Trans.

AR = Use as required - = Non illustrated part # = New this model year

July 4, 2003

Vent, Axle 1999 XJ  
Figure 003-305

ITEM	PART NUMBER	QTY	LINE	SERIES	BODY	ENGINE	TRANS	TRIM	DESCRIPTION
1									CLIP, Wrap Around, (NOT SERVICED) (Not Serviced)
2	4443 176	AR	J, T						HOSE, Fuel, .31 I.D. 50 Foot Roll
3	J318 7999	1							VENT, Axle
4									SCREW, Hex Flange Head Tapping, .312-18x.625, (NOT SERVICED) (Not Serviced)
5									NUT, Hex, .190-24, (NOT SERVICED) (Not Serviced)



JEEP CHEROKEE (XJ)

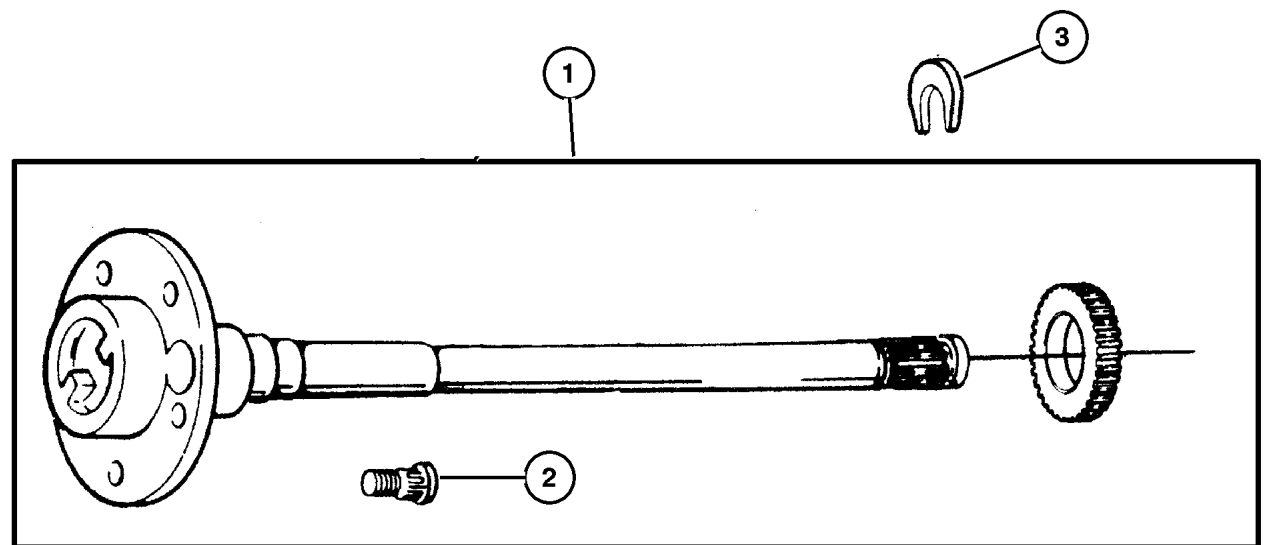
SERIES	LINE	BODY	ENGINE	TRANSMISSION
L=Low Line	J=LHD (4WD) U=RHD (4WD) T=LHD (2WD) B=RHD (2WD)	74=4 DR. (101.4 WB) 72=2 DR. (101.4 WB)	ENC,EN0=2.5L 4 cyl. Turbo Die ERH,ER0=4.0L Power Tech I-6 EPE,EP0=Magnum 2.5L SMPI	DDQ=5Spd Man. DGS=4 Spd. Auto. AISIN DG0=All Auto Trans DBB=All Manual Trans.

AR = Use as required - = Non illustrated part # = New this model year

July 4, 2003

**Shaft, Rear Axle Dana Model 35 1997 XJ**  
**Figure 003-430**

ITEM	PART NUMBER	QTY	LINE	SERIES	BODY	ENGINE	TRANS	TRIM	DESCRIPTION
1									SHAFT, Axle
	4713 192	1							Right
	4713 193	1							Left
2	8350 3053	10							STUD, Hub
3	5252 505	1							RETAINER, Axle Shaft



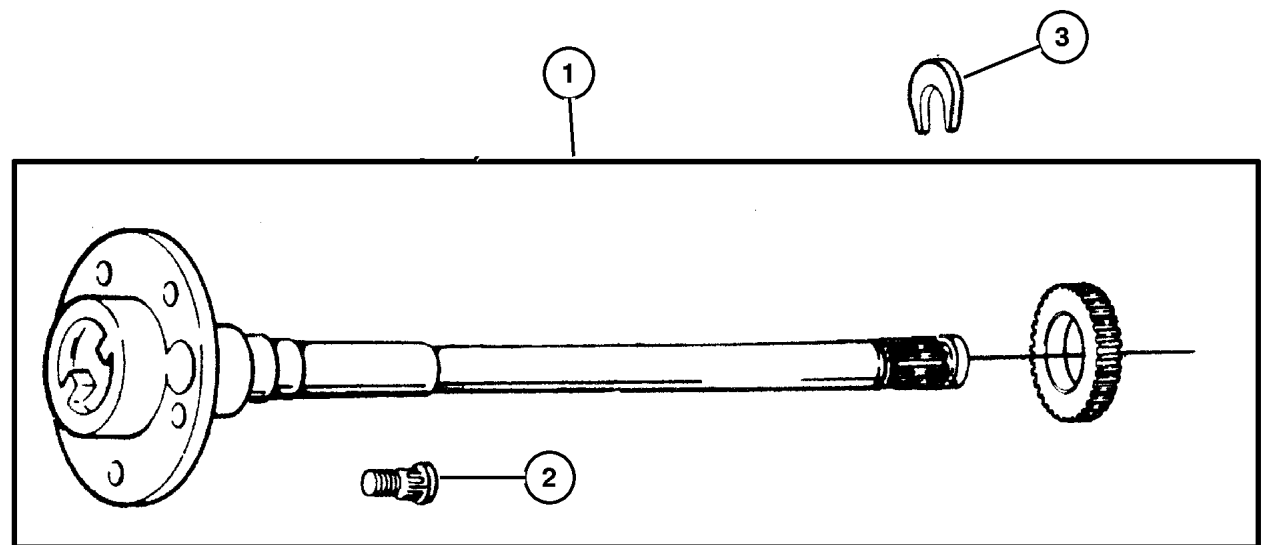
<b>JEEP CHEROKEE (XJ)</b>				
SERIES	LINE	BODY	ENGINE	TRANSMISSION
L=Low Line	J=LHD (4WD) U=RHD (4WD) T=LHD (2WD) B=RHD (2WD)	74=4 DR. (101.4 WB) 72=2 DR. (101.4 WB)	ENC,EN0=2.5L 4 cyl. Turbo Die ERH,ER0=4.0L Power Tech I-6 EPE,EP0=Magnum 2.5L SMPI	DDQ=5Spd Man. DGS=4 Spd. Auto. AISIN DG0=All Auto Trans DBB=All Manual Trans.

AR = Use as required - = Non illustrated part # = New this model year

July 4, 2003

**Shaft, Rear Axle Dana Model 35 1998 XJ**  
**Figure 003-430**

ITEM	PART NUMBER	QTY	LINE	SERIES	BODY	ENGINE	TRANS	TRIM	DESCRIPTION
1									SHAFT, Axle
	4713 192	1							Right
	4713 193	1							Left
2	8350 3053	10							STUD, Hub
3	5252 505	2							RETAINER, Axle Shaft



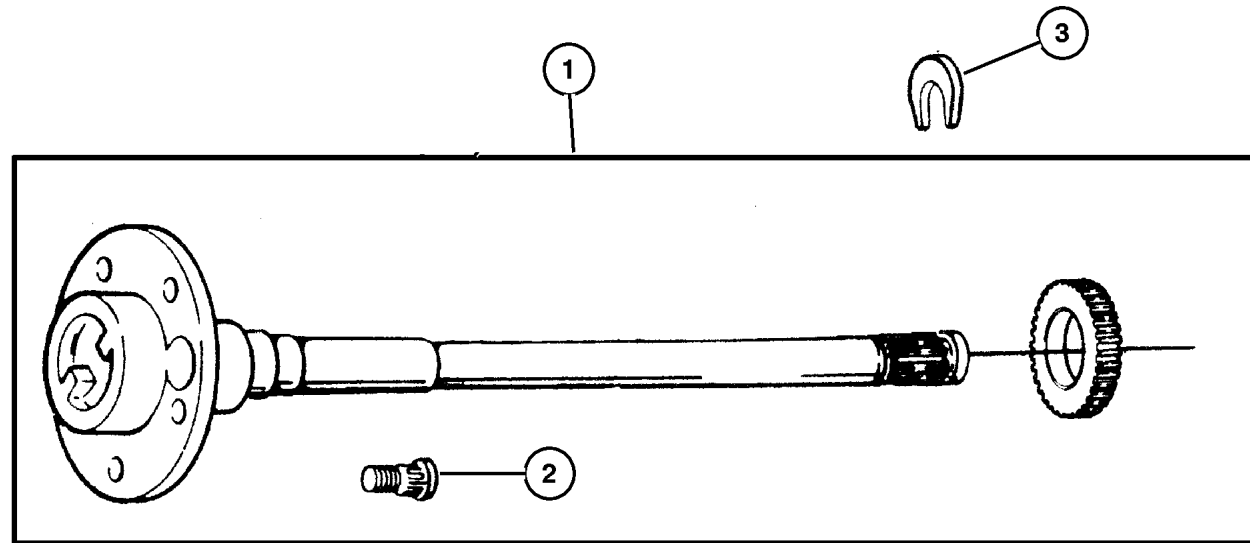
<b>JEEP CHEROKEE (XJ)</b>				
SERIES	LINE	BODY	ENGINE	TRANSMISSION
L=Low Line	J=LHD (4WD) U=RHD (4WD) T=LHD (2WD) B=RHD (2WD)	74=4 DR. (101.4 WB) 72=2 DR. (101.4 WB)	ENC,EN0=2.5L 4 cyl. Turbo Die ERH,ER0=4.0L Power Tech I-6 EPE,EP0=Magnum 2.5L SMPI	DDQ=5Spd Man. DGS=4 Spd. Auto. AISIN DG0=All Auto Trans DBB=All Manual Trans.

AR = Use as required - = Non illustrated part # = New this model year

July 4, 2003

**Shaft, Rear Axle Dana Model 35 1999 XJ**  
**Figure 003-430**

ITEM	PART NUMBER	QTY	LINE	SERIES	BODY	ENGINE	TRANS	TRIM	DESCRIPTION
1									SHAFT, Axle
	4713 192	1							Right
	4713 193	1							Left
2	8350 3053	2							STUD, Hub
3	5252 505	2							RETAINER, Axle Shaft



<b>JEEP CHEROKEE (XJ)</b>				
SERIES	LINE	BODY	ENGINE	TRANSMISSION
L=Low Line	J=LHD (4WD) U=RHD (4WD) T=LHD (2WD) B=RHD (2WD)	74=4 DR. (101.4 WB) 72=2 DR. (101.4 WB)	ENC,EN0=2.5L 4 cyl. Turbo Die ERH,ER0=4.0L Power Tech I-6 EPE,EP0=Magnum 2.5L SMPI	DDQ=5Spd Man. DGS=4 Spd. Auto. AISIN DG0=All Auto Trans DBB=All Manual Trans.

AR = Use as required - = Non illustrated part # = New this model year

July 4, 2003

# Group – 004

## Parking Brake

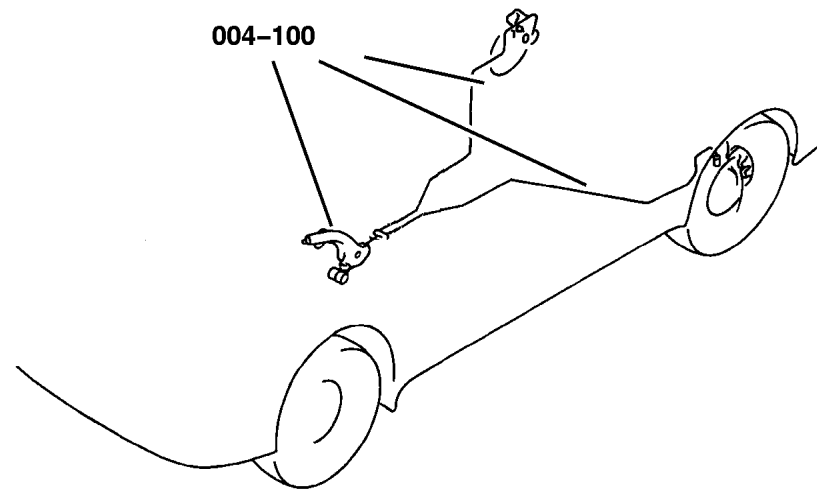
### GROUP 4 - Parking Brake


Illustration Title

Group-Fig. No.

#### Parking Brake Lever and Cables

Lever Assembly and Cables 1997 XJ .....	Fig. 004-120
Lever Assembly and Cables 1998 XJ .....	Fig. 004-120
Lever Assembly and Cables 1999 XJ .....	Fig. 004-120

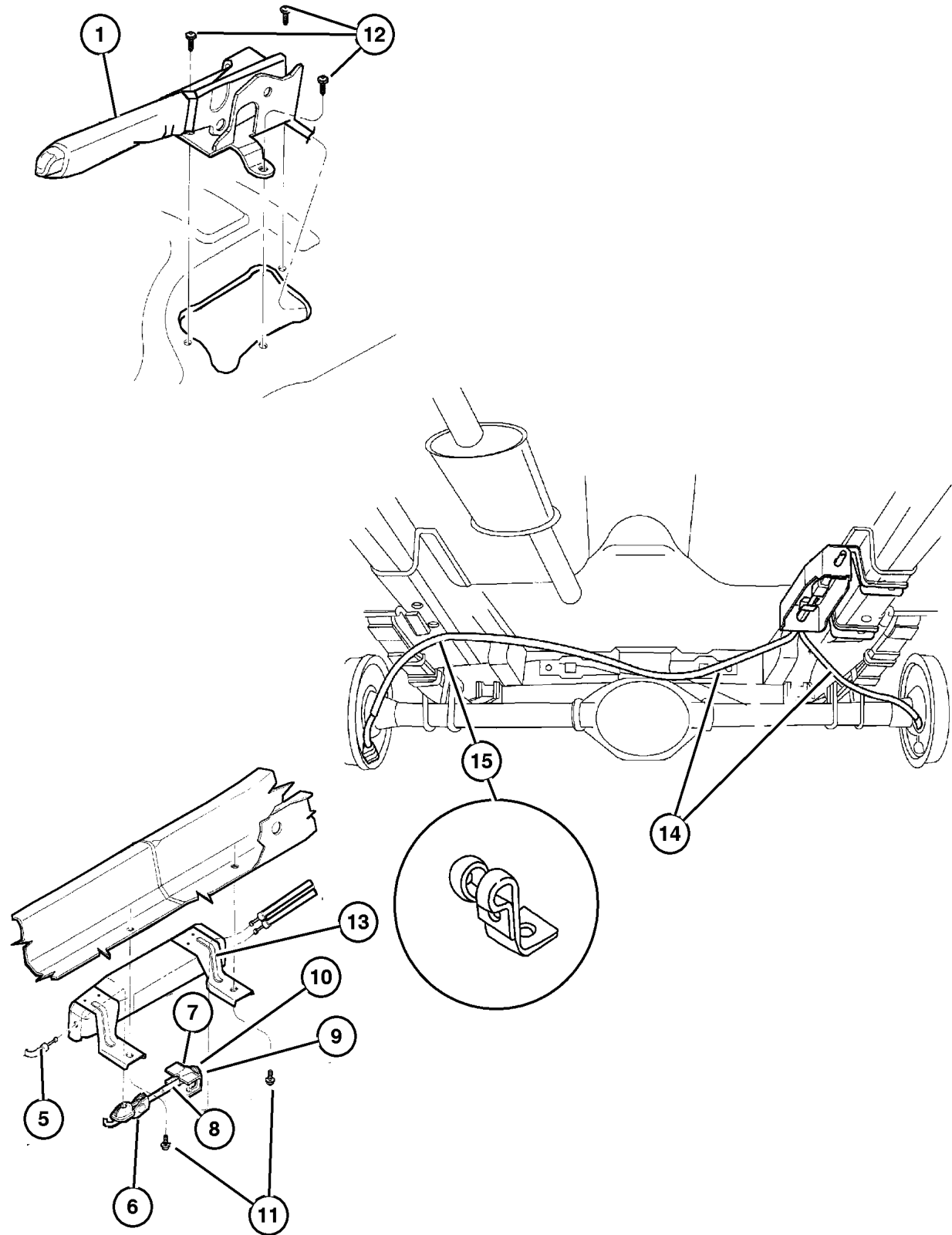


<p><b>004-100</b> Parking Brake Lever and Cables</p> 			
--	--	--	--



**Lever Assembly and Cables 1998 XJ**  
**Figure 004-120**

ITEM	PART NUMBER	QTY	LINE	SERIES	BODY	ENGINE	TRANS	TRIM	DESCRIPTION
1	5207 8943	1							LEVER, Park Brake
-2	5212 7960	1							SWITCH, Parking Brake
-3	5207 8010	1							PIN, Parking Release
-4	5207 8012	1							CLIP, Parking Brake Cable
5	5212 8164	1							CABLE, Parking Brake, Front
6	5212 8185	1							ADJUSTER, Parking Brake Cable
7	4423 264	1							EQUALIZER, Parking Brake Cable
8	0274 865	1							SPACER, Parking Brake
9	4423 735	1							WASHER, Teflon, ID=.380 /OD=.760/ THK=.025
10	6030 607	1							NUT, Hex Flange Lock, .312-18
11	6100 582	2							BOLT AND CONED WASHER, Hex Head, M8x20x20
12	6503 319	3							SCREW, M6x1x25
13	5212 8172	1							BRACKET, Parking Brake
14									CABLE, Parking Brake Right
	52128 072AB	1							Left
	5212 8073	1							BRACKET, Brake Cable Guide
15	52128 235AA	1							



<b>JEEP CHEROKEE (XJ)</b>				
SERIES	LINE	BODY	ENGINE	TRANSMISSION
L=Low Line	J=LHD (4WD) U=RHD (4WD) T=LHD (2WD) B=RHD (2WD)	74=4 DR. (101.4 WB) 72=2 DR. (101.4 WB)	ENC,EN0=2.5L 4 cyl. Turbo Die ERH,ER0=4.0L Power Tech I-6 EPE,EP0=Magnum 2.5L SMPI	DDQ=5Spd Man. DGS=4 Spd. Auto. AISIN DG0=All Auto Trans DBB=All Manual Trans.

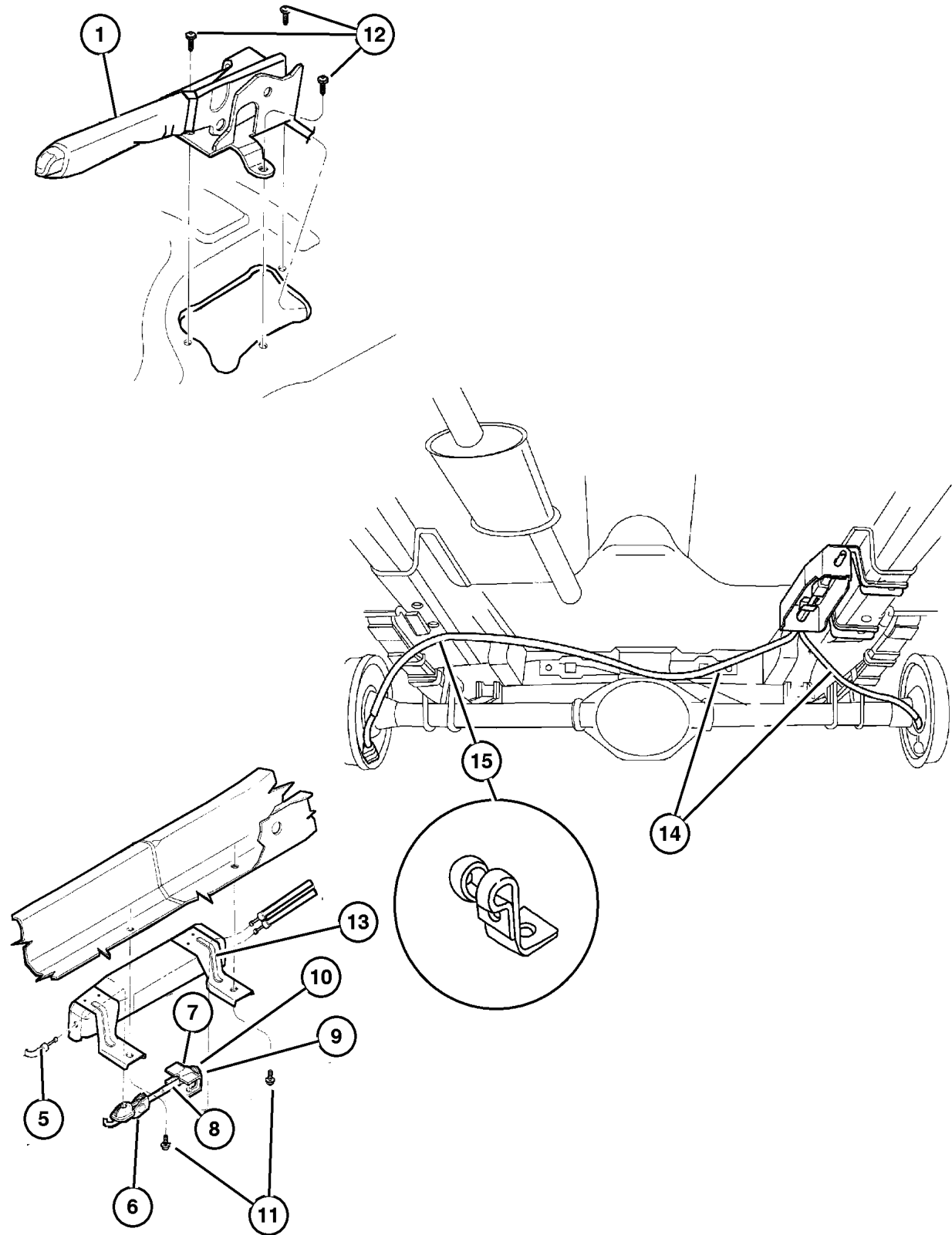
AR = Use as required - = Non illustrated part # = New this model year

July 4, 2003



**Lever Assembly and Cables 1999 XJ**  
**Figure 004-120**

ITEM	PART NUMBER	QTY	LINE	SERIES	BODY	ENGINE	TRANS	TRIM	DESCRIPTION
1	5207 8943	1							LEVER, Park Brake
-2	5212 7960	1							SWITCH, Parking Brake
-3	5207 8010	1							PIN, Parking Release
-4	5207 8012	1							CLIP, Parking Brake Cable
5	5212 8164	1							CABLE, Parking Brake, Front
6	5212 8185	1							ADJUSTER, Parking Brake Cable
7	4423 264	1							EQUALIZER, Parking Brake Cable
8	0274 865	1							SPACER, Parking Brake
9	4423 735	1							WASHER, Teflon, ID=.380 /OD=.760/ THK=.025
10	6030 607	1							NUT, Hex Flange Lock, .312-18
11	6100 582	2							BOLT AND CONED WASHER, Hex Head, M8x20x20
12	6101 780	3							SCREW, M6x1x25
13	5212 8172	1							BRACKET, Parking Brake
14									CABLE, Parking Brake Right
	52128 072AB	1							Left
	5212 8073	1							BRACKET, Brake Cable Guide
15	52128 235AA	1							



**JEEP CHEROKEE (XJ)**

SERIES	LINE	BODY	ENGINE	TRANSMISSION
L=Low Line	J=LHD (4WD) U=RHD (4WD) T=LHD (2WD) B=RHD (2WD)	74=4 DR. (101.4 WB) 72=2 DR. (101.4 WB)	ENC,EN0=2.5L 4 cyl. Turbo Die ERH,ER0=4.0L Power Tech I-6 EPE,EP0=Magnum 2.5L SMPI	DDQ=5Spd Man. DGS=4 Spd. Auto. AISIN DG0=All Auto Trans DBB=All Manual Trans.

AR = Use as required - = Non illustrated part # = New this model year

July 4, 2003

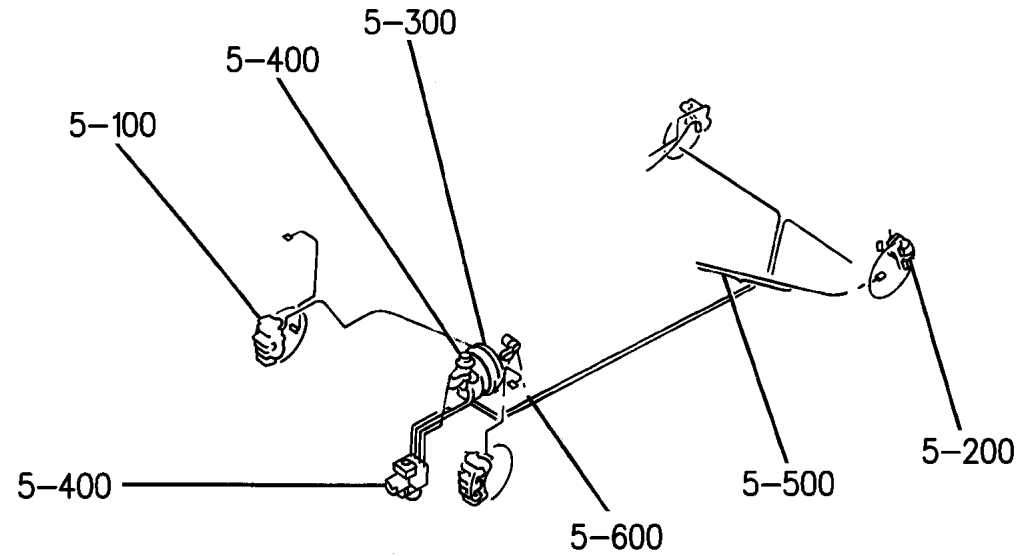
# Group – 005

## Service Brakes

### GROUP 5 - Service Brakes

Illustration Title

Group-Fig. No.



#### Front Brakes

Brakes, Front 1997 XJ .....	Fig. 005-120
Brakes, Front 1998 XJ .....	Fig. 005-120
Brakes, Front 1999 XJ .....	Fig. 005-120

#### Rear Brakes

Brakes, Rear 1997 XJ .....	Fig. 005-220
Brakes, Rear 1998 XJ .....	Fig. 005-220
Brakes, Rear 1999 XJ .....	Fig. 005-220

#### Power Brake Booster

Master Cylinder and Booster 1997 XJ .....	Fig. 005-320
Master Cylinder and Booster 1998 XJ .....	Fig. 005-320
Master Cylinder and Booster 1999 XJ .....	Fig. 005-320
Power Brake Vacuum Booster Hose 1999 XJ .....	Fig. 005-330

#### Brake Master Cylinder

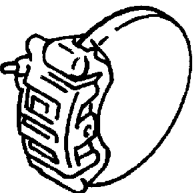
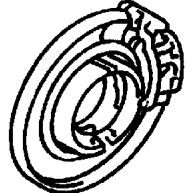
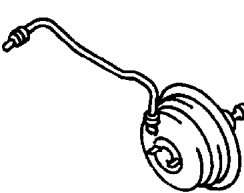
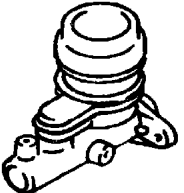
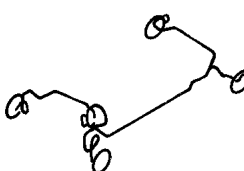

Hydraulic Control Unit 1997 XJ .....	Fig. 005-420
Hydraulic Control Unit 1998 XJ .....	Fig. 005-420
Hydraulic Control Unit 1999 XJ .....	Fig. 005-420

#### Brake Lines and Hoses

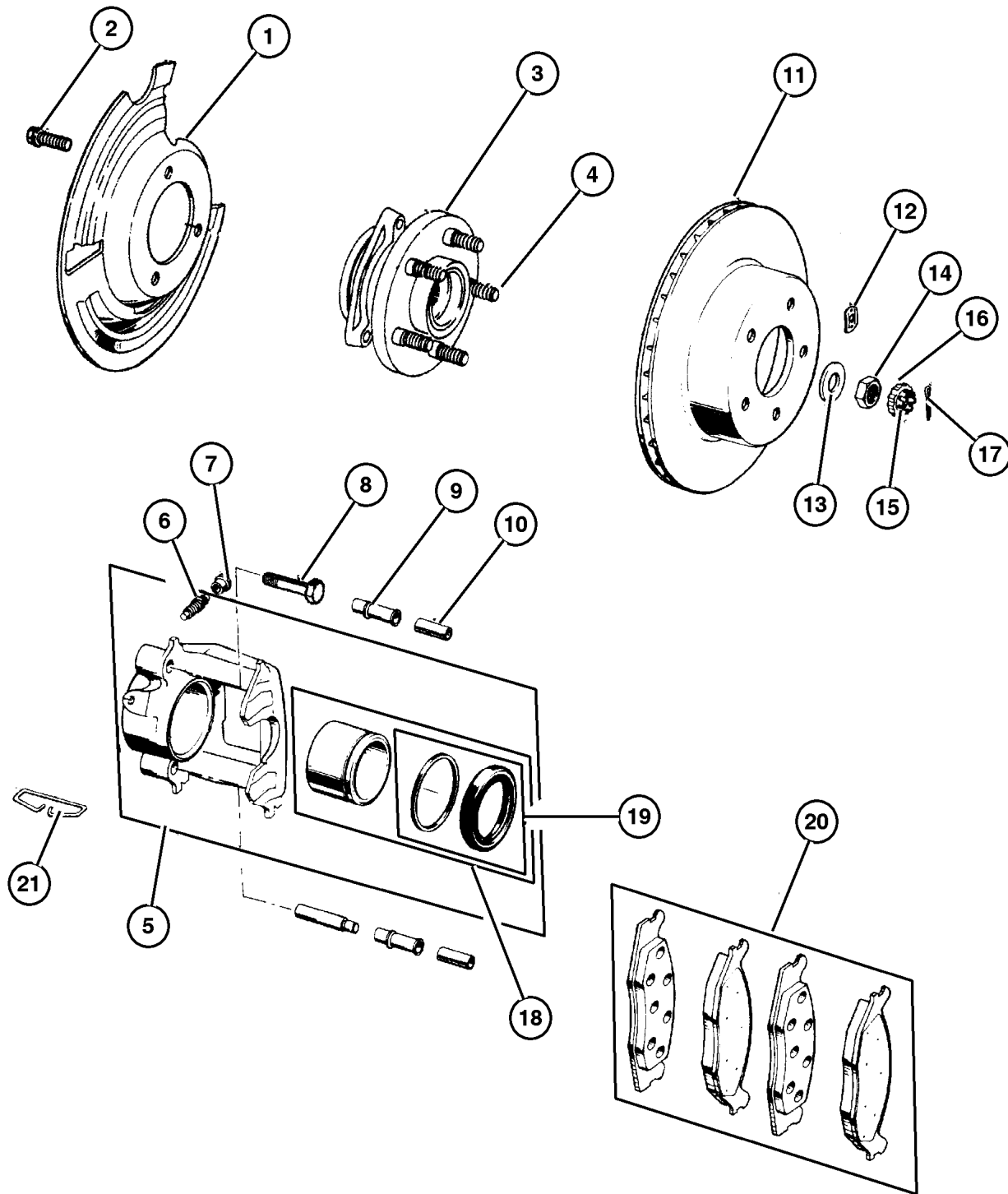
Brake Lines, Front without Anti-Lock Brakes 1997 XJ .....	Fig. 005-550
Brake Lines, Front without Anti-Lock Brakes 1998 XJ .....	Fig. 005-550
Brake Lines, Front without Anti-Lock Brakes 1999 XJ .....	Fig. 005-550
Brake Lines, Front with Anti-Lock Brakes 1997 XJ .....	Fig. 005-555
Brake Lines, Front with Anti-Lock Brakes 1998 XJ .....	Fig. 005-555
Brake Lines, Front with Anti-Lock Brakes 1999 XJ .....	Fig. 005-555
Brake Lines and Hoses, Rear 1997 XJ .....	Fig. 005-560
Brake Lines and Hoses, Rear 1998 XJ .....	Fig. 005-560
Brake Lines and Hoses, Rear 1999 XJ .....	Fig. 005-560

#### Brake Pedals

Brake Pedal 1997 XJ .....	Fig. 005-610
Brake Pedal 1998 XJ .....	Fig. 005-610
Brake Pedal 1999 XJ .....	Fig. 005-610

<p><b>005-100</b> Front Brakes</p> 	<p><b>005-200</b> Rear Brakes</p> 	<p><b>005-300</b> Power Brake Booster</p> 	<p><b>005-400</b> Brake Master Cylinder</p> 
<p><b>005-500</b> Brake Lines and Hoses</p> 	<p><b>005-600</b> Brake Pedals</p> 		

Brakes, Front 1997 XJ  
Figure 005-120



ITEM	PART NUMBER	QTY	LINE	SERIES	BODY	ENGINE	TRANS	TRIM	DESCRIPTION
NOTES; SALES CODE EP0=2.5L GAS ENGINE, ERO=4.0 L ENGINE, ENC= 2.5L DIESEL ENGINE									
1									SHIELD, Brake
	5200 5476	1	U						Right
		1	J						Right
		1	T						Right
		1	B						Right
	5200 5477	1	U						Left
		1	J						Left
		1	T						Left
		1	B						Left
2									BOLT
	3420 1535	6	U						
		6	J						
		6	T						
		6	B						
3									HUB AND BEARING, Brake
	5300 7449	2	U						
		2	J						
		2	T						
		2	B						
4									STUD, Hub
	5300 7463	10	J						
		10	U						
		10	T						
		10	B						
5									CALIPER, Disc Brake
	5252 984	1	T						Right
		1	B						Right
		1	J						Right
		1	U						Right
	5252 985	1	T						Left
		1	B						Left
		1	J						Left
		1	U						Left
6	J320 3313	1							SCREW, Bleeder
7									CAP, Bleeder
	4238 717	1	T						
		1	B						
		1	U						
		1	J						
8									PIN, Caliper
	5253 000	4	U						

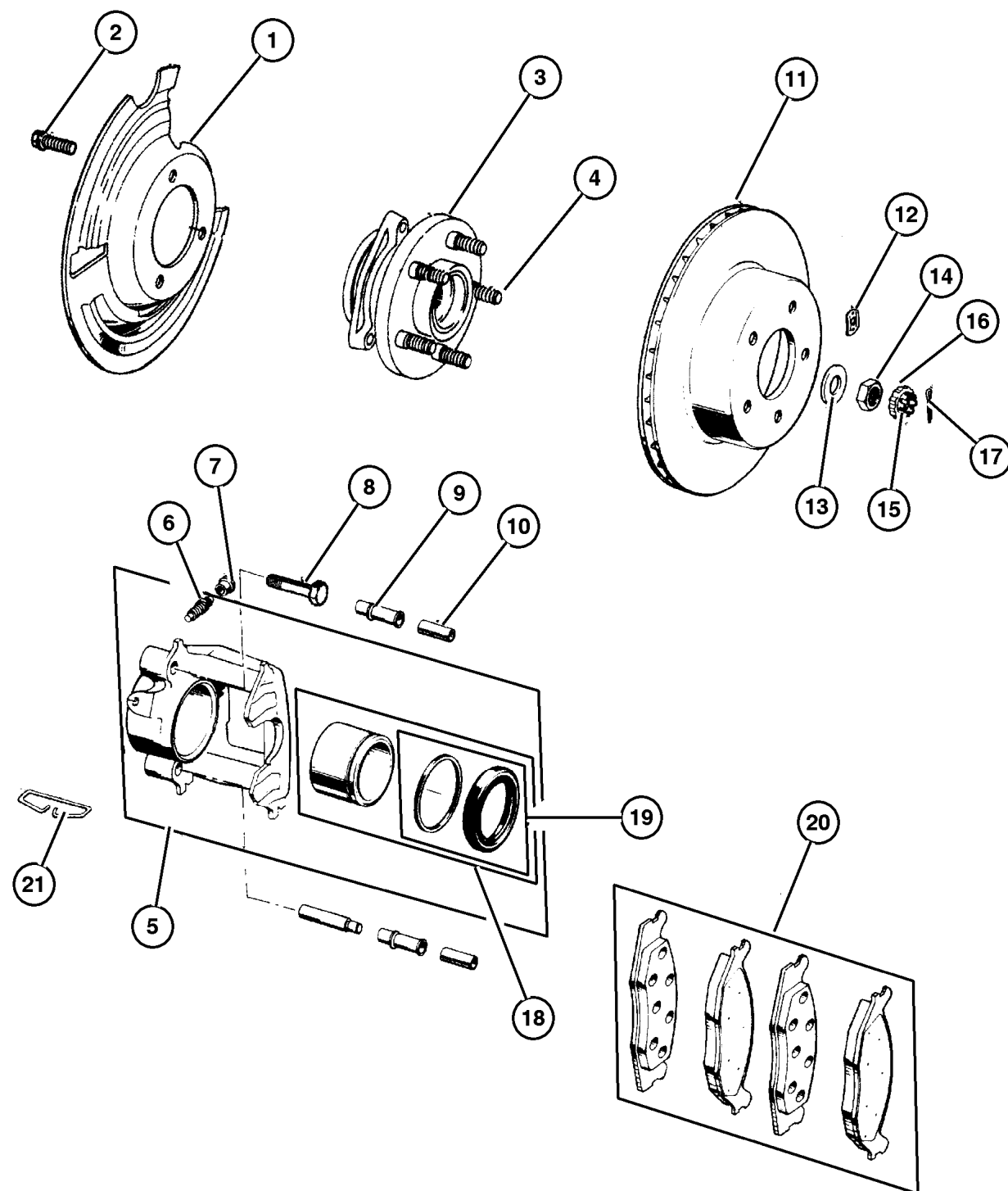
JEEP CHEROKEE (XJ)

SERIES	LINE	BODY	ENGINE	TRANSMISSION
L=Low Line	J=LHD (4WD) U=RHD (4WD) T=LHD (2WD) B=RHD (2WD)	74=4 DR. (101.4 WB) 72=2 DR. (101.4 WB)	ENC, EN0=2.5L 4 cyl. Turbo Die ERH, ERO=4.0L Power Tech I-6 EPE, EP0=Magnum 2.5L SMPI	DDQ=5Spd Man. DGS=4 Spd. Auto. AISIN DG0=All Auto Trans DBB=All Manual Trans.

AR = Use as required - = Non illustrated part # = New this model year

July 4, 2003

Brakes, Front 1997 XJ  
Figure 005-120



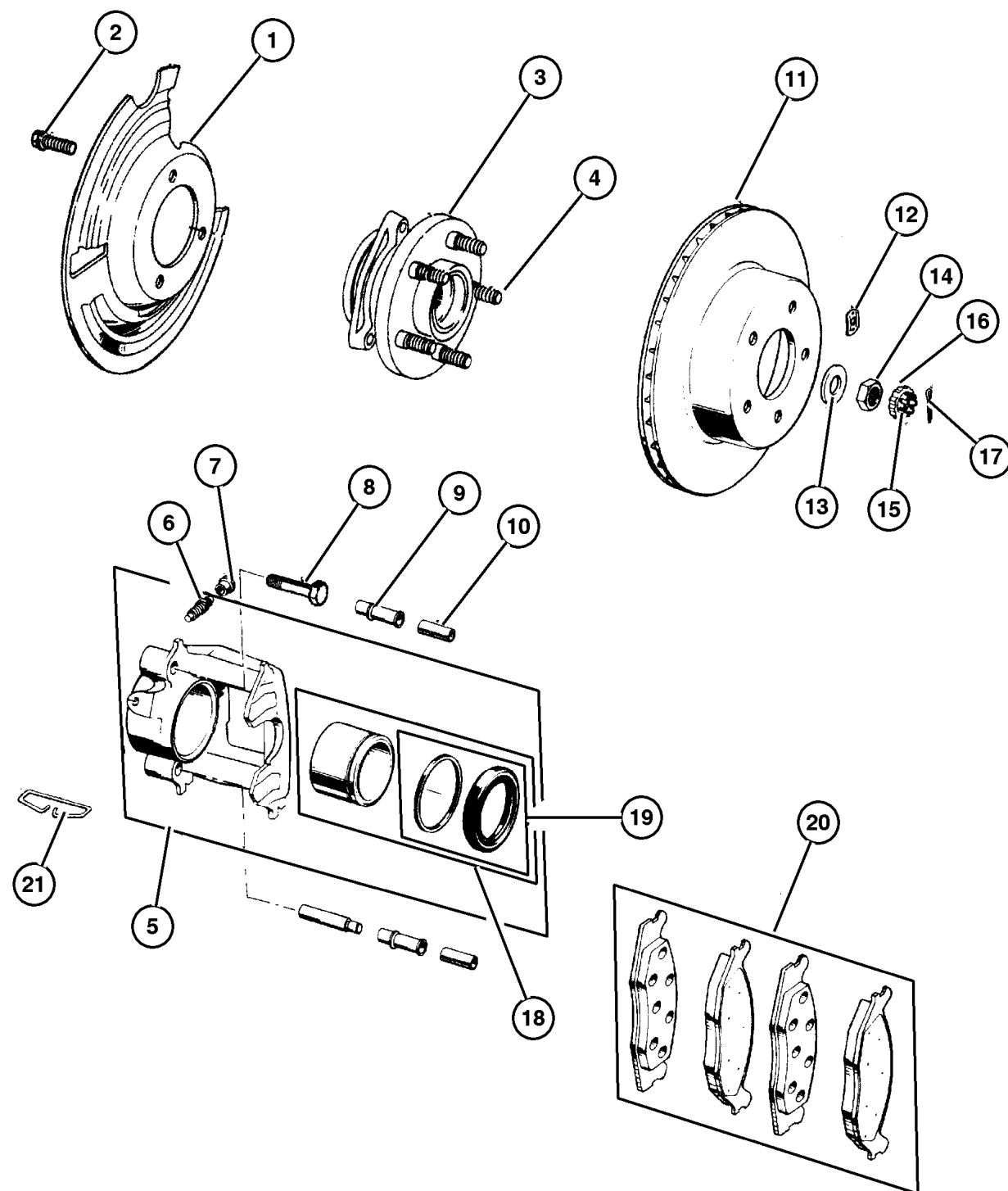
ITEM	PART NUMBER	QTY	LINE	SERIES	BODY	ENGINE	TRANS	TRIM	DESCRIPTION
		4	J						
		4	T						
		4	B						
9	4383 471	1	U						BUSHING, Disc Brake Caliper
		1	B						
		1	T						
		1	J						
10	4423 573	1	U						SLEEVE, Disc Brake Caliper
		1	B						
		1	T						
		1	J						
11	5200 8440	2	U						ROTOR, Brake
		2	J						
		2	T						
		2	B						
12	6026 430	AR							SPRING RETAINER, Push On, .50x20
13									WASHER, Flat
	J420 0096	2	U						
		2	J						
		2	T						
		2	B						
14	J420 0095	2	U						NUT, Hex
		2	J						
		2	T						
		2	B						
15	J420 0097	2	U						RETAINER, Hub Nut
		2	J						
		2	T						
		2	B						
16	4740 749	2	U						WASHER, Wave
		2	J						
		2	T						
		2	B						
17	1101 0069	6	U						PIN, Cotter, M4x40.00

JEEP CHEROKEE (XJ)  
 SERIES LINE BODY ENGINE TRANSMISSION  
 L=Low Line J=LHD (4WD) 74=4 DR. (101.4 WB) ENC,EN0=2.5L 4 cyl. Turbo Die DDQ=5Spd Man.  
 U=RHD (4WD) 72=2 DR. (101.4 WB) ERH,ER0=4.0L Power Tech I-6 DGS=4 Spd. Auto. AISIN  
 T=LHD (2WD) EPE,EP0=Magnum 2.5L SMPI DG0=All Auto Trans  
 B=RHD (2WD) DBB=All Manual Trans.

AR = Use as required - = Non illustrated part # = New this model year

July 4, 2003

Brakes, Front 1997 XJ  
Figure 005-120



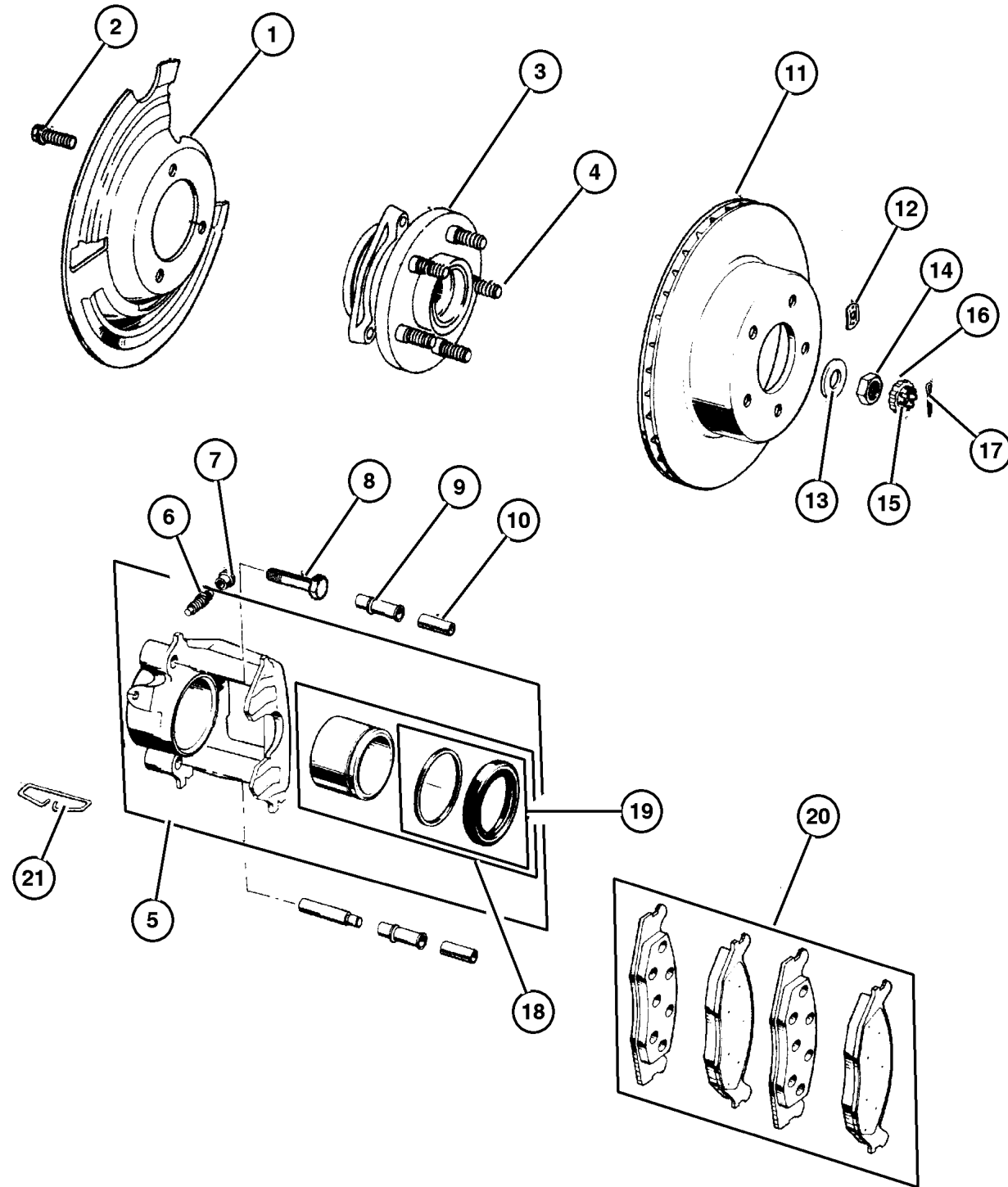
ITEM	PART NUMBER	QTY	LINE	SERIES	BODY	ENGINE	TRANS	TRIM	DESCRIPTION
		6	J						
		6	T						
		6	B						
18	5252 614	1	T						PISTON, Brake
		1	B						
		1	J						
		1	U						
19	J813 3852	1	T						BOOT AND SEAL, Disc Brake
		1	B						
		1	J						
		1	U						
20	4883 344AC	1	B						PAD KIT, Front Disc Brake
		1	J						
		1	T						
		1	U						
21	J323 9865	1	T						CLIP, Brake Caliper
		1	B						
		1	J						
		1	U						

JEEP CHEROKEE (XJ)  
 SERIES LINE BODY ENGINE TRANSMISSION  
 L=Low Line J=LHD (4WD) 74=4 DR. (101.4 WB) ENC,EN0=2.5L 4 cyl. Turbo Die DDQ=5Spd Man.  
 U=RHD (4WD) 72=2 DR. (101.4 WB) ERH,ER0=4.0L Power Tech I-6 DGS=4 Spd. Auto. AISIN  
 T=LHD (2WD) EPE,EP0=Magnum 2.5L SMPI DG0=All Auto Trans  
 B=RHD (2WD) DBB=All Manual Trans.

AR = Use as required - = Non illustrated part # = New this model year

July 4, 2003

Brakes, Front 1998 XJ  
Figure 005-120



ITEM	PART NUMBER	QTY	LINE	SERIES	BODY	ENGINE	TRANS	TRIM	DESCRIPTION
NOTES; SALES CODE EP0=2.5L GAS ENGINE,ERO=4.0 L ENGINE,ENC= 2.5L DIESEL ENGINE									
1	5200 5476	1	T						SHIELD, Brake Right
		1	J						Right
		1	U						Right
		1	B		74				Right
	5200 5477	1	T						Left
		1	J						Left
		1	U						Left
		1	B		74				Left
2	3420 1535	6	J						BOLT
		6	U						
		6	T						
		6	B		74				
3	5300 7449	2	T						HUB AND BEARING, Brake
		2	J						
		2	U						
		2	B		74				
4	5300 7463	10	J						STUD, Hub
		10	U						
		10	T						
		10	B		74				
5	5252 984	1	T						CALIPER, Disc Brake Right
		1	B						Right
		1	U						Right
		1	J						Right
	5252 985	1	T						Left
		1	B						Left
		1	J						Left
		1	U						Left
6	J320 3313	1	U						SCREW, Bleeder
		1	J						
		1	T						
		1	B		74				
7	4238 717	1	J						CAP, Bleeder
		1	U						

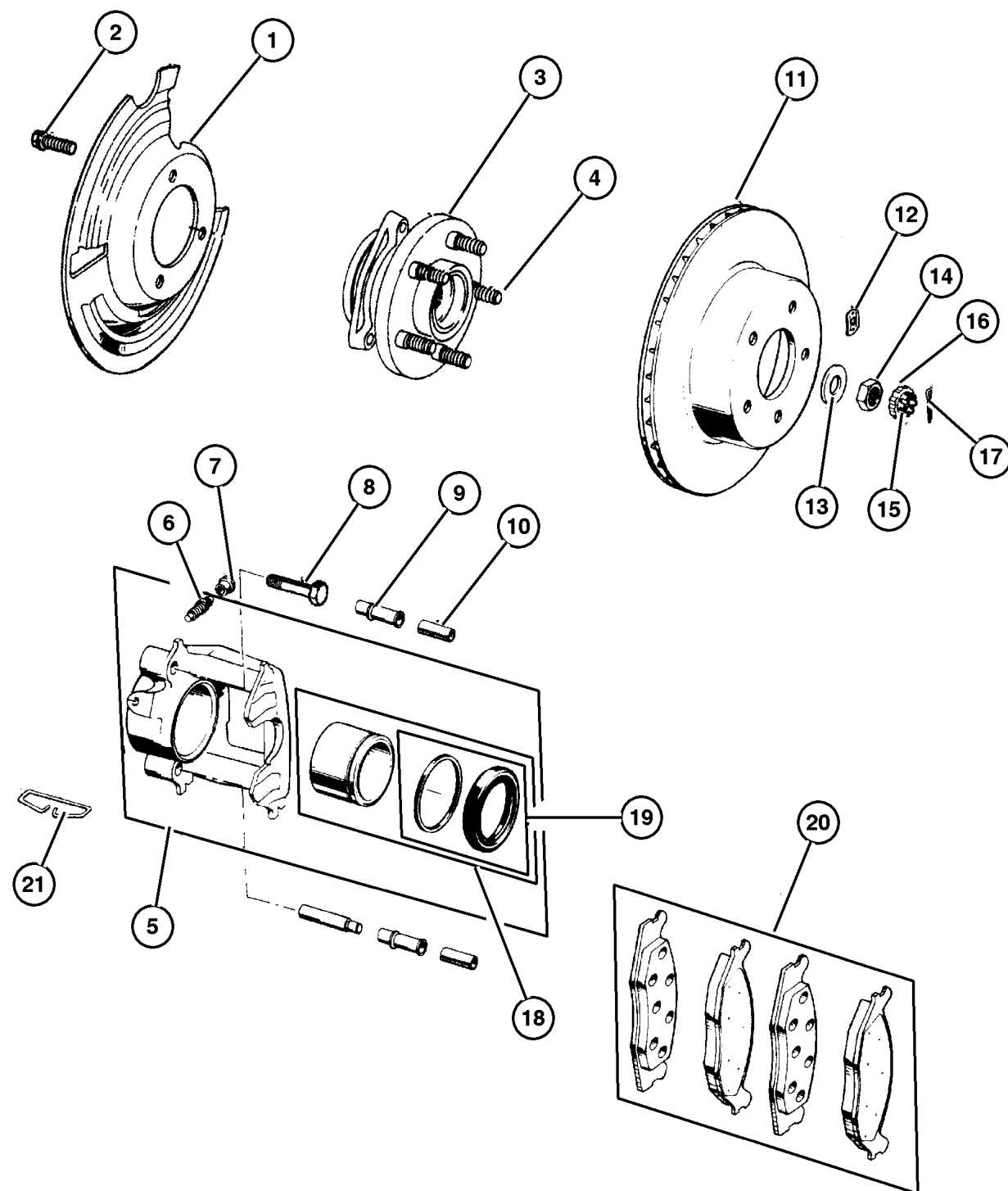
JEEP CHEROKEE (XJ)

SERIES	LINE	BODY	ENGINE	TRANSMISSION
L=Low Line	J=LHD (4WD) U=RHD (4WD) T=LHD (2WD) B=RHD (2WD)	74=4 DR. (101.4 WB) 72=2 DR. (101.4 WB)	ENC,EN0=2.5L 4 cyl. Turbo Die ERH,ER0=4.0L Power Tech I-6 EPE,EP0=Magnum 2.5L SMPI	DDQ=5Spd Man. DGS=4 Spd. Auto. AISIN DG0=All Auto Trans DBB=All Manual Trans.

AR = Use as required - = Non illustrated part # = New this model year

July 4, 2003

Brakes, Front 1998 XJ  
Figure 005-120



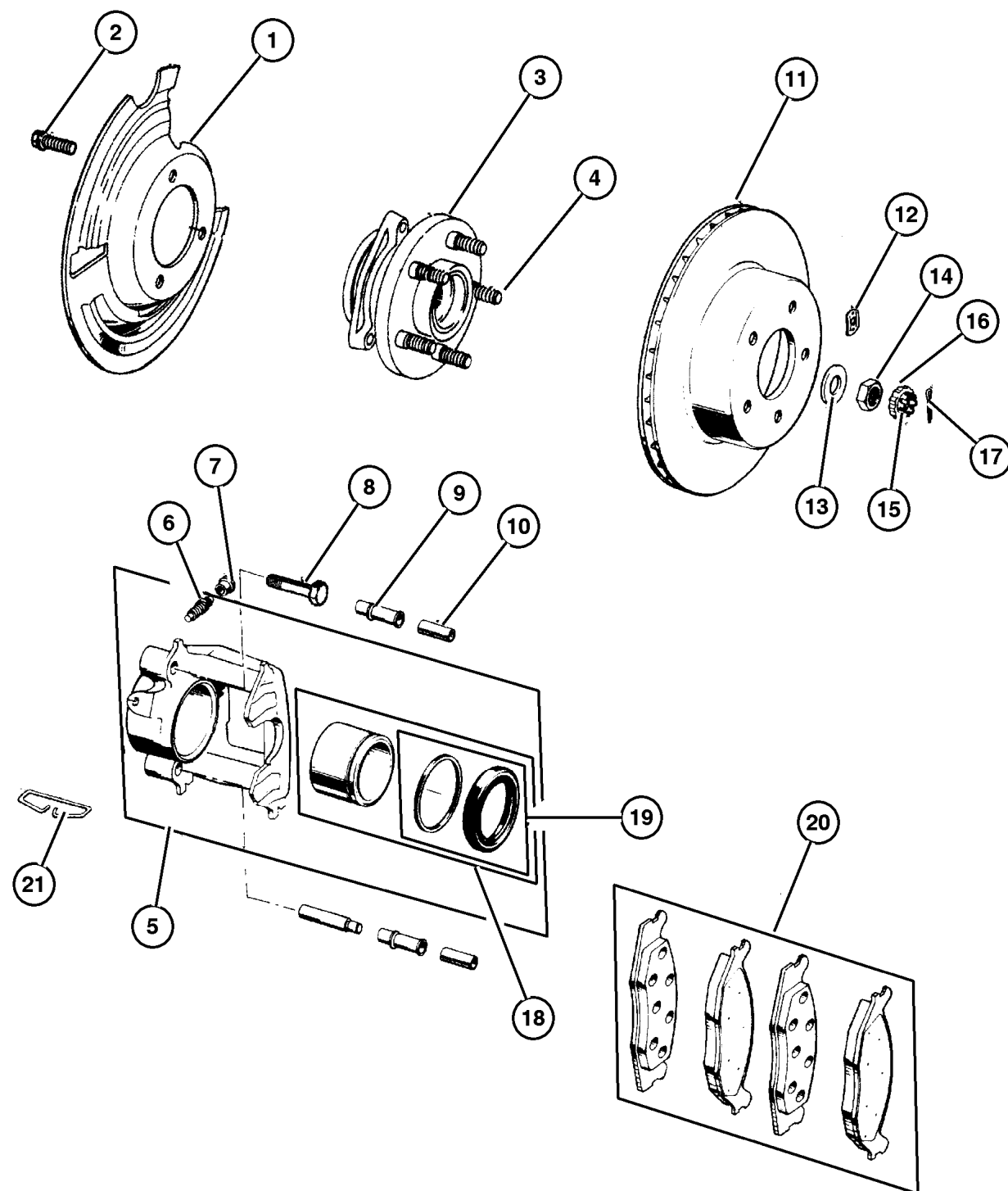
ITEM	PART NUMBER	QTY	LINE	SERIES	BODY	ENGINE	TRANS	TRIM	DESCRIPTION
		1	T						
8	5253 000	4	J		74				PIN, Caliper
		4	U						
9	4383 471	4	T		74				BUSHING, Disc Brake Caliper
		4	B						
10	4423 573	2	J		74				SLEEVE, Disc Brake Caliper
		2	U						
		2	T						
		2	B		74				
11	5200 8440	2	U						ROTOR, Brake
		2	J						
		2	U						
		2	B		74				
12	6026 430	AR	T						SPRING RETAINER, Push On, .50x20
13	J420 0096	2	J						WASHER, Flat
		2	U						
		2	T						
		2	B		74				
14	J420 0095	2	J						NUT, Hex
		2	U						
		2	T						
		2	B		74				
15	J420 0097	2	J						RETAINER, Hub Nut
		2	U						
		2	T						
		2	B		74				
16	4740 749	2	J						WASHER, Wave
		2	U						

JEEP CHEROKEE (XJ)  
 SERIES LINE BODY ENGINE TRANSMISSION  
 L=Low Line J=LHD (4WD) 74=4 DR. (101.4 WB) ENC,EN0=2.5L 4 cyl. Turbo Die DDQ=5Spd Man.  
 U=RHD (4WD) 72=2 DR. (101.4 WB) ERH,ER0=4.0L Power Tech I-6 DGS=4 Spd. Auto. AISIN  
 T=LHD (2WD) EPE,EP0=Magnum 2.5L SMPI DG0=All Auto Trans  
 B=RHD (2WD) DBB=All Manual Trans.

AR = Use as required - = Non illustrated part # = New this model year

July 4, 2003

Brakes, Front 1998 XJ  
Figure 005-120



ITEM	PART NUMBER	QTY	LINE	SERIES	BODY	ENGINE	TRANS	TRIM	DESCRIPTION
		2	T						
		2	B		74				
17	1101 0069	6	J						PIN, Cotter, M4x40.00
		6	U						
		6	T						
		6	B		74				
18	5252 614	1	T						PISTON, Brake
		1	B						
		1	J						
		1	U						
19	J813 3852	1	T						BOOT AND SEAL, Disc Brake
		1	J						
		1	U						
		1	B		74				
20	4778 058AB	1	U						PAD KIT, Front Disc Brake
		1	B		74				Export
	4883 344AC	1	T						Export
		1	J						US, Canada
		1	U						US, Canada
21	J323 9865	1	T						CLIP, Brake Caliper
		1	U						
		1	B						
		1	J						

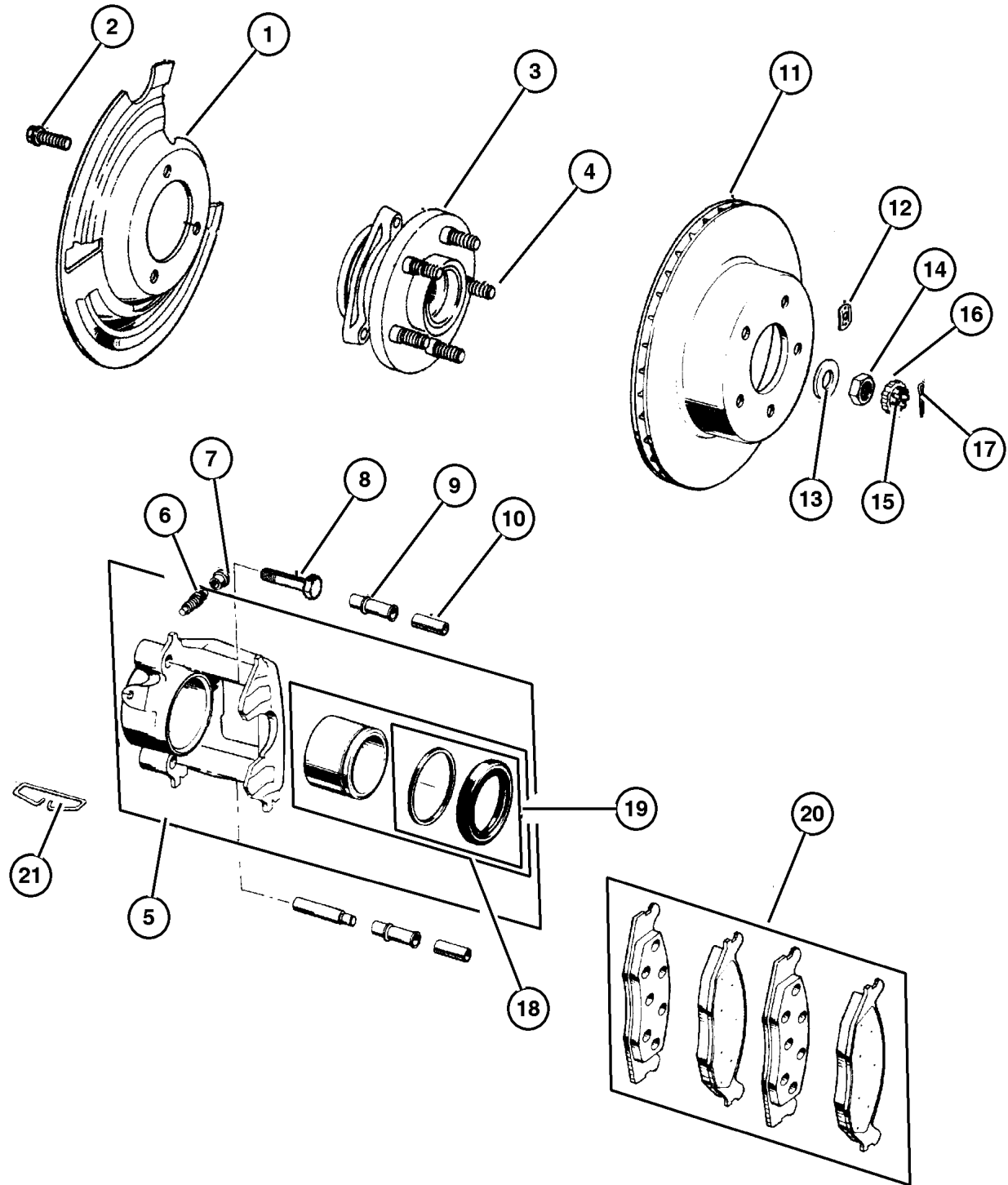
JEEP CHEROKEE (XJ)  
 SERIES LINE BODY ENGINE TRANSMISSION  
 L=Low Line J=LHD (4WD) 74=4 DR. (101.4 WB) ENC,EN0=2.5L 4 cyl. Turbo Die DDQ=5Spd Man.  
 U=RHD (4WD) 72=2 DR. (101.4 WB) ERH,ER0=4.0L Power Tech I-6 DGS=4 Spd. Auto. AISIN  
 T=LHD (2WD) EPE,EP0=Magnum 2.5L SMPI DG0=All Auto Trans  
 B=RHD (2WD) DBB=All Manual Trans.

AR = Use as required - = Non illustrated part # = New this model year

July 4, 2003



**Brakes, Front 1999 XJ**  
**Figure 005-120**



ITEM	PART NUMBER	QTY	LINE	SERIES	BODY	ENGINE	TRANS	TRIM	DESCRIPTION
Note: Composite Rotors, Hub and Bearings, Studs will DEFINITELY NOT interchange with Full Cast Rotors, Hub and Bearings and Studs. ---EP0=2..5L GAS ENGINE, ERO=4.0 L ENGINE, ENC= 2.5L DIESEL ENGINE									
1									SHIELD, Brake
	5200 5476	1	B		74				Right
	5200 5477	1	B		74				Left
	5200 5476	1	T						Right
	5200 5477	1	T						Left
	5200 5476	1	J						Right
	5200 5477	1	J						Left
	5200 5476	1	U						Right
	5200 5477	1	U						Left
2									BOLT
	3420 1535	6	B		74				
		6	T						
		6	J						
		6	U						
3									HUB AND BEARING, Brake
	#5016 458AA	2	B		74				Full Cast Rotor (1999)
	53007 449AB	2	B		74				Composite Rotor (1997-1999)
		2	T						Composite Rotor (1997-1999)
	#5016 458AA	2	T						Full Cast Rotor (1999)
		2	J						Full Cast Rotor (1999)
	53007 449AB	2	J						Composite Rotor (1997-1999)
		2	U						Composite Rotor (1997-1999)
	#5016 458AA	2	U						Full Cast Rotor (1999)
4									STUD, Hub
	5300 7463	5	B		74				With Composite Rotor
		5	T						With Composite Rotor
		5	J						With Composite Rotor
		5	U						With Composite Rotor
	#6036 194AA	5	B		74				with Full Cast Rotor
		5	U						with Full Cast Rotor
		5	T						with Full Cast Rotor
		5	J						with Full Cast Rotor
5									CALIPER, Disc Brake
	5252 985	1	B		74				Left
	5252 984	1	B		74				Right
	5252 985	1	T						Left
	5252 984	1	T						Right
	5252 985	1	J						Left
	5252 984	1	J						Right
	5252 985	1	U						Left

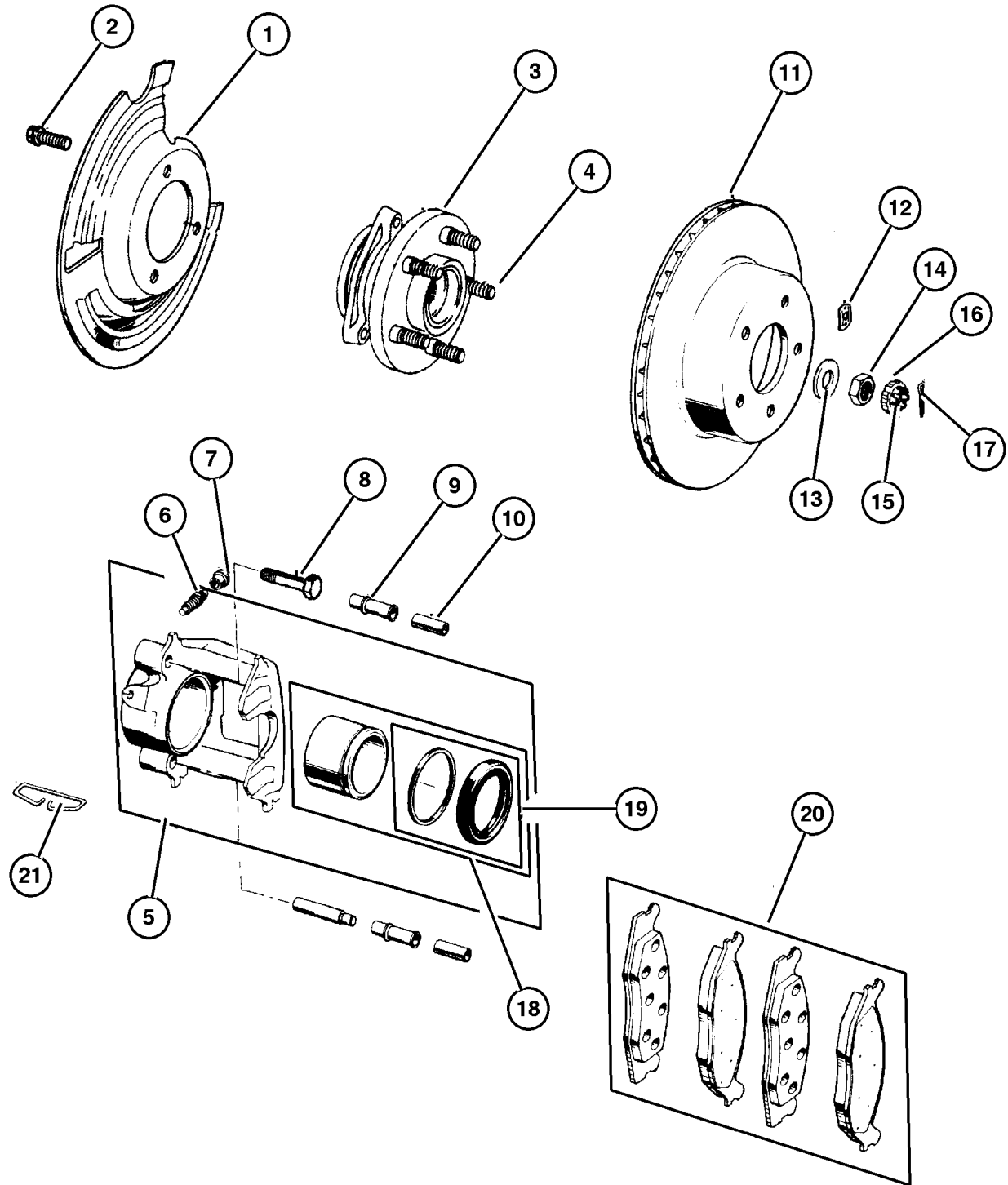
**JEEP CHEROKEE (XJ)**

SERIES	LINE	BODY	ENGINE	TRANSMISSION
L=Low Line	J=LHD (4WD) U=RHD (4WD) T=LHD (2WD) B=RHD (2WD)	74=4 DR. (101.4 WB) 72=2 DR. (101.4 WB)	ENC, EN0=2.5L 4 cyl. Turbo Die ERH, ERO=4.0L Power Tech I-6 EPE, EP0=Magnum 2.5L SMPI	DDQ=5Spd Man. DGS=4 Spd. Auto. AISIN DG0=All Auto Trans DBB=All Manual Trans.

AR = Use as required - = Non illustrated part # = New this model year

July 4, 2003

Brakes, Front 1999 XJ  
Figure 005-120



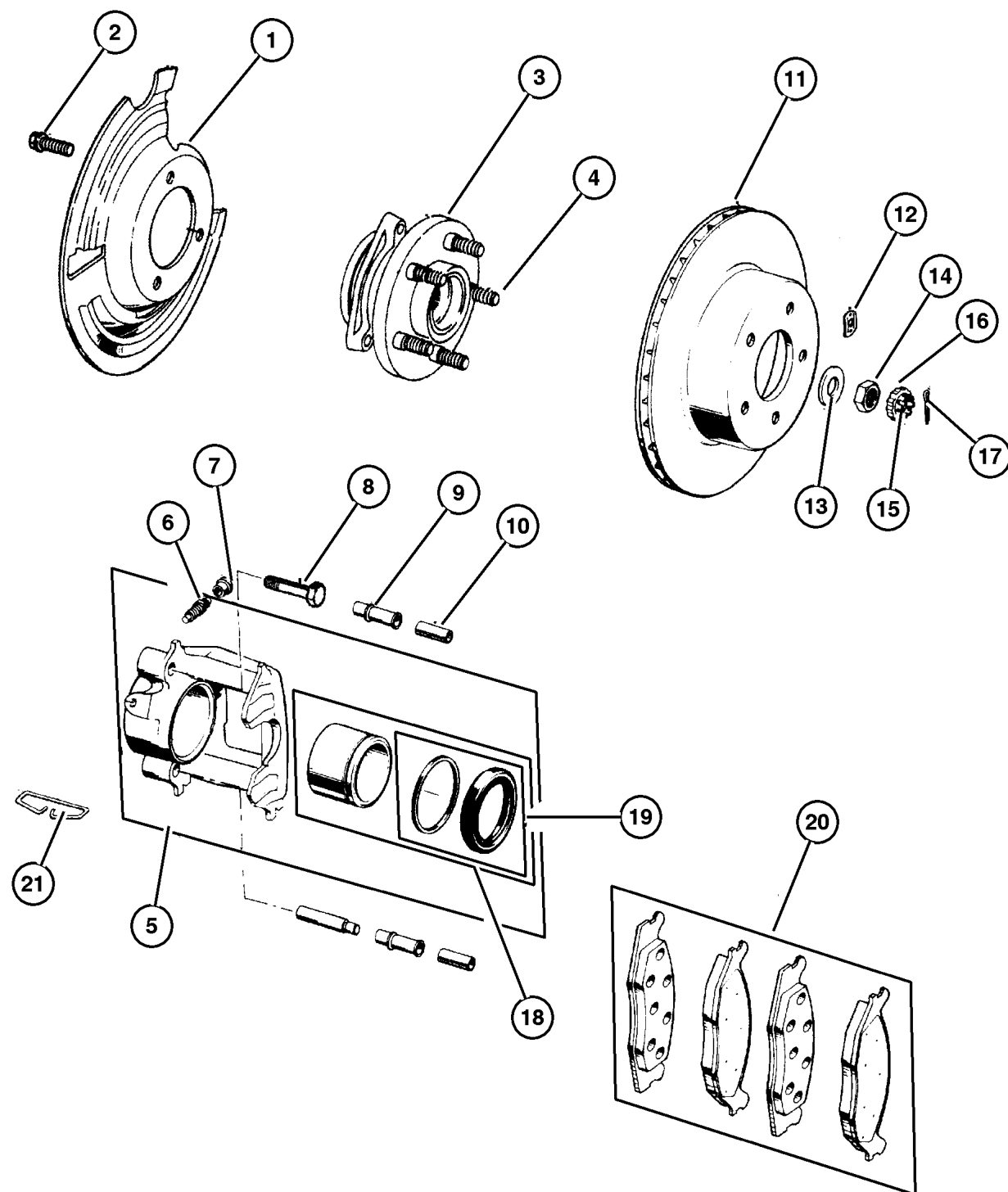
ITEM	PART NUMBER	QTY	LINE	SERIES	BODY	ENGINE	TRANS	TRIM	DESCRIPTION
									Right
6	5252 984	1	U						SCREW, Bleeder
	J320 3313	1	B		74				
		1	T						
		1	J						
		1	U						
7	4238 717	1	B		74				CAP, Bleeder
		1	T						
		1	J						
		1	U						
8	5253 000	1	B		74				PIN, Caliper
		1	T						
		4	J						
		4	U						
9									BUSHING, Disc Brake Caliper
	4383 471	2	B		74				
		2	T						
		2	J						
		2	U						
10									SLEEVE, Disc Brake Caliper
	4423 573	2	B		74				
		2	T						
		2	J						
		2	U						
11									ROTOR, Brake
	5200 8440	2	B		74				Composite Rotor
		2	T						Composite Rotor
		2	J						Composite Rotor
		2	U						Composite Rotor
	#52008 440AB	2	B		74				Full Cast Rotor
		2	T						Full Cast Rotor
		2	J						Full Cast Rotor
		2	U						Full Cast Rotor
12	6026 430	AR							SPRING RETAINER, Push On, .50x20
13									WASHER, Flat
	J420 0096	2	B		74				
		2	T						
		2	J						
		2	U						
14									NUT, Hex

JEEP CHEROKEE (XJ)  
 SERIES LINE BODY ENGINE TRANSMISSION  
 L=Low Line J=LHD (4WD) 74=4 DR. (101.4 WB) ENC,EN0=2.5L 4 cyl. Turbo Die DDQ=5Spd Man.  
 U=RHD (4WD) 72=2 DR. (101.4 WB) ERH,ER0=4.0L Power Tech I-6 DGS=4 Spd. Auto. AISIN  
 T=LHD (2WD) EPE,EP0=Magnum 2.5L SMPI DG0=All Auto Trans  
 B=RHD (2WD) DBB=All Manual Trans.

AR = Use as required - = Non illustrated part # = New this model year

July 4, 2003

Brakes, Front 1999 XJ  
Figure 005-120



ITEM	PART NUMBER	QTY	LINE	SERIES	BODY	ENGINE	TRANS	TRIM	DESCRIPTION
	J420 0095	2	B		74				
		2	T						
		2	J						
		2	U						
15									RETAINER, Hub Nut
	J420 0097	2	B		74				
		2	T						
		2	J						
		2	U						
16									WASHER, Wave
	4740 749	2	B		74				
		2	T						
		2	J						
		2	U						
17									PIN, Cotter, M4x40.00
	1101 0069	6	B		74				
		6	T						
		6	J						
		6	U						
18									PISTON, Brake
	5252 614	1	B		74				
		1	T						
		1	J						
		1	U						
19									BOOT AND SEAL, Disc Brake
	J813 3852	1	B		74				
		1	T						
		1	J						
		1	U						
20									PAD KIT, Front Disc Brake
	4883 344AC	1	B		74				
		1	T						
		1	J						
		1	U						
21									CLIP, Brake Caliper
	J323 9865	1	B		74				
		1	T						
		1	J						
		1	U						

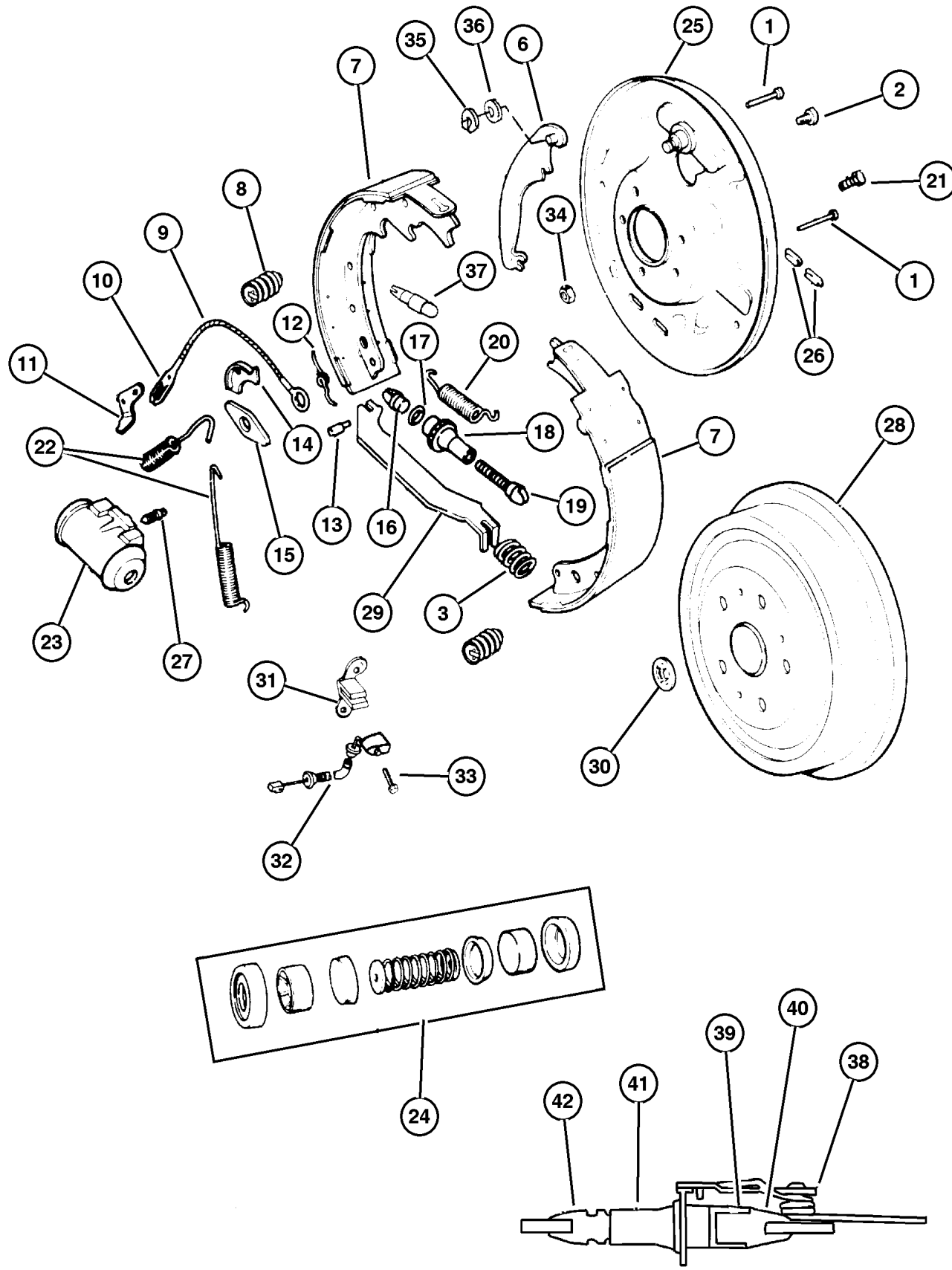
JEEP CHEROKEE (XJ)

SERIES	LINE	BODY	ENGINE	TRANSMISSION
L=Low Line	J=LHD (4WD) U=RHD (4WD) T=LHD (2WD) B=RHD (2WD)	74=4 DR. (101.4 WB) 72=2 DR. (101.4 WB)	ENC,EN0=2.5L 4 cyl. Turbo Die ERH,ER0=4.0L Power Tech I-6 EPE,EP0=Magnum 2.5L SMPI	DDQ=5Spd Man. DGS=4 Spd. Auto. AISIN DG0=All Auto Trans DBB=All Manual Trans.

AR = Use as required - = Non illustrated part # = New this model year

July 4, 2003

**Brakes, Rear 1997 XJ**  
**Figure 005-220**



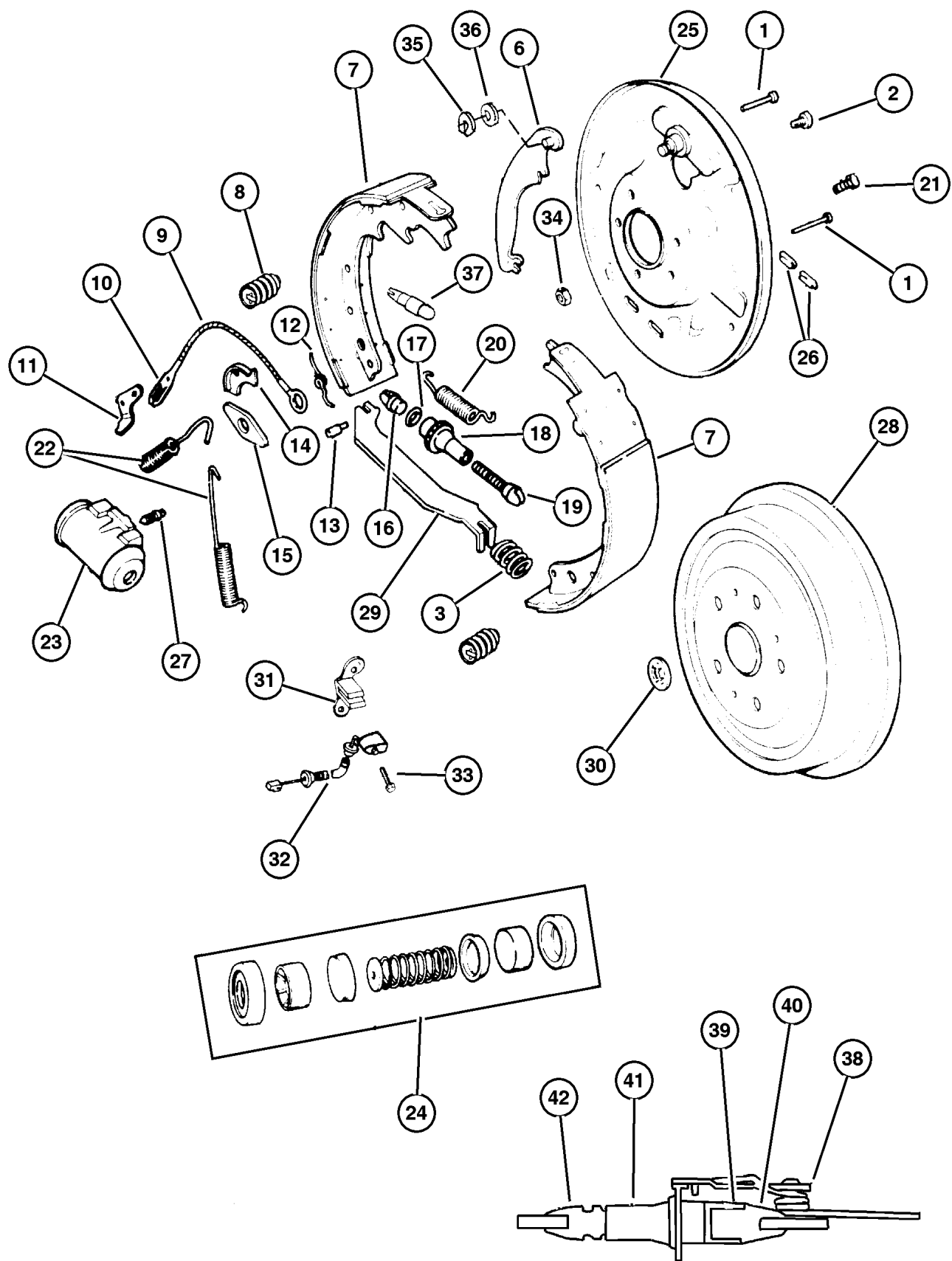
ITEM	PART NUMBER	QTY	LINE	SERIES	BODY	ENGINE	TRANS	TRIM	DESCRIPTION
NOTE: Sales Code AHB= Police Package									
1	2260 548	2							PIN, Brake Shoe Hold Down 9' Brakes
	4746 783	2							10' Brakes (AHB Police Package)
2	6028 921	2							BOLT, Hex Head
3	8350 4918	1							SPRING, Parking Brake Strut, 10' Brakes (AHB Police Package)
-4	4773 762	1							CLIP, Park Brake Strut, 10' Brakes (AHB Police Package)
-5	4713 364	1							WASHER, 10' Brakes (Police Package)
6	4313 810	1							LEVER, Park Brake 9' Brakes, Right
	4313 811	1							9' Brakes, Left
	4713 362	1							10' Brakes (AHB Police Package), Right
	4713 363	1							10' Brakes (AHB Police Package), Left
7	4723 367	1							SHOE AND LINING KIT, drum 9' Brakes
	4796 310	1							10' Brakes (AHB Police Package)
8	4313 062	2							SPRING, Brake Shoe Hold Down 9' Brakes
	4746 782	2							10' Brakes (AHB Police Package)
9	3461 662	1							CABLE, Brake Automatic Adjuster 9' Brakes
	4713 350	1							10' Brakes (AHB Police Package)
10	3461 660	1							SPRING, Adjuster Cable, 9' Brakes
11	4728 546	1							LEVER, Park Brake Adjusting 10' Brakes (AHB Police Package), Right
	4728 547	1							10' Brakes (AHB Police Package), Left
	4761 759	1							9' Brakes
12	2944 580	1							SPRING, Brake Auto Adjuster Lever 9' Brakes, Right
	2944 581	1							9' Brakes, Left
13	4049 681	1							SPRING PACKAGE, Brake Shoe Hold Down, 9' Brakes
14	2260 793	1							GUIDE, Brake Adjusting Cable 9' Brakes
	J320 1947	1							10' Brakes (AHB Police Package)
15									PLATE, Brake Shoe Guide

**JEEP CHEROKEE (XJ)**  
 SERIES L=Low Line  
 LINE J=LHD (4WD)  
 U=RHD (4WD)  
 T=LHD (2WD)  
 B=RHD (2WD)  
 BODY 74=4 DR. (101.4 WB)  
 72=2 DR. (101.4 WB)  
 ENGINE ENC,EN0=2.5L 4 cyl. Turbo Die  
 ERH,ER0=4.0L Power Tech I-6  
 EPE,EP0=Magnum 2.5L SMPI  
 TRANSMISSION DDQ=5Spd Man.  
 DGS=4 Spd. Auto. AISIN  
 DG0=All Auto Trans  
 DBB=All Manual Trans.

AR = Use as required - = Non illustrated part # = New this model year

July 4, 2003

Brakes, Rear 1997 XJ  
Figure 005-220



ITEM	PART NUMBER	QTY	LINE	SERIES	BODY	ENGINE	TRANS	TRIM	DESCRIPTION
	2260 788	1							10' Brakes (AHB Police Package)
	4313 075	1							9' Brakes
16	2944 586	1							BUTTON, Rear Brake Auto Adjust, 9' Brakes
17	6027 559	1							WASHER, Adjuster Button, 9' Brakes
18	2944 692	1							NUT, Rear Brake Auto Adjust Pivot 9' Brakes, Right
	2944 693	1							9' Brakes, Left
19									SCREW, Brake Adjusting
	4423 898	1							9' Brakes, Right
	4423 899	1							9' Brakes, Left
20									SPRING, Brake Shoe to Shoe 9' Brakes
	4423 085	1							9' Brakes
	4746 588	1							10' Brakes (AHB Police Package) STUD
21									STUD
	3723 668	8							Chrysler 8.25 Axle (DRA)
	J099 4313	8							Dana Model 35 (194RBI) Axle (DRM or DRJ)
22									SPRING, Brake Shoe Return 9' Brakes
	2881 676	2							9' Brakes
	J311 2780	1							10' Brakes (AHB Police Package)
23									CYLINDER, Wheel
	4423 601	1							9' Brakes
	5200 0848	1							10' Brakes (AHB Police Package), Right
	5200 0849	1							10' Brakes (AHB Police Package), Left
24									REPAIR KIT, Wheel Cylinder 9' Brakes
	5252 630	1							9' Brakes
	8350 0987	1							10' Brakes (AHB Police Package)
25									PLATE, Brake Backing
	4773 490	1							10' Brakes (AHB Police Package), Right
	4773 491	1							10' Brakes (AHB Police Package), Left
	4856 718	1							9' Brakes w/ABS, Right
	4856 719	1							9' Brakes w/ABS, Left
	5252 720	1							9' Brakes w/o ABS, Right
	5252 721	1							9' Brakes w/o ABS, Left
26									PLUG, Brake Adjusting Hole 9' Brakes
	4238 721	1							9' Brakes
	3200 0147	1							10' Brakes (AHB Police Package)
27									SCREW, Bleeder

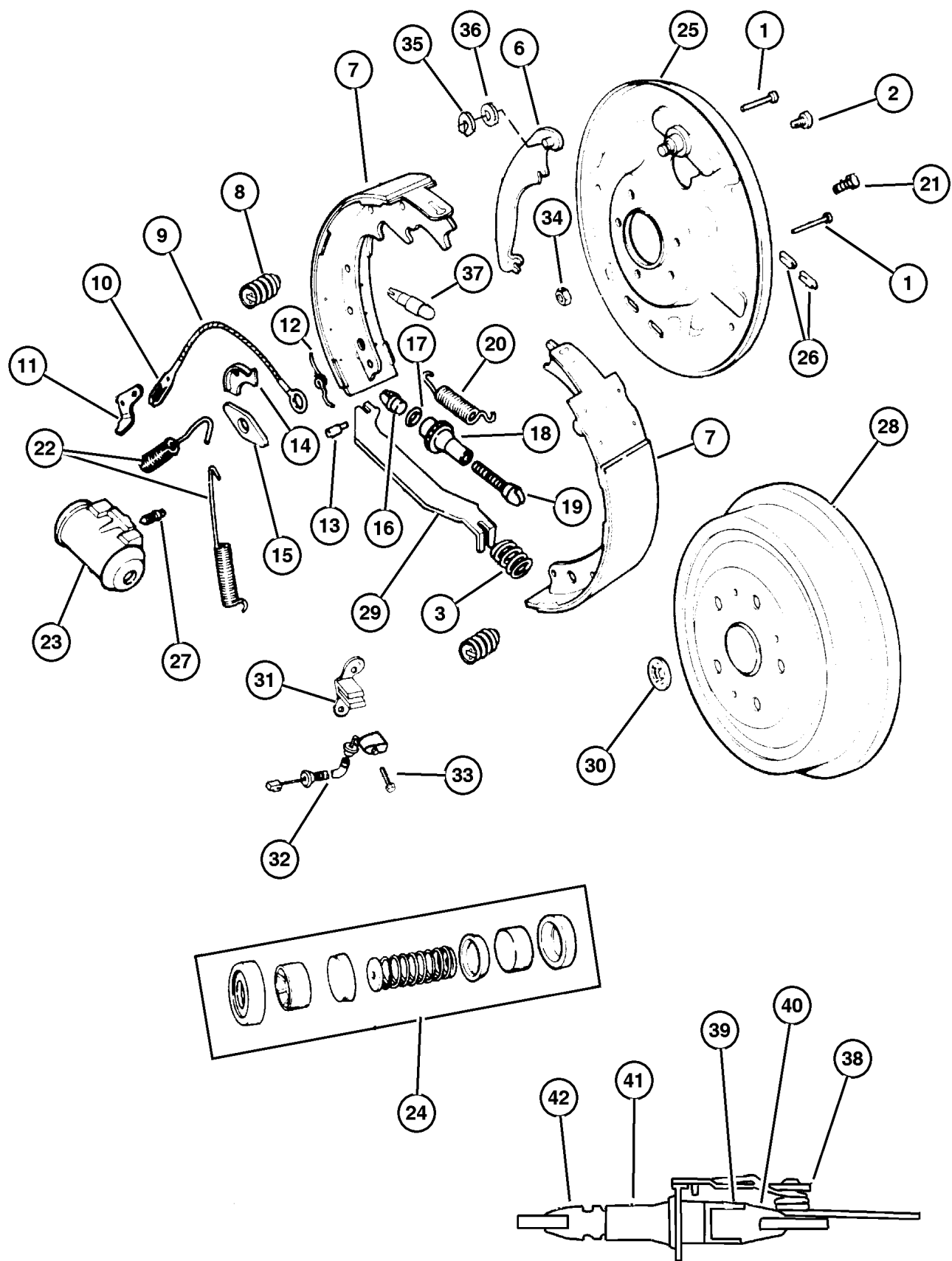
JEEP CHEROKEE (XJ)

SERIES	LINE	BODY	ENGINE	TRANSMISSION
L=Low Line	J=LHD (4WD) U=RHD (4WD) T=LHD (2WD) B=RHD (2WD)	74=4 DR. (101.4 WB) 72=2 DR. (101.4 WB)	ENC,EN0=2.5L 4 cyl. Turbo Die ERH,ER0=4.0L Power Tech I-6 EPE,EP0=Magnum 2.5L SMPI	DDQ=5Spd Man. DGS=4 Spd. Auto. AISIN DG0=All Auto Trans DBB=All Manual Trans.

AR = Use as required - = Non illustrated part # = New this model year

July 4, 2003

Brakes, Rear 1997 XJ  
Figure 005-220



ITEM	PART NUMBER	QTY	LINE	SERIES	BODY	ENGINE	TRANS	TRIM	DESCRIPTION
	3766 674	1							9' Brakes
	J320 3313	1							10' Brakes (AHB Police Package)
28	5200 5350	2							DRUM, Brake
	5200 7502	2							9' Brakes
									10' Brakes (AHB Police Package)
29	4713 366	1							STRUT, Parking Brake
	4713 367	1							10' Brakes (AHB Police Package), without Spring, Right
	4713 367	1							10' Brakes (AHB Police Package), without Spring, Left
	4713 590	1							9' Brakes (with Spring)
30	6026 430	AR							SPRING RETAINER, Push On, .50x20
31	5200 7804	1							BRACKET, Brake Sensor Right
	5200 7805	1							Left
32	5200 5932	1							SENSOR, Anti-Lock Brakes Right
	5200 5933	1							Left
33	8350 4920	2							BOLT
34	0152 345	8							NUT, Hex Flange Lock Chrysler 8.25 Axle (DRA)
	J941 1783	8							Dana Model 35 (194RBI) Axle (DRM or DRJ)
35	J310 8202	1							RETAINER, Parking Brake Lever, 10' Brakes (AHB Police Package)
36	8350 2900	1							WASHER, Parking Brake Lever, 10' Brakes (AHB Police Package)
37	J004 8331	2							LINK, Brake Cylinder, 10' Brakes (AHB Police Package)
38	4746 582	1							SPRING, Auto Adjusting 10' Brakes (AHB Police Package), Right
	4746 583	1							10' Brakes (AHB Police Package), Left
39	4746 585	1							WASHER, Rear Brake Adjuster, 10' Brakes (AHB Police Package)
40	4746 586	1							SOCKET, Brake Adjusting, 10' Brakes (AHB Police Package)
41	2944 692	1							NUT, Rear Brake Auto Adjust Pivot 10' Brakes (AHB Police Package), Right

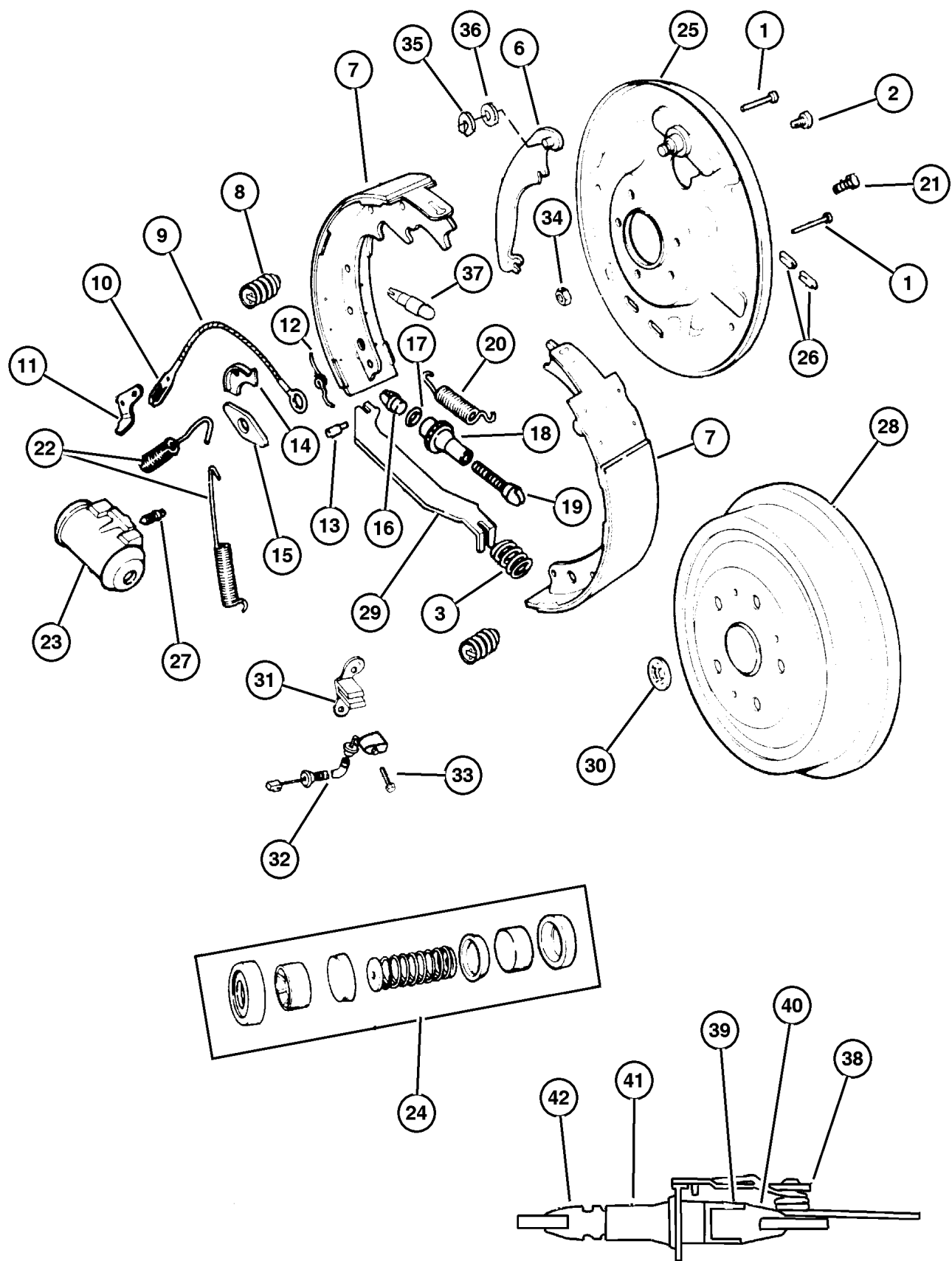
JEEP CHEROKEE (XJ)				
SERIES	LINE	BODY	ENGINE	TRANSMISSION
L=Low Line	J=LHD (4WD) U=RHD (4WD) T=LHD (2WD) B=RHD (2WD)	74=4 DR. (101.4 WB) 72=2 DR. (101.4 WB)	ENC,EN0=2.5L 4 cyl. Turbo Die ERH,ER0=4.0L Power Tech I-6 EPE,EP0=Magnum 2.5L SMPI	DDQ=5Spd Man. DGS=4 Spd. Auto. AISIN DG0=All Auto Trans DBB=All Manual Trans.

AR = Use as required - = Non illustrated part # = New this model year

July 4, 2003



Brakes, Rear 1998 XJ  
Figure 005-220



ITEM	PART NUMBER	QTY	LINE	SERIES	BODY	ENGINE	TRANS	TRIM	DESCRIPTION
NOTE: Sales Code AHB= Police Package									
1	2260 548	2							PIN, Brake Shoe Hold Down 9' Brakes
	4746 783	2							10' Brakes (AHB Police Package)
2	6028 921	2							BOLT, Hex Head
3	8350 4918	1							SPRING, Parking Brake Strut, 10' Brakes (AHB Police Package)
-4	4773 762	1							CLIP, Park Brake Strut, 10' Brakes (AHB Police Package)
-5	4713 364	1							WASHER, 10' Brakes (AHB Police Package)
6	4313 810	1							LEVER, Park Brake 9' Brakes, Right
	4313 811	1							9' Brakes, Left
	4713 362	1							10' Brakes (AHB Police Package), Right
	4713 363	1							10' Brakes (AHB Police Package), Left
7	4723 367	1							SHOE AND LINING KIT, drum 9' Brakes
	4796 310	1							10' Brakes (AHB Police Package)
8	4313 062	1							SPRING, Brake Shoe Hold Down 9' Brakes
	4746 782	2							10' Brakes (AHB Police Package)
9	3461 662	1							CABLE, Brake Automatic Adjuster 9' Brakes
	4713 350	1							10' Brakes (AHB Police Package)
10	3461 660	1							SPRING, Adjuster Cable, 9' Brakes
11	4728 546	1							LEVER, Park Brake Adjusting 10' Brakes (AHB Police Package), Right
	4728 547	1							10' Brakes (AHB Police Package), Left
	4761 759	1							9' Brakes
12	2944 580	1							SPRING, Brake Auto Adjuster Lever 9' Brakes, Right
	2944 581	1							9' Brakes, Left
13	4049 681	1							SPRING PACKAGE, Brake Shoe Hold Down, 9' Brakes
14	2260 793	1							GUIDE, Brake Adjusting Cable 9' Brakes
	J320 1947	1							10' Brakes (AHB Police Package)
15									PLATE, Brake Shoe Guide

JEEP CHEROKEE (XJ)

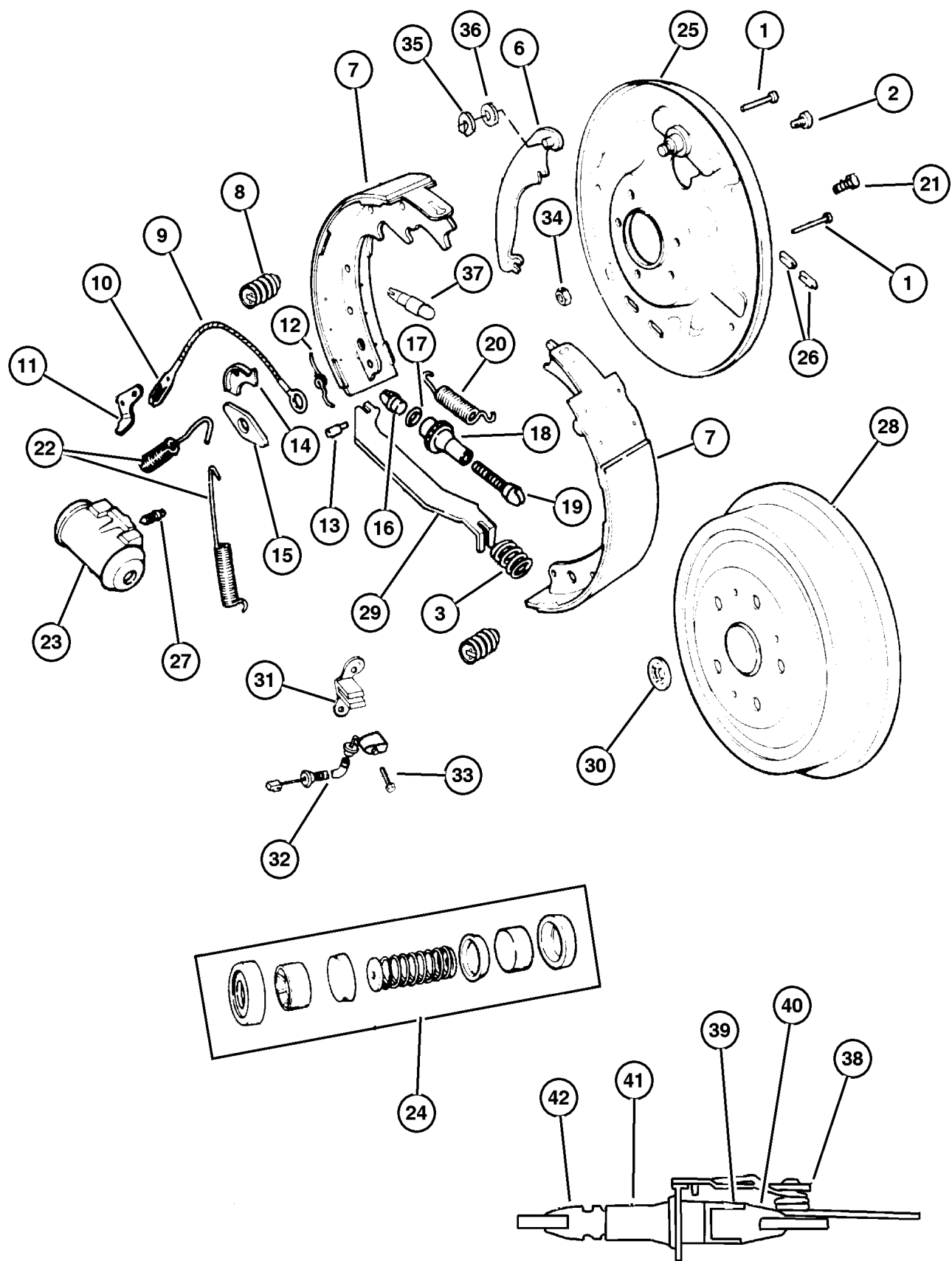
SERIES	LINE	BODY	ENGINE	TRANSMISSION
L=Low Line	J=LHD (4WD) U=RHD (4WD) T=LHD (2WD) B=RHD (2WD)	74=4 DR. (101.4 WB) 72=2 DR. (101.4 WB)	ENC,EN0=2.5L 4 cyl. Turbo Die ERH,ER0=4.0L Power Tech I-6 EPE,EP0=Magnum 2.5L SMPI	DDQ=5Spd Man. DGS=4 Spd. Auto. AISIN DG0=All Auto Trans DBB=All Manual Trans.

AR = Use as required - = Non illustrated part # = New this model year

July 4, 2003



Brakes, Rear 1998 XJ  
Figure 005-220



ITEM	PART NUMBER	QTY	LINE	SERIES	BODY	ENGINE	TRANS	TRIM	DESCRIPTION
	2260 788	1							10' Brakes (AHB Police Package)
	4313 075	1							9' Brakes
16	2944 586	1							BUTTON, Rear Brake Auto Adjust, 9' Brakes
17	6027 559	1							WASHER, Adjuster Button, 9' Brakes
18	2944 692	1							NUT, Rear Brake Auto Adjust Pivot 9' Brakes, Right
	2944 693	1							9' Brakes, Left
19									SCREW, Brake Adjusting
	4423 898	1							9' Brakes, Right
	4423 899	1							9' Brakes, Left
20									SPRING, Brake Shoe to Shoe 9' Brakes
	4423 085	1							9' Brakes
	4746 588	1							10' Brakes (AHB Police Package) STUD
21									Chrysler 8.25 Axle (DRA)
	3723 668	8							Dana Model 35 (194RBI) Axle (DRM or DRJ)
	J099 4313	8							
22									SPRING, Brake Shoe Return 9' Brakes
	2881 676	1							10' Brakes (AHB Police Package)
	J311 2780	2							
23									CYLINDER, Wheel
	4423 601	1							9' Brakes
	5200 0848	1							10' Brakes (AHB Police Package), Right
	5200 0849	1							10' Brakes (AHB Police Package), Left
24									REPAIR KIT, Wheel Cylinder 9' Brakes
	5252 630	1							
	8350 0987	1							10' Brakes (AHB Police Package) PLATE, Brake Backing
25									10' Brakes (AHB Police Package), Right
	4773 490	1							
	4773 491	1							10' Brakes (AHB Police Package), Left
	4856 718	1							9' Brakes w/ABS, Right
	4856 719	1							9' Brakes w/ABS, Left
	5252 720	1							9' Brakes w/o ABS, Right
	5252 721	1							9' Brakes w/o ABS, Left
26									PLUG, Brake Adjusting Hole 9' Brakes
	4238 721	1							
	3200 0147	2							10' Brakes (AHB Police Package) SCREW, Bleeder
27									

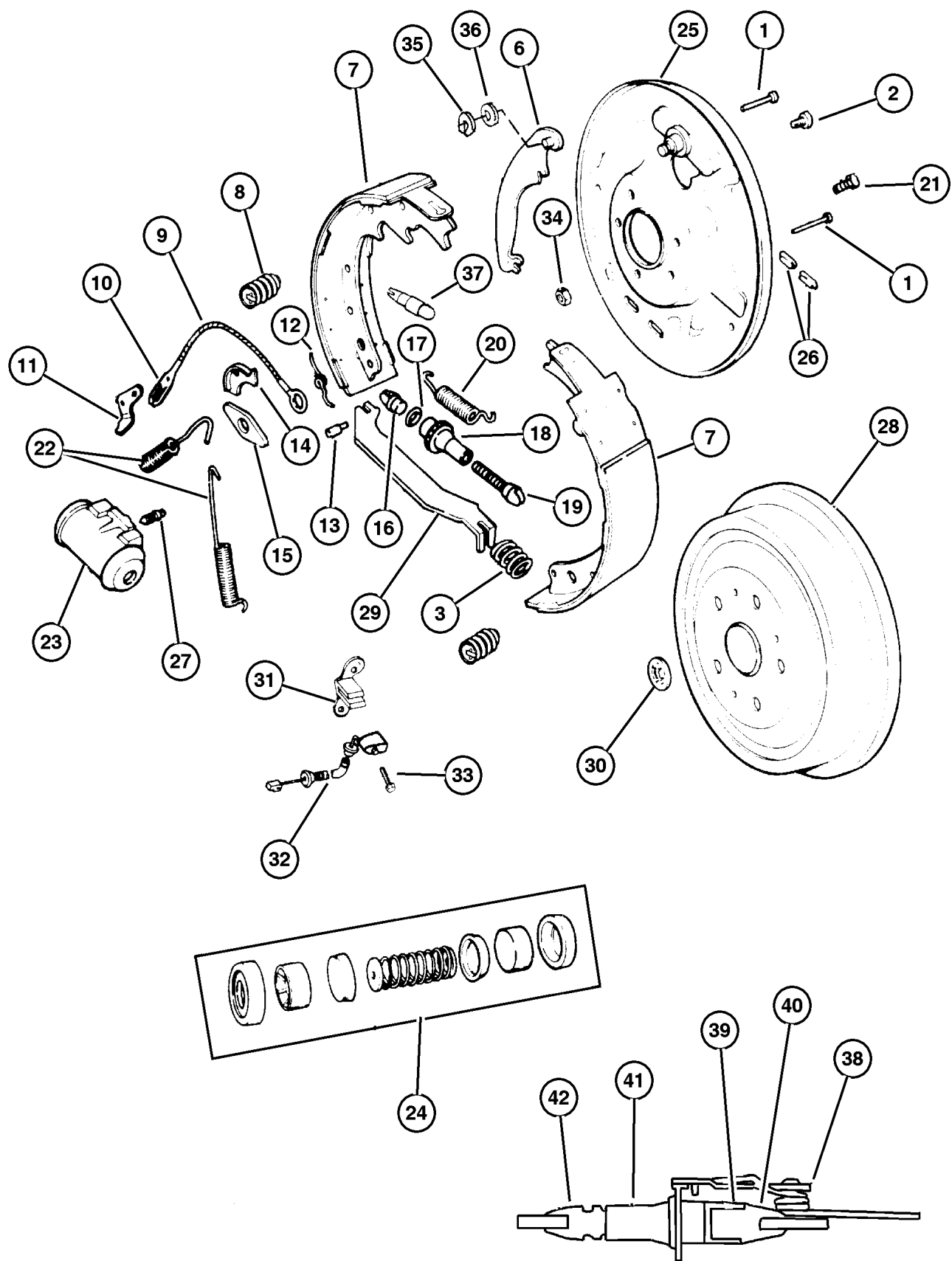
JEEP CHEROKEE (XJ)

SERIES	LINE	BODY	ENGINE	TRANSMISSION
L=Low Line	J=LHD (4WD) U=RHD (4WD) T=LHD (2WD) B=RHD (2WD)	74=4 DR. (101.4 WB) 72=2 DR. (101.4 WB)	ENC,EN0=2.5L 4 cyl. Turbo Die ERH,ER0=4.0L Power Tech I-6 EPE,EP0=Magnum 2.5L SMPI	DDQ=5Spd Man. DGS=4 Spd. Auto. AISIN DG0=All Auto Trans DBB=All Manual Trans.

AR = Use as required - = Non illustrated part # = New this model year

July 4, 2003

Brakes, Rear 1998 XJ  
Figure 005-220



ITEM	PART NUMBER	QTY	LINE	SERIES	BODY	ENGINE	TRANS	TRIM	DESCRIPTION
	3766 674	1							9' Brakes
	J320 3313	1							10' Brakes (AHB Police Package)
28									DRUM, Brake
	5200 5350	2							9' Brakes
	5200 7502	2							10' Brakes (AHB Police Package)
29									STRUT, Parking Brake
	4713 366	1							10' Brakes (AHB Police Package) (w/o Spring), Right
	4713 367	1							10' Brakes (AHB Police Package) (w/o Spring), Left
	4713 590	1							9' Brakes
30	6026 430	4							SPRING RETAINER, Push On, .50x20
31									BRACKET, Brake Sensor
	5200 7804	1							Right
	5200 7805	1							Left
32									SENSOR, Anti-Lock Brakes
	5200 5932	1							Right
	5200 5933	1							Left
33	8350 4920	2							BOLT
34									NUT, Hex Flange Lock
	0152 345	1	J, U						Chrysler 8.25 Axle (DRA)
	J941 1783	8							Dana Model 35 (194RBI) Axle (DRM or DRJ)
35	J310 8202	1							RETAINER, Parking Brake Lever, 10' Brakes (AHB Police Package)
36	8350 2900	1							WASHER, Parking Brake Lever, 10' Brakes (AHB Police Package)
37	J004 8331	1							LINK, Brake Cylinder, 10' Brakes (AHB Police Package)
38									SPRING, Auto Adjusting
	4746 582	1							10' Brakes (AHB Police Package), Right
	4746 583	1							10' Brakes (AHB Police Package), Left
39	4746 585	1							WASHER, Rear Brake Adjuster, 10' Brakes (AHB Police Package)
40	4746 586	1							SOCKET, Brake Adjusting, 10' Brakes (AHB Police Package)
41									NUT, Rear Brake Auto Adjust Pivot 10' Brakes (AHB Police Package), Right
	2944 692	1							

JEEP CHEROKEE (XJ)

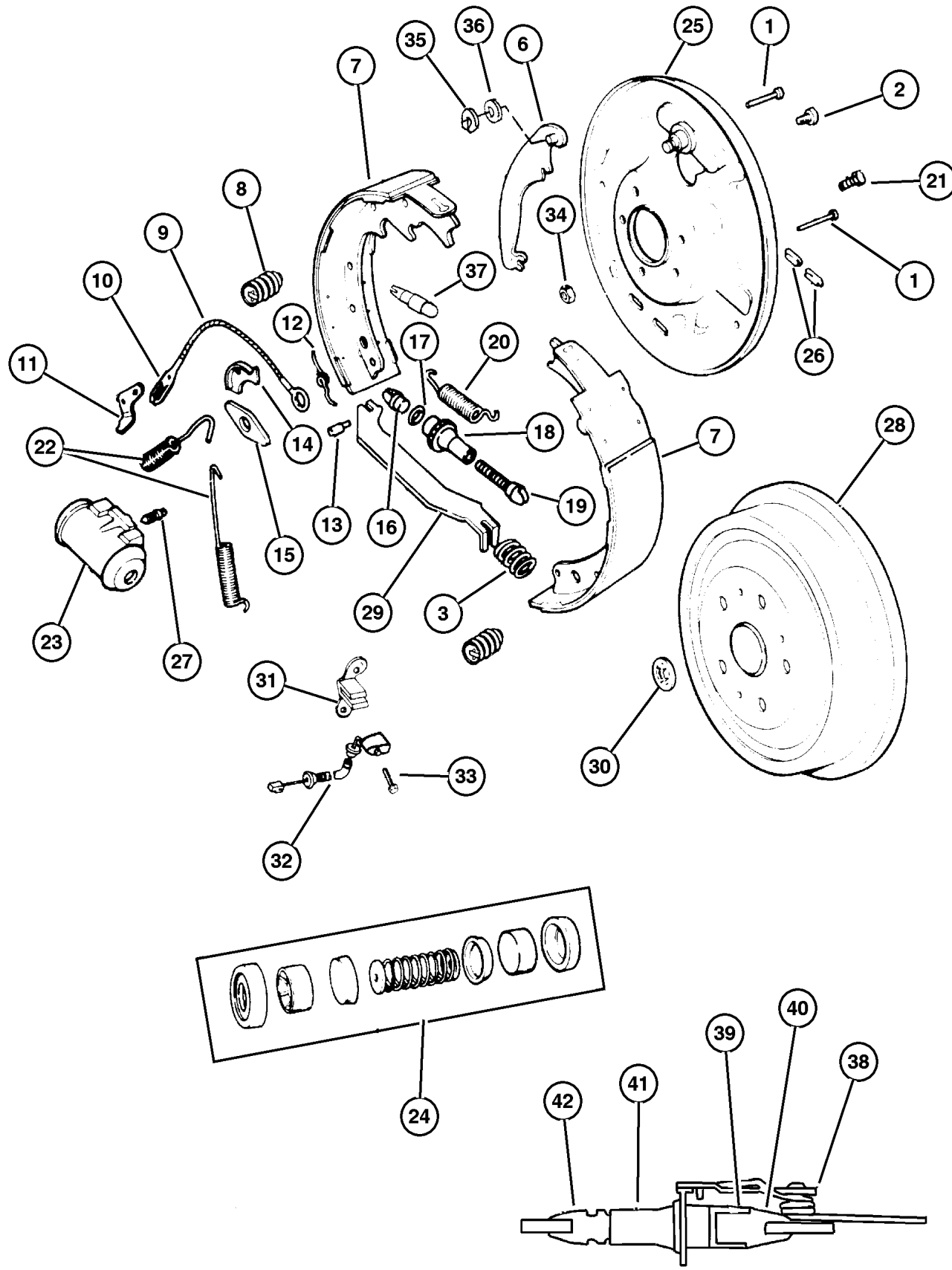
SERIES	LINE	BODY	ENGINE	TRANSMISSION
L=Low Line	J=LHD (4WD) U=RHD (4WD) T=LHD (2WD) B=RHD (2WD)	74=4 DR. (101.4 WB) 72=2 DR. (101.4 WB)	ENC,EN0=2.5L 4 cyl. Turbo Die ERH,ER0=4.0L Power Tech I-6 EPE,EP0=Magnum 2.5L SMPI	DDQ=5Spd Man. DGS=4 Spd. Auto. AISIN DG0=All Auto Trans DBB=All Manual Trans.

AR = Use as required - = Non illustrated part # = New this model year

July 4, 2003



Brakes, Rear 1999 XJ  
Figure 005-220



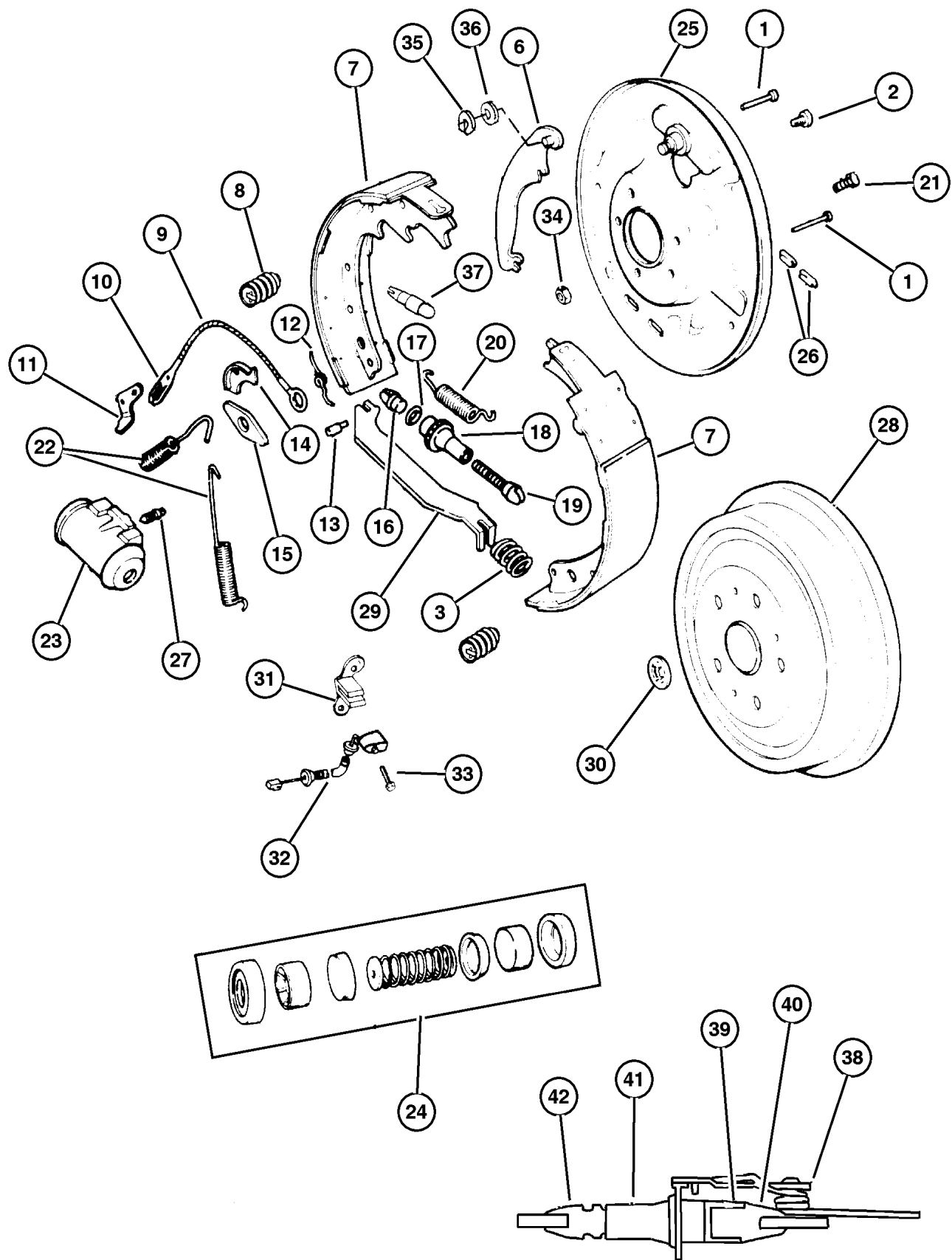
ITEM	PART NUMBER	QTY	LINE	SERIES	BODY	ENGINE	TRANS	TRIM	DESCRIPTION
NOTE: Sales Code AHB= Police Package									
1	2260 548	2							PIN, Brake Shoe Hold Down 9" Brakes
	4746 783	2							10" Brakes (AHB Police Package)
2	6028 921	2							BOLT, Hex Head
3	8350 4918	1							SPRING, Parking Brake Strut, 10" Brakes (AHB Police Package)
-4	4773 762	1							CLIP, Park Brake Strut, 10" Brakes (AHB Police Package)
-5	4713 364	1							WASHER, 10" Brakes (AHB Police Package)
6	4313 810	1							LEVER, Park Brake 9" Brakes, Right
	4313 811	1							9" Brakes, Left
	4713 362	1							10" Brakes (AHB Police Package), Right
	4713 363	1							10" Brakes (AHB Police Package), Left
7	4723 367	1							SHOE AND LINING KIT, drum 9" Brakes
	4796 310	1							10" Brakes (AHB Police Package)
8	4313 062	2							SPRING, Brake Shoe Hold Down 9" Brakes
	4746 782	1							10" Brakes (AHB Police Package)
9	3461 662	1							CABLE, Brake Automatic Adjuster 9" Brakes
	4713 350	1							10" Brakes (AHB Police Package)
10	3461 660	1							SPRING, Adjuster Cable
11	4728 546	1							LEVER, Park Brake Adjusting 10" Brakes (AHB Police Package), Right
	4728 547	1							10" Brakes (AHB Police Package), Left
	4761 759	1							9" Brakes
12	2944 580	1							SPRING, Brake Auto Adjuster Lever 9" Brakes, Right
	2944 581	1							9" Brakes, Left
13	4049 681	1							SPRING PACKAGE, Brake Shoe Hold Down, 9" Brakes
14	2260 793	1							GUIDE, Brake Adjusting Cable 9" Brakes
	J320 1947	1							10" Brakes (AHB Police Package)
15									PLATE, Brake Shoe Guide

JEEP CHEROKEE (XJ)				
SERIES	LINE	BODY	ENGINE	TRANSMISSION
L=Low Line	J=LHD (4WD) U=RHD (4WD) T=LHD (2WD) B=RHD (2WD)	74=4 DR. (101.4 WB) 72=2 DR. (101.4 WB)	ENC,EN0=2.5L 4 cyl. Turbo Die ERH,ER0=4.0L Power Tech I-6 EPE,EP0=Magnum 2.5L SMPI	DDQ=5Spd Man. DGS=4 Spd. Auto. AISIN DG0=All Auto Trans DBB=All Manual Trans.

AR = Use as required - = Non illustrated part # = New this model year

July 4, 2003

Brakes, Rear 1999 XJ  
Figure 005-220



ITEM	PART NUMBER	QTY	LINE	SERIES	BODY	ENGINE	TRANS	TRIM	DESCRIPTION
	2260 788	1							10" Brakes (AHB Police Package)
	4313 075	1							9" Brakes
16	2944 586	1							BUTTON, Rear Brake Auto Adjust, 9" Brakes
17	6027 559	1							WASHER, Adjuster Button, 9" Brakes
18	2944 692	1							NUT, Rear Brake Auto Adjust Pivot 9" Brakes, Right
	2944 693	1							9" Brakes, Left
19	4423 898	1							SCREW, Brake Adjusting 9" Brakes, Right
	4423 899	1							9" Brakes, Left
20									SPRING, Brake Shoe to Shoe
	4423 085	1							9" Brakes
	4746 588	1							10" Brakes (AHB Police Package)
21									STUD
	3723 668	8							Chrysler 8.25 Axle (DRA)
	J099 4313	8							Dana Model 35 (194RBI) Axle (DRM or DRJ)
22									SPRING, Brake Shoe Return 9" Brakes
	2881 676	2							9" Brakes
	J311 2780	2							10" Brakes (AHB Police Package)
23									CYLINDER, Wheel
	4423 601	1							9" Brakes
	5200 0848	1							10" Brakes (AHB Police Package), Right
	5200 0849	1							10" Brakes (AHB Police Package), Left
24									REPAIR KIT, Wheel Cylinder
	5252 630	1							9" Brakes
	8350 0987	1							10" Brakes (AHB Police Package)
25									PLATE, Brake Backing
	4773 490	1							10" Brakes (AHB Police Package), Right
	4773 491	1							10" Brakes (AHB Police Package), Left
	4856 718	1							9" Brakes w/ABS, Right
	4856 719	1							9" Brakes w/ABS, Left
	5252 720	1							9" Brakes w/o ABS, Right
	5252 721	1							9" Brakes w/o ABS, Left
26									PLUG, Brake Adjusting Hole
	4238 721	1							9" Brakes
	3200 0147	2							10" Brakes (AHB Police Package)

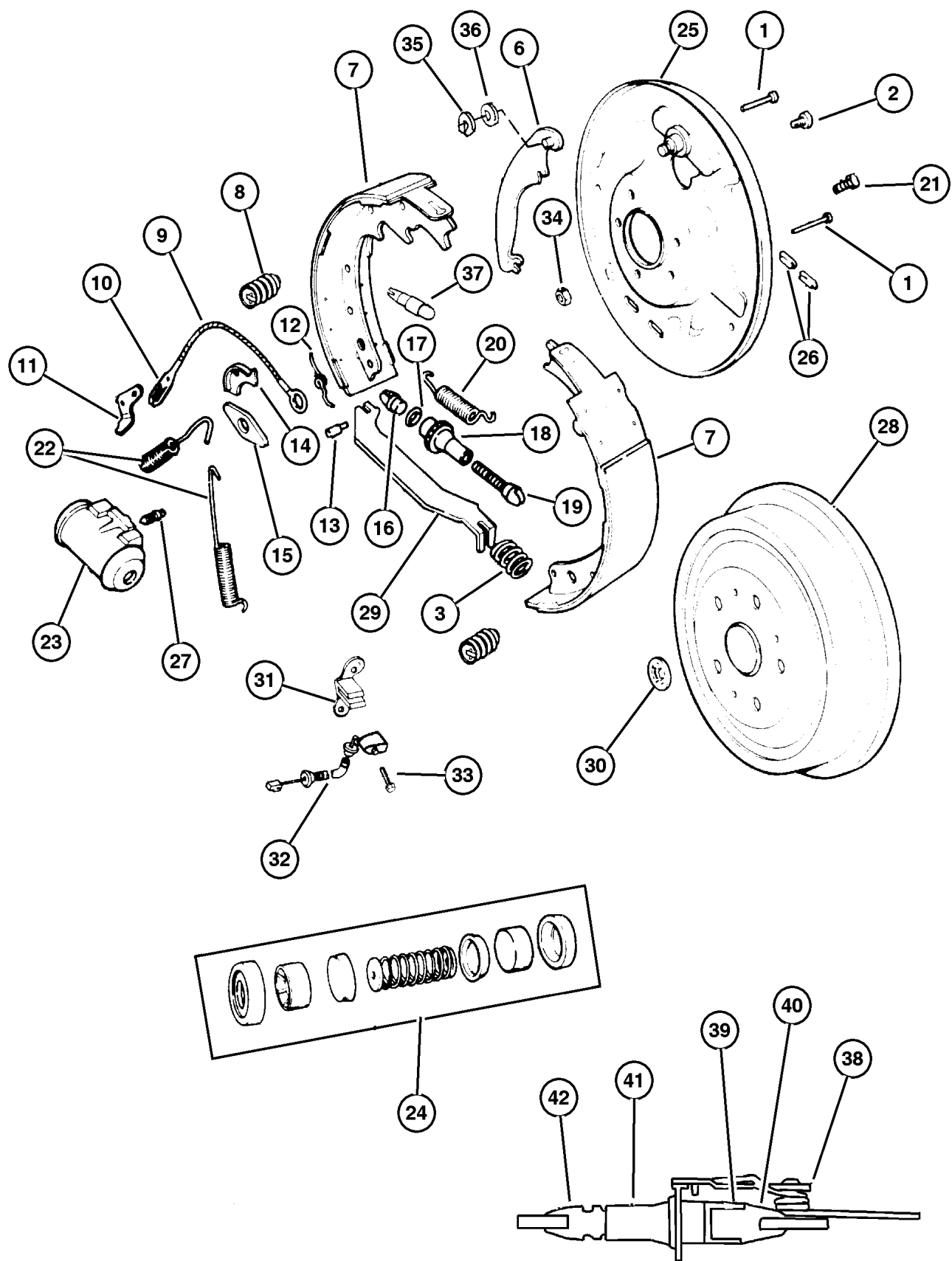
JEEP CHEROKEE (XJ)

SERIES	LINE	BODY	ENGINE	TRANSMISSION
L=Low Line	J=LHD (4WD) U=RHD (4WD) T=LHD (2WD) B=RHD (2WD)	74=4 DR. (101.4 WB) 72=2 DR. (101.4 WB)	ENC,EN0=2.5L 4 cyl. Turbo Die ERH,ER0=4.0L Power Tech I-6 EPE,EP0=Magnum 2.5L SMPI	DDQ=5Spd Man. DGS=4 Spd. Auto. AISIN DG0=All Auto Trans DBB=All Manual Trans.

AR = Use as required - = Non illustrated part # = New this model year

July 4, 2003

Brakes, Rear 1999 XJ  
Figure 005-220



ITEM	PART NUMBER	QTY	LINE	SERIES	BODY	ENGINE	TRANS	TRIM	DESCRIPTION
27									SCREW, Bleeder
	3766 674	1							9" Brakes
	J320 3313	1							10" Brakes (AHB Police Package)
28									DRUM, Brake
	5200 5350	2							9" Brakes
	5200 7502	2							10" Brakes (AHB Police Package)
29									STRUT, Parking Brake
	4713 366	1							10" Brakes (AHB Police Package) (w/o Spring), Right
	4713 367	1							10" Brakes (AHB Police Package) (w/o Spring), Left
	4713 590	1							9" Brakes (w/Spring)
30	6026 430	AR							SPRING RETAINER, Push On, .50x20
31									BRACKET, Brake Sensor
	5200 7804	1							Right
	5200 7805	1							Left
32									SENSOR, Anti-Lock Brakes
	5200 5932	1							Right
	5200 5933	1							Left
33	8350 4920	2							BOLT
34									NUT, Hex Flange Lock
	0152 345	8							Chrysler 8.25 Axle (DRA)
	J941 1783	8							Dana Model 35 (194RBI) Axle (DRM or DRJ)
35	J310 8202	1							RETAINER, Parking Brake Lever, 10" Brakes (AHB Police Package)
36	8350 2900	1							WASHER, Parking Brake Lever, 10" Brakes (AHB Police Package)
37	J004 8331	2							LINK, Brake Cylinder, 10" Brakes (AHB Police Package)
38									SPRING, Auto Adjusting
	4746 582	1							10" Brakes (AHB Police Package), Right
	4746 583	1							10" Brakes (AHB Police Package), Left
39	4746 585	1							WASHER, Rear Brake Adjuster, 10" Brakes (AHB Police Package)
40	4746 586	1							SOCKET, Brake Adjusting, 10" Brakes (AHB Police Package)
41									NUT, Rear Brake Auto Adjust Pivot
	2944 692	1							10" Brakes (AHB Police Package), Right

JEEP CHEROKEE (XJ)

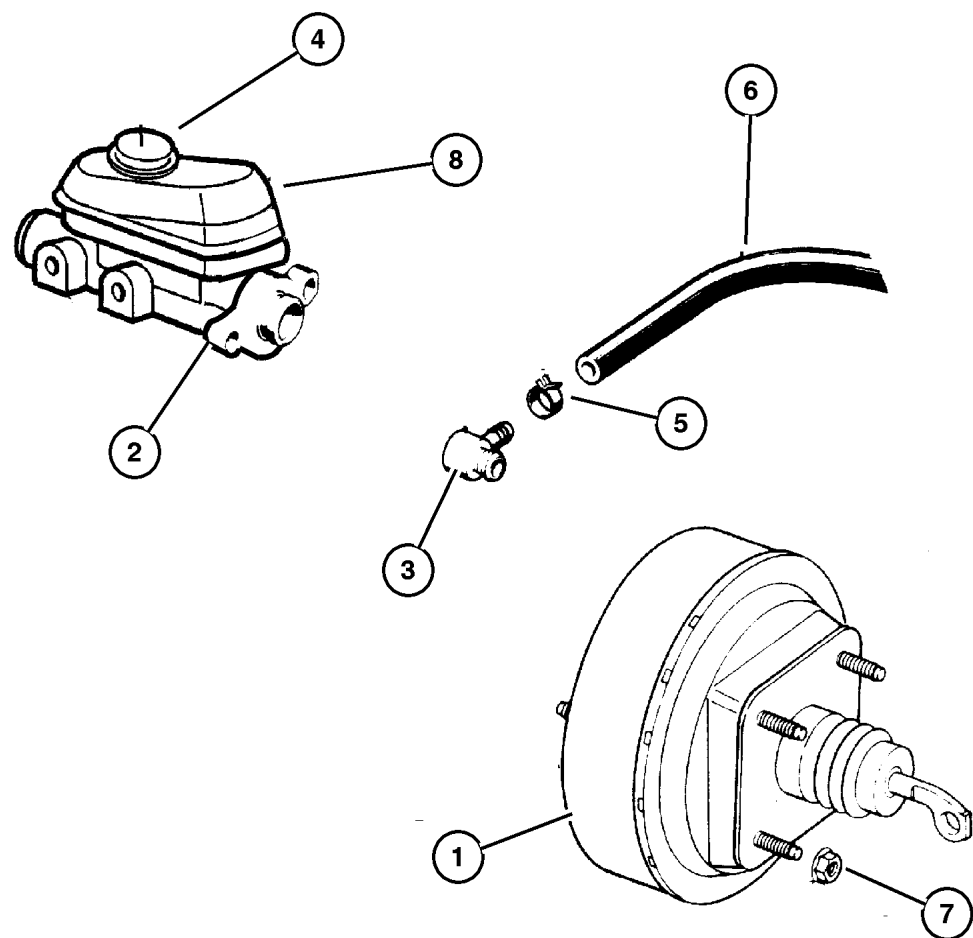
SERIES	LINE	BODY	ENGINE	TRANSMISSION
L=Low Line	J=LHD (4WD) U=RHD (4WD) T=LHD (2WD) B=RHD (2WD)	74=4 DR. (101.4 WB) 72=2 DR. (101.4 WB)	ENC,EN0=2.5L 4 cyl. Turbo Die ERH,ER0=4.0L Power Tech I-6 EPE,EP0=Magnum 2.5L SMPI	DDQ=5Spd Man. DGS=4 Spd. Auto. AISIN DG0=All Auto Trans DBB=All Manual Trans.

AR = Use as required - = Non illustrated part # = New this model year

July 4, 2003



**Master Cylinder and Booster 1997 XJ**  
**Figure 005-320**



ITEM	PART NUMBER	QTY	LINE	SERIES	BODY	ENGINE	TRANS	TRIM	DESCRIPTION
NOTES; SALES CODE EP0= 2.5L GAS ENGINE, ERO= 4.0 L ENGINE, ENC 2.5L DIESEL ENGINE									
1	4856 672	1							BOOSTER, Power Brake Gasoline Engine
	4856 673	1							Diesel Engine
2	4761 941	1							MASTER CYLINDER, Brake
3	4798 873	1							VALVE, Vacuum Check Diesel Engine
	J448 7455	1							Gasoline Engine
4	4683 656	1							CAP, Master Cylinder Reservoir
5	2448 770	1							CLAMP, Hose
6	5200 8761	1	B, U						HOSE, Vacuum Supply 4 Cylinder Gasoline
	5200 9407	1	J, T						4 Cylinder Gasoline
	5212 8003	1	J, T						6 Cylinder Gasoline, w/o European Requirements (ABB)
	5212 8232	1	J, T						Diesel Engine
	52128 290AA	1	B, U						6 Cylinder Gasoline w/European Requirements
7	J400 3909	4							NUT, Hex Flange With Serration
8	4761 942	1							RESERVOIR, Brake Master Cylinder

**JEEP CHEROKEE (XJ)**

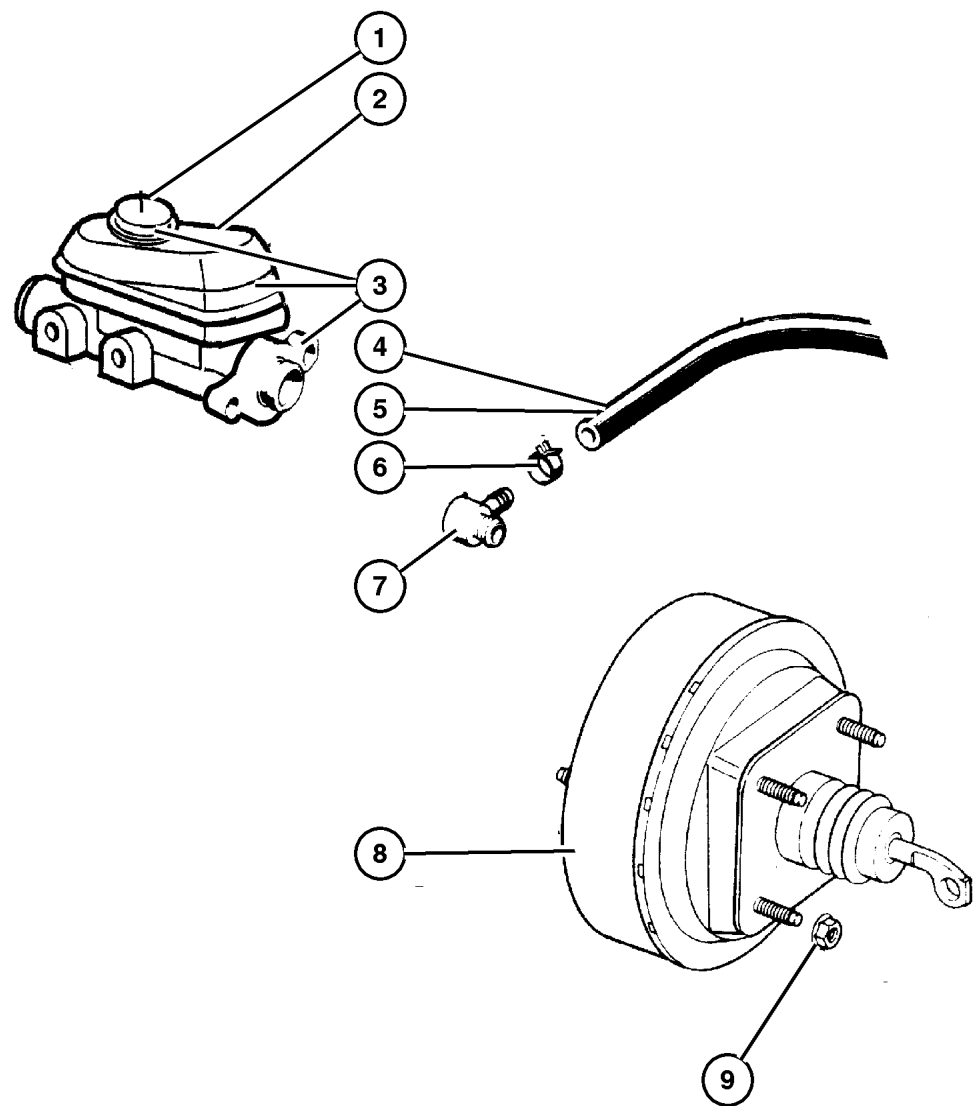
SERIES	LINE	BODY	ENGINE	TRANSMISSION
L=Low Line	J=LHD (4WD) U=RHD (4WD) T=LHD (2WD) B=RHD (2WD)	74=4 DR. (101.4 WB) 72=2 DR. (101.4 WB)	ENC,EN0=2.5L 4 cyl. Turbo Die ERH,ER0=4.0L Power Tech I-6 EPE,EP0=Magnum 2.5L SMPI	DDQ=5Spd Man. DGS=4 Spd. Auto. AISIN DG0=All Auto Trans DBB=All Manual Trans.

AR = Use as required - = Non illustrated part # = New this model year

July 4, 2003



**Master Cylinder and Booster 1998 XJ**  
**Figure 005-320**



ITEM	PART NUMBER	QTY	LINE	SERIES	BODY	ENGINE	TRANS	TRIM	DESCRIPTION
NOTES; SALES CODE EP0= 2.5L GAS ENGINE, ERO= 4.0 L ENGINE, ENC 2.5L DIESEL ENGINE									
1	4683 656	1							CAP, Master Cylinder Reservoir [EP0,ERO] [ENC]
2	4761 942	1							RESERVOIR, Brake Master Cylinder [EP0,ERO] [ENC]
3	4761 941	1							MASTER CYLINDER, Brake [EP0,ERO] [ENC]
4	5200 9407	1	J, T						HOSE, Vacuum Supply [EP0]
	5200 8761	1	B, U						[EP0]
	52128 290AA	1	B, U						[ER0]
	5212 8003	1	J, T						[ER0,ABB]
	5212 8232	1	J, T						[ENC]
5	3879 277	1	J, T						HOSE, Brake Booster, [ER0] Without [NAC]
6	2448 770	1							CLAMP, Hose
7	J448 7455	1							VALVE, Vacuum Check [EP0,ERO]
	4798 873	1							[ENC]
8	4856 672AB	1							BOOSTER, Power Brake [EP0,ERO]
	4856 673AB	1							[ENC]
9	J400 3909	4							NUT, Hex Flange With Serration, Booster to Firewall, Mounting
-10	1150 2811	2							NUT, Hex Flange Lock, M8x1.25 Master Cylinder to Booster [EP0, ER0], Mounting
		2							Master Cylinder to Booster [ENC]

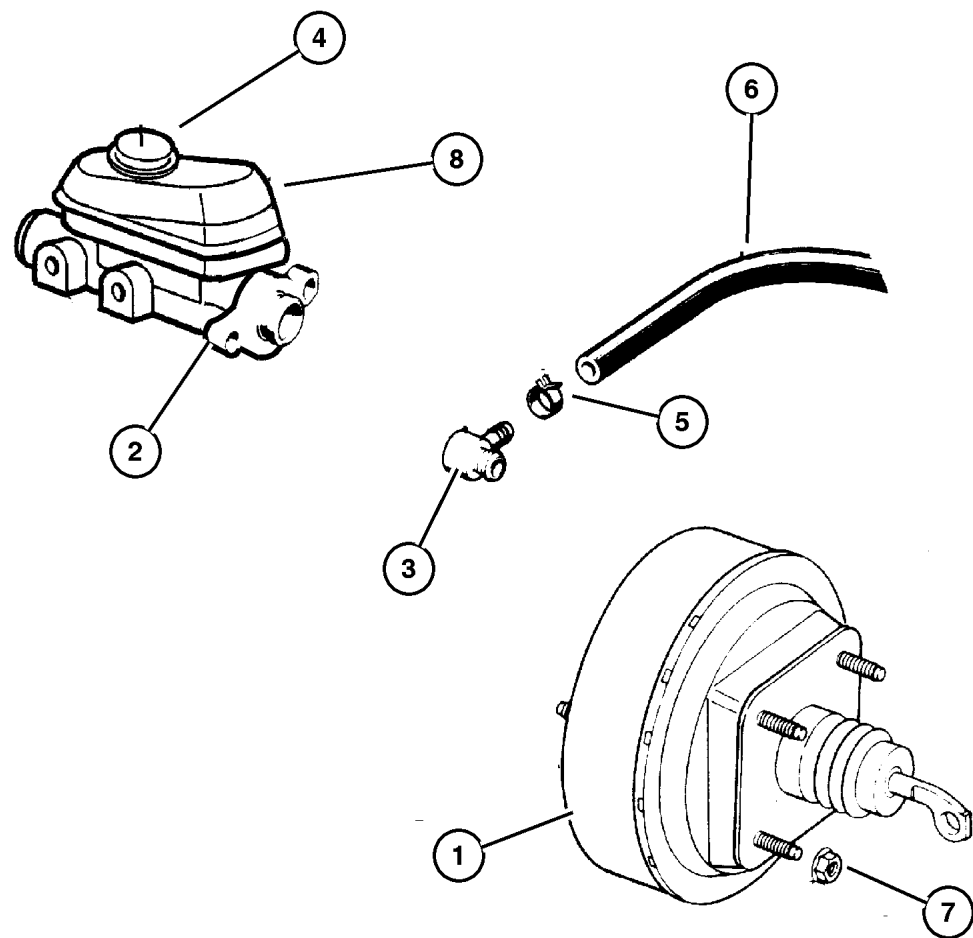
**JEEP CHEROKEE (XJ)**

SERIES	LINE	BODY	ENGINE	TRANSMISSION
L=Low Line	J=LHD (4WD) U=RHD (4WD) T=LHD (2WD) B=RHD (2WD)	74=4 DR. (101.4 WB) 72=2 DR. (101.4 WB)	ENC,EN0=2.5L 4 cyl. Turbo Die ERH,ER0=4.0L Power Tech I-6 EPE,EP0=Magnum 2.5L SMPI	DDQ=5Spd Man. DGS=4 Spd. Auto. AISIN DG0=All Auto Trans DBB=All Manual Trans.

AR = Use as required - = Non illustrated part # = New this model year

July 4, 2003

**Master Cylinder and Booster 1999 XJ**  
**Figure 005-320**



ITEM	PART NUMBER	QTY	LINE	SERIES	BODY	ENGINE	TRANS	TRIM	DESCRIPTION
NOTES; SALES CODE EP0= 2.5L GAS ENGINE, ERO= 4.0 L ENGINE, ENC 2.5L DIESEL ENGINE									
1	4856 672AB	1							BOOSTER, Power Brake [EP0,ER0]
	4856 673AB	1							[ENC]
2	4761 941	1							MASTER CYLINDER, Brake
3	J448 7455	1							VALVE, Vacuum Check [EP0,ER0]
	4798 873	1							[ENC]
4	4761 944	1							CAP, Master Cylinder Reservoir
5	2448 770	1							CLAMP, Hose
6	5200 9407	1	J, T						HOSE, Vacuum Supply [EP0]
	5200 8761	1	B, U						[EP0]
	5212 8003	1	J, T						[ER0]
	52128 290AA	1	B, U						[ER0]
	5212 8232	1	J, T						[ENC]
7	J400 3909	4							NUT, Hex Flange With Serration
8	4761 942	1							RESERVOIR, Brake Master Cylinder
-9	4883 402AA	1							NUT, Master Cylinder to Booster, Mounting

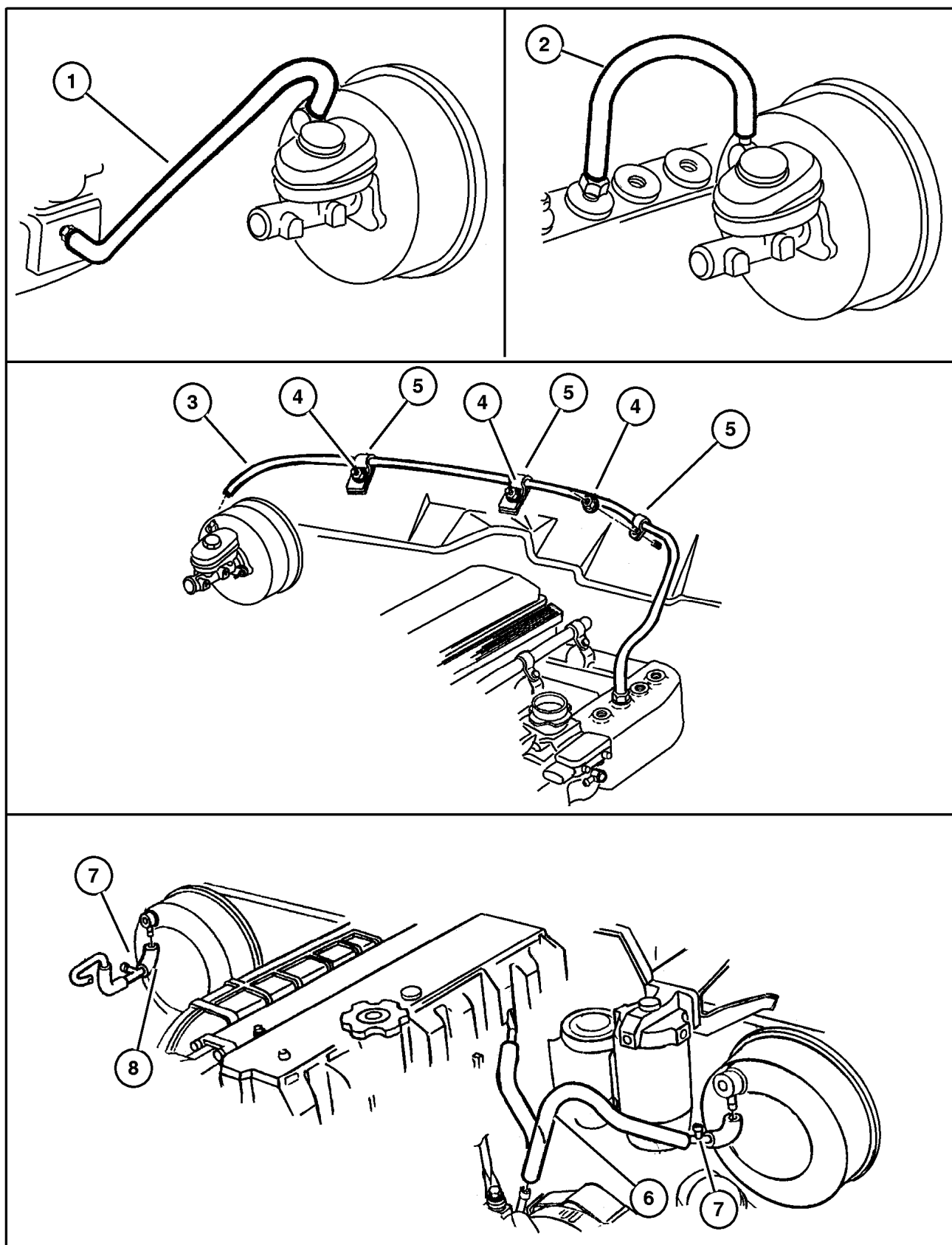
**JEEP CHEROKEE (XJ)**

SERIES	LINE	BODY	ENGINE	TRANSMISSION
L=Low Line	J=LHD (4WD) U=RHD (4WD) T=LHD (2WD) B=RHD (2WD)	74=4 DR. (101.4 WB) 72=2 DR. (101.4 WB)	ENC,EN0=2.5L 4 cyl. Turbo Die ERH,ER0=4.0L Power Tech I-6 EPE,EP0=Magnum 2.5L SMPI	DDQ=5Spd Man. DGS=4 Spd. Auto. AISIN DG0=All Auto Trans DBB=All Manual Trans.

AR = Use as required - = Non illustrated part # = New this model year

July 4, 2003

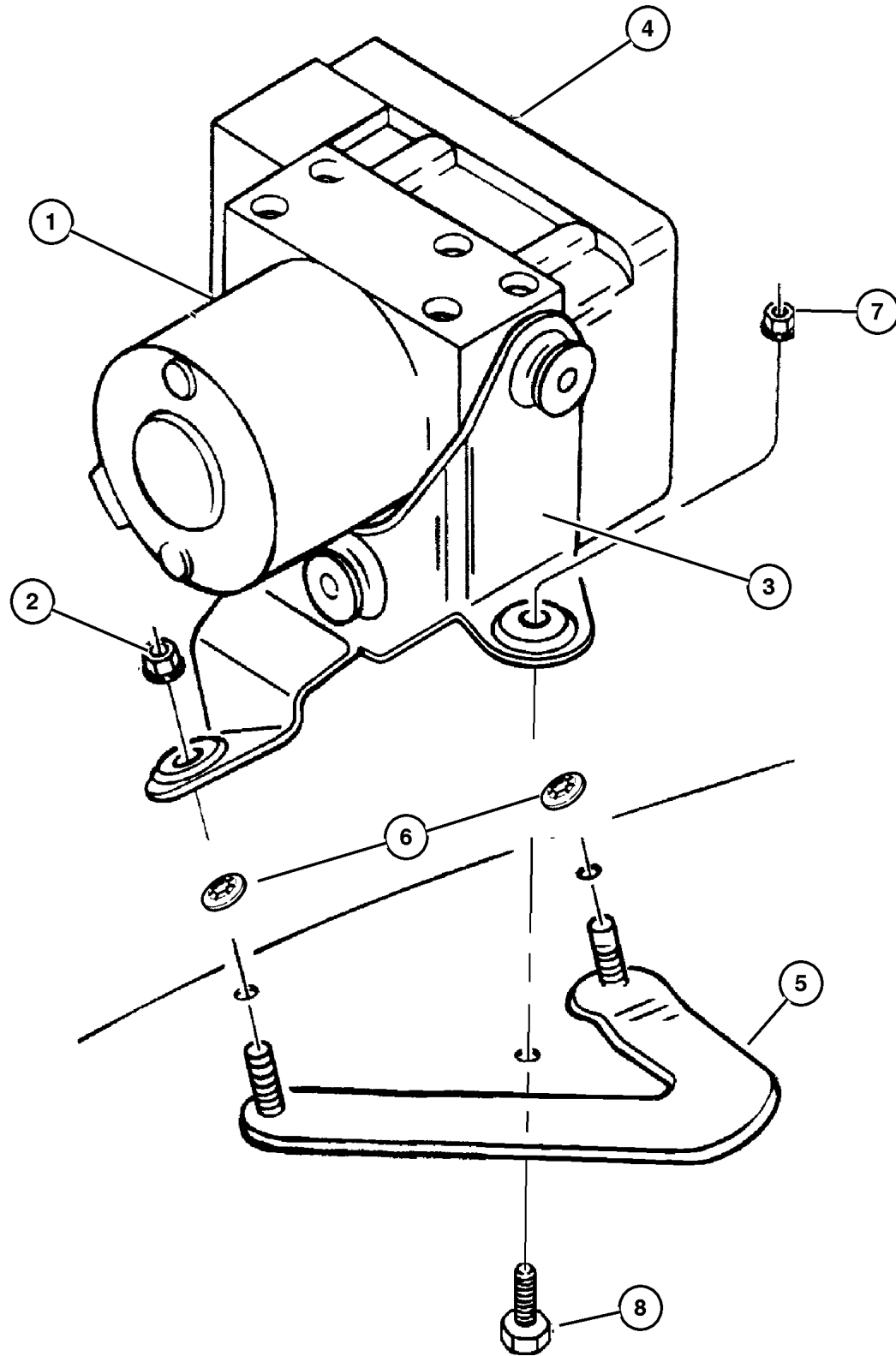
**Power Brake Vacuum Booster Hose 1999 XJ**  
**Figure 005-330**



ITEM	PART NUMBER	QTY	LINE	SERIES	BODY	ENGINE	TRANS	TRIM	DESCRIPTION
1	5200 9407	1	J, T						HOSE, Vacuum Supply
2	5212 8003	1	J, T						HOSE, Vacuum Supply
3	5200 8761	1	B, U						HOSE, Vacuum Supply
4	6100 839	1							NUT, Push, M5
5									CLIP, (NOT SERVICED) (Not Serviced)
6	5212 8232	1	J, T						HOSE, Vacuum Supply
7	4343 852	1	J, T						TEE, Brake Vacuum
8	5010 028AA	2	B, U						HOSE, Brake Vacuum

JEEP CHEROKEE (XJ)				
SERIES	LINE	BODY	ENGINE	TRANSMISSION
L=Low Line	J=LHD (4WD) U=RHD (4WD) T=LHD (2WD) B=RHD (2WD)	74=4 DR. (101.4 WB) 72=2 DR. (101.4 WB)	ENC,EN0=2.5L 4 cyl. Turbo Die ERH,ER0=4.0L Power Tech I-6 EPE,EP0=Magnum 2.5L SMPI	DDQ=5Spd Man. DGS=4 Spd. Auto. AISIN DG0=All Auto Trans DBB=All Manual Trans.

Hydraulic Control Unit 1997 XJ  
Figure 005-420



ITEM	PART NUMBER	QTY	LINE	SERIES	BODY	ENGINE	TRANS	TRIM	DESCRIPTION
1	5200 9137	1							CONTROL UNIT, Anti-Lock Brake
2	3420 1711	2							NUT, Hex Flange, M8x1.25
3	5212 7929	1							BRACKET, Hydraulic Control Unit
4	56027 931AB	1							MODULE, Anti-lock Brakes
5	5200 8230	1							STUD PLATE, Hydraulic Control Unit
6	6100 841	2							PUSH NUT, M8
7	6503 445	1							NUT
8	6101 453	1							SCREW AND WASHER, Hex Head, M8x1.25x30

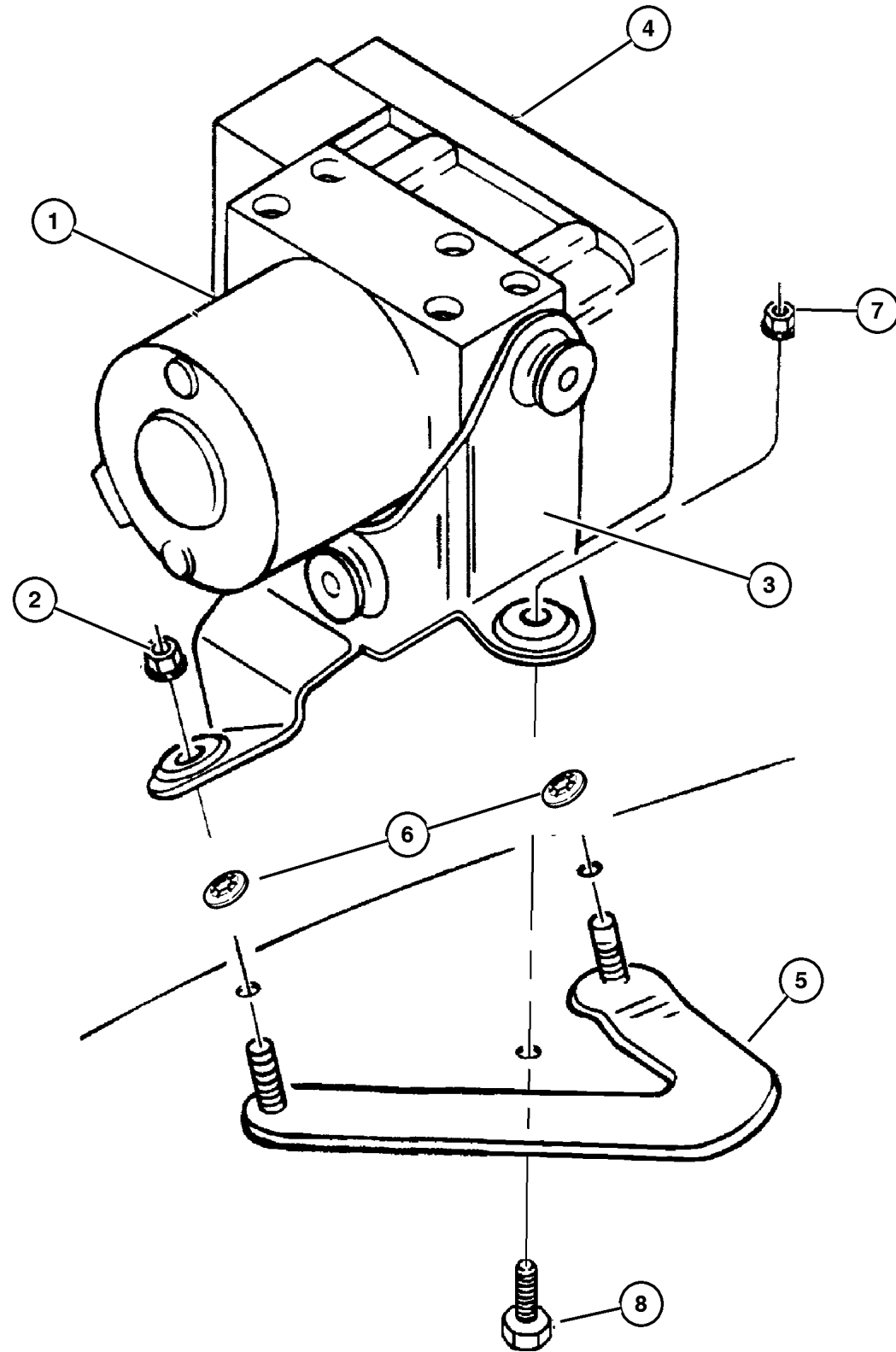
JEEP CHEROKEE (XJ)

SERIES	LINE	BODY	ENGINE	TRANSMISSION
L=Low Line	J=LHD (4WD) U=RHD (4WD) T=LHD (2WD) B=RHD (2WD)	74=4 DR. (101.4 WB) 72=2 DR. (101.4 WB)	ENC,EN0=2.5L 4 cyl. Turbo Die ERH,ER0=4.0L Power Tech I-6 EPE,EP0=Magnum 2.5L SMPI	DDQ=5Spd Man. DGS=4 Spd. Auto. AISIN DG0=All Auto Trans DBB=All Manual Trans.

AR = Use as required - = Non illustrated part # = New this model year

July 4, 2003

Hydraulic Control Unit 1998 XJ  
Figure 005-420



ITEM	PART NUMBER	QTY	LINE	SERIES	BODY	ENGINE	TRANS	TRIM	DESCRIPTION
1	5200 9137	1							CONTROL UNIT, Anti-Lock Brake
2	3420 1711	2							NUT, Hex Flange, M8x1.25
3	5212 7929	1							BRACKET, Hydraulic Control Unit
4									MODULE, Anti-lock Brakes
	56027 931AB	1							Up to 12-19-97
	56027 931AC	1							After 12-19-97
5	5200 8230	1							STUD PLATE, Hydraulic Control Unit
6	6100 841	2							PUSH NUT, M8
7	6503 445	1							NUT
8	6101 453	1							SCREW AND WASHER, Hex Head, M8x1.25x30

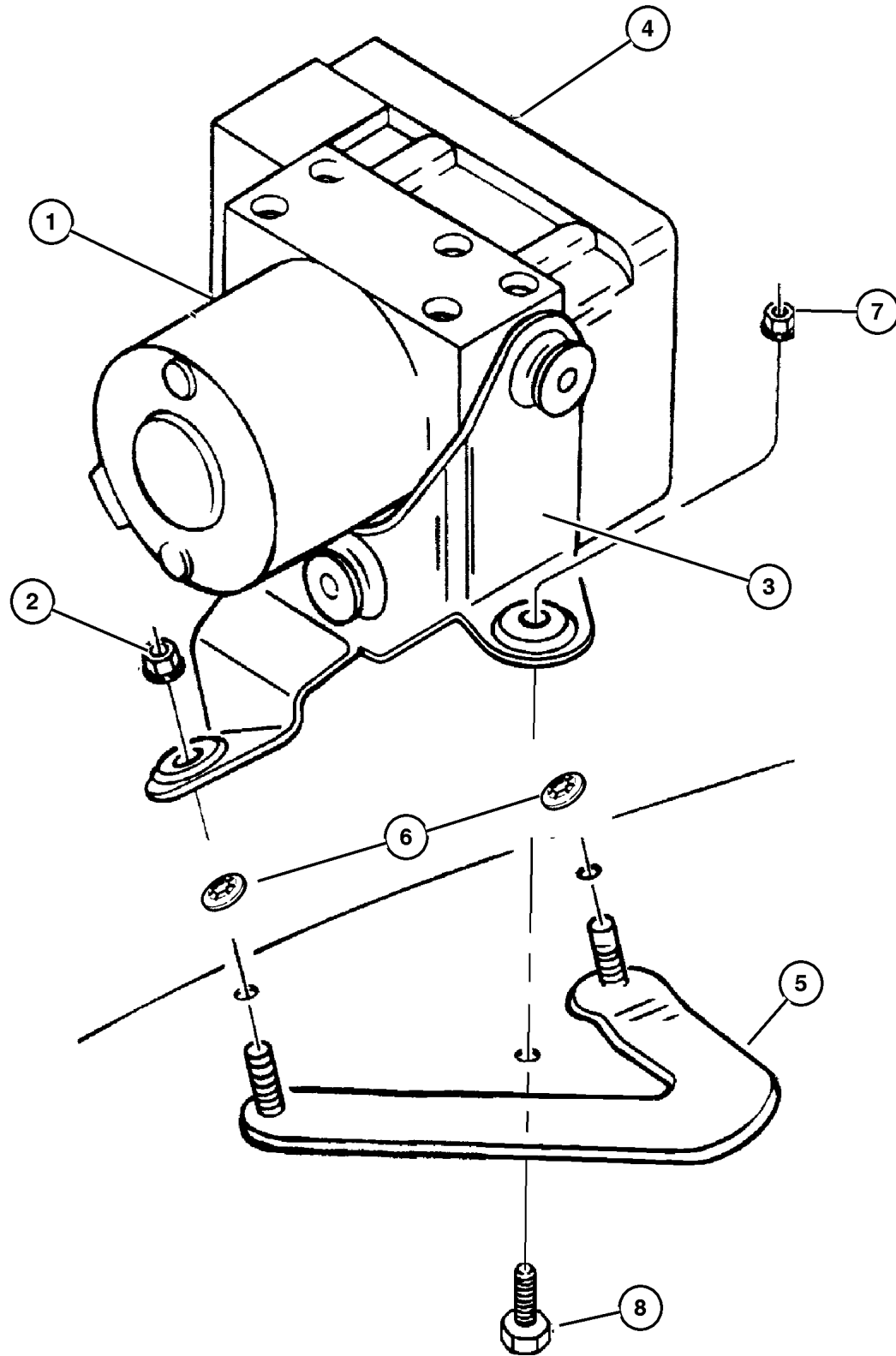
JEEP CHEROKEE (XJ)

SERIES	LINE	BODY	ENGINE	TRANSMISSION
L=Low Line	J=LHD (4WD) U=RHD (4WD) T=LHD (2WD) B=RHD (2WD)	74=4 DR. (101.4 WB) 72=2 DR. (101.4 WB)	ENC,EN0=2.5L 4 cyl. Turbo Die ERH,ER0=4.0L Power Tech I-6 EPE,EP0=Magnum 2.5L SMPI	DDQ=5Spd Man. DGS=4 Spd. Auto. AISIN DG0=All Auto Trans DBB=All Manual Trans.

AR = Use as required - = Non illustrated part # = New this model year

July 4, 2003

Hydraulic Control Unit 1999 XJ  
Figure 005-420



ITEM	PART NUMBER	QTY	LINE	SERIES	BODY	ENGINE	TRANS	TRIM	DESCRIPTION
1	5200 9137	1							CONTROL UNIT, Anti-Lock Brake
2	3420 1711	2							NUT, Hex Flange, M8x1.25
3	5212 7929	1							BRACKET, Hydraulic Control Unit
4	56027 931AC	1							MODULE, Anti-lock Brakes
5	5200 8230	1							STUD PLATE, Hydraulic Control Unit
6	6100 841	2							PUSH NUT, M8
7	6503 445	1							NUT
8	6101 453	1							SCREW AND WASHER, Hex Head, M8x1.25x30

JEEP CHEROKEE (XJ)

SERIES	LINE	BODY	ENGINE	TRANSMISSION
L=Low Line	J=LHD (4WD) U=RHD (4WD) T=LHD (2WD) B=RHD (2WD)	74=4 DR. (101.4 WB) 72=2 DR. (101.4 WB)	ENC,EN0=2.5L 4 cyl. Turbo Die ERH,ER0=4.0L Power Tech I-6 EPE,EP0=Magnum 2.5L SMPI	DDQ=5Spd Man. DGS=4 Spd. Auto. AISIN DG0=All Auto Trans DBB=All Manual Trans.

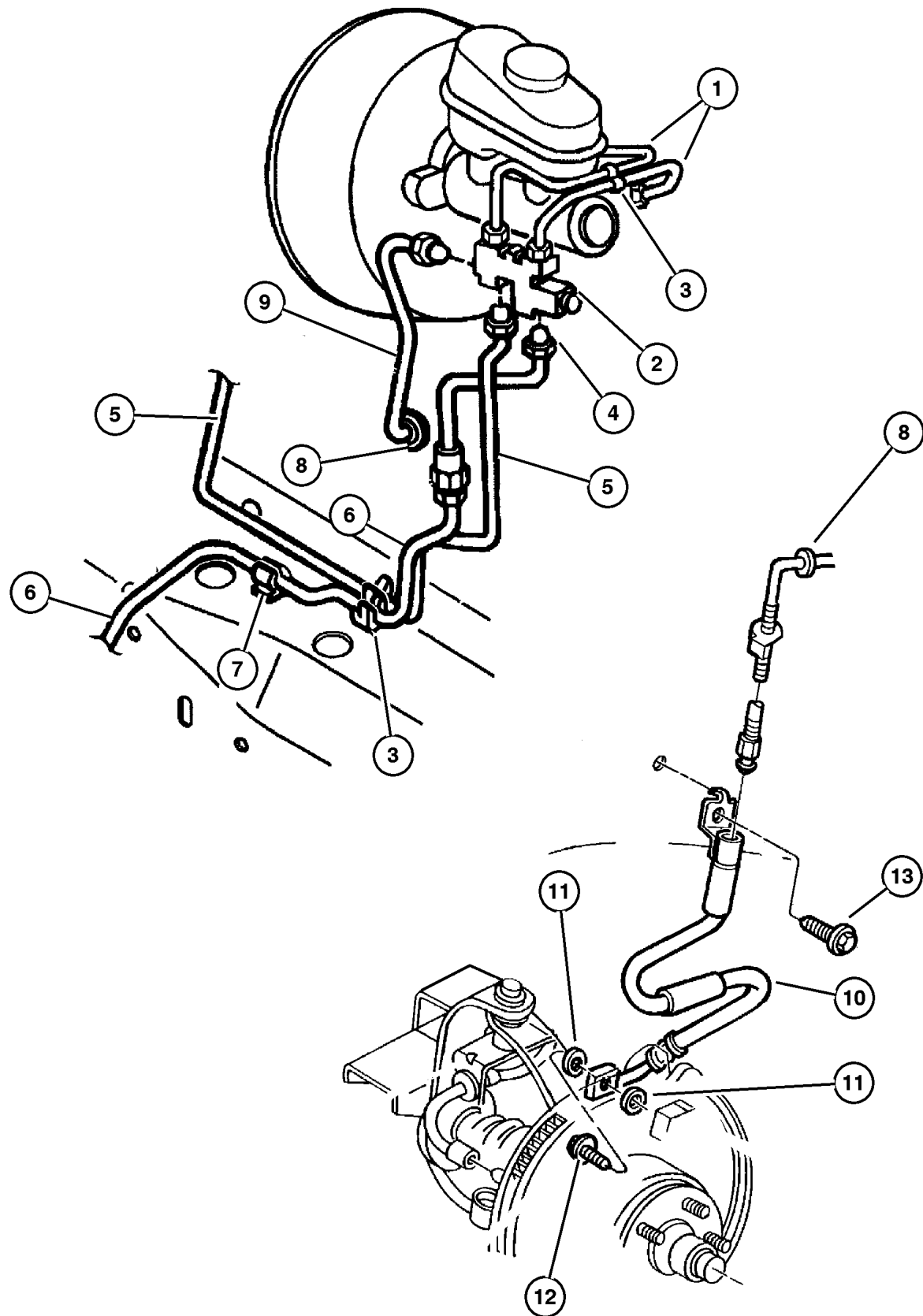
AR = Use as required - = Non illustrated part # = New this model year

July 4, 2003



**Brake Lines, Front without Anti-Lock Brakes 1998 XJ**  
**Figure 005-550**

ITEM	PART NUMBER	QTY	LINE	SERIES	BODY	ENGINE	TRANS	TRIM	DESCRIPTION
1	5200 9069	1							TUBE, Brake Primary, Master Cylinder to Proportioning Valve
	5200 9074	1							Secondary, Master Cylinder to Proportioning Valve
2	5212 9025	1							VALVE, Proportioning
3	5200 8940	2	J, T						CLIP, Brake Line
		2	B, U						
4	5212 8170	1	J, T						TUBE, Brake Proportioning Valve to Union Proportioning Valve to Union
	52128 171AB	1	B, U						
5	52127 988AC	1	J, T						TUBE, Brake Proportioning Valve to Front Right Proportioning Valve to Front Right
		1	B, U						
6	5212 7967	1							TUBE, Brake, Union to Rear
7	3420 2688	2							CLIP, Latch&Line
8	J312 6237	2							GROMMET, Front Brake Tube TUBE, Brake
		1	B, U						
9	52128 327AA	1	B, U						Proportioning Valve to Front Left Proportioning Valve to Front Left
	5212 8381	1	J, T						
10	5200 8674	1							HOSE, Brake Right Left
		1							
11	J323 7672	4							GASKET, Brake Hose To Caliper
12	J400 6700	2							BOLT, Hex Head, .375-24x1.03 Grade 8
		2							
13	6502 711	2							BOLT, ABS Sensor



**JEEP CHEROKEE (XJ)**  
 SERIES LINE BODY ENGINE TRANSMISSION  
 L=Low Line J=LHD (4WD) 74=4 DR. (101.4 WB) ENC,EN0=2.5L 4 cyl. Turbo Die DDQ=5Spd Man.  
 U=RHD (4WD) 72=2 DR. (101.4 WB) ERH,ER0=4.0L Power Tech I-6 DGS=4 Spd. Auto. AISIN  
 T=LHD (2WD) EPE,EP0=Magnum 2.5L SMPI DG0=All Auto Trans  
 B=RHD (2WD) DBB=All Manual Trans.

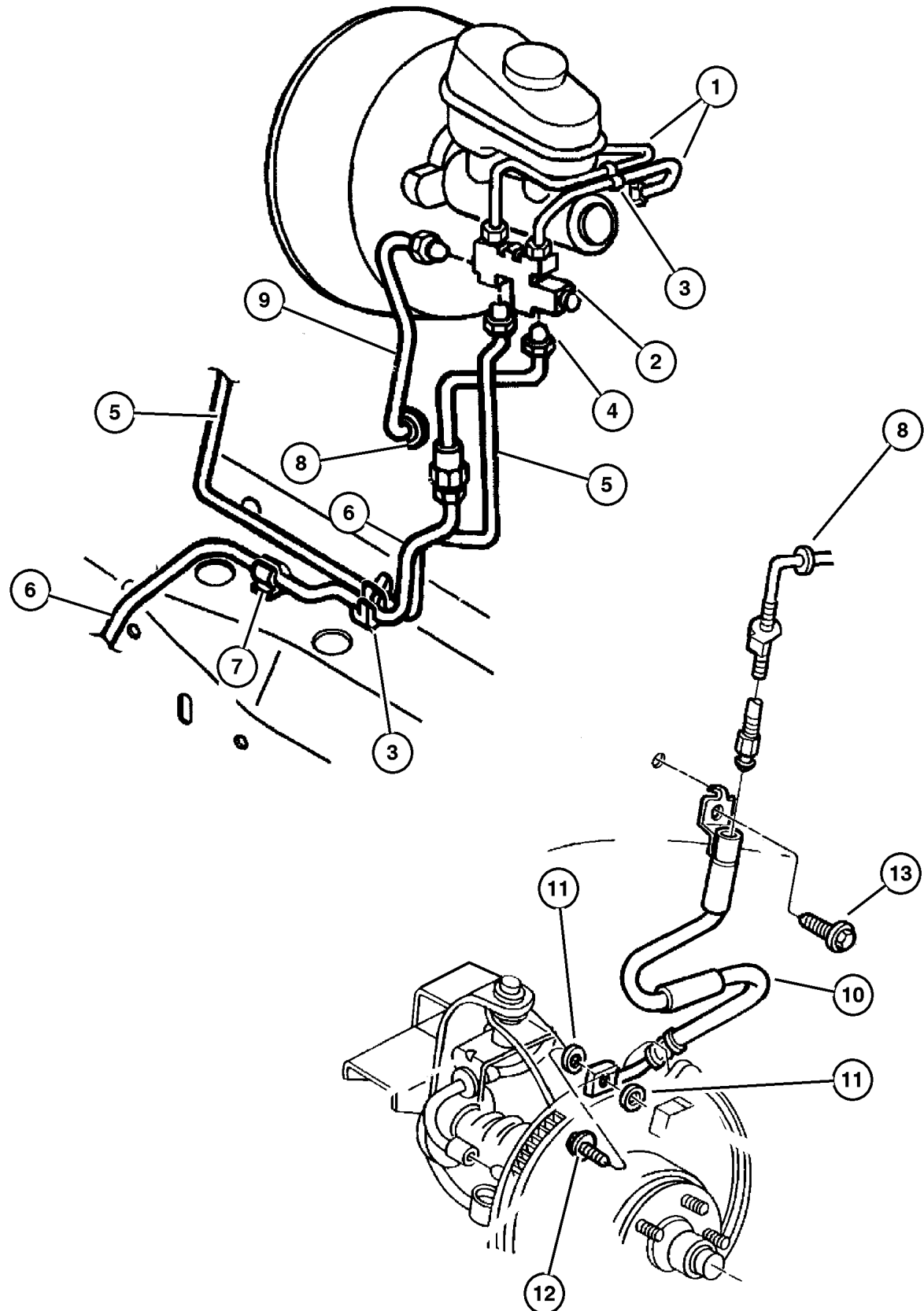
AR = Use as required - = Non illustrated part # = New this model year

July 4, 2003



**Brake Lines, Front without Anti-Lock Brakes 1999 XJ**  
**Figure 005-550**

ITEM	PART NUMBER	QTY	LINE	SERIES	BODY	ENGINE	TRANS	TRIM	DESCRIPTION
1									TUBE, Brake
	5200 9069	1							Primary, Master Cylinder to Proportioning Valve
	5200 9074	1							Secondary, Master Cylinder to Proportioning Valve
2	5212 9025	1							VALVE, Proportioning
3	5200 8940	2	J, T						CLIP, Brake Line
4									TUBE, Brake
	5212 8170	1	J, T						Proportioning Valve to Union
	52128 171AB	1	B, U						Proportioning Valve to Union
5									TUBE, Brake
	52127 988AC	1	J, T						Proportioning Valve to Front Right
	52129 084AB	1	B, U						Proportioning Valve to Front Right
6	5212 7967	1							TUBE, Brake, Union to Rear
7	3420 2688	2							CLIP, Latch&Line
8	J312 6237	1	J, U						GROMMET, Front Brake Tube
9									TUBE, Brake
	52128 327AA	1	B, U						Proportioning Valve to Front Left
	5212 8381	1	J, T						Proportioning Valve to Front Left
10									HOSE, Brake
	5200 8674	1							Right
	5200 8675	1							Left
11	J323 7672	4							GASKET, Brake Hose To Caliper
12	J400 6700	2							BOLT, Hex Head, .375-24x1.03 Grade 8
13	6502 711	2							BOLT, ABS Sensor

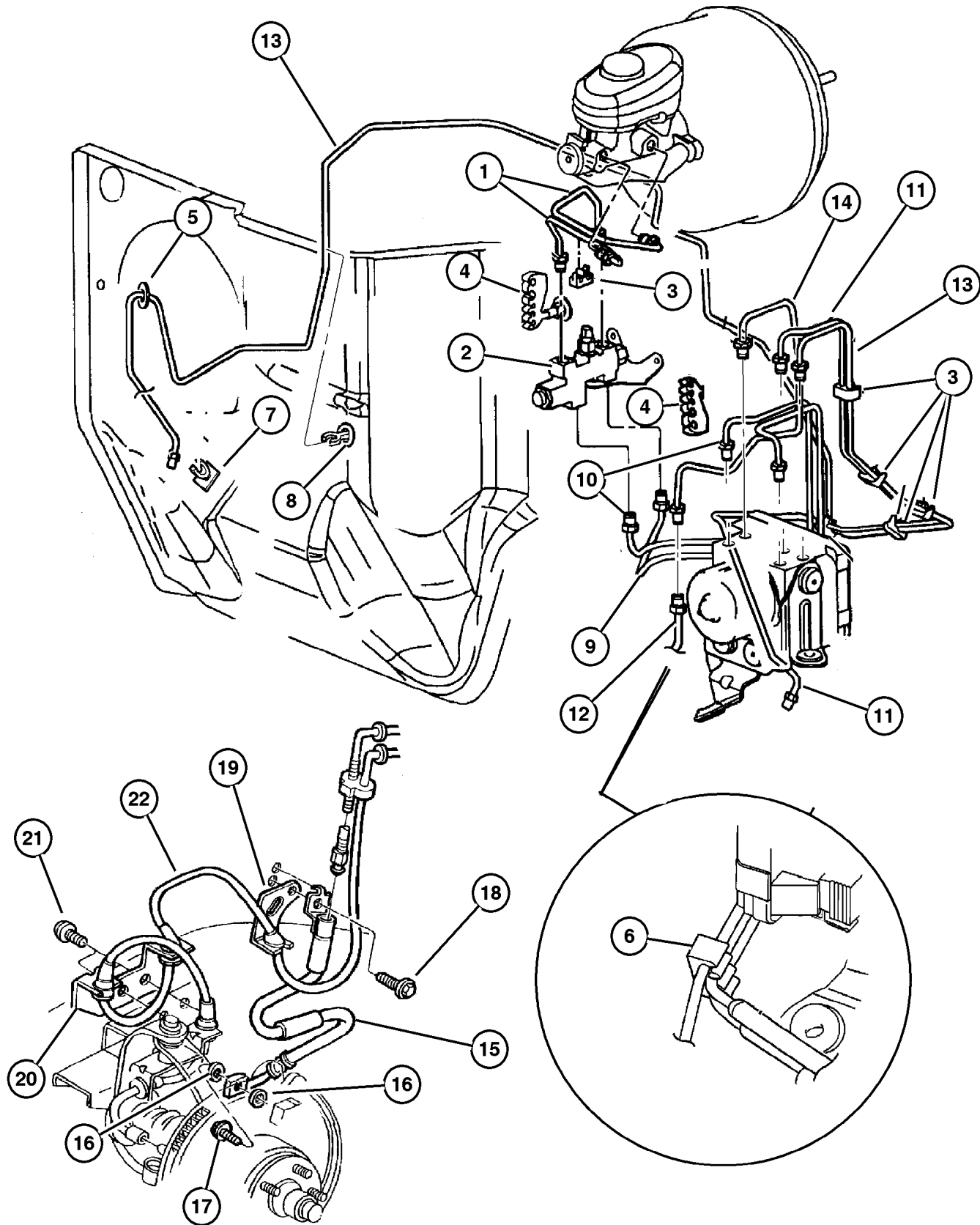


**JEEP CHEROKEE (XJ)**  
 SERIES LINE BODY ENGINE TRANSMISSION  
 L=Low Line J=LHD (4WD) 74=4 DR. (101.4 WB) ENC,EN0=2.5L 4 cyl. Turbo Die DDQ=5Spd Man.  
 U=RHD (4WD) 72=2 DR. (101.4 WB) ERH,ER0=4.0L Power Tech I-6 DGS=4 Spd. Auto. AISIN  
 T=LHD (2WD) EPE,EP0=Magnum 2.5L SMPI DG0=All Auto Trans  
 B=RHD (2WD) DBB=All Manual Trans.

AR = Use as required - = Non illustrated part # = New this model year

July 4, 2003

**Brake Lines, Front with Anti-Lock Brakes 1997 XJ**  
**Figure 005-555**



ITEM	PART NUMBER	QTY	LINE	SERIES	BODY	ENGINE	TRANS	TRIM	DESCRIPTION
NOTES; SALES CODE ERO= 2.5L GAS ENGINE, ENC 2.5L DIESEL ENGINE									
1	5200 9069	1							TUBE, Brake Primary, Master Cylinder to Proportioning Valve
	5200 9074	1							Secondary, Master Cylinder to Proportioning Valve
2	5212 8035	1	J, T						VALVE, Proportioning 10' Rear Brakes (AHB Police Package)
	5212 9030	1							9' Rear Brakes
3	5200 8940	1							CLIP, Brake Line
4	5212 8060	3	B, U						CLIP, Five Way
		2	J, T						
5	J312 6237	2							GROMMET, Front Brake Tube
6	5200 9163	1	J, T						CLIP, Brake Line
		6	B, U						
7	3420 2688	1							CLIP, Latch&Line
8	5212 8157	1	J, T						CLIP, Brake Line
9	5200 9067	1	J, T						TUBE, Brake Proportioning Valve to HCU Primary
	5200 9075	1	B, U						Proportioning Valve to HCU Primary
10	5200 9068	1	J, T						TUBE, Brake Proportioning Valve to HCU Secondary
	52009 076AB	1	B, U						Proportioning Valve to HCU Secondary
11	5200 9073	1	J, T						TUBE, Brake HCU to Front Left
	52009 079AB	1	B, U						HCU to Front Left
12	5212 7967	1							TUBE, Brake, HCU Union to Rear
13	52009 072AB	1	J, T						TUBE, Brake HCU to Front Right
	52009 078AB	1	B, U						HCU to Front Right
14	5200 9146	1							TUBE, Brake, HCU to Rear Hose
15	5200 8674	1							HOSE, Brake Right
	5200 8675	1							Left
16	J323 7672	4							GASKET, Brake Hose To Caliper

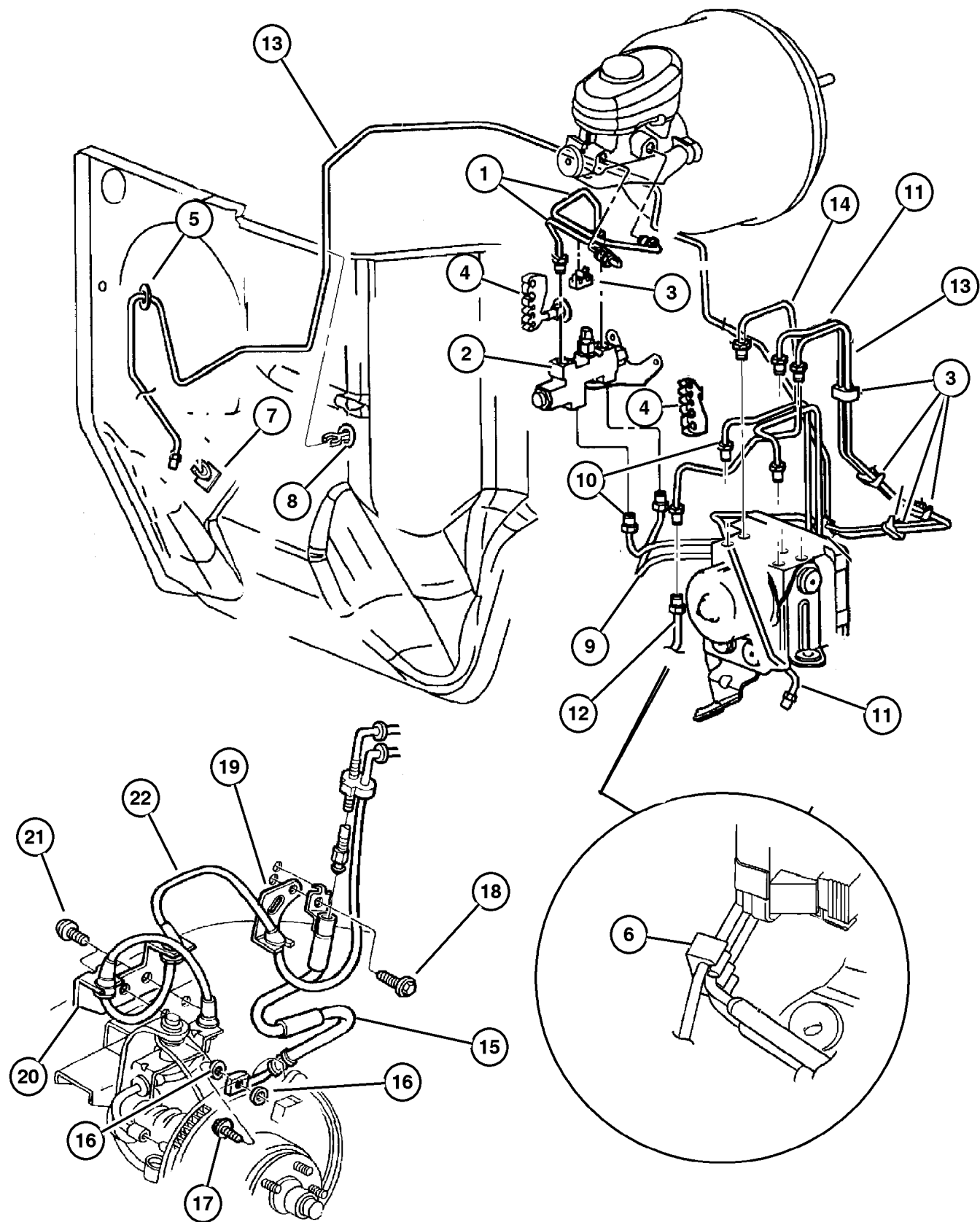
**JEEP CHEROKEE (XJ)**

SERIES	LINE	BODY	ENGINE	TRANSMISSION
L=Low Line	J=LHD (4WD) U=RHD (4WD) T=LHD (2WD) B=RHD (2WD)	74=4 DR. (101.4 WB) 72=2 DR. (101.4 WB)	ENC,EN0=2.5L 4 cyl. Turbo Die ERH,ER0=4.0L Power Tech I-6 EPE,EP0=Magnum 2.5L SMPI	DDQ=5Spd Man. DGS=4 Spd. Auto. AISIN DG0=All Auto Trans DBB=All Manual Trans.

AR = Use as required - = Non illustrated part # = New this model year

July 4, 2003

**Brake Lines, Front with Anti-Lock Brakes 1997 XJ**  
**Figure 005-555**



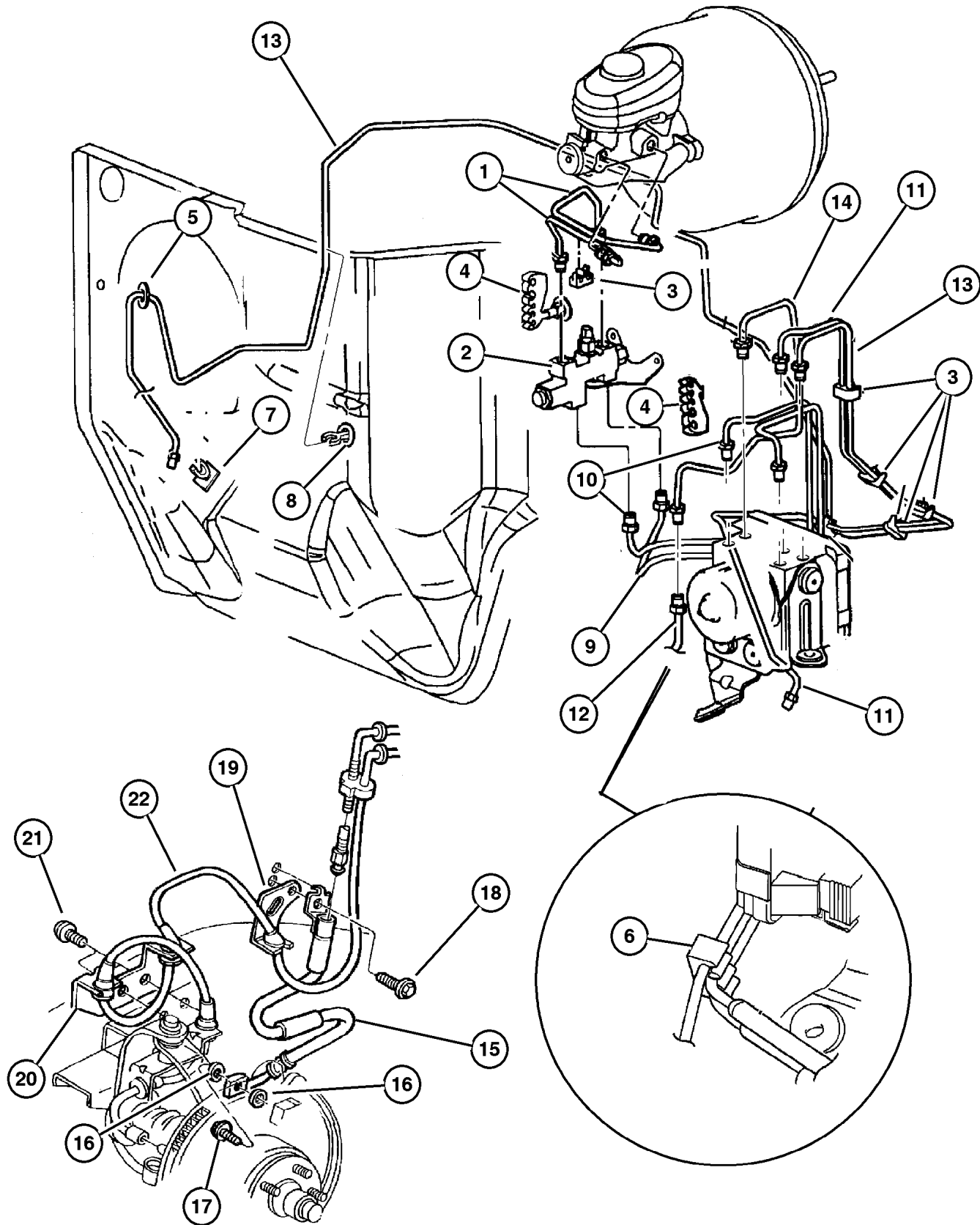
ITEM	PART NUMBER	QTY	LINE	SERIES	BODY	ENGINE	TRANS	TRIM	DESCRIPTION
17	J400 6700	2							BOLT, Hex Head, .375-24x1.03 Grade 8
18	6502 711	2							BOLT, ABS Sensor
19	5602 6836	1							BRACKET, ABS Sensor Right
	5602 6837	1							Left
20	5602 6996	1							BRACKET, Brake Sensor Right
	5602 6997	1							Left
21	3420 1912	2							SCREW, Self Tapping, M6x1x14
22	5600 5217	2	U						SENSOR, Anti-Lock Brakes
		2	J						
		2	T						
		2	B						

JEEP CHEROKEE (XJ)				
SERIES	LINE	BODY	ENGINE	TRANSMISSION
L=Low Line	J=LHD (4WD) U=RHD (4WD) T=LHD (2WD) B=RHD (2WD)	74=4 DR. (101.4 WB) 72=2 DR. (101.4 WB)	ENC,EN0=2.5L 4 cyl. Turbo Die ERH,ER0=4.0L Power Tech I-6 EPE,EP0=Magnum 2.5L SMPI	DDQ=5Spd Man. DGS=4 Spd. Auto. AISIN DG0=All Auto Trans DBB=All Manual Trans.

AR = Use as required - = Non illustrated part # = New this model year

July 4, 2003

**Brake Lines, Front with Anti-Lock Brakes 1998 XJ**  
**Figure 005-555**



ITEM	PART NUMBER	QTY	LINE	SERIES	BODY	ENGINE	TRANS	TRIM	DESCRIPTION
NOTES; SALES CODE ERO= 2.5L GAS ENGINE, ENC 2.5L DIESEL ENGINE									
1	5200 9069	1							TUBE, Brake Primary
	5200 9074	1							Secondary
2									VALVE, Proportioning
	5212 8035	1	J, T						10' Rear Brakes (AHB Police Package)
	5212 9030	1							9' Rear Brakes
3									CLIP, Brake Line
	5200 8940	2	J, T						
		2	B, U						
4									CLIP, Five Way
	5212 8060	3	B, U						
		2	J, T						
5	J312 6237	2							GROMMET, Front Brake Tube
6									CLIP, Brake Line
	5200 9163	1	J, T						
		4	B, U						
7	3420 2688	2							CLIP, Latch&Line
8	5212 8157	1	J, T						CLIP, Brake Line
9									TUBE, Brake
	5200 9067	1	J, T						Proportioning Valve to HCU Primary
	52009 075AB	1	B, U						Proportioning Valve to HCU Primary
10									TUBE, Brake
	5200 9068	1	J, T						Proportioning Valve to HCU Secondary
	52009 076AC	1	B, U						Proportioning Valve to HCU Secondary
11									TUBE, Brake
	5200 9073	1	J, T						HCU to Front Left
	52009 079AB	1	B, U						HCU to Front Left
12	5212 7967	1							TUBE, Brake, HCU union to Rear
13									TUBE, Brake
	52009 072AB	1	J, T						HCU to Front Right
	52009 078AB	1	B, U						HCU to Front Right
14	5200 9146	1							TUBE, Brake, HCU to Rear Hose
15									HOSE, Brake
	5200 8674	1							Right
	5200 8675	1							Left
16	J323 7672	4							GASKET, Brake Hose To Caliper

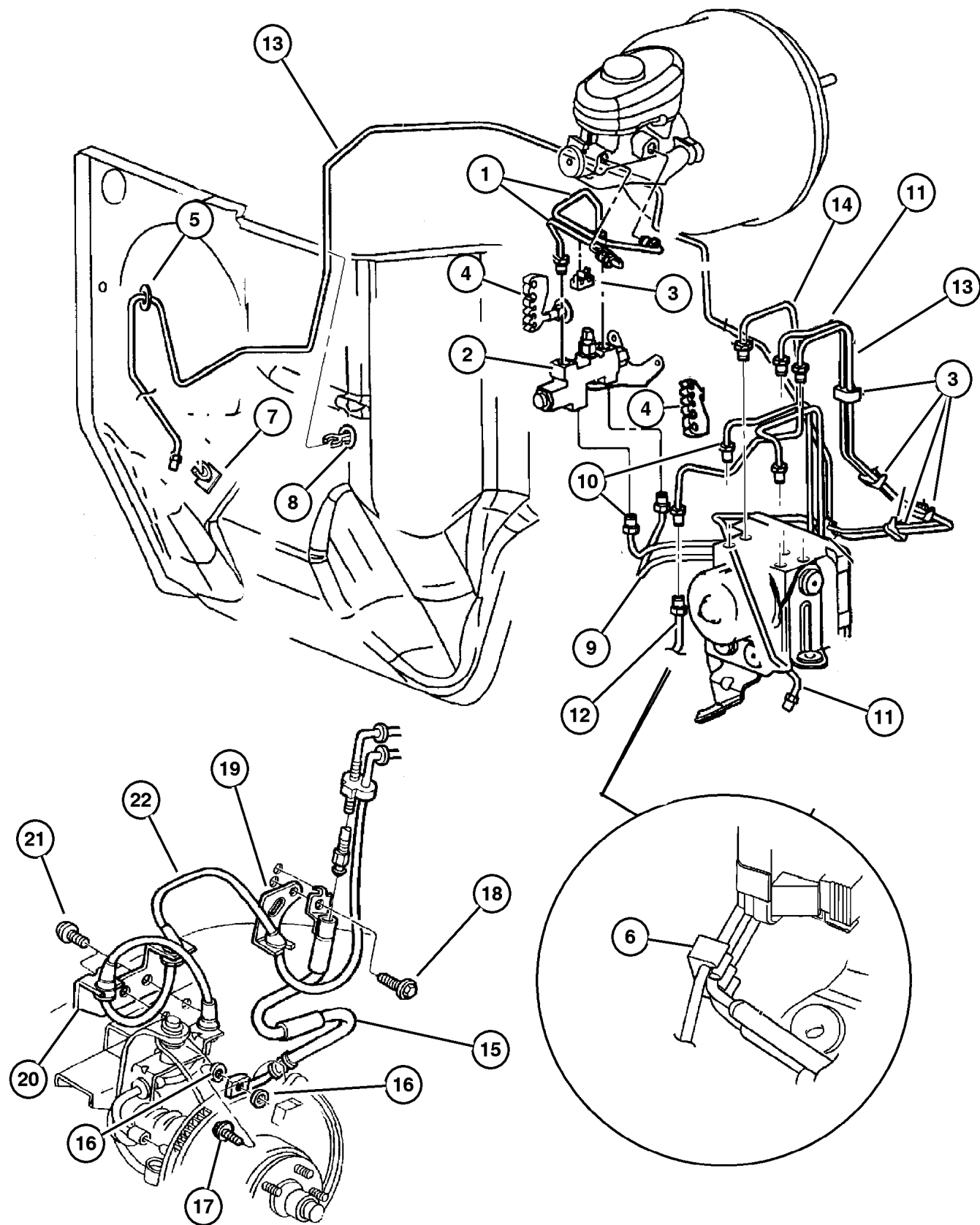
**JEEP CHEROKEE (XJ)**

SERIES	LINE	BODY	ENGINE	TRANSMISSION
L=Low Line	J=LHD (4WD) U=RHD (4WD) T=LHD (2WD) B=RHD (2WD)	74=4 DR. (101.4 WB) 72=2 DR. (101.4 WB)	ENC,EN0=2.5L 4 cyl. Turbo Die ERH,ER0=4.0L Power Tech I-6 EPE,EP0=Magnum 2.5L SMPI	DDQ=5Spd Man. DGS=4 Spd. Auto. AISIN DG0=All Auto Trans DBB=All Manual Trans.

AR = Use as required - = Non illustrated part # = New this model year

July 4, 2003

**Brake Lines, Front with Anti-Lock Brakes 1998 XJ**  
**Figure 005-555**



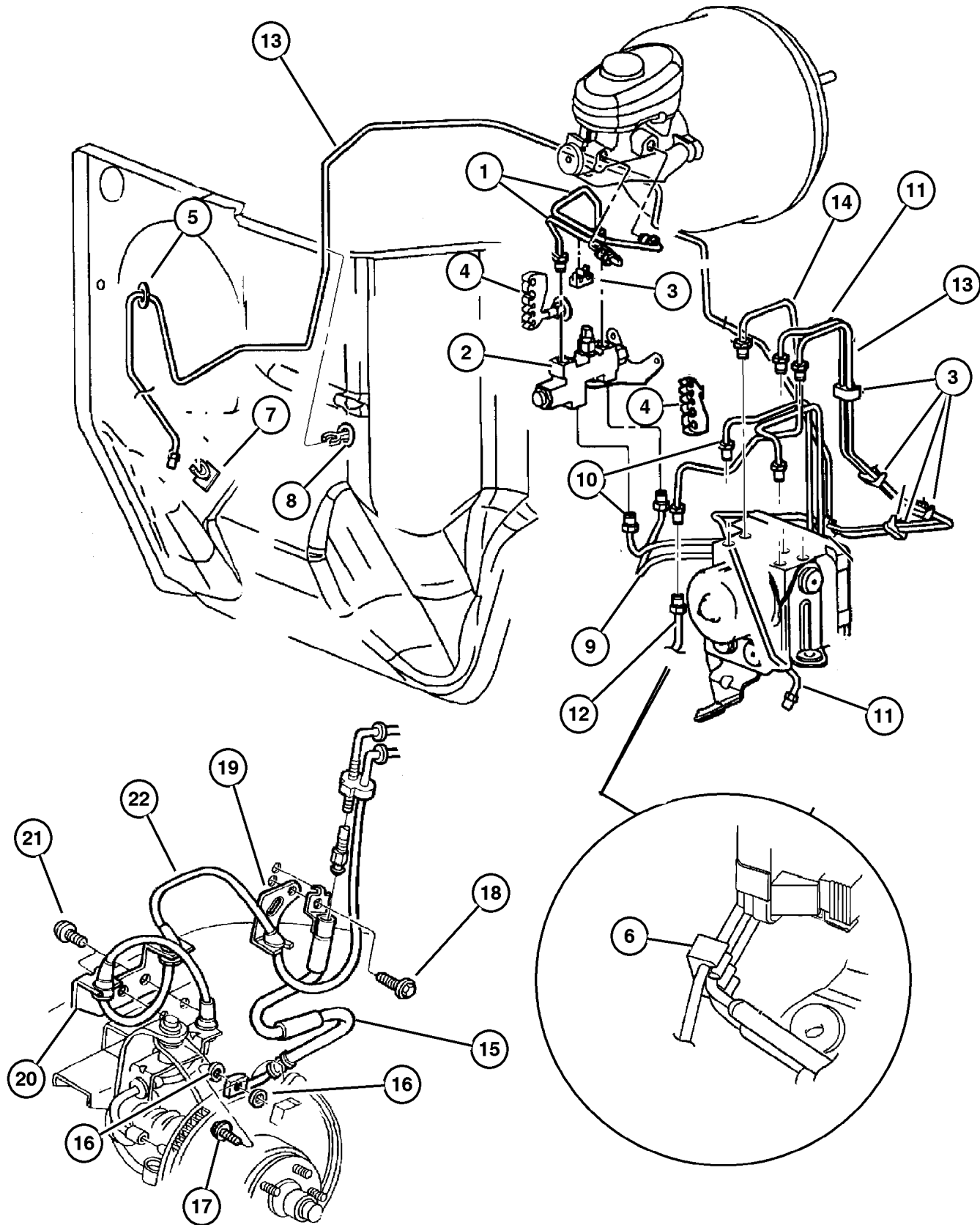
ITEM	PART NUMBER	QTY	LINE	SERIES	BODY	ENGINE	TRANS	TRIM	DESCRIPTION
17	J400 6700	2							BOLT, Hex Head, .375-24x1.03 Grade 8
18	6502 711	2							BOLT, ABS Sensor
19	5602 6836	1							BRACKET, ABS Sensor Right
	5602 6837	1							Left
20	5602 6996	1							BRACKET, Brake Sensor Right
	5602 6997	1							Left
21	3420 1912	2							SCREW, Self Tapping, M6x1x14
22	5600 5217	2	J						SENSOR, Anti-Lock Brakes
		2	U						
		2	T						
		2	B		74				

JEEP CHEROKEE (XJ)				
SERIES	LINE	BODY	ENGINE	TRANSMISSION
L=Low Line	J=LHD (4WD) U=RHD (4WD) T=LHD (2WD) B=RHD (2WD)	74=4 DR. (101.4 WB) 72=2 DR. (101.4 WB)	ENC,EN0=2.5L 4 cyl. Turbo Die ERH,ER0=4.0L Power Tech I-6 EPE,EP0=Magnum 2.5L SMPI	DDQ=5Spd Man. DGS=4 Spd. Auto. AISIN DG0=All Auto Trans DBB=All Manual Trans.

AR = Use as required - = Non illustrated part # = New this model year

July 4, 2003

**Brake Lines, Front with Anti-Lock Brakes 1999 XJ**  
**Figure 005-555**



ITEM	PART NUMBER	QTY	LINE	SERIES	BODY	ENGINE	TRANS	TRIM	DESCRIPTION
NOTES; SALES CODE ERO= 2.5L GAS ENGINE, ENC 2.5L DIESEL ENGINE									
1	5200 9069	1							TUBE, Brake Primary
	5200 9074	1							Secondary
2									VALVE, Proportioning
	5212 8035	1	J, T						10' Rear Brakes (AHB Police Package)
	5212 9030	1							9' Rear Brakes
3									CLIP, Brake Line
	5200 8940	2	J, T						
		5	B, U						
4									CLIP, Five Way
	5212 8060	2	J, T						
		3	B, U						
5	J312 6237	2							GROMMET, Front Brake Tube
6									CLIP, Brake Line
	5200 9163	1	J, T						
		7	B, U						
7	3420 2688	2							CLIP, Latch&Line
8	5212 8157	1	J, T						CLIP, Brake Line
9									TUBE, Brake
	5200 9067	1	J, T						Proportioning Valve to HCU Primary
	52009 075AB	1	B, U						Proportioning Valve to HCU Primary
10									TUBE, Brake
	5200 9068	1	J, T						Proportioning Valve to HCU Secondary
	52009 076AC	1	B, U						Proportioning Valve to HCU Secondary
11									TUBE, Brake
	5200 9073	1	J, T						HCU to Front Left
	52009 079AB	1	B, U						HCU to Front Left
12	5200 9067	1	J, T						TUBE, Brake, HCU to Union Rear
13									TUBE, Brake
	52009 072AB	1	J, T						HCU to Front Right
	52009 078AB	1	B, U						HCU to Front Right
14	5200 9146	1							TUBE, Brake, HCU to Rear Hose
15									HOSE, Brake
	5200 8674	1							Right
	5200 8675	1							Left
16	J323 7672	4							GASKET, Brake Hose To Caliper

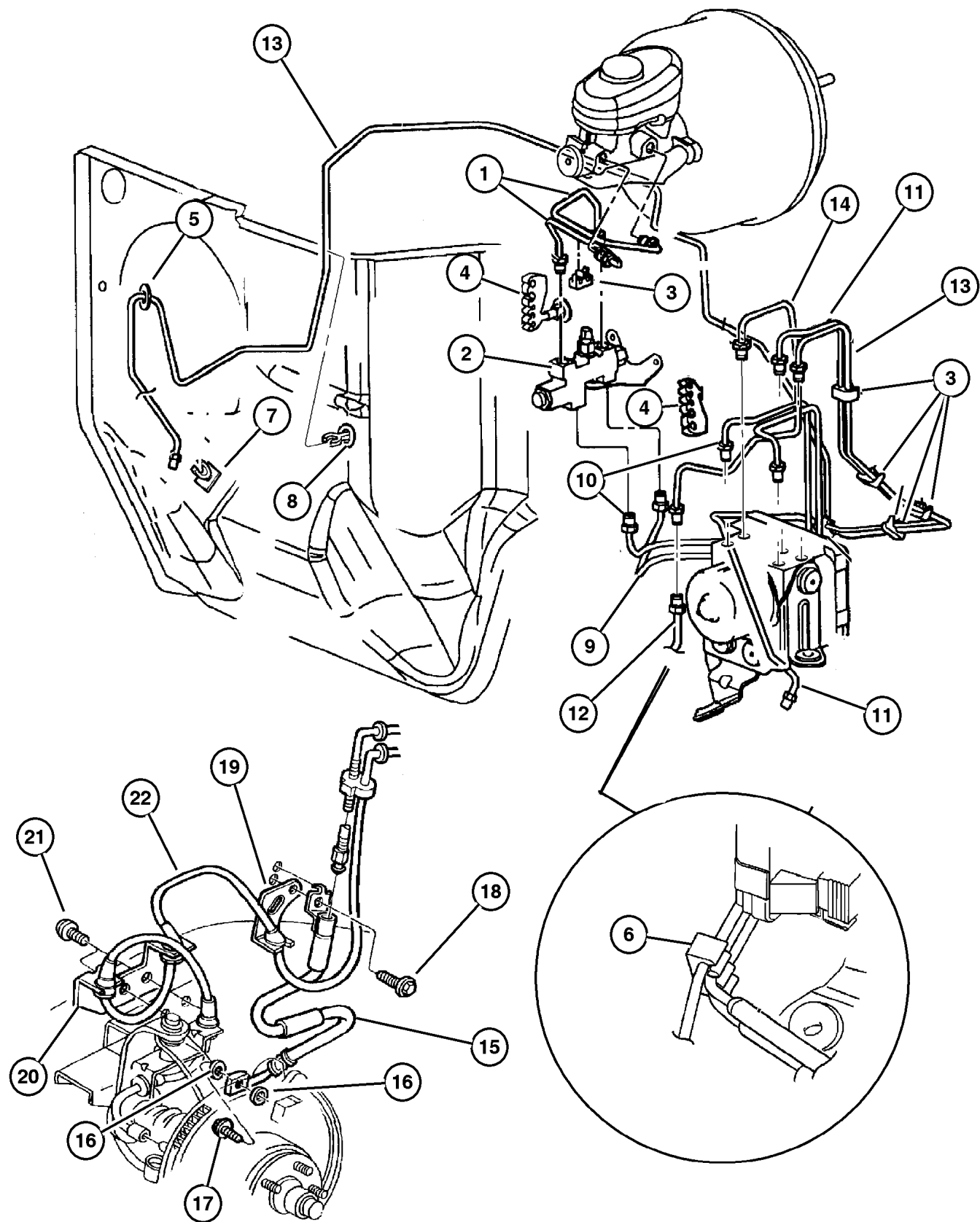
**JEEP CHEROKEE (XJ)**

SERIES	LINE	BODY	ENGINE	TRANSMISSION
L=Low Line	J=LHD (4WD) U=RHD (4WD) T=LHD (2WD) B=RHD (2WD)	74=4 DR. (101.4 WB) 72=2 DR. (101.4 WB)	ENC,EN0=2.5L 4 cyl. Turbo Die ERH,ER0=4.0L Power Tech I-6 EPE,EP0=Magnum 2.5L SMPI	DDQ=5Spd Man. DGS=4 Spd. Auto. AISIN DG0=All Auto Trans DBB=All Manual Trans.

AR = Use as required - = Non illustrated part # = New this model year

July 4, 2003

**Brake Lines, Front with Anti-Lock Brakes 1999 XJ**  
**Figure 005-555**



ITEM	PART NUMBER	QTY	LINE	SERIES	BODY	ENGINE	TRANS	TRIM	DESCRIPTION
17	J400 6700	2							BOLT, Hex Head, .375-24x1.03 Grade 8
18	6502 711	2							BOLT, ABS Sensor
19	5602 6836	1							BRACKET, ABS Sensor Right
	5602 6837	1							Left
20	5602 6996	1							BRACKET, Brake Sensor Right
	5602 6997	1							Left
21	3420 1912	2							SCREW, Self Tapping, M6x1x14
22	5600 5217	2	T						SENSOR, Anti-Lock Brakes
		2	J						
		2	U						
		2	B		74				

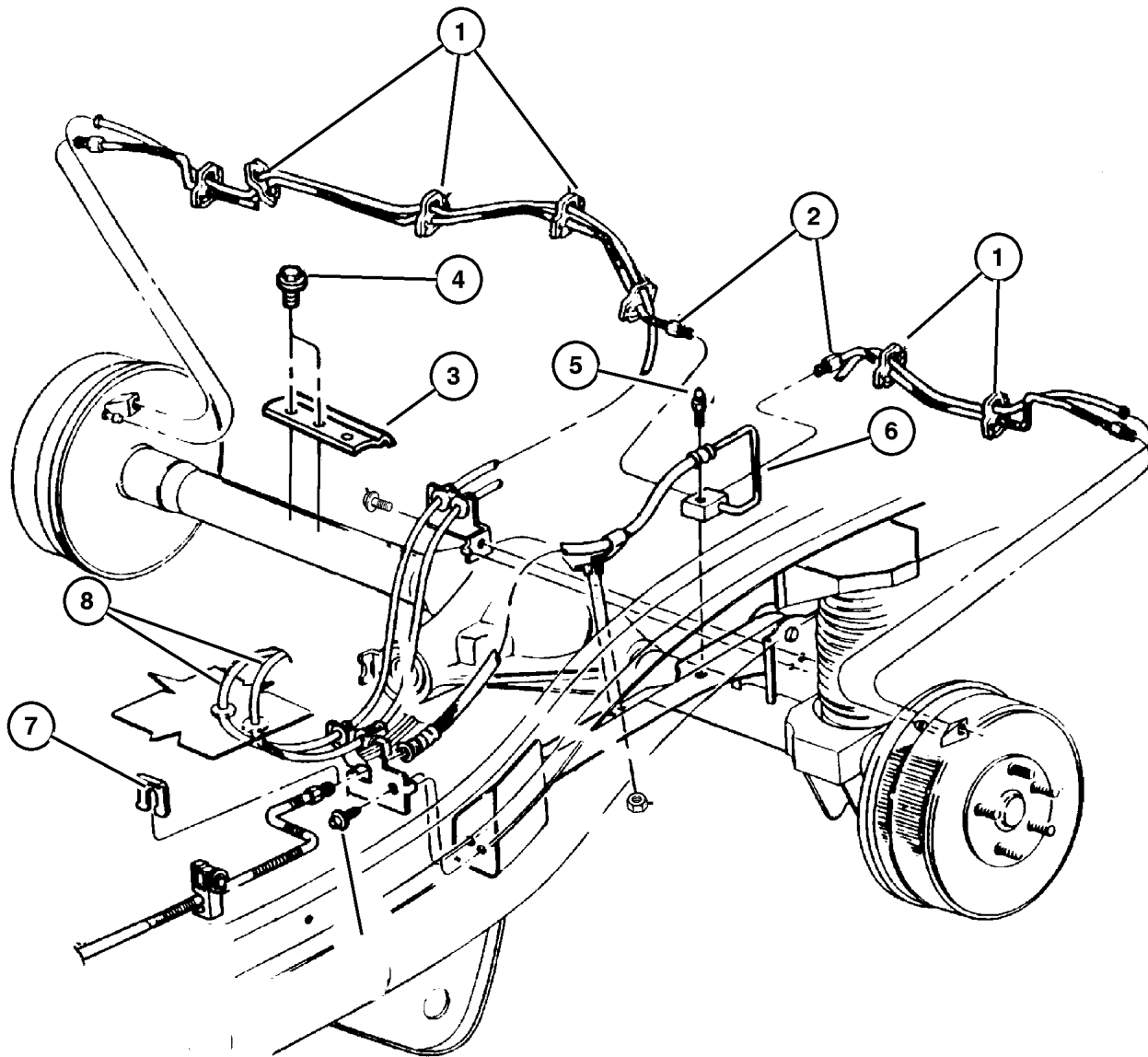
<b>JEEP CHEROKEE (XJ)</b>				
SERIES	LINE	BODY	ENGINE	TRANSMISSION
L=Low Line	J=LHD (4WD) U=RHD (4WD) T=LHD (2WD) B=RHD (2WD)	74=4 DR. (101.4 WB) 72=2 DR. (101.4 WB)	ENC,EN0=2.5L 4 cyl. Turbo Die ERH,ER0=4.0L Power Tech I-6 EPE,EP0=Magnum 2.5L SMPI	DDQ=5Spd Man. DGS=4 Spd. Auto. AISIN DG0=All Auto Trans DBB=All Manual Trans.

AR = Use as required - = Non illustrated part # = New this model year

July 4, 2003

**Brake Lines and Hoses, Rear 1997 XJ**  
**Figure 005-560**

ITEM	PART NUMBER	QTY	LINE	SERIES	BODY	ENGINE	TRANS	TRIM	DESCRIPTION
NOTE: Sales Code AHB= Police Package									
1	5602 6775	10							CLIP, Tube To Speed Sensor
2	5212 8264	1							TUBE, Brake Dana Model 35 Axle w/10' Brakes (AHB Police Package), Right
	5212 8265	1							Dana Model 35 Axle w/10' Brakes (AHB Police Package), Left
	5212 9022	1							Chrysler 8.25 Axle, Right
	5212 9023	1							Chrysler 8.25 Axle, Left
	5213 0024	1							Dana Model 35 Axle w/9' Brakes, Right
	5213 0025	1							Dana Model 35 Axle w/9' Brakes, Left
3	5200 7800	1							CLIP, Brake Tube
4	3420 1912	2							SCREW, Self Tapping, M6x1x14
5	J318 7999	1							VENT, Axle
6	5200 7562	1							HOSE, Brake
7	2208 893	1							LOCK, Brake Hose
8	5200 5932	1							SENSOR, Anti-Lock Brakes Right
	5200 5933	1							Left



**JEEP CHEROKEE (XJ)**

SERIES	LINE	BODY	ENGINE	TRANSMISSION
L=Low Line	J=LHD (4WD) U=RHD (4WD) T=LHD (2WD) B=RHD (2WD)	74=4 DR. (101.4 WB) 72=2 DR. (101.4 WB)	ENC,EN0=2.5L 4 cyl. Turbo Die ERH,ER0=4.0L Power Tech I-6 EPE,EP0=Magnum 2.5L SMPI	DDQ=5Spd Man. DGS=4 Spd. Auto. AISIN DG0=All Auto Trans DBB=All Manual Trans.

AR = Use as required - = Non illustrated part # = New this model year

July 4, 2003

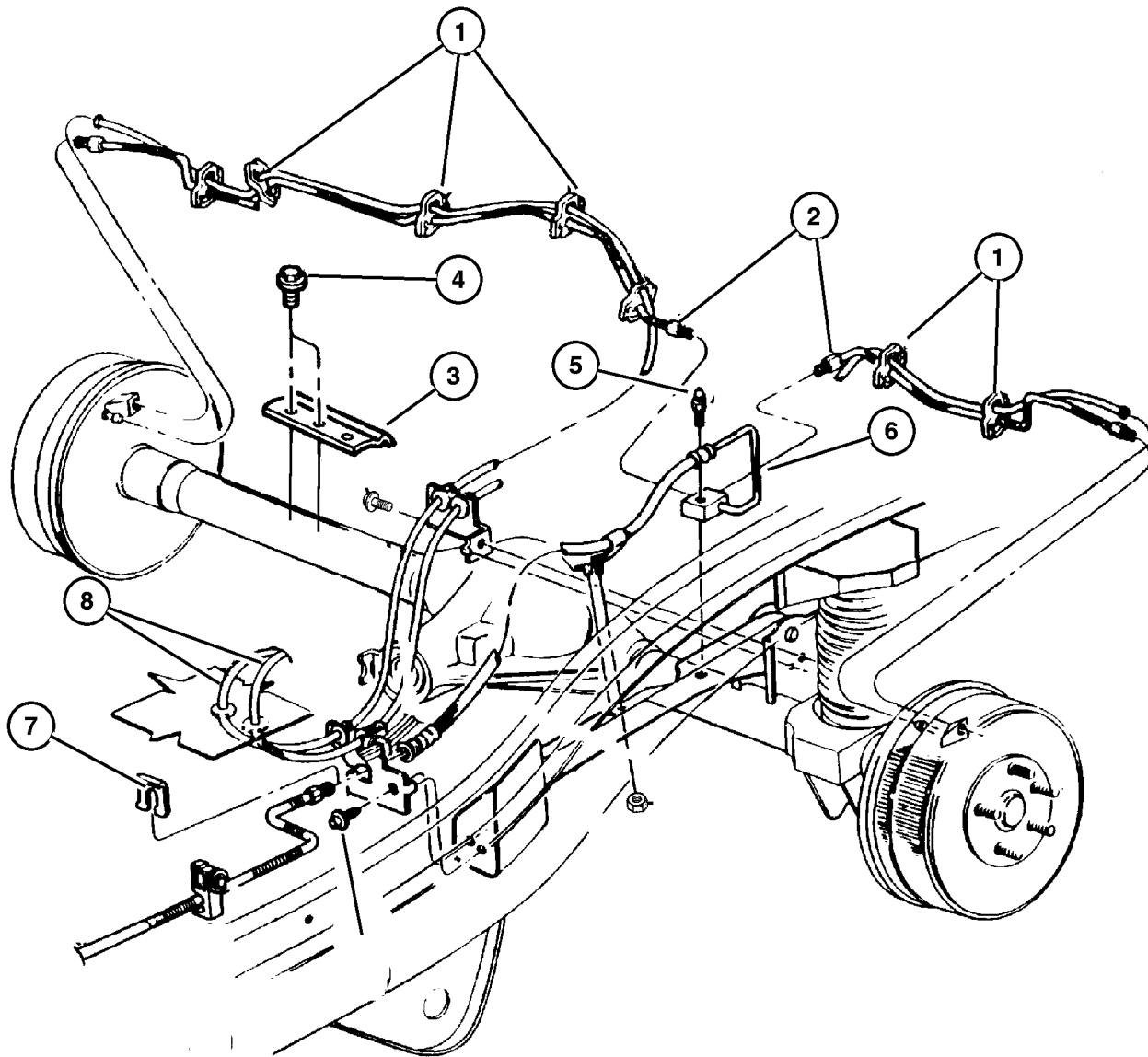


**Brake Lines and Hoses, Rear 1998 XJ**  
**Figure 005-560**

ITEM	PART NUMBER	QTY	LINE	SERIES	BODY	ENGINE	TRANS	TRIM	DESCRIPTION
------	-------------	-----	------	--------	------	--------	-------	------	-------------

NOTE: Sales Code AHB= Police Package

1	5602 6775	10							CLIP, Tube To Speed Sensor
2	5212 8264	1							TUBE, Brake Dana Model 35 Axle w/10' Brakes (AHB Police Package) Up to 2-10-98, Right
	52128 264AB	1							Dana Model 35 Axle w/10' Brakes (AHB Police Package) After 2-10-98, Right
	5212 8265	1							Dana Model 35 Axle w/10' Brakes (AHB Police Package) Up to 2-10-98, Left
	52128 265AB	1							Dana Model 35 Axle w/10' Brakes (AHB Police Package) After 2-10-98, Left
	5212 9022	1							Chrysler 8.25 Axle, Right
	5212 9023	1							Chrysler 8.25 Axle, Left
	5213 0024	1							Dana Model 35 Axle w/9' Brakes, Right
	5213 0025	1							Dana Model 35 Axle w/9' Brakes, Left
3	5200 7800	1							CLIP, Brake Tube
4	3420 1912	2							SCREW, Self Tapping, M6x1x14
5	J318 7999	1							VENT, Axle
6	5200 7562	1							HOSE, Brake
7	2208 893	1							LOCK, Brake Hose
8	5200 5932	1							SENSOR, Anti-Lock Brakes Right
	5200 5933	1							Left



**JEEP CHEROKEE (XJ)**

SERIES	LINE	BODY	ENGINE	TRANSMISSION
L=Low Line	J=LHD (4WD) U=RHD (4WD) T=LHD (2WD) B=RHD (2WD)	74=4 DR. (101.4 WB) 72=2 DR. (101.4 WB)	ENC,ENO=2.5L 4 cyl. Turbo Die ERH,ERO=4.0L Power Tech I-6 EPE,EP0=Magnum 2.5L SMPI	DDQ=5Spd Man. DGS=4 Spd. Auto. AISIN DG0=All Auto Trans DBB=All Manual Trans.

AR = Use as required - = Non illustrated part # = New this model year

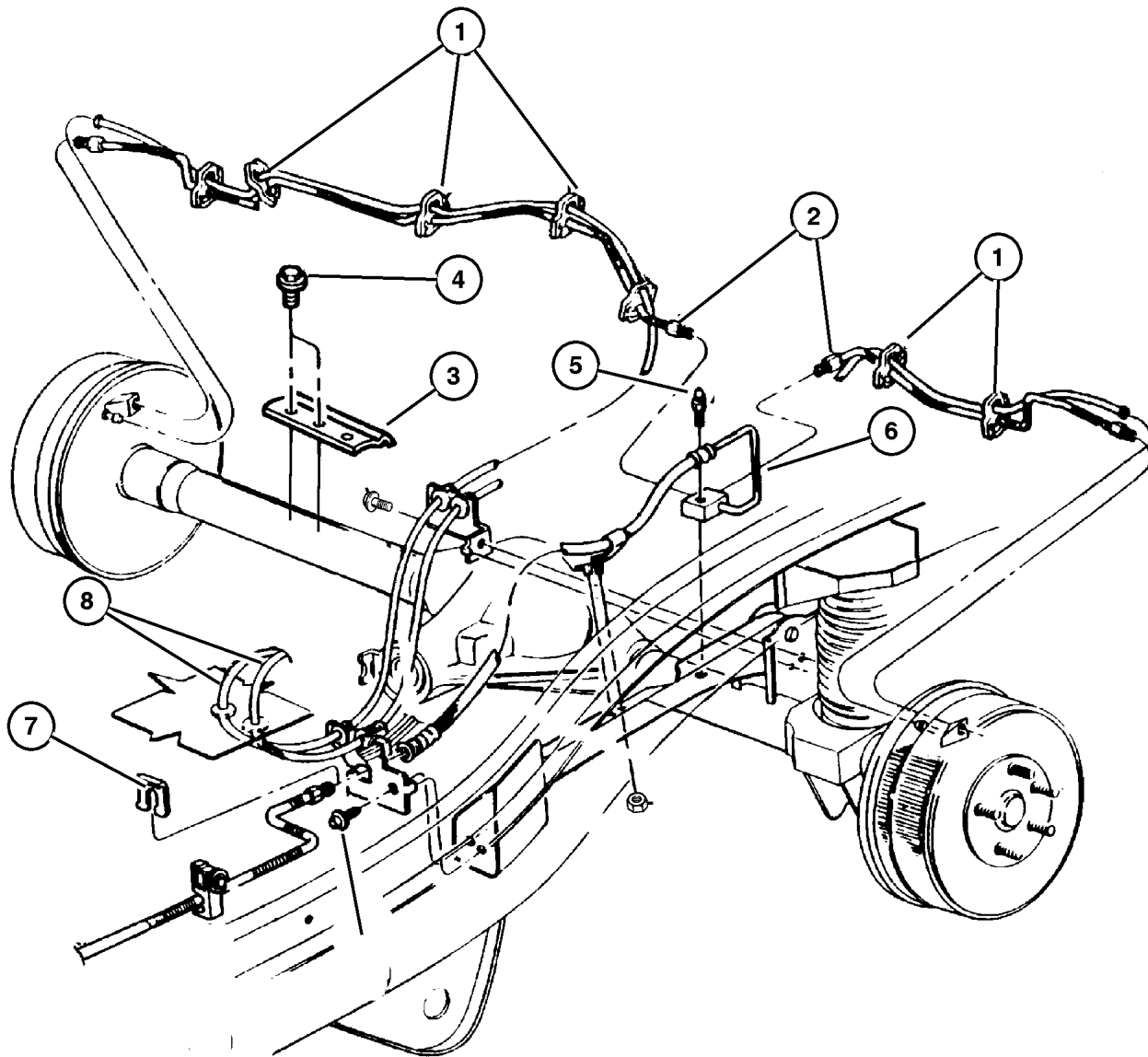
July 4, 2003

**Brake Lines and Hoses, Rear 1999 XJ**  
**Figure 005-560**

ITEM	PART NUMBER	QTY	LINE	SERIES	BODY	ENGINE	TRANS	TRIM	DESCRIPTION
------	-------------	-----	------	--------	------	--------	-------	------	-------------

NOTE: Sales Code AHB= Police Package

1	5602 6775	10							CLIP, Tube To Speed Sensor
2	52128 264AB	1							TUBE, Brake Dana Model 35 Axle w/10' Brakes (AHB Police Package) After 2-10-98 Up to 9-9-98, Right
	52128 264AC	1							Dana Model 35 Axle w/10' Brakes (AHB Police Package) After 9-9-98, Right
	52128 265AB	1							Dana Model 35 Axle w/10' Brakes (AHB Police Package) After 2-10-98 Up to 9-9-98, Left
	52128 265AC	1							Dana Model 35 Axle w/10' Brakes (AHB Police Package) After 9-9-98, Left
	5212 9022	1							Chrysler 8.25 Axle, Right
	5212 9023	1							Chrysler 8.25 Axle, Left
	5213 0024	1							Dana Model 35 Axle w/9' Brakes, Right
	5213 0025	1							Dana Model 35 Axle w/9' Brakes, Left
3	5200 7800	1							CLIP, Brake Tube
4	3420 1912	2							SCREW, Self Tapping, M6x1x14
5	J318 7999	1							VENT, Axle
6	5200 7562	1							HOSE, Brake
7	2208 893	1							LOCK, Brake Hose
8	5200 5932	1							SENSOR, Anti-Lock Brakes Right
	5200 5933	1							Left



**JEEP CHEROKEE (XJ)**

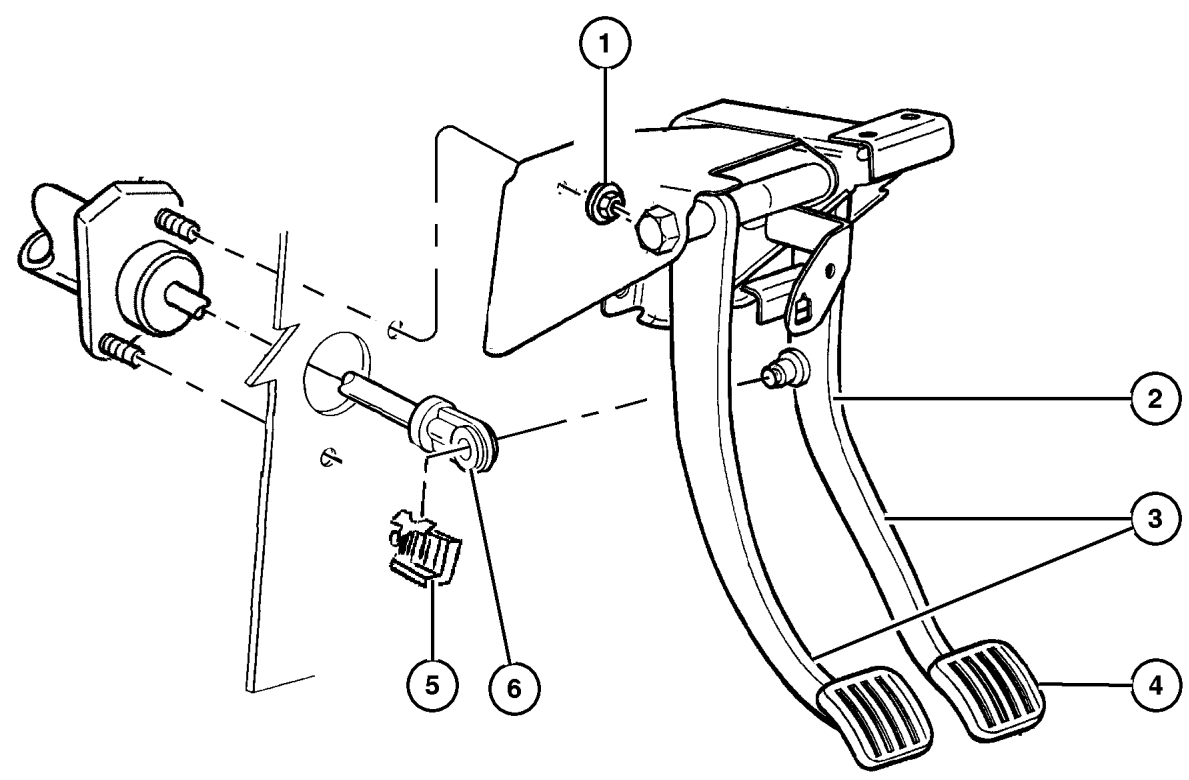
SERIES	LINE	BODY	ENGINE	TRANSMISSION
L=Low Line	J=LHD (4WD) U=RHD (4WD) T=LHD (2WD) B=RHD (2WD)	74=4 DR. (101.4 WB) 72=2 DR. (101.4 WB)	ENC,ENO=2.5L 4 cyl. Turbo Die ERH,ERO=4.0L Power Tech I-6 EPE,EP0=Magnum 2.5L SMPI	DDQ=5Spd Man. DGS=4 Spd. Auto. AISIN DGO=All Auto Trans DBB=All Manual Trans.

AR = Use as required - = Non illustrated part # = New this model year

July 4, 2003

**Brake Pedal 1997 XJ**  
**Figure 005-610**

ITEM	PART NUMBER	QTY	LINE	SERIES	BODY	ENGINE	TRANS	TRIM	DESCRIPTION
Note:DBB= All Manual Transmissions---DG0=All Automatic Transmissions									
1	J400 3909	2							NUT, Hex Flange With Serration
2	52129 061AC	1	J, T						PEDAL, Brake [DG0]
	52078 848AB	1	B, U						[DG0]
3	52128 075AB	1	J, T						PEDAL, Brake And Clutch [DBB]
	52079 254AB	1	B, U						[DBB]
4	5207 8540	1	J, T						PAD, Pedal [DG0]
		1	B, U						[DG0]
	5200 2750	1	J, T						[DBB]
		1	B, U						[DBB]
5	6035 334	1							CLIP, Brake Push Rod
6	4446 361	1							BUSHING, Hydraulic Clutch Actuator, Brake Booster Push Rod



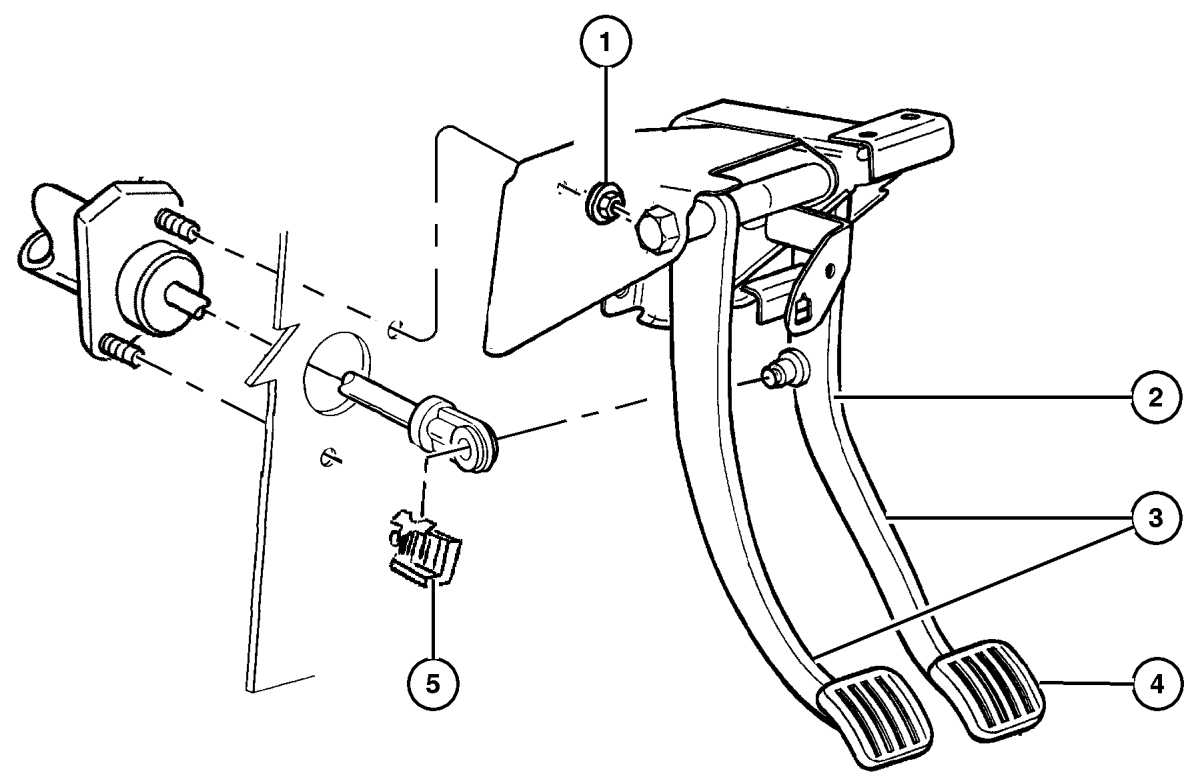
<b>JEEP CHEROKEE (XJ)</b>				
SERIES	LINE	BODY	ENGINE	TRANSMISSION
L=Low Line	J=LHD (4WD) U=RHD (4WD) T=LHD (2WD) B=RHD (2WD)	74=4 DR. (101.4 WB) 72=2 DR. (101.4 WB)	ENC,EN0=2.5L 4 cyl. Turbo Die ERH,ER0=4.0L Power Tech I-6 EPE,EP0=Magnum 2.5L SMPI	DDQ=5Spd Man. DGS=4 Spd. Auto. AISIN DG0=All Auto Trans DBB=All Manual Trans.

AR = Use as required - = Non illustrated part # = New this model year

July 4, 2003

**Brake Pedal 1998 XJ  
Figure 005-610**

ITEM	PART NUMBER	QTY	LINE	SERIES	BODY	ENGINE	TRANS	TRIM	DESCRIPTION
Note:DBB= All Manual Transmissions---DG0=All Automatic Transmissions									
1	J400 3909	4							NUT, Hex Flange With Serration
2	52129 061AE	1	J, T						PEDAL, Brake [DG0]
	52078 848AC	1	B, U						[DG0]
3	52128 075AD	1	J, T						PEDAL, Brake And Clutch [DBB]
	52079 254AC	1	B, U						[DBB]
4									PAD, Pedal
	5207 8540	1	J, T						[DG0]
		1	B, U						[DG0]
	5200 2750	1	J, T						[DBB]
		1	B, U						[DBB]
5	6035 334	1							CLIP, Brake Push Rod



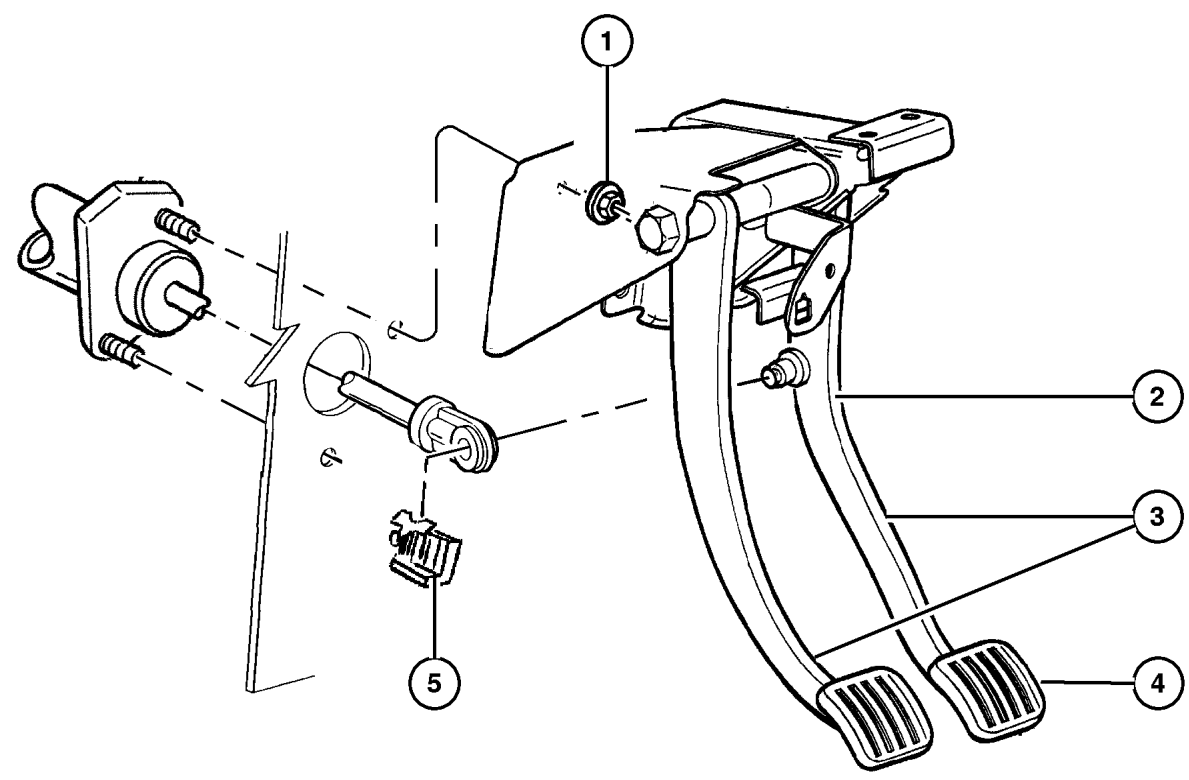
<b>JEEP CHEROKEE (XJ)</b>				
SERIES	LINE	BODY	ENGINE	TRANSMISSION
L=Low Line	J=LHD (4WD) U=RHD (4WD) T=LHD (2WD) B=RHD (2WD)	74=4 DR. (101.4 WB) 72=2 DR. (101.4 WB)	ENC,EN0=2.5L 4 cyl. Turbo Die ERH,ER0=4.0L Power Tech I-6 EPE,EP0=Magnum 2.5L SMPI	DDQ=5Spd Man. DGS=4 Spd. Auto. AISIN DG0=All Auto Trans DBB=All Manual Trans.

AR = Use as required - = Non illustrated part # = New this model year

July 4, 2003

**Brake Pedal 1999 XJ**  
**Figure 005-610**

ITEM	PART NUMBER	QTY	LINE	SERIES	BODY	ENGINE	TRANS	TRIM	DESCRIPTION
Note:DBB= All Manual Transmissions---DG0=All Automatic Transmissions									
1	J400 3909	4							NUT, Hex Flange With Serration
2	52129 061AE	1	J, T						PEDAL, Brake [DG0]
	52078 848AC	1	B, U						[DG0]
3	52128 075AD	1	J, T						PEDAL, Brake And Clutch [DBB]
	52079 254AC	1	B, U						[DBB]
4	5207 8540	1	J, T						PAD, Pedal [DG0]
		1	B, U						[DG0]
	5200 2750	2	J, T						[DBB]
		2	B, U						[DBB]
5	6035 334	1							CLIP, Brake Push Rod



<b>JEEP CHEROKEE (XJ)</b>				
SERIES	LINE	BODY	ENGINE	TRANSMISSION
L=Low Line	J=LHD (4WD) U=RHD (4WD) T=LHD (2WD) B=RHD (2WD)	74=4 DR. (101.4 WB) 72=2 DR. (101.4 WB)	ENC,EN0=2.5L 4 cyl. Turbo Die ERH,ER0=4.0L Power Tech I-6 EPE,EP0=Magnum 2.5L SMPI	DDQ=5Spd Man. DGS=4 Spd. Auto. AISIN DG0=All Auto Trans DBB=All Manual Trans.

AR = Use as required - = Non illustrated part # = New this model year

July 4, 2003

# Group – 006

## Clutch

### GROUP 6 - Clutch

Illustration Title

Group-Fig. No.

#### Clutch

Clutch 1997 XJ .....	Fig. 006-110
Clutch 1998 XJ .....	Fig. 006-110
Clutch 1999 XJ .....	Fig. 006-110

#### Clutch Housing

Clutch Housing 1997 XJ .....	Fig. 006-210
Clutch Housing 1998 XJ .....	Fig. 006-210
Clutch Housing 1999 XJ .....	Fig. 006-210

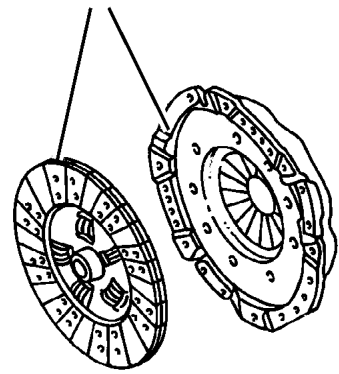
#### Clutch Controls

Clutch Control 1997 XJ .....	Fig. 006-320
Clutch Control 1998 XJ .....	Fig. 006-320
Clutch Control 1999 XJ .....	Fig. 006-320

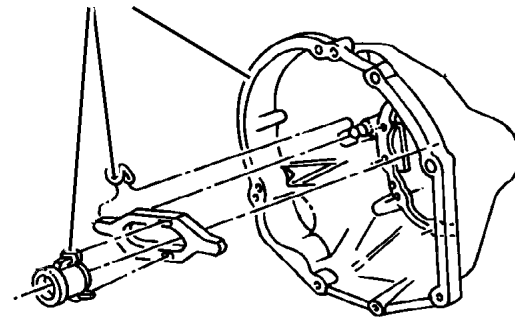
#### Clutch Pedals

Pedal Clutch .....	Fig. 006-420
--------------------	--------------

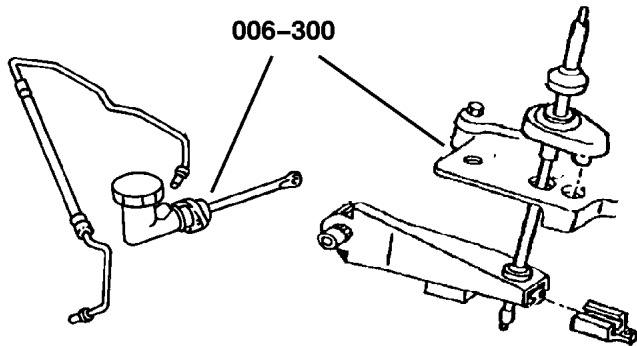
006-100



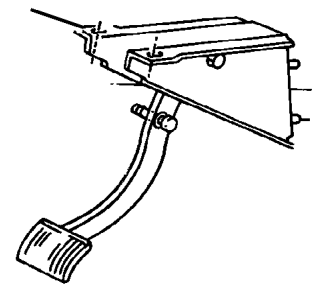
006-200

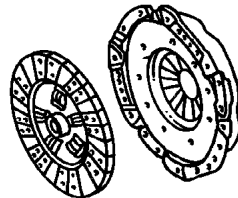
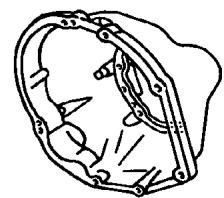
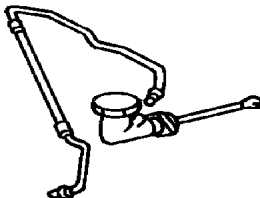
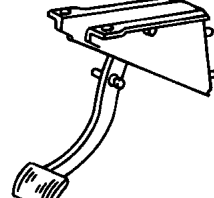


006-300

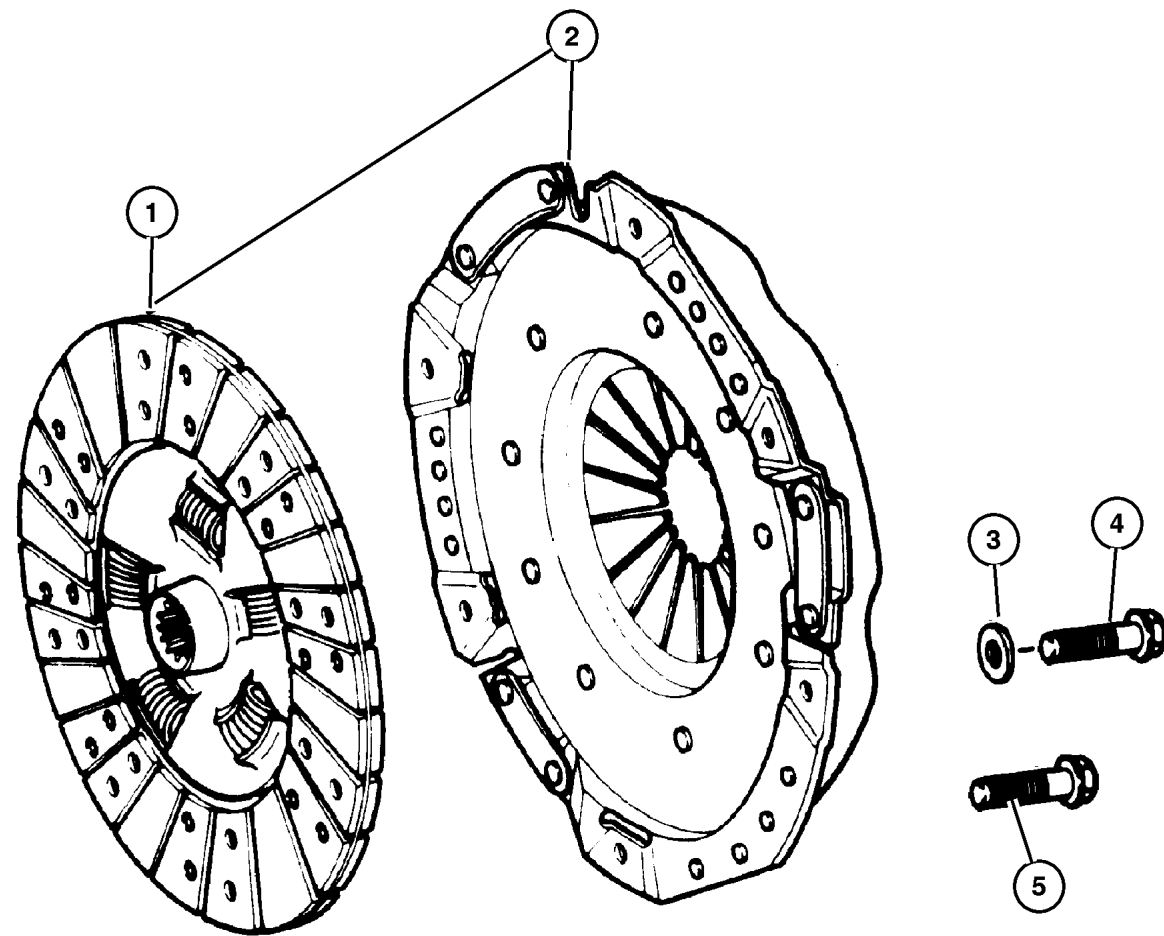


006-400



<p><b>006-100</b> Clutch</p> 	<p><b>006-200</b> Clutch Housing</p> 	<p><b>006-300</b> Clutch Controls</p> 	<p><b>006-400</b> Clutch Pedals</p> 
--	--	--	---

Clutch 1997 XJ  
Figure 006-110



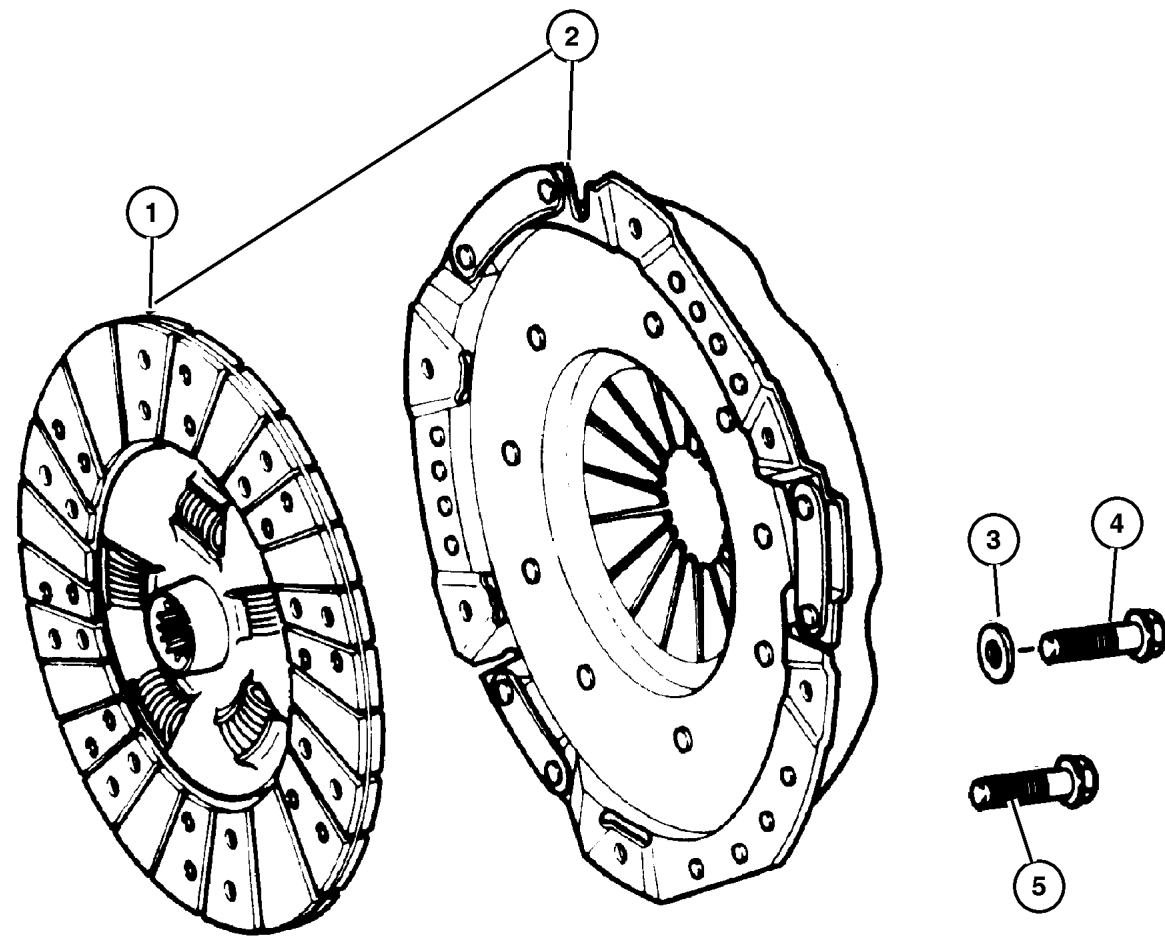
ITEM	PART NUMBER	QTY	LINE	SERIES	BODY	ENGINE	TRANS	TRIM	DESCRIPTION
Notes:									
EPO= All 2.5L, 4 Cylinder, Gas Engine									
ER0= All 4L., 6 Cylinder, Gas Engine									
EN0= All 4/5 Cylinder, Turbo Diesel Engine									
DBB = All Manual Transmissions									
DDQ = 5 Speed Manual Transmission									
1									DISC, Clutch
	5210 4044	1				EN0	DBB		
	5210 7571	1				EPO	DBB		
	5300 8259	1				ER0	DDQ		
2									CLUTCH PACKAGE
	4746 820	1				EPO	DBB		
	4864 835	1				EN0	DBB		
	4874 175	1				ER0	DDQ		
3	1150 0221	6				EPO	DBB		WASHER, Flat
4	3420 1373	6				EPO	DBB		BOLT, Hex Head, M8x1.25x22
5									BOLT, Hex Head, .375-16x.84
	6035 626	6				EN0	DBB		
		6				ER0	DBB		

JEEP CHEROKEE (XJ)				
SERIES	LINE	BODY	ENGINE	TRANSMISSION
L=Low Line	J=LHD (4WD) U=RHD (4WD) T=LHD (2WD) B=RHD (2WD)	74=4 DR. (101.4 WB) 72=2 DR. (101.4 WB)	ENC,EN0=2.5L 4 cyl. Turbo Die ERH,ER0=4.0L Power Tech I-6 EPE,EPO=Magnum 2.5L SMPI	DDQ=5Spd Man. DGS=4 Spd. Auto. AISIN DG0=All Auto Trans DBB=All Manual Trans.

AR = Use as required - = Non illustrated part # = New this model year

July 4, 2003

Clutch 1998 XJ  
Figure 006-110



ITEM	PART NUMBER	QTY	LINE	SERIES	BODY	ENGINE	TRANS	TRIM	DESCRIPTION
Notes:									
EPO= All 2.5L, 4 Cylinder, Gas Engine									
ER0= All 4L., 6 Cylinder, Gas Engine									
EN0= All 4/5 Cylinder, Turbo Diesel Engine									
DBB = All Manual Transmissions									
DDQ = 5 Speed Manual Transmission									
1									DISC, Clutch
	5210 4044	1				EN0	DBB		
	5210 7571	1				EPO	DBB		
	5300 8259	1				ER0	DDQ		
2									CLUTCH PACKAGE
	4746 820	1				EPO	DBB		
	4864 835	1				EN0	DBB		
	4874 175	1				ER0	DDQ		
3	1150 0221	6				EPO	DBB		WASHER, Flat
4	3420 1373	6				EPO	DBB		BOLT, Hex Head, M8x1.25x22
5									BOLT, Hex Head, .375-16x.84
	6035 626	6				ER0	DBB		
		6				EN0	DBB		

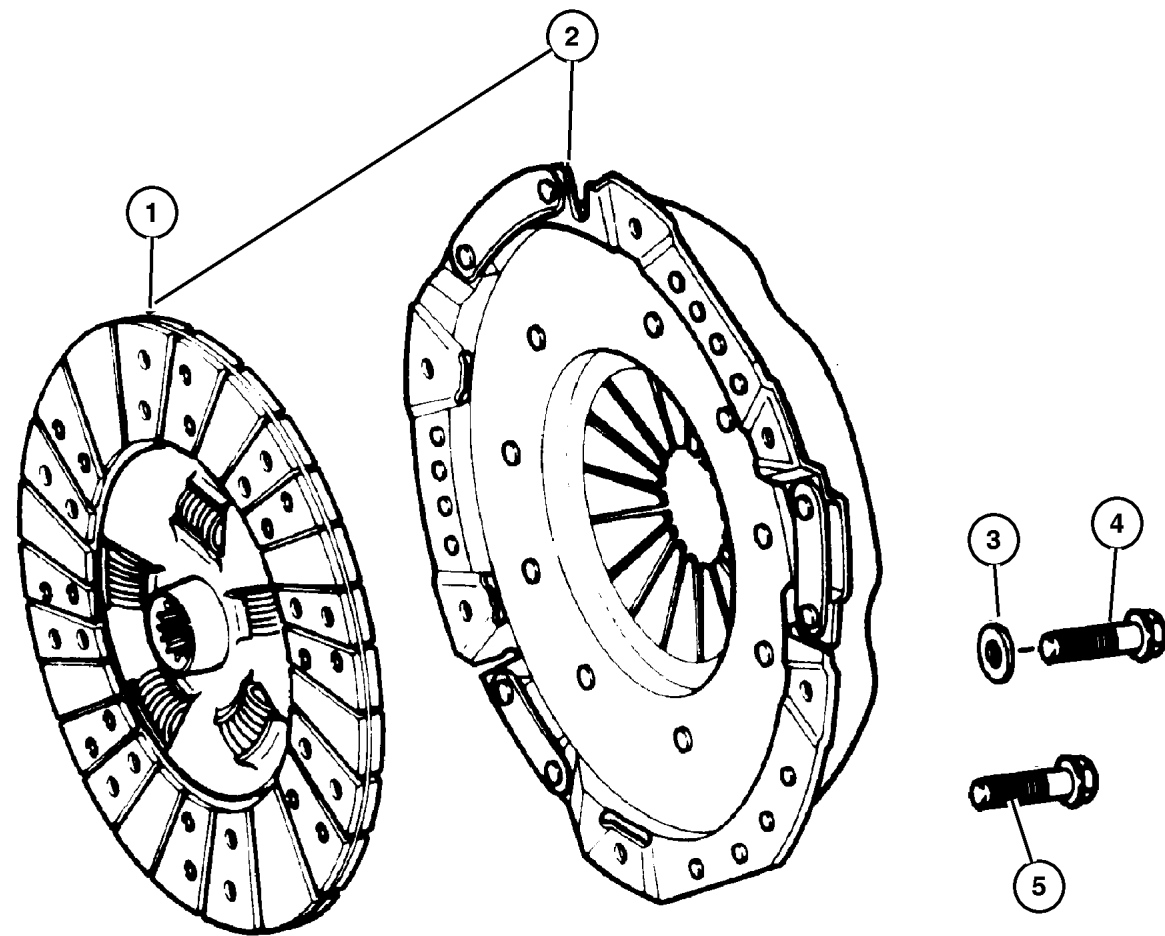
JEEP CHEROKEE (XJ)				
SERIES	LINE	BODY	ENGINE	TRANSMISSION
L=Low Line	J=LHD (4WD) U=RHD (4WD) T=LHD (2WD) B=RHD (2WD)	74=4 DR. (101.4 WB) 72=2 DR. (101.4 WB)	ENC,EN0=2.5L 4 cyl. Turbo Die ERH,ER0=4.0L Power Tech I-6 EPE,EPO=Magnum 2.5L SMPI	DDQ=5Spd Man. DGS=4 Spd. Auto. AISIN DG0=All Auto Trans DBB=All Manual Trans.

AR = Use as required - = Non illustrated part # = New this model year

July 4, 2003



Clutch 1999 XJ  
Figure 006-110



ITEM	PART NUMBER	QTY	LINE	SERIES	BODY	ENGINE	TRANS	TRIM	DESCRIPTION
Notes:									
EPO= All 2.5L, 4 Cylinder, Gas Engine									
ER0= All 4L., 6 Cylinder, Gas Engine									
EN0= All 4/5 Cylinder, Turbo Diesel Engine									
DBB = All Manual Transmissions									
DDQ = 5 Speed Manual Transmission									
1									DISC, Clutch
	5210 4044	1				EN0	DBB		
	5210 7571	1				EPO	DBB		
	5300 8259	1				ER0	DBB		
2									CLUTCH PACKAGE
	4864 835	1				EN0	DBB		
	4874 175	1				ER0	DBB		
3	1150 0221	6				EPO	DBB		WASHER, Flat
4	3420 1373	6				EPO	DBB		BOLT, Hex Head, M8x1.25x22
5									BOLT, Hex Head, .375-16x.84
	6035 626	6				ER0	DBB		
		6				EN0	DBB		

JEEP CHEROKEE (XJ)				
SERIES	LINE	BODY	ENGINE	TRANSMISSION
L=Low Line	J=LHD (4WD) U=RHD (4WD) T=LHD (2WD) B=RHD (2WD)	74=4 DR. (101.4 WB) 72=2 DR. (101.4 WB)	ENC,EN0=2.5L 4 cyl. Turbo Die ERH,ER0=4.0L Power Tech I-6 EPE,EPO=Magnum 2.5L SMPI	DDQ=5Spd Man. DGS=4 Spd. Auto. AISIN DG0=All Auto Trans DBB=All Manual Trans.

AR = Use as required - = Non illustrated part # = New this model year

July 4, 2003

**Clutch Housing 1997 XJ**  
**Figure 006-210**

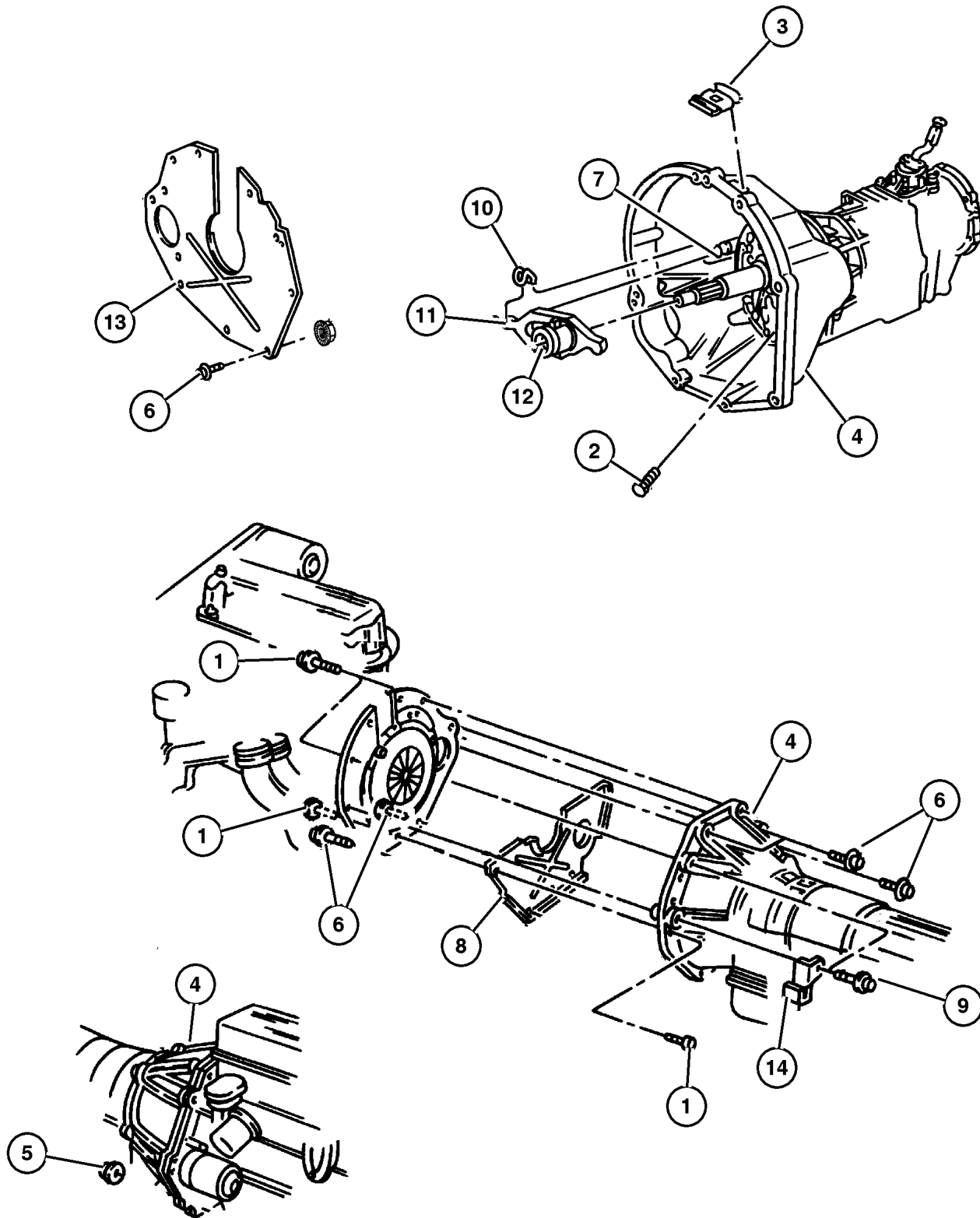
ITEM	PART NUMBER	QTY	LINE	SERIES	BODY	ENGINE	TRANS	TRIM	DESCRIPTION
Notes:									
EPO= All 2.5L, 4 Cylinder, Gas Engine									
ER0= All 4.0L, 6 Cylinder, Gas Engine									
EN0= All 4/5 Cylinder, Turbo Diesel Engine									
DBB = All Manual Transmissions									
DDQ = 5 Speed Manual Transmission									
1	1150 0986	3				ER0	DBB		BOLT, Hex Flange Head, M8x2.12x16
2	6503 299	9					DDQ		BOLT, Hex Head
3	5300 6010	1				EPO, ER0	DBB		GROMMET, Timing Probe
4	5210 4000	1				EPO	DBB		HOUSING, Clutch
	5210 7552	1				EN0, ER0	DBB		
5	0152 344	AR					DBB		NUT, .375-16
6	1150 4922	AR				EPO, ER0	DBB		BOLT, Hex Head, M12x1.75x50
7	5208 7542	1				EPO	DBB		PIVOT, Clutch Release
		1				EN0, ER0	DBB		
8	5300 3382	1				EPO	DBB		COVER, Transmission Case
9	3420 1837	2				EPO	DBB		BOLT, Hex Flange Head, M12x1.75x90
10	4338 855	1					DBB		SPRING, Clutch Release
11	5210 7555	1					DBB		FORK, Clutch Release
12	5300 8342	1					DBB		BEARING, Clutch Release
13	5300 4473	1				ER0	DBB		SPACER, Clutch Housing
14	5210 7595	1					DBB		BRACKET, Clutch Tube

**JEEP CHEROKEE (XJ)**

SERIES	LINE	BODY	ENGINE	TRANSMISSION
L=Low Line	J=LHD (4WD) U=RHD (4WD) T=LHD (2WD) B=RHD (2WD)	74=4 DR. (101.4 WB) 72=2 DR. (101.4 WB)	ENC,EN0=2.5L 4 cyl. Turbo Die ERH,ER0=4.0L Power Tech I-6 EPE,EPO=Magnum 2.5L SMPI	DDQ=5Spd Man. DGS=4 Spd. Auto. AISIN DG0=All Auto Trans DBB=All Manual Trans.

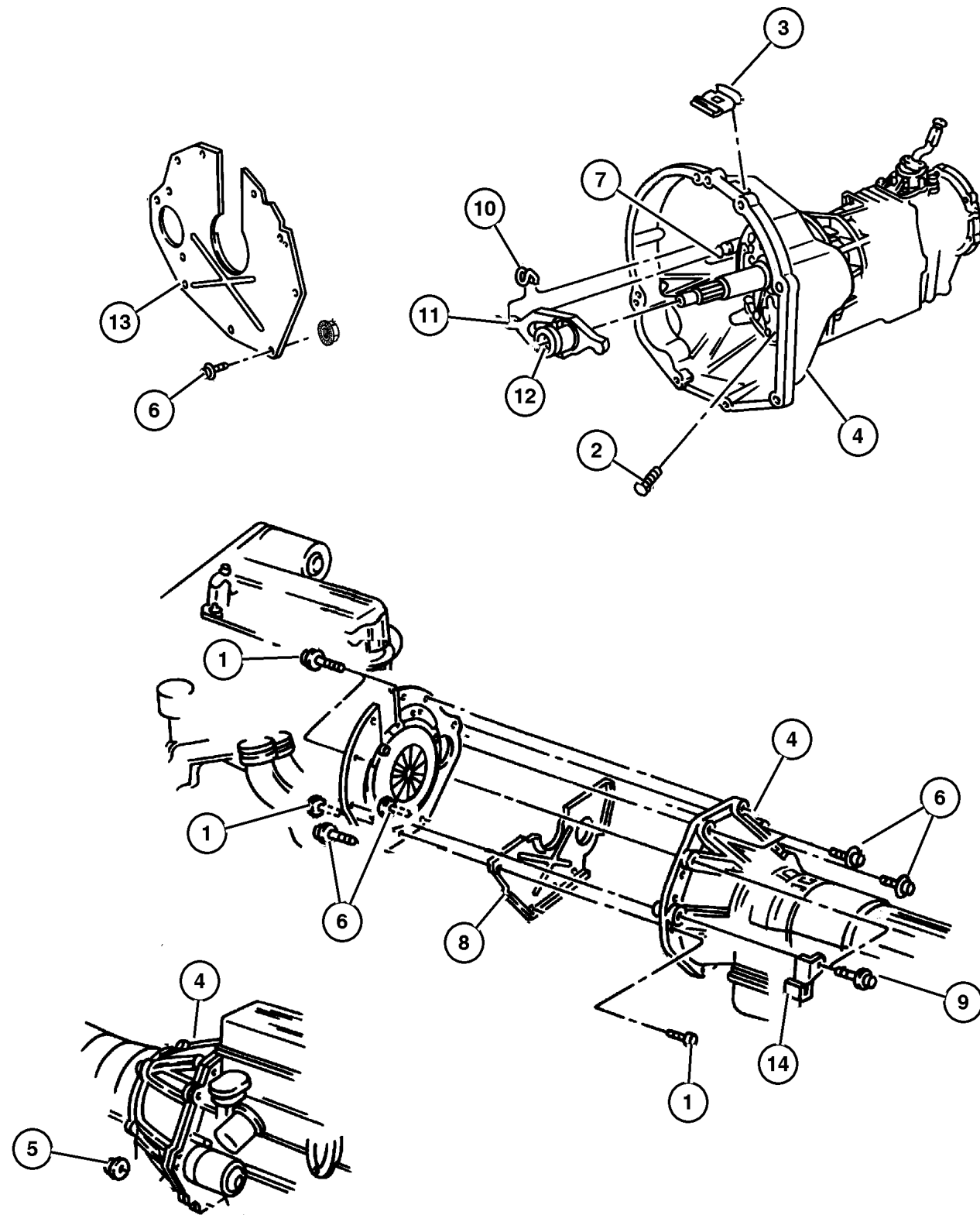
AR = Use as required - = Non illustrated part # = New this model year

July 4, 2003



### Clutch Housing 1998 XJ Figure 006-210

ITEM	PART NUMBER	QTY	LINE	SERIES	BODY	ENGINE	TRANS	TRIM	DESCRIPTION
Notes:									
EPO= All 2.5L, 4 Cylinder, Gas Engine									
ER0= All 4.0L, 6 Cylinder, Gas Engine									
EN0= All 4/5 Cylinder, Turbo Diesel Engine									
DBB = All Manual Transmissions									
DDQ = 5 Speed Manual Transmission									
1	1150 0986	3				ER0	DBB		BOLT, Hex Flange Head, M8x2.12x16
2	6503 299	9					DDQ		BOLT, Hex Head
3	5300 6010	1				EPO, ER0	DBB		GROMMET, Timing Probe
4	5210 4000	1				EPO	DBB		HOUSING, Clutch
	5210 7552	1				EN0, ER0	DBB		
5	0152 344	1				EPO	DBB		NUT, .375-16
		1				EN0, ER0	DBB		
6	1150 4922	2				ER0	DBB		BOLT, Hex Head, M12x1.75x50
7	5208 7542	1				EPO EN0, ER0	DBB		PIVOT, Clutch Release
8	5300 3382	1				EPO	DBB		COVER, Transmission Case
9	3420 1837	2				EPO	DBB		BOLT, Hex Flange Head, M12x1.75x90
10	4338 855	1					DBB		SPRING, Clutch Release
11	5210 7555	1					DBB		FORK, Clutch Release
12	5300 8342	1					DBB		BEARING, Clutch Release
13	5300 4473	1				ER0	DBB		SPACER, Clutch Housing
14	5210 7595	1					DBB		BRACKET, Clutch Tube



<b>JEEP CHEROKEE (XJ)</b>				
SERIES	LINE	BODY	ENGINE	TRANSMISSION
L=Low Line	J=LHD (4WD) U=RHD (4WD) T=LHD (2WD) B=RHD (2WD)	74=4 DR. (101.4 WB) 72=2 DR. (101.4 WB)	ENC,EN0=2.5L 4 cyl. Turbo Die ERH,ER0=4.0L Power Tech I-6 EPE,EPO=Magnum 2.5L SMPI	DDQ=5Spd Man. DGS=4 Spd. Auto. AISIN DG0=All Auto Trans DBB=All Manual Trans.

AR = Use as required - = Non illustrated part # = New this model year

July 4, 2003

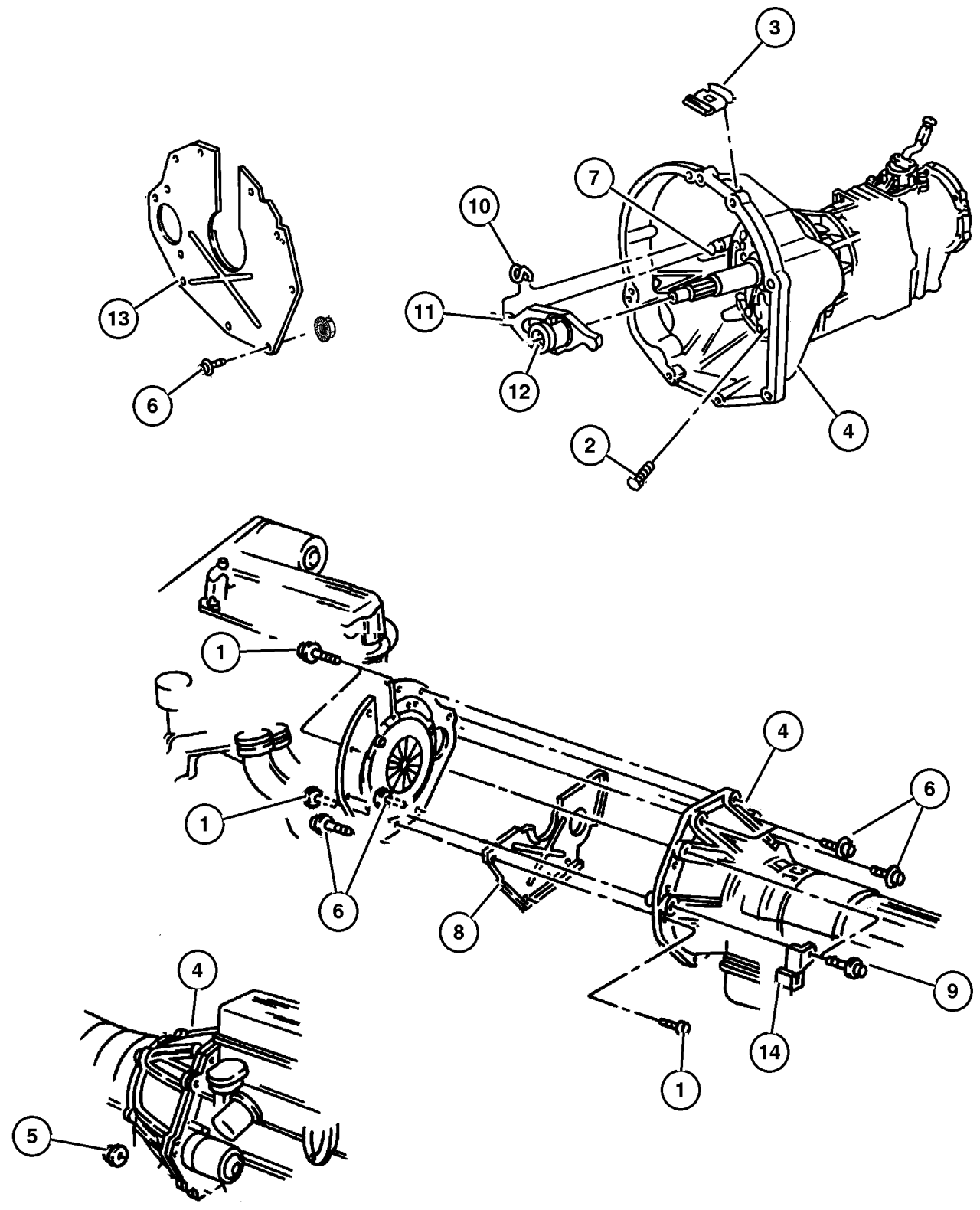
**Clutch Housing 1999 XJ**  
**Figure 006-210**

ITEM	PART NUMBER	QTY	LINE	SERIES	BODY	ENGINE	TRANS	TRIM	DESCRIPTION
Notes:									
EPO= All 2.5L, 4 Cylinder, Gas Engine									
ER0= All 4.0L, 6 Cylinder, Gas Engine									
EN0= All 4/5 Cylinder, Turbo Diesel Engine									
DBB = All Manual Transmissions									
DDQ = 5 Speed Manual Transmission									
1	1150 0986	3				ER0	DBB		BOLT, Hex Flange Head, M8x2.12x16
2	6503 299	9					DDQ		BOLT, Hex Head
3	5300 6010	1				EPO, ER0	DBB		GROMMET, Timing Probe
4	5210 4000	1				EPO	DBB		HOUSING, Clutch
	5210 7552	1				EN0, ER0	DBB		
5	0152 344	1				EPO	DBB		NUT, .375-16
		1				EN0, ER0	DBB		
6	1150 4922	2				EPO	DBB		BOLT, Hex Head, M12x1.75x50
7	5208 7542	1				ER0, EN0, ER0	DBB		PIVOT, Clutch Release
8	5300 3382	1				EPO	DBB		COVER, Transmission Case
9	3420 1837	2				EPO	DBB		BOLT, Hex Flange Head, M12x1.75x90
10	4338 855	1					DBB		SPRING, Clutch Release
11	5210 7555	1					DBB		FORK, Clutch Release
12	5300 8342	1					DBB		BEARING, Clutch Release
13	53004 473AB	1				ER0	DBB		SPACER, Clutch Housing
14	5210 7595	1					DBB		BRACKET, Clutch Tube

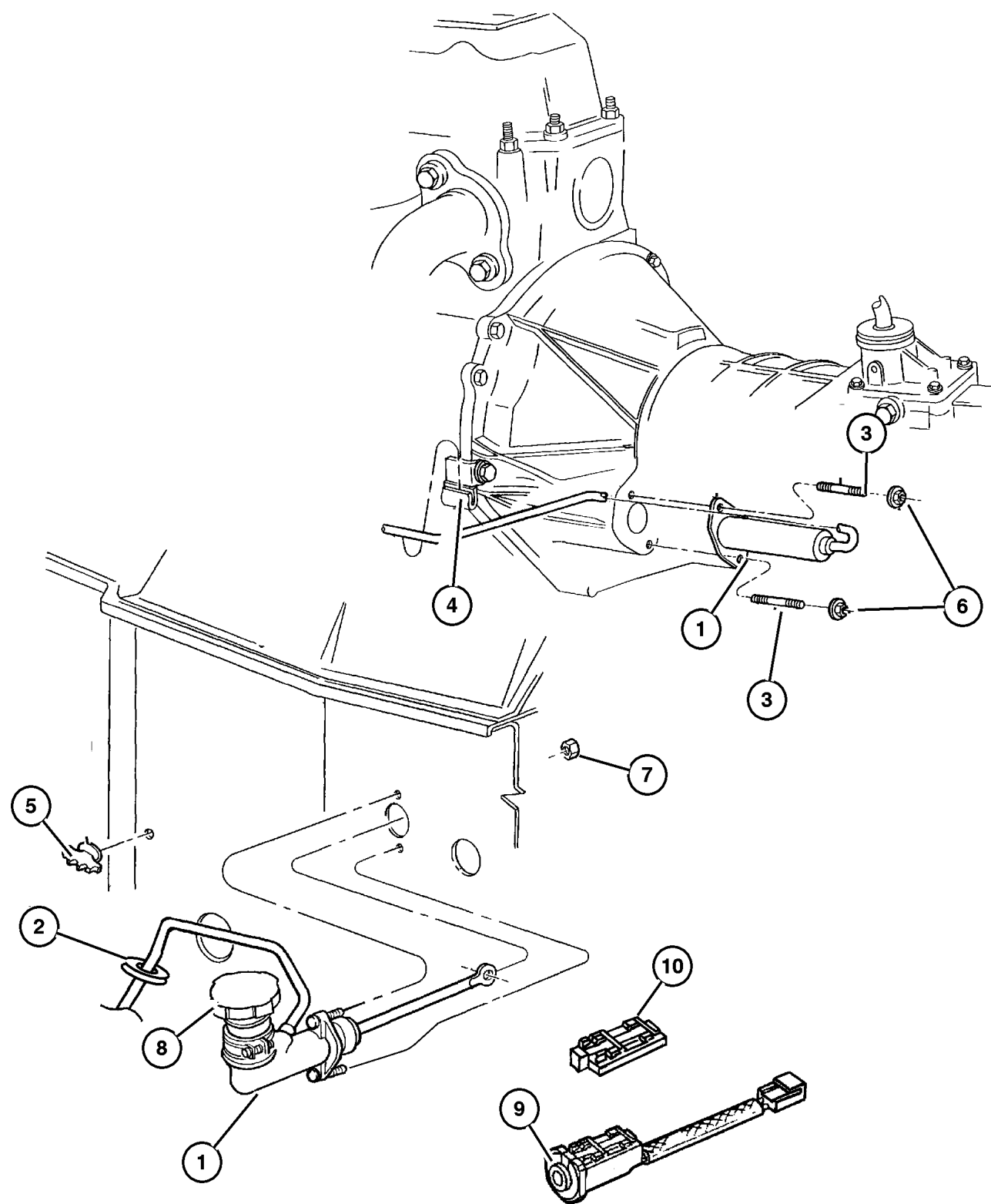
JEEP CHEROKEE (XJ)				
SERIES	LINE	BODY	ENGINE	TRANSMISSION
L=Low Line	J=LHD (4WD) U=RHD (4WD) T=LHD (2WD) B=RHD (2WD)	74=4 DR. (101.4 WB) 72=2 DR. (101.4 WB)	ENC,EN0=2.5L 4 cyl. Turbo Die ERH,ER0=4.0L Power Tech I-6 EPE,EPO=Magnum 2.5L SMPI	DDQ=5Spd Man. DGS=4 Spd. Auto. AISIN DG0=All Auto Trans DBB=All Manual Trans.

AR = Use as required - = Non illustrated part # = New this model year

July 4, 2003



**Clutch Control 1997 XJ**  
**Figure 006-320**



ITEM	PART NUMBER	QTY	LINE	SERIES	BODY	ENGINE	TRANS	TRIM	DESCRIPTION
Notes:									
EPO= All 2.5L, 4 Cylinder, Gas Engine									
ER0= All 4.0L, 6 Cylinder, Gas Engine									
EN0= All 4/5 Cylinder, Turbo Diesel Engine									
DBB = All Manual Transmissions									
1									HYDRAULIC CONTROL, Clutch Actuator
	5210 7655	1	B			EPO, ER0	DBB		
	5210 7657	1	U			EN0	DBB		
	5210 7654	1	J, T				DBB		
2	3420 1633	1	J			EPO, ER0	DBB		CLIP, Tube
3	6032 878	2					DBB		STUD, .312-18x2.00
4	5210 7595	1					DBB		BRACKET, Clutch Tube
5	5212 8060	3	B, U						CLIP, Five Way
6	0152 472	2					DBB		NUT, Hex Flange Lock, .312-18
7	J400 3909	4							NUT, Hex Flange With Serration
8									COVER, Hydraulic Control Unit
	4883 544AA	1	J				DBB		
		1	U			EN0	DBB		
9									SWITCH, Clutch Starter Interlock
	5300 7944	1	U			EN0	DBB		
		1	J, T				DBB		
		1	B, U			EPO, ER0	DBB		
10									COVER, Switch, (NOT REQUIRED)

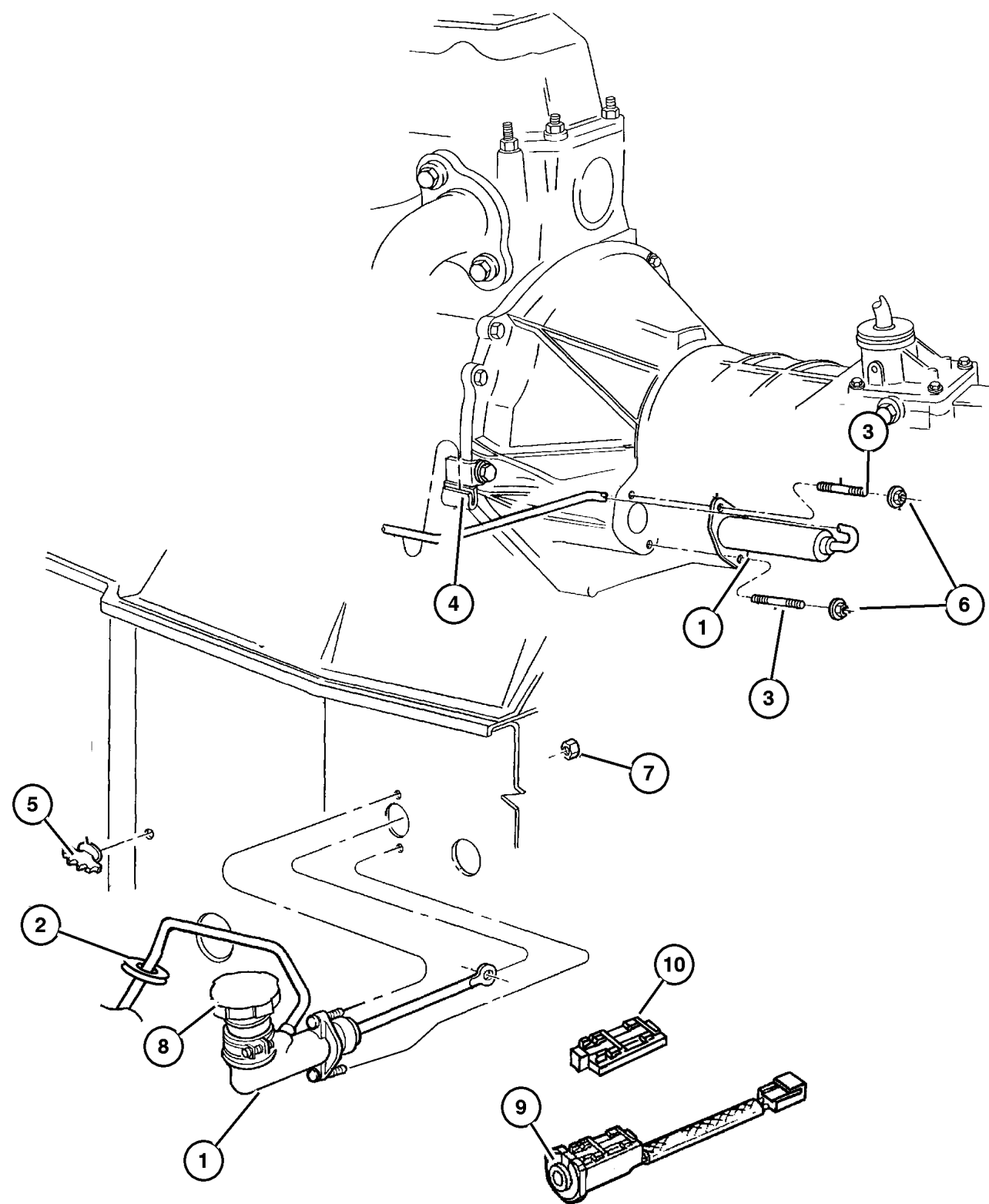
**JEEP CHEROKEE (XJ)**

SERIES	LINE	BODY	ENGINE	TRANSMISSION
L=Low Line	J=LHD (4WD) U=RHD (4WD) T=LHD (2WD) B=RHD (2WD)	74=4 DR. (101.4 WB) 72=2 DR. (101.4 WB)	ENC,EN0=2.5L 4 cyl. Turbo Die ERH,ER0=4.0L Power Tech I-6 EPE,EPO=Magnum 2.5L SMPI	DDQ=5Spd Man. DGS=4 Spd. Auto. AISIN DG0=All Auto Trans DBB=All Manual Trans.

AR = Use as required - = Non illustrated part # = New this model year

July 4, 2003

Clutch Control 1998 XJ  
Figure 006-320



ITEM	PART NUMBER	QTY	LINE	SERIES	BODY	ENGINE	TRANS	TRIM	DESCRIPTION
Notes:									
EPO= All 2.5L, 4 Cylinder, Gas Engine									
ER0= All 4.0L, 6 Cylinder, Gas Engine									
EN0= All 4/5 Cylinder, Turbo Diesel Engine									
DBB = All Manual Transmissions									
1									HYDRAULIC CONTROL, Clutch Actuator
	52107 654AB	1	J, T				DBB		
	52107 655AB	1	B, U			EP0,	DBB		
	52107 657AB	1	U			ER0			
2	3420 1633	1	J, T			EN0	DBB		CLIP, Tube
						EP0,	DBB		
						ER0			
3	6032 878	2					DBB		STUD, .312-18x2.00
4	5210 7595	1					DBB		BRACKET, Clutch Tube
5	5212 8060	3	B, U						CLIP, Five Way
6	0152 472	2					DBB		NUT, Hex Flange Lock, .312-18
7	J400 3909	4							NUT, Hex Flange With Serration
8	4883 544AA	1	U			EN0	DBB		COVER, Hydraulic Control Unit
9									SWITCH, Clutch Starter Interlock
	53007 944AB	1	J, T				DBB		
		1	U			EN0	DBB		
		1	B, U			EP0,	DBB		
						ER0			
10	5015 960AA	1	U			EN0	DBB		COVER, Switch

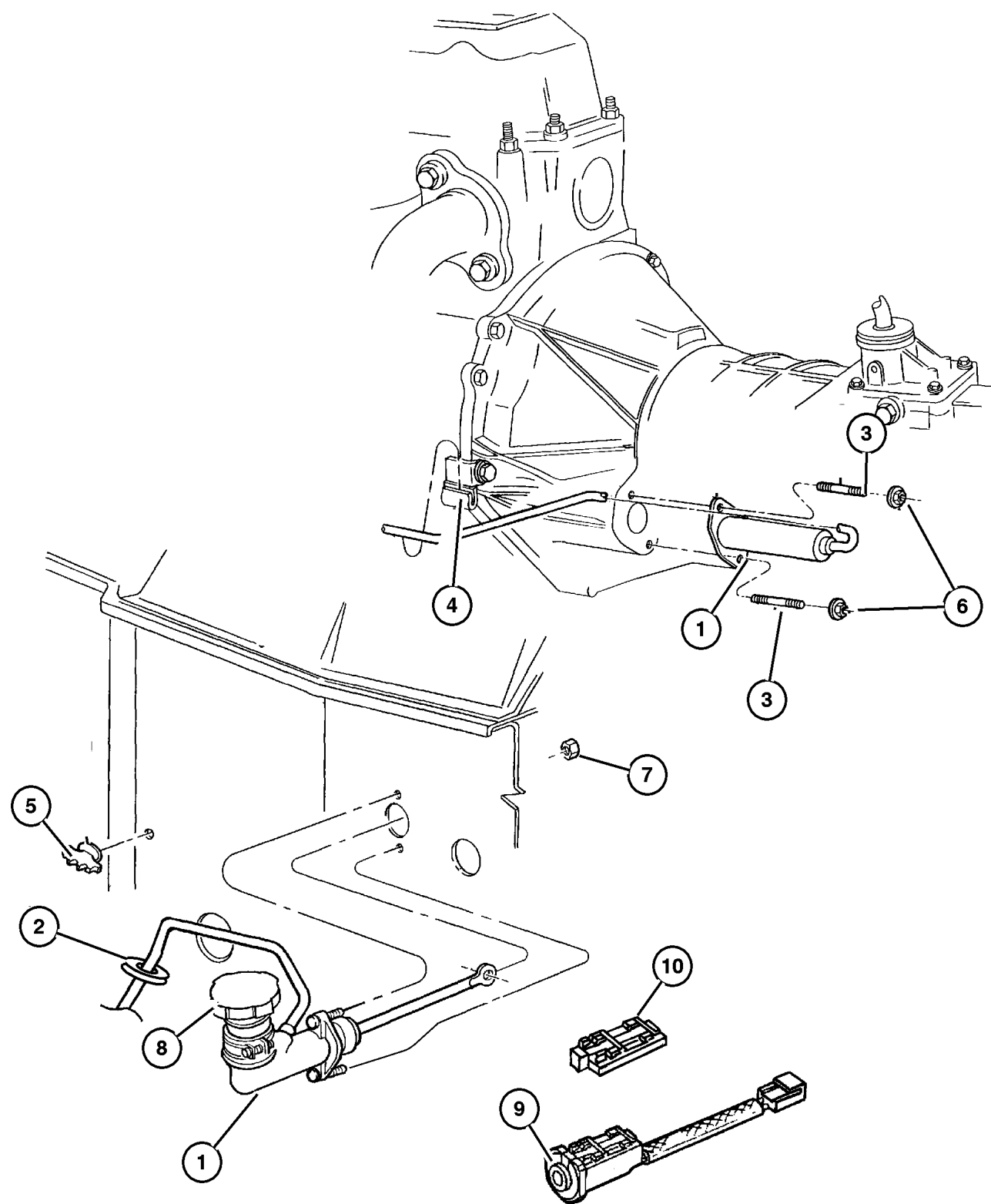
JEEP CHEROKEE (XJ)

SERIES	LINE	BODY	ENGINE	TRANSMISSION
L=Low Line	J=LHD (4WD) U=RHD (4WD) T=LHD (2WD) B=RHD (2WD)	74=4 DR. (101.4 WB) 72=2 DR. (101.4 WB)	ENC,EN0=2.5L 4 cyl. Turbo Die ERH,ER0=4.0L Power Tech I-6 EPE,EP0=Magnum 2.5L SMPI	DDQ=5Spd Man. DGS=4 Spd. Auto. AISIN DG0=All Auto Trans DBB=All Manual Trans.

AR = Use as required - = Non illustrated part # = New this model year

July 4, 2003

Clutch Control 1999 XJ  
Figure 006-320



ITEM	PART NUMBER	QTY	LINE	SERIES	BODY	ENGINE	TRANS	TRIM	DESCRIPTION
Notes:									
EPO= All 2.5L, 4 Cylinder, Gas Engine									
ER0= All 4.0L, 6 Cylinder, Gas Engine									
EN0= All 4/5 Cylinder, Turbo Diesel Engine									
DBB = All Manual Transmissions									
1									HYDRAULIC CONTROL, Clutch Actuator
	52107 654AB	1	J, T				DBB		
	52107 655AB	1	B, U			EP0,	DBB		
	52107 657AB	1	U			ER0			
2	3420 1633	1	J, T			EN0	DBB		CLIP, Tube
						EP0,	DBB		
						ER0			
3	6032 878	2					DBB		STUD, .312-18x2.00
4	5210 7595	1					DBB		BRACKET, Clutch Tube
5	5212 8060	3	B, U						CLIP, Five Way
6	0152 472	2					DBB		NUT, Hex Flange Lock, .312-18
7	J400 3909	4							NUT, Hex Flange With Serration
8									COVER, Hydraulic Control Unit
	4883 544AA	1	J, T				DBB		
		1	U			EN0	DBB		
		1	B, U			EP0,	DBB		
						ER0			
9									SWITCH, Clutch Starter Interlock
	53007 944AB	1	J, T				DBB		
		1	U			EN0	DBB		
		1	B, U			EP0,	DBB		
						ER0			
10									COVER, Switch
	5015 960AA	1	U			EN0	DBB		
		1	J, T				DBB		

JEEP CHEROKEE (XJ)				
SERIES	LINE	BODY	ENGINE	TRANSMISSION
L=Low Line	J=LHD (4WD) U=RHD (4WD) T=LHD (2WD) B=RHD (2WD)	74=4 DR. (101.4 WB) 72=2 DR. (101.4 WB)	ENC,EN0=2.5L 4 cyl. Turbo Die ERH,ER0=4.0L Power Tech I-6 EPE,EP0=Magnum 2.5L SMPI	DDQ=5Spd Man. DGS=4 Spd. Auto. AISIN DG0=All Auto Trans DBB=All Manual Trans.

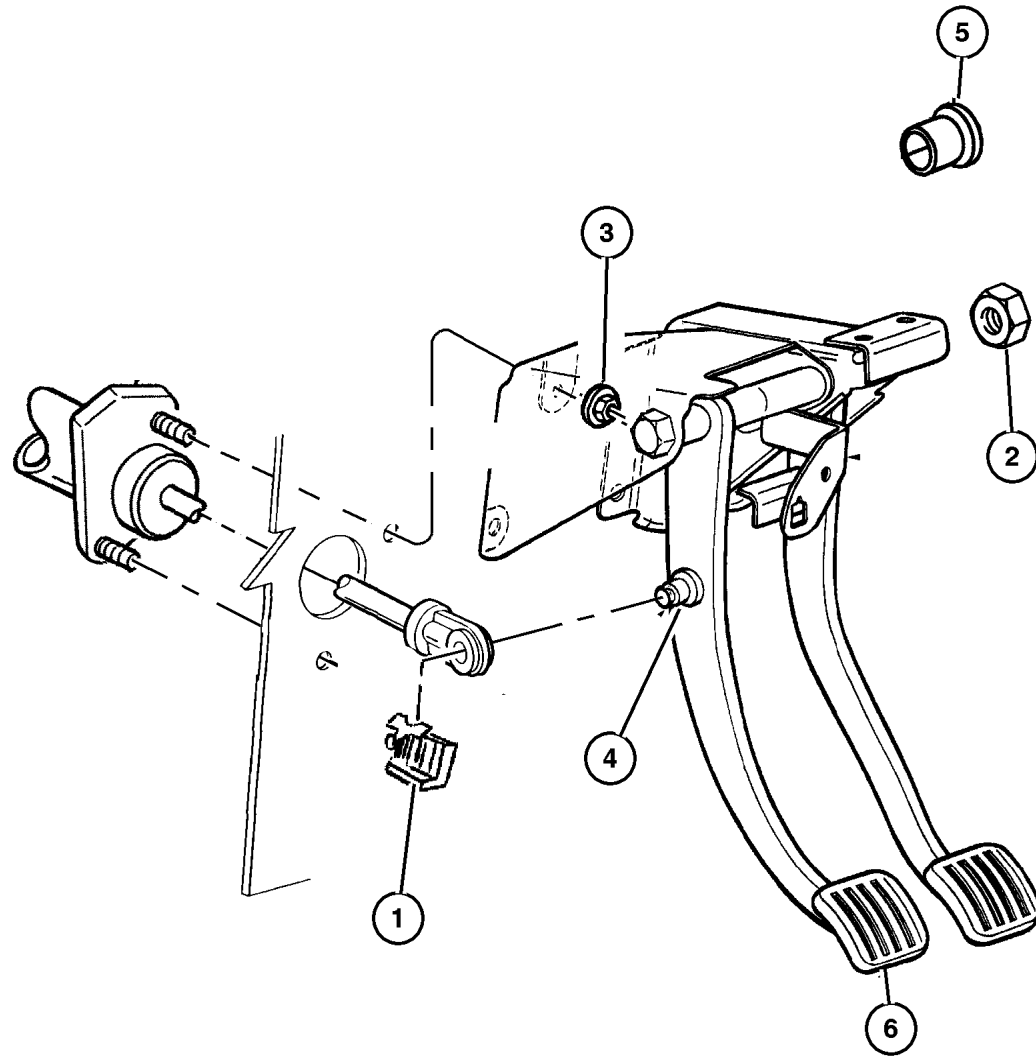
**Pedal Clutch**  
**Figure 006-420**

ITEM	PART NUMBER	QTY	LINE	SERIES	BODY	ENGINE	TRANS	TRIM	DESCRIPTION
------	-------------	-----	------	--------	------	--------	-------	------	-------------

Notes:

DBB = All Manual Transmissions

1	6035 334	1							CLIP, Brake Push Rod
2									NUT, Engine Mounting, M12 x 1.75, Not used for 1998 (NOT REQUIRED), 1998 XJ, 1999 XJ
	6502 585	1	J				DBB		1997 XJ
3	J400 3909	2					DBB		NUT, Hex Flange With Serration
4	4446 361	1							BUSHING, Hydraulic Clutch Actuator
5									BUSHING, Clutch and Brake Pedal, Not used for 1998 (NOT REQUIRED), 1998 XJ, 1999 XJ
	4294 639	4	B				DBB		1997 XJ
		4	J				DBB		1997 XJ
6									PAD, clutch
	5200 2750	1	J, T				DBB		
		1	B, U				DBB		1997 XJ, 1998 XJ



**JEEP CHEROKEE (XJ)**

SERIES	LINE	BODY	ENGINE	TRANSMISSION
L=Low Line	J=LHD (4WD) U=RHD (4WD) T=LHD (2WD) B=RHD (2WD)	74=4 DR. (101.4 WB) 72=2 DR. (101.4 WB)	ENC,EN0=2.5L 4 cyl. Turbo Die ERH,ER0=4.0L Power Tech I-6 EPE,EP0=Magnum 2.5L SMPI	DDQ=5Spd Man. DGS=4 Spd. Auto. AISIN DG0=All Auto Trans DBB=All Manual Trans.

AR = Use as required - = Non illustrated part # = New this model year

July 4, 2003



# Group – 007

## Cooling

### GROUP 7 - Cooling

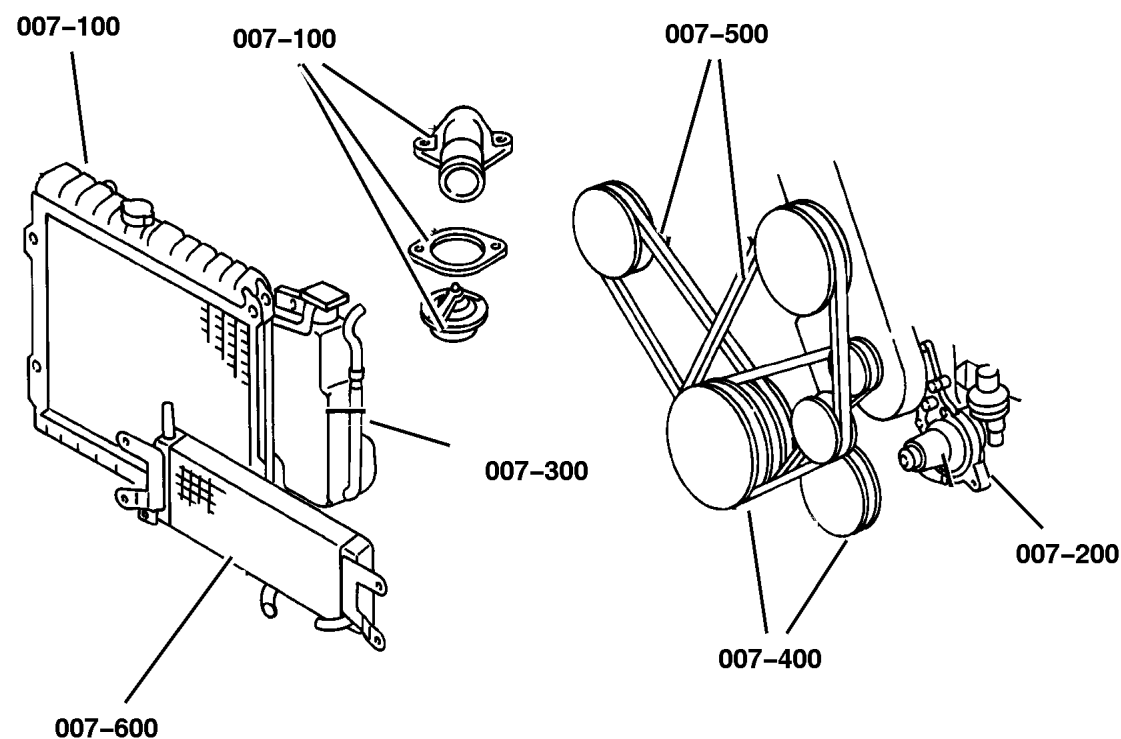


Illustration Title

Group-Fig. No.

#### Radiator and Related Parts

Radiator and Related Parts 4.0L Engine (ER0) 1997 XJ .....	Fig. 007-120
Radiator and Related Parts 4.0L Engine (ER0) 1998 XJ .....	Fig. 007-120
Radiator and Related Parts, 4.0L Engine 1999 XJ .....	Fig. 007-120
Radiator and Related Parts 2.5L Gas Engine (EP0) 1997 XJ 1998 XJ .....	Fig. 007-130
Radiator and Related Parts, 2.5L Gas Engine 1999 XJ .....	Fig. 007-130
Radiator and Related Parts 2.5L Diesel (EN0) 1997 XJ 1998 XJ .....	Fig. 007-145
Radiator and Related Parts, 2.5L Diesel Engine 1999 XJ .....	Fig. 007-145
Charge Air Cooler 2.5 Diesel Engine 1997 XJ 1998 XJ .....	Fig. 007-147
Charge Air Cooler, 2.5L Diesel Engine 1999 XJ .....	Fig. 007-147

#### Water Pump and Related Parts

Water Pump and Related Parts 2.5,4.0L Gas Engines (EP0,ER0) 1997 XJ 1998 XJ .....	Fig. 007-210
Water Pump and Related Parts, 2.5,4.0L Gas Engines 1999 XJ .....	Fig. 007-210
Water Pump and Water Manifold 2.5L Diesel Engine (EN0) 1997 XJ 1998 XJ .....	Fig. 007-215
Water Pump and Water Manifold, 2.5L Diesel Engine 1999 XJ .....	Fig. 007-215

#### Tank, Coolant Engine

Bottle, Coolant Recovery LHD 1997 XJ 1998 XJ .....	Fig. 007-305
Bottle, Coolant Recovery, LHD 1999 XJ .....	Fig. 007-305
Bottle, Coolant Recovery RHD 1997 XJ 1998 XJ .....	Fig. 007-310
Bottle, Coolant Recovery, RHD 1999 XJ .....	Fig. 007-310

#### Pulleys and Related Parts

Drive Pulleys, 2.5L Gas Engine (EP0) 1997 XJ 1998 XJ .....	Fig. 007-407
Drive Pulleys, 2.5L Gas Engine 1999 XJ .....	Fig. 007-407
Drive Pulleys, 4.0L Engine (ER0), LHD 1997 XJ 1998 XJ .....	Fig. 007-408
Drive Pulleys, 4.0L Engine, LHD 1999 XJ .....	Fig. 007-408
Drive Pulleys, 4.0L Engine (ER0), RHD 1997 XJ 1998 XJ .....	Fig. 007-409
Drive Pulleys, 4.0L Engine, RHD 1999 XJ .....	Fig. 007-409
Drive Pulleys, 2.5L Diesel Engine (EN0) 1997 XJ 1998 XJ .....	Fig. 007-415
Drive Pulleys, 2.5L Diesel Engine 1999 XJ .....	Fig. 007-415

#### Drive Belts

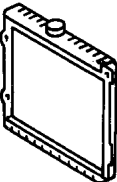
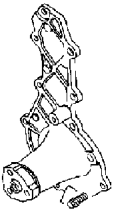

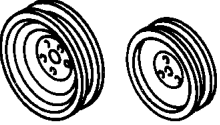
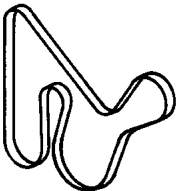
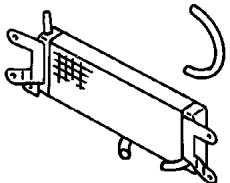
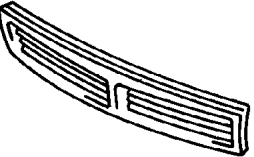
Drive Belts 1997 XJ 1998 XJ .....	Fig. 007-510
Drive Belts 1999 XJ .....	Fig. 007-510

#### Lines, Transmission Oil Cooler

Oil Cooler Lines, LHD 1997 XJ 1998 XJ .....	Fig. 007-610
Oil Cooler Lines, LHD 1999 XJ .....	Fig. 007-610
Oil Cooler Lines, RHD 1997 XJ 1998 XJ .....	Fig. 007-620
Oil Cooler Lines, RHD 1999 XJ .....	Fig. 007-620

#### Grilles

Grille and Related Parts 1997 XJ 1998 XJ .....	Fig. 007-710
--	--------------

<p><b>007-100</b> Radiator and Related Parts</p> 	<p><b>007-200</b> Water Pump and Related Parts</p> 	<p><b>007-300</b> Tank, Coolant Engine</p> 	<p><b>007-400</b> Pulleys and Related Parts</p> 
<p><b>007-500</b> Drive Belts</p> 	<p><b>007-600</b> Lines, Transmission Oil Cooler</p> 	<p><b>007-700</b> Grilles</p> 	



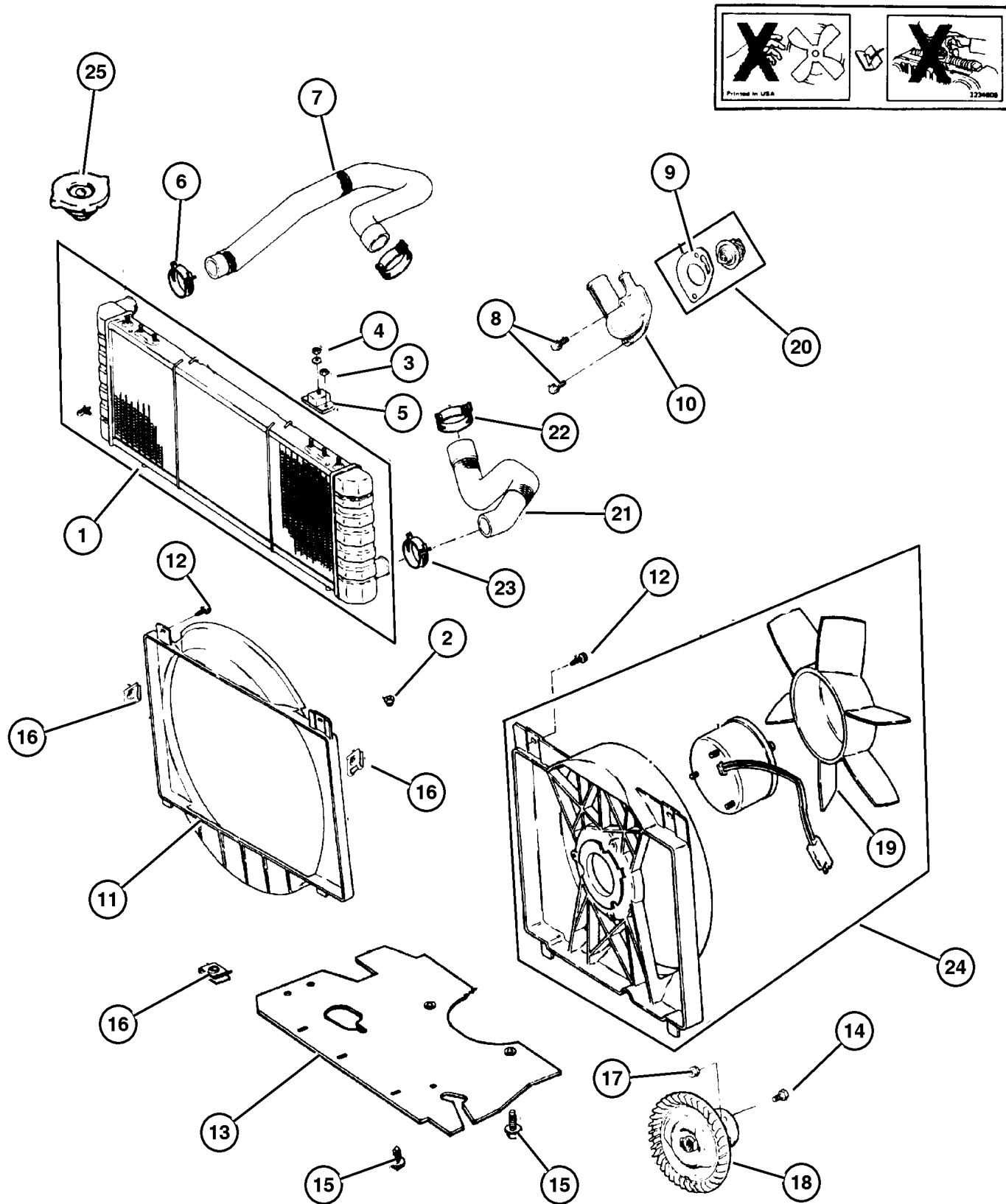
---

**GROUP 7 - Cooling**

Illustration Title	Group-Fig. No.
<b>Grilles (Continued)</b>	
Grille and Related Parts 1999 XJ .....	Fig. 007-710



## Radiator and Related Parts 4.0L Engine (ER0) 1997 XJ Figure 007-120



ITEM	PART NUMBER	QTY	LINE	SERIES	BODY	ENGINE	TRANS	TRIM	DESCRIPTION
Note: Sales Code DG0 = All Auto Trans									
Note: Sales Code DGB = Manual Trans									
1	5202 8133	1	J, T			ER0	DBB		RADIATOR, Engine Cooling
		1	J, T			ER0	DG0		
	5202 8544	1	B, U			ER0	DBB		w/o Max. Cooling
	5202 9045	1	J, T			ER0	DG0		w/Max Cooling
	5203 0000	1	J, T			ER0	DBB		
2	J068 7550	2				EN0,			GROMMET, Radiator
						ER0			
3	1150 2722	2				ER0			NUT, Hex Flange, M5x.8
4	1150 3745	2							NUT, Hex, M6x1
5	5200 2585	2				EN0,			ISOLATOR, Radiator
						ER0			
6	3200 2983	1				EP0,			CLAMP, Hose, 32mm Black
						ER0			
7	5202 8286	1				ER0			HOSE, Radiator
8	6034 927	1				EP0,			SCREW AND WASHER, Hex Head,
						ER0			.312-18x.970
9	5302 0547	1				EP0,			GASKET, Thermostat
						ER0			
10	5300 6192	1				EP0,			HOUSING, Thermostat
						ER0			
11									SHROUD, Fan
	5202 7501	1	J, T			ER0			
	5202 8324	1	B, U			ER0			
12	6503 722	4				ER0			SCREW
13	5517 4736	1				EP0,			SHIELD, Engine
						ER0			
14	6034 860	4				EP0,			BOLT AND WASHER, Implement
						ER0			Attaching
15	5200 9234	1							FASTENER, Push Pin
16	1150 0662	2							NUT, U Type, M10 x 1.50
17									NUT, (NOT SERVICED) (Not
									Serviced)
18	5207 9625	1				ER0			VISCOUS CLUTCH, Fan Drive
19	5200 2593	1				ER0			FAN
20	5202 8186	1				EP0,			THERMOSTAT, 195 Degrees
						ER0			
21									HOSE, Radiator
	5200 6301	1	J, T			ER0			
	5202 9635	1	B, U			ER0			

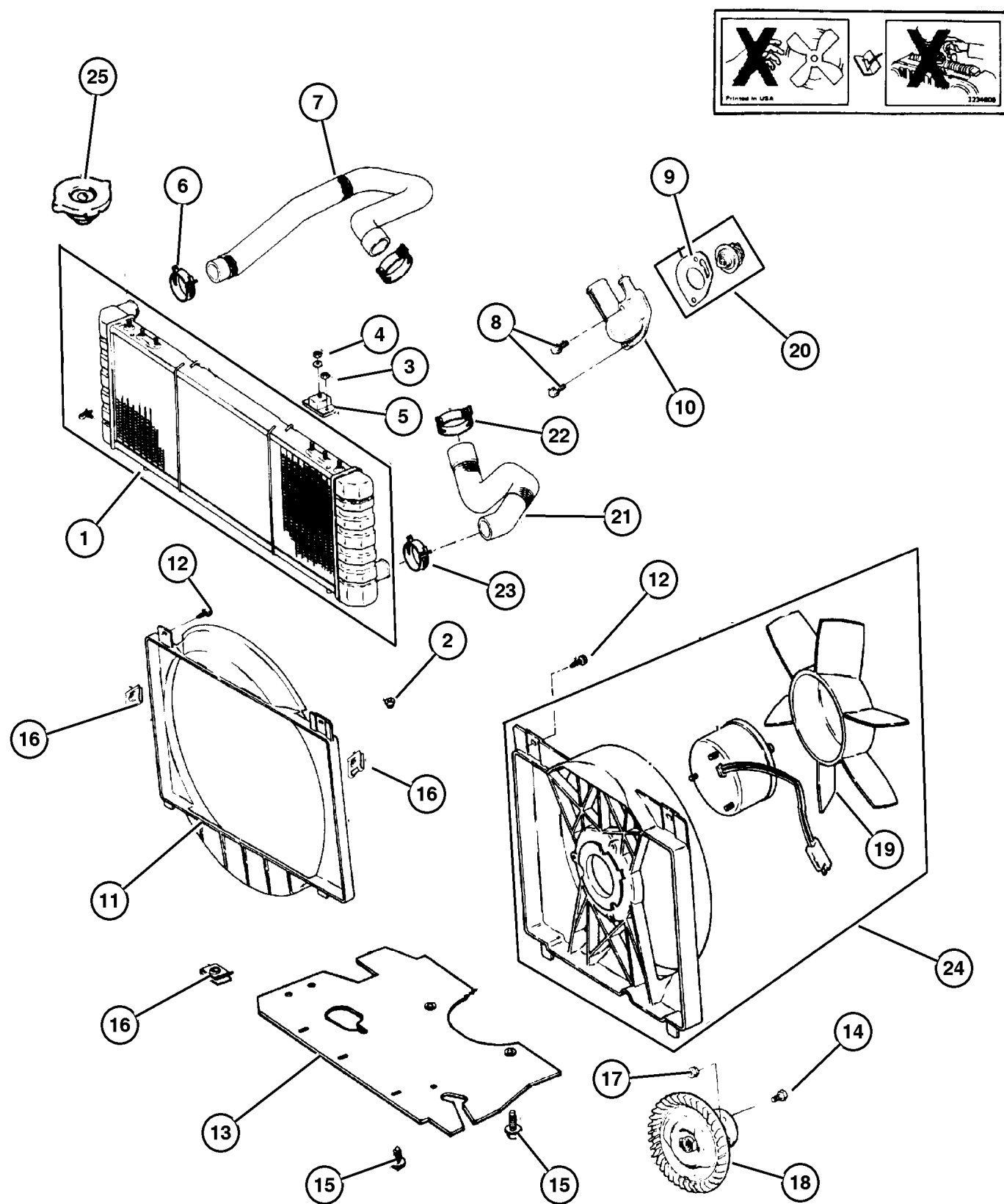
### JEEP CHEROKEE (XJ)

SERIES	LINE	BODY	ENGINE	TRANSMISSION
L=Low Line	J=LHD (4WD) U=RHD (4WD) T=LHD (2WD) B=RHD (2WD)	74=4 DR. (101.4 WB) 72=2 DR. (101.4 WB)	ENC,EN0=2.5L 4 cyl. Turbo Die ERH,ER0=4.0L Power Tech I-6 EPE,EP0=Magnum 2.5L SMPI	DDQ=5Spd Man. DGS=4 Spd. Auto. AISIN DG0=All Auto Trans DBB=All Manual Trans.

AR = Use as required - = Non illustrated part # = New this model year

July 4, 2003

**Radiator and Related Parts 4.0L Engine (ER0) 1997 XJ**  
**Figure 007-120**



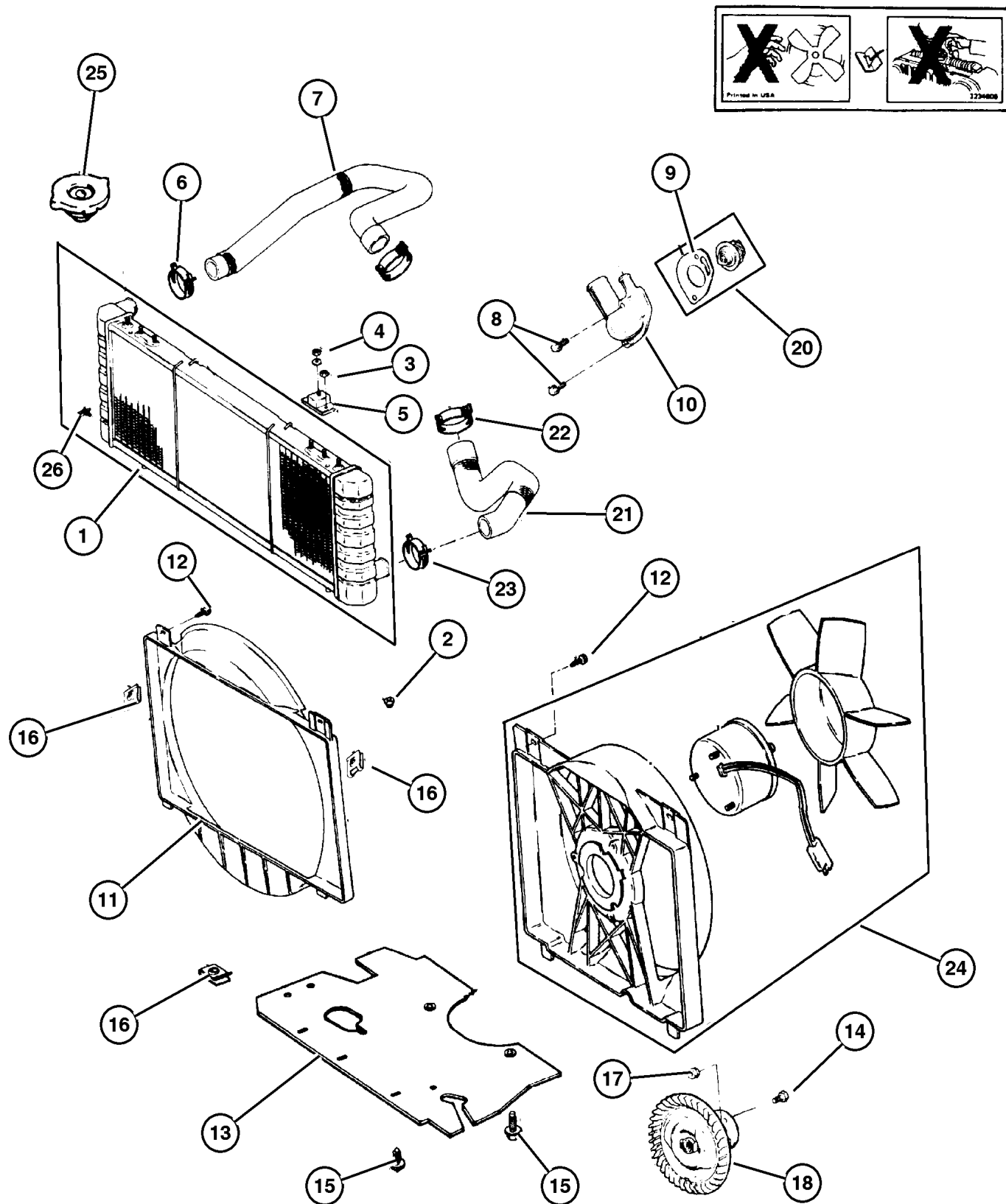
ITEM	PART NUMBER	QTY	LINE	SERIES	BODY	ENGINE	TRANS	TRIM	DESCRIPTION
22	3200 2366	1				EP0,			CLAMP, Hose, 55mm Black
23	3200 2366	1				ER0,			CLAMP, Hose, 55mm Black
24						ER0			FAN MODULE, Radiator Cooling
	5202 8337	1	J			ER0			Middle East
	5202 8338	1	J, T			ER0			
	5202 8339	1	B, U			ER0			
25									CAP, Radiator
	3781 830	1	J, T			ER0	DG0		
		1	J, T			ER0	DBB		
		1	B, U			ER0	DG0		
		1	B, U			ER0	DBB		
-26									DRAINCOCK, Radiator, 52028466, (NOT SERVICED) (Not Serviced)

<b>JEEP CHEROKEE (XJ)</b>				
SERIES	LINE	BODY	ENGINE	TRANSMISSION
L=Low Line	J=LHD (4WD) U=RHD (4WD) T=LHD (2WD) B=RHD (2WD)	74=4 DR. (101.4 WB) 72=2 DR. (101.4 WB)	ENC,EN0=2.5L 4 cyl. Turbo Die ERH,ER0=4.0L Power Tech I-6 EPE,EP0=Magnum 2.5L SMPI	DDQ=5Spd Man. DGS=4 Spd. Auto. AISIN DG0=All Auto Trans DBB=All Manual Trans.

AR = Use as required - = Non illustrated part # = New this model year

July 4, 2003

## Radiator and Related Parts 4.0L Engine (ER0) 1998 XJ Figure 007-120



ITEM	PART NUMBER	QTY	LINE	SERIES	BODY	ENGINE	TRANS	TRIM	DESCRIPTION
Note: Sales Code DG0 = All Auto Trans									
Note: Sales Code DGB = Manual Trans									
1	5012 883AA	1	J, T			ER0	DG0		RADIATOR, Engine Cooling w/o Max Cooling
	5012 884AA	1	J, T			ER0	DBB		w/o Max Cooling
	5202 8133	1	J, T			ER0	DBB		Copper Brass Middle East
		1	J, T			ER0	DG0		Copper Brass Middle East
	5202 8537	1	B, U			ER0	DG0		
	5202 8544	1	B, U			ER0	DBB		
	52079 682AA	1	J, T			ER0	DG0		w/o Max. Cooling Aluminum
	52079 693AB	1	J, T			ER0	DBB		w/o Max. Cooling Aluminum
	52080 104AC	1	J, T			ER0	DG0		w/Max. Cooling Alumium
	52080 115AC	1	J, T			ER0	DBB		w/Max. Cooling Alumium
2									GROMMET, Radiator, (NOT REQUIRED)
3	1150 2722	2				ER0			NUT, Hex Flange, M5x.8
4	1150 3745	2							NUT, Hex, M6x1
5	5200 2585	2				EN0, EP0, ER0			ISOLATOR, Radiator
6	3200 2983	1				EP0,			CLAMP, Hose, 32mm Black
7	52028 286AD	1				ER0			HOSE, Radiator Inlet
8	6034 927	1				EP0, ER0			SCREW AND WASHER, Hex Head, .312-18x.970
9	53020 547AB	1				EP0, ER0			GASKET, Thermostat
10	5300 6192	1				EP0, ER0			HOUSING, Thermostat
11									SHROUD, Fan
	5202 7501	1	J, T			ER0			
	5202 8324	1	B, U			ER0			
12	6503 722	4				ER0			SCREW
13	5517 4736	1				EP0, ER0			SHIELD, Engine
14	6034 860	4				EP0, ER0			BOLT AND WASHER, Implement Attaching
15	5200 9234	1							FASTENER, Push Pin
16	1150 0662	2							NUT, U Type, M10 x 1.50
17									NUT, (NOT SERVICED) (Not Serviced)
18	5207 9625	1				ER0			VISCOUS CLUTCH, Fan Drive

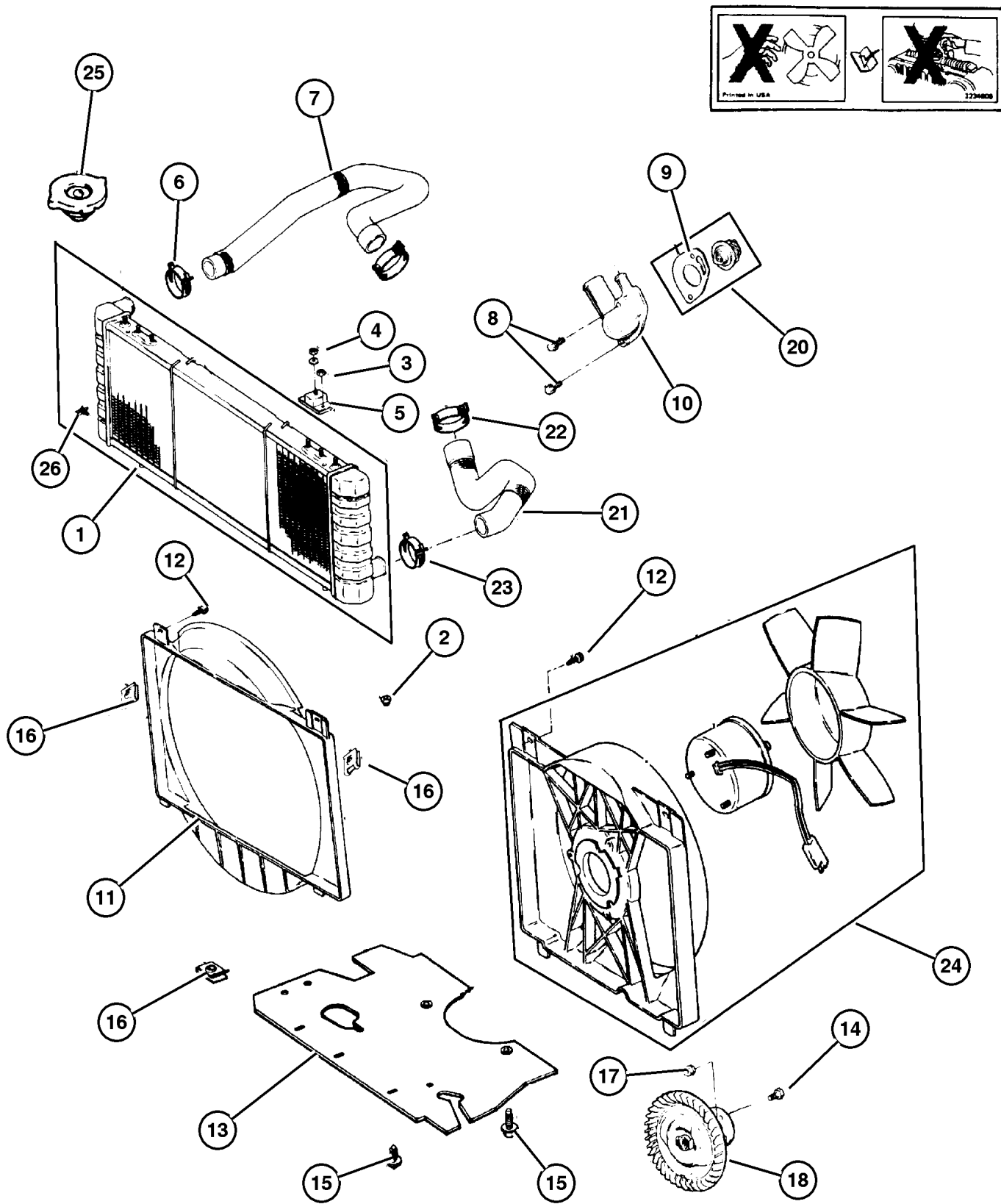
### JEEP CHEROKEE (XJ)

SERIES	LINE	BODY	ENGINE	TRANSMISSION
L=Low Line	J=LHD (4WD) U=RHD (4WD) T=LHD (2WD) B=RHD (2WD)	74=4 DR. (101.4 WB) 72=2 DR. (101.4 WB)	ENC,EN0=2.5L 4 cyl. Turbo Die ERH,ER0=4.0L Power Tech I-6 EPE,EP0=Magnum 2.5L SMPI	DDQ=5Spd Man. DGS=4 Spd. Auto. AISIN DG0=All Auto Trans DBB=All Manual Trans.

AR = Use as required - = Non illustrated part # = New this model year

July 4, 2003

**Radiator and Related Parts 4.0L Engine (ER0) 1998 XJ**  
**Figure 007-120**



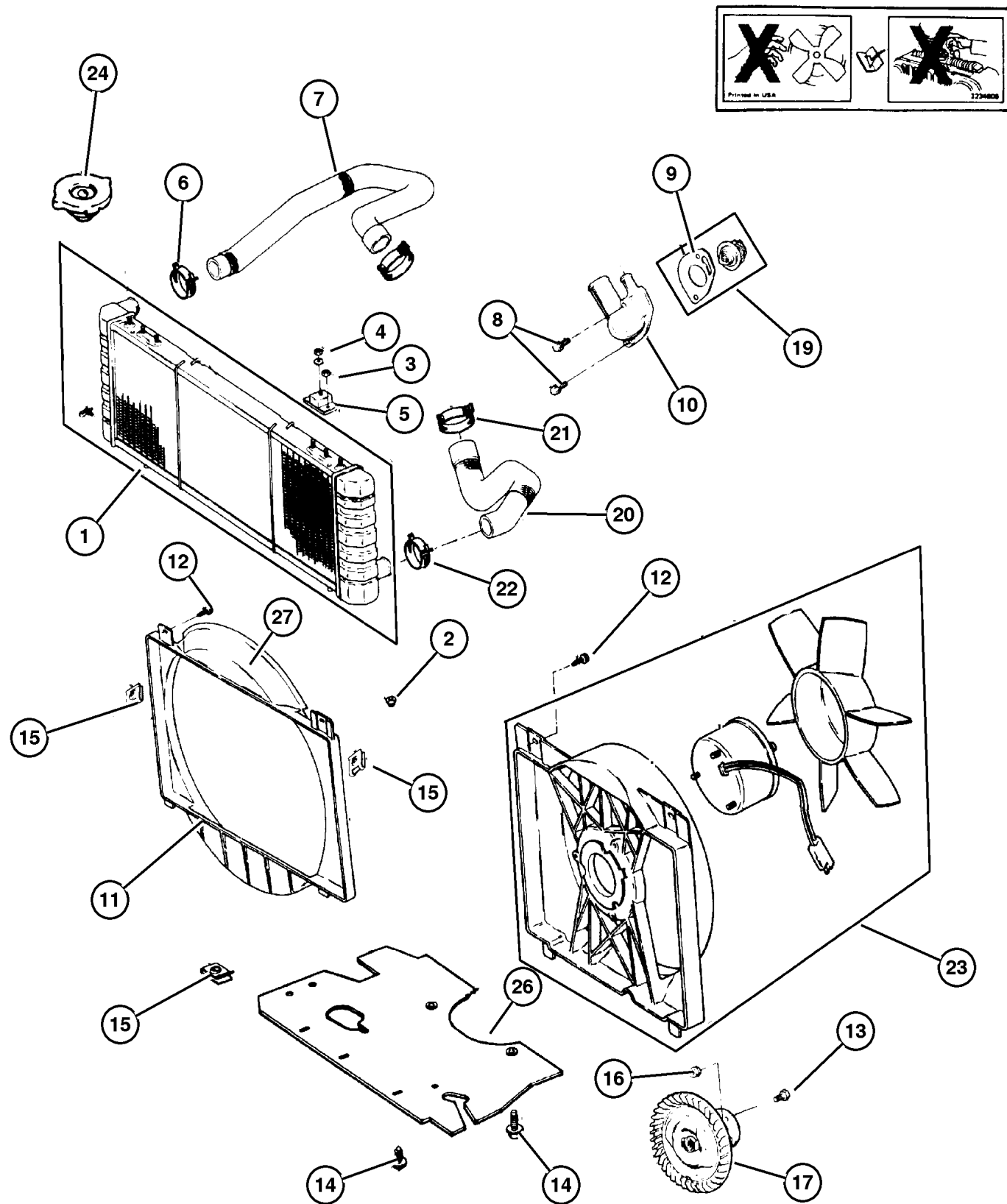
ITEM	PART NUMBER	QTY	LINE	SERIES	BODY	ENGINE	TRANS	TRIM	DESCRIPTION
-19	5200 2593	1				ER0			FAN
20	5202 8186	1				EP0, ER0			THERMOSTAT, 195 Degrees
21	5200 6301	1	J, T			ER0			HOSE, Radiator
	5202 9635	1	B, U			ER0			
22	3200 2366	1				EP0, ER0			CLAMP, Hose, 55mm Black
23	3200 2366	1				EP0, ER0			CLAMP, Hose, 55mm Black
24	5202 8337	1	J, T			ER0			FAN MODULE, Radiator Cooling
	5202 8338	1	J			ER0			Middle East
	5202 8339	1	B, U			ER0			
25	3781 830	1	B, U			ER0	DG0		CAP, Radiator
		1	B, U			ER0	DBB		
		1	J, T			ER0	DBB		
		1	J, T			EP0	DG0		
26	5202 8466	1	J, T			ER0	DG0		DRAINCOCK, Radiator
		1	J, T			ER0	DBB		

**JEEP CHEROKEE (XJ)**  
 SERIES LINE BODY ENGINE TRANSMISSION  
 L=Low Line J=LHD (4WD) 74=4 DR. (101.4 WB) ENC,EN0=2.5L 4 cyl. Turbo Die DDQ=5Spd Man.  
 U=RHD (4WD) 72=2 DR. (101.4 WB) ERH,ER0=4.0L Power Tech I-6 DGS=4 Spd. Auto. AISIN  
 T=LHD (2WD) EPE,EP0=Magnum 2.5L SMPI DG0=All Auto Trans  
 B=RHD (2WD) DBB=All Manual Trans.

AR = Use as required - = Non illustrated part # = New this model year

July 4, 2003

## Radiator and Related Parts, 4.0L Engine 1999 XJ Figure 007-120



ITEM	PART NUMBER	QTY	LINE	SERIES	BODY	ENGINE	TRANS	TRIM	DESCRIPTION
Note: Sales Code ER0 = 4.0L Engine									
Note: Sales Code DGB = Manual Trans									
Note: Sales Code DG0 = All Auto Trans									
1	5012 883AA	1	J, T			ER0	DG0		RADIATOR, Engine Cooling w/o Max. Cooling
	5202 8133	1	J, T			ER0	DBB		Copper Brass Middle East
		1	J, T			ER0	DG0		Copper Brass Middle East
	5202 8537	1	B, U			ER0	DG0		
	5202 8544	1	B, U			ER0	DBB		
	52079 693AC	1	J, T			ER0	DBB		w/Max. Cooling Aluminum
	52080 104AC	1	J, T			ER0	DG0		
	52080 115AC	1	J, T			ER0	DBB		
	52079 693AD	1	J, T			ER0	DBB		w/o Max. Cooling Aluminum
2	J068 7550	2				EN0, EP0, ER0			GROMMET, Radiator
3	1150 2722	2				EN0, ER0			NUT, Hex Flange, M5x.8
4	1150 3745	2				EN0, EP0, ER0			NUT, Hex, M6x1
5	5200 2585	2				EN0, EP0, ER0			ISOLATOR, Radiator
6	3200 2983	1				EP0, ER0			CLAMP, Hose, 32mm Black
7						ER0			HOSE, Radiator, Outlet
	5200 6301	1	J, T			ER0			
	5202 9635	1	B, U			ER0			
8	6034 927	1				EP0, ER0			SCREW AND WASHER, Hex Head, .312-18x.970
9	53020 547AB	1				EP0, ER0			GASKET, Thermostat
10	5300 6192	1				EP0, ER0			HOUSING, Thermostat
11						ER0			SHROUD, Fan
	52027 501AB	1	J, T			ER0			
	5202 8324	1	B, U			ER0			
12						ER0			SCREW, (NOT SERVICED) (Not Serviced)
13	6034 860	4				EP0, ER0			BOLT AND WASHER, Implement Attaching
14	6030 441	14				ER0			PIN, Retainer

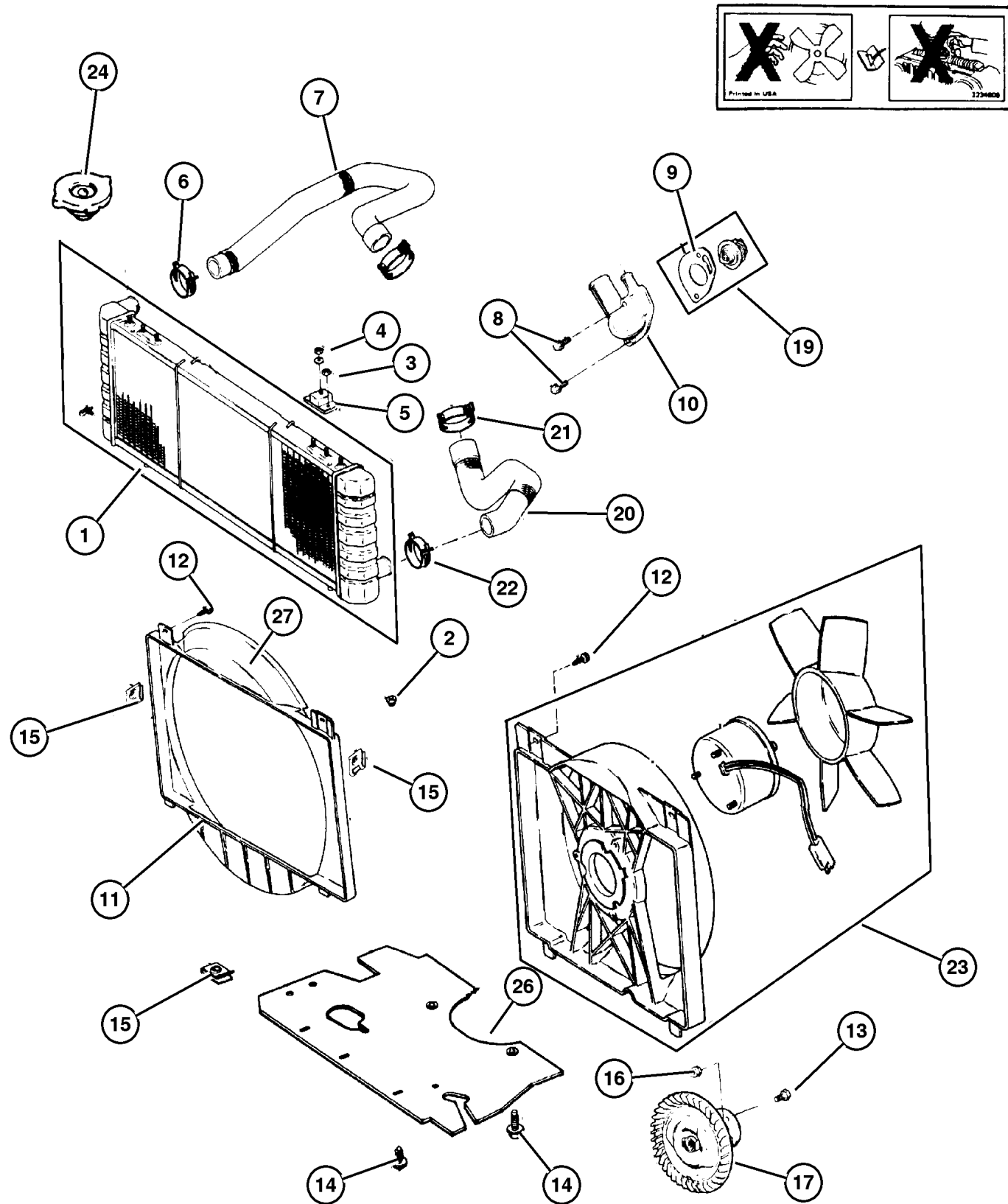
### JEEP CHEROKEE (XJ)

SERIES	LINE	BODY	ENGINE	TRANSMISSION
L=Low Line	J=LHD (4WD) U=RHD (4WD) T=LHD (2WD) B=RHD (2WD)	74=4 DR. (101.4 WB) 72=2 DR. (101.4 WB)	ENC,EN0=2.5L 4 cyl. Turbo Die ERH,ER0=4.0L Power Tech I-6 EPE,EP0=Magnum 2.5L SMPI	DDQ=5Spd Man. DGS=4 Spd. Auto. AISIN DG0=All Auto Trans DBB=All Manual Trans.

AR = Use as required - = Non illustrated part # = New this model year

July 4, 2003

**Radiator and Related Parts, 4.0L Engine 1999 XJ**  
**Figure 007-120**



ITEM	PART NUMBER	QTY	LINE	SERIES	BODY	ENGINE	TRANS	TRIM	DESCRIPTION
15									NUT, U Type, M10 x 1.50, (NOT SERVICED) (Not Serviced)
16									NUT, (NOT SERVICED) (Not Serviced)
17	5207 9625	1				ER0			VISCOUS CLUTCH, Fan Drive
-18	5200 2593	1				ER0			FAN
19	5202 8186	1				EP0, ER0			THERMOSTAT, 195 Degrees
20	#52028 286AE	1				ER0			HOSE, Radiator Inlet
21	3200 2366	1				EP0, ER0			CLAMP, Hose, 55mm Black
22	3200 2366	1				EP0, ER0			CLAMP, Hose, 55mm Black
23									FAN MODULE, Radiator Cooling
	52028 337AB	1	J, T			ER0			Middle East
	52028 338AB	1	J			ER0			
	52028 339AB	1	B, U			ER0			
24									CAP, Radiator
	3781 830	1	J, T			ER0	DBB		
		1	J, T			ER0	DG0		
		1	B, U			ER0	DG0		
		1	B, U			ER0	DBB		
-25									DRAINCOCK, Radiator
	5202 8466	1	J, T			ER0	DG0		
		1	J, T			ER0	DBB		
26	5517 4736	1				EP0, ER0			SHIELD, Engine
27	J323 4806	1	B, U			ER0			LABEL, Fan Caution

<b>JEEP CHEROKEE (XJ)</b>				
SERIES	LINE	BODY	ENGINE	TRANSMISSION
L=Low Line	J=LHD (4WD) U=RHD (4WD) T=LHD (2WD) B=RHD (2WD)	74=4 DR. (101.4 WB) 72=2 DR. (101.4 WB)	ENC,EN0=2.5L 4 cyl. Turbo Die ERH,ER0=4.0L Power Tech I-6 EPE,EP0=Magnum 2.5L SMPI	DDQ=5Spd Man. DGS=4 Spd. Auto. AISIN DG0=All Auto Trans DBB=All Manual Trans.

AR = Use as required - = Non illustrated part # = New this model year

July 4, 2003



**Radiator and Related Parts 2.5L Gas Engine (EP0) 1997 XJ 1998 XJ**  
**Figure 007-130**

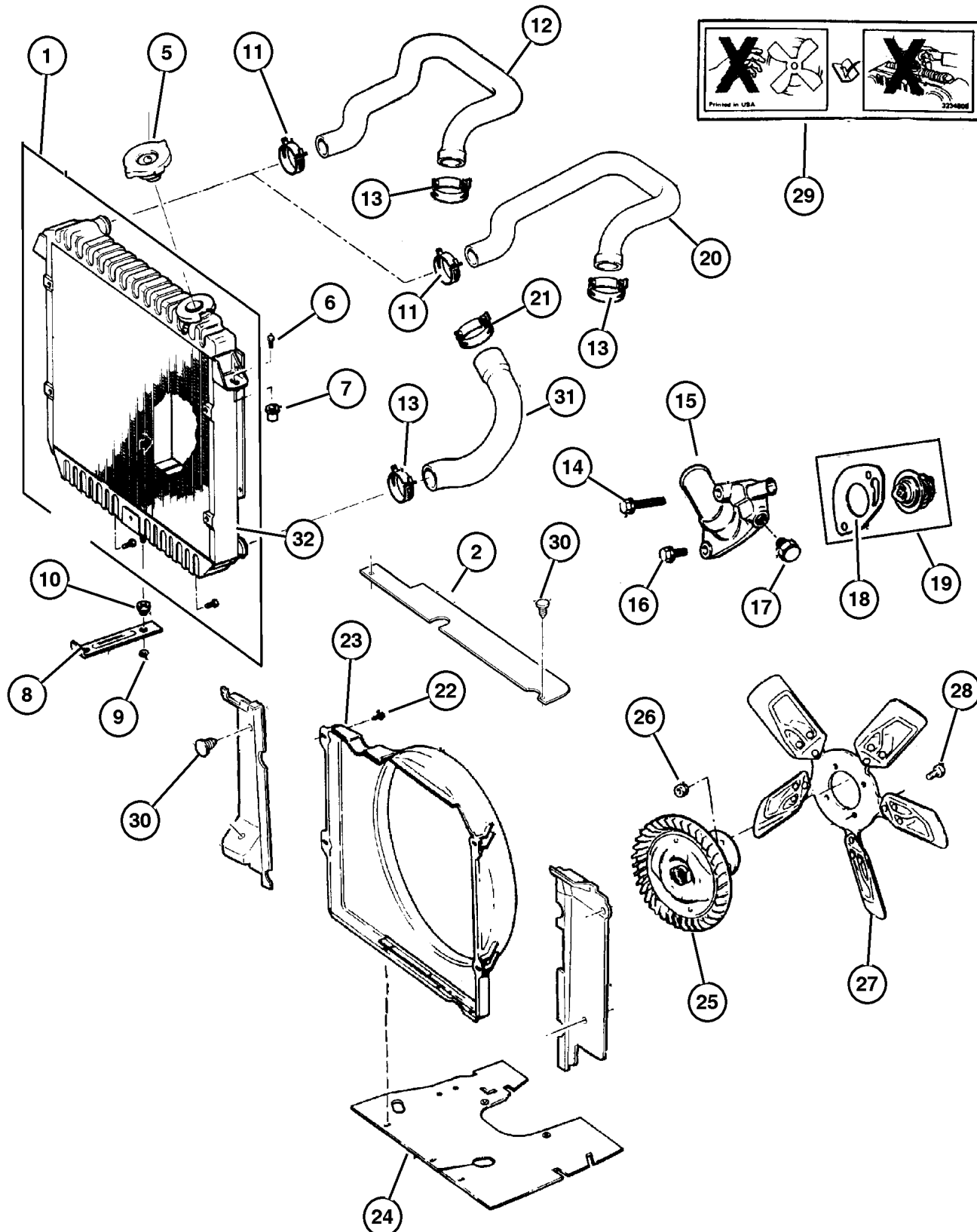
ITEM	PART NUMBER	QTY	LINE	SERIES	BODY	ENGINE	TRANS	TRIM	DESCRIPTION
Note: Sales Code DGB = Manual Trans									
Note: Sales Code DG0 = All Auto Trans									
1	5202 9046	1	J, T			EP0	DBB		RADIATOR, Engine Cooling
	5202 9047	1	J, T			EP0	DG0		1997 XJ
	52029 048AB	1	B, U			EP0	DBB		1997 XJ
	5202 9045	1	J, T			EP0	DG0		Middle East, 1998 XJ
	5203 0000	1				EP0	DBB		Middle East, 1998 XJ
	52079 682AB	1	J, T			EP0	DG0		1998 XJ
	52079 693AB	1				EP0	DBB		1998 XJ
2									SEAL, Radiator Crossmember
	5202 8175	1	J, T			EP0			(NOT REQUIRED), 1997 XJ
	5202 8176	1	B, U			EP0			1997 XJ
-3									SUPPORT, Radiator
	5500 9188	1	J, T			EP0			
	5534 5743	1	B, U			EP0			
	5502 7532	1	B, U			EP0			1998 XJ, Right
	5534 5449	1	J, T			EP0			1998 XJ, Left
-4									CROSSMEMBER, Radiator
	5502 7533	1	B, U			EP0			
	5534 5545	1	J, T			EP0,			1997 XJ
						ER0			
	55235 830AA	1	J, T			EP0			1998 XJ
5									CAP, Radiator
	3781 830	1	J, T			EP0	DG0		
		1	B, U			EP0	DBB		1997 XJ
		1				EP0	DBB		1998 XJ
6									BOLT, Hex Flange Head, M8x1.
	1150 2628	3				EP0			25x30
		2				EP0	DGD		1997 XJ
		2				EN0,			1998 XJ
						EP0			NUT, Well
8									BRACE, Radiator
	5300 0510	1				EP0			1997 XJ
	5517 5247	1				EP0			1998 XJ
9									RING, Radiator Grommet
	3420 1494	1				EP0			(NOT REQUIRED), 1998 XJ
10									GROMMET, Radiator
	5300 0511	1				EP0			1997 XJ

**JEEP CHEROKEE (XJ)**

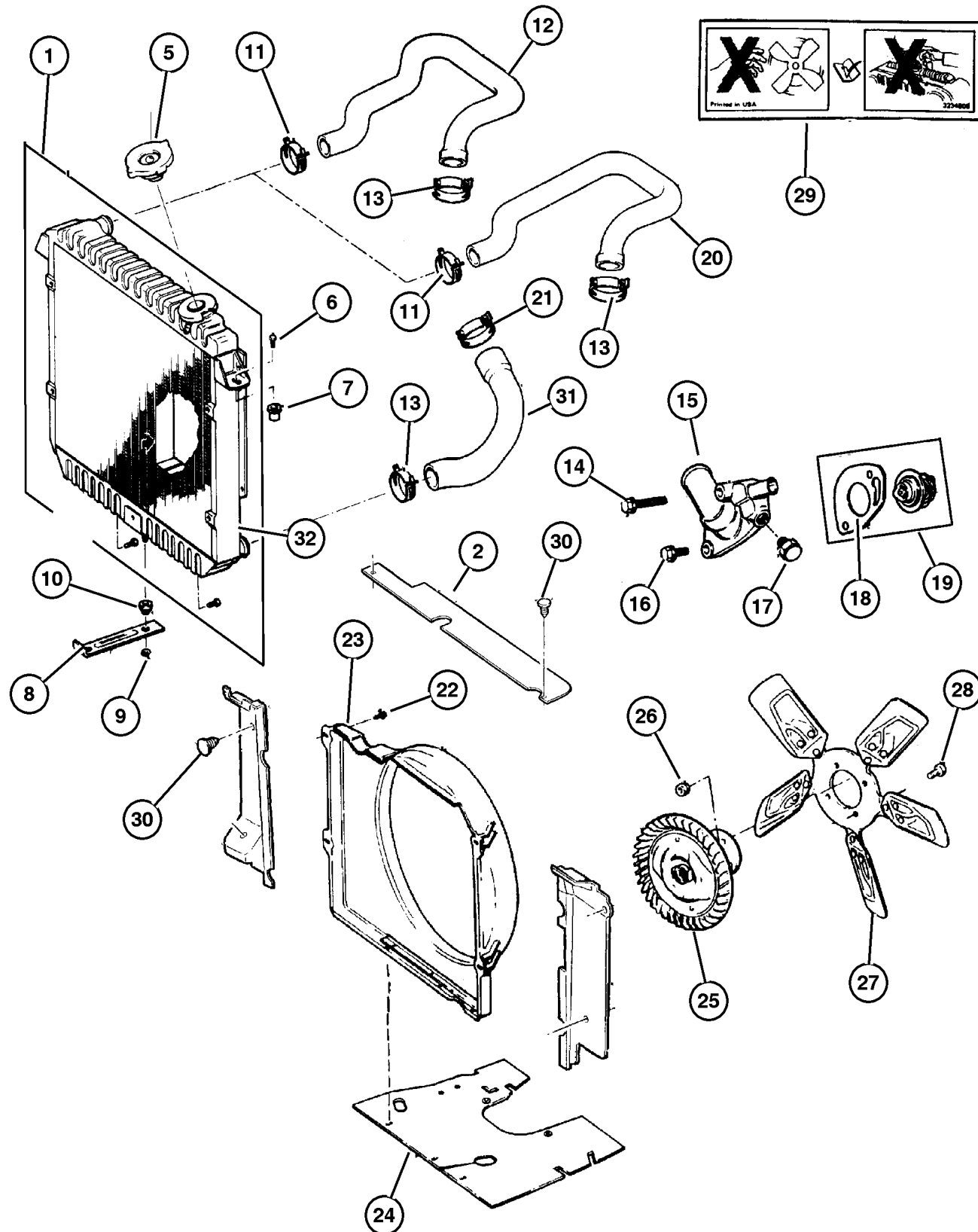
SERIES	LINE	BODY	ENGINE	TRANSMISSION
L=Low Line	J=LHD (4WD) U=RHD (4WD) T=LHD (2WD) B=RHD (2WD)	74=4 DR. (101.4 WB) 72=2 DR. (101.4 WB)	ENC,EN0=2.5L 4 cyl. Turbo Die ERH,ER0=4.0L Power Tech I-6 EPE,EP0=Magnum 2.5L SMPI	DDQ=5Spd Man. DGS=4 Spd. Auto. AISIN DG0=All Auto Trans DBB=All Manual Trans.

AR = Use as required - = Non illustrated part # = New this model year

July 4, 2003



**Radiator and Related Parts 2.5L Gas Engine (EP0) 1997 XJ 1998 XJ**  
**Figure 007-130**



ITEM	PART NUMBER	QTY	LINE	SERIES	BODY	ENGINE	TRANS	TRIM	DESCRIPTION
	J068 7550	2				EN0,			1998 XJ
11	3200 2983	1				EP0, ER0			CLAMP, Hose, 32mm Black
12	5202 8024	1	J			EP0			HOSE, Radiator Inlet, Upper 1997 XJ
	52028 024AB	1				EP0			[HA0], 1998 XJ
13	5200 5580	1				EP0,			CLAMP, Hose to Radiator
14	6034 927	1				ER0 EP0,			SCREW AND WASHER, Hex Head, .312-18x.970
15	5300 6192	1				EP0,			HOUSING, Thermostat
16	6034 927	1				ER0 EP0,			SCREW AND WASHER, Hex Head, .312-18x.970
17	J010 3877	1				EP0,			PLUG, Square Head, 1/8-27NPTx.32
18	5302 0547	1				ER0			GASKET, Thermostat 1997 XJ
	53020 547AB	1				EP0, ER0			1998 XJ
19	5202 8186	1				EP0, ER0			THERMOSTAT, 195 Degrees
20	5200 3789	1	J, T			EP0			HOSE, Radiator Inlet, Upper 1997 XJ
	52003 789AB	1				EP0			[HC0], 1998 XJ
21	3200 2366	1				EP0,			CLAMP, Hose, 55mm Black
22	0154 552	3				ER0 EP0,			SCREW, Hex Head, .190-16x.625
23	5202 7762	1	J, T			EP0			SHROUD, Fan 1997 XJ
	5202 8148	1	B, U			EP0			1997 XJ
	52079 634AB	1				EP0			1998 XJ
24	5517 4736	1				EP0,			SHIELD, Engine
25	5202 8428	1				ER0			VISCOUS CLUTCH, Fan Drive 1997 XJ
		1				EP0			w/o Air, 1998 XJ
	5207 9684	1				EP0			w/Air, 1998 XJ
26									NUT AND WASHER, Hex, .312-18

**JEEP CHEROKEE (XJ)**

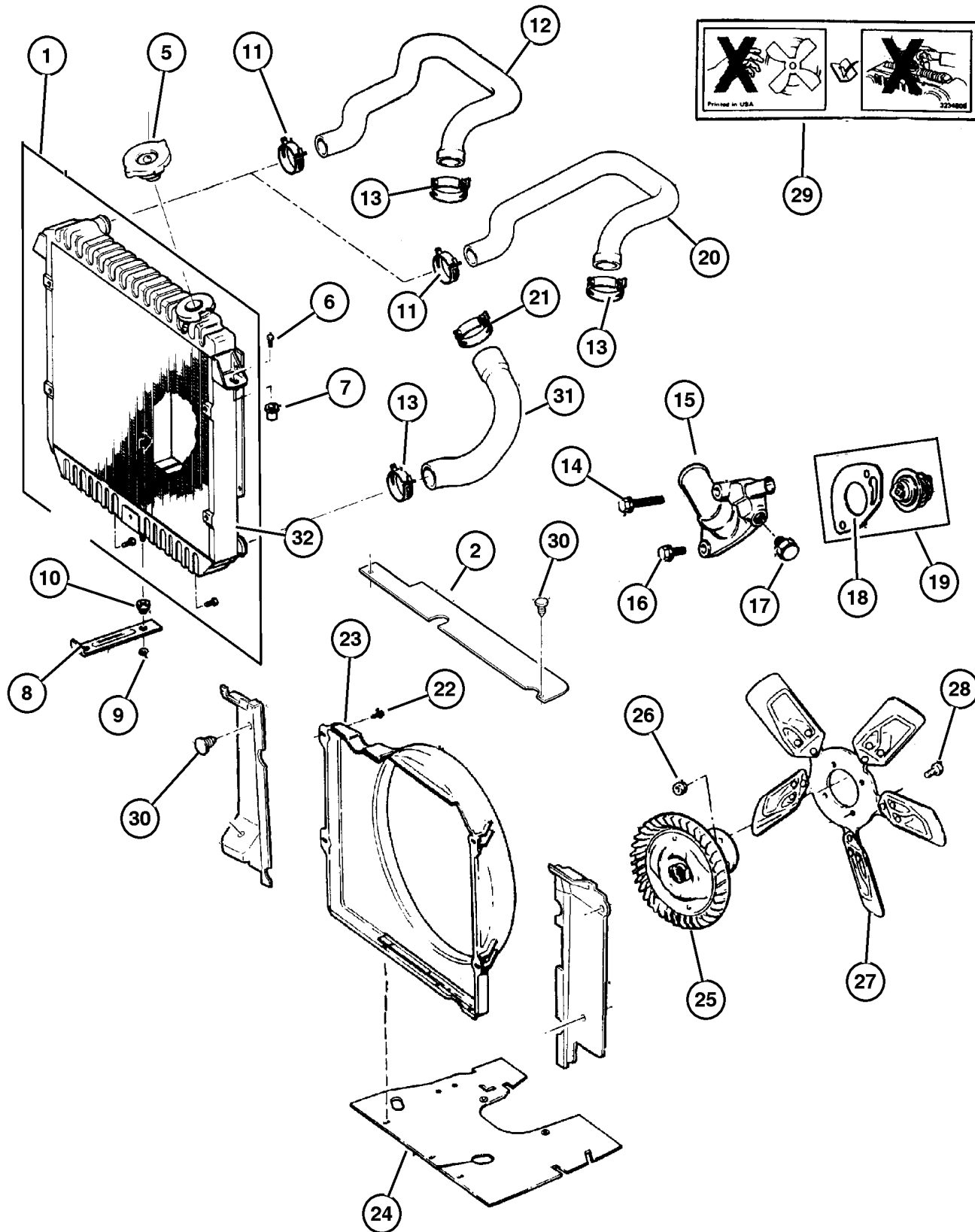
SERIES	LINE	BODY	ENGINE	TRANSMISSION
L=Low Line	J=LHD (4WD) U=RHD (4WD) T=LHD (2WD) B=RHD (2WD)	74=4 DR. (101.4 WB) 72=2 DR. (101.4 WB)	ENC,EN0=2.5L 4 cyl. Turbo Die ERH,ER0=4.0L Power Tech I-6 EPE,EP0=Magnum 2.5L SMPI	DDQ=5Spd Man. DGS=4 Spd. Auto. AISIN DG0=All Auto Trans DBB=All Manual Trans.

AR = Use as required - = Non illustrated part # = New this model year

July 4, 2003

**Radiator and Related Parts 2.5L Gas Engine (EP0) 1997 XJ 1998 XJ**  
**Figure 007-130**

ITEM	PART NUMBER	QTY	LINE	SERIES	BODY	ENGINE	TRANS	TRIM	DESCRIPTION
	0154 591	4				EP0,			
	6035 051	2				EP0	DGD		
27	5202 8331	1				EP0			FAN, Cooling
28	6034 860	4				EP0,			BOLT AND WASHER, Implement
						ER0			Attaching
29	J323 4806	1				ENC,			LABEL, Fan Caution
						EP0			
30									PIN, Retainer
	6501 477	2				EP0			1997 XJ
	6030 441	14							1998 XJ
31	5200 3790	1	J, T			EP0			HOSE, Radiator To Pump, Lower
	52003 790AD	1				EP0			1998 XJ
32									DRAINCOCK, Radiator, 52028466
32									DRAINCOCK, Radiator, 52028466
									(Not Serviced)
									(NOT SERVICED), 1997 XJ
	5202 8466	1	J, T			EP0	DG0		1998 XJ
		1				EP0	DBB		1998 XJ



**JEEP CHEROKEE (XJ)**  
 SERIES LINE BODY ENGINE TRANSMISSION  
 L=Low Line J=LHD (4WD) 74=4 DR. (101.4 WB) ENC,EN0=2.5L 4 cyl. Turbo Die DDQ=5Spd Man.  
 U=RHD (4WD) 72=2 DR. (101.4 WB) ERH,ER0=4.0L Power Tech I-6 DGS=4 Spd. Auto. AISIN  
 T=LHD (2WD) EPE,EP0=Magnum 2.5L SMPI DGO=All Auto Trans  
 B=RHD (2WD) DBB=All Manual Trans.

AR = Use as required - = Non illustrated part # = New this model year

July 4, 2003

**Radiator and Related Parts, 2.5L Gas Engine 1999 XJ**  
**Figure 007-130**

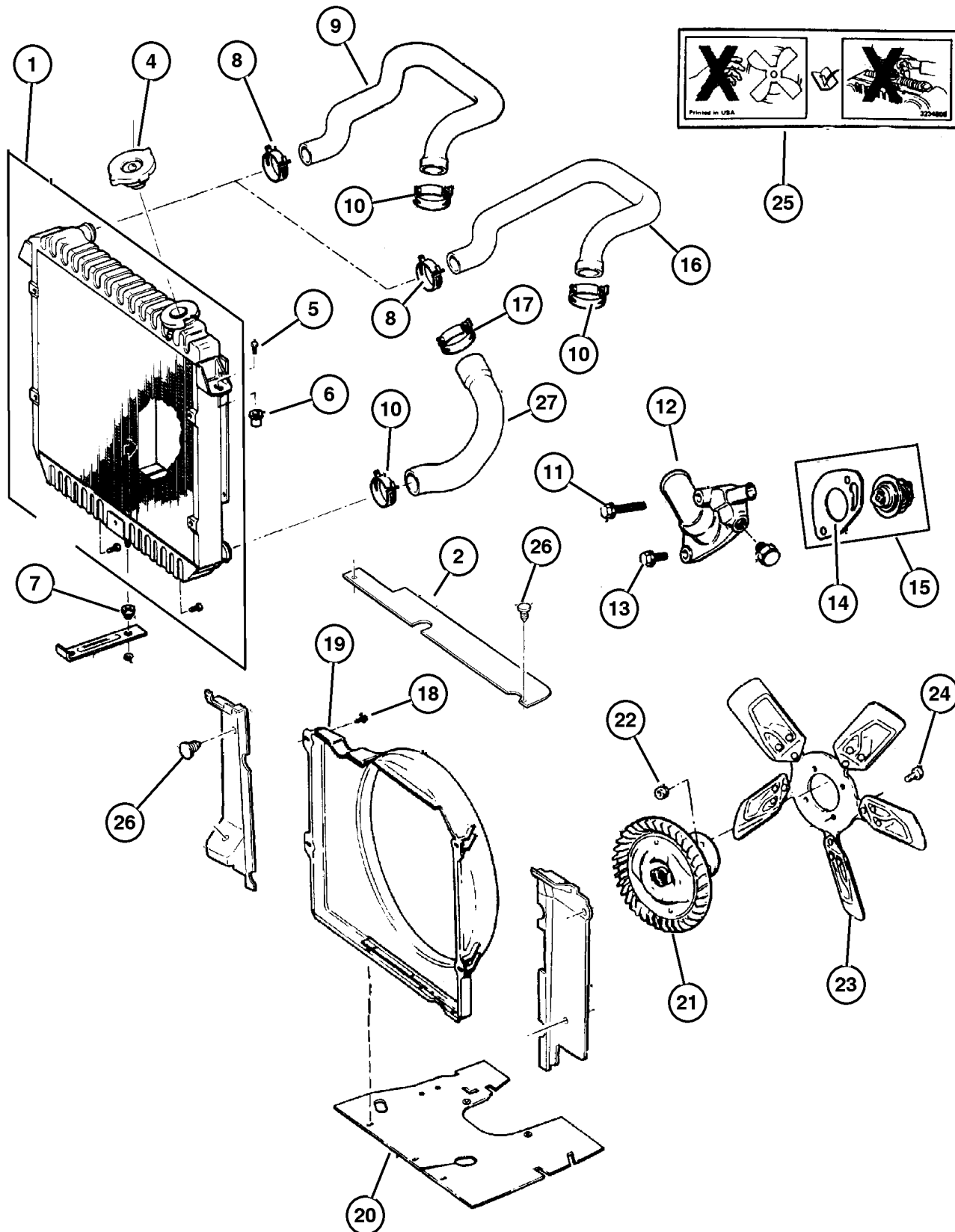
ITEM	PART NUMBER	QTY	LINE	SERIES	BODY	ENGINE	TRANS	TRIM	DESCRIPTION
Note: Sales Code DGB = Manual Trans									
Note: Sales Code DGO = All Auto Trans									
Note: Sales Code EP0 = 2.5L Gas Engine									
1	52079 682AC	1	J, T			EP0	DGO		RADIATOR, Engine Cooling
	52079 693AC	1				EP0	DBB		
2									SEAL, Radiator Crossmember, (NOT REQUIRED)
-3	55235 830AA	1				EN0, EP0, ER0			CROSSMEMBER, Radiator
4	3781 830	1				EP0	DBB		CAP, Radiator
			J, T			EP0	DGO		
5	1150 2628	2				EP0	DGD		BOLT, Hex Flange Head, M8x1.25x30
6	3420 1348	2				EN0, EP0			NUT, Well
7	J068 7550	2				EN0, EP0, ER0			GROMMET, Radiator
8	3200 2983	1				EP0, ER0			CLAMP, Hose, 32mm Black
9	52003 789AB	1				EP0			HOSE, Thermostat Outlet
10	5200 5580	1				EP0, ER0			CLAMP, Hose to Radiator
11	6034 927	1				EP0, ER0			SCREW AND WASHER, Hex Head, .312-18x.970
12	5300 6192	1				EP0, ER0			HOUSING, Thermostat
13	6034 927	1				EP0, ER0			SCREW AND WASHER, Hex Head, .312-18x.970
14	53020 547AB	1				EP0, ER0			GASKET, Thermostat
15	5202 8186	1				EP0, ER0			THERMOSTAT, 195 Degrees
16									HOSE, Radiator Inlet
	52003 789AB	1				EP0			[HCO]
	52028 024AB	1				EP0			[HAA]
17	3200 2366	1				EP0, ER0			CLAMP, Hose, 55mm Black

**JEEP CHEROKEE (XJ)**

SERIES	LINE	BODY	ENGINE	TRANSMISSION
L=Low Line	J=LHD (4WD) U=RHD (4WD) T=LHD (2WD) B=RHD (2WD)	74=4 DR. (101.4 WB) 72=2 DR. (101.4 WB)	ENC,EN0=2.5L 4 cyl. Turbo Die ERH,ER0=4.0L Power Tech I-6 EPE,EP0=Magnum 2.5L SMPI	DDQ=5Spd Man. DGS=4 Spd. Auto. AISIN DGO=All Auto Trans DBB=All Manual Trans.

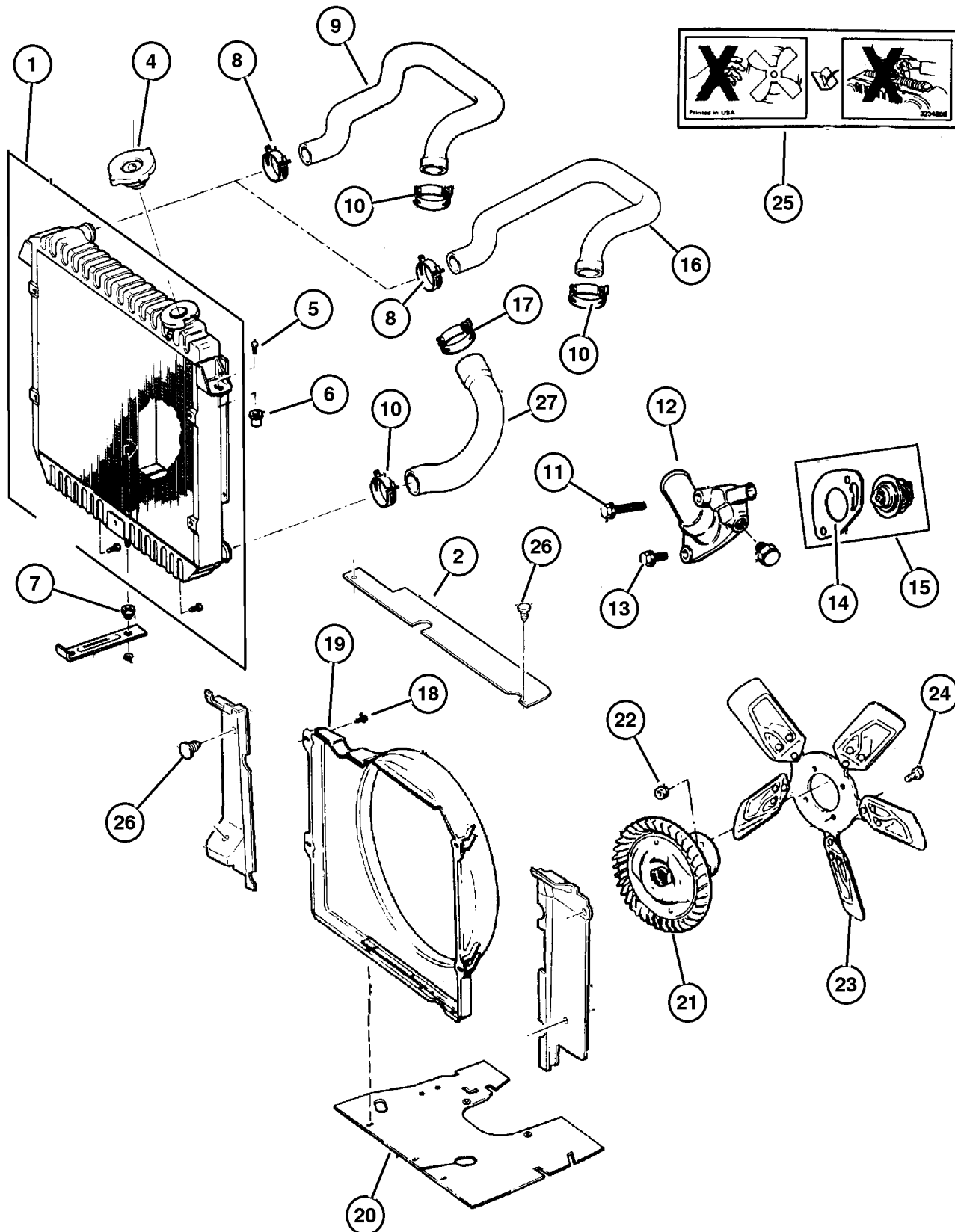
AR = Use as required - = Non illustrated part # = New this model year

July 4, 2003



**Radiator and Related Parts, 2.5L Gas Engine 1999 XJ**  
**Figure 007-130**

ITEM	PART NUMBER	QTY	LINE	SERIES	BODY	ENGINE	TRANS	TRIM	DESCRIPTION
18	0154 552	3				EP0, ER0			SCREW, Hex Head, .190-16x.625
19	52079 634AB	1				EP0			SHROUD, Fan
20	5517 4736	1				EP0, ER0			SHIELD, Engine
21	5202 8428	1				EP0			VISCOUS CLUTCH, Fan Drive w/o Air Conditioning
	5207 9684	1				EP0			w/Air Conditioning
22	0154 591	4				EP0, ER0			NUT AND WASHER, Hex, .312-18
	6035 051	2				EP0	DGD		
23	5202 8331	1				EP0			FAN, Cooling
24	6034 860	4				EP0, ER0			BOLT AND WASHER, Implement Attaching
25	J323 4806	1	B, U			ER0			LABEL, Fan Caution
26	6030 441	14							PIN, Retainer
27	52003 790AE	1				EP0			HOSE, Radiator To Pump
-28	#52079 661AB	1				EP0			FAN MODULE, Radiator Cooling
-29	5202 8466	1	J, T			EP0	DG0		DRAINCOCK, Radiator
		1				EP0	DBB		

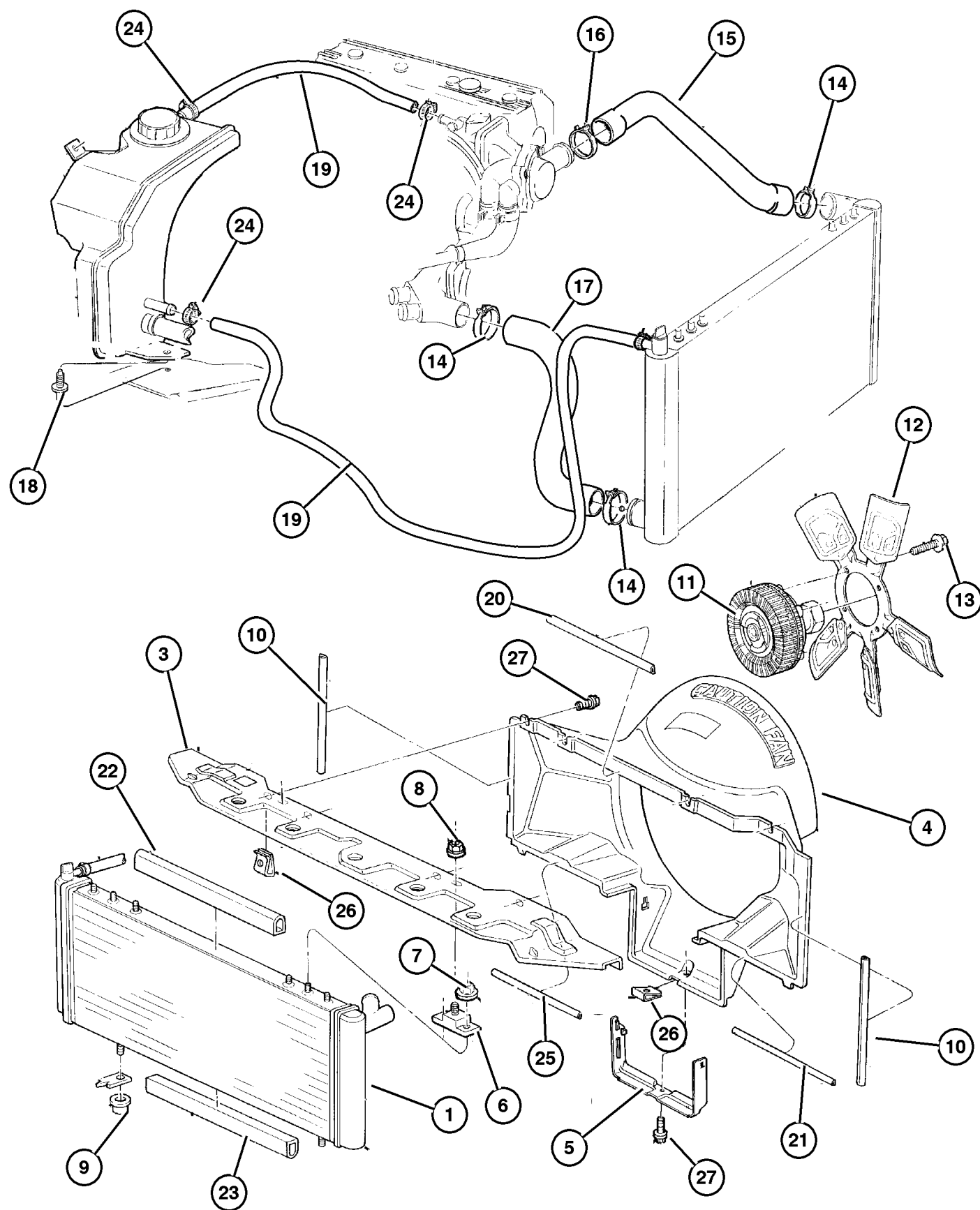


<b>JEEP CHEROKEE (XJ)</b>				
SERIES	LINE	BODY	ENGINE	TRANSMISSION
L=Low Line	J=LHD (4WD) U=RHD (4WD) T=LHD (2WD) B=RHD (2WD)	74=4 DR. (101.4 WB) 72=2 DR. (101.4 WB)	ENC,EN0=2.5L 4 cyl. Turbo Die ERH,ER0=4.0L Power Tech I-6 EPE,EP0=Magnum 2.5L SMPI	DDQ=5Spd Man. DGS=4 Spd. Auto. AISIN DG0=All Auto Trans DBB=All Manual Trans.

AR = Use as required - = Non illustrated part # = New this model year

July 4, 2003

**Radiator and Related Parts 2.5L Diesel (EN0) 1997 XJ 1998 XJ**  
**Figure 007-145**



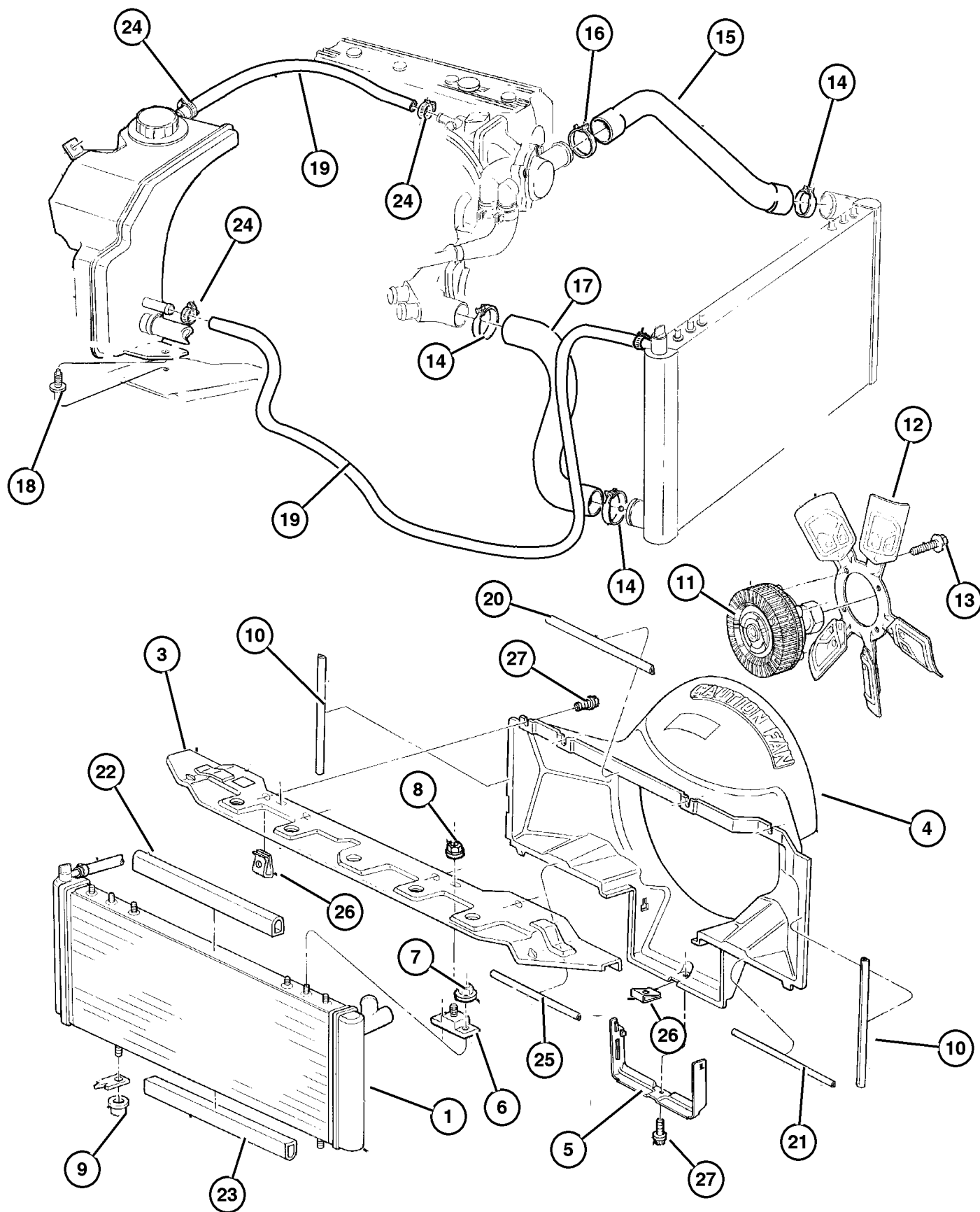
ITEM	PART NUMBER	QTY	LINE	SERIES	BODY	ENGINE	TRANS	TRIM	DESCRIPTION
Note: Sales Code DGB = Manual Trans									
Note: Sales Code DGO = All Auto Trans									
1	4874 198	1				EN0			RADIATOR, Engine Cooling w/Max Cooling, 1997 XJ
	5202 9100	1				EN0			w/o Max Cooling, 1997 XJ
	52029 100AB	1				EN0			1998 XJ
-2	5202 8256	1				EN0	DD0		CAP, Radiator
3	55235 830AA	1				EN0, ERO			CROSSMEMBER, Radiator
4	5202 8406	1				EN0			SHROUD, Fan
5	5202 8239	1				EN0			SEAL, Radiator
6	5200 2585	2				EN0, ERO			ISOLATOR, Radiator 1997 XJ
		2				EN0, EP0, ERO			1998 XJ
7	1150 2722	4				EN0, ERO			NUT, Hex Flange, M5x.8 1997 XJ
		4				EN0, EP0, ERO			1998 XJ
8	1150 3745	2				EN0			NUT, Hex, M6x1
9	J068 7550	2				EN0, ERO			GROMMET, Radiator 1997 XJ
		2				EN0, EP0, ERO			1998 XJ
10	5202 8230	2				EN0			SEAL, Radiator Shroud
11	5202 8370	1				EN0			DRIVE, Fan
12	5202 8200	1				EN0			FAN, Cooling
13	6034 860	4				EN0			BOLT AND WASHER, Implement Attaching
14	5200 5580	1				EN0			CLAMP, Radiator, 55mm Silver (NOT REQUIRED), 1997 XJ
	5207 9690	1				EN0			1998 XJ
15	3200 2983	1				EN0			HOSE, Radiator Inlet
16	5200 6301	1	J, T			ER0			CLAMP, Hose, 32mm Black
17									HOSE, Radiator

JEEP CHEROKEE (XJ)				
SERIES	LINE	BODY	ENGINE	TRANSMISSION
L=Low Line	J=LHD (4WD) U=RHD (4WD) T=LHD (2WD) B=RHD (2WD)	74=4 DR. (101.4 WB) 72=2 DR. (101.4 WB)	ENC,EN0=2.5L 4 cyl. Turbo Die ERH,ER0=4.0L Power Tech I-6 EPE,EP0=Magnum 2.5L SMPI	DDQ=5Spd Man. DGS=4 Spd. Auto. AISIN DGO=All Auto Trans DBB=All Manual Trans.

AR = Use as required - = Non illustrated part # = New this model year

July 4, 2003

**Radiator and Related Parts 2.5L Diesel (EN0) 1997 XJ 1998 XJ**  
**Figure 007-145**



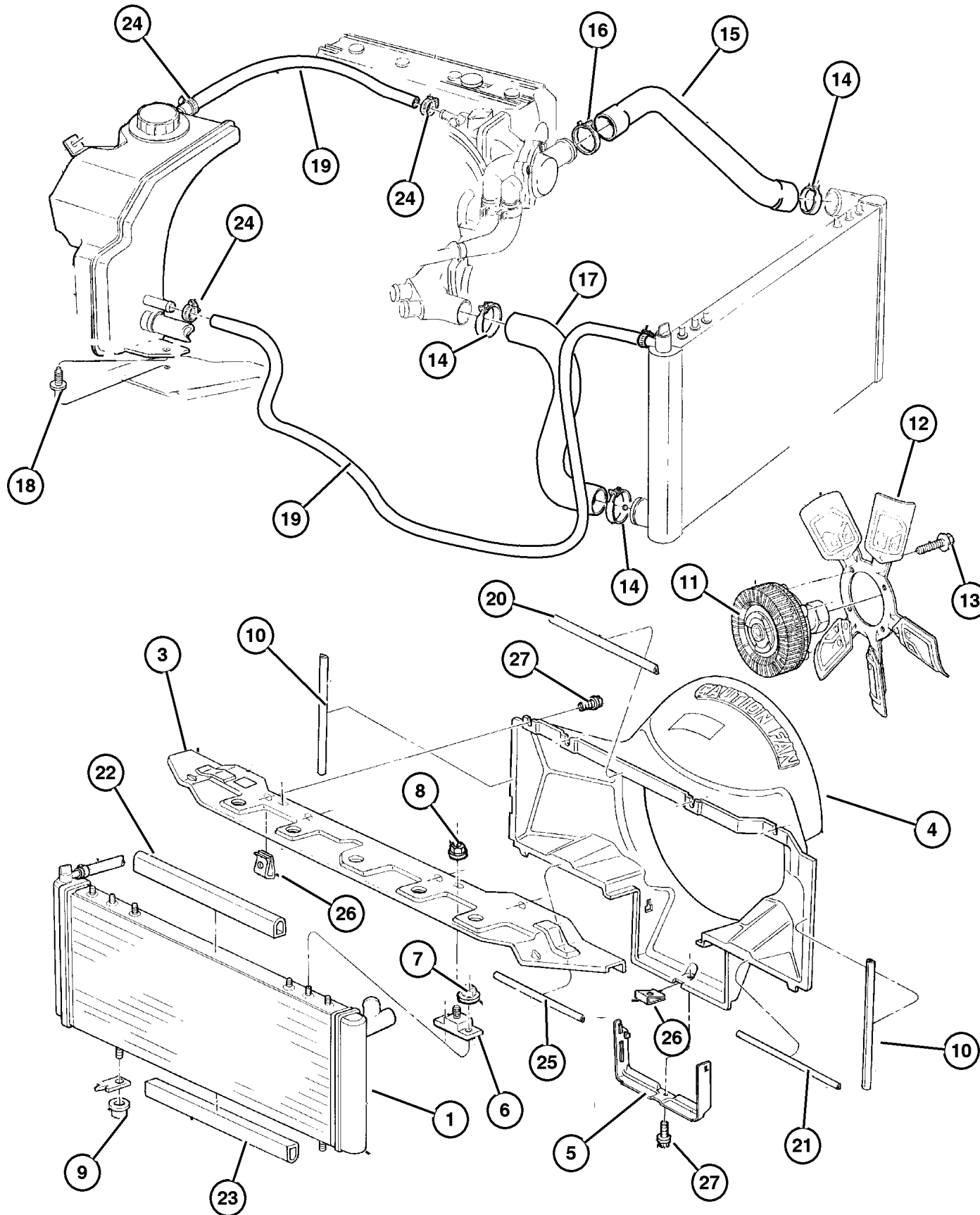
ITEM	PART NUMBER	QTY	LINE	SERIES	BODY	ENGINE	TRANS	TRIM	DESCRIPTION
	5200 6499	1	B, U			EP0			1997 XJ
	5202 9635	1	B, U			ER0			1998 XJ
18	6032 824	1				EN0			BOLT, Hex Flange Head, .25-14x.625
19	5207 9457	1				EN0			HOSE, Coolant Recovery Bottle
20	5202 8234	1				EN0			SEAL, Radiator Shroud, Upper
21	5202 8216	1				EN0			SEAL, Radiator Shroud, Lower
22									SEAL, Crossmember
	5202 8179	1				EP0			1997 XJ
	5202 8238	1				EN0			1998 XJ
23	5202 8237	1				EN0			SEAL, Crossmember
24	6502 081	1				EN0			CLAMP, Oil Cooler Line
25	5202 8223	1				EN0			SEAL, Radiator Shroud
26	6503 998	5				EN0			NUT, U Multi Thread, M5 x .80
27									SCREW, (NOT SERVICED) (Not Serviced)

<b>JEEP CHEROKEE (XJ)</b>				
SERIES	LINE	BODY	ENGINE	TRANSMISSION
L=Low Line	J=LHD (4WD) U=RHD (4WD) T=LHD (2WD) B=RHD (2WD)	74=4 DR. (101.4 WB) 72=2 DR. (101.4 WB)	ENC,EN0=2.5L 4 cyl. Turbo Die ERH,ER0=4.0L Power Tech I-6 EPE,EP0=Magnum 2.5L SMPI	DDQ=5Spd Man. DGS=4 Spd. Auto. AISIN DG0=All Auto Trans DBB=All Manual Trans.

AR = Use as required - = Non illustrated part # = New this model year

July 4, 2003

**Radiator and Related Parts, 2.5L Diesel Engine 1999 XJ**  
**Figure 007-145**



ITEM	PART NUMBER	QTY	LINE	SERIES	BODY	ENGINE	TRANS	TRIM	DESCRIPTION
Note: Sales Code EN0 = 2.5L Diesel Engine									
1	5202 9100	1				EN0			RADIATOR, Engine Cooling
-2	5202 8256	1				EN0	DD0		CAP, Radiator
3	55235 830AA	1				EN0, EP0, ER0			CROSSMEMBER, Radiator
4	5202 8406	1				EN0			SHROUD, Fan
5	5202 8239	1				EN0			SEAL, Radiator
6	5200 2585	2				EN0, EP0, ER0			ISOLATOR, Radiator
7	1150 2722	4				EN0, EP0, ER0			NUT, Hex Flange, M5x.8
8	1150 3745	2				EN0			NUT, Hex, M6x1
9	J068 7550	2				EN0, EP0, ER0			GROMMET, Radiator
10	5202 8230	2				EN0			SEAL, Radiator Shroud
11	5202 8370	1				EN0			DRIVE, Fan
12	5202 8200	1				EN0			FAN, Cooling
13	6034 860	4				EN0			BOLT AND WASHER, Implement Attaching
14									CLAMP, Radiator, 55mm Silver, (NOT SERVICED) (Not Serviced)
15	5207 9690	1				EN0			HOSE, Radiator Inlet
16	3200 2983	1				EN0			CLAMP, Hose, 32mm Black
17	52028 407AC	1				EN0			HOSE, Radiator Outlet
18	6032 824	1				EN0			BOLT, Hex Flange Head, .25-14x.625
19	5207 9457	1				EN0			HOSE, Coolant Recovery Bottle
20	5202 8234	1				EN0			SEAL, Radiator Shroud, Upper
21	5202 8216	1				EN0			SEAL, Radiator Shroud, Lower
22	5202 8238	1				EN0			SEAL, Crossmember
23	5202 8237	1				EN0			SEAL, Crossmember
24	6502 081	1				EN0			CLAMP, Oil Cooler Line
25	5202 8223	1				EN0			SEAL, Radiator Shroud
26	6503 998	5				EN0			NUT, U Multi Thread, M5 x .80
27	4886 243AA	1				EN0			SCREW

**JEEP CHEROKEE (XJ)**

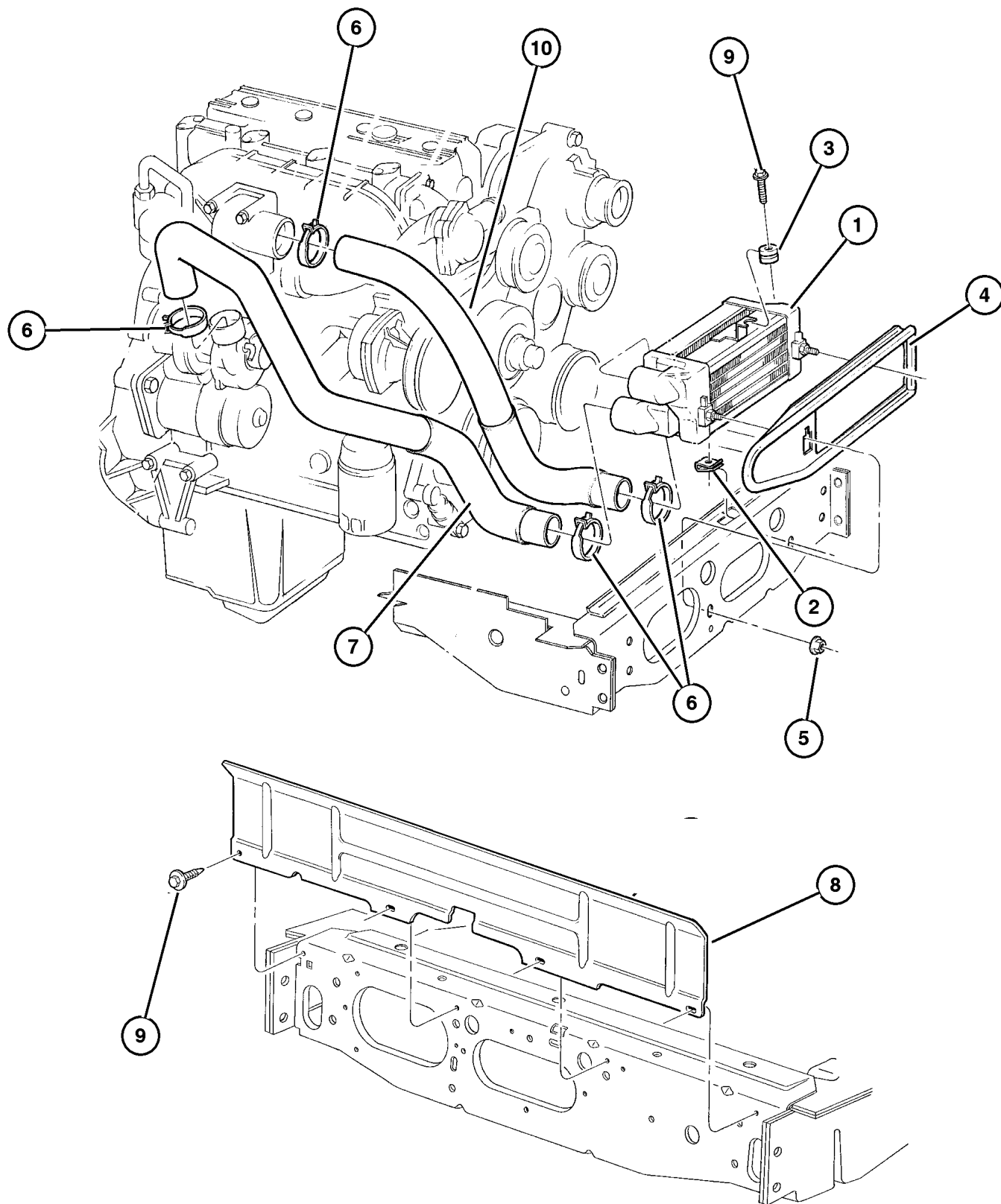
SERIES	LINE	BODY	ENGINE	TRANSMISSION
L=Low Line	J=LHD (4WD) U=RHD (4WD) T=LHD (2WD) B=RHD (2WD)	74=4 DR. (101.4 WB) 72=2 DR. (101.4 WB)	ENC,EN0=2.5L 4 cyl. Turbo Die ERH,ER0=4.0L Power Tech I-6 EPE,EP0=Magnum 2.5L SMPI	DDQ=5Spd Man. DGS=4 Spd. Auto. AISIN DG0=All Auto Trans DBB=All Manual Trans.

AR = Use as required - = Non illustrated part # = New this model year

July 4, 2003



**Charge Air Cooler 2.5 Diesel Engine 1997 XJ 1998 XJ**  
**Figure 007-147**



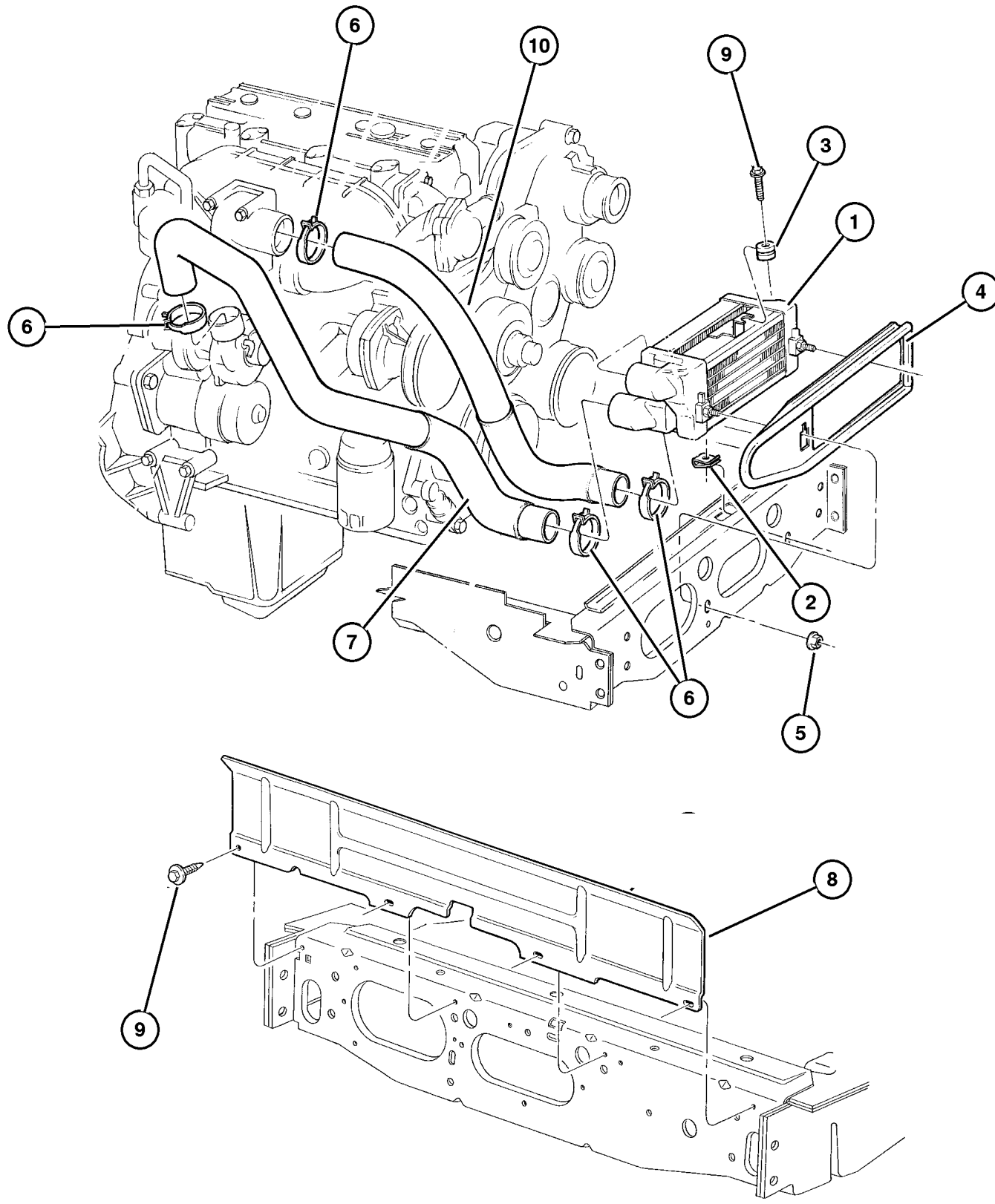
ITEM	PART NUMBER	QTY	LINE	SERIES	BODY	ENGINE	TRANS	TRIM	DESCRIPTION
Note: Sales Code EN0 = 2.5L Diesel Engine									
1	5202 8089	1				EN0			COOLER, Engine Oil
2	6101 442	1				EN0			U-NUT, M6 x 1.00, M6x1.00
3	5202 8236	1				EN0			ISOLATOR
4	5202 8235	1				EN0			SEAL, Cooler
5	3420 1358	2							NUT AND WASHER, Hex Nut- Sealing Washer, M6 x 1.00
6	5202 8008	2				EN0			CLAMP, Hose, 64mm
7	5207 9581	1				EN0			HOSE, Charge Air Cooler
8	5202 8374	1				EN0			DEFLECTOR, Air
9									SCREW, (NOT SERVICED) (Not Serviced)
10	5207 9496	1				EN0			HOSE, Charge Air Cooler

JEEP CHEROKEE (XJ)				
SERIES	LINE	BODY	ENGINE	TRANSMISSION
L=Low Line	J=LHD (4WD) U=RHD (4WD) T=LHD (2WD) B=RHD (2WD)	74=4 DR. (101.4 WB) 72=2 DR. (101.4 WB)	ENC,EN0=2.5L 4 cyl. Turbo Die ERH,ER0=4.0L Power Tech I-6 EPE,EP0=Magnum 2.5L SMPI	DDQ=5Spd Man. DGS=4 Spd. Auto. AISIN DG0=All Auto Trans DBB=All Manual Trans.

AR = Use as required - = Non illustrated part # = New this model year

July 4, 2003

**Charge Air Cooler, 2.5L Diesel Engine 1999 XJ**  
**Figure 007-147**



ITEM	PART NUMBER	QTY	LINE	SERIES	BODY	ENGINE	TRANS	TRIM	DESCRIPTION
Note: Sales Code EN0 = 2.5L Diesel Engine									
1	5202 8089	1				EN0			COOLER, Engine Oil
2	6101 442	1				EN0			U-NUT, M6 x 1.00, M6x1.00
3	5202 8236	1				EN0			ISOLATOR
4	5202 8235	1				EN0			SEAL, Cooler
5	3420 1358	2							NUT AND WASHER, Hex Nut-Sealing Washer, M6 x 1.00
6	5202 8008	2				EN0			CLAMP, Hose, 64mm
7	5207 9581	1				EN0			HOSE, Charge Air Cooler
8	5202 8374	1				EN0			DEFLECTOR, Air
9									SCREW, (NOT SERVICED) (Not Serviced)
10	5207 9496	1				EN0			HOSE, Charge Air Cooler

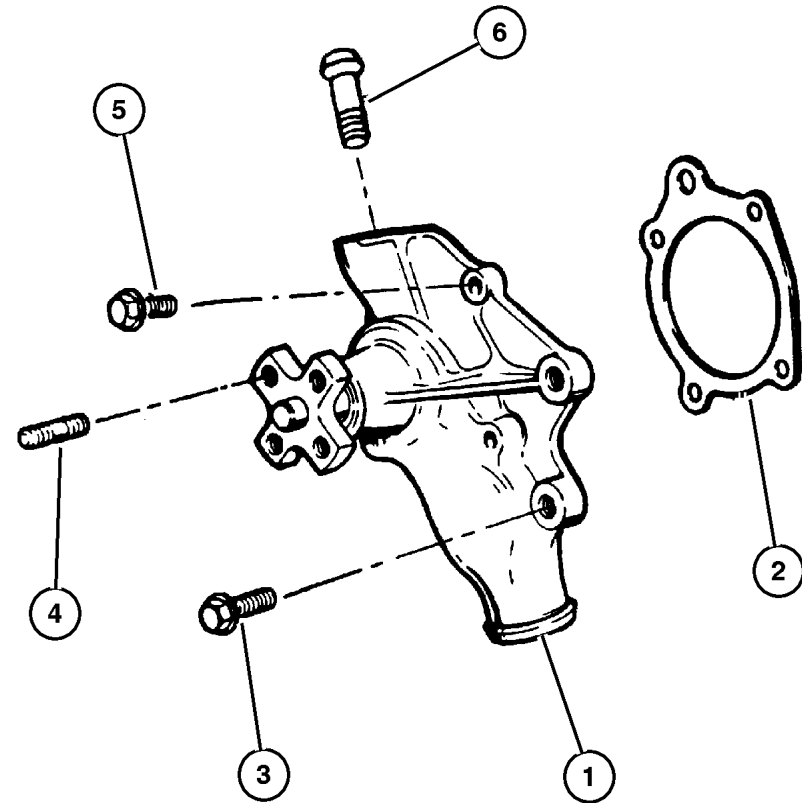
JEEP CHEROKEE (XJ)				
SERIES	LINE	BODY	ENGINE	TRANSMISSION
L=Low Line	J=LHD (4WD) U=RHD (4WD) T=LHD (2WD) B=RHD (2WD)	74=4 DR. (101.4 WB) 72=2 DR. (101.4 WB)	ENC,EN0=2.5L 4 cyl. Turbo Die ERH,ER0=4.0L Power Tech I-6 EPE,EP0=Magnum 2.5L SMPI	DDQ=5Spd Man. DGS=4 Spd. Auto. AISIN DG0=All Auto Trans DBB=All Manual Trans.

AR = Use as required - = Non illustrated part # = New this model year

July 4, 2003

**Water Pump and Related Parts 2.5,4.0L Gas Engines (EP0,ER0) 1997 XJ 1998 XJ**  
**Figure 007-210**

ITEM	PART NUMBER	QTY	LINE	SERIES	BODY	ENGINE	TRANS	TRIM	DESCRIPTION
Note: Sales Code EP0 = 2.5L Gas Engine									
Note: Sales Code ER0 = 4.0L Engine									
1									PUMP PACKAGE, Water
	4626 054	1				EP0			1997 XJ
	4626 054AD	1				EP0			1998 XJ
	4626 215	1				ER0			
2	5302 0420	1				EP0, ER0			GASKET, Water Pump
3	6033 979	1				EP0, ER0			SCREW AND WASHER, Hex Head, .312-18x1.75
4									STUD, .312-18/.312-24x1.250
	J400 6714	4				EP0 ER0			
5	6033 978	3				EP0, ER0			SCREW AND WASHER, Hex Head, .312-18x1.12
6	5300 7978	1				EP0, ER0			TUBE, Water Pump Heater Return



**JEEP CHEROKEE (XJ)**

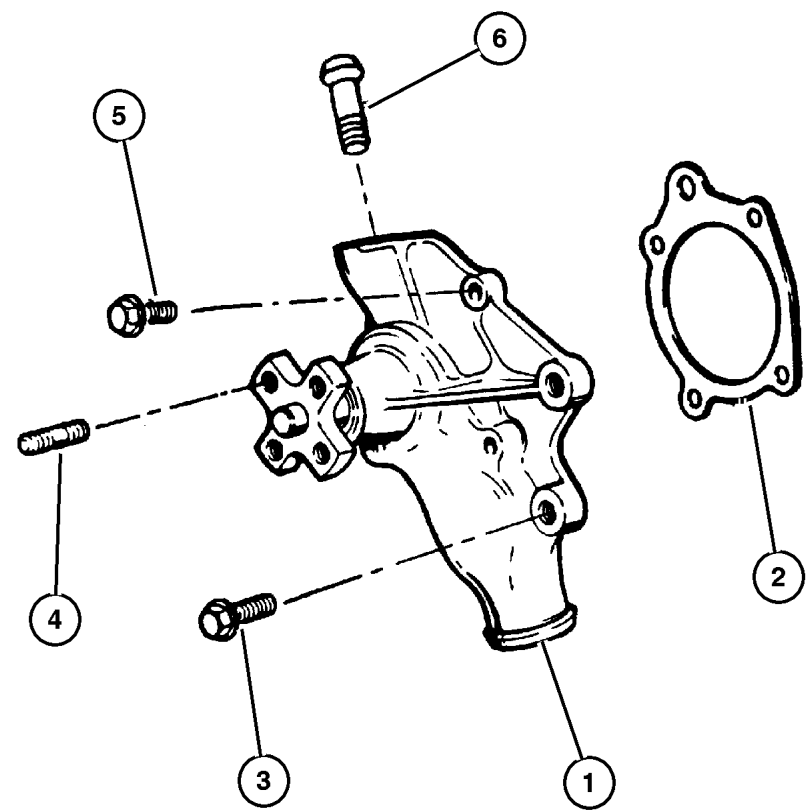
SERIES	LINE	BODY	ENGINE	TRANSMISSION
L=Low Line	J=LHD (4WD) U=RHD (4WD) T=LHD (2WD) B=RHD (2WD)	74=4 DR. (101.4 WB) 72=2 DR. (101.4 WB)	ENC,EN0=2.5L 4 cyl. Turbo Die ERH,ER0=4.0L Power Tech I-6 EPE,EP0=Magnum 2.5L SMPI	DDQ=5Spd Man. DGS=4 Spd. Auto. AISIN DG0=All Auto Trans DBB=All Manual Trans.

AR = Use as required - = Non illustrated part # = New this model year

July 4, 2003

**Water Pump and Related Parts, 2.5,4.0L Gas Engines 1999 XJ**  
**Figure 007-210**

ITEM	PART NUMBER	QTY	LINE	SERIES	BODY	ENGINE	TRANS	TRIM	DESCRIPTION
Note: Sales Code EP0 = 2.5L Gas Engine									
Note: Sales Code ER0 = 4.0L Engine									
1									PUMP PACKAGE, Water
	4626 054AD	1				EP0			
	4626 215AD	1				ER0			
2	5301 0419	1				EP0, ER0			GASKET, Water Pump
3									SCREW AND WASHER, Hex Head, .312-18x1.75, (NOT SERVICED) (Not Serviced)
4	J400 6714	4				EP0 ER0			STUD, .312-18/.312-24x1.250
5									SCREW AND WASHER, Hex Head, .312-18x1.12, (NOT SERVICED) (Not Serviced)
6	5300 7978	1				EP0, ER0			TUBE, Water Pump Heater Return



<b>JEEP CHEROKEE (XJ)</b>				
SERIES	LINE	BODY	ENGINE	TRANSMISSION
L=Low Line	J=LHD (4WD) U=RHD (4WD) T=LHD (2WD) B=RHD (2WD)	74=4 DR. (101.4 WB) 72=2 DR. (101.4 WB)	ENC,EN0=2.5L 4 cyl. Turbo Die ERH,ER0=4.0L Power Tech I-6 EPE,EP0=Magnum 2.5L SMPI	DDQ=5Spd Man. DGS=4 Spd. Auto. AISIN DG0=All Auto Trans DBB=All Manual Trans.

AR = Use as required - = Non illustrated part # = New this model year

July 4, 2003

**Water Pump and Water Manifold 2.5L Diesel Engine (EN0) 1997 XJ 1998 XJ**  
**Figure 007-215**

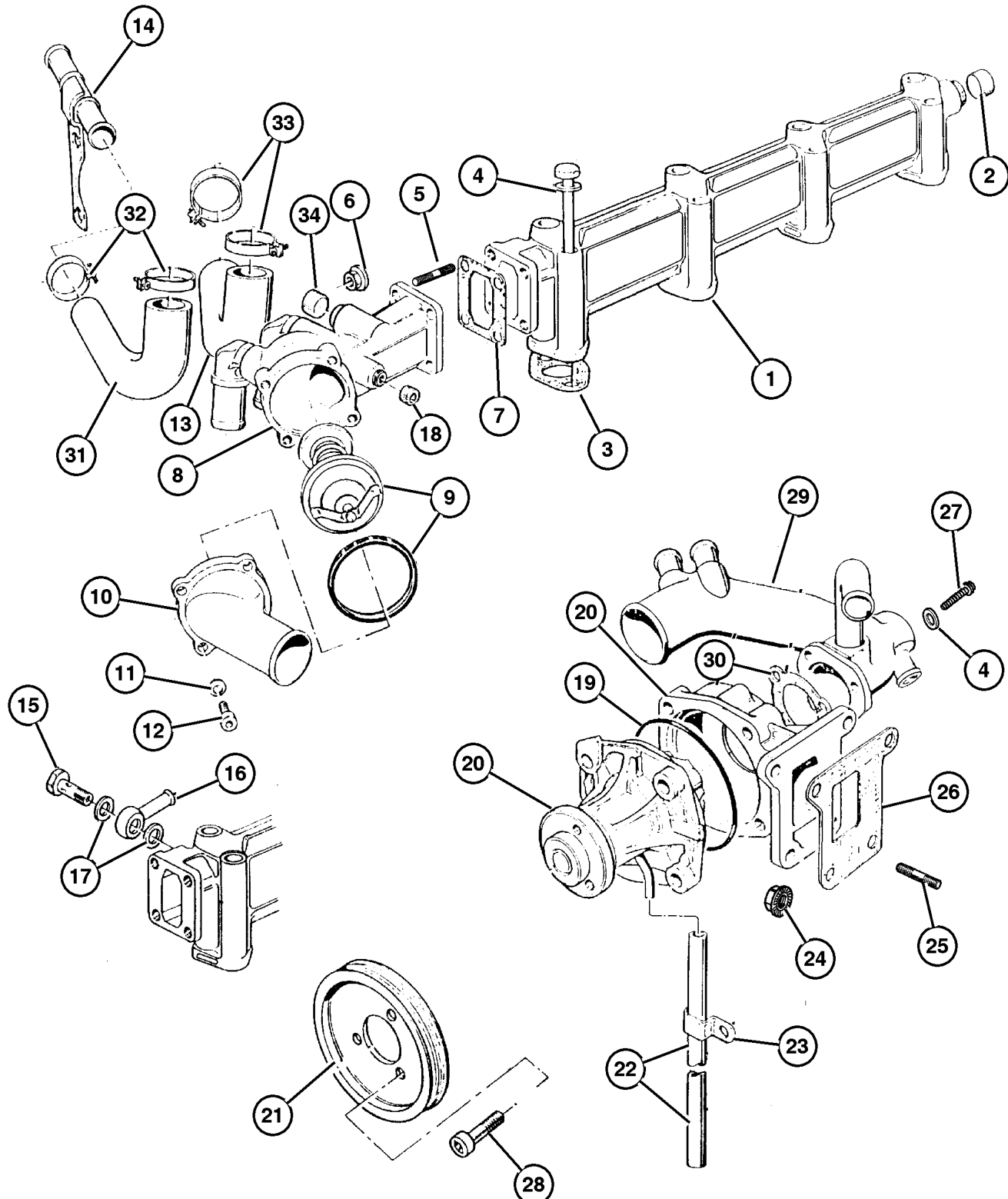
ITEM	PART NUMBER	QTY	LINE	SERIES	BODY	ENGINE	TRANS	TRIM	DESCRIPTION
Note: Sales Code EN0 = 2.5L Diesel Engine									
1	4797 748	1				EN0			MANIFOLD, Water
2	4864 753	1				EN0			PLUG
3	4720 450	4				EN0			GASKET, Water Manifold
4									WASHER, Plain
	4720 305	8				EN0			1997 XJ
		2				EN0			1998 XJ
5	4797 764	4				EN0			STUD, M6x14
6									NUT, Suction Pipe Attaching
	4778 936	9				EN0			1997 XJ
		2				EN0			1998 XJ
7	4778 971	1				EN0			GASKET, Thermostat
8									HOUSING, Thermostat
	4778 974	1				EN0			1997 XJ
	4778 974AB	1				EN0			1998 XJ
9	4778 975	1				EN0			THERMOSTAT
10	4778 976	1				EN0			COVER, Thermostat Housing
11									WASHER, Plain
	4720 305	8				EN0			1997 XJ
		2				EN0			1998 XJ
12	4720 658	4				EN0			SCREW, Intake Manifold Elbow
13	4778 977	1				EN0			HOSE, Water Pump Bypass
14	4778 980	1				EN0			TUBE, Heater Feed
15									BOLT, Banjo
	4720 358	6				EN0			1997 XJ
		5				EN0			1998 XJ
16	4797 755	1				EN0			BANJO, Air Bleed
17									WASHER, Banjo
	4720 554	12				EN0			1997 XJ
		10				EN0			1998 XJ
18									PLUG, Water Manifold (NOT REQUIRED), 1998 XJ
	4797 047	1				EN0			1997 XJ
19	4723 198	1				EN0			O RING, Water Pump
20	4864 566	1				EN0			PUMP, Water
21									PULLEY, Water Pump
	4778 982	1				EN0			1997 XJ
	4864 567	1				EN0			1998 XJ
22	4720 438	1				EN0			PIPE, Water Pump Drain
23	4720 446	1				EN0			CLIP, Drain Pipe
24									NUT
	4778 961	22				EN0			1997 XJ

**JEEP CHEROKEE (XJ)**

SERIES	LINE	BODY	ENGINE	TRANSMISSION
L=Low Line	J=LHD (4WD) U=RHD (4WD) T=LHD (2WD) B=RHD (2WD)	74=4 DR. (101.4 WB) 72=2 DR. (101.4 WB)	ENC,EN0=2.5L 4 cyl. Turbo Die ERH,ER0=4.0L Power Tech I-6 EPE,EP0=Magnum 2.5L SMPI	DDQ=5Spd Man. DGS=4 Spd. Auto. AISIN DG0=All Auto Trans DBB=All Manual Trans.

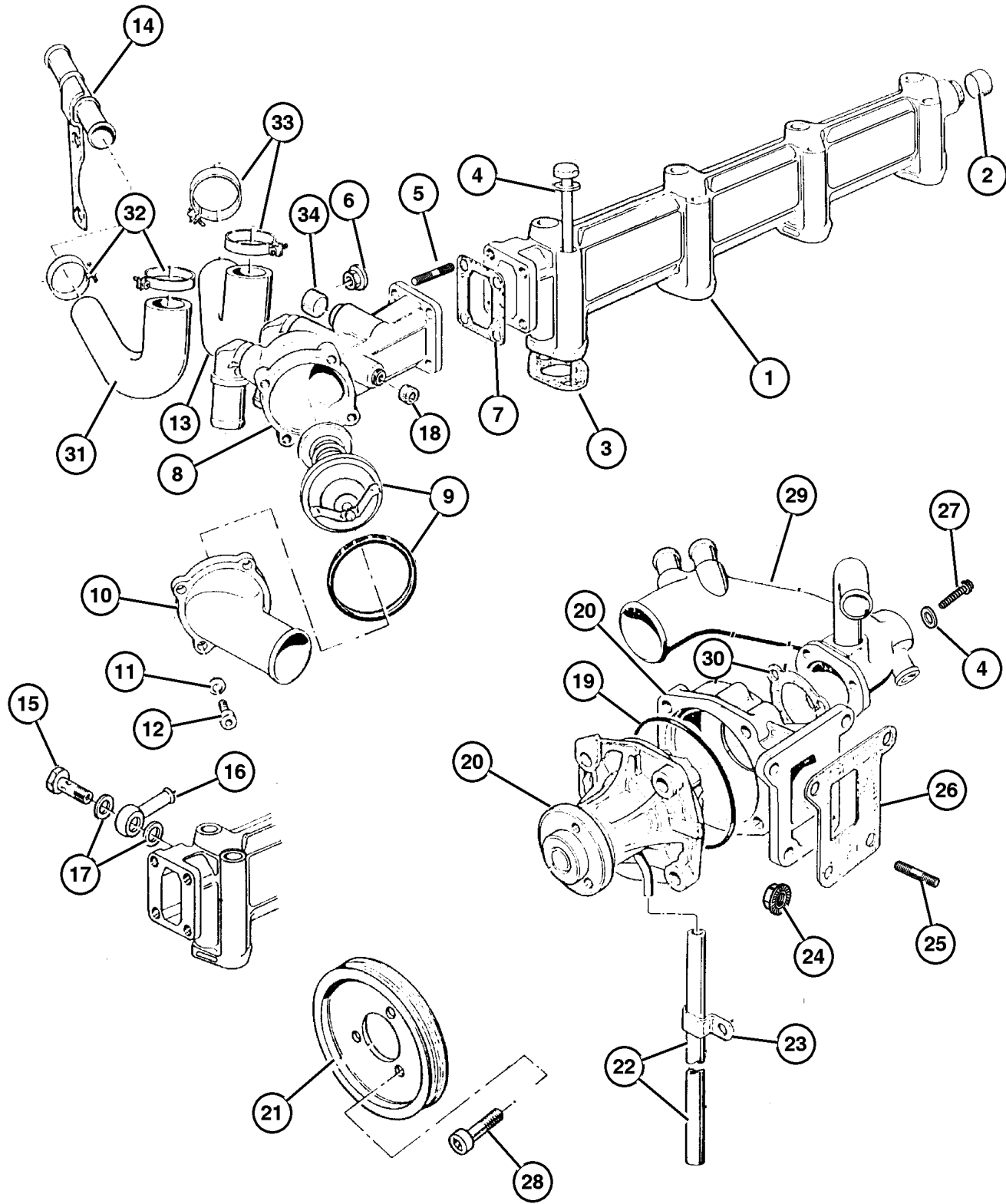
AR = Use as required - = Non illustrated part # = New this model year

July 4, 2003



**Water Pump and Water Manifold 2.5L Diesel Engine (EN0) 1997 XJ 1998 XJ**  
**Figure 007-215**

ITEM	PART NUMBER	QTY	LINE	SERIES	BODY	ENGINE	TRANS	TRIM	DESCRIPTION
		3				EN0			1998 XJ
25	4720 550	4				EN0			STUD, Water Pump To Block
26	4720 451	1				EN0			GASKET, Water Pump
27									SCREW, Water Pump To Pipe (NOT REQUIRED), 1998 XJ
	4720 551	3				EN0			1997 XJ
28									SCREW
	4864 559	23				EN0			1997 XJ
		3				EN0			1998 XJ
29									ADAPTER, Water Return To Pump (NOT REQUIRED), 1998 XJ
	4886 303AA	1				EN0			1997 XJ
30	4864 575	1				EN0			GASKET, Water Pump
31	4883 431AA	1				EN0			HOSE, Heater Feed
32									CLAMP, Heater Hose
	4883 924AA	4				EN0			1997 XJ
		1				EN0			1998 XJ
33									CLAMP, Heater Hose, (NOT SERVICED) (Not Serviced)
34									PLUG, Water Manifold (NOT REQUIRED), 1998 XJ
	4723 197	1				EN0			1997 XJ



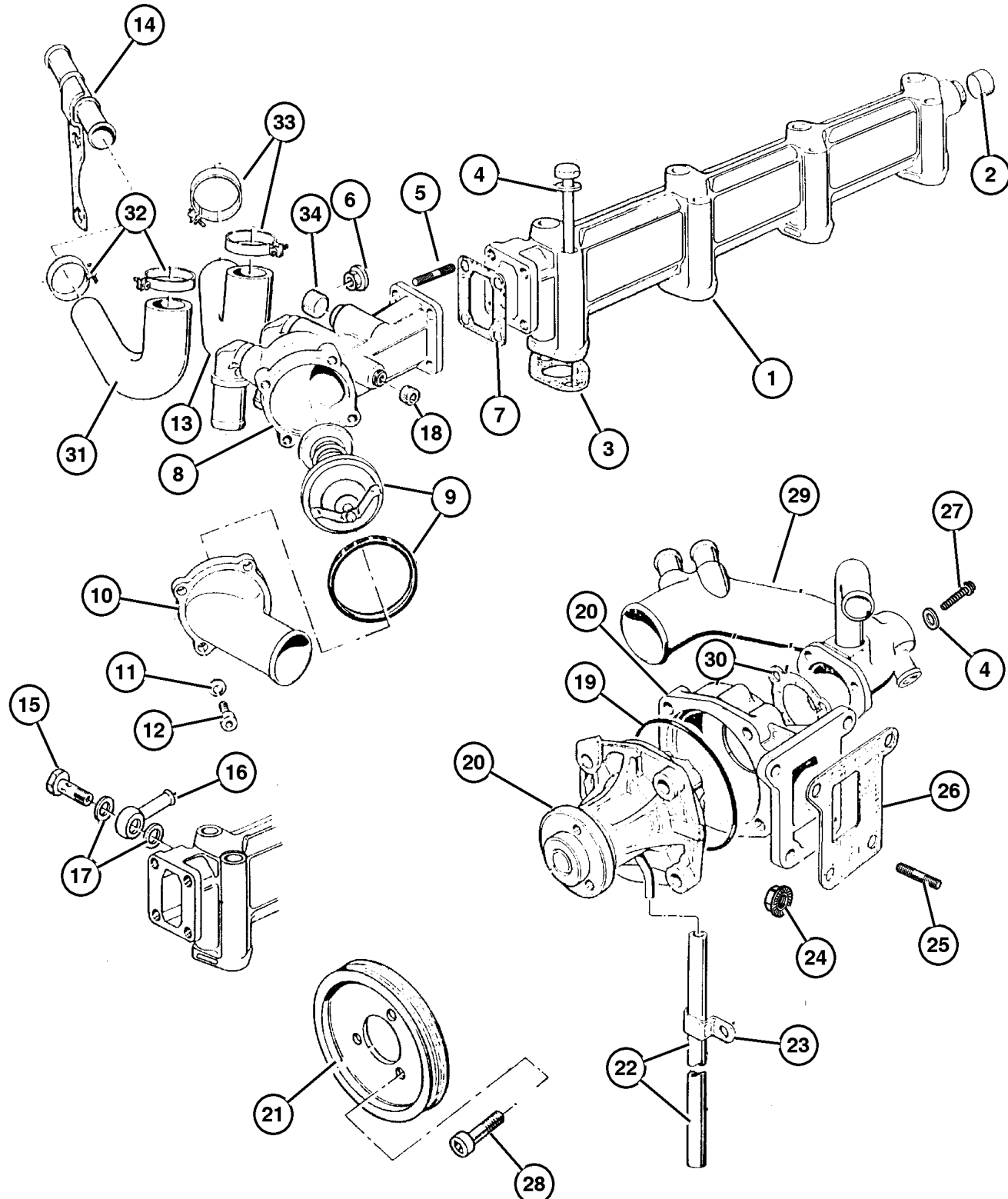
**JEEP CHEROKEE (XJ)**  
 SERIES LINE BODY ENGINE TRANSMISSION  
 L=Low Line J=LHD (4WD) 74=4 DR. (101.4 WB) ENC,EN0=2.5L 4 cyl. Turbo Die DDQ=5Spd Man.  
 U=RHD (4WD) 72=2 DR. (101.4 WB) ERH,ER0=4.0L Power Tech I-6 DGS=4 Spd. Auto. AISIN  
 T=LHD (2WD) EPE,EP0=Magnum 2.5L SMPI DG0=All Auto Trans  
 B=RHD (2WD) DBB=All Manual Trans.

AR = Use as required - = Non illustrated part # = New this model year

July 4, 2003

**Water Pump and Water Manifold, 2.5L Diesel Engine 1999 XJ**  
**Figure 007-215**

ITEM	PART NUMBER	QTY	LINE	SERIES	BODY	ENGINE	TRANS	TRIM	DESCRIPTION
Note: Sales Code EN0 = 2.5L Diesel Engine									
1	4797 748	1				EN0			MANIFOLD, Water
2	4864 753	1				EN0			PLUG
3	4720 450	4				EN0			GASKET, Water Manifold
4	4720 305	2				EN0			WASHER, Plain
5	4797 764	4				EN0			STUD, M6x14
6	4778 936	2				EN0			NUT, Suction Pipe Attaching
7	4778 971	1				EN0			GASKET, Thermostat
8	4778 974AB	1				EN0			HOUSING, Thermostat
9	4778 975	1				EN0			THERMOSTAT
10	4778 976	1				EN0			COVER, Thermostat Housing
11	4720 305	2				EN0			WASHER, Plain
12	4720 658	4				EN0			SCREW, Intake Manifold Elbow
13	4778 977	1				EN0			HOSE, Water Pump Bypass
14	4778 980	1				EN0			TUBE, Heater Feed
15	4720 358	5				EN0			BOLT, Banjo
16	4797 755	1				EN0			BANJO, Air Bleed
17	4720 554	10				EN0			WASHER, Banjo
18									PLUG, Water Manifold, (NOT SERVICED) (Not Serviced)
19	4723 198	1				EN0			O RING, Water Pump
20	4864 566	1				EN0			PUMP, Water
21	4864 567	1				EN0			PULLEY, Water Pump
22	4720 438	1				EN0			PIPE, Water Pump Drain
23	4720 446	1				EN0			CLIP, Drain Pipe
24	4778 961	3				EN0			NUT
25	4720 550	4				EN0			STUD, Water Pump To Block
26	4864 575	1				EN0			GASKET, Water Pump
27									SCREW, Water Pump To Pipe, (NOT SERVICED) (Not Serviced)
28	5003 554AA	3				EN0			SCREW
29									ADAPTER, Water Return To Pump, (NOT REQUIRED)
30	4864 575	1				EN0			GASKET, Water Pump
31									HOSE, Heater Feed, (NOT REQUIRED)
32	4883 924AA	1				EN0			CLAMP, Heater Hose
33									CLAMP, Heater Hose, (NOT SERVICED) (Not Serviced)
34									PLUG, Water Manifold, (NOT SERVICED) (Not Serviced)

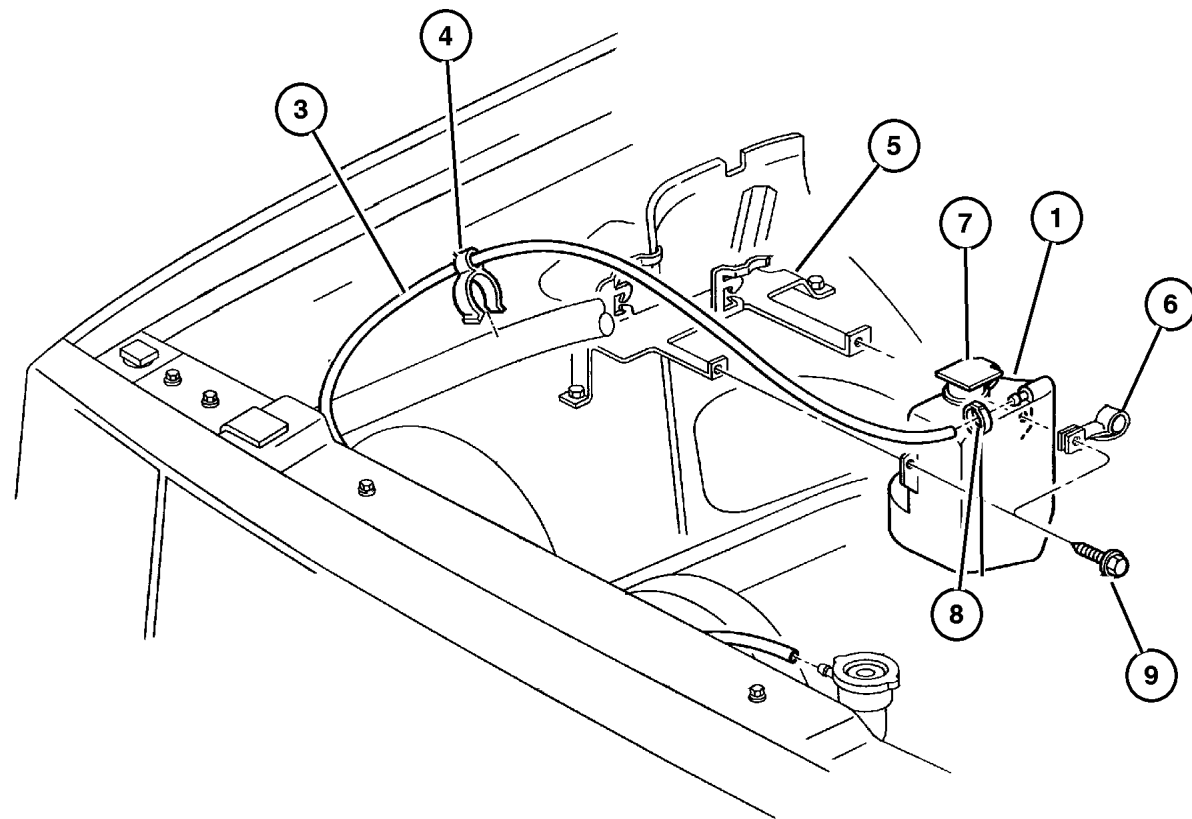


<b>JEEP CHEROKEE (XJ)</b>				
SERIES	LINE	BODY	ENGINE	TRANSMISSION
L=Low Line	J=LHD (4WD) U=RHD (4WD) T=LHD (2WD) B=RHD (2WD)	74=4 DR. (101.4 WB) 72=2 DR. (101.4 WB)	ENC,EN0=2.5L 4 cyl. Turbo Die ERH,ER0=4.0L Power Tech I-6 EPE,EP0=Magnum 2.5L SMPI	DDQ=5Spd Man. DGS=4 Spd. Auto. AISIN DG0=All Auto Trans DBB=All Manual Trans.

AR = Use as required - = Non illustrated part # = New this model year

July 4, 2003

**Bottle, Coolant Recovery LHD 1997 XJ 1998 XJ  
Figure 007-305**



ITEM	PART NUMBER	QTY	LINE	SERIES	BODY	ENGINE	TRANS	TRIM	DESCRIPTION
Note: Sales Code DD0 = All Manual 5 Speed Trans									
Note: Sales Code EN0 = 2.5L Diesel Engine									
Note: Sales Code EP0 = 2.5L Gas Engine									
Note: Sales Code ER0 = 4.0L Engine									
1	5202 7984	1				EP0, ER0			TANK, Coolant Reserve
-2	5207 9493	1				EN0	DD0		BOTTLE, Degasser 1997 XJ
	52079 493AB	1				EN0	DD0		1998 XJ
3	4026 148	1				EP0			HOSE, Coolant Reserve Tank
		1	B, U			ER0			1998 XJ
		1	J, T			ER0			1998 XJ
4	5200 7404	1				ER0			CLIP, Hose
		1	J, T			EP0			
5	5600 8885	1							BRACKET, Power Distribution Center
		1	J, T			EP0, ER0			1997 XJ
		1	B			EP0, ER0			
6	6025 867	1				EPE, ERH			CLIP, Cable
	5300 9375	1				EPE, ERH			
		1	J, T			EP0, ER0			CAP, Coolant Reserve Tank
7	5207 9331	1				EP0, ER0			
8	2448 761	2				EP0			CLAMP, Hose
		2	B, U			EP0			1998 XJ
		2	J, T			EP0			1998 XJ
	3300 0786	1				EP0, ER0			1997 XJ
9									SCREW, (NOT SERVICED) (Not Serviced)

**JEEP CHEROKEE (XJ)**

SERIES	LINE	BODY	ENGINE	TRANSMISSION
L=Low Line	J=LHD (4WD) U=RHD (4WD) T=LHD (2WD) B=RHD (2WD)	74=4 DR. (101.4 WB) 72=2 DR. (101.4 WB)	ENC,EN0=2.5L 4 cyl. Turbo Die ERH,ER0=4.0L Power Tech I-6 EPE,EP0=Magnum 2.5L SMPI	DDQ=5Spd Man. DGS=4 Spd. Auto. AISIN DG0=All Auto Trans DBB=All Manual Trans.

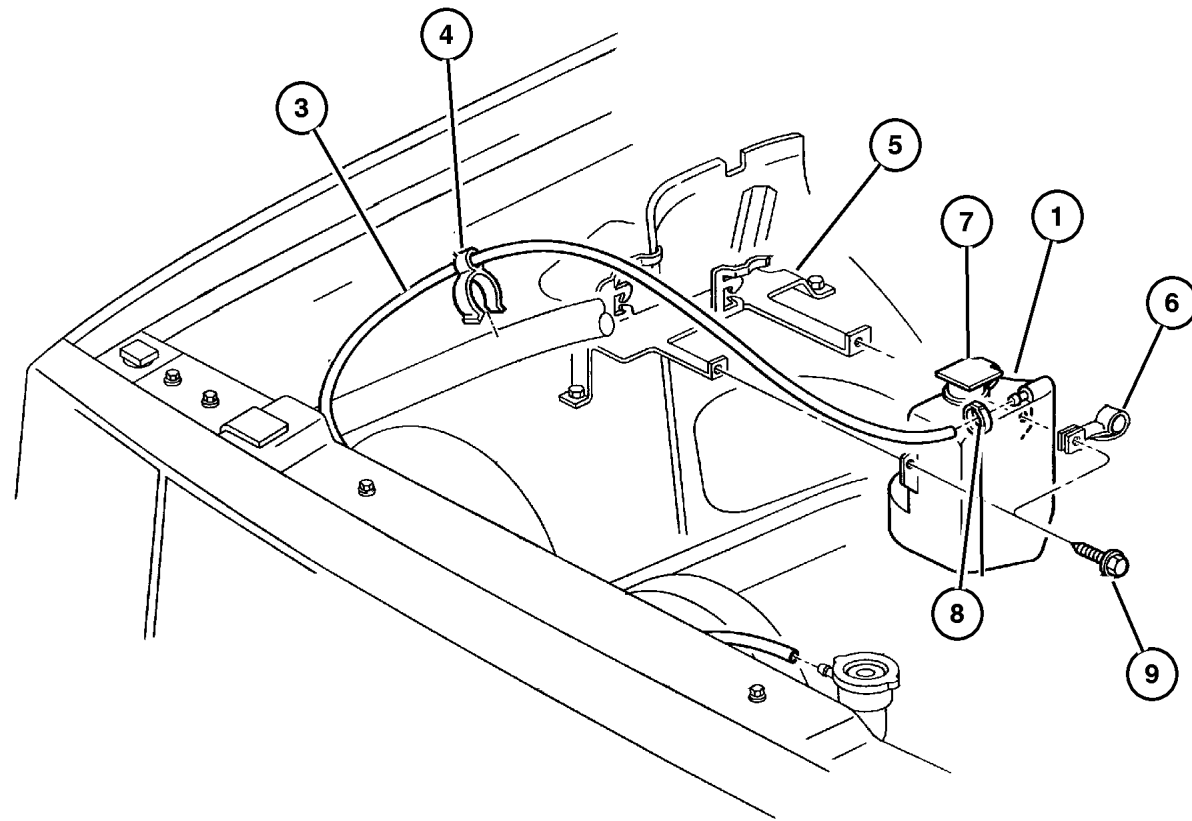
AR = Use as required - = Non illustrated part # = New this model year

July 4, 2003



**Bottle, Coolant Recovery, LHD 1999 XJ**  
**Figure 007-305**

ITEM	PART NUMBER	QTY	LINE	SERIES	BODY	ENGINE	TRANS	TRIM	DESCRIPTION
Note: Sales Code EN0 = 2.5L Diesel Engine									
Note: Sales Code EP0 = 2.5L Gas Engine									
Note: Sales Code ER0 = 4.0L Engine									
1	5202 7984	1				EP0, ER0			TANK, Coolant Reserve
-2	52079 493AB	1				EN0	DD0		BOTTLE, Degasser
3	4026 148	1	J, T			ER0			HOSE, Coolant Reserve Tank
		1	B, U			ER0			
4	5200 7404	1				ER0			CLIP, Hose
		1	J, T			EP0			
5	5600 8885	1	J, T			EP0, ER0			BRACKET, Power Distribution Center
6	6025 867	1	J, T			EPE, ER0			CLIP, Cable
		1	B, U			EPE, ER0			
7	5207 9331	1				EP0, ER0			CAP, Coolant Reserve Tank
8	2448 761	1	J, T			EP0			CLAMP, Hose
9									SCREW, (NOT SERVICED) (Not Serviced)



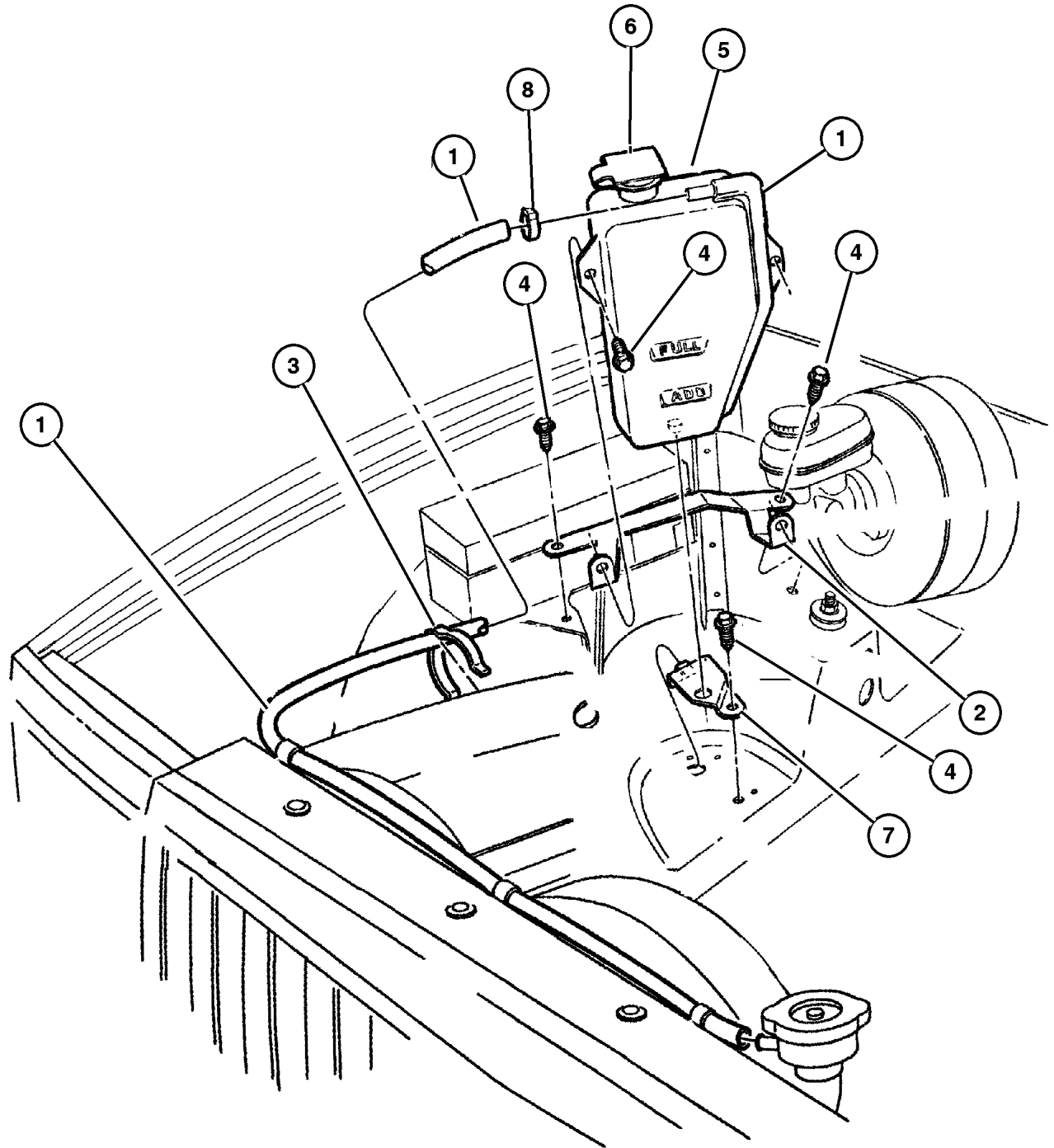
**JEEP CHEROKEE (XJ)**

SERIES	LINE	BODY	ENGINE	TRANSMISSION
L=Low Line	J=LHD (4WD) U=RHD (4WD) T=LHD (2WD) B=RHD (2WD)	74=4 DR. (101.4 WB) 72=2 DR. (101.4 WB)	ENC,EN0=2.5L 4 cyl. Turbo Die ERH,ER0=4.0L Power Tech I-6 EPE,EP0=Magnum 2.5L SMPI	DDQ=5Spd Man. DGS=4 Spd. Auto. AISIN DG0=All Auto Trans DBB=All Manual Trans.

AR = Use as required - = Non illustrated part # = New this model year

July 4, 2003

**Bottle, Coolant Recovery RHD 1997 XJ 1998 XJ**  
**Figure 007-310**



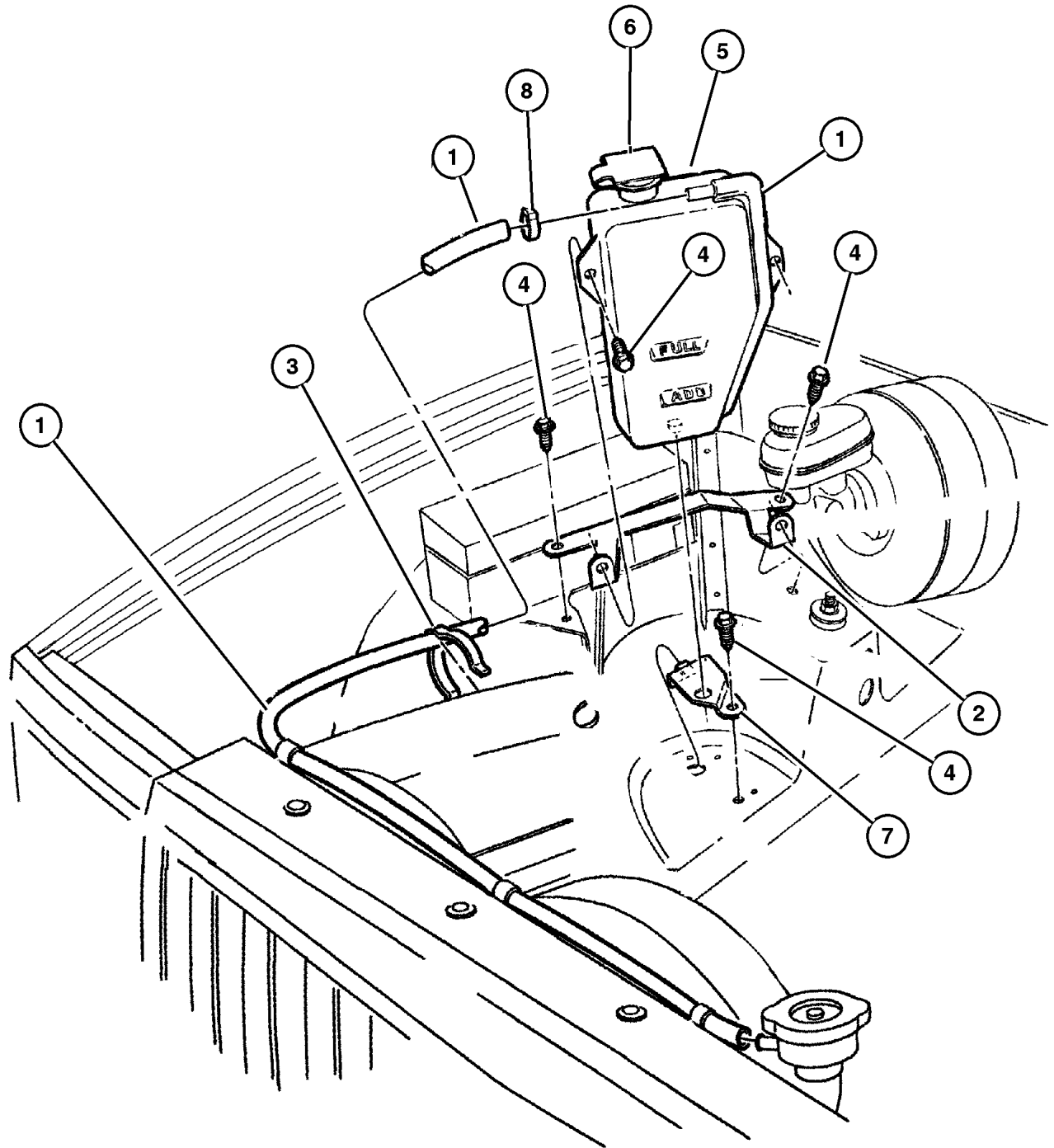
ITEM	PART NUMBER	QTY	LINE	SERIES	BODY	ENGINE	TRANS	TRIM	DESCRIPTION
Note: Sales Code EP0 = 2.5L Gas Engine									
Note: Sales Code ER0 = 4.0L Engine									
1	4026 148	1				EP0			HOSE, Coolant Reserve Tank
		1	B, U			ER0			1997 XJ
		1	J, T			ER0			1998 XJ
2	5202 8346	1	B, U			EP0,			BRACKET, Coolant Recovery Bottle
						ER0			1998 XJ
3	5200 7404	1				ER0			CLIP, Hose
4	6100 557	1	B, U			EPE,			BOLT AND CONED WASHER, Hex
						ER0			Head, M6x20x14
5	5202 7984	1				EP0,			TANK, Coolant Reserve
						ER0			
6	5207 9331	1				EP0,			CAP, Coolant Reserve Tank
						ER0			
7	5202 8347	1	B, U			EP0,			BRACKET, Coolant Recovery Bottle
						ER0			
8	2448 761	1	B, U			ENC			CLAMP, Hose
		2	B, U			EP0			1997 XJ
									1998 XJ

JEEP CHEROKEE (XJ)				
SERIES	LINE	BODY	ENGINE	TRANSMISSION
L=Low Line	J=LHD (4WD) U=RHD (4WD) T=LHD (2WD) B=RHD (2WD)	74=4 DR. (101.4 WB) 72=2 DR. (101.4 WB)	ENC,EN0=2.5L 4 cyl. Turbo Die ERH,ER0=4.0L Power Tech I-6 EPE,EP0=Magnum 2.5L SMPI	DDQ=5Spd Man. DGS=4 Spd. Auto. AISIN DG0=All Auto Trans DBB=All Manual Trans.

AR = Use as required - = Non illustrated part # = New this model year

July 4, 2003

**Bottle, Coolant Recovery, RHD 1999 XJ**  
**Figure 007-310**



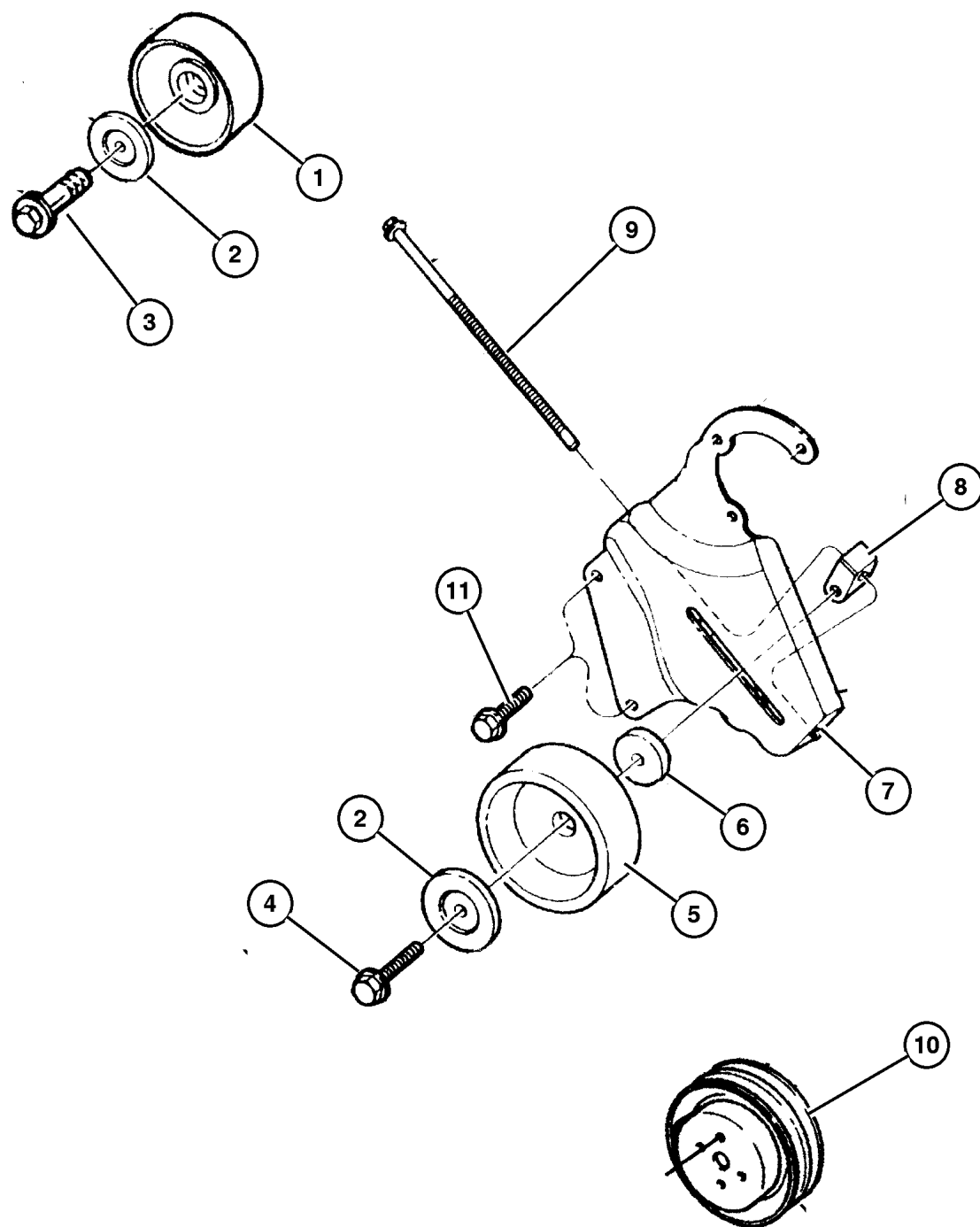
ITEM	PART NUMBER	QTY	LINE	SERIES	BODY	ENGINE	TRANS	TRIM	DESCRIPTION
Note: Sales Code EN0 = 2.5L Diesel Engine									
Note: Sales Code EP0 = 2.5L Gas Engine									
Note: Sales Code ER0 = 4.0L Engine									
1	4026 148	1	B, U			ER0			HOSE, Coolant Reserve Tank
2	5202 8346	1	B, U			EP0,			BRACKET, Coolant Recovery Bottle
						ER0			
3									CLIP, Hose
	6034 648	2				EP0			
	5200 7404	1				ER0			
4	6100 557	1	B, U			EPE,			BOLT AND CONED WASHER, Hex
						ER0			Head, M6x20x14
5	5202 7984	1				EP0,			TANK, Coolant Reserve
						ER0			
6	5207 9331	1				EP0,			CAP, Coolant Reserve Tank
						ER0			
7	5202 8347	1	B, U			EP0,			BRACKET, Coolant Recovery Bottle
						ER0			
8	2448 761	2	B, U			EP0			CLAMP, Hose

JEEP CHEROKEE (XJ)				
SERIES	LINE	BODY	ENGINE	TRANSMISSION
L=Low Line	J=LHD (4WD) U=RHD (4WD) T=LHD (2WD) B=RHD (2WD)	74=4 DR. (101.4 WB) 72=2 DR. (101.4 WB)	ENC,EN0=2.5L 4 cyl. Turbo Die ERH,ER0=4.0L Power Tech I-6 EPE,EP0=Magnum 2.5L SMPI	DDQ=5Spd Man. DGS=4 Spd. Auto. AISIN DG0=All Auto Trans DBB=All Manual Trans.

AR = Use as required - = Non illustrated part # = New this model year

July 4, 2003

**Drive Pulleys, 2.5L Gas Engine (EP0) 1997 XJ 1998 XJ  
Figure 007-407**



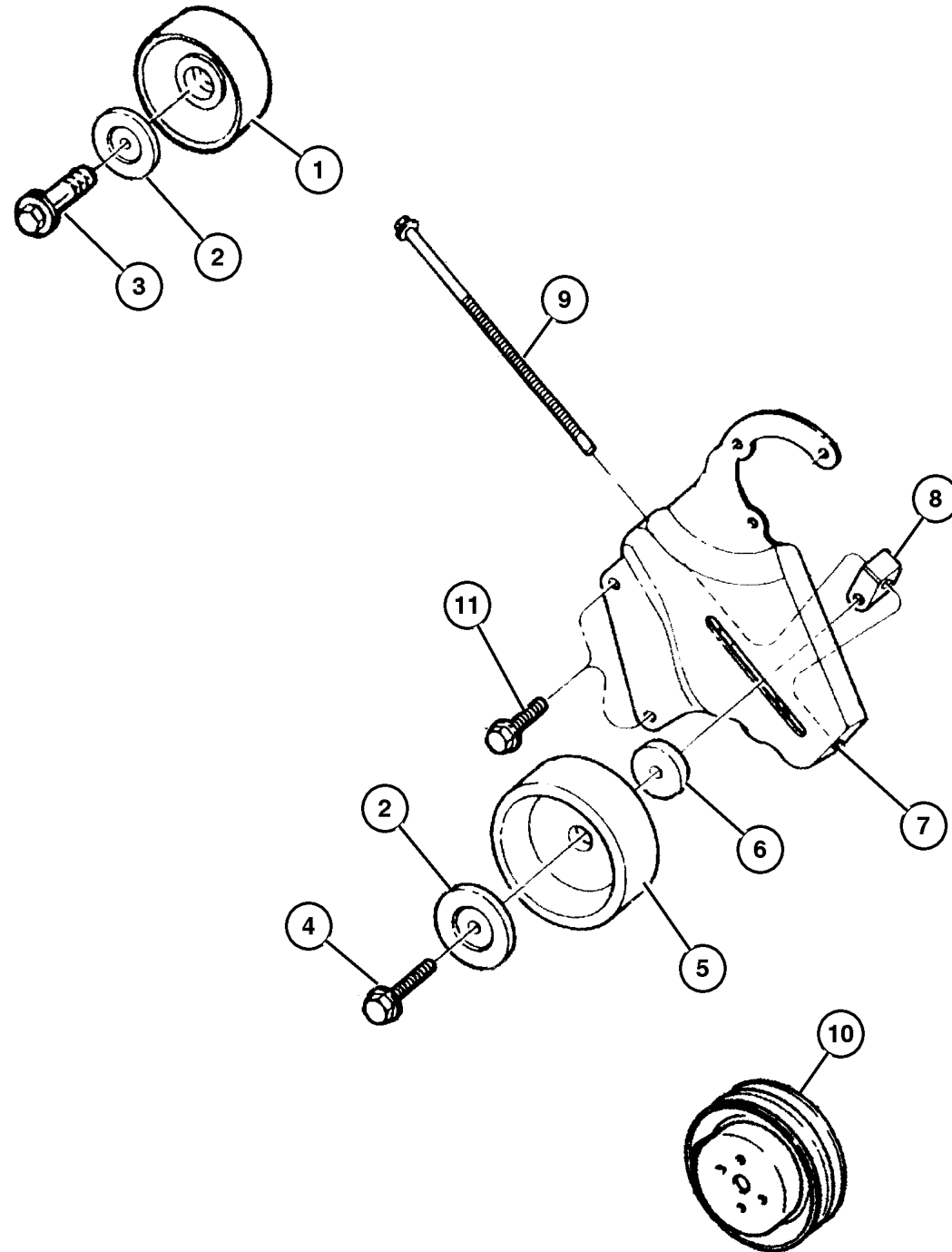
ITEM	PART NUMBER	QTY	LINE	SERIES	BODY	ENGINE	TRANS	TRIM	DESCRIPTION
Note: Sales Code EP0 = 2.5L Gas Engine									
1	5301 0230	1	J, T			EP0			PULLEY, Idler
		1	B, U			EP0			
2	3300 2201	1				EP0			BUSHING, Idler Pulley
		1	J, T			EP0			1997 XJ
		1	B, U			EP0			1998 XJ
		1				EP0			1998 XJ
3									SCREW AND WASHER, M10x1.
									5x40
	6504 239	1	J, T			EP0			
		1	B, U			EP0			
4									BOLT, Hex Flange Head, M10x1.
									50x50
	3420 2029	1	J, T			EP0			
		1	B, U			EP0			
5									PULLEY, Idler
	4792 112	1	J, T			EP0			
		1	B, U			EP0			
6	6503 230	1	J, T			EP0			SPACER, Belt Tensioner
		1	B, U			EP0			
7	5301 0148	1	J, T			EP0			BRACKET, Tensioner
		1	B, U			EP0			
8	5301 0149	1	J, T			EP0			COLLAR, Tensioner Adjustment
		1	B, U			EP0			
9									BOLT
	6503 198	1	J, T			EP0			
		1	B, U			EP0			
10	5300 7154	1	J, T			EP0			PULLEY, Water Pump
		1	B, U			EP0			
11									SCREW, (NOT SERVICED) (Not Serviced)

<b>JEEP CHEROKEE (XJ)</b>				
SERIES	LINE	BODY	ENGINE	TRANSMISSION
L=Low Line	J=LHD (4WD) U=RHD (4WD) T=LHD (2WD) B=RHD (2WD)	74=4 DR. (101.4 WB) 72=2 DR. (101.4 WB)	ENC,EN0=2.5L 4 cyl. Turbo Die ERH,ER0=4.0L Power Tech I-6 EPE,EP0=Magnum 2.5L SMPI	DDQ=5Spd Man. DGS=4 Spd. Auto. AISIN DG0=All Auto Trans DBB=All Manual Trans.

AR = Use as required - = Non illustrated part # = New this model year

July 4, 2003

Drive Pulleys, 2.5L Gas Engine 1999 XJ  
Figure 007-407

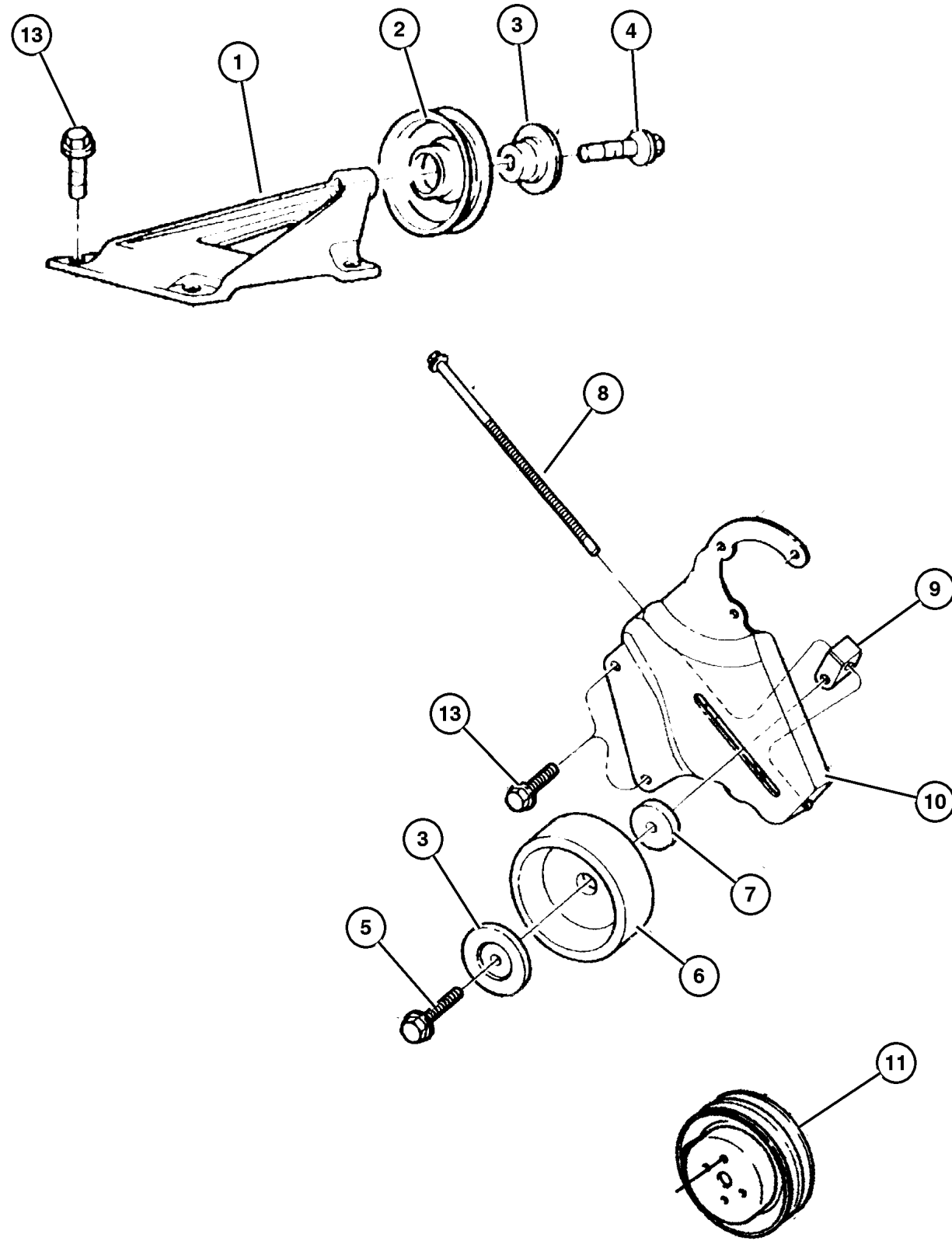


ITEM	PART NUMBER	QTY	LINE	SERIES	BODY	ENGINE	TRANS	TRIM	DESCRIPTION
Note: Sales Code EP0 = 2.5L Gas Engine									
1	5301 0230	1				EP0			PULLEY, Idler
2	3300 2201	1				EP0			BUSHING, Idler Pulley
3	6504 239	1				EP0			SCREW AND WASHER, M10x1.5x40
4	3420 2029	1				EP0			BOLT, Hex Flange Head, M10x1.5x50
5	4792 112	1	B, U			EP0			PULLEY, Idler
6	6503 230	1	J, T			EP0, ER0			SPACER, Belt Tensioner
7	5301 0148	1				EP0			BRACKET, Tensioner
8	5301 0149	1				EP0			COLLAR, Tensioner Adjustment
9	6503 198	1				EP0			BOLT
10	5300 7154	1	J, T			EP0			PULLEY, Water Pump
		1	B, U			EP0			
11									SCREW, (NOT SERVICED) (Not Serviced)

JEEP CHEROKEE (XJ)				
SERIES	LINE	BODY	ENGINE	TRANSMISSION
L=Low Line	J=LHD (4WD) U=RHD (4WD) T=LHD (2WD) B=RHD (2WD)	74=4 DR. (101.4 WB) 72=2 DR. (101.4 WB)	ENC,EN0=2.5L 4 cyl. Turbo Die ERH,ER0=4.0L Power Tech I-6 EPE,EP0=Magnum 2.5L SMPI	DDQ=5Spd Man. DGS=4 Spd. Auto. AISIN DG0=All Auto Trans DBB=All Manual Trans.

AR = Use as required - = Non illustrated part # = New this model year

Drive Pulleys, 4.0L Engine (ER0), LHD 1997 XJ 1998 XJ  
Figure 007-408



ITEM	PART NUMBER	QTY	LINE	SERIES	BODY	ENGINE	TRANS	TRIM	DESCRIPTION
Note: Sales Code ER0 = 4.0L Engine									
1									BRACKET, Idler Pulley
	5300 6551	1	J, T			ER0			1997 XJ
	5301 0125	1	B, U			ER0			1998 XJ
2									PULLEY, Idler
	5300 2903	1				ER0			1997 XJ
		1	J, T			ER0			1998 XJ
3									BUSHING, Idler Pulley
	3300 2201	1				EP0			1997 XJ
		1	J, T			ER0			1998 XJ
4									SCREW AND WASHER, M10x1.5x40
	6504 239	1	J, T			EP0			1997 XJ
		1	B, U			EP0			1997 XJ
		1	J, T			ER0			1998 XJ
5									BOLT, Hex Flange Head, M10x1.50x50
	3420 2029	1	J, T			EP0			1997 XJ
		1	B, U			EP0			1997 XJ
		1	J, T			ER0			1998 XJ
6									PULLEY, Idler
	4792 112	1	J, T			EP0			1997 XJ
		1	B, U			EP0			1997 XJ
		1	J, T			ER0			1998 XJ
7									SPACER, Belt Tensioner
	6503 230	1	J, T			EP0			1997 XJ
		1	B, U			EP0			1997 XJ
8									BOLT
	6503 198	1	J, T			EP0			1997 XJ
		1	B, U			EP0			1997 XJ
9									COLLAR, Tensioner Adjustment
	5301 0149	1	J, T			EP0			1997 XJ
		1	B, U			EP0			1997 XJ
		1	J, T			ER0			1998 XJ
10									BRACKET, Tensioner
	5301 0148	1	J, T			EP0			1997 XJ
		1	B, U			EP0			1997 XJ
		1	J, T			ER0			1998 XJ
11									PULLEY, Water Pump
	5300 2907	1	J, T			ER0			1997 XJ
		1	B, U			ER0			1998 XJ
-12									PULLEY, Fan

JEEP CHEROKEE (XJ)

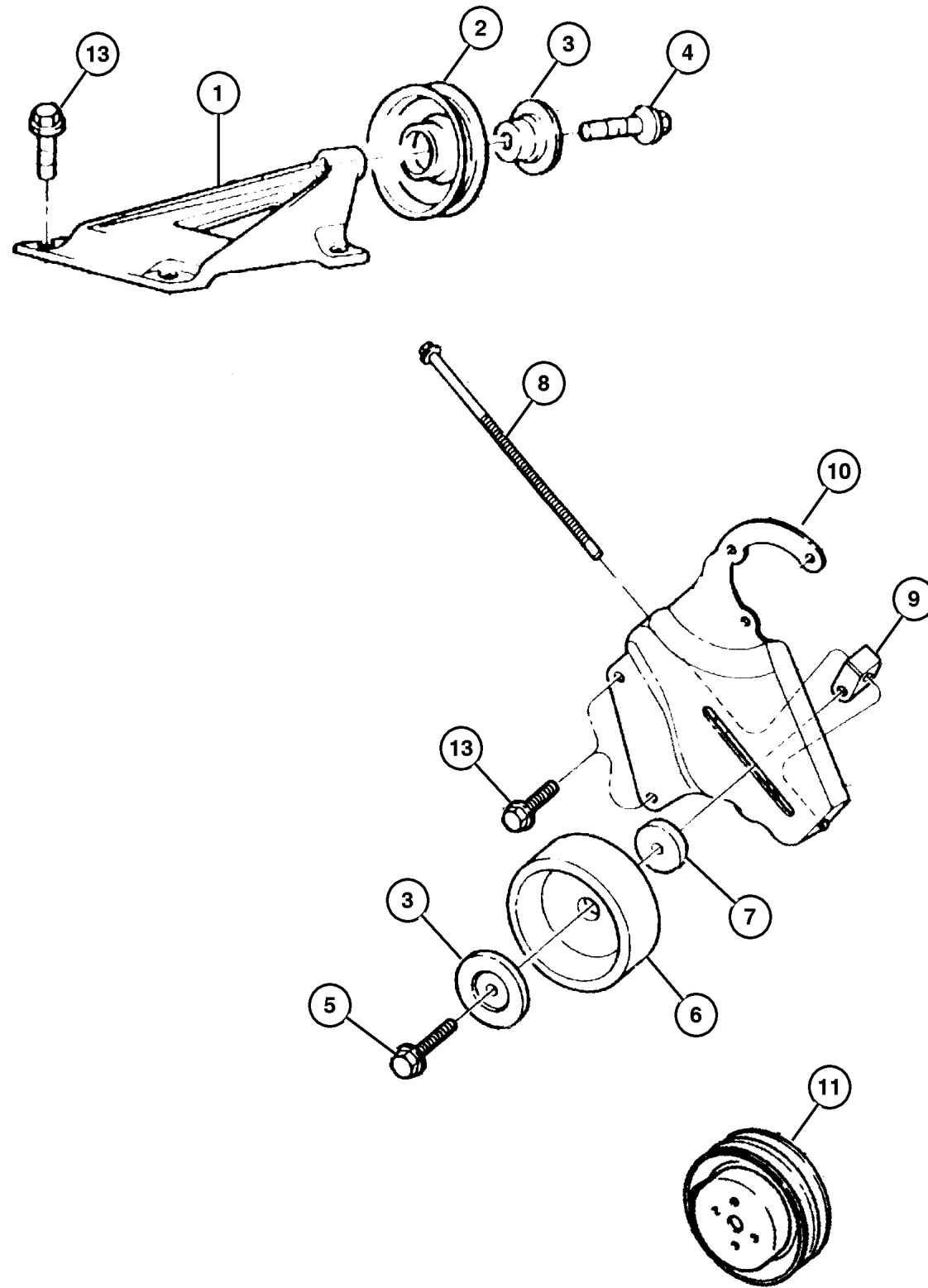
SERIES	LINE	BODY	ENGINE	TRANSMISSION
L=Low Line	J=LHD (4WD) U=RHD (4WD) T=LHD (2WD) B=RHD (2WD)	74=4 DR. (101.4 WB) 72=2 DR. (101.4 WB)	ENC,EN0=2.5L 4 cyl. Turbo Die ERH,ER0=4.0L Power Tech I-6 EPE,EP0=Magnum 2.5L SMPI	DDQ=5Spd Man. DGS=4 Spd. Auto. AISIN DG0=All Auto Trans DBB=All Manual Trans.

AR = Use as required - = Non illustrated part # = New this model year

July 4, 2003



Drive Pulleys, 4.0L Engine, LHD 1999 XJ  
Figure 007-408



ITEM	PART NUMBER	QTY	LINE	SERIES	BODY	ENGINE	TRANS	TRIM	DESCRIPTION
Note: Sales Code ER0 = 4.0L Engine									
1	5300 6551	1	J, T			ER0			BRACKET, Idler Pulley
2	5300 2903	1				ER0			PULLEY, Idler
3	3300 2201	1				EP0			BUSHING, Idler Pulley
4	6504 239	1	J, T			ER0			SCREW AND WASHER, M10x1.5x40
5	3420 2029	1	J, T			ER0			BOLT, Hex Flange Head, M10x1.5x50
6	4792 112	1	J, T			EP0,			PULLEY, Idler
7	6503 230	1	J, T			EP0,			SPACER, Belt Tensioner
8	6503 198	1	J, T			ER0			BOLT
9	5301 0149	1	J, T			ER0			COLLAR, Tensioner Adjustment
10	5301 0148	1	J, T			ER0			BRACKET, Tensioner
11	5300 2907	1	J, T			ER0			PULLEY, Water Pump
-12	5301 0309	1	J, T			ER0			PULLEY, Fan
13									SCREW, (NOT SERVICED) (Not Serviced)

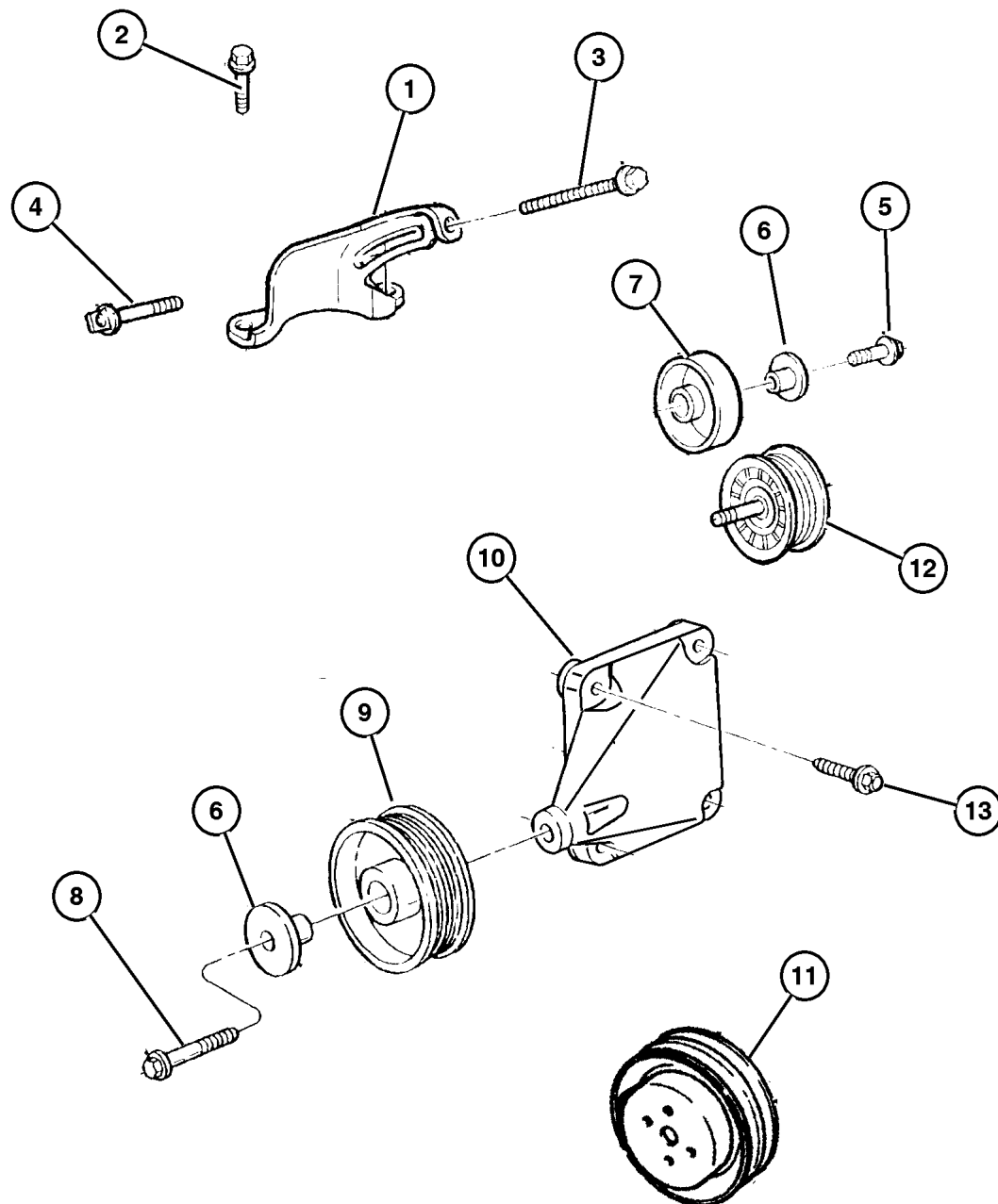
JEEP CHEROKEE (XJ)				
SERIES	LINE	BODY	ENGINE	TRANSMISSION
L=Low Line	J=LHD (4WD) U=RHD (4WD) T=LHD (2WD) B=RHD (2WD)	74=4 DR. (101.4 WB) 72=2 DR. (101.4 WB)	ENC,EN0=2.5L 4 cyl. Turbo Die ERH,ER0=4.0L Power Tech I-6 EPE,EP0=Magnum 2.5L SMPI	DDQ=5Spd Man. DGS=4 Spd. Auto. AISIN DG0=All Auto Trans DBB=All Manual Trans.

AR = Use as required - = Non illustrated part # = New this model year

July 4, 2003



Drive Pulleys, 4.0L Engine (ER0), RHD 1997 XJ 1998 XJ  
Figure 007-409



ITEM	PART NUMBER	QTY	LINE	SERIES	BODY	ENGINE	TRANS	TRIM	DESCRIPTION
Note: Sales Code ER0 = 4.0L Engine									
1	5301 0190	1	B, U			ER0			BRACKET, Tensioner
2									SCREW AND WASHER, Hex Head, M10x1.5x25
	6502 144	1	B, U			EP0			1997 XJ
		2	B, U			ER0			1998 XJ
3	6502 929	1	B, U			ER0			SCREW AND WASHER, Hex Head, M8x1.25x110
4	6502 592	1	B, U			ER0			SCREW, M8x1.25 Tapped Head, M10x1.5x50
5									BOLT, Hex Flange Head, M10x1.50x35
	6502 137	2	B			EP0,			1997 XJ
		2	B, U			ER0			1998 XJ
						EP0,			ER0
6									BUSHING, Idler Pulley
	3300 2201	1	B, U			EP0			1997 XJ
		1	B, U			ER0			1998 XJ
7	5301 0230	1	B, U			ER0			PULLEY, Idler
8	6034 497	1	B, U			ER0			BOLT AND WASHER, Hex Head, .375-16x2.375
9	5300 2903	1	B, U			ER0			PULLEY, Idler
10	5301 0163	1	B, U			ER0			BRACKET, Fan
11	5300 2907	1	B, U			ER0			PULLEY, Water Pump
12	53010 228AB	1	B, U			ER0			PULLEY, Idler
13									SCREW, (NOT SERVICED) (Not Serviced)

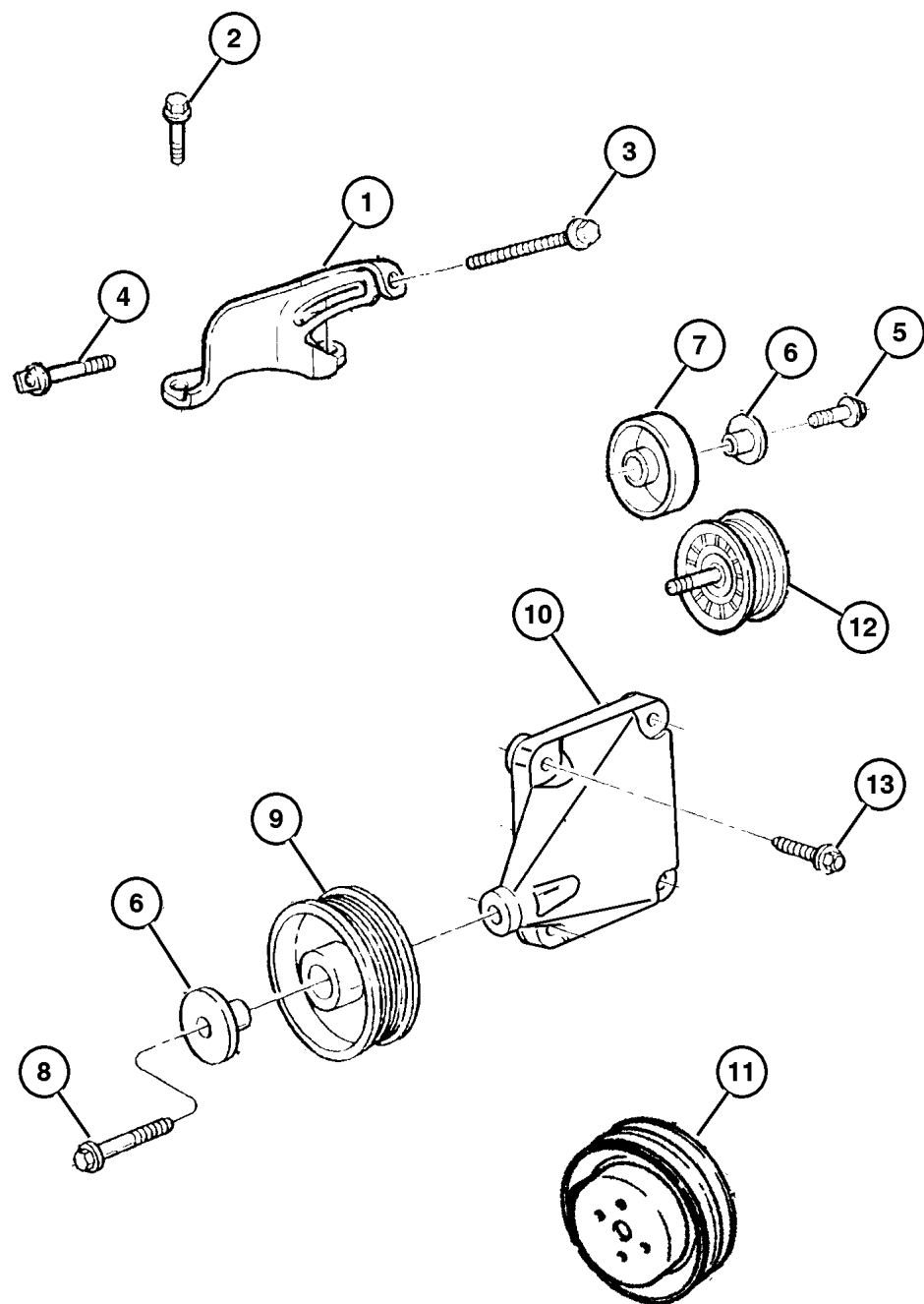
JEEP CHEROKEE (XJ)

SERIES	LINE	BODY	ENGINE	TRANSMISSION
L=Low Line	J=LHD (4WD) U=RHD (4WD) T=LHD (2WD) B=RHD (2WD)	74=4 DR. (101.4 WB) 72=2 DR. (101.4 WB)	ENC,EN0=2.5L 4 cyl. Turbo Die ERH,ER0=4.0L Power Tech I-6 EPE,EP0=Magnum 2.5L SMPI	DDQ=5Spd Man. DGS=4 Spd. Auto. AISIN DG0=All Auto Trans DBB=All Manual Trans.

AR = Use as required - = Non illustrated part # = New this model year

July 4, 2003

Drive Pulleys, 4.0L Engine, RHD 1999 XJ  
Figure 007-409



ITEM	PART NUMBER	QTY	LINE	SERIES	BODY	ENGINE	TRANS	TRIM	DESCRIPTION
Note: Sales Code ER0 = 4.0L Engine									
1	5301 0190	1	B, U			ER0			BRACKET, Tensioner
2	6502 144	2	B, U			ER0			SCREW AND WASHER, Hex Head, M10x1.5x25
3	6502 929	1	B, U			ER0			SCREW AND WASHER, Hex Head, M8x1.25x110
4	6502 592	1	B, U			ER0			SCREW, M8x1.25 Tapped Head, M10x1.5x50
5	6502 137	2	B, U			EP0,			BOLT, Hex Flange Head, M10x1.5x35
6	3300 2201	1	B, U			ER0			BUSHING, Idler Pulley
7	5301 0230	1	B, U			ER0			PULLEY, Idler
8	6034 497	1	B, U			ER0			BOLT AND WASHER, Hex Head, .375-16x2.375
9	5300 2903	1				ER0			PULLEY, Idler
10	5301 0163	1	B, U			ER0			BRACKET, Fan
11	5300 2907	1	B, U			ER0			PULLEY, Water Pump
12	53010 228AB	1	B, U			ER0			PULLEY, Idler
13									SCREW, (NOT SERVICED) (Not Serviced)

JEEP CHEROKEE (XJ)

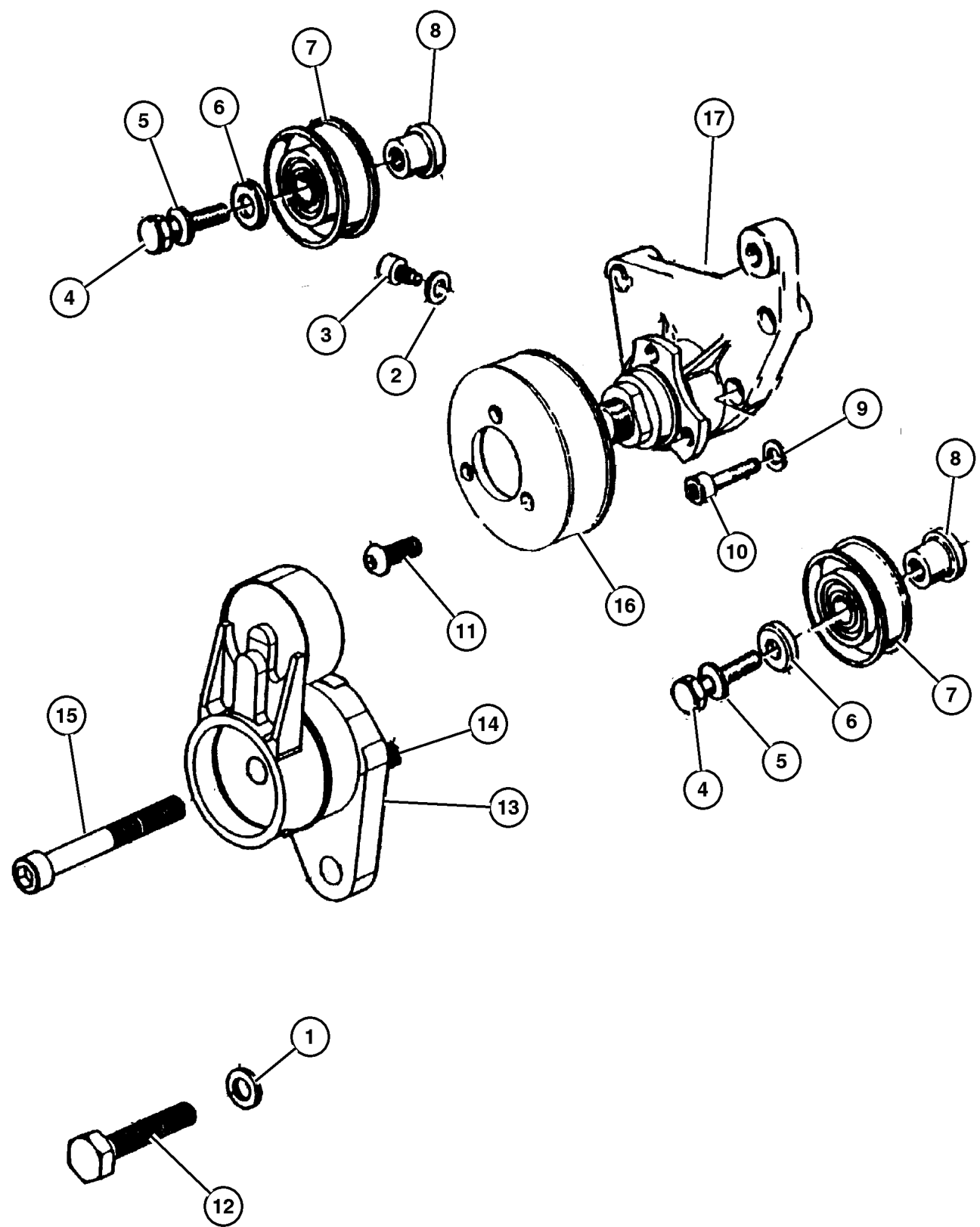
SERIES	LINE	BODY	ENGINE	TRANSMISSION
L=Low Line	J=LHD (4WD) U=RHD (4WD) T=LHD (2WD) B=RHD (2WD)	74=4 DR. (101.4 WB) 72=2 DR. (101.4 WB)	ENC,EN0=2.5L 4 cyl. Turbo Die ERH,ER0=4.0L Power Tech I-6 EPE,EP0=Magnum 2.5L SMPI	DDQ=5Spd Man. DGS=4 Spd. Auto. AISIN DG0=All Auto Trans DBB=All Manual Trans.

AR = Use as required - = Non illustrated part # = New this model year

July 4, 2003

Drive Pulleys, 2.5L Diesel Engine (EN0) 1997 XJ 1998 XJ  
Figure 007-415

ITEM	PART NUMBER	QTY	LINE	SERIES	BODY	ENGINE	TRANS	TRIM	DESCRIPTION
Note: Sales Code EN0 = 2.5L Diesel Engine									
1	4863 828	1				EN0			WASHER 1997 XJ
	4864 758	2				EN0			1998 XJ
2	4723 200	1				EN0			WASHER, Flat
3	4796 030	1				EN0			SCREW, Fan Bearing
4	4797 773	2				EN0			BOLT, Left Hand Thread, M10x50 (NOT REQUIRED), 1998 XJ 1997 XJ
5	4720 243	4				EN0			WASHER, Lock, M10 1997 XJ
		6				EN0			1998 XJ
6									WASHER, Idler Pulley (NOT REQUIRED), 1998 XJ
	4796 015	2				EN0			1997 XJ
7	4796 016	1				EN0			PULLEY, Idler 1997 XJ
	5003 567AA	2				EN0			1998 XJ
8	4796 017	2				EN0			SHAFT, Idler Pulley (NOT REQUIRED), 1998 XJ 1997 XJ
9	4720 688	6				EN0			WASHER, Flat 1997 XJ
		4				EN0			1998 XJ
10	4797 768	6				EN0			BOLT, Vacuum Pump Bracket, M10x35 1997 XJ
		4				EN0			1998 XJ
11	4864 559	23				EN0			SCREW 1997 XJ
		3				EN0			1998 XJ
12	4886 054AA	1				EN0			BOLT, Belt Tensioner 1997 XJ
	5003 536AA	1				EN0			1998 XJ
13	4897 159AA	1				EN0			TENSIONER, Belt
14	4883 528AA	2				EN0			BOLT, Adaptor Plate 1997 XJ
		1				EN0			1998 XJ
15	4886 053AA	1				EN0			BOLT, Belt Tensioner
16	4883 491AA	1				EN0			PULLEY, Fan
17	4864 597AB	1				EN0			BRACKET, Fan 1997 XJ



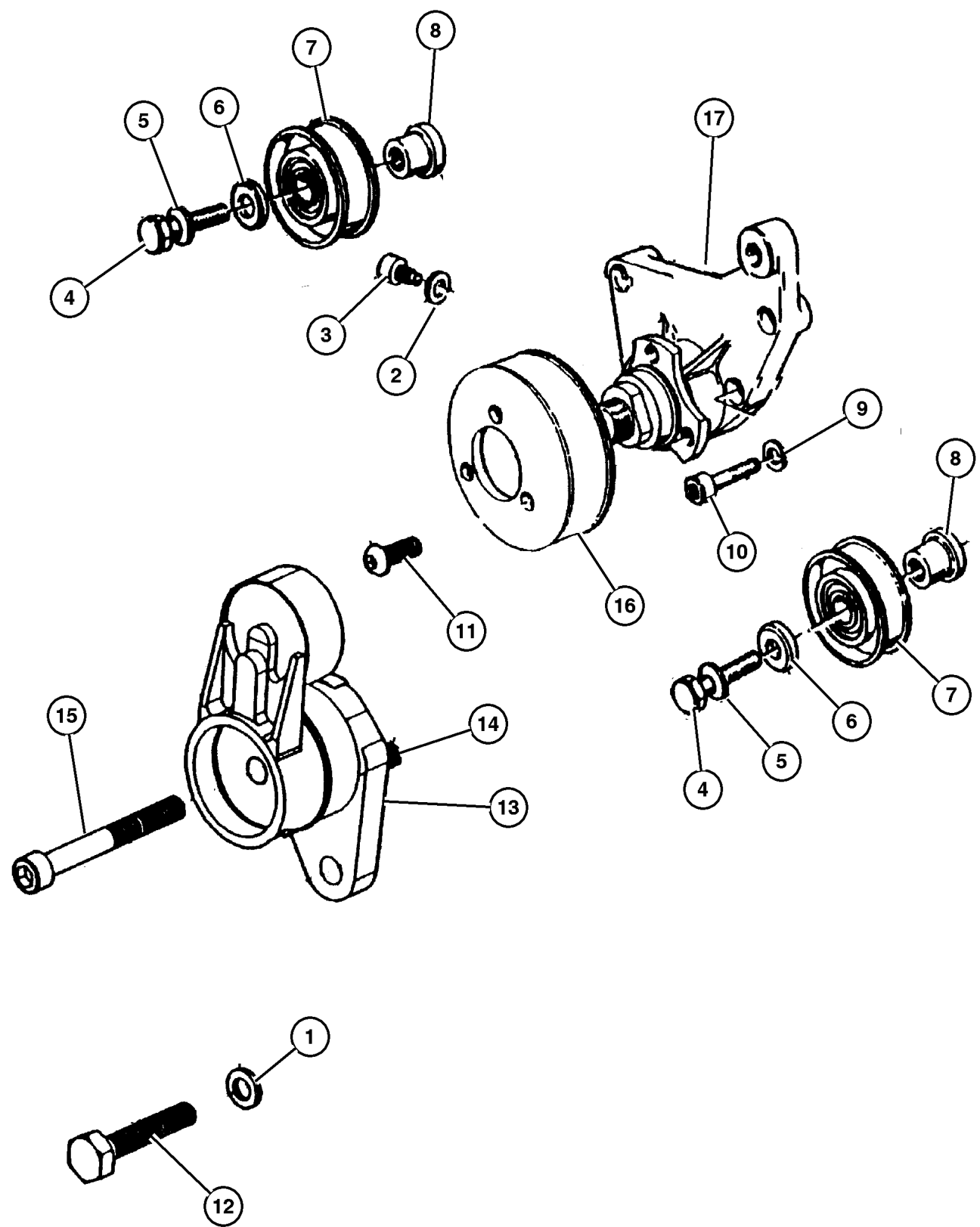
**JEEP CHEROKEE (XJ)**  
 SERIES LINE BODY ENGINE TRANSMISSION  
 L=Low Line J=LHD (4WD) 74=4 DR. (101.4 WB) ENC,EN0=2.5L 4 cyl. Turbo Die DDQ=5Spd Man.  
 U=RHD (4WD) 72=2 DR. (101.4 WB) ERH,ER0=4.0L Power Tech I-6 DGS=4 Spd. Auto. AISIN  
 T=LHD (2WD) EPE,EP0=Magnum 2.5L SMPI DG0=All Auto Trans  
 B=RHD (2WD) DBB=All Manual Trans.

AR = Use as required - = Non illustrated part # = New this model year

July 4, 2003

Drive Pulleys, 2.5L Diesel Engine (EN0) 1997 XJ 1998 XJ  
Figure 007-415

ITEM	PART NUMBER	QTY	LINE	SERIES	BODY	ENGINE	TRANS	TRIM	DESCRIPTION
	5003 566AA	1				EN0			1998 XJ



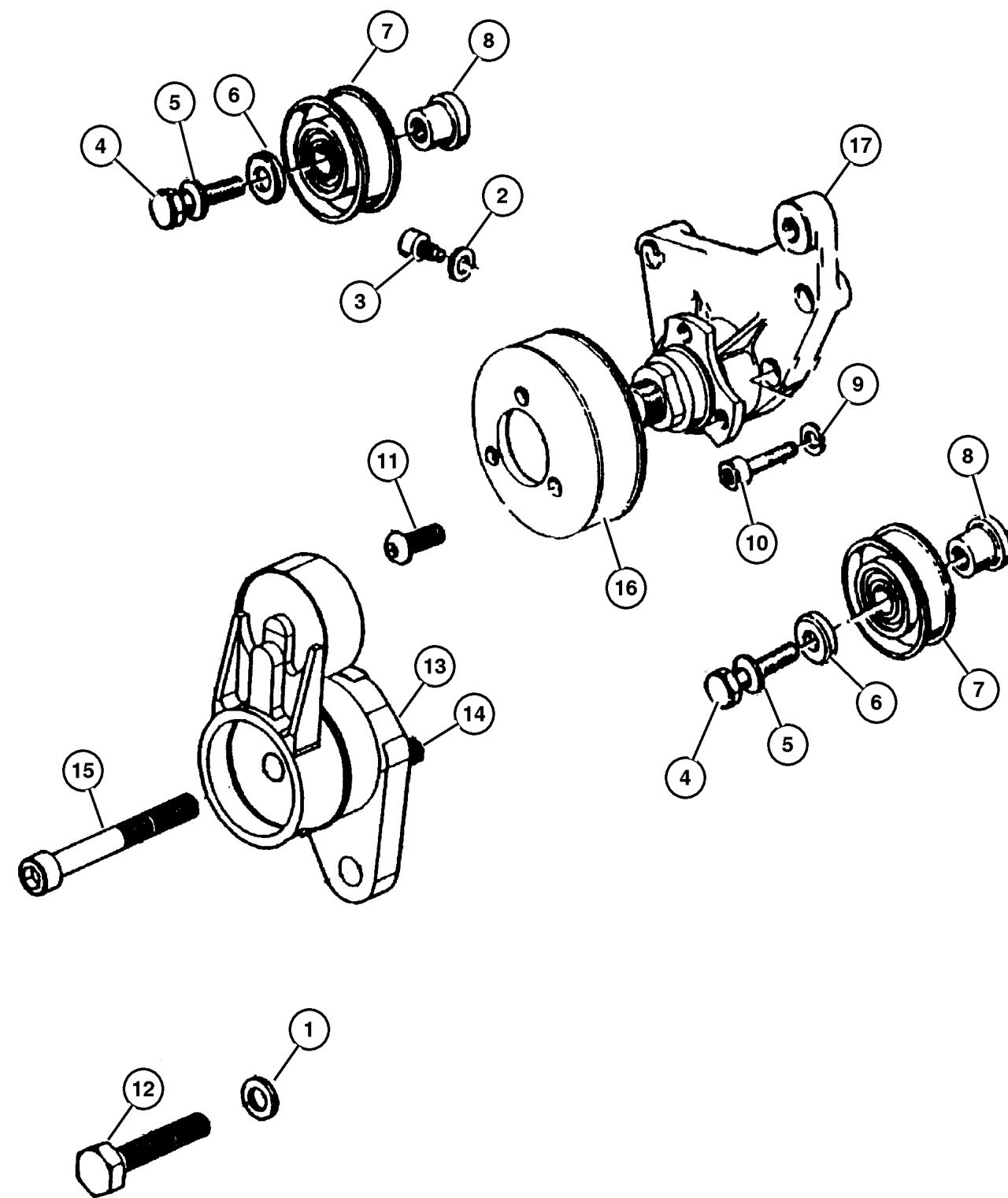
JEEP CHEROKEE (XJ)		BODY	ENGINE	TRANSMISSION
SERIES	LINE	74=4 DR. (101.4 WB)	ENC,EN0=2.5L 4 cyl. Turbo Die	DDQ=5Spd Man.
L=Low Line	J=LHD (4WD)	72=2 DR. (101.4 WB)	ERH,ER0=4.0L Power Tech I-6	DGS=4 Spd. Auto. AISIN
	U=RHD (4WD)		EPE,EP0=Magnum 2.5L SMPI	DG0=All Auto Trans
	T=LHD (2WD)			DBB=All Manual Trans.
	B=RHD (2WD)			

AR = Use as required - = Non illustrated part # = New this model year

July 4, 2003

Drive Pulleys, 2.5L Diesel Engine 1999 XJ  
Figure 007-415

ITEM	PART NUMBER	QTY	LINE	SERIES	BODY	ENGINE	TRANS	TRIM	DESCRIPTION
Note: Sales Code EN0 = 2.5L Diesel Engine									
1	4864 758	2				EN0			WASHER
2	4723 200	1				EN0			WASHER, Flat
3	4796 030	1				EN0			SCREW, Fan Bearing
4									BOLT, Left Hand Thread, M10x50, (NOT SERVICED) (Not Serviced)
5	4720 243	3				EN0			WASHER, Lock, M10
6									WASHER, Idler Pulley, (NOT SERVICED) (Not Serviced)
7	5003 567AA	1				EN0			PULLEY, Idler
8									SHAFT, Idler Pulley, (NOT SERVICED) (Not Serviced)
9	4720 688	4				EN0			WASHER, Flat
10	4797 768	4				EN0			BOLT, Vacuum Pump Bracket, M10x35
11	4864 559	3				EN0			SCREW
12	5003 536AA	1				EN0			BOLT, Belt Tensioner
13	4897 159AA	1				EN0			TENSIONER, Belt
14	4883 528AA	1				EN0			BOLT, Adaptor Plate
15	4886 053AA	1				EN0			BOLT, Belt Tensioner
16	4883 491AA	1				EN0			PULLEY, Fan
17	5003 566AA	1				EN0			BRACKET, Fan

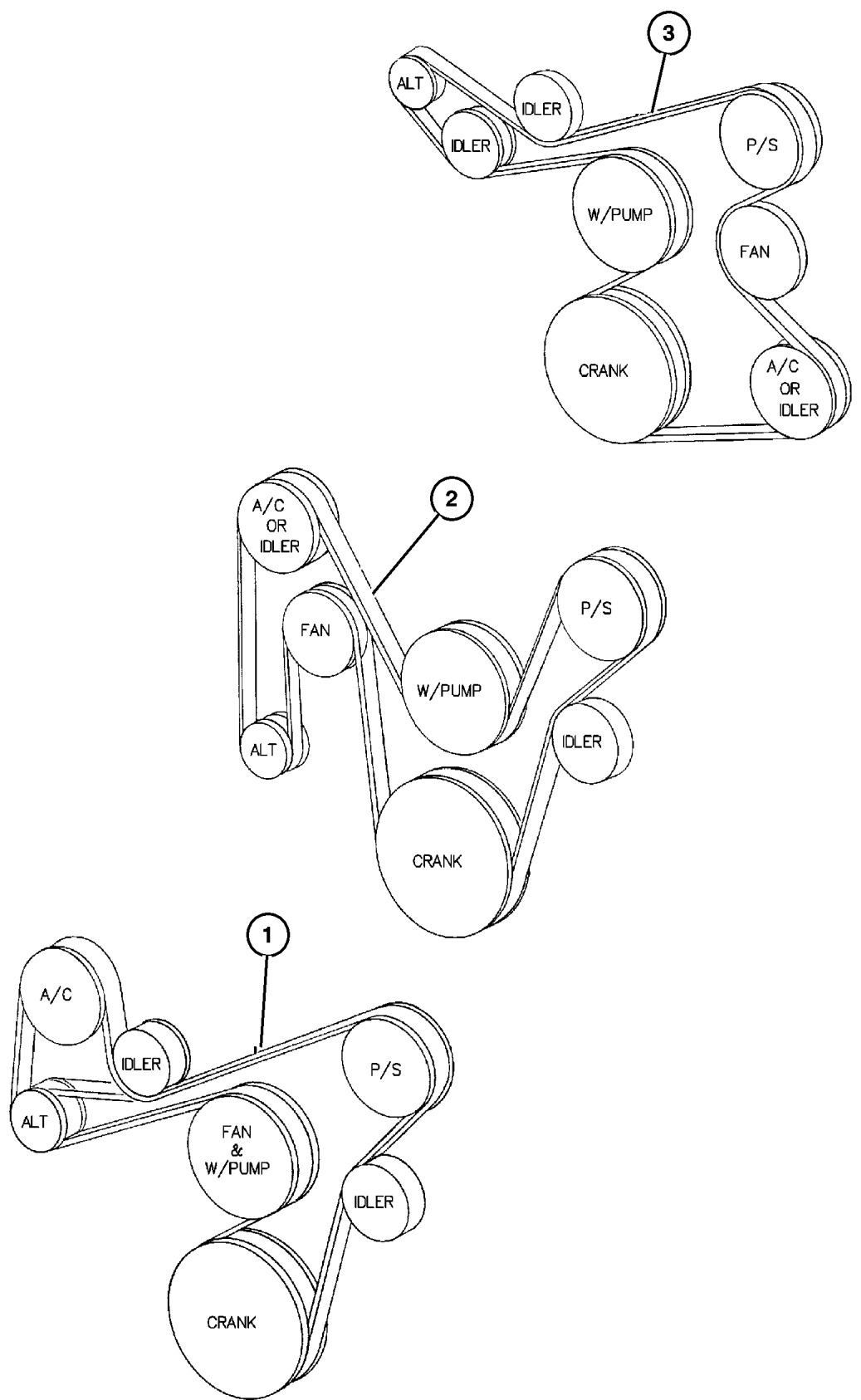


JEEP CHEROKEE (XJ)				
SERIES	LINE	BODY	ENGINE	TRANSMISSION
L=Low Line	J=LHD (4WD) U=RHD (4WD) T=LHD (2WD) B=RHD (2WD)	74=4 DR. (101.4 WB) 72=2 DR. (101.4 WB)	ENC,EN0=2.5L 4 cyl. Turbo Die ERH,ER0=4.0L Power Tech I-6 EPE,EP0=Magnum 2.5L SMPI	DDQ=5Spd Man. DGS=4 Spd. Auto. AISIN DG0=All Auto Trans DBB=All Manual Trans.

AR = Use as required - = Non illustrated part # = New this model year

July 4, 2003

Drive Belts 1997 XJ 1998 XJ  
Figure 007-510



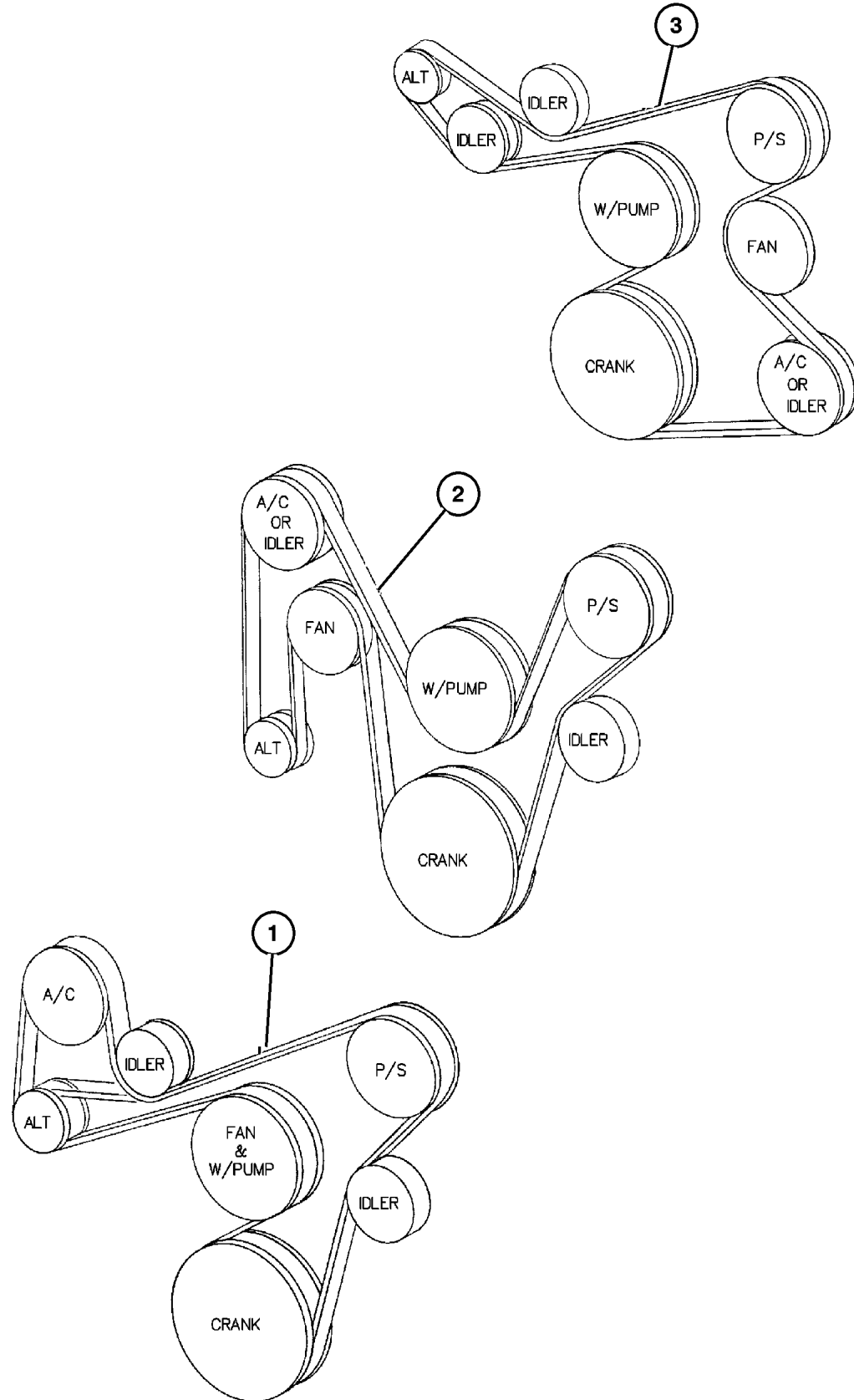
ITEM	PART NUMBER	QTY	LINE	SERIES	BODY	ENGINE	TRANS	TRIM	DESCRIPTION
1									BELT, Accessory Drive
	4796 033	1				EN0			2.5L Diesel Engine, 1997 XJ
	5301 0257	1	J, T			EP0			2.5L Engine, Heater
	5301 0311	1	B, U			EP0			2.5L Engine, Heater
	5301 1035	1	J, T			EP0			2.5L Engine, A/C
	5301 2002	1	B, U			EP0			2.5L Engine, A/C
2	5301 0314	1	J, T			ER0			BELT, Accessory Drive, 4.0L Engine
3	5301 0234	1	B, U			ER0			BELT, Accessory Drive, 4.0L Engine
-4									LABEL, Belt Routing
	5301 0297	1	B, U			ER0			
	5301 0298	1				EP0			
	5301 0299	1	J, T			ER0			
	5304 0078	1				EN0			

**JEEP CHEROKEE (XJ)**  
 SERIES LINE BODY ENGINE TRANSMISSION  
 L=Low Line J=LHD (4WD) 74=4 DR. (101.4 WB) ENC,EN0=2.5L 4 cyl. Turbo Die DDQ=5Spd Man.  
 U=RHD (4WD) 72=2 DR. (101.4 WB) ERH,ER0=4.0L Power Tech I-6 DGS=4 Spd. Auto. AISIN  
 T=LHD (2WD) EPE,EP0=Magnum 2.5L SMPI DG0=All Auto Trans  
 B=RHD (2WD) DBB=All Manual Trans.

AR = Use as required - = Non illustrated part # = New this model year

July 4, 2003

Drive Belts 1999 XJ  
Figure 007-510



ITEM	PART NUMBER	QTY	LINE	SERIES	BODY	ENGINE	TRANS	TRIM	DESCRIPTION
Note: Sales Code EN0 = 2.5L Diesel Engine									
Note: Sales Code EP0 = 2.5L Gas Engine									
Note: Sales Code ER0 = 4.0L Engine									
1	5301 0257	1	J, T			EP0			BELT, Accessory Drive 2.5L Engine, Heater
	5301 0311	1	B, U			EP0			2.5L Engine, Heater
	5301 1035	1	J, T			EP0			2.5L Engine, A/C
	5301 2002	1	B, U			EP0			2.5L Engine, A/C
2	5301 0314	1	J, T			ER0			BELT, Accessory Drive, 4.0L Engine
3	5301 0234	1	B, U			ER0			BELT, Accessory Drive, 4.0L Engine
-4	5301 0297	1	B, U			ER0			LABEL, Belt Routing
	5301 0298	1				EP0			
	5301 0299	1	J, T			ER0			
	5304 0078	1				EN0			

JEEP CHEROKEE (XJ)

SERIES	LINE	BODY	ENGINE	TRANSMISSION
L=Low Line	J=LHD (4WD) U=RHD (4WD) T=LHD (2WD) B=RHD (2WD)	74=4 DR. (101.4 WB) 72=2 DR. (101.4 WB)	ENC,EN0=2.5L 4 cyl. Turbo Die ERH,ER0=4.0L Power Tech I-6 EPE,EP0=Magnum 2.5L SMPI	DDQ=5Spd Man. DGS=4 Spd. Auto. AISIN DG0=All Auto Trans DBB=All Manual Trans.

AR = Use as required - = Non illustrated part # = New this model year

July 4, 2003

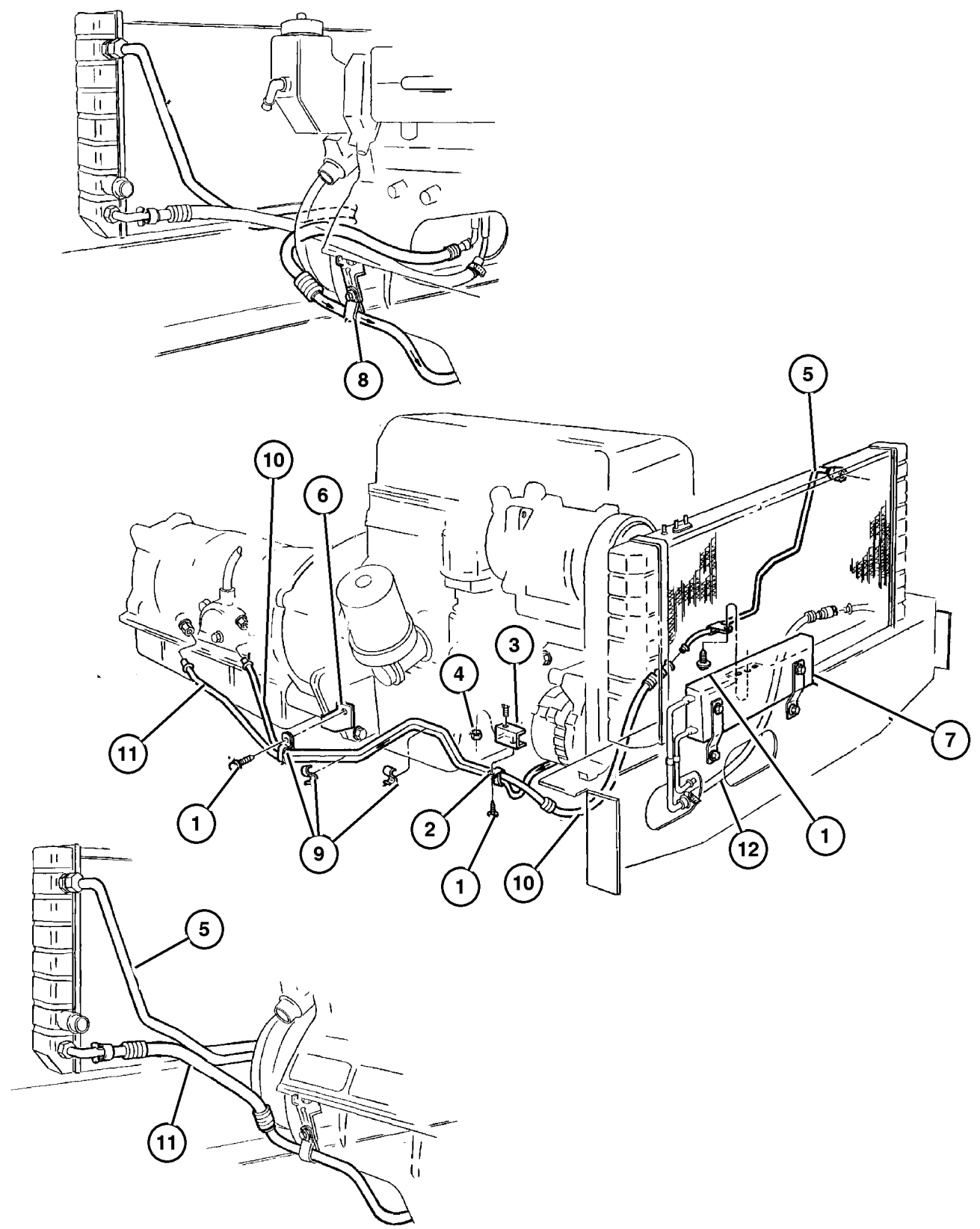
**Oil Cooler Lines, LHD 1997 XJ 1998 XJ**  
**Figure 007-610**

ITEM	PART NUMBER	QTY	LINE	SERIES	BODY	ENGINE	TRANS	TRIM	DESCRIPTION
Note: Sales Code DG0 = All Auto Trans									
Note: Sales Code DGD = 3 Speed Auto Trans									
Note: Sales Code ER0 = 4.0L Engine									
Note: Sales Code EP0 = 2.5L Engine									
1	6035 058	4				ER0	DG0		SCREW, Hex Flange Head, .19-16x.50
2	3420 2698	1				ER0	DG0		CLIP, Oil Tube
3	5300 4990	1				ER0	DG0		BRACKET, Oil Cooler Tube
4	6033 560	2				ER0	DG0		NUT AND WASHER, Hex Nut-Coned Washer, .25-20
5	5202 8328	1	J, T			ER0	DG0		TUBE, Supply
6	5300 4631	1				ER0	DG0		BRACKET, Oil Cooler Tube
7									COOLER, Transmission Oil
	52028 516AB	1	J, T			ER0			1997 XJ
	5202 8517	1	B, U			ER0			1998 XJ
8									CLIP, Oil Cooler Tube
	3420 2697	2	J, T			ER0	DG0		1997 XJ
		2	B, U			EP0			1998 XJ
9									CLIP, (NOT SERVICED) (Not Serviced)
10									TUBE AND HOSE, Return
	52028 566AB	1	J, T			ER0	DG0		1997 XJ
	5211 8569	1	J, T			EP0	DGD		1998 XJ
	52118 569AD	1	J, T			EP0	DGD		1998 XJ
11									TUBE AND HOSE, Supply
	5202 8504	1	J, T			EP0	DGD		1997 XJ
	52028 605AB	1	J, T			ER0	DG0		1998 XJ
12									HOSE AND CONNECTOR, Oil Cooler
	5003 096AA	1	J, T			ER0			1997 XJ
	5003 096AB	1	J, T			EP0, ER0	DG0		1998 XJ

JEEP CHEROKEE (XJ)				
SERIES	LINE	BODY	ENGINE	TRANSMISSION
L=Low Line	J=LHD (4WD) U=RHD (4WD) T=LHD (2WD) B=RHD (2WD)	74=4 DR. (101.4 WB) 72=2 DR. (101.4 WB)	ENC,EN0=2.5L 4 cyl. Turbo Die ERH,ER0=4.0L Power Tech I-6 EPE,EP0=Magnum 2.5L SMPI	DDQ=5Spd Man. DGS=4 Spd. Auto. AISIN DG0=All Auto Trans DBB=All Manual Trans.

AR = Use as required - = Non illustrated part # = New this model year

July 4, 2003





## Oil Cooler Lines, LHD 1999 XJ Figure 007-610

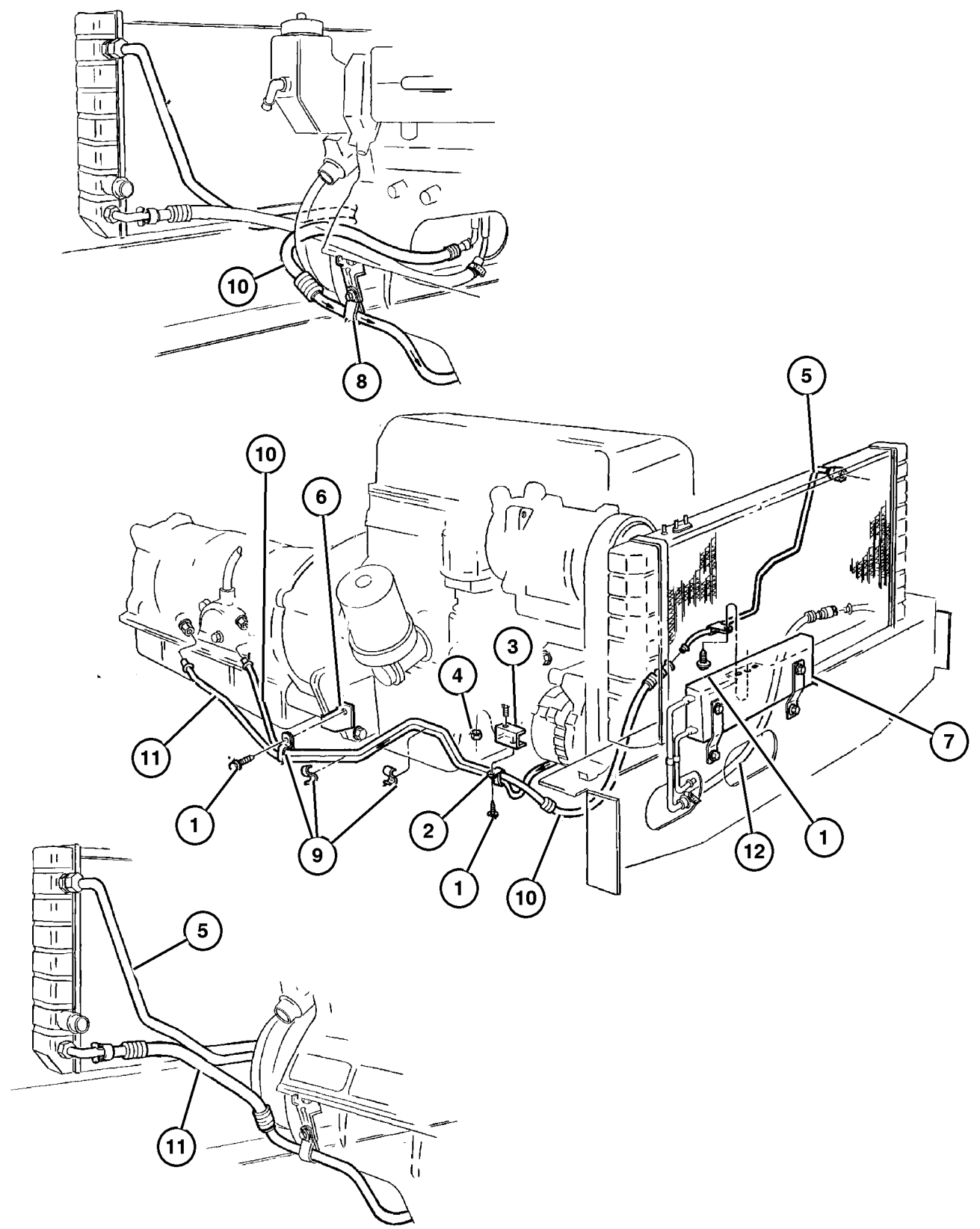
ITEM	PART NUMBER	QTY	LINE	SERIES	BODY	ENGINE	TRANS	TRIM	DESCRIPTION
Note: Sales Code DGB = Manual Trans									
Note: Sales Code DG0 = All Auto Trans									
Note: Sales Code EN0 = 2.5L Diesel Engine									
Note: Sales Code EP0 = 2.5L Gas Engine									
Note: Sales Code ER0 = 4.0L Engine									
1	6035 058	1	J, T			EP0	DG0		SCREW, Hex Flange Head, .19-16x.50
2	3420 2698	1				ER0	DG0		CLIP, Oil Tube
3	5300 4990	1				ER0	DG0		BRACKET, Oil Cooler Tube
4	6033 560	2				ER0			NUT AND WASHER, Hex Nut-Coned Washer, .25-20
5	5202 8328	1	J, T			ER0	DG0		TUBE, Supply
6	5300 4631	1				ER0	DG0		BRACKET, Oil Cooler Tube
7	#52028 516AE	1	J, T			EP0, ER0	DG0		COOLER, Auxiliary Oil
8	3420 2697	2	J, T			ER0	DG0		CLIP, Oil Cooler Tube
9									CLIP, (NOT SERVICED) (Not Serviced)
10	52028 566AC	1	J, T			ER0	DG0		TUBE AND HOSE, Return
	52118 569AD	1	J, T			EP0	DGD		
11	52028 605AC	1	J, T			ER0	DG0		TUBE AND HOSE, Supply
	#52028 504AF	1	J, T			EP0	DGD		
12	#5003 096AC	1	J, T			EP0, ER0	DG0		HOSE AND CONNECTOR, Oil Cooler

### JEEP CHEROKEE (XJ)

SERIES	LINE	BODY	ENGINE	TRANSMISSION
L=Low Line	J=LHD (4WD) U=RHD (4WD) T=LHD (2WD) B=RHD (2WD)	74=4 DR. (101.4 WB) 72=2 DR. (101.4 WB)	ENC,EN0=2.5L 4 cyl. Turbo Die ERH,ER0=4.0L Power Tech I-6 EPE,EP0=Magnum 2.5L SMPI	DDQ=5Spd Man. DGS=4 Spd. Auto. AISIN DG0=All Auto Trans DBB=All Manual Trans.

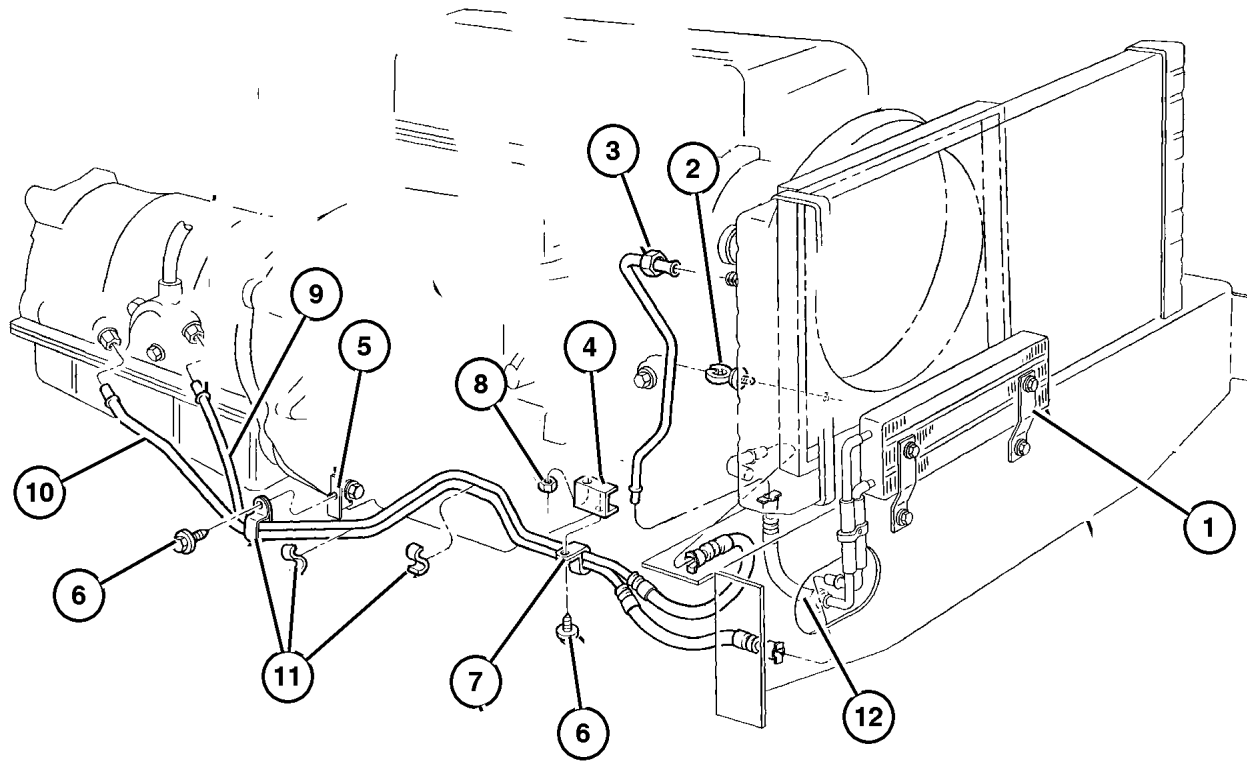
AR = Use as required - = Non illustrated part # = New this model year

July 4, 2003



**Oil Cooler Lines, RHD 1997 XJ 1998 XJ**  
**Figure 007-620**

ITEM	PART NUMBER	QTY	LINE	SERIES	BODY	ENGINE	TRANS	TRIM	DESCRIPTION
Note: Sales Code ER0 = 4.0L Engine									
Note: Sales Code DG0 = All Auto Trans									
1	5202 8517	1	B, U			ER0			COOLER, Transmission Oil
2	3200 0404	3	B, U						CLIP, Tube
3	5202 8310	1	B, U			ER0	DG0		TUBE, Oil Cooler
4	5300 4990	1				ER0	DG0		BRACKET, Oil Cooler Tube
5	5300 4631	1				ER0	DG0		BRACKET, Oil Cooler Tube
6	6035 058	4				ER0	DG0		SCREW, Hex Flange Head, .19-16x.50
7	3420 2698	1				ER0	DG0		CLIP, Oil Tube
8	6033 560	1	B, U			ER0			NUT AND WASHER, Hex Nut-Coned Washer, .25-20
9	5202 8561	1	B, U			ER0	DG0		TUBE, Oil Cooler
10	5202 8567	1	B, U			ER0	DG0		TUBE, Oil Cooler
11									CLIP, (NOT SERVICED) (Not Serviced)
12									HOSE AND CONNECTOR, Oil Cooler
	5003 096AA	1	J, T			ER0			1997 XJ
	5015 643AA	1	B, U			ER0			1998 XJ



**JEEP CHEROKEE (XJ)**

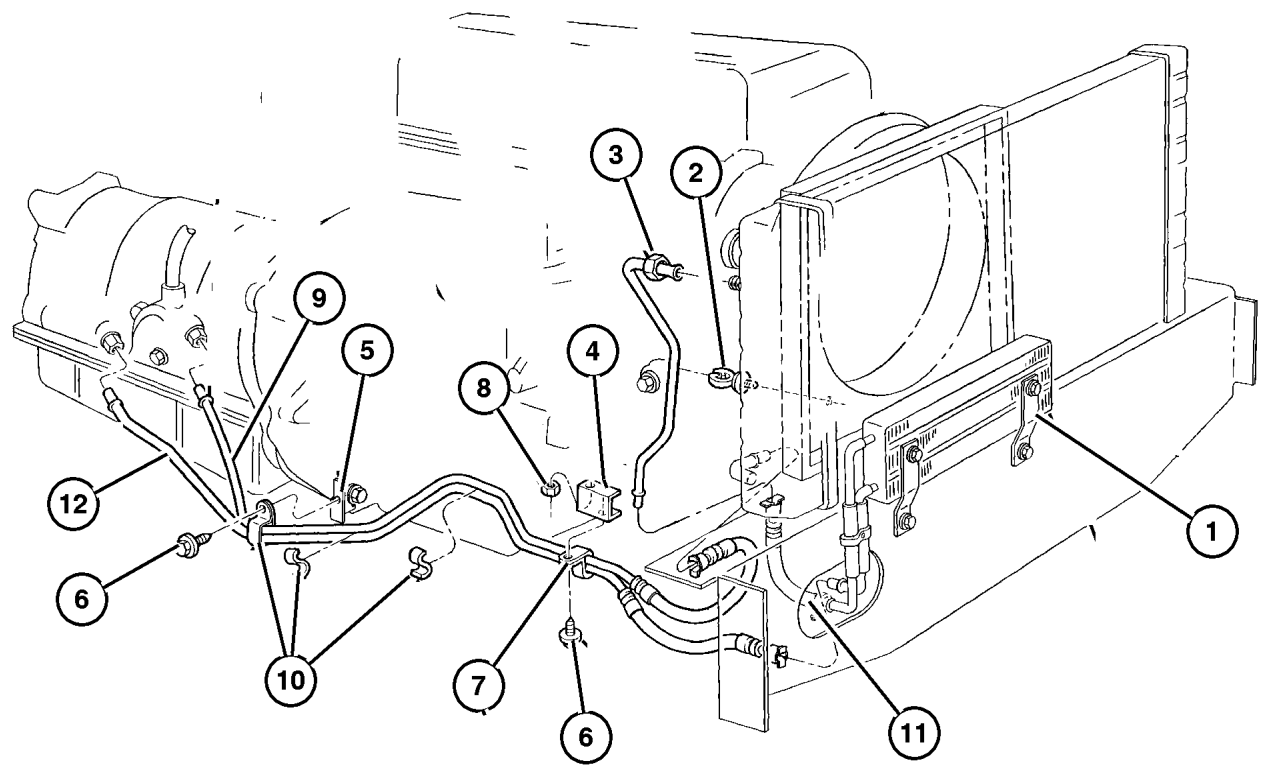
SERIES	LINE	BODY	ENGINE	TRANSMISSION
L=Low Line	J=LHD (4WD) U=RHD (4WD) T=LHD (2WD) B=RHD (2WD)	74=4 DR. (101.4 WB) 72=2 DR. (101.4 WB)	ENC,EN0=2.5L 4 cyl. Turbo Die ERH,ER0=4.0L Power Tech I-6 EPE,EP0=Magnum 2.5L SMPI	DDQ=5Spd Man. DGS=4 Spd. Auto. AISIN DG0=All Auto Trans DBB=All Manual Trans.

AR = Use as required - = Non illustrated part # = New this model year

July 4, 2003

**Oil Cooler Lines, RHD 1999 XJ  
Figure 007-620**

ITEM	PART NUMBER	QTY	LINE	SERIES	BODY	ENGINE	TRANS	TRIM	DESCRIPTION
Note: Sales Code ER0 = 4.0L Engine									
Note: Sales Code DG0 = All Auto Trans									
1	52028 517AB	1	B, U			ER0			COOLER, Transmission Oil
2	3200 0404	3	B, U						CLIP, Tube
3	5202 8310	1	B, U			ER0	DG0		TUBE, Oil Cooler
4	5300 4990	1				ER0	DG0		BRACKET, Oil Cooler Tube
5	5300 4631	1				ER0	DG0		BRACKET, Oil Cooler Tube
6	6035 058	4				ER0	DG0		SCREW, Hex Flange Head, .19-16x.50
7	3420 2698	1				ER0	DG0		CLIP, Oil Tube
8	6033 560	1							NUT AND WASHER, Hex Nut-Coned Washer, .25-20
9	#52028 561AC	1	B, U			ER0	DG0		TUBE AND HOSE, Oil Cooler
10									CLIP, (NOT SERVICED) (Not Serviced)
11	5015 643AA	1	B, U			ER0			HOSE AND CONNECTOR, Oil Cooler
12	#52028 567AC	1	B, U			ER0	DG0		TUBE AND HOSE, Return

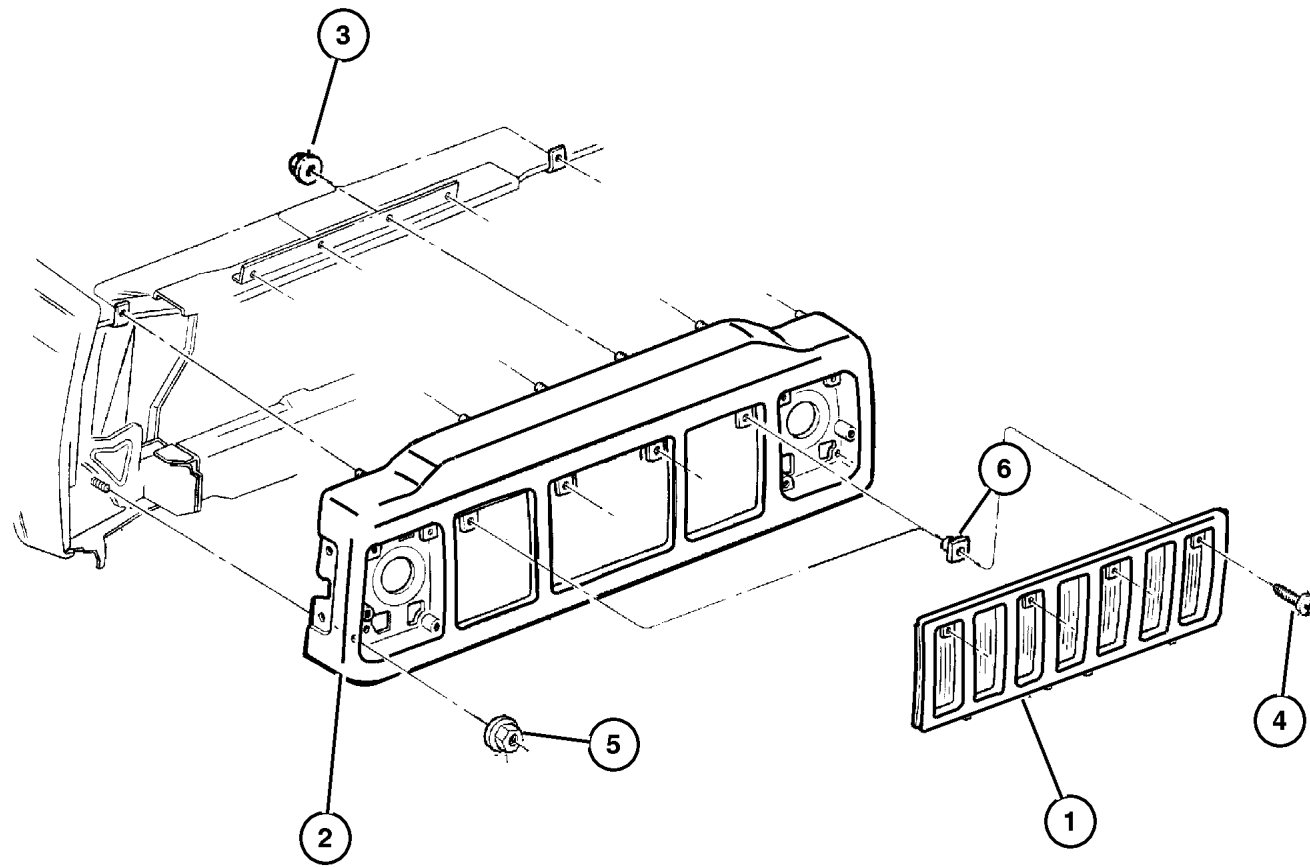


<b>JEEP CHEROKEE (XJ)</b>				
SERIES	LINE	BODY	ENGINE	TRANSMISSION
L=Low Line	J=LHD (4WD) U=RHD (4WD) T=LHD (2WD) B=RHD (2WD)	74=4 DR. (101.4 WB) 72=2 DR. (101.4 WB)	ENC,EN0=2.5L 4 cyl. Turbo Die ERH,ER0=4.0L Power Tech I-6 EPE,EP0=Magnum 2.5L SMPI	DDQ=5Spd Man. DGS=4 Spd. Auto. AISIN DG0=All Auto Trans DBB=All Manual Trans.

AR = Use as required - = Non illustrated part # = New this model year

July 4, 2003

**Grille and Related Parts 1997 XJ 1998 XJ  
Figure 007-710**



ITEM	PART NUMBER	QTY	LINE	SERIES	BODY	ENGINE	TRANS	TRIM	DESCRIPTION
1									GRILLE, Radiator
	5505 5150	1							Black Sport and SE, 1997 XJ
	5EM6 5DX8	1							Black Country, 1997 XJ
	5EM6 5PCJ	1							Blue, 1997 XJ
	5EM6 5PR4	1							Red, 1997 XJ
	5EM6 5RJN	1							Green, 1997 XJ
	5EM6 5SW1	1							White, 1997 XJ
	5EM6 5TQ7	1							Aquamarine Blue, 1997 XJ
	5505 5150	1							[MFF] Black Sport and SE, 1998 XJ
	5EM6 5DX8	1							[MFK], [X8], 1998 XJ
	5EM6 5PR4	1							[MFK], [R4], 1998 XJ
	5EM6 5RJN	1							[MFK], [JN], 1998 XJ
	5EM6 5SW1	1							[MFK], [W1], 1998 XJ
	5EM6 5TCN	1							[MFK], [CN], 1998 XJ
	5EM6 5TQ7	1							[MFK], [Q7], 1998 XJ
	5EM6 5VEA	1							[MFK], [EA], 1998 XJ
2									PANEL, Grille Opening
	5505 5233	1							1997 XJ
	55055 233AC	1							1998 XJ
3	6500 284	6							NUT, Hex, M6x1.00
4	6034 204	4							SCREW, Pan Head, #6 HiLo
5									NUT AND WASHER, Hex Nut-Coned Washer, M6 x 1.00
	6503 825	6							1997 XJ
	6100 047	1				ER0			1998 XJ
6	6035 657	4							NUT, Plastic Snap-In, For .164-15 Screw

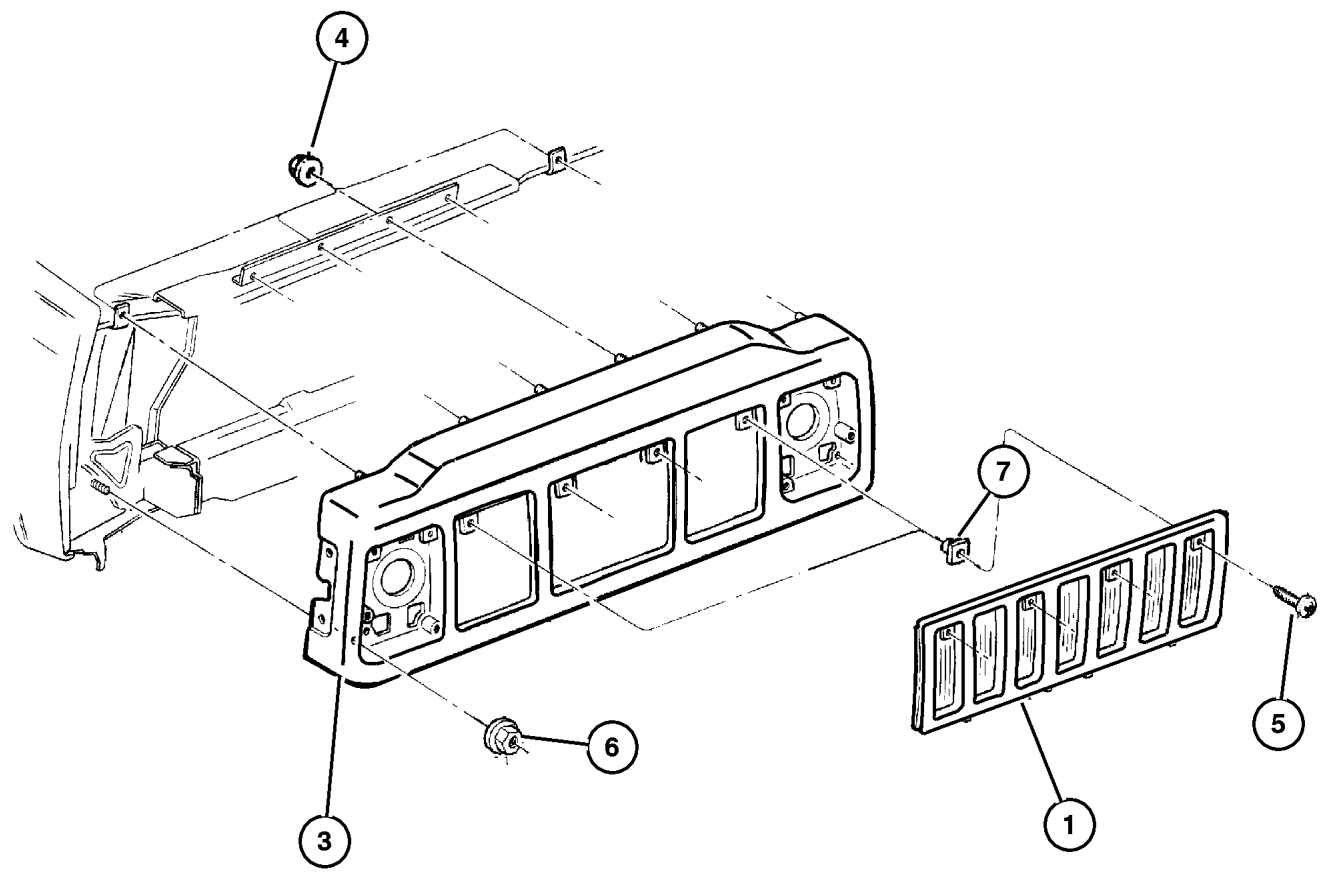
**JEEP CHEROKEE (XJ)**

SERIES	LINE	BODY	ENGINE	TRANSMISSION
L=Low Line	J=LHD (4WD) U=RHD (4WD) T=LHD (2WD) B=RHD (2WD)	74=4 DR. (101.4 WB) 72=2 DR. (101.4 WB)	ENC,EN0=2.5L 4 cyl. Turbo Die ERH,ER0=4.0L Power Tech I-6 EPE,EP0=Magnum 2.5L SMPI	DDQ=5Spd Man. DGS=4 Spd. Auto. AISIN DG0=All Auto Trans DBB=All Manual Trans.

AR = Use as required - = Non illustrated part # = New this model year

July 4, 2003

**Grille and Related Parts 1999 XJ  
Figure 007-710**



ITEM	PART NUMBER	QTY	LINE	SERIES	BODY	ENGINE	TRANS	TRIM	DESCRIPTION
Note: Sales Code EN0 = 2.5L Diesel Engine									
1	5505 5150	1							GRILLE, Radiator Sport and SE Model
	5EM6 5DX8	1							Black Clear Coat
	5EM6 5PR4	1							Flame Red
	5EM6 5SG8	1							Forest Green
	5EM6 5SW1	1							Stone White
	5EM6 5TCN	1							Deep Amethyst
	5EM6 5VEA	1							Chili Pepper Red
	5EM6 5WTD	1							Desert Sand
	5EM6 5TQ7	1							Aquamarine
-2	5202 8374	1				EN0			DEFLECTOR, Air
3	55055 233AD	1							PANEL, Grille Opening
4	6500 284	6							NUT, Hex, M6x1.00
5	6034 204	4							SCREW, Pan Head, #6 HiLo
6	6100 047	1				ER0			NUT AND WASHER, Hex Nut-Coned Washer, M6 x 1.00
7	6035 657	4							NUT, Plastic Snap-In, For .164-15 Screw

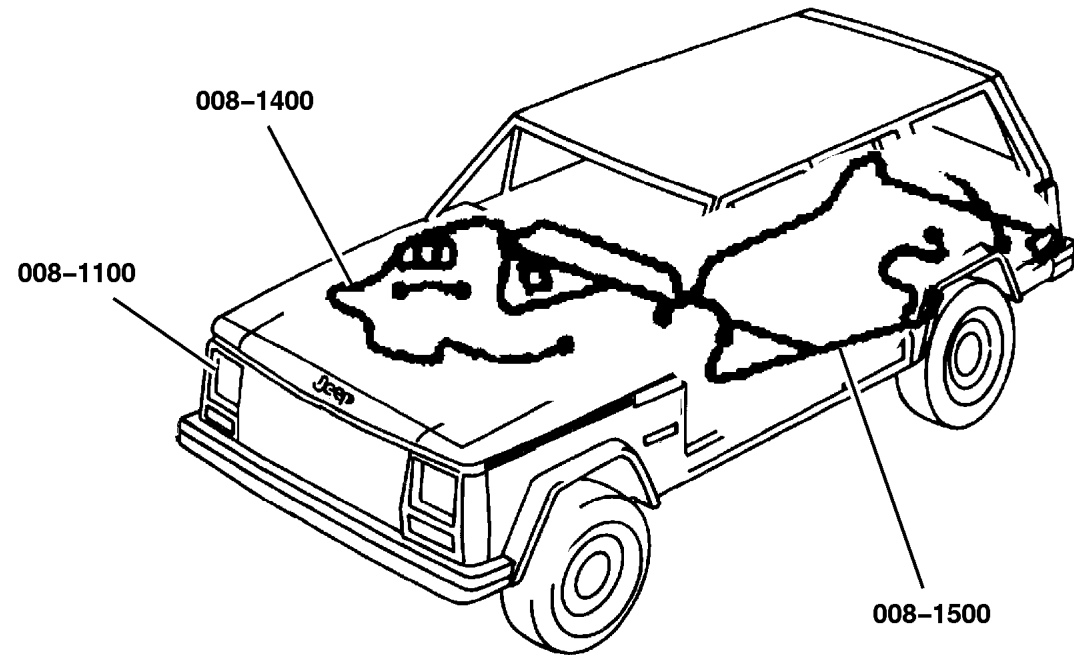
JEEP CHEROKEE (XJ)				
SERIES	LINE	BODY	ENGINE	TRANSMISSION
L=Low Line	J=LHD (4WD) U=RHD (4WD) T=LHD (2WD) B=RHD (2WD)	74=4 DR. (101.4 WB) 72=2 DR. (101.4 WB)	ENC,EN0=2.5L 4 cyl. Turbo Die ERH,ER0=4.0L Power Tech I-6 EPE,EP0=Magnum 2.5L SMPI	DDQ=5Spd Man. DGS=4 Spd. Auto. AISIN DG0=All Auto Trans DBB=All Manual Trans.

AR = Use as required - = Non illustrated part # = New this model year

July 4, 2003

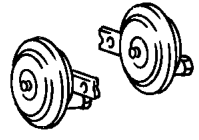
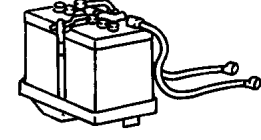
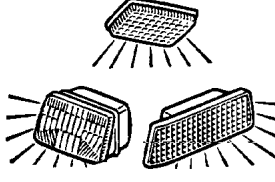
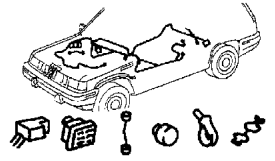

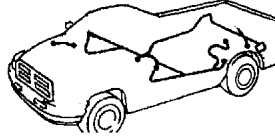
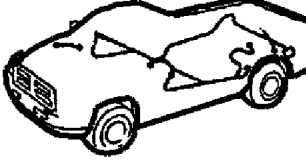
# Group – 008

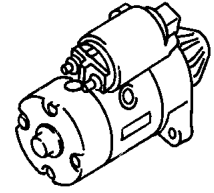
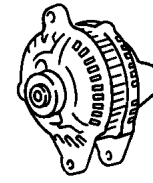
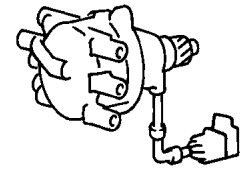
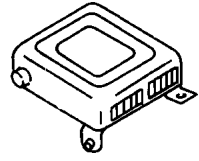

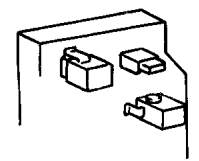
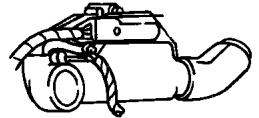
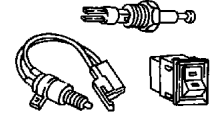
## Electrical



# Group – 008

## Electrical

<b>008-900</b> Horns 	<b>008-1000</b> Battery Tray and Cables 	<b>008-1100</b> Lamps – Front, Rear and Courtesy 	<b>008-1200</b> Wiring-Engine & Related Parts 
<b>008-1300</b> Wiring-Headlamp to Dash 	<b>008-1400</b> Wiring-Instrument Panel <b>WIRING INSTR. PANEL</b>	<b>008-1500</b> Wiring-Body & Accessories 	<b>008-1600</b> Wiring Repair <b>WIRING REPAIR KIT</b>
<b>008-1900</b> Spark Plugs-Cables-Coils 			

<b>008-100</b> Starters 	<b>008-200</b> Alternators 	<b>008-300</b> Distributor 	<b>008-400</b> Modules 
<b>008-500</b> Relays 	<b>008-600</b> Sensors 	<b>008-700</b> Single Board Engine Controllers 	<b>008-800</b> Switches 

**GROUP 8 - Electrical**

Illustration Title	Group-Fig. No.
<b>Starters</b>	
Starter & Mounting (2.5L & 4.0L Engines) 1997 XJ 1998 XJ .....	Fig. 008-105
Starter & Mounting (2.5L & 4.0L Engines) 1999 XJ .....	Fig. 008-105
Starter & Mounting (Diesel Engine) 1997 XJ 1998 XJ .....	Fig. 008-110
Starter & Mounting (Diesel Engine) 1999 XJ .....	Fig. 008-110
<b>Alternators</b>	
Alternator 2.5L & 4.0L Engine 1997 XJ 1998 XJ .....	Fig. 008-205
Alternator 2.5L & 4.0L Engines R.H.D. 1999 XJ .....	Fig. 008-205
Alternator 2.5L & 4.0L Engines L.H.D. 1999 XJ .....	Fig. 008-207
Alternator Diesel Engine 4 Cylinder Turbo Diesel 1997 XJ 1998 XJ .....	Fig. 008-210
Alternator Diesel Engine 1999 XJ .....	Fig. 008-210
<b>Distributor</b>	
Distributor 2.5L Engine 1997 XJ 1998 XJ .....	Fig. 008-305
Distributor 2.5L Engine 1999 XJ .....	Fig. 008-305
Distributor 4.0L Engine 1997 XJ 1998 XJ .....	Fig. 008-310
Distributor 4.0L Engine 1999 XJ .....	Fig. 008-310
<b>Modules</b>	
Modules 1997 XJ .....	Fig. 008-405
Modules 1998 XJ .....	Fig. 008-405
Modules 1999 XJ .....	Fig. 008-405
<b>Relays</b>	
Relays 1997 XJ .....	Fig. 008-510
Relays 1998 XJ .....	Fig. 008-510
Relays 1999 XJ .....	Fig. 008-510
<b>Sensors</b>	
Sensors 1997 XJ .....	Fig. 008-605
Sensors 1998 XJ .....	Fig. 008-605
Sensors 1999 XJ .....	Fig. 008-605
<b>Single Board Engine Controllers</b>	
Single Board Engine Controllers 1997 XJ .....	Fig. 008-710
Single Board Engine Controllers 1998 XJ .....	Fig. 008-710
Single Board Engine Controllers 1999 XJ .....	Fig. 008-710
<b>Switches</b>	
Switches & Sending Units 1997 XJ .....	Fig. 008-810
Switches & Sending Units 1998 XJ .....	Fig. 008-810
Switches & Sending Units 1999 XJ .....	Fig. 008-810
<b>Horns</b>	
Horns 1997 XJ .....	Fig. 008-910
Horns 1998 XJ .....	Fig. 008-910

**GROUP 8 - Electrical**

Illustration Title	Group-Fig. No.
<b>Horns (Continued)</b>	
Horns 1999 XJ .....	Fig. 008-910
<b>Battery Tray and Cables</b>	
Battery Tray 1997 XJ .....	Fig. 008-1005
Battery Tray 1998 XJ .....	Fig. 008-1005
Battery Tray 1999 XJ .....	Fig. 008-1005
Battery Cables 1997 XJ 1998 XJ .....	Fig. 008-1010
Battery Cables 1999 XJ .....	Fig. 008-1010
<b>Lamps - Front, Rear and Courtesy</b>	
Lamps Fog 1997 XJ .....	Fig. 008-1135
Lamps Fog 1998 XJ .....	Fig. 008-1135
Lamps Fog 1999 XJ .....	Fig. 008-1135
Lamps Front 1997 XJ .....	Fig. 008-1140
Lamps Front 1998 XJ .....	Fig. 008-1140
Lamps Front 1999 XJ .....	Fig. 008-1140
Lamps Rear 1997 XJ 1998 XJ .....	Fig. 008-1155
Lamps Rear 1999 XJ .....	Fig. 008-1155
Lamps Cargo - Dome - Underhood 1997 XJ .....	Fig. 008-1165
Lamps Cargo - Dome - Underhood 1998 XJ .....	Fig. 008-1165
Lamps Cargo - Dome - Underhood 1999 XJ .....	Fig. 008-1165
Bulbs 1997 XJ .....	Fig. 008-1170
Bulbs 1998 XJ .....	Fig. 008-1170
Bulbs 1999 XJ .....	Fig. 008-1170
<b>Wiring-Engine &amp; Related Parts</b>	
Wiring Engine & Related Parts 1997 XJ .....	Fig. 008-1210
Wiring Engine & Related Parts 1998 XJ .....	Fig. 008-1210
Wiring Engine & Related Parts 1999 XJ .....	Fig. 008-1210
<b>Wiring-Headlamp to Dash</b>	
Wiring Headlamp / Dash 1997 XJ .....	Fig. 008-1310
Wiring Headlamp / Dash 1998 XJ .....	Fig. 008-1310
Wiring Headlamp / Dash 1999 XJ .....	Fig. 008-1310
<b>Wiring-Instrument Panel</b>	
Wiring Instrument Panel 1997 XJ .....	Fig. 008-1410
Wiring Instrument Panel 1998 XJ .....	Fig. 008-1410
Wiring Instrument Panel 1999 XJ .....	Fig. 008-1410
<b>Wiring-Body &amp; Accessories</b>	
Wiring Body & Accessory 1997 XJ .....	Fig. 008-1510
Wiring Body & Accessory 1998 XJ .....	Fig. 008-1510
Wiring Body & Accessory 1999 XJ .....	Fig. 008-1510



---

## GROUP 8 - Electrical

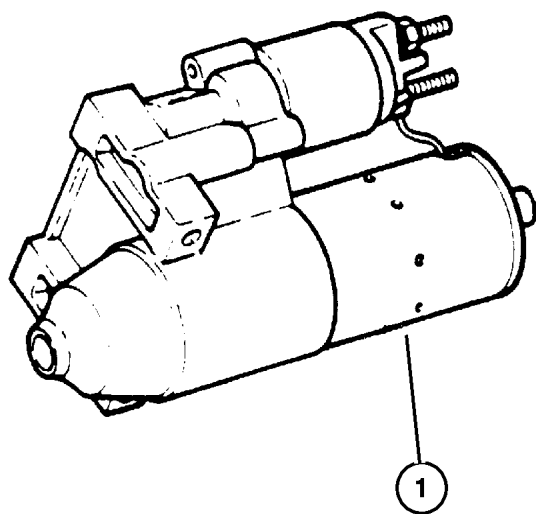
Illustration Title	Group-Fig. No.
<b>Wiring Repair</b>	
Wiring Repair 1997 XJ .....	Fig. 008-1605
Wiring Repair 1998 XJ .....	Fig. 008-1605
Connector Repair Package 1999 XJ .....	Fig. 008-1605
Power Distribution Center Repair 1997 XJ 1998 XJ .....	Fig. 008-1610
Power Distribution Center Repair 1999 XJ .....	Fig. 008-1615
<b>Spark Plugs-Cables-Coils</b>	
Spark Plug-Cables & Coils 1997 XJ 1998 XJ .....	Fig. 008-1905
Cable Spark Plug & Wires 1999 XJ .....	Fig. 008-1905





**Starter & Mounting (2.5L & 4.0L Engines) 1997 XJ 1998 XJ**  
**Figure 008-105**

ITEM	PART NUMBER	QTY	LINE	SERIES	BODY	ENGINE	TRANS	TRIM	DESCRIPTION
EP0=2.5L Engine									
ER0=4.0L Engine									
1	4796 981	1				EP0			STARTER PACKAGE
-2	4883 447AA	1				EN0			STARTER 1998 XJ
	5604 1014	1				ER0			
-3	J324 1711	AR				EP0			SHIM, Starter Motor
-4	6503 699	1				ER0			SCREW AND WASHER, Hex Head, M10x1.5x28
-5	J400 6192	1				ER0			BOLT AND WASHER, Hex Head, .375-16x1.75

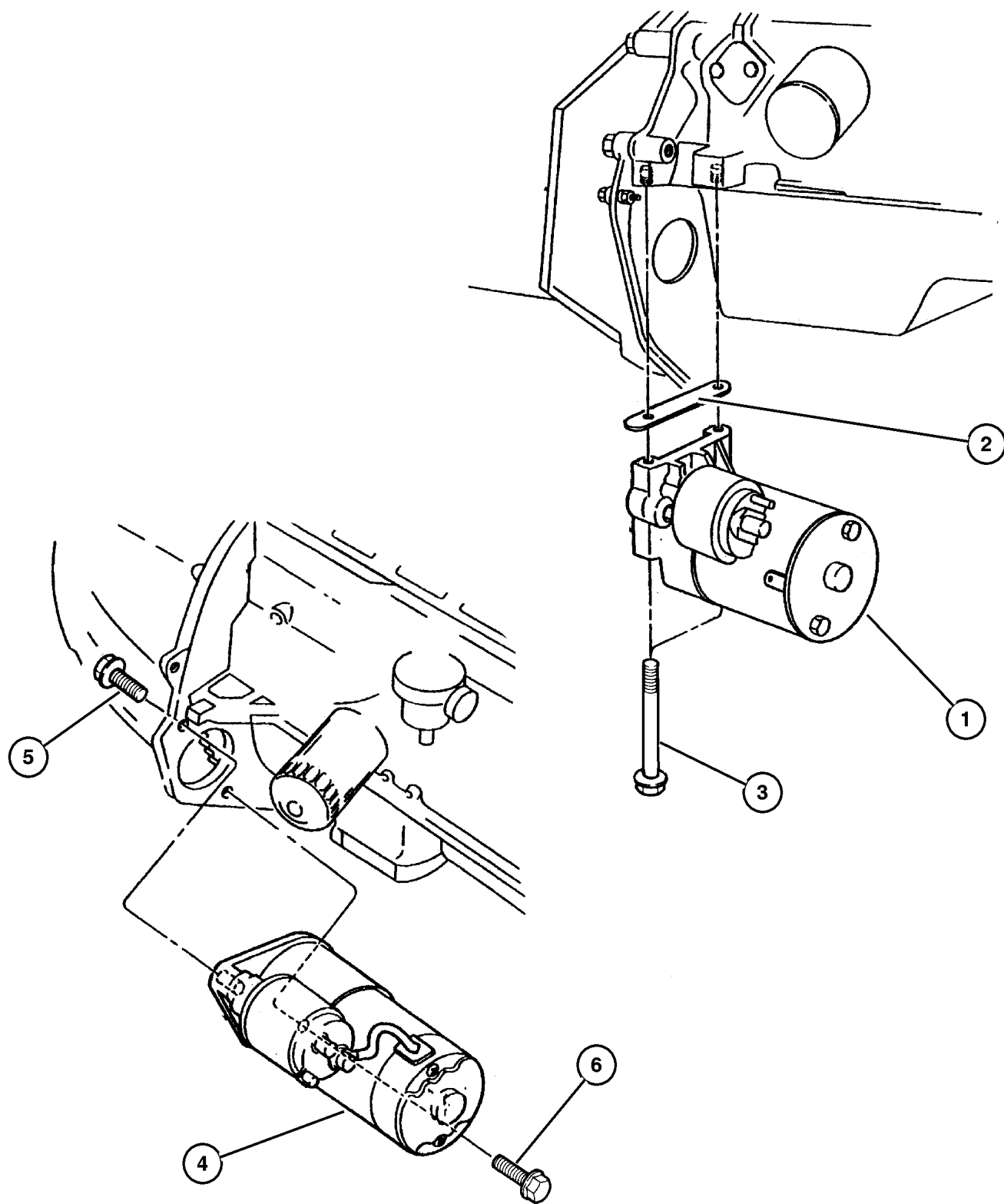


JEEP CHEROKEE (XJ)				
SERIES	LINE	BODY	ENGINE	TRANSMISSION
L=Low Line	J=LHD (4WD) U=RHD (4WD) T=LHD (2WD) B=RHD (2WD)	74=4 DR. (101.4 WB) 72=2 DR. (101.4 WB)	ENC,EN0=2.5L 4 cyl. Turbo Die ERH,ER0=4.0L Power Tech I-6 EPE,EP0=Magnum 2.5L SMPI	DDQ=5Spd Man. DGS=4 Spd. Auto. AISIN DG0=All Auto Trans DBB=All Manual Trans.

AR = Use as required - = Non illustrated part # = New this model year

July 4, 2003

**Starter & Mounting (2.5L & 4.0L Engines) 1999 XJ**  
**Figure 008-105**



ITEM	PART NUMBER	QTY	LINE	SERIES	BODY	ENGINE	TRANS	TRIM	DESCRIPTION
EP0=2.5L Engine									
ER0=4.0L Engine									
1	#56041 013AB	1				EP0			STARTER
2	J324 1711	AR				EP0			SHIM, Starter Motor
3	6035 607	2				EP0			SCREW, Starter Motor
4	#56041 012AB	1				ER0			STARTER
5	6503 699	1				ER0			SCREW AND WASHER, Hex Head, M10x1.5x28
6	J400 6192	1				ER0			BOLT AND WASHER, Hex Head, .375-16x1.75

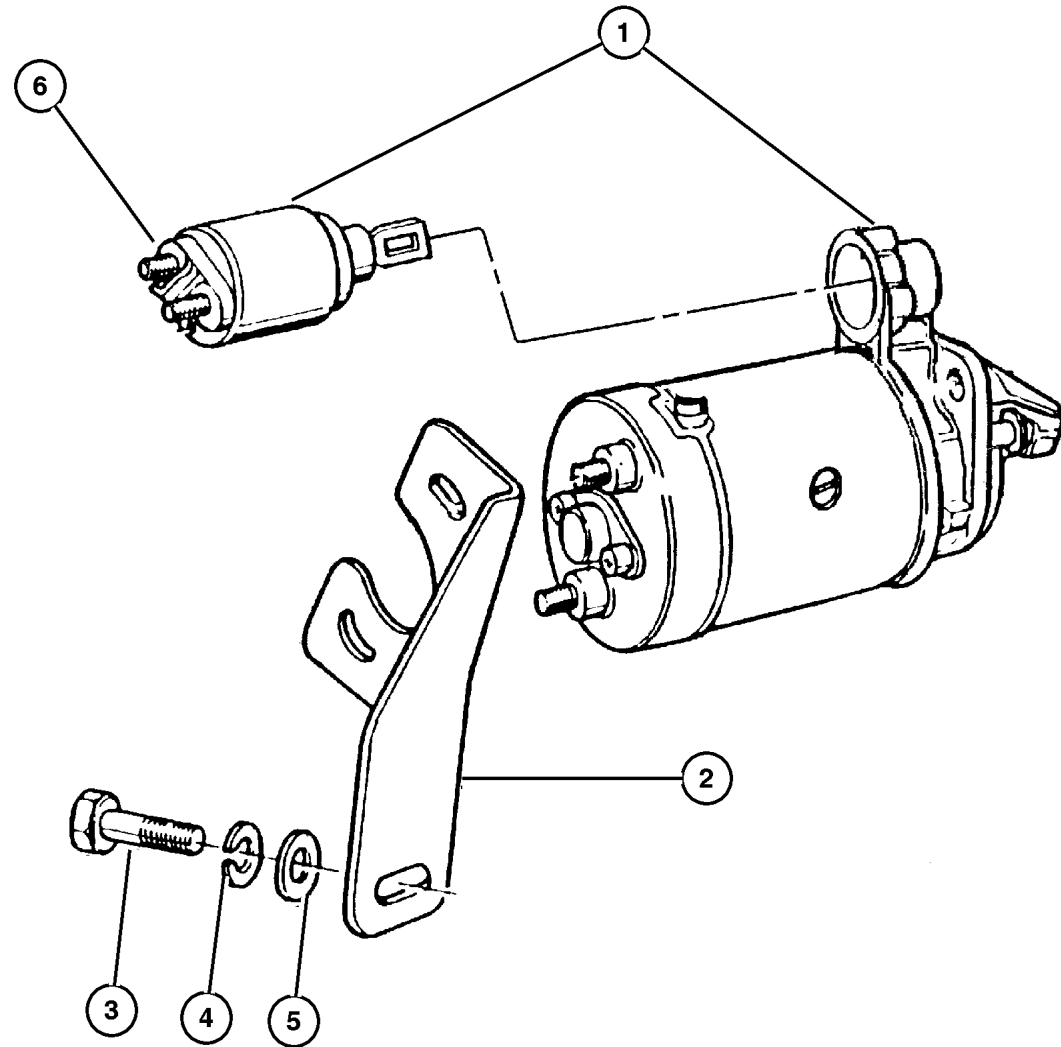
**JEEP CHEROKEE (XJ)**

SERIES	LINE	BODY	ENGINE	TRANSMISSION
L=Low Line	J=LHD (4WD) U=RHD (4WD) T=LHD (2WD) B=RHD (2WD)	74=4 DR. (101.4 WB) 72=2 DR. (101.4 WB)	ENC,EN0=2.5L 4 cyl. Turbo Die ERH,ER0=4.0L Power Tech I-6 EPE,EP0=Magnum 2.5L SMPI	DDQ=5Spd Man. DGS=4 Spd. Auto. AISIN DG0=All Auto Trans DBB=All Manual Trans.

AR = Use as required - = Non illustrated part # = New this model year

July 4, 2003

**Starter & Mounting (Diesel Engine) 1997 XJ 1998 XJ**  
**Figure 008-110**



ITEM	PART NUMBER	QTY	LINE	SERIES	BODY	ENGINE	TRANS	TRIM	DESCRIPTION
EN0=4 Cylinder Turbo Diesel Engine									
1	4883 447AA	1				EN0			STARTER
2	4796 045	1				EN0			BRACKET, Starter
3									BOLT, Hex Head, M10x20 (NOT REQUIRED), 1998 XJ
4	4723 280	1				EN0			1997 XJ WASHER, Tow Hook (NOT REQUIRED), 1998 XJ
5	4720 686	5				EN0			1997 XJ WASHER, Starter
	4723 279	3				EN0			1998 XJ
	4723 281	1				EN0			1997 XJ
6	4723 275	1				EN0			SOLENOID, Starter
-7	5602 7329	1				EN0			SHIELD, Heat

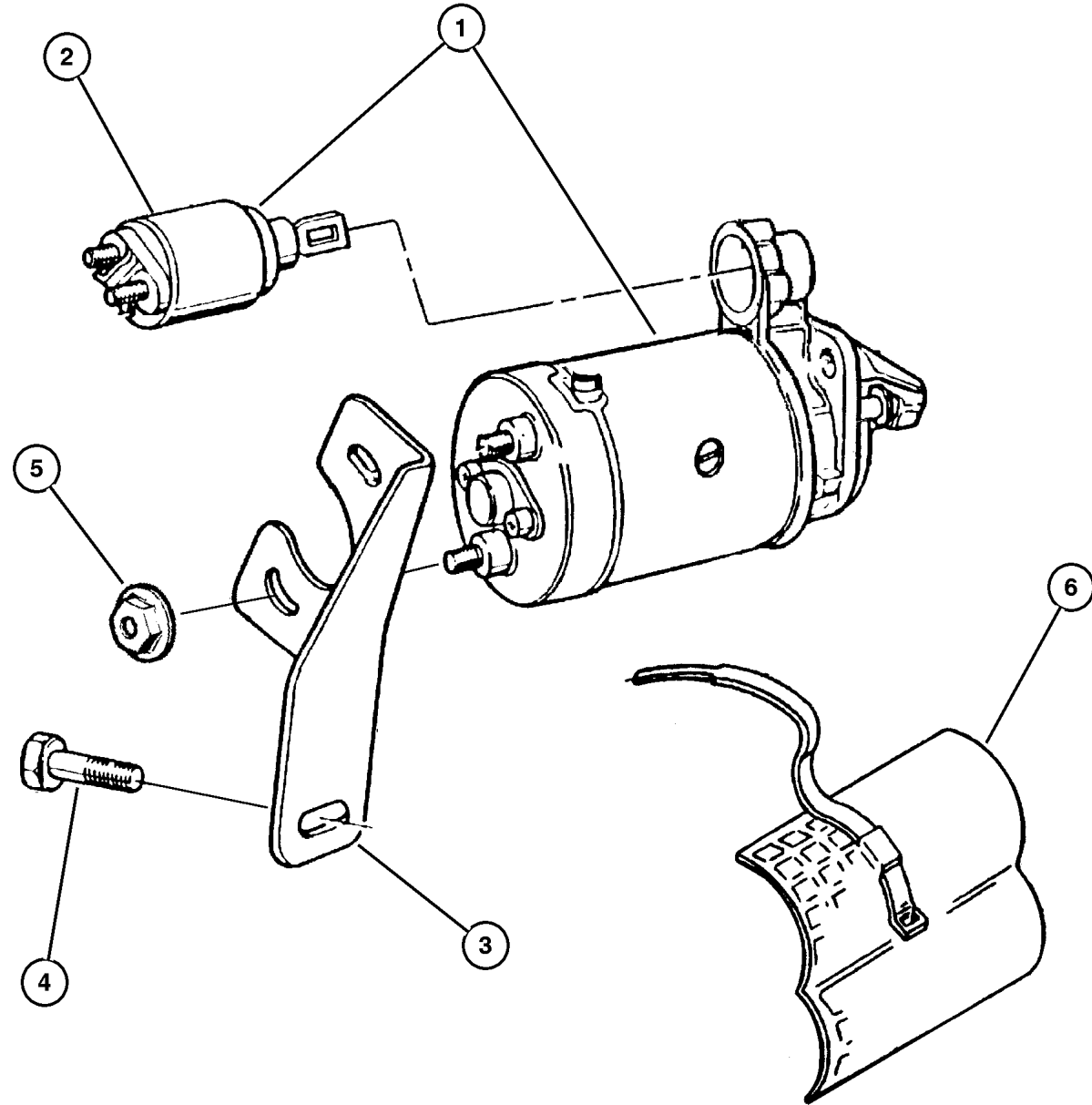
JEEP CHEROKEE (XJ)				
SERIES	LINE	BODY	ENGINE	TRANSMISSION
L=Low Line	J=LHD (4WD) U=RHD (4WD) T=LHD (2WD) B=RHD (2WD)	74=4 DR. (101.4 WB) 72=2 DR. (101.4 WB)	ENC,EN0=2.5L 4 cyl. Turbo Die ERH,ER0=4.0L Power Tech I-6 EPE,EP0=Magnum 2.5L SMPI	DDQ=5Spd Man. DGS=4 Spd. Auto. AISIN DG0=All Auto Trans DBB=All Manual Trans.

AR = Use as required - = Non illustrated part # = New this model year

July 4, 2003

**Starter & Mounting (Diesel Engine) 1999 XJ**  
**Figure 008-110**

ITEM	PART NUMBER	QTY	LINE	SERIES	BODY	ENGINE	TRANS	TRIM	DESCRIPTION
EN0=4Cylinder Turbo Engine									
1	4883 447AA	1				EN0			STARTER
2	4723 275	1				EN0			SOLENOID, Starter
3	4796 045	1				EN0			BRACKET, Starter
4	5003 535AA	1				EN0			BOLT
5	4778 936	2				EN0			NUT, Suction Pipe Attaching
6	5602 7329	1				EN0			SHIELD, Heat

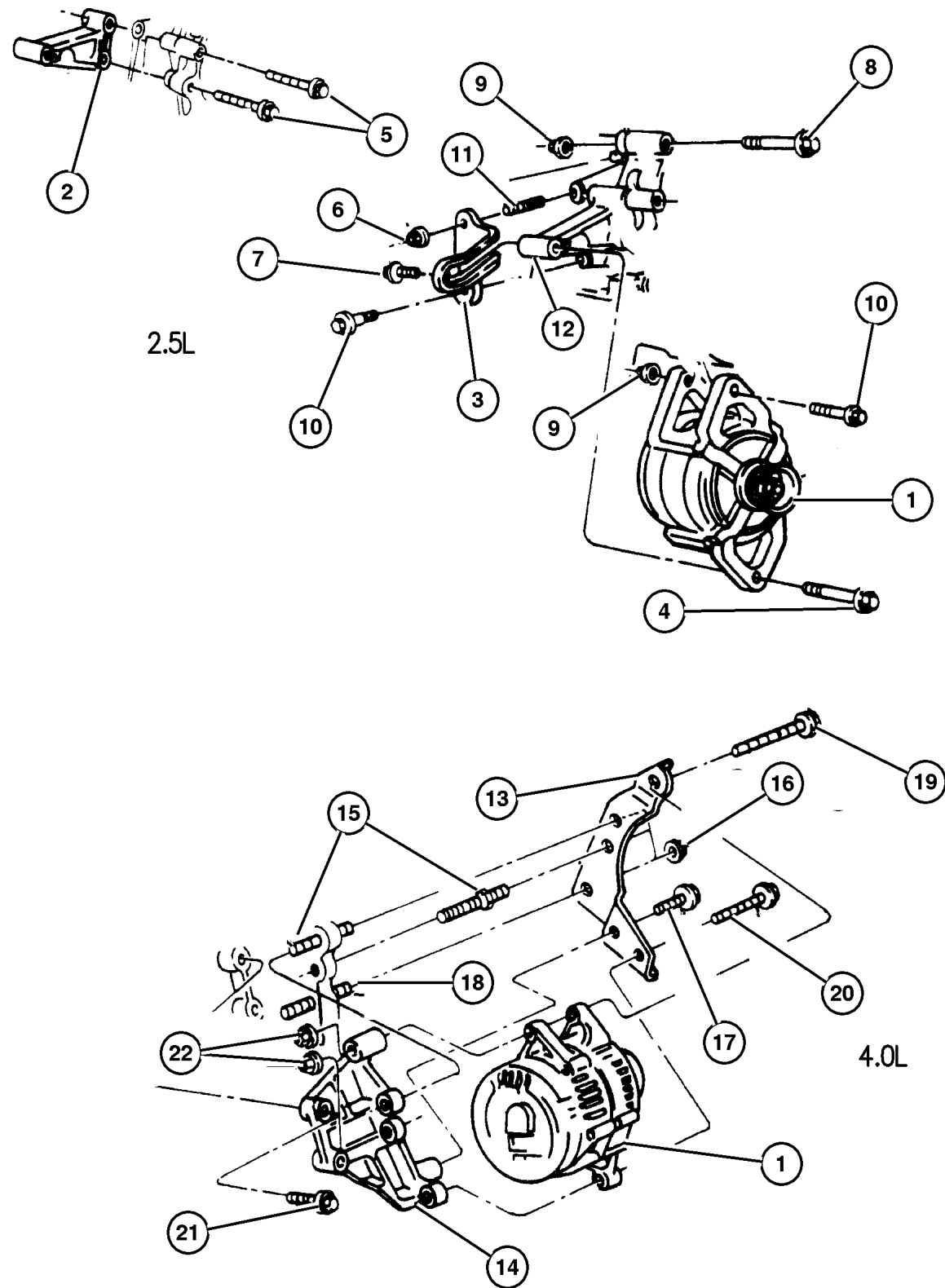


JEEP CHEROKEE (XJ)				
SERIES	LINE	BODY	ENGINE	TRANSMISSION
L=Low Line	J=LHD (4WD) U=RHD (4WD) T=LHD (2WD) B=RHD (2WD)	74=4 DR. (101.4 WB) 72=2 DR. (101.4 WB)	ENC,EN0=2.5L 4 cyl. Turbo Die ERH,ER0=4.0L Power Tech I-6 EPE,EP0=Magnum 2.5L SMPI	DDQ=5Spd Man. DGS=4 Spd. Auto. AISIN DG0=All Auto Trans DBB=All Manual Trans.

AR = Use as required - = Non illustrated part # = New this model year

July 4, 2003

**Alternator 2.5L & 4.0L Engine 1997 XJ 1998 XJ  
Figure 008-205**



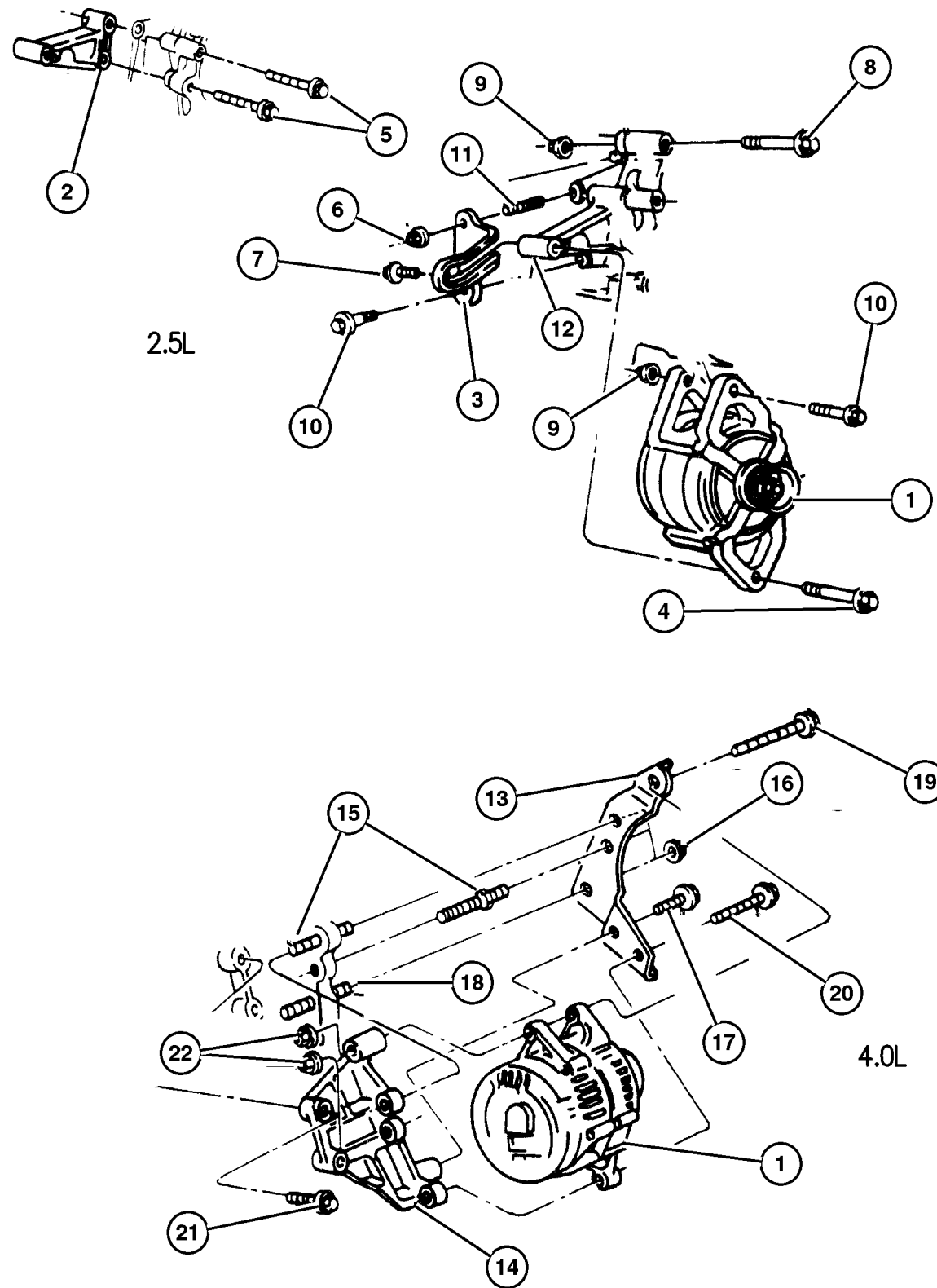
ITEM	PART NUMBER	QTY	LINE	SERIES	BODY	ENGINE	TRANS	TRIM	DESCRIPTION
EP0=2.5L Engine ER0=4.0L Engine ERH=4.0L Power Tech Engine DGO=Automatic Transmission DBB= Manual Transmission									
1	56005 685AB	1	B			ERH			ALTERNATOR 1997 XJ
		1	B, U			ERH			1997 XJ
		1	J			EPE,			1997 XJ
		1	J, T			ERH			1997 XJ
		1	B, U			ER0			1998 XJ
		1	J, T			EP0,			1998 XJ
						ER0			
	5602 6936	1	B, U			EPE			1997 XJ
		1	B, U			EP0			1998 XJ
2	5300 7604	1	J, T			EP0			BRACKET, Alternator
3	5300 7506	1	J, T			EP0			BRACKET, Alternator
4	6502 136	1	J, T			EP0			BOLT, Hex Flange Head, M10x1.50x55
5									BOLT, Hex Head, .375-16x2.50
	6033 949	2	J, T			EP0			
		2	B, U			EP0			
6									NUT, .375-16
	0152 344	3				EP0			1997 XJ
		AR				EP0			1998 XJ
7									SCREW AND WASHER, Hex Head, M10x1.5x25
	6502 144	1	J, T			EP0			
		1	B, U			EP0			
8	6502 143	1	B, U			EP0			BOLT, Hex Flange Head, M10x1.5-80
9	6502 135	2							NUT, Hex Flange, M10x1.5
10									BOLT, Hex Flange Head, M10x1.50x110
	6502 134	1	J, T			EP0			
		1	B, U			ER0			
11									STUD, .375-16x2.00"
	6033 883	1				EP0			1997 XJ
		3				EP0	DBB		1998 XJ
		4				EP0	DGD		1998 XJ

JEEP CHEROKEE (XJ)				
SERIES	LINE	BODY	ENGINE	TRANSMISSION
L=Low Line	J=LHD (4WD) U=RHD (4WD) T=LHD (2WD) B=RHD (2WD)	74=4 DR. (101.4 WB) 72=2 DR. (101.4 WB)	ENC,EN0=2.5L 4 cyl. Turbo Die ERH,ER0=4.0L Power Tech I-6 EPE,EP0=Magnum 2.5L SMPI	DDQ=5Spd Man. DGS=4 Spd. Auto. AISIN DGO=All Auto Trans DBB=All Manual Trans.

AR = Use as required - = Non illustrated part # = New this model year

July 4, 2003

**Alternator 2.5L & 4.0L Engine 1997 XJ 1998 XJ**  
**Figure 008-205**



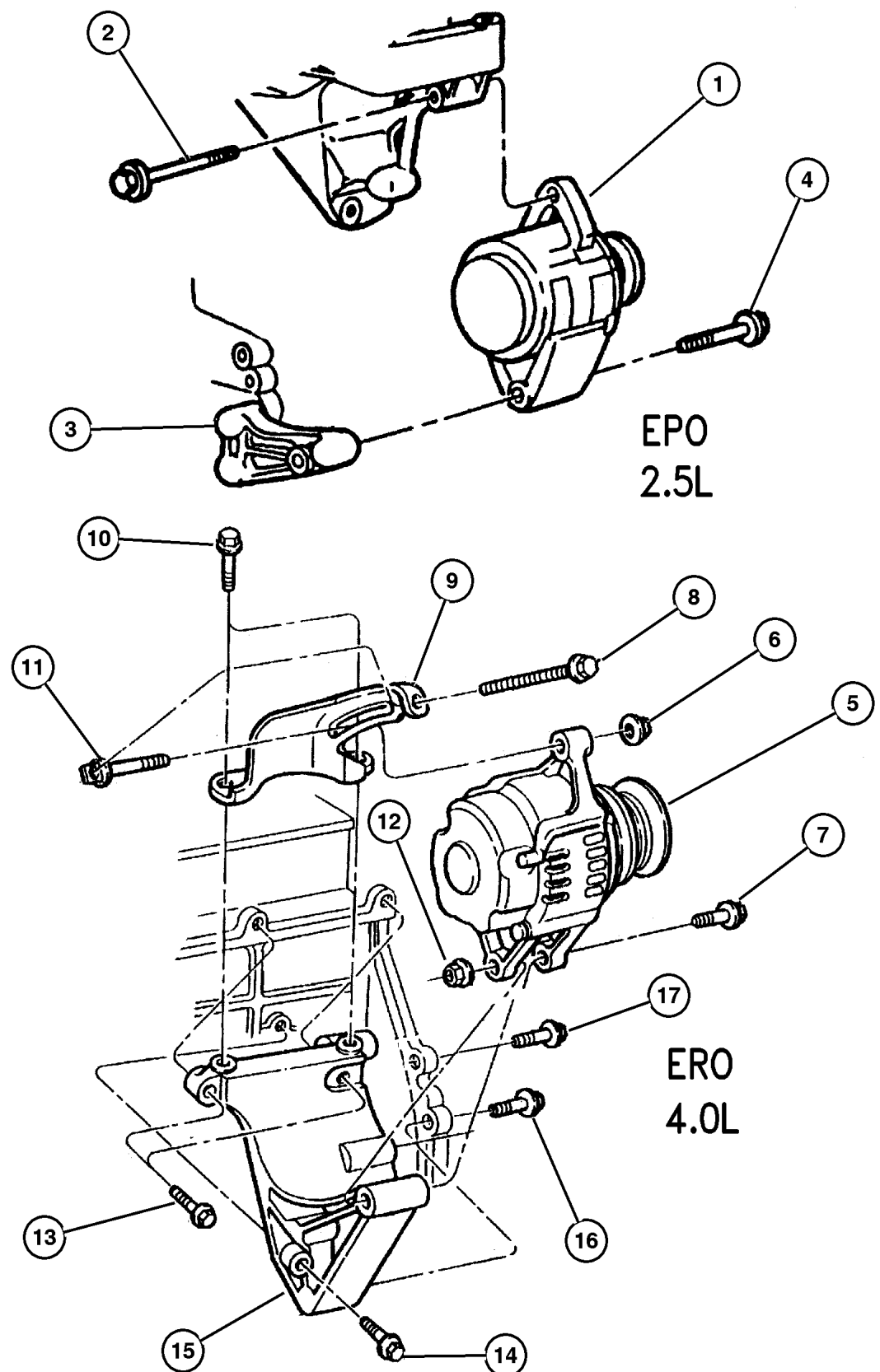
ITEM	PART NUMBER	QTY	LINE	SERIES	BODY	ENGINE	TRANS	TRIM	DESCRIPTION
12	5301 0048	1	B, U			EP0			BRACE, Alternator
13	5300 6869	1	J, T			ER0			BRACKET, Alternator
14	5300 8850	1	J, T			ER0			BRACKET, Alternator
15	6034 093	2	J, T			ER0			STUD, .375-16x3.750
16									NUT, .375-16
	0152 344	AR					DBB		1997 XJ
17		3	J, T			ER0			1998 XJ
									SCREW AND WASHER, Hex Head, M10x1.5x25
	6502 144	1	J, T			ER0			1997 XJ
		2	B, U			ER0			1998 XJ
		1	B, U			ER0			1998 XJ
18	6035 744	1				ER0			STUD, .312-18/.375-16x2.875
19	6502 143	1	B, U			EP0			BOLT, Hex Flange Head, M10x1.5-80
20									BOLT, Hex Flange Head, M10x1.50x55
	6502 136	1	J, T			EP0			1997 XJ
		1	J, T			ER0			1998 XJ
21									SCREW AND WASHER, .375-16x1.125
	6025 063	3	J, T			ER0			1998 XJ
		2	B, U			ER0			1998 XJ
	J400 7073	2							1997 XJ
22									NUT, Hex Flange, M10x1.5
	6502 135	1	J, T			ER0			
		1	B, U			ER0			

**JEEP CHEROKEE (XJ)**  
 SERIES LINE BODY ENGINE TRANSMISSION  
 L=Low Line J=LHD (4WD) 74=4 DR. (101.4 WB) ENC,EN0=2.5L 4 cyl. Turbo Die DDQ=5Spd Man.  
 U=RHD (4WD) 72=2 DR. (101.4 WB) ERH,ER0=4.0L Power Tech I-6 DGS=4 Spd. Auto. AISIN  
 T=LHD (2WD) EPE,EP0=Magnum 2.5L SMPI DG0=All Auto Trans  
 B=RHD (2WD) DBB=All Manual Trans.

AR = Use as required - = Non illustrated part # = New this model year

July 4, 2003

**Alternator 2.5L & 4.0L Engines R.H.D. 1999 XJ**  
**Figure 008-205**



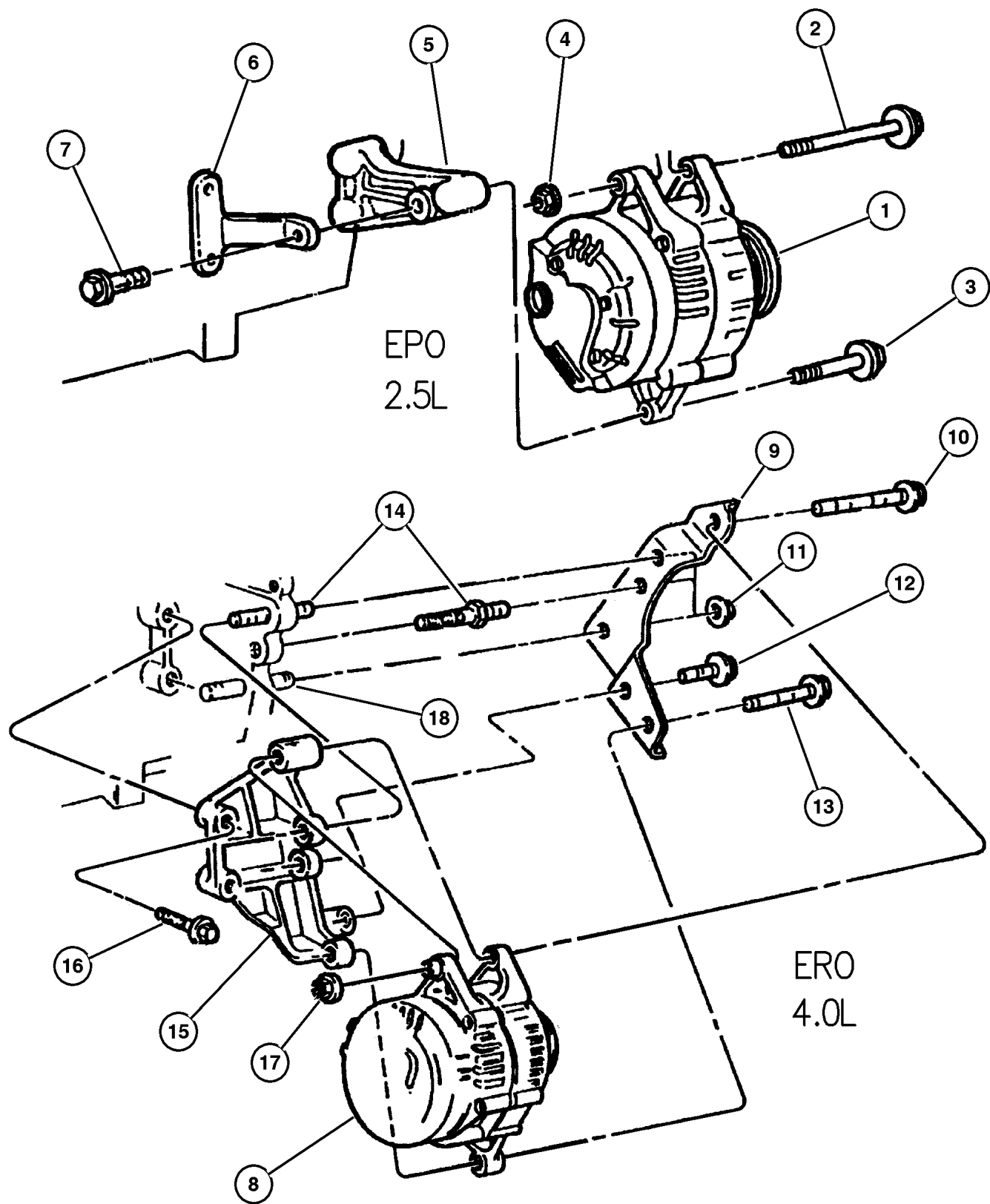
ITEM	PART NUMBER	QTY	LINE	SERIES	BODY	ENGINE	TRANS	TRIM	DESCRIPTION
EPO=2.5L Engine									
ERO=4.0L Engine									
1	#56041 822AA	1							ALTERNATOR
2	6502 666	1	B, U			EPO			SCREW AND CONED WASHER, Hex Flange Head, M8x1.25x55
3	5300 8721	1	B, U			EPO			BRACKET, Alternator
4	6502 143	1	B, U			EPO			BOLT, Hex Flange Head, M10x1.5-80
5	#56041 822AA	1							ALTERNATOR
6	6101 448	1	B, U			ERO			NUT AND WASHER, Hex Nut-Coned Washer, M10 x 1.5
7	6502 134	1	B, U			ERO			BOLT, Hex Flange Head, M10x1.50x110
8	6502 929	1	B, U			ERO			SCREW AND WASHER, Hex Head, M8x1.25x110
9	5301 0190	1	B, U			ERO			BRACKET, Tensioner
10	6502 144	2	B, U			ERO			SCREW AND WASHER, Hex Head, M10x1.5x25
11	6502 592	1	B, U			ERO			SCREW, M8x1.25 Tapped Head, M10x1.5x50
12	6502 135	1	B, U			ERO			NUT, Hex Flange, M10x1.5
13									SCREW AND WASHER, Hex Head, Coned, Header, .312-18x2.75, .375-16x1.625, (NOT SERVICED) (Not Serviced)
14	6034 497	1	B, U			ERO			BOLT AND WASHER, Hex Head, .375-16x2.375
15	5301 0231	1	B, U			ERO			BRACKET, Alternator
16									BOLT, Hex Flange Head, .375-16 x 2.75, (NOT SERVICED) (Not Serviced)
17	#6034 242	1	B, U			ERO			SCREW AND WASHER

JEEP CHEROKEE (XJ)				
SERIES	LINE	BODY	ENGINE	TRANSMISSION
L=Low Line	J=LHD (4WD) U=RHD (4WD) T=LHD (2WD) B=RHD (2WD)	74=4 DR. (101.4 WB) 72=2 DR. (101.4 WB)	ENC,ENO=2.5L 4 cyl. Turbo Die ERH,ERO=4.0L Power Tech I-6 EPE,EPO=Magnum 2.5L SMPI	DDQ=5Spd Man. DGS=4 Spd. Auto. AISIN DGO=All Auto Trans DBB=All Manual Trans.

AR = Use as required - = Non illustrated part # = New this model year

July 4, 2003

**Alternator 2.5L & 4.0L Engines L.H.D. 1999 XJ**  
**Figure 008-207**



ITEM	PART NUMBER	QTY	LINE	SERIES	BODY	ENGINE	TRANS	TRIM	DESCRIPTION
EPO=2.5L Engine									
ERO=4.0L Engine									
1	#56041 822AA	1							ALTERNATOR
2	6502 134	1	J, T			EPO			BOLT, Hex Flange Head, M10x1.50x110
3	6502 136	1	J, T			EPO			BOLT, Hex Flange Head, M10x1.50x55
4	6502 135	1	J, T			EPO			NUT, Hex Flange, M10x1.5
5	5300 7604	1	J, T			EPO			BRACKET, Alternator
6	5300 7506	1	J, T			EPO			BRACKET, Alternator
7	6502 144	1	J, T			EPO			SCREW AND WASHER, Hex Head, M10x1.5x25
8	#56041 822AA	1							ALTERNATOR
9	5300 6869	1	J, T			ERO			BRACKET, Alternator
10	6502 134	1	J, T			ERO			BOLT, Hex Flange Head, M10x1.50x110
11	0152 344	3	J, T			ERO			NUT, .375-16
12	6502 144	1	J, T			ERO			SCREW AND WASHER, Hex Head, M10x1.5x25
13	6502 136	1	J, T			ERO			BOLT, Hex Flange Head, M10x1.50x55
14	6034 093	2	J, T			ERO			STUD, .375-16x3.750
15	5300 8850	1	J, T			ERO			BRACKET, Alternator
16	6025 063	3	J, T			ERO			SCREW AND WASHER, .375-16x1.125
17	6502 135	1	J, T			ERO			NUT, Hex Flange, M10x1.5
18									STUD, .312-18/.375-16x2.875, (NOT SERVICED) (Not Serviced)

JEEP CHEROKEE (XJ)				
SERIES	LINE	BODY	ENGINE	TRANSMISSION
L=Low Line	J=LHD (4WD) U=RHD (4WD) T=LHD (2WD) B=RHD (2WD)	74=4 DR. (101.4 WB) 72=2 DR. (101.4 WB)	ENC,EN0=2.5L 4 cyl. Turbo Die ERH,ERO=4.0L Power Tech I-6 EPE,EP0=Magnum 2.5L SMPI	DDQ=5Spd Man. DGS=4 Spd. Auto. AISIN DG0=All Auto Trans DBB=All Manual Trans.

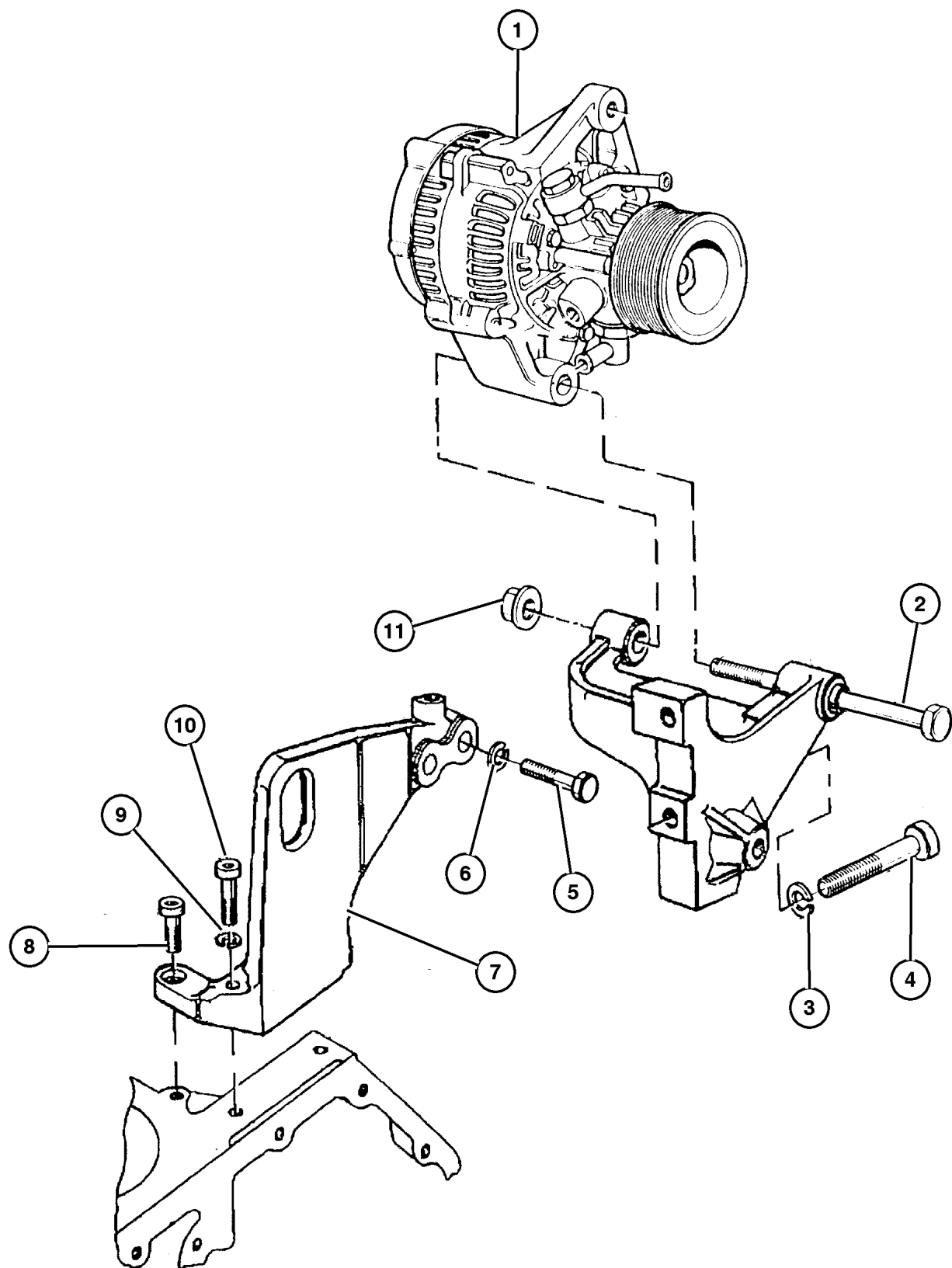
AR = Use as required - = Non illustrated part # = New this model year

July 4, 2003



**Alternator Diesel Engine 4 Cylinder Turbo Diesel 1997 XJ 1998 XJ**  
**Figure 008-210**

ITEM	PART NUMBER	QTY	LINE	SERIES	BODY	ENGINE	TRANS	TRIM	DESCRIPTION
EN0=4 Cylinder Turbo Diesel Engine									
DDQ=Manual Transmission 5 Speed									
1	4864 441	1				EN0			ALTERNATOR 1997 XJ
	5003 561AA	1				EN0			1998 XJ
2									SCREW, Cap, M10x150
2									SCREW, Cap, M10x150 (Not Serviced) (NOT SERVICED), 1998 XJ
	4796 042	1				EN0			1997 XJ
3	4864 758	2				EN0			WASHER
4									BOLT
	4864 745	1				EN0			1998 XJ
	4864 757	2				EN0			1997 XJ
5									BOLT, Starter
5									BOLT, Starter (Not Serviced) (NOT SERVICED), 1998 XJ
	4723 291	1				EN0			1997 XJ
6									WASHER, P Clip
	4723 165	3				EN0			1997 XJ
		2				EN0			1998 XJ
7									BRACKET, Alternator
	4883 519AA	1				EN0			1997 XJ
	5003 568AA	1				EN0			1998 XJ, Lower
	5003 569AA	1				EN0			1998 XJ, Upper
8	4720 684	1				EN0			BOLT, Tow Hook
9									WASHER, Flat
	4210 983	1		J		EN0	DDQ		1997 XJ
		1		J, U		EN0	DDQ		1998 XJ
	4720 688	6				EN0			1997 XJ
10									BOLT, Vacuum Pump Bracket, M10x35
	4797 768	6				EN0			1997 XJ
		4				EN0			1998 XJ
11	4796 038	1				EN0			NUT, Hex Flange, M10x1.5



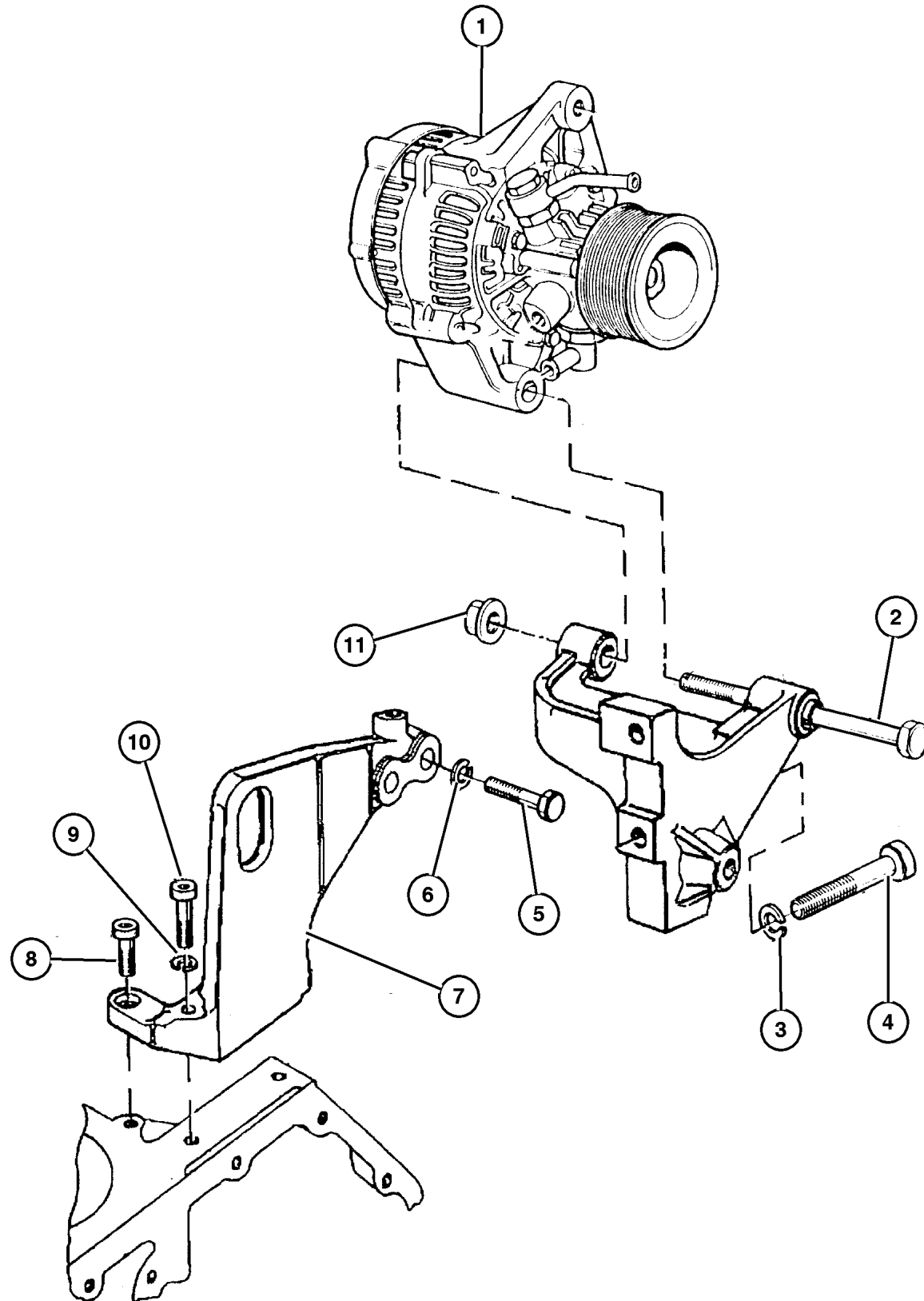
**JEEP CHEROKEE (XJ)**

SERIES	LINE	BODY	ENGINE	TRANSMISSION
L=Low Line	J=LHD (4WD) U=RHD (4WD) T=LHD (2WD) B=RHD (2WD)	74=4 DR. (101.4 WB) 72=2 DR. (101.4 WB)	ENC,EN0=2.5L 4 cyl. Turbo Die ERH,ER0=4.0L Power Tech I-6 EPE,EP0=Magnum 2.5L SMPI	DDQ=5Spd Man. DGS=4 Spd. Auto. AISIN DG0=All Auto Trans DBB=All Manual Trans.

AR = Use as required - = Non illustrated part # = New this model year

July 4, 2003

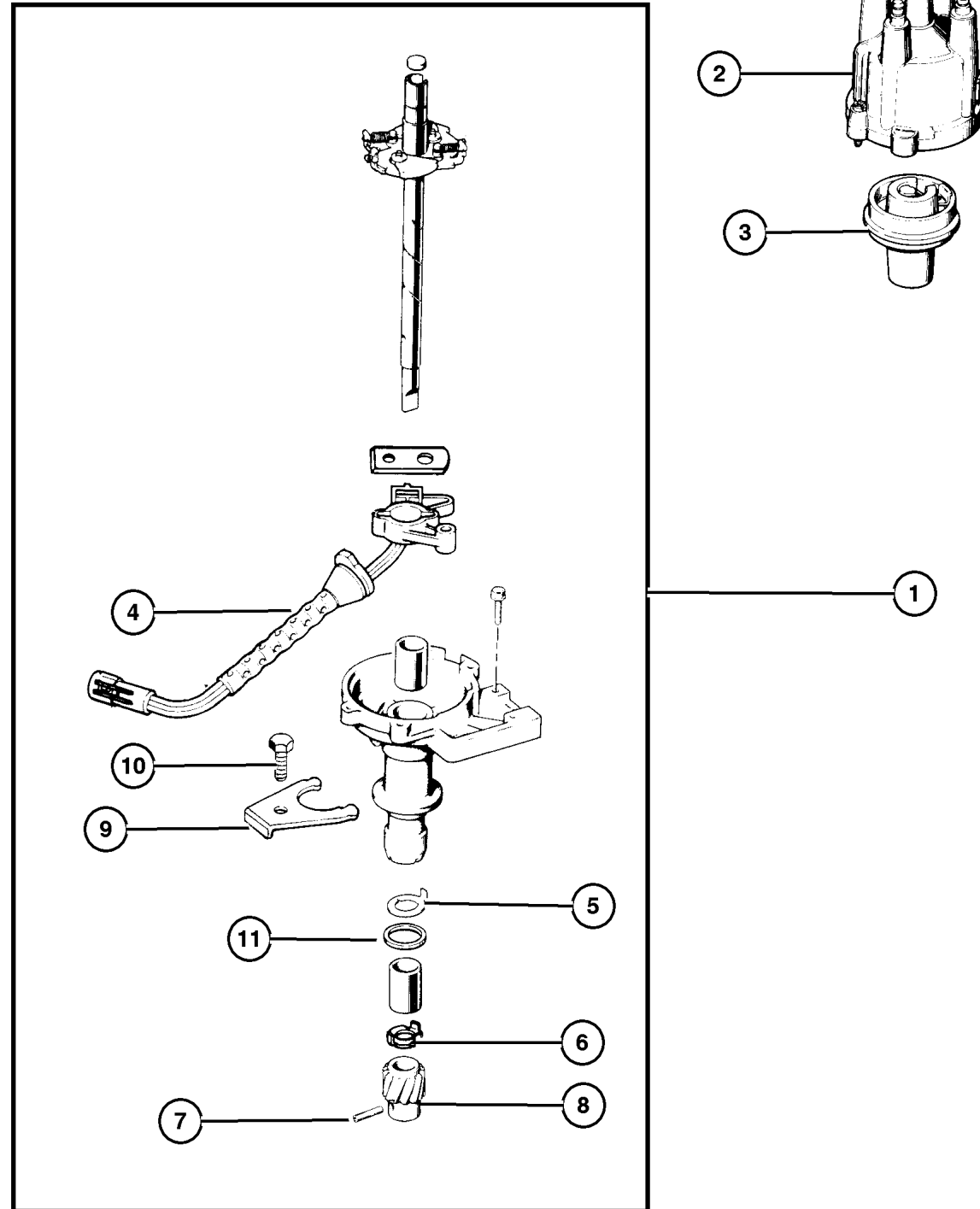
**Alternator Diesel Engine 1999 XJ**  
**Figure 008-210**



ITEM	PART NUMBER	QTY	LINE	SERIES	BODY	ENGINE	TRANS	TRIM	DESCRIPTION
EN0=4Cylinder Turbo Engine									
DDQ=Manual Transmission 5 Speed									
1	#5014 087AA	1				EN0			ALTERNATOR
2									SCREW, Cap, M10x150, (NOT SERVICED) (Not Serviced)
3	4864 758	2				EN0			WASHER
4	4864 745	1				EN0			BOLT
5									BOLT, Starter, (NOT SERVICED) (Not Serviced)
6	4723 165	2				EN0			WASHER, P Clip
7									BRACKET, Alternator
	5003 568AA	1				EN0			Lower
	5003 569AA	1				EN0			Upper
8	4720 684	1				EN0			BOLT
9	4210 983	1	J, U			EN0	DDQ		WASHER, Flat
10	4797 768	4				EN0			BOLT, Vacuum Pump Bracket, M10x35
11	4796 038	1				EN0			NUT, Hex Flange, M10x1.5

JEEP CHEROKEE (XJ)				
SERIES	LINE	BODY	ENGINE	TRANSMISSION
L=Low Line	J=LHD (4WD) U=RHD (4WD) T=LHD (2WD) B=RHD (2WD)	74=4 DR. (101.4 WB) 72=2 DR. (101.4 WB)	ENC,EN0=2.5L 4 cyl. Turbo Die ERH,ER0=4.0L Power Tech I-6 EPE,EP0=Magnum 2.5L SMPI	DDQ=5Spd Man. DGS=4 Spd. Auto. AISIN DG0=All Auto Trans DBB=All Manual Trans.

**Distributor 2.5L Engine 1997 XJ 1998 XJ**  
**Figure 008-305**



ITEM	PART NUMBER	QTY	LINE	SERIES	BODY	ENGINE	TRANS	TRIM	DESCRIPTION
EP0=2.5L Engine									
DGD=Automatic Transmission 3 Speed									
1	56027 027AB	1				EP0			DISTRIBUTOR, Engine
	5604 1033	1				EP0			1997 XJ
									1998 XJ
2	53006 152AB	1				EP0			CAP, Distributor
3	5602 7019	1				EP0			ROTOR, Distributor
4									SWITCHPLATE, Distributor
	5602 7023	1				EP0			1997 XJ
	5604 1030	1				EP0			1998 XJ
5	5300 9078	1				EP0			WASHER, Distributor Gear
6									WASHER, Distributor Gear
	3300 4594	1				EP0			1997 XJ
	5300 9078	1				EP0			1998 XJ
7	9422 127	1				EP0			ROLL PIN, .19x.75
8	8350 4635	1				EP0			GEAR, Distributor Drive
9	3300 4242	1				EP0,			CLAMP, Distributor
						ER0			
10	6033 479	6	J, U			EP0	DGD		BOLT, Hex Head, .25-28x1-5/8
		6	B, T			EP0	DGD		1997 XJ
									1998 XJ
11	J318 1288	1				EP0,			GASKET, Distributor
						ER0			

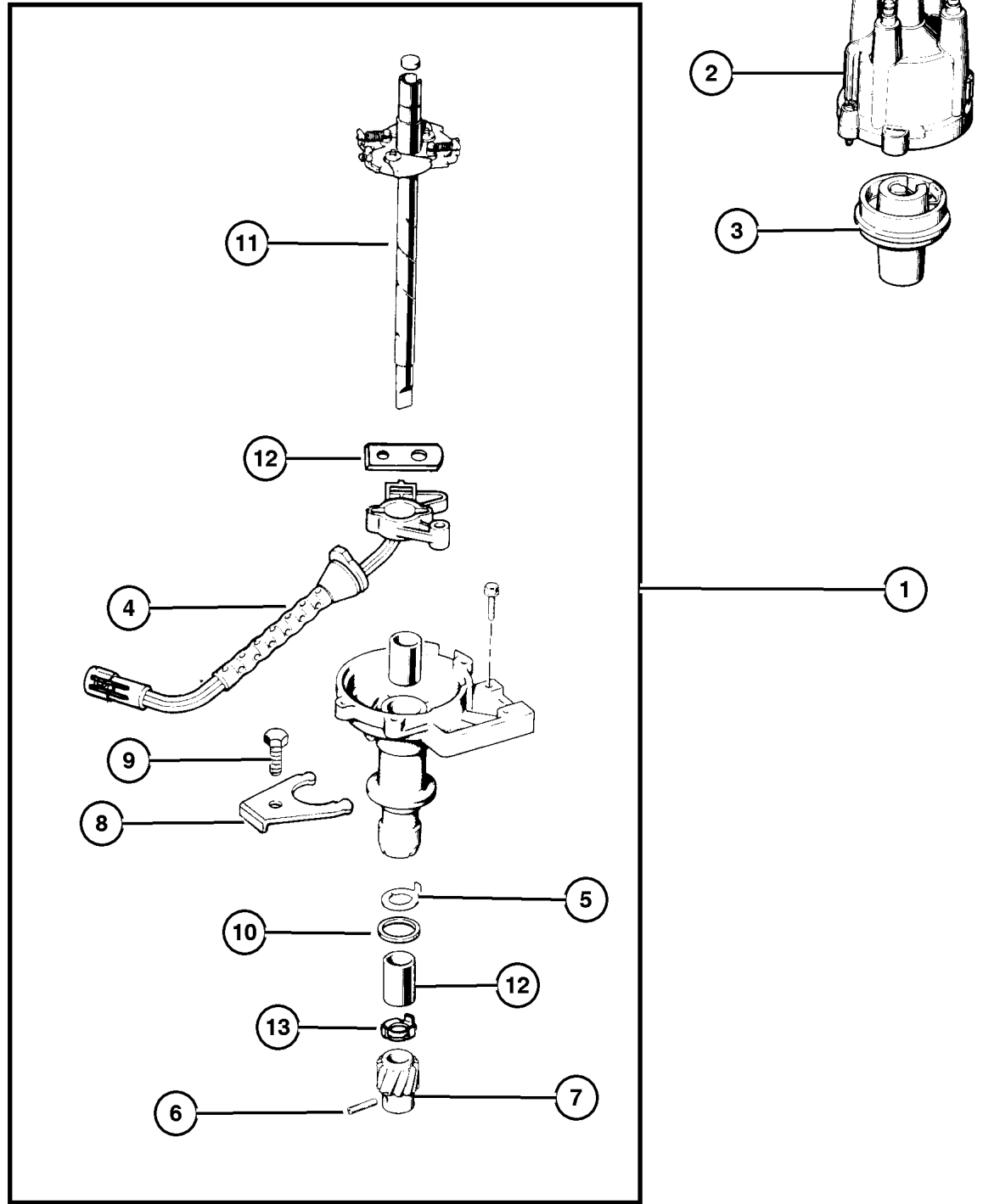
**JEEP CHEROKEE (XJ)**

SERIES	LINE	BODY	ENGINE	TRANSMISSION
L=Low Line	J=LHD (4WD) U=RHD (4WD) T=LHD (2WD) B=RHD (2WD)	74=4 DR. (101.4 WB) 72=2 DR. (101.4 WB)	ENC,EN0=2.5L 4 cyl. Turbo Die ERH,ER0=4.0L Power Tech I-6 EPE,EP0=Magnum 2.5L SMPI	DDQ=5Spd Man. DGS=4 Spd. Auto. AISIN DGO=All Auto Trans DBB=All Manual Trans.

AR = Use as required - = Non illustrated part # = New this model year

July 4, 2003

**Distributor 2.5L Engine 1999 XJ**  
**Figure 008-305**

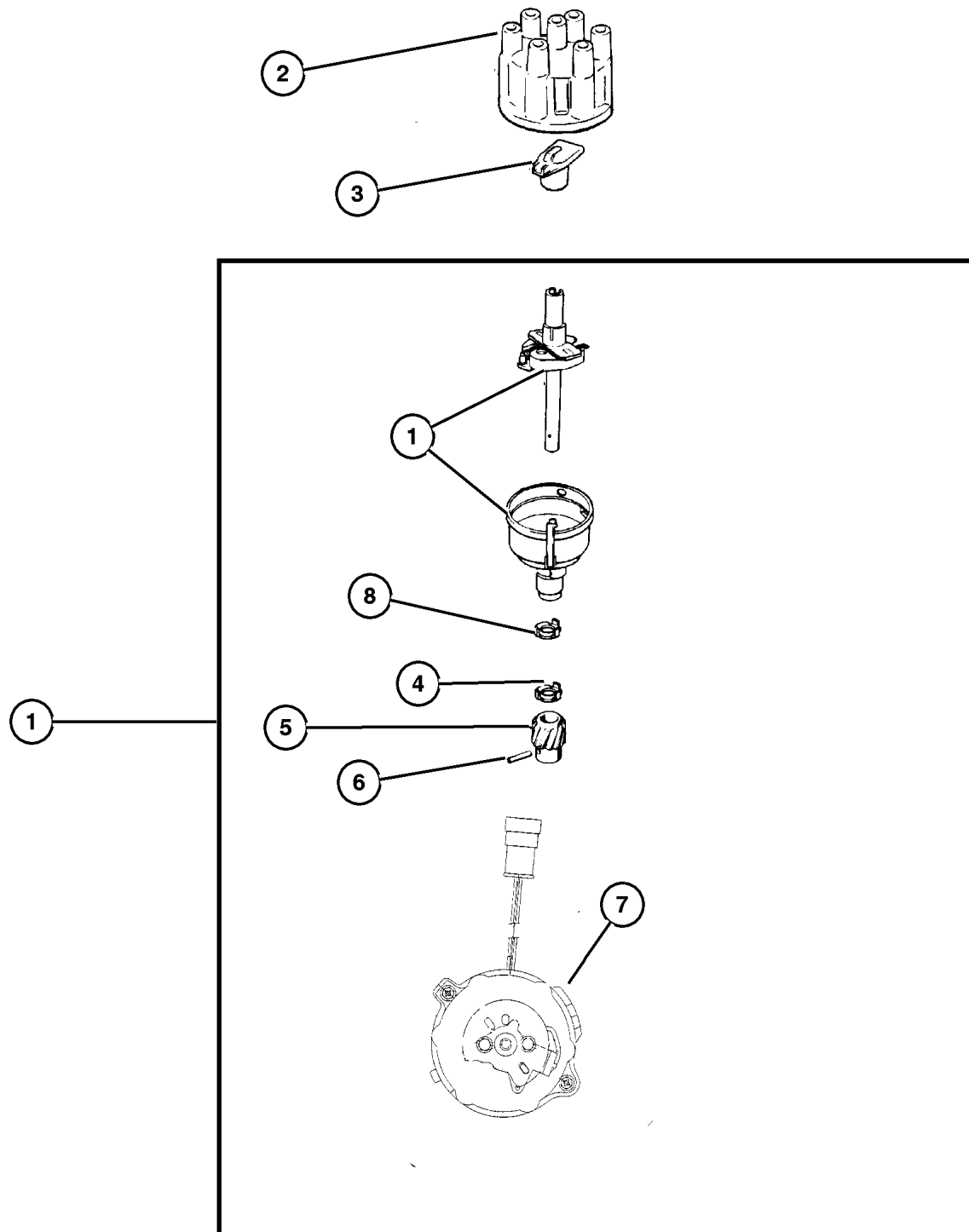


ITEM	PART NUMBER	QTY	LINE	SERIES	BODY	ENGINE	TRANS	TRIM	DESCRIPTION
EP0=2.5L Engine									
DG0=Automatic Transmission									
DBB=Manual Transmission 5 Speed									
1	5604 1033	1				EP0			DISTRIBUTOR, Engine
2	53006 152AB	1				EP0			CAP, Distributor
3	5602 7019	1				EP0			ROTOR, Distributor
4	5604 1030	1				EP0			SWITCHPLATE, Distributor
5	3300 4594	1				EP0			WASHER, Distributor Gear
6	9422 127	1				EP0			ROLL PIN, .19x.75
7	8350 4635	1				EP0			GEAR, Distributor Drive
8	3300 4242	1				EP0, ER0			CLAMP, Distributor
9	6033 479	6	B, T			EP0	DGD		BOLT, Hex Head, .25-28x1-5/8
10	J318 1288	1				EP0, ER0			GASKET, Distributor
11									SHAFT, Distributor, (NOT SERVICED) (Not Serviced)
12									SPACER, Distributor, (NOT SERVICED) (Not Serviced)
13									RETAINER, (NOT SERVICED) (Not Serviced)

JEEP CHEROKEE (XJ)				
SERIES	LINE	BODY	ENGINE	TRANSMISSION
L=Low Line	J=LHD (4WD) U=RHD (4WD) T=LHD (2WD) B=RHD (2WD)	74=4 DR. (101.4 WB) 72=2 DR. (101.4 WB)	ENC,EN0=2.5L 4 cyl. Turbo Die ERH,ER0=4.0L Power Tech I-6 EPE,EP0=Magnum 2.5L SMPI	DDQ=5Spd Man. DGS=4 Spd. Auto. AISIN DG0=All Auto Trans DBB=All Manual Trans.

AR = Use as required - = Non illustrated part # = New this model year

**Distributor 4.0L Engine 1997 XJ 1998 XJ  
Figure 008-310**



ITEM	PART NUMBER	QTY	LINE	SERIES	BODY	ENGINE	TRANS	TRIM	DESCRIPTION
ER0=4.0L Engine									
1									DISTRIBUTOR, Engine
	5602 7028	1				ER0			1997 XJ
	5604 1034	1				ER0			1998 XJ
2	5602 6876	1				ER0			CAP, Distributor
3	5602 7019	1				ER0			ROTOR, Distributor
4	3300 4594	1				ER0			WASHER, Distributor Gear
5	8350 4635	1				ER0			GEAR, Distributor Drive
6	9422 127	1				ER0			ROLL PIN, .19x.75
7									SWITCHPLATE, Distributor
	5602 7023	1				ER0			1997 XJ
	5604 1030	1				ER0			1998 XJ
8									WASHER, Distributor Gear
	5300 9078	1				ER0			Thrust Upper, 1997 XJ
		1				ER0			1998 XJ
-9	J318 1288	1				EP0, ER0			GASKET, Distributor

JEEP CHEROKEE (XJ)				
SERIES	LINE	BODY	ENGINE	TRANSMISSION
L=Low Line	J=LHD (4WD) U=RHD (4WD) T=LHD (2WD) B=RHD (2WD)	74=4 DR. (101.4 WB) 72=2 DR. (101.4 WB)	ENC,EN0=2.5L 4 cyl. Turbo Die ERH,ER0=4.0L Power Tech I-6 EPE,EP0=Magnum 2.5L SMPI	DDQ=5Spd Man. DGS=4 Spd. Auto. AISIN DG0=All Auto Trans DBB=All Manual Trans.

AR = Use as required - = Non illustrated part # = New this model year

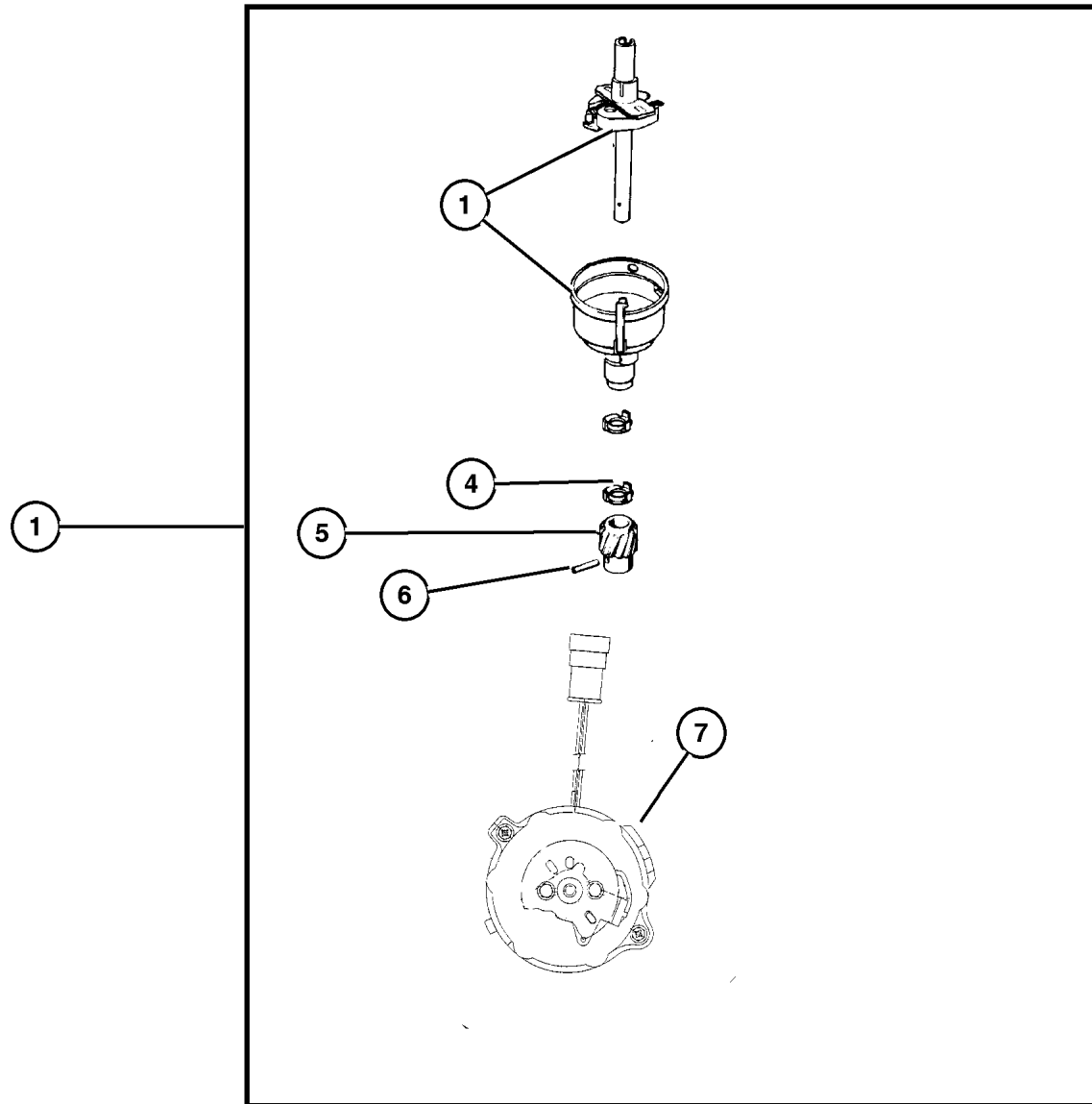
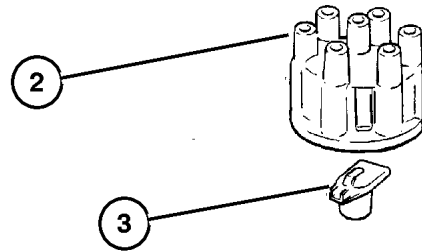
July 4, 2003

**Distributor 4.0L Engine 1999 XJ**  
**Figure 008-310**

ITEM	PART NUMBER	QTY	LINE	SERIES	BODY	ENGINE	TRANS	TRIM	DESCRIPTION
------	-------------	-----	------	--------	------	--------	-------	------	-------------

ER0=4.0L Engine  
 DG0=Automatic Transmission  
 DBB=Manual Transmission 5 Speed

1	5604 1034	1				ER0			DISTRIBUTOR, Engine
2	5602 6876	1				ER0			CAP, Distributor
3	5602 7019	1				ER0			ROTOR, Distributor
4	5300 9078	1				ER0			WASHER, Distributor Gear
5	8350 4635	1				ER0			GEAR, Distributor Drive
6	9422 127	1				ER0			ROLL PIN, .19x.75
7	5604 1030	1				ER0			SWITCHPLATE, Distributor



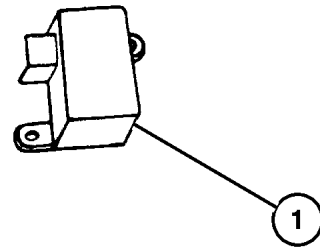
JEEP CHEROKEE (XJ)		BODY		ENGINE		TRANSMISSION	
SERIES	LINE						
L=Low Line	J=LHD (4WD)	74=4 DR. (101.4 WB)		ENC,EN0=2.5L 4 cyl. Turbo Die		DDQ=5Spd Man.	
	U=RHD (4WD)	72=2 DR. (101.4 WB)		ERH,ER0=4.0L Power Tech I-6		DGS=4 Spd. Auto. AISIN	
	T=LHD (2WD)			EPE,EP0=Magnum 2.5L SMPI		DG0=All Auto Trans	
	B=RHD (2WD)					DBB=All Manual Trans.	

AR = Use as required - = Non illustrated part # = New this model year

July 4, 2003

Modules 1997 XJ  
Figure 008-405

ITEM	PART NUMBER	QTY	LINE	SERIES	BODY	ENGINE	TRANS	TRIM	DESCRIPTION
[ER0]=4.0L Engine									
[DG0]=Automatic Transmission									
1	5600 4262	1							MODULE, Daytime Running Lamp
-2	5600 9324	1							MODULE, Headlamp Delay
-3	5602 7951	1				ER0	DG0		MODULE, Transmission Control
-4	56007 323AB	1							MODULE, Air Bag Control
-5	5003 478AA	1							MODULE, Security Alarm
-6	5003 378AA	1							MODULE PACKAGE, Keyless Entry



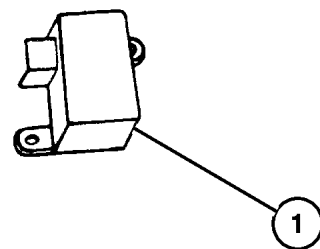
JEEP CHEROKEE (XJ)				
SERIES	LINE	BODY	ENGINE	TRANSMISSION
L=Low Line	J=LHD (4WD) U=RHD (4WD) T=LHD (2WD) B=RHD (2WD)	74=4 DR. (101.4 WB) 72=2 DR. (101.4 WB)	ENC,EN0=2.5L 4 cyl. Turbo Die ERH,ER0=4.0L Power Tech I-6 EPE,EP0=Magnum 2.5L SMPI	DDQ=5Spd Man. DGS=4 Spd. Auto. AISIN DG0=All Auto Trans DBB=All Manual Trans.

AR = Use as required - = Non illustrated part # = New this model year

July 4, 2003

Modules 1998 XJ  
Figure 008-405

ITEM	PART NUMBER	QTY	LINE	SERIES	BODY	ENGINE	TRANS	TRIM	DESCRIPTION
[ER0]=4.0L Engine									
[DG0]=Automatic Transmission									
1	5600 4262	1							MODULE, Daytime Running Lamp
-2	5600 9324	1							MODULE, Headlamp Delay
-3	56041 386AA	1				ER0	DG0		MODULE, Transmission Control
-4	56007 323AD	1							MODULE, Air Bag Control
-5									MODULE, Security Alarm
	5011 619AA	1							with Keyless Entry
	5012 164AA	1							without Keyless Entry
	56009 712AC	1							with Sentry Key & Immobilizer
-6									MODULE PACKAGE, Keyless Entry
	5003 378AB	1							
	5003 382AB	1							Europe



JEEP CHEROKEE (XJ)

SERIES	LINE	BODY	ENGINE	TRANSMISSION
L=Low Line	J=LHD (4WD) U=RHD (4WD) T=LHD (2WD) B=RHD (2WD)	74=4 DR. (101.4 WB) 72=2 DR. (101.4 WB)	ENC,EN0=2.5L 4 cyl. Turbo Die ERH,ER0=4.0L Power Tech I-6 EPE,EP0=Magnum 2.5L SMPI	DDQ=5Spd Man. DGS=4 Spd. Auto. AISIN DG0=All Auto Trans DBB=All Manual Trans.

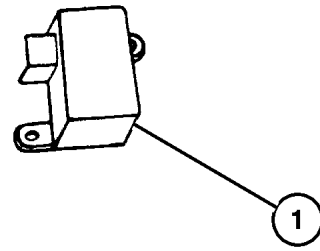
AR = Use as required - = Non illustrated part # = New this model year

July 4, 2003



Modules 1999 XJ  
Figure 008-405

ITEM	PART NUMBER	QTY	LINE	SERIES	BODY	ENGINE	TRANS	TRIM	DESCRIPTION
[ER0]=4.0L Engine									
[DG0]=Automatic Transmission									
1	5600 4262	1							MODULE, Daytime Running Lamp
-2	5600 9324	1							MODULE, Headlamp Delay
-3	56007 323AD	1							MODULE, Air Bag Control
-4	#56041 386AB	1				ER0	DG0		MODULE, Transmission Control
-5	#5003 378AC	1							MODULE PACKAGE, Keyless Entry
	5003 382AB	1							EUROPE
-6	5012 164AA	1							MODULE, Security Alarm
	56009 712AC	1							with Sentry Key (Immobilizer Module)
-7	#56010 159AC	1	J, T		74				MODULE, Heated Front Seats
		1	B, U		74				



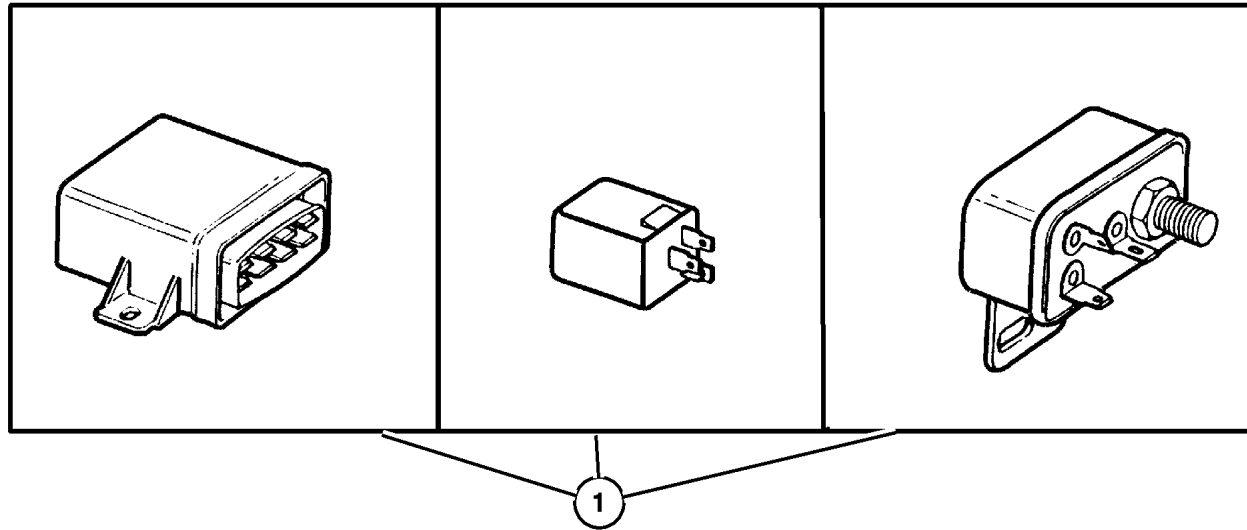
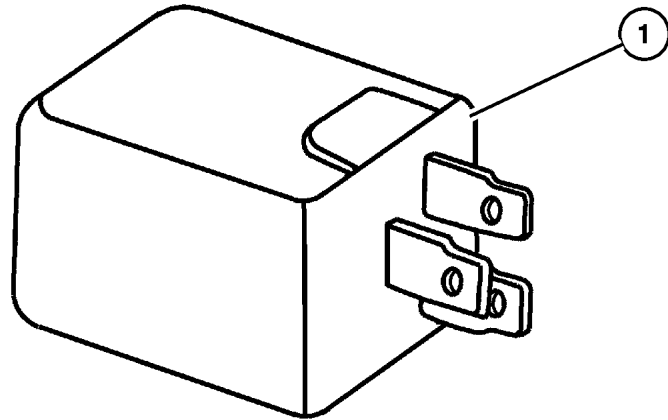
JEEP CHEROKEE (XJ)				
SERIES	LINE	BODY	ENGINE	TRANSMISSION
L=Low Line	J=LHD (4WD) U=RHD (4WD) T=LHD (2WD) B=RHD (2WD)	74=4 DR. (101.4 WB) 72=2 DR. (101.4 WB)	ENC,EN0=2.5L 4 cyl. Turbo Die ERH,ER0=4.0L Power Tech I-6 EPE,EP0=Magnum 2.5L SMPI	DDQ=5Spd Man. DGS=4 Spd. Auto. AISIN DG0=All Auto Trans DBB=All Manual Trans.

AR = Use as required - = Non illustrated part # = New this model year

July 4, 2003

Relays 1997 XJ  
Figure 008-510

ITEM	PART NUMBER	QTY	LINE	SERIES	BODY	ENGINE	TRANS	TRIM	DESCRIPTION
EP0=2.5L Engine									
ER0=4.0L Engine									
ERH=4.0L Power Tech Engine									
DG0=Automatic Transmission									
DBB= Manual Transmission									
1	56007 236AB	1				EN0			RELAY, Electrical, Glow Plug
-2	5600 9057	1							RELAY, Rear Fog Lamp
-3	5600 6846	2							RELAY, Electrical, Trailer Tow
-4	4638 094	1							RELAY PACKAGE, Electrical, Horn, Fuel Heater, Cigar Lighter, Auto. Shut Down, Starter Motor, Heated Back Lite, Cooling Fan & Fuel Pump
-5	4671 168	1							RELAY, Mini, A/C Relay& Fog Light
-6	5602 1551	1							FLASHER, Combo (USA/CANADA)
-7	5600 9711	1							FLASHER, Combo (EUROPE)
-8	4604 235	1							BREAKER, Circuit



JEEP CHEROKEE (XJ)

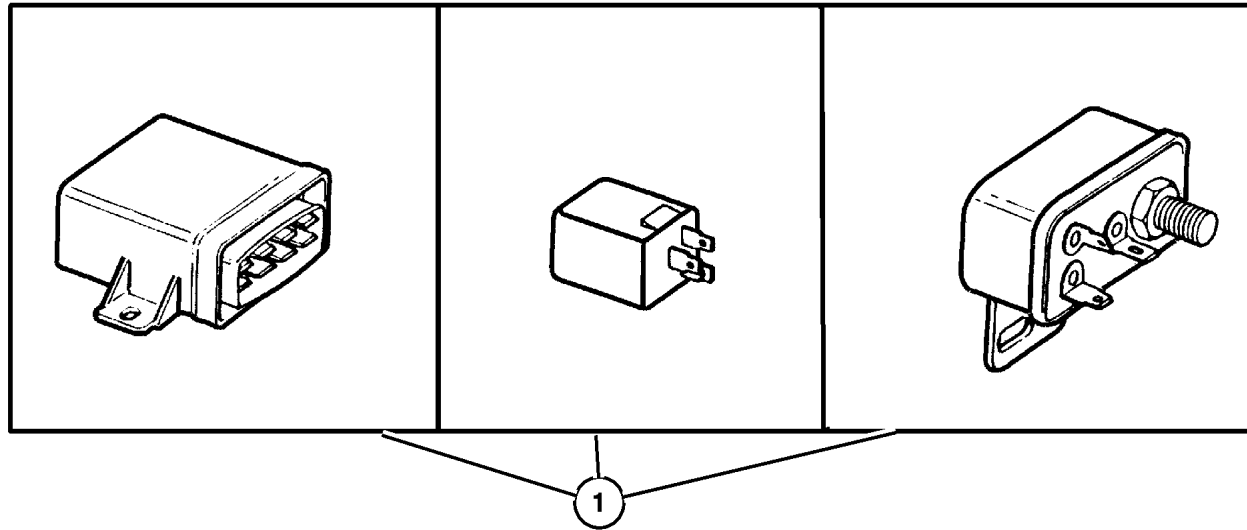
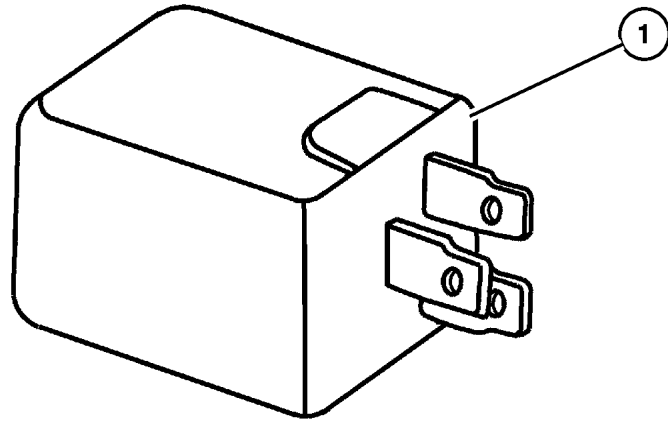
SERIES	LINE	BODY	ENGINE	TRANSMISSION
L=Low Line	J=LHD (4WD) U=RHD (4WD) T=LHD (2WD) B=RHD (2WD)	74=4 DR. (101.4 WB) 72=2 DR. (101.4 WB)	ENC,EN0=2.5L 4 cyl. Turbo Die ERH,ER0=4.0L Power Tech I-6 EPE,EP0=Magnum 2.5L SMPI	DDQ=5Spd Man. DGS=4 Spd. Auto. AISIN DG0=All Auto Trans DBB=All Manual Trans.

AR = Use as required - = Non illustrated part # = New this model year

July 4, 2003

Relays 1998 XJ  
Figure 008-510

ITEM	PART NUMBER	QTY	LINE	SERIES	BODY	ENGINE	TRANS	TRIM	DESCRIPTION
[EN0]=4 Cylinder Turbo Diesel Engine									
1	56007 236AB	1				EN0			RELAY, Electrical, Glow Plug
-2	5600 9057	1	J, U						RELAY, Rear Fog Lamp
-3	5600 6846	2							RELAY, Electrical, Trailer Tow
-4	4638 094	1							RELAY PACKAGE, Electrical, Horn, Fuel Heater, Cigar Lighter, Auto. Shut Down, Starter Motor, Heated Back Lite, Cooling Fan & Fuel Pump
-5	4671 168	1							RELAY, Mini, A/C Relay & Fog Light
-6	5602 1551	1							FLASHER, Combo (USA/CANADA)
-7	5600 9711	1	J, U						FLASHER, Cobbo (EUROPE)
-8	4604 235	1							BREAKER, Circuit



JEEP CHEROKEE (XJ)

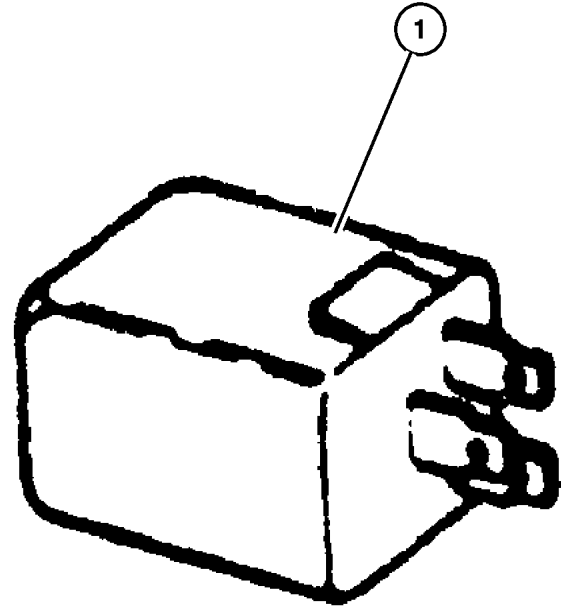
SERIES	LINE	BODY	ENGINE	TRANSMISSION
L=Low Line	J=LHD (4WD) U=RHD (4WD) T=LHD (2WD) B=RHD (2WD)	74=4 DR. (101.4 WB) 72=2 DR. (101.4 WB)	ENC,EN0=2.5L 4 cyl. Turbo Die ERH,ER0=4.0L Power Tech I-6 EPE,EP0=Magnum 2.5L SMPI	DDQ=5Spd Man. DGS=4 Spd. Auto. AISIN DG0=All Auto Trans DBB=All Manual Trans.

AR = Use as required - = Non illustrated part # = New this model year

July 4, 2003

Relays 1999 XJ  
Figure 008-510

ITEM	PART NUMBER	QTY	LINE	SERIES	BODY	ENGINE	TRANS	TRIM	DESCRIPTION
1	5600 9057	1	J, U						RELAY, Rear Fog Lamp
-2	5600 6846	2							RELAY, Electrical, T/Tow
-3	4638 094	1							RELAY PACKAGE, Electrical
		1							Cooling Fan Relay, Starter Motor Relay
-4	4671 168	1							RELAY, Mini A/C Fog Lamp
-5	5600 9711	1	J, U						FLASHER Flasher Combination, Export
	5602 1551	1							Flasher Combination

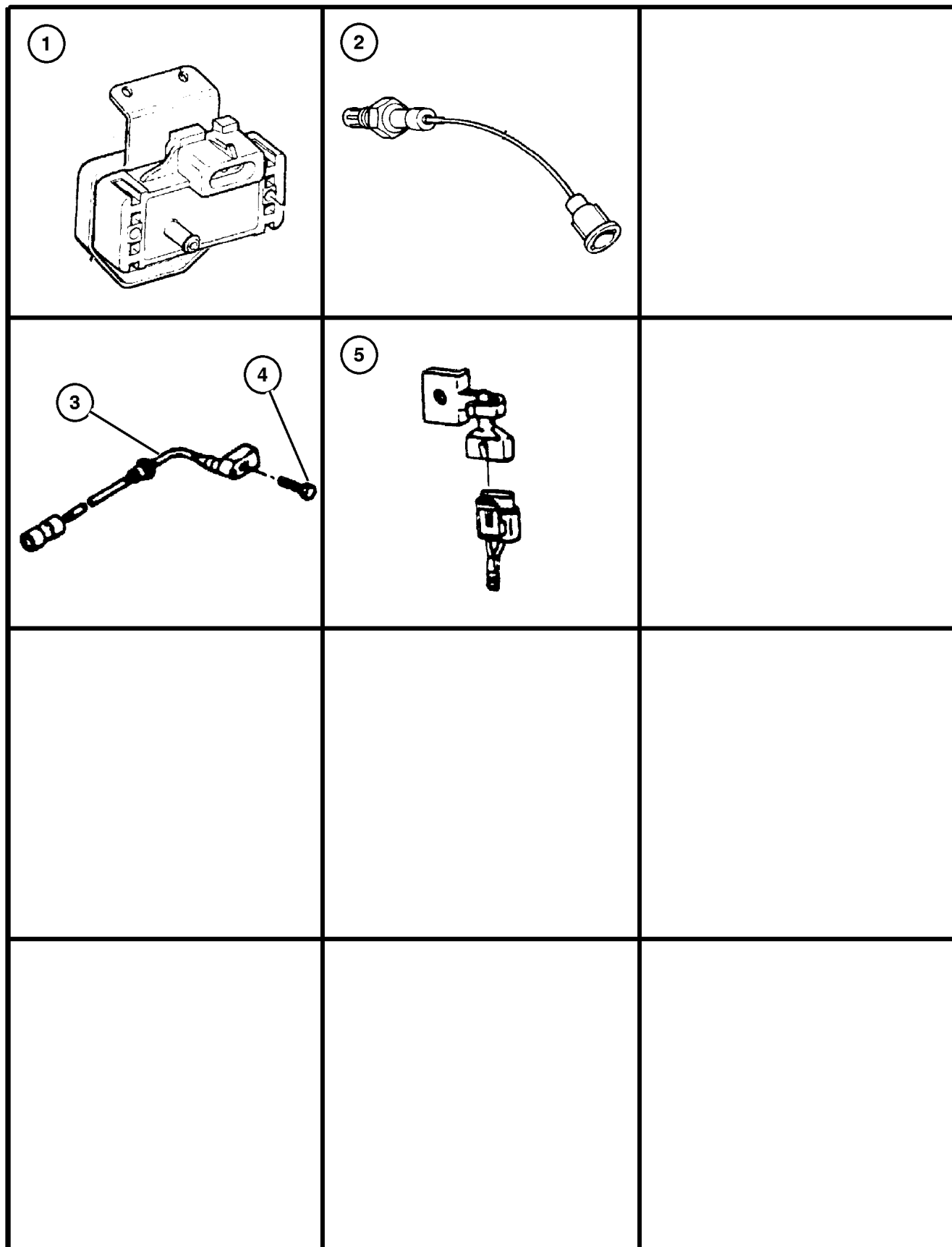


<b>JEEP CHEROKEE (XJ)</b>				
SERIES	LINE	BODY	ENGINE	TRANSMISSION
L=Low Line	J=LHD (4WD) U=RHD (4WD) T=LHD (2WD) B=RHD (2WD)	74=4 DR. (101.4 WB) 72=2 DR. (101.4 WB)	ENC,EN0=2.5L 4 cyl. Turbo Die ERH,ER0=4.0L Power Tech I-6 EPE,EP0=Magnum 2.5L SMPI	DDQ=5Spd Man. DGS=4 Spd. Auto. AISIN DG0=All Auto Trans DBB=All Manual Trans.

AR = Use as required - = Non illustrated part # = New this model year

July 4, 2003

Sensors 1997 XJ  
Figure 008-605



ITEM	PART NUMBER	QTY	LINE	SERIES	BODY	ENGINE	TRANS	TRIM	DESCRIPTION
[EP0]=2.5L Engine									
[ER0]=4.0L Engine									
[EN0]=4 Cylinder Turbo Diesel Engine									
[ENC]=2.5L 4 Cylinder Turbo Diesel Engine									
[DGD]= Automatic Transmission 3 Speed									
[DGS] Automatic Transmission 4 Speed (AISIN)									
[DBB]= Manual Transmission									
1	5602 9405	1				EP0, ER0			SENSOR, Map
2	5602 7916	1				ER0			SENSOR, Oxygen
	5602 7917	1				EP0			4.0L Engine Before Catalyst
	5604 1108	1				EP0, ER0			2.5L Engine Before Catalyst
									2.5L & 4.0L Engine After Catalyst
3	5200 5932	1							SENSOR, Anti-Lock Brakes
	5200 5933	1							Rear, Right
	5600 5217	2	U			ENC			Rear, Left
		2	U						Front Diesel (RHD)
		2	J						Front 4WD (RHD)
		2	T						Front 4WD (LHD)
		2	B						Front 2WD (LHD)
		2	J			ENC			Front 2WD (RHD)
	5602 7727	2	J						Front Diesel (LHD)
									Front with 3.0 Axle Ratio
4	8350 4920	2							BOLT
5	4688 204AB	1							SENSOR, Ambient Temperature, with Overhead Console
-6	56009 026AB	1							WIRING, Temperature Sensor Jumper, Ambient Temp Sensor
-7	5602 7978	1				EP0, ER0			BRACKET, Oxygen Sensor Before Catalyst
	5604 1000	1				EP0, ER0			After Catalyst
-8	5602 8183	1							SENSOR, Vehicle Speed
-9	5602 8182	1							O RING, Vehicle Speed Sensor (Blue)
-10	56027 866AB	1				ER0			SENSOR, Crankshaft Position
	56027 867AB	1				EP0			4.0L Engine
									2.5L Engine
-11									SENSOR PACKAGE, Throttle Position

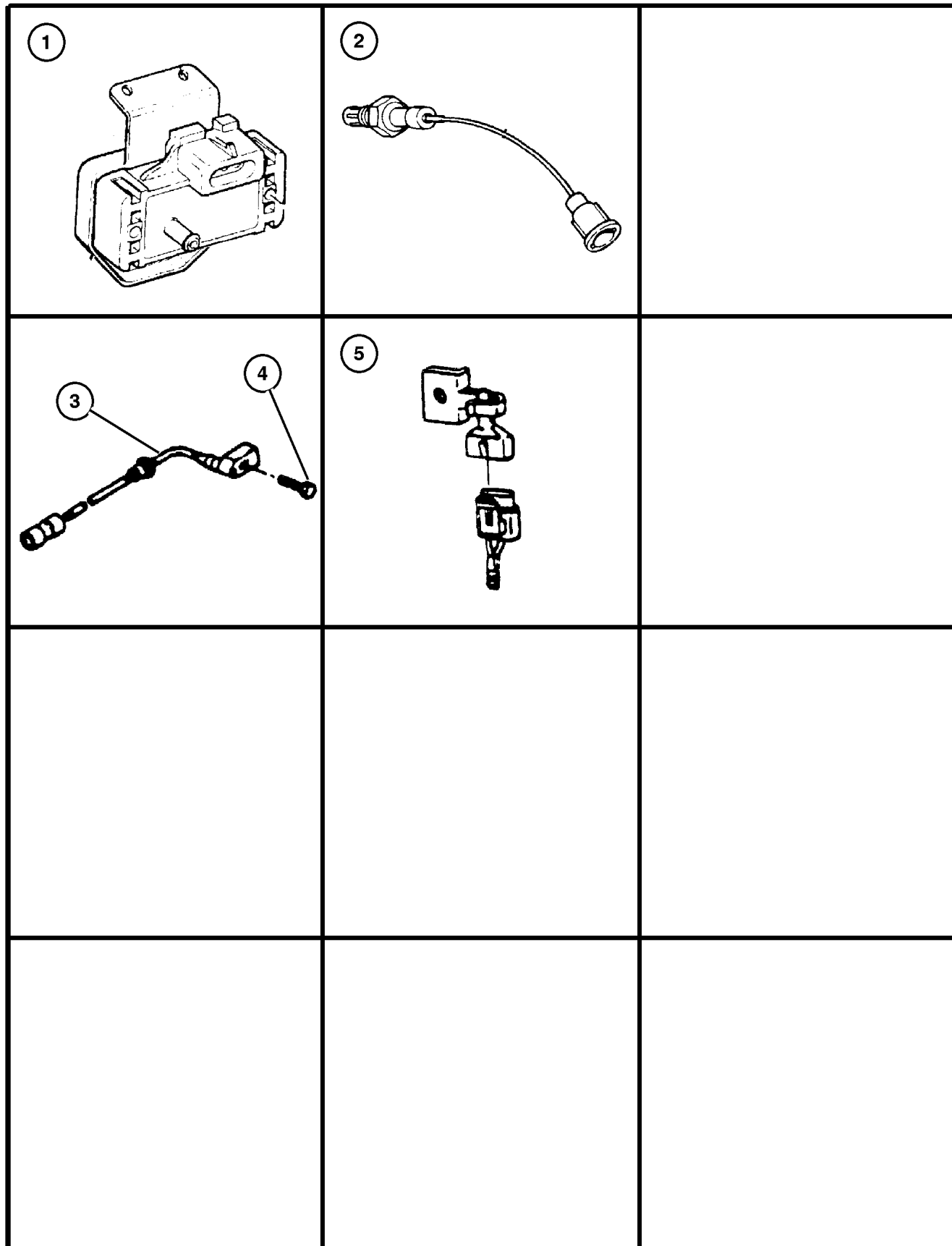
JEEP CHEROKEE (XJ)

SERIES	LINE	BODY	ENGINE	TRANSMISSION
L=Low Line	J=LHD (4WD) U=RHD (4WD) T=LHD (2WD) B=RHD (2WD)	74=4 DR. (101.4 WB) 72=2 DR. (101.4 WB)	ENC,EN0=2.5L 4 cyl. Turbo Die ERH,ER0=4.0L Power Tech I-6 EPE,EP0=Magnum 2.5L SMPI	DDQ=5Spd Man. DGS=4 Spd. Auto. AISIN DG0=All Auto Trans DBB=All Manual Trans.

AR = Use as required - = Non illustrated part # = New this model year

July 4, 2003

Sensors 1997 XJ  
Figure 008-605



ITEM	PART NUMBER	QTY	LINE	SERIES	BODY	ENGINE	TRANS	TRIM	DESCRIPTION
	4863 996	1				EP0			2.5L Engine
		1				ER0			4.0L Engine
-12	5515 4979	1							SENSOR, Washer Fluid Level
-13									SENSOR, Coolant Temperature
	4686 192	1				EN0			Diesel
	5602 7873	1				EP0, ER0			2.5L & 4.0L Engine
-14									BRACKET, Brake Sensor
	5200 7804	1							Rear (Right)
	5200 7805	1							Rear (Left)
	5602 6996	1							Front (Right)
	5602 6997	1							Front (Left)
-15	5602 7963	1				EN0			SENSOR, Engine Electric Control
-16	3420 2536	2				EP0	DGD		STUD, .312-18x2.26, Crank Sensor Mounting
-17	4863 824	1				EN0			SENSOR, Temperature Sending Unit

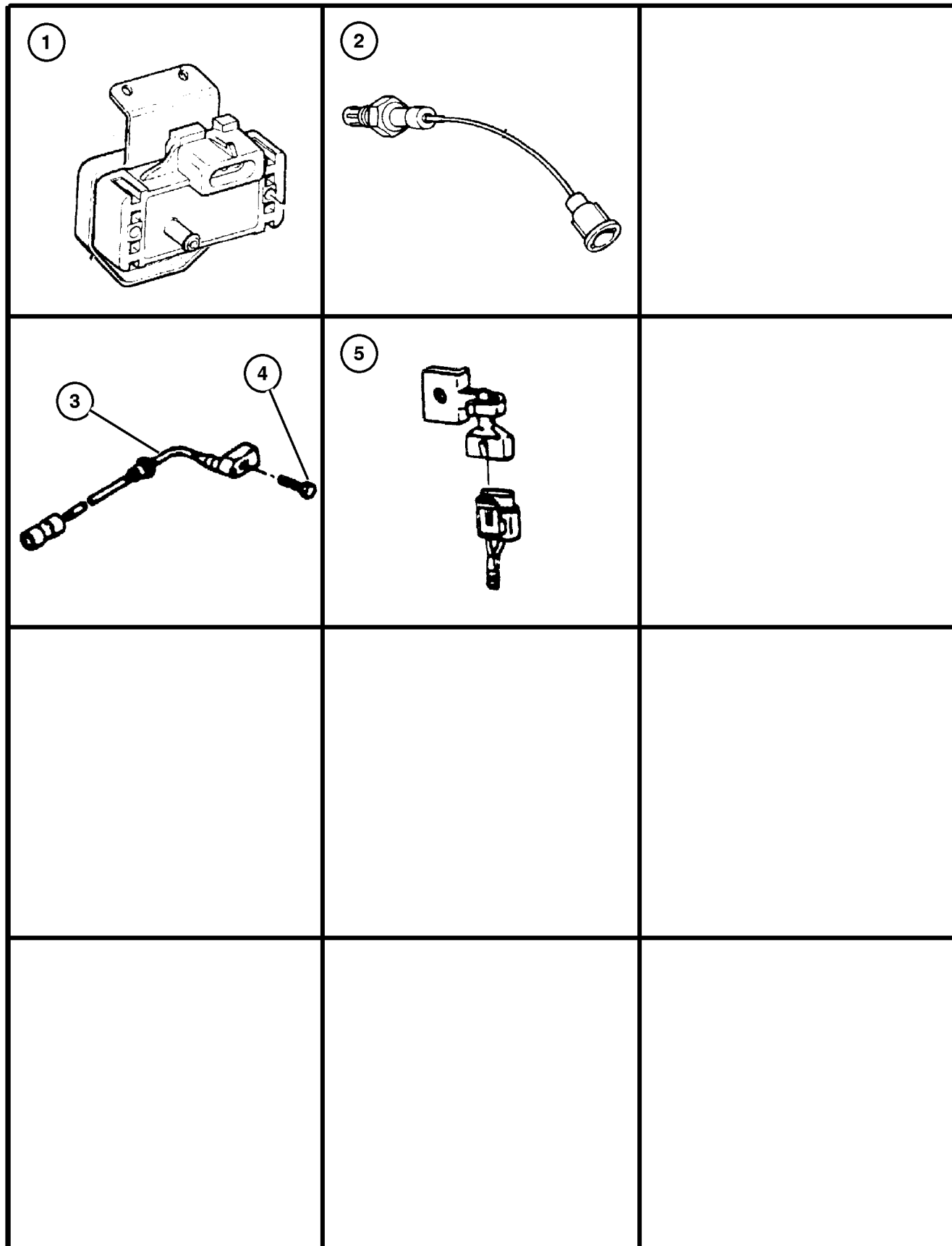
JEEP CHEROKEE (XJ)

SERIES	LINE	BODY	ENGINE	TRANSMISSION
L=Low Line	J=LHD (4WD) U=RHD (4WD) T=LHD (2WD) B=RHD (2WD)	74=4 DR. (101.4 WB) 72=2 DR. (101.4 WB)	ENC,EN0=2.5L 4 cyl. Turbo Die ERH,ER0=4.0L Power Tech I-6 EPE,EP0=Magnum 2.5L SMPI	DDQ=5Spd Man. DGS=4 Spd. Auto. AISIN DG0=All Auto Trans DBB=All Manual Trans.

AR = Use as required - = Non illustrated part # = New this model year

July 4, 2003

Sensors 1998 XJ  
Figure 008-605



ITEM	PART NUMBER	QTY	LINE	SERIES	BODY	ENGINE	TRANS	TRIM	DESCRIPTION
[EP0]=2.5L Engine [ER0]=4.0L Engine [EN0]=4 Cylinder Turbo Diesel Engine [ENC]=2.5L 4 Cylinder Turbo Diesel Engine									
1	5602 9405	1				EP0, ER0			SENSOR, Map
2	5604 1212	1				ER0			SENSOR, Oxygen Before Catalyst with 18' Pigtail
	5604 1213	1				EP0			Before Catalyst with 12' Pigtail
	56041 213AB	1				EP0, ER0			After Catalyst with 12' Pigtail
3	5200 5932	1							SENSOR, Anti-Lock Brakes Rear, Right
	5200 5933	1							Rear, Left
	5600 5217	2	J						Front 4WD (RHD)
		2	U						
		2	J			ENC			
		2	U			ENC			Front Diesel (RHD)
4	8350 4920	2							BOLT
5	4688 204AB	1							SENSOR, Ambient Temperature with Overhead Console
	5602 7872	1				EP0, ER0			without Overhead Console
-6	56009 026AB	1							WIRING, Temperature Sensor Jumper, Ambient Temp Sensor
-7	5602 7978	1				EP0, ER0			BRACKET, Oxygen Sensor Before Catalyst
	5604 1000	1				EP0, ER0			After Catalyst
-8	4897 734AA	1	J, U			ER0	DGS		SENSOR, Vehicle Speed
		1	B, T			ER0	DGS		
-9	1556 385	1	B, T			EP0	DGD		O RING
	4863 833	1				EN0			
-10	56027 867AB	1				EP0			SENSOR, Crankshaft Position
	56027 866AB	1				ER0			
-11	4863 996	1				EP0			SENSOR PACKAGE, Throttle Position

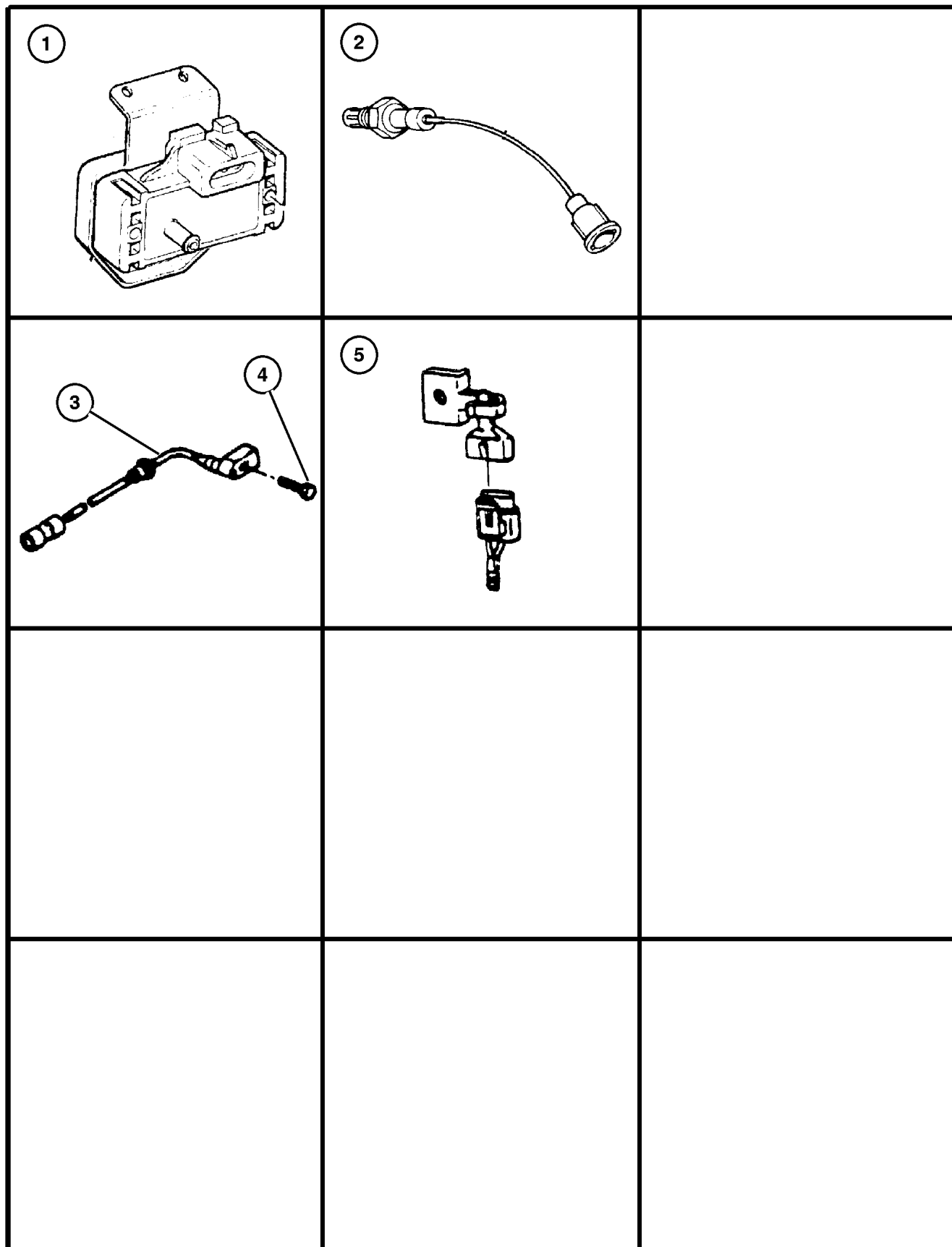
JEEP CHEROKEE (XJ)

SERIES	LINE	BODY	ENGINE	TRANSMISSION
L=Low Line	J=LHD (4WD) U=RHD (4WD) T=LHD (2WD) B=RHD (2WD)	74=4 DR. (101.4 WB) 72=2 DR. (101.4 WB)	ENC,EN0=2.5L 4 cyl. Turbo Die ERH,ER0=4.0L Power Tech I-6 EPE,EP0=Magnum 2.5L SMPI	DDQ=5Spd Man. DGS=4 Spd. Auto. AISIN DG0=All Auto Trans DBB=All Manual Trans.

AR = Use as required - = Non illustrated part # = New this model year

July 4, 2003

Sensors 1998 XJ  
Figure 008-605



ITEM	PART NUMBER	QTY	LINE	SERIES	BODY	ENGINE	TRANS	TRIM	DESCRIPTION
		1				ER0			
-12									SENSOR, Washer Fluid Level, (NOT REQUIRED)
-13	4686 192	1				EN0			SENSOR, Coolant Temperature Diesel
	5602 7873	1				EP0, ER0			2.5L & 4.0L Engine
-14	5602 6996	1							BRACKET, Brake Sensor Front (Right)
	5602 6997	1							Front (Left)
-15	5602 7963	1				EN0			SENSOR, Engine Electric Control
-16	3420 2536	2				EP0	DGD		STUD, .312-18x2.26, Crank Sensor Mounting

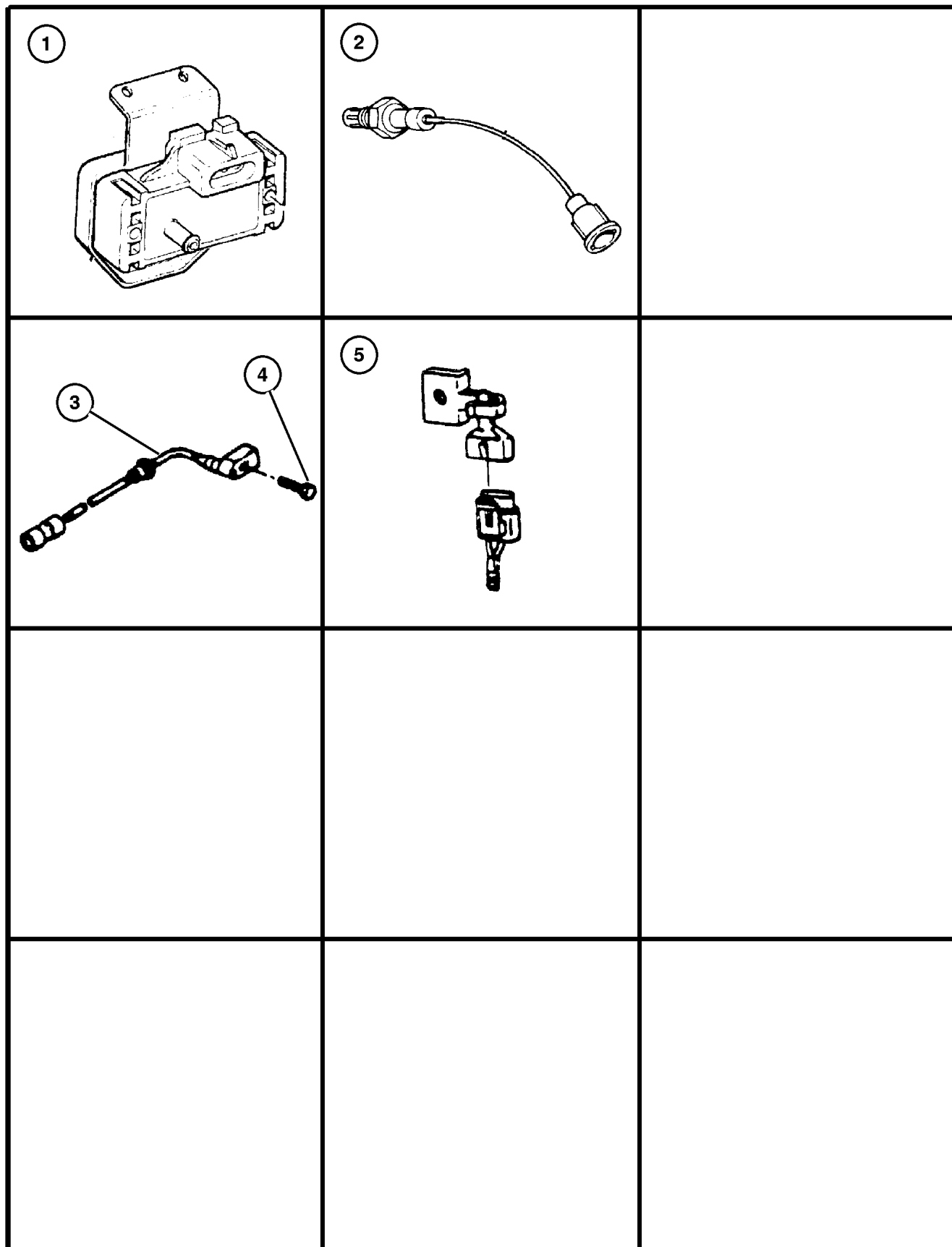
JEEP CHEROKEE (XJ)  
 SERIES LINE BODY ENGINE TRANSMISSION  
 L=Low Line J=LHD (4WD) 74=4 DR. (101.4 WB) ENC,EN0=2.5L 4 cyl. Turbo Die DDQ=5Spd Man.  
 U=RHD (4WD) 72=2 DR. (101.4 WB) ERH,ER0=4.0L Power Tech I-6 DGS=4 Spd. Auto. AISIN  
 T=LHD (2WD) EPE,EP0=Magnum 2.5L SMPI DG0=All Auto Trans  
 B=RHD (2WD) DBB=All Manual Trans.

AR = Use as required - = Non illustrated part # = New this model year

July 4, 2003



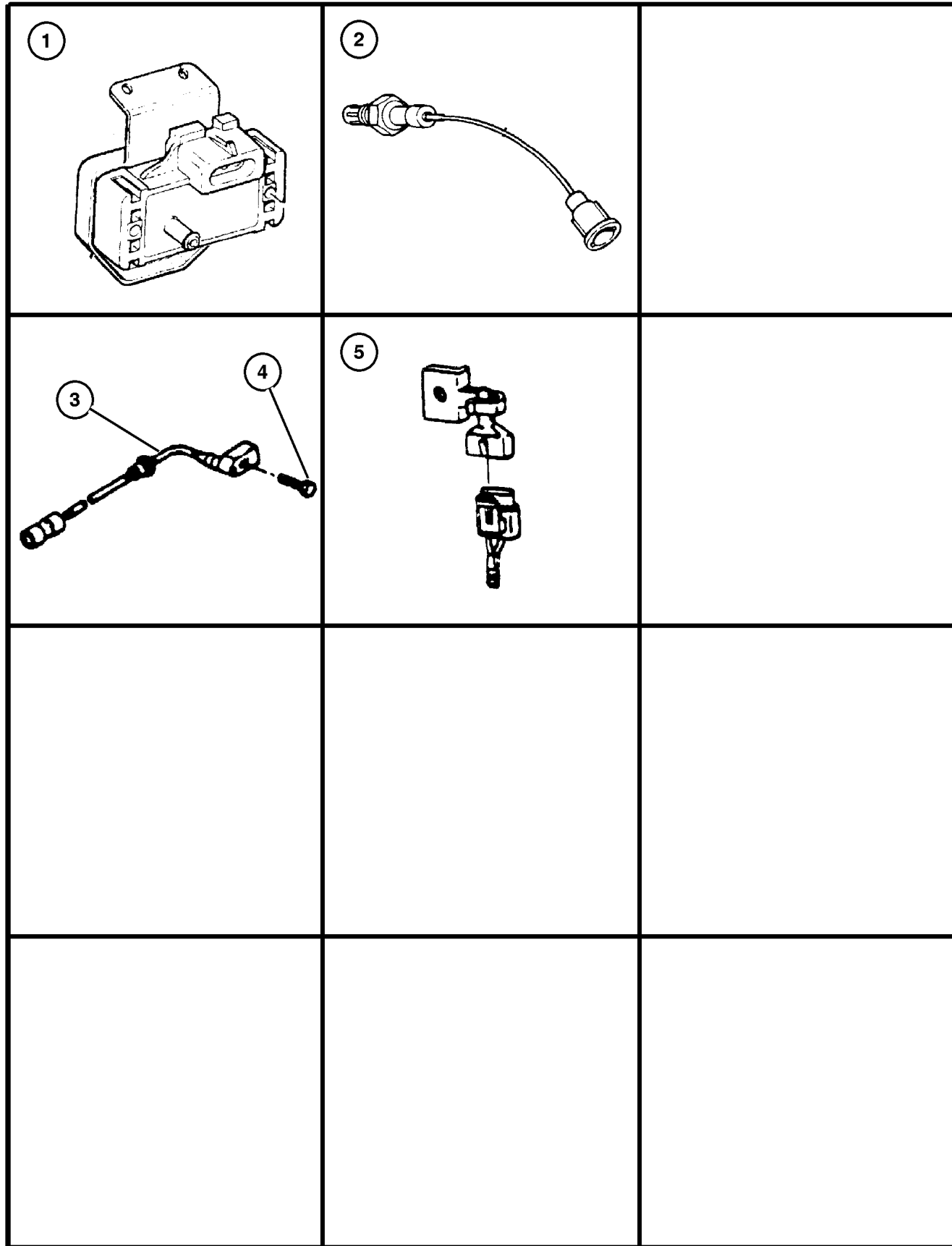
Sensors 1999 XJ  
Figure 008-605



ITEM	PART NUMBER	QTY	LINE	SERIES	BODY	ENGINE	TRANS	TRIM	DESCRIPTION
EP0=2.5L Engine ER0=4.0L Engine ENC=2.5L 4 Cylinder Turbo Diesel Engine EN0=4Cylinder Turbo Engine DGS=Automatic Transmission 4 Speed AISIN DGD=Automatic Transmission 3 Speed									
1	5602 9405	1				EP0, ER0			SENSOR, Map
2									SENSOR, Oxygen
	#56041 212AE	1				ER0			Before Catalyst
	#56041 213AF	1				EP0			Before Catalyst
	#56041 213AG	1				EP0, ER0			After Catalyst
3									SENSOR, Anti-Lock Brakes
	5200 5932	1							
	5600 5217	2	J			ENC			
		2	U			ENC			
		2	B		74				
		2	T						
4	8350 4920	2							BOLT
5	4688 204AB	1							SENSOR, Ambient Temperature
-6	56009 026AB	1							WIRING, Temperature Sensor Jumper, Ambient Temp Sensor
-7									BRACKET, Oxygen Sensor
	5602 7978	1				EP0, ER0			Before Catalyst
	5604 1000	1				EP0, ER0			After Catalyst
-8									SENSOR, Vehicle Speed
	4897 734AA	2	J, U			ER0	DGS		
		2	B, T			ER0	DGS		
	5602 7905	1							
-9									O RING
	1556 385	1	B, T			EP0	DGD		
	8350 3789	1	B, T			ER0	DGS		
		1	J, U			ER0	DGS		
-10									SENSOR, Crankshaft Position
	#56027 866AC	1				ER0			
	#56041 819AA	1				EP0			
-11									SENSOR, Throttle Position
	4874 371AC	1				ER0			
		1				EP0			
-12	5515 4979	1							SENSOR, Washer Fluid Level

**JEEP CHEROKEE (XJ)**  
 SERIES LINE BODY ENGINE TRANSMISSION  
 L=Low Line J=LHD (4WD) 74=4 DR. (101.4 WB) ENC,EN0=2.5L 4 cyl. Turbo Die DDQ=5Spd Man.  
 U=RHD (4WD) 72=2 DR. (101.4 WB) ERH,ER0=4.0L Power Tech I-6 DGS=4 Spd. Auto. AISIN  
 T=LHD (2WD) EPE,EP0=Magnum 2.5L SMPI DGO=All Auto Trans  
 B=RHD (2WD) DBB=All Manual Trans.

Sensors 1999 XJ  
Figure 008-605



ITEM	PART NUMBER	QTY	LINE	SERIES	BODY	ENGINE	TRANS	TRIM	DESCRIPTION
-13	5602 7873	1				EP0, ER0			SENSOR, Coolant Temperature
-14	5602 6996	1							BRACKET, Brake Sensor Right
	5602 6997	1							Left
-15	5602 7963	1				EN0			SENSOR, Engine Electric Control
-16	5602 7332	1				EP0, ER0			SENSOR, Battery Temperature
	#5604 1053	1				EN0			
-17	5003 734AA	1				EN0			SENSOR, Air Temperature
	5602 7872	1				EP0, ER0			
-18	#5014 067AA	2				EN0			SENSOR, Temperature Sending Unit
-19	5010 301AA	1	B, T			ER0	DGS		O RING, Trans Speedo Adapter
-20	3420 2536	2				EP0	DGD		STUD, .312-18x2.26, Crank Sensor Mounting

JEEP CHEROKEE (XJ)

SERIES	LINE	BODY	ENGINE	TRANSMISSION
L=Low Line	J=LHD (4WD) U=RHD (4WD) T=LHD (2WD) B=RHD (2WD)	74=4 DR. (101.4 WB) 72=2 DR. (101.4 WB)	ENC,EN0=2.5L 4 cyl. Turbo Die ERH,ER0=4.0L Power Tech I-6 EPE,EP0=Magnum 2.5L SMPI	DDQ=5Spd Man. DGS=4 Spd. Auto. AISIN DG0=All Auto Trans DBB=All Manual Trans.

AR = Use as required - = Non illustrated part # = New this model year

July 4, 2003

**Single Board Engine Controllers 1997 XJ**  
**Figure 008-710**

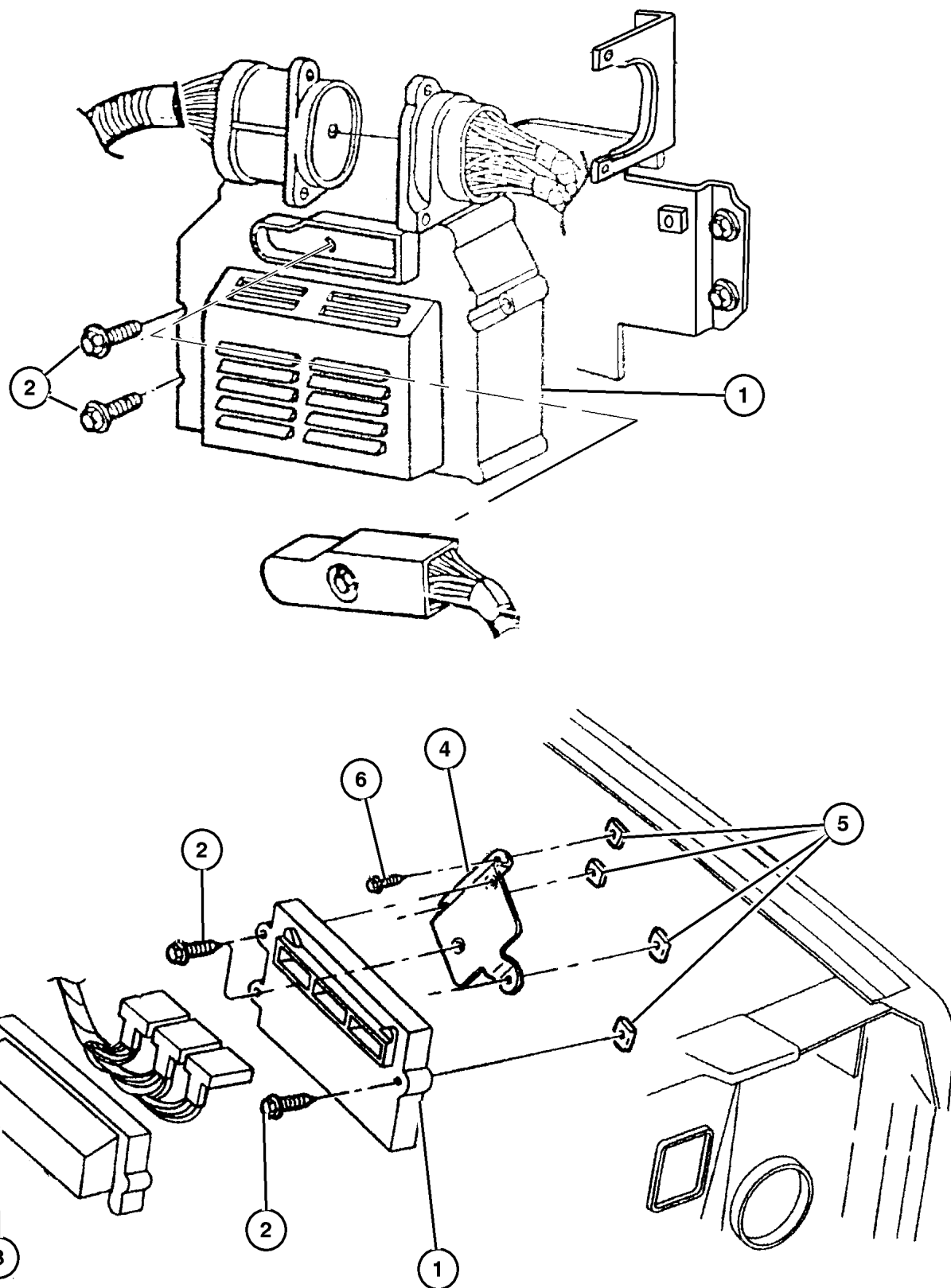
ITEM	PART NUMBER	QTY	LINE	SERIES	BODY	ENGINE	TRANS	TRIM	DESCRIPTION
EP0=2.5L Engine									
ER0=4.0L Engine									
ERH=4.0L Power Tech Engine									
EN0=4 Cylinder Turbo Diesel Engine									
ENC=2.5L 4 Cylinder Turbo Diesel Engine									
DG0=Automatic Transmission									
DGD= Automatic Transmission 3 Speed									
DGS Automatic Transmission 4 Speed (AISIN)									
DBB= Manual Transmission									
1									MODULE, Powertrain Control
	56041 268AD	1				EP0	DBB		2.5L Engine w/Manual Transmission & Federal/California Emission
	56041 269AD	1				EP0	DBB		2.5L Engine w/Manual Transmission, Export Package & California/Export Emission
	56041 270AD	1				EP0	DBB		2.5L Engine w/Manual Transmission & Leaded Fuel
	56041 271AD	1				EP0	DG0		2.5L Engine w/Automatic Transmission & Federal/California Emission
	56041 272AD	1				EP0	DG0		2.5L Engine w/Automatic Transmission, Export Package & California/Export Emission
	56041 273AD	1				EP0	DG0		2.5L Engine w/Automatic Transmission & Leaded Fuel
	56041 274AD	1				ER0	DBB		4.0L Engine w/Manual Transmission & Federal/California Emission
	56041 275AD	1				ER0	DBB		4.0L Engine w/Manual Transmission, Export Package & California/Export Package
	56041 276AD	1				ER0	DBB		4.0L Engine w/Manual Transmission & Leaded Fuel
	56041 277AD	1				ER0	DG0		4.0L Engine w/Automatic Transmission & Federal Emission
	56041 278AD	1				ER0	DG0		4.0L Engine w/Automatic Transmission, Export Package & California/Export Emission
	56041 279AD	1				ER0	DG0		4.0L Engine w/Automatic Transmission & Leaded Fuel
	56041 280AD	1	J, U			ER0	DG0		4.0L Engine w/California Emission (RHD)

**JEEP CHEROKEE (XJ)**

SERIES	LINE	BODY	ENGINE	TRANSMISSION
L=Low Line	J=LHD (4WD) U=RHD (4WD) T=LHD (2WD) B=RHD (2WD)	74=4 DR. (101.4 WB) 72=2 DR. (101.4 WB)	ENC,EN0=2.5L 4 cyl. Turbo Die ERH,ER0=4.0L Power Tech I-6 EPE,EP0=Magnum 2.5L SMPI	DDQ=5Spd Man. DGS=4 Spd. Auto. AISIN DG0=All Auto Trans DBB=All Manual Trans.

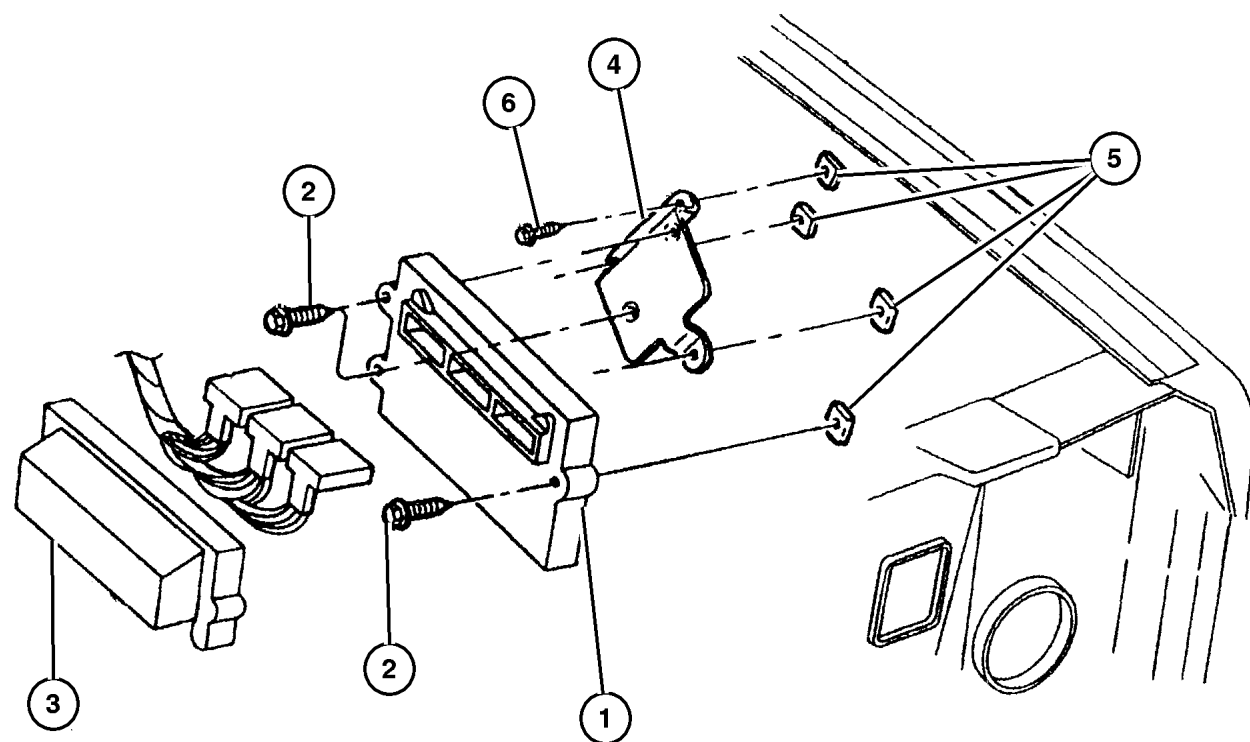
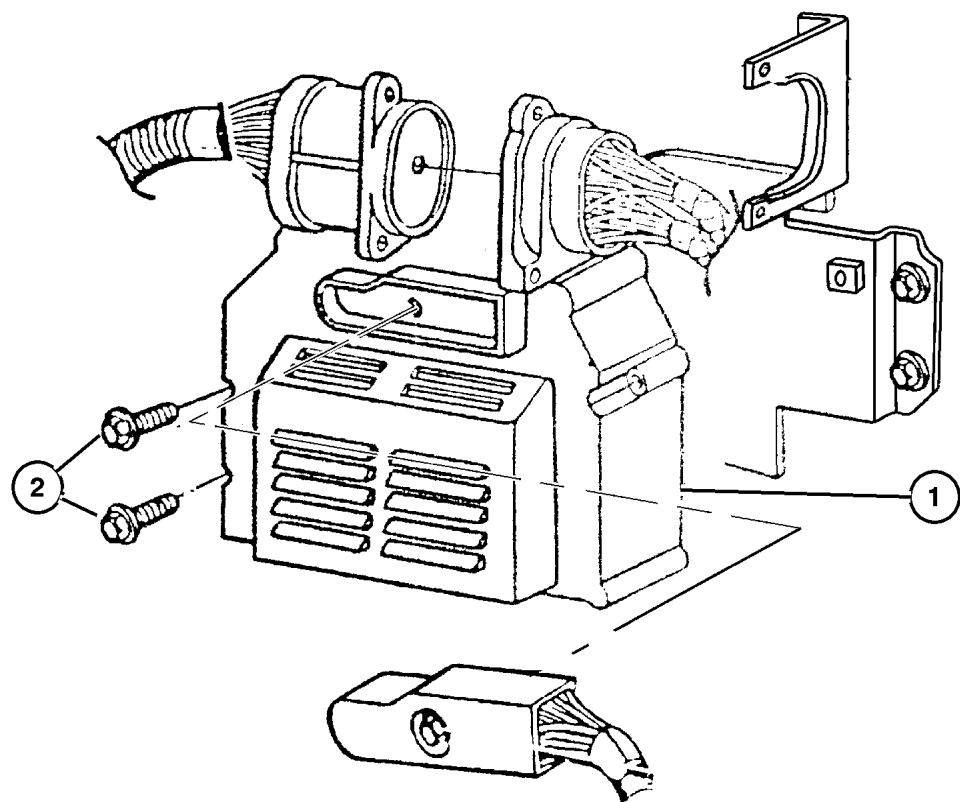
AR = Use as required - = Non illustrated part # = New this model year

July 4, 2003



**Single Board Engine Controllers 1997 XJ  
Figure 008-710**

ITEM	PART NUMBER	QTY	LINE	SERIES	BODY	ENGINE	TRANS	TRIM	DESCRIPTION
	56041 707AB	1				EN0	DBB		Diesel Engine
2									SCREW, (NOT SERVICED) (Not Serviced)
3									COVER, Module, (NOT SERVICED) (Not Serviced)
4									BRACKET, Module
	5602 7252	1				EN0			
	5604 1067	1	J, T			EP0, ER0			
5	J400 4959	4							NUT, Snap In, .19
6	0154 552	3				EN0			SCREW, Hex Head, .190-16x.625
-7	4882 087	AR							WIRING REPAIR PACKAGE, Powertrain Control Module, See TSB8-01-97 Page 4



**JEEP CHEROKEE (XJ)**

<b>SERIES</b>	<b>LINE</b>	<b>BODY</b>	<b>ENGINE</b>	<b>TRANSMISSION</b>
L=Low Line	J=LHD (4WD) U=RHD (4WD) T=LHD (2WD) B=RHD (2WD)	74=4 DR. (101.4 WB) 72=2 DR. (101.4 WB)	ENC,EN0=2.5L 4 cyl. Turbo Die ERH,ER0=4.0L Power Tech I-6 EPE,EP0=Magnum 2.5L SMPI	DDQ=5Spd Man. DGS=4 Spd. Auto. AISIN DG0=All Auto Trans DBB=All Manual Trans.

AR = Use as required - = Non illustrated part # = New this model year

July 4, 2003

**Single Board Engine Controllers 1998 XJ**  
**Figure 008-710**

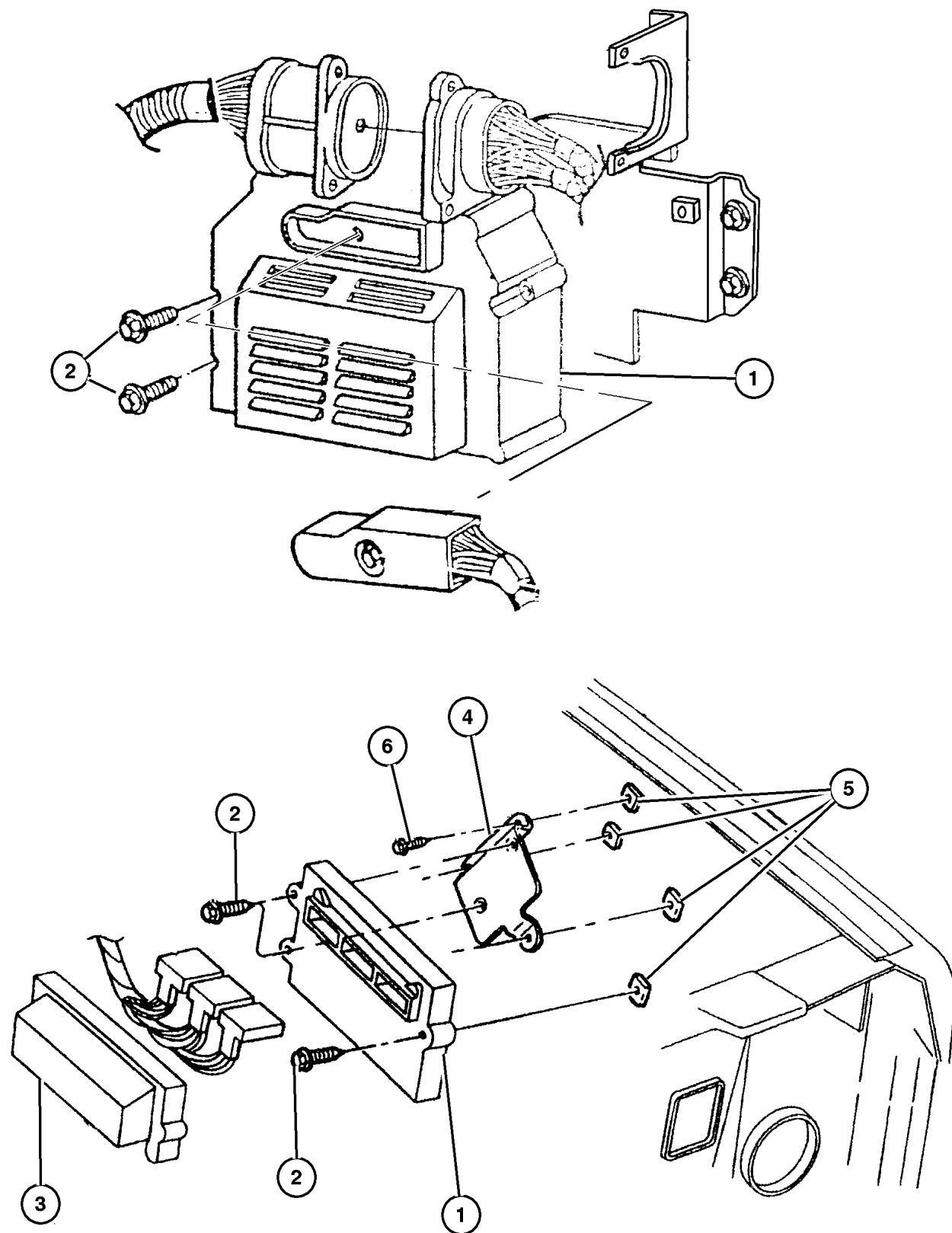
ITEM	PART NUMBER	QTY	LINE	SERIES	BODY	ENGINE	TRANS	TRIM	DESCRIPTION
EP0=2.5L Engine									
ER0=4.0L Engine									
ERH=4.0L Power Tech Engine									
EN0=4 Cylinder Turbo Diesel Engine									
ENC=2.5L 4 Cylinder Turbo Diesel Engine									
DG0=Automatic Transmission									
DGD= Automatic Transmission 3 Speed									
DGS Automatic Transmission 4 Speed (AISIN)									
DBB= Manual Transmission									
1									MODULE, Powertrain Control
	56041 526AB	1				EP0	DBB		w/Federal Emissions
	56041 536AB	1				ER0	DG0		w/Leaded Fuel
	56041 537AB	1				ER0	DG0		w/California Emissions
	56041 541AB	1				EP0	DBB		w/California Emissions
	56041 542AA	1				EP0	DG0		w/European Emissions
	56041 543AA	1				EP0	DG0		w/Leaded Fuel
	56041 544AB	1				ER0	DBB		w/European Emissions
	56041 568AB	1				ER0	DG0		W/European Emissions & Japan Equipment Package
	56041 997AC	1				EN0	DBB		
	56041 529AE	1				EP0	DG0		W/Federal Emissions
	56041 996AB	1	B, U			EN0	DBB		Export
	56041 527AB	1				EP0	DBB		w/Leaded Fuel, Europe
	56041 528AB	1				EP0	DBB		w/Leaded Fuel
	56041 530AA	1				EP0	DG0		w/California Emissions
	56041 531AB	1				ER0	DBB		w/Federal Emissions
	56041 532AB	1				ER0	DBB		w/California Emissions
	56041 533AB	1				ER0	DBB		w/Leaded Fuel
	56041 534AB	1				ER0	DG0		w/Federal Emissions
	56041 535AB	1				ER0	DG0		w/European Emissions
2									SCREW, (NOT SERVICED) (Not Serviced)
3									COVER, Module, (NOT SERVICED) (Not Serviced)
4									BRACKET, Module
	5602 7252	1				EN0			
	5604 1067	1	J, T			EP0,			
						ER0			
5	J400 4959	4							NUT, Snap In, .19
6	0154 552	3				EN0			SCREW, Hex Head, .190-16x.625
-7									WIRING REPAIR PACKAGE, Powertrain Control Module, (NOT REQUIRED)

**JEEP CHEROKEE (XJ)**

SERIES	LINE	BODY	ENGINE	TRANSMISSION
L=Low Line	J=LHD (4WD) U=RHD (4WD) T=LHD (2WD) B=RHD (2WD)	74=4 DR. (101.4 WB) 72=2 DR. (101.4 WB)	ENC,EN0=2.5L 4 cyl. Turbo Die ERH,ER0=4.0L Power Tech I-6 EPE,EP0=Magnum 2.5L SMPI	DDQ=5Spd Man. DGS=4 Spd. Auto. AISIN DG0=All Auto Trans DBB=All Manual Trans.

AR = Use as required - = Non illustrated part # = New this model year

July 4, 2003



**Single Board Engine Controllers 1999 XJ**  
**Figure 008-710**

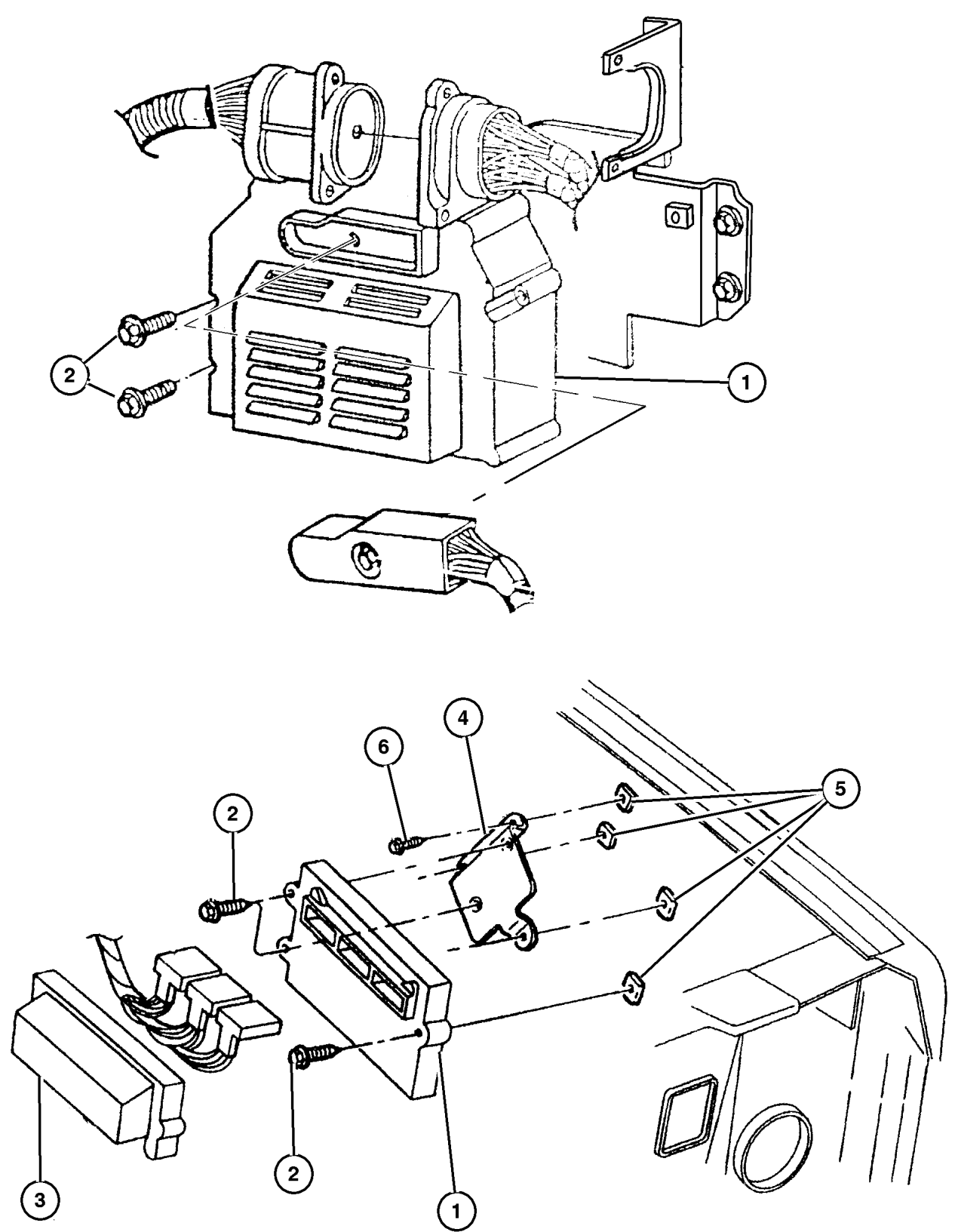
ITEM	PART NUMBER	QTY	LINE	SERIES	BODY	ENGINE	TRANS	TRIM	DESCRIPTION
EP0=2.5L Engine ER0=4.0L Engine EN0=4Cylinder Turbo Engine DG0=Automatic Transmission DBB=Manual Transmission 5 Speed									
1									MODULE, Powertrain Control
	#56041 336AB	1				EN0	DBB		
	#56041 480AC	1				EP0	DBB		Federal
	#56041 481AC	1				EP0	DBB		California
	#56041 482AC	1				EP0	DBB		European
	#56041 483AC	1				EP0	DBB		Leaded Fuel
	#56041 484AC	1				EP0	DG0		Federal
	#56041 485AC	1				EP0	DG0		California
	#56041 488AC	1				ER0	DBB		Federal
	#56041 489AC	1				ER0	DBB		California
	#56041 490AC	1				ER0	DBB		European
	#56041 491AC	1				ER0	DBB		Leaded Fuel
	#56041 492AC	1				ER0	DG0		Federal
	#56041 493AC	1				ER0	DG0		California
	#56041 494AC	1				ER0	DG0		European
	#56041 495AC	1				ER0	DG0		Leaded Fuel
2									SCREW, (NOT SERVICED) (Not Serviced)
3									COVER, Module, (NOT SERVICED) (Not Serviced)
4									BRACKET, Module
	56041 067AB	1	J, T			EP0, ER0			
	#56041 372AB	1	J, T			EN0			
	#56041 561AA	1	B, U						
5	6100 515	4				EN0			NUT, Hex Flange Lock, M5
6	0154 552	3				EP0, ER0			SCREW, Hex Head, .190-16x.625
-7	#56041 433AD	1				EN0	DBB		MODULE, Engine Controller

**JEEP CHEROKEE (XJ)**

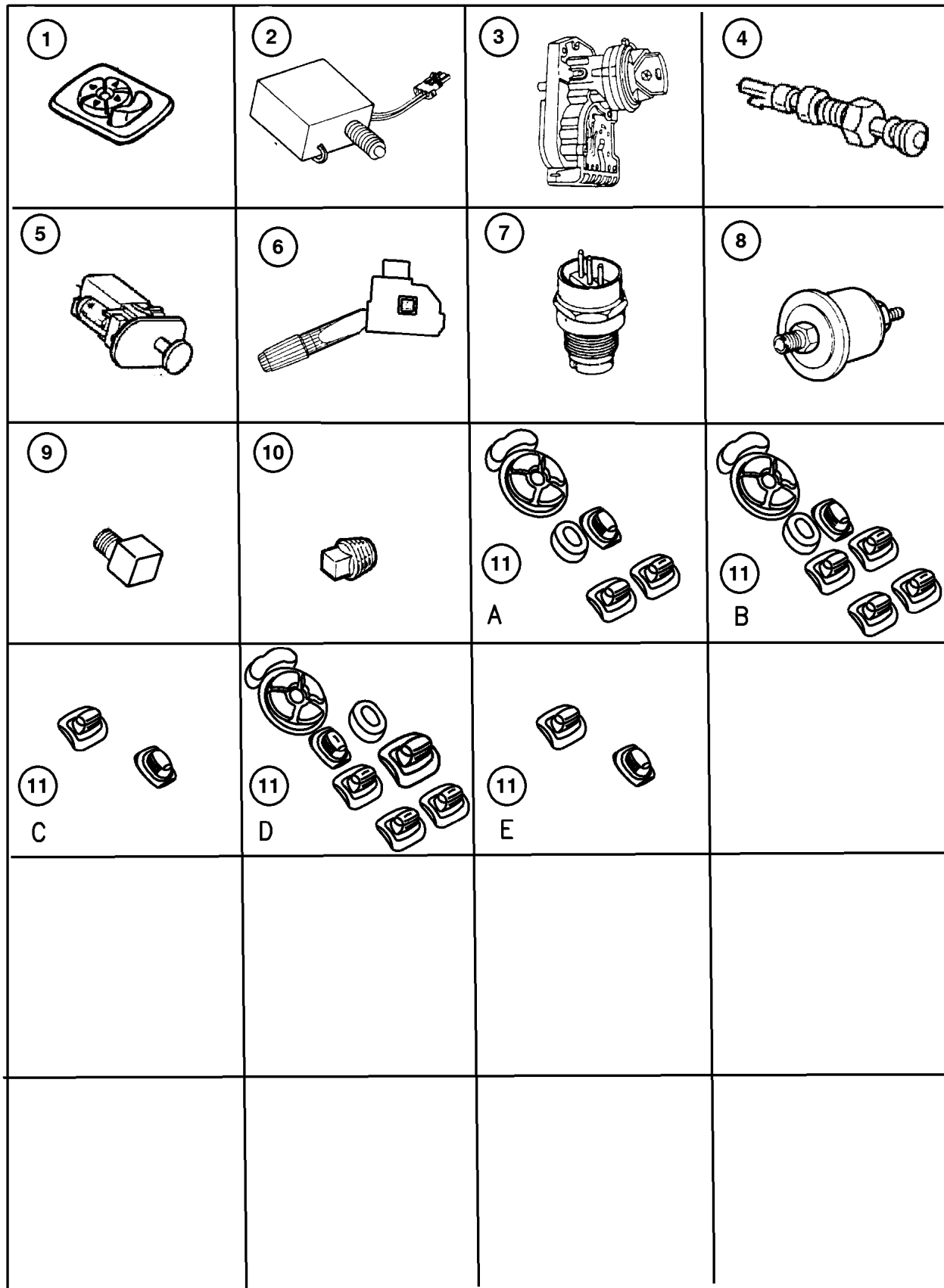
<b>SERIES</b>	<b>LINE</b>	<b>BODY</b>	<b>ENGINE</b>	<b>TRANSMISSION</b>
L=Low Line	J=LHD (4WD) U=RHD (4WD) T=LHD (2WD) B=RHD (2WD)	74=4 DR. (101.4 WB) 72=2 DR. (101.4 WB)	ENC,EN0=2.5L 4 cyl. Turbo Die ERH,ER0=4.0L Power Tech I-6 EPE,EP0=Magnum 2.5L SMPI	DDQ=5Spd Man. DGS=4 Spd. Auto. AISIN DG0=All Auto Trans DBB=All Manual Trans.

AR = Use as required - = Non illustrated part # = New this model year

July 4, 2003



**Switches & Sending Units 1997 XJ**  
**Figure 008-810**



ITEM	PART NUMBER	QTY	LINE	SERIES	BODY	ENGINE	TRANS	TRIM	DESCRIPTION
1	56007 678AB	1							SWITCH, Mirror
2	4671 336	1							SWITCH, Stop Lamp
3	4565 326	1					DBB		SWITCH, Ignition
4	4373 296	2			74				SWITCH, Door Ajar Rear
		1							Front RH
		1							Front LH
5	4565 022	1							SWITCH AND LAMP, Glove Box
6									SWITCH, Multifunction
	5600 9135	1	B		72		DG0		
		1	B		74		DG0		
		1	J		72		DG0		
		1	J		74		DG0		
		1	T		72		DG0		
		1	T		74		DG0		
		1	U		72		DG0		
		1	U		74		DG0		
7									SWITCH, Neutral, Safety, Back Up
	3747 361	1	J, U			EP0	DGD		
	4882 173	1	B			ER0	DGS		
		1	J			ER0	DGS		
		1	B, T			ER0	DGS		
		1	J, U			ER0	DGS		
8									SENDING UNIT, Oil Pressure Diesel Engine
	5603 1003	1				EN0			
		1				EP0,			2.5L & 4.0L Engine
						ER0			
9									ELBOW, Oil Gauge Sending Unit 2.5l L Engine
	J093 4001	1				EP0			
	J321 2002	1				ER0			4.0L Engine
10	J010 3877	1				EP0,			PLUG, Square Head, 1/8-27NPTx.32
						ER0			
11									SWITCH, Window and Door Lock
	56009 449AB	1	J, T		74				Left Hand Drive,Power Mirrors, Power Window & Power Locks
	56009 450AB	1	J, T		72				Left Hand Drive,Power Window & Power Locks
	56009 451AB	1	J, T		74				Left, Left Hand Drive,Power Window & Power Locks
		1	J, T		72				Right, Right Hand Drive,Power Window & Power Locks

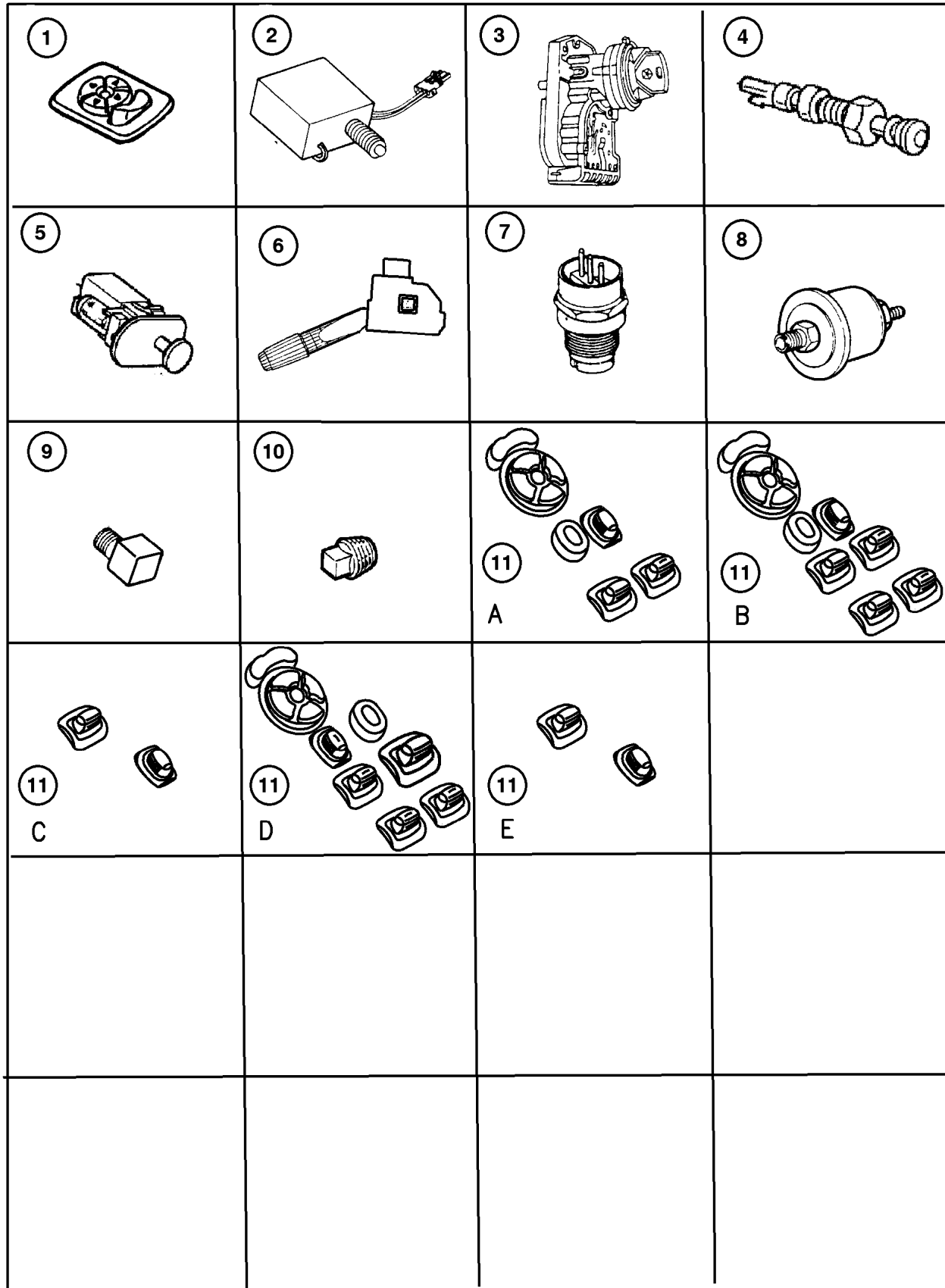
**JEEP CHEROKEE (XJ)**

SERIES	LINE	BODY	ENGINE	TRANSMISSION
L=Low Line	J=LHD (4WD) U=RHD (4WD) T=LHD (2WD) B=RHD (2WD)	74=4 DR. (101.4 WB) 72=2 DR. (101.4 WB)	ENC,EN0=2.5L 4 cyl. Turbo Die ERH,ER0=4.0L Power Tech I-6 EPE,EP0=Magnum 2.5L SMPI	DDQ=5Spd Man. DGS=4 Spd. Auto. AISIN DG0=All Auto Trans DBB=All Manual Trans.

AR = Use as required - = Non illustrated part # = New this model year

July 4, 2003

**Switches & Sending Units 1997 XJ**  
**Figure 008-810**



ITEM	PART NUMBER	QTY	LINE	SERIES	BODY	ENGINE	TRANS	TRIM	DESCRIPTION
	56009 512AB	1	B, U		74				Right, Right Hand Drive,Power Mirror,Power Window & Power Locks
	56009 571AB	1	B, U		74				Left, Right Hand Drive,Power Window & Power Locks
-12	5600 7695	1			74				SWITCH, Power Window, Single Gang Switch, Door
-13	5600 7249	1							SWITCH, Wiper and Washer, Rear
-14									SWITCH, Speed Control
	56007 530AB	1							Right
	56007 531AB	1							Left
-15	5600 7250	1							SWITCH, Electric Back Light
-16									SWITCH, Headlamp
	5269 478	1							Right Hand Drive
	56009 869AA	1							Left Hand Drive
-17	5600 9376	1							KNOB AND SHAFT, Headlamp Switch
-18	56021 893AA	1							RETAINER, Headlamp Switch
-19	56007 675AB	1							SWITCH, Headlamp Leveling
-20	4793 313	1					DG0		SWITCH, Intermittent Wiper
-21	5600 8728	1							SWITCH, Extended Idle
-22	5212 7960	1							SWITCH, Parking Brake
-23	5600 9136	1							SWITCH, Liftgate
-24									SWITCH, Fog Lamp
	5600 7248	1	J, U						Rear
	5600 7247	1							Front
-25	5066 442AA	1							WIRING REPAIR PACKAGE, Fog Lamp

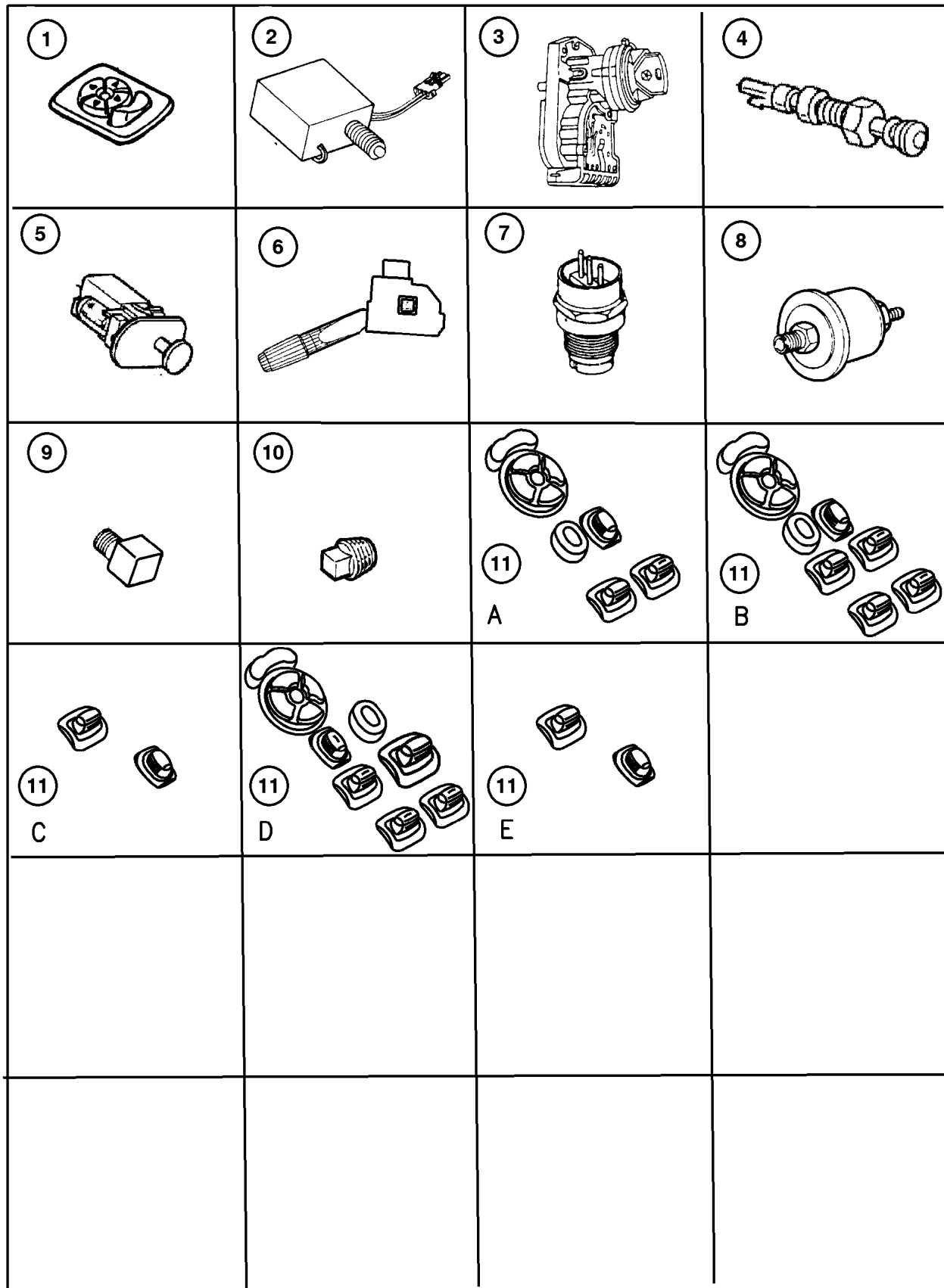
**JEEP CHEROKEE (XJ)**  
 SERIES LINE BODY ENGINE TRANSMISSION  
 L=Low Line J=LHD (4WD) 74=4 DR. (101.4 WB) ENC,ENO=2.5L 4 cyl. Turbo Die DDQ=5Spd Man.  
 U=RHD (4WD) 72=2 DR. (101.4 WB) ERH,ERO=4.0L Power Tech I-6 DGS=4 Spd. Auto. AISIN  
 T=LHD (2WD) EPE,EP0=Magnum 2.5L SMPI DG0=All Auto Trans  
 B=RHD (2WD) DBB=All Manual Trans.

AR = Use as required - = Non illustrated part # = New this model year

July 4, 2003



**Switches & Sending Units 1998 XJ**  
**Figure 008-810**



ITEM	PART NUMBER	QTY	LINE	SERIES	BODY	ENGINE	TRANS	TRIM	DESCRIPTION
1	56007 678AB	1							SWITCH, Mirror
2	4671 336	1							SWITCH, Stop Lamp
3	4565 326	1					DG0		SWITCH, Ignition
		1					DBB		
4	4373 296	1							SWITCH, Door Ajar
		1							Front RH
		1							Front LH
		2			74				Rear
5	4565 022	1							SWITCH AND LAMP, Glove Box
6	5600 9135	1					DG0		SWITCH, Multifunction
		1					DBB		
7	4882 173	1	J, U			ER0	DGS		SWITCH, Neutral, Safety, Back Up
		1	B, T			ER0	DGS		
	5602 8181	1	B, T			EP0	DGD		
8	5603 1005	1				EP0,			SENDING UNIT, Oil Pressure
						ER0			
	56041 506AA	1				EN0			
9	J093 4001	1				EP0			ELBOW, Oil Gauge Sending Unit, 2.5L Engine
10	J010 3877	1				EP0,			PLUG, Square Head, 1/8-27NPTx.32
						ER0			
11	56009 449AB	1	J, T		74				SWITCH, Window and Door Lock Left Front Door,Power Mirrors, Power Window & Power Locks
	56009 450AB	1	J, T		72				Left Front Door,Power Window & Power Locks
	56009 451AB	1	J, T		72				Right Front Door,Power Window & Power Locks
		1	J, T		74				Right Front Door,Power Window & Power Locks
	56009 512AB	1	B, U		74				Right, Power Mirrors,Power Window & Power Locks
	56009 571AB	1	B, U		74				Left, Power Window & Power Locks
-12	5600 7695	1			74				SWITCH, Power Window
-13	5600 7249	1							SWITCH, Wiper and Washer, Rear
-14									SWITCH, Speed Control
	56007 530AC	1							Right, Right
	56007 531AC	1							Left, Left

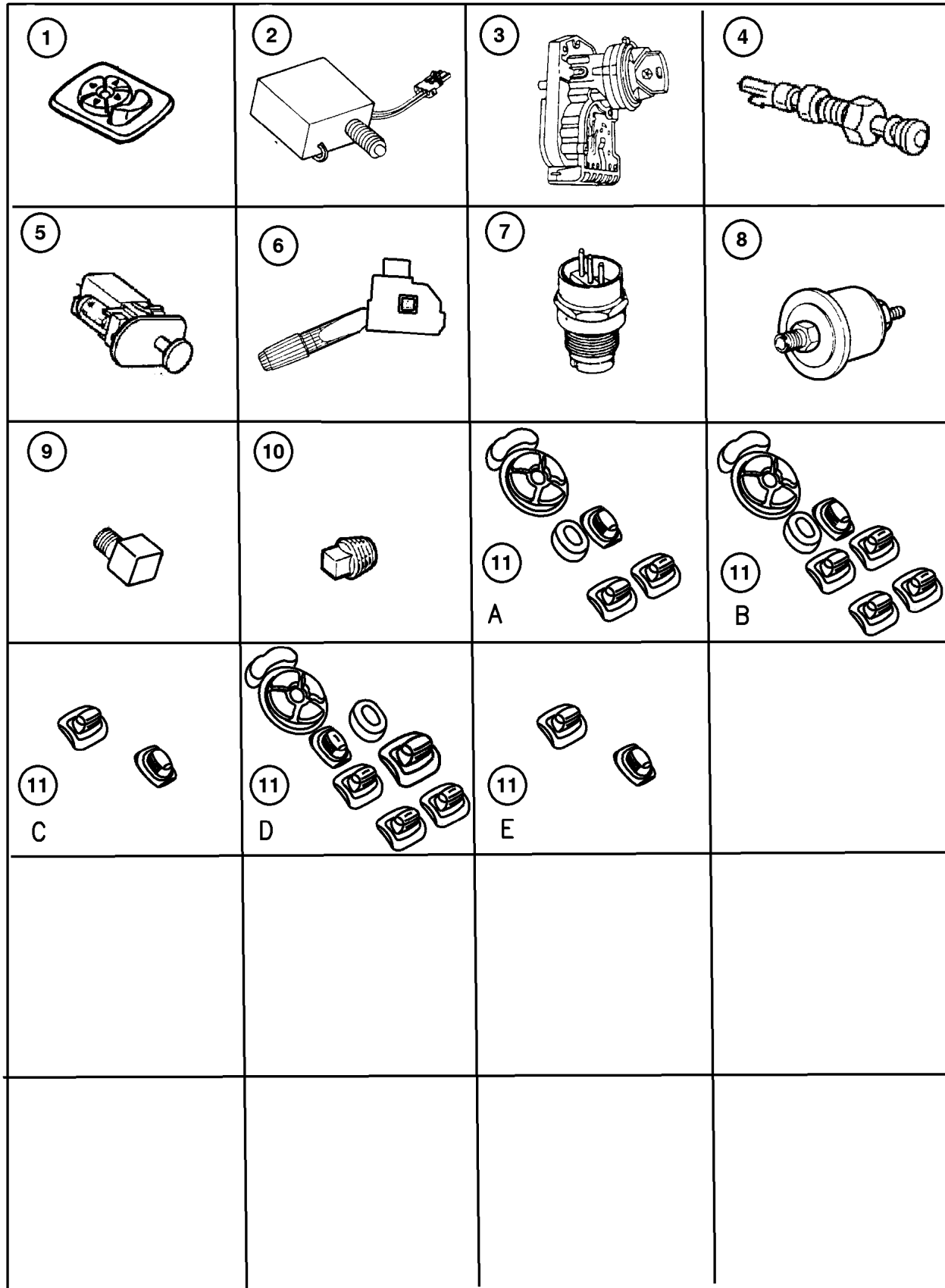
**JEEP CHEROKEE (XJ)**

SERIES	LINE	BODY	ENGINE	TRANSMISSION
L=Low Line	J=LHD (4WD) U=RHD (4WD) T=LHD (2WD) B=RHD (2WD)	74=4 DR. (101.4 WB) 72=2 DR. (101.4 WB)	ENC,EN0=2.5L 4 cyl. Turbo Die ERH,ER0=4.0L Power Tech I-6 EPE,EP0=Magnum 2.5L SMPI	DDQ=5Spd Man. DGS=4 Spd. Auto. AISIN DG0=All Auto Trans DBB=All Manual Trans.

AR = Use as required - = Non illustrated part # = New this model year

July 4, 2003

**Switches & Sending Units 1998 XJ**  
**Figure 008-810**



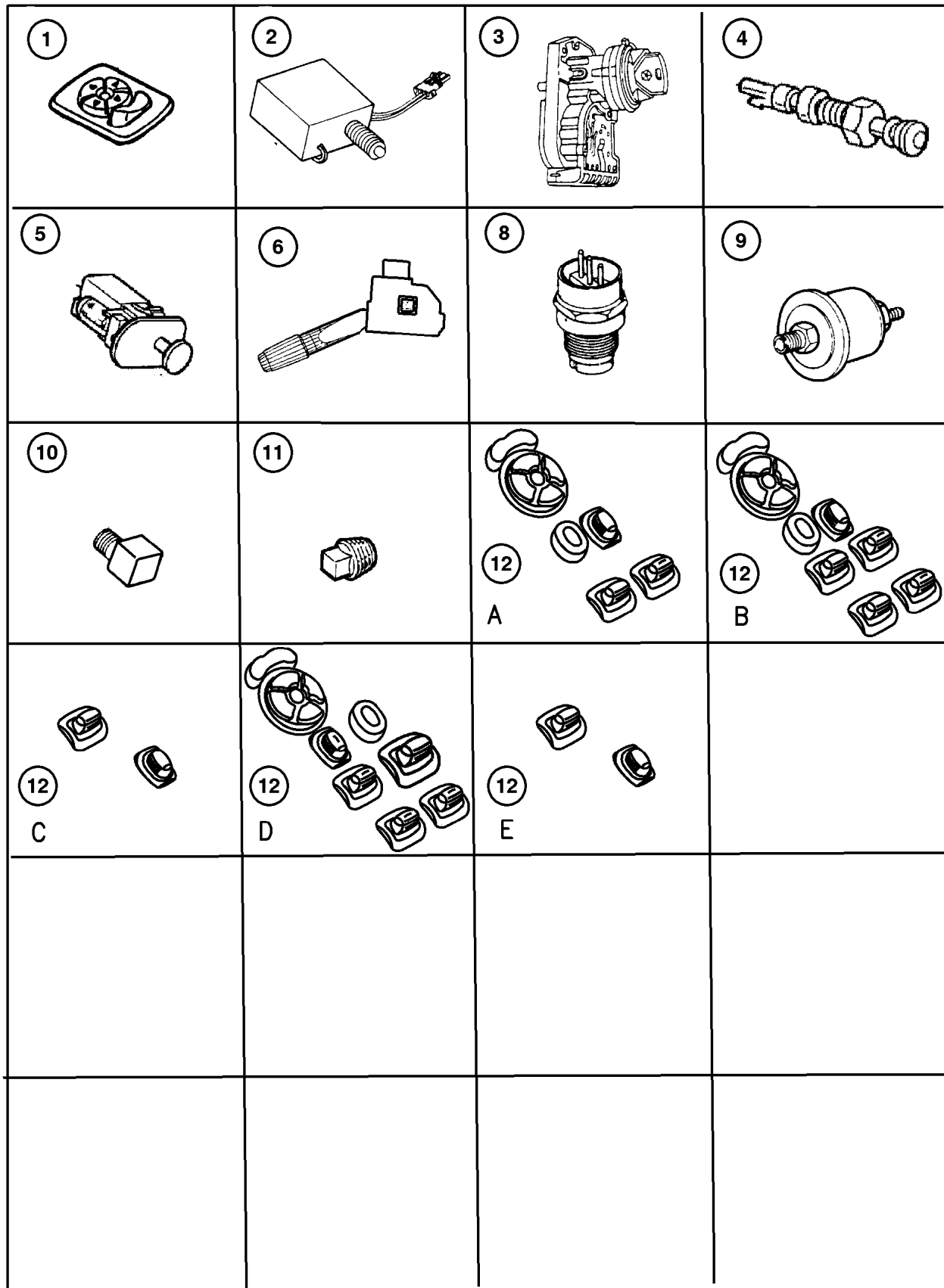
ITEM	PART NUMBER	QTY	LINE	SERIES	BODY	ENGINE	TRANS	TRIM	DESCRIPTION
-15	5600 7250	1							SWITCH, Electric Back Light
-16	56009 869AA	1							SWITCH, Headlamp, Left Hand Drive
-17	5600 9376	1							KNOB AND SHAFT, Headlamp Switch
-18	56021 893AA	1							RETAINER, Headlamp Switch
-19	56007 675AB	1							SWITCH, Headlamp Leveling
-20	4793 313	1					DG0		SWITCH, Intermittent Wiper
		1					DBB		
-21	5600 8728	1							SWITCH, Extended Idle
-22	5212 7960	1							SWITCH, Parking Brake
-23	5600 9136	1							SWITCH, Liftgate
-24									SWITCH, Fog Lamp
	5600 7248	1	J, U						Rear
	5600 7247	1							Front
-25	5066 442AA	1							WIRING REPAIR PACKAGE, Fog Lamp
-26	4565 031	2							SWITCH, Overhead Console Lamp

**JEEP CHEROKEE (XJ)**  
 SERIES LINE BODY ENGINE TRANSMISSION  
 L=Low Line J=LHD (4WD) 74=4 DR. (101.4 WB) ENC,EN0=2.5L 4 cyl. Turbo Die DDQ=5Spd Man.  
 U=RHD (4WD) 72=2 DR. (101.4 WB) ERH,ER0=4.0L Power Tech I-6 DGS=4 Spd. Auto. AISIN  
 T=LHD (2WD) EPE,EP0=Magnum 2.5L SMPI DG0=All Auto Trans  
 B=RHD (2WD) DBB=All Manual Trans.

AR = Use as required - = Non illustrated part # = New this model year

July 4, 2003

**Switches & Sending Units 1999 XJ**  
**Figure 008-810**



ITEM	PART NUMBER	QTY	LINE	SERIES	BODY	ENGINE	TRANS	TRIM	DESCRIPTION
EP0=2.5L Engine ER0=4.0L Engine EN0=4Cylinder Turbo Engine DG0=Automatic Transmission DBB=Manual Transmission 5 Speed									
1	56007 678AB	1							SWITCH, Mirror
2	4671 336	1							SWITCH, Stop Lamp
3	4565 326	1					DG0		SWITCH, Ignition
4	4373 296	1							SWITCH, Door Ajar
5									SWITCH, Glove Box Lamp, (NOT REQUIRED)
6	5600 9135	1					DG0		SWITCH, Multifunction
		1					DBB		
-7	4863 839	1							CONNECTOR PACKAGE, Beam Select Switch
8									SWITCH, Neutral, Safety, Back Up
	4882 173	1	B, T			ER0	DGS		
		1	J, U			ER0	DGS		
	5602 8181	1	B, T			EP0	DGD		
9									SENDING UNIT, Oil Pressure
	#56028 807AA	1				EP0, ER0 EN0			
		1							
10									ELBOW, Oil Gauge Sending Unit
	J093 4001	1				EP0			
	J321 2002	1				ER0			
11									PLUG, Square Head, 1/8-27NPTx. 32, (NOT REQUIRED)
12									SWITCH, Window and Door Lock
	56009 449AC	1	J, T		74				Left Front Door,Power Mirrors, Power Window & Power Locks
	56009 450AC	1	J, T		72				Left Front Door,Power Window & Power Locks
	56009 451AC	1	J, T		74				Left Hand Drive, Right Front Door, Power Window & Power Locks
		1	J, T		72				Left Hand Drive, Right Front Door, Power Window & Power Locks
	56009 512AC	1	B, U		74				Right, Power Mirrors,Power Window & Power Locks
	56009 571AC	1	B, U		74				Left, Power Window & Power Locks

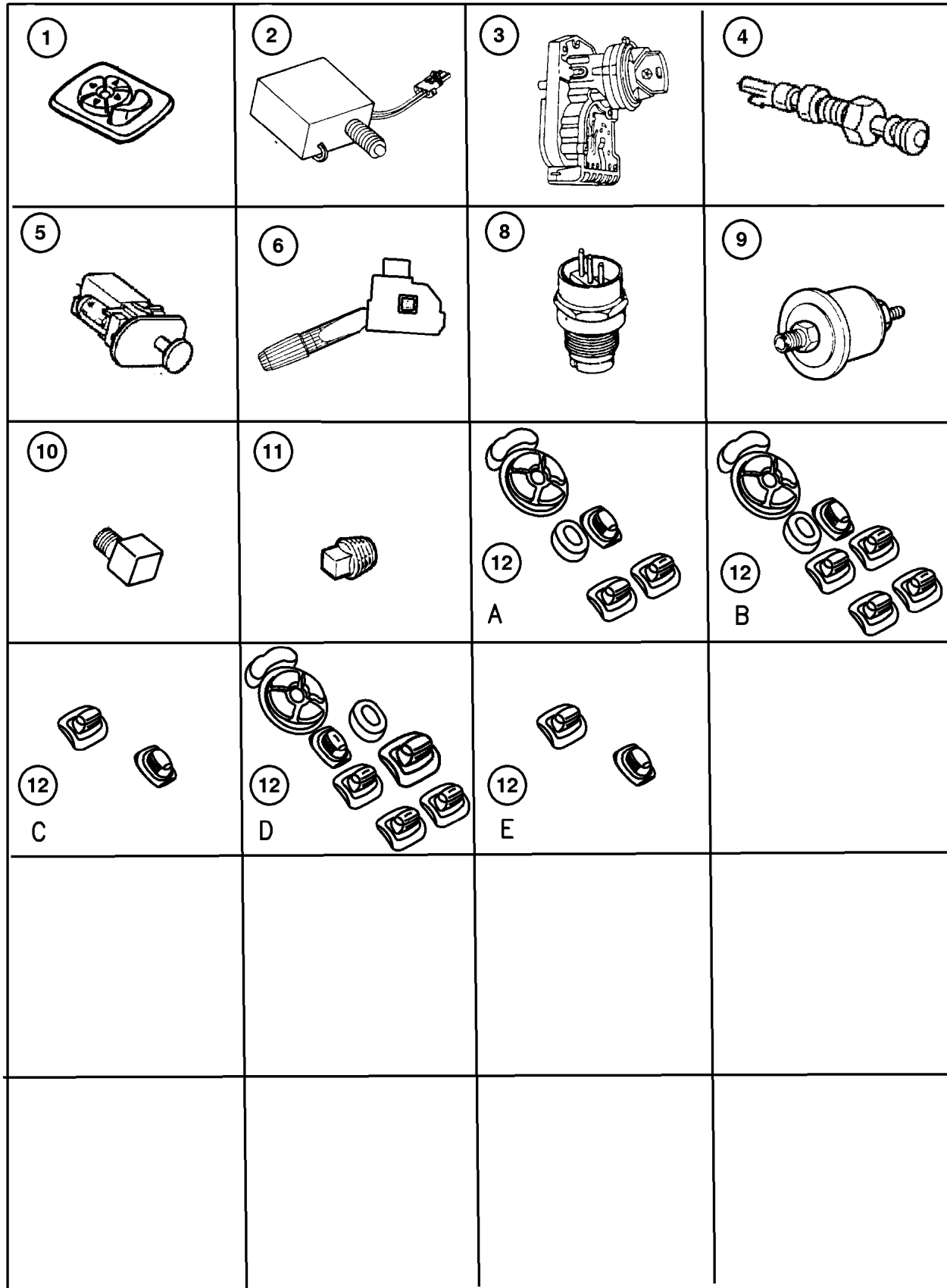
**JEEP CHEROKEE (XJ)**

SERIES	LINE	BODY	ENGINE	TRANSMISSION
L=Low Line	J=LHD (4WD) U=RHD (4WD) T=LHD (2WD) B=RHD (2WD)	74=4 DR. (101.4 WB) 72=2 DR. (101.4 WB)	ENC,EN0=2.5L 4 cyl. Turbo Die ERH,ER0=4.0L Power Tech I-6 EPE,EP0=Magnum 2.5L SMPI	DDQ=5Spd Man. DGS=4 Spd. Auto. AISIN DG0=All Auto Trans DBB=All Manual Trans.

AR = Use as required - = Non illustrated part # = New this model year

July 4, 2003

**Switches & Sending Units 1999 XJ**  
**Figure 008-810**



ITEM	PART NUMBER	QTY	LINE	SERIES	BODY	ENGINE	TRANS	TRIM	DESCRIPTION
-13	5600 7695	1			74				SWITCH, Power Window
-14	5600 7249	1							SWITCH, Wiper and Washer, Rear
-15									SWITCH, Speed Control
	#56007 530AD	1							Right
	#56007 531AD	1							Left
-16	5600 7250	1							SWITCH, Electric Back Light
-17	56009 869AB	1							SWITCH, Headlamp
-18	56021 893AA	1							RETAINER, Headlamp Switch
-19	56007 675AB	1							SWITCH, Headlamp Leveling
-20	4793 313	1					DG0		SWITCH, Intermittent Wiper
-21	5600 8728	1							SWITCH, Extended Idle
-22	5212 7960	1							SWITCH, Parking Brake
-23									BEZEL, Switch
	4897 501AF	1							w/1 Switch Opening
	4897 502AF	1							w/3 Switch Opening
	4897 503AF	1							w/2 Switch Opening
	4897 504AF	1	J, U						w/1 Switch Opening (EUROPE)
	4897 505AF	1	J, U						w/4 Switch Opening (EUROPE)
	56007 445AF	1							Base Model w/o Switch Opening
-24									SWITCH, Heated Seat
	#56010 135AA	1							Right
	#56010 136AA	1							Left
-25	#5GH07 LAZAA	1							BEZEL, Floor Console Switch, Heated Seat Switch (Console)
-26									SWITCH, Fog Lamp
	5600 7248	1	J, U						EUROPE, Rear
	5600 7247	1							Front
-27	5066 442AA	1							WIRING REPAIR PACKAGE, Fog Lamp
-28	4565 031	2							SWITCH, Overhead Console Lamp

**JEEP CHEROKEE (XJ)**

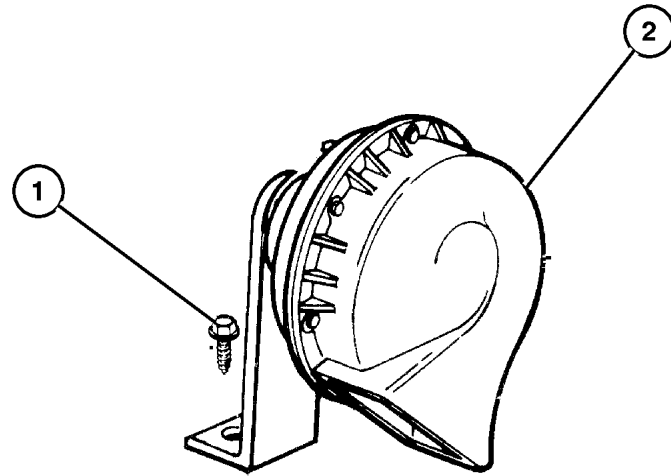
SERIES	LINE	BODY	ENGINE	TRANSMISSION
L=Low Line	J=LHD (4WD) U=RHD (4WD) T=LHD (2WD) B=RHD (2WD)	74=4 DR. (101.4 WB) 72=2 DR. (101.4 WB)	ENC,ENO=2.5L 4 cyl. Turbo Die ERH,ERO=4.0L Power Tech I-6 EPE,EP0=Magnum 2.5L SMPI	DDQ=5Spd Man. DGS=4 Spd. Auto. AISIN DG0=All Auto Trans DBB=All Manual Trans.

AR = Use as required - = Non illustrated part # = New this model year

July 4, 2003

Horns 1997 XJ  
Figure 008-910

ITEM	PART NUMBER	QTY	LINE	SERIES	BODY	ENGINE	TRANS	TRIM	DESCRIPTION
[EP0]=2.5L Engine									
[ER0]=4.0L Engine									
[ENC]=2.5L 4 Cylinder Turbo Diesel Engine									
[DDQ]=Manual Transmission 5 Speed									
1	3420 2606	1				ENC	DDQ		BOLT, Hex Head
2	5600 9614	1							HORN, High Note
-3	5600 9573	1							HORN, Low Note
-4	3420 2608	2							SCREW AND WASHER, Hex

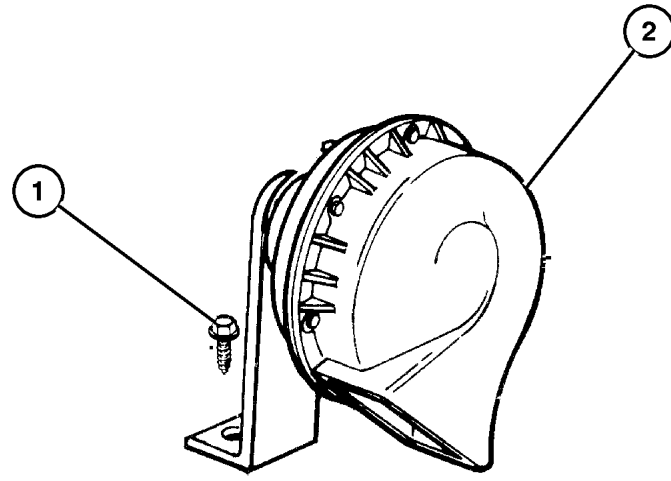


JEEP CHEROKEE (XJ)				
SERIES	LINE	BODY	ENGINE	TRANSMISSION
L=Low Line	J=LHD (4WD) U=RHD (4WD) T=LHD (2WD) B=RHD (2WD)	74=4 DR. (101.4 WB) 72=2 DR. (101.4 WB)	ENC,EN0=2.5L 4 cyl. Turbo Die ERH,ER0=4.0L Power Tech I-6 EPE,EP0=Magnum 2.5L SMPI	DDQ=5Spd Man. DGS=4 Spd. Auto. AISIN DG0=All Auto Trans DBB=All Manual Trans.

AR = Use as required - = Non illustrated part # = New this model year

Horns 1998 XJ  
Figure 008-910

ITEM	PART NUMBER	QTY	LINE	SERIES	BODY	ENGINE	TRANS	TRIM	DESCRIPTION
[EP0]=2.5L Engine									
[ER0]=4.0L Engine									
[ENC]=2.5L 4 Cylinder Turbo Diesel Engine									
[DDQ]=Manual Transmission 5 Speed									
1									BOLT, Hex Head
	3420 2606	2				ER0			
		2	J, T			EP0			
2	5600 9614	1							HORN, High Note
-3	5600 9573	1							HORN, Low Note
-4	3420 2608	2							SCREW AND WASHER, Hex



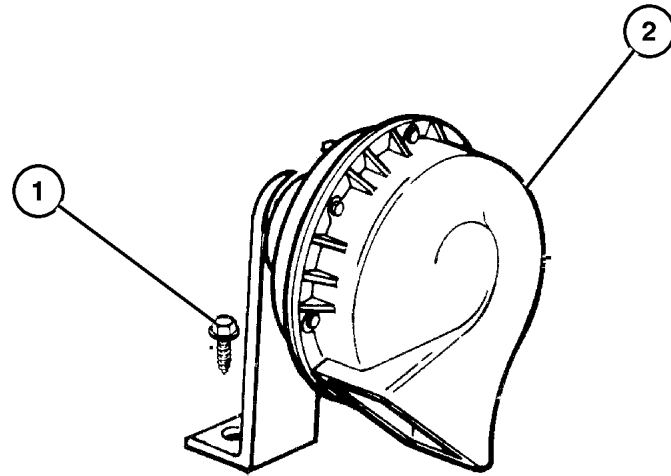
JEEP CHEROKEE (XJ)				
SERIES	LINE	BODY	ENGINE	TRANSMISSION
L=Low Line	J=LHD (4WD) U=RHD (4WD) T=LHD (2WD) B=RHD (2WD)	74=4 DR. (101.4 WB) 72=2 DR. (101.4 WB)	ENC,EN0=2.5L 4 cyl. Turbo Die ERH,ER0=4.0L Power Tech I-6 EPE,EP0=Magnum 2.5L SMPI	DDQ=5Spd Man. DGS=4 Spd. Auto. AISIN DG0=All Auto Trans DBB=All Manual Trans.

AR = Use as required - = Non illustrated part # = New this model year

July 4, 2003

Horns 1999 XJ  
Figure 008-910

ITEM	PART NUMBER	QTY	LINE	SERIES	BODY	ENGINE	TRANS	TRIM	DESCRIPTION
[EP0]=2.5L Engine									
[ER0]=4.0L Engine									
[ENC]=2.5L 4 Cylinder Turbo Diesel Engine									
[DDQ]=Automatic 4 Speed AISIN									
1									BOLT, Hex Head
	3420 2606	1				ENC	DDQ		
		2	J, T			EP0			
		2				ER0			
2	5600 9614	1							HORN, High Note
-3	5600 9573	1							HORN, Low Note
-4	#6024 030	1				ER0			SCREW AND WASHER, Hex

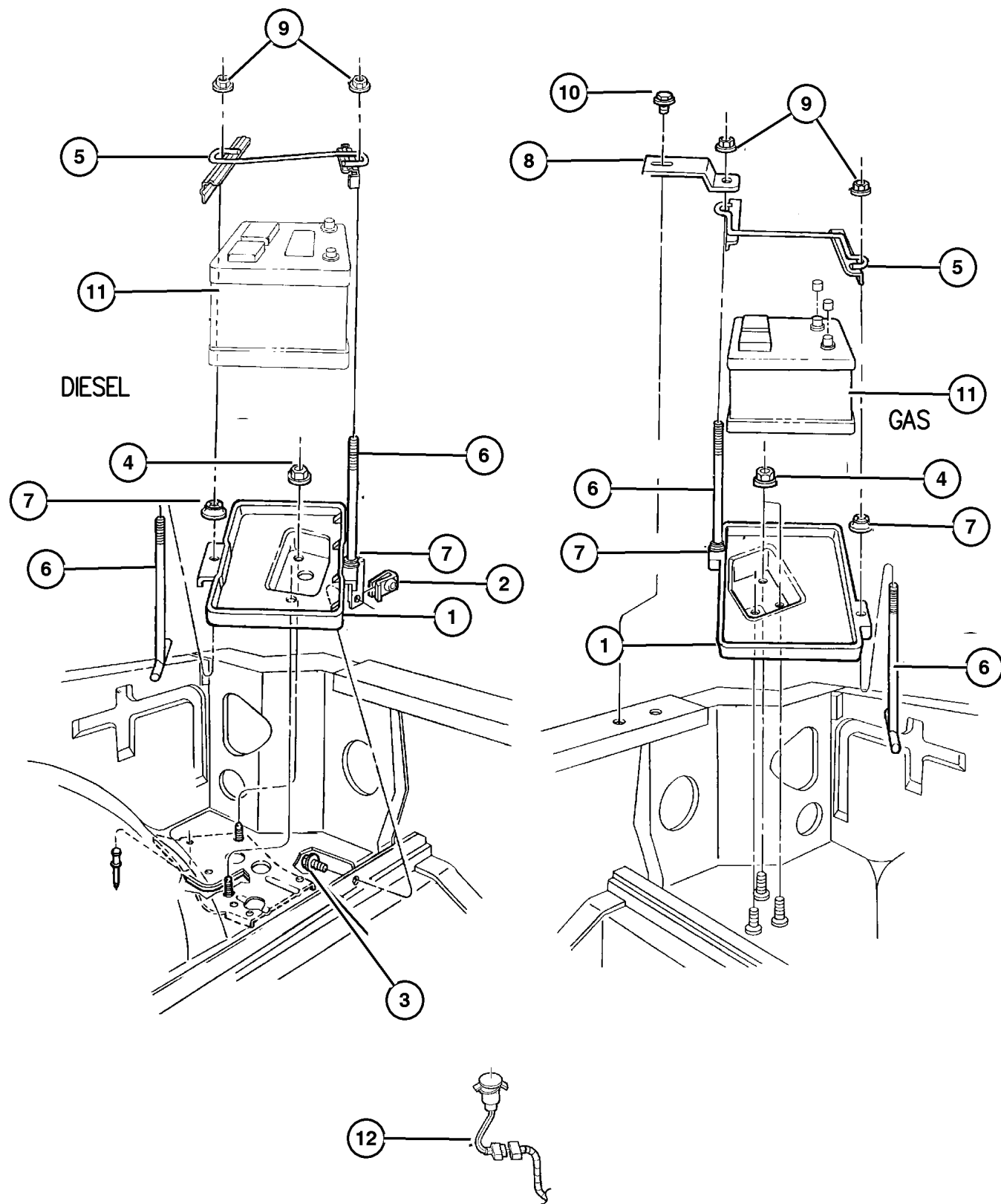


JEEP CHEROKEE (XJ)				
SERIES	LINE	BODY	ENGINE	TRANSMISSION
L=Low Line	J=LHD (4WD) U=RHD (4WD) T=LHD (2WD) B=RHD (2WD)	74=4 DR. (101.4 WB) 72=2 DR. (101.4 WB)	ENC,EN0=2.5L 4 cyl. Turbo Die ERH,ER0=4.0L Power Tech I-6 EPE,EP0=Magnum 2.5L SMPI	DDQ=5Spd Man. DGS=4 Spd. Auto. AISIN DG0=All Auto Trans DBB=All Manual Trans.

AR = Use as required - = Non illustrated part # = New this model year

July 4, 2003

**Battery Tray 1997 XJ  
Figure 008-1005**



ITEM	PART NUMBER	QTY	LINE	SERIES	BODY	ENGINE	TRANS	TRIM	DESCRIPTION
EP0=2.5L Engine ER0=4.0L Engine EN0=4 Cylinder Turbo Diesel Engine									
1	5517 4970	1				EN0			TRAY, Battery Diesel Engine
	5523 5294	1				EP0, ER0			Gasoline Engine
2									NUT, U Type Multi Thread, M8 x 1.25, (NOT SERVICED) (Not Serviced)
3	1150 2693	1				EN0			BOLT, Hex Flange Head, M8-1.25x20.0
4									NUT AND CONED WASHER, M8x1.25, (NOT SERVICED) (Not Serviced)
5	5501 0722	1				EP0, ER0			BRACKET, Battery Hold Down Gasoline Engine
	5501 1012	1				EN0			Diesel Engine
6	5501 4375	2							BOLT, J, M8x1.25x192
7									RETAINER, Battery Hold Down, (NOT SERVICED) (Not Serviced)
8	5534 6107	1				EP0, ER0			STRAP, Battery
9	6101 809	2							NUT AND WASHER, Hex, M8x1.25
10	6101 455	1							SCREW AND WASHER, Hex Head, M6x1x20
11	5517 6267	1				EN0			COVER, Battery Diesel Engine
	5604 1001	1				EP0, ER0			Gasoline Engine
12	5602 7332	1				EP0, ER0			SENSOR, Battery Temperature

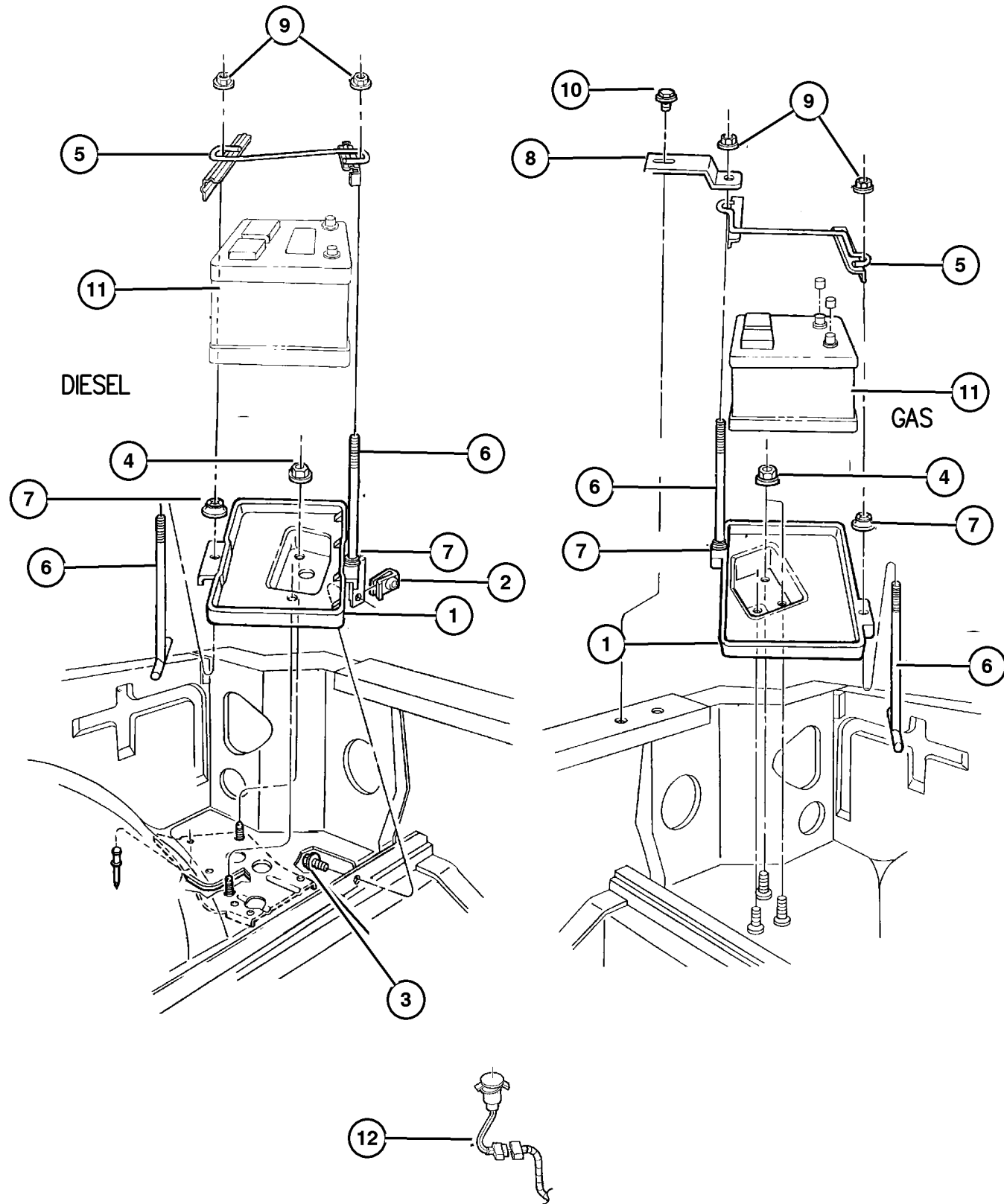
JEEP CHEROKEE (XJ)				
SERIES	LINE	BODY	ENGINE	TRANSMISSION
L=Low Line	J=LHD (4WD) U=RHD (4WD) T=LHD (2WD) B=RHD (2WD)	74=4 DR. (101.4 WB) 72=2 DR. (101.4 WB)	ENC,EN0=2.5L 4 cyl. Turbo Die ERH,ER0=4.0L Power Tech I-6 EPE,EP0=Magnum 2.5L SMPI	DDQ=5Spd Man. DGS=4 Spd. Auto. AISIN DG0=All Auto Trans DBB=All Manual Trans.

AR = Use as required - = Non illustrated part # = New this model year

July 4, 2003



**Battery Tray 1998 XJ  
Figure 008-1005**



ITEM	PART NUMBER	QTY	LINE	SERIES	BODY	ENGINE	TRANS	TRIM	DESCRIPTION
EP0=2.5L Engine ER0=4.0L Engine EN0=4 Cylinder Turbo Diesel Engine									
1	5517 4970	1				EN0			TRAY, Battery Diesel Engine
	55235 819AA	1				EP0, ER0			
2									NUT, U Type Multi Thread, M8 x 1.25, (NOT SERVICED) (Not Serviced)
3	1150 2693	1				EN0			BOLT, Hex Flange Head, M8-1.25x20.0
4									NUT AND CONED WASHER, M8x1.25, (NOT SERVICED) (Not Serviced)
5	5501 0722	1				EP0, ER0			BRACKET, Battery Hold Down Gasoline Engine
	5501 1012	1				EN0			Diesel Engine
6	5501 4375	2							BOLT, J, M8x1.25x192
7									RETAINER, Battery Hold Down, (NOT SERVICED) (Not Serviced)
8	5534 6107	1				EP0, ER0			STRAP, Battery
9	6101 809	2							NUT AND WASHER, Hex, M8x1.25
10	6101 455	1							SCREW AND WASHER, Hex Head, M6x1x20
11	5517 6267	1				EN0			COVER, Battery, Diesel Engine
12	5602 7332	1				EP0, ER0			SENSOR, Battery Temperature

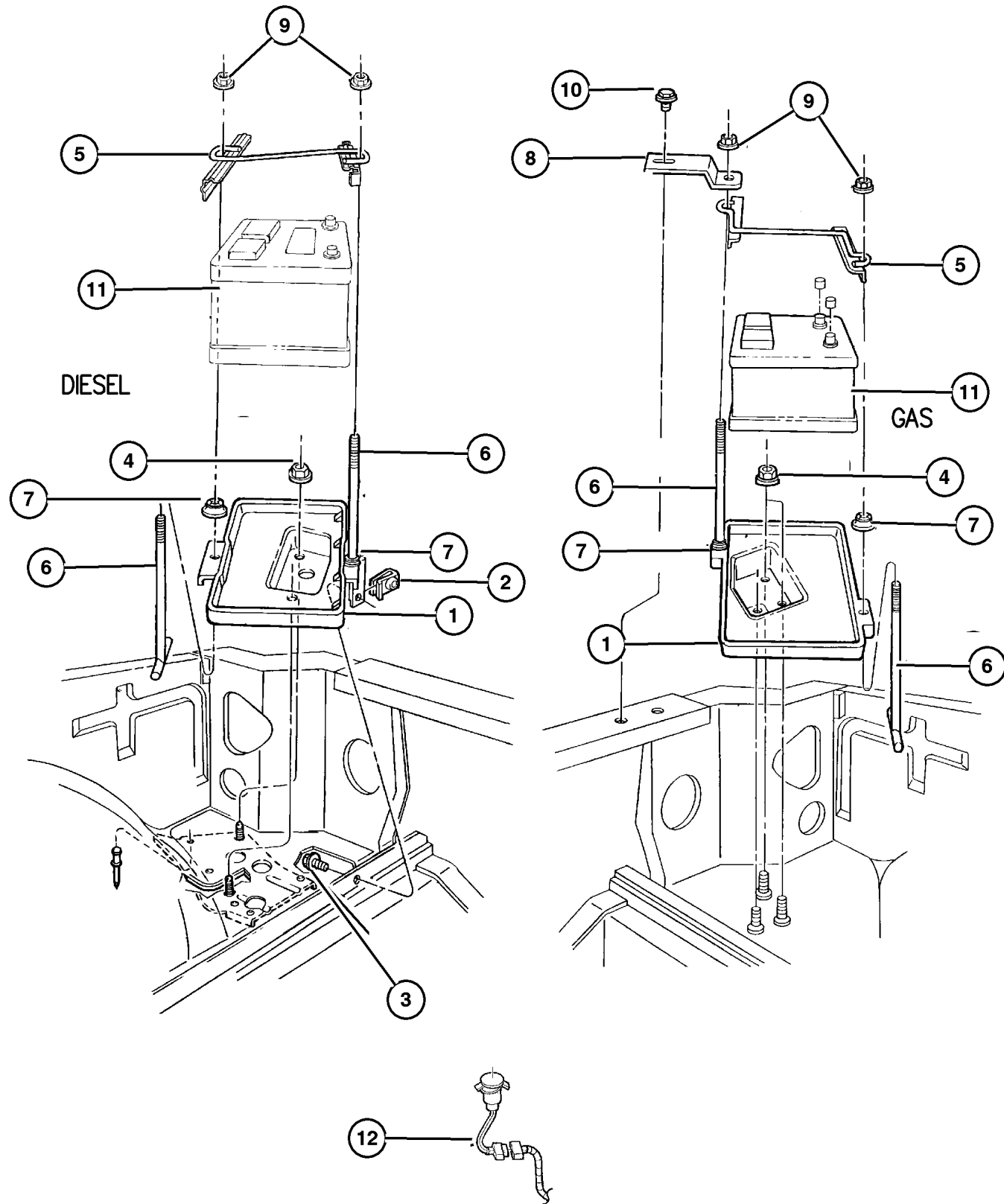
**JEEP CHEROKEE (XJ)**

SERIES	LINE	BODY	ENGINE	TRANSMISSION
L=Low Line	J=LHD (4WD) U=RHD (4WD) T=LHD (2WD) B=RHD (2WD)	74=4 DR. (101.4 WB) 72=2 DR. (101.4 WB)	ENC,EN0=2.5L 4 cyl. Turbo Die ERH,ER0=4.0L Power Tech I-6 EPE,EP0=Magnum 2.5L SMPI	DDQ=5Spd Man. DGS=4 Spd. Auto. AISIN DG0=All Auto Trans DBB=All Manual Trans.

AR = Use as required - = Non illustrated part # = New this model year

July 4, 2003

**Battery Tray 1999 XJ  
Figure 008-1005**



ITEM	PART NUMBER	QTY	LINE	SERIES	BODY	ENGINE	TRANS	TRIM	DESCRIPTION
EP0=2.5L Engine ER0=4.0L Engine EN0=4Cylinder Turbo Engine									
1									TRAY, Battery
	5517 4970	1				EN0			
	55235 819AA	1				EP0, ER0			
2									NUT, U Type Multi Thread, M8 x 1.25, (NOT SERVICED) (Not Serviced)
3	1150 2693	1				EN0			BOLT, Hex Flange Head, M8-1.25x20.0
4									NUT AND CONED WASHER, M8x1.25, (NOT SERVICED) (Not Serviced)
5									BRACKET, Battery Hold Down
	5501 0722	1				EP0, ER0			
	5501 1012	1				EN0			
6	55014 375AB	2							BOLT, J, M8x1.25x192
7									RETAINER, Battery Hold Down, (NOT SERVICED) (Not Serviced)
8	5534 6107	1				EP0, ER0			STRAP, Battery
9	6101 809	2							NUT AND WASHER, Hex, M8x1.25
10	6101 455	1							SCREW AND WASHER, Hex Head, M6x1x20
11									COVER, Battery
	5517 6267	1				EN0			
	56041 001AB	1				EP0, ER0			
12									SENSOR, Battery Temperature
	5602 7332	1				EP0, ER0			
	#5604 1053	1				EN0			

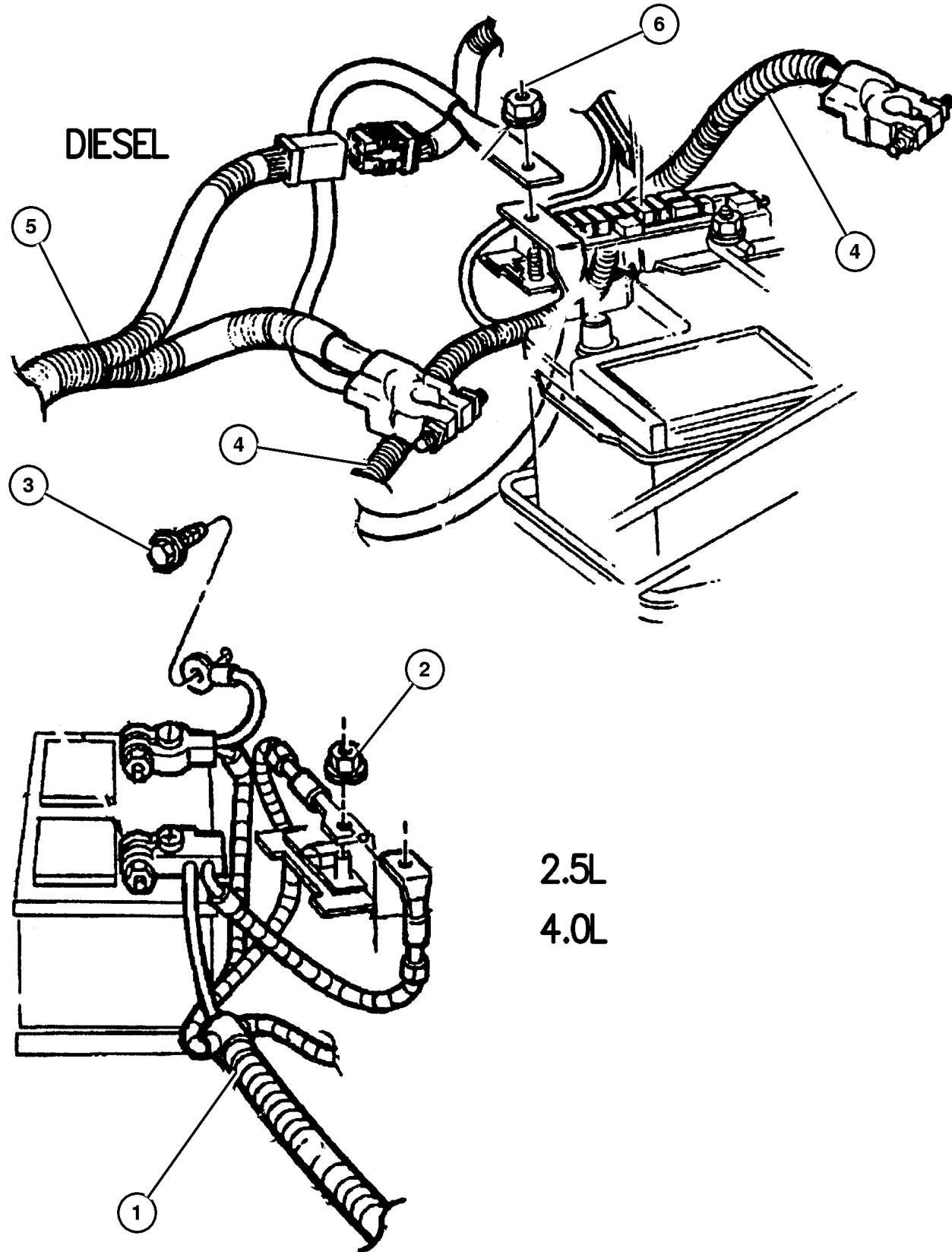
**JEEP CHEROKEE (XJ)**

SERIES	LINE	BODY	ENGINE	TRANSMISSION
L=Low Line	J=LHD (4WD) U=RHD (4WD) T=LHD (2WD) B=RHD (2WD)	74=4 DR. (101.4 WB) 72=2 DR. (101.4 WB)	ENC,EN0=2.5L 4 cyl. Turbo Die ERH,ER0=4.0L Power Tech I-6 EPE,EP0=Magnum 2.5L SMPI	DDQ=5Spd Man. DGS=4 Spd. Auto. AISIN DG0=All Auto Trans DBB=All Manual Trans.

AR = Use as required - = Non illustrated part # = New this model year

July 4, 2003

**Battery Cables 1997 XJ 1998 XJ**  
**Figure 008-1010**



ITEM	PART NUMBER	QTY	LINE	SERIES	BODY	ENGINE	TRANS	TRIM	DESCRIPTION
EP0=2.5L Engine									
ER0=4.0L Engine									
ERH=4.0L Power Tech Engine									
EN0=4 Cylinder Turbo Diesel Engine									
ENC=2.5L 4 Cylinder Turbo Diesel Engine									
1									WIRING, Battery
	56007 641AB	1	B, U			EP0			1997 XJ
	56008 818AB	1	J, T			EP0			1997 XJ
	56008 836AB	1				ER0			1997 XJ
	5600 9782	1	J, T			EP0			2.5L Engine, 1998 XJ, Left Hand Drive
	5600 9783	1				ER0			4.0L Engine, 1998 XJ
	5600 9784	1	B, U			EP0			2.5L Engine, 1998 XJ, Right Hand Drive
2	6035 723	1				ER0			NUT AND WASHER, Hex Nut-E Teeth Washer, .312-18
3	0154 554	1				ENC			SCREW, Self Piercing, .25-14x.625
4									WIRING, Battery Negative
	5600 9074	1				EN0			1997 XJ
	5600 9787	1				EN0			Diesel, 1998 XJ
5									WIRING, Battery Positive
	5600 9073	1				EN0			1997 XJ
	56009 785AC	1				EN0			Diesel, 1998 XJ
6									NUT, Hex Flange Lock, M6x1
	6502 691	3	B, U			ERH			1997 XJ
		3	J, T			EPE, ERH			1997 XJ
		1	J, T			EN0			Diesel, 1998 XJ, Left Hand Drive
		1	B, U			EP0			2.5L Engine, 1998 XJ, Right Hand Drive
		3	B, U			ER0			4.0L Engine, 1998 XJ, Right Hand Drive
		3	J, T			EP0, ER0			2.5L/4.0L Engine, 1998 XJ, Left Hand Drive

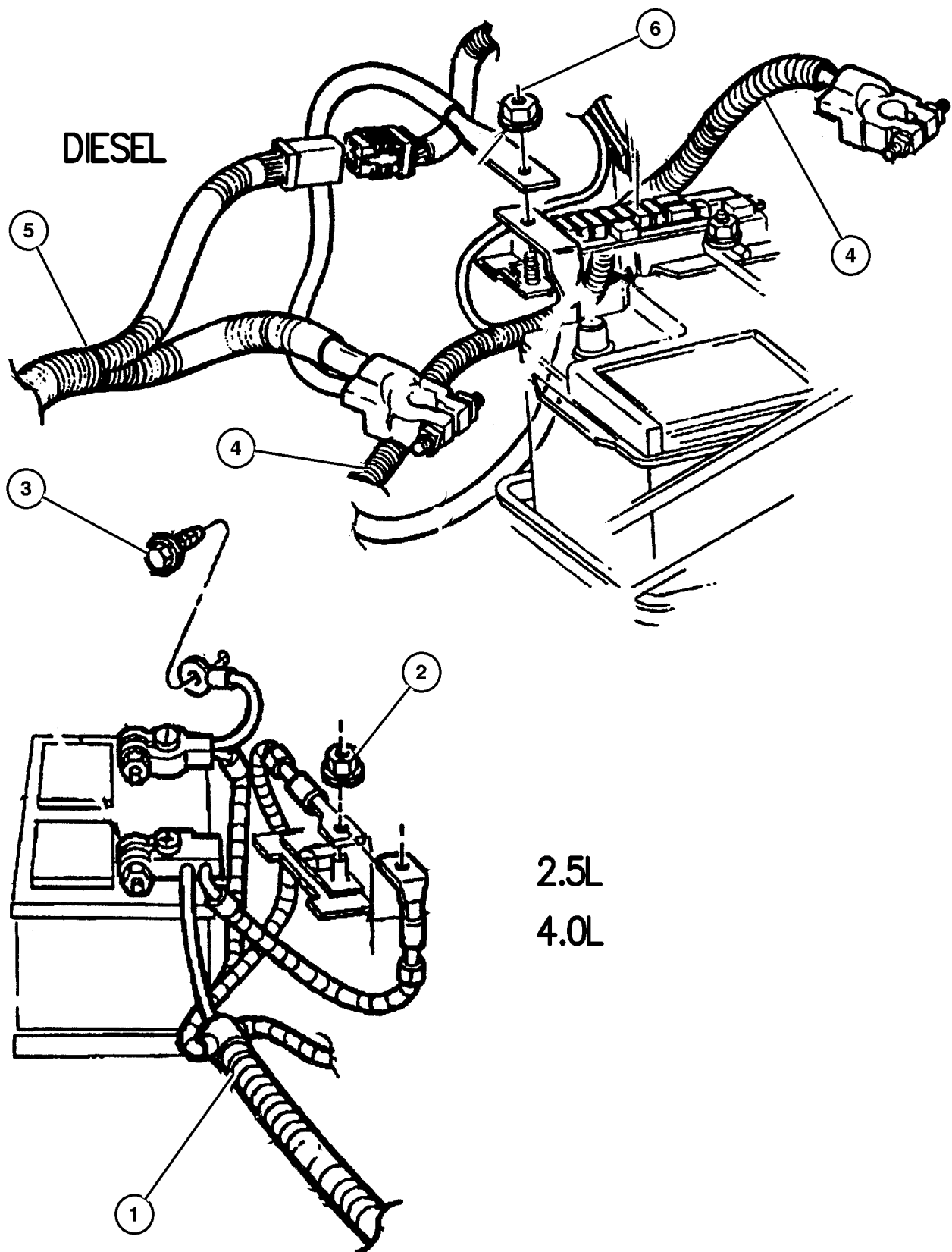
**JEEP CHEROKEE (XJ)**

SERIES	LINE	BODY	ENGINE	TRANSMISSION
L=Low Line	J=LHD (4WD) U=RHD (4WD) T=LHD (2WD) B=RHD (2WD)	74=4 DR. (101.4 WB) 72=2 DR. (101.4 WB)	ENC,EN0=2.5L 4 cyl. Turbo Die ERH,ER0=4.0L Power Tech I-6 EPE,EP0=Magnum 2.5L SMPI	DDQ=5Spd Man. DGS=4 Spd. Auto. AISIN DG0=All Auto Trans DBB=All Manual Trans.

AR = Use as required - = Non illustrated part # = New this model year

July 4, 2003

**Battery Cables 1999 XJ**  
**Figure 008-1010**



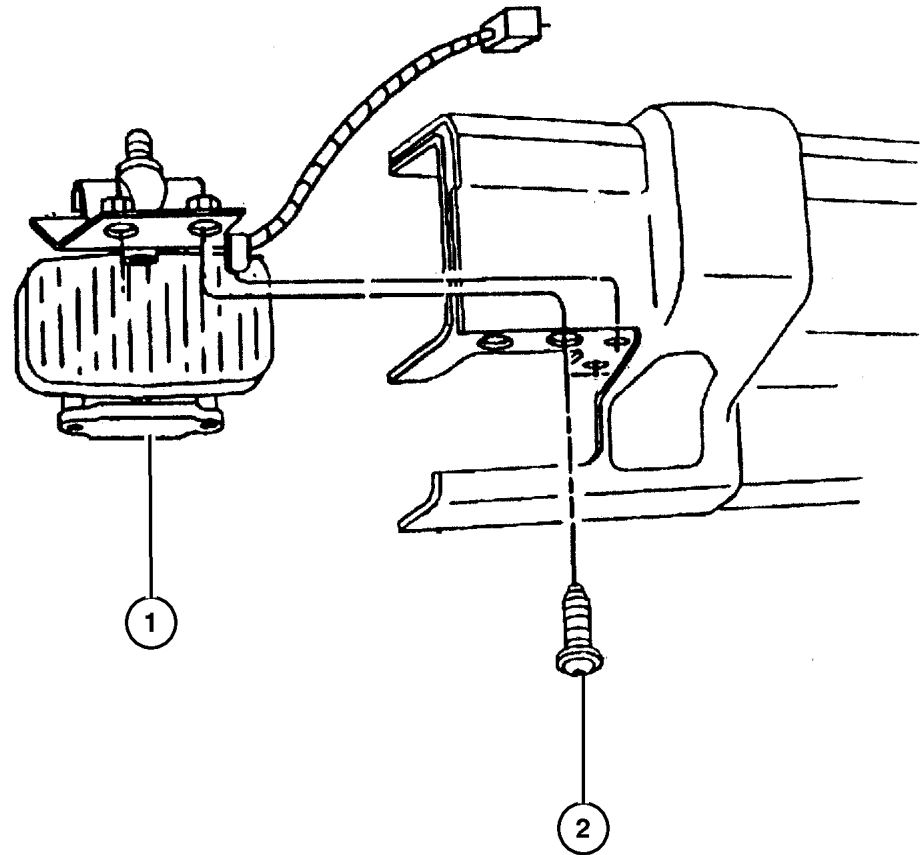
ITEM	PART NUMBER	QTY	LINE	SERIES	BODY	ENGINE	TRANS	TRIM	DESCRIPTION
EP0=2.5L Engine									
ER0=4.0L Engine									
EN0=4Cylinder Turbo Engine									
1									WIRING, Battery
	#56009 782AB	1	J, T			EP0			
	#56009 783AB	1				ER0			
	#56009 784AB	1	B, U			EP0			
2	6035 723	1							NUT AND WASHER, Hex Nut-E Teeth Washer, .312-18
3	0154 554	1							SCREW, Self Piercing, .25-14x.625
4	5600 9787	1				EN0			WIRING, Battery Negative
5	#56009 785AB	1				EN0			WIRING, Battery Positive
6									NUT, Hex Flange Lock, M6x1
	6502 691	1				EP0			
		1				ER0			
		1				EN0			

**JEEP CHEROKEE (XJ)**

SERIES	LINE	BODY	ENGINE	TRANSMISSION
L=Low Line	J=LHD (4WD) U=RHD (4WD) T=LHD (2WD) B=RHD (2WD)	74=4 DR. (101.4 WB) 72=2 DR. (101.4 WB)	ENC,EN0=2.5L 4 cyl. Turbo Die ERH,ER0=4.0L Power Tech I-6 EPE,EP0=Magnum 2.5L SMPI	DDQ=5Spd Man. DGS=4 Spd. Auto. AISIN DG0=All Auto Trans DBB=All Manual Trans.

Lamps Fog 1997 XJ  
Figure 008-1135

ITEM	PART NUMBER	QTY	LINE	SERIES	BODY	ENGINE	TRANS	TRIM	DESCRIPTION
1									LAMP AND BRACKET, Off Road
	5505 5274	1							Lamp Right
	5505 5275	1							Left
2	6503 448	4							SCREW, Round Head, M8x1.25x30



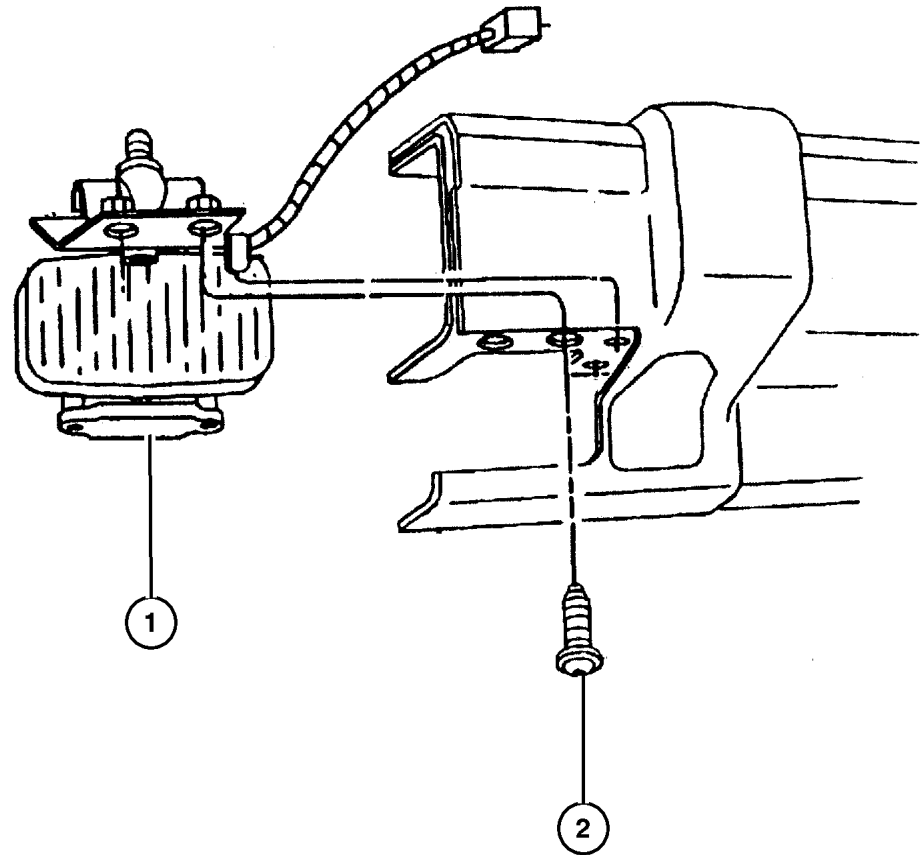
<b>JEEP CHEROKEE (XJ)</b>				
SERIES	LINE	BODY	ENGINE	TRANSMISSION
L=Low Line	J=LHD (4WD) U=RHD (4WD) T=LHD (2WD) B=RHD (2WD)	74=4 DR. (101.4 WB) 72=2 DR. (101.4 WB)	ENC,EN0=2.5L 4 cyl. Turbo Die ERH,ER0=4.0L Power Tech I-6 EPE,EP0=Magnum 2.5L SMPI	DDQ=5Spd Man. DGS=4 Spd. Auto. AISIN DG0=All Auto Trans DBB=All Manual Trans.

AR = Use as required - = Non illustrated part # = New this model year

July 4, 2003

Lamps Fog 1998 XJ  
Figure 008-1135

ITEM	PART NUMBER	QTY	LINE	SERIES	BODY	ENGINE	TRANS	TRIM	DESCRIPTION
1									LAMP AND BRACKET, Off Road
	5505 5274	1							Lamp Right
	5505 5275	1							Left
2	6503 448	4							SCREW, Round Head, M8x1.25x30
-3	4728 646	1							BULB PACKAGE, 55 Watt, Foglamp Bulb



JEEP CHEROKEE (XJ)

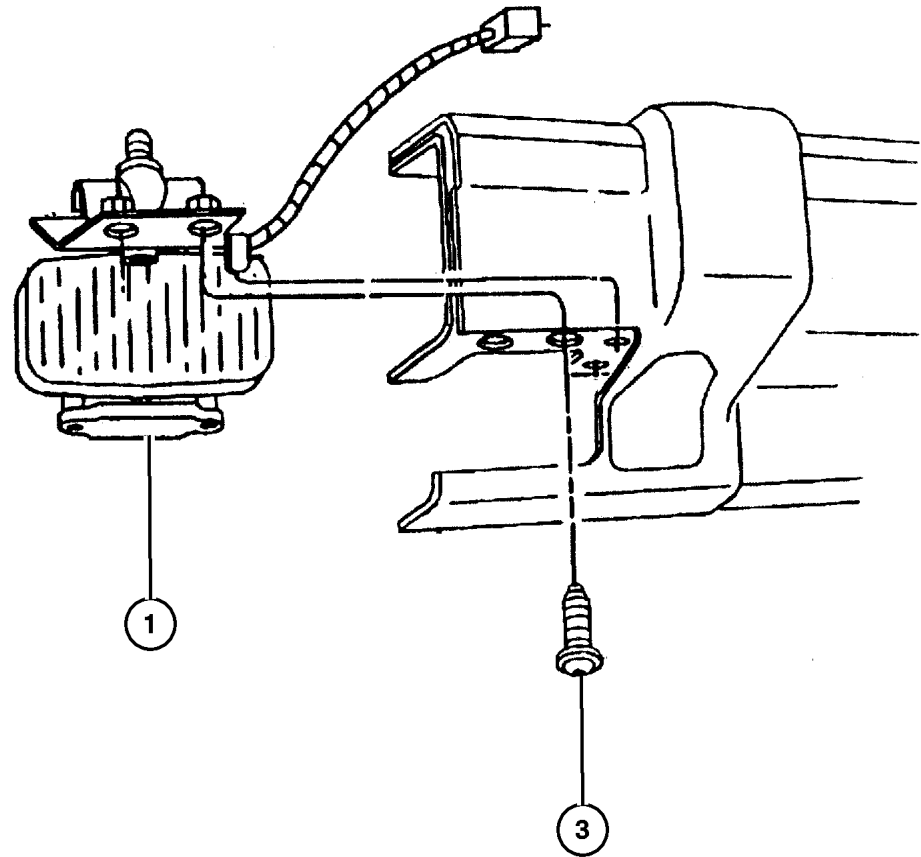
SERIES	LINE	BODY	ENGINE	TRANSMISSION
L=Low Line	J=LHD (4WD) U=RHD (4WD) T=LHD (2WD) B=RHD (2WD)	74=4 DR. (101.4 WB) 72=2 DR. (101.4 WB)	ENC,EN0=2.5L 4 cyl. Turbo Die ERH,ER0=4.0L Power Tech I-6 EPE,EP0=Magnum 2.5L SMPI	DDQ=5Spd Man. DGS=4 Spd. Auto. AISIN DG0=All Auto Trans DBB=All Manual Trans.

AR = Use as required - = Non illustrated part # = New this model year

July 4, 2003

Lamps Fog 1999 XJ  
Figure 008-1135

ITEM	PART NUMBER	QTY	LINE	SERIES	BODY	ENGINE	TRANS	TRIM	DESCRIPTION
1									LAMP AND BRACKET, Off Road
	#55055 274AB	1							Lamp Right
	#55055 275AB	1							Left
-2	L00H 355W	1							BULB, Fog Lamp, H-3 55 WATT
3									SCREW, Round Head, M8x1.25x30, (NOT SERVICED) (Not Serviced)



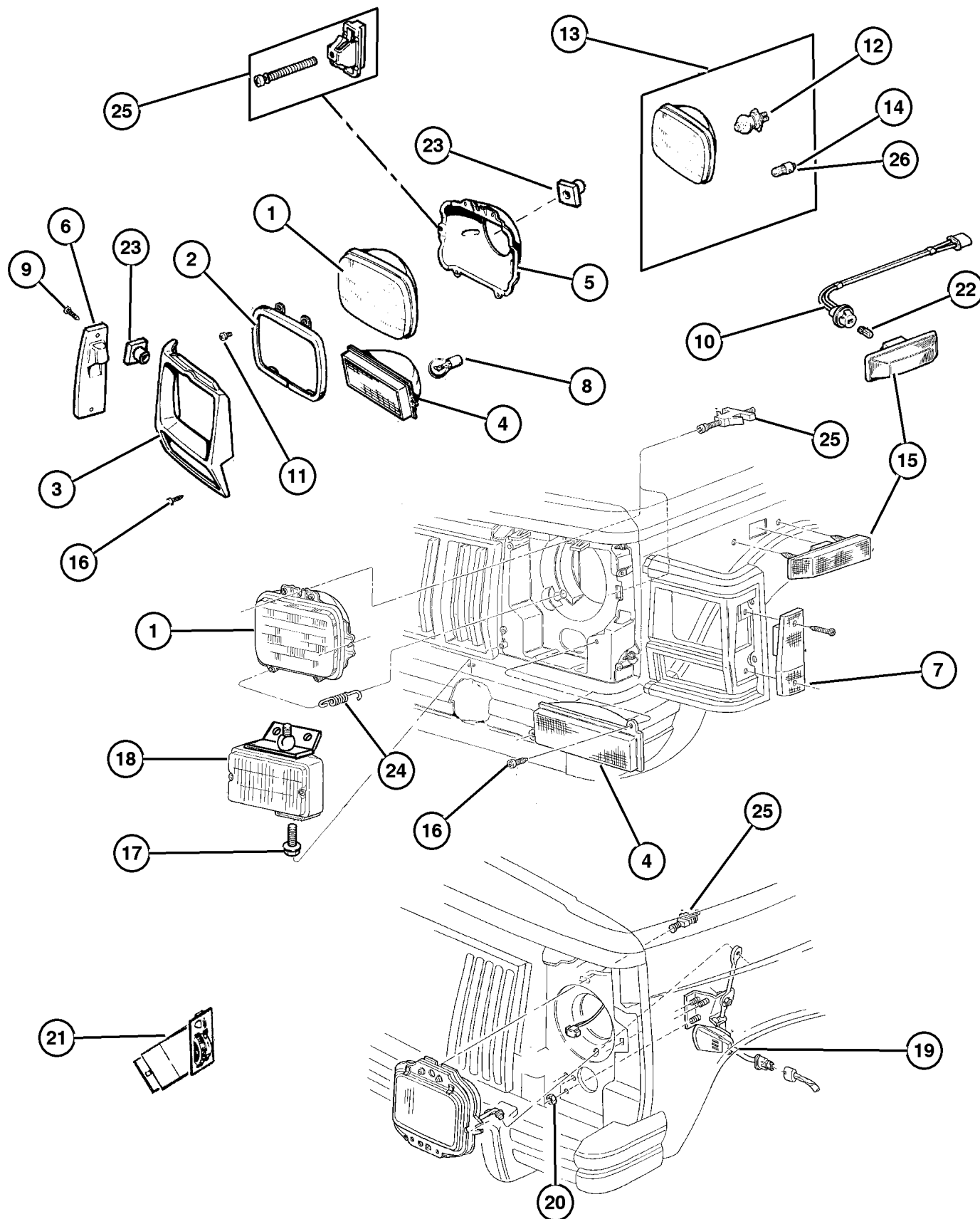
JEEP CHEROKEE (XJ)

SERIES	LINE	BODY	ENGINE	TRANSMISSION
L=Low Line	J=LHD (4WD) U=RHD (4WD) T=LHD (2WD) B=RHD (2WD)	74=4 DR. (101.4 WB) 72=2 DR. (101.4 WB)	ENC,EN0=2.5L 4 cyl. Turbo Die ERH,ER0=4.0L Power Tech I-6 EPE,EP0=Magnum 2.5L SMPI	DDQ=5Spd Man. DGS=4 Spd. Auto. AISIN DG0=All Auto Trans DBB=All Manual Trans.

AR = Use as required - = Non illustrated part # = New this model year

July 4, 2003

Lamps Front 1997 XJ  
Figure 008-1140



ITEM	PART NUMBER	QTY	LINE	SERIES	BODY	ENGINE	TRANS	TRIM	DESCRIPTION
1	L00H 6054	1							BULB, Headlamp
2	5600 1260	1	B, U						RETAINER, Headlamp Bulb
		1	J, T						
3									BEZEL, Headlamp
	5EM7 2SW1	1							(P.A.R.), Right
	5EM7 3SW1	1							(P.A.R.), Left
	5505 5136	1							Black, Right
	5505 5137	1							Black, Left
4									LAMP, Park and Turn Signal
	5505 5142	1							Right
	5505 5143	1							Left
5									SEAT, Headlamp
	4897 196AA	1	J, T						Halogen Headlam (Right) Export
	4897 197AA	1	J, T						Halogen Headlam (Left) Export
	5600 1279	1							Halogen Lamp/White/ECE (Left)
	5600 1278	1							Halogen Lamp/White/ECE (Right)
6									LAMP, Side Marker
	5505 5146	1							Right
	5505 5147	1							Left
7									COVER, Side Marker Lamp
	5505 5148	1							Right
	5505 5149	1							Left
8	0154 851AA	4							BULB, 3157
9									SCREW
	6504 997AA	3	J, T						
		2	B, U						
10	5600 7685	2							WIRING, Turn Signal Lamp
11	3420 1821	2	J						SCREW, Pan Head, .164-18x.512
12									BULB, H4 Clear
	J324 2537	1	B, U						
		1	J, T						
13									HEADLAMP
	55055 296AC	1	B, U						RHD/EUROPE, Right
	55155 331AB	1	B, U						RHD/EUROPE w/H/Lamp Leveling, Left
	55055 297AC	1	B, U						RHD/EUROPE, Left
	55055 298AB	1	J, T						LHD/EUROPE w/H/Lamp Leveling, Right
	55055 299AB	1	J, T						LHD/EUROPE w/H/Lamp Leveling, Left
	55055 300AC	1							Type 2B1 (USA), Right
	55055 301AC	1							Type 2B1 (USA), Left

JEEP CHEROKEE (XJ)

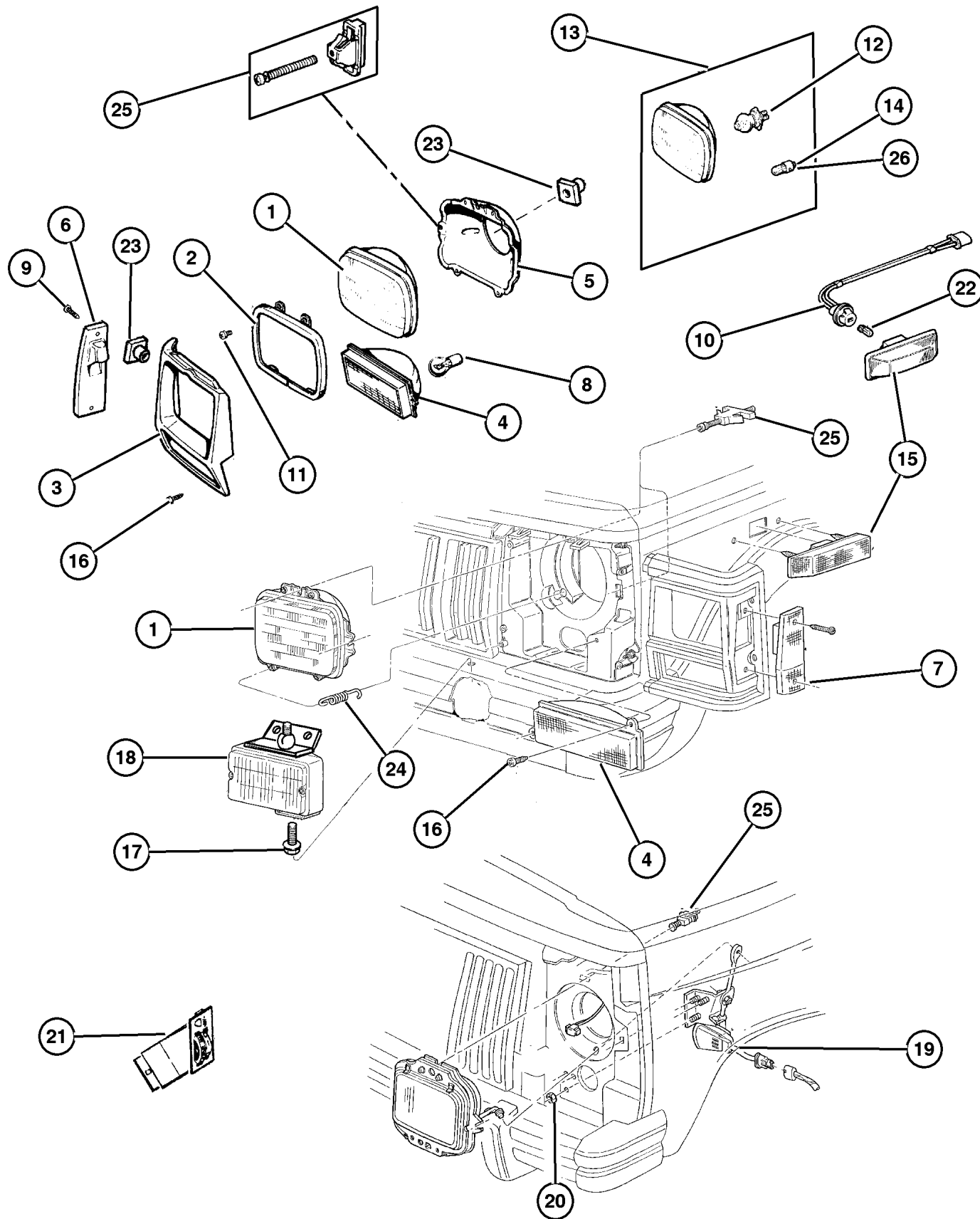
SERIES	LINE	BODY	ENGINE	TRANSMISSION
L=Low Line	J=LHD (4WD) U=RHD (4WD) T=LHD (2WD) B=RHD (2WD)	74=4 DR. (101.4 WB) 72=2 DR. (101.4 WB)	ENC,EN0=2.5L 4 cyl. Turbo Die ERH,ER0=4.0L Power Tech I-6 EPE,EP0=Magnum 2.5L SMPI	DDQ=5Spd Man. DGS=4 Spd. Auto. AISIN DG0=All Auto Trans DBB=All Manual Trans.

AR = Use as required - = Non illustrated part # = New this model year

July 4, 2003



Lamps Front 1997 XJ  
Figure 008-1140



ITEM	PART NUMBER	QTY	LINE	SERIES	BODY	ENGINE	TRANS	TRIM	DESCRIPTION
	55055 302AC	1	J, T						LHD/EUROPE (Clear), Right
	55055 303AC	1	J, T						LHD/EUROPE (Clear), Left
	55155 330AB	1	B, U						RHD/EUROPE w/H/Lamp Leveling, Right
14	J324 2539	1	J						BULB, T8/4
15	5505 5014	2							LAMP, Side Repeater
16	6034 204	4							SCREW, Pan Head, #6 HiLo
17	6503 448	4							SCREW AND WASHER, Round Head, M8x1.25x20
18									LAMP AND BRACKET, Off Road Lamp
	5505 5274	1							Right
	5505 5275	1							Left
19									ACTUATOR, Headlamp
	5505 5240	1							Right
	5505 5241	1							Left
20	6100 044	2							NUT AND WASHER, Hex, m5x0.80
21	56007 675AB	1							SWITCH, Headlamp Leveling
22	9425 542	2							BULB, 168
23									NUT, .164, (NOT SERVICED) (Not Serviced)
24	3600 2216	2							SPRING, Headlamp Adjusting
25	5505 4621	4							SCREW AND NUT, Headlamp Adjustment
26	4882 328	1	B, U						BULB, 4 Watt - Bayonette Type

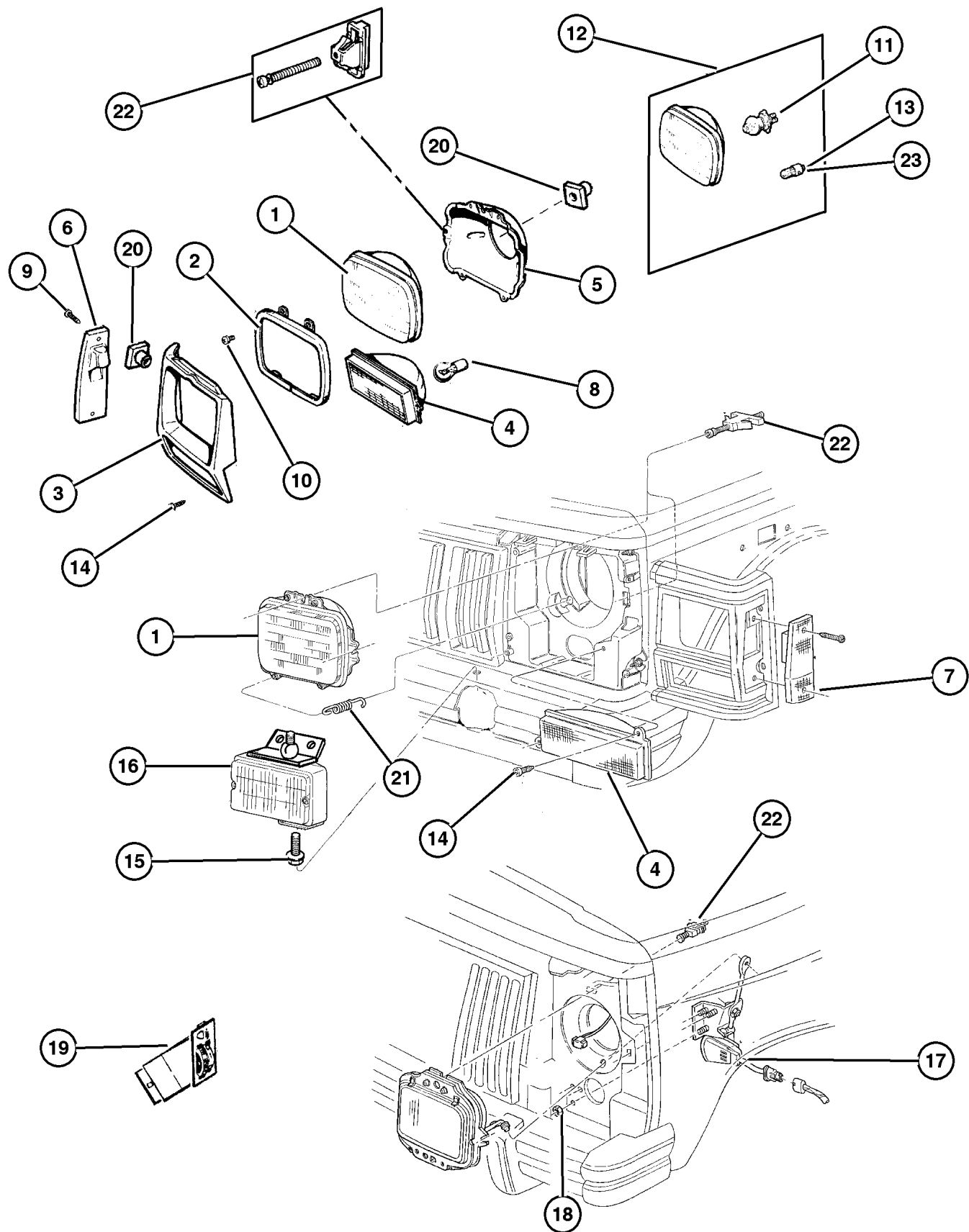
JEEP CHEROKEE (XJ)

SERIES	LINE	BODY	ENGINE	TRANSMISSION
L=Low Line	J=LHD (4WD) U=RHD (4WD) T=LHD (2WD) B=RHD (2WD)	74=4 DR. (101.4 WB) 72=2 DR. (101.4 WB)	ENC,EN0=2.5L 4 cyl. Turbo Die ERH,ER0=4.0L Power Tech I-6 EPE,EP0=Magnum 2.5L SMPI	DDQ=5Spd Man. DGS=4 Spd. Auto. AISIN DG0=All Auto Trans DBB=All Manual Trans.

AR = Use as required - = Non illustrated part # = New this model year

July 4, 2003

Lamps Front 1998 XJ  
Figure 008-1140



ITEM	PART NUMBER	QTY	LINE	SERIES	BODY	ENGINE	TRANS	TRIM	DESCRIPTION
1	5505 4827	1	B, U						BULB, Headlamp w/o H/Lamp Leveling
		1	B, U						EUROPE w/H/Lamp Leveling
	5600 0887	1	J, T						EUROPE w/H/Lamp Leveling
		1	J, T						EUROPE w/o H/Lamp Leveling
	L00H 6054	1							USA/CANADA w/o H/Lamp Leveling
2	4897 198AA	1							RETAINER, Headlamp Bulb USA/CANADA w/Leveling Device
		1	J, T						LHD/EUROPE w/o Leveling Device
		1	B, U						RHD/EUROPE w/o Leveling Device
	4897 199AB	1	B, U						RHD/EUROPE w/Leveling Device
		1	J, T						LHD/EUROPE w/Leveling Device
3	5505 5136	1							BEZEL, Headlamp Black/Black, Right
	5505 5137	1							Black/Black, Left
	5EM7 2SW1	1							Right (P.A.R.), Right
	5EM7 3SW1	1							Left (P.A.R.), Left
	4	5505 5142	1						
5505 5143		1							Left
5		4897 196AB	1						
	4897 197AB	1							Halogen Headlamp (Left)
	6								
5505 5146		1							Left
5505 5147		1							
7	5505 5148	1							COVER, Side Marker Lamp Right
	5505 5149	1							Left
	8	0154 851AA	4						
9		6035 322	2						SCREW
10	3420 1821	AR							SCREW, Pan Head, .164-18x.512
11	J324 2537	1	B, U						BULB, H4 Clear
		1	J, T						
12	55055 296AD	1	B, U						HEADLAMP RHD/EUROPE w/o Leveling Device, Right
	55055 297AD	1	B, U						RHD/EUROPE w/o Leveling Device, Left
	55055 298AC	1	J, T						LHD/EUROPE w/Leveling Device, Right

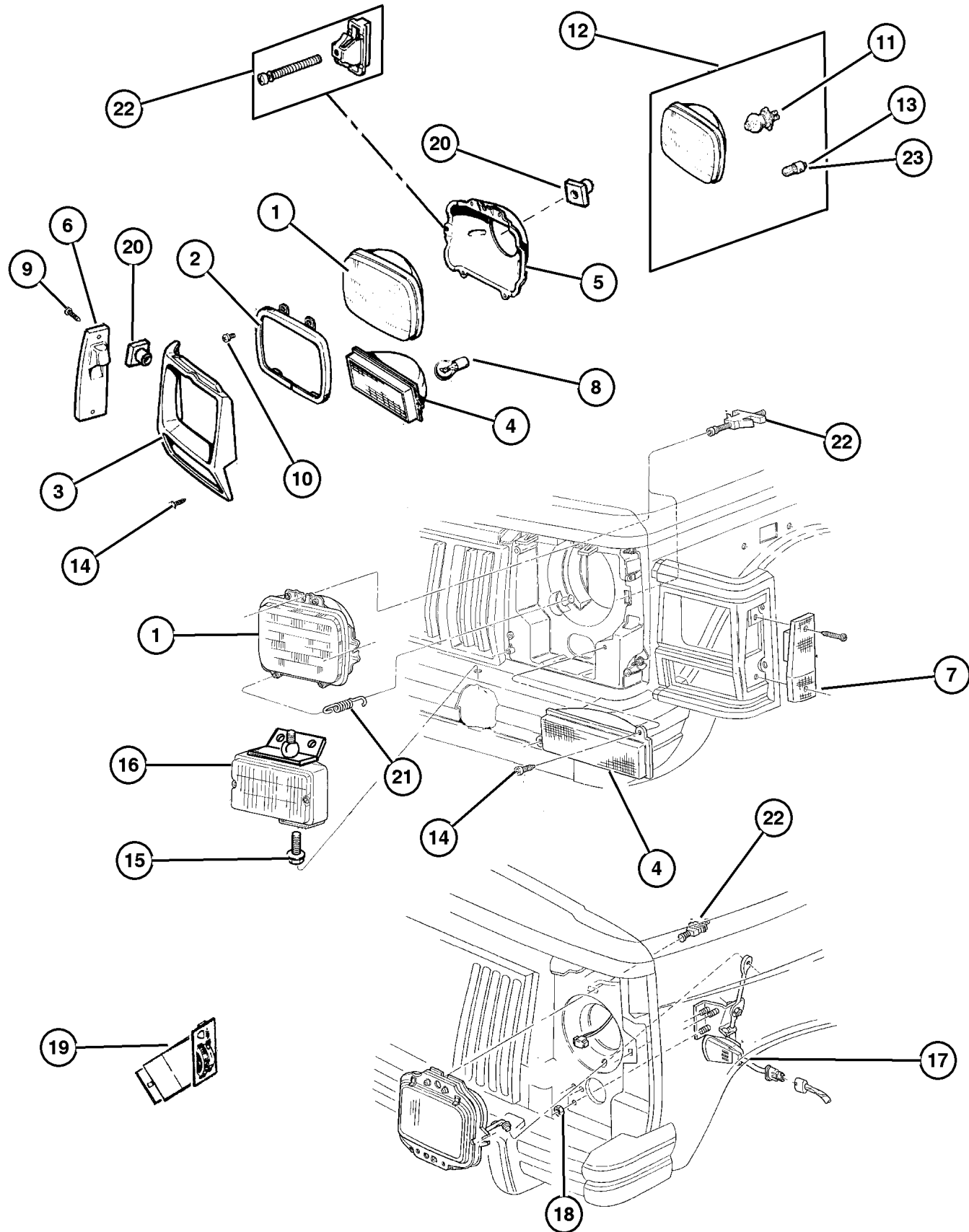
JEEP CHEROKEE (XJ)

SERIES	LINE	BODY	ENGINE	TRANSMISSION
L=Low Line	J=LHD (4WD) U=RHD (4WD) T=LHD (2WD) B=RHD (2WD)	74=4 DR. (101.4 WB) 72=2 DR. (101.4 WB)	ENC,EN0=2.5L 4 cyl. Turbo Die ERH,ER0=4.0L Power Tech I-6 EPE,EP0=Magnum 2.5L SMPI	DDQ=5Spd Man. DGS=4 Spd. Auto. AISIN DG0=All Auto Trans DBB=All Manual Trans.

AR = Use as required - = Non illustrated part # = New this model year

July 4, 2003

Lamps Front 1998 XJ  
Figure 008-1140



ITEM	PART NUMBER	QTY	LINE	SERIES	BODY	ENGINE	TRANS	TRIM	DESCRIPTION
	55055 299AC	1	J, T						LHD/EUROPE w/Leveling Device, Left
	55055 300AD	1							USA/CANADA w/o Leveling Device, Right
	55055 301AD	1							USA/CANADA w/o Leveling Device, Left
	55055 302AD	1	J, T						LHD/EUROPE w/o Leveling Device, Right
	55055 303AD	1	J, T						LHD/EUROPE w/o Leveling Device, Left
	55155 330AC	1	B, U						RHD/EUROPE w/Leveling Device, Right
	55155 331AC	1	B, U						RHD/EUROPE w/Leveling Device, Left
13	J324 2539	1	J, T						BULB, T8/4, Park Lamp EUROPE (LHD)
14	6034 204	4							SCREW, Pan Head, #6 HiLo
15	6503 154	4							SCREW AND WASHER, Round Head, M8x1.25x20
16									LAMP AND BRACKET, Off Road Lamp
	5505 5274	1							Right
	5505 5275	1							Left
17									ACTUATOR, Headlamp
	5505 5240	1							Right
	5505 5241	1							Left
18	6100 044	2							NUT AND WASHER, Hex, m5x0.80
19	56007 675AB	1							SWITCH, Headlamp Leveling
20									NUT, .164, (NOT SERVICED) (Not Serviced)
21	3600 2216	2							SPRING, Headlamp Adjusting
22	5505 4621	4							SCREW AND NUT, Headlamp Adjustment
23	4882 328	1	B, U						BULB, 4 Watt - Bayonette Type, Park Lamp (EUROPE/CHINA) RHD

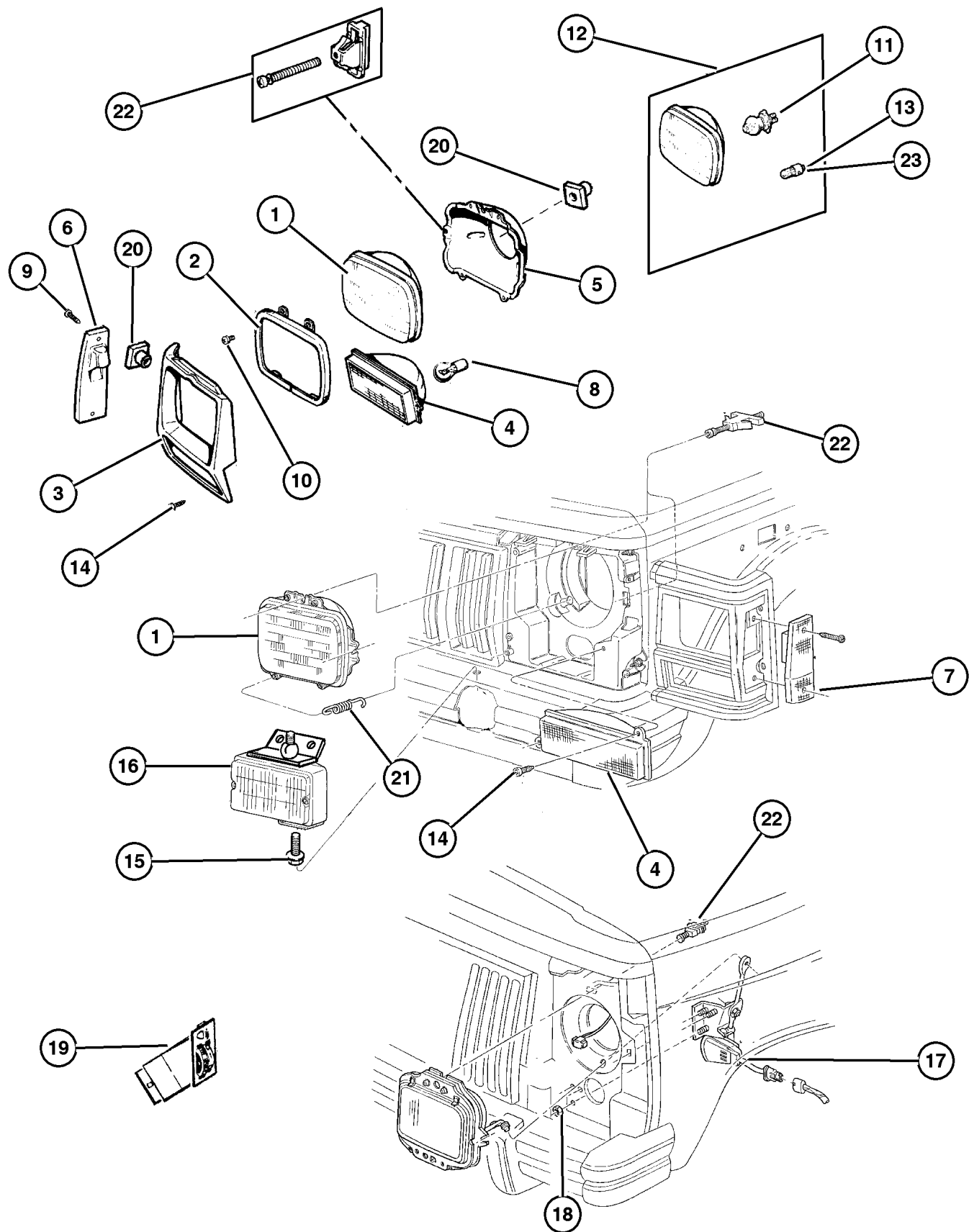
JEEP CHEROKEE (XJ)

SERIES	LINE	BODY	ENGINE	TRANSMISSION
L=Low Line	J=LHD (4WD) U=RHD (4WD) T=LHD (2WD) B=RHD (2WD)	74=4 DR. (101.4 WB) 72=2 DR. (101.4 WB)	ENC,EN0=2.5L 4 cyl. Turbo Die ERH,ER0=4.0L Power Tech I-6 EPE,EP0=Magnum 2.5L SMPI	DDQ=5Spd Man. DGS=4 Spd. Auto. AISIN DG0=All Auto Trans DBB=All Manual Trans.

AR = Use as required - = Non illustrated part # = New this model year

July 4, 2003

Lamps Front 1999 XJ  
Figure 008-1140



ITEM	PART NUMBER	QTY	LINE	SERIES	BODY	ENGINE	TRANS	TRIM	DESCRIPTION
1	5505 4827	1	B, U						BULB, Headlamp w/Halogen Lamp (White) EUROPE RHD
	5600 0887	1	J, T						w/Halogen Lamp (White) EUROPE LHD
2	L00H 6054	1							w/Halogen Lamp (USA/CANADA) RETAINER, Headlamp Bulb
	4897 198AA	1	J, T						w/o Leveling
		1	B, U						w/o Leveling
	4897 199AC	1	J, T						w/Leveling
3		1	B, U						w/Leveling
	5505 5136	1							BEZEL, Headlamp Black, Right
	5505 5137	1							Black, Left
	5EM7 2SW1	1							P.A.R., Right
4	5EM7 3SW1	1							P.A.R., Left
									LAMP, Park and Turn Signal
	5505 5142	1							Right
5	5505 5143	1							Left
									SEAT, Headlamp
6	4897 197AB	1							Left
	4897 196AB	1							Right
7									LAMP, Side Marker
	5505 5146	1							Right
	5505 5147	1							Left
8									COVER, Side Marker Lamp
	5505 5148	1							Right
9	5505 5149	1							Left
	0154 851AA	4							BULB, 3157
10	6035 322	2							SCREW
11									SCREW, Pan Head, .164-18x.512, (NOT REQUIRED)
									BULB, H4 Clear
12	J324 2537	1	J, T						
		1	B, U						
12									HEADLAMP
	55055 296AE	1	B, U						w/o Leveling, Right
	55055 297AD	1	B, U						w/o Leveling, Left
	55055 298AD	1	J, T						w/Leveling, Right
	55055 299AD	1	J, T						w/Leveling, Left
	55055 300AE	1							w/o Leveling(Type 2B1), Right
55055 301AE	1							w/o Leveling (Type 2B1), Left	

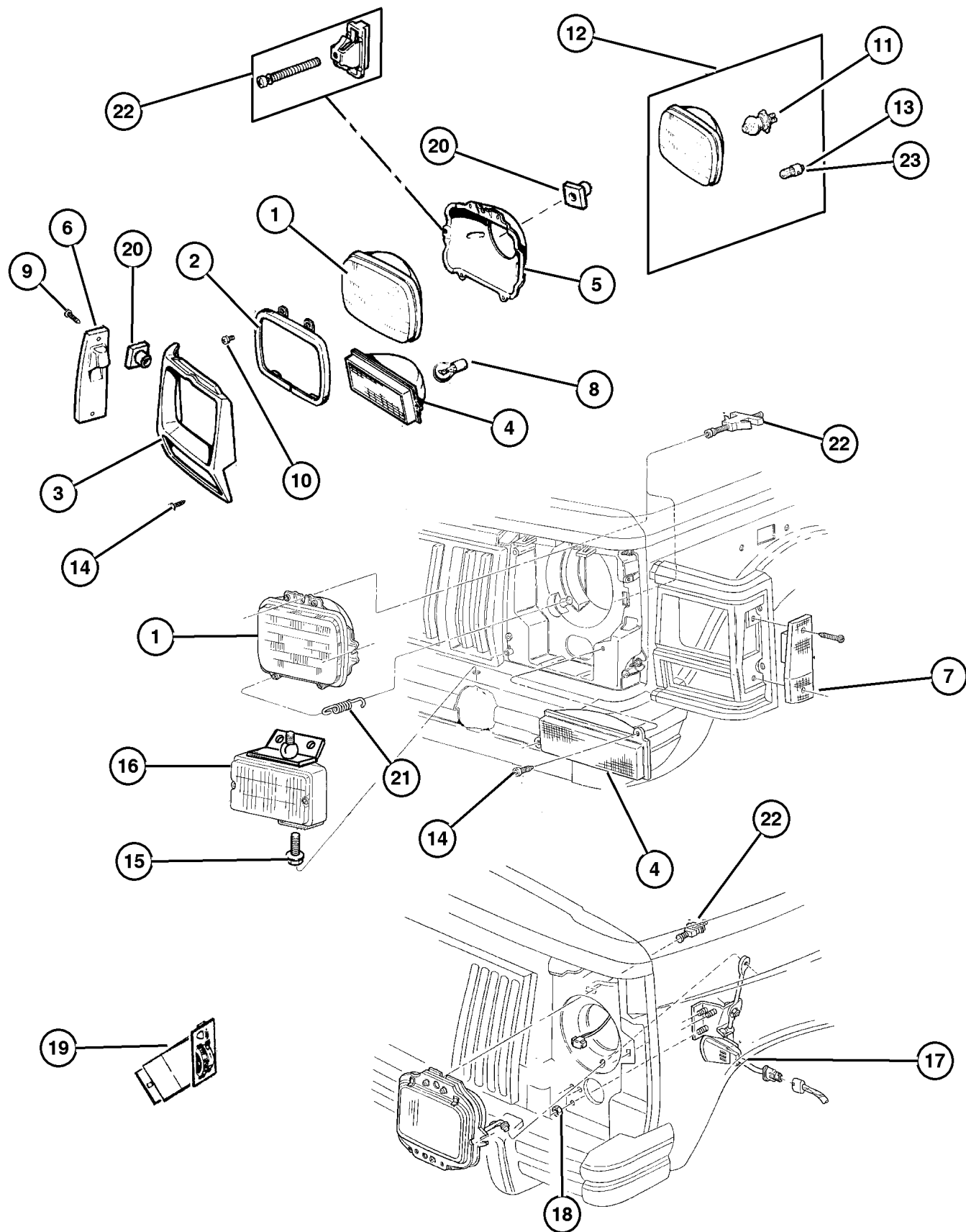
JEEP CHEROKEE (XJ)

SERIES	LINE	BODY	ENGINE	TRANSMISSION
L=Low Line	J=LHD (4WD) U=RHD (4WD) T=LHD (2WD) B=RHD (2WD)	74=4 DR. (101.4 WB) 72=2 DR. (101.4 WB)	ENC,EN0=2.5L 4 cyl. Turbo Die ERH,ER0=4.0L Power Tech I-6 EPE,EP0=Magnum 2.5L SMPI	DDQ=5Spd Man. DGS=4 Spd. Auto. AISIN DG0=All Auto Trans DBB=All Manual Trans.

AR = Use as required - = Non illustrated part # = New this model year

July 4, 2003

Lamps Front 1999 XJ  
Figure 008-1140



ITEM	PART NUMBER	QTY	LINE	SERIES	BODY	ENGINE	TRANS	TRIM	DESCRIPTION
	55055 302AE	1	J, T						w/o Leveling (Clear), Right
	55055 303AE	1	J, T						w/o Leveling (Clear), Left
	55155 330AD	1	B, U						w/Leveling, Right
	55155 331AD	1	B, U						w/Leveling, Left
13	J324 2539	1	J, T						BULB, T8/4
14	6034 204	4							SCREW, Pan Head, #6 HiLo
15	6503 154	4							SCREW AND WASHER, Round Head, M8x1.25x20
16									LAMP AND BRACKET, Off Road
									Lamp
	#55055 274AB	1							Right
	#55055 275AB	1							Left
17									ACTUATOR, Headlamp
	55055 240AB	1							Right
	55055 241AB	1							Left
18	6100 044	2							NUT AND WASHER, Hex, m5x0.80
19	56007 675AB	1							SWITCH, Headlamp Leveling
20									NUT, .164, (NOT SERVICED) (Not Serviced)
21	3600 2216	2							SPRING, Headlamp Adjusting
22	55054 621AB	4							SCREW AND NUT, Headlamp Adjustment
23	4882 328	1	B, U						BULB, 4 Watt - Bayonette Type
-24	5600 4262	1							MODULE, Daytime Running Lamp
-25	5602 1441	1							LAMP, Underhood

JEEP CHEROKEE (XJ)

SERIES	LINE	BODY	ENGINE	TRANSMISSION
L=Low Line	J=LHD (4WD) U=RHD (4WD) T=LHD (2WD) B=RHD (2WD)	74=4 DR. (101.4 WB) 72=2 DR. (101.4 WB)	ENC,EN0=2.5L 4 cyl. Turbo Die ERH,ER0=4.0L Power Tech I-6 EPE,EP0=Magnum 2.5L SMPI	DDQ=5Spd Man. DGS=4 Spd. Auto. AISIN DG0=All Auto Trans DBB=All Manual Trans.

AR = Use as required - = Non illustrated part # = New this model year

July 4, 2003

Lamps Rear 1997 XJ 1998 XJ  
Figure 008-1155

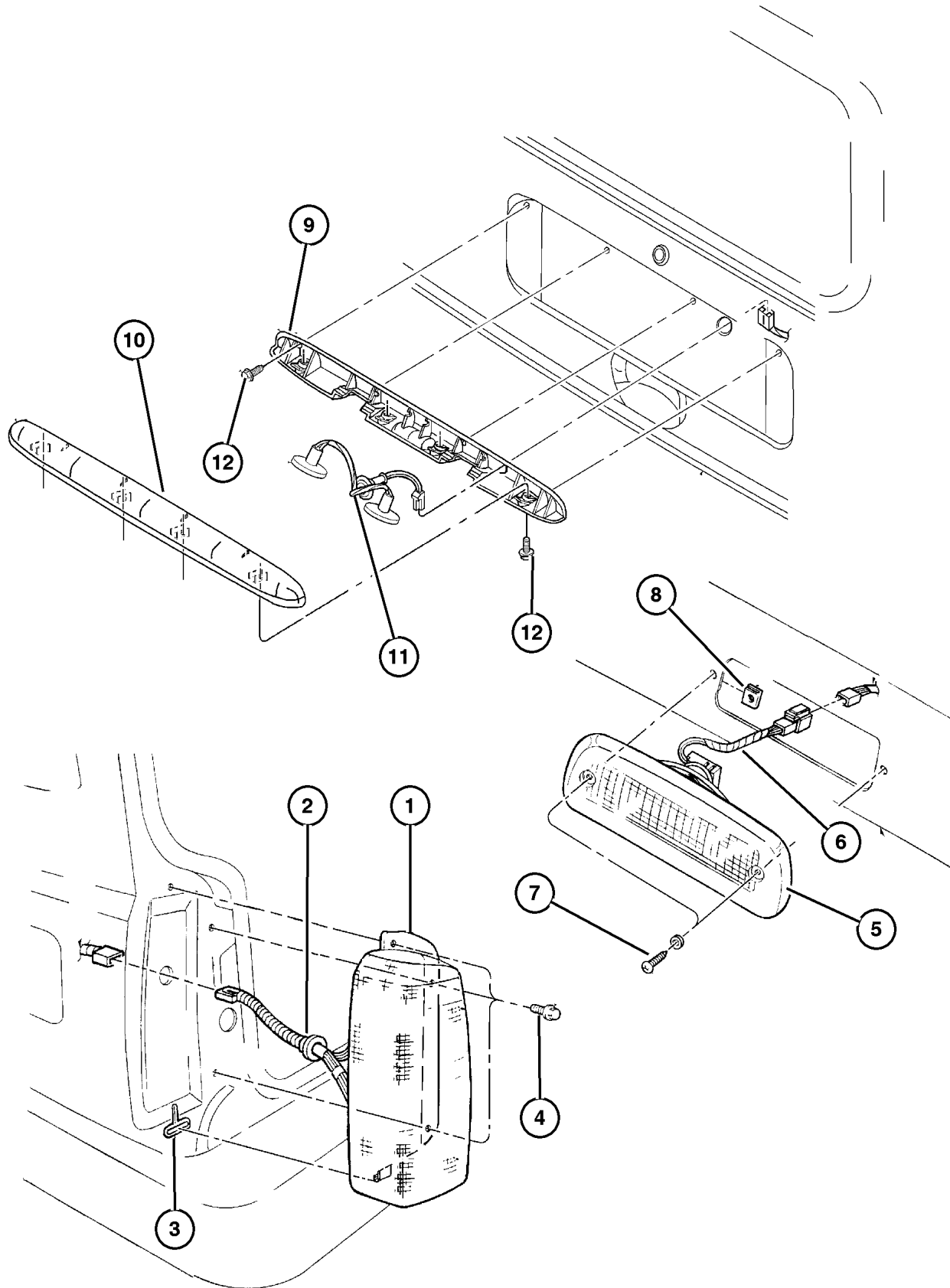
ITEM	PART NUMBER	QTY	LINE	SERIES	BODY	ENGINE	TRANS	TRIM	DESCRIPTION
1									LAMP, Tail Stop Turn
	4897 398AA	1							1997 XJ, Right
		1							USA/CANADA, 1998 XJ, Right
	4897 399AA	1							1997 XJ, Left
		1							USA/CANADA, 1998 XJ, Left
	4897 400AA	1							EUROPE, 1997 XJ, Right
		1							w/Export Equipment Package, 1998 XJ, Right
	4897 401AA	1							EUROPE, 1997 XJ, Left
		1							w/Export Equipment Package & Outside Mounted Tire Carrier, 1998 XJ, Left
2									WIRING, Taillamp
	5600 9642	1							EUROPE, 1997 XJ
		1							w/Export Equipment Package, 1998 XJ
		1							w/Export Equipment Package & Outside Mounted Tire Carrier, 1998 XJ
	5600 9770	1							1997 XJ
		1							USA/CANADA, 1998 XJ
3	4676 350	2							GROMMET, Lamp
4	6504 016	6							SCREW AND WASHER, M6x20
5									LAMP, High Mounted Stop
	55155 614AB	1							1997 XJ
		1							w/High Center Stop Lamp, 1998 XJ
	55155 666AB	1							EUROPE, 1997 XJ
		1							w/CHMSL Lamp (EUROPE), 1998 XJ
6									WIRING, High Mounted Stop Lamp
	5600 8722	1							1997 XJ
		1							EUROPE, 1998 XJ
		1							USA/CANADA, 1998 XJ
7									SCREW, .164-18x1.00, (NOT SERVICED) (Not Serviced)
8	0445 346	2							NUT, J
9									LAMP, License Plate
	55155 612AB	1							1997 XJ
		1							USA/CANADA, 1998 XJ
	55155 613AB	1							EUROPE, 1997 XJ
		1							w/Export Equipment Package & w/o Outside Mounted Tire Carrier, 1998 XJ

JEEP CHEROKEE (XJ)

SERIES	LINE	BODY	ENGINE	TRANSMISSION
L=Low Line	J=LHD (4WD) U=RHD (4WD) T=LHD (2WD) B=RHD (2WD)	74=4 DR. (101.4 WB) 72=2 DR. (101.4 WB)	ENC,EN0=2.5L 4 cyl. Turbo Die ERH,ER0=4.0L Power Tech I-6 EPE,EP0=Magnum 2.5L SMPI	DDQ=5Spd Man. DGS=4 Spd. Auto. AISIN DG0=All Auto Trans DBB=All Manual Trans.

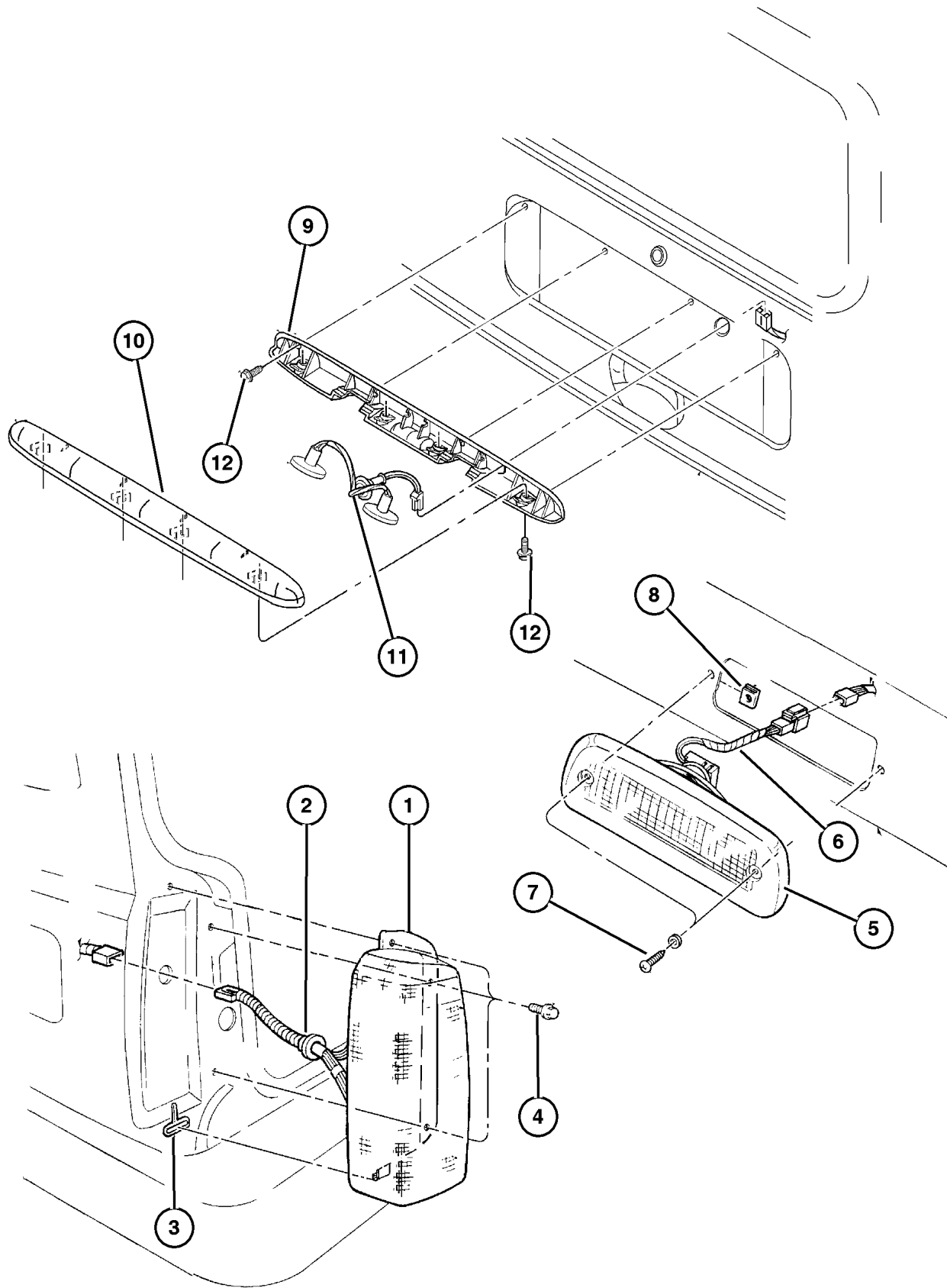
AR = Use as required - = Non illustrated part # = New this model year

July 4, 2003



Lamps Rear 1997 XJ 1998 XJ  
Figure 008-1155

ITEM	PART NUMBER	QTY	LINE	SERIES	BODY	ENGINE	TRANS	TRIM	DESCRIPTION
10									COVER, Lamp
	5FL8 6DX9	1							1997 XJ
		1							P.A.R., 1998 XJ
11									WIRING, License Lamp
	5600 9643	1							1997 XJ
		1							USA/CANADA, 1998 XJ
	5600 9650	1							EUROPE, 1997 XJ
		1							w/Export Equipment Package & w/o Outside Mounted Tire
									Carrier, 1998 XJ
12	6033 718	4							SCREW, Tapping, .19-16x.625
-13									BULB, 168
	L000 0168	2							1997 XJ
		AR							1998 XJ
-14	0153 625	2							BULB, W10/5
-15	0154 851AA	4							BULB, 3157



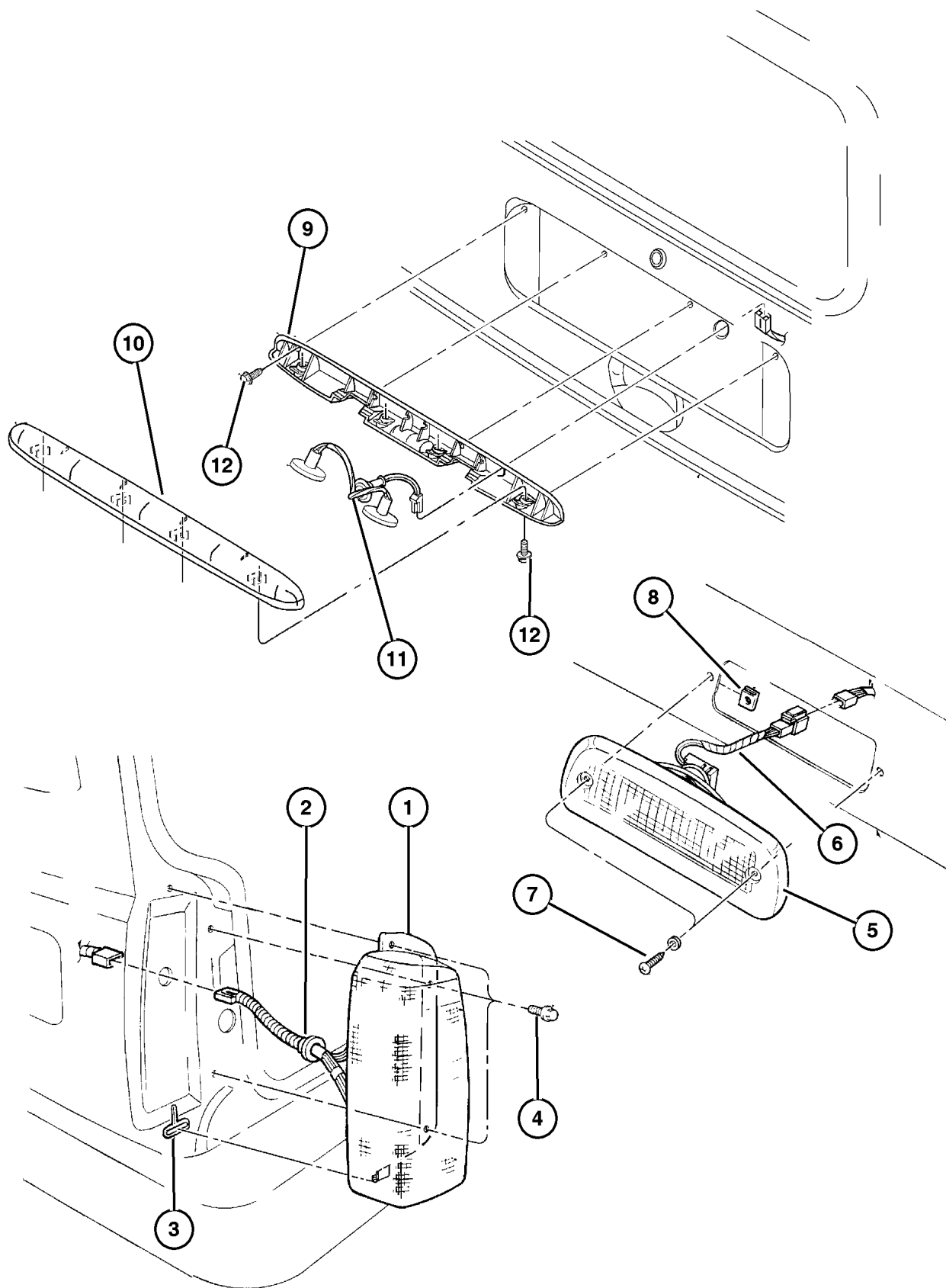
<b>JEEP CHEROKEE (XJ)</b>				
SERIES	LINE	BODY	ENGINE	TRANSMISSION
L=Low Line	J=LHD (4WD) U=RHD (4WD) T=LHD (2WD) B=RHD (2WD)	74=4 DR. (101.4 WB) 72=2 DR. (101.4 WB)	ENC,EN0=2.5L 4 cyl. Turbo Die ERH,ER0=4.0L Power Tech I-6 EPE,EP0=Magnum 2.5L SMPI	DDQ=5Spd Man. DGS=4 Spd. Auto. AISIN DG0=All Auto Trans DBB=All Manual Trans.

AR = Use as required - = Non illustrated part # = New this model year

July 4, 2003

Lamps Rear 1999 XJ  
Figure 008-1155

ITEM	PART NUMBER	QTY	LINE	SERIES	BODY	ENGINE	TRANS	TRIM	DESCRIPTION
1									LAMP, Tail Stop Turn
	4897 398AA	1							USA/CANADA (Right)
	4897 399AA	1							USA/CANADA (Left)
	4897 400AA	1							w/Export Equipment Package (Right)
	4897 401AA	1							w/Export Equipment Package (Left)
2									WIRING, Taillamp
	5600 9642	1							w/Export Equipment Package
	5600 9770	1							USA/CANADA
3	4676 350	2							GROMMET, Lamp
4	6504 016	6							SCREW AND WASHER, M6x20
5	55155 614AC	1							LAMP, High Mounted Stop
6	5600 8722	1							WIRING, High Mounted Stop Lamp
7									SCREW, .164-18x1.00, (NOT SERVICED) (Not Serviced)
8	0445 346	2							NUT, J
9									LAMP, License Plate
	55155 612AB	1							USA/CANADA
	55155 613AB	1							w/Export Equipment Package
10	5FL86 DX9AB	1							COVER, Lamp
11									WIRING, License Lamp
	5600 9643	1							USA/CANADA
	5600 9650	1							w/Export Equipment Package
12	6033 718	3							SCREW, Tapping, .19-16x.625
-13	L000 0168	2							BULB, 168
-14	0153 625	2							BULB, W10/5
-15	0154 851AA	4							BULB, 3157



JEEP CHEROKEE (XJ)

SERIES	LINE	BODY	ENGINE	TRANSMISSION
L=Low Line	J=LHD (4WD) U=RHD (4WD) T=LHD (2WD) B=RHD (2WD)	74=4 DR. (101.4 WB) 72=2 DR. (101.4 WB)	ENC,EN0=2.5L 4 cyl. Turbo Die ERH,ER0=4.0L Power Tech I-6 EPE,EP0=Magnum 2.5L SMPI	DDQ=5Spd Man. DGS=4 Spd. Auto. AISIN DG0=All Auto Trans DBB=All Manual Trans.

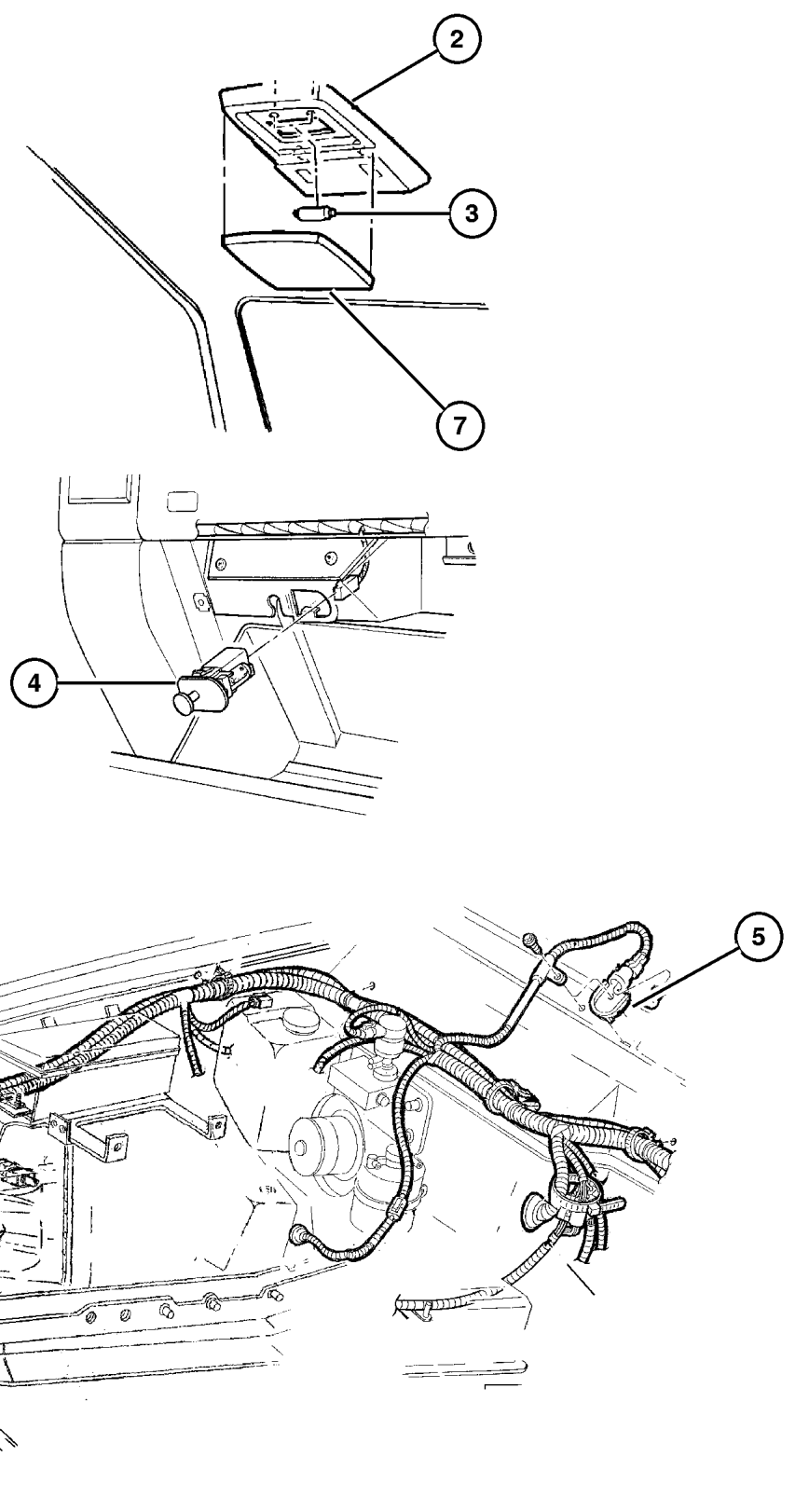
AR = Use as required - = Non illustrated part # = New this model year

July 4, 2003



Lamps Cargo - Dome - Underhood 1997 XJ  
Figure 008-1165

ITEM	PART NUMBER	QTY	LINE	SERIES	BODY	ENGINE	TRANS	TRIM	DESCRIPTION
-1	5BA6 7TC3	1							LAMP, Dome And Reading, Dome/Reading (Gray) P.A..R.
2	5BA7 0TC3	1							LAMP, Cargo Gray
	5BA7 0TT6	1							Spice
3	L000 0561	1			74				BULB, 561
4	4565 022	1							SWITCH AND LAMP, Glove Box
5	4741 498	1							LAMP, Underhood
-6	5BA6 8TC3	1							LAMP, Dome, Dome (Gray) P.A..R.
7	5268 175	1							LENS, Reading Lamp
-8	5600 0191	1							LENS, Dome Lamp



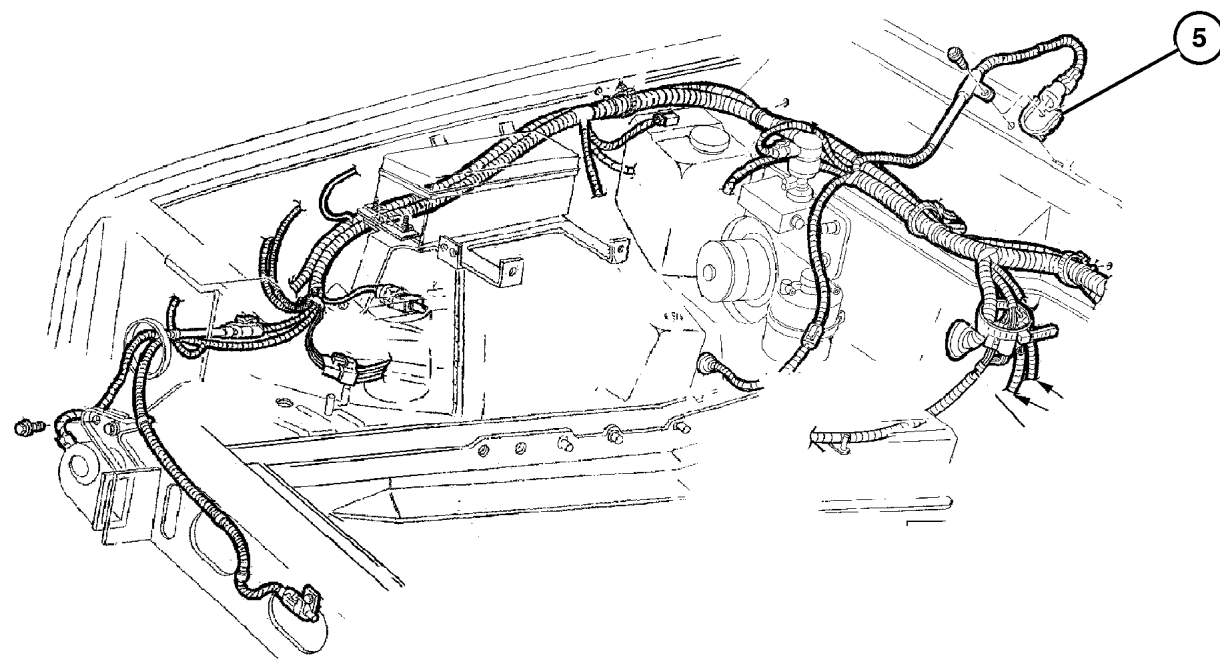
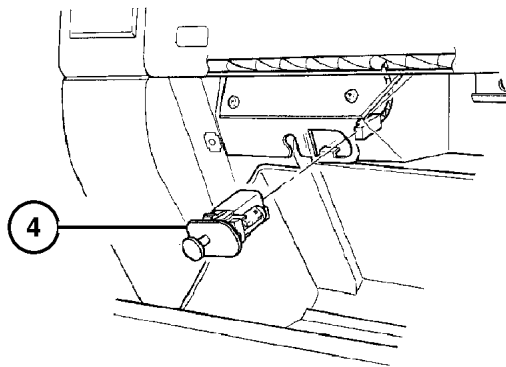
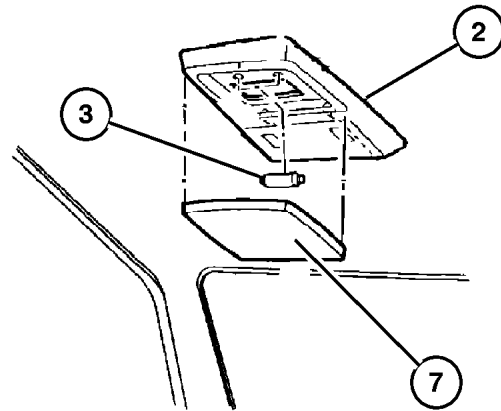
JEEP CHEROKEE (XJ)				
SERIES	LINE	BODY	ENGINE	TRANSMISSION
L=Low Line	J=LHD (4WD) U=RHD (4WD) T=LHD (2WD) B=RHD (2WD)	74=4 DR. (101.4 WB) 72=2 DR. (101.4 WB)	ENC,EN0=2.5L 4 cyl. Turbo Die ERH,ER0=4.0L Power Tech I-6 EPE,EP0=Magnum 2.5L SMPI	DDQ=5Spd Man. DGS=4 Spd. Auto. AISIN DG0=All Auto Trans DBB=All Manual Trans.

AR = Use as required - = Non illustrated part # = New this model year

July 4, 2003

Lamps Cargo - Dome - Underhood 1998 XJ  
Figure 008-1165

ITEM	PART NUMBER	QTY	LINE	SERIES	BODY	ENGINE	TRANS	TRIM	DESCRIPTION
-1									LAMP, Dome And Reading
	5AS3 6RC3	1							
	5AS36 RC3AB	1							Mist Gray (P.A.R.)
	5AS36 RT6AB	1							Spice/Saddle (P.A.R.)
	5AS3 6ST6	1							Spice/Saddle
2									LAMP, Cargo
	5FY15 RC3AA	1							Gray
	5FY15 RT6AA	1							Spice/Saddle
3	L000 0561	1							BULB, 561
4	4565 022	1							SWITCH AND LAMP, Glove Box
5	5602 1441	1							LAMP, Underhood
-6									LAMP, Dome
	JV76 RC3	1							Gray
	JV76 RT6	1							Spice/Saddle
7	56042 072AB	1							LENS, Reading Lamp
-8	55352 712AE	1							BRACKET, Dome Lamp



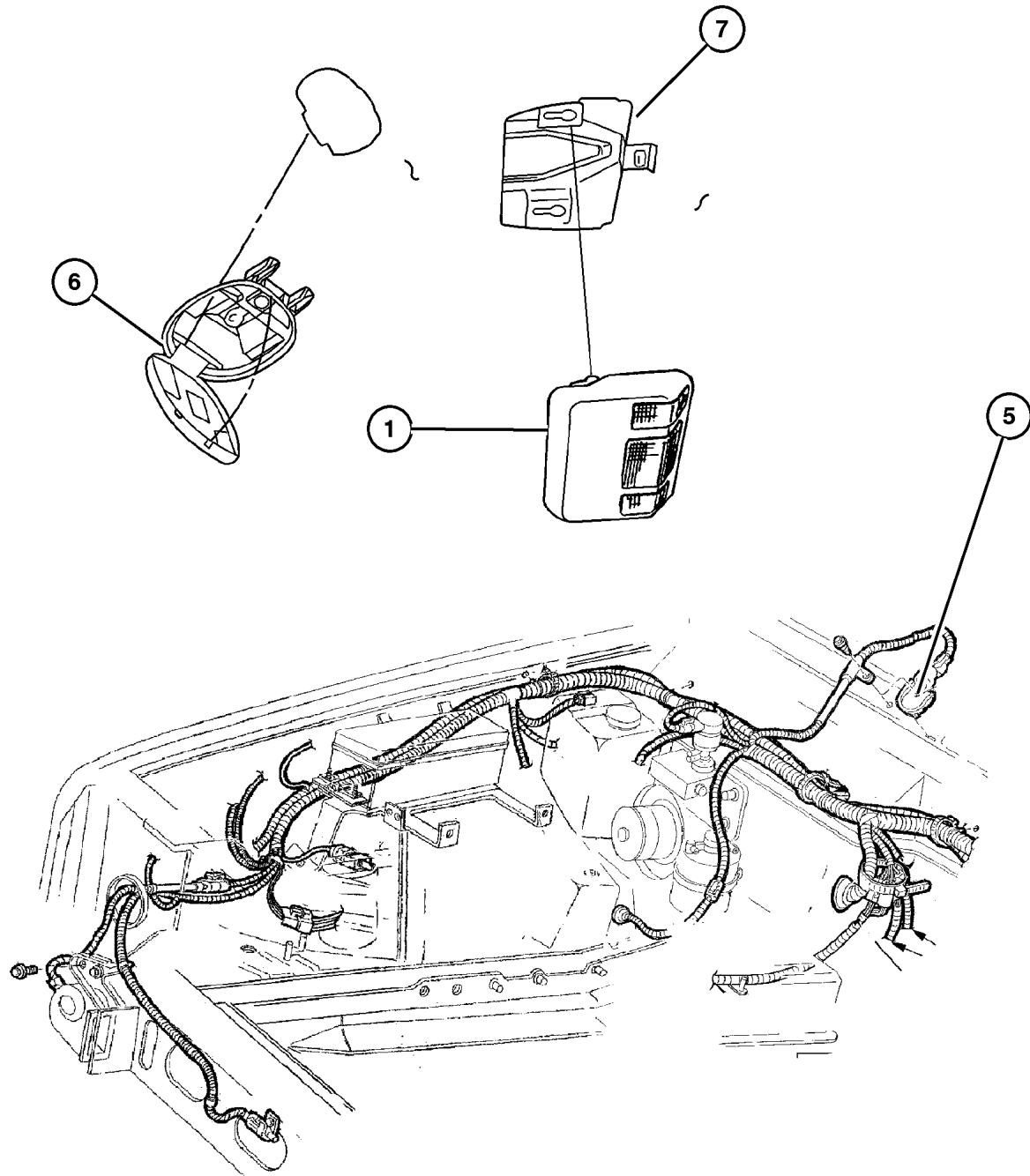
JEEP CHEROKEE (XJ)

SERIES	LINE	BODY	ENGINE	TRANSMISSION
L=Low Line	J=LHD (4WD) U=RHD (4WD) T=LHD (2WD) B=RHD (2WD)	74=4 DR. (101.4 WB) 72=2 DR. (101.4 WB)	ENC,EN0=2.5L 4 cyl. Turbo Die ERH,ER0=4.0L Power Tech I-6 EPE,EP0=Magnum 2.5L SMPI	DDQ=5Spd Man. DGS=4 Spd. Auto. AISIN DG0=All Auto Trans DBB=All Manual Trans.

AR = Use as required - = Non illustrated part # = New this model year

July 4, 2003

Lamps Cargo - Dome - Underhood 1999 XJ  
Figure 008-1165



ITEM	PART NUMBER	QTY	LINE	SERIES	BODY	ENGINE	TRANS	TRIM	DESCRIPTION
1	#5GJ32 RK5AE	1							LAMP, Dome And Reading, Tan/Agate (w/Lens)
-2	56042 072AB	1							LENS, Reading Lamp
-3	L000 0561	1							BULB, 561
-4									LAMP, Cargo
	5FY15 HW8AA	1							Light Quartz
	5FY15 RK5AA	1							Tan/Agate
5	5602 1441	1							LAMP, Underhood
6									LAMP, Dome
	JV76 HW8	1							Quartz
	JV76 RK5	1							Tan/Agate
7	55352 712AE	1							BRACKET, Dome Lamp
-8									BRACKET, Dome Lamp
	#55352 754AA	1							Front of Headliner, with 4 Speakers
	#55352 764AA	1							Front of Headliner, without 4 Speakers
-9	L000 0906	2							BULB, 906

JEEP CHEROKEE (XJ)

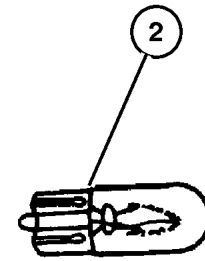
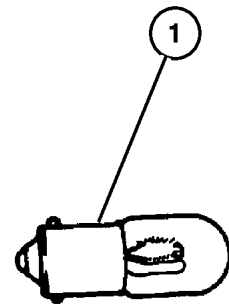
SERIES	LINE	BODY	ENGINE	TRANSMISSION
L=Low Line	J=LHD (4WD) U=RHD (4WD) T=LHD (2WD) B=RHD (2WD)	74=4 DR. (101.4 WB) 72=2 DR. (101.4 WB)	ENC,EN0=2.5L 4 cyl. Turbo Die ERH,ER0=4.0L Power Tech I-6 EPE,EP0=Magnum 2.5L SMPI	DDQ=5Spd Man. DGS=4 Spd. Auto. AISIN DG0=All Auto Trans DBB=All Manual Trans.

AR = Use as required - = Non illustrated part # = New this model year

July 4, 2003

**Bulbs 1997 XJ  
Figure 008-1170**

ITEM	PART NUMBER	QTY	LINE	SERIES	BODY	ENGINE	TRANS	TRIM	DESCRIPTION
[DG0]=Automatic Transmission									
1	L000 3157	4							BULB, 3157
2	L000 0168	2							BULB, 168
-3	L000 0561	1			74				BULB, 561
-4	9437 448	2					DG0		BULB, 658
-5	L000 0074	1							BULB, 74, Sun Visor



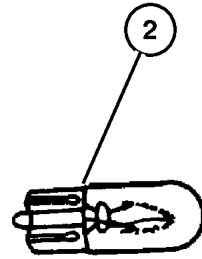
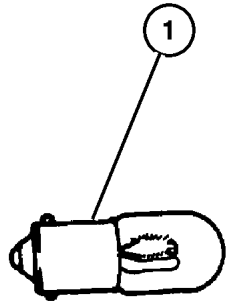
JEEP CHEROKEE (XJ)				
SERIES	LINE	BODY	ENGINE	TRANSMISSION
L=Low Line	J=LHD (4WD) U=RHD (4WD) T=LHD (2WD) B=RHD (2WD)	74=4 DR. (101.4 WB) 72=2 DR. (101.4 WB)	ENC,EN0=2.5L 4 cyl. Turbo Die ERH,ER0=4.0L Power Tech I-6 EPE,EP0=Magnum 2.5L SMPI	DDQ=5Spd Man. DGS=4 Spd. Auto. AISIN DG0=All Auto Trans DBB=All Manual Trans.

AR = Use as required - = Non illustrated part # = New this model year

July 4, 2003

**Bulbs 1998 XJ  
Figure 008-1170**

ITEM	PART NUMBER	QTY	LINE	SERIES	BODY	ENGINE	TRANS	TRIM	DESCRIPTION
[DG0]=Automatic Transmission									
1	0154 851AA	4							BULB, 3157
2	L000 0168	2							BULB, 168
-3	9433 040	1							BULB, 561
-4	9437 448	2					DG0		BULB, 658
-5	6501 966	2							BULB, 74
-6	4874 122AB	1							BULB AND SOCKET Fog lamp switch, heated rear window switch, rear wiper washer switch
	4874 123	1							Heated rear window switch, fog lamp switch
	4874 349	5	B, U			EN0			Cluster
		5	B, U			EP0, ER0			Cluster
		5				EP0, ER0			Cluster
-7	4728 646	1							BULB PACKAGE, 55 Watt, Foglamp Bulb



**JEEP CHEROKEE (XJ)**

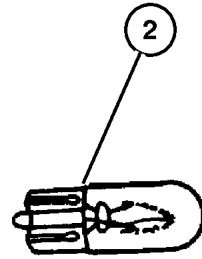
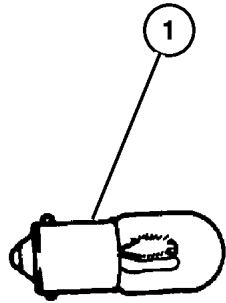
SERIES	LINE	BODY	ENGINE	TRANSMISSION
L=Low Line	J=LHD (4WD) U=RHD (4WD) T=LHD (2WD) B=RHD (2WD)	74=4 DR. (101.4 WB) 72=2 DR. (101.4 WB)	ENC,EN0=2.5L 4 cyl. Turbo Die ERH,ER0=4.0L Power Tech I-6 EPE,EP0=Magnum 2.5L SMPI	DDQ=5Spd Man. DGS=4 Spd. Auto. AISIN DG0=All Auto Trans DBB=All Manual Trans.

AR = Use as required - = Non illustrated part # = New this model year

July 4, 2003

**Bulbs 1999 XJ  
Figure 008-1170**

ITEM	PART NUMBER	QTY	LINE	SERIES	BODY	ENGINE	TRANS	TRIM	DESCRIPTION
[DG0]=Automatic Transmission									
1	0154 851AA	4							BULB, 3157
2	9425 542	2							BULB, 168
-3	J400 3086	1							BULB, 561
-4	9437 448	2					DG0		BULB, 658
-5	6501 966	2							BULB, 74

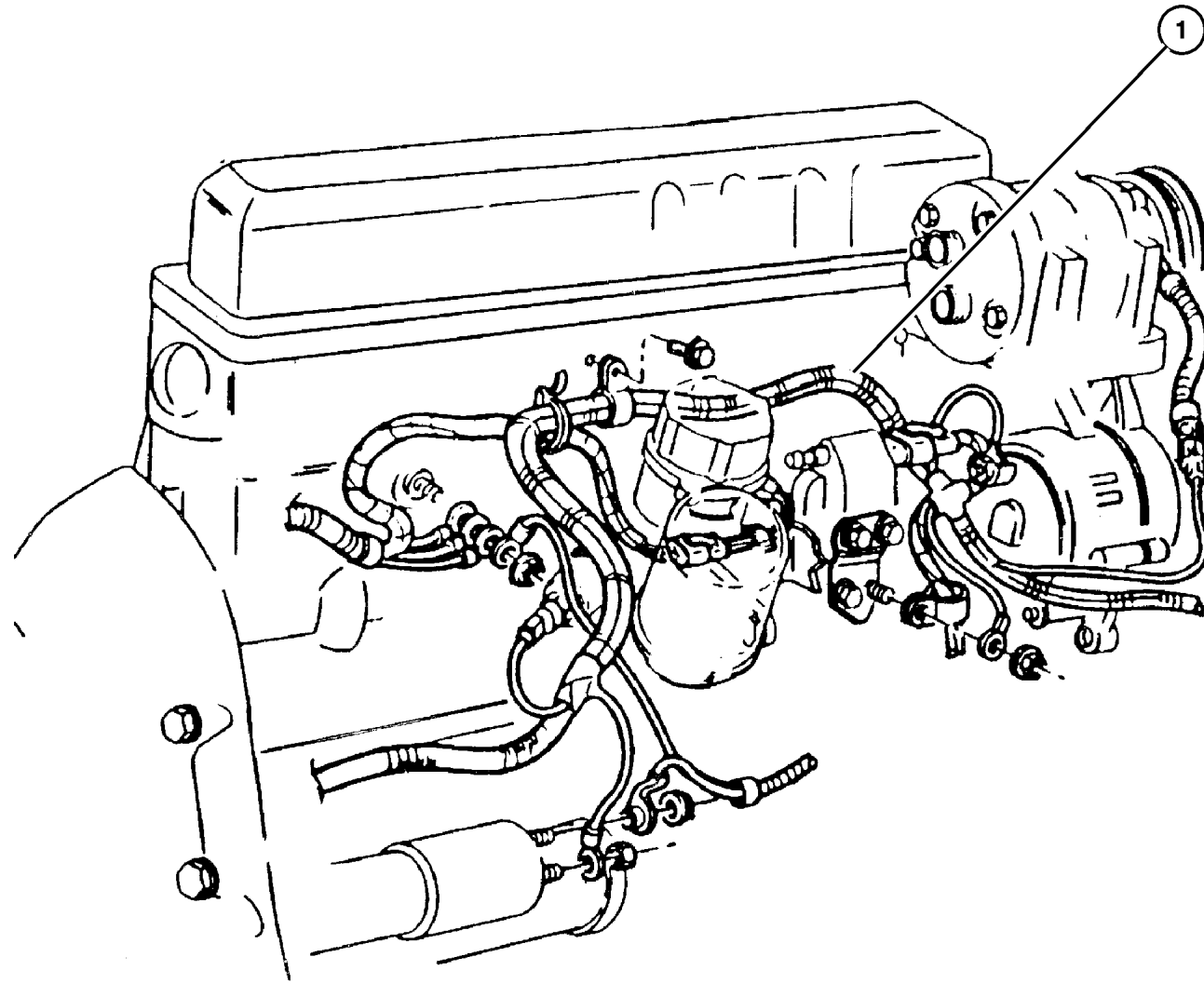


JEEP CHEROKEE (XJ)				
SERIES	LINE	BODY	ENGINE	TRANSMISSION
L=Low Line	J=LHD (4WD) U=RHD (4WD) T=LHD (2WD) B=RHD (2WD)	74=4 DR. (101.4 WB) 72=2 DR. (101.4 WB)	ENC,EN0=2.5L 4 cyl. Turbo Die ERH,ER0=4.0L Power Tech I-6 EPE,EP0=Magnum 2.5L SMPI	DDQ=5Spd Man. DGS=4 Spd. Auto. AISIN DG0=All Auto Trans DBB=All Manual Trans.

AR = Use as required - = Non illustrated part # = New this model year

July 4, 2003

**Wiring Engine & Related Parts 1997 XJ**  
**Figure 008-1210**



ITEM	PART NUMBER	QTY	LINE	SERIES	BODY	ENGINE	TRANS	TRIM	DESCRIPTION
[EP0]=2.5L Engine									
[ER0]=4.0L Engine									
[EN0]=4 Cylinder Turbo Diesel Engine									
[DG0]=Automatic Transmission									
[DBB]= Manual Transmission									
1									WIRING, Engine
	5600 8833	1	J, U			ER0	DG0		4.0L with 231 Transfer Case (Automatic)
	5600 8837	1	J, U			EP0	DBB		2.5L with 231 Transfer Case (Manual)
	5600 9383	1	B, T			EP0	DBB		2.5L with 2 WD (Manual)
	5600 9384	1	B, T			ER0	DG0		4.0L with 2WD (Automatic)
	5600 9385	1	J, U			ER0	DG0		4.0L with Automatic (242 Transfer Case)
	5600 9386	1	B, T			ER0	DBB		4.0L with 2WD (Manual)
	5600 9710	1	J, U			ER0	DBB		4.0L with 242 Transfer Case (Manual)
	56010 025AB	1				EN0	DBB		Diesel (Manual)
	5601 0061	1	J, U			ER0	DBB		4.0L with 231 Transfer Case (Manual)
-2	5600 9275	1				EN0			WIRING, Alternator
-3	6101 484	1							FUSE, Mini, 5 Amp, Tan
-4	6101 487	1							FUSE, Mini, 15 AMP, Light Blue
-5	6101 486	1							FUSE, Mini, 10 AMP, Red
-6	6101 488	1							FUSE, Mini, 20 AMP, Yellow
-7	6101 640	4	J		72	ER0	DG0		FUSE, Maxi, 30 Amp, Green
-8									COVER, Power Distribution Center
	5603 8361	AR							Diesel Engine, Export
	5603 8363	AR							Upper
	5603 8364	1							Lower

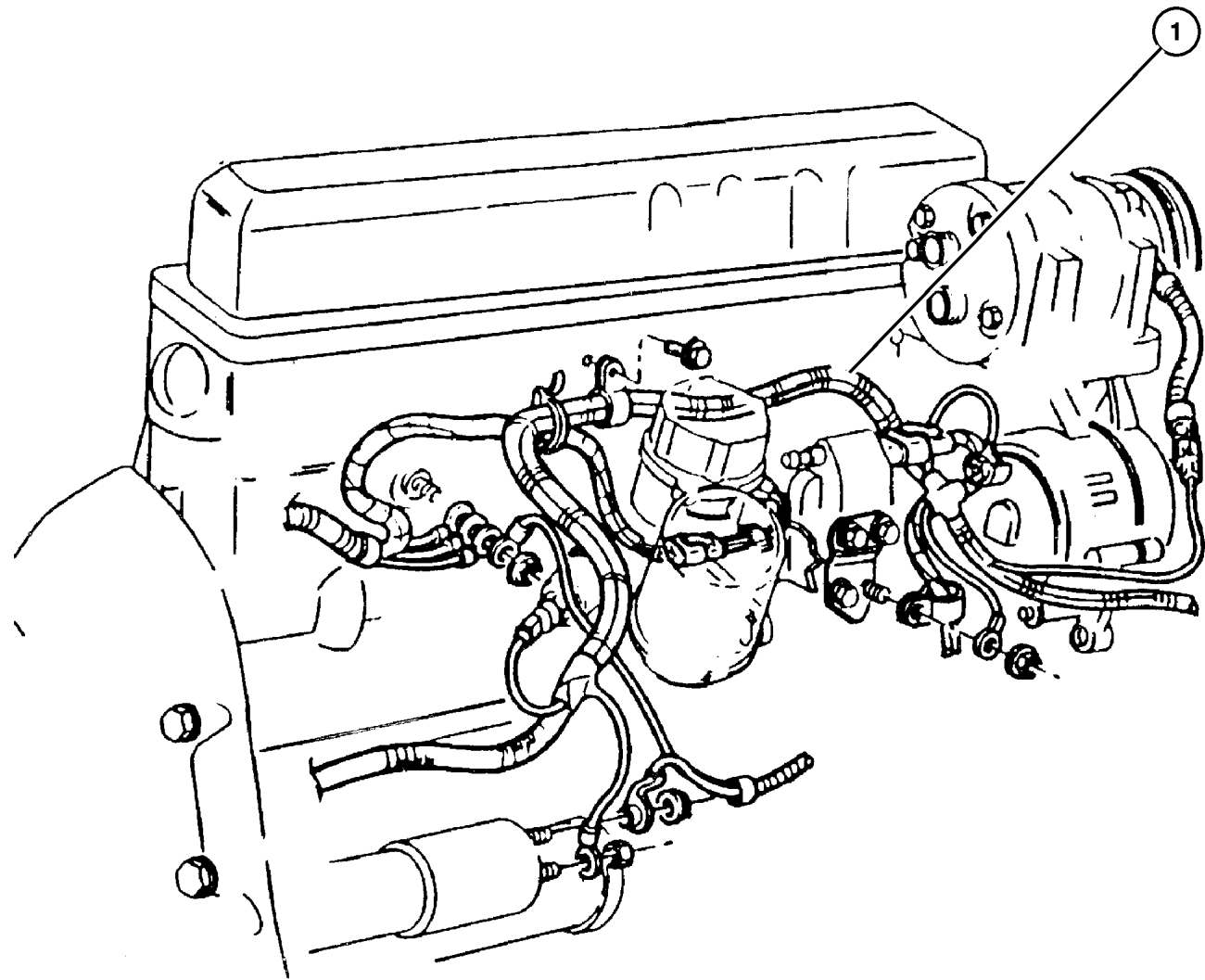
**JEEP CHEROKEE (XJ)**

SERIES	LINE	BODY	ENGINE	TRANSMISSION
L=Low Line	J=LHD (4WD) U=RHD (4WD) T=LHD (2WD) B=RHD (2WD)	74=4 DR. (101.4 WB) 72=2 DR. (101.4 WB)	ENC,EN0=2.5L 4 cyl. Turbo Die ERH,ER0=4.0L Power Tech I-6 EPE,EP0=Magnum 2.5L SMPI	DDQ=5Spd Man. DGS=4 Spd. Auto. AISIN DG0=All Auto Trans DBB=All Manual Trans.

AR = Use as required - = Non illustrated part # = New this model year

July 4, 2003

**Wiring Engine & Related Parts 1998 XJ**  
**Figure 008-1210**



ITEM	PART NUMBER	QTY	LINE	SERIES	BODY	ENGINE	TRANS	TRIM	DESCRIPTION
[EP0]=2.5L Engine									
[ER0]=4.0L Engine									
[EN0]=4 Cylinder Turbo Diesel Engine									
[DG0]=Automatic Transmission									
[DBB]= Manual Transmission									
1									WIRING, Engine
	5600 9771	1	B, T			EP0	DG0		Two Wheel Drive
	56009 773AC	1	B, T			EP0	DBB		Two Wheel Drive
	56009 774AC	1	J, U			EP0	DBB		231 Transfer Case
	5600 9775	1	B, T			ER0	DG0		2 Wheel Drive
	5600 9776	1	J, U			ER0	DG0		231 Transfer Case
	5600 9777	1	J, U			ER0	DG0		242 Transfer Case
	56009 778AC	1	B, T			ER0	DBB		Two Wheel Drive
	56009 779AC	1	J, U			ER0	DBB		231 Transfer Case
	5600 9781	1				EN0	DBB		
-2									WIRING, Alternator, (NOT REQUIRED)
-3	6101 484	1							FUSE, Mini, 5 Amp, Tan
-4	6101 487	1							FUSE, Mini, 15 AMP, Light Blue
-5	6101 486	1							FUSE, Mini, 10 AMP, Red
-6	6101 488	1							FUSE, Mini, 20 AMP, Yellow
-7									FUSE, Maxi, 30 Amp, Green, (NOT REQUIRED)
-8									COVER, Power Distribution Center
	56038 361AB	AR							Export, Upper
	5603 8363	AR							Upper
	5603 8364	1							Lower

**JEEP CHEROKEE (XJ)**

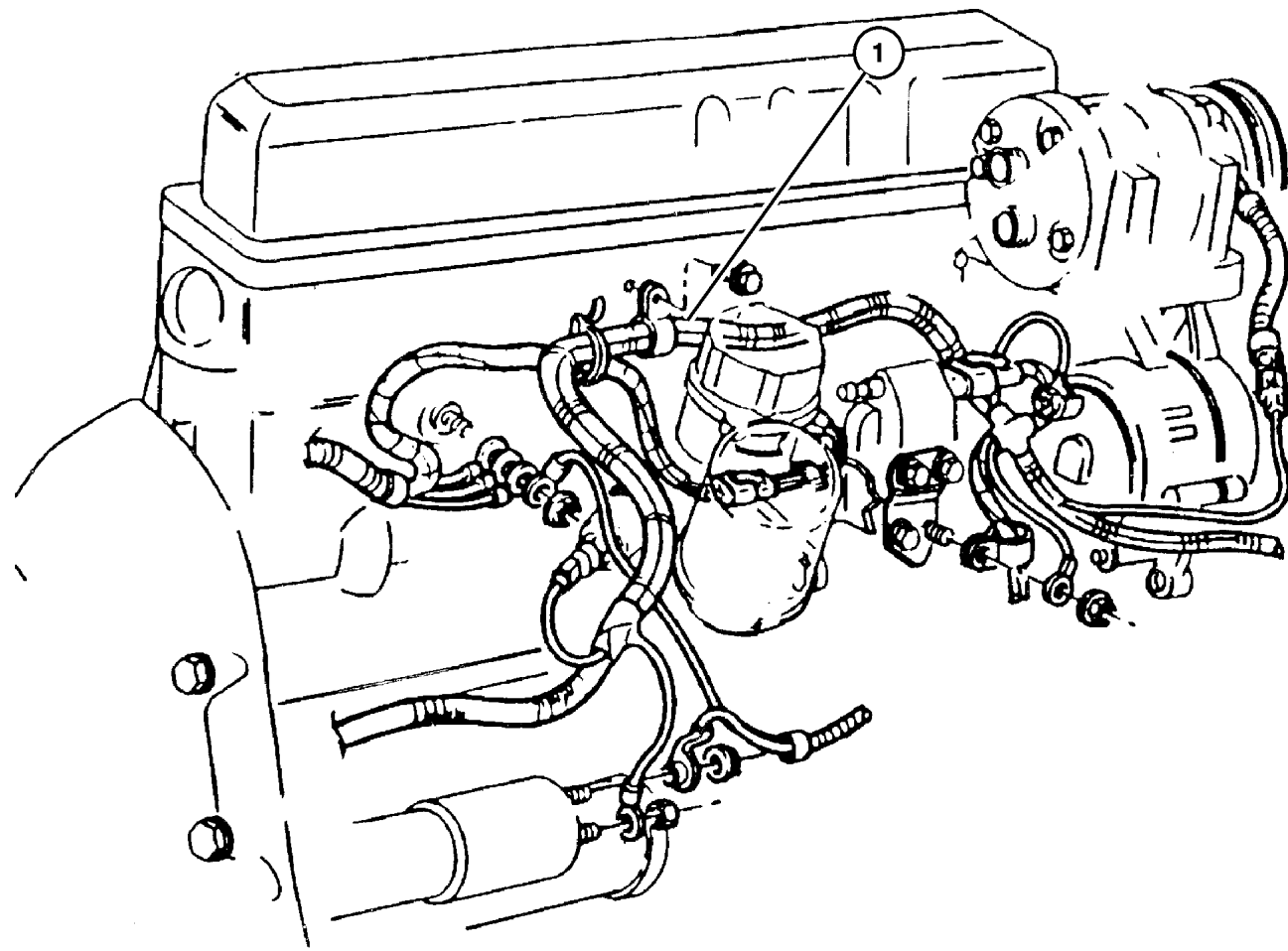
SERIES	LINE	BODY	ENGINE	TRANSMISSION
L=Low Line	J=LHD (4WD) U=RHD (4WD) T=LHD (2WD) B=RHD (2WD)	74=4 DR. (101.4 WB) 72=2 DR. (101.4 WB)	ENC,EN0=2.5L 4 cyl. Turbo Die ERH,ER0=4.0L Power Tech I-6 EPE,EP0=Magnum 2.5L SMPI	DDQ=5Spd Man. DGS=4 Spd. Auto. AISIN DG0=All Auto Trans DBB=All Manual Trans.

AR = Use as required - = Non illustrated part # = New this model year

July 4, 2003



**Wiring Engine & Related Parts 1999 XJ**  
**Figure 008-1210**



ITEM	PART NUMBER	QTY	LINE	SERIES	BODY	ENGINE	TRANS	TRIM	DESCRIPTION
EP0=2.5L Engine									
ER0=4.0L Engine									
EN0=4 Cylinder Turbo Engine									
DG0=Automatic Transmission									
DBB=Manual Transmission									
1									WIRING, Engine
	#56009 771AD	1	B, T			EP0	DG0		Two Wheel Drive
	#56009 773AD	1	B, T			EP0	DBB		
	#56009 774AD	1	J, U			EP0	DBB		231 Transfer Case
	#56009 775AD	1	B, T			ER0	DG0		Four Wheel Drive
	#56009 776AD	1	J, U			ER0	DG0		231 Transfer Case
	#56009 777AD	1	J, U			ER0	DG0		242 Transfer Case
	#56009 778AE	1	B, T			ER0	DBB		
	#56009 779AE	1	J, U			ER0	DBB		231 Transfer Case
	#56009 781AB	1				EN0	DBB		
-2	6101 484	1							FUSE, Mini, 5 Amp, Tan
-3	6101 487	1							FUSE, Mini, 15 AMP, Light Blue
-4	6101 486	1							FUSE, Mini, 10 AMP, Red
-5	6101 488	1							FUSE, Mini, 20 AMP, Yellow
-6	6101 640	2							FUSE, Maxi, 30 Amp, Green
-7									COVER, Power Distribution Center
	#56038 361AC	AR							Export, Upper
	#56038 363AB	AR							Upper
	5603 8364	1							Lower

**JEEP CHEROKEE (XJ)**

SERIES	LINE	BODY	ENGINE	TRANSMISSION
L=Low Line	J=LHD (4WD) U=RHD (4WD) T=LHD (2WD) B=RHD (2WD)	74=4 DR. (101.4 WB) 72=2 DR. (101.4 WB)	ENC,EN0=2.5L 4 cyl. Turbo Die ERH,ER0=4.0L Power Tech I-6 EPE,EP0=Magnum 2.5L SMPI	DDQ=5Spd Man. DGS=4 Spd. Auto. AISIN DG0=All Auto Trans DBB=All Manual Trans.

AR = Use as required - = Non illustrated part # = New this model year

July 4, 2003

**Wiring Headlamp / Dash 1997 XJ  
Figure 008-1310**

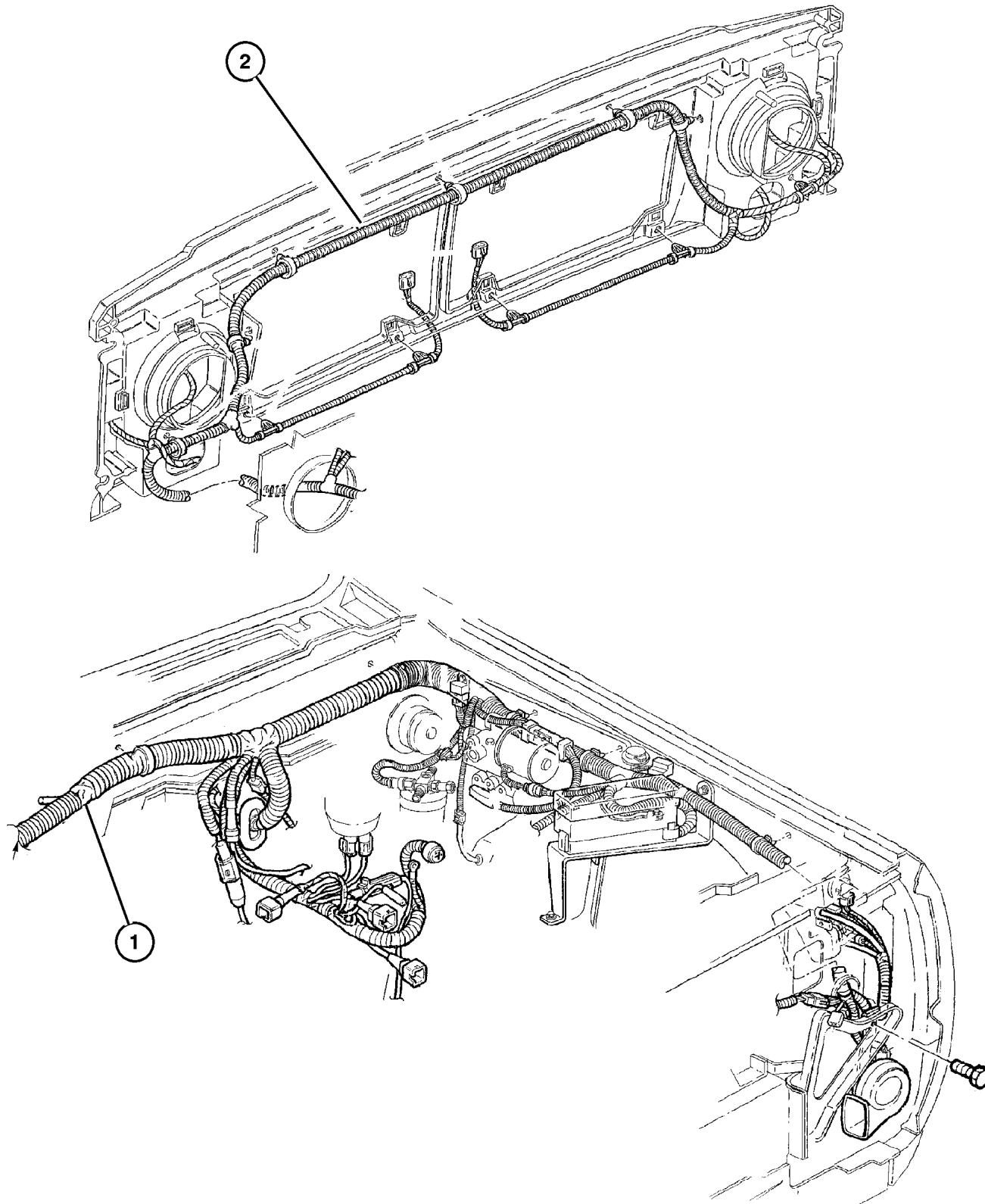
ITEM	PART NUMBER	QTY	LINE	SERIES	BODY	ENGINE	TRANS	TRIM	DESCRIPTION
[EP0]=2.5L Engine [ER0]=4.0L Engine [EN0]=4 Cylinder Turbo Diesel Engine [DG0]=Automatic Transmission [DBB]= Manual Transmission									
1	56009 843AB	1	J, T			EP0			WIRING, Headlamp to Dash 2.5L Engine with Halogen Headlamp-Daytime Running Lights (LHD) CANADA
	5600 9855	1	J, T			ER0	DBB		4.0L Engine with Manual Transmission, Power Brakes, Front Disc/Rear Drum & without Halogen Headlamp-Daytime Running Lights (LHD),
	56009 856AB	1	B, U			EP0	DBB		2.5L Engine with Manual Transmission(RHD)
	5600 9857	1	B, U			ER0	DG0		4.0L Engine with Automatic Transmission & Power Brakes, Front Disc/Rear Drum(RHD)
	5600 9858	1	B, U			ER0	DG0		4.0L Engine with Automatic Transmission & Four Wheel Anti- Lock Brakes (RHD)
	5600 9859	1	J, T			ER0	DG0		4.0L Engine with Automatic Transmission with Power Brakes, Front Disc/Rear Drum & with Halogen Headlamp-Daytime Running Lights (LHD)
	56009 872AB	1	B, U			EN0			Diesel with Power Brakes, Front Disc/Rear Drum(RHD)
	56009 873AB	1	J			EN0			Diesel with Four Wheel Anti-Lock Brakes (LHD)
	56009 874AB	1	B, U			EN0			Diesel with Four Wheel Anti-Lock Brakes (RHD)
	56009 875AB	1	J, T			EN0			Diesel with Power Brakes, Front Disc/Rear Drum (LHD)
	56009 846AB	1	J, T			EP0			2.5L Engine without Halogen Headlamp-Daytime Running Lights (LHD)
	5600 9848	1	J, T			ER0	DG0		4.0L with Automatic Transmission & Four Wheel Anti-Lock Brakes, without Halogen Headlamp- Daytime Running Lights (LHD)

**JEEP CHEROKEE (XJ)**

SERIES	LINE	BODY	ENGINE	TRANSMISSION
L=Low Line	J=LHD (4WD) U=RHD (4WD) T=LHD (2WD) B=RHD (2WD)	74=4 DR. (101.4 WB) 72=2 DR. (101.4 WB)	ENC,EN0=2.5L 4 cyl. Turbo Die ERH,ER0=4.0L Power Tech I-6 EPE,EP0=Magnum 2.5L SMPI	DDQ=5Spd Man. DGS=4 Spd. Auto. AISIN DG0=All Auto Trans DBB=All Manual Trans.

AR = Use as required - = Non illustrated part # = New this model year

July 4, 2003



**Wiring Headlamp / Dash 1997 XJ  
Figure 008-1310**

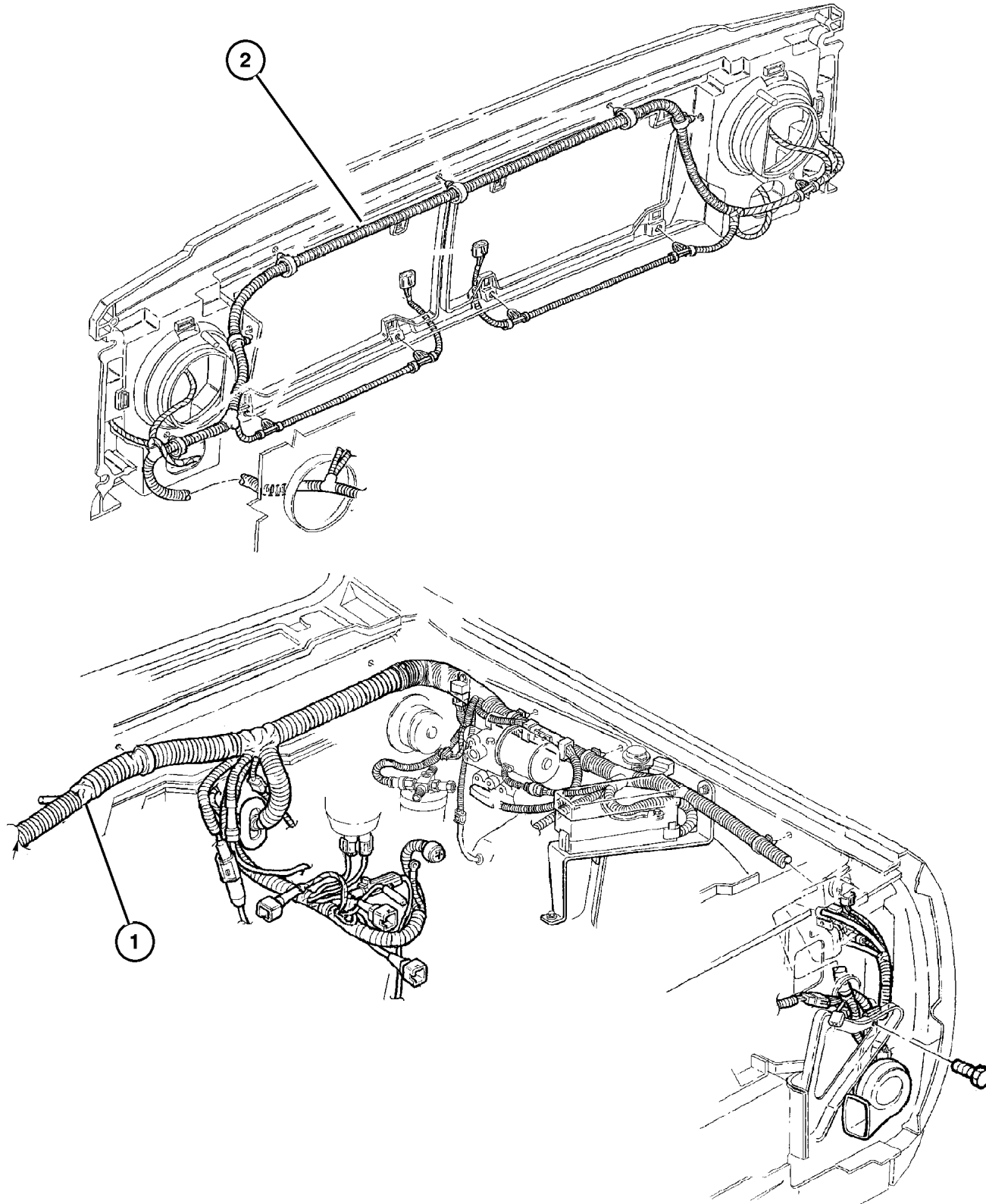
ITEM	PART NUMBER	QTY	LINE	SERIES	BODY	ENGINE	TRANS	TRIM	DESCRIPTION
	5600 9849	1	J, T			ER0	DG0		4.0L Engine with Automatic Transmission, Power Brakes, Front Disc/Rear Drum & Halogen H/Lamp-Daytime Running Lamp (LHD) CANADA
	5600 9850	1	J, T			ER0	DG0		4.0L Engine with Automatic Transmission, Four Wheel Anti-Lock Brakes & Halogen Headlamp-Daytime Running Lights (LHD) CANADA
	5600 9851	1	J, T			ER0	DG0		4.0L Engine with Automatic Transmission, Power Brakes, Front Disc/Rear Drum, without Halogen Headlamp-Daytime Running Lights (LHD)
	5600 9852	1	J, T			ER0	DBB		4.0L Engine with Manual Transmission, Power Brakes, Front Disc/Rear Drum & without Halogen Headlamp-daytime Running Lights (LHD)
	5600 9853	1	J, T			ER0	DBB		4.0L Engine with Manual Transmission, Power Brakes, Front Disc/Rear Drum & Halogen Headlamp-Daytime Running Lights (LHD) CANADA
	5600 9854	1	J, T			ER0	DBB		4.0L Engine with Manual Transmission, Four Wheel Anti-Lock Brakes & Halogen Headlamp-Daytime Running Lights (LHD) CANADA
2	56007 628AB	1							WIRING, Front End Lighting with Headlamp Leveling Device & Export Equipment Package
	5600 7684	1							without Headlamp Leveling Device & without Export Equipment Package
	56007 686AB	1							with Export Equipment Package & without Headlamp Leveling Device
	5600 7687	1							with Headlamp Leveling Device & without Export Equipment Package
-3	5600 7685	2							WIRING, Turn Signal Lamp, Export

**JEEP CHEROKEE (XJ)**

SERIES	LINE	BODY	ENGINE	TRANSMISSION
L=Low Line	J=LHD (4WD) U=RHD (4WD) T=LHD (2WD) B=RHD (2WD)	74=4 DR. (101.4 WB) 72=2 DR. (101.4 WB)	ENC,EN0=2.5L 4 cyl. Turbo Die ERH,ER0=4.0L Power Tech I-6 EPE,EP0=Magnum 2.5L SMPI	DDQ=5Spd Man. DGS=4 Spd. Auto. AISIN DG0=All Auto Trans DBB=All Manual Trans.

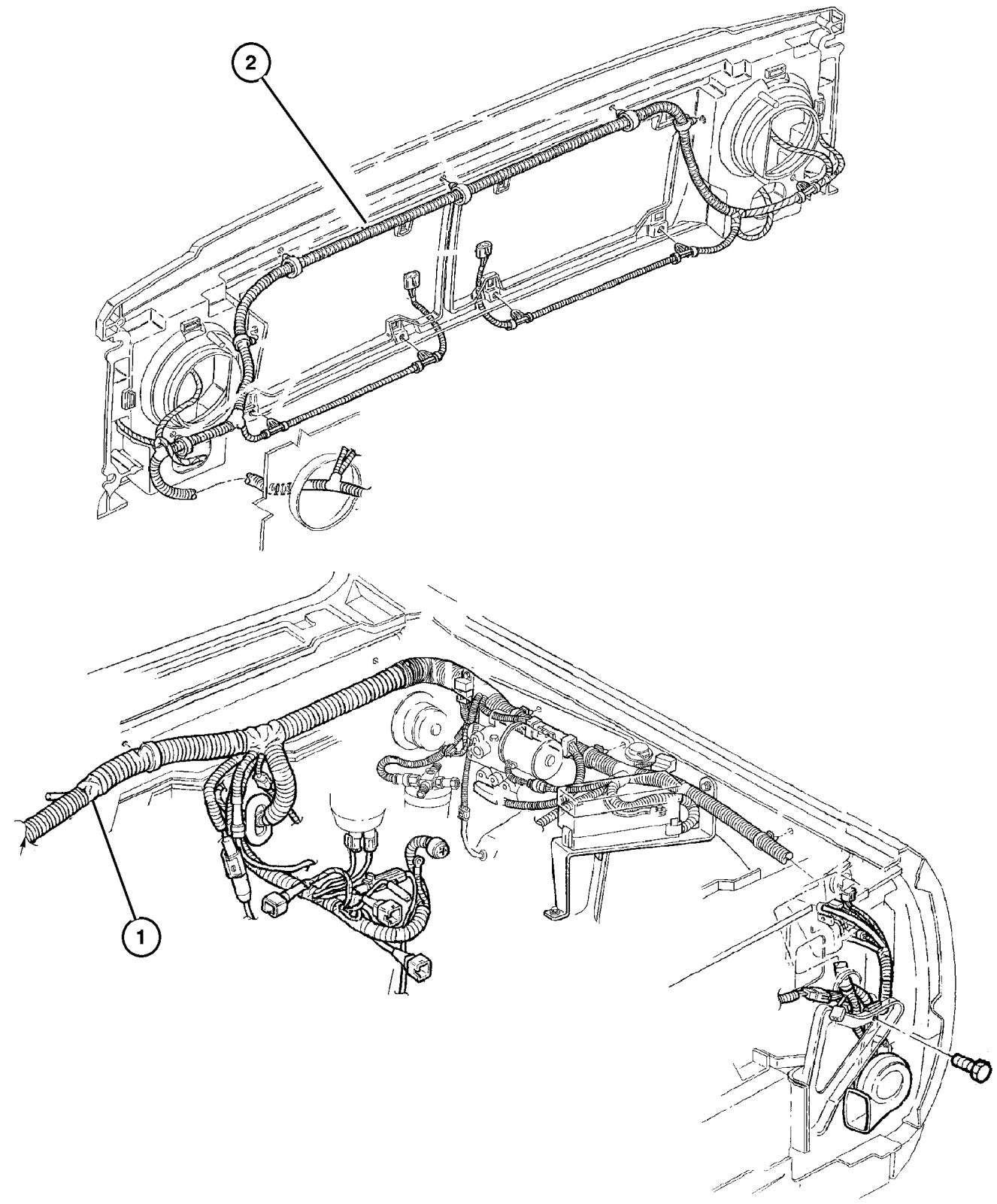
AR = Use as required - = Non illustrated part # = New this model year

July 4, 2003



**Wiring Headlamp / Dash 1997 XJ  
Figure 008-1310**

ITEM	PART NUMBER	QTY	LINE	SERIES	BODY	ENGINE	TRANS	TRIM	DESCRIPTION
-4									BRACKET, Power Distribution Center, (NOT REQUIRED)
-5	5603 8363	AR							COVER, Power Distribution Center



<b>JEEP CHEROKEE (XJ)</b>				
SERIES	LINE	BODY	ENGINE	TRANSMISSION
L=Low Line	J=LHD (4WD) U=RHD (4WD) T=LHD (2WD) B=RHD (2WD)	74=4 DR. (101.4 WB) 72=2 DR. (101.4 WB)	ENC,EN0=2.5L 4 cyl. Turbo Die ERH,ER0=4.0L Power Tech I-6 EPE,EP0=Magnum 2.5L SMPI	DDQ=5Spd Man. DGS=4 Spd. Auto. AISIN DG0=All Auto Trans DBB=All Manual Trans.

AR = Use as required - = Non illustrated part # = New this model year

July 4, 2003

**Wiring Headlamp / Dash 1998 XJ  
Figure 008-1310**

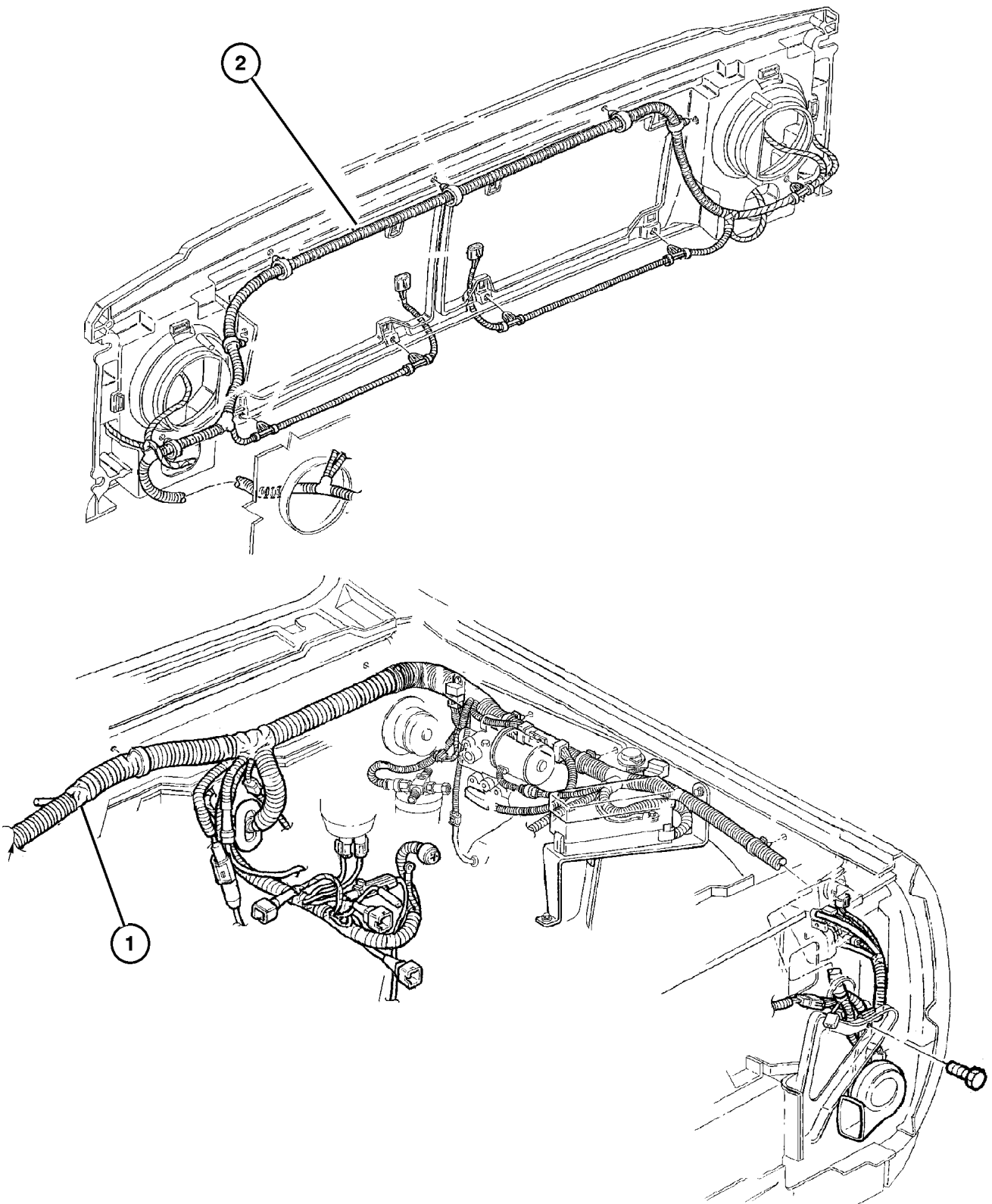
ITEM	PART NUMBER	QTY	LINE	SERIES	BODY	ENGINE	TRANS	TRIM	DESCRIPTION
[EP0]=2.5L Engine									
[ER0]=4.0L Engine									
[EN0]=4 Cylinder Turbo Diesel Engine									
[DG0]=Automatic Transmission									
[DBB]= Manual Transmission									
1									WIRING, Headlamp to Dash
	56009 737AB	1	J, T			EP0			with Halogen Headlamp-Daytime Running Lights
	56009 746AB	1	J, T			ER0	DBB		with ABS & Halogen Headlamp-Daytime Running Lights
	56009 747AB	1	J, T			ER0	DBB		without ABS & without Halogen Headlamp-Daytime running Lights
	56009 748AB	1	B, U			EP0	DBB		Standard
	56009 749AB	1	B, U			ER0	DG0		without ABS
	56009 750AB	1	B, U			ER0	DG0		with ABS
	56009 751AC	1	B, U			EN0			with ABS
	56009 752AC	1	B, U			EN0			without ABS
	56009 753AB	1	J			EN0			with ABS
	56009 754AB	1	J, T			EN0			without ABS
	56009 738AB	1	J, T			EP0			without Halogen Headlamp-Daytime Running Lamp
	56009 739AB	1	J, T			ER0	DG0		with ABS & without Halogen Headlamp-Daytime Running Lights
	56009 740AB	1	J, T			ER0	DG0		with Halogen Headlamp-Daytime Running Lights without ABS
	56009 741AB	1	J, T			ER0	DG0		with Halogen Headlamp-Daytime Running Lamp & ABS
	56009 742AB	1	J, T			ER0	DG0		Standard with ABS
	56009 743AB	1	J, T			ER0	DG0		without ABS & Halogen with Headlamp-Daytime Running Lights/Premium Sound System/Dual Road Fog Lamp &
	56009 744AB	1	J, T			ER0	DBB		Headlamp Leveling Device with ABS without Halogen Headlamp-Daytime Running Lights
	56009 745AB	1	J, T			ER0	DBB		without ABS & with Halogen Headlamp-Daytime Running Lights
2									WIRING, Front End Lighting
	56007 628AC	1							with Export Equipment Package & Headlamp Leveling Device

**JEEP CHEROKEE (XJ)**

SERIES	LINE	BODY	ENGINE	TRANSMISSION
L=Low Line	J=LHD (4WD) U=RHD (4WD) T=LHD (2WD) B=RHD (2WD)	74=4 DR. (101.4 WB) 72=2 DR. (101.4 WB)	ENC,EN0=2.5L 4 cyl. Turbo Die ERH,ER0=4.0L Power Tech I-6 EPE,EP0=Magnum 2.5L SMPI	DDQ=5Spd Man. DGS=4 Spd. Auto. AISIN DG0=All Auto Trans DBB=All Manual Trans.

AR = Use as required - = Non illustrated part # = New this model year

July 4, 2003



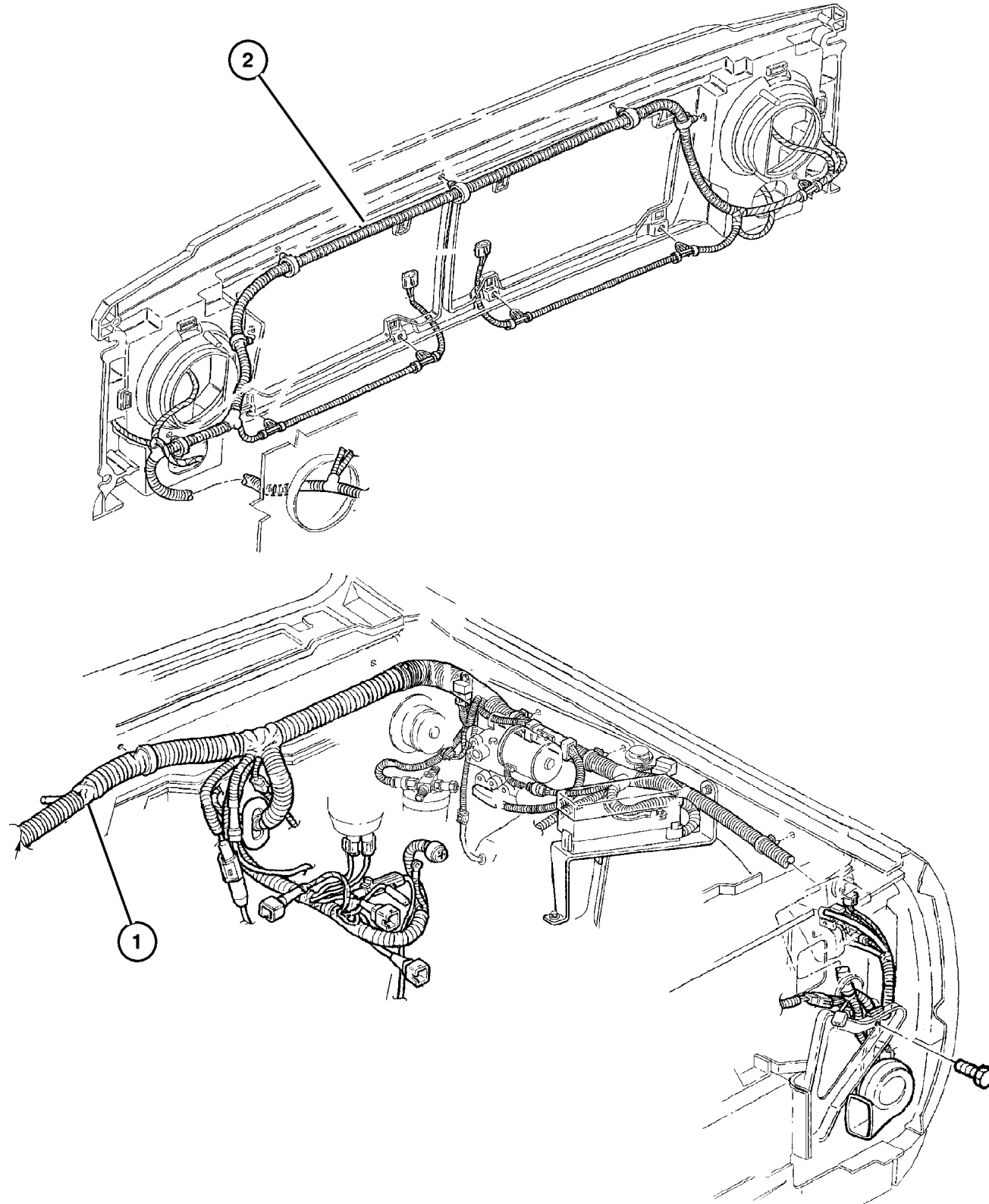
**Wiring Headlamp / Dash 1998 XJ  
Figure 008-1310**

ITEM	PART NUMBER	QTY	LINE	SERIES	BODY	ENGINE	TRANS	TRIM	DESCRIPTION
	56007 684AB	1							without Headlamp Leveling Device & without Export Equipment Package
	56007 686AC	1							with Export Equipment Package & without Headlamp Leveling Device
	56007 687AB	1							with Headlamp Leveling Device & without Export Equipment Package
-3	5600 7685	2							WIRING, Turn Signal Lamp, Export BRACKET, Power Distribution Center
-4	5600 8885	1	J, T			EP0, ER0			
	56009 151AB	1				EN0			
	56009 418AB	1	B, U			EP0, ER0			
-5	5603 8363	AR							COVER, Power Distribution Center

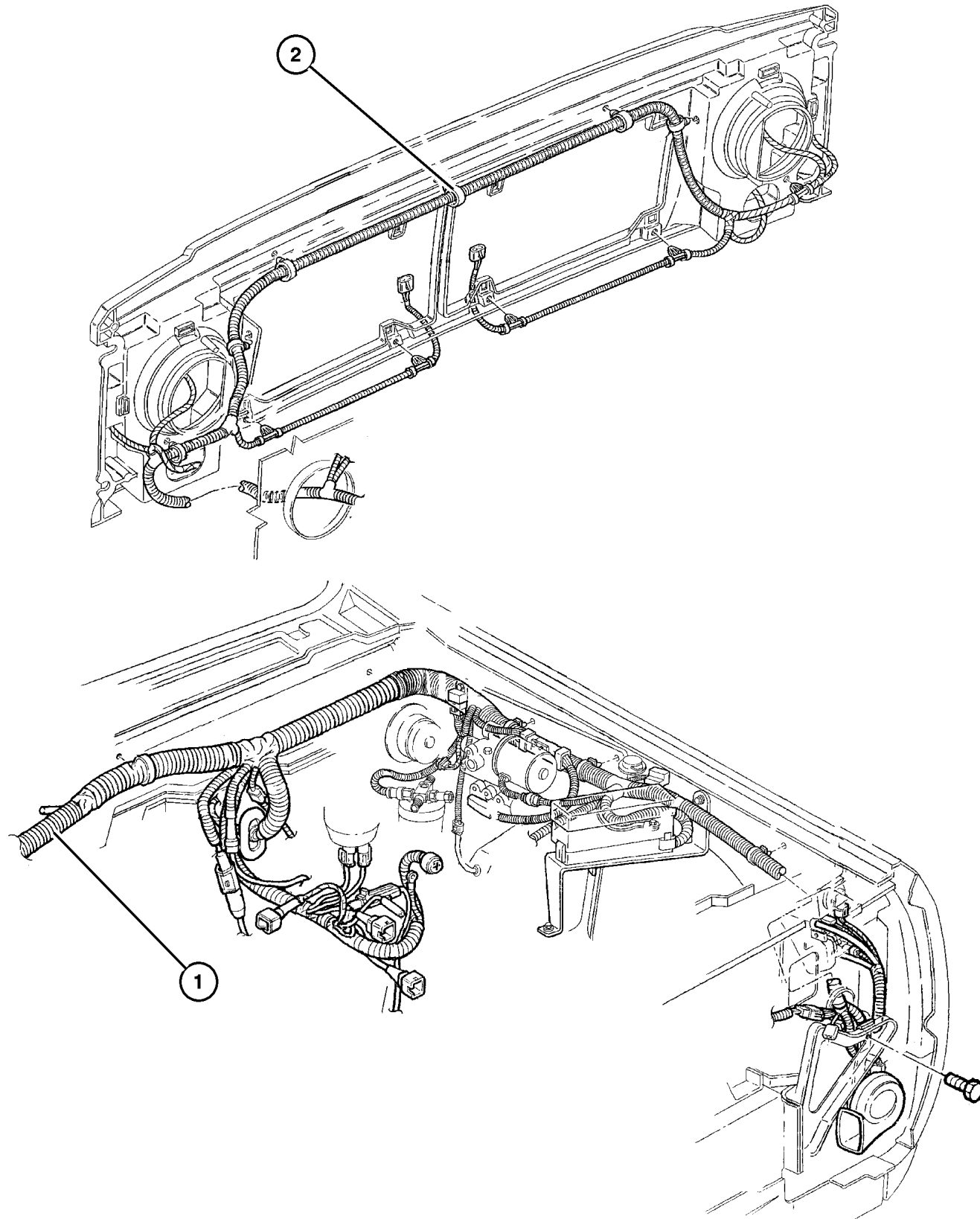
<b>JEEP CHEROKEE (XJ)</b>				
SERIES	LINE	BODY	ENGINE	TRANSMISSION
L=Low Line	J=LHD (4WD) U=RHD (4WD) T=LHD (2WD) B=RHD (2WD)	74=4 DR. (101.4 WB) 72=2 DR. (101.4 WB)	ENC,EN0=2.5L 4 cyl. Turbo Die ERH,ER0=4.0L Power Tech I-6 EPE,EP0=Magnum 2.5L SMPI	DDQ=5Spd Man. DGS=4 Spd. Auto. AISIN DG0=All Auto Trans DBB=All Manual Trans.

AR = Use as required - = Non illustrated part # = New this model year

July 4, 2003



**Wiring Headlamp / Dash 1999 XJ  
Figure 008-1310**



ITEM	PART NUMBER	QTY	LINE	SERIES	BODY	ENGINE	TRANS	TRIM	DESCRIPTION
EP0=2.5L Engine ER0=4.0L Engine EN0=4 Cylinder Turbo Engine DG0=Automatic Transmission DBB=Manual Transmission									
1									WIRING, Headlamp to Dash
	#56009 737AE	1	J, T			EP0			w/Daytime Running Lights
	#56009 746AE	1	J, T			ER0	DBB		w/ABS & w/Daytime Running Lights
	#56009 747AE	1	J, T			ER0	DBB		w/o ABS & w/o Daytime Running Lights
	#56009 748AE	1	U			EP0	DBB		Base Model
	#56009 749AE	1	B, U			ER0	DG0		w/o ABS
	#56009 750AE	1	B, U			ER0	DG0		w/ABS
	#56009 751AF	1	U			EN0			w/ABS
	#56009 752AF	1	B, U			EN0			w/o ABS
	#56009 753AE	1	J			EN0			w/ABS
	#56009 754AE	1	J			EN0			w/o ABS
	#56009 738AE	1	J, T			EP0			w/o Daytime Running Lights
	#56009 739AE	1	J, T			ER0	DG0		w/o Daytime Running Lights & w/ABS
	#56009 740AE	1	J, T			ER0	DG0		w/Daytime Running Lights & w/o ABS
	#56009 741AE	1	J, T			ER0	DG0		w/ABS & w/Daytime Running Light
	#56009 742AE	1	J, T			ER0	DG0		w/o ABS & w/o Daytime Running Light
	#56009 743AE	1	J, T			ER0	DG0		w/o ABS, Dual Road Foglamp & w/o Headlamp Leveling Package
	#56009 744AE	1	J, T			ER0	DBB		w/ABS & w/o Daytime Running Lights
	#56009 745AE	1	J, T			ER0	DBB		w/o ABS & w/Daytime Running Lights
2									WIRING, Front End Lighting
	56007 628AC	1							w/Headlamp Leveling Device
	56007 684AB	1							w/o Headlamp Leveling Device & w/o Dual Road Foglamp
	56007 686AC	1							w/o Headlamp Leveling Device
	56007 687AB	1							w/Dual Road Foglamp
-3	56007 685AB	2							WIRING, Turn Signal Lamp, Export
-4									COVER, Power Distribution Center
	#56038 361AC	AR							Top (Europe)
	#56038 363AB	AR							Top (Gas)
	5603 8364	1							Bottom

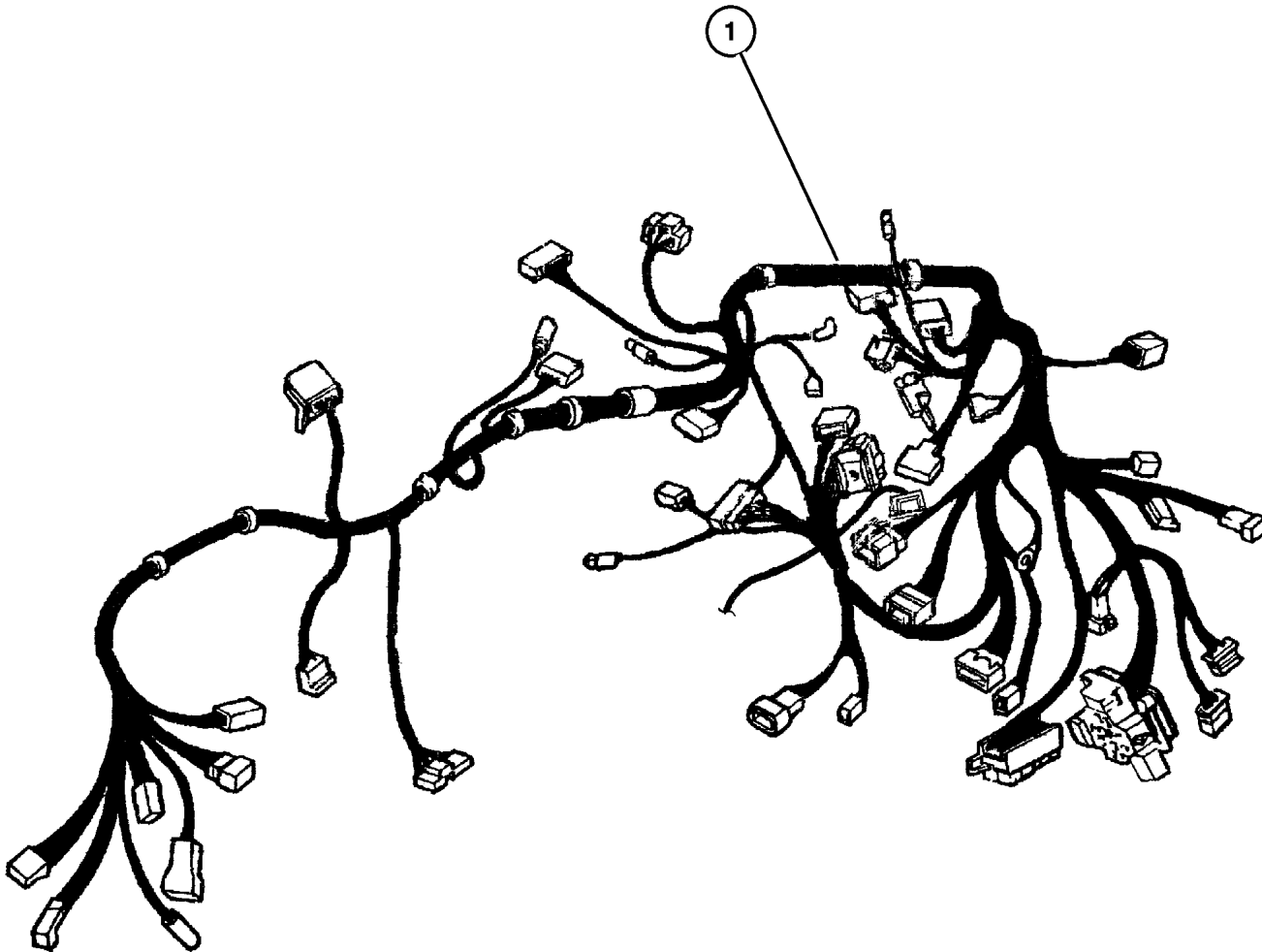
**JEEP CHEROKEE (XJ)**

SERIES	LINE	BODY	ENGINE	TRANSMISSION
L=Low Line	J=LHD (4WD) U=RHD (4WD) T=LHD (2WD) B=RHD (2WD)	74=4 DR. (101.4 WB) 72=2 DR. (101.4 WB)	ENC,EN0=2.5L 4 cyl. Turbo Die ERH,ER0=4.0L Power Tech I-6 EPE,EP0=Magnum 2.5L SMPI	DDQ=5Spd Man. DGS=4 Spd. Auto. AISIN DG0=All Auto Trans DBB=All Manual Trans.

AR = Use as required - = Non illustrated part # = New this model year

July 4, 2003

**Wiring Instrument Panel 1997 XJ**  
**Figure 008-1410**



ITEM	PART NUMBER	QTY	LINE	SERIES	BODY	ENGINE	TRANS	TRIM	DESCRIPTION
1									WIRING, Instrument Panel
	56009 909AB	1	J, T						w/o Power Locks, Light Pkg., Dual Road Lamp-Fog, Police Pkg. or Power Mirrors, Left Hand Drive
	56009 910AB	1	J, T						w/Power Locks, Light Pkg., Dual Road Lamp-Fog & Power Mirror, w/o Police Pkg., Left Hand Drive
	56009 911AC	1	J, T						w/Diesel Engine, Left Hand Drive
	56009 912AC	1	B, U						w/o Postal Pkg., Right Hand Drive
	56009 913AB	1	J, T						w/Police Pkg., Left Hand Drive
	56009 914AB	1	B, U						w/Postal Pkg., Right Hand Drive
	56009 916AB	1	J, T						I/Panel Lower w/Power Locks & Mirror
	56009 917AB	1	J, T						I/Panel Lower w/o Power Locks or Mirror
-2	5601 7442	1							WIRING, Courtesy Lamp
-3	5600 9715	1							COVER, Fuse Access
-4	5600 7573	1							JUNCTION BLOCK, Multifunction Module
-5	4432 543	1							WEDGE, Wiring

**JEEP CHEROKEE (XJ)**

SERIES	LINE	BODY	ENGINE	TRANSMISSION
L=Low Line	J=LHD (4WD) U=RHD (4WD) T=LHD (2WD) B=RHD (2WD)	74=4 DR. (101.4 WB) 72=2 DR. (101.4 WB)	ENC,EN0=2.5L 4 cyl. Turbo Die ERH,ER0=4.0L Power Tech I-6 EPE,EP0=Magnum 2.5L SMPI	DDQ=5Spd Man. DGS=4 Spd. Auto. AISIN DG0=All Auto Trans DBB=All Manual Trans.

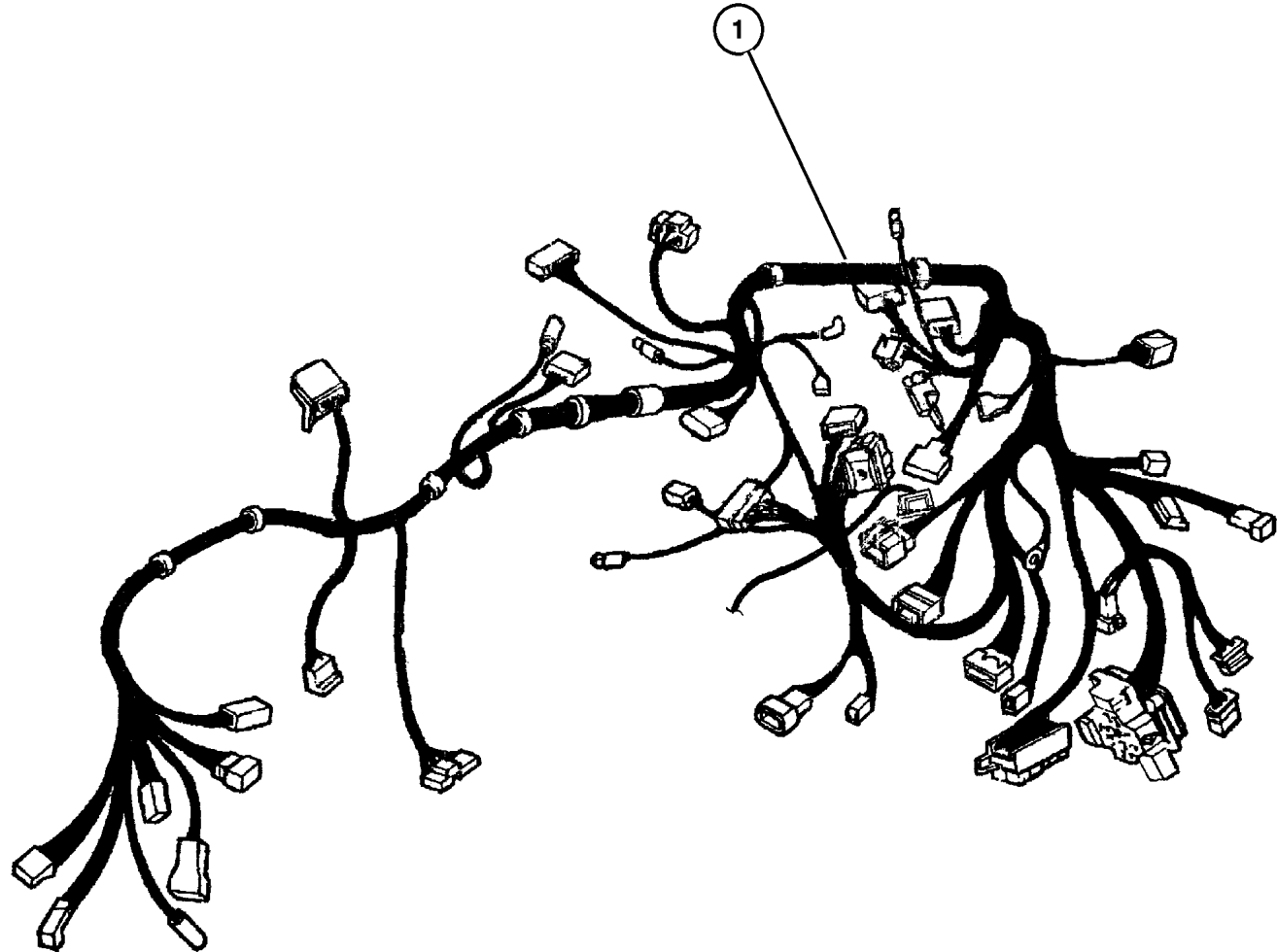
AR = Use as required - = Non illustrated part # = New this model year

July 4, 2003



**Wiring Instrument Panel 1998 XJ**  
**Figure 008-1410**

ITEM	PART NUMBER	QTY	LINE	SERIES	BODY	ENGINE	TRANS	TRIM	DESCRIPTION
1									WIRING, Instrument Panel
	56009 791AB	1	J, T						w/Power Locks & Dual Road Fog Lamps, Left Hand Drive
	56009 794AB	1	J, T						w/o Power Locks, Left Hand Drive
	56009 795AB	1	J, T						EUROPE, Left Hand Drive
	56009 797AB	1	J, T						w/Police Package, Left Hand Drive
	56009 798AB	1	B, U						w/Postal Package, Right Hand Drive
	56009 799AB	1	B, U						EUROPE, Right Hand Drive
	56009 802AB	1	J, T						Floor
-2	5601 7442	2							WIRING, Courtesy Lamp
-3	5600 9715	1							COVER, Fuse Access
-4	56007 573AD	1							JUNCTION BLOCK, Multifunction Module



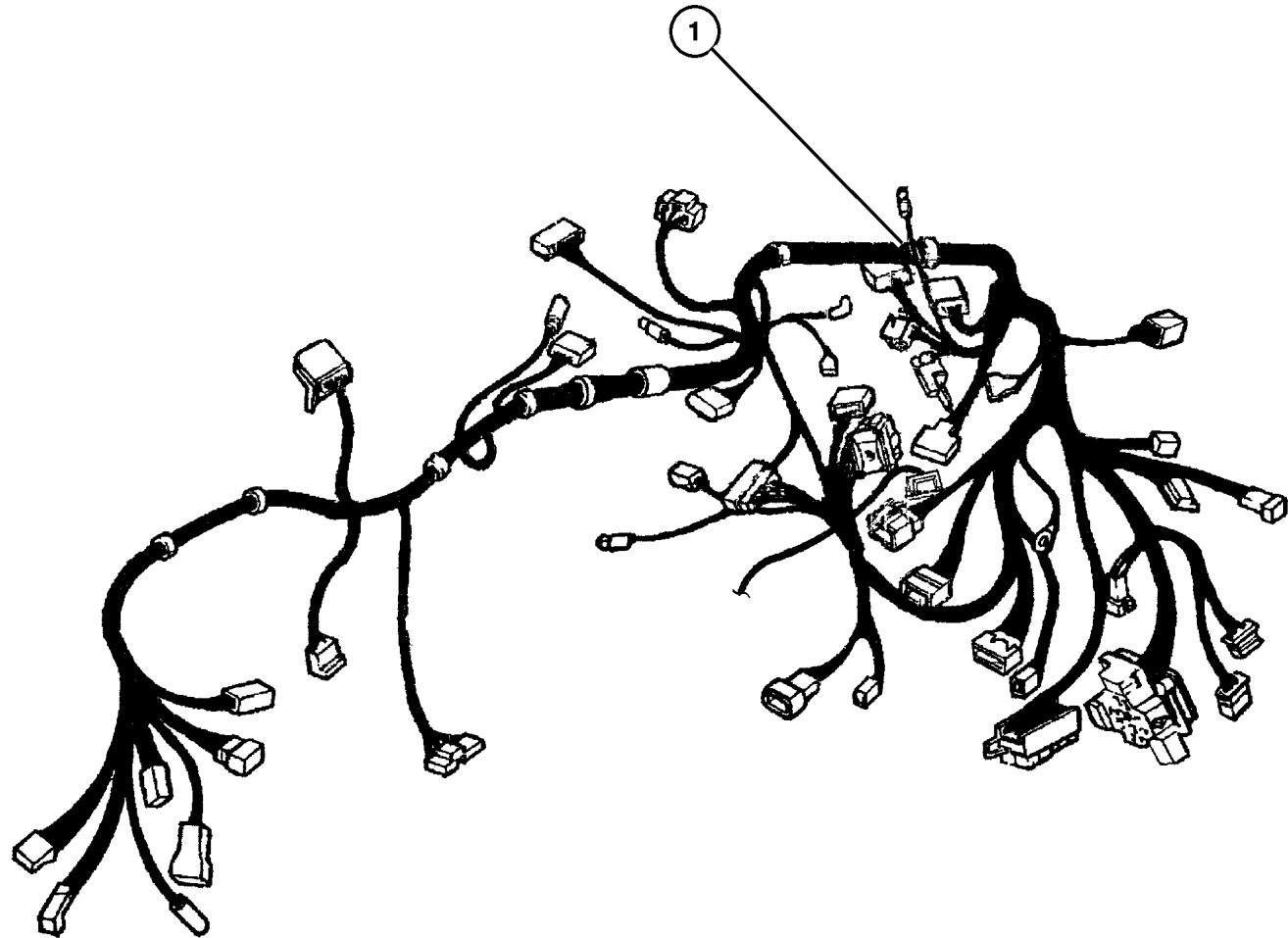
<b>JEEP CHEROKEE (XJ)</b>				
SERIES	LINE	BODY	ENGINE	TRANSMISSION
L=Low Line	J=LHD (4WD) U=RHD (4WD) T=LHD (2WD) B=RHD (2WD)	74=4 DR. (101.4 WB) 72=2 DR. (101.4 WB)	ENC,EN0=2.5L 4 cyl. Turbo Die ERH,ER0=4.0L Power Tech I-6 EPE,EP0=Magnum 2.5L SMPI	DDQ=5Spd Man. DGS=4 Spd. Auto. AISIN DG0=All Auto Trans DBB=All Manual Trans.

AR = Use as required - = Non illustrated part # = New this model year

July 4, 2003

**Wiring Instrument Panel 1999 XJ**  
**Figure 008-1410**

ITEM	PART NUMBER	QTY	LINE	SERIES	BODY	ENGINE	TRANS	TRIM	DESCRIPTION
1									WIRING, Instrument Panel
	#56009 791AD	1	J, T						USA/CANADA
	#56009 795AH	1	J						EUROPE
	#56009 797AH	1	J, T						w/Police Package
	#56009 798AG	1	B, U						w/Postal Package
	#56009 799AG	1	U						w/o Postal Package
	#56009 802AF	1	J, T						Floor
-2	5601 7442	2							WIRING, Courtesy Lamp
-3	5600 9715	1							COVER, Fuse Access
-4	#56007 573AE	1							JUNCTION BLOCK, Multifunction Module



<b>JEEP CHEROKEE (XJ)</b>				
SERIES	LINE	BODY	ENGINE	TRANSMISSION
L=Low Line	J=LHD (4WD) U=RHD (4WD) T=LHD (2WD) B=RHD (2WD)	74=4 DR. (101.4 WB) 72=2 DR. (101.4 WB)	ENC,EN0=2.5L 4 cyl. Turbo Die ERH,ER0=4.0L Power Tech I-6 EPE,EP0=Magnum 2.5L SMPI	DDQ=5Spd Man. DGS=4 Spd. Auto. AISIN DG0=All Auto Trans DBB=All Manual Trans.

AR = Use as required - = Non illustrated part # = New this model year

July 4, 2003

**Wiring Body & Accessory 1997 XJ**  
**Figure 008-1510**

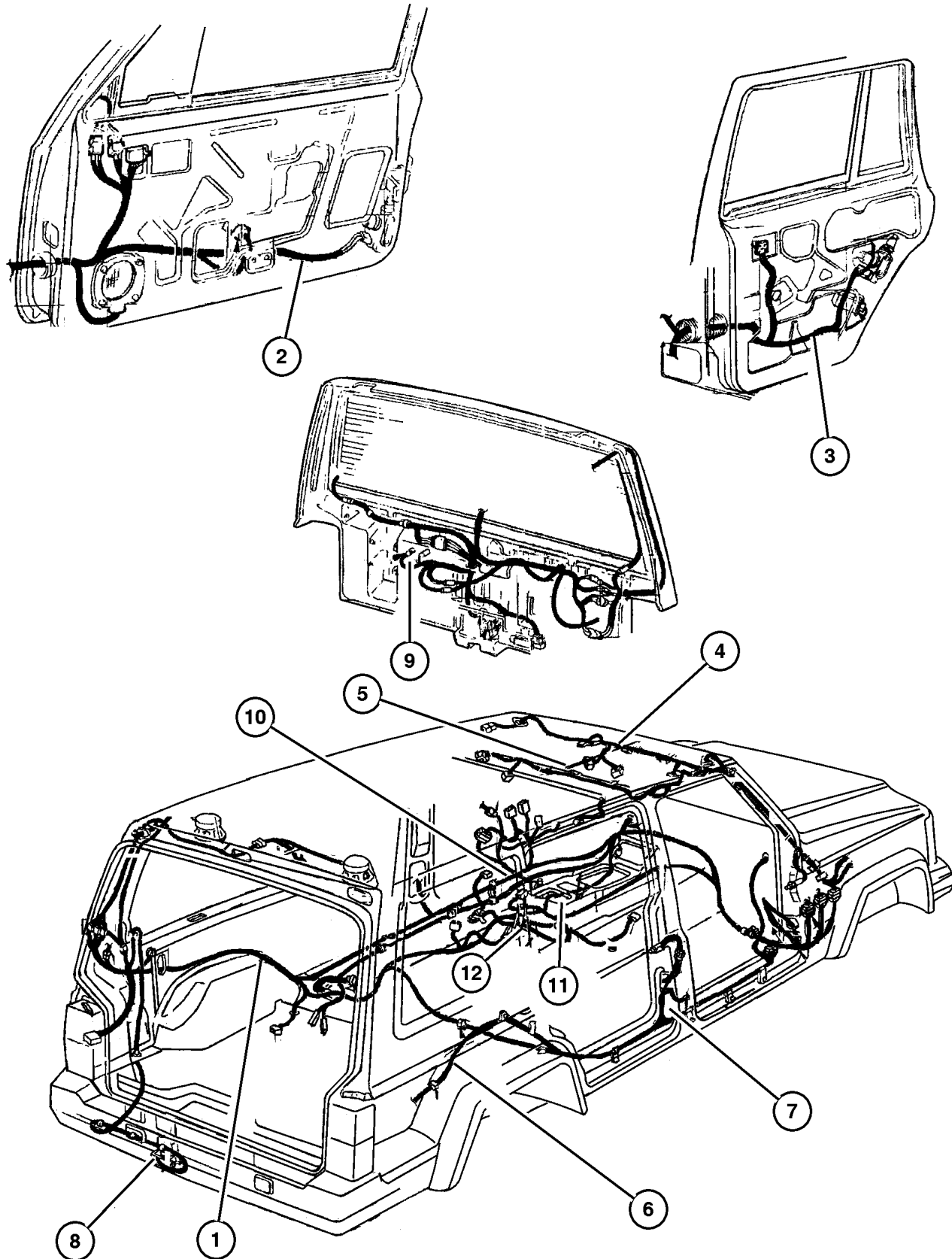
ITEM	PART NUMBER	QTY	LINE	SERIES	BODY	ENGINE	TRANS	TRIM	DESCRIPTION
1	56009 282AC	1	J, T						WIRING, Body
	56009 283AC	1	J, T						w/Power Locks, w/o 6-Speakers, Left Hand Drive
	56009 721AC	1	B, U						w/o Power Locks & w/o 6-Speakers, Left Hand Drive
	56009 722AC	1	B, U						w/o Power Locks & w/o 6-Speakers, Right Hand Drive
	56009 723AC	1	B, U						w/Power Locks, w/o 6-Speakers, Right Hand Drive
	56009 724AC	1	B, U						w/Power Locks & 6-Speakers, Right Hand Drive
	56009 890AC	1	J, T						w/o Power Locks, w/6-Speakers, Right Hand Drive
	56009 891AC	1	J, T						w/Power Locks & 6-Speakers, Left Hand Drive
2	5600 9264	1	B						WIRING, Door
	5600 9265	1	B						Right Front w/Mirror w/o Pwr Locks
	5600 9406	1	J						Right Front w/ Power Locks (RHD)
	5600 9408	1	J						Left Front w/Pwr. Mirror and 6 Spkr. w/o Pwr lock
	5600 9403	1	J						Right Front w/ Power Locks (LHD)
	5600 9404	1	J						Left Front w/ Power Locks [LHD]
									Left Front w/Pwr Mirror w/o Pwr Locks
3	56009 806AB	2			74				WIRING, Rear Door
4	4882 780	1							WIRING, Overhead Console
	5600 9702	1							w/Overhead Console Type I
									w/Overhead Console Type II
5	5600 9439	1							WIRING, Dome Lamp
	5600 9703	1							Dome Lamp w/Sunvisor Illuminated Mirrors
	5600 9705	1	J, T						Dome Lamp w/Keyless Entry
	5600 9757	1							Dome Lamp w/Police Package
									Dome Lamp w/o Keyless Entry & w/o Sunvisor Illuminated Mirrors
6	5600 9762	1			74				WIRING, Body to Liftgate
	5600 9871	1			72				Model 74
7	56007 579AB	2							WIRING, Door Jumper
									Jumper

**JEEP CHEROKEE (XJ)**

SERIES	LINE	BODY	ENGINE	TRANSMISSION
L=Low Line	J=LHD (4WD) U=RHD (4WD) T=LHD (2WD) B=RHD (2WD)	74=4 DR. (101.4 WB) 72=2 DR. (101.4 WB)	ENC,EN0=2.5L 4 cyl. Turbo Die ERH,ER0=4.0L Power Tech I-6 EPE,EP0=Magnum 2.5L SMPI	DDQ=5Spd Man. DGS=4 Spd. Auto. AISIN DG0=All Auto Trans DBB=All Manual Trans.

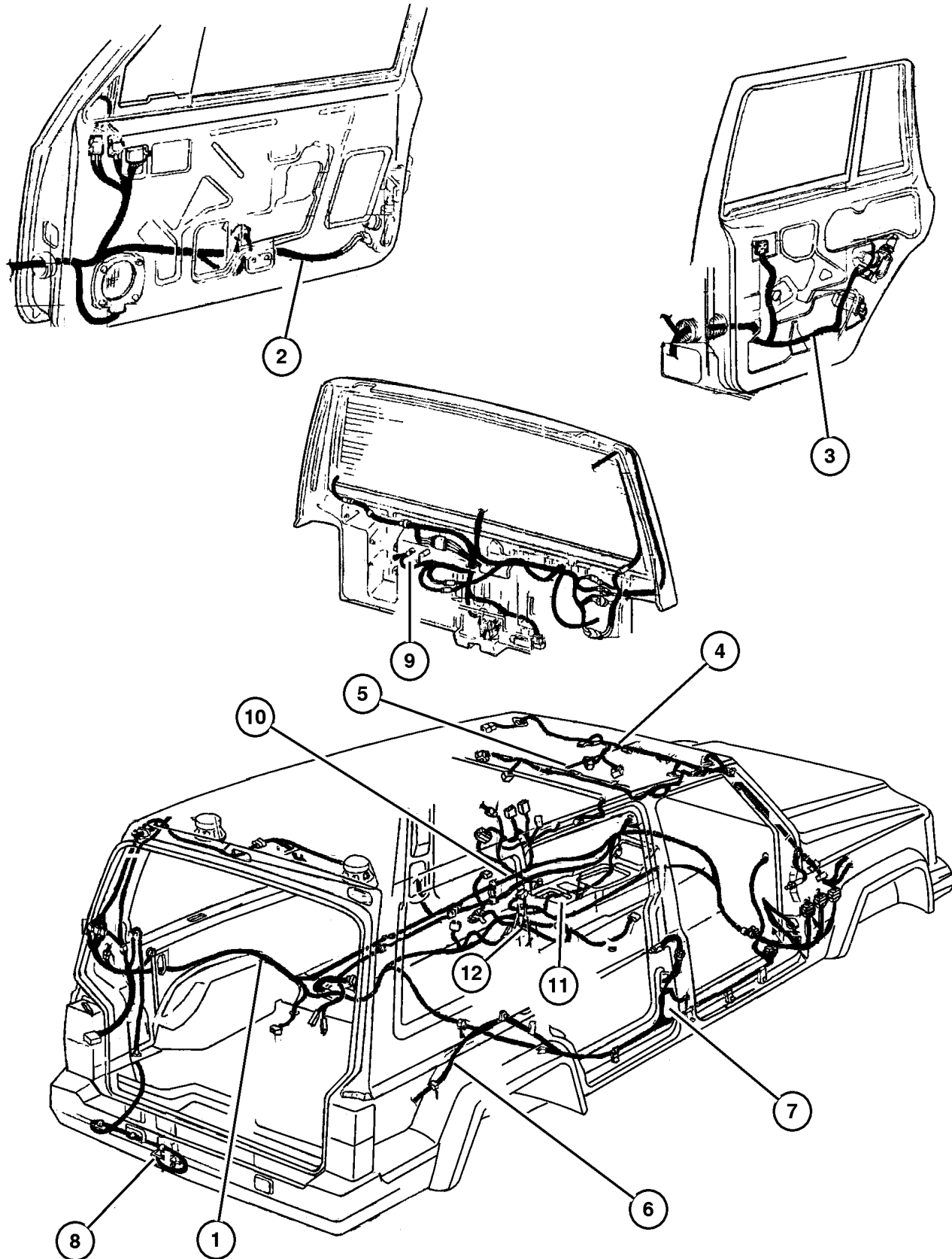
AR = Use as required - = Non illustrated part # = New this model year

July 4, 2003



**Wiring Body & Accessory 1997 XJ**  
**Figure 008-1510**

ITEM	PART NUMBER	QTY	LINE	SERIES	BODY	ENGINE	TRANS	TRIM	DESCRIPTION
	5600 9804	2			74				Courtesy Lamp Switch
8	5600 9268	1							WIRING, Trailer Tow
9	5600 9760	1							WIRING, Liftgate w/Power Locks
	5600 9761	1							w/o Power Locks
10	5600 8712	1	B, U		72				WIRING, Power Seat Model 72 w/Export Pkg., Right Hand Drive
		1	B, U		74				Model 74 w/Export Pkg., Right Hand Drive
		1	J, T		74				Model 74, Left Hand Drive
		1	J, T		72				Model 72, Left Hand Drive
		1	J, T		72				Model 72 w/Export Pkg., Left Hand Drive
	5600 8713	1	J, T		72				Model 74 w/Export, Right Hand Drive
		1	B, U		74				
	5600 9271	1							6-Way Type I
	5600 9272	1							6-Way Type II
11	5600 9280	1	J, U				DG0		WIRING, Console
	5600 9285	1	J, U				DBB		Manual Transmission
		1	B, T				DG0		Automatic Transmission
12	5600 9267	1	J, T						WIRING, Anti-lock Brake Left Hand Drive
	5600 9865	1	B, U						Right Hand Drive
-13	5600 7685	2							WIRING, Turn Signal Lamp



**JEEP CHEROKEE (XJ)**

SERIES	LINE	BODY	ENGINE	TRANSMISSION
L=Low Line	J=LHD (4WD) U=RHD (4WD) T=LHD (2WD) B=RHD (2WD)	74=4 DR. (101.4 WB) 72=2 DR. (101.4 WB)	ENC,EN0=2.5L 4 cyl. Turbo Die ERH,ER0=4.0L Power Tech I-6 EPE,EP0=Magnum 2.5L SMPI	DDQ=5Spd Man. DGS=4 Spd. Auto. AISIN DG0=All Auto Trans DBB=All Manual Trans.

AR = Use as required - = Non illustrated part # = New this model year

July 4, 2003

**Wiring Body & Accessory 1998 XJ**  
**Figure 008-1510**

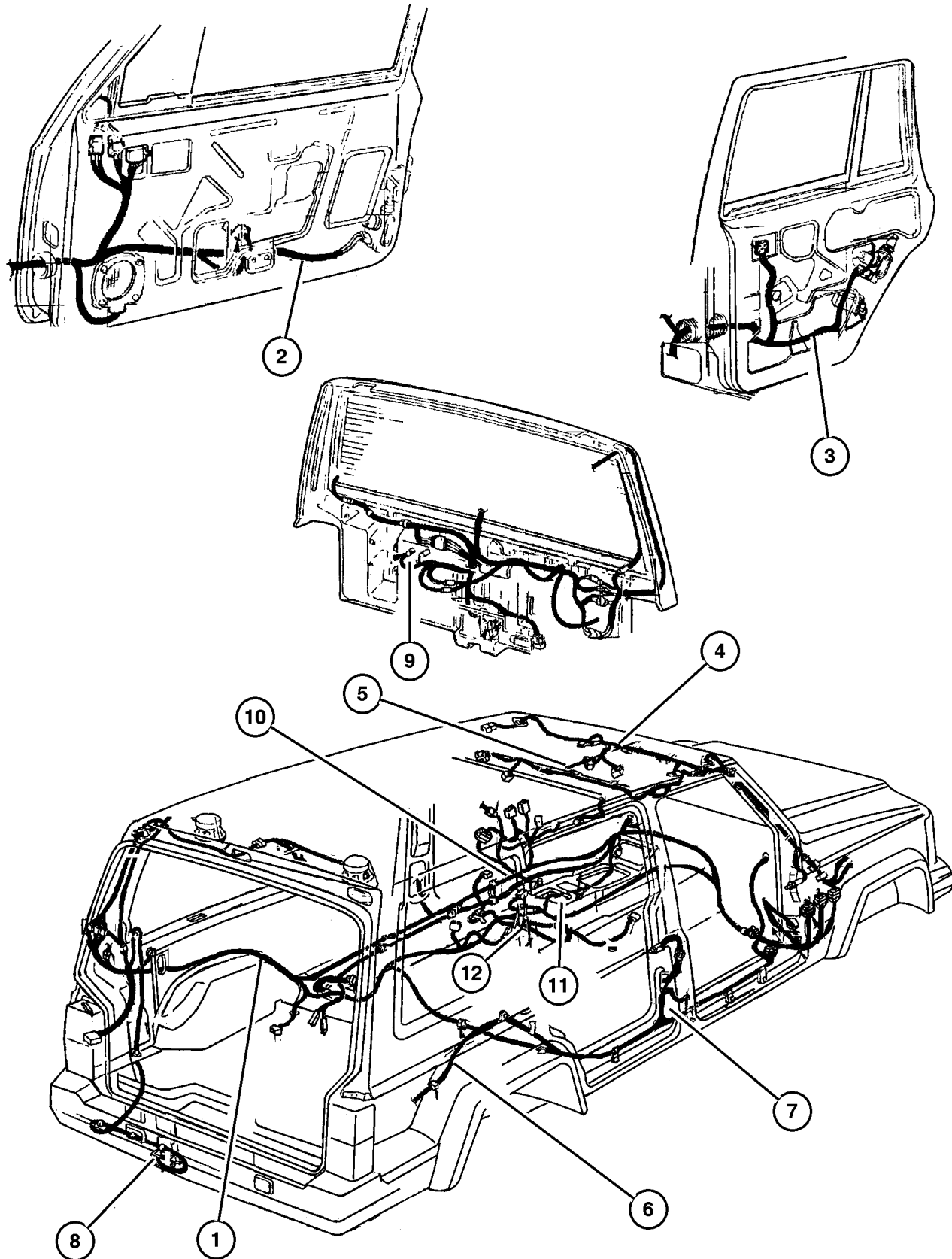
ITEM	PART NUMBER	QTY	LINE	SERIES	BODY	ENGINE	TRANS	TRIM	DESCRIPTION
1									WIRING, Body
	56009 808AB	1	J, T						Standard, Left Hand Drive
	56009 809AB	1	J, T						w/Premium System & w/o Power Locks, Left Hand Drive
	56009 810AB	1	J, T						w/Power Locks & w/o Premium Sound System, Left Hand Drive
	56009 811AB	1	J, T						w/Power Locks & Premium Sound System, Left Hand Drive
	56009 812AB	1	B, U						Standard, Right Hand Drive
	56009 813AB	1	B, U						w/Premium Sound System & w/o Power Locks, Right Hand Drive
	56009 814AB	1	B, U						w/Power Locks & w/o Premium Sound system, Right Hand Drive
	56009 815AB	1	B, U						w/Power Locks & Premium Sound system, Right Hand Drive
2									WIRING, Door
	56009 819AB	1							Standard, Left Door
	56009 831AB	1	B, U						w/Power Mirror (RHD), Right Door
	56009 820AB	1	J, T						w/Power Mirror (LHD), Left Door
	56009 821AB	1	J, T						w/Power Locks (LHD), Left Door
	56009 823AB	1	B, U						w/power Locks (RHD), Left Door
	56009 824AB	1	B, U						w/Power Mirror (RHD), Left Door
	56009 826AB	1							Standard, Right Door
	56009 827AB	1	J, T						w/Power Mirror (LHD), Right Door
	56009 828AB	1	J, T						w/Power Locks (LHD), Right Door
	56009 830AB	1	B, U						w/Power Locks (RHD), Right Door
3	56009 806AB	2			74				WIRING, Rear Door, w/Power Locks
4	4882 780	1							WIRING, Overhead Console
		1							JAPAN
		1							w/Keyless Entry Type I
		1							w/Export Equipment Package
	56009 702AB	1							USA
	56009 702AD	1							CANADA
5									WIRING, Dome Lamp
	56009 439AD	1							w/Illuminated Mirrors
	56009 703AD	1							w/Keyless Entry
	56009 705AC	1	J, T						w/Police Package (LHD)
	56009 757AD	1							Standard
6	5600 9816	1							WIRING, Body to Liftgate
7									WIRING, Door Jumper
	56007 579AB	2							Jumper
	5600 9804	2			74				Courtesy Lamp Switch (Model 74)
8	5600 9832	1							WIRING, Trailer Tow

**JEEP CHEROKEE (XJ)**

SERIES	LINE	BODY	ENGINE	TRANSMISSION
L=Low Line	J=LHD (4WD) U=RHD (4WD) T=LHD (2WD) B=RHD (2WD)	74=4 DR. (101.4 WB) 72=2 DR. (101.4 WB)	ENC,EN0=2.5L 4 cyl. Turbo Die ERH,ER0=4.0L Power Tech I-6 EPE,EP0=Magnum 2.5L SMPI	DDQ=5Spd Man. DGS=4 Spd. Auto. AISIN DG0=All Auto Trans DBB=All Manual Trans.

AR = Use as required - = Non illustrated part # = New this model year

July 4, 2003



**Wiring Body & Accessory 1998 XJ  
Figure 008-1510**

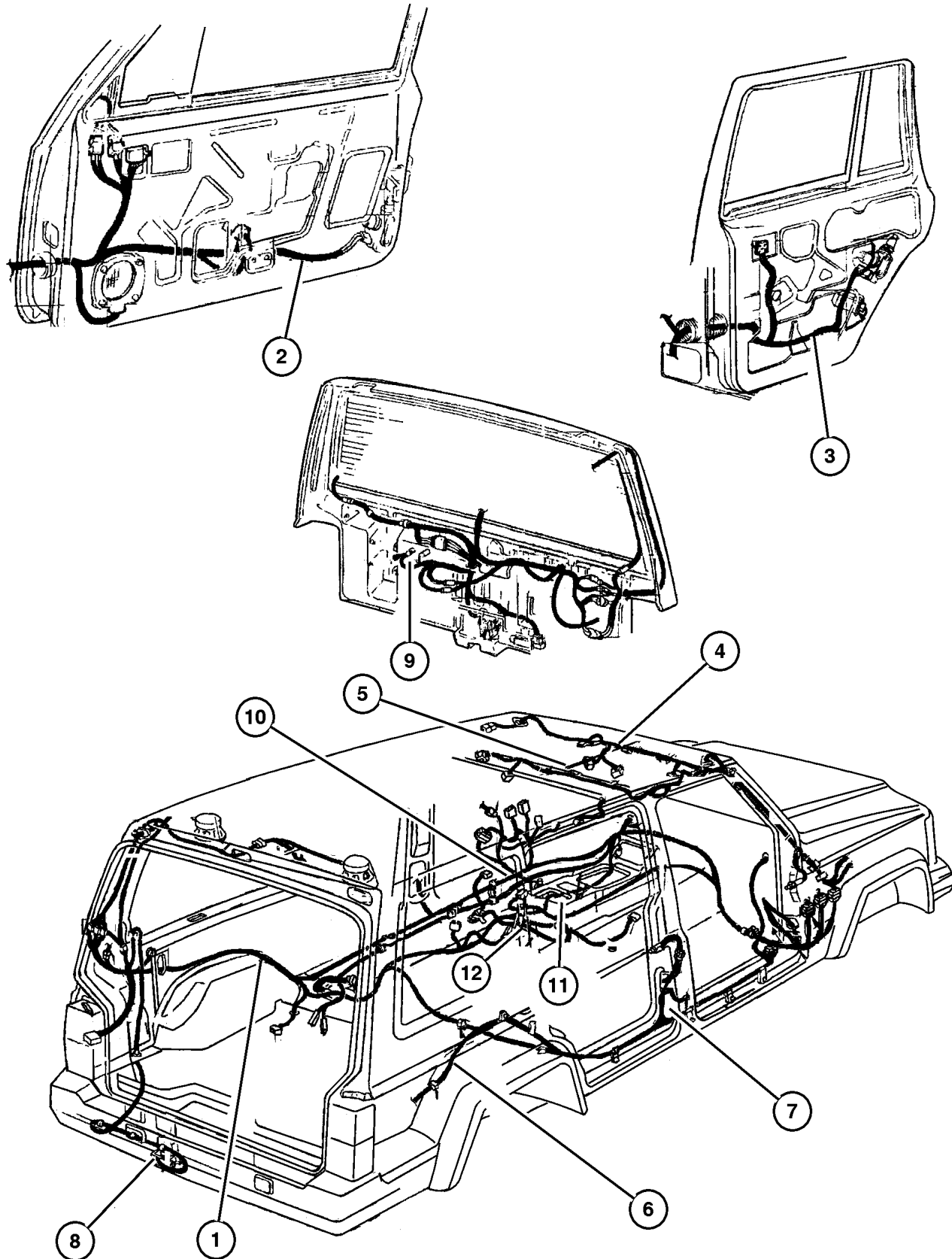
ITEM	PART NUMBER	QTY	LINE	SERIES	BODY	ENGINE	TRANS	TRIM	DESCRIPTION
9	56009 760AB	1							WIRING, Liftgate
10	5600 8712	1	J, T		74				WIRING, Power Seat 6 Way Type II w/Export Equipment Package (Left) Trim XJ, Left Hand Drive
		1	J, T		72				6 Way Type II w/Export Equipment Package (Left) Trim XJ, Left Hand Drive
		1	J, T		74				6 Way Type II w/Export Equipment Package (Left) Trim DL, Left Hand Drive
		1	B, U		74				6 Way Type II w/Export Equipment Package (Left) Trim XJ, Right Hand Drive
		1	B, U		74				6 Way Type II w/Export Equipment Package (Left) Trim DI, Right Hand Drive
		1	J, T		74				6 Way Type I w/First Position Rear Bench/Folding (Left) Trim DL, Left Hand Drive
		1	J, T		72				6 Way Type I w/First Position Rear Bench/Folding (Left) Trim M5, Left Hand Drive
	5600 8713	1	J, T		74				6 Way Type II w/Export Equipment Package (Right) Trim XJ, Left Hand Drive
		1	J, T		72				6 Way Type II w/Export Equipment Package (Right) Trim XJ, Left Hand Drive
		1	J, T		74				6 Way Type II w/Export Equipment Package (Right) Trim DL, Left Hand Drive
		1	B, U		74				6 Way Type II w/Export Equipment Package (Right) Trim XJ, Right Hand Drive
		1	B, U		74				6 Way Type II w/Export Equipment Package (Right) Trim DL, Right Hand Drive
	5600 9840	1							USA/CANADA (Type I)
	5600 9841	1							USA/CANADA (Type II)
11	5600 9792	1	J, U				DBB		WIRING, Console w/Manual Transmission

**JEEP CHEROKEE (XJ)**

SERIES	LINE	BODY	ENGINE	TRANSMISSION
L=Low Line	J=LHD (4WD) U=RHD (4WD) T=LHD (2WD) B=RHD (2WD)	74=4 DR. (101.4 WB) 72=2 DR. (101.4 WB)	ENC,EN0=2.5L 4 cyl. Turbo Die ERH,ER0=4.0L Power Tech I-6 EPE,EP0=Magnum 2.5L SMPI	DDQ=5Spd Man. DGS=4 Spd. Auto. AISIN DG0=All Auto Trans DBB=All Manual Trans.

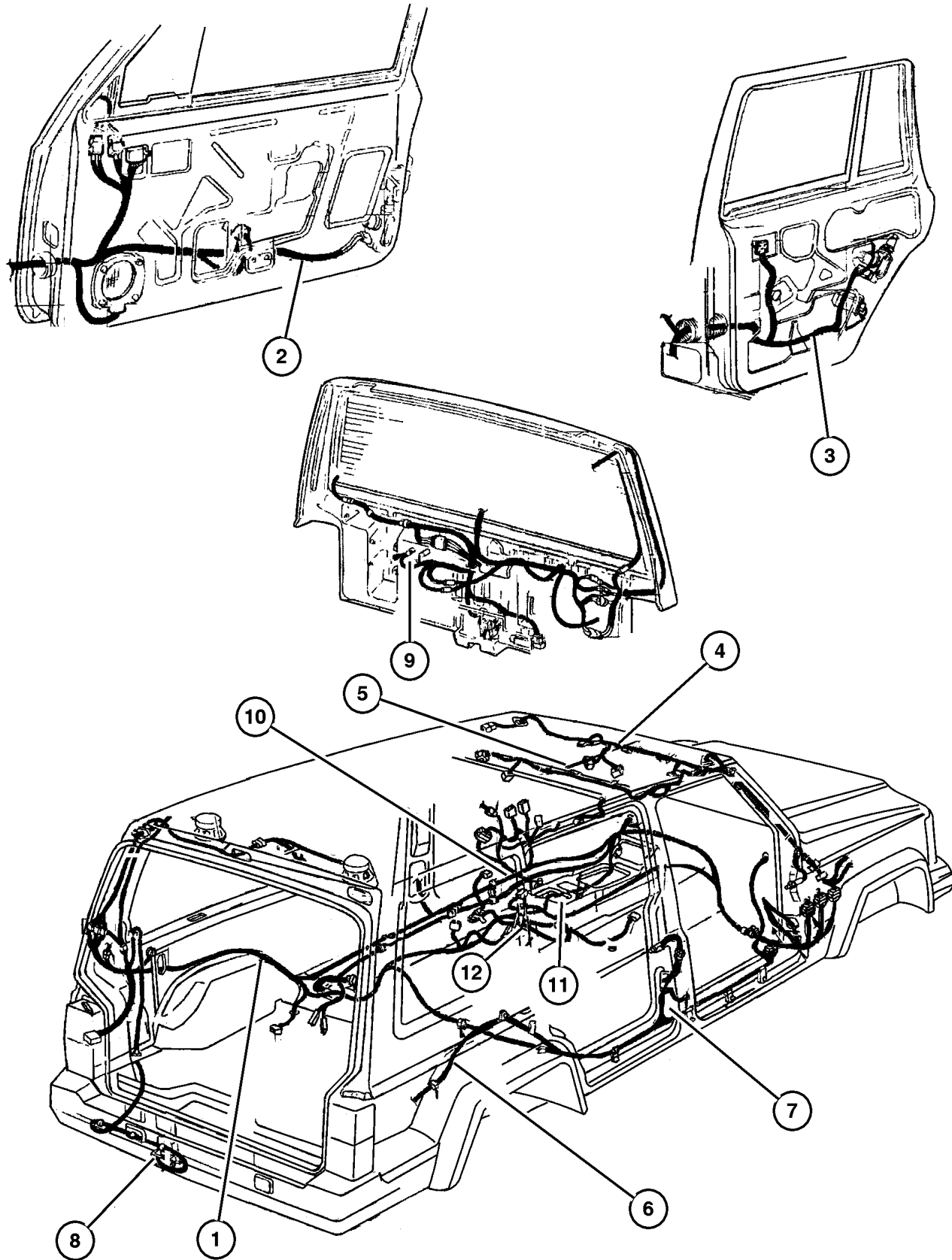
AR = Use as required - = Non illustrated part # = New this model year

July 4, 2003



**Wiring Body & Accessory 1998 XJ**  
**Figure 008-1510**

ITEM	PART NUMBER	QTY	LINE	SERIES	BODY	ENGINE	TRANS	TRIM	DESCRIPTION
		1	B, T				DG0		w/Automatic Transmission
	5600 9793	1	J, U				DG0		w/Automatic Transmission
12	5600 9839	1							WIRING, Anti-lock Brake
-13	56038 366AB	1							CONNECTOR, 7 Way, With Trailer Tow



<b>JEEP CHEROKEE (XJ)</b>				
SERIES	LINE	BODY	ENGINE	TRANSMISSION
L=Low Line	J=LHD (4WD) U=RHD (4WD) T=LHD (2WD) B=RHD (2WD)	74=4 DR. (101.4 WB) 72=2 DR. (101.4 WB)	ENC,EN0=2.5L 4 cyl. Turbo Die ERH,ER0=4.0L Power Tech I-6 EPE,EP0=Magnum 2.5L SMPI	DDQ=5Spd Man. DGS=4 Spd. Auto. AISIN DG0=All Auto Trans DBB=All Manual Trans.

AR = Use as required - = Non illustrated part # = New this model year

July 4, 2003

**Wiring Body & Accessory 1999 XJ**  
**Figure 008-1510**

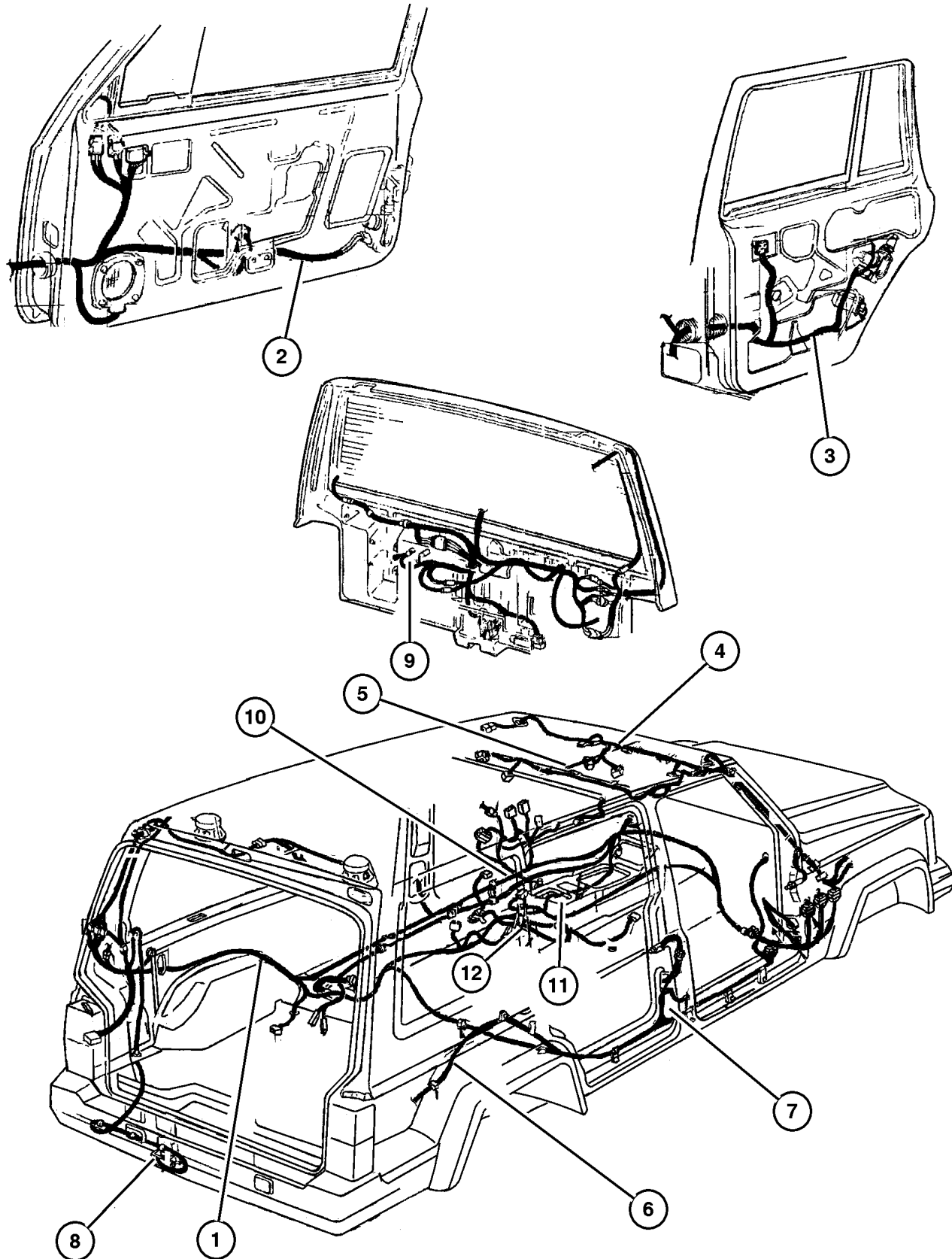
ITEM	PART NUMBER	QTY	LINE	SERIES	BODY	ENGINE	TRANS	TRIM	DESCRIPTION
1									WIRING, Body
	#56009 808AH	1	J, T						Base Model, Left Hand Drive
	#56009 810AH	1	J, T						w/Power Locks & w/o Premium Sound System
	#56009 811AH	1	J, T						w/Premium Sound System
	#56009 812AH	1	B, U						Base Model, Right Hand Drive
	#56009 814AH	1	B, U						w/Power Locks & w/o Premium Sound System
	#56009 815AH	1	B, U						w/Premium Sound System
2									WIRING, Door
	56009 819AB	1							Base Model, Left Door
	#56009 820AE	1	J, T						w/Power Mirrors, Left Door
	#56009 821AE	1	J, T						w/Power Locks, Left Door
	#56009 823AE	1	B, U						w/Power Locks, Left Door
	#56009 824AE	1	B, U						w/Power Mirrors, Left Door
	56009 826AB	1							Base Model, Right Door
	#56009 827AE	1	J, T						w/Power Mirrors, Right Door
	#56009 828AE	1	J, T						w/Power Locks, Right Door
	#56009 830AE	1	B, U						w/Power Locks, Right Door
	#56009 831AE	1	B, U						w/Power Mirrors, Right Door
3	#56009 806AE	2					74		WIRING, Rear Door, w/Power Locks
4									WIRING, Overhead Console
	4882 780	1							Type II (JAPAN)
		1							Type II w/Keyless Entry System- Type I
		1							Type II w/Keyless Entry System w/ Immobilizer
	#56009 702AE	1							Type II
5									WIRING, Dome Lamp
	#56009 703AE	1							w/Illuminatrde Mirrors & w/o Overhead Console
	56009 705AC	1	J, T						w/Police Package
	56009 757AD	1							Base Model w/Overhead Console
6	#56009 816AD	1							WIRING, Body to Liftgate
7									WIRING, Door Jumper
	#56007 579AC	2							Jumper
	5600 9804	2					74		Courtesy Lamp Switch (Model 74)
8	5600 9832	1							WIRING, Trailer Tow
9	#56009 760AD	1							WIRING, Liftgate
10									WIRING, Power Seat
	#56008 712AB	1	J, T				74		w/First Positin Rear Bench/Folding & w/Power Seat Package - 6 Way

**JEEP CHEROKEE (XJ)**

SERIES	LINE	BODY	ENGINE	TRANSMISSION
L=Low Line	J=LHD (4WD) U=RHD (4WD) T=LHD (2WD) B=RHD (2WD)	74=4 DR. (101.4 WB) 72=2 DR. (101.4 WB)	ENC,EN0=2.5L 4 cyl. Turbo Die ERH,ER0=4.0L Power Tech I-6 EPE,EP0=Magnum 2.5L SMPI	DDQ=5Spd Man. DGS=4 Spd. Auto. AISIN DG0=All Auto Trans DBB=All Manual Trans.

AR = Use as required - = Non illustrated part # = New this model year

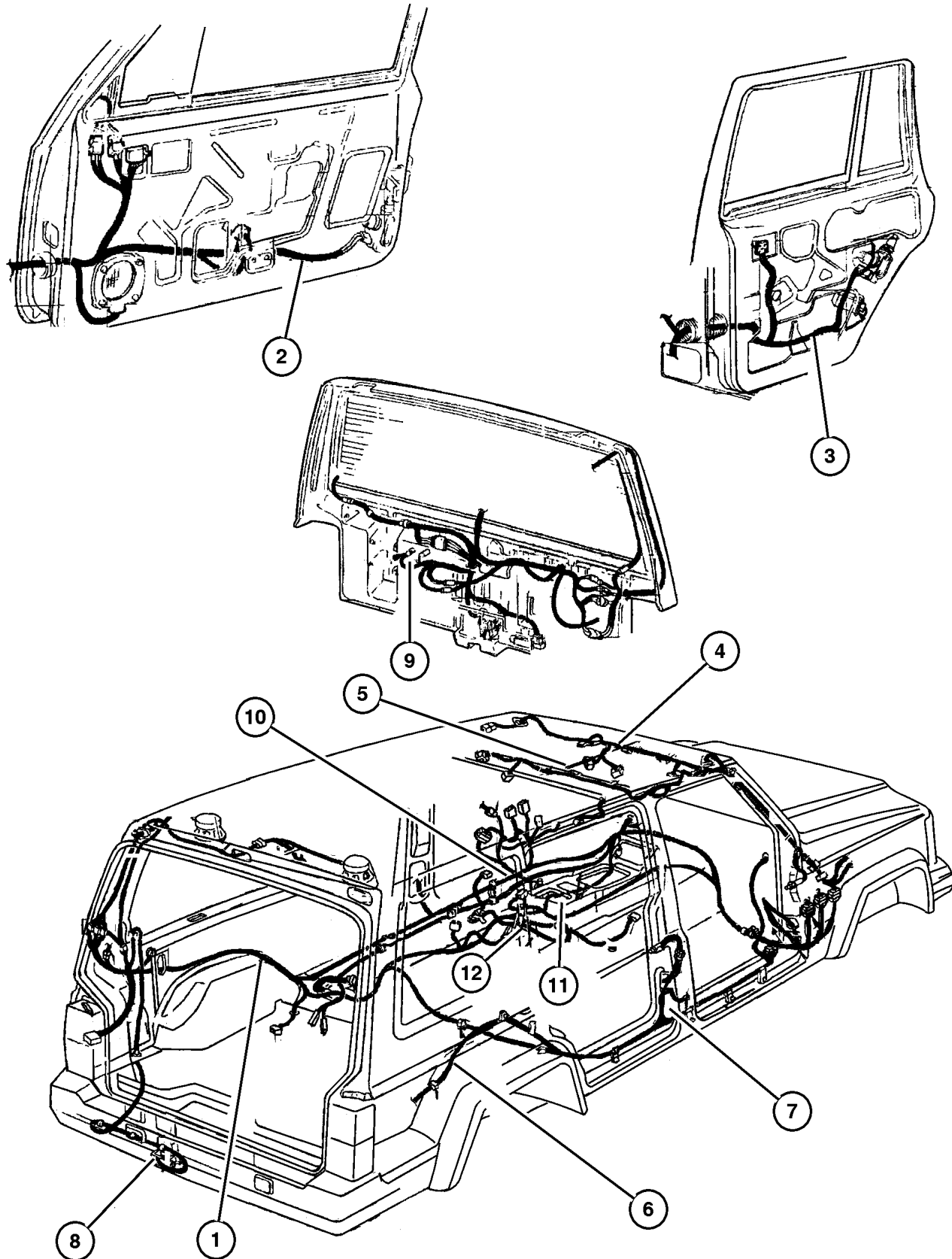
July 4, 2003





**Wiring Body & Accessory 1999 XJ**  
**Figure 008-1510**

ITEM	PART NUMBER	QTY	LINE	SERIES	BODY	ENGINE	TRANS	TRIM	DESCRIPTION
		1	B, U		74				w/First Positin Rear Bench/Folding & w/Power Seat Package - 6 Way
		1	J, T		72				w/First Positin Rear Bench/Folding & w/Power Seat Package - 6 Way, Right
	#56008 713AB	1	J, T		72				w/First Positin Rear Bench/Folding & w/Power Seat Package - 6 Way (Heated), Left
		1	J, T		74				w/First Positin Rear Bench/Folding & w/Power Seat Package - 6 Way (Heated), Left
		1	B, U		74				w/First Positin Rear Bench/Folding & w/Power Seat Package - 6 Way (Heated), Left
	#56009 840AB	1							w/Power Seat Package - 6 Way - Type I (Non Heated), Left
	#56010 286AA	1							Dual Power Seat Package - 6 Way - Type II (Non Heated) EUROPE
11	5600 9792	1	J, U				DBB		WIRING, Console w/Manual Transmission
	5600 9793	1	B, T				DG0		w/Automatic Transmission
12	#56009 839AB	1	J, U				DG0		w/Automatic Transmission
-13									WIRING, Anti-lock Brake CONDUIT, Door Harness
	5503 4132	2							
		2			74				
-14	56038 366AB	1							CONNECTOR, 7 Way, With Trailer Tow



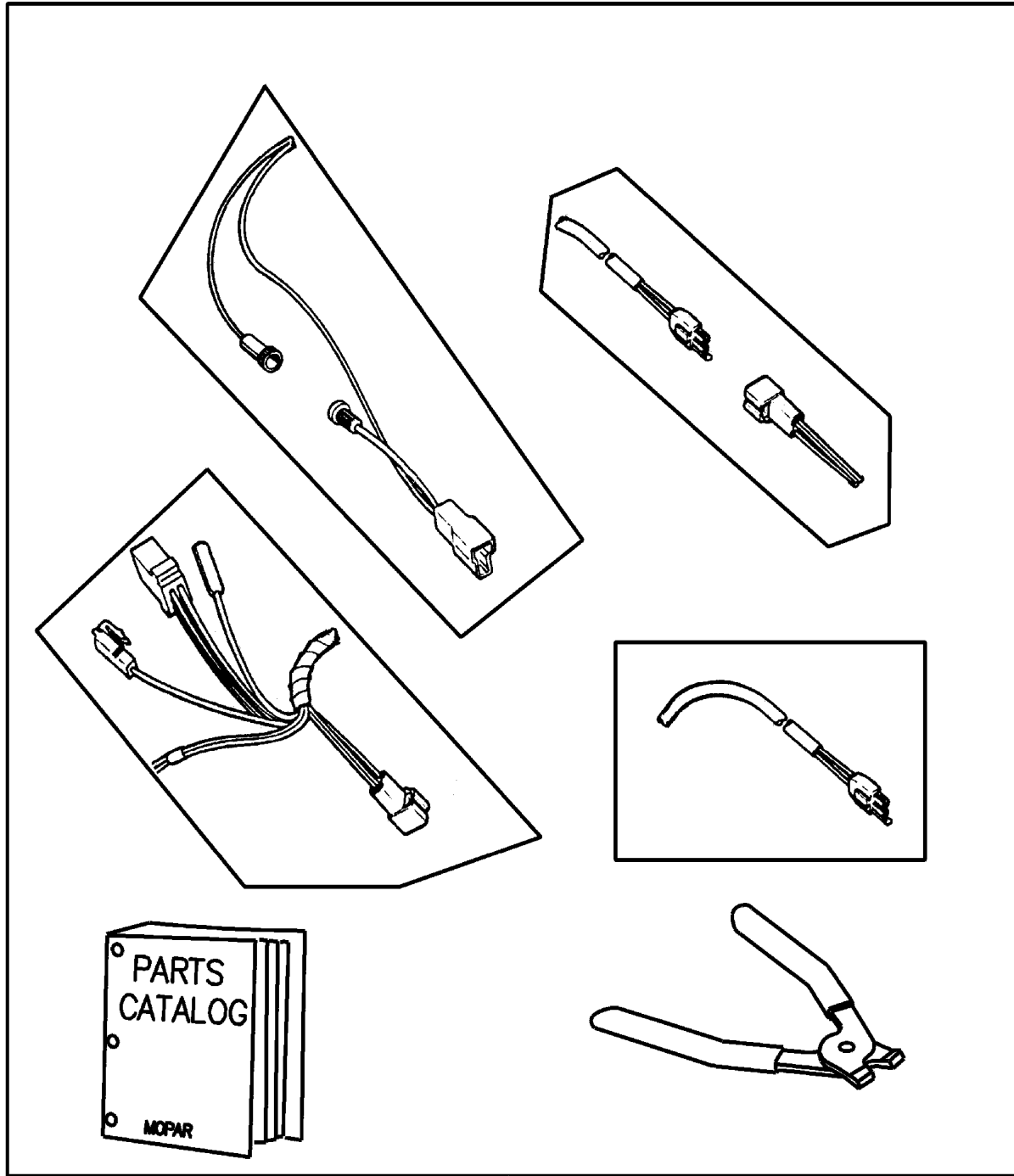
**JEEP CHEROKEE (XJ)**  
 SERIES L=Low Line LINE J=LHD (4WD) U=RHD (4WD) T=LHD (2WD) B=RHD (2WD) BODY 74=4 DR. (101.4 WB) 72=2 DR. (101.4 WB) ENGINE ENC,EN0=2.5L 4 cyl. Turbo Die ERH,ER0=4.0L Power Tech I-6 EPE,EP0=Magnum 2.5L SMPI TRANSMISSION DDQ=5Spd Man. DGS=4 Spd. Auto. AISIN DG0=All Auto Trans DBB=All Manual Trans.

AR = Use as required - = Non illustrated part # = New this model year

July 4, 2003

Wiring Repair 1997 XJ  
Figure 008-1605

ITEM	PART NUMBER	QTY	LINE	SERIES	BODY	ENGINE	TRANS	TRIM	DESCRIPTION
1	5013 930AA	1							WIRING PACKAGE, Underhood Connector Repair
-2	4863 839	1							CONNECTOR PACKAGE, Beam Select Switch



1

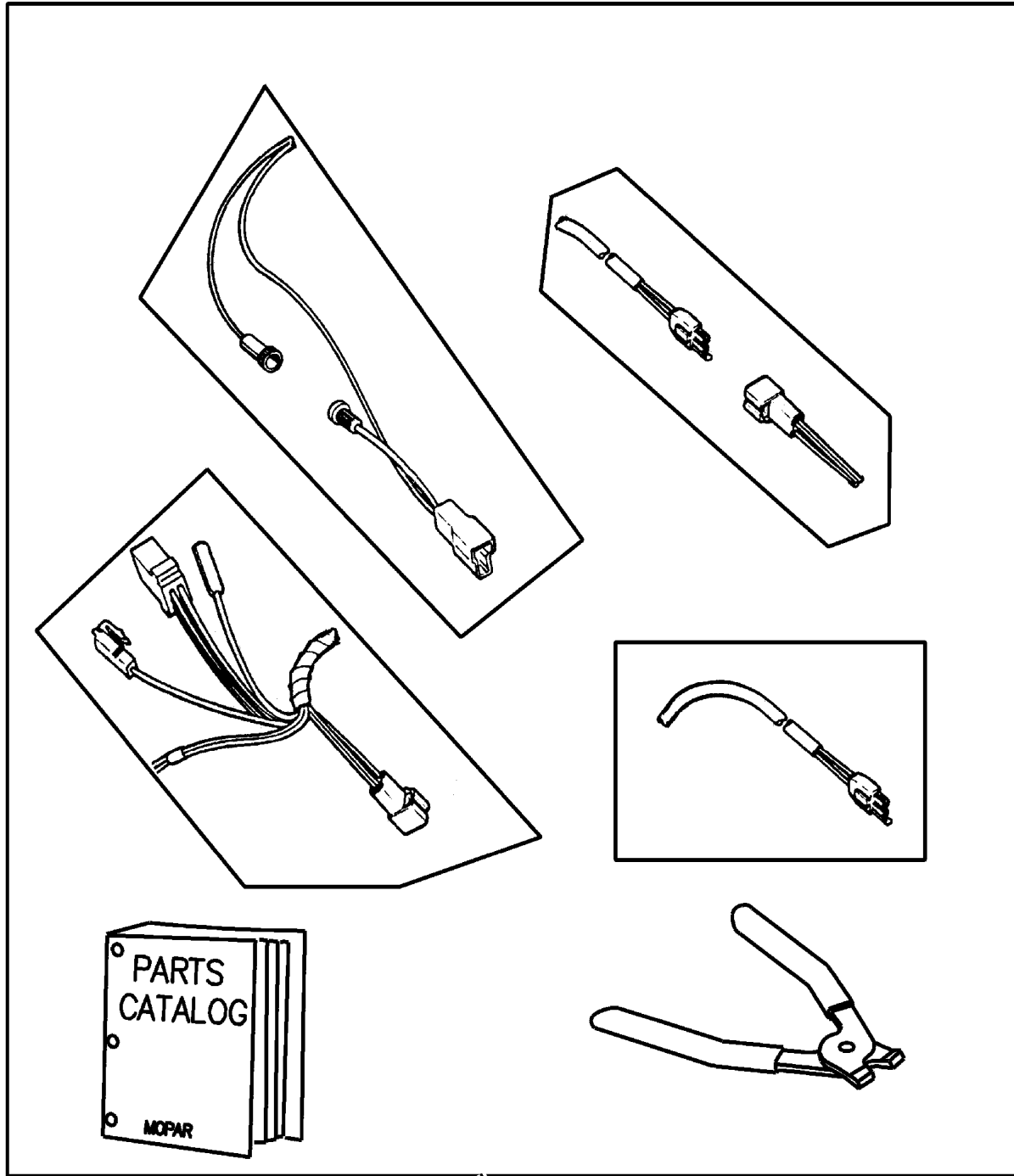
<b>JEEP CHEROKEE (XJ)</b>				
SERIES	LINE	BODY	ENGINE	TRANSMISSION
L=Low Line	J=LHD (4WD) U=RHD (4WD) T=LHD (2WD) B=RHD (2WD)	74=4 DR. (101.4 WB) 72=2 DR. (101.4 WB)	ENC,EN0=2.5L 4 cyl. Turbo Die ERH,ER0=4.0L Power Tech I-6 EPE,EP0=Magnum 2.5L SMPI	DDQ=5Spd Man. DGS=4 Spd. Auto. AISIN DG0=All Auto Trans DBB=All Manual Trans.

AR = Use as required - = Non illustrated part # = New this model year

July 4, 2003

Wiring Repair 1998 XJ  
Figure 008-1605

ITEM	PART NUMBER	QTY	LINE	SERIES	BODY	ENGINE	TRANS	TRIM	DESCRIPTION
1	5013 930AA	1							WIRING PACKAGE, Underhood Connector Repair
-2	4863 839	1							CONNECTOR PACKAGE, Beam Select Switch



<b>JEEP CHEROKEE (XJ)</b>				
SERIES	LINE	BODY	ENGINE	TRANSMISSION
L=Low Line	J=LHD (4WD) U=RHD (4WD) T=LHD (2WD) B=RHD (2WD)	74=4 DR. (101.4 WB) 72=2 DR. (101.4 WB)	ENC,EN0=2.5L 4 cyl. Turbo Die ERH,ER0=4.0L Power Tech I-6 EPE,EP0=Magnum 2.5L SMPI	DDQ=5Spd Man. DGS=4 Spd. Auto. AISIN DG0=All Auto Trans DBB=All Manual Trans.

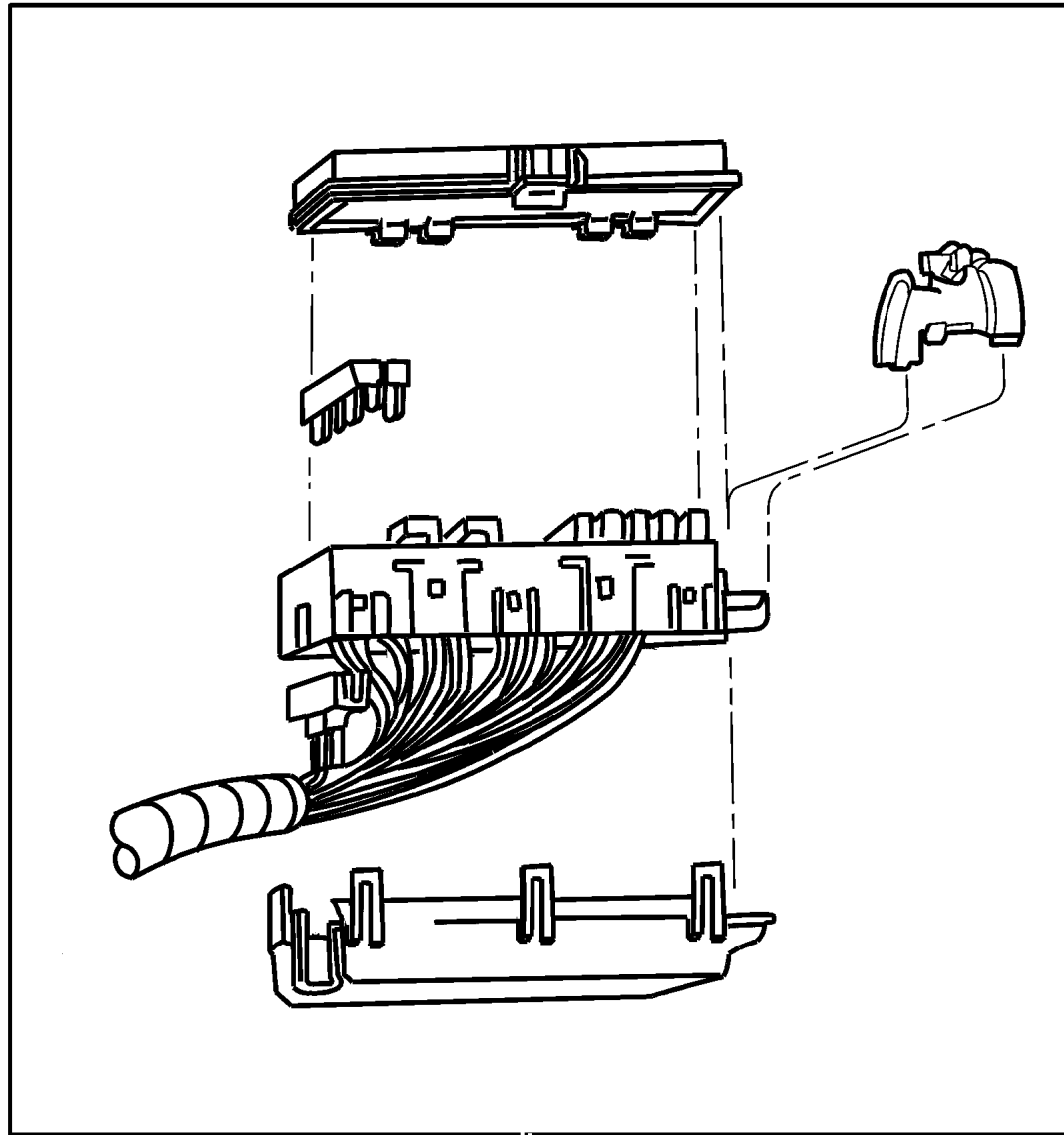
AR = Use as required - = Non illustrated part # = New this model year

July 4, 2003



**Power Distribution Center Repair 1997 XJ 1998 XJ**  
**Figure 008-1610**

ITEM	PART NUMBER	QTY	LINE	SERIES	BODY	ENGINE	TRANS	TRIM	DESCRIPTION
1	5014 460AA	1							REPAIR KIT, Power Distribution Center



1

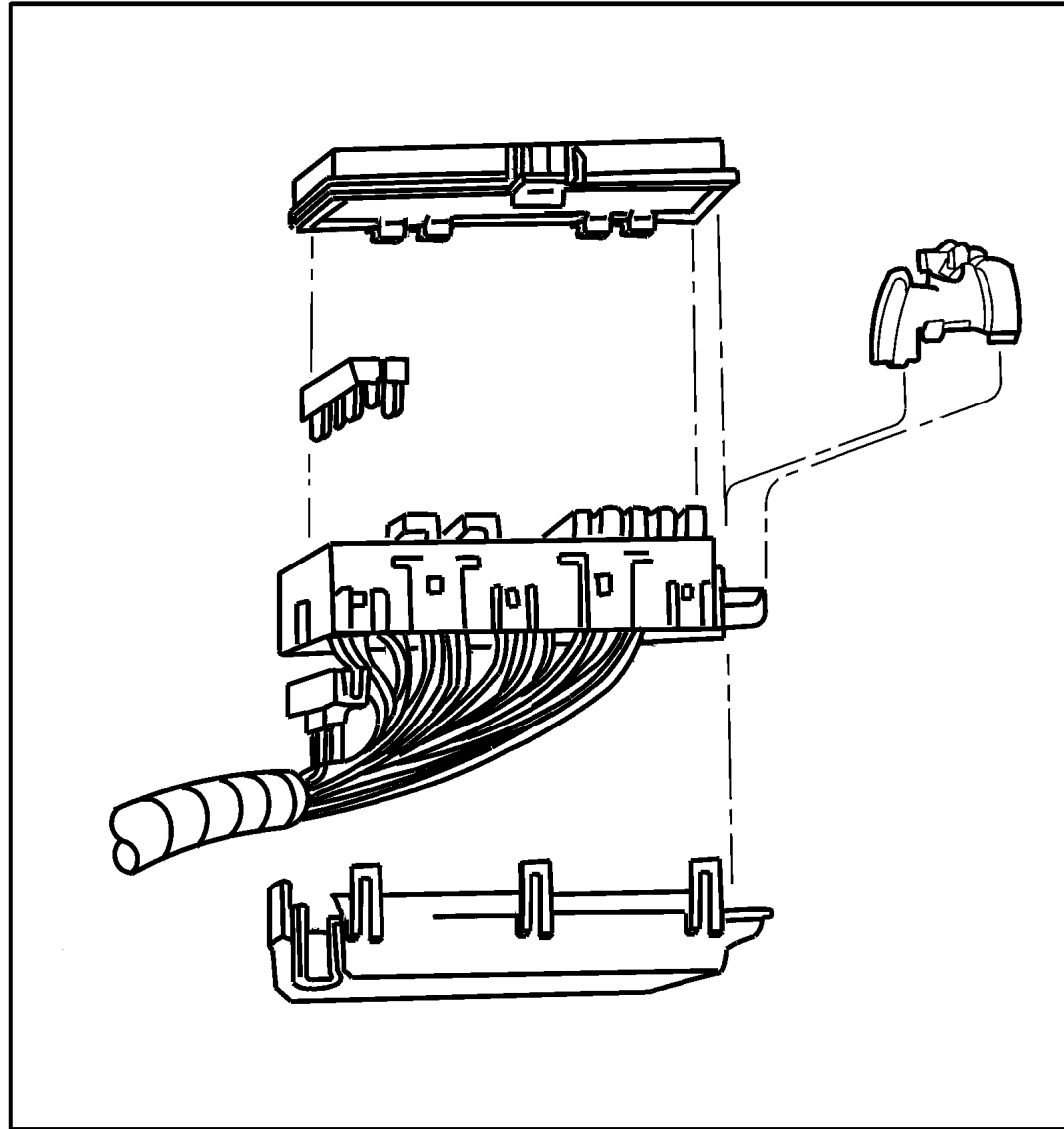
<b>JEEP CHEROKEE (XJ)</b>				
SERIES	LINE	BODY	ENGINE	TRANSMISSION
L=Low Line	J=LHD (4WD) U=RHD (4WD) T=LHD (2WD) B=RHD (2WD)	74=4 DR. (101.4 WB) 72=2 DR. (101.4 WB)	ENC,EN0=2.5L 4 cyl. Turbo Die ERH,ER0=4.0L Power Tech I-6 EPE,EP0=Magnum 2.5L SMPI	DDQ=5Spd Man. DGS=4 Spd. Auto. AISIN DG0=All Auto Trans DBB=All Manual Trans.

AR = Use as required - = Non illustrated part # = New this model year

July 4, 2003

**Power Distribution Center Repair 1999 XJ**  
**Figure 008-1615**

ITEM	PART NUMBER	QTY	LINE	SERIES	BODY	ENGINE	TRANS	TRIM	DESCRIPTION
1	5014 460AB	1							REPAIR KIT, Power Distribution Center



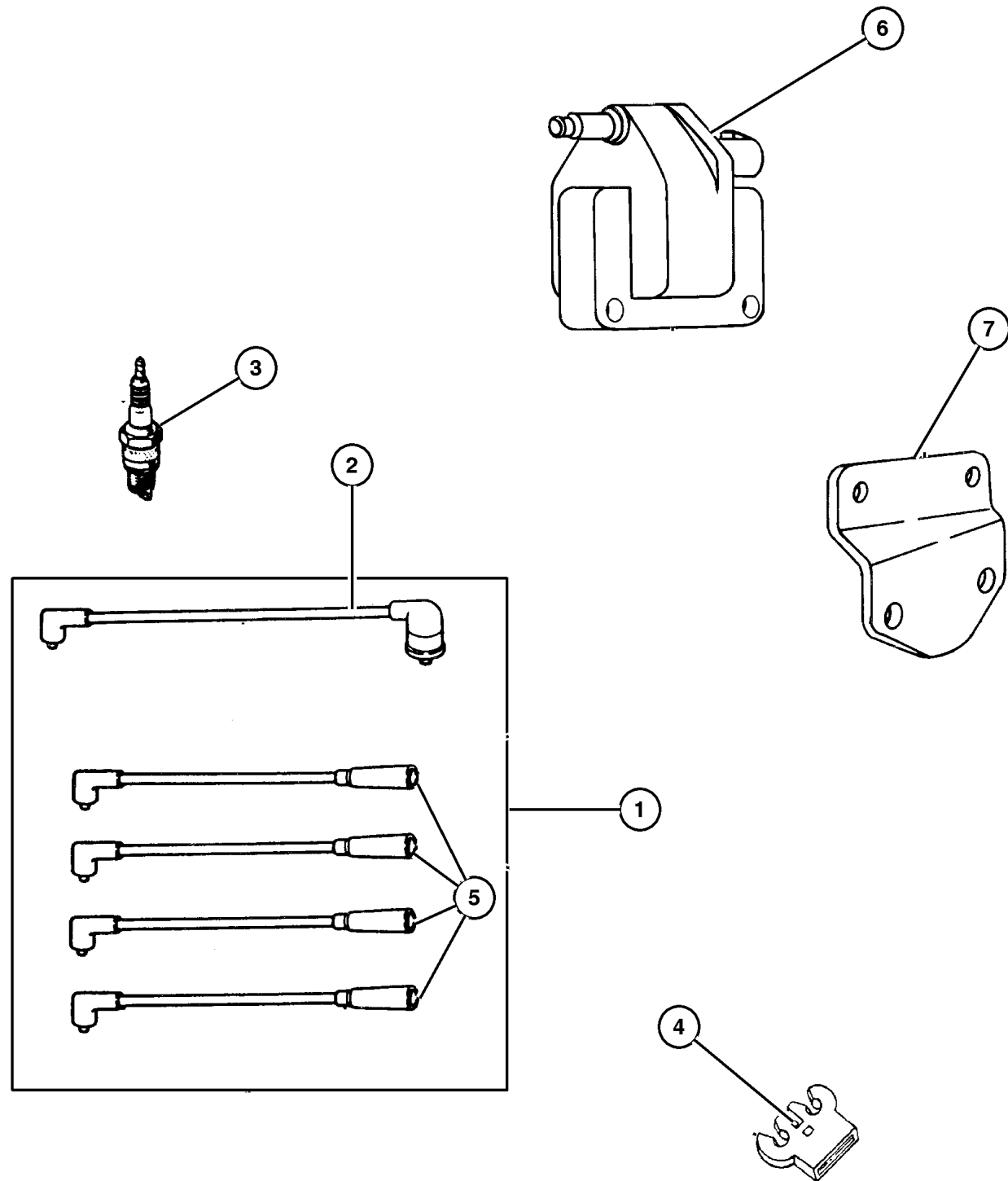
1

<b>JEEP CHEROKEE (XJ)</b>				
SERIES	LINE	BODY	ENGINE	TRANSMISSION
L=Low Line	J=LHD (4WD) U=RHD (4WD) T=LHD (2WD) B=RHD (2WD)	74=4 DR. (101.4 WB) 72=2 DR. (101.4 WB)	ENC,EN0=2.5L 4 cyl. Turbo Die ERH,ER0=4.0L Power Tech I-6 EPE,EP0=Magnum 2.5L SMPI	DDQ=5Spd Man. DGS=4 Spd. Auto. AISIN DG0=All Auto Trans DBB=All Manual Trans.

AR = Use as required - = Non illustrated part # = New this model year

July 4, 2003

**Spark Plug-Cables & Coils 1997 XJ 1998 XJ**  
**Figure 008-1905**



ITEM	PART NUMBER	QTY	LINE	SERIES	BODY	ENGINE	TRANS	TRIM	DESCRIPTION
EP0=2.5L Engine ER0=4.0L Engine EN0=4 Cylinder Turbo Diesel Engine									
1	8350 7180	1				EP0			CABLE PACKAGE, Ignition 2.5L Engine
	8350 7178	1				ER0			4.0L Engine
2	5602 7270	1				EP0			CABLE, Ignition Coil 2.5L Engine
	5604 1057	1				ER0			4.0L Engine
3	5602 7275	4				EP0			SPARK PLUG, RC-12-LYC5 2.5L Engine
		6				ER0			4.0L Engine
4	5300 6579	1				EP0			SEPERATOR, Ignition Cable 2.5L Engine
	3300 7154	1				ER0			4.0L Engine
5	3300 7152	1				EP0			CABLE, Ignition #1 2.5L Engine, 1998 XJ
	3300 7153	1				EP0			#3 2.5L Engine, 1998 XJ
	3300 7157	1				EP0			#2 2.5L Engine, 1998 XJ
		1				ER0			#2 4.0L Engine, 1998 XJ
	3300 7158	1				ER0			#4 2.5.L Engine, 1998 XJ
		1				ER0			#3 & #4 4.0L Engine, 1998 XJ
	5300 8069	1				ER0			#5 4.0L Engine, 1998 XJ
	5300 8070	1				ER0			#1 4.0L Engine, 1998 XJ
	5300 8628	1				ER0			#6 4.0L Engine, 1998 XJ
	3300 7152	1				EP0			1 (2.5L Engine), 1997 XJ
	3300 7153	1				EP0			3 (2.5L Engine), 1997 XJ
	3300 7157	1				EP0			2 (2.5L Engine), 1997 XJ
	3300 7158	AR				EP0			4 (2.5L Engine), 1997 XJ
	3300 7157	1				ER0			2 (4.0L Engine), 1997 XJ
	3300 7158	1				ER0			3 & 4 (4.0L Engine), 1997 XJ
	5300 8069	1				ER0			5 (4.0L Engine), 1997 XJ
	5300 8070	1				ER0			1 (4.0L Engine), 1997 XJ
	5300 8628	1				ER0			6 (4.0L Engine), 1997 XJ
6	5602 8172	1				EP0			COIL, Ignition 2.5L Engine, 1998 XJ
		1				ER0			4.0L Engine, 1998 XJ
	4797 293	1				EP0			2.5L Engine, 1997 XJ
		1				ER0			4.0L Engine, 1997 XJ
7	5300 8702	1				EP0			BRACKET, Ignition Coil 2.5L Engine
	5602 6890	1				ER0			4.0L Engine

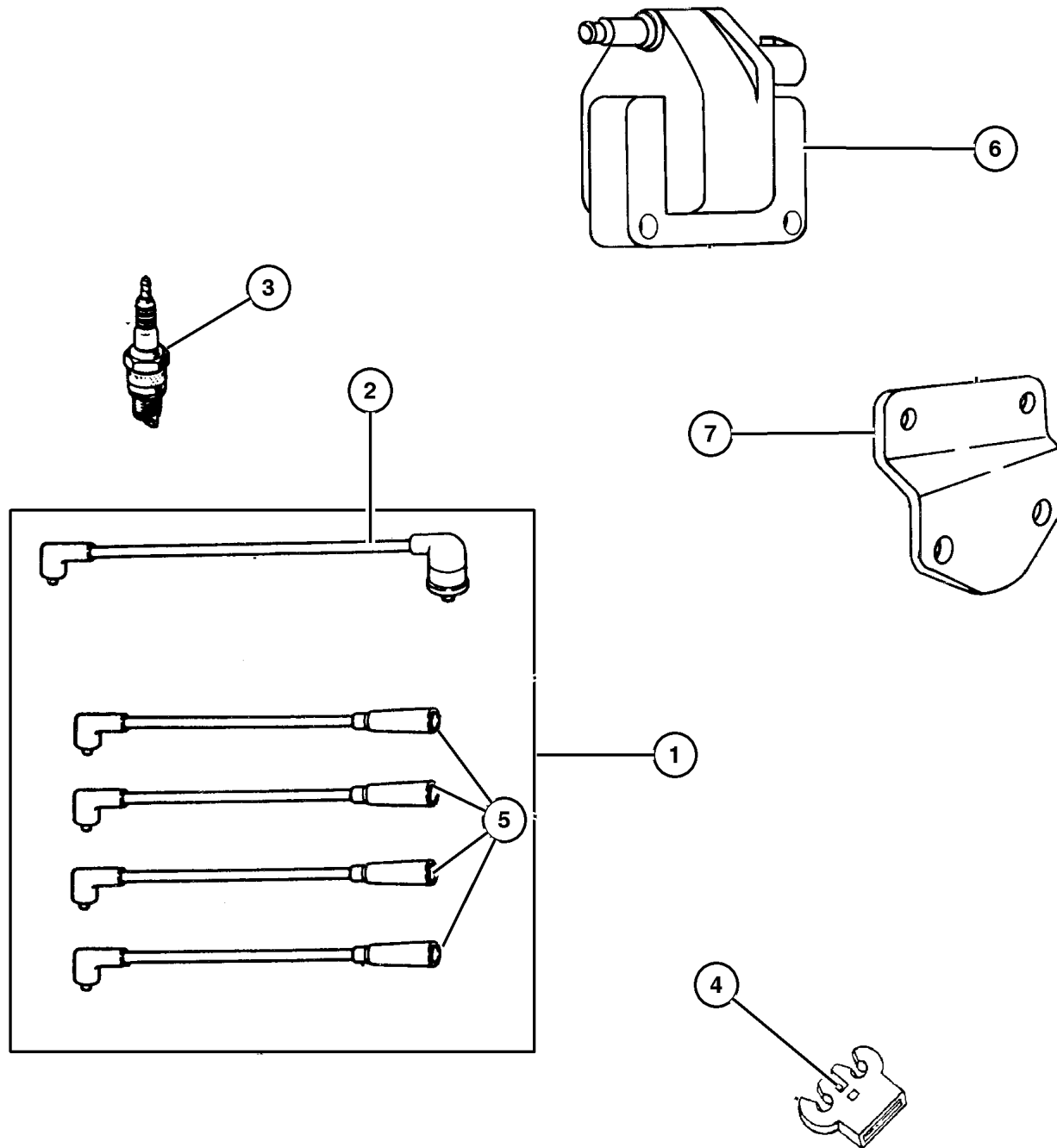
**JEEP CHEROKEE (XJ)**

SERIES	LINE	BODY	ENGINE	TRANSMISSION
L=Low Line	J=LHD (4WD) U=RHD (4WD) T=LHD (2WD) B=RHD (2WD)	74=4 DR. (101.4 WB) 72=2 DR. (101.4 WB)	ENC,EN0=2.5L 4 cyl. Turbo Die ERH,ER0=4.0L Power Tech I-6 EPE,EP0=Magnum 2.5L SMPI	DDQ=5Spd Man. DGS=4 Spd. Auto. AISIN DG0=All Auto Trans DBB=All Manual Trans.

AR = Use as required - = Non illustrated part # = New this model year

July 4, 2003

**Cable Spark Plug & Wires 1999 XJ**  
**Figure 008-1905**



ITEM	PART NUMBER	QTY	LINE	SERIES	BODY	ENGINE	TRANS	TRIM	DESCRIPTION
EP0=2.5L Engine ER0=4.0L Engine									
1									CABLE PACKAGE, Ignition
	8350 7178	1				ER0			
	8350 7180	1				EP0			
2									CABLE, Ignition Coil
	#56041 851AA	1				EP0			
	#56041 863AA	1				ER0			
3									SPARK PLUG
	#56041 402AA	4				EP0			
		6				ER0			
4									SEPERATOR, Ignition Cable
	3300 7154	1				ER0			
	5300 6579	1				EP0			
5									CABLE, Ignition
	#56041 857AA	1				ER0			No.6
	#56041 855AB	1				EP0			No.1
	#56041 858AA	1				ER0			No.3
	#56041 859AA	1				ER0			No.5
	#56041 860AA	1				ER0			No.2
	#56041 861AA	1				ER0			No.4
	#56041 862AA	1				ER0			No.1
	#56041 852AB	1				EP0			No.3
	#56041 853AB	1				EP0			No.4
	#56041 854AB	1				EP0			No.2
6									COIL, Ignition
	5602 8172	1				EP0			
		1				ER0			
7									BRACKET, Ignition Coil
	5300 8702	1				EP0			
	5602 6890	1				ER0			

<b>JEEP CHEROKEE (XJ)</b>				
SERIES	LINE	BODY	ENGINE	TRANSMISSION
L=Low Line	J=LHD (4WD) U=RHD (4WD) T=LHD (2WD) B=RHD (2WD)	74=4 DR. (101.4 WB) 72=2 DR. (101.4 WB)	ENC,EN0=2.5L 4 cyl. Turbo Die ERH,ER0=4.0L Power Tech I-6 EPE,EP0=Magnum 2.5L SMPI	DDQ=5Spd Man. DGS=4 Spd. Auto. AISIN DG0=All Auto Trans DBB=All Manual Trans.

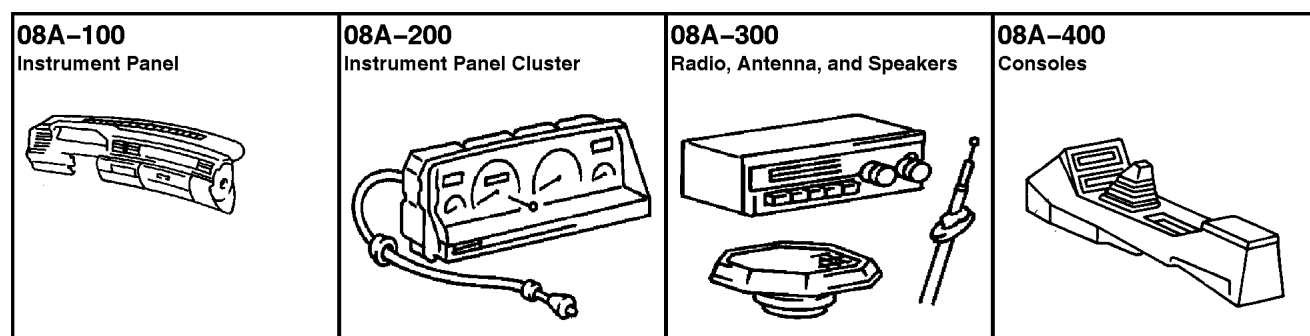
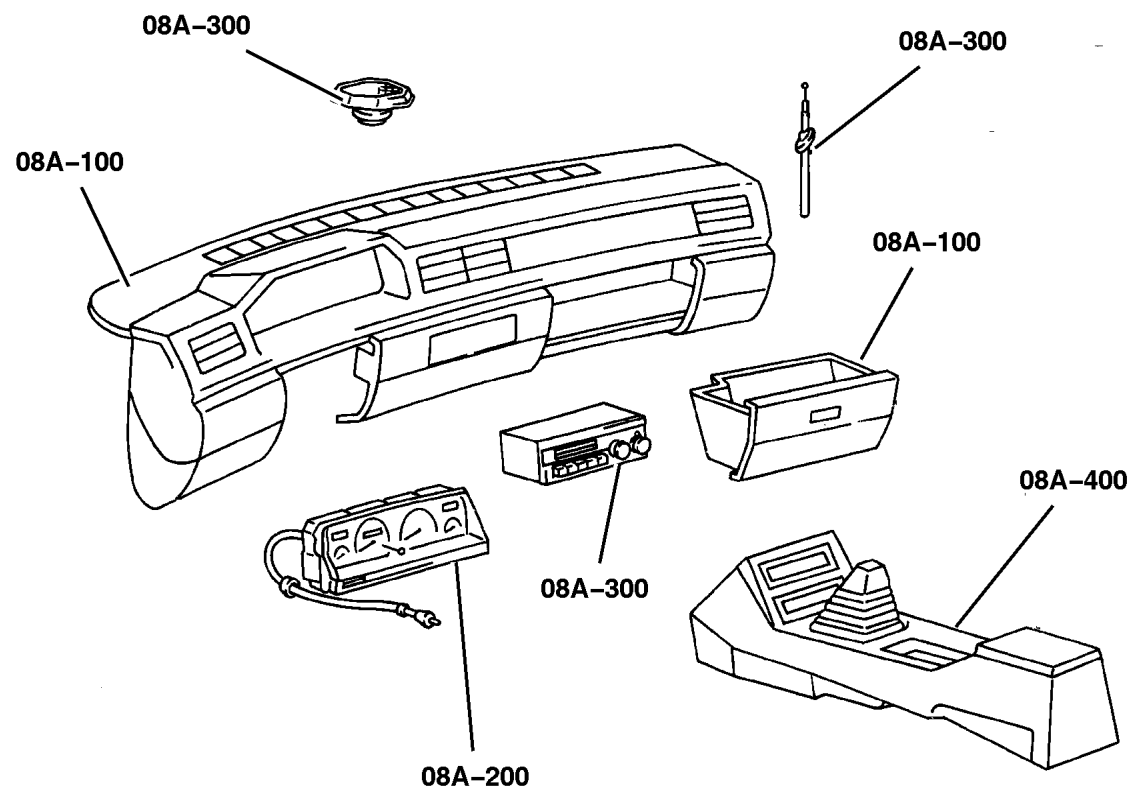
AR = Use as required - = Non illustrated part # = New this model year

July 4, 2003



# Group – 08A

## Instrument Panel and Radios and Consoles



## GROUP 8A - Instrument Panel and Radios and Consoles

Illustration Title

Group-Fig. No.

### Instrument Panel

Pad & Bezel (LHD) Cherokee 1997 XJ .....	Fig. 08A-120
Pad & Bezel (LHD) Cherokee 1998 XJ .....	Fig. 08A-120
Pad & Bezel (LHD) 1999 XJ .....	Fig. 08A-120
Pad & Bezels (RHD) 1997 XJ .....	Fig. 08A-122
Pad & Bezels (RHD) 1998 XJ .....	Fig. 08A-122
Pad & Bezels (RHD) 1999 XJ .....	Fig. 08A-122

### Instrument Panel Cluster

Cluster 1997 XJ .....	Fig. 08A-220
Cluster 1998 XJ .....	Fig. 08A-220
Cluster 1999 XJ .....	Fig. 08A-220

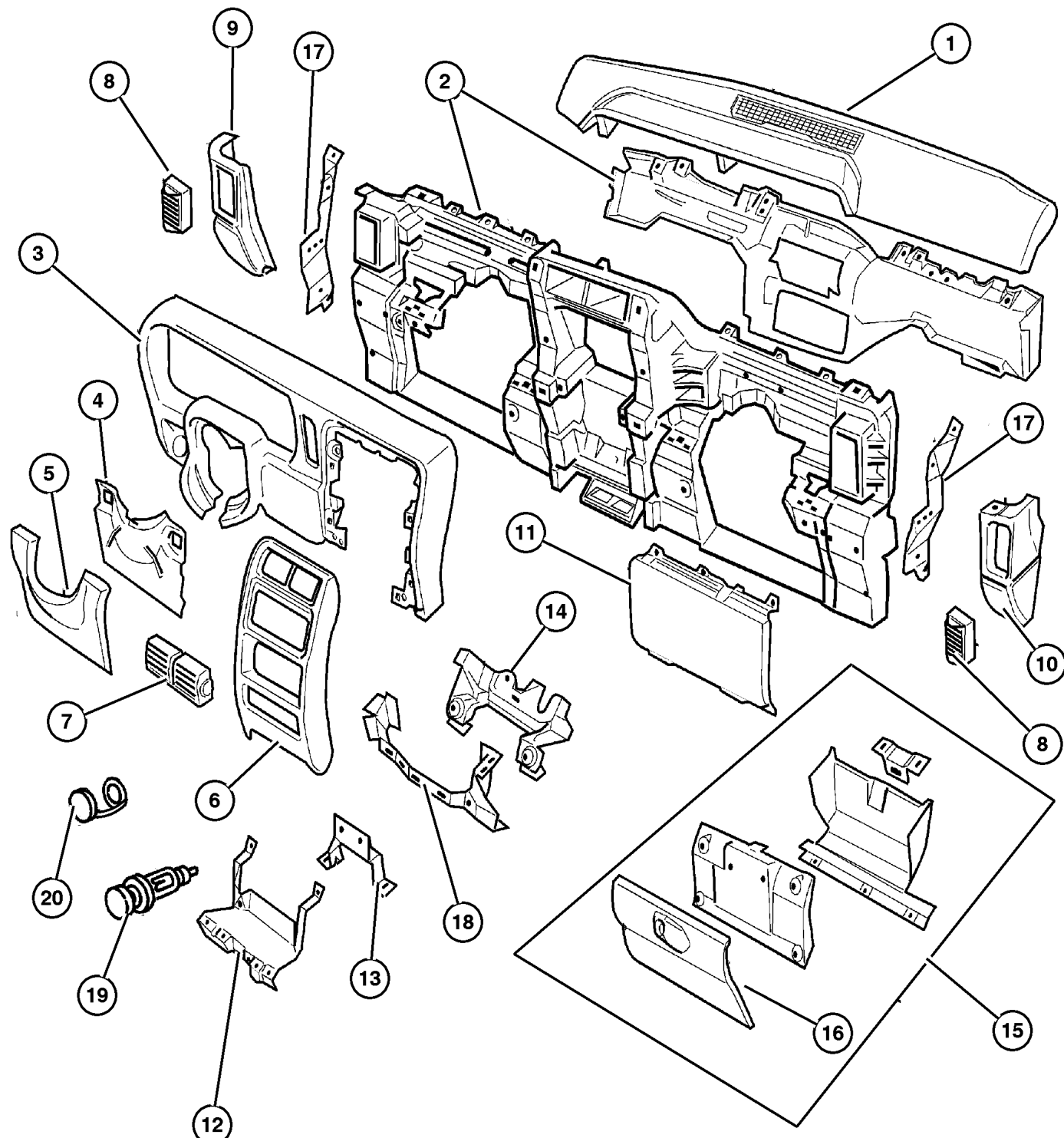
### Radio, Antenna, and Speakers

Radio 1997 XJ .....	Fig. 08A-310
Radio 1998 XJ .....	Fig. 08A-310
Radio 1999 XJ .....	Fig. 08A-310
Speakers 1997 XJ .....	Fig. 08A-320
Speakers 1998 XJ .....	Fig. 08A-320
Speakers 1999 XJ .....	Fig. 08A-320
Antenna 1997 XJ .....	Fig. 08A-330
Antenna 1998 XJ .....	Fig. 08A-330
Antenna 1999 XJ .....	Fig. 08A-330

### Consoles

Floor Console 1997 XJ .....	Fig. 08A-420
Floor Console 1998 XJ .....	Fig. 08A-420
Floor Console 1999 XJ .....	Fig. 08A-420
Overhead Console 1997 XJ .....	Fig. 08A-450
Overhead Console 1998 XJ .....	Fig. 08A-450
Overhead Console 1999 XJ .....	Fig. 08A-450

**Pad & Bezel (LHD) Cherokee 1997 XJ**  
**Figure 08A-120**



ITEM	PART NUMBER	QTY	LINE	SERIES	BODY	ENGINE	TRANS	TRIM	DESCRIPTION
1	5EB7 8LAZ	1	J, T						COVER, Instrument Panel, Agate
2	4897 067AA	1	J, T						PANEL, Instrument Panel
3	5EJ8 4LAZ	1	J, T						BEZEL, Instrument Cluster
	5ER6 0LAZ	1	J, T						2.5L/4.0L Engine
									Diesel Engine
4	5511 5525	1							LINER, Steering Column Cover
5	5EJ9 2RC3	1							COVER, Steering Column
	5EJ9 2RT6	1							Gray
									Spice
6	5EB6 9LAZ	1							BEZEL, Instrument Panel, Center
	5EN0 0LAZ	1							Agate
									Woodgrain
7	5FS10 LAZAB	2							OUTLET, Air Conditioning & Heater,
									Agate
8	5DP5 4TAZ	1	J, T						OUTLET, Air Conditioning & Heater
	5DP5 5TAZ	1	J, T						Right (Agate)
									Left (Agate)
9	5EJ8 91C3	1	J, T						CAP, Instrument Panel End
	5EJ8 91T6	1	J, T						Left (Gray)
									Left (Spice)
10	5EB7 71C3	1	J, T						CAP, Instrument Panel End
	5EB7 71T6	1	B, U						Mist Gray
									Spice/Saddle
11	5EB0 0LAZ	1	J, T						AIR BAG, Passenger, Agate
12	5511 5467	1	J, T						BRACKET, Air Bag
13	5511 5489	1							BRACKET, Instrument Panel
14	5511 5561	1	J, T						BRACKET, Instrument Cluster
15	5EB7 0RC3	1	J, T						GLOVE BOX, Instrument Panel
	5EB7 0RT6	1	J, T						Agate
									Spice
16	5EJ8 2RC3	1	J, T						DOOR, Glove Box
	5EJ8 2RT6	1	J, T						Agate
									Spice
17	55037 194AB	1	J, T						SUPPORT, Instrument Panel
	55037 195AB	1	J, T						Right
									Left
18	55037 395AA	1	J, T						REINFORCEMENT, Instrument
									Panel
19	4685 370	1							KNOB AND ELEMENT, Cigar Lighter
20	4685 247	1							POWER OUTLET, Cigar Lighter
-21	5600 9293	1							BASE, Cigar Lighter
-22									LABEL, Air Bag Warning

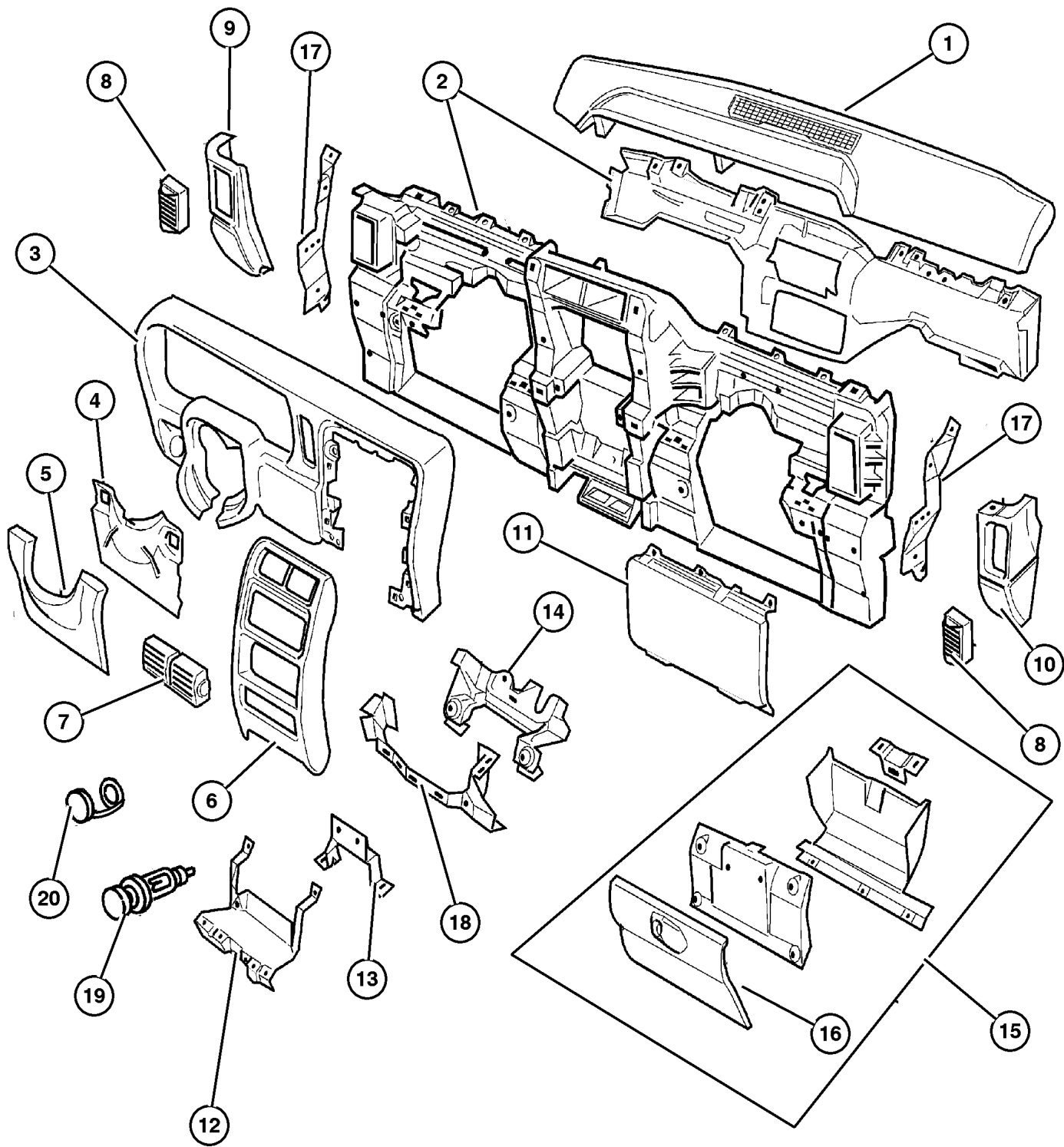
**JEEP CHEROKEE (XJ)**

SERIES	LINE	BODY	ENGINE	TRANSMISSION
L=Low Line	J=LHD (4WD) U=RHD (4WD) T=LHD (2WD) B=RHD (2WD)	74=4 DR. (101.4 WB) 72=2 DR. (101.4 WB)	ENC,EN0=2.5L 4 cyl. Turbo Die ERH,ER0=4.0L Power Tech I-6 EPE,EP0=Magnum 2.5L SMPI	DDQ=5Spd Man. DGS=4 Spd. Auto. AISIN DG0=All Auto Trans DBB=All Manual Trans.

AR = Use as required - = Non illustrated part # = New this model year

July 4, 2003

**Pad & Bezel (LHD) Cherokee 1997 XJ**  
**Figure 08A-120**



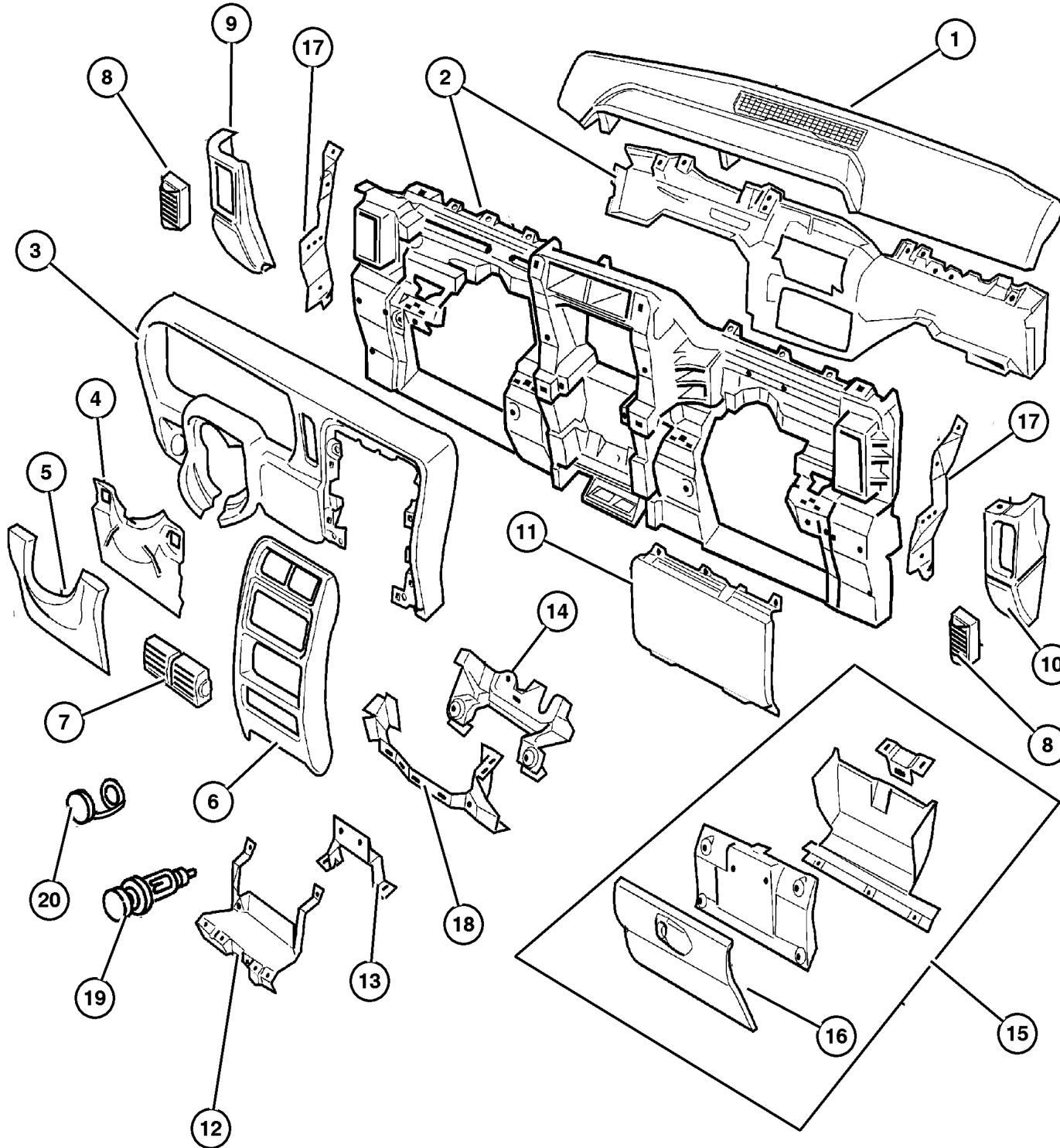
ITEM	PART NUMBER	QTY	LINE	SERIES	BODY	ENGINE	TRANS	TRIM	DESCRIPTION
	4678 784AA	1	J, T						Child Seat
	5265 949	1	J, T						Air Bag
-23	55037 414AA	2	J, T						BUMPER, Glove Box Door
-24	5EB7 2LAZ	1	J						DOOR, Passenger Air Bag, Agate, Cover Panel without Airbag
-25	6034 833	4	J, T						CLIP, Push, .164-7.5
-26	4685 248	1							CAP, Cigar Lighter
-27									BEZEL, Switch
	4897 501AD	1							w/Rear Wiper
	4897 502AD	1							w/Dual Road Foglamp/Heated Rear Window/Rear Wiper
	4897 503AD	1							w/Rear Wiper/Heated Rear Window
	4897 505AD	1	J, U						w/Rear Foglamp (EUROPE) w/4 Switch Opening

JEEP CHEROKEE (XJ)				
SERIES	LINE	BODY	ENGINE	TRANSMISSION
L=Low Line	J=LHD (4WD) U=RHD (4WD) T=LHD (2WD) B=RHD (2WD)	74=4 DR. (101.4 WB) 72=2 DR. (101.4 WB)	ENC,EN0=2.5L 4 cyl. Turbo Die ERH,ER0=4.0L Power Tech I-6 EPE,EP0=Magnum 2.5L SMPI	DDQ=5Spd Man. DGS=4 Spd. Auto. AISIN DG0=All Auto Trans DBB=All Manual Trans.

AR = Use as required - = Non illustrated part # = New this model year

July 4, 2003

**Pad & Bezel (LHD) Cherokee 1998 XJ**  
**Figure 08A-120**



ITEM	PART NUMBER	QTY	LINE	SERIES	BODY	ENGINE	TRANS	TRIM	DESCRIPTION
1	5EB78 LAZAB	1	J, T						COVER, Instrument Panel
2	4897 067AA	1	J, T						PANEL, Instrument Panel
3	5EJ84 LAZAB	1	J, T						BEZEL, Instrument Cluster
	5ER60 LAZAB	1	J, T						Diesel
4	5511 5525	1							LINER, Steering Column Cover
5	5EJ9 2RC3	1							COVER, Steering Column Gray
	5EJ9 2RT6	1							Spice/Saddle
6	5EB69 LAZAC	1							BEZEL, Instrument Panel, Center
7	5DP5 4TAZ	1	J, T						OUTLET, Air Conditioning & Heater Right
	5DP5 5TAZ	1	J, T						Left
	5FS10 LAZAB	2							Center
8	5DP5 4TAZ	1	J, T						OUTLET, Air Conditioning & Heater Right
	5DP5 5TAZ	1	J, T						Left
	5FS10 LAZAB	2							Center
9	5EB76 1C3AC	1	B, U						CAP, Instrument Panel End Mist Gray
		1	J, T						Mist Gray
	5EB76 1T6AC	1	J, T						Spice/Saddle Spice/Saddle
10	5EB77 1C3AB	1	B, U						CAP, Instrument Panel End Mist Gray
		1	J, T						Mist Gray
	5EB77 1T6AC	1	B, U						Spice/Saddle Spice/Saddle
		1	J, T						Spice/Saddle
11	5GE02 LAZAA	1	J, T						AIR BAG, Passenger
12	55115 467AB	1	J, T						BRACKET, Air Bag
13	5511 5489	1							BRACKET, Instrument Panel
14	5511 5561	1	J, T						BRACKET, Instrument Cluster
15	5EB7 0RC3	1	J, T						GLOVE BOX, Instrument Panel Gray
	5EB7 0RT6	1	J, T						Spice/Saddle
16									DOOR, Glove Box, (NOT REQUIRED)
17									SUPPORT, Instrument Panel, (NOT REQUIRED)
18									REINFORCEMENT, Instrument Panel, (NOT REQUIRED)
19	4685 370	1							KNOB AND ELEMENT, Cigar Lighter

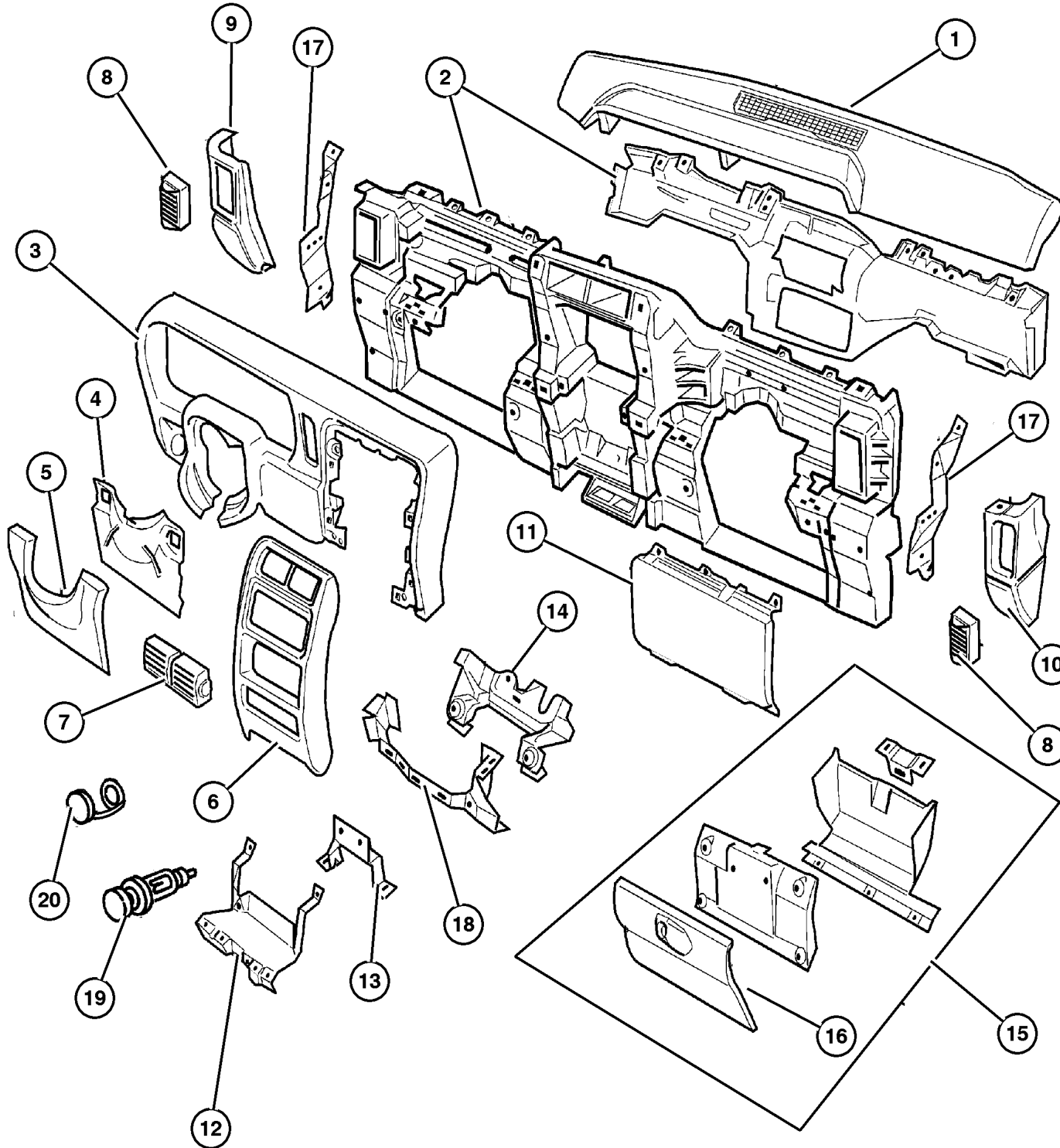
**JEEP CHEROKEE (XJ)**

SERIES	LINE	BODY	ENGINE	TRANSMISSION
L=Low Line	J=LHD (4WD) U=RHD (4WD) T=LHD (2WD) B=RHD (2WD)	74=4 DR. (101.4 WB) 72=2 DR. (101.4 WB)	ENC,EN0=2.5L 4 cyl. Turbo Die ERH,ER0=4.0L Power Tech I-6 EPE,EP0=Magnum 2.5L SMPI	DDQ=5Spd Man. DGS=4 Spd. Auto. AISIN DG0=All Auto Trans DBB=All Manual Trans.

AR = Use as required - = Non illustrated part # = New this model year

July 4, 2003

**Pad & Bezel (LHD) Cherokee 1998 XJ**  
**Figure 08A-120**



ITEM	PART NUMBER	QTY	LINE	SERIES	BODY	ENGINE	TRANS	TRIM	DESCRIPTION
20									POWER OUTLET, Cigar Lighter, (NOT REQUIRED)
-21									BASE, Cigar Lighter, (NOT REQUIRED)
-22									LABEL, Air Bag Warning
	4595 746AA	1							Removable Dash Warning
	4595 748AA	1							End Cap Warning, Right
	4595 749AA	1							Bi-Lingual Removable Dahn Warning
	4787 437AA	2	J, T						Visor English/French (5 Point)
	5265 949	1	J, T						I/Panel Airbag Warning
-23									BUMPER, Glove Box Door
	4524 343	2							Glove Box Catch
	55037 414AA	2	J, T						Glove Box Door Stop
-24	5EB7 2LAZ	1	J, T						DOOR, Passenger Air Bag, Agate, Cover Panel without Air Bag
-25	6034 833	2	J, T						CLIP, Push, .164-7.5
-26									CAP, Cigar Lighter, (NOT REQUIRED)
-27									BEZEL, Switch
	4897 501AF	1							w/Rear Wiper & Washer
	4897 502AF	1							w/Dual Road Foglamp/Heated Backlite & Rear Wiper/Washer
		1							w/Rear Wiper Washer/heated Backlite & Police Package
		1	J, U						w/Heated Backlite/Rear Foglamp & Rear Wiper/Washer
	4897 503AF	1							w/Heated Backlite/Rear Wiper/Washer
	4897 504AF	1	J, U						w/Rear Foglamp
	4897 505AF	1	J, U						w/Rear Foglamp/Heated Backlite/Rear Wiper Washer & Dual Road Foglamp (w/4 Switches)
	56007 445AF	1							Blank w/o Switch

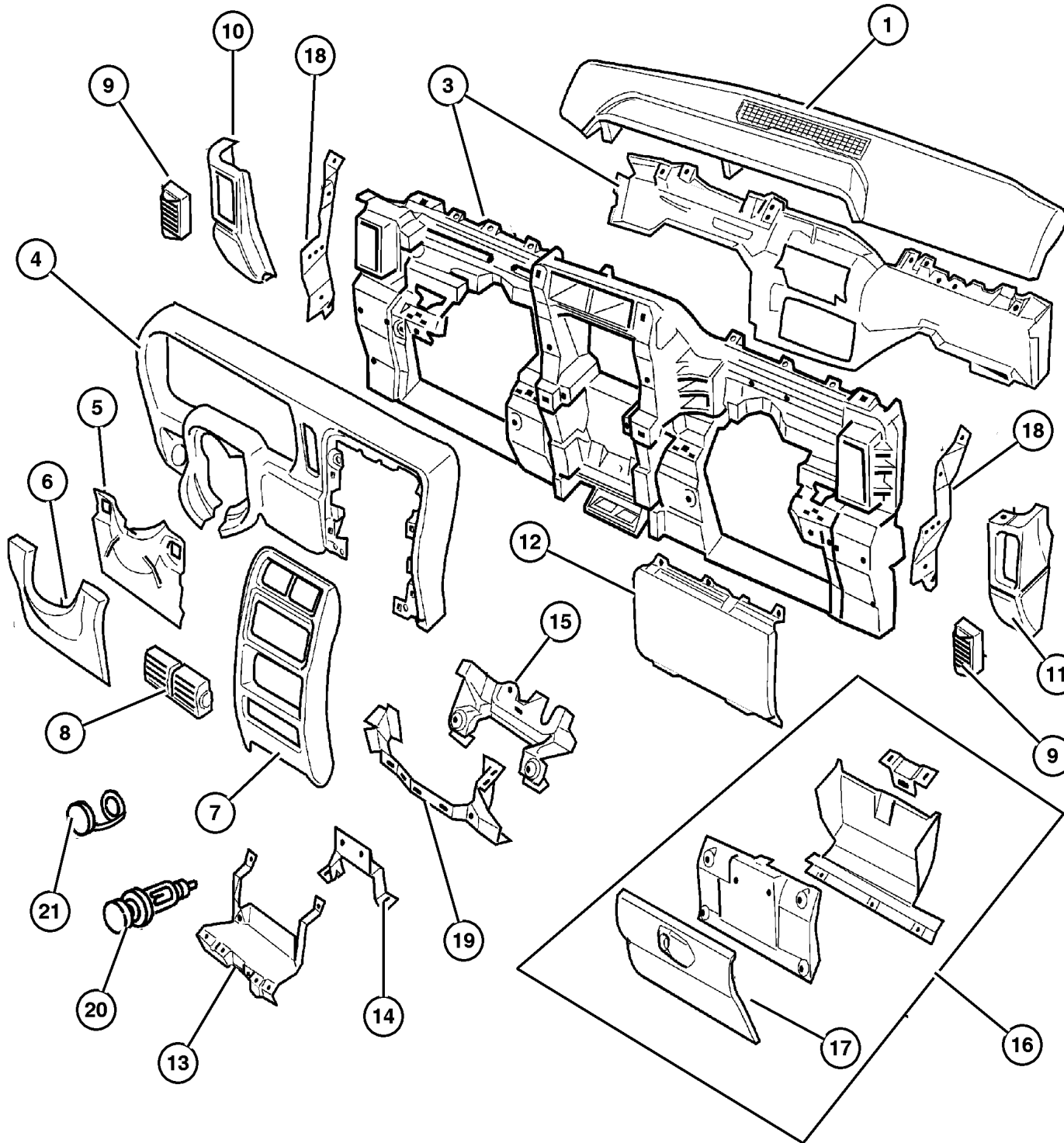
**JEEP CHEROKEE (XJ)**

SERIES	LINE	BODY	ENGINE	TRANSMISSION
L=Low Line	J=LHD (4WD) U=RHD (4WD) T=LHD (2WD) B=RHD (2WD)	74=4 DR. (101.4 WB) 72=2 DR. (101.4 WB)	ENC,EN0=2.5L 4 cyl. Turbo Die ERH,ER0=4.0L Power Tech I-6 EPE,EP0=Magnum 2.5L SMPI	DDQ=5Spd Man. DGS=4 Spd. Auto. AISIN DG0=All Auto Trans DBB=All Manual Trans.

AR = Use as required - = Non illustrated part # = New this model year

July 4, 2003

**Pad & Bezel (LHD) 1999 XJ**  
**Figure 08A-120**



ITEM	PART NUMBER	QTY	LINE	SERIES	BODY	ENGINE	TRANS	TRIM	DESCRIPTION
1	5EB78 LAZAB	1	J, T						COVER, Instrument Panel, Agate
-2									CLIP, Panel
	5503 7353	4	B, U						OTY. 04
	5503 7354	7	J, T						OTY. 07
3	4897 067AA	1	J, T						PANEL, Instrument Panel
4									BEZEL, Instrument Cluster
	5EJ84 LAZAC	1	J, T						2.5L & 4.0L Engine (Agate)
	5ER60 LAZAC	1	J, T						Diesel Engine (Agate)
5	55115 525AB	1							LINER, Steering Column Cover
6									COVER, Steering Column
	5EJ9 2LAZ	1							Agate
	5EJ9 2RK5	1							Tan/Agate
7									BEZEL, Instrument Panel, Center
	5EN00 LAZAD	1							Agate/Woodgrain
	#5EB69 LAZAE	1							Agate/Black
8	5FS10 LAZAB	2							OUTLET, Air Conditioning & Heater, Agate, Center
9									OUTLET, Air Conditioning & Heater
	5DP5 4TAZ	1	J, T						Agate, Right
	5DP5 5TAZ	1	J, T						Agate, Left
10									CAP, Instrument Panel End
	5EB77 1K5AC	1	J, T						Tan/Agate, Left
	5EB77 LAZAC	1	J, T						Agate
11									CAP, Instrument Panel End
	5EB76 1K5AC	1	J, T						Tan/Agate, Right
	5EB76 LAZAC	1	J, T						Agate, Right
12	5GE02 LAZAA	1	J, T						AIR BAG, Passenger, Agate
13	55115 467AB	1	J, T						BRACKET, Air Bag
14	55115 489AB	1							BRACKET, Instrument Panel, I/P
									Floor Bracket To Floor
15	5511 5561	1	J, T						BRACKET, Instrument Cluster
16									GLOVE BOX, Instrument Panel
	5EB7 0LAZ	1	J, T						Agate
	5EB7 0RK5	1	J, T						Tan/Agate
17									DOOR, Glove Box, (NOT SERVICED) (Not Serviced)
18									SUPPORT, Instrument Panel
	55037 194AB	1	J, T						Right
	55037 195AB	1	J, T						Left
19	55037 395AA	1	J, T						REINFORCEMENT, Instrument Panel
20	4685 370	1							KNOB AND ELEMENT, Cigar Lighter

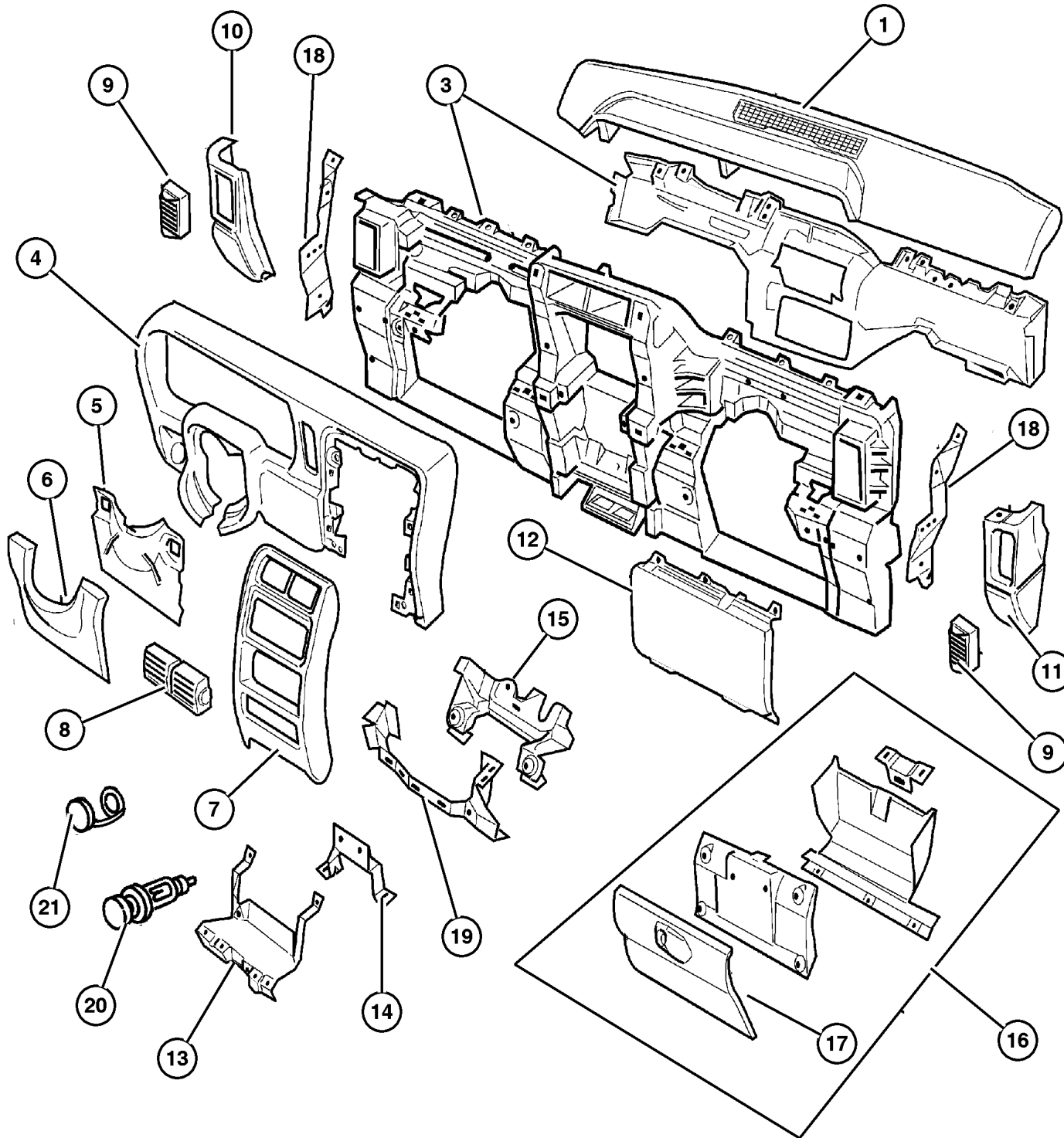
**JEEP CHEROKEE (XJ)**

SERIES	LINE	BODY	ENGINE	TRANSMISSION
L=Low Line	J=LHD (4WD) U=RHD (4WD) T=LHD (2WD) B=RHD (2WD)	74=4 DR. (101.4 WB) 72=2 DR. (101.4 WB)	ENC,EN0=2.5L 4 cyl. Turbo Die ERH,ER0=4.0L Power Tech I-6 EPE,EP0=Magnum 2.5L SMPI	DDQ=5Spd Man. DGS=4 Spd. Auto. AISIN DG0=All Auto Trans DBB=All Manual Trans.

AR = Use as required - = Non illustrated part # = New this model year

July 4, 2003

**Pad & Bezel (LHD) 1999 XJ**  
**Figure 08A-120**



ITEM	PART NUMBER	QTY	LINE	SERIES	BODY	ENGINE	TRANS	TRIM	DESCRIPTION
21									POWER OUTLET, Cigar Lighter, Serviced in Switch Bezel (Item #27), (NOT SERVICED) (Not Serviced)
-22									BASE, Cigar Lighter, Serviced in Switch Bezel (Item #27), (NOT SERVICED) (Not Serviced)
-23									LABEL, Air Bag Warning
	4595 748AA	1							End Cap Warning, Right
	4595 749AA	1	J, T						Visor English/French (5 Point)
	5265 949	1	J, T						I/Panel Airbag Warning
	4595 746AA	1							Removeable Dash Warning
-24									BUMPER, Glove Box Door
	4524 343	2							Glove Box Catch
	55037 414AA	2	J, T						Glove Box Door
-25	5EB7 2LAZ	1	J, T						DOOR, Passenger Air Bag, Agate, Cover Panel without Air Bag
-26	6034 833	2	J, T						CLIP, Push, .164-7.5
-27									BEZEL, Switch
	4897 501AF	1							w/1 Switch Opening
	4897 502AF	1							w/3 Switch Opening
	4897 503AF	1							w/2 Switch Opening
	4897 504AF	1	J, U						w/1 Switch Opening (EUROPE)
	4897 505AF	1	J, U						w/4 Switch Opening (EUROPE)
	56007 445AF	1							Base Model w/o Switch Opening
-28	#55037 550AA	1							ASH RECEIVER, Smokers Package

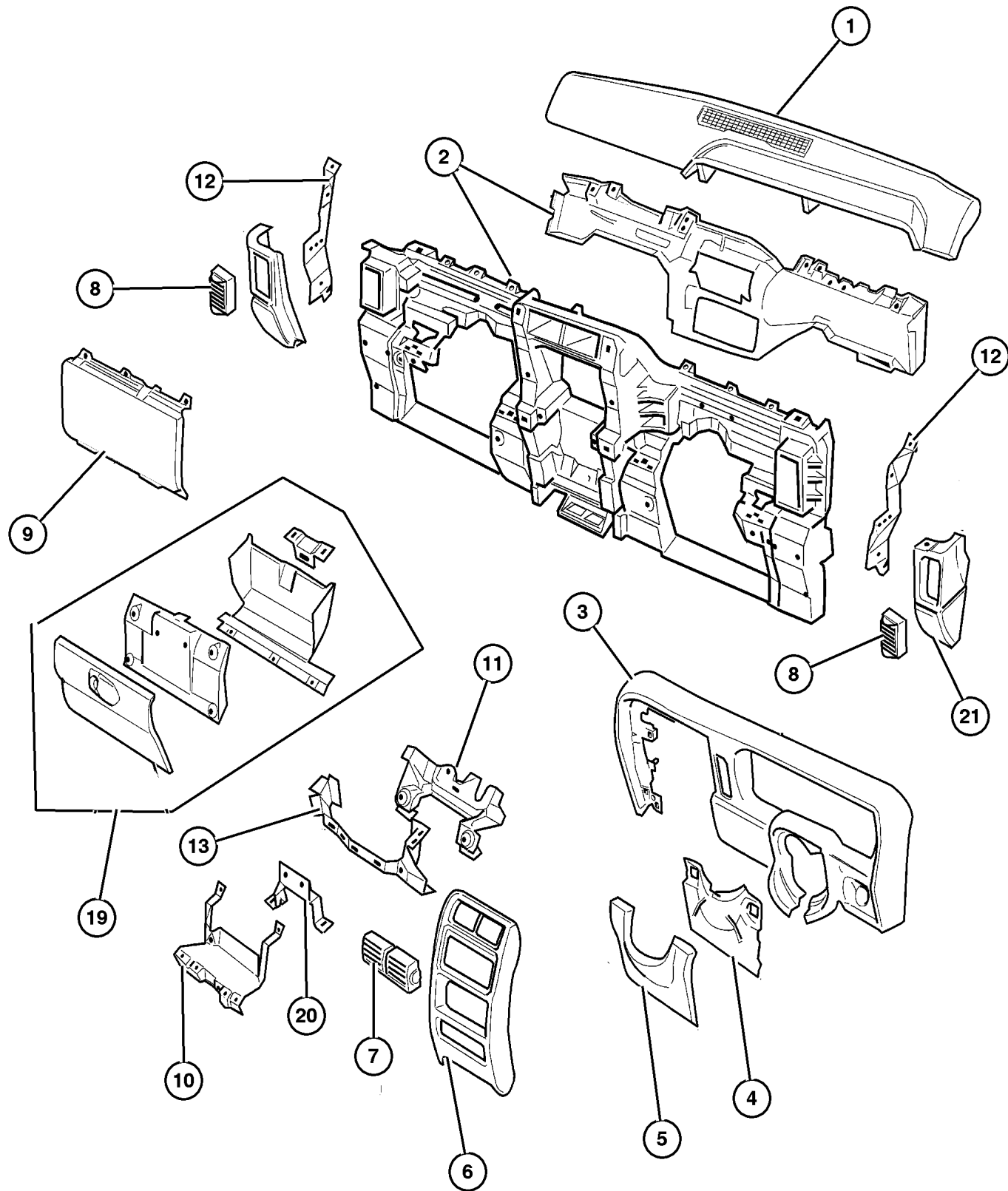
**JEEP CHEROKEE (XJ)**

SERIES	LINE	BODY	ENGINE	TRANSMISSION
L=Low Line	J=LHD (4WD) U=RHD (4WD) T=LHD (2WD) B=RHD (2WD)	74=4 DR. (101.4 WB) 72=2 DR. (101.4 WB)	ENC,EN0=2.5L 4 cyl. Turbo Die ERH,ER0=4.0L Power Tech I-6 EPE,EP0=Magnum 2.5L SMPI	DDQ=5Spd Man. DGS=4 Spd. Auto. AISIN DG0=All Auto Trans DBB=All Manual Trans.

AR = Use as required - = Non illustrated part # = New this model year

July 4, 2003

**Pad & Bezels (RHD) 1997 XJ**  
**Figure 08A-122**



ITEM	PART NUMBER	QTY	LINE	SERIES	BODY	ENGINE	TRANS	TRIM	DESCRIPTION
1									COVER, Instrument Panel
	5EB7 1LAZ	1	B, U						Agate
	5EJ9 1LAZ	1	B, U						
2	4897 066AA	1	B, U						PANEL, Instrument Panel
3	5EJ8 5LAZ	1	B, U						BEZEL, Instrument Cluster, Agate
4	55037 411AA	1							LINER, Steering Column Cover
5									COVER, Steering Column
	5EJ9 2RC3	1							Gray
	5EJ9 2RT6	1							Spice
6									BEZEL, Instrument Panel, Center
	5EB6 9LAZ	1							Agate
	5EN0 0LAZ	1							Woodgrain
7	5FS10 LAZAB	2							OUTLET, Air Conditioning & Heater,
									Agate
8									OUTLET, Air Conditioning & Heater
	5DP5 4TAZ	1	B, U						Right (Agate)
	5DP5 5TAZ	1	B, U						Left (Agate)
9	5EB0 1LAZ	1	B, U						AIR BAG, Passenger, LHD
10	5511 5466	1	B, U						BRACKET, Air Bag
11	5511 5561	1	B, U						BRACKET, Instrument Cluster
12									SUPPORT, Instrument Panel
	55037 194AB	1	B, U						Right
	55037 195AB	1	B, U						Left
13	55037 394AA	1	B, U						REINFORCEMENT, Instrument
									Panel
-14	6034 833	2	B, U						CLIP, Push, .164-7.5
-15	5265 949	1	B, U						LABEL, Air Bag Warning, Air Bag
-16	5EB6 7LAZ	1	B						DOOR, Passenger Air Bag, Agate
-17	5511 5470	1	B, U						STRIKER, Glove Box Door Latch
-18	55037 414AA	2	B, U						BUMPER, Glove Box Door
19									GLOVE BOX, Instrument Panel
	5EE0 7RC3	1	B, U						Mist Gray
	5EE0 7RT6	1	B, U						Spice/Saddle
20	5511 5489	1							BRACKET, Instrument Panel
21									CAP, Instrument Panel End
	5EB7 61C3	1	B, U						Mist Gray
	5EB7 61T6	1	B, U						Spice/Saddle

**JEEP CHEROKEE (XJ)**

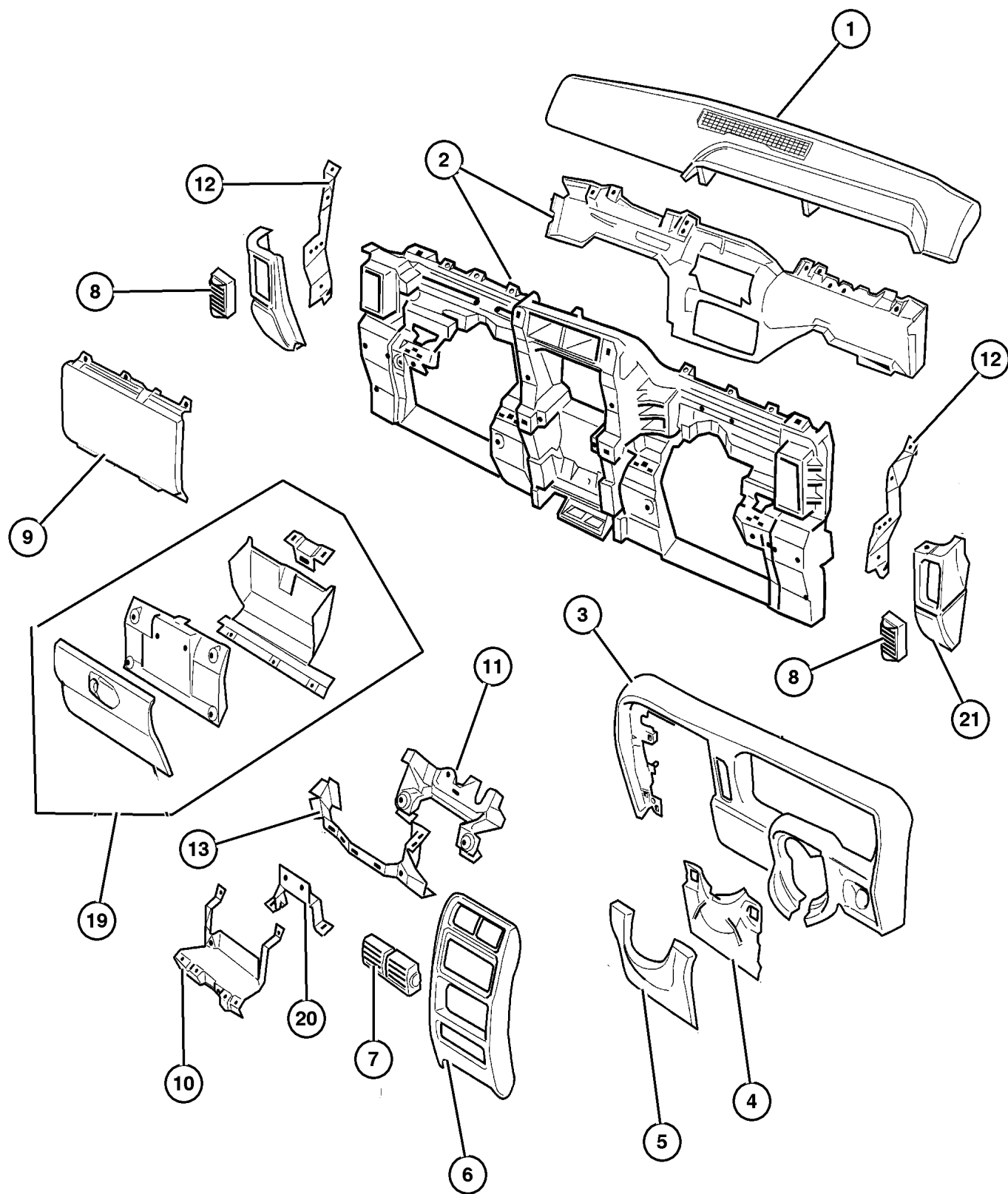
SERIES	LINE	BODY	ENGINE	TRANSMISSION
L=Low Line	J=LHD (4WD) U=RHD (4WD) T=LHD (2WD) B=RHD (2WD)	74=4 DR. (101.4 WB) 72=2 DR. (101.4 WB)	ENC,EN0=2.5L 4 cyl. Turbo Die ERH,ER0=4.0L Power Tech I-6 EPE,EP0=Magnum 2.5L SMPI	DDQ=5Spd Man. DGS=4 Spd. Auto. AISIN DG0=All Auto Trans DBB=All Manual Trans.

AR = Use as required - = Non illustrated part # = New this model year

July 4, 2003



Pad & Bezels (RHD) 1998 XJ  
Figure 08A-122



ITEM	PART NUMBER	QTY	LINE	SERIES	BODY	ENGINE	TRANS	TRIM	DESCRIPTION
1	5EB71 LAZAB	1	B, U						COVER, Instrument Panel
2	4897 066AA	1	B, U						PANEL, Instrument Panel
3	5EJ85 LAZAB	1	B, U						BEZEL, Instrument Cluster 2.5L & 4.0L Engines
	5ER59 LAZAB	1	B, U						Diesel Engine
4	55037 411AA	1							LINER, Steering Column Cover
5	5EJ9 2RC3	1							COVER, Steering Column Gray
	5EJ9 2RT6	1							Spice/Saddle
6	5EB69 LAZAC	1							BEZEL, Instrument Panel, Center Agate w/Black Trim
	5EN00 LAZAC	1							Agate w/Woodgrain Trim
7	5FS10 LAZAB	2							OUTLET, Air Conditioning & Heater, Agate, Center
8	5DP5 4TAZ	1	B, U						OUTLET, Air Conditioning & Heater Agate w/Woodgrain Trim, Right
	5DP5 5TAZ	1	B, U						Agate w/Woodgrain Trim, Left
9	5GE03 LAZAA	1	B, U						AIR BAG, Passenger, Agate
10	5511 5466	1	B, U						BRACKET, Air Bag
11	5511 5561	1	B, U						BRACKET, Instrument Cluster
12	55037 194AB	1	B, U						SUPPORT, Instrument Panel Right
	55037 195AB	1	B, U						Left
13	5503 7037	1	B, U						REINFORCEMENT, Instrument Panel
-14	6034 833	2	B, U						CLIP, Push, .164-7.5
-15	5265 949	1	B, U						LABEL, Air Bag Warning
-16	5EB6 7LAZ	1	B, U						DOOR, Passenger Air Bag
-17	5511 5470	1	B, U						STRIKER, Glove Box Door Latch
-18	4524 343	2							BUMPER, Glove Box Door Glove Box Catch
	55037 414AA	2	B, U						Glove Box Door
19	5EE0 7RC3	1	B, U						GLOVE BOX, Instrument Panel Mist Gray (Door, Handle & Bin Included)
	5EE0 7RT6	1	B, U						Spice/Saddle(Door, Handle & Bin Included)
20	55115 489AB	1							BRACKET, Instrument Panel, I/Panel to Floor
21	5EB76 1C3AB	1	B, U						CAP, Instrument Panel End Mist Gray
	5EB76 1T6AB	1	B, U						Spice/Saddle

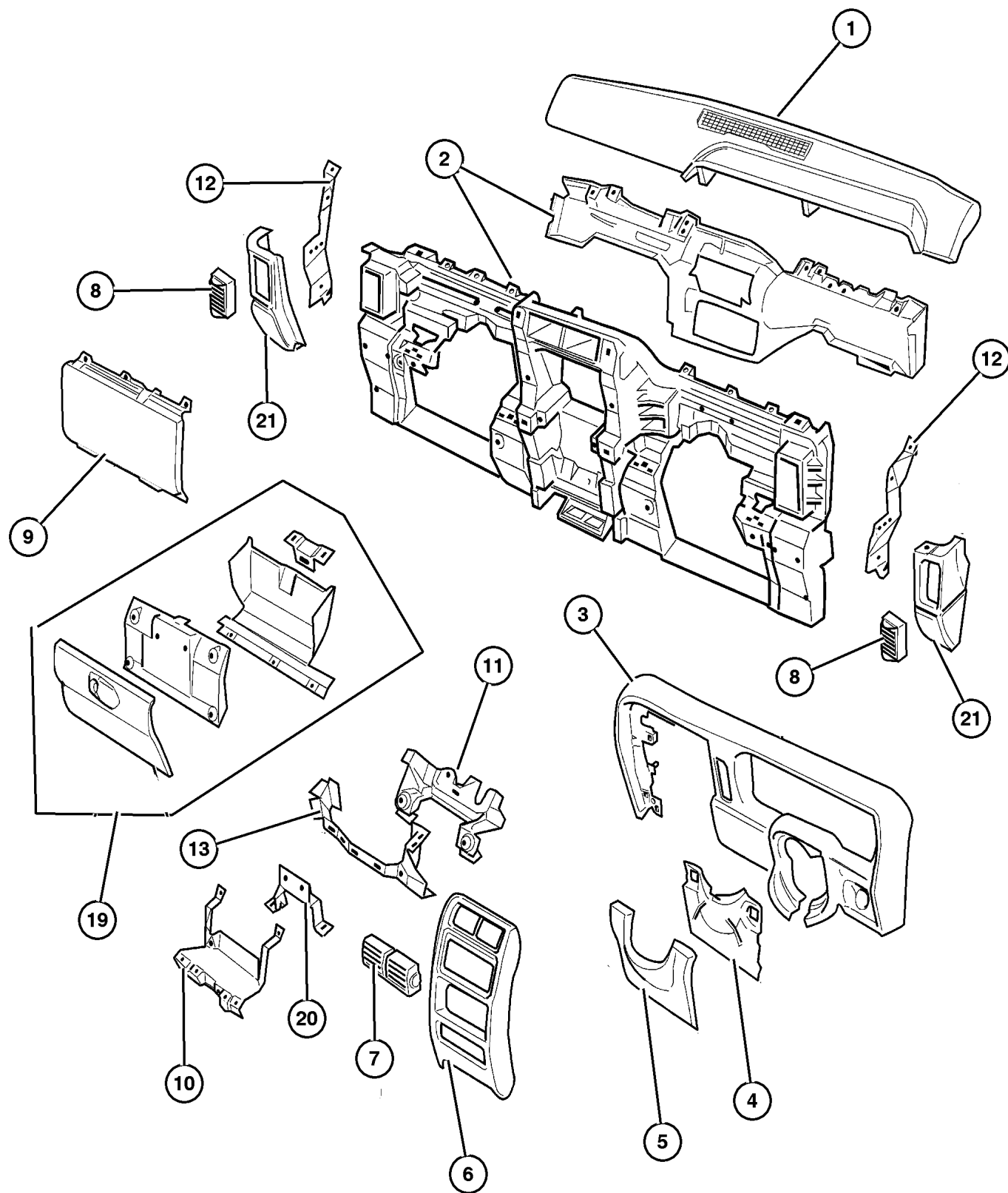
JEEP CHEROKEE (XJ)

SERIES	LINE	BODY	ENGINE	TRANSMISSION
L=Low Line	J=LHD (4WD) U=RHD (4WD) T=LHD (2WD) B=RHD (2WD)	74=4 DR. (101.4 WB) 72=2 DR. (101.4 WB)	ENC,EN0=2.5L 4 cyl. Turbo Die ERH,ER0=4.0L Power Tech I-6 EPE,EP0=Magnum 2.5L SMPI	DDQ=5Spd Man. DGS=4 Spd. Auto. AISIN DG0=All Auto Trans DBB=All Manual Trans.

AR = Use as required - = Non illustrated part # = New this model year

July 4, 2003

Pad & Bezels (RHD) 1999 XJ  
Figure 08A-122



ITEM	PART NUMBER	QTY	LINE	SERIES	BODY	ENGINE	TRANS	TRIM	DESCRIPTION
1	5EB71 LAZAB	1	B, U						COVER, Instrument Panel, Agate
2	4897 066AA	1	B, U						PANEL, Instrument Panel
3	5EJ85 LAZAC	1	B, U						BEZEL, Instrument Cluster 2.5L & 4.0L Engine (Agate)
	5ER59 LAZAC	1	B, U						Diesel Engine (Agate)
4	55115 525AB	1							LINER, Steering Column Cover
5	5EJ9 2LAZ	1							COVER, Steering Column Agate
	5EJ9 2RK5	1							Tan/Agate
6	5EN00 LAZAD	1							BEZEL, Instrument Panel, Center, Agate/Woodgrain
7	5FS10 LAZAB	2							OUTLET, Air Conditioning & Heater, Agate, Center
8	5DP5 4TAZ	1	B, U						OUTLET, Air Conditioning & Heater Agate, Right
	5DP5 5TAZ	1	B, U						Agate, Left
9	5GE03 LAZAA	1	B, U						AIR BAG, Passenger
10	55115 466AB	1	B, U						BRACKET, Air Bag
11	5511 5561	1	B, U						BRACKET, Instrument Cluster
12	55037 194AB	1	B, U						SUPPORT, Instrument Panel Right
	55037 195AB	1	B, U						Left
13	55037 394AA	1	B, U						REINFORCEMENT, Instrument Panel
-14	6034 833	2	B, U						CLIP, Push, .164-7.5
-15	4595 746AA	1							LABEL, Air Bag Warning Removable Dash Warning
	4595 748AA	1							End Cap Warning, Right
	5265 949	1	B, U						I/Panel Airbag Warning
-16	5EB6 7LAZ	1	B, U						DOOR, Passenger Air Bag, Agate
-17	55115 470AB	1	B, U						STRIKER, Glove Box Door Latch
-18	4524 343	2							BUMPER, Glove Box Door Glove Box Catch
	55037 414AA	2	B, U						Glove Box Door
19	5EE0 7LAZ	1	B, U						GLOVE BOX, Instrument Panel Agate
	5EE0 7RK5	1	B, U						Tan/Agate
20	55115 489AB	1							BRACKET, Instrument Panel
21	5EB76 1K5AC	1	B, U						CAP, Instrument Panel End Tan/Agate, Right
	5EB76 LAZAC	1	B, U						Agate, Right
	5EB77 1K5AC	1	B, U						Tan/Agate, Left

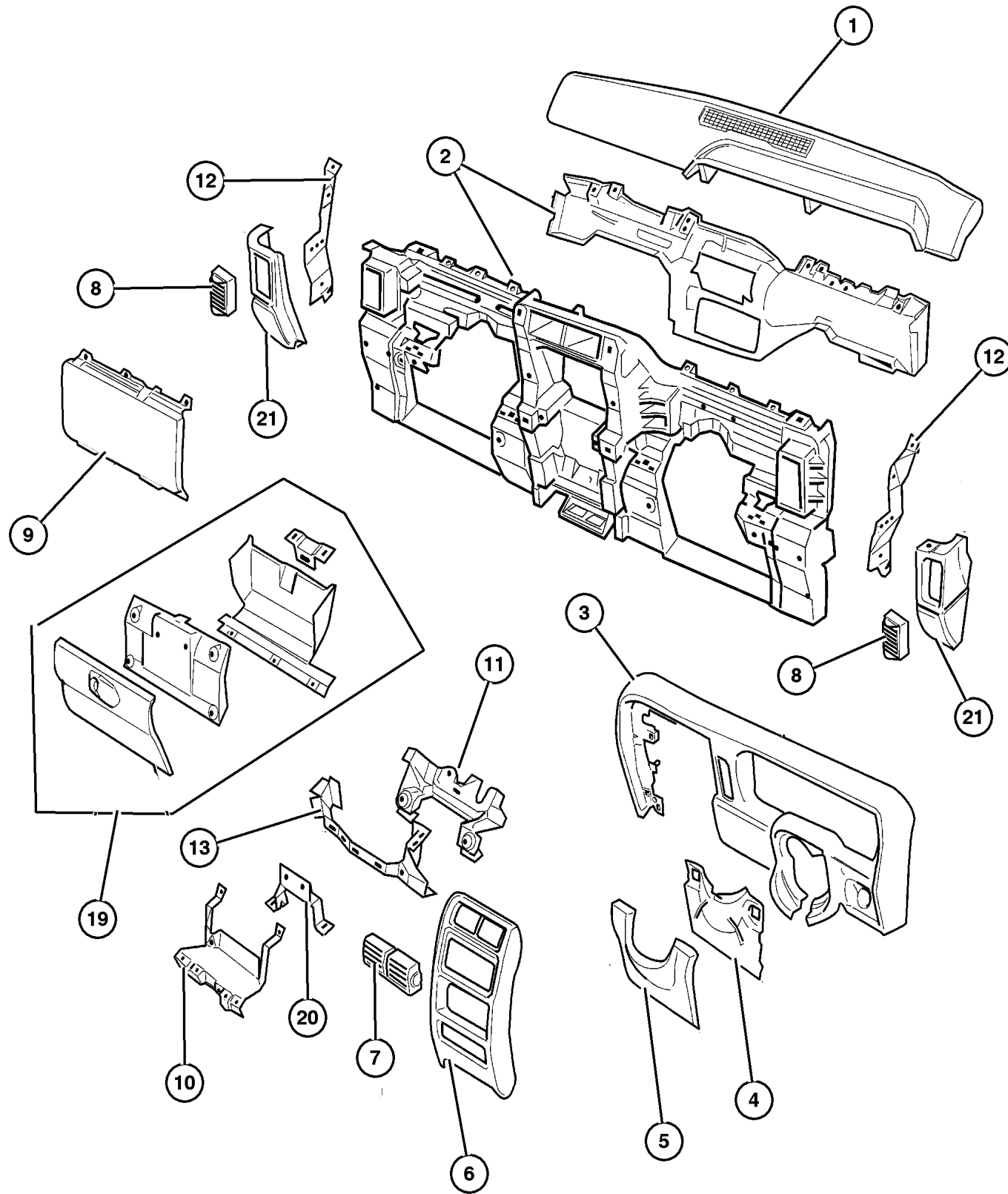
JEEP CHEROKEE (XJ)

SERIES	LINE	BODY	ENGINE	TRANSMISSION
L=Low Line	J=LHD (4WD) U=RHD (4WD) T=LHD (2WD) B=RHD (2WD)	74=4 DR. (101.4 WB) 72=2 DR. (101.4 WB)	ENC,EN0=2.5L 4 cyl. Turbo Die ERH,ER0=4.0L Power Tech I-6 EPE,EP0=Magnum 2.5L SMPI	DDQ=5Spd Man. DGS=4 Spd. Auto. AISIN DG0=All Auto Trans DBB=All Manual Trans.

AR = Use as required - = Non illustrated part # = New this model year

July 4, 2003

Pad & Bezels (RHD) 1999 XJ  
Figure 08A-122



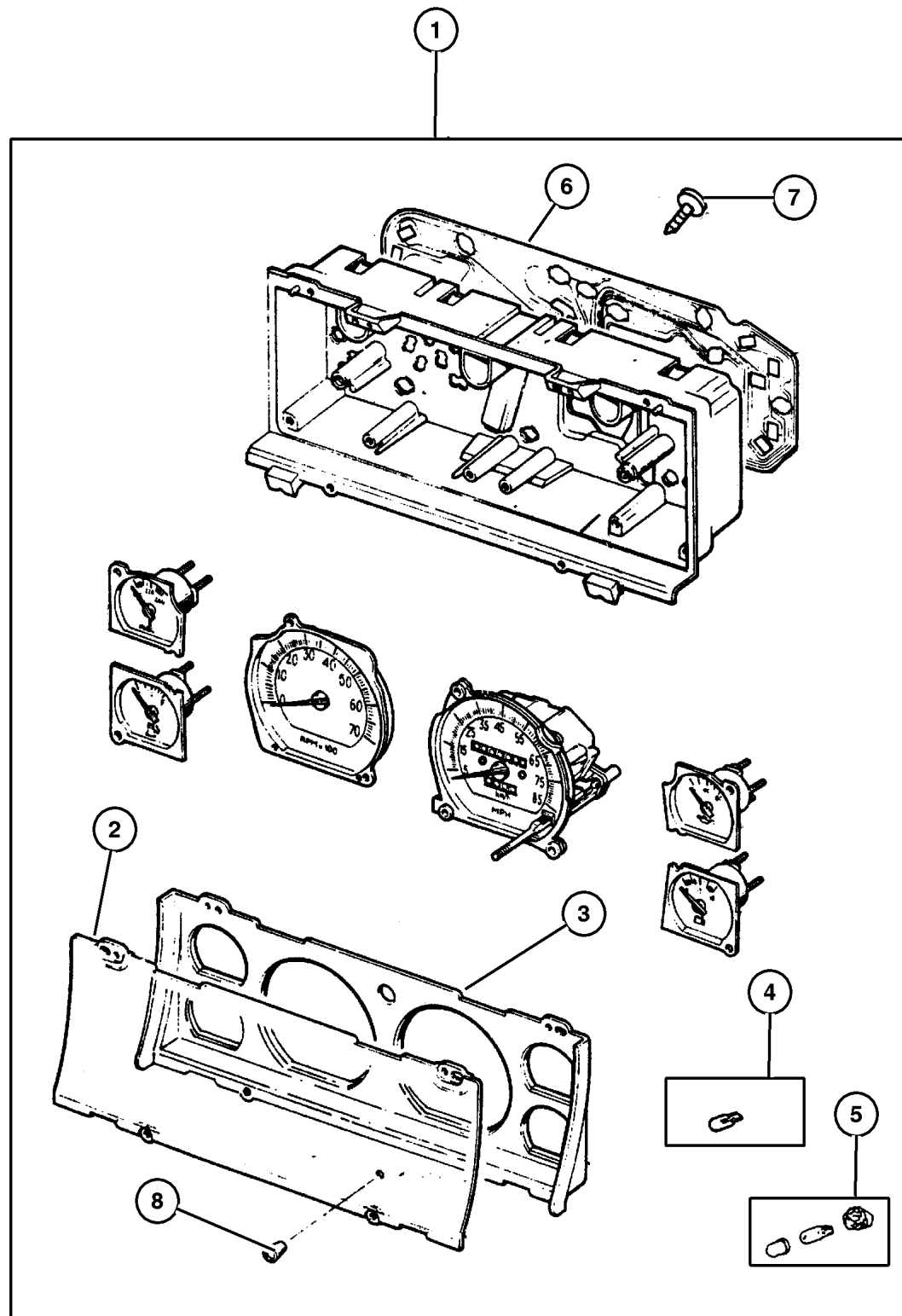
ITEM	PART NUMBER	QTY	LINE	SERIES	BODY	ENGINE	TRANS	TRIM	DESCRIPTION
	5EB77 LAZAC	1	B, U						Agate, Left

JEEP CHEROKEE (XJ)				
SERIES	LINE	BODY	ENGINE	TRANSMISSION
L=Low Line	J=LHD (4WD) U=RHD (4WD) T=LHD (2WD) B=RHD (2WD)	74=4 DR. (101.4 WB) 72=2 DR. (101.4 WB)	ENC,EN0=2.5L 4 cyl. Turbo Die ERH,ER0=4.0L Power Tech I-6 EPE,EP0=Magnum 2.5L SMPI	DDQ=5Spd Man. DGS=4 Spd. Auto. AISIN DG0=All Auto Trans DBB=All Manual Trans.

AR = Use as required - = Non illustrated part # = New this model year

July 4, 2003

Cluster 1997 XJ  
Figure 08A-220



ITEM	PART NUMBER	QTY	LINE	SERIES	BODY	ENGINE	TRANS	TRIM	DESCRIPTION
1									CLUSTER, With Chime Module
	5600 9726	1							LHD 2.5L & 4.0L w/Miles (Lowline)
	5600 9727	1							LHD/RHD 2.5L & 4.0L w/100 Miles (High Line)
	5600 9728	1							LHD/RHD 2.5L & 4.0L w/Kilo (Lowline)
	5600 9729	1							LHD/RHD 2.5L & 4.0L w/Kilo (High Line)
	5600 9730	1							LHD/RHD-Diesel w/200 Kilo
	5600 9731	1	B, U						Primary, Mandatory ( SOUTH AFRICA), Mandatory (SOUTH AFRICA)
	5600 9732	1	B, U						RHD 2.5L & 4.0L w/120/125 Miles (High Line)
	5600 9733	1	B, U						RHD-Diesel w/120/125 Miles, Mandatory ( UNITED KINGDOM), Mandatory (UNITED KINGDOM)
	5600 9734	1	B, U						RHD 2.5L & 4.0L w/Kilo (High Line)
	5600 9735	1	J, T						RHD-Diesel w/200 Kilo w/o Secondary, Mandatory ( AUSTRALIA, NEW ZEALAND), Mandatory (AUSTRALIA, NEW ZEALAND)
	5600 9736	1	J, T						4.0L w/Miles (Police)
2	4874 345	1							4.0L w/Kilo (Police)
3	4874 344	1							LENS, Cluster
4	L000 PC74	1							MASK, Instrument Cluster
5	4874 349	5							BULB, PC74
6	4874 348	1							BULB AND SOCKET
7	6032 723	6							COVER, Cluster
8	4874 346	1							SCREW, Self Tapping, M4.2x1.69x19.05
-9									GROMMET, Speedometer Trip Reset
-10									BOARD, Circuit, Serviced w/Item # 1, (NOT SERVICED) (Not Serviced)
	5600 9613	1	J, T						INDICATOR
	5600 9639	1	B, U						Tele Tale Module Low Coolant, Water in Fuel Warning, Left Hand Drive,Diesel,Export
									Right Hand Drive,Diesel,Export

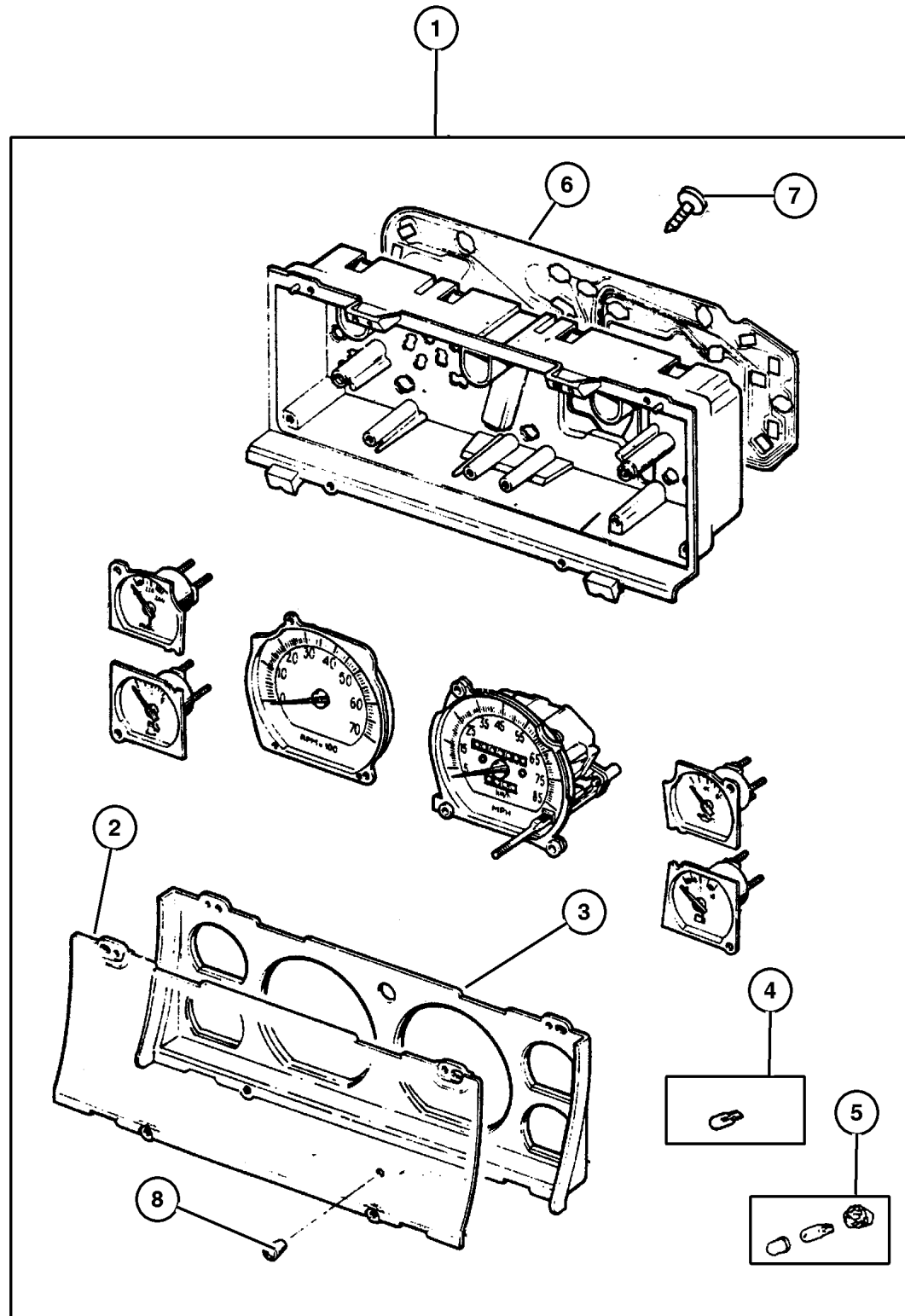
JEEP CHEROKEE (XJ)

SERIES	LINE	BODY	ENGINE	TRANSMISSION
L=Low Line	J=LHD (4WD) U=RHD (4WD) T=LHD (2WD) B=RHD (2WD)	74=4 DR. (101.4 WB) 72=2 DR. (101.4 WB)	ENC,EN0=2.5L 4 cyl. Turbo Die ERH,ER0=4.0L Power Tech I-6 EPE,EP0=Magnum 2.5L SMPI	DDQ=5Spd Man. DGS=4 Spd. Auto. AISIN DG0=All Auto Trans DBB=All Manual Trans.

AR = Use as required - = Non illustrated part # = New this model year

July 4, 2003

Cluster 1998 XJ  
Figure 08A-220



ITEM	PART NUMBER	QTY	LINE	SERIES	BODY	ENGINE	TRANS	TRIM	DESCRIPTION
1									CLUSTER, With Chime Module
	56009 726AC	1							LHD 2.5L & 4.0L W/Miles w/o Tach (Lowline)
	56009 729AC	1							LHD/RHD 2.5L & 4.0L w/Kilo (High Line)
	56009 727AC	1							2.5L & 4.0L W/100 Miles w/Tach
	56009 728AC	1							LHD/RHD 2.5L & 4.0L w/Kilo w/o Tach (Lowline)
	56009 730AC	1							LHD/RHD-Diesel w/200 Kilo
									Primary, Mandatory ( PERU, CHILE, PANAMA, BOLIVIA, BARBADOS, HONDURAS, GUATEMALA, COSTA RICA, EL SALVADOR, SOUTH AFRICA), Mandatory (PERU, CHILE, PANAMA, BOLIVIA, BARBADOS, HONDURAS, GUATEMALA, COSTA RICA, EL SALVADOR, SOUTH AFRICA)
	56009 731AC	1	B, U						RHD 2.5L & 4.0L w/Miles w/Tach (High Line)
	56009 732AC	1	B, U						RHD-Diesel w/120/125 Miles, Mandatory ( UNITED KINGDOM MARKET PACKAGE), Mandatory (UNITED KINGDOM MARKET PACKAGE)
	56009 733AC	1	B, U						RHD 2.5L & 4.0L w/Kilo w/Tach (High Line)
	56009 734AC	1	B, U						RHD-Diesel w/200 Kilo w/o Secondary
	56009 735AC	1	J, T						120 MPH Police
	56009 736AC	1	J, T						210 KPH Police
2	4874 345	1							LENS, Cluster
3	4874 344	1							MASK, Instrument Cluster
4									BULB, PC74
	L000 PC74	1	J, T						
		1	B, U						
5	4874 349	5							BULB AND SOCKET
6	4874 348	1							COVER, Cluster
7	6032 723	6							SCREW, Self Tapping, M4.2x1.69x19.05
8	4874 346	1							GROMMET, Speedometer Trip Reset

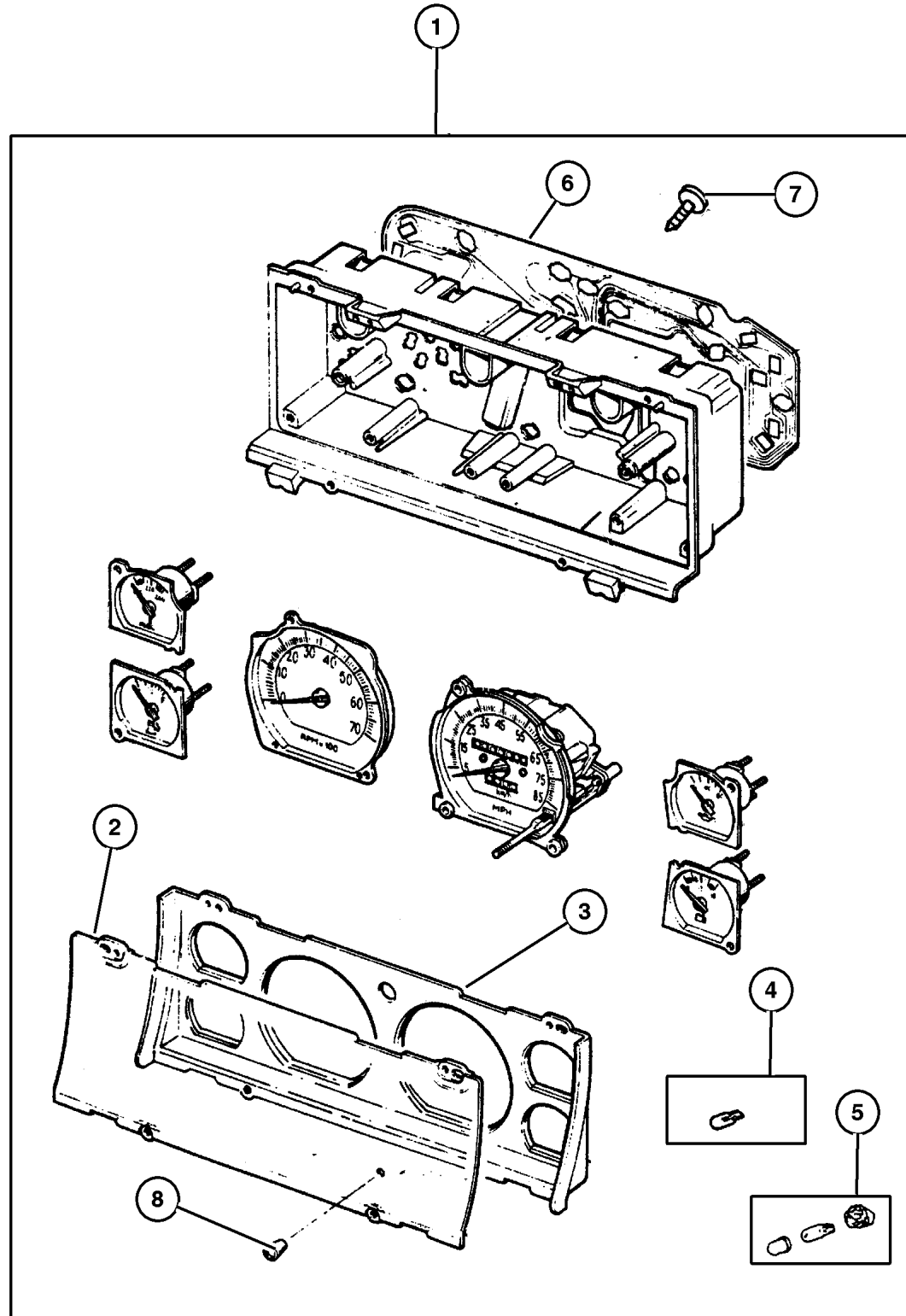
JEEP CHEROKEE (XJ)

SERIES	LINE	BODY	ENGINE	TRANSMISSION
L=Low Line	J=LHD (4WD) U=RHD (4WD) T=LHD (2WD) B=RHD (2WD)	74=4 DR. (101.4 WB) 72=2 DR. (101.4 WB)	ENC,EN0=2.5L 4 cyl. Turbo Die ERH,ER0=4.0L Power Tech I-6 EPE,EP0=Magnum 2.5L SMPI	DDQ=5Spd Man. DGS=4 Spd. Auto. AISIN DG0=All Auto Trans DBB=All Manual Trans.

AR = Use as required - = Non illustrated part # = New this model year

July 4, 2003

Cluster 1998 XJ  
Figure 08A-220



ITEM	PART NUMBER	QTY	LINE	SERIES	BODY	ENGINE	TRANS	TRIM	DESCRIPTION
-9									BOARD, Circuit, Serviced w/Item # 1, (NOT SERVICED) (Not Serviced)
-10									INDICATOR
	5600 9613	1	J, T						Tele Tale Module Low Fuel/Water in Fuel Warning, Left Hand Drive, Diesel,Export
	5600 9639	1	B, U						Tele Tale Module Low Fuel/Water in Fuel Warning, Right Hand Drive,Diesel,Export

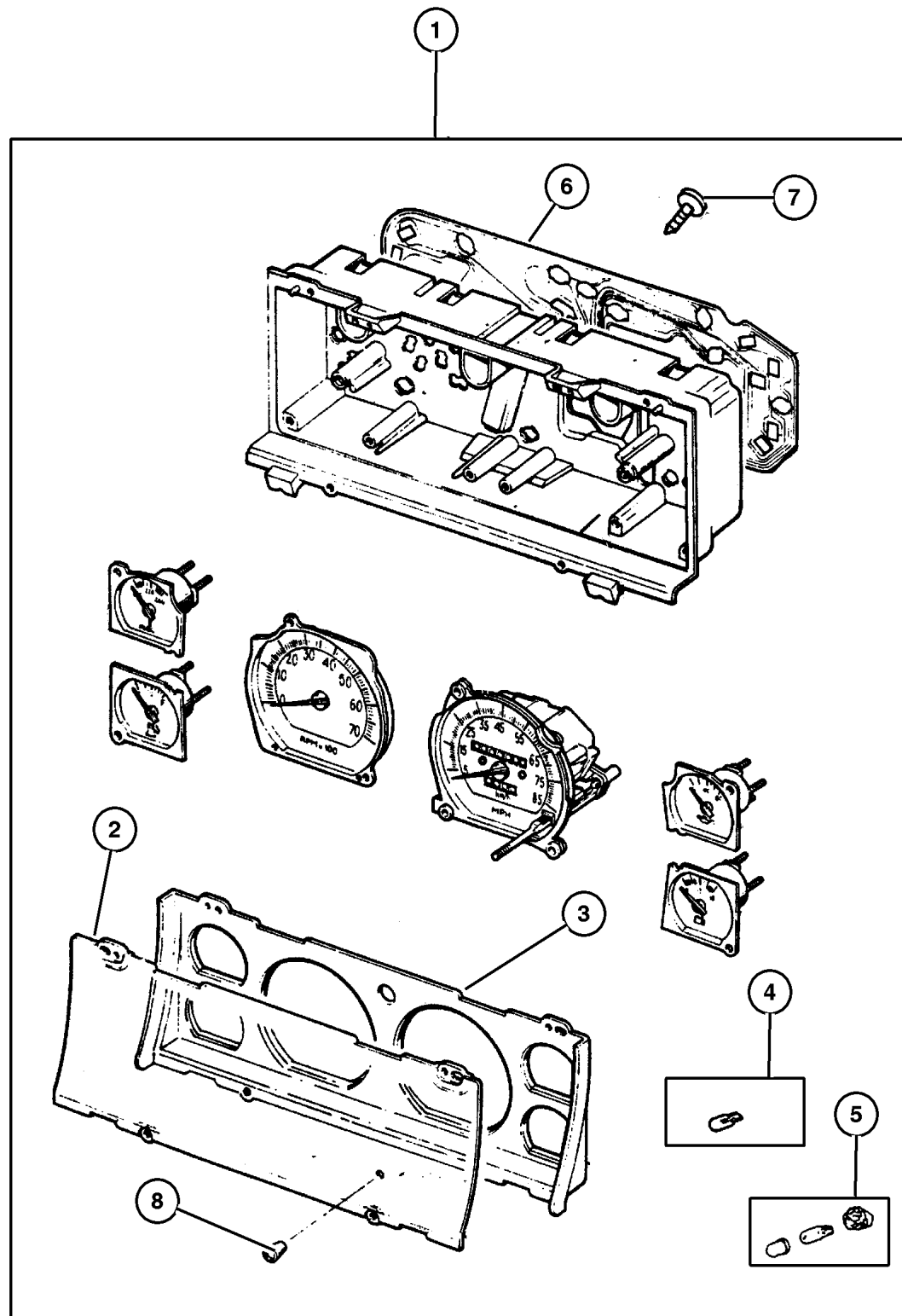
JEEP CHEROKEE (XJ)

SERIES	LINE	BODY	ENGINE	TRANSMISSION
L=Low Line	J=LHD (4WD) U=RHD (4WD) T=LHD (2WD) B=RHD (2WD)	74=4 DR. (101.4 WB) 72=2 DR. (101.4 WB)	ENC,EN0=2.5L 4 cyl. Turbo Die ERH,ER0=4.0L Power Tech I-6 EPE,EP0=Magnum 2.5L SMPI	DDQ=5Spd Man. DGS=4 Spd. Auto. AISIN DG0=All Auto Trans DBB=All Manual Trans.

AR = Use as required - = Non illustrated part # = New this model year

July 4, 2003

Cluster 1999 XJ  
Figure 08A-220



ITEM	PART NUMBER	QTY	LINE	SERIES	BODY	ENGINE	TRANS	TRIM	DESCRIPTION
1									CLUSTER, With Chime Module
	#56010 190AB	1							After 01/31/99, 2.5L & 4.0L Engine, w/100 MPH & w/o Tach (Lowline) Huntsville w/Stamp # 7910
	#56010 199AB	1	J, T						After 01/31/99, 4.0L Engine w/120 MPH (Police) Huntsville w/Stamp # 7910
	#56010 200AB	1	J, T						After 01/31/99, 4.0L Engine w/200 KPH (Police) Huntsville w/Stamp # 7910
	#56009 726AD	1							Before 02/01/99, 2.5L & 4.0L Engine, w/100 MPH & w/o Tach (Lowline) Nippon Seiki
	#56009 727AD	1							Before 02/01/99, 2.5L & 4.0L Engine, w/100 MPH & w/Tach (Highline) Nippon Seiki
	56009 728AC	1							Before 02/01/99, 2.5L & 4.0L Engine, w/200 KPH & w/o Tach (Lowline) Nippon Seiki
	56009 729AC	1							Before 02/01/99, 2.5L & 4.0L Engine, w/200 KPH & w/Tach (High Line) Nippon Seiki
	56009 730AC	1							Before 02/01/99, Diesel Engine w/ 200 KPH & w/Tach (High Line) Nippon Seiki
	56009 731AC	1	B, U						Before 02/01/99, 2.5L & 4.0L Engine, w/120 MPH & w/Tach (High Line) Nippon Seiki
	56009 732AC	1	B, U						Before 02/01/99, Diesel Engine w/ 120 MPH, Nippon Seiki
	56009 733AC	1	B, U						Before 02/01/99, 2.5L & 4.0L Engine w/200 KPH, Nippon Seiki
	#56010 191AB	1							After 01/31/99, 2.5L & 4.0L Engine, w/200 KPH & w/o Tach (Lowline) Huntsville w/Stamp # 7910
	56009 734AC	1	B, U						Before 02/01/99, Diesel Engine w/ 200 KPH & w/o Secondary, Nippon Seiki
	#56009 735AD	1	J, T						Before 02/01/99, 4.0L Engine w/ 120 MPH (Police) Nippon Seiki
	56009 736AC	1	J, T						Before 02/01/99, 4.0L Engine w/ 200 KPH (Police) Nippon Seiki

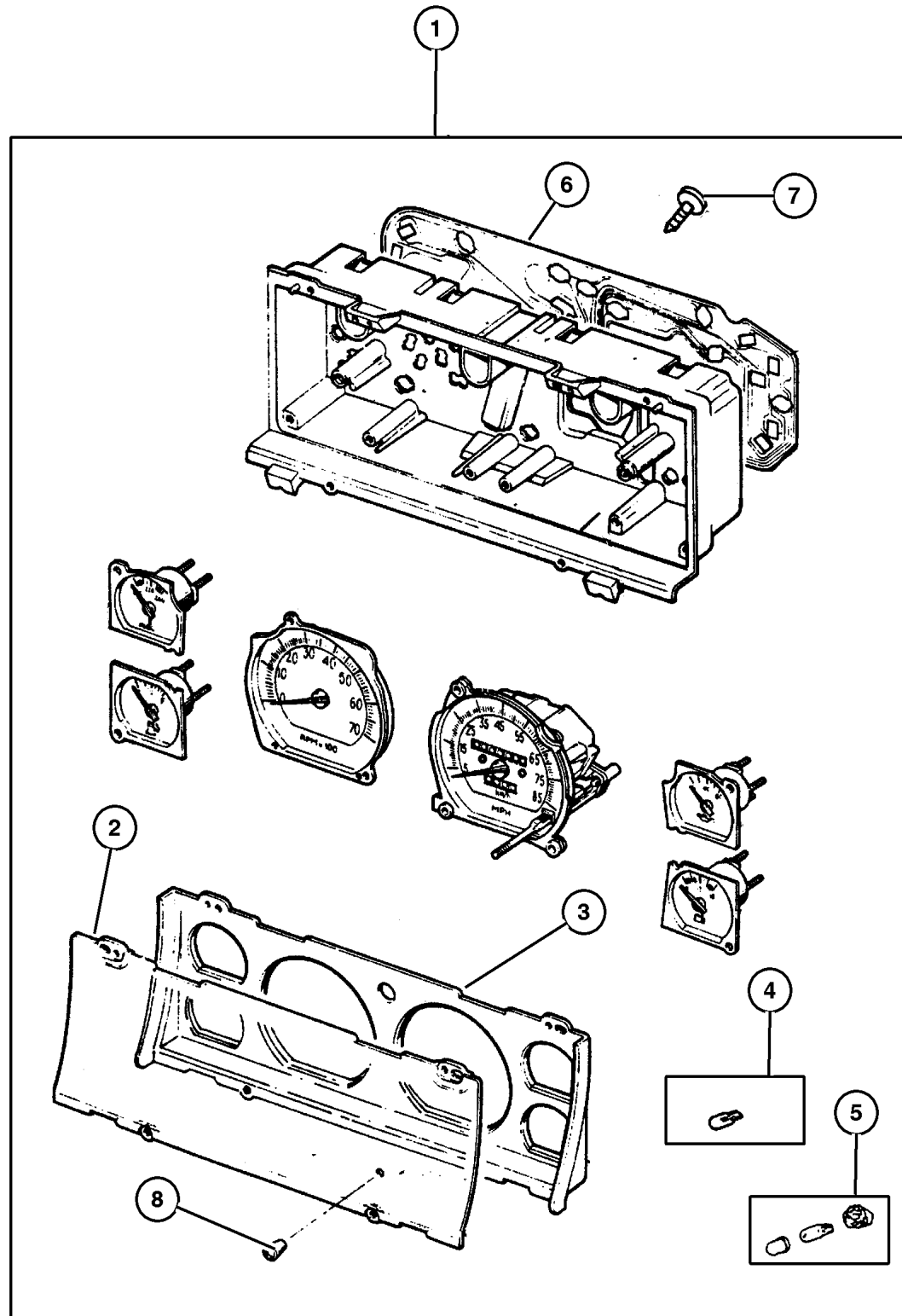
JEEP CHEROKEE (XJ)

SERIES	LINE	BODY	ENGINE	TRANSMISSION
L=Low Line	J=LHD (4WD) U=RHD (4WD) T=LHD (2WD) B=RHD (2WD)	74=4 DR. (101.4 WB) 72=2 DR. (101.4 WB)	ENC,EN0=2.5L 4 cyl. Turbo Die ERH,ER0=4.0L Power Tech I-6 EPE,EP0=Magnum 2.5L SMPI	DDQ=5Spd Man. DGS=4 Spd. Auto. AISIN DG0=All Auto Trans DBB=All Manual Trans.

AR = Use as required - = Non illustrated part # = New this model year

July 4, 2003

Cluster 1999 XJ  
Figure 08A-220



ITEM	PART NUMBER	QTY	LINE	SERIES	BODY	ENGINE	TRANS	TRIM	DESCRIPTION
	#56010 193AA	1							After 01/31/99, 2.5L & 4.0L Engine, w/200 KPH & w/Tach (High Line) Nippon Seiki
	#56010 192AB	1							After 01/31/99, 2.5L & 4.0L Engine, w/100 MPH & w/Tach (Highline) Huntsville w/Stamp # 7910
	#56010 193AB	1							After 01/31/99, 2.5L & 4.0L Engine, w/200 KPH & w/Tach (High Line) Huntsville w/Stamp # 7910
	#56010 194AB	1	B, U						After 01/31/99, 2.5L & 4.0L Engine, w/200 KPH & w/Tach (High Line) Huntsville w/Stamp # 7910
	#56010 195AB	1	B, U						After 01/31/99, 2.5L & 4.0L Engine, w/120 MPH & w/Tach (High Line) Huntsville w/Stamp # 7910
	#56010 196AB	1	B, U						After 01/31/99, Diesel Engine w/ 120 MPH. Huntsville w/Stamp # 7910
	#56010 197AB	1	B, U						After 01/31/99, Diesel Engine w/ 200 KPH & w/o Secondary, Huntsville w/Stamp # 7910
	#56010 198AB	1							After 01/31/99, Diesel Engine w/ 200 KPH Primary, Huntsville w/ Stamp # 7910
2	4874 345	1							LENS, Cluster
3	4874 344	1							MASK, Instrument Cluster
4	L000 PC74	10							BULB, PC74
5	4874 349	5							BULB AND SOCKET
6	4874 348	1							COVER, Cluster
7	6032 723	4							SCREW, Self Tapping, M4.2x1.69x19.05
8	4874 346	1							GROMMET, Speedometer Trip Reset BOARD, Circuit, Serviced w/Item # 1, (NOT SERVICED) (Not Serviced)
-9									INDICATOR
-10	5600 9613	1	J, T						
	5600 9639	1	B, U						
-11	5600 9613	1	J, T						INDICATOR Tele Tale Moudle Low Coolant/ Water in Fuel Warning, Left Hand Drive,Diesel,Export

JEEP CHEROKEE (XJ)

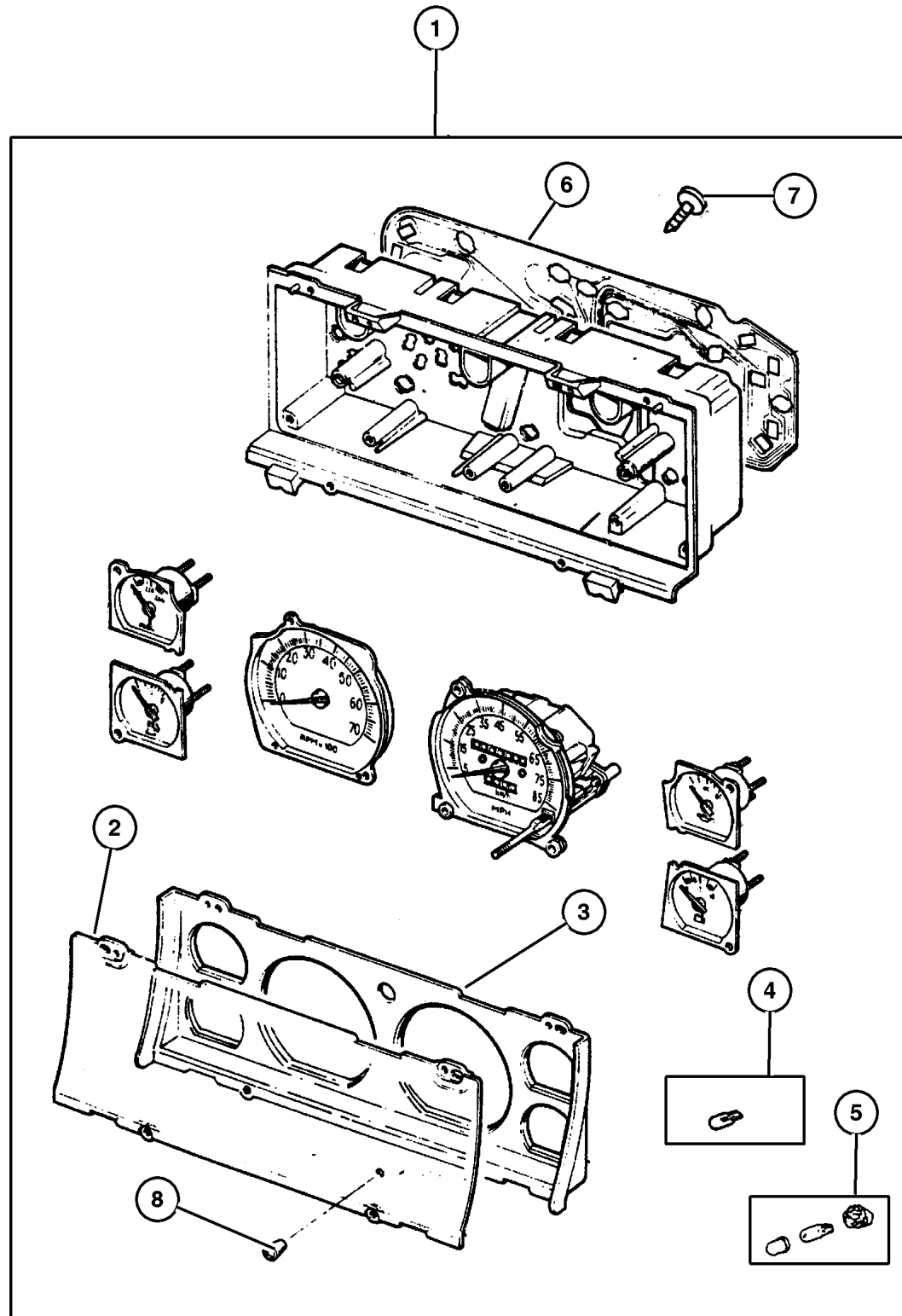
SERIES	LINE	BODY	ENGINE	TRANSMISSION
L=Low Line	J=LHD (4WD) U=RHD (4WD) T=LHD (2WD) B=RHD (2WD)	74=4 DR. (101.4 WB) 72=2 DR. (101.4 WB)	ENC,EN0=2.5L 4 cyl. Turbo Die ERH,ER0=4.0L Power Tech I-6 EPE,EP0=Magnum 2.5L SMPI	DDQ=5Spd Man. DGS=4 Spd. Auto. AISIN DG0=All Auto Trans DBB=All Manual Trans.

AR = Use as required - = Non illustrated part # = New this model year

July 4, 2003



Cluster 1999 XJ  
Figure 08A-220



ITEM	PART NUMBER	QTY	LINE	SERIES	BODY	ENGINE	TRANS	TRIM	DESCRIPTION
------	-------------	-----	------	--------	------	--------	-------	------	-------------

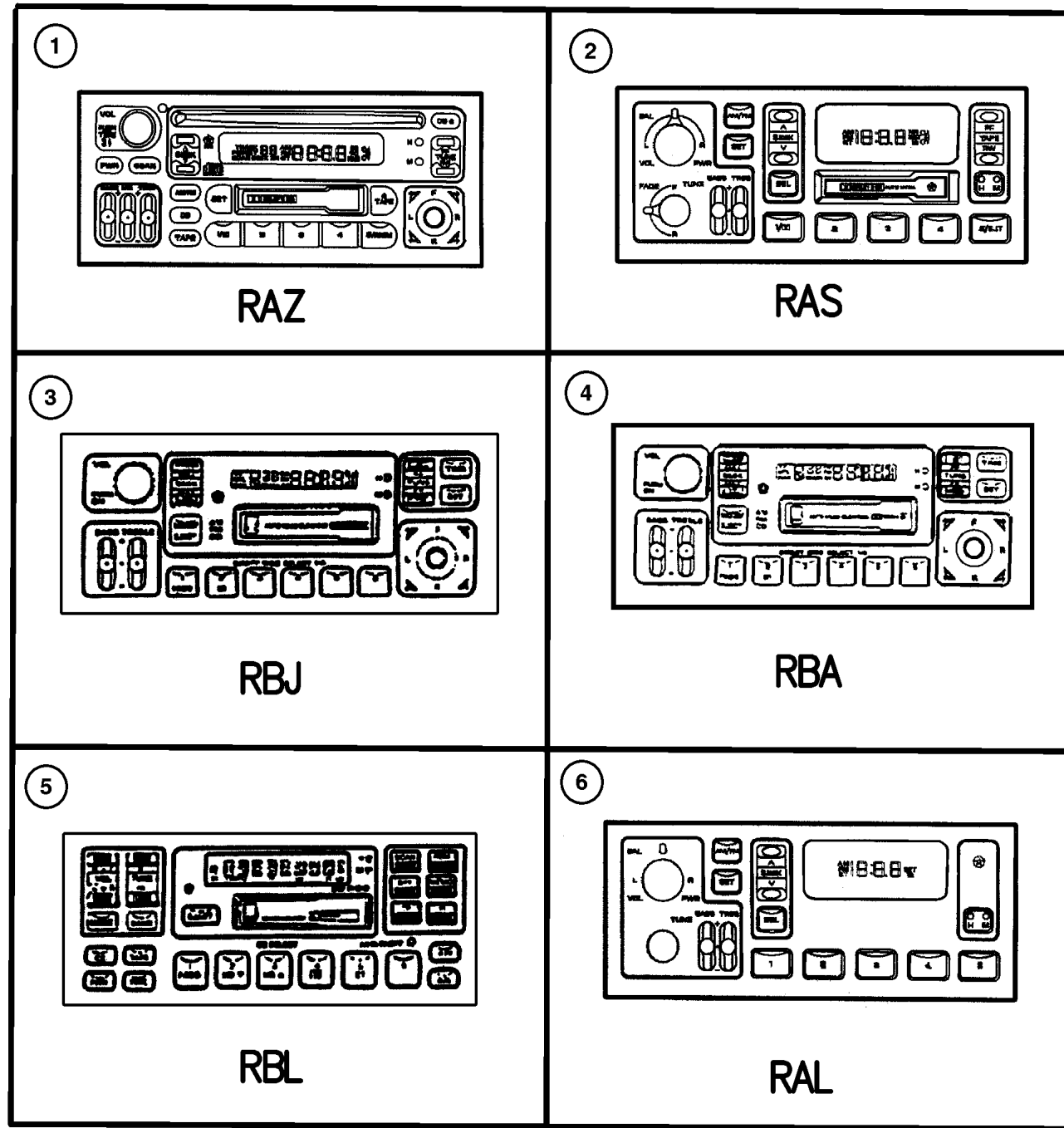
	5600 9639	1	B, U						Tele Tale Moudle Low Coolant/ Water in Fuel Warning, Right Hand Drive,Diesel,Export
--	-----------	---	------	--	--	--	--	--	---

JEEP CHEROKEE (XJ)				
SERIES	LINE	BODY	ENGINE	TRANSMISSION
L=Low Line	J=LHD (4WD) U=RHD (4WD) T=LHD (2WD) B=RHD (2WD)	74=4 DR. (101.4 WB) 72=2 DR. (101.4 WB)	ENC,EN0=2.5L 4 cyl. Turbo Die ERH,ER0=4.0L Power Tech I-6 EPE,EP0=Magnum 2.5L SMPI	DDQ=5Spd Man. DGS=4 Spd. Auto. AISIN DG0=All Auto Trans DBB=All Manual Trans.

AR = Use as required - = Non illustrated part # = New this model year

July 4, 2003

Radio 1997 XJ  
Figure 08A-310



ITEM	PART NUMBER	QTY	LINE	SERIES	BODY	ENGINE	TRANS	TRIM	DESCRIPTION
RAL=AM/FM Stereo									
RAS=AM/FM Cassette									
RAZ=AM/FM w/Cassette & CD									
RBA=AM/FM w/Cassette & CD Changer Control (Argentina, Brazil, Paraguay & Uruguay)									
RBJ=Midline AM/FM w/Cassette & CD Changer Control (Japan)									
RBL=AM/FM/MW/RDS Cassette & CD Changer Control									
1	4704 382AB	1							RADIO, AM/FM with CD and Cassette, (RAZ)
2	4858 556	1							RADIO, AM/FM Cassette, (RAS)
3	4704 393AB	1							RADIO, AM/FM with CD, (RBJ)
4	4704 392AB	1							RADIO, AM/FM with CD, (RBA)
5	5269 484	1							RADIO, (RBL)
6	4858 560AB	1							RADIO, AM/FM Stereo, (RAL)
-7	5600 7653	1							AMPLIFIER, Radio

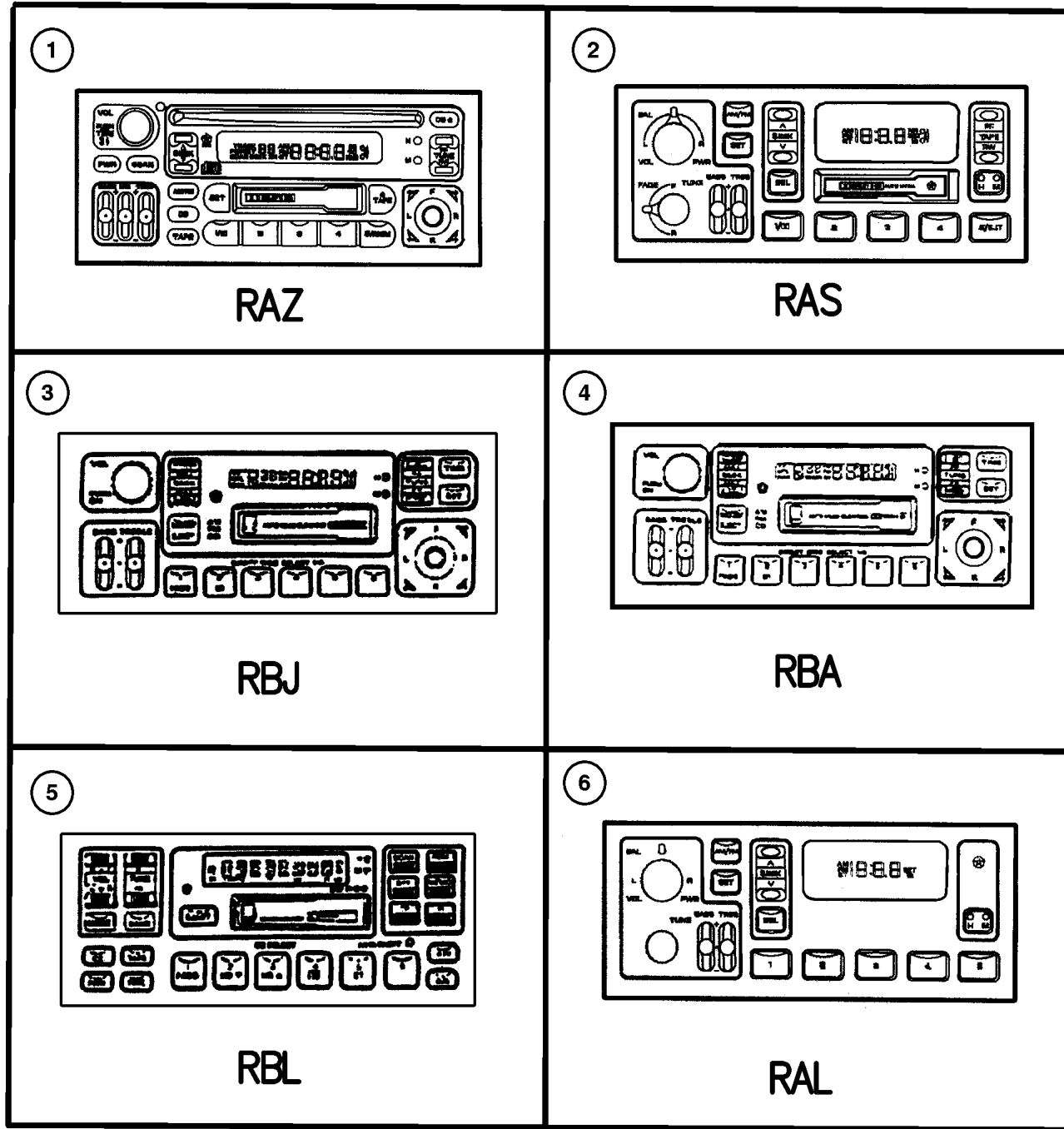
JEEP CHEROKEE (XJ)

SERIES	LINE	BODY	ENGINE	TRANSMISSION
L=Low Line	J=LHD (4WD) U=RHD (4WD) T=LHD (2WD) B=RHD (2WD)	74=4 DR. (101.4 WB) 72=2 DR. (101.4 WB)	ENC,EN0=2.5L 4 cyl. Turbo Die ERH,ER0=4.0L Power Tech I-6 EPE,EP0=Magnum 2.5L SMPI	DDQ=5Spd Man. DGS=4 Spd. Auto. AISIN DG0=All Auto Trans DBB=All Manual Trans.

AR = Use as required - = Non illustrated part # = New this model year

July 4, 2003

Radio 1998 XJ  
Figure 08A-310



ITEM	PART NUMBER	QTY	LINE	SERIES	BODY	ENGINE	TRANS	TRIM	DESCRIPTION
RAL=AM/FM Stereo									
RAS=AM/FM Cassette									
RAZ=AM/FM w/Cassette & CD									
RBA=AM/FM w/Cassette & CD Changer Control (Argentina, Brazil, Paraguay & Uruguay)									
RBJ=Midline AM/FM w/Cassette & CD Changer Control (Japan)									
RBL=AM/FM/MW/RDS Cassette & CD Changer Control									
1	4704 383AD	1							RADIO, AM/FM with CD and Cassette, (RAZ)
2	4858 556AB	1							RADIO, AM/FM Cassette, (RAS)
3	4704 393AC	1							RADIO, AM/FM with CD, (RBJ)
4	4704 392AC	1							RADIO, AM/FM with CD, (RBA)
5	5269 484	1							RADIO, (RBL)
6	4858 562AD	1							RADIO, AM/FM Stereo, (RAL)
-7	56007 653AC	1							AMPLIFIER, Radio

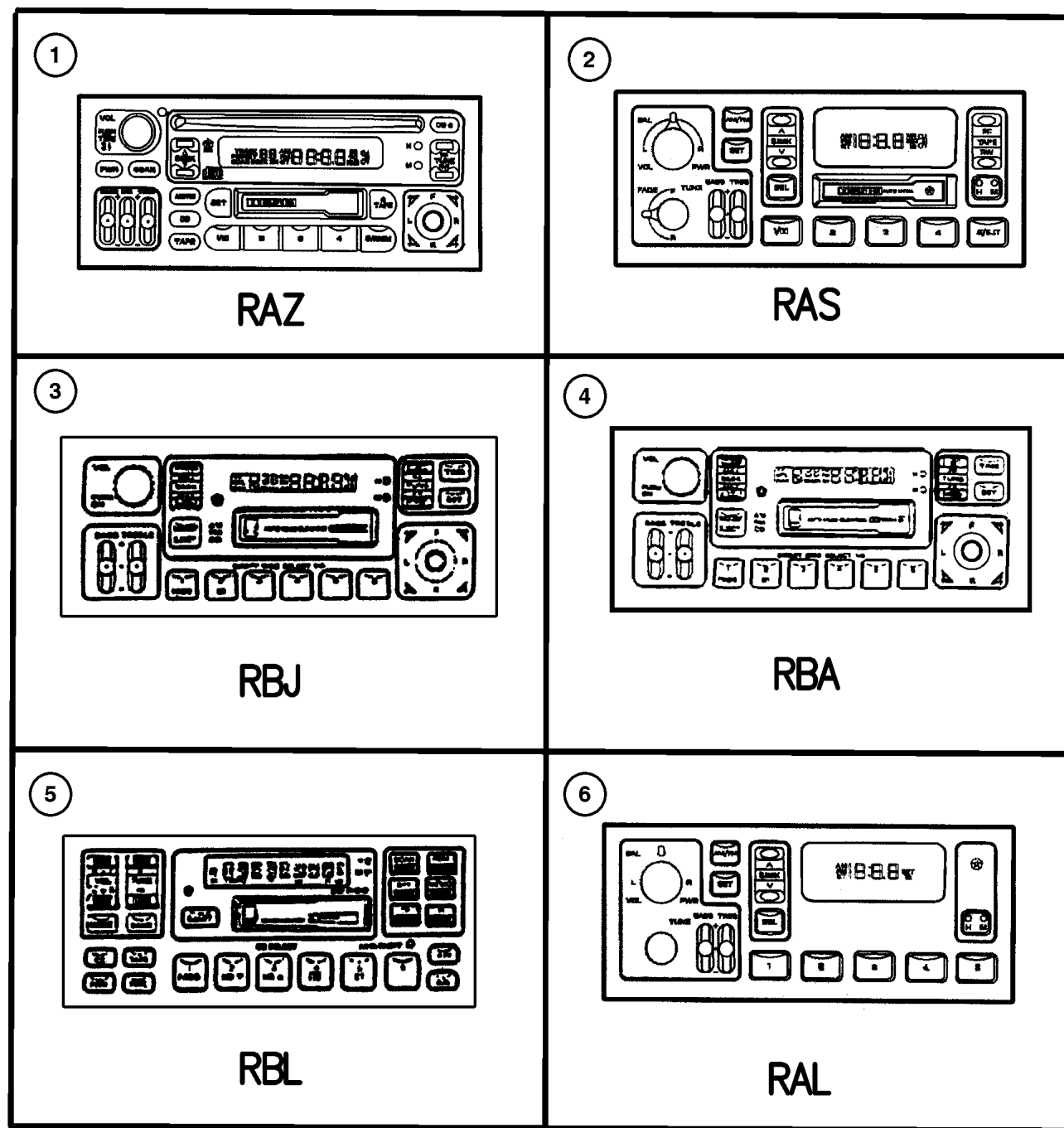
JEEP CHEROKEE (XJ)

SERIES	LINE	BODY	ENGINE	TRANSMISSION
L=Low Line	J=LHD (4WD) U=RHD (4WD) T=LHD (2WD) B=RHD (2WD)	74=4 DR. (101.4 WB) 72=2 DR. (101.4 WB)	ENC,EN0=2.5L 4 cyl. Turbo Die ERH,ER0=4.0L Power Tech I-6 EPE,EP0=Magnum 2.5L SMPI	DDQ=5Spd Man. DGS=4 Spd. Auto. AISIN DG0=All Auto Trans DBB=All Manual Trans.

AR = Use as required - = Non illustrated part # = New this model year

July 4, 2003

Radio 1999 XJ  
Figure 08A-310



ITEM	PART NUMBER	QTY	LINE	SERIES	BODY	ENGINE	TRANS	TRIM	DESCRIPTION
RAL=AM/FM Stereo									
RAS=AM/FM Cassette									
RAZ=AM/FM w/Cassette & CD									
RBA=AM/FM w/Cassette & CD Changer Control (Argentina, Brazil, Paraguay & Uruguay)									
RBJ=Midline AM/FM w/Cassette & CD Changer Control (Japan)									
RBL=AM/FM/MW/RDS Cassette & CD Changer Control									
1	4704 383AG	1							RADIO, AM/FM with CD and Cassette, RAZ
2	4858 556AD	1							RADIO, AM/FM Cassette, RAS
3	#4704 393AD	1							RADIO, AM/FM with CD, RBJ
4	4704 392AD	1							RADIO, AM/FM with CD, RBA
5	#5269 484AB	1							RADIO, RBL
6	4858 562AD	1							RADIO, AM/FM Stereo, RAL
-7	#56007 653AD	1							AMPLIFIER, Radio

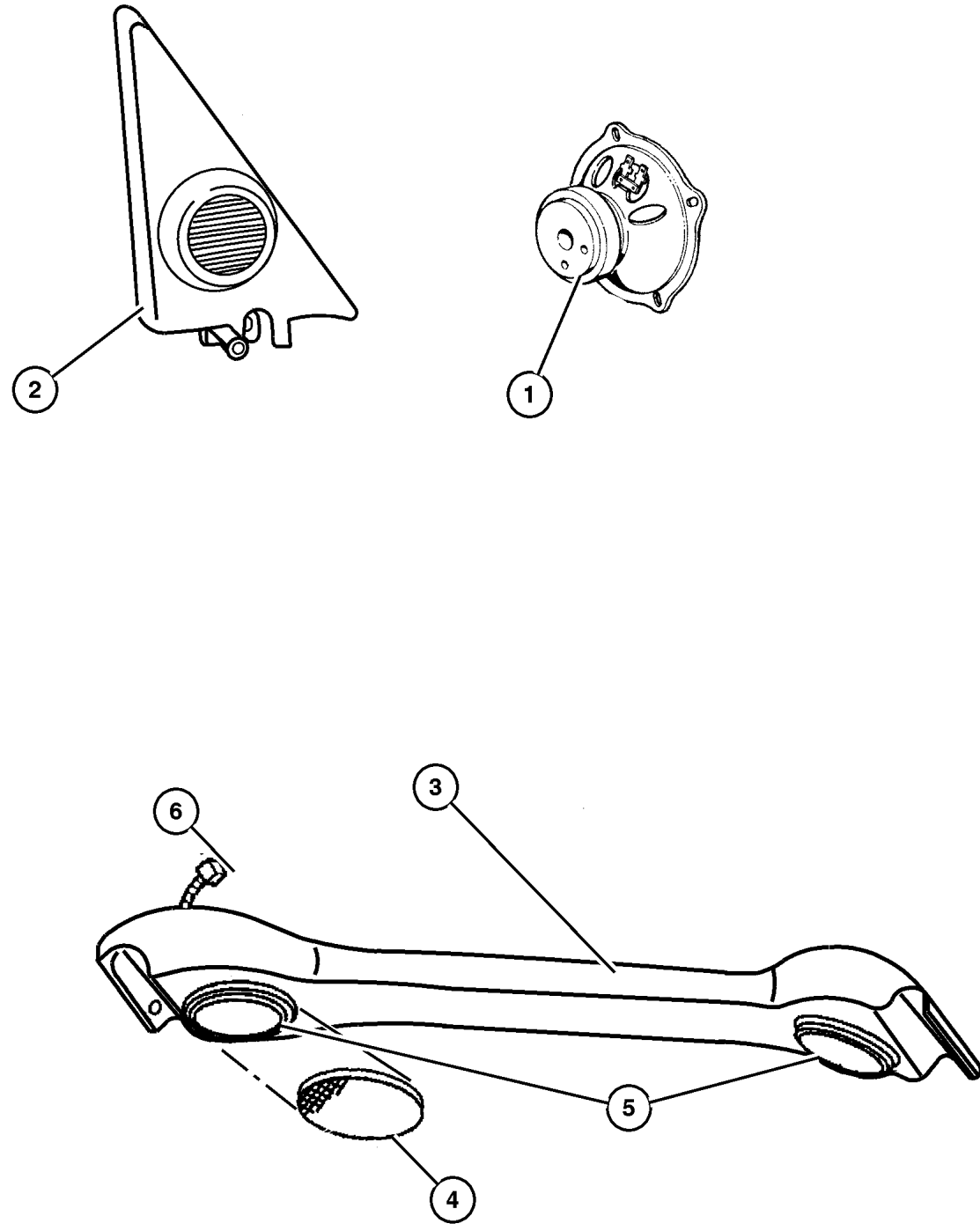
JEEP CHEROKEE (XJ)				
SERIES	LINE	BODY	ENGINE	TRANSMISSION
L=Low Line	J=LHD (4WD) U=RHD (4WD) T=LHD (2WD) B=RHD (2WD)	74=4 DR. (101.4 WB) 72=2 DR. (101.4 WB)	ENC,EN0=2.5L 4 cyl. Turbo Die ERH,ER0=4.0L Power Tech I-6 EPE,EP0=Magnum 2.5L SMPI	DDQ=5Spd Man. DGS=4 Spd. Auto. AISIN DG0=All Auto Trans DBB=All Manual Trans.

AR = Use as required - = Non illustrated part # = New this model year

July 4, 2003

Speakers 1997 XJ  
Figure 08A-320

ITEM	PART NUMBER	QTY	LINE	SERIES	BODY	ENGINE	TRANS	TRIM	DESCRIPTION
RCB=Two Speaker System									
RCD=Four Speaker System									
RCG=Six Premium Speaker System (Infinity)									
1									SPEAKER, Door
	56008 750AB	2							[RCG]
	56008 751AB	2							[RCB,RCD]
2									COVER, Mirror Opening
	5FM02 RC3AB	1							Mist Gray w/2 or 4 peaker System, Right
	5FM02 RT6AB	1							Spice/Saddle w/2 or 4 peaker System, Right
	5FM03 RC3AB	1							Mist Gray w/2 or 4 peaker System, Left
	5FM03 RT6AB	1							Spice/Saddle w/2 or 4 peaker System, Left
	5FV14 RC3AB	1							Mist Gray w/6 Speaker System, Right
	5FV14 RT6AB	1							Spice/Saddle w/6 Speaker System, Right
	5FV15 RC3AB	1							Mist Gray w/6 Speaker System, Left
	5FV15 RT6AB	1							Spice/Saddle w/6 Speaker System, Left
3									HOUSING, Speaker
	QH91 RC3	1							Mist Gray
	QH91 RT6	1							Spice/Saddle
4	4882 388	1							GRILLE, Speaker
5									SPEAKER, Sound Bar
	5600 8754	2							[RCD,RCR]
	5600 8756	2							[RCG]
6	5003 856AA	1							WIRING, Soundbar, Base Model (RCD)
-7									BRACKET, Speaker, (NOT REQUIRED)



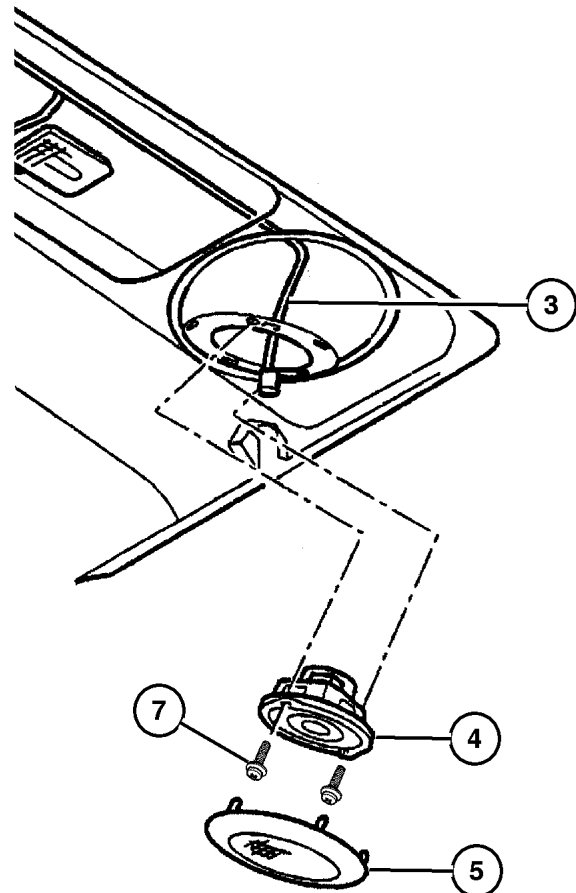
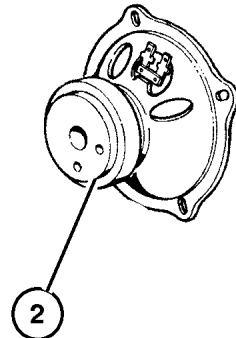
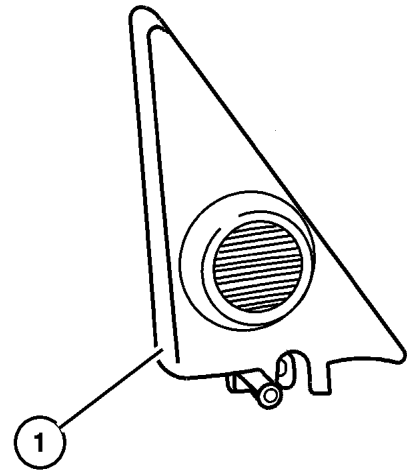
JEEP CHEROKEE (XJ)				
SERIES	LINE	BODY	ENGINE	TRANSMISSION
L=Low Line	J=LHD (4WD) U=RHD (4WD) T=LHD (2WD) B=RHD (2WD)	74=4 DR. (101.4 WB) 72=2 DR. (101.4 WB)	ENC,EN0=2.5L 4 cyl. Turbo Die ERH,ER0=4.0L Power Tech I-6 EPE,EP0=Magnum 2.5L SMPI	DDQ=5Spd Man. DGS=4 Spd. Auto. AISIN DG0=All Auto Trans DBB=All Manual Trans.

AR = Use as required - = Non illustrated part # = New this model year

July 4, 2003

Speakers 1998 XJ  
Figure 08A-320

ITEM	PART NUMBER	QTY	LINE	SERIES	BODY	ENGINE	TRANS	TRIM	DESCRIPTION
RCB=Two Speaker System RCD=Four Speaker System RCG=Six Premium Speaker System (Infinity) RCR=Four Speaker System									
1									COVER, Mirror Opening
	5FM02 RC3AB	1							[C3] with 2 or 4 Speaker System, Right
	5FM02 RT6AB	1							[T6] with 2 or 4 Speaker System, Right
	5FM03 RC3AB	1							[C3] with 2 or 4 Speaker System, Left
	5FM03 RT6AB	1							[T6] with 2 or 4 Speaker System, Left
	5FV14 RC3AB	1							[C3] with 6 Speaker System (with Tweeter), Right
	5FV14 RT6AB	1							[T6] with 6 Speaker System (with Tweeter), Right
	5FV15 RC3AB	1							[C3] with 2 or 4 Speaker System (with Tweeter), Left
	5FV15 RT6AB	1							[T6] with 6 Speaker System (with Tweeter), Left
2									SPEAKER, Door
	56008 750AC	2							[RCG]
	56008 751AC	2							[RCB]=[RCD]=[RCR]
3	56009 936AA	1							WIRING, Headliner
4									SPEAKER, Sound Bar
	5600 8756	1							[RCG]
	5600 8754	1							[RCD,RCR]
5									GRILLE, Speaker
	5FY19 RC3AA	1							[C3]
	5FY19 RT6AA	1							[T6]
-6	55352 694AA	1							BRACKET, Speaker
7									SCREW, (NOT SERVICED) (Not Serviced)



JEEP CHEROKEE (XJ)

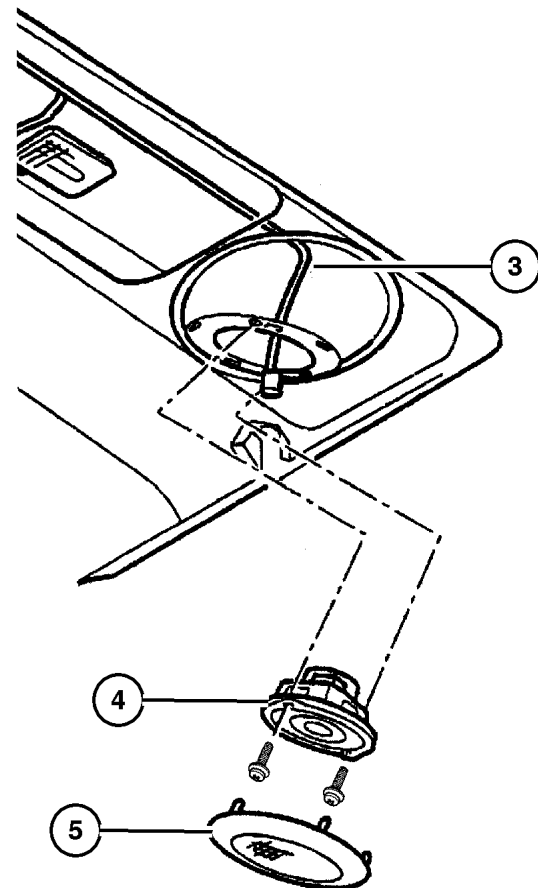
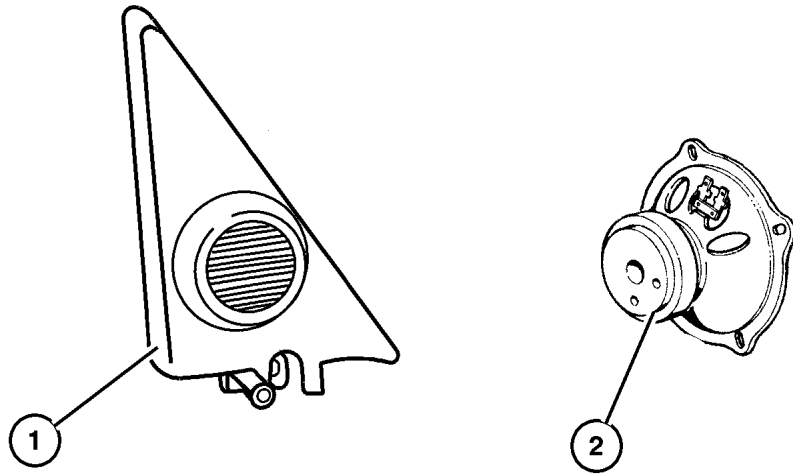
SERIES	LINE	BODY	ENGINE	TRANSMISSION
L=Low Line	J=LHD (4WD) U=RHD (4WD) T=LHD (2WD) B=RHD (2WD)	74=4 DR. (101.4 WB) 72=2 DR. (101.4 WB)	ENC,EN0=2.5L 4 cyl. Turbo Die ERH,ER0=4.0L Power Tech I-6 EPE,EP0=Magnum 2.5L SMPI	DDQ=5Spd Man. DGS=4 Spd. Auto. AISIN DG0=All Auto Trans DBB=All Manual Trans.

AR = Use as required - = Non illustrated part # = New this model year

July 4, 2003

Speakers 1999 XJ  
Figure 08A-320

ITEM	PART NUMBER	QTY	LINE	SERIES	BODY	ENGINE	TRANS	TRIM	DESCRIPTION
RCB=Two Speaker System									
RCD=Four Speaker System									
RCG=Six Premium Speaker System (Infinity)									
1	5FM02 LAZAB	1							COVER, Mirror Opening w/o Tweeter (Agate), Right
	5FM03 LAZAB	1							w/o Tweeter (Agate), Left
	5FV14 LAZAB	1							w/Tweeter (Agate), Right
	5FV15 LAZAB	1							w/Tweeter (Agate), Left
2	56008 750AC	2							SPEAKER, Door [RCG]
	56008 751AC	2							[RCB,RCR]
3	56009 936AA	1							WIRING, Headliner
4	5600 8754	1							SPEAKER, Sound Bar [RCR]
	5600 8756	1							[RCG]
5	5FY19 HW8AA	1							GRILLE, Speaker Quartz
	5FY19 RK5AA	1							Tan/Agate
-6	55352 694AA	AR							BRACKET, Speaker

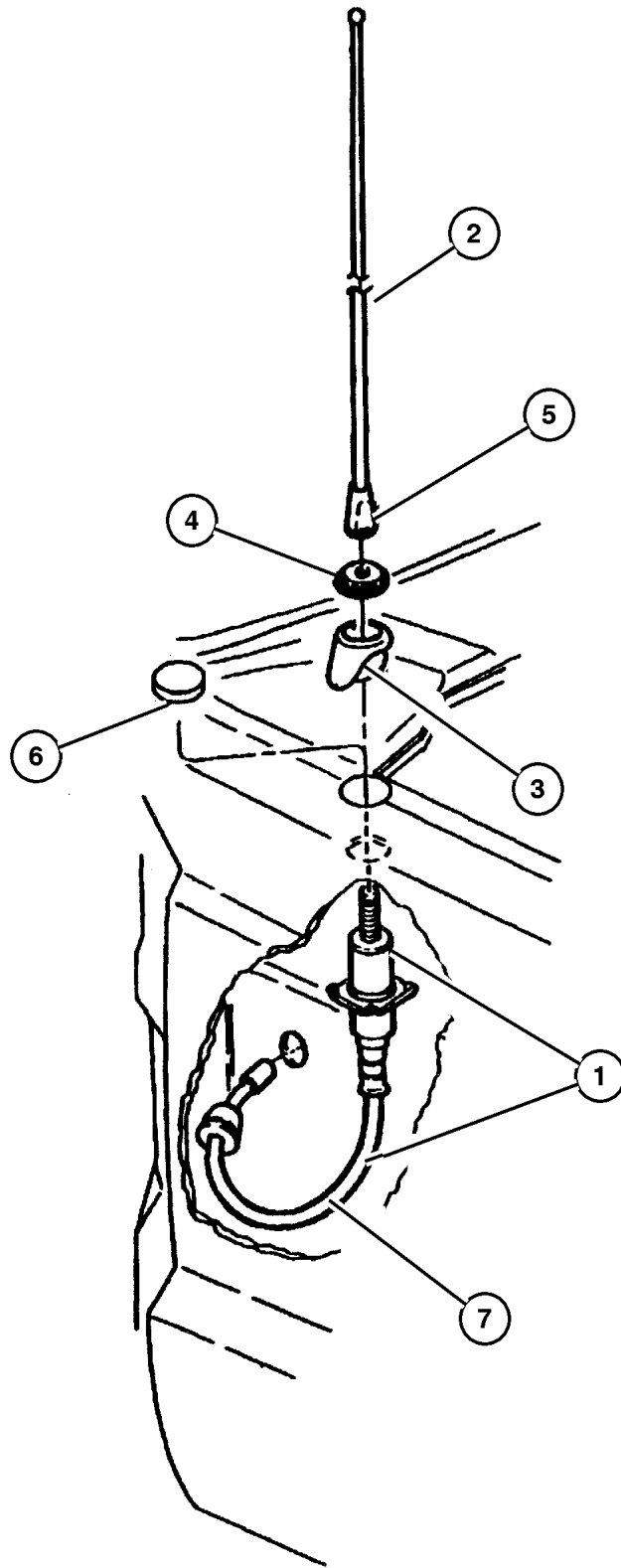


JEEP CHEROKEE (XJ)				
SERIES	LINE	BODY	ENGINE	TRANSMISSION
L=Low Line	J=LHD (4WD) U=RHD (4WD) T=LHD (2WD) B=RHD (2WD)	74=4 DR. (101.4 WB) 72=2 DR. (101.4 WB)	ENC,EN0=2.5L 4 cyl. Turbo Die ERH,ER0=4.0L Power Tech I-6 EPE,EP0=Magnum 2.5L SMPI	DDQ=5Spd Man. DGS=4 Spd. Auto. AISIN DG0=All Auto Trans DBB=All Manual Trans.

AR = Use as required - = Non illustrated part # = New this model year

July 4, 2003

Antenna 1997 XJ  
Figure 08A-330



ITEM	PART NUMBER	QTY	LINE	SERIES	BODY	ENGINE	TRANS	TRIM	DESCRIPTION
1	56038 505AB	1							BASE, Antenna, USA/CANADA (Fixed)
2	56022 199AA	1	J, T						ANTENNA EUROPE/Power Antenna
		1	B, U						EUROPE/Power Antenna
3	56038 507AB	1							ESCUTCHEON, Antenna
4	56007 570AB	1							CAP NUT, Antenna
5	5600 8917	1							MAST, Antenna
6	5603 8506	1							PLUG, Antenna Hole
7	56038 508AD	1	J, T						CABLE, Antenna Fixed/Power Antenna
	56038 509AB	1	B, U						Fixed/Power Antenna
-8	56022 200AA	1	J, T						GROMMET, Antenna Mounting
		1	B, U						EUROPE/Power Antenna

JEEP CHEROKEE (XJ)

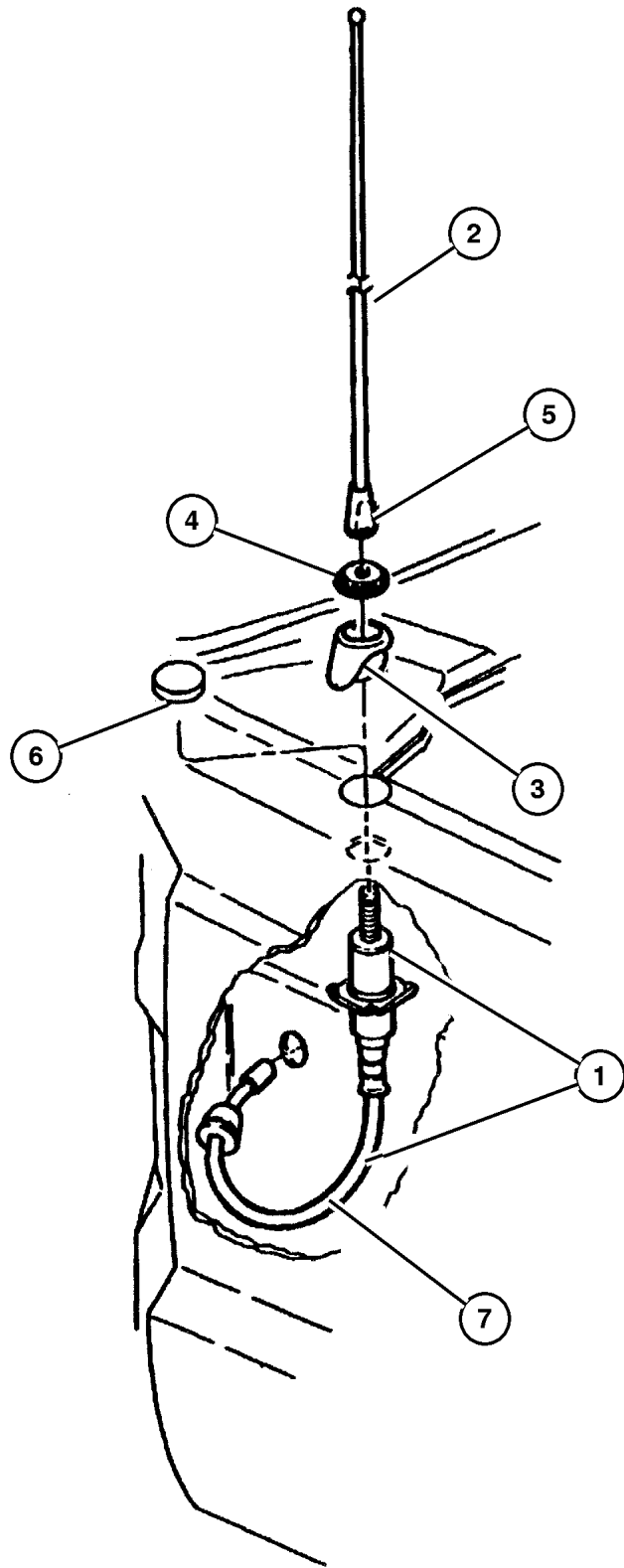
SERIES	LINE	BODY	ENGINE	TRANSMISSION
L=Low Line	J=LHD (4WD) U=RHD (4WD) T=LHD (2WD) B=RHD (2WD)	74=4 DR. (101.4 WB) 72=2 DR. (101.4 WB)	ENC,EN0=2.5L 4 cyl. Turbo Die ERH,ER0=4.0L Power Tech I-6 EPE,EP0=Magnum 2.5L SMPI	DDQ=5Spd Man. DGS=4 Spd. Auto. AISIN DG0=All Auto Trans DBB=All Manual Trans.

AR = Use as required - = Non illustrated part # = New this model year

July 4, 2003



Antenna 1998 XJ  
Figure 08A-330



ITEM	PART NUMBER	QTY	LINE	SERIES	BODY	ENGINE	TRANS	TRIM	DESCRIPTION
1	56038 505AB	1							BASE, Antenna
2	56022 199AA	1	B, U						ANTENNA Power Antenna, Export
		1	J, T						Power Antenna, Export
3	56038 507AB	1							ESCUTCHEON, Antenna
4	56007 570AB	1							CAP NUT, Antenna
5	5600 8917	1							MAST, Antenna
6	5603 8506	1							PLUG, Antenna Hole
7									CABLE, Antenna
	56038 508AD	1	J, T						
	56038 509AB	1	B, U						
-8									GROMMET, Antenna Mounting
	56022 200AA	1	J, T						
		1	B, U						

JEEP CHEROKEE (XJ)

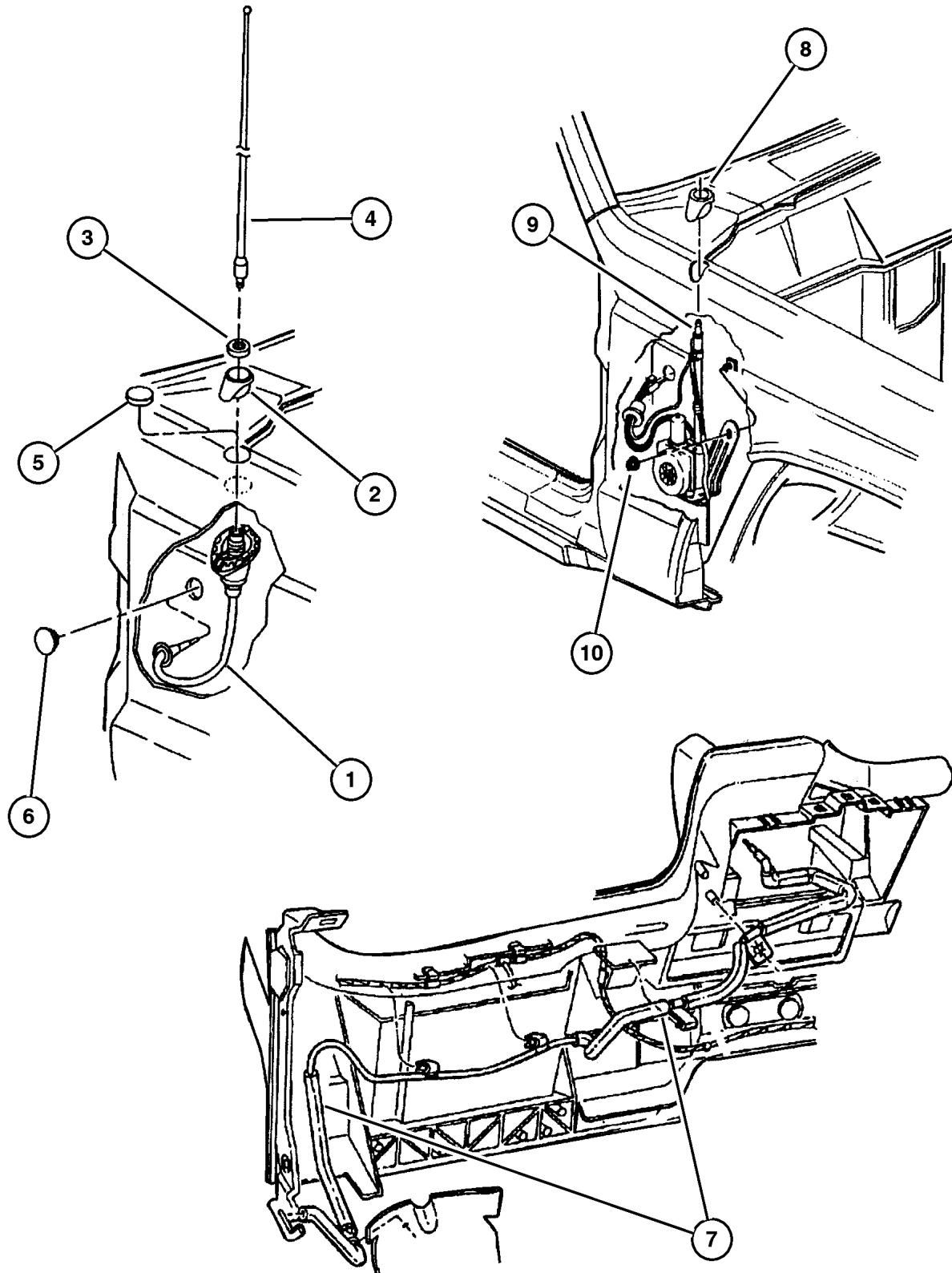
SERIES	LINE	BODY	ENGINE	TRANSMISSION
L=Low Line	J=LHD (4WD) U=RHD (4WD) T=LHD (2WD) B=RHD (2WD)	74=4 DR. (101.4 WB) 72=2 DR. (101.4 WB)	ENC,EN0=2.5L 4 cyl. Turbo Die ERH,ER0=4.0L Power Tech I-6 EPE,EP0=Magnum 2.5L SMPI	DDQ=5Spd Man. DGS=4 Spd. Auto. AISIN DG0=All Auto Trans DBB=All Manual Trans.

AR = Use as required - = Non illustrated part # = New this model year

July 4, 2003

Antenna 1999 XJ  
Figure 08A-330

ITEM	PART NUMBER	QTY	LINE	SERIES	BODY	ENGINE	TRANS	TRIM	DESCRIPTION
1	56038 505AB	1							BASE, Antenna
2	56038 507AB	1							ESCUTCHEON, Antenna
3	56007 570AB	1							CAP NUT, Antenna
4	5600 8917	1							MAST, Antenna
5	5603 8506	1							PLUG, Antenna Hole
6	2860 332	1							PLUG, Anti-Rattle
7	56038 508AD	1	J, T						CABLE, Antenna
	56038 509AB	1	B, U						
8	56022 200AA	1	J, T						GROMMET, Antenna Mounting
		1	B, U						
9	56022 199AA	1	B, U						ANTENNA
		1	J, T						
10	6101 820	1							NUT, Hex Flange Lock

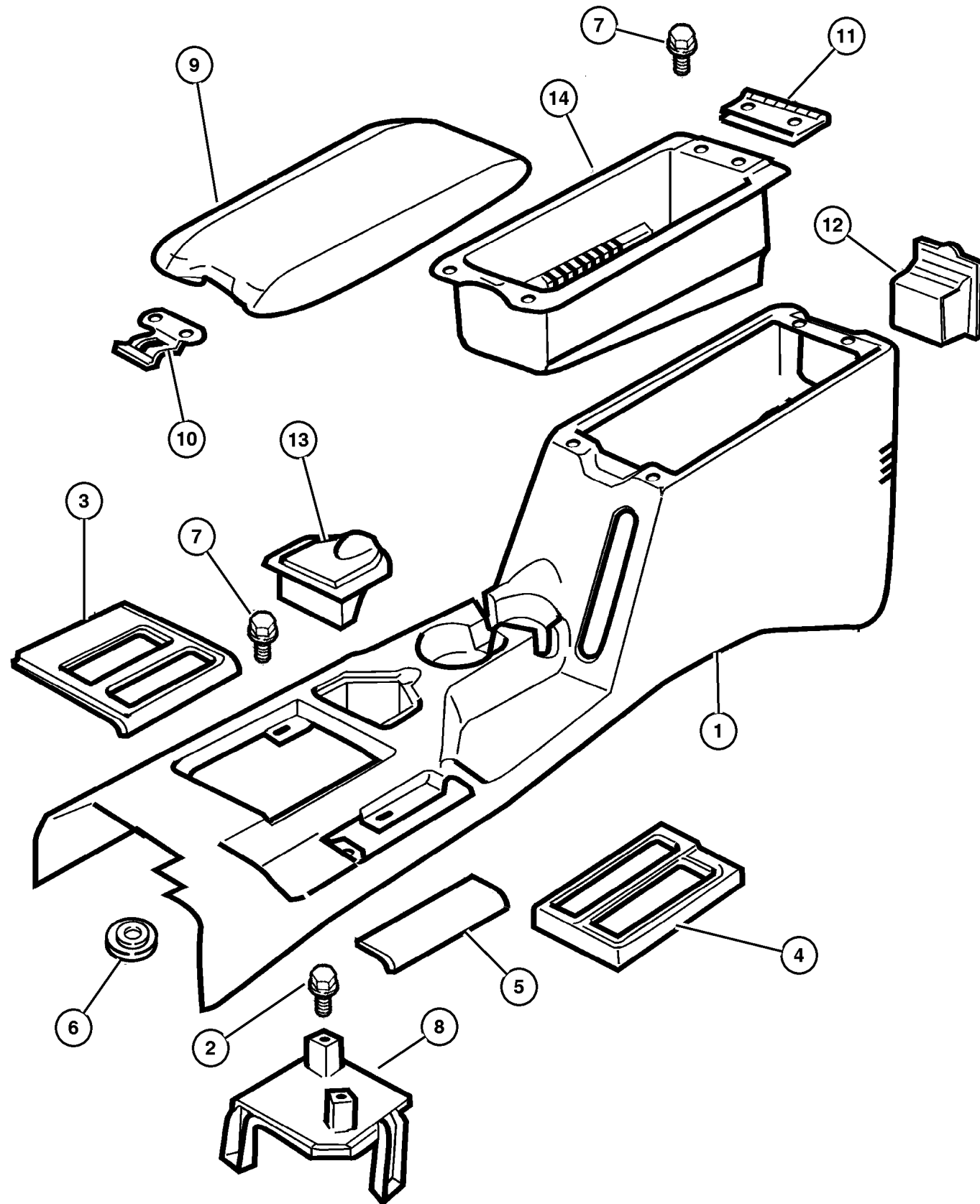


<b>JEEP CHEROKEE (XJ)</b>				
SERIES	LINE	BODY	ENGINE	TRANSMISSION
L=Low Line	J=LHD (4WD) U=RHD (4WD) T=LHD (2WD) B=RHD (2WD)	74=4 DR. (101.4 WB) 72=2 DR. (101.4 WB)	ENC,EN0=2.5L 4 cyl. Turbo Die ERH,ER0=4.0L Power Tech I-6 EPE,EP0=Magnum 2.5L SMPI	DDQ=5Spd Man. DGS=4 Spd. Auto. AISIN DG0=All Auto Trans DBB=All Manual Trans.

AR = Use as required - = Non illustrated part # = New this model year

July 4, 2003

Floor Console 1997 XJ  
Figure 08A-420



ITEM	PART NUMBER	QTY	LINE	SERIES	BODY	ENGINE	TRANS	TRIM	DESCRIPTION
1									CONSOLE, Base
	QX10 1C3AA	1							Mist Gray
	QX10 1T6AA	1							Spice Saddle
2									SCREW, .164-18x.500, (NOT SERVICED) (Not Serviced)
3									BEZEL, Console PRNDL
	5EK0 3LAZ	1	J, T						
	5EK0 7LAZ	1	B, U						
4									BEZEL, Transfer Case
	5EK1 3LAZ	1	U						With 242 Transfer Case
	5EK1 7LAZ	1	U						With 231 Transfer Case
	5EL8 6LAZ	1	J						With 242 Transfer Case
	5EL9 0LAZ	1	J						With 231 Transfer Case
5									COVER, Transfer Case Lever Hole
	5EU6 6RC3	1	B, T						Mist Gray
	5EU6 6RT6	1	B, T						Spice Saddle
6	3420 2365	4							WASHER
7	6032 723	6							SCREW, Self Tapping, M4.2x1.69x19.05
8	5511 5543	1							BRACKET, Floor Console
9									LID, Floor Console Bin
	5EJ5 0RC3	1							Mist Gray
	5EJ5 0RT6	1							Spice Saddle
10	5511 5622	1							LATCH, Armrest Lid
11	5535 2505	1							HINGE, Floor Console Lid
12	5EK1 0LAZ	1							ASH RECEIVER, Floor Console, Rear (Agate)
13	5EB6 8LAZ	1							ASH RECEIVER, Floor Console, Front ( Agate)
14	5511 5523	1							BIN, Floor Console
-15	3420 1314	4			74				SCREW, Tapping Round Head, .164x18x1.232
-16	4524 343	2							BUMPER, Glove Box Door
-17	5503 7315	2							CLIP
-18	6034 833	2							CLIP, Push, .164-7.5

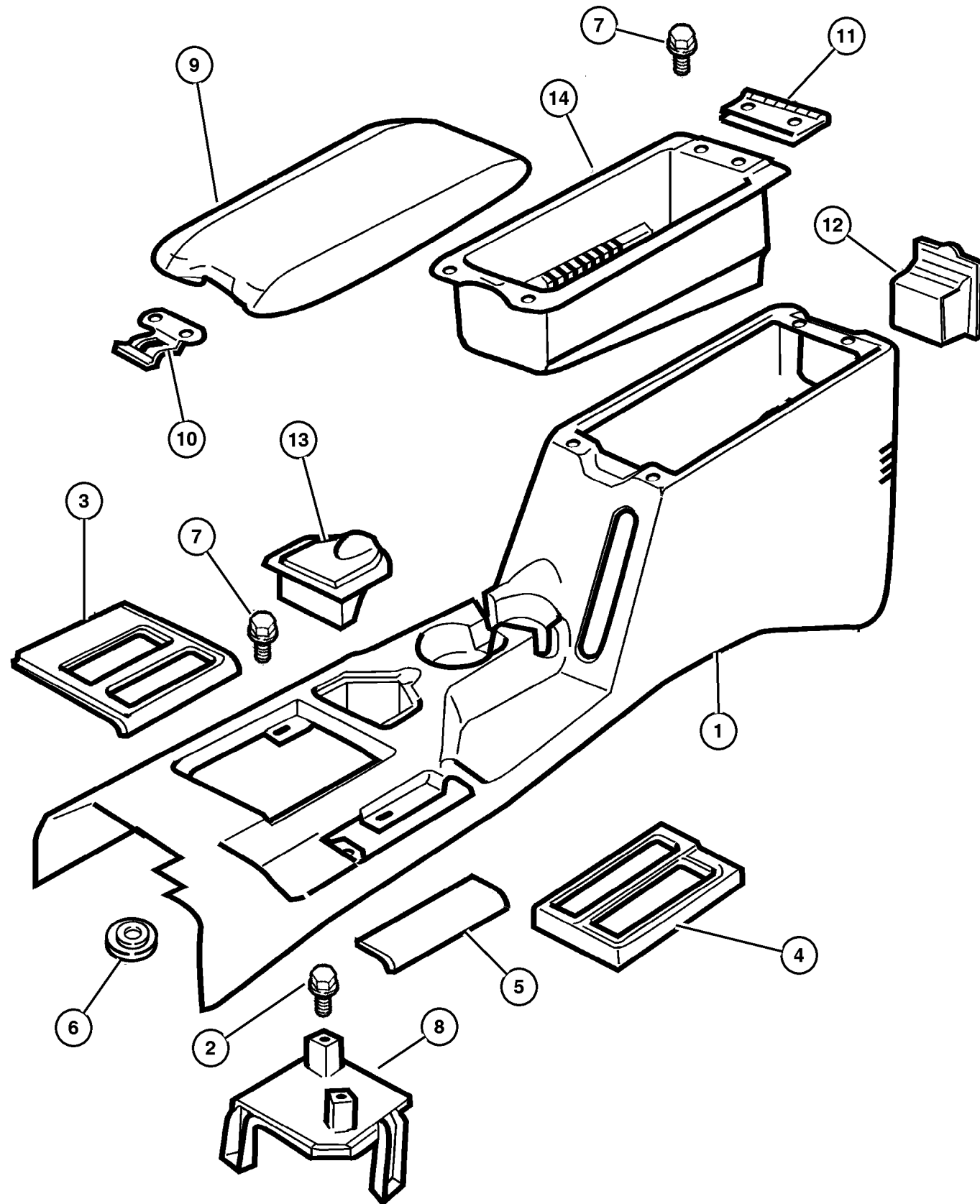
JEEP CHEROKEE (XJ)

SERIES	LINE	BODY	ENGINE	TRANSMISSION
L=Low Line	J=LHD (4WD) U=RHD (4WD) T=LHD (2WD) B=RHD (2WD)	74=4 DR. (101.4 WB) 72=2 DR. (101.4 WB)	ENC,EN0=2.5L 4 cyl. Turbo Die ERH,ER0=4.0L Power Tech I-6 EPE,EP0=Magnum 2.5L SMPI	DDQ=5Spd Man. DGS=4 Spd. Auto. AISIN DG0=All Auto Trans DBB=All Manual Trans.

AR = Use as required - = Non illustrated part # = New this model year

July 4, 2003

Floor Console 1998 XJ  
Figure 08A-420



ITEM	PART NUMBER	QTY	LINE	SERIES	BODY	ENGINE	TRANS	TRIM	DESCRIPTION
1									CONSOLE, Base
	QX10 1C3AA	1							Gray
	QX10 1T6AA	1							Spice
2									SCREW, .164-18x.500, (NOT SERVICED) (Not Serviced)
3									BEZEL, Console PRNDL
	5EK0 3LAZ	1	J, T						Agate
	5EK0 7LAZ	1	B, U						Agate
4									BEZEL, Transfer Case
	5EK13 LAZAB	1	U						Transfer Case 242-Selec Trac
	5EK17 LAZAB	1	U						Transfer Case 231-Command Trac
	5EL86 LAZAB	1	J						Transfer Case 242-Selec Trac
	5EL90 LAZAB	1	J						Transfer Case 231-Command Trac
5									COVER, Transfer Case Lever Hole
	5EU6 6RC3	1	B, T						Gray
	5EU6 6RT6	1	B, T						Spice
6	3420 2365	4							WASHER
7	6032 723	6							SCREW, Self Tapping, M4.2x1.69x19.05
8	5511 5543	1							BRACKET, Floor Console
9									LID, Floor Console Bin
	5EJ5 0RC3	1							Gray
	5EJ5 0RT6	1							Spice
10	5511 5622	1							LATCH, Armrest Lid
11	5535 2505	1							HINGE, Floor Console Lid
12	5EK1 0LAZ	1							ASH RECEIVER, Floor Console, Rear (Agate)
13	5EB6 8LAZ	1							ASH RECEIVER, Floor Console, Front (Agate)
14	5511 5523	1							BIN, Floor Console
-15	3420 1314	4	J, T			74			SCREW, Tapping Round Head, .164x18x1.232
-16	4524 343	2							BUMPER, Glove Box Door
-17									CLIP
	5503 7315	2	B, U						
		2	J, T						
-18	6034 833	2							CLIP, Push, .164-7.5

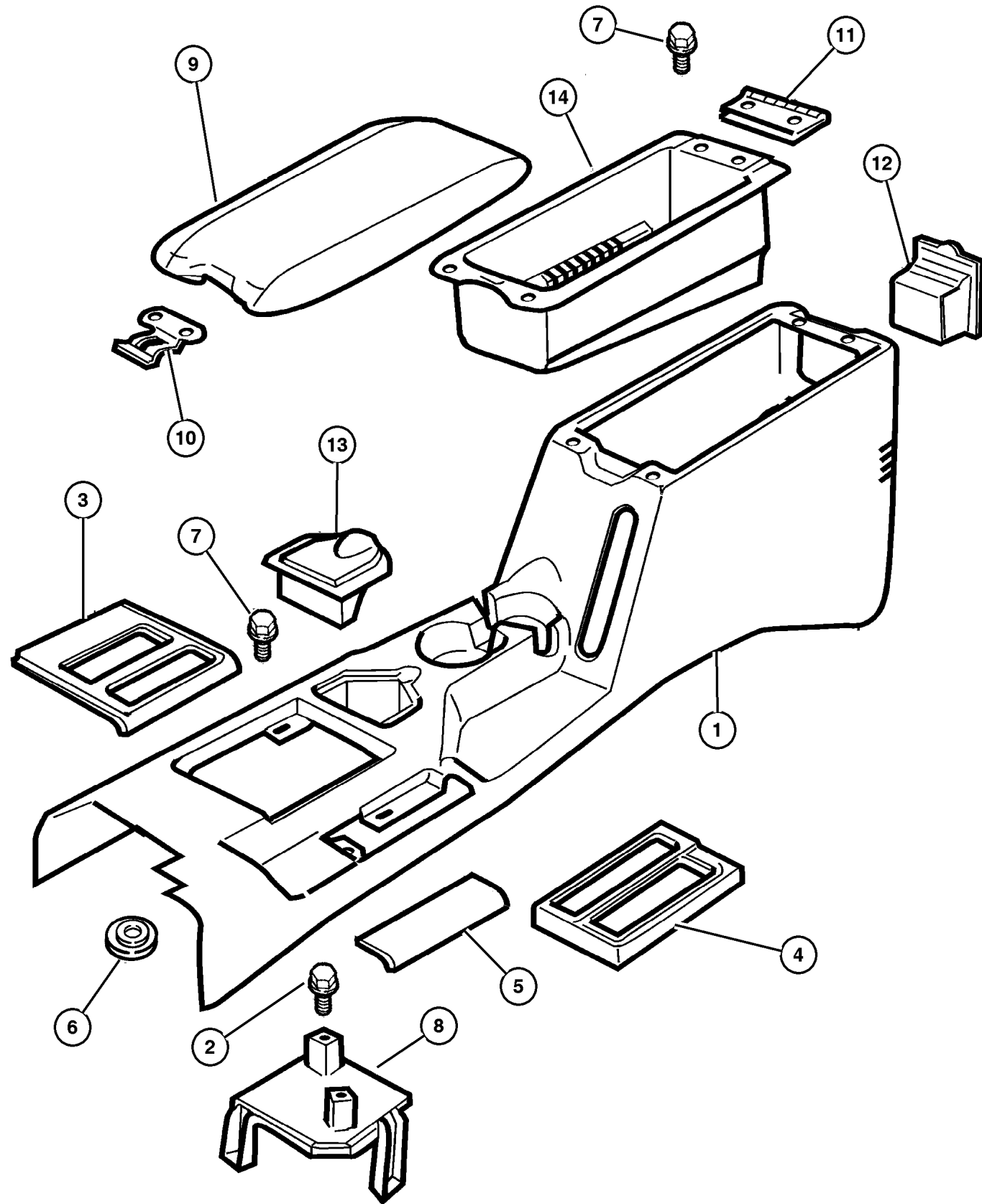
JEEP CHEROKEE (XJ)

SERIES	LINE	BODY	ENGINE	TRANSMISSION
L=Low Line	J=LHD (4WD) U=RHD (4WD) T=LHD (2WD) B=RHD (2WD)	74=4 DR. (101.4 WB) 72=2 DR. (101.4 WB)	ENC,EN0=2.5L 4 cyl. Turbo Die ERH,ER0=4.0L Power Tech I-6 EPE,EP0=Magnum 2.5L SMPI	DDQ=5Spd Man. DGS=4 Spd. Auto. AISIN DG0=All Auto Trans DBB=All Manual Trans.

AR = Use as required - = Non illustrated part # = New this model year

July 4, 2003

Floor Console 1999 XJ  
Figure 08A-420



ITEM	PART NUMBER	QTY	LINE	SERIES	BODY	ENGINE	TRANS	TRIM	DESCRIPTION
1									CONSOLE, Base
	QX10 1K5AA	1							Tan/Agate
	QX10 LAZAA	1							Agate
2	0153 185	1							SCREW, .164-18x.500
3									BEZEL, Console PRNDL
	5EK03 LAZAB	1	J, T						(Agate) 4 Speed Automatic Transmission-Aisin Warner
	5EK07 LAZAB	1	B, U						(Agate) 4 Speed Automatic Transmission-Aisin Warner
	5GC35 LAZAB	1	J, T						(Agate) 3 Speed Automatic Transmission 30RH
	5GC36 LAZAB	1	B, U						(Agate) 3 Speed Automatic Transmission 30RH
4									BEZEL, Transfer Case
	5EK13 LAZAB	1	U						(Agate) w/242 Transfer Case-Select Trac
	5EK17 LAZAB	1	U						(Agate) w/231 Transfer Case-Command Trac
	5EL86 LAZAB	1	J						(Agate) w/242 Transfer Case-Select Trac
	5EL90 LAZAB	1	J						w/231 Transfer Case-Command Trac (Agate)
5									COVER, Transfer Case Lever Hole
	5EU6 6LAZ	1	B, T						(Agate)
	5EU6 6RK5	1	B, T						(Tan/Agate)
6									WASHER
	4798 118	1	J, U						
	6501 988	4							
7	6032 723	2							SCREW, Self Tapping, M4.2x1.69x19.05
8	55037 038AB	1							BRACKET, Floor Console
9									LID, Floor Console Bin
	#5EJ50 LAZAC	1							(Agate)
	#5EJ50 RK5AC	1							(Tan/Agate)
10	#55037 537AA	1							LATCH, Armrest Lid
11	5535 2505	1							HINGE, Floor Console Lid
12	5EK1 0LAZ	1							ASH RECEIVER, Floor Console, (Agate) Rear Console
13									ASH RECEIVER, Floor Console (Agate) Front Console
	#5EB68 LAZAB	1							(Agate) Front Console
	#5GK66 LAZAA	1							(Agate) w/Heated Seats (Fits into Cupholder)
14	5511 5523	1							BIN, Floor Console

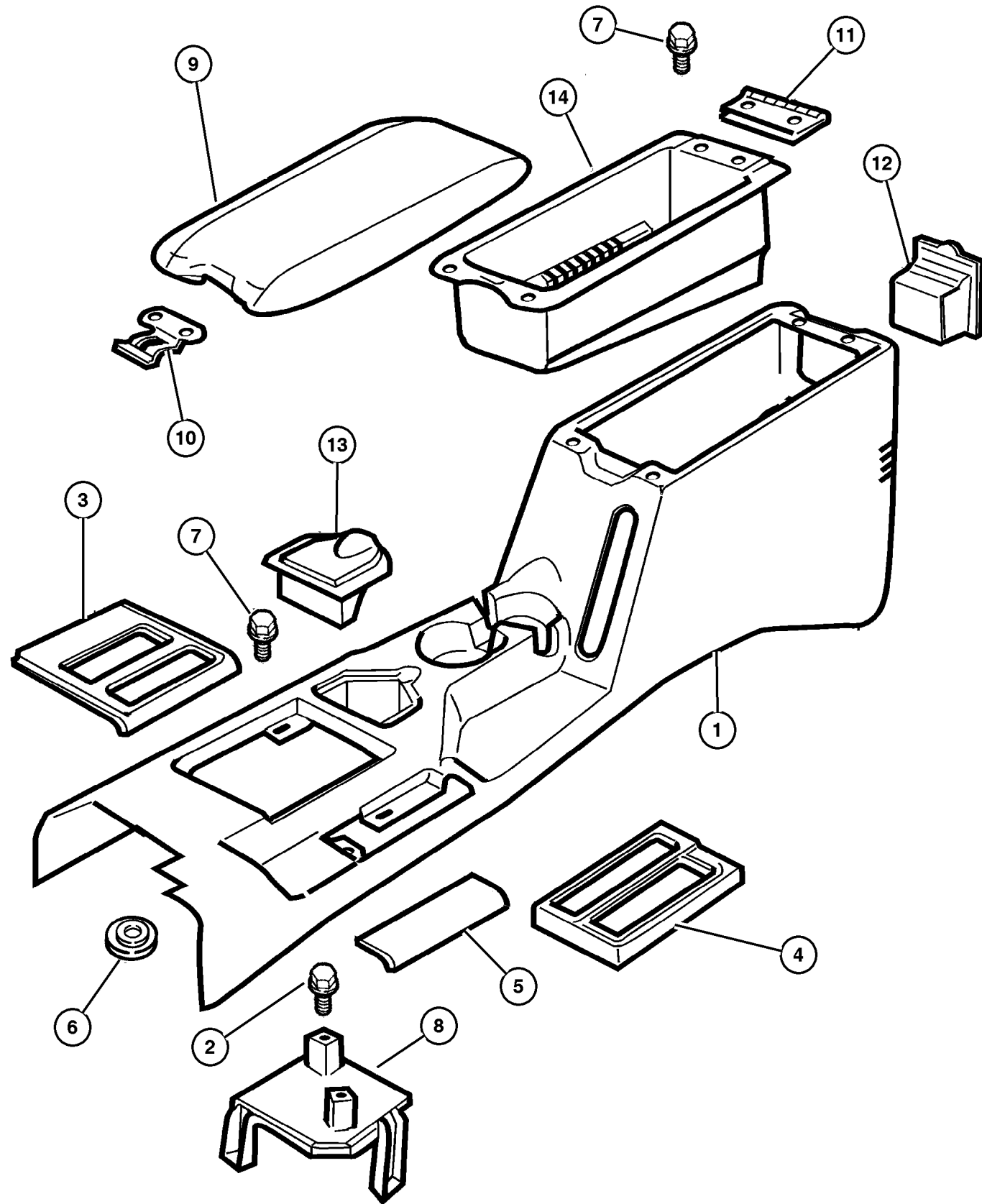
JEEP CHEROKEE (XJ)

SERIES	LINE	BODY	ENGINE	TRANSMISSION
L=Low Line	J=LHD (4WD) U=RHD (4WD) T=LHD (2WD) B=RHD (2WD)	74=4 DR. (101.4 WB) 72=2 DR. (101.4 WB)	ENC,EN0=2.5L 4 cyl. Turbo Die ERH,ER0=4.0L Power Tech I-6 EPE,EP0=Magnum 2.5L SMPI	DDQ=5Spd Man. DGS=4 Spd. Auto. AISIN DG0=All Auto Trans DBB=All Manual Trans.

AR = Use as required - = Non illustrated part # = New this model year

July 4, 2003

Floor Console 1999 XJ  
Figure 08A-420



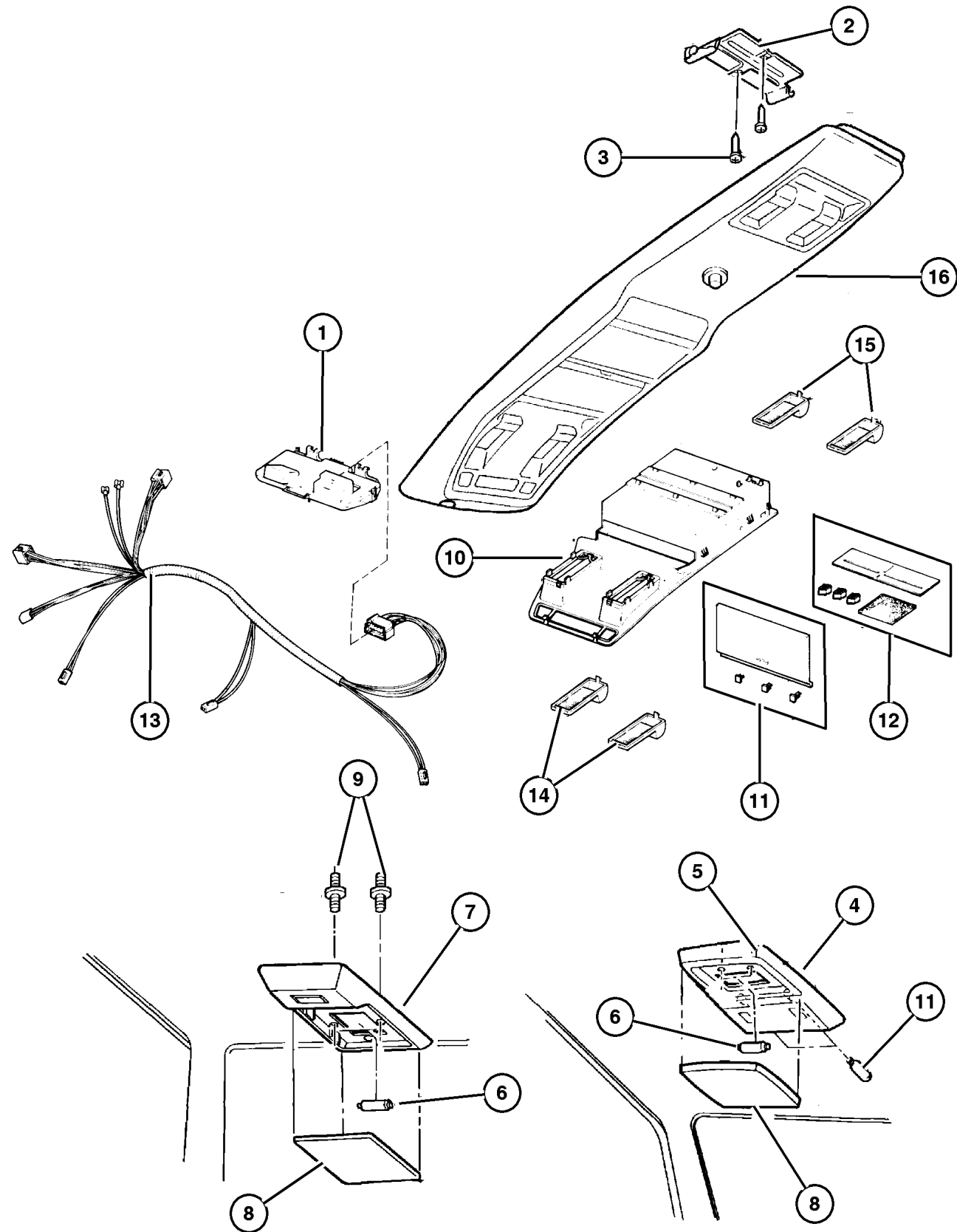
ITEM	PART NUMBER	QTY	LINE	SERIES	BODY	ENGINE	TRANS	TRIM	DESCRIPTION
-15									SWITCH, Heated Seat
	#56010 135AA	1							Right
	#56010 136AA	1							Left
-16	#5GH07 LAZAA	1							BEZEL, Floor Console Switch, Heated Seats (Agate)
-17	3420 1314	4			74				SCREW, Tapping Round Head, .164x18x1.232
-18	4524 343	2							BUMPER, Glove Box Door
-19									CLIP
	5503 7315	4	B, U						
		4	J, T						
-20									CLIP, Push, .164-7.5
	6034 833	4	B, U						
		4	J, T						
		2							
-21	#55037 550AA	1							ASH RECEIVER, Smokers Package

JEEP CHEROKEE (XJ)				
SERIES	LINE	BODY	ENGINE	TRANSMISSION
L=Low Line	J=LHD (4WD) U=RHD (4WD) T=LHD (2WD) B=RHD (2WD)	74=4 DR. (101.4 WB) 72=2 DR. (101.4 WB)	ENC,EN0=2.5L 4 cyl. Turbo Die ERH,ER0=4.0L Power Tech I-6 EPE,EP0=Magnum 2.5L SMPI	DDQ=5Spd Man. DGS=4 Spd. Auto. AISIN DG0=All Auto Trans DBB=All Manual Trans.

AR = Use as required - = Non illustrated part # = New this model year

July 4, 2003

Overhead Console 1997 XJ  
Figure 08A-450



ITEM	PART NUMBER	QTY	LINE	SERIES	BODY	ENGINE	TRANS	TRIM	DESCRIPTION
1	5600 9380	1							MODULE, Compass Temperature
2	5535 2518	1							BRACKET, Overhead Console
3									SCREW, Pan Head Tapping, .164-32x.625, (NOT SERVICED) (Not Serviced)
4	5BA6 7TC3	1							LAMP, Dome And Reading, Gray (P. A.R.)
5	5BA6 8TC3	1							LAMP, Dome, w/o Reading Lamp (Gray) P.A.R.
6	L000 0561	1							BULB, 561
7	5BA7 0TC3	1							LAMP, Cargo Gray (P.A.R.)
	5BA7 0TT6	1							Spice (P.A.R.)
8	5600 0191	1							LENS, Dome Lamp
9	6503 673	2							STUD, Double Ended, M4.2x1.41/ M3.25x51
10	4761 436	1							HOUSING AND DOOR, Overhead Console
11	4761 965	1							DOOR, Garage Door Opener
12	4798 405	1							ADAPTER, Garage Door Button
13									WIRING, Overhead Console
	4882 780	1							w/Keyless Entry
	5600 9702	1							w/o Keyless Entry
14	5268 175	1							LENS, Reading Lamp Right (Front)
	5268 176	1							Left (Front)
15	5268 177	1							LENS, Reading Lamp Left (Rear)
	5268 178	1							Right (Rear)
16	QL65 1C3	1							HOUSING, Overhead Console Full Console Gray w/o Immobilizer
	QL65 1T6	1							Full Console Spice w/o Immobilizer
	QL74 1C3	1							Full Console Gray w/Immobilizer
	QL74 1T6	1							Full Console Spice w/Immobilizer
-17	4761 966	1							SWITCH, Minitrip

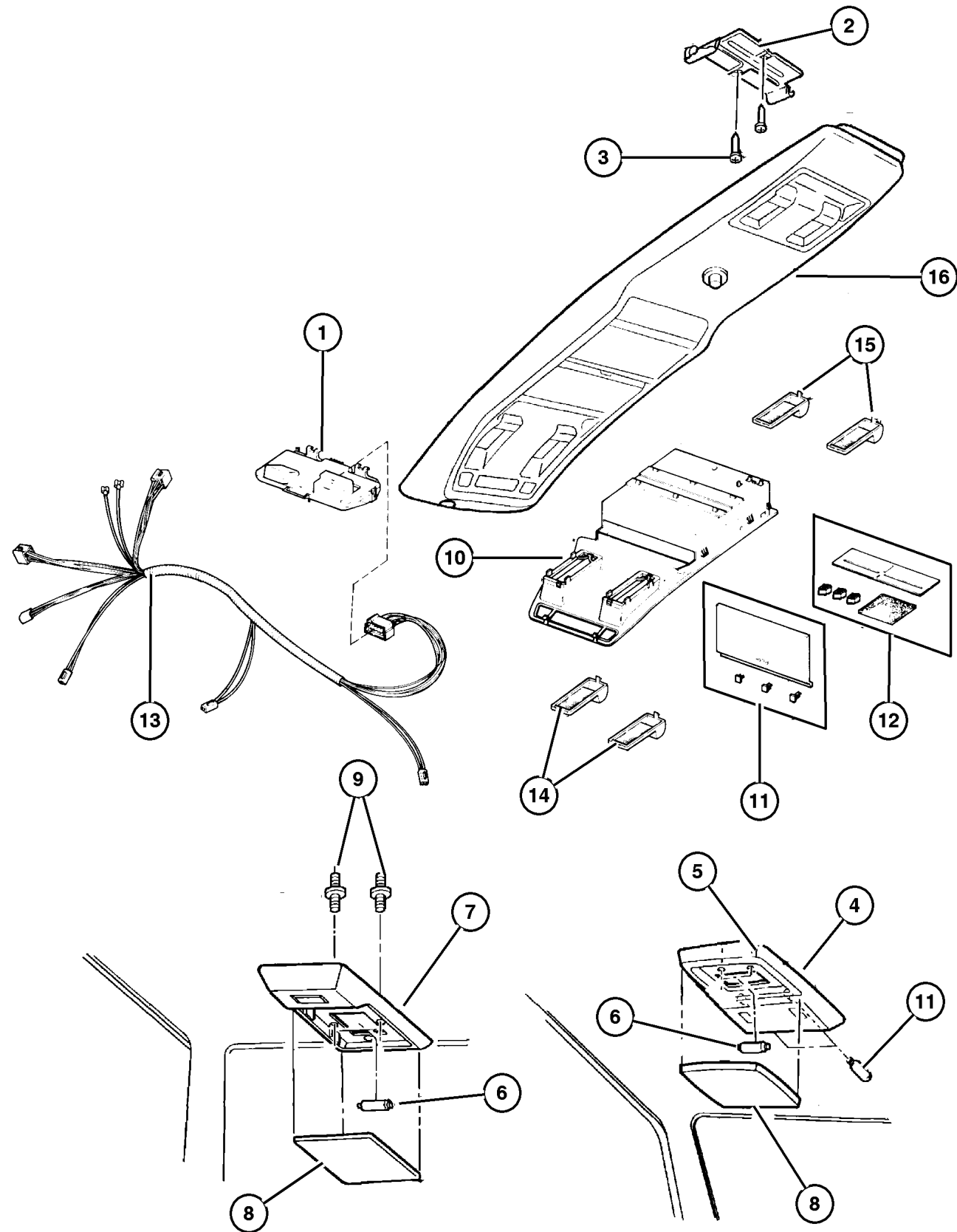
JEEP CHEROKEE (XJ)

SERIES	LINE	BODY	ENGINE	TRANSMISSION
L=Low Line	J=LHD (4WD) U=RHD (4WD) T=LHD (2WD) B=RHD (2WD)	74=4 DR. (101.4 WB) 72=2 DR. (101.4 WB)	ENC,EN0=2.5L 4 cyl. Turbo Die ERH,ER0=4.0L Power Tech I-6 EPE,EP0=Magnum 2.5L SMPI	DDQ=5Spd Man. DGS=4 Spd. Auto. AISIN DG0=All Auto Trans DBB=All Manual Trans.

AR = Use as required - = Non illustrated part # = New this model year

July 4, 2003

Overhead Console 1998 XJ  
Figure 08A-450



ITEM	PART NUMBER	QTY	LINE	SERIES	BODY	ENGINE	TRANS	TRIM	DESCRIPTION
1									MODULE, Compass Temperature
	5600 9380	1							JAPAN
	56009 380AB	1							EUROPE
									USA/CANADA
2	5535 2518	1							BRACKET, Overhead Console
3									SCREW, Pan Head Tapping, .164-32x.625, (NOT SERVICED) (Not Serviced)
4									LAMP, Dome And Reading
	5AS3 6RC3	1							Mist Gray
	5AS3 6ST6	1							Saddle
5									LAMP, Dome
	JV76 RC3	1							Mist Gray
	JV76 RT6	1							Saddle
6	L000 0561	1							BULB, 561
7									LAMP, Cargo
	5FY15 RC3AA	1							Mist Gray
	5FY15 RT6AA	1							Saddle
8									LENS, Dome Lamp, (NOT REQUIRED)
9									STUD, Double Ended, M4.2x1.41/M3.25x51, (NOT REQUIRED)
10	4761 436	1							HOUSING AND DOOR, Overhead Console
11	4761 965	1							DOOR, Garage Door Opener
12	4798 405	1							ADAPTER, Garage Door Button
13									WIRING, Overhead Console
	4882 780	1							w/Keyless Entry
	56009 702AD	1							w/o Keyless Entry
14									LENS, Reading Lamp
	5268 175	1							Front, Right
	5268 176	1							Front, Left
15									LENS, Reading Lamp
	5268 177	1							Rear, Left
	5268 178	1							Rear, Right
16									HOUSING, Overhead Console
	QL65 1C3	1							w/o Immobilizer (Gray)
	QL65 1T6	1							w/o Immobilizer (Spice)
	QL74 1C3	1							w/Immobilizer (Gray)
	QL74 1T6	1							w/Immobilizer (Spice)
-17	4761 966	1							SWITCH, Minitrip

JEEP CHEROKEE (XJ)

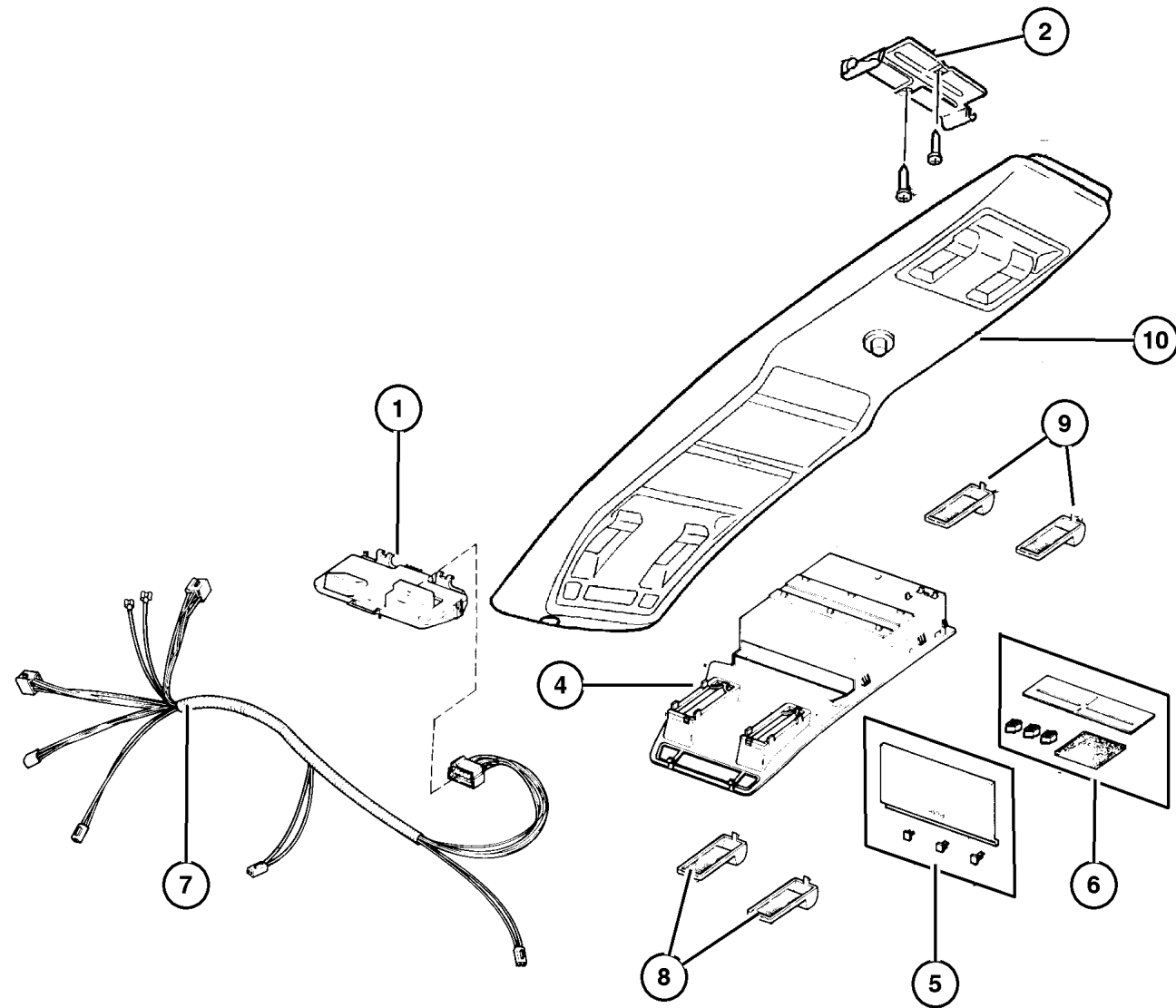
SERIES	LINE	BODY	ENGINE	TRANSMISSION
L=Low Line	J=LHD (4WD) U=RHD (4WD) T=LHD (2WD) B=RHD (2WD)	74=4 DR. (101.4 WB) 72=2 DR. (101.4 WB)	ENC,EN0=2.5L 4 cyl. Turbo Die ERH,ER0=4.0L Power Tech I-6 EPE,EP0=Magnum 2.5L SMPI	DDQ=5Spd Man. DGS=4 Spd. Auto. AISIN DG0=All Auto Trans DBB=All Manual Trans.

AR = Use as required - = Non illustrated part # = New this model year

July 4, 2003



Overhead Console 1999 XJ  
Figure 08A-450



ITEM	PART NUMBER	QTY	LINE	SERIES	BODY	ENGINE	TRANS	TRIM	DESCRIPTION
1	56009 380AB	1							MODULE, Compass Temperature
2	55352 518AB	1							BRACKET, Overhead Console
-3									SCREW, Pan Head Tapping, .164-32x.625, (NOT SERVICED) (Not Serviced)
4	4761 436	1							HOUSING AND DOOR, Overhead Console
5	4761 965	1							DOOR, Garage Door Opener
6	4798 405	1							ADAPTER, Garage Door Button
7	4882 780	1							WIRING, Overhead Console, Lamp Switches & Bulb Housing Serviced Only w/Wiring Harness
8	5268 175	1							LENS, Reading Lamp
9									LENS, Reading Lamp
	5268 177	1							Left Rear
	5268 178	1							Right Rear
10									HOUSING, Overhead Console
	QL65 1K5	1							w/o Immobilizer (Tan/Agate)
	QL65 1W8	1							w/o Immobilizer (Quartz)
	QL74 1K5	1							w/Immobilizer (Tan/Agate)
	QL74 1W8	1							w/Immobilizer (Quartz)
-11	4761 966	1							SWITCH, Minitrip

JEEP CHEROKEE (XJ)

SERIES	LINE	BODY	ENGINE	TRANSMISSION
L=Low Line	J=LHD (4WD) U=RHD (4WD) T=LHD (2WD) B=RHD (2WD)	74=4 DR. (101.4 WB) 72=2 DR. (101.4 WB)	ENC,EN0=2.5L 4 cyl. Turbo Die ERH,ER0=4.0L Power Tech I-6 EPE,EP0=Magnum 2.5L SMPI	DDQ=5Spd Man. DGS=4 Spd. Auto. AISIN DG0=All Auto Trans DBB=All Manual Trans.

AR = Use as required - = Non illustrated part # = New this model year

July 4, 2003

# Group – 009

## Engine Mounting

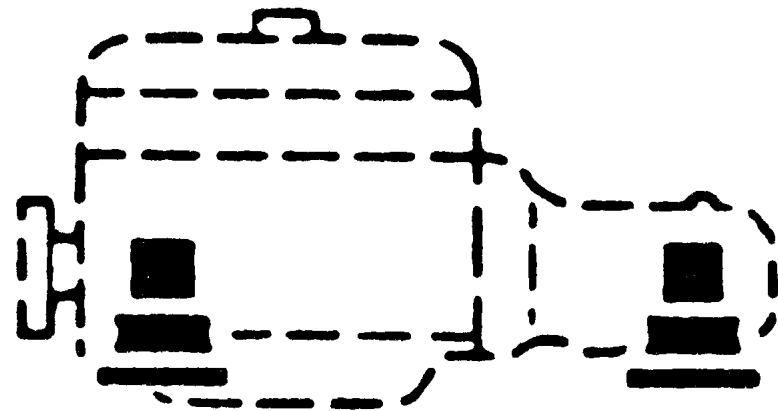
### GROUP 9 - Engine Mounting

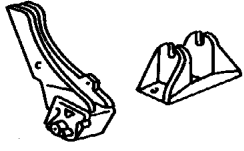
Illustration Title

Group-Fig. No.

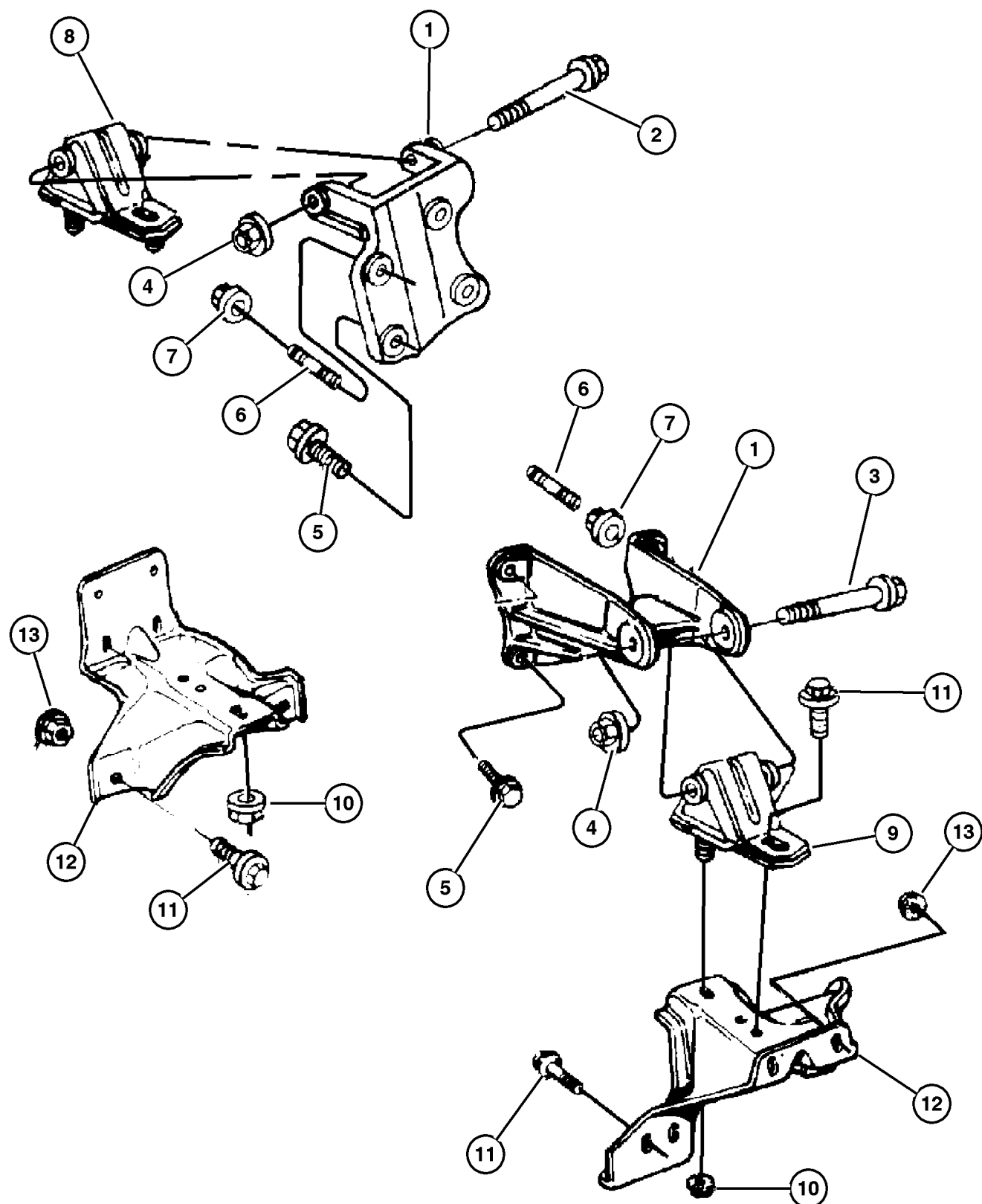
#### Engine Mounting

Engine Mounting, Front 2.5L (EPE) Engine .....	Fig. 009-110
Engine Mounting, Rear 2.5L (EPE) Engine 1997 XJ 1998 XJ .....	Fig. 009-120
Engine Mounting, Rear 2.5L Engine 1999 XJ .....	Fig. 009-120
Engine Mounting, Front 2.5L (ENC) Diesel Engine .....	Fig. 009-130
Engine Mounting, Rear 2.5L (ENC) Diesel Engine .....	Fig. 009-140
Engine Mounting, Front 4.0L (ERH) Engine 1997 XJ .....	Fig. 009-150
Engine Mounting, Front 4.0L (ERH) Engine 1998 XJ .....	Fig. 009-150
Engine Mounting, Front 4.0L (ERH) Engine 1999 XJ .....	Fig. 009-150
Engine Mounting, Rear 4.0L (ERH) Engine .....	Fig. 009-160



<p><b>009-100</b> Engine Mounting</p> 			
---	--	--	--

**Engine Mounting, Front 2.5L (EPE) Engine  
Figure 009-110**



ITEM	PART NUMBER	QTY	LINE	SERIES	BODY	ENGINE	TRANS	TRIM	DESCRIPTION
NOTE: EP0=All 2.5L Gas Engines DBB=All Manual Transmissions DGD=3 Speed Automatic Transmission									
1	5201 7731	1				EP0	DBB		BRACKET, Engine Mount 1997 XJ, Right
	5201 8450	1	B, U			EP0	DBB		1998 XJ, 1999 XJ, Right
	5201 8450	1				EP0	DGD		1997 XJ, Right
	52018 450AB	1	J, T			EP0			1998 XJ, 1999 XJ, Right
	5205 8877	1				EP0	DGD		1997 XJ, Left
	52058 877AB	1	J, T			EP0			1998 XJ, 1999 XJ, Left
	5206 0003	1				EP0	DBB		1997 XJ, Left
		1	B, U			EP0	DBB		1998 XJ, 1999 XJ, Left
2	6101 742	1				EP0			BOLT, Square Neck, M12x1.75x130 1997 XJ, Right
		1	B, U			EP0			1998 XJ, 1999 XJ, Right
3									BOLT, Hex Flange Head, M12-1.75x125 1997 XJ, Left
	3420 1959	1				EP0			1997 XJ, Left
		1	B, U			EP0			1998 XJ, 1999 XJ, Left
4	6502 697	2							NUT, Hex Flange Lock, M12x1.75
5	6034 989	5				EP0			SCREW, Hex Head, .375-16x1.125 1997 XJ
		4				EP0	DGD		1998 XJ
		5				EP0	DBB		1998 XJ
		5				EP0	DGD		1999 XJ
		4				EP0	DBB		1999 XJ
6									STUD, .375-16x2.00"
	6033 883	1				EP0			1997 XJ
		3				EP0	DBB		1998 XJ, 1999 XJ
		4				EP0	DGD		1998 XJ, 1999 XJ
7									NUT, Hex Flange Lock, .375-16
	0152 344	1				EP0	DBB		1997 XJ, 1998 XJ
	0152 474	2				EP0	DGD		1999 XJ
		2				EP0	DBB		1999 XJ
8									INSULATOR, Engine Mount
	J324 2728	1	B			EP0	DBB		1997 XJ, Right
		1	B, U			EP0	DBB		1998 XJ, 1999 XJ, Right
9									CUSHION, Engine Support
	5200 7394	1				EP0	DBB		1997 XJ, Left
		1	B, U			EP0	DBB		1998 XJ, 1999 XJ, Left
10									NUT, Hex Flange, M10x1.5
10									NUT, Hex Flange, M10x1.5 (Not Serviced)
									(NOT SERVICED), 1999 XJ
	6502 135	4							1997 XJ, 1998 XJ

**JEEP CHEROKEE (XJ)**  
 SERIES L=Low Line  
 LINE J=LHD (4WD)  
 U=RHD (4WD)  
 T=LHD (2WD)  
 B=RHD (2WD)  
 BODY 74=4 DR. (101.4 WB)  
 72=2 DR. (101.4 WB)  
 ENGINE ENC,EN0=2.5L 4 cyl. Turbo Die  
 ERH,ER0=4.0L Power Tech I-6  
 EPE,EP0=Magnum 2.5L SMPI  
 TRANSMISSION DDQ=5Spd Man.  
 DGS=4 Spd. Auto. AISIN  
 DGO=All Auto Trans  
 DBB=All Manual Trans.

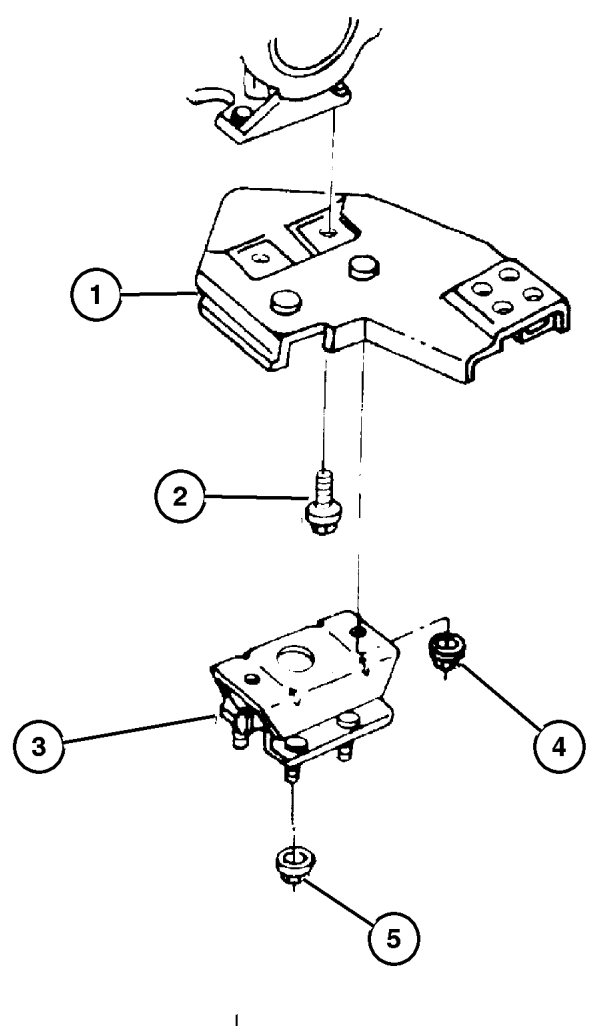
AR = Use as required - = Non illustrated part # = New this model year

July 4, 2003



**Engine Mounting, Rear 2.5L (EPE) Engine 1997 XJ 1998 XJ**  
**Figure 009-120**

ITEM	PART NUMBER	QTY	LINE	SERIES	BODY	ENGINE	TRANS	TRIM	DESCRIPTION
NOTE: EP0=All 2.5L Gas Engines DBB=All Manual Transmissions									
1	5205 8885	1				EP0	DBB		BRACKET, Support Rear 1997 XJ
		1	B, U			EP0	DBB		1998 XJ
2									BOLT, (NOT SERVICED) (Not Serviced)
3	5200 1180	1	J			EP0	DBB		INSULATOR, Engine Mount 1997 XJ
		1	U			EP0	DBB		1998 XJ
	5200 7393	1	B			EP0	DBB		
4	6502 135	2							NUT, Hex Flange, M10x1.5
5	6101 695	4							NUT, Hex Flange Lock, M8x1.25

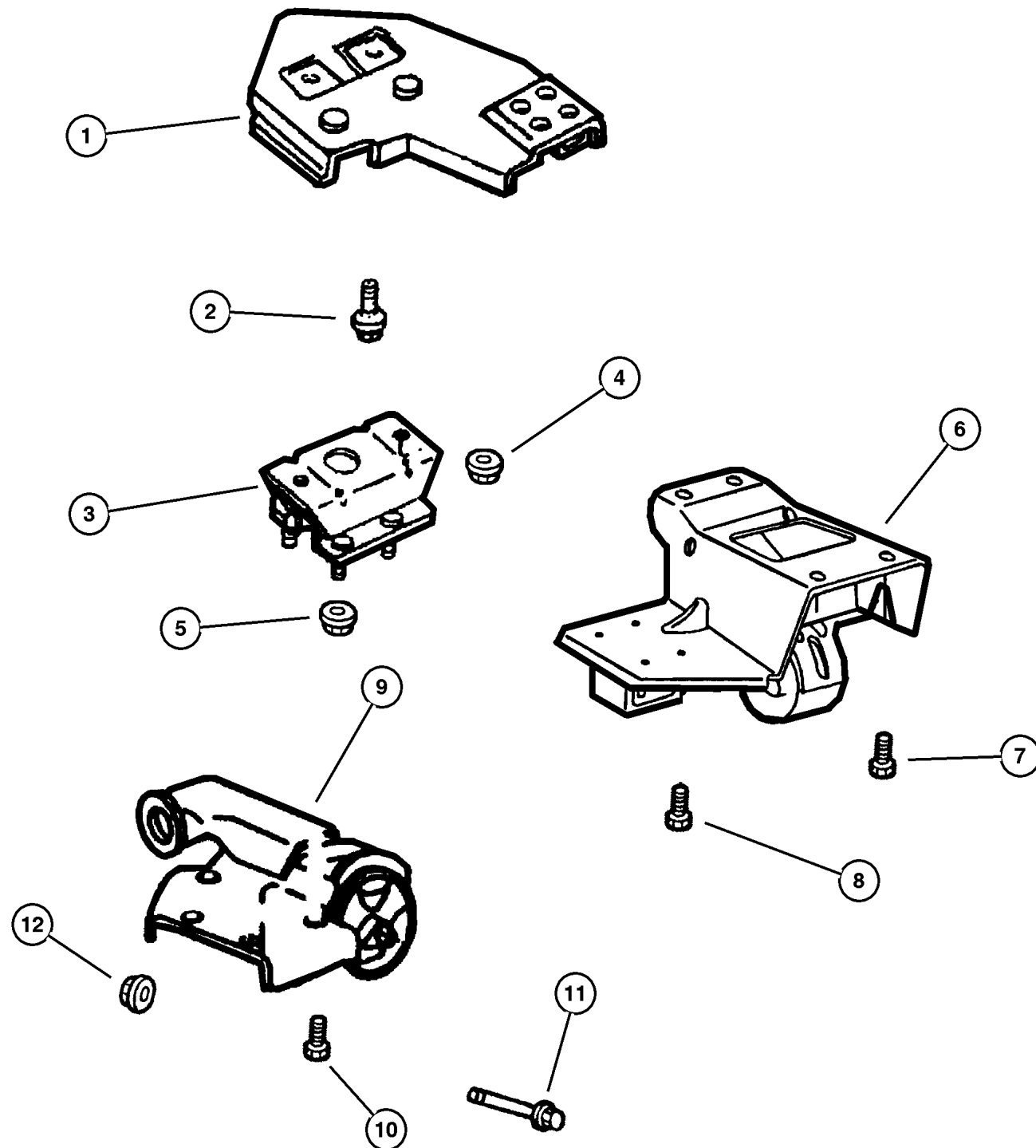


<b>JEEP CHEROKEE (XJ)</b>				
SERIES	LINE	BODY	ENGINE	TRANSMISSION
L=Low Line	J=LHD (4WD) U=RHD (4WD) T=LHD (2WD) B=RHD (2WD)	74=4 DR. (101.4 WB) 72=2 DR. (101.4 WB)	ENC,EN0=2.5L 4 cyl. Turbo Die ERH,ER0=4.0L Power Tech I-6 EPE,EP0=Magnum 2.5L SMPI	DDQ=5Spd Man. DGS=4 Spd. Auto. AISIN DG0=All Auto Trans DBB=All Manual Trans.

AR = Use as required - = Non illustrated part # = New this model year

July 4, 2003

**Engine Mounting, Rear 2.5L Engine 1999 XJ**  
**Figure 009-120**



ITEM	PART NUMBER	QTY	LINE	SERIES	BODY	ENGINE	TRANS	TRIM	DESCRIPTION
1	52058 885AB	1	B, U			EP0	DBB		BRACKET, Support Rear
2									BOLT, (NOT SERVICED) (Not Serviced)
3									INSULATOR, Engine Mount
	5200 1180	1	U			EP0	DBB		
	5200 7393	1	B			EP0	DBB		
4									NUT, Hex Flange, M10x1.5, (NOT SERVICED) (Not Serviced)
5	6101 695	4							NUT, Hex Flange Lock, M8x1.25
6	52058 880AB	1	T			EP0	DGD		BRACKET, Transmission Mount
7	6033 358	2	J, T			EP0	DGD		SCREW AND WASHER, Hex Head Locking, .437-14x1.25
8	6028 606	2	T			EP0	DGD		SCREW AND WASHER, Hex Head Lock, .312-18x1.00
9									BRACKET, Transmission Mount
	52059 149AA	1	T			EP0	DBB		
	52059 150AA	1	J			EP0	DBB		
10									SCREW, .437-14x1.12, (NOT SERVICED) (Not Serviced)
11									BOLT, Hex Flange Head, M12x1.75x110
	6502 809	1	J, T			EP0	DGD		
		1	J, T			EP0	DBB		
12	6502 697	1							NUT, Hex Flange Lock, M12x1.75

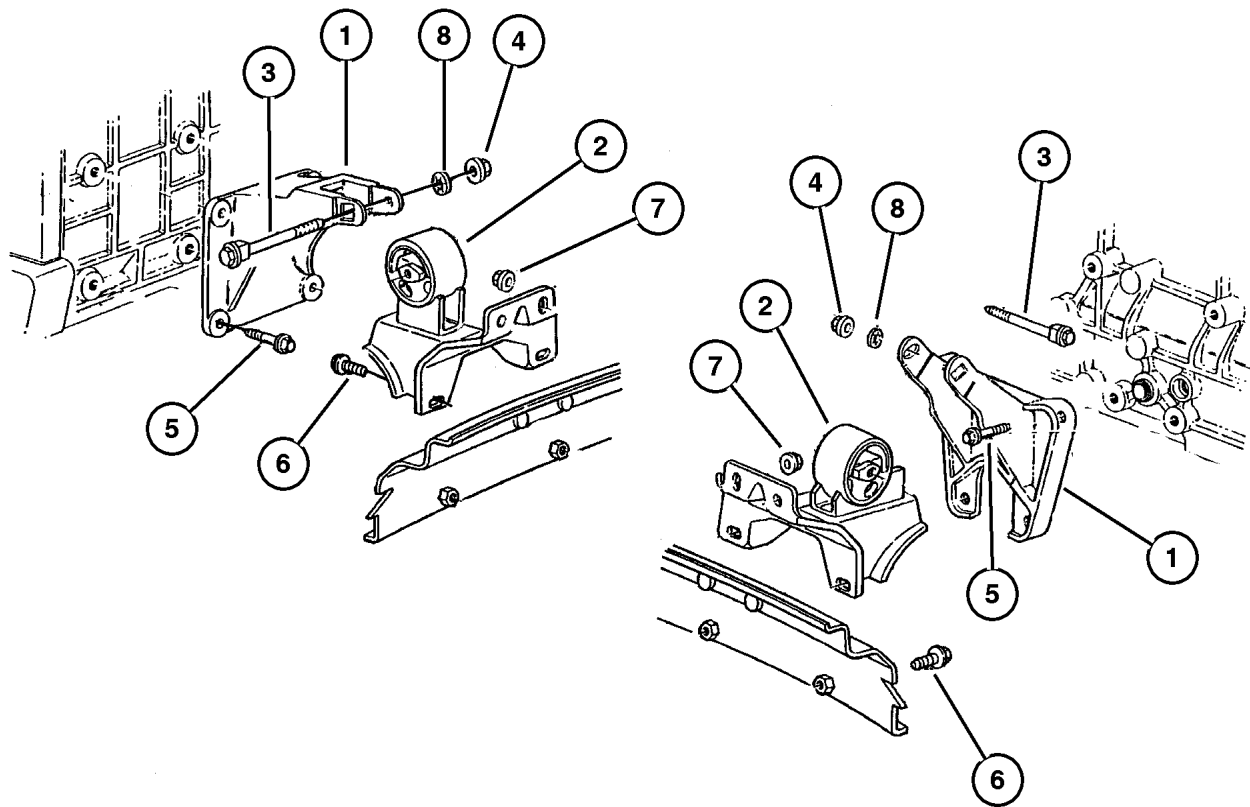
**JEEP CHEROKEE (XJ)**  
 SERIES LINE BODY ENGINE TRANSMISSION  
 L=Low Line J=LHD (4WD) 74=4 DR. (101.4 WB) ENC,EN0=2.5L 4 cyl. Turbo Die DDQ=5Spd Man.  
 U=RHD (4WD) 72=2 DR. (101.4 WB) ERH,ER0=4.0L Power Tech I-6 DGS=4 Spd. Auto. AISIN  
 T=LHD (2WD) EPE,EP0=Magnum 2.5L SMPI DG0=All Auto Trans  
 B=RHD (2WD) DBB=All Manual Trans.

AR = Use as required - = Non illustrated part # = New this model year

July 4, 2003

**Engine Mounting, Front 2.5L (ENC) Diesel Engine  
Figure 009-130**

ITEM	PART NUMBER	QTY	LINE	SERIES	BODY	ENGINE	TRANS	TRIM	DESCRIPTION
NOTE: EN0=All 2.5L Diesel Engines DDQ=5 Speed Manual Transmission									
1	5205 9102	1				EN0			BRACKET, Engine Mount Left
	5205 9114	1				EN0			Right
2	5205 9200	1				EN0			BRACKET, Engine Mount Right
	5205 9201	1				EN0			Left
3	6101 742	2				EN0	DDQ		BOLT, Square Neck, M12x1.75x130
4	6502 697	2							NUT, Hex Flange Lock, M12x1.75
5	6101 238	8				EN0			SCREW, Header Point, M10x1. 50x25.00
6	6504 511	4				EN0			SCREW AND WASHER, M10x1. 5x40
7	3420 1416	4				EP0			NUT, Hex Flange, M8x1.25 1997 XJ
		4				EN0			1998 XJ, 1999 XJ
8									NUT, M12, (NOT SERVICED) (Not Serviced)



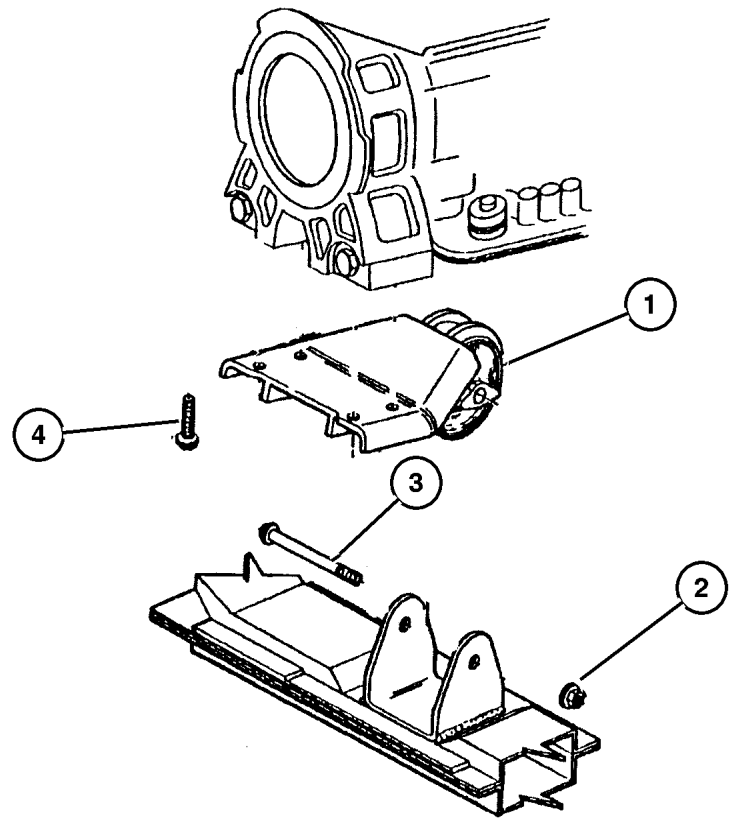
JEEP CHEROKEE (XJ)				
SERIES	LINE	BODY	ENGINE	TRANSMISSION
L=Low Line	J=LHD (4WD) U=RHD (4WD) T=LHD (2WD) B=RHD (2WD)	74=4 DR. (101.4 WB) 72=2 DR. (101.4 WB)	ENC,EN0=2.5L 4 cyl. Turbo Die ERH,ER0=4.0L Power Tech I-6 EPE,EP0=Magnum 2.5L SMPI	DDQ=5Spd Man. DGS=4 Spd. Auto. AISIN DG0=All Auto Trans DBB=All Manual Trans.

AR = Use as required - = Non illustrated part # = New this model year

July 4, 2003

**Engine Mounting, Rear 2.5L (ENC) Diesel Engine  
Figure 009-140**

ITEM	PART NUMBER	QTY	LINE	SERIES	BODY	ENGINE	TRANS	TRIM	DESCRIPTION
NOTE: ENC=2.5L Diesel Engine DDQ=5 Speed Manual Transmission									
1	5205 8539	1				ENC	DDQ		ISOLATOR, Transmission Mount
2	6502 697	1							NUT, Hex Flange Lock, M12x1.75 1997 XJ, 1998 XJ 1999 XJ
3	3420 2606	1				ENC	DDQ		BOLT, Hex Head
4									BOLT AND CONED WASHER, Hex Head, .437-14x1.12, (NOT SERVICED) (Not Serviced)



JEEP CHEROKEE (XJ)				
SERIES	LINE	BODY	ENGINE	TRANSMISSION
L=Low Line	J=LHD (4WD) U=RHD (4WD) T=LHD (2WD) B=RHD (2WD)	74=4 DR. (101.4 WB) 72=2 DR. (101.4 WB)	ENC,EN0=2.5L 4 cyl. Turbo Die ERH,ER0=4.0L Power Tech I-6 EPE,EP0=Magnum 2.5L SMPI	DDQ=5Spd Man. DGS=4 Spd. Auto. AISIN DG0=All Auto Trans DBB=All Manual Trans.

AR = Use as required - = Non illustrated part # = New this model year

July 4, 2003

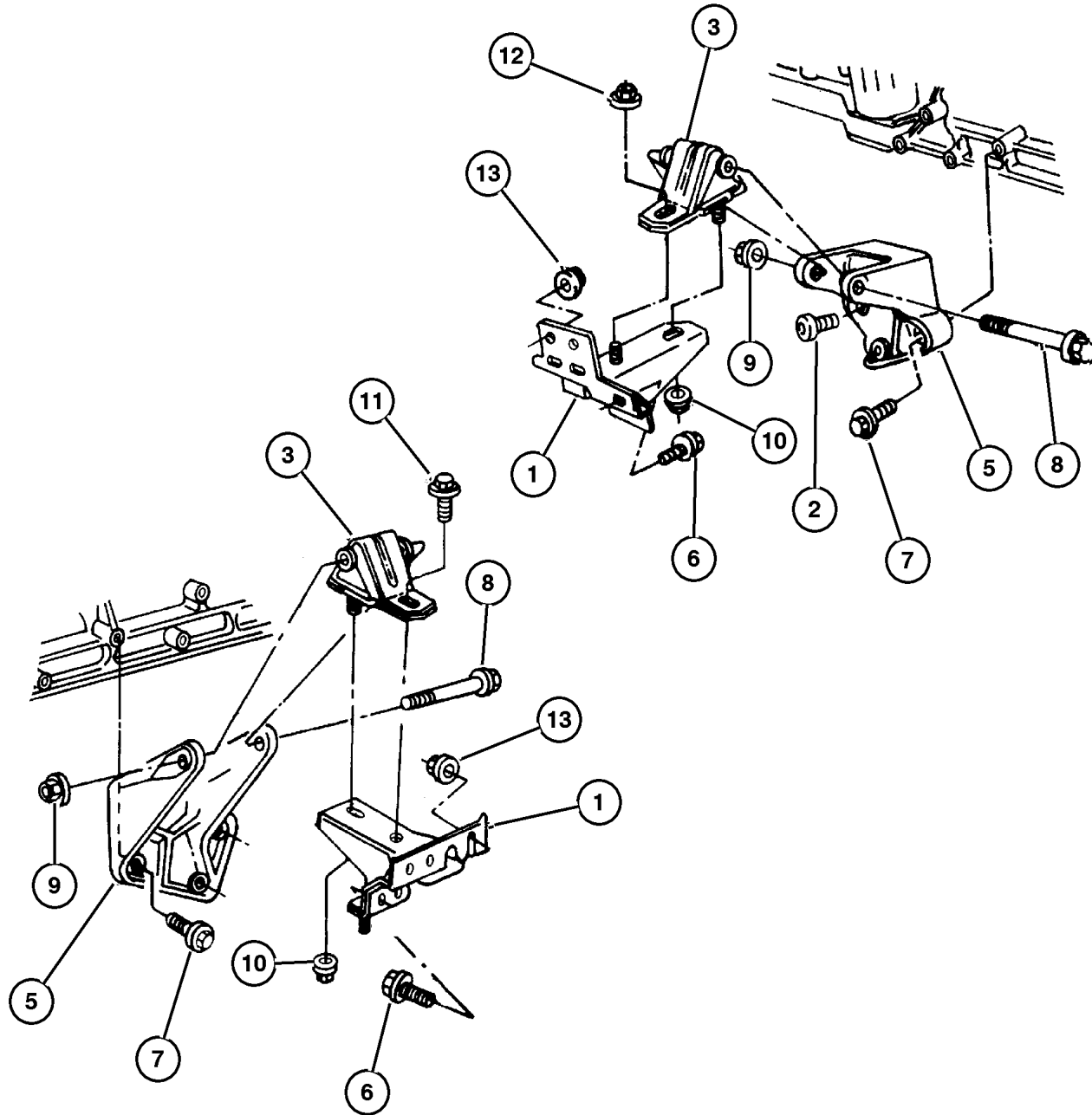


**Engine Mounting, Front 4.0L (ERH) Engine 1997 XJ**  
**Figure 009-150**

ITEM	PART NUMBER	QTY	LINE	SERIES	BODY	ENGINE	TRANS	TRIM	DESCRIPTION
------	-------------	-----	------	--------	------	--------	-------	------	-------------

NOTE: ER0=All 4.0L Engines

1									BRACKET, Engine Mount
	52019 010AB	1	J, T			ER0			
	5205 8424	1	B			ER0			Right
2	J400 7560	1				ER0			SCREW, Hex Head, .375-16x1.125
3									CUSHION, Engine Support
	52019 201AB	2	J, T			ER0			
		1	B, U			ER0			
-4	5202 0018	1	B			ER0			INSULATOR, Engine Mount, Right
5									BRACKET, Engine Mount
	5200 2607	1				ER0			Left
	5202 0270	1				ER0			Right
6	6504 511	1				ER0			SCREW AND WASHER, M10x1.5x40
7	6034 989	5				EP0			SCREW, Hex Head, .375-16x1.125
8	3420 2606	2				ER0			BOLT, Hex Head
9	6502 697	4							NUT, Hex Flange Lock, M12x1.75
10	3420 1828	2				ER0			NUT, M10x1.50
11	6504 511	1				ER0			SCREW AND WASHER, M10x1.5x40
12	6502 135	1	J, T			ER0			NUT, Hex Flange, M10x1.5
13	3420 1416	3				ER0			NUT, Hex Flange, M8x1.25



**JEEP CHEROKEE (XJ)**

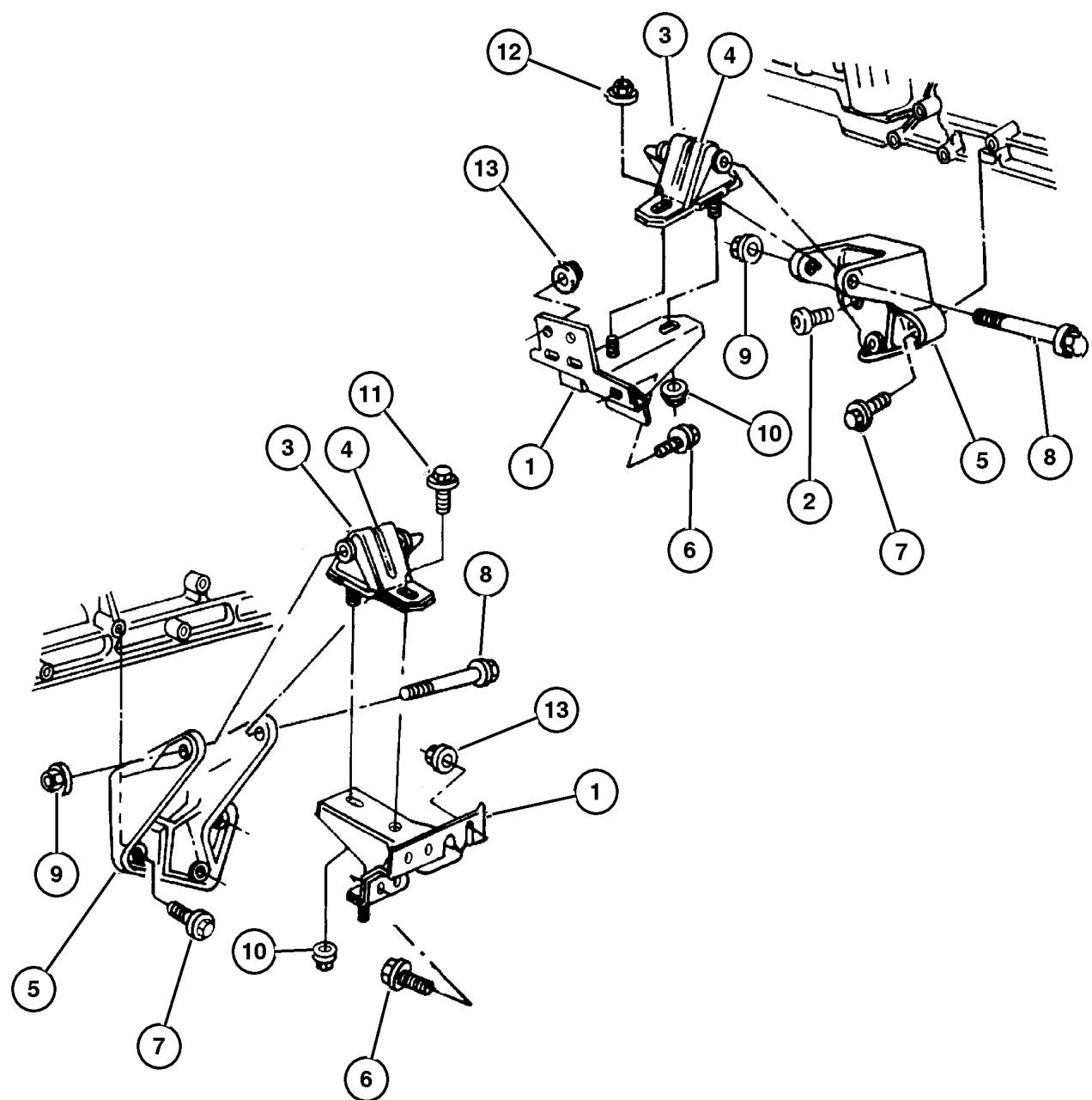
SERIES	LINE	BODY	ENGINE	TRANSMISSION
L=Low Line	J=LHD (4WD) U=RHD (4WD) T=LHD (2WD) B=RHD (2WD)	74=4 DR. (101.4 WB) 72=2 DR. (101.4 WB)	ENC,EN0=2.5L 4 cyl. Turbo Die ERH,ER0=4.0L Power Tech I-6 EPE,EP0=Magnum 2.5L SMPI	DDQ=5Spd Man. DGS=4 Spd. Auto. AISIN DG0=All Auto Trans DBB=All Manual Trans.

AR = Use as required - = Non illustrated part # = New this model year

July 4, 2003

**Engine Mounting, Front 4.0L (ERH) Engine 1998 XJ**  
**Figure 009-150**

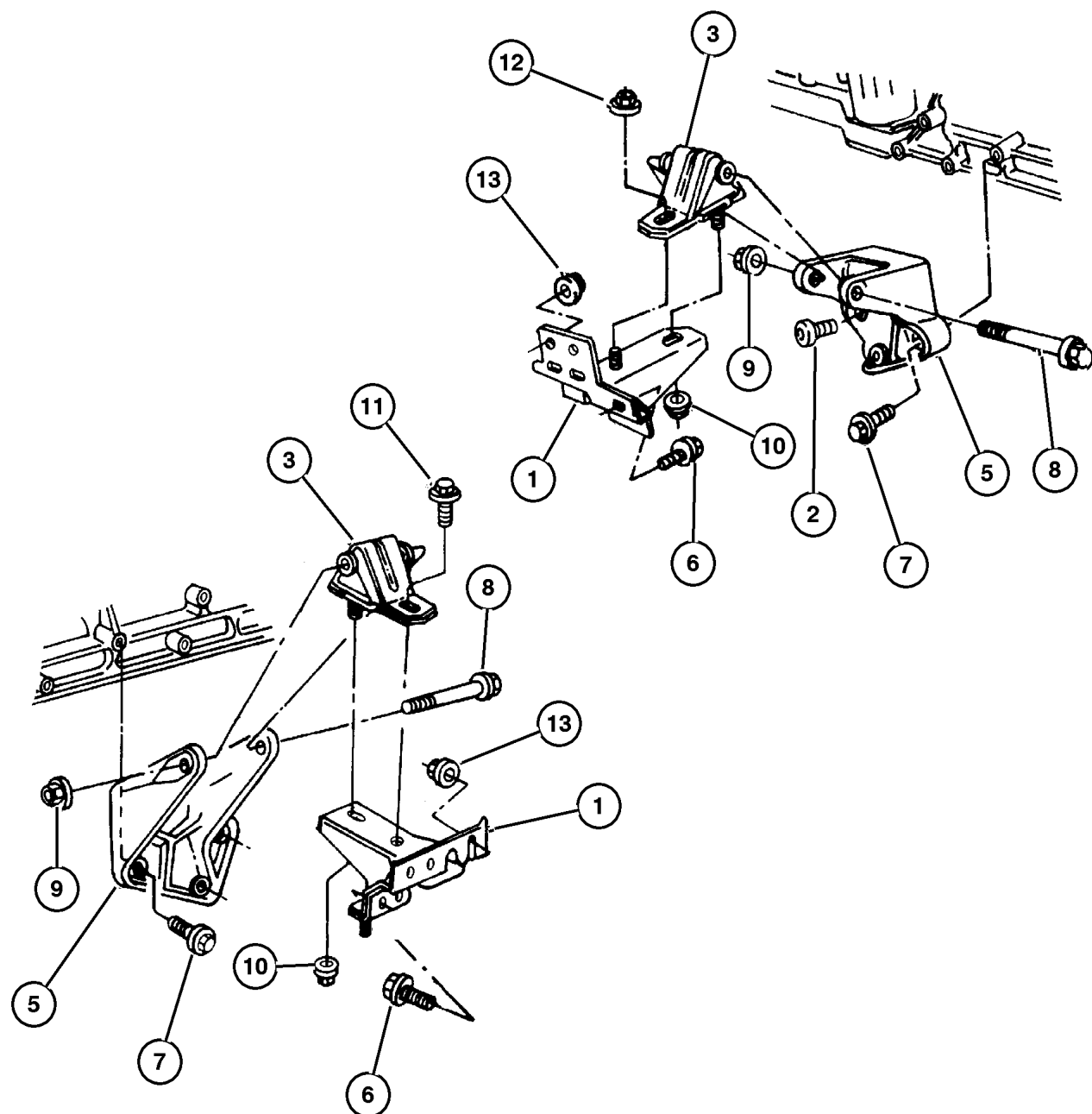
ITEM	PART NUMBER	QTY	LINE	SERIES	BODY	ENGINE	TRANS	TRIM	DESCRIPTION
NOTE: ER0=All 4.0L Engines									
1	52002 603AC	1				ER0			BRACKET, Engine Mount Left
	52019 010AB	1	J, T			ER0			Right
	52058 424AB	1	B, U			ER0			R.W.A.L. Ground Attaching
2	J400 7560	1				ER0			SCREW, Hex Head, .375-16x1.125
3	52019 201AB	2	J, T			ER0			CUSHION, Engine Support
		1	B, U			ER0			Left, Right
4	5202 0018	1	B, U			ER0			INSULATOR, Engine Mount, Right, Left
5	5200 2607	1				ER0			BRACKET, Engine Mount Left, Left
	5202 0270	1				ER0			Right, Right
6	6504 511	1				ER0			SCREW AND WASHER, M10x1. 5x40
7	6034 989	5				ER0			SCREW, Hex Head, .375-16x1.125
8	3420 2606	2				ER0			BOLT, Hex Head
9	6502 697	4				ER0			NUT, Hex Flange Lock, M12x1.75
10	3420 1828	2				ER0			NUT, M10x1.50
11	6504 511	1				ER0			SCREW AND WASHER, M10x1. 5x40
12	6502 135	1	J, T			ER0			NUT, Hex Flange, M10x1.5
13	3420 1416	3				ER0			NUT, Hex Flange, M8x1.25



<b>JEEP CHEROKEE (XJ)</b>				
SERIES	LINE	BODY	ENGINE	TRANSMISSION
L=Low Line	J=LHD (4WD) U=RHD (4WD) T=LHD (2WD) B=RHD (2WD)	74=4 DR. (101.4 WB) 72=2 DR. (101.4 WB)	ENC,EN0=2.5L 4 cyl. Turbo Die ERH,ER0=4.0L Power Tech I-6 EPE,EP0=Magnum 2.5L SMPI	DDQ=5Spd Man. DGS=4 Spd. Auto. AISIN DG0=All Auto Trans DBB=All Manual Trans.

**Engine Mounting, Front 4.0L (ERH) Engine 1999 XJ**  
**Figure 009-150**

ITEM	PART NUMBER	QTY	LINE	SERIES	BODY	ENGINE	TRANS	TRIM	DESCRIPTION
NOTE: ER0=All 4.0L Engines									
1									BRACKET, Engine Mount
	52002 603AC	1				ER0			Left
	52019 010AC	1	J, T			ER0			Right
	52058 424AC	1	B, U			ER0			Right
2	6034 989	1				ER0			SCREW, Hex Head, .375-16x1.125
3									CUSHION, Engine Support
	52019 201AB	2	J, T			ER0			
		1	B, U			ER0			
-4	5202 0018	1	B, U			ER0			INSULATOR, Engine Mount, Left
5									BRACKET, Engine Mount
	52002 607AB	1				ER0			Left
	5202 0270	1				ER0			Right
6	6504 511	2				EP0,			SCREW AND WASHER, M10x1.5x40
						ER0			
7	6034 989	5				ER0			SCREW, Hex Head, .375-16x1.125
8	3420 2606	2				ER0			BOLT, Hex Head
9	6502 697	4							NUT, Hex Flange Lock, M12x1.75
10									NUT, M10x1.50, (NOT SERVICED) (Not Serviced)
11	6504 511	2				EP0,			SCREW AND WASHER, M10x1.5x40
						ER0			
12	6502 135	1	J, T			ER0			NUT, Hex Flange, M10x1.5
13	3420 1416	3				ER0			NUT, Hex Flange, M8x1.25



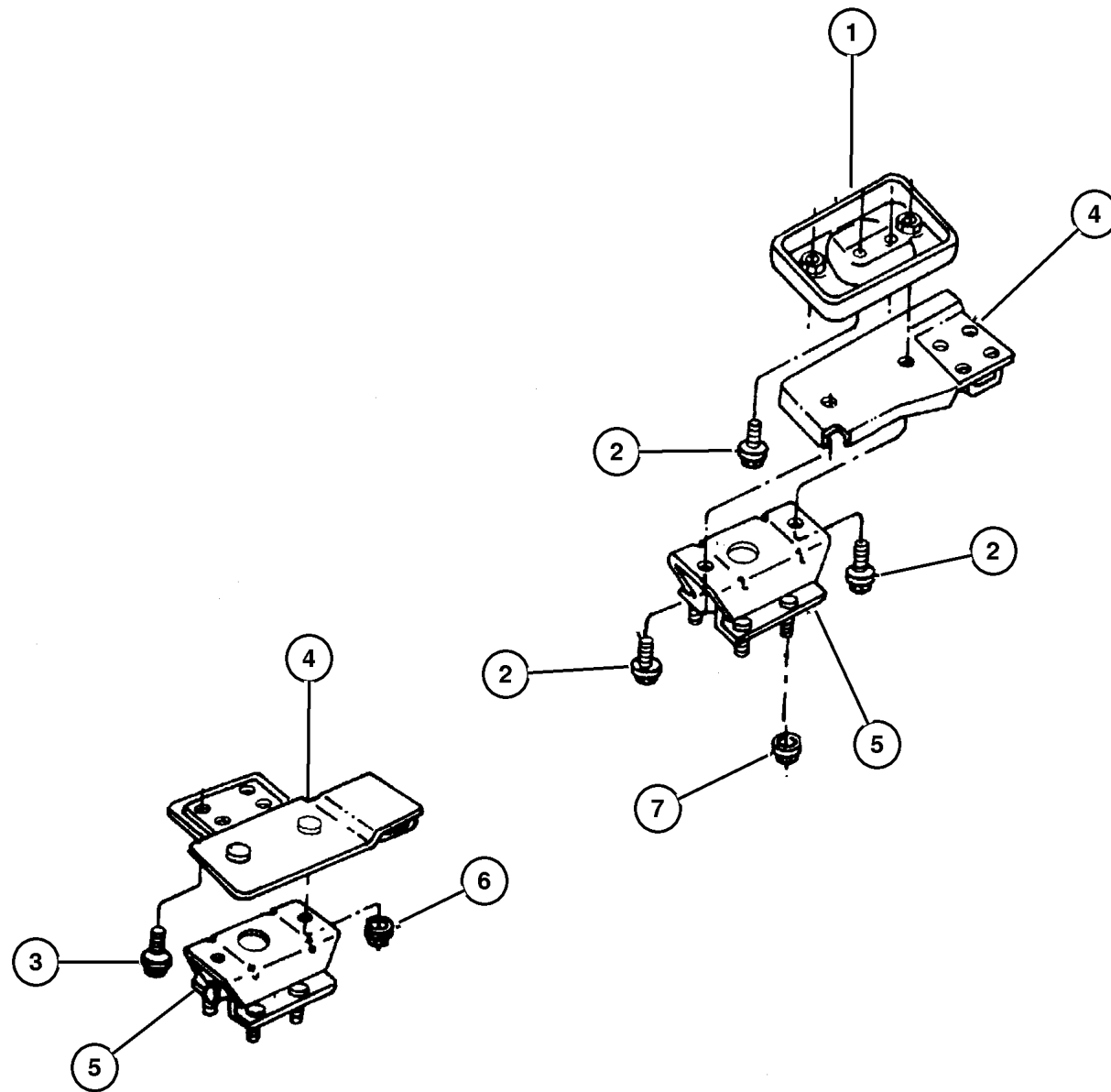
**JEEP CHEROKEE (XJ)**

SERIES	LINE	BODY	ENGINE	TRANSMISSION
L=Low Line	J=LHD (4WD) U=RHD (4WD) T=LHD (2WD) B=RHD (2WD)	74=4 DR. (101.4 WB) 72=2 DR. (101.4 WB)	ENC,EN0=2.5L 4 cyl. Turbo Die ERH,ER0=4.0L Power Tech I-6 EPE,EP0=Magnum 2.5L SMPI	DDQ=5Spd Man. DGS=4 Spd. Auto. AISIN DG0=All Auto Trans DBB=All Manual Trans.

AR = Use as required - = Non illustrated part # = New this model year

July 4, 2003

## Engine Mounting, Rear 4.0L (ERH) Engine Figure 009-160



ITEM	PART NUMBER	QTY	LINE	SERIES	BODY	ENGINE	TRANS	TRIM	DESCRIPTION
NOTE: ER0=All 4.0L Engines DBB=All Manual Transmissions DDQ=5 Speed Manual Transmission DG0=All Automatic									
Transmissions									
1	5200 2337	1	B			ER0	DG0		BRACKET, Engine Mount 1997 XJ
		1	B, T			ER0	DG0		1998 XJ, 1999 XJ
2	5201 7887	2	B			ER0	DG0		BOLT, Hex Flange Head, M12x1.75x25 1997 XJ
		2	B, T			ER0	DG0		1998 XJ, 1999 XJ
3									BOLT, Hex Head, .437-14x1.25
3									BOLT, Hex Head, .437-14x1.25 (Not Serviced) (NOT SERVICED), 1998 XJ, 1999 XJ
4	J400 7162	4				ER0	DBB		1997 XJ BRACKET, Transmission Mount
	5205 8882	1				ER0	DG0		
	5205 8883	1				ER0	DDQ		
5	5200 2334	1				ER0			ISOLATOR, Transmission Mount
6	6502 697	2							NUT, Hex Flange Lock, M12x1.75
7									NUT, Hex Flange Lock, M8x1.25
	6101 695	4				ER0			1998 XJ, 1999 XJ
	1150 2811	4							1997 XJ

### JEEP CHEROKEE (XJ)

SERIES	LINE	BODY	ENGINE	TRANSMISSION
L=Low Line	J=LHD (4WD) U=RHD (4WD) T=LHD (2WD) B=RHD (2WD)	74=4 DR. (101.4 WB) 72=2 DR. (101.4 WB)	ENC,EN0=2.5L 4 cyl. Turbo Die ERH,ER0=4.0L Power Tech I-6 EPE,EP0=Magnum 2.5L SMPI	DDQ=5Spd Man. DGS=4 Spd. Auto. AISIN DG0=All Auto Trans DBB=All Manual Trans.

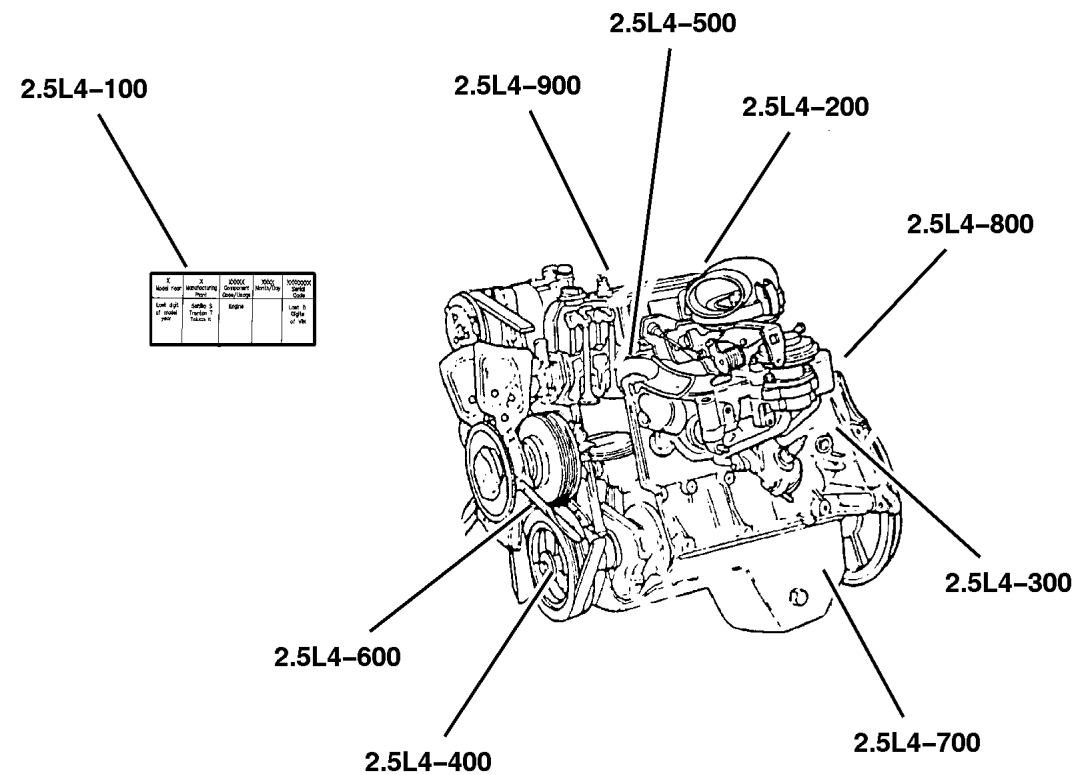
AR = Use as required - = Non illustrated part # = New this model year

July 4, 2003

# Group – 2.5L4

## Engine 2.5L Four Cylinder

### GROUP 2.5L4 - Engine 2.5L Four Cylinder



Part No.	Part Name	Quantity	Notes
2.5L4-100	Timing Belt and Cover	1	
2.5L4-200	Cylinder Head	1	
2.5L4-300	Cylinder Block	1	
2.5L4-400	Crankshaft, Piston and Drive Plate	1	
2.5L4-500	Camshafts & Valves	1	
2.5L4-600	Timing Belt and Cover	1	
2.5L4-700	Engine Oiling	1	
2.5L4-800	Manifolds	1	
2.5L4-900	Crankcase Ventilation	1	

Illustration Title

Group-Fig. No.

#### Cylinder Head

Cylinder Head 2.5L (EPE) Engine ..... Fig. 2.5L4-210

#### Cylinder Block

Cylinder Block 2.5L (EPE) Engine ..... Fig. 2.5L4-310

#### Crankshaft, Piston and Drive Plate

Crankshaft, Piston and Torque Converter 2.5L (EPE) Engine ..... Fig. 2.5L4-410

#### Camshafts & Valves

Camshaft and Valves 2.5L (EPE) Engine ..... Fig. 2.5L4-510

#### Timing Belt and Cover

Timing Cover 2.5L (EPE) Engine ..... Fig. 2.5L4-610

#### Engine Oiling

Engine Oiling 2.5L (EPE) Engine ..... Fig. 2.5L4-710

#### Manifolds

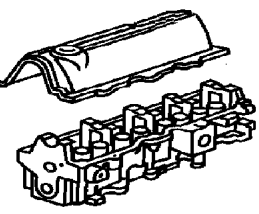
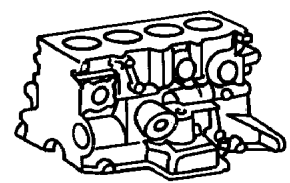
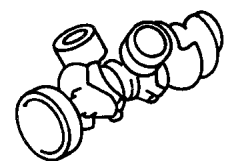
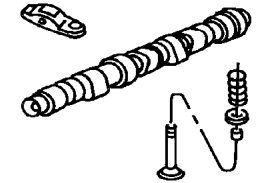
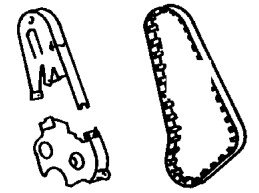
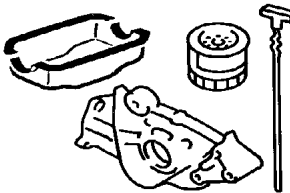
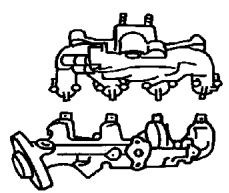
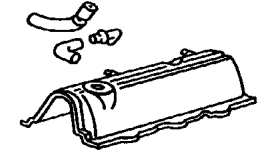
Manifold, Intake and Exhaust 2.5L (EPE) Engine ..... Fig. 2.5L4-810

#### Crankcase Ventilation

Crankcase Ventilation 2.5L (EPE) Engine 1997 XJ ..... Fig. 2.5L4-910

Crankcase Ventilation 2.5L (EPE) Engine 1998 XJ ..... Fig. 2.5L4-910

Crankcase Ventilation 2.5L (EPE) Engine 1999 XJ ..... Fig. 2.5L4-910

<b>2.5L4-200</b> Cylinder Head 	<b>2.5L4-300</b> Cylinder Block 	<b>2.5L4-400</b> Crankshaft, Piston and Drive Plate 	<b>2.5L4-500</b> Camshafts & Valves 
<b>2.5L4-600</b> Timing Belt and Cover 	<b>2.5L4-700</b> Engine Oiling 	<b>2.5L4-800</b> Manifolds 	<b>2.5L4-900</b> Crankcase Ventilation 

**Cylinder Head 2.5L (EPE) Engine  
Figure 2.5L4-210**

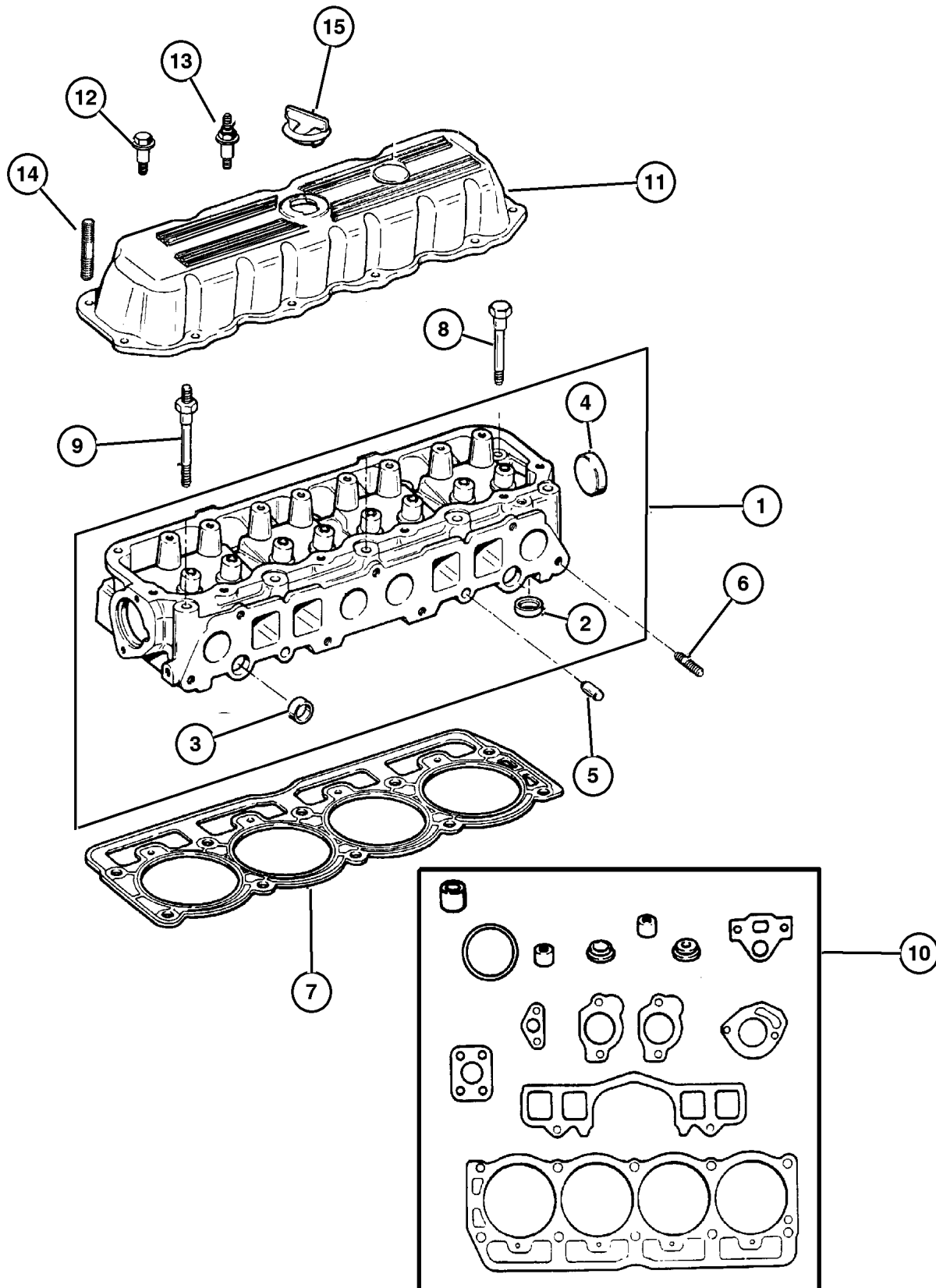
ITEM	PART NUMBER	QTY	LINE	SERIES	BODY	ENGINE	TRANS	TRIM	DESCRIPTION
NOTE: EP0=All 2.5L Gas Engines									
1	3300 7115	1				EP0			HEAD, Cylinder 1997 XJ, 1998 XJ
	33007 115AB	1				EP0			1999 XJ
2	3300 7142	4				EP0			SEAT, Exhaust Valve
3	J317 2319	4				EP0			PLUG, Cylinder Block Oil Hole
4	J310 5394	1				EP0			PLUG, Cylinder Block Oil Hole
5	J317 2318	2				EP0, ER0			DOWEL, Cylinder Head To Intake
6	5301 0165	2				EP0, ER0			STUD, .375-16/.375-24x1.75
7	5300 9549	1				EP0			GASKET, Cylinder Head 1997 XJ, 1998 XJ
	53009 549AB	1				EP0			1999 XJ
8	6035 514	5				EP0			BOLT, Cylinder Head
9	6035 516	5				EP0			STUD, Double Ended, .50-13/.437- 14x6.00
		4				EP0			1999 XJ
10	4798 992	1				EP0			GASKET PACKAGE, Engine 1997 XJ, 1998 XJ
	4798 992AC	1				EP0	DBB		1999 XJ
		1				EP0	DG0		1999 XJ
11	5301 0428	1				EP0			COVER, Cylinder Head 1997 XJ
	53010 428AB	1				EP0			1998 XJ, 1999 XJ
12	6034 478	1				EP0			BOLT, Hex Flange Head, .250-20x1. 00
	6035 566	1				EP0			1997 XJ
13	6034 477	9				EP0			BOLT, Hex Flange Pilot Point, .250- 20x1.97
									(NOT REQUIRED), 1998 XJ, 1999 XJ
	6034 477	9				EP0			1997 XJ
14	6034 477	9				EP0			STUD, .250-20x2.00
	6035 968AA	10				EP0			1997 XJ
15	5302 0555	1				EP0			1998 XJ, 1999 XJ
									CAP, Oil Filler

**JEEP CHEROKEE (XJ)**

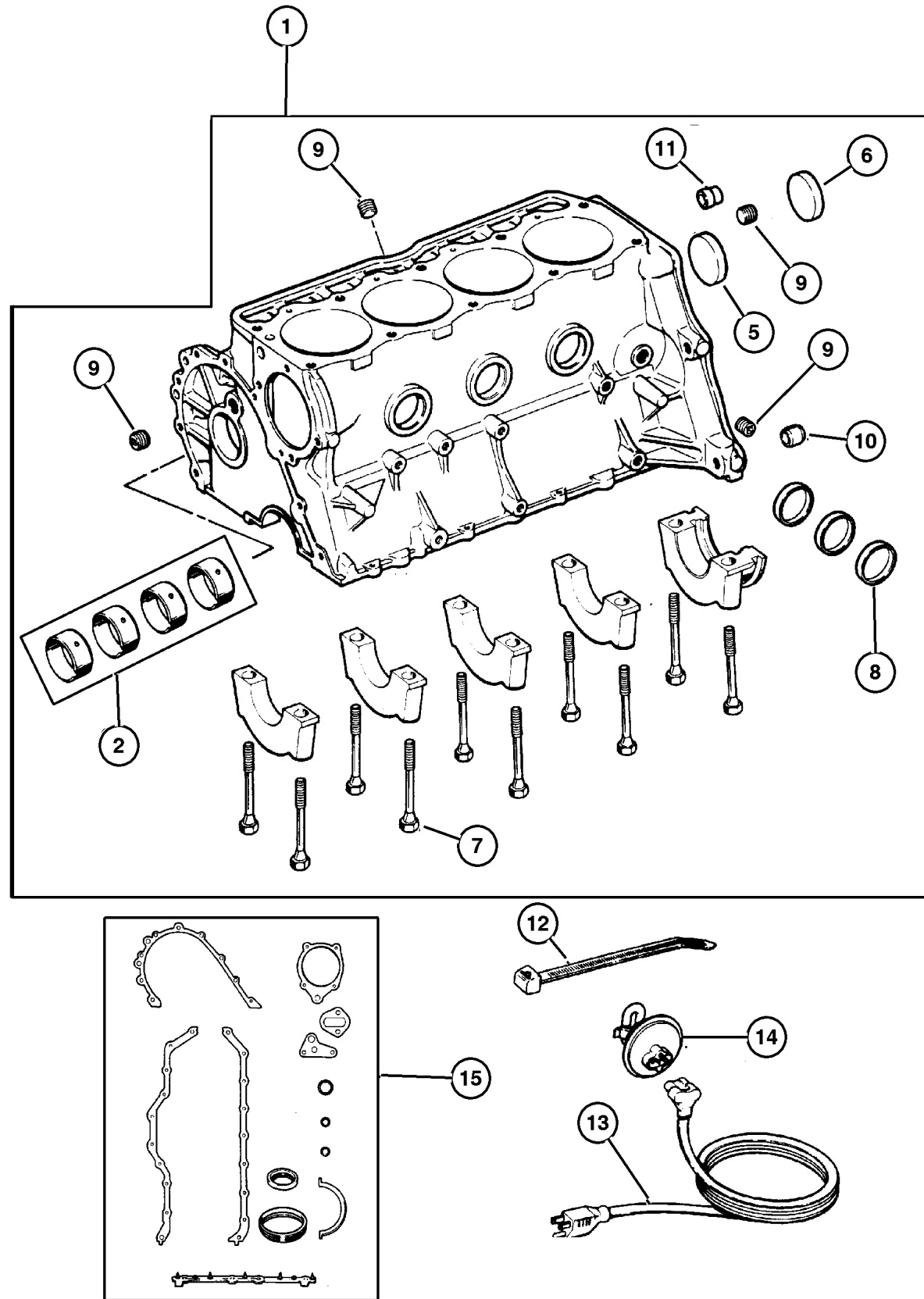
SERIES	LINE	BODY	ENGINE	TRANSMISSION
L=Low Line	J=LHD (4WD) U=RHD (4WD) T=LHD (2WD) B=RHD (2WD)	74=4 DR. (101.4 WB) 72=2 DR. (101.4 WB)	ENC,EN0=2.5L 4 cyl. Turbo Die ERH,ER0=4.0L Power Tech I-6 EPE,EP0=Magnum 2.5L SMPI	DDQ=5Spd Man. DGS=4 Spd. Auto. AISIN DG0=All Auto Trans DBB=All Manual Trans.

AR = Use as required - = Non illustrated part # = New this model year

July 4, 2003



**Cylinder Block 2.5L (EPE) Engine  
Figure 2.5L4-310**



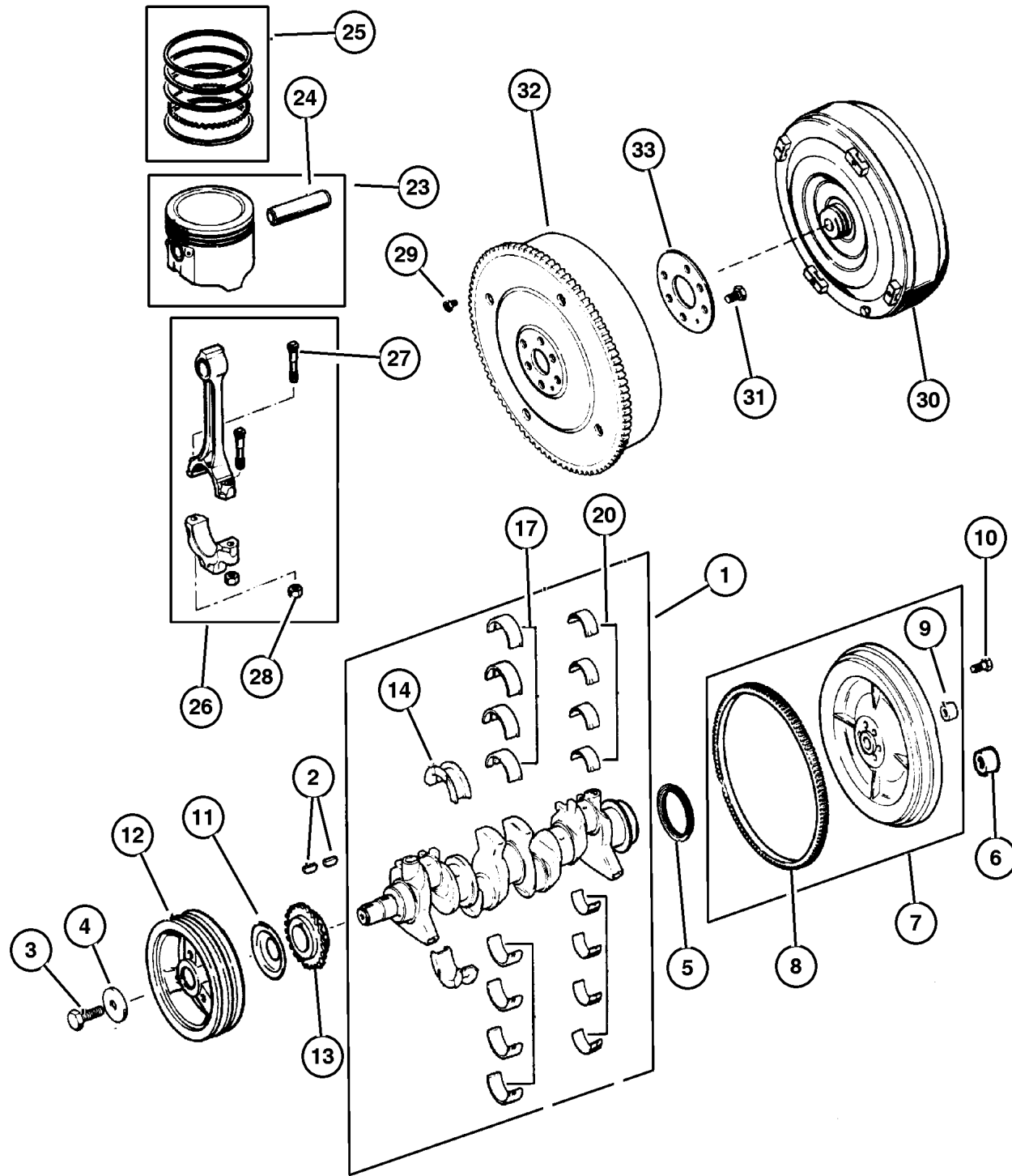
ITEM	PART NUMBER	QTY	LINE	SERIES	BODY	ENGINE	TRANS	TRIM	DESCRIPTION
NOTE: EP0=All 2.5L Gas Engines									
1	4856 744	1				EP0			BLOCK, Short
2									BEARING KIT, Camshaft, Standard (NOT REQUIRED), 1999 XJ
	J320 5711	1				EP0			1997 XJ, 1998 XJ
-3									BEARING PACKAGE, Camshaft, Standard Size (NOT REQUIRED), 1997 XJ, 1998 XJ
	#4636 985AB	1				EP0			1999 XJ
-4									BEARING KIT, Camshaft, .010 Oversize (NOT REQUIRED), 1999 XJ
	J320 8985	1				EP0			1997 XJ, 1998 XJ
5	J317 2313	1				EP0			PLUG, Camshaft
6	5302 0465	1				EP0			PLUG, Cylinder Block
7	J400 6948	10				EP0			BOLT, Hex Head, .50-13x2.97
8	J400 6580	3				EP0			PLUG, Cylinder Block Oil Hole
9	6034 166	3				EP0			PLUG, Cylinder Block Oil Hole
10	J400 6953	1				EP0			DOWEL, Block To Cylinder Head
11	J324 1332	1				EP0			DOWEL, Clutch Housing To Block
12									STRAP, Retaining
	J369 3058	1		U					1997 XJ, 1998 XJ
		1		J					
		1		J			DG0		1999 XJ
13	5300 0878	1				EP0			CORD, Engine Block Heater
14	5602 6888	1				EP0			HEATER, Engine Block
15									GASKET PACKAGE, Engine
	4713 023	1				EP0			1997 XJ, 1998 XJ
	4713 023AC	1				EP0			1999 XJ

JEEP CHEROKEE (XJ)				
SERIES	LINE	BODY	ENGINE	TRANSMISSION
L=Low Line	J=LHD (4WD) U=RHD (4WD) T=LHD (2WD) B=RHD (2WD)	74=4 DR. (101.4 WB) 72=2 DR. (101.4 WB)	ENC,EN0=2.5L 4 cyl. Turbo Die ERH,ER0=4.0L Power Tech I-6 EPE,EP0=Magnum 2.5L SMPI	DDQ=5Spd Man. DGS=4 Spd. Auto. AISIN DG0=All Auto Trans DBB=All Manual Trans.

AR = Use as required - = Non illustrated part # = New this model year

July 4, 2003

**Crankshaft, Piston and Torque Converter 2.5L (EPE) Engine  
Figure 2.5L4-410**



ITEM	PART NUMBER	QTY	LINE	SERIES	BODY	ENGINE	TRANS	TRIM	DESCRIPTION
1	4713 051	1				EP0			CRANKSHAFT 1997 XJ, 1998 XJ
		1				EP0	DBB		1999 XJ
		1				EP0	DG0		1999 XJ
2	6034 749	1				EP0, ER0			KEY, Crankshaft Sprocket
3	0182 776	1				EP0, ER0			BOLT 1999 XJ
	6029 736	1				EP0, ER0			1997 XJ, 1998 XJ
4	J323 0155	1				EP0, ER0			WASHER, Plain
5	3300 4143	1				EP0			SEAL, Rear Main Crankshaft
6	5211 7830	1				EP0	DG0		ADAPTER, Torque Converter
7	5302 0578	1				EP0	DBB		FLYWHEEL
8	J324 1718	1				EP0	DBB		GEAR, Ring
9	J325 0005	1				EP0	DBB		BEARING, Pilot
10	J400 7123	6				EP0	DBB		BOLT, Flywheel
11	J317 3076	1				EP0, ER0			SLINGER, Oil DAMPER, Crankshaft
12	3300 2879	1				EP0			GEAR, Crankshaft
13	3300 4020	1				EP0			BEARING PACKAGE, Crankshaft Thrust, Standard Size
14	8350 7084	1				EP0, ER0			BEARING PACKAGE, Crankshaft Thrust, .001" Undersize
-15	8350 7086	AR				EP0, ER0			BEARING PACKAGE, Crankshaft Thrust, .010" Undersize
-16	8350 7090	AR				EP0, ER0			BEARING PACKAGE, Crankshaft Thrust, .010" Undersize
17	8350 7079	4				EP0			BEARING PACKAGE, Crankshaft, Standard
-18	8350 7080	AR				EP0, ER0			BEARING PACKAGE, Crankshaft, .001 Undersize
-19	8350 7083	AR				EP0, ER0			BEARING PACKAGE, Crankshaft, .010 Undersize
20	8350 0300	8				EP0			BEARING KIT, Connecting Rod, Standard
-21	8350 1397	AR				EP0, ER0			BEARING KIT, Connecting Rod, .001 Undersize
-22	8350 0301	AR				EP0, ER0			BEARING KIT, Connecting Rod, .010 Undersize
23									PISTON PIN AND ROD

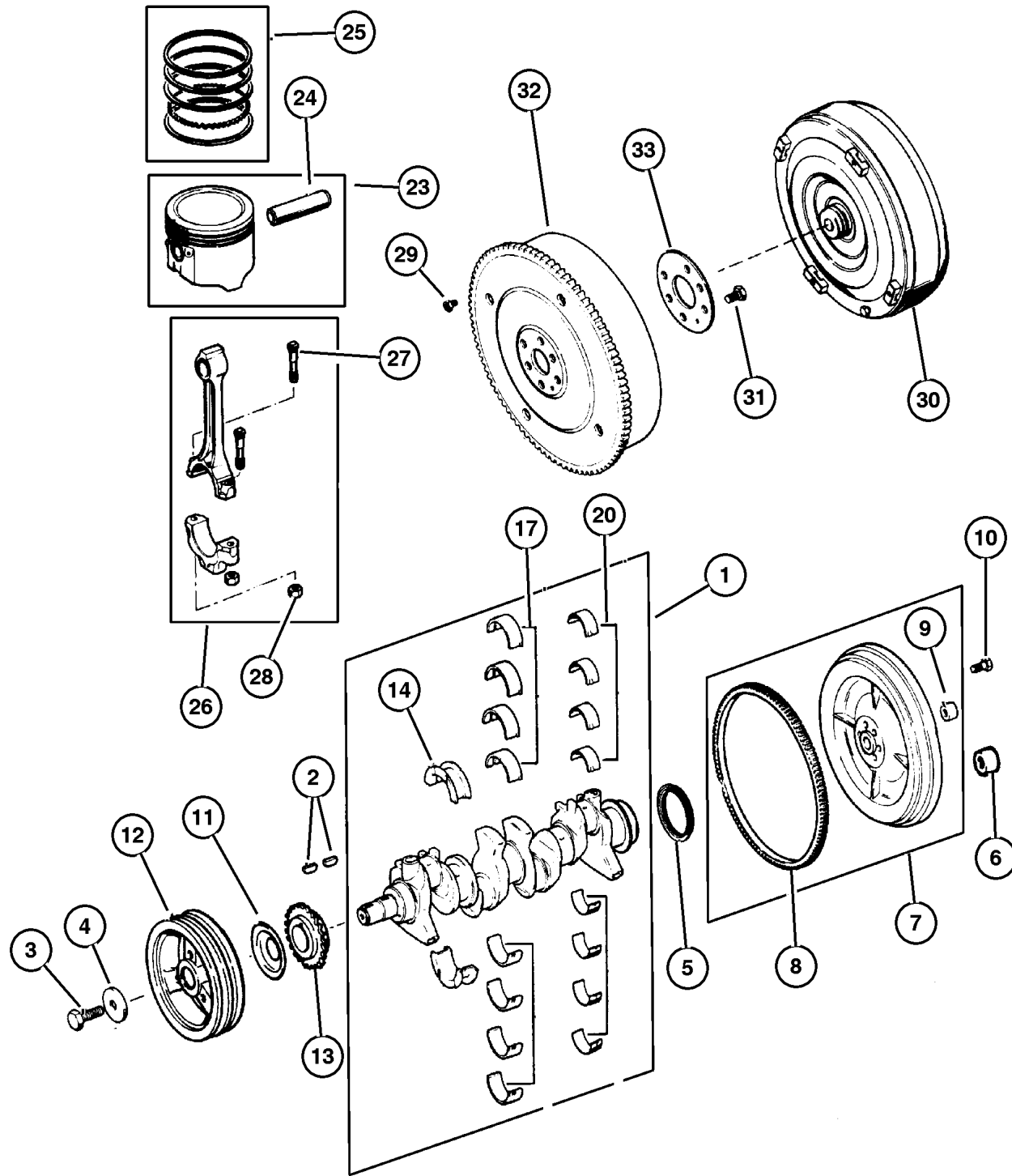
**JEEP CHEROKEE (XJ)**  
 SERIES: L=Low Line  
 LINE: J=LHD (4WD), U=RHD (4WD), T=LHD (2WD), B=RHD (2WD)  
 BODY: 74=4 DR. (101.4 WB), 72=2 DR. (101.4 WB)  
 ENGINE: ENC,EN0=2.5L 4 cyl. Turbo Die, ERH,ER0=4.0L Power Tech I-6, EPE,EP0=Magnum 2.5L SMPI  
 TRANSMISSION: DDQ=5Spd Man., DGS=4 Spd. Auto. AISIN, DG0=All Auto Trans, DBB=All Manual Trans.

AR = Use as required - = Non illustrated part # = New this model year

July 4, 2003



**Crankshaft, Piston and Torque Converter 2.5L (EPE) Engine  
Figure 2.5L4-410**



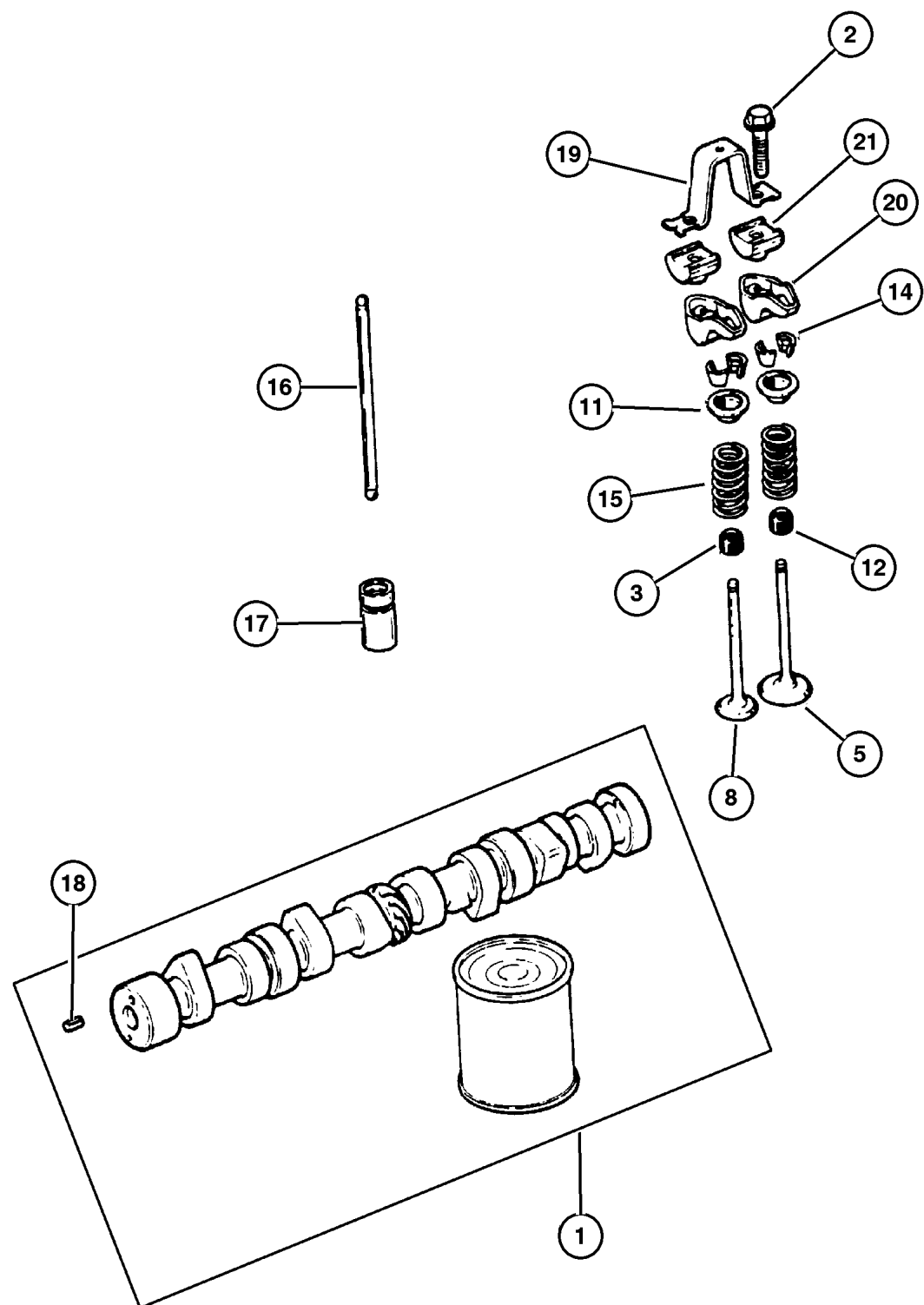
ITEM	PART NUMBER	QTY	LINE	SERIES	BODY	ENGINE	TRANS	TRIM	DESCRIPTION
	4798 329	AR				EP0			B Size, 3.8742, 1997 XJ
		4				EP0			B Size, 3.8742, 1998 XJ, 1999 XJ
	4798 330	AR				EP0			C Size, 3.8746, 1997 XJ, 1998 XJ
		4				EP0			C Size, 3.8746, 1999 XJ
	4798 331	AR				EP0			D Size, 3.8750, 1997 XJ
		4				EP0			D Size, 3.8750, 1998 XJ, 1999 XJ
	4798 332	AR				EP0			E Size, 3.8754, 1997 XJ
		4				EP0			E Size, 3.8754, 1998 XJ, 1999 XJ
	4798 333	AR				EP0			F Size, 3.8758, 1997 XJ
		4				EP0			F Size, 3.8758, 1998 XJ, 1999 XJ
24									PIN, Piston, Serviced in Piston Assembly, (NOT SERVICED) (Not Serviced)
25									RING PACKAGE, Piston, Standard Size Complete Engine
	4798 324	1				EP0	DBB		1997 XJ, 1998 XJ
		1				EP0	DG0		1997 XJ, 1998 XJ
		4				EP0			1999 XJ
26									ROD, Connecting, Serviced in Piston Assembly, (NOT SERVICED) (Not Serviced)
27	5302 0123	8				EP0			BOLT, Connecting Rod
28	J400 6385	8				EP0			NUT, Hex Flange, .3437-24
29	6501 099	4				EP0	DGD		BOLT, Hex Head, M10x1.50 x 13.20
30	4736 388	1				EP0	DGD		CONVERTER, Torque
31	6034 780	6				EP0	DG0		BOLT, Hex Head, .437-24x1.20
32	5210 4139	1				EP0	DG0		PLATE, Torque Converter Drive
33	5211 7830	1				EP0	DG0		ADAPTER, Torque Converter

JEEP CHEROKEE (XJ)				
SERIES	LINE	BODY	ENGINE	TRANSMISSION
L=Low Line	J=LHD (4WD) U=RHD (4WD) T=LHD (2WD) B=RHD (2WD)	74=4 DR. (101.4 WB) 72=2 DR. (101.4 WB)	ENC,EN0=2.5L 4 cyl. Turbo Die ERH,ER0=4.0L Power Tech I-6 EPE,EP0=Magnum 2.5L SMPI	DDQ=5Spd Man. DGS=4 Spd. Auto. AISIN DG0=All Auto Trans DBB=All Manual Trans.

AR = Use as required - = Non illustrated part # = New this model year

July 4, 2003

## Camshaft and Valves 2.5L (EPE) Engine Figure 2.5L4-510



ITEM	PART NUMBER	QTY	LINE	SERIES	BODY	ENGINE	TRANS	TRIM	DESCRIPTION
NOTE: EP0=All 2.5L Gas Engines									
1	5302 0497	1				EP0			CAMSHAFT, Engine
2	J942 5708	8				EP0			BOLT, Hex Flange Head, .312-18x1.25
3	5300 9887	4				EP0			SEAL, Valve Guide, Standard
-4	3300 2733	AR				EP0, ER0			SEAL, Valve Guide, .015" Oversize
5	3300 3515	4				EP0			VALVE, Intake, Standard Standard, 1997 XJ, 1998 XJ
	53010 512AA	4				EP0			1999 XJ
-6	3300 3519	AR				EP0, ER0			VALVE, Intake, .003" O/S (NOT REQUIRED), 1999 XJ 1997 XJ, 1998 XJ
-7	3300 3575	AR				EP0, ER0			VALVE, Intake, .015" O/S (NOT REQUIRED), 1999 XJ 1997 XJ, 1998 XJ
8	4637 537	4				EP0			VALVE, Exhaust, Standard Standard, 1997 XJ, 1998 XJ
		4				EP0			1999 XJ
-9	4637 538	AR				EP0, ER0			VALVE, Exhaust, .003" O/S (NOT REQUIRED), 1999 XJ 1997 XJ, 1998 XJ
-10	4637 539	AR				EP0, ER0			VALVE, Exhaust, .015 Oversize (NOT REQUIRED), 1999 XJ 1997 XJ, 1998 XJ
11	3300 4626	8				EP0			RETAINER, Valve Spring 1997 XJ, 1998 XJ
	53010 514AA	8				EP0			1999 XJ
12	5300 9886	4				EP0			SEAL, Valve Guide
-13	3300 3016	AR				EP0, ER0			SEAL, Valve Guide, .015" Oversize
14	3300 3521	16				EP0			LOCK, Valve Spring Retainer
15	5301 0388	8				EP0			SPRING, Valve 1999 XJ
	5302 0556	8				EP0			1997 XJ, 1998 XJ
16	J324 1709	8				EP0			PUSH ROD, FRONT SUSPENSION
17	4740 269	8				EP0			TAPPET, Valve
18	J045 6384	1				EP0			DOWEL, Camshaft Sprocket

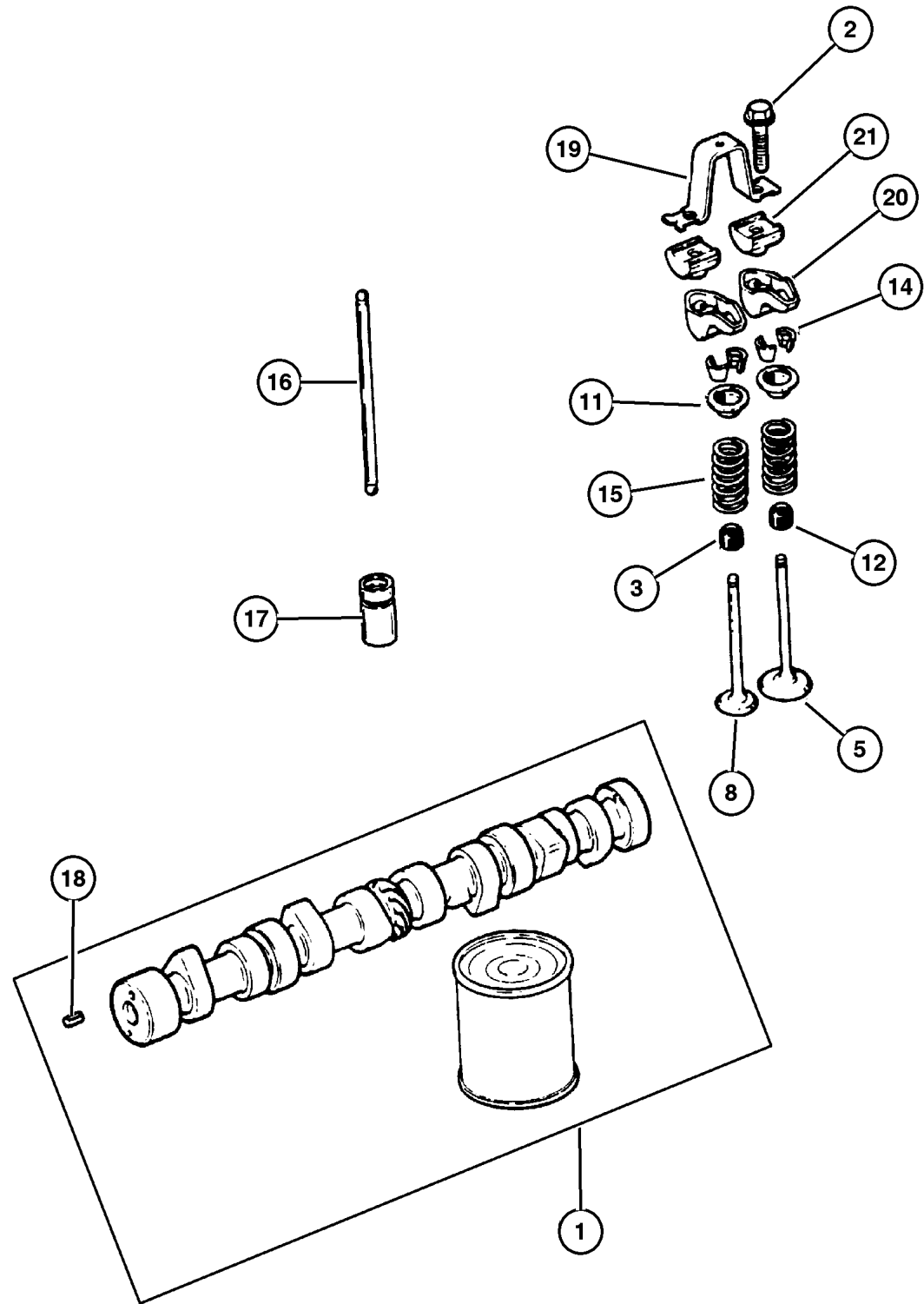
### JEEP CHEROKEE (XJ)

SERIES	LINE	BODY	ENGINE	TRANSMISSION
L=Low Line	J=LHD (4WD) U=RHD (4WD) T=LHD (2WD) B=RHD (2WD)	74=4 DR. (101.4 WB) 72=2 DR. (101.4 WB)	ENC,EN0=2.5L 4 cyl. Turbo Die ERH,ER0=4.0L Power Tech I-6 EPE,EP0=Magnum 2.5L SMPI	DDQ=5Spd Man. DGS=4 Spd. Auto. AISIN DG0=All Auto Trans DBB=All Manual Trans.

AR = Use as required - = Non illustrated part # = New this model year

July 4, 2003

**Camshaft and Valves 2.5L (EPE) Engine  
Figure 2.5L4-510**



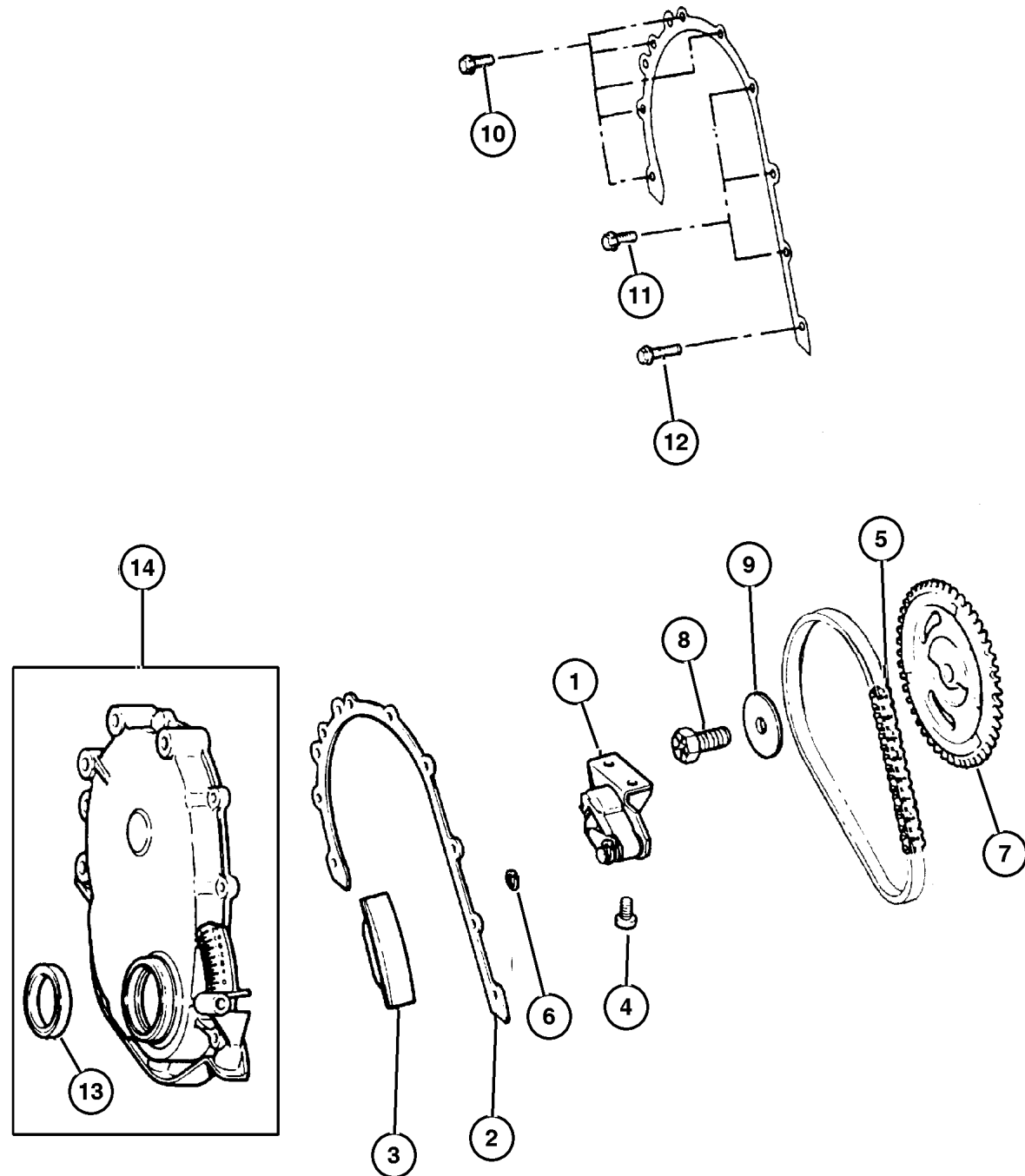
ITEM	PART NUMBER	QTY	LINE	SERIES	BODY	ENGINE	TRANS	TRIM	DESCRIPTION
19	J323 6513	4				EPO			BRIDGE, Rocker Arm
20	4778 743	8				EPO			ROCKER ARM, Valve 1997 XJ
	J324 2393	8				EPO			1998 XJ, 1999 XJ
21	J323 5090	8				EPO			PIVOT, Rocker Arm

JEEP CHEROKEE (XJ)				
SERIES	LINE	BODY	ENGINE	TRANSMISSION
L=Low Line	J=LHD (4WD) U=RHD (4WD) T=LHD (2WD) B=RHD (2WD)	74=4 DR. (101.4 WB) 72=2 DR. (101.4 WB)	ENC,EN0=2.5L 4 cyl. Turbo Die ERH,ER0=4.0L Power Tech I-6 EPE,EPO=Magnum 2.5L SMPI	DDQ=5Spd Man. DGS=4 Spd. Auto. AISIN DG0=All Auto Trans DBB=All Manual Trans.

AR = Use as required - = Non illustrated part # = New this model year

July 4, 2003

**Timing Cover 2.5L (EPE) Engine  
Figure 2.5L4-610**



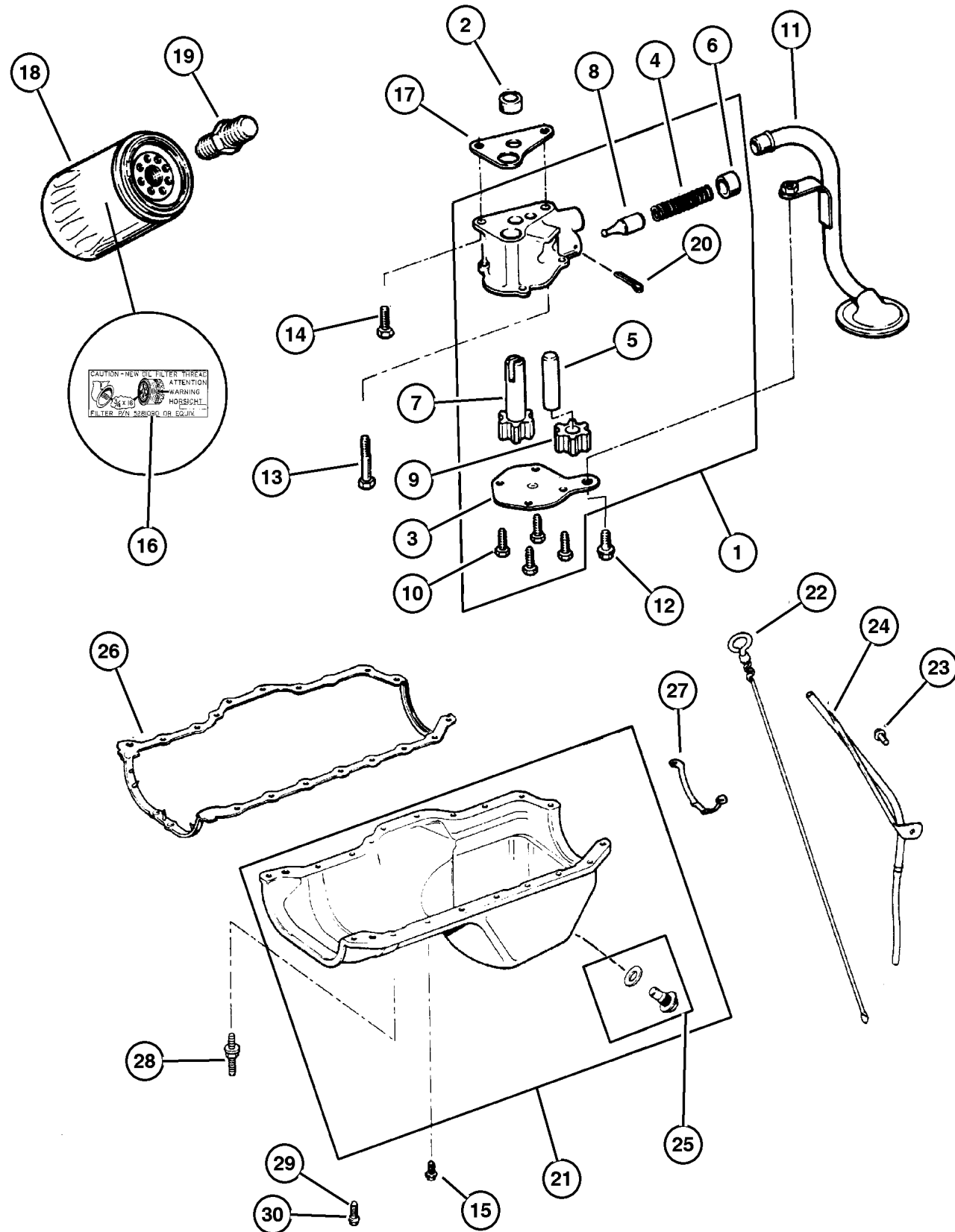
ITEM	PART NUMBER	QTY	LINE	SERIES	BODY	ENGINE	TRANS	TRIM	DESCRIPTION
NOTE: EP0=All 2.5L Gas Engines									
1	3300 3421	1				EP0			TENSIONER, Belt
2	5302 0487	1				EP0, ER0			GASKET, Front Cover
3	3300 3446	1				EP0, ER0			SNUBBER, Timing Chain
4	J400 6708	2				EP0			SCREW, Pan Head, .312-18x.56
5	J324 2300	1				EP0			CHAIN, Timing
6									CLIP, Serviced in Tensioner Assembly, (NOT SERVICED) (Not Serviced)
7	J324 2280	1				EP0			GEAR, Camshaft
8	J324 3156	1				EP0			BOLT, Hex Flange Head, .50-20x1.38
9	J317 3284	1				EP0, ER0			WASHER, Flat, .206 Diameter 1997 XJ, 1998 XJ
10	#6035 893	5				EP0, ER0			1999 XJ BOLT, Hex 1999 XJ
	J400 6906	5				EP0, ER0			1997 XJ, 1998 XJ
11	6034 604	2				EP0			SCREW 1997 XJ, 1998 XJ
	#6035 894	2				EP0			1999 XJ
12	6034 914	1				EP0, ER0			SCREW 1997 XJ, 1998 XJ
	#6035 895	1				EP0, ER0			1999 XJ
13	3300 4681	1				EP0, ER0			SEAL, Front Main Crankshaft
14	5302 0222	1				EP0, ER0			COVER, Timing Belt

JEEP CHEROKEE (XJ)				
SERIES	LINE	BODY	ENGINE	TRANSMISSION
L=Low Line	J=LHD (4WD) U=RHD (4WD) T=LHD (2WD) B=RHD (2WD)	74=4 DR. (101.4 WB) 72=2 DR. (101.4 WB)	ENC,EN0=2.5L 4 cyl. Turbo Die ERH,ER0=4.0L Power Tech I-6 EPE,EP0=Magnum 2.5L SMPI	DDQ=5Spd Man. DGS=4 Spd. Auto. AISIN DG0=All Auto Trans DBB=All Manual Trans.

AR = Use as required - = Non illustrated part # = New this model year

July 4, 2003

**Engine Oiling 2.5L (EPE) Engine  
Figure 2.5L4-710**



ITEM	PART NUMBER	QTY	LINE	SERIES	BODY	ENGINE	TRANS	TRIM	DESCRIPTION
NOTE: All 2.5L Gas Engines									
1	J324 1399	1				EP0			PUMP, Engine Oil
2	J400 5149	1				EP0, ER0			DOWEL, Oil Pump
3	J324 1733	1				EP0			COVER, Engine Oil Pump
4	J323 9668	1				EP0			SPRING, Oil Pressure Relief Valve
5	J317 1956	1				EP0			SHAFT, Oil Pump
6	J317 1958	1				EP0			RETAINER, Oil Release Valve
7	J317 2334	1				EP0			GEAR, Oil Pump
8	J318 8661	1				EP0			PLUNGER, Oil Pressure Relief Valve
9	J319 6843	1				EP0			GEAR, Oil Pump Driven
10	J941 6852	4				EP0			SCREW, Hex Flange Head, .25-20x.50
11	5302 0564	1				EP0			TUBE, Oil Pump Inlet
12	J941 9683	1				EP0			BOLT, Hex Flange Head, .312-18x.625
13	0154 593	1				EP0, ER0			SCREW, Hex Head Coned, .312-18x2.625
14	6022 235	1				EP0, ER0			BOLT AND WASHER, Hex Head, .312-18x1.00
15	6034 732	13				EP0			SCREW AND WASHER, Hex Head, .25-20x.545
16									LABEL, Oil Filter Thread I.D. (NOT REQUIRED), 1999 XJ 1997 XJ, 1998 XJ
	5300 8907	1							
17	J317 2332	1				EP0, ER0			GASKET, Oil Pump
18	5281 090	1				EP0, ER0			FILTER, Engine Oil
19	5300 7563	1				EP0			CONNECTOR, Oil Filter
20	J027 1448	1				EP0			PIN, Roll, 5/32" x 1.00"
21	5302 0560	1				EP0			PAN, Engine Oil
22	5301 0444	1				EP0			INDICATOR, Engine Oil Level
23	6035 664	1				EP0, ER0			STUD, .312-18x1.560
24	5301 0343	1				EP0			TUBE, Oil Filler
25	6035 417	1				EP0			PLUG, Oil Drain
26	5300 7567	1				EP0			GASKET, Oil Pan
27	J324 3116	1				EP0			SUPPORT, Engine Oil Pan
28	6034 734	6				EP0			BOLT, Double Stud Hex, .250-20x1.437 & .250-20 x.700
29	6034 483	3				EP0			SCREW, Hex Head Coned, .312-18x.875

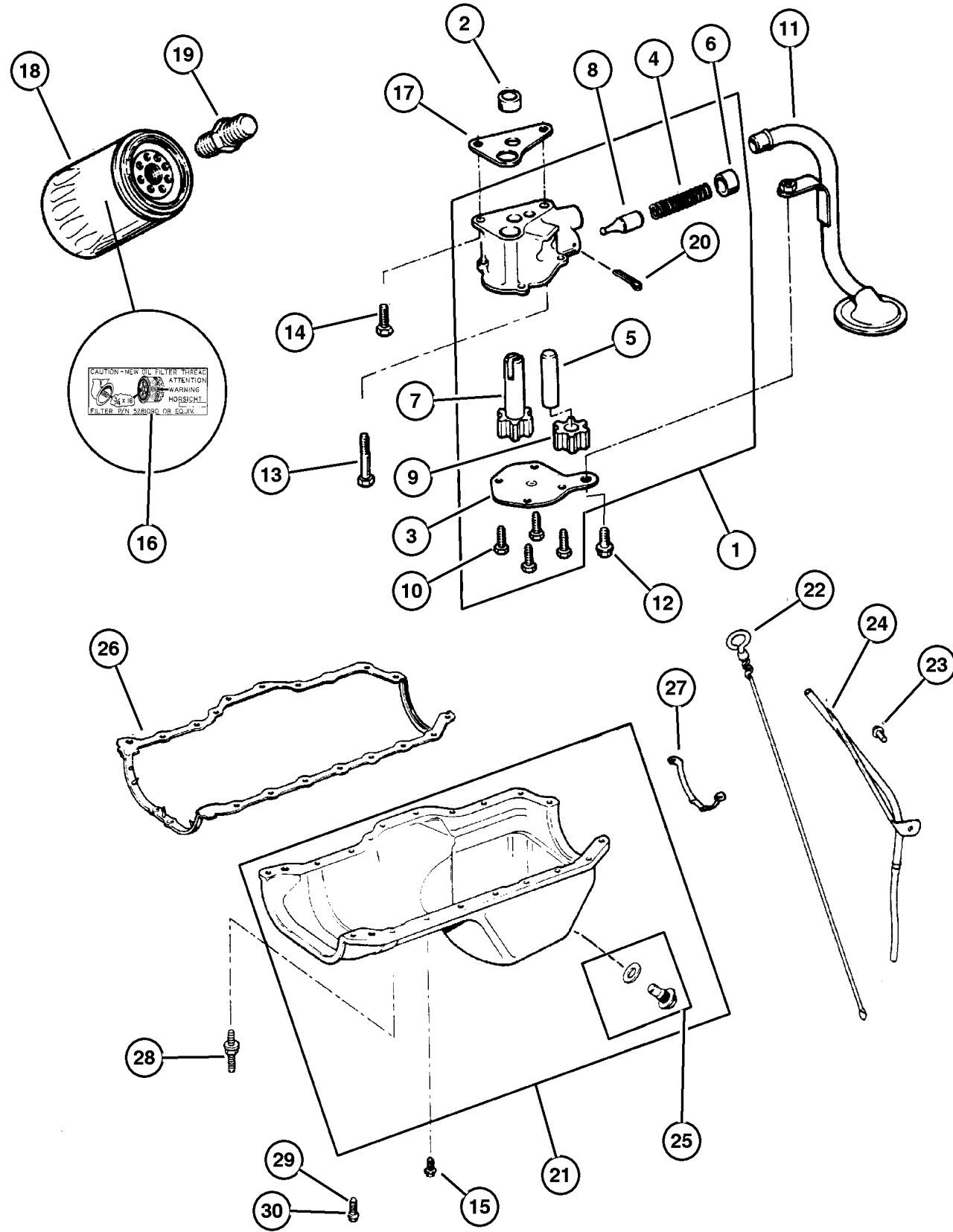
JEEP CHEROKEE (XJ)				
SERIES	LINE	BODY	ENGINE	TRANSMISSION
L=Low Line	J=LHD (4WD) U=RHD (4WD) T=LHD (2WD) B=RHD (2WD)	74=4 DR. (101.4 WB) 72=2 DR. (101.4 WB)	ENC,EN0=2.5L 4 cyl. Turbo Die ERH,ER0=4.0L Power Tech I-6 EPE,EP0=Magnum 2.5L SMPI	DDQ=5Spd Man. DGS=4 Spd. Auto. AISIN DG0=All Auto Trans DBB=All Manual Trans.

AR = Use as required - = Non illustrated part # = New this model year

July 4, 2003

Engine Oiling 2.5L (EPE) Engine  
Figure 2.5L4-710

ITEM	PART NUMBER	QTY	LINE	SERIES	BODY	ENGINE	TRANS	TRIM	DESCRIPTION
30	6034 733	1				EPO			STUD, .312-18/.250-20x1.680



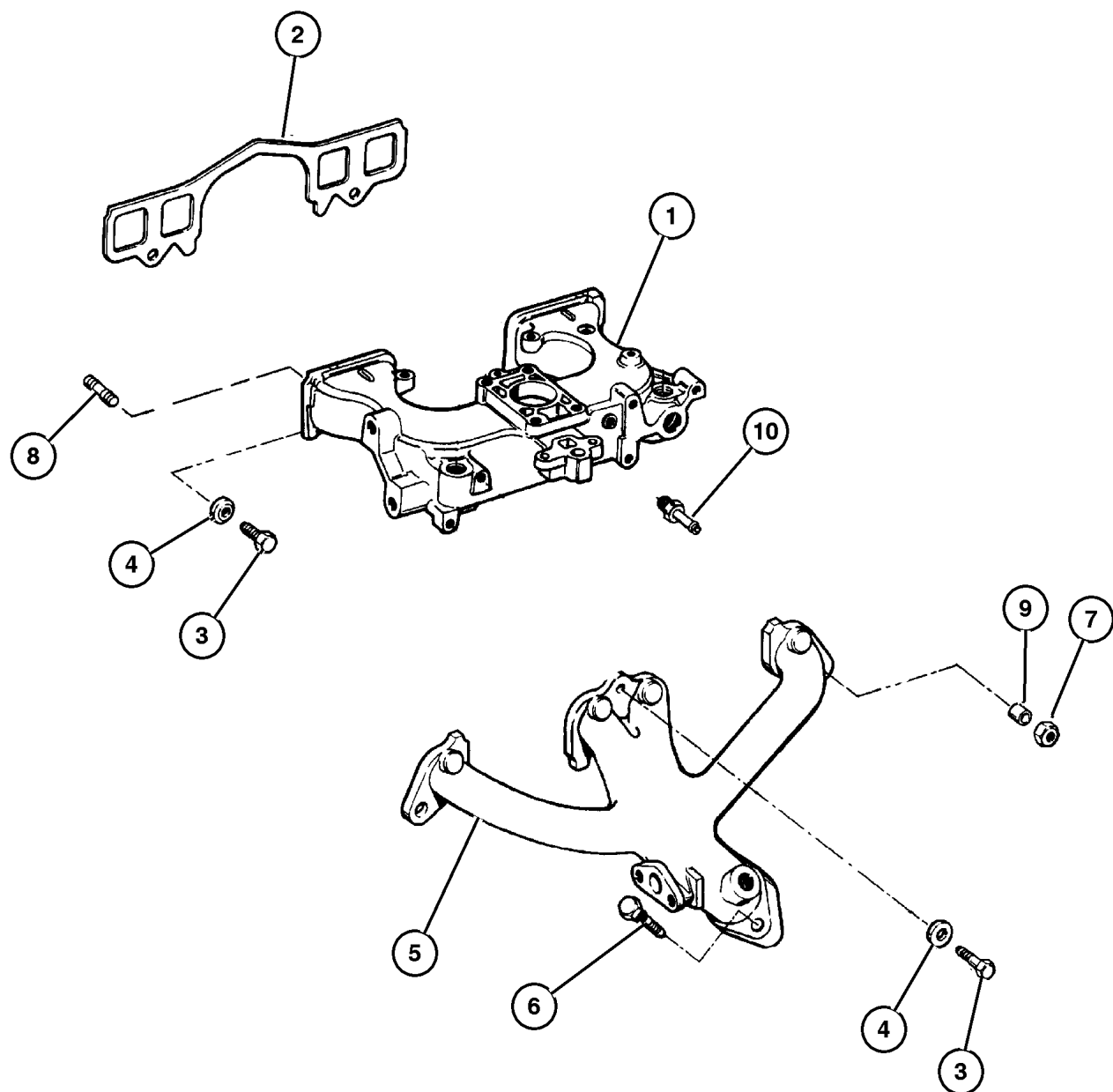
JEEP CHEROKEE (XJ)				
SERIES	LINE	BODY	ENGINE	TRANSMISSION
L=Low Line	J=LHD (4WD) U=RHD (4WD) T=LHD (2WD) B=RHD (2WD)	74=4 DR. (101.4 WB) 72=2 DR. (101.4 WB)	ENC,EN0=2.5L 4 cyl. Turbo Die ERH,ER0=4.0L Power Tech I-6 EPE,EP0=Magnum 2.5L SMPI	DDQ=5Spd Man. DGS=4 Spd. Auto. AISIN DG0=All Auto Trans DBB=All Manual Trans.

AR = Use as required - = Non illustrated part # = New this model year

July 4, 2003

**Manifold, Intake and Exhaust 2.5L (EPE) Engine**  
**Figure 2.5L4-810**

ITEM	PART NUMBER	QTY	LINE	SERIES	BODY	ENGINE	TRANS	TRIM	DESCRIPTION
NOTE: EP0=All 2.5L Gas Engines									
1	5301 0245	1				EP0			MANIFOLD, Intake
2	5302 0112	1				EP0			GASKET, Intake Manifold
3	#6036 045AA	4				EP0			BOLT AND RETAINER, Hex Head 1999 XJ
	J018 6622	4				EP0			1997 XJ, 1998 XJ
4	3300 4255	7				EP0			WASHER, Manifold Retaining 1997 XJ, 1998 XJ
		2				EP0			1999 XJ
5	5300 8860	1				EP0			MANIFOLD, Exhaust
6	J400 7109	2				EP0			STUD, .375-16x1.69
7	6034 984	2				EP0, ER0			NUT, Hex Flange Lock, .375-24
8	5301 0165	2				EP0, ER0			STUD, .375-16/.375-24x1.75
9	3300 3332	2				EP0			SPACER, Exhaust Manifold
10	4854 194	1				EP0			FITTING, Vacuum Power Brake
		1				EP0			Crankcase Ventilation
		1				EP0			Duty Cycle Purge Solenoid
	5302 0027	1				EP0			Heater Control, 1998 XJ, 1999 XJ



**JEEP CHEROKEE (XJ)**

SERIES	LINE	BODY	ENGINE	TRANSMISSION
L=Low Line	J=LHD (4WD) U=RHD (4WD) T=LHD (2WD) B=RHD (2WD)	74=4 DR. (101.4 WB) 72=2 DR. (101.4 WB)	ENC,EN0=2.5L 4 cyl. Turbo Die ERH,ER0=4.0L Power Tech I-6 EPE,EP0=Magnum 2.5L SMPI	DDQ=5Spd Man. DGS=4 Spd. Auto. AISIN DG0=All Auto Trans DBB=All Manual Trans.

AR = Use as required - = Non illustrated part # = New this model year

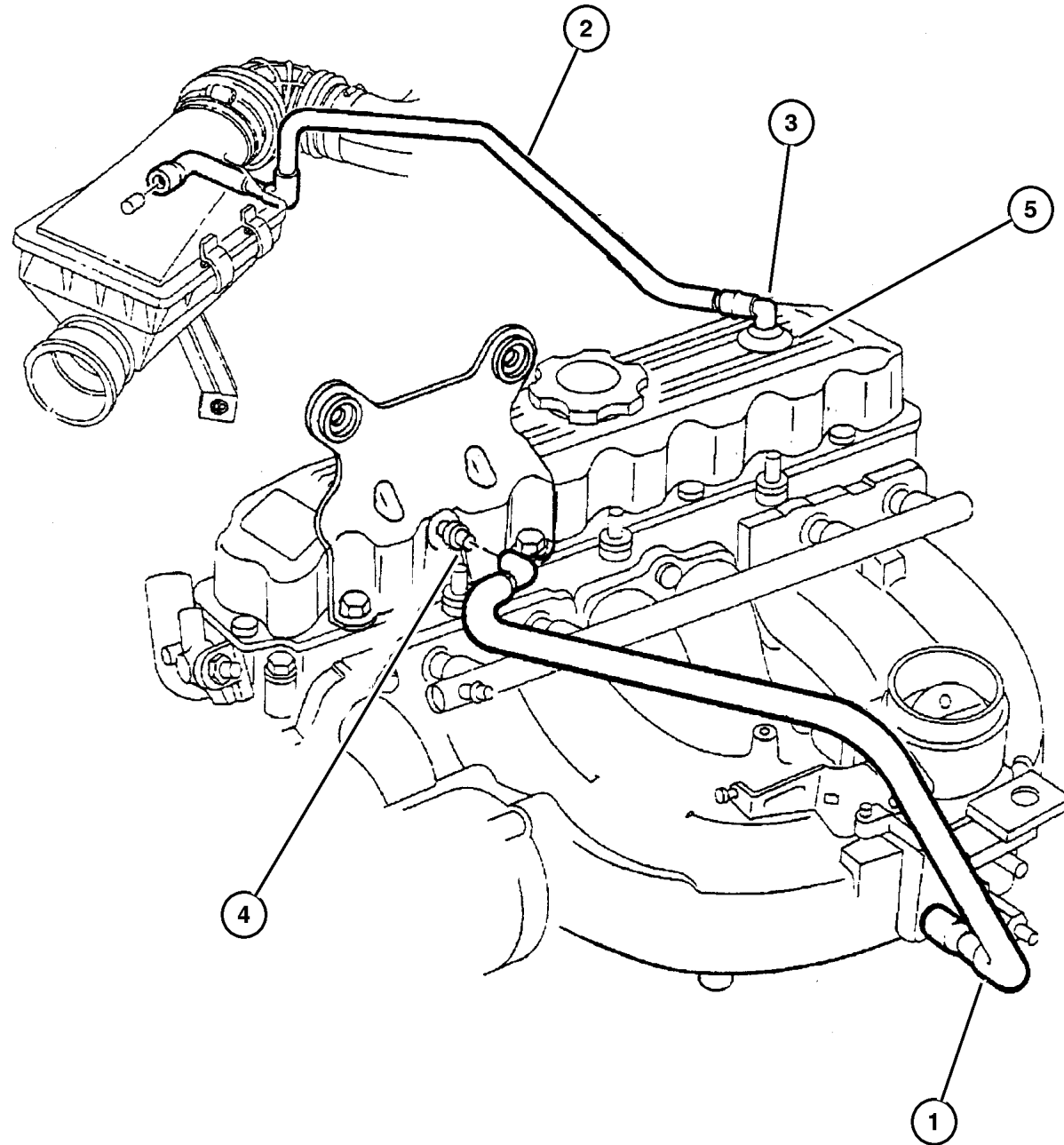
July 4, 2003

**Crankcase Ventilation 2.5L (EPE) Engine 1997 XJ**  
**Figure 2.5L4-910**

ITEM	PART NUMBER	QTY	LINE	SERIES	BODY	ENGINE	TRANS	TRIM	DESCRIPTION
------	-------------	-----	------	--------	------	--------	-------	------	-------------

NOTE: EP0=All 2.5L Gas Engines

1	4854 072	1				EP0			TUBE, Vent
2	4854 180	1				ER0			TUBE, Crankcase Vent To Air Cleaner
3	5303 0497	1				EP0			FITTING, Crankcase Vent Tube
4	3300 4175	1				EP0			CONNECTOR, Vacuum Hose
5	2946 079	1				EP0			GROMMET, Crankcase Vent



**JEEP CHEROKEE (XJ)**

SERIES	LINE	BODY	ENGINE	TRANSMISSION
L=Low Line	J=LHD (4WD) U=RHD (4WD) T=LHD (2WD) B=RHD (2WD)	74=4 DR. (101.4 WB) 72=2 DR. (101.4 WB)	ENC,EN0=2.5L 4 cyl. Turbo Die ERH,ER0=4.0L Power Tech I-6 EPE,EP0=Magnum 2.5L SMPI	DDQ=5Spd Man. DGS=4 Spd. Auto. AISIN DG0=All Auto Trans DBB=All Manual Trans.

AR = Use as required - = Non illustrated part # = New this model year

July 4, 2003

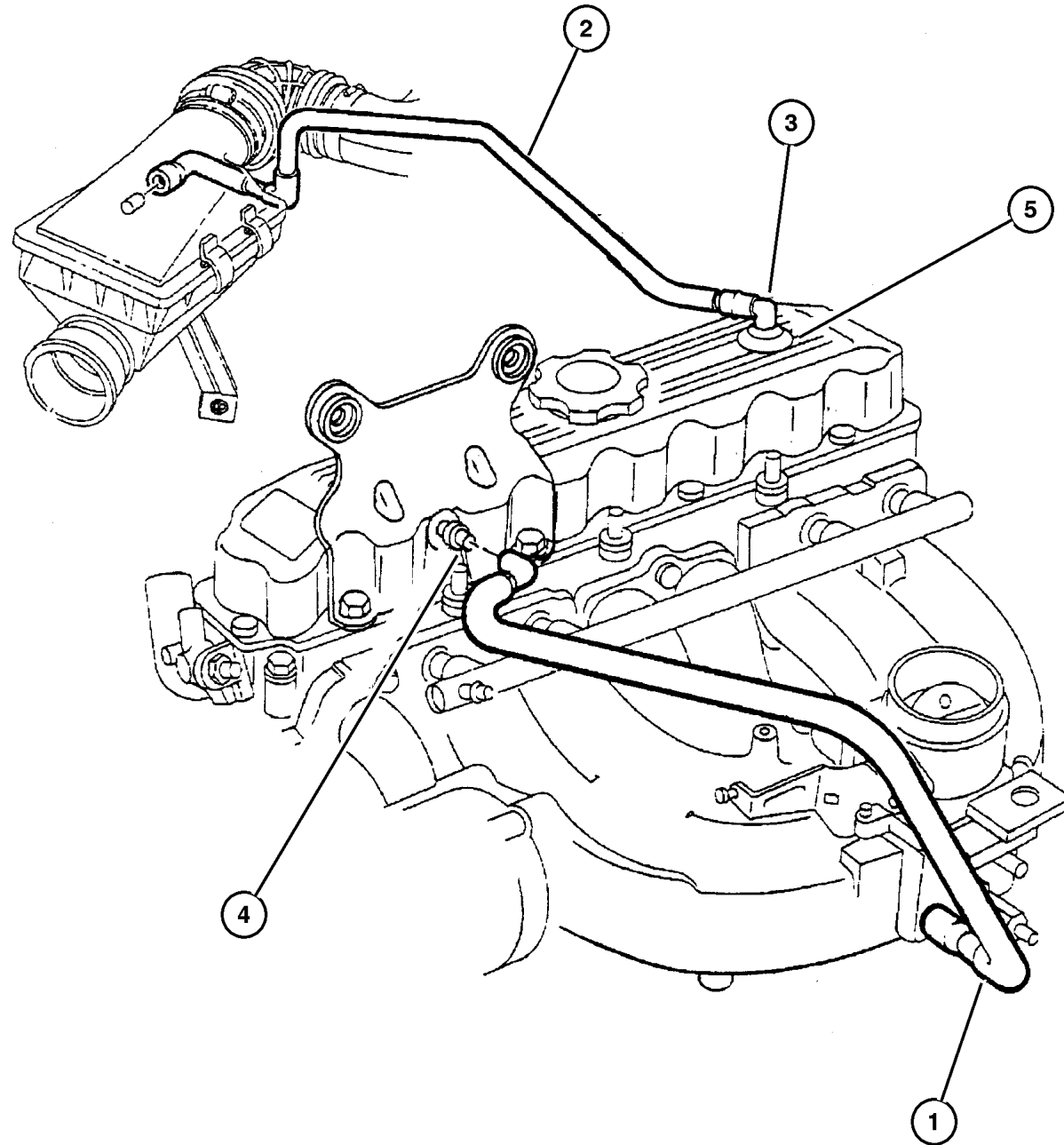


**Crankcase Ventilation 2.5L (EPE) Engine 1998 XJ**  
**Figure 2.5L4-910**

ITEM	PART NUMBER	QTY	LINE	SERIES	BODY	ENGINE	TRANS	TRIM	DESCRIPTION
------	-------------	-----	------	--------	------	--------	-------	------	-------------

NOTE: EP0=All 2.5L Gas Engines

1	4854 072	1				EP0			TUBE, Vent
2	4854 192	1				EP0			TUBE, Crankcase Vent To Air Cleaner
3	5303 0991	1				EP0			FITTING, Crankcase Vent Tube
4	3300 4175	1				EP0			CONNECTOR, Vacuum Hose
5	2946 079	1				EP0			GROMMET, Crankcase Vent



**JEEP CHEROKEE (XJ)**

SERIES	LINE	BODY	ENGINE	TRANSMISSION
L=Low Line	J=LHD (4WD) U=RHD (4WD) T=LHD (2WD) B=RHD (2WD)	74=4 DR. (101.4 WB) 72=2 DR. (101.4 WB)	ENC,EN0=2.5L 4 cyl. Turbo Die ERH,ER0=4.0L Power Tech I-6 EPE,EP0=Magnum 2.5L SMPI	DDQ=5Spd Man. DGS=4 Spd. Auto. AISIN DG0=All Auto Trans DBB=All Manual Trans.

AR = Use as required - = Non illustrated part # = New this model year

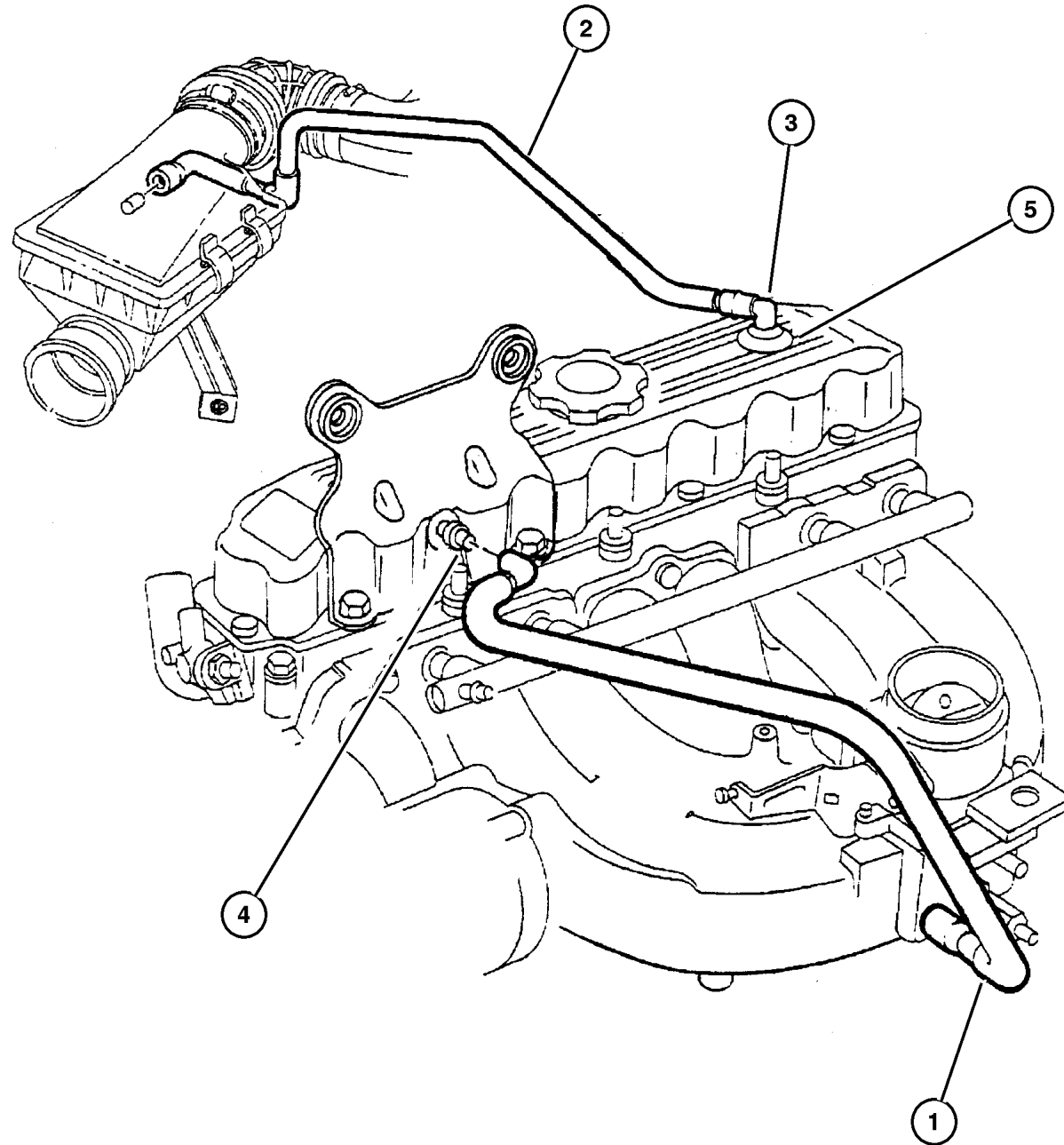
July 4, 2003

**Crankcase Ventilation 2.5L (EPE) Engine 1999 XJ**  
**Figure 2.5L4-910**

ITEM	PART NUMBER	QTY	LINE	SERIES	BODY	ENGINE	TRANS	TRIM	DESCRIPTION
------	-------------	-----	------	--------	------	--------	-------	------	-------------

NOTE: EP0=All 2.5L Gas Engines

1	4854 072	1				EP0			TUBE, Vent
2	4854 192	1				EP0			TUBE, Crankcase Vent To Air Cleaner
3	5303 0991	1				EP0			FITTING, Crankcase Vent Tube
4	3300 4175	1				EP0			CONNECTOR, Vacuum Hose
5	2946 079	1				EP0			GROMMET, Crankcase Vent



**JEEP CHEROKEE (XJ)**

SERIES	LINE	BODY	ENGINE	TRANSMISSION
L=Low Line	J=LHD (4WD) U=RHD (4WD) T=LHD (2WD) B=RHD (2WD)	74=4 DR. (101.4 WB) 72=2 DR. (101.4 WB)	ENC,EN0=2.5L 4 cyl. Turbo Die ERH,ER0=4.0L Power Tech I-6 EPE,EP0=Magnum 2.5L SMPI	DDQ=5Spd Man. DGS=4 Spd. Auto. AISIN DG0=All Auto Trans DBB=All Manual Trans.

AR = Use as required - = Non illustrated part # = New this model year

July 4, 2003

# Group – 4.0L

## Engine 4.0L Six Cylinder

### GROUP 4.0L - Engine 4.0L Six Cylinder

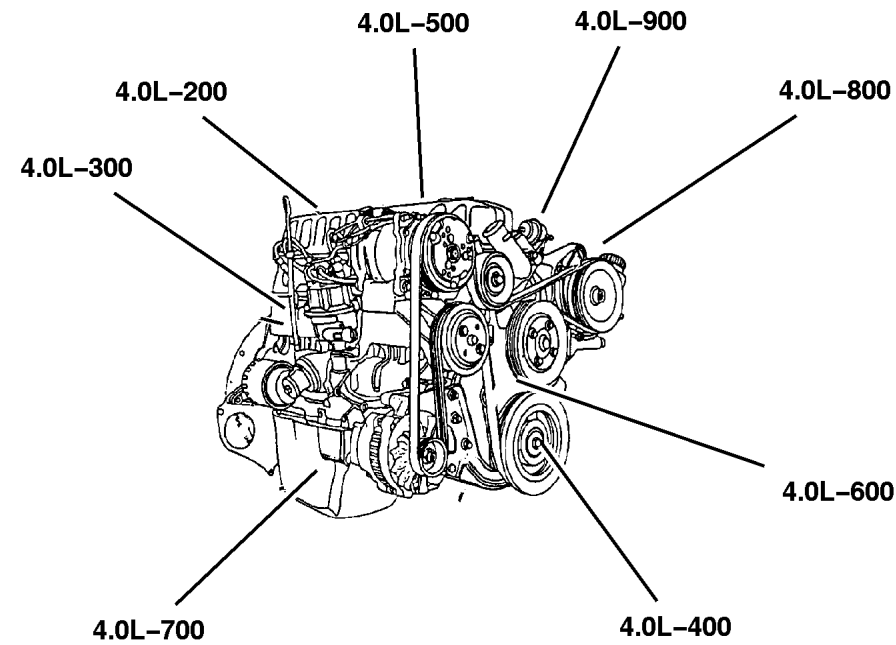


Illustration Title

Group-Fig. No.

#### Cylinder Head

Cylinder Head 4.0L (ERH) Engine ..... Fig. 4.0L-210

#### Cylinder Block

Cylinder Block 4.0L (ERH) Engine ..... Fig. 4.0L-310

#### Crankshaft, Piston and Torque Converter

Crankshaft, Piston and Torque Converter 4.0L (ERH) Engine ..... Fig. 4.0L-410

#### Camshafts & Valves

Camshaft and Valves 4.0L (ERH) Engine ..... Fig. 4.0L-510

#### Timing Belt and Cover

Timing Cover 4.0L (ERH) Engine 1997 XJ ..... Fig. 4.0L-610

Timing Cover 4.0L (ERH) Engine 1998 XJ ..... Fig. 4.0L-610

Timing Cover 4.0L (ERH) Engine 1999 XJ ..... Fig. 4.0L-610

#### Engine Oiling

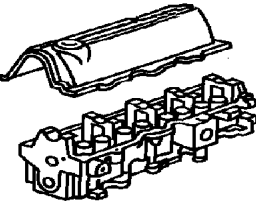
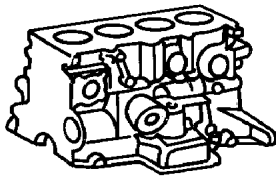
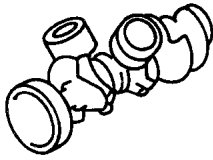
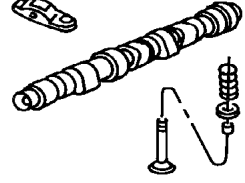
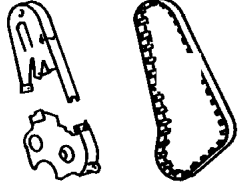
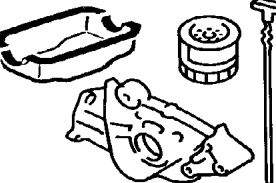
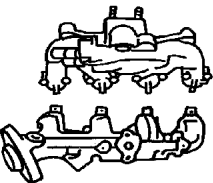
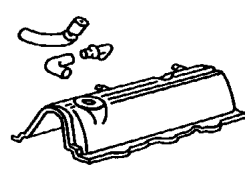
Engine Oiling 4.0L (ERH) Engine ..... Fig. 4.0L-710

#### Manifolds

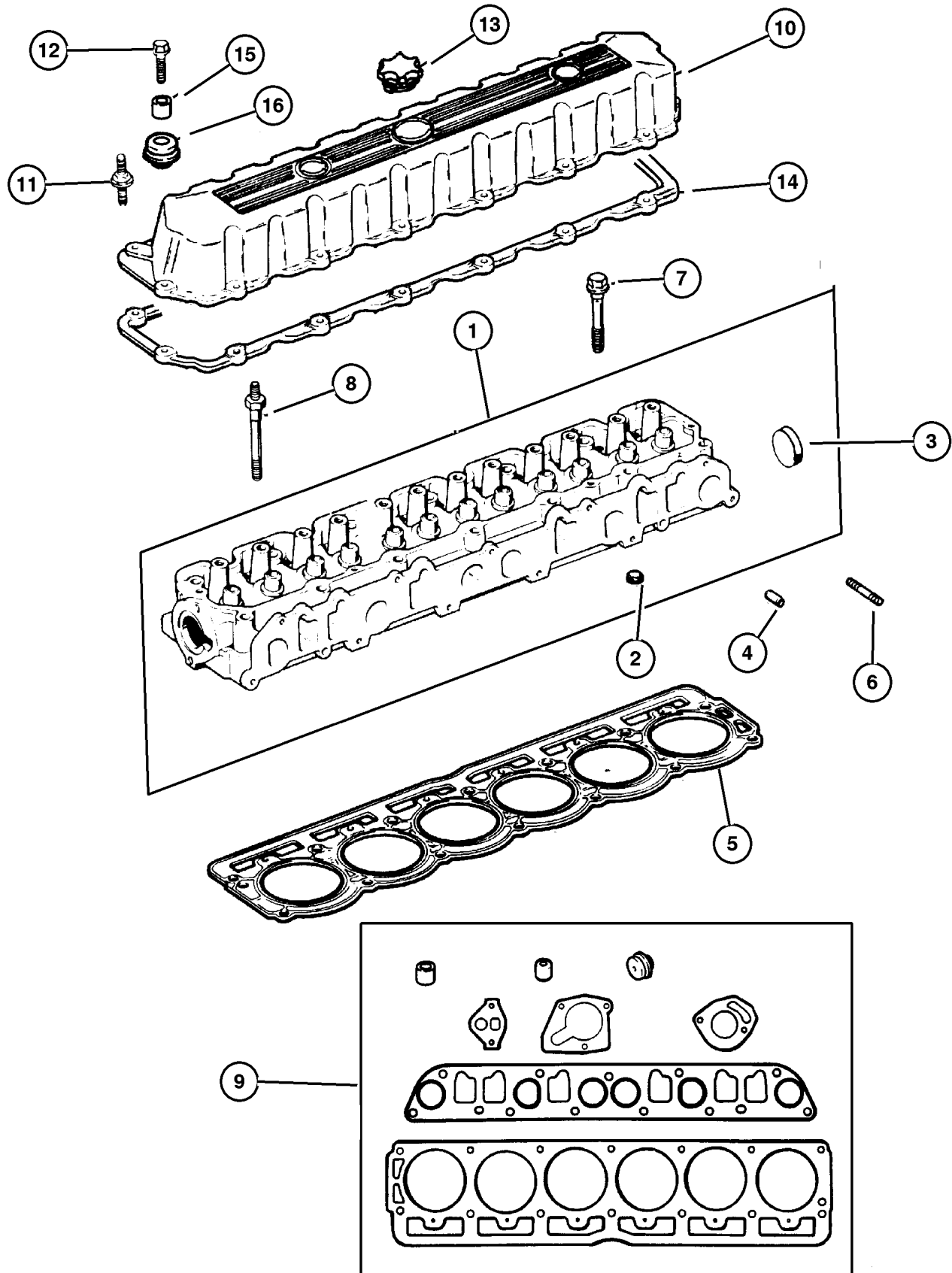
Manifold, Intake and Exhaust 4.0L (ERH) Engine ..... Fig. 4.0L-810

#### Crankcase Ventilation

Crankcase Ventilation 4.0L (ERH) Engine ..... Fig. 4.0L-910

<p><b>4.0L-200</b> Cylinder Head</p> 	<p><b>4.0L-300</b> Cylinder Block</p> 	<p><b>4.0L-400</b> Crankshaft, Piston and Torque Converter</p> 	<p><b>4.0L-500</b> Camshafts &amp; Valves</p> 
<p><b>4.0L-600</b> Timing Belt and Cover</p> 	<p><b>4.0L-700</b> Engine Oiling</p> 	<p><b>4.0L-800</b> Manifolds</p> 	<p><b>4.0L-900</b> Crankcase Ventilation</p> 

## Cylinder Head 4.0L (ERH) Engine Figure 4.0L-210



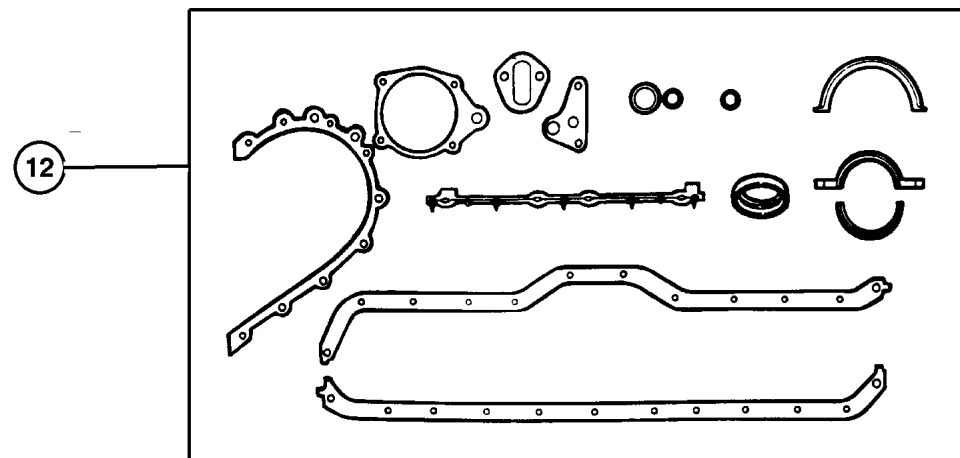
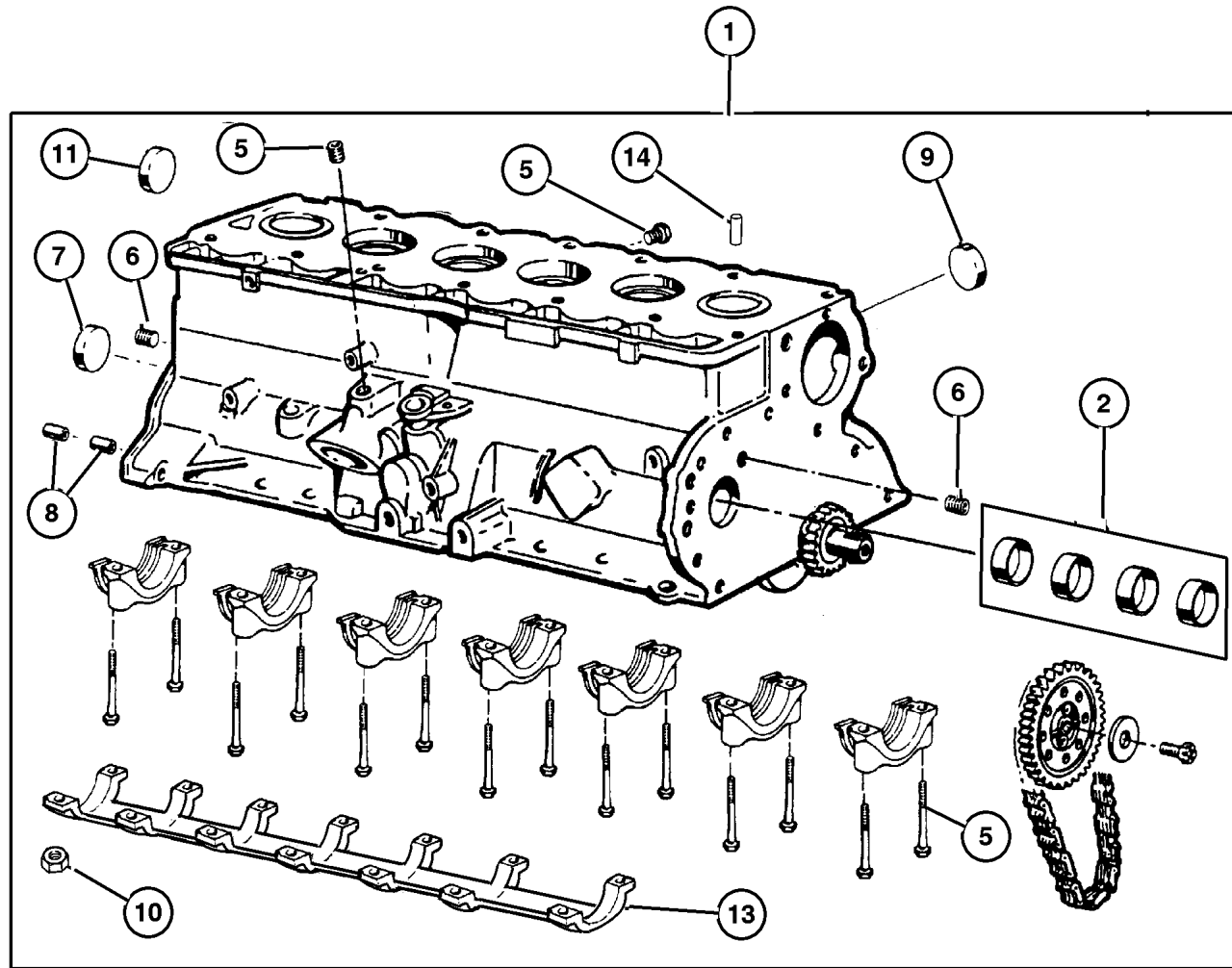
ITEM	PART NUMBER	QTY	LINE	SERIES	BODY	ENGINE	TRANS	TRIM	DESCRIPTION
NOTE: ER0=All 4.0L Engines DBB=All Manual Transmissions									
1	5302 0622	1				ER0			HEAD, Cylinder
	#53020 622AB	1				ER0			1997 XJ
	53020 622AC	1				ER0			1999 XJ
2	J400 7434	4				ER0			PLUG, Cylinder Block Oil Hole
3	J310 5394	1				EP0			PLUG, Cylinder Block Oil Hole
		1				ER0			1997 XJ
		1				ER0			1998 XJ, 1999 XJ
4	J317 2318	2				EP0,			DOWEL, Cylinder Head To Intake
						ER0			
5	5302 0754	1				ER0			GASKET, Cylinder Head
	53020 754AB	1				ER0			1997 XJ, 1998 XJ
						ER0			1999 XJ
6	5301 0165	2				EP0,			STUD, .375-16/.375-24x1.75
						ER0			
7									BOLT, Cylinder Head
	6035 514	5				ER0			w/o Dome
	6035 515	2				ER0			w/Dome
8									STUD, Double Ended, .50-13/.437-14x6.00
	6035 516	7				ER0			1997 XJ, 1998 XJ
		6				ER0			1999 XJ
9									GASKET PACKAGE, Engine
	4636 982	1				ER0	DBB		1997 XJ
	4636 982AB	1				ER0			1998 XJ
	#5012 365AA	1				ER0			1999 XJ
10	5302 0323	1				ER0			COVER, Cylinder Head
11	6035 968AA	7				ER0			STUD, .250-20x2.00
12	6035 566	8				ER0			BOLT, Hex Flange Head, .250-20x1.00
13	4777 536	1				ER0			CAP, Oil Filler
14									GASKET, Valve Cover
	5302 0758	1				ER0			1997 XJ
	53020 758AB	1				ER0			1998 XJ
	53020 758AC	1				ER0			1999 XJ
15									SLEEVE, Torque Limiter
	5302 0598	15				ER0			1997 XJ, 1998 XJ
	53020 598AB	15				ER0			1999 XJ
16	5301 0424	15				ER0			GROMMET, Insulator

JEEP CHEROKEE (XJ)				
SERIES	LINE	BODY	ENGINE	TRANSMISSION
L=Low Line	J=LHD (4WD) U=RHD (4WD) T=LHD (2WD) B=RHD (2WD)	74=4 DR. (101.4 WB) 72=2 DR. (101.4 WB)	ENC,EN0=2.5L 4 cyl. Turbo Die ERH,ER0=4.0L Power Tech I-6 EPE,EP0=Magnum 2.5L SMPI	DDQ=5Spd Man. DGS=4 Spd. Auto. AISIN DG0=All Auto Trans DBB=All Manual Trans.

AR = Use as required - = Non illustrated part # = New this model year

July 4, 2003

**Cylinder Block 4.0L (ERH) Engine  
Figure 4.0L-310**



ITEM	PART NUMBER	QTY	LINE	SERIES	BODY	ENGINE	TRANS	TRIM	DESCRIPTION
NOTE: ER0=All 4.0L Engines DBB=All Manual Transmissions									
1	4883 025	1				ER0			BLOCK, Short 1997 XJ, 1998 XJ
	#5013 116AA	1				ER0	DBB		Contains: Crank, Rods, Pistons, Rings, Cam Bearings, Timing Chain, Sprockets, 1999 XJ
		1				ER0	DG0		Contains: Crank, Rods, Pistons, Rings, Cam Bearings, Timing Chain, Sprockets, 1999 XJ
2	J320 5711	1				ER0			BEARING KIT, Camshaft, Standard (NOT REQUIRED), 1999 XJ 1997 XJ, 1998 XJ
-3									BEARING PACKAGE, Camshaft, Standard Size (NOT REQUIRED), 1997 XJ, 1998 XJ 1999 XJ
	#4636 985AB	1				ER0			BEARING KIT, Camshaft, .010 Oversize (NOT REQUIRED), 1999 XJ 1997 XJ, 1998 XJ
5	6035 207	14				ER0			STUD, .500-13/.375-16x3.97
6	6034 166	4				ER0			PLUG, Cylinder Block Oil Hole 1997 XJ
		3				ER0			1998 XJ, 1999 XJ
7	J317 2313	1				EP0			PLUG, Camshaft
8	J400 5148	2				ER0			DOWEL, Transmission
9	J310 5394	6				ER0			PLUG, Cylinder Block Oil Hole
10	0152 474	14				ER0			NUT, Hex Flange Lock, .375-16
11	5302 0465	1				EP0			PLUG, Cylinder Block
12	4740 008	1				ER0	DBB		GASKET PACKAGE, Engine 1997 XJ
	4740 008AB	1				ER0			1998 XJ
	4740 008AC	1				ER0	DG0		1999 XJ
13	5302 0566	1				ER0			BRACE, Main Bearing Cap
14	0141 215	2				ER0			DOWEL, .312 x .500
-15	5300 9803	1				ER0			HEATER, Engine Block

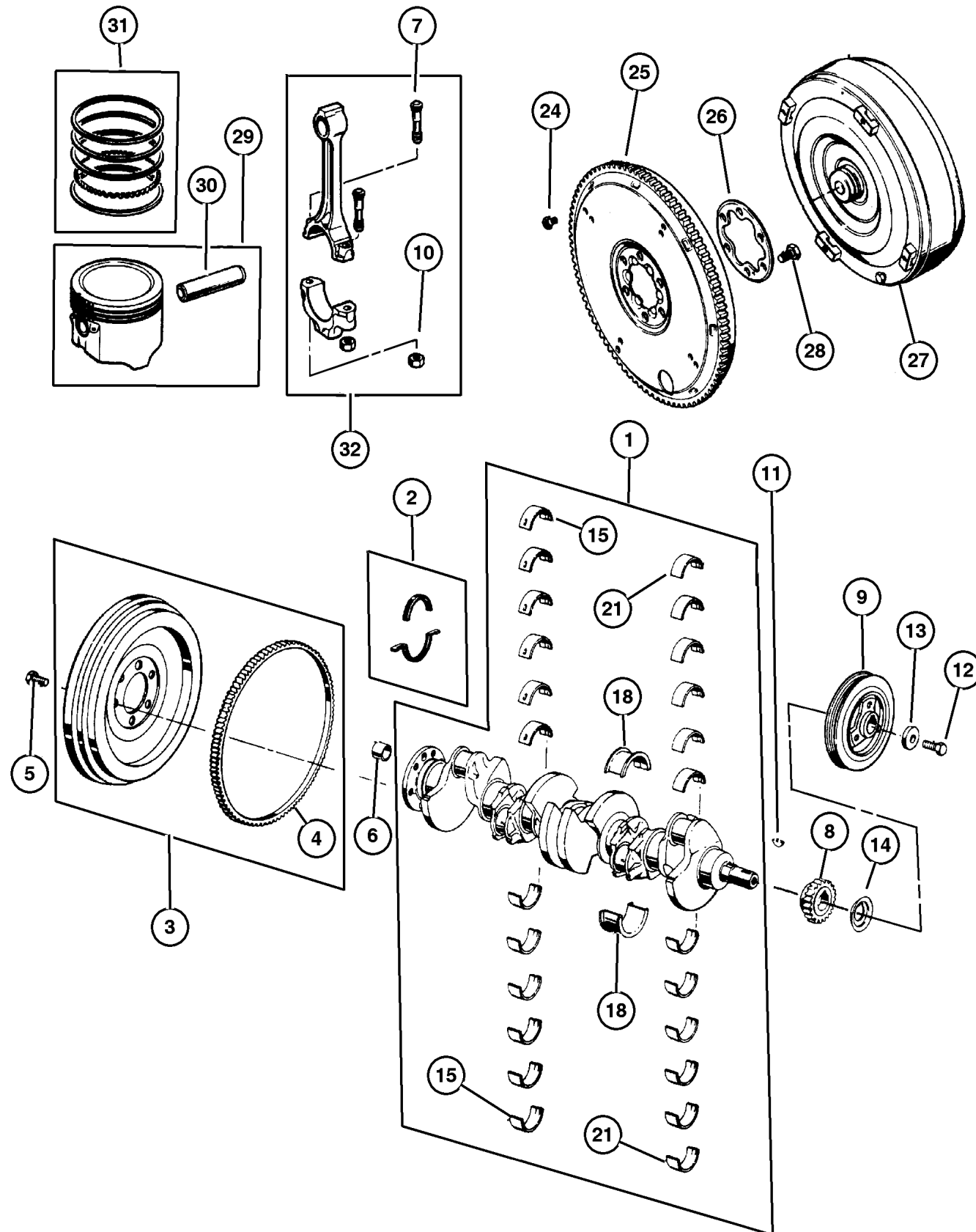
**JEEP CHEROKEE (XJ)**

SERIES	LINE	BODY	ENGINE	TRANSMISSION
L=Low Line	J=LHD (4WD) U=RHD (4WD) T=LHD (2WD) B=RHD (2WD)	74=4 DR. (101.4 WB) 72=2 DR. (101.4 WB)	ENC,EN0=2.5L 4 cyl. Turbo Die ERH,ER0=4.0L Power Tech I-6 EPE,EP0=Magnum 2.5L SMPI	DDQ=5Spd Man. DGS=4 Spd. Auto. AISIN DG0=All Auto Trans DBB=All Manual Trans.

AR = Use as required - = Non illustrated part # = New this model year

July 4, 2003

## Crankshaft, Piston and Torque Converter 4.0L (ERH) Engine Figure 4.0L-410



ITEM	PART NUMBER	QTY	LINE	SERIES	BODY	ENGINE	TRANS	TRIM	DESCRIPTION
------	-------------	-----	------	--------	------	--------	-------	------	-------------

NOTE: ER0=All 4.0L Engines DBB=All Manual Transmissions DG0=All Automatic Transmissions DGS=Aisin 4 Speed Automatic

ITEM	PART NUMBER	QTY	LINE	SERIES	BODY	ENGINE	TRANS	TRIM	DESCRIPTION
Transmission									
1	4864 726	1				ER0	DBB		CRANKSHAFT
		1				ER0	DG0		1998 XJ, 1999 XJ
2	4778 126	1				ER0			SEAL PACKAGE, Crankshaft
3	5302 0519	1				ER0	DBB		FLYWHEEL
4	J317 9741	1				ER0	DBB		GEAR, Ring
5	J317 0524	6				ER0	DBB		BOLT, Flywheel
6									BEARING, Pilot
	5300 9180	1				ER0	DBB		Sleeve and Bearing
	5300 9181	1				ER0	DBB		Bearing
7	5302 0123	12				ER0			BOLT, Connecting Rod
8	5302 0443	1				ER0			GEAR, Crankshaft
9	3300 2920	1				ER0			DAMPER, Crankshaft
10	J400 6385	12				ER0			NUT, Hex Flange, .3437-24
11	6034 749	1				EP0,			KEY, Crankshaft Sprocket
						ER0			
12	0182 776	1				EP0,			BOLT
						ER0			1999 XJ
	6029 736	1				EP0,			1997 XJ, 1998 XJ
13	J323 0155	1				EP0,			WASHER, Plain
						ER0			
14	J317 3076	1				EP0,			SLINGER, Oil
						ER0			
15	8350 7079	6				ER0			BEARING PACKAGE, Crankshaft, Standard
-16	8350 7080	AR				EP0,			BEARING PACKAGE, Crankshaft, .001 Undersize
						ER0			
-17	8350 7083	AR				EP0,			BEARING PACKAGE, Crankshaft, .010 Undersize
						ER0			
18									BEARING PACKAGE, Crankshaft Thrust, Standard Size
	8350 7084	1				EP0,			Standard, 1997 XJ, 1998 XJ
						ER0			
						EP0,			1999 XJ
						ER0			
-19	8350 7086	AR				EP0,			BEARING PACKAGE, Crankshaft Thrust, .001" Undersize
						ER0			

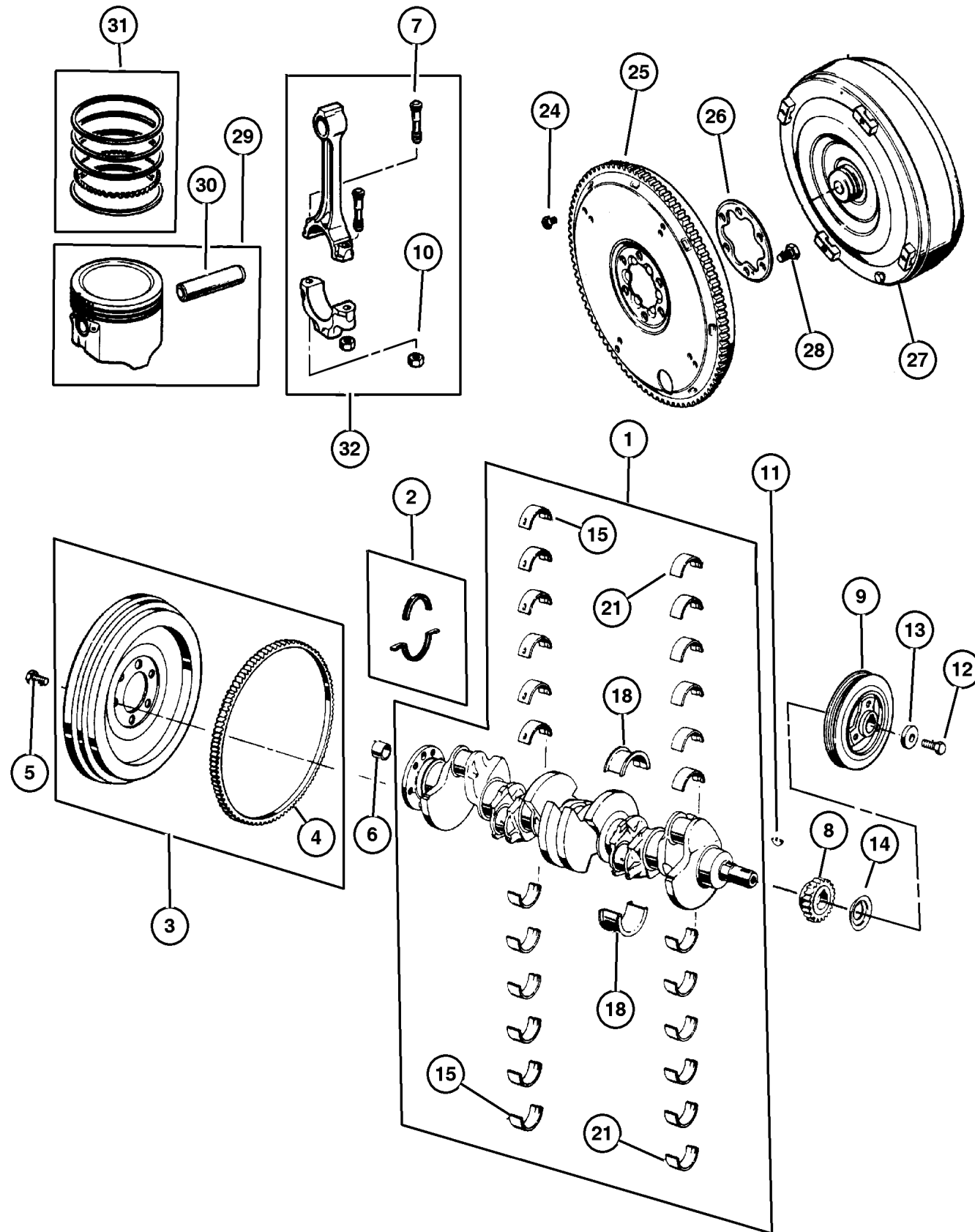
### JEEP CHEROKEE (XJ)

SERIES	LINE	BODY	ENGINE	TRANSMISSION
L=Low Line	J=LHD (4WD) U=RHD (4WD) T=LHD (2WD) B=RHD (2WD)	74=4 DR. (101.4 WB) 72=2 DR. (101.4 WB)	ENC,EN0=2.5L 4 cyl. Turbo Die ERH,ER0=4.0L Power Tech I-6 EPE,EP0=Magnum 2.5L SMPI	DDQ=5Spd Man. DGS=4 Spd. Auto. AISIN DG0=All Auto Trans DBB=All Manual Trans.

AR = Use as required - = Non illustrated part # = New this model year

July 4, 2003

**Crankshaft, Piston and Torque Converter 4.0L (ERH) Engine  
Figure 4.0L-410**



ITEM	PART NUMBER	QTY	LINE	SERIES	BODY	ENGINE	TRANS	TRIM	DESCRIPTION
-20	8350 7090	AR				EP0, ER0			BEARING PACKAGE, Crankshaft Thrust, .010" Undersize
21	8350 0300	8				EP0			BEARING KIT, Connecting Rod, Standard 1997 XJ, 1999 XJ
		12				ER0			1998 XJ
-22	8350 1397	AR				EP0, ER0			BEARING KIT, Connecting Rod, .001 Undersize
-23	8350 0301	AR				EP0, ER0			BEARING KIT, Connecting Rod, .010 Undersize
24	3420 2497	4				ER0	DG0		BOLT, Hex Head, M10x1.50x14
25	5211 8551	1				ER0	DG0		PLATE, Drive Plate
26	J321 4094	1				ER0	DG0		PLATE, Drive Plate Backing
27	5300 3431	1	B			ER0	DGS		CONVERTER, Torque 1997 XJ
		1	J, U			ER0	DGS		1998 XJ, 1999 XJ
		1	B, T			ER0	DGS		1998 XJ, 1999 XJ
28	J315 1407	6				ER0	DG0		BOLT, Hex Head, .50-20x.56
29	4798 329	AR				EP0			PISTON PIN AND ROD B Size, 3.8742, 1997 XJ
	4798 330	AR				EP0			C Size, 3.8746, 1997 XJ
	4798 331	AR				EP0			D Size, 3.8750, 1997 XJ
	4798 332	AR				EP0			E Size, 3.8754, 1997 XJ
	4798 333	AR				EP0			F Size, 3.8758, 1997 XJ
	4798 329	6				ER0			B Size, 3.8742, 1998 XJ, 1999 XJ
	4798 330	6				ER0			C Size, 3.8746, 1998 XJ, 1999 XJ
	4798 331	6				ER0			D Size, 3.8750, 1998 XJ, 1999 XJ
	4798 332	6				ER0			E Size, 3.8754, 1998 XJ, 1999 XJ
	4798 333	6				ER0			F Size, 3.8758, 1998 XJ, 1999 XJ
30									PIN, Piston, Serviced in Piston Assembly, (NOT SERVICED) (Not Serviced)
31	4798 878	1				ER0	DBB		RING PACKAGE, Piston, Standard Size Complete Engine 1997 XJ
		6				ER0			1998 XJ, 1999 XJ
32									ROD, Connecting, Serviced in Piston Assembly, (NOT SERVICED) (Not Serviced)

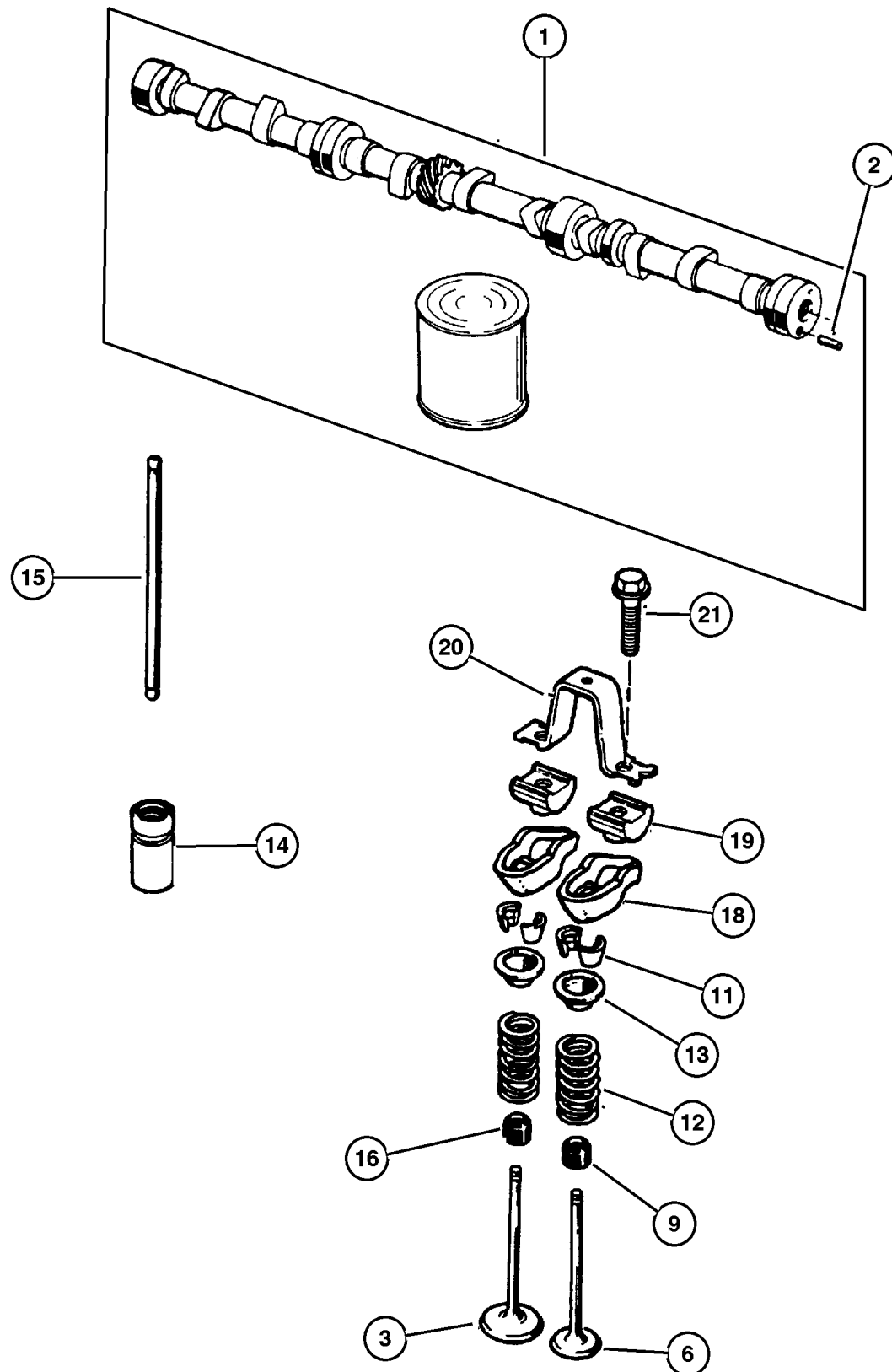
**JEEP CHEROKEE (XJ)**

SERIES	LINE	BODY	ENGINE	TRANSMISSION
L=Low Line	J=LHD (4WD) U=RHD (4WD) T=LHD (2WD) B=RHD (2WD)	74=4 DR. (101.4 WB) 72=2 DR. (101.4 WB)	ENC,EN0=2.5L 4 cyl. Turbo Die ERH,ER0=4.0L Power Tech I-6 EPE,EP0=Magnum 2.5L SMPI	DDQ=5Spd Man. DGS=4 Spd. Auto. AISIN DG0=All Auto Trans DBB=All Manual Trans.

AR = Use as required - = Non illustrated part # = New this model year

July 4, 2003

## Camshaft and Valves 4.0L (ERH) Engine Figure 4.0L-510



ITEM	PART NUMBER	QTY	LINE	SERIES	BODY	ENGINE	TRANS	TRIM	DESCRIPTION
NOTE: ER0=All 4.0L Engines									
1	#53010 448AA	1				ER0			CAMSHAFT 1999 XJ
	5302 0438	1				ER0			1997 XJ, 1998 XJ
2									DOWEL, Camshaft Sprocket (NOT REQUIRED), 1999 XJ
	J045 6384	1				EP0			1997 XJ, 1998 XJ
3	3300 3515	6				ER0			VALVE, Intake, Standard Standard, 1997 XJ
		6				ER0			Up To 1-16-98, 1998 XJ
	53010 512AA	6				ER0			1999 XJ
		6				ER0			After 1-16-98, 1998 XJ
-4									VALVE, Intake, .003" O/S (NOT REQUIRED), 1999 XJ
	3300 3519	AR				EP0, ER0			1997 XJ, 1998 XJ
-5									VALVE, Intake, .015" O/S (NOT REQUIRED), 1999 XJ
	3300 3575	AR				EP0, ER0			1997 XJ, 1998 XJ
6	4637 537	6				ER0			VALVE, Exhaust, Standard Standard, 1997 XJ
		6				ER0			Up To 1-16-98, 1998 XJ
		6				ER0			1999 XJ
	53010 513AA	6				ER0			After 1-16-98, 1998 XJ
-7									VALVE, Exhaust, .003" O/S (NOT REQUIRED), 1999 XJ
	4637 538	AR				EP0, ER0			1997 XJ, 1998 XJ
-8									VALVE, Exhaust, .015 Oversize (NOT REQUIRED), 1999 XJ
	4637 539	AR				EP0, ER0			1997 XJ, 1998 XJ
9	5300 9886	6				ER0			SEAL, Valve Guide Standard, 1997 XJ, 1999 XJ
	5300 9887	6				ER0			Standard, 1998 XJ
-10									SEAL, Valve Guide, .015" Oversize (NOT REQUIRED), 1999 XJ
	3300 2733	AR				EP0, ER0			.015 O/S, 1997 XJ, 1998 XJ
11	3300 3521	24				ER0			LOCK, Valve Spring Retainer
12									SPRING, Valve

### JEEP CHEROKEE (XJ)

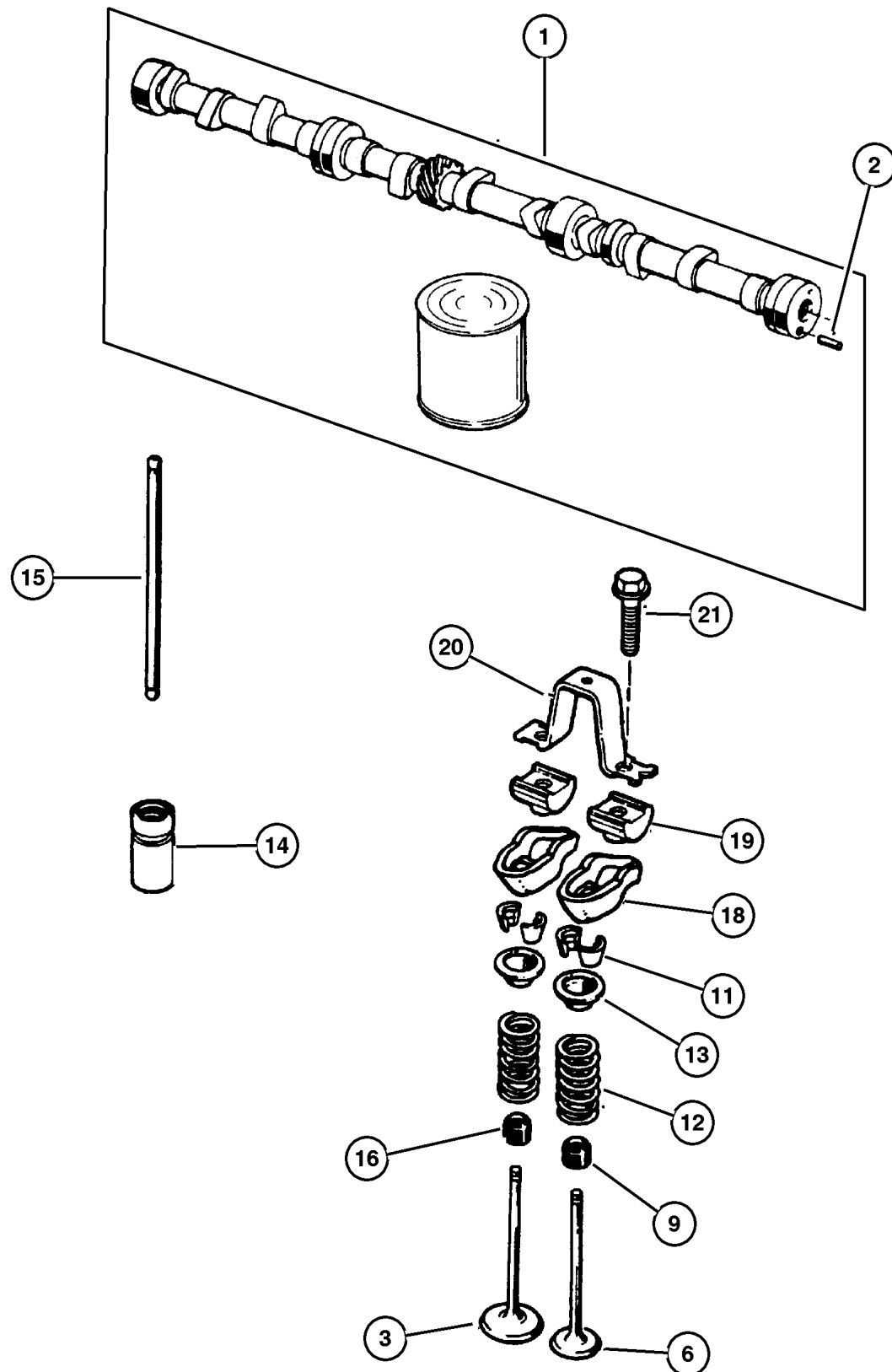
SERIES	LINE	BODY	ENGINE	TRANSMISSION
L=Low Line	J=LHD (4WD) U=RHD (4WD) T=LHD (2WD) B=RHD (2WD)	74=4 DR. (101.4 WB) 72=2 DR. (101.4 WB)	ENC,EN0=2.5L 4 cyl. Turbo Die ERH,ER0=4.0L Power Tech I-6 EPE,EP0=Magnum 2.5L SMPI	DDQ=5Spd Man. DGS=4 Spd. Auto. AISIN DG0=All Auto Trans DBB=All Manual Trans.

AR = Use as required - = Non illustrated part # = New this model year

July 4, 2003



**Camshaft and Valves 4.0L (ERH) Engine  
Figure 4.0L-510**



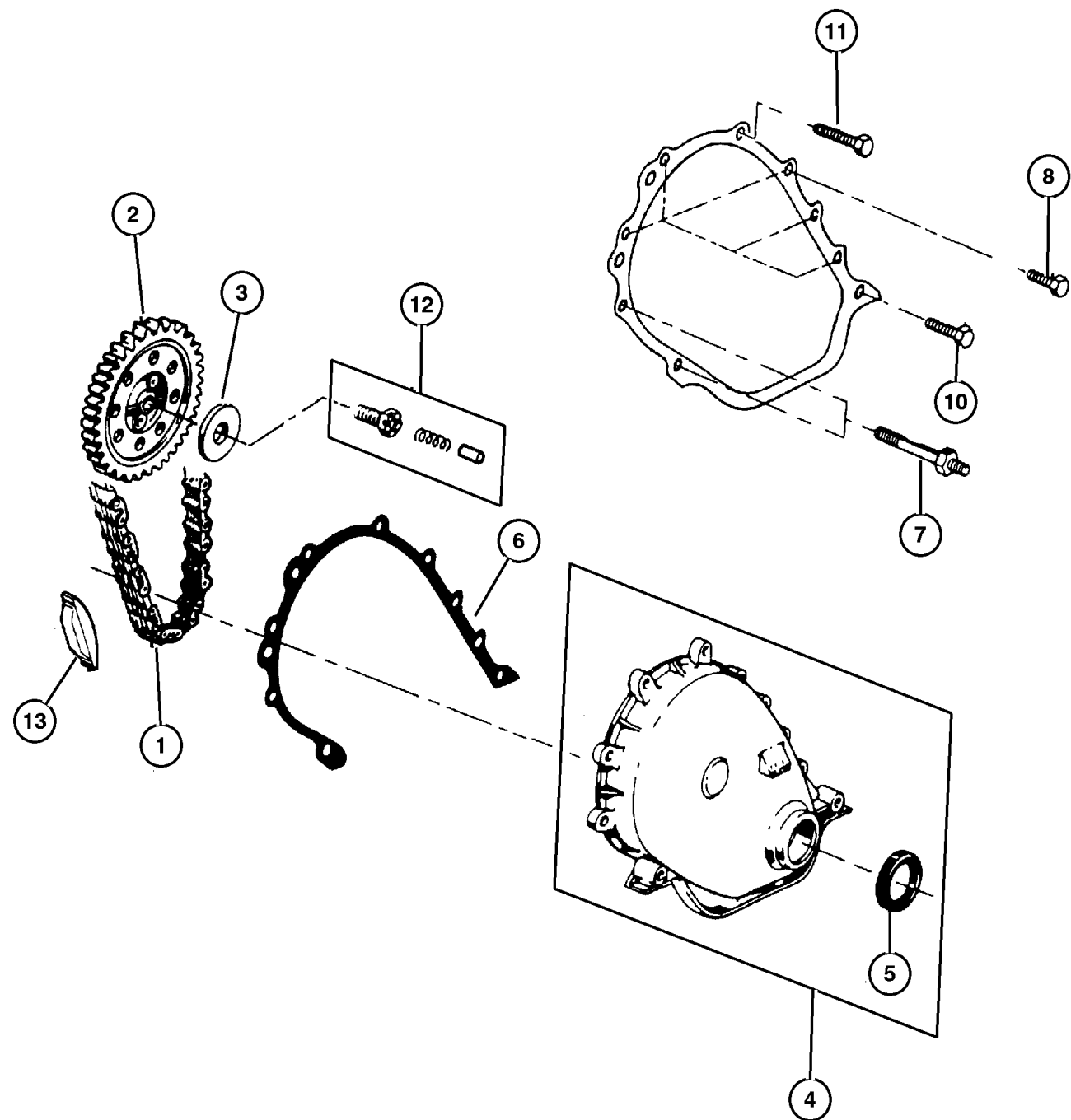
ITEM	PART NUMBER	QTY	LINE	SERIES	BODY	ENGINE	TRANS	TRIM	DESCRIPTION
	5301 0388	12				ER0			1999 XJ
	5302 0556	12				ER0			1997 XJ, 1998 XJ
13	3300 4626	12				ER0			RETAINER, Valve Spring
	53010 514AA	12				ER0			1997 XJ, 1998 XJ
	53010 514AA	12				ER0			1999 XJ
14	4740 269	12				ER0			TAPPET, Valve
15	3300 2986	12				ER0			PUSH ROD, Valve
16	5300 9886	6				ER0			SEAL, Valve Guide
-17	3300 3016	AR				EP0,			SEAL, Valve Guide, .015" Oversize
						ER0			
18						ER0			ROCKER ARM, Valve
	4778 743	12				ER0			1997 XJ
	J324 2393	12				ER0			1998 XJ, 1999 XJ
19	J323 5090	12				ER0			PIVOT, Rocker Arm
20	J323 6513	6				ER0			BRIDGE, Rocker Arm
21	J942 5708	12				ER0			BOLT, Hex Flange Head, .312-18x1.25

JEEP CHEROKEE (XJ)				
SERIES	LINE	BODY	ENGINE	TRANSMISSION
L=Low Line	J=LHD (4WD) U=RHD (4WD) T=LHD (2WD) B=RHD (2WD)	74=4 DR. (101.4 WB) 72=2 DR. (101.4 WB)	ENC,EN0=2.5L 4 cyl. Turbo Die ERH,ER0=4.0L Power Tech I-6 EPE,EP0=Magnum 2.5L SMPI	DDQ=5Spd Man. DGS=4 Spd. Auto. AISIN DG0=All Auto Trans DBB=All Manual Trans.

AR = Use as required - = Non illustrated part # = New this model year

July 4, 2003

Timing Cover 4.0L (ERH) Engine 1997 XJ  
Figure 4.0L-610



ITEM	PART NUMBER	QTY	LINE	SERIES	BODY	ENGINE	TRANS	TRIM	DESCRIPTION
NOTE: ER0=All 4.0L Engines									
1	5302 0444	1				ER0			CHAIN, Timing
2	5302 0445	1				ER0			SPROCKET, Camshaft
3	J317 3284	1				EP0, ER0			WASHER, Flat, .206 Diameter
4	5302 0222	1				EP0, ER0			COVER, Timing Belt
5	3300 4681	1				EP0, ER0			SEAL, Front Main Crankshaft
6	5302 0487	1				EP0, ER0			GASKET, Front Cover
7	6035 744	1				ER0			STUD
8	J400 6906	5				EP0, ER0			BOLT, Hex
-9	6034 604	2				EP0			SCREW
10	6034 914	1				EP0, ER0			BOLT, Hex Flange Head, .250-20x1.24
11	6034 604	2				EP0			SCREW
12	8350 2890	1				ER0			SCREW AND WASHER, Hex
13	3300 3446	1				EP0, ER0			SNUBBER, Timing Chain

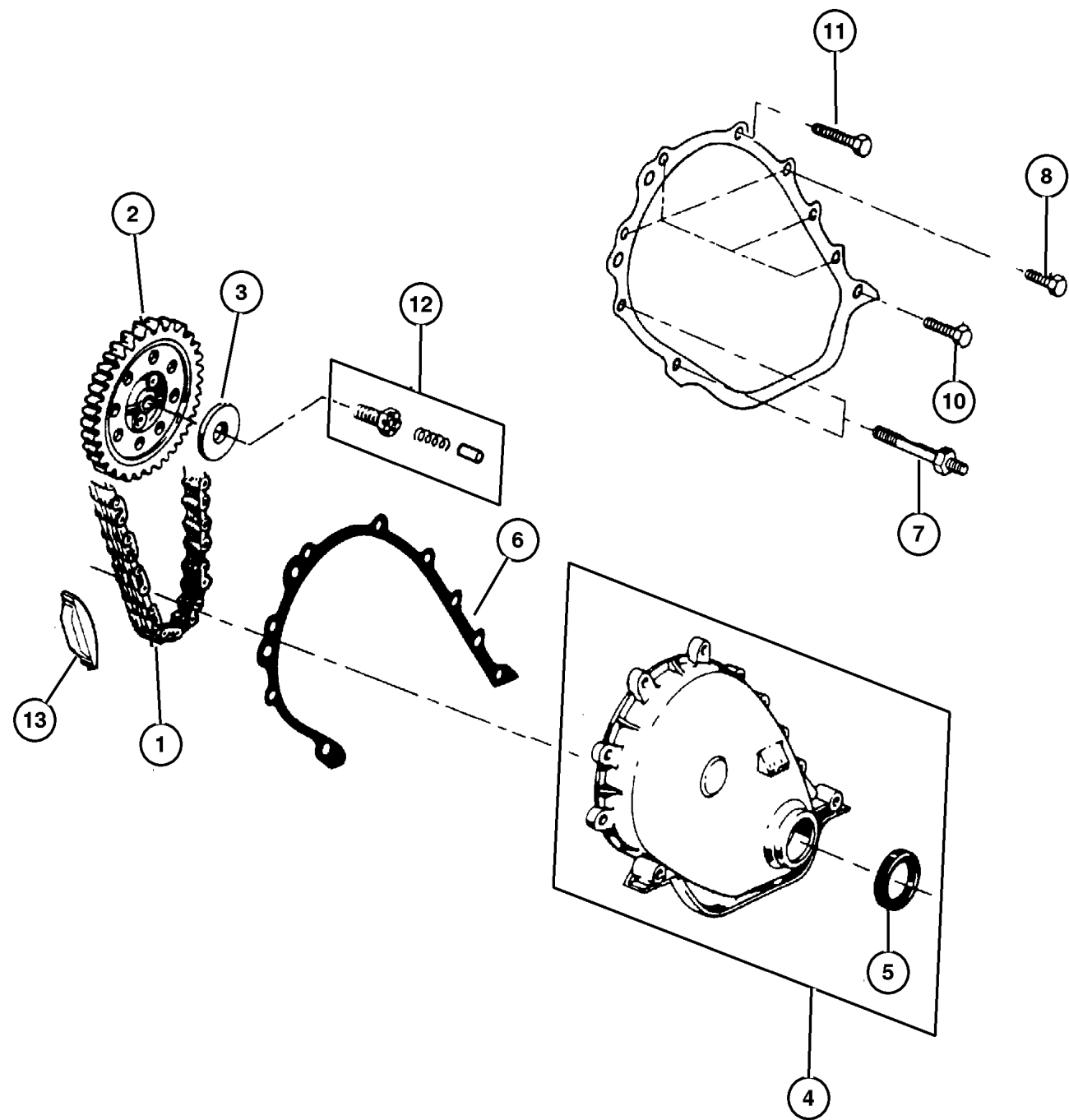
JEEP CHEROKEE (XJ)

SERIES	LINE	BODY	ENGINE	TRANSMISSION
L=Low Line	J=LHD (4WD) U=RHD (4WD) T=LHD (2WD) B=RHD (2WD)	74=4 DR. (101.4 WB) 72=2 DR. (101.4 WB)	ENC,EN0=2.5L 4 cyl. Turbo Die ERH,ER0=4.0L Power Tech I-6 EPE,EP0=Magnum 2.5L SMPI	DDQ=5Spd Man. DGS=4 Spd. Auto. AISIN DG0=All Auto Trans DBB=All Manual Trans.

AR = Use as required - = Non illustrated part # = New this model year

July 4, 2003

**Timing Cover 4.0L (ERH) Engine 1998 XJ**  
**Figure 4.0L-610**



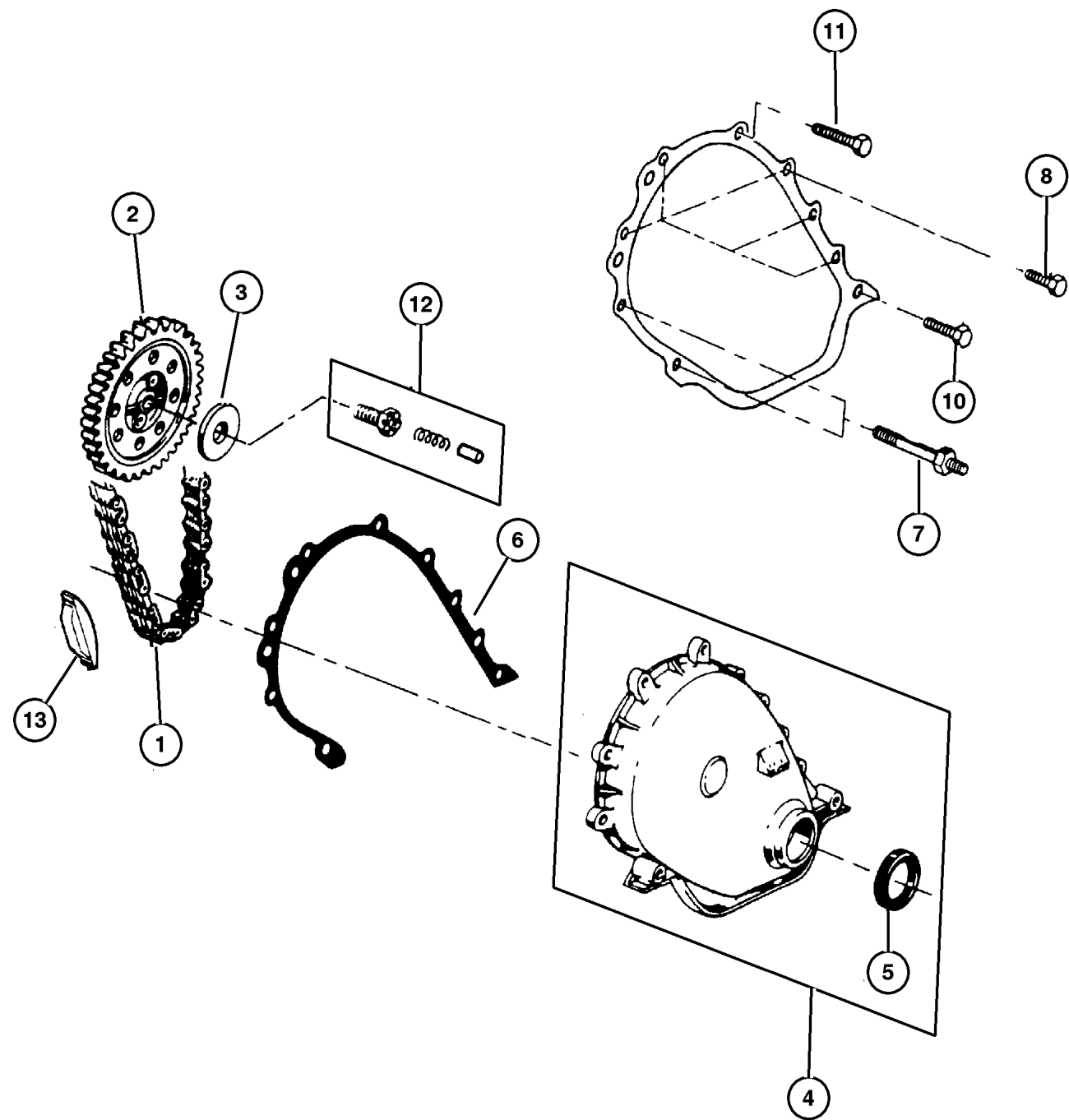
ITEM	PART NUMBER	QTY	LINE	SERIES	BODY	ENGINE	TRANS	TRIM	DESCRIPTION
NOTE: ER0=All 4.0L Engines									
1	5302 0444	1				ER0			CHAIN, Timing
2	5302 0445	1				ER0			SPROCKET, Camshaft
3	J317 3284	1				EP0, ER0			WASHER, Flat, .206 Diameter
4	5302 0222	1				EP0, ER0			COVER, Timing Belt
5	3300 4681	1				EP0, ER0			SEAL, Front Main Crankshaft
6	5302 0487	1				EP0, ER0			GASKET, Front Cover
7	6035 744	1				ER0			STUD
8	J400 6906	5				EP0, ER0			BOLT, Hex
-9	6034 604	2				ER0			SCREW
10	6034 914	1				EP0, ER0			BOLT, Hex Flange Head, .250-20x1.24
11	6034 604	1				ER0			SCREW
12	8350 2890	1				ER0			SCREW AND WASHER, Hex
13	3300 3446	1				EP0, ER0			SNUBBER, Timing Chain

JEEP CHEROKEE (XJ)				
SERIES	LINE	BODY	ENGINE	TRANSMISSION
L=Low Line	J=LHD (4WD) U=RHD (4WD) T=LHD (2WD) B=RHD (2WD)	74=4 DR. (101.4 WB) 72=2 DR. (101.4 WB)	ENC,EN0=2.5L 4 cyl. Turbo Die ERH,ER0=4.0L Power Tech I-6 EPE,EP0=Magnum 2.5L SMPI	DDQ=5Spd Man. DGS=4 Spd. Auto. AISIN DG0=All Auto Trans DBB=All Manual Trans.

AR = Use as required - = Non illustrated part # = New this model year

July 4, 2003

**Timing Cover 4.0L (ERH) Engine 1999 XJ**  
**Figure 4.0L-610**



ITEM	PART NUMBER	QTY	LINE	SERIES	BODY	ENGINE	TRANS	TRIM	DESCRIPTION
NOTE: ER0=All 4.0L Engines									
1	5302 0444	1				ER0			CHAIN, Timing
2	#5301 0400	1				ER0			SPROCKET, Camshaft
3									WASHER, Flat, .206 Diameter, (NOT REQUIRED)
4	5302 0222	1				EP0, ER0			COVER, Timing Belt
5	3300 4681	1				EP0, ER0			SEAL, Front Main Crankshaft
6	5302 0487	1				EP0, ER0			GASKET, Front Cover
7	#6035 921AA	1				ER0			STUD
8	#6035 893	5				EP0, ER0			BOLT, Hex
-9									SCREW, (NOT REQUIRED)
10	#6035 895	1				EP0, ER0			BOLT, Hex Flange Head, .250-20x1.24
11	#6035 894	1				ER0			SCREW
12	#6024 030	1				ER0			SCREW AND WASHER, Hex
13	3300 3446	1				EP0, ER0			SNUBBER, Timing Chain
-14	#5301 0401	1				ER0			PLATE, Camshaft Thrust
-15	#6035 975AA	2				ER0			SCREW, Pan Head

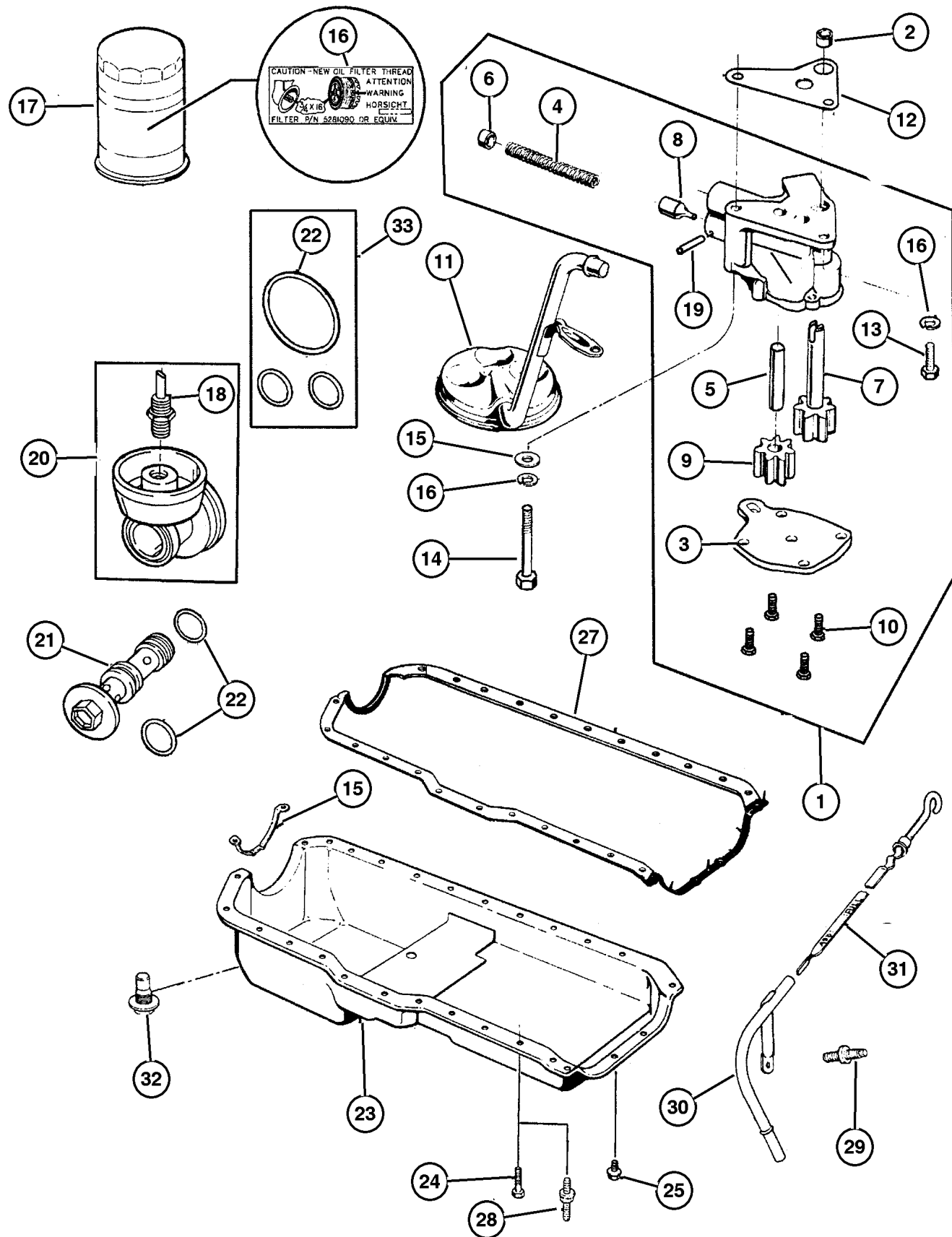
**JEEP CHEROKEE (XJ)**

SERIES	LINE	BODY	ENGINE	TRANSMISSION
L=Low Line	J=LHD (4WD) U=RHD (4WD) T=LHD (2WD) B=RHD (2WD)	74=4 DR. (101.4 WB) 72=2 DR. (101.4 WB)	ENC,EN0=2.5L 4 cyl. Turbo Die ERH,ER0=4.0L Power Tech I-6 EPE,EP0=Magnum 2.5L SMPI	DDQ=5Spd Man. DGS=4 Spd. Auto. AISIN DG0=All Auto Trans DBB=All Manual Trans.

AR = Use as required - = Non illustrated part # = New this model year

July 4, 2003

**Engine Oiling 4.0L (ERH) Engine  
Figure 4.0L-710**



ITEM	PART NUMBER	QTY	LINE	SERIES	BODY	ENGINE	TRANS	TRIM	DESCRIPTION
NOTE: ER0=All 4.0L Engines									
1	J324 1399	1				ER0			PUMP, Engine Oil
2	J400 5149	1				EP0, ER0			DOWEL, Oil Pump
3	J324 1733	1				ER0			COVER, Engine Oil Pump
4	J323 9668	1				ER0			SPRING, Oil Pressure Relief Valve
5	J317 1956	1				ER0			SHAFT, Oil Pump
6	J317 1958	1				ER0			RETAINER, Oil Release Valve
7	J317 2334	1				ER0			GEAR, Oil Pump
8	J318 8661	1				ER0			PLUNGER, Oil Pressure Relief Valve
9	J319 6843	1				ER0			GEAR, Oil Pump Driven
10	J941 6852	4				ER0			SCREW, Hex Flange Head, .25-20x.50
11	3300 2696	1				ER0			TUBE, Oil Pump Inlet
12	J317 2332	1				EP0, ER0			GASKET, Oil Pump
13	6022 235	1				EP0, ER0			BOLT AND WASHER, Hex Head, .312-18x1.00
14	0154 593	1				EP0, ER0			SCREW, Hex Head Coned, .312-18x2.625
15	J324 3116	1				ER0			SUPPORT, Engine Oil Pan
16									LABEL, Oil Filter Thread I.D. (NOT REQUIRED), 1999 XJ 1997 XJ, 1998 XJ
17	5300 8907	1							5300 8907
17	5281 090	1				EP0, ER0			FILTER, Engine Oil
18	5300 7563	1				ER0			CONNECTOR, Oil Filter
19	J027 1448	1				ER0			PIN, Roll, 5/32" x 1.00"
20	5302 0080	1				ER0			ADAPTER, Oil Filter
21	5302 0237	1				ER0			BOLT, Oil Filter Adapter
22	3300 2972	1				ER0			O RING, Oil Filter Adapter
23									PAN, Engine Oil
	5302 0833	1				ER0			1997 XJ, 1998 XJ
	53020 833AB	1				ER0			1999 XJ
24	6034 732	16				ER0			SCREW AND WASHER, Hex Head, .25-20x.545
25	6034 483	3				ER0			SCREW, Hex Head Coned, .312-18x.875
-26	6034 733	1				ER0			STUD, .312-18/.250-20x1.680
27	5300 7568	1				ER0			GASKET, Oil Pan
28	6034 734	8				ER0			BOLT, Double Stud Hex, .250-20x1.437 & .250-20 x.700

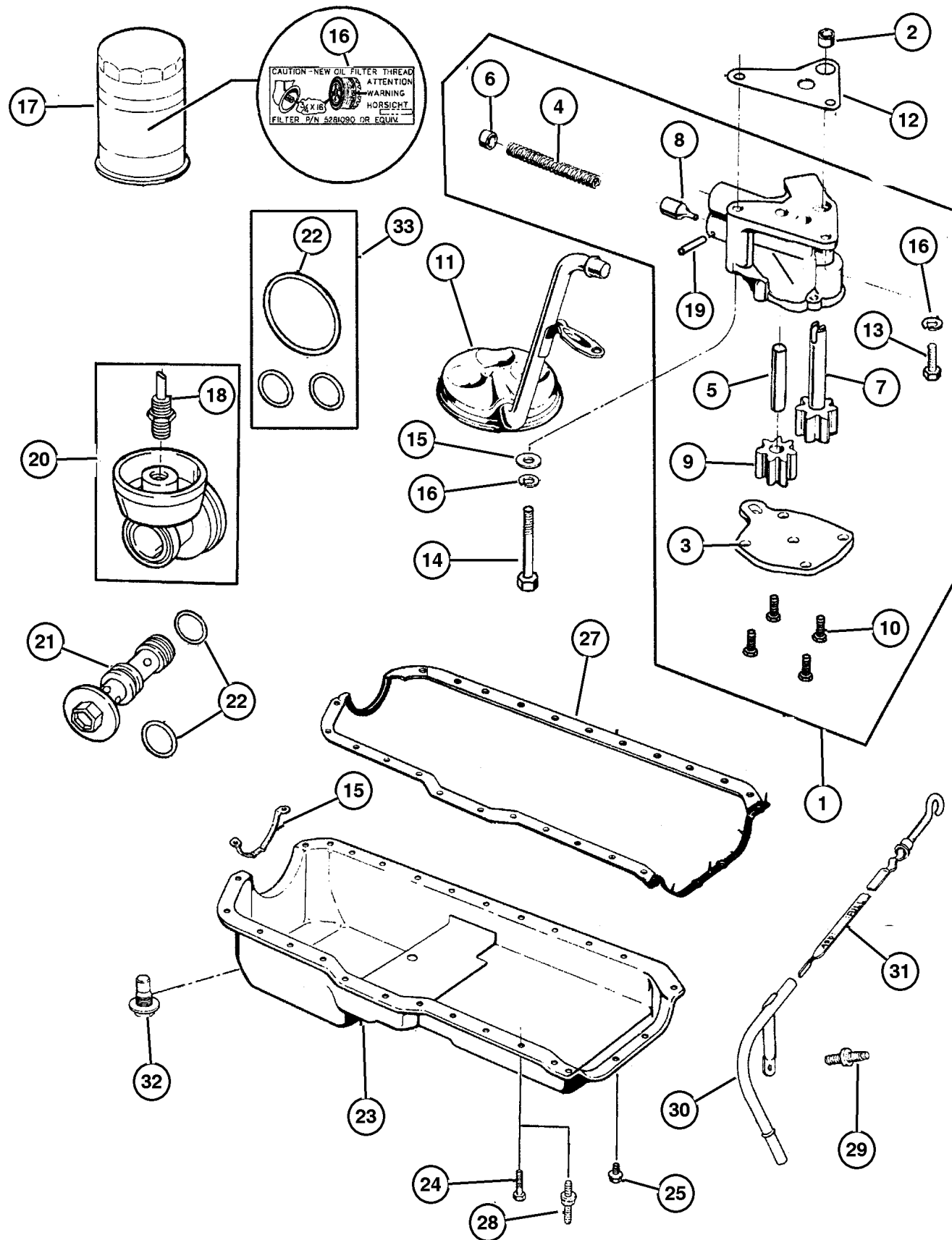
**JEEP CHEROKEE (XJ)**

SERIES	LINE	BODY	ENGINE	TRANSMISSION
L=Low Line	J=LHD (4WD) U=RHD (4WD) T=LHD (2WD) B=RHD (2WD)	74=4 DR. (101.4 WB) 72=2 DR. (101.4 WB)	ENC,EN0=2.5L 4 cyl. Turbo Die ERH,ER0=4.0L Power Tech I-6 EPE,EP0=Magnum 2.5L SMPI	DDQ=5Spd Man. DGS=4 Spd. Auto. AISIN DG0=All Auto Trans DBB=All Manual Trans.

AR = Use as required - = Non illustrated part # = New this model year

July 4, 2003

**Engine Oiling 4.0L (ERH) Engine  
Figure 4.0L-710**



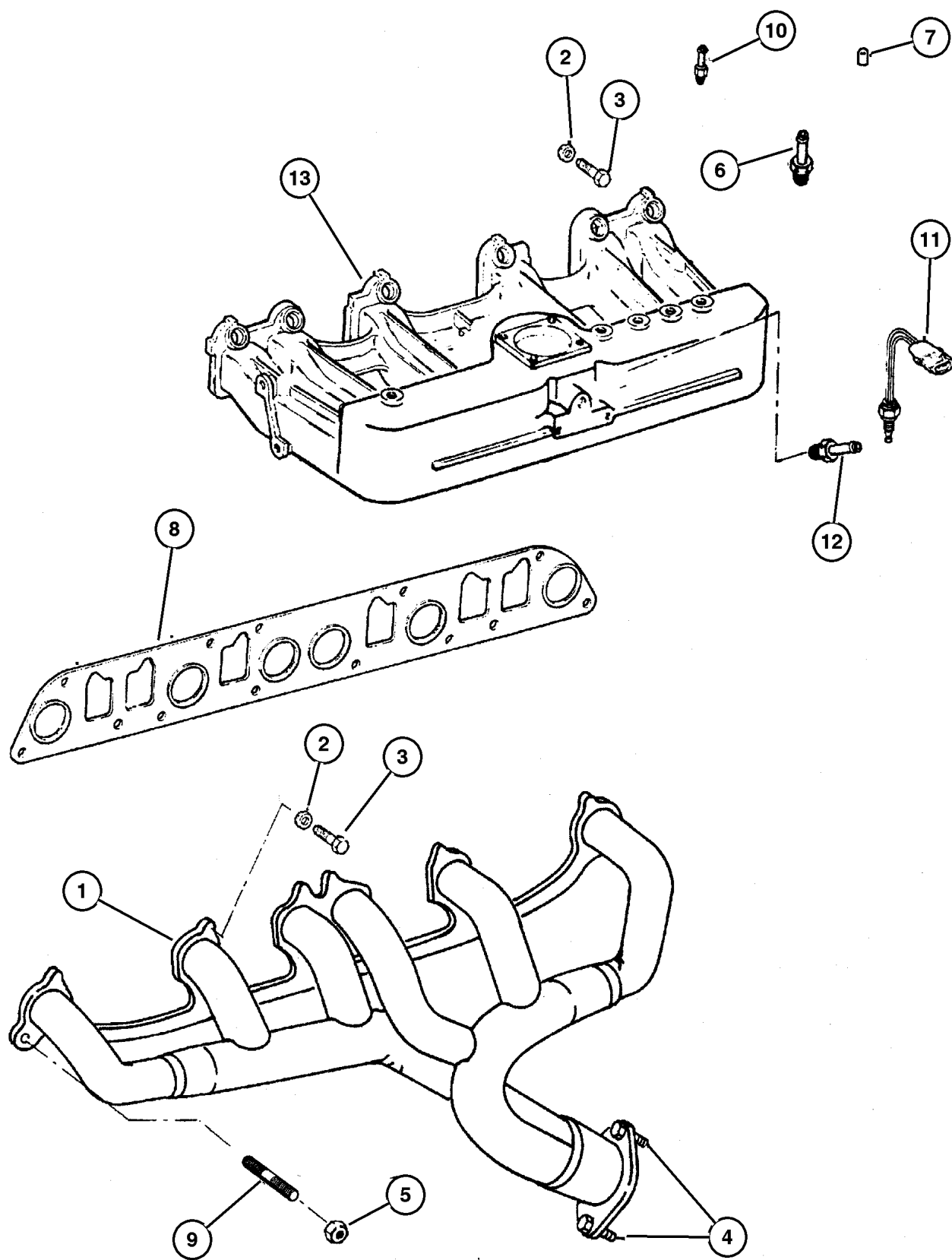
ITEM	PART NUMBER	QTY	LINE	SERIES	BODY	ENGINE	TRANS	TRIM	DESCRIPTION
29	6035 664	1				EP0,			STUD, .312-18x1.560
						ER0			
30	5302 0782	1				ER0			TUBE, Oil Filler
31	5301 0445	1				ER0			INDICATOR, Engine Oil Level
32	6035 417	1				ER0			PLUG, Oil Drain
33	4720 363	1				ER0			SEAL PACKAGE, Oil Filter Adapter

JEEP CHEROKEE (XJ)				
SERIES	LINE	BODY	ENGINE	TRANSMISSION
L=Low Line	J=LHD (4WD) U=RHD (4WD) T=LHD (2WD) B=RHD (2WD)	74=4 DR. (101.4 WB) 72=2 DR. (101.4 WB)	ENC,EN0=2.5L 4 cyl. Turbo Die ERH,ER0=4.0L Power Tech I-6 EPE,EP0=Magnum 2.5L SMPI	DDQ=5Spd Man. DGS=4 Spd. Auto. AISIN DG0=All Auto Trans DBB=All Manual Trans.

AR = Use as required - = Non illustrated part # = New this model year

July 4, 2003

**Manifold, Intake and Exhaust 4.0L (ERH) Engine  
Figure 4.0L-810**



ITEM	PART NUMBER	QTY	LINE	SERIES	BODY	ENGINE	TRANS	TRIM	DESCRIPTION
NOTE: ER0=All 4.0L Engines									
1	4883 385	1				ER0			MANIFOLD, Exhaust 1998 XJ, 1999 XJ
	3300 7072	1				ER0			1997 XJ
2	3300 4255	11				ER0			WASHER, Manifold Retaining 1997 XJ, 1998 XJ
		2				ER0			1999 XJ
3	#6036 045AA	8				ER0			BOLT AND RETAINER, Hex Head 1999 XJ
	J018 6622	8				ER0			1997 XJ, 1998 XJ
4	J400 7109	2				ER0			STUD, .375-16x1.69
5	6034 984	2				EP0, ER0			NUT, Hex Flange Lock, .375-24
6									FITTING, Vacuum, Serviced in Manifold
6									FITTING, Vacuum, Serviced in Manifold (Not Serviced) (NOT SERVICED), 1999 XJ
	5302 0027	1				ER0			1997 XJ, 1998 XJ
7	3580 171	1				ER0			CAP, Vacuum 1997 XJ
		2							1998 XJ
	3580 172	1				ER0			1999 XJ
8	5301 0238	1				ER0			GASKET, Intake/Exhaust Manifold
9	5301 0165	2				EP0, ER0			STUD, .375-16/.375-24x1.75
10									FITTING, Vacuum, Serviced in Manifold
10									FITTING, Vacuum, Serviced in Manifold (Not Serviced) (NOT SERVICED), 1999 XJ
	5303 0756	1				ER0			1997 XJ, 1998 XJ
11	5602 7872	1				EP0, ER0			SENSOR, Air Temperature
12	4854 194	1				ER0			FITTING, Vacuum
13	#4854 197AA	1				ER0			MANIFOLD, Intake 1999 XJ
	5301 0237	1				ER0			1997 XJ, 1998 XJ

**JEEP CHEROKEE (XJ)**

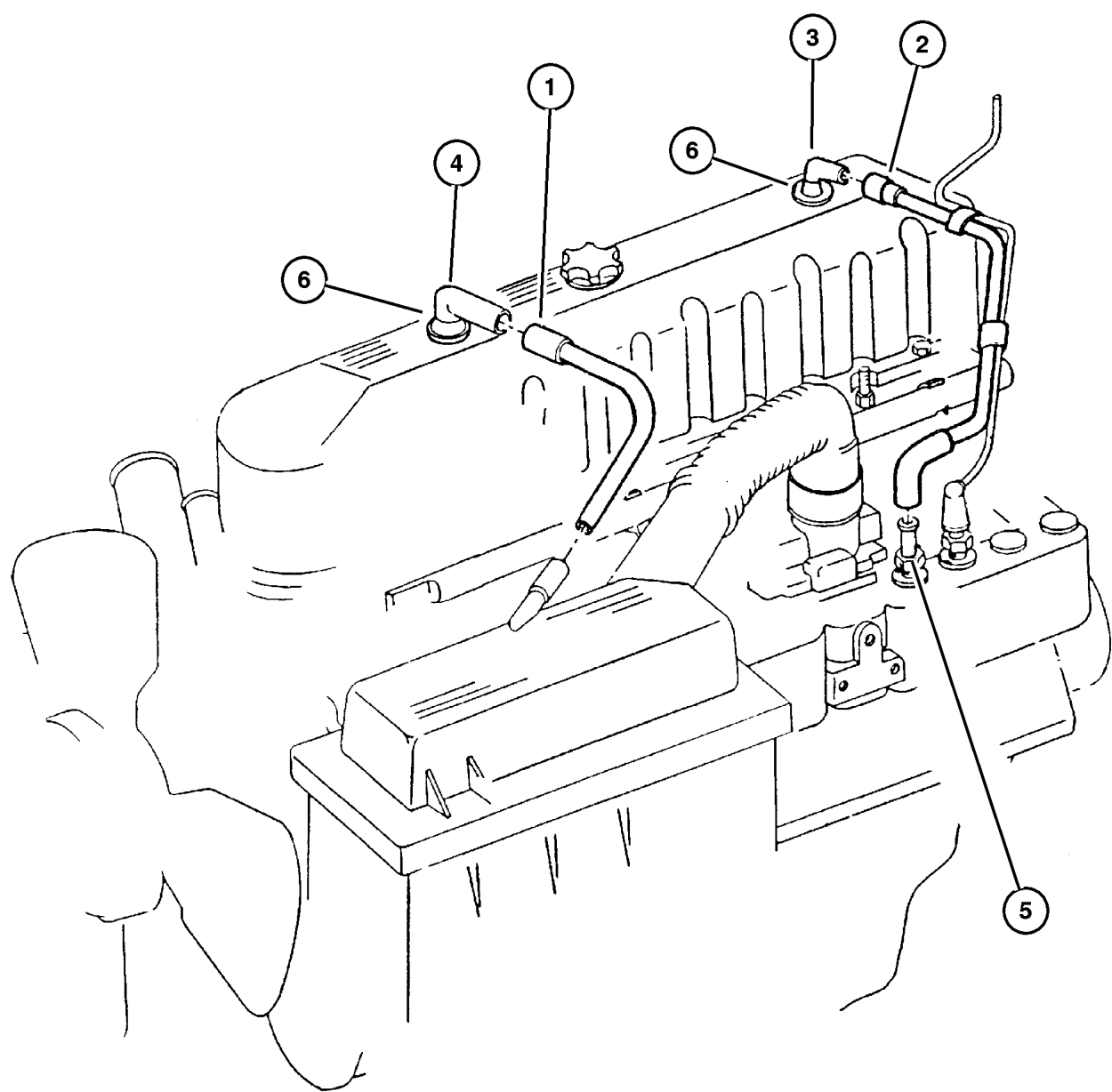
SERIES	LINE	BODY	ENGINE	TRANSMISSION
L=Low Line	J=LHD (4WD) U=RHD (4WD) T=LHD (2WD) B=RHD (2WD)	74=4 DR. (101.4 WB) 72=2 DR. (101.4 WB)	ENC,EN0=2.5L 4 cyl. Turbo Die ERH,ER0=4.0L Power Tech I-6 EPE,EP0=Magnum 2.5L SMPI	DDQ=5Spd Man. DGS=4 Spd. Auto. AISIN DG0=All Auto Trans DBB=All Manual Trans.

AR = Use as required - = Non illustrated part # = New this model year

July 4, 2003

**Crankcase Ventilation 4.0L (ERH) Engine  
Figure 4.0L-910**

ITEM	PART NUMBER	QTY	LINE	SERIES	BODY	ENGINE	TRANS	TRIM	DESCRIPTION
NOTE: ER0=All 4.0L Engines									
1	4854 180	1				ER0			TUBE, Cylinder Cover to A/CInr
2	4854 265	1				ER0			TUBE, Crankcase Vent To Intake Manifold
3	5303 0495	1				ER0			TUBE, Crankcase Vent To Air Cleaner
4	5303 0991	1				ER0			FITTING, Crankcase Vent Tube
5	4854 194	1				ER0			FITTING, Vacuum 1999 XJ
	5302 0027	1				ER0			1997 XJ, 1998 XJ
6	2946 079	2				ER0			GROMMET, Crankcase Vent

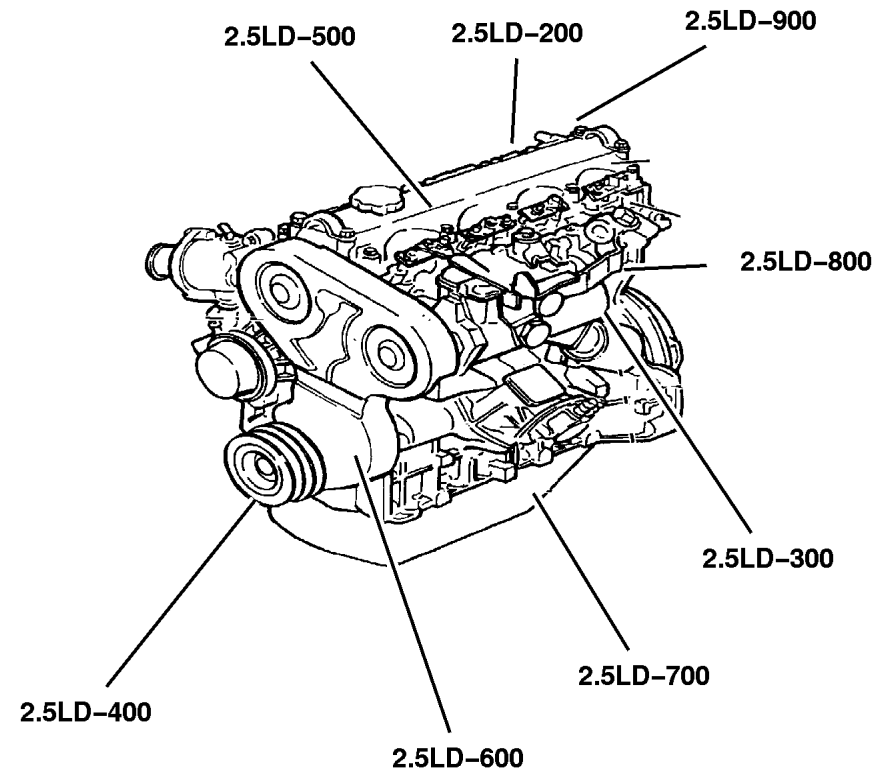


JEEP CHEROKEE (XJ)				
SERIES	LINE	BODY	ENGINE	TRANSMISSION
L=Low Line	J=LHD (4WD) U=RHD (4WD) T=LHD (2WD) B=RHD (2WD)	74=4 DR. (101.4 WB) 72=2 DR. (101.4 WB)	ENC,EN0=2.5L 4 cyl. Turbo Die ERH,ER0=4.0L Power Tech I-6 EPE,EP0=Magnum 2.5L SMPI	DDQ=5Spd Man. DGS=4 Spd. Auto. AISIN DG0=All Auto Trans DBB=All Manual Trans.



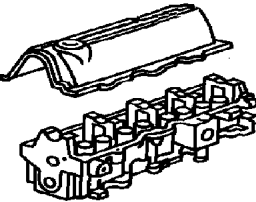
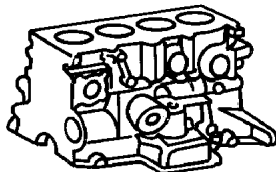
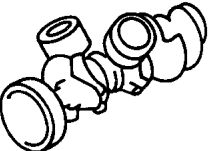
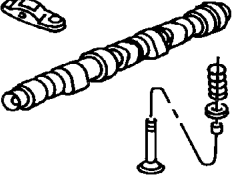
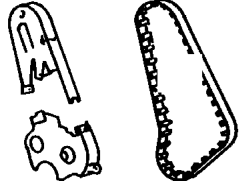
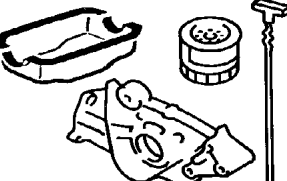
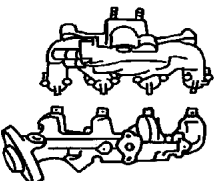
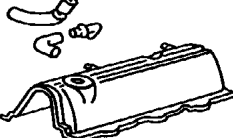
# Group – 2.5LD

## Engine 2.5L Four Cylinder (Turbo Diesel)

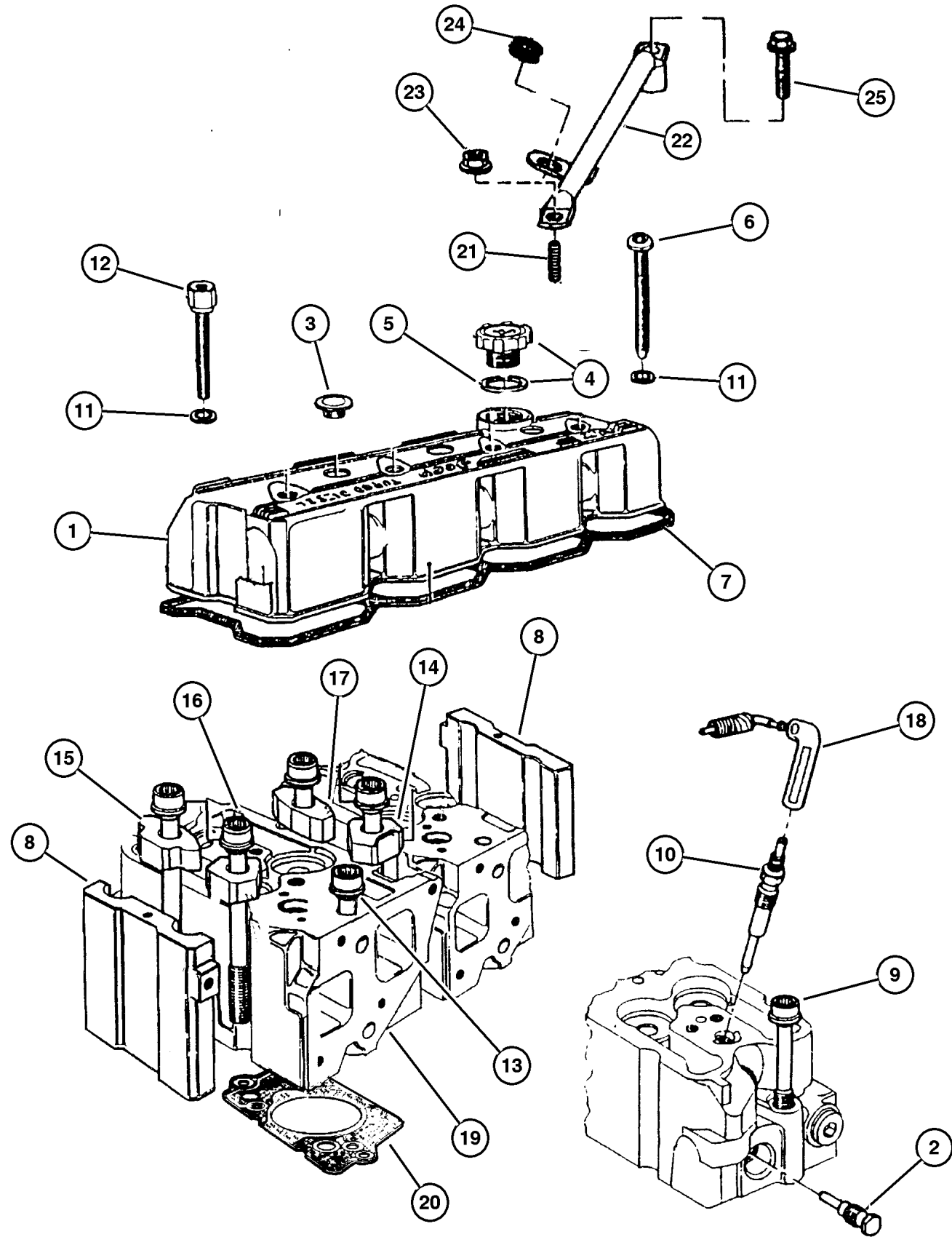


### GROUP 2.5LD - Engine 2.5L Four Cylinder (Turbo Diesel)

Illustration Title	Group-Fig. No.
<b>Cylinder Head</b>	
Cylinder Head 2.5L (ENC) Diesel Engine .....	Fig. 2.5LD-210
<b>Cylinder Block</b>	
Cylinder Block 2.5L (ENC) Diesel Engine .....	Fig. 2.5LD-310
<b>Crankshaft, Piston and Drive Plate</b>	
Crankshaft, Piston and Torque Converter 2.5L (ENC) Diesel Engine .....	Fig. 2.5LD-410
<b>Camshafts &amp; Valves</b>	
Camshaft and Valves 2.5L (ENC) Diesel Engine .....	Fig. 2.5LD-510
<b>Timing Belt and Cover</b>	
Timing Cover 2.5L (ENC) Diesel Engine .....	Fig. 2.5LD-610
<b>Engine Oiling</b>	
Engine Oiling 2.5L (ENC) Diesel Engine .....	Fig. 2.5LD-710
Oil Lines 2.5L (ENC) Diesel Engine .....	Fig. 2.5LD-720
<b>Manifolds</b>	
Manifold, Intake and Exhaust 2.5L (ENC) Diesel Engine .....	Fig. 2.5LD-810
<b>Crankcase Ventilation</b>	
Crankcase Ventilation 2.5L (ENC) Diesel Engine .....	Fig. 2.5LD-910

<b>2.5LD-200</b> Cylinder Head 	<b>2.5LD-300</b> Cylinder Block 	<b>2.5LD-400</b> Crankshaft, Piston and Drive Plate 	<b>2.5LD-500</b> Camshafts & Valves 
<b>2.5LD-600</b> Timing Belt and Cover 	<b>2.5LD-700</b> Engine Oiling 	<b>2.5LD-800</b> Manifolds 	<b>2.5LD-900</b> Crankcase Ventilation 

**Cylinder Head 2.5L (ENC) Diesel Engine**  
**Figure 2.5LD-210**



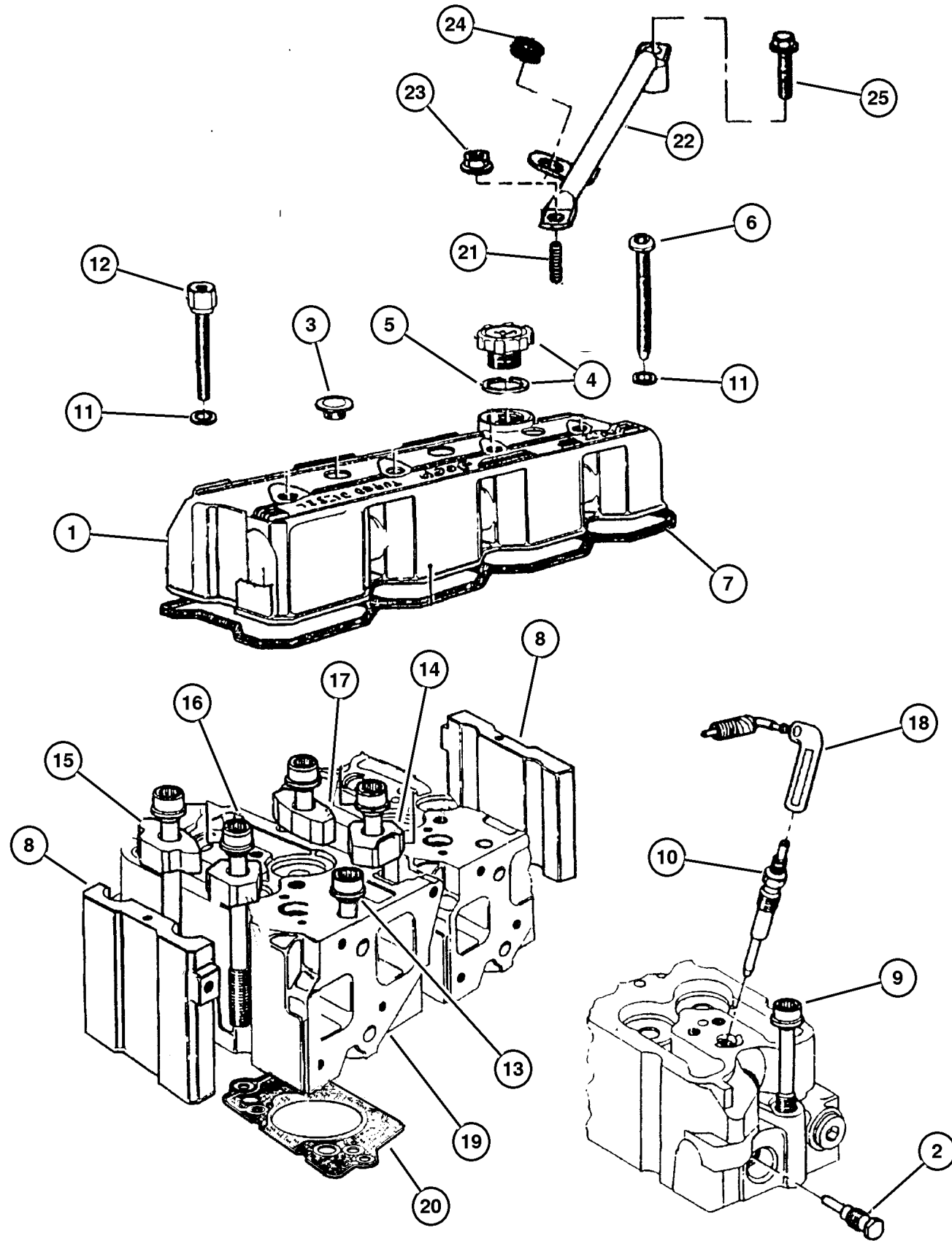
ITEM	PART NUMBER	QTY	LINE	SERIES	BODY	ENGINE	TRANS	TRIM	DESCRIPTION
NOTE: EN0=All 2.5L Diesel Engines									
1	4864 747	1				EN0			COVER, Cylinder Head
2	4863 770	4				EN0			PLUG, Dummy
3	4864 555	3				EN0			PLUG, Cylinder Block
4	4863 741	1				EN0			CAP, Oil Filler
5	4720 300	1				EN0			GASKET, Oil Filler Cap
6	4863 749	4				EN0			1997 XJ
		2				EN0			1998 XJ, 1999 XJ
7	4863 789	1				EN0			GASKET, Valve Cover
	4863 789AB	1				EN0			1997 XJ
	4863 789AC	1				EN0			1998 XJ
						EN0			1999 XJ
8	4882 407	2				EN0			CLAMP, Cylinder Head
9	4720 671	4				EN0			BOLT, Cylinder Head
	4720 671AB	5				EN0			1997 XJ, 1998 XJ
						EN0			1999 XJ
10	4863 826	4				EN0			GLOW PLUG
11	4864 554	4				EN0			SEAL, Valve Cover Bolt
12	4863 752	2				EN0			SCREW
13	4720 233	4				EN0			BOLT, Cylinder Head
	4720 233AB	4				EN0			1997 XJ, 1998 XJ
						EN0			1999 XJ
14	4864 038	5				EN0			CLAMP, Cylinder Head
15	4864 039	2				EN0			CLAMP, Cylinder Head
16	4720 235	10				EN0			BOLT, Cylinder Head
	4720 235AC	10				EN0			1997 XJ, 1998 XJ
						EN0			1999 XJ
17	4864 040	3				EN0			CLAMP, Cylinder Head
18	4864 557	1				EN0			WIRING, Glow Plug
19	4883 416AA	4				EN0			HEAD, Cylinder
	#4883 416AB	4				EN0			1997 XJ, 1998 XJ
						EN0			1999 XJ
20	4863 781	1				EN0			GASKET, Cylinder Head
	4863 782	AR				EN0			1.42, 1997 XJ, 1998 XJ
	4863 783	AR				EN0			1.52, 1997 XJ, 1998 XJ
	#5014 059AA	1				EN0			1.62, 1997 XJ, 1998 XJ
	#5014 060AA	1				EN0			1.42, 1999 XJ
	#5014 061AA	1				EN0			1.52, 1999 XJ
						EN0			1.62, 1999 XJ
21	4864 745	1				EN0			BOLT
22	4864 746	1				EN0			BRACKET, Alternator Upper
23									NUT, Suction Pipe Attaching

JEEP CHEROKEE (XJ)				
SERIES	LINE	BODY	ENGINE	TRANSMISSION
L=Low Line	J=LHD (4WD) U=RHD (4WD) T=LHD (2WD) B=RHD (2WD)	74=4 DR. (101.4 WB) 72=2 DR. (101.4 WB)	ENC,EN0=2.5L 4 cyl. Turbo Die ERH,ER0=4.0L Power Tech I-6 EPE,EP0=Magnum 2.5L SMPI	DDQ=5Spd Man. DGS=4 Spd. Auto. AISIN DG0=All Auto Trans DBB=All Manual Trans.

AR = Use as required - = Non illustrated part # = New this model year

July 4, 2003

**Cylinder Head 2.5L (ENC) Diesel Engine**  
**Figure 2.5LD-210**



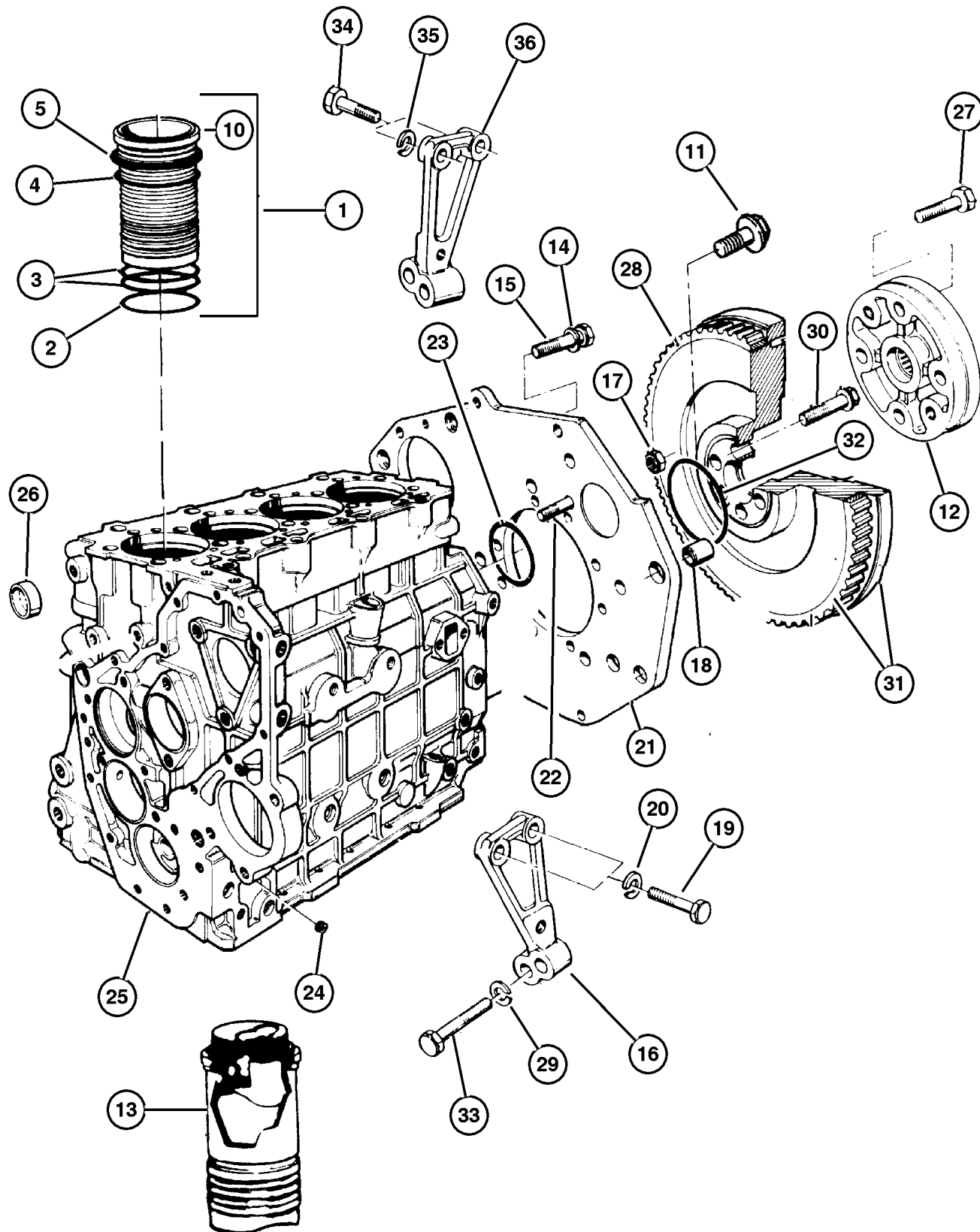
ITEM	PART NUMBER	QTY	LINE	SERIES	BODY	ENGINE	TRANS	TRIM	DESCRIPTION
	4778 936	9				ENO			1997 XJ
24		1				ENO			1998 XJ, 1999 XJ
	4720 362	2				ENO			GASKET, Engine Oil Indicator Pipe
		1				ENO			1997 XJ
		1				ENO			1998 XJ, 1999 XJ
25		4				ENO			BOLT, 8Mx20
	4864 537	1				ENO			1997 XJ
						ENO			1998 XJ, 1999 XJ

<b>JEEP CHEROKEE (XJ)</b>				
SERIES	LINE	BODY	ENGINE	TRANSMISSION
L=Low Line	J=LHD (4WD) U=RHD (4WD) T=LHD (2WD) B=RHD (2WD)	74=4 DR. (101.4 WB) 72=2 DR. (101.4 WB)	ENC,ENO=2.5L 4 cyl. Turbo Die ERH,ER0=4.0L Power Tech I-6 EPE,EP0=Magnum 2.5L SMPI	DDQ=5Spd Man. DGS=4 Spd. Auto. AISIN DG0=All Auto Trans DBB=All Manual Trans.

AR = Use as required - = Non illustrated part # = New this model year

July 4, 2003

## Cylinder Block 2.5L (ENC) Diesel Engine Figure 2.5LD-310



ITEM	PART NUMBER	QTY	LINE	SERIES	BODY	ENGINE	TRANS	TRIM	DESCRIPTION
1997 3/4 Engine - 04897849AA									
1998 3/4 Engine - 05011964AA									
1999 3/4 Engine - 05014068AA									
NOTE: EN0=All 2.5L Diesel Engines									
1									SHIM KIT, Cylinder Liner
	4723 118	4				EN0			1997 XJ, 1998 XJ
		AR				EN0			1999 XJ
2	4720 625	4				EN0			O RING, Cylinder Liner
3	4720 627	8				EN0			O RING, Cylinder Liner
4	4720 626	4				EN0			O RING, Cylinder Liner
5									SHIM, Cylinder Liner, 0.15mm
	4720 620	4				EN0			1997 XJ
		AR				EN0			1998 XJ, 1999 XJ
-6	4720 624	AR				EN0			SHIM, Cylinder Liner, 0.17mm
-7	4720 621	AR				EN0			SHIM, Cylinder Liner, 0.20mm
-8	4720 623	AR				EN0			SHIM, Cylinder Liner, 0.23mm
-9	4720 622	AR				EN0			SHIM, Cylinder Liner, 0.25mm
10	4720 611	4				EN0			LINER, Cylinder
11									BOLT, 8Mx20
	4864 537	4				EN0			1997 XJ
		2				EN0			1998 XJ
		1				EN0			1999 XJ
12	4778 808	1				EN0			HOUSING, Pilot Bearing
13	4864 532	4				EN0			LINER AND PISTON, Cylinder
14									WASHER, Adaptor Plate
									(NOT REQUIRED), 1998 XJ, 1999 XJ
	4741 768	4				EN0			1997 XJ
15									BOLT, Adaptor Plate
	4720 675	4				EN0			1997 XJ
	5003 532AA	4				EN0			1998 XJ, 1999 XJ
16	4778 806	1				EN0			STIFFENER, Flywheel Housing
17									NUT
	4778 961	22				EN0			1997 XJ
		6				EN0			1998 XJ, 1999 XJ
18	4797 758	2				EN0			DOWEL, Transmission Adapter
19									BOLT, M10x45
	4720 712	2				EN0			1997 XJ
	5003 533AA	2				EN0			1998 XJ, 1999 XJ
20									WASHER, Tow Hook
									(NOT REQUIRED), 1998 XJ, 1999 XJ

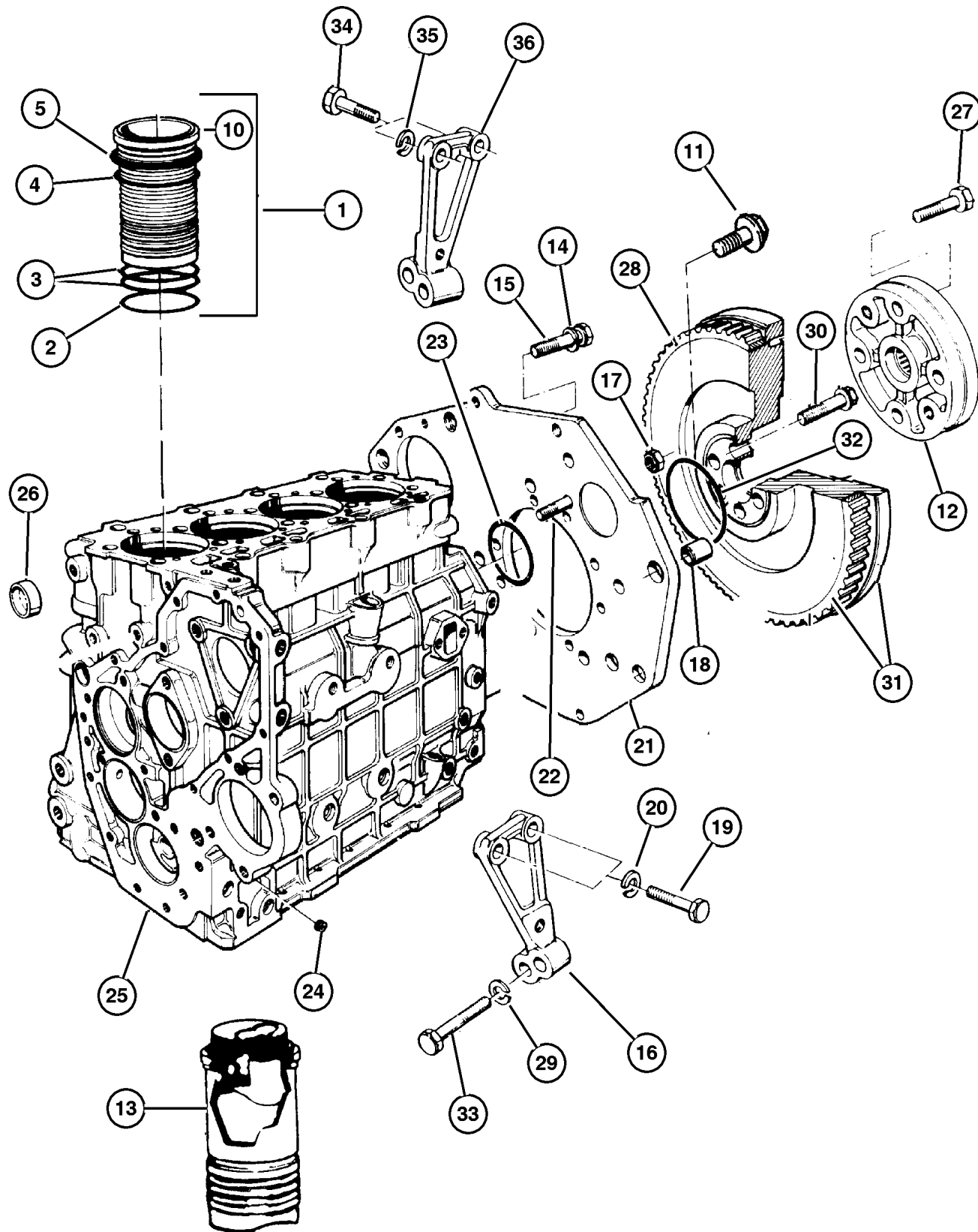
### JEEP CHEROKEE (XJ)

SERIES	LINE	BODY	ENGINE	TRANSMISSION
L=Low Line	J=LHD (4WD) U=RHD (4WD) T=LHD (2WD) B=RHD (2WD)	74=4 DR. (101.4 WB) 72=2 DR. (101.4 WB)	ENC,EN0=2.5L 4 cyl. Turbo Die ERH,ER0=4.0L Power Tech I-6 EPE,EP0=Magnum 2.5L SMPI	DDQ=5Spd Man. DGS=4 Spd. Auto. AISIN DG0=All Auto Trans DBB=All Manual Trans.

AR = Use as required - = Non illustrated part # = New this model year

July 4, 2003

**Cylinder Block 2.5L (ENC) Diesel Engine**  
**Figure 2.5LD-310**



ITEM	PART NUMBER	QTY	LINE	SERIES	BODY	ENGINE	TRANS	TRIM	DESCRIPTION
	4720 686	5				ENO			1997 XJ
21	4886 254AA	1				ENO			HOUSING, Flywheel
22	4720 677	6				ENO			STUD, Adaptor Plate
23	4863 833	1				ENO			O RING
24									PLUG
	4883 425AA	2				ENO			1997 XJ
		1				ENO			1998 XJ, 1999 XJ
25									BLOCK, Cylinder
25									BLOCK, Cylinder (Not Serviced)
									(NOT SERVICED), 1998 XJ, 1999 XJ
	4864 189	1				ENO			1997 XJ
26	4778 887	1				ENO			PLUG, Cylinder Block Oil Hole
27									BOLT, Adaptor Plate
	4864 534	7				ENO			1997 XJ
		4				ENO			1998 XJ, 1999 XJ
28	4883 427AA	1				ENO			GEAR, Ring
29									WASHER, Injection Pump
									(NOT REQUIRED), 1998 XJ, 1999 XJ
	4723 272	2				ENO			1997 XJ
30									BOLT, Flywheel
	4720 232	6				ENO			1997 XJ, 1998 XJ
	#4720 232AB	6				ENO			1999 XJ
31	4883 426AA	1				ENO			FLYWHEEL
32	4720 240	1				ENO			O RING, Flywheel To Crankshaft
33									BOLT, M12x55
	4797 766	2				ENO			1997 XJ
	5003 534AA	2				ENO			1998 XJ, 1999 XJ
34									BOLT, Hex Flange Head, M10x35
	4723 157	2				ENO			1997 XJ
	4897 253AA	2				ENO			1998 XJ, 1999 XJ
35									WASHER, Tow Hook
									(NOT REQUIRED), 1998 XJ, 1999 XJ
	4720 686	5				ENO			1997 XJ
36	4796 394	1				ENO			STIFFENER, Flywheel Housing

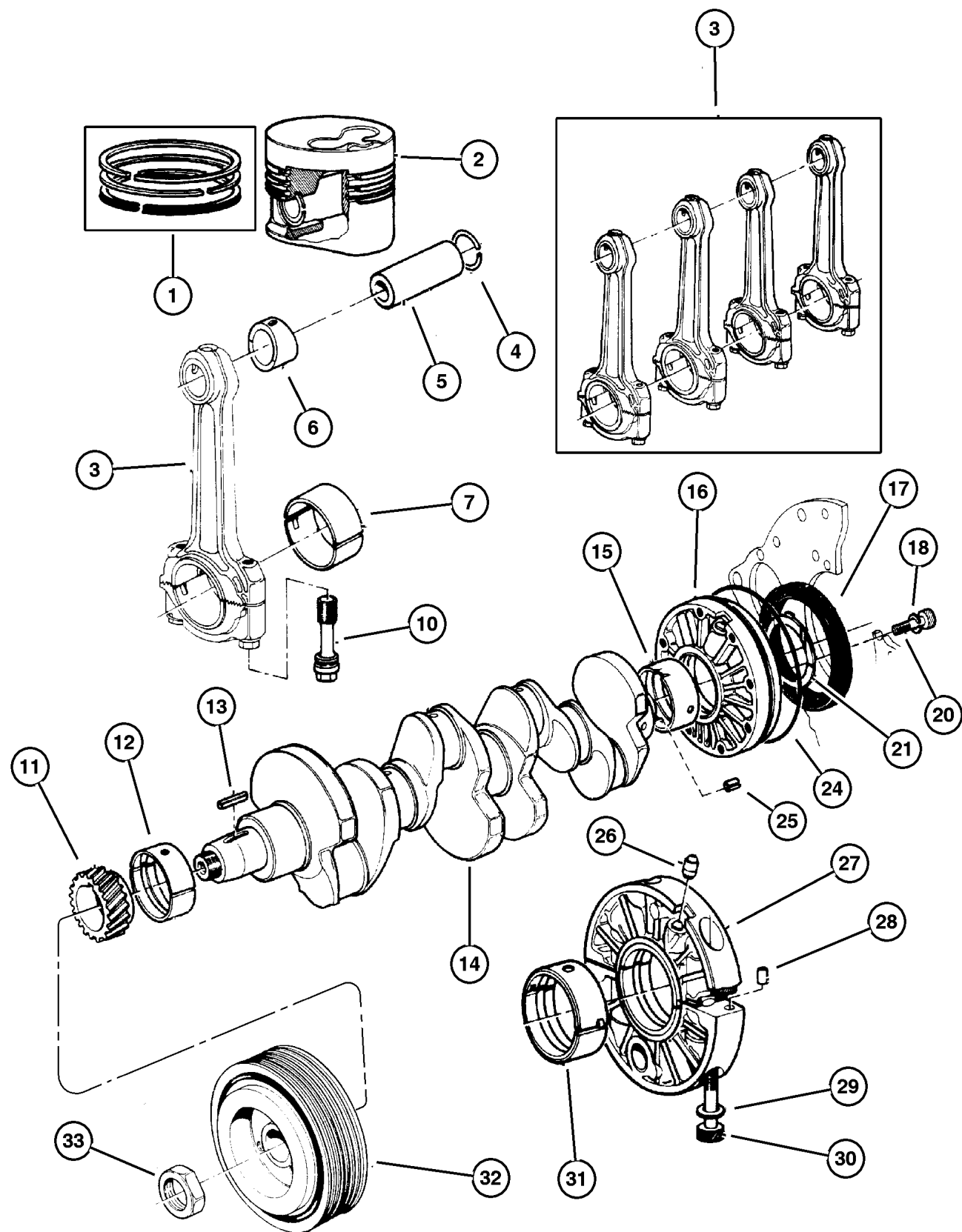
**JEEP CHEROKEE (XJ)**

SERIES	LINE	BODY	ENGINE	TRANSMISSION
L=Low Line	J=LHD (4WD) U=RHD (4WD) T=LHD (2WD) B=RHD (2WD)	74=4 DR. (101.4 WB) 72=2 DR. (101.4 WB)	ENC,ENO=2.5L 4 cyl. Turbo Die ERH,ERO=4.0L Power Tech I-6 EPE,EP0=Magnum 2.5L SMPI	DDQ=5Spd Man. DGS=4 Spd. Auto. AISIN DG0=All Auto Trans DBB=All Manual Trans.

AR = Use as required - = Non illustrated part # = New this model year

July 4, 2003

**Crankshaft, Piston and Torque Converter 2.5L (ENC) Diesel Engine  
Figure 2.5LD-410**



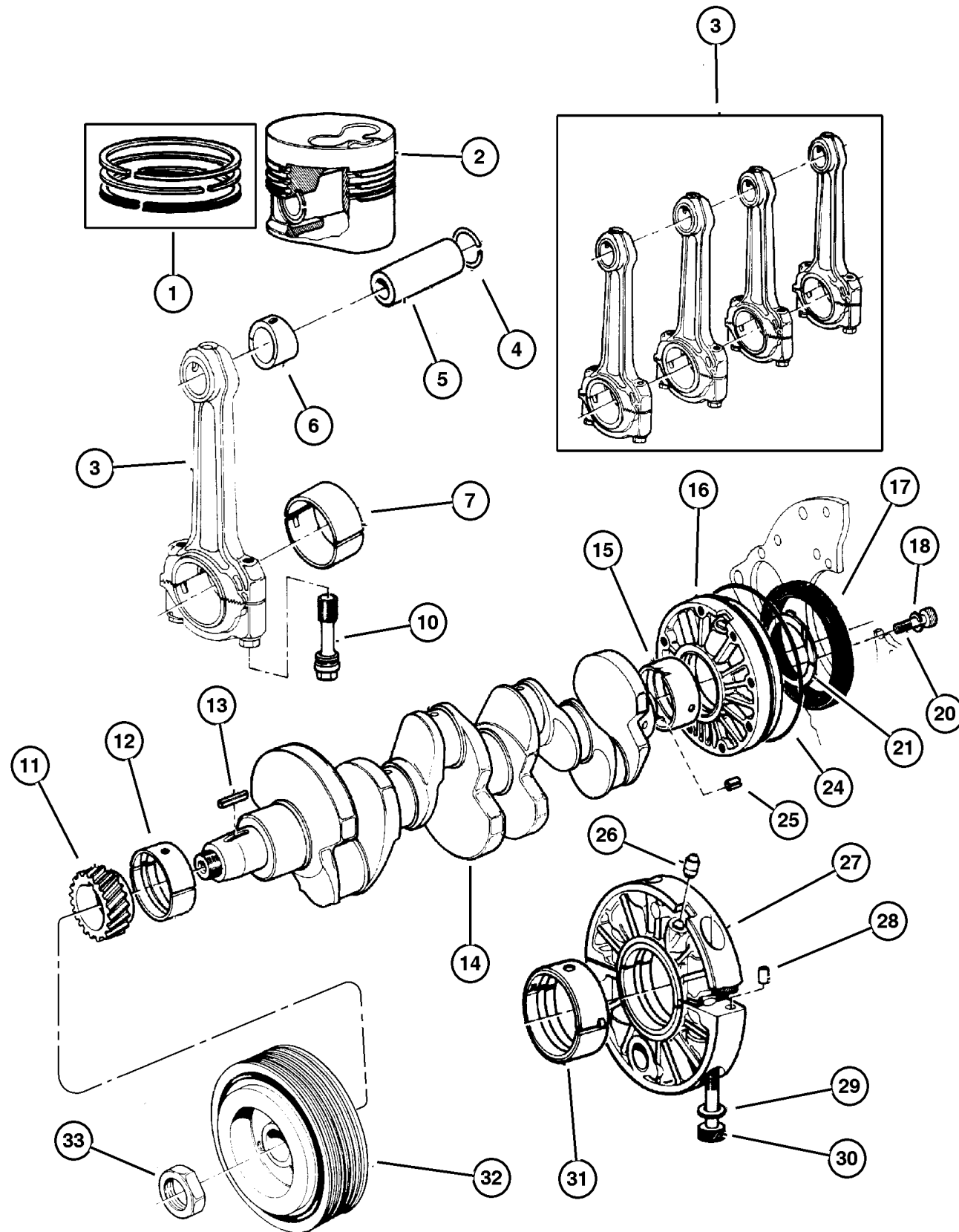
ITEM	PART NUMBER	QTY	LINE	SERIES	BODY	ENGINE	TRANS	TRIM	DESCRIPTION
NOTE: EN0=All 2.5L Diesel Engines									
1	4720 084	4				EN0			RING KIT, Piston, Standard
2	4864 190	4				EN0			PISTON
3	4723 122	1				EN0			ROD, Connecting
4									RING, Piston Pin
	4720 099	4				EN0			1997 XJ
5		8				EN0			1998 XJ, 1999 XJ
									PIN, Piston, Serviced in Piston, (NOT SERVICED) (Not Serviced)
6	4723 160	4				EN0			BUSHING, Connecting Rod
7	4720 877	4				EN0			BUSHING, Connecting Rod
-8									BEARING, Connecting Rod, .010" U/S
	4720 882	4				EN0			1997 XJ
-9		AR				EN0			1998 XJ, 1999 XJ
									BEARING, Connecting Rod, .25 mm U/S
	4720 883	4				EN0			1997 XJ
10		AR				EN0			1998 XJ, 1999 XJ
									BOLT, Connecting Rod
	4883 386AA	8				EN0			1997 XJ, 1998 XJ
	#4883 386AB	8				EN0			1999 XJ
11	4882 402	1				EN0			GEAR, Crankshaft
12									BEARING, Crankshaft
	4720 885	1				EN0			Standard
	4720 886	1				EN0			.125mm, 1997 XJ
		AR				EN0			.125mm, 1998 XJ, 1999 XJ
	4720 887	1				EN0			.250mm, 1997 XJ
		AR				EN0			.250mm, 1998 XJ, 1999 XJ
13									KEY, Crankshaft Sprocket
	4720 274	1				EN0			1997 XJ
	5003 529AA	1				EN0			1998 XJ, 1999 XJ
14	4864 538	1				EN0			CRANKSHAFT
15									BEARING, Crankshaft
	4864 539	1				EN0			Standard
	4864 540	1				EN0			.125mm, 1997 XJ
		AR				EN0			.125mm, 1998 XJ, 1999 XJ
	4864 541	1				EN0			.250mm, 1997 XJ
		AR				EN0			.250mm, 1998 XJ, 1999 XJ
16									HOUSING, Rear Bearing
	4864 542	1				EN0			1997 XJ, 1998 XJ
	#4864 542AB	1				EN0			1999 XJ
17									SEAL, Rear Main Crankshaft

**JEEP CHEROKEE (XJ)**  
 SERIES L=Low Line  
 LINE J=LHD (4WD)  
 U=RHD (4WD)  
 T=LHD (2WD)  
 B=RHD (2WD)  
 BODY 74=4 DR. (101.4 WB)  
 72=2 DR. (101.4 WB)  
 ENGINE ENC,EN0=2.5L 4 cyl. Turbo Die  
 ERH,ER0=4.0L Power Tech I-6  
 EPE,EP0=Magnum 2.5L SMPI  
 TRANSMISSION DDQ=5Spd Man.  
 DGS=4 Spd. Auto. AISIN  
 DG0=All Auto Trans  
 DBB=All Manual Trans.

AR = Use as required - = Non illustrated part # = New this model year

July 4, 2003

**Crankshaft, Piston and Torque Converter 2.5L (ENC) Diesel Engine  
Figure 2.5LD-410**



ITEM	PART NUMBER	QTY	LINE	SERIES	BODY	ENGINE	TRANS	TRIM	DESCRIPTION
	4720 283	1				ENO			1997 XJ, 1998 XJ
	5010 817AA	1				ENO			1999 XJ
18									WASHER, Lock, M6 (NOT REQUIRED), 1998 XJ, 1999 XJ
	4720 285	8				ENO			1997 XJ
-19									WASHER, Implement Attaching (NOT REQUIRED), 1997 XJ
	4723 204	8				ENO			1998 XJ, 1999 XJ
20	4720 284	8				ENO			SCREW, Rear Crankshaft Support
21	4864 046	1				ENO			WASHER, Thrust
-22									WASHER, Thrust, 0.10 Oversize
	4864 543	1				ENO			1997 XJ
									AR
-23						ENO			1998 XJ, 1999 XJ
	4864 544	1				ENO			WASHER, Thrust, 0.20 Oversize
									AR
24	4720 277	1				ENO			O RING, Crankshaft Rear Support
25									PIN, Dowel
	4723 158	1				ENO			1997 XJ
	4723 158AB	1				ENO			1998 XJ, 1999 XJ
26									JET, Piston Oil Cooler
	4720 246	3				ENO			1997 XJ
	4720 246AB	3				ENO			1998 XJ, 1999 XJ
27	4723 161	3				ENO			HOUSING, Crankshaft Bearing
28									DOWEL, Center Bearing Housing
	4720 241	2				ENO			1997 XJ
		6				ENO			1998 XJ, 1999 XJ
29									WASHER, Lock, M10
	4720 243	4				ENO			1997 XJ
		6				ENO			1998 XJ
		3				ENO			1999 XJ
30									SCREW
	4720 242	2				ENO			1997 XJ
		6				ENO			1998 XJ, 1999 XJ
31									BEARING, Crankshaft
	4720 889	3				ENO			Standard
	4720 890	3				ENO			.125mm, 1997 XJ
		AR				ENO			.125mm, 1998 XJ, 1999 XJ
	4720 892	3				ENO			.250mm, 1997 XJ
		AR				ENO			.250mm, 1998 XJ, 1999 XJ
32	4886 225AA	1				ENO			DAMPER, Crankshaft

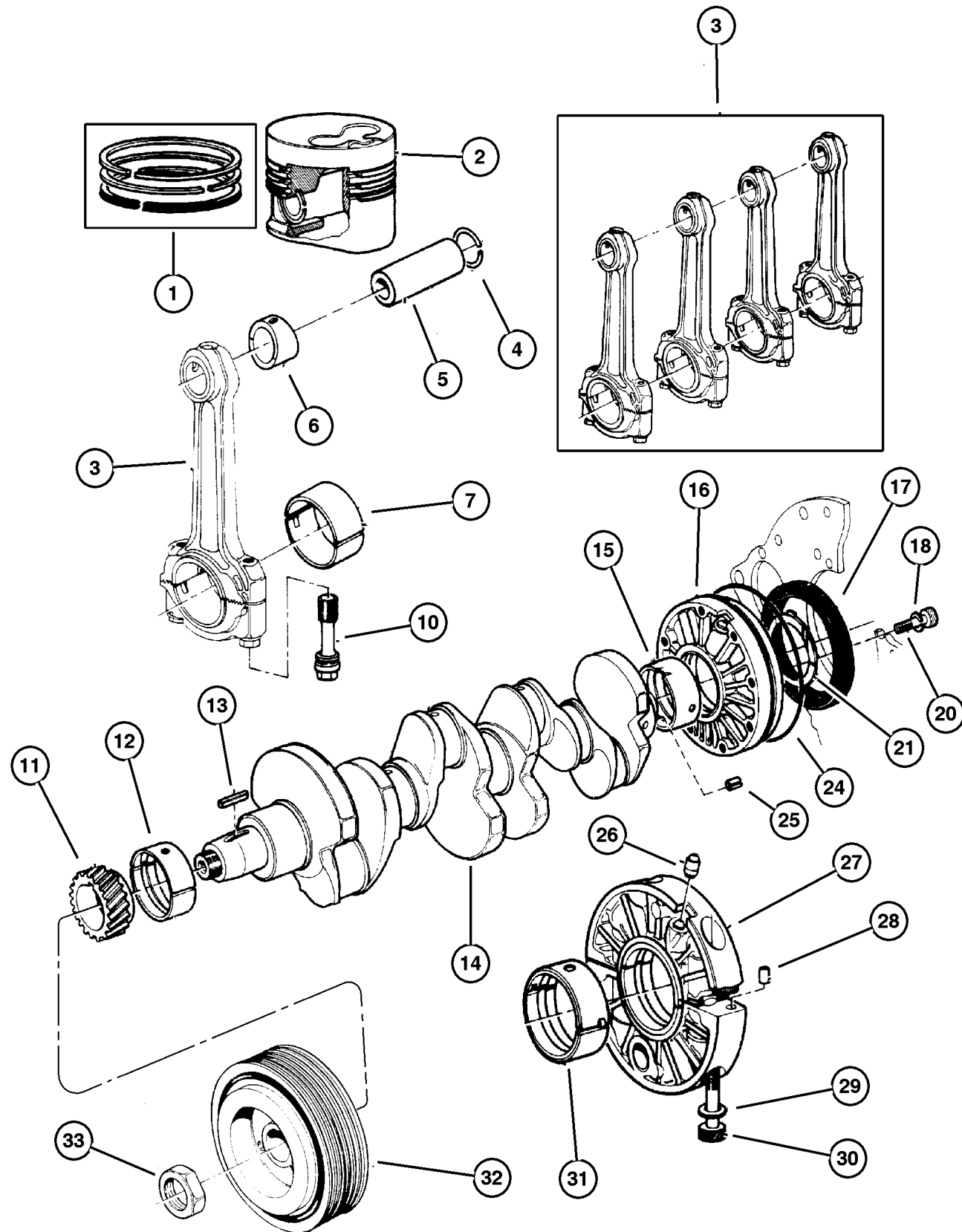
**JEEP CHEROKEE (XJ)**

SERIES	LINE	BODY	ENGINE	TRANSMISSION
L=Low Line	J=LHD (4WD) U=RHD (4WD) T=LHD (2WD) B=RHD (2WD)	74=4 DR. (101.4 WB) 72=2 DR. (101.4 WB)	ENC,ENO=2.5L 4 cyl. Turbo Die ERH,ERO=4.0L Power Tech I-6 EPE,EP0=Magnum 2.5L SMPI	DDQ=5Spd Man. DGS=4 Spd. Auto. AISIN DG0=All Auto Trans DBB=All Manual Trans.

AR = Use as required - = Non illustrated part # = New this model year

July 4, 2003

**Crankshaft, Piston and Torque Converter 2.5L (ENC) Diesel Engine  
Figure 2.5LD-410**



ITEM	PART NUMBER	QTY	LINE	SERIES	BODY	ENGINE	TRANS	TRIM	DESCRIPTION
33	4720 273	1				ENO			NUT, Damper Pulley

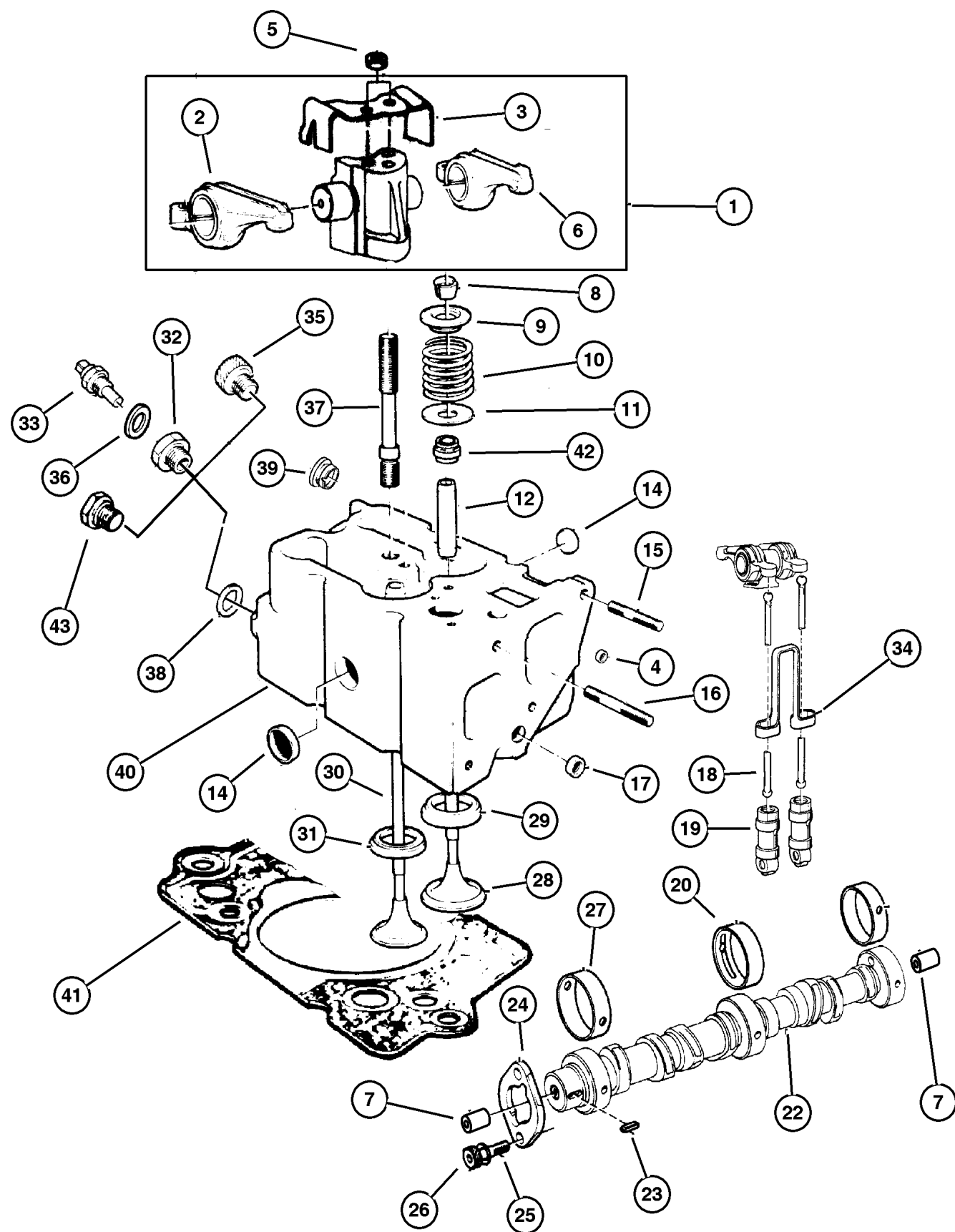
<b>JEEP CHEROKEE (XJ)</b>				
SERIES	LINE	BODY	ENGINE	TRANSMISSION
L=Low Line	J=LHD (4WD) U=RHD (4WD) T=LHD (2WD) B=RHD (2WD)	74=4 DR. (101.4 WB) 72=2 DR. (101.4 WB)	ENC,EN0=2.5L 4 cyl. Turbo Die ERH,ER0=4.0L Power Tech I-6 EPE,EP0=Magnum 2.5L SMPI	DDQ=5Spd Man. DGS=4 Spd. Auto. AISIN DG0=All Auto Trans DBB=All Manual Trans.

AR = Use as required - = Non illustrated part # = New this model year

July 4, 2003



## Camshaft and Valves 2.5L (ENC) Diesel Engine Figure 2.5LD-510



ITEM	PART NUMBER	QTY	LINE	SERIES	BODY	ENGINE	TRANS	TRIM	DESCRIPTION
NOTE: EN0=All 2.5L Diesel Engines									
1	4883 397AA	4				EN0			ROCKER ARM, Inlet and Exhaust Valve
2	4883 399AA	8				EN0			ROCKER ARM, Exhaust Valve 1997 XJ 1998 XJ, 1999 XJ
3	4863 861	4				EN0			SPRING, Valve
4	4723 196AB	2				EN0			PLUG, Camshaft
5	4883 396AA	8				EN0			NUT
6	4883 398AA	4				EN0			ROCKER ARM, Intake
7	4723 196AB	2				EN0			PLUG, Camshaft
8	4720 155	16				EN0			LOCK, Valve Spring Retainer
9	4720 152	8				EN0			RETAINER, Valve Spring
10	4720 158	8				EN0			SPRING, Valve
11	4720 153	8				EN0			WASHER, Plain
12	4883 417AA	8				EN0			GUIDE, Intake/Exhaust Valve, Standard Size
-13	4883 820AA	AR				EN0			GUIDE, Intake/Exhaust Valve, 0. 10mm Oversize
14	4723 228	8				EN0			PLUG, Cylinder Block Oil Hole
15	4723 241	11				EN0			STUD 1997 XJ 1998 XJ, 1999 XJ
16	4882 405	8				EN0			STUD
17	4723 210	1				EN0			PLUG, Cylinder Block Oil Hole 1997 XJ 1998 XJ, 1999 XJ
18	4883 395AA	8				EN0			PUSH ROD, Valve
19	4773 712	8				EN0			TAPPET, Valve
20	4720 220	1				EN0			BEARING, Camshaft
-21	4720 219	1				EN0			BEARING, Camshaft
22	4882 399	1				EN0			CAMSHAFT, Engine
23	4720 137	1				EN0			KEY, Camshaft Sprocket
24	4723 163	1				EN0			PLATE, Camshaft Thrust
25	4723 165	3				EN0			WASHER, P Clip 1997 XJ 1998 XJ, 1999 XJ
26	4720 135	5				EN0			BOLT, Hex Head, M8x18 1997 XJ 1998 XJ 1999 XJ
27		2				EN0			BEARING, Camshaft

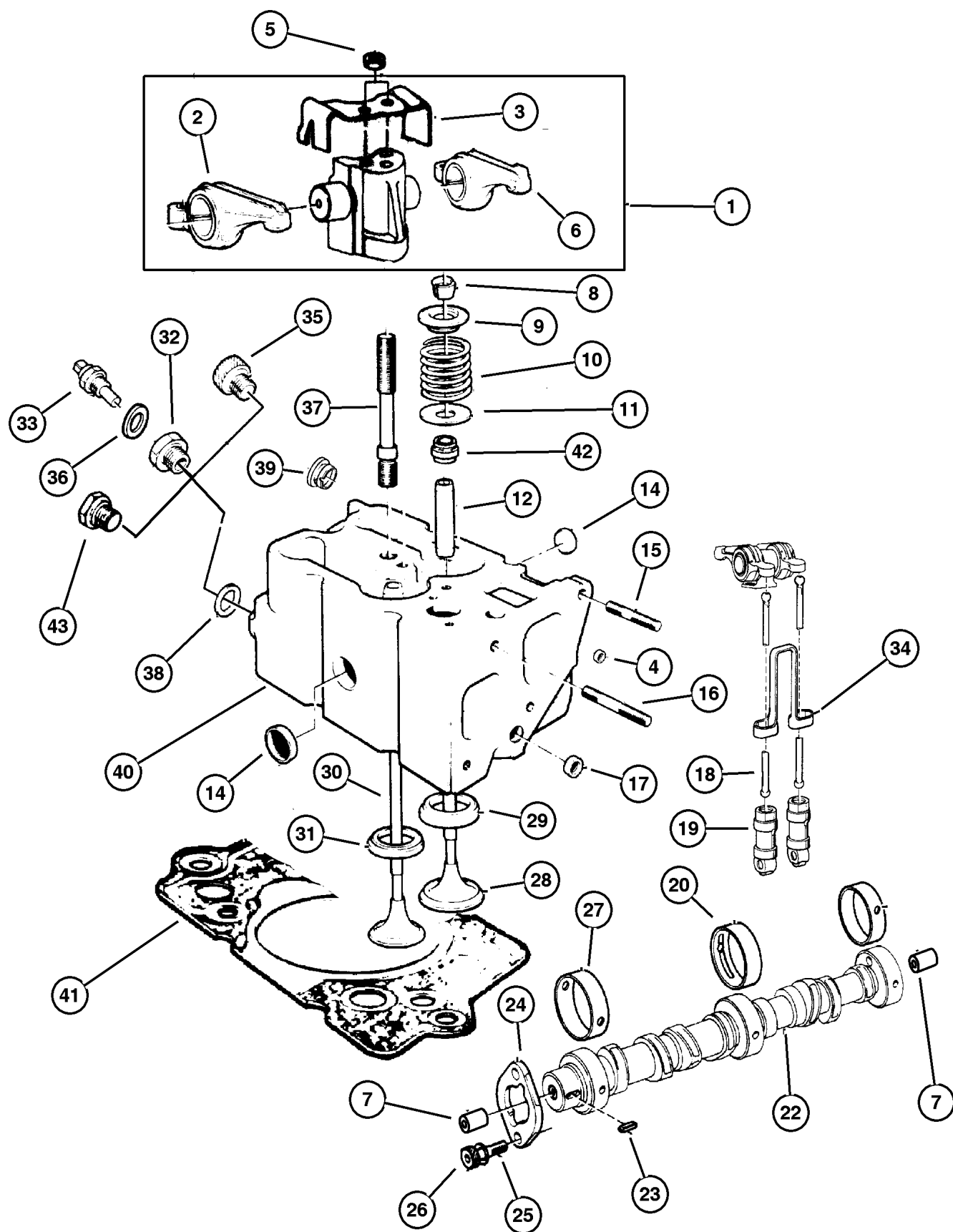
### JEEP CHEROKEE (XJ)

SERIES	LINE	BODY	ENGINE	TRANSMISSION
L=Low Line	J=LHD (4WD) U=RHD (4WD) T=LHD (2WD) B=RHD (2WD)	74=4 DR. (101.4 WB) 72=2 DR. (101.4 WB)	ENC,EN0=2.5L 4 cyl. Turbo Die ERH,ER0=4.0L Power Tech I-6 EPE,EP0=Magnum 2.5L SMPI	DDQ=5Spd Man. DGS=4 Spd. Auto. AISIN DG0=All Auto Trans DBB=All Manual Trans.

AR = Use as required - = Non illustrated part # = New this model year

July 4, 2003

**Camshaft and Valves 2.5L (ENC) Diesel Engine  
Figure 2.5LD-510**



ITEM	PART NUMBER	QTY	LINE	SERIES	BODY	ENGINE	TRANS	TRIM	DESCRIPTION
	4720 218	1				ENO			1997 XJ, 1998 XJ
	5010 274AA	1				ENO			1999 XJ
28	4720 146	4				ENO			VALVE, Intake, Standard
29	4883 418AA	4				ENO			SEAT, Intake Valve
30	4720 148	4				ENO			VALVE, Exhaust, Standard
31	4883 419AA	4				ENO			SEAT, Exhaust Valve
32									ADAPTER, Temperature Sensor
	4720 581	1				ENO			1997 XJ, 1998 XJ
	5014 065AA	2				ENO			1999 XJ
33									SENSOR, Temperature Sending Unit
	4863 824	1				ENO			1997 XJ, 1998 XJ
	5014 067AA	2				ENO			1999 XJ
34	4773 701	4				ENO			BRACKET, Antirotation
35									PLUG, Cylinder Block Oil Hole
	4720 159	6				ENO			1997 XJ
		1				ENO			1998 XJ, 1999 XJ
36									WASHER, Plain
									(NOT REQUIRED), 1999 XJ
	4720 703	11				ENO			1997 XJ
		1				ENO			1998 XJ
37									STUD
	4882 404	8				ENO			1997 XJ
	4897 831AA	8				ENO			1998 XJ, 1999 XJ
38									WASHER, Plain
	4723 246	6				ENO			1997 XJ
		1				ENO			1998 XJ, 1999 XJ
39									PLUG
	4863 769	4				ENO			1997 XJ, 1998 XJ
		8				ENO			1999 XJ
40									HEAD, Cylinder
	4883 416AA	4				ENO			1997 XJ, 1998 XJ
	#4883 416AB	4				ENO			1999 XJ
41									GASKET, Cylinder Head
	4863 781	1				ENO			1.42, 1997 XJ, 1998 XJ
	4863 782	AR				ENO			1.52, 1997 XJ, 1998 XJ
	4863 783	AR				ENO			1.62, 1997 XJ, 1998 XJ
	5014 059AA	1				ENO			1.42, 1999 XJ
	5014 060AA	1				ENO			1.52, 1999 XJ
	5014 061AA	1				ENO			1.62, 1999 XJ
42									SEAL, Valve Guide
									(NOT REQUIRED), 1997 XJ, 1998 XJ

**JEEP CHEROKEE (XJ)**

SERIES	LINE	BODY	ENGINE	TRANSMISSION
L=Low Line	J=LHD (4WD) U=RHD (4WD) T=LHD (2WD) B=RHD (2WD)	74=4 DR. (101.4 WB) 72=2 DR. (101.4 WB)	ENC,ENO=2.5L 4 cyl. Turbo Die ERH,ERO=4.0L Power Tech I-6 EPE,EP0=Magnum 2.5L SMPI	DDQ=5Spd Man. DGS=4 Spd. Auto. AISIN DG0=All Auto Trans DBB=All Manual Trans.

AR = Use as required - = Non illustrated part # = New this model year

July 4, 2003



**Timing Cover 2.5L (ENC) Diesel Engine**  
**Figure 2.5LD-610**

ITEM	PART NUMBER	QTY	LINE	SERIES	BODY	ENGINE	TRANS	TRIM	DESCRIPTION
------	-------------	-----	------	--------	------	--------	-------	------	-------------

NOTE: EN0=All 2.5L Diesel Engines

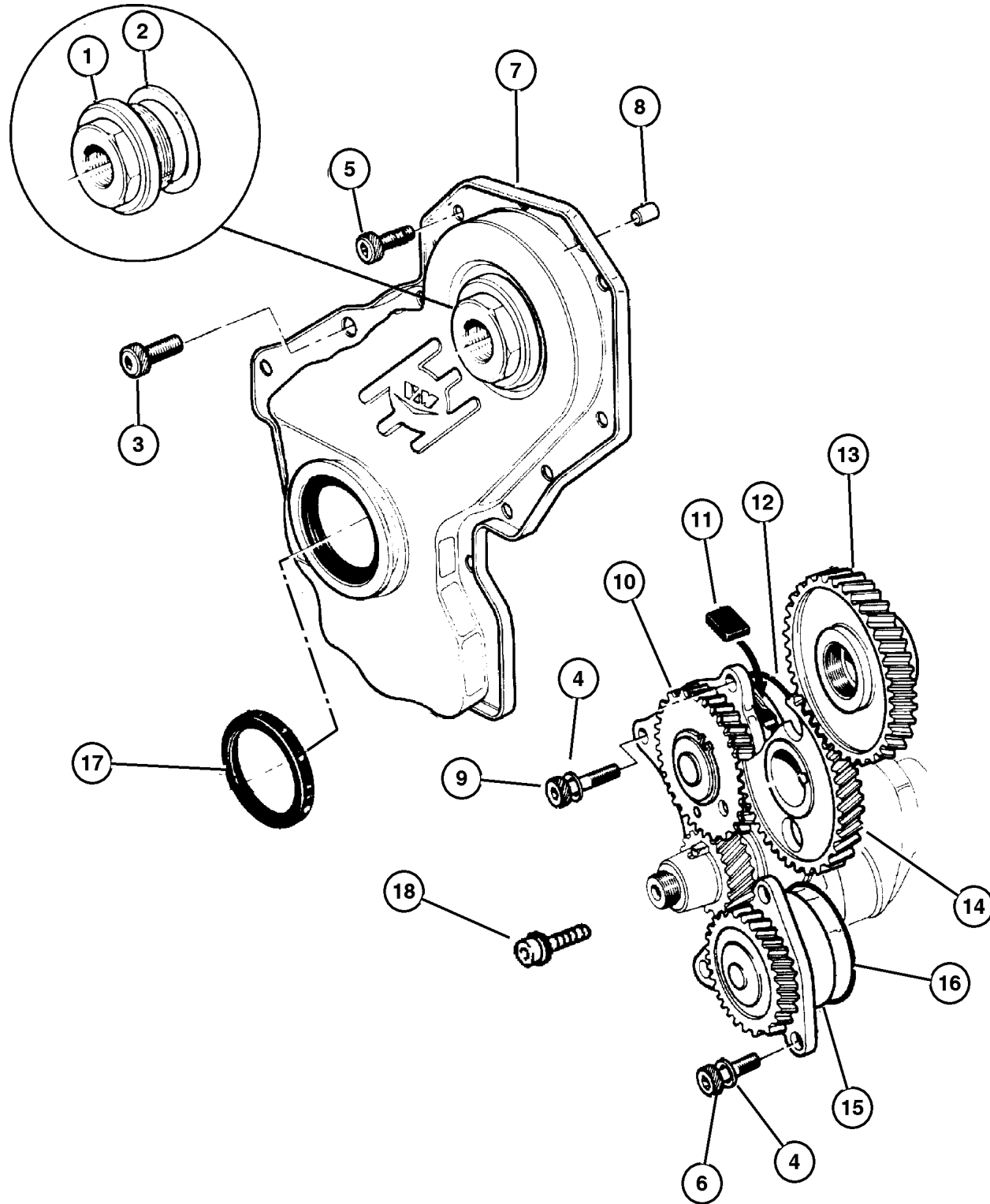
1	4778 839	1				EN0			COVER, Timing Belt 1998 XJ, 1999 XJ
	4778 951	1				EN0			1997 XJ
2	4720 290	1				EN0			GASKET, Engine Oil Plug
3									SCREW (NOT REQUIRED), 1999 XJ
	4864 559	23				EN0			1997 XJ
		3				EN0			1998 XJ
4	4720 565	7				EN0			WASHER, Tube Bolt 1997 XJ
		3				EN0			1998 XJ, 1999 XJ
5									SCREW
	4864 550	20				EN0			1997 XJ
		15				EN0			1998 XJ, 1999 XJ
6	4720 135	5				EN0			BOLT, Hex Head, M8x18 1997 XJ
		3				EN0			1998 XJ, 1999 XJ
7	4864 750AB	1				EN0			COVER, Timing Belt 1997 XJ
	5010 853AA	1				EN0			1998 XJ, 1999 XJ
8	4720 304	2				EN0			DOWEL, Front Cover
9	4720 136	4				EN0			BOLT, Hex Head, M8x20 1997 XJ
		3				EN0			1998 XJ, 1999 XJ
10	4883 421AA	1				EN0			PUMP, Vacuum 1997 XJ
	5003 716AA	1				EN0			1998 XJ
	#5003 716AB	1				EN0			1999 XJ
11	4797 760	3				EN0			INSERT, Vacuum Pump Rotor 1997 XJ
	5010 821AA	1				EN0			1998 XJ
		3				EN0			1999 XJ
12									O RING (NOT REQUIRED), 1998 XJ, 1999 XJ
	4778 899	1				EN0			1997 XJ
13	4882 412	1				EN0			GEAR, Injection Pump
14	4882 403	1				EN0			GEAR, Camshaft
15	4723 233	1				EN0			PUMP, Engine Oil
16	4720 239	1				EN0			O RING, Adaptor Plate
17									SEAL, Timing Belt Cover

**JEEP CHEROKEE (XJ)**

SERIES	LINE	BODY	ENGINE	TRANSMISSION
L=Low Line	J=LHD (4WD) U=RHD (4WD) T=LHD (2WD) B=RHD (2WD)	74=4 DR. (101.4 WB) 72=2 DR. (101.4 WB)	ENC,EN0=2.5L 4 cyl. Turbo Die ERH,ER0=4.0L Power Tech I-6 EPE,EP0=Magnum 2.5L SMPI	DDQ=5Spd Man. DGS=4 Spd. Auto. AISIN DG0=All Auto Trans DBB=All Manual Trans.

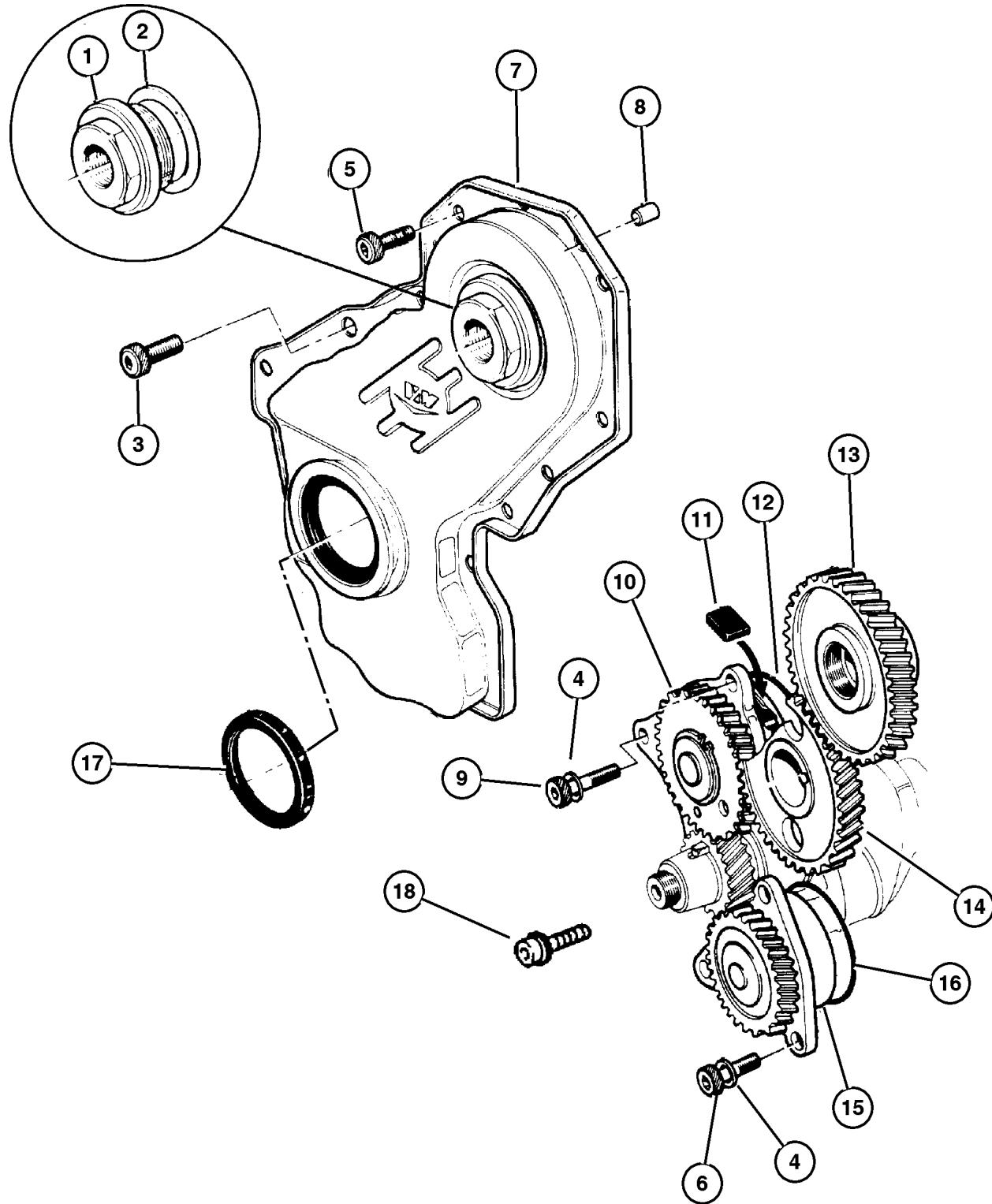
AR = Use as required - = Non illustrated part # = New this model year

July 4, 2003



Timing Cover 2.5L (ENC) Diesel Engine  
Figure 2.5LD-610

ITEM	PART NUMBER	QTY	LINE	SERIES	BODY	ENGINE	TRANS	TRIM	DESCRIPTION
	4720 291	1				ENO			1997 XJ
	5010 856AA	1				ENO			1998 XJ, 1999 XJ
18									BOLT (NOT REQUIRED), 1997 XJ, 1998 XJ
	5003 539AA	1				ENO			1999 XJ

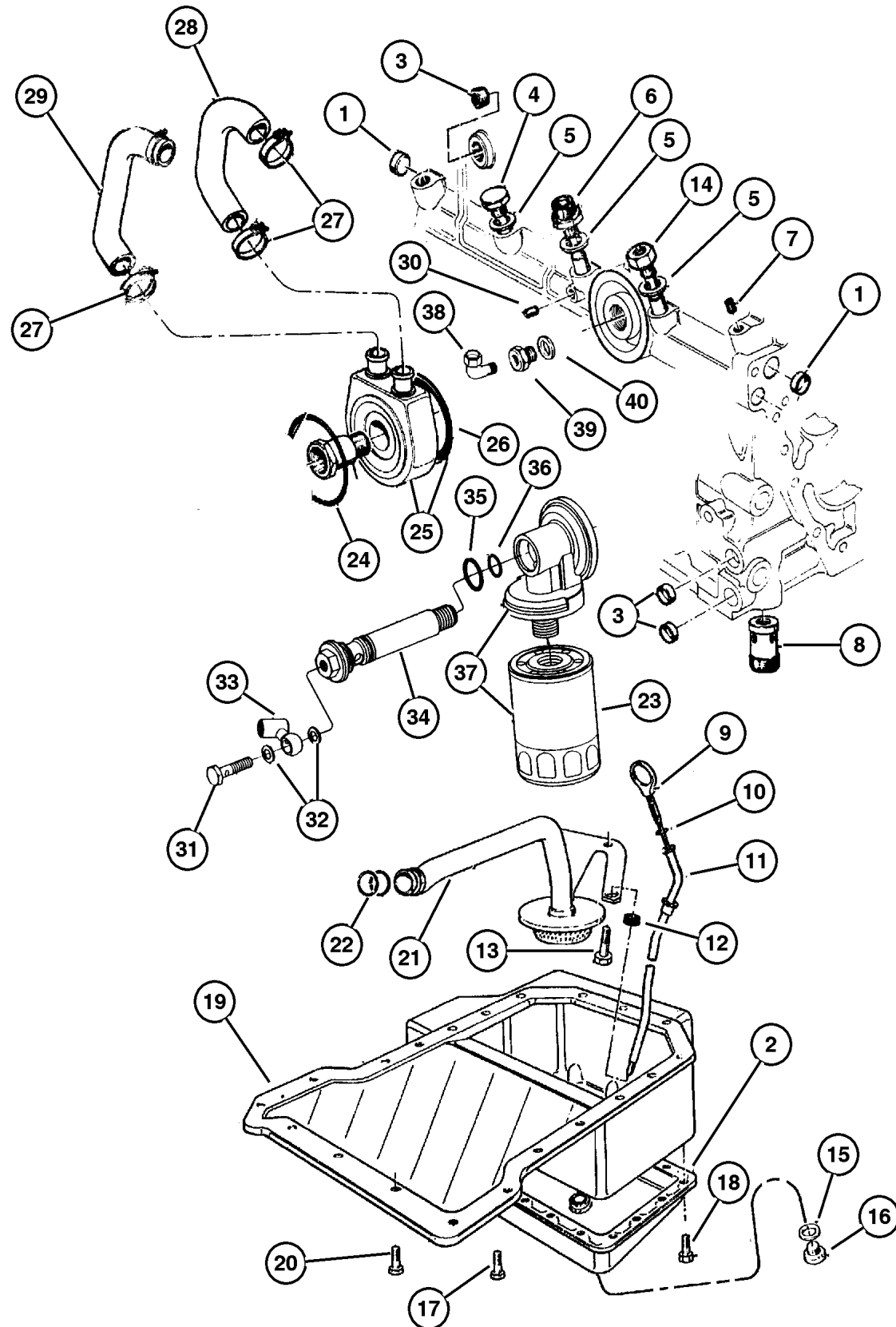


JEEP CHEROKEE (XJ)				
SERIES	LINE	BODY	ENGINE	TRANSMISSION
L=Low Line	J=LHD (4WD) U=RHD (4WD) T=LHD (2WD) B=RHD (2WD)	74=4 DR. (101.4 WB) 72=2 DR. (101.4 WB)	ENC, EN0=2.5L 4 cyl. Turbo Die ERH, ER0=4.0L Power Tech I-6 EPE, EP0=Magnum 2.5L SMPI	DDQ=5Spd Man. DGS=4 Spd. Auto. AISIN DG0=All Auto Trans DBB=All Manual Trans.

AR = Use as required - = Non illustrated part # = New this model year

July 4, 2003

## Engine Oiling 2.5L (ENC) Diesel Engine Figure 2.5LD-710



ITEM	PART NUMBER	QTY	LINE	SERIES	BODY	ENGINE	TRANS	TRIM	DESCRIPTION
NOTE: EN0=All 2.5L Diesel Engines									
1	4723 211	2				EN0			PLUG, Cylinder Block Oil Hole
2	4778 933	1				EN0			COVER, Oil Pump
3	4864 577	2				EN0			PLUG 1997 XJ
	4864 753	3				EN0			1999 XJ
	4883 424AA	2				EN0			1998 XJ
4	4720 726	1				EN0			BOLT, Oil Feed To Turbo Adapter 1997 XJ
		2				EN0			1998 XJ, 1999 XJ
5	4720 704	5				EN0			WASHER, Oil Pressure Transducer 1997 XJ
		4				EN0			1998 XJ, 1999 XJ
6	4720 709	1				EN0			BOLT, Turbo Oil Feed Adapter
7	4883 424AA	2				EN0			PLUG, Cylinder Block
8	4720 217	1				EN0			VALVE, Oil Pressure Relief 1997 XJ
	5003 543AA	1				EN0			1998 XJ, 1999 XJ
9	4778 947	1				EN0			INDICATOR, Engine Oil Level
10	4720 373	1				EN0			O RING, Engine Oil Indicator
11	4882 408	1				EN0			TUBE, Oil Gauge
12	4720 362	2				EN0			GASKET, Engine Oil Indicator Pipe 1997 XJ
		1				EN0			1998 XJ, 1999 XJ
13	4864 550	20				EN0			SCREW 1997 XJ
		1				EN0			1998 XJ, 1999 XJ
14	4720 726	2				EN0			BOLT, Oil Feed To Turbo Adapter 1998 XJ, 1999 XJ
	4778 991	1				EN0			1997 XJ
15	4720 353	1				EN0			WASHER, Plain
16	4720 352	1				EN0			PLUG, Oil Drain
17	4864 550	20				EN0			SCREW 1997 XJ
		4				EN0			1998 XJ, 1999 XJ
18	4864 559	23				EN0			SCREW 1997 XJ
		3				EN0			1998 XJ
	5003 557AA	13				EN0			1999 XJ
19	4778 935	1				EN0			PAN, Engine Oil
20	4864 551	22				EN0			SCREW 1997 XJ

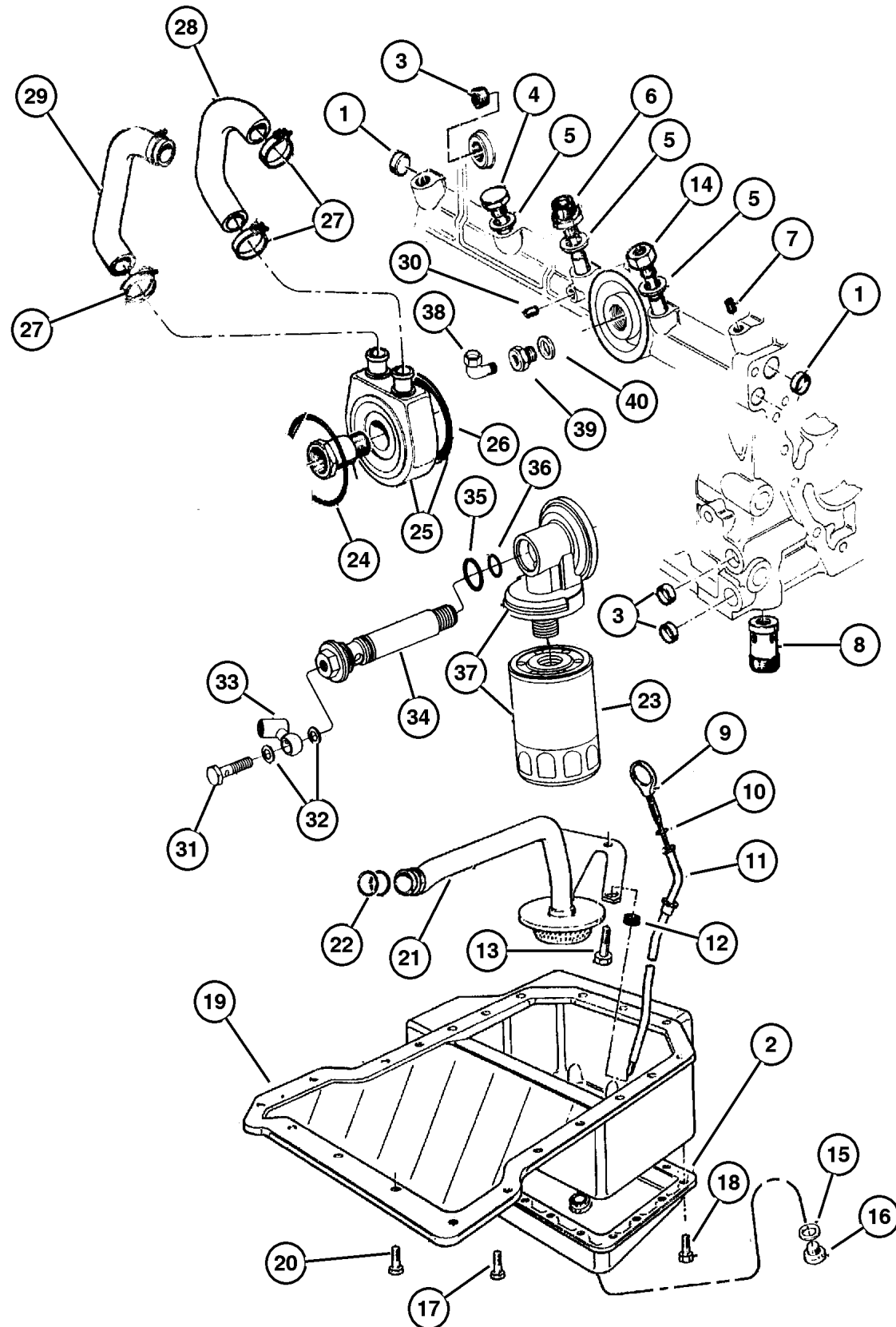
### JEEP CHEROKEE (XJ)

SERIES	LINE	BODY	ENGINE	TRANSMISSION
L=Low Line	J=LHD (4WD) U=RHD (4WD) T=LHD (2WD) B=RHD (2WD)	74=4 DR. (101.4 WB) 72=2 DR. (101.4 WB)	ENC,EN0=2.5L 4 cyl. Turbo Die ERH,ER0=4.0L Power Tech I-6 EPE,EP0=Magnum 2.5L SMPI	DDQ=5Spd Man. DGS=4 Spd. Auto. AISIN DG0=All Auto Trans DBB=All Manual Trans.

AR = Use as required - = Non illustrated part # = New this model year

July 4, 2003

**Engine Oiling 2.5L (ENC) Diesel Engine  
Figure 2.5LD-710**



ITEM	PART NUMBER	QTY	LINE	SERIES	BODY	ENGINE	TRANS	TRIM	DESCRIPTION
		20				ENO			1998 XJ, 1999 XJ
21	4778 937	1				ENO			PICKUP, Engine Oil
22	4720 374	2				ENO			O RING, Oil Suction Tube
		1				ENO			1997 XJ, 1999 XJ
		1				ENO			1998 XJ
23	4778 838	1				ENO			FILTER, Engine Oil
	5003 558AA	1				ENO			1997 XJ
		1				ENO			1998 XJ, 1999 XJ
24	4720 375	1				ENO			O RING, Oil Filter Base
25	4720 366	1				ENO			COOLER, Engine Oil
26	4723 217	1				ENO			O RING, Oil Cooler
27	4883 924AA	4				ENO			CLAMP, Heater Hose
28						ENO			HOSE, Oil Cooler
	4778 987	1				ENO			1997 XJ
	4864 578	1				ENO			1998 XJ, 1999 XJ
29	4778 988	1				ENO			HOSE, Engine Oil Cooler
30	4883 424AA	2				ENO			PLUG, Cylinder Block
31									BOLT, Banjo
									(NOT REQUIRED), 1998 XJ, 1999 XJ
	4720 367	3				ENO			1997 XJ
32									WASHER, Plain
									(NOT REQUIRED), 1998 XJ, 1999 XJ
	4720 703	11				ENO			1997 XJ
33									BOLT, Banjo
									(NOT REQUIRED), 1998 XJ, 1999 XJ
	4864 744	1				ENO			1997 XJ
34									ADAPTER, Oil Pressure Sender
	4886 304AA	1				ENO			1997 XJ
	5003 559AA	1				ENO			1998 XJ, 1999 XJ
35									GASKET, Valve
	4723 334	2				ENO			1997 XJ
		1				ENO			1998 XJ, 1999 XJ
36	4886 305AA	1				ENO			O RING, Oil Filter Adapter
37									BASE, Oil Filter
	4886 306AA	1				ENO			1997 XJ
	5010 893AA	1				ENO			1998 XJ, 1999 XJ
38									ADAPTER, Oil Pressure Sender
									(NOT REQUIRED), 1997 XJ, 1998 XJ

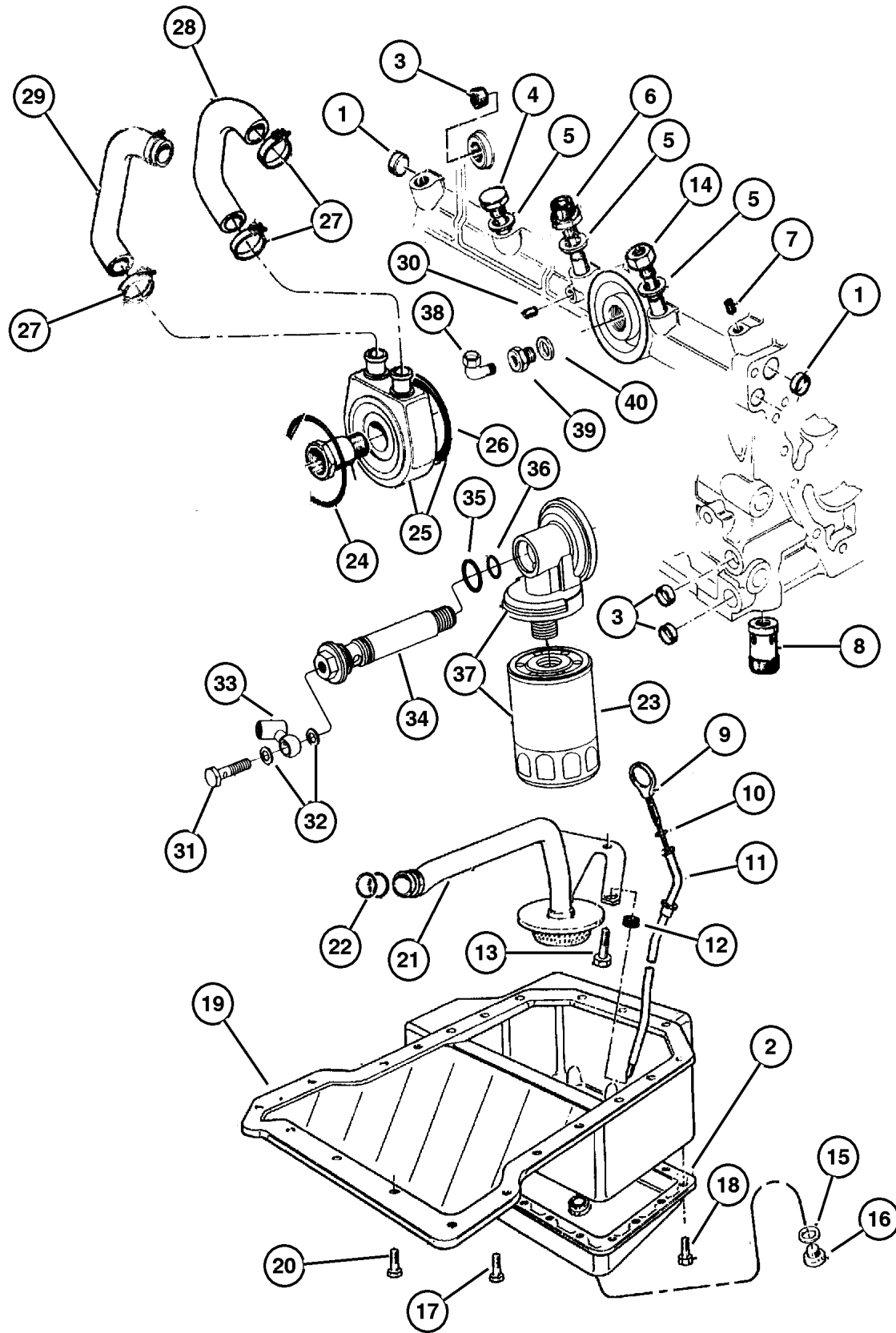
**JEEP CHEROKEE (XJ)**

SERIES	LINE	BODY	ENGINE	TRANSMISSION
L=Low Line	J=LHD (4WD) U=RHD (4WD) T=LHD (2WD) B=RHD (2WD)	74=4 DR. (101.4 WB) 72=2 DR. (101.4 WB)	ENC,ENO=2.5L 4 cyl. Turbo Die ERH,ERO=4.0L Power Tech I-6 EPE,EP0=Magnum 2.5L SMPI	DDQ=5Spd Man. DGS=4 Spd. Auto. AISIN DG0=All Auto Trans DBB=All Manual Trans.

AR = Use as required - = Non illustrated part # = New this model year

July 4, 2003

**Engine Oiling 2.5L (ENC) Diesel Engine  
Figure 2.5LD-710**



ITEM	PART NUMBER	QTY	LINE	SERIES	BODY	ENGINE	TRANS	TRIM	DESCRIPTION
	#5014 070AA	1				EN0			1999 XJ
39									ADAPTER, Oil Pressure Sender (NOT REQUIRED), 1997 XJ, 1998 XJ
	5003 544AA	1				EN0			1999 XJ
40									WASHER, Plain, 16.2x19.9x1.5 (NOT REQUIRED), 1997 XJ, 1998 XJ
	4797 784	1				EN0			1999 XJ

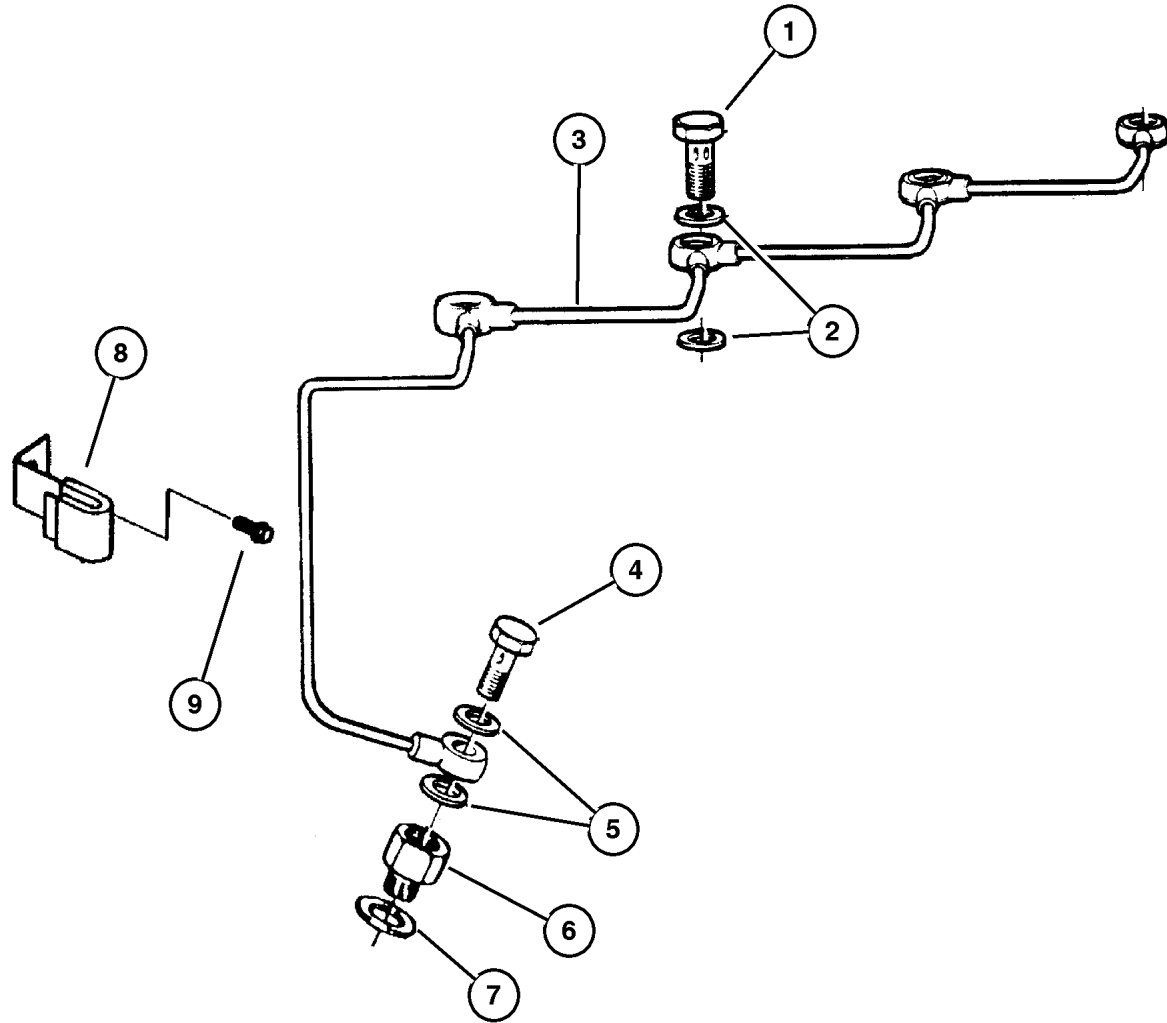
JEEP CHEROKEE (XJ)				
SERIES	LINE	BODY	ENGINE	TRANSMISSION
L=Low Line	J=LHD (4WD) U=RHD (4WD) T=LHD (2WD) B=RHD (2WD)	74=4 DR. (101.4 WB) 72=2 DR. (101.4 WB)	ENC,EN0=2.5L 4 cyl. Turbo Die ERH,ER0=4.0L Power Tech I-6 EPE,EP0=Magnum 2.5L SMPI	DDQ=5Spd Man. DGS=4 Spd. Auto. AISIN DG0=All Auto Trans DBB=All Manual Trans.

AR = Use as required - = Non illustrated part # = New this model year

July 4, 2003



**Oil Lines 2.5L (ENC) Diesel Engine  
Figure 2.5LD-720**



ITEM	PART NUMBER	QTY	LINE	SERIES	BODY	ENGINE	TRANS	TRIM	DESCRIPTION
NOTE: EN0=All 2.5L Diesel Engines									
1	4720 358	6				EN0			BOLT, Banjo 1997 XJ
		1				EN0			1998 XJ, 1999 XJ
2	4720 554	12				EN0			WASHER, Banjo 1997 XJ
		2				EN0			1998 XJ, 1999 XJ
3	4864 023	1				EN0			TUBE, Oil Feed
4	4720 358	6				EN0			BOLT, Banjo 1997 XJ
		1				EN0			1998 XJ, 1999 XJ
5	4720 554	12				EN0			WASHER, Banjo 1997 XJ
		2				EN0			1998 XJ, 1999 XJ
6	4863 777	1				EN0			UNION
7	4720 704	5				EN0			WASHER, Oil Pressure Transduser 1997 XJ
		4				EN0			1998 XJ, 1999 XJ
8									STIFFENER, Flywheel Housing (NOT REQUIRED), 1997 XJ, 1998 XJ
	5013 828AA	1				EN0			1999 XJ
9									BOLT, M5x10 (NOT REQUIRED), 1997 XJ, 1998 XJ
	#5014 071AA	1				EN0			1999 XJ

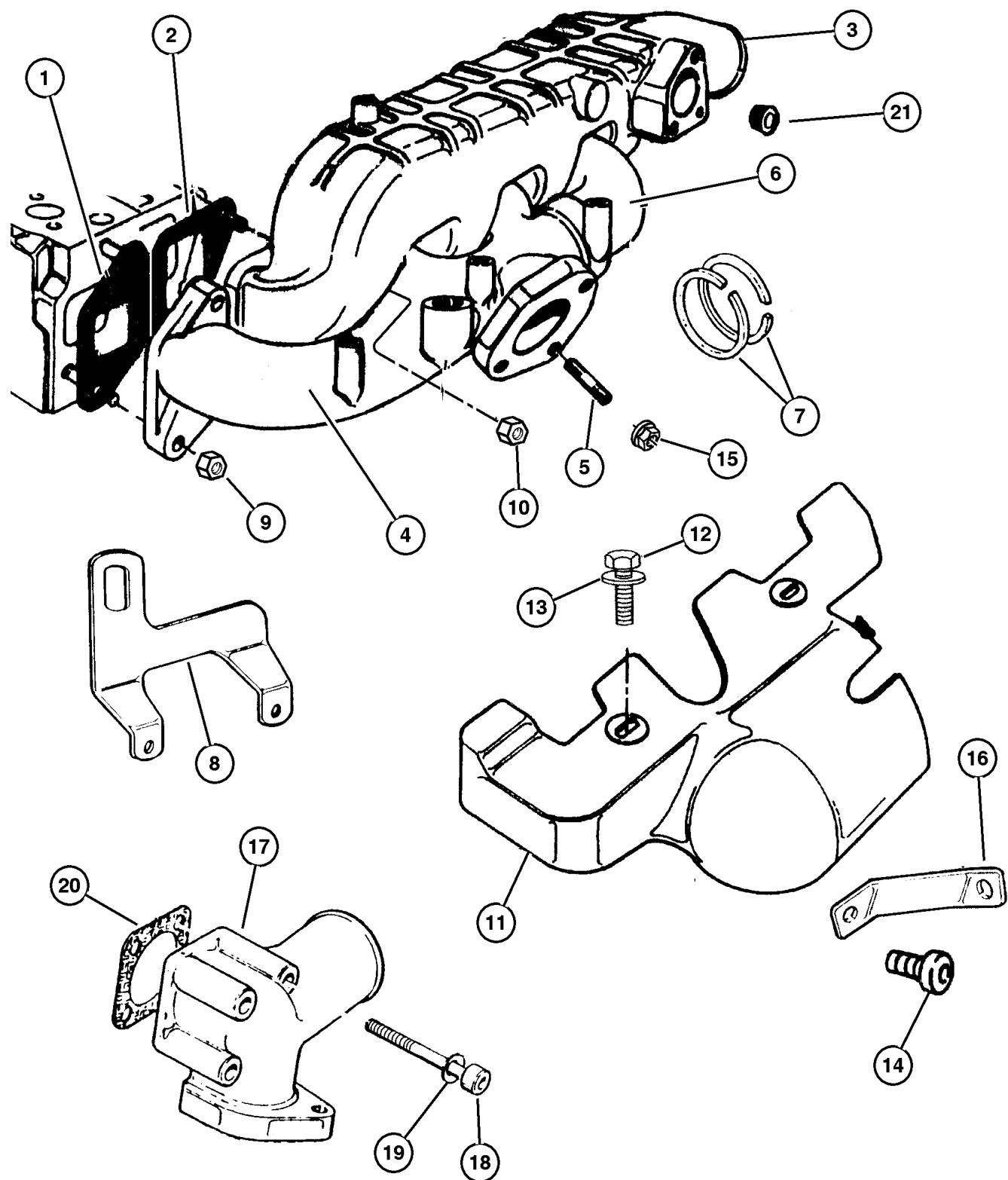
**JEEP CHEROKEE (XJ)**

SERIES	LINE	BODY	ENGINE	TRANSMISSION
L=Low Line	J=LHD (4WD) U=RHD (4WD) T=LHD (2WD) B=RHD (2WD)	74=4 DR. (101.4 WB) 72=2 DR. (101.4 WB)	ENC,EN0=2.5L 4 cyl. Turbo Die ERH,ER0=4.0L Power Tech I-6 EPE,EP0=Magnum 2.5L SMPI	DDQ=5Spd Man. DGS=4 Spd. Auto. AISIN DG0=All Auto Trans DBB=All Manual Trans.

AR = Use as required - = Non illustrated part # = New this model year

July 4, 2003

**Manifold, Intake and Exhaust 2.5L (ENC) Diesel Engine  
Figure 2.5LD-810**



ITEM	PART NUMBER	QTY	LINE	SERIES	BODY	ENGINE	TRANS	TRIM	DESCRIPTION
NOTE: EN0=All 2.5L Diesel Engines									
1	4720 204	4				EN0			GASKET, Intake/Exhaust Manifold 1997 XJ
	5003 546AA	1				EN0			1998 XJ, 1999 XJ
2									GASKET PACKAGE, Intake Manifold (NOT REQUIRED), 1998 XJ, 1999 XJ
3	4720 206	4				EN0			1997 XJ MANIFOLD, Intake
	4778 959	1				EN0			1997 XJ, 1998 XJ
	#5014 064AA	1				EN0			1999 XJ
4	4778 957	1				EN0			MANIFOLD, Exhaust Front, 1997 XJ
		1				EN0			1998 XJ, 1999 XJ
5	4741 777	3				EN0			STUD, Turbo Elbow 1997 XJ
	4882 606	3				EN0			1998 XJ
		2				EN0			1999 XJ
6	4778 960	1				EN0			MANIFOLD, Exhaust Rear, 1997 XJ
		1				EN0			1998 XJ, 1999 XJ
7	4720 214	2				EN0			CIRCLIP, Exhaust Manifold
8	4778 954	1				EN0			BRACKET, Engine Lift 1997 XJ, 1998 XJ
	#5014 073AA	1				EN0			1999 XJ
9	4798 296	11				EN0			NUT, Lock 1997 XJ
	4882 611	8				EN0			1998 XJ, 1999 XJ
10									NUT
	4778 961	22				EN0			1997 XJ
		8				EN0			1998 XJ, 1999 XJ
11	4864 752	1				EN0			SHIELD, Heat
12	4728 183	2				EN0			BOLT, Exhaust Shield
13	4723 279	2				EN0			WASHER, Starter 1997 XJ, 1999 XJ
		3				EN0			1998 XJ
14									BOLT, M6x10
	4864 550	20				EN0			1997 XJ
		1				EN0			1998 XJ
	5003 551AA	1				EN0			1999 XJ
15									NUT, Lock
	4798 296	11				EN0			1997 XJ

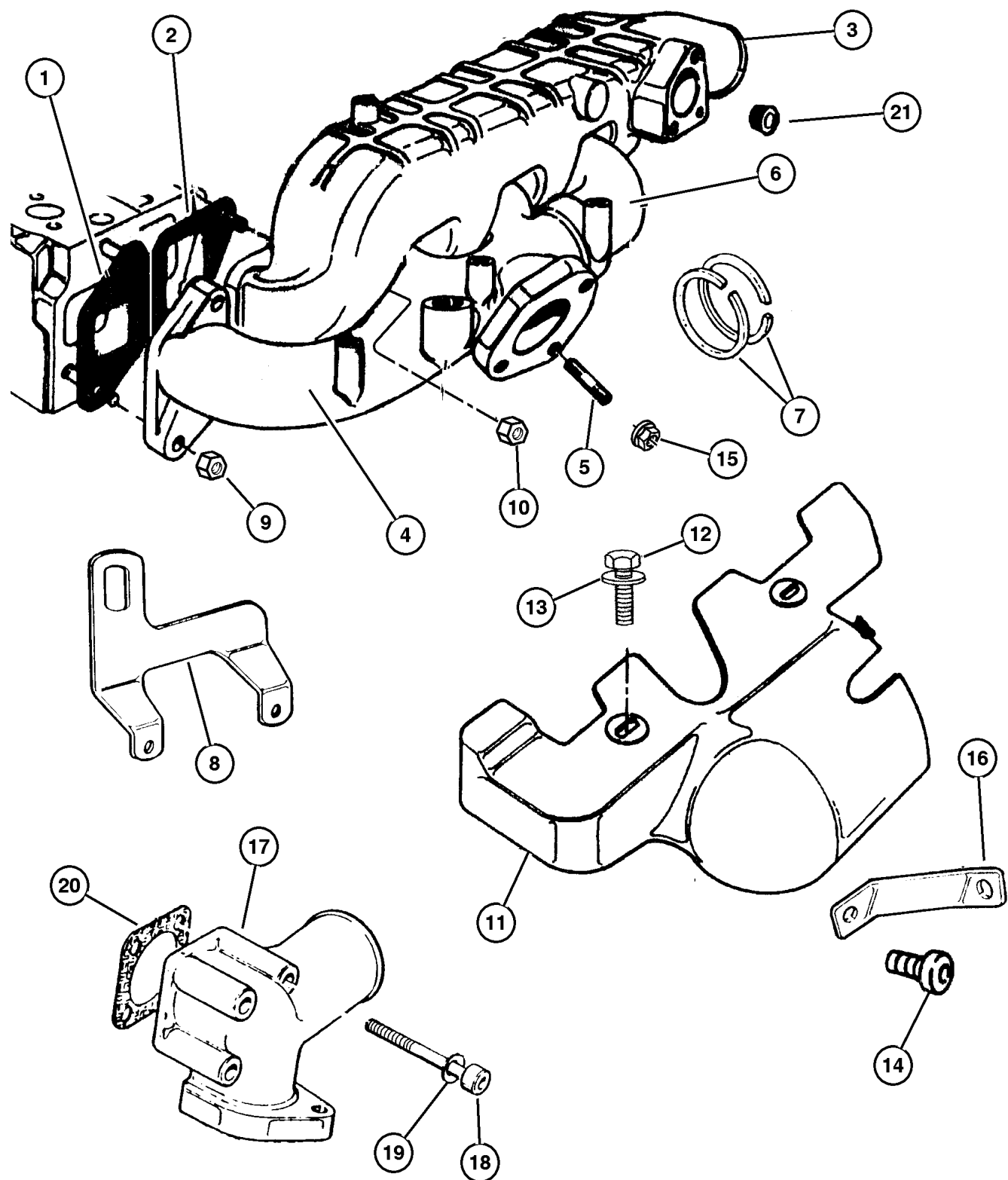
**JEEP CHEROKEE (XJ)**

SERIES	LINE	BODY	ENGINE	TRANSMISSION
L=Low Line	J=LHD (4WD) U=RHD (4WD) T=LHD (2WD) B=RHD (2WD)	74=4 DR. (101.4 WB) 72=2 DR. (101.4 WB)	ENC,EN0=2.5L 4 cyl. Turbo Die ERH,ER0=4.0L Power Tech I-6 EPE,EP0=Magnum 2.5L SMPI	DDQ=5Spd Man. DGS=4 Spd. Auto. AISIN DG0=All Auto Trans DBB=All Manual Trans.

AR = Use as required - = Non illustrated part # = New this model year

July 4, 2003

**Manifold, Intake and Exhaust 2.5L (ENC) Diesel Engine  
Figure 2.5LD-810**



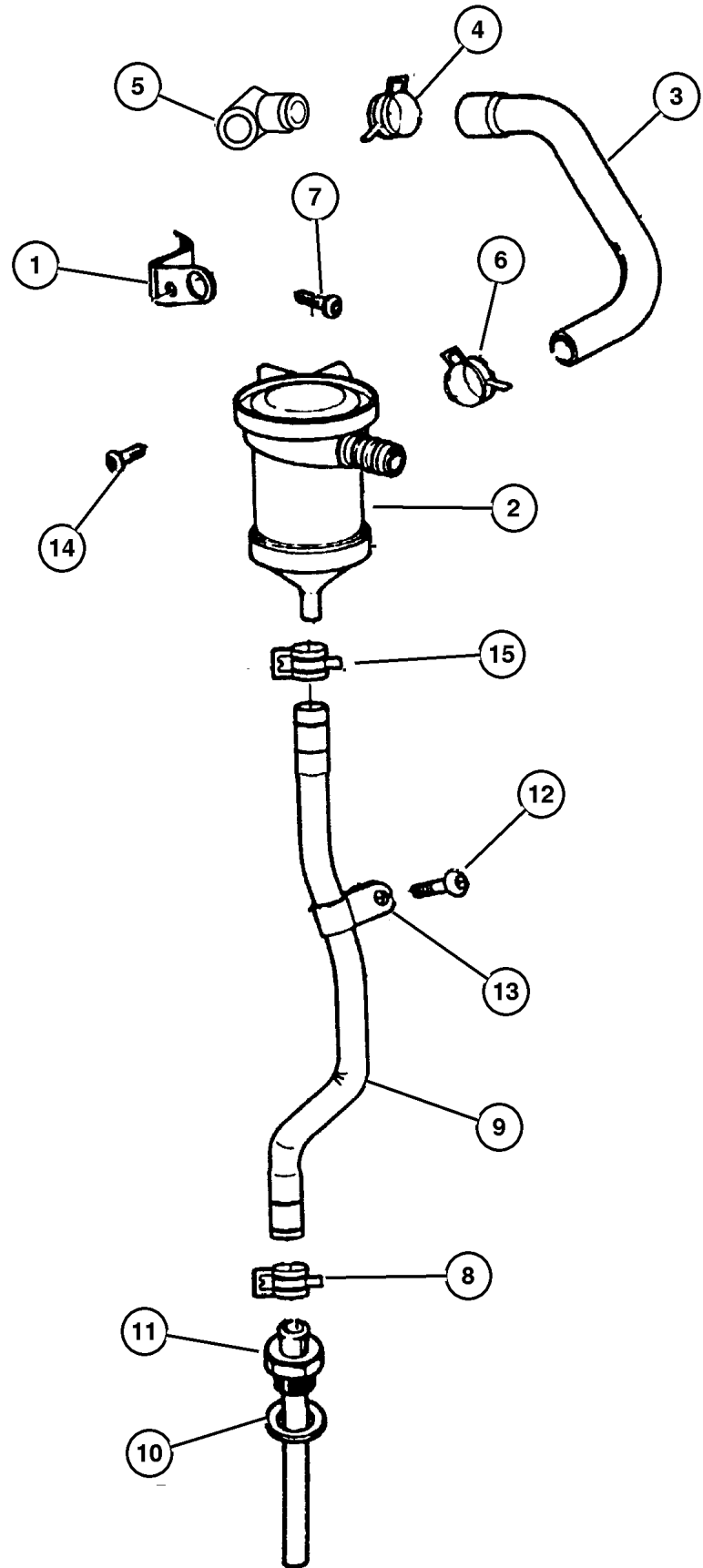
ITEM	PART NUMBER	QTY	LINE	SERIES	BODY	ENGINE	TRANS	TRIM	DESCRIPTION
	4882 610	3				ENO			1998 XJ, 1999 XJ
16	4796 396	1				ENO			BRACKET, Heat Shield
17	4778 963	1				ENO			ELBOW, Intake Manifold Vacuum
18	4886 291AA	4				ENO			BOLT, Water Manifold
19									WASHER, Implement Attaching
	4723 204	8				ENO			1997 XJ
		4				ENO			1998 XJ, 1999 XJ
20	4720 207	1				ENO			GASKET, Intake Connector
21									PLUG
	4883 425AA	1				ENO			(NOT REQUIRED), 1997 XJ, 1998 XJ, 1999 XJ

JEEP CHEROKEE (XJ)				
SERIES	LINE	BODY	ENGINE	TRANSMISSION
L=Low Line	J=LHD (4WD) U=RHD (4WD) T=LHD (2WD) B=RHD (2WD)	74=4 DR. (101.4 WB) 72=2 DR. (101.4 WB)	ENC,ENO=2.5L 4 cyl. Turbo Die ERH,ERO=4.0L Power Tech I-6 EPE,EP0=Magnum 2.5L SMPI	DDQ=5Spd Man. DGS=4 Spd. Auto. AISIN DG0=All Auto Trans DBB=All Manual Trans.

AR = Use as required - = Non illustrated part # = New this model year

July 4, 2003

**Crankcase Ventilation 2.5L (ENC) Diesel Engine**  
**Figure 2.5LD-910**



ITEM	PART NUMBER	QTY	LINE	SERIES	BODY	ENGINE	TRANS	TRIM	DESCRIPTION
NOTE: EN0=All 2.5L Diesel Engines									
1	4883 452AA	1				EN0			BRACKET, Oil Seperator, Engine
2	4863 796	1				EN0			SEPERATOR, Oil
3	4886 290AA	1				EN0			PIPE, Oil Separator
4	4886 044AA	1				EN0			CLAMP, Heater Hose
5	4720 691	1				EN0			ADAPTER, Crankcase Vent
6	4883 924AA	4				EN0			CLAMP, Heater Hose
		1				EN0			1997 XJ
									1998 XJ, 1999 XJ
7									SCREW
	4864 550	20				EN0			1997 XJ
		1				EN0			1998 XJ, 1999 XJ
8									CLAMP, Oil Seperator Hose
	4886 051AA	1				EN0			1998 XJ
	4886 224AA	1				EN0			1997 XJ
	5003 552AA	1				EN0			1999 XJ
9	4883 454AA	1				EN0			TUBE, Oil Separator Drain
10									WASHER, Oil Pressure Transduser
	4720 704	5				EN0			1997 XJ
		1				EN0			1998 XJ, 1999 XJ
11	4778 942	1				EN0			ADAPTER, Oil Drain Pipe
12									SCREW
	4864 559	23				EN0			1997 XJ
		3				EN0			1998 XJ
	5003 554AA	1				EN0			1999 XJ
13	4886 223AA	1				EN0			P CLIP
14									SCREW
	4864 551	22				EN0			1997 XJ
		20				EN0			1998 XJ
	5003 553AA	1				EN0			1999 XJ
15									CLAMP, Heater Hose
	4883 924AA	4				EN0			1997 XJ, 1998 XJ
	4886 051AA	1				EN0			1999 XJ

**JEEP CHEROKEE (XJ)**

SERIES	LINE	BODY	ENGINE	TRANSMISSION
L=Low Line	J=LHD (4WD) U=RHD (4WD) T=LHD (2WD) B=RHD (2WD)	74=4 DR. (101.4 WB) 72=2 DR. (101.4 WB)	ENC,EN0=2.5L 4 cyl. Turbo Die ERH,ER0=4.0L Power Tech I-6 EPE,EP0=Magnum 2.5L SMPI	DDQ=5Spd Man. DGS=4 Spd. Auto. AISIN DG0=All Auto Trans DBB=All Manual Trans.

AR = Use as required - = Non illustrated part # = New this model year

July 4, 2003

# Group – 011

## Exhaust

### GROUP 11 - Exhaust

Illustration Title

Group-Fig. No.

#### Exhaust System

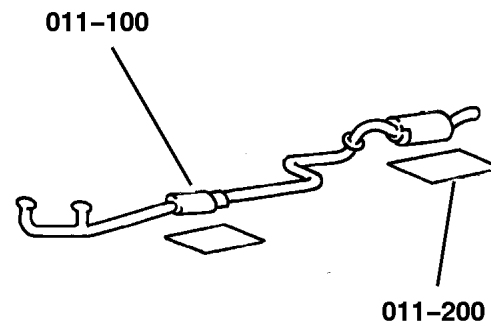
Exhaust System 2.5L (EPE), 4.0L (ERH) Engine ..... Fig. 011-120

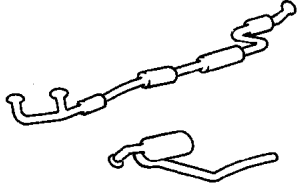
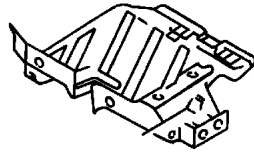
Exhaust System 2.5L (ENC) Diesel Engine (1 of 2) ..... Fig. 011-140

Exhaust System 2.5L (ENC) Diesel Engine (2 of 2) ..... Fig. 011-145

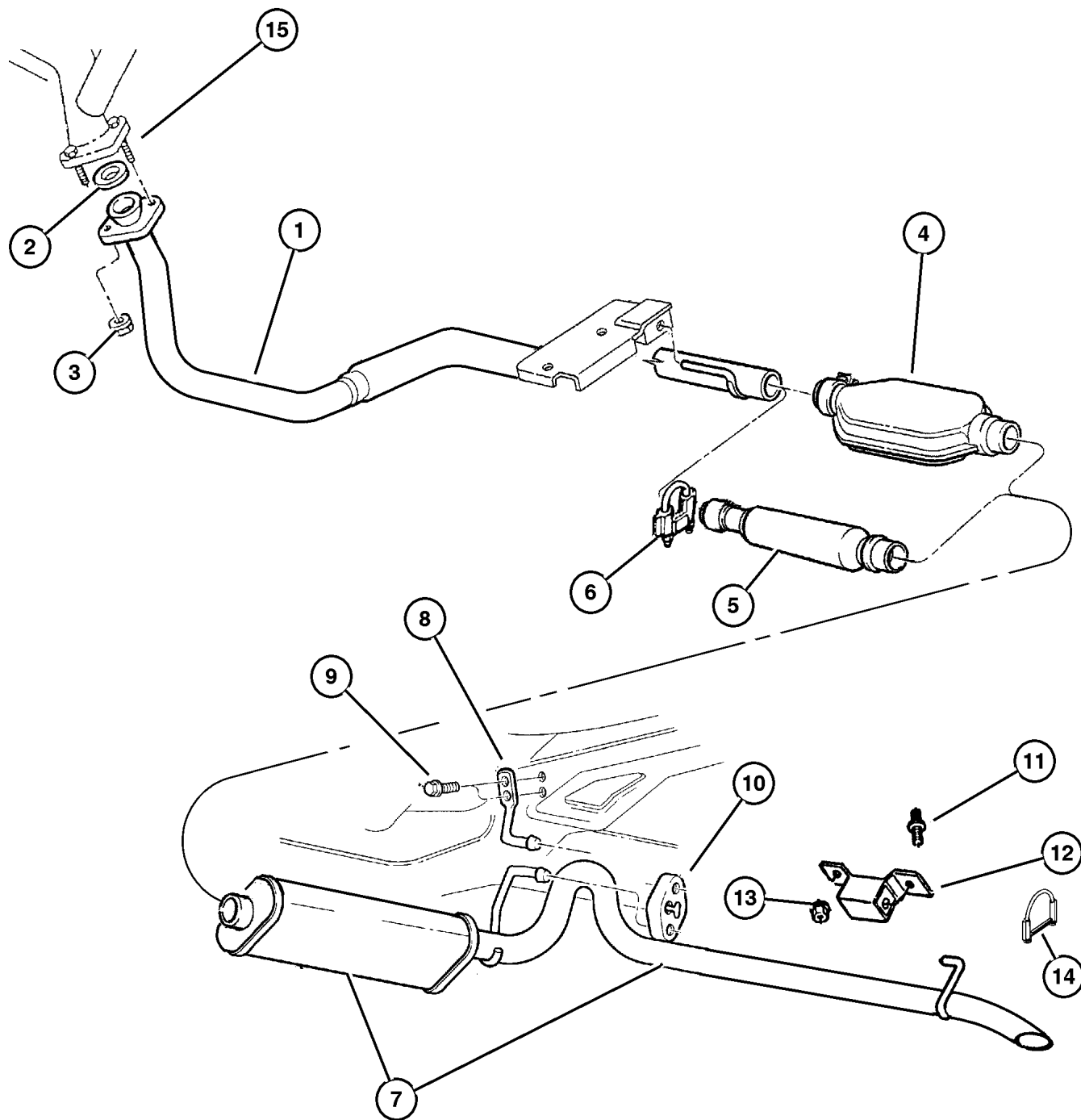
#### Heat Shields

Heat Shields 2.5L (EPE), 4.0L (ERH) Engine ..... Fig. 011-210



<p><b>011-100</b> Exhaust System</p> 	<p><b>011-200</b> Heat Shields</p> 		
--	--	--	--

## Exhaust System 2.5L (EPE), 4.0L (ERH) Engine Figure 011-120



ITEM	PART NUMBER	QTY	LINE	SERIES	BODY	ENGINE	TRANS	TRIM	DESCRIPTION
NOTE: EP0=All 2.5L Gas Engines ER0=All 4.0L Engines DD0=All 5 Speed Manual Transmissions									
1									PIPE, Exhaust
	#52020 027AB	1				EP0			California, w/Converter, 1999 XJ
	5202 0069	1				ER0			1997 XJ, 1998 XJ
	#52021 003AD	1				ER0			California, w/Converter, 1999 XJ
	5202 1047	1				EP0			1997 XJ, 1998 XJ
	#52021 047AE	1				EP0			Federal, Europe, Leaded Gas, 1999 XJ
	52101 193AC	1				ER0			Federal, Europe, Leaded Gas, 1999 XJ
2	5200 5431	1				ER0			SEAL, Exhaust
3	J400 5142	2				EP0, ER0			NUT, Hex Flange Lock
4									CONVERTER, Catalytic
	5201 9480	1				ER0			Federal, 1997 XJ
	52019 480AD	1				ER0			Federal, 1998 XJ
	#52019 480AF	1				EP0, ER0			1999 XJ
	5202 2019	1				ER0	DD0		California, 1997 XJ
	5210 1221	1				EP0			1997 XJ, 1998 XJ
	5210 1401	1				ER0			California, 1998 XJ
5									RESONATOR, Exhaust
	5201 9500	1				EP0, ER0			1997 XJ, 1998 XJ
	#52019 500AC	1				EP0, ER0			1999 XJ
6									CLAMP, Exhaust
	5201 8424	1							1997 XJ
		1				EP0, ER0			1998 XJ
	52018 424AB	1				EP0, ER0			1999 XJ
7									MUFFLER AND TAILPIPE, Exhaust
	5210 1051	1				ER0			1997 XJ, 1998 XJ
	5210 1052	1				EP0			1997 XJ, 1998 XJ
	#52101 052AD	1				EP0			1999 XJ
	#52101 262AE	1				ER0			1999 XJ
8	5200 2403	1							HANGER, Exhaust
9	J400 1933	2							SCREW, Hex Flange Head, .312-x18x.875
10	5200 1759	1							INSULATOR, Exhaust
11									STUD, Collared, M12x1.75x62
	6504 497	2							1997 XJ, 1998 XJ

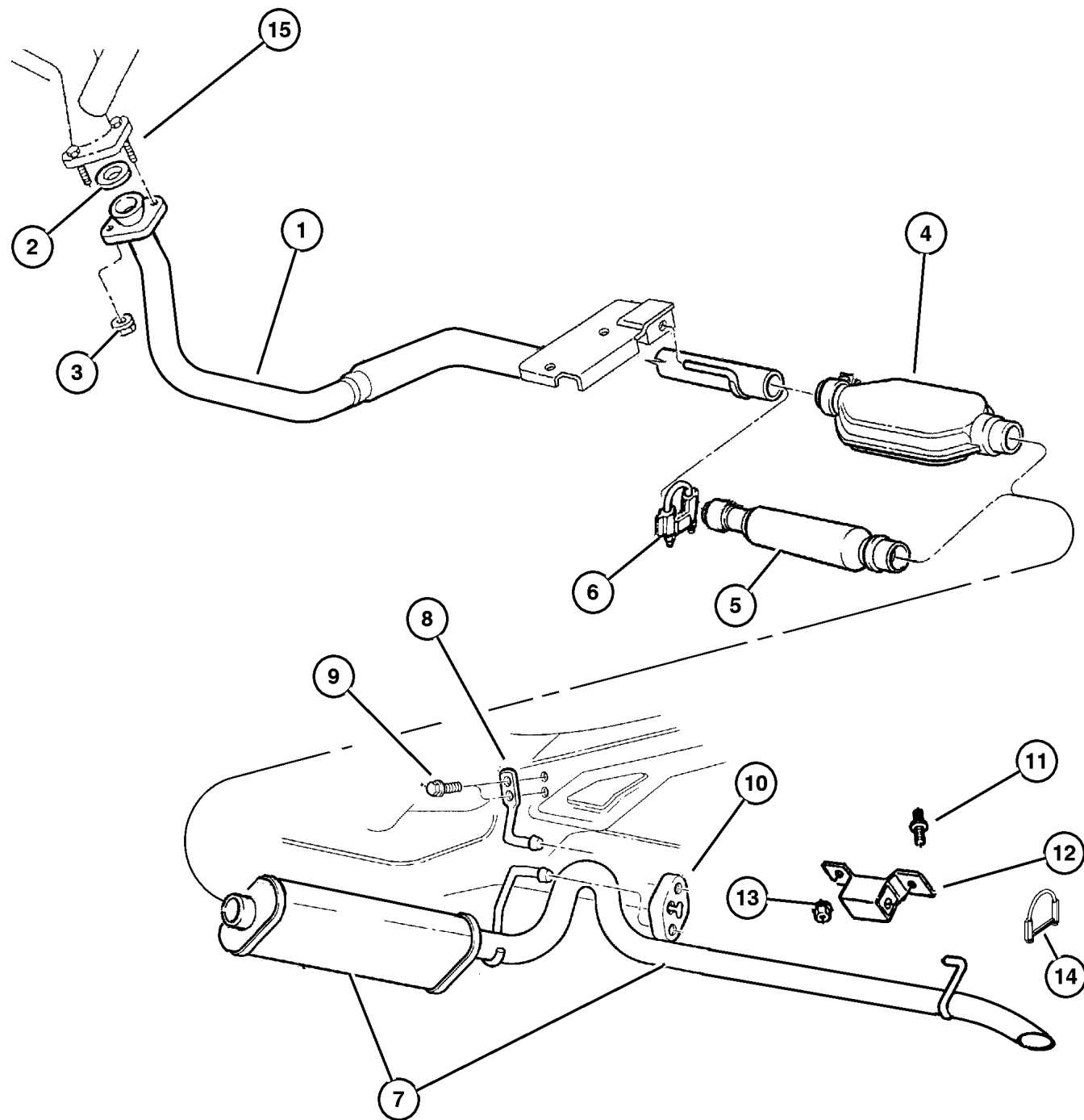
### JEEP CHEROKEE (XJ)

SERIES	LINE	BODY	ENGINE	TRANSMISSION
L=Low Line	J=LHD (4WD) U=RHD (4WD) T=LHD (2WD) B=RHD (2WD)	74=4 DR. (101.4 WB) 72=2 DR. (101.4 WB)	ENC,EN0=2.5L 4 cyl. Turbo Die ERH,ER0=4.0L Power Tech I-6 EPE,EP0=Magnum 2.5L SMPI	DDQ=5Spd Man. DGS=4 Spd. Auto. AISIN DG0=All Auto Trans DBB=All Manual Trans.

AR = Use as required - = Non illustrated part # = New this model year

July 4, 2003

**Exhaust System 2.5L (EPE), 4.0L (ERH) Engine  
Figure 011-120**



ITEM	PART NUMBER	QTY	LINE	SERIES	BODY	ENGINE	TRANS	TRIM	DESCRIPTION
	6505 137AA	2							1999 XJ
12	5201 9543	1							BRACKET, Tailpipe
	52019 543AB	1							1997 XJ
	52101 097AC	1							1998 XJ
	52101 097AC	1							1999 XJ
13	6100 055	2							NUT AND WASHER, Hex Nut-Coned Washer, M12 x 1.75
14									CLAMP, Exhaust (NOT REQUIRED), 1997 XJ, 1998 XJ
	52002 144AB	1							1999 XJ
15	J400 7109	2				EPO			STUD, .375-16x1.69
		2				ERO			

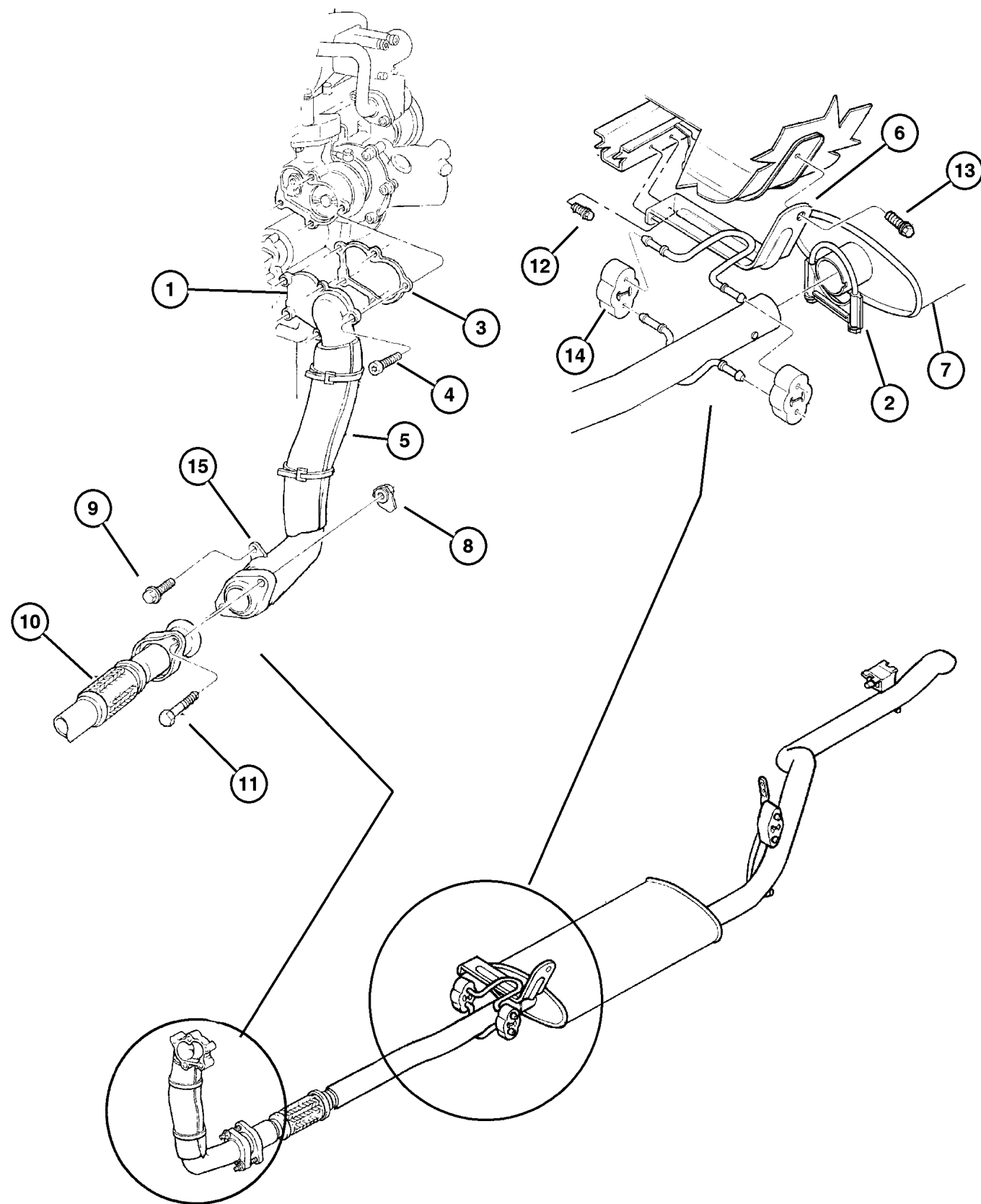
**JEEP CHEROKEE (XJ)**

SERIES	LINE	BODY	ENGINE	TRANSMISSION
L=Low Line	J=LHD (4WD) U=RHD (4WD) T=LHD (2WD) B=RHD (2WD)	74=4 DR. (101.4 WB) 72=2 DR. (101.4 WB)	ENC,EN0=2.5L 4 cyl. Turbo Die ERH,ER0=4.0L Power Tech I-6 EPE,EP0=Magnum 2.5L SMPI	DDQ=5Spd Man. DGS=4 Spd. Auto. AISIN DG0=All Auto Trans DBB=All Manual Trans.

AR = Use as required - = Non illustrated part # = New this model year

July 4, 2003

**Exhaust System 2.5L (ENC) Diesel Engine (1 of 2)**  
**Figure 011-140**



ITEM	PART NUMBER	QTY	LINE	SERIES	BODY	ENGINE	TRANS	TRIM	DESCRIPTION
NOTE: EN0=All 2.5L Diesel Engines									
1	5201 9388	1				ENC			ADAPTER, Turbo 1998 XJ, 1999 XJ
	5202 0276	1				ENC			1997 XJ
2									CLAMP, Exhaust
	5200 2144	1							1997 XJ, 1998 XJ
	52002 144AB	1							1999 XJ
3	5201 8875	1				EN0			GASKET, Turbo Adapter
4	6504 070	5				ENC			SCREW, M8-1.25
5	5207 9405	1				EN0			SHIELD, Heat
6	5210 1056	1				EN0			HANGER, Muffler
7									MUFFLER AND TAILPIPE, Exhaust
	5210 1063	1				EN0			1997 XJ, 1998 XJ
	#52101 063AE	1				EN0			1999 XJ
8	6031 959	3				EN0			NUT, Hex Flange Lock
9	J400 1933	2							SCREW, Hex Flange Head, .312-x18x.875
10									PIPE, Exhaust
	5210 1111	1				EN0			1997 XJ, 1998 XJ
	#52101 111AD	1				EN0			1999 XJ
11	6034 501	3				EN0			SCREW, Hex Head Header Point, .375-16x1.375
12									SCREW, Self Tapping, M6x1x15
	6101 786	2				EPO			1997 XJ, 1999 XJ
		2				EN0			1998 XJ, 1999 XJ
13	6100 574	1				EN0			BOLT AND CONED WASHER, Hex Head, M8x20x17
14	5201 7607	2				EN0			INSULATOR, Exhaust
15									FLANGE, Exhaust Pipe
	52018 818AB	1				EN0			1997 XJ
	52018 818AC	1				EN0			1998 XJ, 1999 XJ

**JEEP CHEROKEE (XJ)**

SERIES	LINE	BODY	ENGINE	TRANSMISSION
L=Low Line	J=LHD (4WD) U=RHD (4WD) T=LHD (2WD) B=RHD (2WD)	74=4 DR. (101.4 WB) 72=2 DR. (101.4 WB)	ENC,EN0=2.5L 4 cyl. Turbo Die ERH,ER0=4.0L Power Tech I-6 EPE,EPO=Magnum 2.5L SMPI	DDQ=5Spd Man. DGS=4 Spd. Auto. AISIN DG0=All Auto Trans DBB=All Manual Trans.

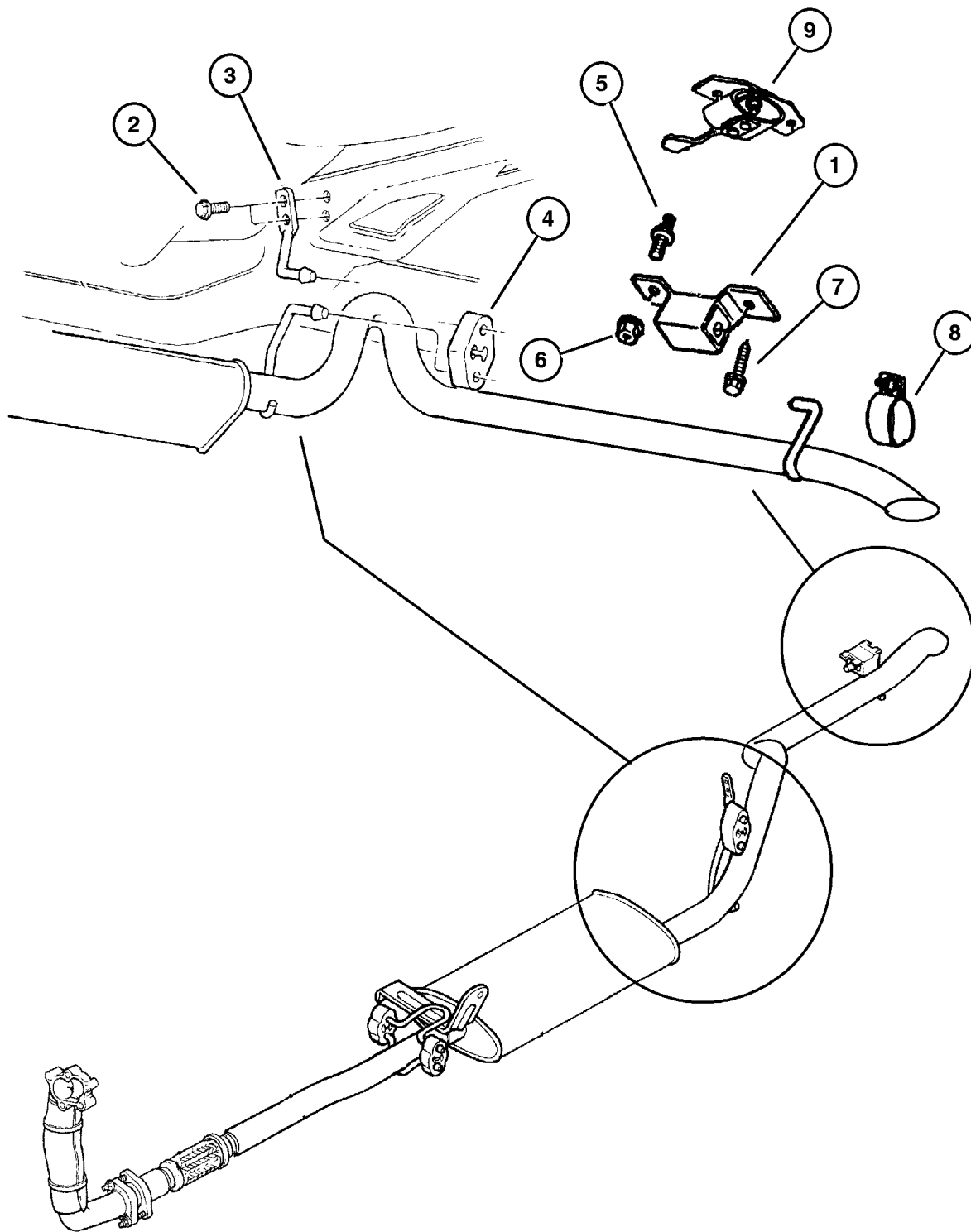
AR = Use as required - = Non illustrated part # = New this model year

July 4, 2003



**Exhaust System 2.5L (ENC) Diesel Engine (2 of 2)**  
**Figure 011-145**

ITEM	PART NUMBER	QTY	LINE	SERIES	BODY	ENGINE	TRANS	TRIM	DESCRIPTION
1									BRACKET, Tailpipe (NOT REQUIRED), 1999 XJ 1997 XJ Up To 10-31-97, 1998 XJ
	52019 543AB	1							
2									SCREW, Hex Flange Head, M8x1. 25x30
	J400 1933	2							1999 XJ
	J420 0402	4							1997 XJ, 1998 XJ
3	5200 2403	1							HANGER, Exhaust
4	5200 1759	1							INSULATOR, Exhaust
5									STUD, Collared, M12x1.75x62 (NOT REQUIRED), 1999 XJ 1997 XJ, 1998 XJ
	6504 497	2							
6									NUT AND WASHER, Hex Nut-Coned Washer, M12 x 1.75 (NOT REQUIRED), 1999 XJ 1997 XJ, 1998 XJ
	6100 055	2							
7									BOLT, Hex Flange Head, M12x1. 75x40 (NOT REQUIRED), 1997 XJ 1998 XJ, 1999 XJ
	3420 1964	2							
8									CLAMP, Exhaust (NOT REQUIRED), 1997 XJ 1998 XJ 1999 XJ
	5200 2144	1							
	52002 144AB	1							
9									HANGER, Tailpipe (NOT REQUIRED), 1997 XJ After 10-31-97, 1998 XJ 1999 XJ
	52101 097AC	1							



**JEEP CHEROKEE (XJ)**

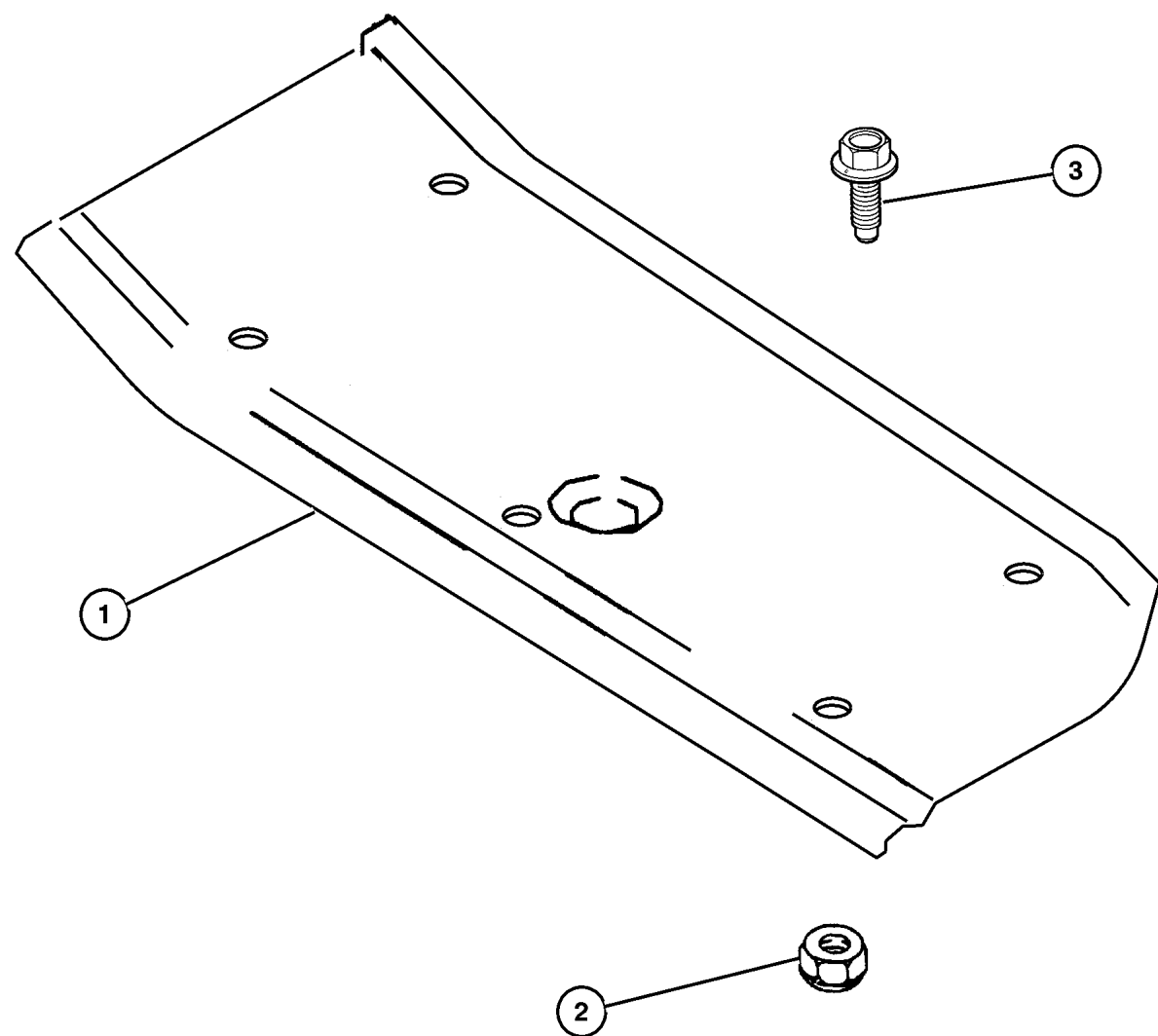
SERIES	LINE	BODY	ENGINE	TRANSMISSION
L=Low Line	J=LHD (4WD) U=RHD (4WD) T=LHD (2WD) B=RHD (2WD)	74=4 DR. (101.4 WB) 72=2 DR. (101.4 WB)	ENC,EN0=2.5L 4 cyl. Turbo Die ERH,ER0=4.0L Power Tech I-6 EPE,EP0=Magnum 2.5L SMPI	DDQ=5Spd Man. DGS=4 Spd. Auto. AISIN DG0=All Auto Trans DBB=All Manual Trans.

AR = Use as required - = Non illustrated part # = New this model year

July 4, 2003

**Heat Shields 2.5L (EPE), 4.0L (ERH) Engine  
Figure 011-210**

ITEM	PART NUMBER	QTY	LINE	SERIES	BODY	ENGINE	TRANS	TRIM	DESCRIPTION
NOTE: EP0=All 2.5L Engines ER0=All 4.0L Engines									
1	5523 5811	1				EP0, ER0			SHIELD, Muffler 1997 XJ, 1998 XJ
	55235 811AB	1				EP0, ER0			1999 XJ
2	J012 0375	5				EP0, ER0			NUT, Hex, .250-20
3									SCREW, (NOT SERVICED) (Not Serviced)



JEEP CHEROKEE (XJ)				
SERIES	LINE	BODY	ENGINE	TRANSMISSION
L=Low Line	J=LHD (4WD) U=RHD (4WD) T=LHD (2WD) B=RHD (2WD)	74=4 DR. (101.4 WB) 72=2 DR. (101.4 WB)	ENC,EN0=2.5L 4 cyl. Turbo Die ERH,ER0=4.0L Power Tech I-6 EPE,EP0=Magnum 2.5L SMPI	DDQ=5Spd Man. DGS=4 Spd. Auto. AISIN DG0=All Auto Trans DBB=All Manual Trans.

AR = Use as required - = Non illustrated part # = New this model year

July 4, 2003

# Group – 013

## Frames and Bumpers

### GROUP 13 - Frames and Bumpers

Illustration Title

Group-Fig. No.

#### Front Bumper and Fascia

Bumper, Front 1997 XJ 1998 XJ ..... Fig. 013-210

Bumper, Front 1999 XJ ..... Fig. 013-210

#### Rear Bumper and Fascia

Bumper, Rear 1997 XJ 1998 XJ ..... Fig. 013-310

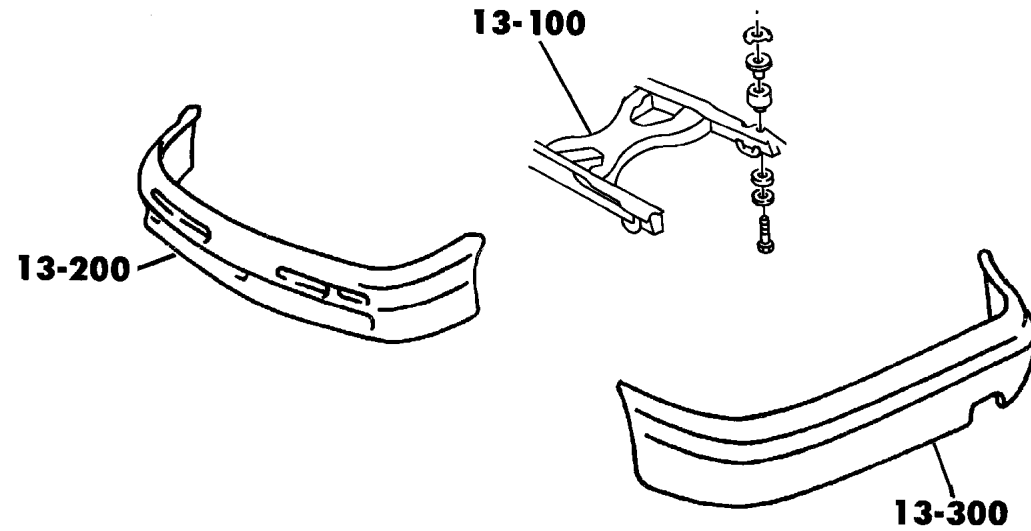
Bumper, Rear 1999 XJ ..... Fig. 013-310

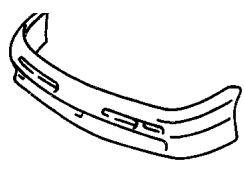
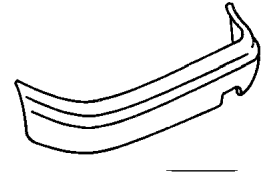

#### Trailer Tow

Hitch, Trailer Tow 1997 XJ 1998 XJ ..... Fig. 013-610

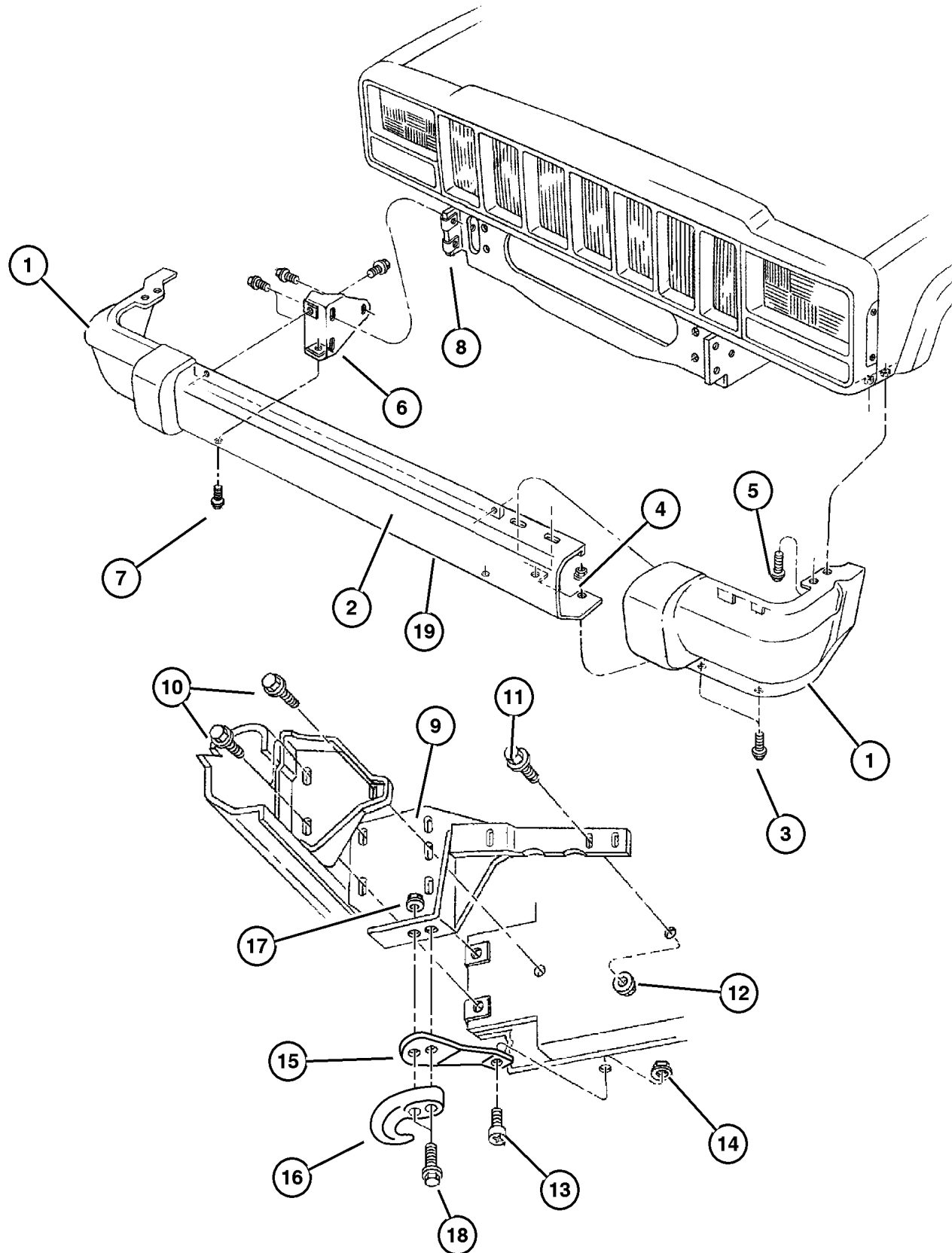
Hitch, Trailer Tow 1999 XJ ..... Fig. 013-610

Tow Hook and Tow Eye 1997 XJ ..... Fig. 013-615



<p><b>013-200</b> Front Bumper and Fascia</p> 	<p><b>013-300</b> Rear Bumper and Fascia</p> 	<p><b>013-600</b> Trailer Tow</p> 	
---	--	---	--

**Bumper, Front 1997 XJ 1998 XJ**  
**Figure 013-210**



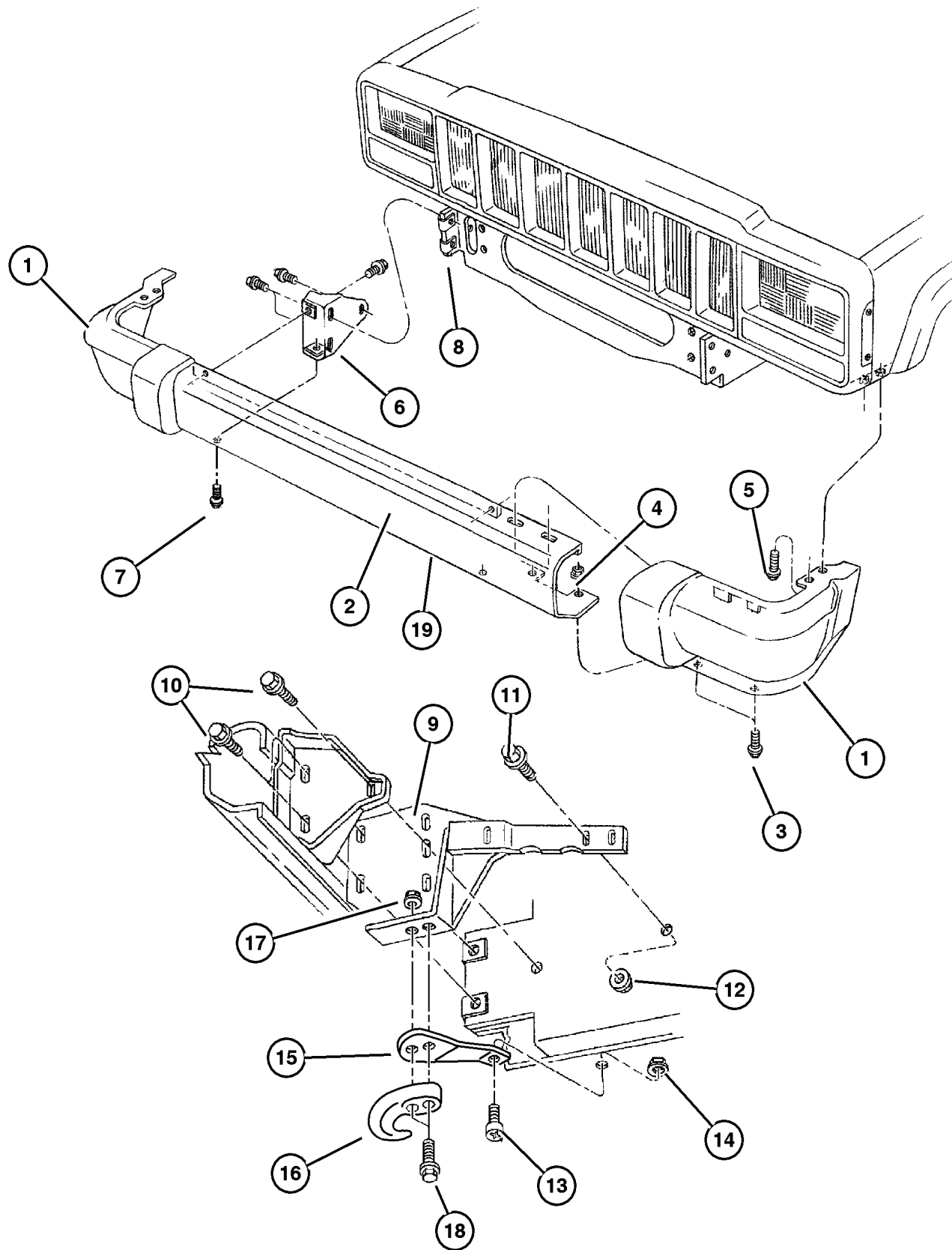
ITEM	PART NUMBER	QTY	LINE	SERIES	BODY	ENGINE	TRANS	TRIM	DESCRIPTION
Note: Sales Code MPB = Bumper, Front Body Color									
1									END CAP, Bumper
	5DY00 DX8AB	1							Black (Sales Code MBP), 1998 XJ, Right
	5DY00 PR4AB	1							Red, 1998 XJ, Right
	5DY00 RJNAB	1							Green, 1998 XJ, Right
	5DY00 SW1AB	1							White, 1998 XJ, Right
	5DY00 TCNAB	1							Amethyst, 1998 XJ, Right
	5DY00 TQ7AB	1							Gunmetal, 1998 XJ, Right
	5DY00 VEAAB	1							Chillipepper Red, 1998 XJ, Right
	5DY01 DX8AB	1							Black (Sales Code MBP), 1998 XJ, Left
	5DY01 PR4AB	1							Red, 1998 XJ, Left
	5DY01 RJNAB	1							Green, 1998 XJ, Left
	5DY01 SW1AB	1							White, 1998 XJ, Left
	5DY01 TCNAB	1							Amethyst, 1998 XJ, Left
	5DY01 TQ7AB	1							Gunmetal, 1998 XJ, Left
	5DY01 VEAAB	1							Chillipepper Red, 1998 XJ, Left
	5DY40 DX9AB	1							Bumper Guard (Sales Code MB1), 1998 XJ, Right
	5DY41 DX9AB	1							Bumper Guard (Sales Code MB1), 1998 XJ, Left
	5DY0 0DX8	1							[X8], 1997 XJ, Right
	5DY0 1RJN	1							[JN], 1997 XJ, Left
	5DY0 1SW1	1							[W1], 1997 XJ, Left
	5DY0 1TQ7	1							[Q7], 1997 XJ, Left
	5DY4 0DX9	1							Black/Black [MB1], 1997 XJ, Right
	5DY4 1DX9	1							Black/Black [MB1], 1997 XJ, Left
	5DY0 0PCJ	1							[CJ], 1997 XJ, Right
	5DY0 0PR4	1							[R4], 1997 XJ, Right
	5DY0 0RJN	1							[JN], 1997 XJ, Right
	5DY0 0SW1	1							[W1], 1997 XJ, Right
	5DY0 0TQ7	1							[Q7], 1997 XJ, Right
	5DY0 1DX8	1							[X8] [MBP], 1997 XJ, Left
	5DY0 1PCJ	1							[CJ], 1997 XJ, Left
	5DY0 1PR4	1							[R4], 1997 XJ, Left
2									BAR, Bumper Front - Painted
	5EE85 DX8AB	1							Black, w/Matching Black Body Color, 1998 XJ
	5EE85 RJNAB	1							Green, 1998 XJ
	5EE85 SW1AB	1							White, 1998 XJ
	5EE85 TCNAB	1							Amethyst, 1998 XJ
	5EE85 TQ7AB	1							Gunmetal, 1998 XJ

<b>JEEP CHEROKEE (XJ)</b>				
SERIES	LINE	BODY	ENGINE	TRANSMISSION
L=Low Line	J=LHD (4WD) U=RHD (4WD) T=LHD (2WD) B=RHD (2WD)	74=4 DR. (101.4 WB) 72=2 DR. (101.4 WB)	ENC,EN0=2.5L 4 cyl. Turbo Die ERH,ER0=4.0L Power Tech I-6 EPE,EP0=Magnum 2.5L SMPI	DDQ=5Spd Man. DGS=4 Spd. Auto. AISIN DGO=All Auto Trans DBB=All Manual Trans.

AR = Use as required - = Non illustrated part # = New this model year

July 4, 2003

**Bumper, Front 1997 XJ 1998 XJ**  
**Figure 013-210**



ITEM	PART NUMBER	QTY	LINE	SERIES	BODY	ENGINE	TRANS	TRIM	DESCRIPTION
	5EE85 VEAAB	1							Chillipepper Red, 1998 XJ
	5EE85 DX8AB	1							[X8], 1997 XJ
	5EE85 PCJAB	1							[CJ], 1997 XJ
	5EE85 PR4AB	1							[R4], 1997 XJ
	5EE85 RJNAB	1							[JN], 1997 XJ
	5EE85 S3XAB	1							Semi Gloss Black, w/o Matching Body Color
	5EE85 SW1AB	1							[W1], 1997 XJ
	5EE85 TQ7AB	1							[Q7], 1997 XJ
3									BOLT AND CONED WASHER, Hex Head, M6x20x12.5 (NOT REQUIRED), 1998 XJ 1997 XJ
	6100 548	4							
4	6101 694	4							NUT, M6x1.00
5	6504 249	4							SCREW, Hex Head, M6x1x20
6									BRACKET, Bumper
	55175 268AB	1							Right
	55175 269AB	1							Left
7	1150 0662	4							NUT, U Type, M10 x 1.50
8	3420 1540	8							BOLT AND WASHER, Implement Attaching
9									BRACKET, Front Bumper
	55155 096AB	1							1998 XJ, Right
	55155 097AB	1							1998 XJ, Left
	5515 5096	1							1997 XJ, Right
	5515 5097	1							1997 XJ, Left
10	3420 2219	4							BOLT AND WASHER, Hex Head
11	3420 2388	1							BOLT, Button Head Torx, M14 x 2.0 x 80
12	6502 698	1							NUT
13									BOLT, Hex Head, M10x1.50x20
	6505 086AA	4							1998 XJ
	J420 0434	4							1997 XJ
14	6502 135	4							NUT, Hex Flange, M10x1.5
15									BRACE, Tow Hook
	5200 1972	1							Right
	5200 1973	1							Left
16	52057 999AB	2							HOOK, Tow
17	6502 697	4							NUT, Hex Flange Lock, M12x1.75
18									BOLT, Hex Flange Head, M12x1.75x87.50
	1150 5098	2							1998 XJ
	6504 910AA	4							1997 XJ

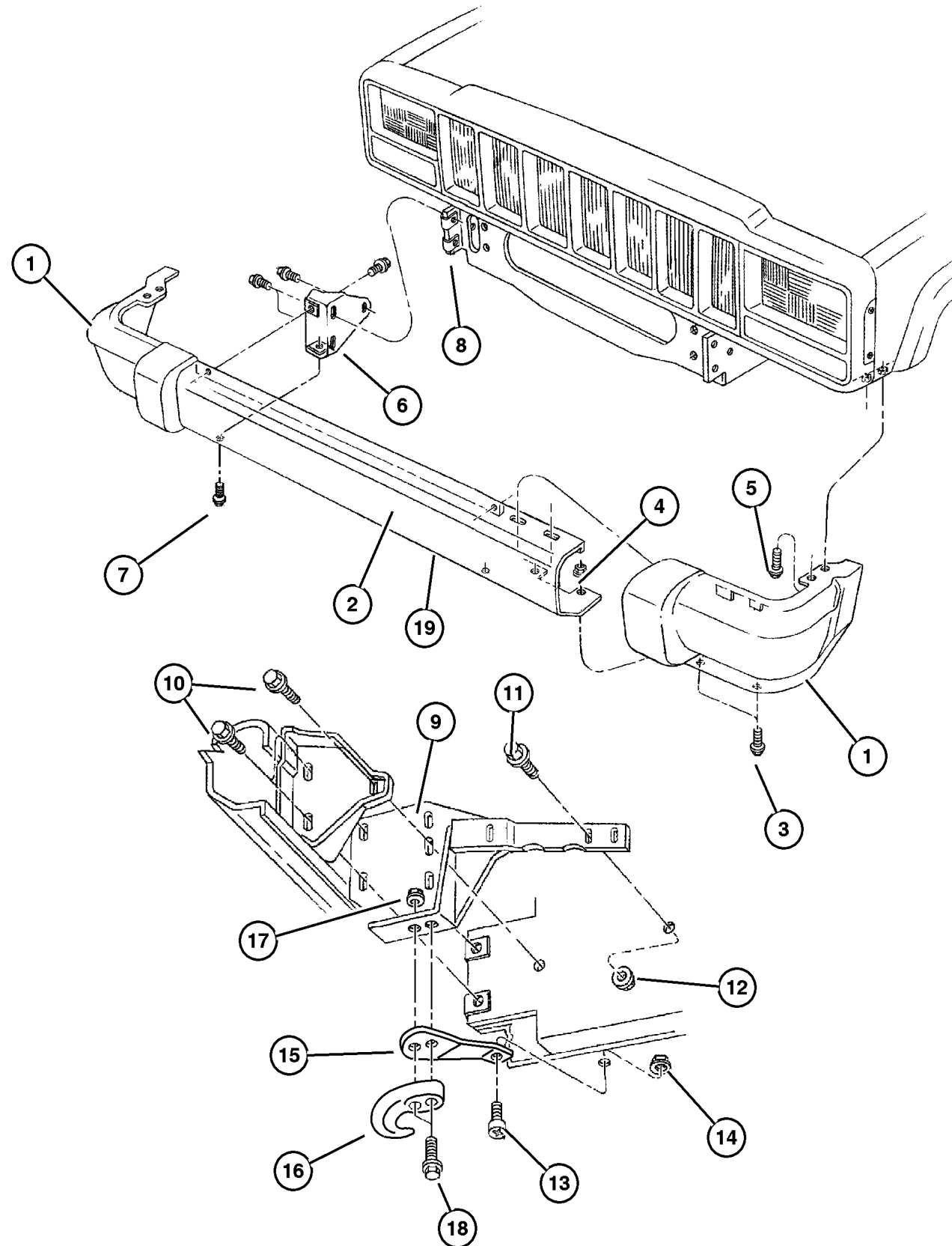
**JEEP CHEROKEE (XJ)**

SERIES	LINE	BODY	ENGINE	TRANSMISSION
L=Low Line	J=LHD (4WD) U=RHD (4WD) T=LHD (2WD) B=RHD (2WD)	74=4 DR. (101.4 WB) 72=2 DR. (101.4 WB)	ENC,EN0=2.5L 4 cyl. Turbo Die ERH,ER0=4.0L Power Tech I-6 EPE,EP0=Magnum 2.5L SMPI	DDQ=5Spd Man. DGS=4 Spd. Auto. AISIN DG0=All Auto Trans DBB=All Manual Trans.

AR = Use as required - = Non illustrated part # = New this model year

July 4, 2003

Bumper, Front 1997 XJ 1998 XJ  
Figure 013-210



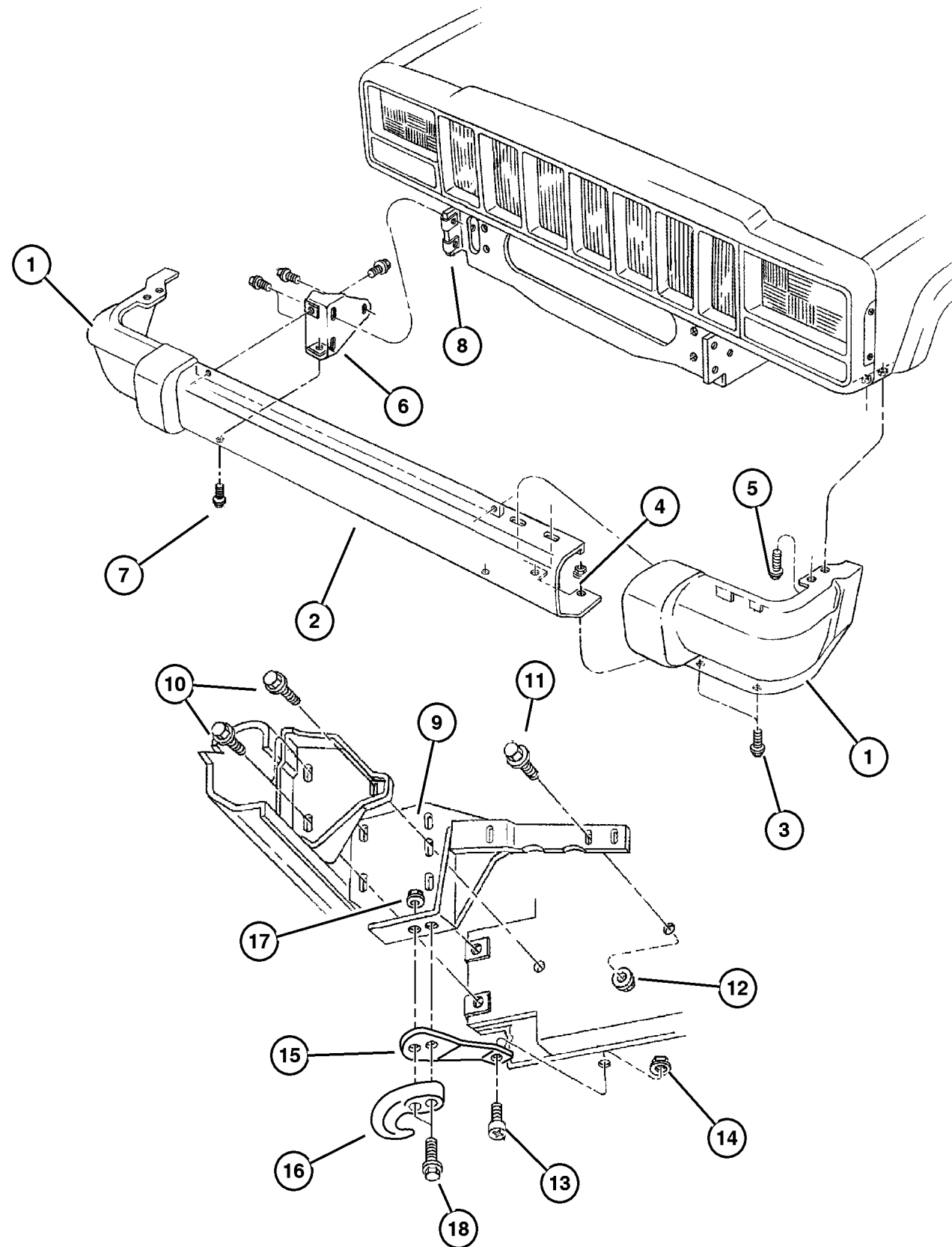
ITEM	PART NUMBER	QTY	LINE	SERIES	BODY	ENGINE	TRANS	TRIM	DESCRIPTION
19									DEFLECTOR, Air
	5EF0 8DX9	1							Paint as Req.
	5EP0 4SW1	1							
-20	6035 944AA	3							RIVET
-21	5200 3479	1							BRACKET, License Plate

JEEP CHEROKEE (XJ)				
SERIES	LINE	BODY	ENGINE	TRANSMISSION
L=Low Line	J=LHD (4WD) U=RHD (4WD) T=LHD (2WD) B=RHD (2WD)	74=4 DR. (101.4 WB) 72=2 DR. (101.4 WB)	ENC,EN0=2.5L 4 cyl. Turbo Die ERH,ER0=4.0L Power Tech I-6 EPE,EP0=Magnum 2.5L SMPI	DDQ=5Spd Man. DGS=4 Spd. Auto. AISIN DG0=All Auto Trans DBB=All Manual Trans.

AR = Use as required - = Non illustrated part # = New this model year

July 4, 2003

**Bumper, Front 1999 XJ**  
**Figure 013-210**



ITEM	PART NUMBER	QTY	LINE	SERIES	BODY	ENGINE	TRANS	TRIM	DESCRIPTION
1									END CAP, Bumper
	#5DY40 DX9AC	1							Sport, Flat Black, Right
	5DY00 WTDAB	1							Desert Sand, Right
	5DY01 DX8AB	1							Black, Left
	5DY01 PR4AB	1							Red, Left
	5DY01 SG8AB	1							Green, Left
	5DY01 SW1AB	1							White, Left
	5DY01 TCNAB	1							Amethyst, Left
	5DY01 TQ7AB	1							Gunmetal, Left
	5DY01 VEAAB	1							Chillipepper Red, Left
	5DY01 WTDAB	1							Desert Sand, Left
	#5DY41 DX9AC	1							Sport, Flat Black, Left
	5DY00 DX8AB	1							Black, Right
	5DY00 PR4AB	1							Red, Right
	5DY00 SG8AB	1							Green, Right
	5DY00 SW1AB	1							White, Right
	5DY00 TCNAB	1							Amethyst, Right
	5DY00 TQ7AB	1							Gunmetal, Right
	5DY00 VEAAB	1							Chillipepper Red, Right
2									BAR, Bumper Front - Painted
	5EE85 DX8AC	1							Black, w/Matching Black Body
									Color
	5EE85 PR4AC	1							Red
	5EE85 JX8AC	1							Semi Gloss Black, w/o Matching Body Color
	5EE85 SG8AC	1							Green
	5EE85 SW1AC	1							White
	5EE85 TCNAC	1							Amethyst
	5EE85 TQ7AC	1							Gunmetal
	5EE85 VEAAC	1							Chillipepper Red
	5EE85 WTDAC	1							Desert Sand
3									BOLT AND CONED WASHER, Hex Head, M6x20x12.5, (NOT REQUIRED)
4	6101 694	4							NUT, M6x1.00
5	6504 249	4							SCREW, Hex Head, M6x1x20
6									BRACKET, Bumper
	55175 268AB	1							Right
	55175 269AB	1							Left
7	1150 0662	4							NUT, U Type, M10 x 1.50
8	3420 1540	2							BOLT AND WASHER, Implement Attaching
9									BRACKET, Front Bumper

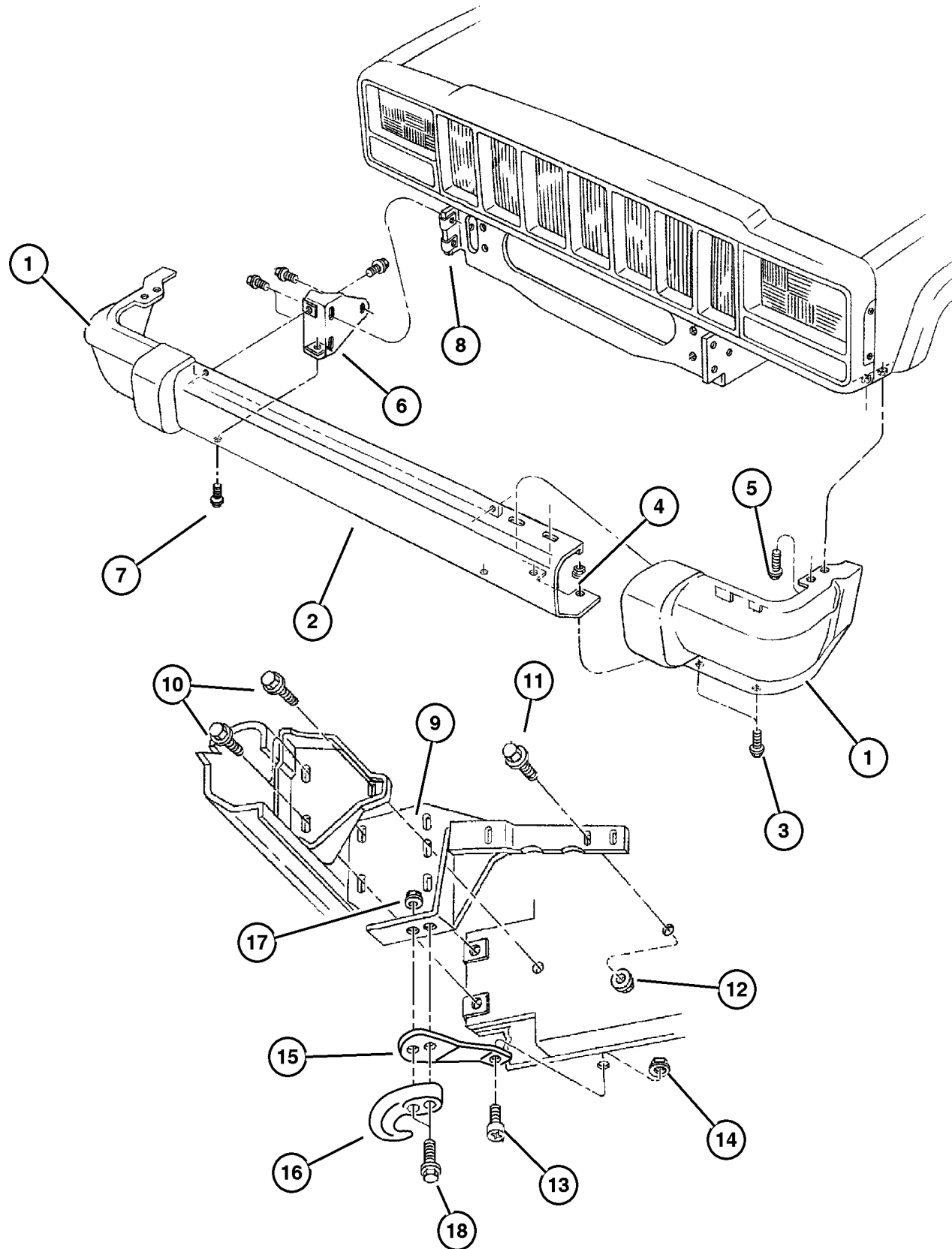
**JEEP CHEROKEE (XJ)**

SERIES	LINE	BODY	ENGINE	TRANSMISSION
L=Low Line	J=LHD (4WD) U=RHD (4WD) T=LHD (2WD) B=RHD (2WD)	74=4 DR. (101.4 WB) 72=2 DR. (101.4 WB)	ENC,EN0=2.5L 4 cyl. Turbo Die ERH,ER0=4.0L Power Tech I-6 EPE,EP0=Magnum 2.5L SMPI	DDQ=5Spd Man. DGS=4 Spd. Auto. AISIN DG0=All Auto Trans DBB=All Manual Trans.

AR = Use as required - = Non illustrated part # = New this model year

July 4, 2003

**Bumper, Front 1999 XJ**  
**Figure 013-210**



ITEM	PART NUMBER	QTY	LINE	SERIES	BODY	ENGINE	TRANS	TRIM	DESCRIPTION
	55155 096AB	1							Right
	55155 097AB	1							Left
10	3420 2219	4							BOLT AND WASHER, Hex Head
11	3420 2388	1							BOLT, Button Head Torx, M14 x 2.0 x 80
12	6502 698	1							NUT
13	6505 086AA	4							BOLT, Hex Head, M10x1.50x20
14	6502 135	1	J, T						NUT, Hex Flange, M10x1.5
15		1	B, U						BRACE, Tow Hook
	5200 1972	1							Right
	5200 1973	1							Left
16	52057 999AB	2							HOOK, Tow
17	6502 697	4							NUT, Hex Flange Lock, M12x1.75
18	1150 5098	2							BOLT, Hex Flange Head, M12x1.75x60
-19	5EF0 8DX9	1							DEFLECTOR, Air
-20	6035 944AA	3							RIVET
-21	5200 3479	1							BRACKET, License Plate

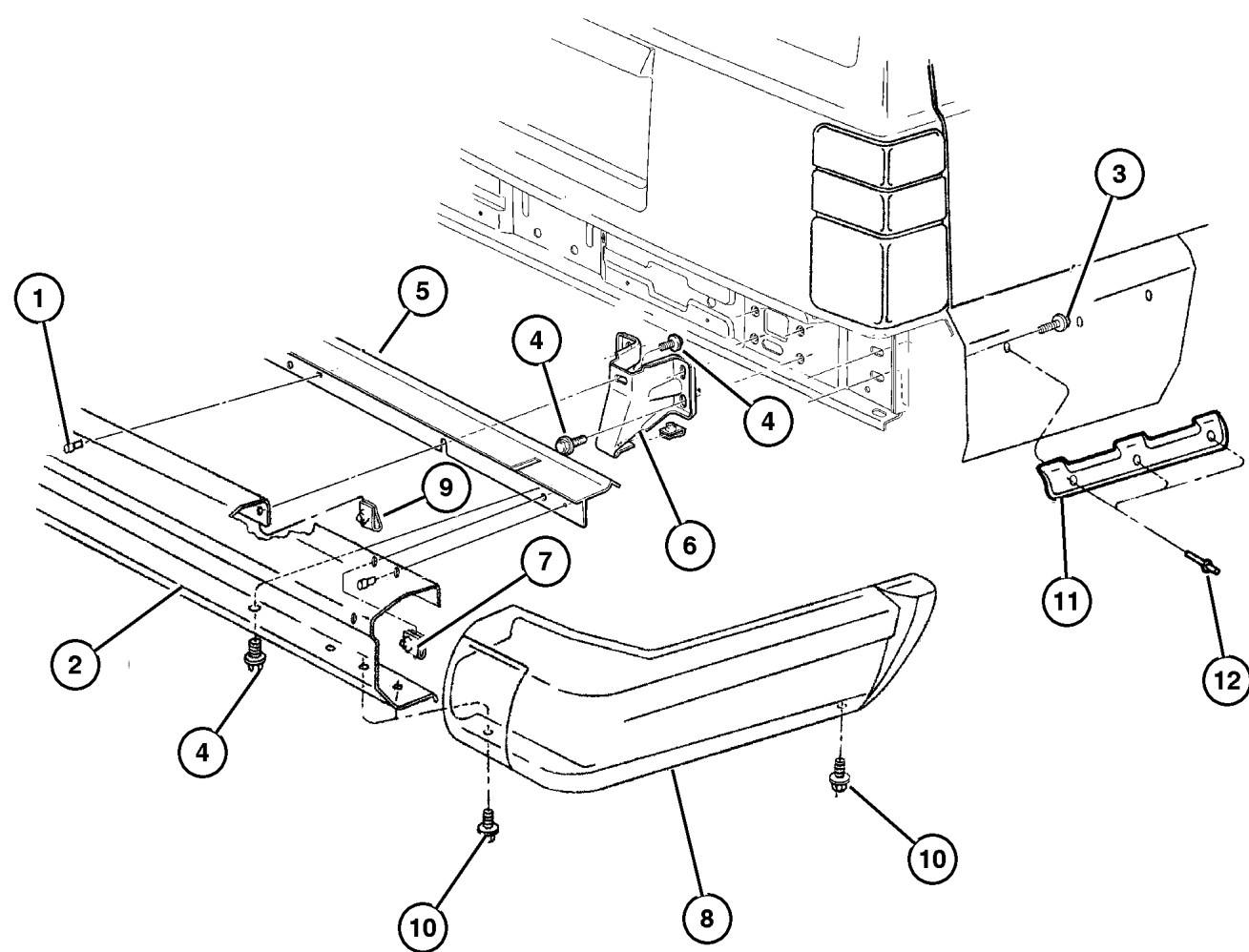
JEEP CHEROKEE (XJ)				
SERIES	LINE	BODY	ENGINE	TRANSMISSION
L=Low Line	J=LHD (4WD) U=RHD (4WD) T=LHD (2WD) B=RHD (2WD)	74=4 DR. (101.4 WB) 72=2 DR. (101.4 WB)	ENC,EN0=2.5L 4 cyl. Turbo Die ERH,ER0=4.0L Power Tech I-6 EPE,EP0=Magnum 2.5L SMPI	DDQ=5Spd Man. DGS=4 Spd. Auto. AISIN DG0=All Auto Trans DBB=All Manual Trans.

AR = Use as required - = Non illustrated part # = New this model year

July 4, 2003



**Bumper, Rear 1997 XJ 1998 XJ**  
**Figure 013-310**



ITEM	PART NUMBER	QTY	LINE	SERIES	BODY	ENGINE	TRANS	TRIM	DESCRIPTION
1	3420 2855	4							RIVET, M5x20.00 Plastic
2									BUMPER, Rear
	5EE8 4DX8	1							Black, 1997 XJ
	5EE8 4JX8	1							Black/Black, 1997 XJ
	5EE8 4PCJ	1							Montego Blue, 1997 XJ
	5EE8 4PR4	1							Red, 1997 XJ
	5EE8 4RJN	1							Green, 1997 XJ
	5EE8 4SW1	1							White, 1997 XJ
	5EE84 SX3AC	1							1998 XJ
	5EE8 4TQ7	1							Aquamarine Blue, 1997 XJ
3	3420 2467	4							SCREW, Hex Head, M8x1.25x30
4	3420 1540	8							BOLT AND WASHER, Implement Attaching
5	5502 6542	1							SHIELD, Bumper
6									BRACKET, Bumper
	55175 261AB	2							1997 XJ
	55175 261AD	2							1998 XJ
7	6101 283	2							U-NUT, M8x1.25
8									END CAP, Bumper
	5DY0 8DX8	1							Black, 1997 XJ, Right
	5DY0 8PCJ	1							Montego Blue, 1997 XJ, Right
	5DY0 8PR4	1							Red, 1997 XJ, Right
	5DY0 8RJN	1							Green, 1997 XJ, Right
	5DY0 8SW1	1							White, 1997 XJ, Right
	5DY0 8TQ7	1							Gunmetal, 1997 XJ, Right
	5DY0 9DX8	1							Black, 1997 XJ, Left
	5DY0 9PCJ	1							Montego Blue, 1997 XJ, Left
	5DY0 9PR4	1							Red, 1997 XJ, Left
	5DY0 9RJN	1							Green, 1997 XJ, Left
	5DY0 9SW1	1							White, 1997 XJ, Left
	5DY0 9TQ7	1							Gunmetal, 1997 XJ, Left
	5DY1 0DX9	1							Flat Black, Right
	5DY1 1DX9	1							Flat Black, Left
	5DY0 8DX8	1							[X8], 1998 XJ, Right
	5DY0 9PR4	1							[R4], 1998 XJ, Left
	5DY0 9RJN	1							[JN], 1998 XJ, Left
	5DY0 9SW1	1							[W1], 1998 XJ, Left
	5DY0 9TCN	1							[CN], 1998 XJ, Left
	5DY0 9TQ7	1							[Q7], 1998 XJ, Left
	5DY0 9VEA	1							[EA], 1998 XJ, Left
	5DY0 8PR4	1							[R4], 1998 XJ, Right
	5DY0 8RJN	1							[JN], 1998 XJ, Right
	5DY0 8SW1	1							[W1], 1998 XJ, Right

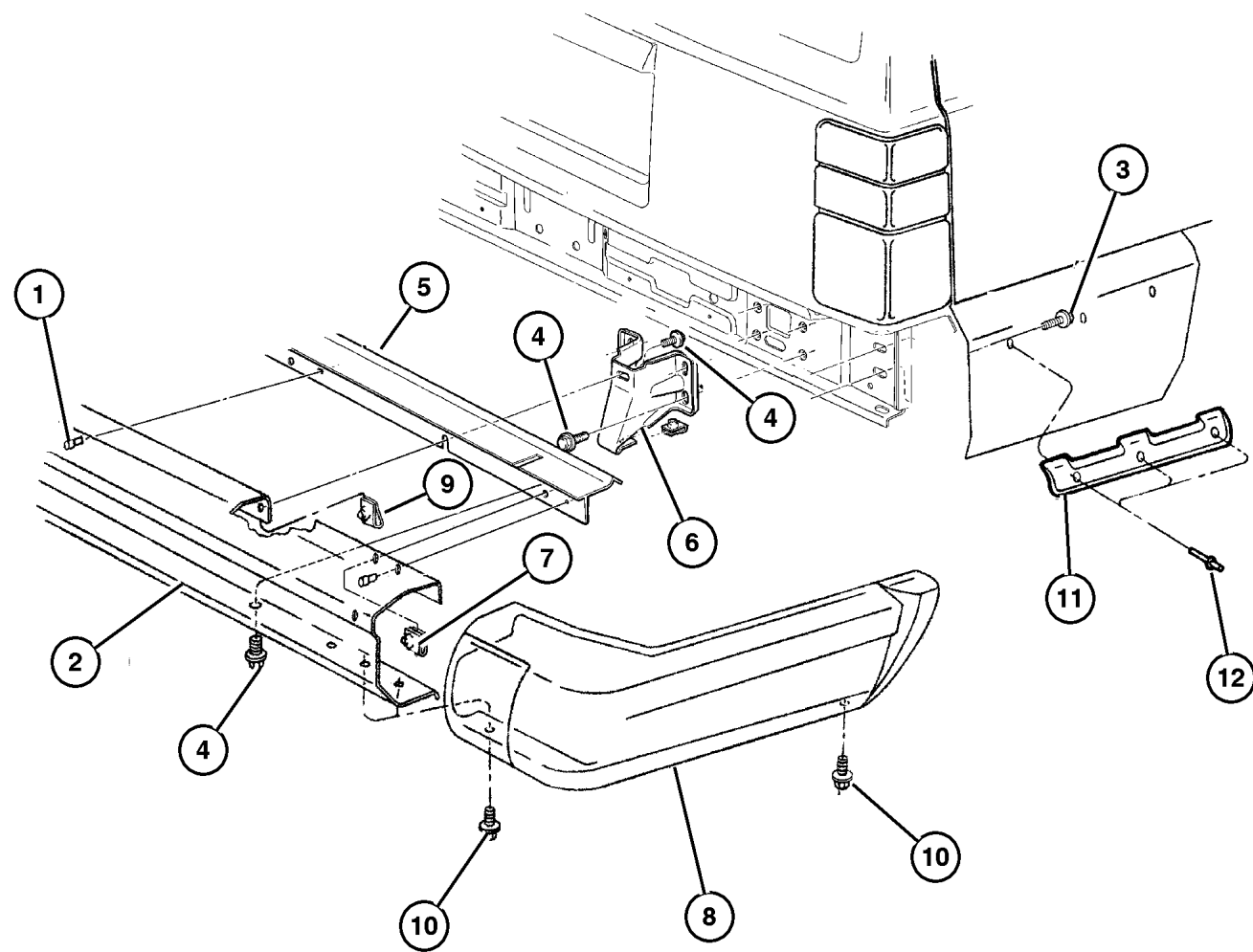
**JEEP CHEROKEE (XJ)**

SERIES	LINE	BODY	ENGINE	TRANSMISSION
L=Low Line	J=LHD (4WD) U=RHD (4WD) T=LHD (2WD) B=RHD (2WD)	74=4 DR. (101.4 WB) 72=2 DR. (101.4 WB)	ENC,EN0=2.5L 4 cyl. Turbo Die ERH,ER0=4.0L Power Tech I-6 EPE,EP0=Magnum 2.5L SMPI	DDQ=5Spd Man. DGS=4 Spd. Auto. AISIN DG0=All Auto Trans DBB=All Manual Trans.

AR = Use as required - = Non illustrated part # = New this model year

July 4, 2003

**Bumper, Rear 1997 XJ 1998 XJ**  
**Figure 013-310**



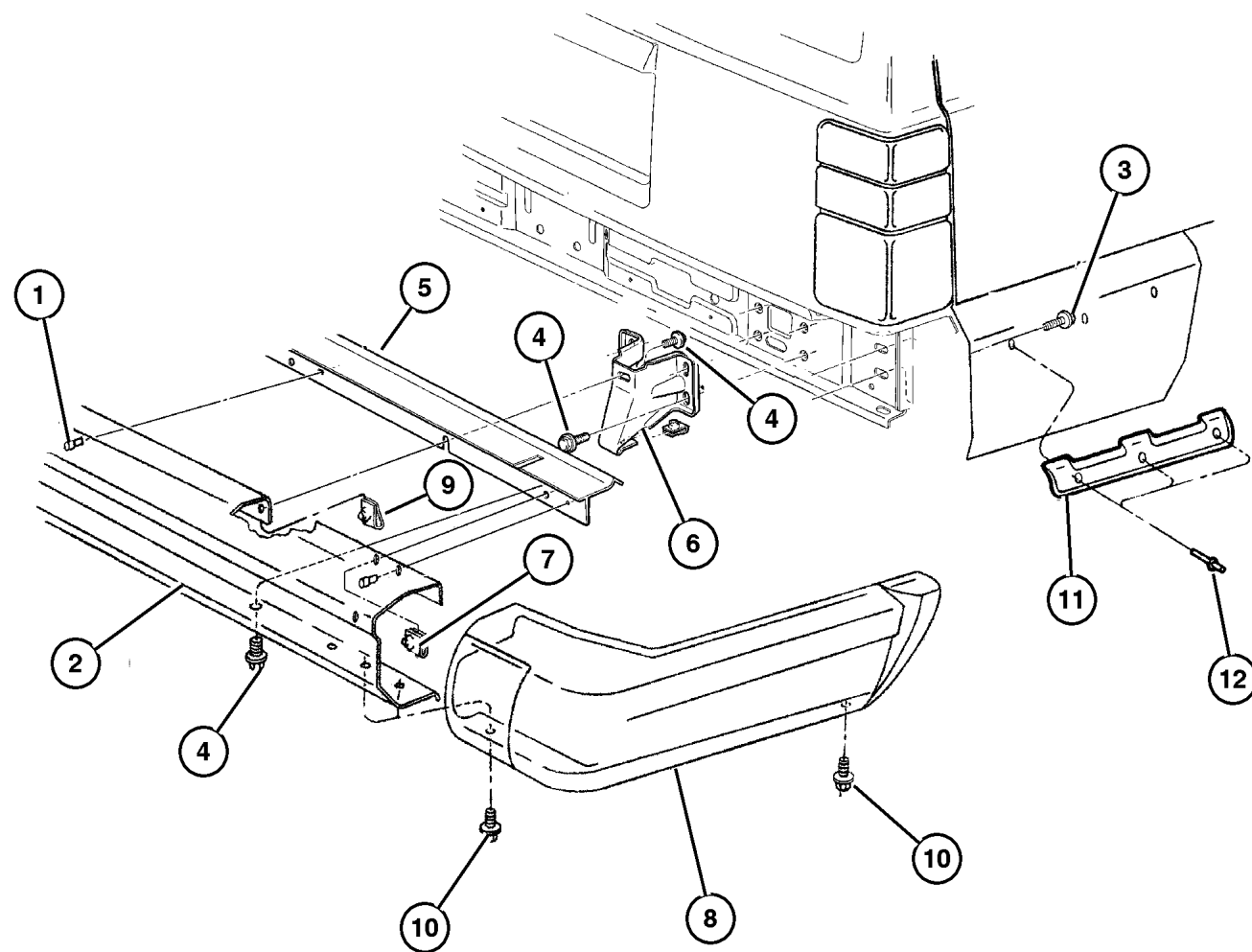
ITEM	PART NUMBER	QTY	LINE	SERIES	BODY	ENGINE	TRANS	TRIM	DESCRIPTION
	5DY0 8TCN	1							[CN], 1998 XJ, Right
	5DY0 8TQ7	1							[Q7], 1998 XJ, Right
	5DY0 8VEA	1							[EA], 1998 XJ, Right
	5DY0 9DX8	1							[X8], 1998 XJ, Left
9									NUT, U Type, M10 x 1.50
	1150 0662	2							1997 XJ
		4							1998 XJ
10	6101 455	2							SCREW AND WASHER, Hex Head, M6x1x20
11									BRACKET
	5517 5692	1							1998 XJ, Left
	5517 5693	1							1998 XJ, Left
12									RIVET, .187x.70 Black
	6035 122	6							1997 XJ
		4							1998 XJ

JEEP CHEROKEE (XJ)				
SERIES	LINE	BODY	ENGINE	TRANSMISSION
L=Low Line	J=LHD (4WD) U=RHD (4WD) T=LHD (2WD) B=RHD (2WD)	74=4 DR. (101.4 WB) 72=2 DR. (101.4 WB)	ENC,EN0=2.5L 4 cyl. Turbo Die ERH,ER0=4.0L Power Tech I-6 EPE,EP0=Magnum 2.5L SMPI	DDQ=5Spd Man. DGS=4 Spd. Auto. AISIN DG0=All Auto Trans DBB=All Manual Trans.

AR = Use as required - = Non illustrated part # = New this model year

July 4, 2003

**Bumper, Rear 1999 XJ**  
**Figure 013-310**



ITEM	PART NUMBER	QTY	LINE	SERIES	BODY	ENGINE	TRANS	TRIM	DESCRIPTION
1	3420 2855	4							RIVET, M5x20.00 Plastic
2	#5EE84 S3XAD	1							BUMPER, Rear
3	J400 1933	4							SCREW, Hex Flange Head, .312-x18x.875
4	3420 1540	8							BOLT AND WASHER, Implement Attaching
5	5502 6542	1							SHIELD, Bumper
6	55175 261AD	2							BRACKET, Bumper
7	6101 283	2							U-NUT, M8x1.25
8									END CAP, Bumper
	5DY0 8DX8	1							Black, Right
	5DY0 9PR4	1							Red, Left
	5DY0 9SG8	1							Green, Left
	5DY0 9SW1	1							White, Left
	5DY0 9TCN	1							Amethyst, Left
	5DY0 9TQ7	1							Gunmetal, Left
	5DY0 9VEA	1							Chillipepper Red, Left
	5DY0 9WTD	1							Desert Sand, Left
	5DY1 0DX9	1							MBS, Right
	5DY1 1DX9	1							MBS, Left
	5DY0 8PR4	1							Red, Right
	5DY0 8SG8	1							Green, Right
	5DY0 8SW1	1							White, Right
	5DY0 8TCN	1							Amethyst, Right
	5DY0 8TQ7	1							Gunmetal, Right
	5DY0 8VEA	1							Chillipepper Red, Right
	5DY0 8WTD	1							Desert Sand, Right
	5DY0 9DX8	1							Black, Left
9	1150 0662	4							NUT, U Type, M10 x 1.50
10	6101 455	2							SCREW AND WASHER, Hex Head, M6x1x20
11									BRACKET
	5517 5692	1							Right
	5517 5693	1							Left
12	6035 122	4							RIVET, .187x.70 Black

**JEEP CHEROKEE (XJ)**

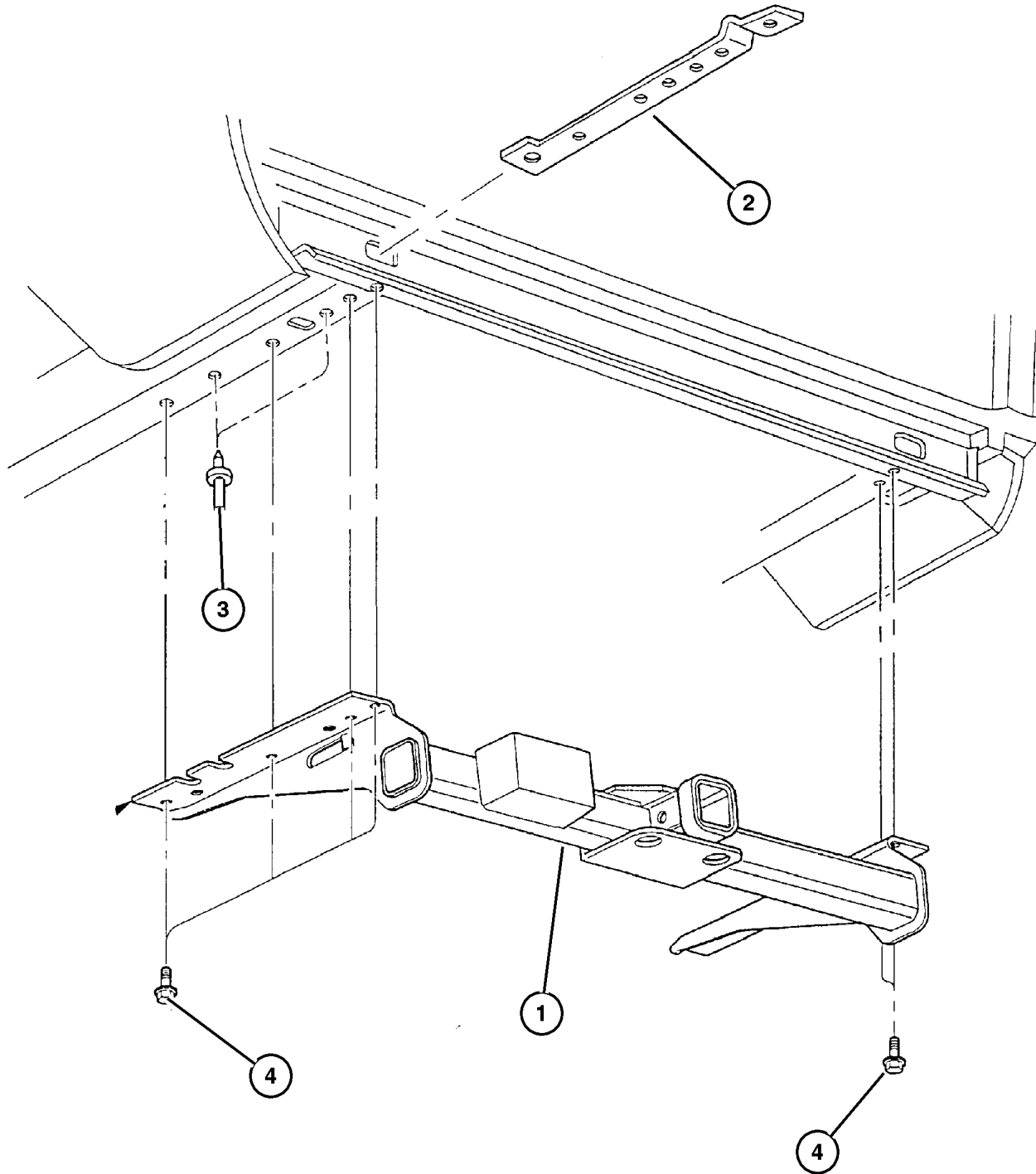
SERIES	LINE	BODY	ENGINE	TRANSMISSION
L=Low Line	J=LHD (4WD) U=RHD (4WD) T=LHD (2WD) B=RHD (2WD)	74=4 DR. (101.4 WB) 72=2 DR. (101.4 WB)	ENC,EN0=2.5L 4 cyl. Turbo Die ERH,ER0=4.0L Power Tech I-6 EPE,EP0=Magnum 2.5L SMPI	DDQ=5Spd Man. DGS=4 Spd. Auto. AISIN DG0=All Auto Trans DBB=All Manual Trans.

AR = Use as required - = Non illustrated part # = New this model year

July 4, 2003

Hitch, Trailer Tow 1997 XJ 1998 XJ  
Figure 013-610

ITEM	PART NUMBER	QTY	LINE	SERIES	BODY	ENGINE	TRANS	TRIM	DESCRIPTION
1	5205 8266	1							HITCH, Trailer
2	5200 1174	1							REINFORCEMENT, Sill Right
	5200 1175	1							Left
3	3420 1353	4							RIVET, M6.3x14.02
4	3420 1964	6							BOLT, Hex Flange Head, M12x1. 75x40



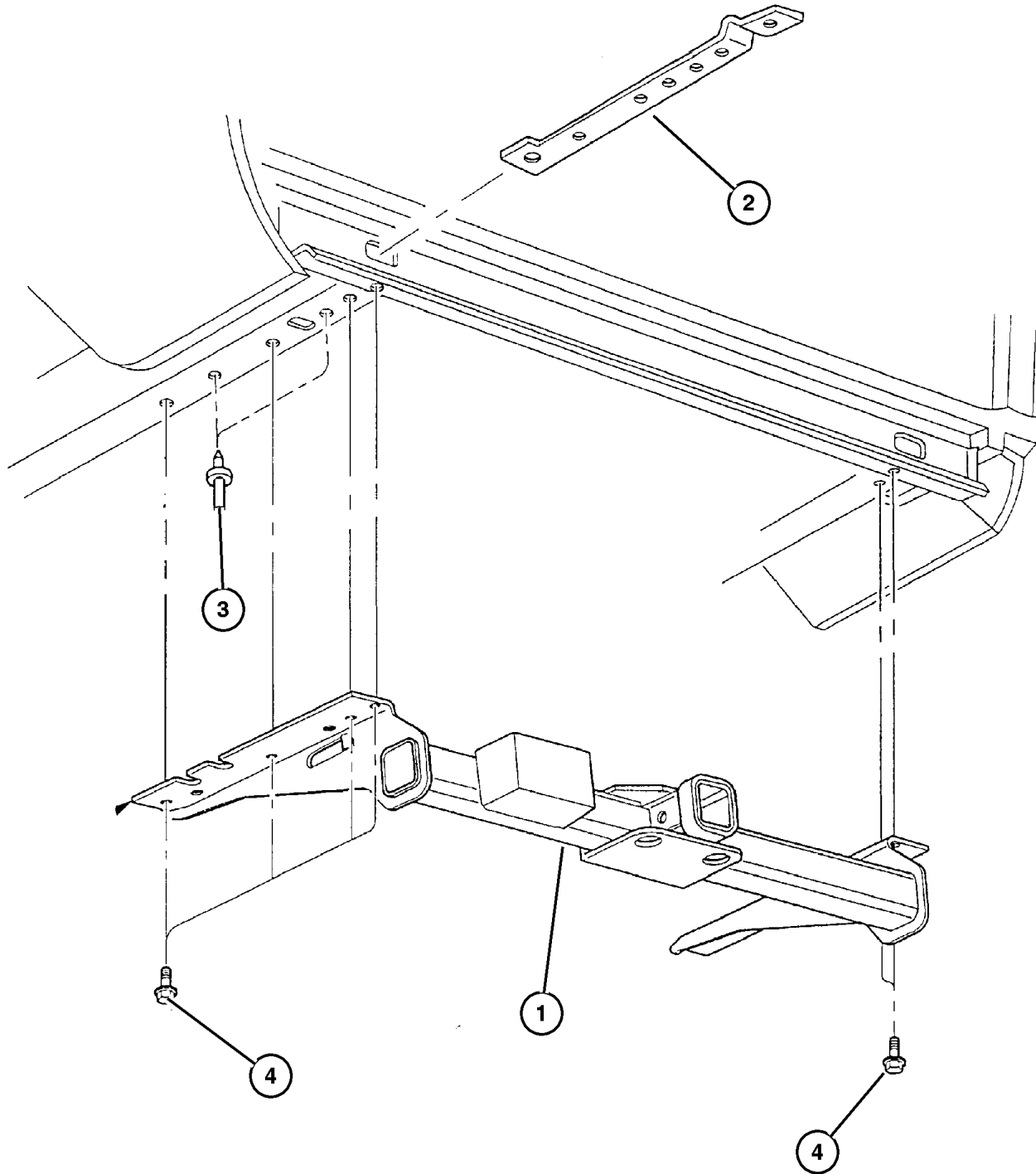
JEEP CHEROKEE (XJ)				
SERIES	LINE	BODY	ENGINE	TRANSMISSION
L=Low Line	J=LHD (4WD) U=RHD (4WD) T=LHD (2WD) B=RHD (2WD)	74=4 DR. (101.4 WB) 72=2 DR. (101.4 WB)	ENC,EN0=2.5L 4 cyl. Turbo Die ERH,ER0=4.0L Power Tech I-6 EPE,EP0=Magnum 2.5L SMPI	DDQ=5Spd Man. DGS=4 Spd. Auto. AISIN DG0=All Auto Trans DBB=All Manual Trans.

AR = Use as required - = Non illustrated part # = New this model year

July 4, 2003

Hitch, Trailer Tow 1999 XJ  
Figure 013-610

ITEM	PART NUMBER	QTY	LINE	SERIES	BODY	ENGINE	TRANS	TRIM	DESCRIPTION
1	5205 8266	1							HITCH, Trailer
2	5200 1174	1							REINFORCEMENT, Sill Right
	5200 1175	1							Left
3									RIVET, M6.3x14.02, (NOT SERVICED) (Not Serviced)
4	3420 1964	6							BOLT, Hex Flange Head, M12x1. 75x40

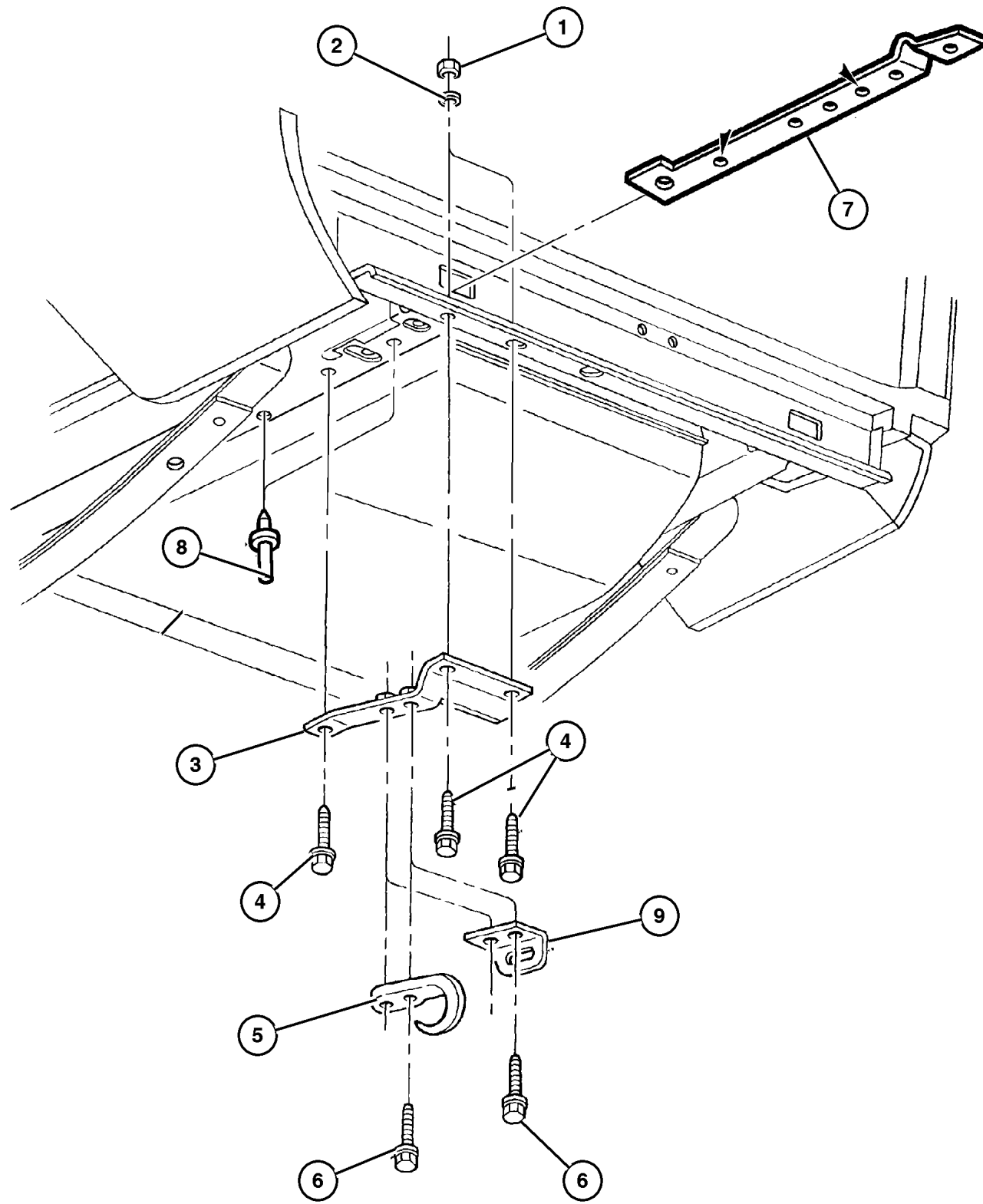


JEEP CHEROKEE (XJ)				
SERIES	LINE	BODY	ENGINE	TRANSMISSION
L=Low Line	J=LHD (4WD) U=RHD (4WD) T=LHD (2WD) B=RHD (2WD)	74=4 DR. (101.4 WB) 72=2 DR. (101.4 WB)	ENC,EN0=2.5L 4 cyl. Turbo Die ERH,ER0=4.0L Power Tech I-6 EPE,EP0=Magnum 2.5L SMPI	DDQ=5Spd Man. DGS=4 Spd. Auto. AISIN DG0=All Auto Trans DBB=All Manual Trans.

AR = Use as required - = Non illustrated part # = New this model year

July 4, 2003

**Tow Hook and Tow Eye 1997 XJ**  
**Figure 013-615**



ITEM	PART NUMBER	QTY	LINE	SERIES	BODY	ENGINE	TRANS	TRIM	DESCRIPTION
Note: Sales Code ER0 = 4.0L Engine									
1	1150 1060	2							NUT, Hex, M12x1.75
2	1150 0257	2							WASHER, Flat, M12x24x2.80
3	5200 0712	1							BRACKET, Tow Hook
4	3420 1964	4							BOLT, Hex Flange Head, M12x1.75x40
5	52057 999AB	2							HOOK, Tow
6	1150 4922	2							BOLT, Hex Head, M12x1.75x50
7									REINFORCEMENT, Sill
	5200 1174	1							Right
	5200 1175	1							Left
8	3420 1353	2							RIVET, M6.3x14.02
9	5200 1644	1							EYE, Tow

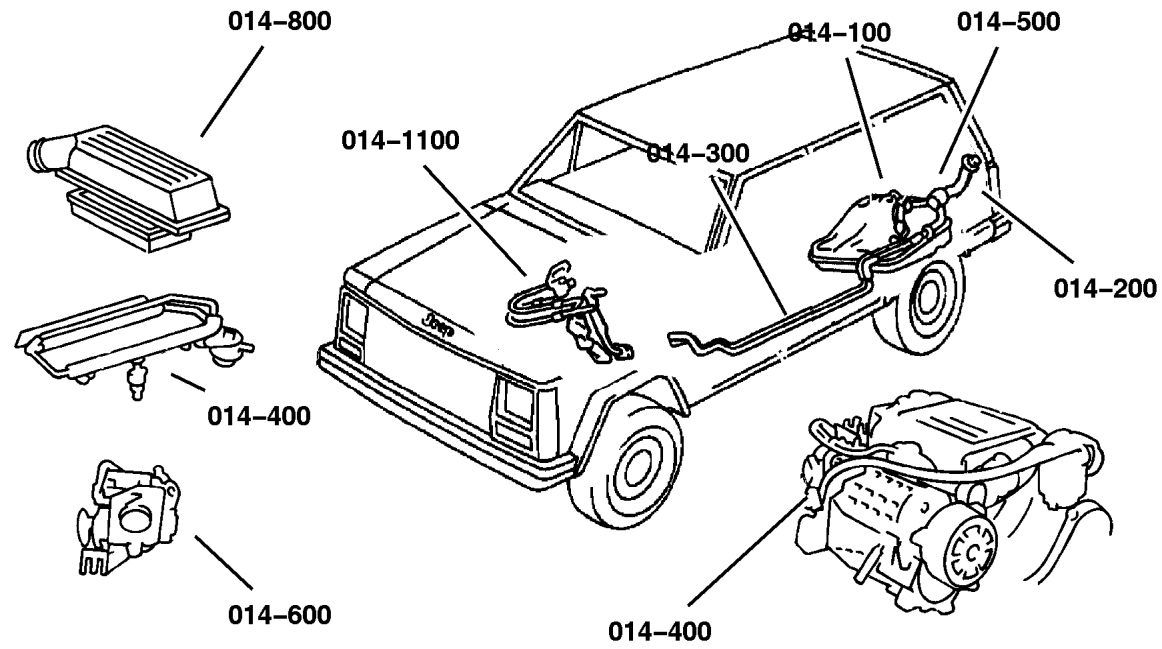
JEEP CHEROKEE (XJ)				
SERIES	LINE	BODY	ENGINE	TRANSMISSION
L=Low Line	J=LHD (4WD) U=RHD (4WD) T=LHD (2WD) B=RHD (2WD)	74=4 DR. (101.4 WB) 72=2 DR. (101.4 WB)	ENC,EN0=2.5L 4 cyl. Turbo Die ERH,ER0=4.0L Power Tech I-6 EPE,EP0=Magnum 2.5L SMPI	DDQ=5Spd Man. DGS=4 Spd. Auto. AISIN DG0=All Auto Trans DBB=All Manual Trans.

AR = Use as required - = Non illustrated part # = New this model year

July 4, 2003

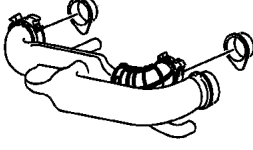


# Group – 014

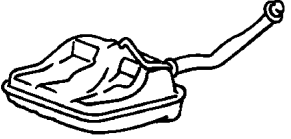
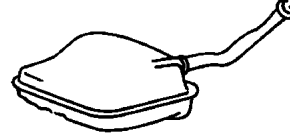
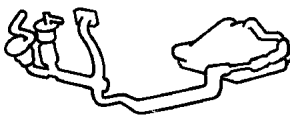
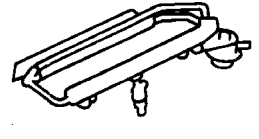


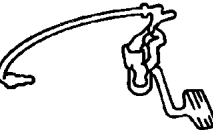
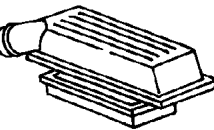
## Fuel



# Group – 014

## Fuel

<p><b>014-900</b> Air Intake System</p> 	<p><b>014-1000</b> Speed Control</p> 	<p><b>014-1100</b> Accelerator Pedal</p> 	
---	--	--	--

<p><b>014-100</b> Tank, Fuel</p> 	<p><b>014-200</b> Fuel Tank Filler Tube</p> 	<p><b>014-300</b> Fuel Lines</p> 	<p><b>014-400</b> Fuel Rail</p> 
<p><b>014-500</b> Fuel Pump and Sending Unit</p> 	<p><b>014-600</b> Throttle Body</p> 	<p><b>014-700</b> Throttle Controls</p> 	<p><b>014-800</b> Air Cleaner</p> 

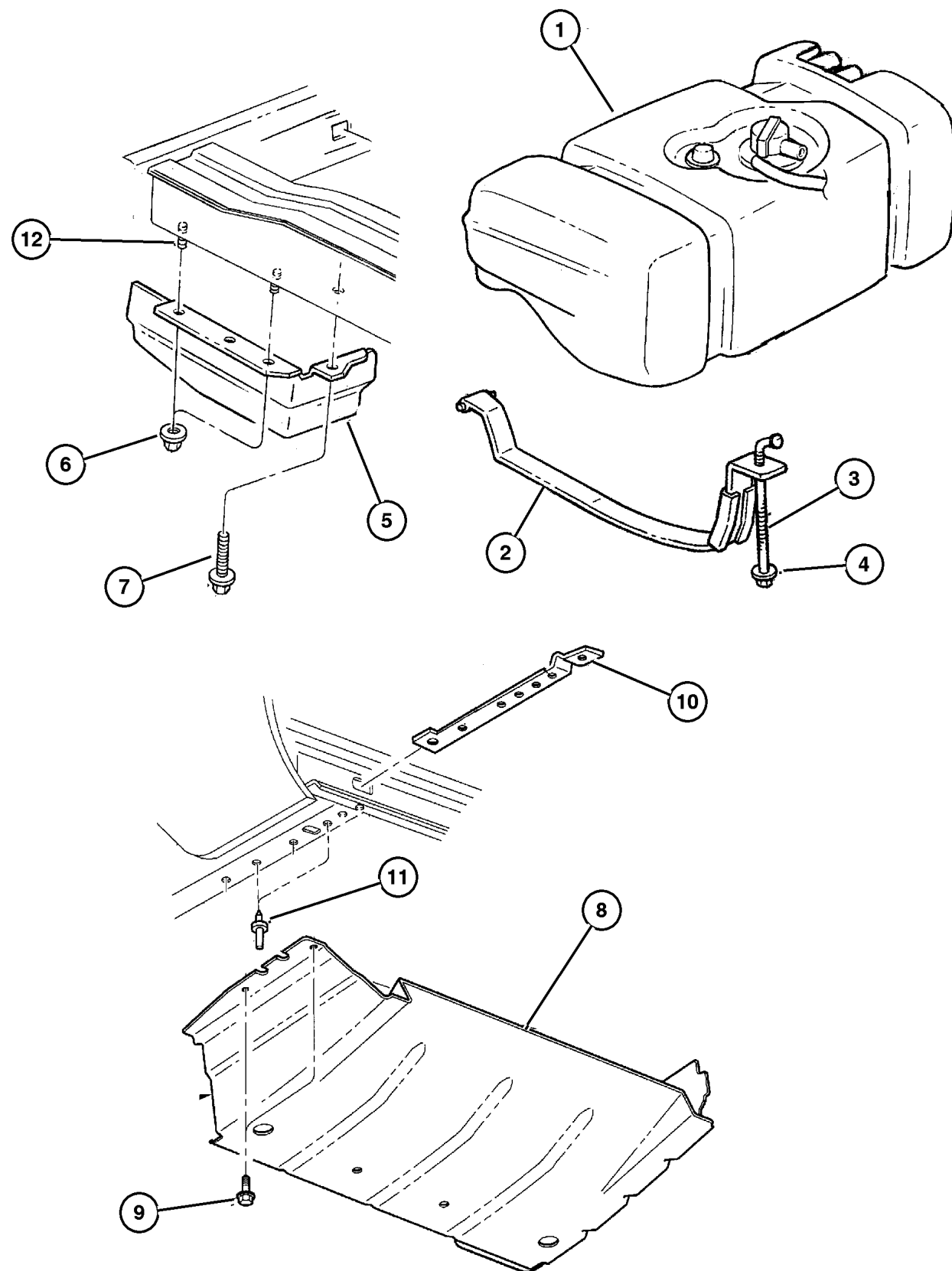
---

## GROUP 14 - Fuel

Illustration Title	Group-Fig. No.
<b>Tank, Fuel</b>	
Fuel Tank 2.5L (EPE), 2.5L (ENC) Diesel, 4.0L (ERH) Engine .....	Fig. 014-120
<b>Fuel Tank Filler Tube</b>	
Fuel Tank Filler Tube 2.5L (EPE), 2.5L (ENC) Diesel, 4.0L (ERH) Engine .....	Fig. 014-220
<b>Fuel Lines</b>	
Fuel Lines, Front 2.5L (EPE), 4.0L (ERH) Engine .....	Fig. 014-310
Fuel Lines, Rear 2.5L (EPE), 4.0L (ERH) Engine .....	Fig. 014-320
Fuel Lines, Front 2.5L (ENC) Diesel Engine .....	Fig. 014-325
Fuel Lines, Rear 2.5L (ENC) Diesel Engine .....	Fig. 014-335
<b>Fuel Rail</b>	
Fuel Injection System 2.5L (EPE), 4.0L (ERH) Engine .....	Fig. 014-410
Fuel Injection System 2.5L (ENC) Diesel Engine .....	Fig. 014-440
Fuel Injection Pump 2.5L (ENC) Diesel Engine .....	Fig. 014-460
<b>Fuel Pump and Sending Unit</b>	
Fuel Pump and Sending Unit 2.5L (EPE), 2.5L (ENC) Diesel, 4.0L (ERH) Engine 1997 XJ .....	Fig. 014-520
Fuel Pump and Sending Unit 1998 XJ .....	Fig. 014-520
Fuel Pump and Sending Unit 1999 XJ .....	Fig. 014-520
<b>Throttle Body</b>	
Throttle Body 2.5L (EPE), 4.0L (ERH) Engine 1997 XJ .....	Fig. 014-610
Throttle Body 2.5L (EPE), 4.0L (ERH) Engine 1998 XJ .....	Fig. 014-610
Throttle Body 2.5L (EPE), 4.0L (ERH) Engine 1999 XJ .....	Fig. 014-610
Turbocharger 2.5L (ENC) Diesel Engine .....	Fig. 014-660
<b>Throttle Controls</b>	
Throttle Controls 2.5L (EPE), 4.0L (ERH) Engine .....	Fig. 014-720
<b>Air Cleaner</b>	
Air Cleaner 2.5L (EPE), 4.0L (ERH) Engine .....	Fig. 014-820
Air Cleaner 2.5L (ENC) Diesel Engine .....	Fig. 014-835
<b>Air Intake System</b>	
Air Intake System 2.5L (EPE) Engine .....	Fig. 014-910
<b>Speed Control</b>	
Speed Control 2.5L (EPE), 4.0L (ERH) Engine 1997 XJ .....	Fig. 014-1010
Speed Control 2.5L (EPE), 4.0L (ERH) Engine 1998 XJ .....	Fig. 014-1010
Speed Control 2.5L (EPE), 4.0L (ERH) Engine 1999 XJ .....	Fig. 014-1010
<b>Accelerator Pedal</b>	
Accelerator Pedal 2.5L (EPE), 2.5L (ENC) Diesel, 4.0L (ERH) Engine .....	Fig. 014-1110



Fuel Tank 2.5L (EPE), 2.5L (ENC) Diesel, 4.0L (ERH) Engine  
Figure 014-120



ITEM	PART NUMBER	QTY	LINE	SERIES	BODY	ENGINE	TRANS	TRIM	DESCRIPTION
NOTE: EP0=All 2.5L Gas Engines EN0=All 2.5L Diesel Engines ER0=All 4.0L Engines									
1	5210 0179	1				EN0			TANK, Fuel
		1				EP0, ER0			1998 XJ, 1999 XJ
	5210 0259	1				EN0			1997 XJ
		1				EP0, ER0			1997 XJ
2									STRAP, Fuel Tank
	5210 0009	2							1997 XJ, 1998 XJ
	52100 009AB	2							1999 XJ
3									J BOLT, Fuel Tank Support
	52100 362AA	2							1999 XJ
	J324 0023	2	B		72				1997 XJ
		2	B		74				1997 XJ
		2	J		72				1997 XJ
		2	J		74				1997 XJ
		2	T		72				1997 XJ
		2	T		74				1997 XJ
		2	U		72				1997 XJ
		2	U		74				1997 XJ
4	6034 955	2							NUT, Hex Flange Lock, .375-16
5									SHIELD, Fuel Tank
	5210 0014	1							1997 XJ
	52100 014AB	1							1998 XJ
	52100 338AA	1							1999 XJ
6	6100 055	2							NUT AND WASHER, Hex Nut-Coned Washer, M12 x 1.75
7	6101 777	4							SCREW, Hex Flange Head Tapping, M6x1.00x20.00
8	52100 328AA	1							PLATE, Skid
9	3420 1964	2							BOLT, Hex Flange Head, M12x1.75x40
10									REINFORCEMENT, Sill
	5200 1174	1							Right
	5200 1175	1							Left
11									RIVET, M6.3x14.02 (NOT REQUIRED), 1999 XJ
	3420 1353	4							1997 XJ, 1998 XJ
12									STUD, M12x1.75x72.00
	6504 497	2							1997 XJ, 1998 XJ
	6505 137AA	2							1999 XJ

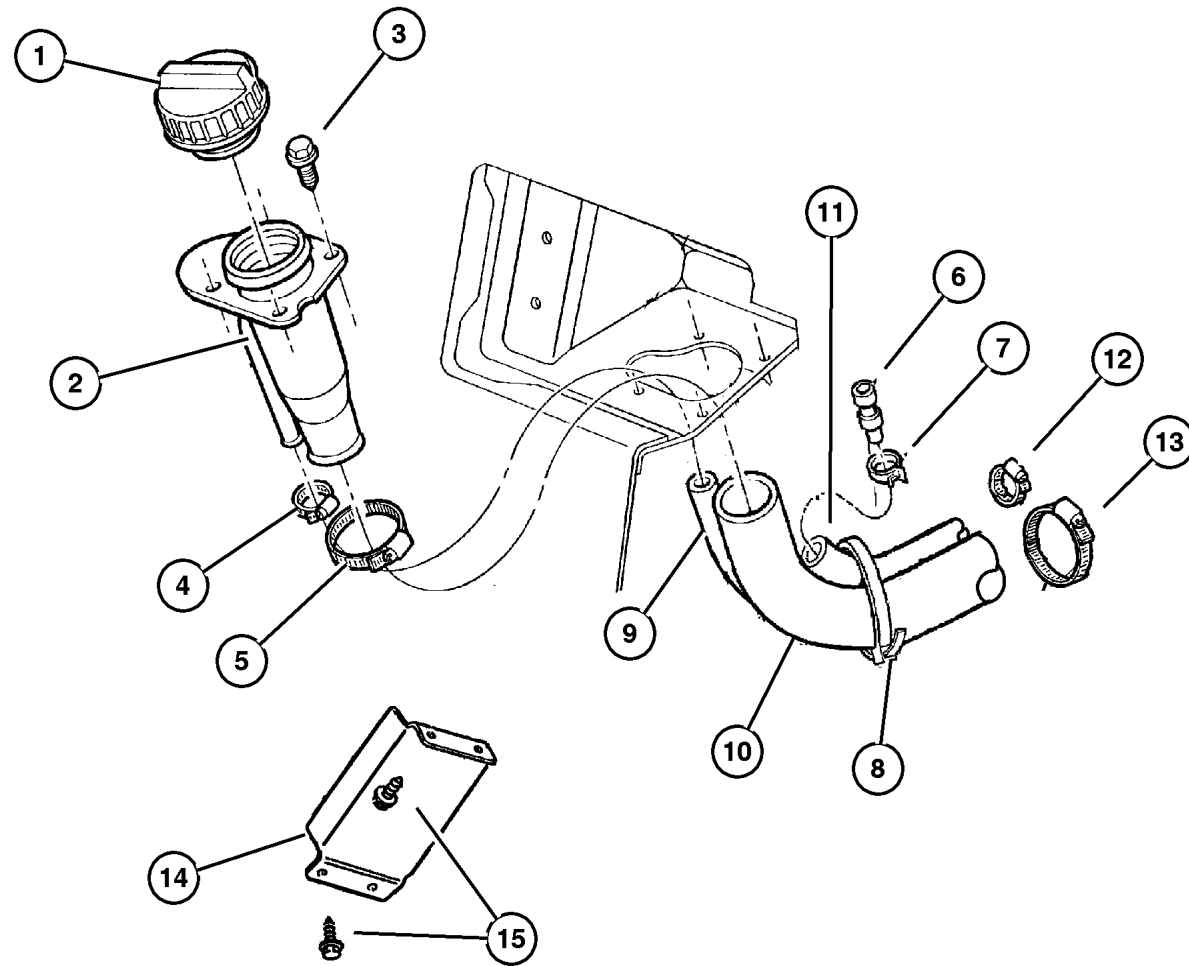
JEEP CHEROKEE (XJ)

SERIES	LINE	BODY	ENGINE	TRANSMISSION
L=Low Line	J=LHD (4WD) U=RHD (4WD) T=LHD (2WD) B=RHD (2WD)	74=4 DR. (101.4 WB) 72=2 DR. (101.4 WB)	ENC,EN0=2.5L 4 cyl. Turbo Die ERH,ER0=4.0L Power Tech I-6 EPE,EP0=Magnum 2.5L SMPI	DDQ=5Spd Man. DGS=4 Spd. Auto. AISIN DG0=All Auto Trans DBB=All Manual Trans.

AR = Use as required - = Non illustrated part # = New this model year

July 4, 2003

**Fuel Tank Filler Tube 2.5L (EPE), 2.5L (ENC) Diesel, 4.0L (ERH) Engine  
Figure 014-220**



ITEM	PART NUMBER	QTY	LINE	SERIES	BODY	ENGINE	TRANS	TRIM	DESCRIPTION
------	-------------	-----	------	--------	------	--------	-------	------	-------------

NOTE: EP0=All 2.5L Gas Engines EN0=All 2.5L Diesel Engines ER0=All 4.0L Engines

1	5210 0205	1				EP0, ER0			CAP, Fuel Filler Without Lock, 1997 XJ
		1							Without Lock, 1998 XJ, 1999 XJ
	5210 0239	1							With Lock
2	5210 0173	1				EP0, ER0			TUBE, Fuel Filler Without Leaded Fuel, 1997 XJ
	52100 173AB	1							Federal, Europe, 1998 XJ
	5210 0174	1							With Leaded Fuel and Diesel, 1997 XJ
	52100 174AB	1							Leaded Fuel and Diesel, Mandatory ( MIDDLE EAST PACKAGE), 1998 XJ, Mandatory (MIDDLE EAST PACKAGE)
		1							Leaded Fuel and Diesel, 1999 XJ
	52100 288AA	1				EP0, ER0			1998 XJ, 1999 XJ
3	0154 236	4							SCREW, Stake, .19-24
4	J320 3077	1							CLAMP, Hose
5									CLAMP, (NOT SERVICED) (Not Serviced)
6	J535 2955	1	J, U						VENT, Axle 1997 XJ, 1999 XJ
		1	J, U						California, 1998 XJ
7	6502 081	1				EN0 EP0, ER0			CLAMP, Oil Cooler Line
8	4641 780	1				EP0, ER0			STRAP, Tie
9									HOSE, Fuel Filler Vent
	5210 0132	1				EN0 EP0, ER0			
		1							
10									HOSE, Fuel Filler
	52100 131AC	1				EN0			1999 XJ
		1				EP0, ER0			1999 XJ
	52100 131AB	1				EN0			1997 XJ, 1998 XJ

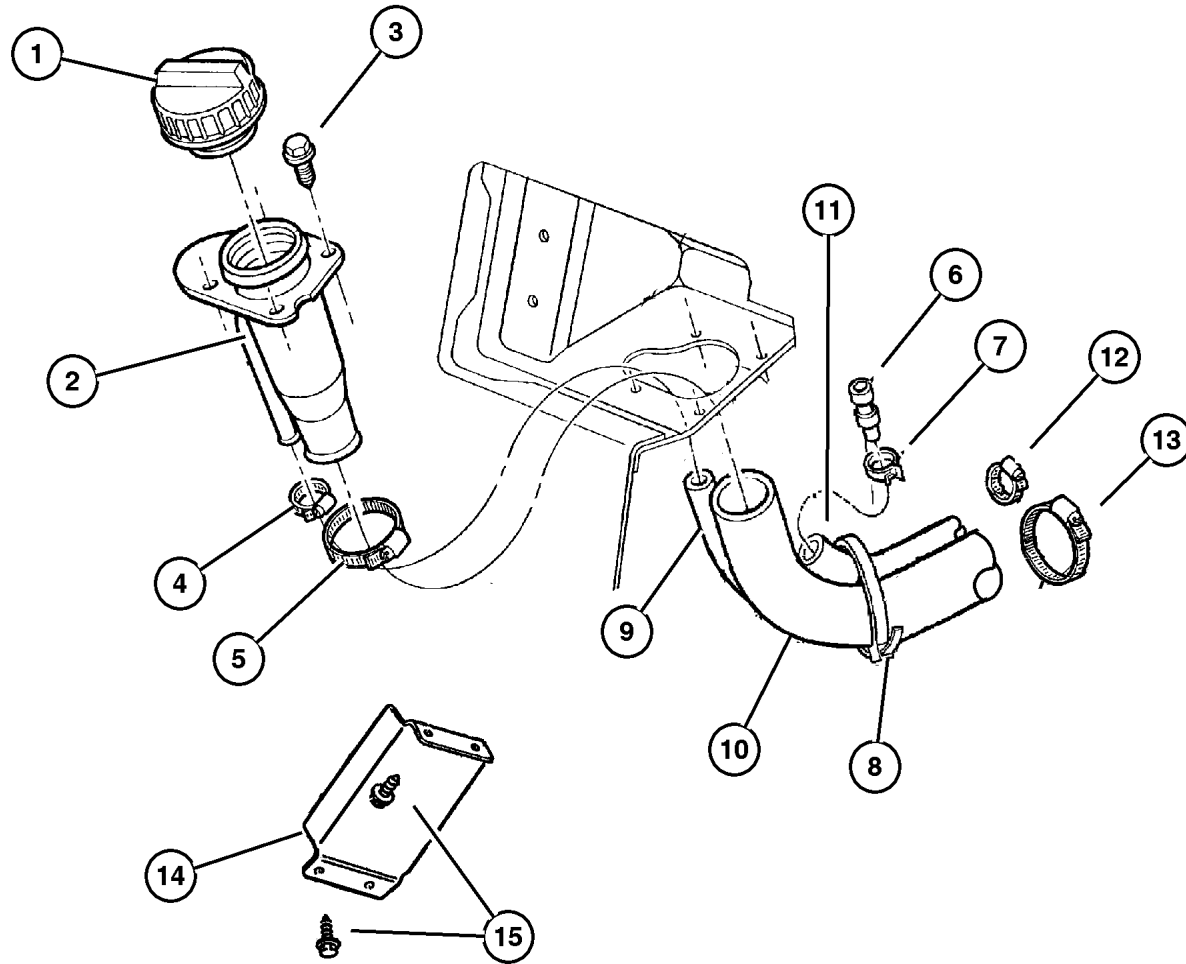
**JEEP CHEROKEE (XJ)**

SERIES	LINE	BODY	ENGINE	TRANSMISSION
L=Low Line	J=LHD (4WD) U=RHD (4WD) T=LHD (2WD) B=RHD (2WD)	74=4 DR. (101.4 WB) 72=2 DR. (101.4 WB)	ENC,EN0=2.5L 4 cyl. Turbo Die ERH,ER0=4.0L Power Tech I-6 EPE,EP0=Magnum 2.5L SMPI	DDQ=5Spd Man. DGS=4 Spd. Auto. AISIN DG0=All Auto Trans DBB=All Manual Trans.

AR = Use as required - = Non illustrated part # = New this model year

July 4, 2003

Fuel Tank Filler Tube 2.5L (EPE), 2.5L (ENC) Diesel, 4.0L (ERH) Engine  
Figure 014-220



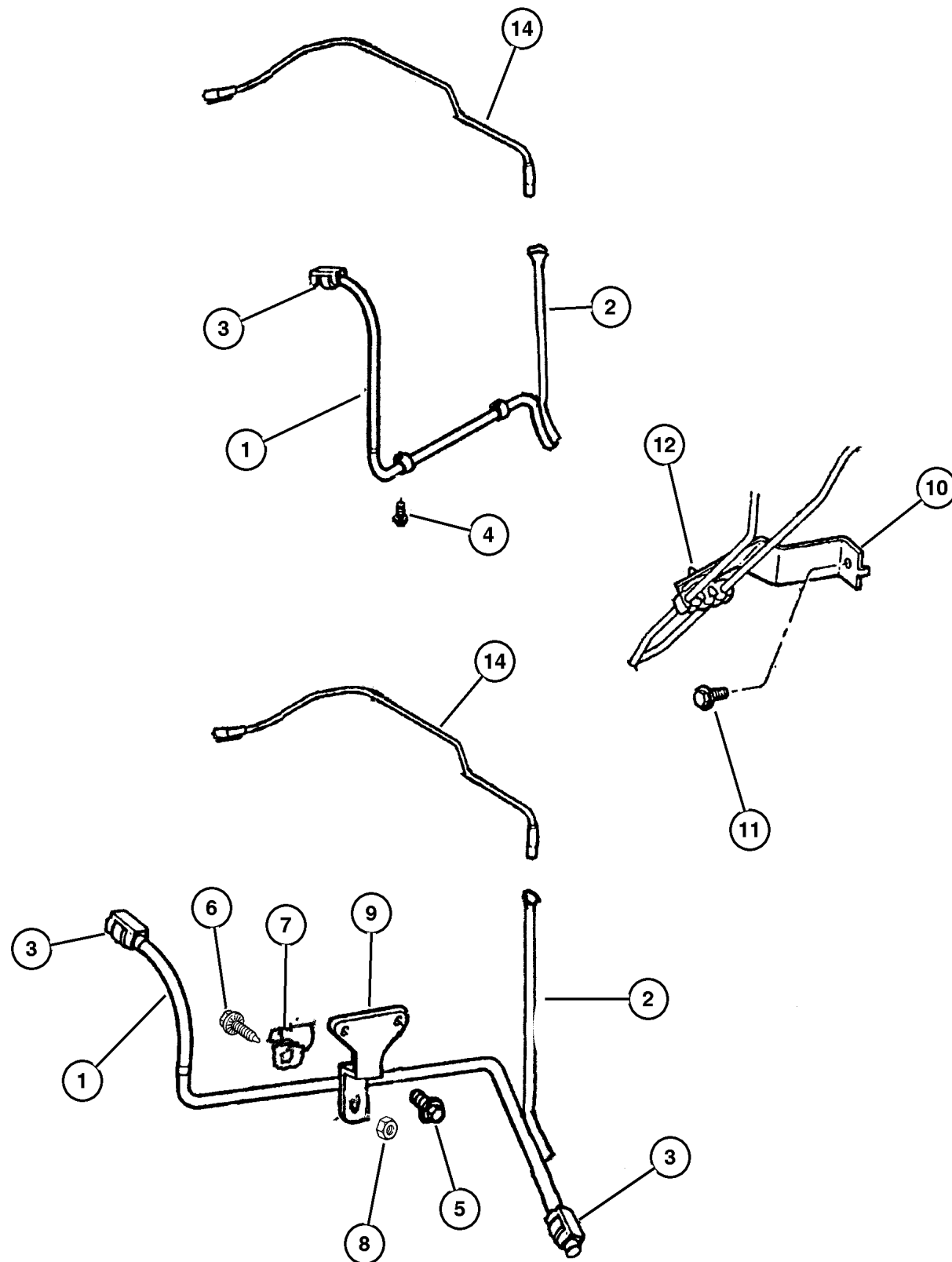
ITEM	PART NUMBER	QTY	LINE	SERIES	BODY	ENGINE	TRANS	TRIM	DESCRIPTION
		1				EP0,			1997 XJ, 1998 XJ
11	5201 8866	1				ER0			TUBE, Vent
12						EN0			CLAMP, HOSE CLAMP (NOT REQUIRED), 1999 XJ
	6502 089	1				EN0			1997 XJ, 1998 XJ
		1				EP0,			1997 XJ, 1998 XJ
						ER0			
13									CLAMP, HOSE CLAMP
13									CLAMP, HOSE CLAMP (Not Serviced)
	6502 450	1				EN0			(NOT SERVICED), 1999 XJ
		1				EP0,			1997 XJ, 1998 XJ
						ER0			
14	55003 285AB	1							SHIELD, Heat
15	3420 1895	2							SCREW, Hex Head Tapping, M6. 3x1.81x16.00

JEEP CHEROKEE (XJ)				
SERIES	LINE	BODY	ENGINE	TRANSMISSION
L=Low Line	J=LHD (4WD) U=RHD (4WD) T=LHD (2WD) B=RHD (2WD)	74=4 DR. (101.4 WB) 72=2 DR. (101.4 WB)	ENC,EN0=2.5L 4 cyl. Turbo Die ERH,ER0=4.0L Power Tech I-6 EPE,EP0=Magnum 2.5L SMPI	DDQ=5Spd Man. DGS=4 Spd. Auto. AISIN DG0=All Auto Trans DBB=All Manual Trans.

AR = Use as required - = Non illustrated part # = New this model year

July 4, 2003

Fuel Lines, Front 2.5L (EPE), 4.0L (ERH) Engine  
Figure 014-310



ITEM	PART NUMBER	QTY	LINE	SERIES	BODY	ENGINE	TRANS	TRIM	DESCRIPTION
NOTE: EP0=All 2.5L Gas Engines ER0=All 4.0L Engines									
1	52100 135AE	1				EP0			BUNDLE, Fuel Line 1998 XJ, 1999 XJ
	52100 136AB	1				EP0			1997 XJ
	52100 137AE	1				ER0			1998 XJ
	52100 138AB	1				ER0			1997 XJ
	#52100 349AA	1				ER0			1999 XJ
2	5210 0162	1				EP0,			TUBE, Fuel Vapor 1997 XJ
	52100 162AE	1				EP0, ER0			1998 XJ, 1999 XJ
3	5212 7788	2				ER0			CLIP, Fuel Line
		1				EP0			1998 XJ, 1999 XJ
4	6101 786	2				EP0			SCREW, Self Tapping, M6x1x15
5	6503 486	2				ER0			STUD 1997 XJ, 1998 XJ
	#6505 600AA	1				ER0			1999 XJ
6	6501 714	1				ER0			SCREW AND WASHER, Hex Head, M6x1x18 (NOT REQUIRED), 1999 XJ 1997 XJ, 1998 XJ
7	6504 589	2				EP0			CLIP, Fuel Line (NOT REQUIRED), 1999 XJ
		1				ER0			1997 XJ, 1998 XJ 1997 XJ, 1998 XJ
8	6100 047	1				EP0			NUT AND WASHER, Hex Nut-Coned Washer, M6 x 1.00 (NOT REQUIRED), 1999 XJ 1997 XJ, 1998 XJ
		1				ER0			1997 XJ, 1998 XJ
9	6505 648AA	1				ER0			CLIP, Fuel Line 1999 XJ
	5200 7273	1				ER0			1997 XJ, 1998 XJ
10	5200 7187	1							BRACKET, Fuel Line 1997 XJ
	52100 314AA	1							1998 XJ, 1999 XJ
11	3420 1895	2							SCREW, Hex Head Tapping, M6. 3x1.81x16.00
12									CLIP, Fuel Line (NOT REQUIRED), 1998 XJ, 1999 XJ

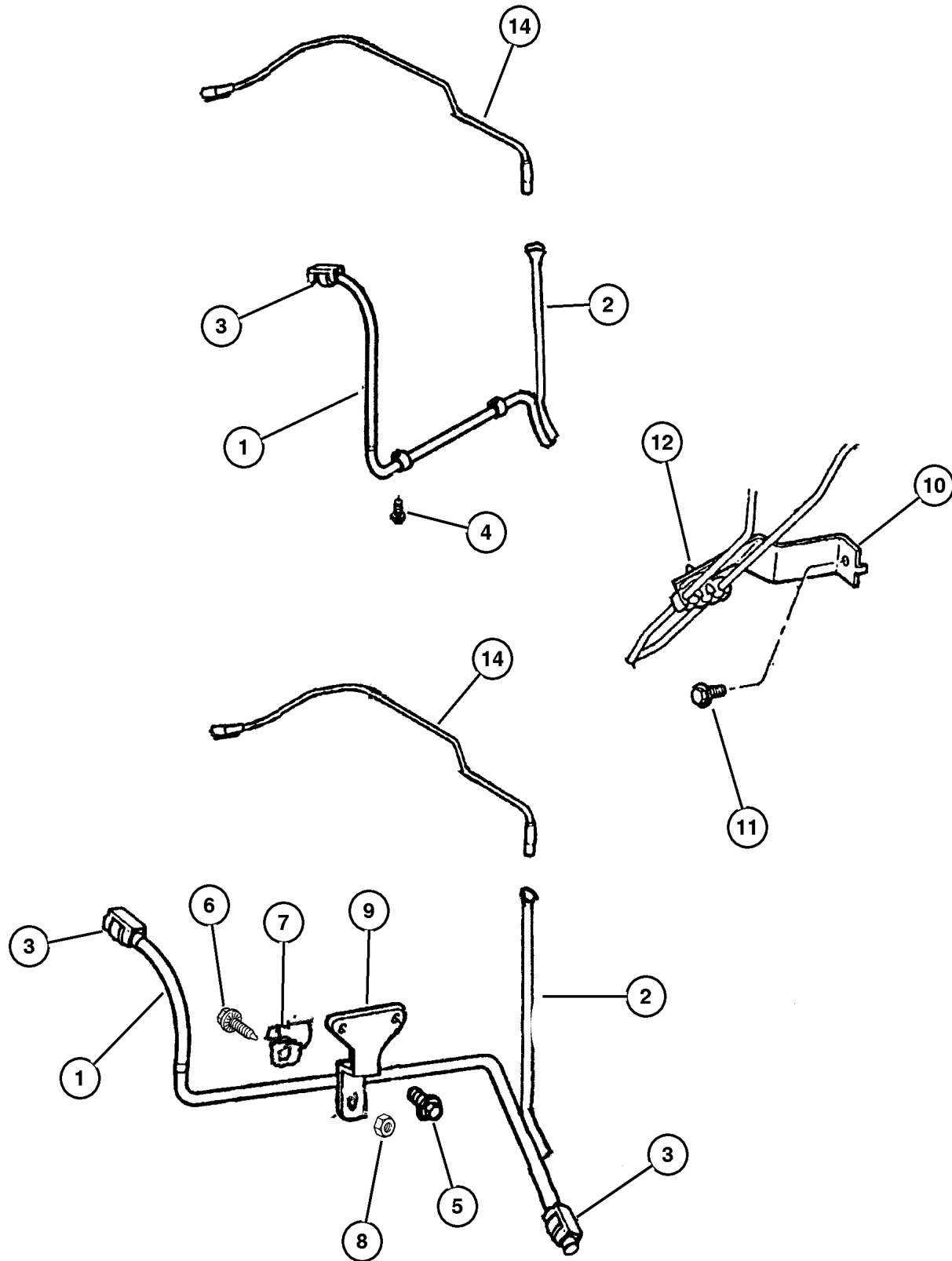
JEEP CHEROKEE (XJ)

SERIES	LINE	BODY	ENGINE	TRANSMISSION
L=Low Line	J=LHD (4WD) U=RHD (4WD) T=LHD (2WD) B=RHD (2WD)	74=4 DR. (101.4 WB) 72=2 DR. (101.4 WB)	ENC,EN0=2.5L 4 cyl. Turbo Die ERH,ER0=4.0L Power Tech I-6 EPE,EP0=Magnum 2.5L SMPI	DDQ=5Spd Man. DGS=4 Spd. Auto. AISIN DG0=All Auto Trans DBB=All Manual Trans.

AR = Use as required - = Non illustrated part # = New this model year

July 4, 2003

Fuel Lines, Front 2.5L (EPE), 4.0L (ERH) Engine  
Figure 014-310



ITEM	PART NUMBER	QTY	LINE	SERIES	BODY	ENGINE	TRANS	TRIM	DESCRIPTION
	5212 7585	1				EP0, ER0			1997 XJ
-13									CLIP, 5 Way (NOT REQUIRED), 1997 XJ 1998 XJ, 1999 XJ
14	52100 286AC	7							TUBE, Fuel Vapor 1997 XJ
	5210 0039	1	J, T			EP0, ER0			1998 XJ, 1999 XJ
	52100 039AC	1				EP0, ER0			1998 XJ, 1999 XJ
	52100 126AB	1	B, U			EP0, ER0			1998 XJ, 1999 XJ

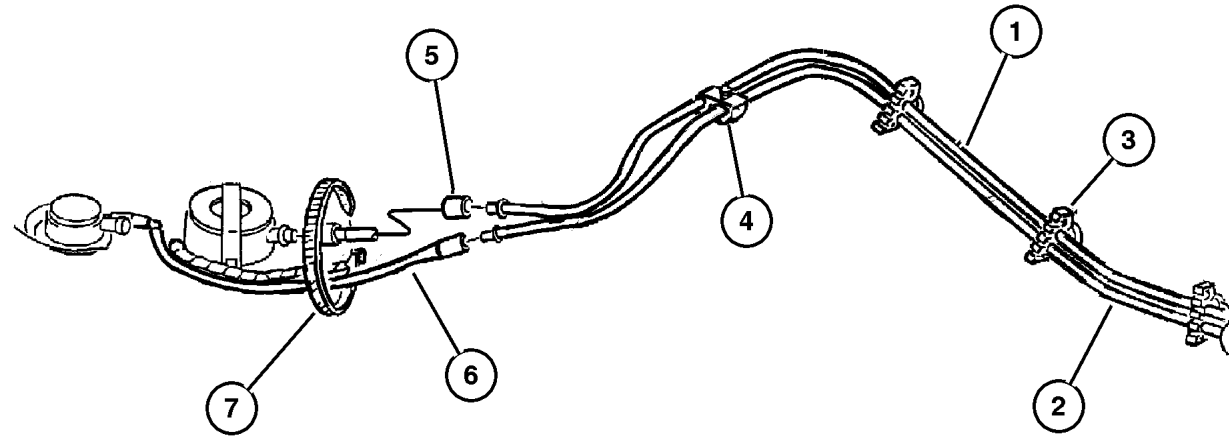
JEEP CHEROKEE (XJ)

SERIES	LINE	BODY	ENGINE	TRANSMISSION
L=Low Line	J=LHD (4WD) U=RHD (4WD) T=LHD (2WD) B=RHD (2WD)	74=4 DR. (101.4 WB) 72=2 DR. (101.4 WB)	ENC,EN0=2.5L 4 cyl. Turbo Die ERH,ER0=4.0L Power Tech I-6 EPE,EP0=Magnum 2.5L SMPI	DDQ=5Spd Man. DGS=4 Spd. Auto. AISIN DG0=All Auto Trans DBB=All Manual Trans.

AR = Use as required - = Non illustrated part # = New this model year

July 4, 2003

**Fuel Lines, Rear 2.5L (EPE), 4.0L (ERH) Engine  
Figure 014-320**



ITEM	PART NUMBER	QTY	LINE	SERIES	BODY	ENGINE	TRANS	TRIM	DESCRIPTION
NOTE: EP0=All 2.5L Gas Engines ER0=All 4.0L Engines									
1	5212 7896	1				EP0, ER0			TUBE, Fuel Supply 1997 XJ
		1							1998 XJ, 1999 XJ
2	5210 0162	1				EP0, ER0			TUBE, Fuel Vapor 1997 XJ
	52100 162AE	1				EP0, ER0			1998 XJ, 1999 XJ
3	3420 2371	6							CLIP, 5 Way 1997 XJ
	52100 286AB	6							1998 XJ
	52100 286AC	7							1999 XJ
4	4612 871AB	1	J, T						CLIP, Fuel Bundle 1997 XJ
		1							1998 XJ, 1999 XJ
5	5210 0037	1				EP0, ER0			TUBE, Fuel Supply 1997 XJ
	52100 037AB	1							1998 XJ
		1				EP0, ER0			1999 XJ
6	5210 0035	1				EP0, ER0			TUBE, Fuel Vapor 1997 XJ
	52100 035AB	1							1998 XJ
		1				EP0, ER0			1999 XJ
7	4641 780	1				EP0, ER0			STRAP, Tie

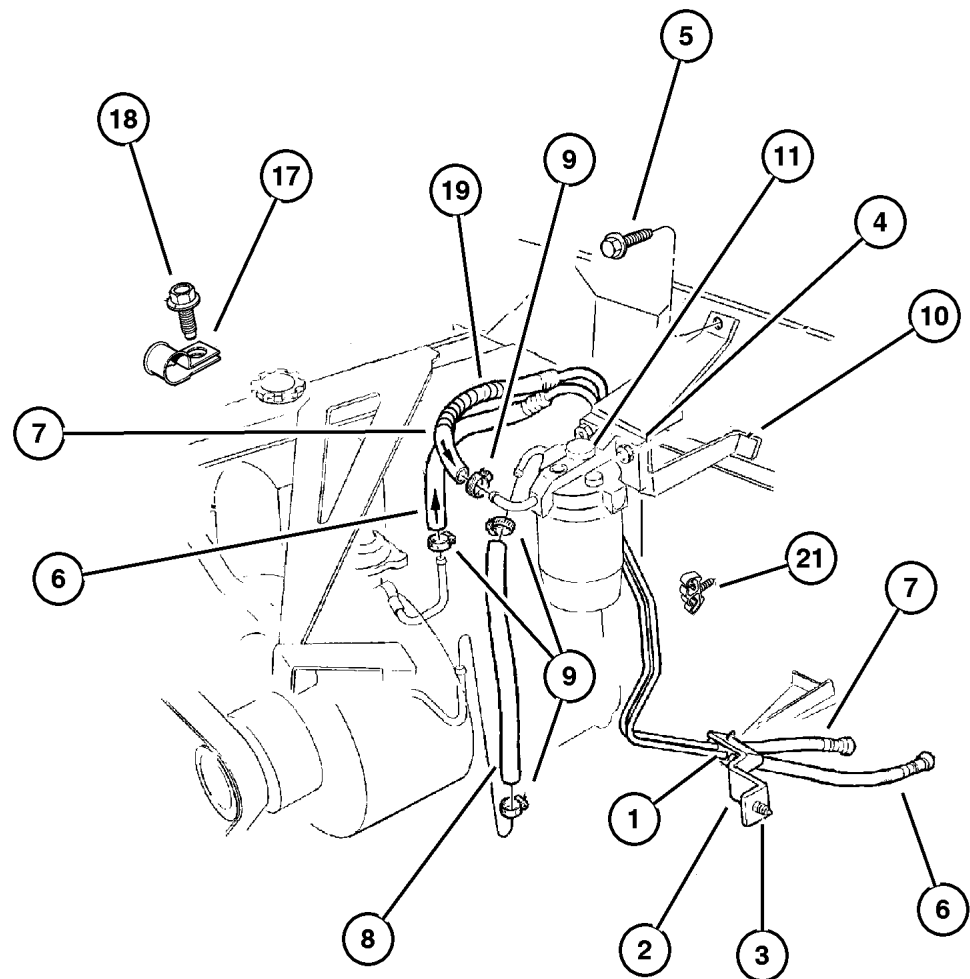
**JEEP CHEROKEE (XJ)**

SERIES	LINE	BODY	ENGINE	TRANSMISSION
L=Low Line	J=LHD (4WD) U=RHD (4WD) T=LHD (2WD) B=RHD (2WD)	74=4 DR. (101.4 WB) 72=2 DR. (101.4 WB)	ENC,EN0=2.5L 4 cyl. Turbo Die ERH,ER0=4.0L Power Tech I-6 EPE,EP0=Magnum 2.5L SMPI	DDQ=5Spd Man. DGS=4 Spd. Auto. AISIN DG0=All Auto Trans DBB=All Manual Trans.

AR = Use as required - = Non illustrated part # = New this model year

July 4, 2003

## Fuel Lines, Front 2.5L (ENC) Diesel Engine Figure 014-325



ITEM	PART NUMBER	QTY	LINE	SERIES	BODY	ENGINE	TRANS	TRIM	DESCRIPTION
NOTE: EN0=All 2.5L Diesel Engines									
1									CLIP, 5 Way
	3420 2371	6							1997 XJ
	52100 286AB	6							1998 XJ
	52100 286AC	7							1999 XJ
2									BRACKET, Fuel Line
	5200 7187	1							1997 XJ
	52100 314AA	1							1998 XJ, 1999 XJ
3									SCREW, Hex Flange Head Tapping,
									M6x1.00x20.00
	3420 1381	4							1997 XJ, 1998 XJ
		2	J, U			ENC, ER0	DDQ		1999 XJ
4	6101 675	2				EN0			NUT, Hex Flange Lock, M8x1.25
5									SCREW AND WASHER, .190-16x.500, (NOT SERVICED) (Not Serviced)
6	5210 0079	1				EN0			TUBE, Fuel Return
7	5210 0107	1				EN0			TUBE, Fuel Supply
8	4443 176	1							HOSE, Fuel, .31 I.D. 50 Foot Roll
9									CLAMP, Oil Cooler Line
	6502 081	2	J, T			EN0			1999 XJ
	6504 502	2	J, T			EN0			1997 XJ, 1998 XJ
10	5303 0927	1	J, T			EN0			BRACKET, Fuel Filter
11									FILTER, Fuel, Consists of: #12,13,14,15,16, (NOT SERVICED) (Not Serviced)
-12	4723 899	1				EN0			HEAD, Fuel Filter
-13	4723 901	1				EN0			VALVE KIT, Fuel Filter Check
-14	4723 905	1				EN0			FILTER, Fuel
-15	4723 906	1				EN0			BOWL, Fuel Filter
-16	4723 907	1				EN0			DRAIN, Fuel Filter Bowl
17	3420 2997	1				EN0			CLIP, Wrap Around Sealing
18	6101 777	1				EN0			SCREW, Hex Flange Head Tapping, M6x1.00x20.00
19	4592 145	1				EN0			SLEEVE, Braided
-20	4546 594	1				EN0			SLEEVE, Braided Expandable
21	5210 0077	1				EN0			CLIP, Tube, 2 Way

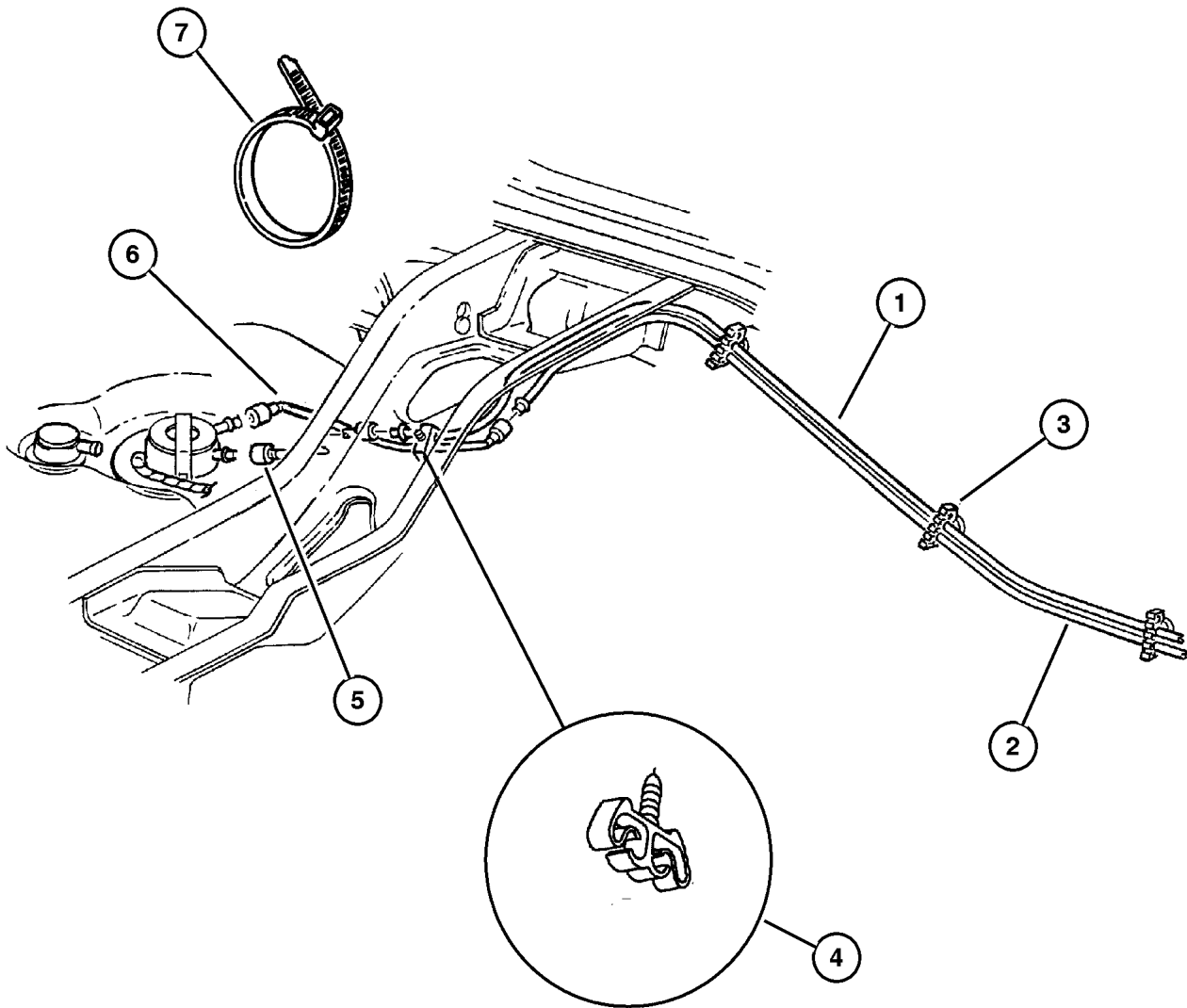
### JEEP CHEROKEE (XJ)

SERIES	LINE	BODY	ENGINE	TRANSMISSION
L=Low Line	J=LHD (4WD) U=RHD (4WD) T=LHD (2WD) B=RHD (2WD)	74=4 DR. (101.4 WB) 72=2 DR. (101.4 WB)	ENC,EN0=2.5L 4 cyl. Turbo Die ERH,ER0=4.0L Power Tech I-6 EPE,EP0=Magnum 2.5L SMPI	DDQ=5Spd Man. DGS=4 Spd. Auto. AISIN DG0=All Auto Trans DBB=All Manual Trans.

AR = Use as required - = Non illustrated part # = New this model year

July 4, 2003

## Fuel Lines, Rear 2.5L (ENC) Diesel Engine Figure 014-335



ITEM	PART NUMBER	QTY	LINE	SERIES	BODY	ENGINE	TRANS	TRIM	DESCRIPTION
NOTE: All 2.5L Diesel Engines									
1	5212 7896	1				ENO			TUBE, Fuel Supply 1997 XJ 1998 XJ, 1999 XJ
2	5212 7898	1				ENO			TUBE, Fuel Return
3	3420 2371	6							CLIP, 5 Way 1997 XJ
	52100 286AA	6							1998 XJ
	52100 286AC	7							1999 XJ
4	4612 871AB	1	J, T						CLIP, Fuel Bundle 1997 XJ 1998 XJ, 1999 XJ
5	5210 0037	1				ENO			TUBE, Fuel Supply 1997 XJ
	52100 037AB	1				ENO			1998 XJ, 1999 XJ
6	5210 0038	1				ENO			TUBE, Fuel Return
7	4641 780	1				ENO			STRAP, Tie 1997 XJ 1998 XJ, 1999 XJ

### JEEP CHEROKEE (XJ)

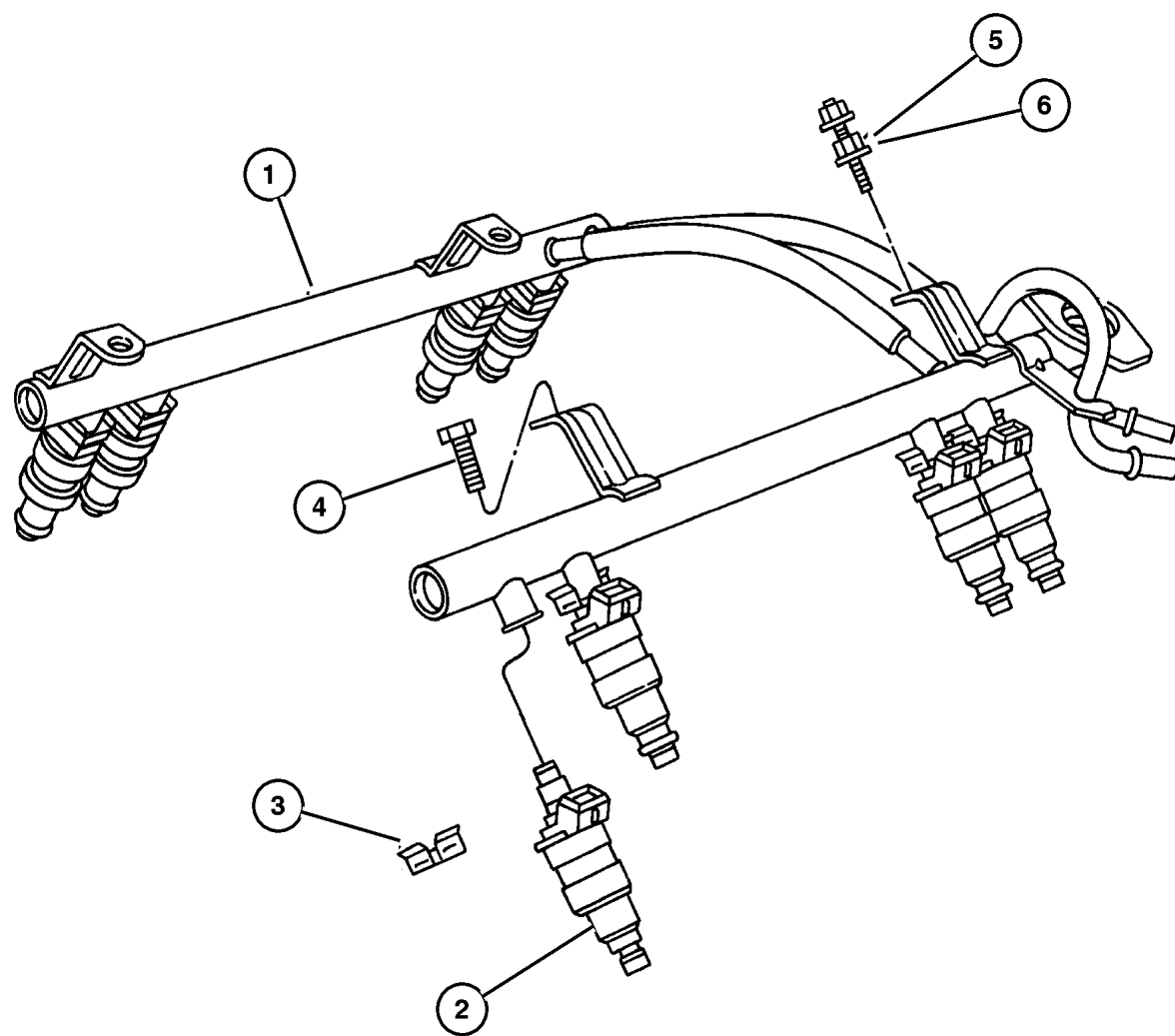
SERIES	LINE	BODY	ENGINE	TRANSMISSION
L=Low Line	J=LHD (4WD) U=RHD (4WD) T=LHD (2WD) B=RHD (2WD)	74=4 DR. (101.4 WB) 72=2 DR. (101.4 WB)	ENC,ENO=2.5L 4 cyl. Turbo Die ERH,ER0=4.0L Power Tech I-6 EPE,EP0=Magnum 2.5L SMPI	DDQ=5Spd Man. DGS=4 Spd. Auto. AISIN DG0=All Auto Trans DBB=All Manual Trans.

AR = Use as required - = Non illustrated part # = New this model year

July 4, 2003



**Fuel Injection System 2.5L (EPE), 4.0L (ERH) Engine  
Figure 014-410**



ITEM	PART NUMBER	QTY	LINE	SERIES	BODY	ENGINE	TRANS	TRIM	DESCRIPTION
NOTE: EP0=All 2.5L Gas Engines ER0=All 4.0L Engines									
1									RAIL, Fuel
	#4854 102	1				ER0			1999 XJ
	53013 017AB	1				EP0			1998 XJ
	53013 017AC	1				EP0			1999 XJ
	5303 0699	1				ER0			1997 XJ, 1998 XJ
	5303 0977	1				EP0			1997 XJ
2									INJECTOR, Fuel
	#4854 181	6				ER0			1999 XJ
	5303 0778	4				EP0			
		6				ER0			1997 XJ, 1998 XJ
3									CLIP, Fuel Injector
	4418 257	6				ER0			
		4				EP0			
4									SCREW AND WASHER, Hex Head, M6x1x17
	6501 979	3				ER0			
		2				EP0			
5	6502 086	2				EP0			STUD
6	6502 647	1				ER0			STUD, M6x1.00x44
		2				ER0			1997 XJ, 1998 XJ
		2				ER0			1999 XJ
-7									CAP
	5018 781AA	1				ER0			Diagnostic Port
		1				EP0			Diagnostic Port, 1998 XJ, 1999 XJ

JEEP CHEROKEE (XJ)				
SERIES	LINE	BODY	ENGINE	TRANSMISSION
L=Low Line	J=LHD (4WD) U=RHD (4WD) T=LHD (2WD) B=RHD (2WD)	74=4 DR. (101.4 WB) 72=2 DR. (101.4 WB)	ENC,EN0=2.5L 4 cyl. Turbo Die ERH,ER0=4.0L Power Tech I-6 EPE,EP0=Magnum 2.5L SMPI	DDQ=5Spd Man. DGS=4 Spd. Auto. AISIN DG0=All Auto Trans DBB=All Manual Trans.

AR = Use as required - = Non illustrated part # = New this model year

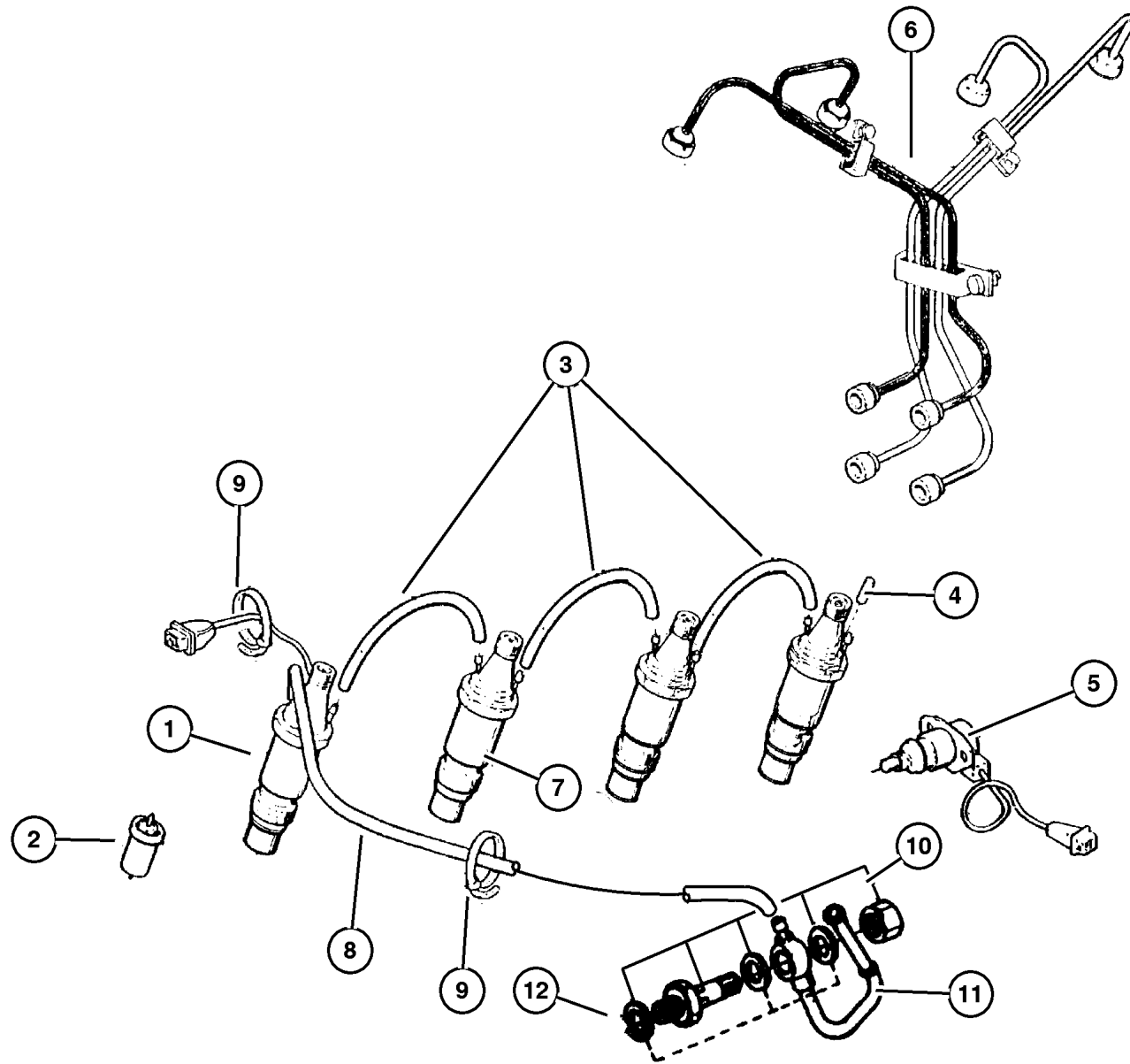
July 4, 2003

**Fuel Injection System 2.5L (ENC) Diesel Engine**  
**Figure 014-440**

ITEM	PART NUMBER	QTY	LINE	SERIES	BODY	ENGINE	TRANS	TRIM	DESCRIPTION
------	-------------	-----	------	--------	------	--------	-------	------	-------------

NOTE: EN0=All 2.5L Diesel Engines

1	4883 456AA	1				EN0			INJECTOR, Fuel 1997 XJ
	4886 231AA	1				EN0			1998 XJ, 1999 XJ
2	4723 346	4				EN0			NOZZLE, Fuel Injector 1997 XJ, 1998 XJ
		6				EN0			1999 XJ
3	4720 189	3				EN0			PIPE, Fuel Spill Return 1997 XJ, 1998 XJ
	4720 189AB	3				EN0			1999 XJ
4	4720 197	1				EN0			PLUG, Cylinder Block Oil Hole
5	4797 786	1				EN0			ADVANCE, Automatic Injection
6	4778 998	1				EN0			TUBE, Fuel Injector Supply 1997 XJ
	5003 530AA	1				EN0			1998 XJ, 1999 XJ
7	4720 171	3				EN0			INJECTOR, Fuel
8	4720 190	1				EN0			PIPE, Fuel Spill Return 1997 XJ, 1998 XJ
	4720 190AB	1				EN0			1999 XJ
9	4728 184	1				EN0			CLIP, Spill Return Pipe 1997 XJ
		3				EN0			1998 XJ, 1999 XJ
10	4874 444	1				EN0			VALVE, Flow Control (NOT REQUIRED), 1998 XJ 1997 XJ, 1999 XJ
11	4864 579	1				EN0			BANJO, Fuel
12	4720 703	11				EN0			WASHER, Plain 1997 XJ
		1				EN0			1998 XJ, 1999 XJ



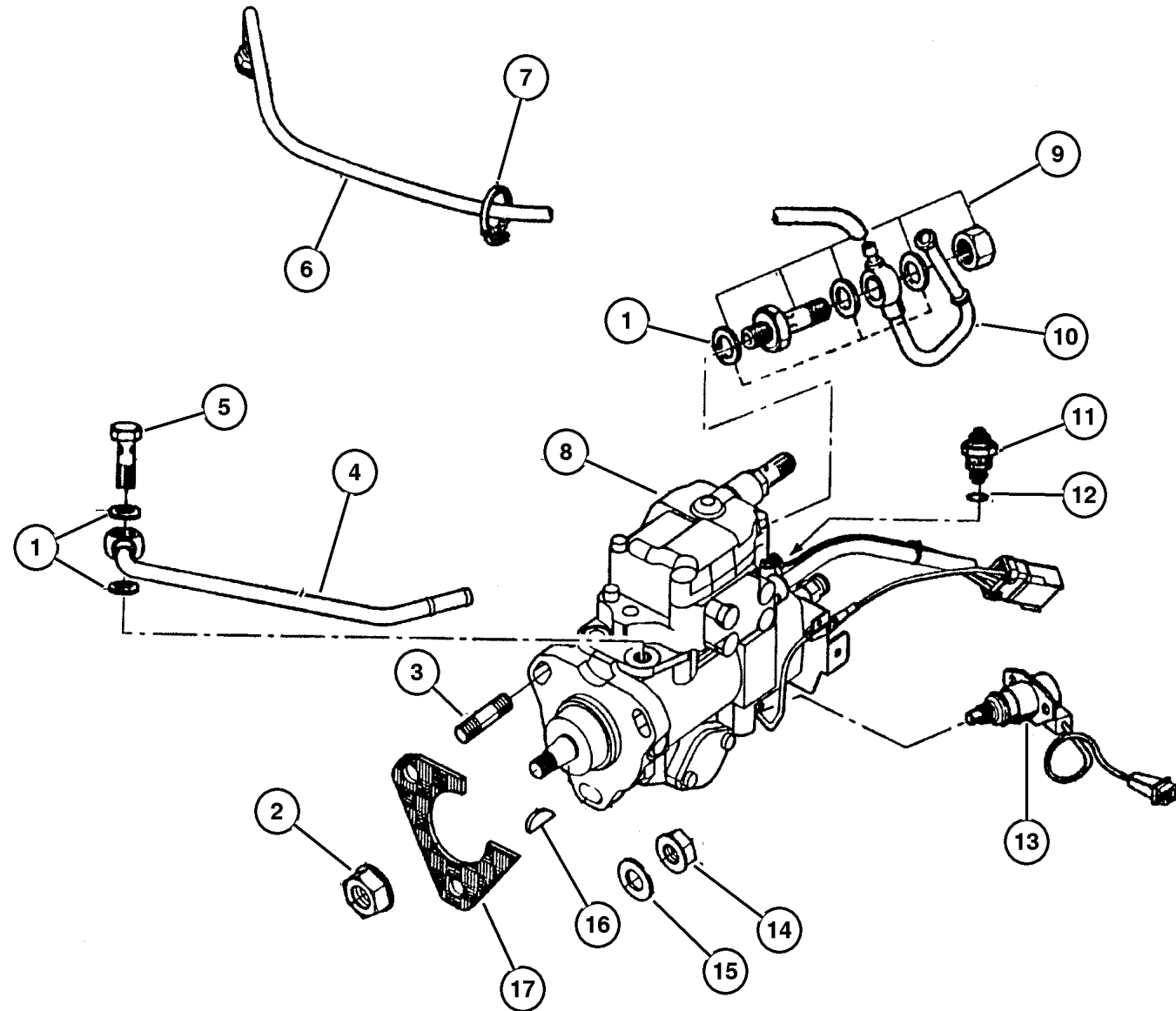
**JEEP CHEROKEE (XJ)**

SERIES	LINE	BODY	ENGINE	TRANSMISSION
L=Low Line	J=LHD (4WD) U=RHD (4WD) T=LHD (2WD) B=RHD (2WD)	74=4 DR. (101.4 WB) 72=2 DR. (101.4 WB)	ENC,EN0=2.5L 4 cyl. Turbo Die ERH,ER0=4.0L Power Tech I-6 EPE,EP0=Magnum 2.5L SMPI	DDQ=5Spd Man. DGS=4 Spd. Auto. AISIN DG0=All Auto Trans DBB=All Manual Trans.

AR = Use as required - = Non illustrated part # = New this model year

July 4, 2003

## Fuel Injection Pump 2.5L (ENC) Diesel Engine Figure 014-460



ITEM	PART NUMBER	QTY	LINE	SERIES	BODY	ENGINE	TRANS	TRIM	DESCRIPTION
NOTE: EN0=All 2.5L Diesel Engines									
1	4720 703	11				EN0			WASHER, Plain 1997 XJ
		2				EN0			1998 XJ, 1999 XJ
2	4883 402AA	1				EN0			NUT
3	4723 241	11				EN0			STUD 1997 XJ
		8				EN0			1998 XJ, 1999 XJ
4	4886 307AA	1				EN0			BANJO, Fuel
5	4720 367	3				EN0			BOLT, Banjo 1997 XJ
	4797 785	1				EN0			1998 XJ, 1999 XJ
6	4720 190	1				EN0			PIPE, Fuel Spill Return 1997 XJ, 1998 XJ
	4720 190AB	1				EN0			1999 XJ
7	4728 184	1				EN0			CLIP, Spill Return Pipe 1997 XJ
		3				EN0			1998 XJ, 1999 XJ
8	4883 459AA	1				EN0			PUMP, Fuel Injection
9									VALVE, Flow Control (NOT REQUIRED), 1998 XJ
	4874 444	1				EN0			1997 XJ, 1999 XJ
10	4864 579	1				EN0			BANJO, Fuel
11	4723 264	1				EN0			SOLENOID, Fuel Shut Off Valve
12	4723 266	1				EN0			O RING, Fuel Solenoid
13	4797 786	1				EN0			ADVANCE, Automatic Injection
14									NUT
	4778 961	22				EN0			1997 XJ
		3				EN0			1998 XJ, 1999 XJ
15	4720 193	3				EN0			WASHER, Flat
16	4720 198	1				EN0			KEY, Fuel Injection Pump
17	4720 196	1				EN0			GASKET, Injection Pump

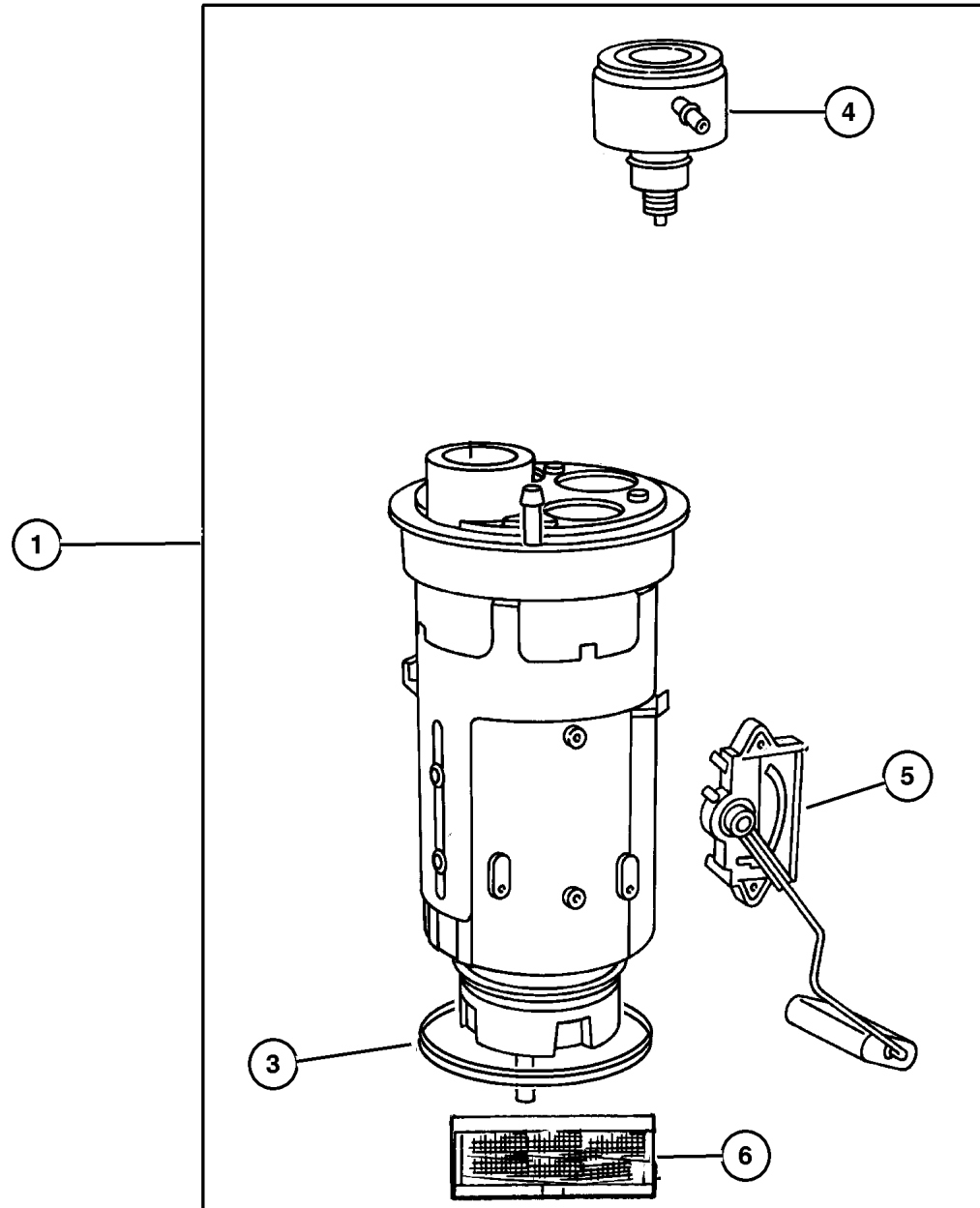
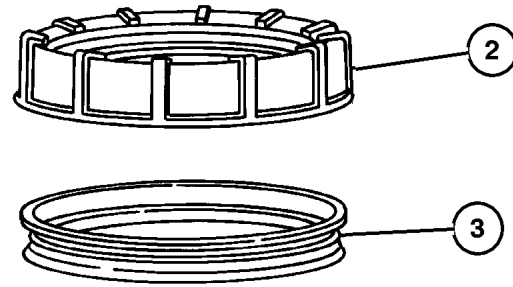
### JEEP CHEROKEE (XJ)

SERIES	LINE	BODY	ENGINE	TRANSMISSION
L=Low Line	J=LHD (4WD) U=RHD (4WD) T=LHD (2WD) B=RHD (2WD)	74=4 DR. (101.4 WB) 72=2 DR. (101.4 WB)	ENC,EN0=2.5L 4 cyl. Turbo Die ERH,ER0=4.0L Power Tech I-6 EPE,EP0=Magnum 2.5L SMPI	DDQ=5Spd Man. DGS=4 Spd. Auto. AISIN DG0=All Auto Trans DBB=All Manual Trans.

AR = Use as required - = Non illustrated part # = New this model year

July 4, 2003

Fuel Pump and Sending Unit 2.5L (EPE), 2.5L (ENC) Diesel, 4.0L (ERH) Engine 1997 XJ  
Figure 014-520



ITEM	PART NUMBER	QTY	LINE	SERIES	BODY	ENGINE	TRANS	TRIM	DESCRIPTION
NOTE: EP0=All 2.5L Gas Engines EN0=All 2.5L Diesel Engines ER0=All 4.0L Engines									
1	4874 173	1				EP0, ER0			MODULE PACKAGE, Fuel Tank
	4874 272	1				EN0			
2	5200 5389	1				EN0 EP0, ER0			NUT, Fuel Pump Module
3	5201 8808	1				EN0 EP0, ER0			SEAL, Fuel Pump and Level Unit
4	4798 301	1				EP0, ER0			FILTER, Fuel
5	4856 913	1				EN0 EP0, ER0			LEVEL UNIT, Fuel
6	4798 299	1				EP0, ER0			FILTER, Fuel Module
-7	4856 914	1				EN0			FILTER, Fuel Pump And Level Unit

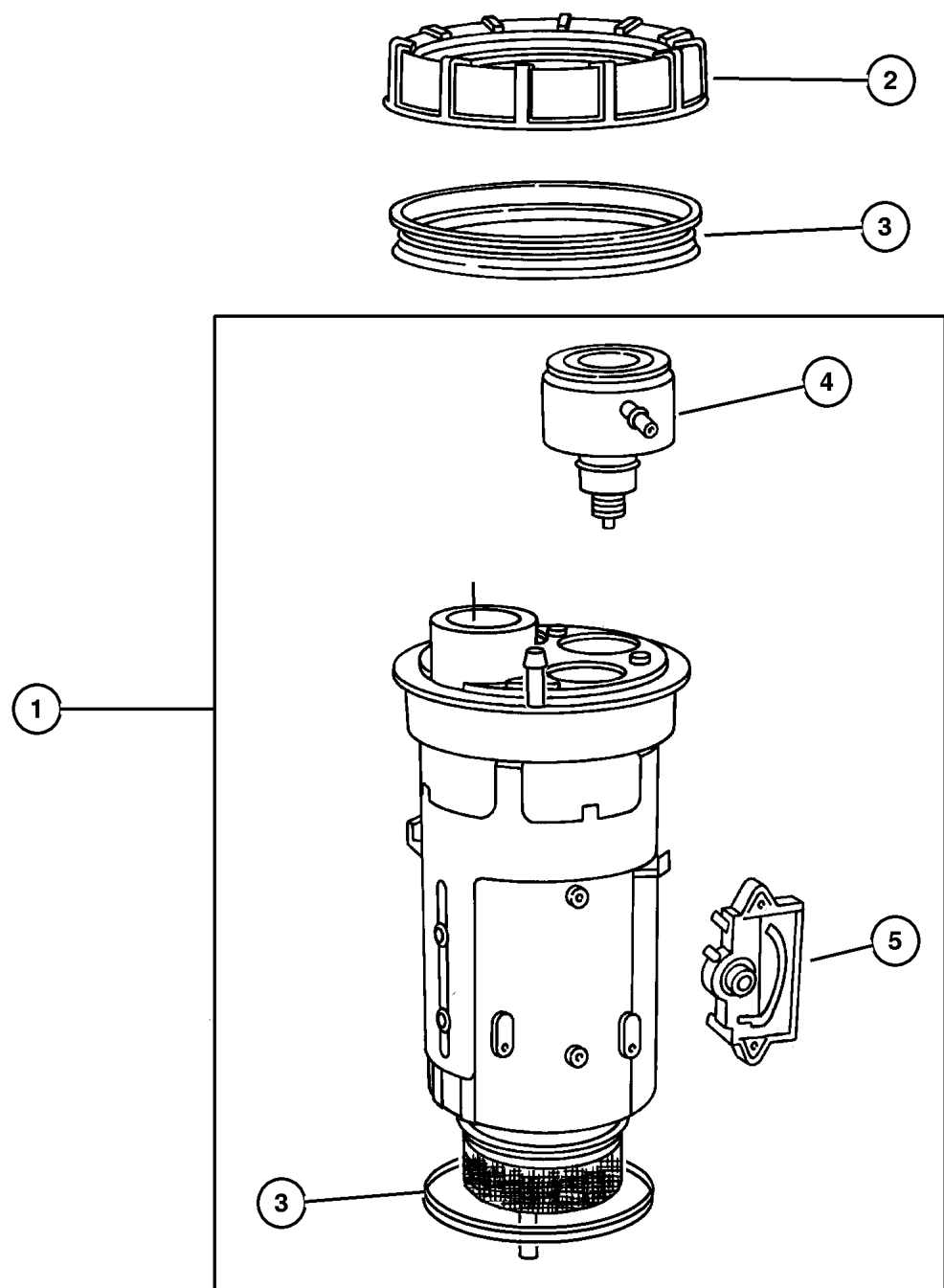
JEEP CHEROKEE (XJ)				
SERIES	LINE	BODY	ENGINE	TRANSMISSION
L=Low Line	J=LHD (4WD) U=RHD (4WD) T=LHD (2WD) B=RHD (2WD)	74=4 DR. (101.4 WB) 72=2 DR. (101.4 WB)	ENC,EN0=2.5L 4 cyl. Turbo Die ERH,ER0=4.0L Power Tech I-6 EPE,EP0=Magnum 2.5L SMPI	DDQ=5Spd Man. DGS=4 Spd. Auto. AISIN DG0=All Auto Trans DBB=All Manual Trans.

AR = Use as required - = Non illustrated part # = New this model year

July 4, 2003



Fuel Pump and Sending Unit 1999 XJ  
Figure 014-520



ITEM	PART NUMBER	QTY	LINE	SERIES	BODY	ENGINE	TRANS	TRIM	DESCRIPTION
1	5012 953AB	1				EP0, ER0			MODULE PACKAGE, Fuel Tank Includes Seal
2	5012 958AB	1				EN0			Includes Seal NUT, Fuel Pump Module
	5200 5389	1				EN0 EP0, ER0			
3	5201 8808	1				EN0 EP0, ER0			SEAL, Fuel Pump and Level Unit
4	4723 905 4798 301	1 1				EN0 EP0, ER0			FILTER, Fuel
5	5013 473AA	1 1				EN0 EP0, ER0			BOARD PACKAGE, Fuel Level Circuit

JEEP CHEROKEE (XJ)

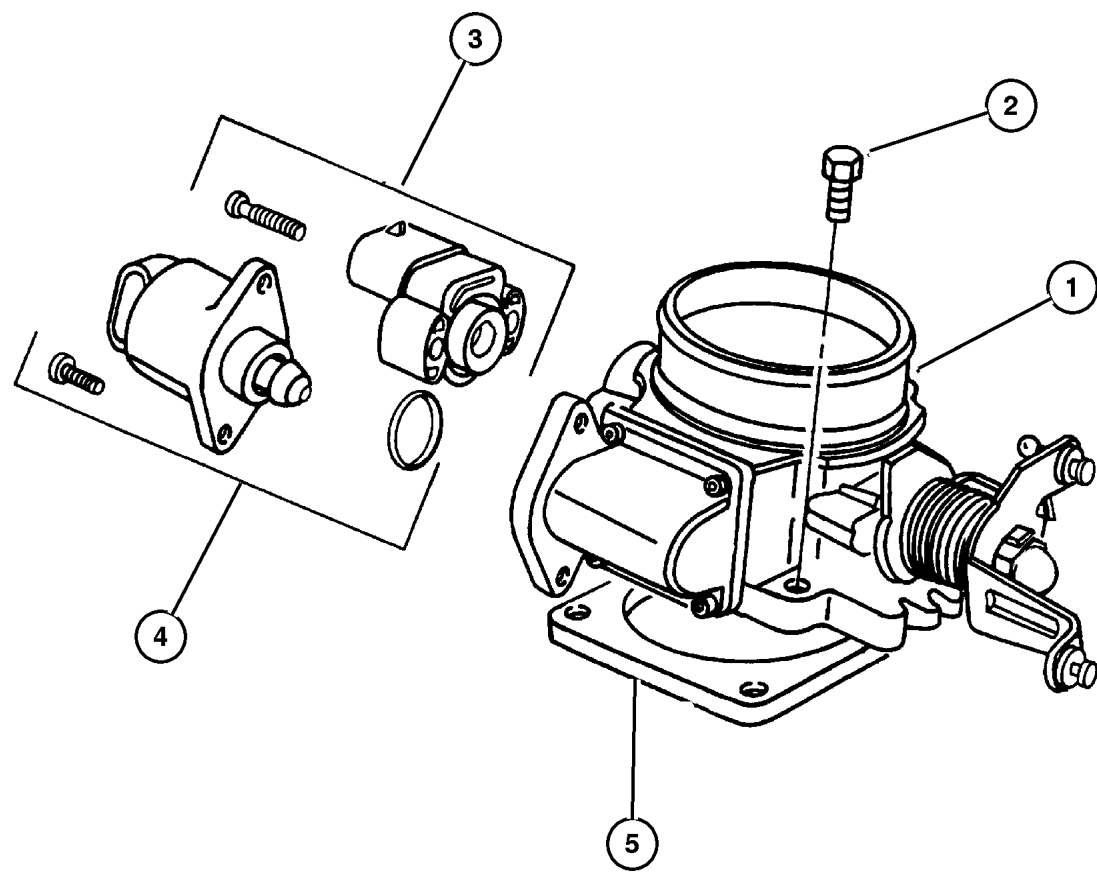
SERIES	LINE	BODY	ENGINE	TRANSMISSION
L=Low Line	J=LHD (4WD) U=RHD (4WD) T=LHD (2WD) B=RHD (2WD)	74=4 DR. (101.4 WB) 72=2 DR. (101.4 WB)	ENC,EN0=2.5L 4 cyl. Turbo Die ERH,ER0=4.0L Power Tech I-6 EPE,EP0=Magnum 2.5L SMPI	DDQ=5Spd Man. DGS=4 Spd. Auto. AISIN DG0=All Auto Trans DBB=All Manual Trans.

AR = Use as required - = Non illustrated part # = New this model year

July 4, 2003

Throttle Body 2.5L (EPE), 4.0L (ERH) Engine 1997 XJ  
Figure 014-610

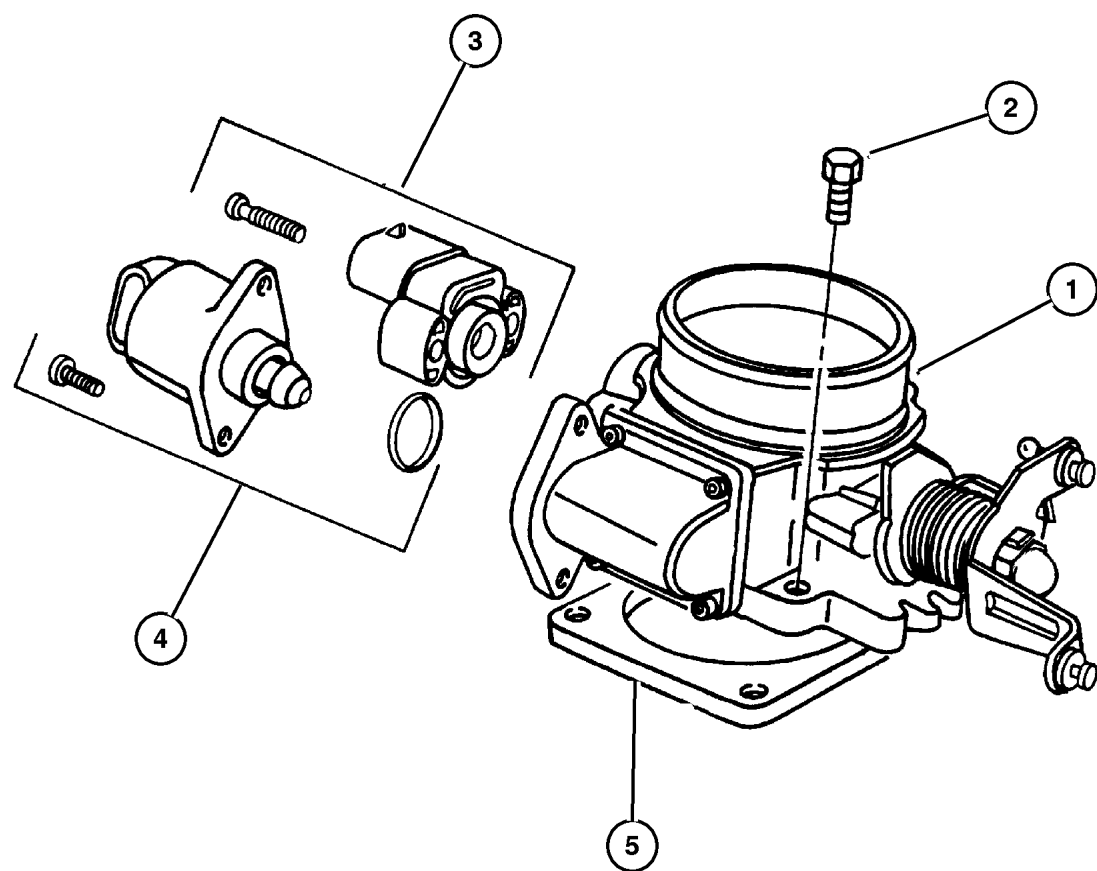
ITEM	PART NUMBER	QTY	LINE	SERIES	BODY	ENGINE	TRANS	TRIM	DESCRIPTION
NOTE: EP0=All 2.5L Gas Engines, ER0=All 4.0L Engines									
1									THROTTLE BODY
	53032 016AB	1				EP0			
	53032 023AB	1				ER0			
2	6503 929	4				EP0,			SCREW AND WASHER, Coned
						ER0			Pilot, M6x1x30
3	4874 371	1				EP0			SENSOR, Throttle Position
4									MOTOR, Air Idle Speed
	4798 376	1				EP0			
	4798 377	1				ER0			
5	5300 7543	1				EP0,			GASKET, Throttle Body
						ER0			
-6	5300 9672	1				EP0,			CONNECTOR, Emission Hose
						ER0			



JEEP CHEROKEE (XJ)				
SERIES	LINE	BODY	ENGINE	TRANSMISSION
L=Low Line	J=LHD (4WD) U=RHD (4WD) T=LHD (2WD) B=RHD (2WD)	74=4 DR. (101.4 WB) 72=2 DR. (101.4 WB)	ENC,EN0=2.5L 4 cyl. Turbo Die ERH,ER0=4.0L Power Tech I-6 EPE,EP0=Magnum 2.5L SMPI	DDQ=5Spd Man. DGS=4 Spd. Auto. AISIN DG0=All Auto Trans DBB=All Manual Trans.

Throttle Body 2.5L (EPE), 4.0L (ERH) Engine 1998 XJ  
Figure 014-610

ITEM	PART NUMBER	QTY	LINE	SERIES	BODY	ENGINE	TRANS	TRIM	DESCRIPTION
NOTE: EP0=All 2.5L Gas Engines, ER0=All 4.0L Engines									
1									THROTTLE BODY
	53032 016AC	1				EP0			
	53032 023AC	1				ER0			
2	6503 929	4				EP0,			SCREW AND WASHER, Coned
						ER0			Pilot, M6x1x30
3									SENSOR, Throttle Position
	4874 371	1				EP0			
		1				ER0			
4									MOTOR, Air Idle Speed
	5303 0820	1				EP0			
	5303 0821	1				ER0			
5	5300 7543	1				EP0,			GASKET, Throttle Body
						ER0			
-6	5300 9672	1				EP0,			CONNECTOR, Emission Hose
						ER0			



JEEP CHEROKEE (XJ)				
SERIES	LINE	BODY	ENGINE	TRANSMISSION
L=Low Line	J=LHD (4WD) U=RHD (4WD) T=LHD (2WD) B=RHD (2WD)	74=4 DR. (101.4 WB) 72=2 DR. (101.4 WB)	ENC,EN0=2.5L 4 cyl. Turbo Die ERH,ER0=4.0L Power Tech I-6 EPE,EP0=Magnum 2.5L SMPI	DDQ=5Spd Man. DGS=4 Spd. Auto. AISIN DG0=All Auto Trans DBB=All Manual Trans.

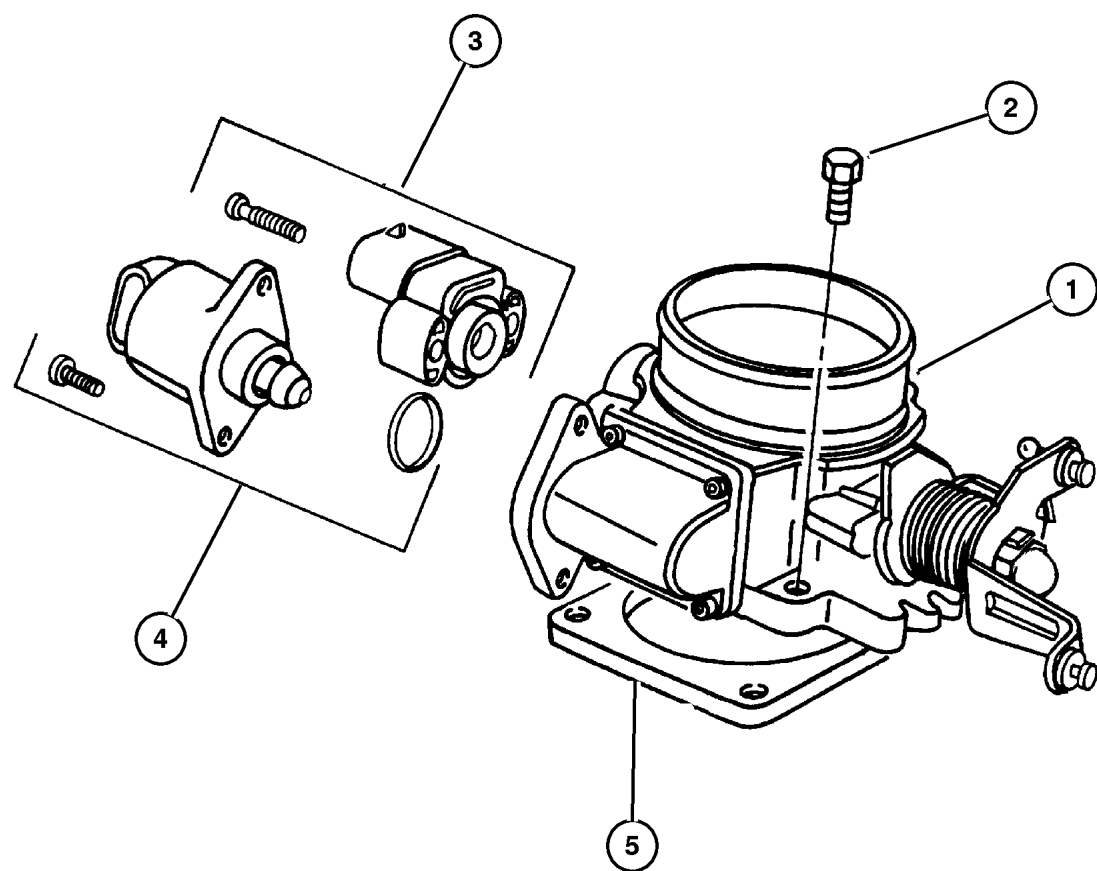
AR = Use as required - = Non illustrated part # = New this model year

July 4, 2003



Throttle Body 2.5L (EPE), 4.0L (ERH) Engine 1999 XJ  
Figure 014-610

ITEM	PART NUMBER	QTY	LINE	SERIES	BODY	ENGINE	TRANS	TRIM	DESCRIPTION
NOTE: EP0=All 2.5L Gas Engines, ER0=All 4.0L Engines									
1									THROTTLE BODY
	#53032 016AD	1				EP0			
	53032 023AC	1				ER0			
2	6503 929	4				EP0,			SCREW AND WASHER, Coned
						ER0			Pilot, M6x1x30
3									SENSOR, Throttle Position
	4874 371AC	1				ER0			
		1				EP0			
4									MOTOR, Air Idle Speed
	4874 373	1				ER0			
		1				EP0			
5	5300 7543	1				EP0,			GASKET, Throttle Body
						ER0			
-6	5300 9672	1				EP0,			CONNECTOR, Emission Hose
						ER0			

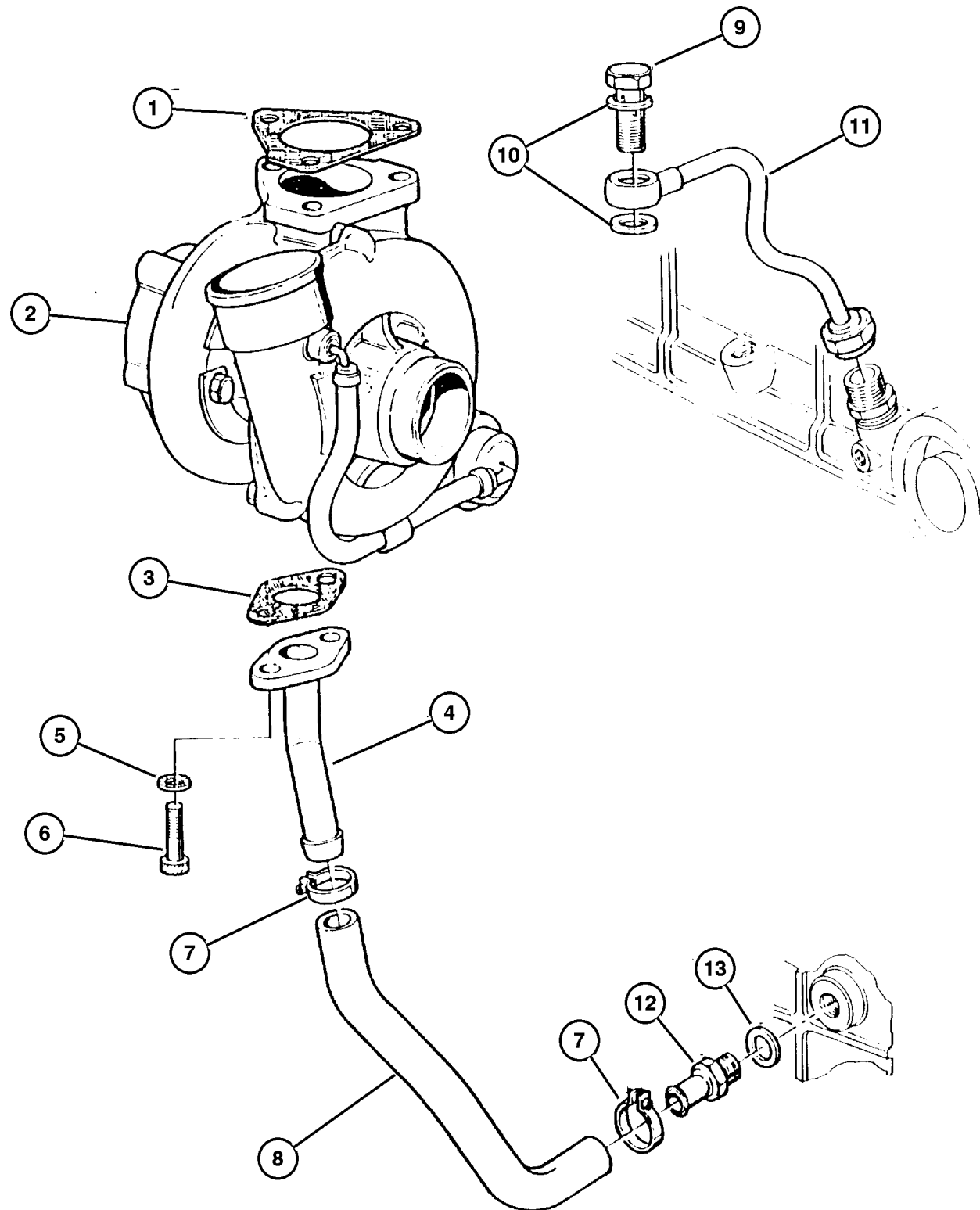


JEEP CHEROKEE (XJ)				
SERIES	LINE	BODY	ENGINE	TRANSMISSION
L=Low Line	J=LHD (4WD) U=RHD (4WD) T=LHD (2WD) B=RHD (2WD)	74=4 DR. (101.4 WB) 72=2 DR. (101.4 WB)	ENC,EN0=2.5L 4 cyl. Turbo Die ERH,ER0=4.0L Power Tech I-6 EPE,EP0=Magnum 2.5L SMPI	DDQ=5Spd Man. DGS=4 Spd. Auto. AISIN DG0=All Auto Trans DBB=All Manual Trans.

AR = Use as required - = Non illustrated part # = New this model year

July 4, 2003

**Turbocharger 2.5L (ENC) Diesel Engine**  
**Figure 014-660**



ITEM	PART NUMBER	QTY	LINE	SERIES	BODY	ENGINE	TRANS	TRIM	DESCRIPTION
NOTE: EN0=All 2.5L Diesel Engines									
1	4720 203	1				EN0			GASKET, Turbocharger To Manifold 1997 XJ
	4720 203AB	1				EN0			1998 XJ, 1999 XJ
2	4864 756	1				EN0			TURBOCHARGER
3	4796 007	1				EN0			GASKET, Turbo Oil Return Pipe 1997 XJ
	4796 007AB	1				EN0			1998 XJ, 1999 XJ
4	4796 008	1				EN0			PIPE, Oil Return
5	4720 305	8				EN0			WASHER, Plain 1997 XJ
		2				EN0			1998 XJ, 1999 XJ
6	4728 186	2				EN0			BOLT, Oil Drain Pipe 1997 XJ, 1999 XJ
		1				EN0			1998 XJ
7	4886 052AA	2				EN0			CLAMP, Heater Hose
8	4796 009	1				EN0			PIPE, Oil Return
9	4720 367	3				EN0			BOLT, Banjo 1997 XJ
	4797 785	1				EN0			1998 XJ, 1999 XJ
10	4720 703	11				EN0			WASHER, Plain 1997 XJ
		2				EN0			1998 XJ, 1999 XJ
11	4796 400	1				EN0			PIPE, Oil Feed
12	4796 010	1				EN0			ADAPTER, Oil Delivery Tube
13	4797 784	1				EN0			WASHER, Plain, 16.2x19.9x1.5

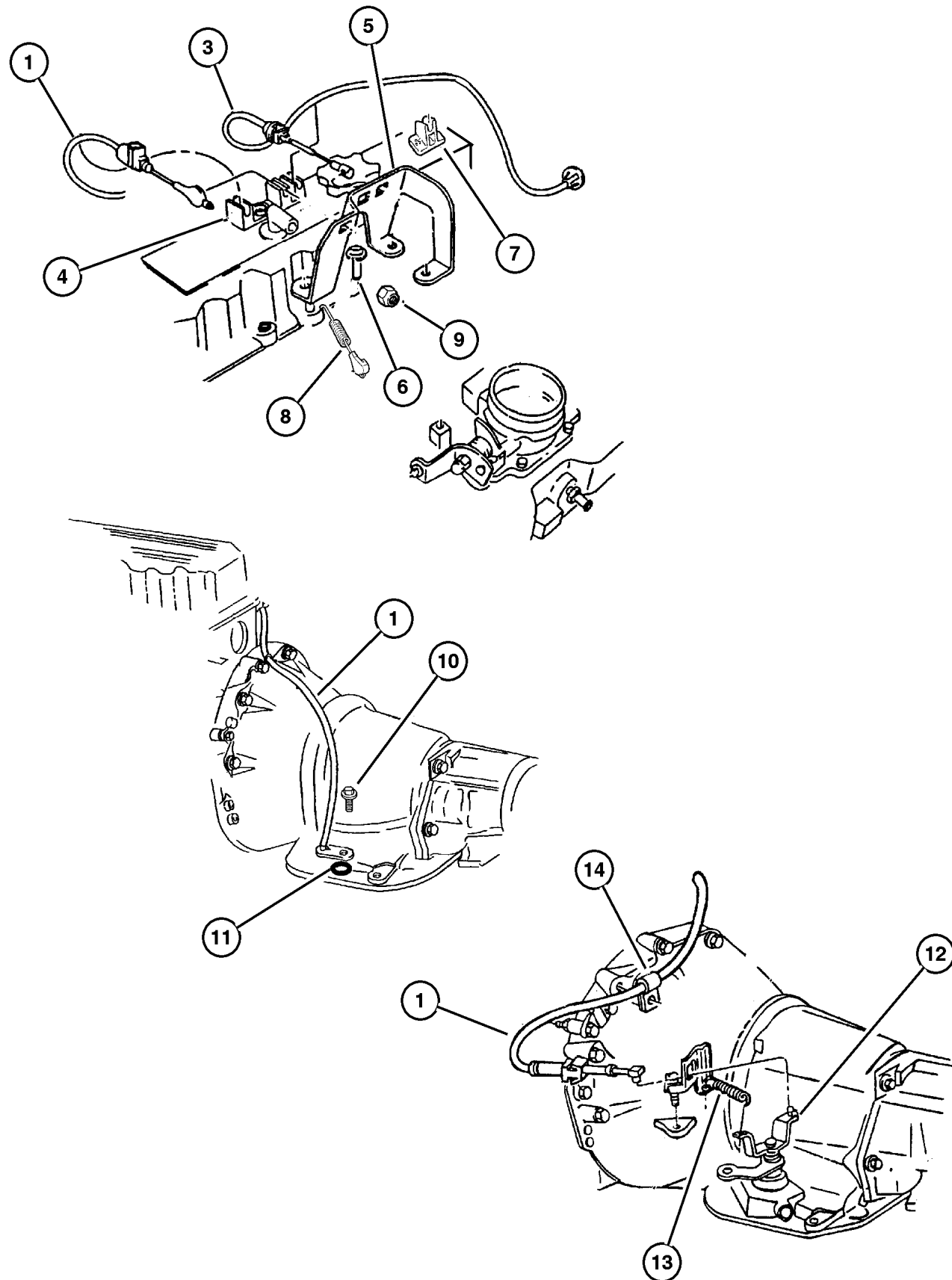
**JEEP CHEROKEE (XJ)**

SERIES	LINE	BODY	ENGINE	TRANSMISSION
L=Low Line	J=LHD (4WD) U=RHD (4WD) T=LHD (2WD) B=RHD (2WD)	74=4 DR. (101.4 WB) 72=2 DR. (101.4 WB)	ENC,EN0=2.5L 4 cyl. Turbo Die ERH,ER0=4.0L Power Tech I-6 EPE,EP0=Magnum 2.5L SMPI	DDQ=5Spd Man. DGS=4 Spd. Auto. AISIN DG0=All Auto Trans DBB=All Manual Trans.

AR = Use as required - = Non illustrated part # = New this model year

July 4, 2003

### Throttle Controls 2.5L (EPE), 4.0L (ERH) Engine Figure 014-720



ITEM	PART NUMBER	QTY	LINE	SERIES	BODY	ENGINE	TRANS	TRIM	DESCRIPTION
NOTE: EP0=All 2.5L Gas Engine ER0=All 4.0L Engines									
1	5207 8171	1	J, T			EP0	DG0		CABLE, Throttle Valve 1997 XJ
	52078 171AB	1	J, T			EP0	DG0		1998 XJ, 1999 XJ
-2									CABLE, Throttle Control
	5207 7578	1	B, T			ER0	DGS		
		1	J, U			ER0	DGS		
3									CABLE, Accelerator
	4854 087	1	B, U			EP0			
	5207 9504	1	J, T			EP0, ER0			
4									GUIDE, Accelerator Cable
	5207 9029	1				ER0			
	5300 7620	1				EP0			
5									BRACKET, Accelerator Cable
	5300 7485	1				EP0			
	5300 7486	1				ER0			1997 XJ, 1998 XJ
	#53013 160AA	1				ER0			1999 XJ
6									SCREW AND WASHER, Hex Head, M6x1x17
	6501 979	3				ER0			
		2				EP0			
7	5207 8987	1	J, T			ER0			GUIDE, Accelerator Cable
8									SPRING, Throttle Return
	52078 102AB	1				EP0, ER0	DBB		
	5300 7985	1	J, T			EP0	DG0		
9									NUT AND WASHER, Hex Nut-Coned Washer, M6 x 1.00
	6100 047	1				ER0			
		1				EP0			1998 XJ, 1999 XJ
10									SCREW AND CONED WASHER, Hex Head, M6x1.00x16.00
	3420 1808	1	B			ER0	DGS		1997 XJ
		1	J			ER0	DGS		1997 XJ
		2				EN0, EP0			1997 XJ, 1999 XJ
			AR	J, U		ER0	DGS		1998 XJ
			AR	B, T		ER0	DGS		1998 XJ
			2	B, T		ER0	DGS		1999 XJ
			2	J, U		ER0	DGS		1999 XJ
11									O RING, Throttle Cable

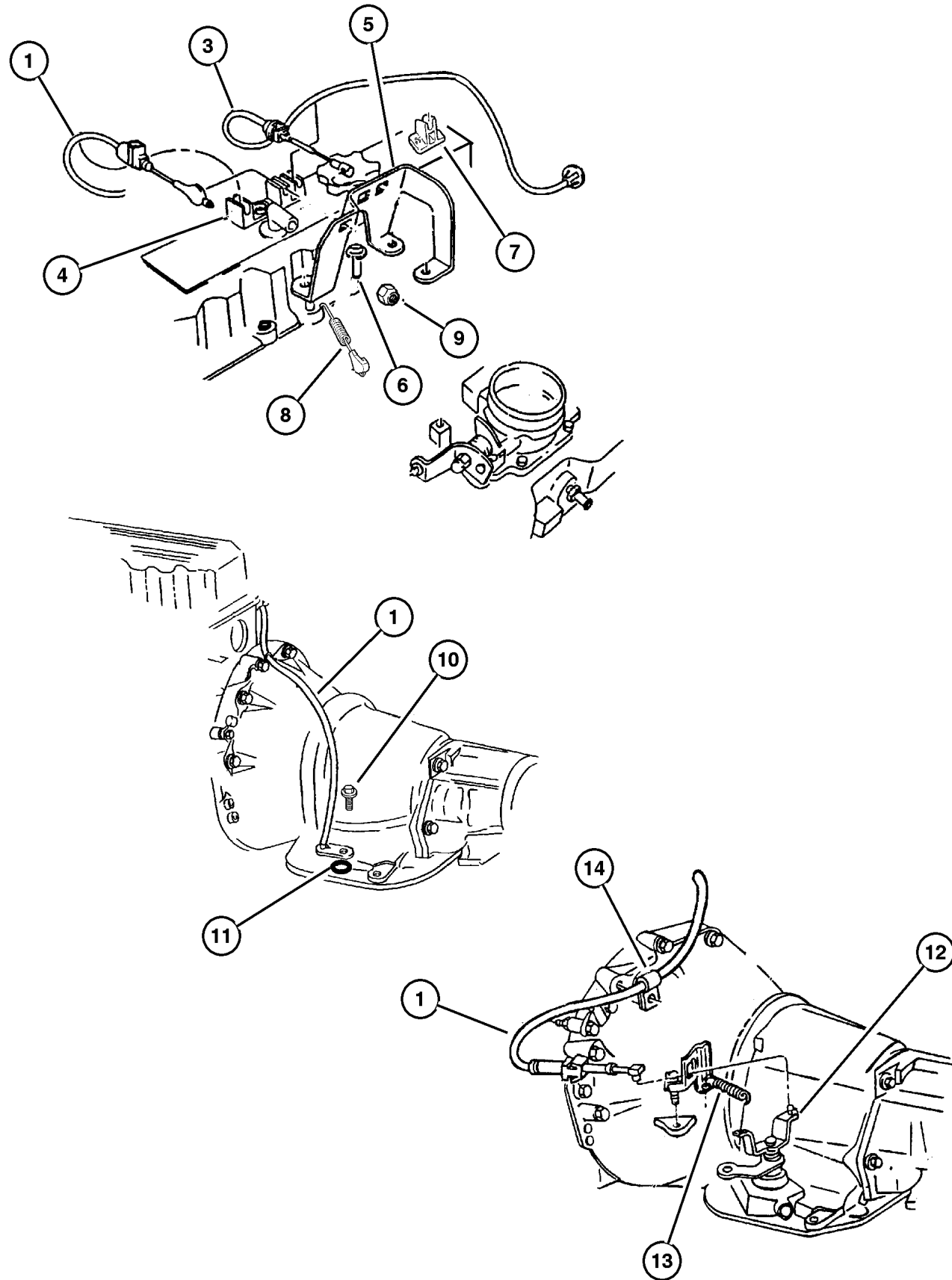
**JEEP CHEROKEE (XJ)**

SERIES	LINE	BODY	ENGINE	TRANSMISSION
L=Low Line	J=LHD (4WD) U=RHD (4WD) T=LHD (2WD) B=RHD (2WD)	74=4 DR. (101.4 WB) 72=2 DR. (101.4 WB)	ENC,EN0=2.5L 4 cyl. Turbo Die ERH,ER0=4.0L Power Tech I-6 EPE,EP0=Magnum 2.5L SMPI	DDQ=5Spd Man. DGS=4 Spd. Auto. AISIN DG0=All Auto Trans DBB=All Manual Trans.

AR = Use as required - = Non illustrated part # = New this model year

July 4, 2003

Throttle Controls 2.5L (EPE), 4.0L (ERH) Engine  
Figure 014-720



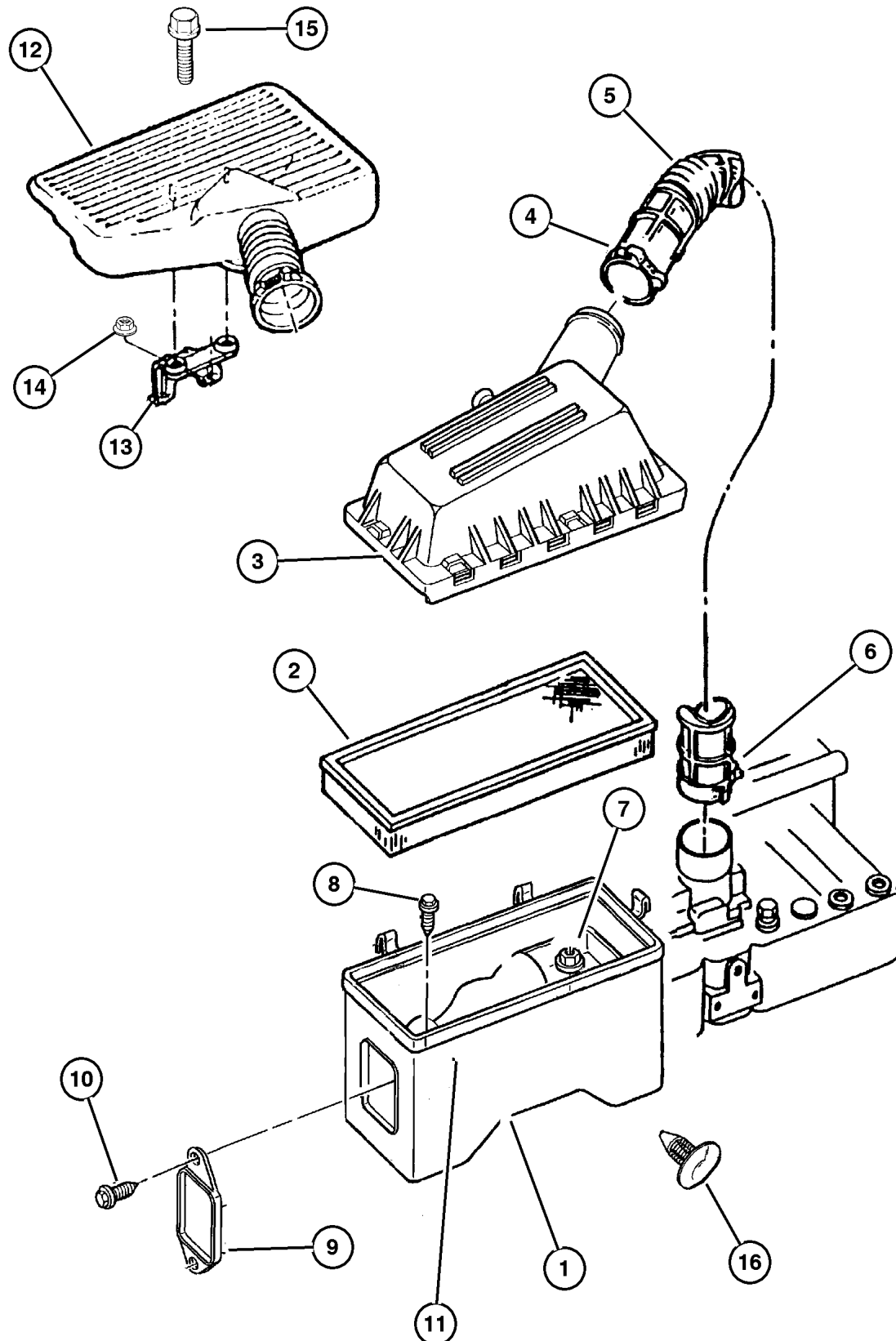
ITEM	PART NUMBER	QTY	LINE	SERIES	BODY	ENGINE	TRANS	TRIM	DESCRIPTION
	8350 3708	1	B, T			ER0	DGS		
		1	J, U			ER0	DGS		
12	5300 7983	1	J, T			EP0	DG0		LEVER, Throttle Valve
13	5300 7985	1	J, T			EP0	DG0		SPRING, Throttle Return
14	5207 8465	1				EP0	DGD		CLIP, Cable

JEEP CHEROKEE (XJ)				
SERIES	LINE	BODY	ENGINE	TRANSMISSION
L=Low Line	J=LHD (4WD) U=RHD (4WD) T=LHD (2WD) B=RHD (2WD)	74=4 DR. (101.4 WB) 72=2 DR. (101.4 WB)	ENC,EN0=2.5L 4 cyl. Turbo Die ERH,ER0=4.0L Power Tech I-6 EPE,EP0=Magnum 2.5L SMPI	DDQ=5Spd Man. DGS=4 Spd. Auto. AISIN DG0=All Auto Trans DBB=All Manual Trans.

AR = Use as required - = Non illustrated part # = New this model year

July 4, 2003

**Air Cleaner 2.5L (EPE), 4.0L (ERH) Engine  
Figure 014-820**



ITEM	PART NUMBER	QTY	LINE	SERIES	BODY	ENGINE	TRANS	TRIM	DESCRIPTION
NOTE: EP0=All 2.5L Gas Engines ER0=All 4.0L Engines									
1	4854 153	1				ER0			BODY, Air Cleaner 1997 XJ
	4854 153AB	1				EP0			Federal, California, Leaded Fuel, 1997 XJ
	4854 153AC	1				EP0			Europe, 1997 XJ
	4854 153AC	1				EP0, ER0			1998 XJ, 1999 XJ
2	5300 4383	1				EP0, ER0			FILTER, Air
3	5303 0707	1				EP0, ER0			COVER, Air Cleaner
4									CLAMP, Hose to Air Cleaner
	5300 6584	1				ER0			
		1				EP0			
5	5300 6275	1				ER0			HOSE, Air Cleaner to T/Body
6									CLAMP, Air Cleaner Duct
	5300 6273	1				ER0			
		1				EP0			
7	6501 291	1				EP0, ER0			NUT AND WASHER, Hex Nut-Coned Washer, M8 x 1.25
8									SCREW, M8x1.25x30, (NOT SERVICED) (Not Serviced)
9									COVER, Radiator Baffle (NOT REQUIRED), 1998 XJ, 1999 XJ
	5303 0740	1				EP0, ER0			1997 XJ
10									SCREW, Tapping, .164-18x.437
10									SCREW, Tapping, .164-18x.437 (Not Serviced) (NOT SERVICED), 1997 XJ (NOT REQUIRED), 1998 XJ, 1999 XJ
11	4854 154	1				EP0			INSERT, Air Cleaner Noise RESONATOR, Air Cleaner
12	5303 0797	1				ER0			Mandatory ( AUSTRALIA, SOUTH AFRICA, UNITED KINGDOM), 1997 XJ, Mandatory (AUSTRALIA, SOUTH AFRICA, UNITED KINGDOM)
		1				ER0			1998 XJ, 1999 XJ

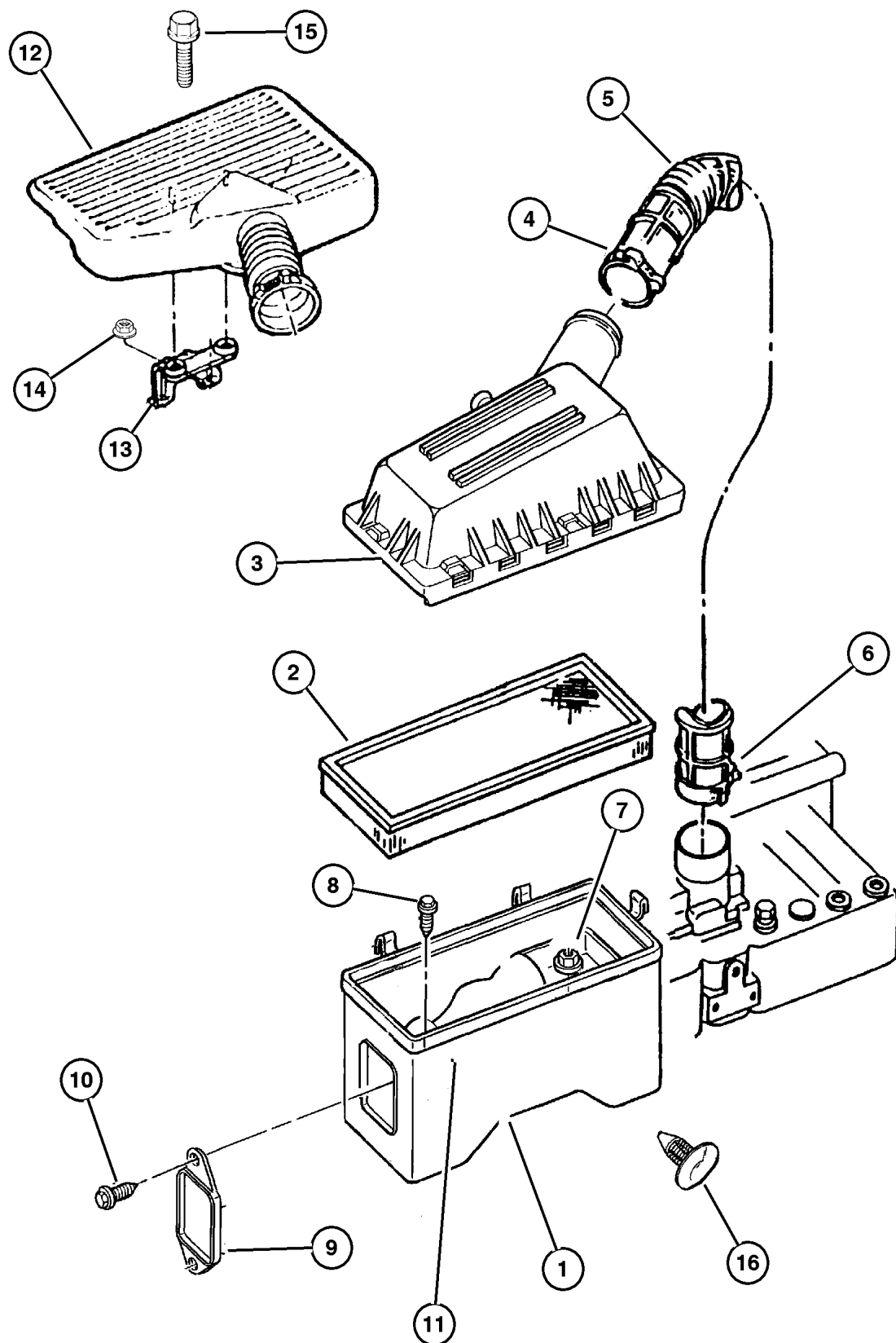
**JEEP CHEROKEE (XJ)**

SERIES	LINE	BODY	ENGINE	TRANSMISSION
L=Low Line	J=LHD (4WD) U=RHD (4WD) T=LHD (2WD) B=RHD (2WD)	74=4 DR. (101.4 WB) 72=2 DR. (101.4 WB)	ENC,EN0=2.5L 4 cyl. Turbo Die ERH,ER0=4.0L Power Tech I-6 EPE,EP0=Magnum 2.5L SMPI	DDQ=5Spd Man. DGS=4 Spd. Auto. AISIN DG0=All Auto Trans DBB=All Manual Trans.

AR = Use as required - = Non illustrated part # = New this model year

July 4, 2003

**Air Cleaner 2.5L (EPE), 4.0L (ERH) Engine  
Figure 014-820**



ITEM	PART NUMBER	QTY	LINE	SERIES	BODY	ENGINE	TRANS	TRIM	DESCRIPTION
	5303 0982	1				EPO			
13	5303 0796	1				ER0			BRACKET, Resonator Mandatory ( AUSTRALIA, SOUTH AFRICA, UNITED KINGDOM), 1997 XJ, Mandatory (AUSTRALIA, SOUTH AFRICA, UNITED KINGDOM)
14	6033 560	2				ER0 EP0,			1998 XJ, 1999 XJ NUT AND WASHER, Hex Nut-Coned Washer, .25-20
15	6100 288	2				ER0 EP0			BOLT AND CONED WASHER, Hex Head, M6x30x20
16	6030 441	2							PIN, Retainer

**JEEP CHEROKEE (XJ)**

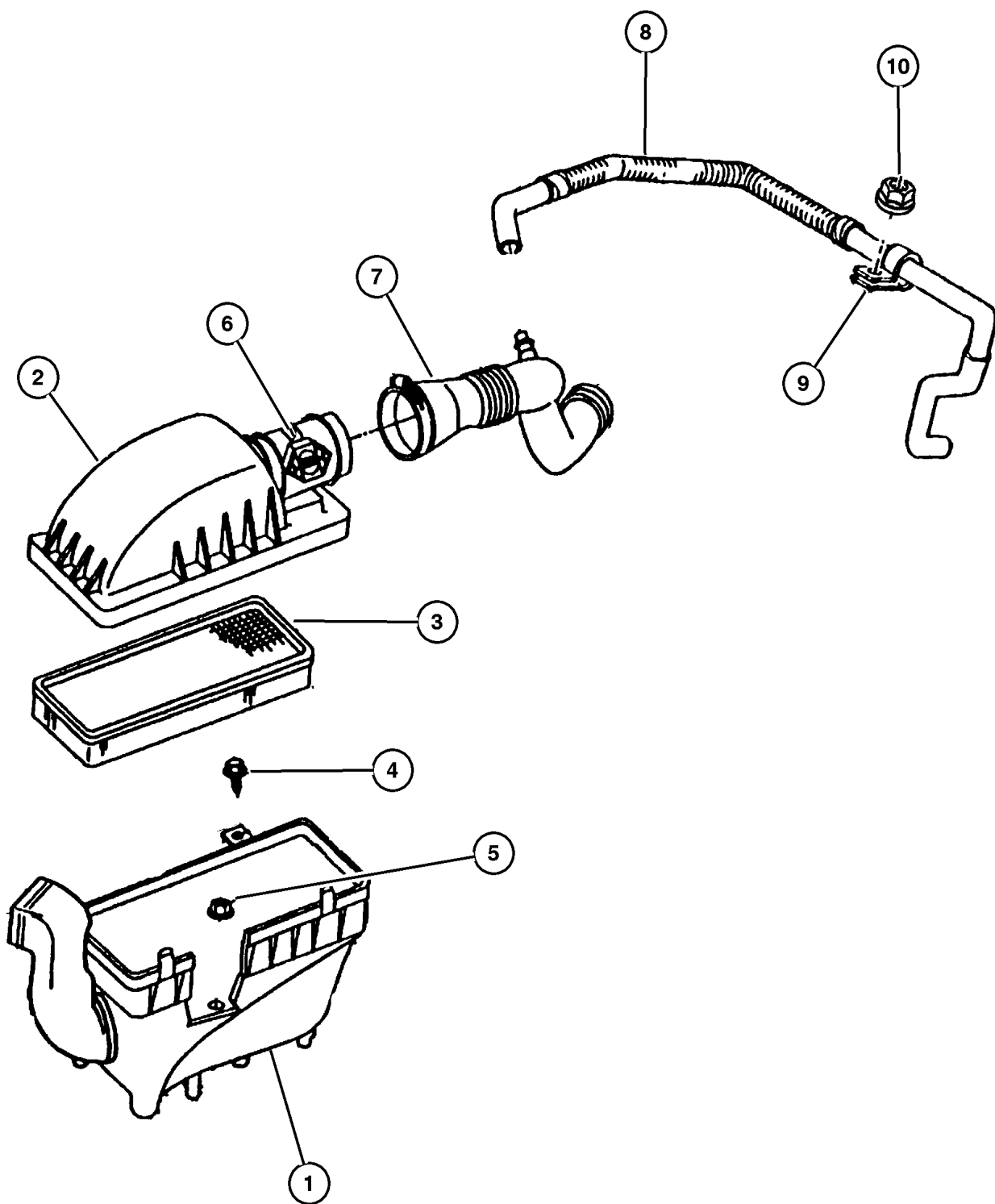
SERIES	LINE	BODY	ENGINE	TRANSMISSION
L=Low Line	J=LHD (4WD) U=RHD (4WD) T=LHD (2WD) B=RHD (2WD)	74=4 DR. (101.4 WB) 72=2 DR. (101.4 WB)	ENC,EN0=2.5L 4 cyl. Turbo Die ERH,ER0=4.0L Power Tech I-6 EPE,EP0=Magnum 2.5L SMPI	DDQ=5Spd Man. DGS=4 Spd. Auto. AISIN DG0=All Auto Trans DBB=All Manual Trans.

AR = Use as required - = Non illustrated part # = New this model year

July 4, 2003

**Air Cleaner 2.5L (ENC) Diesel Engine**  
**Figure 014-835**

ITEM	PART NUMBER	QTY	LINE	SERIES	BODY	ENGINE	TRANS	TRIM	DESCRIPTION
NOTE: All 2.5L Diesel Engines									
1	5303 1036	1				EN0			BODY, Air Cleaner
2									COVER, Air Cleaner
	#53013 242AA	1				EN0			1999 XJ
	5303 1037	1				EN0			1997 XJ, 1998 XJ
3	5303 0730	1				EN0			ELEMENT, Air Cleaner
4	6035 668	1				EN0			SCREW AND WASHER, Hex Head Tapping, .25-14x1
5	6501 291	1				EN0			NUT AND WASHER, Hex Nut-Coned Washer, M8 x 1.25
6									SENSOR PACKAGE, Air Flow Meter (NOT REQUIRED), 1999 XJ
	4883 258	1				EN0			1997 XJ, 1998 XJ
7	5303 0696	1				EN0			HOSE, Air Induction
8	4854 047	1				EN0			TUBE, Oil Separator Drain
9	J400 7577	1				EN0			CLIP
10									NUT AND WASHER, Hex Nut-Sealing Washer, M6 x 1.00
	3420 1358	1				EN0			1997 XJ
		1	J, T			EN0			1998 XJ, 1999 XJ



JEEP CHEROKEE (XJ)				
SERIES	LINE	BODY	ENGINE	TRANSMISSION
L=Low Line	J=LHD (4WD) U=RHD (4WD) T=LHD (2WD) B=RHD (2WD)	74=4 DR. (101.4 WB) 72=2 DR. (101.4 WB)	ENC,EN0=2.5L 4 cyl. Turbo Die ERH,ER0=4.0L Power Tech I-6 EPE,EP0=Magnum 2.5L SMPI	DDQ=5Spd Man. DGS=4 Spd. Auto. AISIN DG0=All Auto Trans DBB=All Manual Trans.

AR = Use as required - = Non illustrated part # = New this model year

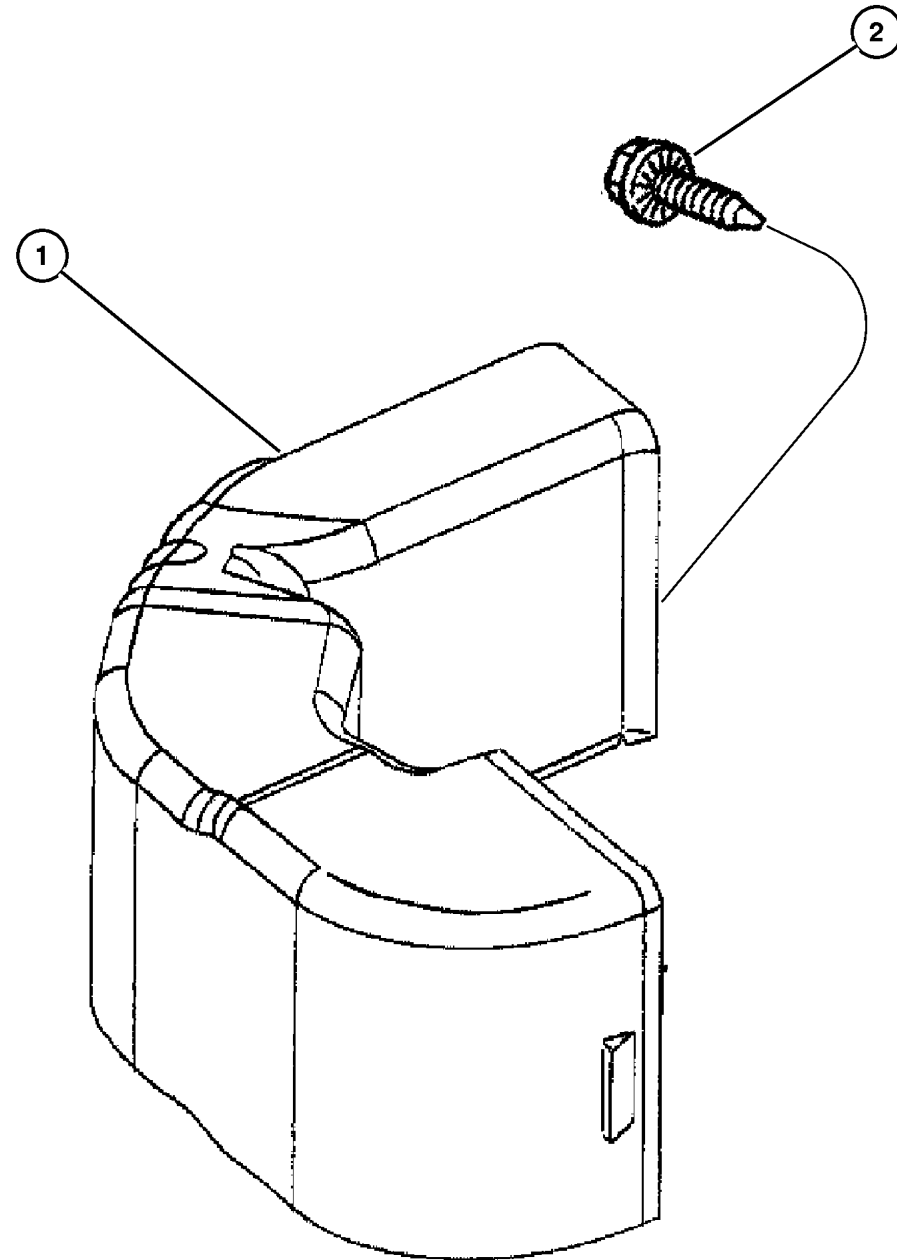
July 4, 2003

**Air Intake System 2.5L (EPE) Engine  
Figure 014-910**

ITEM	PART NUMBER	QTY	LINE	SERIES	BODY	ENGINE	TRANS	TRIM	DESCRIPTION
------	-------------	-----	------	--------	------	--------	-------	------	-------------

NOTE: All 2.5L Gas Engines

1	5303 0983	1				EPO			ADAPTER, Ambient Air
2	6030 441	1				EPO			PIN, Retainer



**JEEP CHEROKEE (XJ)**

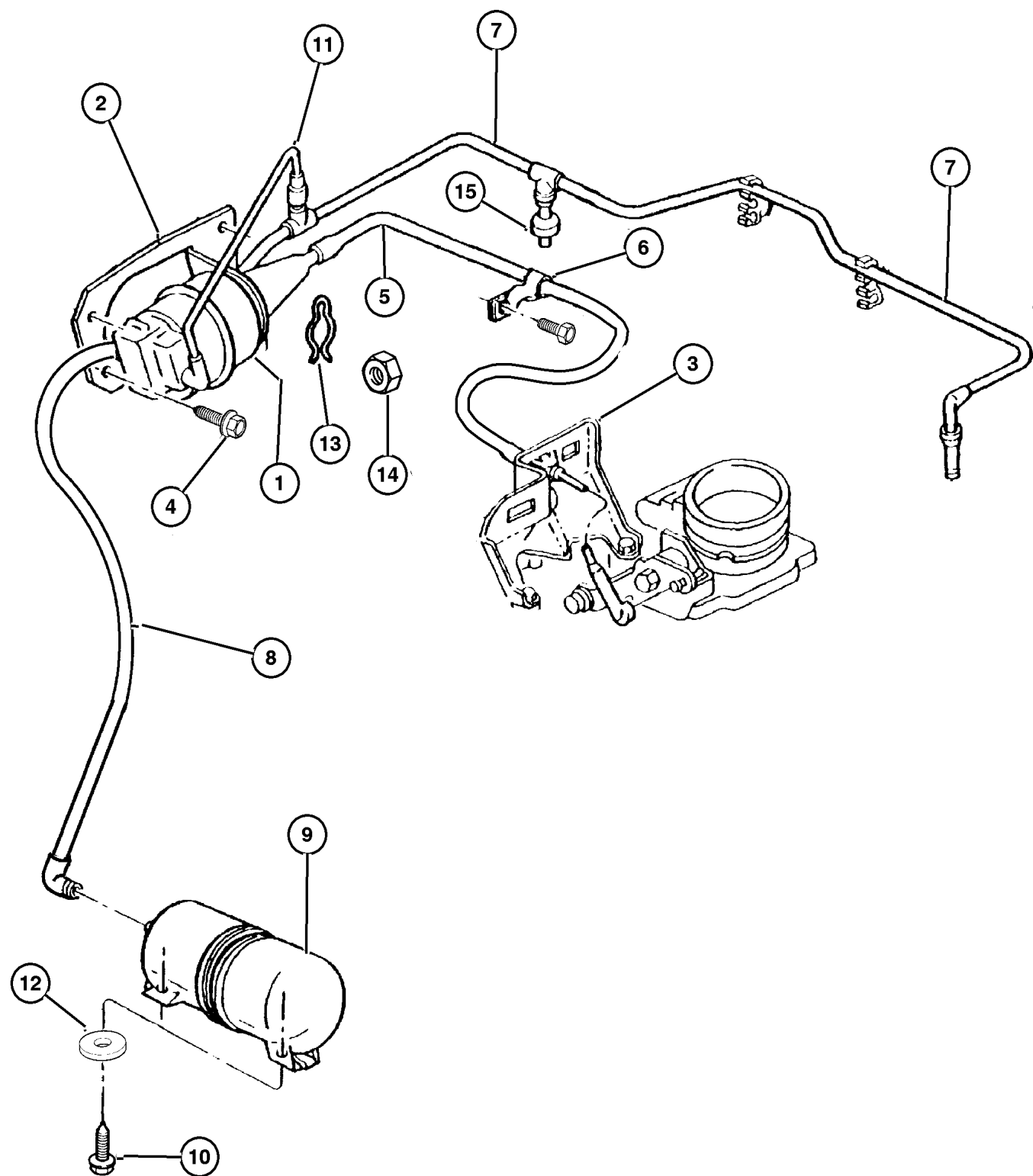
SERIES	LINE	BODY	ENGINE	TRANSMISSION
L=Low Line	J=LHD (4WD) U=RHD (4WD) T=LHD (2WD) B=RHD (2WD)	74=4 DR. (101.4 WB) 72=2 DR. (101.4 WB)	ENC,EN0=2.5L 4 cyl. Turbo Die ERH,ER0=4.0L Power Tech I-6 EPE,EP0=Magnum 2.5L SMPI	DDQ=5Spd Man. DGS=4 Spd. Auto. AISIN DG0=All Auto Trans DBB=All Manual Trans.

AR = Use as required - = Non illustrated part # = New this model year

July 4, 2003



**Speed Control 2.5L (EPE), 4.0L (ERH) Engine 1997 XJ**  
**Figure 014-1010**



ITEM	PART NUMBER	QTY	LINE	SERIES	BODY	ENGINE	TRANS	TRIM	DESCRIPTION
NOTE: EP0=All 2.5L Gas Engines ER0=All 4.0L Engines									
1	4669 979	1	J, T			EPE, ERH			SERVO, Speed Control
		1	B, U			EPE, ERH			
2	5300 7958	1	J, T			EPE, ERH			BRACKET, Speed Control Servo
3	5300 7485	1				EP0			BRACKET, Accelerator Cable
	5300 7486	1				ER0			
4	6035 322	3	J, T			EPE, ERH			SCREW
5	4854 001	1	J, T			EPE, ERH			CABLE, Speed Control
6	5300 9375	1	J, T			EPE, ERH			CLIP, Cable
7									VACUUM HARNESS, Heater and A/C, (NOT REQUIRED)
8									HOSE AND VALVE, Vacuum
	5503 6909	1	J, T			EP0			
	55036 912AB	1	J, T			ER0			
	55036 917AB	1	B, U			EP0			
	55036 918AB	1	B, U			ER0			
9	5503 5902	1				EP0, ER0			RESERVOIR, Speed Control Vacuum
10	3420 1895	2							SCREW, Hex Head Tapping, M6. 3x1.81x16.00
11	5207 8082	1	J, T			EPE, ERH			HARNESS, Speed Control Vacuum
12									WASHER, (NOT SERVICED) (Not Serviced)
13									CLIP, Cable
	6025 867	1	J, T			EPE, ERH			
		1	B, U			EPE, ERH			
14	6502 493	2	J, T			EPE, ERH			NUT, Hex Flange Serration, M6x1
		2	B, U			EPE, ERH			

**JEEP CHEROKEE (XJ)**

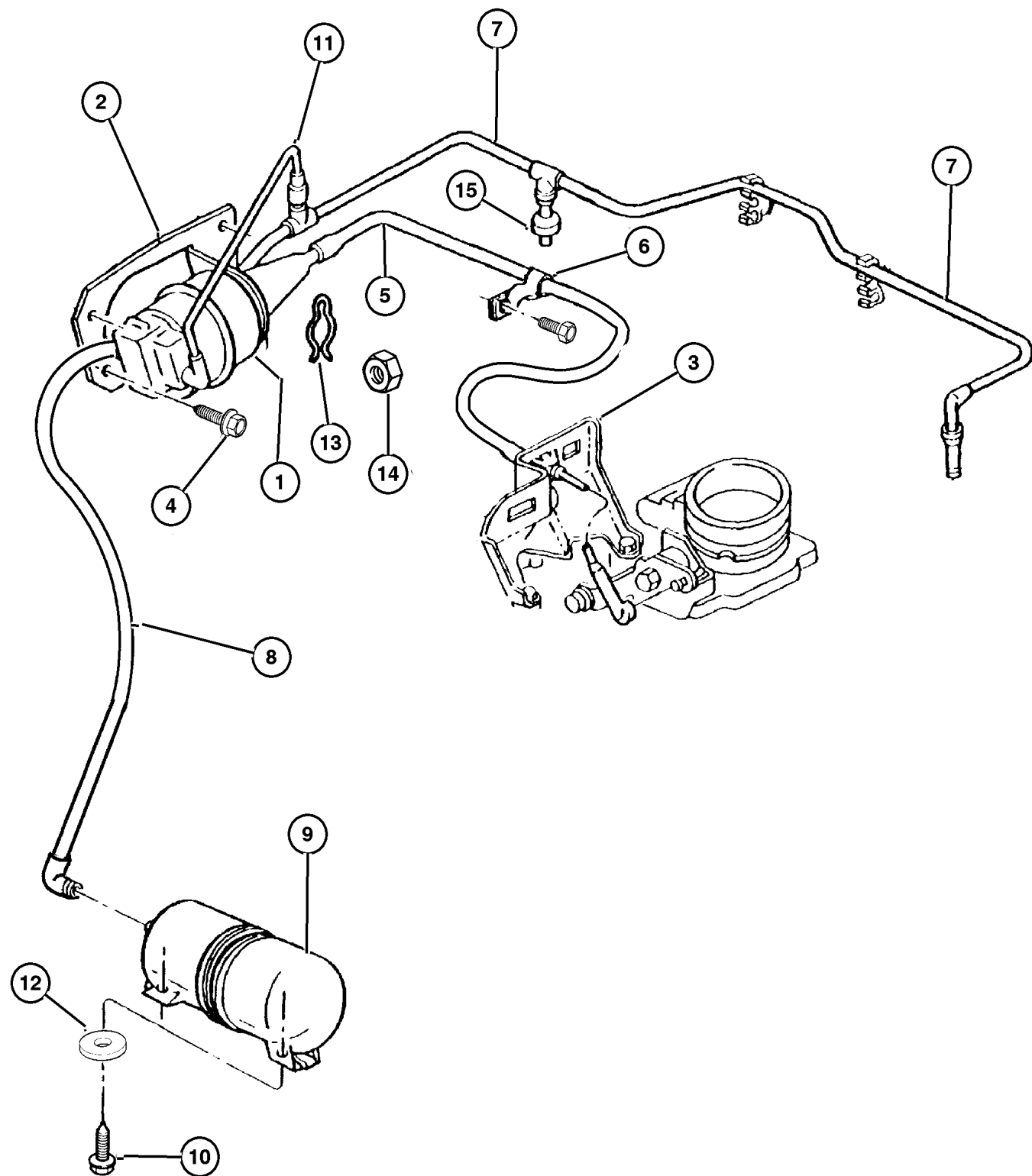
SERIES	LINE	BODY	ENGINE	TRANSMISSION
L=Low Line	J=LHD (4WD) U=RHD (4WD) T=LHD (2WD) B=RHD (2WD)	74=4 DR. (101.4 WB) 72=2 DR. (101.4 WB)	ENC,EN0=2.5L 4 cyl. Turbo Die ERH,ER0=4.0L Power Tech I-6 EPE,EP0=Magnum 2.5L SMPI	DDQ=5Spd Man. DGS=4 Spd. Auto. AISIN DG0=All Auto Trans DBB=All Manual Trans.

AR = Use as required - = Non illustrated part # = New this model year

July 4, 2003



**Speed Control 2.5L (EPE), 4.0L (ERH) Engine 1998 XJ**  
**Figure 014-1010**



ITEM	PART NUMBER	QTY	LINE	SERIES	BODY	ENGINE	TRANS	TRIM	DESCRIPTION
NOTE: EP0=All 2.5L Gas Engines ER0=All 4.0L Engines									
1	4669 979	1	J, T			EPE, ERH			SERVO, Speed Control
		1	B, U			EPE, ERH			
2	5300 7958	1	J, T			EPE, ERH			BRACKET, Speed Control Servo
3	5300 7485	1				EP0			BRACKET, Accelerator Cable
	5300 7486	1				ER0			
4	6035 322	3	J, T			EPE, ERH			SCREW
5	4854 001	1	J, T			EPE, ERH			CABLE, Speed Control
6	5300 9375	1	J, T			EPE, ERH			CLIP, Cable
7									VACUUM HARNESS, Heater and A/C, (NOT REQUIRED)
8									HOSE AND VALVE, Vacuum
	5503 6909	1	J, T			EP0			
	55036 912AB	1	J, T			ER0			
	55036 917AB	1	U			EP0			
	55036 918AB	1	B, U			ER0			
9	5503 5902	1				EP0, ER0			RESERVOIR, Speed Control Vacuum
10	3420 1895	2							SCREW, Hex Head Tapping, M6. 3x1.81x16.00
11	5207 8082	1	J, T			EPE, ERH			HARNESS, Speed Control Vacuum
12									WASHER, (NOT SERVICED) (Not Serviced)
13									CLIP, Cable
	6025 867	1	J, T			EPE, ERH			
		1	B, U			EPE, ERH			
14	6502 493	2	J, T			EPE, ERH			NUT, Hex Flange Serration, M6x1
		2	B, U			EPE, ERH			

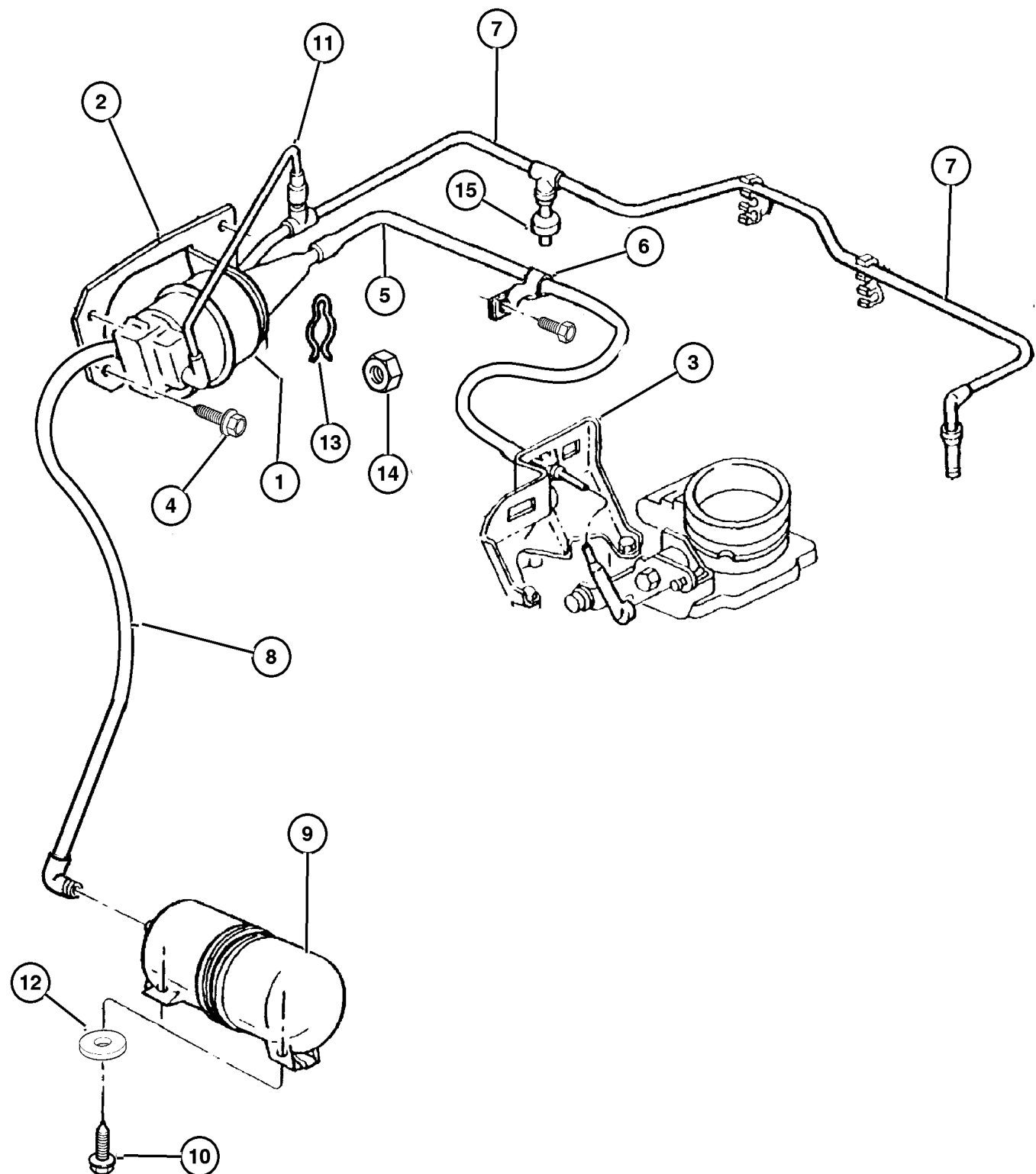
**JEEP CHEROKEE (XJ)**

SERIES	LINE	BODY	ENGINE	TRANSMISSION
L=Low Line	J=LHD (4WD) U=RHD (4WD) T=LHD (2WD) B=RHD (2WD)	74=4 DR. (101.4 WB) 72=2 DR. (101.4 WB)	ENC,EN0=2.5L 4 cyl. Turbo Die ERH,ER0=4.0L Power Tech I-6 EPE,EP0=Magnum 2.5L SMPI	DDQ=5Spd Man. DGS=4 Spd. Auto. AISIN DG0=All Auto Trans DBB=All Manual Trans.

AR = Use as required - = Non illustrated part # = New this model year

July 4, 2003

**Speed Control 2.5L (EPE), 4.0L (ERH) Engine 1998 XJ**  
**Figure 014-1010**



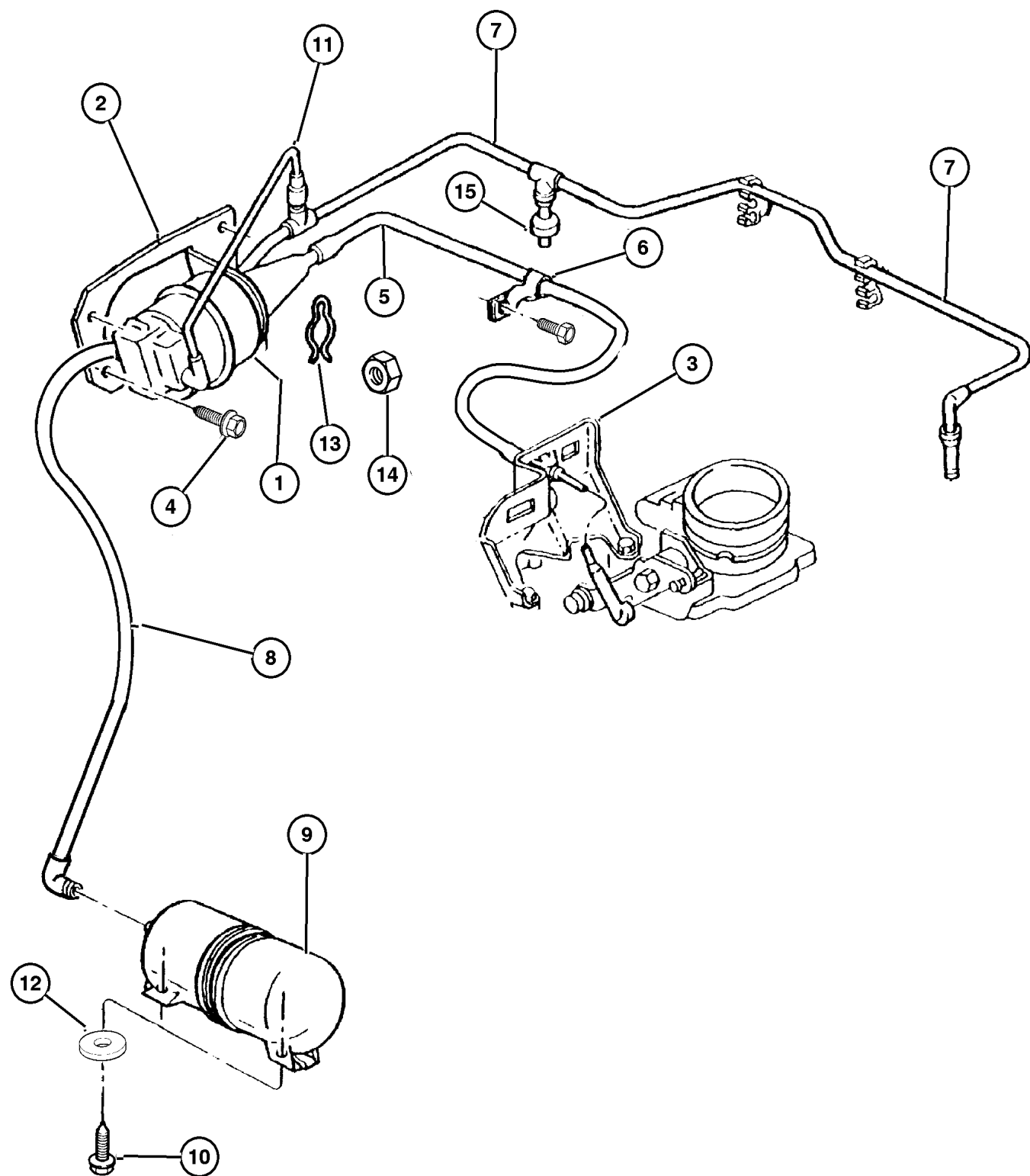
ITEM	PART NUMBER	QTY	LINE	SERIES	BODY	ENGINE	TRANS	TRIM	DESCRIPTION
15									VALVE, Check, 1/4, Serviced in Hose Assembly, (NOT SERVICED) (Not Serviced)
-16	4549 209	1	B, U			EPO			VALVE PACKAGE, Check

JEEP CHEROKEE (XJ)				
SERIES	LINE	BODY	ENGINE	TRANSMISSION
L=Low Line	J=LHD (4WD) U=RHD (4WD) T=LHD (2WD) B=RHD (2WD)	74=4 DR. (101.4 WB) 72=2 DR. (101.4 WB)	ENC,EN0=2.5L 4 cyl. Turbo Die ERH,ER0=4.0L Power Tech I-6 EPE,EPO=Magnum 2.5L SMPI	DDQ=5Spd Man. DGS=4 Spd. Auto. AISIN DG0=All Auto Trans DBB=All Manual Trans.

AR = Use as required - = Non illustrated part # = New this model year

July 4, 2003

**Speed Control 2.5L (EPE), 4.0L (ERH) Engine 1999 XJ**  
**Figure 014-1010**



ITEM	PART NUMBER	QTY	LINE	SERIES	BODY	ENGINE	TRANS	TRIM	DESCRIPTION
NOTE: EP0=All 2.5L Gas Engines ER0=All 4.0L Engines									
1	4669 979	1	J, T			EPE, ER0			SERVO, Speed Control
		1	B, U			EPE, ER0			
2	5300 7958	1	J, T			EPE, ER0			BRACKET, Speed Control Servo
3	5300 7485	1				EP0			BRACKET, Accelerator Cable
	#53013 160AA	1				ER0			
4	6035 322	3	J, T			EPE, ER0			SCREW
5	4854 001	1	J, T			EPE, ER0			CABLE, Speed Control
	5303 0839	1	B, U			EPE, ER0			
6									CLIP, Cable, (NOT REQUIRED)
7									VACUUM HARNESS, Heater and A/C
	55036 909AC	1	J, T			EP0			
	#55037 498AC	1	J, T			ER0			
8	55036 917AD	1	U			EP0			HOSE AND VALVE, Vacuum
	#55037 499AC	1	B, U			ER0			
9	5503 5902	1				EP0, ER0			RESERVOIR, Speed Control Vacuum
10	3420 1895	2							SCREW, Hex Head Tapping, M6. 3x1.81x16.00
11	5207 8082	1	J, T			EPE, ER0			HARNESS, Speed Control Vacuum
12									WASHER, (NOT SERVICED) (Not Serviced)
13	6025 867	1	J, T			EPE, ER0			CLIP, Cable
		1	B, U			EPE, ER0			
14	6502 493	2	J, T			EPE, ER0			NUT, Hex Flange Serration, M6x1

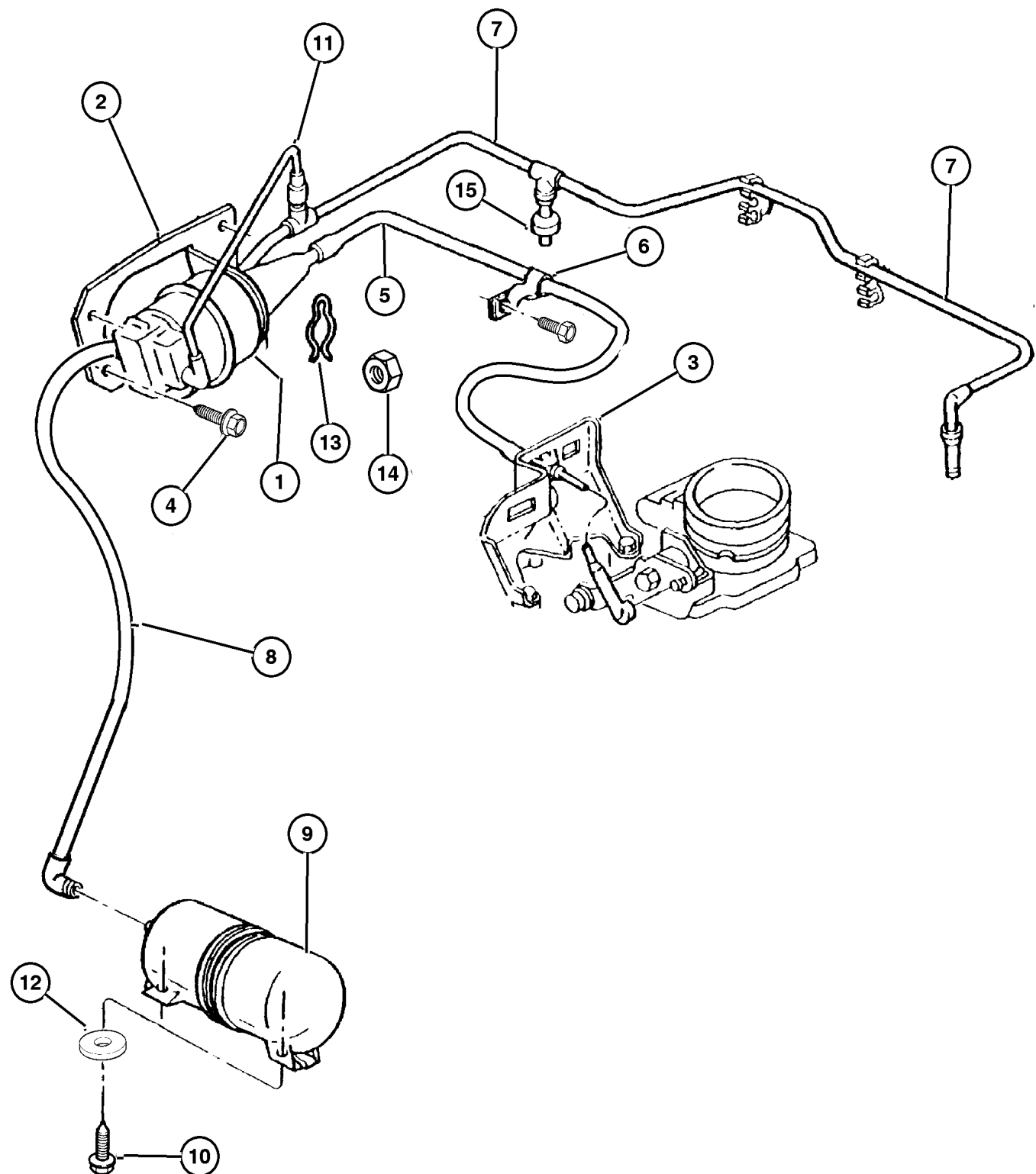
**JEEP CHEROKEE (XJ)**

SERIES	LINE	BODY	ENGINE	TRANSMISSION
L=Low Line	J=LHD (4WD) U=RHD (4WD) T=LHD (2WD) B=RHD (2WD)	74=4 DR. (101.4 WB) 72=2 DR. (101.4 WB)	ENC,EN0=2.5L 4 cyl. Turbo Die ERH,ER0=4.0L Power Tech I-6 EPE,EP0=Magnum 2.5L SMPI	DDQ=5Spd Man. DGS=4 Spd. Auto. AISIN DG0=All Auto Trans DBB=All Manual Trans.

AR = Use as required - = Non illustrated part # = New this model year

July 4, 2003

**Speed Control 2.5L (EPE), 4.0L (ERH) Engine 1999 XJ**  
**Figure 014-1010**



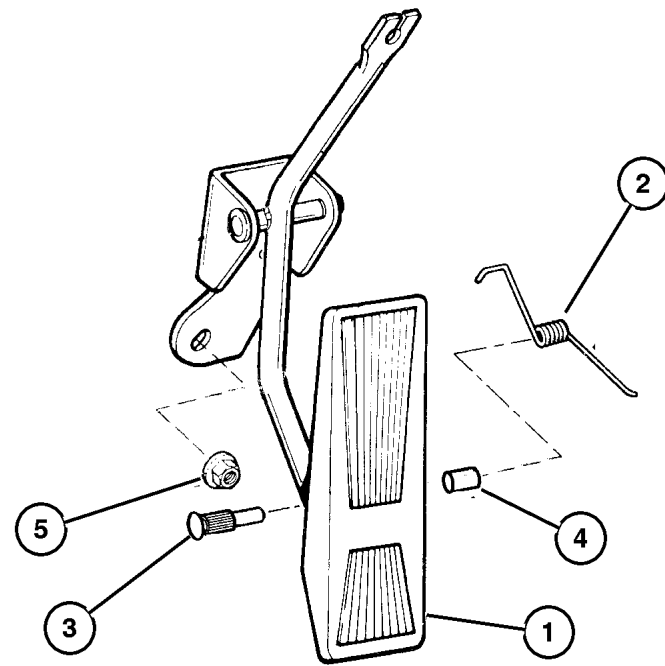
ITEM	PART NUMBER	QTY	LINE	SERIES	BODY	ENGINE	TRANS	TRIM	DESCRIPTION
		2	B, U			EPE, ER0			
15									VALVE, Check, 1/4, Serviced in Hose Assembly, (NOT SERVICED) (Not Serviced)
-16	4549 209	1	B, U			ER0			VALVE PACKAGE, Check
		1	J, T			ER0			
		1	B, U			EP0			

<b>JEEP CHEROKEE (XJ)</b>				
SERIES	LINE	BODY	ENGINE	TRANSMISSION
L=Low Line	J=LHD (4WD) U=RHD (4WD) T=LHD (2WD) B=RHD (2WD)	74=4 DR. (101.4 WB) 72=2 DR. (101.4 WB)	ENC,EN0=2.5L 4 cyl. Turbo Die ERH,ER0=4.0L Power Tech I-6 EPE,EP0=Magnum 2.5L SMPI	DDQ=5Spd Man. DGS=4 Spd. Auto. AISIN DG0=All Auto Trans DBB=All Manual Trans.

AR = Use as required - = Non illustrated part # = New this model year

July 4, 2003

**Accelerator Pedal 2.5L (EPE), 2.5L (ENC) Diesel, 4.0L (ERH) Engine  
Figure 014-1110**



ITEM	PART NUMBER	QTY	LINE	SERIES	BODY	ENGINE	TRANS	TRIM	DESCRIPTION
NOTE: EP0=All 2.5L Gas Engines EN0=2.5L Diesel Engines ER0=All 4.0L Engines									
1	5207 9117	1	B, U			EN0			PEDAL, Accelerator No Components Available
	5207 9206	1	J, T			EP0, ER0			
	5207 9207	1	B, U			EP0, ER0			No Components Available
	5207 9216	1	J, T			EN0			
2	5303 0874	1	J, T			EP0, ER0			SPRING, Torsion
		1	B, U			EP0, ER0			
3	5207 9019	1	J, T			EP0, ER0			PIN, Accelerator Pedal Mtg.  1997 XJ, 1999 XJ  1998 XJ
		1	B, U			EP0, ER0			
		2	B, U			EP0, ER0			
4	5207 8653	2	J, T			EP0, ER0			BUSHING, Accelerator Pedal
		2	B, U			EP0, ER0			
5	1150 3745	2							NUT, Hex, M6x1 1997 XJ, 1998 XJ 1999 XJ
		2				EN0, EP0, ER0			

**JEEP CHEROKEE (XJ)**

SERIES	LINE	BODY	ENGINE	TRANSMISSION
L=Low Line	J=LHD (4WD) U=RHD (4WD) T=LHD (2WD) B=RHD (2WD)	74=4 DR. (101.4 WB) 72=2 DR. (101.4 WB)	ENC,EN0=2.5L 4 cyl. Turbo Die ERH,ER0=4.0L Power Tech I-6 EPE,EP0=Magnum 2.5L SMPI	DDQ=5Spd Man. DGS=4 Spd. Auto. AISIN DG0=All Auto Trans DBB=All Manual Trans.

AR = Use as required - = Non illustrated part # = New this model year

July 4, 2003

# Group – 016

## Propeller Shafts and U-Joints

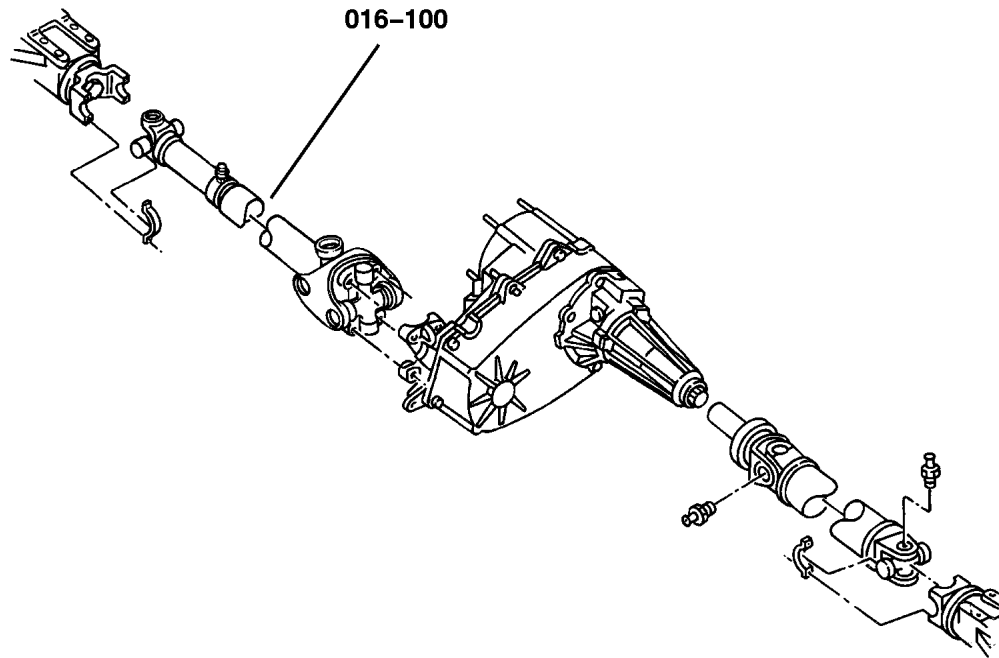
### GROUP 16 - Propeller Shafts and U-Joints

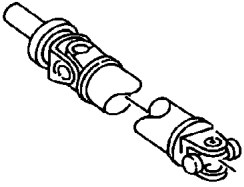
Illustration Title

Group-Fig. No.

#### Propeller Shaft

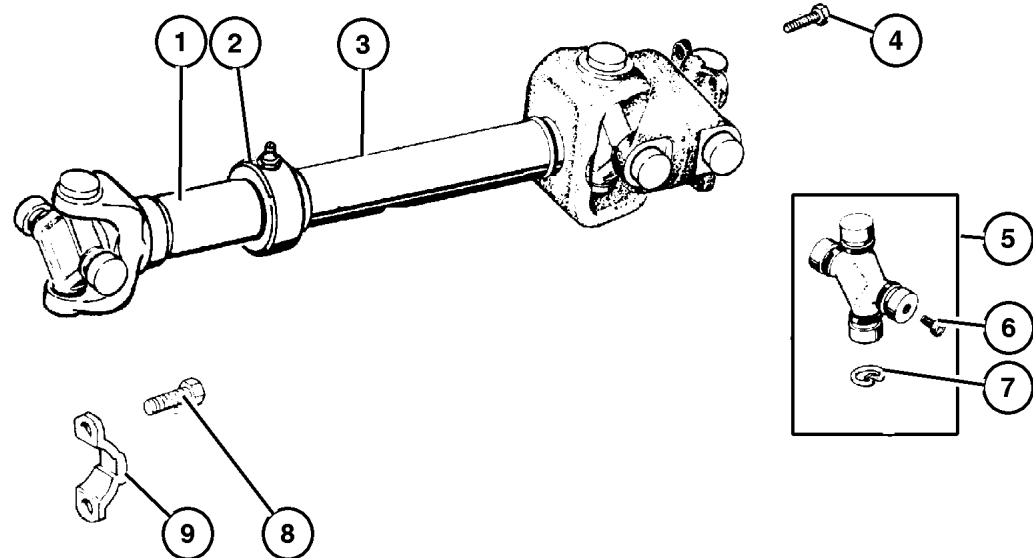
Propeller Shaft,Front 1997 XJ .....	Fig. 016-110
Propeller Shaft,Front 1998 XJ .....	Fig. 016-110
Propeller Shaft,Front 1999 XJ .....	Fig. 016-110
Propeller Shaft,Rear 1997 XJ .....	Fig. 016-120
Propeller Shaft,Rear 1998 XJ .....	Fig. 016-120
Propeller Shaft,Rear 1999 XJ .....	Fig. 016-120



<p><b>016-100</b> Propeller Shaft</p> 			
---	--	--	--



**Propeller Shaft,Front 1997 XJ**  
**Figure 016-110**



ITEM	PART NUMBER	QTY	LINE	SERIES	BODY	ENGINE	TRANS	TRIM	DESCRIPTION
Note: Sales Codes;									
DBB= Transmissions - All Manual									
DG0 = Transmissions - All Automatic									
EN0=Engines - All 4/5 Cylinder Turbo Diesel									
EP0=Engines -All 2.5L 4 Cylinder Gas									
ER0=Engines - All 4.0L 6 Cylinder Gas									
1	8350 1594	1	J, U			EN0			YOKE, Drive Shaft
		1	J, U			EP0			
		1	J, U			ER0	DG0		
2	8350 1595	1	J, U			ER0	DBB		SEAL, Drive Shaft Yoke
		1	J, U			EN0			
		1	J, U			EP0			
		1	J, U			ER0	DG0		
		1	J, U			ER0	DBB		
3	5209 8208	1	J, U			EN0			SHAFT, Front Drive
	5300 5541	1	J, U			EP0			
	5300 5542	1	J, U			ER0	DG0		
	5300 5543	1	J, U			ER0	DBB		
4	6034 966	4	J, U						BOLT, .312-24x1.170, Drive Shaft to Transfer Case Yoke, Mounting
5	4882 793	3	J, U			EN0			U JOINT
		1	J, U			EP0			As Required
		1	J, U			ER0	DG0		As Required
		1	J, U			ER0	DBB		As Required
6	8350 7064	1	J, T						FITTING PACKAGE, Grease, As Required
7	J320 7886	4	J, U			EN0			RING, U Joint
		4	J, U			EP0			
		4	J, U			ER0	DG0		
		4	J, U			ER0	DBB		
8	J400 6928	4							BOLT, Drive Shaft to Front Axle Yoke, Mounting
9	J324 0553	2	J, U						STRAP, Prop Shaft, Drive Shaft to Front Axle Yoke, Mounting

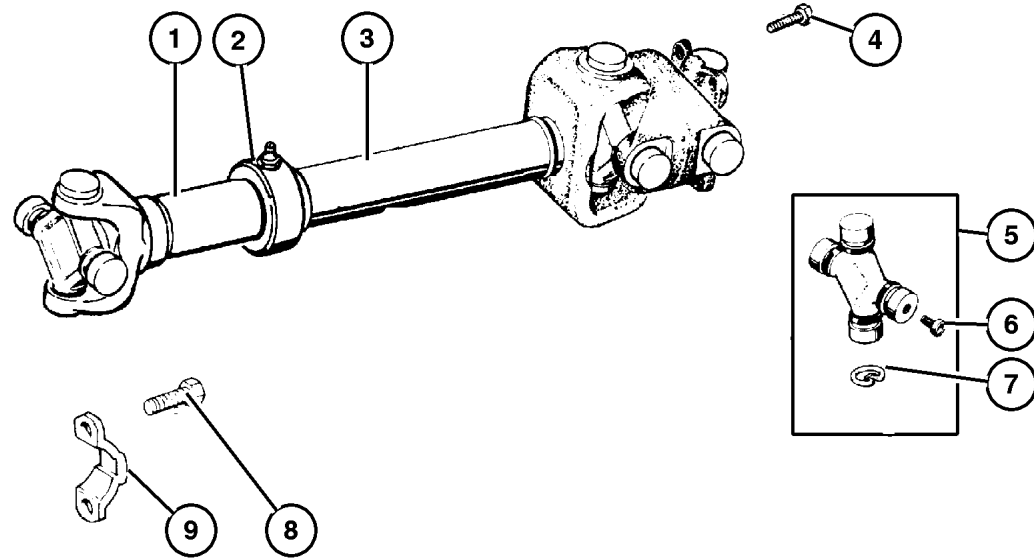
**JEEP CHEROKEE (XJ)**

SERIES	LINE	BODY	ENGINE	TRANSMISSION
L=Low Line	J=LHD (4WD) U=RHD (4WD) T=LHD (2WD) B=RHD (2WD)	74=4 DR. (101.4 WB) 72=2 DR. (101.4 WB)	ENC,EN0=2.5L 4 cyl. Turbo Die ERH,ER0=4.0L Power Tech I-6 EPE,EP0=Magnum 2.5L SMPI	DDQ=5Spd Man. DGS=4 Spd. Auto. AISIN DG0=All Auto Trans DBB=All Manual Trans.

AR = Use as required - = Non illustrated part # = New this model year

July 4, 2003

**Propeller Shaft,Front 1998 XJ**  
**Figure 016-110**



ITEM	PART NUMBER	QTY	LINE	SERIES	BODY	ENGINE	TRANS	TRIM	DESCRIPTION
Note: Sales Codes;									
DBB= Transmissions - All Manual									
DG0 = Transmissions - All Automatic									
EN0=Engines - All 4/5 Cylinder Turbo Diesel									
EP0=Engines -All 2.5L 4 Cylinder Gas									
ER0=Engines - All 4.0L 6 Cylinder Gas									
1	8350 1594	1	J, U			EN0			YOKE, Drive Shaft
		1	J, U			EP0			
		1	J, U			ER0	DG0		
2	8350 1595	1	J, U			ER0	DBB		SEAL, Drive Shaft Yoke
		1	J, U			EN0			
		1	J, U			EP0			
		1	J, U			ER0	DG0		
		1	J, U			ER0	DBB		
3	5209 8208	1	J, U			EN0			SHAFT, Front Drive
	5300 5541	1	J, U			EP0			
	5300 5542	1	J, U			ER0	DG0		
	5300 5543	1	J, U			ER0	DBB		
4	6034 966	4	J, U						BOLT, .312-24x1.170, Drive Shaft to Transfer Case Yoke, Mounting
5	4882 793	3	J, U			EN0			U JOINT
		1	J, U			EP0			As Required
		1	J, U			ER0	DG0		As Required
		1	J, U			ER0	DBB		As Required
6	8350 7064	1	J, T						FITTING PACKAGE, Grease, As Required
7	J320 7886	4	J, U			EN0			RING, U Joint
		4	J, U			EP0			
		4	J, U			ER0	DG0		
		4	J, U			ER0	DBB		
8	J400 6928	4							BOLT, Drive Shaft to Front Axle Yoke, Mounting
9	J324 0553	2	J, U						STRAP, Prop Shaft, Drive Shaft to Front Axle Yoke, Mounting

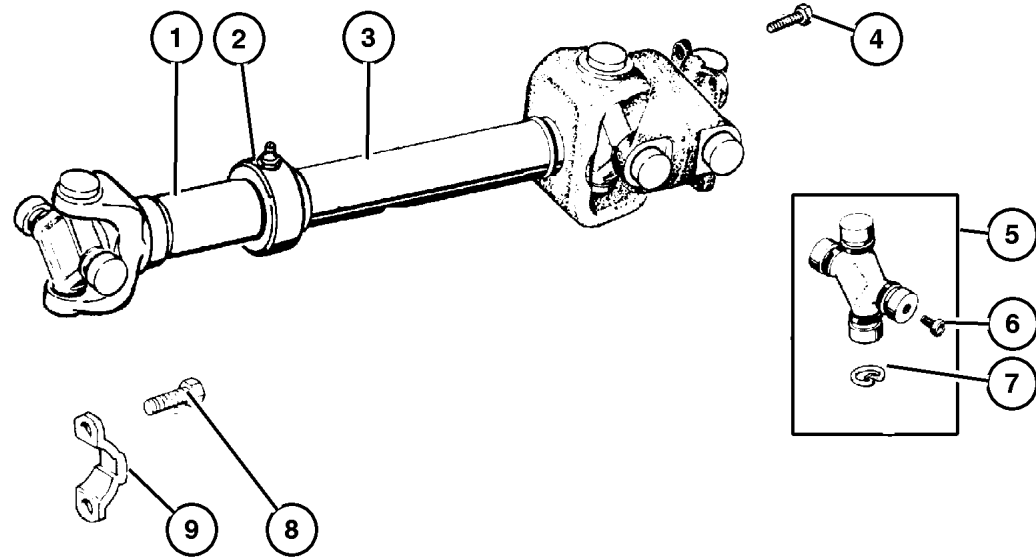
**JEEP CHEROKEE (XJ)**

SERIES	LINE	BODY	ENGINE	TRANSMISSION
L=Low Line	J=LHD (4WD) U=RHD (4WD) T=LHD (2WD) B=RHD (2WD)	74=4 DR. (101.4 WB) 72=2 DR. (101.4 WB)	ENC,EN0=2.5L 4 cyl. Turbo Die ERH,ER0=4.0L Power Tech I-6 EPE,EP0=Magnum 2.5L SMPI	DDQ=5Spd Man. DGS=4 Spd. Auto. AISIN DG0=All Auto Trans DBB=All Manual Trans.

AR = Use as required - = Non illustrated part # = New this model year

July 4, 2003

**Propeller Shaft,Front 1999 XJ**  
**Figure 016-110**



ITEM	PART NUMBER	QTY	LINE	SERIES	BODY	ENGINE	TRANS	TRIM	DESCRIPTION
Note: Sales Codes;									
DBB= Transmissions - All Manual									
DG0 = Transmissions - All Automatic									
EN0=Engines - All 4/5 Cylinder Turbo Diesel									
EP0=Engines -All 2.5L 4 Cylinder Gas									
ER0=Engines - All 4.0L 6 Cylinder Gas									
1	8350 1594	1	J, U			EN0			YOKE, Drive Shaft
		1	J, U			EP0			
		1	J, U			ER0	DG0		
2	8350 1595	1	J, U			ER0	DBB		SEAL, Drive Shaft Yoke
		1	J, U			EN0			
		1	J, U			EP0			
		1	J, U			ER0	DG0		
		1	J, U			ER0	DBB		
3	5209 8208	1	J, U			EN0			SHAFT, Front Drive
	5300 5541	1	J, U			EP0			
	5300 5542	1	J, U			ER0	DG0		
	5300 5543	1	J, U			ER0	DBB		
4	6034 966	4	J, U						BOLT, .312-24x1.170, Drive Shaft to Transfer Case Yoke, Mounting
5	4882 793	1	J, U			EN0			U JOINT
		1	J, U			EP0			As Required
		1	J, U			ER0	DG0		As Required
		1	J, U			ER0	DBB		As Required
6	8350 7064	1	J, T						FITTING PACKAGE, Grease
		1	B, U						As Required
7	J320 7886	4	J, U			EN0			RING, U Joint
		4	J, U			EP0			
		4	J, U			ER0	DG0		
		4	J, U			ER0	DBB		
8	J400 6928	4							BOLT, Drive Shaft to Front Axle Yoke, Mounting
9	J324 0553	2	J, U						STRAP, Prop Shaft, Drive Shaft to Front Axle Yoke, Mounting

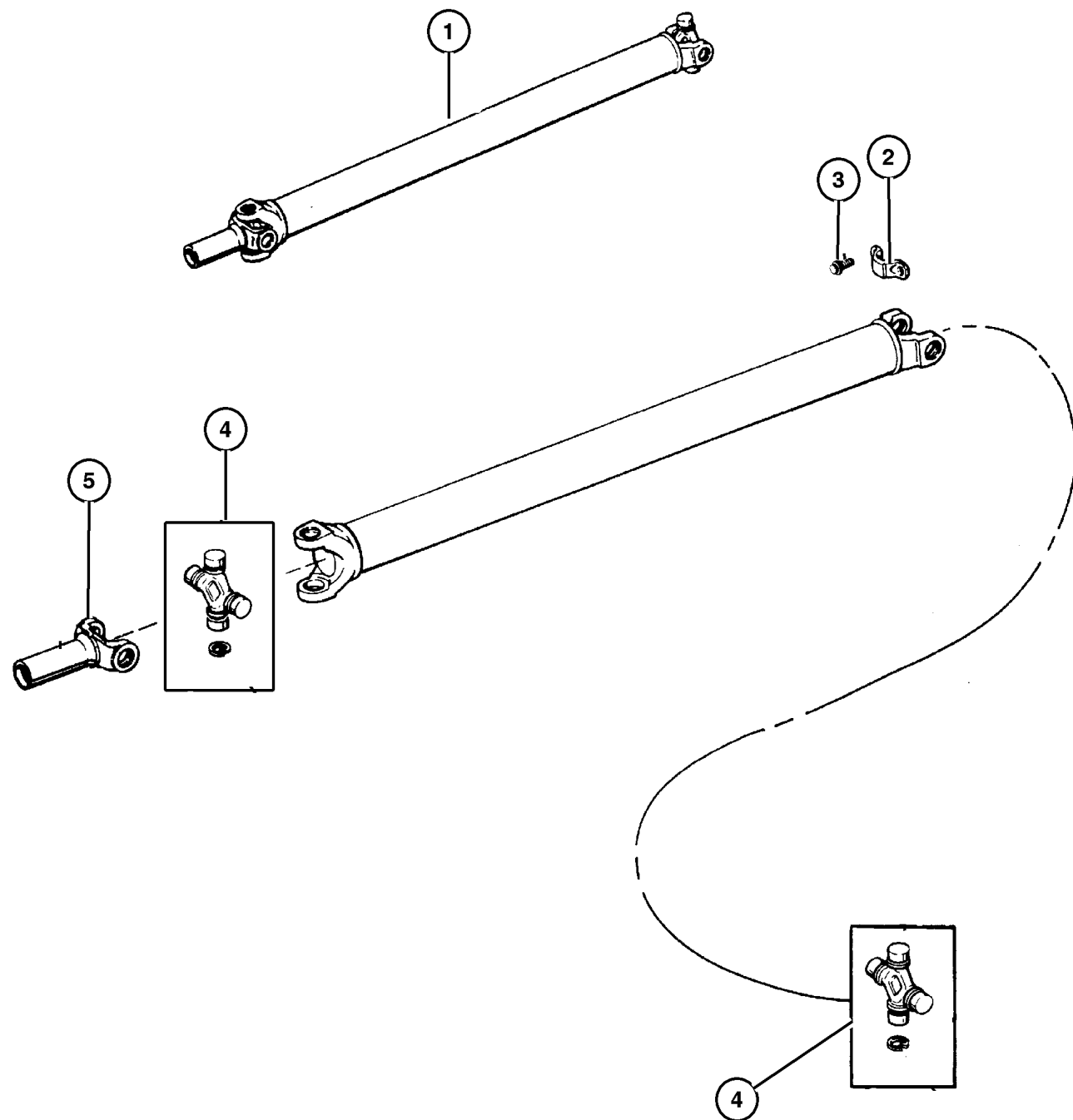
**JEEP CHEROKEE (XJ)**

SERIES	LINE	BODY	ENGINE	TRANSMISSION
L=Low Line	J=LHD (4WD) U=RHD (4WD) T=LHD (2WD) B=RHD (2WD)	74=4 DR. (101.4 WB) 72=2 DR. (101.4 WB)	ENC,EN0=2.5L 4 cyl. Turbo Die ERH,ER0=4.0L Power Tech I-6 EPE,EP0=Magnum 2.5L SMPI	DDQ=5Spd Man. DGS=4 Spd. Auto. AISIN DG0=All Auto Trans DBB=All Manual Trans.

AR = Use as required - = Non illustrated part # = New this model year

July 4, 2003

**Propeller Shaft,Rear 1997 XJ**  
**Figure 016-120**



ITEM	PART NUMBER	QTY	LINE	SERIES	BODY	ENGINE	TRANS	TRIM	DESCRIPTION
------	-------------	-----	------	--------	------	--------	-------	------	-------------

Note: Sales Codes;

DHN =Command-Trac Part Time 4WD System

DRA= Axle - Rear, Corporate 8.25

DRJ= Axle - Rear, Dana M35/194MM RBI

DRM= Axle - Rear, Dana 35C/194MM

EN0=Engines - All 4/5 Cylinder Turbo Diesel

EP0=Engines -All 2.5L 4 Cylinder Gas

ER0=Engines - All 4.0L 6 Cylinder Gas

1									SHAFT, Drive
	5209 9422	1	J, U			EN0	DBB		[DRJ,DRM,DHN]
	5209 9056	1	B			ER0	DG0		[DRA]
	5209 8744	1	J, U			EP0			[DRA]
	5209 8732	1	J, U			ER0	DBB		[DRA]
	5209 8814	1	J, U			ER0	DG0		[DRA]
	5209 8731	1	J, U			ER0	DG0		[DRJ,DRM]
	5209 9057	1	B, T			EP0	DBB		[DRA]
	5211 1070	1	B, T			EP0	DBB		[DRJ]
	5211 1067	1	B, T			ER0	DBB		[DRA]
	5211 1068	1	B, T			ER0	DBB		[DRJ,DRM]
2	J324 0553	2	J, U						STRAP, Prop Shaft
3	J400 6928	4	J, U						BOLT
4									U JOINT
	4746 936	1	J, U			EN0	DBB		[DRJ,DRM,DHN], Front
	4882 793	1	B, T			ER0	DBB		[DRA], Front or Rear
	4746 936	1	B, T			ER0	DBB		[DRJ,DRM], Front
	4882 793	1	B, T			ER0	DBB		[DRJ,DRM], Rear
		2	B, T			ER0	DG0		[DRA], Front or Rear
		1	J, U			EN0	DBB		[DRJ,DRM,DHN], Rear
		1	J, U			EP0			[DRA], Front or Rear
		1	J, U			ER0	DBB		[DRA], Front or Rear
		1	J, U			ER0	DG0		[DRA], Front or Rear
		1	J, U			ER0	DG0		[DRJ,DRM], Front or Rear
		2	B, T			EP0	DBB		[DRA], Front or Rear
	4746 936	1	B, T			EP0	DBB		[DRJ], Front
	4882 793	1	B, T			EP0	DBB		[DRJ], Rear
5									YOKE, Drive Shaft
	5012 918AA	1	J, U			EN0	DBB		[DRJ,DRM]
	8350 3593	1	B, T			ER0	DG0		[DRA]
	4882 714	1	J, U			EP0			[DRA]
		1	J, U			ER0	DBB		[DRA]
		1	J, U			ER0	DG0		[DRA]
		1	J, U			ER0	DG0		[DRJ,DRM]

**JEEP CHEROKEE (XJ)**

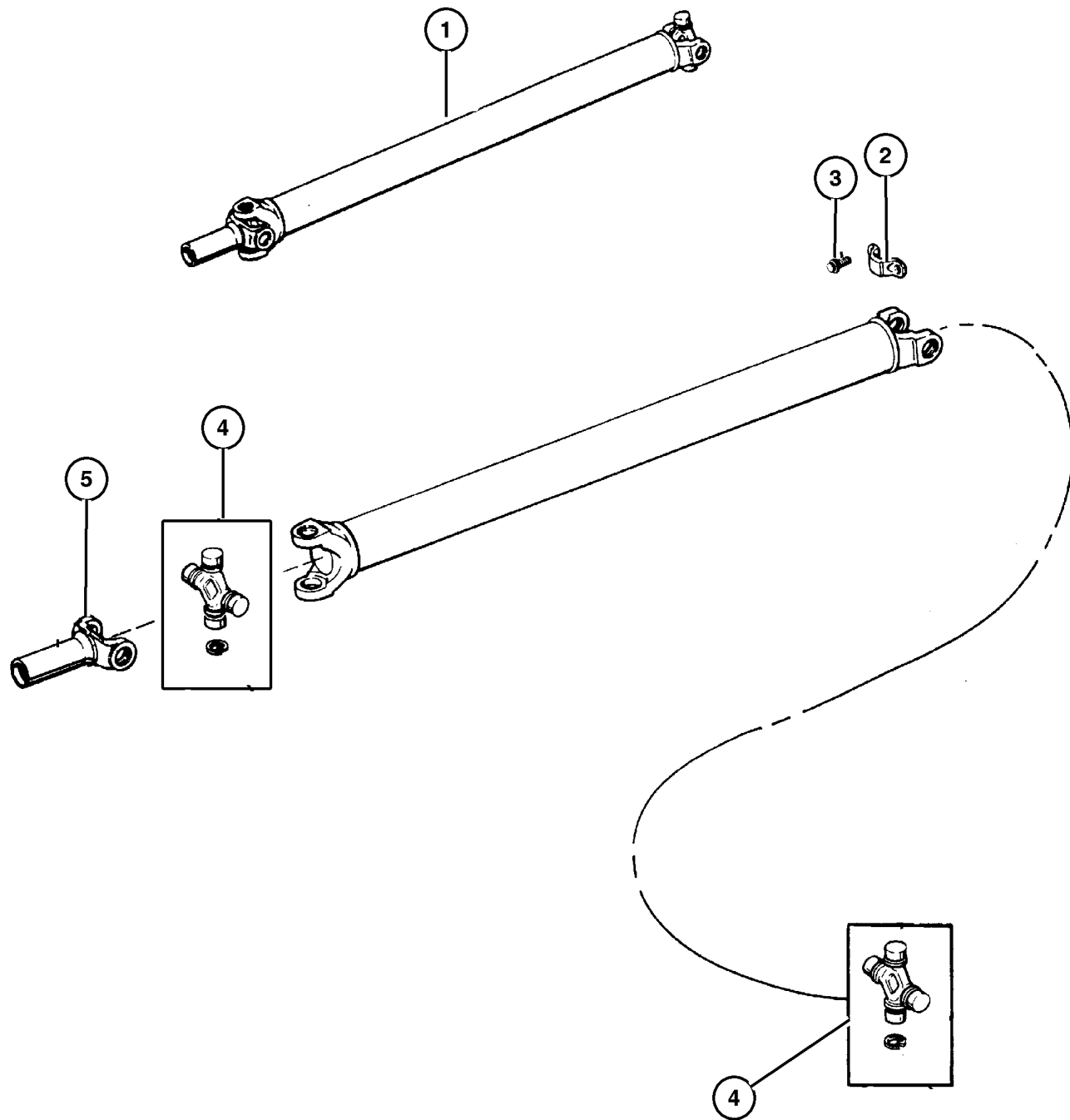
SERIES	LINE	BODY	ENGINE	TRANSMISSION
L=Low Line	J=LHD (4WD) U=RHD (4WD) T=LHD (2WD) B=RHD (2WD)	74=4 DR. (101.4 WB) 72=2 DR. (101.4 WB)	ENC,EN0=2.5L 4 cyl. Turbo Die ERH,ER0=4.0L Power Tech I-6 EPE,EP0=Magnum 2.5L SMPI	DDQ=5Spd Man. DGS=4 Spd. Auto. AISIN DG0=All Auto Trans DBB=All Manual Trans.

AR = Use as required - = Non illustrated part # = New this model year

July 4, 2003

Propeller Shaft,Rear 1997 XJ  
Figure 016-120

ITEM	PART NUMBER	QTY	LINE	SERIES	BODY	ENGINE	TRANS	TRIM	DESCRIPTION
	5300 1987	1	B, T			EP0	DBB		[DRA]
		1	B, T			EP0	DBB		[DRJ]
	5013 471AA	1	B, T			ER0	DBB		[DRA]
		1	B, T			ER0	DBB		[DRJ,DRM]

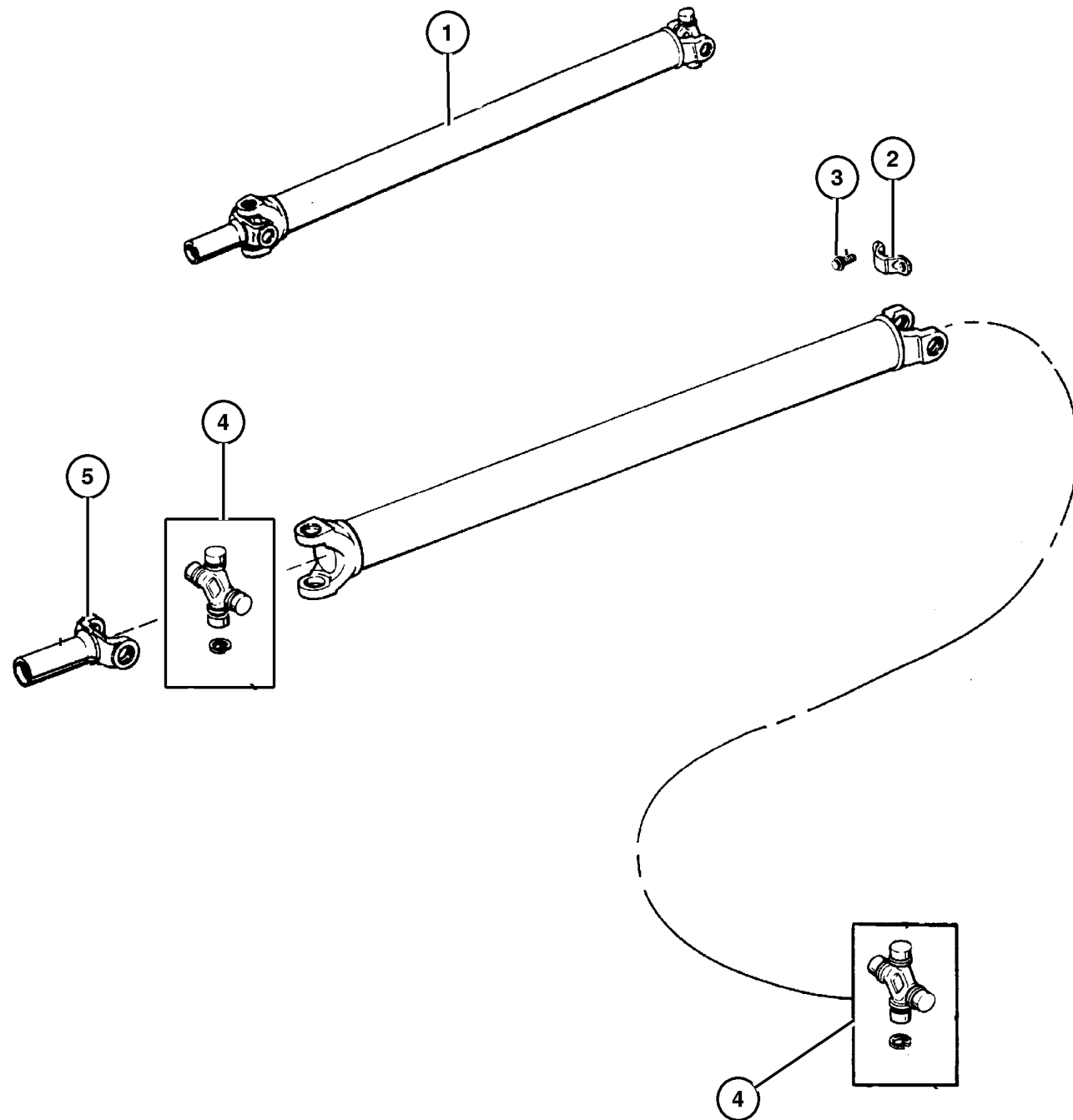


JEEP CHEROKEE (XJ)				
SERIES	LINE	BODY	ENGINE	TRANSMISSION
L=Low Line	J=LHD (4WD) U=RHD (4WD) T=LHD (2WD) B=RHD (2WD)	74=4 DR. (101.4 WB) 72=2 DR. (101.4 WB)	ENC,EN0=2.5L 4 cyl. Turbo Die ERH,ER0=4.0L Power Tech I-6 EPE,EP0=Magnum 2.5L SMPI	DDQ=5Spd Man. DGS=4 Spd. Auto. AISIN DG0=All Auto Trans DBB=All Manual Trans.

AR = Use as required - = Non illustrated part # = New this model year

July 4, 2003

**Propeller Shaft,Rear 1998 XJ**  
**Figure 016-120**



ITEM	PART NUMBER	QTY	LINE	SERIES	BODY	ENGINE	TRANS	TRIM	DESCRIPTION
Note: Sales Codes;									
DBB= Transmissions - All Manual									
DG0 = Transmissions - All Automatic									
DHN =Command-Trac Part Time 4WD System									
DRA= Axle - Rear, Corporate 8.25									
DRJ= Axle - Rear, Dana M35/194MM RBI									
DRM= Axle - Rear, Dana 35C/194MM									
EN0=Engines - All 4/5 Cylinder Turbo Diesel									
EP0=Engines -All 2.5L 4 Cylinder Gas									
ER0=Engines - All 4.0L 6 Cylinder Gas									
1									SHAFT, Drive
	5209 9422	1	J, U			EN0	DBB		[DRJ,DRM,DHN]
	5209 9056	1	B, T			ER0	DG0		[DRA]
	5209 9064	1	B, T			ER0	DG0		[DRJ,DRM]
	5209 8744	1	J, U			EP0			[DRA]
	5209 8732	1	J, U			ER0	DBB		[DRA]
	5209 8814	1	J, U			ER0	DG0		[DRA]
	5209 8731	1	J, U			ER0	DG0		[DRJ,DRM]
	5209 8851	1	J, U			ER0	DBB		[DRJ]
	5209 9057	1	B, T			EP0	DBB		[DRA]
	5209 9054	1	B, T			EP0	DG0		[DRJ]
	52099 054AB	1	B, T			EP0	DG0		[DRA]
2	J324 0553	2	J, U						STRAP, Prop Shaft
3	J400 6928	4	J, U						BOLT
4									U JOINT
	4746 936	1	J, U			EN0	DBB		[DRJ,DRM,DHN], Front
	4882 793	1	B, T			EP0	DG0		[DRJ], Front or Rear
		1	B, T			EP0	DG0		[DRA], Front or Rear
		1	B, T			ER0	DG0		[DRA], Front or Rear
		1	B, T			ER0	DG0		[DRJ,DRM], Front or Rear
		1	J, U			EN0	DBB		[DRJ,DRM,DHN], Rear
		1	J, U			EP0			[DRA], Front or Rear
		1	J, U			ER0	DBB		[DRA], Front or Rear
		1	J, U			ER0	DG0		[DRA], Front or Rear
	4746 936	1	J, U			ER0	DG0		[DRJ,DRM], Front or Rear
	4882 793	1	J, U			ER0	DBB		[DRJ], Front
		1	J, U			ER0	DBB		[DRJ], Rear
		1	B, T			EP0	DBB		[DRA], Front or Rear
5									YOKE, Drive Shaft
	5012 918AA	1	J, U			EN0	DBB		[DRJ,DRM,DHN]
	8350 3593	1	B, T			ER0	DG0		[DRA]
		1	B, T			ER0	DG0		[DRJ,DRM]

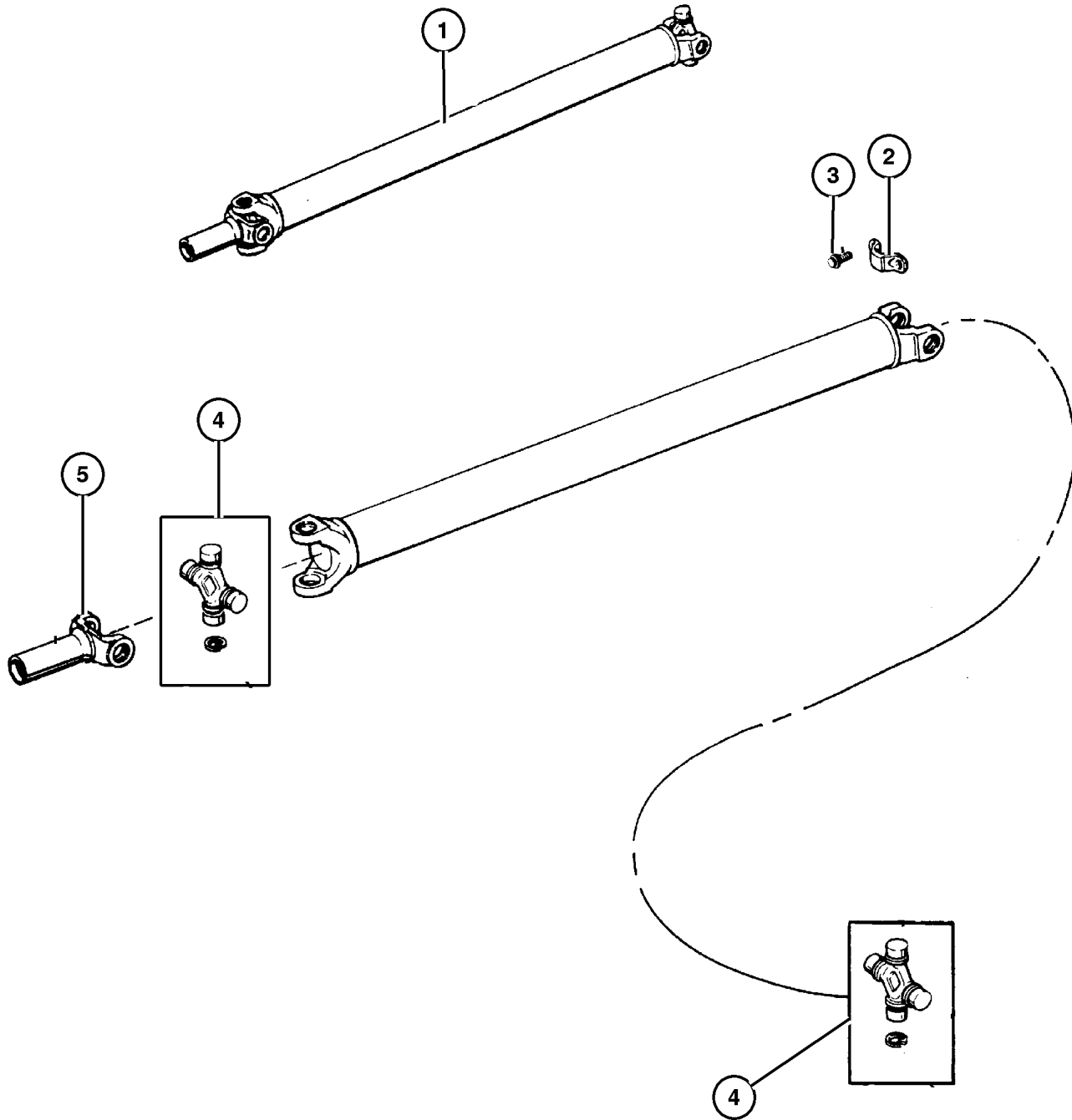
**JEEP CHEROKEE (XJ)**

SERIES	LINE	BODY	ENGINE	TRANSMISSION
L=Low Line	J=LHD (4WD) U=RHD (4WD) T=LHD (2WD) B=RHD (2WD)	74=4 DR. (101.4 WB) 72=2 DR. (101.4 WB)	ENC,EN0=2.5L 4 cyl. Turbo Die ERH,ER0=4.0L Power Tech I-6 EPE,EP0=Magnum 2.5L SMPI	DDQ=5Spd Man. DGS=4 Spd. Auto. AISIN DG0=All Auto Trans DBB=All Manual Trans.

AR = Use as required - = Non illustrated part # = New this model year

July 4, 2003

Propeller Shaft,Rear 1998 XJ  
Figure 016-120



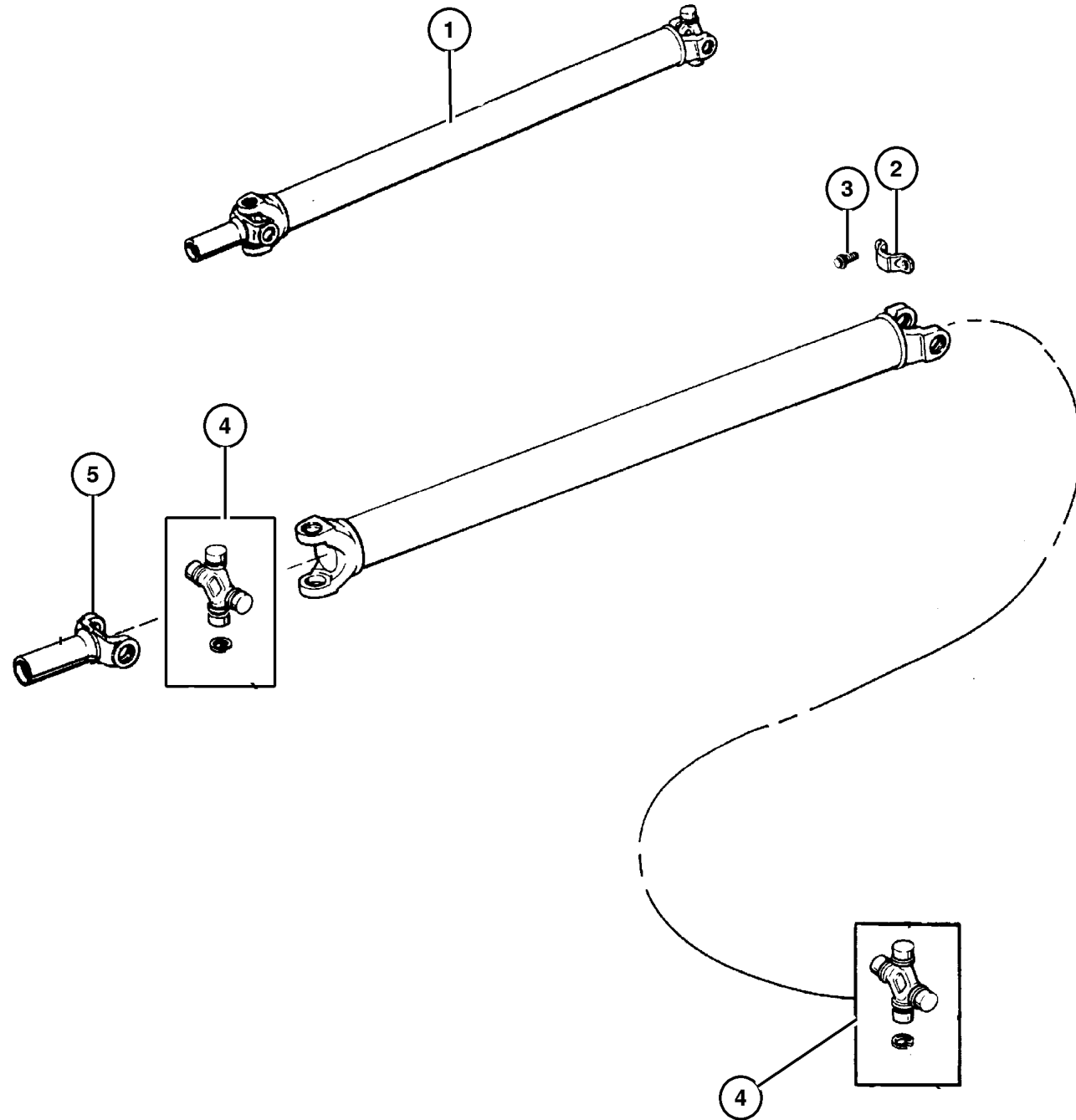
ITEM	PART NUMBER	QTY	LINE	SERIES	BODY	ENGINE	TRANS	TRIM	DESCRIPTION
	4882 714	1	J, U			EP0			[DRA]
		1	J, U			ER0	DBB		[DRA]
		1	J, U			ER0	DG0		[DRA]
		1	J, U			ER0	DG0		[DRJ,DRM]
		1	J, U			ER0	DBB		[DRJ]
	5300 1987	1	B, T			EP0	DBB		[DRA]
	5300 1986	1	B, T			EP0	DG0		[DRJ]
		1	B, T			EP0	DG0		[DRA]

JEEP CHEROKEE (XJ)				
SERIES	LINE	BODY	ENGINE	TRANSMISSION
L=Low Line	J=LHD (4WD) U=RHD (4WD) T=LHD (2WD) B=RHD (2WD)	74=4 DR. (101.4 WB) 72=2 DR. (101.4 WB)	ENC,EN0=2.5L 4 cyl. Turbo Die ERH,ER0=4.0L Power Tech I-6 EPE,EP0=Magnum 2.5L SMPI	DDQ=5Spd Man. DGS=4 Spd. Auto. AISIN DG0=All Auto Trans DBB=All Manual Trans.

AR = Use as required - = Non illustrated part # = New this model year

July 4, 2003

**Propeller Shaft,Rear 1999 XJ**  
**Figure 016-120**



ITEM	PART NUMBER	QTY	LINE	SERIES	BODY	ENGINE	TRANS	TRIM	DESCRIPTION
------	-------------	-----	------	--------	------	--------	-------	------	-------------

Note: Sales Codes;

- DBB= Transmissions - All Manual
- DG0 = Transmissions - All Automatic
- DHN =Command-Trac Part Time 4WD System
- DRA= Axle - Rear, Corporate 8.25
- DRJ= Axle - Rear, Dana M35/194MM RBI
- DRM= Axle - Rear, Dana 35C/194MM
- EN0=Engines - All 4/5 Cylinder Turbo Diesel
- EPO=Engines -All 2.5L 4 Cylinder Gas
- ER0=Engines - All 4.0L 6 Cylinder Gas

1									SHAFT, Drive
	5209 9422	1	J, U			EN0	DBB		[DRJ,DRM,DHN]
	5209 9064	1	B, T			ER0	DG0		[DRJ,DRM]
	5211 1067	1	B, T			ER0	DBB		[DRA]
	5211 1068	1	B, T			ER0	DBB		[DRJ]
	5209 8744	1	J, U			EPO			[DRA]
	5209 8732	1	J, U			ER0	DBB		[DRA]
	5209 8814	1	J, U			ER0	DG0		[DRA]
	5209 8731	1	J, U			ER0	DG0		[DRJ,DRM]
	5209 8851	1	J, U			ER0	DBB		[DRJ]
	5209 9057	1	B, T			EPO	DBB		[DRA]
	52099 054AB	1	B, T			EPO	DG0		[DRA]
	5209 9056	1	B, T			ER0	DG0		[DRA]
2	J324 0553	2	J, U						STRAP, Prop Shaft
3	J400 6928	4	J, U						BOLT
4									U JOINT
	4746 936	1	J, U			EN0	DBB		[DRJ,DRM,DHN], Front
	4882 793	1	B, T			EPO	DG0		[DRA], Front or Rear
		1	B, T			ER0	DG0		[DRA], Front or Rear
		1	B, T			ER0	DG0		[DRJ,DRM], Front or Rear
		1	B, T			ER0	DBB		[DRA], Front or Rear
	4746 936	1	B, T			ER0	DBB		[DRJ], Front
	4882 793	1	B, T			ER0	DBB		[DRJ], Rear
		1	J, U			EN0	DBB		[DRJ,DRM,DHN], Rear
		1	J, U			EPO			[DRA], Front or Rear
		1	J, U			ER0	DBB		[DRA], Front or Rear
		1	J, U			ER0	DG0		[DRA], Front or Rear
		1	J, U			ER0	DG0		[DRJ,DRM], Front or Rear
	4746 936	1	J, U			ER0	DBB		[DRJ], Front
	4882 793	1	J, U			ER0	DBB		[DRJ], Rear
		1	B, T			EPO	DBB		[DRA], Front or Rear
5									YOKE, Drive Shaft

**JEEP CHEROKEE (XJ)**

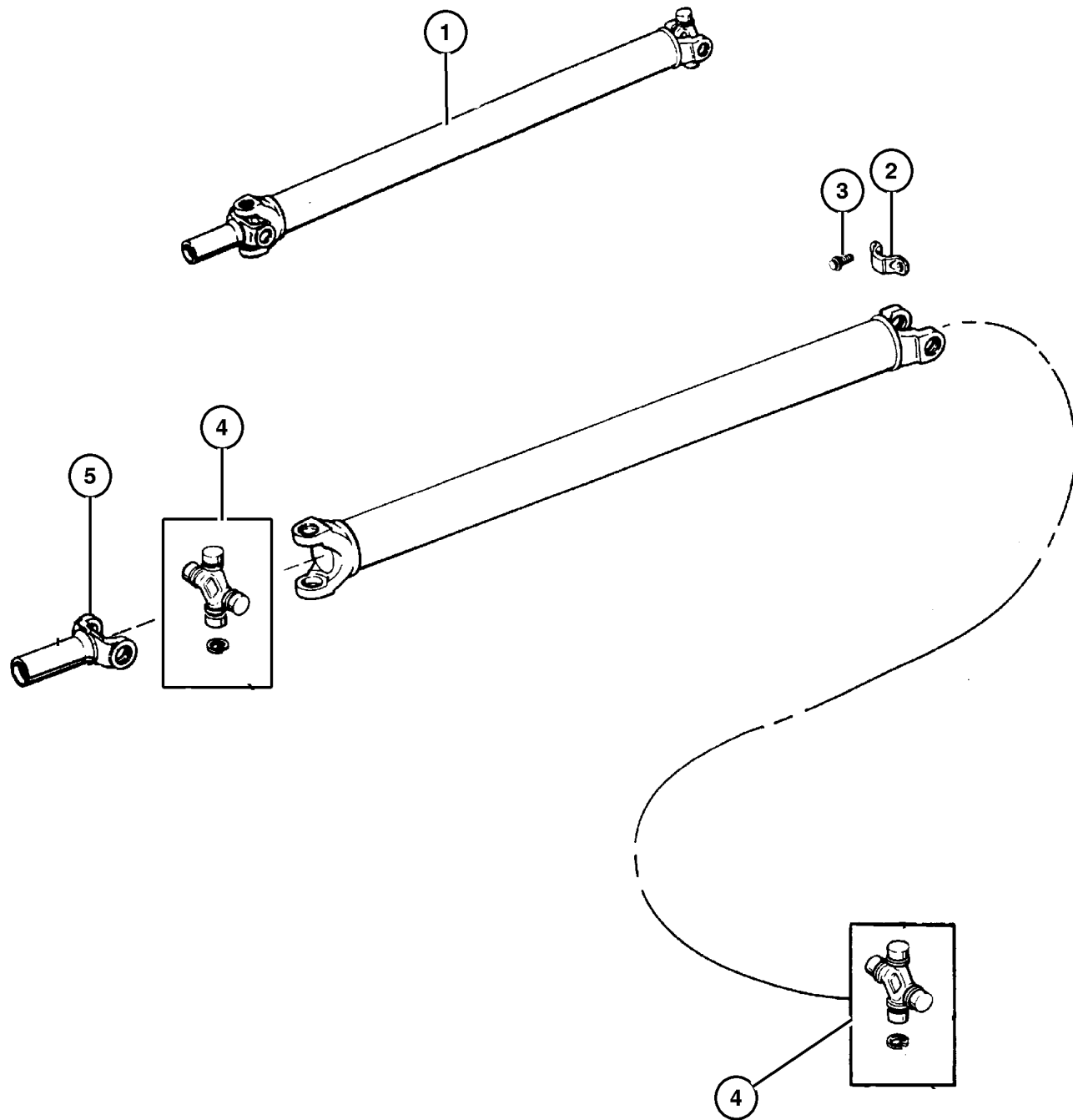
SERIES	LINE	BODY	ENGINE	TRANSMISSION
L=Low Line	J=LHD (4WD) U=RHD (4WD) T=LHD (2WD) B=RHD (2WD)	74=4 DR. (101.4 WB) 72=2 DR. (101.4 WB)	ENC,EN0=2.5L 4 cyl. Turbo Die ERH,ER0=4.0L Power Tech I-6 EPE,EPO=Magnum 2.5L SMPI	DDQ=5Spd Man. DGS=4 Spd. Auto. AISIN DG0=All Auto Trans DBB=All Manual Trans.

AR = Use as required - = Non illustrated part # = New this model year

July 4, 2003



Propeller Shaft,Rear 1999 XJ  
Figure 016-120



ITEM	PART NUMBER	QTY	LINE	SERIES	BODY	ENGINE	TRANS	TRIM	DESCRIPTION
	5012 918AA	1	J, U			EN0	DBB		[DRJ,DRM,DHN]
	8350 3593	1	B, T			ER0	DG0		[DRJ,DRM]
	5013 471AA	1	B, T			ER0	DBB		[DRA]
		1	B, T			ER0	DBB		[DRJ]
	4882 714	1	J, U			EP0			[DRA]
		1	J, U			ER0	DBB		[DRA]
		1	J, U			ER0	DG0		[DRA]
		1	J, U			ER0	DG0		[DRJ,DRM]
		1	J, U			ER0	DBB		[DRJ]
	5300 1987	1	B, T			EP0	DBB		[DRA]
	5300 1986	1	B, T			EP0	DG0		[DRA]
	8350 3593	1	B, T			ER0	DG0		[DRA]

JEEP CHEROKEE (XJ)				
SERIES	LINE	BODY	ENGINE	TRANSMISSION
L=Low Line	J=LHD (4WD) U=RHD (4WD) T=LHD (2WD) B=RHD (2WD)	74=4 DR. (101.4 WB) 72=2 DR. (101.4 WB)	ENC,EN0=2.5L 4 cyl. Turbo Die ERH,ER0=4.0L Power Tech I-6 EPE,EP0=Magnum 2.5L SMPI	DDQ=5Spd Man. DGS=4 Spd. Auto. AISIN DG0=All Auto Trans DBB=All Manual Trans.

AR = Use as required - = Non illustrated part # = New this model year

July 4, 2003

# Group - 017

## Rear Suspension

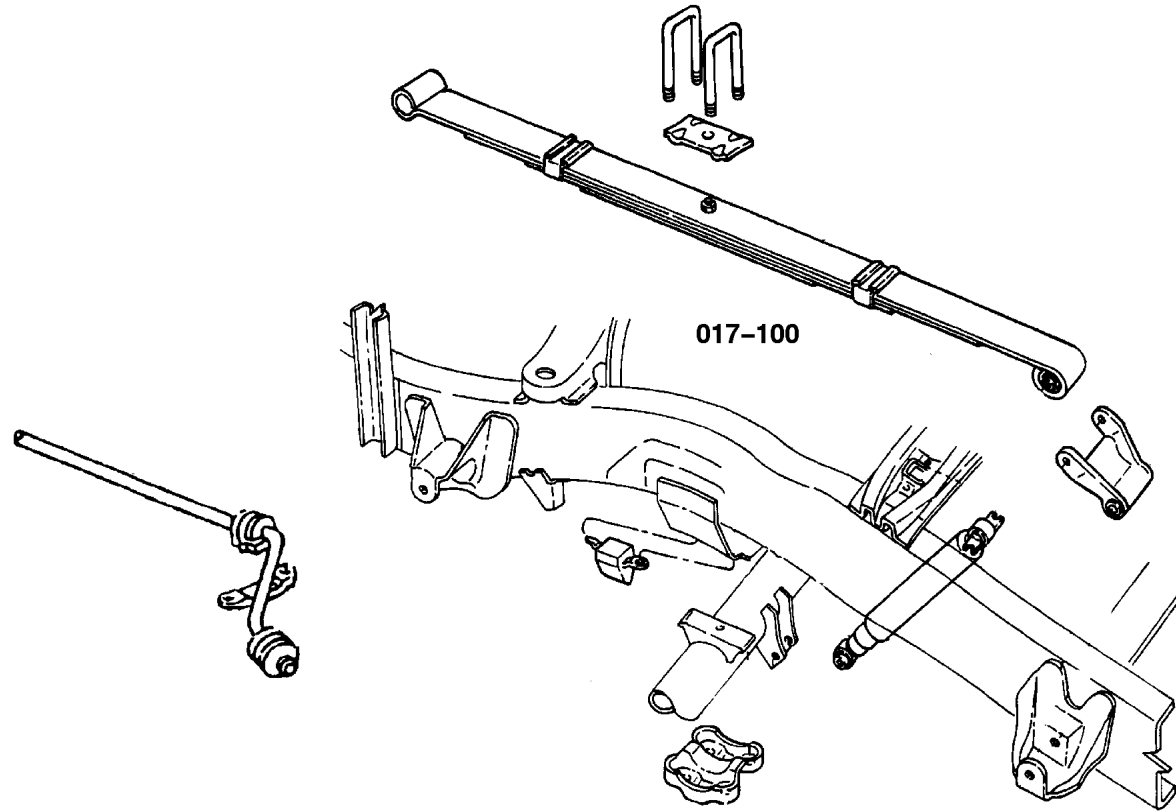
### GROUP 17 - Rear Suspension

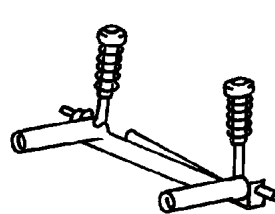
Illustration Title

Group-Fig. No.

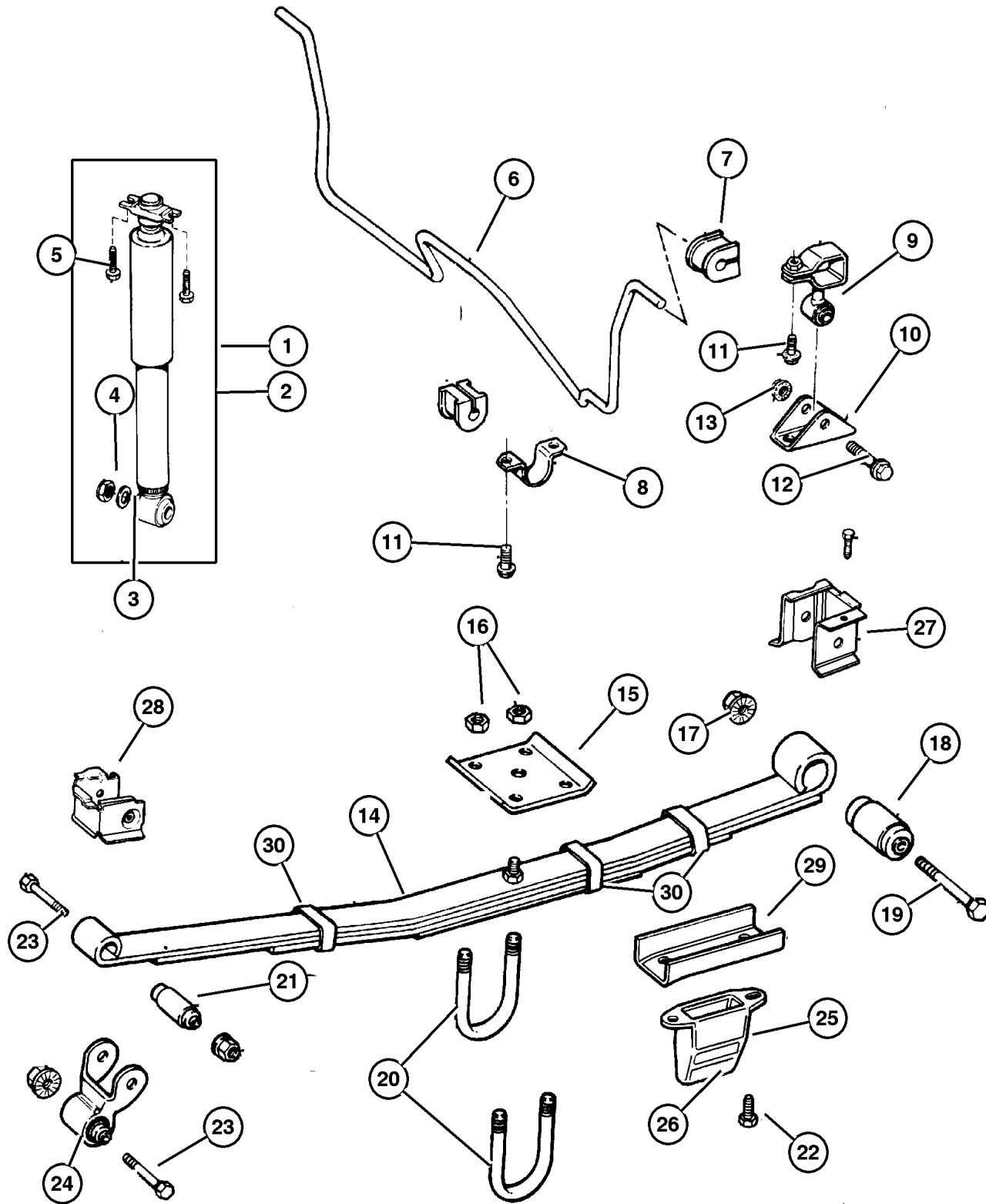
#### Rear Suspension

Suspension, Rear with Shock Absorber 1997 XJ .....	Fig. 017-120
Suspension, Rear with Shock Absorber 1998 XJ .....	Fig. 017-120
Suspension, Rear with Shock Absorber 1999 XJ .....	Fig. 017-120



<p><b>017-100</b> Rear Suspension</p> 			
---	--	--	--

**Suspension, Rear with Shock Absorber 1997 XJ**  
**Figure 017-120**



ITEM	PART NUMBER	QTY	LINE	SERIES	BODY	ENGINE	TRANS	TRIM	DESCRIPTION
NOTES; SALES CODE EPO= ALL 2.5L I4 GAS---Check the VIN number for the proper 'Z' code for the springs									
1	5208 7777	2							SHOCK ABSORBER, Suspension SDA, Standard Suspension
	5208 7948	2							SDB, Heavy Duty Suspension
2	4886 509AA	2	J, U						SHOCK ABSORBER PACKAGE, suspension, [SDU]
3	1150 0325	2							WASHER, Shock Absorber
4	6502 038	2							BOLT, Alternator Bracket
5	J400 1933	2							SCREW, Hex Flange Head, .312-x18x.875
6	5200 1135	1							BAR, Rear Sway
7	5200 1145	4							CUSHION, Sway Eliminator
8	5208 7865	2							RETAINER, Sway Bar
9	5200 1094	2							LINK, Sway Eliminator
10	5200 6450	2							BRACKET, Stabilizer Bar
11									BOLT, Hex Flange Head, M8x1.25x30
	1150 2628	3				EPO			
	3420 1756	2							
12	1150 5098	1							BOLT, Hex Flange Head, M12x1.75x60
13	6502 697	8							NUT, Hex Flange Lock, M12x1.75
14									SPRING, Rear Leaf
	52000 050AB	1							w/ZUS,ZFS (2157#)
	52000 051AB	1							w/ZUT,ZFT (2424#)
	52000 544AB	1							w/ZVS,ZGS (2157#)
	52000 545AB	1							w/ZVT,ZGT (2524#)
	52000 706AB	1							w/ZUU,ZFU (2961#)
	52000 707AB	1							w/ZVU,ZGU (2691#)
	52002 390AB	1							w/ZVV,ZGV (Off Road)
	52002 392AB	1							w/ZVW,ZGW (Off Road)
15	5200 6449	2							PLATE, U Bolt
16	6502 697	8							NUT, Hex Flange Lock, M12x1.75
17	1150 2814	2							NUT, Hex Flange Lock, M14x2
18	5200 0503	1							BUSHING, Spring
19	3420 2118	6							BOLT, Hex Flange Head, M14x2.0x120
20									U-BOLT, Rear Spring
	5200 4010	4							8.25 Axle
	5200 6440	4							Dana 35,35C Axle
21	5200 0504	1							BUSHING, Spring

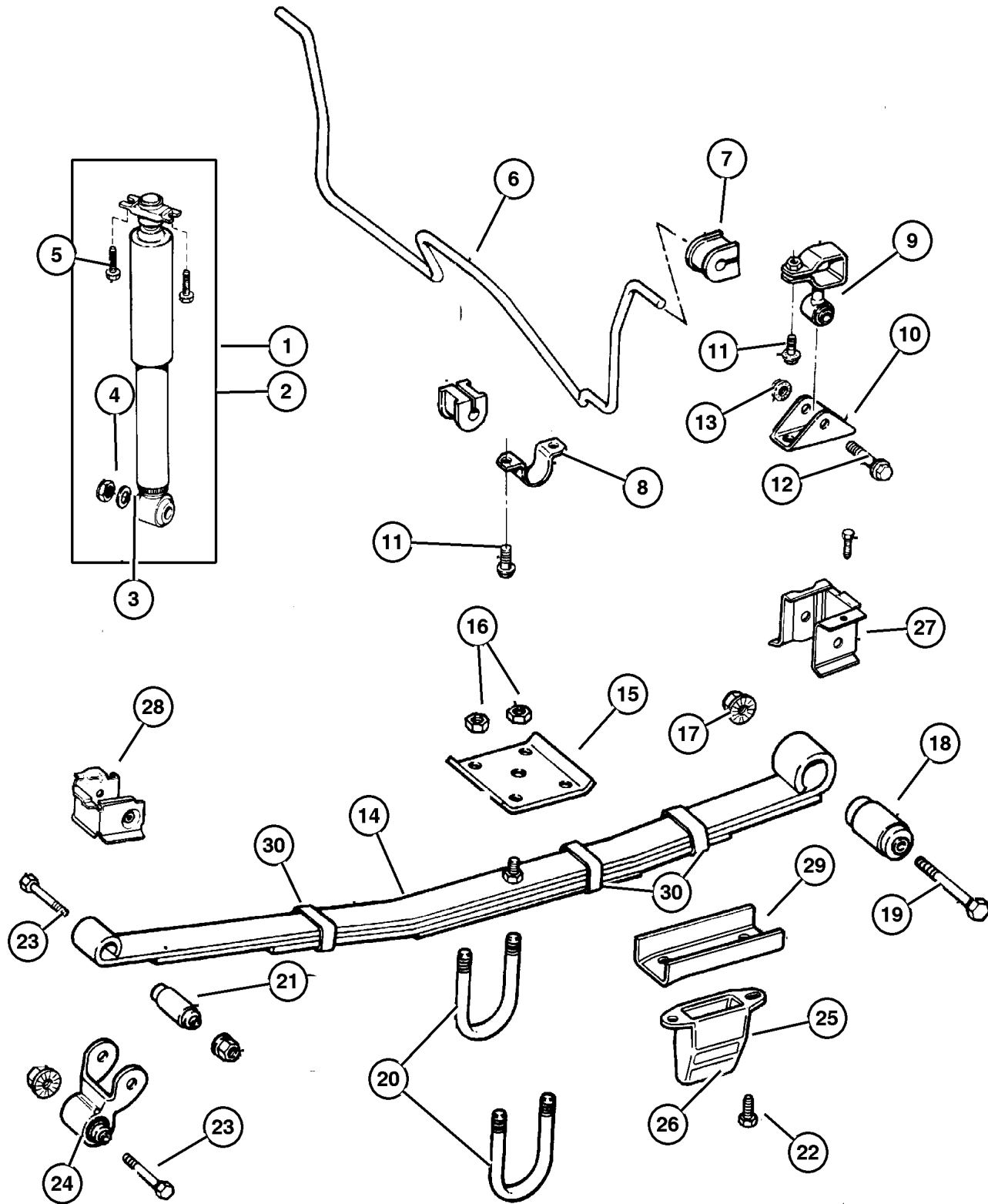
**JEEP CHEROKEE (XJ)**

SERIES	LINE	BODY	ENGINE	TRANSMISSION
L=Low Line	J=LHD (4WD) U=RHD (4WD) T=LHD (2WD) B=RHD (2WD)	74=4 DR. (101.4 WB) 72=2 DR. (101.4 WB)	ENC,EN0=2.5L 4 cyl. Turbo Die ERH,ER0=4.0L Power Tech I-6 EPE,EPO=Magnum 2.5L SMPI	DDQ=5Spd Man. DGS=4 Spd. Auto. AISIN DG0=All Auto Trans DBB=All Manual Trans.

AR = Use as required - = Non illustrated part # = New this model year

July 4, 2003

Suspension, Rear with Shock Absorber 1997 XJ  
Figure 017-120



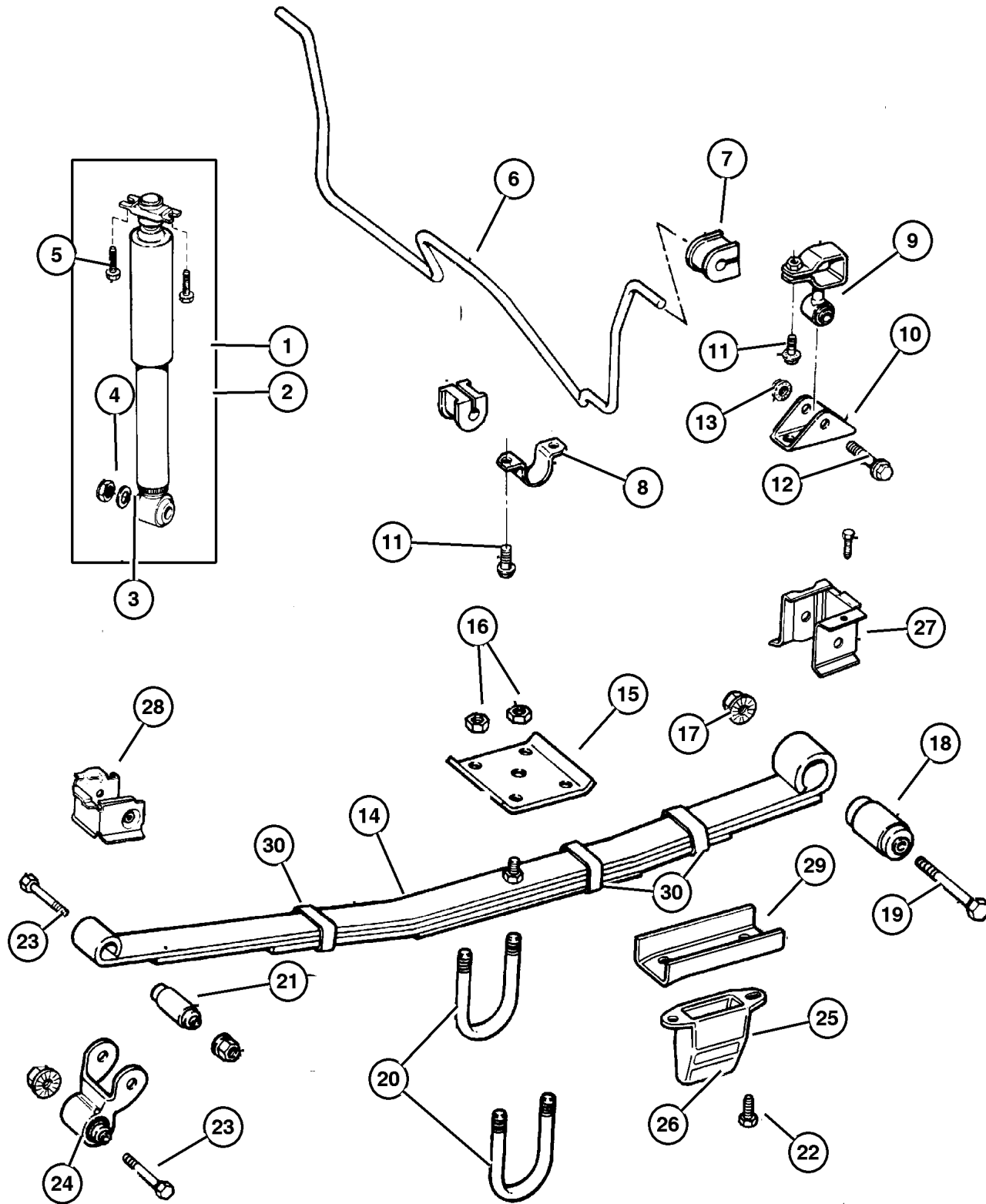
ITEM	PART NUMBER	QTY	LINE	SERIES	BODY	ENGINE	TRANS	TRIM	DESCRIPTION
22									SCREW, Shouldered Hex Head, 25 mm, (NOT SERVICED) (Not Serviced)
23									SCREW, Pan Head Torx, M8x1.25x30.00, (NOT SERVICED) (Not Serviced)
24	5200 0507	2							SHACKLE, Spring
25	5200 4297	2							BUMPER, Suspension Jounce
26	5200 2393	2	J, U						BUMPER, Jounce
27									BRACKET, Spring
	5500 1100	1							Right
	5500 1101	1							Left
28									BRACKET, Spring
	5500 1102	1							Right
	5500 1103	1							Left
29	5200 2386	2	J						REINFORCEMENT, Jounce Bumper
30	5014 495AA	AR							CLAMP KIT, Leaf Spring

JEEP CHEROKEE (XJ)				
SERIES	LINE	BODY	ENGINE	TRANSMISSION
L=Low Line	J=LHD (4WD) U=RHD (4WD) T=LHD (2WD) B=RHD (2WD)	74=4 DR. (101.4 WB) 72=2 DR. (101.4 WB)	ENC,EN0=2.5L 4 cyl. Turbo Die ERH,ER0=4.0L Power Tech I-6 EPE,EP0=Magnum 2.5L SMPI	DDQ=5Spd Man. DGS=4 Spd. Auto. AISIN DG0=All Auto Trans DBB=All Manual Trans.

AR = Use as required - = Non illustrated part # = New this model year

July 4, 2003

**Suspension, Rear with Shock Absorber 1998 XJ**  
**Figure 017-120**



ITEM	PART NUMBER	QTY	LINE	SERIES	BODY	ENGINE	TRANS	TRIM	DESCRIPTION
NOTES; SALES CODE EPO= ALL 2.5L I4 GAS---Check the VIN number for the proper 'Z' code for the springs									
1	5208 7777	2							SHOCK ABSORBER, Suspension SDA, Standard Suspension
	5208 7948	2							SDB, Heavy Duty Suspension
2	4886 509AA	2	J, U						SHOCK ABSORBER PACKAGE, suspension, [SDU] High pressure-Gas Charged
3	1150 0325	2							WASHER, Shock Absorber
4	6502 038	2							BOLT, Alternator Bracket
5	J400 1933	2							SCREW, Hex Flange Head, .312-x18x.875
6	5200 1135	1							BAR, Rear Sway
7	5200 1145	4							CUSHION, Sway Eliminator
8	5208 7865	2							RETAINER, Sway Bar
9	5200 1094	2							LINK, Sway Eliminator
10	5200 6450	2							BRACKET, Stabilizer Bar
11	3420 1756	2							BOLT, Hex Flange Head, M8x1.25x30
12	1150 5098	1							BOLT, Hex Flange Head, M12x1.75x60
13	6502 697	8							NUT, Hex Flange Lock, M12x1.75
14	52000 050AB	1							SPRING, Rear Leaf w/ZUS,ZFS (2157#)
	52000 051AB	1							w/ZUT,ZFT (2424#)
	52000 544AB	1							w/ZVS,ZGS (2157#)
	52000 545AB	1							w/ZVT,ZGT (2524#)
	52000 706AB	1							w/ZUU,ZFU (2961#)
	52000 707AB	1							w/ZVU,ZGU (2691#)
	52002 390AB	1							w/ZVV,ZGV (Off Road)
	52002 392AB	1							w/ZVW,ZGW (Off Road)
15	5200 6449	2							PLATE, U Bolt
16	6502 697	8							NUT, Hex Flange Lock, M12x1.75
17	1150 2814	2							NUT, Hex Flange Lock, M14x2
18	5200 0503	1							BUSHING, Spring
19	3420 2118	6							BOLT, Hex Flange Head, M14x2.0x120
20	5200 4010	4							U-BOLT, Rear Spring 8.25 Axle
	5200 6440	4							Dana 35,35C Axle
21	5200 0504	1							BUSHING, Spring
22									SCREW, Shouldered Hex Head, 25 mm, (NOT SERVICED) (Not Serviced)

**JEEP CHEROKEE (XJ)**

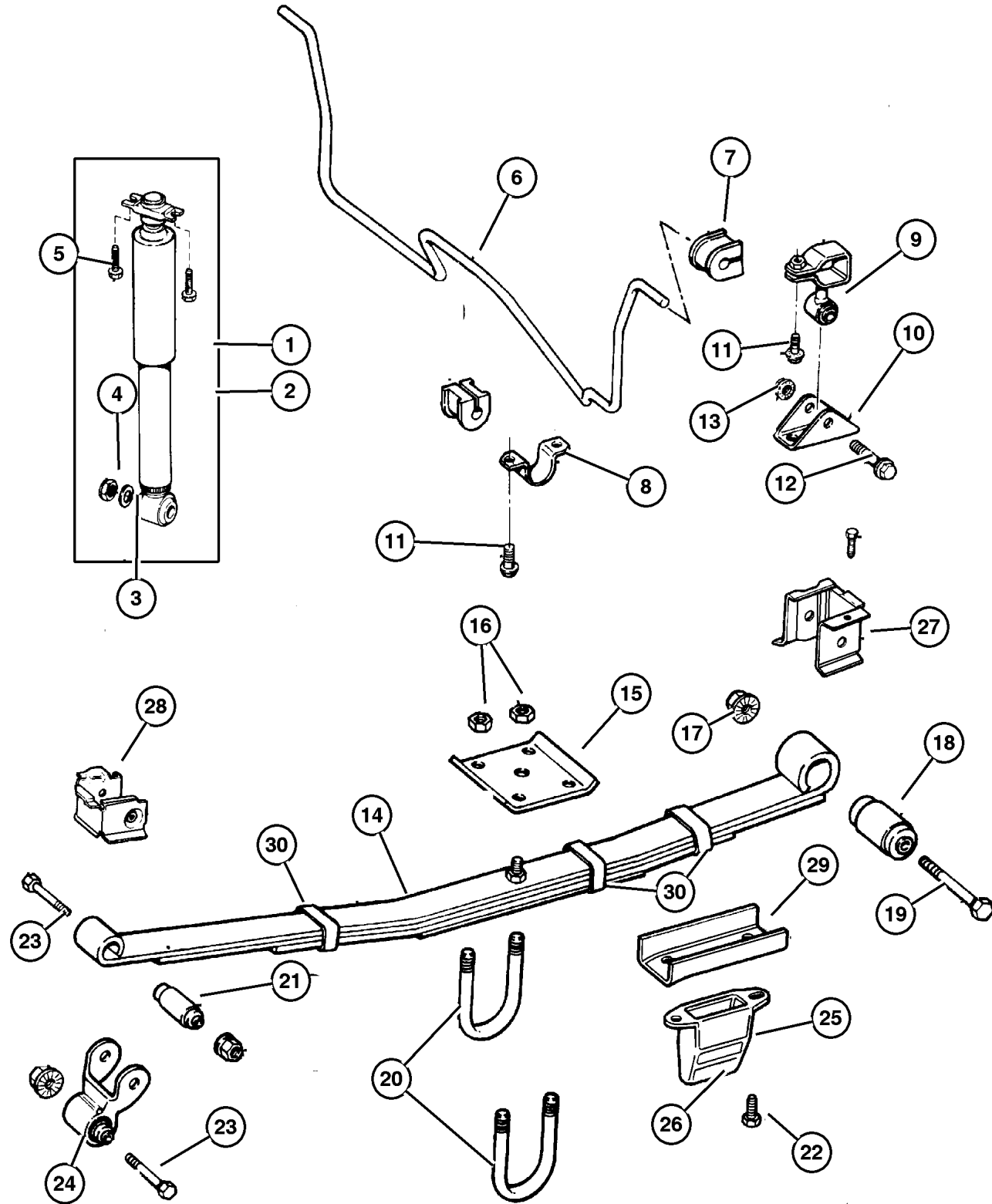
SERIES	LINE	BODY	ENGINE	TRANSMISSION
L=Low Line	J=LHD (4WD) U=RHD (4WD) T=LHD (2WD) B=RHD (2WD)	74=4 DR. (101.4 WB) 72=2 DR. (101.4 WB)	ENC,EN0=2.5L 4 cyl. Turbo Die ERH,ER0=4.0L Power Tech I-6 EPE,EPO=Magnum 2.5L SMPI	DDQ=5Spd Man. DGS=4 Spd. Auto. AISIN DG0=All Auto Trans DBB=All Manual Trans.

AR = Use as required - = Non illustrated part # = New this model year

July 4, 2003

Suspension, Rear with Shock Absorber 1998 XJ  
Figure 017-120

ITEM	PART NUMBER	QTY	LINE	SERIES	BODY	ENGINE	TRANS	TRIM	DESCRIPTION
23									SCREW, Pan Head Torx, M8x1. 25x30.00, (NOT SERVICED) (Not Serviced)
24	5200 0507	2							SHACKLE, Spring
25	5200 4297	2							BUMPER, Jounce
26	5200 4295	2							BUMPER, Jounce
27	5500 1101	1							BRACKET, Spring, Left
28	5500 1103	1							BRACKET, Spring, Left
29	5200 2386	2	J, U						REINFORCEMENT, Jounce Bumper
30	5014 495AA	AR							CLAMP KIT, Leaf Spring



JEEP CHEROKEE (XJ)				
SERIES	LINE	BODY	ENGINE	TRANSMISSION
L=Low Line	J=LHD (4WD) U=RHD (4WD) T=LHD (2WD) B=RHD (2WD)	74=4 DR. (101.4 WB) 72=2 DR. (101.4 WB)	ENC,EN0=2.5L 4 cyl. Turbo Die ERH,ER0=4.0L Power Tech I-6 EPE,EP0=Magnum 2.5L SMPI	DDQ=5Spd Man. DGS=4 Spd. Auto. AISIN DG0=All Auto Trans DBB=All Manual Trans.

AR = Use as required - = Non illustrated part # = New this model year

July 4, 2003

**Suspension, Rear with Shock Absorber 1999 XJ**  
**Figure 017-120**

ITEM	PART NUMBER	QTY	LINE	SERIES	BODY	ENGINE	TRANS	TRIM	DESCRIPTION
------	-------------	-----	------	--------	------	--------	-------	------	-------------

NOTES; SALES CODE EPO= ALL 2.5L I4 GAS---Check the VIN number for the proper 'Z' code for the springs

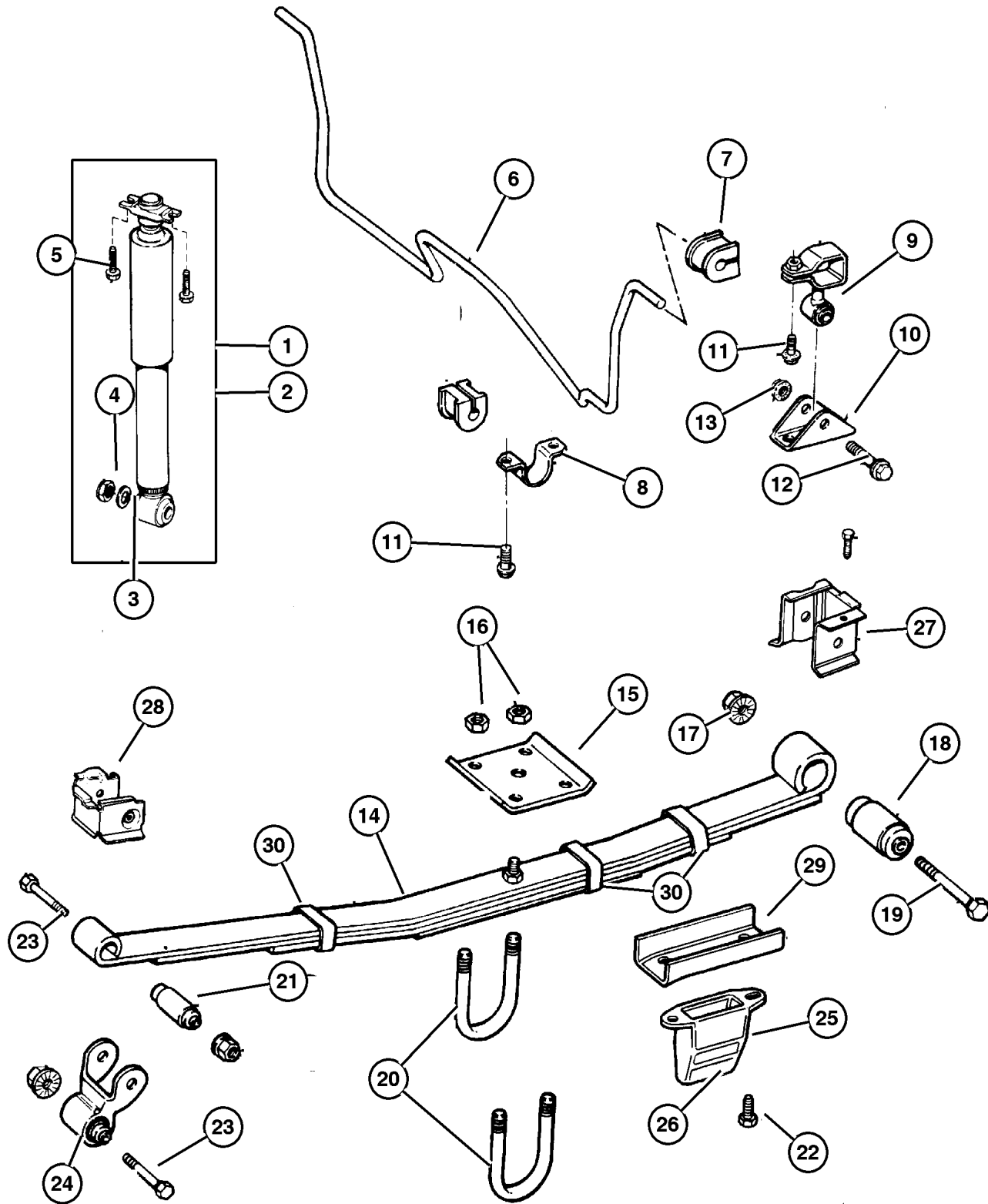
1	#52087 777AE	2							SHOCK ABSORBER, Suspension [SDA]
	#52087 948AB	2							[SDB]
2	#4886 509AE	2	J, U						SHOCK ABSORBER PACKAGE, suspension, [SDU]
3	1150 0325	2							WASHER, Shock Absorber
4	5003 570AA	2				ENO			BOLT, Alternator Bracket
5									SCREW, Hex Flange Head, .312-x18x.875
	J400 1933	2							
		1	B, U			EP0, ER0			
6	5200 1135	1							BAR, Rear Sway
7	5200 1145	4							CUSHION, Sway Eliminator
8	5208 7865	2							RETAINER, Sway Bar
9	5200 1094	2							LINK, Sway Eliminator
10	5200 6450	2							BRACKET, Stabilizer Bar
11	1150 2628	2				EP0	DGD		BOLT, Hex Flange Head, M8x1.25x30
12	1150 5098	1							BOLT, Hex Flange Head, M12x1.75x60
13	6502 697	2							NUT, Hex Flange Lock, M12x1.75
14									SPRING, Rear Leaf
	52000 050AB	1							w/ZUS,ZFS (2157#)
	52000 051AB	1							w/ZUT,ZFT (2424#)
	52000 544AB	1							w/ZVS,ZGS (2157#)
	52000 545AB	1							w/ZVT,ZGT (2524#)
	52000 706AB	1							w/ZUU,ZFU (2961#)
	52000 707AB	1							w/ZVU,ZGU (2691#)
	52002 390AB	1							w/ZVV,ZGV (Off Road)
	52002 392AB	1							w/ZVW,ZGW (Off Road)
15	5200 6449	2							PLATE, U Bolt
16	6502 697	1							NUT, Hex Flange Lock, M12x1.75
17	1150 2814	2							NUT, Hex Flange Lock, M14x2
18	5200 0503	1							BUSHING, Spring
19	3420 2118	6							BOLT, Hex Flange Head, M14x2.0x120
20									U-BOLT, Rear Spring
	5200 4010	4							8.25 Axle
	5200 6440	4							Dana 35,35C Axle
21	5200 0504	1							BUSHING, Spring

**JEEP CHEROKEE (XJ)**

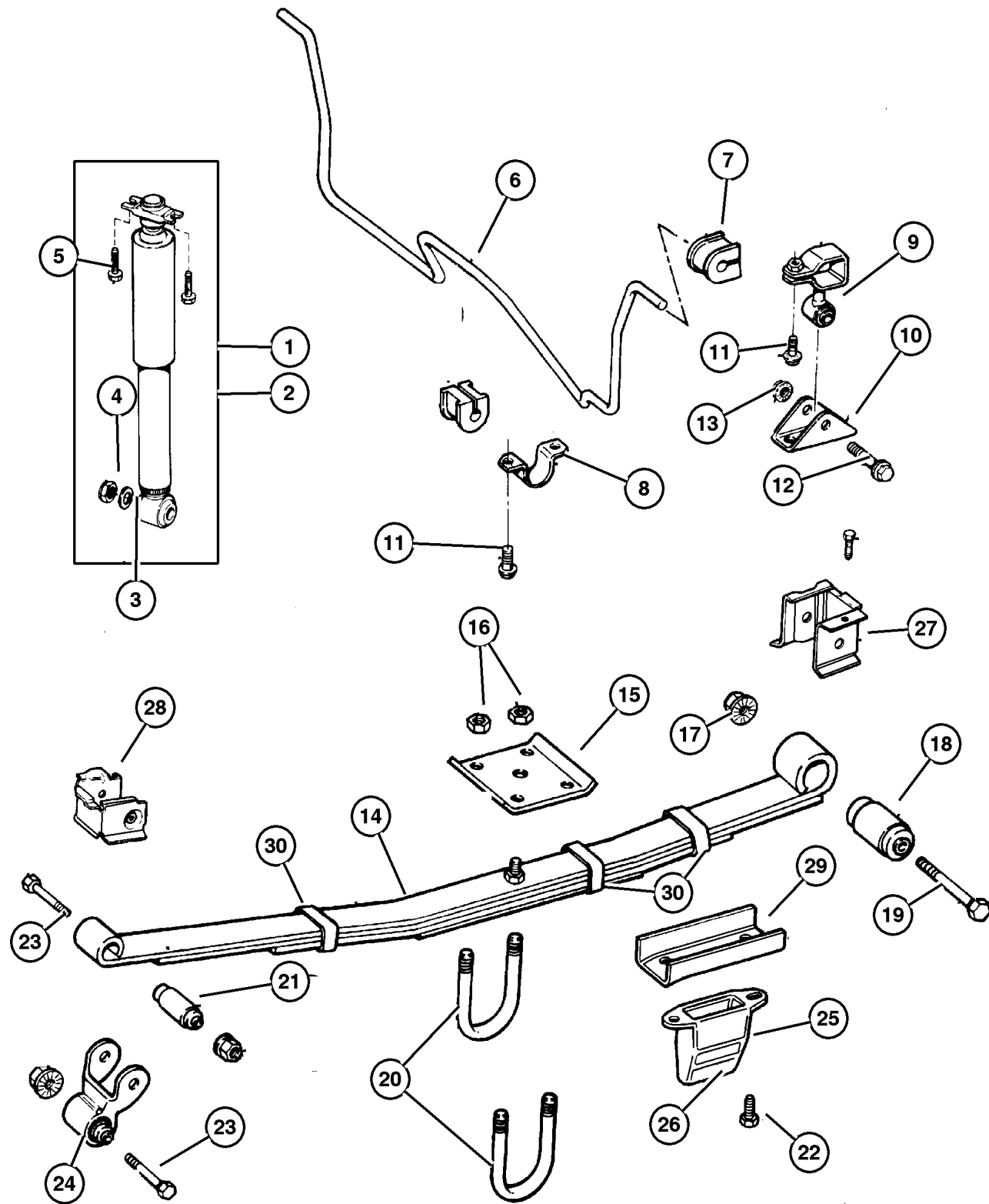
SERIES	LINE	BODY	ENGINE	TRANSMISSION
L=Low Line	J=LHD (4WD) U=RHD (4WD) T=LHD (2WD) B=RHD (2WD)	74=4 DR. (101.4 WB) 72=2 DR. (101.4 WB)	ENC,ENO=2.5L 4 cyl. Turbo Die ERH,ERO=4.0L Power Tech I-6 EPE,EP0=Magnum 2.5L SMPI	DDQ=5Spd Man. DGS=4 Spd. Auto. AISIN DG0=All Auto Trans DBB=All Manual Trans.

AR = Use as required - = Non illustrated part # = New this model year

July 4, 2003



Suspension, Rear with Shock Absorber 1999 XJ  
Figure 017-120



ITEM	PART NUMBER	QTY	LINE	SERIES	BODY	ENGINE	TRANS	TRIM	DESCRIPTION
22									SCREW, Shouldered Hex Head, 25 mm, (NOT SERVICED) (Not Serviced)
23									SCREW, Pan Head Torx, M8x1.25x30.00, (NOT SERVICED) (Not Serviced)
24	5200 0507	2							SHACKLE, Spring
25	5200 4297	2							BUMPER, Jounce
26									BUMPER, Jounce
	5200 2393	2	J, U						Heavy Duty w/Gas
	5200 4295	2							
27									BRACKET, Spring
	5500 1100	1							Right
	5500 1101	1							Left
28									BRACKET, Spring
	5500 1102	1							Right
	5500 1103	1							Left
29	5200 2386	2	J, U						REINFORCEMENT, Jounce Bumper
30	5014 495AB	AR							CLAMP PACKAGE, leaf spring

JEEP CHEROKEE (XJ)  
 SERIES LINE BODY ENGINE TRANSMISSION  
 L=Low Line J=LHD (4WD) 74=4 DR. (101.4 WB) ENC,EN0=2.5L 4 cyl. Turbo Die DDQ=5Spd Man.  
 U=RHD (4WD) 72=2 DR. (101.4 WB) ERH,ER0=4.0L Power Tech I-6 DGS=4 Spd. Auto. AISIN  
 T=LHD (2WD) EPE,EP0=Magnum 2.5L SMPI DG0=All Auto Trans  
 B=RHD (2WD) DBB=All Manual Trans.

AR = Use as required - = Non illustrated part # = New this model year

July 4, 2003



# Group – 019

## Steering

### GROUP 19 - Steering

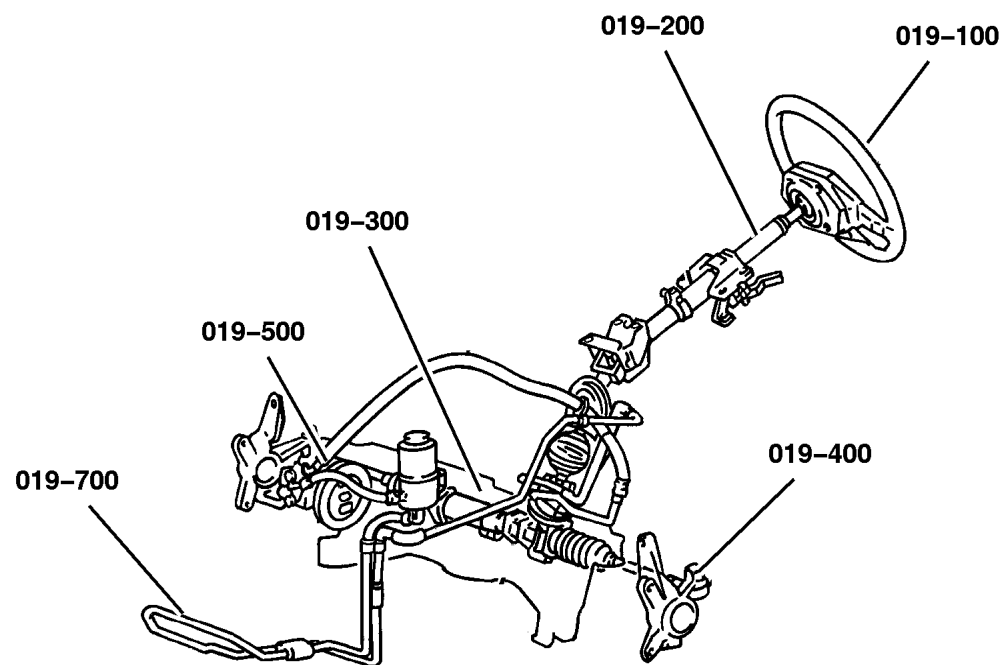


Illustration Title

Group-Fig. No.

#### Steering Wheel

Wheel Steering 1997 XJ .....	Fig. 019-110
Wheel Steering 1998 XJ .....	Fig. 019-110
Wheel Steering 1999 XJ .....	Fig. 019-110

#### Steering Column

Column,Steering,Upper and Lower 1997 XJ .....	Fig. 019-210
Column,Steering,Upper and Lower 1998 XJ .....	Fig. 019-210
Column, Steering,Upper and Lower 1999 XJ .....	Fig. 019-210

#### Steering Gear

Gear, Steering 1997 XJ .....	Fig. 019-320
Gear, Steering 1998 XJ .....	Fig. 019-320
Gear, Steering 1999 XJ .....	Fig. 019-320

#### Steering Linkage

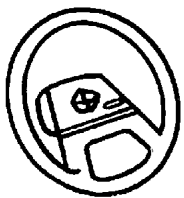
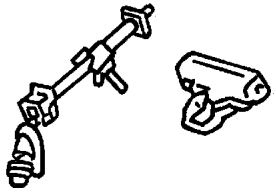
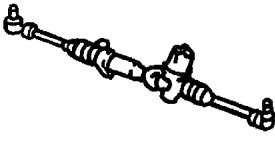
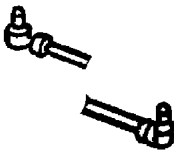
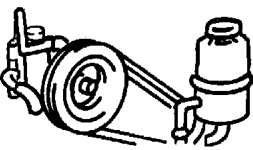
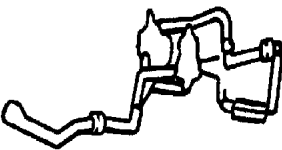
Linkage and Damper 1997 XJ .....	Fig. 019-410
Linkage and Damper 1998 XJ .....	Fig. 019-410
Linkage and Damper 1999 XJ .....	Fig. 019-410

#### Power Steering Pump

Pump and Mounting, with 2.5L Gas Engine 1997 XJ .....	Fig. 019-530
Pump and Mounting, with 2.5L Gas Engine 1998 XJ .....	Fig. 019-530
Pump and Mounting, with 2.5L Gas Engine 1999 XJ .....	Fig. 019-530
Pump and Mounting, with 4.0L Engine 1997 XJ .....	Fig. 019-535
Pump and Mounting, with 4.0L Engine 1998 XJ .....	Fig. 019-535
Pump and Mounting, with 4.0L Engine 1999 XJ .....	Fig. 019-535
Pump and Mounting, with 2.5L Diesel Engine 1997 XJ .....	Fig. 019-545
Pump and Mounting, with 2.5L Diesel Engine 1998 XJ .....	Fig. 019-545
Pump and Mounting, with 2.5L Diesel Engine 1999 XJ .....	Fig. 019-545

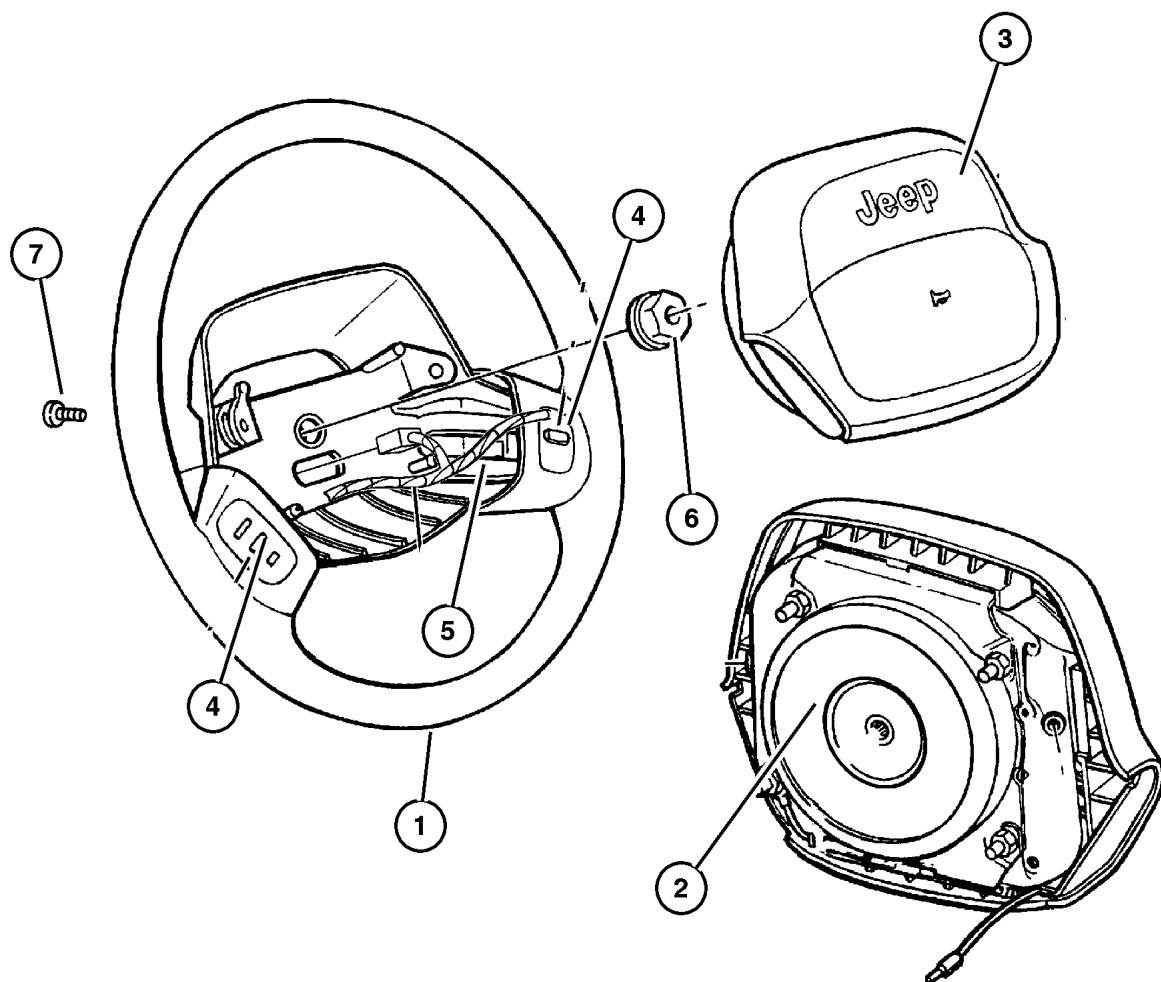
#### Power Steering Hoses

Hose and Reservoir, with 2.5L Gas Engine, Left Hand Drive 1997 XJ .....	Fig. 019-720
Hose and Reservoir, with 2.5L Gas Engine, Left Hand Drive 1998 XJ .....	Fig. 019-720
Hoses and Reservoir, with 2.5L Gas Engine, Left Hand Drive 1999 XJ .....	Fig. 019-720
Hoses and Reservoir, with 2.5L Gas Engine, Right Hand Drive 1997 XJ .....	Fig. 019-730
Hoses and Reservoir, with 2.5L Gas Engine, Right Hand Drive 1998 XJ .....	Fig. 019-730
Hoses and Reservoir, with 2.5L Gas Engine, Right Hand Drive 1999 XJ .....	Fig. 019-730
Hoses and Reservoir, with 4.0L Engine 1997 XJ .....	Fig. 019-740
Hoses and Reservoir, with 4.0L Engine 1998 XJ .....	Fig. 019-740
Hoses and Reservoir, with 4.0L Engine 1999 XJ .....	Fig. 019-740
Hoses and Reservoir, with 2.5L Diesel Engine 1997 XJ .....	Fig. 019-750
Hoses and Reservoir, with 2.5L Diesel Engine 1998 XJ .....	Fig. 019-750
Hoses and Reservoir, with 2.5L Diesel Engine 1999 XJ .....	Fig. 019-750

<p><b>019-100</b> Steering Wheel</p> 	<p><b>019-200</b> Steering Column</p> 	<p><b>019-300</b> Steering Gear</p> 	<p><b>019-400</b> Steering Linkage</p> 
<p><b>019-500</b> Power Steering Pump</p> 	<p><b>019-700</b> Power Steering Hoses</p> 		

Wheel Steering 1997 XJ  
Figure 019-110

ITEM	PART NUMBER	QTY	LINE	SERIES	BODY	ENGINE	TRANS	TRIM	DESCRIPTION
Note: If Horn Switch is defective, you must replace the AIR BAG COVER WITH SWITCH and not the AIR BAG MODULE ASSEMBLY itself.									
1	5DR1 1TAZ	1							WHEEL, Steering [SCD]
	5DR1 0TAZ	1							[SCG]
	5DY2 2LAZ	1							[SCG,NHM]
2	5DS4 8TAZ	1							AIR BAG, Driver Without [NHM]
	5EA0 2LAZ	1							With [NHM]
3	4798 182	1							COVER, Air Bag Module Without [NHM] With Horn Switch
	4798 297	1							With [NHM] With Horn Switch
4	56007 530AB	1							SWITCH, Speed Control With [NHM], Right
	56007 531AB	1							With [NHM], Left
5	5600 9437	1							WIRING, Steering Wheel, With [NHM]
6	4690 339	1					DG0		NUT, Hex Lock, M14x1.5, Steering Wheel, Mounting
7	6503 262	2							SCREW, Hex Flange Head, M6x1.00x20.00, Air Bag Module, Mounting



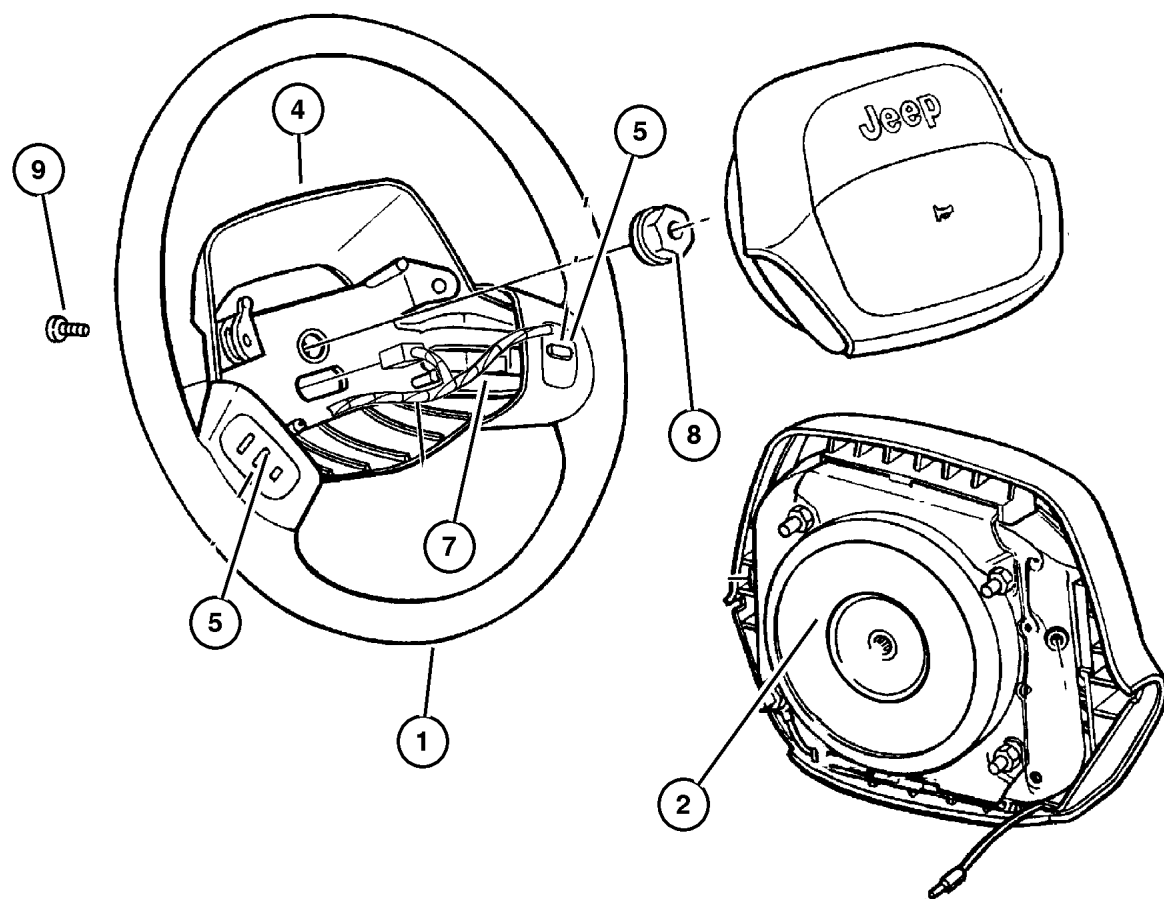
JEEP CHEROKEE (XJ)

SERIES	LINE	BODY	ENGINE	TRANSMISSION
L=Low Line	J=LHD (4WD) U=RHD (4WD) T=LHD (2WD) B=RHD (2WD)	74=4 DR. (101.4 WB) 72=2 DR. (101.4 WB)	ENC,EN0=2.5L 4 cyl. Turbo Die ERH,ER0=4.0L Power Tech I-6 EPE,EP0=Magnum 2.5L SMPI	DDQ=5Spd Man. DGS=4 Spd. Auto. AISIN DG0=All Auto Trans DBB=All Manual Trans.

AR = Use as required - = Non illustrated part # = New this model year

July 4, 2003

Wheel Steering 1998 XJ  
Figure 019-110



ITEM	PART NUMBER	QTY	LINE	SERIES	BODY	ENGINE	TRANS	TRIM	DESCRIPTION
Note: If Horn Switch is defective, you must replace the AIR BAG COVER WITH SWITCH and not the AIR BAG MODULE ASSEMBLY itself.									
1	5DR1 0TAZ	1							WHEEL, Steering with Leather Wrap (SCG)
	5DR1 1TAZ	1							without Leather Wrap (SCD)
2	5GC50 LAZAB	1							AIR BAG, Driver without Speed Control (NHM)
	5GC51 LAZAB	1							with Speed Control (NHM)
-3	4798 182	1							COVER, Air Bag Module, Includes Horn Switch-With & Without (NHM)
4									COVER, Steering Wheel, (NOT REQUIRED)
5									SWITCH, Speed Control
	56007 530AC	1							Right without Speed Control (NHM), Left
	56007 531AC	1							BEZEL, Steering Wheel Without (-NHM), Right
-6	5GK16 DX9AA	1							Without (-NHM), Left
	5GK17 DX9AA	1							WIRING, Steering Wheel
7	5600 9437	1							NUT, Lock, (NOT SERVICED) (Not Serviced)
8									
9									SCREW, Hex Flange Head, M6x1x23, (NOT SERVICED) (Not Serviced)

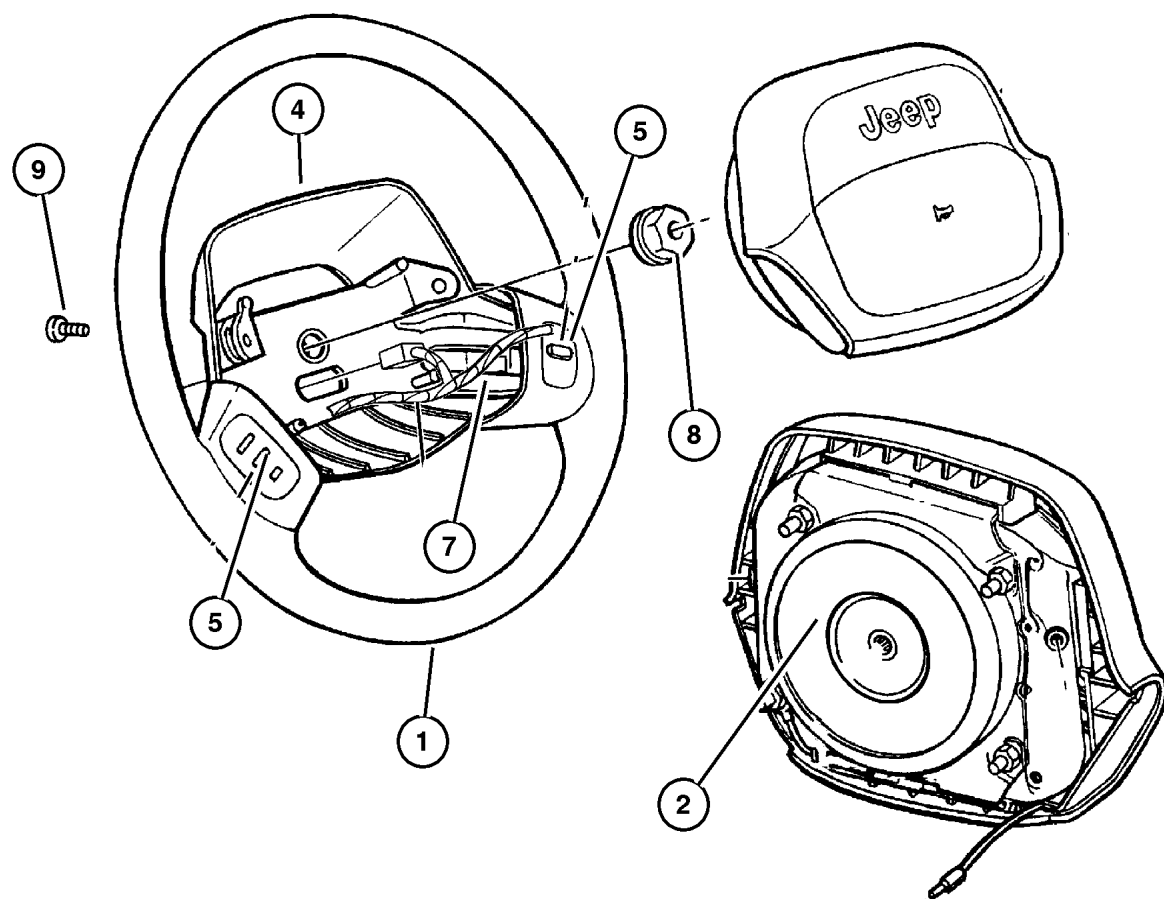
JEEP CHEROKEE (XJ)

SERIES	LINE	BODY	ENGINE	TRANSMISSION
L=Low Line	J=LHD (4WD) U=RHD (4WD) T=LHD (2WD) B=RHD (2WD)	74=4 DR. (101.4 WB) 72=2 DR. (101.4 WB)	ENC,EN0=2.5L 4 cyl. Turbo Die ERH,ER0=4.0L Power Tech I-6 EPE,EP0=Magnum 2.5L SMPI	DDQ=5Spd Man. DGS=4 Spd. Auto. AISIN DG0=All Auto Trans DBB=All Manual Trans.

AR = Use as required - = Non illustrated part # = New this model year

July 4, 2003

Wheel Steering 1999 XJ  
Figure 019-110



ITEM	PART NUMBER	QTY	LINE	SERIES	BODY	ENGINE	TRANS	TRIM	DESCRIPTION
Note: If Horn Switch is defective, you must replace the AIR BAG COVER WITH SWITCH and not the AIR BAG MODULE ASSEMBLY itself.									
1									WHEEL, Steering
	#5DY22 LAZAC	1							Leather Wrap, w/ Speed Control
	5GK43 1AZAA	1							Luxury
	5GL44 1AZAA	1							Leather Wrap, w/o Speed Control
2	5GC51 LAZAB	1							AIR BAG, Driver
-3	4798 182	1							COVER, Air Bag Module, Includes Horn Switch
4									COVER, Steering Wheel, (NOT REQUIRED)
5									SWITCH, Speed Control
	#56007 530AD	1							Right
	#56007 531AD	1							Left
-6									BEZEL, Steering Wheel
	5GK16 DX9AA	1							Without (-NHM), Right
	5GK17 DX9AA	1							Without (-NHM), Left
7	5600 9437	1							WIRING, Steering Wheel
8									NUT, Lock, (NOT SERVICED) (Not Serviced)
9									SCREW, Hex Flange Head, M6x1x23, (NOT SERVICED) (Not Serviced)

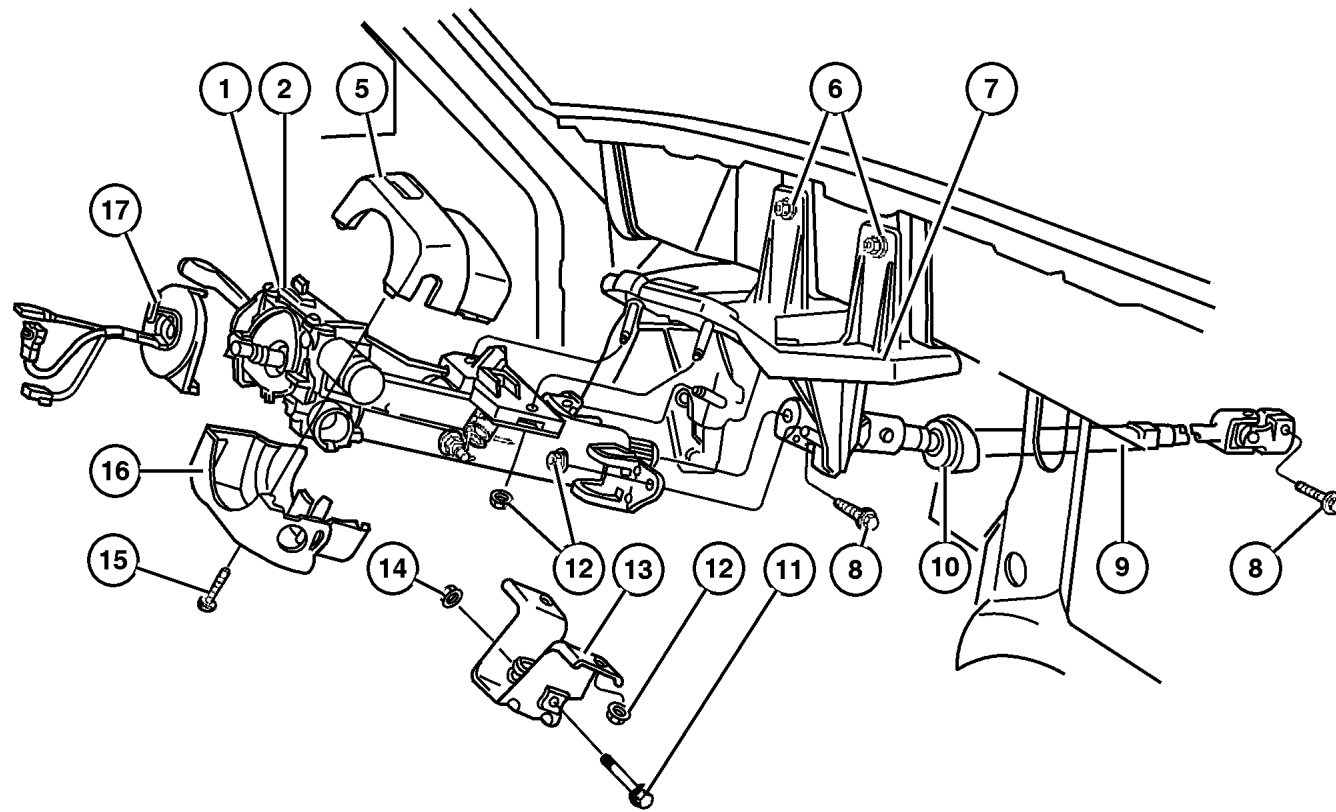
JEEP CHEROKEE (XJ)

SERIES	LINE	BODY	ENGINE	TRANSMISSION
L=Low Line	J=LHD (4WD) U=RHD (4WD) T=LHD (2WD) B=RHD (2WD)	74=4 DR. (101.4 WB) 72=2 DR. (101.4 WB)	ENC,EN0=2.5L 4 cyl. Turbo Die ERH,ER0=4.0L Power Tech I-6 EPE,EP0=Magnum 2.5L SMPI	DDQ=5Spd Man. DGS=4 Spd. Auto. AISIN DG0=All Auto Trans DBB=All Manual Trans.

AR = Use as required - = Non illustrated part # = New this model year

July 4, 2003

**Column,Steering,Upper and Lower 1997 XJ**  
**Figure 019-210**



ITEM	PART NUMBER	QTY	LINE	SERIES	BODY	ENGINE	TRANS	TRIM	DESCRIPTION
Note:Sales Codes;									
[DBB]=Transmissions - All Manual									
[DG0]=Transmissions - All Automatic									
[NHM]= Speed Control									
[SUA]=Steering Column - Tilt									
1									COLUMN, steering, non tilt
	4874 811	1					DBB		
	4874 810	1					DG0		
2									COLUMN, Steering, Tilt
	4874 815	1					DBB		
	4874 814	1					DG0		
-3									LEVER, Tilt Column Release
	4690 372AB	1					DG0		
		1					DBB		
-4									SHIELD, Steering Column
	5207 9332	1					DBB		
		1					DG0		
5									SHROUD, Steering Column
	5FV7 4LAZ	1					DBB		without [SUA], Upper
	5FV7 1LAZ	1					DBB		with [SUA], Upper
	5FV7 4LAZ	1					DG0		without [SUA], Upper
	5FV7 1LAZ	1					DG0		with [SUA], Upper
6	6501 279	2							NUT, Hex Flange Lock, M8x1.25, Bracket to Body, Mounting
7									BRACKET, Steering Column
	5207 8853	1		J, T					
	5207 8930	1		B, U					
8	6503 210	2							SCREW, Hex Flange Head, M10x1. 5x35.
9	5207 9010	1							SHAFT, Intermediate
10	55314 949AB	1							SEAL, Steering Column Shaft
11	6504 698	1							SCREW AND WASHER
12	6501 279	4							NUT, Hex Flange Lock, M8x1.25, Column to Bracket, Mounting
13	5531 4962	1							BRACKET, Steering Column, without [SUA], Upper
14	6503 182	1							NUT AND WASHER, Hex Lock Nut- Coned Teeth Washer, M8 x 1.25
15	6035 434	3							SCREW AND WASHER, Pan Head, Upper to Lower Shroud, Mounting
16									SHROUD, Steering Column
	5FV7 6LAZ	1					DBB		without [SUA], Lower

**JEEP CHEROKEE (XJ)**

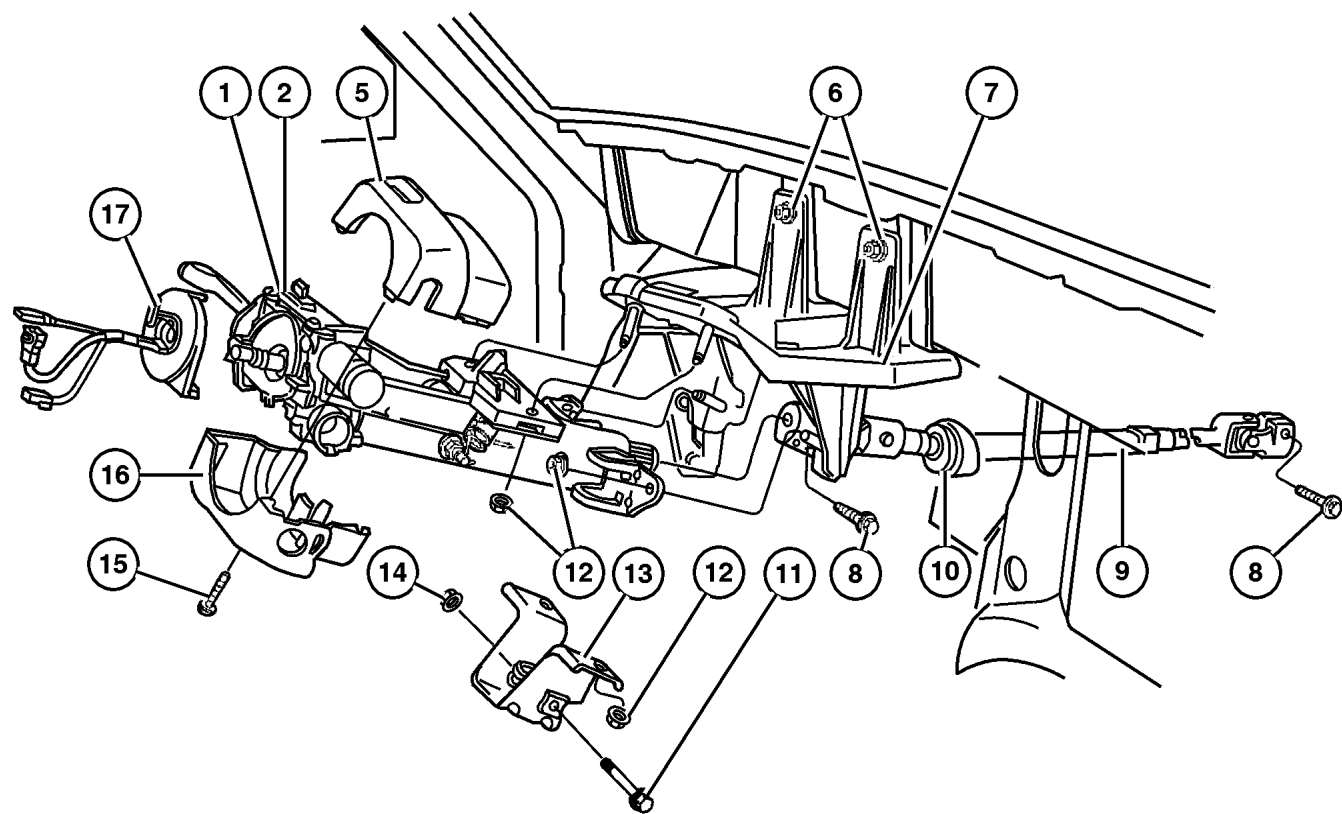
SERIES	LINE	BODY	ENGINE	TRANSMISSION
L=Low Line	J=LHD (4WD) U=RHD (4WD) T=LHD (2WD) B=RHD (2WD)	74=4 DR. (101.4 WB) 72=2 DR. (101.4 WB)	ENC,EN0=2.5L 4 cyl. Turbo Die ERH,ER0=4.0L Power Tech I-6 EPE,EP0=Magnum 2.5L SMPI	DDQ=5Spd Man. DGS=4 Spd. Auto. AISIN DG0=All Auto Trans DBB=All Manual Trans.

AR = Use as required - = Non illustrated part # = New this model year

July 4, 2003

**Column,Steering,Upper and Lower 1997 XJ  
Figure 019-210**

ITEM	PART NUMBER	QTY	LINE	SERIES	BODY	ENGINE	TRANS	TRIM	DESCRIPTION
		1					DBB		with [SUA], Lower
	5FV7 0LAZ	1					DG0		without [SUA], Lower
17		1					DG0		with [SUA], Lower CLOCKSPRING without [NHM]
	5600 9070	1							with [NHM]
	5600 9071	1							BRACKET, Instrument Panel Wiring
-18									
	5600 9146	1	J, T						
	5600 9147	1	B, U						



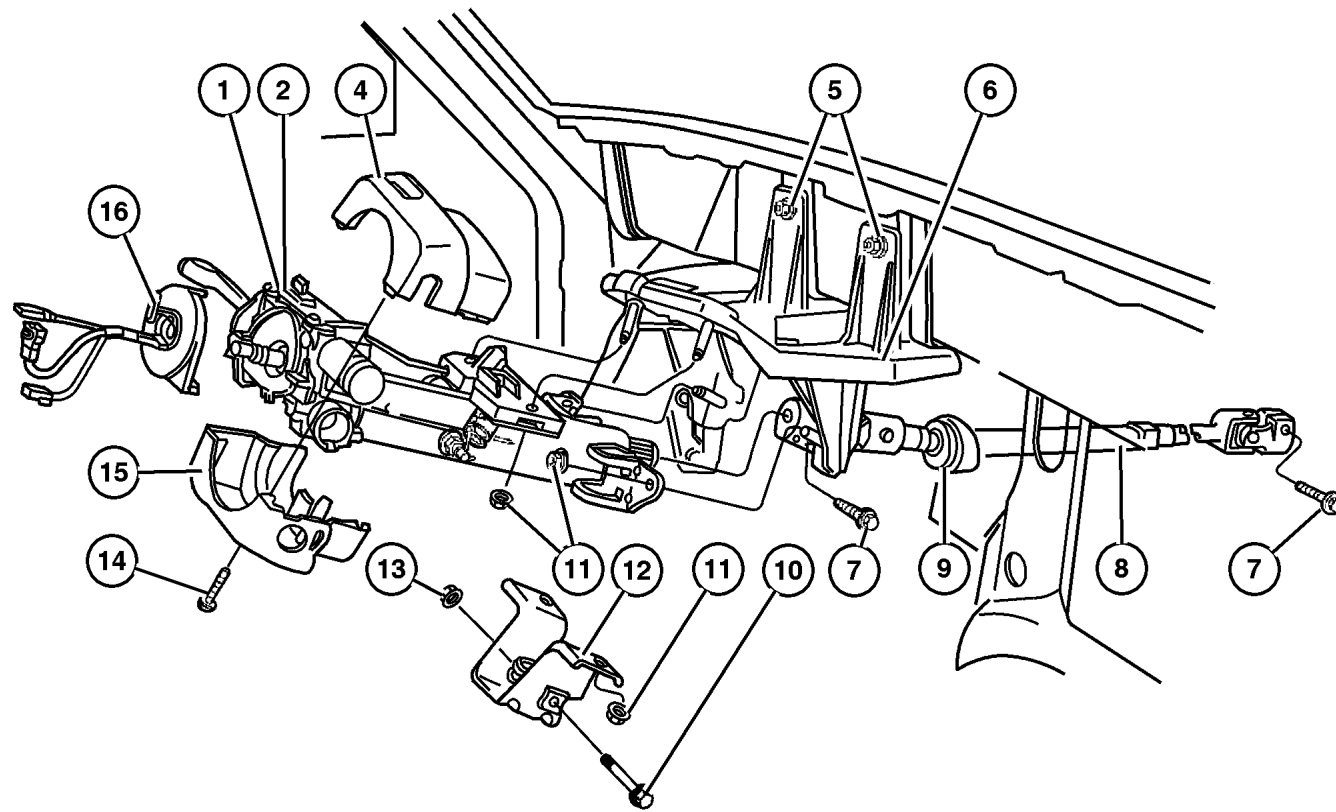
**JEEP CHEROKEE (XJ)**

<b>SERIES</b>	<b>LINE</b>	<b>BODY</b>	<b>ENGINE</b>	<b>TRANSMISSION</b>
L=Low Line	J=LHD (4WD) U=RHD (4WD) T=LHD (2WD) B=RHD (2WD)	74=4 DR. (101.4 WB) 72=2 DR. (101.4 WB)	ENC,EN0=2.5L 4 cyl. Turbo Die ERH,ER0=4.0L Power Tech I-6 EPE,EP0=Magnum 2.5L SMPI	DDQ=5Spd Man. DGS=4 Spd. Auto. AISIN DG0=All Auto Trans DBB=All Manual Trans.

AR = Use as required - = Non illustrated part # = New this model year

July 4, 2003

**Column,Steering,Upper and Lower 1998 XJ  
Figure 019-210**



ITEM	PART NUMBER	QTY	LINE	SERIES	BODY	ENGINE	TRANS	TRIM	DESCRIPTION
Note:Sales Codes;									
[ABB]=European Equipment Group									
[DBB]=Transmissions - All Manual									
[DG0]=Transmissions - All Automatic									
[NHM]= Speed Control									
[SUA]=Steering Column - Tilt									
1									COLUMN, steering, non tilt
	4897 820AB	1					DBB		
	4897 818AB	1					DG0		
2									COLUMN, Steering, Tilt
	4897 811AB	1					DBB		without [ABB]
	4897 809AB	1					DG0		without [ABB]
	4897 812AB	1					DBB		with [ABB], Mandatory ( CYPRUS, EUROPEAN, AUSTRALIA, SOUTH KOREA, SOUTH AFRICA, UNITED KINGDOM MARKET PACKAGE), Mandatory (CYPRUS, EUROPEAN, AUSTRALIA, SOUTH KOREA, SOUTH AFRICA, UNITED KINGDOM MARKET PACKAGE)
	4897 810AB	1					DG0		with [ABB], Mandatory ( CYPRUS, EUROPEAN, AUSTRALIA, SOUTH KOREA, SOUTH AFRICA, UNITED KINGDOM MARKET PACKAGE), Mandatory (CYPRUS, EUROPEAN, AUSTRALIA, SOUTH KOREA, SOUTH AFRICA, UNITED KINGDOM MARKET PACKAGE)
-3									SHIELD, Steering Column
	5207 9332	1					DBB		
		1					DG0		
4									SHROUD, Steering Column
	5FV74 LAZAC	1					DBB		without [SUA], Upper
	5FV71 LAZAC	1					DBB		with [SUA], Upper
	5FV74 LAZAC	1					DG0		without [SUA], Upper
	5FV71 LAZAC	1					DG0		with [SUA], Upper
5	6501 279	5							NUT, Hex Flange Lock, M8x1.25, Bracket to Body, Mounting
6									BRACKET, Steering Column
	5207 8853	1	J, T						

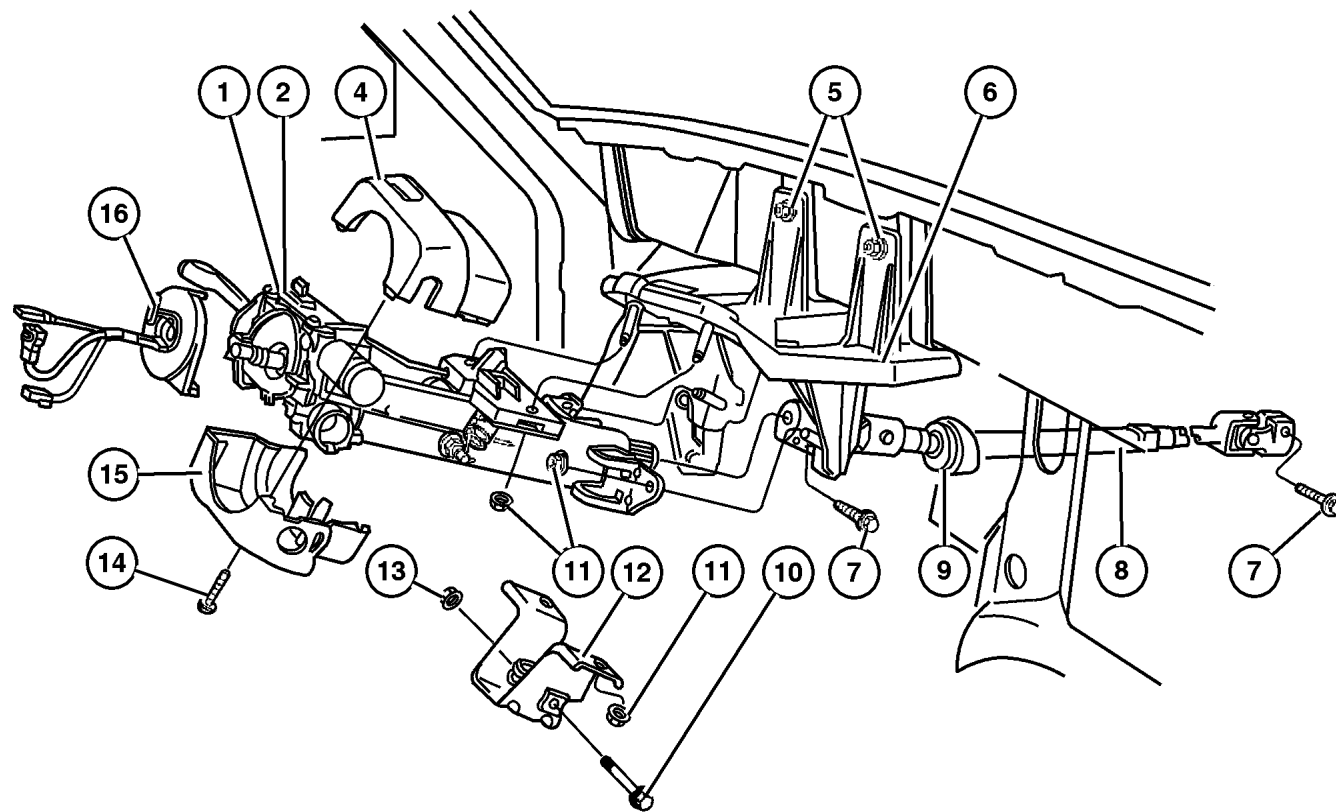
**JEEP CHEROKEE (XJ)**

SERIES	LINE	BODY	ENGINE	TRANSMISSION
L=Low Line	J=LHD (4WD) U=RHD (4WD) T=LHD (2WD) B=RHD (2WD)	74=4 DR. (101.4 WB) 72=2 DR. (101.4 WB)	ENC,EN0=2.5L 4 cyl. Turbo Die ERH,ER0=4.0L Power Tech I-6 EPE,EP0=Magnum 2.5L SMPI	DDQ=5Spd Man. DGS=4 Spd. Auto. AISIN DG0=All Auto Trans DBB=All Manual Trans.

AR = Use as required - = Non illustrated part # = New this model year

July 4, 2003

**Column,Steering,Upper and Lower 1998 XJ**  
**Figure 019-210**



ITEM	PART NUMBER	QTY	LINE	SERIES	BODY	ENGINE	TRANS	TRIM	DESCRIPTION
	52078 930AB	1	B, U						
7	6503 210	2							SCREW, Hex Flange Head, M10x1.5x35.
8	52079 010AD	1							SHAFT, Intermediate
9	55314 949AB	1							SEAL, Steering Column Shaft, Purchase Intermediate Shaft Assembly
10	6504 698	1							SCREW AND WASHER
11	6501 279	5							NUT, Hex Flange Lock, M8x1.25, Column to Bracket, Mounting
12	55314 986AC	1							BRACKET, Steering Column, Upper
13	6503 182	1							NUT AND WASHER, Hex Lock Nut-Coned Teeth Washer, M8 x 1.25
14	6035 434	3							SCREW AND WASHER, Pan Head, Upper to Lower Shroud, Mounting
15	5FV76 LAZAC	1					DBB		SHROUD, Steering Column without [SUA], Lower
		1					DBB		with [SUA], Lower
	5FV70 LAZAC	1					DG0		without [SUA], Lower
		1					DG0		with [SUA], Lower
16									CLOCKSPRING
	5600 9070	1							without [NHM]
	5600 9071	1							with [NHM]
-17	55314 965AB	1							TRIM RING, Ignition Key Cylinder
-18									BRACKET, Instrument Panel Wiring
	5600 9146	1	J, T						
	5600 9147	1	B, U						

**JEEP CHEROKEE (XJ)**

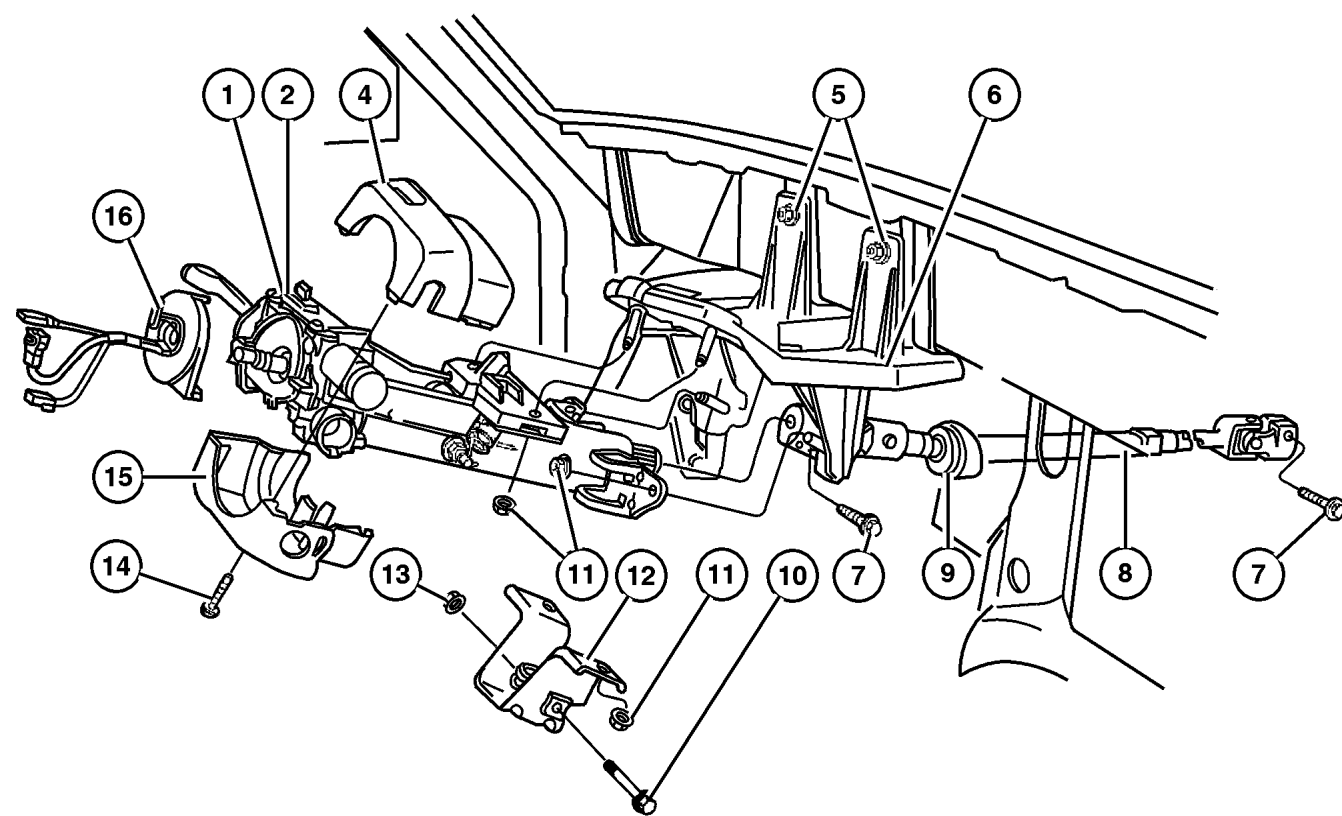
SERIES	LINE	BODY	ENGINE	TRANSMISSION
L=Low Line	J=LHD (4WD) U=RHD (4WD) T=LHD (2WD) B=RHD (2WD)	74=4 DR. (101.4 WB) 72=2 DR. (101.4 WB)	ENC,EN0=2.5L 4 cyl. Turbo Die ERH,ER0=4.0L Power Tech I-6 EPE,EP0=Magnum 2.5L SMPI	DDQ=5Spd Man. DGS=4 Spd. Auto. AISIN DG0=All Auto Trans DBB=All Manual Trans.

AR = Use as required - = Non illustrated part # = New this model year

July 4, 2003



**Column, Steering,Upper and Lower 1999 XJ  
Figure 019-210**



ITEM	PART NUMBER	QTY	LINE	SERIES	BODY	ENGINE	TRANS	TRIM	DESCRIPTION
Note:Sales Codes;									
[ABB]=European Equipment Group									
[DBB]=Transmissions - All Manual									
[DG0]=Transmissions - All Automatic									
[NHM]= Speed Control									
[SUA]=Steering Column - Tilt									
1									COLUMN, steering, non tilt
	4897 820AB	1					DBB		
	4897 818AB	1					DG0		
2									COLUMN, Steering, Tilt
	4897 811AB	1					DBB		without [ABB]
	4897 809AB	1					DG0		without [ABB]
	4897 812AB	1					DBB		with [ABB]
	4897 810AB	1					DG0		with [ABB]
-3									SHIELD, Steering Column
	5207 9332	1					DBB		
		1					DG0		
4									SHROUD, Steering Column
	5FV74 LAZAC	1					DBB		without [SUA], Upper
	5FV71 LAZAC	1					DBB		with [SUA], Upper
	5FV74 LAZAC	1					DG0		without [SUA], Upper
	5FV71 LAZAC	1					DG0		with [SUA], Upper
5	6501 279	5							NUT, Hex Flange Lock, M8x1.25, Bracket to Body, Mounting
6									BRACKET, Steering Column
	5207 8853	1		J, T					
	52078 930AB	1		B, U					
7	6503 210	2							SCREW, Hex Flange Head, M10x1. 5x35.
8	52079 010AD	1							SHAFT, Intermediate
9	55314 949AD	1							SEAL, Intermediate shaft
10	6504 698	1							SCREW AND WASHER
11	6501 279	5							NUT, Hex Flange Lock, M8x1.25, Column to Bracket, Mounting
12	55314 986AC	1							BRACKET, Steering Column, Upper
13	6503 182	1							NUT AND WASHER, Hex Lock Nut- Coned Teeth Washer, M8 x 1.25
14	6035 434	3							SCREW AND WASHER, Pan Head, Upper to Lower Shroud, Mounting
15									SHROUD, Steering Column
	5FV76 LAZAC	1					DBB		without [SUA], Lower
		1					DBB		with [SUA], Lower

**JEEP CHEROKEE (XJ)**

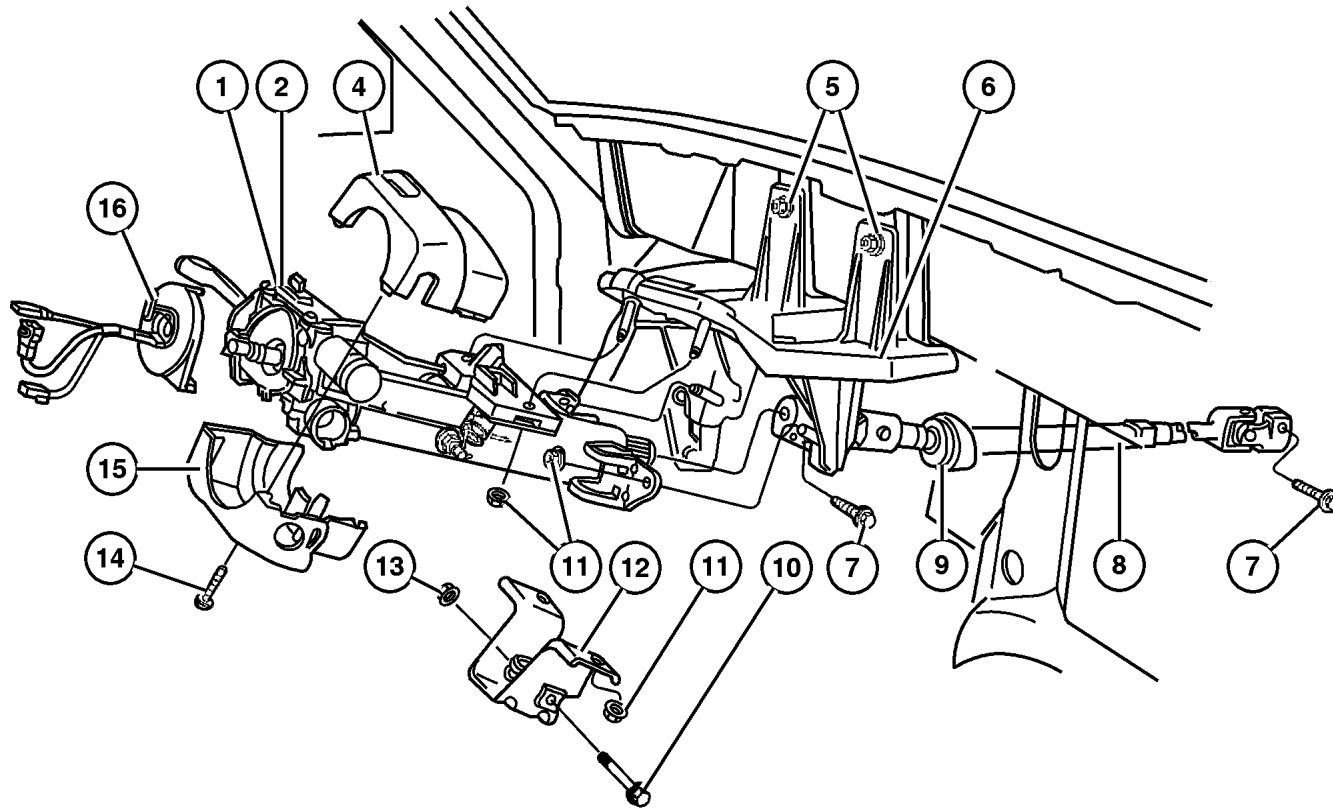
SERIES	LINE	BODY	ENGINE	TRANSMISSION
L=Low Line	J=LHD (4WD) U=RHD (4WD) T=LHD (2WD) B=RHD (2WD)	74=4 DR. (101.4 WB) 72=2 DR. (101.4 WB)	ENC,EN0=2.5L 4 cyl. Turbo Die ERH,ER0=4.0L Power Tech I-6 EPE,EP0=Magnum 2.5L SMPI	DDQ=5Spd Man. DGS=4 Spd. Auto. AISIN DG0=All Auto Trans DBB=All Manual Trans.

AR = Use as required - = Non illustrated part # = New this model year

July 4, 2003

Column, Steering, Upper and Lower 1999 XJ  
Figure 019-210

ITEM	PART NUMBER	QTY	LINE	SERIES	BODY	ENGINE	TRANS	TRIM	DESCRIPTION
	5FV70 LAZAC	1					DG0		without [SUA], Lower
		1					DG0		with [SUA], Lower
16	5600 9070	1							CLOCKSPRING
	5600 9071	1							without [NHM]
									with [NHM]
-17	55314 965AB	1							TRIM RING, Ignition Key Cylinder
-18									BRACKET, Instrument Panel Wiring
	5600 9146	1	J, T						
	5600 9147	1	B, U						



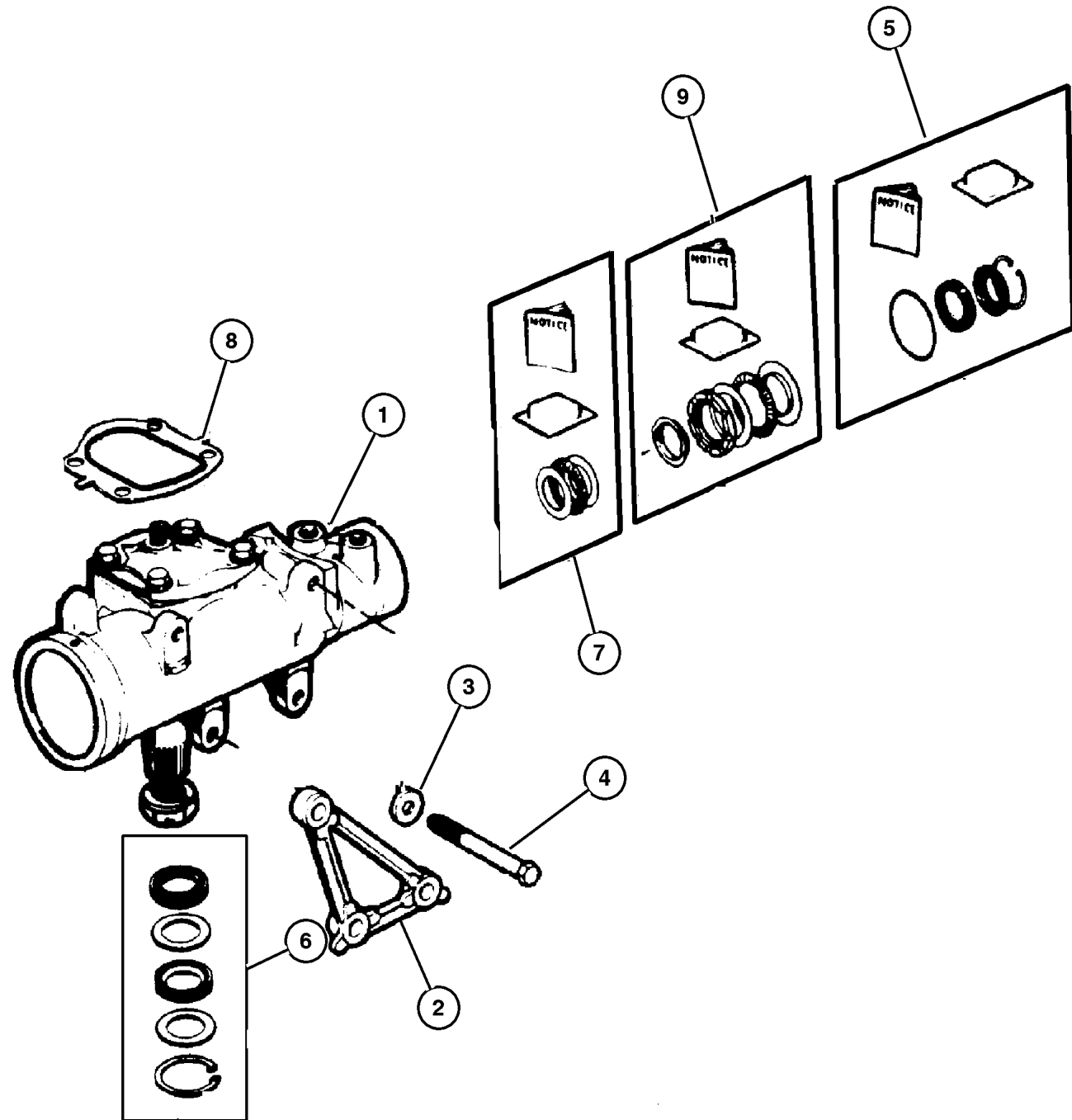
JEEP CHEROKEE (XJ)

SERIES	LINE	BODY	ENGINE	TRANSMISSION
L=Low Line	J=LHD (4WD) U=RHD (4WD) T=LHD (2WD) B=RHD (2WD)	74=4 DR. (101.4 WB) 72=2 DR. (101.4 WB)	ENC,EN0=2.5L 4 cyl. Turbo Die ERH,ER0=4.0L Power Tech I-6 EPE,EP0=Magnum 2.5L SMPI	DDQ=5Spd Man. DGS=4 Spd. Auto. AISIN DG0=All Auto Trans DBB=All Manual Trans.

AR = Use as required - = Non illustrated part # = New this model year

July 4, 2003

**Gear, Steering 1997 XJ**  
**Figure 019-320**



ITEM	PART NUMBER	QTY	LINE	SERIES	BODY	ENGINE	TRANS	TRIM	DESCRIPTION
1									GEAR, Power Steering
	5208 8386	1	J						Left Hand Drive
	5208 8532	1	B, U						Right Hand Drive
2									ADAPTER, Steering Gear
	5200 0090	1	J, T						Left Hand Drive
	5200 6512	1	B, U						Right Hand Drive
3	J400 3926	3							WASHER, Flat, .437x.875x.135
4	6035 939AA	3							SCREW, Hex Head
5	3893 557	1	J, T						SEAL KIT, Steering gear end plug
6	4470 365	1	J, T						SEAL KIT, Steering gear pitman shaft
7									REPAIR KIT, Thurst Bearing, Steering Gear
	4897 000AA	1	J, T						
		1	B, U						
8	3893 558	1	J, T						SEAL, Steering Gear Cover
9									SEAL KIT, Steering gear adjuster plug
	4886 349AA	1	J, T						
		1	B, U						

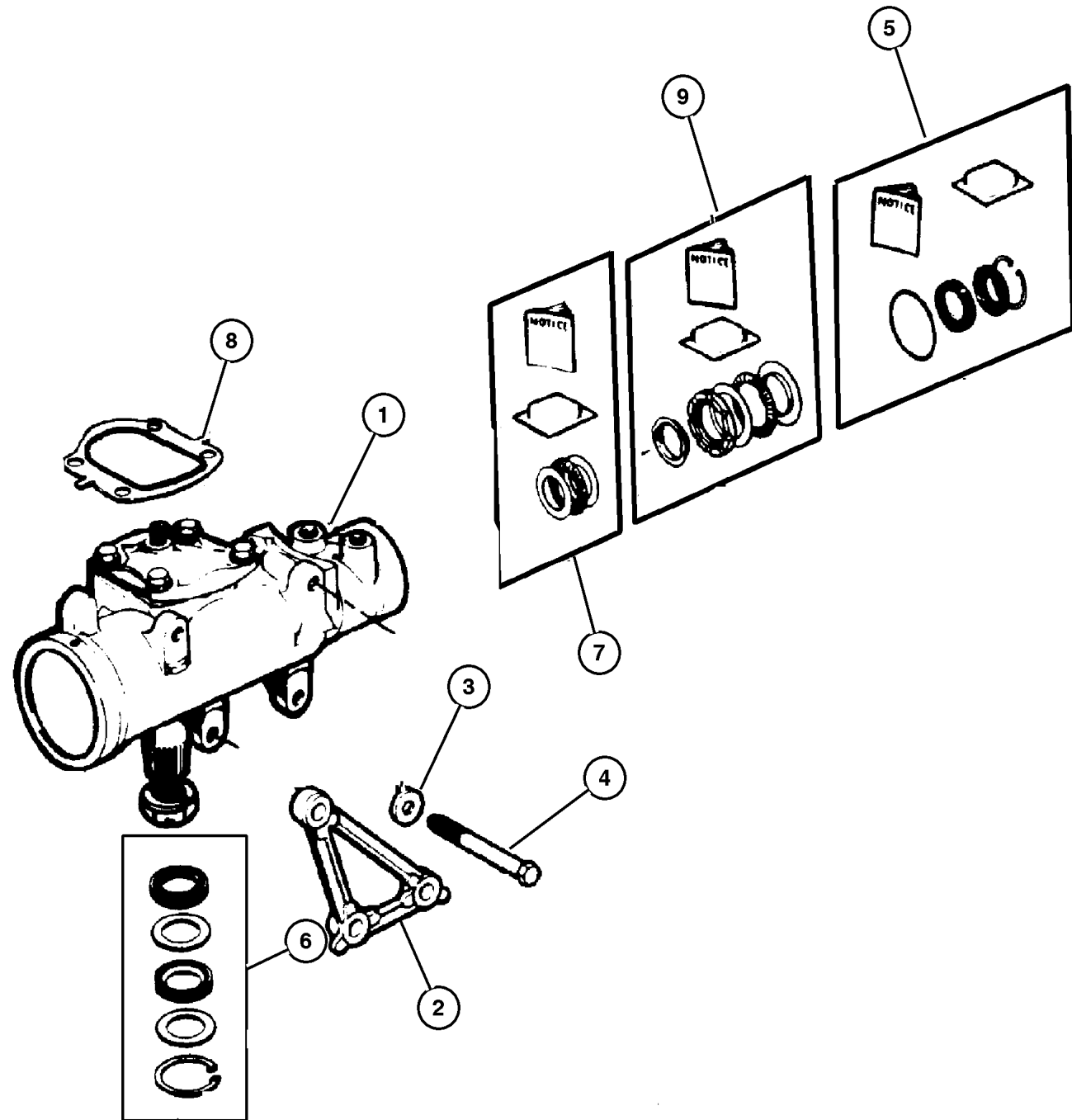
**JEEP CHEROKEE (XJ)**

SERIES	LINE	BODY	ENGINE	TRANSMISSION
L=Low Line	J=LHD (4WD) U=RHD (4WD) T=LHD (2WD) B=RHD (2WD)	74=4 DR. (101.4 WB) 72=2 DR. (101.4 WB)	ENC,EN0=2.5L 4 cyl. Turbo Die ERH,ER0=4.0L Power Tech I-6 EPE,EP0=Magnum 2.5L SMPI	DDQ=5Spd Man. DGS=4 Spd. Auto. AISIN DG0=All Auto Trans DBB=All Manual Trans.

AR = Use as required - = Non illustrated part # = New this model year

July 4, 2003

**Gear, Steering 1998 XJ**  
**Figure 019-320**



ITEM	PART NUMBER	QTY	LINE	SERIES	BODY	ENGINE	TRANS	TRIM	DESCRIPTION
1									GEAR, Power Steering
	52088 386AB	1	J, T						
	5208 8532	1	B, U						
2									ADAPTER, Steering Gear
	5200 0090	1	J, T						
	5200 6512	1	B, U						
3	J400 3926	3							WASHER, Flat, .437x.875x.135
4	6035 939AA	3							SCREW, Hex Head
5	3893 557	1	J, T						SEAL KIT, Steering gear end plug
6	4470 365	1	J, T						SEAL KIT, Steering gear pitman shaft
7									REPAIR KIT, Thurst Bearing, Steering Gear
	4897 000AA	1	J, T						
		1	B, U						
8	3893 558	1	J, T						SEAL, Steering Gear Cover
9	4886 349AA	1	J, T						SEAL KIT, Steering gear adjuster plug

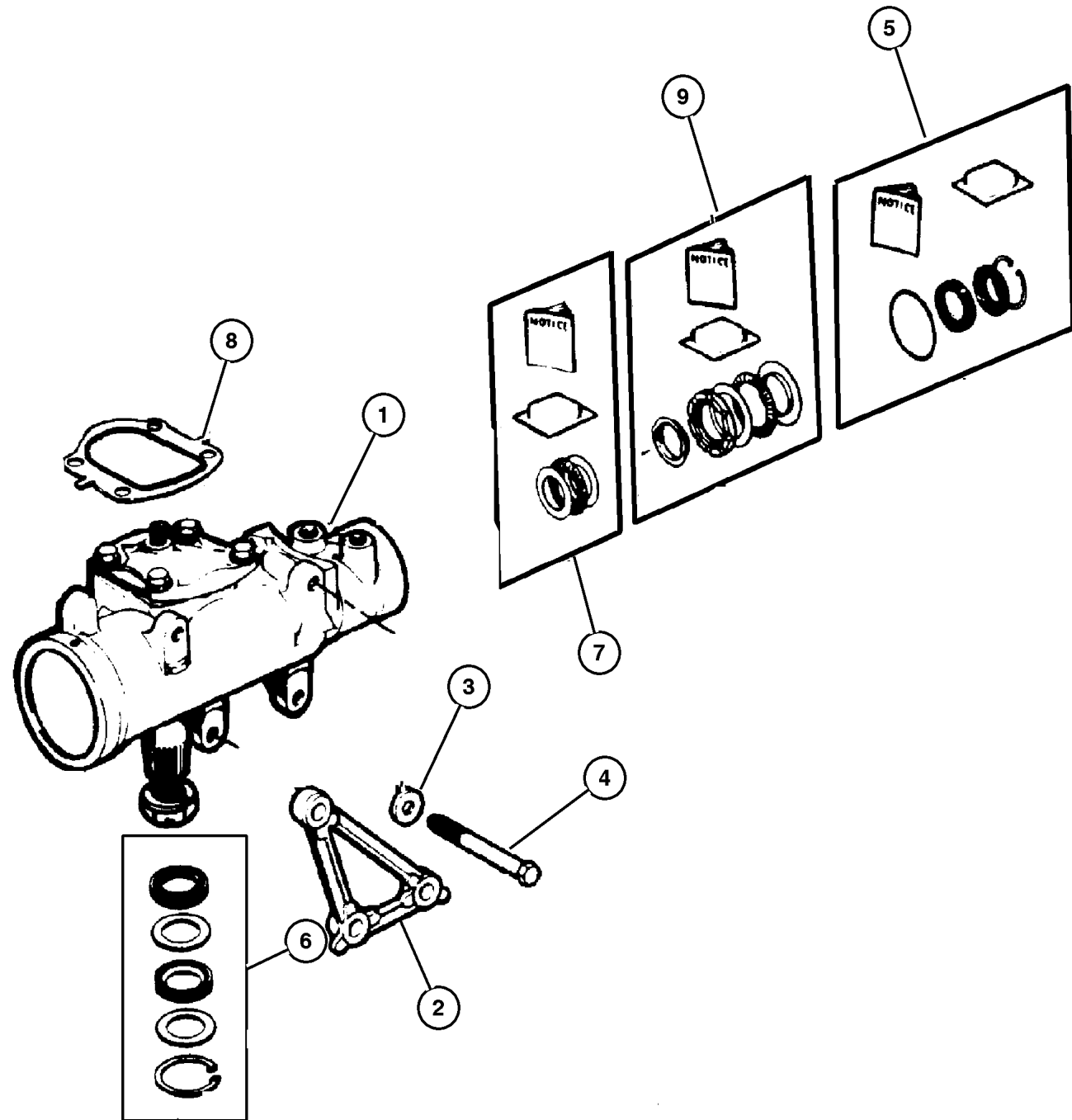
**JEEP CHEROKEE (XJ)**

SERIES	LINE	BODY	ENGINE	TRANSMISSION
L=Low Line	J=LHD (4WD) U=RHD (4WD) T=LHD (2WD) B=RHD (2WD)	74=4 DR. (101.4 WB) 72=2 DR. (101.4 WB)	ENC,EN0=2.5L 4 cyl. Turbo Die ERH,ER0=4.0L Power Tech I-6 EPE,EP0=Magnum 2.5L SMPI	DDQ=5Spd Man. DGS=4 Spd. Auto. AISIN DG0=All Auto Trans DBB=All Manual Trans.

AR = Use as required - = Non illustrated part # = New this model year

July 4, 2003

**Gear, Steering 1999 XJ**  
**Figure 019-320**



ITEM	PART NUMBER	QTY	LINE	SERIES	BODY	ENGINE	TRANS	TRIM	DESCRIPTION
1									GEAR, Power Steering
	#52088 386AD	1	J, T						
	#52088 532AH	1	B, U						
2									ADAPTER, Steering Gear
	5200 0090	1	J, T						
	5200 6512	1	B, U						
3	J400 3926	3							WASHER, Flat, .437x.875x.135
4	6035 939AA	3							SCREW, Hex Head
5									SEAL KIT, Steering gear end plug
	3893 557	1	B, U						
		1	J, T						
6									SEAL KIT, Steering gear pitman shaft
	4470 365	1	J, T						
		1	B, U						
7									REPAIR KIT, Thrust Bearing, Steering Gear
	4897 000AA	1	B, U						
		1	J, T						
8									SEAL, Steering Gear Cover
	3893 558	1	B, U						
		1	J, T						
9									SEAL KIT, Steering gear adjuster plug
	4886 349AA	1	B, U						
		1	J, T						

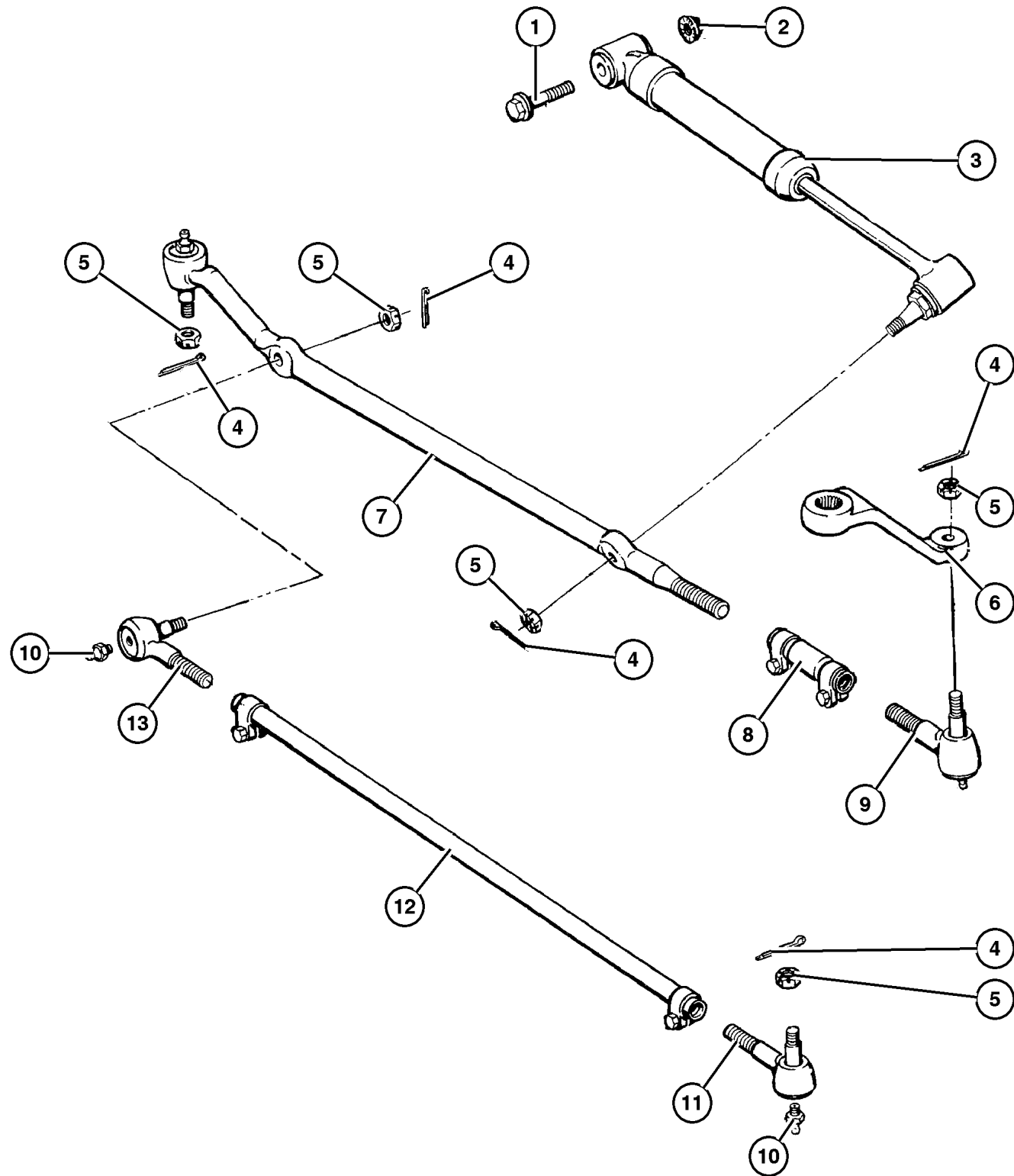
**JEEP CHEROKEE (XJ)**

SERIES	LINE	BODY	ENGINE	TRANSMISSION
L=Low Line	J=LHD (4WD) U=RHD (4WD) T=LHD (2WD) B=RHD (2WD)	74=4 DR. (101.4 WB) 72=2 DR. (101.4 WB)	ENC,EN0=2.5L 4 cyl. Turbo Die ERH,ER0=4.0L Power Tech I-6 EPE,EP0=Magnum 2.5L SMPI	DDQ=5Spd Man. DGS=4 Spd. Auto. AISIN DG0=All Auto Trans DBB=All Manual Trans.

AR = Use as required - = Non illustrated part # = New this model year

July 4, 2003

**Linkage and Damper 1997 XJ**  
**Figure 019-410**



ITEM	PART NUMBER	QTY	LINE	SERIES	BODY	ENGINE	TRANS	TRIM	DESCRIPTION
1	1150 5098	1							BOLT, Hex Flange Head, M12x1.75x60
2	6502 697	1							NUT, Hex Flange Lock, M12x1.75
3	5208 7827	1	J, T						DAMPER, Steering Linkage
	5203 7506	1	B, U						
4	3420 2101	1							PIN, Cotter
5	J027 4428	1							NUT, Hex Slotted
6	5200 0615	1	J, T						ARM, Pitman
	5200 6505	1	B, U						
7	5200 6592	1	J, T						SOCKET, Drag Link Outer
	5200 6582	1	B, U						Outer
8	5200 5742	1	J, T						TUBE, Tie Rod
		1	B, U						
9	5200 5739	1	J, T						SOCKET Drag Link, Inner
		1	B, U						Drag Link, Inner
10	8350 7064	1	J, T						FITTING PACKAGE, Grease
		1	B, U						
11	5200 5741	1	J, T						SOCKET, Tie Rod, Outer
		1	B, U						
12	5208 7674	1	J, T						TUBE, Tie Rod
		1	B, U						
13	5200 5740	1	J, T						SOCKET, Tie Rod, Inner
		1	B, U						

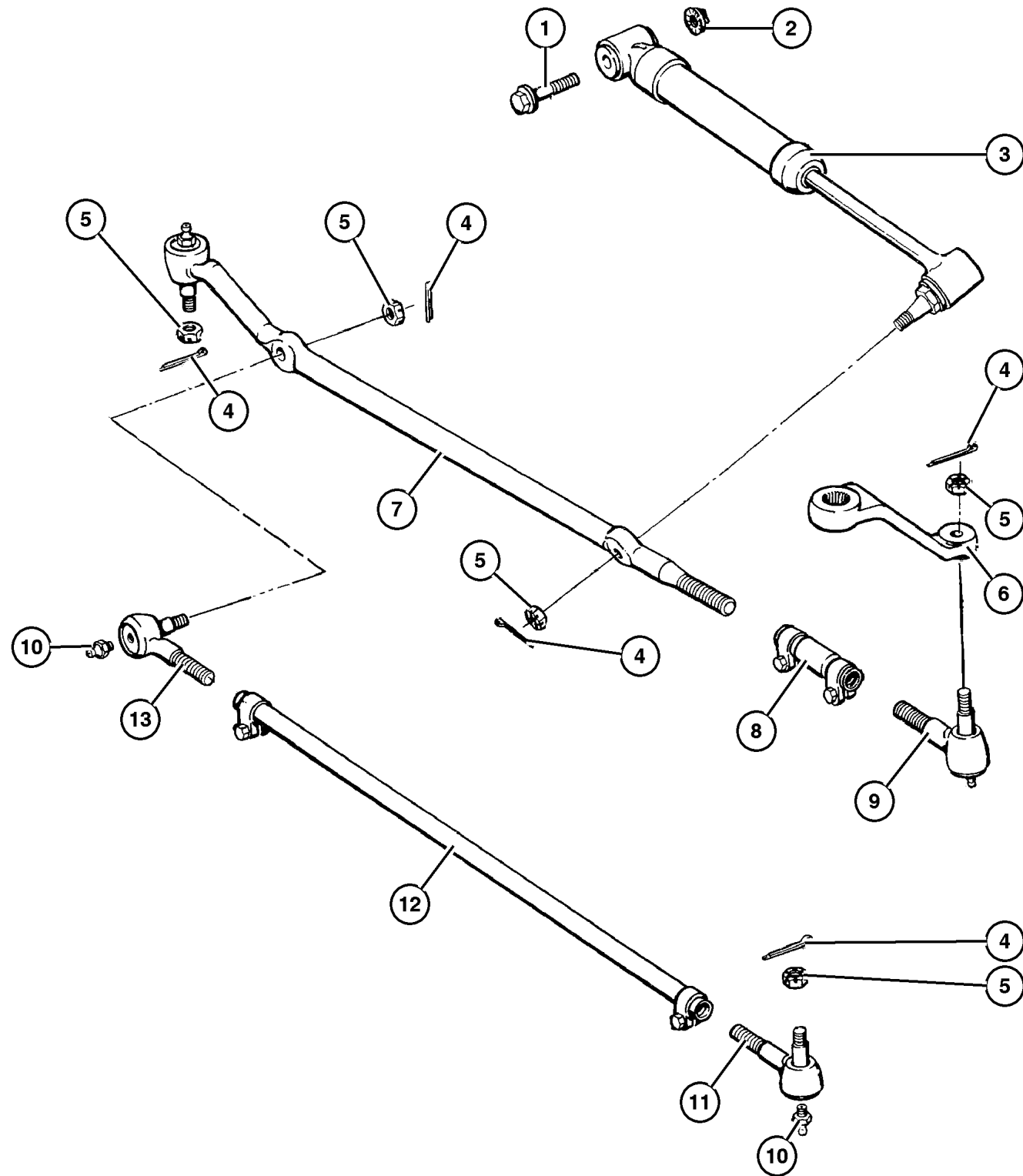
**JEEP CHEROKEE (XJ)**

SERIES	LINE	BODY	ENGINE	TRANSMISSION
L=Low Line	J=LHD (4WD) U=RHD (4WD) T=LHD (2WD) B=RHD (2WD)	74=4 DR. (101.4 WB) 72=2 DR. (101.4 WB)	ENC,EN0=2.5L 4 cyl. Turbo Die ERH,ER0=4.0L Power Tech I-6 EPE,EP0=Magnum 2.5L SMPI	DDQ=5Spd Man. DGS=4 Spd. Auto. AISIN DG0=All Auto Trans DBB=All Manual Trans.

AR = Use as required - = Non illustrated part # = New this model year

July 4, 2003

**Linkage and Damper 1998 XJ**  
**Figure 019-410**



ITEM	PART NUMBER	QTY	LINE	SERIES	BODY	ENGINE	TRANS	TRIM	DESCRIPTION
1	1150 5098	1							BOLT, Hex Flange Head, M12x1.75x60
2	6502 697	1							NUT, Hex Flange Lock, M12x1.75
3	5208 7827	1	J, T						DAMPER, Steering Linkage
	5203 7506	1	B, U						
4	3420 2101	1							PIN, Cotter
5	J027 4428	1							NUT, Hex Slotted
6									ARM, Pitman
	5200 0615	1	J, T						
	5200 6505	1	B, U						
7									SOCKET, Drag Link Outer
	5200 6582	1	B, U						Outer
	5200 6592	1	J, T						Outer
8									TUBE, Tie Rod
	5200 5742	1	J, T						
		1	B, U						
9									SOCKET
	5200 5739	1	B, U						Drag Link, Inner
		1	J, T						Drag Link, Inner
10									FITTING PACKAGE, Grease
	8350 7064	1	J, T						
		1	B, U						
11									SOCKET, Tie Rod, Outer
	5200 5741	1	J, T						
		1	B, U						
12									TUBE, Tie Rod
	5200 5743	1	J, T						
		1	B, U						
13									SOCKET, Tie Rod, Inner
	5200 5740	1	J, T						
		1	B, U						

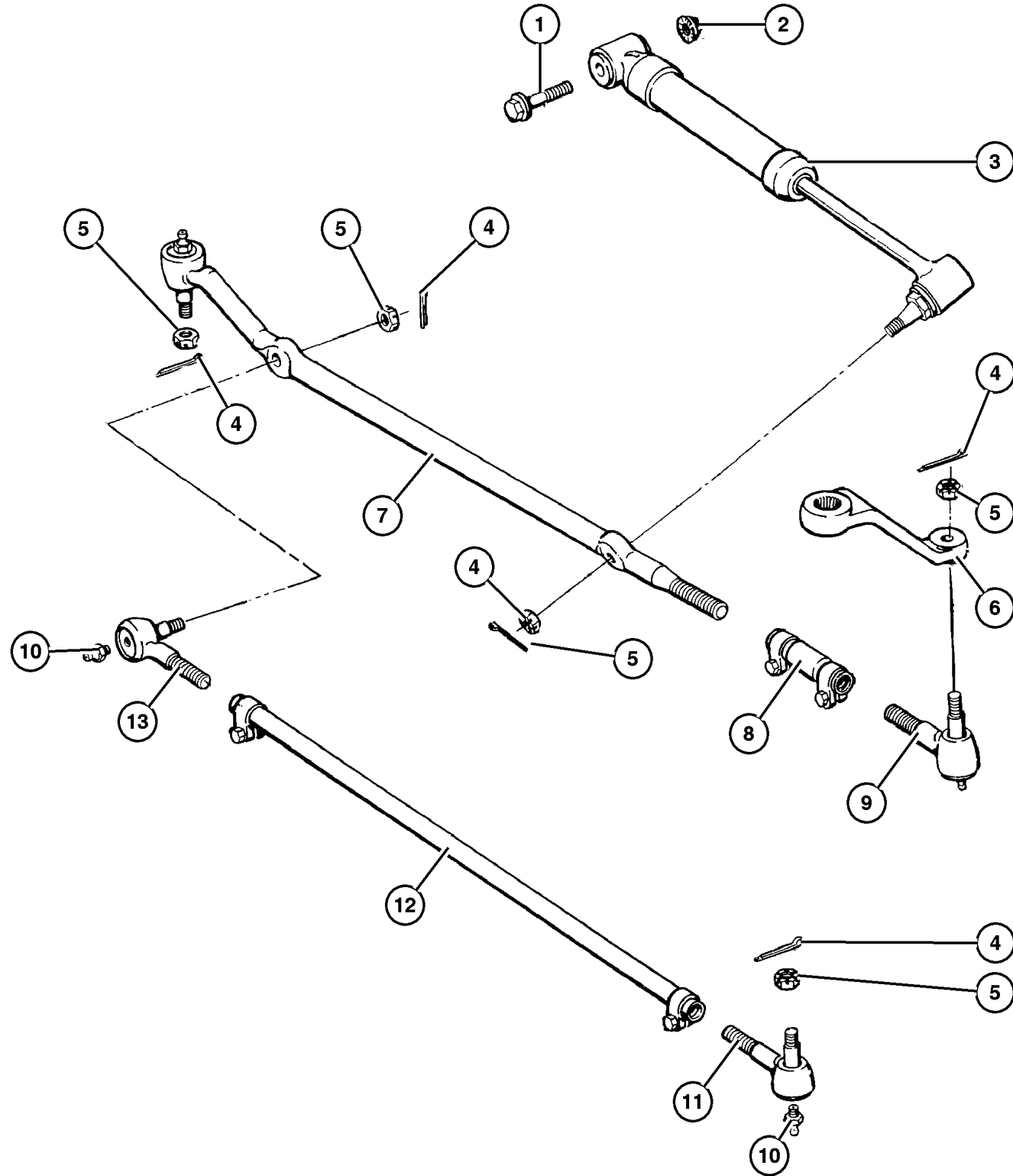
**JEEP CHEROKEE (XJ)**

SERIES	LINE	BODY	ENGINE	TRANSMISSION
L=Low Line	J=LHD (4WD) U=RHD (4WD) T=LHD (2WD) B=RHD (2WD)	74=4 DR. (101.4 WB) 72=2 DR. (101.4 WB)	ENC,EN0=2.5L 4 cyl. Turbo Die ERH,ER0=4.0L Power Tech I-6 EPE,EP0=Magnum 2.5L SMPI	DDQ=5Spd Man. DGS=4 Spd. Auto. AISIN DG0=All Auto Trans DBB=All Manual Trans.

AR = Use as required - = Non illustrated part # = New this model year

July 4, 2003

**Linkage and Damper 1999 XJ**  
**Figure 019-410**



ITEM	PART NUMBER	QTY	LINE	SERIES	BODY	ENGINE	TRANS	TRIM	DESCRIPTION
1	1150 5098	1							BOLT, Hex Flange Head, M12x1.75x60
2	6502 697	1							NUT, Hex Flange Lock, M12x1.75
3	5208 7827	1	J, T						DAMPER, Steering Linkage
	5203 7506	1	B, U						
4	3420 2101	1							PIN, Cotter
5	J027 4428	1							NUT, Hex Slotted
6	5200 0615	1	J, T						ARM, Pitman
	5200 6505	1	B, U						
7	5200 6592	1	J, T						SOCKET, Drag Link Outer
	5200 6582	1	B, U						Outer
8	5200 5742	1	J, T						TUBE, Tie Rod
		1	B, U						
9	5200 5739	1	J, T						SOCKET Drag Link, Inner
		1	B, U						Drag Link, Inner
10	8350 7064	1	J, T						FITTING PACKAGE, Grease
		1	B, U						
11	5200 5741	1	J, T						SOCKET, Tie Rod, Outer
		1	B, U						
12	5200 5743	1	J, T						TUBE, Tie Rod
		1	B, U						
13	5200 5740	1	J, T						SOCKET, Tie Rod, Inner
		1	B, U						

**JEEP CHEROKEE (XJ)**

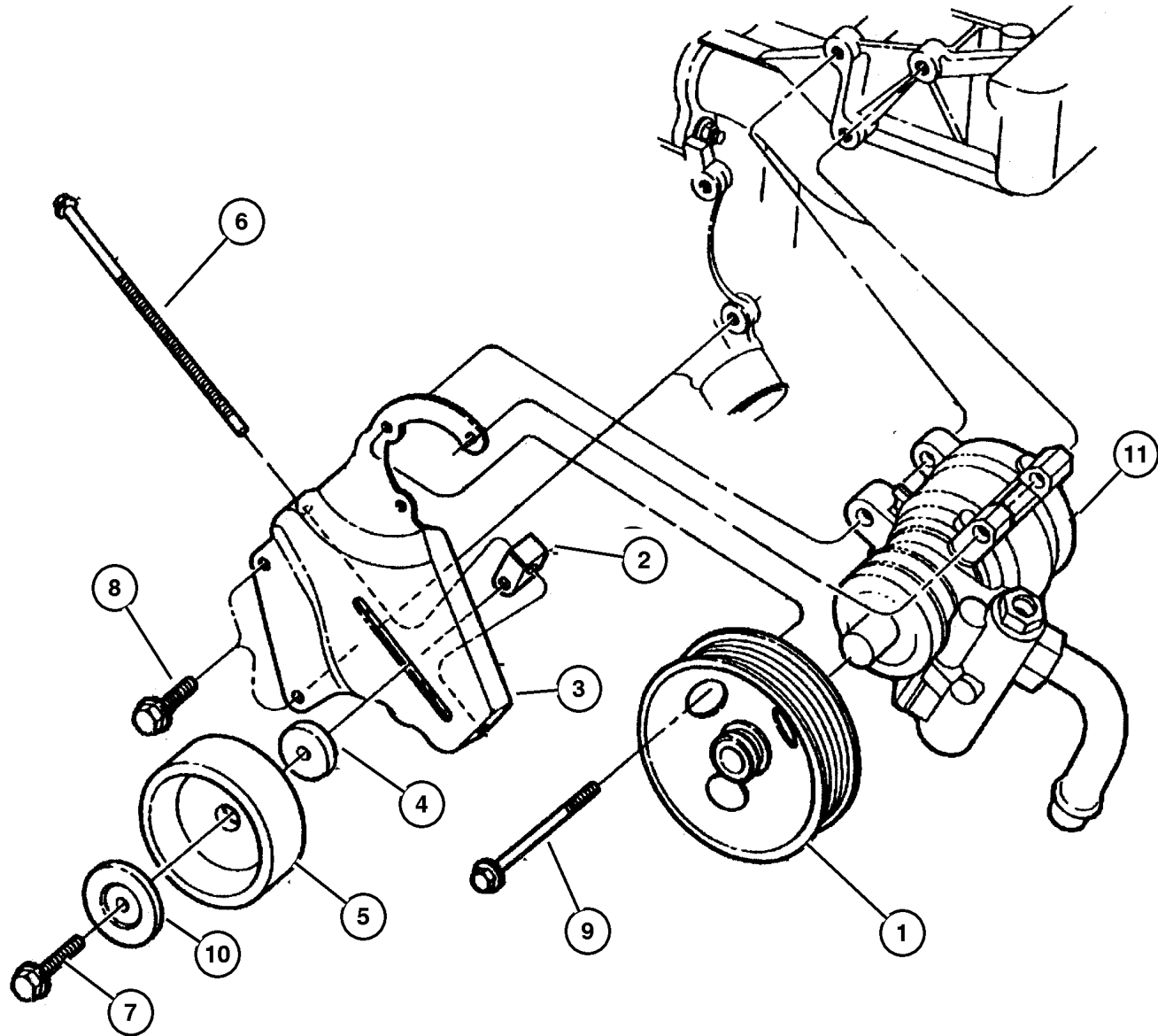
SERIES	LINE	BODY	ENGINE	TRANSMISSION
L=Low Line	J=LHD (4WD) U=RHD (4WD) T=LHD (2WD) B=RHD (2WD)	74=4 DR. (101.4 WB) 72=2 DR. (101.4 WB)	ENC,EN0=2.5L 4 cyl. Turbo Die ERH,ER0=4.0L Power Tech I-6 EPE,EP0=Magnum 2.5L SMPI	DDQ=5Spd Man. DGS=4 Spd. Auto. AISIN DG0=All Auto Trans DBB=All Manual Trans.

AR = Use as required - = Non illustrated part # = New this model year

July 4, 2003



Pump and Mounting, with 2.5L Gas Engine 1997 XJ  
Figure 019-530



ITEM	PART NUMBER	QTY	LINE	SERIES	BODY	ENGINE	TRANS	TRIM	DESCRIPTION
NOTES; SALES CODE EPO= ALL 2.5L 14 GAS. ERO=ALL 4.0L 6CYL GAS									
1	5301 0258	1				EP0, ER0			PULLEY, Power Steering Pump
2	5301 0149	1	J, T			EP0			COLLAR, Tensioner Adjustment
		1	B, U			EP0			
3	5301 0148	1	J, T			EP0			BRACKET, Tensioner
		1	B, U			EP0			
4	6503 230	1	J, T			EP0			SPACER, Belt Tensioner
		1	B, U			EP0			
5	4792 112	1	J, T			EP0			PULLEY, Idler
		1	B, U			EP0			
6	6503 198	1	J, T			EP0			BOLT
		1	B, U			EP0			
7	3420 2029	1	J, T			EP0			BOLT, Hex Flange Head, M10x1.50x50
		1	B, U			EP0			
8	0181 112	1							SCREW AND WASHER, .375-16x1.00
9	6502 425	3	B, U			ER0			SCREW AND WASHER, Hex Head, M8x1.25x95
		3	J, T			EP0			
10	3300 2201	1				EP0			BUSHING, Idler Pulley
11	5208 8018	1				EP0			PUMP, Power Steering

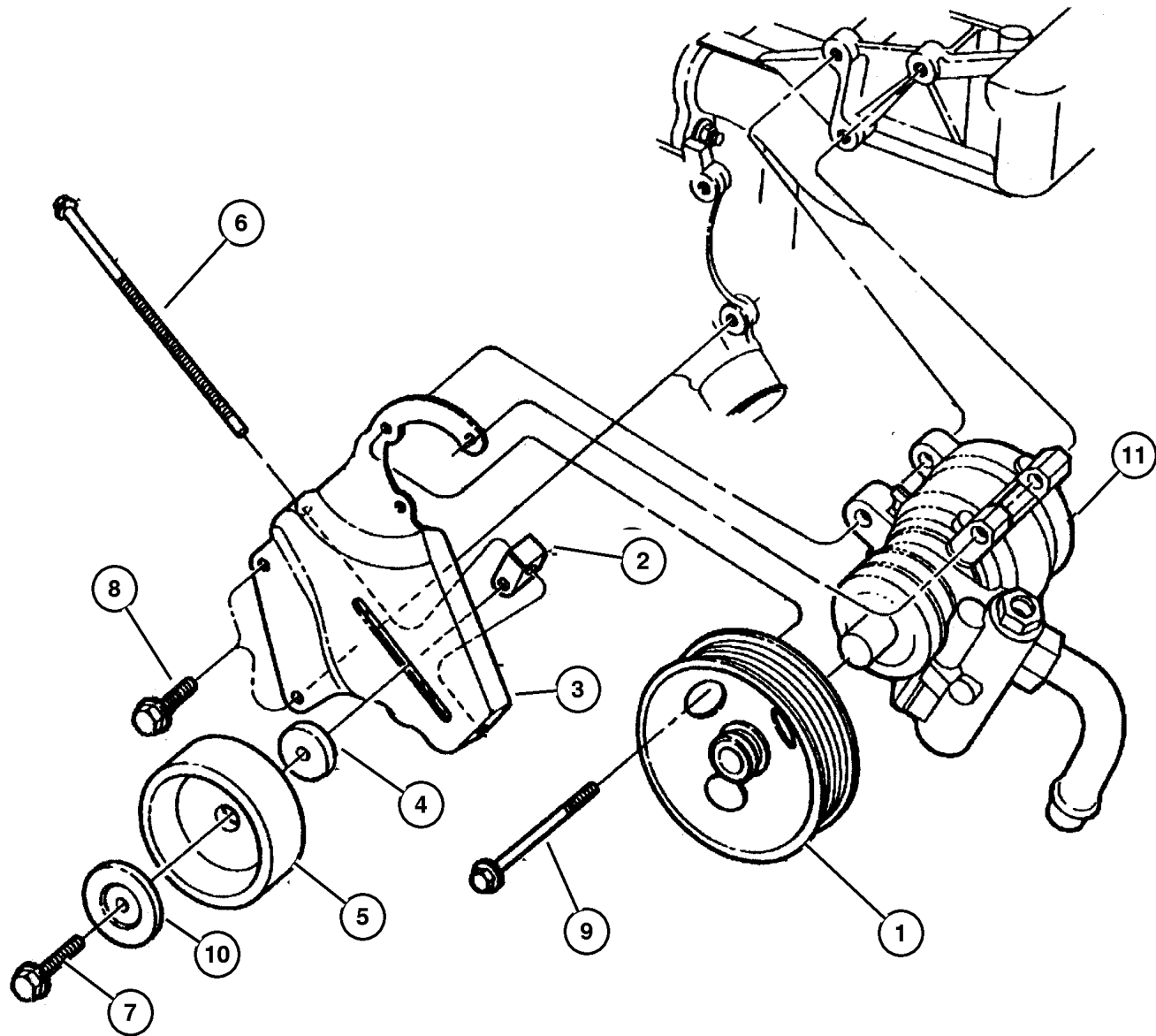
JEEP CHEROKEE (XJ)

SERIES	LINE	BODY	ENGINE	TRANSMISSION
L=Low Line	J=LHD (4WD) U=RHD (4WD) T=LHD (2WD) B=RHD (2WD)	74=4 DR. (101.4 WB) 72=2 DR. (101.4 WB)	ENC,EN0=2.5L 4 cyl. Turbo Die ERH,ER0=4.0L Power Tech I-6 EPE,EP0=Magnum 2.5L SMPI	DDQ=5Spd Man. DGS=4 Spd. Auto. AISIN DG0=All Auto Trans DBB=All Manual Trans.

AR = Use as required - = Non illustrated part # = New this model year

July 4, 2003

**Pump and Mounting, with 2.5L Gas Engine 1998 XJ**  
**Figure 019-530**



ITEM	PART NUMBER	QTY	LINE	SERIES	BODY	ENGINE	TRANS	TRIM	DESCRIPTION
NOTES; SALES CODE EPO= ALL 2.5L 14 GAS. ERO=ALL 4.0L 6CYL GAS									
1	5301 0258	1				EP0, ER0			PULLEY, Power Steering Pump
2	5301 0149	1	J, T			EP0			COLLAR, Tensioner Adjustment
		1	B, U			EP0			
3	5301 0148	1	J, T			EP0			BRACKET, Tensioner
		1	B, U			EP0			
4	6503 230	1	J, T			EP0			SPACER, Belt Tensioner
		1	B, U			EP0			
5	4792 112	1	J, T			EP0			PULLEY, Idler
		1	B, U			EP0			
6	6503 198	1	J, T			EP0			BOLT
		1	B, U			EP0			
7	3420 2029	1	J, T			EP0			BOLT, Hex Flange Head, M10x1.50x50
		1	B, U			EP0			
8	0181 112	1	J, T			EP0	DG0		SCREW AND WASHER, .375-16x1.00
9	6502 425	3	J, T			EP0			SCREW AND WASHER, Hex Head, M8x1.25x95
		3	B, U			ER0			
10	3300 2201	1	B, U			EP0			BUSHING, Idler Pulley
		1	J, T			EP0			
11	52088 018AB	1				EP0			PUMP, Power Steering

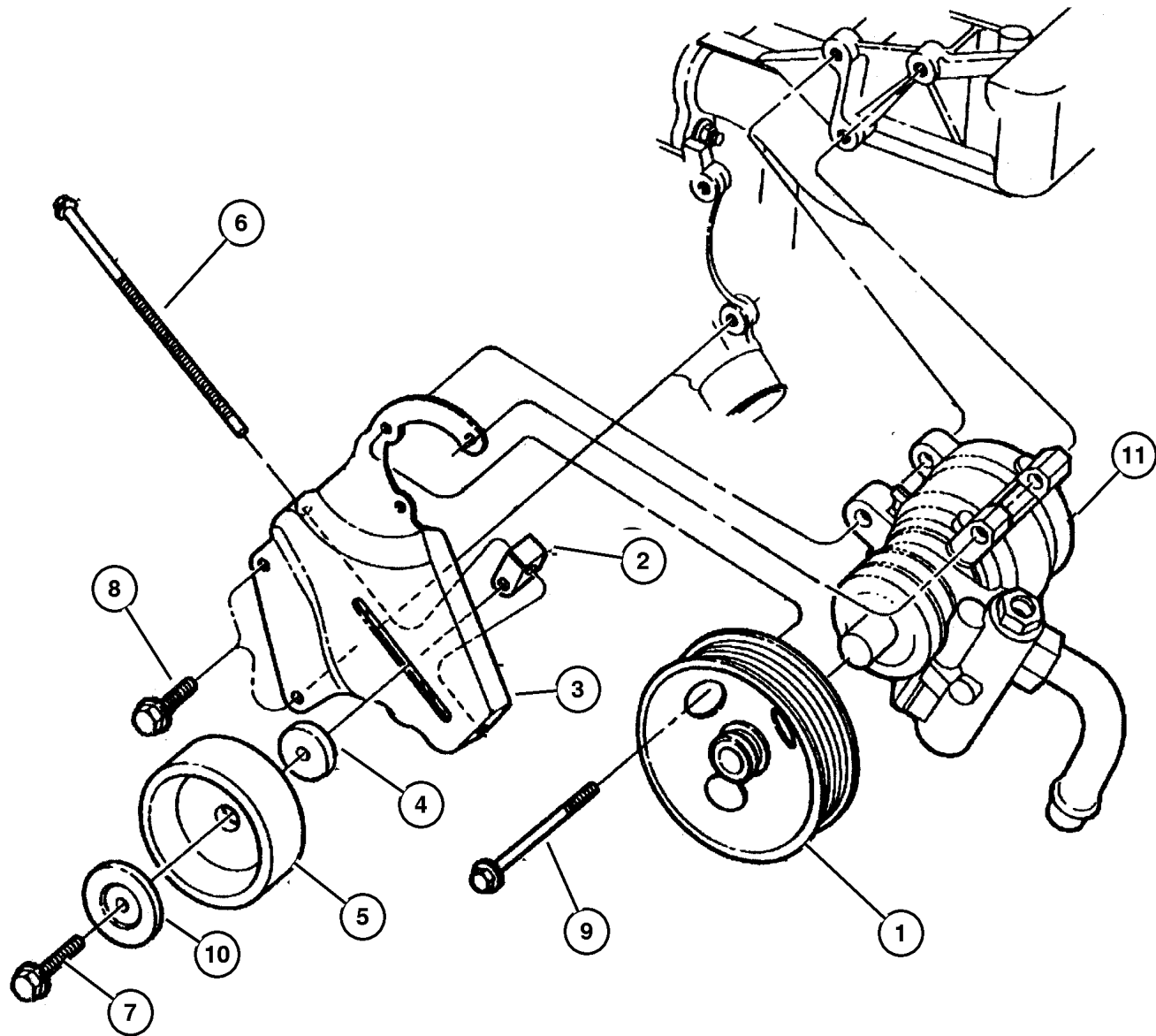
**JEEP CHEROKEE (XJ)**

SERIES	LINE	BODY	ENGINE	TRANSMISSION
L=Low Line	J=LHD (4WD) U=RHD (4WD) T=LHD (2WD) B=RHD (2WD)	74=4 DR. (101.4 WB) 72=2 DR. (101.4 WB)	ENC,EN0=2.5L 4 cyl. Turbo Die ERH,ER0=4.0L Power Tech I-6 EPE,EP0=Magnum 2.5L SMPI	DDQ=5Spd Man. DGS=4 Spd. Auto. AISIN DG0=All Auto Trans DBB=All Manual Trans.

AR = Use as required - = Non illustrated part # = New this model year

July 4, 2003

**Pump and Mounting, with 2.5L Gas Engine 1999 XJ**  
**Figure 019-530**



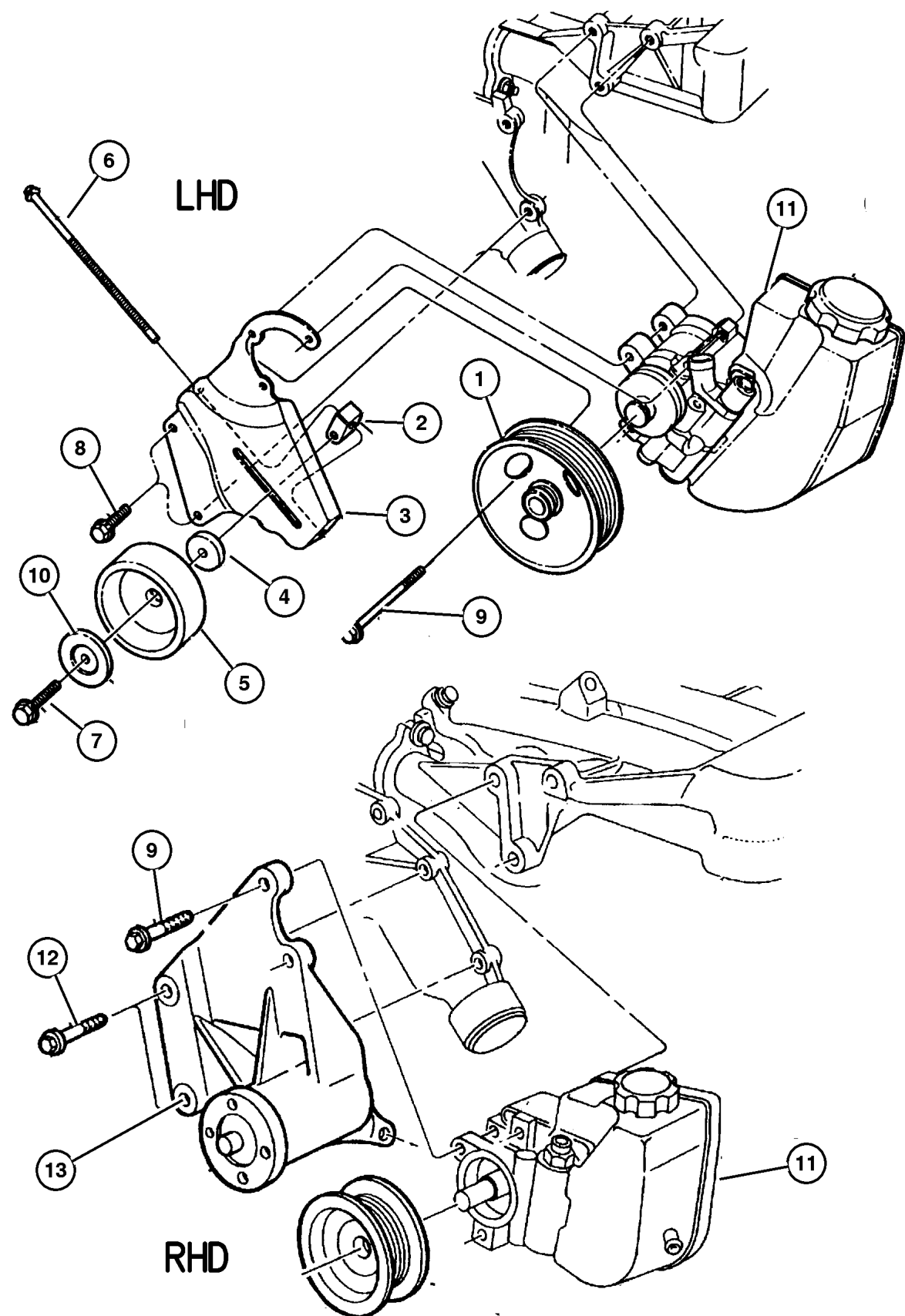
ITEM	PART NUMBER	QTY	LINE	SERIES	BODY	ENGINE	TRANS	TRIM	DESCRIPTION
NOTES; SALES CODE EPO= ALL 2.5L 14 GAS. ERO=ALL 4.0L 6CYL GAS									
1	#53010 258AB	1				EP0, ER0			PULLEY, Power Steering Pump
2	5301 0149	1				EP0			COLLAR, Tensioner Adjustment
3	5301 0148	1				EP0			BRACKET, Tensioner
4	6503 230	1	B, U			EP0			SPACER, Belt Tensioner
		1	J, T			EP0, ER0			
5	4792 112	1	B, U			EP0			PULLEY, Idler
		1	J, T			EP0, ER0			
6	6503 198	1				EP0			BOLT
7	3420 2029	1				EP0			BOLT, Hex Flange Head, M10x1.50x50
8	0181 112	1	J, T			EP0	DG0		SCREW AND WASHER, .375-16x1.00
9	6502 425	3				EP0			SCREW AND WASHER, Hex Head, M8x1.25x95
10	3300 2201	1				EP0			BUSHING, Idler Pulley
11	5208 8018	1				EP0			PUMP, Power Steering

<b>JEEP CHEROKEE (XJ)</b>				
SERIES	LINE	BODY	ENGINE	TRANSMISSION
L=Low Line	J=LHD (4WD) U=RHD (4WD) T=LHD (2WD) B=RHD (2WD)	74=4 DR. (101.4 WB) 72=2 DR. (101.4 WB)	ENC,EN0=2.5L 4 cyl. Turbo Die ERH,ER0=4.0L Power Tech I-6 EPE,EP0=Magnum 2.5L SMPI	DDQ=5Spd Man. DGS=4 Spd. Auto. AISIN DG0=All Auto Trans DBB=All Manual Trans.

AR = Use as required - = Non illustrated part # = New this model year

July 4, 2003

**Pump and Mounting, with 4.0L Engine 1997 XJ**  
**Figure 019-535**



ITEM	PART NUMBER	QTY	LINE	SERIES	BODY	ENGINE	TRANS	TRIM	DESCRIPTION
NOTES; SALES CODE EPO= ALL 2.5L I4 GAS, ERO=ALL 4.0L 6CYL GAS									
NOTES; SALES CODE ERO= ALL 4.0L 6CYL GAS									
1	5301 0258	1				EP0, ER0			PULLEY, Power Steering Pump
2						EP0			COLLAR, Tensioner Adjustment
	5301 0149	1	J, T			EP0			
		1	B, U			EP0			
3						EP0			BRACKET, Tensioner
	5301 0148	1	J, T			EP0			
		1	B, U			EP0			
4						EP0			SPACER, Belt Tensioner
	6503 230	1	J, T			EP0			
		1	B, U			EP0			
5						EP0			PULLEY, Idler
	4792 112	1	J, T			EP0			
		1	B, U			EP0			
6	6503 198	1	B, U			EP0			BOLT
7						EP0			BOLT, Hex Flange Head, M10x1.50x50
	3420 2029	1	J, T			EP0			
		1	B, U			EP0			
8	0181 112	1				EP0			SCREW AND WASHER, .375-16x1.00
9						EP0			SCREW AND WASHER, Hex Head, M8x1.25x95
	6502 425	3	B, U			ER0			
		3	J, T			EP0			
10						EP0			BUSHING, Idler Pulley
	3300 2201	1	J, T			EP0			
		1	J, T			ER0			
11						ER0			PUMP, Power Steering
	52087 871AB	1	J, T			ER0			Cap, 04897287AA
	5208 8327	1	B, U			ER0			Cap, 04897287AA
12	J400 7073	2							SCREW AND WASHER, .375-16x1.125
13	5301 0243	1	B, U			ER0			BRACKET, Power Steering Pump

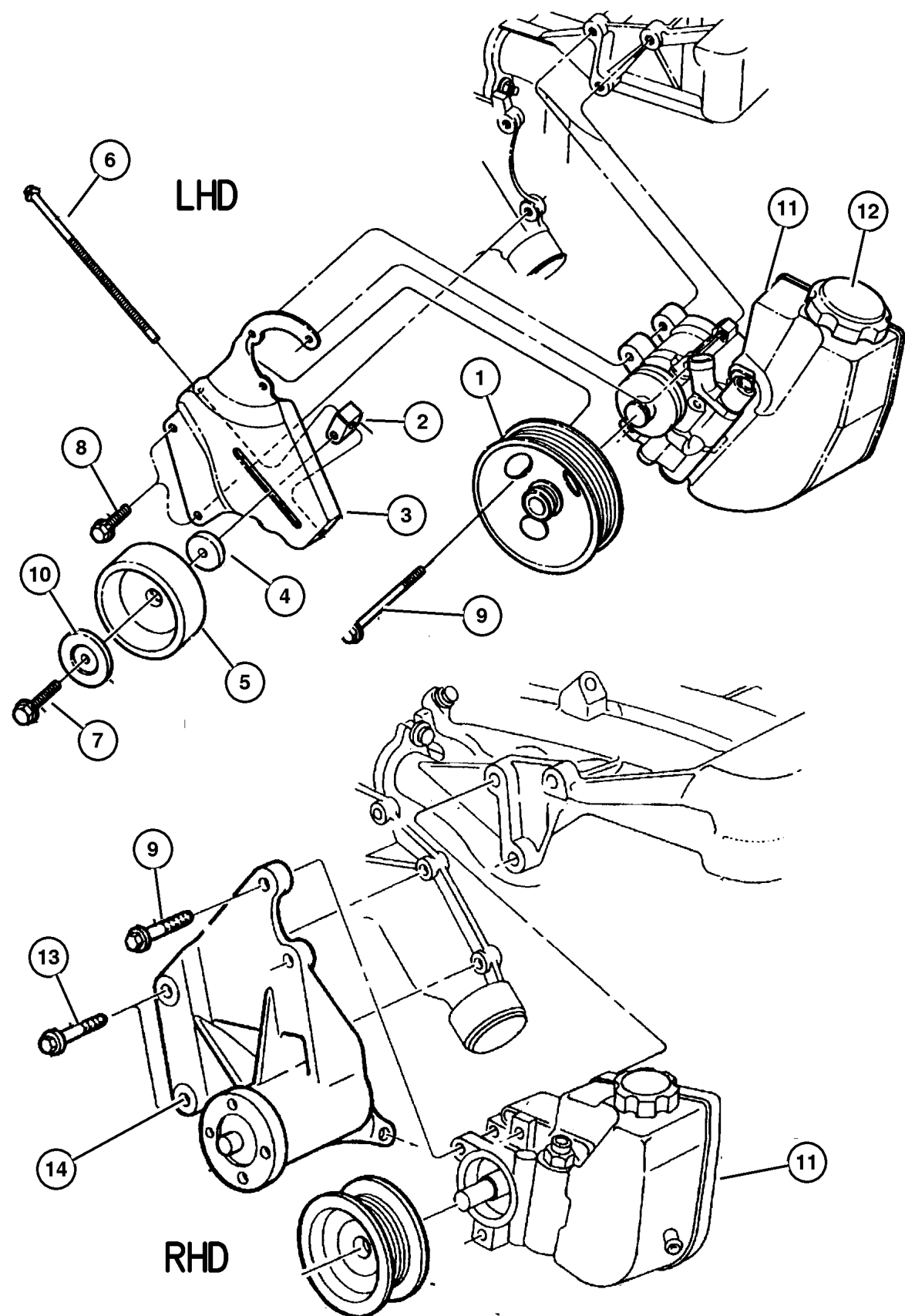
**JEEP CHEROKEE (XJ)**

SERIES	LINE	BODY	ENGINE	TRANSMISSION
L=Low Line	J=LHD (4WD) U=RHD (4WD) T=LHD (2WD) B=RHD (2WD)	74=4 DR. (101.4 WB) 72=2 DR. (101.4 WB)	ENC,EN0=2.5L 4 cyl. Turbo Die ERH,ER0=4.0L Power Tech I-6 EPE,EP0=Magnum 2.5L SMPI	DDQ=5Spd Man. DGS=4 Spd. Auto. AISIN DG0=All Auto Trans DBB=All Manual Trans.

AR = Use as required - = Non illustrated part # = New this model year

July 4, 2003

**Pump and Mounting, with 4.0L Engine 1998 XJ**  
**Figure 019-535**



ITEM	PART NUMBER	QTY	LINE	SERIES	BODY	ENGINE	TRANS	TRIM	DESCRIPTION
NOTES; SALES CODE EPO= ALL 2.5L I4 GAS, ERO=ALL 4.0L 6CYL GAS									
NOTES; SALES CODE ERO= ALL 4.0L 6CYL GAS									
1	5301 0258	1				EP0, ER0			PULLEY, Power Steering Pump
2									COLLAR, Tensioner Adjustment
	5301 0149	1	J, T			EP0			
		1	B, U			EP0			
3									BRACKET, Tensioner
	5301 0148	1	J, T			EP0			
		1	B, U			EP0			
4									SPACER, Belt Tensioner
	6503 230	1	J, T			EP0			
		1	B, U			EP0			
5									PULLEY, Idler
	4792 112	1	J, T			EP0			
		1	B, U			EP0			
6									BOLT
	6503 198	1	J, T			EP0			
		1	B, U			EP0			
7									BOLT, Hex Flange Head, M10x1.50x50
	3420 2029	1	J, T			EP0			
		1	B, U			EP0			
8	0181 112	1	J, T			EP0	DG0		SCREW AND WASHER, .375-16x1.00
9									SCREW AND WASHER, Hex Head, M8x1.25x95
	6502 425	3	J, T			EP0			
		3	B, U			ER0			
10									BUSHING, Idler Pulley
	3300 2201	1	J, T			EP0			
		1	J, T			ER0			
11	52087 871AD	1	J, T			ER0			PUMP, Power Steering
12	4897 287AA	1	J, T			ER0			CAP, Power Steering Reservoir
13	J400 7073	2							SCREW AND WASHER, .375-16x1.125
14	5301 0243	1	B, U			ER0			BRACKET, Power Steering Pump

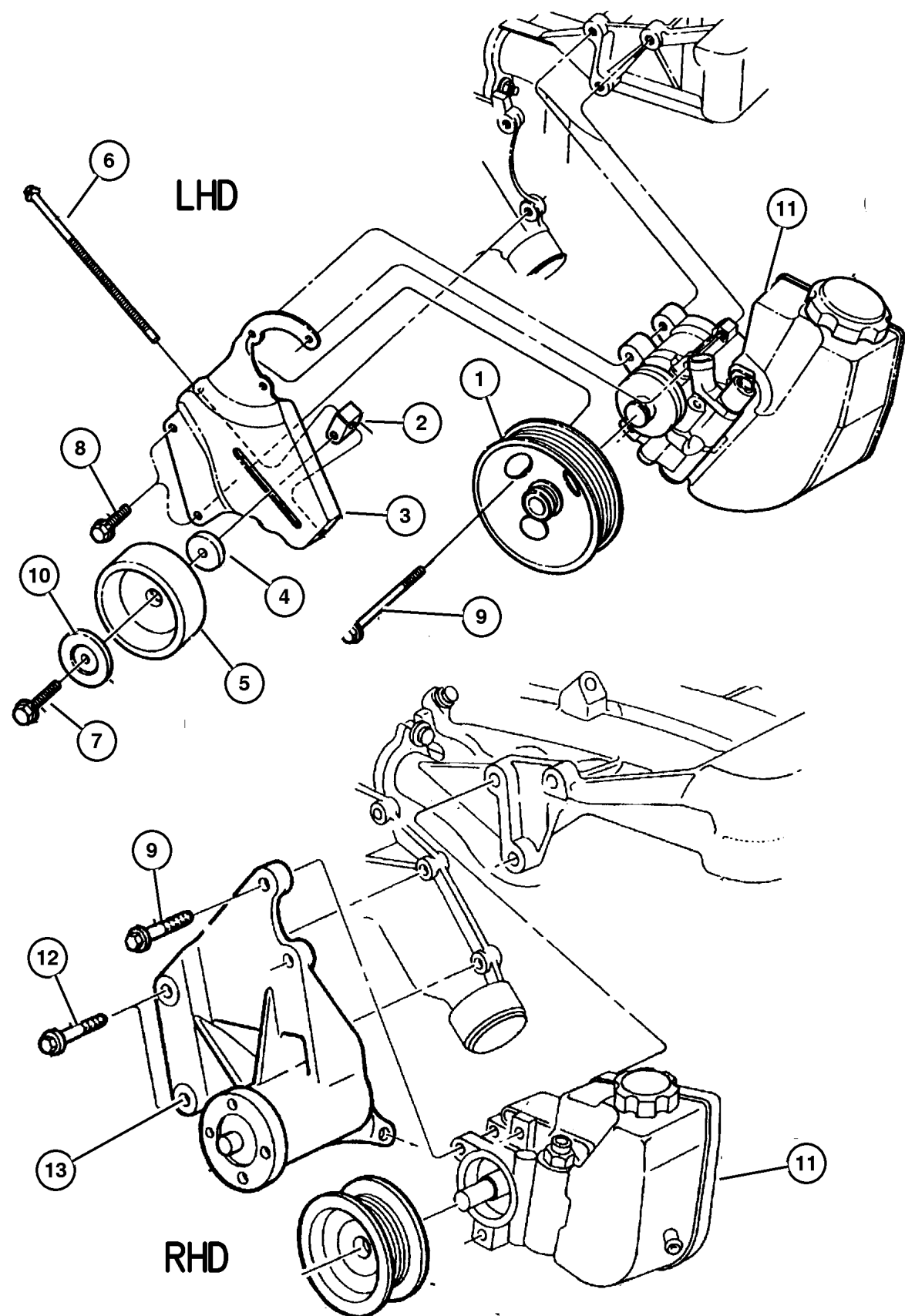
**JEEP CHEROKEE (XJ)**

<b>SERIES</b>	<b>LINE</b>	<b>BODY</b>	<b>ENGINE</b>	<b>TRANSMISSION</b>
L=Low Line	J=LHD (4WD) U=RHD (4WD) T=LHD (2WD) B=RHD (2WD)	74=4 DR. (101.4 WB) 72=2 DR. (101.4 WB)	ENC,EN0=2.5L 4 cyl. Turbo Die ERH,ER0=4.0L Power Tech I-6 EPE,EP0=Magnum 2.5L SMPI	DDQ=5Spd Man. DGS=4 Spd. Auto. AISIN DG0=All Auto Trans DBB=All Manual Trans.

AR = Use as required - = Non illustrated part # = New this model year

July 4, 2003

**Pump and Mounting, with 4.0L Engine 1999 XJ**  
**Figure 019-535**



ITEM	PART NUMBER	QTY	LINE	SERIES	BODY	ENGINE	TRANS	TRIM	DESCRIPTION
NOTES; SALES CODE EPO= ALL 2.5L I4 GAS, ERO=ALL 4.0L 6CYL GAS									
NOTES; SALES CODE ERO= ALL 4.0L 6CYL GAS									
1	#53010 258AB	1				EP0, ER0			PULLEY, Power Steering Pump
2	5301 0149	1	J, T			ER0			COLLAR, Tensioner Adjustment
3	5301 0148	1	J, T			ER0			BRACKET, Tensioner
	5301 0190	1	B, U			ER0			
4	6503 230	1	J, T			EP0, ER0			SPACER, Belt Tensioner
5	4792 112	1	J, T			EP0, ER0			PULLEY, Idler
	53010 228AB	1	B, U			ER0			
6	4637 491	1	B, T			ER0	DGS		BOLT
		1	J, U			ER0	DGS		
7	3420 2029	1	J, T			ER0			BOLT, Hex Flange Head, M10x1.50x50
8	0181 112	1	J, T			EP0	DG0		SCREW AND WASHER, .375-16x1.00
9	6502 425	3				ER0			SCREW AND WASHER, Hex Head, M8x1.25x95
10	3300 2201	1	J, T			ER0			BUSHING, Idler Pulley
11	52087 871AD	1	J, T			ER0			PUMP, Power Steering
	52088 139AC	1	B, U			ER0			
12	J400 7073	2							SCREW AND WASHER, .375-16x1.125
13	5301 0243	1	B, U			ER0			BRACKET, Power Steering Pump

**JEEP CHEROKEE (XJ)**

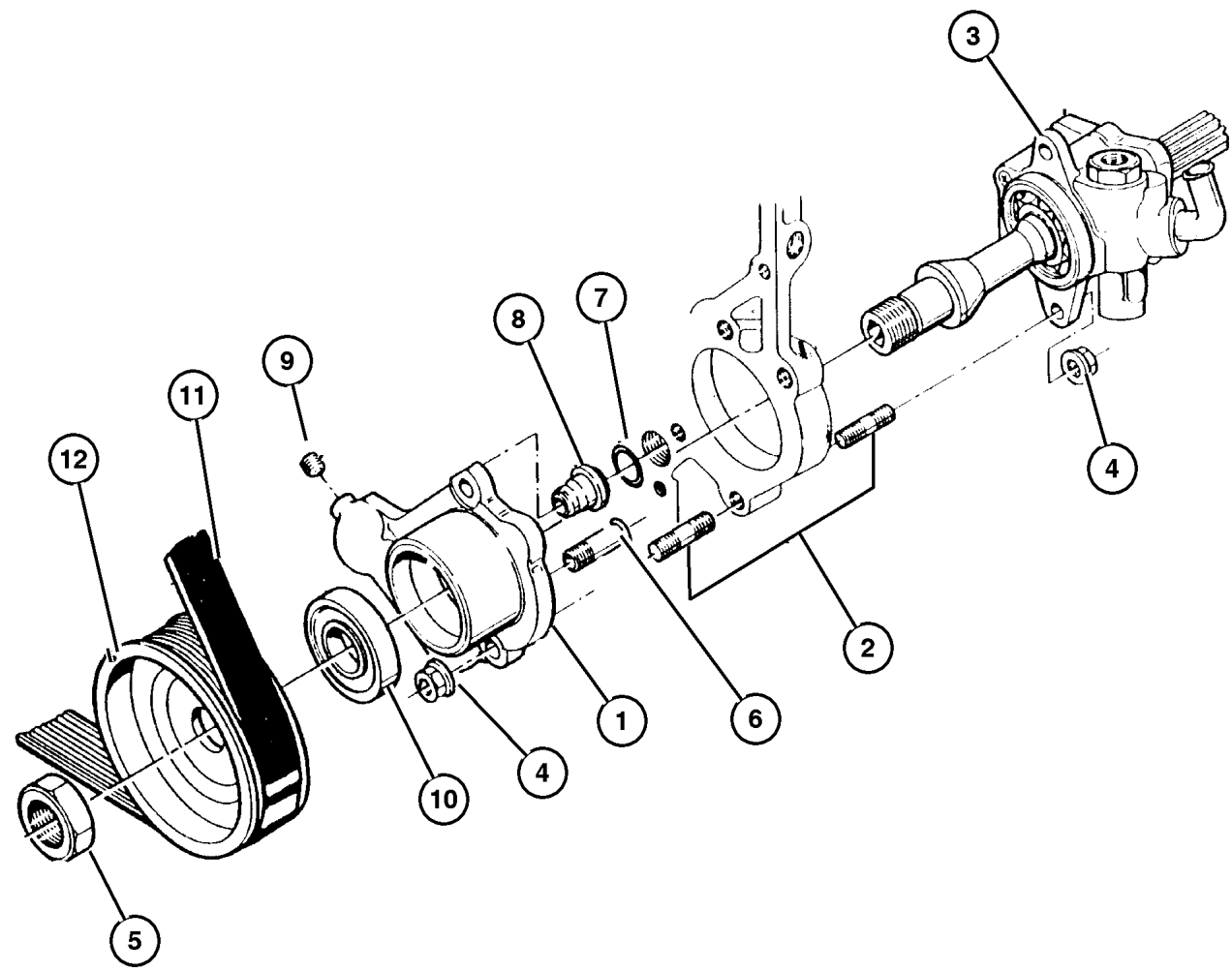
SERIES	LINE	BODY	ENGINE	TRANSMISSION
L=Low Line	J=LHD (4WD) U=RHD (4WD) T=LHD (2WD) B=RHD (2WD)	74=4 DR. (101.4 WB) 72=2 DR. (101.4 WB)	ENC,EN0=2.5L 4 cyl. Turbo Die ERH,ER0=4.0L Power Tech I-6 EPE,EP0=Magnum 2.5L SMPI	DDQ=5Spd Man. DGS=4 Spd. Auto. AISIN DG0=All Auto Trans DBB=All Manual Trans.

AR = Use as required - = Non illustrated part # = New this model year

July 4, 2003

**Pump and Mounting, with 2.5L Diesel Engine 1997 XJ**  
**Figure 019-545**

ITEM	PART NUMBER	QTY	LINE	SERIES	BODY	ENGINE	TRANS	TRIM	DESCRIPTION
NOTES; SALES CODE ENO = ALL 4 CYL DIESELS									
1	4883 461AA	1				ENO			SUPPORT, Power Steering Pump
2	4723 331	5				ENO			STUD, M8x25
3	4883 460AA	1				ENO			PUMP, Power Steering
4									NUT, Hex Lock, M8, (NOT SERVICED) (Not Serviced)
5	4723 344	1				ENO			NUT, Power Steering Pump Pulley
6	4886 315AA	1				ENO			PIPE, Vacuum Pump
7	4723 334	2				ENO			GASKET, Valve
8	4723 335	1				ENO			VALVE, Vacuum Pump
9	4883 425AA	2				ENO			PLUG
10	4723 339	1				ENO			BEARING, Power Steering Pump Shaft
11	4796 033	1				ENO			BELT, Accessory Drive
12	4796 034	1				ENO			PULLEY, Power Steering Pump



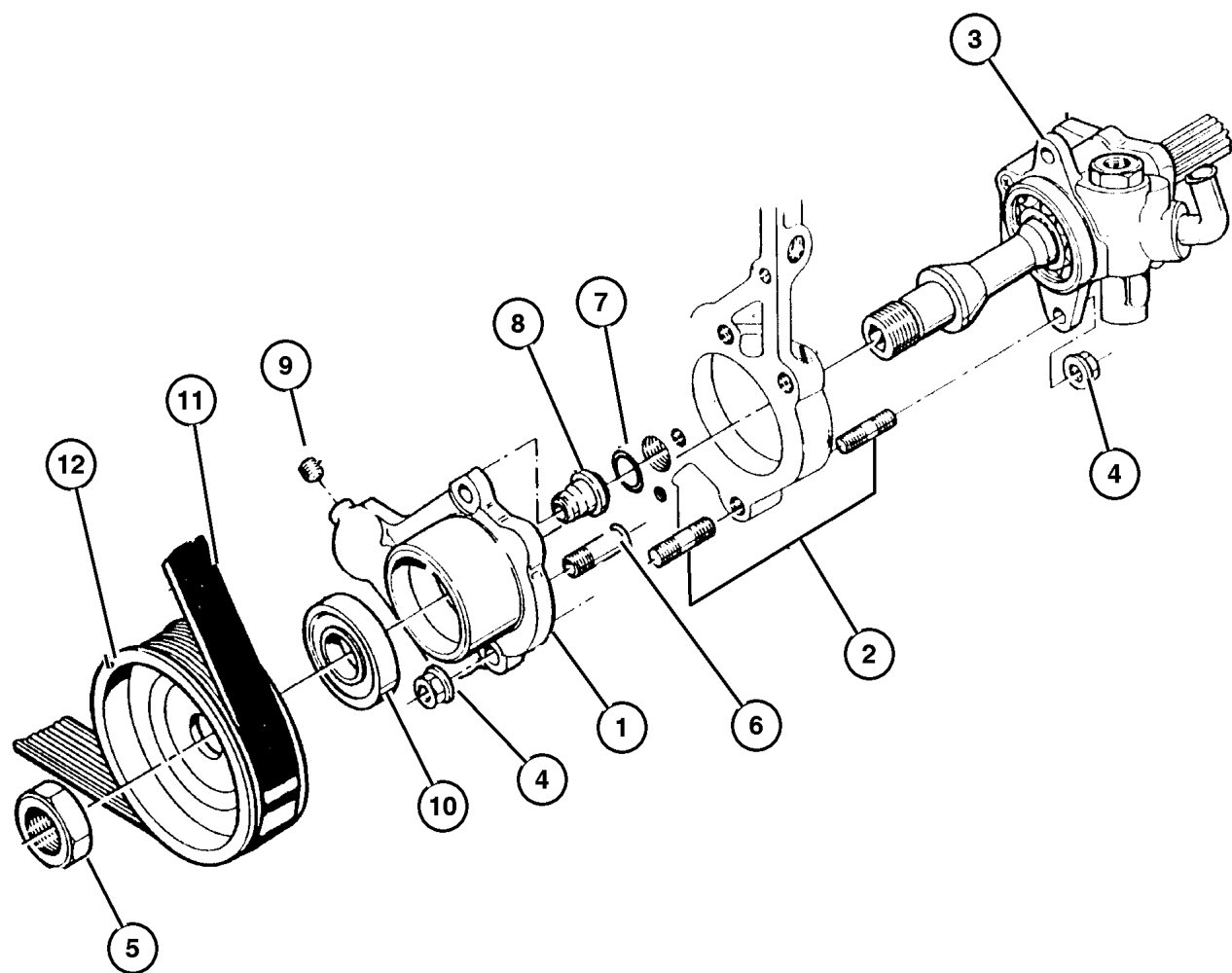
JEEP CHEROKEE (XJ)				
SERIES	LINE	BODY	ENGINE	TRANSMISSION
L=Low Line	J=LHD (4WD) U=RHD (4WD) T=LHD (2WD) B=RHD (2WD)	74=4 DR. (101.4 WB) 72=2 DR. (101.4 WB)	ENC,ENO=2.5L 4 cyl. Turbo Die ERH,ER0=4.0L Power Tech I-6 EPE,EP0=Magnum 2.5L SMPI	DDQ=5Spd Man. DGS=4 Spd. Auto. AISIN DG0=All Auto Trans DBB=All Manual Trans.

AR = Use as required - = Non illustrated part # = New this model year

July 4, 2003

**Pump and Mounting, with 2.5L Diesel Engine 1998 XJ**  
**Figure 019-545**

ITEM	PART NUMBER	QTY	LINE	SERIES	BODY	ENGINE	TRANS	TRIM	DESCRIPTION
NOTES; SALES CODE ENO = ALL 4 CYL DIESELS									
1	4883 461AA	1				ENO			SUPPORT, Power Steering Pump
2	4723 331	5				ENO			STUD, M8x25
3	4883 460AA	1				ENO			PUMP, Power Steering
4									NUT, Hex Lock, M8, (NOT SERVICED) (Not Serviced)
5									NUT, Power Steering Pump Pulley, (NOT SERVICED) (Not Serviced)
6	5003 548AA	1				ENO			PIPE, Vacuum Pump
7	4723 334	1				ENO			GASKET, Valve
8	4723 335	1				ENO			VALVE, Vacuum Pump
9	4883 425AA	1				ENO			PLUG
10	4723 339	1				ENO			BEARING, Power Steering Pump Shaft
11	4883 445AA	1				ENO			BELT, Accessory Drive
12	4796 034	1				ENO			PULLEY, Power Steering Pump



JEEP CHEROKEE (XJ)				
SERIES	LINE	BODY	ENGINE	TRANSMISSION
L=Low Line	J=LHD (4WD) U=RHD (4WD) T=LHD (2WD) B=RHD (2WD)	74=4 DR. (101.4 WB) 72=2 DR. (101.4 WB)	ENC,ENO=2.5L 4 cyl. Turbo Die ERH,ER0=4.0L Power Tech I-6 EPE,EP0=Magnum 2.5L SMPI	DDQ=5Spd Man. DGS=4 Spd. Auto. AISIN DG0=All Auto Trans DBB=All Manual Trans.

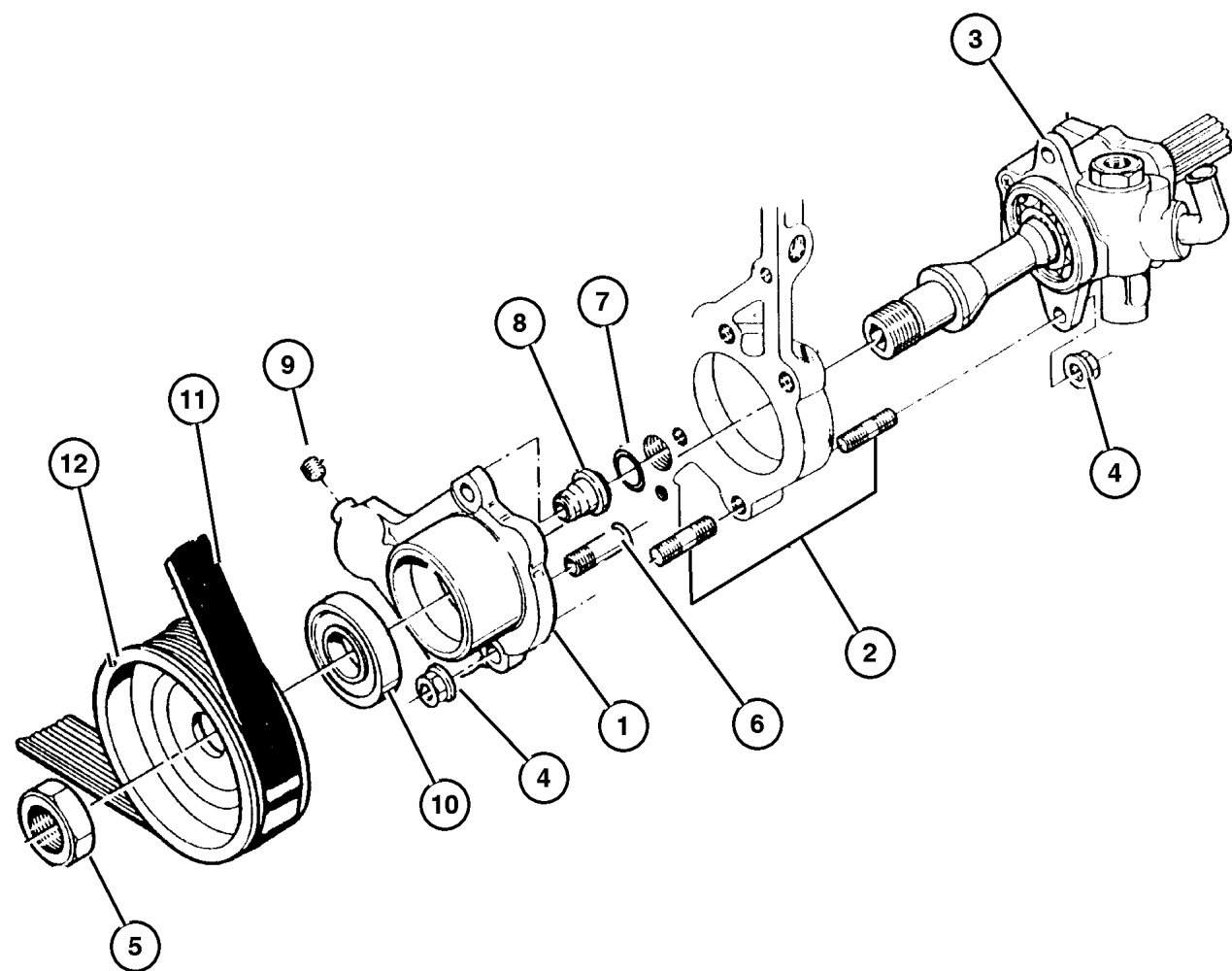
AR = Use as required - = Non illustrated part # = New this model year

July 4, 2003



**Pump and Mounting, with 2.5L Diesel Engine 1999 XJ**  
**Figure 019-545**

ITEM	PART NUMBER	QTY	LINE	SERIES	BODY	ENGINE	TRANS	TRIM	DESCRIPTION
NOTES; SALES CODE ENO = ALL 4 CYL DIESELS									
1	4883 461AA	1				ENO			SUPPORT, Power Steering Pump
2	4723 331	5				ENO			STUD, M8x25
3	4883 460AA	1				ENO			PUMP, Power Steering
4									NUT, Hex Lock, M8, (NOT SERVICED) (Not Serviced)
5									NUT, Power Steering Pump Pulley, (NOT SERVICED) (Not Serviced)
6	5003 548AA	1				ENO			PIPE, Vacuum Pump
7	4723 334	1				ENO			GASKET, Valve
8	4723 335	1				ENO			VALVE, Vacuum Pump
9	4883 425AA	1				ENO			PLUG
10	4723 339	1				ENO			BEARING, Power Steering Pump Shaft
11	4883 445AA	1				ENO			BELT, Accessory Drive
12	4796 034	1				ENO			PULLEY, Power Steering Pump

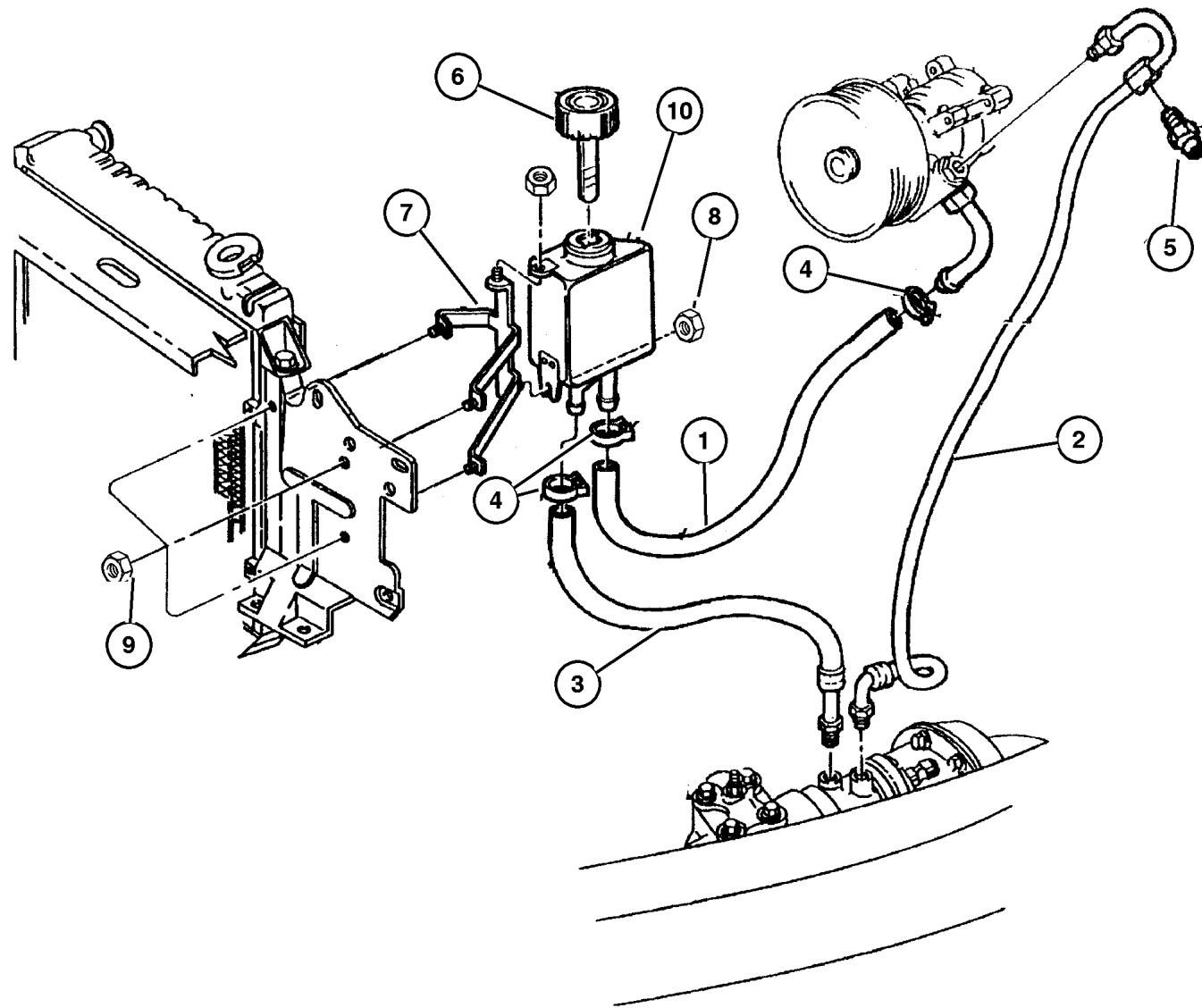


JEEP CHEROKEE (XJ)				
SERIES	LINE	BODY	ENGINE	TRANSMISSION
L=Low Line	J=LHD (4WD) U=RHD (4WD) T=LHD (2WD) B=RHD (2WD)	74=4 DR. (101.4 WB) 72=2 DR. (101.4 WB)	ENC,ENO=2.5L 4 cyl. Turbo Die ERH,ERO=4.0L Power Tech I-6 EPE,EP0=Magnum 2.5L SMPI	DDQ=5Spd Man. DGS=4 Spd. Auto. AISIN DGO=All Auto Trans DBB=All Manual Trans.

AR = Use as required - = Non illustrated part # = New this model year

July 4, 2003

Hose and Reservoir, with 2.5L Gas Engine, Left Hand Drive 1997 XJ  
Figure 019-720



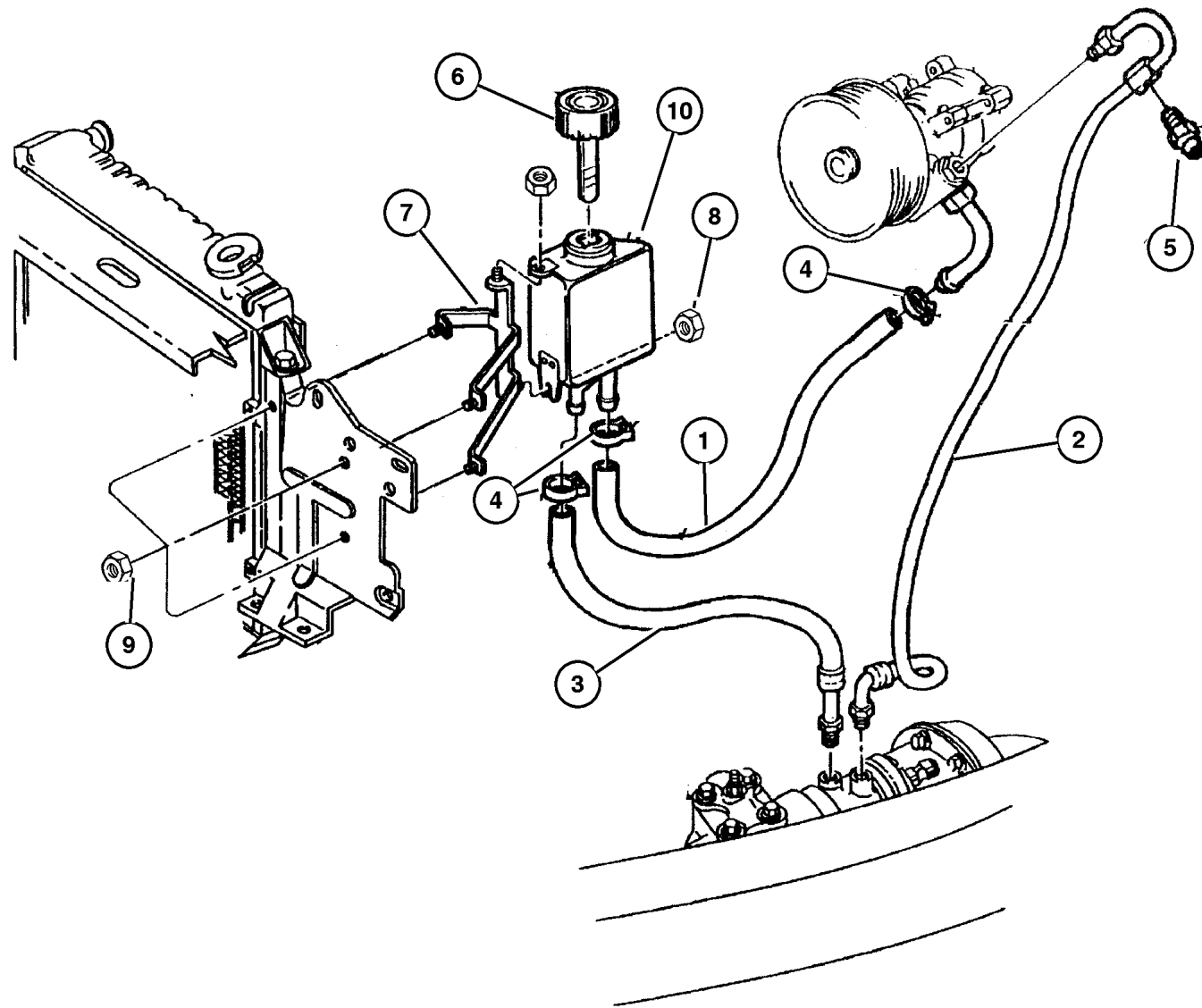
ITEM	PART NUMBER	QTY	LINE	SERIES	BODY	ENGINE	TRANS	TRIM	DESCRIPTION
Note: EPO = ALL 2.5L 4 Cylinder Gas--- EPE =Magnum 2.5L SMPI Inline 4 Cylinder Gas--- ENO = ALL 4 CYL DIESELS---ENC=2.5L 4 Cylinder Turbo Diesel									
1	5208 8137	1	J, T			EPO			HOSE, Pump Supply
2	52088 387AB	1	J			EPE			HOSE, Power Steering Pressure
3	5200 3135	1	J			EPO			HOSE, Power Steering Return
4	2448 770	2				EPO			CLAMP, Hose
5	56027 906AB	1	J			EPE			SWITCH, Power Steering
6	4694 766	1				ENC, EPO			CAP, Power Steering Pump
7	5200 3224	1	J			EPO			BRACKET, Power Steering Reservoir
8	1150 3745	2				ENO			NUT, Hex, M6x1
9	1150 2722	2				ER0			NUT, Hex Flange, M5x.8
10	5200 6395	1				EPO			RESERVOIR, Power Steering Pump

JEEP CHEROKEE (XJ)				
SERIES	LINE	BODY	ENGINE	TRANSMISSION
L=Low Line	J=LHD (4WD) U=RHD (4WD) T=LHD (2WD) B=RHD (2WD)	74=4 DR. (101.4 WB) 72=2 DR. (101.4 WB)	ENC,EN0=2.5L 4 cyl. Turbo Die ERH,ER0=4.0L Power Tech I-6 EPE,EPO=Magnum 2.5L SMPI	DDQ=5Spd Man. DGS=4 Spd. Auto. AISIN DG0=All Auto Trans DBB=All Manual Trans.

AR = Use as required - = Non illustrated part # = New this model year

July 4, 2003

Hose and Reservoir, with 2.5L Gas Engine, Left Hand Drive 1998 XJ  
Figure 019-720



ITEM	PART NUMBER	QTY	LINE	SERIES	BODY	ENGINE	TRANS	TRIM	DESCRIPTION
NOTES; SALES CODE EPO = ALL 2.5L 14 GAS, EPE = 2.5L I4 (MPI) GAS, ENO = ALL 4 CYL DIESELS									
1									HOSE, Pump Supply
	5208 8137	1				EPO			
	5208 8216	1				ENC			
2	52088 387AC	1	J, T			EPE			HOSE, Power Steering Pressure
3	52003 135AB	1	J, T			EPO			HOSE, Power Steering Return
4	2448 770	2				EPO			CLAMP, Hose
5	56027 906AB	1	J, T			EPE			SWITCH, Power Steering
6	4694 766	1				ENC,			CAP, Power Steering Pump
						EPO			
7	5208 7766	1				ENC			BRACKET, Power Steering Reservoir
8	1150 3745	2				ENO			NUT, Hex, M6x1
9	1150 2722	2				ERO			NUT, Hex Flange, M5x.8
10	52087 713AB	1				EPO			RESERVOIR, Power Steering Pump

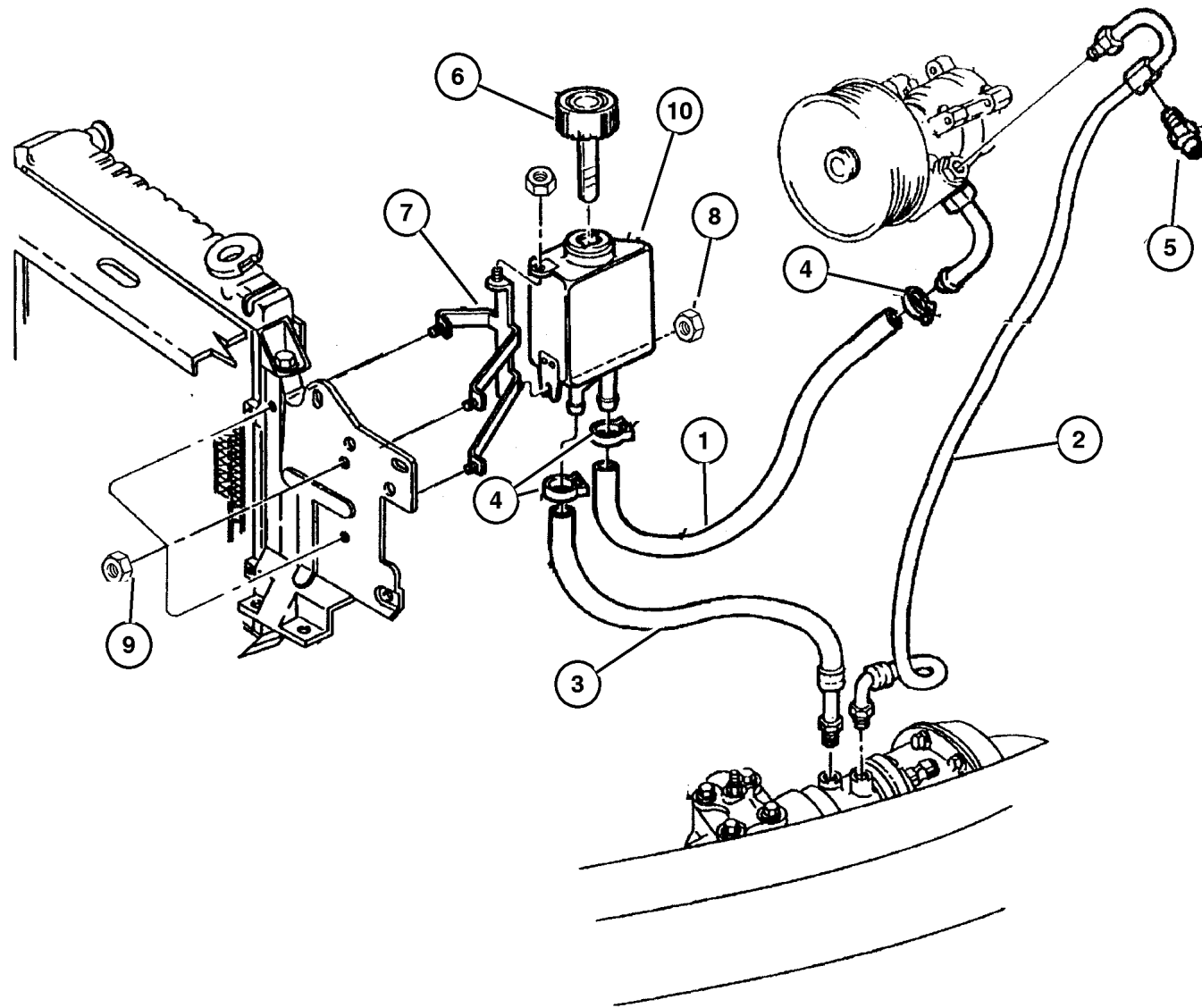
JEEP CHEROKEE (XJ)

SERIES	LINE	BODY	ENGINE	TRANSMISSION
L=Low Line	J=LHD (4WD) U=RHD (4WD) T=LHD (2WD) B=RHD (2WD)	74=4 DR. (101.4 WB) 72=2 DR. (101.4 WB)	ENC,ENO=2.5L 4 cyl. Turbo Die ERH,ERO=4.0L Power Tech I-6 EPE,EPO=Magnum 2.5L SMPI	DDQ=5Spd Man. DGS=4 Spd. Auto. AISIN DGO=All Auto Trans DBB=All Manual Trans.

AR = Use as required - = Non illustrated part # = New this model year

July 4, 2003

Hoses and Reservoir, with 2.5L Gas Engine, Left Hand Drive 1999 XJ  
Figure 019-720



ITEM	PART NUMBER	QTY	LINE	SERIES	BODY	ENGINE	TRANS	TRIM	DESCRIPTION
NOTES; SALES CODE EPO = ALL 2.5L 14 GAS, EPE = 2.5L I4 (MPI) GAS, ENO = ALL 4 CYL DIESELS									
1	#52088 216AC	1				ENC			HOSE, Pump Supply
2	52088 387AC	1	J, T			EPE			HOSE, Power Steering Pressure
3	52003 135AB	1	J, T			EPO			HOSE, Power Steering Return
4	2448 770	1							CLAMP, Hose
5	56027 906AB	1	B, U			EPE			SWITCH, Power Steering
6	4694 766	1				ENC, EPO			CAP, Power Steering Pump
7	5208 7766	1				ENC			BRACKET, Power Steering Reservoir
8									NUT, Hex, M6x1
	1150 3745	2				ENO			
		2				EPO			
9	1150 2722	4				ENO, EPO, ERO			NUT, Hex Flange, M5x.8
10	52087 713AB	1				EPO			RESERVOIR, Power Steering Pump

JEEP CHEROKEE (XJ)

SERIES	LINE	BODY	ENGINE	TRANSMISSION
L=Low Line	J=LHD (4WD) U=RHD (4WD) T=LHD (2WD) B=RHD (2WD)	74=4 DR. (101.4 WB) 72=2 DR. (101.4 WB)	ENC,ENO=2.5L 4 cyl. Turbo Die ERH,ERO=4.0L Power Tech I-6 EPE,EPO=Magnum 2.5L SMPI	DDQ=5Spd Man. DGS=4 Spd. Auto. AISIN DGO=All Auto Trans DBB=All Manual Trans.

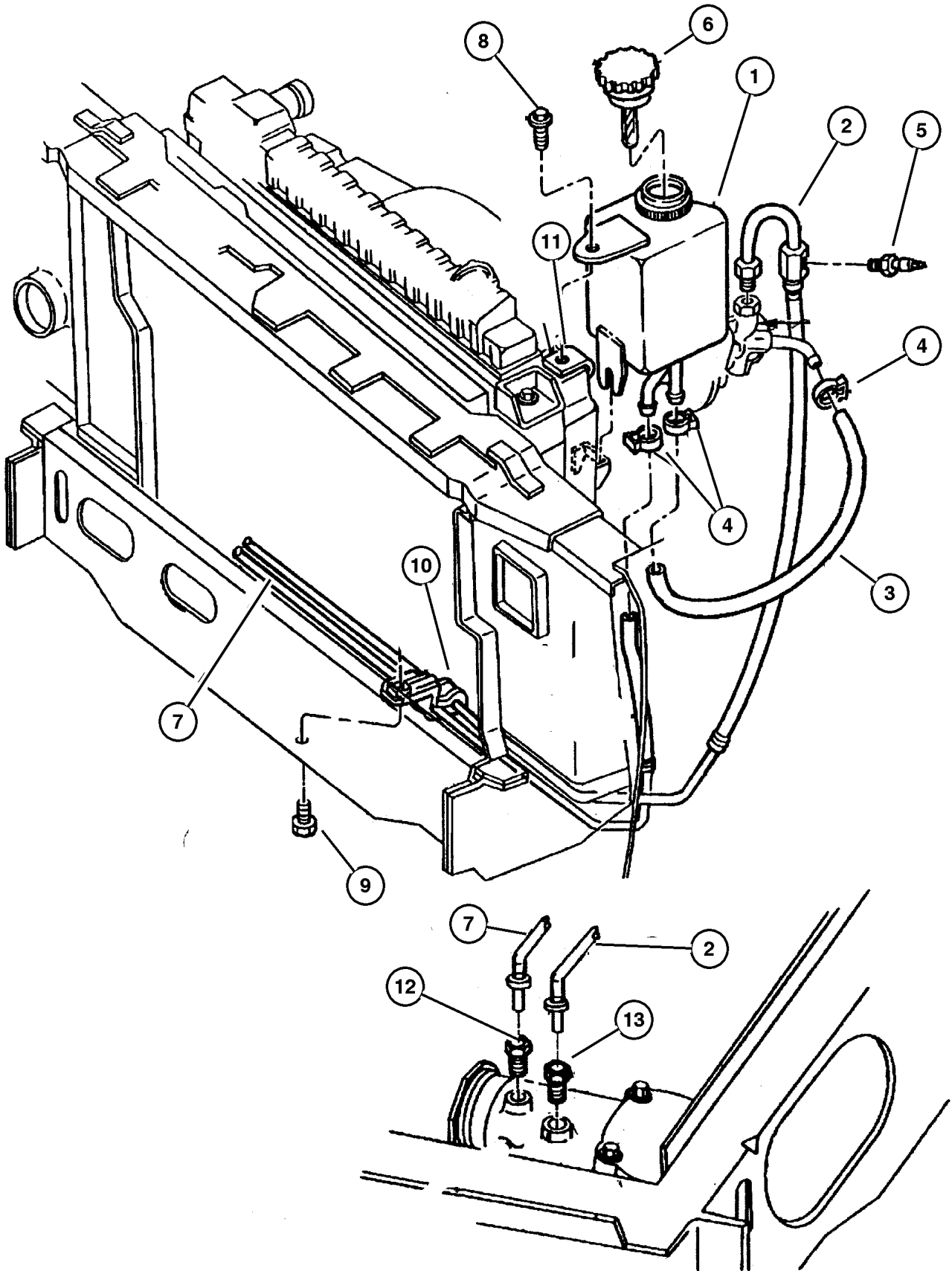
AR = Use as required - = Non illustrated part # = New this model year

July 4, 2003

Hoses and Reservoir, with 2.5L Gas Engine, Right Hand Drive 1997 XJ  
Figure 019-730

ITEM	PART NUMBER	QTY	LINE	SERIES	BODY	ENGINE	TRANS	TRIM	DESCRIPTION
NOTES; SALES CODE EPE = 2.5L I4 (MPI) GAS. EPO = ALL 2.5L I4 GAS, ENC = 2.5L CYL TURBO I/COOLED DIESEL									
1	5200 6395	1				EPO			RESERVOIR, Power Steering Pump
2	52088 388AB	1	B			EPE			HOSE, Power Steering Pressure
3	5208 8159	1	B			EPE			HOSE, Pump Supply
4	2448 770	2				EPO			CLAMP, Hose
5	56027 906AB	1	B, U			EPE			SWITCH, Power Steering
6	4694 766	1				ENC, EPO			CAP, Power Steering Pump
7	5208 8166	1	B, U			EPO			HOSE, Power Steering Return
8	3420 2575	1	B, U			EPO			SCREW AND WASHER, Hex Head
9	3420 2467	7							SCREW, Hex Head, M8x1.25x30
10	4333 457	2	B			EPO			BRACKET, Power Steering Hose
11	6101 308	1	B			EPO			NUT, U, M6x1
12	5208 8116	1	B			ENC, EPE			FITTING, Power Steering, Quick Connect
13	5203 7556	1	B			ENC, EPE			FITTING, Power Steering, Quick Connect


JEEP CHEROKEE (XJ)				
SERIES	LINE	BODY	ENGINE	TRANSMISSION
L=Low Line	J=LHD (4WD) U=RHD (4WD) T=LHD (2WD) B=RHD (2WD)	74=4 DR. (101.4 WB) 72=2 DR. (101.4 WB)	ENC,EN0=2.5L 4 cyl. Turbo Die ERH,ER0=4.0L Power Tech I-6 EPE,EPO=Magnum 2.5L SMPI	DDQ=5Spd Man. DGS=4 Spd. Auto. AISIN DG0=All Auto Trans DBB=All Manual Trans.



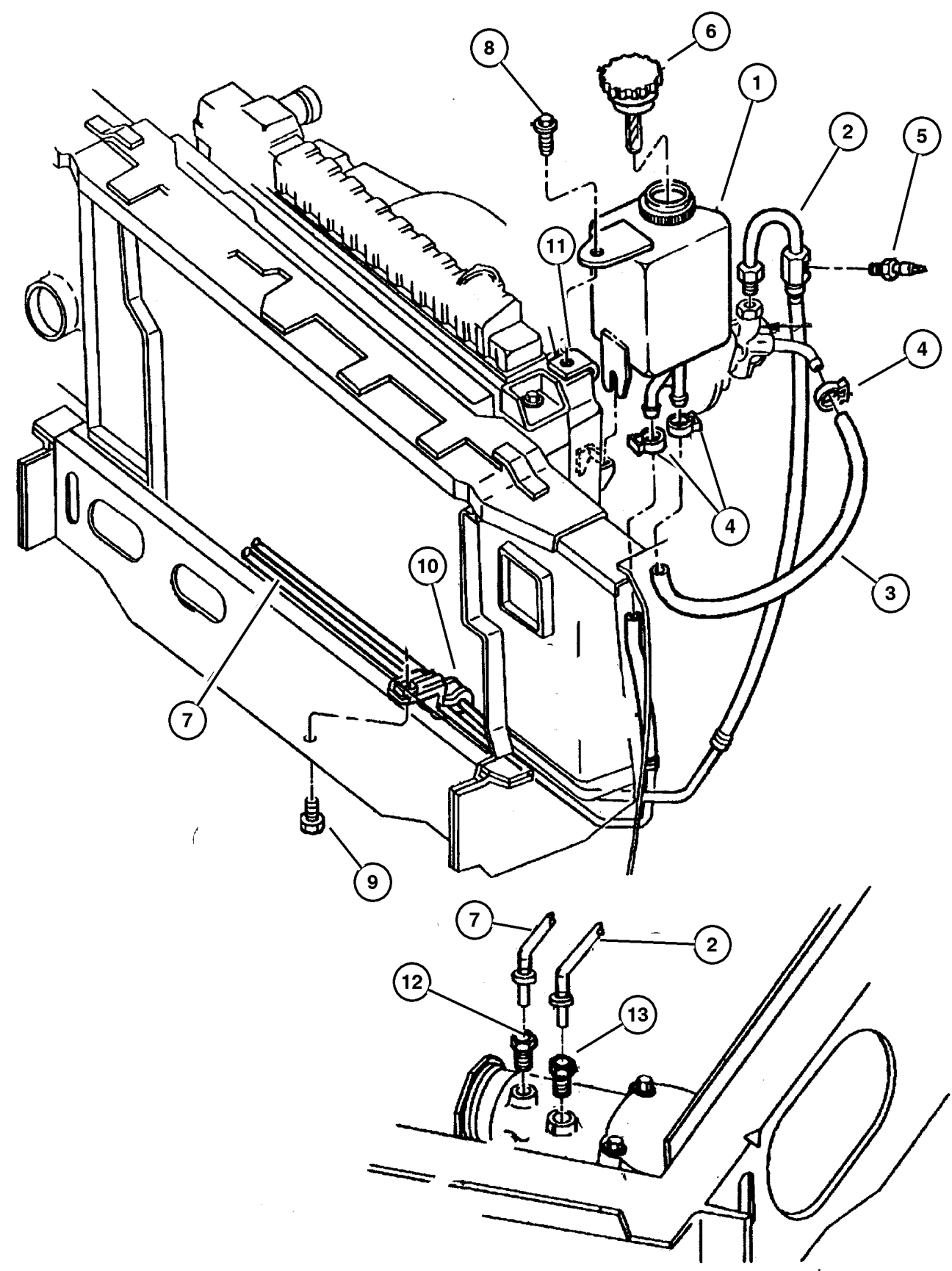
Hoses and Reservoir, with 2.5L Gas Engine, Right Hand Drive 1998 XJ  
Figure 019-730

ITEM	PART NUMBER	QTY	LINE	SERIES	BODY	ENGINE	TRANS	TRIM	DESCRIPTION
NOTES; SALES CODE EPE = 2.5L I4 (MPI) GAS. EPO = ALL 2.5L I4 GAS, ENC = 2.5L CYL TURBO I/COOLED DIESEL									
1	52087 713AC	1				EPO			RESERVOIR, Power Steering Pump
2	52088 388AC	1	B, U			EPE			HOSE, Power Steering Pressure
3									HOSE, Pump Supply
	5208 8137	1				EPO			
	5208 8216	1				ENC			
4	2448 770	2				EPO			CLAMP, Hose
5	56027 906AB	1	B, U			EPE			SWITCH, Power Steering
6	4694 766	1				ENC,			CAP, Power Steering Pump
						EPO			
7	52088 166AD	1	B, U			EPO			HOSE, Power Steering Return
8	3420 2575	1	B, U			EPO			SCREW AND WASHER, Hex Head
9	3420 2467	7							SCREW, Hex Head, M8x1.25x30
10	4333 457	2	B, U			ENC,			BRACKET, Power Steering Hose
						EPO			
11	6101 308	1	B, U			EPO			NUT, U, M6x1
12	5203 7556	1	B, U			ENC,			FITTING, Power Steering, Quick
						EPE			Connect
13	5203 7556	1	B, U			ENC,			FITTING, Power Steering, Quick
						EPE			Connect

JEEP CHEROKEE (XJ)				
SERIES	LINE	BODY	ENGINE	TRANSMISSION
L=Low Line	J=LHD (4WD) U=RHD (4WD) T=LHD (2WD) B=RHD (2WD)	74=4 DR. (101.4 WB) 72=2 DR. (101.4 WB)	ENC,EN0=2.5L 4 cyl. Turbo Die ERH,ER0=4.0L Power Tech I-6 EPE,EPO=Magnum 2.5L SMPI	DDQ=5Spd Man. DGS=4 Spd. Auto. AISIN DG0=All Auto Trans DBB=All Manual Trans.

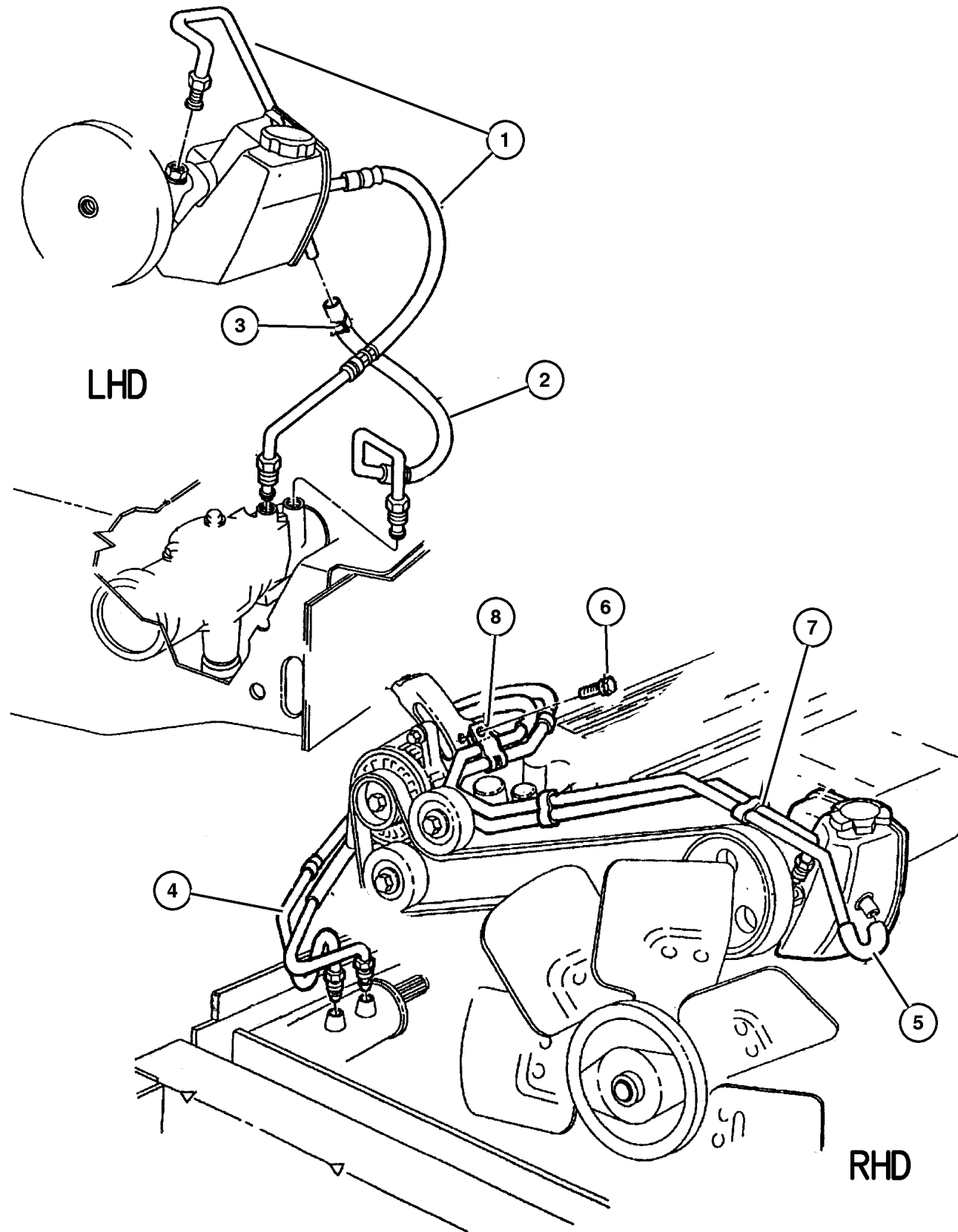
AR = Use as required - = Non illustrated part # = New this model year

July 4, 2003





Hoses and Reservoir, with 4.0L Engine 1997 XJ  
Figure 019-740



ITEM	PART NUMBER	QTY	LINE	SERIES	BODY	ENGINE	TRANS	TRIM	DESCRIPTION
NOTES; SALES CODE ERO = ALL 4.0L 6CYL GAS, ENC = 2.5L 4CYL TURBO I/COOLED DIESEL, EPO = ALL 2.5L I4 GAS									
1	5208 8489	1	J, T			ER0			HOSE, Power Steering Pressure
2	5203 7645	1	J, T			ER0			HOSE, Power Steering Return
3	2448 770	1				ENC, EPO			CLAMP, Hose
4	5208 8021	1	B, U			ER0			HOSE, Power Steering Pressure
5	5208 7975	1	B, U			ER0			HOSE, Power Steering Return
6	6502 946	1	B, U			ER0			SCREW, Heat Shield, M6x1.00x13.00
7									CLIP, Power Steering Hose, (NOT SERVICED) (Not Serviced)
8	5208 7977	1	B, U			ER0			CLIP, Power Steering Hose

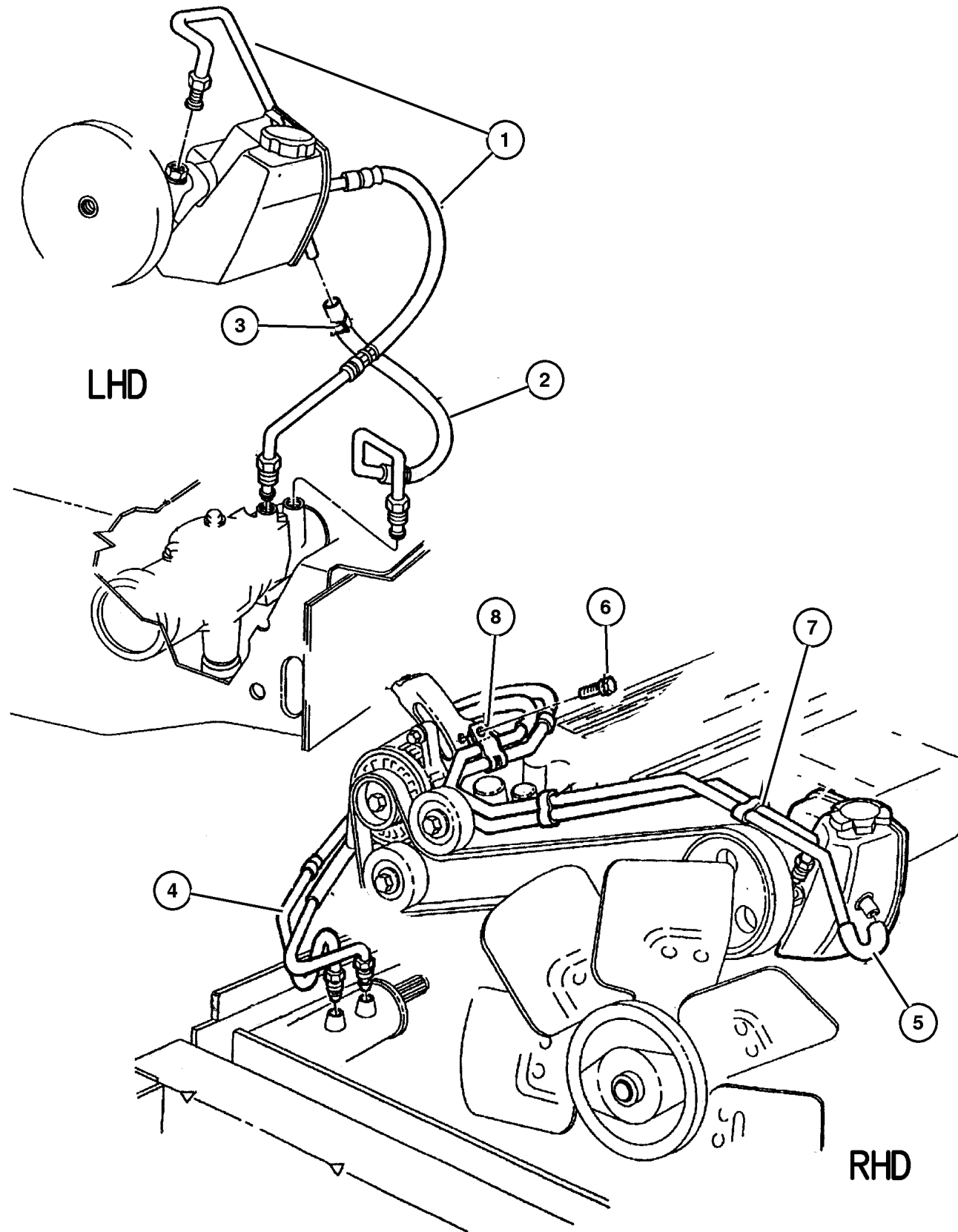
JEEP CHEROKEE (XJ)				
SERIES	LINE	BODY	ENGINE	TRANSMISSION
L=Low Line	J=LHD (4WD) U=RHD (4WD) T=LHD (2WD) B=RHD (2WD)	74=4 DR. (101.4 WB) 72=2 DR. (101.4 WB)	ENC,EN0=2.5L 4 cyl. Turbo Die ERH,ER0=4.0L Power Tech I-6 EPE,EPO=Magnum 2.5L SMPI	DDQ=5Spd Man. DGS=4 Spd. Auto. AISIN DG0=All Auto Trans DBB=All Manual Trans.

AR = Use as required - = Non illustrated part # = New this model year

July 4, 2003



Hoses and Reservoir, with 4.0L Engine 1998 XJ  
Figure 019-740



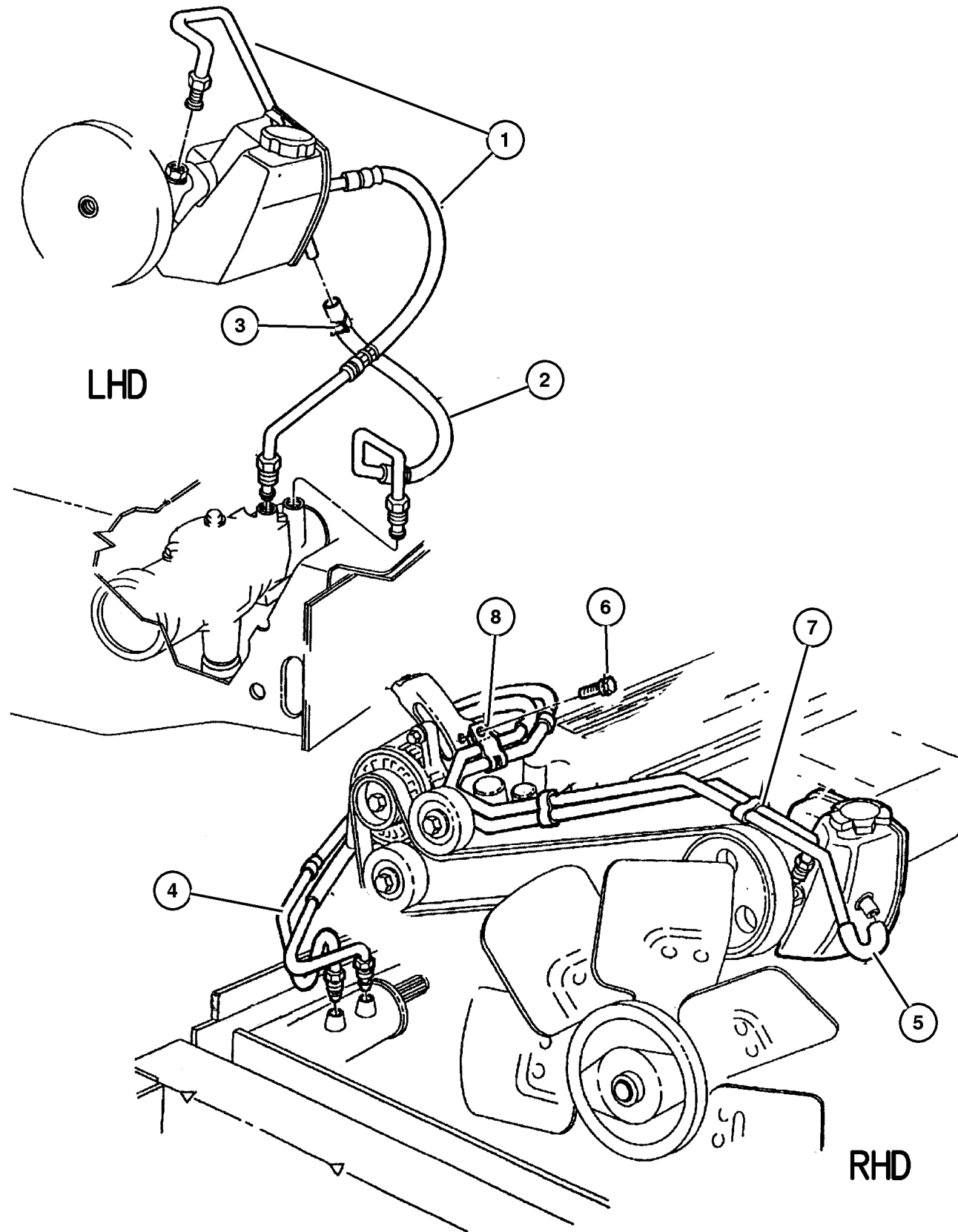
ITEM	PART NUMBER	QTY	LINE	SERIES	BODY	ENGINE	TRANS	TRIM	DESCRIPTION
NOTES; SALES CODE ERO = ALL 4.0L 6CYL GAS, ENC = 2.5L 4CYL TURBO I/COOLED DIESEL, EPO = ALL 2.5L I4 GAS									
1	5208 8489	1	J, T			ERO			HOSE, Power Steering Pressure
2	5203 7645	1	J, T			ERO			HOSE, Power Steering Return
3	2448 770	1				ENC, EPO			CLAMP, Hose
4	5208 8021	1	B, U			ERO			HOSE, Power Steering Pressure
5	5208 7975	1	B, U			ERO			HOSE, Power Steering Return
6	6502 946	1	B, U			ERO			SCREW, Heat Shield, M6x1.00x13.00
7									CLIP, Power Steering Hose, (NOT SERVICED) (Not Serviced)
8	5208 7977	1	B, U			ERO			CLIP, Power Steering Hose

JEEP CHEROKEE (XJ)				
SERIES	LINE	BODY	ENGINE	TRANSMISSION
L=Low Line	J=LHD (4WD) U=RHD (4WD) T=LHD (2WD) B=RHD (2WD)	74=4 DR. (101.4 WB) 72=2 DR. (101.4 WB)	ENC,EN0=2.5L 4 cyl. Turbo Die ERH,ER0=4.0L Power Tech I-6 EPE,EPO=Magnum 2.5L SMPI	DDQ=5Spd Man. DGS=4 Spd. Auto. AISIN DG0=All Auto Trans DBB=All Manual Trans.

AR = Use as required - = Non illustrated part # = New this model year

July 4, 2003

Hoses and Reservoir, with 4.0L Engine 1999 XJ  
Figure 019-740



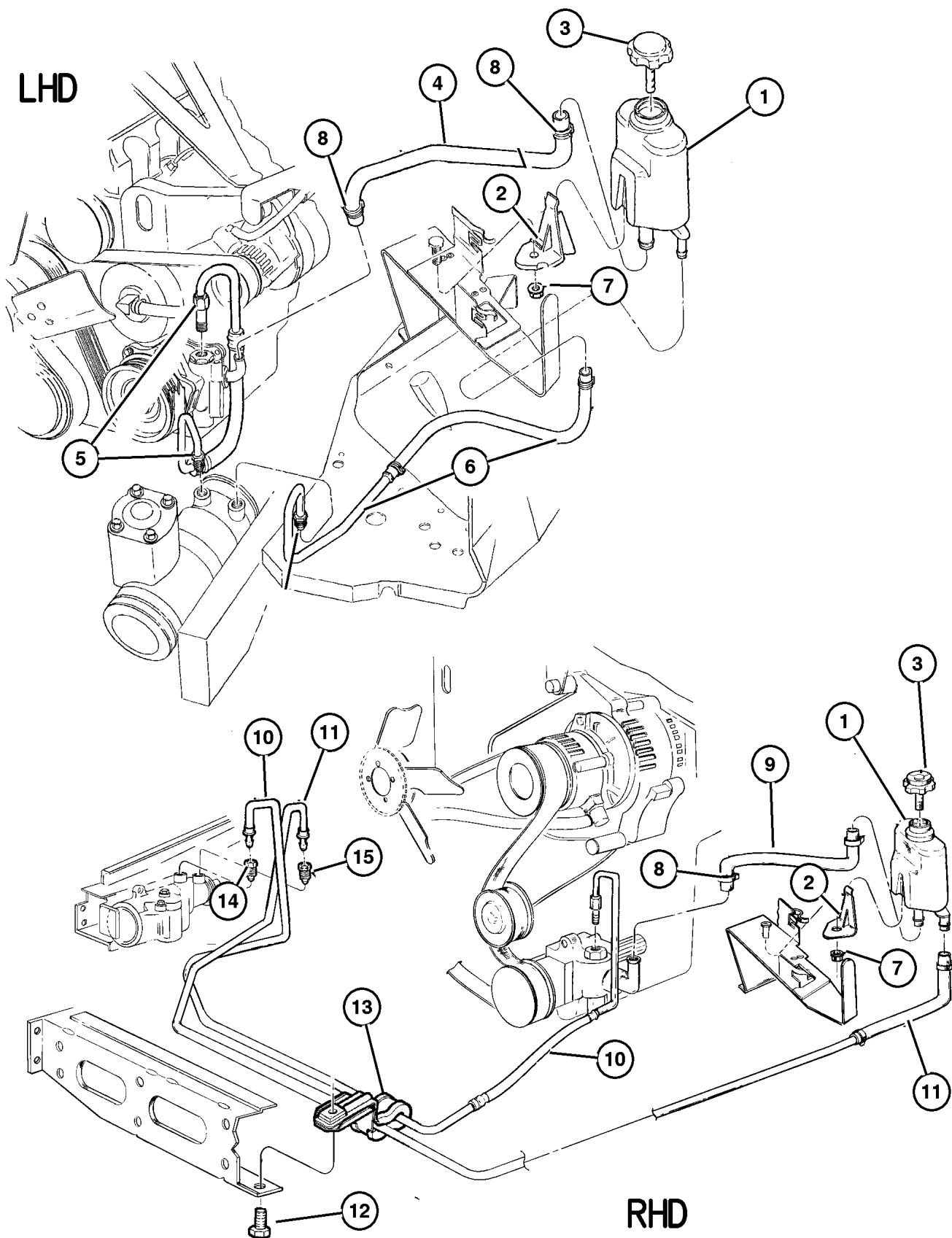
ITEM	PART NUMBER	QTY	LINE	SERIES	BODY	ENGINE	TRANS	TRIM	DESCRIPTION
NOTES; SALES CODE ERO = ALL 4.0L 6CYL GAS, ENC = 2.5L 4CYL TURBO I/COOLED DIESEL, EPO = ALL 2.5L I4 GAS									
1	5208 8489	1	J, T			ER0			HOSE, Power Steering Pressure
2	5203 7645	1	J, T			ER0			HOSE, Power Steering Return
3	2448 770	1							CLAMP, Hose
4	5208 8021	1	B, U			ER0			HOSE, Power Steering Pressure
5	5208 7975	1	B, U			ER0			HOSE, Power Steering Return
6	6502 946	1	B, U			ER0			SCREW, Heat Shield, M6x1.00x13.00
7									CLIP, Power Steering Hose, (NOT SERVICED) (Not Serviced)
8	5208 7977	1	B, U			ER0			CLIP, Power Steering Hose

JEEP CHEROKEE (XJ)				
SERIES	LINE	BODY	ENGINE	TRANSMISSION
L=Low Line	J=LHD (4WD) U=RHD (4WD) T=LHD (2WD) B=RHD (2WD)	74=4 DR. (101.4 WB) 72=2 DR. (101.4 WB)	ENC,EN0=2.5L 4 cyl. Turbo Die ERH,ER0=4.0L Power Tech I-6 EPE,EPO=Magnum 2.5L SMPI	DDQ=5Spd Man. DGS=4 Spd. Auto. AISIN DG0=All Auto Trans DBB=All Manual Trans.

AR = Use as required - = Non illustrated part # = New this model year

July 4, 2003

## Hoses and Reservoir, with 2.5L Diesel Engine 1997 XJ Figure 019-750



ITEM	PART NUMBER	QTY	LINE	SERIES	BODY	ENGINE	TRANS	TRIM	DESCRIPTION
NOTES; SALES CODE ENC = 2.5L 4CYL TURBO I/COOLED DIESEL, EPO = ALL 2.5L I4 GAS, EPE = 2.5L I4 (MPI) GAS									
1	52087 713AB	1				ENC			RESERVOIR, Power Steering Pump
2	5208 7766	1				ENC			BRACKET, Power Steering Reservoir
3	4694 766	1				ENC, EPO			CAP, Power Steering Pump
4	5208 8216	1				ENC			HOSE, Pump Supply
5	5208 7783	1	J, T			ENC			HOSE, Power Steering Pressure
6	5208 8184	1	J, T			ENC			HOSE, Power Steering Return
7	6100 516	2							NUT, Hex Flange Lock, M6 Phosphate
8	2448 770	2				EPO			CLAMP, Hose
9	5208 8216	1				ENC			HOSE, Pump Supply
10	5208 7886	1	B, U			ENC			HOSE, Power Steering Pressure
11	5208 7892	1	B, U			ENC			HOSE, Power Steering Return
12	6501 648	1	B, U			ENC			SCREW, Hex Flange Head, M8x1. 25x25.00
13	5208 8109	1	B, U			ENC			BRACKET, Power Steering Hose
14	5203 7556	1	B, U			ENC, EPE			FITTING, Power Steering, Quick Connect
15	5208 8116	1	B, U			ENC, EPE			FITTING, Power Steering, Quick Connect

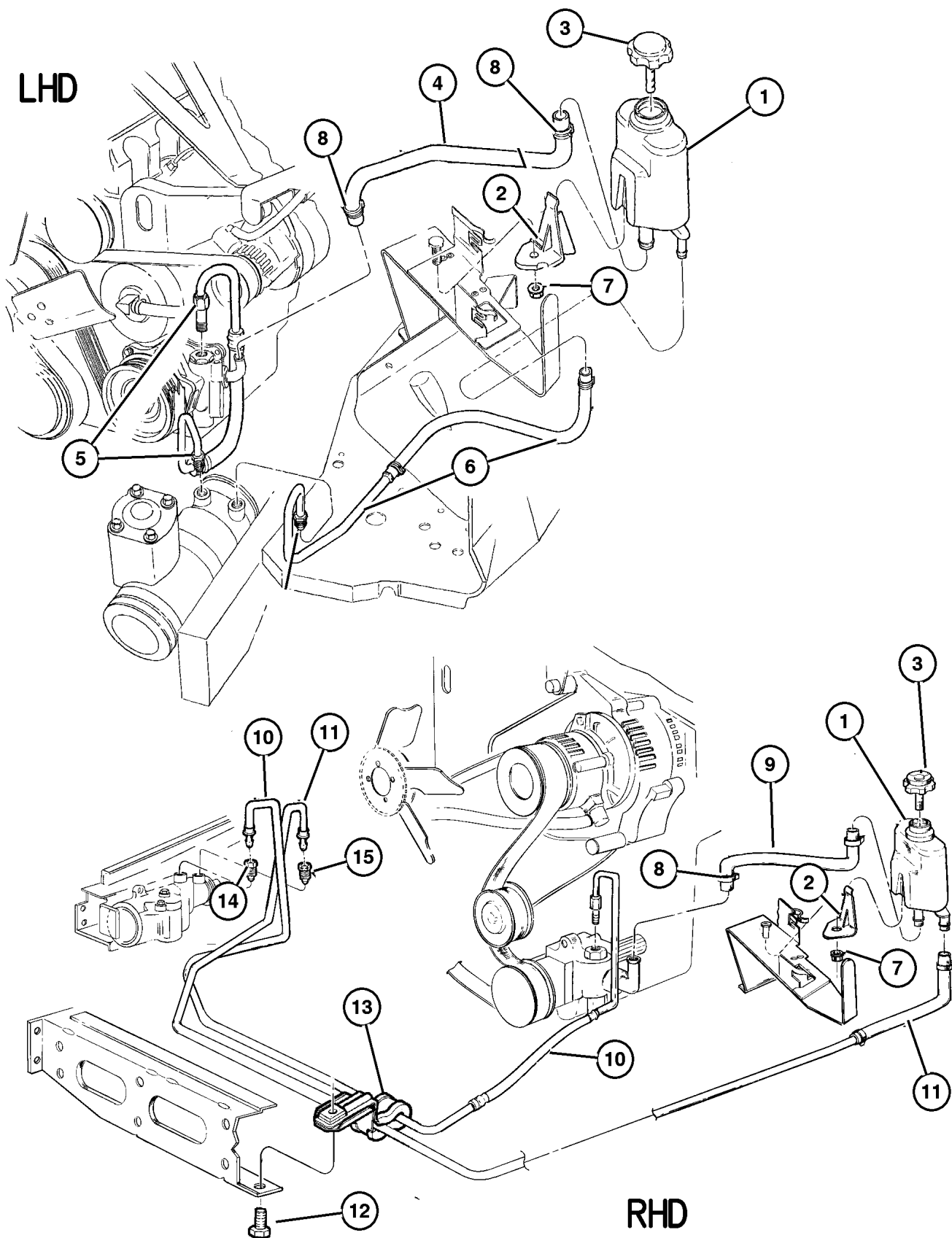
### JEEP CHEROKEE (XJ)

SERIES	LINE	BODY	ENGINE	TRANSMISSION
L=Low Line	J=LHD (4WD) U=RHD (4WD) T=LHD (2WD) B=RHD (2WD)	74=4 DR. (101.4 WB) 72=2 DR. (101.4 WB)	ENC,EN0=2.5L 4 cyl. Turbo Die ERH,ER0=4.0L Power Tech I-6 EPE,EPO=Magnum 2.5L SMPI	DDQ=5Spd Man. DGS=4 Spd. Auto. AISIN DG0=All Auto Trans DBB=All Manual Trans.

AR = Use as required - = Non illustrated part # = New this model year

July 4, 2003

## Hoses and Reservoir, with 2.5L Diesel Engine 1998 XJ Figure 019-750



ITEM	PART NUMBER	QTY	LINE	SERIES	BODY	ENGINE	TRANS	TRIM	DESCRIPTION
NOTES; SALES CODE ENC = 2.5L 4CYL TURBO I/COOLED DIESEL, EPO = ALL 2.5L I4 GAS, EPE = 2.5L I4 (MPI) GAS									
1	52087 713AB	1				ENC			RESERVOIR, Power Steering Pump
2	5208 7766	1				ENC			BRACKET, Power Steering Reservoir
3	4694 766	1				ENC, EPO			CAP, Power Steering Pump
4	5208 8216	1				ENC			HOSE, Pump Supply
5	5208 7783	1	J, T			ENC			HOSE, Power Steering Pressure
6	5208 8184	1	J, T			ENC			HOSE, Power Steering Return
7	6100 516	2							NUT, Hex Flange Lock, M6 Phosphate
8	2448 770	2				EPO			CLAMP, Hose
9	5208 8216	1				ENC			HOSE, Pump Supply
10	5208 7886	1	B, U			ENC			HOSE, Power Steering Pressure
11	5208 7892	1	B, U			ENC			HOSE, Power Steering Return
12	6501 648	1	B, U			ENC, EPO			SCREW, Hex Flange Head, M8x1. 25x25.00
13	5208 8109	1	B, U			ENC, EPO			BRACKET, Power Steering Hose
14	5203 7556	1	B, U			ENC, EPE			FITTING, Power Steering, Quick Connect
15	5208 8116	1	B, U			ENC, EPE			FITTING, Power Steering, Quick Connect

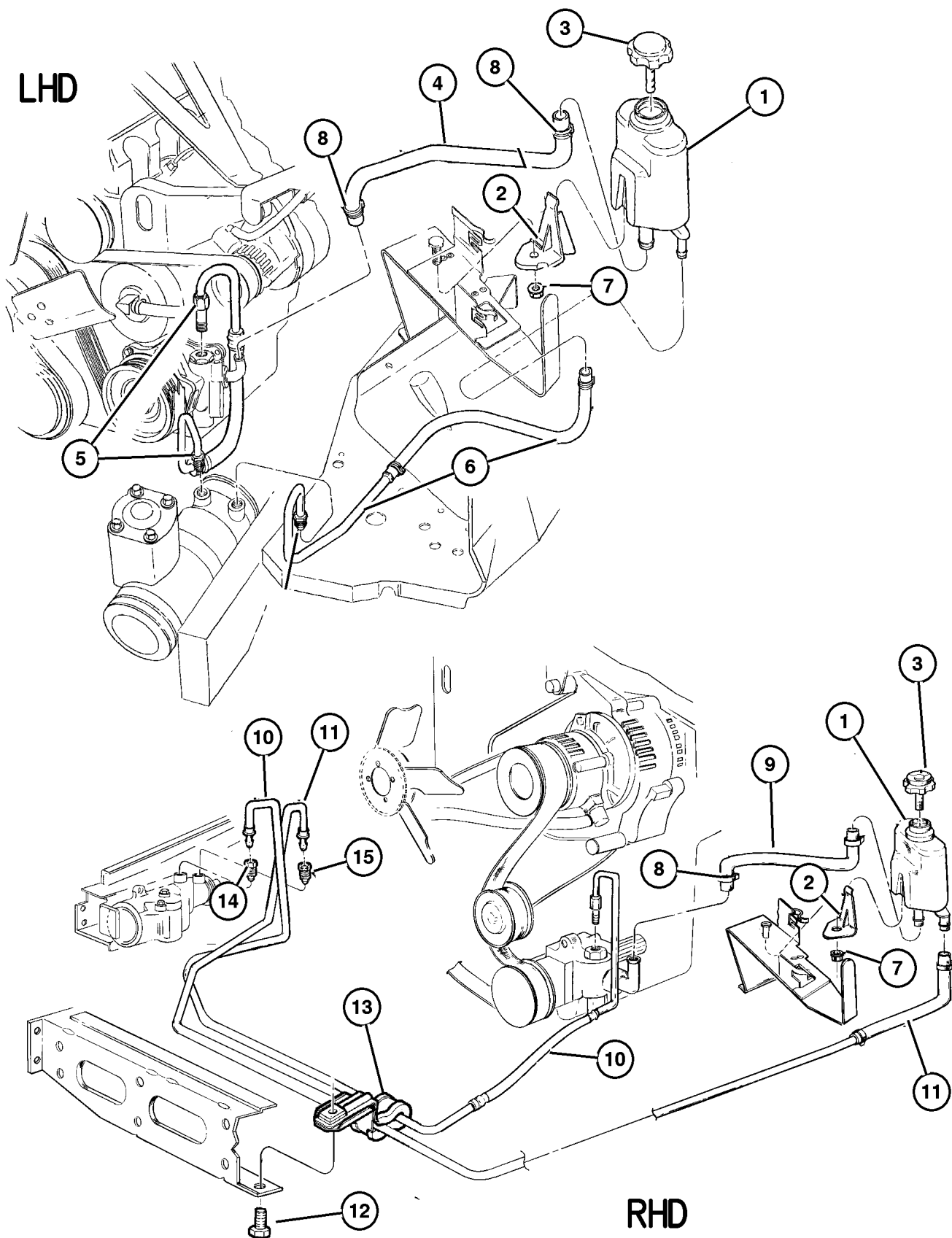
### JEEP CHEROKEE (XJ)

SERIES	LINE	BODY	ENGINE	TRANSMISSION
L=Low Line	J=LHD (4WD) U=RHD (4WD) T=LHD (2WD) B=RHD (2WD)	74=4 DR. (101.4 WB) 72=2 DR. (101.4 WB)	ENC,EN0=2.5L 4 cyl. Turbo Die ERH,ER0=4.0L Power Tech I-6 EPE,EPO=Magnum 2.5L SMPI	DDQ=5Spd Man. DGS=4 Spd. Auto. AISIN DG0=All Auto Trans DBB=All Manual Trans.

AR = Use as required - = Non illustrated part # = New this model year

July 4, 2003

## Hoses and Reservoir, with 2.5L Diesel Engine 1999 XJ Figure 019-750



ITEM	PART NUMBER	QTY	LINE	SERIES	BODY	ENGINE	TRANS	TRIM	DESCRIPTION
NOTES; SALES CODE ENC = 2.5L 4CYL TURBO I/COOLED DIESEL, EPO = ALL 2.5L I4 GAS, EPE = 2.5L I4 (MPI) GAS									
1	52087 713AB	1				EPO			RESERVOIR, Power Steering Pump
2	5208 7766	1				ENC			BRACKET, Power Steering Reservoir
3	4694 766	1				ENC, EPO			CAP, Power Steering Pump
4	#52088 216AC	1				ENC			HOSE, Pump Supply
5	#52087 783AC	1	J, T			ENC			HOSE, Power Steering Pressure
	5208 7886	1	B, U			ENC			
6									HOSE, Power Steering Return
	#52087 892AB	1	B, U			ENC			
	#52088 184AC	1	J, T			ENC			
7	6100 516	1				ENC			NUT, Hex Flange Lock, M6
8	2448 770	1							Phosphate CLAMP, Hose
9	#52088 216AC	1				ENC			HOSE, Pump Supply
10	5208 7886	1	B, U			ENC			HOSE, Power Steering Pressure
11									HOSE, Power Steering Return
	#52087 892AB	1	B, U			ENC			
	#52088 184AC	1	J, T			ENC			
12	6501 648	4					DG0		SCREW, Hex Flange Head, M8x1. 25x25.00
13									BRACKET, Power Steering Hose
	5208 8109	1	B, U			ENC			
		2	J, T			ENC			
14	5203 7556	1				ENC, EPE			FITTING, Power Steering, Quick Connect
15	5208 8116	1				ENC, EPE			FITTING, Power Steering, Quick Connect

### JEEP CHEROKEE (XJ)

SERIES	LINE	BODY	ENGINE	TRANSMISSION
L=Low Line	J=LHD (4WD) U=RHD (4WD) T=LHD (2WD) B=RHD (2WD)	74=4 DR. (101.4 WB) 72=2 DR. (101.4 WB)	ENC,EN0=2.5L 4 cyl. Turbo Die ERH,ER0=4.0L Power Tech I-6 EPE,EPO=Magnum 2.5L SMPI	DDQ=5Spd Man. DGS=4 Spd. Auto. AISIN DG0=All Auto Trans DBB=All Manual Trans.

AR = Use as required - = Non illustrated part # = New this model year

July 4, 2003

# Group – 30RH

## Automatic Transmission 3 Speed

### GROUP 30RH - Automatic Transmission 3 Speed

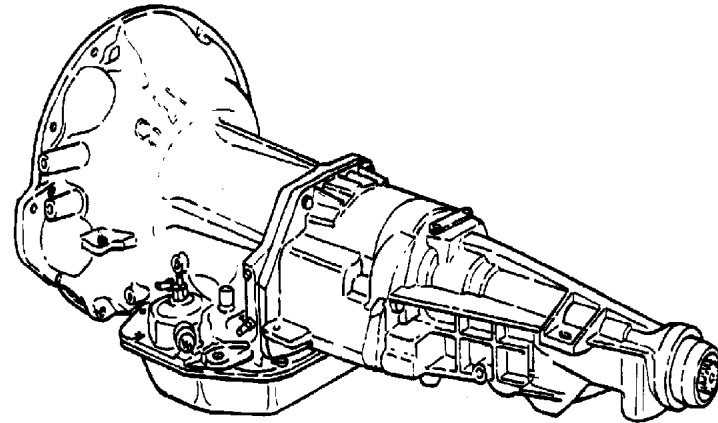


Illustration Title

Group-Fig. No.

#### Transmission Assembly

Transmission 30RH (DGD) 1998 XJ 1999 XJ ..... Fig. 30RH-110

#### Case and Extension

Case and Related Parts 30RH (DGD) 1998 XJ 1999 XJ ..... Fig. 30RH-210

#### Oil Pump

Oil Pump 30RH (DGD) 1998 XJ 1999 XJ ..... Fig. 30RH-310

#### Gear Train

Gear 30RH (DGD) 1998 XJ 1999 XJ ..... Fig. 30RH-410

Gear 30RH (DGD) 1998 XJ 1999 XJ ..... Fig. 30RH-420

#### Bands, Reverse and Kickdown

Bands 30RH (DGD) 1998 XJ 1999 XJ ..... Fig. 30RH-510

#### Governor

Governor 30RH (DGD) 1998 XJ 1999 XJ ..... Fig. 30RH-610

#### Valve Body

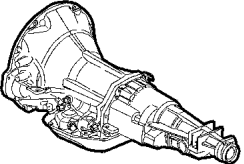
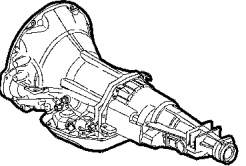

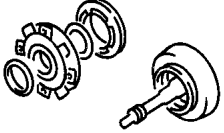
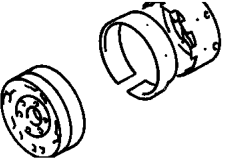
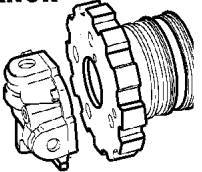
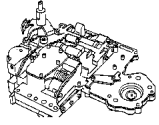
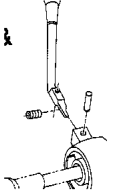
Valve Body 30 RH (DGD) 1998 XJ 1999 XJ ..... Fig. 30RH-710

Servos 30RH (DGD) 1998 XJ 1999 XJ ..... Fig. 30RH-720

Parking Sprag 30RH (DGD) 1998 XJ 1999 XJ ..... Fig. 30RH-730

#### Gearshift Controls

Gearshift Controls 30RH (DGD) 1998 XJ 1999 XJ ..... Fig. 30RH-1210

<p><b>30RH-100</b> Transmission Assembly</p> 	<p><b>30RH-200</b> Case and Extension</p> 	<p><b>30RH-300</b> Oil Pump</p> 	<p><b>30RH-400</b> Gear Train</p> 
<p><b>30RH-500</b> Bands, Reverse and Kickdown</p> 	<p><b>30RH-600</b> Governor</p> 	<p><b>30RH-700</b> Valve Body</p> 	<p><b>30RH-1200</b> Gearshift Controls</p> 

**Transmission 30RH (DGD) 1998 XJ 1999 XJ**  
**Figure 30RH-110**

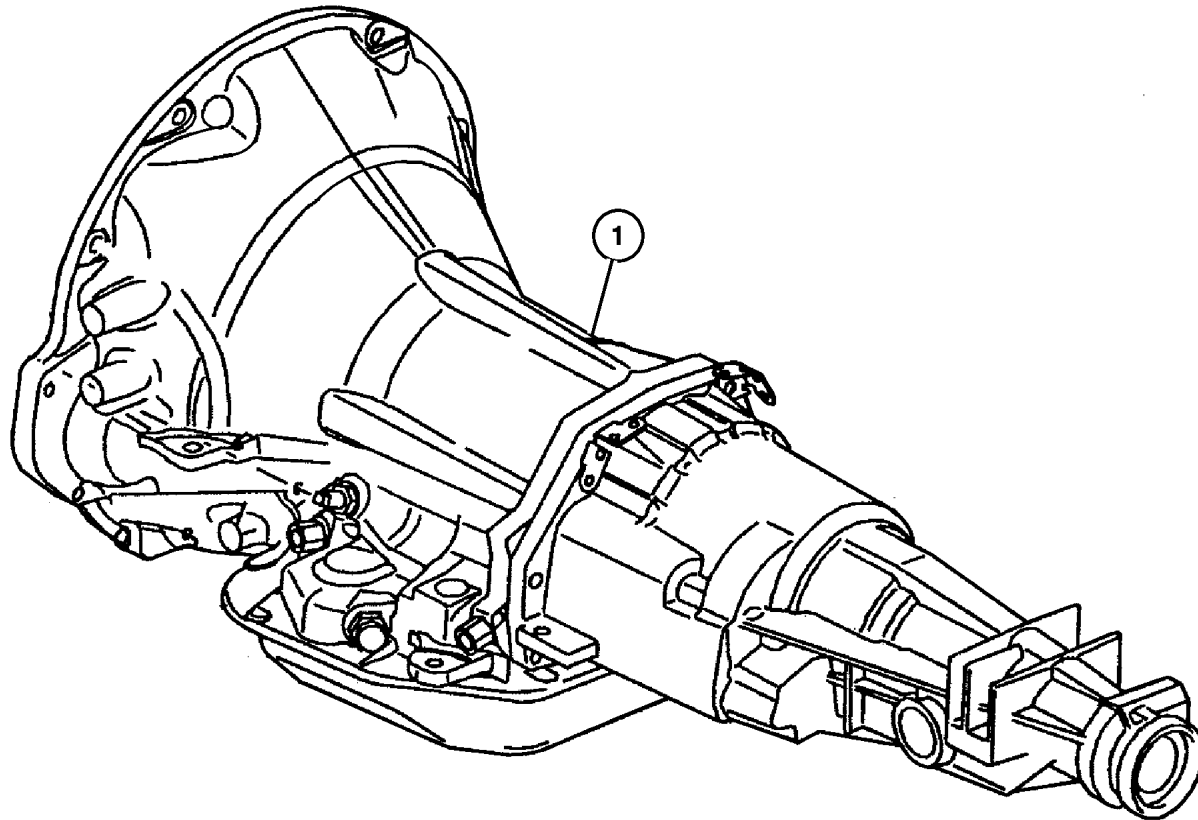
ITEM	PART NUMBER	QTY	LINE	SERIES	BODY	ENGINE	TRANS	TRIM	DESCRIPTION
------	-------------	-----	------	--------	------	--------	-------	------	-------------

Notes:

DGD = 30 RH 3 Speed Automatic Transmission

EP0 = All 2.5L 4 Cylinder Gas Engines

1									TRANSMISSION PACKAGE
	5003 050AA	1	B, T			EP0	DGD		1998 XJ
	#5013 403AA	1	B, T			EP0	DGD		52119810AA(Package Contains 52119810AA Transmission, K4736388AB Converter, K6501099 Bolts), 1999 XJ



**JEEP CHEROKEE (XJ)**

SERIES	LINE	BODY	ENGINE	TRANSMISSION
L=Low Line	J=LHD (4WD) U=RHD (4WD) T=LHD (2WD) B=RHD (2WD)	74=4 DR. (101.4 WB) 72=2 DR. (101.4 WB)	ENC,EN0=2.5L 4 cyl. Turbo Die ERH,ER0=4.0L Power Tech I-6 EPE,EP0=Magnum 2.5L SMPI	DDQ=5Spd Man. DGS=4 Spd. Auto. AISIN DG0=All Auto Trans DBB=All Manual Trans.

AR = Use as required - = Non illustrated part # = New this model year

July 4, 2003

Case and Related Parts 30RH (DGD) 1998 XJ 1999 XJ  
Figure 30RH-210

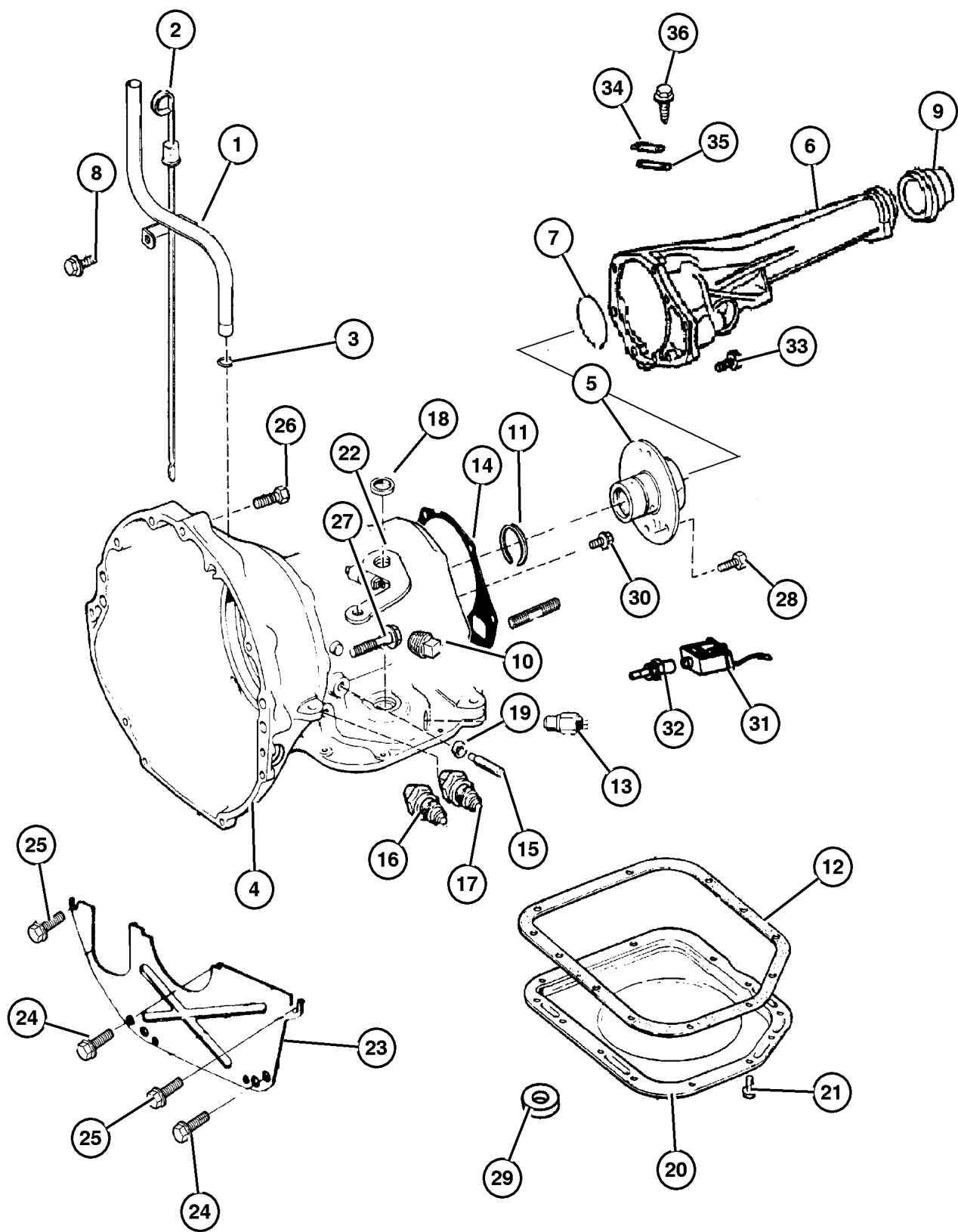
ITEM	PART NUMBER	QTY	LINE	SERIES	BODY	ENGINE	TRANS	TRIM	DESCRIPTION
Notes:									
DGO = All Automatic Transmissions									
DGD = 30 RH 3 Speed Automatic Transmission									
EP0 = All 2.5L 4 Cylinder Gas Engines									
ER0 = All 4.0L 6 Cylinder Gas Engines									
1	5211 8062	1				EP0, ER0	DGO		TUBE, Transmission Oil Filler 1998 XJ
	52104 244AB	1				EP0	DGO		1999 XJ
2	5211 8063	1				EP0	DGD		INDICATOR, Transmission Fluid Level 1998 XJ
	52104 278AB	1				EP0	DGO		1999 XJ
3	J094 0298	1				EP0	DGO		SEAL, Oil Filler Tube 1998 XJ
	52118 629AB	1				EP0	DGO		1999 XJ
4	5211 8593	1	B, T			EP0	DGD		CASE, Transmission
5	4431 433	1	B, T			EP0	DGD		SUPPORT, Output Shaft
6	52118 835AA	1	B, T			EP0	DGD		CASE, Transmission Rear
7	2400 185	1	B, T			EP0	DGD		SNAP RING
8	J400 1701	AR							SCREW, Hex Self Tapping, .19-16x. 50
9	4638 941	1	B, T			EP0	DGD		SEAL, Extension
10	6028 095	1	B, T			EP0	DGD		PLUG, Pressure Check
11	6033 480	1	B, T			EP0	DGD		SNAP RING, Reverse Drum
12	4295 875	1	B, T			EP0	DGD		GASKET, Oil Pan
13	5602 8181	1	B, T			EP0	DGD		SWITCH, Neutral, Safety, Back Up
14	2466 954	1	B, T			EP0	DGD		GASKET, Transmission Case
15	1942 477	1	B, T			EP0	DGD		SCREW 1998 XJ
	6036 141AA	1	B, T			EP0	DGD		1999 XJ
16	6033 879	1	B, T			EP0	DGD		NUT, Inverted Flare, .62-18
17	5202 8471	1	B, T			EP0	DGD		CONNECTOR, Oil Cooler Tube, .375 Tube x .25 Thread
18	4505 098	1	B, T			EP0	DGD		SEAL, Manual Shift Valve, 1.25 OD
19									NUT, (NOT SERVICED) (Not Serviced)
20	5211 8802	1	B, T			EP0	DGD		PAN, Transmission Oil
21	4723 548	14	B, T			EP0	DGD		SCREW AND WASHER, Hex Head, .312-18x.625
22	5300 3090	1	J, T			EP0	DGD		LEVER, Selector
23	2466 957	1	B, T			EP0	DGD		COVER, Transmission Converter

JEEP CHEROKEE (XJ)

SERIES	LINE	BODY	ENGINE	TRANSMISSION
L=Low Line	J=LHD (4WD) U=RHD (4WD) T=LHD (2WD) B=RHD (2WD)	74=4 DR. (101.4 WB) 72=2 DR. (101.4 WB)	ENC,EN0=2.5L 4 cyl. Turbo Die ERH,ER0=4.0L Power Tech I-6 EPE,EP0=Magnum 2.5L SMPI	DDQ=5Spd Man. DGS=4 Spd. Auto. AISIN DGO=All Auto Trans DBB=All Manual Trans.

AR = Use as required - = Non illustrated part # = New this model year

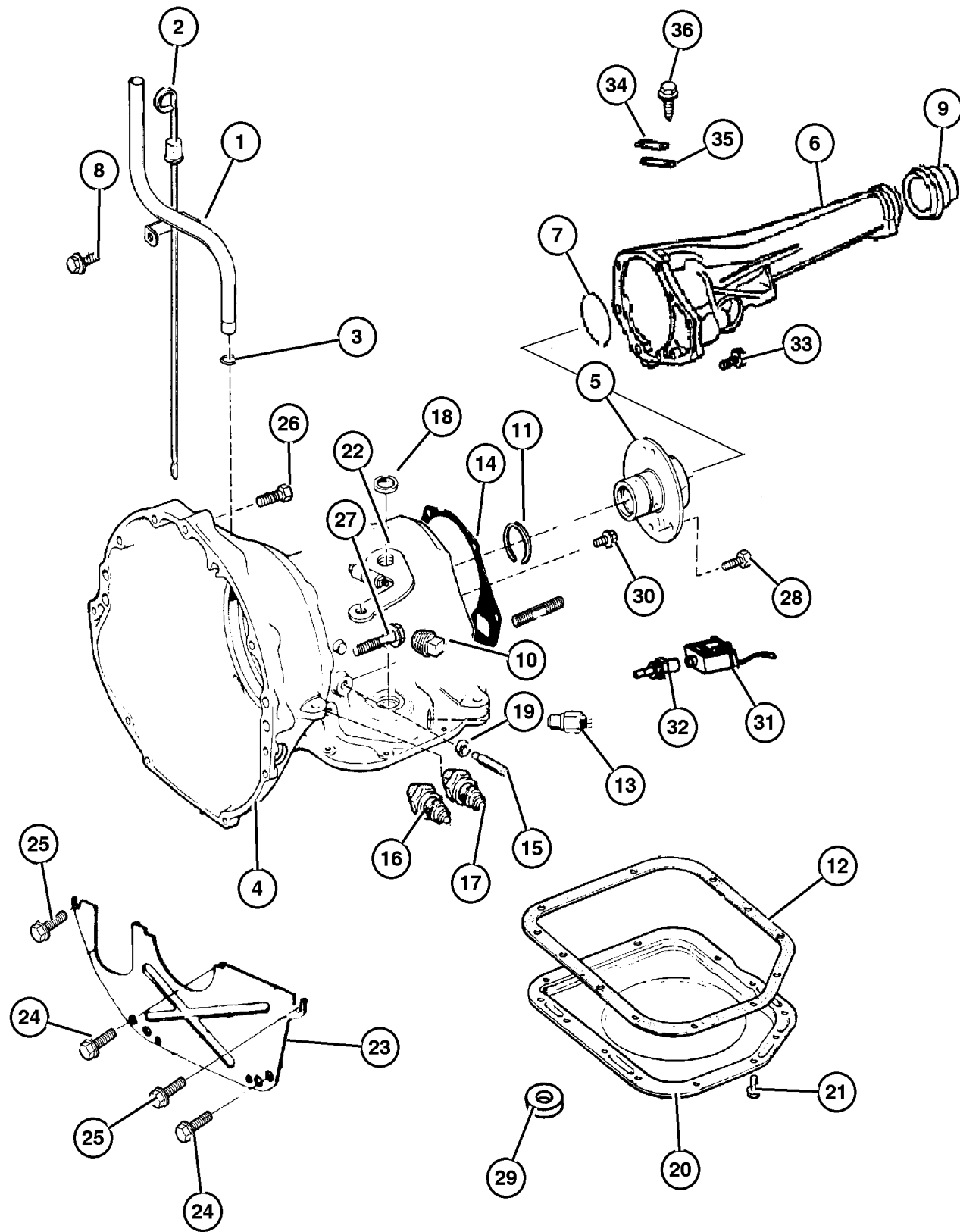
July 4, 2003





Case and Related Parts 30RH (DGD) 1998 XJ 1999 XJ  
Figure 30RH-210

ITEM	PART NUMBER	QTY	LINE	SERIES	BODY	ENGINE	TRANS	TRIM	DESCRIPTION
24									BOLT, (NOT SERVICED) (Not Serviced)
25	1150 2628	2				EP0	DGD		BOLT, Hex Flange Head, M8x1.25x30
26									BOLT, (NOT SERVICED) (Not Serviced)
27	3420 1837	1					DGD		BOLT, Hex Flange Head, M12x1.75x90
28	6033 479	6	B, T			EP0	DGD		BOLT, Hex Head, .25-28x1-5/8
29	3681 601	1	B, T			EP0	DGD		MAGNET, Transmission
30	6033 616	5	B, T			EP0	DGD		SCREW, Hex Flange Head, .25-28x.875
31	5211 8595	1	B, T			EP0	DGD		SOLENOID, Transmission
32	5603 8235	1	B, T			EP0	DGD		CONNECTOR, Wiring
33	6029 531	6	B, T			EP0	DGD		SCREW, Hex Flange Head Lock, .375-16x1.25
34	2466 957	1	B, T			EP0	DGD		COVER, Transmission Converter
35	2801 398	1	B, T			EP0	DGD		GASKET, Transmission
36	6028 022	2	B, T			EP0	DGD		SCREW, Flange Head Locking, .25-20x.62

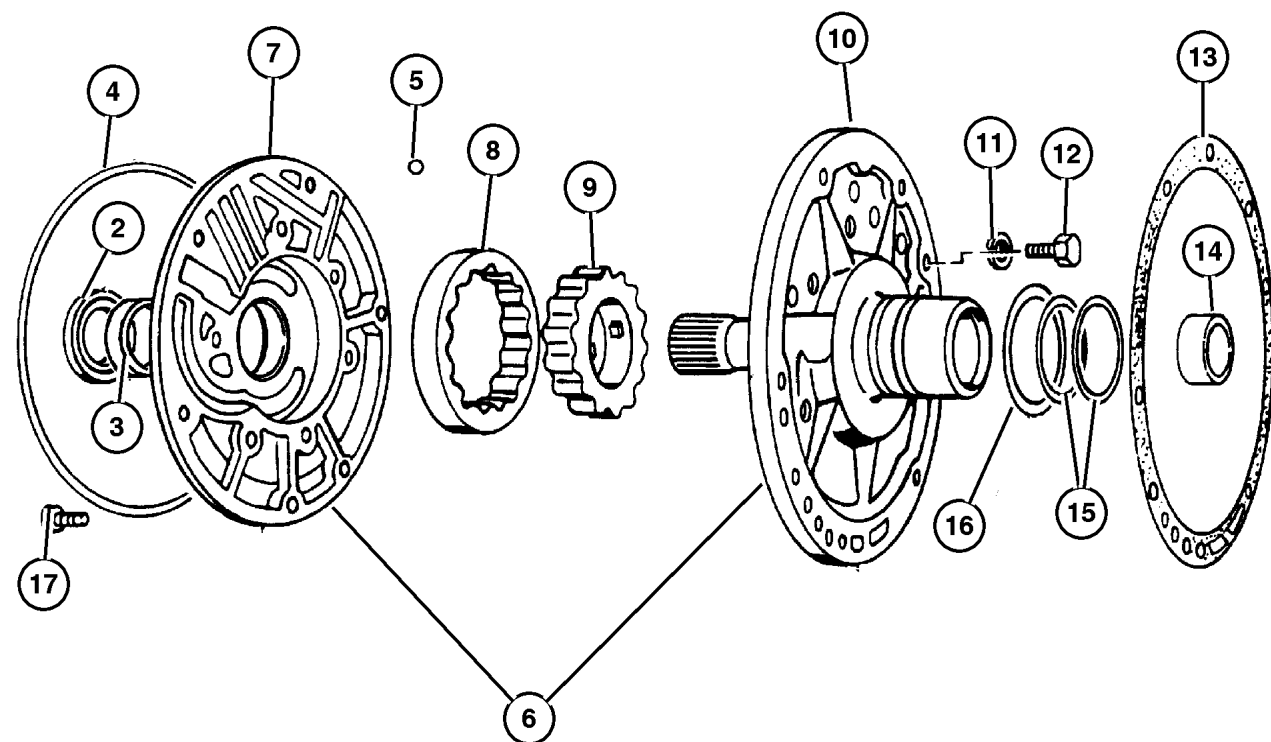


<b>JEEP CHEROKEE (XJ)</b>				
SERIES	LINE	BODY	ENGINE	TRANSMISSION
L=Low Line	J=LHD (4WD) U=RHD (4WD) T=LHD (2WD) B=RHD (2WD)	74=4 DR. (101.4 WB) 72=2 DR. (101.4 WB)	ENC,EN0=2.5L 4 cyl. Turbo Die ERH,ER0=4.0L Power Tech I-6 EPE,EP0=Magnum 2.5L SMPI	DDQ=5Spd Man. DGS=4 Spd. Auto. AISIN DG0=All Auto Trans DBB=All Manual Trans.

AR = Use as required - = Non illustrated part # = New this model year

July 4, 2003

**Oil Pump 30RH (DGD) 1998 XJ 1999 XJ**  
**Figure 30RH-310**



ITEM	PART NUMBER	QTY	LINE	SERIES	BODY	ENGINE	TRANS	TRIM	DESCRIPTION
Notes:									
DGD = 30 RH 3 Speed Automatic Transmission									
EP0 = All 2.5L 4 Cylinder Gas Engines									
-1	4713 108	1	B, T			EP0	DGD		GASKET AND SEAL PACKAGE, Transmission Oil Pump
2	4412 475	1	B, T			EP0	DGD		SEAL, Impeller Hub, 57.25mm OD
3	2466 796	1	B, T			EP0	DGD		BUSHING, Front Pump
4	2204 709	1	B, T			EP0	DGD		SEAL, Front Pump Housing
5									BALL, Valve Body Check
	0104 918	3	B, T			EP0	DGD		1998 XJ
		1	B, T			EP0	DGD		1999 XJ
6									PUMP, Transmission Oil
	4778 552	1	B, T			EP0	DGD		1998 XJ
	5211 8267	1	B, T			EP0	DGD		1999 XJ
7									HOUSING, Pump, (NOT SERVICED) (Not Serviced)
8									ROTOR, Oil Pump, (NOT SERVICED) (Not Serviced)
9									ROTOR, Oil Pump, (NOT SERVICED) (Not Serviced)
10									SHAFT, Oil Pump, (NOT SERVICED) (Not Serviced)
11									LOCK WASHER, (NOT SERVICED) (Not Serviced)
12	0179 815	6	B, T			EP0	DGD		SCREW, Hex Head, .312-18x.687
13	5211 8266	1	B, T			EP0	DGD		GASKET, Transmission Oil Pump
14	4058 635	1	B, T			EP0	DGD		BUSHING, Reaction Shaft
15	4471 874	2	B, T			EP0	DGD		SEAL, Ring Reaction Support, 2 1/16 O.D.
16	4617 786	1	B, T			EP0	DGD		THRUST WASHER, Front Clutch
17	6023 943	6	B, T			EP0	DGD		SCREW AND WASHER, Hex Flange Head, .312-18x1.375

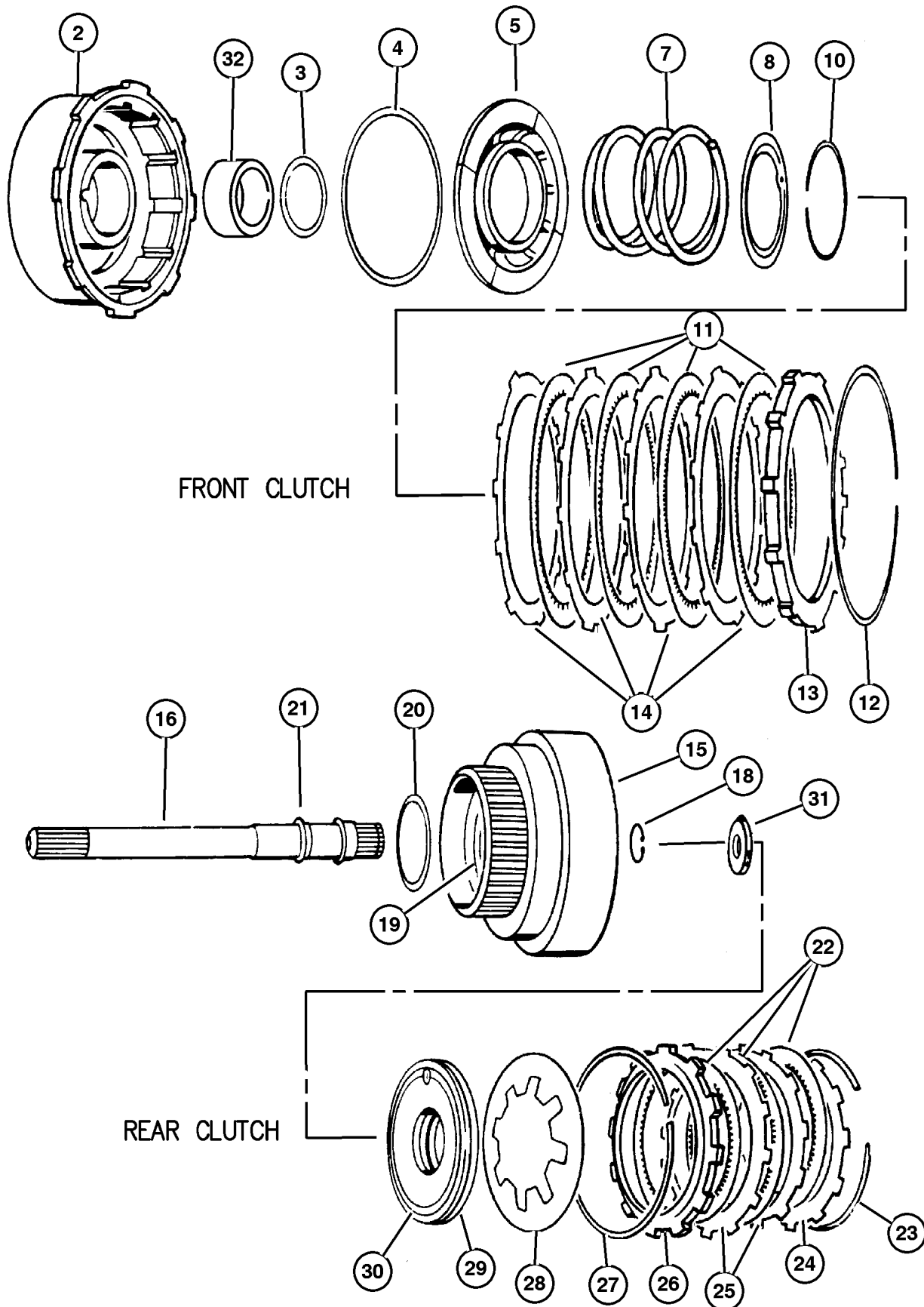
**JEEP CHEROKEE (XJ)**

SERIES	LINE	BODY	ENGINE	TRANSMISSION
L=Low Line	J=LHD (4WD) U=RHD (4WD) T=LHD (2WD) B=RHD (2WD)	74=4 DR. (101.4 WB) 72=2 DR. (101.4 WB)	ENC,EN0=2.5L 4 cyl. Turbo Die ERH,ER0=4.0L Power Tech I-6 EPE,EP0=Magnum 2.5L SMPI	DDQ=5Spd Man. DGS=4 Spd. Auto. AISIN DG0=All Auto Trans DBB=All Manual Trans.

AR = Use as required - = Non illustrated part # = New this model year

July 4, 2003

**Gear 30RH (DGD) 1998 XJ 1999 XJ**  
**Figure 30RH-410**



ITEM	PART NUMBER	QTY	LINE	SERIES	BODY	ENGINE	TRANS	TRIM	DESCRIPTION
Notes:									
DGD = 30 RH 3 Speed Automatic Transmission									
EP0 = All 2.5L 4 Cylinder Gas Engines									
-1	5252 926	1	B, T			EP0	DGD		SEAL PACKAGE, Transmission Clutch
2	4531 285	1	B, T			EP0	DGD		RETAINER AND BUSHING, Transmission Front Clutch
3	3515 176	1	B, T			EP0	DGD		SEAL, Front Clutch Piston
4	4058 487	1	B, T			EP0	DGD		SEAL, Front Piston Clutch
5	3515 716	1	B, T			EP0	DGD		PISTON, Clutch
-6	0147 483	1	B, T			EP0	DGD		CHECK BALL, Dia-.187
7	3515 054	1	B, T			EP0	DGD		SPRING, Front Clutch
8									RETAINER, Transmission Front Clutch Piston Spring
	4617 516	1	B, T			EP0	DGD		1998 XJ
	4617 516AB	1	B, T			EP0	DGD		1999 XJ
-9	0147 483	1	B, T			EP0	DGD		CHECK BALL, Dia-.187
10	1942 400	1	B, T			EP0	DGD		SNAP RING
11	4617 362	4	B, T			EP0	DGD		DISC, Direct Clutch
12	3410 571	1	B, T			EP0	DGD		SNAP RING
13	4617 176	1	B, T			EP0	DGD		PLATE, Transmission Clutch Reaction
14	1942 403AB	2	B, T			EP0	DGD		PLATE, Clutch Separator
15									RETAINER, Transmission Rear Clutch
	2464 463	1	B, T			EP0	DGD		1998 XJ
	4505 195	1	B, T			EP0	DGD		1999 XJ
16									SHAFT, Input
16									SHAFT, Input (Not Serviced) (NOT SERVICED), 1999 XJ
	8350 6020	1	B, T			EP0	DDQ		1998 XJ
-17	0147 483	1	B, T			EP0	DGD		CHECK BALL, Dia-.187
18	6022 859	1	B, T			EP0	DGD		SNAP RING, .890625
19	4028 333	1	B, T			EP0	DGD		SEAL, Rear Clutch, 1.50 ODx.009 Thk
20	4617 786	1	B, T			EP0	DGD		THRUST WASHER, Front Clutch
21	1401 221	1	B, T			EP0	DGD		SEAL, Input Shaft
22	4713 880	3	B, T			EP0	DGD		DISC, Clutch
23	5014 226AA	1	B, T			EP0	DGD		SNAP RING PACKAGE, Transmission
24	4617 176	1	B, T			EP0	DGD		PLATE, Transmission Clutch Reaction

**JEEP CHEROKEE (XJ)**

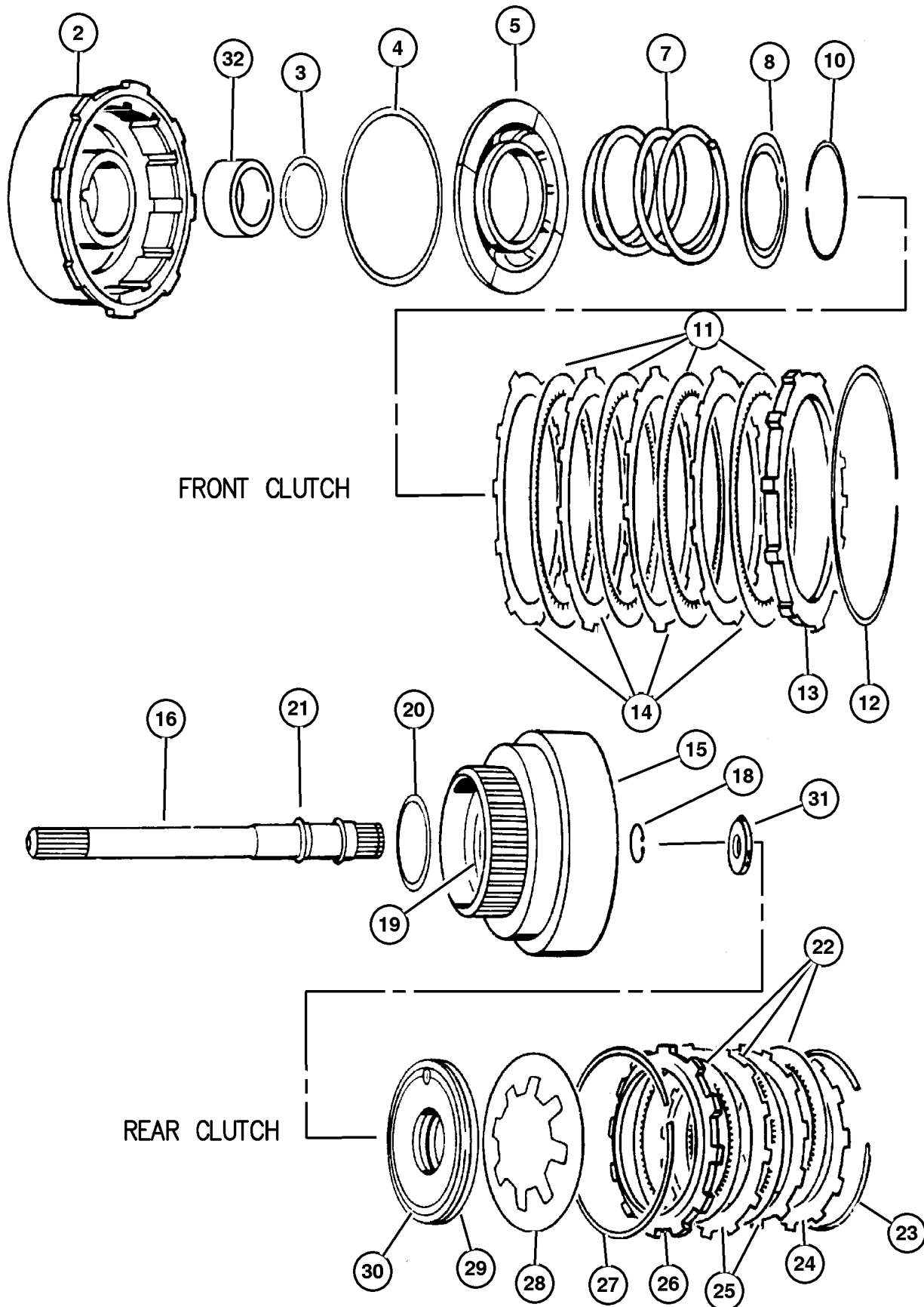
SERIES	LINE	BODY	ENGINE	TRANSMISSION
L=Low Line	J=LHD (4WD) U=RHD (4WD) T=LHD (2WD) B=RHD (2WD)	74=4 DR. (101.4 WB) 72=2 DR. (101.4 WB)	ENC,EN0=2.5L 4 cyl. Turbo Die ERH,ER0=4.0L Power Tech I-6 EPE,EP0=Magnum 2.5L SMPI	DDQ=5Spd Man. DGS=4 Spd. Auto. AISIN DGO=All Auto Trans DBB=All Manual Trans.

AR = Use as required - = Non illustrated part # = New this model year

July 4, 2003

**Gear 30RH (DGD) 1998 XJ 1999 XJ  
Figure 30RH-410**

ITEM	PART NUMBER	QTY	LINE	SERIES	BODY	ENGINE	TRANS	TRIM	DESCRIPTION
25	1942 403AB	2	B, T			EP0	DGD		PLATE, Clutch Separator
26	2466 281	1	B, T			EP0	DGD		PLATE, Clutch Pressure
27	2466 283	1	B, T			EP0	DGD		SPRING, Rear Clutch
28	4728 487	1	B, T			EP0	DGD		SPRING, Rear Clutch Piston
29	2538 510	1	B, T			EP0	DGD		SEAL, Rear Clutch Piston
30	3515 716	1	B, T			EP0	DGD		PISTON, Clutch
31	4505 185	1	B, T			EP0	DGD		THRUST WASHER, Output Shaft, Gray .052
32	4617 157	1	B, T			EP0	DGD		BUSHING, Front Clutch



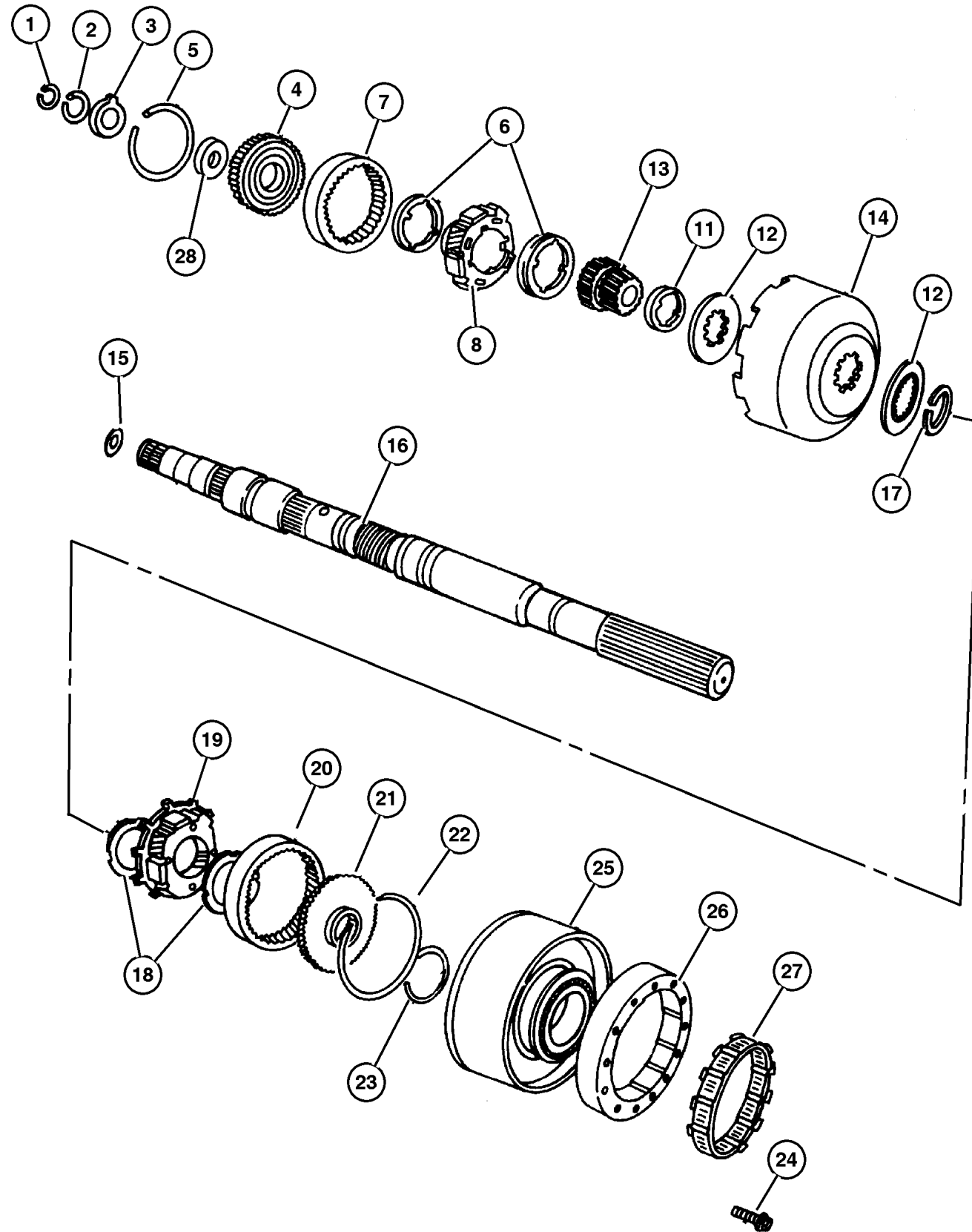
**JEEP CHEROKEE (XJ)**

SERIES	LINE	BODY	ENGINE	TRANSMISSION
L=Low Line	J=LHD (4WD) U=RHD (4WD) T=LHD (2WD) B=RHD (2WD)	74=4 DR. (101.4 WB) 72=2 DR. (101.4 WB)	ENC,EN0=2.5L 4 cyl. Turbo Die ERH,ER0=4.0L Power Tech I-6 EPE,EP0=Magnum 2.5L SMPI	DDQ=5Spd Man. DGS=4 Spd. Auto. AISIN DG0=All Auto Trans DBB=All Manual Trans.

AR = Use as required - = Non illustrated part # = New this model year

July 4, 2003

**Gear 30RH (DGD) 1998 XJ 1999 XJ**  
**Figure 30RH-420**



ITEM	PART NUMBER	QTY	LINE	SERIES	BODY	ENGINE	TRANS	TRIM	DESCRIPTION
------	-------------	-----	------	--------	------	--------	-------	------	-------------

Notes:

DGD = 30 RH 3 Speed Automatic Transmission

EP0 = All 2.5L 4 Cylinder Gas Engines

1	6026 289	1	B, T			EP0	DGD		SNAP RING, .946 ID
2	6030 576	1	B, T			EP0	DGD		SNAP RING, Annulus Gear, 1.375 ID
3	3681 969	1	B, T			EP0	DGD		THRUST WASHER, Annulus Gear
4	4617 774	1	B, T			EP0	DGD		SUPPORT, Annulus Gear
5	6030 576	1	B, T			EP0	DGD		SNAP RING, Annulus Gear, 1.375 ID
6	4130 518	2	B, T			EP0	DGD		THRUST WASHER, Planetary Carrier
7	4130 512	1	B, T			EP0	DGD		GEAR, Front Annulus
8	4130 514	1	B, T			EP0	DGD		CARRIER, Planetary Pinion
-9	3681 949	8	B, T			EP0	DGD		THRUST WASHER, Planet Pinion
-10	3743 664	76	B, T			EP0	DGD		ROLLER, Front and Rear Pinion
11	4130 736	1	B, T			EP0	DGD		SPACER, Sun Gear
12	4471 566	2	B, T			EP0	DGD		PLATE, Transmission Module
13	4130 685	1	B, T			EP0	DGD		GEAR, Sun
14	4531 288	1	B, T			EP0	DGD		SHELL, Sun Gear
15	4505 188	1	B, T			EP0	DGD		PLATE, Transmission Module
16	4617 318	1	B, T			EP0	DGD		MAINSHAFT, Transmission
17	1942 439	1	B, T			EP0	DGD		SNAP RING, Sun Gear Shell
18	4130 518	2	B, T			EP0	DGD		THRUST WASHER, Planetary Carrier
19	4431 438	1	B, T			EP0	DGD		CARRIER, Planetary Pinion
20	3743 184	1	B, T			EP0	DGD		GEAR, Rear Annulus
21	3515 501	1	B, T			EP0	DGD		SUPPORT, Annulus Gear
22	1942 444	1	B, T			EP0	DGD		SNAP RING
23	6033 480	1	B, T			EP0	DGD		SNAP RING, Reverse Drum
24	6033 616	5	B, T			EP0	DGD		SCREW, Hex Flange Head, .25-28x.875
25	4637 956	1	B, T			EP0	DGD		DRUM PACKAGE, Transmission
26	4431 690	1	B, T			EP0	DGD		CAM, Overrunning Clutch
27	4431 432	1	B, T			EP0	DGD		CLUTCH, Overrunning
28	4617 775	1	B, T			EP0	DGD		PLATE, Annulus Gear Thrust

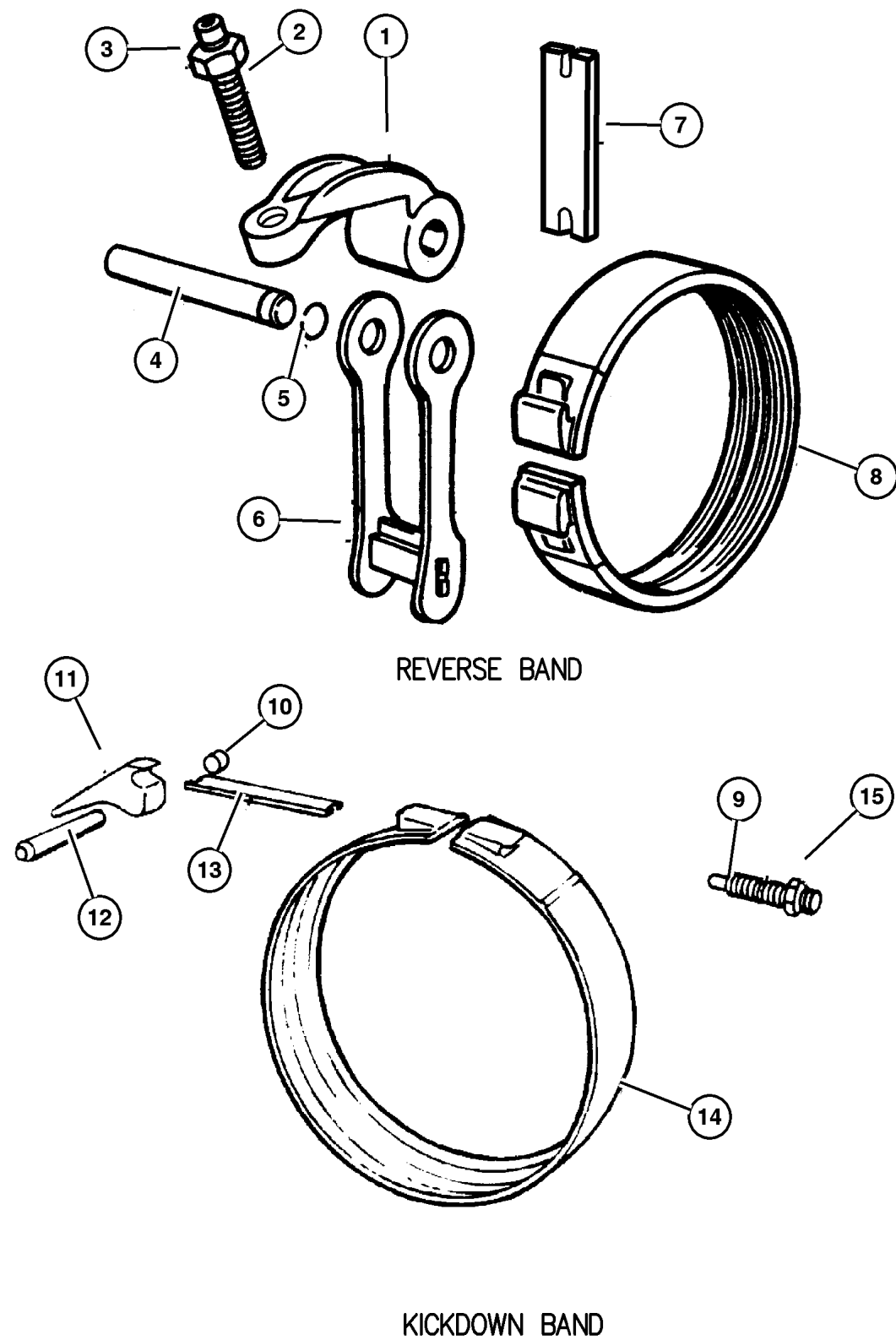
JEEP CHEROKEE (XJ)

SERIES	LINE	BODY	ENGINE	TRANSMISSION
L=Low Line	J=LHD (4WD) U=RHD (4WD) T=LHD (2WD) B=RHD (2WD)	74=4 DR. (101.4 WB) 72=2 DR. (101.4 WB)	ENC,EN0=2.5L 4 cyl. Turbo Die ERH,ER0=4.0L Power Tech I-6 EPE,EP0=Magnum 2.5L SMPI	DDQ=5Spd Man. DGS=4 Spd. Auto. AISIN DG0=All Auto Trans DBB=All Manual Trans.

AR = Use as required - = Non illustrated part # = New this model year

July 4, 2003

**Bands 30RH (DGD) 1998 XJ 1999 XJ**  
**Figure 30RH-510**



ITEM	PART NUMBER	QTY	LINE	SERIES	BODY	ENGINE	TRANS	TRIM	DESCRIPTION
Notes:									
DGD = 30 RH 3 Speed Automatic Transmission									
EP0 = All 2.5L 4 Cylinder Gas Engines									
1	3681 139	1	B, T			EP0	DGD		LEVER, Reverse Band
2	6030 704	1	B, T			EP0	DGD		SCREW, Cap, .437-20x1.812
3	0271 506	1	B, T			EP0	DGD		NUT, Hex, .42-20
4	3410 102	1	B, T			EP0	DGD		SHAFT, Reverse Band
5	6030 657	1	B, T			EP0	DGD		O RING, Steering Gear
6	2464 439	1	B, T			EP0	DGD		LINK, Transmission Reverse Band
7	3515 589	1	B, T			EP0	DGD		STRUT, Reverse Band
8	4431 405	1	B, T			EP0	DGD		BAND, Reverse
9									SCREW
	6036 037AA	1	B, T			EP0	DGD		1998 XJ
	6036 141AA	1	B, T			EP0	DGD		1999 XJ
10									PLUG, (NOT SERVICED) (Not Serviced)
11	2125 067	1	B, T			EP0	DGD		LEVER, Kickdown
12	4531 181	1	B, T			EP0	DGD		SHAFT, Band Lever
13	3515 084	1	B, T			EP0	DGD		STRUT, Kickdown Band
14	4617 849	1	B, T			EP0	DGD		BAND, Kickdown
15	0124 934	1	B, T			EP0	DGD		NUT, Hex Jam, .50-20

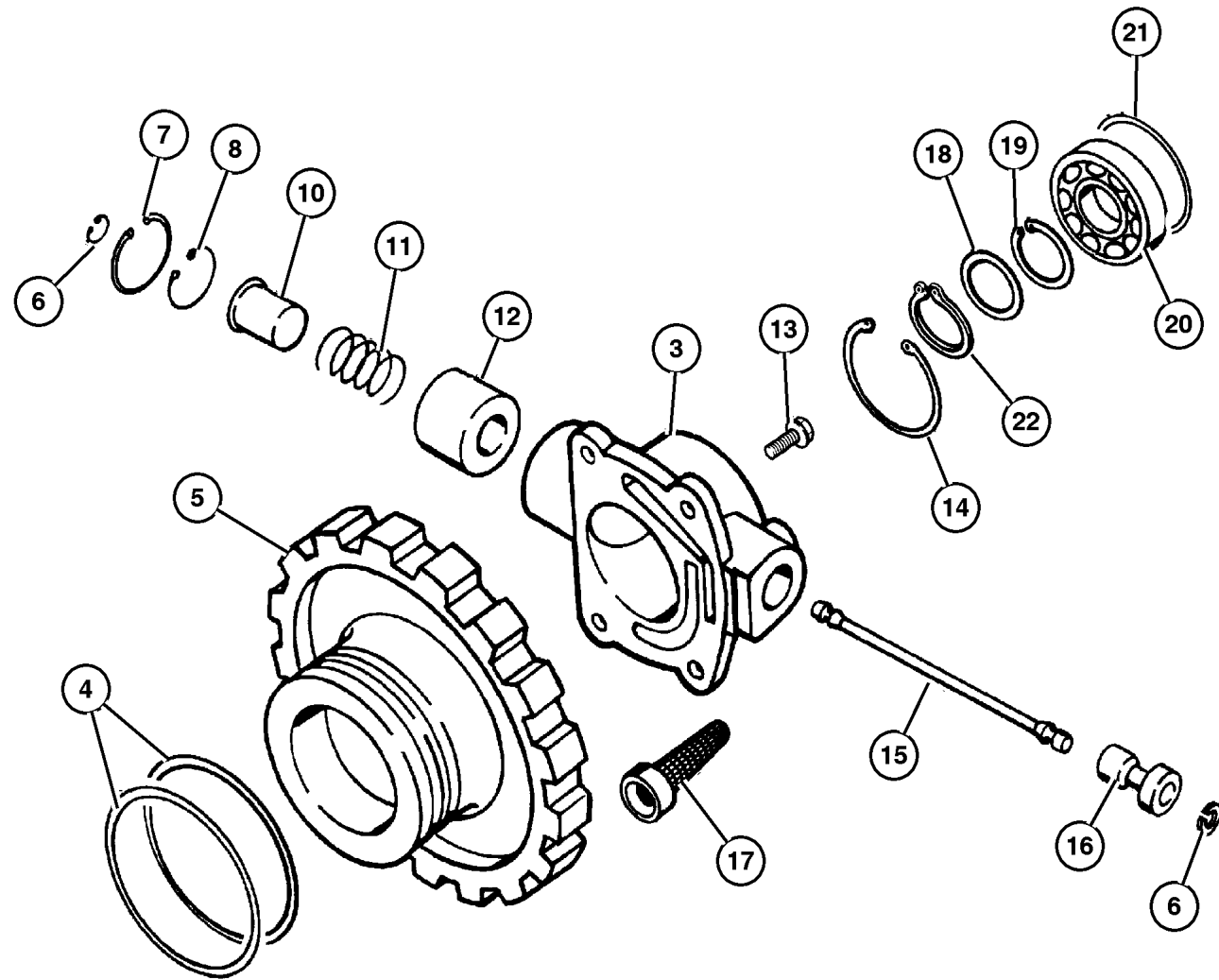
**JEEP CHEROKEE (XJ)**

SERIES	LINE	BODY	ENGINE	TRANSMISSION
L=Low Line	J=LHD (4WD) U=RHD (4WD) T=LHD (2WD) B=RHD (2WD)	74=4 DR. (101.4 WB) 72=2 DR. (101.4 WB)	ENC,EN0=2.5L 4 cyl. Turbo Die ERH,ER0=4.0L Power Tech I-6 EPE,EP0=Magnum 2.5L SMPI	DDQ=5Spd Man. DGS=4 Spd. Auto. AISIN DG0=All Auto Trans DBB=All Manual Trans.

AR = Use as required - = Non illustrated part # = New this model year

July 4, 2003

**Governor 30RH (DGD) 1998 XJ 1999 XJ**  
**Figure 30RH-610**



ITEM	PART NUMBER	QTY	LINE	SERIES	BODY	ENGINE	TRANS	TRIM	DESCRIPTION
Notes:									
DGD = 30 RH 3 Speed Automatic Transmission									
EP0 = All 2.5L 4 Cylinder Gas Engines									
-1	4883 956AA	1	B, T			EP0	DGD		GASKET AND SEAL PACKAGE, Governor
-2	4728 460	1	B, T			EP0	DGD		BODY PACKAGE, Governor
3									BODY, Governor, (NOT SERVICED) (Not Serviced)
4	1942 109	1	B, T			EP0	DGD		SEAL, Governor
5	3743 518	1	B, T			EP0	DGD		SUPPORT, Governor
6	1638 461	2	B, T			EP0	DGD		SNAP RING
7	6031 392	1	B, T			EP0	DGD		SNAP RING, Brake Master Cylinder
8	6034 723	1	B, T			EP0	DGD		SNAP RING, Governor, .675 x .025
-9	5211 7938	1	B, T			EP0	DGD		WEIGHT KIT, Transmission Governor
10									INNER, Inner, (NOT SERVICED) (Not Serviced)
11									SPRING, (NOT SERVICED) (Not Serviced)
12									WEIGHT, Governor, (NOT SERVICED) (Not Serviced)
13	6031 613	2	B, T			EP0	DGD		BOLT, Hex Head, .25-20x.68
14	6027 271	1	B, T			EP0	DGD		SNAP RING, Governor, 1.156
15	1556 082	1	B, T			EP0	DGD		SHAFT, Governor
16	4617 064	1	B, T			EP0	DGD		VALVE, Governor
17	3743 519	1	B, T			EP0	DGD		FILTER, Transmission Governor
18									SPACER, Output Shaft
18									SPACER, Output Shaft (Not Serviced) (NOT REQUIRED) (NOT SERVICED), 1998 XJ
19	6029 675	1	B, T			EP0	DGD		SNAP RING, Output Shaft, 1.125 OD
20	3410 465	1	B, T			EP0	DGD		BEARING, Output Shaft
21									O RING, Output Shaft Bearing, Transmission
21									O RING, Output Shaft Bearing, Transmission (Not Serviced) (NOT SERVICED), 1998 XJ (NOT REQUIRED), 1999 XJ
22	6031 392	1	B, T			EP0	DGD		SNAP RING, Brake Master Cylinder

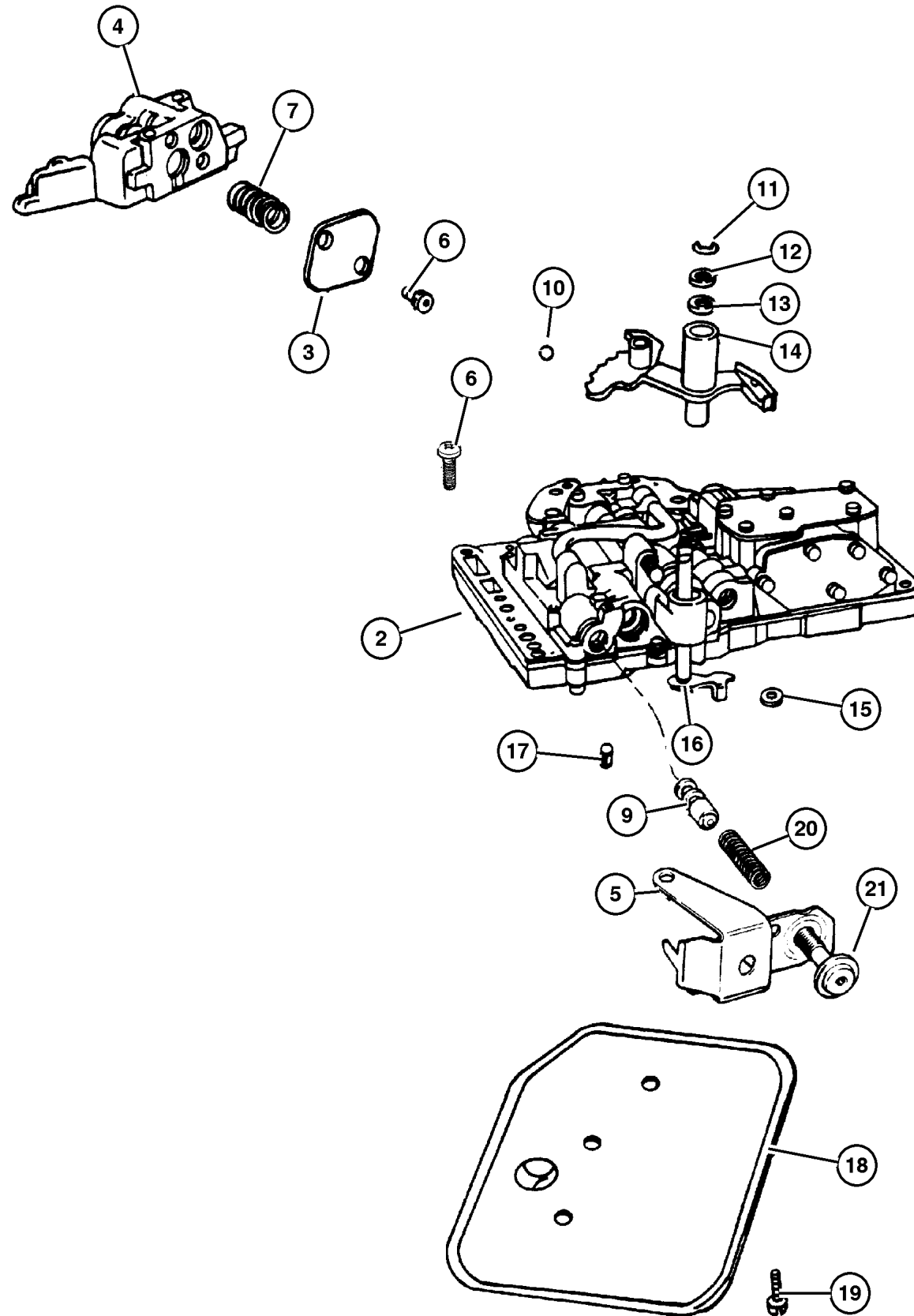
**JEEP CHEROKEE (XJ)**

SERIES	LINE	BODY	ENGINE	TRANSMISSION
L=Low Line	J=LHD (4WD) U=RHD (4WD) T=LHD (2WD) B=RHD (2WD)	74=4 DR. (101.4 WB) 72=2 DR. (101.4 WB)	ENC,EN0=2.5L 4 cyl. Turbo Die ERH,ER0=4.0L Power Tech I-6 EPE,EP0=Magnum 2.5L SMPI	DDQ=5Spd Man. DGS=4 Spd. Auto. AISIN DGO=All Auto Trans DBB=All Manual Trans.

AR = Use as required - = Non illustrated part # = New this model year

July 4, 2003

**Valve Body 30 RH (DGD) 1998 XJ 1999 XJ**  
**Figure 30RH-710**



ITEM	PART NUMBER	QTY	LINE	SERIES	BODY	ENGINE	TRANS	TRIM	DESCRIPTION
Notes:									
DGD = 30 RH 3 Speed Automatic Transmission									
EP0 = All 2.5L 4 Cylinder Gas Engines									
-1	4713 105	1	B, T			EP0	DGD		GASKET AND SEAL PACKAGE, Valve Body
2	5211 8596	1	B, T			EP0	DGD		BODY, Transfer Plate
3									PLATE, (NOT SERVICED) (Not Serviced)
4									VALVE, Valve Body, (NOT SERVICED) (Not Serviced)
5									BRACKET, (NOT SERVICED) (Not Serviced)
6									SCREW, (NOT SERVICED) (Not Serviced)
7									SPRING, Lock Up Valve, NOTE: Not Serviced For 1999.
7									SPRING, Lock Up Valve, NOTE: Not Serviced For 1999. (Not Serviced) (NOT SERVICED), 1999 XJ
	4348 742	1	B, T			EP0	DGD		1998 XJ
-8	4348 907	1	B, T			EP0	DGD		SPRING, Limit Valve
9	4505 036	1	B, T			EP0	DGD		VALVE, Trans Lockup Switch
10	0147 488	1	B, T			EP0	DGD		BALL, Manual Lever Detent, .343 Diameter
11	6035 208	2	B, T			EP0	DGD		SNAP RING
12	2538 062	1	B, T			EP0	DGD		WASHER, Manual Valve Lever
13	2466 548	1	B, T			EP0	DGD		SEAL, Valve Lever Shift
14	4617 439	1	B, T			EP0	DGD		LEVER, Manual Valve
15	4505 098	1	B, T			EP0	DGD		SEAL, Manual Shift Valve, 1.25 OD
16	3681 227	1	B, T			EP0	DGD		LEVER, Throttle Valve
17	3878 313	1	B, T			EP0	DGD		SCREEN, Transmission Regulator Valve
18	3515 996	1	B, T			EP0	DGD		FILTER, Valve Body
19	6033 826	3	B, T			EP0	DGD		SCREW AND WASHER, Oil Filter Mounting, Fillester Head .190-24x2.500
20	4130 492	1	B, T			EP0	DGD		SPRING, Switch Valve
21	6030 609	1	B, T			EP0	DGD		SCREW, Cap Head Lock, .312-24x1.25

JEEP CHEROKEE (XJ)				
SERIES	LINE	BODY	ENGINE	TRANSMISSION
L=Low Line	J=LHD (4WD) U=RHD (4WD) T=LHD (2WD) B=RHD (2WD)	74=4 DR. (101.4 WB) 72=2 DR. (101.4 WB)	ENC,EN0=2.5L 4 cyl. Turbo Die ERH,ER0=4.0L Power Tech I-6 EPE,EP0=Magnum 2.5L SMPI	DDQ=5Spd Man. DGS=4 Spd. Auto. AISIN DG0=All Auto Trans DBB=All Manual Trans.

AR = Use as required - = Non illustrated part # = New this model year

July 4, 2003



Servos 30RH (DGD) 1998 XJ 1999 XJ  
Figure 30RH-720

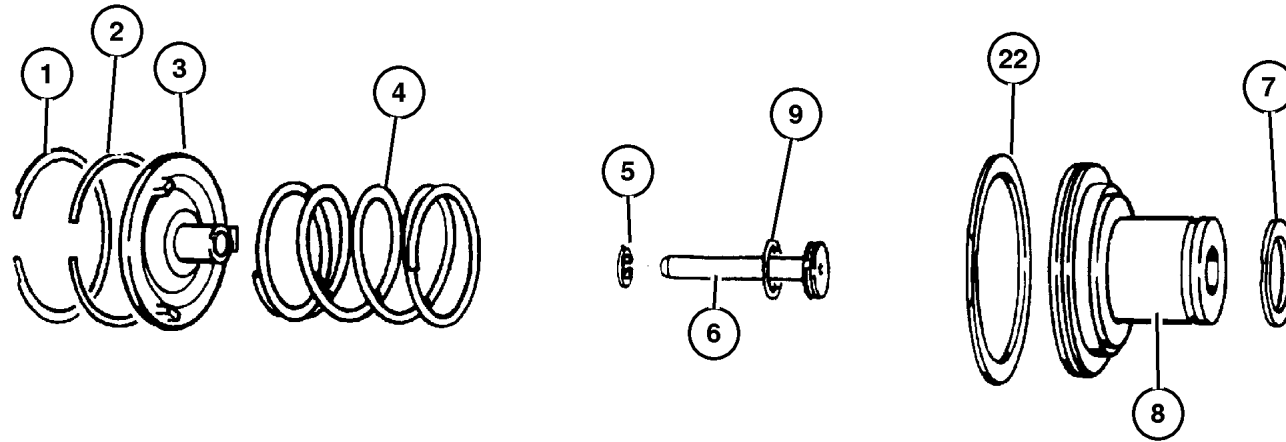
ITEM	PART NUMBER	QTY	LINE	SERIES	BODY	ENGINE	TRANS	TRIM	DESCRIPTION
------	-------------	-----	------	--------	------	--------	-------	------	-------------

Notes:

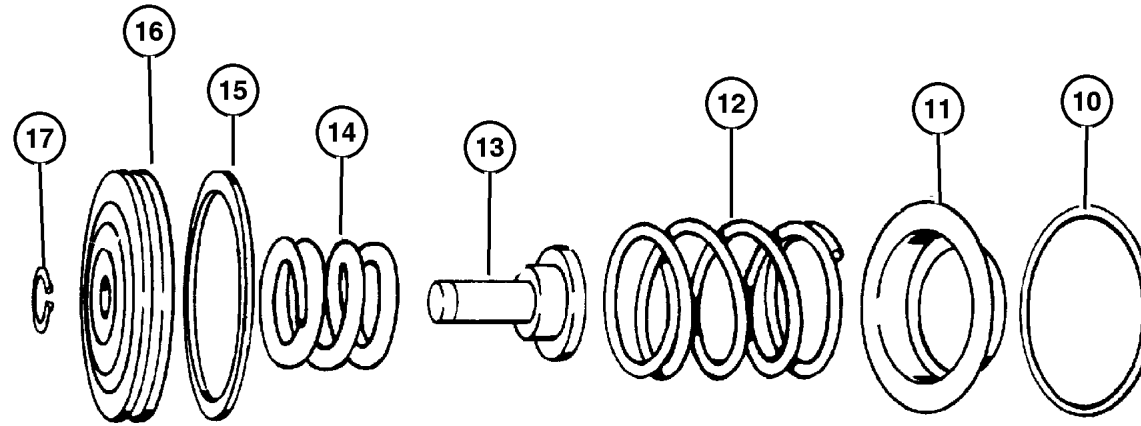
DGD = 30 RH 3 Speed Automatic Transmission

EP0 = All 2.5L 4 Cylinder Gas Engines

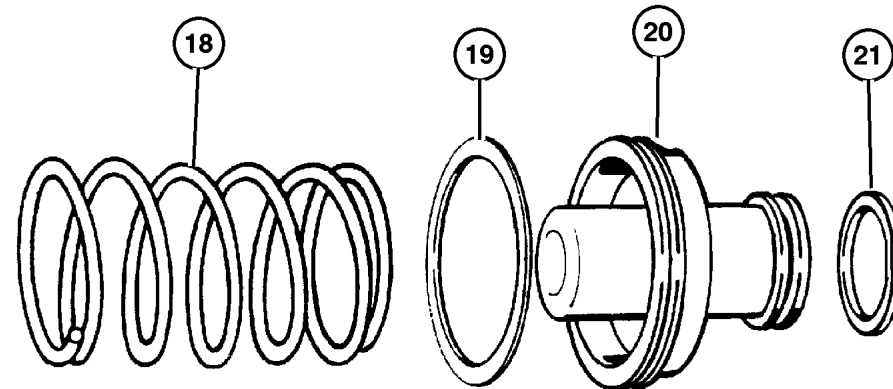
1	1942 486	1	B, T			EP0	DGD		SNAP RING
2	3743 014	1	B, T			EP0	DGD		SEAL, Kickdown Servo
3	1942 485	1	B, T			EP0	DGD		GUIDE, Kickdown Servo
4									SPRING, Kickdown Servo Piston, (NOT SERVICED) (Not Serviced)
5	6025 031	1	B, T			EP0	DGD		SNAP RING, 1.205 OD
6	4058 943	1	B, T			EP0	DGD		ROD, Kickdown Servo Piston
7	4295 965	1	B, T			EP0	DGD		SEAL, Kickdown Servo
8	4058 942	1	B, T			EP0	DGD		PISTON, Kickdown Servo
9	6031 410	1	B, T			EP0	DGD		O RING, Trans Kickdown Servo
10	2464 464	1	B, T			EP0	DGD		SNAP RING
11	2464 463	1	B, T			EP0	DGD		RETAINER, Transmission Rear Clutch
12	2801 274	1	B, T			EP0	DGD		SPRING, Reverse Servo Piston
13	5211 8741	1	B, T			EP0	DGD		PLUG, Reverse Servo Piston
14	3743 580	1	B, T			EP0	DGD		SPRING, Reverse Servo Piston
15	4202 864	1	B, T			EP0	DGD		SEAL, Reverse Servo Piston
16	5211 8744	1	B, T			EP0	DGD		PISTON, Reverse Servo
17	6027 153	1	B, T			EP0	DGD		SNAP RING, .435 ID
18	4531 259	1	B, T			EP0	DGD		SPRING, Transmission Accumulator
19	3743 013	1	B, T			EP0	DGD		SEAL, Piston Accumulator
20	3743 650	1	B, T			EP0	DGD		PISTON, Accumulator
21	3743 010	1	B, T			EP0	DGD		SEAL, Piston Accumulator
22	1636 470	1	B, T			EP0	DGD		SEAL, Servo Piston



KICKDOWN SERVO



LOW AND REVERSE SERVO



ACCUMULATOR PISTON AND SPRING

JEEP CHEROKEE (XJ)

SERIES	LINE	BODY	ENGINE	TRANSMISSION
L=Low Line	J=LHD (4WD) U=RHD (4WD) T=LHD (2WD) B=RHD (2WD)	74=4 DR. (101.4 WB) 72=2 DR. (101.4 WB)	ENC,EN0=2.5L 4 cyl. Turbo Die ERH,ER0=4.0L Power Tech I-6 EPE,EP0=Magnum 2.5L SMPI	DDQ=5Spd Man. DGS=4 Spd. Auto. AISIN DG0=All Auto Trans DBB=All Manual Trans.

AR = Use as required - = Non illustrated part # = New this model year

July 4, 2003

**Parking Sprag 30RH (DGD) 1998 XJ 1999 XJ**  
**Figure 30RH-730**

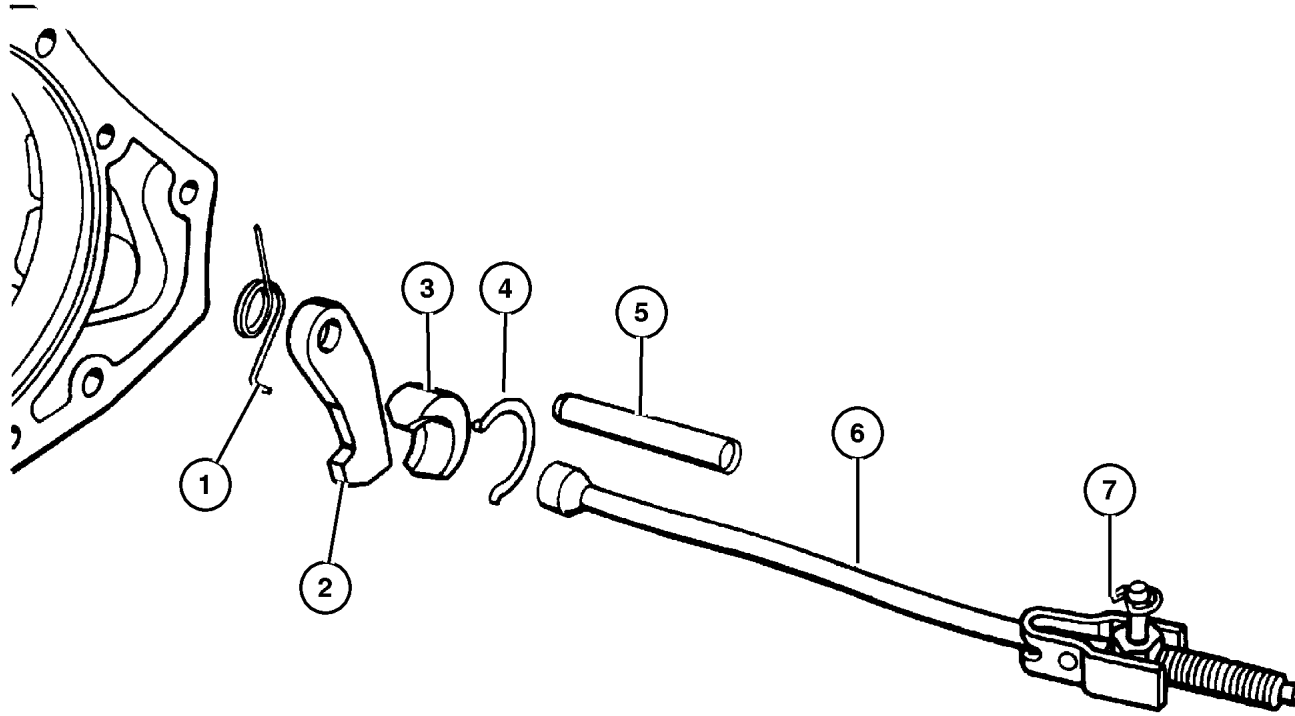
ITEM	PART NUMBER	QTY	LINE	SERIES	BODY	ENGINE	TRANS	TRIM	DESCRIPTION
------	-------------	-----	------	--------	------	--------	-------	------	-------------

Notes:

DGD = 30 RH 3 Speed Automatic Transmission

EP0 = All 2.5L 4 Cylinder Gas Engines

1	2466 909	1	B, T			EP0	DGD		SPRING, Parking Sprag
2	4471 415	1	B, T			EP0	DGD		SPRAG, Transmission Parking
3	2538 042	1	B, T			EP0	DGD		PLUG, Parking Sprag
4	2538 034	1	B, T			EP0	DGD		SNAP RING, Transmission
5	2466 892	1	B, T			EP0	DGD		SHAFT, Parking Sprag
6	2466 906	1	B, T			EP0	DGD		ROD, Parking Sprag
7	6035 256	1	B, T			EP0	DGD		SNAP RING, Rod



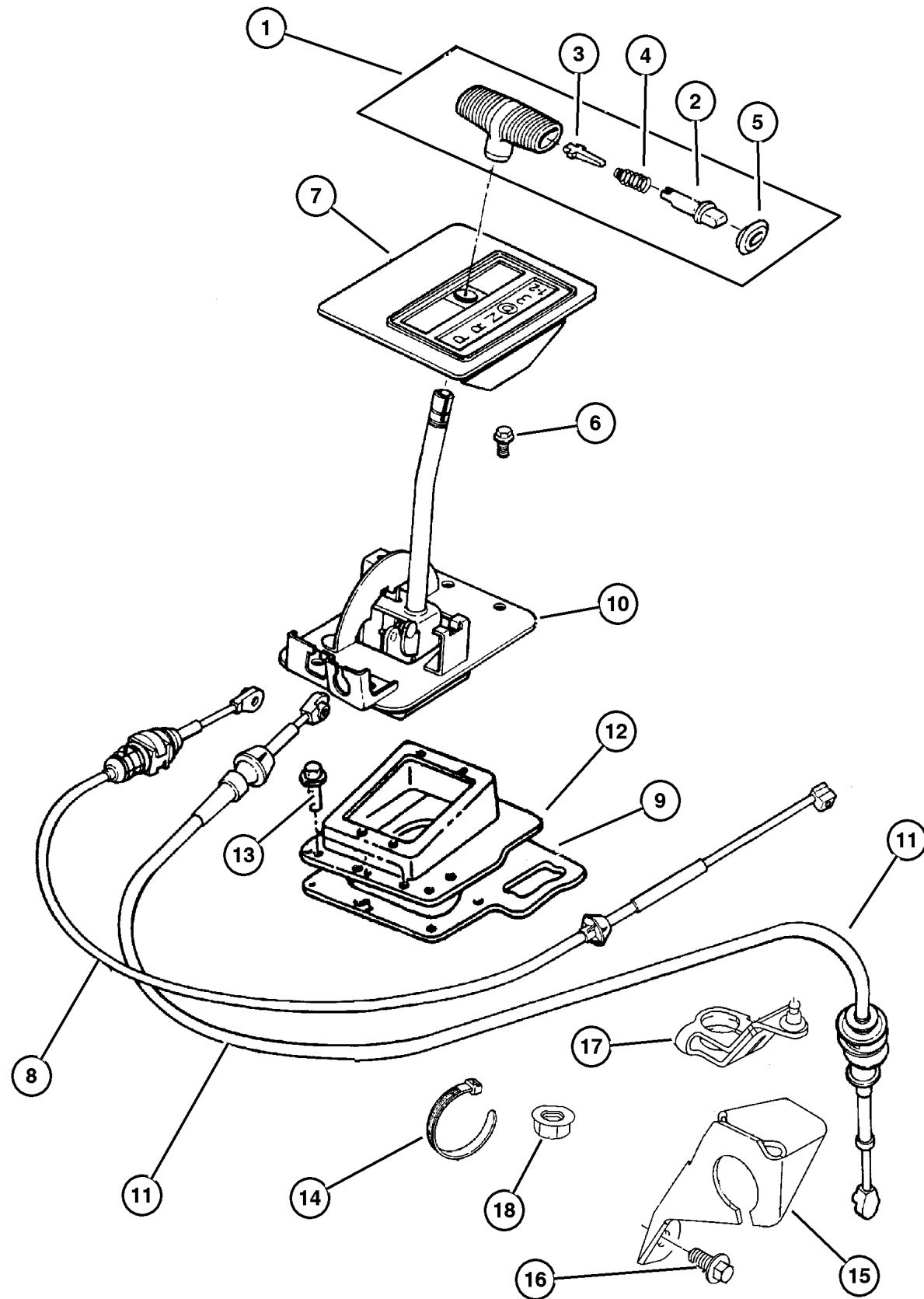
**JEEP CHEROKEE (XJ)**

SERIES	LINE	BODY	ENGINE	TRANSMISSION
L=Low Line	J=LHD (4WD) U=RHD (4WD) T=LHD (2WD) B=RHD (2WD)	74=4 DR. (101.4 WB) 72=2 DR. (101.4 WB)	ENC,EN0=2.5L 4 cyl. Turbo Die ERH,ER0=4.0L Power Tech I-6 EPE,EP0=Magnum 2.5L SMPI	DDQ=5Spd Man. DGS=4 Spd. Auto. AISIN DG0=All Auto Trans DBB=All Manual Trans.

AR = Use as required - = Non illustrated part # = New this model year

July 4, 2003

**Gearshift Controls 30RH (DGD) 1998 XJ 1999 XJ**  
**Figure 30RH-1210**



**Notes:**

DG0 = All Automatic Transmissions  
 DGD = 30 RH 3 Speed Automatic Transmission  
 DGS = Aisin Warner 4 Speed Automatic Transmission  
 EP0 = All 2.5L 4 Cylinder Gas Engines  
 ER0 = All 4.0 L 6 Cylinder Gas Engines

ITEM	PART NUMBER	QTY	LINE	SERIES	BODY	ENGINE	TRANS	TRIM	DESCRIPTION
1	5210 4028	1				EP0, ER0	DG0		HANDLE, Gearshift
2	5300 0211	1				EP0, ER0	DG0		BUTTON, Gearshift Knob
3	5300 0865	1				EP0, ER0	DG0		LEVER, Gearshift
4	5300 0866	1				EP0, ER0	DG0		SPRING, Button Return
5	5207 7561	1				EP0, ER0	DG0		CAP, Gearshift Handle Button
6									SCREW, Hex Head, M8x1.25x18, (NOT SERVICED) (Not Serviced)
7									BEZEL, Console PRNDL
	5GC35 LAZAA	1	J, T				DGD		1998 XJ
	5GC35 LAZAB	1	J, T				DGD		1999 XJ
	5GC36 LAZAA	1	B, U				DGD		1998 XJ
	5GC36 LAZAB	1	B, U				DGD		1999 XJ
8									CABLE, Park Interlock
	5210 4144	1	J, T			EP0, ER0	DG0		
	52104 144AB	1	B, U			EP0, ER0	DG0		
9									SEAL, Shift Housing, (NOT SERVICED) (Not Serviced)
10									HOUSING, Shift Lever
	5210 4005	1	J, T				DG0		1998 XJ
	52104 005AB	1	J, T				DG0		1999 XJ
	5210 4007	1	B, U				DG0		1998 XJ
	52104 007AB	1	B, U				DG0		1999 XJ
11	5207 7532	1					DG0		CABLE, Gearshift Control
12									COVER, Gearshift
	5300 0704	1	J, T				DG0		1998 XJ
		1	B, U				DG0		1998 XJ
		1					DG0		1999 XJ
13	J400 1701	AR							SCREW, Hex Self Tapping, .19-16x.

50

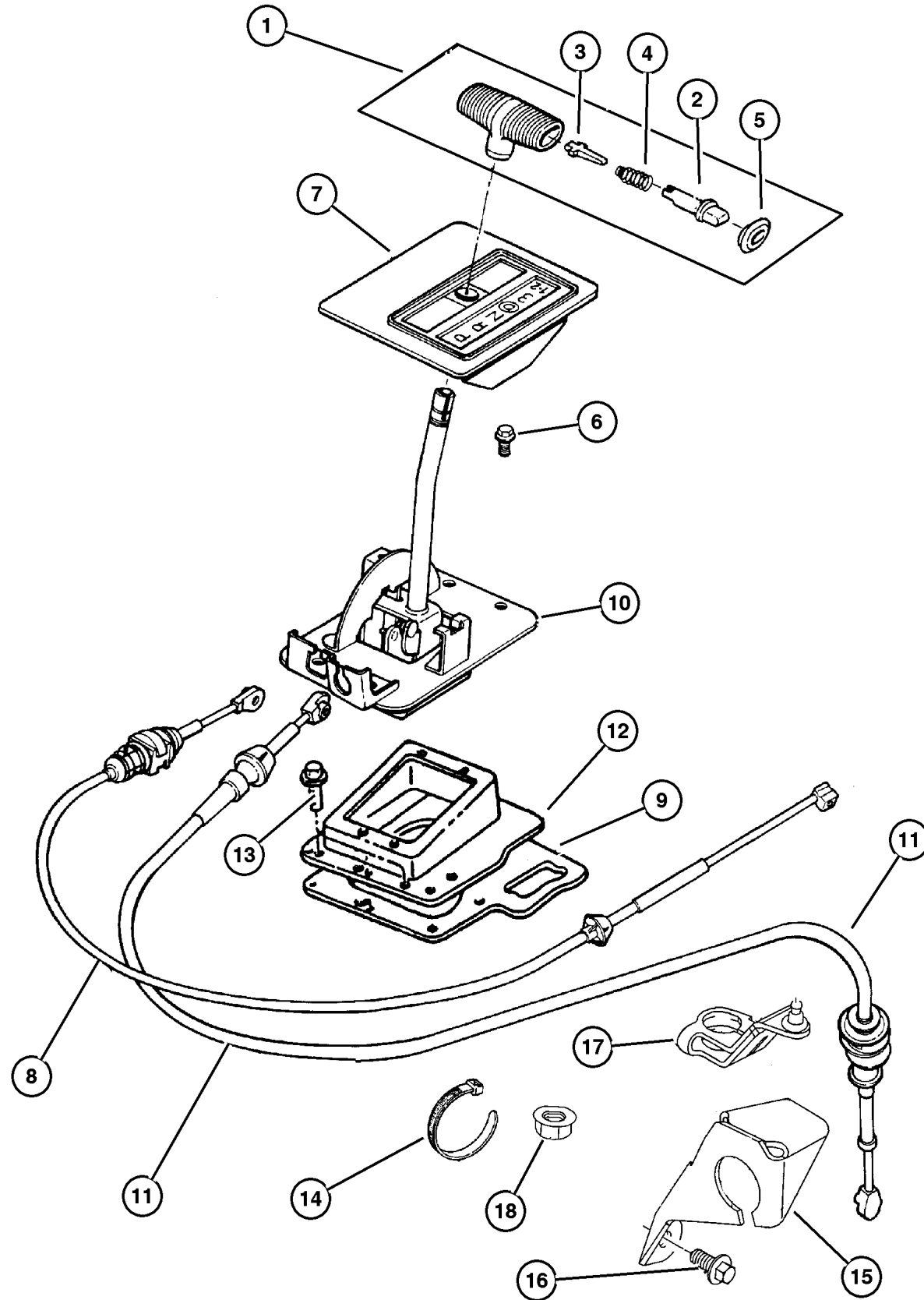
**JEEP CHEROKEE (XJ)**

SERIES	LINE	BODY	ENGINE	TRANSMISSION
L=Low Line	J=LHD (4WD) U=RHD (4WD) T=LHD (2WD) B=RHD (2WD)	74=4 DR. (101.4 WB) 72=2 DR. (101.4 WB)	ENC,EN0=2.5L 4 cyl. Turbo Die ERH,ER0=4.0L Power Tech I-6 EPE,EP0=Magnum 2.5L SMPI	DDQ=5Spd Man. DGS=4 Spd. Auto. AISIN DG0=All Auto Trans DBB=All Manual Trans.

AR = Use as required - = Non illustrated part # = New this model year

July 4, 2003

**Gearshift Controls 30RH (DGD) 1998 XJ 1999 XJ**  
**Figure 30RH-1210**



ITEM	PART NUMBER	QTY	LINE	SERIES	BODY	ENGINE	TRANS	TRIM	DESCRIPTION
14	4641 780	1				EP0, ER0	DG0		STRAP, Tie
15	5300 7746	1				ER0	DGS		BRACKET, Transmission Control Cable
16									BOLT, square neck, Header Point .437-14x1.25
	1150 2850	4				ER0	DG0		1998 XJ
		2				ER0	DGS		1999 XJ
17	3681 227	1	B, T			EP0	DGD		LEVER, Throttle Valve
18	J400 4005	1				EP0	DGD		NUT, Hex, .437-14

<b>JEEP CHEROKEE (XJ)</b>				
SERIES	LINE	BODY	ENGINE	TRANSMISSION
L=Low Line	J=LHD (4WD) U=RHD (4WD) T=LHD (2WD) B=RHD (2WD)	74=4 DR. (101.4 WB) 72=2 DR. (101.4 WB)	ENC,EN0=2.5L 4 cyl. Turbo Die ERH,ER0=4.0L Power Tech I-6 EPE,EP0=Magnum 2.5L SMPI	DDQ=5Spd Man. DGS=4 Spd. Auto. AISIN DG0=All Auto Trans DBB=All Manual Trans.

AR = Use as required - = Non illustrated part # = New this model year

July 4, 2003

# Group – AW4

## Automatic Transmission 4 Speed

### GROUP AW4 - Automatic Transmission 4 Speed

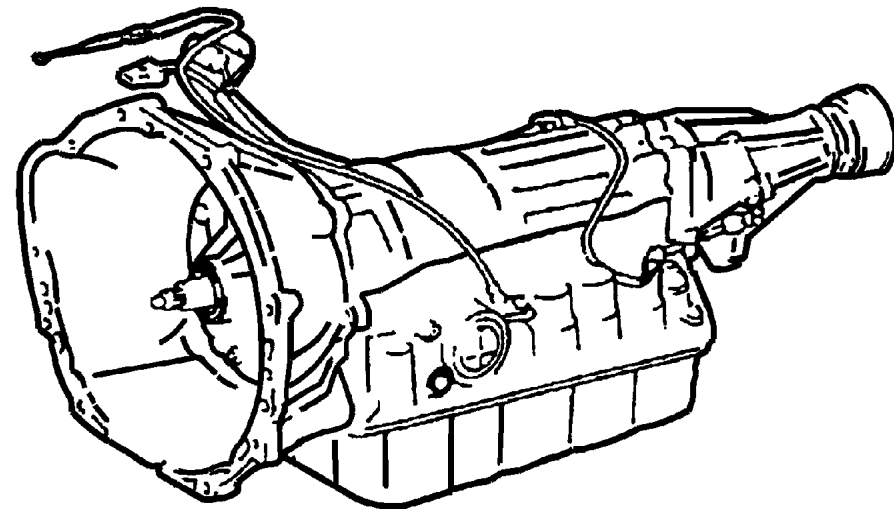


Illustration Title

Group-Fig. No.

#### Transmission Assembly

Transmission AW4 (DGS) ..... Fig. AW4-110

#### Case and Extension

Case and Related Parts AW4 (DGS) 1997 XJ ..... Fig. AW4-210  
 Case and Related Parts AW4 (DGS) 1998 XJ ..... Fig. AW4-210  
 Case and Related Parts AW4 (DGS) 1999 XJ ..... Fig. AW4-210  
 Linkage AW4 (DGS) ..... Fig. AW4-220

#### Oil Pump

Oil Pump AW4 (DGS) ..... Fig. AW4-310

#### Gear Train

Overdrive Clutch AW4 (DGS) 1997 XJ ..... Fig. AW4-410  
 Overdrive Clutch AW4 (DGS) 1998 XJ ..... Fig. AW4-410  
 Overdrive Clutch AW4 (DGS) 1999 XJ ..... Fig. AW4-410  
 Clutches, Forward and Direct AW4 (DGS) ..... Fig. AW4-420  
 Clutch and Sun Gear AW4 (DGS) ..... Fig. AW4-430  
 Gear Train AW4 (DGS) 1997 XJ ..... Fig. AW4-440  
 Gear Train AW4 (DGS) 1998 XJ ..... Fig. AW4-440  
 Gear Train AW4 (DGS) 1999 XJ ..... Fig. AW4-440

#### Bands, Reverse and Kickdown

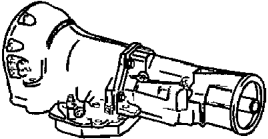
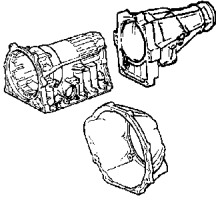

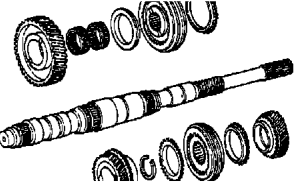
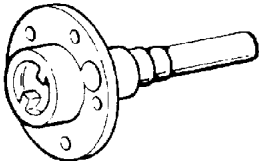
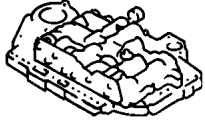
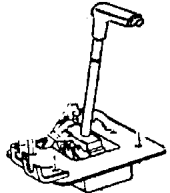
Bands AW4 (DGS) ..... Fig. AW4-510

#### Valve Body

Valve Body AW4 (DGS) 1997 XJ ..... Fig. AW4-710  
 Valve Body AW4 (DGS) 1998 XJ ..... Fig. AW4-710  
 Valve Body AW4 (DGS) 1999 XJ ..... Fig. AW4-710  
 Accumulator Piston AW4 (DGS) ..... Fig. AW4-720  
 Lock, Parking AW4 (DGS) ..... Fig. AW4-730

#### Gearshift Controls

Gearshift Controls AW4 (DGS) ..... Fig. AW4-1210

<p><b>AW4-100</b> Transmission Assembly</p> 	<p><b>AW4-200</b> Case and Extension</p> 	<p><b>AW4-300</b> Oil Pump</p> 	<p><b>AW4-400</b> Gear Train</p> 
<p><b>AW4-500</b> Bands, Reverse and Kickdown</p> 	<p><b>AW4-700</b> Valve Body</p> 	<p><b>AW4-1200</b> Gearshift Controls</p> 	

Transmission AW4 (DGS)  
Figure AW4-110

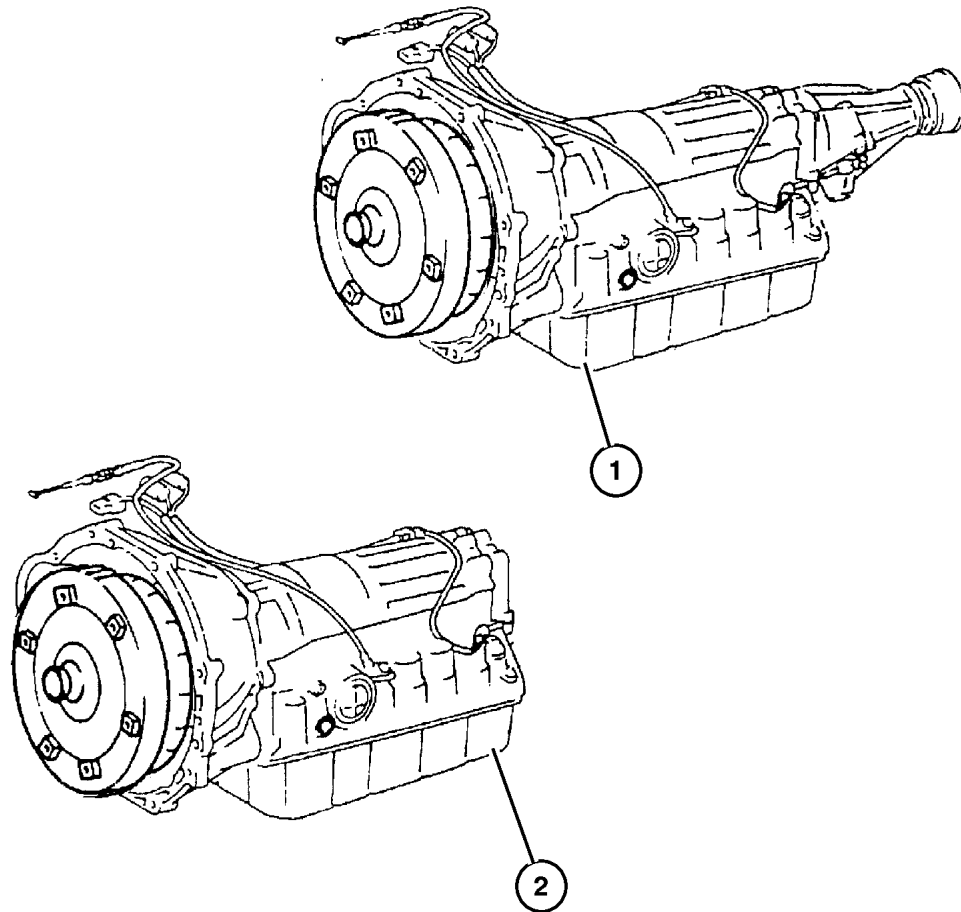
ITEM	PART NUMBER	QTY	LINE	SERIES	BODY	ENGINE	TRANS	TRIM	DESCRIPTION
------	-------------	-----	------	--------	------	--------	-------	------	-------------

Notes:

ER0 = All 4.0L 6 Cylinder Gas Engines

DGS = Aisin Warner 4 Speed Automatic Transmission

1	5210 4180	1	B, T			ER0	DGS		TRANSMISSION TWO WHEEL DRIVE, 1997 XJ
	52104 180AB	1	B, T			ER0	DGS		TWO WHEEL DRIVE, 1998 XJ
	52104 180AC	1	B, T			ER0	DGS		1999 XJ
2	5210 4210	1	J, U			ER0	DGS		TRANSMISSION FOUR WHEEL DRIVE, 1997 XJ
	52104 210AB	1	J, U			ER0	DGS		FOUR WHEEL DRIVE, 1998 XJ
		1	J, U			ER0	DGS		1999 XJ



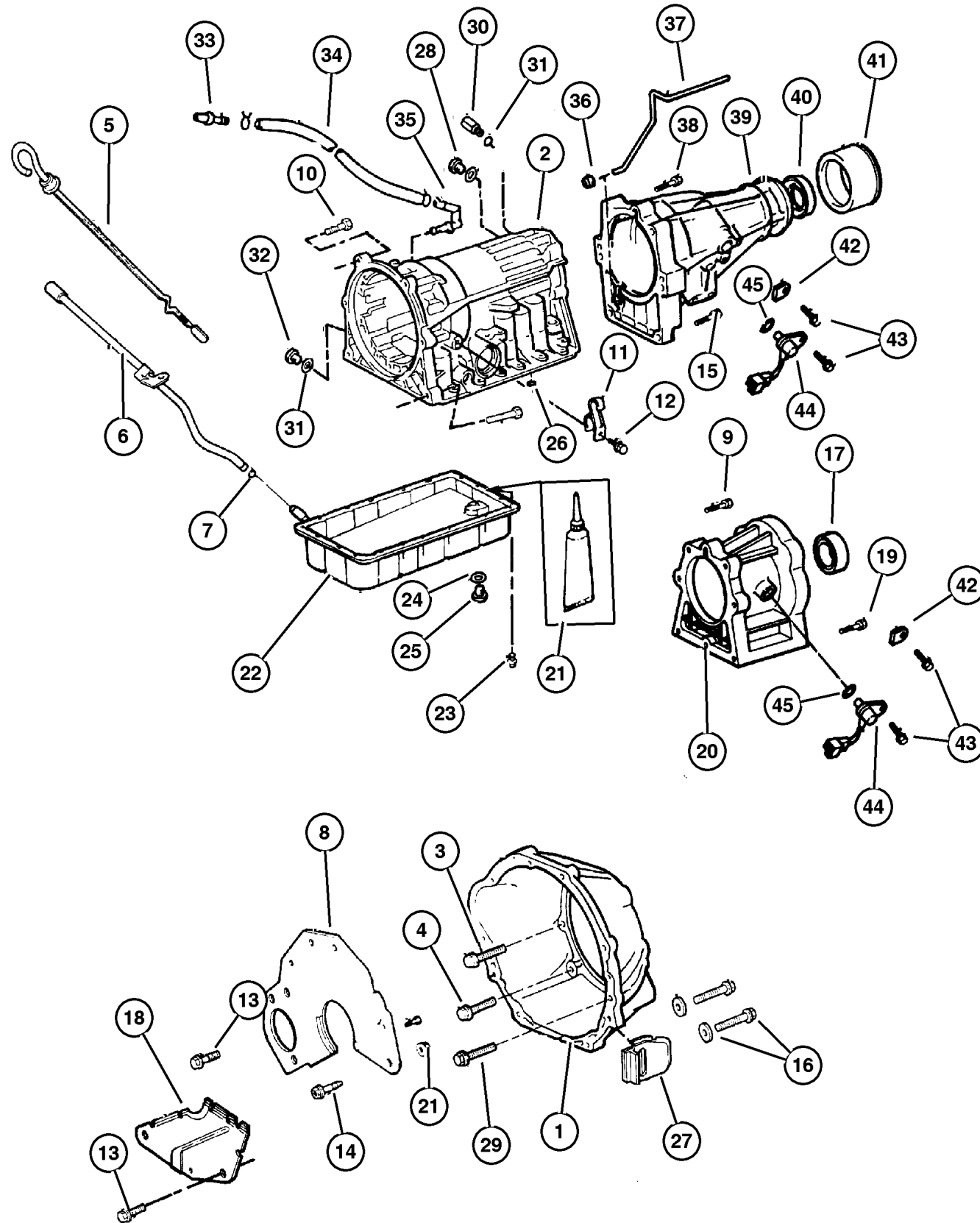
JEEP CHEROKEE (XJ)

SERIES	LINE	BODY	ENGINE	TRANSMISSION
L=Low Line	J=LHD (4WD) U=RHD (4WD) T=LHD (2WD) B=RHD (2WD)	74=4 DR. (101.4 WB) 72=2 DR. (101.4 WB)	ENC,EN0=2.5L 4 cyl. Turbo Die ERH,ER0=4.0L Power Tech I-6 EPE,EP0=Magnum 2.5L SMPI	DDQ=5Spd Man. DGS=4 Spd. Auto. AISIN DG0=All Auto Trans DBB=All Manual Trans.

AR = Use as required - = Non illustrated part # = New this model year

July 4, 2003

Case and Related Parts AW4 (DGS) 1997 XJ  
Figure AW4-210



ITEM	PART NUMBER	QTY	LINE	SERIES	BODY	ENGINE	TRANS	TRIM	DESCRIPTION
Notes:									
ER0 = All 4.0L 6 Cylinder Gas Engines									
DGS = Aisin Warner 4 Speed Automatic Transmission									
DG0 = All Automatic Transmissions									
1									HOUSING, Torque Converter
	8350 4062	1	B, T			ER0	DGS		52104180
		1	J, U			ER0	DGS		52104210
2									CASE, Transmission
	8350 3745	1	B, T			ER0	DGS		
		1	J, U			ER0	DGS		
3									BOLT, M10x1.50x35
	8350 3747	1	B, T			ER0	DGS		
		1	J, U			ER0	DGS		
4									BOLT
	8350 3746	1	B, T			ER0	DGS		52104180
		1	J, U			ER0	DGS		52104210
5	5210 4146	1				EP0,	DG0		INDICATOR, Transmission Fluid
						ER0			Level
6	5300 2870	1				ER0	DG0		TUBE, Filler
7	5300 3977	1				ER0	DG0		O RING, Indicator Tube Oil Level, Transmission
8	5300 4907	1				ER0	DG0		COVER, Converter
9	4637 494	1	J, U			ER0	DGS		BOLT, M10x1.5x100
10	8350 3711	AR	B, T			ER0	DGS		BOLT AND WASHER, M8x16
11	8350 3715	1	B, T			ER0	DGS		CLAMP, Transmission
12									BOLT
	8350 3716	1	B, T			ER0	DGS		52104180
		1	J, U			ER0	DGS		52104210
13	1150 2850	4				ER0	DG0		BOLT, Hex Flange Head, M8x1.25x20
14	1150 4922	2				ER0	DG0		BOLT, Hex Head, M12x1.75x50
15	4637 492	1	B, T			ER0	DGS		BOLT, Transmission Case
16									BOLT AND WASHER, M10x1.5, (NOT SERVICED) (Not Serviced)
17	8350 4055	1	J, U			ER0	DGS		SEAL, Transmission Case, 4 WD
18	5211 8078	1				ER0	DG0		COVER, Transmission Dust
19	4637 495	1	J, U			ER0	DGS		BOLT AND WASHER, M10x1.5x4
20	8350 4056	1	J, U			ER0	DGS		ADAPTER, Transmission, 4 WD
21									GASKET, Sealant
	8350 4038	1	B, T			ER0	DGS		
		1	J, U			ER0	DGS		
22									PAN, Transmission Oil

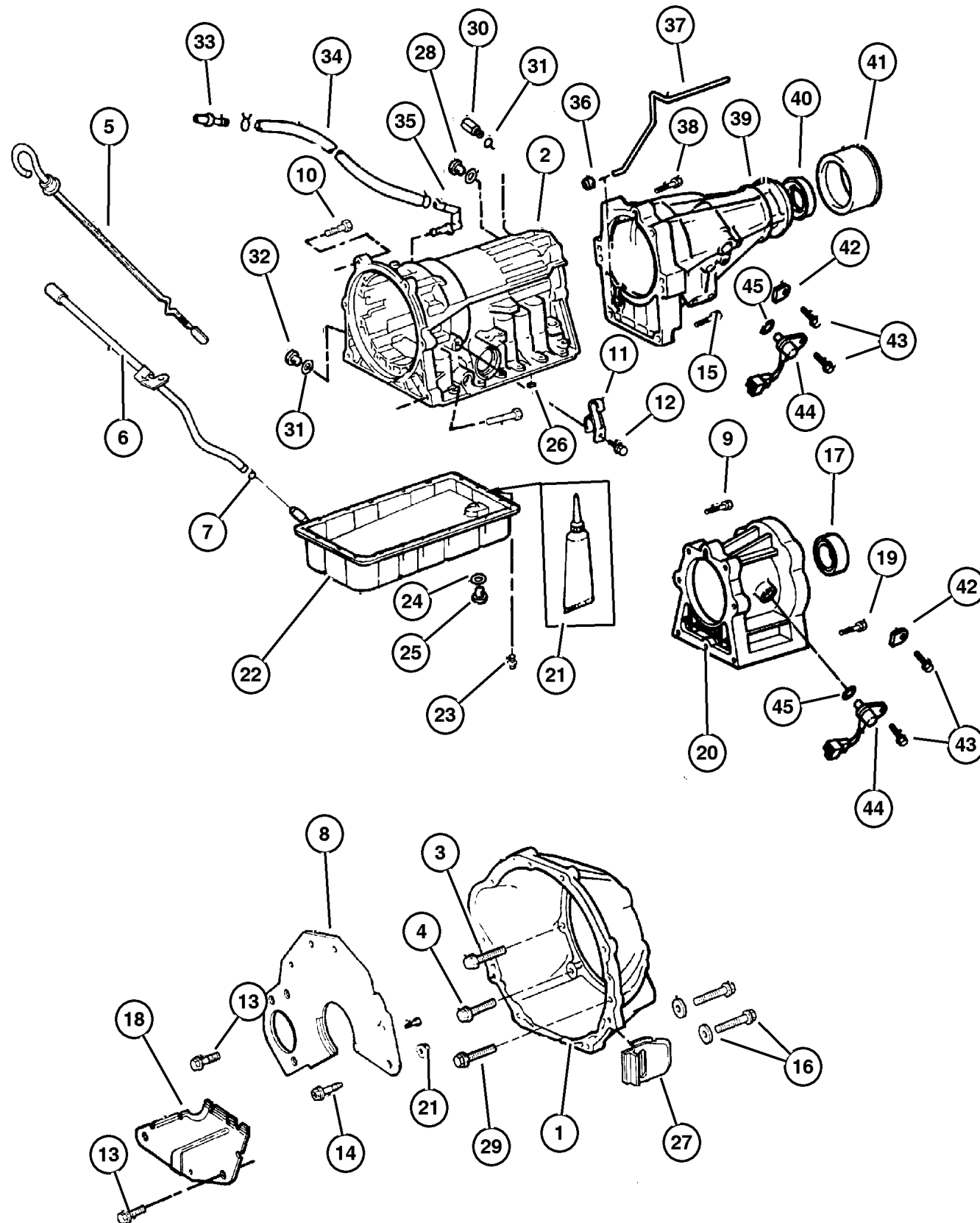
JEEP CHEROKEE (XJ)

SERIES	LINE	BODY	ENGINE	TRANSMISSION
L=Low Line	J=LHD (4WD) U=RHD (4WD) T=LHD (2WD) B=RHD (2WD)	74=4 DR. (101.4 WB) 72=2 DR. (101.4 WB)	ENC,EN0=2.5L 4 cyl. Turbo Die ERH,ER0=4.0L Power Tech I-6 EPE,EP0=Magnum 2.5L SMPI	DDQ=5Spd Man. DGS=4 Spd. Auto. AISIN DG0=All Auto Trans DBB=All Manual Trans.

AR = Use as required - = Non illustrated part # = New this model year

July 4, 2003

Case and Related Parts AW4 (DGS) 1997 XJ  
Figure AW4-210



ITEM	PART NUMBER	QTY	LINE	SERIES	BODY	ENGINE	TRANS	TRIM	DESCRIPTION
	8350 4037	1	B, T			ER0	DGS		
		1	J, U			ER0	DGS		
23	4637 548	1	B, T			ER0	DGS		BOLT, Oil Pan
		1	J, U			ER0	DGS		
24	8350 4040	1	B, T			ER0	DGS		GASKET, Drain Plug
		1	J, U			ER0	DGS		
25									PLUG, Transmission
	8350 4041	1	B, T			ER0	DGS		
		1	J, U			ER0	DGS		
26									SEAL, Transmission
	5252 444	1	B, T			ER0	DGS		
		1	J, U			ER0	DGS		
27	5211 7660	1				ER0	DG0		GROMMET, Timing Probe
28									PLUG, Transmission Case
	8350 3749	1	B, T			ER0	DGS		
		1	J, U			ER0	DGS		
29									BOLT
	4637 491	1	B, T			ER0	DGS		
		1	J, U			ER0	DGS		
30									UNION, Transmission Oil Cooler
	8350 3728	1	B, T			ER0	DGS		
		1	J, U			ER0	DGS		
31									O RING, Oil Cooler
	8350 3727	1	B, T			ER0	DGS		
		1	J, U			ER0	DGS		
32									PLUG, Transmission Case
	8350 3726	1	B, T			ER0	DGS		
		1	J, U			ER0	DGS		
33									BREATHER, Transmission
	8350 3729	1	B, T			ER0	DGS		2 WD
	8350 3737	1	J, U			ER0	DGS		4 WD
34	8350 3720	1	J, U			ER0	DGS		HOSE, Transmission Vent
35	8350 3738	1	J, U			ER0	DGS		ADAPTER, Transmission
36	8350 4052	1	B, T			ER0	DGS		SEAL, Transmission Vent, 2 WD
37	8350 4053	1	B, T			ER0	DGS		TUBE, Valve Body, 2 WD
38	4637 493	1	B, T			ER0	DGS		BOLT AND WASHER, M10x1.5, 2 WD
39	8350 4046	1	B, T			ER0	DGS		CASE, Transmission Rear, 2 WD
40									SEAL, Transmission Case
	8350 4048	1	B, T			ER0	DGS		

JEEP CHEROKEE (XJ)

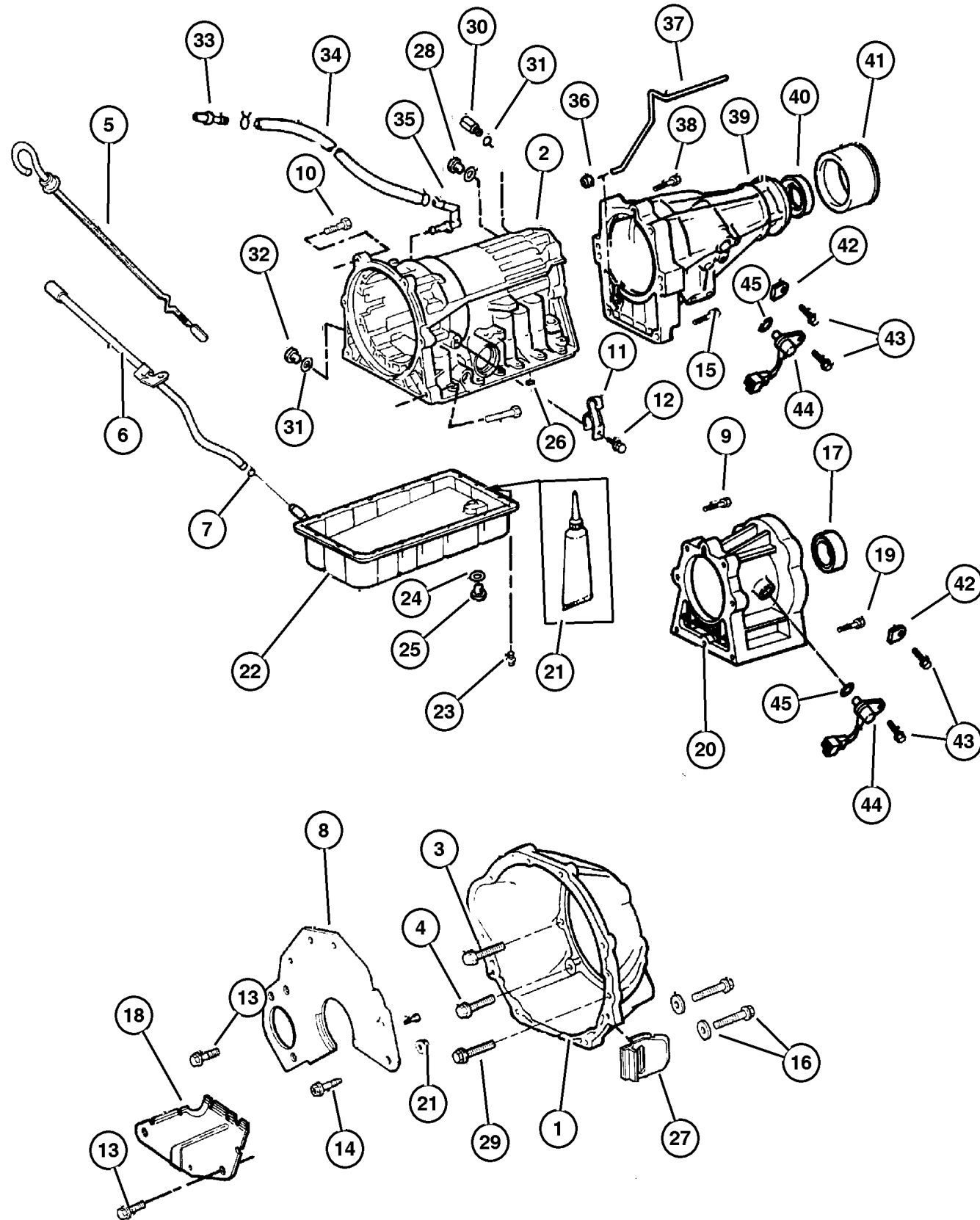
SERIES	LINE	BODY	ENGINE	TRANSMISSION
L=Low Line	J=LHD (4WD) U=RHD (4WD) T=LHD (2WD) B=RHD (2WD)	74=4 DR. (101.4 WB) 72=2 DR. (101.4 WB)	ENC,EN0=2.5L 4 cyl. Turbo Die ERH,ER0=4.0L Power Tech I-6 EPE,EP0=Magnum 2.5L SMPI	DDQ=5Spd Man. DGS=4 Spd. Auto. AISIN DG0=All Auto Trans DBB=All Manual Trans.

AR = Use as required - = Non illustrated part # = New this model year

July 4, 2003



Case and Related Parts AW4 (DGS) 1997 XJ  
Figure AW4-210



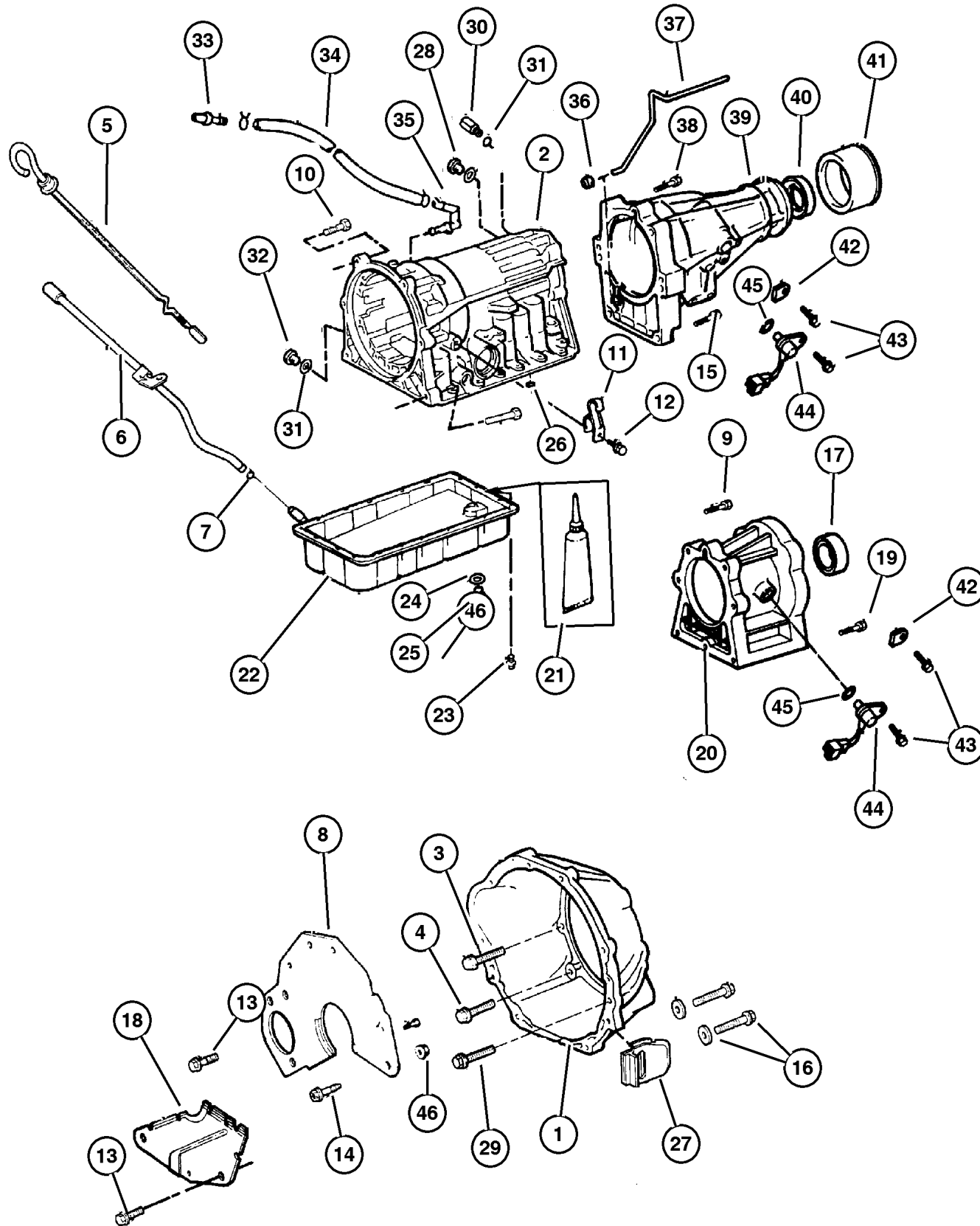
ITEM	PART NUMBER	QTY	LINE	SERIES	BODY	ENGINE	TRANS	TRIM	DESCRIPTION
	8350 4055	1	J, U			ER0	DGS		
41	8350 4050	1	B, T			ER0	DGS		DEFLECTOR, Transfer Case Dust, 2 WD
42									PLATE, Retaining
	8350 3721	1	B, T			ER0	DGS		
43		1	J, U			ER0	DGS		SCREW AND CONED WASHER, Hex Head, M6x1.00x16.00
	3420 1808	1	B			ER0	DGS		
44		1	J			ER0	DGS		SENSOR, Vehicle Speed
	8350 3722	1	B, T			ER0	DGS		
		1	J, U			ER0	DGS		
45									O RING, Trans Speedo Adapter
	8350 3723	1	B, T			ER0	DGS		
		1	J, U			ER0	DGS		

JEEP CHEROKEE (XJ)  
 SERIES LINE BODY ENGINE TRANSMISSION  
 L=Low Line J=LHD (4WD) 74=4 DR. (101.4 WB) ENC,EN0=2.5L 4 cyl. Turbo Die DDQ=5Spd Man.  
 U=RHD (4WD) 72=2 DR. (101.4 WB) ERH,ER0=4.0L Power Tech I-6 DGS=4 Spd. Auto. AISIN  
 T=LHD (2WD) EPE,EP0=Magnum 2.5L SMPI DG0=All Auto Trans  
 B=RHD (2WD) DBB=All Manual Trans.

AR = Use as required - = Non illustrated part # = New this model year

July 4, 2003

Case and Related Parts AW4 (DGS) 1998 XJ  
Figure AW4-210



ITEM	PART NUMBER	QTY	LINE	SERIES	BODY	ENGINE	TRANS	TRIM	DESCRIPTION
------	-------------	-----	------	--------	------	--------	-------	------	-------------

Notes:

ER0 = All 4.0L 6 Cylinder Gas Engines

DGS = Aisin Warner 4 Speed Automatic Transmission

DG0 = All Automatic Transmissions

1									HOUSING, Torque Converter
	8350 4062	1	J, U			ER0	DGS		52104210AB
		1	B, T			ER0	DGS		52104180AB
2									CASE, Transmission
	4897 731AA	1	J, U			ER0	DGS		52104210AB
		1	B, T			ER0	DGS		52104180AB
3									BOLT, M10x1.50x35
	4637 492	4	J, U			ER0	DGS		52104210AB
		4	B, T			ER0	DGS		52104180AB
4									BOLT
	8350 3746	1	J, U			ER0	DGS		52104210AB
		1	B, T			ER0	DGS		52104180AB
5	5210 4146	1				ER0	DG0		INDICATOR, Transmission Fluid Level
6	5300 2870	1				ER0	DG0		TUBE, Filler
7	5300 3977	1				ER0	DG0		O RING, Indicator Tube Oil Level, Transmission
8	5300 4907	1				ER0	DG0		COVER, Converter
9	4637 494	2	J, U			ER0	DGS		BOLT, M10x1.5x100
10									BOLT AND WASHER, M8x16
	8350 3711	1	B, T			ER0	DGS		
		1	J, U			ER0	DGS		
11	8350 3715	1	B, T			ER0	DGS		CLAMP, Transmission
12									BOLT
	8350 3746	1	J, U			ER0	DGS		52104210AB
		1	B, T			ER0	DGS		52104180AB
13	1150 2850	4				ER0	DG0		BOLT, Hex Flange Head, M8x1.25x20
14	1150 4922	2				ER0	DG0		BOLT, Hex Head, M12x1.75x50
15									BOLT, Transmission Case
	4637 492	AR	B, T			ER0	DGS		52104180AB
		AR	J, U			ER0	DGS		52104210AB
16	4637 493	4	B, T			ER0	DGS		BOLT AND WASHER, M10x1.5
17	8350 4055	1	J, U			ER0	DGS		SEAL, Transmission Case
18	5211 8078	1				ER0	DG0		COVER, Transmission Dust
19	4637 495	5	J, U			ER0	DGS		BOLT AND WASHER, M10x1.5x4
20	4897 739AA	1	J, U			ER0	DGS		ADAPTER, Transmission
21									GASKET, Sealant

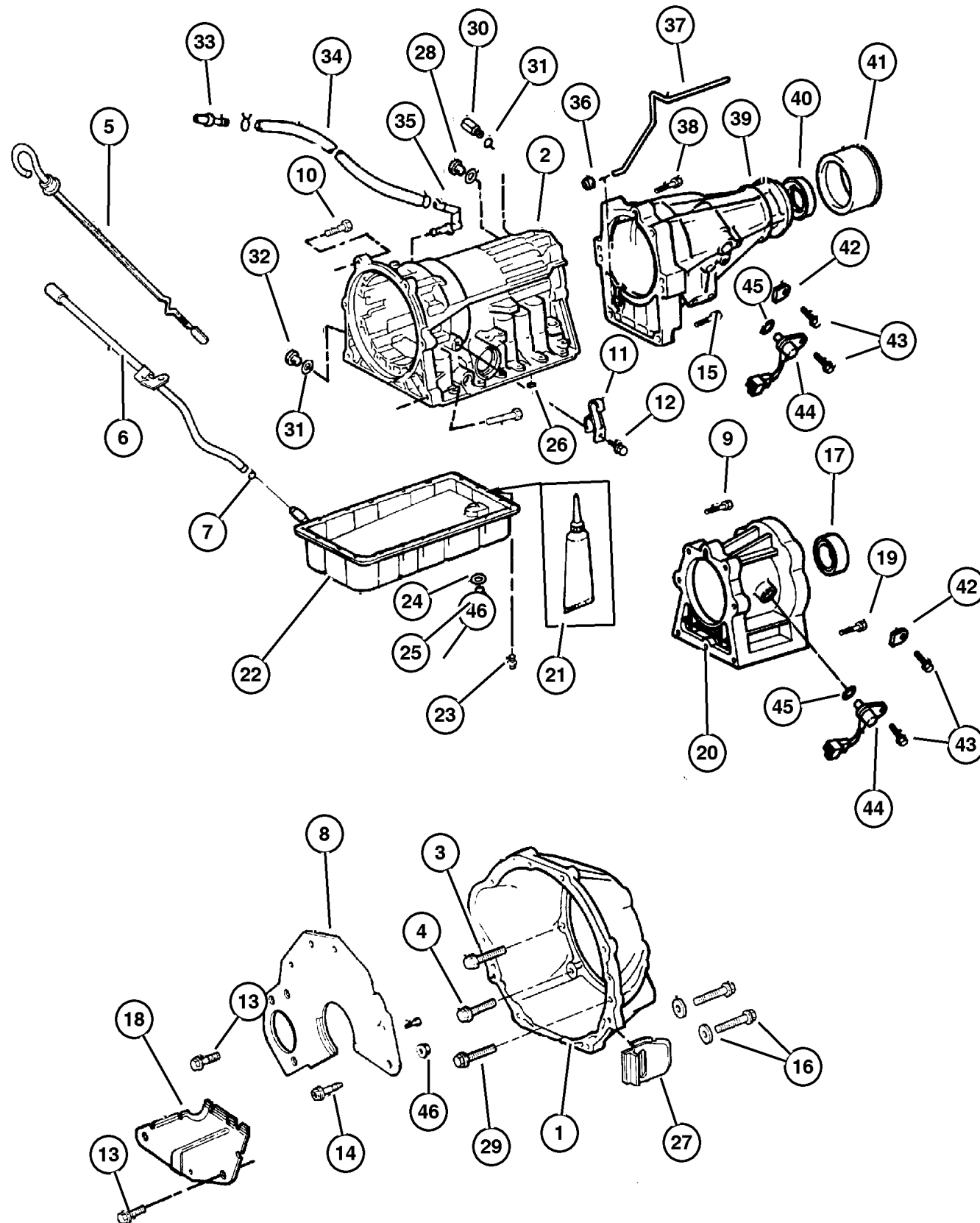
JEEP CHEROKEE (XJ)

SERIES	LINE	BODY	ENGINE	TRANSMISSION
L=Low Line	J=LHD (4WD) U=RHD (4WD) T=LHD (2WD) B=RHD (2WD)	74=4 DR. (101.4 WB) 72=2 DR. (101.4 WB)	ENC,EN0=2.5L 4 cyl. Turbo Die ERH,ER0=4.0L Power Tech I-6 EPE,EP0=Magnum 2.5L SMPI	DDQ=5Spd Man. DGS=4 Spd. Auto. AISIN DG0=All Auto Trans DBB=All Manual Trans.

AR = Use as required - = Non illustrated part # = New this model year

July 4, 2003

Case and Related Parts AW4 (DGS) 1998 XJ  
Figure AW4-210



ITEM	PART NUMBER	QTY	LINE	SERIES	BODY	ENGINE	TRANS	TRIM	DESCRIPTION
	5010 428AA	1	B, T			ER0	DGS		52104180AB
		1	J, U			ER0	DGS		52104210AB
22	8350 4037	1	J, U			ER0	DGS		PAN, Transmission Oil
		1	B, T			ER0	DGS		52104180AB
23	4637 548	19	J, U			ER0	DGS		BOLT, Oil Pan
		19	B, T			ER0	DGS		52104210AB
						ER0	DGS		521041820AB
24	8350 4040	1	J, U			ER0	DGS		GASKET, Drain Plug
		1	B, T			ER0	DGS		52104180AB
25	8350 4041	1	J, U			ER0	DGS		PLUG, Transmission
		1	B, T			ER0	DGS		52104210AB
26	5252 444	1	J, U			ER0	DGS		SEAL, Transmission
		1	B, T			ER0	DGS		52104210AB
						ER0	DGS		52104180AB
27	5211 7660	1				ER0	DG0		GROMMET, Timing Probe
28	8350 3749	2	J, U			ER0	DGS		PLUG, Transmission Case
		2	B, T			ER0	DGS		52104210AB
						ER0	DGS		52104180AB
29	4637 491	1	J, U			ER0	DGS		BOLT
		1	B, T			ER0	DGS		52104210AB
						ER0	DGS		52104180AB
30	8350 3728	2	J, U			ER0	DGS		UNION, Transmission Oil Cooler
		2	B, T			ER0	DGS		52104210AB
						ER0	DGS		52104180AB
31	8350 3727	2	J, U			ER0	DGS		O RING, Oil Cooler
32	8350 3749	2	J, U			ER0	DGS		PLUG, Transmission Case
		2	B, T			ER0	DGS		52104210AB
						ER0	DGS		52104180AB
33	8350 3729	2	J, U			ER0	DGS		BREATHER, Transmission
		1	B, T			ER0	DGS		52104210AB
						ER0	DGS		52104180AB
34	8350 3720	1	J, U			ER0	DGS		HOSE, Transmission Vent
35	4897 739AA	1	J, U			ER0	DGS		ADAPTER, Transmission
36	8350 4052	1	B, T			ER0	DGS		SEAL, Transmission Vent
37	8350 4334	2	J, U			ER0	DGS		TUBE, Valve Body
		2	B, T			ER0	DGS		52104210AB
						ER0	DGS		52104180AB
38	4637 493	4	B, T			ER0	DGS		BOLT AND WASHER, M10x1.5
39	4897 736AA	1	B, T			ER0	DGS		CASE, Transmission Rear
40									SEAL, Transmission Case

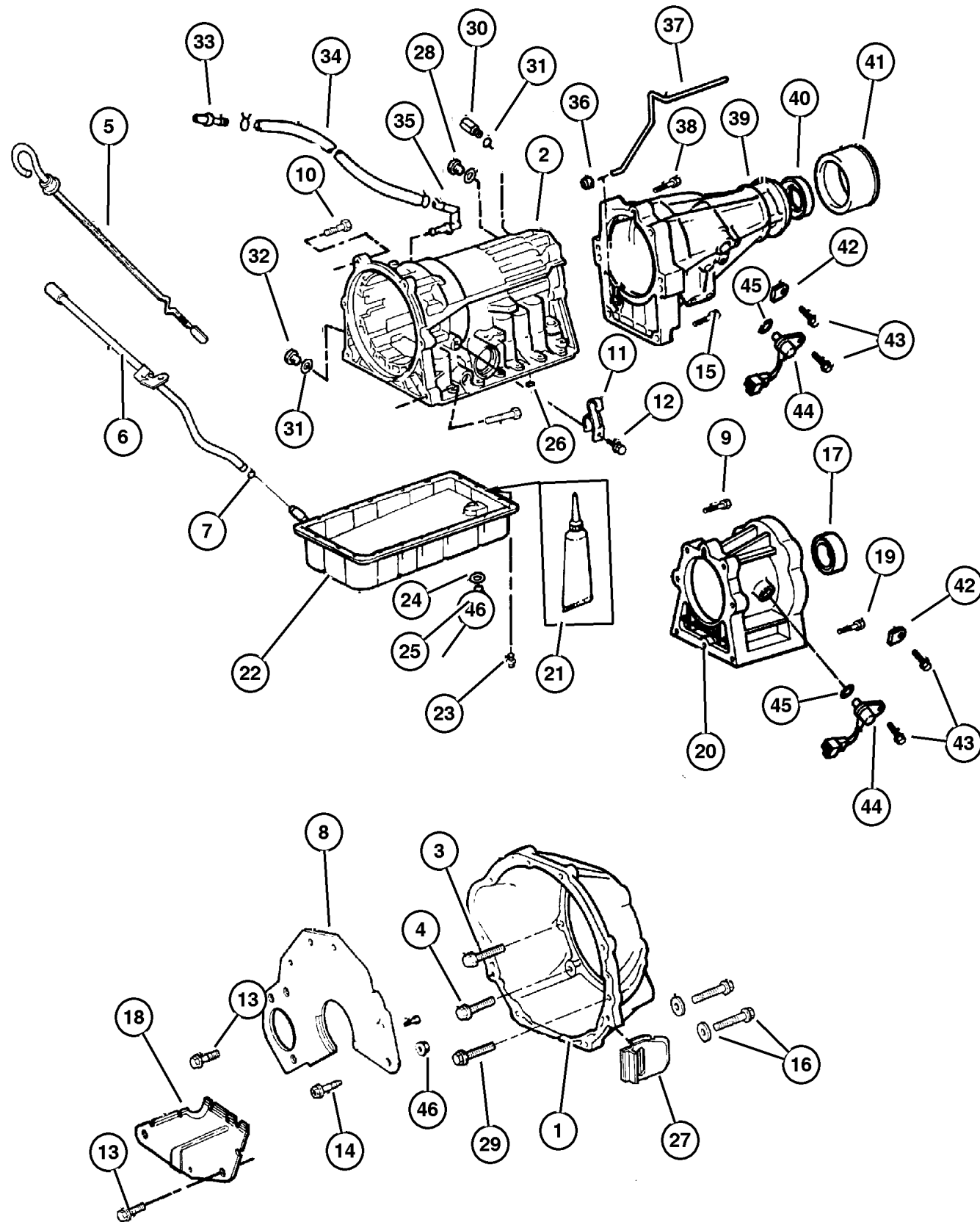
JEEP CHEROKEE (XJ)

SERIES	LINE	BODY	ENGINE	TRANSMISSION
L=Low Line	J=LHD (4WD) U=RHD (4WD) T=LHD (2WD) B=RHD (2WD)	74=4 DR. (101.4 WB) 72=2 DR. (101.4 WB)	ENC,EN0=2.5L 4 cyl. Turbo Die ERH,ER0=4.0L Power Tech I-6 EPE,EP0=Magnum 2.5L SMPI	DDQ=5Spd Man. DGS=4 Spd. Auto. AISIN DG0=All Auto Trans DBB=All Manual Trans.

AR = Use as required - = Non illustrated part # = New this model year

July 4, 2003

Case and Related Parts AW4 (DGS) 1998 XJ  
Figure AW4-210



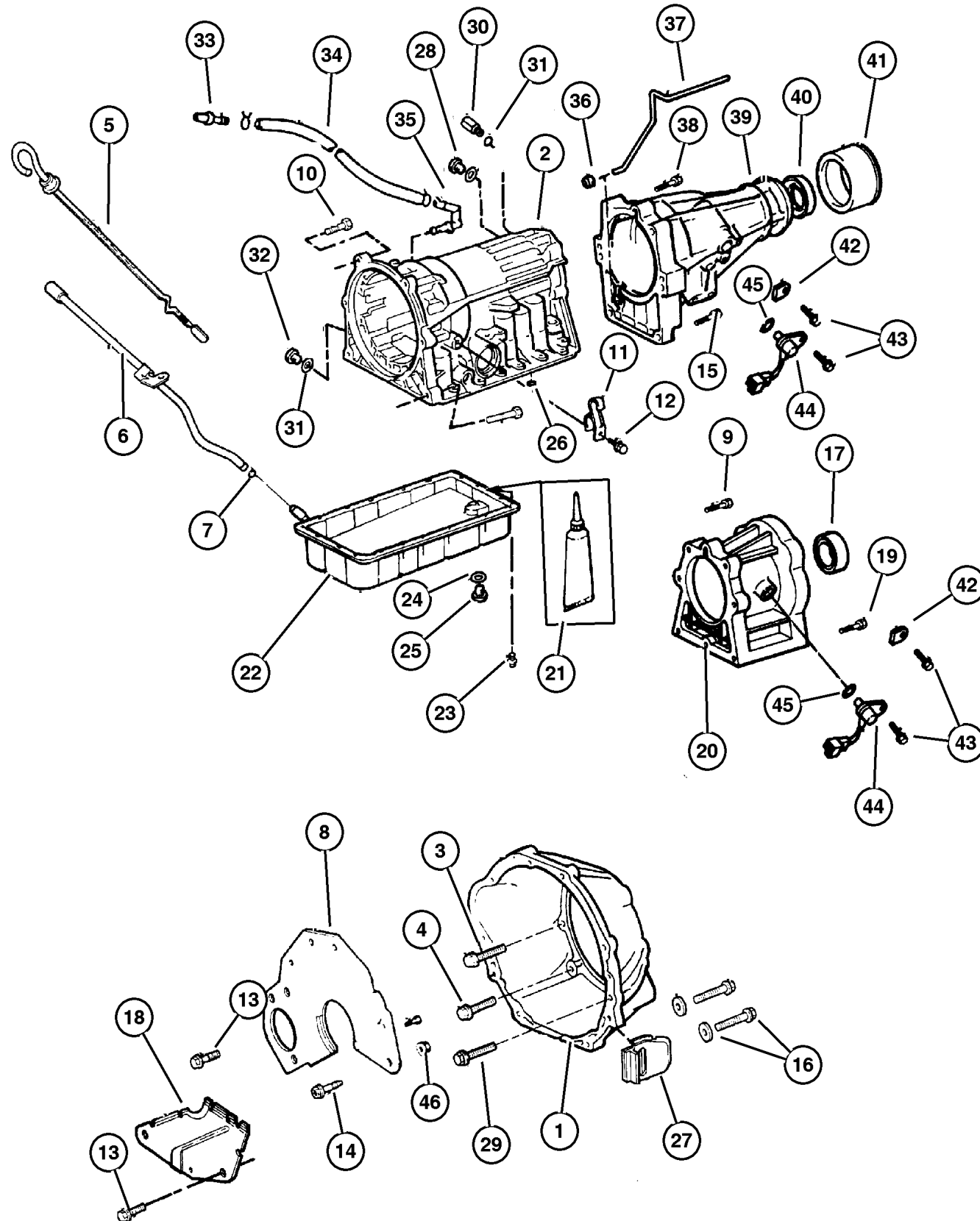
ITEM	PART NUMBER	QTY	LINE	SERIES	BODY	ENGINE	TRANS	TRIM	DESCRIPTION
	8350 4048	1	B, T			ER0	DGS		
	8350 4055	1	J, U			ER0	DGS		
41	8350 4050	1	B, T			ER0	DGS		DEFLECTOR, Transfer Case Dust
42									PLATE, Retaining
	8350 3717	1	J, U			ER0	DGS		52104210AB
			B, T			ER0	DGS		52104180AB
43									SCREW AND CONED WASHER,
									Hex Head, M6x1.00x16.00
	3420 1808	AR	J, U			ER0	DGS		
		AR	B, T			ER0	DGS		
44									SENSOR, Vehicle Speed
	4897 734AA	2	B, T			ER0	DGS		
		1	J, U			ER0	DGS		52104210AB
45									O RING, Trans Speedo Adapter
	5010 301AA	1	J, U			ER0	DGS		52104210AB
		1	B, T			ER0	DGS		52104180AB
46	6502 697	2				ER0			NUT, Hex Flange Lock, M12x1.75

JEEP CHEROKEE (XJ)  
 SERIES LINE BODY ENGINE TRANSMISSION  
 L=Low Line J=LHD (4WD) 74=4 DR. (101.4 WB) ENC,EN0=2.5L 4 cyl. Turbo Die DDQ=5Spd Man.  
 U=RHD (4WD) 72=2 DR. (101.4 WB) ERH,ER0=4.0L Power Tech I-6 DGS=4 Spd. Auto. AISIN  
 T=LHD (2WD) EPE,EP0=Magnum 2.5L SMPI DG0=All Auto Trans  
 B=RHD (2WD) DBB=All Manual Trans.

AR = Use as required - = Non illustrated part # = New this model year

July 4, 2003

Case and Related Parts AW4 (DGS) 1999 XJ  
Figure AW4-210



ITEM	PART NUMBER	QTY	LINE	SERIES	BODY	ENGINE	TRANS	TRIM	DESCRIPTION
Notes:									
ER0 = All 4.0L 6 Cylinder Gas Engines									
DGS = Aisin Warner 4 Speed Automatic Transmission									
DG0 = All Automatic Transmissions									
1	8350 4062	1	J, U			ER0	DGS		HOUSING, Torque Converter, 52104210AB
2	4897 731AA	1	J, U			ER0	DGS		CASE, Transmission, 52104210AB
3	8350 3747	4	B, T			ER0	DGS		BOLT, M10x1.50x35
4	8350 3746	1	J, U			ER0	DGS		BOLT, 52104210AB
5	5210 4146	1				ER0	DG0		INDICATOR, Transmission Fluid Level
6	5300 2870	1				ER0	DG0		TUBE, Filler
7	5300 3977	1				ER0	DG0		O RING, Indicator Tube Oil Level, Transmission
8	5300 4907	1				ER0	DG0		COVER, Converter
9	4637 494	1	J, U			ER0	DGS		BOLT, M10x1.5x100
10	8350 3711	1	J, U			ER0	DGS		BOLT AND WASHER, M8x16
11	8350 3715	1	B, T			ER0	DGS		CLAMP, Transmission
12	8350 3746	1	J, U			ER0	DGS		BOLT, 52104210AB
13	1150 2850	4				ER0	DG0		BOLT, Hex Flange Head, M8x1.25x20
14	1150 4922	2				ER0	DG0		BOLT, Hex Head, M12x1.75x50
15	4637 492	3	B, T			ER0	DGS		BOLT, Transmission Case
16									BOLT AND WASHER, M10x1.5, (NOT SERVICED) (Not Serviced)
17	8350 4055	1	J, U			ER0	DGS		SEAL, Transmission Case
18	5211 8078	1				ER0	DG0		COVER, Transmission Dust
19	4637 495	5	J, U			ER0	DGS		BOLT AND WASHER, M10x1.5x4
20	4897 739AA	1	J, U			ER0	DGS		ADAPTER, Transmission
21	5010 428AA	1	J, U			ER0	DGS		GASKET, Sealant
22	8350 4037	1	J, U			ER0	DGS		PAN, Transmission Oil, 52104210AB
23	4637 548	19	J, U			ER0	DGS		BOLT, Oil Pan, 52104210AB
24	8350 4040	1	J, U			ER0	DGS		GASKET, Drain Plug 52104210AB
25	8350 4041	1	J, U			ER0	DGS		PLUG, Transmission, 52104210AB
26	5252 444	1	J, U			ER0	DGS		SEAL, Transmission, 52104210AB
27	5211 7660	1				ER0	DG0		GROMMET, Timing Probe

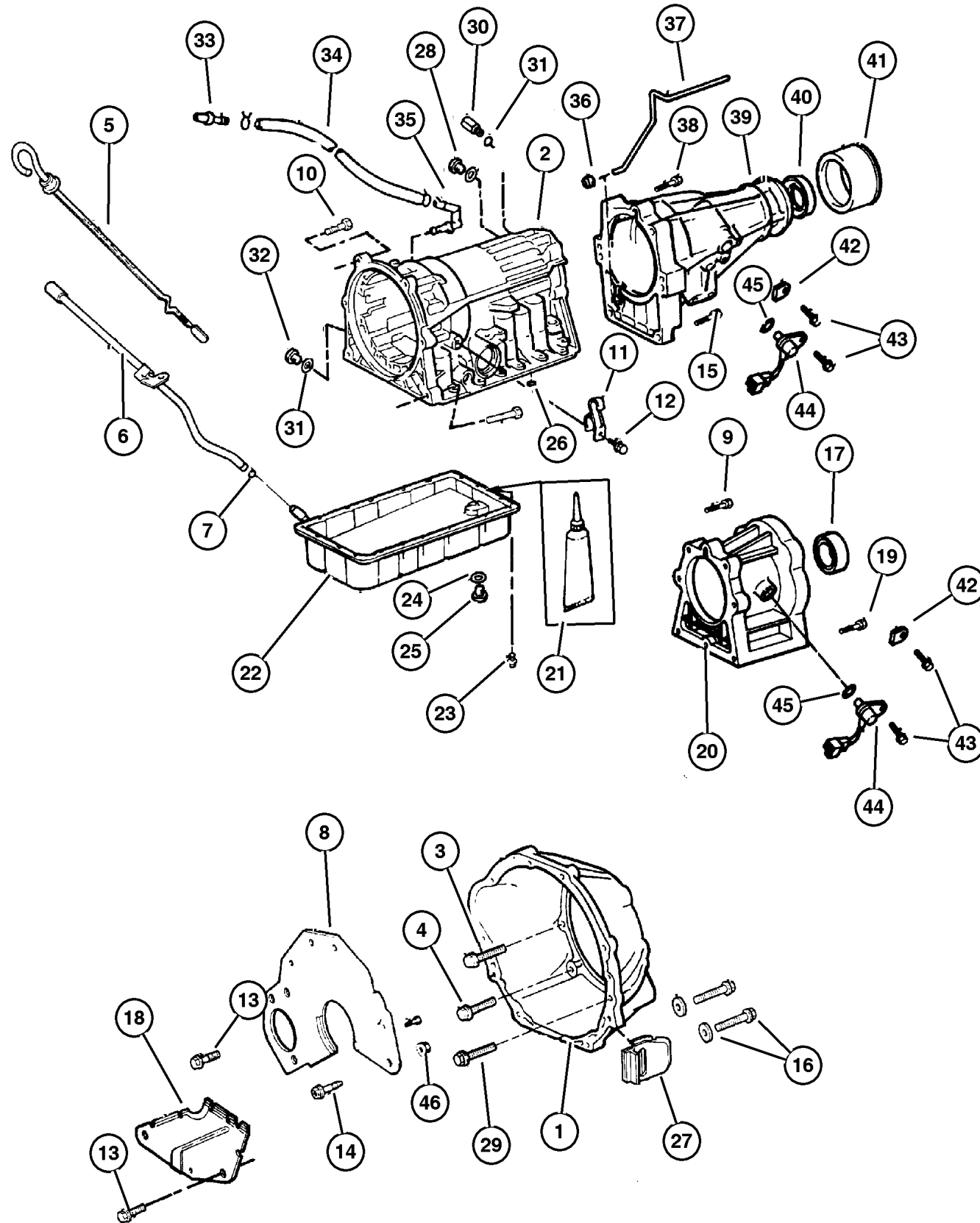
JEEP CHEROKEE (XJ)

SERIES	LINE	BODY	ENGINE	TRANSMISSION
L=Low Line	J=LHD (4WD) U=RHD (4WD) T=LHD (2WD) B=RHD (2WD)	74=4 DR. (101.4 WB) 72=2 DR. (101.4 WB)	ENC,EN0=2.5L 4 cyl. Turbo Die ERH,ER0=4.0L Power Tech I-6 EPE,EP0=Magnum 2.5L SMPI	DDQ=5Spd Man. DGS=4 Spd. Auto. AISIN DG0=All Auto Trans DBB=All Manual Trans.

AR = Use as required - = Non illustrated part # = New this model year

July 4, 2003

Case and Related Parts AW4 (DGS) 1999 XJ  
Figure AW4-210



ITEM	PART NUMBER	QTY	LINE	SERIES	BODY	ENGINE	TRANS	TRIM	DESCRIPTION
28	8350 3749	2	J, U			ER0	DGS		PLUG, Transmission Case, 52104210AB
29	4637 491	1	B, T			ER0	DGS		BOLT
		1	J, U			ER0	DGS		
30	8350 3728	2	J, U			ER0	DGS		UNION, Transmission Oil Cooler, 52104210AB
31	8350 3727	2	J, U			ER0	DGS		O RING, Oil Cooler
32	8350 3749	2	J, U			ER0	DGS		PLUG, Transmission Case
33	8350 3729	2	J, U			ER0	DGS		BREATHER, Transmission, 52104210AB
34	8350 3720	1	J, U			ER0	DGS		HOSE, Transmission Vent
35	4897 739AA	1	J, U			ER0	DGS		ADAPTER, Transmission
36	8350 4052	1	B, T			ER0	DGS		SEAL, Transmission Vent
37	8350 4334	2	J, U			ER0	DGS		TUBE, Valve Body
38	4637 493	4	B, T			ER0	DGS		BOLT AND WASHER, M10x1.5
39	4897 736AB	1	B, T			ER0	DGS		CASE, Transmission Rear
40									SEAL, Transmission Case
	8350 4048	1	B, T			ER0	DGS		
	8350 4055	1	J, U			ER0	DGS		
41	8350 4050	1	B, T			ER0	DGS		DEFLECTOR, Transfer Case Dust
42	8350 3717	1	J, U			ER0	DGS		PLATE, Retaining, 52104210AB
43									SCREW AND CONED WASHER, Hex Head, M6x1.00x16.00
	3420 1808	2	B, T			ER0	DGS		
		2	J, U			ER0	DGS		
44	4897 734AA	1	J, U			ER0	DGS		SENSOR, Vehicle Speed, 52104210AB
45	5010 301AA	1	J, U			ER0	DGS		O RING, Trans Speedo Adapter, 52104210AB
46	6502 697	2				ER0			NUT, Hex Flange Lock, M12x1.75

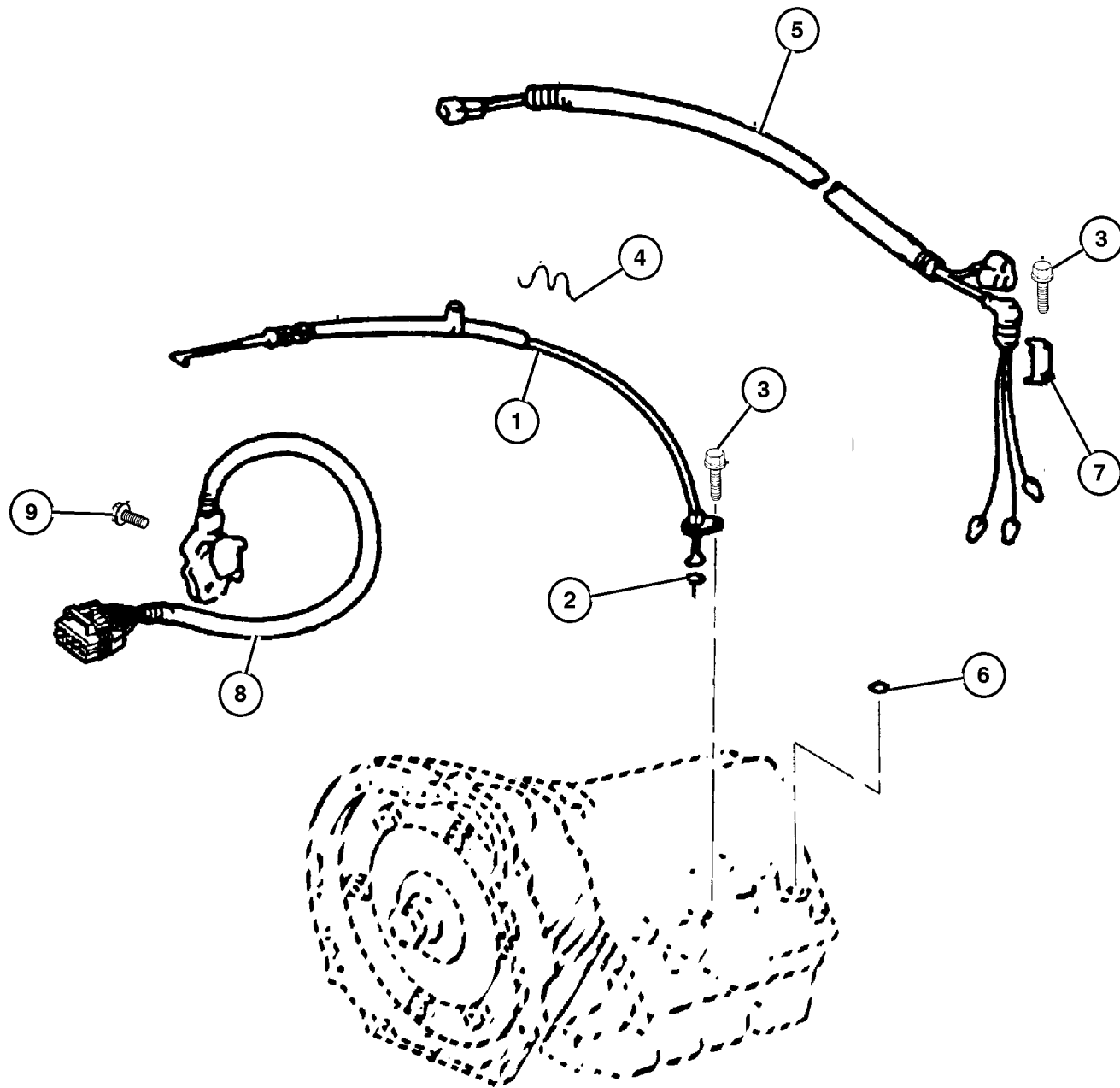
JEEP CHEROKEE (XJ)

SERIES	LINE	BODY	ENGINE	TRANSMISSION
L=Low Line	J=LHD (4WD) U=RHD (4WD) T=LHD (2WD) B=RHD (2WD)	74=4 DR. (101.4 WB) 72=2 DR. (101.4 WB)	ENC,EN0=2.5L 4 cyl. Turbo Die ERH,ER0=4.0L Power Tech I-6 EPE,EP0=Magnum 2.5L SMPI	DDQ=5Spd Man. DGS=4 Spd. Auto. AISIN DG0=All Auto Trans DBB=All Manual Trans.

AR = Use as required - = Non illustrated part # = New this model year

July 4, 2003

Linkage AW4 (DGS)  
Figure AW4-220



ITEM	PART NUMBER	QTY	LINE	SERIES	BODY	ENGINE	TRANS	TRIM	DESCRIPTION
Notes:									
ER0 = All 4.0L 6 Cylinder Gas Engines									
DGS = Aisin Warner 4 Speed Automatic Transmission									
1	5207 7578	1	B, T			ER0	DGS		CABLE, Throttle Control
		1	J, U			ER0	DGS		52104180, 1997 XJ
		1	B, T			ER0	DGS		52104210, 1997 XJ
		1	J, U			ER0	DGS		1998 XJ
		1	J, U			ER0	DGS		1998 XJ, 1999 XJ
2	8350 3708	1	B, T			ER0	DGS		O RING, Throttle Cable
		1	J, U			ER0	DGS		52104180, 1997 XJ
		1	B, T			ER0	DGS		52104210, 1997 XJ
		1	J, U			ER0	DGS		1998 XJ
		1	J, U			ER0	DGS		1998 XJ, 1999 XJ
3	3420 1808	1	B			ER0	DGS		SCREW AND CONED WASHER, Hex Head, M6x1.00x16.00
		1	J			ER0	DGS		52104180, 1997 XJ
		AR	J, U			ER0	DGS		52104210, 1997 XJ
		AR	B, T			ER0	DGS		1998 XJ
		2	B, T			ER0	DGS		1998 XJ
		2	J, U			ER0	DGS		1999 XJ
		2	J, U			ER0	DGS		1999 XJ
4	8350 3710	1	B, T			ER0	DGS		RETAINER, Throttle Cable Retention
		1	J, U			ER0	DGS		52104180, 1997 XJ
		1	B, T			ER0	DGS		52104210, 1997 XJ
		1	J, U			ER0	DGS		1998 XJ, 1999 XJ
		1	J, U			ER0	DGS		1999 XJ
5	4882 174	1	B, T			ER0	DGS		HARNESS, Valve Body Solenoid
		1	J, U			ER0	DGS		52104180, 1997 XJ
		1	J, U			ER0	DGS		52104210, 1997 XJ
	4897 742AA	1	B, T			ER0	DGS		1998 XJ
		1	J, U			ER0	DGS		1998 XJ, 1999 XJ
6	8350 3719	1	B, T			ER0	DGS		O RING, Solenoid Connector Seal, Transmission
		1	J, U			ER0	DGS		52104180, 1997 XJ
		1	J, U			ER0	DGS		52104210, 1997 XJ
		1	B, T			ER0	DGS		1998 XJ
		1	J, U			ER0	DGS		1998 XJ, 1999 XJ
7	8350 3717	1	J, U			ER0	DGS		PLATE, Retaining
		1	B, T			ER0	DGS		52104210, 1997 XJ
		1	J, U			ER0	DGS		1998 XJ
		1	J, U			ER0	DGS		1998 XJ, 1999 XJ
8									SWITCH, Neutral, Safety, Back Up

JEEP CHEROKEE (XJ)

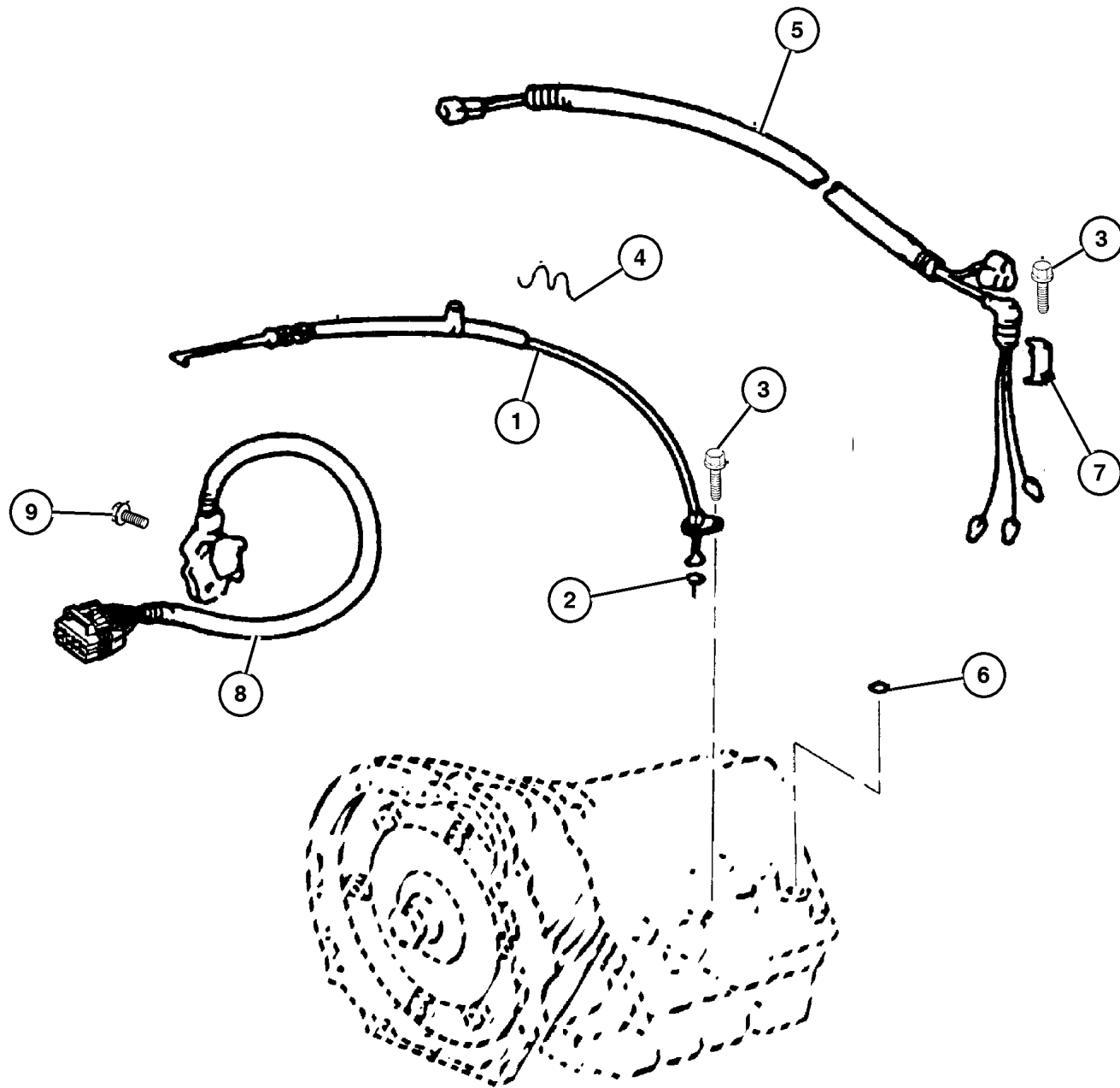
SERIES	LINE	BODY	ENGINE	TRANSMISSION
L=Low Line	J=LHD (4WD) U=RHD (4WD) T=LHD (2WD) B=RHD (2WD)	74=4 DR. (101.4 WB) 72=2 DR. (101.4 WB)	ENC,EN0=2.5L 4 cyl. Turbo Die ERH,ER0=4.0L Power Tech I-6 EPE,EP0=Magnum 2.5L SMPI	DDQ=5Spd Man. DGS=4 Spd. Auto. AISIN DG0=All Auto Trans DBB=All Manual Trans.

AR = Use as required - = Non illustrated part # = New this model year

July 4, 2003

Linkage AW4 (DGS)  
Figure AW4-220

ITEM	PART NUMBER	QTY	LINE	SERIES	BODY	ENGINE	TRANS	TRIM	DESCRIPTION
	4882 173	1	B, T			ER0	DGS		52104180, 1997 XJ
		1	J, U			ER0	DGS		52104210, 1997 XJ
		1	B, T			ER0	DGS		1998 XJ
		1	J, U			ER0	DGS		1998 XJ, 1999 XJ
9									BOLT, M8x1.25x30
	8350 3714	1	B, T			ER0	DGS		52104180, 1997 XJ
		1	J, U			ER0	DGS		52104210, 1997 XJ
		1	B, T			ER0	DGS		1998 XJ
		1	J, U			ER0	DGS		1998 XJ, 1999 XJ



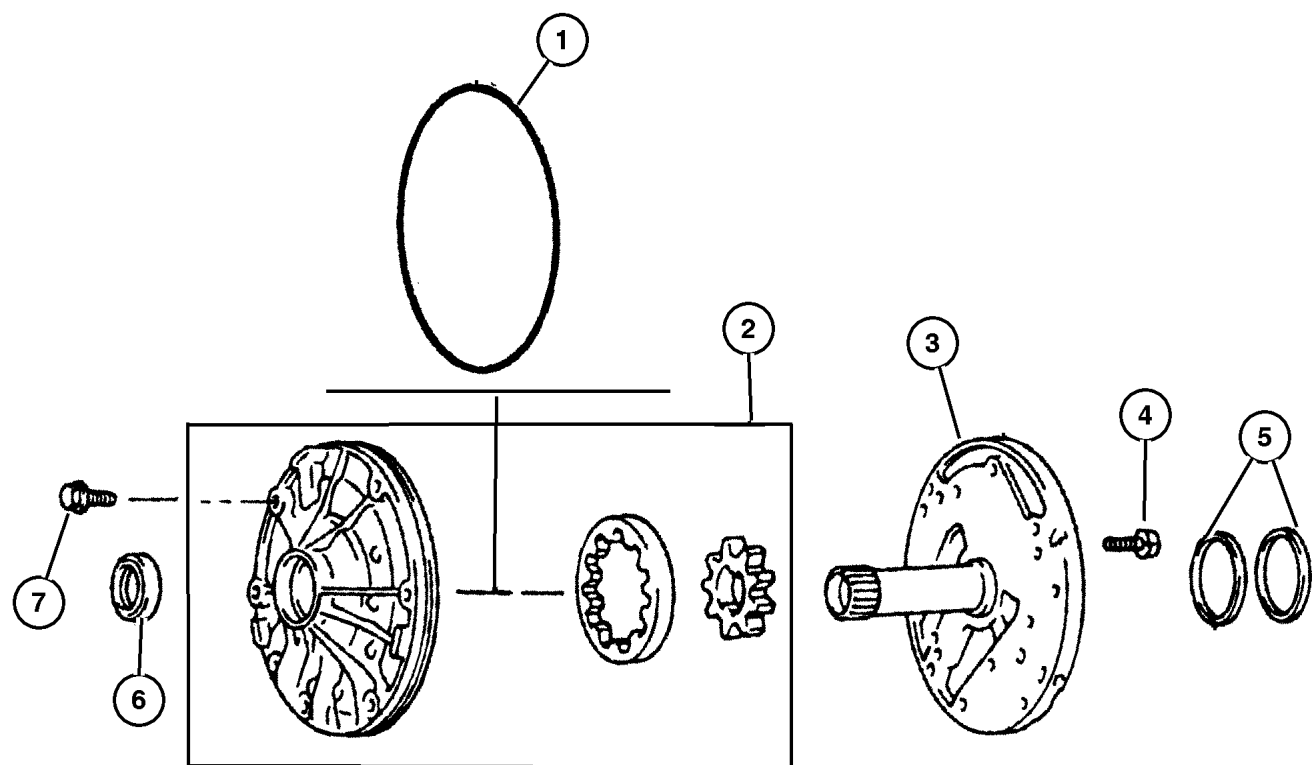
JEEP CHEROKEE (XJ)				
SERIES	LINE	BODY	ENGINE	TRANSMISSION
L=Low Line	J=LHD (4WD) U=RHD (4WD) T=LHD (2WD) B=RHD (2WD)	74=4 DR. (101.4 WB) 72=2 DR. (101.4 WB)	ENC,EN0=2.5L 4 cyl. Turbo Die ERH,ER0=4.0L Power Tech I-6 EPE,EP0=Magnum 2.5L SMPI	DDQ=5Spd Man. DGS=4 Spd. Auto. AISIN DG0=All Auto Trans DBB=All Manual Trans.

AR = Use as required - = Non illustrated part # = New this model year

July 4, 2003



## Oil Pump AW4 (DGS) Figure AW4-310



ITEM	PART NUMBER	QTY	LINE	SERIES	BODY	ENGINE	TRANS	TRIM	DESCRIPTION
Notes:									
ER0 = All 4.0l 6 Cylinder Gas Engines									
DGS = Aisin Warner 4 Speed Automatic Transmission									
1	8350 3758	1	B, T			ER0	DGS		O RING, Transmission Pump Assy
		1	J, U			ER0	DGS		52104180, 1997 XJ
		1	B, T			ER0	DGS		1998 XJ
		1	J, U			ER0	DGS		1998 XJ, 1999 XJ
2	8350 4283	1	B, T			ER0	DGS		HOUSING, Pump
		1	J, U			ER0	DGS		52104180, 1997 XJ
		1	B, T			ER0	DGS		52104210, 1997 XJ
		1	J, U			ER0	DGS		1998 XJ
		1	J, U			ER0	DGS		1998 XJ, 1999 XJ
3	4626 166	1	B, T			ER0	DGS		STATOR, Support
		1	J, U			ER0	DGS		52104180, 1997 XJ
		1	B, T			ER0	DGS		52104210, 1997 XJ
		1	J, U			ER0	DGS		1998 XJ
		1	J, U			ER0	DGS		1998 XJ, 1999 XJ
4	4626 167	13	J, U			ER0	DGS		BOLT AND WASHER, Hex Head, M6x1.0x16
		13	B, T			ER0	DGS		1997 XJ, 1998 XJ
5	8350 3757	1	B, T			ER0	DGS		SEAL, Pump Reaction Shaft
		1	J, U			ER0	DGS		52104180, 1997 XJ
		AR	J, U			ER0	DGS		52104210, 1997 XJ
		AR	B, T			ER0	DGS		1998 XJ
		4	J, U			ER0	DGS		1998 XJ
		4	B, T			ER0	DGS		1999 XJ
6	8350 3752	1	B, T			ER0	DGS		SEAL, Transmission Oil Pump
		1	J, U			ER0	DGS		52104180, 1997 XJ
		1	B, T			ER0	DGS		52104210, 1997 XJ
		1	J, U			ER0	DGS		1998 XJ
		1	J, U			ER0	DGS		1998 XJ, 1999 XJ
7	4637 491	1	J, U			ER0	DGS		BOLT
		1	B, T			ER0	DGS		1998 XJ
	8350 3759	1	B, T			ER0	DGS		52104180, 1997 XJ
		1	J, U			ER0	DGS		52104210, 1997 XJ
		4	J, U			ER0	DGS		1998 XJ
		7	B, T			ER0	DGS		1999 XJ

### JEEP CHEROKEE (XJ)

SERIES	LINE	BODY	ENGINE	TRANSMISSION
L=Low Line	J=LHD (4WD) U=RHD (4WD) T=LHD (2WD) B=RHD (2WD)	74=4 DR. (101.4 WB) 72=2 DR. (101.4 WB)	ENC,EN0=2.5L 4 cyl. Turbo Die ERH,ER0=4.0L Power Tech I-6 EPE,EP0=Magnum 2.5L SMPI	DDQ=5Spd Man. DGS=4 Spd. Auto. AISIN DG0=All Auto Trans DBB=All Manual Trans.

AR = Use as required - = Non illustrated part # = New this model year

July 4, 2003

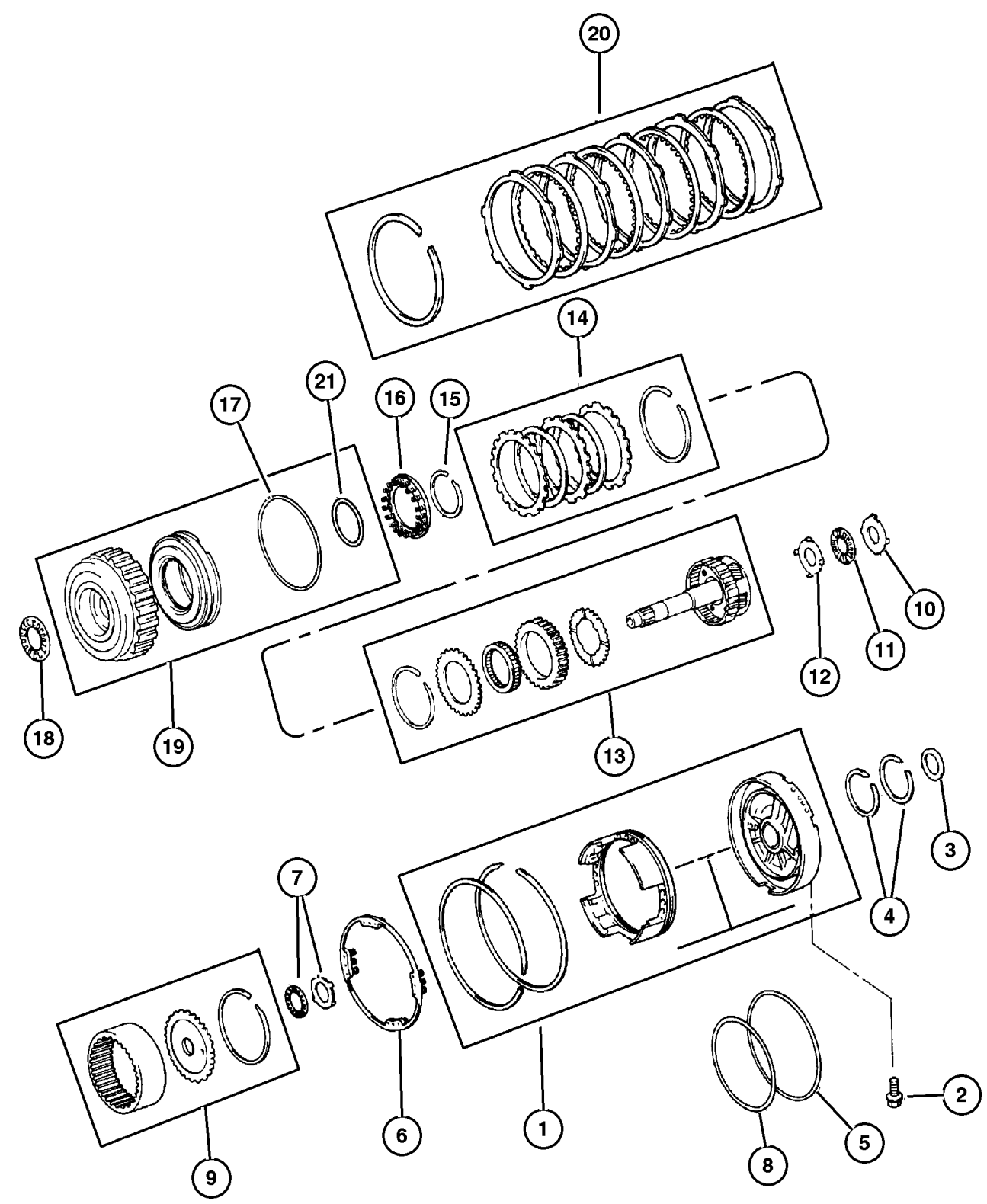
**Overdrive Clutch AW4 (DGS) 1997 XJ**  
**Figure AW4-410**

ITEM	PART NUMBER	QTY	LINE	SERIES	BODY	ENGINE	TRANS	TRIM	DESCRIPTION
1									OVERDRIVE PACKAGE, Support and Piston
	4636 977	1	B, T			ER0	DGS		
		1	J, U			ER0	DGS		
2	4796 568	1	B, T			ER0	DGS		BOLT, Overdrive Support RACE, Thrust Bearing
3									
	8350 3784	1	B, T			ER0	DGS		
		1	J, U			ER0	DGS		
4									SEAL, Pump Reaction Shaft
	8350 3757	1	B, T			ER0	DGS		
		1	J, U			ER0	DGS		
5									O RING, O/Drive Support Outer, Transmission
	4636 782	1	B, T			ER0	DGS		
		1	J, U			ER0	DGS		
6									SPRING, Overdrive Brake Return
	4636 784	1	B, T			ER0	DGS		
		1	J, U			ER0	DGS		
7									THRUST BEARING PACKAGE, Overdrive
	4637 023	1	B, T			ER0	DGS		
		1	J, U			ER0	DGS		
8									O RING, O/Drive Support Inner, Transmission
	4636 783	1	B, T			ER0	DGS		
		1	J, U			ER0	DGS		
9									GEAR PACKAGE, Planetary Overdrive
	4636 978	1	B, T			ER0	DGS		
		1	J, U			ER0	DGS		
10									RACE, Thrust Bearing
	8350 3916	1	B, T			ER0	DGS		
		1	J, U			ER0	DGS		
11									THRUST BEARING
	8350 3802	1	B, T			ER0	DGS		
		1	J, U			ER0	DGS		
12									RACE, Thrust Bearing
	8350 3915	1	B, T			ER0	DGS		
		1	J, U			ER0	DGS		

Notes:  
 ER0 = All 4.0L 6 Cylinder Gas Engines  
 DGS = Aisin Warner 4 Speed Automatic Transmission

JEEP CHEROKEE (XJ)  
 SERIES LINE BODY ENGINE TRANSMISSION  
 L=Low Line J=LHD (4WD) 74=4 DR. (101.4 WB) ENC,EN0=2.5L 4 cyl. Turbo Die DDQ=5Spd Man.  
 U=RHD (4WD) 72=2 DR. (101.4 WB) ERH,ER0=4.0L Power Tech I-6 DGS=4 Spd. Auto. AISIN  
 T=LHD (2WD) EPE,EP0=Magnum 2.5L SMPI DG0=All Auto Trans  
 B=RHD (2WD) DBB=All Manual Trans.

AR = Use as required - = Non illustrated part # = New this model year July 4, 2003



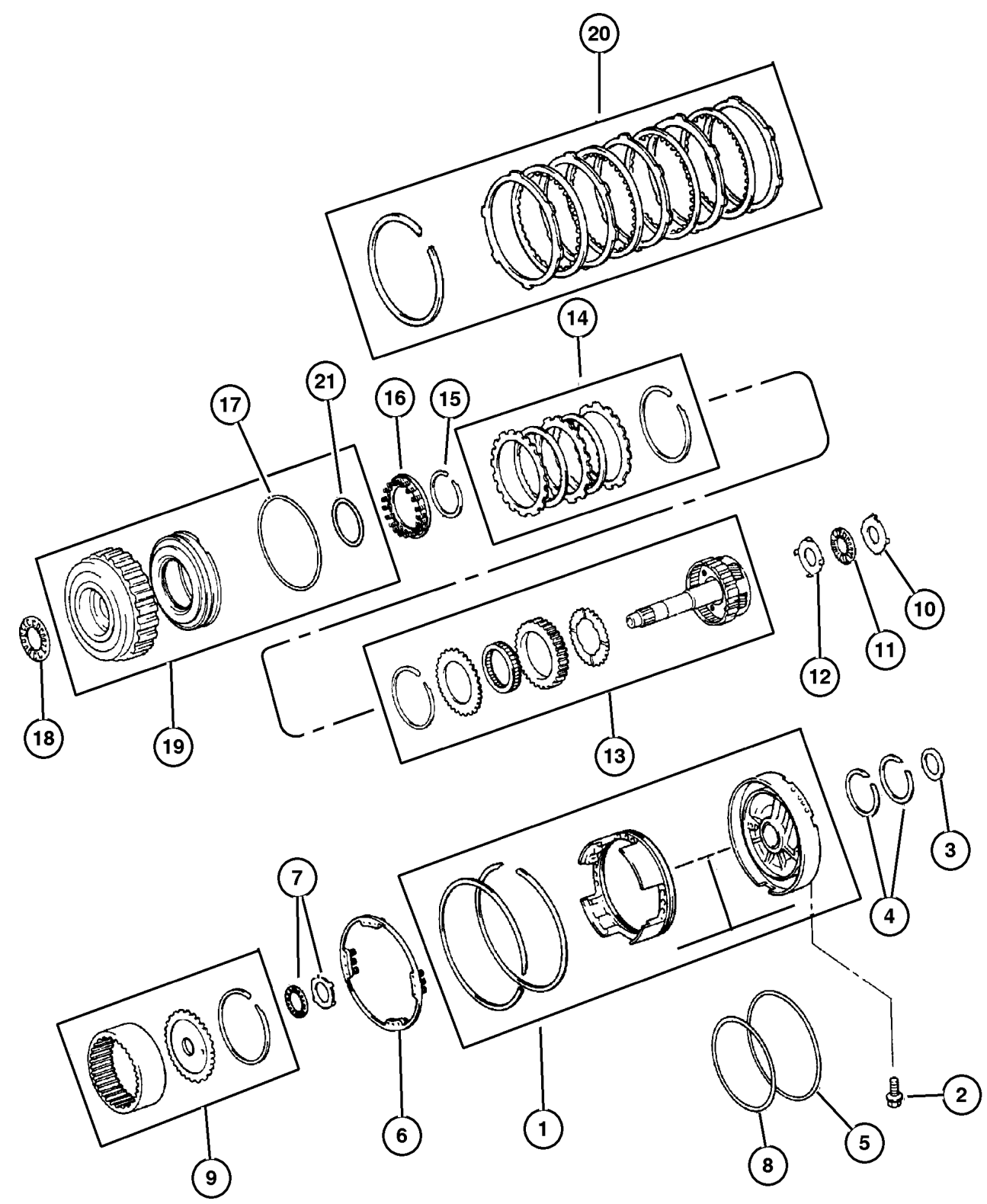
**Overdrive Clutch AW4 (DGS) 1997 XJ**  
**Figure AW4-410**

ITEM	PART NUMBER	QTY	LINE	SERIES	BODY	ENGINE	TRANS	TRIM	DESCRIPTION
13									GEAR PACKAGE, Planetary Overdrive
	4637 024	1	B, T			ER0	DGS		
		1	J, U			ER0	DGS		
14									CLUTCH PACKAGE, Direct Clutch
	4886 127AA	1	B, T			ER0	DGS		
		1	J, U			ER0	DGS		
15									SNAP RING
	8350 3810	1	B, T			ER0	DGS		
		1	J, U			ER0	DGS		
16									SPRING, Piston Return
	8350 3928	1	B, T			ER0	DGS		
		1	J, U			ER0	DGS		
17									O RING, Transmission Clutch Piston Outer
	8350 3926	1	B, T			ER0	DGS		
		1	J, U			ER0	DGS		
18									BEARING, (NOT SERVICED) (Not Serviced)
19									DRUM PACKAGE, Transmission
	4637 025	1	B, T			ER0	DGS		
		1	J, U			ER0	DGS		
20									DISC AND PLATE PACKAGE
	4886 126AA	1	B, T			ER0	DGS		
		1	J, U			ER0	DGS		
21									O RING, Transmission Clutch Piston Inner
	8350 3811	1	B, T			ER0	DGS		
		1	J, U			ER0	DGS		

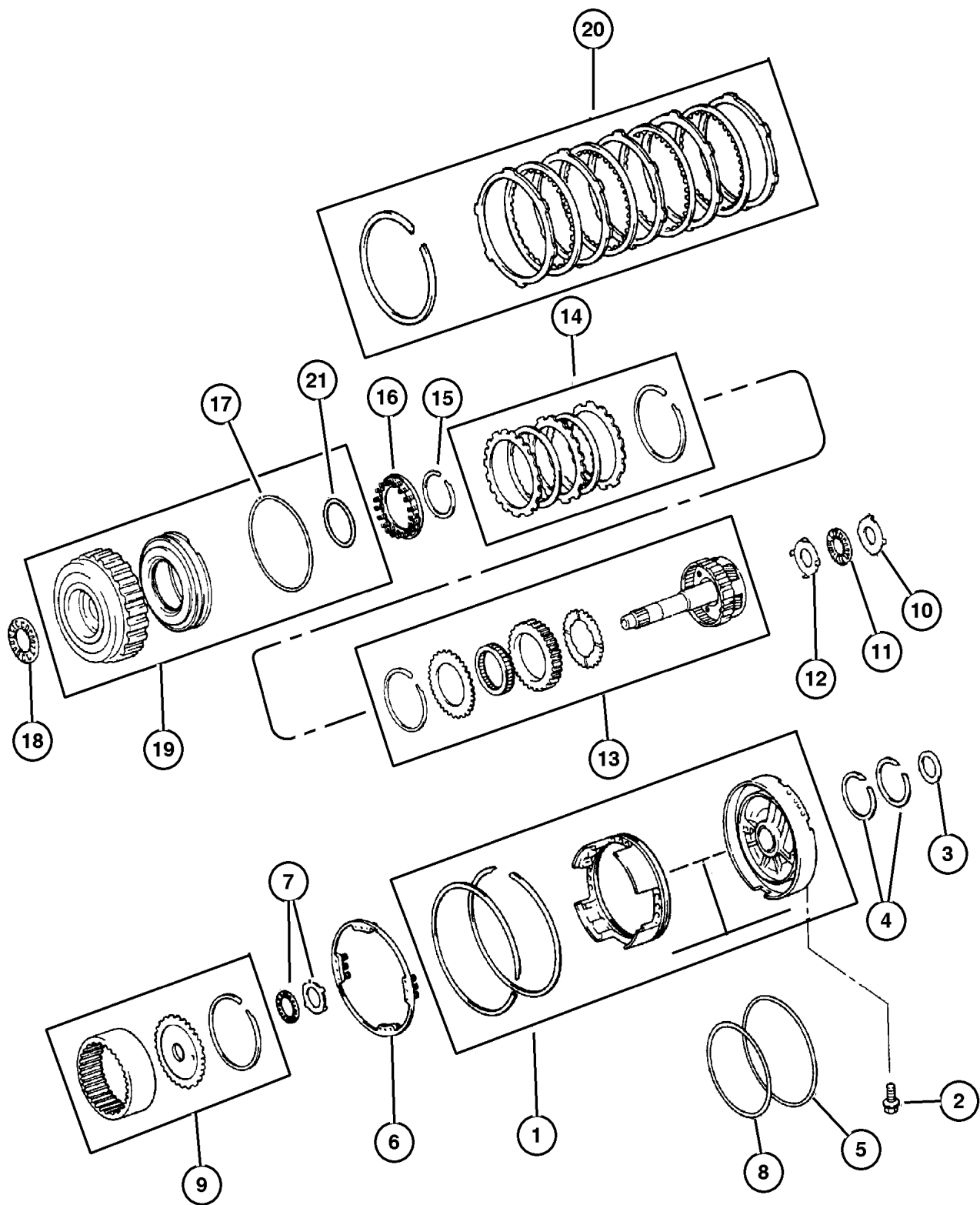
**JEEP CHEROKEE (XJ)**  
 SERIES LINE BODY ENGINE TRANSMISSION  
 L=Low Line J=LHD (4WD) 74=4 DR. (101.4 WB) ENC,EN0=2.5L 4 cyl. Turbo Die DDQ=5Spd Man.  
 U=RHD (4WD) 72=2 DR. (101.4 WB) ERH,ER0=4.0L Power Tech I-6 DGS=4 Spd. Auto. AISIN  
 T=LHD (2WD) EPE,EP0=Magnum 2.5L SMPI DG0=All Auto Trans  
 B=RHD (2WD) DBB=All Manual Trans.

AR = Use as required - = Non illustrated part # = New this model year

July 4, 2003



**Overdrive Clutch AW4 (DGS) 1998 XJ**  
**Figure AW4-410**



ITEM	PART NUMBER	QTY	LINE	SERIES	BODY	ENGINE	TRANS	TRIM	DESCRIPTION
Notes:									
ER0 = All 4.0L 6 Cylinder Gas Engines									
DGS = Aisin Warner 4 Speed Automatic Transmission									
1									OVERDRIVE PACKAGE, Support and Piston
	4636 977	1	J, U			ER0	DGS		52104210AB
		1	B, T			ER0	DGS		52104180AB
2									BOLT, Overdrive Support
	4796 568	2	J, U			ER0	DGS		
		2	B, T			ER0	DGS		
3									RACE, Thrust Bearing
	8350 3801	1	J, U			ER0	DGS		52104210AB
		1	B, T			ER0	DGS		52104180AB
4									SEAL, Pump Reaction Shaft
	8350 3757	AR	J, U			ER0	DGS		
		AR	B, T			ER0	DGS		
5									O RING, O/Drive Support Outer, Transmission
	4636 782	1	J, U			ER0	DGS		
		1	B, T			ER0	DGS		
6									SPRING, Overdrive Brake Return
	4636 784	1	J, U			ER0	DGS		
		1	B, T			ER0	DGS		
7									THRUST BEARING PACKAGE, Overdrive
	4637 023	AR	J, U			ER0	DGS		52104210AB
		AR	B, T			ER0	DGS		52104180AB
8									O RING, O/Drive Support Inner, Transmission
	4636 783	1	J, U			ER0	DGS		
		1	B, T			ER0	DGS		
9									GEAR PACKAGE, Planetary Overdrive
	4886 128AA	AR	J, U			ER0	DGS		52104210AB
		AR	B, T			ER0	DGS		52104180AB
10									RACE, Thrust Bearing
	8350 3916	1	J, U			ER0	DGS		52104210AB
		1	B, T			ER0	DGS		52104180AB
11									THRUST BEARING
	8350 3802	1	J, U			ER0	DGS		
		1	B, T			ER0	DGS		
12									RACE, Thrust Bearing

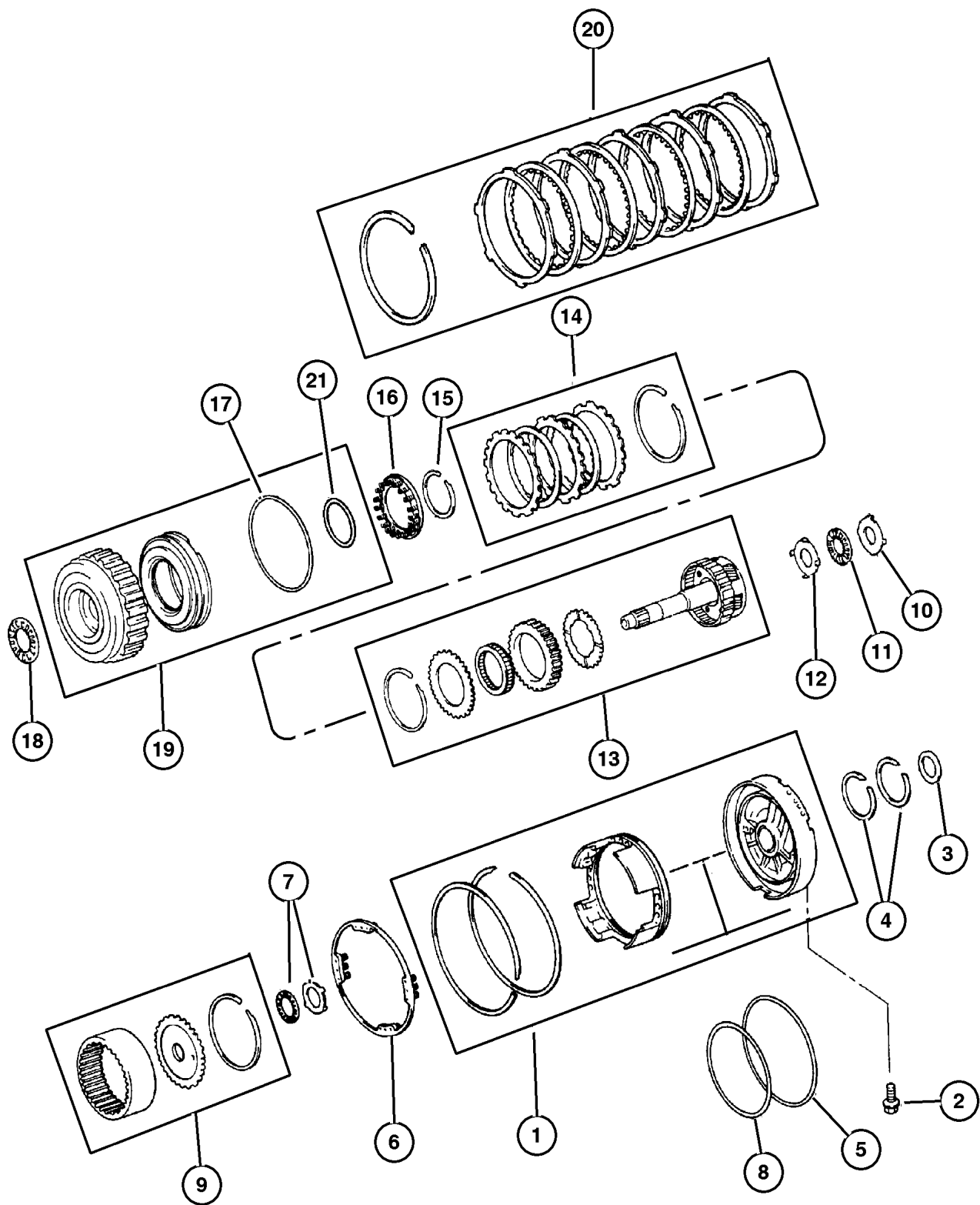
**JEEP CHEROKEE (XJ)**  
 SERIES LINE BODY ENGINE TRANSMISSION  
 L=Low Line J=LHD (4WD) 74=4 DR. (101.4 WB) ENC,EN0=2.5L 4 cyl. Turbo Die DDQ=5Spd Man.  
 U=RHD (4WD) 72=2 DR. (101.4 WB) ERH,ER0=4.0L Power Tech I-6 DGS=4 Spd. Auto. AISIN  
 T=LHD (2WD) EPE,EP0=Magnum 2.5L SMPI DG0=All Auto Trans  
 B=RHD (2WD) DBB=All Manual Trans.

AR = Use as required - = Non illustrated part # = New this model year

July 4, 2003

**Overdrive Clutch AW4 (DGS) 1998 XJ**  
**Figure AW4-410**

ITEM	PART NUMBER	QTY	LINE	SERIES	BODY	ENGINE	TRANS	TRIM	DESCRIPTION
	8350 3915	1	J, U			ER0	DGS		52104210AB
		1	B, T			ER0	DGS		52104180AB
13									GEAR PACKAGE, Planetary Overdrive
	4637 024	1	J, U			ER0	DGS		52104210AB
		1	B, T			ER0	DGS		52104180AB
14									CLUTCH PACKAGE, Direct Clutch
	4886 127AA	AR	J, U			ER0	DGS		52104210AB
		AR	B, T			ER0	DGS		52104180AB
15									SNAP RING
	8350 3810	1	J, U			ER0	DGS		52104210AB
		1	B, T			ER0	DGS		52104180AB
16									SPRING, Piston Return
	8350 3928	1	J, U			ER0	DGS		
		1	B, T			ER0	DGS		
17									O RING, Transmission Clutch Piston Outer
	8350 3926	1	J, U			ER0	DGS		
		1	B, T			ER0	DGS		
18									BEARING, (NOT SERVICED) (Not Serviced)
19									DRUM PACKAGE, Transmission
	4637 025AB	1	J, U			ER0	DGS		
		1	B, T			ER0	DGS		
20									DISC AND PLATE PACKAGE
	4886 126AA	1	J, U			ER0	DGS		52104210AB
		1	B, T			ER0	DGS		52104180AB
21	8350 3811	1	J, U			ER0	DGS		O RING, Transmission Clutch Piston Inner



**JEEP CHEROKEE (XJ)**  
 SERIES LINE BODY ENGINE TRANSMISSION  
 L=Low Line J=LHD (4WD) 74=4 DR. (101.4 WB) ENC,EN0=2.5L 4 cyl. Turbo Die DDQ=5Spd Man.  
 U=RHD (4WD) 72=2 DR. (101.4 WB) ERH,ER0=4.0L Power Tech I-6 DGS=4 Spd. Auto. AISIN  
 T=LHD (2WD) EPE,EP0=Magnum 2.5L SMPI DG0=All Auto Trans  
 B=RHD (2WD) DBB=All Manual Trans.

AR = Use as required - = Non illustrated part # = New this model year

July 4, 2003

**Overdrive Clutch AW4 (DGS) 1999 XJ**  
**Figure AW4-410**

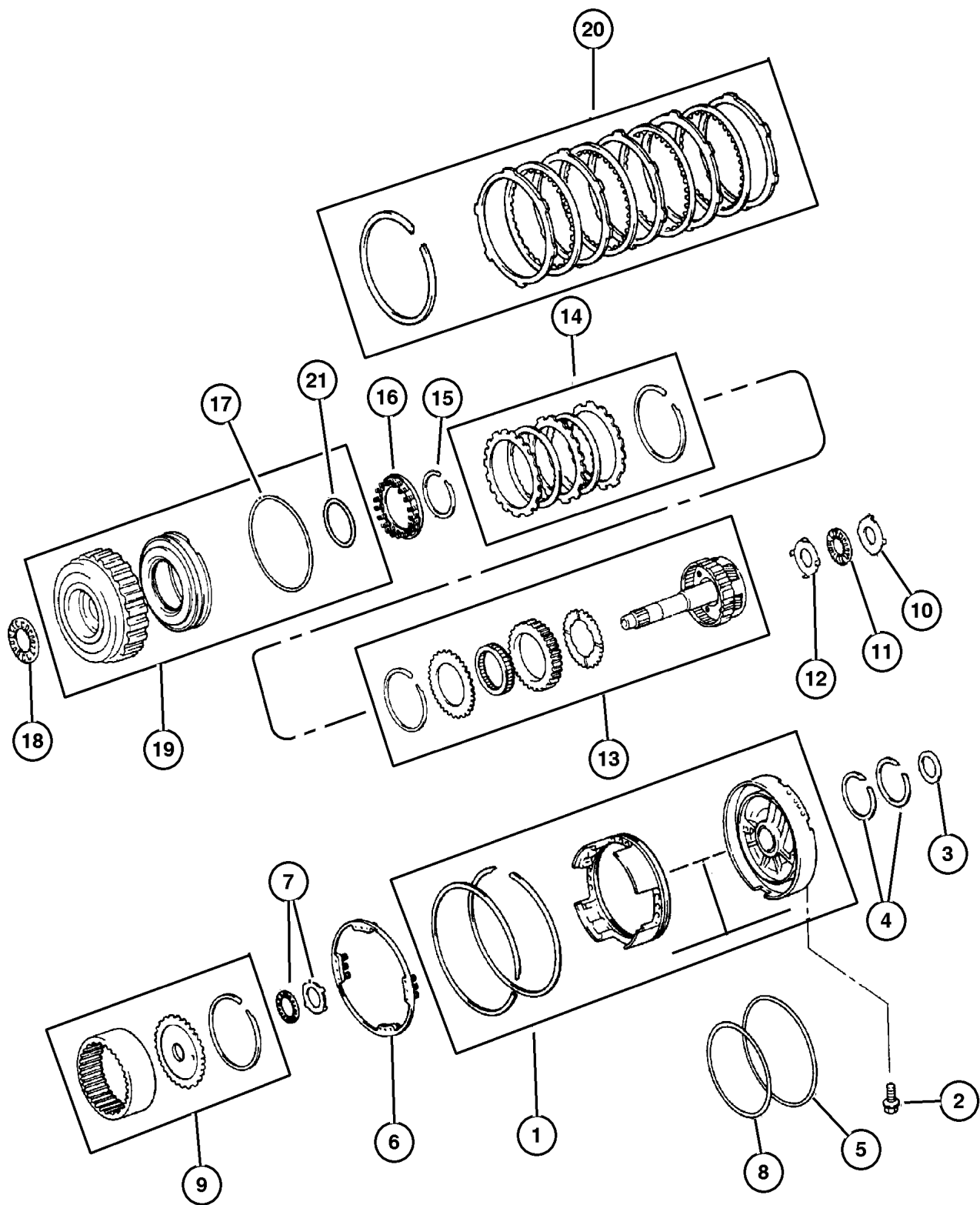
ITEM	PART NUMBER	QTY	LINE	SERIES	BODY	ENGINE	TRANS	TRIM	DESCRIPTION
Notes:									
ER0 = All 4.0L 6 Cylinder Gas Engines									
DGS = Aisin Warner 4 Speed Automatic Transmission									
1	4636 977	1	J, U			ER0	DGS		OVERDRIVE PACKAGE, Support and Piston, 52104210AB
2	4796 568	2	J, U			ER0	DGS		BOLT, Overdrive Support
3	8350 3801	1	J, U			ER0	DGS		RACE, Thrust Bearing, 52104210AB
4	8350 3757	4	J, U			ER0	DGS		SEAL, Pump Reaction Shaft
5	4636 782	1	B, T			ER0	DGS		O RING, O/Drive Support Outer, Transmission
6	4636 784	1	J, U			ER0	DGS		SPRING, Overdrive Brake Return
7	4637 023	1	B, T			ER0	DGS		THRUST BEARING PACKAGE, Overdrive
		1	J, U			ER0	DGS		
8	4636 783	1	J, U			ER0	DGS		O RING, O/Drive Support Inner, Transmission
9	4886 128AA	1	B, T			ER0	DGS		GEAR PACKAGE, Planetary Overdrive
		1	J, U			ER0	DGS		
10	8350 3916	1	J, U			ER0	DGS		RACE, Thrust Bearing, 52104210AB
11	8350 3802	1	J, U			ER0	DGS		THRUST BEARING
12	8350 3915	1	J, U			ER0	DGS		RACE, Thrust Bearing, 52104210AB
13	4637 024	1	J, U			ER0	DGS		GEAR PACKAGE, Planetary Overdrive, 52104210AB
14	4886 043AA	1	B, T			ER0	DGS		CLUTCH PACKAGE, Direct Clutch
		1	J, U			ER0	DGS		
15	8350 3810	1	J, U			ER0	DGS		SNAP RING, 52104210AB
16	8350 3928	1	J, U			ER0	DGS		SPRING, Piston Return
17	8350 3926	1	J, U			ER0	DGS		O RING, Transmission Clutch Piston Outer
18									BEARING, (NOT SERVICED) (Not Serviced)
19	4637 025AB	1	J, U			ER0	DGS		DRUM PACKAGE, Transmission
20	4886 126AA	1	J, U			ER0	DGS		DISC AND PLATE PACKAGE, 52104210AB
21	8350 3811	1	J, U			ER0	DGS		O RING, Transmission Clutch Piston Inner

**JEEP CHEROKEE (XJ)**

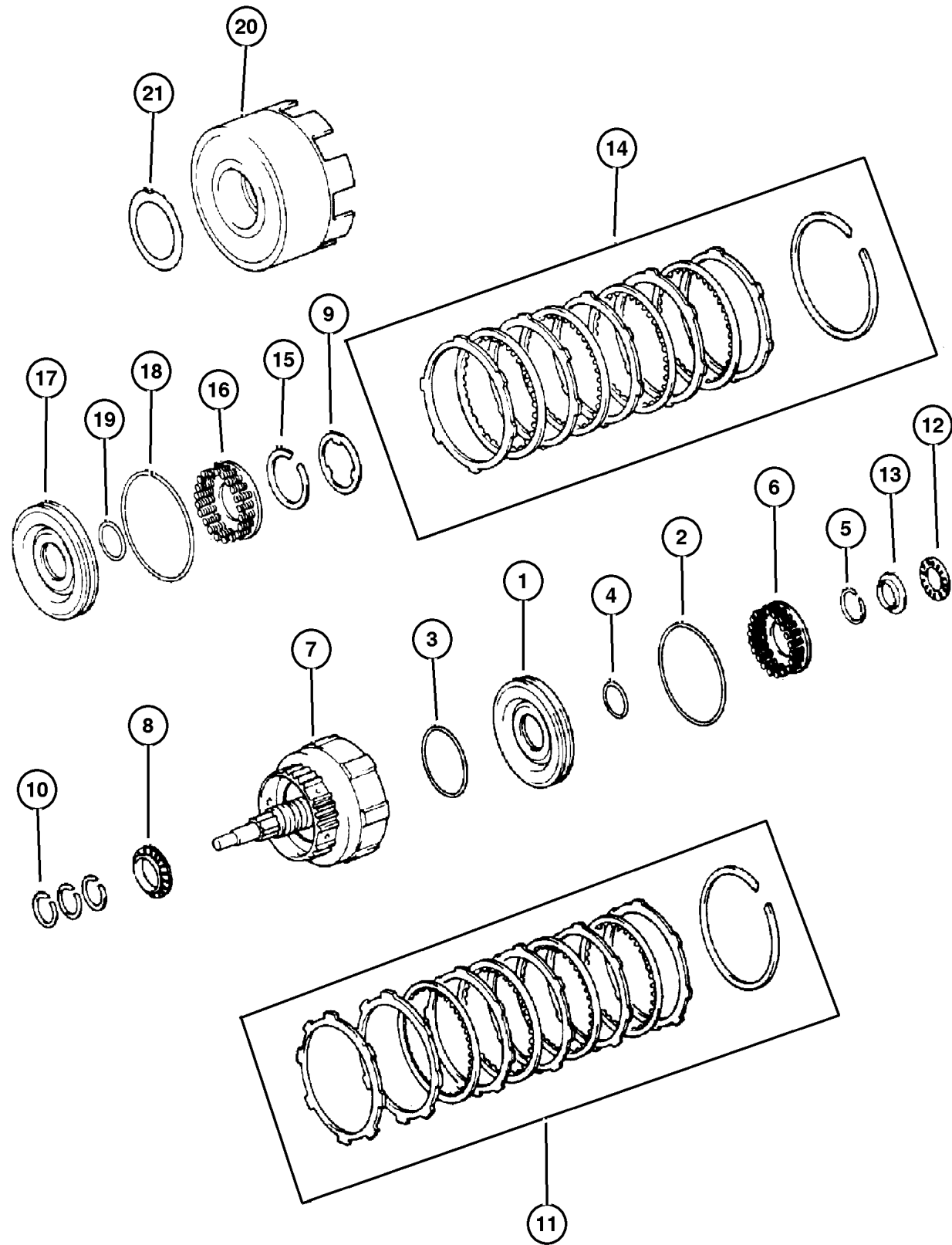
SERIES	LINE	BODY	ENGINE	TRANSMISSION
L=Low Line	J=LHD (4WD) U=RHD (4WD) T=LHD (2WD) B=RHD (2WD)	74=4 DR. (101.4 WB) 72=2 DR. (101.4 WB)	ENC,EN0=2.5L 4 cyl. Turbo Die ERH,ER0=4.0L Power Tech I-6 EPE,EP0=Magnum 2.5L SMPI	DDQ=5Spd Man. DGS=4 Spd. Auto. AISIN DG0=All Auto Trans DBB=All Manual Trans.

AR = Use as required - = Non illustrated part # = New this model year

July 4, 2003



**Clutches, Forward and Direct AW4 (DGS)  
Figure AW4-420**



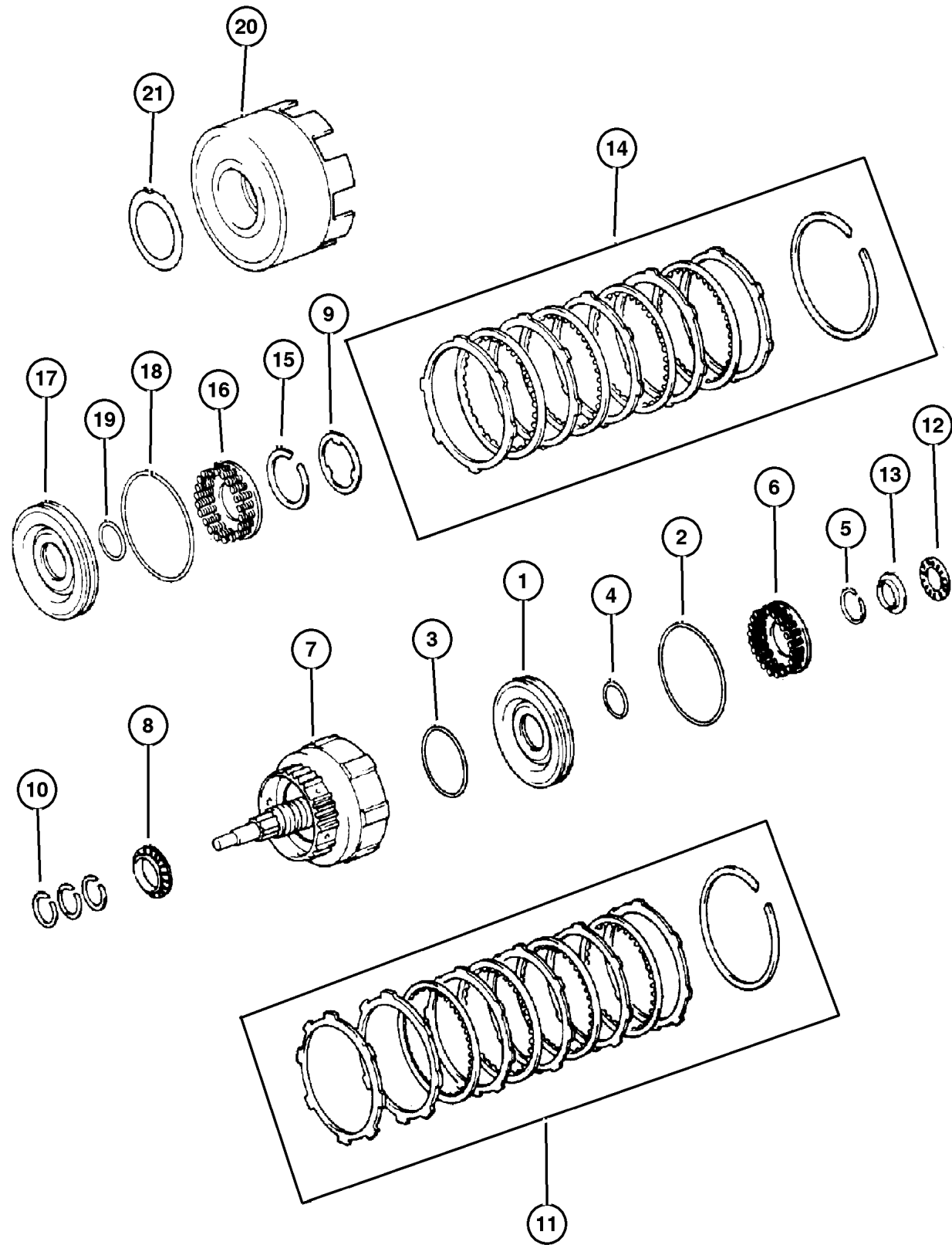
ITEM	PART NUMBER	QTY	LINE	SERIES	BODY	ENGINE	TRANS	TRIM	DESCRIPTION
Notes:									
ER0 = All 4.0L 6 Cylinder Gas Engines									
DGS = Aisin Warner 4 Speed Automatic Transmission									
1									PISTON, Clutch
	4636 683	1	J, U			ER0	DGS		
		1	B, T			ER0	DGS		1997 XJ, 1998 XJ
2									O RING, Transmission Clutch
	4637 006	1	B, T			ER0	DGS		1997 XJ, 1999 XJ
		1	J, U			ER0	DGS		1997 XJ, 1999 XJ
		AR	B, T			ER0	DGS		1998 XJ
		AR	J, U			ER0	DGS		1998 XJ
3									O RING, Transmission Clutch
	4626 170	1	J, U			ER0	DGS		
		1	B, T			ER0	DGS		1997 XJ, 1998 XJ
4									O RING, Transmission Clutch
	4626 176	1	J, U			ER0	DGS		
		1	B, T			ER0	DGS		1997 XJ, 1998 XJ
5									SNAP RING
	8350 3792	1	J, U			ER0	DGS		
		1	B, T			ER0	DGS		1997 XJ, 1998 XJ
6									SPRING, Clutch
	8350 3793	1	J, U			ER0	DGS		
		1	B, T			ER0	DGS		1997 XJ, 1998 XJ
7									INPUT SHAFT, Transmission
	4626 169	1	J, U			ER0	DGS		
		1	B, T			ER0	DGS		1997 XJ, 1998 XJ
8									BEARING, Forward Clutch
	8350 3785	1	J, U			ER0	DGS		
		1	B, T			ER0	DGS		1997 XJ, 1998 XJ
9									THRUST WASHER, Direct Clutch
	8350 3825	1	J, U			ER0	DGS		
		1	B, T			ER0	DGS		1997 XJ, 1998 XJ
10									SEAL, Input Shaft
	8350 3799	1	B, T			ER0	DGS		1997 XJ
		1	J, U			ER0	DGS		1997 XJ
		3	B, T			ER0	DGS		1998 XJ
		3	J, U			ER0	DGS		1998 XJ, 1999 XJ
11									CLUTCH, Front
	4637 022	1	J, U			ER0	DGS		
		1	B, T			ER0	DGS		1997 XJ, 1998 XJ
12									THRUST BEARING
	8350 3802	1	J, U			ER0	DGS		

**JEEP CHEROKEE (XJ)**  
 SERIES LINE BODY ENGINE TRANSMISSION  
 L=Low Line J=LHD (4WD) 74=4 DR. (101.4 WB) ENC,EN0=2.5L 4 cyl. Turbo Die DDQ=5Spd Man.  
 U=RHD (4WD) 72=2 DR. (101.4 WB) ERH,ER0=4.0L Power Tech I-6 DGS=4 Spd. Auto. AISIN  
 T=LHD (2WD) EPE,EP0=Magnum 2.5L SMPI DG0=All Auto Trans  
 B=RHD (2WD) DBB=All Manual Trans.

AR = Use as required - = Non illustrated part # = New this model year

July 4, 2003

**Clutches, Forward and Direct AW4 (DGS)  
Figure AW4-420**



ITEM	PART NUMBER	QTY	LINE	SERIES	BODY	ENGINE	TRANS	TRIM	DESCRIPTION
		1	B, T			ER0	DGS		1997 XJ, 1998 XJ
13	8350 3800	1	B, T			ER0	DGS		RACE, Thrust Bearing
		1	J, U			ER0	DGS		1997 XJ
		1	B, T			ER0	DGS		1997 XJ
		1	B, T			ER0	DGS		52104180AB, 1998 XJ
		1	J, U			ER0	DGS		52104210AB, 1998 XJ, 1999 XJ
14	4886 043AA	1	J, U			ER0	DGS		CLUTCH PACKAGE, Direct Clutch
		1	B, T			ER0	DGS		1997 XJ
		1	B, T			ER0	DGS		1997 XJ, 1999 XJ
		1	B, T			ER0	DGS		52104180AB, 1998 XJ
		1	J, U			ER0	DGS		52104210AB, 1998 XJ, 1999 XJ
15	8350 3792	1	B, T			ER0	DGS		SNAP RING
		1	J, U			ER0	DGS		1998 XJ
	8350 3810	1	J, U			ER0	DGS		1998 XJ, 1999 XJ
		1	B, T			ER0	DGS		1997 XJ
		1	J, U			ER0	DGS		1997 XJ
16	8350 3793	1	B, T			ER0	DGS		SPRING, Clutch
		1	J, U			ER0	DGS		1998 XJ
	8350 3813	1	B, T			ER0	DGS		1998 XJ, 1999 XJ
		1	J, U			ER0	DGS		1997 XJ
17	4636 683	1	B, T			ER0	DGS		PISTON, Clutch
		1	J, U			ER0	DGS		1998 XJ
	8350 3812	1	B, T			ER0	DGS		1998 XJ, 1999 XJ
		1	J, U			ER0	DGS		1997 XJ
18	4637 006	1	B, T			ER0	DGS		O RING, Transmission Clutch
		1	J, U			ER0	DGS		1997 XJ, 1999 XJ
		1	B, T			ER0	DGS		1997 XJ, 1999 XJ
		AR	B, T			ER0	DGS		1998 XJ
		AR	J, U			ER0	DGS		1998 XJ
19	8350 3811	1	B, T			ER0	DGS		O RING, Transmission Clutch Piston Inner
		1	J, U			ER0	DGS		1997 XJ
		1	B, T			ER0	DGS		1997 XJ
		1	B, T			ER0	DGS		52104180AB, 1998 XJ
		1	J, U			ER0	DGS		52104210AB, 1998 XJ, 1999 XJ
20	4883 917AA	1	J, U			ER0	DGS		DRUM, Automatic Transmission
		1	B, T			ER0	DGS		1997 XJ, 1998 XJ
21									THRUST WASHER, Direct Clutch, (NOT SERVICED) (Not Serviced)

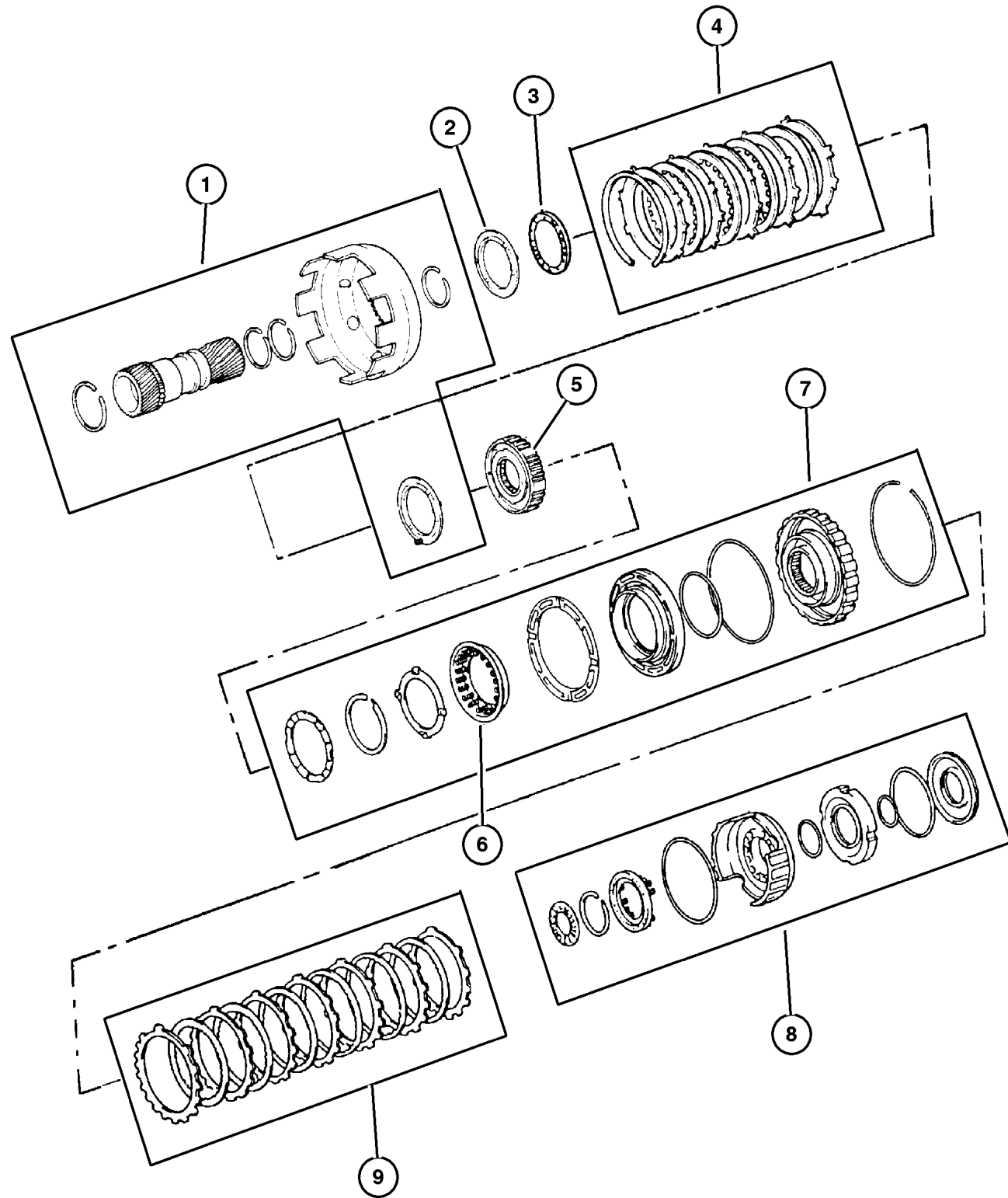
**JEEP CHEROKEE (XJ)**  
 SERIES LINE BODY ENGINE TRANSMISSION  
 L=Low Line J=LHD (4WD) 74=4 DR. (101.4 WB) ENC,EN0=2.5L 4 cyl. Turbo Die DDQ=5Spd Man.  
 U=RHD (4WD) 72=2 DR. (101.4 WB) ERH,ER0=4.0L Power Tech I-6 DGS=4 Spd. Auto. AISIN  
 T=LHD (2WD) EPE,EP0=Magnum 2.5L SMPI DG0=All Auto Trans  
 B=RHD (2WD) DBB=All Manual Trans.

AR = Use as required - = Non illustrated part # = New this model year

July 4, 2003



**Clutch and Sun Gear AW4 (DGS)  
Figure AW4-430**



ITEM	PART NUMBER	QTY	LINE	SERIES	BODY	ENGINE	TRANS	TRIM	DESCRIPTION
Notes:									
ER0 = All 4.0L 6 Cylinder Gas Engines									
DGS = Aisin Warner 4 Speed Automatic Transmission									
1	4637 035	1	B, T			ER0	DGS		GEAR PACKAGE, Sun 1997 XJ, 1999 XJ
		1	J, U			ER0	DGS		1997 XJ, 1999 XJ
		AR	J, U			ER0	DGS		1998 XJ
		AR	B, T			ER0	DGS		1998 XJ
2	8350 3872	1	B, T			ER0	DGS		RACE, Thrust Bearing 52104180AB, 1998 XJ
		1	J, U			ER0	DGS		52104210AB, 1998 XJ, 1999 XJ
	8350 3886	1	B, T			ER0	DGS		1997 XJ
		1	J, U			ER0	DGS		1997 XJ
3	8350 3878	1	B, T			ER0	DGS		THRUST BEARING, Needle Roller 1998 XJ
		1	J, U			ER0	DGS		1998 XJ, 1999 XJ
	8350 3885	1	B, T			ER0	DGS		1997 XJ
		1	J, U			ER0	DGS		1997 XJ
4	4886 124AA	1	B, T			ER0	DGS		REPAIR PACKAGE, 2nd Brake Coast
		1	J, U			ER0	DGS		
5	4637 008	1	J, U			ER0	DGS		CLUTCH, Overrunning 1997 XJ, 1998 XJ
		1	B, T			ER0	DGS		
6	8350 3837	1	J, U			ER0	DGS		SPRING, Return 2nd Brake 1997 XJ, 1998 XJ
		1	B, T			ER0	DGS		
7	4636 979	1	J, U			ER0	DGS		REPAIR PACKAGE, 2nd Brake Coast 1997 XJ, 1998 XJ
		1	B, T			ER0	DGS		
8	4637 032	1	J, U			ER0	DGS		GEAR PACKAGE, First And Reverse 1997 XJ, 1998 XJ
		1	B, T			ER0	DGS		
9	4883 921AA	1	B			ER0	DGS		DISC AND PLATE PACKAGE 1997 XJ
		1	J			ER0	DGS		1997 XJ
		1	B, T			ER0	DGS		1998 XJ
		1	J, U			ER0	DGS		1998 XJ, 1999 XJ

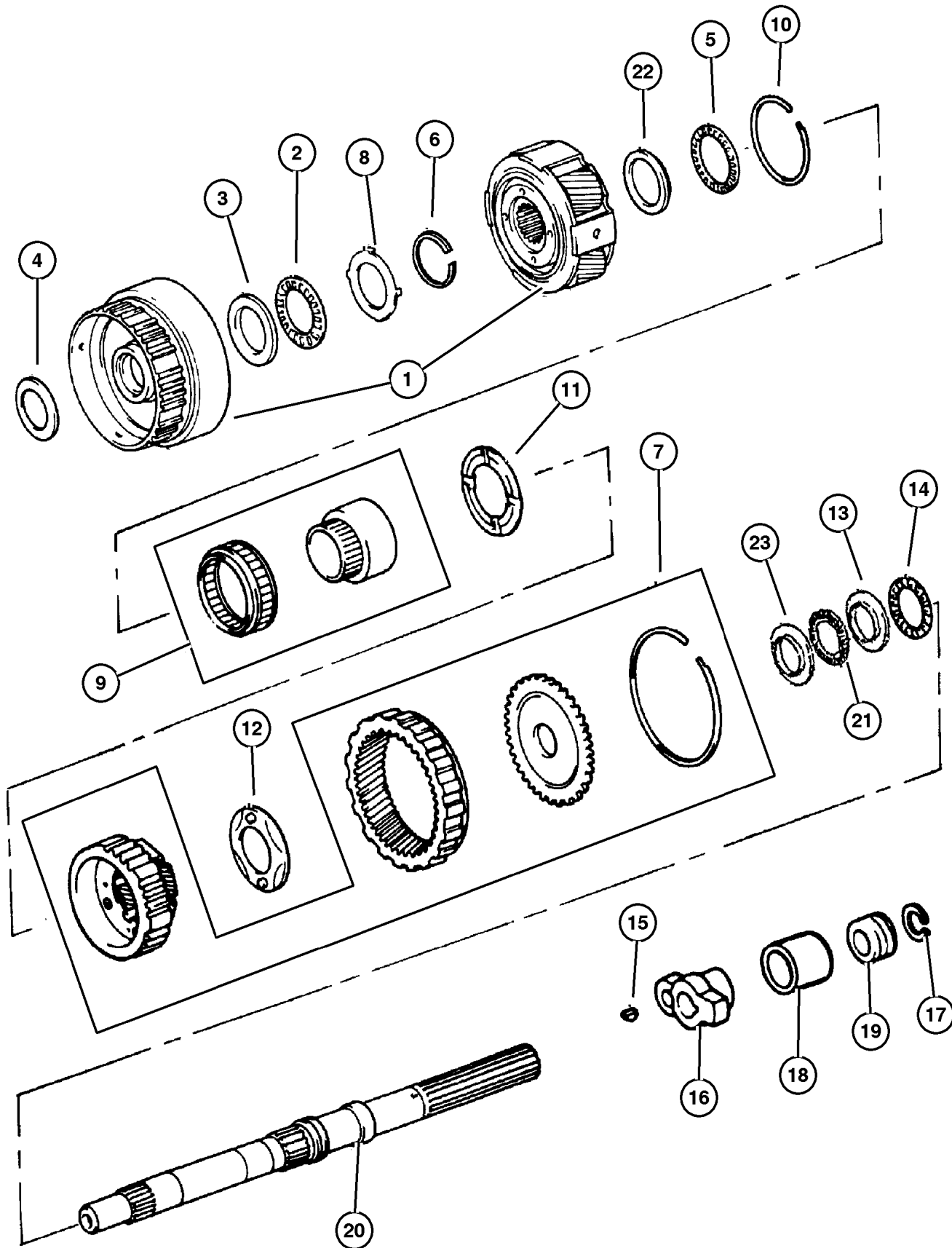
**JEEP CHEROKEE (XJ)**

SERIES	LINE	BODY	ENGINE	TRANSMISSION
L=Low Line	J=LHD (4WD) U=RHD (4WD) T=LHD (2WD) B=RHD (2WD)	74=4 DR. (101.4 WB) 72=2 DR. (101.4 WB)	ENC,EN0=2.5L 4 cyl. Turbo Die ERH,ER0=4.0L Power Tech I-6 EPE,EP0=Magnum 2.5L SMPI	DDQ=5Spd Man. DGS=4 Spd. Auto. AISIN DG0=All Auto Trans DBB=All Manual Trans.

AR = Use as required - = Non illustrated part # = New this model year

July 4, 2003

**Gear Train AW4 (DGS) 1997 XJ  
Figure AW4-440**



ITEM	PART NUMBER	QTY	LINE	SERIES	BODY	ENGINE	TRANS	TRIM	DESCRIPTION
Notes:									
ER0 = All 4.0L 6 Cylinder Gas Engines									
DGS = Aisin Warner 4 Speed Automatic Transmission									
1	8350 4326	1	B, T			ER0	DGS		GEAR, Planetary
		1	J, U			ER0	DGS		
2	8350 3874	1	B, T			ER0	DGS		THRUST BEARING
		1	J, U			ER0	DGS		
3	4637 023	1	B, T			ER0	DGS		THRUST BEARING PACKAGE, Overdrive
		1	J, U			ER0	DGS		
4	8350 3801	1	B, T			ER0	DGS		RACE, Thrust Bearing
		1	J, U			ER0	DGS		
5	8350 3878	1	B, T			ER0	DGS		THRUST BEARING, Needle Roller
		1	J, U			ER0	DGS		
6	8350 3879	1	B, T			ER0	DGS		SNAP RING
		1	J, U			ER0	DGS		
7	4886 128AA	1	B, T			ER0	DGS		GEAR PACKAGE, Planetary Overdrive
		1	J, U			ER0	DGS		
8	4637 023	1	B, T			ER0	DGS		THRUST BEARING PACKAGE, Overdrive
		1	J, U			ER0	DGS		
9	4637 036	1	B, T			ER0	DGS		CLUTCH PACKAGE
		1	J, U			ER0	DGS		
10	8350 3890	1	B, T			ER0	DGS		SNAP RING
		1	J, U			ER0	DGS		
11	8350 3891	1	B, T			ER0	DGS		THRUST WASHER, Planetary Carrier
		1	J, U			ER0	DGS		
12									THRUST WASHER, Planetary Carrier

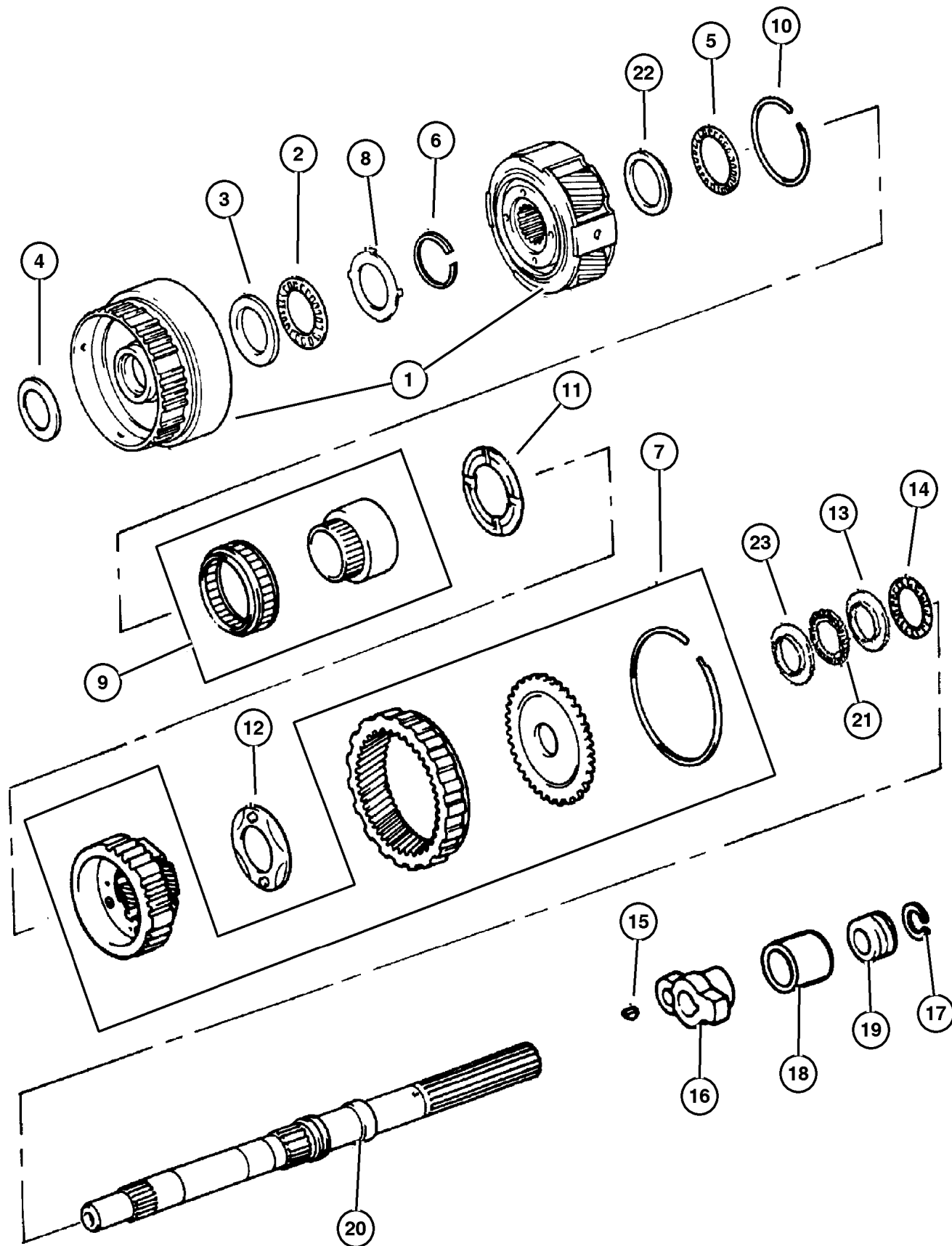
**JEEP CHEROKEE (XJ)**

SERIES	LINE	BODY	ENGINE	TRANSMISSION
L=Low Line	J=LHD (4WD) U=RHD (4WD) T=LHD (2WD) B=RHD (2WD)	74=4 DR. (101.4 WB) 72=2 DR. (101.4 WB)	ENC,EN0=2.5L 4 cyl. Turbo Die ERH,ER0=4.0L Power Tech I-6 EPE,EP0=Magnum 2.5L SMPI	DDQ=5Spd Man. DGS=4 Spd. Auto. AISIN DG0=All Auto Trans DBB=All Manual Trans.

AR = Use as required - = Non illustrated part # = New this model year

July 4, 2003

**Gear Train AW4 (DGS) 1997 XJ  
Figure AW4-440**



ITEM	PART NUMBER	QTY	LINE	SERIES	BODY	ENGINE	TRANS	TRIM	DESCRIPTION
	8350 3893	1	B, T			ER0	DGS		
		1	J, U			ER0	DGS		
13	8350 3887	1	B, T			ER0	DGS		RACE, Thrust Bearing
		1	J, U			ER0	DGS		
14	8350 3897	1	B, T			ER0	DGS		THRUST BEARING, Needle Roller
		1	J, U			ER0	DGS		
15									KEY, Woodruff
	8350 3947	1	B, T			ER0	DGS		
		1	J, U			ER0	DGS		
16									SENSOR, Transmission Output Speed
	8350 3946	1	B, T			ER0	DGS		
		1	J, U			ER0	DGS		
17									SNAP RING 4 WD
	8350 3943	1	J, U			ER0	DGS		
	8350 3945	1	B, T			ER0	DGS		2 Wd
18	8350 3705	1	B, T			ER0	DGS		SPACER, Speedometer Gear, 2 wd
19	8350 3704	1	B, T			ER0	DGS		GEAR, Speedometer Drive, 2 WD
20									MAINSHAFT, Transmission
	4636 789	1	J			ER0	DGS		4 WD
	8350 3944	1	B, T			ER0	DGS		2 WD
21									THRUST BEARING, Needle Roller
	8350 3885	1	B, T			ER0	DGS		
		1	J, U			ER0	DGS		
22									RACE, Thrust Bearing
	8350 3877	1	B, T			ER0	DGS		
		1	J, U			ER0	DGS		
23									RACE, Thrust Bearing
	8350 3886	1	B, T			ER0	DGS		
		1	J, U			ER0	DGS		

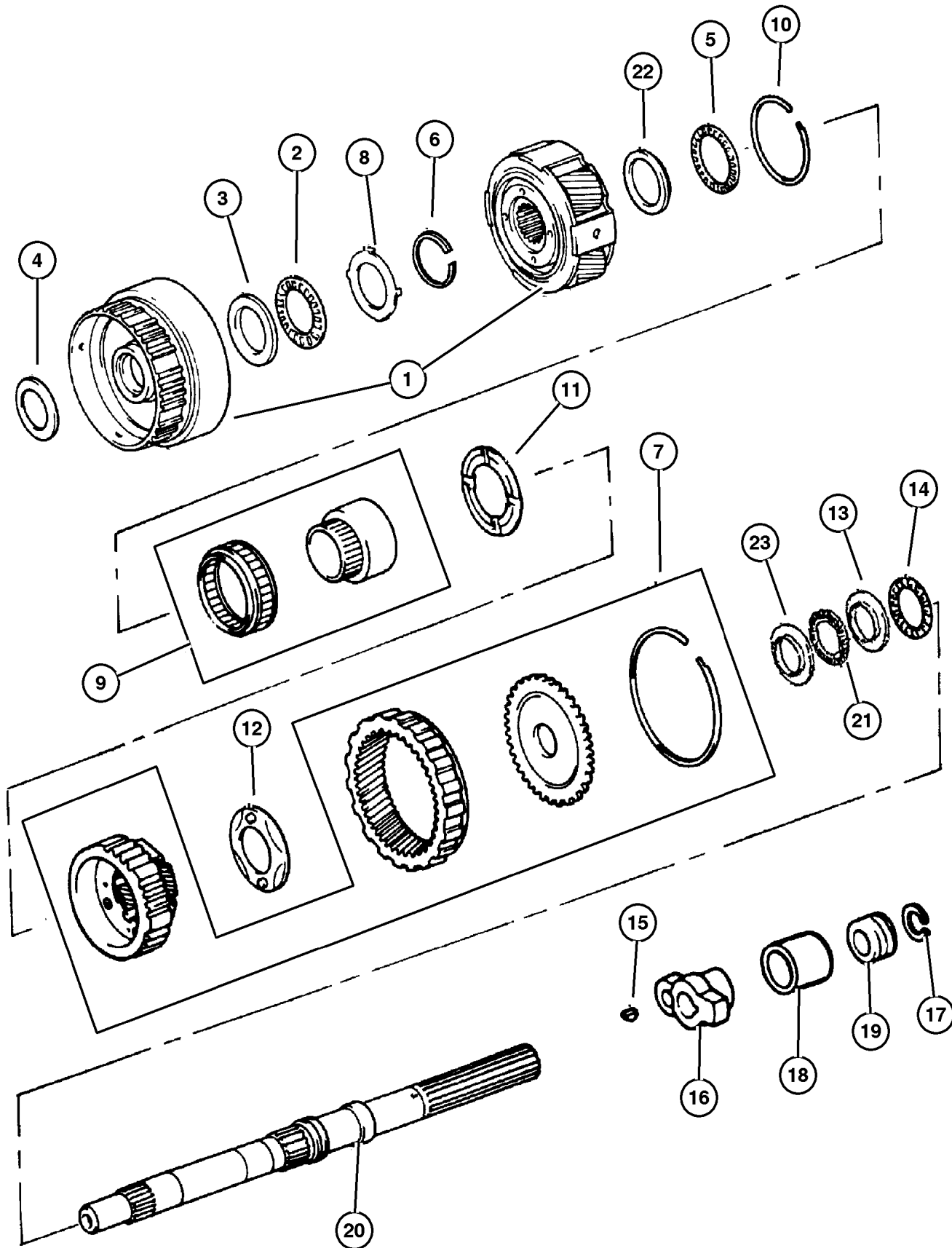
**JEEP CHEROKEE (XJ)**

SERIES	LINE	BODY	ENGINE	TRANSMISSION
L=Low Line	J=LHD (4WD) U=RHD (4WD) T=LHD (2WD) B=RHD (2WD)	74=4 DR. (101.4 WB) 72=2 DR. (101.4 WB)	ENC,EN0=2.5L 4 cyl. Turbo Die ERH,ER0=4.0L Power Tech I-6 EPE,EP0=Magnum 2.5L SMPI	DDQ=5Spd Man. DGS=4 Spd. Auto. AISIN DG0=All Auto Trans DBB=All Manual Trans.

AR = Use as required - = Non illustrated part # = New this model year

July 4, 2003

**Gear Train AW4 (DGS) 1998 XJ  
Figure AW4-440**



ITEM	PART NUMBER	QTY	LINE	SERIES	BODY	ENGINE	TRANS	TRIM	DESCRIPTION
Notes:									
ERO = All 4.0L 6 Cylinder Gas Engines									
DGS = Aisin Warner 4 Speed Automatic Transmission									
1	8350 4326	1	B, T			ERO	DGS		GEAR, Planetary
2	8350 3802	1	J, U			ERO	DGS		THRUST BEARING
			B, T			ERO	DGS		
3	4637 023	AR	J, U			ERO	DGS		THRUST BEARING PACKAGE, Overdrive
			B, T			ERO	DGS		
4	8350 3801	1	J, U			ERO	DGS		RACE, Thrust Bearing 52104210AB 52104180AB
			B, T			ERO	DGS		
5	8350 3878	1	J, U			ERO	DGS		THRUST BEARING, Needle Roller 52104210AB 52104180AB
			B, T			ERO	DGS		
6	8350 3879	1	J, U			ERO	DGS		SNAP RING 52104210AB 52104180AB
			B, T			ERO	DGS		
7	4886 128AA	AR	J, U			ERO	DGS		GEAR PACKAGE, Planetary Overdrive 52104210AB 52104180AB
			B, T			ERO	DGS		
8	4637 023	AR	J, U			ERO	DGS		THRUST BEARING PACKAGE, Overdrive 52104210AB 52104180AB
			B, T			ERO	DGS		
9	4637 036	AR	B, T			ERO	DGS		CLUTCH PACKAGE 52104180AB 52104210AB
			J, U			ERO	DGS		
10	8350 3890	1	J, U			ERO	DGS		SNAP RING 52104210AB 52104180AB
			B, T			ERO	DGS		
11	8350 3891	1	J, U			ERO	DGS		THRUST WASHER, Planetary Carrier 52104210AB 52104180AB
			B, T			ERO	DGS		
12									THRUST WASHER, Planetary Carrier

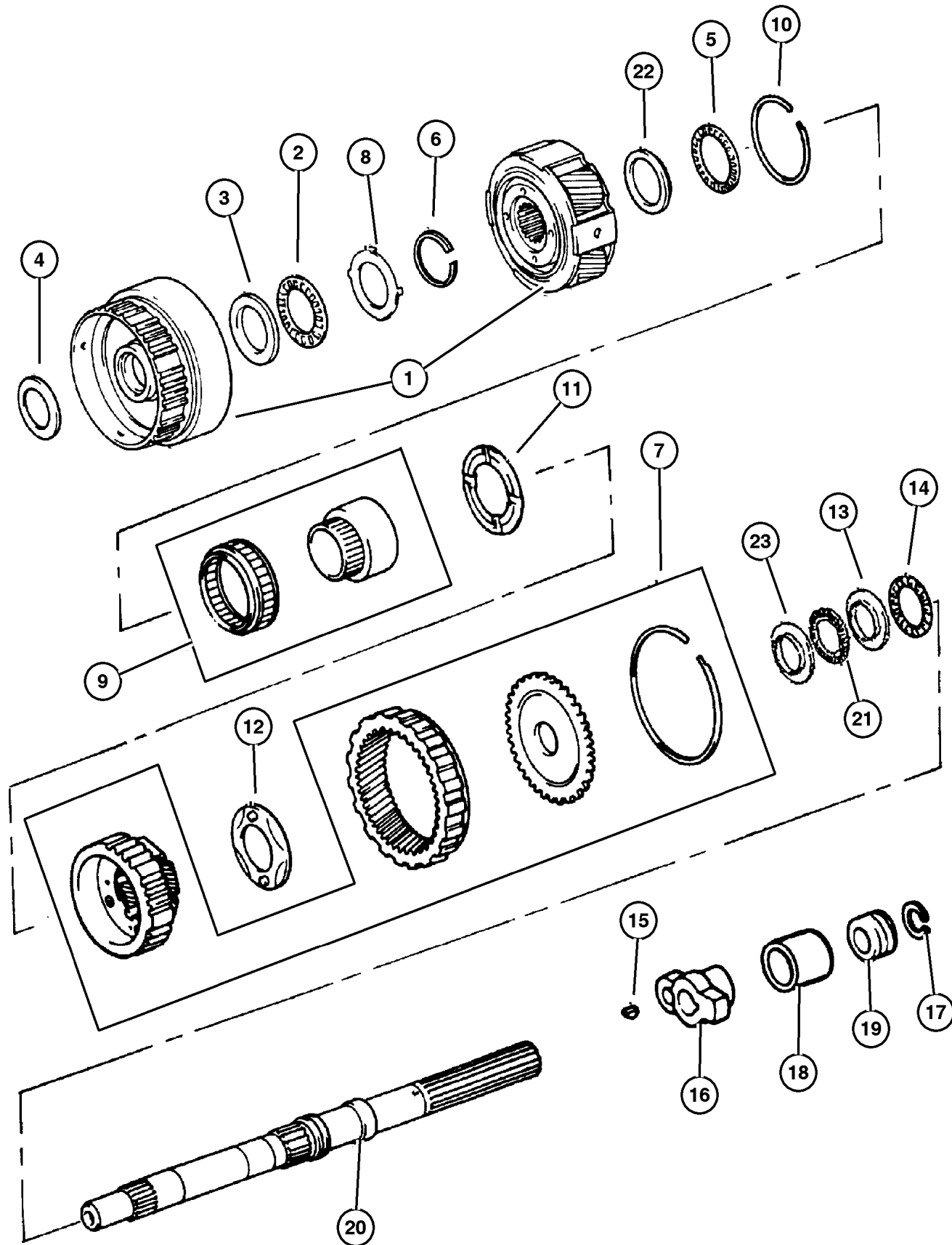
**JEEP CHEROKEE (XJ)**

SERIES	LINE	BODY	ENGINE	TRANSMISSION
L=Low Line	J=LHD (4WD) U=RHD (4WD) T=LHD (2WD) B=RHD (2WD)	74=4 DR. (101.4 WB) 72=2 DR. (101.4 WB)	ENC,EN0=2.5L 4 cyl. Turbo Die ERH,ERO=4.0L Power Tech I-6 EPE,EP0=Magnum 2.5L SMPI	DDQ=5Spd Man. DGS=4 Spd. Auto. AISIN DG0=All Auto Trans DBB=All Manual Trans.

AR = Use as required - = Non illustrated part # = New this model year

July 4, 2003

**Gear Train AW4 (DGS) 1998 XJ  
Figure AW4-440**



ITEM	PART NUMBER	QTY	LINE	SERIES	BODY	ENGINE	TRANS	TRIM	DESCRIPTION
	8350 3893	1	J, U			ER0	DGS		52104210AB
		1	B, T			ER0	DGS		52104180AB
13	8350 3887	1	J, U			ER0	DGS		RACE, Thrust Bearing
		1	B, T			ER0	DGS		52104210AB
									52104180AB
14	8350 3897	1	J, U			ER0	DGS		THRUST BEARING, Needle Roller
		1	B, T			ER0	DGS		52104210AB
									52104180AB
15									KEY, Woodruff
	8350 3947	1	J, U			ER0	DGS		52104210AB
		1	B, T			ER0	DGS		52104180AB
16									SENSOR, Transmission Output Speed
	4897 740AA	1	J, U			ER0	DGS		
		1	B, T			ER0	DGS		
17									SNAP RING
	8350 3943	1	J, U			ER0	DGS		52104210AB
	8350 3945	1	B, T			ER0	DGS		52104180AB
18	4897 741AA	1	B, T			ER0	DGS		SPACER, Speedometer Gear,
									52104180AB
19	8350 3704	1	B, T			ER0	DGS		GEAR, Speedometer Drive,
									52104180AB
20	8350 3944	1	B, T			ER0	DGS		MAINSHAFT, Transmission,
									52104180AB
21									THRUST BEARING, Needle Roller
	8350 3885	1	J, U			ER0	DGS		52104210AB
		1	B, T			ER0	DGS		52104180AB
22									RACE, Thrust Bearing
	8350 3877	1	J, U			ER0	DGS		52104210AB
		1	B, T			ER0	DGS		52104180AB
23									RACE, Thrust Bearing
	8350 3886	1	J, U			ER0	DGS		52104210AB
		1	B, T			ER0	DGS		52104180AB

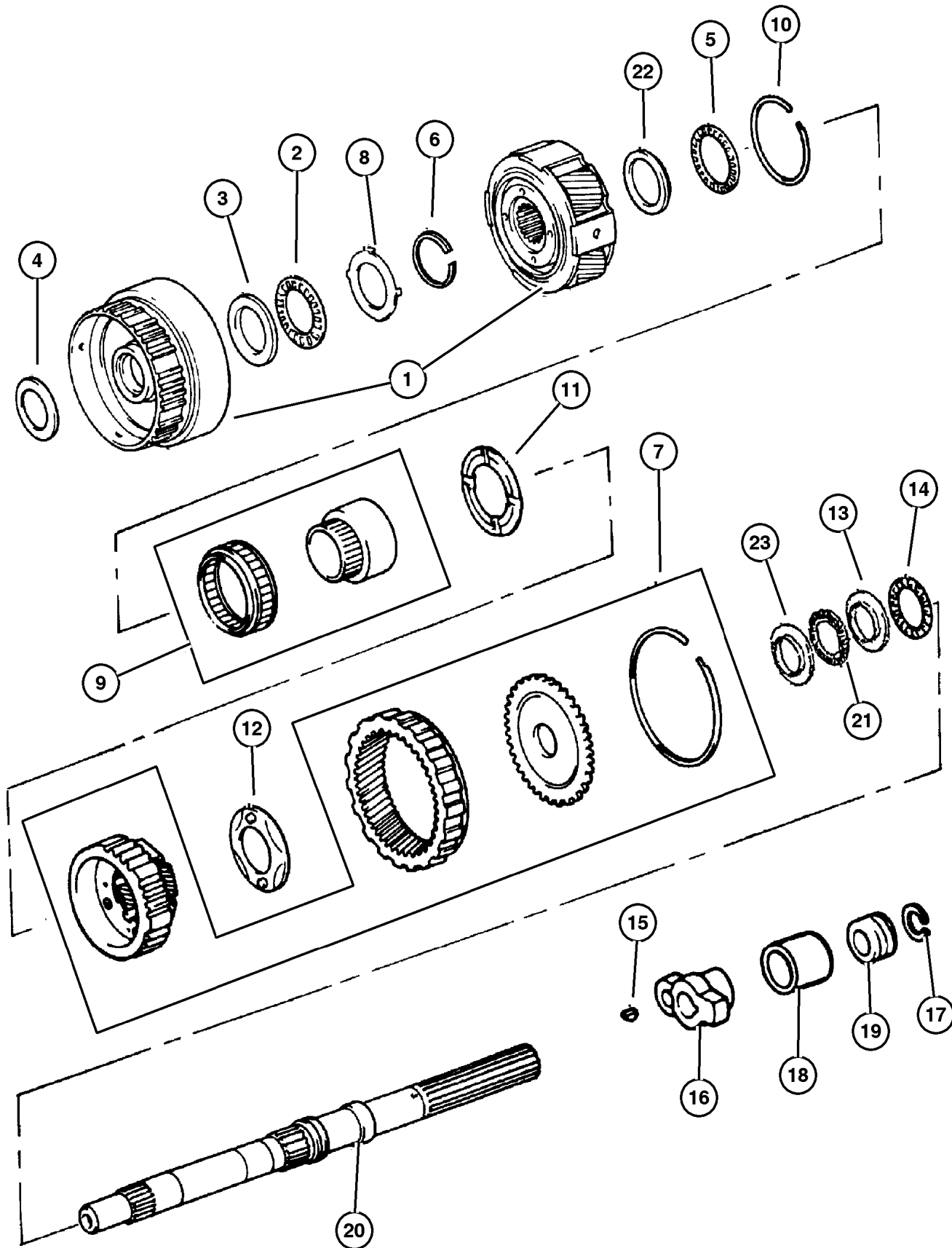
**JEEP CHEROKEE (XJ)**

SERIES	LINE	BODY	ENGINE	TRANSMISSION
L=Low Line	J=LHD (4WD) U=RHD (4WD) T=LHD (2WD) B=RHD (2WD)	74=4 DR. (101.4 WB) 72=2 DR. (101.4 WB)	ENC,EN0=2.5L 4 cyl. Turbo Die ERH,ER0=4.0L Power Tech I-6 EPE,EP0=Magnum 2.5L SMPI	DDQ=5Spd Man. DGS=4 Spd. Auto. AISIN DG0=All Auto Trans DBB=All Manual Trans.

AR = Use as required - = Non illustrated part # = New this model year

July 4, 2003

**Gear Train AW4 (DGS) 1999 XJ  
Figure AW4-440**



ITEM	PART NUMBER	QTY	LINE	SERIES	BODY	ENGINE	TRANS	TRIM	DESCRIPTION
Notes:									
ERO = All 4.0L 6 Cylinder Gas Engines									
DGS = Aisin Warner 4 Speed Automatic Transmission									
1	8350 4326	1	J, U			ERO	DGS		GEAR, Planetary
2	8350 3802	1	J, U			ERO	DGS		THRUST BEARING
3									THRUST BEARING PACKAGE, Overdrive
	4637 023	1	B, T			ERO	DGS		
		1	J, U			ERO	DGS		
4	8350 3801	1	J, U			ERO	DGS		RACE, Thrust Bearing, 52104210AB
5	8350 3878	1	J, U			ERO	DGS		THRUST BEARING, Needle Roller, 52104210AB
6	8350 3879	1	J, U			ERO	DGS		SNAP RING, 52104210AB
7									GEAR PACKAGE, Planetary Overdrive
	4886 128AA	1	B, T			ERO	DGS		
		1	J, U			ERO	DGS		
8									THRUST BEARING PACKAGE, Overdrive
	4637 023	1	B, T			ERO	DGS		
		1	J, U			ERO	DGS		
9									CLUTCH PACKAGE
	4637 036	1	B, T			ERO	DGS		
		1	J, U			ERO	DGS		
10	8350 3890	1	J, U			ERO	DGS		SNAP RING, 52104210AB
11	8350 3891	1	J, U			ERO	DGS		THRUST WASHER, Planetary Carrier, 52104210AB
12	8350 3893	1	J, U			ERO	DGS		THRUST WASHER, Planetary Carrier, 52104210AB
13	8350 3887	1	J, U			ERO	DGS		RACE, Thrust Bearing, 52104210AB
14	8350 3897	1	J, U			ERO	DGS		THRUST BEARING, Needle Roller, 52104210AB
15	8350 3947	1	J, U			ERO	DGS		KEY, Woodruff, 52104210AB
16	4897 740AA	1	J, U			ERO	DGS		SENSOR, Transmission Output Speed
17	8350 3943	1	J, U			ERO	DGS		SNAP RING, 52104210AB
18	8350 3705	1	B, T			ERO	DGS		SPACER, Speedometer Gear
19	8350 3704	1	B, T			ERO	DGS		GEAR, Speedometer Drive
20									MAINSHAFT, Transmission
	4636 789	1	J, U			ERO	DGS		
	8350 3944	1	B, T			ERO	DGS		
21	8350 3885	1	J, U			ERO	DGS		THRUST BEARING, Needle Roller, 52104210AB

**JEEP CHEROKEE (XJ)**

SERIES	LINE	BODY	ENGINE	TRANSMISSION
L=Low Line	J=LHD (4WD) U=RHD (4WD) T=LHD (2WD) B=RHD (2WD)	74=4 DR. (101.4 WB) 72=2 DR. (101.4 WB)	ENC,EN0=2.5L 4 cyl. Turbo Die ERH,ER0=4.0L Power Tech I-6 EPE,EP0=Magnum 2.5L SMPI	DDQ=5Spd Man. DGS=4 Spd. Auto. AISIN DG0=All Auto Trans DBB=All Manual Trans.

AR = Use as required - = Non illustrated part # = New this model year

July 4, 2003



**Bands AW4 (DGS)  
Figure AW4-510**

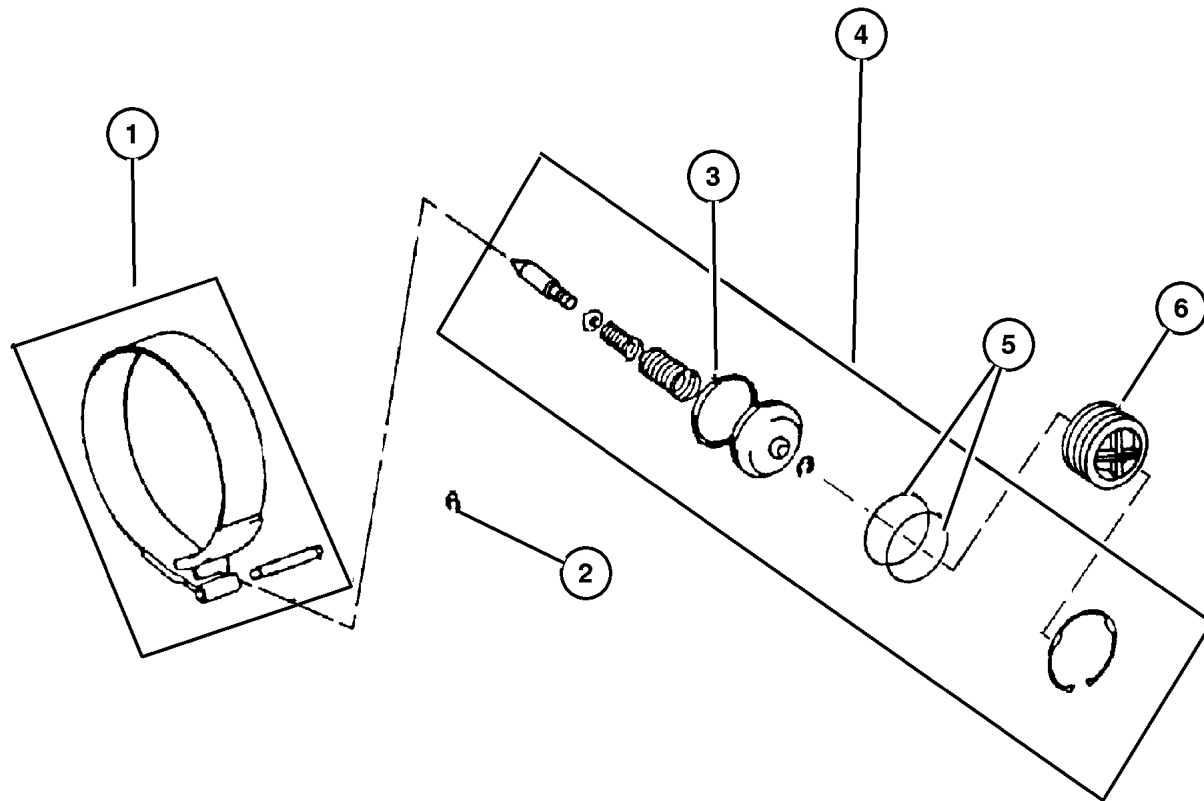
ITEM	PART NUMBER	QTY	LINE	SERIES	BODY	ENGINE	TRANS	TRIM	DESCRIPTION
------	-------------	-----	------	--------	------	--------	-------	------	-------------

Notes:

ER0 = All 4.0L 6 Cylinder Gas Engines

DGS = Aisin Warner 4 Speed Automatic Transmission

1									BAND PACKAGE, Transmission Brake
	4886 125AA	1	B, T			ER0	DGS		1997 XJ, 1999 XJ
		1	J, U			ER0	DGS		1997 XJ, 1999 XJ
		AR	B, T			ER0	DGS		1998 XJ
		AR	J, U			ER0	DGS		1998 XJ
2									E RING, (NOT SERVICED) (Not Serviced)
3									SEAL, Transmission Brake
	8350 3849	1	J, U			ER0	DGS		
		1	B, T			ER0	DGS		1997 XJ, 1998 XJ
4									PISTON, Brake
	8350 4299	1	B, T			ER0	DGS		1997 XJ
		1	J, U			ER0	DGS		1997 XJ
		1	B, T			ER0	DGS		52104180AB, 1998 XJ
		1	J, U			ER0	DGS		52104210AB, 1998 XJ, 1999 XJ
5									O RING, Transmission Coast Break
	8350 3855	1	B, T			ER0	DGS		1997 XJ
		1	J, U			ER0	DGS		1997 XJ
		2	B, T			ER0	DGS		1998 XJ
		2	J, U			ER0	DGS		1998 XJ, 1999 XJ
6									COVER, Brake Band
	8350 3853	1	J, U			ER0	DGS		
		1	B, T			ER0	DGS		1997 XJ, 1998 XJ



**JEEP CHEROKEE (XJ)**

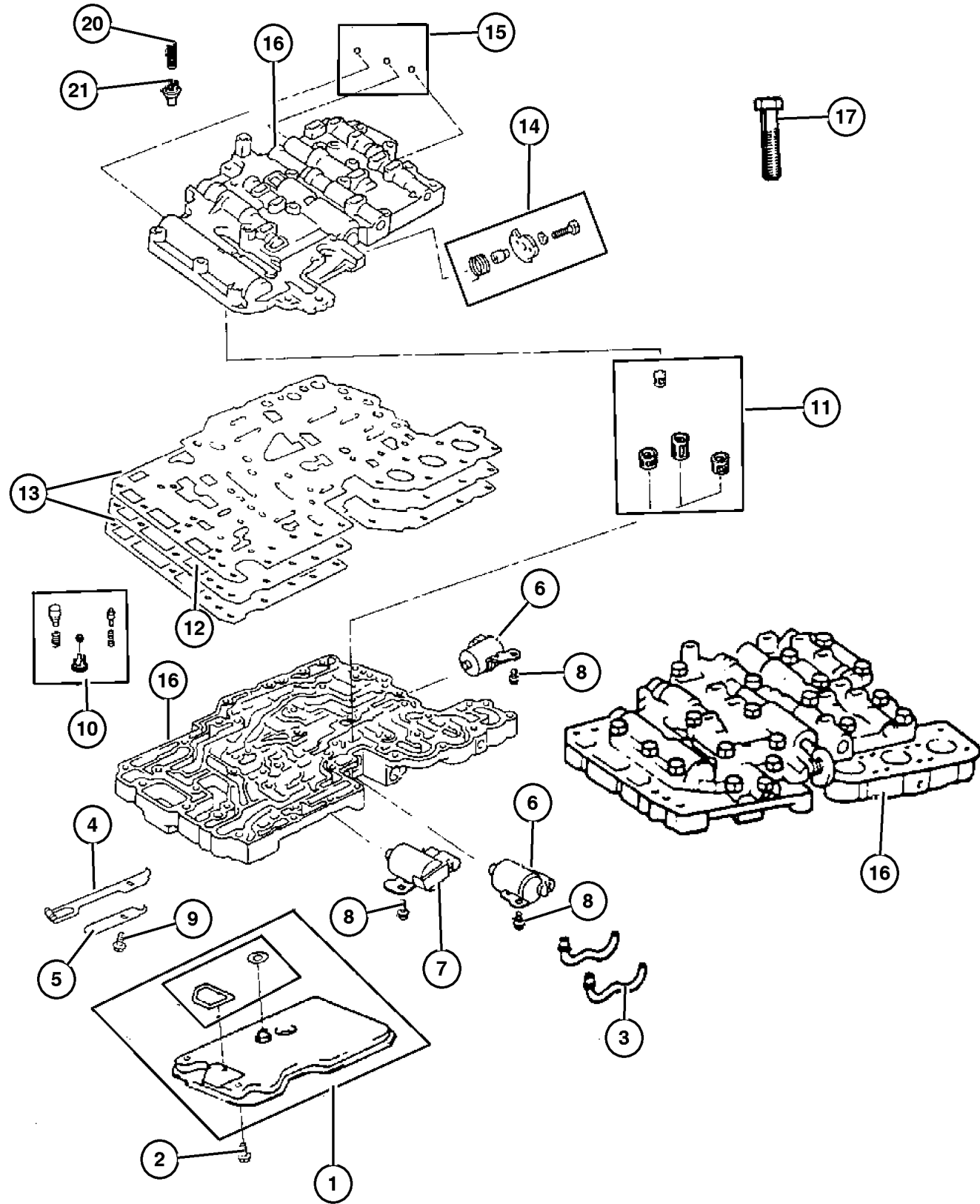
SERIES	LINE	BODY	ENGINE	TRANSMISSION
L=Low Line	J=LHD (4WD) U=RHD (4WD) T=LHD (2WD) B=RHD (2WD)	74=4 DR. (101.4 WB) 72=2 DR. (101.4 WB)	ENC,EN0=2.5L 4 cyl. Turbo Die ERH,ER0=4.0L Power Tech I-6 EPE,EP0=Magnum 2.5L SMPI	DDQ=5Spd Man. DGS=4 Spd. Auto. AISIN DG0=All Auto Trans DBB=All Manual Trans.

AR = Use as required - = Non illustrated part # = New this model year

July 4, 2003



Valve Body AW4 (DGS) 1997 XJ  
Figure AW4-710



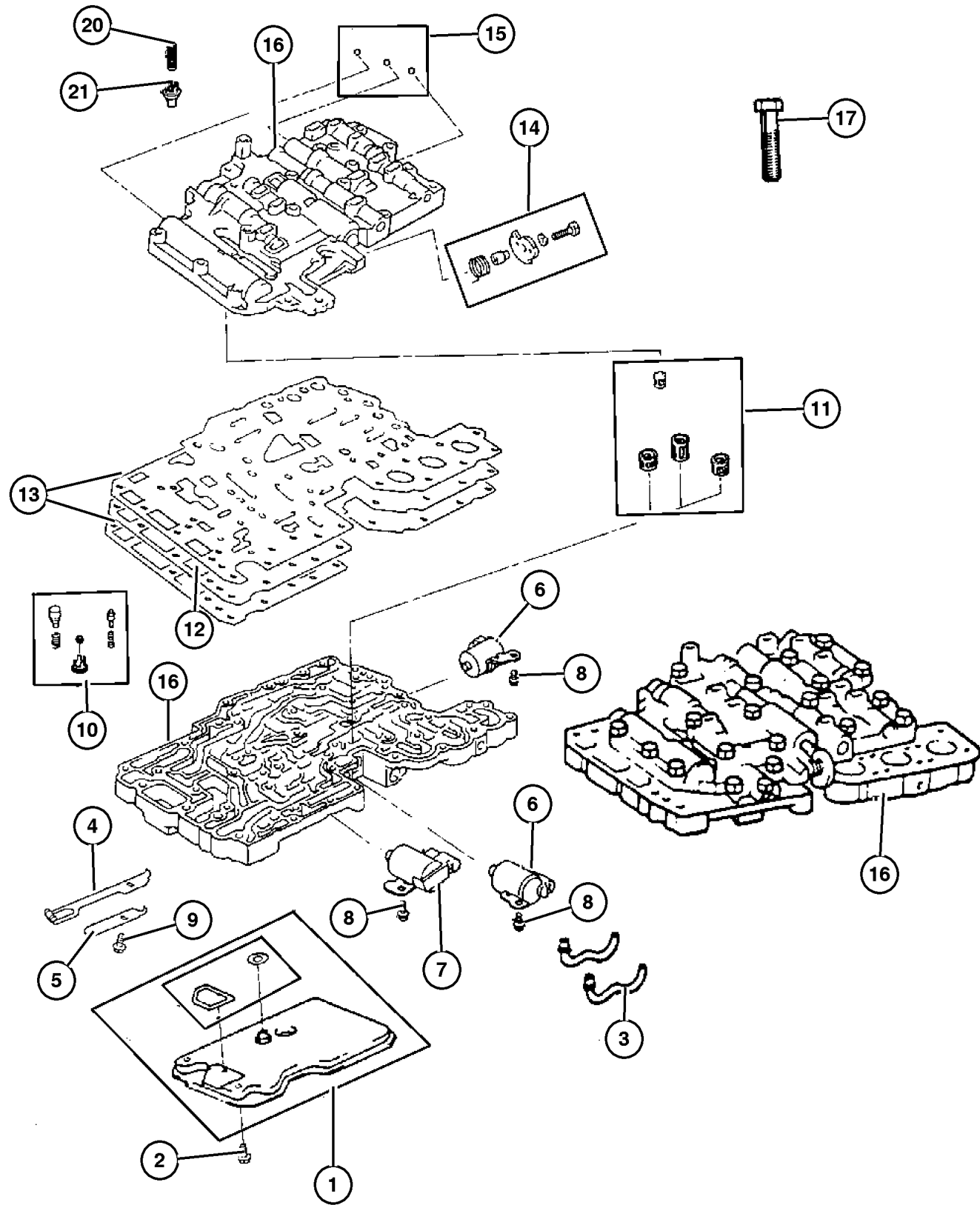
ITEM	PART NUMBER	QTY	LINE	SERIES	BODY	ENGINE	TRANS	TRIM	DESCRIPTION
Notes:									
ERO = All 4.0L 6 Cylinder Gas Engines									
DGS = Aisin Warner 4 Speed Automatic Transmission									
1	8350 4032	1	B, T			ERO	DGS		FILTER, Valve Body
		1	J, U			ERO	DGS		
2	8350 4031	1	B, T			ERO	DGS		BOLT, Hex Head, M6x1.00x12
		1	J, U			ERO	DGS		
3	8350 4334	1	B, T			ERO	DGS		TUBE, Valve Body
		1	J, U			ERO	DGS		
4	8350 4016	1	B, T			ERO	DGS		SPRING, Detent Manual
		1	J, U			ERO	DGS		
5	8350 4015	1	B, T			ERO	DGS		COVER, Transmission Detent
		1	J, U			ERO	DGS		
6	4797 402	1	B, T			ERO	DGS		SOLENOID, Transmission
		1	J, U			ERO	DGS		
7	4797 403	1	B, T			ERO	DGS		SOLENOID, Transmission
		1	J, U			ERO	DGS		
8	8350 4031	1	B, T			ERO	DGS		BOLT, Hex Head, M6x1.00x12
		1	J, U			ERO	DGS		
9	8350 4014	1	B, T			ERO	DGS		BOLT, M6x1.00x32
		1	J, U			ERO	DGS		
10	8350 4335	1	B, T			ERO	DGS		BODY, Check Ball
		1	J, U			ERO	DGS		
11	8350 4336	1	B, T			ERO	DGS		FILTER, Valve Body
		1	J, U			ERO	DGS		
12	4637 468	1	B, T			ERO	DGS		PLATE, Transmission Valve Body
		1	J, U			ERO	DGS		
13	4882 361	1	B, T			ERO	DGS		GASKET, Valve Body
		1	J, U			ERO	DGS		
14									CAM PACKAGE, Throttle Valve

**JEEP CHEROKEE (XJ)**  
 SERIES LINE BODY ENGINE TRANSMISSION  
 L=Low Line J=LHD (4WD) 74=4 DR. (101.4 WB) ENC,EN0=2.5L 4 cyl. Turbo Die DDQ=5Spd Man.  
 U=RHD (4WD) 72=2 DR. (101.4 WB) ERH,ER0=4.0L Power Tech I-6 DGS=4 Spd. Auto. AISIN  
 T=LHD (2WD) EPE,EP0=Magnum 2.5L SMPI DG0=All Auto Trans  
 B=RHD (2WD) DBB=All Manual Trans.

AR = Use as required - = Non illustrated part # = New this model year

July 4, 2003

Valve Body AW4 (DGS) 1997 XJ  
Figure AW4-710



ITEM	PART NUMBER	QTY	LINE	SERIES	BODY	ENGINE	TRANS	TRIM	DESCRIPTION
	4637 026	1	B, T			ER0	DGS		
15		1	J, U			ER0	DGS		CHECK BALL PACKAGE, Valve Body
	4637 031	1	B, T			ER0	DGS		
16		1	J, U			ER0	DGS		VALVE BODY
	4797 404	1	B, T			ER0	DGS		
		1	J, U			ER0	DGS		
17									BOLT, Hex Head, M6x1.00x12
	8350 4031	1	B, T			ER0	DGS		
		1	J, U			ER0	DGS		
-18									BOLT, M6x1.00x32
	8350 4014	1	B, T			ER0	DGS		M6x1.00x16
		1	J, U			ER0	DGS		M6x1.00x16
	8350 4133	1	B, T			ER0	DGS		M6x1.00x23
		1	J, U			ER0	DGS		M6x1.00x23
	8350 4134	1	B, T			ER0	DGS		
		1	J, U			ER0	DGS		
-19									BOLT
	8350 4011	1	B, T			ER0	DGS		M5x0.8x20
		1	J, U			ER0	DGS		M5x0.8x20
	8350 4012	1	B, T			ER0	DGS		M5x0.8x28
		1	J, U			ER0	DGS		M5x0.8x28
	8350 4013	1	B, T			ER0	DGS		M5x0.8x38
		1	J, U			ER0	DGS		M5x0.8x38
20									SPRING, Accumulator
	8350 4036	1	B, T			ER0	DGS		
		1	J, U			ER0	DGS		
21									BODY, Check Ball
	8350 4042	1	B, T			ER0	DGS		
		1	J, U			ER0	DGS		

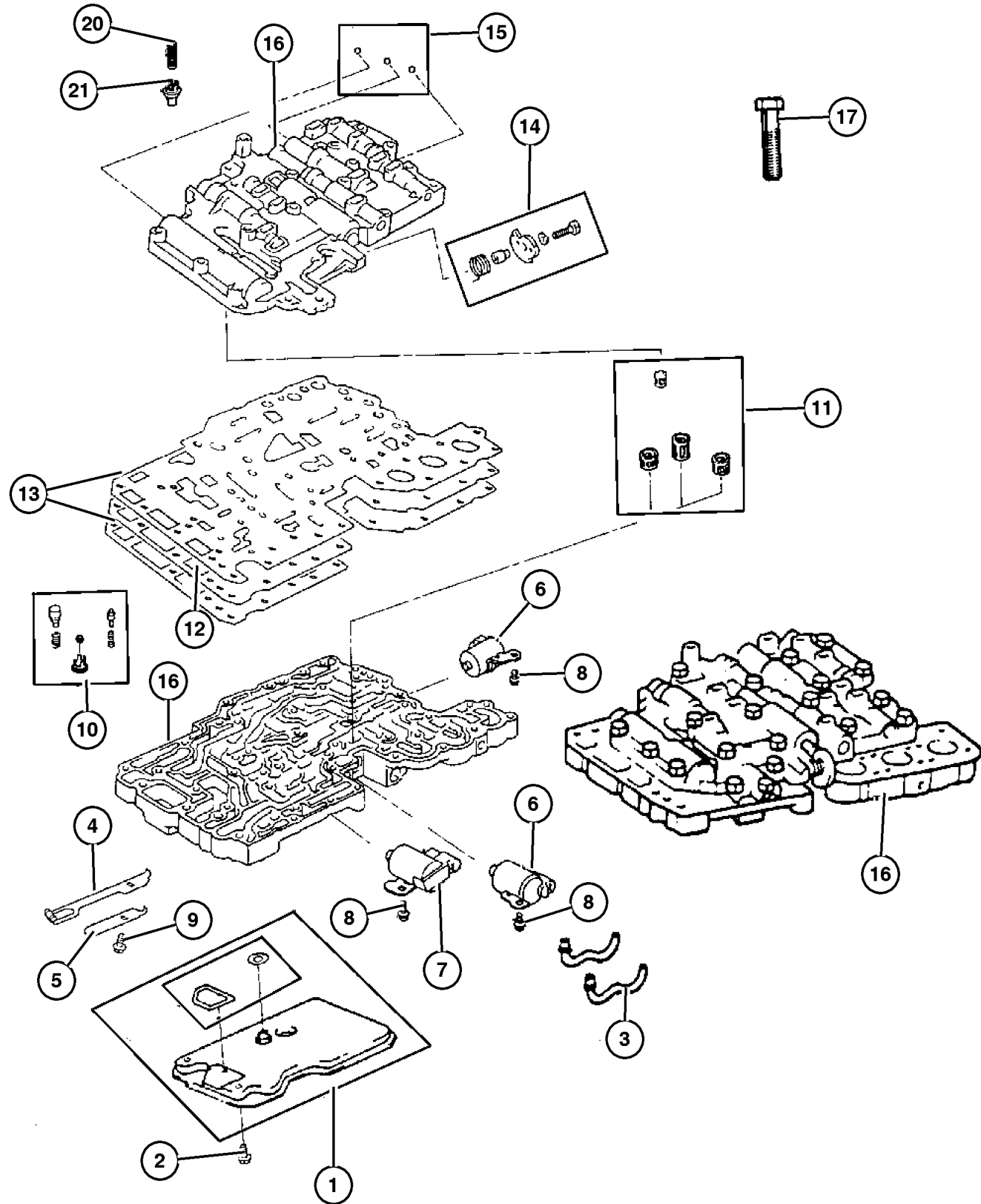
JEEP CHEROKEE (XJ)

SERIES	LINE	BODY	ENGINE	TRANSMISSION
L=Low Line	J=LHD (4WD) U=RHD (4WD) T=LHD (2WD) B=RHD (2WD)	74=4 DR. (101.4 WB) 72=2 DR. (101.4 WB)	ENC,EN0=2.5L 4 cyl. Turbo Die ERH,ER0=4.0L Power Tech I-6 EPE,EP0=Magnum 2.5L SMPI	DDQ=5Spd Man. DGS=4 Spd. Auto. AISIN DG0=All Auto Trans DBB=All Manual Trans.

AR = Use as required - = Non illustrated part # = New this model year

July 4, 2003

Valve Body AW4 (DGS) 1998 XJ  
Figure AW4-710



ITEM	PART NUMBER	QTY	LINE	SERIES	BODY	ENGINE	TRANS	TRIM	DESCRIPTION
Notes:									
ER0 = All 4.0L 6 Cylinder Gas Engines									
DGS = Aisin Warner 4 Speed Automatic Transmission									
1	8350 4032	1	J, U			ER0	DGS		FILTER, Valve Body
2	8350 4031	4	J, U			ER0	DGS		BOLT, Hex Head, M6x1.00x12
			B, T			ER0	DGS		
3	8350 4334	2	J, U			ER0	DGS		TUBE, Valve Body
			B, T			ER0	DGS		
4	8350 4016	1	J, U			ER0	DGS		SPRING, Detent Manual
			B, T			ER0	DGS		
5	8350 4015	1	J, U			ER0	DGS		COVER, Transmission Detent
			B, T			ER0	DGS		
6	4797 402	2	J, U			ER0	DGS		SOLENOID, Transmission
			B, T			ER0	DGS		
7	4797 403	1	J, U			ER0	DGS		SOLENOID, Transmission
			B, T			ER0	DGS		
8	8350 4031	3	J, U			ER0	DGS		BOLT, Hex Head, M6x1.00x12
			B, T			ER0	DGS		
9	8350 4014	1	J, U			ER0	DGS		BOLT, M6x1.00x32
			B, T			ER0	DGS		
10	8350 4335	1	J, U			ER0	DGS		BODY, Check Ball 52104210AB 52104180AB
			B, T			ER0	DGS		
11	8350 4336	1	J, U			ER0	DGS		FILTER, Valve Body 52104210AB 52104180AB
			B, T			ER0	DGS		
12	4637 468	1	J, U			ER0	DGS		PLATE, Transmission Valve Body
			B, T			ER0	DGS		
13	4882 361	1	J, U			ER0	DGS		GASKET, Valve Body
			B, T			ER0	DGS		
14									CAM PACKAGE, Throttle Valve

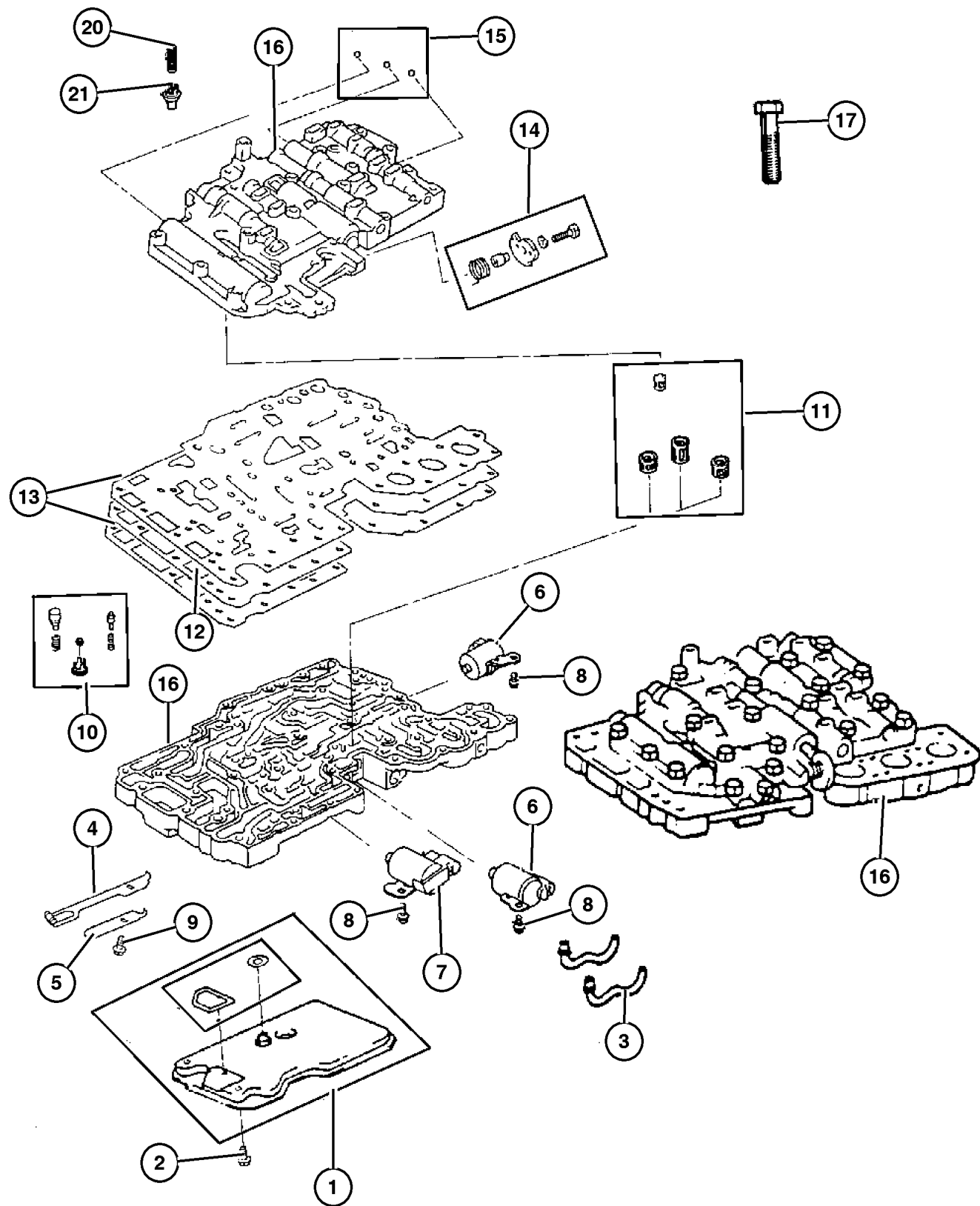
**JEEP CHEROKEE (XJ)**

SERIES	LINE	BODY	ENGINE	TRANSMISSION
L=Low Line	J=LHD (4WD) U=RHD (4WD) T=LHD (2WD) B=RHD (2WD)	74=4 DR. (101.4 WB) 72=2 DR. (101.4 WB)	ENC,EN0=2.5L 4 cyl. Turbo Die ERH,ER0=4.0L Power Tech I-6 EPE,EP0=Magnum 2.5L SMPI	DDQ=5Spd Man. DGS=4 Spd. Auto. AISIN DG0=All Auto Trans DBB=All Manual Trans.

AR = Use as required - = Non illustrated part # = New this model year

July 4, 2003

Valve Body AW4 (DGS) 1998 XJ  
Figure AW4-710



ITEM	PART NUMBER	QTY	LINE	SERIES	BODY	ENGINE	TRANS	TRIM	DESCRIPTION
	4637 026	1	J, U			ER0	DGS		
15		1	B, T			ER0	DGS		CHECK BALL PACKAGE, Valve Body
	4637 031	1	J, U			ER0	DGS		52104210AB
16		1	B, T			ER0	DGS		52104180AB
	4797 404	1	J, U			ER0	DGS		VALVE BODY
		1	B, T			ER0	DGS		
17									BOLT, Hex Head, M6x1.00x12
	8350 4031	3	J, U			ER0	DGS		52104210AB
		3	B, T			ER0	DGS		52104180AB
-18									BOLT, M6x1.00x32
	8350 4014	1	J, U			ER0	DGS		52104210AB
		1	B, T			ER0	DGS		52104180AB
-19									BOLT
	8350 4011	9	J, U			ER0	DGS		52104210AB
		9	B, T			ER0	DGS		52104180AB
	8350 4012	3	J, U			ER0	DGS		52104210AB
		3	B, T			ER0	DGS		52104180AB
	8350 4013	13	J, U			ER0	DGS		52104210AB
		13	B, T			ER0	DGS		52104180AB
20									SPRING, Accumulator
	8350 4036	1	J, U			ER0	DGS		
		1	B, T			ER0	DGS		
21									BODY, Check Ball
	8350 4042	1	J, U			ER0	DGS		52104210AB
		1	B, T			ER0	DGS		52104180AB

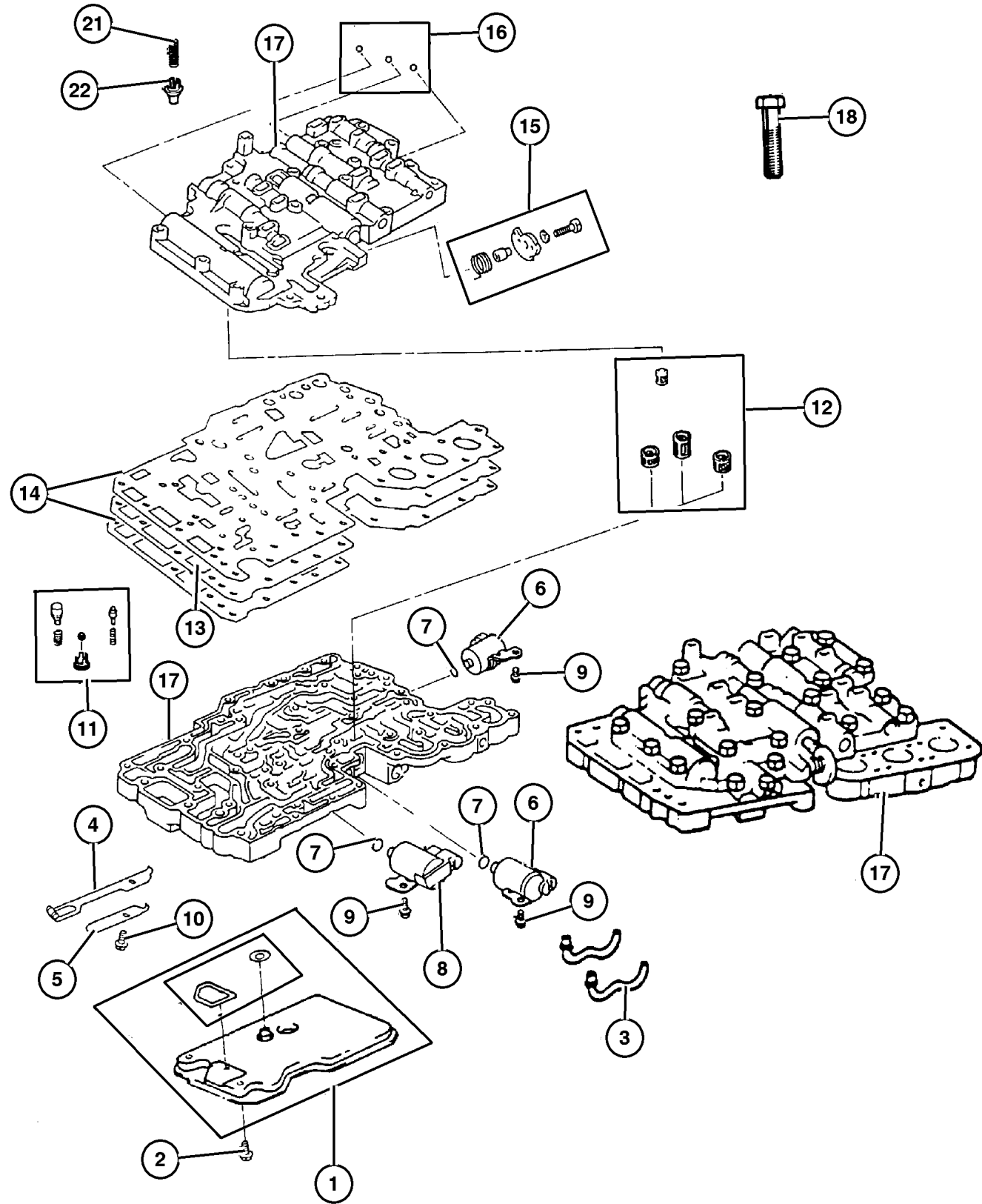
JEEP CHEROKEE (XJ)

SERIES	LINE	BODY	ENGINE	TRANSMISSION
L=Low Line	J=LHD (4WD) U=RHD (4WD) T=LHD (2WD) B=RHD (2WD)	74=4 DR. (101.4 WB) 72=2 DR. (101.4 WB)	ENC,EN0=2.5L 4 cyl. Turbo Die ERH,ER0=4.0L Power Tech I-6 EPE,EP0=Magnum 2.5L SMPI	DDQ=5Spd Man. DGS=4 Spd. Auto. AISIN DG0=All Auto Trans DBB=All Manual Trans.

AR = Use as required - = Non illustrated part # = New this model year

July 4, 2003

Valve Body AW4 (DGS) 1999 XJ  
Figure AW4-710



ITEM	PART NUMBER	QTY	LINE	SERIES	BODY	ENGINE	TRANS	TRIM	DESCRIPTION
Notes:									
ER0 = All 4.0L 6 Cylinder Gas Engines									
DGS = Aisin Warner 4 Speed Automatic Transmission									
1	8350 4032	1	J, U			ER0	DGS		FILTER, Valve Body
2									BOLT, Hex Head, M6x1.00x12
	8350 4031	7	J, U			ER0	DGS		
		7	B, T			ER0	DGS		
3	8350 4334	2	J, U			ER0	DGS		TUBE, Valve Body
4	8350 4016	1	J, U			ER0	DGS		SPRING, Detent Manual
5	8350 4015	1	J, U			ER0	DGS		COVER, Transmission Detent
6	4797 402	2	J, U			ER0	DGS		SOLENOID, Transmission
7	4797 403	1	J, U			ER0	DGS		SOLENOID, Transmission
8									BOLT, Hex Head, M6x1.00x12
	8350 4031	7	J, U			ER0	DGS		
		7	B, T			ER0	DGS		
9	8350 4014	1	J, U			ER0	DGS		BOLT, M6x1.00x32
10									BODY, Check Ball
	8350 4042	1	B, T			ER0	DGS		
		1	J, U			ER0	DGS		
11									FILTER, Valve Body
	8350 4336	1	J, U			ER0	DGS		
		1	B, T			ER0	DGS		
12	4637 468	1	J, U			ER0	DGS		PLATE, Transmission Valve Body
13	4882 361	1	J, U			ER0	DGS		GASKET, Valve Body
14	4637 026	1	J, U			ER0	DGS		CAM PACKAGE, Throttle Valve
15	4637 031	1	J, U			ER0	DGS		CHECK BALL PACKAGE, Valve Body
16	4797 404	1	J, U			ER0	DGS		VALVE BODY
17									BOLT, Hex Head, M6x1.00x12
	8350 4031	7	J, U			ER0	DGS		
		7	B, T			ER0	DGS		
-18	8350 4014	1	J, U			ER0	DGS		BOLT, M6x1.00x32, 52104210AB
-19									BOLT
	8350 4011	9	J, U			ER0	DGS		52104210AB
	8350 4012	3	J, U			ER0	DGS		52104210AB
	8350 4013	13	J, U			ER0	DGS		52104210AB
20	8350 4036	1	J, U			ER0	DGS		SPRING, Accumulator
21	8350 4042	1	J, U			ER0	DGS		BODY, Check Ball, 52104210AB

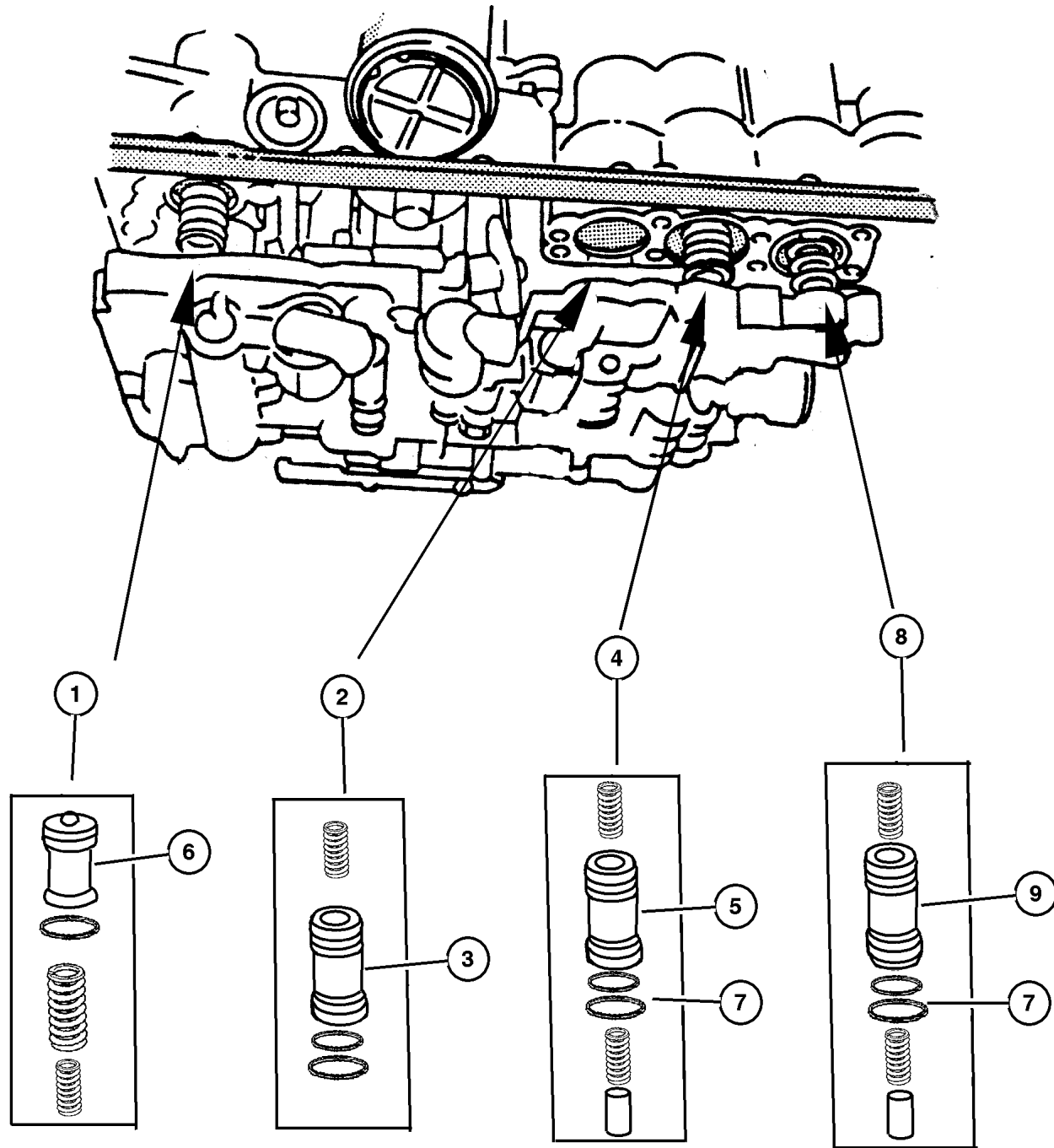
JEEP CHEROKEE (XJ)

SERIES	LINE	BODY	ENGINE	TRANSMISSION
L=Low Line	J=LHD (4WD) U=RHD (4WD) T=LHD (2WD) B=RHD (2WD)	74=4 DR. (101.4 WB) 72=2 DR. (101.4 WB)	ENC,EN0=2.5L 4 cyl. Turbo Die ERH,ER0=4.0L Power Tech I-6 EPE,EP0=Magnum 2.5L SMPI	DDQ=5Spd Man. DGS=4 Spd. Auto. AISIN DG0=All Auto Trans DBB=All Manual Trans.

AR = Use as required - = Non illustrated part # = New this model year

July 4, 2003

**Accumulator Piston AW4 (DGS)  
Figure AW4-720**



ITEM	PART NUMBER	QTY	LINE	SERIES	BODY	ENGINE	TRANS	TRIM	DESCRIPTION
Notes:									
ER0 = All 4.0L 6 Cylinder Gas Engines									
DGS = Aisin Warner 4 Speed Automatic Transmission									
1	8350 4343	1	B, T			ER0	DGS		PISTON, Accumulator
		1	J, U			ER0	DGS		C-0, 1997 XJ
		AR	J, U			ER0	DGS		52104210AB, 1998 XJ
		AR	B, T			ER0	DGS		52104180AB, 1998 XJ
		1	J, U			ER0	DGS		1999 XJ
		1	B, T			ER0	DGS		1999 XJ
2	4637 028	1	B, T			ER0	DGS		ACCUMULATOR PACKAGE, Piston
		1	J, U			ER0	DGS		B-0, 1997 XJ
		AR	B, T			ER0	DGS		52104180AB, 1998 XJ
		AR	J, U			ER0	DGS		52104210AB, 1998 XJ
		1	B, T			ER0	DGS		1999 XJ
		1	J, U			ER0	DGS		1999 XJ
3	4636 788	1	B, T			ER0	DGS		PISTON, Accumulator
		1	J, U			ER0	DGS		1997 XJ
		1	B, T			ER0	DGS		52104180AB, 1998 XJ
		1	J, U			ER0	DGS		52104210AB, 1998 XJ, 1999 XJ
4	4637 029	1	B, T			ER0	DGS		ACCUMULATOR PACKAGE, Piston
		1	J, U			ER0	DGS		C-2, 1997 XJ
		1	B, T			ER0	DGS		52104180AB, 1998 XJ
		1	J, U			ER0	DGS		52104210AB, 1998 XJ, 1999 XJ
5	4636 786	1	B, T			ER0	DGS		PISTON, Accumulator
		1	J, U			ER0	DGS		C-2, 1997 XJ
		1	B, T			ER0	DGS		52104180AB, 1998 XJ
		1	J, U			ER0	DGS		52104210AB, 1998 XJ, 1999 XJ
6	8350 4017	1	B, T			ER0	DGS		PISTON, Accumulator
		1	J, U			ER0	DGS		C-0, 1997 XJ
		1	B, T			ER0	DGS		52104180AB, 1998 XJ
		1	J, U			ER0	DGS		52104210AB, 1998 XJ, 1999 XJ
7	8350 4029	1	B, T			ER0	DGS		O RING, Transmission Accumulator/
		1	J, U			ER0	DGS		Strainer
		1	J, U			ER0	DGS		1997 XJ
		1	J, U			ER0	DGS		1997 XJ
		1	J, U			ER0	DGS		52104210AB, 1998 XJ

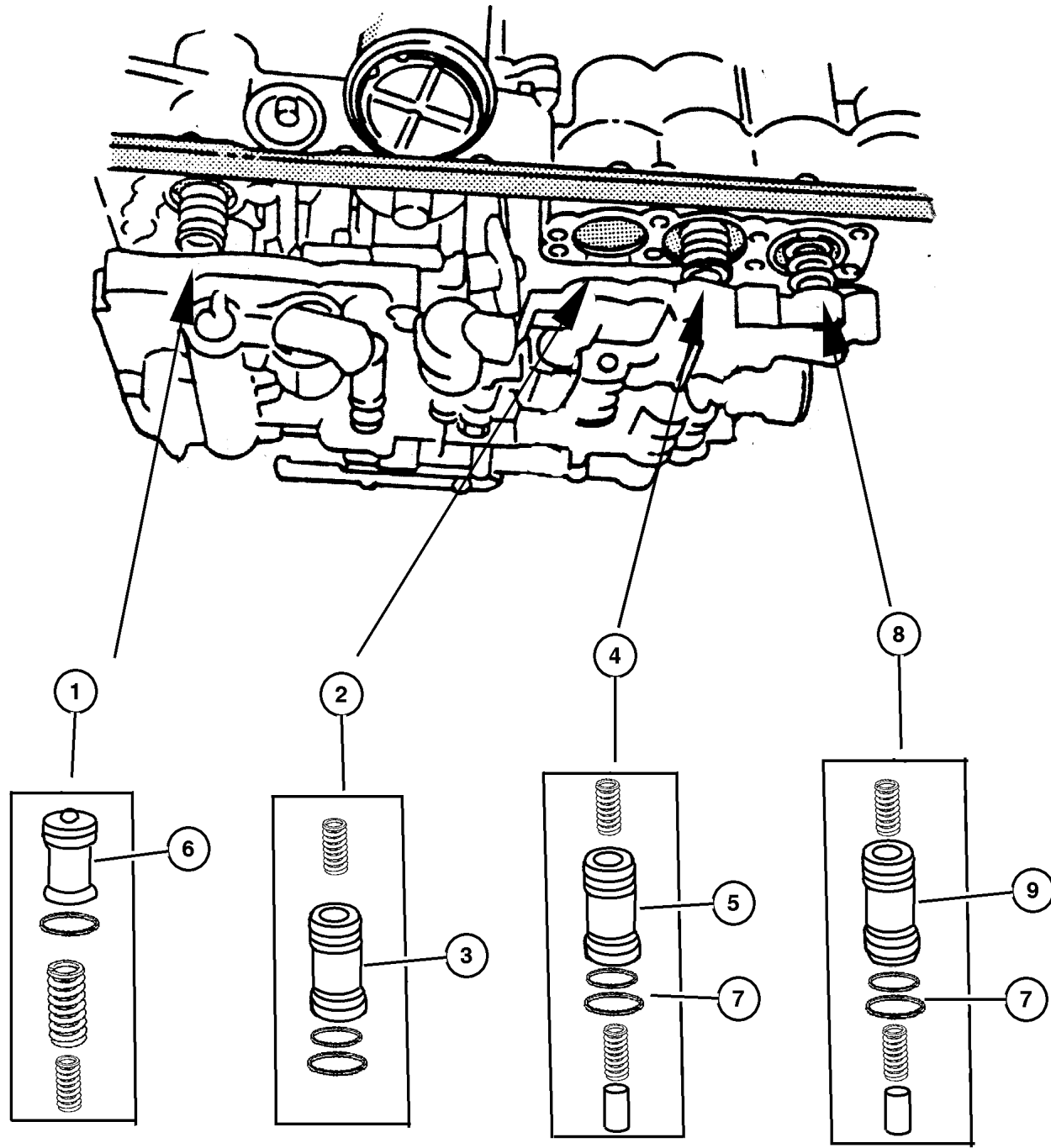
**JEEP CHEROKEE (XJ)**

SERIES	LINE	BODY	ENGINE	TRANSMISSION
L=Low Line	J=LHD (4WD) U=RHD (4WD) T=LHD (2WD) B=RHD (2WD)	74=4 DR. (101.4 WB) 72=2 DR. (101.4 WB)	ENC,EN0=2.5L 4 cyl. Turbo Die ERH,ER0=4.0L Power Tech I-6 EPE,EP0=Magnum 2.5L SMPI	DDQ=5Spd Man. DGS=4 Spd. Auto. AISIN DG0=All Auto Trans DBB=All Manual Trans.

AR = Use as required - = Non illustrated part # = New this model year

July 4, 2003

**Accumulator Piston AW4 (DGS)  
Figure AW4-720**



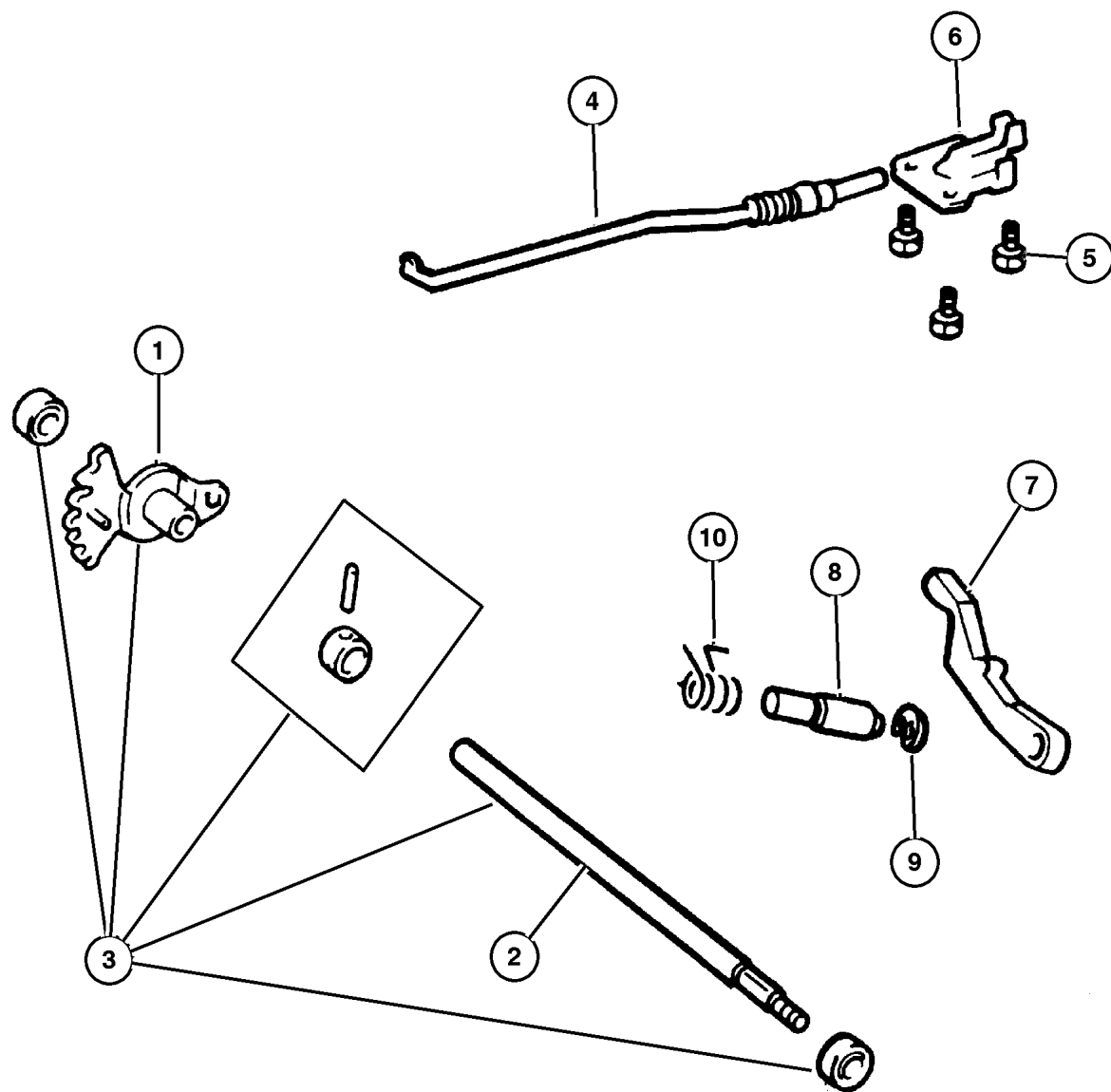
ITEM	PART NUMBER	QTY	LINE	SERIES	BODY	ENGINE	TRANS	TRIM	DESCRIPTION
		1	B, T			ER0	DGS		52104180AB, 1998 XJ
		2	J, U			ER0	DGS		1999 XJ
		2	B, T			ER0	DGS		1999 XJ
8	5003 158AA	1	B, T			ER0	DGS		ACCUMULATOR PACKAGE, Piston 1997 XJ, 1999 XJ
		1	J, U			ER0	DGS		1997 XJ, 1999 XJ
		AR	J, U			ER0	DGS		52104210AB, 1998 XJ
		AR	B, T			ER0	DGS		52104180AB, 1998 XJ
9	4636 787	1	B, T			ER0	DGS		PISTON, Accumulator B-2, 1997 XJ
		1	J, U			ER0	DGS		B-2, 1997 XJ
		1	B, T			ER0	DGS		52104180AB, 1998 XJ
		1	J, U			ER0	DGS		52104210AB, 1998 XJ, 1999 XJ

**JEEP CHEROKEE (XJ)**  
 SERIES LINE BODY ENGINE TRANSMISSION  
 L=Low Line J=LHD (4WD) 74=4 DR. (101.4 WB) ENC,EN0=2.5L 4 cyl. Turbo Die DDQ=5Spd Man.  
 U=RHD (4WD) 72=2 DR. (101.4 WB) ERH,ER0=4.0L Power Tech I-6 DGS=4 Spd. Auto. AISIN  
 T=LHD (2WD) EPE,EP0=Magnum 2.5L SMPI DG0=All Auto Trans  
 B=RHD (2WD) DBB=All Manual Trans.

AR = Use as required - = Non illustrated part # = New this model year

July 4, 2003

**Lock, Parking AW4 (DGS)  
Figure AW4-730**



ITEM	PART NUMBER	QTY	LINE	SERIES	BODY	ENGINE	TRANS	TRIM	DESCRIPTION
Notes:									
ER0 = All 4.0L 6 Cylinder Gas Engines									
DGS = Aisin Warner 4 Speed Automatic Transmission									
1	8350 3774	1	B, T			ER0	DGS		LEVER, Manual Valve 1997 XJ
		1	J, U			ER0	DGS		1997 XJ
		1	B, T			ER0	DGS		52104180AB, 1998 XJ
		1	J, U			ER0	DGS		52104210AB, 1998 XJ, 1999 XJ
2	8350 3725	1	B, T			ER0	DGS		SHAFT, Manual Valve 1997 XJ
		1	J, U			ER0	DGS		1997 XJ
		1	B, T			ER0	DGS		52104180AB, 1998 XJ
		1	J, U			ER0	DGS		52104210AB, 1998 XJ, 1999 XJ
3	8350 4332	1	B, T			ER0	DGS		LEVER REPAIR PACKAGE, Valve Body 1997 XJ
		1	J, U			ER0	DGS		1997 XJ
		1	B, T			ER0	DGS		52104180AB, 1998 XJ
		1	J, U			ER0	DGS		52104210AB, 1998 XJ, 1999 XJ
4	4886 042AA	1	B, T			ER0	DGS		ROD, Transmission Pawl 1997 XJ
		1	J, U			ER0	DGS		1997 XJ
		1	B, T			ER0	DGS		52104180AB, 1998 XJ
		1	J, U			ER0	DGS		52104210AB, 1998 XJ, 1999 XJ
5	8350 3783	1	B, T			ER0	DGS		BOLT, M6x1.00x32 1997 XJ
		1	J, U			ER0	DGS		1997 XJ
		3	B, T			ER0	DGS		52104180AB, 1998 XJ
		3	J, U			ER0	DGS		52104210AB, 1998 XJ
		2	J, U			ER0	DGS		1999 XJ
		5	B, T			ER0	DGS		1999 XJ
6	4886 041AA	1	B, T			ER0	DGS		BRACKET, Park Lock 1997 XJ
		1	J, U			ER0	DGS		1997 XJ
		1	B, T			ER0	DGS		52104180AB, 1998 XJ
		1	J, U			ER0	DGS		52104210AB, 1998 XJ, 1999 XJ
7	4886 040AA	1	B, T			ER0	DGS		PAWL, Parking Sprag 1997 XJ
		1	J, U			ER0	DGS		1997 XJ
		1	B, T			ER0	DGS		52104180AB, 1998 XJ
		1	J, U			ER0	DGS		52104210AB, 1998 XJ, 1999 XJ
8									SHAFT, Parking Sprag

**JEEP CHEROKEE (XJ)**

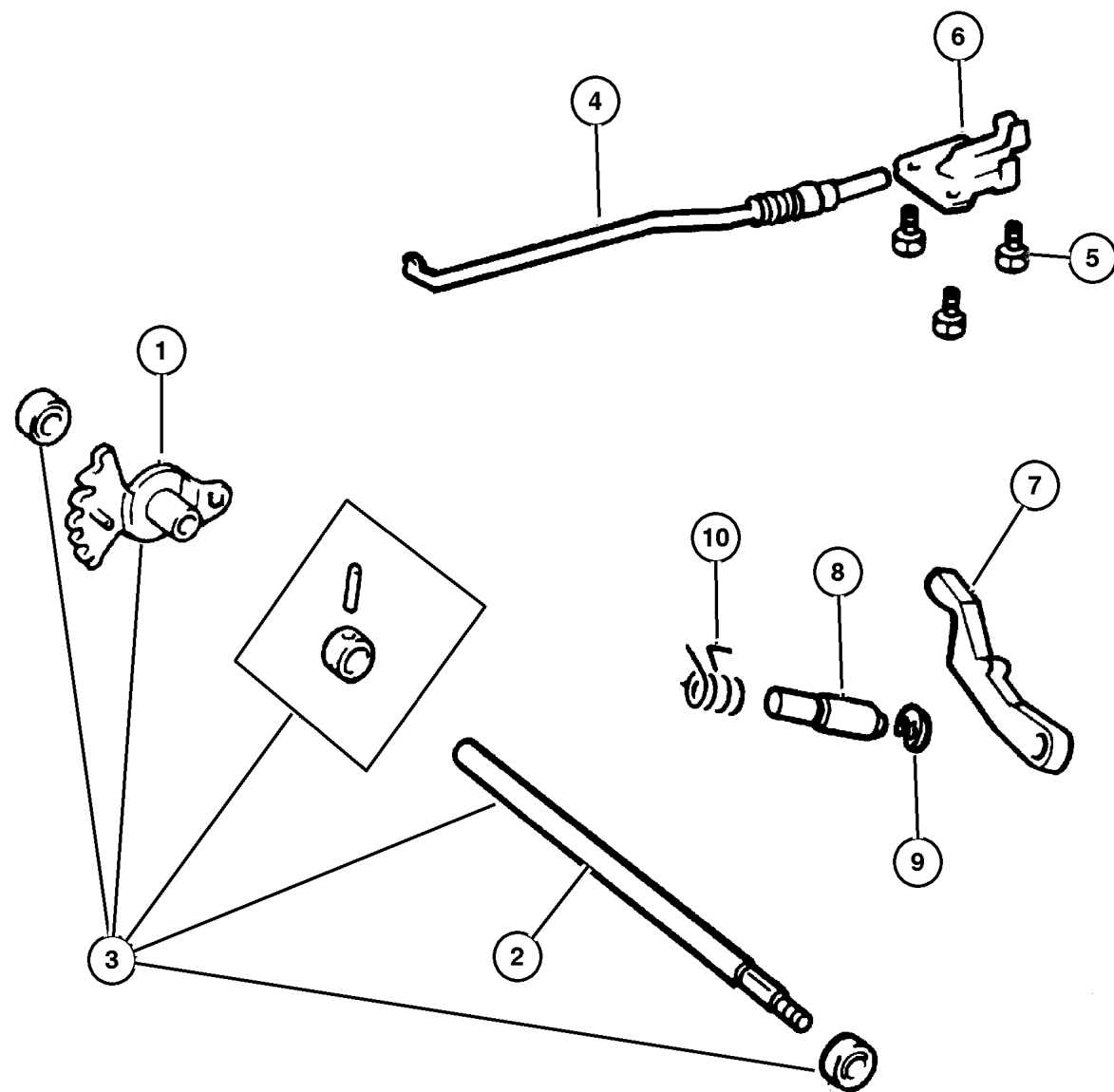
SERIES	LINE	BODY	ENGINE	TRANSMISSION
L=Low Line	J=LHD (4WD) U=RHD (4WD) T=LHD (2WD) B=RHD (2WD)	74=4 DR. (101.4 WB) 72=2 DR. (101.4 WB)	ENC,EN0=2.5L 4 cyl. Turbo Die ERH,ER0=4.0L Power Tech I-6 EPE,EP0=Magnum 2.5L SMPI	DDQ=5Spd Man. DGS=4 Spd. Auto. AISIN DG0=All Auto Trans DBB=All Manual Trans.

AR = Use as required - = Non illustrated part # = New this model year

July 4, 2003



Lock, Parking AW4 (DGS)  
Figure AW4-730



ITEM	PART NUMBER	QTY	LINE	SERIES	BODY	ENGINE	TRANS	TRIM	DESCRIPTION
	8350 3777	1	B, T			ER0	DGS		1997 XJ
		1	J, U			ER0	DGS		1997 XJ
		1	B, T			ER0	DGS		52104180AB, 1998 XJ
		1	J, U			ER0	DGS		52104210AB, 1998 XJ, 1999 XJ
9									SNAP RING, Parking Pawl
	8350 3776	1	B, T			ER0	DGS		1997 XJ
		1	J, U			ER0	DGS		1997 XJ
		1	B, T			ER0	DGS		52104180AB, 1998 XJ
		1	J, U			ER0	DGS		52104210AB, 1998 XJ, 1999 XJ
10									SPRING, Park Lock
	8350 3778	1	B, T			ER0	DGS		1997 XJ
		1	J, U			ER0	DGS		1997 XJ
		1	B, T			ER0	DGS		52104180AB, 1998 XJ
		1	J, U			ER0	DGS		52104210AB, 1998 XJ, 1999 XJ

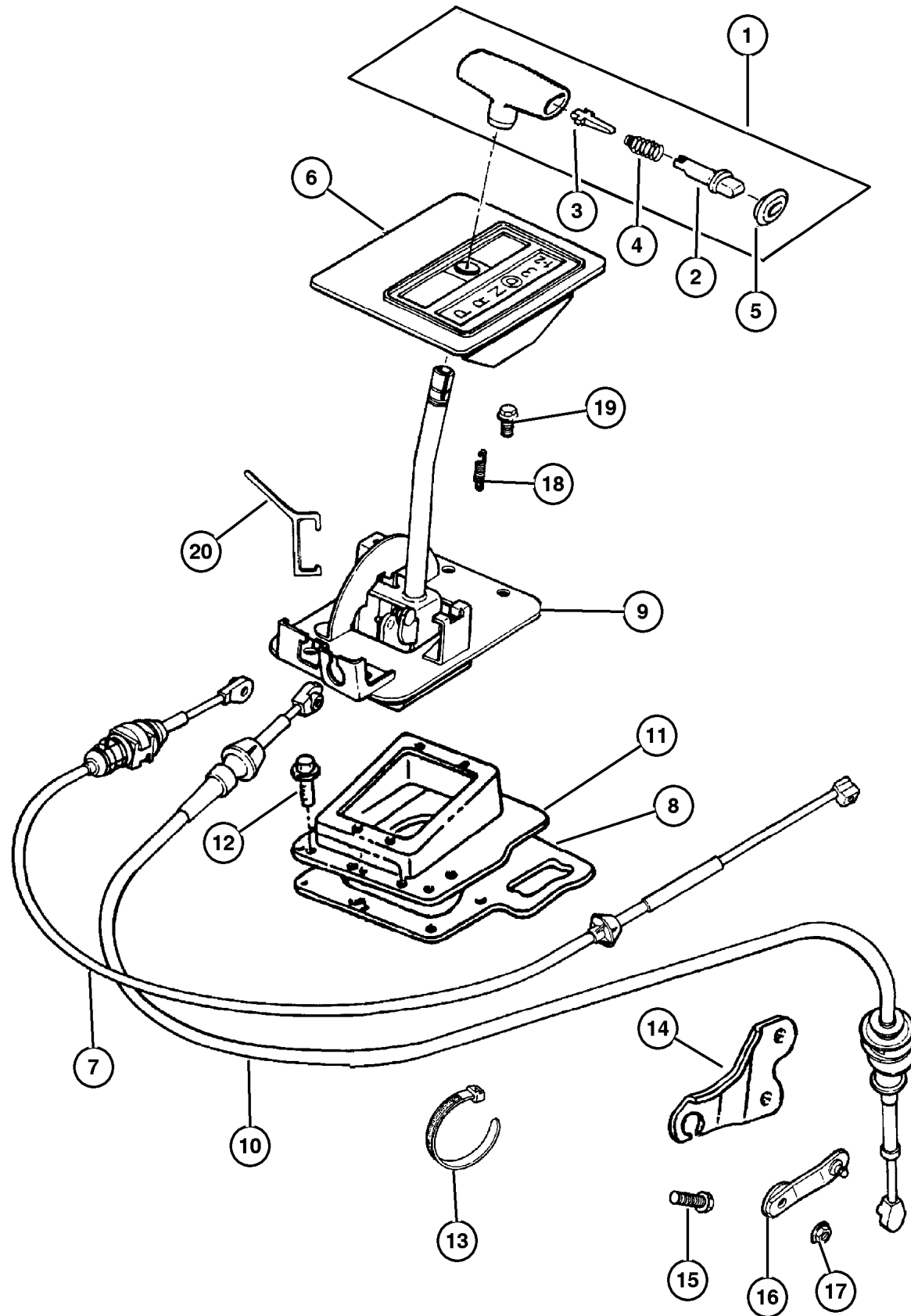
JEEP CHEROKEE (XJ)

SERIES	LINE	BODY	ENGINE	TRANSMISSION
L=Low Line	J=LHD (4WD) U=RHD (4WD) T=LHD (2WD) B=RHD (2WD)	74=4 DR. (101.4 WB) 72=2 DR. (101.4 WB)	ENC,EN0=2.5L 4 cyl. Turbo Die ERH,ER0=4.0L Power Tech I-6 EPE,EP0=Magnum 2.5L SMPI	DDQ=5Spd Man. DGS=4 Spd. Auto. AISIN DG0=All Auto Trans DBB=All Manual Trans.

AR = Use as required - = Non illustrated part # = New this model year

July 4, 2003

**Gearshift Controls AW4 (DGS)  
Figure AW4-1210**



ITEM	PART NUMBER	QTY	LINE	SERIES	BODY	ENGINE	TRANS	TRIM	DESCRIPTION
------	-------------	-----	------	--------	------	--------	-------	------	-------------

Notes:

EPO = All 2.5L 4 Cylinder Gas Engines  
 ER0 = All 4.0L 6 Cylinder Gas Engines  
 DGS = Aisin Warner 4 Speed Automatic Transmission  
 DG0 = All Automatic Transmissions

1	5210 4028	1				EPO, ER0	DG0		HANDLE, Gearshift
2	5300 0211	1				EPO, ER0	DG0		BUTTON, Gearshift Knob
3	5300 0865	1				EPO, ER0	DG0		LEVER, Gearshift
4	5300 0866	1				EPO, ER0	DG0		SPRING, Button Return
5	5207 7561	1				EPO, ER0	DG0		CAP, Gearshift Handle Button
6									BEZEL, Console PRNDL
	5EK0 3LAZ	1	J, T				DGS		1997 XJ, 1998 XJ
	5EK03 LAZAB	1	J, T				DGS		1999 XJ
	5EK0 7LAZ	1	B, U				DGS		1997 XJ, 1998 XJ
	5EK07 LAZAB	1	B, U				DGS		1999 XJ
7									CABLE, Park Interlock
	5210 4144	1				EPO, ER0	DG0		1997 XJ
		1	J, T			EPO, ER0	DG0		1998 XJ, 1999 XJ
	52104 144AB	1	B, U			EPO, ER0	DG0		1998 XJ, 1999 XJ
8									SEAL, Shift Housing, (NOT SERVICED) (Not Serviced)
9									HOUSING, Shift Lever
	5210 4005	1	J, T				DG0		1997 XJ, 1998 XJ
	52104 005AB	1	J, T				DG0		1999 XJ
	5210 4007	1	B, U				DG0		1997 XJ, 1998 XJ
	52104 007AB	1	B, U				DG0		1999 XJ
10	5207 7532	1					DG0		CABLE, Gearshift Control
11									COVER, Gearshift
	5300 0704	1	J, T				DG0		1997 XJ, 1998 XJ
		1	B, U				DG0		1997 XJ, 1998 XJ
		1					DG0		1999 XJ
12									SCREW, Hex Self Tapping, .19-16x.50
	J400 1701	9					DG0		1997 XJ
		AR							1998 XJ, 1999 XJ

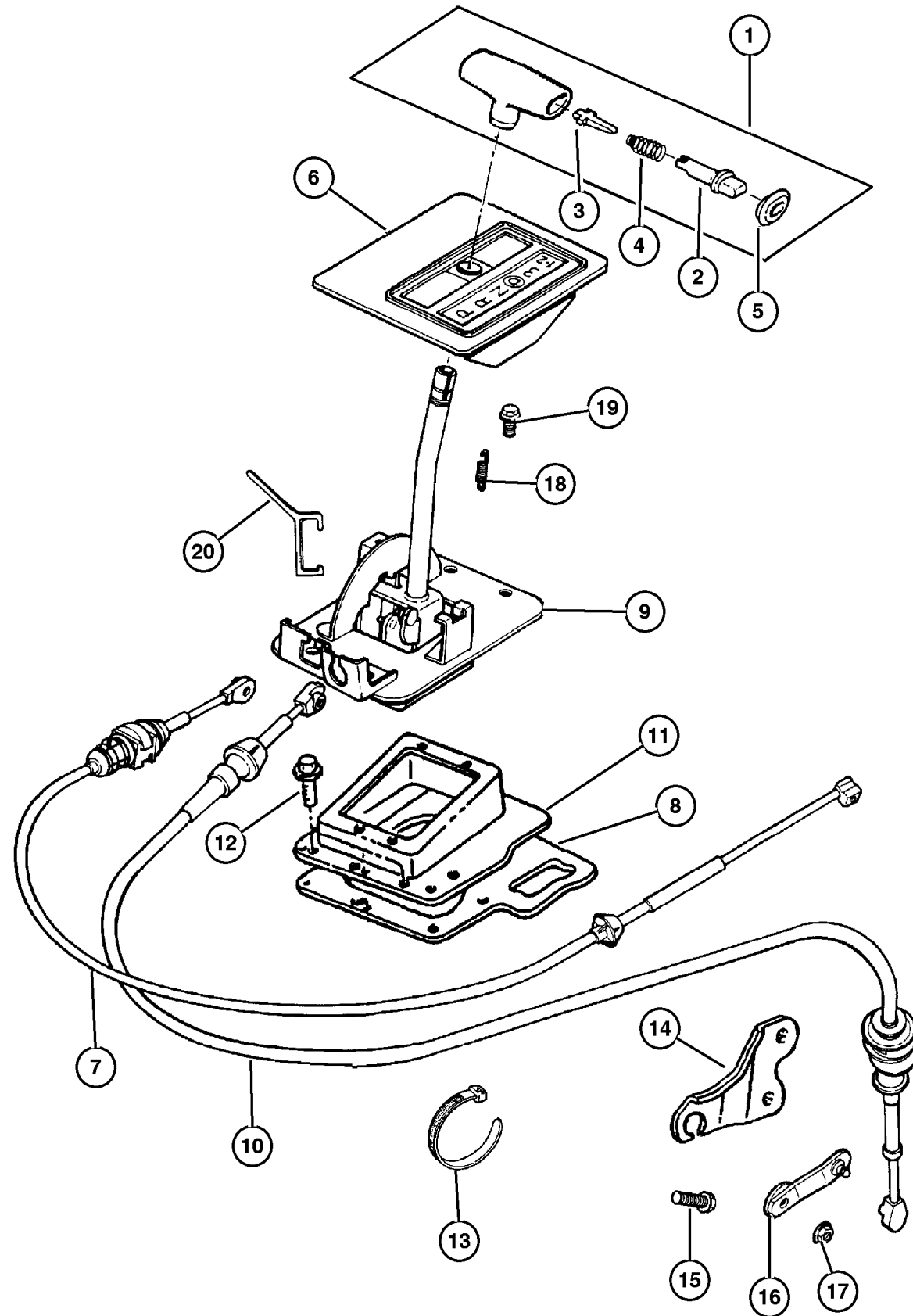
JEEP CHEROKEE (XJ)

SERIES	LINE	BODY	ENGINE	TRANSMISSION
L=Low Line	J=LHD (4WD) U=RHD (4WD) T=LHD (2WD) B=RHD (2WD)	74=4 DR. (101.4 WB) 72=2 DR. (101.4 WB)	ENC,EN0=2.5L 4 cyl. Turbo Die ERH,ER0=4.0L Power Tech I-6 EPE,EPO=Magnum 2.5L SMPI	DDQ=5Spd Man. DGS=4 Spd. Auto. AISIN DG0=All Auto Trans DBB=All Manual Trans.

AR = Use as required - = Non illustrated part # = New this model year

July 4, 2003

**Gearshift Controls AW4 (DGS)  
Figure AW4-1210**



ITEM	PART NUMBER	QTY	LINE	SERIES	BODY	ENGINE	TRANS	TRIM	DESCRIPTION
13	3420 1788	1				EP0, ER0			STRAP, Tie
14	5300 7746	1				ER0	DGS		BRACKET, Transmission Control Cable
15									BOLT, Hex Flange Head, M8x1.25x20
	1150 2850	2				ER0	DGS		1999 XJ
	3420 1871	2				ER0	DGS		1997 XJ, 1998 XJ
16									LEVER, Gearshift
	5300 7747	1	J, U			ER0	DGS		1997 XJ, 1998 XJ
		1	B, T			ER0	DGS		1997 XJ, 1998 XJ
17									NUT AND WASHER, Hex Flange, M8x1.25
	J420 0046	3				EP0, ER0			1997 XJ, 1998 XJ
		3							1999 XJ
18									SPRING, Pawl Return, (NOT SERVICED) (Not Serviced)
19									SCREW, Hex Head, M8x1.25x18
19									SCREW, Hex Head, M8x1.25x18 (Not Serviced)
									(NOT SERVICED), 1999 XJ
	1150 4284	4	J, T				DG0		1997 XJ, 1998 XJ
		4	B, U				DG0		1997 XJ, 1998 XJ
20									GAUGE, Transmission Shifter, (NOT SERVICED) (Not Serviced)

JEEP CHEROKEE (XJ)				
SERIES	LINE	BODY	ENGINE	TRANSMISSION
L=Low Line	J=LHD (4WD) U=RHD (4WD) T=LHD (2WD) B=RHD (2WD)	74=4 DR. (101.4 WB) 72=2 DR. (101.4 WB)	ENC,EN0=2.5L 4 cyl. Turbo Die ERH,ER0=4.0L Power Tech I-6 EPE,EP0=Magnum 2.5L SMPI	DDQ=5Spd Man. DGS=4 Spd. Auto. AISIN DG0=All Auto Trans DBB=All Manual Trans.

AR = Use as required - = Non illustrated part # = New this model year

July 4, 2003

# Group – AX

## Manual Transmission 5 Speed

### GROUP AX - Manual Transmission 5 Speed

Illustration Title

Group-Fig. No.

#### Transmission Assembly

Transmission (DDQ) ..... Fig. AX-110

#### Case and Extension

Case and Extension AX5 (DDQ) ..... Fig. AX-210

Case and Related Parts AX 15 (DDQ) ..... Fig. AX-215

#### Gear Train

Gear Train AX 5 (DDQ) ..... Fig. AX-410

Gear Train AX 15 (DDQ) ..... Fig. AX-415

Reverse Idler Ax 15 (DDQ) ..... Fig. AX-420

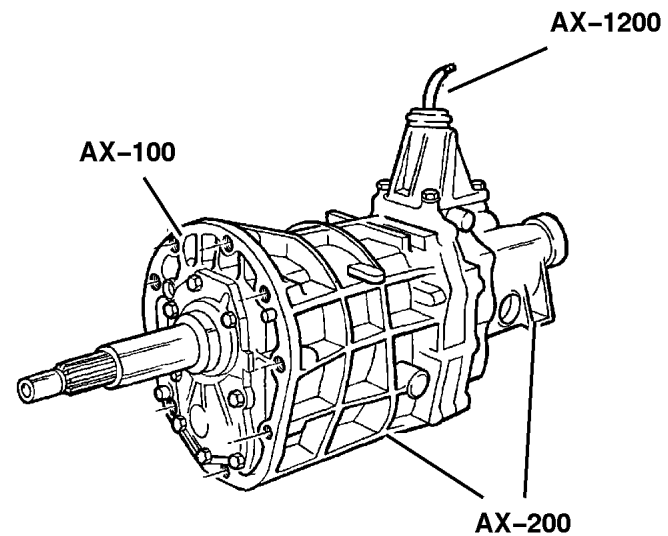
#### Fork and Rails

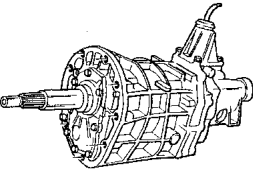
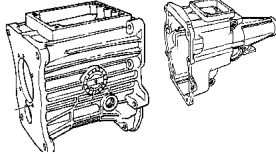
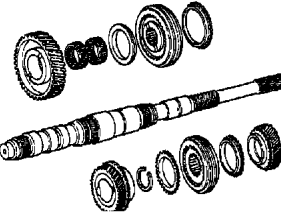
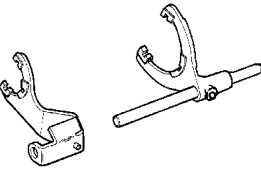

Forks AX 5 (DDQ) ..... Fig. AX-910

Forks AX 15 (DDQ) ..... Fig. AX-915

#### Gearshift Controls

Gearshift Controls (DDQ) ..... Fig. AX-1215



<p><b>AX-100</b> Transmission Assembly</p> 	<p><b>AX-200</b> Case and Extension</p> 	<p><b>AX-400</b> Gear Train</p> 	<p><b>AX-900</b> Fork and Rails</p> 
<p><b>AX-1200</b> Gearshift Controls</p> 			

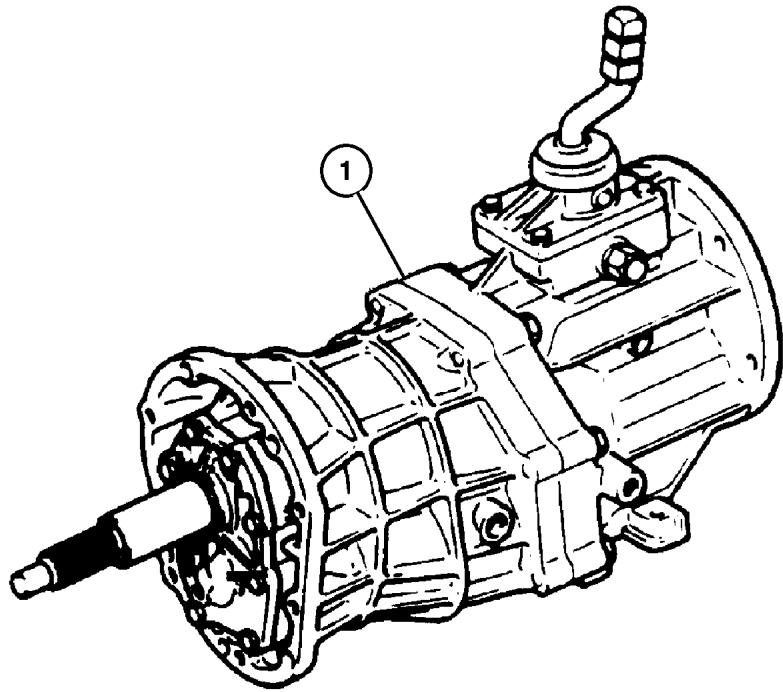
**Transmission (DDQ)  
Figure AX-110**

ITEM	PART NUMBER	QTY	LINE	SERIES	BODY	ENGINE	TRANS	TRIM	DESCRIPTION
------	-------------	-----	------	--------	------	--------	-------	------	-------------

Notes:

DDQ = 5 Speed Manual Transmission  
 EP0 = All 2.5L Gas Engines  
 ER0 = All 4.0L 6 Cylinder Gas Engines  
 ENC = 2.5L 4 Cylinder Turbo Diesel Engine

1									TRANSMISSION, 5 Speed
	5210 4546	1	B, T			EP0	DDQ		
	5210 4547	1	J, U			EP0	DDQ		
	5210 7749	1	B, T			ER0	DDQ		1997 XJ, 1997 XJ
	5210 7752	1	J, U			EN0	DDQ		1997 XJ, 1997 XJ
	5210 8047	1	J, U			ER0	DDQ		1997 XJ, 1997 XJ
	52108 047AB	1	J, U			ER0	DDQ		
	52108 048AB	1	B, T			ER0	DDQ		
	52108 121AB	1	J, U			EN0	DDQ		1997 XJ & 1998 & 1999 XJ With (ENC) Engine, 1997 XJ
		1	J, U			ENC	DDQ		1998 XJ, 1999 XJ



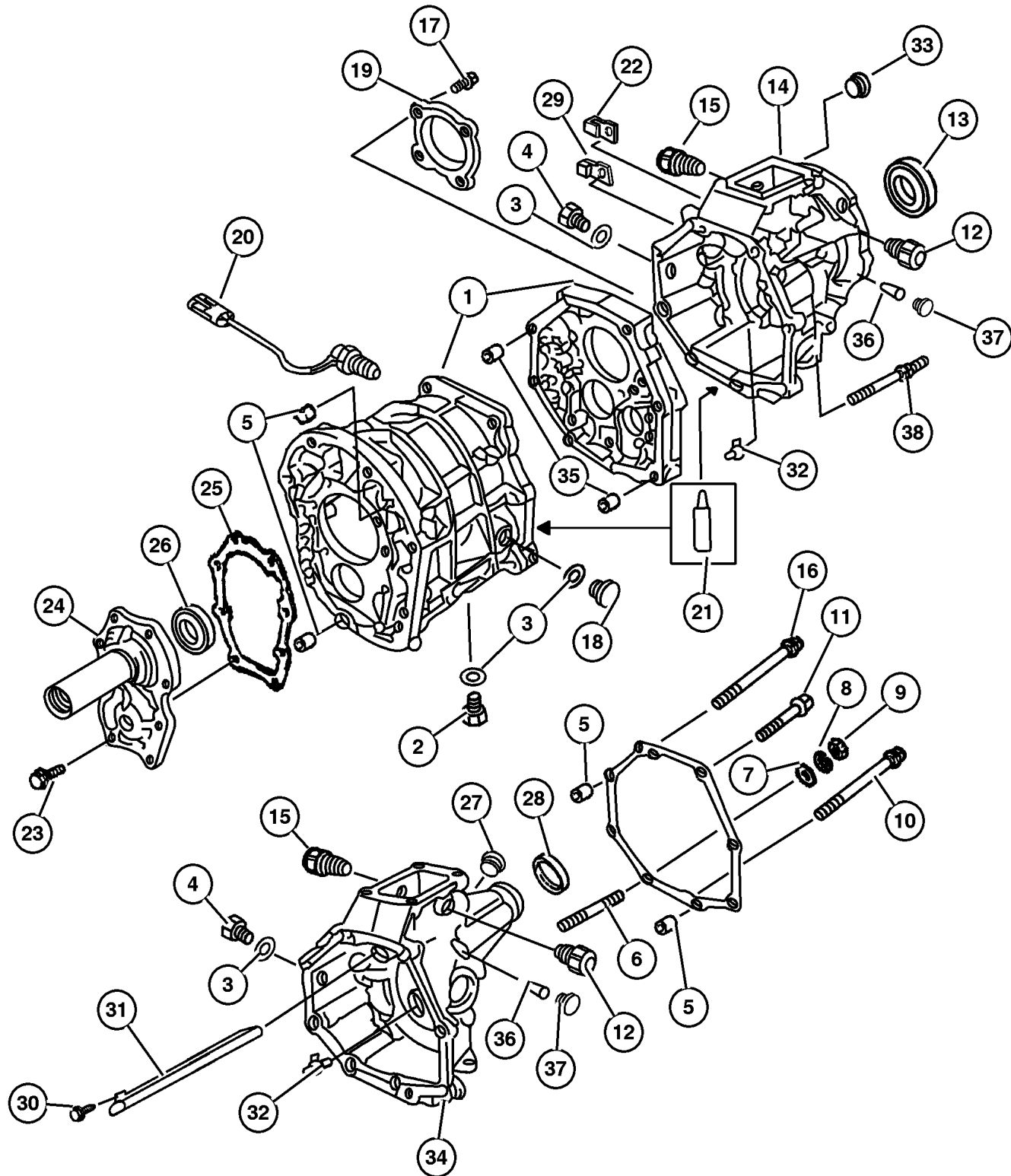
**JEEP CHEROKEE (XJ)**

SERIES	LINE	BODY	ENGINE	TRANSMISSION
L=Low Line	J=LHD (4WD) U=RHD (4WD) T=LHD (2WD) B=RHD (2WD)	74=4 DR. (101.4 WB) 72=2 DR. (101.4 WB)	ENC,EN0=2.5L 4 cyl. Turbo Die ERH,ER0=4.0L Power Tech I-6 EPE,EP0=Magnum 2.5L SMPI	DDQ=5Spd Man. DGS=4 Spd. Auto. AISIN DG0=All Auto Trans DBB=All Manual Trans.

AR = Use as required - = Non illustrated part # = New this model year

July 4, 2003

Case and Extension AX5 (DDQ)  
Figure AX-210



ITEM	PART NUMBER	QTY	LINE	SERIES	BODY	ENGINE	TRANS	TRIM	DESCRIPTION
Notes:									
DDQ = 5 Speed Manual Transmission									
EP0 = All 2.5L Gas Engines									
1									CASE, Transmission
	4897 581AA	1	B, T			EP0	DDQ		1999 XJ
		1	J, U			EP0	DDQ		1999 XJ
	5252 034	1	J, U			ER0	DDQ		1999 XJ
		1	B, T			ER0	DDQ		1999 XJ
		1	J, U			ENC	DDQ		1999 XJ
	8350 6016	1	J, U			EP0	DDQ		52107747, 1997 XJ
		1	B, T			EP0	DDQ		52107746, 1997 XJ
		1	B, T			EP0	DDQ		52104546, 1997 XJ, 1998 XJ
		1	J, U			EP0	DDQ		52104547, 1997 XJ, 1998 XJ
2									PLUG, Differential Drain
	4543 303	1	B, T			EP0	DDQ		52104546
		1	J, U			EP0	DDQ		52104547
		1	B, T			EP0	DDQ		52107746, 1997 XJ
		1	J, U			EP0	DDQ		52107747, 1997 XJ
3									GASKET, Drain Plug
	8350 0513	2	B, T			EP0	DDQ		52104546
		3	B, T			EP0	DDQ		52107746, 1997 XJ
		3	J, U			EP0	DDQ		52107747, 1997 XJ
		3	J, U			EP0	DDQ		52104547, 1997 XJ, 1999 XJ
		2	J, U			EP0	DDQ		52104547, 1998 XJ
4									BOLT
	8350 3548	1	B, T			EP0	DDQ		52104546
		1	J, U			EP0	DDQ		52104547
		1	B, T			EP0	DDQ		52107746, 1997 XJ
		1	J, U			EP0	DDQ		52107747, 1997 XJ
5									PIN, Locating
	8350 0504	4	B, T			EP0	DDQ		52104546
		4	J, U			EP0	DDQ		52104547
		4	B, T			EP0	DDQ		52107746, 1997 XJ
		4	J, U			EP0	DDQ		52107747, 1997 XJ
6									STUD, Double Ended, M10x1.25x98
	8350 0618	1	B, T			EP0	DDQ		52104546
		1	J, U			EP0	DDQ		52104547
		1	B, T			EP0	DDQ		52107746, 1997 XJ
		1	J, U			EP0	DDQ		52107747, 1997 XJ
7									WASHER, Flat
	8350 0627	1	B, T			EP0	DDQ		52104546
		1	J, U			EP0	DDQ		52104547

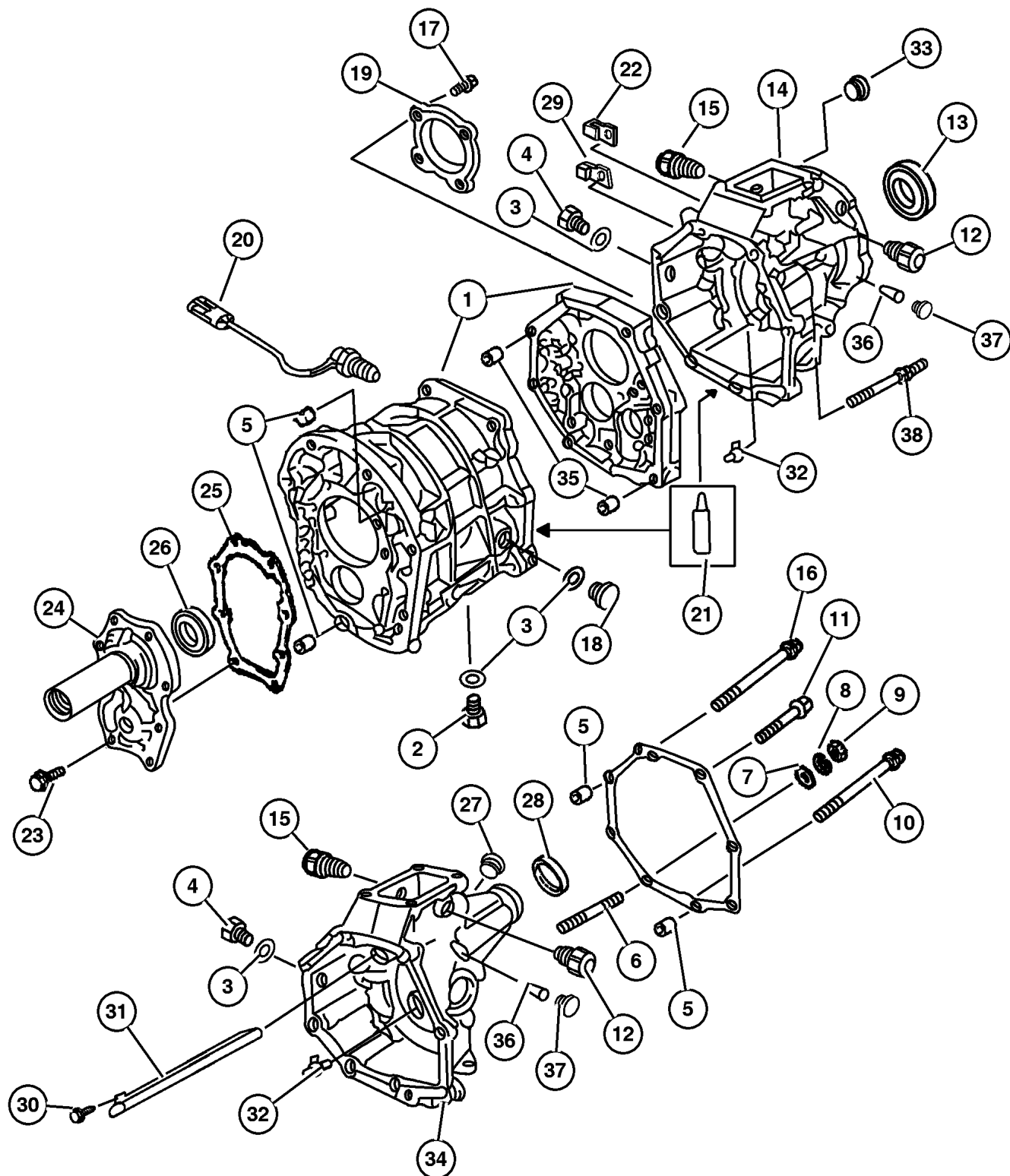
JEEP CHEROKEE (XJ)

SERIES	LINE	BODY	ENGINE	TRANSMISSION
L=Low Line	J=LHD (4WD) U=RHD (4WD) T=LHD (2WD) B=RHD (2WD)	74=4 DR. (101.4 WB) 72=2 DR. (101.4 WB)	ENC,EN0=2.5L 4 cyl. Turbo Die ERH,ER0=4.0L Power Tech I-6 EPE,EP0=Magnum 2.5L SMPI	DDQ=5Spd Man. DGS=4 Spd. Auto. AISIN DG0=All Auto Trans DBB=All Manual Trans.

AR = Use as required - = Non illustrated part # = New this model year

July 4, 2003

Case and Extension AX5 (DDQ)  
Figure AX-210



ITEM	PART NUMBER	QTY	LINE	SERIES	BODY	ENGINE	TRANS	TRIM	DESCRIPTION
		1	B, T			EP0	DDQ		52107746, 1997 XJ
		1	J, U			EP0	DDQ		52107747, 1997 XJ
8	8350 0523	1	B, T			EP0	DDQ		WASHER, Lock 52107746, 1997 XJ
		1	J, U			EP0	DDQ		52107747, 1997 XJ
	8350 0626	1	B, T			EP0	DDQ		1998 XJ, 1999 XJ
		1	J, U			EP0	DDQ		1998 XJ, 1999 XJ
9	8350 0625	1	B, T			EP0	DDQ		NUT, Transmission Case 52104546
		1	J, U			EP0	DDQ		52104547
		1	B, T			EP0	DDQ		52107746, 1997 XJ
		1	J, U			EP0	DDQ		52107747, 1997 XJ
10									BOLT
	8350 3547	1	B, T			EP0	DDQ		52104546
		1	J, U			EP0	DDQ		52104547
		1	B, T			EP0	DDQ		52107746, 1997 XJ
		1	J, U			EP0	DDQ		52107747, 1997 XJ
11									BOLT
	8350 3549	6	J, U			EN0	DDQ		1997 XJ
		4	J, U			EP0	DDQ		1998 XJ
		5	B, T			EP0	DDQ		1998 XJ, 1999 XJ
		5	J, U			EP0	DDQ		1999 XJ
12	8350 0516	1	B, T			EP0	DDQ		PIN, Reverse Restrict 52104546
		1	J, U			EP0	DDQ		52104547
		1	B, T			EP0	DDQ		52107746, 1997 XJ
		1	J, U			EP0	DDQ		52107747, 1997 XJ
13	8350 3108	1	J, U			EP0	DDQ		SEAL, Adapter 52104547
		1	J			EP0	DDQ		52107747, 1997 XJ
14	8350 6037	1	J, U			EP0	DDQ		ADAPTER, Transmission
15	8350 0515	1	B, T			EP0	DDQ		PIN, Reverse 52104546
		1	J, U			EP0	DDQ		52104547
		1	B, T			EP0	DDQ		52107746, 1997 XJ
		1	J, U			EP0	DDQ		52107747, 1997 XJ
16									BOLT
	8350 3547	1	B, T			EP0	DDQ		1999 XJ
		1	J, U			EP0	DDQ		1999 XJ
	8350 3549	5	B, T			EP0	DDQ		52107746, 1997 XJ
		5	J, U			EP0	DDQ		52107747, 1997 XJ
		5	J, U			EP0	DDQ		52104547, 1997 XJ

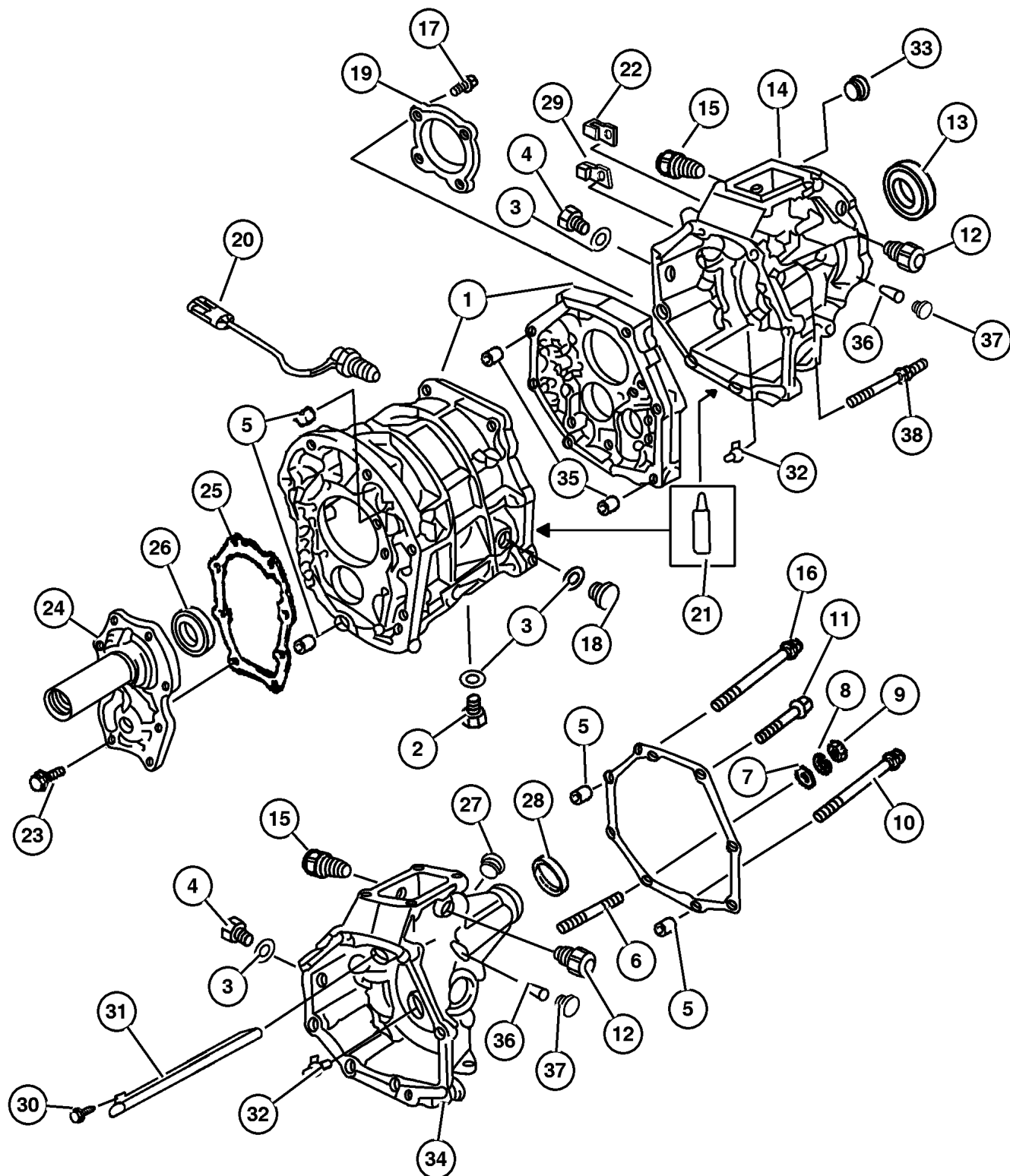
JEEP CHEROKEE (XJ)

SERIES	LINE	BODY	ENGINE	TRANSMISSION
L=Low Line	J=LHD (4WD) U=RHD (4WD) T=LHD (2WD) B=RHD (2WD)	74=4 DR. (101.4 WB) 72=2 DR. (101.4 WB)	ENC,EN0=2.5L 4 cyl. Turbo Die ERH,ER0=4.0L Power Tech I-6 EPE,EP0=Magnum 2.5L SMPI	DDQ=5Spd Man. DGS=4 Spd. Auto. AISIN DG0=All Auto Trans DBB=All Manual Trans.

AR = Use as required - = Non illustrated part # = New this model year

July 4, 2003

Case and Extension AX5 (DDQ)  
Figure AX-210



ITEM	PART NUMBER	QTY	LINE	SERIES	BODY	ENGINE	TRANS	TRIM	DESCRIPTION
		5	B, T			EP0	DDQ		52104546, 1997 XJ, 1998 XJ
17									SCREW, Manual Transmission
	8350 0511	4	B, T			EP0	DDQ		52104546
		4	J, U			EP0	DDQ		52104547
		4	B, T			EP0	DDQ		52107746, 1997 XJ
		4	J, U			EP0	DDQ		52107747, 1997 XJ
18									PLUG, Oil Fill
	8350 0623	1	B, T			EP0	DDQ		52104546
		1	J, U			EP0	DDQ		52104547
		1	B, T			EP0	DDQ		52107746, 1997 XJ
		1	J, U			EP0	DDQ		52107747, 1997 XJ
19									RETAINER, Bearing
	8350 6034	1	B, T			EP0	DDQ		52104546
		1	J, U			EP0	DDQ		52104547
		1	B, T			EP0	DDQ		52107746, 1997 XJ
		1	J, U			EP0	DDQ		52107747, 1997 XJ
20									SWITCH, Back Up Lamp
	8350 0629	1	B, T			EP0	DDQ		52104546
		1	J, U			EP0	DDQ		52104547
		1	B, T			EP0	DDQ		52107746, 1997 XJ
		1	J, U			EP0	DDQ		52107747, 1997 XJ
21									SEALANT, RTV
	4318 025	1	B, T			EP0	DDQ		1997 XJ
		1	B, T			EP0	DDQ		52104546, 1998 XJ
	5010 884AA	1	B, T			EP0	DDQ		1999 XJ
		1	J, U			EP0	DDQ		1999 XJ
22									CLAMP, Transmission
	8350 3551	1	B, T			EP0	DDQ		52104546
		1	J, U			EP0	DDQ		52104547
		1	B, T			EP0	DDQ		52107746, 1997 XJ
		1	J, U			EP0	DDQ		52107747, 1997 XJ
23									SCREW, Hex Head, M8x1.25x25
	3420 1818	8	B, T			EP0	DDQ		52104546
		8	J, U			EP0	DDQ		52104547
		8	B, T			EP0	DDQ		52107746, 1997 XJ
		8	J, U			EP0	DDQ		52107747, 1997 XJ
24									RETAINER, Bearing
	4746 025	1	J, U			EP0	DDQ		52104547
		1	J, U			EP0	DDQ		52107747, 1997 XJ
	8350 6034	1	B, T			EP0	DDQ		52104546
		1	B, T			EP0	DDQ		52107746, 1997 XJ
25									GASKET, Input Gear Retainer

JEEP CHEROKEE (XJ)

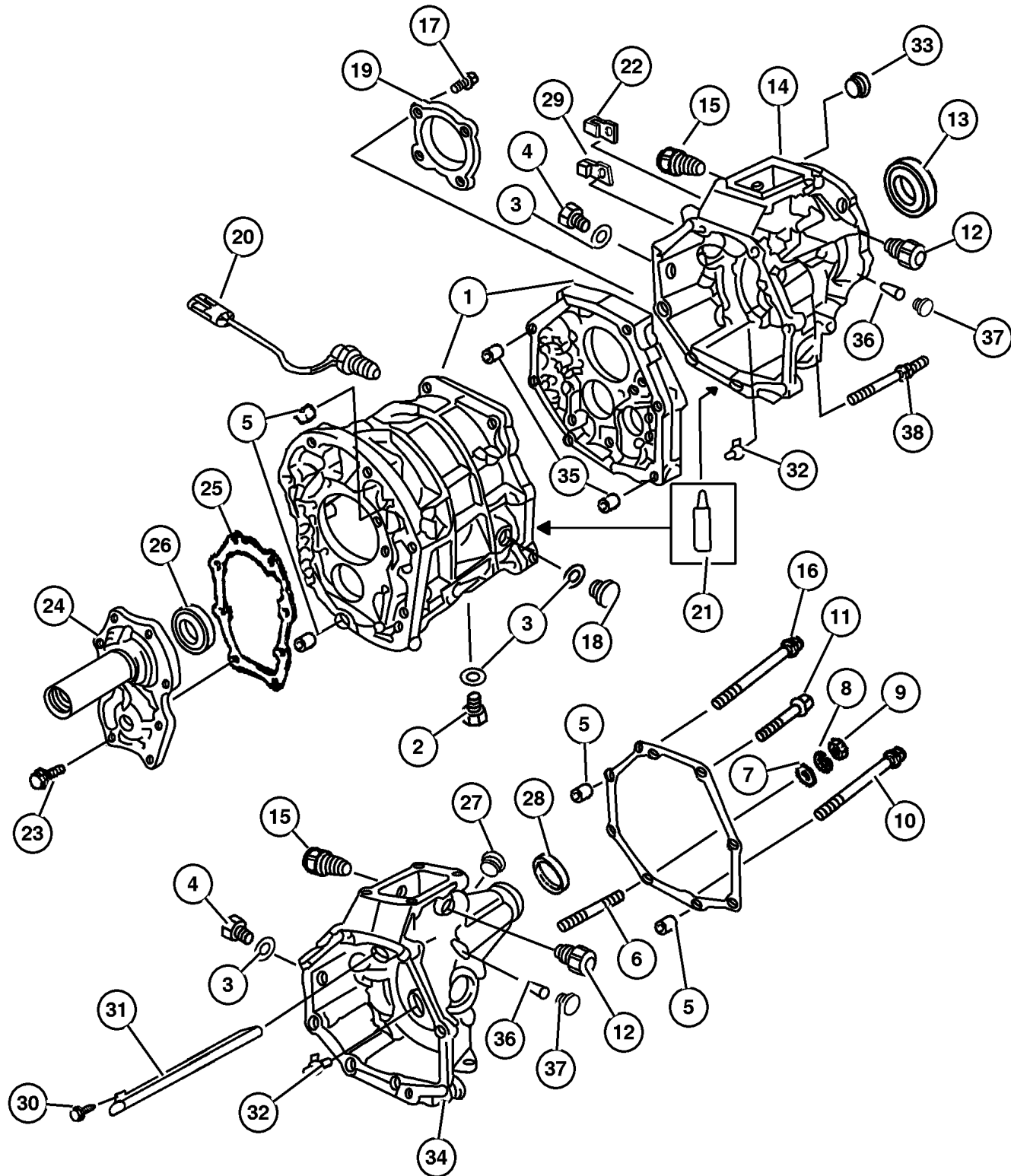
SERIES	LINE	BODY	ENGINE	TRANSMISSION
L=Low Line	J=LHD (4WD) U=RHD (4WD) T=LHD (2WD) B=RHD (2WD)	74=4 DR. (101.4 WB) 72=2 DR. (101.4 WB)	ENC,EN0=2.5L 4 cyl. Turbo Die ERH,ER0=4.0L Power Tech I-6 EPE,EP0=Magnum 2.5L SMPI	DDQ=5Spd Man. DGS=4 Spd. Auto. AISIN DG0=All Auto Trans DBB=All Manual Trans.

AR = Use as required - = Non illustrated part # = New this model year

July 4, 2003



Case and Extension AX5 (DDQ)  
Figure AX-210



ITEM	PART NUMBER	QTY	LINE	SERIES	BODY	ENGINE	TRANS	TRIM	DESCRIPTION
	8350 0505	1	B, T			EP0	DDQ		52104546
		1	J, U			EP0	DDQ		52104547
		1	B, T			EP0	DDQ		52107746, 1997 XJ
		1	J, U			EP0	DDQ		52107747, 1997 XJ
26									SEAL, Main Shaft
	8350 6045	1	B, T			EP0	DDQ		52104546
		1	J, U			EP0	DDQ		52104547
		1	B, T			EP0	DDQ		52107746, 1997 XJ
		1	J, U			EP0	DDQ		52107747, 1997 XJ
27									PLUG, Extension Housing
	8350 2124	1	B, T			EP0	DDQ		52104546
		1	B, T			EP0	DDQ		52107746, 1997 XJ
28									SEAL, Extension
	8350 2118	1	B, T			EP0	DDQ		52104546
		1	B, T			EP0	DDQ		52107746, 1997 XJ
29									CLAMP, Transmission
	8350 0631	1	B, T			EP0	DDQ		52104546
		1	J, U			EP0	DDQ		52104547
		1	J, U			EP0	DDQ		52107747, 1997 XJ
		1	B, T			EP0	DDQ		52107746, 1997 XJ
30									BOLT, Oil Receiver Pipe
	8350 2126	1	B, T			ER0	DDQ		1997 XJ
		1	B, T			EP0	DDQ		1998 XJ, 1999 XJ
31	8350 2122	1	B, T			EP0	DDQ		PIPE, Oil Receiver
32									PIPE, Oil Receiver
	8350 0646	1	B, T			EP0	DDQ		1997 XJ
		1	J			ER0	DDQ		1997 XJ
		1	J, U			EN0	DDQ		1997 XJ
		1	J, U			EP0	DDQ		1998 XJ, 1999 XJ
33									CAP, Detent
	8350 3109	AR	J, U			EP0	DDQ		52107747, 1997 XJ
		AR	B, T			EP0	DDQ		52107746, 1997 XJ
		AR	B, T			EP0	DDQ		52104546, 1997 XJ, 1998 XJ
		AR	J, U			EP0	DDQ		1999 XJ
34	8350 6013	1	B, T			EP0	DDQ		HOUSING, Transmission Rear Extension
35									PIN, Locating
	5003 663AA	2	B, T			EP0	DDQ		
		2	J, U			EP0	DDQ		
		4	B, T			ER0	DDQ		1997 XJ
		4	J, U			ER0	DDQ		1997 XJ
		4	J, U			EN0	DDQ		1997 XJ
36									PIN, Shift Shaft

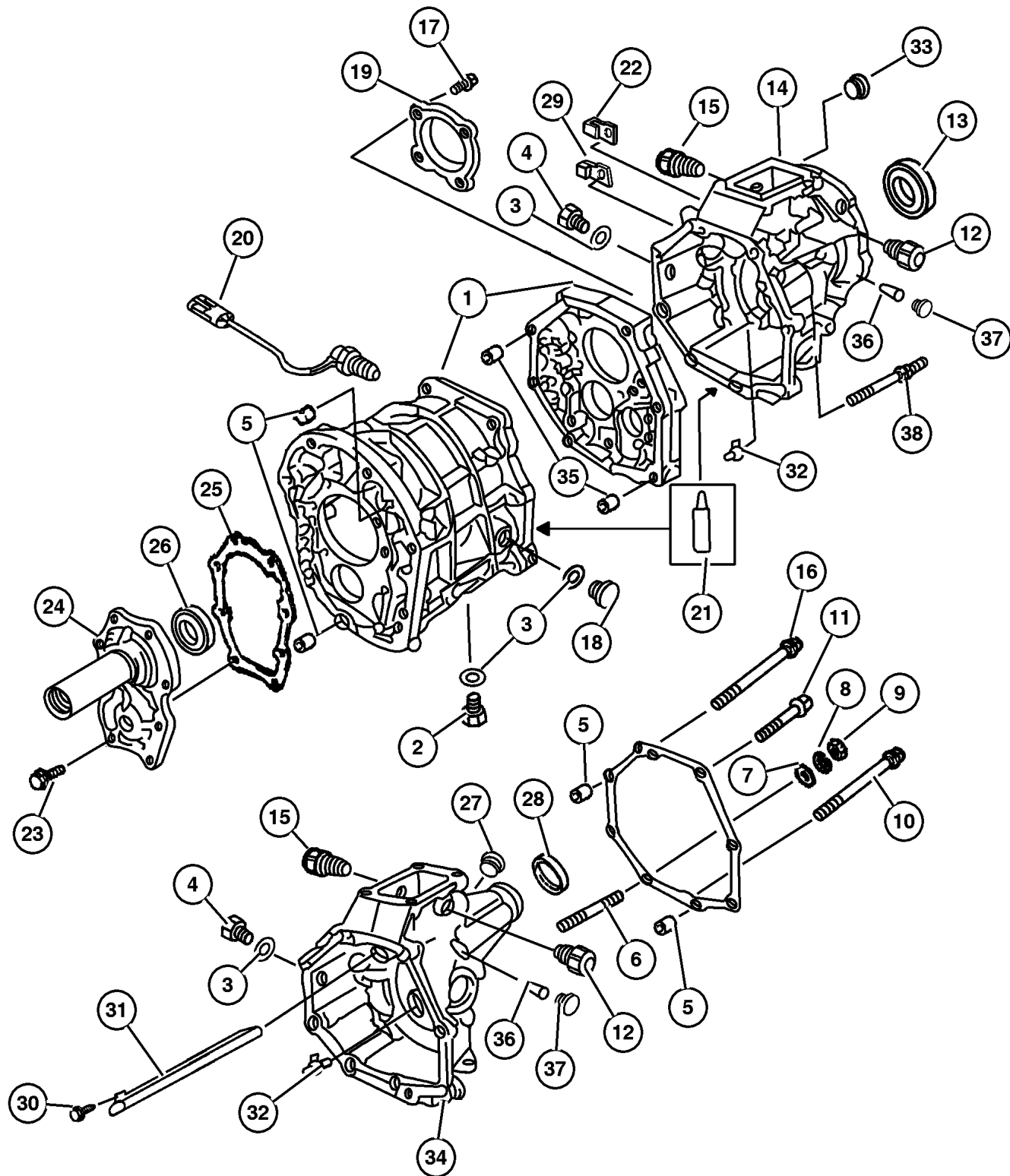
JEEP CHEROKEE (XJ)

SERIES	LINE	BODY	ENGINE	TRANSMISSION
L=Low Line	J=LHD (4WD) U=RHD (4WD) T=LHD (2WD) B=RHD (2WD)	74=4 DR. (101.4 WB) 72=2 DR. (101.4 WB)	ENC,EN0=2.5L 4 cyl. Turbo Die ERH,ER0=4.0L Power Tech I-6 EPE,EP0=Magnum 2.5L SMPI	DDQ=5Spd Man. DGS=4 Spd. Auto. AISIN DG0=All Auto Trans DBB=All Manual Trans.

AR = Use as required - = Non illustrated part # = New this model year

July 4, 2003

Case and Extension AX5 (DDQ)  
Figure AX-210



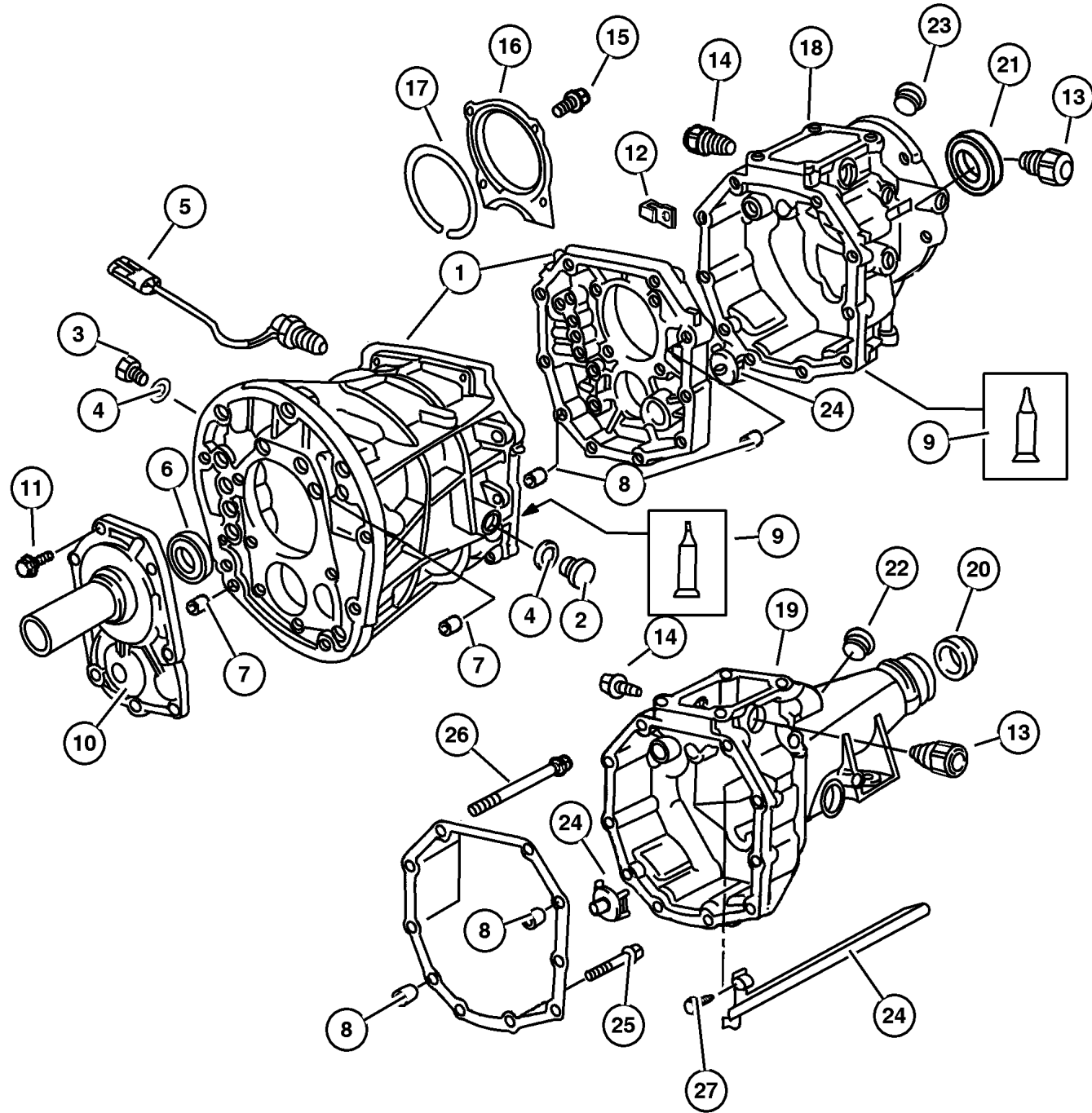
ITEM	PART NUMBER	QTY	LINE	SERIES	BODY	ENGINE	TRANS	TRIM	DESCRIPTION
	8350 0540	3	B, T			ER0	DDQ		1997 XJ
		3	J, U			EN0	DDQ		1997 XJ
		2	J, U			ER0	DDQ		1997 XJ
		2	B, T			EP0	DDQ		1998 XJ
		2	J, U			EP0	DDQ		1998 XJ
		3	B, T			EP0	DDQ		1999 XJ
		3	J, U			EP0	DDQ		1999 XJ
37									PLUG, Transmission
	8350 0524	AR	B, T			ER0			1997 XJ
		AR	J, U			EN0			1997 XJ
		AR	J, U			ER0			1997 XJ
		AR	B, T			ER0	DDQ		1997 XJ
		AR	J, U			EN0	DDQ		1997 XJ
		AR	J, U			ER0	DDQ		1997 XJ
		AR	B, T			EP0	DDQ		1998 XJ
		AR	J, U			EP0	DDQ		1998 XJ
		11	B, T			EP0	DDQ		1999 XJ
		11	J, U			EP0	DDQ		1999 XJ
38									STUD, Hex Shoulder, M10x1.25x105
	8350 0972	1	J, U			ER0	DDQ		1997 XJ
		1	J, U			EP0	DDQ		1998 XJ, 1999 XJ

JEEP CHEROKEE (XJ)  
 SERIES LINE BODY ENGINE TRANSMISSION  
 L=Low Line J=LHD (4WD) 74=4 DR. (101.4 WB) ENC,EN0=2.5L 4 cyl. Turbo Die DDQ=5Spd Man.  
 U=RHD (4WD) 72=2 DR. (101.4 WB) ERH,ER0=4.0L Power Tech I-6 DGS=4 Spd. Auto. AISIN  
 T=LHD (2WD) EPE,EP0=Magnum 2.5L SMPI DG0=All Auto Trans  
 B=RHD (2WD) DBB=All Manual Trans.

AR = Use as required - = Non illustrated part # = New this model year

July 4, 2003

**Case and Related Parts AX 15 (DDQ)  
Figure AX-215**



ITEM	PART NUMBER	QTY	LINE	SERIES	BODY	ENGINE	TRANS	TRIM	DESCRIPTION
------	-------------	-----	------	--------	------	--------	-------	------	-------------

Notes:

DGS = Aisin Warner 4 Speed Automatic Transmission

DDQ = 5 Speed Manual Transmission

ER0 = All 4.0L 6 Cylinder Gas Engines

ENC = 2.5L 4 Cylinder Turbo Diesel Engine

1	5252 034	1	J, U			ER0	DDQ		CASE, Transmission
			B, T			ER0	DDQ		52108047AB
			B, T			ER0	DDQ		52108048AB
			J, U			EN0	DDQ		52107749, 1997 XJ
			J, U			ER0	DDQ		52107752, 1997 XJ
2	8350 0623	1	J, U			ER0	DDQ		52108047AB
			B, T			ER0	DDQ		52108048AB
			J, U			EN0	DDQ		52107752, 1997 XJ
			J, U			ER0	DDQ		52108047, 1997 XJ
			J, U			EN0	DDQ		52108121AB, 1997 XJ
3	4543 303	1	J, U			ENC	DDQ		52108121AB, 1998 XJ, 1999 XJ
			B, T			ER0	DDQ		52107749, 1997 XJ
			J, U			EN0	DDQ		52107752, 1997 XJ
			J, U			EP0	DDQ		52107747, 1997 XJ
			J, U			EN0	DDQ		52108121AB, 1997 XJ
4	8350 0512	1	J, U			ER0	DDQ		52108047AB, 1997 XJ, 1998 XJ
			B, T			ER0	DDQ		52108048AB, 1997 XJ, 1998 XJ
			J, U			ENC	DDQ		52108121AB, 1998 XJ
			J, U			ER0	DDQ		1999 XJ
			B, T			ER0	DDQ		1999 XJ
5	8350 0513	2	J, U			ER0	DDQ		GASKET, Drain Plug
			J, U			ER0	DDQ		1997 XJ
			B, T			ER0	DDQ		52108047AB
			J, U			ER0	DDQ		52107749, 1997 XJ
			J, U			EN0	DDQ		52107752, 1997 XJ
			J, U			EN0	DDQ		52108121AB, 1997 XJ
6	8350 0629	1	J, U			ER0	DDQ		52108048AB, 1997 XJ, 1998 XJ
			B, T			ER0	DDQ		52108047AB
			B, T			ER0	DDQ		52107749, 1997 XJ
			J, U			EN0	DDQ		52107752, 1997 XJ
			J, U			ER0	DDQ		52108047, 1997 XJ

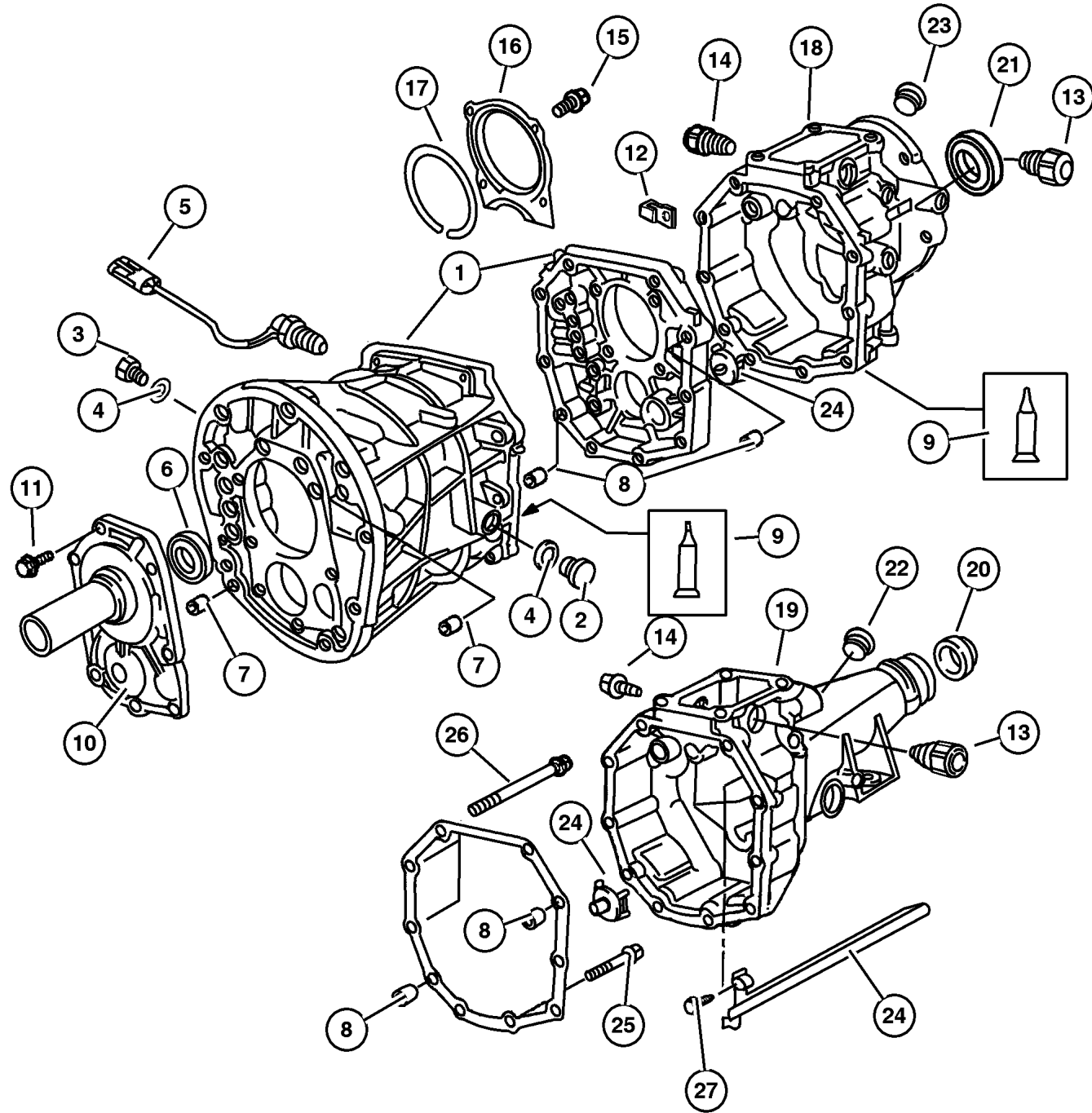
JEEP CHEROKEE (XJ)

SERIES	LINE	BODY	ENGINE	TRANSMISSION
L=Low Line	J=LHD (4WD) U=RHD (4WD) T=LHD (2WD) B=RHD (2WD)	74=4 DR. (101.4 WB) 72=2 DR. (101.4 WB)	ENC,EN0=2.5L 4 cyl. Turbo Die ERH,ER0=4.0L Power Tech I-6 EPE,EP0=Magnum 2.5L SMPI	DDQ=5Spd Man. DGS=4 Spd. Auto. AISIN DG0=All Auto Trans DBB=All Manual Trans.

AR = Use as required - = Non illustrated part # = New this model year

July 4, 2003

Case and Related Parts AX 15 (DDQ)  
Figure AX-215



ITEM	PART NUMBER	QTY	LINE	SERIES	BODY	ENGINE	TRANS	TRIM	DESCRIPTION
		1	J, U			EN0	DDQ		52108121AB, 1997 XJ
6	5252 053	1	J, U			ER0	DDQ		SEAL, Front Retainer
		1	B, T			ER0	DDQ		52108047AB
		1	B, T			ER0	DDQ		52108048AB
		1	B, T			ER0	DDQ		52107749, 1997 XJ
		1	J, U			EN0	DDQ		52107752, 1997 XJ
		1	J, U			ER0	DDQ		52108047, 1997 XJ
		1	J, U			EN0	DDQ		52108121AB, 1997 XJ
7									PIN, Shift Shaft
	8350 0540	3	B, T			ER0	DDQ		52107749, 1997 XJ
		3	J, U			EN0	DDQ		52107752, 1997 XJ
		1	J, U			ER0	DDQ		52108047, 1997 XJ
		AR	B, T			ER0			52108048AB, 1998 XJ
		AR	J, U			ENC			52108121AB, 1998 XJ
		AR	J, U			ER0	DDQ		52108047AB, 1998 XJ
		3	J, U			ER0	DDQ		1999 XJ
		3	B, T			ER0	DDQ		1999 XJ
8									PIN, Locating
	5003 663AA	4	J, U			ER0	DDQ		1999 XJ
		4	B, T			ER0	DDQ		1999 XJ
	8350 0504	2	J			ER0	DDQ		52108047, 1997 XJ
		2	B, T			ER0	DDQ		52107749, 1997 XJ
		2	J, U			EN0	DDQ		52107752, 1997 XJ
		2	J, U			EN0	DDQ		52108121AB, 1997 XJ
		2	B, T			ER0			52108048AB, 1997 XJ, 1998 XJ
		2	J, U			ER0	DDQ		52108047AB, 1997 XJ, 1998 XJ
9									SEALANT, RTV
	5010 428AA	1	B, T			ER0	DGS		52104180AB, 1998 XJ
		1	J, U			ER0	DGS		52104210AB, 1998 XJ
	5010 884AA	1	B, T			ER0	DDQ		1999 XJ
		1	J, U			ER0	DDQ		1999 XJ
	8350 4038	1	B			ER0	DGS		1997 XJ
10									RETAINER, Bearing
	4636 382	1	J, U			ER0	DDQ		With Transmission (05108047), 1997 XJ
		1	J, U			ER0	DDQ		With Transmission (52108047AB), 1997 XJ
		1	B, T			ER0	DDQ		With Transmission (52108048AB), 1997 XJ
		1	J, U			EN0	DDQ		With Transmission (52108121AB), 1997 XJ
		1	J, U			ER0	DDQ		52108047AB, 1998 XJ, 1999 XJ

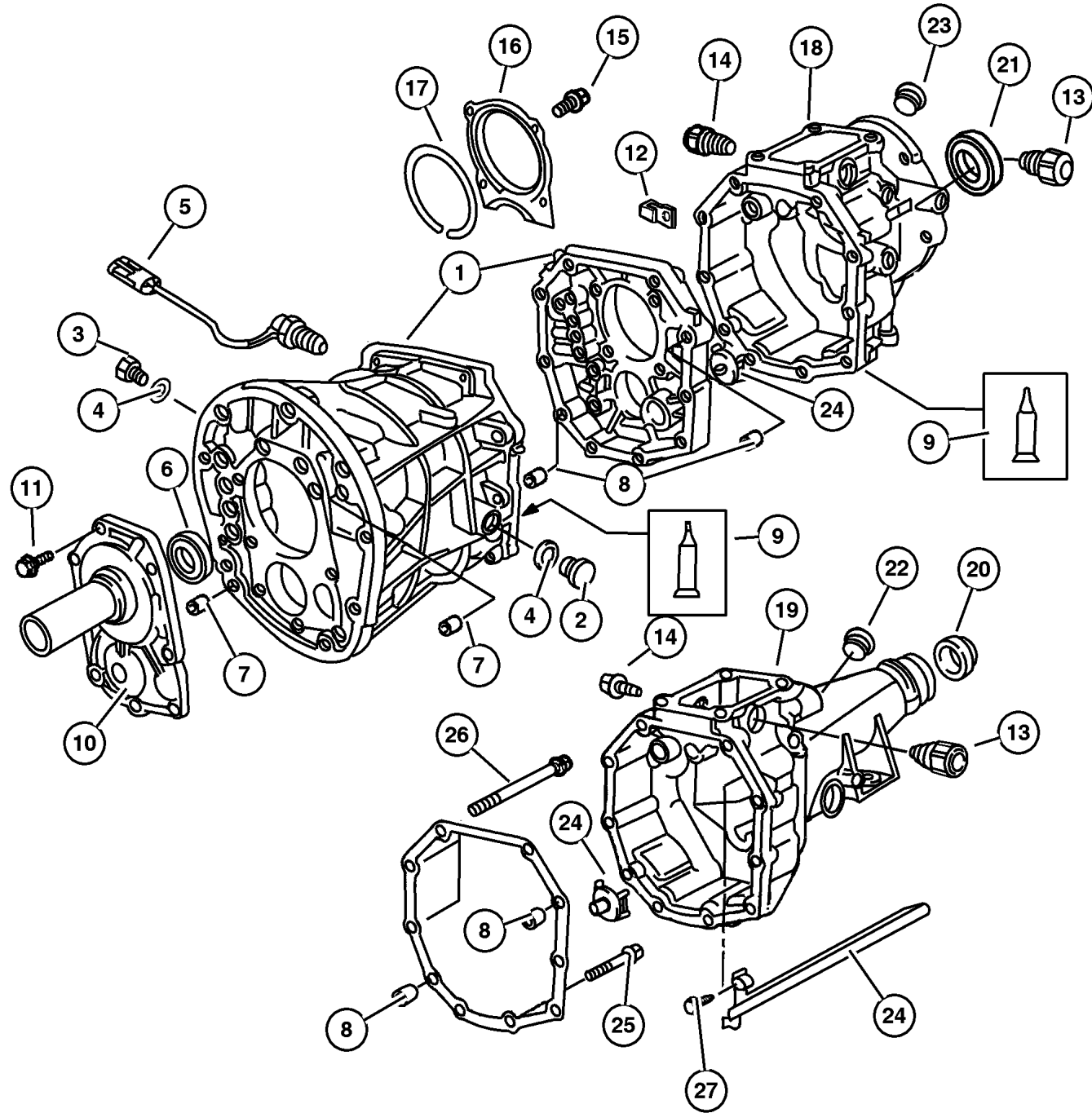
JEEP CHEROKEE (XJ)

SERIES	LINE	BODY	ENGINE	TRANSMISSION
L=Low Line	J=LHD (4WD) U=RHD (4WD) T=LHD (2WD) B=RHD (2WD)	74=4 DR. (101.4 WB) 72=2 DR. (101.4 WB)	ENC,EN0=2.5L 4 cyl. Turbo Die ERH,ER0=4.0L Power Tech I-6 EPE,EP0=Magnum 2.5L SMPI	DDQ=5Spd Man. DGS=4 Spd. Auto. AISIN DG0=All Auto Trans DBB=All Manual Trans.

AR = Use as required - = Non illustrated part # = New this model year

July 4, 2003

Case and Related Parts AX 15 (DDQ)  
Figure AX-215



ITEM	PART NUMBER	QTY	LINE	SERIES	BODY	ENGINE	TRANS	TRIM	DESCRIPTION
		1	B, T			ER0	DDQ		52108048AB, 1998 XJ, 1999 XJ
	5252 036	1	B, T			ER0	DDQ		52107749, 1997 XJ
		1	J, U			EN0	DDQ		52107752, 1997 XJ
		1	J, U			ER0	DDQ		52108047, 1997 XJ
		1	J, U			ER0	DDQ		52108047AB, 1997 XJ
		1	B, T			ER0	DDQ		52108048AB, 1997 XJ
		1	J, U			EN0	DDQ		52108121AB, 1997 XJ
11									SCREW, Hex Head, M8x1.25x25
	3420 1818	8	J, U			EN0			52107752, 1997 XJ
		8	B, T			ER0			52107749, 1997 XJ
		8	B, T			ER0			52108048AB, 1997 XJ
		1	J, U			ER0	DDQ		52108047, 1997 XJ
		8	J, U			ER0	DDQ		52108047AB, 1997 XJ
		8	J, U			EN0	DDQ		52108121AB, 1997 XJ
		AR	B, T			ER0			52108048AB, 1998 XJ
		AR	J, U			ENC			52108121AB, 1998 XJ
		AR	J, U			ER0	DDQ		52108047AB, 1998 XJ
		8	B, T			EP0	DDQ		1999 XJ
		8	J, U			EP0	DDQ		1999 XJ
12	8350 0631	1	J, U			ER0	DDQ		CLAMP, Transmission
13									PIN, Reverse Restrict
	8350 0516	1	J, U			ER0	DDQ		52108047AB
		1	B, T			ER0	DDQ		52108048AB
		1	B, T			ER0	DDQ		52107749, 1997 XJ
		1	J, U			ER0	DDQ		52108047, 1997 XJ
		1	J, U			EN0	DDQ		52108121AB, 1997 XJ
14									PIN, Reverse
	5252 039	1	J, U			ER0	DDQ		52108047AB
		1	B, T			ER0	DDQ		52108048AB
		1	B, T			ER0	DDQ		52107749, 1997 XJ
		1	J, U			EN0	DDQ		52107752, 1997 XJ
		1	J, U			ER0	DDQ		52108047, 1997 XJ
		1	J, U			EN0	DDQ		52108121AB, 1997 XJ
15									BOLT AND LOCK WASHER, Hex
									Head, M8x1.25x20
	8350 0615	6	J, U			ER0	DDQ		1999 XJ
		6	B, T			ER0	DDQ		1999 XJ
	8350 2124	1	B, T			ER0	DDQ		52107749, 1997 XJ
		1	B, T			ER0	DDQ		52108048AB, 1997 XJ, 1998 XJ
16									RETAINER, Output Shaft Rear
									Bearing
	5252 036	1	J, U			ER0	DDQ		52108047AB

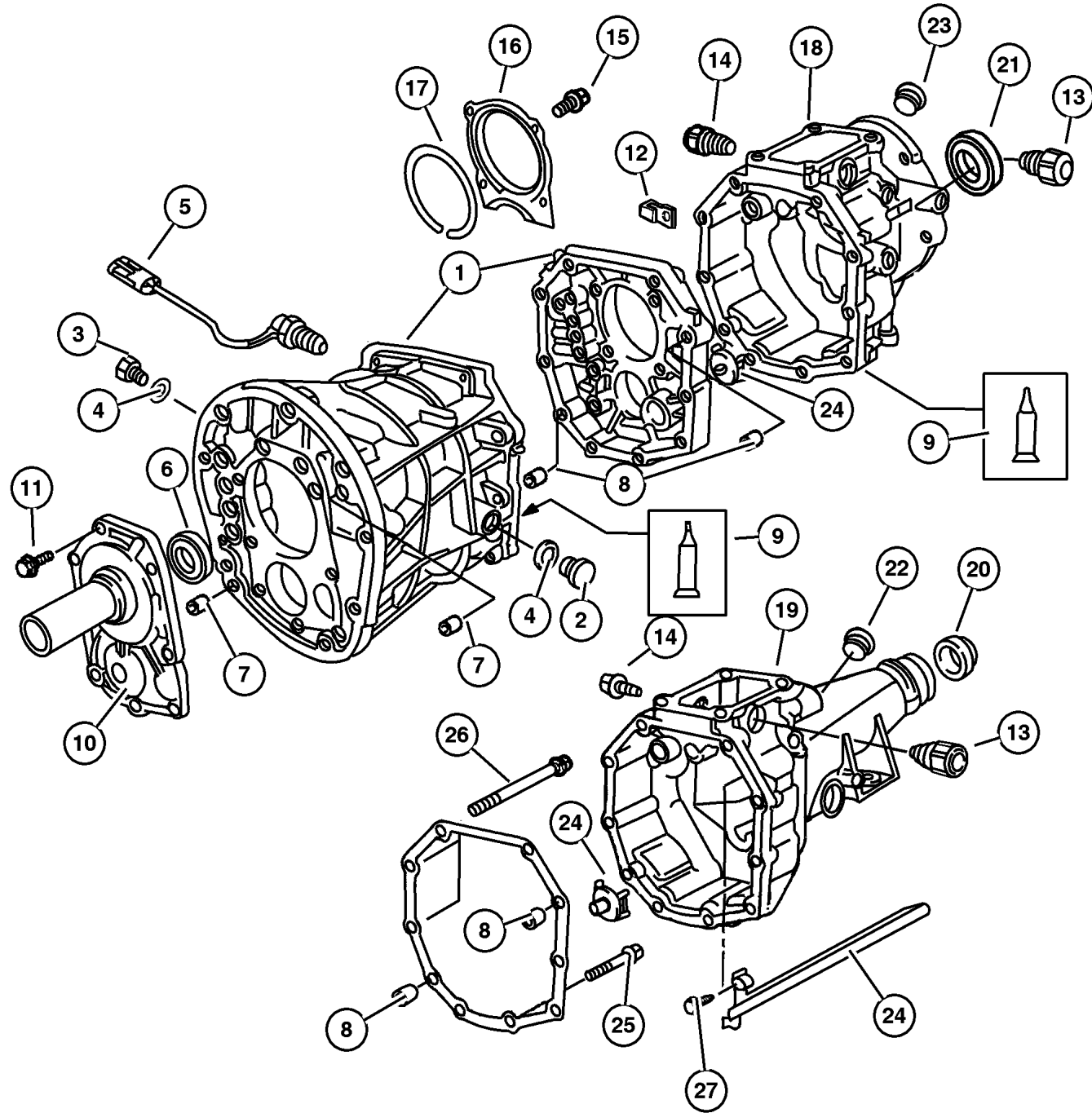
JEEP CHEROKEE (XJ)

SERIES	LINE	BODY	ENGINE	TRANSMISSION
L=Low Line	J=LHD (4WD) U=RHD (4WD) T=LHD (2WD) B=RHD (2WD)	74=4 DR. (101.4 WB) 72=2 DR. (101.4 WB)	ENC,EN0=2.5L 4 cyl. Turbo Die ERH,ER0=4.0L Power Tech I-6 EPE,EP0=Magnum 2.5L SMPI	DDQ=5Spd Man. DGS=4 Spd. Auto. AISIN DG0=All Auto Trans DBB=All Manual Trans.

AR = Use as required - = Non illustrated part # = New this model year

July 4, 2003

Case and Related Parts AX 15 (DDQ)  
Figure AX-215



ITEM	PART NUMBER	QTY	LINE	SERIES	BODY	ENGINE	TRANS	TRIM	DESCRIPTION
		1	B, T			ER0	DDQ		52108048AB
		1	B, T			ER0	DDQ		52107749, 1997 XJ
		1	J, U			EN0	DDQ		52107752, 1997 XJ
		1	J, U			ER0	DDQ		52108047, 1997 XJ
		1	J, U			EN0	DDQ		52108121AB, 1997 XJ
17									SNAP RING
	8350 6221	1	J, U			ER0	DDQ		52108047AB
		1	B, T			ER0	DDQ		52108048AB
		1	B, T			ER0	DDQ		52107749, 1997 XJ
		1	J, U			EN0	DDQ		52107752, 1997 XJ
		1	J, U			ER0	DDQ		52108047, 1997 XJ
		1	J, U			EN0	DDQ		52108121AB, 1997 XJ
18									ADAPTER, Transfer Case
	4636 372	1	J, U			ER0	DDQ		52108047AB
		1	J, U			EN0	DDQ		52107752, 1997 XJ
		1	J, U			ER0	DDQ		52108047, 1997 XJ
		1	J, U			EN0	DDQ		52108121AB, 1997 XJ
19									CASE, Transmission Rear
	8350 6225	1	B, T			ER0	DDQ		52108048AB
		1	B, T			ER0	DDQ		52107749, 1997 XJ
20									SEAL, Extension
	8350 2118	1	B, T			ER0	DDQ		52108048AB
		1	B, T			ER0	DDQ		52107749, 1997 XJ
21									SEAL, Adapter
	8350 3108	1	J, U			ER0	DDQ		52108047AB
		1	J, U			EN0	DDQ		52107752, 1997 XJ
		1	J, U			ER0	DDQ		52108047, 1997 XJ
		1	J, U			EN0	DDQ		52108121AB, 1997 XJ
22									PLUG, Extension Housing
	8350 2124	1	B, T			ER0	DDQ		52107749, 1997 XJ
		1	J, U			ER0	DDQ		52108047, 1997 XJ
		1	B, T			ER0	DDQ		52108048ab, 1997 XJ
		1	B, T			ER0	DDQ		52108047AB, 1998 XJ
		1	B, T			ER0	DDQ		1999 XJ
23									CAP, Detent
	8350 3109	AR	B, T			ER0	DDQ		52107749, 1997 XJ
		AR	J, U			EN0	DDQ		52107752, 1997 XJ
		AR	J, U			ER0	DDQ		52108047, 1997 XJ
		AR	J, U			ER0	DDQ		52108047AB, 1998 XJ
		AR	B, T			ER0	DDQ		52108048AB, 1998 XJ
		AR	J, U			ENC	DDQ		52108121AB, 1998 XJ
		AR	J, U			ER0			1999 XJ
24									PIPE, Oil Receiver

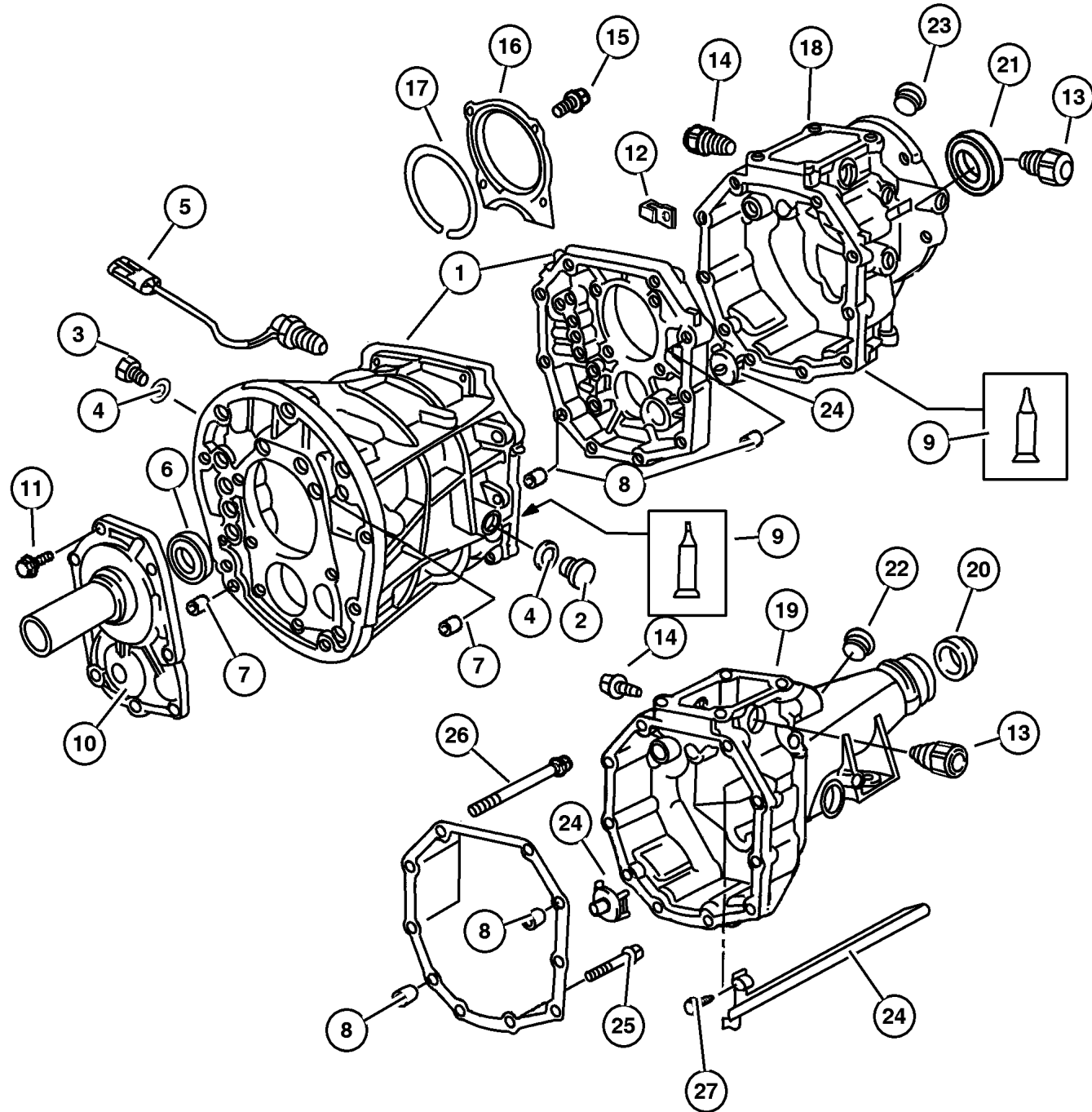
JEEP CHEROKEE (XJ)

SERIES	LINE	BODY	ENGINE	TRANSMISSION
L=Low Line	J=LHD (4WD) U=RHD (4WD) T=LHD (2WD) B=RHD (2WD)	74=4 DR. (101.4 WB) 72=2 DR. (101.4 WB)	ENC,EN0=2.5L 4 cyl. Turbo Die ERH,ER0=4.0L Power Tech I-6 EPE,EP0=Magnum 2.5L SMPI	DDQ=5Spd Man. DGS=4 Spd. Auto. AISIN DG0=All Auto Trans DBB=All Manual Trans.

AR = Use as required - = Non illustrated part # = New this model year

July 4, 2003

Case and Related Parts AX 15 (DDQ)  
Figure AX-215



ITEM	PART NUMBER	QTY	LINE	SERIES	BODY	ENGINE	TRANS	TRIM	DESCRIPTION
	8350 0646	1	B, T			ER0	DDQ		52107749, 1997 XJ
		1	J, U			EN0	DDQ		52107752, 1997 XJ
		1	J, U			ER0	DDQ		52108047, 1997 XJ
		1	J, U			ER0	DDQ		52108047ab, 1997 XJ
		1	B, T			ER0	DDQ		52108048ab, 1997 XJ
		1	J, U			EN0	DDQ		52108121ab, 1997 XJ
		1	J, U			ER0	DDQ		52108047AB, 1998 XJ
		1	B, T			ER0	DDQ		52108048AB, 1998 XJ
		1	J, U			ENC	DDQ		52108121AB, 1998 XJ
	8350 6226	1	J, U			ER0	DDQ		1999 XJ
25		1	B, T			ER0	DDQ		1999 XJ
	4746 274	8	J, U			ER0	DDQ		BOLT, Transmission Case 52108047AB
		8	B, T			ER0	DDQ		52107749, 1997 XJ
		8	J, U			EN0	DDQ		52107752, 1997 XJ
		8	J, U			ER0	DDQ		52108047, 1997 XJ
		8	J, U			EN0	DDQ		52108121AB, 1997 XJ
		8	B, T			ER0			52108048AB, 1997 XJ, 1998 XJ
		8	J, U			ENC			52108121AB, 1998 XJ
26									BOLT
	8350 3548	2	B, T			ER0	DDQ		52107749, 1997 XJ
		2	J, U			EN0	DDQ		52107752, 1997 XJ
		2	J, U			ER0	DDQ		52108047, 1997 XJ
		2	J, U			EN0	DDQ		52108121AB, 1997 XJ
		2	J, U			ER0	DDQ		52108047AB, 1997 XJ, 1998 XJ
		2	B, T			ER0	DDQ		52108048AB, 1997 XJ, 1999 XJ
		2	B, T			ER0			52108048AB, 1998 XJ
		2	J, U			ENC			52108121AB, 1998 XJ
27									BOLT, Oil Receiver Pipe
	4897 134AA	1	B, T			ER0	DDQ		52107749, 1997 XJ
		1	B, T			ER0	DDQ		52108048ab, 1997 XJ
		1	B, T			ER0	DDQ		1998 XJ, 1999 XJ

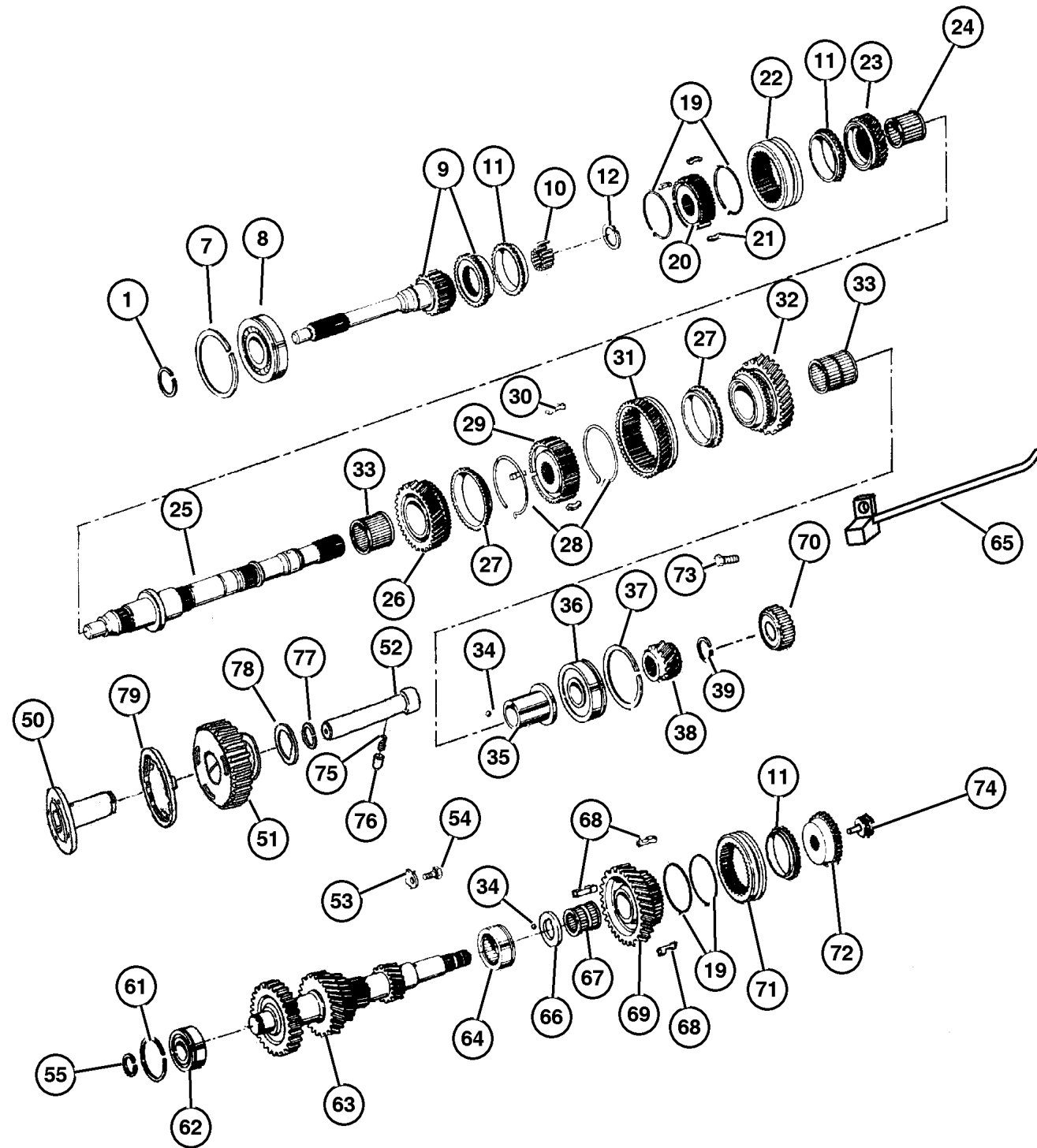
JEEP CHEROKEE (XJ)

SERIES	LINE	BODY	ENGINE	TRANSMISSION
L=Low Line	J=LHD (4WD) U=RHD (4WD) T=LHD (2WD) B=RHD (2WD)	74=4 DR. (101.4 WB) 72=2 DR. (101.4 WB)	ENC,EN0=2.5L 4 cyl. Turbo Die ERH,ER0=4.0L Power Tech I-6 EPE,EP0=Magnum 2.5L SMPI	DDQ=5Spd Man. DGS=4 Spd. Auto. AISIN DG0=All Auto Trans DBB=All Manual Trans.

AR = Use as required - = Non illustrated part # = New this model year

July 4, 2003

## Gear Train AX 5 (DDQ) Figure AX-410



ITEM	PART NUMBER	QTY	LINE	SERIES	BODY	ENGINE	TRANS	TRIM	DESCRIPTION
Notes:									
DDQ = 5 Speed Manual Transmission									
EP0 = All 2.5L Gas Engines									
1									SNAP RING
	8350 0645	1	B, T			EP0	DDQ		52104546
		1	J, U			EP0	DDQ		52104547
		1	B, T			EP0	DDQ		52107746, 1997 XJ
		1	J, U			EP0	DDQ		52107747, 1997 XJ
-2									SNAP RING, Input Shaft, 2.10mm
	8350 0607	1	B, T			EP0	DDQ		52104546
		1	J, U			EP0	DDQ		52104547
		1	B, T			EP0	DDQ		52107756, 1997 XJ
		1	J, U			EP0	DDQ		52107747, 1997 XJ
-3									SNAP RING, Input Shaft, 2.15mm
	8350 0608	1	B, T			EP0	DDQ		52104546
		1	J, U			EP0	DDQ		52104547
		1	B, T			EP0	DDQ		52107746, 1997 XJ
		1	J, U			EP0	DDQ		52107747, 1997 XJ
-4									SNAP RING, Input Shaft, 2.20mm
	8350 0609	1	B, T			EP0	DDQ		52104546
		1	J, U			EP0	DDQ		52104547
		1	B, T			EP0	DDQ		52107746, 1997 XJ
		1	J, U			EP0	DDQ		52107747, 1997 XJ
-5									SNAP RING, Input Shaft, 2.25mm
	8350 0610	1	B, T			EP0	DDQ		52104546
		1	J, U			EP0	DDQ		52104547
		1	B, T			EP0	DDQ		52107746, 1997 XJ
		1	J, U			EP0	DDQ		52107747, 1997 XJ
-6									SNAP RING, Input Shaft, 2.30mm
	8350 0611	1	B, T			EP0	DDQ		52104546
		1	J, U			EP0	DDQ		52104547
		1	B, T			EP0	DDQ		52107746, 1997 XJ
		1	J, U			EP0	DDQ		52107747, 1997 XJ
7									SNAP RING
	8350 0614	1	B, T			EP0	DDQ		52104546
		1	J, U			EP0	DDQ		52104547
		1	J, U			EP0	DDQ		52107747, 1997 XJ
8									BEARING, Input Shaft
	8350 2681	1	B, T			EP0	DDQ		52104546
		1	B, T			EP0	DDQ		52107746, 1997 XJ
		1	J, U			EP0	DDQ		52107747, 1997 XJ
9									SHAFT, Input

### JEEP CHEROKEE (XJ)

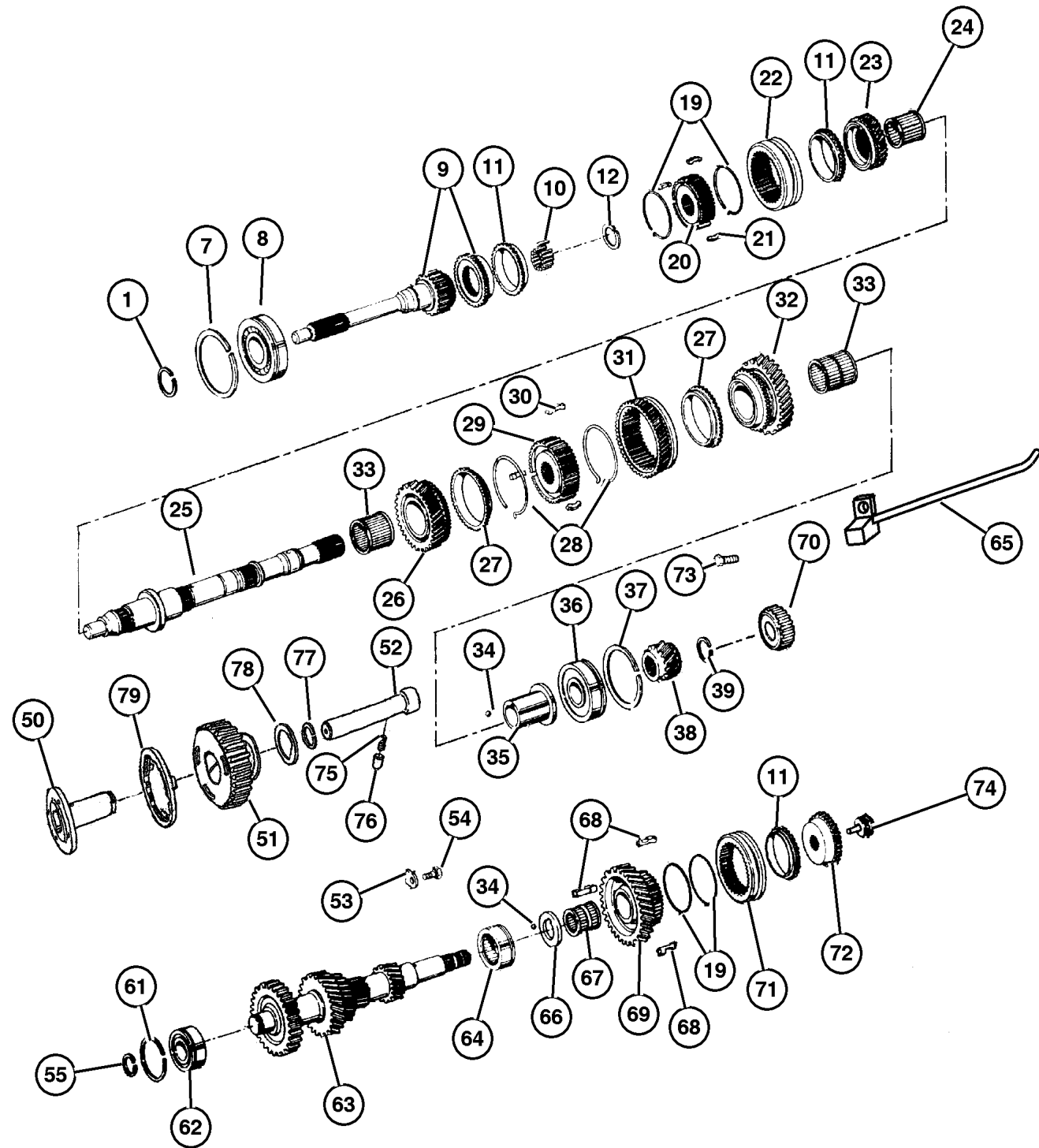
SERIES	LINE	BODY	ENGINE	TRANSMISSION
L=Low Line	J=LHD (4WD) U=RHD (4WD) T=LHD (2WD) B=RHD (2WD)	74=4 DR. (101.4 WB) 72=2 DR. (101.4 WB)	ENC,EN0=2.5L 4 cyl. Turbo Die ERH,ER0=4.0L Power Tech I-6 EPE,EP0=Magnum 2.5L SMPI	DDQ=5Spd Man. DGS=4 Spd. Auto. AISIN DG0=All Auto Trans DBB=All Manual Trans.

AR = Use as required - = Non illustrated part # = New this model year

July 4, 2003



### Gear Train AX 5 (DDQ) Figure AX-410



ITEM	PART NUMBER	QTY	LINE	SERIES	BODY	ENGINE	TRANS	TRIM	DESCRIPTION
	8350 6020	1	B, T			EP0	DDQ		52104546
		1	J, U			EP0	DDQ		52104547
		1	J, U			EP0	DDQ		52107747, 1997 XJ
		1	B, T			EP0	DDQ		52107746, 1997 XJ
10									ROLLER, Input Gear
	8350 2680	13	B, T			EP0	DDQ		52104546
		13	J, U			EP0	DDQ		52104547
		13	J, U			EP0	DDQ		52107747, 1997 XJ
		13	B, T			EP0	DDQ		52107746, 1997 XJ
11									STOP RING, Synchronizer
	8350 0566	2	B, T			EP0	DDQ		52107746, 1997 XJ
		2	J, U			EP0	DDQ		52107747, 1997 XJ
		2	B, T			EP0	DDQ		52104546, 1997 XJ, 1999 XJ
		2	J, U			EP0	DDQ		52104547, 1997 XJ, 1999 XJ
		3	B, T			EP0	DDQ		1998 XJ
		3	J, U			EP0	DDQ		1998 XJ
12									SNAP RING, Mainshaft, 1.75mm
	8350 0598	1	B, T			EP0	DDQ		52104546
		1	J, U			EP0	DDQ		52104547
		1	B, T			EP0	DDQ		52107746, 1997 XJ
		1	J, U			EP0	DDQ		52107747, 1997 XJ
-13									SNAP RING, Mainshaft, 1.80mm
	8350 0599	1	B, T			EP0	DDQ		52104546
		1	J, U			EP0	DDQ		52104547
		1	B, T			EP0	DDQ		52107746, 1997 XJ
		1	J, U			EP0	DDQ		52107747, 1997 XJ
-14									SNAP RING, Mainshaft, 1.85mm
	8350 0602	1	B, T			EP0	DDQ		52104546
		1	J, U			EP0	DDQ		52104547
		1	B, T			EP0	DDQ		52107746, 1997 XJ
		1	J, U			EP0	DDQ		52107747, 1997 XJ
-15									SNAP RING, Mainshaft, 1.90mm
	8350 0603	1	B, T			EP0	DDQ		52104546
		1	J, U			EP0	DDQ		52104547
		1	B, T			EP0	DDQ		52107746, 1997 XJ
		1	J, U			EP0	DDQ		52107747, 1997 XJ
-16									SNAP RING, Mainshaft, 1.95mm
	8350 0604	1	B, T			EP0	DDQ		52104546
		1	J, U			EP0	DDQ		52104547
		1	B, T			EP0	DDQ		52107746, 1997 XJ
		1	J, U			EP0	DDQ		52107747, 1997 XJ
-17									SNAP RING, Mainshaft, 2.00mm

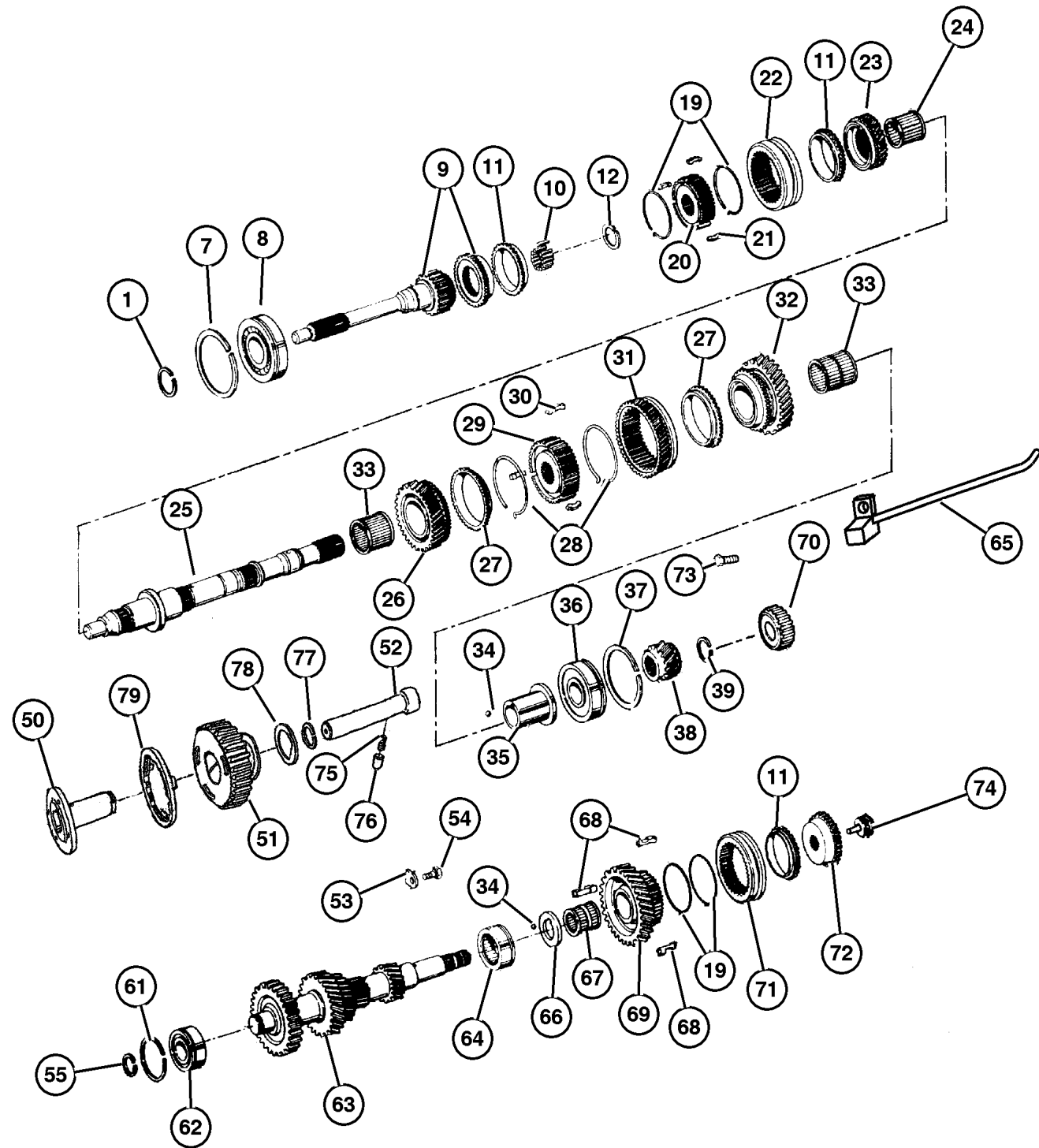
**JEEP CHEROKEE (XJ)**

SERIES	LINE	BODY	ENGINE	TRANSMISSION
L=Low Line	J=LHD (4WD) U=RHD (4WD) T=LHD (2WD) B=RHD (2WD)	74=4 DR. (101.4 WB) 72=2 DR. (101.4 WB)	ENC,EN0=2.5L 4 cyl. Turbo Die ERH,ER0=4.0L Power Tech I-6 EPE,EP0=Magnum 2.5L SMPI	DDQ=5Spd Man. DGS=4 Spd. Auto. AISIN DG0=All Auto Trans DBB=All Manual Trans.

AR = Use as required - = Non illustrated part # = New this model year

July 4, 2003

**Gear Train AX 5 (DDQ)  
Figure AX-410**



ITEM	PART NUMBER	QTY	LINE	SERIES	BODY	ENGINE	TRANS	TRIM	DESCRIPTION
	8350 0605	1	B, T			EP0	DDQ		52104546
		1	J, U			EP0	DDQ		52104547
		1	B, T			EP0	DDQ		52107746, 1997 XJ
		1	J, U			EP0	DDQ		52107747, 1997 XJ
-18									SNAP RING, Mainshaft, 2.05mm
	8350 0606	1	B, T			EP0	DDQ		52104546
		1	J, U			EP0	DDQ		52104547
		1	B, T			EP0	DDQ		52107746, 1997 XJ
		1	J, U			EP0	DDQ		52107747, 1997 XJ
19									SPRING, Synchronizer Key
	8350 0568	4	B, T			EP0	DDQ		52104546
		4	J, U			EP0	DDQ		52104547
		4	B, T			EP0	DDQ		52107746, 1997 XJ
		4	J, U			EP0	DDQ		52107747, 1997 XJ
20									SYNCHRONIZER, Third and Fourth
	8350 6027	1	B, T			EP0	DDQ		52104546
		1	J, U			EP0	DDQ		52104547
		1	J, U			EP0	DDQ		52107747, 1997 XJ
		1	B, T			EP0	DDQ		52107746, 1997 XJ
21									KEY, Synchronizer
	8350 6029	3	B, T			EP0	DDQ		52104546
		3	J, U			EP0			52104547, 1997 XJ
		3	J, U			EP0	DDQ		52107747, 1997 XJ
		3	B, T			EP0	DDQ		52107746, 1997 XJ
22									SLEEVE, Synchronmesh Clutch Gear
	4740 235	1	B, T			EP0	DDQ		52104546
		1	J, U			EP0	DDQ		52104547
		1	J, U			EP0	DDQ		52107747, 1997 XJ
		1	B, T			EP0	DDQ		52107746, 1997 XJ
23									GEAR, Third
	8350 6019	1	B, T			EP0	DDQ		52104546
		1	J, U			EP0	DDQ		52104547
		1	B, T			EP0	DDQ		52107746, 1997 XJ
		1	J, U			EP0	DDQ		52107747, 1997 XJ
24									BEARING, Third Gear
	8350 0576	1	B, T			EP0	DDQ		52104546
		1	J, U			EP0	DDQ		52104547
		1	B, T			EP0	DDQ		52107746, 1997 XJ
		1	J, U			EP0	DDQ		52107747, 1997 XJ
25									MAINSHAFT, Transmission
	8350 2117	1	B, T			EP0	DDQ		52104546
		1	B, T			EP0	DDQ		52107746, 1997 XJ

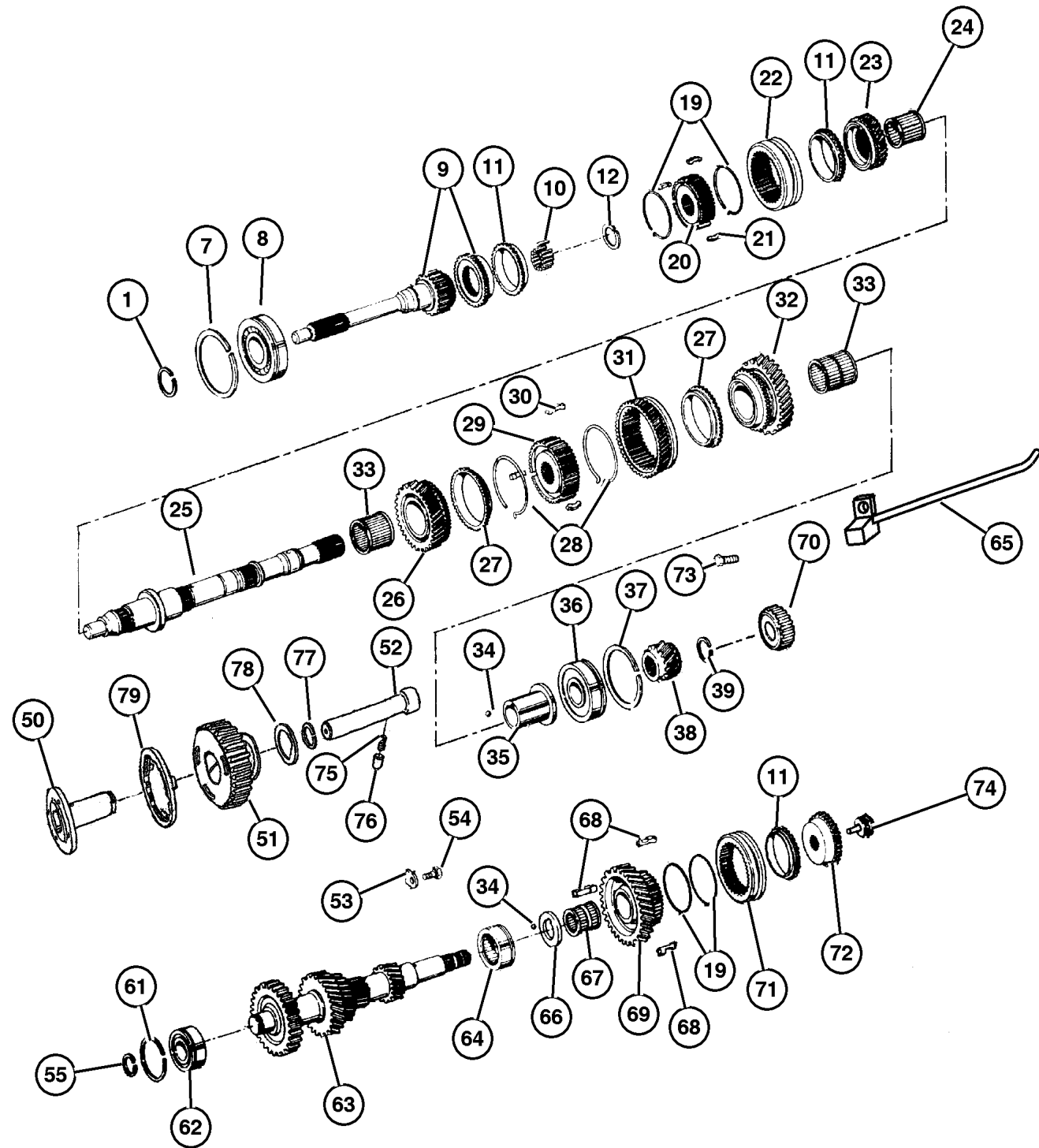
**JEEP CHEROKEE (XJ)**

SERIES	LINE	BODY	ENGINE	TRANSMISSION
L=Low Line	J=LHD (4WD) U=RHD (4WD) T=LHD (2WD) B=RHD (2WD)	74=4 DR. (101.4 WB) 72=2 DR. (101.4 WB)	ENC,EN0=2.5L 4 cyl. Turbo Die ERH,ER0=4.0L Power Tech I-6 EPE,EP0=Magnum 2.5L SMPI	DDQ=5Spd Man. DGS=4 Spd. Auto. AISIN DG0=All Auto Trans DBB=All Manual Trans.

AR = Use as required - = Non illustrated part # = New this model year

July 4, 2003

**Gear Train AX 5 (DDQ)  
Figure AX-410**



ITEM	PART NUMBER	QTY	LINE	SERIES	BODY	ENGINE	TRANS	TRIM	DESCRIPTION
	8350 3105	1	J, U			EP0	DDQ		52104547
		1	J, U			EP0	DDQ		52107747, 1997 XJ
26									GEAR, Second
	8350 6018	1	B, T			EP0	DDQ		52104546
		1	J, U			EP0	DDQ		52104547
		1	J, U			EP0	DDQ		52107747, 1997 XJ
		1	B, T			EP0	DDQ		52107746, 1997 XJ
27									STOP RING, Synchronizer
	8350 0567	2	B, T			EP0	DDQ		52104546
		2	J, U			EP0	DDQ		52104547
		2	B, T			EP0	DDQ		52107746, 1997 XJ
		2	J, U			EP0	DDQ		52107747, 1997 XJ
28									SPRING, Synchronizer Key
	8350 0569	2	B, T			EP0	DDQ		52104546
		2	J, U			EP0	DDQ		52104547
		2	B, T			EP0	DDQ		52107746, 1997 XJ
		2	J, U			EP0	DDQ		52107747, 1997 XJ
29									SYNCHRONIZER, First and Second
	8350 0561	1	B, T			EP0	DDQ		52104546
		1	J, U			EP0	DDQ		52104547
		1	B, T			EP0	DDQ		52107746, 1997 XJ
		1	J, U			EP0	DDQ		52107747, 1997 XJ
30									KEY, Synchronizer
	8350 0564	3	B, T			EP0	DDQ		52104546
		3	J, U			EP0	DDQ		52104547
		3	J, U			EP0	DDQ		52107747, 1997 XJ
		3	B, T			EP0	DDQ		52107746, 1997 XJ
31									GEAR, Reverse
	4897 101AA	1	B, T			EP0	DDQ		52104546
		1	J, U			EP0	DDQ		52104547
	8350 0555	1	B, T			EP0	DDQ		52107746, 1997 XJ
		1	J, U			EP0	DDQ		52107747, 1997 XJ
32									GEAR, First
	8350 6017	1	B, T			EP0	DDQ		52104546
		1	J, U			EP0	DDQ		52104547
		1	J, U			EP0	DDQ		52107747, 1997 XJ
		1	B, T			EP0	DDQ		52107746, 1997 XJ
33									BEARING, First Gear
	8350 6031	1	B, T			EP0	DDQ		52104546
		1	B, T			EP0	DDQ		52107746, 1997 XJ
		1	J, U			EP0	DDQ		52107747, 1997 XJ
		2	J, U			EP0	DDQ		52104547, 1997 XJ, 1999 XJ
34									BALL, Reverse

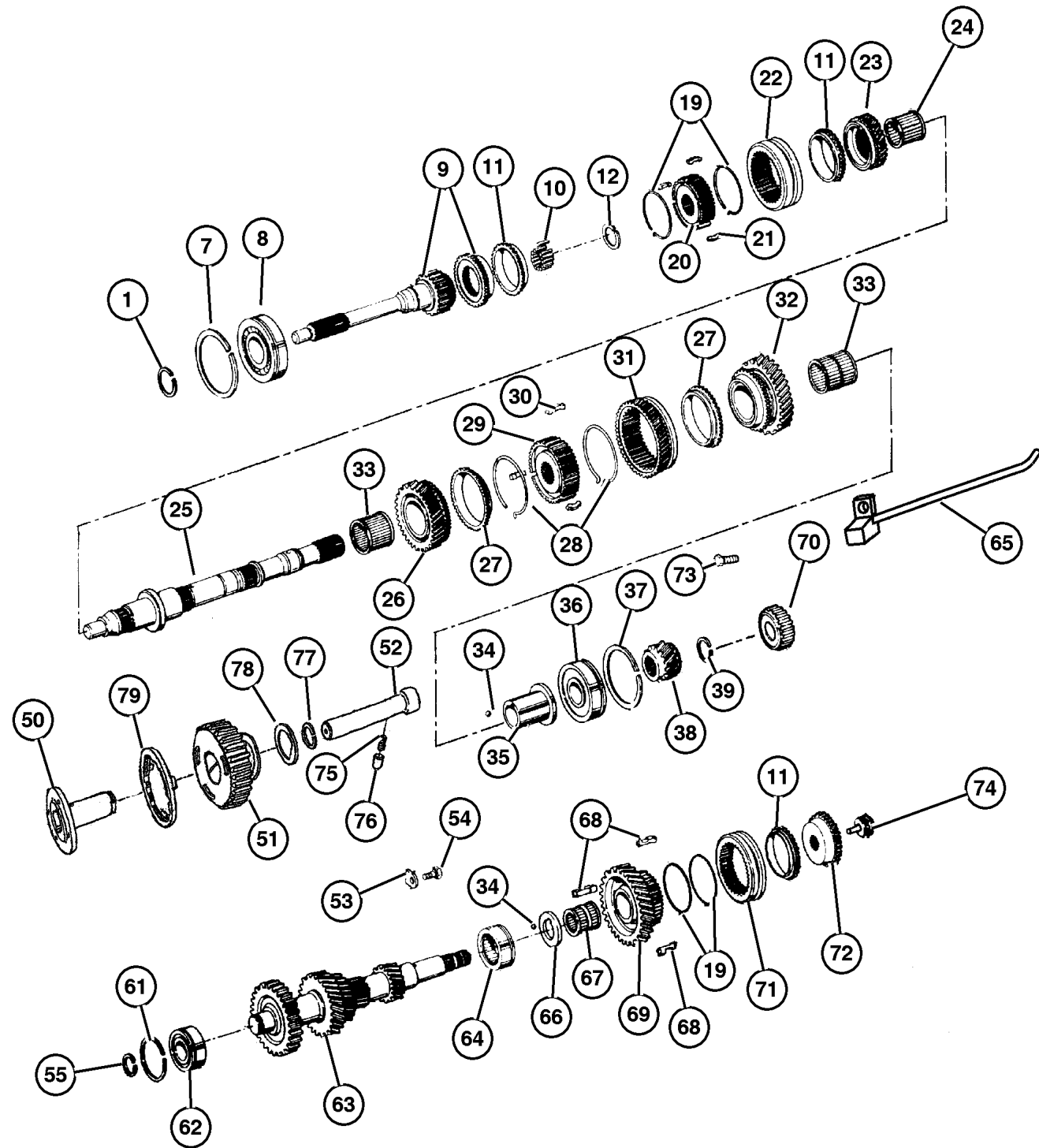
**JEEP CHEROKEE (XJ)**

SERIES	LINE	BODY	ENGINE	TRANSMISSION
L=Low Line	J=LHD (4WD) U=RHD (4WD) T=LHD (2WD) B=RHD (2WD)	74=4 DR. (101.4 WB) 72=2 DR. (101.4 WB)	ENC,EN0=2.5L 4 cyl. Turbo Die ERH,ER0=4.0L Power Tech I-6 EPE,EP0=Magnum 2.5L SMPI	DDQ=5Spd Man. DGS=4 Spd. Auto. AISIN DG0=All Auto Trans DBB=All Manual Trans.

AR = Use as required - = Non illustrated part # = New this model year

July 4, 2003

**Gear Train AX 5 (DDQ)  
Figure AX-410**



ITEM	PART NUMBER	QTY	LINE	SERIES	BODY	ENGINE	TRANS	TRIM	DESCRIPTION
	8350 0573	2	B, T			EP0	DDQ		52104546
		1	J, U			EP0	DDQ		52107747, 1997 XJ
		2	B, T			EP0	DDQ		52107746, 1997 XJ
		1	J, U			EP0	DDQ		52104547, 1997 XJ
35									RACE, First Gear
	8350 6026	1	B, T			EP0	DDQ		52104546
		1	J, U			EP0	DDQ		52104547
		1	J, U			EP0	DDQ		52107747, 1997 XJ
		1	B, T			EP0	DDQ		52107746, 1997 XJ
36									BEARING, Mainshaft
	8350 6030	1	B, T			EP0	DDQ		52104546
		1	J, U			EP0	DDQ		52104547
		1	B, T			EP0	DDQ		52107746, 1997 XJ
		1	J, U			EP0	DDQ		52107747, 1997 XJ
37									SNAP RING
	8350 0613	1	B, T			EP0	DDQ		52104546
		1	J, U			EP0	DDQ		52104547
		1	B, T			EP0	DDQ		52107746, 1997 XJ
		1	J, U			EP0	DDQ		52107747, 1997 XJ
38									GEAR, Fifth
	8350 0971	1	B, T			EP0	DDQ		52104546
		1	J, U			EP0	DDQ		52104547
		1	J, U			EP0	DDQ		52107747, 1997 XJ
		1	B, T			EP0	DDQ		52107746, 1997 XJ
39									SNAP RING, Mainshaft, 2.67-2.72mm
	8350 0587	1	B, T			EP0	DDQ		52104546
		1	J, U			EP0	DDQ		52104547
		1	B, T			EP0	DDQ		52107746, 1997 XJ
		1	J, U			EP0	DDQ		52107747, 1997 XJ
-40									SNAP RING, Mainshaft, 2.73-2.78mm
	8350 0588	1	B, T			EP0	DDQ		52104546
		1	J, U			EP0	DDQ		52104547
		1	B, T			EP0	DDQ		52107746, 1997 XJ
		1	J, U			EP0	DDQ		52107747, 1997 XJ
-41									SNAP RING, Mainshaft, 2.79-2.84mm
	8350 0589	1	B, T			EP0	DDQ		52104546
		1	J, U			EP0	DDQ		52104547
		1	B, T			EP0	DDQ		52107746, 1997 XJ
		1	J, U			EP0	DDQ		52107747, 1997 XJ

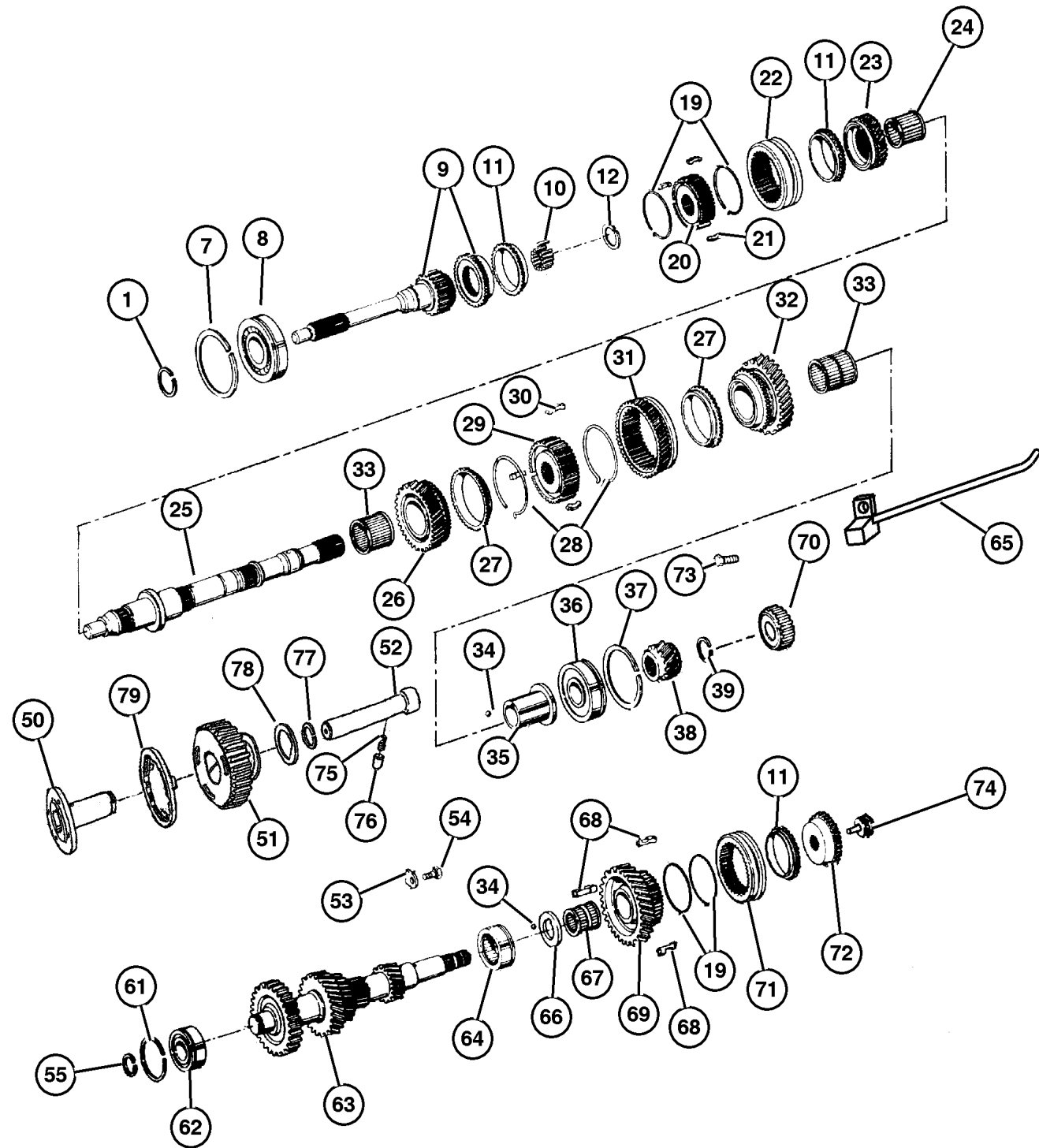
**JEEP CHEROKEE (XJ)**

SERIES	LINE	BODY	ENGINE	TRANSMISSION
L=Low Line	J=LHD (4WD) U=RHD (4WD) T=LHD (2WD) B=RHD (2WD)	74=4 DR. (101.4 WB) 72=2 DR. (101.4 WB)	ENC,EN0=2.5L 4 cyl. Turbo Die ERH,ER0=4.0L Power Tech I-6 EPE,EP0=Magnum 2.5L SMPI	DDQ=5Spd Man. DGS=4 Spd. Auto. AISIN DG0=All Auto Trans DBB=All Manual Trans.

AR = Use as required - = Non illustrated part # = New this model year

July 4, 2003

**Gear Train AX 5 (DDQ)  
Figure AX-410**



ITEM	PART NUMBER	QTY	LINE	SERIES	BODY	ENGINE	TRANS	TRIM	DESCRIPTION
-42									SNAP RING, Mainshaft, 2.85-2.90mm
	8350 0590	1	B, T			EP0	DDQ		52104546
		1	J, U			EP0	DDQ		52104547
		1	B, T			EP0	DDQ		52107746, 1997 XJ
		1	J, U			EP0	DDQ		52107747, 1997 XJ
-43									SNAP RING, Mainshaft, 2.91-2.96mm
	8350 0591	1	B, T			EP0	DDQ		52104546
		1	J, U			EP0	DDQ		52104547
		1	B, T			EP0	DDQ		52107746, 1997 XJ
		1	J, U			EP0	DDQ		52107747, 1997 XJ
-44									SNAP RING, Mainshaft, 2.97-3.02mm
	8350 0592	1	B, T			EP0	DDQ		52104546
		1	J, U			EP0	DDQ		52104547
		1	B, T			EP0	DDQ		52107746, 1997 XJ
		1	J, U			EP0	DDQ		52107747, 1997 XJ
-45									SNAP RING, Mainshaft, 3.03-3.08mm
	8350 0593	1	B, T			EP0	DDQ		52104546
		1	J, U			EP0	DDQ		52104747
		1	B, T			EP0	DDQ		52107746, 1997 XJ
		1	J, U			EP0	DDQ		52107747, 1997 XJ
-46									SNAP RING, Mainshaft, 3.09-3.14mm
	8350 0594	1	B, T			EP0	DDQ		52104546
		1	J, U			EP0	DDQ		52104547
		1	B, T			EP0	DDQ		52107746, 1997 XJ
		1	J, U			EP0	DDQ		52107747, 1997 XJ
-47									SNAP RING, Mainshaft, 3.15-3.20mm
	8350 0595	1	B, T			EP0	DDQ		52104546
		1	J, U			EP0	DDQ		52104547
		1	J, U			EP0	DDQ		52107747, 1997 XJ
		1	B, T			EP0	DDQ		52107746, 1997 XJ
-48									SNAP RING, Mainshaft, 3.21-3.26mm
	8350 0596	1	B, T			EP0	DDQ		52104546
		1	J, U			EP0	DDQ		52104547
		1	B, T			EP0	DDQ		52107746, 1997 XJ
		1	J, U			EP0	DDQ		52107747, 1997 XJ
-49									SNAP RING, Mainshaft

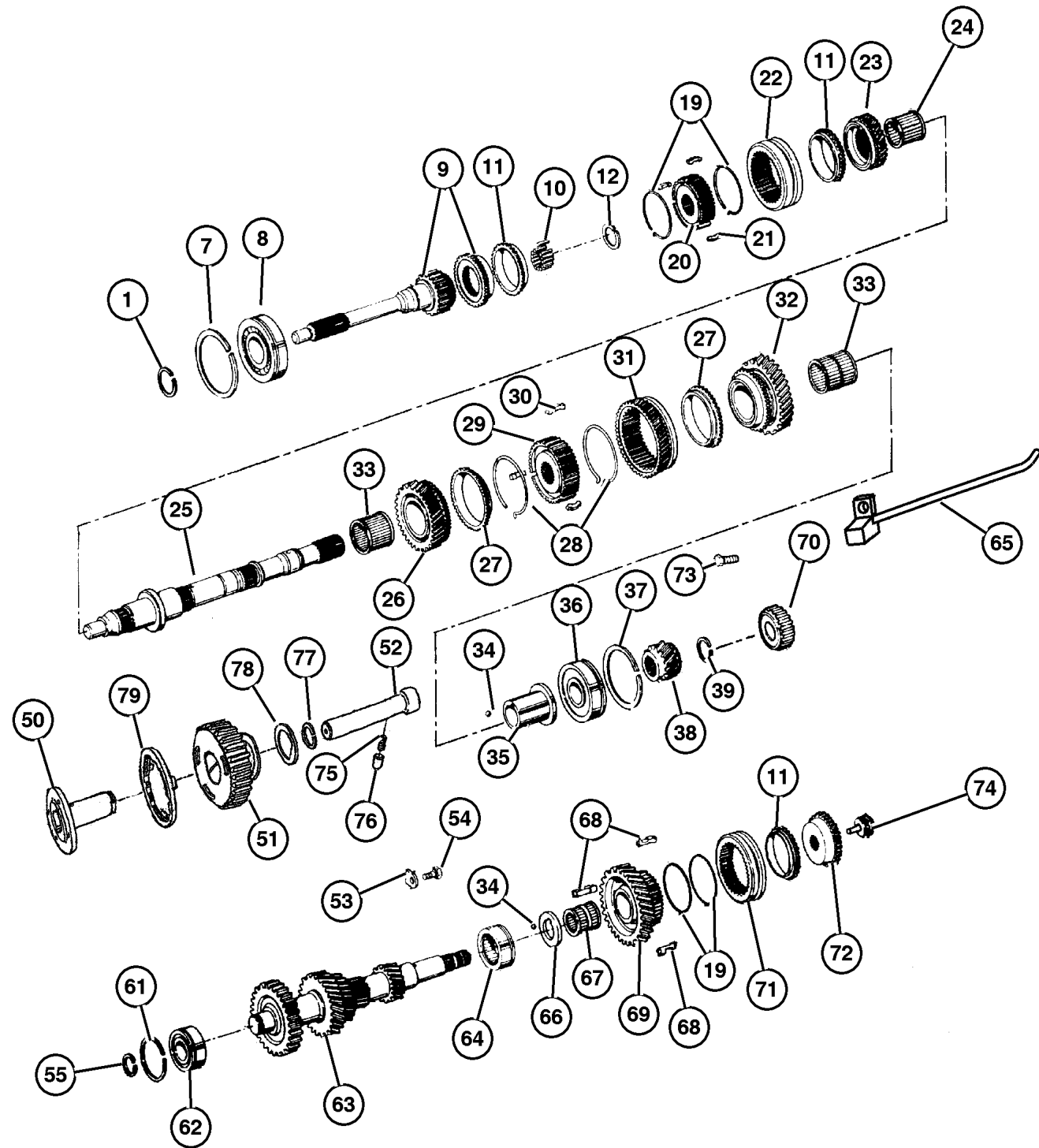
**JEEP CHEROKEE (XJ)**

SERIES	LINE	BODY	ENGINE	TRANSMISSION
L=Low Line	J=LHD (4WD) U=RHD (4WD) T=LHD (2WD) B=RHD (2WD)	74=4 DR. (101.4 WB) 72=2 DR. (101.4 WB)	ENC,EN0=2.5L 4 cyl. Turbo Die ERH,ER0=4.0L Power Tech I-6 EPE,EP0=Magnum 2.5L SMPI	DDQ=5Spd Man. DGS=4 Spd. Auto. AISIN DG0=All Auto Trans DBB=All Manual Trans.

AR = Use as required - = Non illustrated part # = New this model year

July 4, 2003

**Gear Train AX 5 (DDQ)  
Figure AX-410**



ITEM	PART NUMBER	QTY	LINE	SERIES	BODY	ENGINE	TRANS	TRIM	DESCRIPTION
	8350 0597	1	B, T			EP0	DDQ		3.27mm/3.32mm. 52104546
		1	J, U			EP0	DDQ		3.27mm/3.32mm. 52104547
		1	B, T			EP0	DDQ		3.27mm/3.32mm. 52107746, 1997 XJ
		1	J, U			EP0	DDQ		3.27mm/.3.32mm. 52107747, 1997 XJ
50	4897 107AA	1	B, T			EP0	DDQ		RACE, Idler Gear 52104546
		1	J, U			EP0	DDQ		52104547
51	4897 102AA	1	B, T			EP0	DDQ		GEAR, Reverse Idler 52104546
		1	J, U			EP0	DDQ		52104547
	8350 3555	1	B, T			EP0	DDQ		52107746, 1997 XJ
		1	J, U			EP0	DDQ		562107747, 1997 XJ
52	4897 104AA	1	B, T			EP0	DDQ		IDLER SHAFT, Transmission 52104546
		1	J, U			EP0	DDQ		52104547
	8350 0570	1	B, T			EP0	DDQ		52107746, 1997 XJ
		1	J, U			EP0	DDQ		52107747, 1997 XJ
53	4883 380AA	1	B, T			EP0	DDQ		STOPPER, Idler Shaft 52104546
		1	J, U			EP0	DDQ		52104547
		1	J, U			EP0	DDQ		52107747, 1997 XJ
		1	B, T			EP0	DDQ		52107746, 1997 XJ
54									BOLT AND LOCK WASHER, Hex Head, M8x1.25x20
	8350 0615	1	B, T			EP0	DDQ		52104546
		1	J, U			EP0	DDQ		52104547
		1	B, T			EP0	DDQ		52107746, 1997 XJ
		1	J, U			EP0	DDQ		52107747, 1997 XJ
55	8350 0581	1	B, T			EP0	DDQ		SNAP RING, Cluster Gear, 2.05mm 52104546
		1	J, U			EP0	DDQ		52104547
		1	B, T			EP0	DDQ		52107746, 1997 XJ
		1	J, U			EP0	DDQ		52107747, 1997 XJ
-56									SNAP RING, Cluster Gear, 2.10-2.15mm
	8350 0582	1	B, T			EP0	DDQ		52104546
		1	J, U			EP0	DDQ		52104547
		1	B, T			EP0	DDQ		52107746, 1997 XJ
		1	J, U			EP0	DDQ		52107747, 1997 XJ
-57									SNAP RING, Cluster Gear, 2.15mm

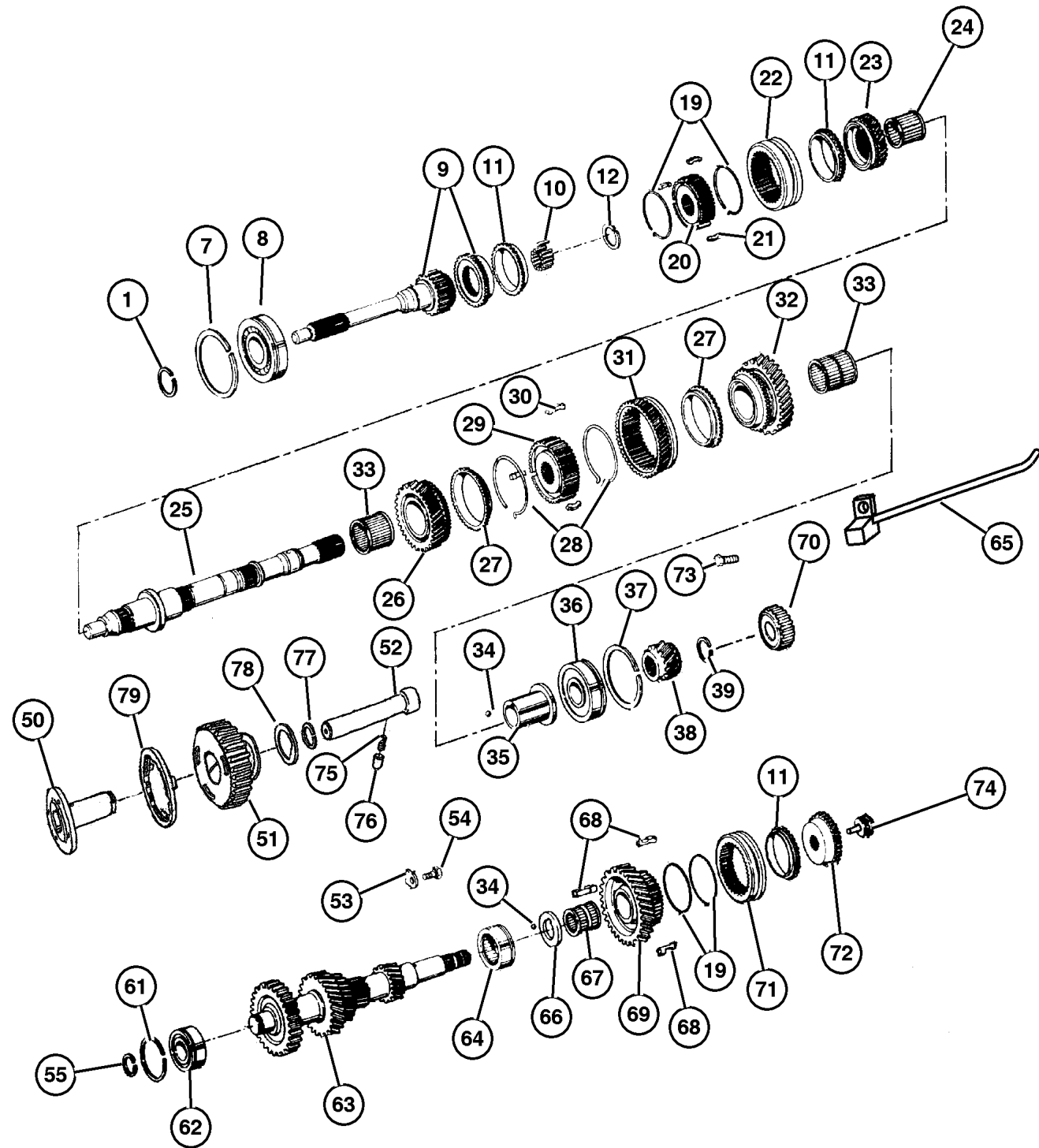
**JEEP CHEROKEE (XJ)**

SERIES	LINE	BODY	ENGINE	TRANSMISSION
L=Low Line	J=LHD (4WD) U=RHD (4WD) T=LHD (2WD) B=RHD (2WD)	74=4 DR. (101.4 WB) 72=2 DR. (101.4 WB)	ENC,EN0=2.5L 4 cyl. Turbo Die ERH,ER0=4.0L Power Tech I-6 EPE,EP0=Magnum 2.5L SMPI	DDQ=5Spd Man. DGS=4 Spd. Auto. AISIN DG0=All Auto Trans DBB=All Manual Trans.

AR = Use as required - = Non illustrated part # = New this model year

July 4, 2003

**Gear Train AX 5 (DDQ)  
Figure AX-410**



ITEM	PART NUMBER	QTY	LINE	SERIES	BODY	ENGINE	TRANS	TRIM	DESCRIPTION
	8350 0583	1	B, T			EP0	DDQ		52104546
		1	J, U			EP0	DDQ		52104547
		1	B, T			EP0	DDQ		52107746, 1997 XJ
		1	J, U			EP0	DDQ		52107747, 1997 XJ
-58									SNAP RING, Cluster Gear, 2.20mm
	8350 0584	1	B, T			EP0	DDQ		52104546
		1	J, U			EP0	DDQ		52104547
		1	B, T			EP0	DDQ		52107746, 1997 XJ
		1	J, U			EP0	DDQ		52107747, 1997 XJ
-59									SNAP RING, Cluster Gear, 2.25mm
	8350 0585	1	B, T			EP0	DDQ		52104546
		1	J, U			EP0	DDQ		52104547
		1	B, T			EP0	DDQ		52107746, 1997 XJ
		1	J, U			EP0	DDQ		52107747, 1997 XJ
-60									SNAP RING, Cluster Gear, 2.30mm
	8350 0586	1	B, T			EP0	DDQ		52104546
		1	J, U			EP0	DDQ		52104547
		1	B, T			EP0	DDQ		52107746, 1997 XJ
		1	J, U			EP0	DDQ		52107747, 1997 XJ
61									SNAP RING
	8350 0612	1	B, T			EP0	DDQ		With Transmission (52107746), 1997 XJ
		1	J, U			EP0	DDQ		With Transmission (52107747), 1997 XJ
		1	B, T			EP0	DDQ		With Transmission (52104546), 1997 XJ
		1	J, U			EP0	DDQ		With Transmission (52104547), 1997 XJ
		1	B, T			EP0	DDQ		52104546, 1998 XJ, 1999 XJ
		1	J, U			EP0	DDQ		52104547, 1998 XJ, 1999 XJ
	8350 6032	1	B, T			EP0	DDQ		52107746, 1997 XJ
		1	B, T			EP0	DDQ		52104546, 1997 XJ
62									BEARING, Cluster Gear
	8350 6032	1	B, T			EP0	DDQ		52104546
		1	J, U			EP0	DDQ		52104547
		1	B, T			EP0	DDQ		52107746, 1997 XJ
		1	J, U			EP0	DDQ		52107747, 1997 XJ
63									GEAR, Countershaft
	4796 003	1	J, U			EN0	DDQ		1997 XJ
	4897 103AA	1	B, T			EP0	DDQ		1998 XJ, 1999 XJ
		1	J, U			EP0	DDQ		1998 XJ, 1999 XJ
64									BEARING, Cluster Gear

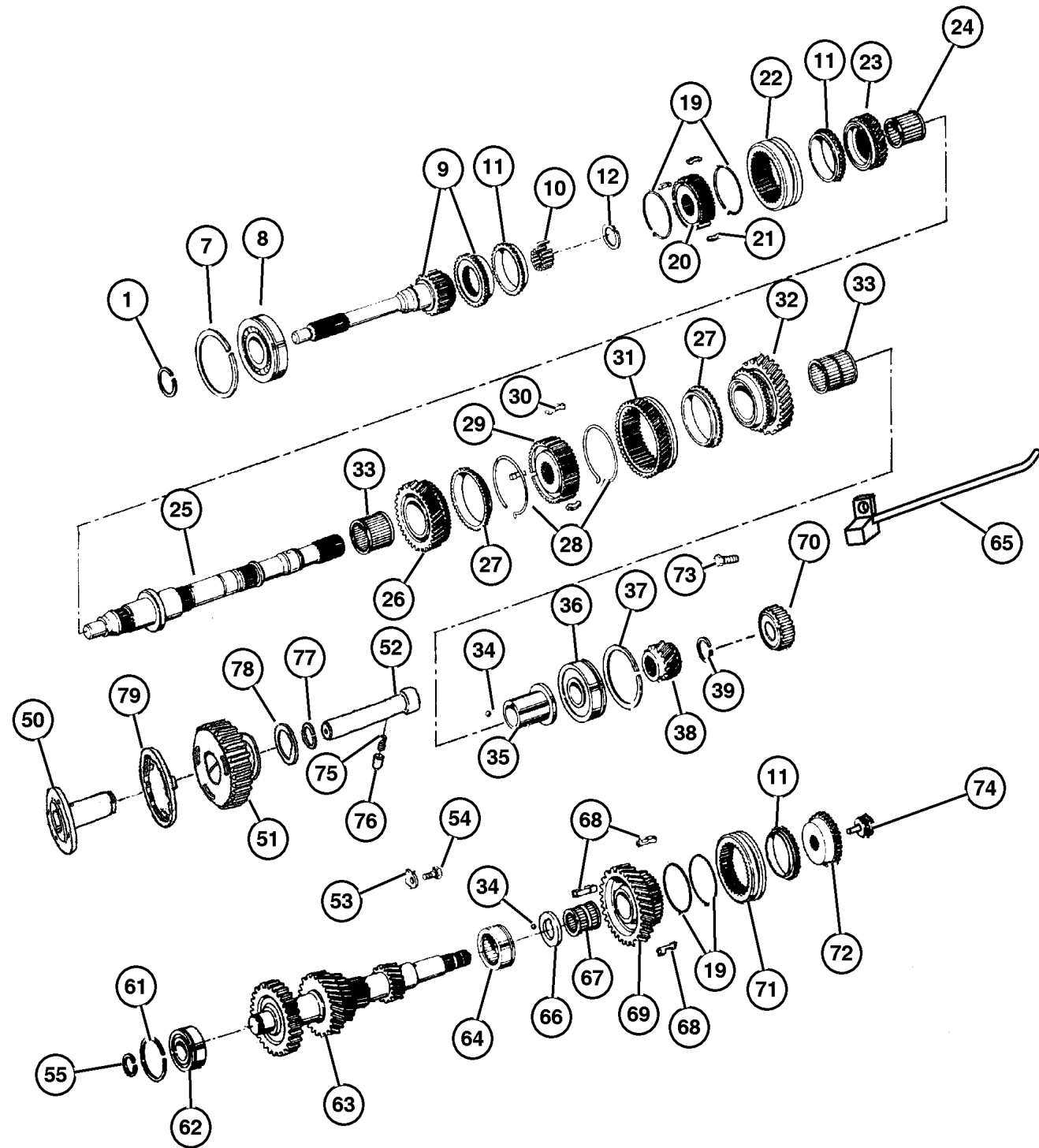
**JEEP CHEROKEE (XJ)**

SERIES	LINE	BODY	ENGINE	TRANSMISSION
L=Low Line	J=LHD (4WD) U=RHD (4WD) T=LHD (2WD) B=RHD (2WD)	74=4 DR. (101.4 WB) 72=2 DR. (101.4 WB)	ENC,EN0=2.5L 4 cyl. Turbo Die ERH,ER0=4.0L Power Tech I-6 EPE,EP0=Magnum 2.5L SMPI	DDQ=5Spd Man. DGS=4 Spd. Auto. AISIN DG0=All Auto Trans DBB=All Manual Trans.

AR = Use as required - = Non illustrated part # = New this model year

July 4, 2003

**Gear Train AX 5 (DDQ)  
Figure AX-410**



ITEM	PART NUMBER	QTY	LINE	SERIES	BODY	ENGINE	TRANS	TRIM	DESCRIPTION
	8350 6033	1	B, T			EP0	DDQ		52104546
		1	J, U			EP0	DDQ		52104547
		1	B, T			EP0	DDQ		52107746, 1997 XJ
		1	J, U			EP0	DDQ		52107747, 1997 XJ
65									PIPE, Oil Receiver
	8350 2122	1	B, T			EP0	DDQ		52104546
		1	B, T			EP0	DDQ		52107746, 1997 XJ
66									THRUST WASHER, Fourth Gear
	8350 6025	1	B, T			EP0	DDQ		52104546
		1	J, U			EP0	DDQ		52104547
		1	B, T			EP0	DDQ		52107746, 1997 XJ
		1	J, U			EP0	DDQ		52107747, 1997 XJ
67									NEEDLE BEARING, Fifth Gear
	8350 0644	1	B, T			EP0	DDQ		52104546
		1	J, U			EP0	DDQ		52107747, 1997 XJ
		1	B, T			EP0	DDQ		52107746, 1997 XJ
		2	J, U			EP0	DDQ		52104547, 1997 XJ, 1999 XJ
68									KEY, Synchronizer
	8350 0641	3	B, T			EP0	DDQ		52104546
		3	J, U			EP0	DDQ		52104547
		3	B, T			EP0	DDQ		52107746, 1997 XJ
		3	J, U			EP0	DDQ		52107747, 1997 XJ
69									GEAR, Countershaft Fifth
	8350 6022	1	B, T			EP0	DDQ		52104546
		1	J, U			EP0	DDQ		52104547
		1	J, U			EP0	DDQ		52107747, 1997 XJ
		1	B, T			EP0	DDQ		52107746, 1997 XJ
70									GEAR, Speedometer Drive
	8350 2121	1	B, T			EP0	DDQ		52104546
		1	B, T			EP0	DDQ		52107746, 1997 XJ
71									SLEEVE, Synchronizer
	4746 657	1	B, T			EP0	DDQ		52104546
		1	J, U			EP0	DDQ		52104547
		1	J			EP0	DDQ		52107747, 1997 XJ
		1	B, T			EP0	DDQ		52107746, 1997 XJ
72									GEAR, Fifth Splined
	8350 6024	1	B, T			EP0	DDQ		52104546
		1	J, U			EP0	DDQ		52104547
		1	B, T			EP0	DDQ		52107746, 1997 XJ
		1	J, U			EP0	DDQ		52107747, 1997 XJ
73									BOLT, Oil Receiver Pipe
	8350 2126	1	B, T			EP0	DDQ		52104546

**JEEP CHEROKEE (XJ)**

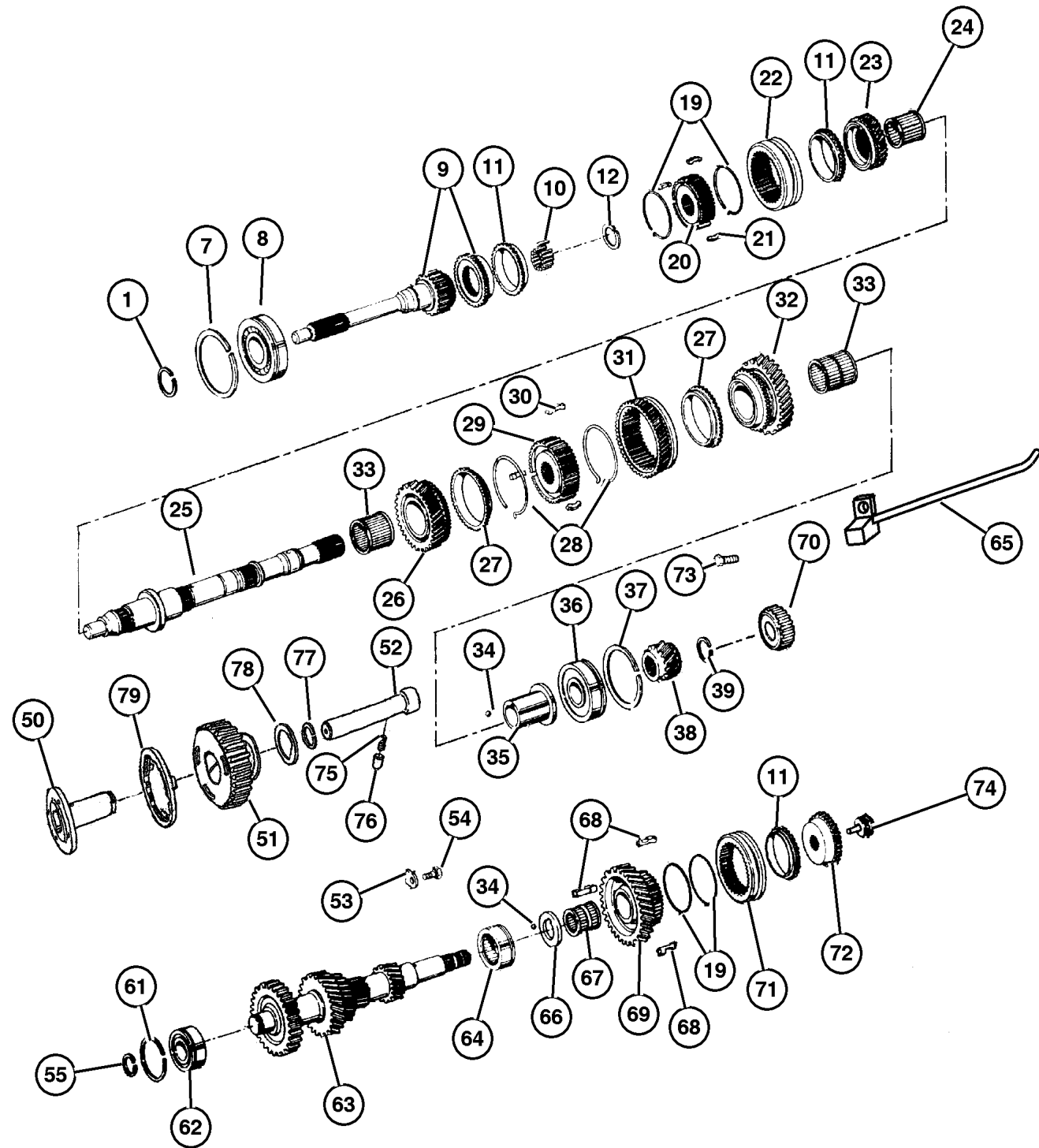
SERIES	LINE	BODY	ENGINE	TRANSMISSION
L=Low Line	J=LHD (4WD) U=RHD (4WD) T=LHD (2WD) B=RHD (2WD)	74=4 DR. (101.4 WB) 72=2 DR. (101.4 WB)	ENC,EN0=2.5L 4 cyl. Turbo Die ERH,ER0=4.0L Power Tech I-6 EPE,EP0=Magnum 2.5L SMPI	DDQ=5Spd Man. DGS=4 Spd. Auto. AISIN DG0=All Auto Trans DBB=All Manual Trans.

AR = Use as required - = Non illustrated part # = New this model year

July 4, 2003



### Gear Train AX 5 (DDQ) Figure AX-410



ITEM	PART NUMBER	QTY	LINE	SERIES	BODY	ENGINE	TRANS	TRIM	DESCRIPTION
		1	B, T			EP0	DDQ		52107746, 1997 XJ
74	8350 0646	1	B, T			EP0	DDQ		PIPE, Oil Receiver
		1	J, U			EP0	DDQ		52104546
		1	J, U			EP0	DDQ		52104547
		1	J, U			EP0	DDQ		52107747, 1997 XJ
75	4897 110AA	1	B, T			EP0	DDQ		52107746, 1997 XJ
		1	B, T			EP0	DDQ		52107746, 1997 XJ
		1	J, U			EP0	DDQ		52104546
		1	J, U			EP0	DDQ		52104547
76	4897 109AA	1	B, T			EP0	DDQ		PIN
		1	J, U			EP0	DDQ		52104546
		1	J, U			EP0	DDQ		52104547
77	4897 112AA	1	B, T			EP0	DDQ		RING, Snap
		1	J, U			EP0	DDQ		52104546
		1	J, U			EP0	DDQ		52104547
78	4897 108AA	1	B, T			EP0	DDQ		PLATE, Transmission Idler Shaft
		1	J, U			EP0	DDQ		52104546
		1	J, U			EP0	DDQ		52104547
79	4897 111AA	1	B, T			EP0	DDQ		RING, Transmission
		1	J, U			EP0	DDQ		52104546
		1	J, U			EP0	DDQ		52104547

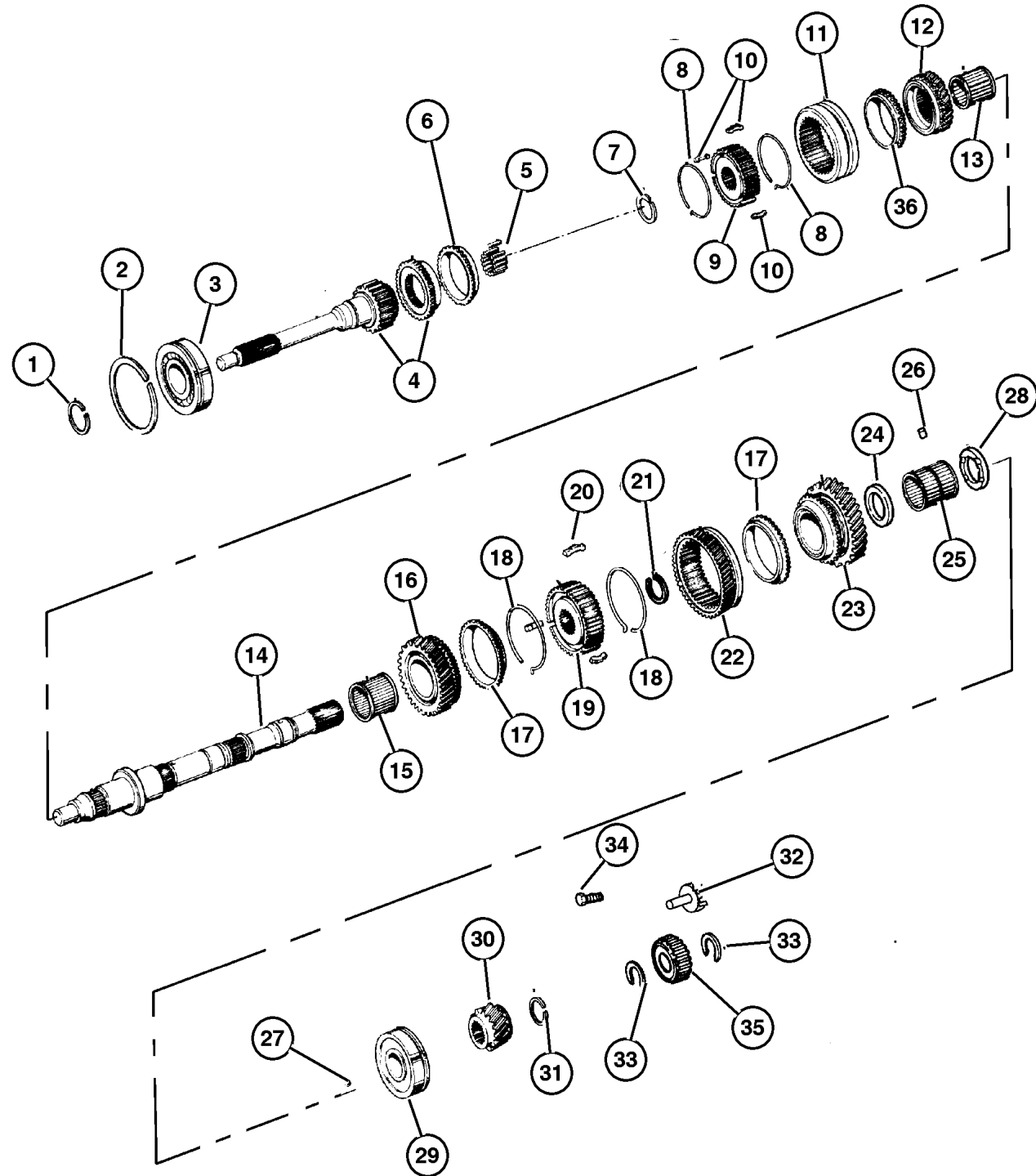
**JEEP CHEROKEE (XJ)**

SERIES	LINE	BODY	ENGINE	TRANSMISSION
L=Low Line	J=LHD (4WD) U=RHD (4WD) T=LHD (2WD) B=RHD (2WD)	74=4 DR. (101.4 WB) 72=2 DR. (101.4 WB)	ENC,EN0=2.5L 4 cyl. Turbo Die ERH,ER0=4.0L Power Tech I-6 EPE,EP0=Magnum 2.5L SMPI	DDQ=5Spd Man. DGS=4 Spd. Auto. AISIN DG0=All Auto Trans DBB=All Manual Trans.

AR = Use as required - = Non illustrated part # = New this model year

July 4, 2003

## Gear Train AX 15 (DDQ) Figure AX-415



ITEM	PART NUMBER	QTY	LINE	SERIES	BODY	ENGINE	TRANS	TRIM	DESCRIPTION
------	-------------	-----	------	--------	------	--------	-------	------	-------------

**Notes:**

DDQ = 5 Speed Manual Transmission  
 ER0 = All 4.0L 6 Cylinder Gas Engines  
 ENC = 2.5L 4 Cylinder Turbo Diesel Engine

1									SNAP RING
	8350 6099	1	J, U			ER0	DDQ		Stamped A (X=2.10mm/2.15mm). 52108047AB
		1	B, T			ER0	DDQ		Stamped A (X=2.10mm/2.15mm). 52108048AB
		1	B, T			ER0	DDQ		Stamped A (X=2.10mm/2.15mm). 52107749, 1997 XJ
		1	J, U			EN0	DDQ		Stamped A (X=2.10mm/2.15mm). 52107752, 1997 XJ
		1	J, U			ER0	DDQ		Stamped A (X=2.10mm/2.15mm). 52108047, 1997 XJ
		1	J, U			EN0	DDQ		Stamped A (X=2.10mm/2.15mm). 52108121AB, 1997 XJ
		1	J, U			ENC	DDQ		Stamped A (X=2.10mm/2.15mm). 52108121AB, 1998 XJ, 1999 XJ
	8350 6214	1	J, U			ER0	DDQ		Stamped B (X=2.15mm/2.20mm). 52108047AB
		1	B, T			ER0	DDQ		Stamped B (X=2.15mm/2.20mm). 52108048AB
		1	B, T			ER0	DDQ		Stamped B (X=2.15mm/2.20mm). 52107749, 1997 XJ
		1	J, U			EN0	DDQ		Stamped B (X=2.15mm/2.20mm). 52107752, 1997 XJ
		1	J, U			ER0	DDQ		Stamped B (X=2.15mm/2.20mm). 52108047, 1997 XJ
		1	J, U			EN0	DDQ		Stamped B (X=2.15mm/2.20mm). 52108121AB, 1997 XJ
		1	J, U			ENC	DDQ		Stamped B (X=2.15mm/2.20mm). 52108121AB, 1998 XJ, 1999 XJ
	8350 6215	1	J, U			ER0	DDQ		Stamped C (X=2.20mm/2.25mm). 52108047AB
		1	B, T			ER0	DDQ		Stamped C (X=2.20mm/2.25mm). 52108048AB
		1	B, T			ER0	DDQ		Stamped C (X=2.20mm/2.25mm). 52107749, 1997 XJ
		1	J, U			EN0	DDQ		Stamped C (X=2.20mm/2.25mm). 52107752, 1997 XJ
		1	J, U			ER0	DDQ		Stamped C (X=2.20mm/2.25mm). 52108047, 1997 XJ

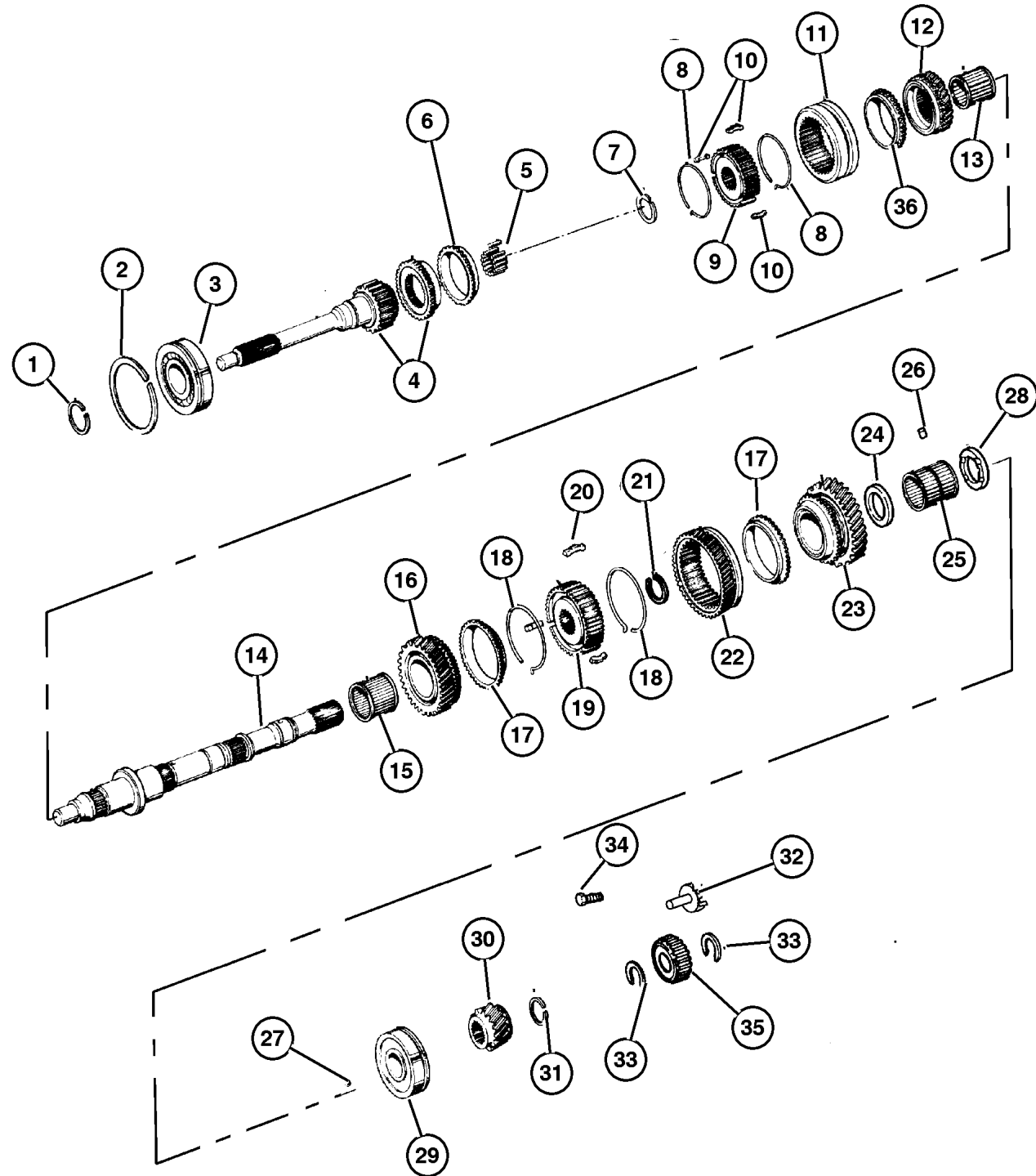
**JEEP CHEROKEE (XJ)**

SERIES	LINE	BODY	ENGINE	TRANSMISSION
L=Low Line	J=LHD (4WD) U=RHD (4WD) T=LHD (2WD) B=RHD (2WD)	74=4 DR. (101.4 WB) 72=2 DR. (101.4 WB)	ENC,EN0=2.5L 4 cyl. Turbo Die ERH,ER0=4.0L Power Tech I-6 EPE,EP0=Magnum 2.5L SMPI	DDQ=5Spd Man. DGS=4 Spd. Auto. AISIN DG0=All Auto Trans DBB=All Manual Trans.

AR = Use as required - = Non illustrated part # = New this model year

July 4, 2003

**Gear Train AX 15 (DDQ)  
Figure AX-415**



ITEM	PART NUMBER	QTY	LINE	SERIES	BODY	ENGINE	TRANS	TRIM	DESCRIPTION
		1	J, U			EN0	DDQ		Stamped C (X=2.20mm/2.25mm). 52108121AB, 1997 XJ
		1	J, U			ENC	DDQ		Stamped C (X=2.20mm/2.25mm). 52108121AB, 1998 XJ, 1999 XJ
	8350 6216	1	J, U			ER0	DDQ		Stamped D (X=2.25mm/2.30mm). 52105047AB
		1	B, T			ER0	DDQ		Stamped D (X=2.25mm/2.30mm). 52108048AB
		1	B, T			ER0	DDQ		Stamped D (X=2.25mm/2.30mm). 52107749, 1997 XJ
		1	J, U			EN0	DDQ		Stamped D (X=2.25mm/2.30mm). 52107752, 1997 XJ
		1	J, U			ER0	DDQ		Stamped D (X=2.25mm/2.30mm). 52108047, 1997 XJ
		1	J, U			EN0	DDQ		Stamped D (X=2.25mm/2.30mm). 52108121AB, 1997 XJ
		1	J, U			ENC	DDQ		Stamped D (X=2.25mm/2.30mm). 52108121AB, 1998 XJ, 1999 XJ
	8350 6217	1	J, U			ER0	DDQ		Stamped E (X=2.30mm/2.35mm). 52108047AB
		1	B, T			ER0	DDQ		Stamped E (X=2.30mm/2.35mm). 52108048AB
		1	B, T			ER0	DDQ		Stamped E (X=2.30mm/2.35mm). 52107749, 1997 XJ
		1	J, U			EN0	DDQ		Stamped E (X=2.30mm/2.35mm). 52107752, 1997 XJ
		1	J, U			ER0	DDQ		Stamped E (X=2.30mm/2.35mm). 52108047, 1997 XJ
		1	J, U			EN0	DDQ		Stamped E (X=2.30mm/2.35mm). 52108121AB, 1997 XJ
		1	J, U			ENC	DDQ		Stamped E (X=2.30mm/2.35mm). 52108121AB, 1998 XJ, 1999 XJ
	8350 6218	1	J, U			ER0	DDQ		Stamped F (X=2.35mm/2.40mm). 52108047AB
		1	B, T			ER0	DDQ		Stamped F (X=2.35mm/2.40mm). 52108048AB
		1	B, T			ER0	DDQ		Stamped F (X=2.35mm/2.40mm). 52107749, 1997 XJ
		1	J, U			EN0	DDQ		Stamped F (X=2.35mm/2.40mm). 52107752, 1997 XJ
		1	J, U			ER0	DDQ		Stamped F (X=2.35mm/2.40mm). 52108048AB, 1997 XJ

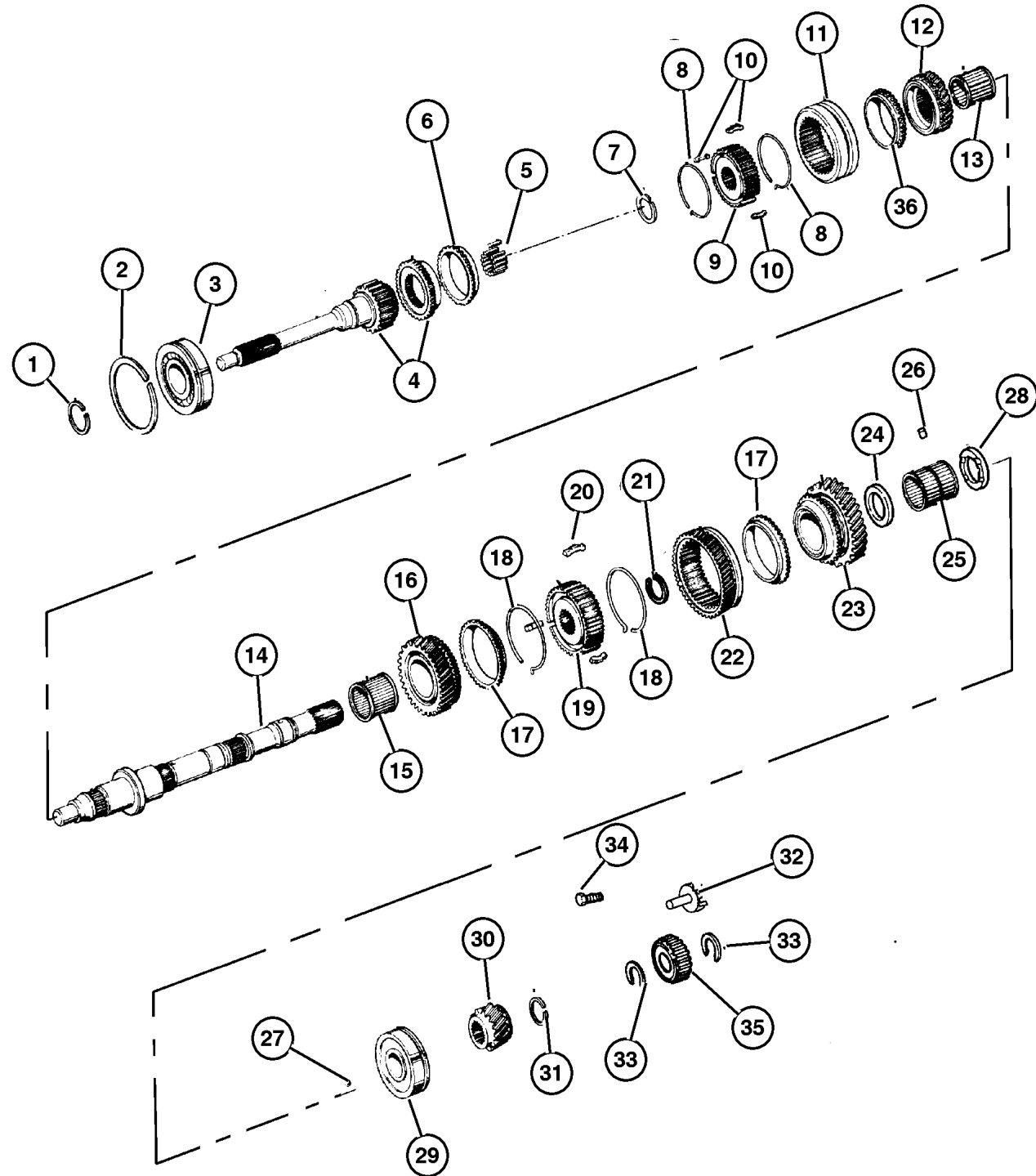
**JEEP CHEROKEE (XJ)**

SERIES	LINE	BODY	ENGINE	TRANSMISSION
L=Low Line	J=LHD (4WD) U=RHD (4WD) T=LHD (2WD) B=RHD (2WD)	74=4 DR. (101.4 WB) 72=2 DR. (101.4 WB)	ENC,EN0=2.5L 4 cyl. Turbo Die ERH,ER0=4.0L Power Tech I-6 EPE,EP0=Magnum 2.5L SMPI	DDQ=5Spd Man. DGS=4 Spd. Auto. AISIN DG0=All Auto Trans DBB=All Manual Trans.

AR = Use as required - = Non illustrated part # = New this model year

July 4, 2003

**Gear Train AX 15 (DDQ)  
Figure AX-415**



ITEM	PART NUMBER	QTY	LINE	SERIES	BODY	ENGINE	TRANS	TRIM	DESCRIPTION
		1	J, U			EN0	DDQ		Stamped F (X=2.35mm/2.40mm). 52108121AAB, 1997 XJ
		1	J, U			ENC	DDQ		Stamped F (X=2.35mm/2.40mm). 52108121AB, 1998 XJ, 1999 XJ
	8350 6219	1	J, U			ER0	DDQ		Stamped G (X=2.40mm/2.45mm). 52108047AB
		1	B, T			ER0	DDQ		Stamped G (X=2.40mm/2.45mm). 52108048AB
		1	B, T			ER0	DDQ		Stamped G (X=2.40mm/2.45mm). 52107749, 1997 XJ
		1	J, U			EN0	DDQ		Stamped G (X=2.40mm/2.45mm). 52107752, 1997 XJ
		1	J, U			ER0	DDQ		Stamped G (X=2.40mm/2.45mm). 52108047, 1997 XJ
		1	J, U			EN0	DDQ		Stamped G (X=2.40mm/2.45mm). 5210121AB, 1997 XJ
		1	J, U			ENC	DDQ		Stamped G (X=2.40mm/2.45mm). 52108121AB, 1998 XJ, 1999 XJ
2									SNAP RING
	8350 6222	1	J, U			ER0	DDQ		52108047AB
		1	B, T			ER0	DDQ		52108048AB
		1	B, T			ER0	DDQ		52107749, 1997 XJ
		1	J, U			EN0	DDQ		52107752, 1997 XJ
		1	J, U			ER0	DDQ		52108047, 1997 XJ
		1	J, U			EN0	DDQ		52108121AB, 1997 XJ
		1	J, U			ENC	DDQ		52108121AB, 1998 XJ, 1999 XJ
3									BEARING, Input Shaft
	8350 6074	1	J, U			ER0	DDQ		52108047AB
		1	B, T			ER0	DDQ		52108047AB
		1	B, T			ER0	DDQ		52107749, 1997 XJ
		1	J, U			EN0	DDQ		52107752, 1997 XJ
		1	J, U			ER0	DDQ		52108047, 1997 XJ
		1	J, U			EN0	DDQ		52108121AB, 1997 XJ
		1	J, U			ENC	DDQ		52108121AB, 1998 XJ, 1999 XJ
4									INPUT SHAFT, Transmission
	4636 370	1	B, T			ER0	DDQ		52107749, 1997 XJ
		1	J, U			ER0	DDQ		52107047, 1997 XJ
		1	J, U			EN0	DDQ		52107752, 1997 XJ
	4897 048AA	1	J, U			ER0	DDQ		52108047AB
		1	B, T			ER0	DDQ		52108048AB
		1	J, U			EN0	DDQ		52108121AB, 1997 XJ
		1	J, U			ENC	DDQ		52108121AB, 1998 XJ, 1999 XJ
5									NEEDLE BEARING, Input Shaft

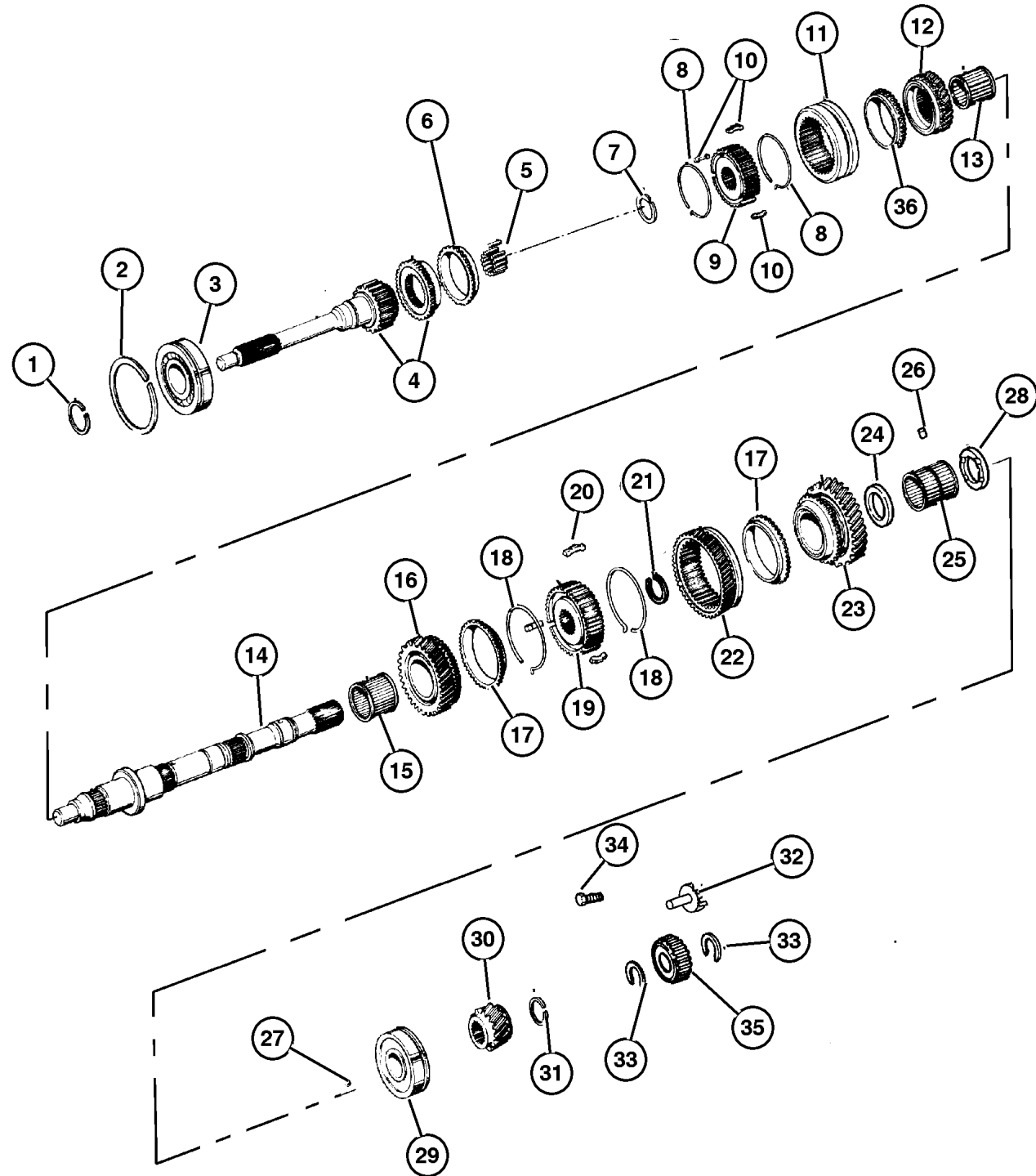
**JEEP CHEROKEE (XJ)**

SERIES	LINE	BODY	ENGINE	TRANSMISSION
L=Low Line	J=LHD (4WD) U=RHD (4WD) T=LHD (2WD) B=RHD (2WD)	74=4 DR. (101.4 WB) 72=2 DR. (101.4 WB)	ENC,EN0=2.5L 4 cyl. Turbo Die ERH,ER0=4.0L Power Tech I-6 EPE,EP0=Magnum 2.5L SMPI	DDQ=5Spd Man. DGS=4 Spd. Auto. AISIN DG0=All Auto Trans DBB=All Manual Trans.

AR = Use as required - = Non illustrated part # = New this model year

July 4, 2003

**Gear Train AX 15 (DDQ)  
Figure AX-415**



ITEM	PART NUMBER	QTY	LINE	SERIES	BODY	ENGINE	TRANS	TRIM	DESCRIPTION
	8350 6078	1	J, U			ER0	DDQ		52108047AB
		1	B, T			ER0	DDQ		52108048AB
		1	B, T			ER0	DDQ		52107749, 1997 XJ
		1	J, U			EN0	DDQ		52107752, 1997 XJ
		1	J, U			ER0	DDQ		52108047, 1997 XJ
6		1	J, U			EN0	DDQ		52108121AB, 1997 XJ
		1	J, U			ENC	DDQ		52108121AB, 1998 XJ, 1999 XJ
									STOP RING, Synchronizer
	4897 051AA	1	J, U			EN0	DDQ		Up To 12/12/97, 1997 XJ
		1	J, U			ER0	DDQ		Up To 12/12/97, 1997 XJ, 1999 XJ
		1	B, T			ER0	DDQ		Up To 12/12/97, 1997 XJ, 1999 XJ
	4897 052AA	1	J, U			ER0	DDQ		After 12/12/97, 1997 XJ
		1	B, T			ER0	DDQ		After 12/12/98, 1997 XJ
		1	J, U			EN0	DDQ		After 12/12/98, 1997 XJ
		1	J, U			ER0	DDQ		52108047AB, 1998 XJ, 1999 XJ
		1	B, T			ER0	DDQ		52108048AB, 1998 XJ, 1999 XJ
		1	J, U			ENC	DDQ		52108121AB, 1998 XJ, 1999 XJ
7									SNAP RING
	8350 6086	1	J, U			ER0	DDQ		Stamped A (X=1.80mm/1.85mm). 52108047AB
		1	B, T			ER0	DDQ		Stamped A (X=1.80mm/1.85mm). 52108048AB
		1	B, T			ER0	DDQ		Stamped A (X=1.80mm/1.85mm). 52107749, 1997 XJ
		1	J, U			EN0	DDQ		Stamped A (X=1.80mm/1.85mm). 52107752, 1997 XJ
		1	J, U			ER0	DDQ		Stamped A (X=1.80mm/1.85mm). 52108047, 1997 XJ
		1	J, U			EN0	DDQ		Stamped A (X=1.80mm/1.85mm). 52108121AB, 1997 XJ
		1	J, U			ENC	DDQ		Stamped A (X=1.80mm/1.85mm). 52108121AB, 1998 XJ, 1999 XJ
	8350 6087	1	B, T			ER0	DDQ		Stamped B (X=1.85mm/1.90mm). 52108048AB
		1	J, U			ER0	DDQ		Stamped B (X=1.85mm/1.90mm). 52108047AB
		1	J, U			EN0	DDQ		Stamped B (X=1.85mm/1.90mm). 52107752, 1997 XJ
		1	J, U			ER0	DDQ		Stamped B (X=1.85mm/1.90mm). 52108047, 1997 XJ
		1	B, T			ER0	DDQ		Stamped B (X=1.85mm/1.90mm). 52107749, 1997 XJ

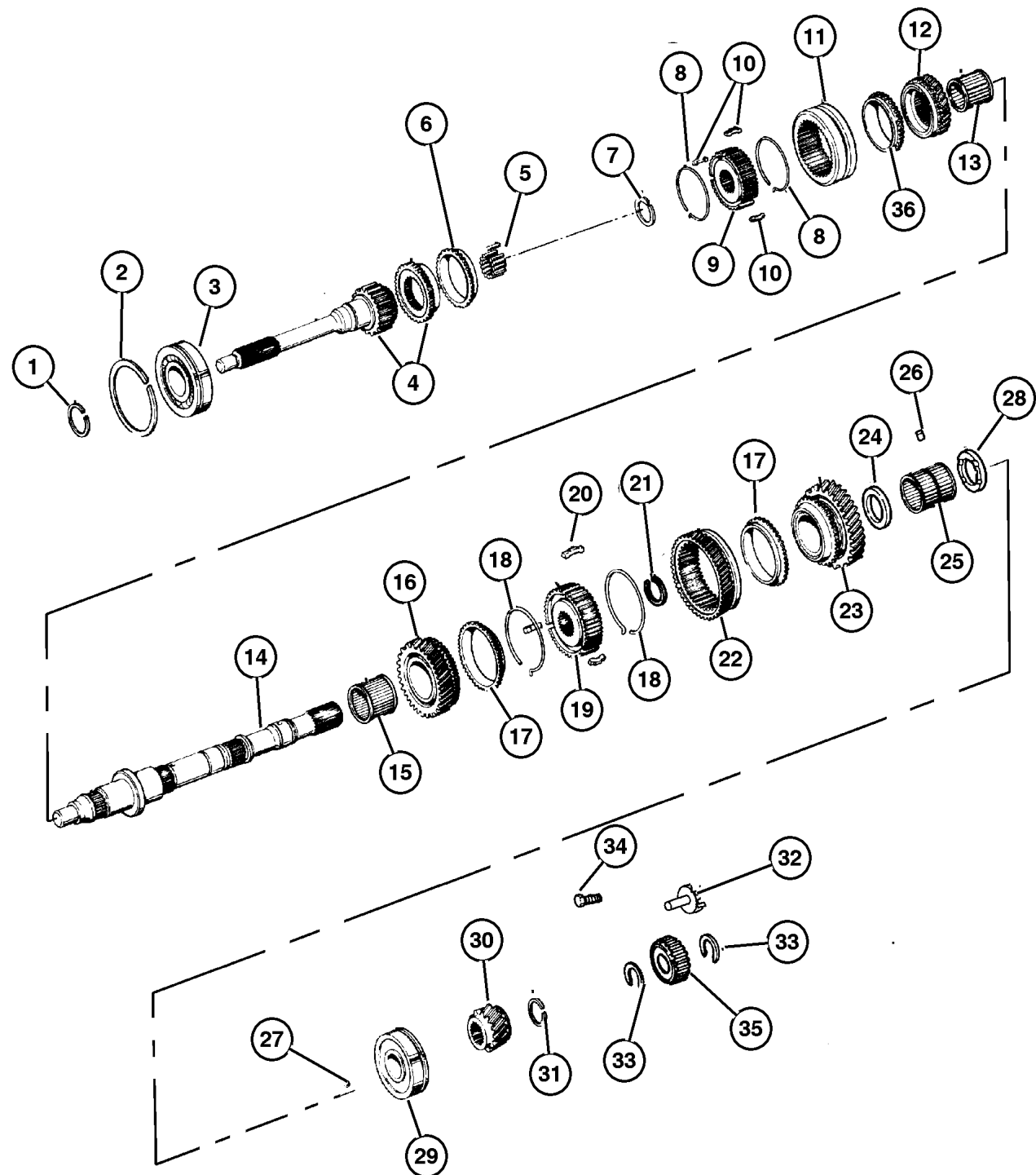
**JEEP CHEROKEE (XJ)**

SERIES	LINE	BODY	ENGINE	TRANSMISSION
L=Low Line	J=LHD (4WD) U=RHD (4WD) T=LHD (2WD) B=RHD (2WD)	74=4 DR. (101.4 WB) 72=2 DR. (101.4 WB)	ENC,EN0=2.5L 4 cyl. Turbo Die ERH,ER0=4.0L Power Tech I-6 EPE,EP0=Magnum 2.5L SMPI	DDQ=5Spd Man. DGS=4 Spd. Auto. AISIN DG0=All Auto Trans DBB=All Manual Trans.

AR = Use as required - = Non illustrated part # = New this model year

July 4, 2003

**Gear Train AX 15 (DDQ)  
Figure AX-415**



ITEM	PART NUMBER	QTY	LINE	SERIES	BODY	ENGINE	TRANS	TRIM	DESCRIPTION
		1	J, U			EN0	DDQ		Stamped B (X=1.85mm/1.90mm). 52108121AB, 1997 XJ
		1	J, U			ENC	DDQ		Stamped B (X=1.85mm/1.90mm). 52108121AB, 1998 XJ, 1999 XJ
	8350 6088	1	J, U			ER0	DDQ		Stamped C (X=1.90mm/1.95mm). 1997 XJ
		1	J, U			ER0	DDQ		Stamped C (X=1.90mm/1.95mm). 52108047AB
		1	B, T			ER0	DDQ		Stamped C (X=1.90mm/1.95mm). 52108048AB
		1	B, T			ER0	DDQ		Stamped C (X=1.90mm/1.95mm). 52107749, 1997 XJ
		1	J, U			EN0	DDQ		Stamped C (X=1.90mm/1.95mm). 52107752, 1997 XJ
		1	J, U			EN0	DDQ		Stamped C (X=1.90mm/1.95mm). 52108121AB, 1997 XJ
		1	J, U			ENC	DDQ		Stamped C (X=1.90mm/1.95mm). 52108121AB, 1998 XJ, 1999 XJ
	8350 6089	1	J, U			ER0	DDQ		Stamped D (X=1.95mm/2.00mm). 52108047AB
		1	B, T			ER0	DDQ		Stamped D (X=1.95mm/2.00mm). 52108048AB
		1	B, T			ER0	DDQ		Stamped D (X=1.90mm/2.00mm). 52107749, 1997 XJ
		1	J, U			EN0	DDQ		Stamped D (X=1.95mm/2.00mm). 52107752, 1997 XJ
		1	J, U			ER0	DDQ		Stamped D (X=1.95mm/2.00mm). 52108047, 1997 XJ
		1	J, U			EN0	DDQ		Stamped D (X=1.95mm/2.00mm). 52108121AB, 1997 XJ
		1	J, U			ENC	DDQ		Stamped D (X=1.95mm/2.00mm). 52108121AB, 1998 XJ, 1999 XJ
	8350 6090	1	J, U			ER0	DDQ		Stamped E (X=2.00mm/2.05mm). 52108047AB
		1	B, T			ER0	DDQ		Stamped E (X=2.00mm/2.05mm). 52108048AB
		1	J, U			EN0	DDQ		Stamped E (X=2.00mm/2.05mm). 52107752, 1997 XJ
		1	J, U			ER0	DDQ		Stamped E (X=2.00mm/2.05mm). 52108047, 1997 XJ
		1	B, T			ER0	DDQ		Stamped E (X=2.00mm/2.05mm). 52107749, 1997 XJ

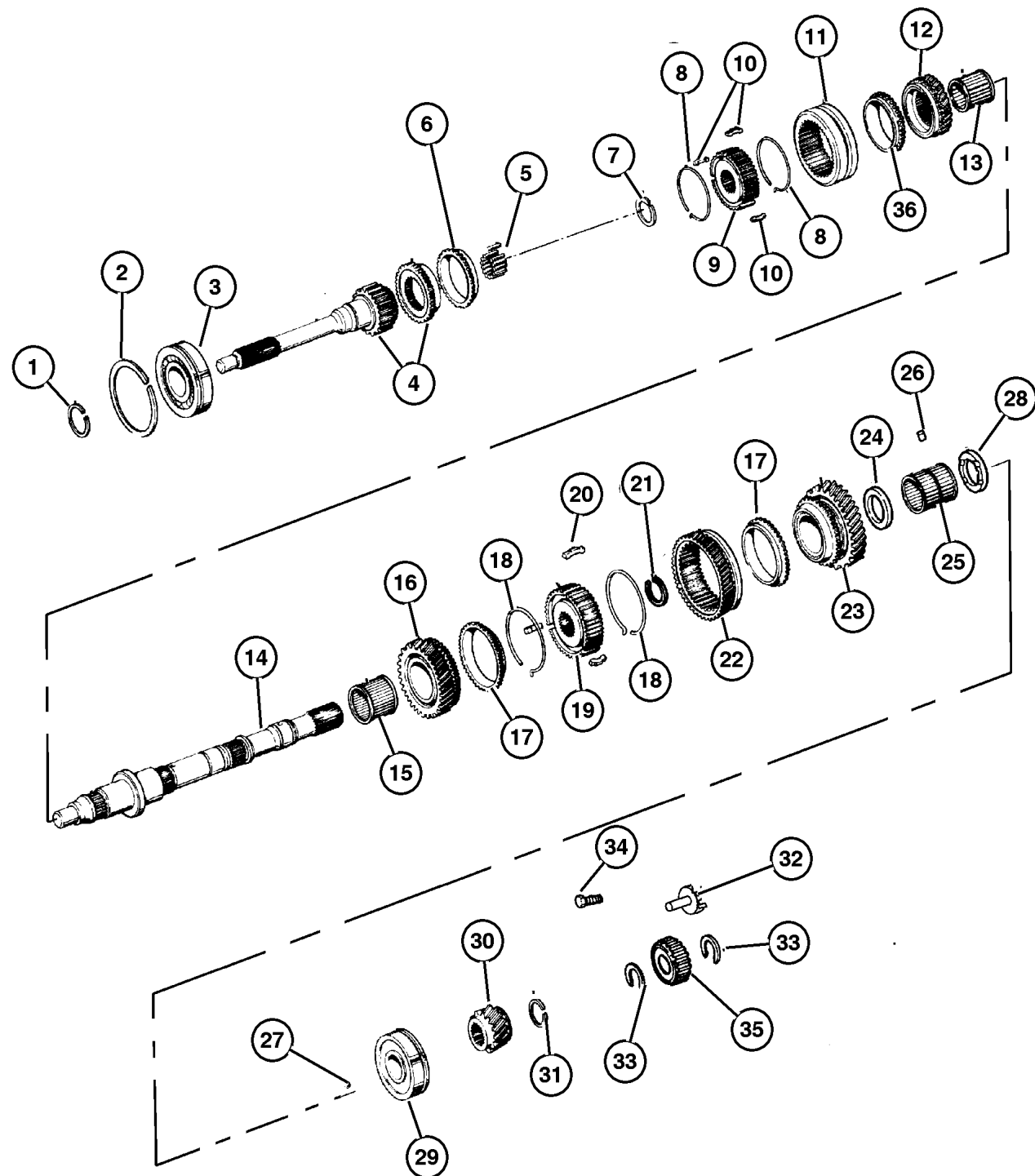
**JEEP CHEROKEE (XJ)**

SERIES	LINE	BODY	ENGINE	TRANSMISSION
L=Low Line	J=LHD (4WD) U=RHD (4WD) T=LHD (2WD) B=RHD (2WD)	74=4 DR. (101.4 WB) 72=2 DR. (101.4 WB)	ENC,EN0=2.5L 4 cyl. Turbo Die ERH,ER0=4.0L Power Tech I-6 EPE,EP0=Magnum 2.5L SMPI	DDQ=5Spd Man. DGS=4 Spd. Auto. AISIN DG0=All Auto Trans DBB=All Manual Trans.

AR = Use as required - = Non illustrated part # = New this model year

July 4, 2003

**Gear Train AX 15 (DDQ)  
Figure AX-415**



ITEM	PART NUMBER	QTY	LINE	SERIES	BODY	ENGINE	TRANS	TRIM	DESCRIPTION
		1	J, U			EN0	DDQ		Stamped E (X=2.00mm/2.05mm). 52108121AB, 1997 XJ
		1	J, U			ENC	DDQ		Stamped E (X=2.00mm/2.05mm). 52108121AB, 1998 XJ, 1999 XJ
	8350 6091	1	J, U			ER0	DDQ		Stamped F (X=2.05mm/2.10mm). 52108047AB
		1	B, T			ER0	DDQ		Stamped F (X=2.05mm/2.10mm). 52108048AB
		1	B, T			ER0	DDQ		Stamped F (X=2.05mm/2.10mm). 52107749, 1997 XJ
		1	J, U			EN0	DDQ		Stamped F (X=2.05mm/2.10mm). 52108852, 1997 XJ
		1	J, U			ER0	DDQ		Stamped F (X=2.05mm/2.10mm). 52108047, 1997 XJ
		1	J, U			EN0	DDQ		Stamped F (X=2.05mm/2.10mm). 52108121AB, 1997 XJ
		1	J, U			ENC	DDQ		Stamped F (X=2.05mm/2.10mm). 52108121AB, 1998 XJ, 1999 XJ
	8350 6092	1	J, U			ER0	DDQ		Stamped G (X=2.10mm/2.15mm). 52108047AB
		1	B, T			ER0	DDQ		Stamped G (X=2.10mm/2.15mm). 52108048AB
		1	J, U			ER0	DDQ		Stamped G (X=2.10mm/2.15mm). 52108047, 1997 XJ
		1	B, T			ER0	DDQ		Stamped G (X=2.10mm/2.15mm). 52107749, 1997 XJ
		1	J, U			EN0	DDQ		Stamped G (X=2.10mm/2.15mm). 52107752, 1997 XJ
		1	J, U			EN0	DDQ		Stamped G (X=2.10mm/2.15mm). 52108121AB, 1997 XJ
		1	J, U			ENC	DDQ		Stamped G (X=2.10mm/2.15mm). 52108121AB, 1998 XJ, 1999 XJ
8									SPRING, Synchronizer Key
	8350 6255	2	J, U			ER0	DDQ		52108047AB
		2	B, T			ER0	DDQ		52107749, 1997 XJ
		2	J, U			EN0	DDQ		52107752, 1997 XJ
		2	J, U			ER0	DDQ		52108047, 1997 XJ
		2	J, U			EN0	DDQ		52108121AB, 1997 XJ
		2	B, T			ER0	DDQ		52108048AB, 1997 XJ, 1998 XJ
		2	J, U			ENC	DDQ		52108121AB, 1998 XJ
9									HUB, Synchronizer
	8350 6248	1	J, U			ER0	DDQ		52108047AB

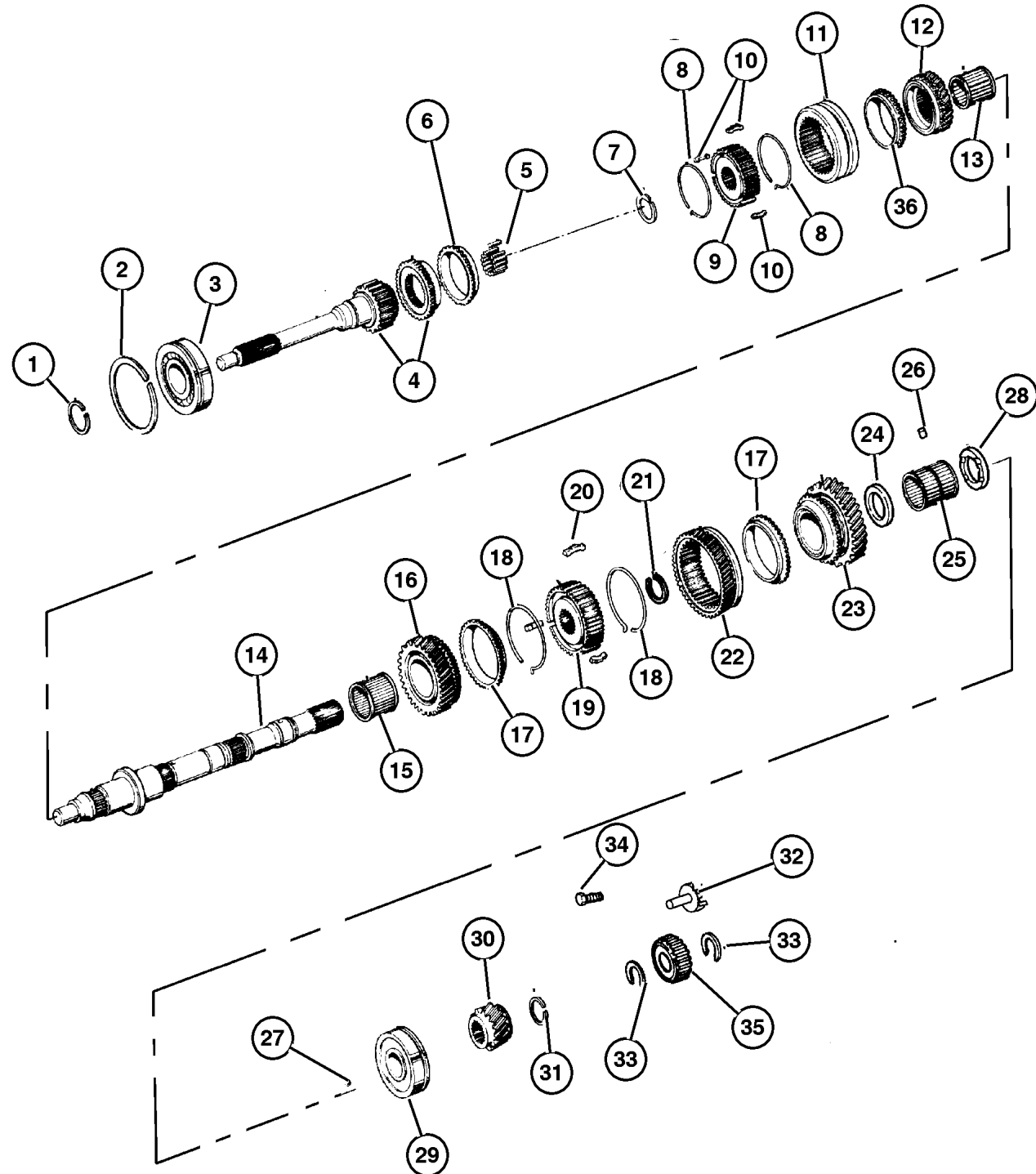
**JEEP CHEROKEE (XJ)**

SERIES	LINE	BODY	ENGINE	TRANSMISSION
L=Low Line	J=LHD (4WD) U=RHD (4WD) T=LHD (2WD) B=RHD (2WD)	74=4 DR. (101.4 WB) 72=2 DR. (101.4 WB)	ENC,EN0=2.5L 4 cyl. Turbo Die ERH,ER0=4.0L Power Tech I-6 EPE,EP0=Magnum 2.5L SMPI	DDQ=5Spd Man. DGS=4 Spd. Auto. AISIN DG0=All Auto Trans DBB=All Manual Trans.

AR = Use as required - = Non illustrated part # = New this model year

July 4, 2003

**Gear Train AX 15 (DDQ)  
Figure AX-415**



ITEM	PART NUMBER	QTY	LINE	SERIES	BODY	ENGINE	TRANS	TRIM	DESCRIPTION
		1	B, T			ER0	DDQ		52108048AB
		1	B, T			ER0	DDQ		52107749, 1997 XJ
		1	J, U			EN0	DDQ		52107752, 1997 XJ
		1	J, U			ER0	DDQ		52108047, 1997 XJ
		1	J, U			EN0	DDQ		52108121AB, 1997 XJ
10		1	J, U			ENC	DDQ		52108121AB, 1998 XJ, 1999 XJ KEY, Synchronizer
	8350 6251	3	J, U			ER0	DDQ		52108047AB
		3	B, T			ER0	DDQ		52107749, 1997 XJ
		3	J, U			EN0	DDQ		52107752, 1997 XJ
		3	J, U			ER0	DDQ		52108047, 1997 XJ
		3	J, U			EN0	DDQ		52108121AB, 1997 XJ
		3	B, T			ER0			52108048AB, 1997 XJ, 1998 XJ
		3	J, U			ENC			52108121AB, 1998 XJ SLEEVE, Synchronizer
11	4897 050AA	1	J, U			ER0	DDQ		52108047AB
		1	B, T			ER0	DDQ		52108048AB
		1	J, U			EN0	DDQ		52108121AB, 1997 XJ
		1	J, U			ENC	DDQ		52108121AB, 1998 XJ, 1999 XJ
	8350 6249	1	B, T			ER0	DDQ		52107749, 1997 XJ
		1	J, U			EN0	DDQ		52107752, 1997 XJ
12		1	J, U			ER0	DDQ		52108047, 1997 XJ GEAR, Third
	4897 047AA	1	J, U			ER0	DDQ		52108047AB
		1	B, T			ER0	DDQ		52108048AB
		1	J, U			EN0	DDQ		52108121AB, 1997 XJ
		1	J, U			ENC	DDQ		52108121AB, 1998 XJ, 1999 XJ
	5252 079	1	B, T			ER0	DDQ		52107749, 1997 XJ
		1	J, U			EN0	DDQ		52107752, 1997 XJ
		1	J, U			ER0	DDQ		52108047, 1997 XJ
13		1	J, U			ER0	DDQ		52108047AB NEEDLE BEARING, Third Gear
	8350 6077	1	J, U			ER0	DDQ		52108047AB
		1	B, T			ER0	DDQ		52108048AB
		1	B, T			ER0	DDQ		52107749, 1997 XJ
		1	J, U			EN0	DDQ		52107752, 1997 XJ
		1	J, U			ER0	DDQ		52108047, 1997 XJ
		1	J, U			EN0	DDQ		52108121AB, 1997 XJ
		1	J, U			ENC	DDQ		52108121AB, 1998 XJ, 1999 XJ
14		1	J, U			ENC	DDQ		52108121AB, 1998 XJ, 1999 XJ SHAFT, Output
	4874 288	1	B, T			ER0	DDQ		52108048AB
		1	B, T			ER0	DDQ		52107749, 1997 XJ
	8350 6243	1	J, U			ER0	DDQ		52108047AB

**JEEP CHEROKEE (XJ)**

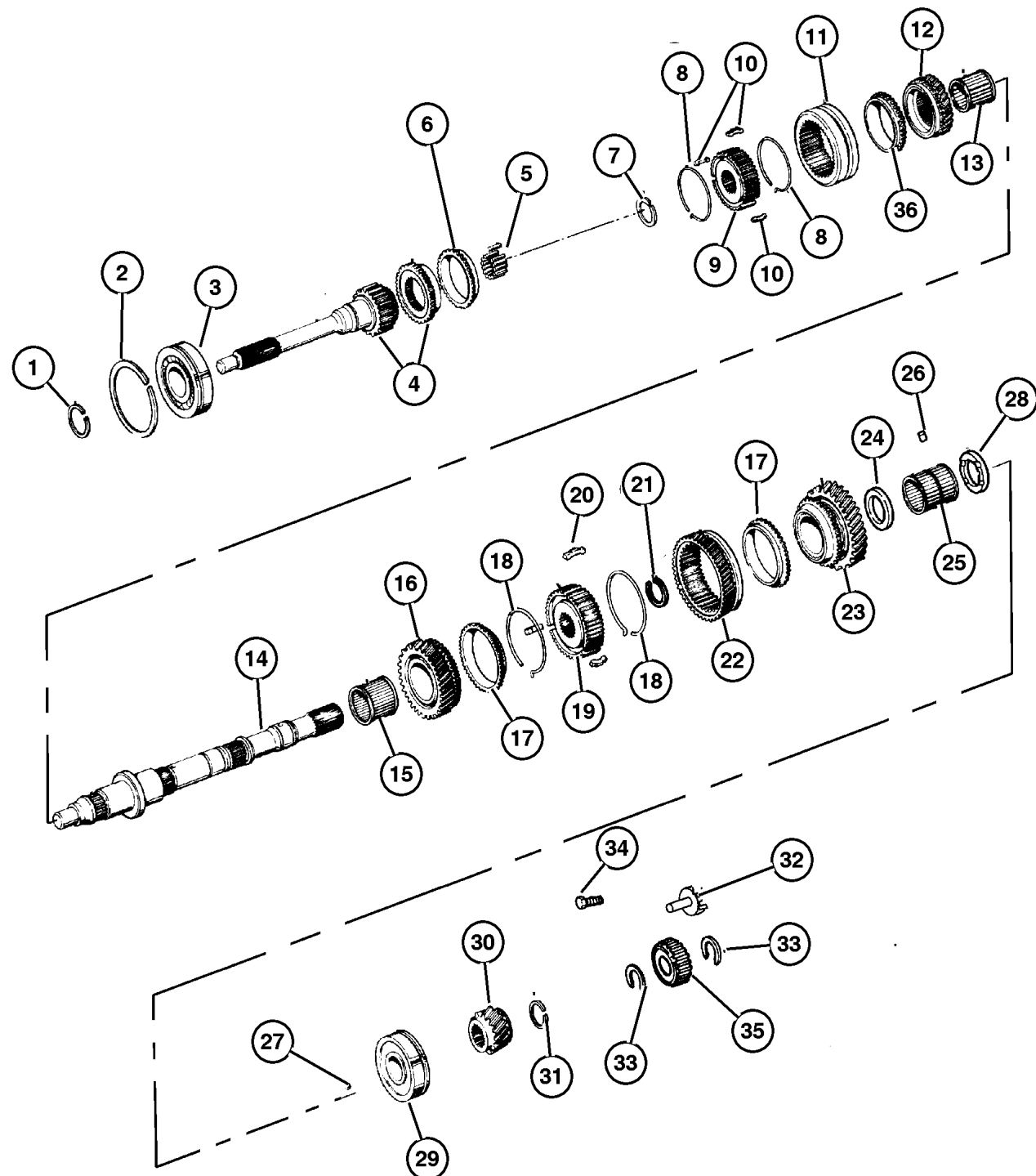
SERIES	LINE	BODY	ENGINE	TRANSMISSION
L=Low Line	J=LHD (4WD) U=RHD (4WD) T=LHD (2WD) B=RHD (2WD)	74=4 DR. (101.4 WB) 72=2 DR. (101.4 WB)	ENC,EN0=2.5L 4 cyl. Turbo Die ERH,ER0=4.0L Power Tech I-6 EPE,EP0=Magnum 2.5L SMPI	DDQ=5Spd Man. DGS=4 Spd. Auto. AISIN DG0=All Auto Trans DBB=All Manual Trans.

AR = Use as required - = Non illustrated part # = New this model year

July 4, 2003



**Gear Train AX 15 (DDQ)  
Figure AX-415**



ITEM	PART NUMBER	QTY	LINE	SERIES	BODY	ENGINE	TRANS	TRIM	DESCRIPTION
		1	J, U			EN0	DDQ		52107752, 1997 XJ
		1	J, U			ER0	DDQ		52108047, 1997 XJ
		1	J, U			EN0	DDQ		52108121AB, 1997 XJ
		1	J, U			ENC	DDQ		52108121AB, 1998 XJ, 1999 XJ
15									NEEDLE BEARING, Second Gear
	8350 6076	1	J, U			ER0	DDQ		52108047AB
		1	B, T			ER0	DDQ		52108048AB
		1	B, T			ER0	DDQ		52107749, 1997 XJ
		1	J, U			EN0	DDQ		52107752, 1997 XJ
		1	J, U			ER0	DDQ		52108047, 1997 XJ
		1	J, U			EN0	DDQ		52108121AB, 1997 XJ
		1	J, U			ENC	DDQ		52108121AB, 1998 XJ, 1999 XJ
16									GEAR, Second
	4636 369	1	J, U			ER0	DDQ		52108047AB
		1	B, T			ER0	DDQ		52108048AB
		1	B, T			ER0	DDQ		52107749, 1997 XJ
		1	J, U			ER0	DDQ		52108047, 1997 XJ
		1	J, U			EN0	DDQ		52107752, 1997 XJ
		1	J, U			EN0	DDQ		52108121AB, 1997 XJ
		1	J, U			ENC	DDQ		52108121AB, 1998 XJ, 1999 XJ
17									STOP RING, Synchronizer
	8350 6252	2	J, U			ER0	DDQ		52108047AB
		2	B, T			ER0	DDQ		52107749, 1997 XJ
		2	J, U			EN0	DDQ		52107752, 1997 XJ
		2	J, U			ER0	DDQ		52108047, 1997 XJ
		2	J, U			EN0	DDQ		52108121AB, 1997 XJ
		2	B, T			ER0			52108048AB, 1997 XJ, 1998 XJ
		2	J, U			ENC			52108121AB, 1998 XJ
18									SPRING, Synchronizer Key
	8350 6254	2	J, U			ER0	DDQ		52108047AB
		2	B, T			ER0	DDQ		52107749, 1997 XJ
		2	J, U			EN0	DDQ		52107752, 1997 XJ
		2	J, U			ER0	DDQ		52108047, 1997 XJ
		2	J, U			EN0	DDQ		52108121AB, 1997 XJ
		2	B, T			ER0			52108048AB, 1997 XJ, 1998 XJ
		2	J, U			ENC			52108121AB, 1998 XJ
19									HUB, Synchronizer
	8350 6247	1	J, U			ER0	DDQ		52108047AB
		1	B, T			ER0	DDQ		52108048AB
		1	B, T			ER0	DDQ		52107749, 1997 XJ
		1	J, U			EN0	DDQ		52107752, 1997 XJ
		1	J, U			ER0	DDQ		52108047, 1997 XJ

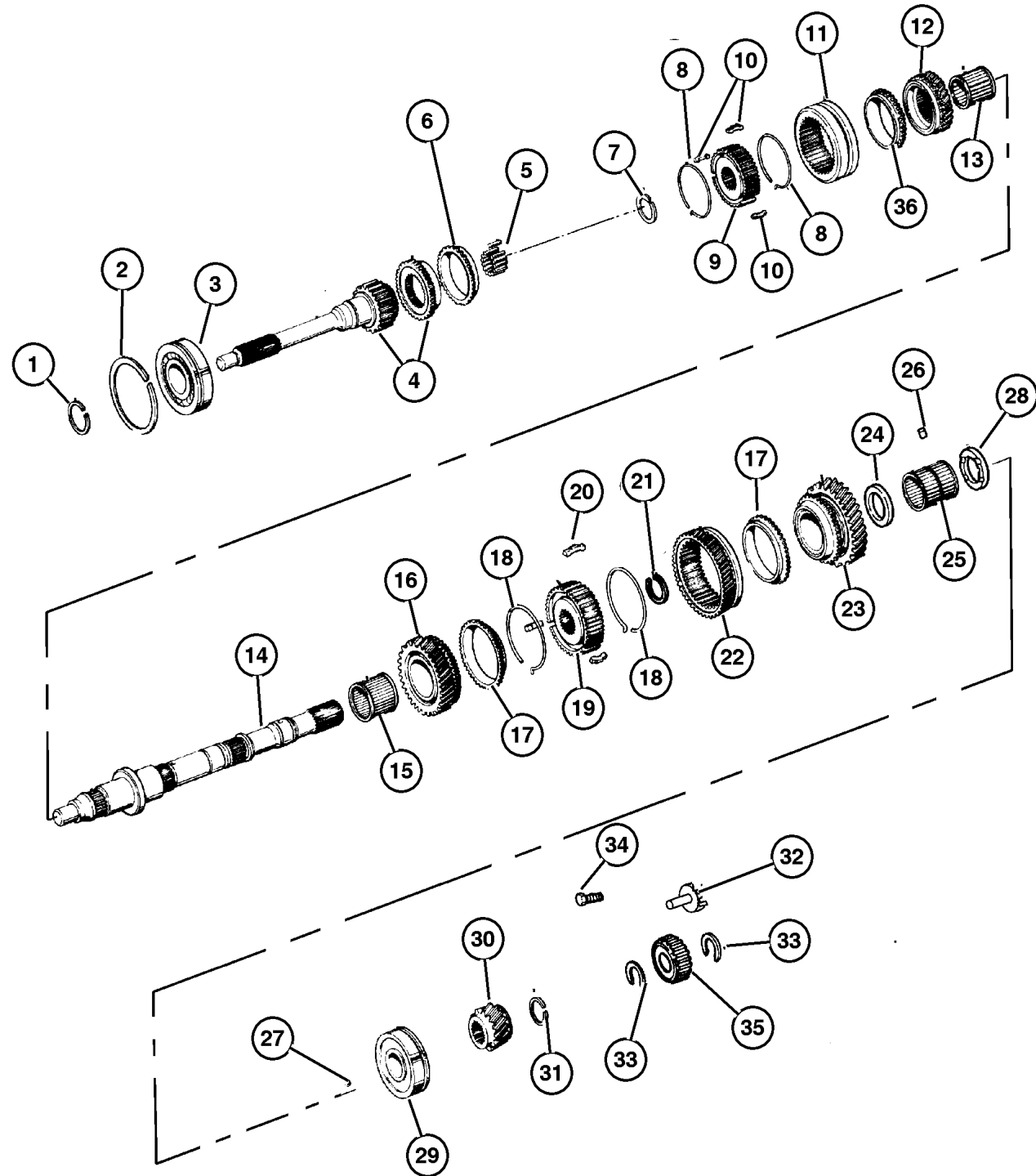
**JEEP CHEROKEE (XJ)**

SERIES	LINE	BODY	ENGINE	TRANSMISSION
L=Low Line	J=LHD (4WD) U=RHD (4WD) T=LHD (2WD) B=RHD (2WD)	74=4 DR. (101.4 WB) 72=2 DR. (101.4 WB)	ENC,EN0=2.5L 4 cyl. Turbo Die ERH,ER0=4.0L Power Tech I-6 EPE,EP0=Magnum 2.5L SMPI	DDQ=5Spd Man. DGS=4 Spd. Auto. AISIN DG0=All Auto Trans DBB=All Manual Trans.

AR = Use as required - = Non illustrated part # = New this model year

July 4, 2003

**Gear Train AX 15 (DDQ)  
Figure AX-415**



ITEM	PART NUMBER	QTY	LINE	SERIES	BODY	ENGINE	TRANS	TRIM	DESCRIPTION
		1	J, U			EN0	DDQ		52108121AB, 1997 XJ
		1	J, U			ENC	DDQ		52108121AB, 1998 XJ, 1999 XJ KEY, Synchronizer
20	8350 6250	3	J, U			ER0	DDQ		52108047AB
		3	B, T			ER0	DDQ		52107749, 1997 XJ
		3	J, U			EN0	DDQ		52107752, 1997 XJ
		3	J, U			ER0	DDQ		52108047, 1997 XJ
		3	J, U			EN0	DDQ		52108121AB, 1997 XJ
		3	B, T			ER0	DDQ		52108048AB, 1997 XJ, 1998 XJ
		3	J, U			ENC			52108121AB, 1998 XJ SNAP RING
21	8350 6093	1	J, U			ER0	DDQ		Stamped B (X=2.35mm/2.40mm). 52108047AB
		1	B, T			ER0	DDQ		Stamped B (X=2.35mm/2.40mm). 52108048AB
		1	B, T			ER0	DDQ		Stamped B (X=2.35mm/2.40mm). 52107749, 1997 XJ
		1	J, U			EN0	DDQ		Stamped B (X=2.35mm/2.40mm). 52107752, 1997 XJ
		1	J, U			ER0	DDQ		Stamped B (X=2.35mm/2.40mm). 52108047, 1997 XJ
		1	J, U			EN0	DDQ		Stamped B (X=2.35mm/2.40mm). 52108121AB, 1997 XJ
		1	J, U			ENC	DDQ		Stamped B (X=2.35mm/2.40mm). 52108121AB, 1998 XJ, 1999 XJ
	8350 6094	1	B, T			ER0	DDQ		Stamped C (X=2.40mm/2.45mm). 52108048AB
		1	B, T			ER0	DDQ		Stamped C (X=2.40mm/2.45mm). 52107749, 1997 XJ
		1	J, U			EN0	DDQ		Stamped C (X=2.40mm/2.25mm). 52107752, 1997 XJ
		1	J, U			ER0	DDQ		Stamped C (X=2.40mm/2.45mm). 52108047, 1997 XJ
		1	J, U			EN0	DDQ		Stamped C (X=2.40mm/2.45mm). 521081212AB, 1997 XJ
		1	J, U			ER0	DDQ		Stamped C (X=2.40mm/2.45mm). 52108047AB, 1998 XJ, 1999 XJ
		1	J, U			ENC	DDQ		Stamped C (X=2.40mm/2.45mm). 52108121AB, 1998 XJ, 1999 XJ
	8350 6095	1	J, U			ER0	DDQ		Stamped D (X=2.45mm/2.50mm). 52108047AB
		1	B, T			ER0	DDQ		Stamped D (X=2.45mm/2.50mm). 52108048AB

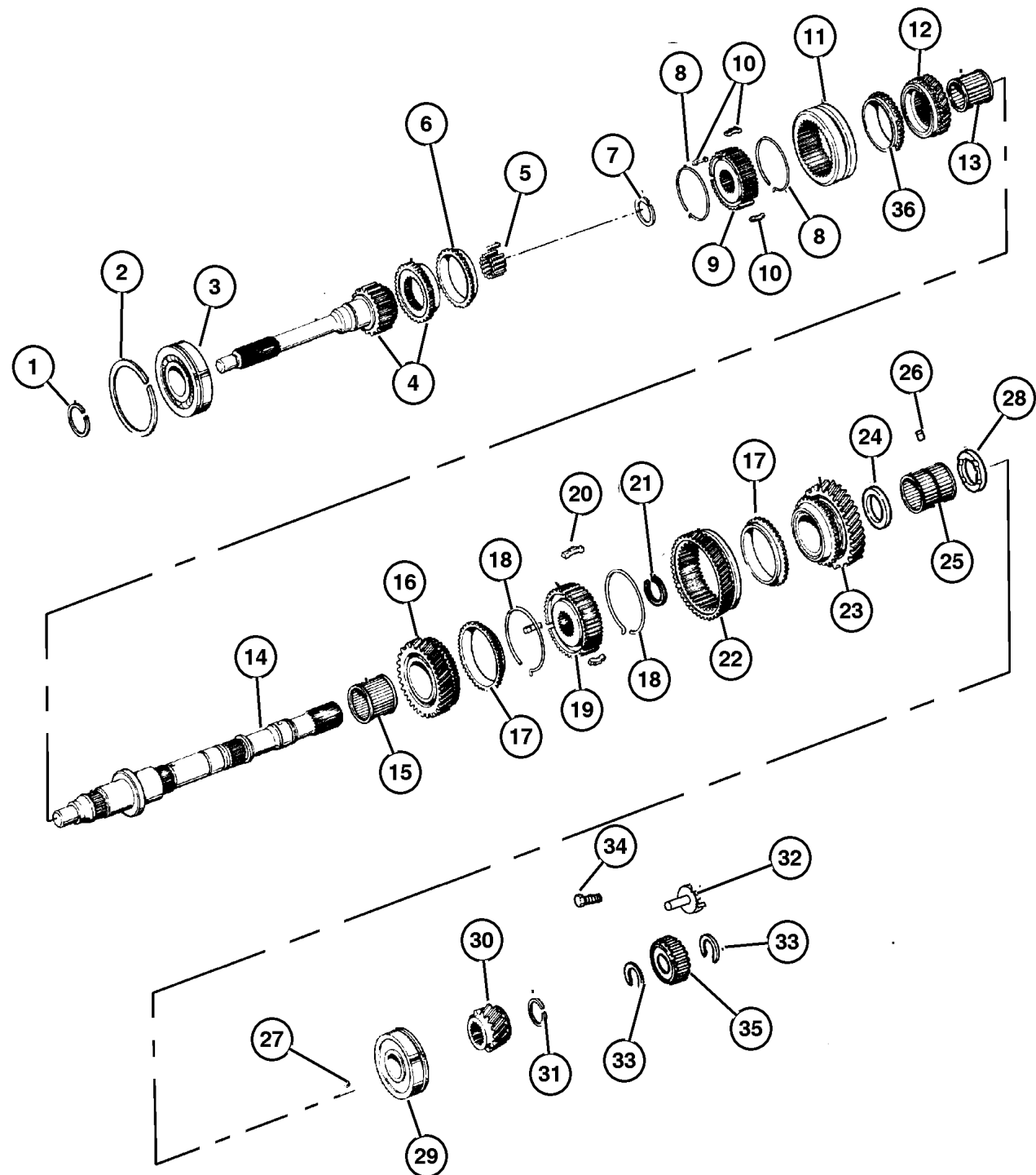
**JEEP CHEROKEE (XJ)**

SERIES	LINE	BODY	ENGINE	TRANSMISSION
L=Low Line	J=LHD (4WD) U=RHD (4WD) T=LHD (2WD) B=RHD (2WD)	74=4 DR. (101.4 WB) 72=2 DR. (101.4 WB)	ENC,EN0=2.5L 4 cyl. Turbo Die ERH,ER0=4.0L Power Tech I-6 EPE,EP0=Magnum 2.5L SMPI	DDQ=5Spd Man. DGS=4 Spd. Auto. AISIN DG0=All Auto Trans DBB=All Manual Trans.

AR = Use as required - = Non illustrated part # = New this model year

July 4, 2003

**Gear Train AX 15 (DDQ)  
Figure AX-415**



ITEM	PART NUMBER	QTY	LINE	SERIES	BODY	ENGINE	TRANS	TRIM	DESCRIPTION
		1	B, T			ER0	DDQ		Stamped D (X=2.45mm/2.50mm). 52107749, 1997 XJ
		1	J, U			EN0	DDQ		Stamped D (X=2.45mm/2.50mm). 52107752, 1997 XJ
		1	J, U			ER0	DDQ		Stamped D (X=2.45mm/2.50mm). 52108047, 1997 XJ
		1	J, U			EN0	DDQ		Stamped D (X=2.45mm/2.50mm). 52108121AB, 1997 XJ
		1	J, U			ENC	DDQ		Stamped D (X=2.45mm/2.50mm). 52108121AB, 1998 XJ, 1999 XJ
8350 6096		1	J, U			ER0	DDQ		Stamped E (X=2.50mm/2.55mm). 52108047AB
		1	B, T			ER0	DDQ		Stamped E (X=2.50mm/2.55mm). 52108048AB
		1	J, U			EN0	DDQ		Stamped E (X=2.50mm/2.55mm). 52107752, 1997 XJ
		1	B, T			ER0	DDQ		Stamped E (X=2.50mm/2.55mm). 52107749, 1997 XJ
		1	J, U			ER0	DDQ		Stamped E (X=2.50mm/2.55mm). 52108047, 1997 XJ
		1	J, U			EN0	DDQ		Stamped E (X=2.50mm/2.55mm). 52108047, 1997 XJ
		1	J, U			ENC	DDQ		Stamped E (X=2.45mm/2.50mm). 52108121AB,, 1998 XJ, 1999 XJ
8350 6097		1	J, U			ER0	DDQ		Stamped F (X=2.55mm/2.60mm). 52108047AB
		1	B, T			ER0	DDQ		Stamped F (X=2.55mm/2.60mm). 52108048AB
		1	J, U			EN0	DDQ		Stamped F (X=2.55mm/2.60mm). 52107752, 1997 XJ
		1	B, T			ER0	DDQ		Stamped F (X=2.55mm/2.60mm). 52107749, 1997 XJ
		1	J, U			ER0	DDQ		Stamped F (X=2.55mm/2.60mm). 52108047, 1997 XJ
		1	J, U			EN0	DDQ		Stamped F (X=2.55mm/2.60mm). 52108121AB, 1997 XJ
		1	J, U			ENC	DDQ		Stamped F (X=2.55mm/2.60mm). 52108121AB, 1998 XJ, 1999 XJ
8350 6098		1	J, U			ER0	DDQ		Stamped G (X=2.60mm/2.65mm). 52108047AB
		1	B, T			ER0	DDQ		Stamped G (X=2.60mm/2.65mm). 52108048AB

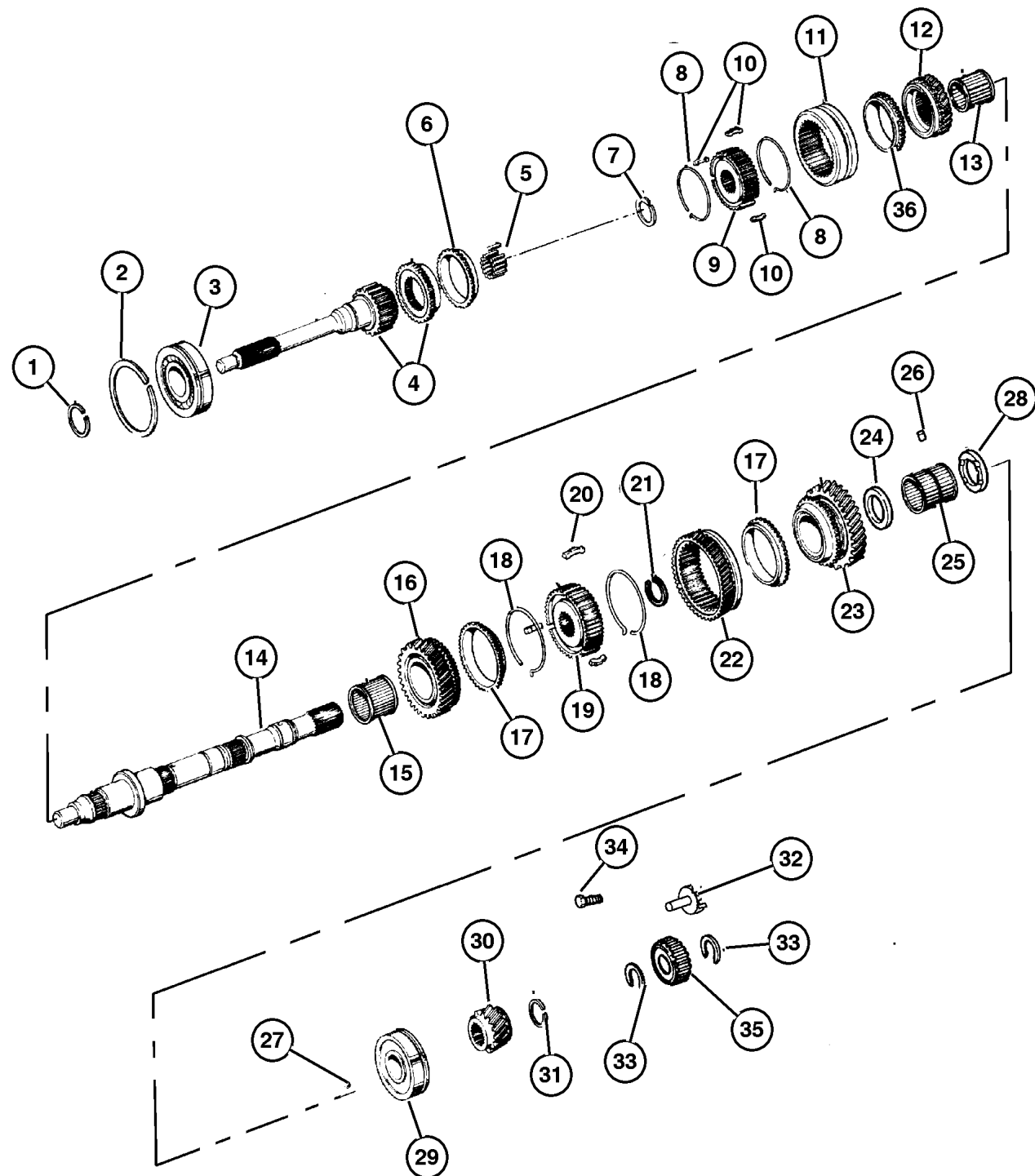
**JEEP CHEROKEE (XJ)**

SERIES	LINE	BODY	ENGINE	TRANSMISSION
L=Low Line	J=LHD (4WD) U=RHD (4WD) T=LHD (2WD) B=RHD (2WD)	74=4 DR. (101.4 WB) 72=2 DR. (101.4 WB)	ENC,EN0=2.5L 4 cyl. Turbo Die ERH,ER0=4.0L Power Tech I-6 EPE,EP0=Magnum 2.5L SMPI	DDQ=5Spd Man. DGS=4 Spd. Auto. AISIN DG0=All Auto Trans DBB=All Manual Trans.

AR = Use as required - = Non illustrated part # = New this model year

July 4, 2003

**Gear Train AX 15 (DDQ)  
Figure AX-415**



ITEM	PART NUMBER	QTY	LINE	SERIES	BODY	ENGINE	TRANS	TRIM	DESCRIPTION
		1	B, T			ER0	DDQ		Stamped G (X=2.60mm/2.65mm). 52107749, 1997 XJ
		1	J, U			EN0	DDQ		Stamped G (X=2.60mm/2.65mm). 52107752, 1997 XJ
		1	J, U			ER0	DDQ		Stamped G (X=2.60mm/2.65mm). 52108047, 1997 XJ
		1	J, U			EN0	DDQ		Stamped G (X=2.60mm/2.65mm). 52108121AB, 1997 XJ
		1	J, U			ENC	DDQ		Stamped F (X=2.60mm/2.65mm). 52108121AB, 1998 XJ, 1999 XJ
22	5252 082	1	J, U			ER0	DDQ		GEAR, Reverse 52108047AB
		1	B, T			ER0	DDQ		52108048AB
		1	B, T			ER0	DDQ		52107749, 1997 XJ
		1	J, U			EN0	DDQ		52107752, 1997 XJ
		1	J, U			ER0	DDQ		52108047, 1997 XJ
		1	J, U			EN0	DDQ		52108121AB, 1997 XJ
		1	J, U			ENC	DDQ		52108121AB, 1998 XJ, 1999 XJ
23	4636 368	1	J, U			ER0	DDQ		GEAR, First 52108047AB
		1	B, T			ER0	DDQ		52108048AB
		1	B, T			ER0	DDQ		52107749, 1997 XJ
		1	J, U			ER0	DDQ		52108047, 1997 XJ
	4796 002	1	J, U			EN0	DDQ		52107752, 1997 XJ
		1	J, U			EN0	DDQ		52108121AB, 1997 XJ
		1	J, U			ENC	DDQ		52108121AB, 1998 XJ, 1999 XJ
24	8350 6280	1	B, T			ER0	DDQ		SPACER, Output Shaft 52108048AB
		1	J, U			ER0	DDQ		521058047AB
		1	B, T			ER0	DDQ		52107749, 1997 XJ
		1	J, U			EN0	DDQ		52107752, 1997 XJ
		1	J, U			ER0	DDQ		52108047, 1997 XJ
		1	J, U			EN0	DDQ		52108121AB, 1997 XJ
		1	J, U			ENC	DDQ		52108121AB, 1998 XJ, 1999 XJ
25	8350 6075	1	J, U			ER0	DDQ		NEEDLE BEARING, First Gear 52108047AB
		1	B, T			ER0	DDQ		52108048AB
		1	B, T			ER0	DDQ		52107749, 1997 XJ
		1	J, U			EN0	DDQ		52107752, 1997 XJ
		1	J, U			ER0	DDQ		52108047, 1997 XJ
		1	J, U			EN0	DDQ		52108121AB, 1997 XJ
		1	J, U			ENC	DDQ		52108121AB, 1998 XJ, 1999 XJ
26									PIN, Mainshaft

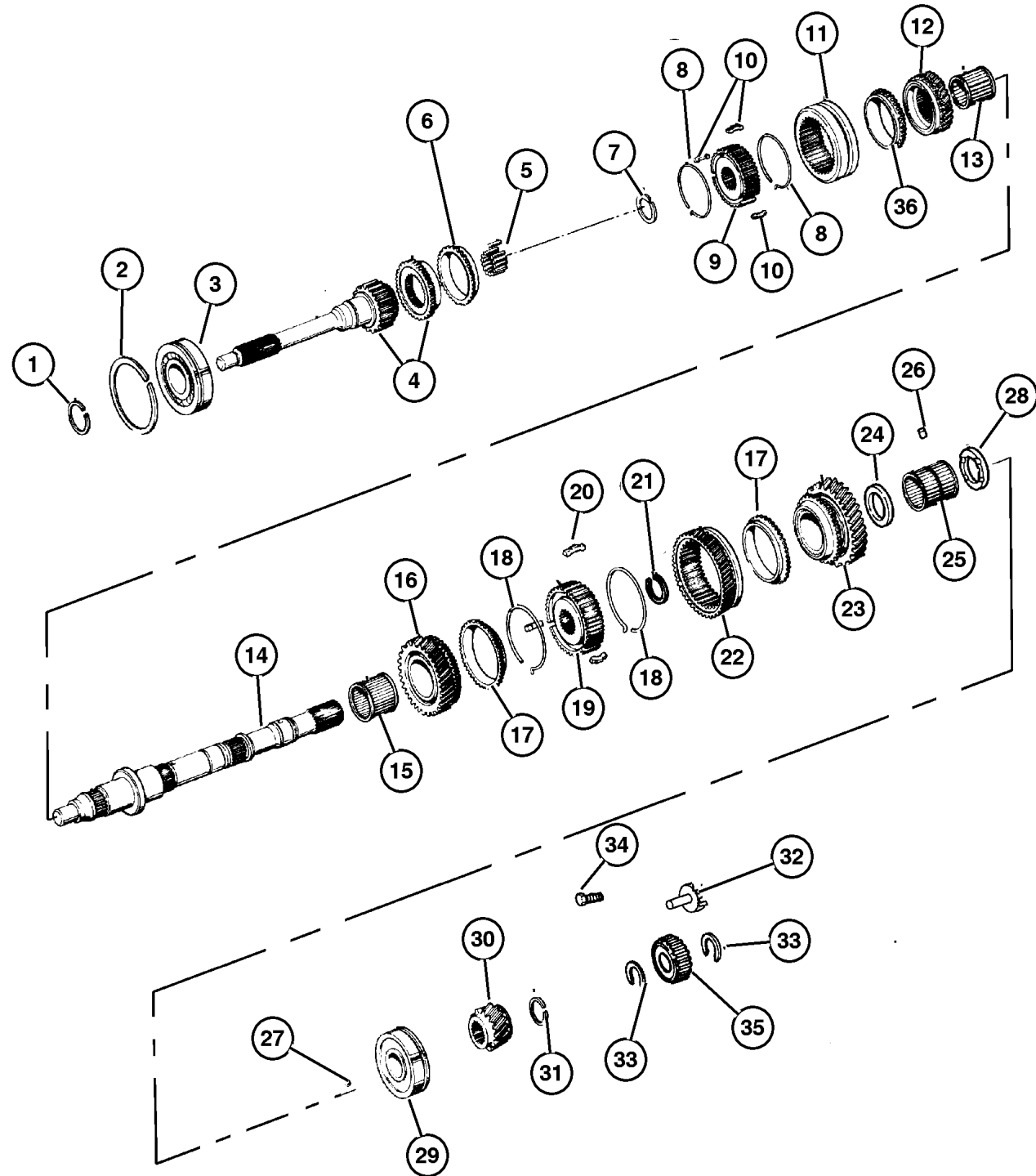
**JEEP CHEROKEE (XJ)**

SERIES	LINE	BODY	ENGINE	TRANSMISSION
L=Low Line	J=LHD (4WD) U=RHD (4WD) T=LHD (2WD) B=RHD (2WD)	74=4 DR. (101.4 WB) 72=2 DR. (101.4 WB)	ENC,EN0=2.5L 4 cyl. Turbo Die ERH,ER0=4.0L Power Tech I-6 EPE,EP0=Magnum 2.5L SMPI	DDQ=5Spd Man. DGS=4 Spd. Auto. AISIN DG0=All Auto Trans DBB=All Manual Trans.

AR = Use as required - = Non illustrated part # = New this model year

July 4, 2003

**Gear Train AX 15 (DDQ)  
Figure AX-415**



ITEM	PART NUMBER	QTY	LINE	SERIES	BODY	ENGINE	TRANS	TRIM	DESCRIPTION
	8350 6008	1	J, U			ER0	DDQ		52108047AB
		1	B, T			ER0	DDQ		52108048AB
		1	B, T			ER0	DDQ		52107749, 1997 XJ
		1	J, U			EN0	DDQ		52107752, 1997 XJ
		1	J, U			ER0	DDQ		52108047, 1997 XJ
		1	J, U			EN0	DDQ		52108121AB, 1997 XJ
27	8350 0573	1	J, U			ENC	DDQ		52108121AB, 1998 XJ, 1999 XJ
									BALL, Reverse
	8350 0573	1	J, U			ER0	DDQ		52108047AB
		1	B, T			ER0	DDQ		52107749, 1997 XJ
		1	J, U			EN0	DDQ		52107752, 1997 XJ
		1	J, U			ER0	DDQ		52108047, 1997 XJ
		1	J, U			EN0	DDQ		52108121AB, 1997 XJ
		1	B, T			ER0	DDQ		52108048AB, 1997 XJ, 1998 XJ
28	8350 6246	1	J, U			ENC	DDQ		52108121AB, 1998 XJ, 1999 XJ
									THRUST WASHER, First Gear
	8350 6246	1	J, U			ER0	DDQ		52108047AB
		1	B, T			ER0	DDQ		52108048AB
		1	B, T			ER0	DDQ		52107749, 1997 XJ
		1	J, U			ER0	DDQ		52108047, 1997 XJ
		1	J, U			EN0	DDQ		52108121AB, 1997 XJ
		1	J, U			ENC	DDQ		52108121AB, 1998 XJ, 1999 XJ
29	8350 6073	1	J, U			ER0	DDQ		52108121AB, 1998 XJ, 1999 XJ
									BEARING, Output Shaft
		1	J, U			ER0	DDQ		52108047AB
		1	B, T			ER0	DDQ		52108048AB
		1	B, T			ER0	DDQ		52107749, 1997 XJ
		1	J, U			EN0	DDQ		52107752, 1997 XJ
	8350 6073	1	J, U			ER0	DDQ		52108047, 1997 XJ
		1	J, U			EN0	DDQ		52108121AB, 1997 XJ
		1	J, U			ENC	DDQ		52108121AB, 1998 XJ, 1999 XJ
		1	J, U			ER0	DDQ		52108047AB
		1	B, T			ER0	DDQ		52108048AB
		1	B, T			ER0	DDQ		52107749, 1997 XJ
30	5252 083	1	J, U			EN0	DDQ		52107752, 1997 XJ
		1	J, U			ER0	DDQ		52108047, 1997 XJ
		1	J, U			EN0	DDQ		52108121AB, 1997 XJ
		1	J, U			ENC	DDQ		52108121AB, 1998 XJ, 1999 XJ
									GEAR, Fifth
		1	J, U			ER0	DDQ		52108047AB
31	8350 6268	1	B, T			ER0	DDQ		52108048AB
		1	B, T			ER0	DDQ		52107749, 1997 XJ
		1	J, U			EN0	DDQ		52107752, 1997 XJ
		1	J, U			ER0	DDQ		52108047, 1997 XJ
		1	J, U			EN0	DDQ		52108121AB, 1997 XJ
		1	J, U			ENC	DDQ		52108121AB, 1998 XJ, 1999 XJ
31	8350 6268	1	J, U			ER0	DDQ		52108121AB, 1998 XJ, 1999 XJ
									SNAP RING
		1	J, U			ER0	DDQ		Stamped A (X=2.75mm/2.80mm). 52108047AB
		1	B, T			ER0	DDQ		Stamped A (X=2.75mm/2.80mm). 52108048AB

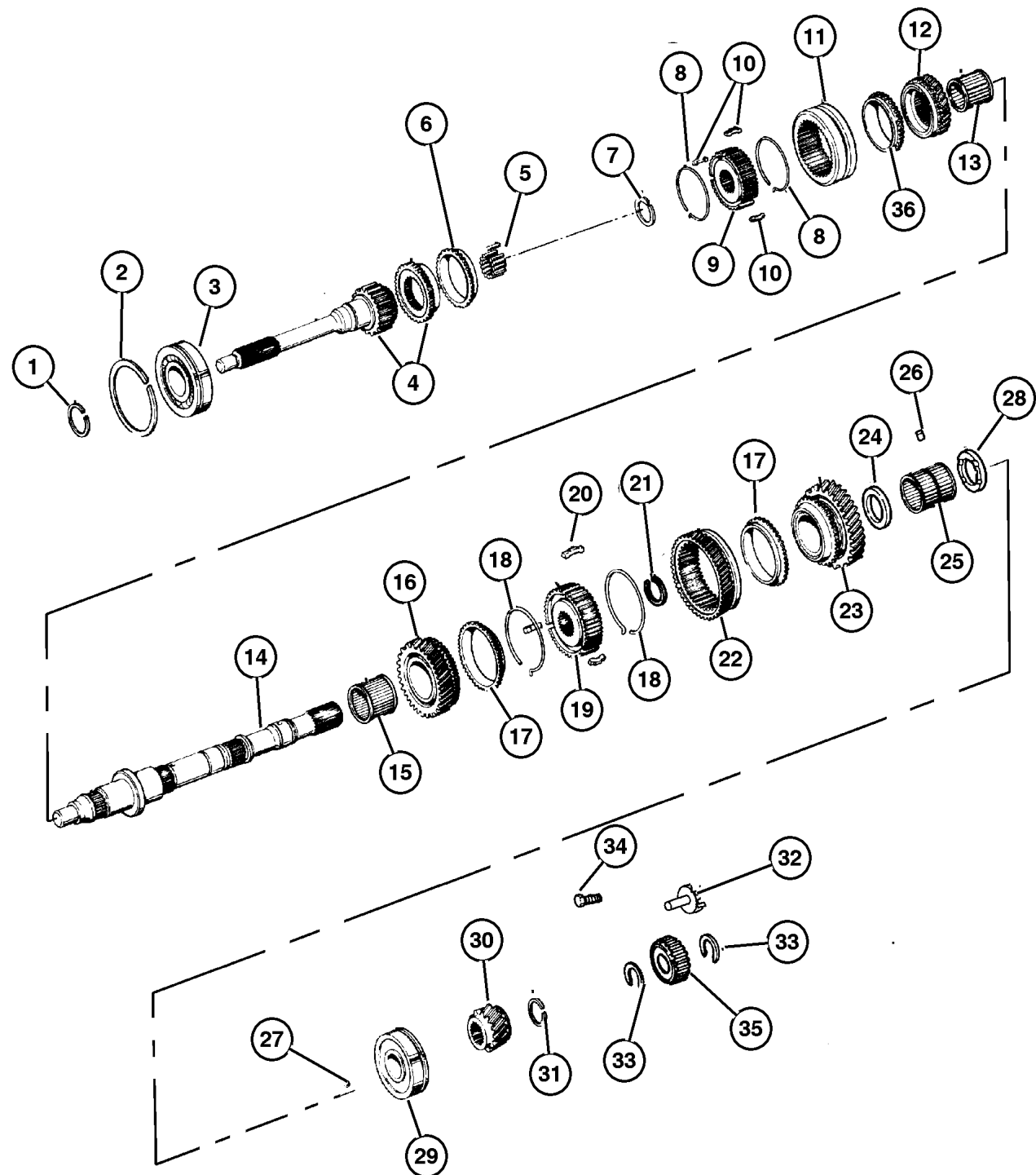
**JEEP CHEROKEE (XJ)**

SERIES	LINE	BODY	ENGINE	TRANSMISSION
L=Low Line	J=LHD (4WD) U=RHD (4WD) T=LHD (2WD) B=RHD (2WD)	74=4 DR. (101.4 WB) 72=2 DR. (101.4 WB)	ENC,EN0=2.5L 4 cyl. Turbo Die ERH,ER0=4.0L Power Tech I-6 EPE,EP0=Magnum 2.5L SMPI	DDQ=5Spd Man. DGS=4 Spd. Auto. AISIN DG0=All Auto Trans DBB=All Manual Trans.

AR = Use as required - = Non illustrated part # = New this model year

July 4, 2003

**Gear Train AX 15 (DDQ)  
Figure AX-415**



ITEM	PART NUMBER	QTY	LINE	SERIES	BODY	ENGINE	TRANS	TRIM	DESCRIPTION
		1	B, T			ER0	DDQ		Stamped A (X=2.75mm/2.80mm). 52107749, 1997 XJ
		1	J, U			EN0	DDQ		Stamped A (X=2.75mm/2.80mm). 52107752, 1997 XJ
		1	J, U			ER0	DDQ		Stamped A (X=2.75mm/2.80mm). 52108047, 1997 XJ
		1	J, U			EN0	DDQ		Stamped A (X=2.75mm/2.80mm). 52108121AB, 1997 XJ
		1	J, U			ENC	DDQ		Stamped A (X=2.75mm/2.80mm). 52108121AB, 1998 XJ, 1999 XJ
8350 6269		1	J, U			ER0	DDQ		Stamped B (X=2.80mm/2.85mm). 52108047AB
		1	B, T			ER0	DDQ		Stamped B (X=2.80mm/2.85mm). 52108048AB
		1	J, U			EN0	DDQ		Stamped B (X=2.80mm/2.85mm). 52107752, 1997 XJ
		1	J, U			ER0	DDQ		Stamped B (X=2.80mm/2.85mm). 52108047, 1997 XJ
		1	B, T			ER0	DDQ		Stamped B (X=2.80mm/2.85mm). 52107749, 1997 XJ
		1	J, U			EN0	DDQ		Stamped B (X=2.80mm/2.85mm). 52108121AB, 1997 XJ
8350 6270		1	J, U			ER0	DDQ		Stamped B (X=2.80mm/2.85mm). 52108121AB, 1998 XJ, 1999 XJ
		1	J, U			ENC	DDQ		Stamped B (X=2.80mm/2.85mm). 52108121AB, 1998 XJ, 1999 XJ
		1	J, U			ER0	DDQ		Stamped C (X=2.85mm/2.90mm). 52108047AB
		1	B, T			ER0	DDQ		Stamped C (X=2.85mm/2.90mm). 52108048AB
		1	B, T			ER0	DDQ		Stamped C (X=2.85mm/2.90mm). 52107749, 1997 XJ
		1	J, U			EN0	DDQ		Stamped C (X=2.85mm/2.90mm). 52107752, 1997 XJ
		1	J, U			ER0	DDQ		Stamped C (X=2.85mm/2.90mm). 52108047, 1997 XJ
		1	J, U			EN0	DDQ		Stamped C (X=2.85mm/2.90mm). 52108121AB, 1997 XJ
		1	J, U			ENC	DDQ		Stamped C (X=2.85mm/2.90mm). 52108121AB, 1998 XJ, 1999 XJ
8350 6271		1	J, U			ER0	DDQ		Stamped D (X=2.90mm/2.95mm). 52108047AB
		1	B, T			ER0	DDQ		Stamped D (X=2.90mm/2.95mm). 52108048AB

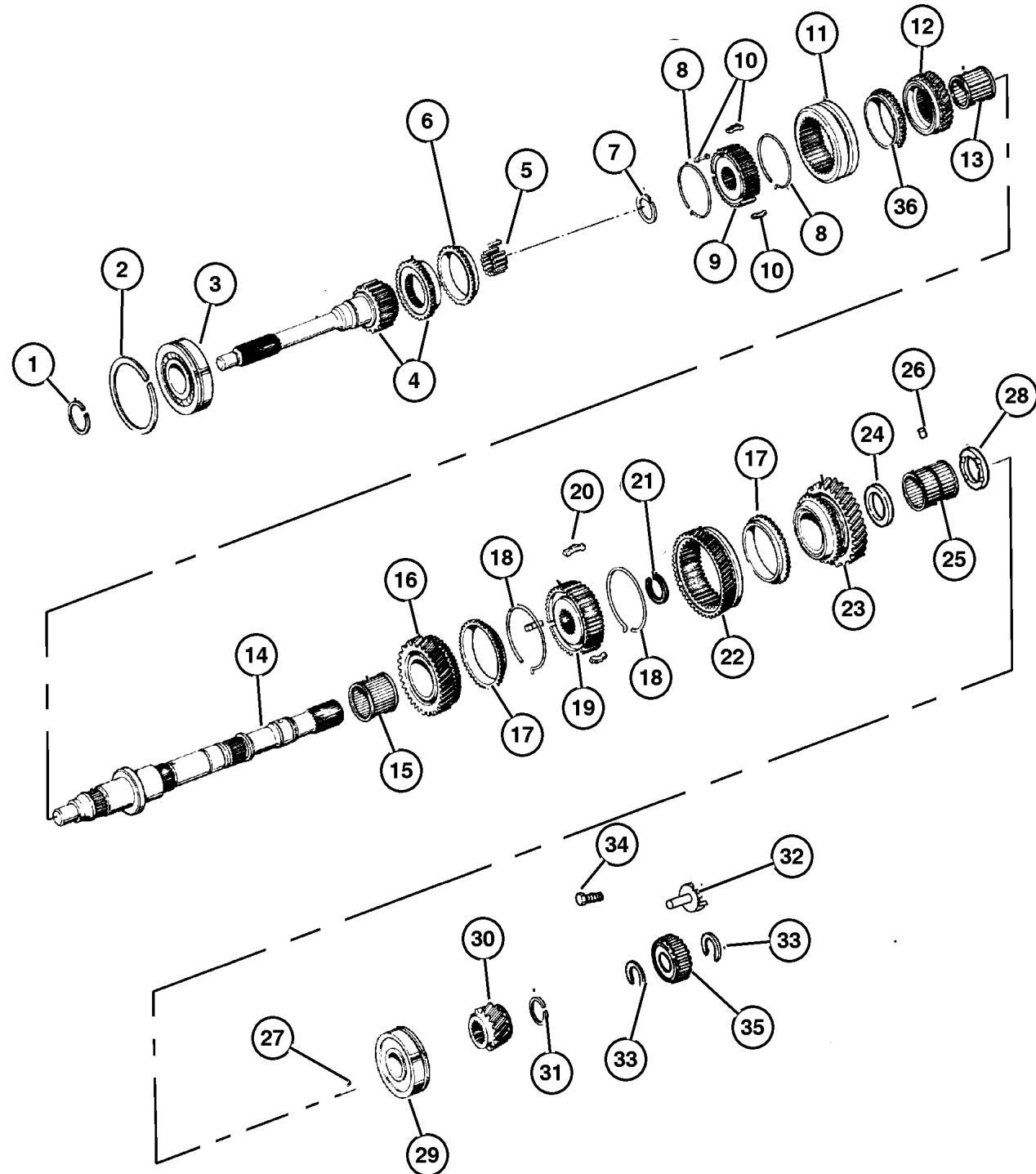
**JEEP CHEROKEE (XJ)**

SERIES	LINE	BODY	ENGINE	TRANSMISSION
L=Low Line	J=LHD (4WD) U=RHD (4WD) T=LHD (2WD) B=RHD (2WD)	74=4 DR. (101.4 WB) 72=2 DR. (101.4 WB)	ENC,EN0=2.5L 4 cyl. Turbo Die ERH,ER0=4.0L Power Tech I-6 EPE,EP0=Magnum 2.5L SMPI	DDQ=5Spd Man. DGS=4 Spd. Auto. AISIN DG0=All Auto Trans DBB=All Manual Trans.

AR = Use as required - = Non illustrated part # = New this model year

July 4, 2003

**Gear Train AX 15 (DDQ)  
Figure AX-415**



ITEM	PART NUMBER	QTY	LINE	SERIES	BODY	ENGINE	TRANS	TRIM	DESCRIPTION
		1	B, T			ER0	DDQ		Stamped D (X=2.90mm/2.95mm). 52107749, 1997 XJ
		1	J, U			EN0	DDQ		Stamped D (X=2.90mm/2.95mm). 52107752, 1997 XJ
		1	J, U			ER0	DDQ		Stamped D (X=2.90mm/2.95mm). 52108047, 1997 XJ
		1	J, U			EN0	DDQ		Stamped D (X=2.90mm/2.95mm). 52108121AB, 1997 XJ
		1	J, U			ENC	DDQ		Stamped D (X=2.90mm/2.95mm). 52108121AB, 1998 XJ, 1999 XJ
8350 6272		1	J, U			ER0	DDQ		Stamped E (X=2.95mm/3.00mm). 52108047AB
		1	B, T			ER0	DDQ		Stamped E (X=2.95mm/3.00mm). 52108048AB
		1	B, T			ER0	DDQ		Stamped E (X=2.95mm/3.00mm). 52107749, 1997 XJ
		1	J, U			EN0	DDQ		Stamped E (X=2.95mm/3.00mm). 52107752, 1997 XJ
		1	J, U			ER0	DDQ		Stamped E (X=2.95mm/3.00mm). 52108047, 1997 XJ
		1	J, U			EN0	DDQ		Stamped E (X=2.95mm/3.00mm). 52108047, 1997 XJ
		1	J, U			ENC	DDQ		Stamped E (X=2.95mm/3.00mm). 52108121AB, 1997 XJ
8350 6273		1	J, U			ER0	DDQ		Stamped F (X=3.00mm/3.05mm). 52108047AB
		1	B, T			ER0	DDQ		Stamped F (X=3.00mm/3.05mm). 52108048AB
		1	J, U			EN0	DDQ		Stamped F (X=3.00mm/3.05mm). 52107752, 1997 XJ
		1	B, T			ER0	DDQ		Stamped F (X=3.00mm/3.05mm). 52107749, 1997 XJ
		1	J, U			ER0	DDQ		Stamped F (X=3.00mm/3.05mm). 52108047, 1997 XJ
		1	J, U			EN0	DDQ		Stamped F (X=3.00mm/3.05mm). 52108121AB, 1997 XJ
		1	J, U			ENC	DDQ		Stamped F (X=3.00mm/3.05mm). 52108121AB, 1998 XJ, 1999 XJ
8350 6274		1	J, U			ER0	DDQ		Stamped G (X=3.05mm/3.10mm). 52108047AB
		1	B, T			ER0	DDQ		Stamped G (X=3.05mm/3.10mm). 52108048AB

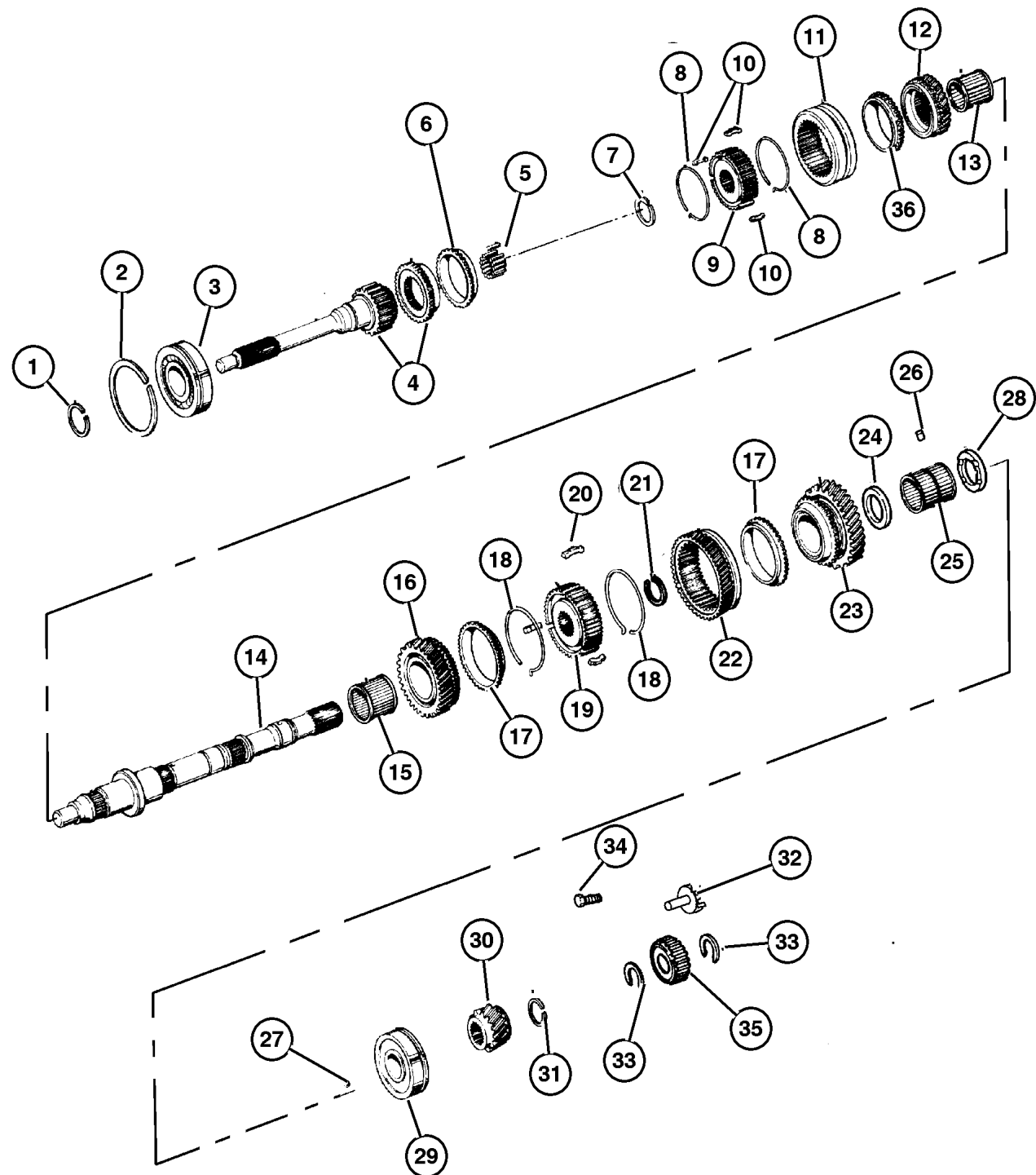
**JEEP CHEROKEE (XJ)**

SERIES	LINE	BODY	ENGINE	TRANSMISSION
L=Low Line	J=LHD (4WD) U=RHD (4WD) T=LHD (2WD) B=RHD (2WD)	74=4 DR. (101.4 WB) 72=2 DR. (101.4 WB)	ENC,EN0=2.5L 4 cyl. Turbo Die ERH,ER0=4.0L Power Tech I-6 EPE,EP0=Magnum 2.5L SMPI	DDQ=5Spd Man. DGS=4 Spd. Auto. AISIN DG0=All Auto Trans DBB=All Manual Trans.

AR = Use as required - = Non illustrated part # = New this model year

July 4, 2003

**Gear Train AX 15 (DDQ)  
Figure AX-415**



ITEM	PART NUMBER	QTY	LINE	SERIES	BODY	ENGINE	TRANS	TRIM	DESCRIPTION
		1	B, T			ER0	DDQ		Stamped G (X=3.05mm/3.10mm). 52107749, 1997 XJ
		1	J, U			EN0	DDQ		Stamped G (X=3.05mm/3.10mm). 52107752, 1997 XJ
		1	J, U			ER0	DDQ		Stamped G (X=3.05mm/3.10mm). 52108047, 1997 XJ
		1	J, U			EN0	DDQ		Stamped G (X=3.05mm/3.10mm). 52108121AB, 1997 XJ
		1	J, U			ENC	DDQ		Stamped G (X=3.05mm/3.10mm). 52108121AB, 1998 XJ, 1999 XJ
8350 6275		1	J, U			ER0	DDQ		Stamped H (X=3.10mm/3.15mm). 52108047AB
		1	B, T			ER0	DDQ		Stamped H (X=3.10mm/3.15mm). 52108048AB
		1	B, T			ER0	DDQ		Stamped H (X=3.10mm/3.15mm). 52107749, 1997 XJ
		1	J, U			EN0	DDQ		Stamped H (X=3.10mm/3.15mm). 52107752, 1997 XJ
		1	J, U			ER0	DDQ		Stamped H (X=3.10mm/3.15mm). 52108047, 1997 XJ
		1	J, U			EN0	DDQ		Stamped H (X=3.10mm/3.15mm). 52108047, 1997 XJ
		1	J, U			ENC	DDQ		Stamped H (X=3.10mm/3.15mm). 52108121AB, 1997 XJ
8350 6276		1	J, U			ER0	DDQ		Stamped I (X=3.15mm/3.20mm). 52108121AB, 1998 XJ, 1999 XJ
		1	B, T			ER0	DDQ		Stamped I (X=3.15mm/3.20mm). 52108047AB
		1	B, T			ER0	DDQ		Stamped I (X=3.15mm/3.20mm). 52108048AB
		1	J, U			EN0	DDQ		Stamped I (X=3.15mm/3.20mm). 52108047, 1997 XJ
		1	J, U			ER0	DDQ		Stamped I (X=3.15mm/3.20mm). 52107752, 1997 XJ
		1	J, U			ER0	DDQ		Stamped I (X=3.15mm/3.20mm). 52108047, 1997 XJ
		1	J, U			EN0	DDQ		Stamped I (X=3.15mm/3.20mm). 52108121AB, 1997 XJ
		1	J, U			ENC	DDQ		Stamped I (X=3.15mm/3.20mm). 52108121AB, 1998 XJ, 1999 XJ
8350 6277		1	J, U			ER0	DDQ		Stamped J (X=3.20mm/3.25mm). 52108047AB
		1	B, T			ER0	DDQ		Stamped J (X=3.20mm/3.25mm). 52108048AB

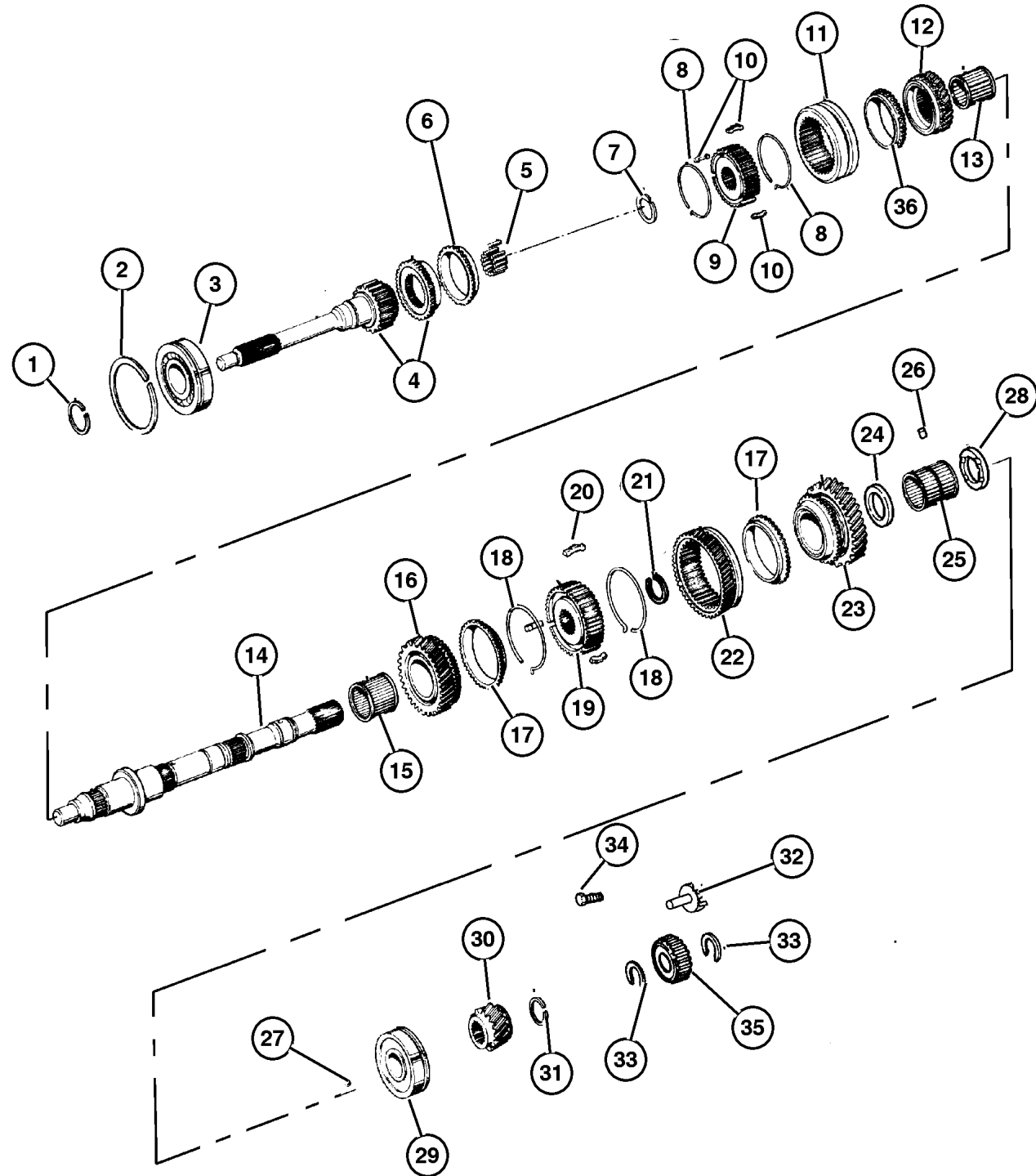
**JEEP CHEROKEE (XJ)**  
 SERIES LINE BODY ENGINE TRANSMISSION  
 L=Low Line J=LHD (4WD) 74=4 DR. (101.4 WB) ENC,EN0=2.5L 4 cyl. Turbo Die DDQ=5Spd Man.  
 U=RHD (4WD) 72=2 DR. (101.4 WB) ERH,ER0=4.0L Power Tech I-6 DGS=4 Spd. Auto. AISIN  
 T=LHD (2WD) EPE,EP0=Magnum 2.5L SMPI DG0=All Auto Trans  
 B=RHD (2WD) DBB=All Manual Trans.

AR = Use as required - = Non illustrated part # = New this model year

July 4, 2003



**Gear Train AX 15 (DDQ)  
Figure AX-415**



ITEM	PART NUMBER	QTY	LINE	SERIES	BODY	ENGINE	TRANS	TRIM	DESCRIPTION
		1	B, T			ER0	DDQ		Stamped J (X=3.20mm/3.25mm). 52107749, 1997 XJ
		1	J, U			EN0	DDQ		Stamped J (X=3.20mm/3.25mm). 52107752, 1997 XJ
		1	J, U			ER0	DDQ		Stamped J (X=3.20mm/3.25mm). 52108047, 1997 XJ
		1	J, U			EN0	DDQ		Stamped J (X=3.20mm/3.25mm). 52108121AB, 1997 XJ
		1	J, U			ENC	DDQ		Stamped J (X=3.20mm/3.25mm). 52108121AB, 1998 XJ, 1999 XJ
	8350 6278	1	J, U			ER0	DDQ		Stamped K (X=3.25mm/3.30mm). 52108047AB
		1	B, T			ER0	DDQ		Stamped K (X=3.25mm/3.30mm). 52108048AB
		1	B, T			ER0	DDQ		Stamped K (X=3.25mm/3.30mm). 52107749, 1997 XJ
		1	J, U			EN0	DDQ		Stamped K (X=3.25mm/3.30mm). 52107752, 1997 XJ
		1	J, U			ER0	DDQ		Stamped K (X=3.25mm/3.30mm). 52108047, 1997 XJ
		1	J, U			EN0	DDQ		Stamped K (X=3.25mm/3.30mm). 52108047, 1997 XJ
		1	J, U			ENC	DDQ		Stamped K (X=3.25mm/3.30mm). 52108121AB, 1997 XJ
	8350 6279	1	B, T			ER0	DDQ		Stamped L (X=3.30mm/3.35mm). 52108121AB, 1998 XJ, 1999 XJ
		1	J, U			ER0	DDQ		Stamped L (X=3.30mm/3.35mm). 52108047AB
		1	B, T			ER0	DDQ		Stamped L (X=3.30mm/3.35mm). 52107749, 1997 XJ
		1	J, U			EN0	DDQ		Stamped L (X=3.30mm/3.35mm). 52107752, 1997 XJ
		1	J, U			ER0	DDQ		Stamped L (X=3.30mm/3.35mm). 52108047, 1997 XJ
		1	J, U			EN0	DDQ		Stamped L (X=3.30mm/3.35mm). 52108121AB, 1997 XJ
		1	J, U			ENC	DDQ		Stamped L (X=3.30mm/3.35mm). 52108121AB, 1998 XJ, 1999 XJ
32	8350 0646	1	B, T			ER0	DDQ		PIPE, Oil Receiver With Transmission # (52107749) & (52108048AB), 1997 XJ

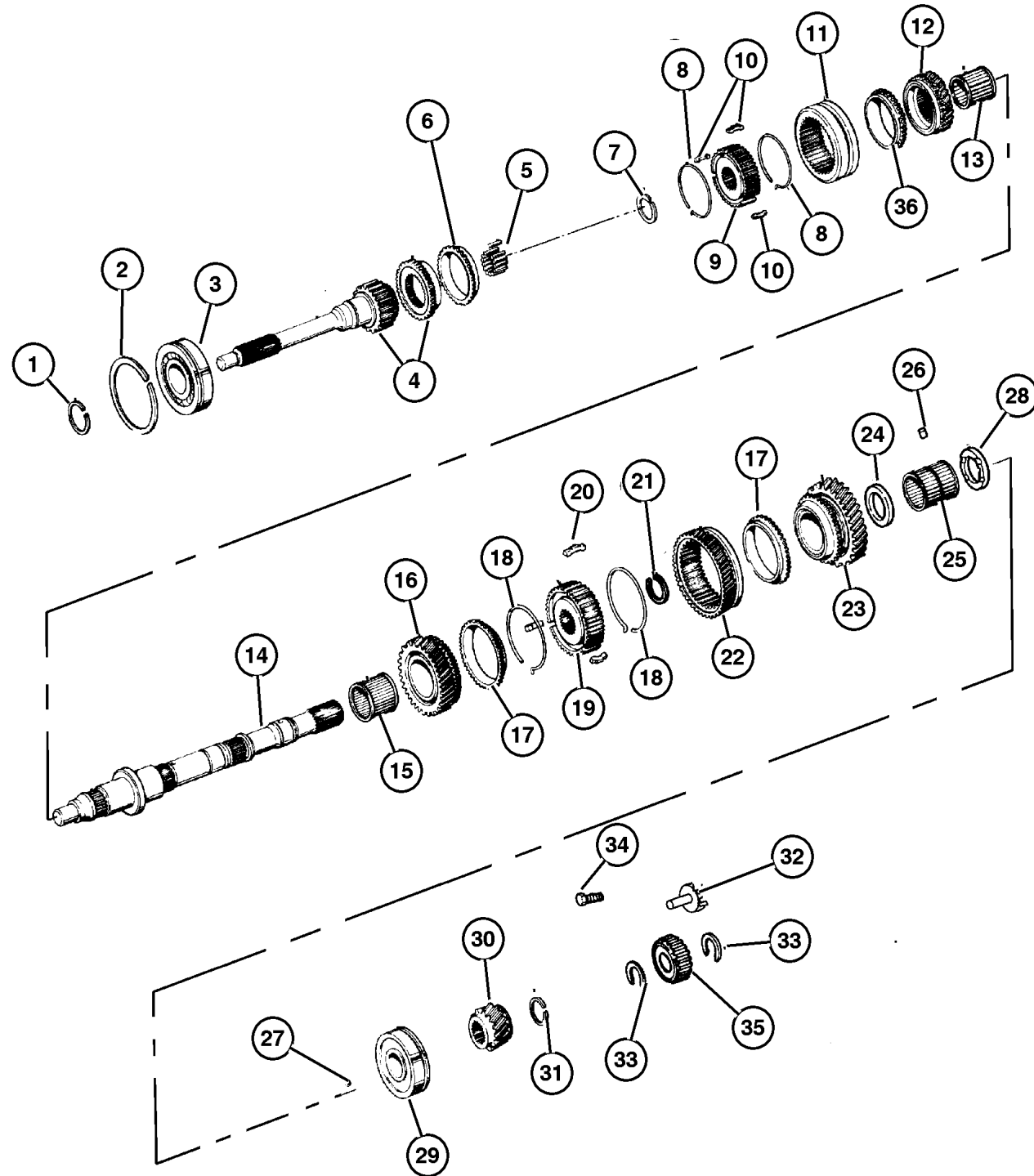
**JEEP CHEROKEE (XJ)**

SERIES	LINE	BODY	ENGINE	TRANSMISSION
L=Low Line	J=LHD (4WD) U=RHD (4WD) T=LHD (2WD) B=RHD (2WD)	74=4 DR. (101.4 WB) 72=2 DR. (101.4 WB)	ENC,EN0=2.5L 4 cyl. Turbo Die ERH,ER0=4.0L Power Tech I-6 EPE,EP0=Magnum 2.5L SMPI	DDQ=5Spd Man. DGS=4 Spd. Auto. AISIN DG0=All Auto Trans DBB=All Manual Trans.

AR = Use as required - = Non illustrated part # = New this model year

July 4, 2003

**Gear Train AX 15 (DDQ)  
Figure AX-415**



ITEM	PART NUMBER	QTY	LINE	SERIES	BODY	ENGINE	TRANS	TRIM	DESCRIPTION
		1	J, U			ER0	DDQ		(52108047),(52108047AB), (52107752) 1997 XJ & (52108121AB) 1998 & 1999 XJ, 1997 XJ
		1	J, U			ER0	DDQ		52108047AB, 1998 XJ, 1999 XJ
		1	B, T			ER0	DDQ		52108048AB, 1998 XJ, 1999 XJ
		1	J, U			ENC	DDQ		52108121AB, 1998 XJ, 1999 XJ
	8350 6226	1	J, U			ER0	DDQ		(52108047) 1997 XJ, 1997 XJ
		1	B, T			ER0	DDQ		(52107749) & (52108048AB), 1997 XJ
33									SNAP RING
	8350 6222	1	J, U			ER0	DDQ		52108047AB, 1998 XJ, 1999 XJ
		1	J, U			ENC	DDQ		52108121AB, 1998 XJ, 1999 XJ
	8350 6229	2	B, T			ER0	DDQ		52108048AB
		2	B, T			ER0	DDQ		52107749, 1997 XJ
34									BOLT, Oil Receiver Pipe
	4897 134AA	1	B, T			ER0	DDQ		52108048AB
		1	B, T			ER0	DDQ		52107749, 1997 XJ
35									GEAR, Speedometer Drive
	8350 6228	1	B, T			ER0	DDQ		52108048AB
		1	B, T			ER0	DDQ		52107749, 1997 XJ
36									STOP RING, Synchronizer
	4637 533	1	J, U			ER0	DDQ		1998 XJ
		1	B, T			ER0	DDQ		1998 XJ, 1999 XJ
		1	J, U			ENC	DDQ		1999 XJ
	4897 051AA	1	J, U			ER0	DDQ		1997 XJ
		1	B, T			ER0	DDQ		1997 XJ
		1	J, U			EN0	DDQ		1997 XJ
		1	J, U			ER0	DDQ		3RD GEAR-- , 1998 XJ, 1999 XJ
		1	B, T			ER0	DDQ		3RD GEAR-- , 1998 XJ, 1999 XJ
		1	J, U			ENC	DDQ		3RD GEAR-- , 1999 XJ
	4897 052AA	1	J, U			ER0	DDQ		4TH GEAR-- , 1998 XJ
		1	B, T			ER0	DDQ		4TH GEAR-- , 1998 XJ, 1999 XJ
		1	J, U			ENC	DDQ		4TH GEAR-- , 1999 XJ
	8350 0566	3	B, T			EP0	DDQ		1998 XJ
		3	J, U			EP0	DDQ		1998 XJ

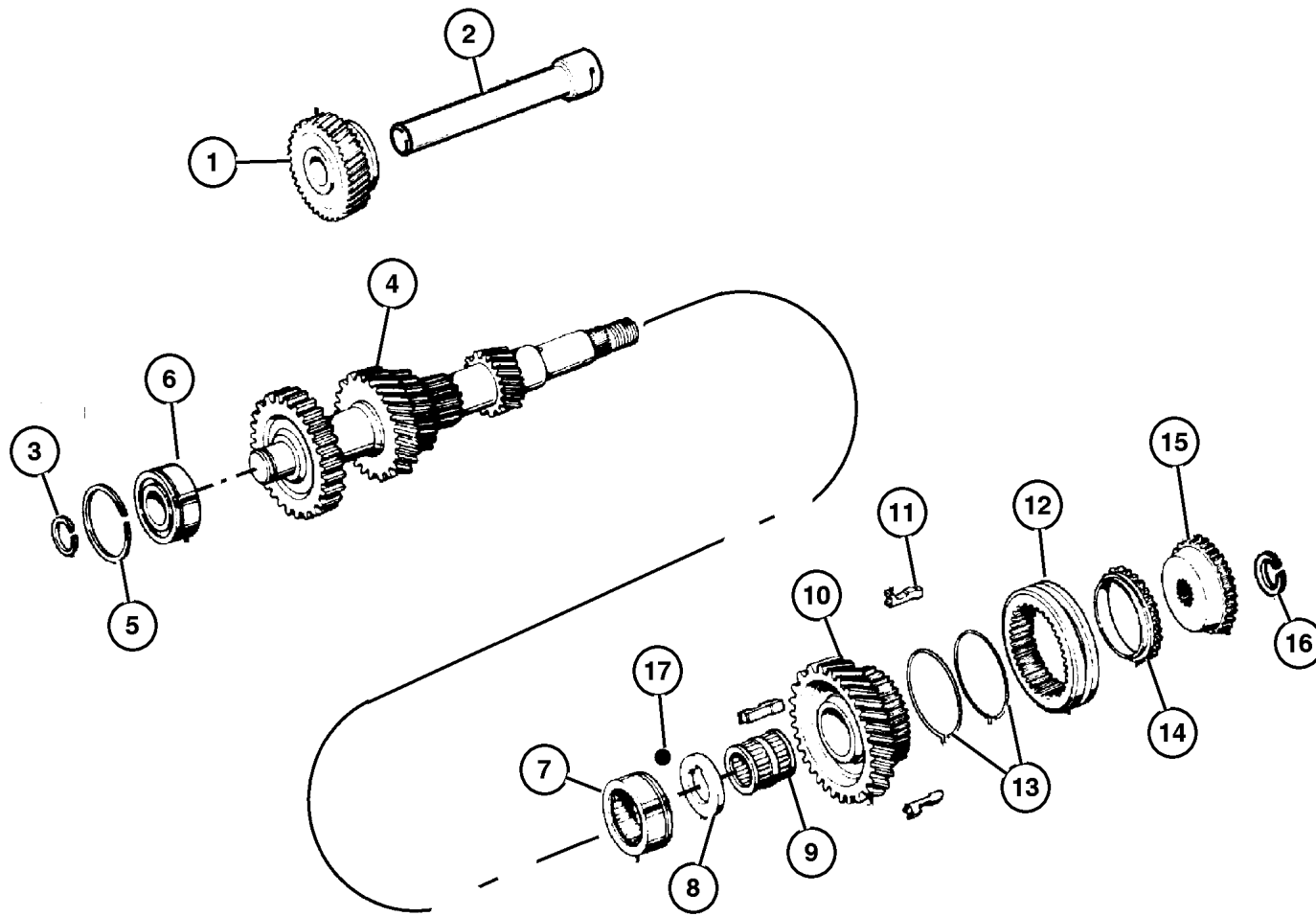
**JEEP CHEROKEE (XJ)**

SERIES	LINE	BODY	ENGINE	TRANSMISSION
L=Low Line	J=LHD (4WD) U=RHD (4WD) T=LHD (2WD) B=RHD (2WD)	74=4 DR. (101.4 WB) 72=2 DR. (101.4 WB)	ENC,EN0=2.5L 4 cyl. Turbo Die ERH,ER0=4.0L Power Tech I-6 EPE,EP0=Magnum 2.5L SMPI	DDQ=5Spd Man. DGS=4 Spd. Auto. AISIN DG0=All Auto Trans DBB=All Manual Trans.

AR = Use as required - = Non illustrated part # = New this model year

July 4, 2003

## Reverse Idler Ax 15 (DDQ) Figure AX-420



ITEM	PART NUMBER	QTY	LINE	SERIES	BODY	ENGINE	TRANS	TRIM	DESCRIPTION
Notes:									
DDQ = 5 Speed Manual Transmission									
ER0 = All 4.0L 6 Cylinder Gas Engines									
ENC = 2.5L 4 Cylinder Turbo Diesel Engine									
1									GEAR, Reverse Idler
	5252 084	1	J			ER0	DDQ		52108047, 1997 XJ
		1	B, T			ER0	DDQ		52107749, 1997 XJ
		1	J, U			EN0	DDQ		52107752, 1997 XJ
		1	J, U			ER0	DDQ		52108047AB, 1998 XJ, 1999 XJ
		1	B, T			ER0	DDQ		52108048AB, 1998 XJ, 1999 XJ
		1	J, U			ENC	DDQ		52108121AB, 1998 XJ, 1999 XJ
2									IDLER SHAFT, Transmission
	8350 6258	1	J			ER0	DDQ		52108047, 1997 XJ
		1	B, T			ER0	DDQ		52107749, 1997 XJ
		1	J, U			EN0	DDQ		52107752, 1997 XJ
		1	J, U			ER0	DDQ		52108047AB, 1998 XJ, 1999 XJ
		1	B, T			ER0	DDQ		52108048AB, 1998 XJ, 1999 XJ
		1	J, U			ENC	DDQ		52108121AB, 1998 XJ, 1999 XJ
3									SNAP RING
	8350 6081	1	B, T			ER0	DDQ		Stamped A (X=2.00mm/2.05mm)
		1	J, U			ER0	DDQ		Stamped A (X=2.00mm/2.05mm)
		1	J, U			EN0	DDQ		Stamped A (X=2.00mm/2.05mm), 1997 XJ
		1	J, U			ENC	DDQ		Stamped A (X=2.00mm/2.05mm), 1998 XJ, 1999 XJ
	8350 6082	1	B, T			ER0	DDQ		Stamped B (X=2.05mm/2.10mm)
		1	J, U			ER0	DDQ		Stamped B (X=2.05mm/2.10mm)
		1	J, U			EN0	DDQ		Stamped B (X=2.05mm/2.10mm), 1997 XJ
		1	J, U			ENC	DDQ		Stamped B (X=2.05mm/2.10mm), 1998 XJ, 1999 XJ
	8350 6083	1	B, T			ER0	DDQ		Stamped C (X=2.10mm/2.15mm)
		1	J, U			ER0	DDQ		Stamped C (X=2.10mm/2.15mm)
		1	J, U			EN0	DDQ		Stamped C (X=2.10mm/2.15mm), 1997 XJ
		1	J, U			ENC	DDQ		Stamped C (X=2.10mm/2.15mm), 1998 XJ, 1999 XJ
	8350 6084	1	J, U			ER0	DDQ		Stamped D (X=2.15mm/2.20mm)
		1	B, T			ER0	DDQ		Stamped D (X=2.15mm/2.20mm), 1997 XJ
		1	J, U			EN0	DDQ		Stamped D (X=2.15mm/2.20mm), 1997 XJ

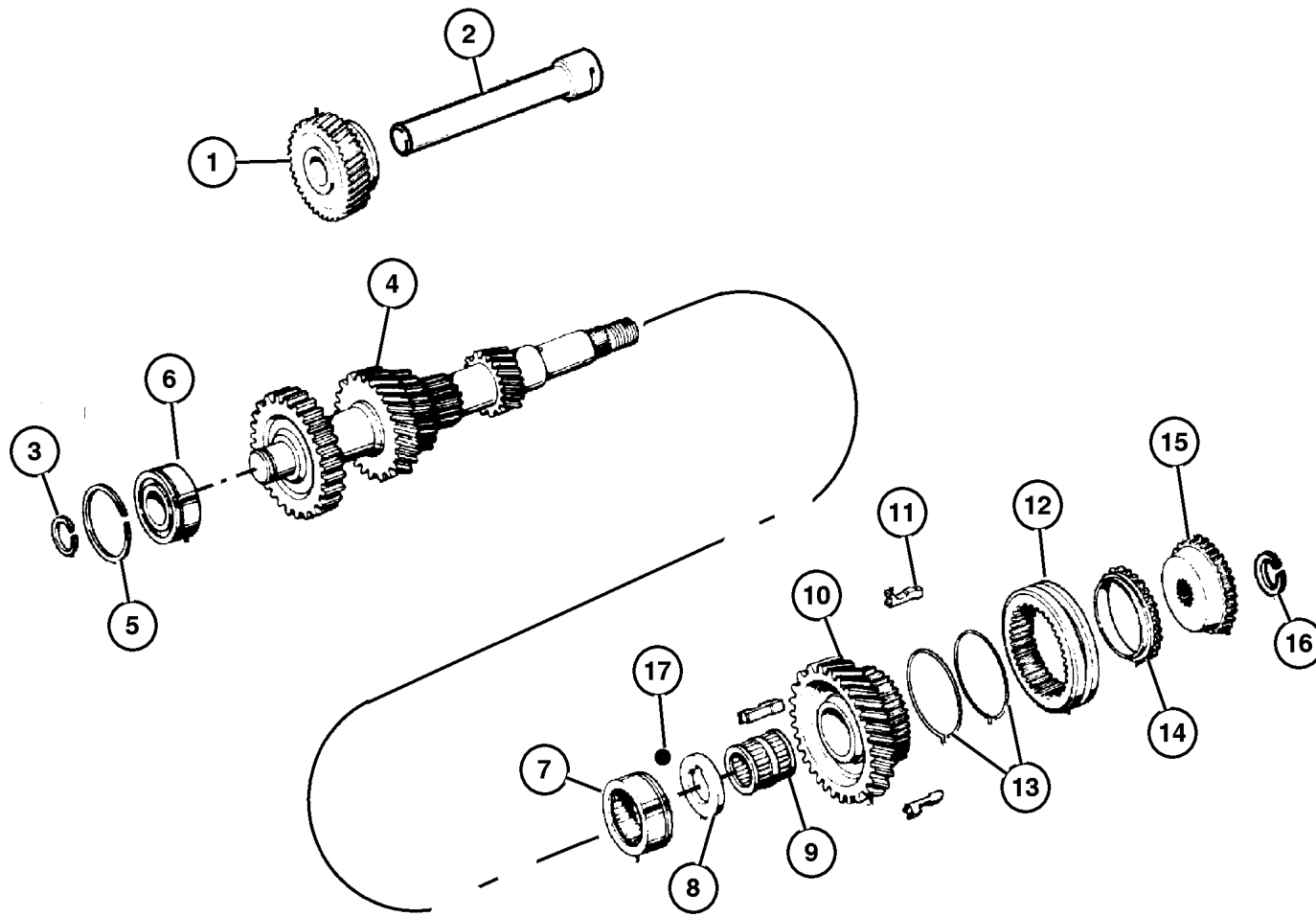
### JEEP CHEROKEE (XJ)

SERIES	LINE	BODY	ENGINE	TRANSMISSION
L=Low Line	J=LHD (4WD) U=RHD (4WD) T=LHD (2WD) B=RHD (2WD)	74=4 DR. (101.4 WB) 72=2 DR. (101.4 WB)	ENC,EN0=2.5L 4 cyl. Turbo Die ERH,ER0=4.0L Power Tech I-6 EPE,EP0=Magnum 2.5L SMPI	DDQ=5Spd Man. DGS=4 Spd. Auto. AISIN DG0=All Auto Trans DBB=All Manual Trans.

AR = Use as required - = Non illustrated part # = New this model year

July 4, 2003

**Reverse Idler Ax 15 (DDQ)  
Figure AX-420**



ITEM	PART NUMBER	QTY	LINE	SERIES	BODY	ENGINE	TRANS	TRIM	DESCRIPTION
		1	B, T			ER0	DDQ		Stamped D (X=2.15mm/2.20mm), 1998 XJ, 1999 XJ
		1	J, U			ENC	DDQ		Stamped D (X=2.15mm/2.20mm), 1998 XJ, 1999 XJ
	8350 6085	1	B, T			ER0	DDQ		Stamped E (X=2.20mm/2.25mm)
		1	J, U			ER0	DDQ		Stamped E (X=2.20mm/2.25mm)
		1	J, U			EN0	DDQ		Stamped E (X=2.20mm/2.25mm), 1997 XJ
		1	J, U			ENC	DDQ		Stamped E (X=2.20mm/2.25mm), 1998 XJ, 1999 XJ
4	4636 371	1	B, T			ER0	DDQ		GEAR, Countershaft 52107749, 1997 XJ
		1	J, U			ER0	DDQ		52108047, 1997 XJ
		1	J, U			ER0	DDQ		52108047AB, 1998 XJ, 1999 XJ
		1	B, T			ER0	DDQ		52108048AB, 1998 XJ, 1999 XJ
5	8350 6220	1	B, T			ER0	DDQ		SNAP RING 52107749, 1997 XJ
		1	J, U			EN0	DDQ		52107752, 1997 XJ
		1	J, U			ER0	DDQ		52108047, 1997 XJ
		1	J, U			ER0	DDQ		52108047AB, 1998 XJ, 1999 XJ
		1	B, T			ER0	DDQ		52108048AB, 1998 XJ, 1999 XJ
		1	J, U			ENC	DDQ		52108121AB, 1998 XJ, 1999 XJ
6	8350 6259	1	B, T			ER0	DDQ		BEARING, Countershaft 52107749, 1997 XJ
		1	J, U			EN0	DDQ		52107752, 1997 XJ
		1	J, U			ER0	DDQ		52108047, 1997 XJ
		1	J, U			ER0	DDQ		52108047AB, 1998 XJ, 1999 XJ
		1	B, T			ER0	DDQ		52108048AB, 1998 XJ, 1999 XJ
		1	J, U			ENC	DDQ		52108121AB, 1998 XJ, 1999 XJ
7	8350 6080	1	J, U			EN0	DDQ		NEEDLE BEARING, Countershaft 52107752, 1997 XJ
		1	J, U			ER0	DDQ		52108047, 1997 XJ
		1	B, T			ER0	DDQ		562107749, 1997 XJ
		1	J, U			ER0	DDQ		52108047AB, 1998 XJ, 1999 XJ
		1	B, T			ER0	DDQ		52108048AB, 1998 XJ, 1999 XJ
		1	J, U			ENC	DDQ		52108121AB, 1998 XJ, 1999 XJ
8	8350 6245	1	B, T			ER0	DDQ		THRUST WASHER, Fifth Gear 52107749, 1997 XJ
		1	J, U			EN0	DDQ		52107752, 1997 XJ
		1	J, U			ER0	DDQ		52108047, 1997 XJ
		1	J, U			ER0	DDQ		52108047AB, 1998 XJ, 1999 XJ
		1	B, T			ER0	DDQ		52108048AB, 1998 XJ, 1999 XJ

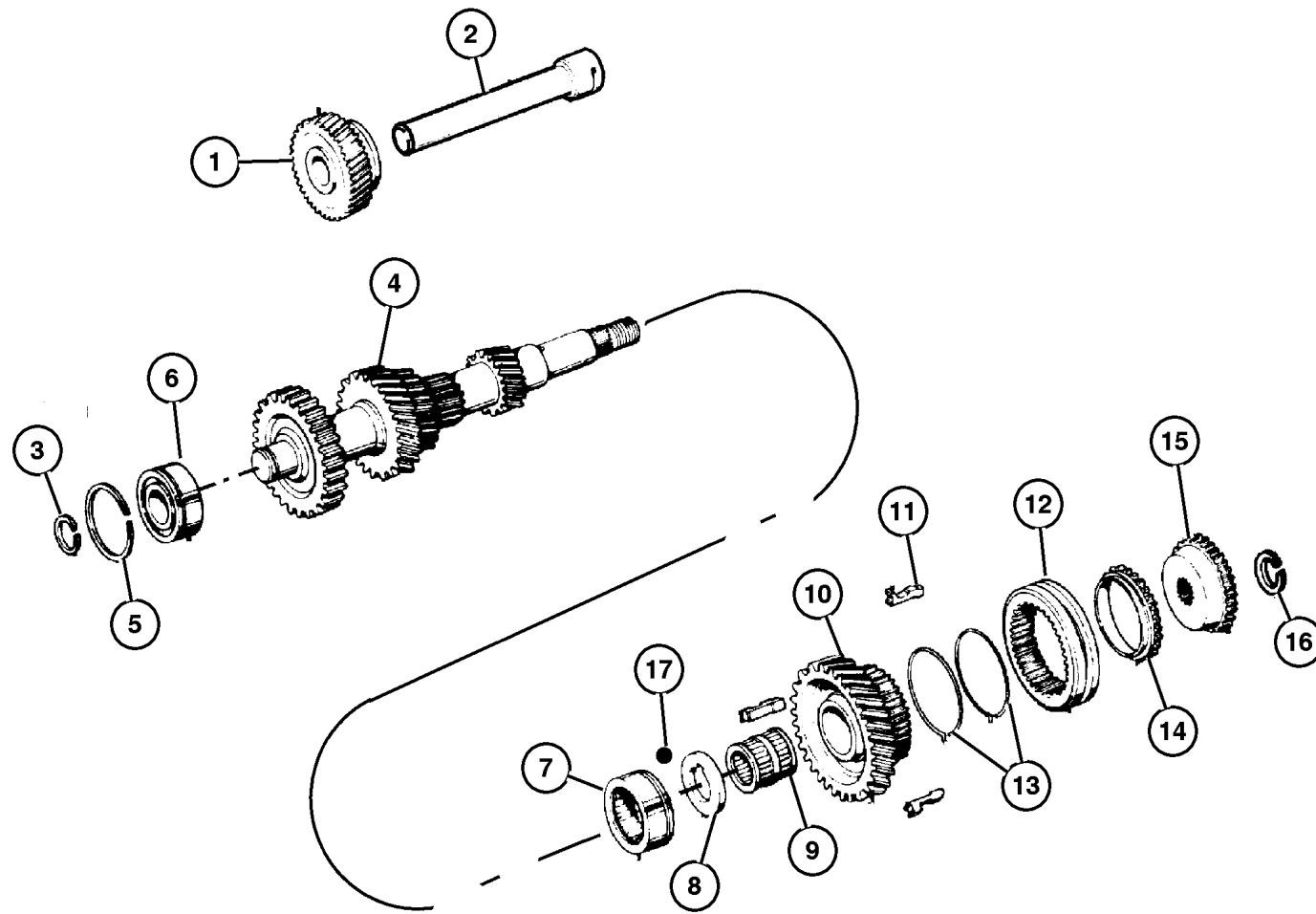
**JEEP CHEROKEE (XJ)**

SERIES	LINE	BODY	ENGINE	TRANSMISSION
L=Low Line	J=LHD (4WD) U=RHD (4WD) T=LHD (2WD) B=RHD (2WD)	74=4 DR. (101.4 WB) 72=2 DR. (101.4 WB)	ENC,EN0=2.5L 4 cyl. Turbo Die ERH,ER0=4.0L Power Tech I-6 EPE,EP0=Magnum 2.5L SMPI	DDQ=5Spd Man. DGS=4 Spd. Auto. AISIN DG0=All Auto Trans DBB=All Manual Trans.

AR = Use as required - = Non illustrated part # = New this model year

July 4, 2003

**Reverse Idler Ax 15 (DDQ)  
Figure AX-420**



ITEM	PART NUMBER	QTY	LINE	SERIES	BODY	ENGINE	TRANS	TRIM	DESCRIPTION
9	8350 6079	1	J, U			ENC	DDQ		52108121AB, 1998 XJ, 1999 XJ
		1	B, T			ER0	DDQ		NEEDLE BEARING, Fifth Gear
		1	J, U			EN0	DDQ		52107749, 1997 XJ
		1	J, U			ER0	DDQ		52107752, 1997 XJ
10	4637 527	1	J, U			ER0	DDQ		52108047, 1997 XJ
		1	B, T			ER0	DDQ		52108047AB, 1998 XJ, 1999 XJ
		1	B, T			ER0	DDQ		52108048AB, 1998 XJ, 1999 XJ
		1	J, U			ENC	DDQ		52108121AB, 1998 XJ, 1999 XJ
		1	B, T			ER0	DDQ		52108047AB, 1998 XJ, 1999 XJ
		1	J, U			ER0	DDQ		52108047AB, 1998 XJ, 1999 XJ
11	4637 532	3	B, T			ER0	DDQ		52108048AB, 1998 XJ, 1999 XJ
		3	J, U			ENC	DDQ		52108121AB, 1998 XJ, 1999 XJ
		3	B, T			ER0	DDQ		KEY, Synchronizer
		2	J, U			EN0	DDQ		52107749, 1997 XJ
		3	J, U			EN0	DDQ		52107752, 1997 XJ
		2	J, U			ER0	DDQ		52108047, 1997 XJ
12	8350 6257	3	B, T			ER0	DDQ		52108047, 1997 XJ
		3	J, U			ER0	DDQ		52108047, 1997 XJ
		3	B, T			ER0	DDQ		52108047, 1997 XJ
		3	J, U			ENC	DDQ		52108048AB, 1998 XJ
		3	J, U			ENC	DDQ		52108121AB, 1998 XJ
		3	J, U			ER0	DDQ		52108047AB, 1998 XJ, 1999 XJ
13	4637 534	1	B, T			ER0	DDQ		52108047AB, 1998 XJ, 1999 XJ
		1	J, U			EN0	DDQ		SLEEVE, Synchronizer
		1	J, U			ER0	DDQ		52107749, 1997 XJ
		1	J, U			EN0	DDQ		52107752, 1997 XJ
		1	B, T			ER0	DDQ		52108047, 1997 XJ
		1	J, U			ER0	DDQ		52108047AB, 1998 XJ, 1999 XJ
14	4637 533	1	B, T			ER0	DDQ		52108048AB, 1998 XJ, 1999 XJ
		1	J, U			ER0	DDQ		52108048AB, 1998 XJ, 1999 XJ
		1	J, U			ENC	DDQ		52108121AB, 1998 XJ
		1	J, U			ER0	DDQ		52108047AB, 1998 XJ, 1999 XJ
		1	J, U			ER0	DDQ		52108047AB, 1998 XJ, 1999 XJ
		1	B, T			ER0	DDQ		52108048AB, 1998 XJ, 1999 XJ

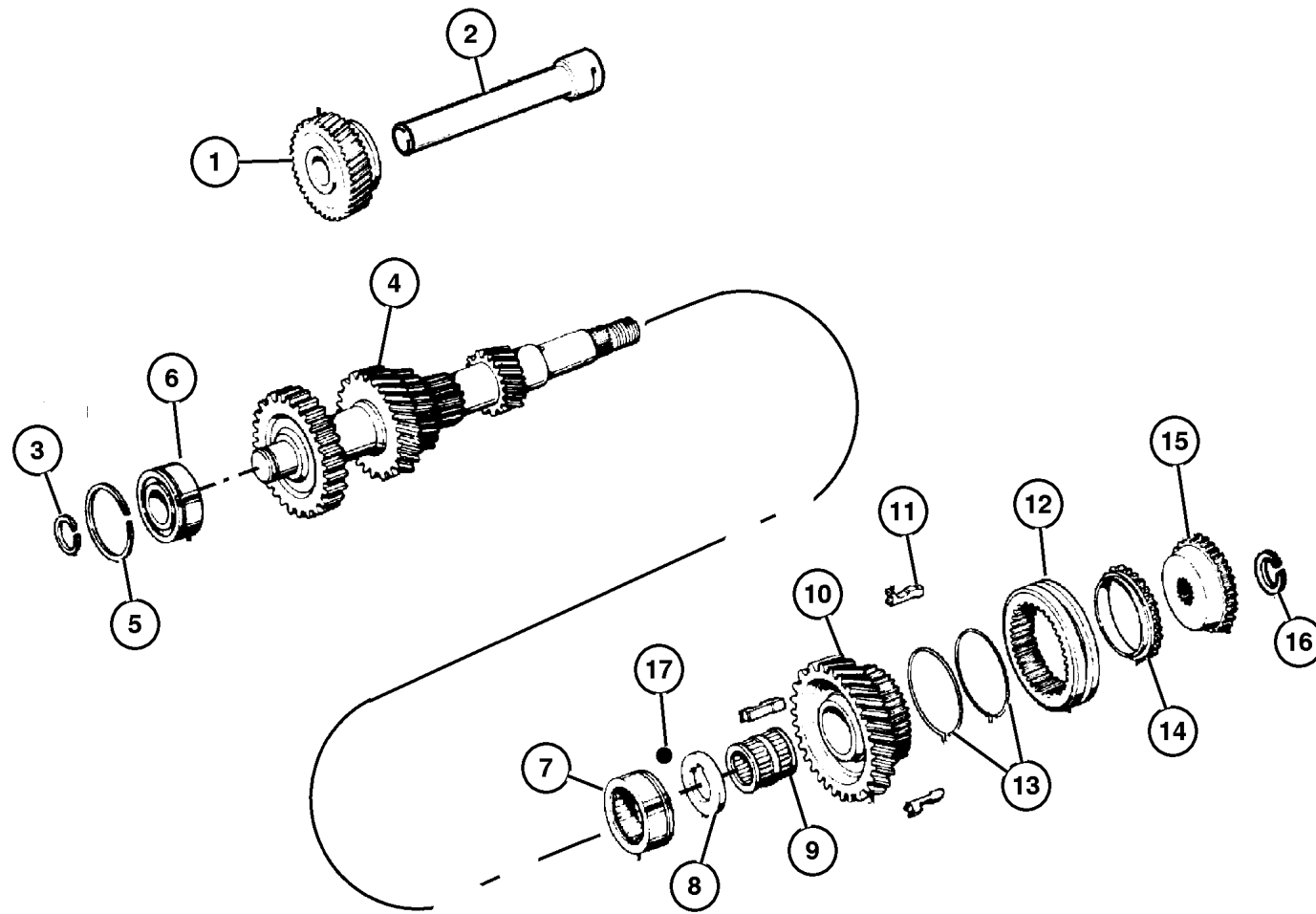
**JEEP CHEROKEE (XJ)**

SERIES	LINE	BODY	ENGINE	TRANSMISSION
L=Low Line	J=LHD (4WD) U=RHD (4WD) T=LHD (2WD) B=RHD (2WD)	74=4 DR. (101.4 WB) 72=2 DR. (101.4 WB)	ENC,EN0=2.5L 4 cyl. Turbo Die ERH,ER0=4.0L Power Tech I-6 EPE,EP0=Magnum 2.5L SMPI	DDQ=5Spd Man. DGS=4 Spd. Auto. AISIN DG0=All Auto Trans DBB=All Manual Trans.

AR = Use as required - = Non illustrated part # = New this model year

July 4, 2003

**Reverse Idler Ax 15 (DDQ)  
Figure AX-420**



ITEM	PART NUMBER	QTY	LINE	SERIES	BODY	ENGINE	TRANS	TRIM	DESCRIPTION
15	8350 6242	1	J, U			ENC	DDQ		52108121AB, 1998 XJ, 1999 XJ
		1	J			ER0	DDQ		GEAR, Fifth Splined 52108047, 1997 XJ
		1	B, T			ER0	DDQ		52107749, 1997 XJ
		1	J, U			EN0	DDQ		52107752, 1997 XJ
		1	J, U			ER0	DDQ		52108047AB, 1998 XJ, 1999 XJ
		1	B, T			ER0	DDQ		52108048AB, 1998 XJ, 1999 XJ
16	8350 6260	1	J, U			ENC	DDQ		52108121AB, 1998 XJ, 1999 XJ
		1	J			ER0	DDQ		SNAP RING Stamped A (X=2.80mm/2.85mm). 52108047, 1997 XJ
		1	B, T			ER0	DDQ		Stamped A (X=2.80mm/2.85mm). 52107749, 1997 XJ
		1	J, U			EN0	DDQ		Stamped A (X=2.80mm/2.85mm). 52107752, 1997 XJ
		1	J, U			ER0	DDQ		Stamped A (X=2.80mm/2.85mm), 1998 XJ, 1999 XJ
		1	B, T			ER0	DDQ		Stamped A (X=2.80mm/2.85mm), 1998 XJ, 1999 XJ
		1	J, U			ENC	DDQ		Stamped A (X=2.80mm/2.85mm), 1998 XJ, 1999 XJ
		1	J			ER0	DDQ		Stamped B (X=2.85mm/2.90mm). 52107749, 1997 XJ
		1	B, T			ER0	DDQ		Stamped B (X=2.85mm/2.90mm). 52107749, 1997 XJ
		1	J, U			EN0	DDQ		Stamped B (X=2.85mm/2.90mm). 52107752, 1997 XJ
		1	J, U			ER0	DDQ		Stamped B (X=2.85mm/2.90mm), 1998 XJ, 1999 XJ
		1	B, T			ER0	DDQ		Stamped B (X=2.85mm/2.90mm), 1998 XJ, 1999 XJ
17	8350 6261	1	J, U			ENC	DDQ		Stamped B (X=2.85mm/2.90mm), 1998 XJ, 1999 XJ
		1	J, U			ER0	DDQ		Stamped B (X=2.85mm/2.90mm), 1998 XJ, 1999 XJ
		1	B, T			ER0	DDQ		Stamped B (X=2.85mm/2.90mm), 1998 XJ, 1999 XJ
		1	J, U			ENC	DDQ		Stamped B (X=2.85mm/2.90mm), 1998 XJ, 1999 XJ
		1	B, T			ER0	DDQ		Stamped C (X=2.90mm/2.95mm) . 52107749, 1997 XJ
		1	J, U			EN0	DDQ		Stamped C (X=2.90mm/2.95mm) . 52107752, 1997 XJ
18	8350 6262	1	J, U			ER0	DDQ		Stamped C (X=2.90mm/2.95mm), 1998 XJ, 1999 XJ
		1	B, T			ER0	DDQ		Stamped C (X=2.90mm/2.95mm), 1998 XJ, 1999 XJ
		1	J, U			ENC	DDQ		Stamped C (X=2.90mm/2.95mm), 1998 XJ, 1999 XJ
		1	J, U			ENC	DDQ		Stamped C (X=2.90mm/2.95mm), 1998 XJ, 1999 XJ

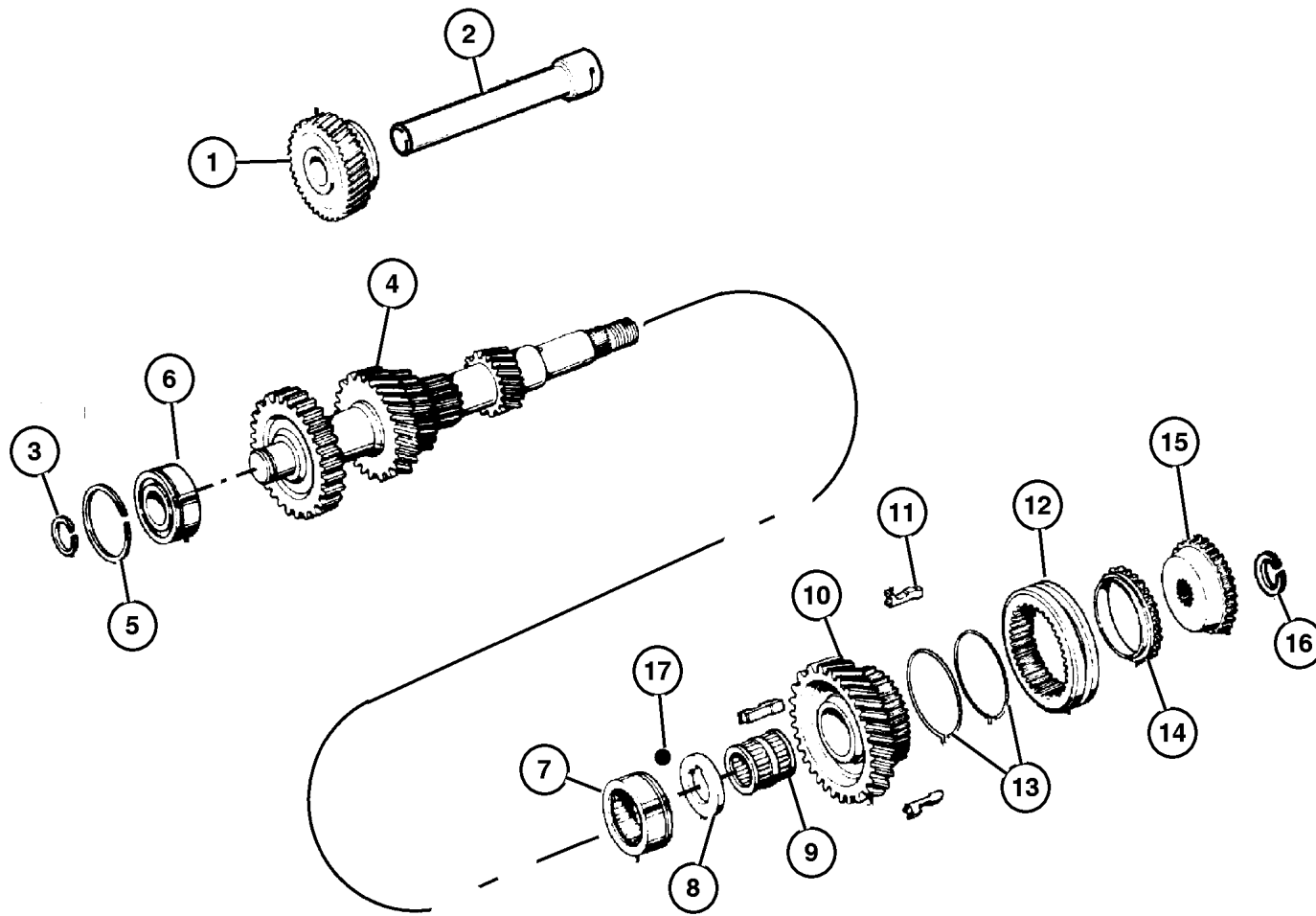
**JEEP CHEROKEE (XJ)**

SERIES	LINE	BODY	ENGINE	TRANSMISSION
L=Low Line	J=LHD (4WD) U=RHD (4WD) T=LHD (2WD) B=RHD (2WD)	74=4 DR. (101.4 WB) 72=2 DR. (101.4 WB)	ENC,EN0=2.5L 4 cyl. Turbo Die ERH,ER0=4.0L Power Tech I-6 EPE,EP0=Magnum 2.5L SMPI	DDQ=5Spd Man. DGS=4 Spd. Auto. AISIN DG0=All Auto Trans DBB=All Manual Trans.

AR = Use as required - = Non illustrated part # = New this model year

July 4, 2003

**Reverse Idler Ax 15 (DDQ)  
Figure AX-420**



ITEM	PART NUMBER	QTY	LINE	SERIES	BODY	ENGINE	TRANS	TRIM	DESCRIPTION
	8350 6263	1	J			ER0	DDQ		Stamped D (X=2.95mm/3.00mm) . 52108047, 1997 XJ
		1	J, U			EN0	DDQ		Stamped D (X=2.95mm/3.00mm) .52107752, 1997 XJ
		1	B, T			ER0	DDQ		Stamped D (X=2.95mm/3.00mm) . 52107749, 1997 XJ
		1	J, U			ER0	DDQ		Stamped D (X=2.95mm/3.00mm), 1998 XJ, 1999 XJ
		1	B, T			ER0	DDQ		Stamped D (X=2.95mm/3.00mm), 1998 XJ, 1999 XJ
		1	J, U			ENC	DDQ		Stamped D (X=2.95mm/3.00mm), 1998 XJ, 1999 XJ
	8350 6264	1	J			ER0	DDQ		Stamped E (X=3.00mm/3.05mm) . 52108047, 1997 XJ
		1	B, T			ER0	DDQ		Stamped E (X=3.00mm/3.05mm) . 52107749, 1997 XJ
		1	J, U			EN0	DDQ		Stamped E (X=3.00mm/3.05mm) . 52107752, 1997 XJ
		1	J, U			ER0	DDQ		Stamped E (X=3.00mm/3.05mm), 1998 XJ, 1999 XJ
		1	B, T			ER0	DDQ		Stamped E (X=3.00mm/3.05mm), 1998 XJ, 1999 XJ
		1	J, U			ENC	DDQ		Stamped E (X=3.00mm/3.05mm), 1998 XJ, 1999 XJ
	8350 6265	1	J			ER0	DDQ		Stamped F (X=3.05mm/3.10mm) . 52108047, 1997 XJ
		1	B, T			ER0	DDQ		Stamped F (X=3.05mm/3.10mm) . 52107749, 1997 XJ
		1	J, U			EN0	DDQ		Stamped F (X=3.05mm/3.10mm) . 52107752, 1997 XJ
		1	J, U			ER0	DDQ		Stamped F (X=3.05mm/3.10mm), 1998 XJ, 1999 XJ
		1	B, T			ER0	DDQ		Stamped F (X=3.05mm/3.10mm), 1998 XJ, 1999 XJ
		1	J, U			ENC	DDQ		Stamped F (X=3.05mm/3.10mm), 1998 XJ, 1999 XJ
	8350 6266	1	J			ER0	DDQ		Stamped G (X=3.10mm/3.15mm) . 52108047, 1997 XJ
		1	B, T			ER0	DDQ		Stamped G (X=3.10mm/3.15mm) . 52107749, 1997 XJ
		1	J, U			EN0	DDQ		Stamped G (X=3.10mm/3.15mm) . 52107752, 1997 XJ

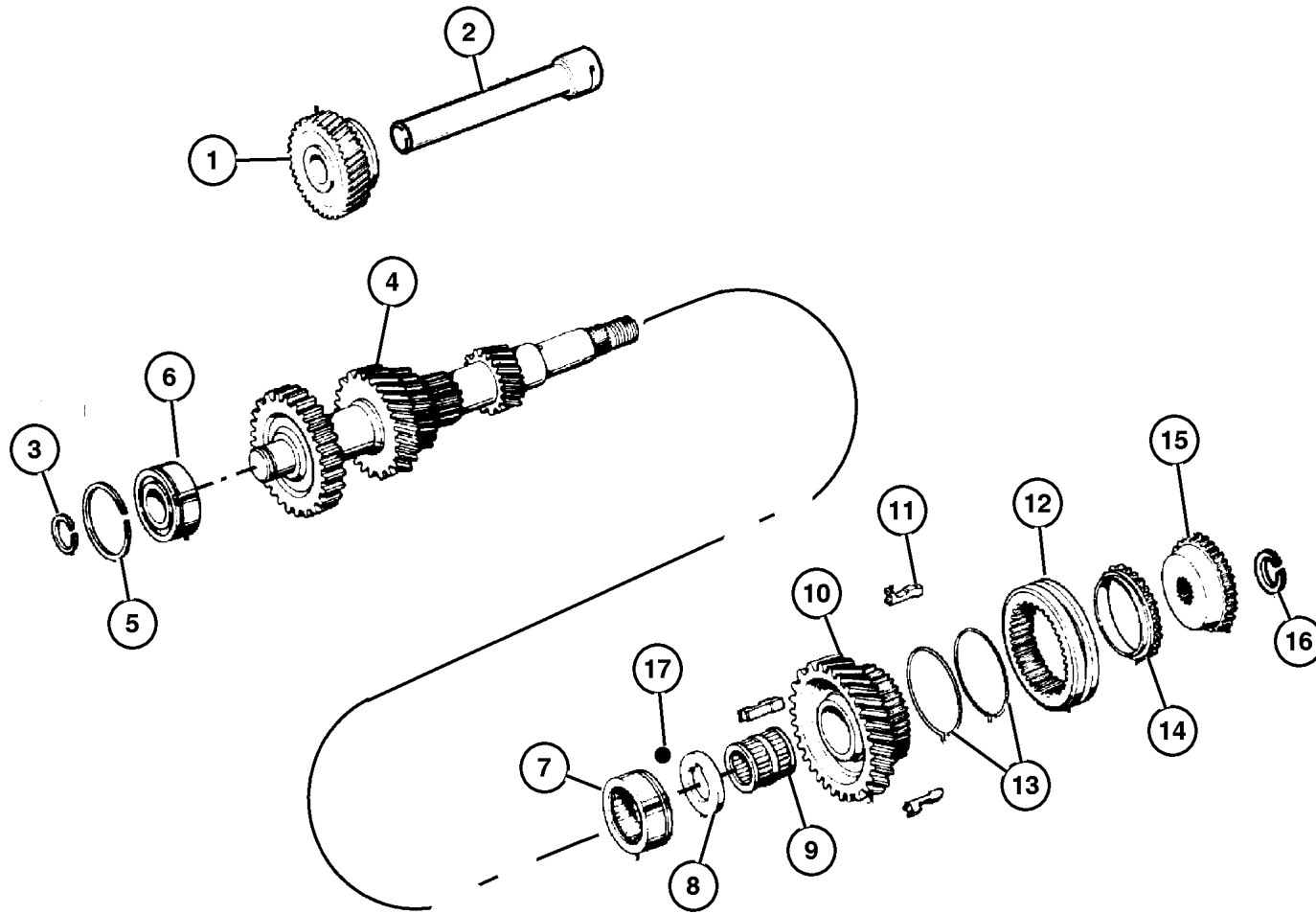
**JEEP CHEROKEE (XJ)**

SERIES	LINE	BODY	ENGINE	TRANSMISSION
L=Low Line	J=LHD (4WD) U=RHD (4WD) T=LHD (2WD) B=RHD (2WD)	74=4 DR. (101.4 WB) 72=2 DR. (101.4 WB)	ENC,EN0=2.5L 4 cyl. Turbo Die ERH,ER0=4.0L Power Tech I-6 EPE,EP0=Magnum 2.5L SMPI	DDQ=5Spd Man. DGS=4 Spd. Auto. AISIN DG0=All Auto Trans DBB=All Manual Trans.

AR = Use as required - = Non illustrated part # = New this model year

July 4, 2003

Reverse Idler Ax 15 (DDQ)  
Figure AX-420



ITEM	PART NUMBER	QTY	LINE	SERIES	BODY	ENGINE	TRANS	TRIM	DESCRIPTION
		1	J, U			ER0	DDQ		Stamped G (X=3.10mm/3.15mm), 1998 XJ, 1999 XJ
		1	B, T			ER0	DDQ		Stamped G (X=3.10mm/3.15mm), 1998 XJ, 1999 XJ
		1	J, U			ENC	DDQ		Stamped G (X=3.10mm/3.15mm), 1998 XJ, 1999 XJ
	8350 6267	1	J			ER0	DDQ		Stamped H (X=3.15mm/3.20mm) . 52108047, 1997 XJ
		1	B, T			ER0	DDQ		Stamped H (X=3.15mm/3.20mm) . 52107749, 1997 XJ
		1	J, U			EN0	DDQ		Stamped H (X=3.15mm/3.20mm) . 52107752, 1997 XJ
		1	J, U			ER0	DDQ		Stamped H (X=3.15mm/3.20mm), 1998 XJ, 1999 XJ
		1	B, T			ER0	DDQ		Stamped H (X=3.15mm/3.20mm), 1998 XJ, 1999 XJ
		1	J, U			ENC	DDQ		Stamped H (X=3.15mm/3.20mm), 1998 XJ, 1999 XJ
17									BALL, Reverse
	8350 0573	1	B, T			ER0	DDQ		52107749, 1997 XJ
		1	J, U			EN0	DDQ		52107752, 1997 XJ
		1	J, U			ER0	DDQ		52108047, 1997 XJ
		1	B, T			ER0	DDQ		52108048AB, 1998 XJ
		1	J, U			ER0	DDQ		52108047AB, 1998 XJ, 1999 XJ
		1	J, U			ENC	DDQ		52108121AB, 1998 XJ, 1999 XJ

JEEP CHEROKEE (XJ)

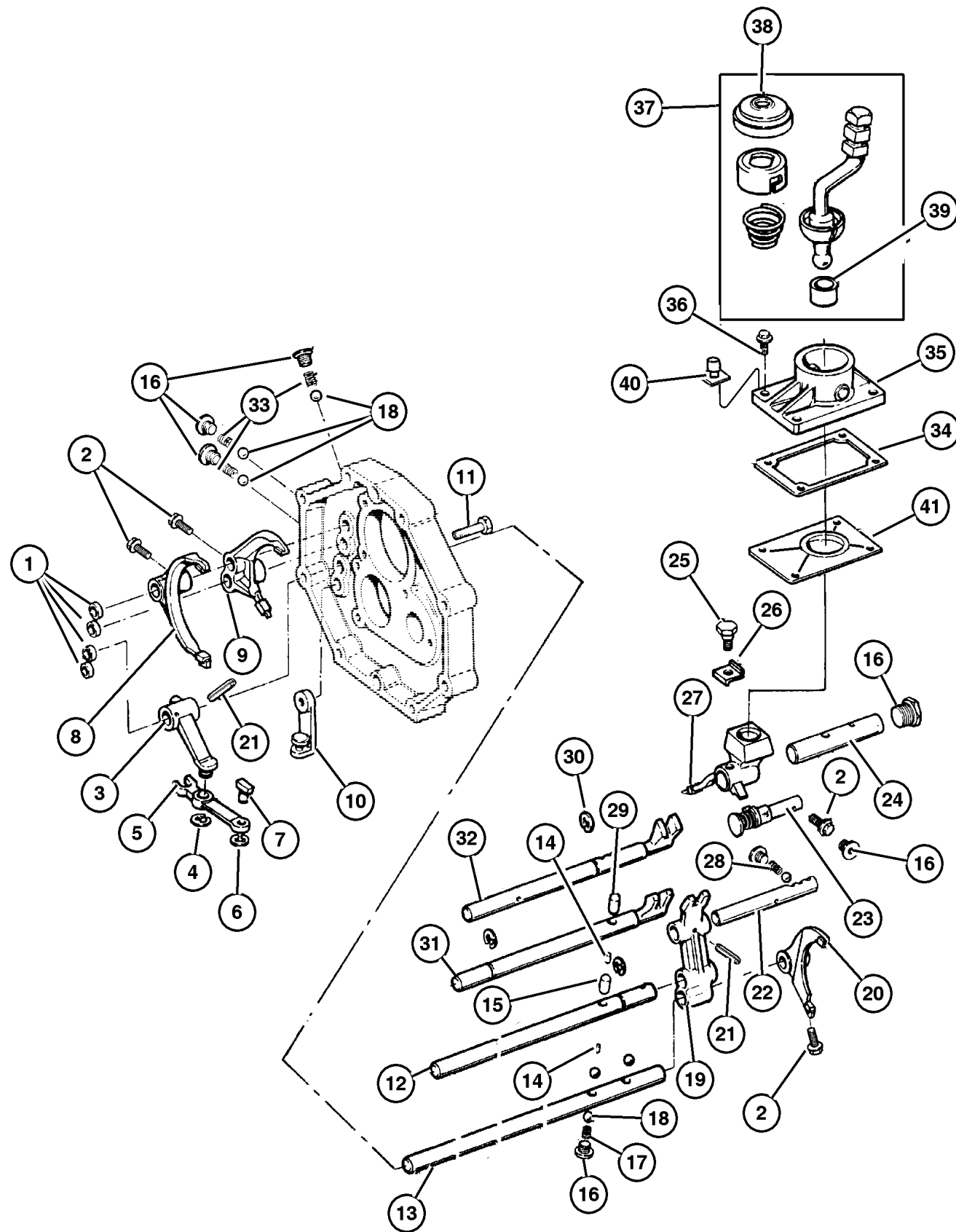
SERIES	LINE	BODY	ENGINE	TRANSMISSION
L=Low Line	J=LHD (4WD) U=RHD (4WD) T=LHD (2WD) B=RHD (2WD)	74=4 DR. (101.4 WB) 72=2 DR. (101.4 WB)	ENC,EN0=2.5L 4 cyl. Turbo Die ERH,ER0=4.0L Power Tech I-6 EPE,EP0=Magnum 2.5L SMPI	DDQ=5Spd Man. DGS=4 Spd. Auto. AISIN DG0=All Auto Trans DBB=All Manual Trans.

AR = Use as required - = Non illustrated part # = New this model year

July 4, 2003



Forks AX 5 (DDQ)  
Figure AX-910



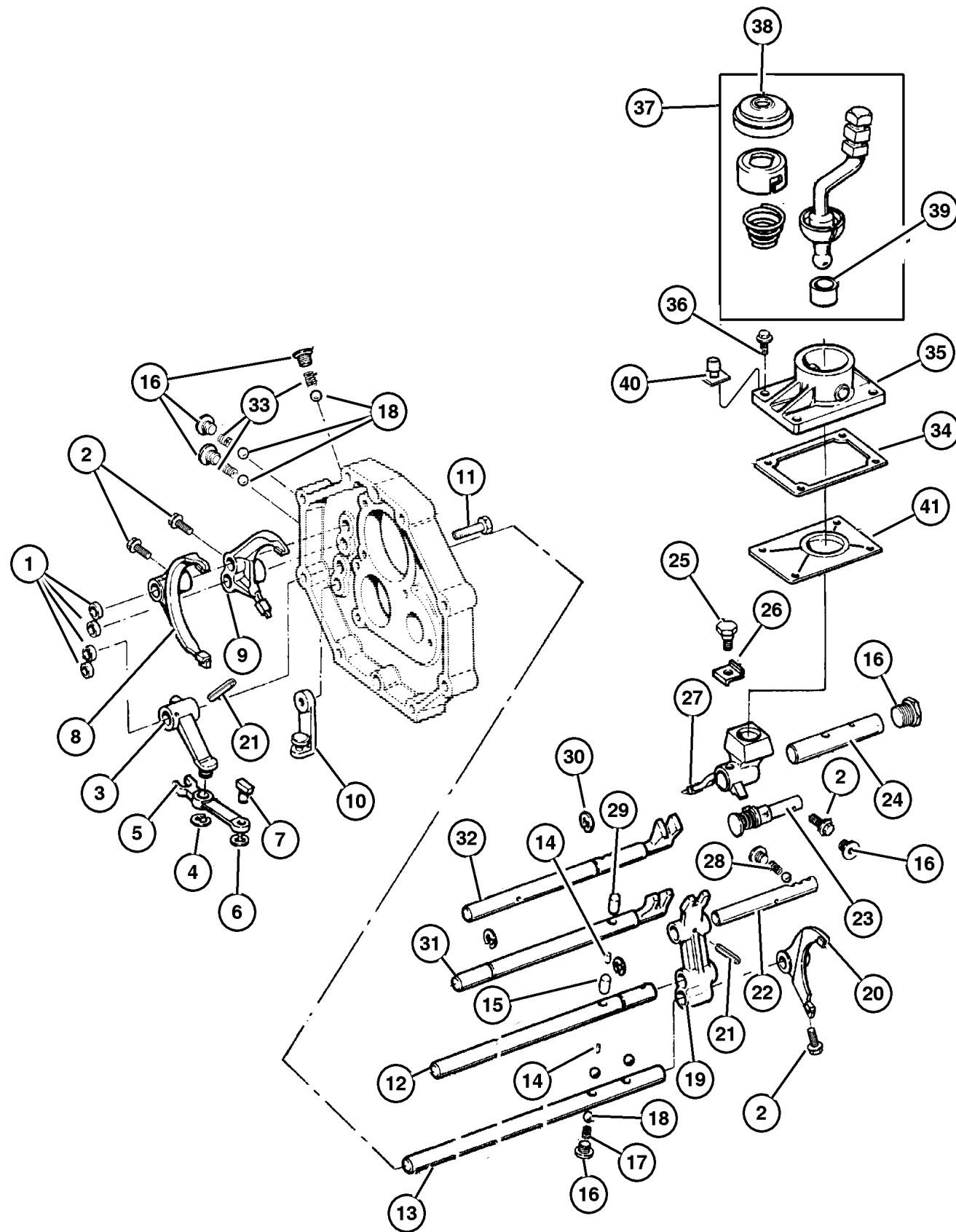
ITEM	PART NUMBER	QTY	LINE	SERIES	BODY	ENGINE	TRANS	TRIM	DESCRIPTION
Notes:									
DDQ = 5 Speed Manual Transmission									
EP0 = All 2.5L Gas Engines									
1	8350 0503	4	B, T			EP0	DDQ		PLUG, Shift Rail
		4	J, U			EP0	DDQ		
2	8350 2664	2	B, T			EP0	DDQ		BOLT, Shift Fork
		2	J, U			EP0	DDQ		1997 XJ
		3	B, T			EP0	DDQ		1998 XJ, 1999 XJ
		3	J, U			EP0	DDQ		1998 XJ, 1999 XJ
3	8350 0526	1	B, T			EP0	DDQ		FORK, Transmission
		1	J, U			EP0	DDQ		
4	8350 0548	1	B, T			EP0	DDQ		SNAP RING
		1	J, U			EP0	DDQ		
5	4897 099AA	1	B, T			EP0	DDQ		ARM, Reverse Shift
		1	J, U			EP0	DDQ		1998 XJ, 1999 XJ
	8350 0529	1	B, T			EP0	DDQ		1998 XJ, 1999 XJ
		1	J, U			EP0	DDQ		1997 XJ
6	8350 0547	1	B, T			EP0	DDQ		SNAP RING
		1	J, U			EP0	DDQ		
7	4897 100AA	1	B, T			EP0	DDQ		SHOE, Shift Lever
		1	J, U			EP0	DDQ		1998 XJ, 1999 XJ
	8350 3552	1	B, T			EP0	DDQ		1998 XJ, 1999 XJ
		1	J, U			EP0	DDQ		1997 XJ
8	4740 236	1	B, T			EP0	DDQ		FORK PACKAGE, Shift
		1	J, U			EP0	DDQ		
9	8350 2662	1	B, T			EP0	DDQ		FORK, Transmission
		1	J, U			EP0	DDQ		
10	8350 0531	1	B, T			EP0	DDQ		BRACKET, Reverse Arm
		1	J, U			EP0	DDQ		
11	8350 0549	2	B, T			EP0	DDQ		BOLT, Bearing Retainer
		2	J, U			EP0	DDQ		
12									SHAFT, Gear Shift Fork, Number 3

JEEP CHEROKEE (XJ)  
 SERIES LINE BODY ENGINE TRANSMISSION  
 L=Low Line J=LHD (4WD) 74=4 DR. (101.4 WB) ENC,EN0=2.5L 4 cyl. Turbo Die DDQ=5Spd Man.  
 U=RHD (4WD) 72=2 DR. (101.4 WB) ERH,ER0=4.0L Power Tech I-6 DGS=4 Spd. Auto. AISIN  
 T=LHD (2WD) EPE,EP0=Magnum 2.5L SMPI DG0=All Auto Trans  
 B=RHD (2WD) DBB=All Manual Trans.

AR = Use as required - = Non illustrated part # = New this model year

July 4, 2003

Forks AX 5 (DDQ)  
Figure AX-910



ITEM	PART NUMBER	QTY	LINE	SERIES	BODY	ENGINE	TRANS	TRIM	DESCRIPTION
	4746 659	1	B, T			EP0	DDQ		52104546
		1	J, U			EP0	DDQ		52104547
		1	J, U			EP0	DDQ		52107747, 1997 XJ
		1	B, T			EP0	DDQ		52107746, 1997 XJ
13									SHAFT, Gear Shift Fork, Number 4
	4746 660	1	B, T			EP0	DDQ		52104546
		1	J, U			EP0	DDQ		52104547
		1	J, U			EP0	DDQ		52107747, 1997 XJ
		1	B, T			EP0	DDQ		52107746, 1997 XJ
14									PIN, Shift Shaft
	8350 0537	2	B, T			EP0	DDQ		
		2	J, U			EP0	DDQ		
15									PIN, Interlock, 21.6mm
	8350 0541	1	B, T			EP0	DDQ		
		1	J, U			EP0	DDQ		
16									PLUG, Transmission
	8350 0524	11	B, T			EP0	DDQ		1999 XJ
		11	J, U			EP0	DDQ		1999 XJ
	8350 3109	7	J, U			EP0	DDQ		1997 XJ
		6	B, T			EP0	DDQ		1997 XJ
		AR	B, T			EP0	DDQ		1998 XJ
		AR	J, U			EP0	DDQ		1998 XJ
17									SPRING, Compression Shift
	8350 0638	1	B, T			EP0	DDQ		
		1	J, U			EP0	DDQ		
18									BALL, Gearshift Fork Lock
	8350 0542	7	B, T			EP0	DDQ		
		7	J, U			EP0	DDQ		
19									HEAD, Shifter Shaft
	4746 658	1	B, T			EP0	DDQ		52104546
		1	J, U			EP0	DDQ		52104547
		1	B, T			EP0	DDQ		52107746, 1997 XJ
		1	J, U			EP0	DDQ		52107747, 1997 XJ
20									FORK, Transmission
	4746 656	1	B, T			EP0	DDQ		52104546
		1	J, U			EP0	DDQ		52104547
		1	J			EP0	DDQ		52107747, 1997 XJ
		1	B, T			EP0	DDQ		52107746, 1997 XJ
21									PIN, Shift Shaft
	8350 0526	1	B, T			EP0	DDQ		1997 XJ
		1	J, U			EP0	DDQ		1997 XJ
	8350 0540	2	B, T			EP0	DDQ		1998 XJ

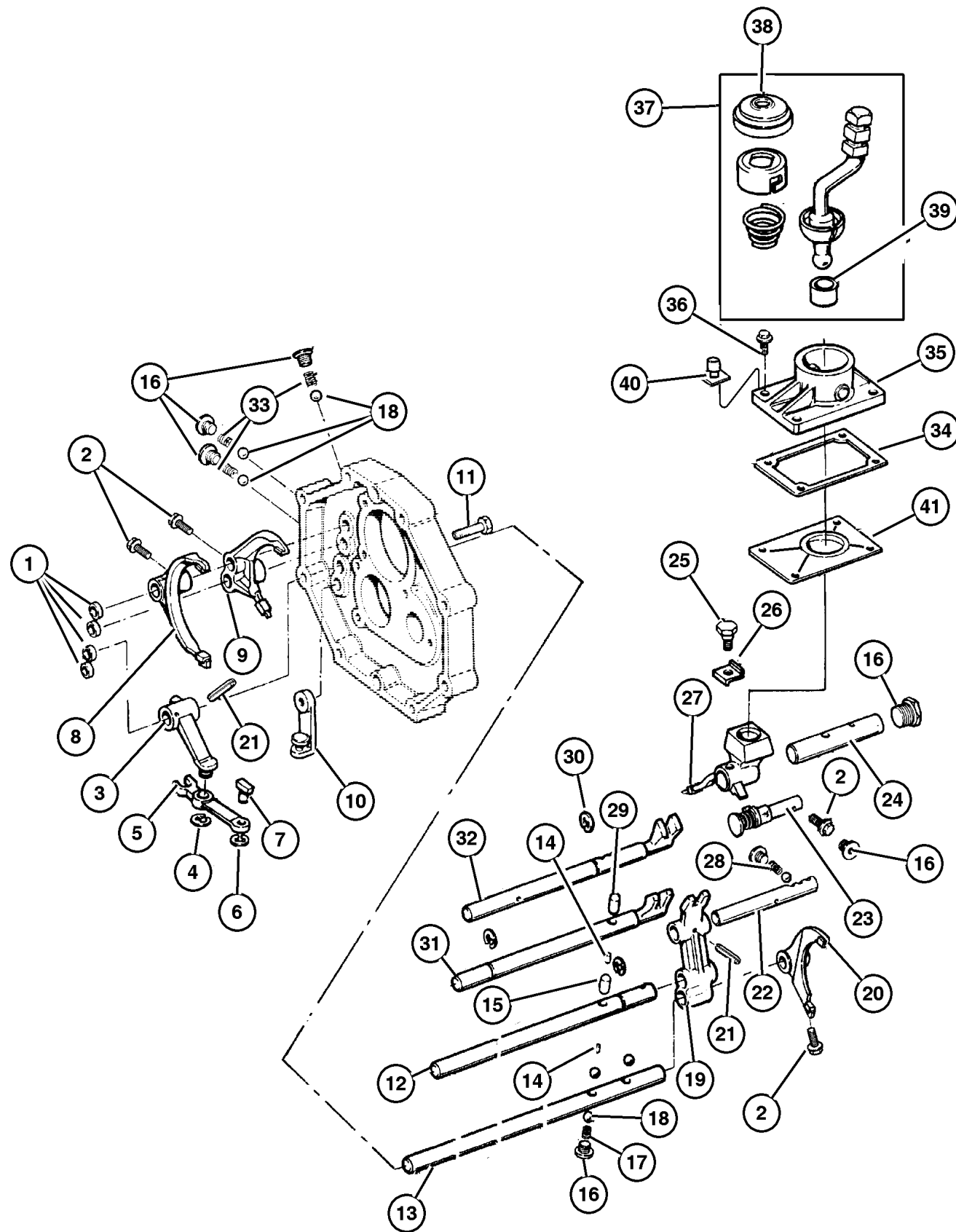
JEEP CHEROKEE (XJ)

SERIES	LINE	BODY	ENGINE	TRANSMISSION
L=Low Line	J=LHD (4WD) U=RHD (4WD) T=LHD (2WD) B=RHD (2WD)	74=4 DR. (101.4 WB) 72=2 DR. (101.4 WB)	ENC,EN0=2.5L 4 cyl. Turbo Die ERH,ER0=4.0L Power Tech I-6 EPE,EP0=Magnum 2.5L SMPI	DDQ=5Spd Man. DGS=4 Spd. Auto. AISIN DG0=All Auto Trans DBB=All Manual Trans.

AR = Use as required - = Non illustrated part # = New this model year

July 4, 2003

Forks AX 5 (DDQ)  
Figure AX-910



ITEM	PART NUMBER	QTY	LINE	SERIES	BODY	ENGINE	TRANS	TRIM	DESCRIPTION
		2	J, U			EP0	DDQ		1998 XJ
		3	J, U			ER0	DDQ		1999 XJ
		3	B, T			ER0	DDQ		1999 XJ
22									SHAFT, Selector
	8350 0536	1	B, T			EP0	DDQ		52104546
		1	J, U			EP0	DDQ		52104547
		2	J, U			EP0	DDQ		52107747, 1997 XJ
		2	B, T			EP0	DDQ		52107746, 1997 XJ
23									PIN, Reverse
	8350 0635	1	B, T			EP0	DDQ		
		1	J, U			EP0	DDQ		
24									SHAFT, Shift Lever
	8350 0514	1	B, T			EP0	DDQ		
		1	J, U			EP0	DDQ		
25									BOLT
	8350 6036	2	B, T			EP0	DDQ		1997 XJ
		2	J, U			EP0	DDQ		1997 XJ
		1	B, T			EP0	DDQ		1998 XJ, 1999 XJ
		1	J, U			EP0	DDQ		1998 XJ, 1999 XJ
26									WASHER, Lock
	8350 0523	1	B, T			EP0	DDQ		5107746, 1997 XJ
		1	J, U			EP0	DDQ		52107747, 1997 XJ
	8350 0626	1	B, T			EP0	DDQ		1998 XJ, 1999 XJ
		1	J, U			EP0	DDQ		1998 XJ, 1999 XJ
27									HOUSING, Shift Lever
	8350 0636	1	B, T			EP0	DDQ		
		1	J, U			EP0	DDQ		
28									SPRING, Compression
	8350 0544	1	B, T			EP0	DDQ		
		1	J, U			EP0	DDQ		
29									PIN, Interlock, 30.3mm
	8350 0543	1	B, T			EP0	DDQ		
		1	J, U			EP0	DDQ		
30									SNAP RING
	8350 6054	3	B, T			EP0	DDQ		52104546
		3	J, U			EP0	DDQ		52104547
		3	J, U			EP0	DDQ		52107747, 1997 XJ
		3	B, T			EP0	DDQ		52107746, 1997 XJ
31									SHAFT, Gear Shift Fork, Number 1
	4874 510	1	B, T			EP0	DDQ		1998 XJ, 1999 XJ
		1	J, U			EP0	DDQ		1998 XJ, 1999 XJ
	5252 066	1	B, T			ER0	DDQ		52107749, 1997 XJ

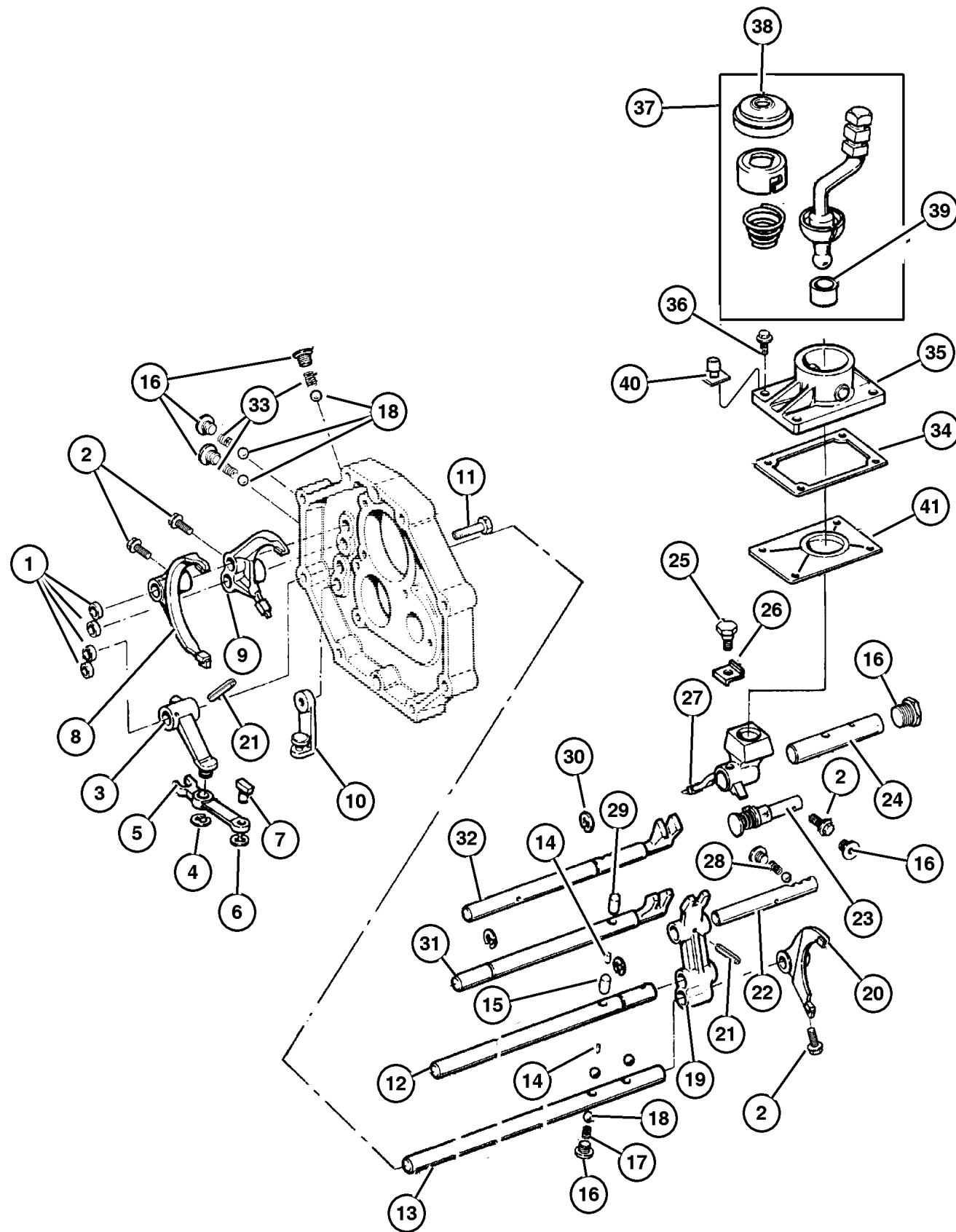
JEEP CHEROKEE (XJ)

SERIES	LINE	BODY	ENGINE	TRANSMISSION
L=Low Line	J=LHD (4WD) U=RHD (4WD) T=LHD (2WD) B=RHD (2WD)	74=4 DR. (101.4 WB) 72=2 DR. (101.4 WB)	ENC,EN0=2.5L 4 cyl. Turbo Die ERH,ER0=4.0L Power Tech I-6 EPE,EP0=Magnum 2.5L SMPI	DDQ=5Spd Man. DGS=4 Spd. Auto. AISIN DG0=All Auto Trans DBB=All Manual Trans.

AR = Use as required - = Non illustrated part # = New this model year

July 4, 2003

Forks AX 5 (DDQ)  
Figure AX-910



ITEM	PART NUMBER	QTY	LINE	SERIES	BODY	ENGINE	TRANS	TRIM	DESCRIPTION
		1	J, U			EN0	DDQ		52107752, 1997 XJ
		1	J, U			ER0	DDQ		52108047, 1997 XJ
		1	J, U			EN0	DDQ		52108121AB, 1997 XJ
		1	J, U			ER0	DDQ		52108047AB, 1997 XJ, 1999 XJ
		1	B, T			ER0	DDQ		52108048AB, 1997 XJ, 1999 XJ
32									SHAFT, Gear Shift Fork, Number 2
	5252 068	1	J			ER0	DDQ		52108047, 1997 XJ
		1	B, T			ER0	DDQ		52107749, 1997 XJ
		1	J, U			EN0	DDQ		52107752, 1997 XJ
		1	J, U			EN0	DDQ		52108121AB, 1997 XJ
		1	J, U			ER0	DDQ		52108047AB, 1997 XJ, 1999 XJ
		1	B, T			ER0	DDQ		52108048AB, 1997 XJ, 1999 XJ
	8350 6047	1	B, T			EP0	DDQ		1998 XJ
33		1	J, U			EP0	DDQ		1998 XJ
	8350 0545	3	B, T			EP0	DDQ		SPRING, Compression Detent
		3	J, U			EP0	DDQ		
34									GASKET, Shift Lever Housing
	8350 0521	1	B, T			EP0	DDQ		
		1	J, U			EP0	DDQ		
35									RETAINER, Control Shift Lever
	4864 208	1	B, T			EP0	DDQ		1998 XJ, 1999 XJ
		1	J, U			EP0	DDQ		1998 XJ, 1999 XJ
	4864 219	1	B, T			EP0	DDQ		1997 XJ
		1	J, U			EP0	DDQ		1997 XJ
36									BOLT AND LOCK WASHER, Hex Head, M8x1.25x30
	8350 0525	4	B, T			EP0	DDQ		
		4	J, U			EP0	DDQ		
37									LEVER, Gearshift
	4874 289	1	B, T			EP0	DDQ		1998 XJ, 1999 XJ
		1	J, U			EP0	DDQ		1998 XJ, 1999 XJ
	8350 0518	1	B, T			EP0	DDQ		1997 XJ
		1	J, U			EP0	DDQ		1997 XJ
38									BOOT, Gearshift
	8350 0520	1	B, T			EP0	DDQ		
		1	J, U			EP0	DDQ		
39									BUSHING, Shift Lever
	8350 0519	1	B, T			EP0	DDQ		
		1	J, U			EP0	DDQ		
40									CAP, Vent
	4864 215	1	B, T			EP0	DDQ		52104546

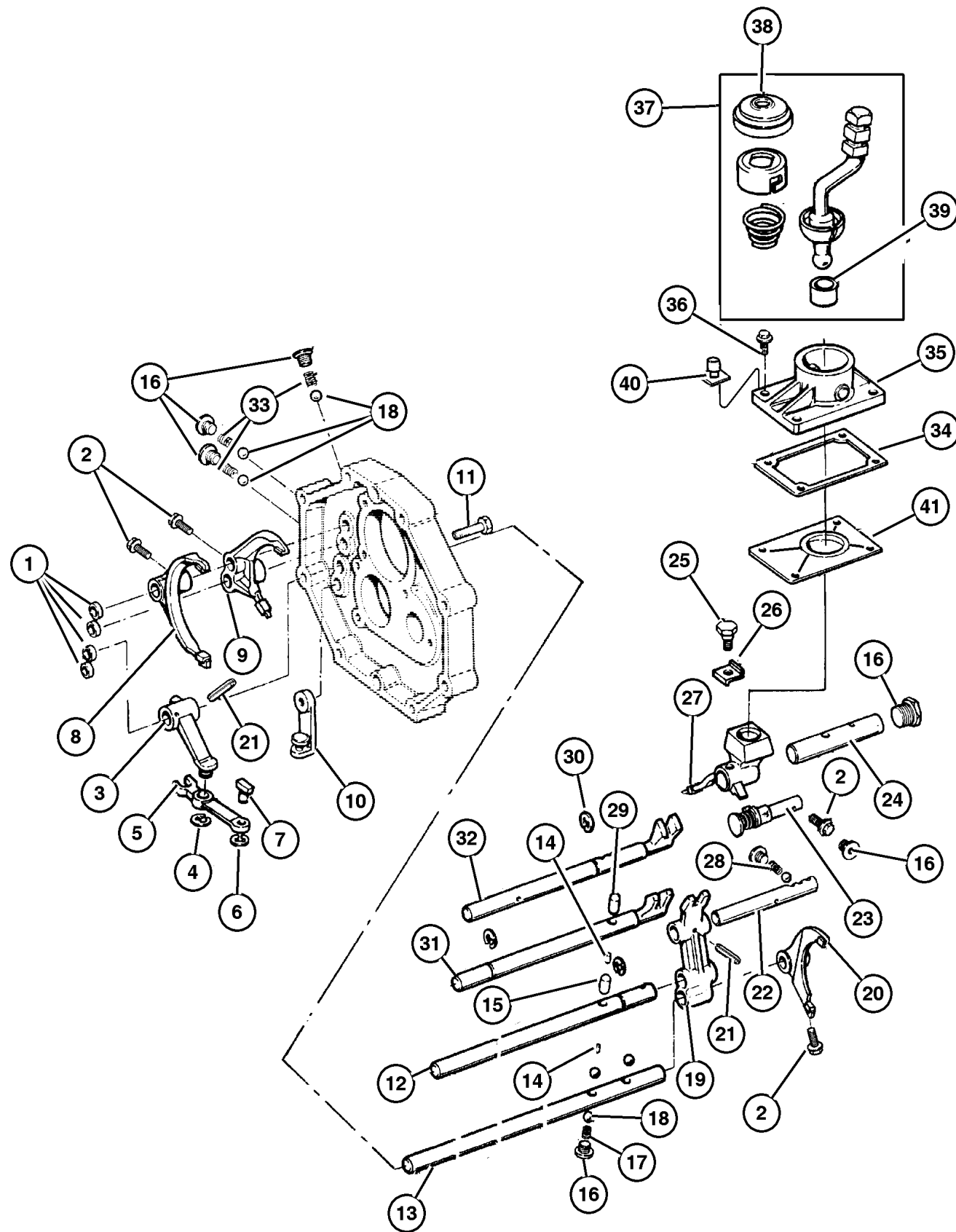
JEEP CHEROKEE (XJ)

SERIES	LINE	BODY	ENGINE	TRANSMISSION
L=Low Line	J=LHD (4WD) U=RHD (4WD) T=LHD (2WD) B=RHD (2WD)	74=4 DR. (101.4 WB) 72=2 DR. (101.4 WB)	ENC,EN0=2.5L 4 cyl. Turbo Die ERH,ER0=4.0L Power Tech I-6 EPE,EP0=Magnum 2.5L SMPI	DDQ=5Spd Man. DGS=4 Spd. Auto. AISIN DG0=All Auto Trans DBB=All Manual Trans.

AR = Use as required - = Non illustrated part # = New this model year

July 4, 2003

Forks AX 5 (DDQ)  
Figure AX-910



ITEM	PART NUMBER	QTY	LINE	SERIES	BODY	ENGINE	TRANS	TRIM	DESCRIPTION
		1	J, U			EP0	DDQ		52104547
		1	B, T			EP0	DDQ		52107746, 1997 XJ
		1	J, U			EP0	DDQ		52107747, 1997 XJ
41									SHIELD, Transmission
	4864 216	1	B, T			EP0	DDQ		52104546
		1	J, U			EP0	DDQ		52104547
		1	B, T			EP0	DDQ		52107746, 1997 XJ
		1	J, U			EP0	DDQ		52107747, 1997 XJ

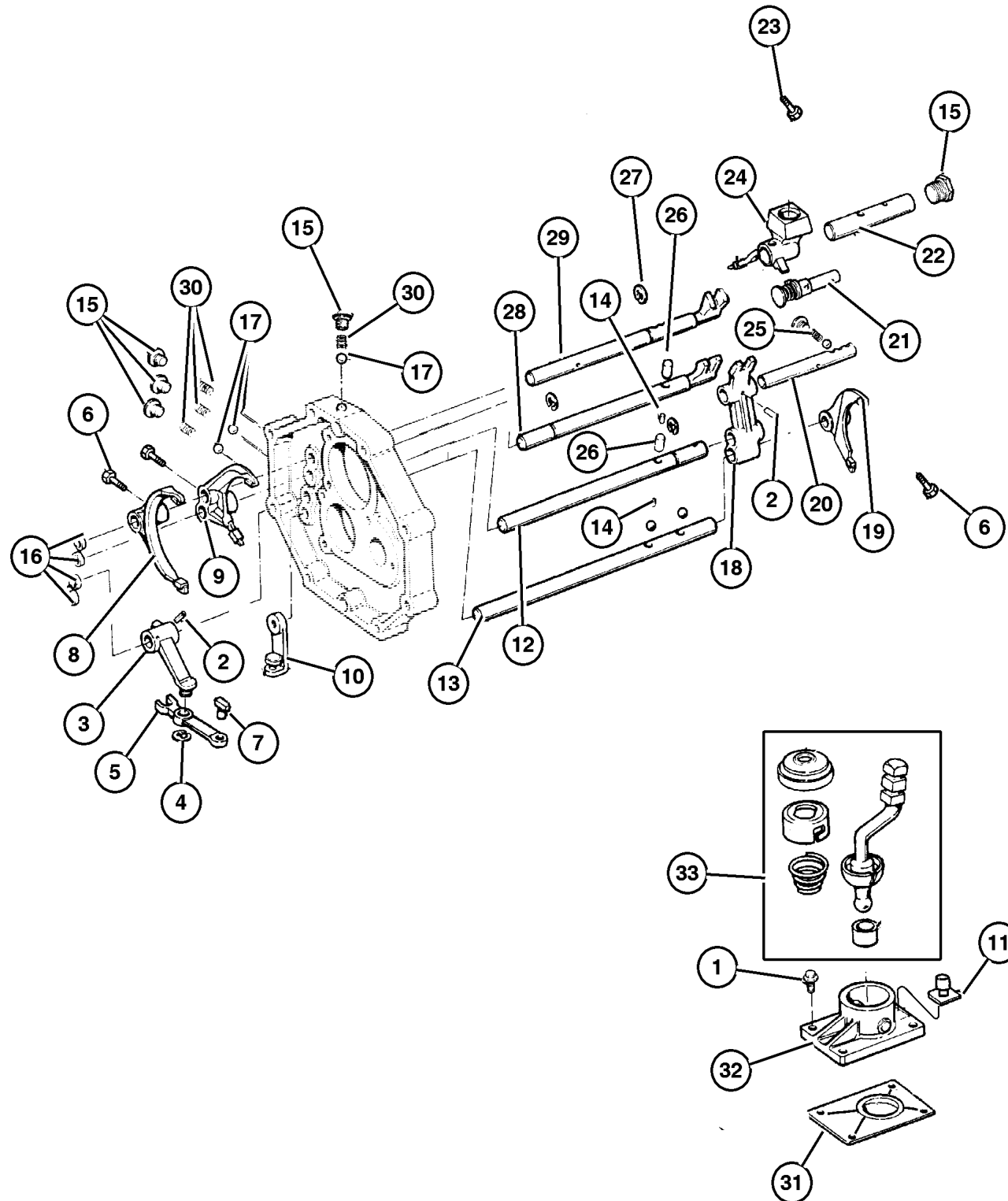
JEEP CHEROKEE (XJ)

SERIES	LINE	BODY	ENGINE	TRANSMISSION
L=Low Line	J=LHD (4WD) U=RHD (4WD) T=LHD (2WD) B=RHD (2WD)	74=4 DR. (101.4 WB) 72=2 DR. (101.4 WB)	ENC,EN0=2.5L 4 cyl. Turbo Die ERH,ER0=4.0L Power Tech I-6 EPE,EP0=Magnum 2.5L SMPI	DDQ=5Spd Man. DGS=4 Spd. Auto. AISIN DG0=All Auto Trans DBB=All Manual Trans.

AR = Use as required - = Non illustrated part # = New this model year

July 4, 2003

## Forks AX 15 (DDQ) Figure AX-915



ITEM	PART NUMBER	QTY	LINE	SERIES	BODY	ENGINE	TRANS	TRIM	DESCRIPTION
------	-------------	-----	------	--------	------	--------	-------	------	-------------

**Notes:**

DDQ = 5 Speed Manual Transmission  
 ER0 = All 4.0L 6 Cylinder Gas Engines  
 ENC = 2.5L 4 Cylinder Turbo Diesel Engine

1									BOLT AND LOCK WASHER, Hex Head, M8x1.25x30
	8350 0525	4	B, T			ER0	DDQ		52107749, 1997 XJ
		4	J, U			EN0	DDQ		52107752, 1997 XJ
		4	J, U			ER0	DDQ		52108047, 1997 XJ
		4	B, T			ER0			52108048AB, 1998 XJ
		4	J, U			ENC			52108121AB, 1998 XJ
		4	J, U			ER0	DDQ		52108047AB, 1998 XJ, 1999 XJ
2									PIN, Shift Shaft
	8350 0540	3	B, T			ER0	DDQ		1997 XJ
		3	J, U			EN0	DDQ		1997 XJ
		2	J, U			ER0	DDQ		1997 XJ
		AR	B, T			ER0			52108048AB, 1998 XJ
		AR	J, U			ENC			52108121AB, 1998 XJ
		AR	J, U			ER0	DDQ		52108047AB, 1998 XJ
		3	B, T			EP0	DDQ		1999 XJ
		3	J, U			EP0	DDQ		1999 XJ
3									FORK, Transmission
	5252 056	1	B, T			ER0	DDQ		52107749, 1997 XJ
		1	J, U			EN0	DDQ		52107752, 1997 XJ
		1	J, U			ER0	DDQ		52108047, 1997 XJ
		1	J, U			ER0	DDQ		52108047AB, 1998 XJ, 1999 XJ
		1	B, T			ER0	DDQ		52108048AB, 1998 XJ, 1999 XJ
		1	J, U			ENC	DDQ		52108121AB, 1998 XJ, 1999 XJ
4									SNAP RING
	8350 0548	1	B, T			ER0	DDQ		52107749, 1997 XJ
		1	J, U			EN0	DDQ		52107752, 1997 XJ
		1	J, U			ER0	DDQ		52108047, 1997 XJ
		1	J, U			ER0	DDQ		52108047AB, 1998 XJ, 1999 XJ
		1	B, T			ER0	DDQ		52108048AB, 1998 XJ, 1999 XJ
		1	J, U			ENC	DDQ		52108121AB, 1998 XJ, 1999 XJ
5									ARM, Reverse Shift
	5252 060	1	B, T			ER0	DDQ		52107749, 1997 XJ
		1	J, U			EN0	DDQ		52107752, 1997 XJ
		1	J, U			ER0	DDQ		52108047, 1997 XJ
		1	J, U			ER0	DDQ		52108047AB, 1998 XJ, 1999 XJ
		1	B, T			ER0	DDQ		52108048AB, 1998 XJ, 1999 XJ
		1	J, U			ENC	DDQ		52108121AB, 1998 XJ, 1999 XJ

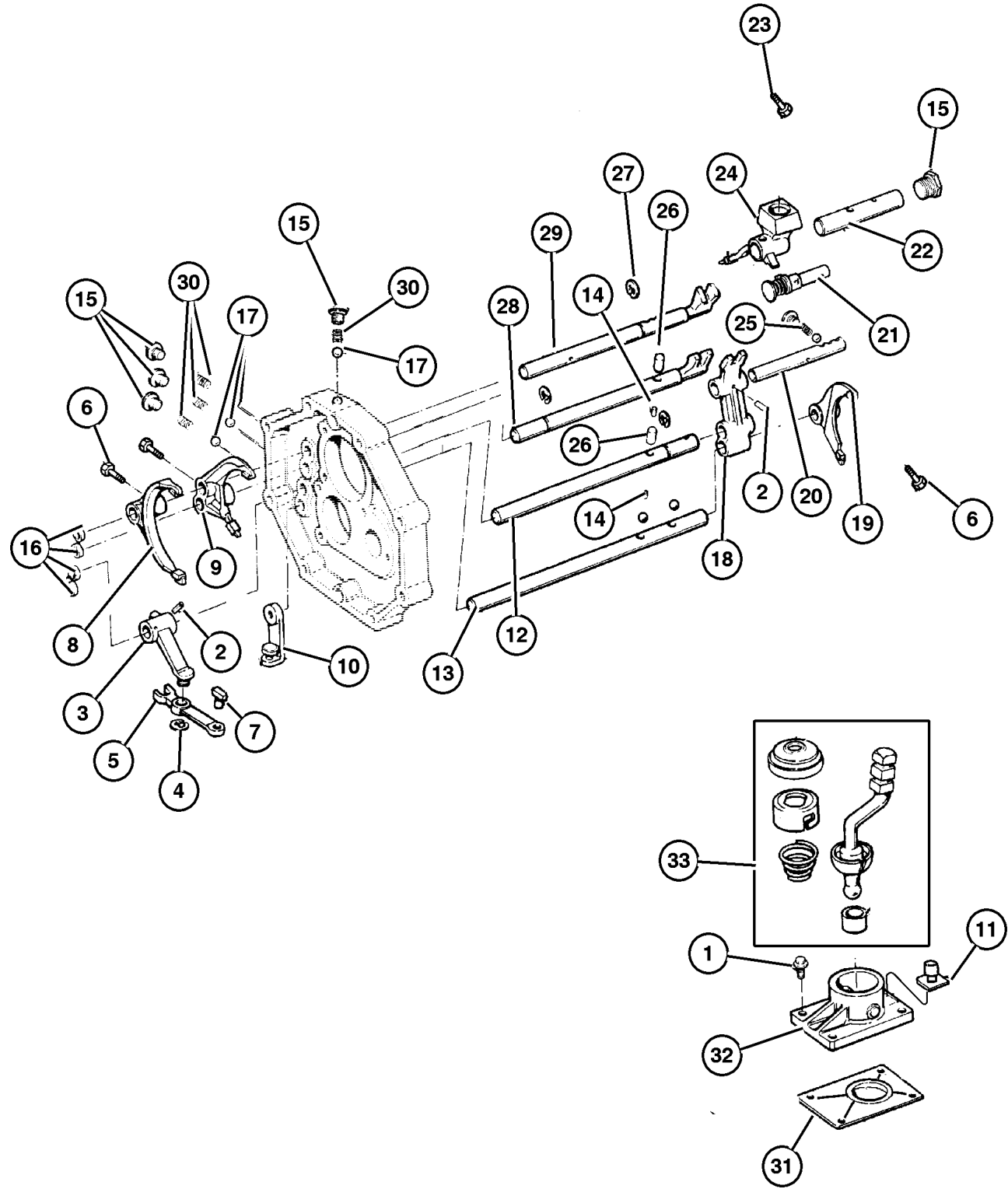
**JEEP CHEROKEE (XJ)**

SERIES	LINE	BODY	ENGINE	TRANSMISSION
L=Low Line	J=LHD (4WD) U=RHD (4WD) T=LHD (2WD) B=RHD (2WD)	74=4 DR. (101.4 WB) 72=2 DR. (101.4 WB)	ENC,EN0=2.5L 4 cyl. Turbo Die ERH,ER0=4.0L Power Tech I-6 EPE,EP0=Magnum 2.5L SMPI	DDQ=5Spd Man. DGS=4 Spd. Auto. AISIN DG0=All Auto Trans DBB=All Manual Trans.

AR = Use as required - = Non illustrated part # = New this model year

July 4, 2003

Forks AX 15 (DDQ)  
Figure AX-915



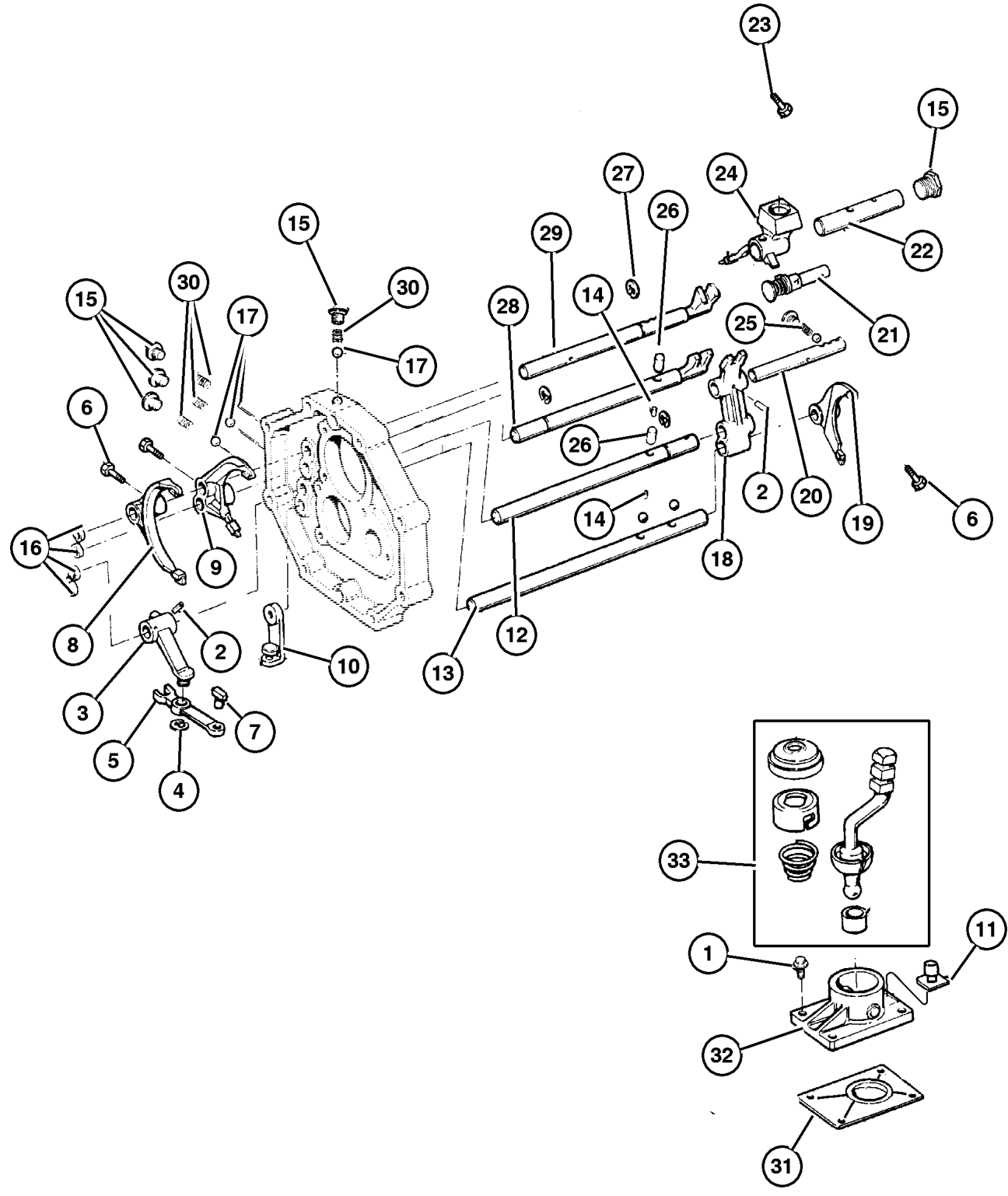
ITEM	PART NUMBER	QTY	LINE	SERIES	BODY	ENGINE	TRANS	TRIM	DESCRIPTION
6									BOLT AND WASHER, Gear Shift Fork
	5252 214	3	B, T			ER0	DDQ		52107749, 1997 XJ
		3	J, U			EN0	DDQ		52107752, 1997 XJ
		3	J, U			ER0	DDQ		52108047, 1997 XJ
		3	B, T			ER0			52108048AB, 1998 XJ
		3	J, U			ENC			52108121AB, 1998 XJ
		3	J, U			ER0	DDQ		52108047AB, 1998 XJ, 1999 XJ
7									SHOE, Shift Lever
	5252 062	1	B, T			ER0	DDQ		52107749, 1997 XJ
		1	J, U			EN0	DDQ		52107752, 1997 XJ
		1	J, U			ER0	DDQ		52108047, 1997 XJ
		1	J, U			ER0	DDQ		52108047AB, 1998 XJ, 1999 XJ
		1	B, T			ER0	DDQ		52108048AB, 1998 XJ, 1999 XJ
		1	J, U			ENC	DDQ		52108121AB, 1998 XJ, 1999 XJ
8									FORK, Transmission
	5252 058	1	B, T			ER0	DDQ		52107749, 1997 XJ
		1	J, U			EN0	DDQ		52107752, 1997 XJ
		1	J, U			ER0	DDQ		52108047, 1997 XJ
		1	J, U			ER0	DDQ		52108047AB, 1998 XJ, 1999 XJ
		1	B, T			ER0	DDQ		52108048AB, 1998 XJ, 1999 XJ
		1	J, U			ENC	DDQ		52108121AB, 1998 XJ, 1999 XJ
9									FORK, Transmission
	5252 057	1	B, T			ER0	DDQ		52107749, 1997 XJ
		1	J, U			EN0	DDQ		52107752, 1997 XJ
		1	J, U			ER0	DDQ		52108047, 1997 XJ
		1	J, U			ER0	DDQ		52108047AB, 1998 XJ, 1999 XJ
		1	B, T			ER0	DDQ		52108048AB, 1998 XJ, 1999 XJ
		1	J, U			ENC	DDQ		52108121AB, 1998 XJ, 1999 XJ
10									BRACKET, Reverse Shift Rod
	5252 063	1	B, T			ER0	DDQ		52107749, 1997 XJ
		1	J, U			EN0	DDQ		52107752, 1997 XJ
		1	J, U			ER0	DDQ		52108047, 1997 XJ
		1	J, U			ER0	DDQ		52108047AB, 1998 XJ, 1999 XJ
		1	B, T			ER0	DDQ		52108048AB, 1998 XJ, 1999 XJ
		1	J, U			ENC	DDQ		52108121AB, 1998 XJ, 1999 XJ
11									CAP, Vent
	4864 223	1	B, T			ER0	DDQ		52107749, 1997 XJ
		1	J, U			EN0	DDQ		52107752, 1997 XJ
		1	J, U			ER0	DDQ		52108047, 1997 XJ
		1	J, U			ER0	DDQ		52108047AB, 1998 XJ, 1999 XJ
		1	B, T			ER0	DDQ		52108048AB, 1998 XJ, 1999 XJ

**JEEP CHEROKEE (XJ)**  
 SERIES LINE BODY ENGINE TRANSMISSION  
 L=Low Line J=LHD (4WD) 74=4 DR. (101.4 WB) ENC,EN0=2.5L 4 cyl. Turbo Die DDQ=5Spd Man.  
 U=RHD (4WD) 72=2 DR. (101.4 WB) ERH,ER0=4.0L Power Tech I-6 DGS=4 Spd. Auto. AISIN  
 T=LHD (2WD) EPE,EP0=Magnum 2.5L SMPI DG0=All Auto Trans  
 B=RHD (2WD) DBB=All Manual Trans.

AR = Use as required - = Non illustrated part # = New this model year

July 4, 2003

Forks AX 15 (DDQ)  
Figure AX-915



ITEM	PART NUMBER	QTY	LINE	SERIES	BODY	ENGINE	TRANS	TRIM	DESCRIPTION
		1	J, U			ENC	DDQ		52108121AB, 1998 XJ, 1999 XJ
12									SHAFT, Gear Shift Fork, Number 3
	5252 070	1	B, T			ER0	DDQ		52107749, 1997 XJ
		1	J, U			EN0	DDQ		52107752, 1997 XJ
		1	J, U			ER0	DDQ		52108047, 1997 XJ
		1	J, U			ER0	DDQ		52108047AB, 1998 XJ, 1999 XJ
		1	B, T			ER0	DDQ		52108048AB, 1998 XJ, 1999 XJ
		1	J, U			ENC	DDQ		52108121AB, 1998 XJ, 1999 XJ
13									SHAFT, Gear Shift Fork, Number 4
	5252 071	1	B, T			ER0	DDQ		52107749, 1997 XJ
		1	J, U			EN0	DDQ		52107752, 1997 XJ
		1	J, U			ER0	DDQ		52108047, 1997 XJ
		1	J, U			ER0	DDQ		52108047AB, 1998 XJ, 1999 XJ
		1	B, T			ER0	DDQ		52108048AB, 1998 XJ, 1999 XJ
		1	J, U			ENC	DDQ		52108121AB, 1998 XJ, 1999 XJ
14									PIN, Shift Shaft
	8350 0537	2	J			ER0			52108047, 1997 XJ
		2	B, T			ER0	DDQ		52107749, 1997 XJ
		2	J, U			EN0	DDQ		52107752, 1997 XJ
		2	B, T			ER0			52108048AB, 1998 XJ
		2	J, U			ENC			52108121AB, 1998 XJ
		2	J, U			ER0	DDQ		52108047AB, 1998 XJ, 1999 XJ
15									PLUG, Transmission
	8350 0524	6	J, U			ER0	DDQ		1999 XJ
		6	B, T			ER0	DDQ		1999 XJ
	8350 3109	6	B, T			ER0	DDQ		52107749, 1997 XJ
		7	J, U			EN0	DDQ		52107752, 1997 XJ
		5	J, U			ER0	DDQ		52108047, 1997 XJ
		AR	J, U			ER0	DDQ		52108047AB, 1998 XJ
		AR	B, T			ER0	DDQ		52108048AB, 1998 XJ
		AR	J, U			ENC	DDQ		52108121AB, 1998 XJ
16									PLUG, Shift Rail
	8350 0503	4	J, U			ER0	DDQ		52108047AB
		4	B, T			ER0	DDQ		52108048AB
		4	J, U			ER0	DDQ		52108047, 1997 XJ
		4	B, T			ER0	DDQ		52107749, 1997 XJ
		4	J, U			EN0	DDQ		52107752, 1997 XJ
		4	J, U			EN0	DDQ		52108121AB, 1997 XJ
		4	J, U			ENC	DDQ		52108121AB, 1998 XJ, 1999 XJ
17									BALL, Gearshift Fork Lock
	8350 0542	7	B, T			ER0	DDQ		52107749, 1997 XJ
		7	J, U			EN0	DDQ		52107752, 1997 XJ

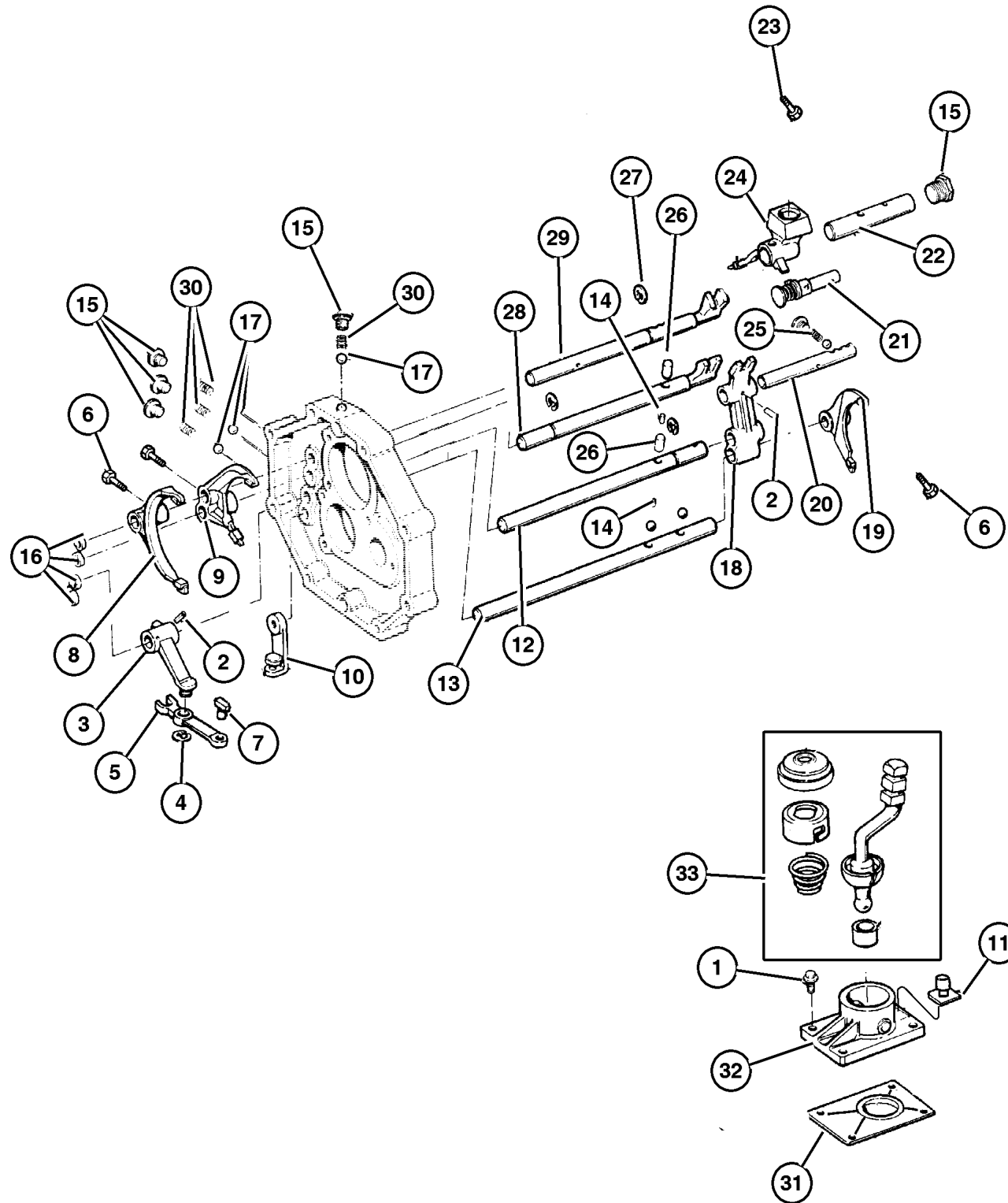
**JEEP CHEROKEE (XJ)**  
 SERIES LINE BODY ENGINE TRANSMISSION  
 L=Low Line J=LHD (4WD) 74=4 DR. (101.4 WB) ENC,EN0=2.5L 4 cyl. Turbo Die DDQ=5Spd Man.  
 U=RHD (4WD) 72=2 DR. (101.4 WB) ERH,ER0=4.0L Power Tech I-6 DGS=4 Spd. Auto. AISIN  
 T=LHD (2WD) EPE,EP0=Magnum 2.5L SMPI DGO=All Auto Trans  
 B=RHD (2WD) DBB=All Manual Trans.

AR = Use as required - = Non illustrated part # = New this model year

July 4, 2003



Forks AX 15 (DDQ)  
Figure AX-915



ITEM	PART NUMBER	QTY	LINE	SERIES	BODY	ENGINE	TRANS	TRIM	DESCRIPTION
		7	J, U			ER0	DDQ		52108047, 1997 XJ
		7	B, T			ER0			52108048AB, 1998 XJ
		7	J, U			ENC			52108121AB, 1998 XJ
		7	J, U			ER0	DDQ		52108047AB, 1998 XJ, 1999 XJ
18									HEAD, Shifter Shaft
	5252 064	1	B, T			ER0	DDQ		52107749, 1997 XJ
		1	J, U			EN0	DDQ		52107752, 1997 XJ
		1	J, U			ER0	DDQ		52108047, 1997 XJ
		1	J, U			ER0	DDQ		52108047AB, 1998 XJ, 1999 XJ
		1	B, T			ER0	DDQ		52108048AB, 1998 XJ, 1999 XJ
		1	J, U			ENC	DDQ		52108121AB, 1998 XJ, 1999 XJ
19									FORK, Transmission
	5252 059	1	B, T			ER0	DDQ		52107749, 1997 XJ
		1	J, U			EN0	DDQ		52107752, 1997 XJ
		1	J, U			ER0	DDQ		52108047, 1997 XJ
		1	J, U			ER0	DDQ		52108047AB, 1998 XJ, 1999 XJ
		1	B, T			ER0	DDQ		52108048AB, 1998 XJ, 1999 XJ
		1	J, U			ENC	DDQ		52105121AB, 1998 XJ, 1999 XJ
20									SHAFT, Gear Shift Fork, Number 5
	5252 065	1	B, T			ER0	DDQ		52107749, 1997 XJ
		1	J, U			EN0	DDQ		52107752, 1997 XJ
		1	J, U			ER0	DDQ		52108047, 1997 XJ
		1	J, U			ER0	DDQ		52108047AB, 1998 XJ, 1999 XJ
		1	B, T			ER0	DDQ		52108048AB, 1998 XJ, 1999 XJ
		1	J, U			ENC	DDQ		52108121AB, 1998 XJ, 1999 XJ
21									PIN, Reverse
	8350 0635	1	J			ER0	DDQ		52108047, 1997 XJ
		1	B, T			ER0	DDQ		52107749, 1997 XJ
		1	J, U			EN0	DDQ		52107752, 1997 XJ
		1	J, U			ER0	DDQ		52108047AB, 1998 XJ, 1999 XJ
		1	B, T			ER0	DDQ		52108048AB, 1998 XJ, 1999 XJ
		1	J, U			ENC	DDQ		52108121AB, 1998 XJ, 1999 XJ
22									SHAFT, Shift Lever
	5252 037	1	B, T			ER0	DDQ		52107749, 1997 XJ
		1	J, U			EN0	DDQ		52107752, 1997 XJ
		1	J, U			ER0	DDQ		52108047, 1997 XJ
		1	J, U			ER0	DDQ		52108047AB, 1998 XJ, 1999 XJ
		1	B, T			ER0	DDQ		52108048AB, 1998 XJ, 1999 XJ
		1	J, U			ENC	DDQ		52108121AB, 1998 XJ, 1999 XJ
23									BOLT, Hex Head, M8x1.25x22
	3420 1373	1	B, T			ER0	DDQ		52107749, 1997 XJ
		1	J, U			EN0	DDQ		52107752, 1997 XJ

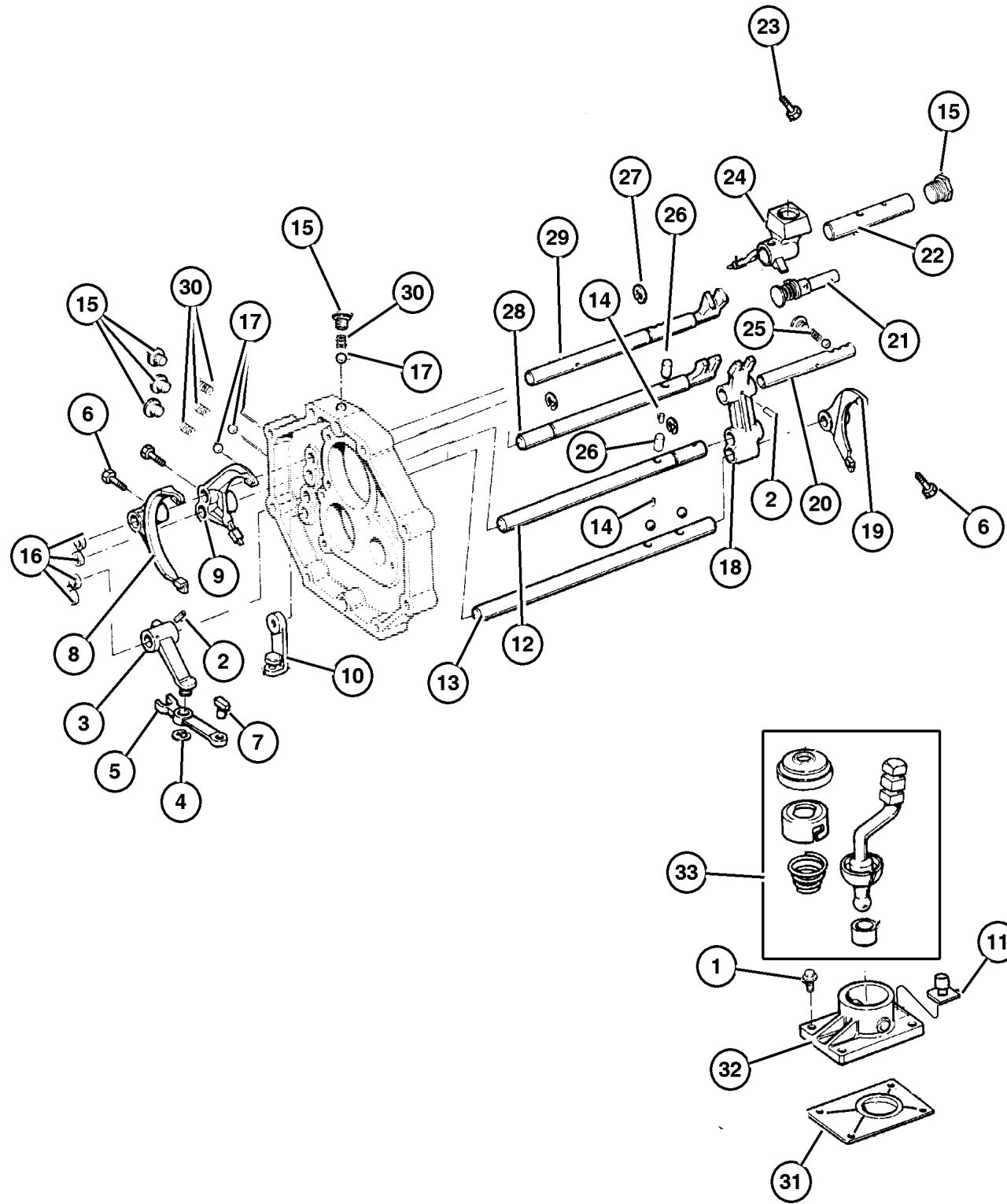
JEEP CHEROKEE (XJ)

SERIES	LINE	BODY	ENGINE	TRANSMISSION
L=Low Line	J=LHD (4WD) U=RHD (4WD) T=LHD (2WD) B=RHD (2WD)	74=4 DR. (101.4 WB) 72=2 DR. (101.4 WB)	ENC,EN0=2.5L 4 cyl. Turbo Die ERH,ER0=4.0L Power Tech I-6 EPE,EP0=Magnum 2.5L SMPI	DDQ=5Spd Man. DGS=4 Spd. Auto. AISIN DG0=All Auto Trans DBB=All Manual Trans.

AR = Use as required - = Non illustrated part # = New this model year

July 4, 2003

Forks AX 15 (DDQ)  
Figure AX-915



ITEM	PART NUMBER	QTY	LINE	SERIES	BODY	ENGINE	TRANS	TRIM	DESCRIPTION
		1	J, U			ER0	DDQ		52108047, 1997 XJ
		1	J, U			ER0	DDQ		52108047AB, 1998 XJ, 1999 XJ
		1	B, T			ER0	DDQ		52108048AB, 1998 XJ, 1999 XJ
		1	J, U			ENC	DDQ		52108121AB, 1998 XJ, 1999 XJ
24									HOUSING, Shift Lever
	5252 041	1	B, T			ER0	DDQ		52107749, 1997 XJ
		1	J, U			EN0	DDQ		52107752, 1997 XJ
		1	J, U			ER0	DDQ		52108047, 1997 XJ
		1	J, U			ER0	DDQ		52108047AB, 1998 XJ, 1999 XJ
		1	B, T			ER0	DDQ		52108048AB, 1998 XJ, 1999 XJ
		1	J, U			ENC	DDQ		52108121AB, 1998 XJ, 1999 XJ
25									SPRING, Compression
	8350 0544	1	B, T			ER0	DDQ		52107749, 1997 XJ
		1	J, U			EN0	DDQ		52107752, 1997 XJ
		1	J, U			ER0	DDQ		52108047, 1997 XJ
		1	J, U			ER0	DDQ		52108047AB, 1998 XJ, 1999 XJ
		1	B, T			ER0	DDQ		52108048AB, 1998 XJ, 1999 XJ
		1	J, U			ENC	DDQ		52108121AB, 1998 XJ, 1999 XJ
26									PIN, Interlock, 30.3mm
	8350 0543	2	B, T			ER0	DDQ		52107749, 1997 XJ
		2	J, U			EN0	DDQ		52108047, 1997 XJ
		2	J, U			ER0	DDQ		52108047, 1997 XJ
		2	B, T			ER0	DDQ		52108048AB, 1998 XJ
		2	J, U			ENC	DDQ		52108121AB, 1998 XJ
		2	J, U			ER0	DDQ		52108047AB, 1998 XJ, 1999 XJ
27									SNAP RING
	5252 076	3	B, T			ER0	DDQ		52107749, 1997 XJ
		3	J, U			EN0	DDQ		52107752, 1997 XJ
		3	J, U			ER0	DDQ		52108047, 1997 XJ
		3	B, T			ER0	DDQ		52108048AB, 1998 XJ
		3	J, U			ENC	DDQ		52108121AB, 1998 XJ
		3	J, U			ER0	DDQ		52108047AB, 1998 XJ, 1999 XJ
28									SHAFT, Gear Shift Fork, Number 1
	5252 066	1	B, T			ER0	DDQ		52107749, 1997 XJ
		1	J, U			EN0	DDQ		52107752, 1997 XJ
		1	J, U			ER0	DDQ		52108047, 1997 XJ
		1	J, U			ER0	DDQ		52108047AB, 1998 XJ, 1999 XJ
		1	B, T			ER0	DDQ		52108048AB, 1998 XJ, 1999 XJ
		1	J, U			ENC	DDQ		52108121AB, 1998 XJ, 1999 XJ
29									SHAFT, Gear Shift Fork, Number 2
	5252 068	1	J			ER0	DDQ		52108047, 1997 XJ
		1	B, T			ER0	DDQ		52107749, 1997 XJ

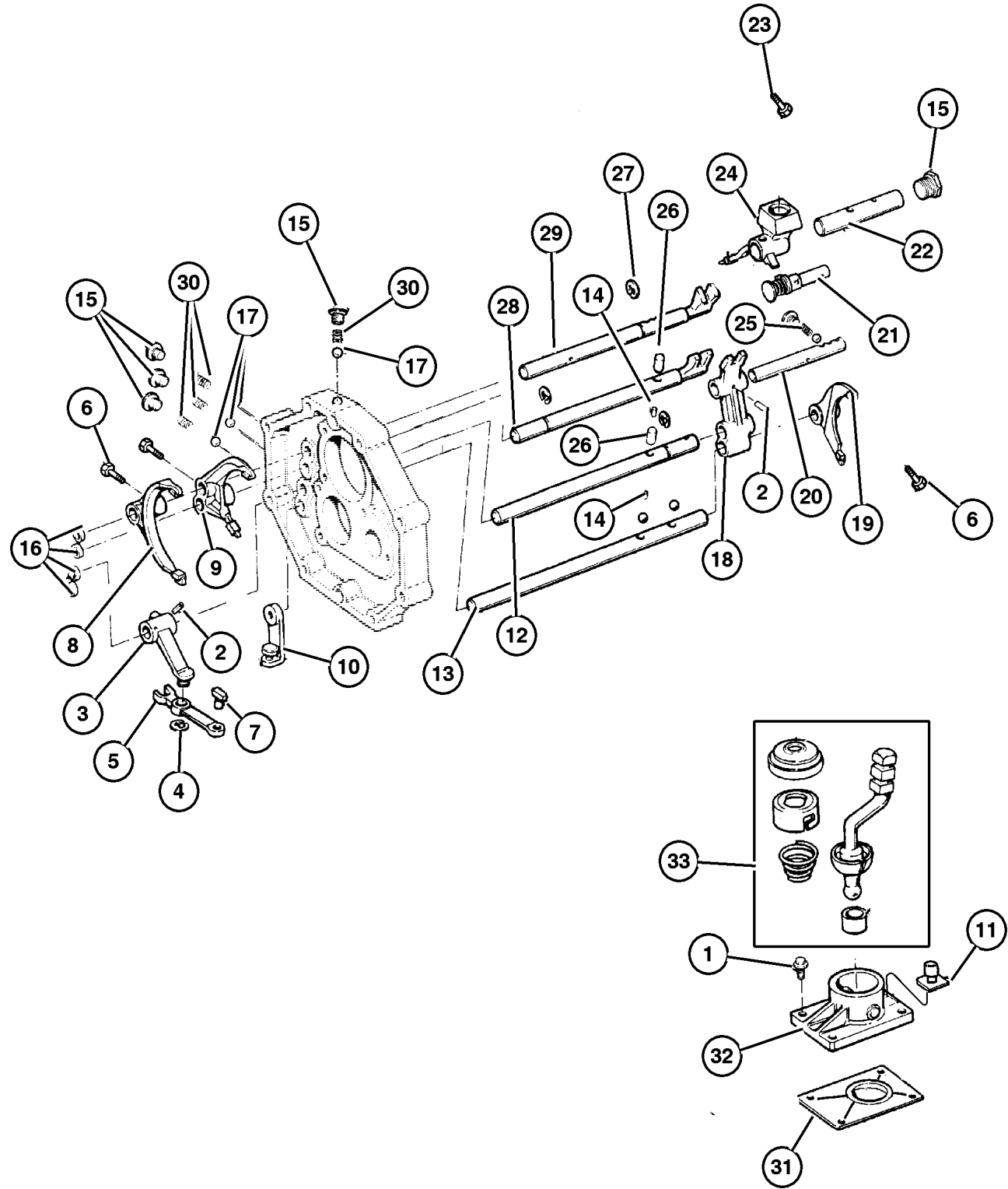
JEEP CHEROKEE (XJ)

SERIES	LINE	BODY	ENGINE	TRANSMISSION
L=Low Line	J=LHD (4WD) U=RHD (4WD) T=LHD (2WD) B=RHD (2WD)	74=4 DR. (101.4 WB) 72=2 DR. (101.4 WB)	ENC,EN0=2.5L 4 cyl. Turbo Die ERH,ER0=4.0L Power Tech I-6 EPE,EP0=Magnum 2.5L SMPI	DDQ=5Spd Man. DGS=4 Spd. Auto. AISIN DG0=All Auto Trans DBB=All Manual Trans.

AR = Use as required - = Non illustrated part # = New this model year

July 4, 2003

Forks AX 15 (DDQ)  
Figure AX-915



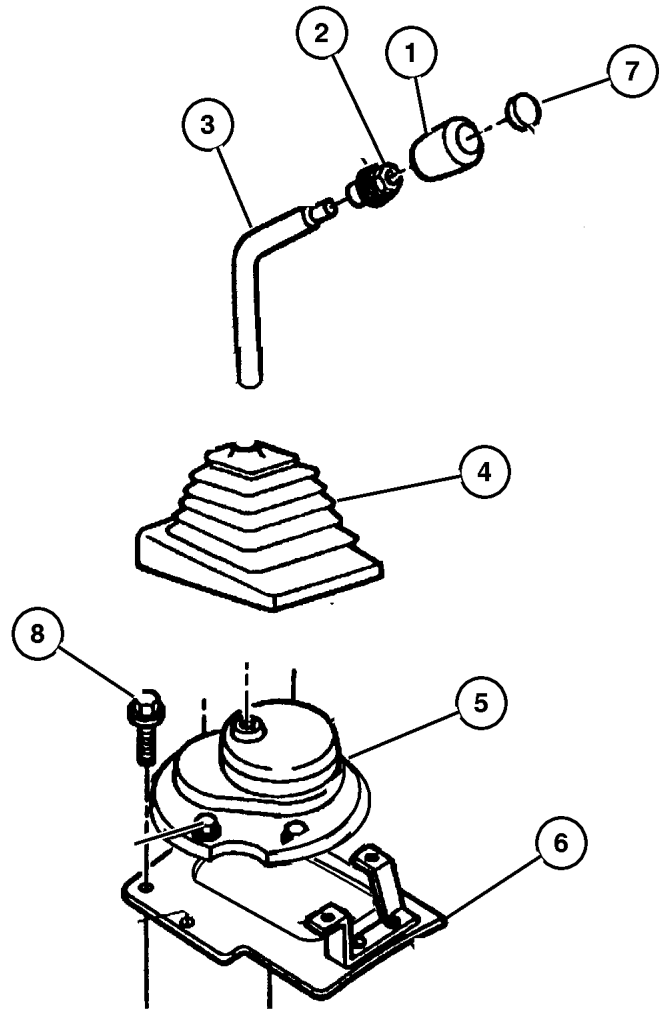
ITEM	PART NUMBER	QTY	LINE	SERIES	BODY	ENGINE	TRANS	TRIM	DESCRIPTION
		1	J, U			EN0	DDQ		52107752, 1997 XJ
		1	J, U			ER0	DDQ		52108047AB, 1998 XJ, 1999 XJ
		1	B, T			ER0	DDQ		52108048AB, 1998 XJ, 1999 XJ
		1	J, U			ENC	DDQ		52108121AB, 1998 XJ, 1999 XJ
30									SPRING, Compression
	5252 075	4	B, T			ER0	DDQ		52107749, 1997 XJ
		4	J, U			EN0	DDQ		52107752, 1997 XJ
		4	J, U			ER0	DDQ		52108047, 1997 XJ
		4	B, T			ER0			52108048AB, 1998 XJ
		4	J, U			ENC			52108121AB, 1998 XJ
		4	J, U			ER0	DDQ		52108047AB, 1998 XJ, 1999 XJ
31									SHIELD, Transmission
	4864 224	1	B, T			ER0	DDQ		52107749, 1997 XJ
		1	J, U			EN0	DDQ		52107752, 1997 XJ
		1	J, U			ER0	DDQ		52108047, 1997 XJ
		1	J, U			ER0	DDQ		52108047AB, 1998 XJ, 1999 XJ
		1	B, T			ER0	DDQ		52108048AB, 1998 XJ, 1999 XJ
		1	J, U			ENC	DDQ		52108121AB, 1998 XJ, 1999 XJ
32									RETAINER, Control Shift Lever
	4864 221	1	B, T			ER0	DDQ		1997 XJ
		1	J, U			EN0	DDQ		1997 XJ
		1	J, U			ER0	DDQ		1997 XJ
		1	B, T			ER0	DDQ		52108048AB, 1998 XJ, 1999 XJ
		1	J, U			ER0	DDQ		52108047AB, 1998 XJ, 1999 XJ
		1	J, U			ENC	DDQ		52108121AB, 1998 XJ, 1999 XJ
33									LEVER, Gearshift
	4874 290	1	J, U			EN0	DDQ		52107752, 1997 XJ
		1	J, U			ENC	DDQ		52108121AB, 1998 XJ, 1999 XJ
	5252 042	1	B, T			ER0	DDQ		52107749, 1997 XJ
		1	J, U			ER0	DDQ		52108047, 1997 XJ
		1	J, U			ER0	DDQ		52108047AB, 1998 XJ, 1999 XJ
		1	B, T			ER0	DDQ		52108048AB, 1998 XJ, 1999 XJ

JEEP CHEROKEE (XJ)  
 SERIES LINE BODY ENGINE TRANSMISSION  
 L=Low Line J=LHD (4WD) 74=4 DR. (101.4 WB) ENC,EN0=2.5L 4 cyl. Turbo Die DDQ=5Spd Man.  
 U=RHD (4WD) 72=2 DR. (101.4 WB) ERH,ER0=4.0L Power Tech I-6 DGS=4 Spd. Auto. AISIN  
 T=LHD (2WD) EPE,EP0=Magnum 2.5L SMPI DG0=All Auto Trans  
 B=RHD (2WD) DBB=All Manual Trans.

AR = Use as required - = Non illustrated part # = New this model year

July 4, 2003

## Gearshift Controls (DDQ) Figure AX-1215



ITEM	PART NUMBER	QTY	LINE	SERIES	BODY	ENGINE	TRANS	TRIM	DESCRIPTION
Notes:									
DDQ = 5 Speed Manual Transmission									
DBB = All Manual Transmissions									
DD0 = All 5 Speed Manual Transmissions									
EP0 = All 2.5L Gas Engines									
ER0 = All 4.0L 6 Cylinder Gas Engines									
ENC = 2.5L 4 Cylinder Turbo Diesel Engine									
1	5207 9175	1					DD0		KNOB, Gearshift 1997 XJ
	5210 4174	1					DD0		1998 XJ, 1999 XJ
2	6502 556	1					DBB		NUT, Hex, M10-1.5
3	4874 289	1	B, T			EP0	DDQ		LEVER, Gearshift 52104546, 1998 XJ, 1999 XJ
	4874 290	1	J, U			EP0	DDQ		52104547, 1998 XJ, 1999 XJ
	5252 042	1	J, U			ENC	DDQ		52108121AB, 1998 XJ, 1999 XJ
		1	B, T			ER0	DDQ		52108047AB, 1998 XJ, 1999 XJ
		1	B, T			ER0	DDQ		52108048AB, 1998 XJ, 1999 XJ
	5207 9224	1	B, U				DBB		RHD, 1997 XJ, 1999 XJ
	5207 9226	1	J, T				DBB		LHD, 1997 XJ, 1999 XJ
4	52104 079AB	1					DBB		BOOT, Gear Shift Lever 1997 XJ, 1998 XJ
		1					DDQ		1999 XJ
5	5210 4217	1					DBB		BOOT, Gear Shift Lever
6	5210 4216	1					DBB		COVER, Floor Pan
7	4446 921	1					DD0		INSERT, Transmission Shift Knob
8									SCREW, Hex Self Tapping, .19-16x. 50
	J400 1701	9					DBB		1997 XJ
		AR							1998 XJ, 1999 XJ

### JEEP CHEROKEE (XJ)

SERIES	LINE	BODY	ENGINE	TRANSMISSION
L=Low Line	J=LHD (4WD) U=RHD (4WD) T=LHD (2WD) B=RHD (2WD)	74=4 DR. (101.4 WB) 72=2 DR. (101.4 WB)	ENC,EN0=2.5L 4 cyl. Turbo Die ERH,ER0=4.0L Power Tech I-6 EPE,EP0=Magnum 2.5L SMPI	DDQ=5Spd Man. DGS=4 Spd. Auto. AISIN DG0=All Auto Trans DBB=All Manual Trans.

AR = Use as required - = Non illustrated part # = New this model year

July 4, 2003

# Group – 231

## Transfer Case Model 231

### GROUP 231 - Transfer Case Model 231

Illustration Title

Group-Fig. No.

#### Transfer Case Assembly

Transfer Case Command Trac (DHN) ..... Fig. 231-110

#### Case and Related Parts

Case and Related Parts Command Trac (DHN) 1997 XJ ..... Fig. 231-210

Case and Related Parts Command Trac (DHN) 1998 XJ ..... Fig. 231-210

Case and Related Parts Command Trac (DHN) 1999 XJ ..... Fig. 231-210

#### Gear Train

Gear Train Command Trac (DHN) ..... Fig. 231-410

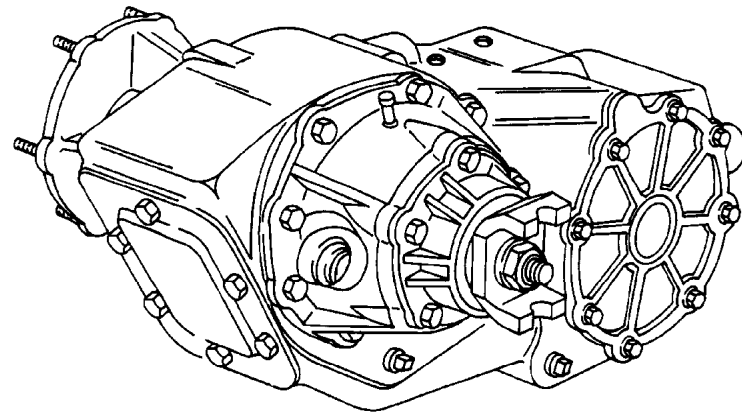
#### Fork and Rails

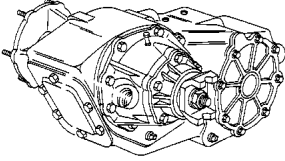
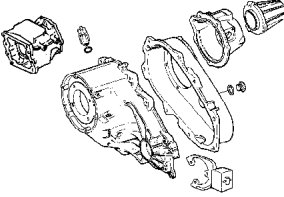
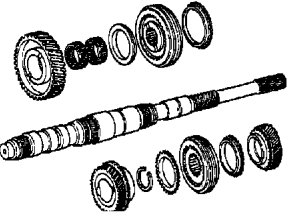
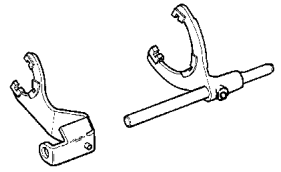
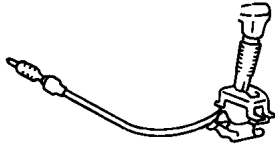
Fork and Rails Command Trac (DHN) 1997 XJ 1998 XJ ..... Fig. 231-910

Fork and Rails Command Trac (DHN) 1999 XJ ..... Fig. 231-910

#### Gearshift Controls

Gearshift Controls Command Trac (DHN) ..... Fig. 231-1220



<p><b>231-100</b> Transfer Case Assembly</p> 	<p><b>231-200</b> Case and Related Parts</p> 	<p><b>231-400</b> Gear Train</p> 	<p><b>231-900</b> Fork and Rails</p> 
<p><b>231-1200</b> Gearshift Controls</p> 			

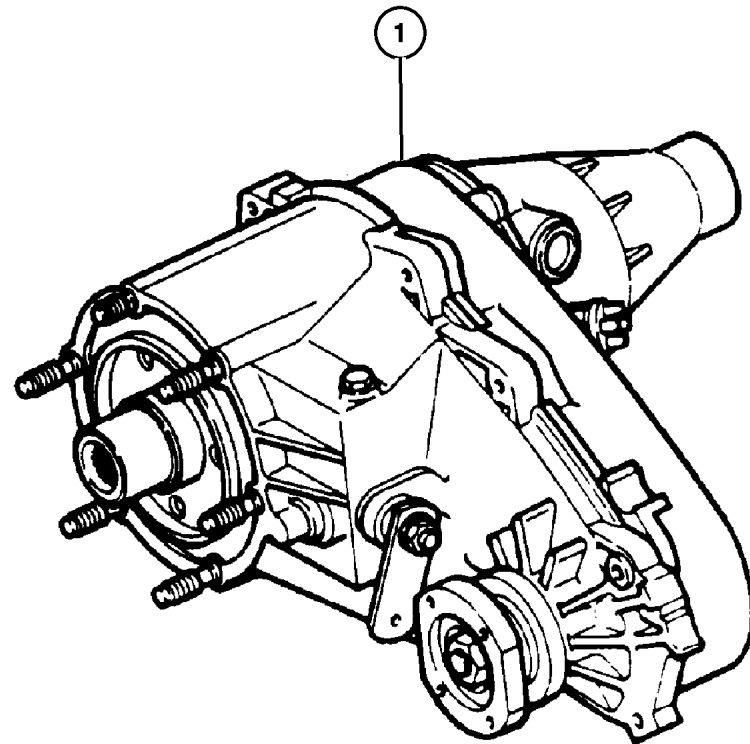
**Transfer Case Command Trac (DHN)  
Figure 231-110**

ITEM	PART NUMBER	QTY	LINE	SERIES	BODY	ENGINE	TRANS	TRIM	DESCRIPTION
------	-------------	-----	------	--------	------	--------	-------	------	-------------

Notes:

EPO= All 2.5L, 4 Cylinder, Gas Engine  
 ER0= All 4.0L., 6 Cylinder, Gas Engine  
 EN0= All 4/5 Cylinder, Turbo Diesel Engine  
 DDQ = 5 Speed Manual Transmission

1									TRANSFER CASE, NV231
	5209 8913	1	J, U			EN0	DDQ		
	5209 9211	1	J, U			EP0	DG0		1997 XJ
	5209 9212	1	J, U			ER0			
	5209 9310	1	J, U			EP0	DDQ		



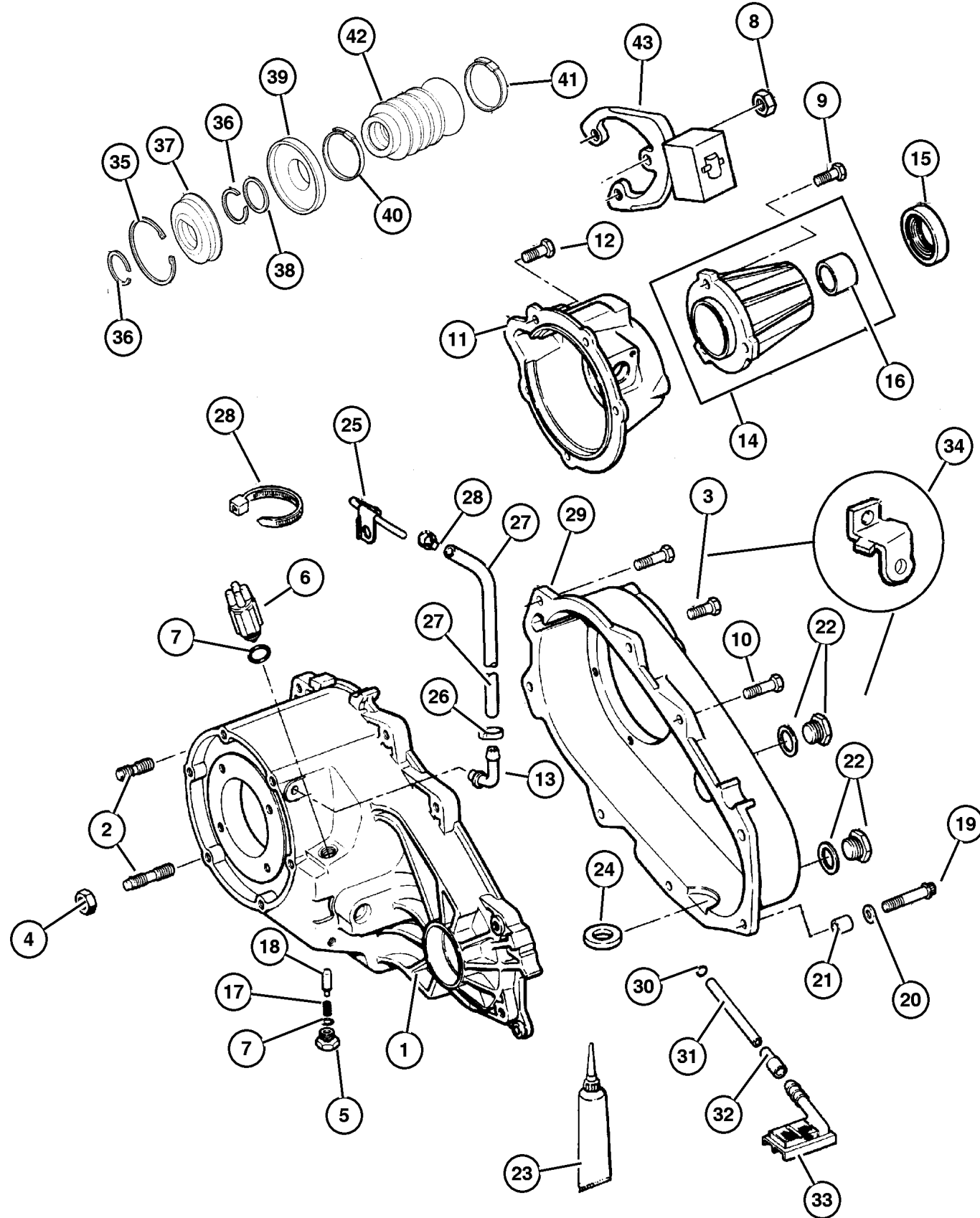
**JEEP CHEROKEE (XJ)**

SERIES	LINE	BODY	ENGINE	TRANSMISSION
L=Low Line	J=LHD (4WD) U=RHD (4WD) T=LHD (2WD) B=RHD (2WD)	74=4 DR. (101.4 WB) 72=2 DR. (101.4 WB)	ENC,EN0=2.5L 4 cyl. Turbo Die ERH,ER0=4.0L Power Tech I-6 EPE,EP0=Magnum 2.5L SMPI	DDQ=5Spd Man. DGS=4 Spd. Auto. AISIN DG0=All Auto Trans DBB=All Manual Trans.

AR = Use as required - = Non illustrated part # = New this model year

July 4, 2003

**Case and Related Parts Command Trac (DHN) 1997 XJ  
Figure 231-210**



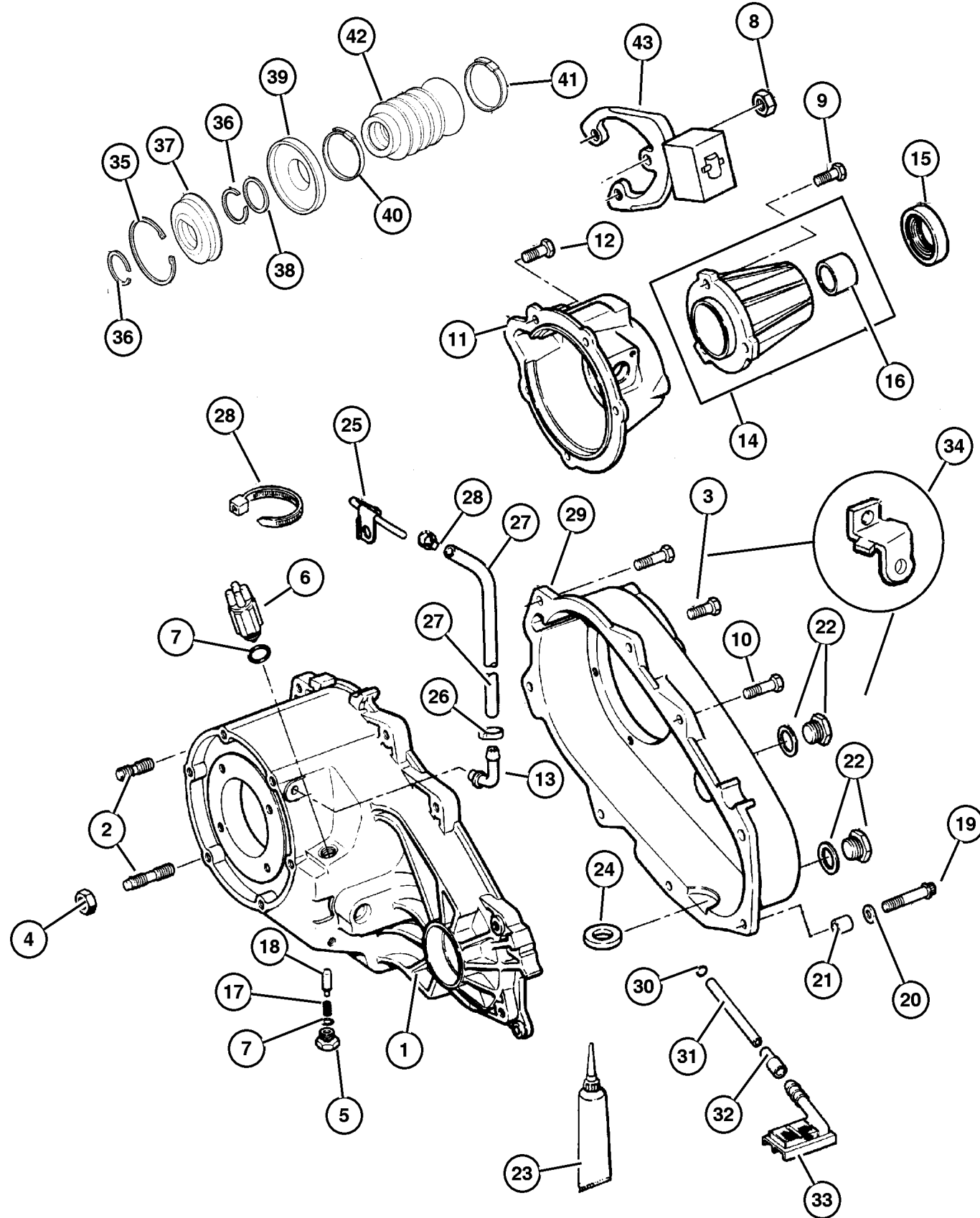
ITEM	PART NUMBER	QTY	LINE	SERIES	BODY	ENGINE	TRANS	TRIM	DESCRIPTION
Notes:									
EPO= All 2.5L, 4 Cylinder, Gas Engine									
ER0= All 4.0L., 6 Cylinder, Gas Engine									
EN0= All 4/5 Cylinder, Turbo Diesel Engine									
DDQ = 5 Speed Manual Transmission									
1	4796 949	1	J, U			EN0	DDQ		CASE, Transfer Front
	4798 111	1	J			ER0			52098913
		1	J			EP0	DDQ		52099212
		1	J			EP0	DDQ		52099310
		1	J, U			EP0	DG0		52099211
2	4505 365	6	J			ER0			STUD, M10x1.54x36
		6	J			EP0			52099212
		6	J			EP0	DDQ		52099211
		6	J			EP0	DDQ		52099310
		6	J			EN0	DDQ		52098913
3									BOLT, Twelve Point Head, M10x1.5x48
	J813 0979	1	J			ER0			52099212
		1	J			EP0	DDQ		52099310
		1	J			EP0	DG0		52099211
		1	J			EN0	DDQ		52098913
4	J400 6681	6	J						NUT AND CONED WASHER, Hex, .375-24
5									SCREW
	4886 473AA	1	J			ER0			52099212
		1	J			EP0	DDQ		52099310
		1	J			EP0	DG0		52099211
		1	J			EN0	DDQ		52098913
6									SWITCH, Transfer Case Mode
	J813 4473	1	J			ER0			52099212
		1	J			EP0	DDQ		52099310
		1	J			EP0	DG0		52099211
		1	J			EN0	DDQ		52098913
7									SEAL, Vacuum Switch
	4338 956	2	J			ER0			52099212
		2	J			EP0	DDQ		52099310
		2	J			EP0	DG0		52099211
		1	J			EN0	DDQ		52098913
8									NUT, M10x1.5
	6502 337	3	J, U				DGD		52099212
		3	J, U			EN0	DDQ		52099310
9	4720 708	3	J			EN0	DDQ		STUD, 52098913
10									BOLT, Transfer Case

**JEEP CHEROKEE (XJ)**

SERIES	LINE	BODY	ENGINE	TRANSMISSION
L=Low Line	J=LHD (4WD) U=RHD (4WD) T=LHD (2WD) B=RHD (2WD)	74=4 DR. (101.4 WB) 72=2 DR. (101.4 WB)	ENC,EN0=2.5L 4 cyl. Turbo Die ERH,ER0=4.0L Power Tech I-6 EPE,EP0=Magnum 2.5L SMPI	DDQ=5Spd Man. DGS=4 Spd. Auto. AISIN DG0=All Auto Trans DBB=All Manual Trans.

AR = Use as required - = Non illustrated part # = New this model year

Case and Related Parts Command Trac (DHN) 1997 XJ  
Figure 231-210



ITEM	PART NUMBER	QTY	LINE	SERIES	BODY	ENGINE	TRANS	TRIM	DESCRIPTION
	4210 617	5	J			ER0			52099212
		5	J			EP0	DDQ		52099310
		5	J			EP0	DG0		52099211
		5	J			EN0	DDQ		52098913
11									RETAINER, Transfer Case Rear
	4741 243	1	J, U			EN0	DDQ		52098913
	4798 115	1	J			ER0			52099212
		1	J			EP0	DDQ		52099310
		1	J, U			EP0	DG0		52099211
12									BOLT
	6500 318	4	J			ER0			52099212
		9	J			EP0	DDQ		52099310
		4	J			EP0	DG0		52099211
		9	J			EN0	DDQ		52098913
13									VENT, Transfer Case
	4796 910	1	J			ER0			52099212
		1	J			EP0	DDQ		52099310
		1	J			EP0	DG0		52099211
		1	J			EN0	DDQ		52098913
14									EXTENSION, Transfer Case
	4338 973	1	J			ER0			52099212
		1	J			EP0	DDQ		52099310
		1	J			EP0	DG0		52099211
		1	J			EN0	DDQ		52098913
15	4638 904	1	J			EN0	DDQ		SEAL, Output, 52098913
16	J813 4490	1	J, U			EN0	DDQ		BUSHING, Extension Housing, 52098913
17									SPRING, Shift Detent
	4638 497	1	J			ER0			52099212
		1	J			EP0	DDQ		52099310
		1	J			EP0	DG0		52099211
		1	J			EN0	DDQ		52098913
18									PLUNGER
	5300 8217	1	J			ER0			52099212
		1	J			EP0	DDQ		52099310
		1	J			EP0	DG0		52099211
		1	J			EN0	DDQ		52098913
19									BOLT, Hex Flange Head
	4210 614	1	J			ER0			52099212
		1	J			EP0	DDQ		52099310
		1	J			EP0	DG0		52099211
		1	J			EN0	DDQ		52098913
20									WASHER, Flat

JEEP CHEROKEE (XJ)

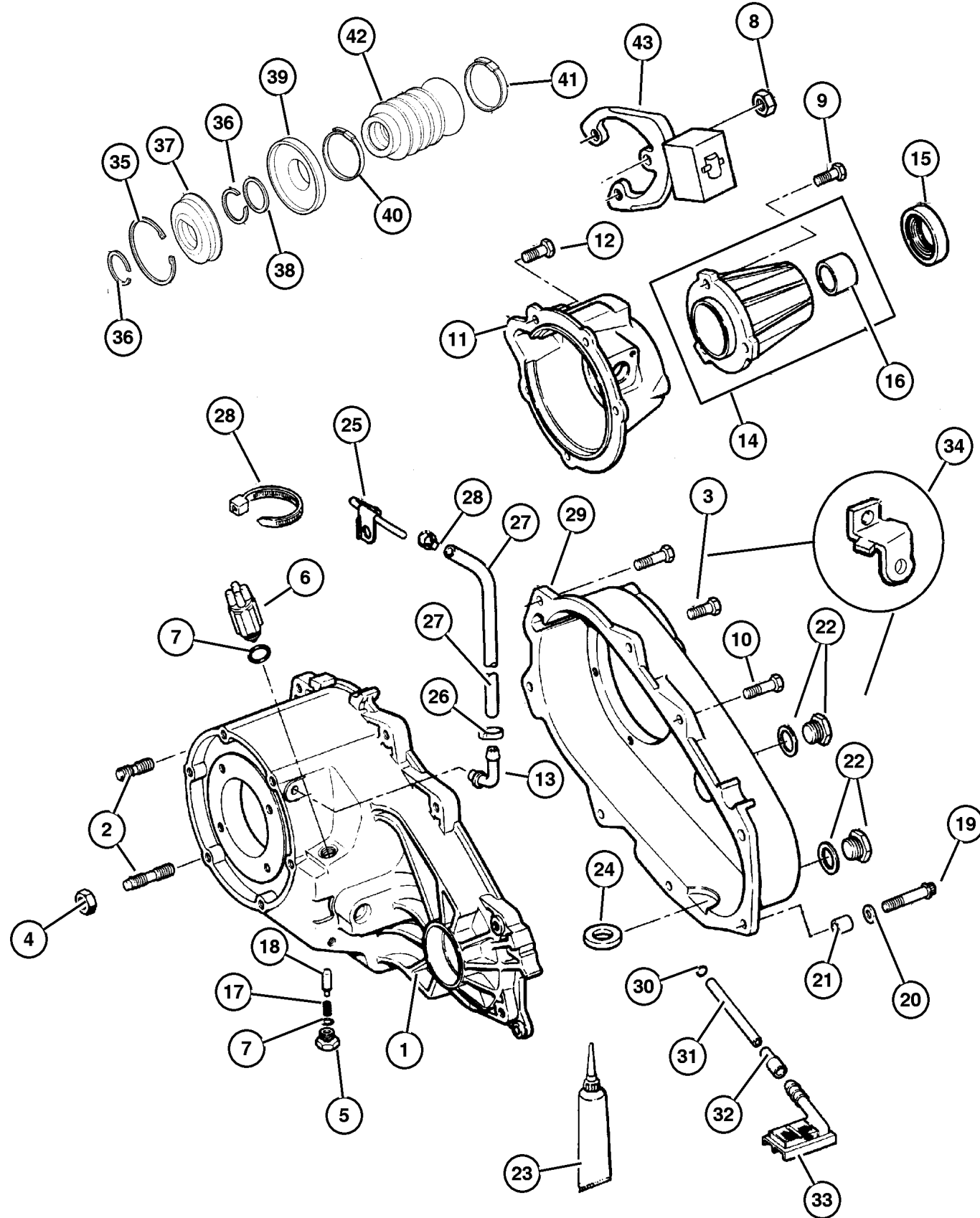
SERIES	LINE	BODY	ENGINE	TRANSMISSION
L=Low Line	J=LHD (4WD) U=RHD (4WD) T=LHD (2WD) B=RHD (2WD)	74=4 DR. (101.4 WB) 72=2 DR. (101.4 WB)	ENC,EN0=2.5L 4 cyl. Turbo Die ERH,ER0=4.0L Power Tech I-6 EPE,EP0=Magnum 2.5L SMPI	DDQ=5Spd Man. DGS=4 Spd. Auto. AISIN DG0=All Auto Trans DBB=All Manual Trans.

AR = Use as required - = Non illustrated part # = New this model year

July 4, 2003



Case and Related Parts Command Trac (DHN) 1997 XJ  
Figure 231-210



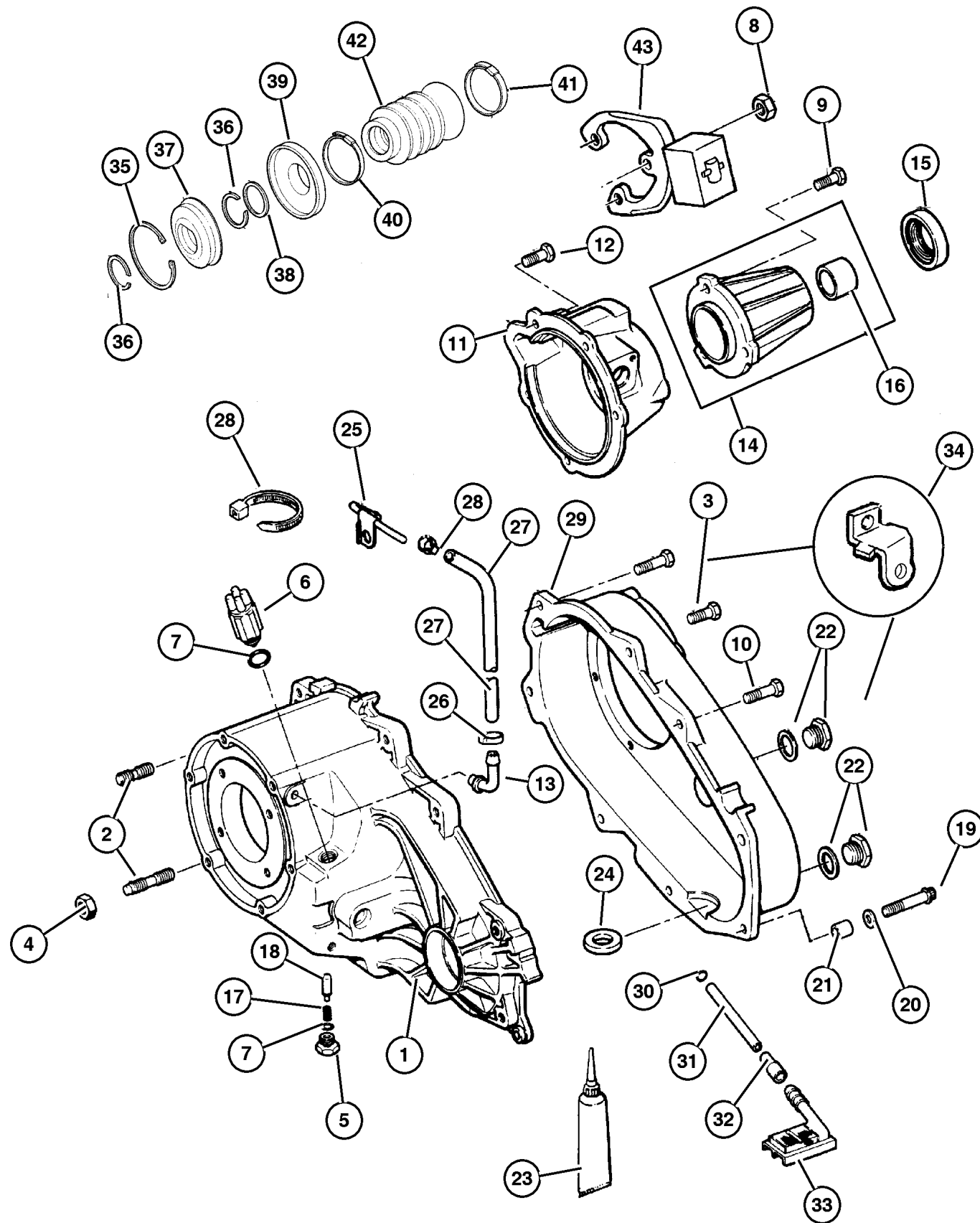
ITEM	PART NUMBER	QTY	LINE	SERIES	BODY	ENGINE	TRANS	TRIM	DESCRIPTION
	4210 983	1	J			ER0			52099212
		1	J			EP0	DDQ		52099310
		1	J			EP0	DG0		52099211
		1	J			EN0	DDQ		52098913
21									DOWEL, Transfer Case
	4116 310	1	J			ER0			52099212
		1	J			EP0	DDQ		52099310
		1	J			EP0	DG0		52099211
		1	J			EN0	DDQ		52098913
22	4856 641	2	J			EN0	DDQ		PLUG, Oil Fill, 52098913
23									SEALANT, RTV
	4318 025	1	J, U			ER0			52099212
		1	J, U			EP0	DG0		52099211
		1	J, U			EP0	DDQ		52099310
		1	J, U			EN0	DDQ		52098913
24									MAGNET, Transmission
	3681 601	1	J			ER0			52099212
		1	J			EP0	DDQ		52099310
		1	J			EP0	DG0		52099211
		1	J			EN0	DDQ		52098913
25	J535 2955	1	J, U						VENT, Axle
26	3300 0786	2	J, U						CLAMP, Oil Cooler Line
27	4443 176	1							HOSE, Fuel, .31 I.D. 50 Foot Roll, Transfer Case
28	4641 780	3							STRAP, Tie
29									CASE, Transfer Rear
	4886 222AA	1	J			ER0			52099212
		1	J			EP0	DDQ		52099310
		1	J			EP0	DG0		52099211
		1	J			EN0	DDQ		52098913
30									SEAL, Oil
	4338 942	1	J			ER0			52099212
		1	J			EP0	DDQ		52099310
		1	J			EP0	DG0		52099211
		1	J			EN0	DDQ		52098913
31									TUBE, Oil Pickup
	4338 941	1	J			ER0			52099212
		1	J			EP0	DDQ		52099310
		1	J			EP0	DG0		52099211
		1	J, U			EN0	DDQ		52098913
32									CONNECTOR, Oil Tube Pickup
	4338 944	1	J			ER0			52099212

JEEP CHEROKEE (XJ)  
 SERIES LINE BODY ENGINE TRANSMISSION  
 L=Low Line J=LHD (4WD) 74=4 DR. (101.4 WB) ENC,EN0=2.5L 4 cyl. Turbo Die DDQ=5Spd Man.  
 U=RHD (4WD) 72=2 DR. (101.4 WB) ERH,ER0=4.0L Power Tech I-6 DGS=4 Spd. Auto. AISIN  
 T=LHD (2WD) EPE,EP0=Magnum 2.5L SMPI DG0=All Auto Trans  
 B=RHD (2WD) DBB=All Manual Trans.

AR = Use as required - = Non illustrated part # = New this model year

July 4, 2003

**Case and Related Parts Command Trac (DHN) 1997 XJ  
Figure 231-210**



ITEM	PART NUMBER	QTY	LINE	SERIES	BODY	ENGINE	TRANS	TRIM	DESCRIPTION
		1	J			EP0	DDQ		52099310
		1	J			EP0	DG0		52099211
		1	J			EN0	DDQ		52098913
33	4338 943	1	J			ER0			FILTER, Transfer Case Oil
		1	J			EP0	DDQ		52099310
		1	J			EP0	DG0		52099211
		1	J			EN0	DDQ		52098913
34	5209 8522	1	J, U			EP0,			BRACKET, Tube
						ER0			
35	4798 116	1	J			ER0			SNAP RING
		1	J			EP0	DDQ		52099212
		1	J			EP0	DDQ		52099310
36	J813 4488	2	J			EP0	DG0		SNAP RING
		1	J			EN0	DDQ		52099310
		1	J			EN0	DDQ		52098913
37	4798 117	1	J			ER0			SEAL, Output Shaft
		1	J			EP0	DDQ		52099212
		1	J			EP0	DDQ		52099310
		1	J			EP0	DG0		52099211
38	4798 118	1	J			ER0			WASHER
		1	J			EP0	DG0		52099212
		1	J			EP0	DG0		52099211
39	4798 119	1	J			ER0			SLINGER, Oil
		1	J			EP0	DG0		52099212
		1	J			EP0	DG0		52099211
40	4798 121	1	J			ER0			CLAMP, Boot
		1	J			EP0	DG0		52099212
		1	J			EP0	DG0		52099211
41	4798 121	1	J			EP0	DG0		CLAMP, Boot, 52099211
42	4798 123	1	J			ER0			BOOT, Driveshaft
		1	J			EP0	DG0		52099212
		1	J			EP0	DG0		52099211
43	5209 8509	1	J, U			ENC			DAMPER, Transfer Case

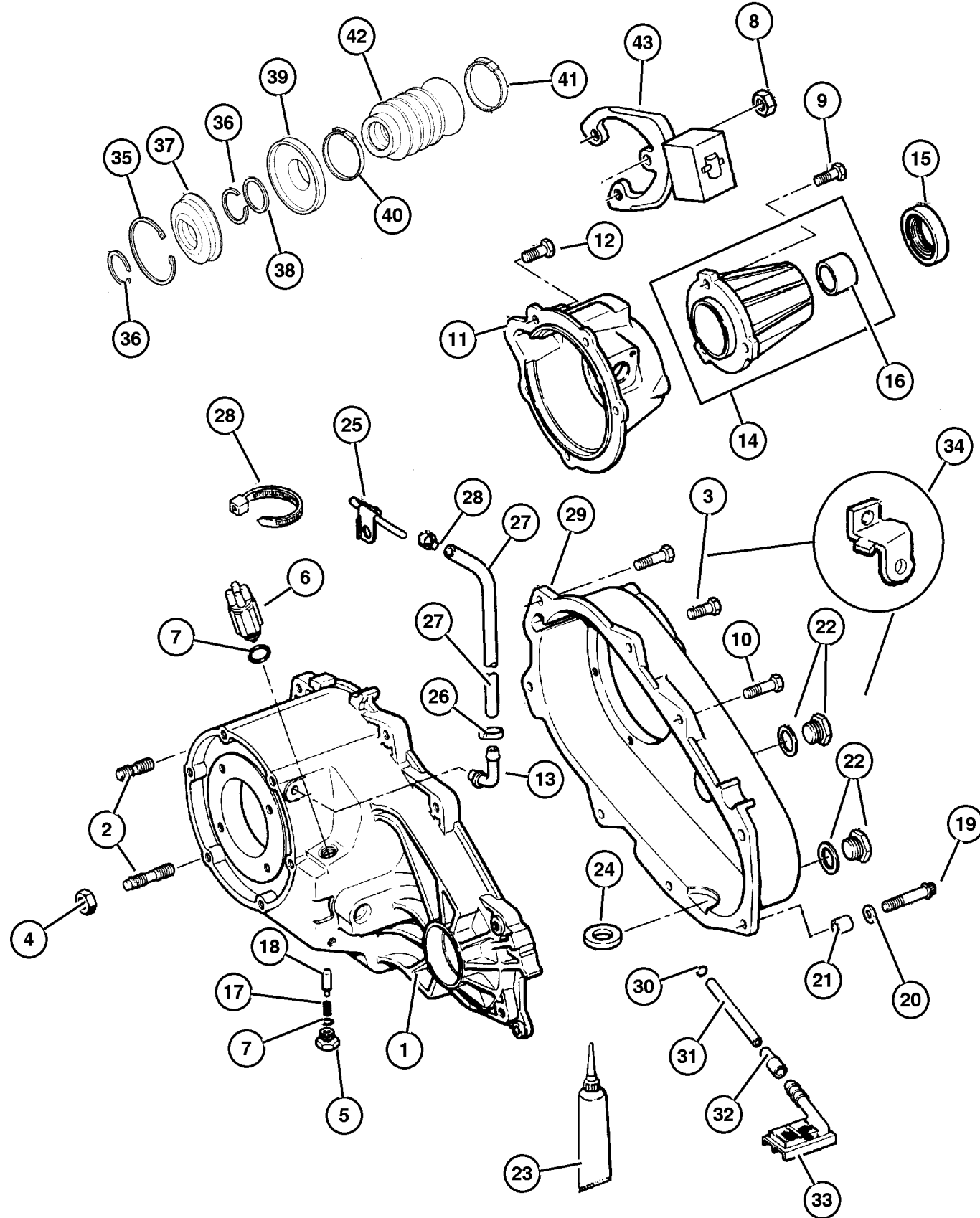
**JEEP CHEROKEE (XJ)**

<b>SERIES</b>	<b>LINE</b>	<b>BODY</b>	<b>ENGINE</b>	<b>TRANSMISSION</b>
L=Low Line	J=LHD (4WD) U=RHD (4WD) T=LHD (2WD) B=RHD (2WD)	74=4 DR. (101.4 WB) 72=2 DR. (101.4 WB)	ENC,EN0=2.5L 4 cyl. Turbo Die ERH,ER0=4.0L Power Tech I-6 EPE,EP0=Magnum 2.5L SMPI	DDQ=5Spd Man. DGS=4 Spd. Auto. AISIN DG0=All Auto Trans DBB=All Manual Trans.

AR = Use as required - = Non illustrated part # = New this model year

July 4, 2003

**Case and Related Parts Command Trac (DHN) 1998 XJ  
Figure 231-210**



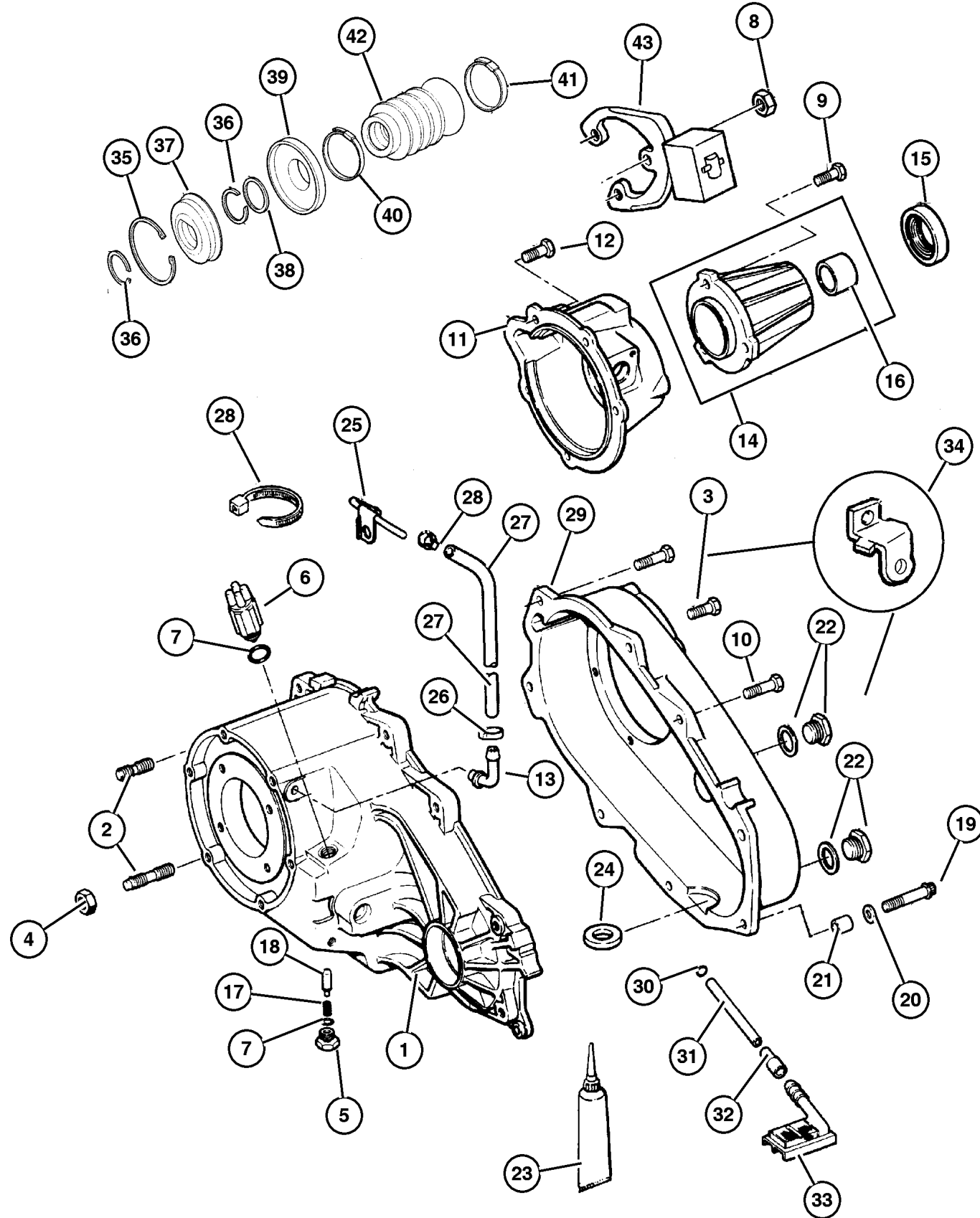
ITEM	PART NUMBER	QTY	LINE	SERIES	BODY	ENGINE	TRANS	TRIM	DESCRIPTION
Notes:									
EPO= All 2.5L, 4 Cylinder, Gas Engine									
ER0= All 4.0L., 6 Cylinder, Gas Engine									
EN0= All 4/5 Cylinder, Turbo Diesel Engine									
DDQ = 5 Speed Manual Transmission									
1	4796 949	1	J, U			EN0	DDQ		CASE, Transfer Front 52098913
	4798 111	1	J, U			ER0			52099212
		1	J, U			EPO	DDQ		52099310
2	4505 365	6	J, U			ER0			STUD, M10x1.54x36 52099212
		6	J, U			EPO	DDQ		52099310
		6	J, U			EN0	DDQ		52098913
3	J813 0979	1	J, U			ER0			BOLT, Twelve Point Head, M10x1.5x48 52099212
		1	J, U			EPO	DDQ		52099310
		1	J, U			EN0	DDQ		52098913
4	J400 6681	6	J, U			EPO	DG0		NUT AND CONED WASHER, Hex, .375-24
		6	J, U			EN0, ER0			
5	4886 473AA	1	J, U			ER0			SCREW 52099212
		1	J, U			EPO	DDQ		52099310
		1	J, U			EN0	DDQ		52098913
6	J813 4473	1	J, U			ER0			SWITCH, Transfer Case Mode 52099212
		1	J, U			EPO	DDQ		52099310
		1	J, U			EN0	DDQ		52098913
7	4338 956	2	J, U			ER0			SEAL, Vacuum Switch 52099212
		2	J, U			EPO	DDQ		52099310
		1	J, U			EN0	DDQ		52098913
8	6502 337	3	J, U				DGD		NUT, M10x1.5
		3	J, U			EN0	DDQ		
9	4720 708	3	J, U			EN0	DDQ		STUD, 52098913
10	4210 617	5	J, U			ER0			BOLT, Transfer Case 52099212
		5	J, U			EPO	DDQ		52099310

JEEP CHEROKEE (XJ)				
SERIES	LINE	BODY	ENGINE	TRANSMISSION
L=Low Line	J=LHD (4WD) U=RHD (4WD) T=LHD (2WD) B=RHD (2WD)	74=4 DR. (101.4 WB) 72=2 DR. (101.4 WB)	ENC,EN0=2.5L 4 cyl. Turbo Die ERH,ER0=4.0L Power Tech I-6 EPE,EPO=Magnum 2.5L SMPI	DDQ=5Spd Man. DGS=4 Spd. Auto. AISIN DG0=All Auto Trans DBB=All Manual Trans.

AR = Use as required - = Non illustrated part # = New this model year

July 4, 2003

**Case and Related Parts Command Trac (DHN) 1998 XJ  
Figure 231-210**



ITEM	PART NUMBER	QTY	LINE	SERIES	BODY	ENGINE	TRANS	TRIM	DESCRIPTION
		5	J, U			EN0	DDQ		52098913
11						EN0	DDQ		RETAINER, Transfer Case Rear
	4741 243	1	J, U			EN0	DDQ		52098913
	4798 115	1	J, U			ER0			52099212
		1	J, U			EP0	DDQ		52099310
12									BOLT
	6500 318	9	J, U			ER0			52099212
		9	J, U			EP0	DDQ		52099310
		9	J, U			EN0	DDQ		52098913
13									VENT, Transfer Case
	4796 910	1	J, U			ER0			52099212
		1	J, U			EP0	DDQ		52099310
		1	J, U			EN0	DDQ		52098913
14	8350 3156	1	J, U			EN0	DDQ		EXTENSION, Transfer Case
15									SEAL, Output
	4638 904	1	J, U			EN0	DDQ		52098913
	4798 112	1	J, U			EP0	DDQ		52099310
	4798 117	1	J, U			ER0	DG0		52099212
16	J813 4490	1	J, U			EN0	DDQ		BUSHING, Extension Housing, 52098913
17									SPRING, Shift Detent
	4638 497	1	J, U			ER0			52099212
		1	J, U			EP0	DDQ		52099310
		1	J, U			EN0	DDQ		52098913
18									PLUNGER
	5300 8217	1	J, U			ER0			52099212
		1	J, U			EP0	DDQ		52099310
		1	J, U			EN0	DDQ		52098913
19									BOLT, Hex Flange Head
	4210 614	1	J, U			ER0			52099212
		1	J, U			EP0	DDQ		52099310
		1	J, U			EN0	DDQ		52098913
20									WASHER, Flat
	4210 983	1	J, U			ER0			52099212
		1	J, U			EP0	DDQ		52099310
		1	J, U			EN0	DDQ		52098913
21									DOWEL, Transfer Case
	4116 310	1	J, U			ER0			52099212
		1	J, U			EP0	DDQ		52099310
		1	J, U			EN0	DDQ		52098913
22									PLUG, Oil Fill
	4856 641	2	J, U			ER0			52099212

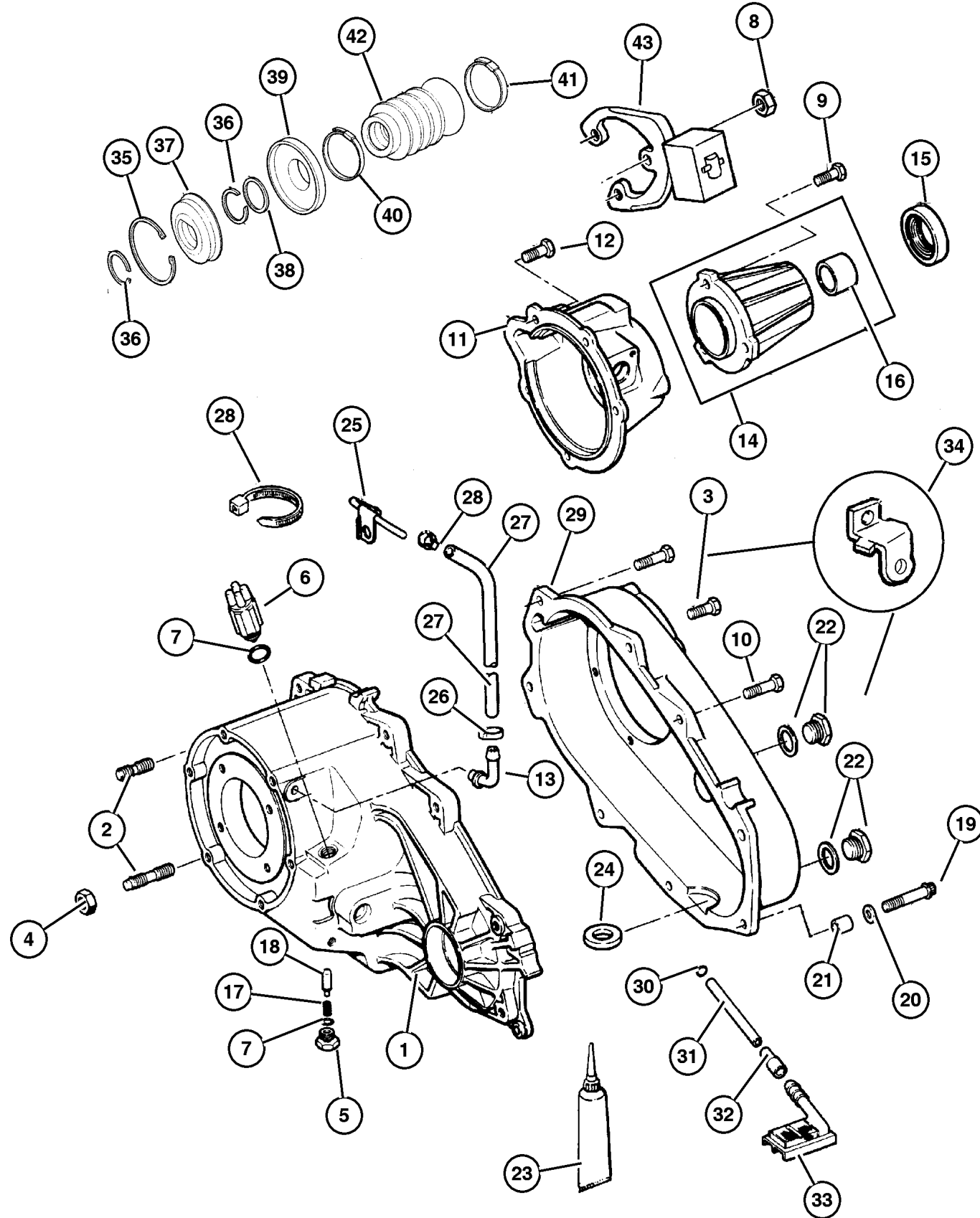
**JEEP CHEROKEE (XJ)**

SERIES	LINE	BODY	ENGINE	TRANSMISSION
L=Low Line	J=LHD (4WD) U=RHD (4WD) T=LHD (2WD) B=RHD (2WD)	74=4 DR. (101.4 WB) 72=2 DR. (101.4 WB)	ENC,EN0=2.5L 4 cyl. Turbo Die ERH,ER0=4.0L Power Tech I-6 EPE,EP0=Magnum 2.5L SMPI	DDQ=5Spd Man. DGS=4 Spd. Auto. AISIN DG0=All Auto Trans DBB=All Manual Trans.

AR = Use as required - = Non illustrated part # = New this model year

July 4, 2003

**Case and Related Parts Command Trac (DHN) 1998 XJ  
Figure 231-210**



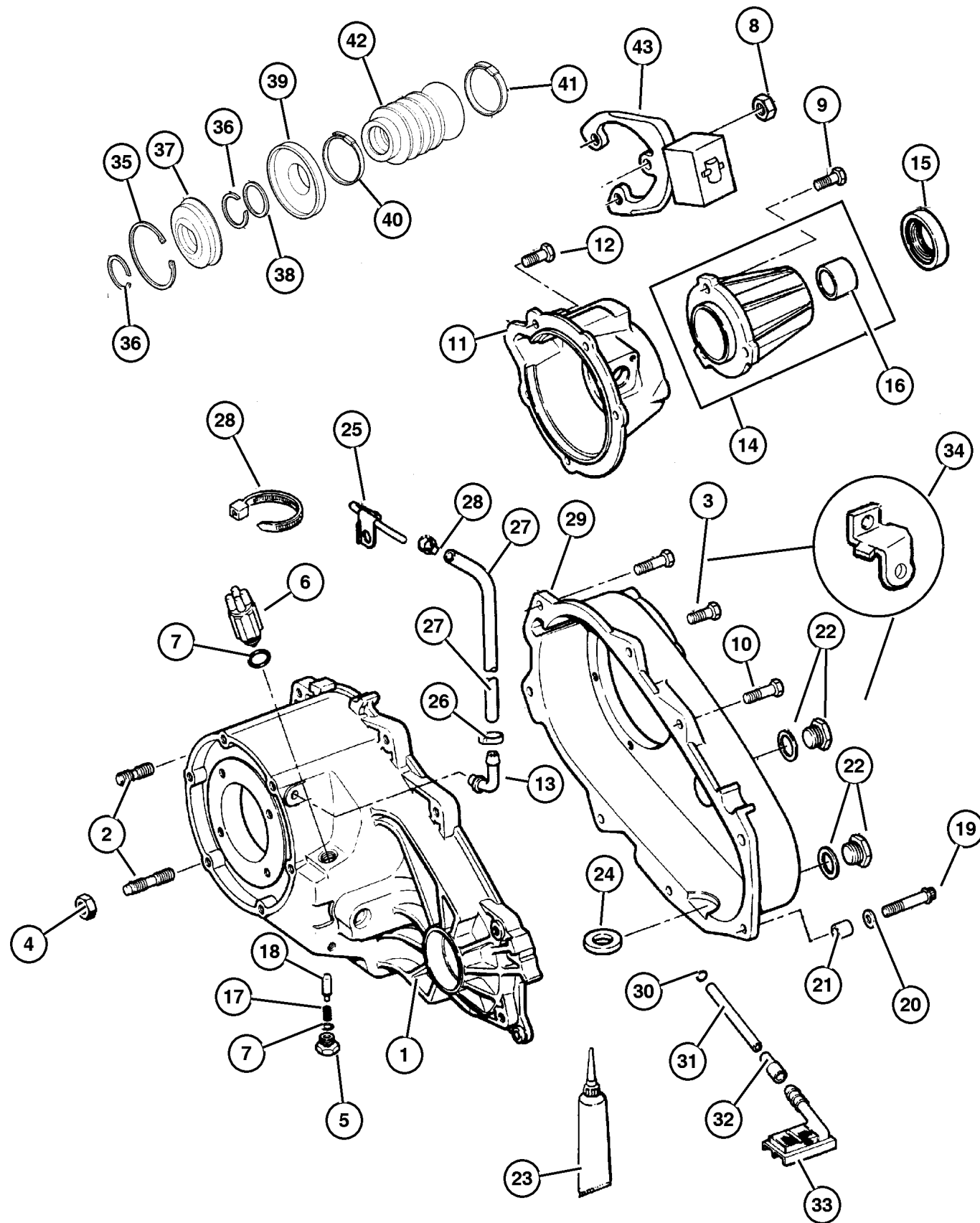
ITEM	PART NUMBER	QTY	LINE	SERIES	BODY	ENGINE	TRANS	TRIM	DESCRIPTION
23	4318 025	2	J, U			EN0	DDQ		52098913
		2	J, U			EP0	DDQ		52099310
		1	J, U			ER0			SEALANT, RTV 52099212
		1	J, U			EP0	DDQ		52099310
24	3681 601	1	J, U			EN0	DDQ		52098913
		1	J, U			ER0			MAGNET, Transmission 52099212
		1	J, U			EP0	DDQ		52099310
25	J535 2955	1	J, U			EN0	DDQ	52098913	
26	6502 081	2	J, U					VENT, Axle CLAMP, Oil Cooler Line	
27	4443 176	1						HOSE, Fuel, .31 I.D. 50 Foot Roll, Transfer Case	
28	4641 780	3						STRAP, Tie	
29	4886 222AA	1	J, U			ER0			52099310
		1	J, U			EP0	DDQ		52099212
		1	J, U			EN0	DDQ		52098913
30	4338 942	1	J, U			ER0			SEAL, Oil 52099212
		1	J, U			EP0	DDQ		52099310
		1	J, U			EN0	DDQ		52098913
31	4338 941	1	J, U			ER0			TUBE, Oil Pickup 52099212
		1	J, U			EP0	DDQ		52099310
		1	J, U			EN0	DDQ		52098913
32	4338 944	1	J, U			ER0			CONNECTOR, Oil Tube Pickup 52099212
		1	J, U			EP0	DDQ		52099310
		1	J, U			EN0	DDQ		52098913
33	4338 943	1	J, U			ER0			FILTER, Transfer Case Oil 52099212
		1	J, U			EP0	DDQ		52099310
		1	J, U			EN0	DDQ		52098913
34	5209 8522	1	J, U			EP0	DDQ		52098913
		1	J, U			EN0	DDQ		52098913
		1	J, U			ER0			BRACKET, Tube
35	4338 933	1	J, U			EN0	DDQ		SNAP RING 52098913
		1	J, U			ER0			52099212
		1	J, U			EP0	DDQ		52099310
36								SNAP RING	

**JEEP CHEROKEE (XJ)**  
 SERIES LINE BODY ENGINE TRANSMISSION  
 L=Low Line J=LHD (4WD) 74=4 DR. (101.4 WB) ENC,EN0=2.5L 4 cyl. Turbo Die DDQ=5Spd Man.  
 U=RHD (4WD) 72=2 DR. (101.4 WB) ERH,ER0=4.0L Power Tech I-6 DGS=4 Spd. Auto. AISIN  
 T=LHD (2WD) EPE,EP0=Magnum 2.5L SMPI DG0=All Auto Trans  
 B=RHD (2WD) DBB=All Manual Trans.

AR = Use as required - = Non illustrated part # = New this model year

July 4, 2003

Case and Related Parts Command Trac (DHN) 1998 XJ  
Figure 231-210



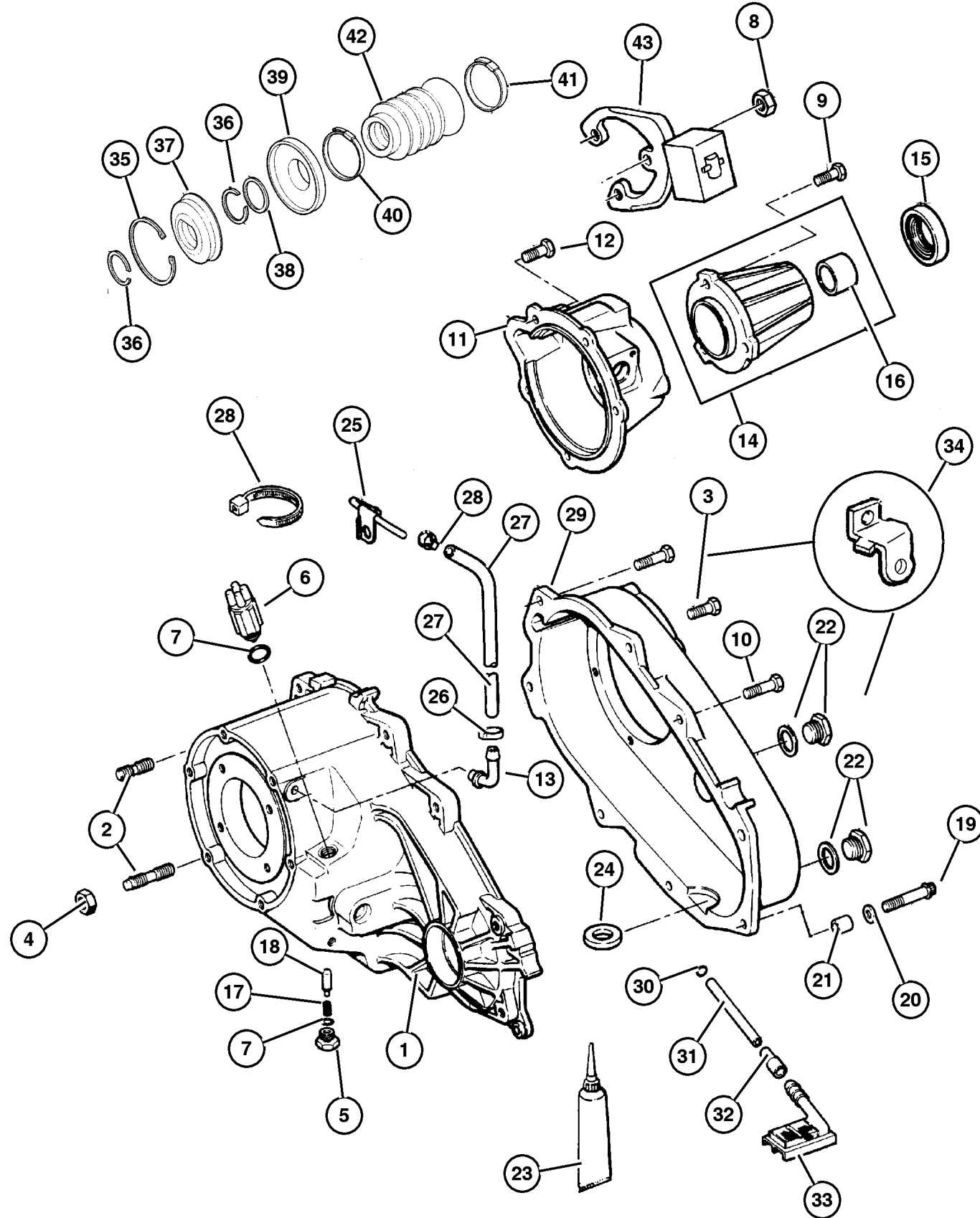
ITEM	PART NUMBER	QTY	LINE	SERIES	BODY	ENGINE	TRANS	TRIM	DESCRIPTION
	J813 4488	2	J, U			ER0			52099212
		2	J, U			EP0	DDQ		52099310
		2	J, U			EN0	DDQ		52098913
37									SEAL, Output Shaft
	4798 117	1	J, U			EP0	DDQ		52099310
		1	J, U			ER0			52099212
38									WASHER
	2436 163	1	J, U			ER0			52099212
		1	J, U			EP0	DDQ		52099310
		1	J, U			EN0	DDQ		52098913
39									SLINGER, Oil
	4798 119	1	J, U			ER0			52099212
		1	J, U			EP0	DDQ		52099310
40									CLAMP, Boot
	4798 121	1	J, U			ER0			52099212
		1	J, U			EP0	DDQ		52099310
41									CLAMP, Boot
	4798 121	1	J, U			ER0			52099212
		1	J, U			EP0	DDQ		52099310
42									BOOT, Driveshaft
	4798 123	1	J, U			ER0			52099212
		1	J, U			EP0	DDQ		52099310
43	5209 8509	1	J, U			ENC			DAMPER, Transfer Case

JEEP CHEROKEE (XJ)  
 SERIES LINE BODY ENGINE TRANSMISSION  
 L=Low Line J=LHD (4WD) 74=4 DR. (101.4 WB) ENC,EN0=2.5L 4 cyl. Turbo Die DDQ=5Spd Man.  
 U=RHD (4WD) 72=2 DR. (101.4 WB) ERH,ER0=4.0L Power Tech I-6 DGS=4 Spd. Auto. AISIN  
 T=LHD (2WD) EPE,EP0=Magnum 2.5L SMPI DG0=All Auto Trans  
 B=RHD (2WD) DBB=All Manual Trans.

AR = Use as required - = Non illustrated part # = New this model year

July 4, 2003

**Case and Related Parts Command Trac (DHN) 1999 XJ  
Figure 231-210**



ITEM	PART NUMBER	QTY	LINE	SERIES	BODY	ENGINE	TRANS	TRIM	DESCRIPTION
Notes:									
EPO= All 2.5L, 4 Cylinder, Gas Engine									
ER0= All 4.0L., 6 Cylinder, Gas Engine									
EN0= All 4/5 Cylinder, Turbo Diesel Engine									
DDQ = 5 Speed Manual Transmission									
1	4796 949	1	J, U			EN0	DDQ		CASE, Transfer Front 52098913
	4798 111	1	J, U			ER0			52099212
		1	J, U			EPO	DDQ		52099310
2	4505 365	6	J, U			ER0			STUD, M10x1.54x36 52099212
		6	J, U			EPO	DDQ		52099310
		6	J, U			EN0	DDQ		52098913
3	J813 0979	1	J, U			ER0			BOLT, Twelve Point Head, M10x1.5x48 52099212
		1	J, U			EPO	DDQ		52099310
		1	J, U			EN0	DDQ		52098913
4	J400 6681	6	J, U			EN0, ER0			NUT AND CONED WASHER, Hex, .375-24
5	4886 473AA	1	J, U			ER0			SCREW 52099212
		1	J, U			EPO	DDQ		52099310
		1	J, U			EN0	DDQ		52098913
6	J813 4473	1	J, U			ER0			SWITCH, Transfer Case Mode 52099212
		1	J, U			EPO	DDQ		52099310
		1	J, U			EN0	DDQ		52098913
7	4338 956	2	J, U			ER0			SEAL, Vacuum Switch 52099212
		2	J, U			EPO	DDQ		52099310
8	6502 337	3	J, U				DGD		NUT, M10x1.5
		3	J, U			EN0	DDQ		52098913
9	4720 708	3	J, U			EN0	DDQ		STUD, 52098913
10	4210 617	5	J, U			ER0			BOLT, Transfer Case 52099212
		5	J, U			EPO	DDQ		52099310
		5	J, U			EN0	DDQ		52098913
11	4741 243	1	J, U			EN0	DDQ		RETAINER, Transfer Case Rear 52098913
	4798 115	1	J, U			ER0			52099212

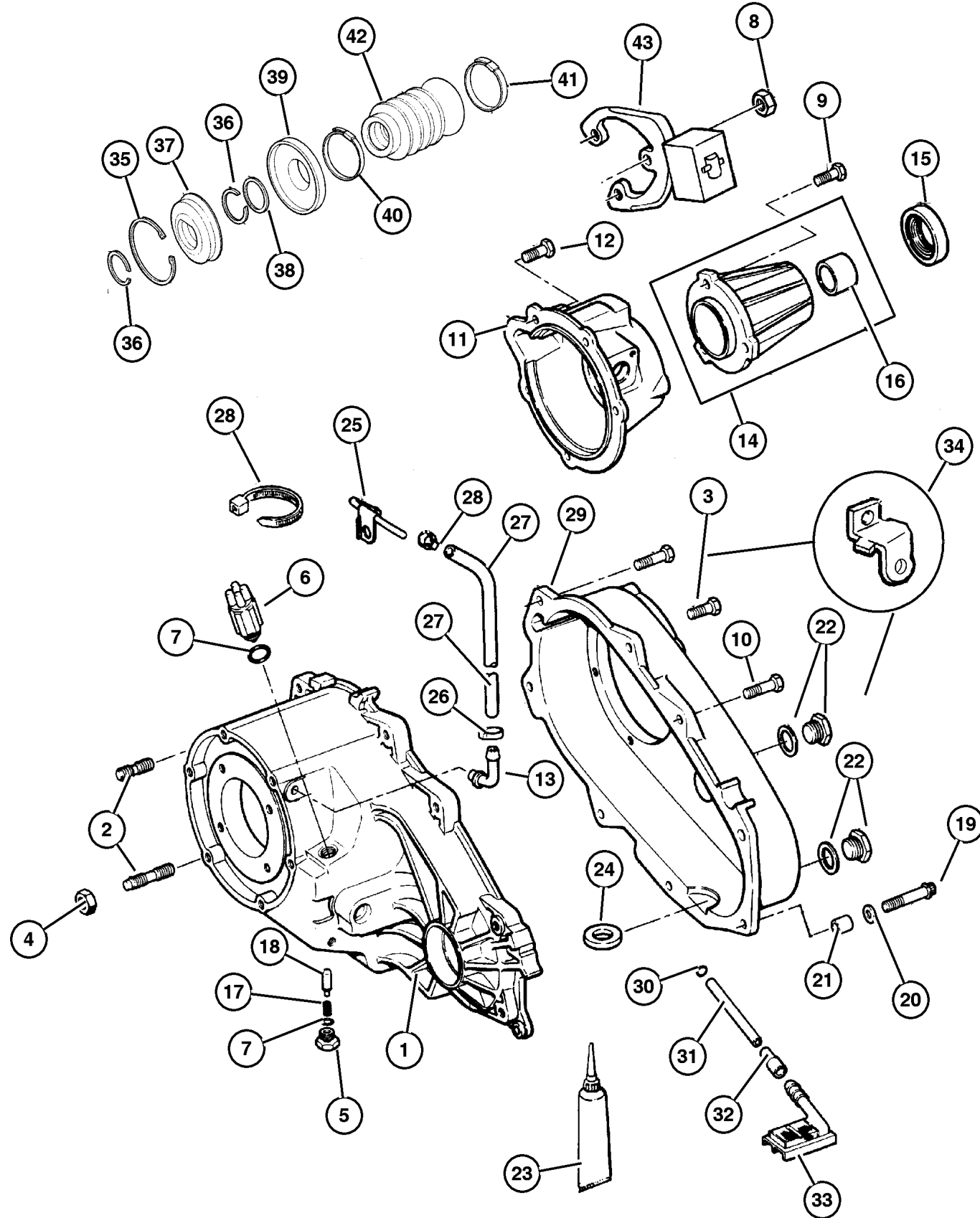
**JEEP CHEROKEE (XJ)**

SERIES	LINE	BODY	ENGINE	TRANSMISSION
L=Low Line	J=LHD (4WD) U=RHD (4WD) T=LHD (2WD) B=RHD (2WD)	74=4 DR. (101.4 WB) 72=2 DR. (101.4 WB)	ENC,EN0=2.5L 4 cyl. Turbo Die ERH,ER0=4.0L Power Tech I-6 EPE,EPO=Magnum 2.5L SMPI	DDQ=5Spd Man. DGS=4 Spd. Auto. AISIN DGO=All Auto Trans DBB=All Manual Trans.

AR = Use as required - = Non illustrated part # = New this model year

July 4, 2003

Case and Related Parts Command Trac (DHN) 1999 XJ  
Figure 231-210



ITEM	PART NUMBER	QTY	LINE	SERIES	BODY	ENGINE	TRANS	TRIM	DESCRIPTION
		1	J, U			EP0	DDQ		52099310
12	6500 318	9	J, U			ER0			BOLT
		9	J, U			EP0	DDQ		52099212
		9	J, U			EN0	DDQ		52098913
13	4796 910	1	J, U			ER0			VENT, Transfer Case
		1	J, U			EP0	DDQ		52099212
		1	J, U			EN0	DDQ		52098913
14	4338 973	1	J, U			ER0			EXTENSION, Transfer Case
		1	J, U			EP0	DDQ		52099212
		1	J, U			EN0	DDQ		52098913
15	4638 904	1	J, U			EN0	DDQ		SEAL, Output, 52098913
16	J813 4490	1	J, U			EN0	DDQ		BUSHING, Extension Housing, 52098913
17	4638 497	1	J, U			ER0			SPRING, Shift Detent
		1	J, U			EP0	DDQ		52099212
		1	J, U			EN0	DDQ		52098913
18	5300 8217	1	J, U			ER0			PLUNGER
		1	J, U			EP0	DDQ		52099212
		1	J, U			EN0	DDQ		52098913
19	4210 614	2	J, U			ER0			BOLT, Hex Flange Head
		2	J, U			EP0	DDQ		52099212
		2	J, U			EN0	DDQ		52098913
20	4210 983	2	J, U			ER0			WASHER, Flat
		2	J, U			EP0	DDQ		52099212
		2	J, U			EN0	DDQ		52098913
21	4116 310	1	J, U			ER0			DOWEL, Transfer Case
		1	J, U			EN0	DDQ		52099212
		1	J, U			EP0	DDQ		52098913
22	4856 641	2	J, U			ER0			PLUG, Oil Fill
		2	J, U			EP0	DDQ		52099212
		2	J, U			EN0	DDQ		52098913
23	4318 025	1	J, U			ER0			SEALANT, RTV
		1	J, U			ER0			52099212

JEEP CHEROKEE (XJ)

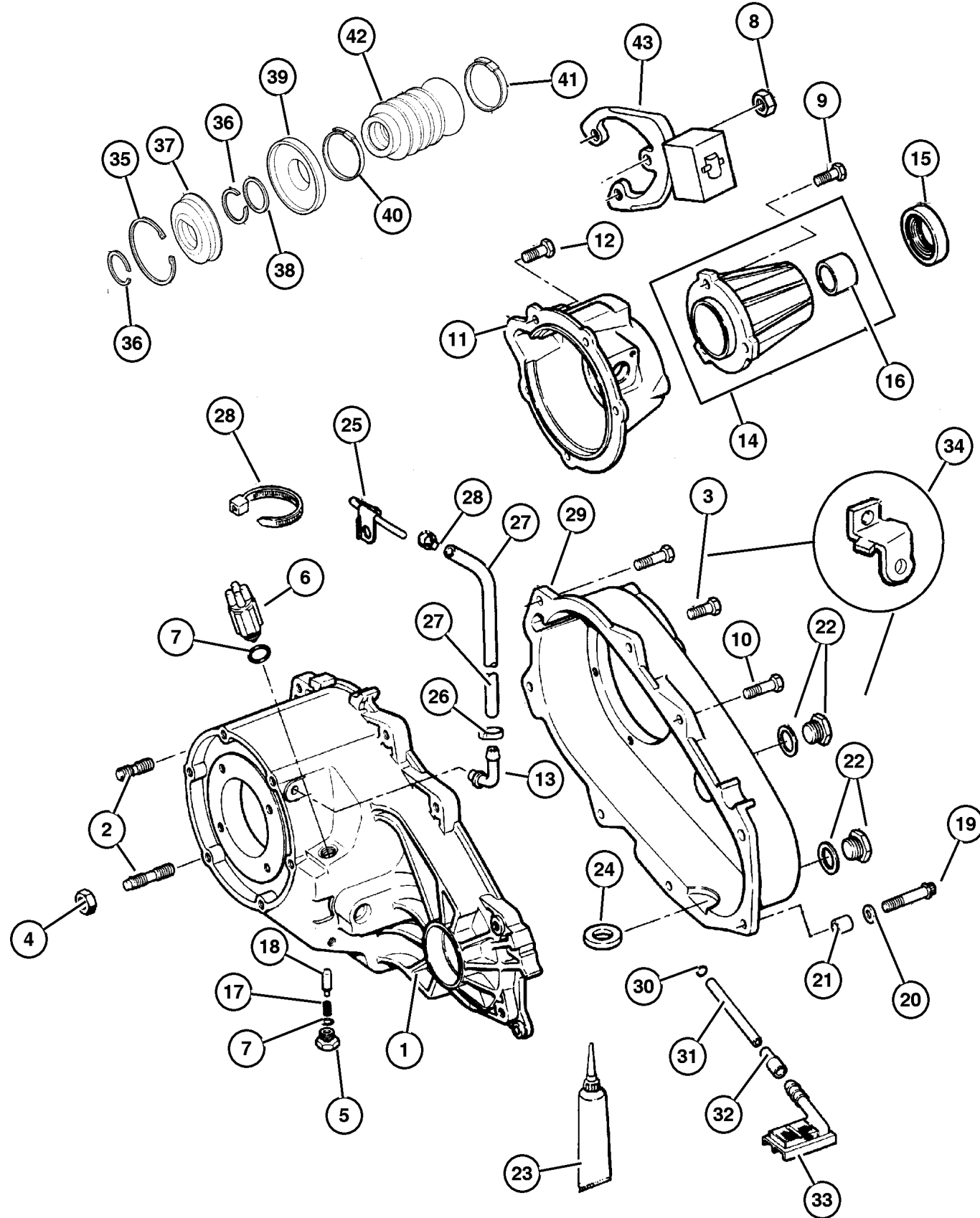
SERIES	LINE	BODY	ENGINE	TRANSMISSION
L=Low Line	J=LHD (4WD) U=RHD (4WD) T=LHD (2WD) B=RHD (2WD)	74=4 DR. (101.4 WB) 72=2 DR. (101.4 WB)	ENC,EN0=2.5L 4 cyl. Turbo Die ERH,ER0=4.0L Power Tech I-6 EPE,EP0=Magnum 2.5L SMPI	DDQ=5Spd Man. DGS=4 Spd. Auto. AISIN DG0=All Auto Trans DBB=All Manual Trans.

AR = Use as required - = Non illustrated part # = New this model year

July 4, 2003



Case and Related Parts Command Trac (DHN) 1999 XJ  
Figure 231-210



ITEM	PART NUMBER	QTY	LINE	SERIES	BODY	ENGINE	TRANS	TRIM	DESCRIPTION
		1	J, U			EP0	DDQ		52099310
24	3681 601	1	J, U			ER0			MAGNET, Transmission
		1	J, U			EP0	DDQ		52099212
		1	J, U			EN0	DDQ		52098913
25	J535 2955	1	J, U						VENT, Axle
26	6502 081	2	J, U						CLAMP, Oil Cooler Line
27	4443 176	1							HOSE, Fuel, .31 I.D. 50 Foot Roll, Transfer Case
28	4641 780	1							STRAP, Tie
29	4886 222AA	1	J, U			ER0			CASE, Transfer Rear
		1	J, U			EP0	DDQ		52099212
		1	J, U			EN0	DDQ		52098913
30	4338 942	1	J, U			ER0			SEAL, Oil
		1	J, U			EP0	DDQ		52099310
		1	J, U			EN0	DDQ		52098913
31	4338 941	1	J, U			ER0			TUBE, Oil Pickup
		1	J, U			EP0	DDQ		52099310
		1	J, U			EN0	DDQ		52098913
32	4338 944	1	J, U			ER0			CONNECTOR, Oil Tube Pickup
		1	J, U			EP0	DDQ		52099310
		1	J, U			EN0	DDQ		52098913
33	4338 943	1	J, U			ER0			FILTER, Transfer Case Oil
		1	J, U			EP0	DDQ		52099310
		1	J, U			EN0	DDQ		52098913
34	5209 8522	1	J, U			EP0, ER0			BRACKET, Tube
35	4338 933	1	J, U			EN0	DDQ		SNAP RING
	4798 116	1	J, U			ER0			52099212
		1	J, U			EP0	DDQ		52099310
36	J813 4488	2	J, U			ER0			SNAP RING
		2	J, U			EP0	DDQ		52099310
37	4798 117	1	J, U			EP0	DDQ		SEAL, Output Shaft
		1	J, U			ER0			52099212
38									WASHER

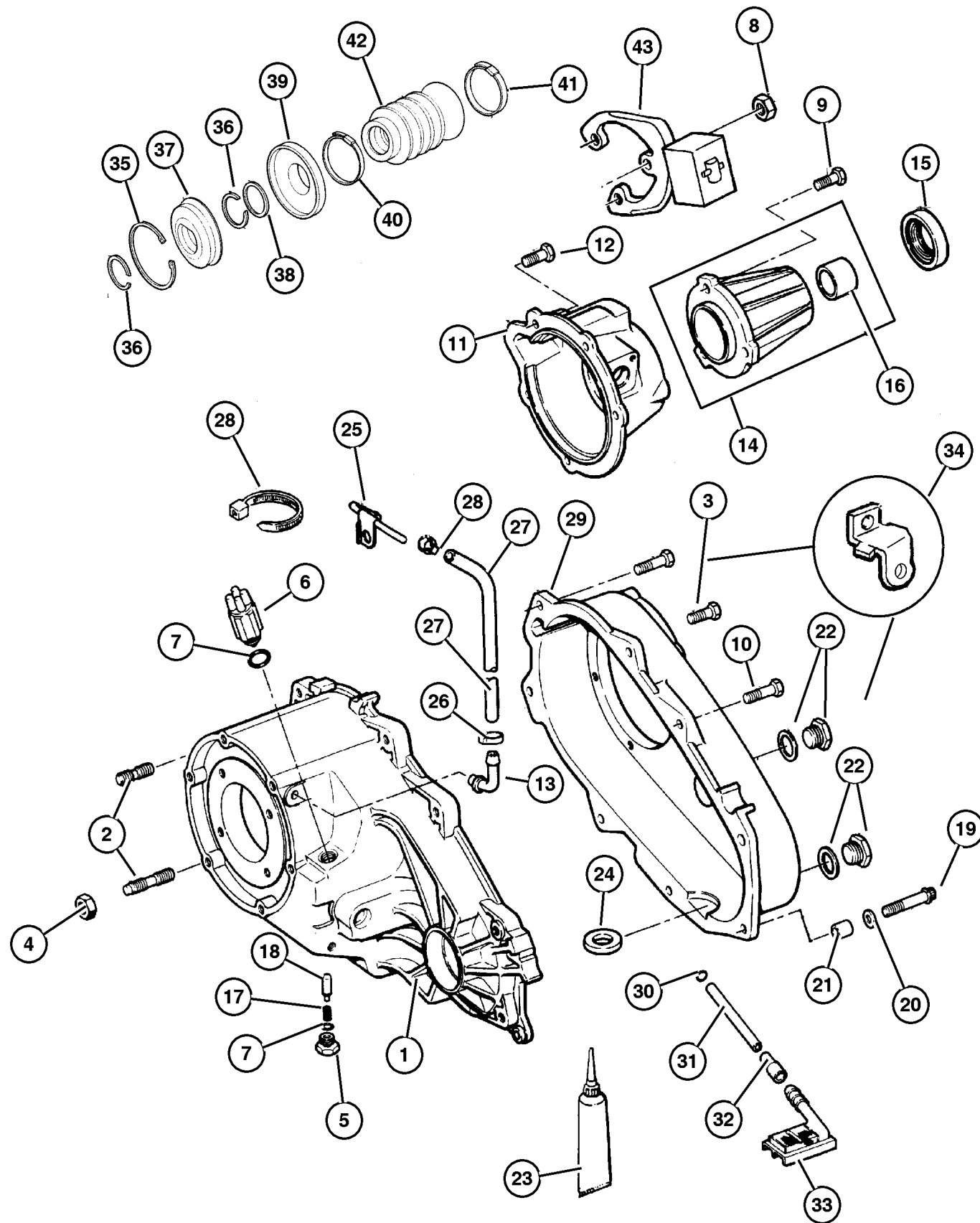
JEEP CHEROKEE (XJ)

SERIES	LINE	BODY	ENGINE	TRANSMISSION
L=Low Line	J=LHD (4WD) U=RHD (4WD) T=LHD (2WD) B=RHD (2WD)	74=4 DR. (101.4 WB) 72=2 DR. (101.4 WB)	ENC,EN0=2.5L 4 cyl. Turbo Die ERH,ER0=4.0L Power Tech I-6 EPE,EP0=Magnum 2.5L SMPI	DDQ=5Spd Man. DGS=4 Spd. Auto. AISIN DG0=All Auto Trans DBB=All Manual Trans.

AR = Use as required - = Non illustrated part # = New this model year

July 4, 2003

Case and Related Parts Command Trac (DHN) 1999 XJ  
Figure 231-210



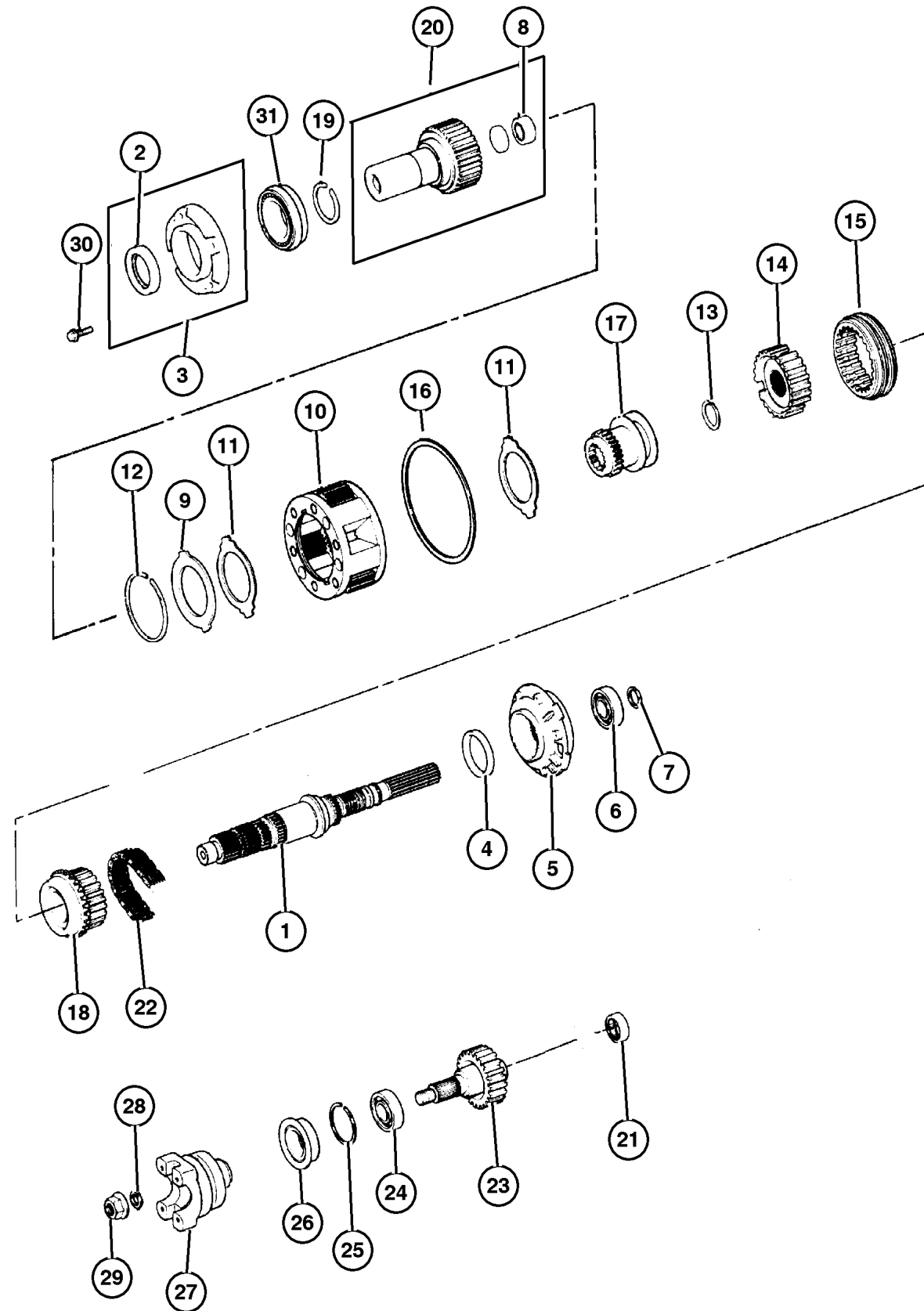
ITEM	PART NUMBER	QTY	LINE	SERIES	BODY	ENGINE	TRANS	TRIM	DESCRIPTION
	4798 118	1	J, U			ER0			
		1	J, U			EP0	DDQ		
39	4798 119	1	J, U			ER0			SLINGER, Oil
		1	J, U			EP0	DDQ		52099212
		1	J, U			EP0	DDQ		52099310
40	4798 121	1	J, U			ER0			CLAMP, Boot
		1	J, U			EP0	DDQ		[44.0MM]
41	4798 122	1	J, U			EP0	DDQ		[48.5MM]
		1	J, U			ER0	DG0		[48.5MM]
									BOOT, Driveshaft
42	4798 123	1	J, U			ER0			52099212
		1	J, U			EP0	DDQ		52099310
43	5209 8509	1	J, U			ENC			DAMPER, Transfer Case
	5209 8545	1	J, U				DGD		

JEEP CHEROKEE (XJ)				
SERIES	LINE	BODY	ENGINE	TRANSMISSION
L=Low Line	J=LHD (4WD) U=RHD (4WD) T=LHD (2WD) B=RHD (2WD)	74=4 DR. (101.4 WB) 72=2 DR. (101.4 WB)	ENC,EN0=2.5L 4 cyl. Turbo Die ERH,ER0=4.0L Power Tech I-6 EPE,EP0=Magnum 2.5L SMPI	DDQ=5Spd Man. DGS=4 Spd. Auto. AISIN DG0=All Auto Trans DBB=All Manual Trans.

AR = Use as required - = Non illustrated part # = New this model year

July 4, 2003

**Gear Train Command Trac (DHN)  
Figure 231-410**

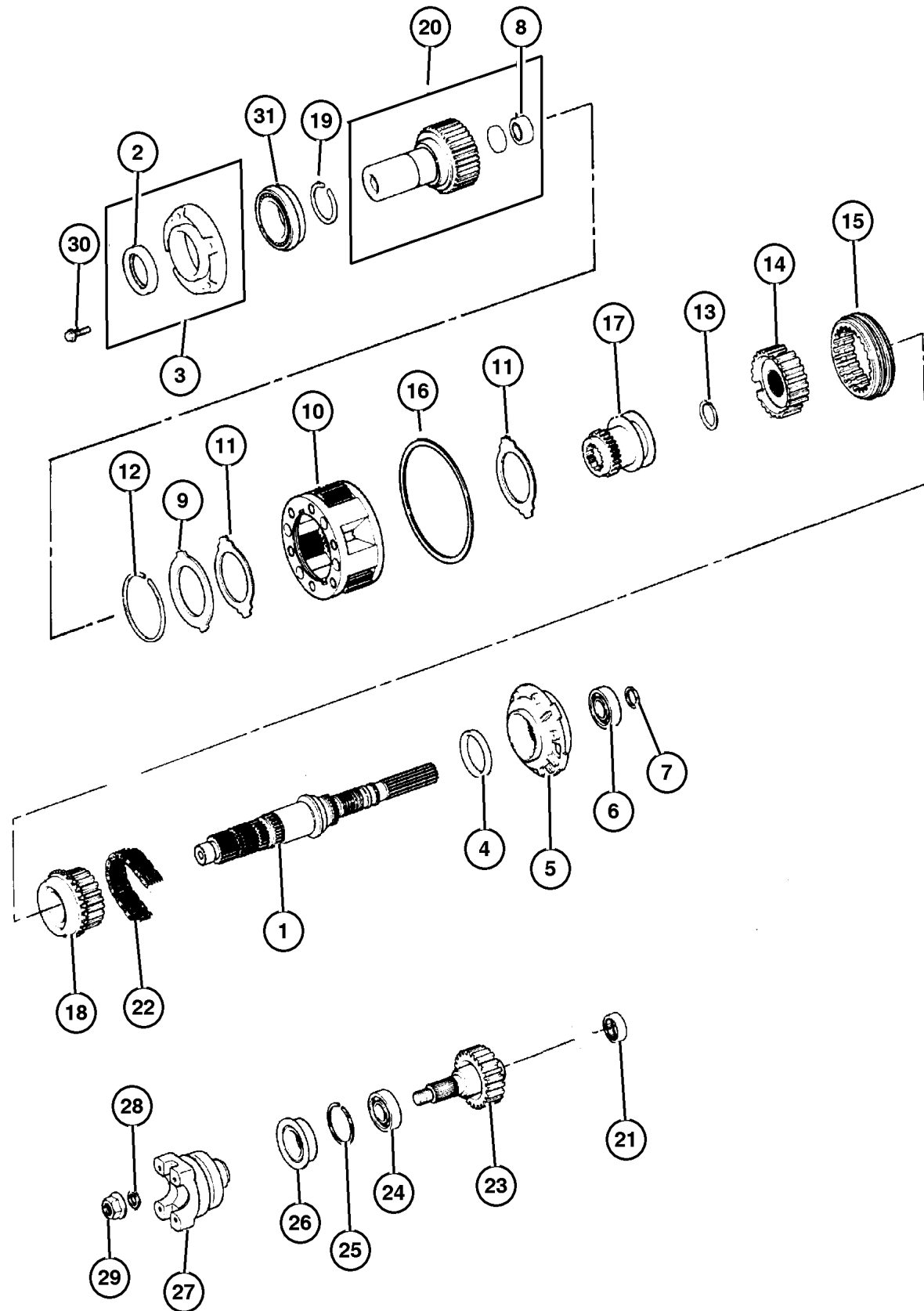


ITEM	PART NUMBER	QTY	LINE	SERIES	BODY	ENGINE	TRANS	TRIM	DESCRIPTION
Notes:									
EPO= All 2.5L, 4 Cylinder, Gas Engine									
ER0= All 4.0L., 6 Cylinder, Gas Engine									
EN0= All 4/5 Cylinder, Turbo Diesel Engine									
DDQ = 5 Speed Manual Transmission									
1									MAINSHAFT, Transfer Case
	4796 907	1	J, U			EN0	DDQ		52098913
	4798 114	1	J			ER0			52099212, 1997 XJ
		1	J			EPO	DDQ		52099310, 1997 XJ
		1	J, U			EPO	DG0		52099211, 1997 XJ
		1	J, U			ER0			52099212, 1998 XJ, 1999 XJ
		1	J, U			EPO	DDQ		52099310, 1998 XJ, 1999 XJ
2									SEAL, Input Gear
	4167 929	1	J			ER0			52099212, 1997 XJ
		1	J			EPO	DDQ		52099310, 1997 XJ
		1	J			EPO	DG0		52099211, 1997 XJ
		1	J			EN0	DDQ		52098913, 1997 XJ
		1	J, U			ER0			52099212, 1998 XJ, 1999 XJ
		1	J, U			EPO	DDQ		52099310, 1998 XJ, 1999 XJ
		1	J, U			EN0	DDQ		52098913, 1998 XJ, 1999 XJ
3									EXTENSION, Transfer Case
	4338 973	1	J			ER0			52099212, 1997 XJ
		1	J			EPO	DDQ		52099310, 1997 XJ
		1	J			EPO	DG0		52099211, 1997 XJ
		1	J			EN0	DDQ		52098913, 1997 XJ
		1	J, U			ER0			52099212, 1998 XJ, 1999 XJ
		1	J, U			EPO	DDQ		52099310, 1998 XJ, 1999 XJ
		1	J, U			EN0	DDQ		52098913, 1998 XJ, 1999 XJ
4									SEAL, Main Shaft
	4210 603	1	J			ER0			52099212, 1997 XJ
		1	J			EPO	DDQ		52099310, 1997 XJ
		1	J			EPO	DG0		52099211, 1997 XJ
		1	J			EN0	DDQ		52098913, 1997 XJ
		1	J, U			ER0			52099212, 1998 XJ, 1999 XJ
		1	J, U			EPO	DDQ		52099310, 1998 XJ, 1999 XJ
		1	J, U			EN0	DDQ		52098913, 1998 XJ, 1999 XJ
5									PUMP, Transfer Case Oil
	4338 936	1	J			ER0			52099212, 1997 XJ
		1	J			EPO	DDQ		52099310, 1997 XJ
		1	J			EPO	DG0		52099211, 1997 XJ
		1	J			EN0	DDQ		52098913, 1997 XJ
		1	J, U			ER0			52099212, 1998 XJ, 1999 XJ

**JEEP CHEROKEE (XJ)**  
 SERIES LINE BODY ENGINE TRANSMISSION  
 L=Low Line J=LHD (4WD) 74=4 DR. (101.4 WB) ENC,EN0=2.5L 4 cyl. Turbo Die DDQ=5Spd Man.  
 U=RHD (4WD) 72=2 DR. (101.4 WB) ERH,ER0=4.0L Power Tech I-6 DGS=4 Spd. Auto. AISIN  
 T=LHD (2WD) EPE,EPO=Magnum 2.5L SMPI DG0=All Auto Trans  
 B=RHD (2WD) DBB=All Manual Trans.

AR = Use as required - = Non illustrated part # = New this model year

**Gear Train Command Trac (DHN)  
Figure 231-410**



ITEM	PART NUMBER	QTY	LINE	SERIES	BODY	ENGINE	TRANS	TRIM	DESCRIPTION
6	4338 892	1	J, U			EP0	DDQ		52099310, 1998 XJ, 1999 XJ
		1	J, U			EN0	DDQ		52098913, 1998 XJ, 1999 XJ
		2	J			ER0			BEARING 52099212, 1997 XJ
		2	J			EP0	DDQ		52099310, 1997 XJ
		2	J			EP0	DG0		52099211, 1997 XJ
		2	J			EN0	DDQ		52098913, 1997 XJ
7	J813 4488	2	J, U			ER0			52099212, 1998 XJ, 1999 XJ
		2	J, U			EP0	DDQ		52099310, 1998 XJ, 1999 XJ
		2	J, U			EN0	DDQ		52098913, 1998 XJ, 1999 XJ
		1	J			EP0	DG0		SNAP RING 52099211, 1997 XJ
		1	J			EN0	DDQ		52098913, 1997 XJ
		2	J, U			EN0	DDQ		52098913, 1998 XJ
8	8350 3507	2	J, U			ER0			52099212, 1998 XJ, 1999 XJ
		2	J, U			EP0	DDQ		52099310, 1997 XJ
		2	J, U			EP0	DG0		52099211, 1997 XJ
		1	J			EN0	DDQ		52098913, 1997 XJ
		1	J, U			ER0			BEARING, Input Shaft 52099212, 1998 XJ, 1999 XJ
		1	J, U			EP0	DDQ		52099310, 1998 XJ, 1999 XJ
9	4338 909	1	J, U			EN0	DDQ		52098913, 1998 XJ, 1999 XJ
		1	J			ER0			52099212, 1998 XJ, 1999 XJ
		1	J			EP0	DDQ		52099310, 1997 XJ
		1	J			EP0	DG0		52099211, 1997 XJ
		1	J			EN0	DDQ		52098913, 1997 XJ
		1	J, U			ER0			RING 52099212, 1998 XJ, 1999 XJ
10	4796 903	1	J, U			EP0	DDQ		52099310, 1998 XJ, 1999 XJ
		1	J, U			EN0	DDQ		52098913, 1998 XJ, 1999 XJ
		1	J			ER0			52099212, 1998 XJ, 1999 XJ
		1	J			EP0	DDQ		52099310, 1997 XJ
		1	J			EP0	DG0		52099211, 1997 XJ
		1	J			EN0	DDQ		52098913, 1997 XJ
11		1	J, U			ER0			52099212, 1998 XJ, 1999 XJ
		1	J, U			EP0	DDQ		52099310, 1998 XJ, 1999 XJ
		1	J, U			EN0	DDQ		52098913, 1998 XJ, 1999 XJ
								THRUST WASHER, Planetary Carrier	

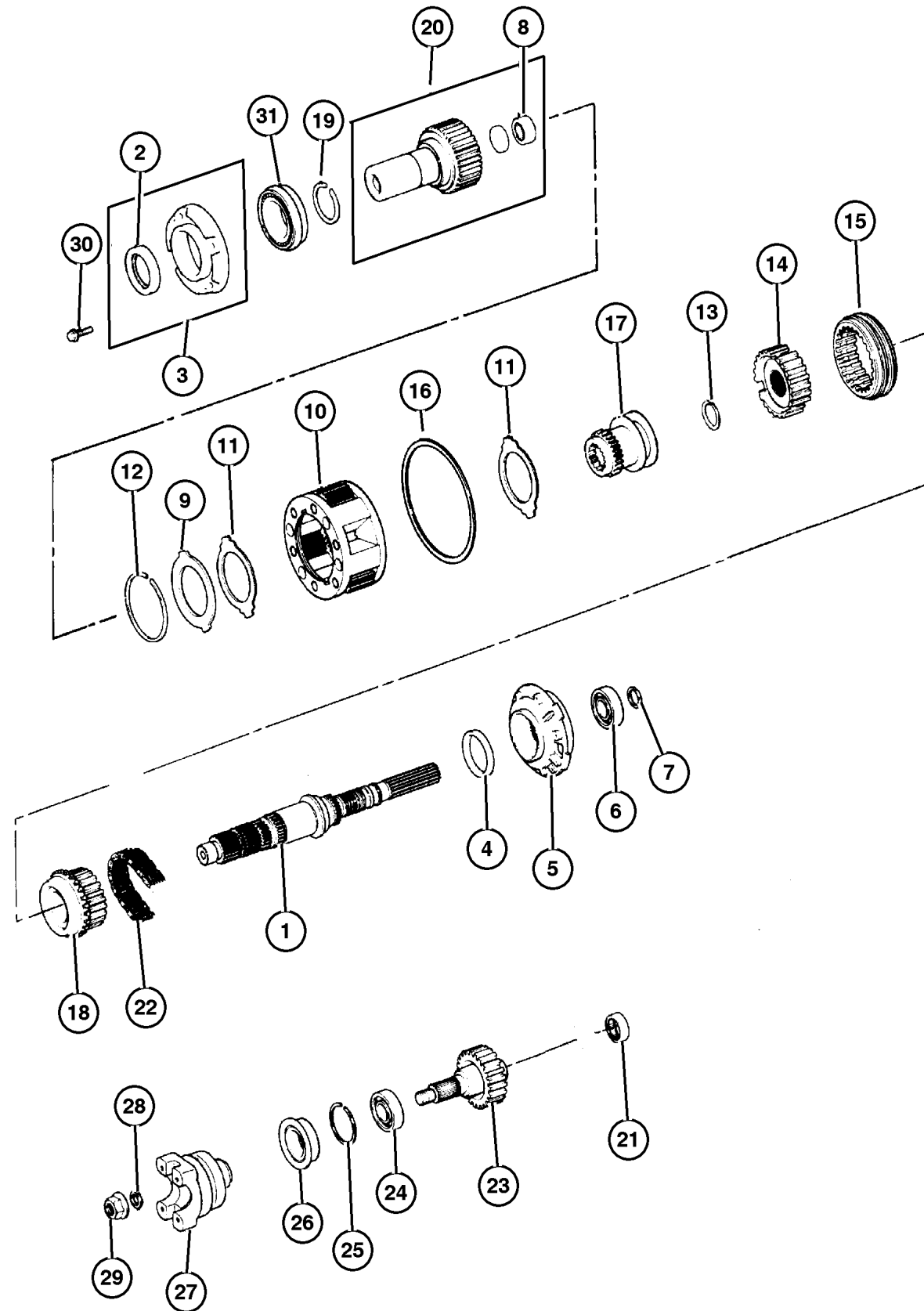
**JEEP CHEROKEE (XJ)**

SERIES	LINE	BODY	ENGINE	TRANSMISSION
L=Low Line	J=LHD (4WD) U=RHD (4WD) T=LHD (2WD) B=RHD (2WD)	74=4 DR. (101.4 WB) 72=2 DR. (101.4 WB)	ENC,EN0=2.5L 4 cyl. Turbo Die ERH,ER0=4.0L Power Tech I-6 EPE,EP0=Magnum 2.5L SMPI	DDQ=5Spd Man. DGS=4 Spd. Auto. AISIN DG0=All Auto Trans DBB=All Manual Trans.

AR = Use as required - = Non illustrated part # = New this model year

July 4, 2003

**Gear Train Command Trac (DHN)  
Figure 231-410**



ITEM	PART NUMBER	QTY	LINE	SERIES	BODY	ENGINE	TRANS	TRIM	DESCRIPTION
	4338 908	2	J			ER0			52099212, 1997 XJ
		2	J			EP0	DDQ		52099310, 1997 XJ
		2	J			EP0	DG0		52099211, 1997 XJ
		2	J			EN0	DDQ		52098913, 1997 XJ
		2	J, U			ER0			52099212, 1998 XJ, 1999 XJ
		2	J, U			EP0	DDQ		52099310, 1998 XJ, 1999 XJ
12	4338 910	2	J, U			EN0	DDQ		52098913, 1998 XJ, 1999 XJ
		2	J, U			EN0	DDQ		52098913, 1998 XJ, 1999 XJ
									SNAP RING
	4338 933	1	J			ER0			52099212, 1997 XJ
		1	J			EP0	DDQ		52099310, 1997 XJ
		1	J			EP0	DG0		52099211, 1997 XJ
		1	J			EN0	DDQ		52098913, 1997 XJ
		1	J, U			ER0			52099212, 1998 XJ, 1999 XJ
		1	J, U			EP0	DDQ		52099310, 1998 XJ, 1999 XJ
13	4338 933	1	J, U			EN0	DDQ		52098913, 1998 XJ, 1999 XJ
		1	J, U			EN0	DDQ		52098913, 1998 XJ, 1999 XJ
									SNAP RING
	4741 240	1	J, U			EN0	DDQ		52098913
		1	J			ER0			52099212, 1997 XJ
		1	J			EP0	DDQ		52099310, 1997 XJ
		1	J			EP0	DG0		52099211, 1997 XJ
		1	J, U			ER0			52099212, 1998 XJ, 1999 XJ
		1	J, U			EP0	DDQ		52099310, 1998 XJ, 1999 XJ
14	4741 240	1	J, U			EN0	DDQ		HUB, Synchronizer Mode
		1	J			ER0			52099212, 1997 XJ
		1	J			EP0	DDQ		52099310, 1997 XJ
		1	J			EP0	DG0		52099211, 1997 XJ
		1	J, U			ER0			52099212, 1998 XJ, 1999 XJ
		1	J, U			EP0	DDQ		52099310, 1998 XJ, 1999 XJ
15	4796 909	1	J, U			EN0	DDQ		SLEEVE, Mode Synchronizer
		1	J			ER0			52099212, 1997 XJ
		1	J			EP0	DDQ		52099310, 1997 XJ
		1	J			EP0	DG0		52099211, 1997 XJ
		1	J, U			ER0			52099212, 1998 XJ, 1999 XJ
		1	J, U			EP0	DDQ		52099310, 1998 XJ, 1999 XJ
16	4219 065	1	J			ER0			SNAP RING, Annulus Gear
		1	J			EP0	DDQ		52099310, 1997 XJ
		1	J			EP0	DG0		52099211, 1997 XJ
		1	J			EN0	DDQ		52098913, 1997 XJ
		1	J, U			ER0			52099212, 1998 XJ, 1999 XJ
		1	J, U			ER0			52099212, 1998 XJ, 1999 XJ

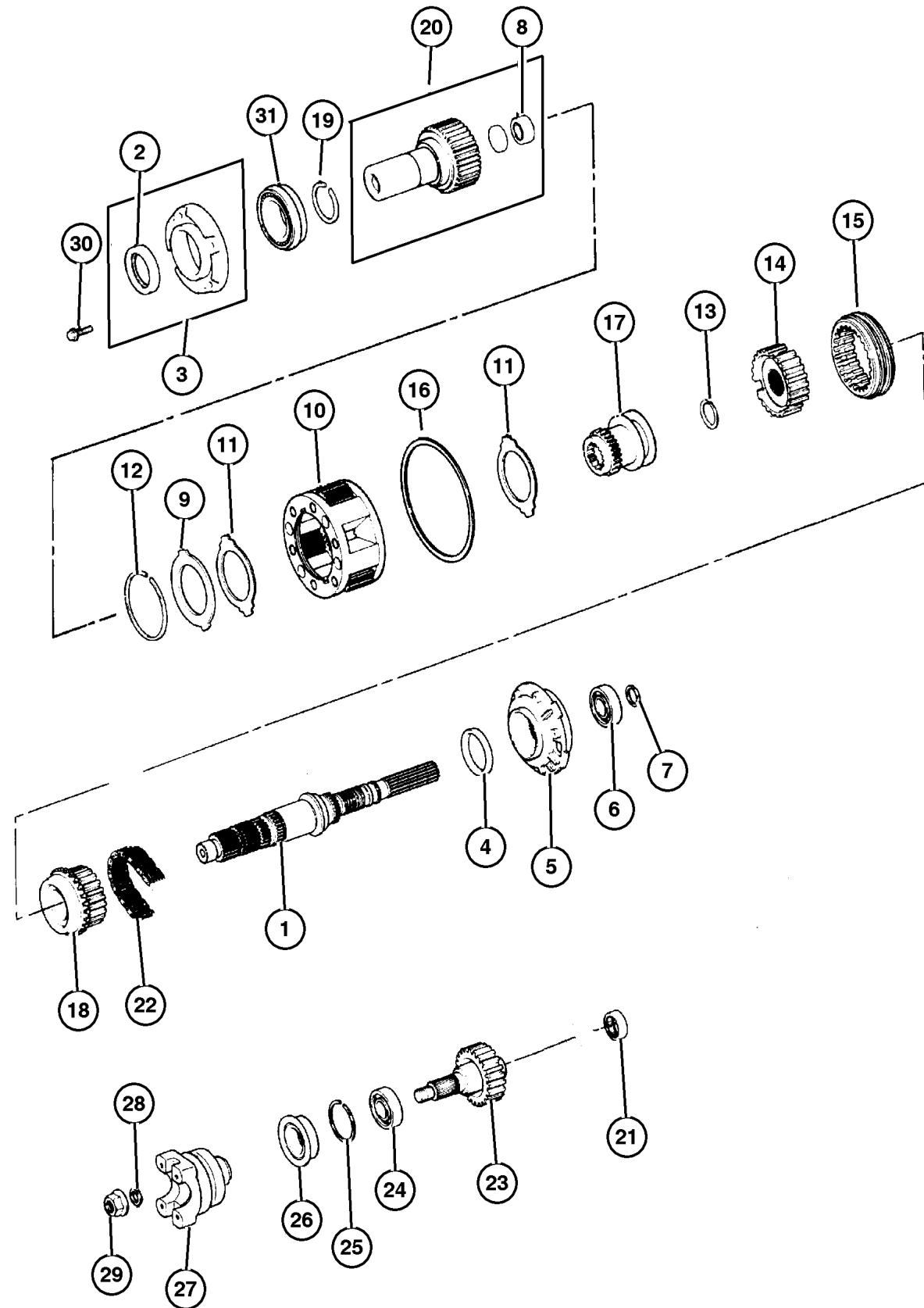
**JEEP CHEROKEE (XJ)**

SERIES	LINE	BODY	ENGINE	TRANSMISSION
L=Low Line	J=LHD (4WD) U=RHD (4WD) T=LHD (2WD) B=RHD (2WD)	74=4 DR. (101.4 WB) 72=2 DR. (101.4 WB)	ENC,EN0=2.5L 4 cyl. Turbo Die ERH,ER0=4.0L Power Tech I-6 EPE,EP0=Magnum 2.5L SMPI	DDQ=5Spd Man. DGS=4 Spd. Auto. AISIN DG0=All Auto Trans DBB=All Manual Trans.

AR = Use as required - = Non illustrated part # = New this model year

July 4, 2003

**Gear Train Command Trac (DHN)  
Figure 231-410**



ITEM	PART NUMBER	QTY	LINE	SERIES	BODY	ENGINE	TRANS	TRIM	DESCRIPTION
17		1	J, U			EP0	DDQ		52099310, 1998 XJ, 1999 XJ
		1	J, U			EN0	DDQ		52098913, 1998 XJ, 1999 XJ
	4796 906	1	J, U			EN0	DDQ		SLEEVE, Shift Range 52098913
	4797 013	1	J			ER0			52099212, 1997 XJ
		1	J			EP0	DDQ		52099310, 1997 XJ
		1	J, U			EP0	DG0		52099211, 1997 XJ
18		1	J, U			ER0			52099212, 1998 XJ, 1999 XJ
		1	J, U			EP0	DDQ		52099310, 1998 XJ, 1999 XJ
		1	J			EP0	DDQ		SPROCKET, Transfer Case 52098913
	4796 908	1	J, U			EN0	DDQ		52098913
		1	J			ER0			52099212, 1997 XJ
		1	J			EP0	DDQ		52099310, 1997 XJ
19		1	J			EP0	DG0		52099211, 1997 XJ
		1	J, U			ER0			52099212, 1998 XJ, 1999 XJ
		1	J, U			EP0	DDQ		52099310, 1998 XJ, 1999 XJ
		1	J			EP0	DDQ		SNAP RING 52099212, 1997 XJ
	3821 558	1	J			ER0			52099212, 1997 XJ
		1	J			EP0	DDQ		52099310, 1997 XJ
20		1	J			EP0	DG0		52099211, 1997 XJ
		1	J			EN0	DDQ		52098913, 1997 XJ
		1	J, U			ER0			52099212, 1998 XJ, 1999 XJ
		1	J, U			EP0	DDQ		52099310, 1998 XJ, 1999 XJ
		1	J, U			EN0	DDQ		52098913, 1998 XJ, 1999 XJ
		1	J, U			EN0	DDQ		GEAR, Input 52098913
21	4796 904	1	J, U			EN0	DDQ		52098913
	4796 956	1	J, U			EP0	DDQ		52099310
	4796 965	1	J, U			EP0	DG0		52099211, 1997 XJ
	4798 113	1	J, U			ER0			52099212
	4269 189	1	J			ER0			BEARING, Output Shaft 52099212, 1997 XJ
		1	J			EP0	DDQ		52099310, 1997 XJ
22		1	J			EP0	DG0		52099211, 1997 XJ
		1	J			EN0	DDQ		52098913, 1997 XJ
		1	J, U			ER0			52099212, 1998 XJ, 1999 XJ
		1	J, U			EP0	DDQ		52099310, 1998 XJ, 1999 XJ
		1	J, U			EN0	DDQ		52098913, 1998 XJ, 1999 XJ
		1	J			ER0			CHAIN, Transfer Case 52099212, 1997 XJ
23	4338 935	1	J			ER0			52099212, 1997 XJ
		1	J			EP0	DDQ		52099310, 1997 XJ
		1	J			EP0	DG0		52099211, 1997 XJ
		1	J			EN0	DDQ		52098913, 1997 XJ

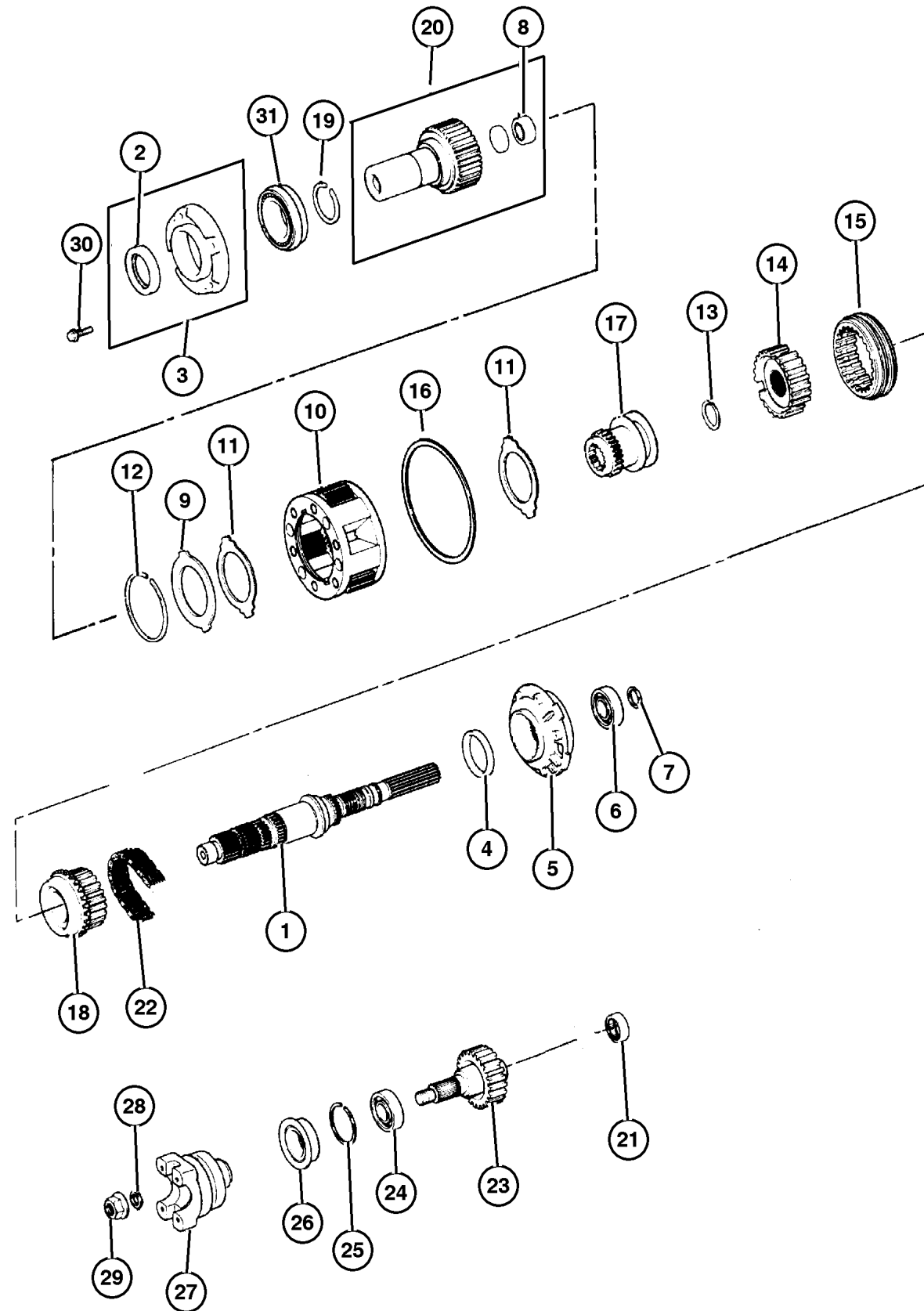
**JEEP CHEROKEE (XJ)**

SERIES	LINE	BODY	ENGINE	TRANSMISSION
L=Low Line	J=LHD (4WD) U=RHD (4WD) T=LHD (2WD) B=RHD (2WD)	74=4 DR. (101.4 WB) 72=2 DR. (101.4 WB)	ENC,EN0=2.5L 4 cyl. Turbo Die ERH,ER0=4.0L Power Tech I-6 EPE,EP0=Magnum 2.5L SMPI	DDQ=5Spd Man. DGS=4 Spd. Auto. AISIN DG0=All Auto Trans DBB=All Manual Trans.

AR = Use as required - = Non illustrated part # = New this model year

July 4, 2003

**Gear Train Command Trac (DHN)  
Figure 231-410**



ITEM	PART NUMBER	QTY	LINE	SERIES	BODY	ENGINE	TRANS	TRIM	DESCRIPTION
23	4338 934	1	J, U			ER0			52099212, 1998 XJ, 1999 XJ
		1	J, U			EP0	DDQ		52099310, 1998 XJ, 1999 XJ
		1	J, U			EN0	DDQ		52098913, 1998 XJ, 1999 XJ
									OUTPUT SHAFT, Transfer Case
		1	J			ER0			52099212, 1997 XJ
		1	J			EP0	DDQ		52099310, 1997 XJ
24	4338 892	1	J			EP0	DG0		52099211, 1997 XJ
		1	J			EN0	DDQ		52098913, 1997 XJ
		1	J, U			ER0			52099212, 1998 XJ, 1999 XJ
		1	J, U			EP0	DDQ		52099310, 1998 XJ, 1999 XJ
		1	J, U			EN0	DDQ		52098913, 1998 XJ, 1999 XJ
									BEARING
25	4338 894	2	J			ER0			52099212, 1997 XJ
		2	J			EP0	DDQ		52099310, 1997 XJ
		2	J			EP0	DG0		52099211, 1997 XJ
		2	J			EN0	DDQ		52098913, 1997 XJ
		2	J, U			ER0			52099212, 1998 XJ, 1999 XJ
		2	J, U			EP0	DDQ		52099310, 1998 XJ, 1999 XJ
26	4338 893 4798 112	2	J, U			EN0	DDQ		52098913, 1998 XJ, 1999 XJ
									SNAP RING, Bearing
		1	J, U			EN0	DDQ		52098913
		1	J			ER0			52099212, 1997 XJ
		1	J			EP0	DDQ		52099310, 1997 XJ
		1	J			EP0	DG0		52099211, 1997 XJ
27	4446 494 4798 120	1	J, U			ER0			52099212, 1998 XJ, 1999 XJ
		1	J, U			EP0	DDQ		52099310, 1998 XJ, 1999 XJ
									SEAL, Output
		1	J, U			EN0	DDQ		52098913
		1	J			ER0			52099212, 1997 XJ
		1	J			EP0	DDQ		52099310, 1997 XJ
28	4210 983	1	J, U			EN0	DDQ		52098913
		1	J			ER0			52099212, 1997 XJ
		1	J			EP0	DDQ		52099310, 1997 XJ
		1	J, U			EP0	DG0		52099211, 1997 XJ
		1	J, U			ER0			52099212, 1998 XJ, 1999 XJ
		1	J, U			EP0	DDQ		52099310, 1998 XJ, 1999 XJ
							YOKE, Transfer Case Output		
29	4210 983	1	J, U			EN0	DDQ		52098913
		1	J			ER0			52099212, 1997 XJ
		1	J			EP0	DDQ		52099310, 1997 XJ
		1	J, U			EP0	DG0		52099211, 1997 XJ
		1	J, U			ER0			52099212, 1998 XJ, 1999 XJ
		1	J, U			EP0	DDQ		52099310, 1998 XJ, 1999 XJ
							WASHER, Flat		

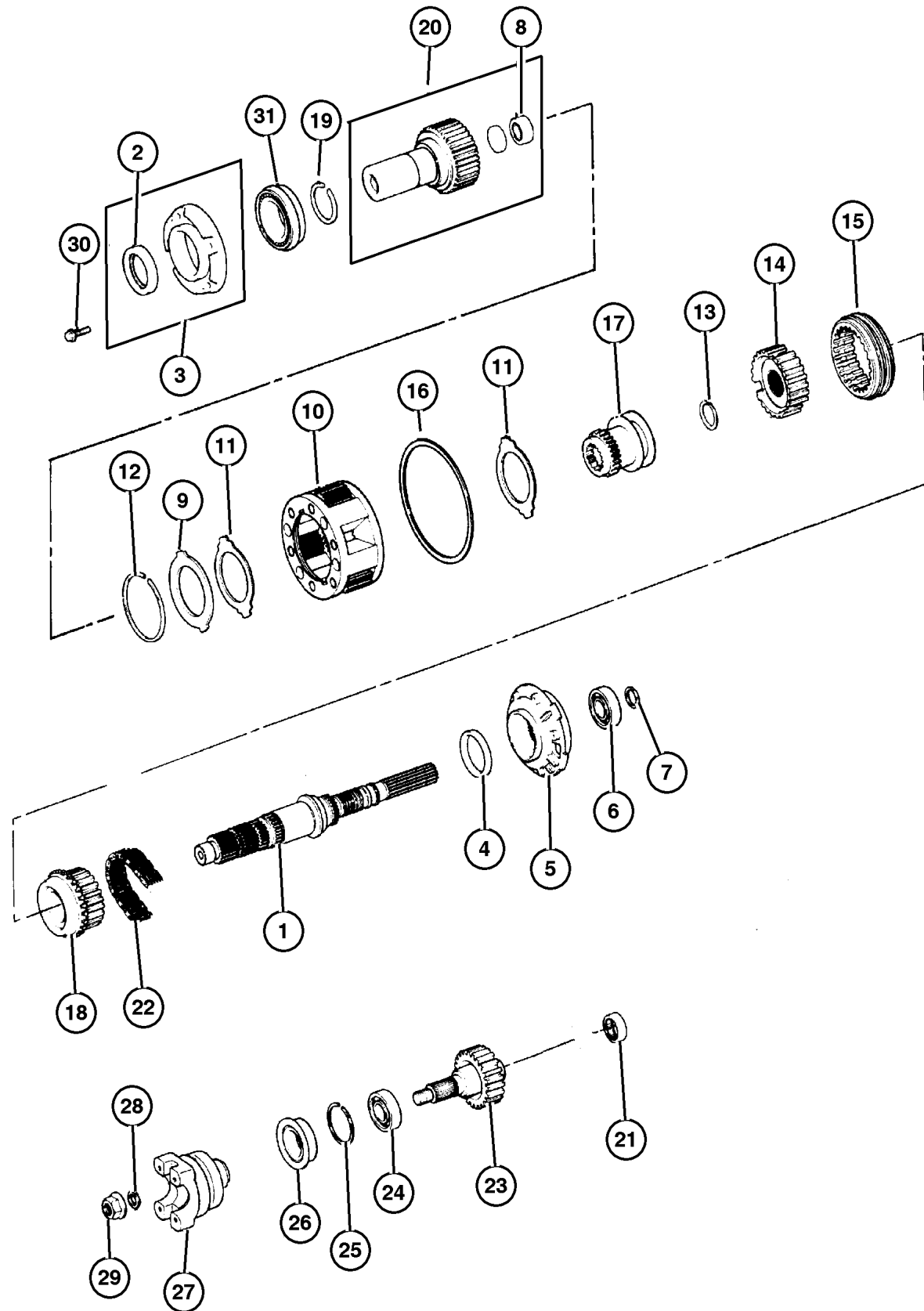
**JEEP CHEROKEE (XJ)**

SERIES	LINE	BODY	ENGINE	TRANSMISSION
L=Low Line	J=LHD (4WD) U=RHD (4WD) T=LHD (2WD) B=RHD (2WD)	74=4 DR. (101.4 WB) 72=2 DR. (101.4 WB)	ENC,EN0=2.5L 4 cyl. Turbo Die ERH,ER0=4.0L Power Tech I-6 EPE,EP0=Magnum 2.5L SMPI	DDQ=5Spd Man. DGS=4 Spd. Auto. AISIN DG0=All Auto Trans DBB=All Manual Trans.

AR = Use as required - = Non illustrated part # = New this model year

July 4, 2003

**Gear Train Command Trac (DHN)  
Figure 231-410**



ITEM	PART NUMBER	QTY	LINE	SERIES	BODY	ENGINE	TRANS	TRIM	DESCRIPTION
		1	J, U			EP0	DDQ		52099310, 1998 XJ
		1	J, U			EN0	DDQ		52098913, 1998 XJ
	4446 487	1	J			ER0			52099212, 1997 XJ
		1	J			EP0	DDQ		52099310, 1997 XJ
		1	J			EP0	DG0		52099211, 1997 XJ
29		1	J, U			EN0	DDQ		52098913, 1997 XJ, 1999 XJ
									NUT, Hex Flange
	4446 488	1	J, U			EN0	DDQ		52098913
		1	J			EP0	DDQ		52099310, 1997 XJ
30		1	J, U			ER0			52099212, 1998 XJ, 1999 XJ
		1	J, U			EP0	DDQ		52099310, 1998 XJ, 1999 XJ
									BOLT
	6500 318	4	J			ER0			52099212, 1997 XJ
		9	J			EP0	DDQ		52099310, 1997 XJ
		4	J			EP0	DG0		52099211, 1997 XJ
		9	J			EN0	DDQ		52098913, 1997 XJ
		9	J, U			ER0			52099212, 1998 XJ, 1999 XJ
		9	J, U			EP0	DDQ		52099310, 1998 XJ, 1999 XJ
		9	J, U			EN0	DDQ		52098913, 1998 XJ, 1999 XJ
31									BEARING, Input Gear
	4746 155	1	J			ER0			52099212, 1997 XJ
		1	J			EP0	DDQ		52099310, 1997 XJ
		1	J			EP0	DG0		52099211, 1997 XJ
		1	J			EN0	DDQ		52098913, 1997 XJ
		1	J, U			ER0			52099212, 1998 XJ, 1999 XJ
		1	J, U			EP0	DDQ		52099310, 1998 XJ, 1999 XJ
		1	J, U			EN0	DDQ		52098913, 1998 XJ, 1999 XJ

**JEEP CHEROKEE (XJ)**

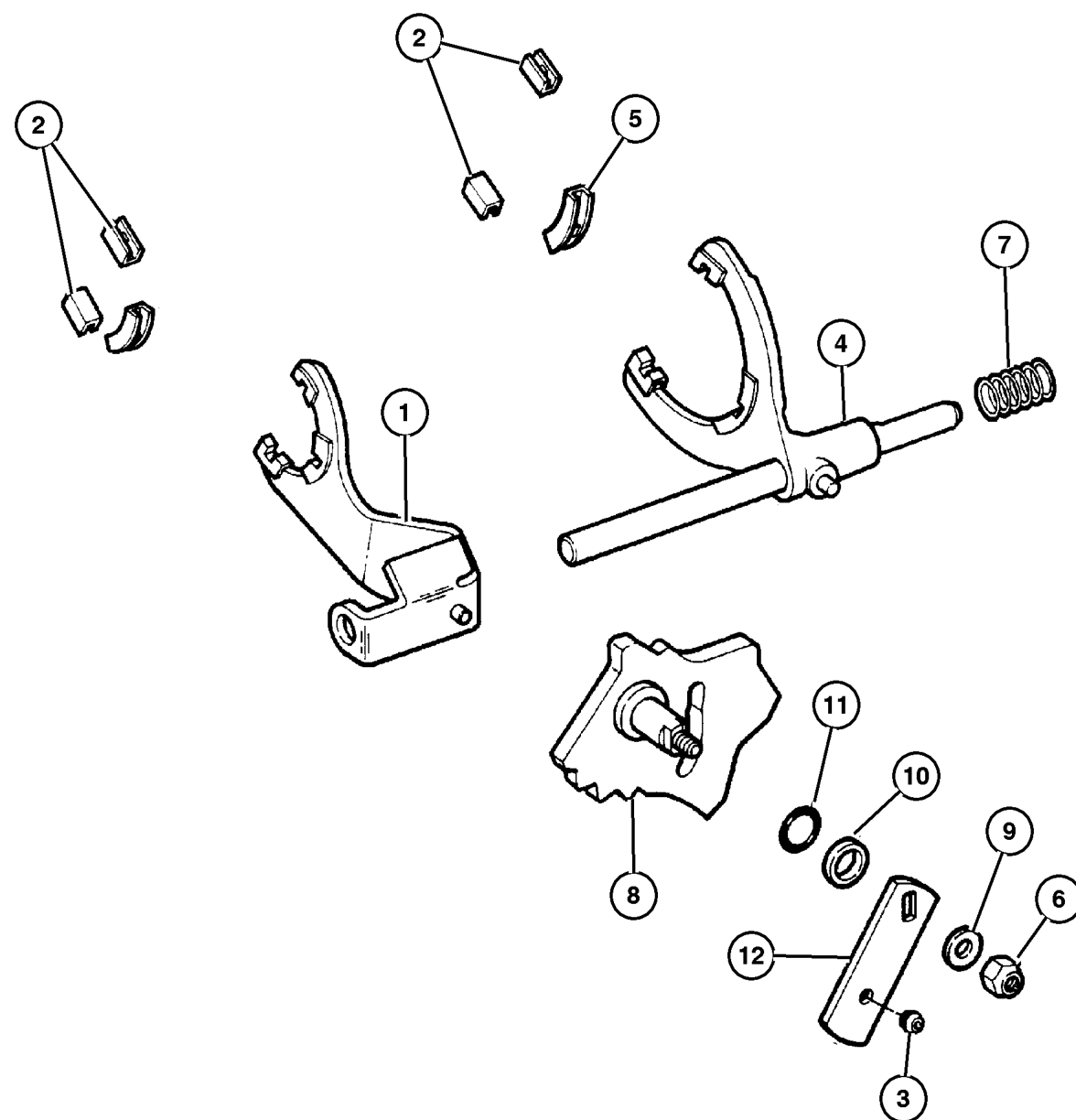
SERIES	LINE	BODY	ENGINE	TRANSMISSION
L=Low Line	J=LHD (4WD) U=RHD (4WD) T=LHD (2WD) B=RHD (2WD)	74=4 DR. (101.4 WB) 72=2 DR. (101.4 WB)	ENC,EN0=2.5L 4 cyl. Turbo Die ERH,ER0=4.0L Power Tech I-6 EPE,EP0=Magnum 2.5L SMPI	DDQ=5Spd Man. DGS=4 Spd. Auto. AISIN DG0=All Auto Trans DBB=All Manual Trans.

AR = Use as required - = Non illustrated part # = New this model year

July 4, 2003



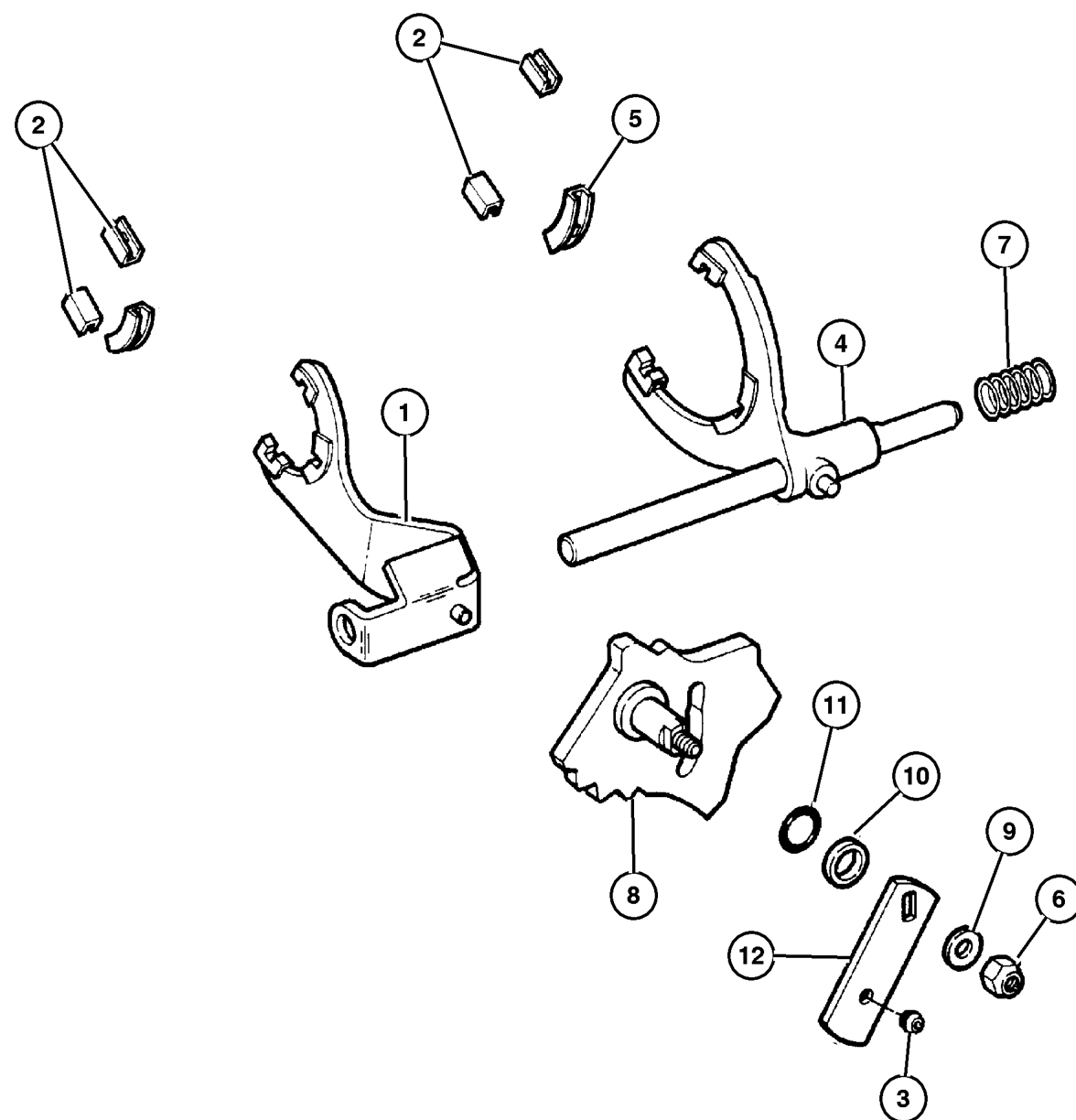
Fork and Rails Command Trac (DHN) 1997 XJ 1998 XJ  
Figure 231-910



ITEM	PART NUMBER	QTY	LINE	SERIES	BODY	ENGINE	TRANS	TRIM	DESCRIPTION
Notes:									
EPO= All 2.5L, 4 Cylinder, Gas Engine									
ER0= All 4.0L., 6 Cylinder, Gas Engine									
EN0= All 4/5 Cylinder, Turbo Diesel Engine									
DDQ = 5 Speed Manual Transmission									
DG0 = All Automatic Transmissions									
1									FORK, Range
	4638 913	1	J, U			ER0			52099212, 1998 XJ
		1	J, U			EPO	DDQ		52099310, 1998 XJ
		1	J, U			EN0	DDQ		52098913, 1998 XJ
		1	J			EPO	DDQ		52099310, 1997 XJ
		1	J			ER0			52099212, 1997 XJ
		1	J			EPO	DG0		52099211, 1997 XJ
		1	J			EN0	DDQ		52098913, 1997 XJ
2									PAD, Shift Fork
	4167 969	2	J			EN0	DDQ		1997 XJ
		2	J, U			EPO	DG0		1997 XJ
		2	J, U			ER0			52099212, 1998 XJ
		2	J, U			EPO	DDQ		52099310, 1998 XJ
3									BUSHING, Shift Lever
	5300 4810	1	J			ER0			52099212, 1997 XJ
		1	J			EPO	DG0		52099211, 1997 XJ
		1	J			EN0	DDQ		52098913, 1997 XJ
		1	J, U			ER0			52099212, 1998 XJ
		1	J, U			EN0	DDQ		52098913, 1998 XJ
		1	J, U			EPO	DDQ		52099310, 1998 XJ
4									FORK, Transfer Case Mode Shift
	4741 237	1	J, U			EN0	DDQ		52098913
		1	J			ER0			52099212, 1997 XJ
		1	J			EPO	DDQ		52099310, 1997 XJ
		1	J			EPO	DG0		52099211, 1997 XJ
		1	J, U			ER0			52099212, 1998 XJ
		1	J, U			EPO	DDQ		52099310, 1998 XJ
5									PAD, Shift Fork
	4219 073	1	J, U			EN0	DDQ		52098913
		1	J			ER0			52099212, 1997 XJ
		1	J			EPO	DDQ		52099310, 1997 XJ
		1	J			EPO	DG0		52099211, 1997 XJ
		1	J, U			ER0			52099212, 1998 XJ
		1	J, U			EPO	DDQ		52099310, 1998 XJ
6									NUT, .375-24
	0152 345	1	J			ER0			52099212, 1997 XJ

**JEEP CHEROKEE (XJ)**  
 SERIES L=Low Line LINE J=LHD (4WD) U=RHD (4WD) T=LHD (2WD) B=RHD (2WD) BODY 74=4 DR. (101.4 WB) 72=2 DR. (101.4 WB) ENGINE ENC,EN0=2.5L 4 cyl. Turbo Die ERH,ER0=4.0L Power Tech I-6 EPE,EPO=Magnum 2.5L SMPI TRANSMISSION DDQ=5Spd Man. DGS=4 Spd. Auto. AISIN DG0=All Auto Trans DBB=All Manual Trans.

Fork and Rails Command Trac (DHN) 1997 XJ 1998 XJ  
Figure 231-910



ITEM	PART NUMBER	QTY	LINE	SERIES	BODY	ENGINE	TRANS	TRIM	DESCRIPTION
		1	J			EP0	DDQ		52099310, 1997 XJ
		1	J			EP0	DG0		52099211, 1997 XJ
		1	J			EN0	DDQ		52098913, 1997 XJ
		1	J, U			ER0			52099212, 1998 XJ
		1	J, U			EN0	DDQ		52098913, 1998 XJ
		1	J, U			EP0	DDQ		52099310, 1998 XJ
7	4338 925	1	J			EP0	DDQ		52099310, 1997 XJ
		1	J			EP0	DG0		52099211, 1997 XJ
		1	J, U			ER0			52099212, 1998 XJ
		1	J, U			EP0	DDQ		52099310, 1998 XJ
		1	J, U			EN0	DDQ		52098913, 1998 XJ
8	4638 845	1	J, U			EN0	DDQ		52098913
		1	J			ER0			52099212, 1997 XJ
		1	J			EP0	DDQ		52099310, 1997 XJ
		1	J			EP0	DG0		52099211, 1997 XJ
		1	J, U			ER0			52099212, 1998 XJ
		1	J, U			EP0	DDQ		52099310, 1998 XJ
9	S243 6163	1	J, U			ER0			52099212
		1	J, U			EP0	DDQ		52099310
		1	J, U			EN0	DDQ		52098913
		1	J, U			EP0	DG0		52099211, 1997 XJ
10	4167 964	1	J			ER0			52099212, 1997 XJ
		1	J			EP0	DDQ		52099310, 1997 XJ
		1	J			EP0	DG0		52099211, 1997 XJ
		1	J			EN0	DDQ		52098913, 1997 XJ
		1	J, U			ER0			52099212, 1998 XJ
		1	J, U			EP0	DDQ		52099310, 1998 XJ
		1	J, U			EN0	DDQ		52098913, 1998 XJ
11	4167 963	1	J			ER0			52099212, 1997 XJ
		1	J			EP0	DDQ		52099310, 1997 XJ
		1	J			EP0	DG0		52099211, 1997 XJ
		1	J			EN0	DDQ		52098913, 1997 XJ
		1	J, U			ER0			52099212, 1998 XJ
		1	J, U			EN0	DDQ		52098913, 1998 XJ
		1	J, U			ER0	DG0		52098899, 1998 XJ
12	4897 185AA	1	J, U			EN0	DDQ		52098913

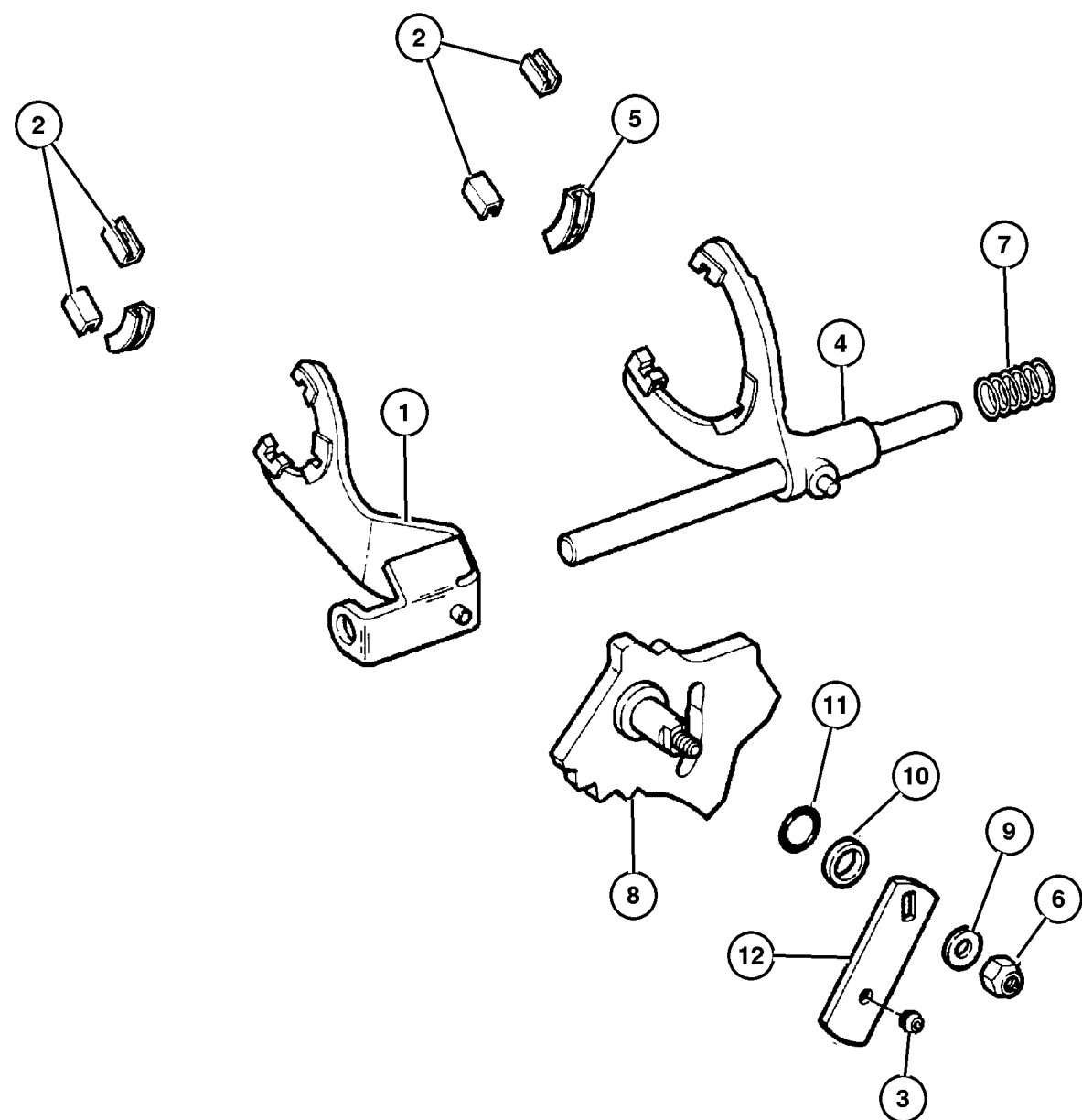
**JEEP CHEROKEE (XJ)**  
 SERIES L=Low Line  
 LINE J=LHD (4WD)  
 U=RHD (4WD)  
 T=LHD (2WD)  
 B=RHD (2WD)  
 BODY 74=4 DR. (101.4 WB)  
 72=2 DR. (101.4 WB)  
 ENGINE ENC,EN0=2.5L 4 cyl. Turbo Die  
 ERH,ER0=4.0L Power Tech I-6  
 EPE,EP0=Magnum 2.5L SMPI  
 TRANSMISSION DDQ=5Spd Man.  
 DGS=4 Spd. Auto. AISIN  
 DG0=All Auto Trans  
 DBB=All Manual Trans.

AR = Use as required - = Non illustrated part # = New this model year

July 4, 2003

Fork and Rails Command Trac (DHN) 1997 XJ 1998 XJ  
Figure 231-910

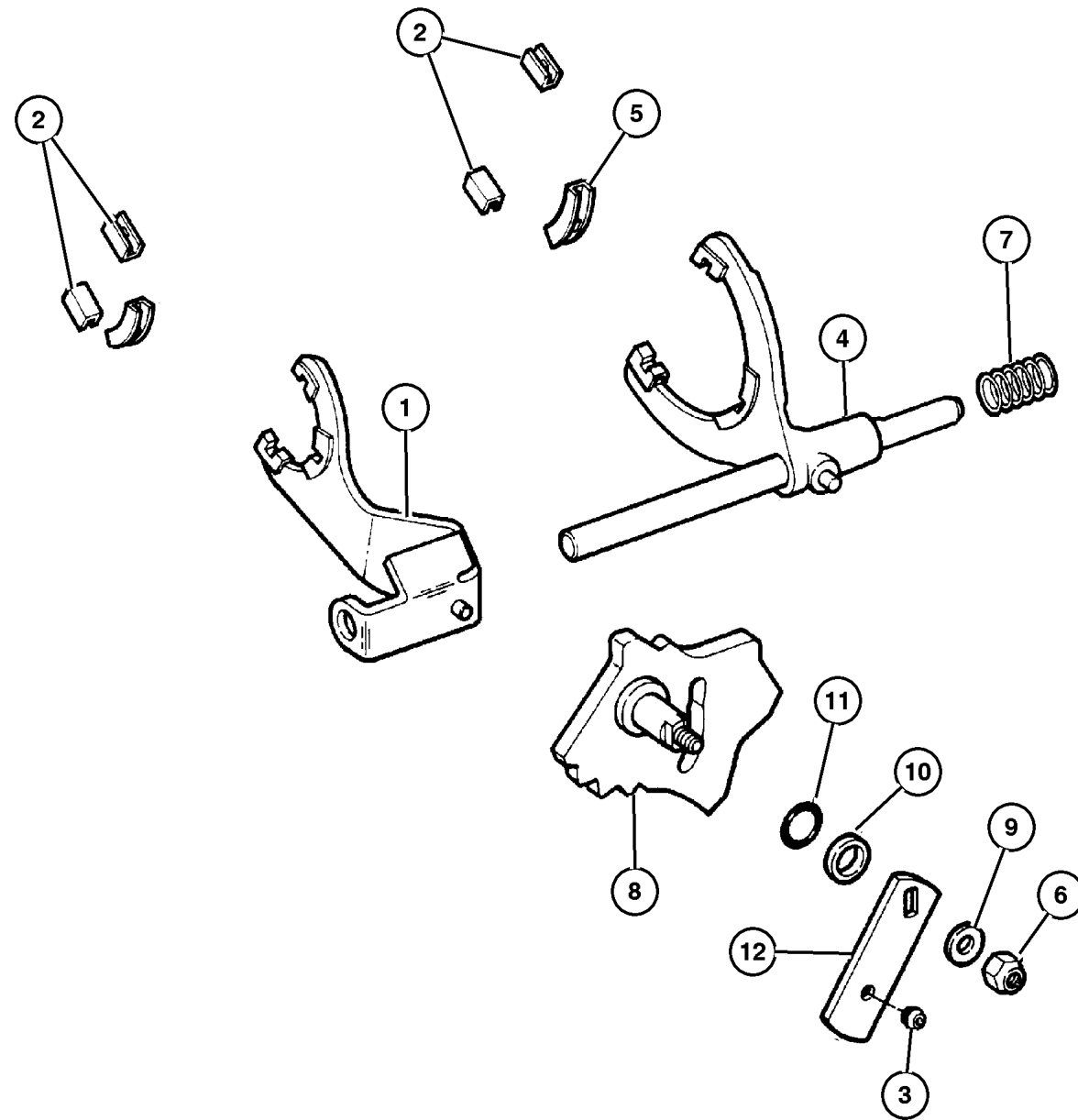
ITEM	PART NUMBER	QTY	LINE	SERIES	BODY	ENGINE	TRANS	TRIM	DESCRIPTION
		1	J			ER0			52099212, 1997 XJ
		1	J			EP0	DDQ		52099310, 1997 XJ
		1	J			EP0	DG0		52099211, 1997 XJ
		1	J, U			ER0			52099212, 1998 XJ
		1	J, U			EP0	DDQ		52099310, 1998 XJ



<b>JEEP CHEROKEE (XJ)</b>				
SERIES	LINE	BODY	ENGINE	TRANSMISSION
L=Low Line	J=LHD (4WD) U=RHD (4WD) T=LHD (2WD) B=RHD (2WD)	74=4 DR. (101.4 WB) 72=2 DR. (101.4 WB)	ENC,EN0=2.5L 4 cyl. Turbo Die ERH,ER0=4.0L Power Tech I-6 EPE,EP0=Magnum 2.5L SMPI	DDQ=5Spd Man. DGS=4 Spd. Auto. AISIN DG0=All Auto Trans DBB=All Manual Trans.

AR = Use as required - = Non illustrated part # = New this model year July 4, 2003

Fork and Rails Command Trac (DHN) 1999 XJ  
Figure 231-910



ITEM	PART NUMBER	QTY	LINE	SERIES	BODY	ENGINE	TRANS	TRIM	DESCRIPTION
Notes:									
EPO= All 2.5L, 4 Cylinder, Gas Engine									
ER0= All 4.0L., 6 Cylinder, Gas Engine									
EN0= All 4/5 Cylinder, Turbo Diesel Engine									
DDQ = 5 Speed Manual Transmission									
DG0 = All Automatic Transmissions									
1	4798 136	1	J, U			ER0			FORK, Range
		1	J, U			EPO	DDQ		
		1	J, U			EN0	DDQ		
2	4167 969	2	J, U			ER0			PAD, Shift Fork
		2	J, U			EPO	DDQ		52099310
		2	J, U			EN0	DDQ		52098913
3	5300 4810	1	J, U			ER0			BUSHING, Shift Lever
		1	J, U			EPO	DDQ		52099212
		1	J, U			EN0	DDQ		52099310
4	4741 237	1	J, U			ER0			FORK, Transfer Case Mode Shift
		1	J, U			EPO	DDQ		52099212
		1	J, U			EN0	DDQ		52099310
5	4219 073	1	J, U			ER0			PAD, Shift Fork
		1	J, U			EPO	DDQ		52099212
		1	J, U			EN0	DDQ		52099310
6	0152 345	1	J, U			ER0			NUT, .375-24
		1	J, U			EPO	DDQ		52099212
		1	J, U			EN0	DDQ		52099310
7	4338 925	1	J, U			ER0			SPRING, Mode Shift Rail
		1	J, U			EPO	DDQ		52099212
		1	J, U			EN0	DDQ		52099310
8	4638 845	1	J, U			ER0			SECTOR, Transfer Case
		1	J, U			EPO	DDQ		52099212
		1	J, U			EN0	DDQ		52099310
9	S243 6163	1	J, U			ER0			WASHER, Flat
		1	J, U			EPO	DDQ		52099212
		1	J, U			EN0	DDQ		52099310
10			J, U			EN0	DDQ		RETAINER, Rear Clutch

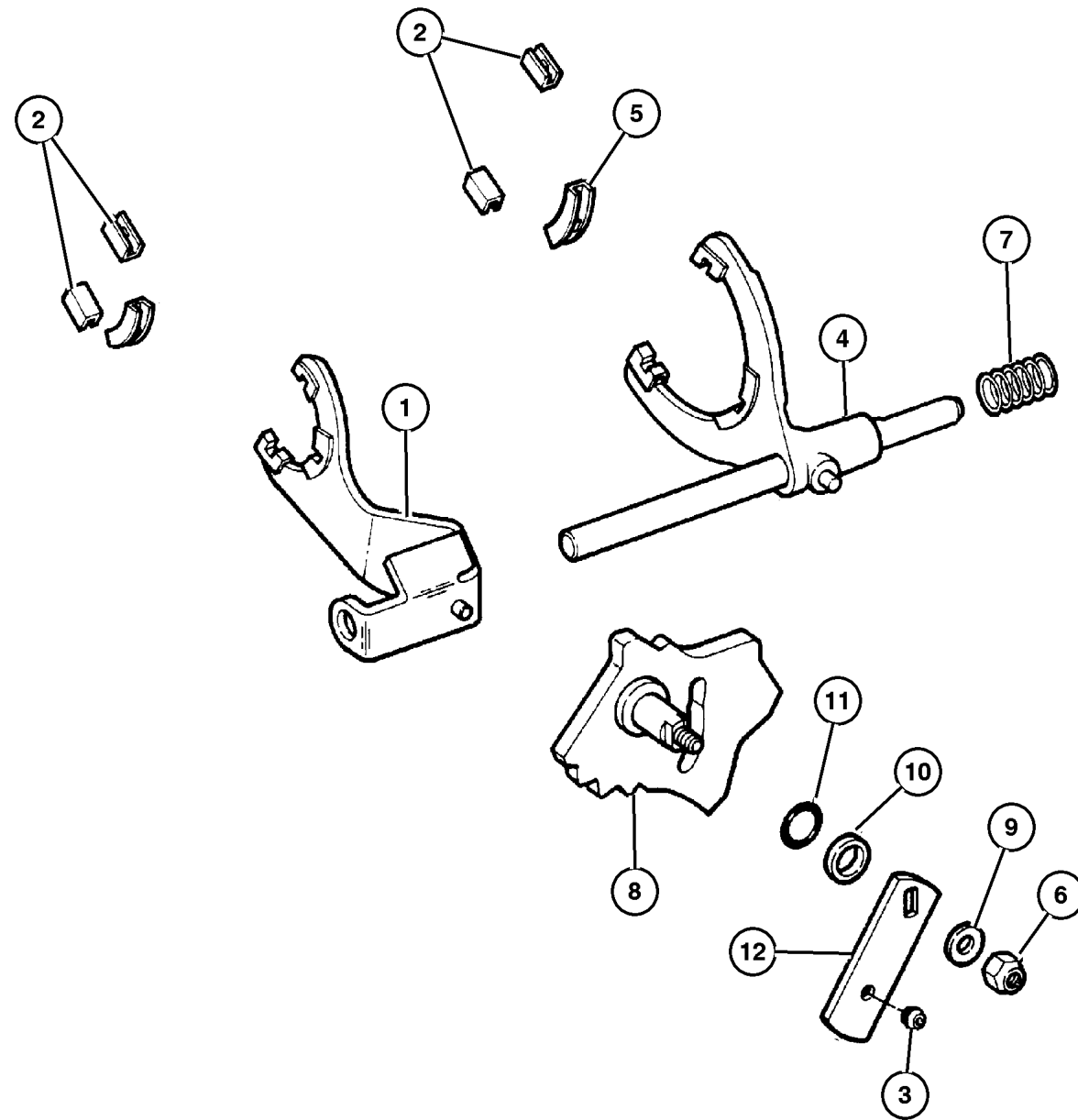
JEEP CHEROKEE (XJ)

SERIES	LINE	BODY	ENGINE	TRANSMISSION
L=Low Line	J=LHD (4WD) U=RHD (4WD) T=LHD (2WD) B=RHD (2WD)	74=4 DR. (101.4 WB) 72=2 DR. (101.4 WB)	ENC,EN0=2.5L 4 cyl. Turbo Die ERH,ER0=4.0L Power Tech I-6 EPE,EPO=Magnum 2.5L SMPI	DDQ=5Spd Man. DGS=4 Spd. Auto. AISIN DG0=All Auto Trans DBB=All Manual Trans.

AR = Use as required - = Non illustrated part # = New this model year

July 4, 2003

Fork and Rails Command Trac (DHN) 1999 XJ  
Figure 231-910



ITEM	PART NUMBER	QTY	LINE	SERIES	BODY	ENGINE	TRANS	TRIM	DESCRIPTION
	4167 964	1	J, U			ER0			52099212
		1	J, U			EP0	DDQ		52099310
		1	J, U			EN0	DDQ		52098913
11									SEAL, O-Ring
	4167 963	1	J, U			ER0			
		1	J, U			EP0	DDQ		
		1	J, U			EN0	DDQ		
12									LEVER, Selector
	4897 185AA	1	J, U			ER0			52099212
		1	J, U			EP0	DDQ		52099310
		1	J, U			EN0	DDQ		52098913

JEEP CHEROKEE (XJ)  
 SERIES LINE BODY ENGINE TRANSMISSION  
 L=Low Line J=LHD (4WD) 74=4 DR. (101.4 WB) ENC,EN0=2.5L 4 cyl. Turbo Die DDQ=5Spd Man.  
 U=RHD (4WD) 72=2 DR. (101.4 WB) ERH,ER0=4.0L Power Tech I-6 DGS=4 Spd. Auto. AISIN  
 T=LHD (2WD) EPE,EP0=Magnum 2.5L SMPI DG0=All Auto Trans  
 B=RHD (2WD) DBB=All Manual Trans.

AR = Use as required - = Non illustrated part # = New this model year

July 4, 2003

**Gearshift Controls Command Trac (DHN)  
Figure 231-1220**

ITEM	PART NUMBER	QTY	LINE	SERIES	BODY	ENGINE	TRANS	TRIM	DESCRIPTION
------	-------------	-----	------	--------	------	--------	-------	------	-------------

Notes:

EPO= All 2.5L, 4 Cylinder, Gas Engine  
 ER0= All 4.0L., 6 Cylinder, Gas Engine  
 ENC= 2.5L 4 Cylinder Turbo Diesel Engine  
 DDQ = 5 Speed Manual Transmission  
 DG0 = All Automatic Transmission  
 DBB = All Manual Transmissions

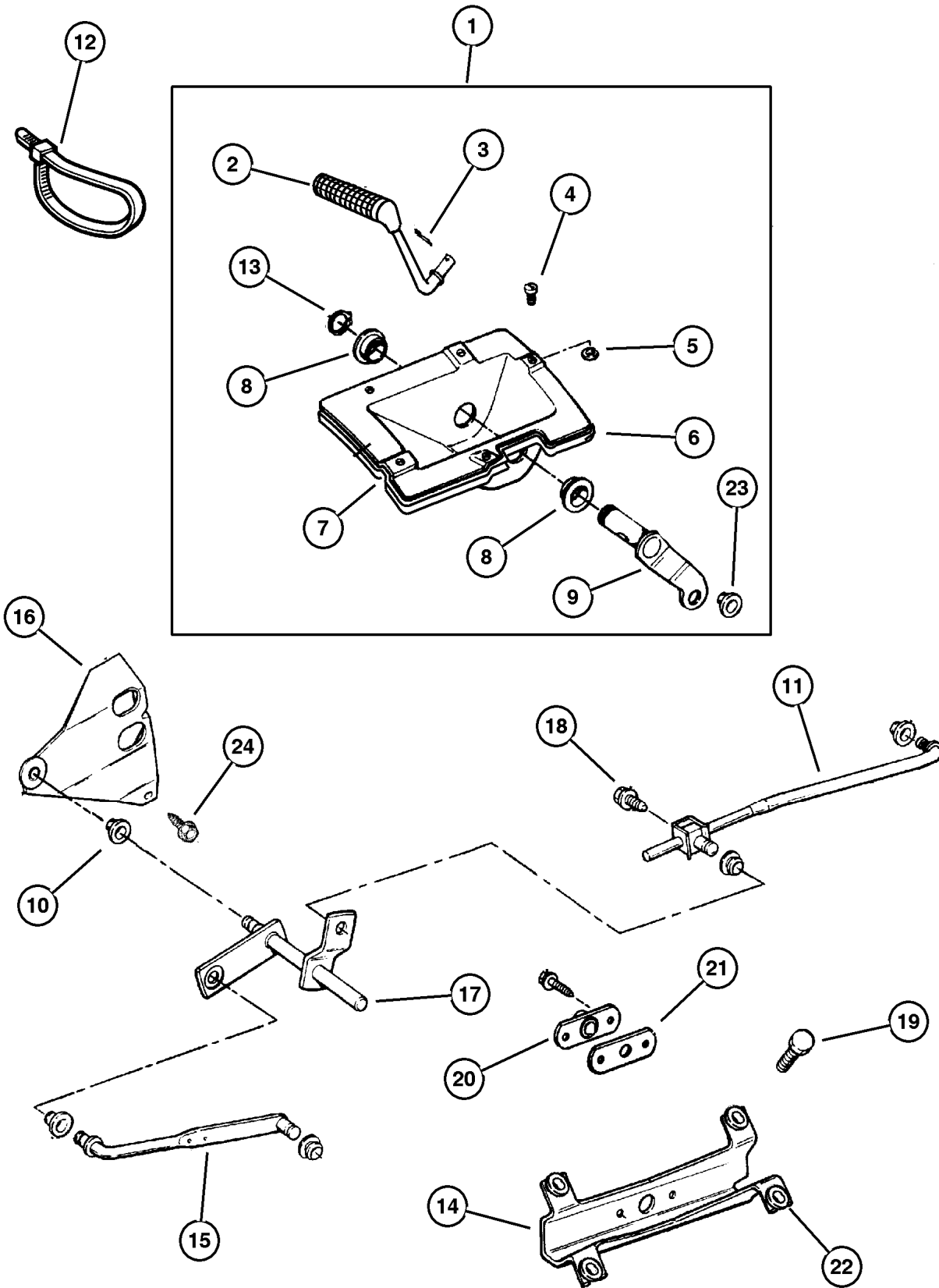
1									SHIFTER, Transfer Case
	52104 100AB	1	J						1997 XJ, 1998 XJ
	52104 100AC	1	J						1999 XJ
	52104 101AB	1	U						1997 XJ, 1998 XJ
	52104 101AC	1	U						1999 XJ
2									LEVER, Transfer Case Shifter
	5207 9256	1	J						
		1	U						
3									PIN, Cotter
	J400 6723	1	J						
		1	U						
4									FASTENER, Push On
	5207 7650	1	U						1997 XJ, 1998 XJ
	5207 7671	1	U						1999 XJ
		1	J						1999 XJ
	5300 0809	1	J						1997 XJ, 1998 XJ
5									NUT, Push, M5
	6100 839	2	J						1999 XJ
		2	U						1999 XJ
	5207 7671	1	U						1997 XJ
		1	J						1997 XJ, 1998 XJ
6									BOOT, Transfer Case Lever
	5210 4019	1	J						
		1	U						
7									HOUSING, Shift Lever
	5300 1284	1	J						
		1	U						
8									BUSHING, Shift Control
	5300 0639	2	J						
		1	U						1997 XJ
		2	U						1999 XJ
9									LEVER, Transfer Case
	53005 150AC	1	J						
		1	U						
10									BUSHING, Shift Lever

JEEP CHEROKEE (XJ)

SERIES	LINE	BODY	ENGINE	TRANSMISSION
L=Low Line	J=LHD (4WD) U=RHD (4WD) T=LHD (2WD) B=RHD (2WD)	74=4 DR. (101.4 WB) 72=2 DR. (101.4 WB)	ENC,EN0=2.5L 4 cyl. Turbo Die ERH,ER0=4.0L Power Tech I-6 EPE,EPO=Magnum 2.5L SMPI	DDQ=5Spd Man. DGS=4 Spd. Auto. AISIN DG0=All Auto Trans DBB=All Manual Trans.

AR = Use as required - = Non illustrated part # = New this model year

July 4, 2003

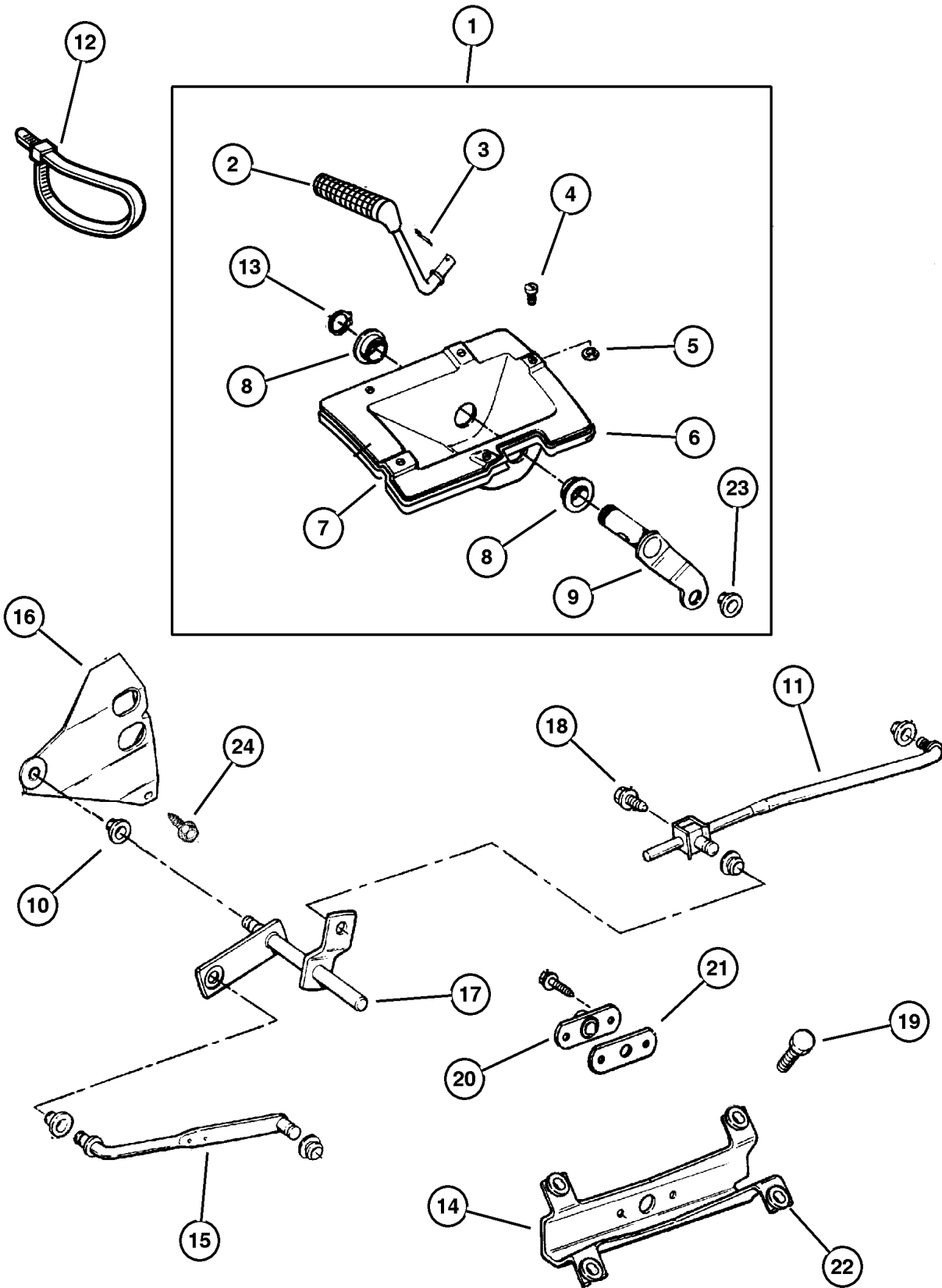


**Gearshift Controls Command Trac (DHN)  
Figure 231-1220**

ITEM	PART NUMBER	QTY	LINE	SERIES	BODY	ENGINE	TRANS	TRIM	DESCRIPTION
	5300 4810	1	J, U			EP0			
		1	J, U			ER0	DDQ		
		1	J			ENC	DBB		1997 XJ
		1	J, U			ER0	DG0		1997 XJ, 1998 XJ
		1	J, U			ENC	DBB		1998 XJ, 1999 XJ
11									ROD, Gear Shift Control, Transfer Case
	5210 4073	1	J, U			EP0			
		1	J, U			ER0	DG0		
12		1	J			ENC	DBB		1997 XJ
	J369 3058	1	J						STRAP, Retaining
		1	U						
13									SNAP RING
	1150 5389	1	J						1997 XJ, 1999 XJ
		1	U						1997 XJ, 1999 XJ
		1	J						52104100AB, 1998 XJ
		1	U						52104101AB, 1998 XJ
14									BRACKET, Torque Shaft
	5210 4017	1	J, U			EP0			1997 XJ, 1998 XJ
		1	J, U			ER0	DG0		1997 XJ, 1998 XJ
	52104 017AB	1	J, U			EP0			1999 XJ
		1	J, U			ER0	DG0		1999 XJ
	5210 4018	1	J, U			ENC,	DDQ		1997 XJ, 1998 XJ
						ER0			
	52104 018AB	1	J, U			ENC,	DDQ		1999 XJ
						ER0			
15									ROD, Gear Shift Control, Transfer Case
	5300 4941	1	J, U			EP0			
	5300 4942	1	J, U			ER0	DG0		
	5300 4945	1	J			EN0			1997 XJ
	5300 5448	1	J, U			ER0	DDQ		
16									BRACKET, Torque Shaft
	5207 7574	1	J, U			ER0	DDQ		1997 XJ, 1998 XJ
	5207 8605	1	J, U			ENC	DBB		
	5300 5069	1	J, U			EP0			
	5300 5071	1	J, U			ER0	DG0		1997 XJ, 1998 XJ
	53005 071AB	1	J, U			ER0	DG0		1999 XJ
17									TORQUE SHAFT, Transfer Case
	5207 8541	1	J, U			ENC	DBB		
	5300 5151	1	J, U			EP0			

**JEEP CHEROKEE (XJ)**

SERIES	LINE	BODY	ENGINE	TRANSMISSION
L=Low Line	J=LHD (4WD) U=RHD (4WD) T=LHD (2WD) B=RHD (2WD)	74=4 DR. (101.4 WB) 72=2 DR. (101.4 WB)	ENC,EN0=2.5L 4 cyl. Turbo Die ERH,ER0=4.0L Power Tech I-6 EPE,EP0=Magnum 2.5L SMPI	DDQ=5Spd Man. DGS=4 Spd. Auto. AISIN DG0=All Auto Trans DBB=All Manual Trans.



AR = Use as required - = Non illustrated part # = New this model year

July 4, 2003

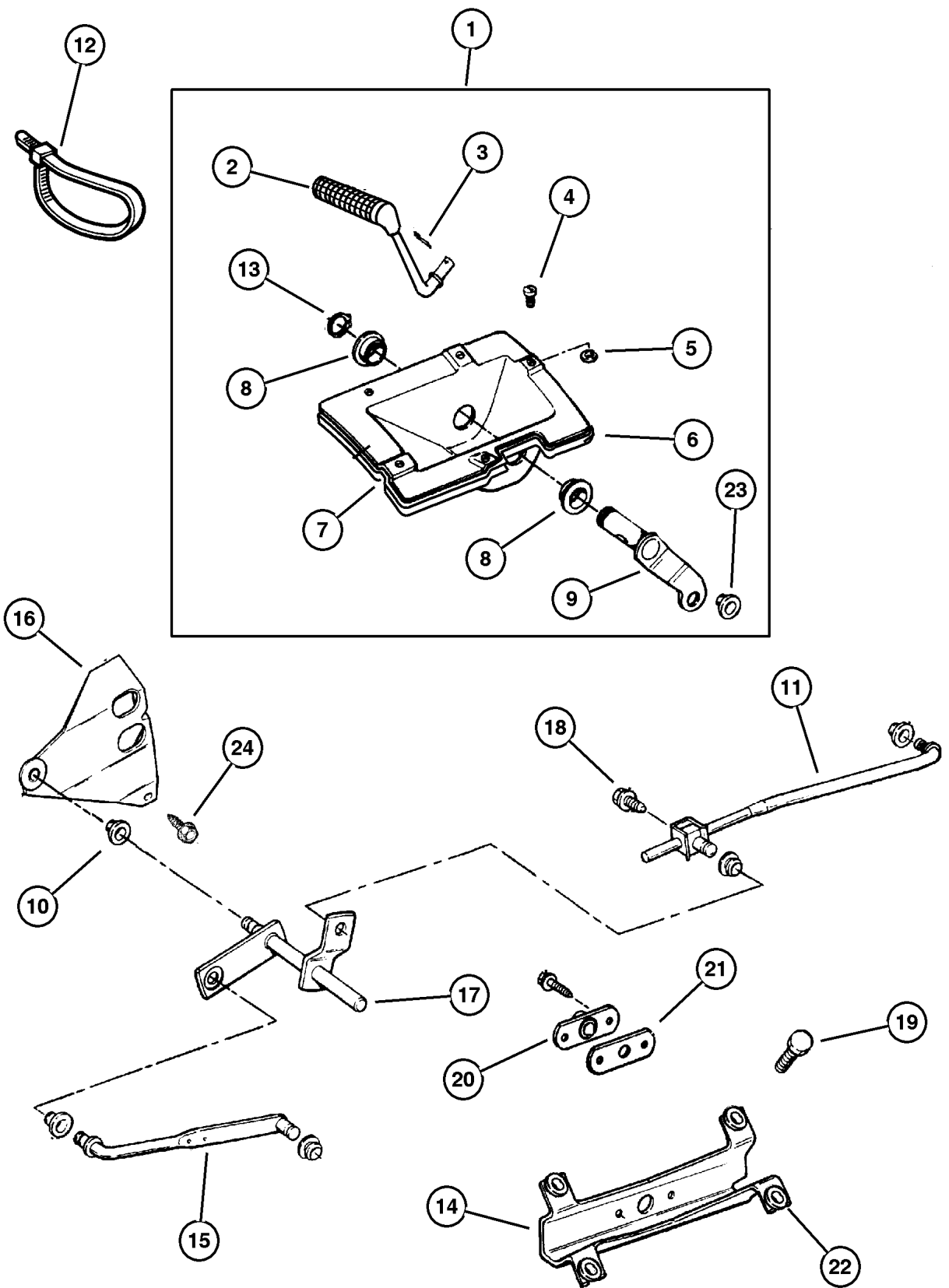
**Gearshift Controls Command Trac (DHN)  
Figure 231-1220**

ITEM	PART NUMBER	QTY	LINE	SERIES	BODY	ENGINE	TRANS	TRIM	DESCRIPTION
	5300 5552	1	J, U			ER0	DDQ		
	5300 5151	1	J, U			ER0	DG0		1999 XJ
18	J400 6036	1	J, U						BOLT, Hex Head, .312-18x.50
19	6503 811	4	J, U						BOLT, Hex Head, M6x1.00x20.00
20									BEARING, Transfer Case Shift
	5207 8134	1	J, U			ER0	DG0		1997 XJ, 1999 XJ
		1	J, U			ENC, ER0	DDQ		1997 XJ, 1999 XJ
		1	J, U			EP0			1998 XJ, 1999 XJ
21									GASKET, Gearshift Control Rod
	5300 5154	1	J, U			ENC, ER0	DDQ		
		1	J, U			ER0	DG0		1998 XJ, 1999 XJ
		1	J, U			EP0			1999 XJ
22									GROMMET
	5210 4014	4	J			EP0			1997 XJ
		4	J			ER0	DG0		1997 XJ
		4	J			ENC, ER0	DDQ		1997 XJ
		4	J, U			EP0			52104017, 1998 XJ
		4	J, U			ER0	DG0		52104017, 1998 XJ
		4	J, U			ENC, ER0	DDQ		52104018, 1998 XJ
		1	J, U			EP0			1999 XJ
		1	J, U			ER0	DG0		1999 XJ
		4	J, U			ENC, ER0	DDQ		1999 XJ
23									GROMMET, Control Rod Front
	3575 333	AR	U						1997 XJ
		AR	J						1997 XJ
		AR	J, U			EP0			1998 XJ
		AR	J, U			ER0			1998 XJ
		AR	J, U			ENC	DBB		1998 XJ
		1	J						1999 XJ
		1	U						1999 XJ
24	1150 4336	1	J, U			ER0	DG0		BOLT, Hex Head, M8x1.25x16

**JEEP CHEROKEE (XJ)**  
 SERIES LINE BODY ENGINE TRANSMISSION  
 L=Low Line J=LHD (4WD) 74=4 DR. (101.4 WB) ENC,EN0=2.5L 4 cyl. Turbo Die DDQ=5Spd Man.  
 U=RHD (4WD) 72=2 DR. (101.4 WB) ERH,ER0=4.0L Power Tech I-6 DGS=4 Spd. Auto. AISIN  
 T=LHD (2WD) EPE,EP0=Magnum 2.5L SMPI DG0=All Auto Trans  
 B=RHD (2WD) DBB=All Manual Trans.

AR = Use as required - = Non illustrated part # = New this model year

July 4, 2003





# Group – 242

## Transfer Case Model 242

### GROUP 242 - Transfer Case Model 242

Illustration Title

Group-Fig. No.

#### Transfer Case Assembly

Transfer Case Select Trac (DHP) 1997 XJ .....	Fig. 242-110
Transfer Case Select Trac (DHP) 1998 XJ .....	Fig. 242-110
Transfer Case Select Trac (DHP) 1999 XJ .....	Fig. 242-110

#### Case and Related Parts

Case and Related Parts Select Trac (DHP) 1997 XJ .....	Fig. 242-210
Case and Related Parts Select Trac (DHP) 1998 XJ .....	Fig. 242-210
Case and Related Parts Select Trac (DHP) 1999 XJ .....	Fig. 242-210

#### Gear Train

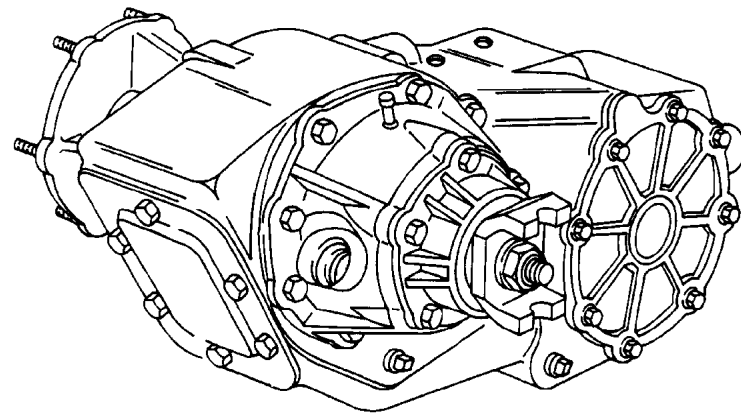
Gear Train Select Trac (DHP) 1997 XJ .....	Fig. 242-410
Gear Train Select Trac (DHP) 1998 XJ .....	Fig. 242-410
Gear Train Select Trac (DHP) 1999 XJ .....	Fig. 242-410

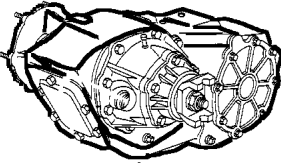
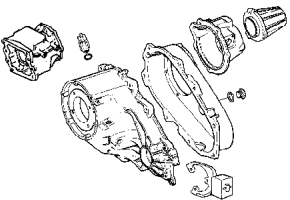
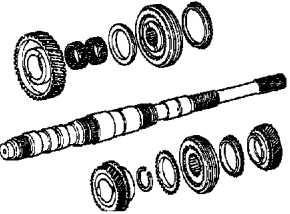
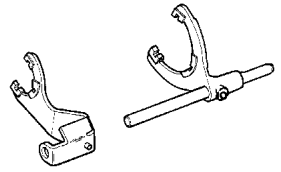
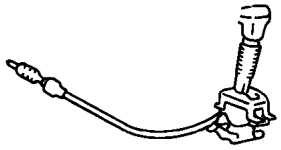
#### Fork and Rails

Fork and Rails Select Trac (DHP) 1997 XJ .....	Fig. 242-910
Fork and Rails Select Trac (DHP) 1998 XJ .....	Fig. 242-910
Fork and Rails Select Trac (DHP) 1999 XJ .....	Fig. 242-910

#### Gearshift Controls

Gearshift Controls Select Trac (DHP) 1997 XJ .....	Fig. 242-1210
Gearshift Controls Select Trac (DHP) 1998 XJ .....	Fig. 242-1210
Gearshift Controls Select Trac (DHP) 1999 XJ .....	Fig. 242-1210



<p><b>242-100</b> Transfer Case Assembly</p> 	<p><b>242-200</b> Case and Related Parts</p> 	<p><b>242-400</b> Gear Train</p> 	<p><b>242-900</b> Fork and Rails</p> 
<p><b>242-1200</b> Gearshift Controls</p> 			

**Transfer Case Select Trac (DHP) 1997 XJ  
Figure 242-110**

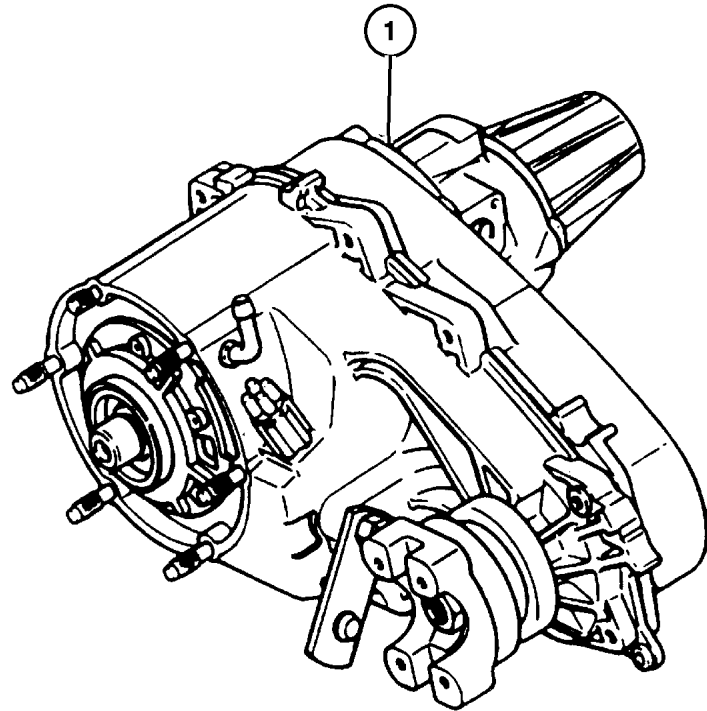
ITEM	PART NUMBER	QTY	LINE	SERIES	BODY	ENGINE	TRANS	TRIM	DESCRIPTION
------	-------------	-----	------	--------	------	--------	-------	------	-------------

Notes:

ER0 = All 4.0L 6 Cylinder Gas Engine

DG0 = All Automatic Transmissions

1	5209 8899	1	J, U			ER0	DG0		TRANSFER CASE, NP242 w/o Export Package (ABE), w/o Police Package (AHB)
	5211 1083	1	J, U			ER0	DG0		w/ Export Package (ABE), w/ Police Package (AHB).



**JEEP CHEROKEE (XJ)**

SERIES	LINE	BODY	ENGINE	TRANSMISSION
L=Low Line	J=LHD (4WD) U=RHD (4WD) T=LHD (2WD) B=RHD (2WD)	74=4 DR. (101.4 WB) 72=2 DR. (101.4 WB)	ENC,EN0=2.5L 4 cyl. Turbo Die ERH,ER0=4.0L Power Tech I-6 EPE,EP0=Magnum 2.5L SMPI	DDQ=5Spd Man. DGS=4 Spd. Auto. AISIN DG0=All Auto Trans DBB=All Manual Trans.

AR = Use as required - = Non illustrated part # = New this model year

July 4, 2003

**Transfer Case Select Trac (DHP) 1998 XJ  
Figure 242-110**

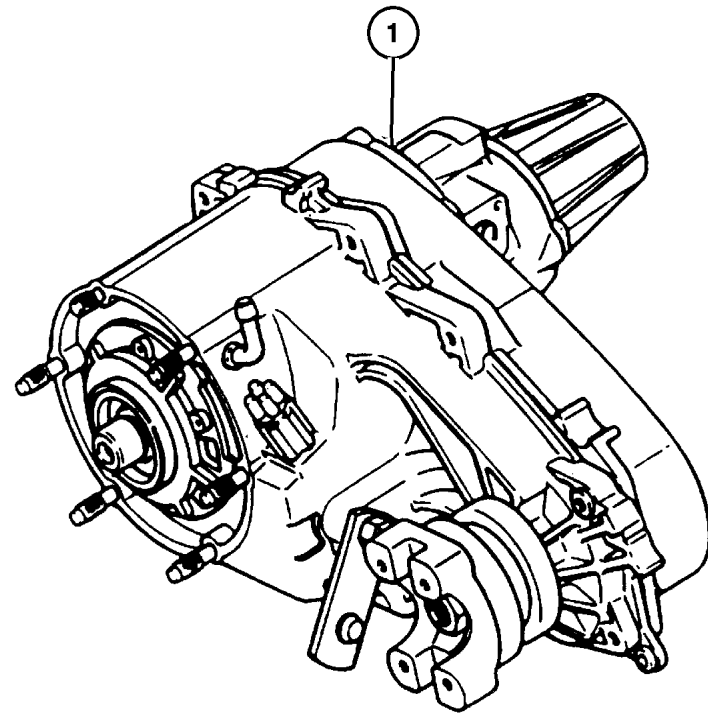
ITEM	PART NUMBER	QTY	LINE	SERIES	BODY	ENGINE	TRANS	TRIM	DESCRIPTION
------	-------------	-----	------	--------	------	--------	-------	------	-------------

Notes:

ER0 = All 4.0L 6 Cylinder Gas Engine

DG0 = All Automatic Transmissions

1	5209 8899	1	J, U			ER0	DG0		TRANSFER CASE, NP242 w/o Export Package (ABE), w/o Police Package (AHB)
	5211 1083	1	J, U			ER0	DG0		w/ Export Package (ABE), w/ Police Package (AHB).



**JEEP CHEROKEE (XJ)**

SERIES	LINE	BODY	ENGINE	TRANSMISSION
L=Low Line	J=LHD (4WD) U=RHD (4WD) T=LHD (2WD) B=RHD (2WD)	74=4 DR. (101.4 WB) 72=2 DR. (101.4 WB)	ENC,EN0=2.5L 4 cyl. Turbo Die ERH,ER0=4.0L Power Tech I-6 EPE,EP0=Magnum 2.5L SMPI	DDQ=5Spd Man. DGS=4 Spd. Auto. AISIN DG0=All Auto Trans DBB=All Manual Trans.

AR = Use as required - = Non illustrated part # = New this model year

July 4, 2003

**Transfer Case Select Trac (DHP) 1999 XJ  
Figure 242-110**

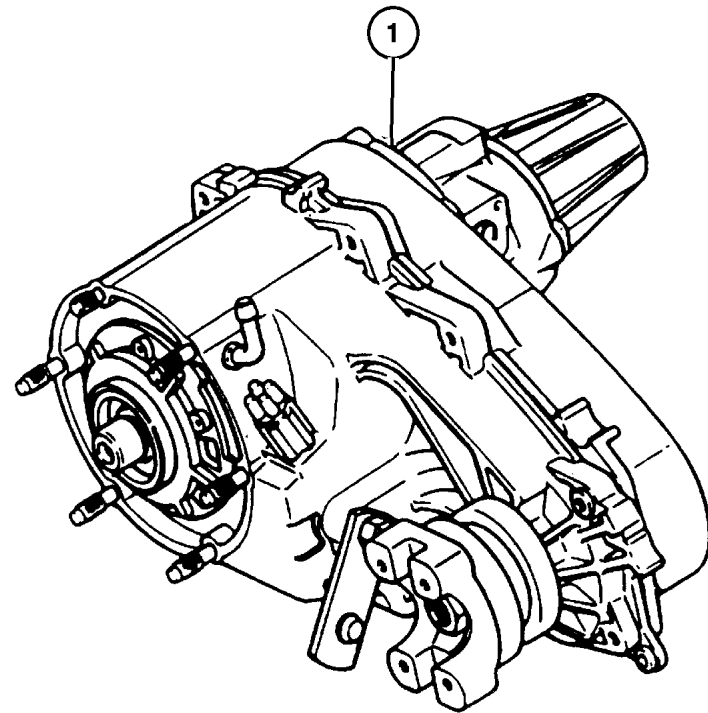
ITEM	PART NUMBER	QTY	LINE	SERIES	BODY	ENGINE	TRANS	TRIM	DESCRIPTION
------	-------------	-----	------	--------	------	--------	-------	------	-------------

Notes:

ER0 = All 4.0L 6 Cylinder Gas Engine

DG0 = All Automatic Transmissions

1	5209 8899	1	J, U			ER0	DG0		TRANSFER CASE, NP242 w/o Export Package (ABE), w/o Police Package (AHB)
	5211 1083	1	J, U			ER0	DG0		w/ Export Package (ABE), w/ Police Package (AHB).



**JEEP CHEROKEE (XJ)**

SERIES	LINE	BODY	ENGINE	TRANSMISSION
L=Low Line	J=LHD (4WD) U=RHD (4WD) T=LHD (2WD) B=RHD (2WD)	74=4 DR. (101.4 WB) 72=2 DR. (101.4 WB)	ENC,EN0=2.5L 4 cyl. Turbo Die ERH,ER0=4.0L Power Tech I-6 EPE,EP0=Magnum 2.5L SMPI	DDQ=5Spd Man. DGS=4 Spd. Auto. AISIN DG0=All Auto Trans DBB=All Manual Trans.

AR = Use as required - = Non illustrated part # = New this model year

July 4, 2003

**Case and Related Parts Select Trac (DHP) 1997 XJ  
Figure 242-210**

ITEM	PART NUMBER	QTY	LINE	SERIES	BODY	ENGINE	TRANS	TRIM	DESCRIPTION
------	-------------	-----	------	--------	------	--------	-------	------	-------------

Notes:

EPO= All 2.5L, 4 Cylinder, Gas Engine  
 ER0= All 4.0L., 6 Cylinder, Gas Engine  
 EN0= All 4/5 Cylinder, Turbo Diesel Engine  
 DG0 = All Automatic Transmissions

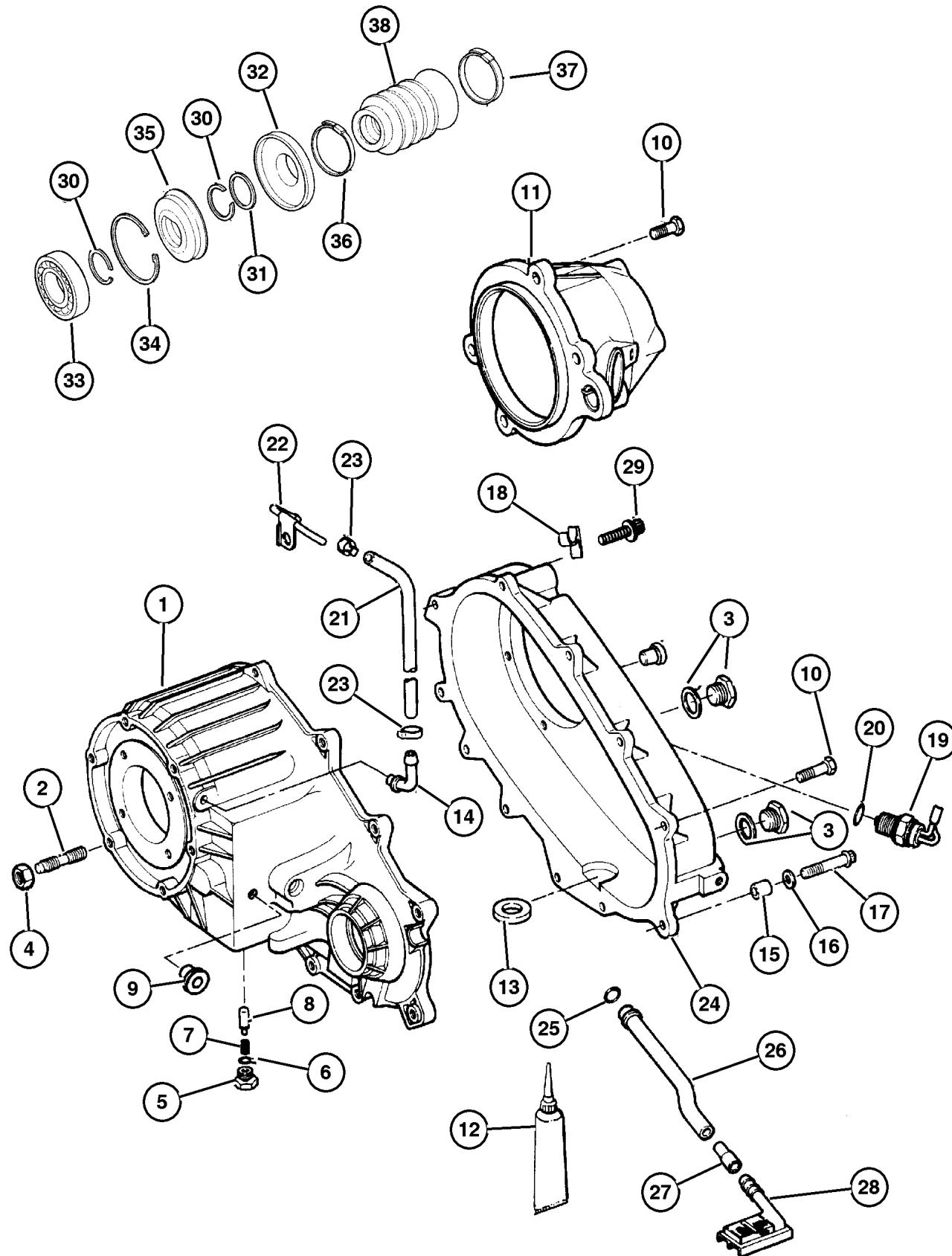
1	4883 336	1	J			ER0	DG0		CASE, Transfer Front 52111083
		1	J, U			ER0	DG0		52098899
2	4505 365	6	J			ER0	DG0		STUD, M10x1.54x36 52098899
		6	J			ER0	DG0		52111083
3	4856 641	2	J			ER0	DG0		PLUG, Oil Fill 52111083
		2	J			ER0	DG0		52098899
4	J400 6681	6	J			EN0, ER0			NUT AND CONED WASHER, Hex, .375-24 52111083
5									SCREW 52098899
	4886 473AA	1	J, U			ER0	DG0		52111083
	5300 8216	1	J			ER0	DG0		52098899
		1	J, U			ER0	DG0		52098899
6									SEAL, Vacuum Switch 52111083
	4167 963	1	J			ER0	DG0		5298899
		1	J, U			ER0	DG0		52111083
7	4638 497	1	J			ER0	DG0		SPRING, Shift Detent 52111083
		1	J, U			ER0	DG0		52098899
8	5300 8217	1	J			ER0	DG0		PLUNGER 52098899
		1	J			ER0	DG0		52111083
9	0015 105	1	J, U			ER0	DG0		PLUG 52098899
		1	J, U			ER0	DG0		52111083
10	4210 617	8	J			ER0	DG0		BOLT, Transfer Case 52098899
		12	J			ER0	DG0		52111083
11	4856 391	1	J			ER0	DG0		RETAINER, Transfer Case Rear 52111083
		1	J, U			ER0	DG0		52098899
12	4318 025	1	J, U			ER0	DGS		SEALANT, RTV 52098899
13	3681 601	1	J			ER0	DG0		MAGNET, Transmission, 52098899
14	4796 910	1	J			ER0	DG0		VENT, Transfer Case 52111083

JEEP CHEROKEE (XJ)

SERIES	LINE	BODY	ENGINE	TRANSMISSION
L=Low Line	J=LHD (4WD) U=RHD (4WD) T=LHD (2WD) B=RHD (2WD)	74=4 DR. (101.4 WB) 72=2 DR. (101.4 WB)	ENC,EN0=2.5L 4 cyl. Turbo Die ERH,ER0=4.0L Power Tech I-6 EPE,EPO=Magnum 2.5L SMPI	DDQ=5Spd Man. DGS=4 Spd. Auto. AISIN DG0=All Auto Trans DBB=All Manual Trans.

AR = Use as required - = Non illustrated part # = New this model year

July 4, 2003



Case and Related Parts Select Trac (DHP) 1997 XJ  
Figure 242-210

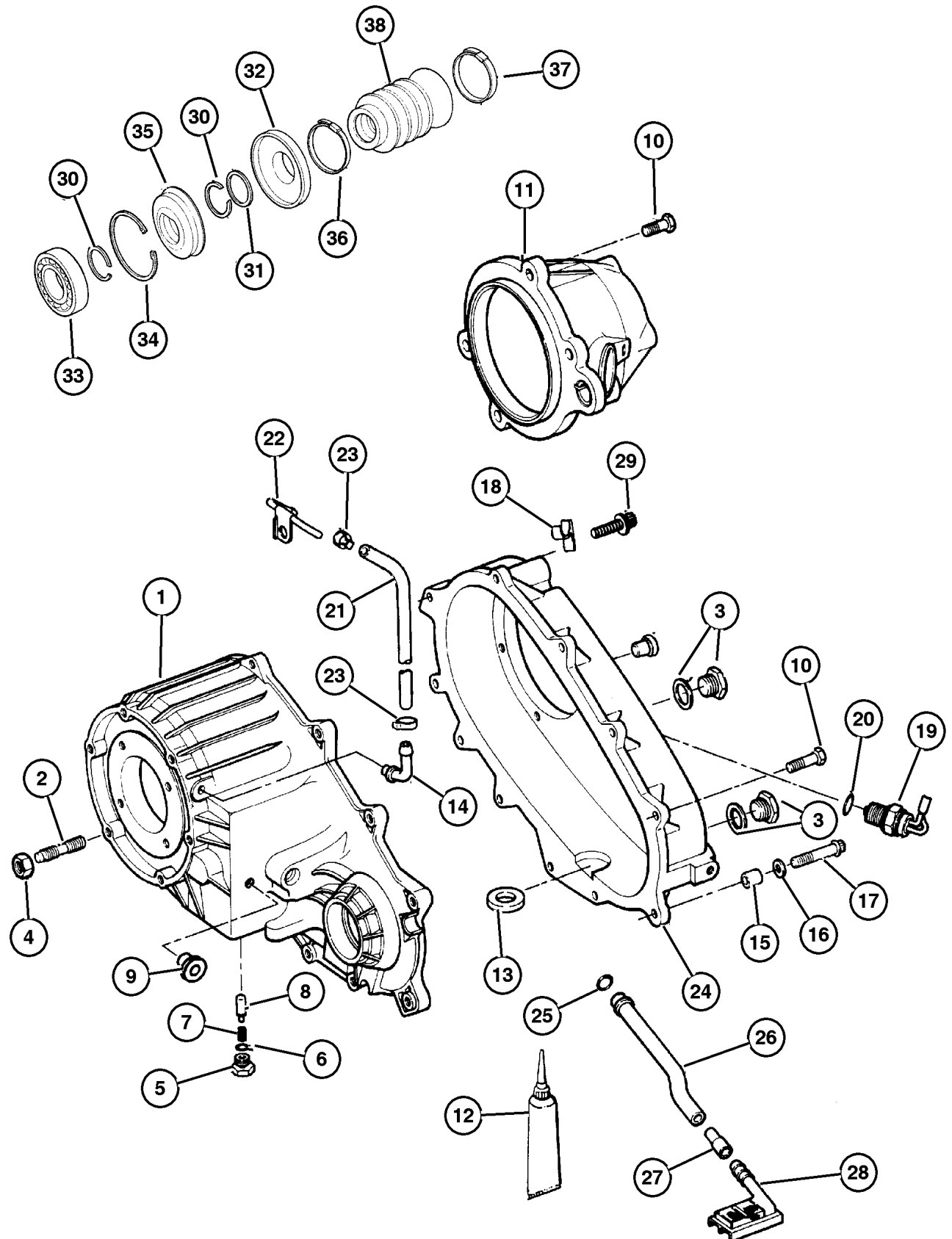
ITEM	PART NUMBER	QTY	LINE	SERIES	BODY	ENGINE	TRANS	TRIM	DESCRIPTION
		1	J, U			ER0	DG0		52098899
15						ER0	DG0		DOWEL, Transfer Case
	4116 310	2	J			ER0	DG0		52111083
		1	J, U			ER0	DG0		52098899
16									WASHER, Flat
	4210 983	2	J			ER0	DG0		52111083
		1	J, U			ER0	DG0		52098899
17									BOLT, Hex Flange Head
	4210 614	2	J			ER0	DG0		52111083
		1	J, U			ER0	DG0		52098899
18	5211 8181	1	J, U			EN0, ER0	DBB		CLIP
19	5600 6755	1	J			ER0	DG0		SWITCH, Transfer Case Mode
20	4338 956	1	J, U			ER0	DG0		SEAL, Vacuum Switch, 52098899
21	4443 176	1							HOSE, Fuel, .31 I.D. 50 Foot Roll
22	5300 7494	1	J, U						VENT, Transfer Case
23	6502 081	2	J, U						CLAMP, Oil Cooler Line
24									CASE, Transfer Case Rear
	4874 298	1	J			ER0	DG0		52111083
		1	J, U			ER0	DG0		52098899
25									SEAL, Oil
	4338 942	1	J			ER0	DG0		52111083
		1	J, U			ER0	DG0		52098899
26									TUBE, Oil Pickup
	8350 3523	1	J			ER0	DG0		52111083
		1	J, U			ER0	DG0		52098899
27									CONNECTOR, Oil Tube Pickup
	4338 944	1	J			ER0	DG0		52111083
		1	J, U			ER0	DG0		52098899
28									FILTER, Transfer Case Oil
	4338 943	1	J			ER0	DG0		52111083
		1	J, U			ER0	DG0		52098899
29									BOLT, Twelve Point Head, M10x1. 5x48
	J813 0979	1	J			ER0	DG0		52111083
		1	J, U			ER0	DG0		52098899
30									SNAP RING
	J813 4488	1	J			ER0	DG0		52098899
		2	J			ER0	DG0		52111083
		1	J, U			ER0	DG0		52098899
31									WASHER
	4798 118	1	J			ER0	DG0		52111083

JEEP CHEROKEE (XJ)

SERIES	LINE	BODY	ENGINE	TRANSMISSION
L=Low Line	J=LHD (4WD) U=RHD (4WD) T=LHD (2WD) B=RHD (2WD)	74=4 DR. (101.4 WB) 72=2 DR. (101.4 WB)	ENC,EN0=2.5L 4 cyl. Turbo Die ERH,ER0=4.0L Power Tech I-6 EPE,EP0=Magnum 2.5L SMPI	DDQ=5Spd Man. DGS=4 Spd. Auto. AISIN DG0=All Auto Trans DBB=All Manual Trans.

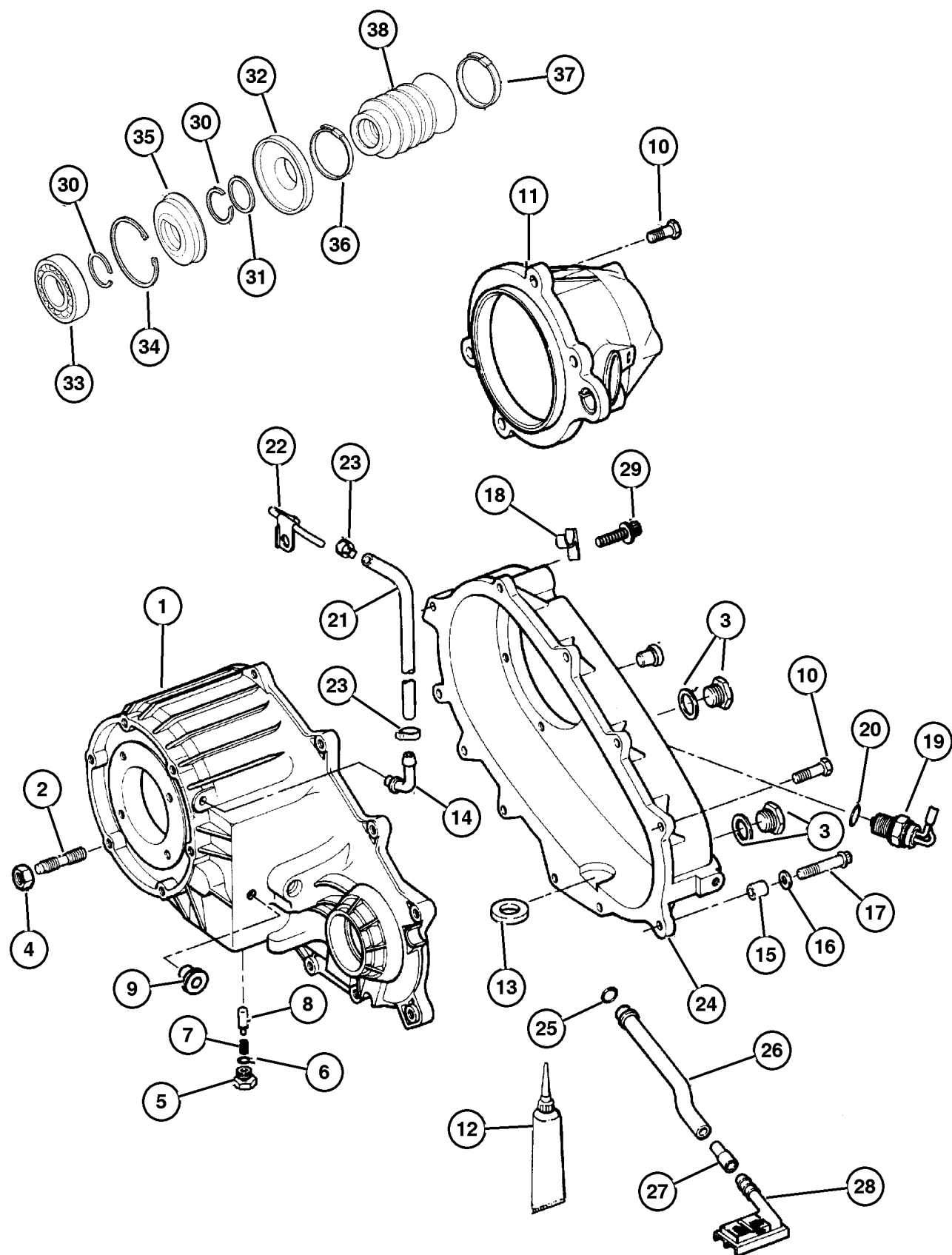
AR = Use as required - = Non illustrated part # = New this model year

July 4, 2003



Case and Related Parts Select Trac (DHP) 1997 XJ  
Figure 242-210

ITEM	PART NUMBER	QTY	LINE	SERIES	BODY	ENGINE	TRANS	TRIM	DESCRIPTION
		1	J, U			ER0	DG0		52098899
32	4798 119	1	J			ER0	DG0		SLINGER, Oil
		1	J, U			ER0	DG0		52098899
33	4338 892	1	J			ER0	DG0		BEARING
		1	J, U			ER0	DG0		52098899
34	4798 116	1	J			ER0	DG0		SNAP RING
		1	J, U			ER0	DG0		52098899
35	4798 117	1	J			ER0	DG0		SEAL, Output Shaft
		1	J, U			ER0	DG0		52098899
36	4798 121	1	J			ER0	DG0		CLAMP, Boot
		1	J, U			ER0	DG0		52098899
37	4798 122	1	J			ER0	DG0		CLAMP, Boot
		1	J, U			ER0	DG0		52098899
38	4798 123	1	J			ER0	DG0		BOOT, Driveshaft
		1	J, U			ER0	DG0		52098899



JEEP CHEROKEE (XJ)  
 SERIES L=Low Line  
 LINE J=LHD (4WD)  
 U=RHD (4WD)  
 T=LHD (2WD)  
 B=RHD (2WD)  
 BODY 74=4 DR. (101.4 WB)  
 72=2 DR. (101.4 WB)  
 ENGINE ENC,EN0=2.5L 4 cyl. Turbo Die  
 ERH,ER0=4.0L Power Tech I-6  
 EPE,EP0=Magnum 2.5L SMPI  
 TRANSMISSION DDQ=5Spd Man.  
 DGS=4 Spd. Auto. AISIN  
 DG0=All Auto Trans  
 DBB=All Manual Trans.

AR = Use as required - = Non illustrated part # = New this model year

July 4, 2003

**Case and Related Parts Select Trac (DHP) 1998 XJ**  
**Figure 242-210**

ITEM	PART NUMBER	QTY	LINE	SERIES	BODY	ENGINE	TRANS	TRIM	DESCRIPTION
1	4856 389	1	J, U			ER0	DG0		CASE, Transfer Front
		1	J, U			ER0	DG0		52111083
2	4505 365	6	J, U			ER0	DG0		STUD, M10x1.54x36
		6	J, U			ER0	DG0		52111083
3	4856 641	2	J, U			ER0	DG0		PLUG, Oil Fill
		2	J, U			ER0	DG0		52111083
4	J400 6681	6	J, U			EN0, ER0			NUT AND CONED WASHER, Hex, .375-24
5									SCREW
	4886 473AA	1	J, U			ER0	DG0		
	5300 8216	1	J, U			ER0	DG0		With Transfer Case #(52098899) & (52111083)
6									SEAL, Vacuum Switch
	4167 963	1	J, U			ER0	DG0		52111083
		1	J, U			ER0	DG0		52098899
7	4638 497	1	J, U			ER0	DG0		SPRING, Shift Detent
		1	J, U			ER0	DG0		52111083
8	5300 8217	1	J, U			ER0	DG0		PLUNGER
		1	J, U			ER0	DG0		52098899
		1	J, U			ER0	DG0		52111083
-9									PLUG, (NOT SERVICED) (Not Serviced)
10	4210 617	8	J, U			ER0	DG0		BOLT, Transfer Case
		12	J, U			ER0	DG0		52111083
						ER0	DG0		52098899
11	4856 391	1	J, U			ER0	DG0		RETAINER, Transfer Case Rear
		1	J, U			ER0	DG0		52111083
						ER0	DG0		52098899
12	4318 025	1	J, U			ER0	DG0		SEALANT, RTV
		1	J, U			ER0	DG0		52098899
						ER0	DG0		52111083
13	3681 601	1	J, U			ER0	DG0		MAGNET, Transmission
						ER0	DG0		52111083

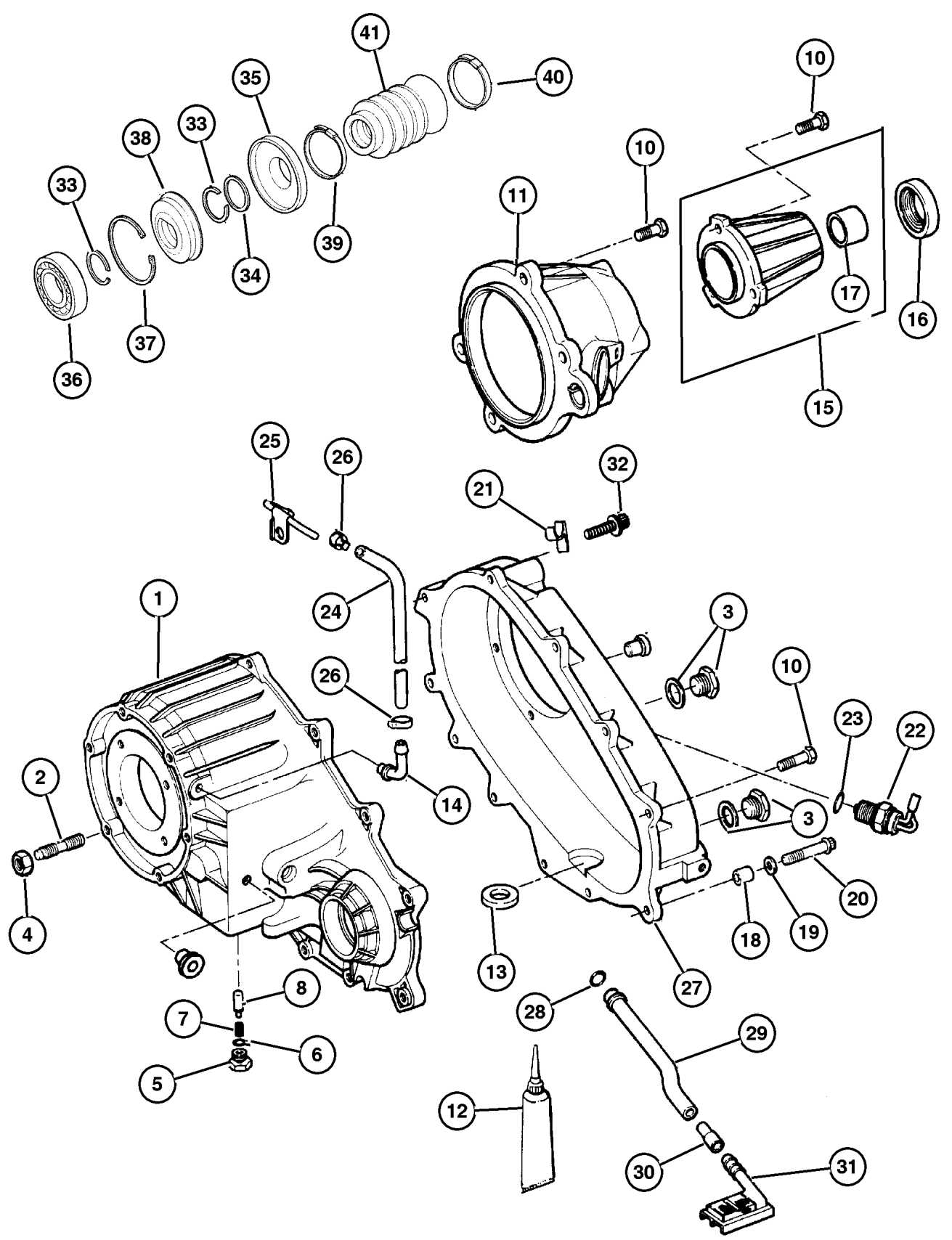
Notes:

EPO= All 2.5L, 4 Cylinder, Gas Engine  
 ER0= All 4.0L., 6 Cylinder, Gas Engine  
 EN0= All 4/5 Cylinder, Turbo Diesel Engine  
 DG0 = All Automatic Transmissions

<b>JEEP CHEROKEE (XJ)</b>				
SERIES	LINE	BODY	ENGINE	TRANSMISSION
L=Low Line	J=LHD (4WD) U=RHD (4WD) T=LHD (2WD) B=RHD (2WD)	74=4 DR. (101.4 WB) 72=2 DR. (101.4 WB)	ENC,EN0=2.5L 4 cyl. Turbo Die ERH,ER0=4.0L Power Tech I-6 EPE,EPO=Magnum 2.5L SMPI	DDQ=5Spd Man. DGS=4 Spd. Auto. AISIN DG0=All Auto Trans DBB=All Manual Trans.

AR = Use as required - = Non illustrated part # = New this model year

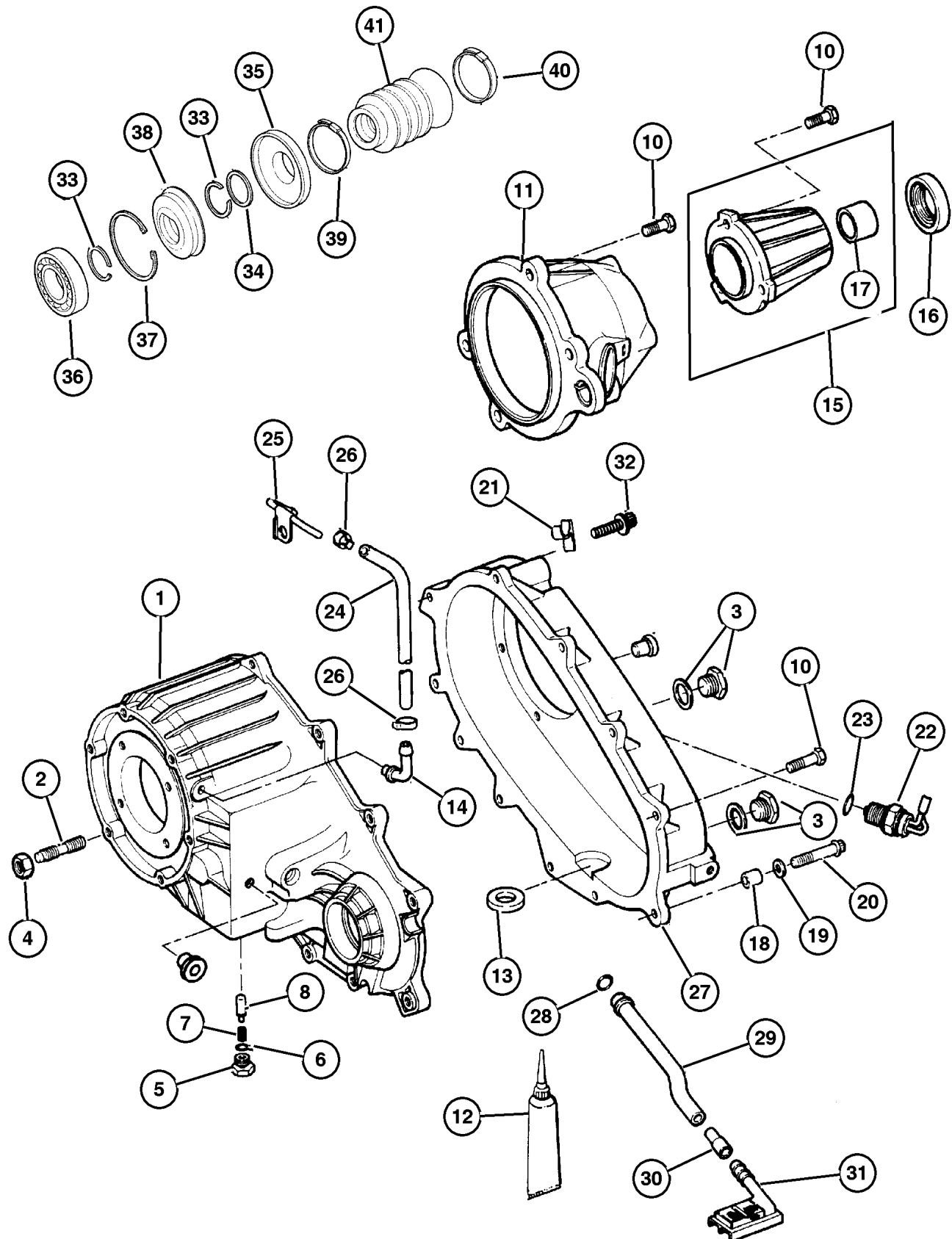
July 4, 2003





**Case and Related Parts Select Trac (DHP) 1998 XJ  
Figure 242-210**

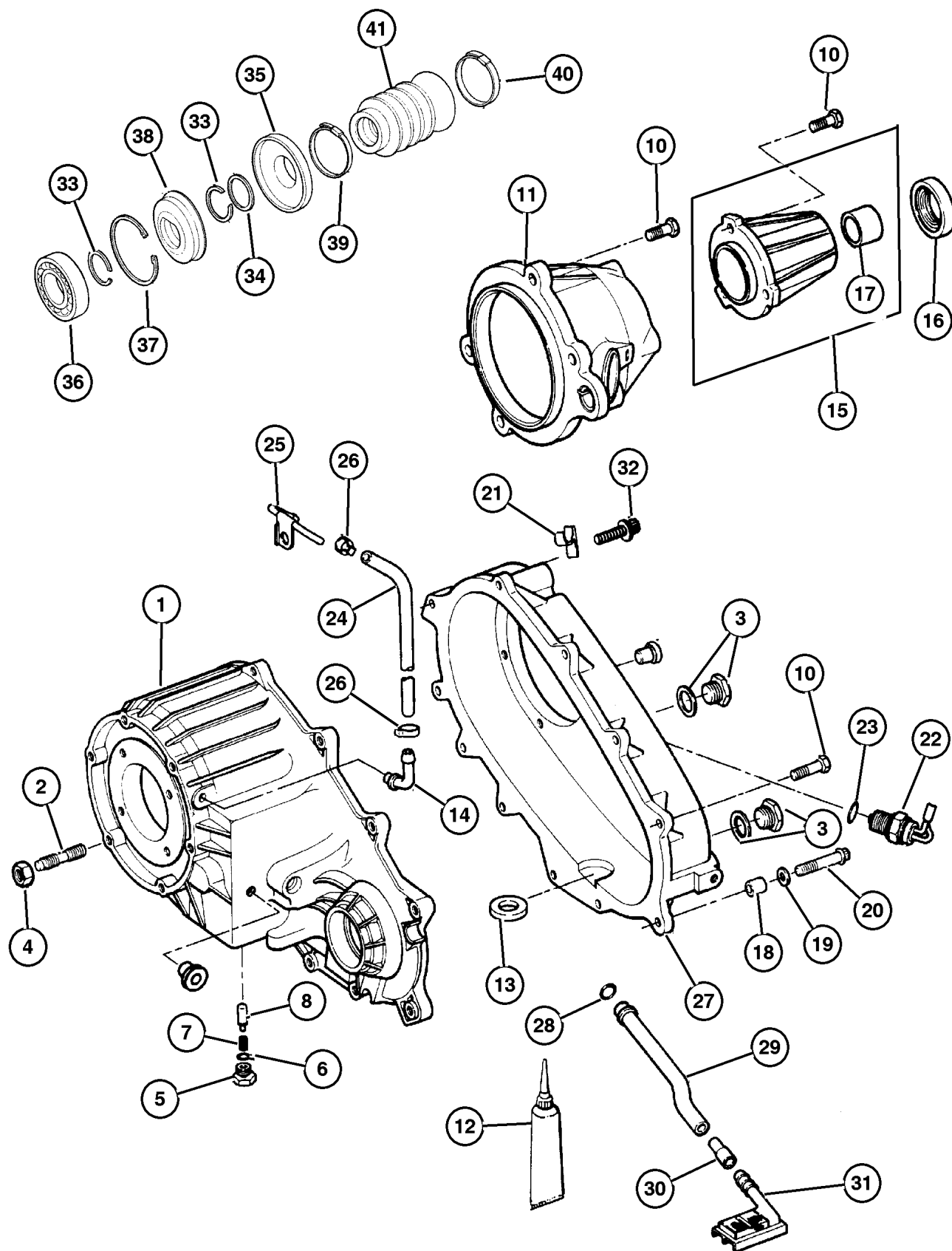
ITEM	PART NUMBER	QTY	LINE	SERIES	BODY	ENGINE	TRANS	TRIM	DESCRIPTION
		1	J, U			ER0	DG0		52098899
14						ER0	DG0		VENT, Transfer Case
	4796 910	1	J, U			ER0	DG0		52111083
		1	J, U			ER0	DG0		52098899
15						ER0	DG0		EXTENSION, Transfer Case
	4338 973	1	J, U			ER0	DG0		52111083
		1	J, U			ER0	DG0		52098899
16						ER0	DG0		SEAL, Output Shaft
	4798 117	1	J, U			ER0	DG0		52111083
		1	J, U			ER0	DG0		52098899
17						ER0	DG0		BUSHING, Extension Housing
	J813 4490	1	J, U			ER0	DG0		52098899
		1	J, U			ER0	DG0		52111083
18						ER0	DG0		DOWEL, Transfer Case
	4116 310	2	J, U			ER0	DG0		52111083
		2	J, U			ER0	DG0		52098899
19						ER0	DG0		WASHER, Flat
	8350 3512	1	J, U			ER0	DG0		52111083
		1	J, U			ER0	DG0		52098899
20						ER0	DG0		BOLT, Hex Flange Head
	4210 614	2	J, U			ER0	DG0		52111083
		2	J, U			ER0	DG0		52098899
21						ER0	DG0		CLIP
	5211 8181	1	J, U			ER0	DG0		52098899
		1	J, U			ER0	DG0		52111083
22						ER0	DG0		SWITCH, Transfer Case Mode
	5600 6755	1	J, U			ER0	DG0		52098899
		1	J, U			ER0	DG0		52111083
23						ER0	DG0		SEAL, Vacuum Switch
	4338 956	1	J, U			ER0	DG0		52098899
		1	J, U			ER0	DG0		52111083
24						ER0	DG0		HOSE, Fuel, .31 I.D. 50 Foot Roll
	4443 176	1	J, U			ER0	DG0		52098899
25						ER0	DG0		VENT, Transfer Case
	5300 7494	1	J, U			ER0	DG0		52098899
26						ER0	DG0		CLAMP, Oil Cooler Line
	6502 081	2	J, U			ER0	DG0		52098899
27						ER0	DG0		CASE, Transfer Case Rear
	4874 298	1	J, U			ER0	DG0		52111083
		1	J, U			ER0	DG0		52098899
28						ER0	DG0		SEAL, Oil
	4338 942	1	J, U			ER0	DG0		52111083
		1	J, U			ER0	DG0		52098899
29						ER0	DG0		TUBE, Oil Pickup
	8350 3523	1	J, U			ER0	DG0		52111083



**JEEP CHEROKEE (XJ)**  
 SERIES LINE BODY ENGINE TRANSMISSION  
 L=Low Line J=LHD (4WD) 74=4 DR. (101.4 WB) ENC,EN0=2.5L 4 cyl. Turbo Die DDQ=5Spd Man.  
 U=RHD (4WD) 72=2 DR. (101.4 WB) ERH,ER0=4.0L Power Tech I-6 DGS=4 Spd. Auto. AISIN  
 T=LHD (2WD) EPE,EP0=Magnum 2.5L SMPI DG0=All Auto Trans  
 B=RHD (2WD) DBB=All Manual Trans.

Case and Related Parts Select Trac (DHP) 1998 XJ  
Figure 242-210

ITEM	PART NUMBER	QTY	LINE	SERIES	BODY	ENGINE	TRANS	TRIM	DESCRIPTION
		1	J, U			ER0	DG0		52098899
30	4338 944	1	J, U			ER0	DG0		CONNECTOR, Oil Tube Pickup
		1	J, U			ER0	DG0		52111083
		1	J, U			ER0	DG0		52098899
31	4338 943	1	J, U			ER0	DG0		FILTER, Transfer Case Oil
		1	J, U			ER0	DG0		52111083
		1	J, U			ER0	DG0		52098899
32	J813 0979	1	J, U			ER0	DG0		BOLT, Twelve Point Head, M10x1.5x48
		1	J, U			ER0	DG0		52111083
		1	J, U			ER0	DG0		52098899
33	J813 4488	2	J, U			ER0	DG0		SNAP RING
		2	J, U			ER0	DG0		52111083
		2	J, U			ER0	DG0		52098899
34	4798 118	1	J, U			ER0	DG0		WASHER
		1	J, U			ER0	DG0		52111083
		1	J, U			ER0	DG0		52098899
35	4798 119	1	J, U			ER0	DG0		SLINGER, Oil
		1	J, U			ER0	DG0		52111083
		1	J, U			ER0	DG0		52098899
36	4338 892	2	J, U			ER0	DG0		BEARING
		1	J, U			ER0	DG0		52111083
		1	J, U			ER0	DG0		52098899
37	4798 116	1	J, U			ER0	DG0		SNAP RING
		1	J, U			ER0	DG0		52111083
		1	J, U			ER0	DG0		52098899
38	4798 117	1	J, U			ER0	DG0		SEAL, Output Shaft
		1	J, U			ER0	DG0		52111083
		1	J, U			ER0	DG0		52098899
39	4798 121	1	J, U			ER0	DG0		CLAMP, Boot
		1	J, U			ER0	DG0		52111083
		1	J, U			ER0	DG0		52098899
40	4798 122	1	J, U			ER0	DG0		CLAMP, Boot
		1	J, U			ER0	DG0		52111083
		1	J, U			ER0	DG0		52098899
41	4798 123	1	J, U			ER0	DG0		BOOT, Driveshaft
		1	J, U			ER0	DG0		52111083
		1	J, U			ER0	DG0		52098899



JEEP CHEROKEE (XJ)  
 SERIES L=Low Line  
 LINE J=LHD (4WD)  
 U=RHD (4WD)  
 T=LHD (2WD)  
 B=RHD (2WD)  
 BODY 74=4 DR. (101.4 WB)  
 72=2 DR. (101.4 WB)  
 ENGINE ENC,EN0=2.5L 4 cyl. Turbo Die  
 ERH,ER0=4.0L Power Tech I-6  
 EPE,EP0=Magnum 2.5L SMPI  
 TRANSMISSION DDQ=5Spd Man.  
 DGS=4 Spd. Auto. AISIN  
 DG0=All Auto Trans  
 DBB=All Manual Trans.

AR = Use as required - = Non illustrated part # = New this model year

July 4, 2003

**Case and Related Parts Select Trac (DHP) 1999 XJ  
Figure 242-210**

ITEM	PART NUMBER	QTY	LINE	SERIES	BODY	ENGINE	TRANS	TRIM	DESCRIPTION
------	-------------	-----	------	--------	------	--------	-------	------	-------------

Notes:

EPO= All 2.5L, 4 Cylinder, Gas Engine  
 ER0= All 4.0L., 6 Cylinder, Gas Engine  
 EN0= All 4/5 Cylinder, Turbo Diesel Engine  
 DG0 = All Automatic Transmissions

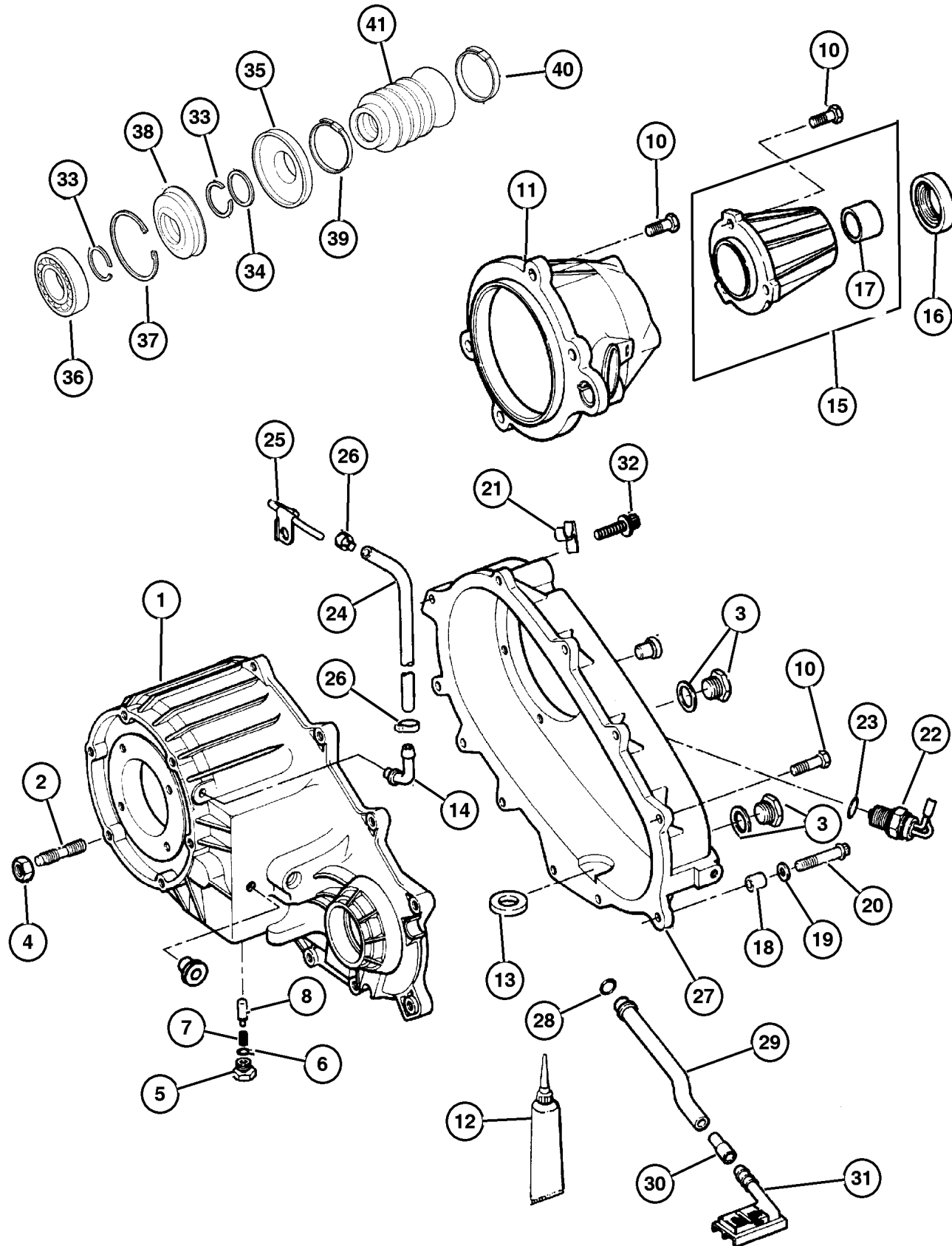
1	4856 389	1	J, U			ER0	DG0		CASE, Transfer Front 52098899
		1	J, U			ER0	DG0		52111083
2	4505 365	6	J, U			ER0	DG0		STUD, M10x1.54x36, 52098899
3	4856 641	2	J, U			ER0	DG0		PLUG, Oil Fill, 52098899
4	J400 6681	6	J, U			EN0, ER0			NUT AND CONED WASHER, Hex, .375-24
5									SCREW
	4886 473AA	1	J, U			ER0	DG0		w/52111083
		1	J, U			ER0	DG0		w/52098899
6	4338 956	2	J, U			ER0	DDQ		SEAL, Vacuum Switch
		2	J, U			ER0	DG0		
7	4638 497	1	J, U			ER0	DG0		SPRING, Shift Detent 52111083
		1	J, U			ER0	DG0		52098899
8	5300 8217	1	J, U			ER0	DG0		PLUNGER 52111083
		1	J, U			ER0	DG0		52098899
-9									PLUG, (NOT SERVICED) (Not Serviced)
10	4210 617	12	J, U			ER0	DDQ		BOLT, Transfer Case
		12	J, U			ER0	DG0		
11	4856 391	1	J, U			ER0	DG0		RETAINER, Transfer Case Rear 52111083
		1	J, U			ER0	DG0		52098899
12	4318 025	1	J, U			ER0	DG0		SEALANT, RTV 52111083
		1	J, U			ER0	DG0		52098899
13	3681 601	1	J, U			ER0	DG0		MAGNET, Transmission 52111083
		1	J, U			ER0	DG0		52098899
14	4796 910	1	J, U			ER0	DG0		VENT, Transfer Case 52111083
		1	J, U			ER0	DG0		52098899
15									EXTENSION, Transfer Case, (NOT REQUIRED)

JEEP CHEROKEE (XJ)

SERIES	LINE	BODY	ENGINE	TRANSMISSION
L=Low Line	J=LHD (4WD) U=RHD (4WD) T=LHD (2WD) B=RHD (2WD)	74=4 DR. (101.4 WB) 72=2 DR. (101.4 WB)	ENC,EN0=2.5L 4 cyl. Turbo Die ERH,ER0=4.0L Power Tech I-6 EPE,EPO=Magnum 2.5L SMPI	DDQ=5Spd Man. DGS=4 Spd. Auto. AISIN DG0=All Auto Trans DBB=All Manual Trans.

AR = Use as required - = Non illustrated part # = New this model year

July 4, 2003



Case and Related Parts Select Trac (DHP) 1999 XJ  
Figure 242-210

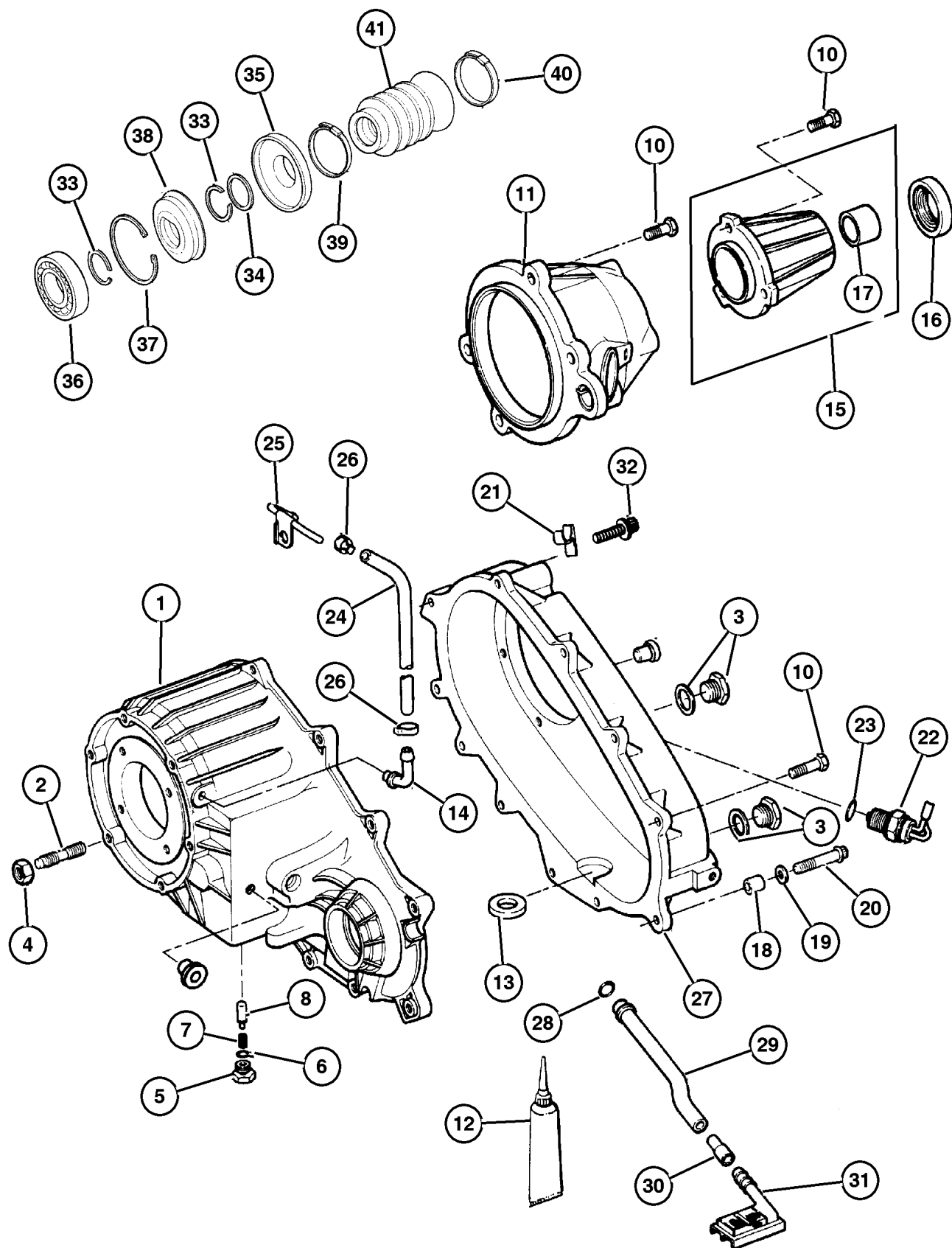
ITEM	PART NUMBER	QTY	LINE	SERIES	BODY	ENGINE	TRANS	TRIM	DESCRIPTION
16									SEAL, Output Shaft
	4798 117	1	J, U			ER0	DG0		52111083
		1	J, U			ER0	DG0		52098899
17	J813 4490	1	J, U			EN0	DDQ		BUSHING, Extension Housing
18									DOWEL, Transfer Case
	4116 310	2	J, U			ER0	DG0		52111083
		1	J, U			ER0	DG0		52098899
19									WASHER, Flat
	8350 3512	1	J, U			ER0	DG0		52111083
		1	J, U			ER0	DG0		52098899
20	4210 614	2	J, U			ER0	DG0		BOLT, Hex Flange Head, 52098899
21	5211 8181	1	J, U			ER0	DG0		CLIP, 52098899
22									SWITCH, Transfer Case Mode
	5600 6755	1	J, U			ER0	DG0		52111083
		1	J, U			ER0	DG0		52098899
23									SEAL, Vacuum Switch
	4338 956	2	J, U			ER0	DDQ		
		2	J, U			ER0	DG0		
24	4443 176	1							HOSE, Fuel, .31 I.D. 50 Foot Roll
25	5300 7494	1	J, U						VENT, Transfer Case
26	6502 081	2	J, U						CLAMP, Oil Cooler Line
27									CASE, Transfer Case Rear
	4886 373AA	1	J, U			ER0	DG0		w/52111083
		1	J, U			ER0	DG0		w/52098899
28									SEAL, Oil
	4338 942	1	J, U			ER0	DG0		52111083
		1	J, U			ER0	DG0		52098899
29									TUBE, Oil Pickup
	8350 3523	1	J, U			ER0	DG0		52111083
		1	J, U			ER0	DG0		52098899
30									CONNECTOR, Oil Tube Pickup
	4338 944	1	J, U			ER0	DG0		52111083
		1	J, U			ER0	DG0		52098899
31									FILTER, Transfer Case Oil
	4338 943	1	J, U			ER0	DG0		52111083
		1	J, U			ER0	DG0		52098899
32									BOLT, Twelve Point Head, M10x1.5x48
	J813 0979	1	J, U			ER0	DG0		w/52111083
		1	J, U			ER0	DG0		w/52098899
33	J813 4488	2	J, U			ER0	DG0		SNAP RING, 52098899
34									WASHER

JEEP CHEROKEE (XJ)

SERIES	LINE	BODY	ENGINE	TRANSMISSION
L=Low Line	J=LHD (4WD) U=RHD (4WD) T=LHD (2WD) B=RHD (2WD)	74=4 DR. (101.4 WB) 72=2 DR. (101.4 WB)	ENC,EN0=2.5L 4 cyl. Turbo Die ERH,ER0=4.0L Power Tech I-6 EPE,EP0=Magnum 2.5L SMPI	DDQ=5Spd Man. DGS=4 Spd. Auto. AISIN DG0=All Auto Trans DBB=All Manual Trans.

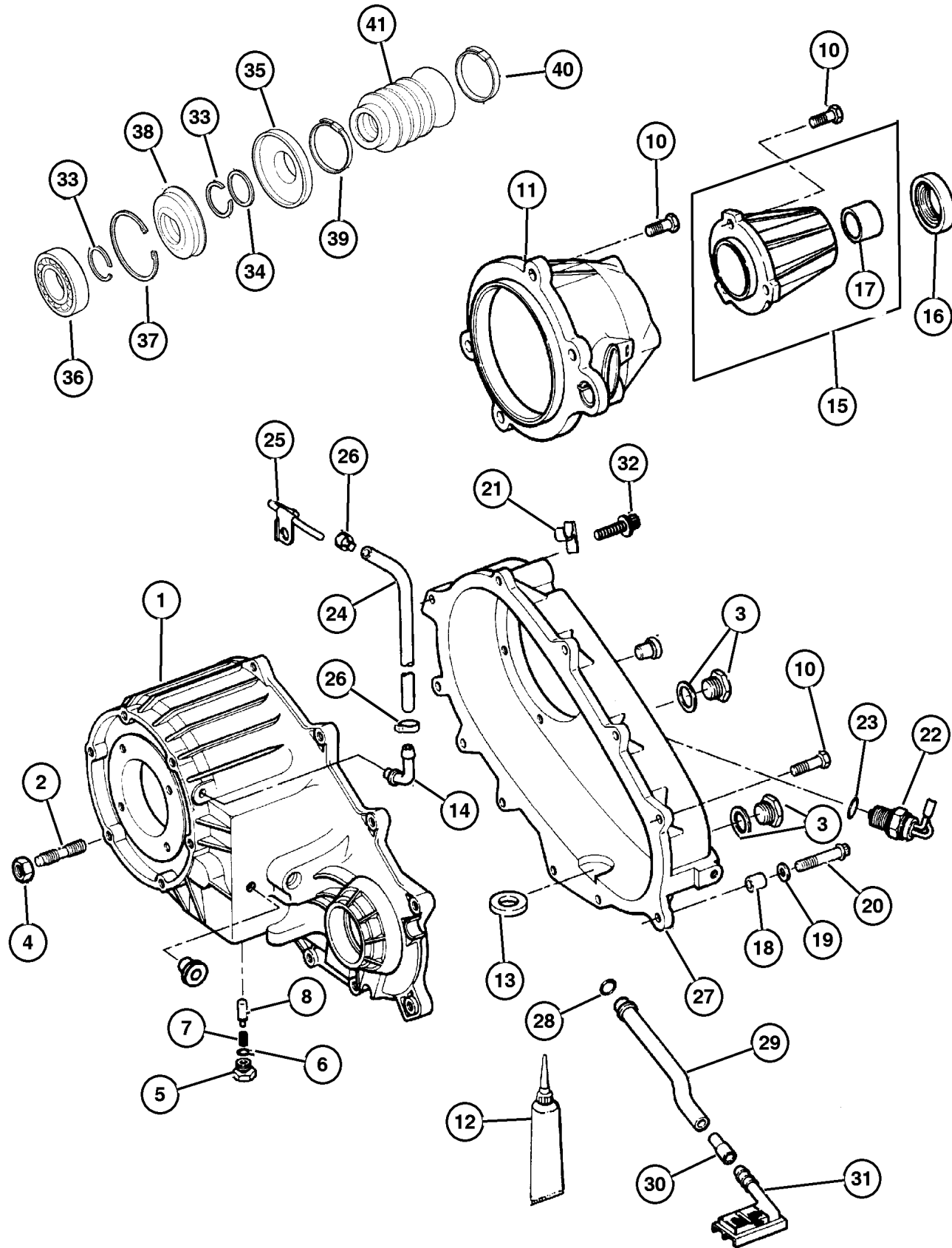
AR = Use as required - = Non illustrated part # = New this model year

July 4, 2003



Case and Related Parts Select Trac (DHP) 1999 XJ  
Figure 242-210

ITEM	PART NUMBER	QTY	LINE	SERIES	BODY	ENGINE	TRANS	TRIM	DESCRIPTION
	4798 118	1	J, U			ER0	DG0		52111083
		1	J, U			ER0	DG0		52098899
35	4798 119	1	J, U			ER0	DG0		SLINGER, Oil
		1	J, U			ER0	DG0		52111083
		1	J, U			ER0	DG0		52098899
36	4338 892	1	J, U			ER0	DG0		BEARING, 52098899
37									SNAP RING
	4798 116	1	J, U			ER0	DG0		52111083
		1	J, U			ER0	DG0		52098899
38									SEAL, Output Shaft
	4798 117	1	J, U			ER0	DG0		52111083
		1	J, U			ER0	DG0		52098899
39									CLAMP, Boot
	4798 121	1	J, U			ER0	DG0		52111083
		1	J, U			ER0	DG0		52098899
40									CLAMP, Boot
	4798 122	1	J, U			ER0	DG0		52111083
		1	J, U			ER0	DG0		52098899
41									BOOT, Driveshaft
	4798 123	1	J, U			ER0	DG0		52111083
		1	J, U			ER0	DG0		52098899



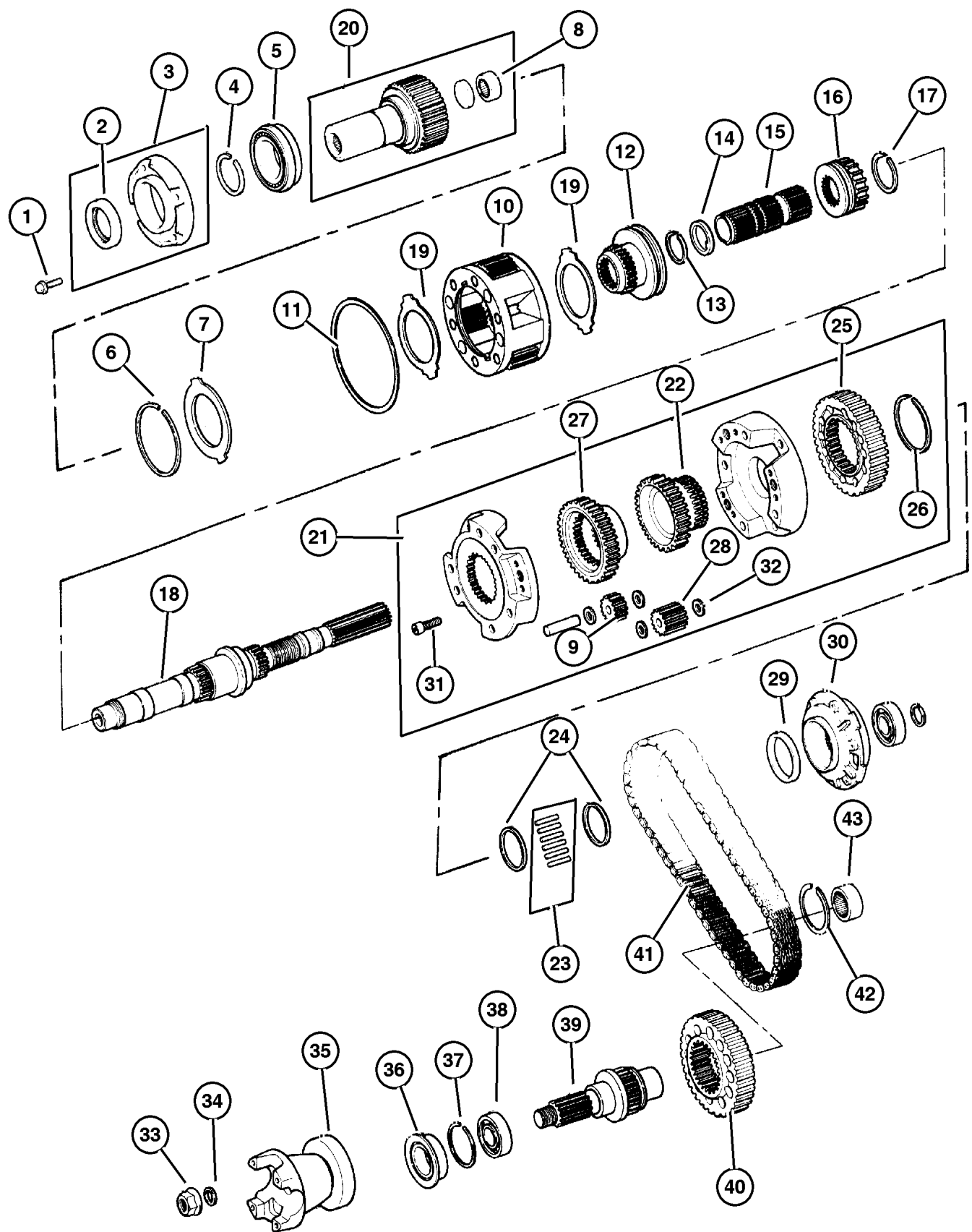
JEEP CHEROKEE (XJ)

SERIES	LINE	BODY	ENGINE	TRANSMISSION
L=Low Line	J=LHD (4WD) U=RHD (4WD) T=LHD (2WD) B=RHD (2WD)	74=4 DR. (101.4 WB) 72=2 DR. (101.4 WB)	ENC,EN0=2.5L 4 cyl. Turbo Die ERH,ER0=4.0L Power Tech I-6 EPE,EP0=Magnum 2.5L SMPI	DDQ=5Spd Man. DGS=4 Spd. Auto. AISIN DG0=All Auto Trans DBB=All Manual Trans.

AR = Use as required - = Non illustrated part # = New this model year

July 4, 2003

**Gear Train Select Trac (DHP) 1997 XJ**  
**Figure 242-410**



ITEM	PART NUMBER	QTY	LINE	SERIES	BODY	ENGINE	TRANS	TRIM	DESCRIPTION
Notes:									
ER0= All 4.0L., 6 Cylinder, Gas Engine									
DG0 = All Automatic Transmissions									
1									BOLT
	6500 318	4	J			ER0	DG0		52098899
		4	J			ER0	DG0		52111083
		4	J, U			ER0	DG0		52111083
		4	J, U			ER0	DG0		52098899
2									SEAL, Input Gear
	4167 929	1	J			ER0	DG0		52111083
		1	J, U			ER0	DG0		52098899
3									RETAINER
	4338 973	1	J			ER0	DG0		52111083
		1	J, U			ER0	DG0		52098899
4									SNAP RING
	3821 558	1	J			ER0	DG0		52111083
		1	J, U			ER0	DG0		52098899
5									BEARING, Input Gear
	4746 155	1	J			ER0	DG0		52111083
		1	J, U			ER0	DG0		52098899
6									SNAP RING
	4338 910	1	J			ER0	DG0		52111083
		1	J, U			ER0	DG0		52098899
7									RING
	4338 909	1	J			ER0	DG0		52111083
		1	J, U			ER0	DG0		52098899
8									BEARING, Input Shaft
	8350 3507	1	J			ER0	DG0		52111083
		1	J, U			ER0	DG0		52098899
9									GEAR, Planetary
	8350 4170	3	J			ER0	DG0		52111083
		1	J, U			ER0	DG0		52098899
10									PLANETARY, Transfer Case
	4796 903	1	J			ER0	DG0		52111083
		1	J, U			ER0	DG0		52098899
11									SNAP RING, Annulus Gear
	4219 065	1	J			ER0	DG0		52111083
		1	J, U			ER0	DG0		52098899
12									SLEEVE, Shift Range
	4798 279	1	J			ER0	DG0		52111083
		1	J, U			ER0	DG0		52098899
13									SNAP RING

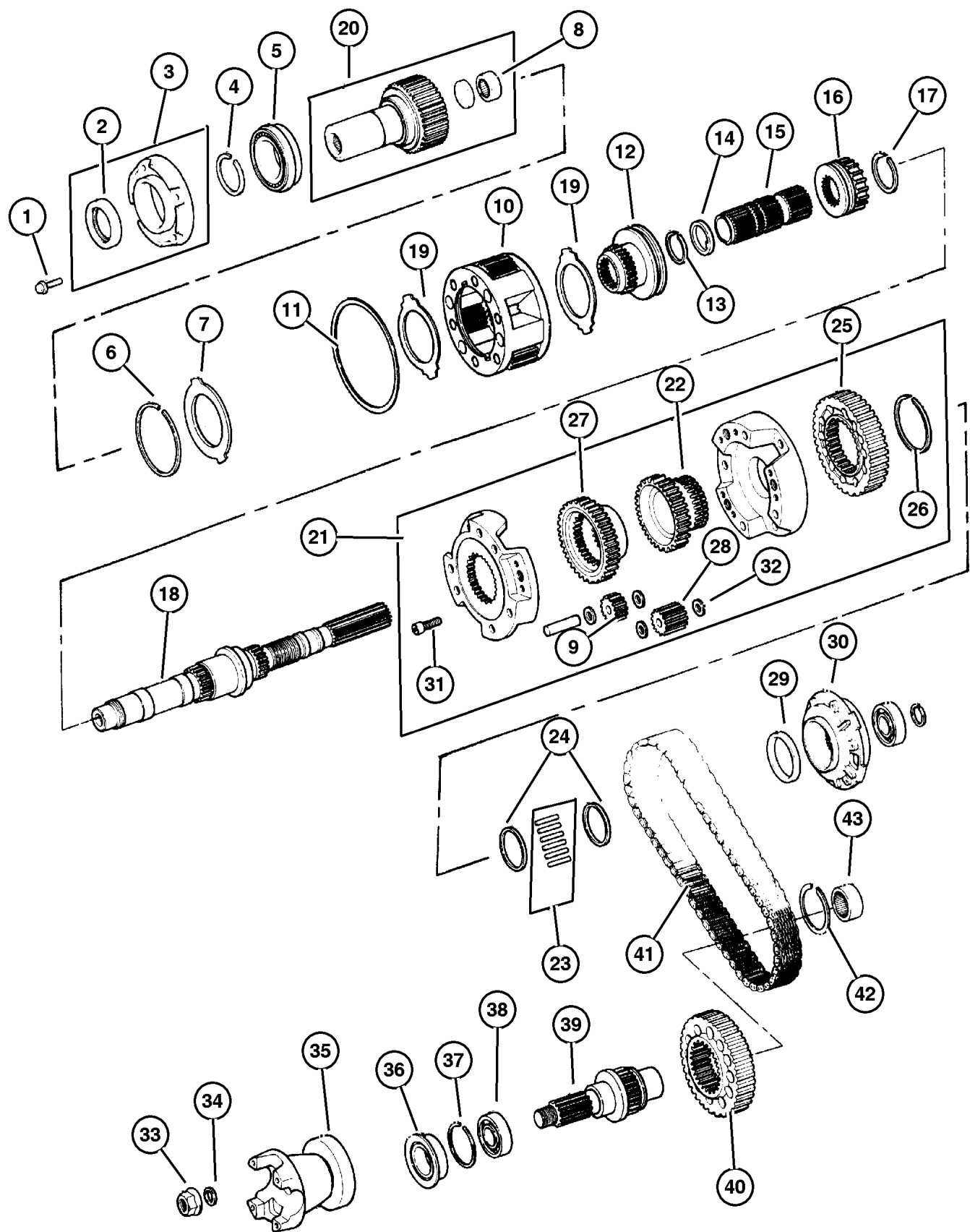
**JEEP CHEROKEE (XJ)**

SERIES	LINE	BODY	ENGINE	TRANSMISSION
L=Low Line	J=LHD (4WD) U=RHD (4WD) T=LHD (2WD) B=RHD (2WD)	74=4 DR. (101.4 WB) 72=2 DR. (101.4 WB)	ENC,EN0=2.5L 4 cyl. Turbo Die ERH,ER0=4.0L Power Tech I-6 EPE,EP0=Magnum 2.5L SMPI	DDQ=5Spd Man. DGS=4 Spd. Auto. AISIN DG0=All Auto Trans DBB=All Manual Trans.

AR = Use as required - = Non illustrated part # = New this model year

July 4, 2003

**Gear Train Select Trac (DHP) 1997 XJ**  
**Figure 242-410**



ITEM	PART NUMBER	QTY	LINE	SERIES	BODY	ENGINE	TRANS	TRIM	DESCRIPTION
	8350 3540	1	J			ER0	DG0		52111083
		1	J, U			ER0	DG0		52098899
14	8350 3539	1	J			ER0	DG0		WASHER, Intermediate Sleeve
		1	J, U			ER0	DG0		52111083
									52098899
15	4798 277	1	J			ER0	DG0		SHAFT, Intermediate
		1	J, U			ER0	DG0		52111083
									52098899
16									SLEEVE, Mode Synchronizer
	8350 3542	1	J			ER0	DG0		52111083
		1	J, U			ER0	DG0		52098899
17									SNAP RING
	8350 3537	1	J			ER0	DG0		52111083
		1	J, U			ER0	DG0		52098899
18									MAINSHAFT, Transfer Case
	4798 145	1	J			ER0	DG0		52111083
		1	J, U			ER0	DG0		52098899
19									THRUST WASHER, Planetary Carrier
	4338 908	2	J			ER0	DG0		52111083
		1	J, U			ER0	DG0		52098899
20									GEAR, Input
	4798 126	1	J			ER0	DG0		52111083
		1	J, U			ER0	DG0		52098899
21									DIFFERENTIAL, Transfer Case
	8350 3529	1	J			ER0	DG0		52111083
		1	J, U			ER0	DG0		52098899
22									GEAR, Differential Drive
	8350 3530	1	J			ER0	DG0		52111083
		1	J, U			ER0	DG0		52098899
23	8350 3543	1	J, U			ER0	DG0		BEARING PACKAGE, Transfer Case, 52098899
24									SPACER, Sprocket
	8350 3533	2	J			ER0	DG0		52098899
		1	J			ER0	DG0		52111083
25									SPROCKET, Transfer Case
	8350 3531	1	J			ER0	DG0		52111083
		1	J, U			ER0	DG0		52098899
26									SNAP RING
	8350 3532	1	J			ER0	DG0		52098899
		2	J			ER0	DG0		52111083
27									SPROCKET, Differential

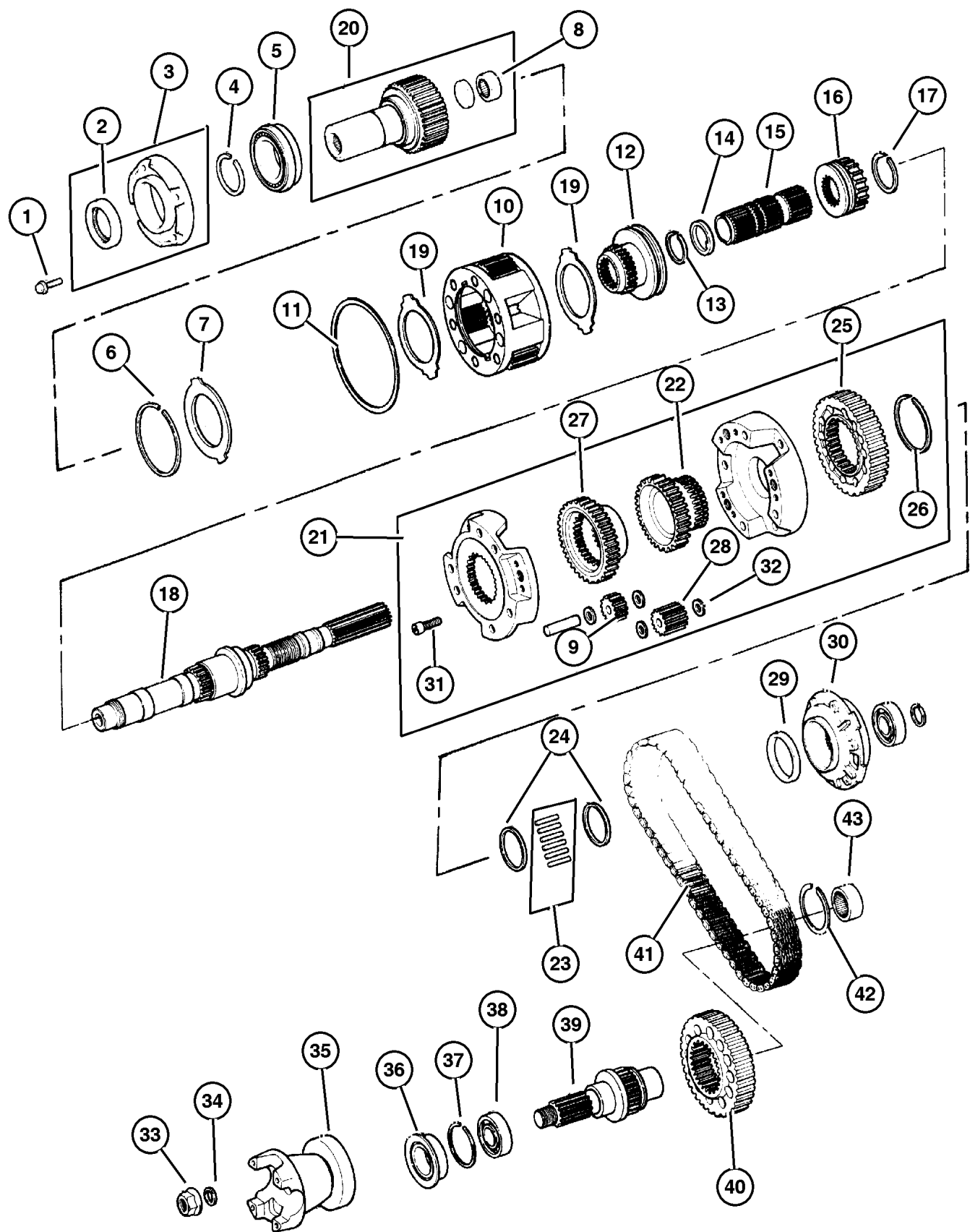
**JEEP CHEROKEE (XJ)**

<b>SERIES</b>	<b>LINE</b>	<b>BODY</b>	<b>ENGINE</b>	<b>TRANSMISSION</b>
L=Low Line	J=LHD (4WD) U=RHD (4WD) T=LHD (2WD) B=RHD (2WD)	74=4 DR. (101.4 WB) 72=2 DR. (101.4 WB)	ENC,EN0=2.5L 4 cyl. Turbo Die ERH,ER0=4.0L Power Tech I-6 EPE,EP0=Magnum 2.5L SMPI	DDQ=5Spd Man. DGS=4 Spd. Auto. AISIN DG0=All Auto Trans DBB=All Manual Trans.

AR = Use as required - = Non illustrated part # = New this model year

July 4, 2003

**Gear Train Select Trac (DHP) 1997 XJ**  
**Figure 242-410**



ITEM	PART NUMBER	QTY	LINE	SERIES	BODY	ENGINE	TRANS	TRIM	DESCRIPTION
	8350 3536	1	J			ER0	DG0		52098899
		1	J			ER0	DG0		52111083
28	8350 4169	1	J			ER0	DG0		GEAR, Planetary
		3	J			ER0	DG0		52098899
						ER0	DG0		52111083
29									SEAL, Main Shaft
	4210 603	1	J			ER0	DG0		52098899
		1	J			ER0	DG0		52111083
30									PUMP, Transfer Case Oil
	4338 936	1	J			ER0	DG0		52111083
		1	J, U			ER0	DG0		52098999
31									SCREW
	3820 898	3	J			ER0	DG0		52098899
		3	J			ER0	DG0		52111083
32									WASHER, Differential Gear
	8350 4168	12	J			ER0	DG0		52098899
		12	J			ER0	DG0		52111083
33									NUT, Transfer Case Yoke
	4167 924	1	J			ER0	DG0		52098899
		1	J			ER0	DG0		52111083
34									WASHER, Transfer Case Yoke
	4210 973	1	J, U			ER0	DG0		52098899
		1	J, U			ER0	DG0		52111083
35									YOKE, Transfer Case
	4798 138	1	J			ER0	DG0		52098899
		1	J			ER0	DG0		52111083
36									SEAL, Output Shaft
	4798 125	1	J			ER0	DG0		52098899
		1	J			ER0	DG0		52111083
37									SNAP RING
	0893 31A	1	J			ER0	DG0		52098899
		1	J			ER0	DG0		52111083
38									BEARING
	4338 321	1	J			ER0	DG0		52098899
		1	J			ER0	DG0		52111083
39									OUTPUT SHAFT, Transfer Case
	8350 3517	1	J			ER0	DG0		52111083
		1	J, U			ER0	DG0		52098999
40									SPROCKET, Transfer Case
	8350 3518	1	J			ER0	DG0		52111083
		1	J, U			ER0	DG0		52098999
41									CHAIN, Transfer Case

**JEEP CHEROKEE (XJ)**

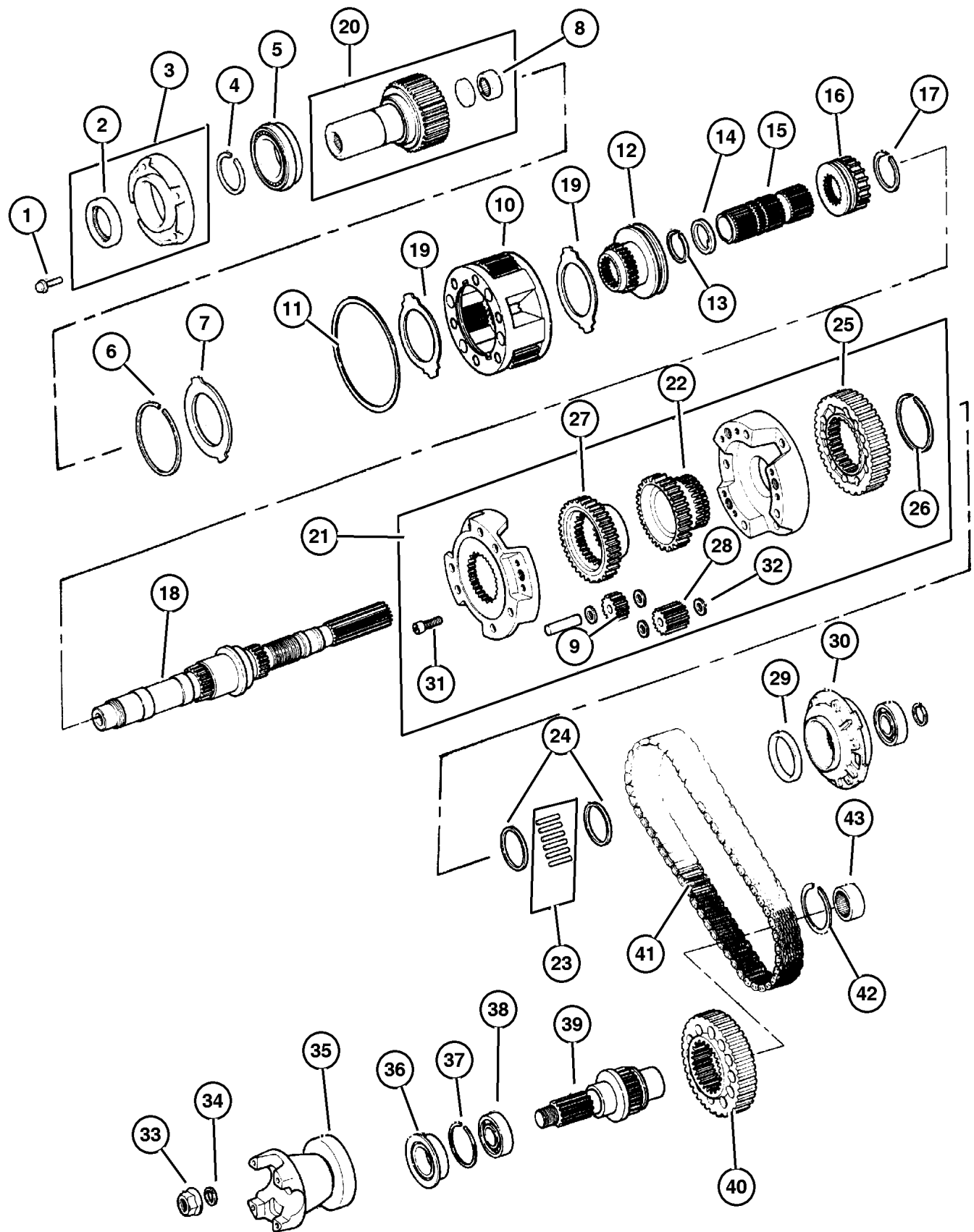
<b>SERIES</b>	<b>LINE</b>	<b>BODY</b>	<b>ENGINE</b>	<b>TRANSMISSION</b>
L=Low Line	J=LHD (4WD) U=RHD (4WD) T=LHD (2WD) B=RHD (2WD)	74=4 DR. (101.4 WB) 72=2 DR. (101.4 WB)	ENC,EN0=2.5L 4 cyl. Turbo Die ERH,ER0=4.0L Power Tech I-6 EPE,EP0=Magnum 2.5L SMPI	DDQ=5Spd Man. DGS=4 Spd. Auto. AISIN DG0=All Auto Trans DBB=All Manual Trans.

AR = Use as required - = Non illustrated part # = New this model year

July 4, 2003



**Gear Train Select Trac (DHP) 1997 XJ**  
**Figure 242-410**



ITEM	PART NUMBER	QTY	LINE	SERIES	BODY	ENGINE	TRANS	TRIM	DESCRIPTION
	4638 890	1	J, U			ER0	DG0		52111083
	8350 4575	1	J, U			ER0	DG0		52098999
42	4167 991	1	J			ER0	DG0		SNAP RING, Bearing
		1	J, U			ER0	DG0		
43	4269 189	1	J			ER0	DG0		BEARING, Output Shaft
		1	J			ER0	DG0		52098899
									52111083

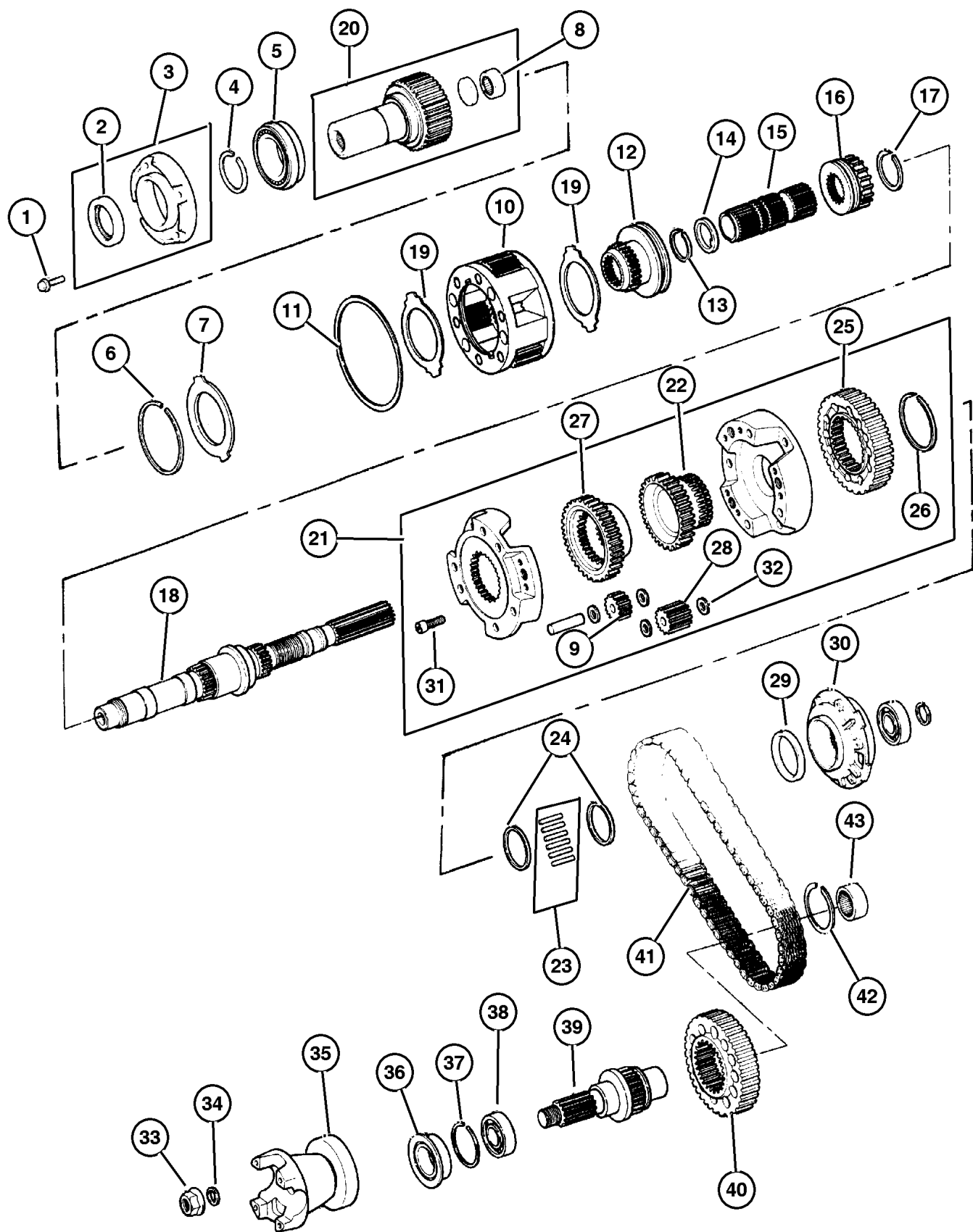
**JEEP CHEROKEE (XJ)**

SERIES	LINE	BODY	ENGINE	TRANSMISSION
L=Low Line	J=LHD (4WD) U=RHD (4WD) T=LHD (2WD) B=RHD (2WD)	74=4 DR. (101.4 WB) 72=2 DR. (101.4 WB)	ENC,EN0=2.5L 4 cyl. Turbo Die ERH,ER0=4.0L Power Tech I-6 EPE,EP0=Magnum 2.5L SMPI	DDQ=5Spd Man. DGS=4 Spd. Auto. AISIN DG0=All Auto Trans DBB=All Manual Trans.

AR = Use as required - = Non illustrated part # = New this model year

July 4, 2003

**Gear Train Select Trac (DHP) 1998 XJ**  
**Figure 242-410**

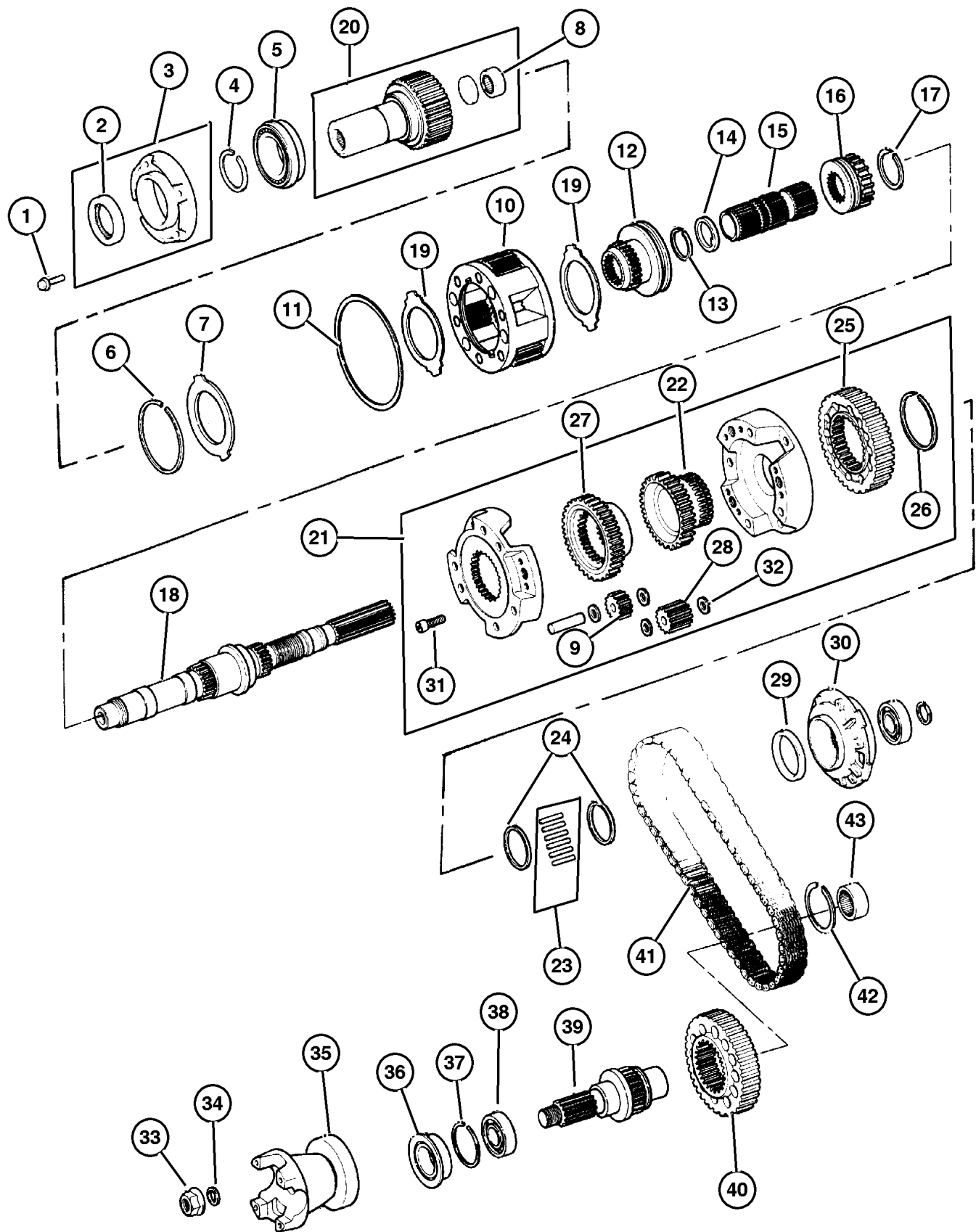


ITEM	PART NUMBER	QTY	LINE	SERIES	BODY	ENGINE	TRANS	TRIM	DESCRIPTION
Notes:									
ER0= All 4.0L., 6 Cylinder, Gas Engine									
DG0 = All Automatic Transmissions									
1	6500 318	4	J, U			ER0	DG0		BOLT
		4	J, U			ER0	DG0		52111083
2	4167 929	1	J, U			ER0	DG0		SEAL, Input Gear
		1	J, U			ER0	DG0		52111083
									52098899
3	4338 973	1	J, U			ER0	DG0		EXTENSION, Transfer Case
		1	J, U			ER0	DG0		52111083
									52098899
4	3821 558	1	J, U			ER0	DG0		SNAP RING
		1	J, U			EP0	DDQ		52111083
									52099310
5	4746 155	1	J, U			ER0	DG0		BEARING, Input Gear
		1	J, U			ER0	DG0		52111083
									52098899
6	4338 910	1	J, U			ER0	DG0		SNAP RING
		1	J, U			ER0	DG0		52111083
									52098899
7	4338 909	1	J, U			ER0	DG0		RING
		1	J, U			ER0	DG0		52111083
									52098899
8	8350 3507	1	J, U			ER0	DG0		BEARING, Input Shaft
		1	J, U			ER0	DG0		52111083
									52098899
9	8350 4170	3	J, U			ER0	DG0		GEAR, Planetary
		1	J, U			ER0	DG0		52111083
									52098899
10	4796 903	1	J, U			ER0	DG0		GEAR, Low Range Planetary
		1	J, U			ER0	DG0		52111083
									52098899
11	4219 065	1	J, U			ER0	DG0		SNAP RING, Annulus Gear
		1	J, U			ER0	DG0		52111083
									52098899
12	4798 279	1	J, U			ER0	DG0		SLEEVE, Shift Range
		1	J, U			ER0	DG0		52111083
									52098899
13	8350 3540	1	J, U			ER0	DG0		SNAP RING
		1	J, U			ER0	DG0		52111083
									52098899
14									WASHER, Intermediate Sleeve

**JEEP CHEROKEE (XJ)**

SERIES	LINE	BODY	ENGINE	TRANSMISSION
L=Low Line	J=LHD (4WD) U=RHD (4WD) T=LHD (2WD) B=RHD (2WD)	74=4 DR. (101.4 WB) 72=2 DR. (101.4 WB)	ENC,EN0=2.5L 4 cyl. Turbo Die ERH,ER0=4.0L Power Tech I-6 EPE,EP0=Magnum 2.5L SMPI	DDQ=5Spd Man. DGS=4 Spd. Auto. AISIN DG0=All Auto Trans DBB=All Manual Trans.

**Gear Train Select Trac (DHP) 1998 XJ**  
**Figure 242-410**



ITEM	PART NUMBER	QTY	LINE	SERIES	BODY	ENGINE	TRANS	TRIM	DESCRIPTION
	8350 3539	1	J, U			ER0	DG0		52111083
		1	J, U			ER0	DG0		52098899
15	4798 277	1	J, U			ER0	DG0		SHAFT, Intermediate
		1	J, U			ER0	DG0		52111083
		1	J, U			ER0	DG0		52098899
16	8350 3542	1	J, U			ER0	DG0		SLEEVE, Mode Synchronizer
		1	J, U			ER0	DG0		52111083
		1	J, U			ER0	DG0		52098899
17									SNAP RING
	8350 3537	1	J, U			ER0	DG0		52111083
		1	J, U			ER0	DG0		52098899
18	4798 145	1	J, U			ER0	DG0		MAINSHAFT, Transfer Case
		1	J, U			ER0	DG0		52111083
		1	J, U			ER0	DG0		52098899
19									THRUST WASHER, Planetary Carrier
	4338 908	2	J, U			ER0	DG0		52111083
		2	J, U			ER0	DG0		52098899
20	4798 126	1	J, U			ER0	DG0		GEAR, Input
		1	J, U			ER0	DG0		52111083
		1	J, U			ER0	DG0		52098899
21	8350 3529	1	J, U			ER0	DG0		DIFFERENTIAL, Transfer Case
		1	J, U			ER0	DG0		52111083
		1	J, U			ER0	DG0		52098899
22									SPROCKET, Transfer Case
	8350 3530	1	J, U			ER0	DG0		52111083
		1	J, U			ER0	DG0		52098899
23	8350 3543	1	J, U			ER0	DG0		BEARING PACKAGE, Transfer Case
		1	J, U			ER0	DG0		52111083
		1	J, U			ER0	DG0		52098899
24	8350 3533	1	J, U			ER0	DG0		SPACER, Sprocket
		2	J, U			ER0	DG0		52111083
		2	J, U			ER0	DG0		52098899
25	8350 3531	1	J, U			ER0	DG0		SPROCKET, Transfer Case
		1	J, U			ER0	DG0		52111083
		1	J, U			ER0	DG0		52098899
26									SNAP RING
	8350 3532	2	J, U			ER0	DG0		52111083
		1	J, U			ER0	DG0		52098899
27									SPROCKET, Differential
	8350 3536	1	J, U			ER0	DG0		52111083
		1	J, U			ER0	DG0		52098899
28									GEAR, Planetary

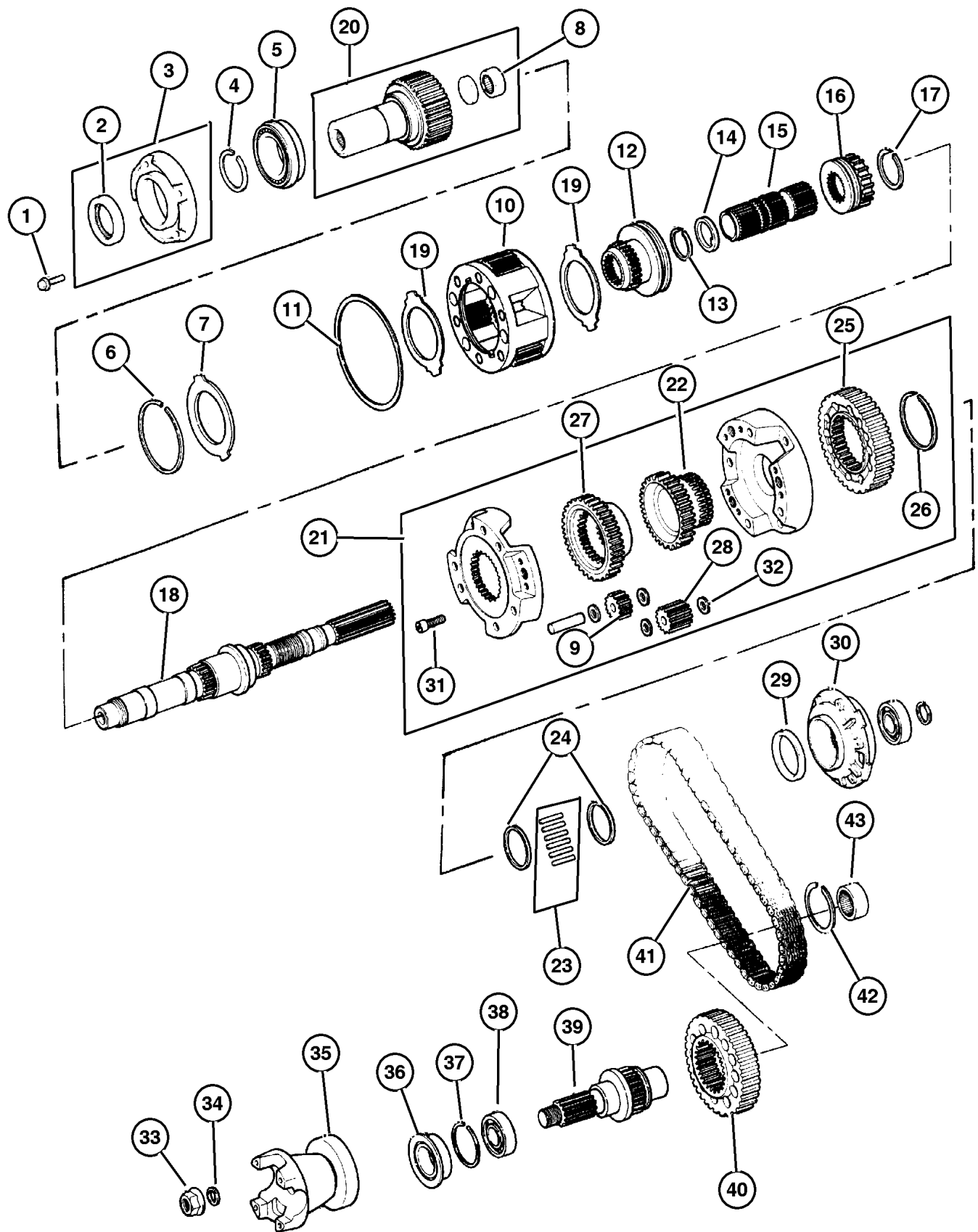
**JEEP CHEROKEE (XJ)**

SERIES	LINE	BODY	ENGINE	TRANSMISSION
L=Low Line	J=LHD (4WD) U=RHD (4WD) T=LHD (2WD) B=RHD (2WD)	74=4 DR. (101.4 WB) 72=2 DR. (101.4 WB)	ENC,EN0=2.5L 4 cyl. Turbo Die ERH,ER0=4.0L Power Tech I-6 EPE,EP0=Magnum 2.5L SMPI	DDQ=5Spd Man. DGS=4 Spd. Auto. AISIN DG0=All Auto Trans DBB=All Manual Trans.

AR = Use as required - = Non illustrated part # = New this model year

July 4, 2003

**Gear Train Select Trac (DHP) 1998 XJ  
Figure 242-410**



ITEM	PART NUMBER	QTY	LINE	SERIES	BODY	ENGINE	TRANS	TRIM	DESCRIPTION
	8350 4169	3	J, U			ER0	DG0		52111083
		1	J, U			ER0	DG0		52098899
29	4210 603	1	J, U			ER0	DG0		SEAL, Main Shaft
		1	J, U			ER0	DG0		52111083
									52098899
30	4338 936	1	J, U			ER0	DG0		PUMP, Transfer Case Oil
		1	J, U			ER0	DG0		52111083
									52098899
31									SCREW
	3820 898	3	J, U			ER0	DG0		52111083
		3	J, U			ER0	DG0		52098899
32									WASHER, Differential Gear
	8350 4168	1	J, U			ER0	DG0		52098899
		12	J, U			ER0	DG0		52111083
33									NUT, Transfer Case Yoke
	4167 924	1	J, U			ER0	DG0		52111083
		1	J, U			ER0	DG0		52098899
34									WASHER, Transfer Case Yoke
	4210 973	1	J, U			ER0	DG0		52098899
		1	J, U			ER0	DG0		52111083
35									YOKE, Transfer Case
	4798 138	1	J, U			ER0	DG0		52111083
		1	J, U			ER0	DG0		52098899
36									SEAL, Output Shaft
	4798 125	1	J, U			ER0	DG0		52111083
		1	J, U			ER0	DG0		52098899
37									SNAP RING
	0893 31A	1	J, U			ER0	DG0		52111083
		1	J, U			ER0	DG0		52098899
38									BEARING, Output Shaft
	4269 189	1	J, U			ER0	DG0		52111083
		1	J, U			ER0	DG0		52098899
39									OUTPUT SHAFT, Transfer Case
	8350 3517	1	J, U			ER0	DG0		52111083
		1	J, U			ER0	DG0		52098899
40									SPROCKET, Transfer Case
	8350 3518	1	J, U			ER0	DG0		52111083
		1	J, U			ER0	DG0		52098899
41									CHAIN, Transfer Case
	4638 890	1	J, U			ER0	DG0		52111083
	8350 4575	1	J, U			ER0	DG0		52098899
42									SNAP RING, Bearing

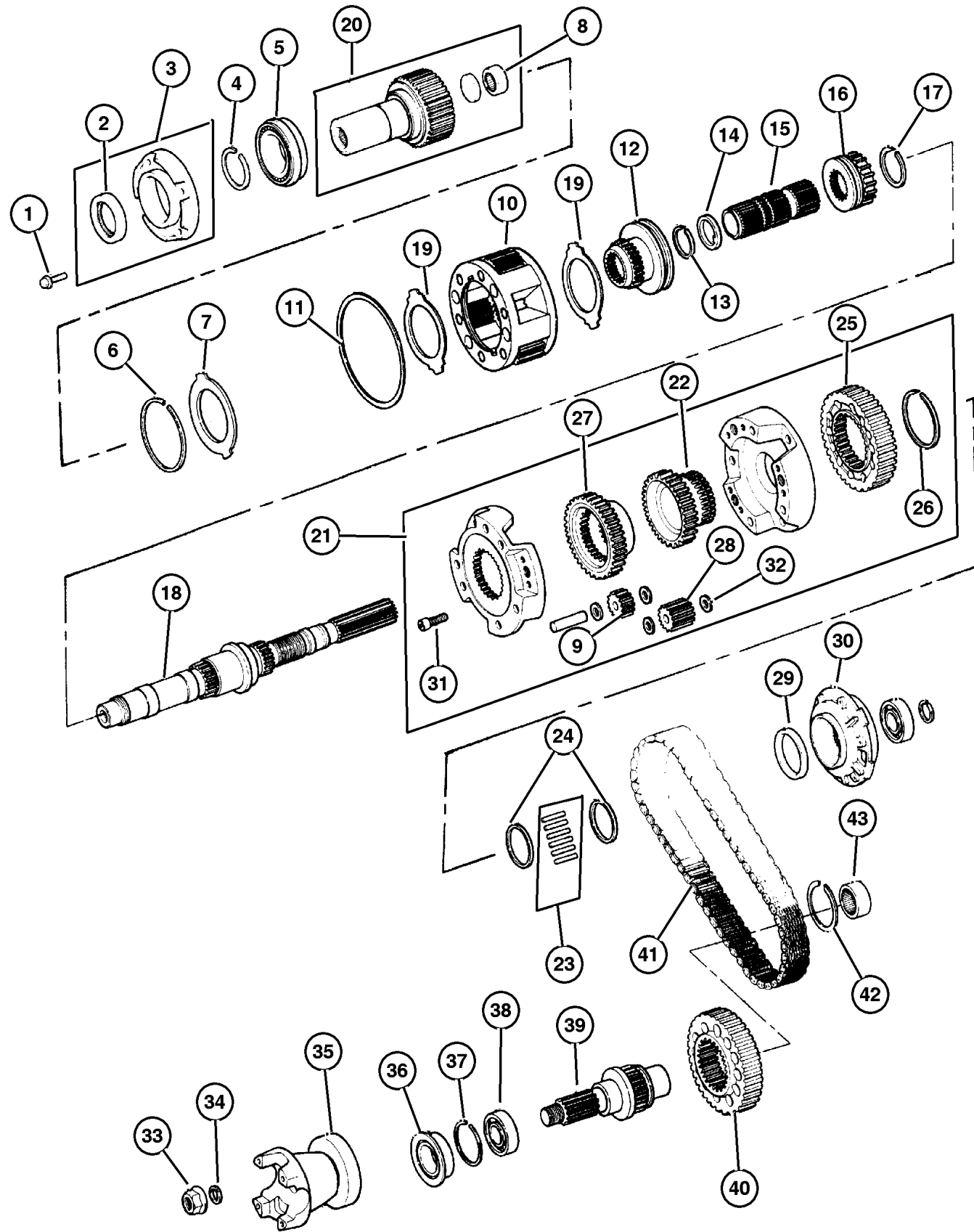
**JEEP CHEROKEE (XJ)**

SERIES	LINE	BODY	ENGINE	TRANSMISSION
L=Low Line	J=LHD (4WD) U=RHD (4WD) T=LHD (2WD) B=RHD (2WD)	74=4 DR. (101.4 WB) 72=2 DR. (101.4 WB)	ENC,EN0=2.5L 4 cyl. Turbo Die ERH,ER0=4.0L Power Tech I-6 EPE,EP0=Magnum 2.5L SMPI	DDQ=5Spd Man. DGS=4 Spd. Auto. AISIN DG0=All Auto Trans DBB=All Manual Trans.

AR = Use as required - = Non illustrated part # = New this model year

July 4, 2003

**Gear Train Select Trac (DHP) 1998 XJ**  
**Figure 242-410**



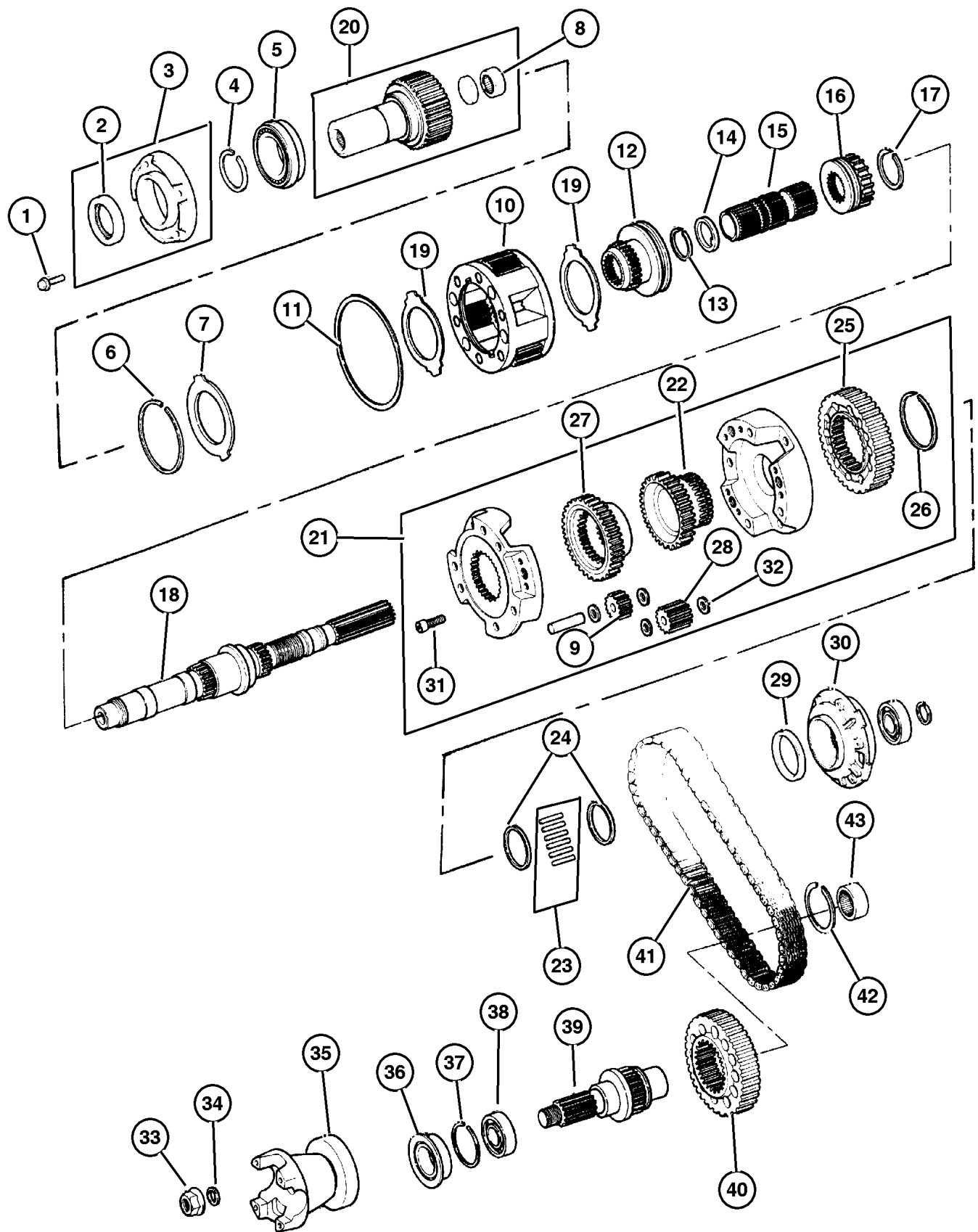
ITEM	PART NUMBER	QTY	LINE	SERIES	BODY	ENGINE	TRANS	TRIM	DESCRIPTION
	4167 991	1	J, U			ER0	DG0		52111083
		1	J, U			ER0	DG0		52098899
43									BEARING, Output Shaft
	4269 189	1	J, U			ER0	DG0		52111083
		1	J, U			ER0	DG0		52098899

<b>JEEP CHEROKEE (XJ)</b>				
SERIES	LINE	BODY	ENGINE	TRANSMISSION
L=Low Line	J=LHD (4WD) U=RHD (4WD) T=LHD (2WD) B=RHD (2WD)	74=4 DR. (101.4 WB) 72=2 DR. (101.4 WB)	ENC,EN0=2.5L 4 cyl. Turbo Die ERH,ER0=4.0L Power Tech I-6 EPE,EP0=Magnum 2.5L SMPI	DDQ=5Spd Man. DGS=4 Spd. Auto. AISIN DG0=All Auto Trans DBB=All Manual Trans.

AR = Use as required - = Non illustrated part # = New this model year

July 4, 2003

**Gear Train Select Trac (DHP) 1999 XJ  
Figure 242-410**



ITEM	PART NUMBER	QTY	LINE	SERIES	BODY	ENGINE	TRANS	TRIM	DESCRIPTION
Notes:									
ER0= All 4.0L., 6 Cylinder, Gas Engine									
DG0 = All Automatic Transmissions									
1	6500 318	4	J, U			ER0	DG0		BOLT, 52098899
2	4167 929	1	J, U			ER0	DG0		SEAL, Input Gear
3	4338 973	1	J, U			ER0	DG0		EXTENSION, Transfer Case
4	3821 558	1	J, U			ER0	DG0		SNAP RING
5	4746 155	1	J, U			ER0	DG0		BEARING, Input Gear
6	4338 910	1	J, U			ER0	DG0		SNAP RING
7	4338 909	1	J, U			ER0	DG0		RING
8	8350 3507	1	J, U			ER0	DG0		BEARING, Input Shaft
9	8350 4170	3	J, U			ER0	DG0		GEAR, Planetary
10	4796 903	1	J, U			ER0	DG0		GEAR, Low Range Planetary
11	4219 065	1	J, U			ER0	DG0		SNAP RING, Annulus Gear
12	4798 279	1	J, U			ER0	DG0		SLEEVE, Shift Range
13	8350 3540	1	J, U			ER0	DG0		SNAP RING
14									WASHER, Intermediate Sleeve

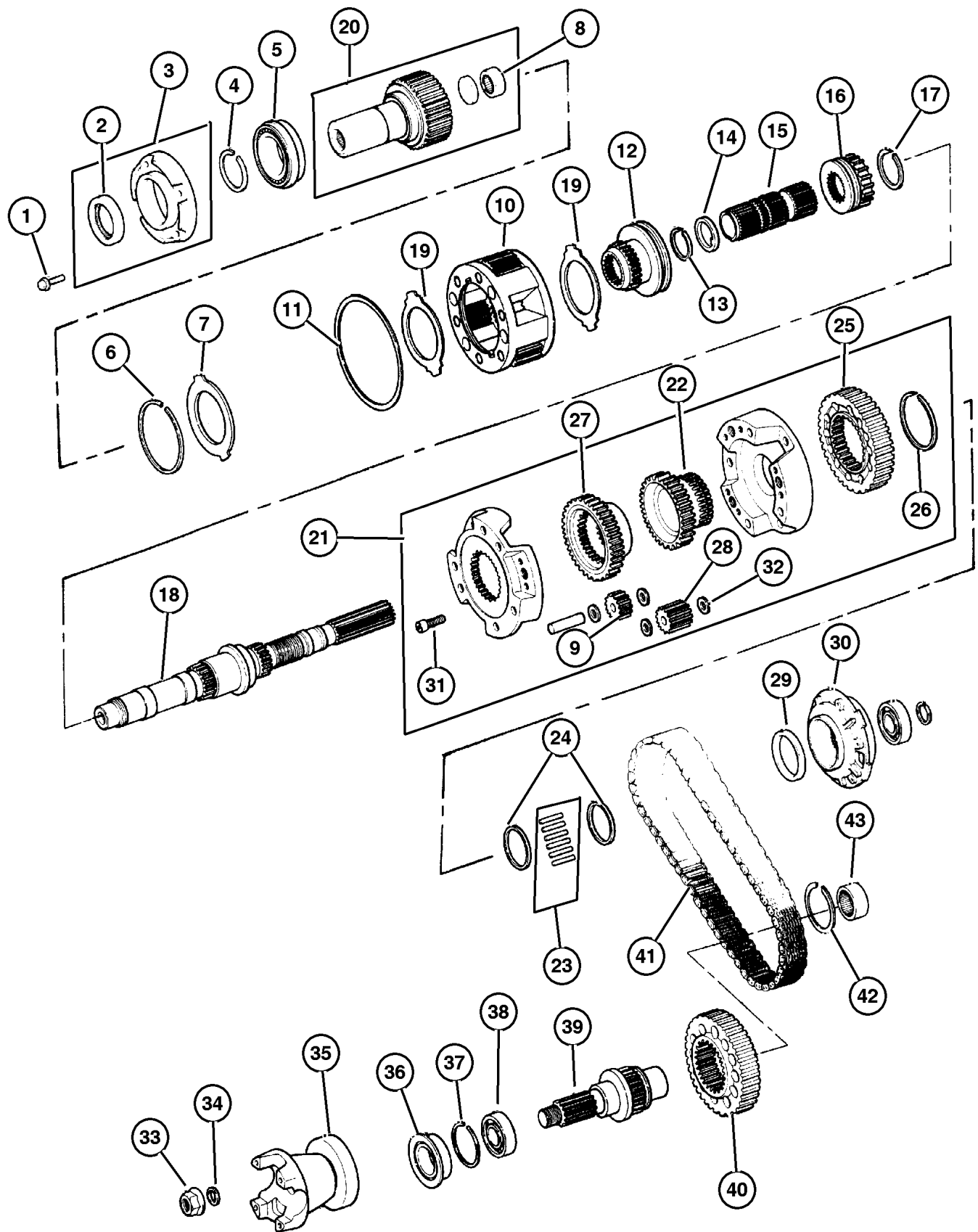
**JEEP CHEROKEE (XJ)**

SERIES	LINE	BODY	ENGINE	TRANSMISSION
L=Low Line	J=LHD (4WD) U=RHD (4WD) T=LHD (2WD) B=RHD (2WD)	74=4 DR. (101.4 WB) 72=2 DR. (101.4 WB)	ENC,EN0=2.5L 4 cyl. Turbo Die ERH,ER0=4.0L Power Tech I-6 EPE,EP0=Magnum 2.5L SMPI	DDQ=5Spd Man. DGS=4 Spd. Auto. AISIN DG0=All Auto Trans DBB=All Manual Trans.

AR = Use as required - = Non illustrated part # = New this model year

July 4, 2003

**Gear Train Select Trac (DHP) 1999 XJ**  
**Figure 242-410**



ITEM	PART NUMBER	QTY	LINE	SERIES	BODY	ENGINE	TRANS	TRIM	DESCRIPTION
	8350 3539	1	J, U			ER0	DG0		52111083
		1	J, U			ER0	DG0		52098899
15	4798 277	1	J, U			ER0	DG0		SHAFT, Intermediate
		1	J, U			ER0	DG0		52111083
		1	J, U			ER0	DG0		52098899
16	8350 3542	1	J, U			ER0	DG0		SLEEVE, Mode Synchronizer
		1	J, U			ER0	DG0		52111083
		1	J, U			ER0	DG0		52098899
17									SNAP RING
	8350 3537	1	J, U			ER0	DG0		52111083
		1	J, U			ER0	DG0		52098899
18	4798 145	1	J, U			ER0	DG0		MAINSHAFT, Transfer Case
		1	J, U			ER0	DG0		52111083
19	4338 908	2	J, U			ER0	DG0		THRUST WASHER, Planetary Carrier, 52098899
20									GEAR, Input
	4798 126	1	J, U			ER0	DG0		52111083
		1	J, U			ER0	DG0		52098899
21	8350 3529	1	J, U			ER0	DG0		DIFFERENTIAL, Transfer Case
		1	J, U			ER0	DG0		52111083
		1	J, U			ER0	DG0		52098899
22	8350 3530	1	J, U			ER0	DG0		SPROCKET, Transfer Case
		1	J, U			ER0	DG0		52111083
		1	J, U			ER0	DG0		52098899
23	8350 3543	1	J, U			ER0	DG0		BEARING PACKAGE, Transfer Case
		1	J, U			ER0	DG0		52111083
		1	J, U			ER0	DG0		52098899
24	8350 3533	2	J, U			ER0	DG0		SPACER, Sprocket, 52098899
25	8350 3531	1	J, U			ER0	DG0		SPROCKET, Transfer Case
		1	J, U			ER0	DG0		52111083
		1	J, U			ER0	DG0		52098899
26	8350 3532	1	J, U			ER0	DG0		SNAP RING, 52098899
27	8350 3536	1	J, U			ER0	DG0		SPROCKET, Differential
		1	J, U			ER0	DG0		52111083
		1	J, U			ER0	DG0		52098899
28	8350 4169	3	J, U			ER0	DG0		GEAR, Planetary, 52111083
29	4210 603	1	J, U			ER0	DG0		SEAL, Main Shaft
		1	J, U			ER0	DG0		52111083
		1	J, U			ER0	DG0		52098899
30	4338 936	1	J, U			ER0	DG0		PUMP, Transfer Case Oil
		1	J, U			ER0	DG0		52111083

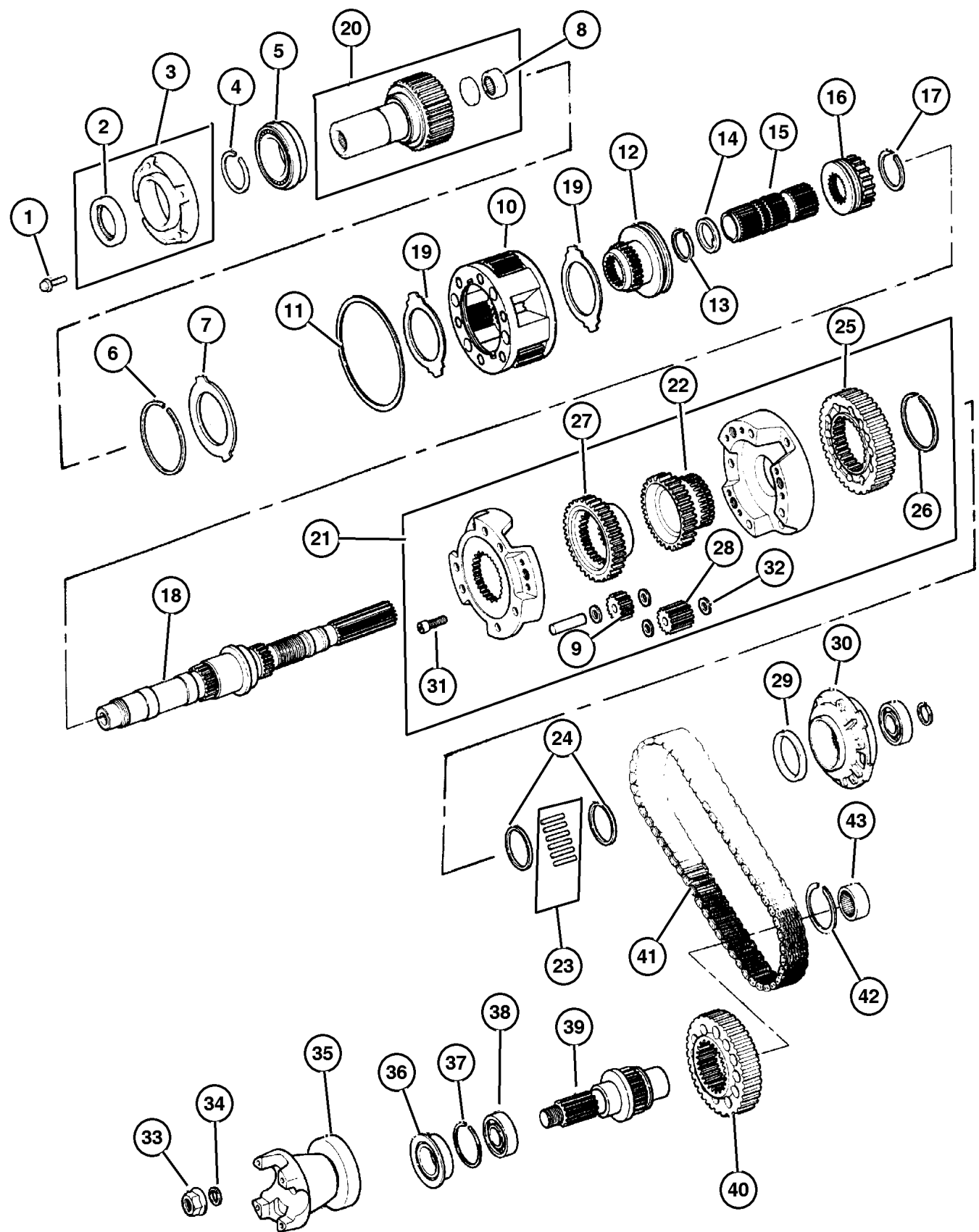
**JEEP CHEROKEE (XJ)**

SERIES	LINE	BODY	ENGINE	TRANSMISSION
L=Low Line	J=LHD (4WD) U=RHD (4WD) T=LHD (2WD) B=RHD (2WD)	74=4 DR. (101.4 WB) 72=2 DR. (101.4 WB)	ENC,EN0=2.5L 4 cyl. Turbo Die ERH,ER0=4.0L Power Tech I-6 EPE,EP0=Magnum 2.5L SMPI	DDQ=5Spd Man. DGS=4 Spd. Auto. AISIN DG0=All Auto Trans DBB=All Manual Trans.

AR = Use as required - = Non illustrated part # = New this model year

July 4, 2003

**Gear Train Select Trac (DHP) 1999 XJ**  
**Figure 242-410**



ITEM	PART NUMBER	QTY	LINE	SERIES	BODY	ENGINE	TRANS	TRIM	DESCRIPTION
		1	J, U			ER0	DG0		52098999
31									SCREW
	3820 898	3	J, U			ER0	DG0		w/52098898
		3	J, U			ER0	DG0		w/52111083
32	8350 4168	12	J, U			ER0	DG0		WASHER, Differential Gear,
									52111083
33									NUT, Transfer Case Yoke
	4167 924	1	J, U			ER0	DG0		52111083
		1	J, U			ER0	DG0		52098899
34									WASHER, Transfer Case Yoke
	4210 973	1	J, U			ER0	DG0		52111083
		1	J, U			ER0	DG0		52098899
35									YOKE, Transfer Case
	4798 138	1	J, U			ER0	DG0		52111083
		1	J, U			ER0	DG0		52098899
36									SEAL, Output Shaft
	4798 125	1	J, U			ER0	DG0		52098899
		1	J, U			ER0	DG0		52111083
37									SNAP RING
	0893 31A	1	J, U			ER0	DG0		52111083
		1	J, U			ER0	DG0		52098899
38									BEARING, Output Shaft
	2466 224	1	J, U			ER0	DG0		52111083
		1	J, U			ER0	DG0		52098899
39									OUTPUT SHAFT, Transfer Case
	8350 3517	1	J, U			ER0	DG0		52111083
		1	J, U			ER0	DG0		52098999
40									SPROCKET, Transfer Case
	8350 3518	1	J, U			ER0	DG0		52111083
		1	J, U			ER0	DG0		52098999
41									CHAIN, Transfer Case
	4638 890	1	J, U			ER0	DG0		52111083
	8350 4575	1	J, U			ER0	DG0		52098999
42									SNAP RING, Bearing
	4167 991	1	J, U			ER0	DG0		52111083
		1	J, U			ER0	DG0		52111083
43									BEARING, Output Shaft
	4269 189	1	J, U			ER0	DG0		52111083
		1	J, U			ER0	DG0		52098899

**JEEP CHEROKEE (XJ)**

SERIES	LINE	BODY	ENGINE	TRANSMISSION
L=Low Line	J=LHD (4WD) U=RHD (4WD) T=LHD (2WD) B=RHD (2WD)	74=4 DR. (101.4 WB) 72=2 DR. (101.4 WB)	ENC,EN0=2.5L 4 cyl. Turbo Die ERH,ER0=4.0L Power Tech I-6 EPE,EP0=Magnum 2.5L SMPI	DDQ=5Spd Man. DGS=4 Spd. Auto. AISIN DG0=All Auto Trans DBB=All Manual Trans.

AR = Use as required - = Non illustrated part # = New this model year

July 4, 2003



Fork and Rails Select Trac (DHP) 1997 XJ  
Figure 242-910

ITEM	PART NUMBER	QTY	LINE	SERIES	BODY	ENGINE	TRANS	TRIM	DESCRIPTION
1	5300 4227	1	J			ER0	DG0		LEVER, Transfer Case 52111083
		1	J, U			ER0	DG0		52098899
2	5300 4810	1	J			ER0	DG0		BUSHING, Shift Lever 52098899
		1	J			ER0	DG0		52111083
3	0152 345	1	J			ER0	DG0		NUT, .375-24 52098899
		1	J			ER0	DG0		52111083
4	4167 963	1	J			ER0	DG0		SEAL, O-Ring 52111083
		1	J, U			ER0	DG0		52098899
5	4167 964	1	J			ER0	DG0		RETAINER, Rear Clutch 52111083
		1	J, U			ER0	DG0		52098899
6	4638 949	1	J			ER0	DG0		SECTOR, Transfer Case 52111083
		1	J, U			ER0	DG0		52098899
7									WASHER, (NOT SERVICED) (Not Serviced)
8	5003 459AA	1	J			ER0	DG0		FORK, Range 52111083
		1	J, U			ER0	DG0		52098899
9	4167 969	4	J			ER0	DG0		PAD, Shift Fork 52111083
		2	J, U			ER0	DG0		52098899
	4167 970	1	J			ER0	DG0		52098899
		1	J			ER0	DG0		52111083
10	J813 4291	1	J			ER0	DG0		BUSHING, Shift Fork 52111083
		1	J, U			ER0	DG0		52098899
11	4338 945	2	J			ER0	DG0		BUSHING, Shift Rail 52111083
		1	J, U			ER0	DG0		52098899
12	8350 3513	1	J			ER0	DG0		SPRING, Mode Shift Fork 52111083
		1	J, U			ER0	DG0		52098899
13									WASHER, Flat

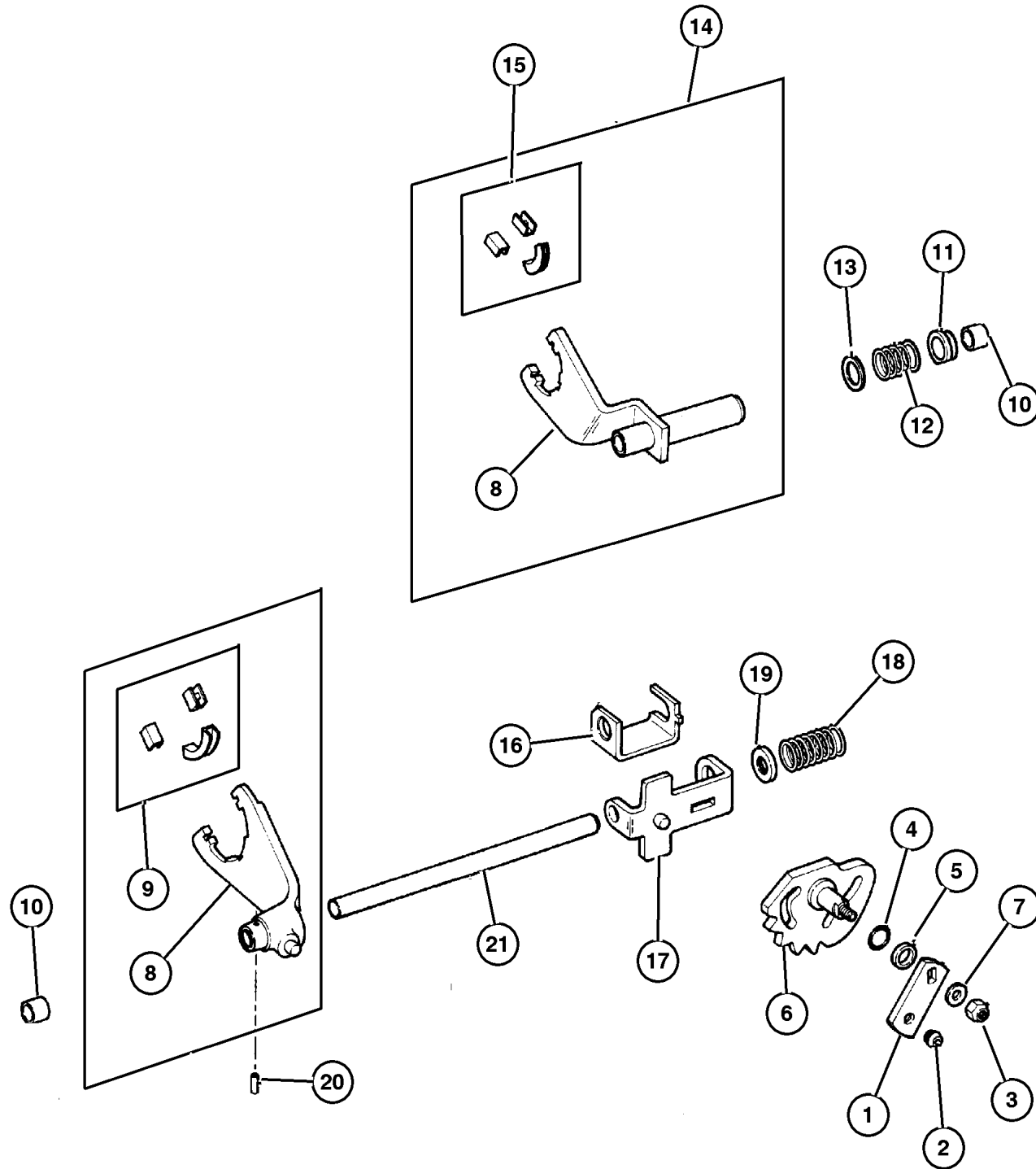
Notes:

ER0= All 4.0L., 6 Cylinder, Gas Engine

EN0= All 4/5 Cylinder, Turbo Diesel Engine

DDQ = 5 Speed Manual Transmission

DG0 = All Automatic Transmissions



JEEP CHEROKEE (XJ)

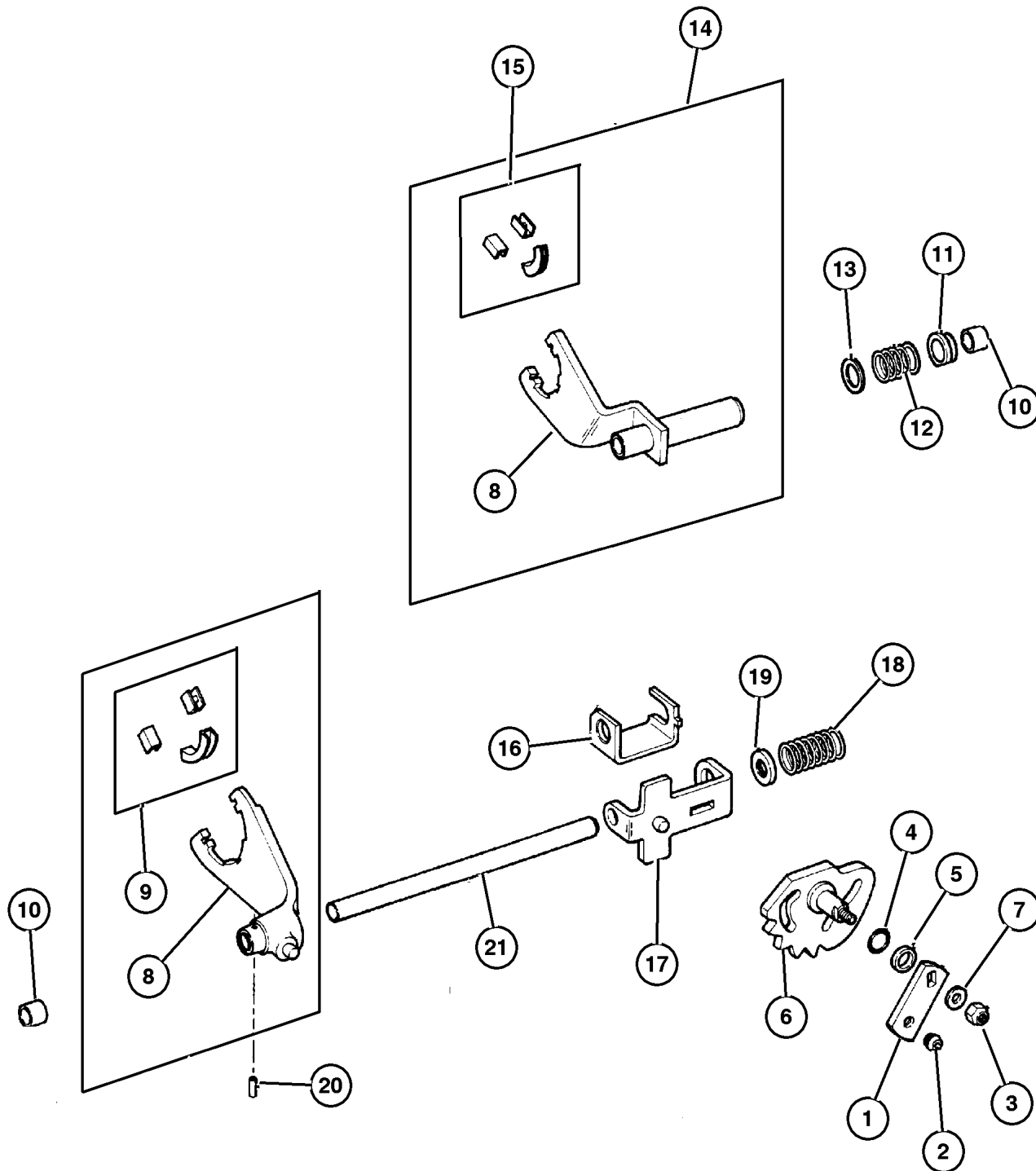
SERIES	LINE	BODY	ENGINE	TRANSMISSION
L=Low Line	J=LHD (4WD) U=RHD (4WD) T=LHD (2WD) B=RHD (2WD)	74=4 DR. (101.4 WB) 72=2 DR. (101.4 WB)	ENC,EN0=2.5L 4 cyl. Turbo Die ERH,ER0=4.0L Power Tech I-6 EPE,EP0=Magnum 2.5L SMPI	DDQ=5Spd Man. DGS=4 Spd. Auto. AISIN DG0=All Auto Trans DBB=All Manual Trans.

AR = Use as required - = Non illustrated part # = New this model year

July 4, 2003

Fork and Rails Select Trac (DHP) 1997 XJ  
Figure 242-910

ITEM	PART NUMBER	QTY	LINE	SERIES	BODY	ENGINE	TRANS	TRIM	DESCRIPTION
	8350 3512	1	J			ER0	DG0		52111083
		1	J, U			ER0	DG0		52098899
14	4638 950	1	J			ER0	DG0		52111083
		1	J, U			ER0	DG0		52098899
15	4167 969	4	J			ER0	DG0		52111083
		2	J, U			ER0	DG0		52098899
	4167 970	1	J			ER0	DG0		52111083
		1	J, U			ER0	DG0		52098899
16	8350 3510	1	J			ER0	DG0		52111083
		1	J, U			ER0	DG0		52098899
17	8350 3511	1	J			ER0	DG0		52111083
		1	J, U			ER0	DG0		52098899
18	8350 3516	1	J			ER0	DG0		52111083
		1	J, U			ER0	DG0		52098899
19	8350 3515	1	J			ER0	DG0		52111083
		1	J, U			ER0	DG0		52098899
20	1664 355	1	J			ER0	DG0		52111083
		1	J, U			ER0	DG0		52098899
21	8350 4469	1	J			ER0	DG0		52111083
		1	J, U			ER0	DG0		52098899



JEEP CHEROKEE (XJ)  
 SERIES LINE BODY ENGINE TRANSMISSION  
 L=Low Line J=LHD (4WD) 74=4 DR. (101.4 WB) ENC,EN0=2.5L 4 cyl. Turbo Die DDQ=5Spd Man.  
 U=RHD (4WD) 72=2 DR. (101.4 WB) ERH,ER0=4.0L Power Tech I-6 DGS=4 Spd. Auto. AISIN  
 T=LHD (2WD) EPE,EP0=Magnum 2.5L SMPI DG0=All Auto Trans  
 B=RHD (2WD) DBB=All Manual Trans.

AR = Use as required - = Non illustrated part # = New this model year

July 4, 2003

Fork and Rails Select Trac (DHP) 1998 XJ  
Figure 242-910

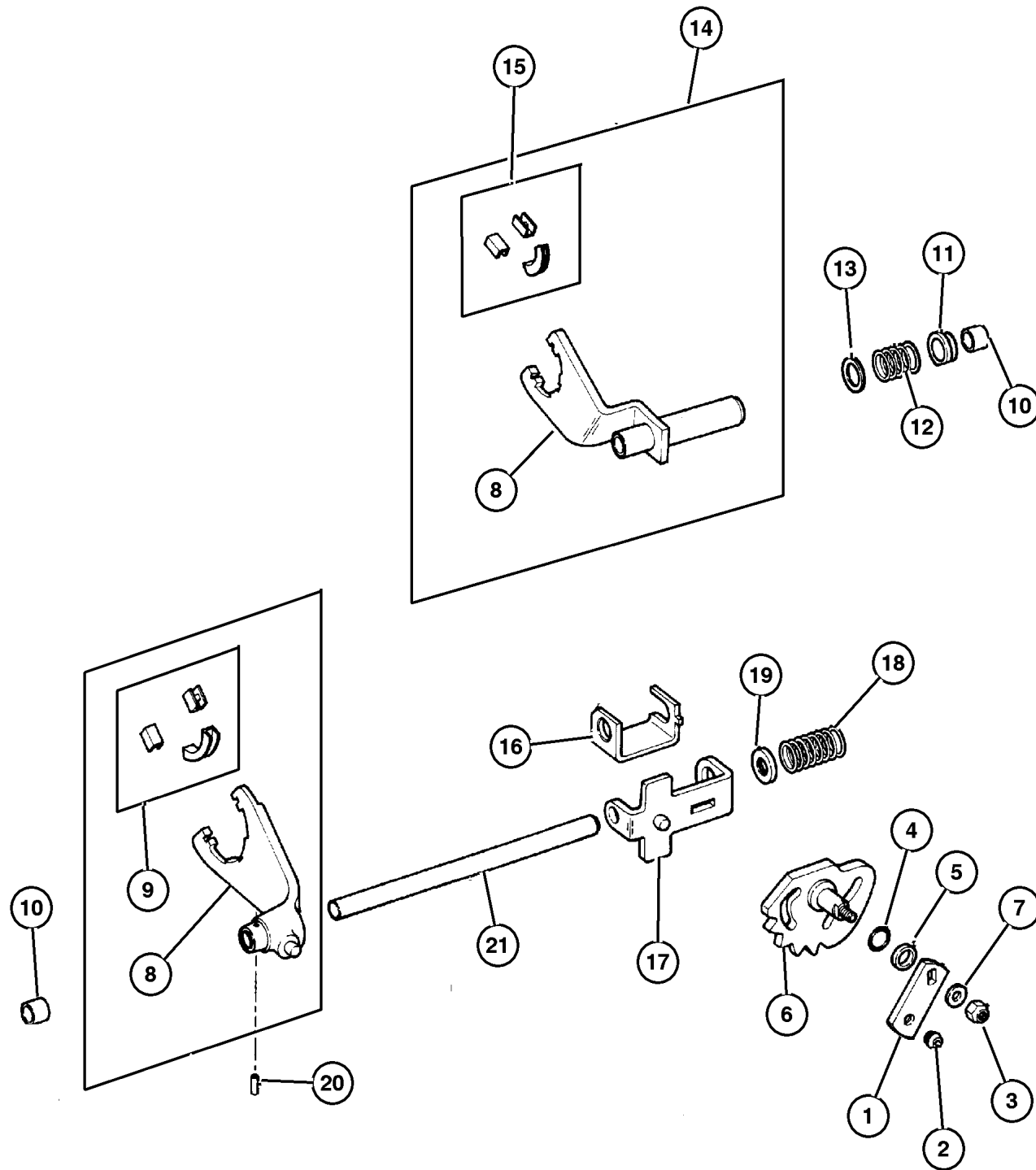
ITEM	PART NUMBER	QTY	LINE	SERIES	BODY	ENGINE	TRANS	TRIM	DESCRIPTION
1	5300 4227	1	J, U			ER0	DG0		LEVER, Transfer Case 52111083
		1	J, U			ER0	DG0		52098899
2	5300 4810	1	J, U			ER0	DG0		BUSHING, Shift Lever 52098899
		1	J, U			ER0	DG0		52111083
3	0152 345	1	J, U			ER0	DG0		NUT, .375-24 52098899
		1	J, U			ER0	DG0		52111083
4	4167 963	1	J, U			ER0	DG0		SEAL, O-Ring 52111083
		2	J, U			ER0	DG0		52098899
5	4167 964	1	J, U			ER0	DG0		RETAINER, Rear Clutch 52111083
		1	J, U			ER0	DG0		52098899
6	4638 949	1	J, U			ER0	DG0		SECTOR, Transfer Case 52111083
		1	J, U			ER0	DG0		52098899
7									WASHER, (NOT SERVICED) (Not Serviced)
8	5003 459AA	1	J, U			ER0	DG0		FORK, Range 52111083
		1	J, U			ER0	DG0		52098899
9	4167 969	4	J, U			ER0	DG0		PAD, Shift Fork 52111083
		2	J, U			ER0	DG0		52098899
	4167 970	1	J, U			ER0	DG0		52111083
		1	J, U			ER0	DG0		52098899
10	J813 4291	1	J, U			ER0	DG0		BUSHING, Shift Fork 52111083
		1	J, U			ER0	DG0		52098899
11	4338 945	2	J, U			ER0	DG0		BUSHING, Shift Rail 52111083
		1	J, U			ER0	DG0		52098899
12	8350 3513	1	J, U			ER0	DG0		SPRING, Mode Shift Fork 52111083
		1	J, U			ER0	DG0		52098899
13									WASHER, Flat

JEEP CHEROKEE (XJ)

SERIES	LINE	BODY	ENGINE	TRANSMISSION
L=Low Line	J=LHD (4WD) U=RHD (4WD) T=LHD (2WD) B=RHD (2WD)	74=4 DR. (101.4 WB) 72=2 DR. (101.4 WB)	ENC,EN0=2.5L 4 cyl. Turbo Die ERH,ER0=4.0L Power Tech I-6 EPE,EP0=Magnum 2.5L SMPI	DDQ=5Spd Man. DGS=4 Spd. Auto. AISIN DG0=All Auto Trans DBB=All Manual Trans.

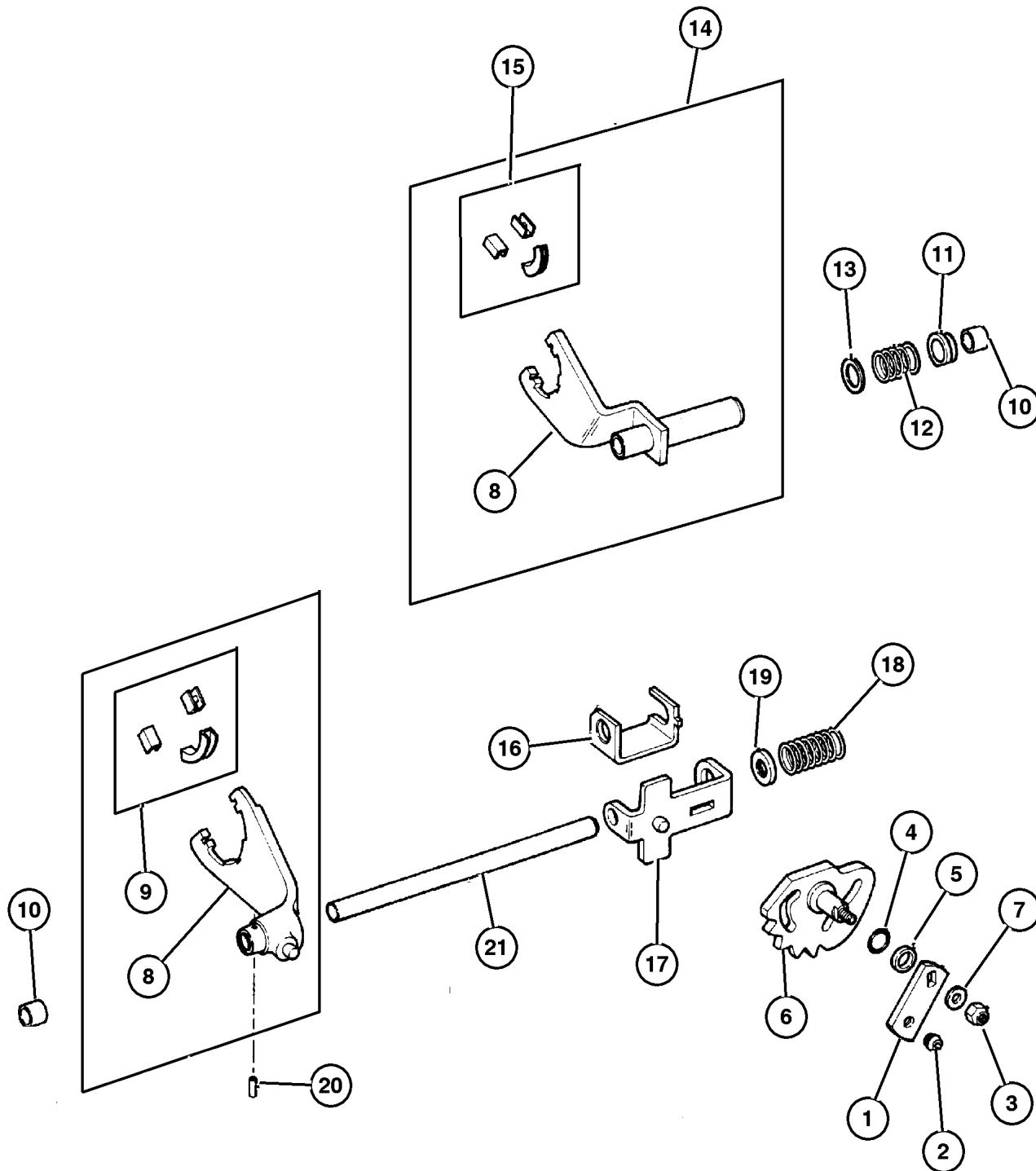
AR = Use as required - = Non illustrated part # = New this model year

July 4, 2003



Fork and Rails Select Trac (DHP) 1998 XJ  
Figure 242-910

ITEM	PART NUMBER	QTY	LINE	SERIES	BODY	ENGINE	TRANS	TRIM	DESCRIPTION
	8350 3512	1	J, U			ER0	DG0		52111083
		1	J, U			ER0	DG0		52098899
14	4638 950	1	J, U			ER0	DG0		FORK, Transfer Case Mode Shift
		1	J, U			ER0	DG0		52111083
		1	J, U			ER0	DG0		52098899
15	4167 969	4	J, U			ER0	DG0		PAD, Shift Fork
		2	J, U			EN0	DDQ		52111083
	4167 970	1	J, U			ER0	DG0		52098899
		1	J, U			ER0	DG0		52111083
16	8350 3510	1	J, U			ER0	DG0		BRACKET, Shift Mode
		1	J, U			ER0	DG0		52111083
		1	J, U			ER0	DG0		52098899
17	8350 3511	1	J, U			ER0	DG0		BRACKET, Shift Mode
		1	J, U			ER0	DG0		52111083
		1	J, U			ER0	DG0		52098899
18	8350 3516	1	J, U			ER0	DG0		SPRING, Mode Shift Fork
		1	J, U			ER0	DG0		52111083
		1	J, U			ER0	DG0		52098899
19	8350 3515	1	J, U			ER0	DG0		CUP, Shift Fork Spring
		1	J, U			ER0	DG0		52111083
		1	J, U			ER0	DG0		52098899
20	1664 355	1	J, U			ER0	DG0		PIN, Shift Fork
		1	J, U			ER0	DG0		52111083
		1	J, U			ER0	DG0		52098899
21	8350 4469	1	J, U			ER0	DG0		RAIL, Transfer Case
		1	J, U			ER0	DG0		52111083
		1	J, U			ER0	DG0		52098899



JEEP CHEROKEE (XJ)

SERIES	LINE	BODY	ENGINE	TRANSMISSION
L=Low Line	J=LHD (4WD) U=RHD (4WD) T=LHD (2WD) B=RHD (2WD)	74=4 DR. (101.4 WB) 72=2 DR. (101.4 WB)	ENC,EN0=2.5L 4 cyl. Turbo Die ERH,ER0=4.0L Power Tech I-6 EPE,EP0=Magnum 2.5L SMPI	DDQ=5Spd Man. DGS=4 Spd. Auto. AISIN DG0=All Auto Trans DBB=All Manual Trans.

AR = Use as required - = Non illustrated part # = New this model year

July 4, 2003

Fork and Rails Select Trac (DHP) 1999 XJ  
Figure 242-910

ITEM	PART NUMBER	QTY	LINE	SERIES	BODY	ENGINE	TRANS	TRIM	DESCRIPTION
1	5300 4227	1	J, U			ER0	DG0		LEVER, Transfer Case
		1	J, U			ER0	DG0		52111083
									52098899
2	5300 4810	1	J, U			ER0	DG0		BUSHING, Shift Lever
		1	J, U			ER0	DG0		52111083
									52098899
3	0152 345	1	J, U			ER0	DG0		NUT, .375-24
		1	J, U			ER0	DG0		52111083
									52098899
4	4167 963	1	J, U			ER0	DG0		SEAL, O-Ring
		1	J, U			ER0	DG0		52111083
									52098899
5	4167 964	1	J, U			ER0	DG0		RETAINER, Rear Clutch
		1	J, U			ER0	DG0		52111083
									52098899
6	4638 949	1	J, U			ER0	DG0		SECTOR, Transfer Case
		1	J, U			ER0	DG0		52111083
									52098899
7									WASHER, (NOT SERVICED) (Not Serviced)
8	8350 3508	1	J, U			ER0	DG0		FORK, Range
		1	J, U			ER0	DG0		52111083
									52098899
9	4167 970	1	J, U			ER0	DG0		PAD, Shift Fork
		1	J, U			ER0	DG0		52111083
									52098899
10	J813 4291	1	J, U			ER0	DG0		BUSHING, Shift Fork
		1	J, U			ER0	DG0		52111083
									52098899
11	8350 3514	1	J, U			ER0	DG0		BUSHING, Shift Rail
		1	J, U			ER0	DG0		52111083
									52098899
12	8350 3513	1	J, U			ER0	DG0		SPRING, Mode Shift Fork
		1	J, U			ER0	DG0		52111083
									52098899
13	8350 3512	1	J, U			ER0	DG0		WASHER, Flat
									52111083

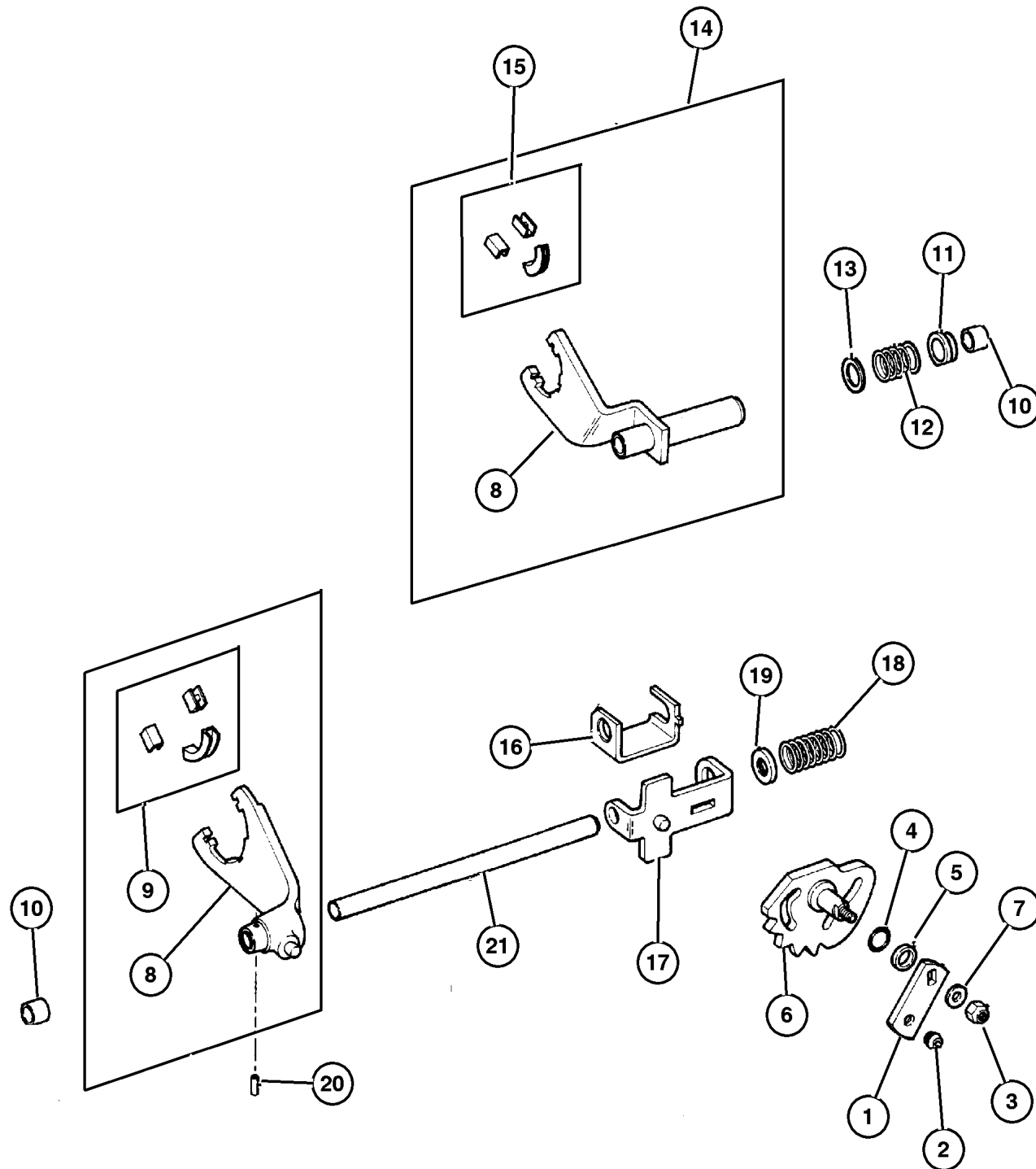
Notes:

ER0= All 4.0L., 6 Cylinder, Gas Engine

EN0= All 4/5 Cylinder, Turbo Diesel Engine

DDQ = 5 Speed Manual Transmission

DG0 = All Automatic Transmissions



JEEP CHEROKEE (XJ)

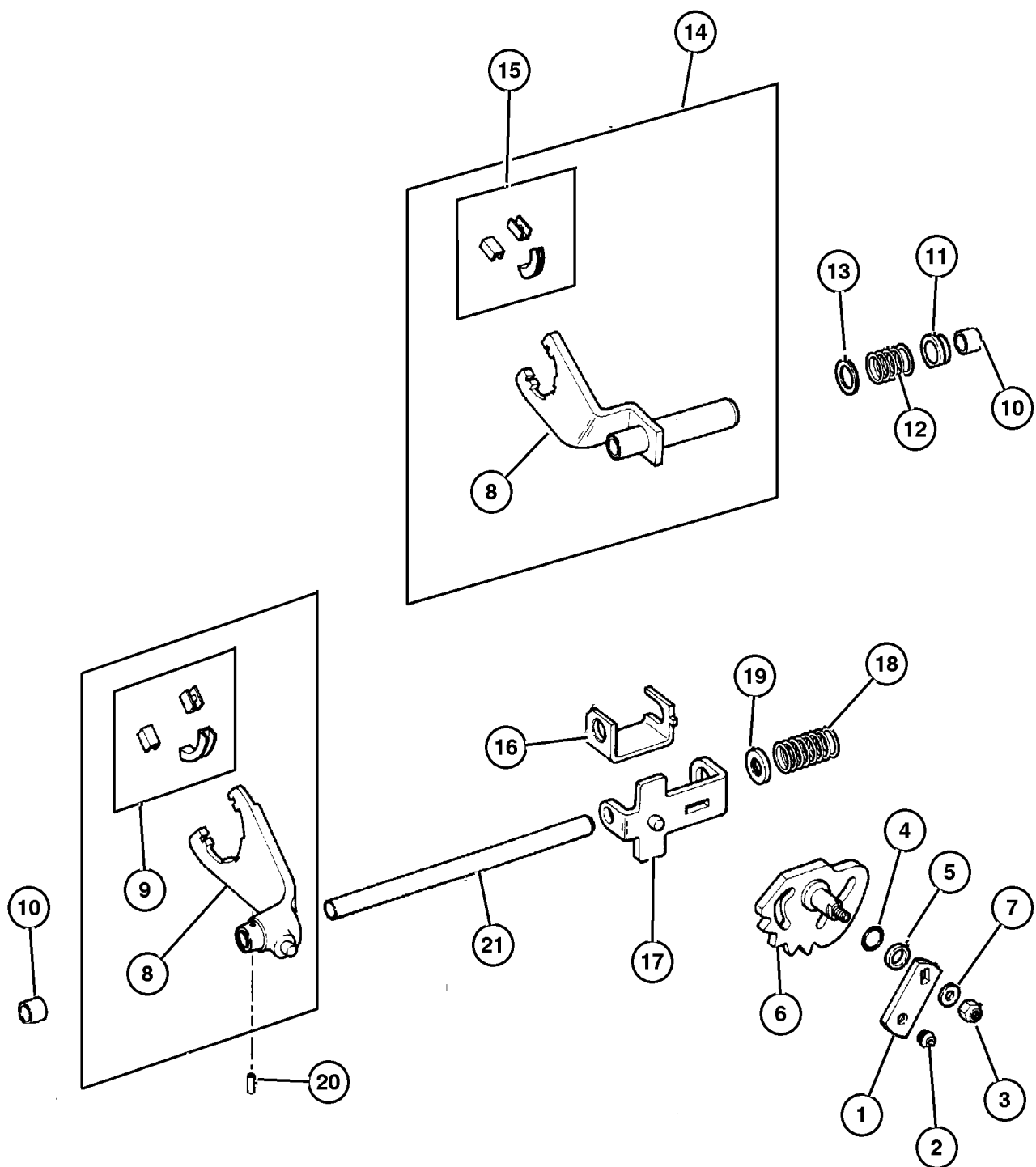
SERIES	LINE	BODY	ENGINE	TRANSMISSION
L=Low Line	J=LHD (4WD) U=RHD (4WD) T=LHD (2WD) B=RHD (2WD)	74=4 DR. (101.4 WB) 72=2 DR. (101.4 WB)	ENC,EN0=2.5L 4 cyl. Turbo Die ERH,ER0=4.0L Power Tech I-6 EPE,EP0=Magnum 2.5L SMPI	DDQ=5Spd Man. DGS=4 Spd. Auto. AISIN DG0=All Auto Trans DBB=All Manual Trans.

AR = Use as required - = Non illustrated part # = New this model year

July 4, 2003

Fork and Rails Select Trac (DHP) 1999 XJ  
Figure 242-910

ITEM	PART NUMBER	QTY	LINE	SERIES	BODY	ENGINE	TRANS	TRIM	DESCRIPTION
		1	J, U			ER0	DG0		52098899
14	4638 950	1	J, U			ER0	DG0		FORK, Transfer Case Mode Shift w/52111083
		1	J, U			ER0	DG0		w/52098899
15									PAD, Shift Fork
	4167 969	2	J, U			EN0	DDQ		52098899
	4167 970	1	J, U			ER0	DG0		52111083
		1	J, U			ER0	DG0		52098899
16									BRACKET, Shift Mode
	8350 3510	1	J, U			ER0	DG0		52111083
		1	J, U			ER0	DG0		52098899
17									BRACKET, Shift Mode
	8350 3511	1	J, U			ER0	DG0		52111083
		1	J, U			ER0	DG0		52098899
18	8350 3516	1	J, U			ER0	DG0		SPRING, Mode Shift Fork, 52111083
19	8350 3515	1	J, U			ER0	DG0		CUP, Shift Fork Spring, 52111083
20									PIN, Shift Fork
	1664 355	1	J, U			ER0	DG0		52111083
		1	J, U			ER0	DG0		52098899
21									RAIL, Transfer Case
	8350 4469	1	J, U			ER0	DG0		52111083
		1	J, U			ER0	DG0		52098899



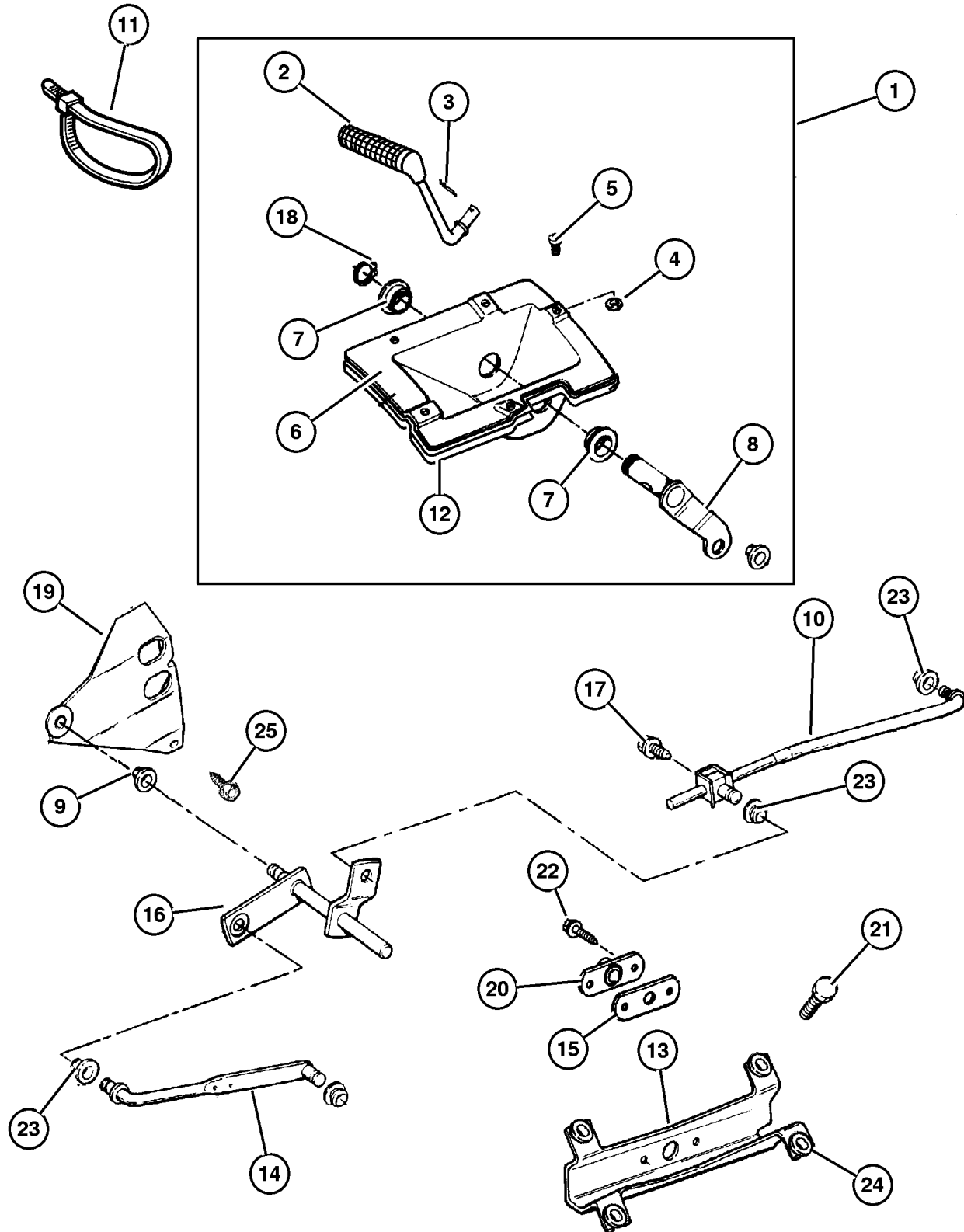
JEEP CHEROKEE (XJ)

SERIES	LINE	BODY	ENGINE	TRANSMISSION
L=Low Line	J=LHD (4WD) U=RHD (4WD) T=LHD (2WD) B=RHD (2WD)	74=4 DR. (101.4 WB) 72=2 DR. (101.4 WB)	ENC,EN0=2.5L 4 cyl. Turbo Die ERH,ER0=4.0L Power Tech I-6 EPE,EP0=Magnum 2.5L SMPI	DDQ=5Spd Man. DGS=4 Spd. Auto. AISIN DG0=All Auto Trans DBB=All Manual Trans.

AR = Use as required - = Non illustrated part # = New this model year

July 4, 2003

**Gearshift Controls Select Trac (DHP) 1997 XJ**  
**Figure 242-1210**



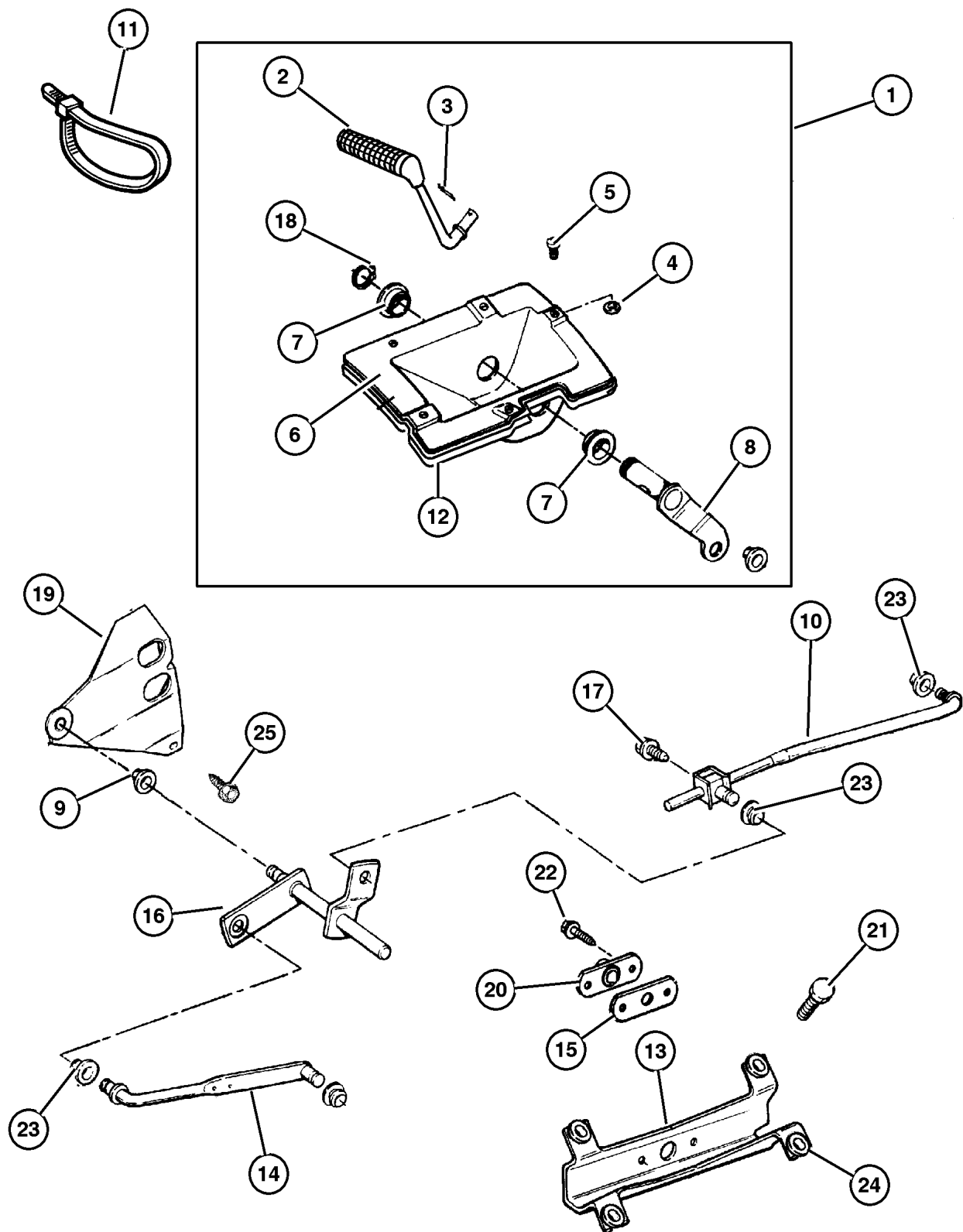
ITEM	PART NUMBER	QTY	LINE	SERIES	BODY	ENGINE	TRANS	TRIM	DESCRIPTION
Notes:									
EPO= All 2.5L, 4 Cylinder, Gas Engine									
ER0= All 4.0L., 6 Cylinder, Gas Engine									
ENC= 2.5L 4 Cykinder Turbo Diesel Engine									
DBB = All Manual Transmissions									
DDQ = 5 Speed Manual Transmission									
DG0 = All Automatic Transmissions									
1									SHIFTER, Transfer Case
	5210 4102	1	J				DG0		
	5210 4103	1	U				DG0		
2									LEVER, Transfer Case Shifter
	5207 9256	1	J				DG0		
		1	U				DG0		
3									PIN, Cotter
	J400 6723	1	J				DG0		
		1	U				DG0		
4									NUT, Push, M5
	5207 7650	1	U				DG0		
	5300 0809	1	J				DG0		
5									FASTENER, Push On
	5207 7671	1	J				DG0		
		1	U				DG0		
6									HOUSING, Shift Lever
	5300 1284	1	J				DG0		
		1	U				DG0		
7									BUSHING, Shift Control
	5300 0639	2	U						
		2	J				DG0		
8									LEVER, Transfer Case
	5300 5150	1	J				DG0		
		1	U				DG0		
9									BUSHING, Shift Lever
	5300 4810	1	J			ENC	DBB		52078605
		1	J, U			EPO			53005069
		1	J, U			ER0	DDQ		52077574
		1	J, U			ER0	DG0		53005071
10									ROD, Gear Shift Control, Transfer Case
	5210 4073	1	J			ENC	DBB		
		1	J, U			EPO			
		1	J, U			ER0	DG0		
11									STRAP, Retaining

JEEP CHEROKEE (XJ)				
SERIES	LINE	BODY	ENGINE	TRANSMISSION
L=Low Line	J=LHD (4WD) U=RHD (4WD) T=LHD (2WD) B=RHD (2WD)	74=4 DR. (101.4 WB) 72=2 DR. (101.4 WB)	ENC,EN0=2.5L 4 cyl. Turbo Die ERH,ER0=4.0L Power Tech I-6 EPE,EP0=Magnum 2.5L SMPI	DDQ=5Spd Man. DGS=4 Spd. Auto. AISIN DG0=All Auto Trans DBB=All Manual Trans.

AR = Use as required - = Non illustrated part # = New this model year

July 4, 2003

**Gearshift Controls Select Trac (DHP) 1997 XJ**  
**Figure 242-1210**



ITEM	PART NUMBER	QTY	LINE	SERIES	BODY	ENGINE	TRANS	TRIM	DESCRIPTION
	J369 3058	1	J				DG0		
		1	U				DG0		
12	5210 4019	1	J				DG0		BOOT, Transfer Case Lever
		1	U				DG0		
13	5210 4017	1	J, U			EP0			BRACKET, Torque Shaft
		1	J, U			ER0	DG0		
	5210 4018	1	J, U			ENC,	DDQ		
						ER0			
14									ROD, Gear Shift Control, Transfer Case
	5210 4121	1	J, U			ENC			
	5210 4122	1	J, U			ER0	DBB		
	5300 4941	1	J, U			EP0			
	5300 4943	1	J, U			ER0	DG0		
15									GASKET, Gearshift Control Rod
	5300 5154	1	J, U			EP0			
		1	J, U			ER0	DG0		
		1	J, U			ENC,	DDQ		
						ER0			
16									TORQUE SHAFT, Transfer Case
	5300 5151	1	J, U			EP0			
		1	J, U			ER0	DG0		
17	J400 6036	1	J, U						BOLT, Hex Head, .312-18x.50
18									SNAP RING
	1150 5389	1	J				DG0		
		1	U				DG0		
19									BRACKET, Torque Shaft
	5207 7574	1	J, U			ER0	DDQ		
	5207 8605	1	J, U			ENC	DBB		
	5300 5069	1	J, U			EP0			
	5300 5071	1	J, U			ER0	DG0		
20									BEARING, Transfer Case Shift
	5207 8134	1	J, U			EP0			
		1	J, U			ER0	DG0		
		1	J, U			ENC,	DDQ		
						ER0			
21	6503 811	4	J, U						BOLT, Hex Head, M6x1.00x20.00
22									SCREW, Hex Flange Head Tapping, M6x1.00x20.00
	3420 1691	2	J, U			EP0	DG0		

**JEEP CHEROKEE (XJ)**

SERIES	LINE	BODY	ENGINE	TRANSMISSION
L=Low Line	J=LHD (4WD) U=RHD (4WD) T=LHD (2WD) B=RHD (2WD)	74=4 DR. (101.4 WB) 72=2 DR. (101.4 WB)	ENC,EN0=2.5L 4 cyl. Turbo Die ERH,ER0=4.0L Power Tech I-6 EPE,EP0=Magnum 2.5L SMPI	DDQ=5Spd Man. DGS=4 Spd. Auto. AISIN DG0=All Auto Trans DBB=All Manual Trans.

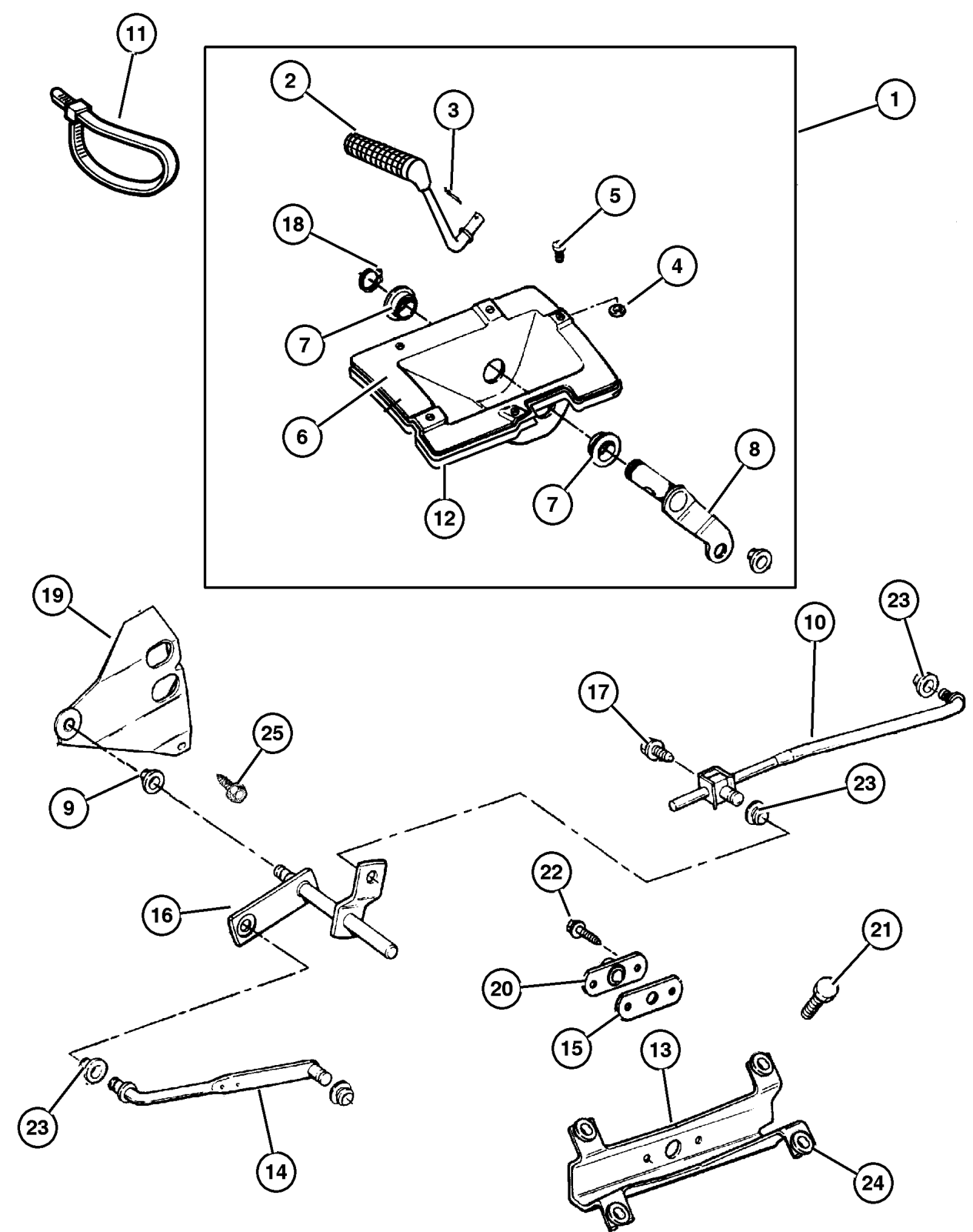
AR = Use as required - = Non illustrated part # = New this model year

July 4, 2003



**Gearshift Controls Select Trac (DHP) 1997 XJ**  
**Figure 242-1210**

ITEM	PART NUMBER	QTY	LINE	SERIES	BODY	ENGINE	TRANS	TRIM	DESCRIPTION
		2	J, U			ENC, ER0	DDQ		
23	3575 333	AR AR	U J				DG0 DG0		GROMMET, Control Rod Front
24	5210 4014	4 4 4	J J J			EP0 ER0 ENC, ER0	DG0 DDQ		GROMMET
25	1150 4336	1	J, U			ER0	DG0		BOLT, Hex Head, M8x1.25x16

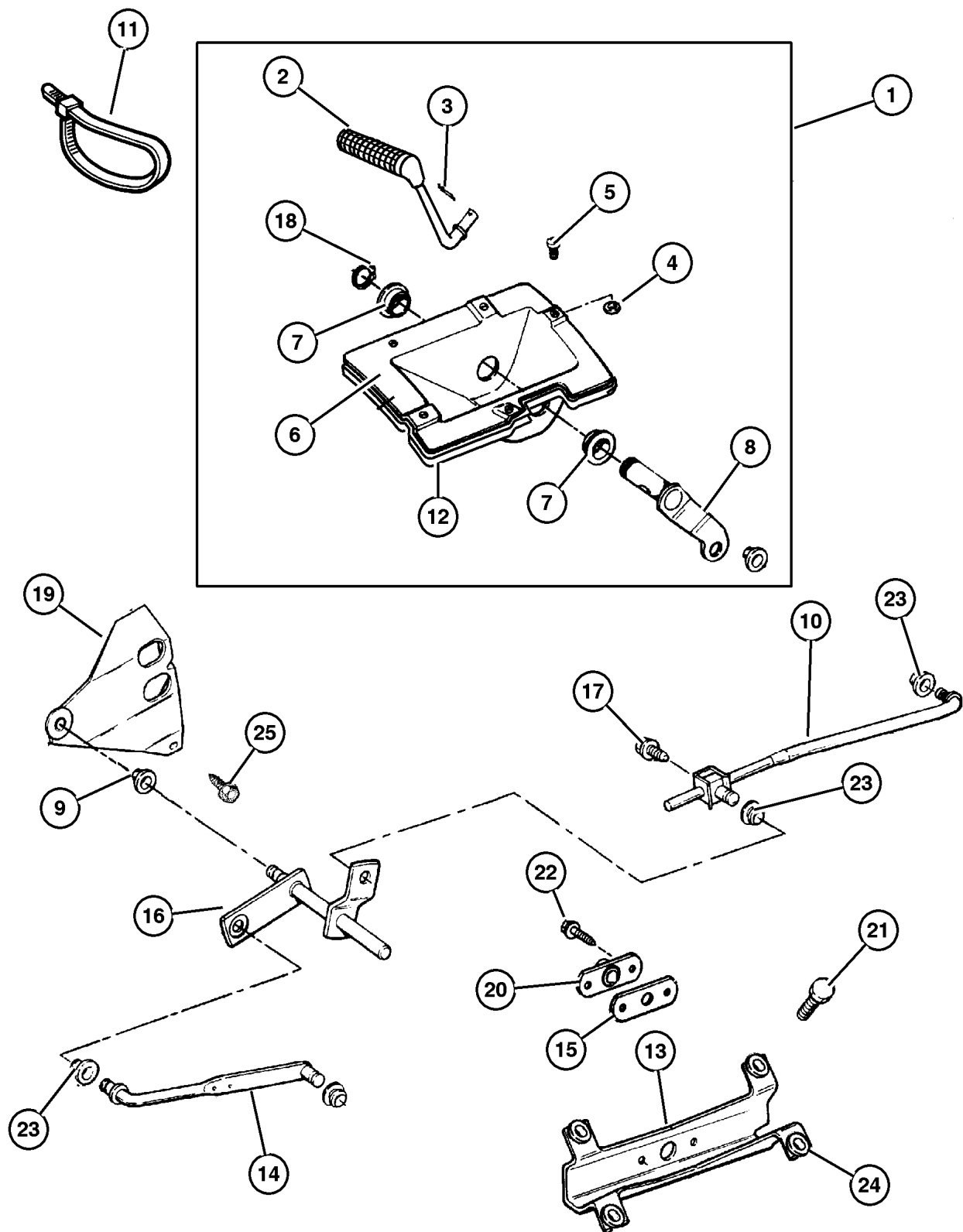


**JEEP CHEROKEE (XJ)**  
 SERIES LINE BODY ENGINE TRANSMISSION  
 L=Low Line J=LHD (4WD) 74=4 DR. (101.4 WB) ENC,EN0=2.5L 4 cyl. Turbo Die DDQ=5Spd Man.  
 U=RHD (4WD) 72=2 DR. (101.4 WB) ERH,ER0=4.0L Power Tech I-6 DGS=4 Spd. Auto. AISIN  
 T=LHD (2WD) EPE,EP0=Magnum 2.5L SMPI DG0=All Auto Trans  
 B=RHD (2WD) DBB=All Manual Trans.

AR = Use as required - = Non illustrated part # = New this model year

July 4, 2003

**Gearshift Controls Select Trac (DHP) 1998 XJ**  
**Figure 242-1210**



ITEM	PART NUMBER	QTY	LINE	SERIES	BODY	ENGINE	TRANS	TRIM	DESCRIPTION
Notes:									
EPO= All 2.5L, 4 Cylinder, Gas Engine									
ER0= All 4.0L., 6 Cylinder, Gas Engine									
ENC= 2.5L 4 Cykinder Turbo Diesel Engine									
DBB = All Manual Transmissions									
DDQ = 5 Speed Manual Transmission									
DG0 = All Automatic Transmissions									
1									SHIFTER, Transfer Case
	5210 4102	1	J				DG0		
	5210 4103	1	U				DG0		
2									LEVER, Transfer Case Shifter
	5207 9256	1	J				DG0		
		1	U				DG0		
3									PIN, Cotter
	J400 6723	1	J				DG0		
		1	U				DG0		
4									NUT, Push, M5
	5207 7650	1	U				DG0		
	5300 0809	1	J				DG0		
5									FASTENER, Push On
	5207 7671	1	J				DG0		52104102
		1	U				DG0		52104103
6									HOUSING, Shift Lever
	5300 1284	1	J				DG0		
		1	U				DG0		
7	5300 0639	2	J				DG0		BUSHING, Shift Control
8									LEVER, Transfer Case
	5300 5150	1	J				DG0		
		1	U				DG0		
9									BUSHING, Shift Lever
	5300 4810	1	J, U			EPO			53005069
		1	J, U			ER0	DDQ		52077574
		1	J, U			ER0	DG0		53005071
10									ROD, Gear Shift Control, Transfer Case
	5210 4073	1	J, U			EPO			
		1	J, U			ER0	DG0		
11									STRAP, Retaining
	J369 3058	1	J				DG0		52104102
		1	U				DG0		521041030 .
12									BOOT, Transfer Case Lever
	5210 4019	1	J				DG0		

**JEEP CHEROKEE (XJ)**

SERIES	LINE	BODY	ENGINE	TRANSMISSION
L=Low Line	J=LHD (4WD) U=RHD (4WD) T=LHD (2WD) B=RHD (2WD)	74=4 DR. (101.4 WB) 72=2 DR. (101.4 WB)	ENC,EN0=2.5L 4 cyl. Turbo Die ERH,ER0=4.0L Power Tech I-6 EPE,EPO=Magnum 2.5L SMPI	DDQ=5Spd Man. DGS=4 Spd. Auto. AISIN DG0=All Auto Trans DBB=All Manual Trans.

AR = Use as required - = Non illustrated part # = New this model year

July 4, 2003

**Gearshift Controls Select Trac (DHP) 1998 XJ**  
**Figure 242-1210**

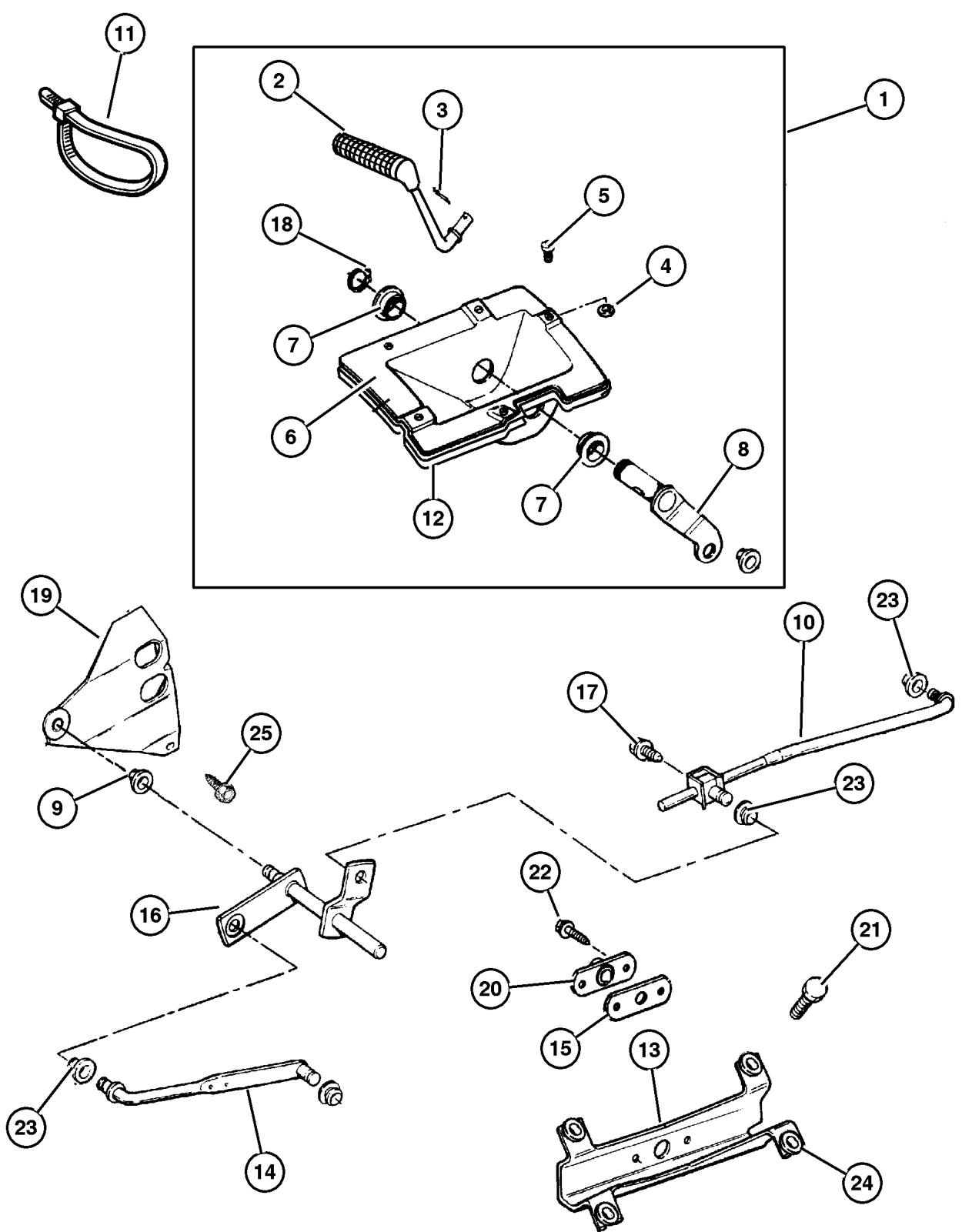
ITEM	PART NUMBER	QTY	LINE	SERIES	BODY	ENGINE	TRANS	TRIM	DESCRIPTION
		1	U				DG0		
13	5210 4017	1	J, U			EP0			BRACKET, Torque Shaft
	5210 4018	1	J, U			ER0	DG0		
		1	J, U			ENC, ER0	DDQ		
14									ROD, Gear Shift Control, Transfer Case
	5210 4121	1	J, U			ENC			
	5210 4122	1	J, U			ER0	DBB		
	5300 4941	1	J, U			EP0			
	5300 4943	1	J, U			ER0	DG0		
15									GASKET, Gearshift Control Rod
	5300 5154	1	J, U			EP0			
		1	J, U			ER0	DG0		
		1	J, U			ENC, ER0	DDQ		
16									TORQUE SHAFT, Transfer Case
	5300 5151	1	J, U			EP0			
		1	J, U			ER0	DG0		
17	J400 6036	1	J, U						BOLT, Hex Head, .312-18x.50
18									SNAP RING
	1150 5389	1	J				DG0		52104102
		1	U				DG0		52104103
19									BRACKET, Torque Shaft
	5207 7574	1	J, U			ER0	DDQ		
	5207 8605	1	J, U			ENC	DBB		
	5300 5069	1	J, U			EP0			
	5300 5071	1	J, U			ER0	DG0		
20									BEARING, Transfer Case Shift
	5207 8134	1	J, U			EP0			
		1	J, U			ER0	DG0		
		1	J, U			ENC, ER0	DDQ		
21	6503 811	4	J, U						BOLT, Hex Head, M6x1.00x20.00
22									SCREW, Hex Flange Head Tapping, M6x1.00x20.00
	3420 1381	2	J, U			EP0			
		2	J, U			ER0	DG0		
23	3575 333	AR	J				DG0		GROMMET, Control Rod Front
		AR	U				DG0		
24									GROMMET

**JEEP CHEROKEE (XJ)**

SERIES	LINE	BODY	ENGINE	TRANSMISSION
L=Low Line	J=LHD (4WD) U=RHD (4WD) T=LHD (2WD) B=RHD (2WD)	74=4 DR. (101.4 WB) 72=2 DR. (101.4 WB)	ENC,EN0=2.5L 4 cyl. Turbo Die ERH,ER0=4.0L Power Tech I-6 EPE,EP0=Magnum 2.5L SMPI	DDQ=5Spd Man. DGS=4 Spd. Auto. AISIN DG0=All Auto Trans DBB=All Manual Trans.

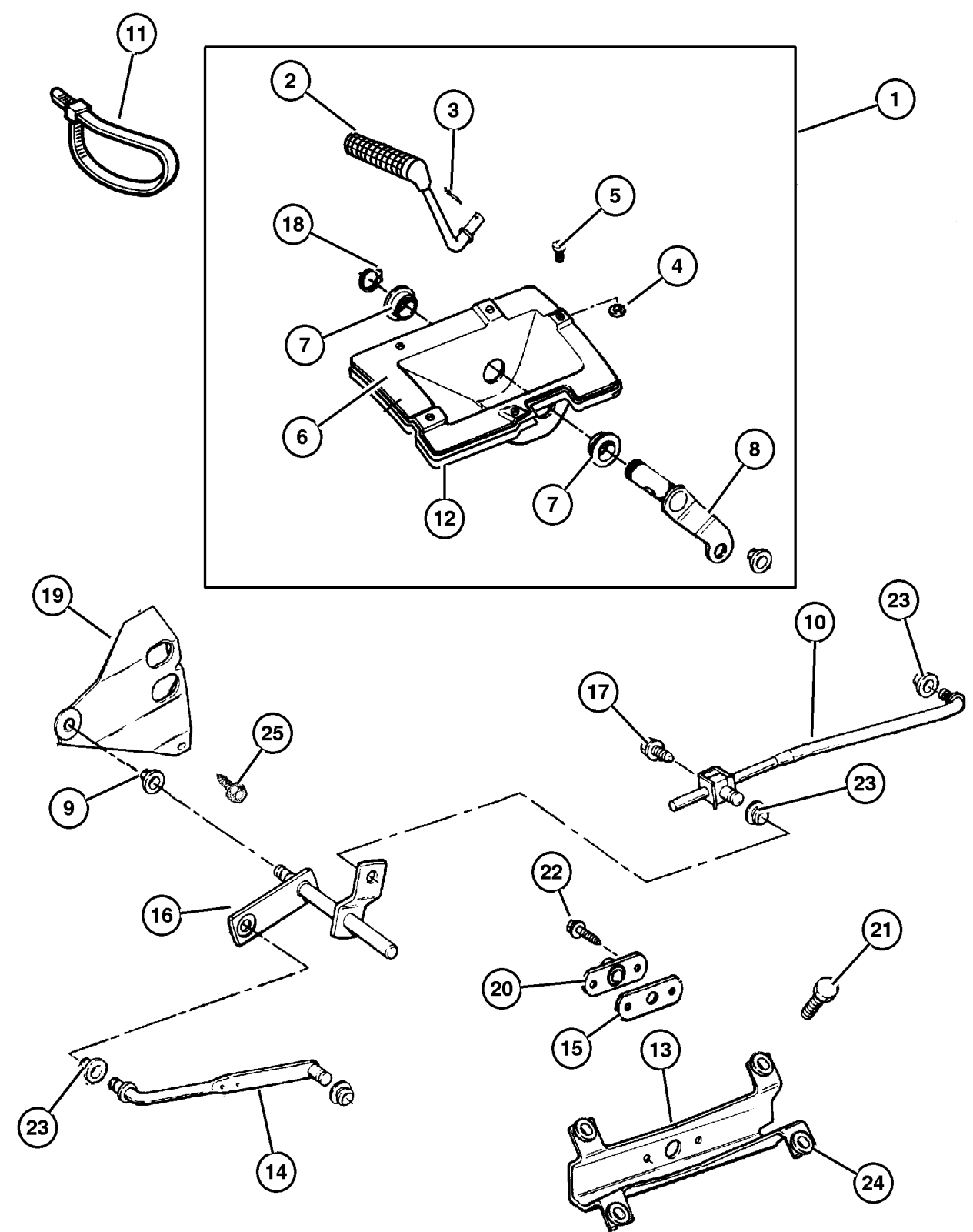
AR = Use as required - = Non illustrated part # = New this model year

July 4, 2003



**Gearshift Controls Select Trac (DHP) 1998 XJ**  
**Figure 242-1210**

ITEM	PART NUMBER	QTY	LINE	SERIES	BODY	ENGINE	TRANS	TRIM	DESCRIPTION
	5210 4014	4	J, U			EP0			52104017
		4	J, U			ER0	DG0		52104017
		4	J, U			ENC, ER0	DDQ		52104018
25	1150 4336	1	J, U			ER0	DG0		BOLT, Hex Head, M8x1.25x16



<b>JEEP CHEROKEE (XJ)</b>				
SERIES	LINE	BODY	ENGINE	TRANSMISSION
L=Low Line	J=LHD (4WD) U=RHD (4WD) T=LHD (2WD) B=RHD (2WD)	74=4 DR. (101.4 WB) 72=2 DR. (101.4 WB)	ENC,EN0=2.5L 4 cyl. Turbo Die ERH,ER0=4.0L Power Tech I-6 EPE,EP0=Magnum 2.5L SMPI	DDQ=5Spd Man. DGS=4 Spd. Auto. AISIN DG0=All Auto Trans DBB=All Manual Trans.

AR = Use as required - = Non illustrated part # = New this model year

July 4, 2003

**Gearshift Controls Select Trac (DHP) 1999 XJ**  
**Figure 242-1210**

ITEM	PART NUMBER	QTY	LINE	SERIES	BODY	ENGINE	TRANS	TRIM	DESCRIPTION
------	-------------	-----	------	--------	------	--------	-------	------	-------------

Notes:

EPO= All 2.5L, 4 Cylinder, Gas Engine  
 ER0= All 4.0L., 6 Cylinder, Gas Engine  
 ENC= 2.5L 4 Cykinder Turbo Diesel Engine  
 DBB = All Manual Transmissions  
 DDQ = 5 Speed Manual Transmission  
 DG0 = All Automatic Transmissions

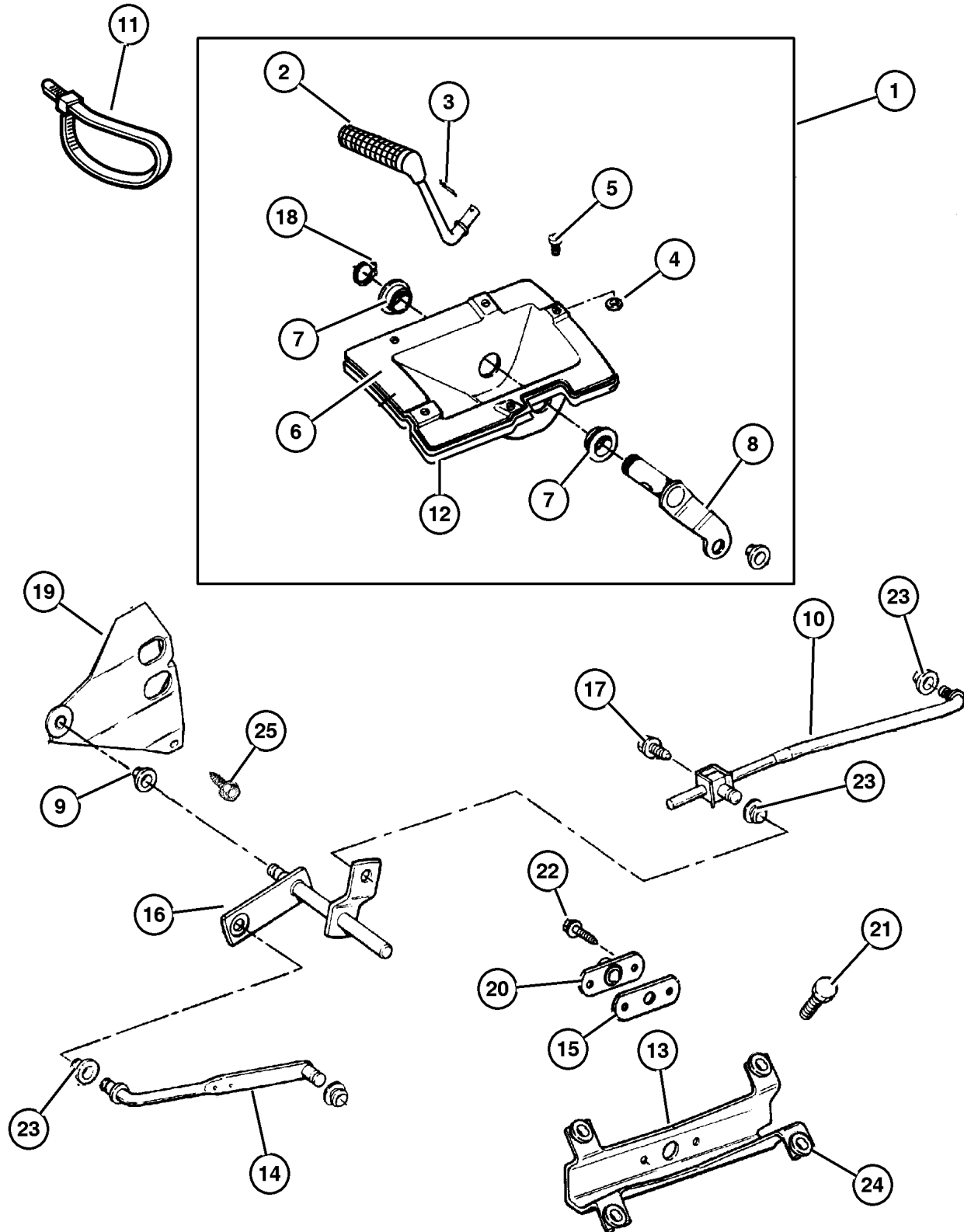
1									SHIFTER, Transfer Case
	52104 102AB	1	J				DG0		
	52104 103AB	1	U				DG0		
2									LEVER, Transfer Case Shifter
	5207 9256	1	J				DG0		
		1	U				DG0		
3									PIN, Cotter
	J400 6723	1	J				DG0		
		1	U				DG0		
4									NUT, Push, M5
	6100 839	2	J				DG0		
		2	U				DG0		
5									FASTENER, Push On
	5207 7671	1	J				DG0		
		1	U				DG0		
6									HOUSING, Shift Lever
	5300 1284	1	J				DG0		
		1	U				DG0		
7									BUSHING, Shift Control
	5300 0639	2	J				DG0		
		2	U				DG0		
8									LEVER, Transfer Case
	5300 5150	1	J				DG0		
		1	U				DG0		
9									BUSHING, Shift Lever
	5300 4810	1	J, U			ER0	DG0		52111083
		1	J, U			ER0	DG0		52098899
10	5210 4073	1	J, U			ER0	DG0		ROD, Gear Shift Control, Transfer Case
11									STRAP, Retaining
	J369 3058	1	J				DG0		
		1	U				DG0		
12									BOOT, Transfer Case Lever
	5210 4019	1	J				DG0		
		1	U				DG0		

JEEP CHEROKEE (XJ)

SERIES	LINE	BODY	ENGINE	TRANSMISSION
L=Low Line	J=LHD (4WD) U=RHD (4WD) T=LHD (2WD) B=RHD (2WD)	74=4 DR. (101.4 WB) 72=2 DR. (101.4 WB)	ENC,EN0=2.5L 4 cyl. Turbo Die ERH,ER0=4.0L Power Tech I-6 EPE,EP0=Magnum 2.5L SMPI	DDQ=5Spd Man. DGS=4 Spd. Auto. AISIN DG0=All Auto Trans DBB=All Manual Trans.

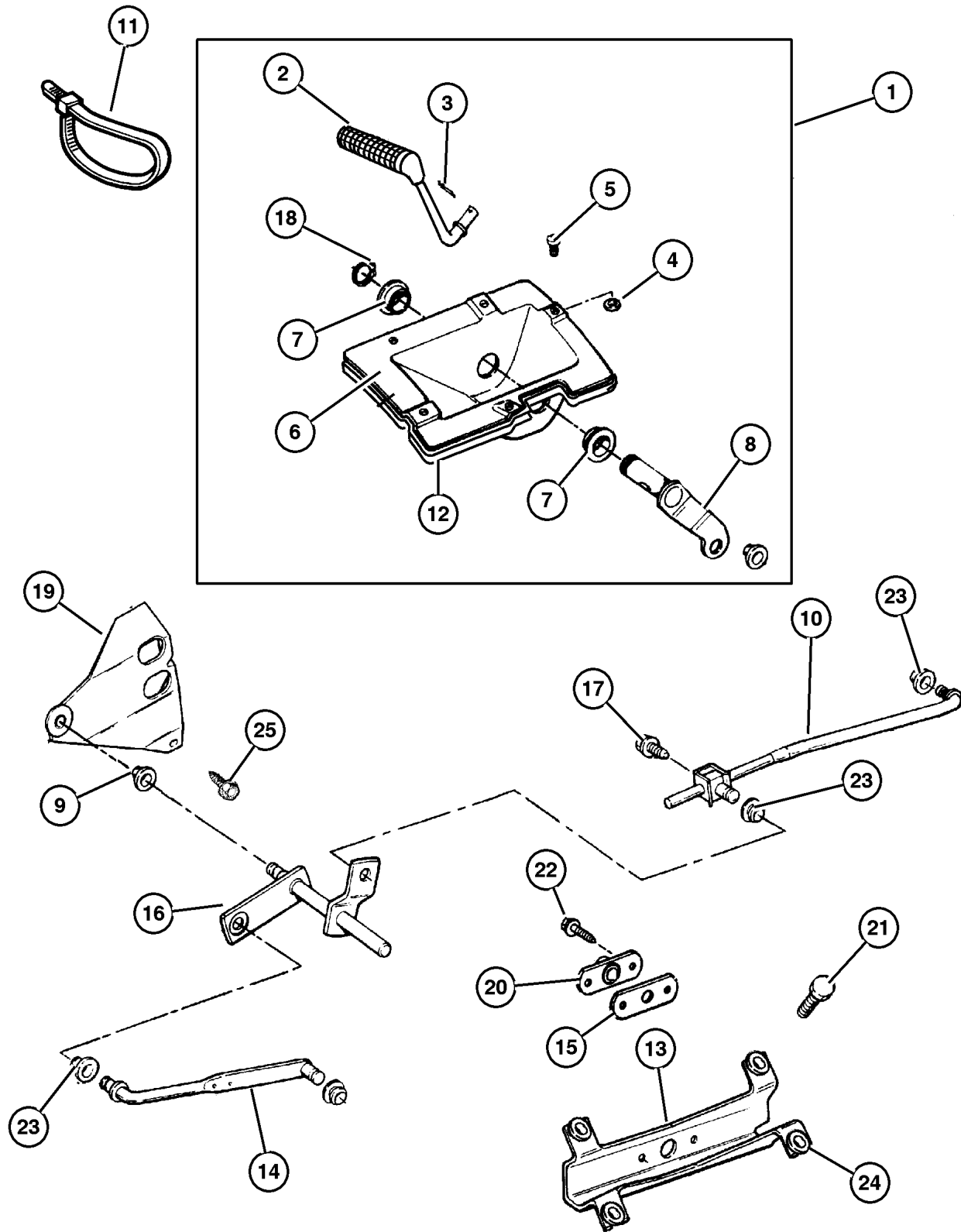
AR = Use as required - = Non illustrated part # = New this model year

July 4, 2003



**Gearshift Controls Select Trac (DHP) 1999 XJ**  
**Figure 242-1210**

ITEM	PART NUMBER	QTY	LINE	SERIES	BODY	ENGINE	TRANS	TRIM	DESCRIPTION
13	52104 017AB	1	J, U			ER0	DG0		BRACKET, Torque Shaft
14									ROD, Gear Shift Control, Transfer Case
	5210 4122	1	J, U			ER0	DBB		
	5300 4943	1	J, U			ER0	DG0		
15	5300 5154	1	J, U			ER0	DG0		GASKET, Gearshift Control Rod
16									TORQUE SHAFT, Transfer Case
	5300 5151	1	J, U			ER0	DG0		53005151
	5300 5552	1	J, U			ER0	DDQ		53005552
17	J400 6036	1	J, U						BOLT, Hex Head, .312-18x.50
18									SNAP RING
	1150 5389	1	J				DG0		
		1	U				DG0		
19	53005 071AB	1	J, U			ER0	DG0		BRACKET, Torque Shaft
20	5207 8134	1	J, U			ER0	DG0		BEARING, Transfer Case Shift
21	6503 811	4	J, U						BOLT, Hex Head, M6x1.00x20.00
22	3420 1381	2	J, U			EP0			SCREW, Hex Flange Head Tapping, M6x1.00x20.00
23									GROMMET, Control Rod Front
	3575 333	2	J, U			ER0	DG0		
		2	J, U			ER0	DDQ		
24	5210 4014	1	J, U			ER0	DG0		GROMMET
25	1150 4336	1	J, U			ER0	DG0		BOLT, Hex Head, M8x1.25x16



**JEEP CHEROKEE (XJ)**

SERIES	LINE	BODY	ENGINE	TRANSMISSION
L=Low Line	J=LHD (4WD) U=RHD (4WD) T=LHD (2WD) B=RHD (2WD)	74=4 DR. (101.4 WB) 72=2 DR. (101.4 WB)	ENC,EN0=2.5L 4 cyl. Turbo Die ERH,ER0=4.0L Power Tech I-6 EPE,EP0=Magnum 2.5L SMPI	DDQ=5Spd Man. DGS=4 Spd. Auto. AISIN DG0=All Auto Trans DBB=All Manual Trans.

AR = Use as required - = Non illustrated part # = New this model year

July 4, 2003

# Group – 21P

## Speedometer Pinions

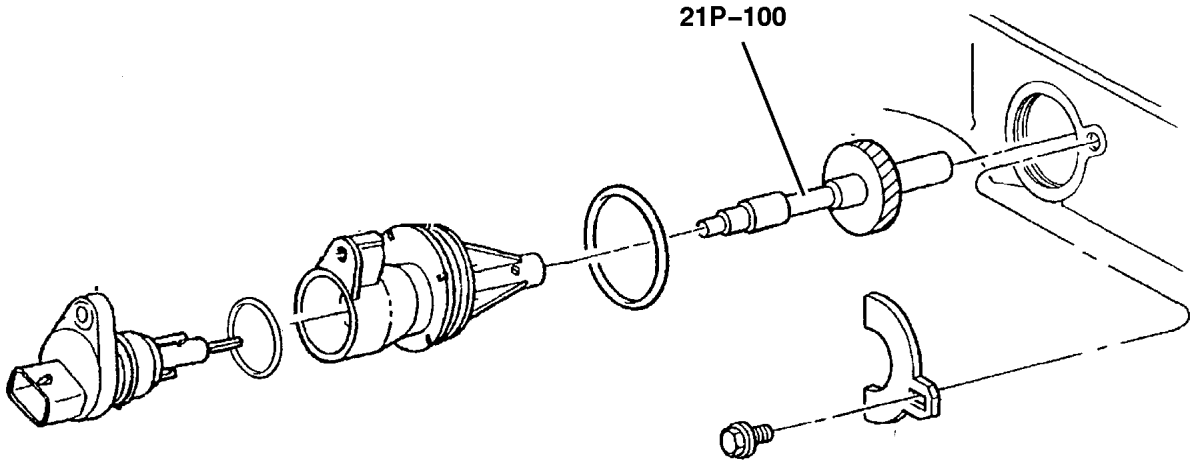
GROUP 21P - Speedometer Pinions

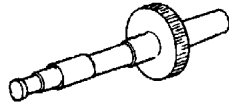
Illustration Title

Group-Fig. No.

**Speedometer Pinions**

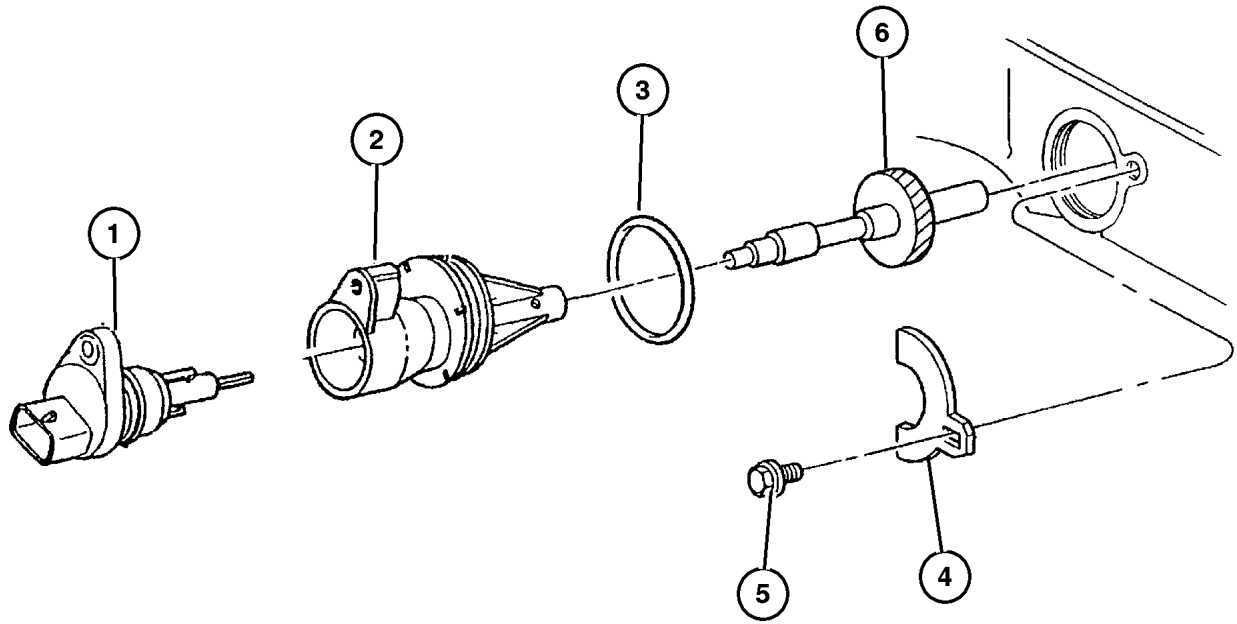
Speedometer Pinion ..... Fig. 21P-110



<p><b>21P-100</b> Speedometer Pinions</p> 			
---	--	--	--

**Speedometer Pinion  
Figure 21P-110**

ITEM	PART NUMBER	QTY	LINE	SERIES	BODY	ENGINE	TRANS	TRIM	DESCRIPTION
1									SENSOR, Vehicle Speed
	5602 7905	1							1998 XJ, 1999 XJ
	5602 8183	1							1997 XJ
2	5206 9315	1							HOUSING, Speedometer Drive Gear
3	6035 709	1							O RING, Trans Speedo Adapter
4	2892 399	1							CLAMP, Speedometer
5	0180 077	1							BOLT, Hex Head, 5/16x18x3/4
6									PINION, Speedometer Drive
	5206 7630	1							1999 XJ
	5206 7634	1							3.55 AXLE RATIO, 1999 XJ
	5206 7636	1							3.73 AXLE RATIO, 1999 XJ
	5206 7629	1							3.07 AXLE RATIO, 29 Teeth. P225/75R15 Wrangler RT/S AT
	5206 7639	1				EPE			4.11 AXLE RATIO, 39 Teeth. P215/75R15 Wrangler RT/S AT
	5206 7640	1				EPE			4.11 AXLE RATIO, 40 Teeth. All P215R15/R16/R17 Tires.
	5206 7641	1				EPE, ER0			4.11 AXLE RATIO, 41 Teeth. P225/70R15 (OWL) A/S., 1997 XJ, 1998 XJ
	5206 7630	1							3.07 AXLE RATIO, 30 Teeth. All P215/75R15/R16/R17, P225/ 70R15 (OWL) eagle GA A/S., 1997 XJ, 1998 XJ
	5206 7633	1							3.50 AXLE RATIO, 33 Teeth. P225/75R15 Wrangler RT/S AT Michelin., 1997 XJ
	5206 7634	1							3.50 AXLE RATIO, 34 Teeth. P225/75R15 Wrangler RT/S AT Goodyear., 1997 XJ, 1998 XJ
	5206 7635	1							3.50 AXLE RATIO, 35 Teeth P215/ 75R15 BSW A/S Wrangler AP
		1							3.70 AXLE RATIO, 35 Teeth. P225/75R15 Wrangler RT/S AT Michelin., 1997 XJ
		1							3.50 AXLE RATIO, 35 Teeth. P225/70R15 High Speed Rated Eagle GA, P225/70R15 (OWL) Eagle GA A/S., 1997 XJ, 1998 XJ



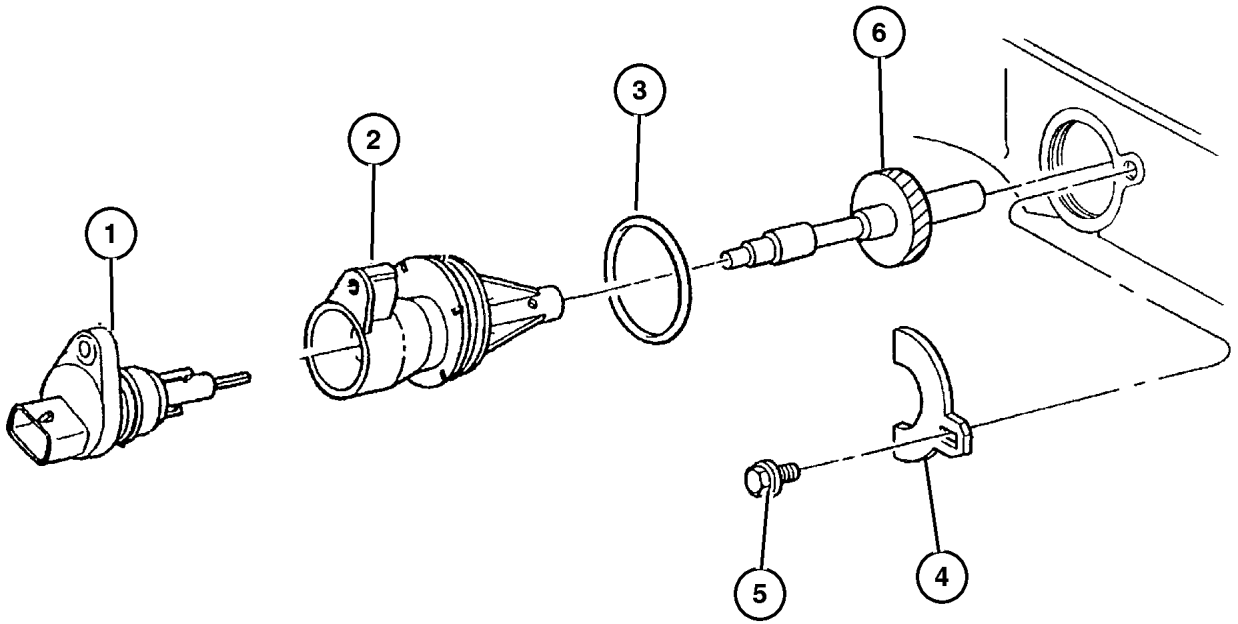
**JEEP CHEROKEE (XJ)**  
 SERIES LINE BODY ENGINE TRANSMISSION  
 L=Low Line J=LHD (4WD) 74=4 DR. (101.4 WB) ENC,EN0=2.5L 4 cyl. Turbo Die DDQ=5Spd Man.  
 U=RHD (4WD) 72=2 DR. (101.4 WB) ERH,ER0=4.0L Power Tech I-6 DGS=4 Spd. Auto. AISIN  
 T=LHD (2WD) EPE,EP0=Magnum 2.5L SMPI DG0=All Auto Trans  
 B=RHD (2WD) DBB=All Manual Trans.

AR = Use as required - = Non illustrated part # = New this model year



**Speedometer Pinion  
Figure 21P-110**

ITEM	PART NUMBER	QTY	LINE	SERIES	BODY	ENGINE	TRANS	TRIM	DESCRIPTION
	5206 7636	1							3.70 AXLE RATIO, 36 Teeth. P225/75R15 Wrangler RT/S AT, P225/75R15 (OWL) A/S Goodyear Tires., 1997 XJ, 1998 XJ
	5206 7637	1							3.70 AXLE RATIO, 37 Teeth. All P215R15/R16/R17 Tires. P225/ 70R15 (OWL) Eagle GA A/S Tires., 1997 XJ, 1998 XJ



<b>JEEP CHEROKEE (XJ)</b>				
SERIES	LINE	BODY	ENGINE	TRANSMISSION
L=Low Line	J=LHD (4WD) U=RHD (4WD) T=LHD (2WD) B=RHD (2WD)	74=4 DR. (101.4 WB) 72=2 DR. (101.4 WB)	ENC,EN0=2.5L 4 cyl. Turbo Die ERH,ER0=4.0L Power Tech I-6 EPE,EP0=Magnum 2.5L SMPI	DDQ=5Spd Man. DGS=4 Spd. Auto. AISIN DG0=All Auto Trans DBB=All Manual Trans.

AR = Use as required - = Non illustrated part # = New this model year

July 4, 2003

# Group – 022

## Wheels, Covers and Jacks

### GROUP 22 - Wheels, Covers and Jacks

Illustration Title

Group-Fig. No.

#### Wheels and Hardware

Wheels and Hardware 1997 XJ 1998 XJ ..... Fig. 022-120

Wheels and Hardware 1999 XJ ..... Fig. 022-120

#### Wheel Covers and Center Caps

Wheel Cap 1997 XJ 1998 XJ ..... Fig. 022-220

Wheel Cap 1999 XJ ..... Fig. 022-220

#### Jack Stowage

Jack Stowage 1997 XJ 1998 XJ ..... Fig. 022-310

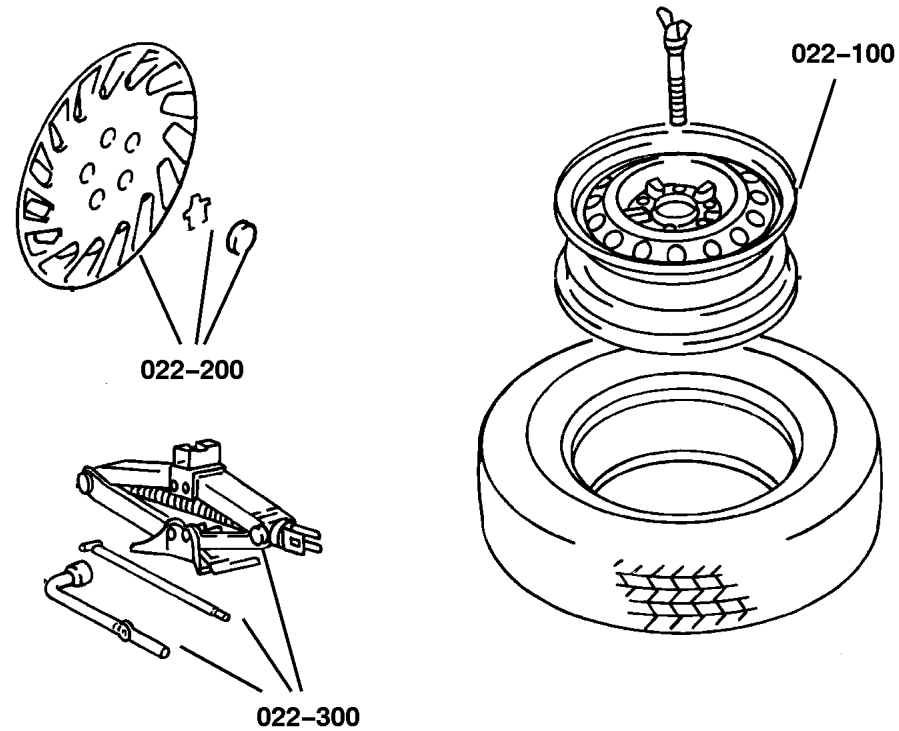
Jack Stowage 1999 XJ ..... Fig. 022-310


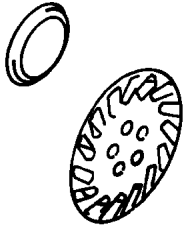
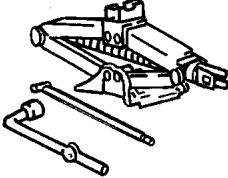
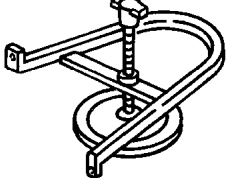
#### Spare Tire Stowage

Wheel, Spare Inside Mounting 1997 XJ 1998 XJ ..... Fig. 022-430

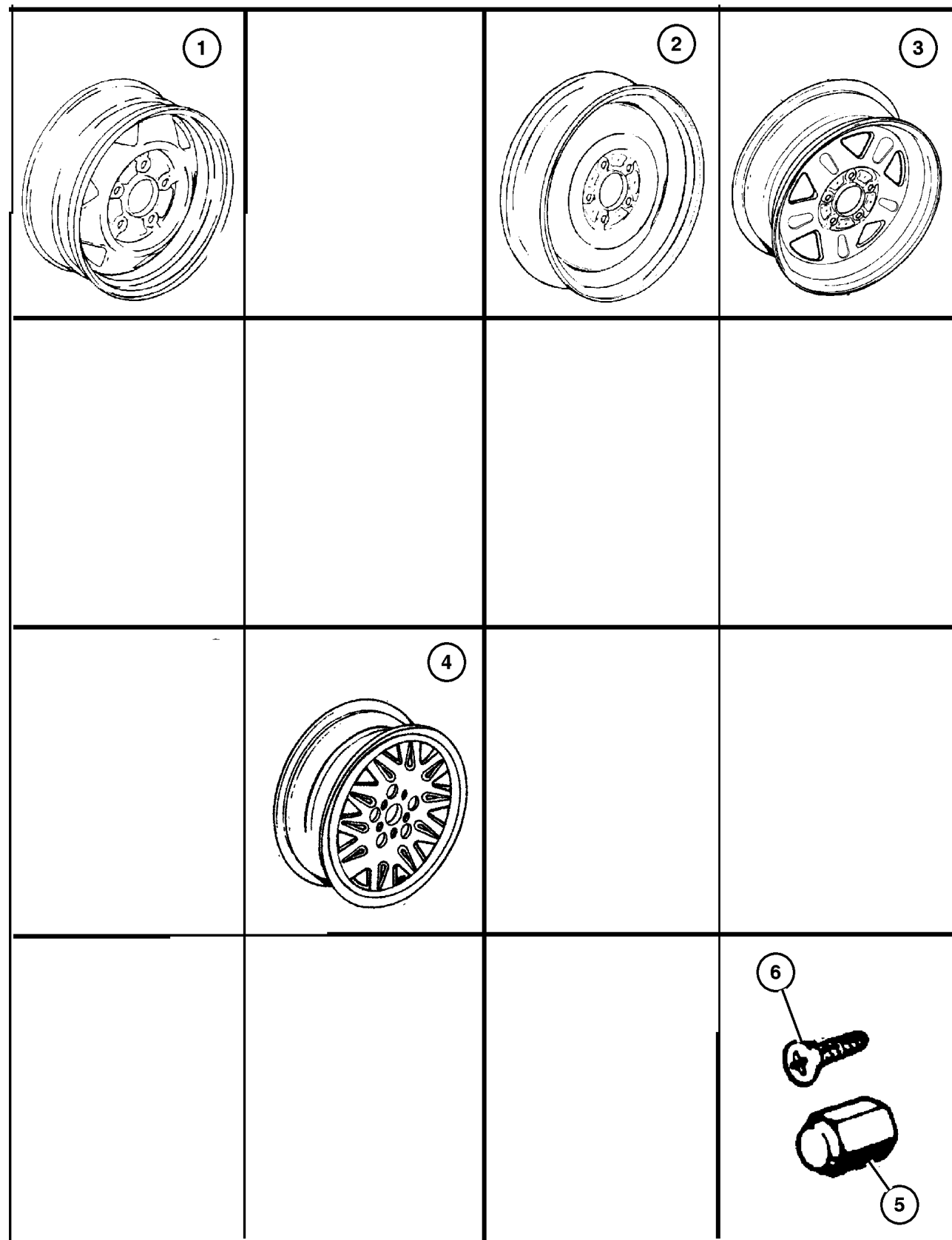
Wheel, Spare 1999 XJ ..... Fig. 022-430

Wheel, Spare Inside Mounting RHD 1997 XJ 1998 XJ ..... Fig. 022-440



<p><b>022-100</b> Wheels and Hardware</p> 	<p><b>022-200</b> Wheel Covers and Center Caps</p> 	<p><b>022-300</b> Jack Stowage</p> 	<p><b>022-400</b> Spare Tire Stowage</p> 
---	--	---	--

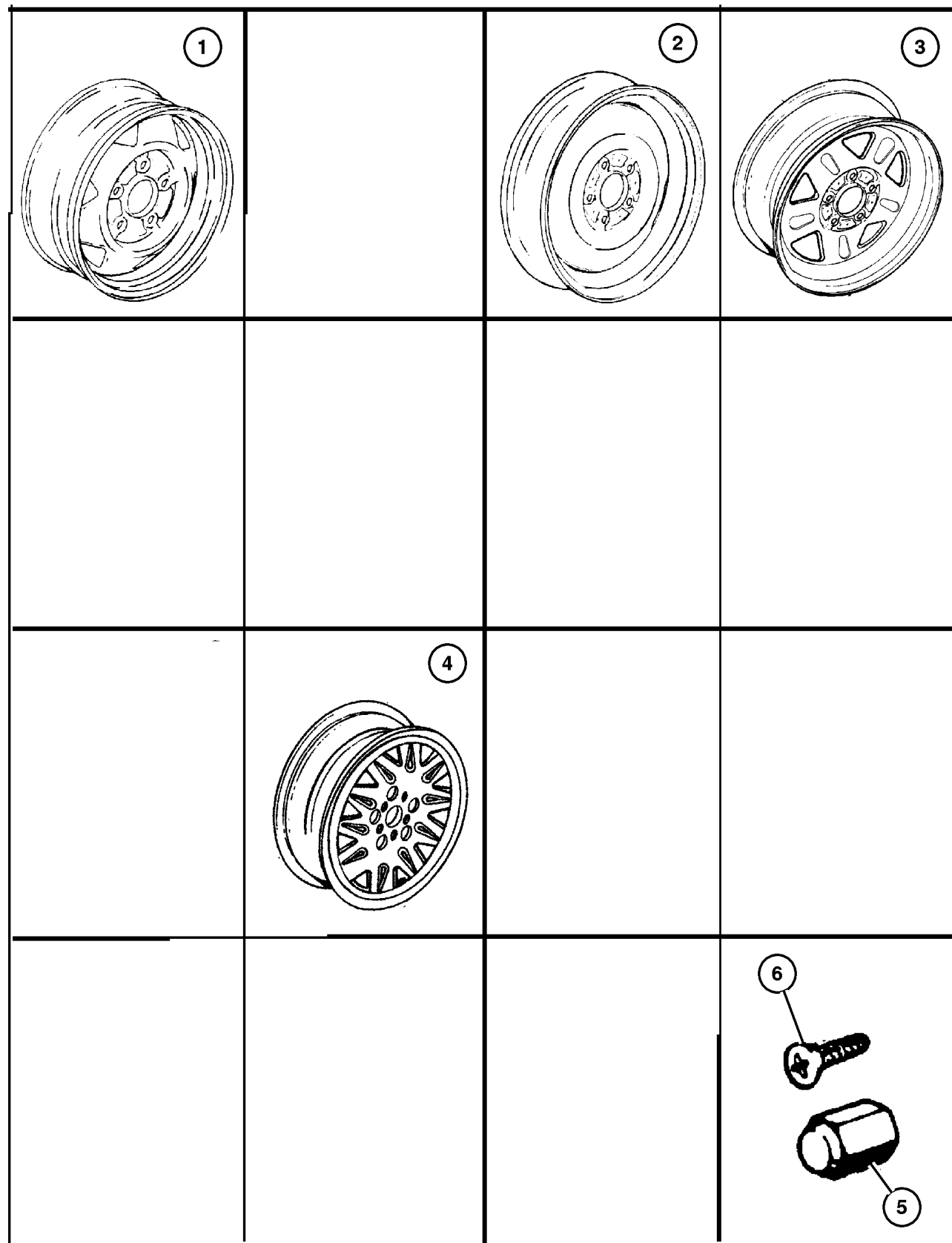
**Wheels and Hardware 1997 XJ 1998 XJ**  
**Figure 022-120**



ITEM	PART NUMBER	QTY	LINE	SERIES	BODY	ENGINE	TRANS	TRIM	DESCRIPTION
Note: Sales Code WJD = Wheels, 15x7.0 Styled Steel									
Note: Sales Code WJW = Wheels, 15x7.0 Aluminum									
Note: Sales Code WJ5 = Wheels, 15x7.0 Full Face Steel									
Note: Sales Code WJ7 = Wheels, 15x7.0 Luxury Aluminum									
1	5EW0 3T4A	4							WHEEL, Steel, WJD
2	5200 0019	1							WHEEL, Spare
3	5FV6 3S4A	4							WHEEL, Steel, WJ5
4	5CC1 8KS7	4							WHEEL, Aluminum Dark Silver WJ7, 1997 XJ
	5EE8 0TAE	4							Light Silver WJW, 1997 XJ
	5CC1 8KS7	4							[WJ7], 1998 XJ
	5EE8 0PAK	4							[WJW], 1998 XJ
	5GC85 MA8AA	4							[WJ1], 1998 XJ
	5DR1 9TA8	4							[WJE], 1998 XJ
5	J400 6956	20							NUT, Wheel, .50x20
6	3420 2523	12							SCREW, Hex Flange Head, M4.8x1.59x11.00

<b>JEEP CHEROKEE (XJ)</b>				
SERIES	LINE	BODY	ENGINE	TRANSMISSION
L=Low Line	J=LHD (4WD) U=RHD (4WD) T=LHD (2WD) B=RHD (2WD)	74=4 DR. (101.4 WB) 72=2 DR. (101.4 WB)	ENC,EN0=2.5L 4 cyl. Turbo Die ERH,ER0=4.0L Power Tech I-6 EPE,EP0=Magnum 2.5L SMPI	DDQ=5Spd Man. DGS=4 Spd. Auto. AISIN DG0=All Auto Trans DBB=All Manual Trans.

**Wheels and Hardware 1999 XJ**  
**Figure 022-120**



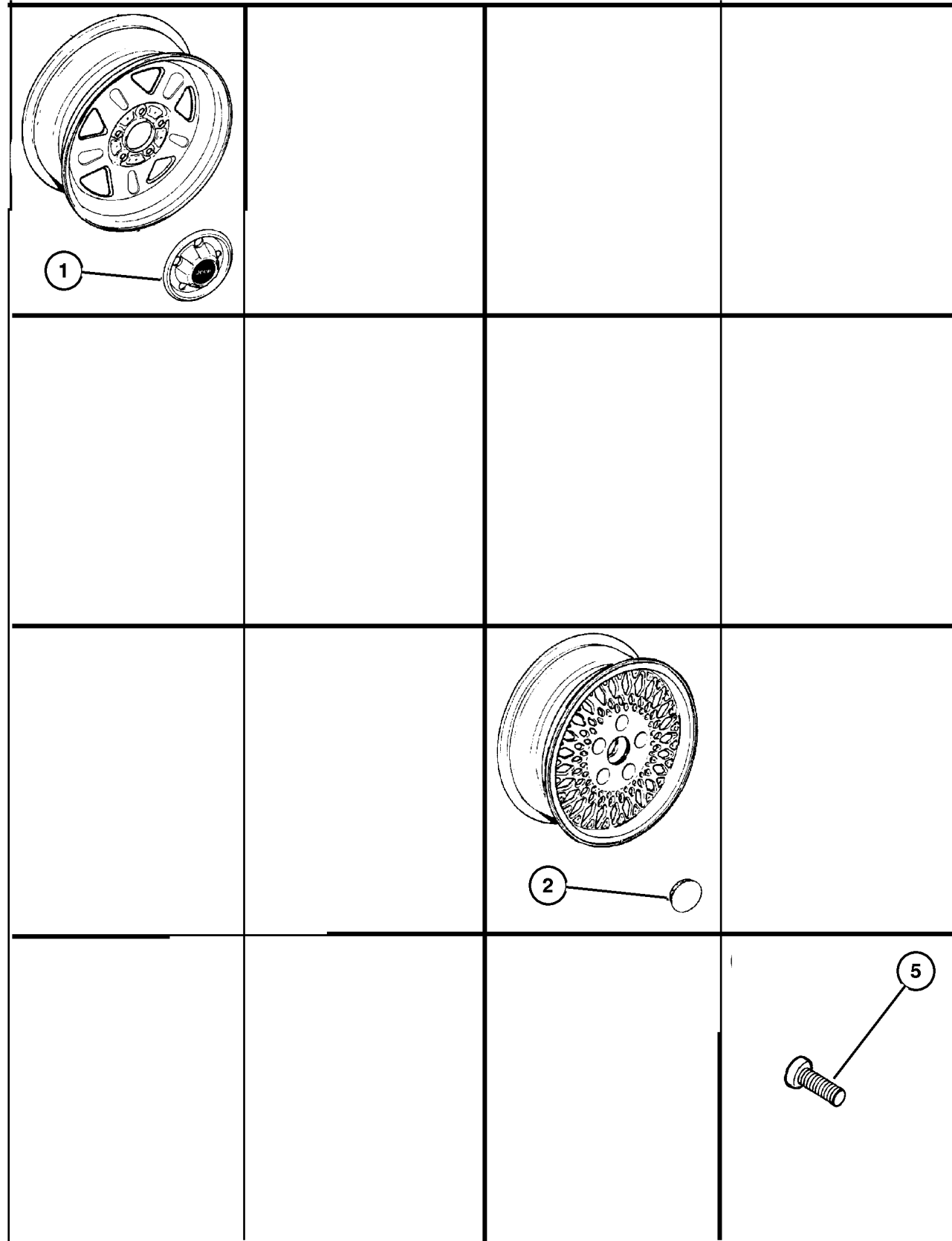
ITEM	PART NUMBER	QTY	LINE	SERIES	BODY	ENGINE	TRANS	TRIM	DESCRIPTION
Note: Sales Code WJW,WJ1 = 15x7.0 Aluminum Wheel									
1	5EW0 3T4A	4							WHEEL, Steel, WJD
2	5200 0019	1							WHEEL, Spare
3	5FV6 3S4A	4							WHEEL, Steel Up-To 5-1-99
	#5FV63 S4AAB	4							After 5-1-99
4	5EE8 0TAE	4							WHEEL, Aluminum WJW
	5GC85 MA8AA	4							WJ1
	#5CC18 KS7AB	1							WJ7
5	J400 6956	20							NUT, Wheel, .50x20
6	3420 2523	3							SCREW, Hex Flange Head, M4.8x1. 59x11.00

<b>JEEP CHEROKEE (XJ)</b>				
SERIES	LINE	BODY	ENGINE	TRANSMISSION
L=Low Line	J=LHD (4WD) U=RHD (4WD) T=LHD (2WD) B=RHD (2WD)	74=4 DR. (101.4 WB) 72=2 DR. (101.4 WB)	ENC,EN0=2.5L 4 cyl. Turbo Die ERH,ER0=4.0L Power Tech I-6 EPE,EP0=Magnum 2.5L SMPI	DDQ=5Spd Man. DGS=4 Spd. Auto. AISIN DG0=All Auto Trans DBB=All Manual Trans.

AR = Use as required - = Non illustrated part # = New this model year

July 4, 2003

Wheel Cap 1997 XJ 1998 XJ  
Figure 022-220



ITEM	PART NUMBER	QTY	LINE	SERIES	BODY	ENGINE	TRANS	TRIM	DESCRIPTION
Note: Sales Code WJ7 = Wheels, 15x7.0 Luxury Aluminum									
Note: Sales Code WJ5 = Wheels, 15x7.0 Full Face Steel									
Note: Sales Code WJW = Wheels, 15x7.0 Aluminum									
Note: Sales Code WJD = Wheels, 15x7.0 Styled Steel									
1									CAP, Wheel Center
	5208 9008	4							WJD, 1997 XJ
		4							1998 XJ
2									CAP, Wheel Center, Brushed
	5CF9 7L3X	4							Aluminum "Jeep" Name
		4							WJ7, 1997 XJ
									WJ7 Country Package, 1998 XJ
-3									CAP, Wheel Center
	5DY0 7TA8	4							WJW, 1998 XJ
	5DY0 7TAK	4							WJW, 1997 XJ
-4									CAP, Wheel Center
	5CF3 4L4A	4							WJ5
	5DY0 7TA8	4							WJE, 1998 XJ
5	3420 2523	12							SCREW, Hex Flange Head, M4.8x1.59x11.00

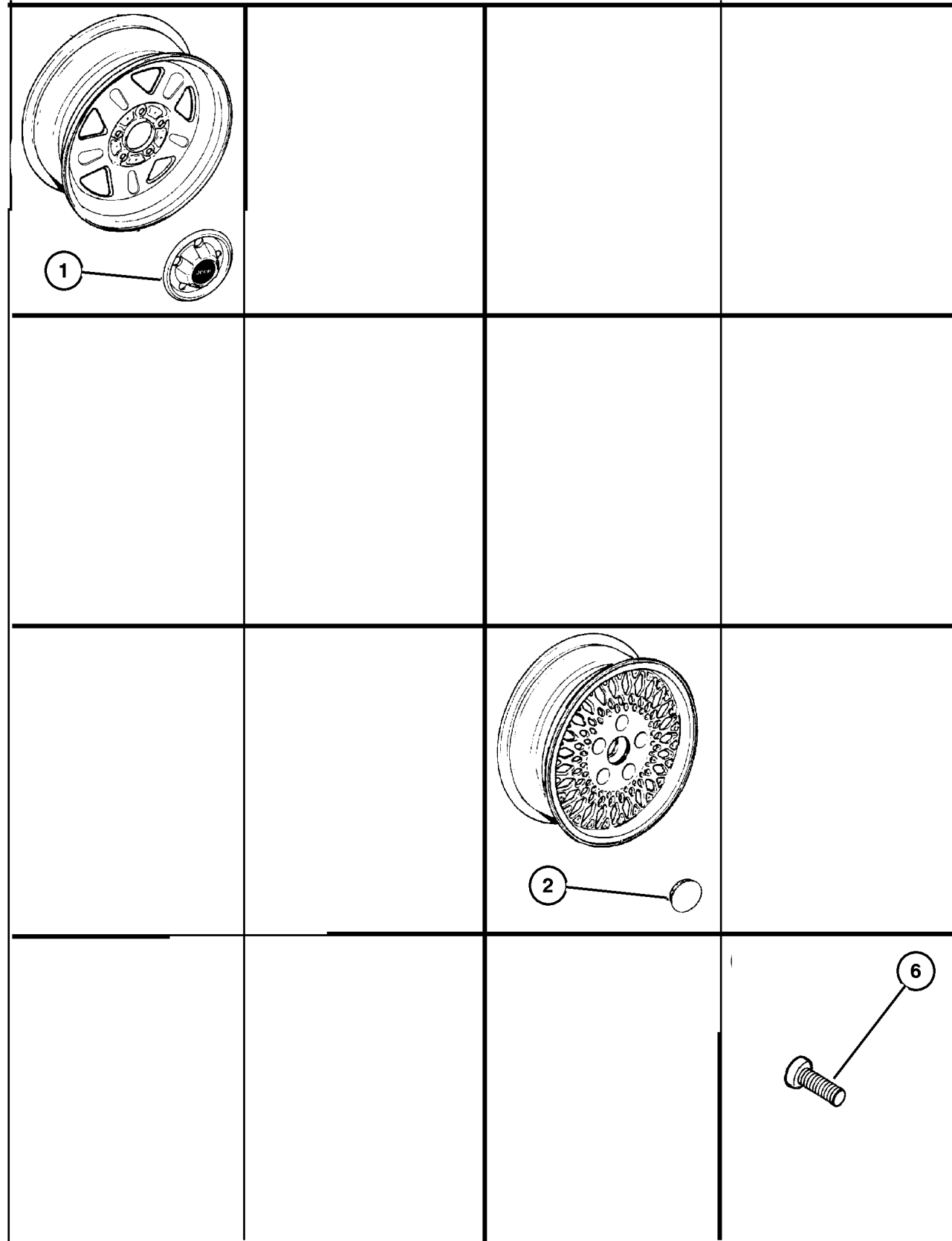
JEEP CHEROKEE (XJ)

SERIES	LINE	BODY	ENGINE	TRANSMISSION
L=Low Line	J=LHD (4WD) U=RHD (4WD) T=LHD (2WD) B=RHD (2WD)	74=4 DR. (101.4 WB) 72=2 DR. (101.4 WB)	ENC,EN0=2.5L 4 cyl. Turbo Die ERH,ER0=4.0L Power Tech I-6 EPE,EP0=Magnum 2.5L SMPI	DDQ=5Spd Man. DGS=4 Spd. Auto. AISIN DG0=All Auto Trans DBB=All Manual Trans.

AR = Use as required - = Non illustrated part # = New this model year

July 4, 2003

Wheel Cap 1999 XJ  
Figure 022-220



ITEM	PART NUMBER	QTY	LINE	SERIES	BODY	ENGINE	TRANS	TRIM	DESCRIPTION
Note: Sales Code WJW,WJ1,WJ7 = 15x7.0 Aluminum Wheel									
1	5208 9008	4							CAP, Wheel Center
2	5CF9 7L3X	4							CAP, Wheel Center, Brushed Aluminum "Jeep" Name, WJ7 Country
-3	5DY0 7TA8	4							CAP, Wheel Center WJ1
	5DY0 7TAE	4							WJW
-4	5DY0 7TAE	4							CAP, Wheel Center WJE
	5DY0 7WTD	4							WJU
-5	5CF3 4L4A	4							CAP, Wheel Center, WJ5
6	3420 2523	12							SCREW, Hex Flange Head, M4.8x1.59x11.00

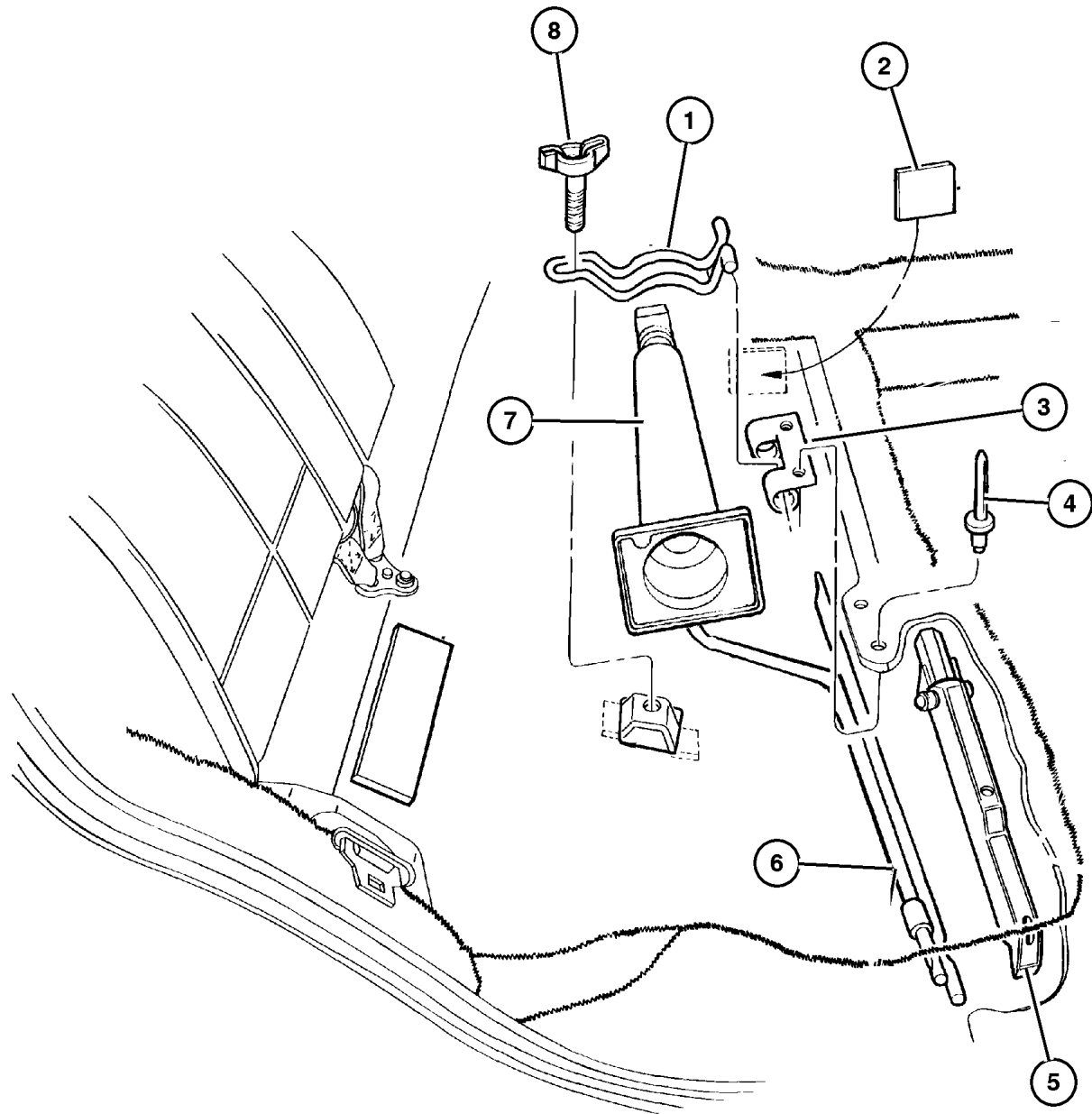
JEEP CHEROKEE (XJ)

SERIES	LINE	BODY	ENGINE	TRANSMISSION
L=Low Line	J=LHD (4WD) U=RHD (4WD) T=LHD (2WD) B=RHD (2WD)	74=4 DR. (101.4 WB) 72=2 DR. (101.4 WB)	ENC,EN0=2.5L 4 cyl. Turbo Die ERH,ER0=4.0L Power Tech I-6 EPE,EP0=Magnum 2.5L SMPI	DDQ=5Spd Man. DGS=4 Spd. Auto. AISIN DG0=All Auto Trans DBB=All Manual Trans.

AR = Use as required - = Non illustrated part # = New this model year

July 4, 2003

Jack Stowage 1997 XJ 1998 XJ  
Figure 022-310



ITEM	PART NUMBER	QTY	LINE	SERIES	BODY	ENGINE	TRANS	TRIM	DESCRIPTION
1	5200 3474	1							RETAINER, Jack Hold Down
2	5200 4650	1							LABEL, Jack Ok
3	5200 1202	1							BRACKET, Jack
4	3420 1684	2							RIVET, M3.18x2.37
5	5200 3583	1							WRENCH, Wheel Lug Nut
6	5200 0221	1							HANDLE, Jack
7	5208 8450	1							JACK
8	5200 0354	1							WINGSCREW

JEEP CHEROKEE (XJ)

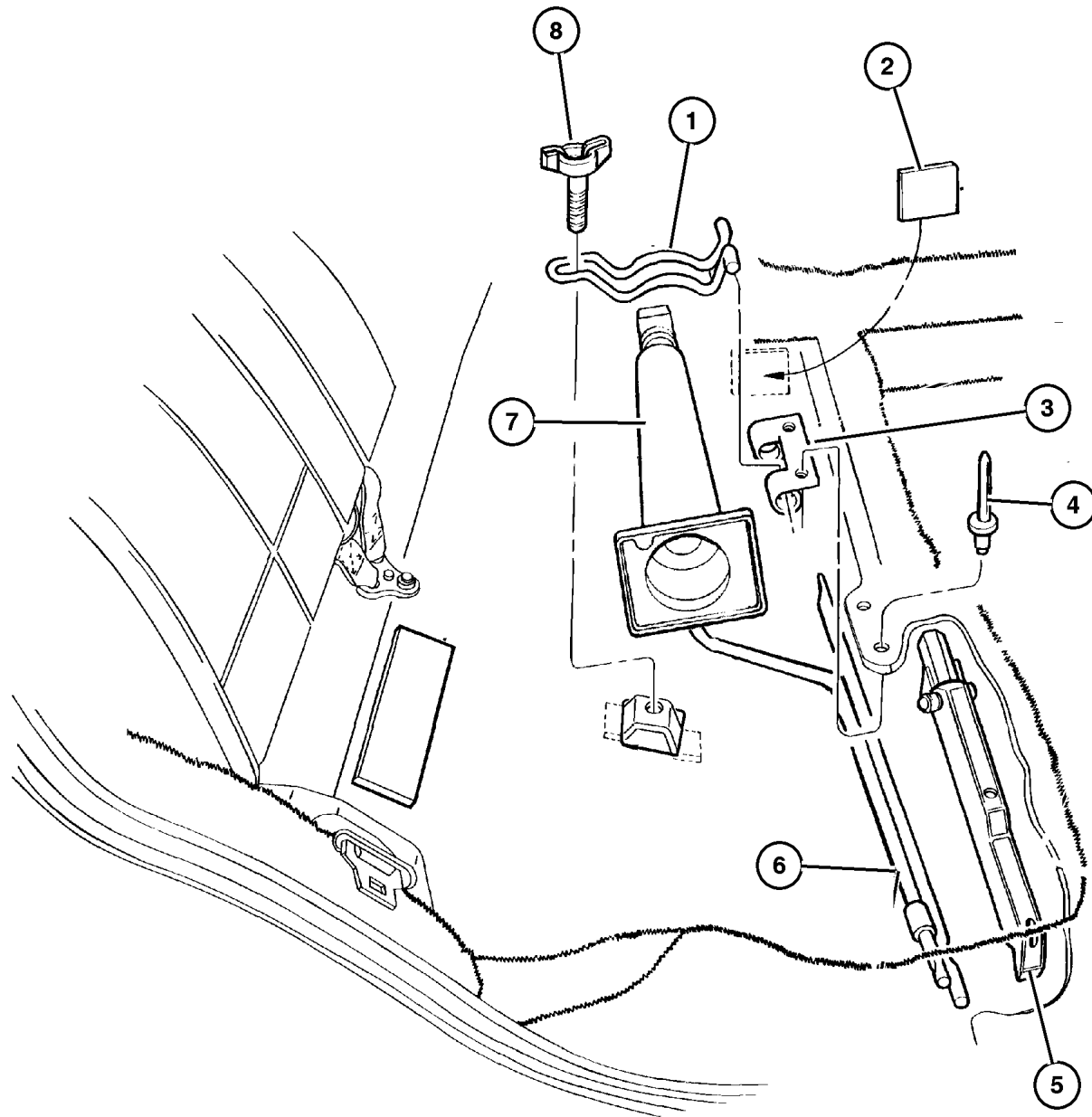
SERIES	LINE	BODY	ENGINE	TRANSMISSION
L=Low Line	J=LHD (4WD) U=RHD (4WD) T=LHD (2WD) B=RHD (2WD)	74=4 DR. (101.4 WB) 72=2 DR. (101.4 WB)	ENC,EN0=2.5L 4 cyl. Turbo Die ERH,ER0=4.0L Power Tech I-6 EPE,EP0=Magnum 2.5L SMPI	DDQ=5Spd Man. DGS=4 Spd. Auto. AISIN DG0=All Auto Trans DBB=All Manual Trans.

AR = Use as required - = Non illustrated part # = New this model year

July 4, 2003

Jack Stowage 1999 XJ  
Figure 022-310

ITEM	PART NUMBER	QTY	LINE	SERIES	BODY	ENGINE	TRANS	TRIM	DESCRIPTION
1	#52003 474AB	1							RETAINER, Jack Hold Down
2									LABEL, Jack Ok, (NOT SERVICED) (Not Serviced)
3	5200 1202	1							BRACKET, Jack
4	3420 1684	2			74				RIVET, M3.18x2.37
5	5200 3583	1							WRENCH, Wheel Lug Nut
6	5200 0221	1							HANDLE, Jack
7	5205 9104	1							JACK
8	5200 0354	1							WINGSCREW



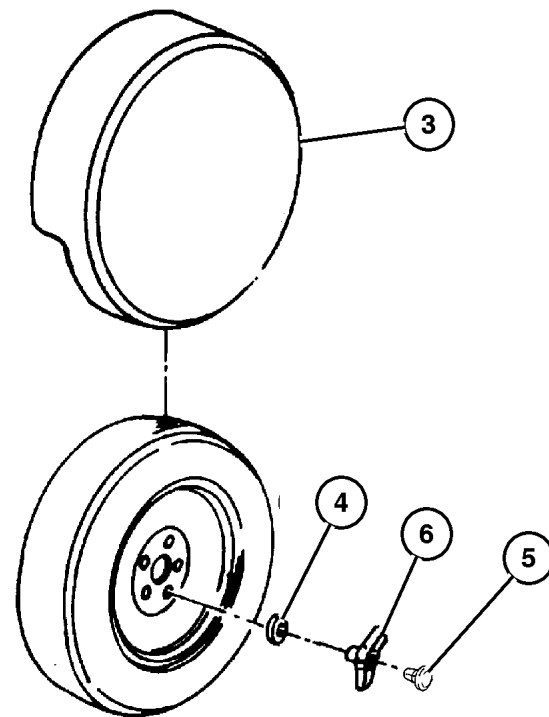
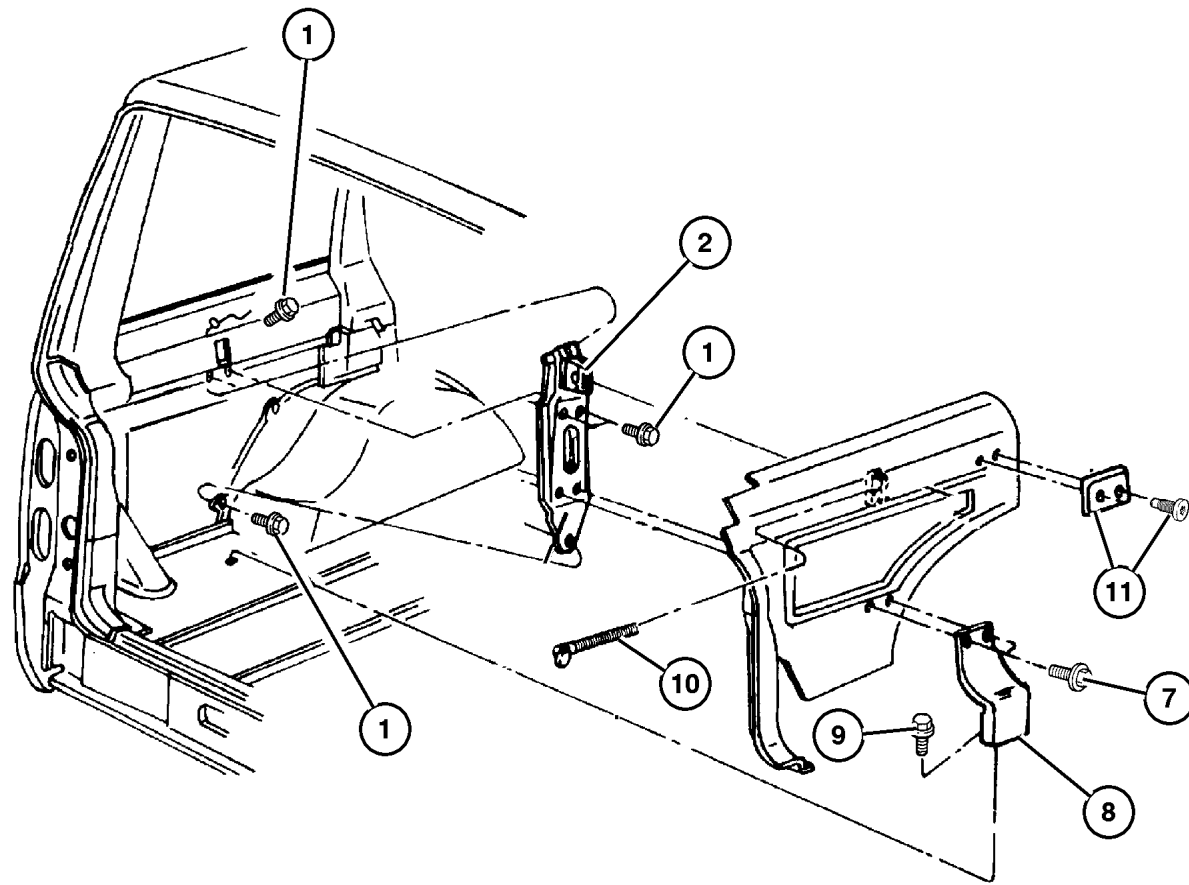
JEEP CHEROKEE (XJ)				
SERIES	LINE	BODY	ENGINE	TRANSMISSION
L=Low Line	J=LHD (4WD) U=RHD (4WD) T=LHD (2WD) B=RHD (2WD)	74=4 DR. (101.4 WB) 72=2 DR. (101.4 WB)	ENC,EN0=2.5L 4 cyl. Turbo Die ERH,ER0=4.0L Power Tech I-6 EPE,EP0=Magnum 2.5L SMPI	DDQ=5Spd Man. DGS=4 Spd. Auto. AISIN DG0=All Auto Trans DBB=All Manual Trans.

AR = Use as required - = Non illustrated part # = New this model year

July 4, 2003



Wheel, Spare Inside Mounting 1997 XJ 1998 XJ  
Figure 022-430



ITEM	PART NUMBER	QTY	LINE	SERIES	BODY	ENGINE	TRANS	TRIM	DESCRIPTION
1	3420 1381	4							SCREW, Hex Flange Head Tapping, M6x1.00x20.00
2	5523 5195	1	J, T						BRACKET, Swing Bolt Retainer
3									COVER, Inside Spare Tire
	5FM7 4TC3	1							Grey, 1998 XJ, Compact Spare
	5FM76 RC3AB	1							Grey, 1998 XJ, Standard
	5FM76 RT6AB	1							Spice, 1998 XJ, Standard
	5FM7 4TC3	1							Agate, 1997 XJ, Compact Spare
	5FM7 4TT6	1							Spice, Compact Spare
	5FM7 6TC3	1							Agate, 1997 XJ, Spare Tire
	5FM7 6TT6	1							Spice, 1997 XJ, Spare Tire
4	5208 7669	1	J, T						CUP, Spare Tire Retention
5	5200 0733	1							CAP, Spare Tire Wing Nut
6	6503 070	1							WINGNUT, Jack and Tire Hold Down
7	3420 1610	2							SCREW AND WASHER, Hex Head, M6x1x30
8	5500 0859	1	J, T						BRACKET, Spare Tire
9									SCREW
	3820 898	3	J, U						1998 XJ
		1	J, U						1997 XJ
10									BOLT, Spare Wheel Hold Down
	55235 181AB	1	J, T						1998 XJ
	5523 5181	1	J, T						1997 XJ
11									REST, Spare Tire, (NOT SERVICED) (Not Serviced)
-12	5208 8459	1							PAD, Spare Tire

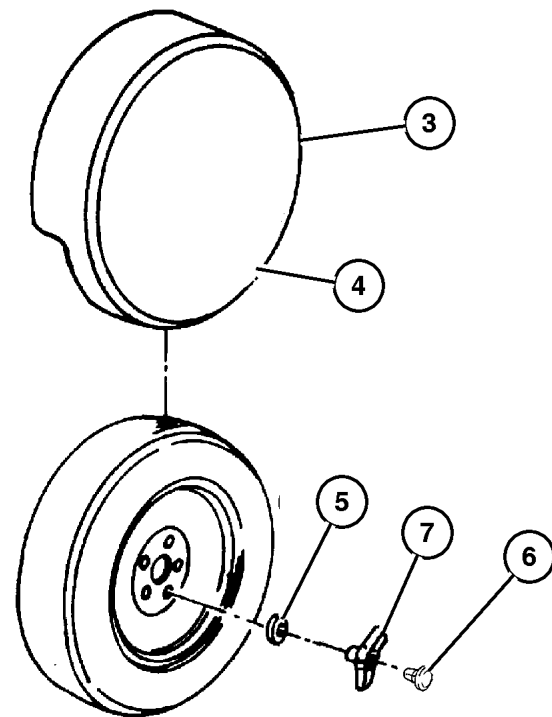
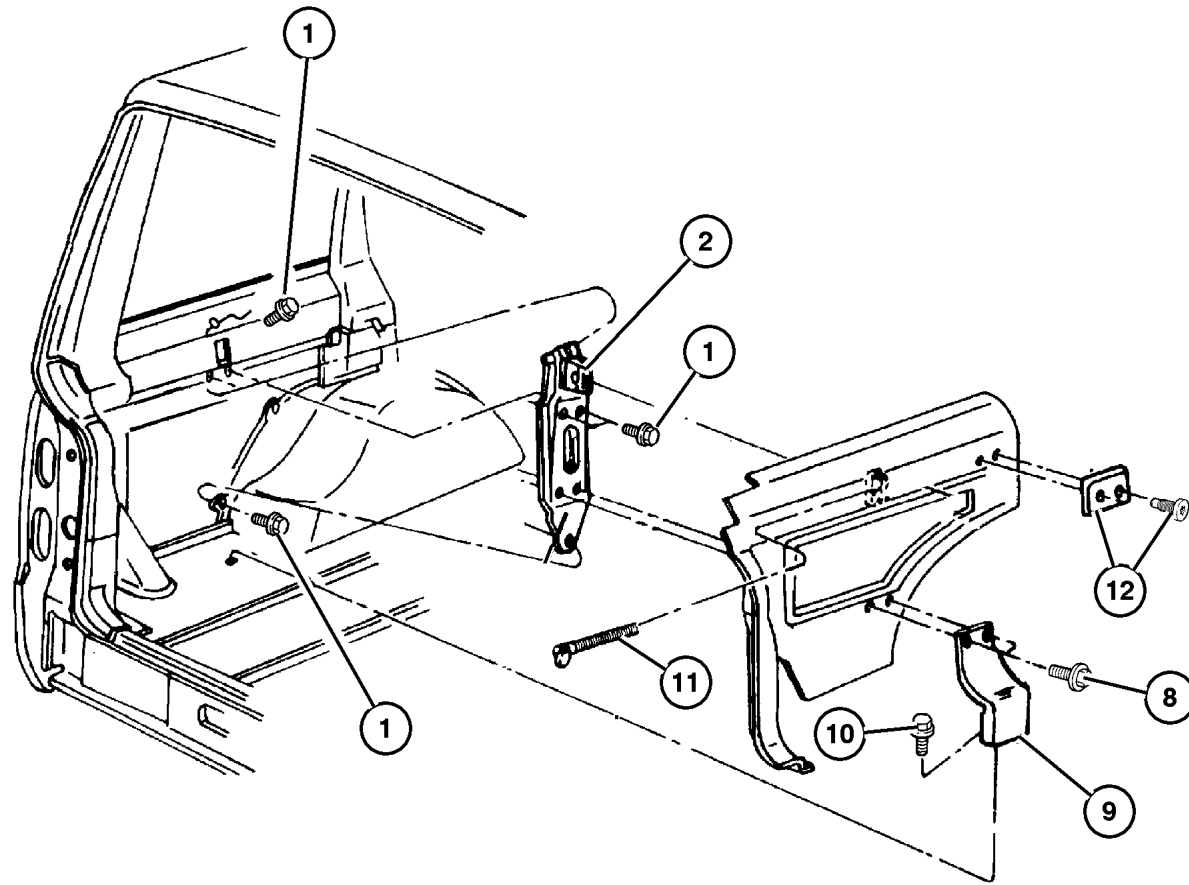
JEEP CHEROKEE (XJ)

SERIES	LINE	BODY	ENGINE	TRANSMISSION
L=Low Line	J=LHD (4WD) U=RHD (4WD) T=LHD (2WD) B=RHD (2WD)	74=4 DR. (101.4 WB) 72=2 DR. (101.4 WB)	ENC,EN0=2.5L 4 cyl. Turbo Die ERH,ER0=4.0L Power Tech I-6 EPE,EP0=Magnum 2.5L SMPI	DDQ=5Spd Man. DGS=4 Spd. Auto. AISIN DG0=All Auto Trans DBB=All Manual Trans.

AR = Use as required - = Non illustrated part # = New this model year

July 4, 2003

Wheel, Spare 1999 XJ  
Figure 022-430



ITEM	PART NUMBER	QTY	LINE	SERIES	BODY	ENGINE	TRANS	TRIM	DESCRIPTION
1	3420 1381	2	J, U						SCREW, Hex Flange Head Tapping, M6x1.00x20.00
2	55235 195AB	1							BRACKET, Swing Bolt Retainer
3	5FM74 LAZAB	1							COVER, Inside Spare Tire Gray, Compact Spare
	5FM74 VK9AB	1							Tan, Compact Spare
	5FM76 LAZAC	1							Gray, Standard
	5FM76 VK9AC	1							Tan, Standard
4									COVER, Spare Tire, Shade Assy., with Clips
	#5FX79 1AZAF	1							Agate
	#5FX79 1K9AF	1							Tan
5	5208 7669	1							CUP, Spare Tire Retention
6	5200 0733	1							CAP, Spare Tire Wing Nut
7	6503 070	1							WINGNUT, Jack and Tire Hold Down
8	3420 1610	2							SCREW AND WASHER, Hex Head, M6x1x30
9	5500 0859	1							BRACKET, Spare Tire
10									SCREW, (NOT SERVICED) (Not Serviced)
11	55235 181AC	1							BOLT, Spare Wheel Hold Down
12									REST, Spare Tire, (NOT SERVICED) (Not Serviced)

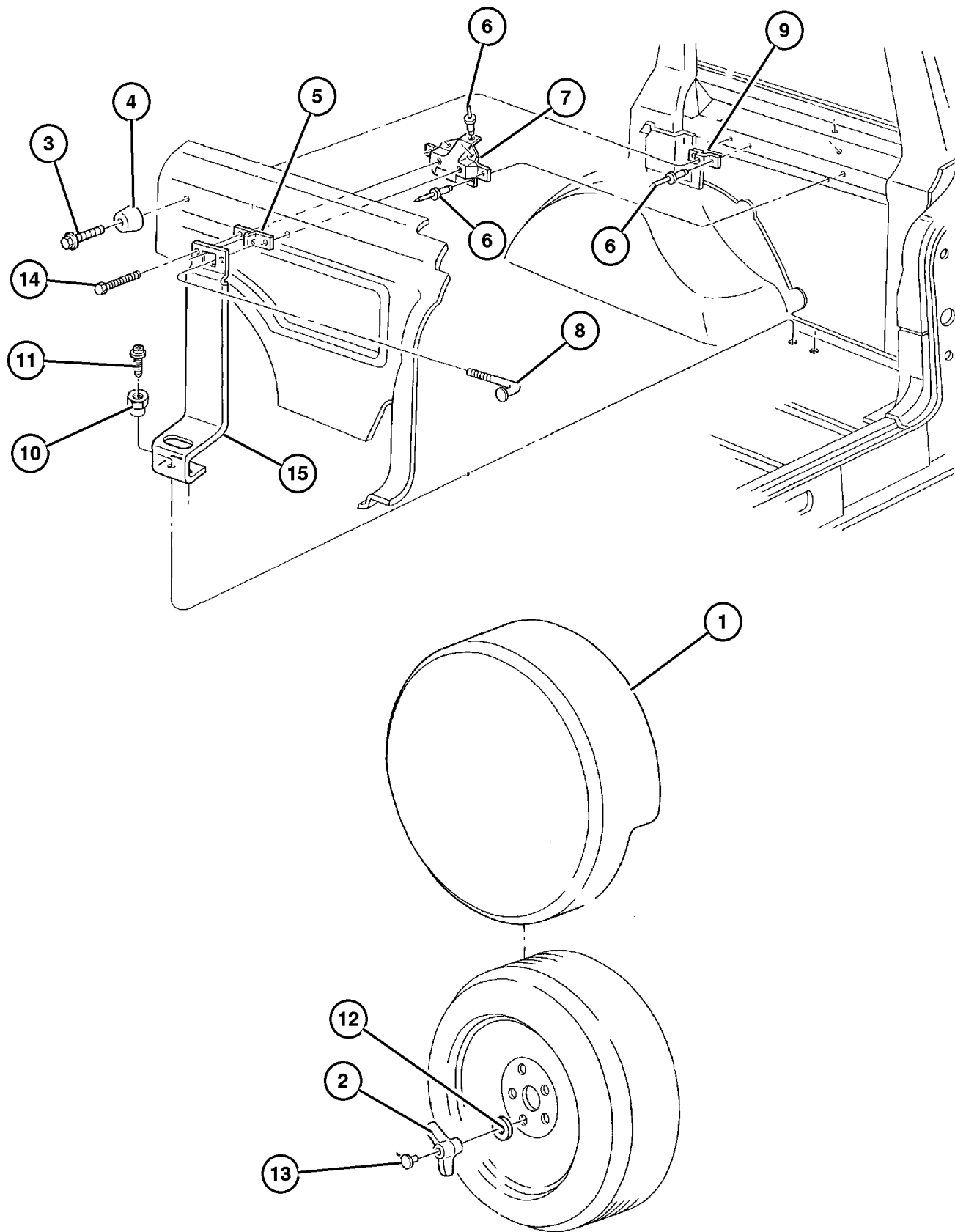
JEEP CHEROKEE (XJ)

SERIES	LINE	BODY	ENGINE	TRANSMISSION
L=Low Line	J=LHD (4WD) U=RHD (4WD) T=LHD (2WD) B=RHD (2WD)	74=4 DR. (101.4 WB) 72=2 DR. (101.4 WB)	ENC,EN0=2.5L 4 cyl. Turbo Die ERH,ER0=4.0L Power Tech I-6 EPE,EP0=Magnum 2.5L SMPI	DDQ=5Spd Man. DGS=4 Spd. Auto. AISIN DG0=All Auto Trans DBB=All Manual Trans.

AR = Use as required - = Non illustrated part # = New this model year

July 4, 2003

Wheel, Spare Inside Mounting RHD 1997 XJ 1998 XJ  
Figure 022-440



ITEM	PART NUMBER	QTY	LINE	SERIES	BODY	ENGINE	TRANS	TRIM	DESCRIPTION
1									COVER, Inside Spare Tire
	5FM7 4TC3	1							Grey, 1998 XJ, Compact Spare
	5FM7 4TT6	1							Spice, 1998 XJ, Compact Spare
	5FM76 RC3AB	1							Grey, 1998 XJ, Standard
	5FM76 RT6AB	1							Spice, 1998 XJ, Standard
	5FM7 6TC3	1							Gray, 1997 XJ
	5FM7 6TT6	1							Spice, 1997 XJ
2	6503 070	1							WINGNUT, Jack and Tire Hold Down
3									SCREW AND WASHER, Hex Head, M8x1.25x20, (NOT SERVICED) (Not Serviced)
4									REST, Spare Tire, (NOT SERVICED) (Not Serviced)
5	5534 5292	1	B, U						BRACKET, Swing Bolt Retainer
6	3420 1197	2	B, U						RIVET, Blind, M3.17x10.00
7	5523 5367	1	B, U						BRACKET, Spare Tire
8									BOLT, Spare Wheel Hold Down
	5523 5181	1	J, T						1997 XJ
	55235 181AB	1	J, T						1998 XJ
9									BRACKET, Spare Tire, (NOT SERVICED) (Not Serviced)
10	6502 751	2	B, U						NUT/RIVET, Round, M6.00 x 1.00 x 15.00
11	3420 1661	2	B, U						SCREW AND WASHER, Button Head
12	5208 7669	1	J, T						CUP, Spare Tire Retention
13	5200 0733	1							CAP, Spare Tire Wing Nut
14									SCREW, (NOT SERVICED) (Not Serviced)
15	5534 4556	1	B, U						BRACKET, Spare Tire

JEEP CHEROKEE (XJ)

SERIES	LINE	BODY	ENGINE	TRANSMISSION
L=Low Line	J=LHD (4WD) U=RHD (4WD) T=LHD (2WD) B=RHD (2WD)	74=4 DR. (101.4 WB) 72=2 DR. (101.4 WB)	ENC,EN0=2.5L 4 cyl. Turbo Die ERH,ER0=4.0L Power Tech I-6 EPE,EP0=Magnum 2.5L SMPI	DDQ=5Spd Man. DGS=4 Spd. Auto. AISIN DG0=All Auto Trans DBB=All Manual Trans.

AR = Use as required - = Non illustrated part # = New this model year

July 4, 2003

# Group – 23D

## Wiper/Lock Cylinder and Keys

### GROUP 23D - Wiper/Lock Cylinder and Keys

Illustration Title

Group-Fig. No.

#### Lock Cylinders and Keys

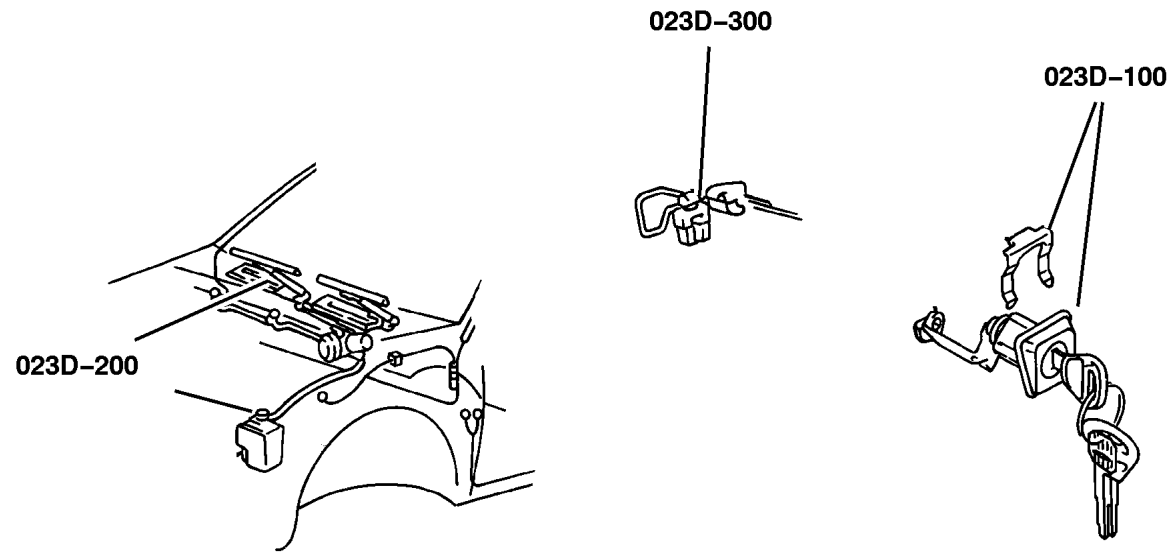
Lock Cylinders and Keys Cherokee XJ 1997 XJ .....	Fig. 23D-120
Lock Cylinders & Keys 1998 XJ .....	Fig. 23D-120
Lock Cylinders & Keys 1999 XJ .....	Fig. 23D-120

#### Windshield Wiper and Washer Systems

Windshield Wiper & Washer L.H.D. 1997 XJ .....	Fig. 23D-220
Windshield Wiper & Washer L.H.D. 1998 XJ .....	Fig. 23D-220
Windshield Wiper & Washer L.H.D. 1999 XJ .....	Fig. 23D-220
Windshield Wiper & Washer R.H.D. 1997 XJ .....	Fig. 23D-222
Windshield Wiper & Washer R.H.D. 1998 XJ .....	Fig. 23D-222
Windshield Wiper & Washer R.H.D. 1999 XJ .....	Fig. 23D-222

#### Rear Wiper and Washer System

Rear Wiper & Washer 1997 XJ 1998 XJ .....	Fig. 23D-320
Rear Wiper & Washer 1999 XJ .....	Fig. 23D-320



<p><b>23D-100</b> Lock Cylinders and Keys</p>	<p><b>23D-200</b> Windshield Wiper and Washer Systems</p>	<p><b>23D-300</b> Rear Wiper and Washer System</p>	
---	---	--	--

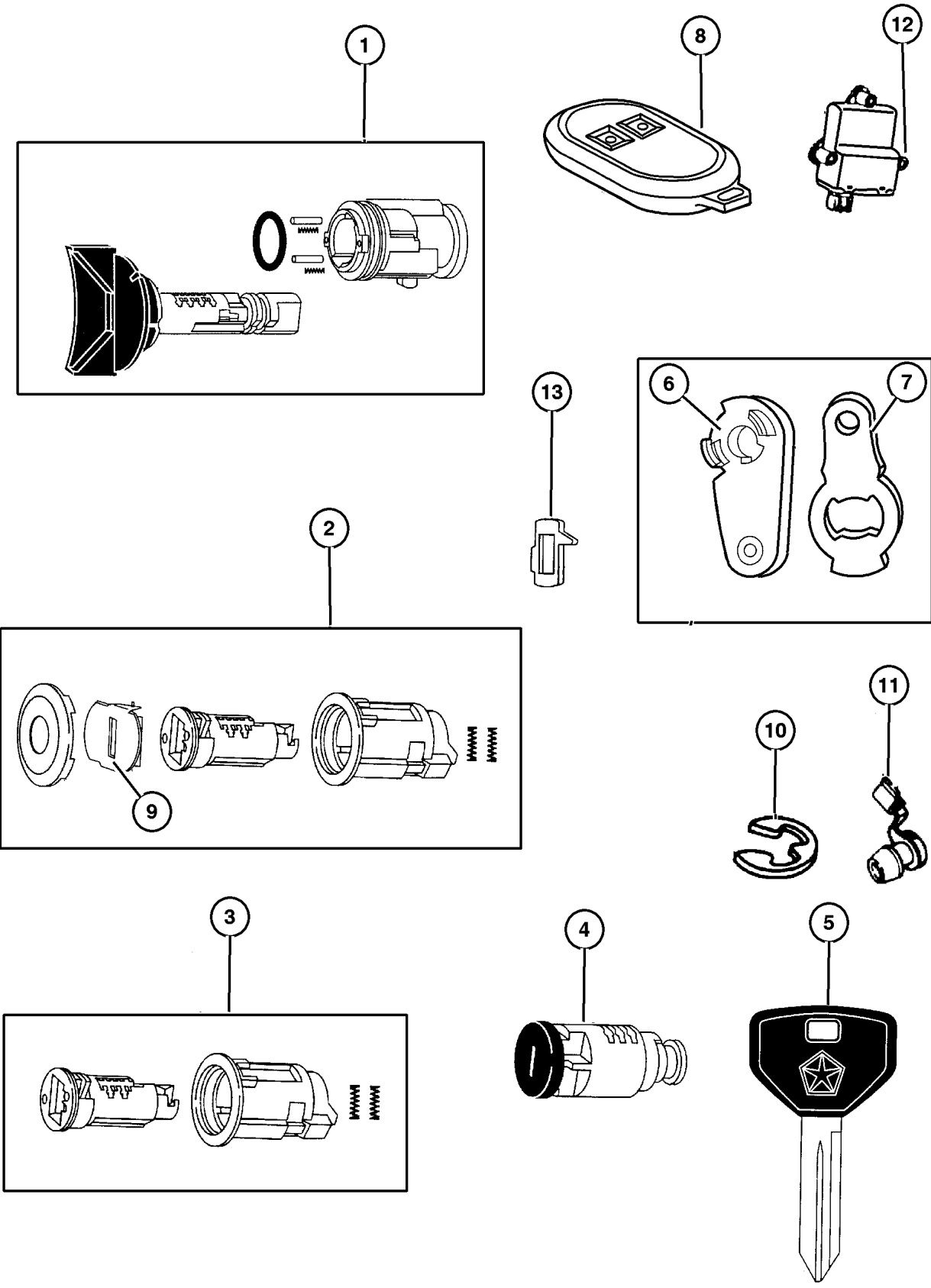
**Lock Cylinders and Keys Cherokee XJ 1997 XJ**  
**Figure 23D-120**

ITEM	PART NUMBER	QTY	LINE	SERIES	BODY	ENGINE	TRANS	TRIM	DESCRIPTION
1	4746 667	1							CYLINDER LOCK PACKAGE, Ignition, Black Plastic
2	4864 651	1							CYLINDER, Door Lock
3	4778 125	1							CYLINDER LOCK PACKAGE, Door or Liftgate, Bright
4	4746 315	AR							CYLINDER, Glove Box Lock
5	4746 316	2							KEY, Blank
6	5507 5824	1							LEVER, Door Lock Cylinder
7	5507 5838	1							LEVER, Liftgate Lock Cylinder
8	5600 8968	1							TRANSMITTER, Keyless Entry w/o Immobilizer
	5600 8969	1							w/ Immobilizer, Mandatory (FRANCE, POLAND, SWEDEN, DENMARK, GERMANY, HUNGARY, EUROPEAN, SLOVENIA, AUSTRALIA, NETHERLANDS, NEW ZEALAND, CZECH. REPUBLIC, BELGIUM & LUXEMBOURG,)Not Available in ( JAPAN), Mandatory (FRANCE, POLAND, SWEDEN, DENMARK, GERMANY, HUNGARY, EUROPEAN, SLOVENIA, AUSTRALIA, NETHERLANDS, NEW ZEALAND, CZECH. REPUBLIC, BELGIUM & LUXEMBOURG, )Not Available in (JAPAN)
9	4778 150	1							SHUTTER, Door, Deck and Liftgate, Bright
10	6026 125	1							CLIP, Cylinder Retainer
11	4658 444	1							CLIP, Latch Purple
	4658 445	1							Orange
12									RECEIVER, Keyless Entry

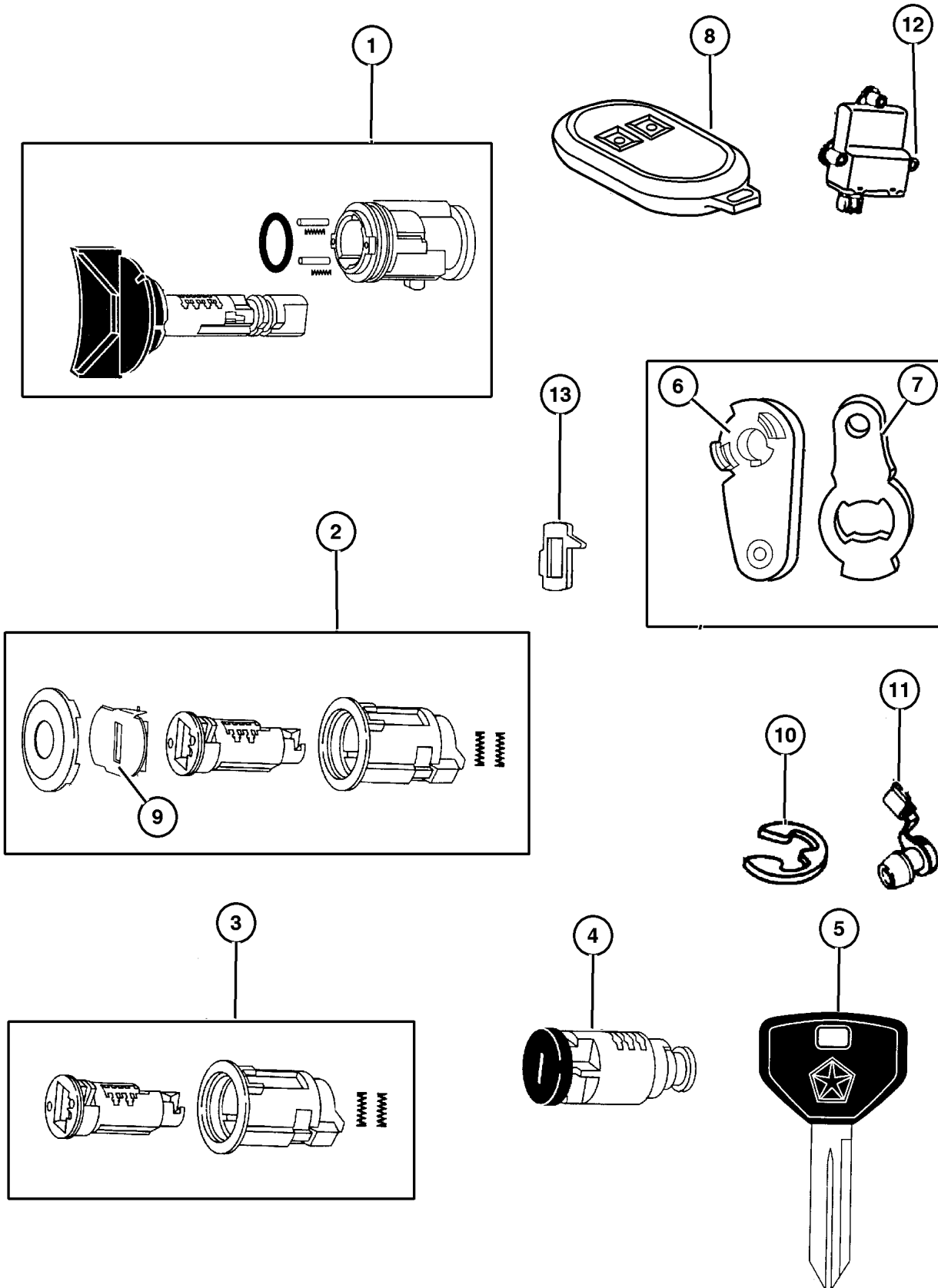
<b>JEEP CHEROKEE (XJ)</b>				
SERIES	LINE	BODY	ENGINE	TRANSMISSION
L=Low Line	J=LHD (4WD) U=RHD (4WD) T=LHD (2WD) B=RHD (2WD)	74=4 DR. (101.4 WB) 72=2 DR. (101.4 WB)	ENC,EN0=2.5L 4 cyl. Turbo Die ERH,ER0=4.0L Power Tech I-6 EPE,EP0=Magnum 2.5L SMPI	DDQ=5Spd Man. DGS=4 Spd. Auto. AISIN DG0=All Auto Trans DBB=All Manual Trans.

AR = Use as required - = Non illustrated part # = New this model year

July 4, 2003



**Lock Cylinders and Keys Cherokee XJ 1997 XJ**  
**Figure 23D-120**



ITEM	PART NUMBER	QTY	LINE	SERIES	BODY	ENGINE	TRANS	TRIM	DESCRIPTION
	56009 387AB	1							w/Full Console EUROPE, Mandatory ( FRANCE, POLAND, SWEDEN, DENMARK, GERMANY, HUNGARY, EUROPEAN, SLOVENIA, AUSTRALIA, NETHERLANDS, NEW ZEALAND, SWITZERLAND, CZECH. REPUBLIC, BELGIUM & LUXEMBOURG,)Not Available in ( JAPAN), Mandatory (FRANCE, POLAND, SWEDEN, DENMARK, GERMANY, HUNGARY, EUROPEAN, SLOVENIA, AUSTRALIA, NETHERLANDS, NEW ZEALAND, SWITZERLAND, CZECH. REPUBLIC, BELGIUM & LUXEMBOURG, )Not Available in (JAPAN)
	56009 390AB	1							w/Full Console w/ mini Dome EUROPE
		1							w/ mini Dome EUROPE
	13 5257 132	AR							TUMBLER, Ignition Number 1
	-14 5257 133	AR							TUMBLER, Ignition Number 2
	-15 5257 134	AR							TUMBLER, Ignition Number 3
	-16 5257 135	AR							TUMBLER, Ignition Number 4
	-17 4778 117	1							TUMBLER, Door and Deck Number 1, Wide
	-18 4778 118	1							TUMBLER, Door and Deck Number 2, Wide
	-19 4778 119	1							TUMBLER, Door and Deck Number 3, Wide
	-20 4378 793	1							SPRING, Cylinder Return
	-21 4778 120	1							TUMBLER, Door and Deck Number 4, Wide
	-22 4778 121	1							SPRING, Door and Deck Tumbler

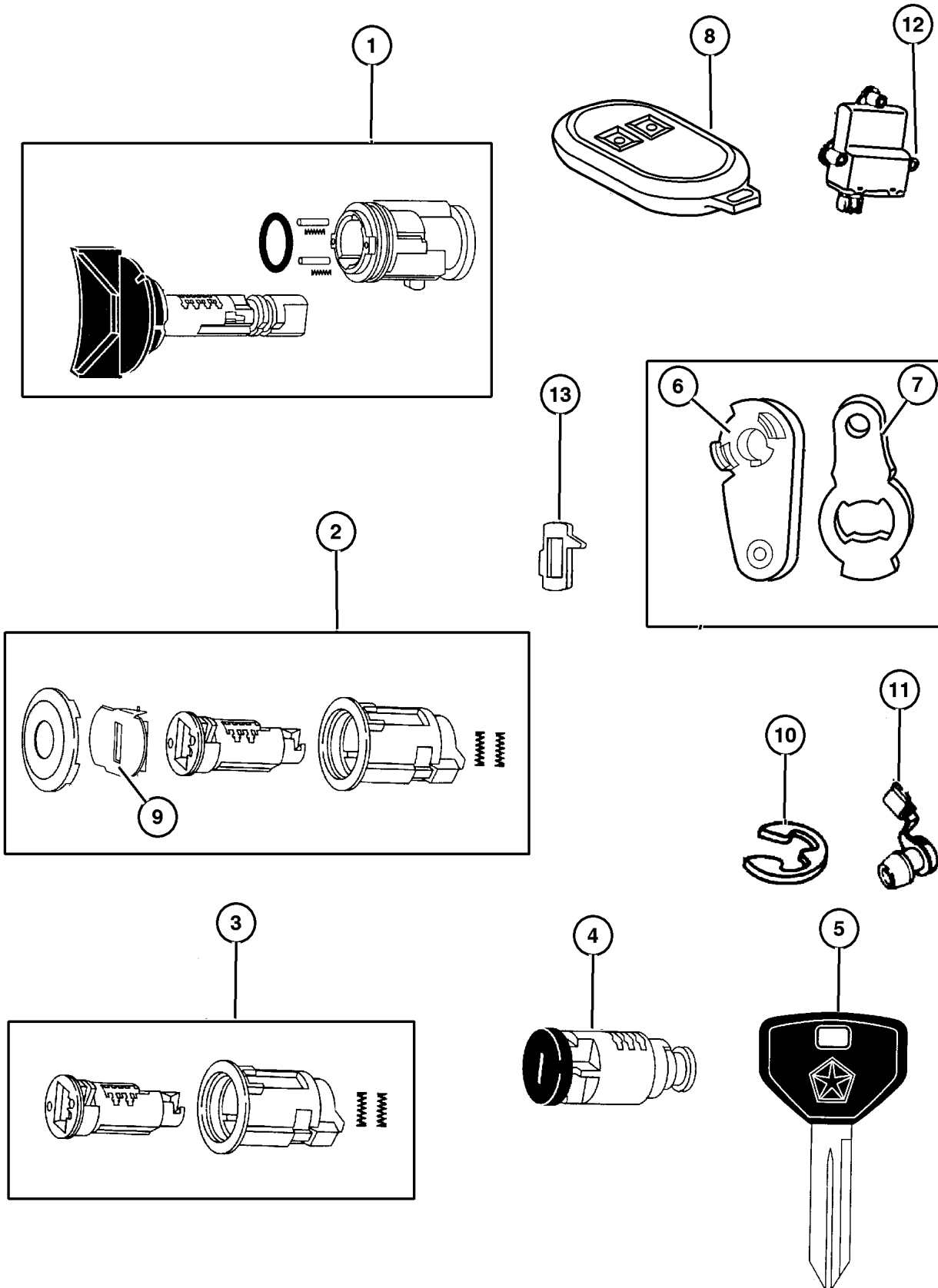
**JEEP CHEROKEE (XJ)**

SERIES	LINE	BODY	ENGINE	TRANSMISSION
L=Low Line	J=LHD (4WD) U=RHD (4WD) T=LHD (2WD) B=RHD (2WD)	74=4 DR. (101.4 WB) 72=2 DR. (101.4 WB)	ENC,EN0=2.5L 4 cyl. Turbo Die ERH,ER0=4.0L Power Tech I-6 EPE,EP0=Magnum 2.5L SMPI	DDQ=5Spd Man. DGS=4 Spd. Auto. AISIN DG0=All Auto Trans DBB=All Manual Trans.

AR = Use as required - = Non illustrated part # = New this model year

July 4, 2003

**Lock Cylinders and Keys Cherokee XJ 1997 XJ**  
**Figure 23D-120**



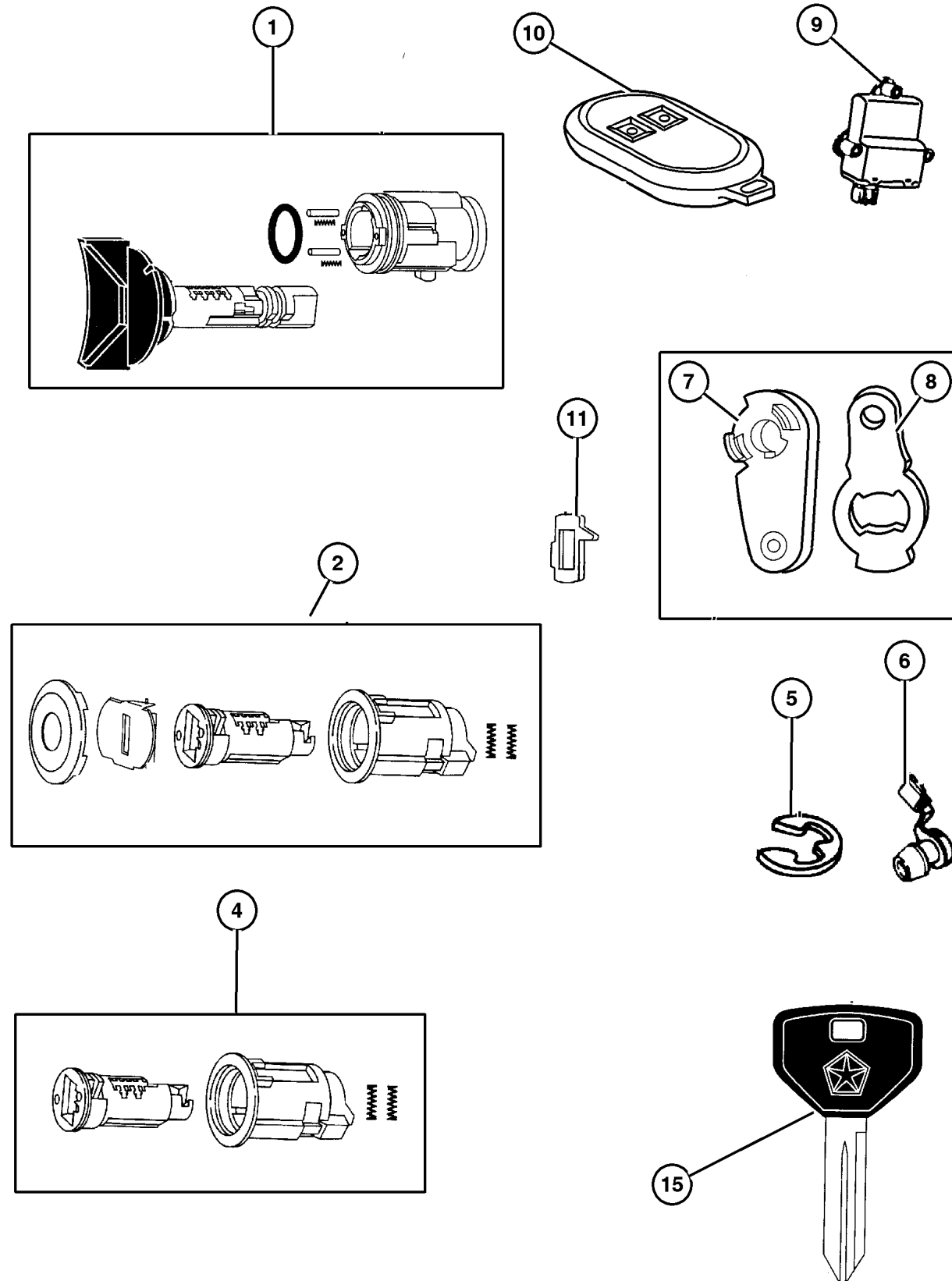
ITEM	PART NUMBER	QTY	LINE	SERIES	BODY	ENGINE	TRANS	TRIM	DESCRIPTION
-23	5600 9389	2							TRANSMITTER, Anti Theft, Mandatory ( FRANCE, POLAND, SWEDEN, DENMARK, GERMANY, HUNGARY, EUROPEAN, SLOVENIA, AUSTRALIA, NETHERLANDS, NEW ZEALAND, CZECH. REPUBLIC, BELGIUM & LUXEMBOURG,)Not Available in ( JAPAN), Mandatory (FRANCE, POLAND, SWEDEN, DENMARK, GERMANY, HUNGARY, EUROPEAN, SLOVENIA, AUSTRALIA, NETHERLANDS, NEW ZEALAND, CZECH. REPUBLIC, BELGIUM & LUXEMBOURG, )Not Available in (JAPAN)
-24	56009 920AA	1							LABEL, General Information, EUROPE
-25	56009 388AB	1							RECEIVER, Vehicle Immobilizer, w/ Mini Dome EUROPE
-26	5523 5561	2							GASKET, Door Lock Cylinder, Black
-27	8350 4802	2							BATTERY, Transmitter
-28	5529 5904	2							RETAINER, Door Cylinder To Handle
-29	5003 382AA	1							MODULE PACKAGE, Keyless Entry, EUROPE, Mandatory ( EUROPEAN), Mandatory (EUROPEAN)

JEEP CHEROKEE (XJ)				
SERIES	LINE	BODY	ENGINE	TRANSMISSION
L=Low Line	J=LHD (4WD) U=RHD (4WD) T=LHD (2WD) B=RHD (2WD)	74=4 DR. (101.4 WB) 72=2 DR. (101.4 WB)	ENC,EN0=2.5L 4 cyl. Turbo Die ERH,ER0=4.0L Power Tech I-6 EPE,EP0=Magnum 2.5L SMPI	DDQ=5Spd Man. DGS=4 Spd. Auto. AISIN DG0=All Auto Trans DBB=All Manual Trans.

AR = Use as required - = Non illustrated part # = New this model year

July 4, 2003

**Lock Cylinders & Keys 1998 XJ**  
**Figure 23D-120**



ITEM	PART NUMBER	QTY	LINE	SERIES	BODY	ENGINE	TRANS	TRIM	DESCRIPTION
1	5003 843AA	1							CYLINDER, Ignition Lock
		1							USA
		1							EUROPE
2	4864 651	AR							CYLINDER, Door Lock
-3	5523 5561	2							GASKET, Door Lock Cylinder, Black
4	4746 315	AR							CYLINDER, Glove Box Lock
5	6026 125	1							CLIP, Retainer
6	4658 444	1							CLIP, Latch
	4658 445	1							Purple
	4658 445	1							Orange
7	5507 5824	1							LEVER, Door Lock Cylinder
8	5507 5838	1							LEVER, Liftgate Lock Cylinder
9									RECEIVER, Keyless Entry
	56009 387AC	1							w/Immobilizer & w/Full Console (EUROPE)
		1							w/Immobilizer & w/Mini Dome Assembly (EUROPE)
	56009 390AC	1							w/o Immobilizer & w/Full Console
		1							w/o Immobilizer & w/Mini Dome Assembly
10									TRANSMITTER, Keyless Entry
	5600 8968	1							w/o Immobilizer
	5600 8969	1							w/Immobilizer, Mandatory ( NEW ZEALAND, )Not Available in ( JAPAN, )Mandatory (NEW ZEALAND, )Not Available in (JAPAN)
11	5257 132	AR							TUMBLER, Ignition Number 1, Glovebox/Ignition
-12	5257 133	AR							TUMBLER, Ignition Number 2, Glovebox/Ignition
-13	5257 134	AR							TUMBLER, Ignition Number 3, Glovebox/Ignition
-14	5257 135	AR							TUMBLER, Ignition Number 4, Glovebox/Ignition
15	4746 316	2							KEY, Blank
-16	5010 366AA	1							KEY, Master, Sentry Key w/ Immobilizer
-17	55314 965AB	1							TRIM RING, Ignition Key Cylinder
-18	5529 5904	2							RETAINER, Door Cylinder To Handle
-19									MODULE, Security Alarm
	5011 619AA	1							w/Keyless Entry
	5012 164AA	1							w/o Keyless Entry

**JEEP CHEROKEE (XJ)**

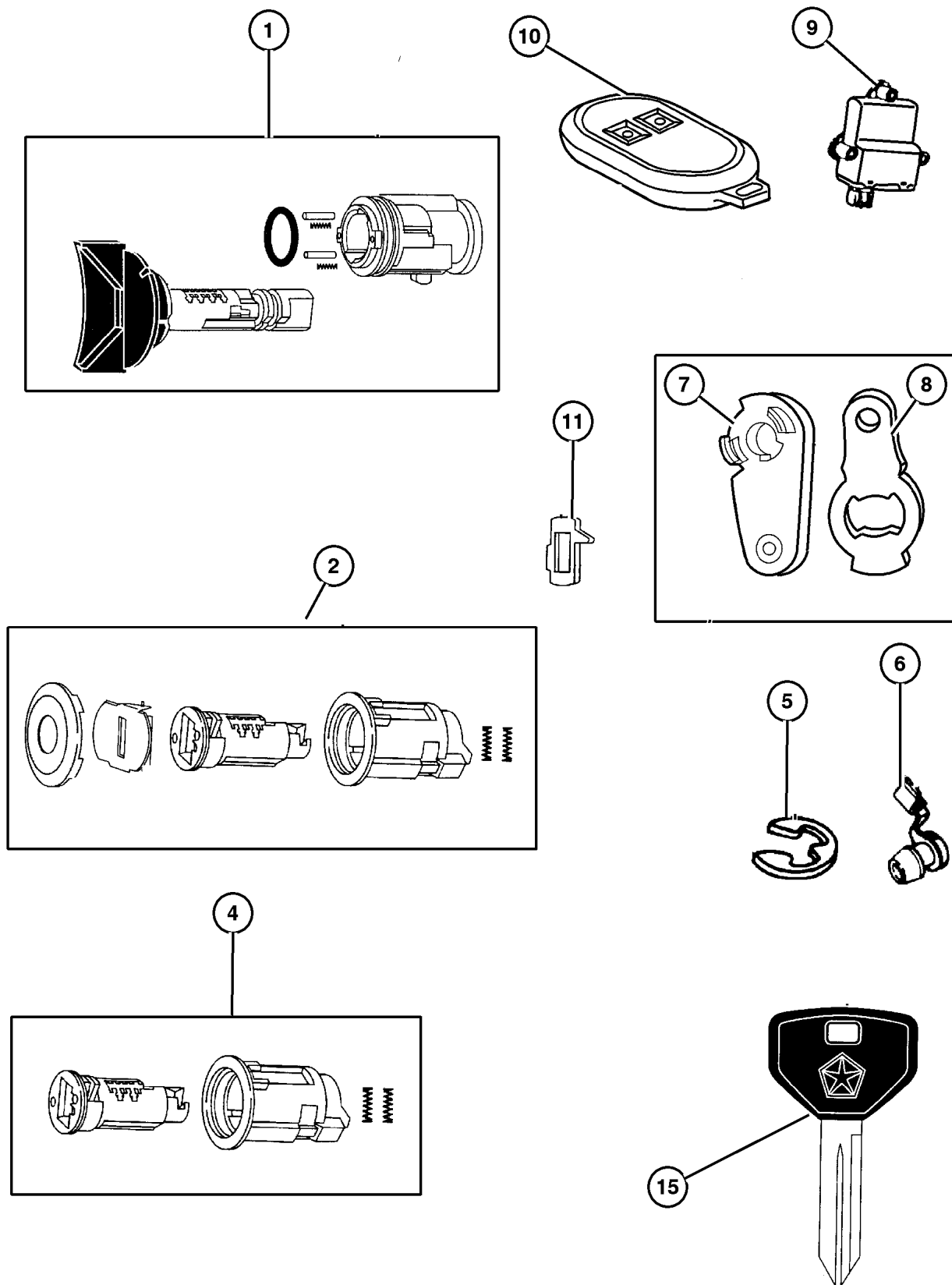
SERIES	LINE	BODY	ENGINE	TRANSMISSION
L=Low Line	J=LHD (4WD) U=RHD (4WD) T=LHD (2WD) B=RHD (2WD)	74=4 DR. (101.4 WB) 72=2 DR. (101.4 WB)	ENC,EN0=2.5L 4 cyl. Turbo Die ERH,ER0=4.0L Power Tech I-6 EPE,EP0=Magnum 2.5L SMPI	DDQ=5Spd Man. DGS=4 Spd. Auto. AISIN DG0=All Auto Trans DBB=All Manual Trans.

AR = Use as required - = Non illustrated part # = New this model year

July 4, 2003



Lock Cylinders & Keys 1998 XJ  
Figure 23D-120



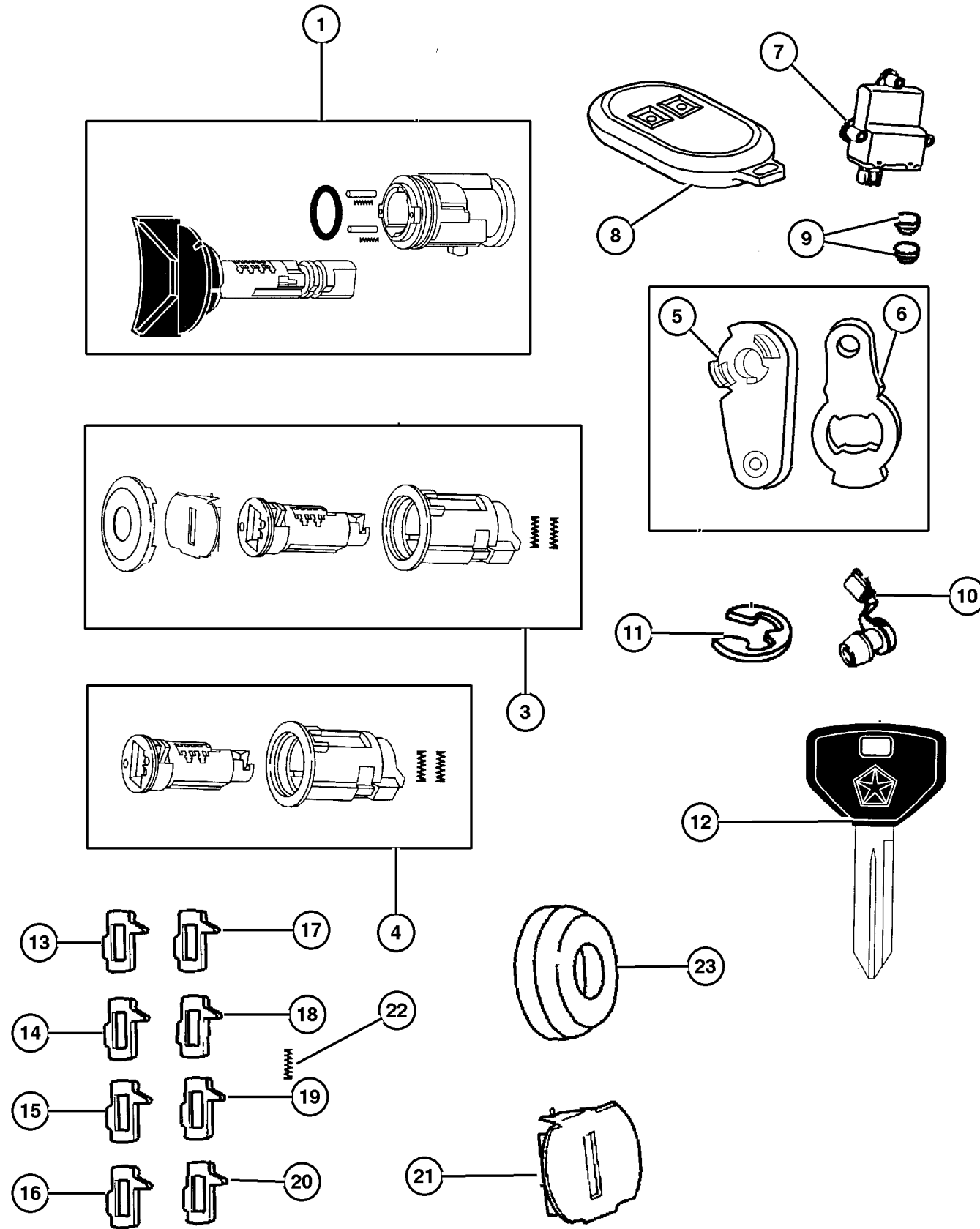
ITEM	PART NUMBER	QTY	LINE	SERIES	BODY	ENGINE	TRANS	TRIM	DESCRIPTION
	56009 712AC	1							w/Sentry Key
-20									MODULE PACKAGE, Keyless Entry
	5003 378AB	1							
	5003 382AB	1							EUROPE

JEEP CHEROKEE (XJ)		BODY	ENGINE	TRANSMISSION
SERIES	LINE	74=4 DR. (101.4 WB)	ENC,EN0=2.5L 4 cyl. Turbo Die	DDQ=5Spd Man.
L=Low Line	J=LHD (4WD)	72=2 DR. (101.4 WB)	ERH,ER0=4.0L Power Tech I-6	DGS=4 Spd. Auto. AISIN
	U=RHD (4WD)		EPE,EP0=Magnum 2.5L SMPI	DG0=All Auto Trans
	T=LHD (2WD)			DBB=All Manual Trans.
	B=RHD (2WD)			

AR = Use as required - = Non illustrated part # = New this model year

July 4, 2003

**Lock Cylinders & Keys 1999 XJ**  
**Figure 23D-120**



ITEM	PART NUMBER	QTY	LINE	SERIES	BODY	ENGINE	TRANS	TRIM	DESCRIPTION
1	5003 843AA	1							CYLINDER, Ignition Lock
-2	4864 651	1							CYLINDER, Door Lock
3	4778 125	1							CYLINDER LOCK, DOOR OR LIFTGATE, BRIGHT, (Liftgate Only)
4	4746 315	AR							CYLINDER, Glove Box Lock
5	5507 5824	1							LEVER, Door Lock Cylinder
6	5507 5838	1							LEVER, Liftgate Lock Cylinder
7									MODULE PACKAGE, Keyless Entry
	#5003 378AC	1							EUROPE
	5003 382AB	1							
8	#56036 859AB	2							TRANSMITTER, Keyless Entry w/o Immobilizer
	#56036 862AB	2							w/Immobilizer
9	8350 4802	2							BATTERY, Transmitter
10									CLIP, Latch
	4658 444	1							Purple
	4658 445	1							Orange
11	6026 125	1							CLIP, Retainer
12	5010 366AA	2							KEY, Master
13	5010 879AA	1							TUMBLER, Ignition Number 1, Sidebar
14	5010 880AA	1							TUMBLER, Ignition Number 2, Sidebar
15	5010 881AA	1							TUMBLER, Ignition Number 3, Sidebar
16	5010 882AA	1							TUMBLER, Ignition Number 4, Sidebar
17	4778 117	1							TUMBLER, Door and Deck Number 1, Wide
18	4778 118	1							TUMBLER, Door and Deck Number 2, Wide
19	4778 119	1							TUMBLER, Door and Deck Number 3, Wide
20	4778 120	1							TUMBLER, Door and Deck Number 4, Wide
21	4778 150	1							SHUTTER, Door, Deck and Liftgate, Bright
22	4778 121	1							SPRING, Door and Deck Tumbler
23	4882 178	1							CAP, Door Lock Cylinder
-24	56009 920AD	1							LABEL, General Information, Immobilizer, Transmitter & Receiver
-25	55314 965AB	1							TRIM RING, Ignition Key Cylinder

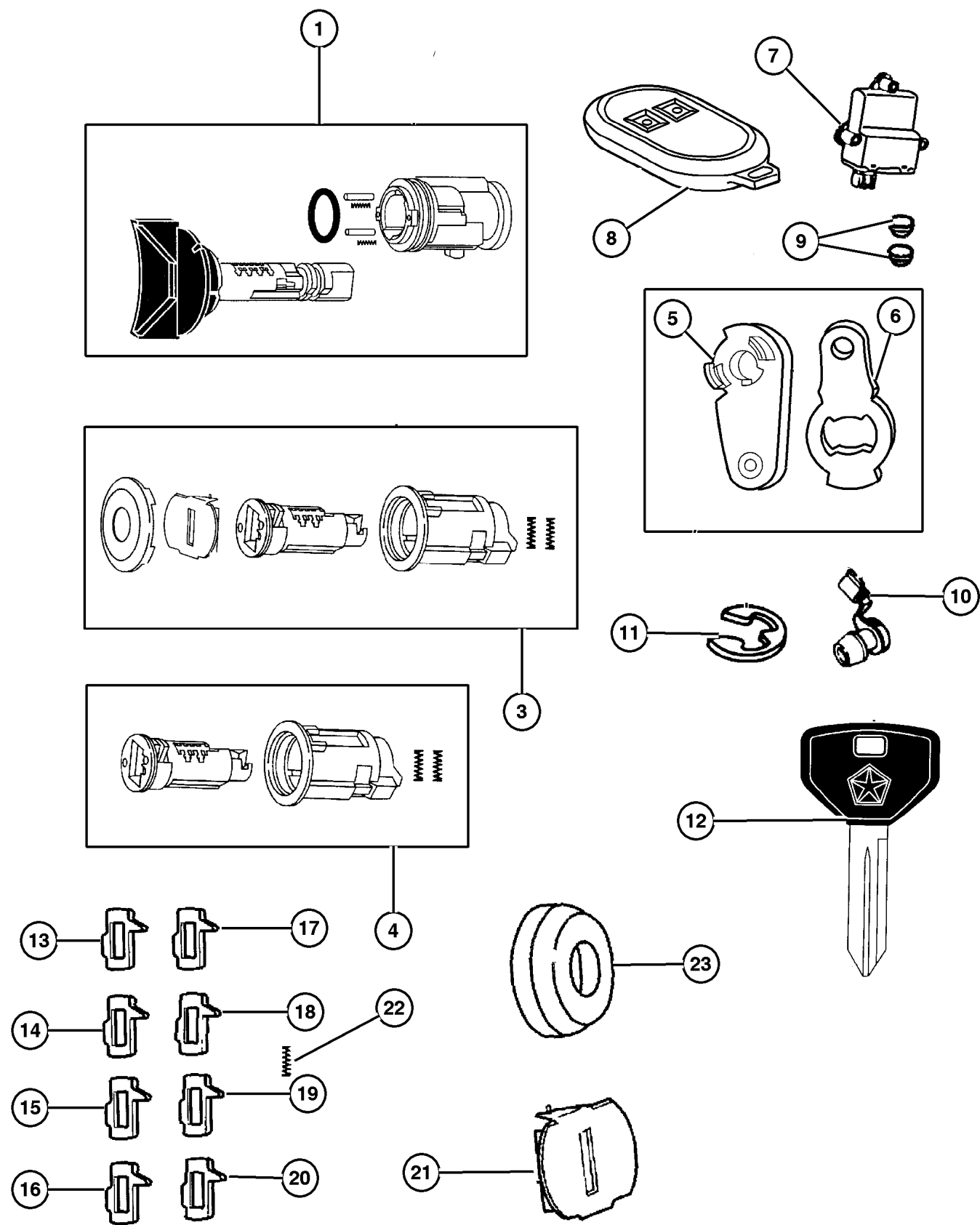
**JEEP CHEROKEE (XJ)**

SERIES	LINE	BODY	ENGINE	TRANSMISSION
L=Low Line	J=LHD (4WD) U=RHD (4WD) T=LHD (2WD) B=RHD (2WD)	74=4 DR. (101.4 WB) 72=2 DR. (101.4 WB)	ENC,EN0=2.5L 4 cyl. Turbo Die ERH,ER0=4.0L Power Tech I-6 EPE,EP0=Magnum 2.5L SMPI	DDQ=5Spd Man. DGS=4 Spd. Auto. AISIN DG0=All Auto Trans DBB=All Manual Trans.

AR = Use as required - = Non illustrated part # = New this model year

July 4, 2003

**Lock Cylinders & Keys 1999 XJ**  
**Figure 23D-120**



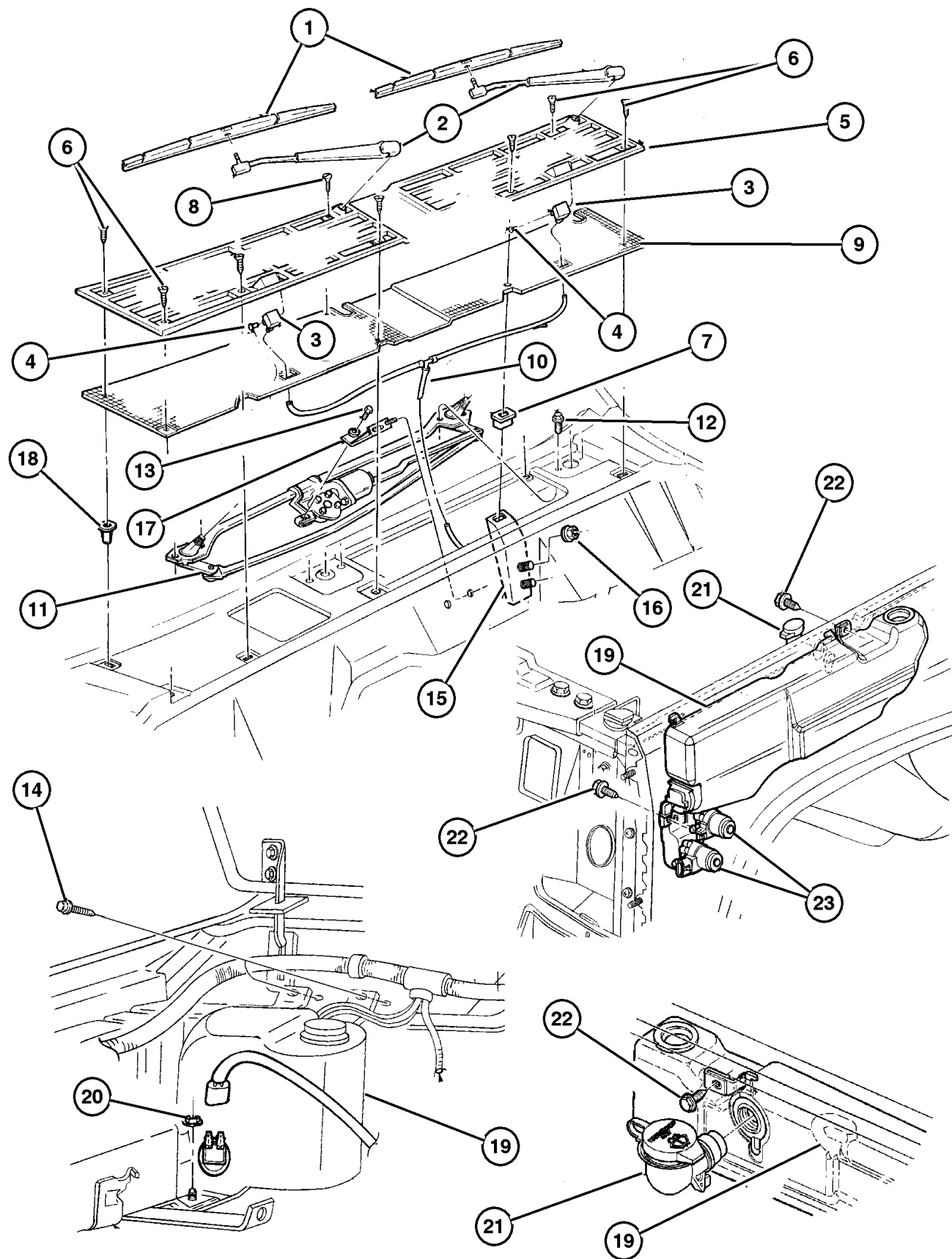
ITEM	PART NUMBER	QTY	LINE	SERIES	BODY	ENGINE	TRANS	TRIM	DESCRIPTION
-26	56009 712AC	1							MODULE, Security Alarm
-27	5523 5561	2							GASKET, Door Lock Cylinder, Black
-28	5529 5904	2							RETAINER, Door Cylinder To Handle

JEEP CHEROKEE (XJ)				
SERIES	LINE	BODY	ENGINE	TRANSMISSION
L=Low Line	J=LHD (4WD) U=RHD (4WD) T=LHD (2WD) B=RHD (2WD)	74=4 DR. (101.4 WB) 72=2 DR. (101.4 WB)	ENC,EN0=2.5L 4 cyl. Turbo Die ERH,ER0=4.0L Power Tech I-6 EPE,EP0=Magnum 2.5L SMPI	DDQ=5Spd Man. DGS=4 Spd. Auto. AISIN DG0=All Auto Trans DBB=All Manual Trans.

AR = Use as required - = Non illustrated part # = New this model year

July 4, 2003

**Windshield Wiper & Washer L.H.D. 1997 XJ  
Figure 23D-220**



ITEM	PART NUMBER	QTY	LINE	SERIES	BODY	ENGINE	TRANS	TRIM	DESCRIPTION
1	5515 5650	2	J, T						BLADE, Wiper
2	5515 5649	2	J, T						ARM, Wiper
3	5600 1601	2							NOZZLE, Washer, Windshield
4	J400 4262	2							PIN, Push, .15x.41
5	5500 8832	1	J, T						GRILLE, Cowl Panel
6	3420 1230	7							SCREW, Round Washer Head AB
7	3420 1872	2							NUT, Snap In, M4.2 x 1.41
8									SCREW, .164-18x.625, (NOT SERVICED) (Not Serviced)
9	5500 8833	1	J, T						SCREEN, Cowl
10									HOSE, Windshield Washer, (NOT SERVICED) (Not Serviced)
11	5515 5297	1	J, T						MOTOR, Wiper
12	3420 1496	4							SCREW, Pan Plastite, M7.25x3.18x25.00
13	3420 1686	1							BOLT, Hex Flange Head, M12x1.18x35
14	6101 786	2							SCREW, Self Tapping, M6x1x15
15	5523 5370	1	J, T						BRACKET, Grille To Cowl Extension
16	3420 1358	1	J, T						NUT AND WASHER, Hex Nut-Sealing Washer, M6 x 1.00
17	5515 4526	1	J, T						BRACKET, Wiper Motor
18	J400 5242	5							NUT, Push
19	4778 344	1							RESERVOIR, Washer w/Sensor
	4778 345	1							w/oSensor
20	6100 047	1							NUT AND WASHER, Hex Nut-Coned Washer, M6 x 1.00
21	5515 4812	1							FILLER NECK AND CAP, Washer Reservoir
22	6033 567	2							BOLT AND WASHER, Hex Head, .19-16x.75
23									PUMP, Washer, Windshield
	4778 347	1							Front
	4778 348	1							Rear
-24	4630 249	1							CAP, Washer Reservoir
-25	4778 346	1							GROMMET, Washer Reservoir, Sensor/Pump
-26	4778 350	1							GROMMET, Washer Reservoir, Filler Neck

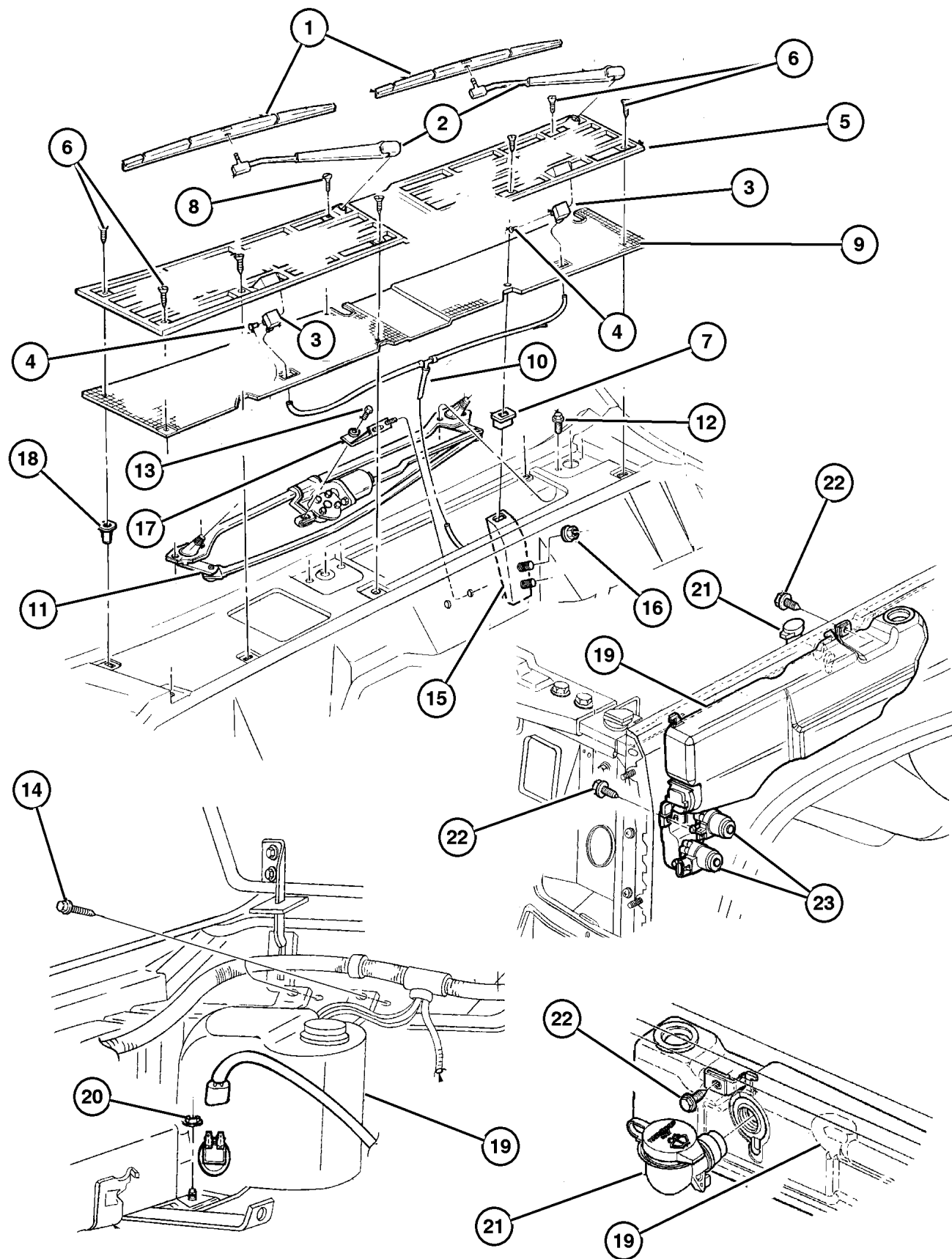
**JEEP CHEROKEE (XJ)**

SERIES	LINE	BODY	ENGINE	TRANSMISSION
L=Low Line	J=LHD (4WD) U=RHD (4WD) T=LHD (2WD) B=RHD (2WD)	74=4 DR. (101.4 WB) 72=2 DR. (101.4 WB)	ENC,EN0=2.5L 4 cyl. Turbo Die ERH,ER0=4.0L Power Tech I-6 EPE,EP0=Magnum 2.5L SMPI	DDQ=5Spd Man. DGS=4 Spd. Auto. AISIN DG0=All Auto Trans DBB=All Manual Trans.

AR = Use as required - = Non illustrated part # = New this model year

July 4, 2003

**Windshield Wiper & Washer L.H.D. 1998 XJ**  
**Figure 23D-220**



ITEM	PART NUMBER	QTY	LINE	SERIES	BODY	ENGINE	TRANS	TRIM	DESCRIPTION
1	5515 5650	2	J, T						BLADE, Wiper
2	5515 5649	2	J, T						ARM, Wiper
3	5600 1601	2							NOZZLE, Washer, Windshield
4	J400 4262	2							PIN, Push, .15x.41
5	5500 8832	1	J, T						GRILLE, Cowl Panel
6	3420 1230	7							SCREW, Round Washer Head AB
7	3420 1872	1							NUT, Snap In, M4.2 x 1.41
8									SCREW, .164-18x.625, (NOT SERVICED) (Not Serviced)
9									SCREEN, Cowl
	5500 8833	1	J, T						
	5502 7697	1	B, U						
10									HOSE, Windshield Washer, (NOT SERVICED) (Not Serviced)
11									MOTOR, Wiper
	5515 5297	1	J, T						
	5515 5300	1	B, U						
12									SCREW, Pan Plastite, M7.25x3.18x25.00, (NOT REQUIRED)
13	3420 1686	1							BOLT, Hex Flange Head, M12x1.18x35
14	6101 786	2							SCREW, Self Tapping, M6x1x15
15	55235 370AB	1	J, T						BRACKET, Grille To Cowl Extension
16	3420 1358	1	J, T						NUT AND WASHER, Hex Nut-Sealing Washer, M6 x 1.00
17	5515 4526	1	J, T						BRACKET, Wiper Motor
18	J400 5242	5							NUT, Push
19									RESERVOIR, Washer
	4778 345	1							Without Dual Pump
	4778 344	1							With Dual Pump
20									NUT AND WASHER, Hex Nut-Coned Washer, M6 x 1.00
	6100 047	1							2.5L Engine
		1							4.0L Engine
21	5515 4812	1							FILLER NECK AND CAP, Washer Reservoir
22									BOLT AND WASHER, Hex Head, .19-16x.75, (NOT REQUIRED)
23									PUMP, Washer, Windshield
	4778 348	1							Rear
	4778 347	1							Front
-24									CAP, Washer Reservoir, (NOT REQUIRED)

**JEEP CHEROKEE (XJ)**

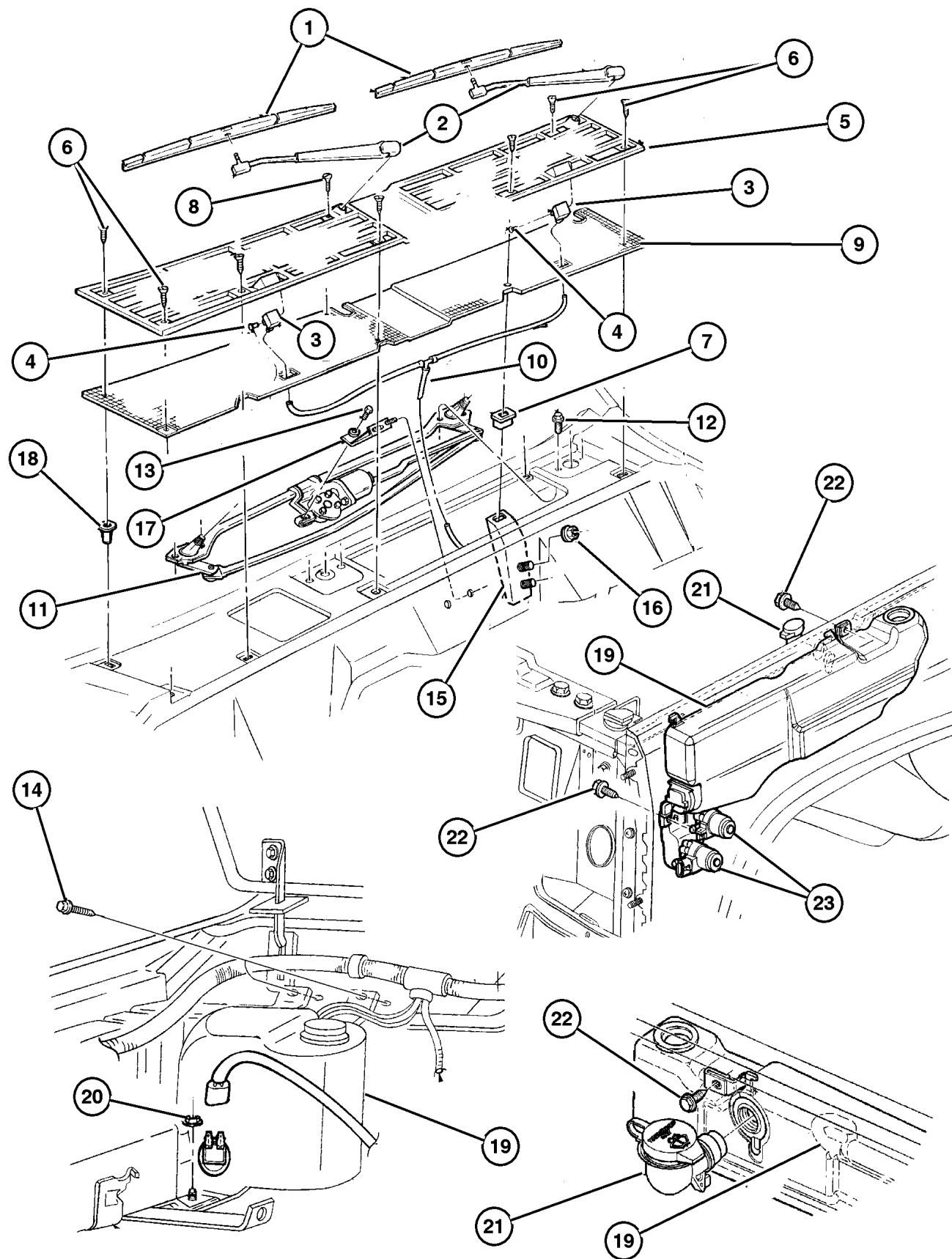
SERIES	LINE	BODY	ENGINE	TRANSMISSION
L=Low Line	J=LHD (4WD) U=RHD (4WD) T=LHD (2WD) B=RHD (2WD)	74=4 DR. (101.4 WB) 72=2 DR. (101.4 WB)	ENC,EN0=2.5L 4 cyl. Turbo Die ERH,ER0=4.0L Power Tech I-6 EPE,EP0=Magnum 2.5L SMPI	DDQ=5Spd Man. DGS=4 Spd. Auto. AISIN DG0=All Auto Trans DBB=All Manual Trans.

AR = Use as required - = Non illustrated part # = New this model year

July 4, 2003



**Windshield Wiper & Washer L.H.D. 1999 XJ  
Figure 23D-220**



ITEM	PART NUMBER	QTY	LINE	SERIES	BODY	ENGINE	TRANS	TRIM	DESCRIPTION
1									BLADE, Wiper
	5515 5650	2	J, T						
	5515 5652	2	B, U						
2	5515 5649	2	J, T						ARM, Wiper
3	5600 1601	2							NOZZLE, Washer, Windshield
4	J400 4262	2							PIN, Push, .15x.41
5	5500 8832	1	J, T						GRILLE, Cowl Panel
6	3420 1230	7							SCREW, Round Washer Head AB
7	3420 1872	AR							NUT, Snap In, M4.2 x 1.41
8									SCREW, .164-18x.625, (NOT SERVICED) (Not Serviced)
9	5500 8833	1	J, T						SCREEN, Cowl
10	#55155 041AC	1							HOSE, Windshield Washer
11									MOTOR, Wiper
	4856 478	1	J, T						w/o Pivot
	5515 5297	1	J, T						w/Pivot
12	3420 1496	4							SCREW, Pan Plastite, M7.25x3.18x25.00
13	3420 1686	2							BOLT, Hex Flange Head, M12x1.18x35
14	6101 786	2							SCREW, Self Tapping, M6x1x15
15	55235 370AB	1	J, T						BRACKET, Grille To Cowl Extension
16	3420 1358	2							NUT AND WASHER, Hex Nut-Sealing Washer, M6 x 1.00
17									BRACKET, Wiper Motor
	5500 3036	1	J, T						w/o Grommet
	5515 4526	1	J, T						w/Grommet
18	0441 263	2							NUT, Push
19									RESERVOIR, Washer
	4778 344	1							w/Sensor
	4778 345	1							w/o Sensor
20	6100 047	1							NUT AND WASHER, Hex Nut-Coned Washer, M6 x 1.00
21	55154 812AB	1							FILLER NECK AND CAP, Washer Reservoir
22	6033 567	2							BOLT AND WASHER, Hex Head, .19-16x.75
23									PUMP, Washer, Windshield
	4778 347	1							Front
	4778 348	1							Rear
-24									GROMMET, Washer Reservoir
	4778 346	1							Sensor/Pump
	4778 350	1							Filler Neck

**JEEP CHEROKEE (XJ)**

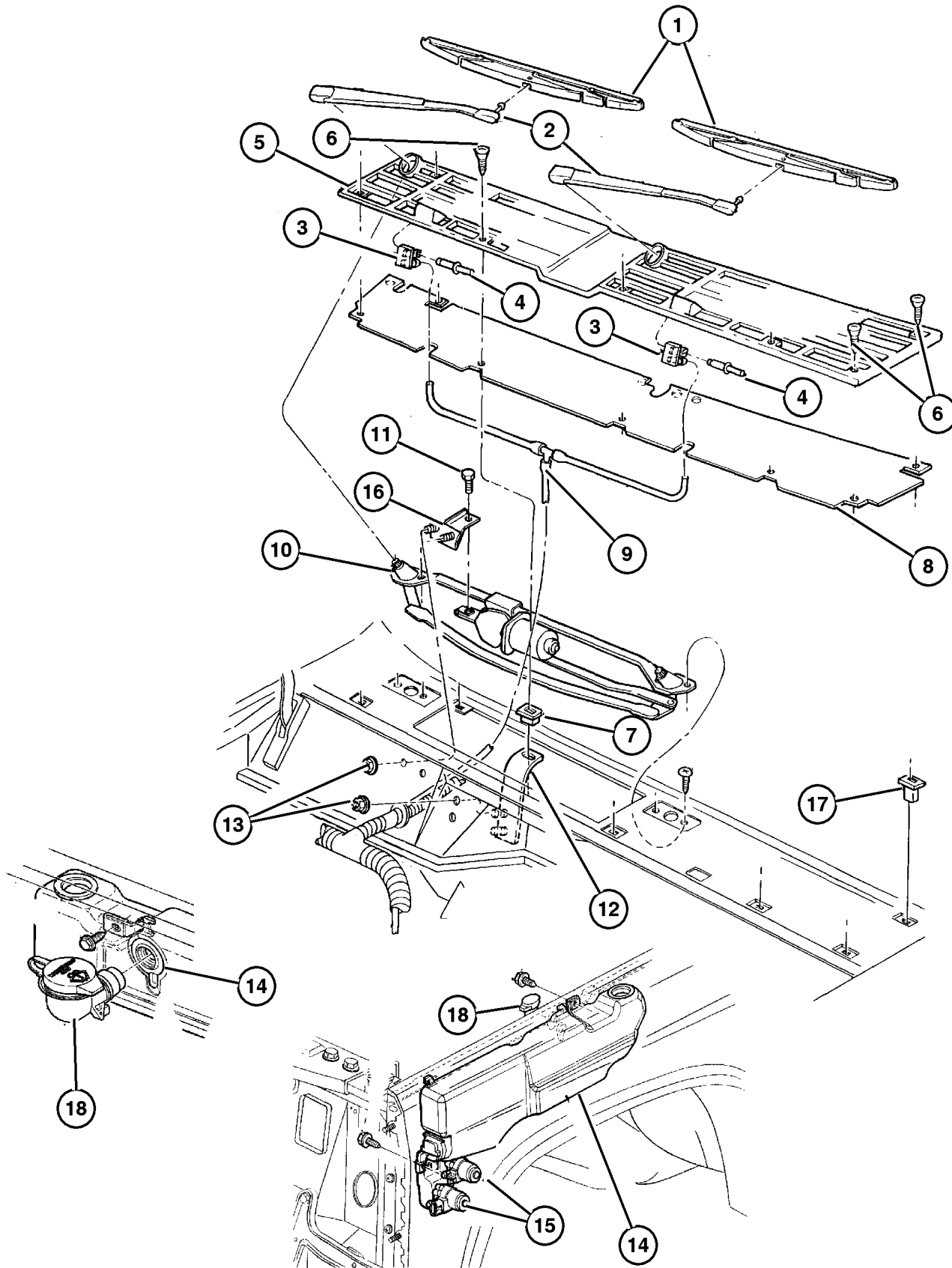
SERIES	LINE	BODY	ENGINE	TRANSMISSION
L=Low Line	J=LHD (4WD) U=RHD (4WD) T=LHD (2WD) B=RHD (2WD)	74=4 DR. (101.4 WB) 72=2 DR. (101.4 WB)	ENC,EN0=2.5L 4 cyl. Turbo Die ERH,ER0=4.0L Power Tech I-6 EPE,EP0=Magnum 2.5L SMPI	DDQ=5Spd Man. DGS=4 Spd. Auto. AISIN DG0=All Auto Trans DBB=All Manual Trans.

AR = Use as required - = Non illustrated part # = New this model year

July 4, 2003

**Windshield Wiper & Washer R.H.D. 1997 XJ**  
**Figure 23D-222**

ITEM	PART NUMBER	QTY	LINE	SERIES	BODY	ENGINE	TRANS	TRIM	DESCRIPTION
1	5515 5652	2	B, U						BLADE, Wiper
2	5515 5651	2	B, U						ARM, Wiper
3	5600 1601	2							NOZZLE, Washer, Windshield
4	J400 4262	2							PIN, Push, .15x.41
5									GRILLE, Cowl Panel
	5500 8832	1	J, T						
	5502 7696	1	B, U						
6	3420 1230	7							SCREW, Round Washer Head AB
7	3420 1872	5							NUT, Snap In, M4.2 x 1.41
8	5502 7697	1	B, U						SCREEN, Cowl
9									HOSE, Windshield Washer, 0156 ID=4MM, (NOT SERVICED) (Not Serviced)
10	5515 5300	1	B, U						MOTOR, Wiper
11	3420 1686	1							BOLT, Hex Flange Head, M12x1.18x35
12	5523 5371	1	B, U						BRACKET, Extension to Cowl Top
13	3420 1358	1							NUT AND WASHER, Hex Nut-Sealing Washer, M6 x 1.00
14									RESERVOIR, Washer w/Sensor
	4778 344	1							w/o Sensor
15									PUMP, Washer, Windshield Front
	4778 347	1							Rear
	4778 348	1							
16	5515 4763	1	B, U						BRACKET, Wiper Motor
17	J400 5242	5							NUT, Push
18	5515 4812	1							FILLER NECK AND CAP, Washer Reservoir
-19	4630 249	1							CAP, Washer Reservoir
-20	4778 346	1							GROMMET, Washer Reservoir, Sensor/Pump
-21	4778 350	1							GROMMET, Washer Reservoir, Filler Neck
-22	5515 4979	1							SENSOR, Washer Fluid Level



<b>JEEP CHEROKEE (XJ)</b>				
SERIES	LINE	BODY	ENGINE	TRANSMISSION
L=Low Line	J=LHD (4WD) U=RHD (4WD) T=LHD (2WD) B=RHD (2WD)	74=4 DR. (101.4 WB) 72=2 DR. (101.4 WB)	ENC,EN0=2.5L 4 cyl. Turbo Die ERH,ER0=4.0L Power Tech I-6 EPE,EP0=Magnum 2.5L SMPI	DDQ=5Spd Man. DGS=4 Spd. Auto. AISIN DG0=All Auto Trans DBB=All Manual Trans.

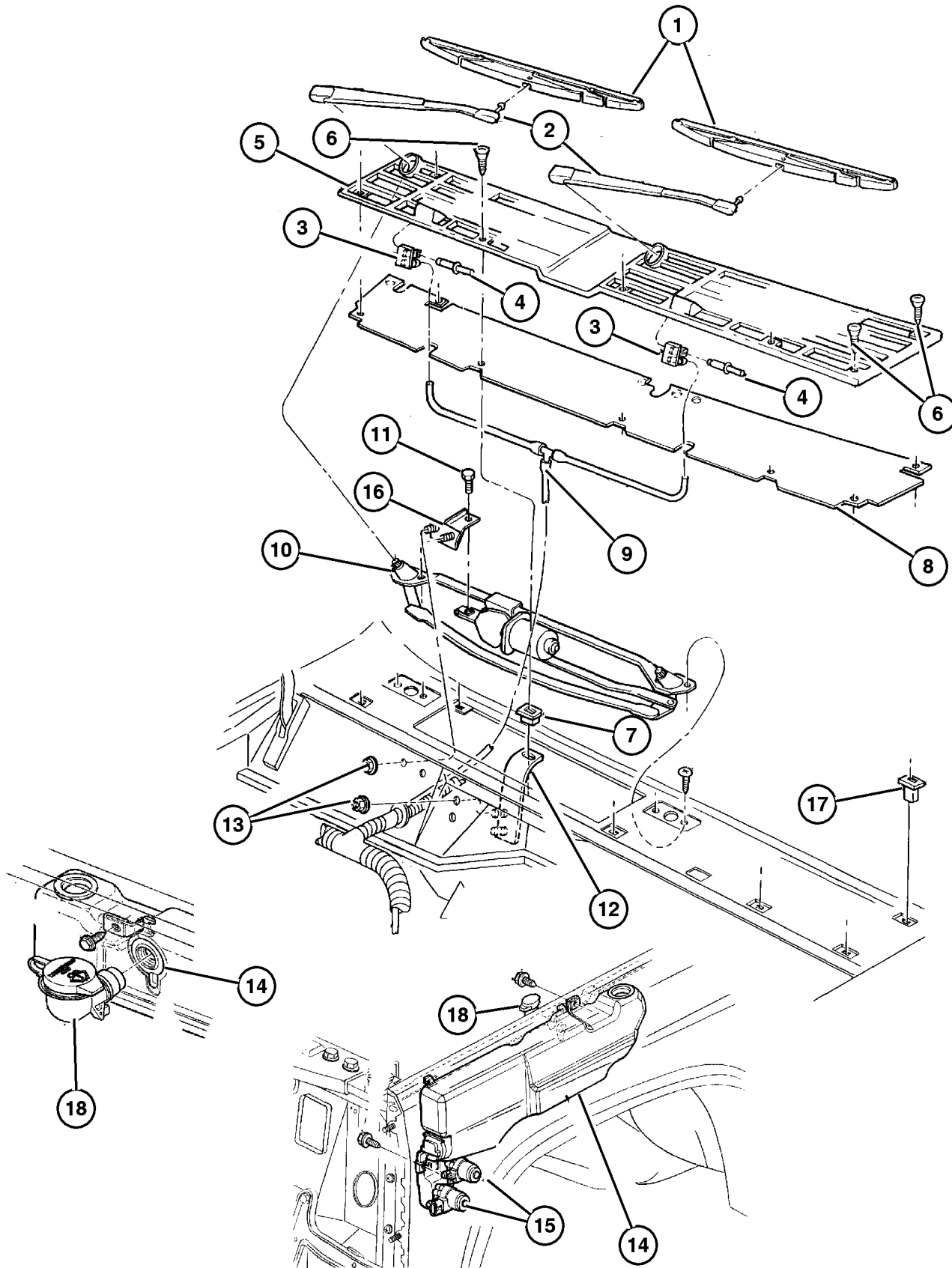
AR = Use as required - = Non illustrated part # = New this model year

July 4, 2003



**Windshield Wiper & Washer R.H.D. 1998 XJ**  
**Figure 23D-222**

ITEM	PART NUMBER	QTY	LINE	SERIES	BODY	ENGINE	TRANS	TRIM	DESCRIPTION
1	5515 5652	2	B, U						BLADE, Wiper
2	5515 5651	2	B, U						ARM, Wiper
3	5600 1601	2							NOZZLE, Washer, Windshield
4	J400 4262	2							PIN, Push, .15x.41
5	5502 7696	1	B, U						GRILLE, Cowl Panel
6	3420 1230	7							SCREW, Round Washer Head AB
7	3420 1872	AR							NUT, Snap In, M4.2 x 1.41
8	5502 7697	1	B, U						SCREEN, Cowl
9									HOSE, Windshield Washer, 0156 ID=4MM, (NOT SERVICED) (Not Serviced)
10	5515 5300	1	B, U						MOTOR, Wiper
11	3420 1686	1							BOLT, Hex Flange Head, M12x1.18x35
12	55235 371AB	1	B, U						BRACKET, Extension to Cowl Top
13	3420 1358	2							NUT AND WASHER, Hex Nut-Sealing Washer, M6 x 1.00
14									RESERVOIR, Washer w/Sensor w/o Sensor
	4778 344	1							w/Sensor
	4778 345	1							w/o Sensor
15									PUMP, Washer, Windshield Front Rear
	4778 347	1							Front
	4778 348	1							Rear
16	5515 4763	1	B, U						BRACKET, Wiper Motor
17	J400 5242	5							NUT, Push
18	5515 4812	1							FILLER NECK AND CAP, Washer Reservoir
-19									CAP, Washer Reservoir, (NOT REQUIRED)
-20	4778 346	1							GROMMET, Washer Reservoir, Sensor/Pump
-21	4778 350	1							GROMMET, Washer Reservoir, Filler Neck
-22									SENSOR, Washer Fluid Level, (NOT REQUIRED)



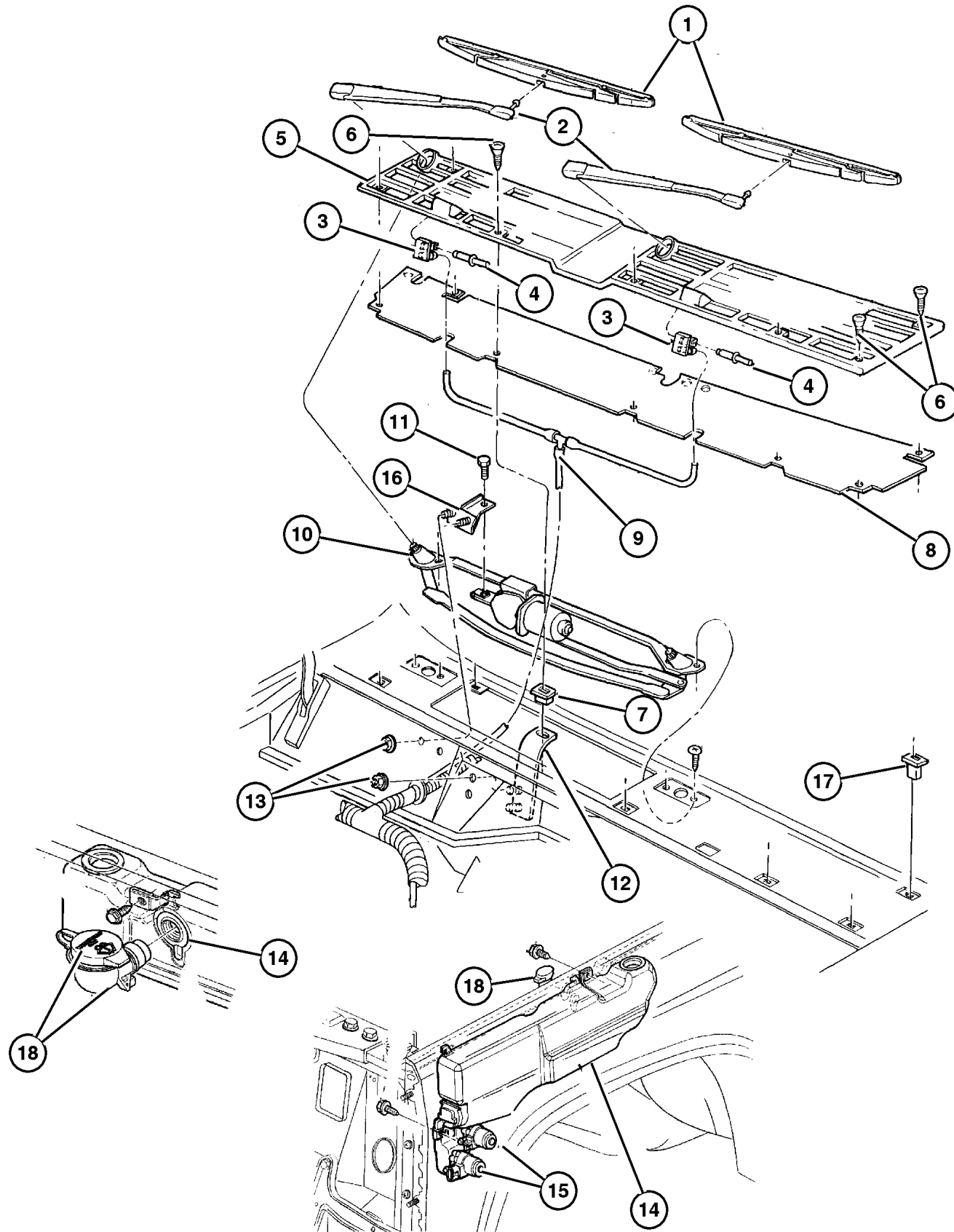
**JEEP CHEROKEE (XJ)**

SERIES	LINE	BODY	ENGINE	TRANSMISSION
L=Low Line	J=LHD (4WD) U=RHD (4WD) T=LHD (2WD) B=RHD (2WD)	74=4 DR. (101.4 WB) 72=2 DR. (101.4 WB)	ENC,EN0=2.5L 4 cyl. Turbo Die ERH,ER0=4.0L Power Tech I-6 EPE,EP0=Magnum 2.5L SMPI	DDQ=5Spd Man. DGS=4 Spd. Auto. AISIN DG0=All Auto Trans DBB=All Manual Trans.

AR = Use as required - = Non illustrated part # = New this model year

July 4, 2003

**Windshield Wiper & Washer R.H.D. 1999 XJ**  
**Figure 23D-222**



ITEM	PART NUMBER	QTY	LINE	SERIES	BODY	ENGINE	TRANS	TRIM	DESCRIPTION
1	5515 5652	2	B, U						BLADE, Wiper
2	5515 5651	2	B, U						ARM, Wiper
3	5600 1601	2							NOZZLE, Washer, Windshield
4	J400 4262	2							PIN, Push, .15x.41
5	5502 7696	1	B, U						GRILLE, Cowl Panel
6	3420 1230	7							SCREW, Round Washer Head AB
7	3420 1872	AR							NUT, Snap In, M4.2 x 1.41
8	5502 7697	1	B, U						SCREEN, Cowl
9									HOSE, Windshield Washer, 0156 ID=4MM, (NOT SERVICED) (Not Serviced)
10	5515 5300	1	B, U						MOTOR, Wiper
11	3420 1686	2							BOLT, Hex Flange Head, M12x1.18x35
12	55235 371AB	1	B, U						BRACKET, Extension to Cowl Top
13	3420 1358	2							NUT AND WASHER, Hex Nut-Sealing Washer, M6 x 1.00
14	4778 344	1							RESERVOIR, Washer, w/Sensor
15	4778 347	1							PUMP, Washer, Windshield, w/o Sensor
16	5515 4763	1	B, U						BRACKET, Wiper Motor
17	J400 5242	5							NUT, Push
18	55154 812AB	1							FILLER NECK AND CAP, Washer Reservoir
-19	4778 346	1							GROMMET, Washer Reservoir, Sensor/Pump
-20	4778 350	1							GROMMET, Washer Reservoir, Filler Neck
-21	5515 4979	1							SENSOR, Washer Fluid Level

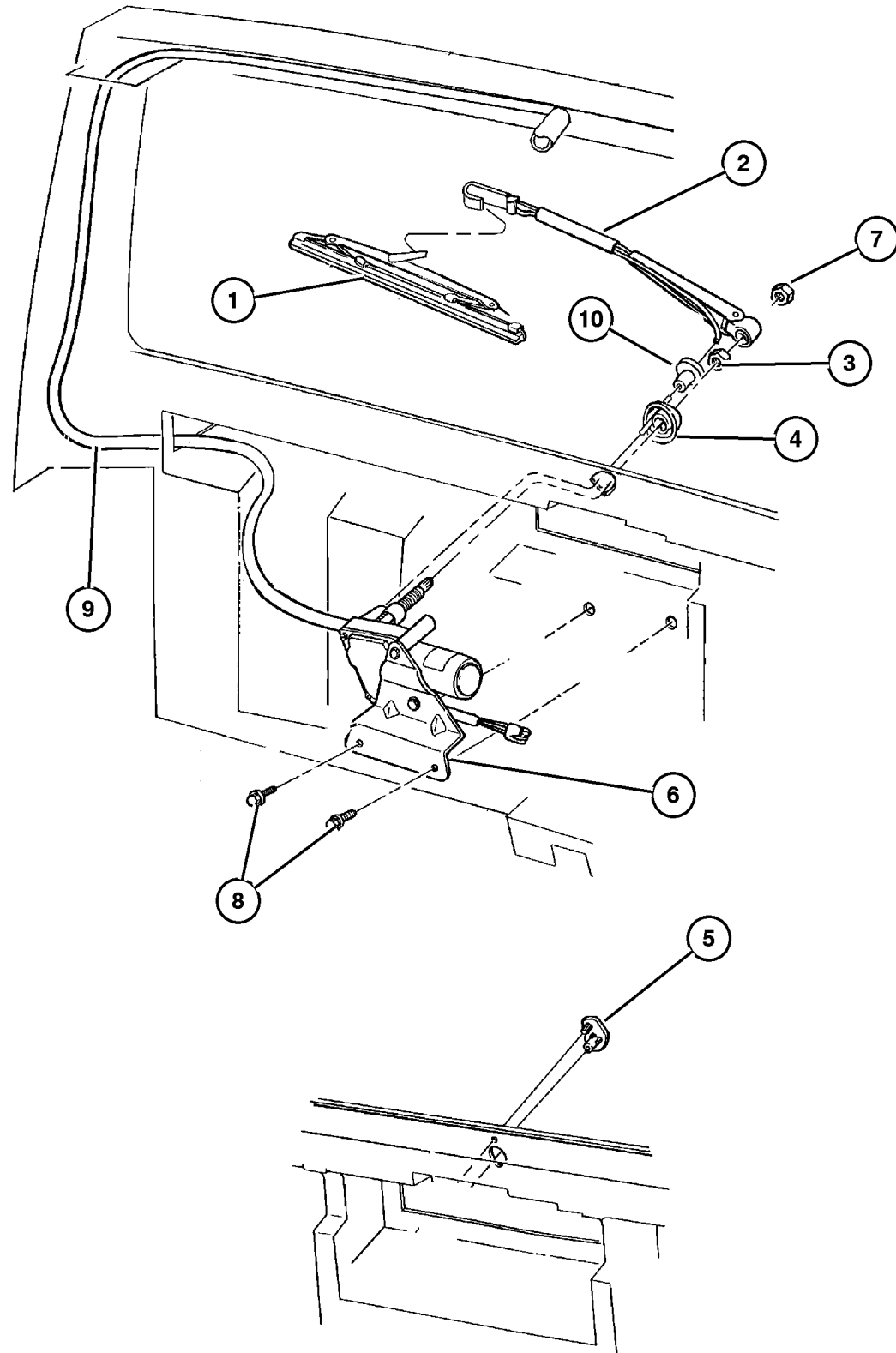
**JEEP CHEROKEE (XJ)**

SERIES	LINE	BODY	ENGINE	TRANSMISSION
L=Low Line	J=LHD (4WD) U=RHD (4WD) T=LHD (2WD) B=RHD (2WD)	74=4 DR. (101.4 WB) 72=2 DR. (101.4 WB)	ENC,EN0=2.5L 4 cyl. Turbo Die ERH,ER0=4.0L Power Tech I-6 EPE,EP0=Magnum 2.5L SMPI	DDQ=5Spd Man. DGS=4 Spd. Auto. AISIN DG0=All Auto Trans DBB=All Manual Trans.

AR = Use as required - = Non illustrated part # = New this model year

July 4, 2003

Rear Wiper & Washer 1997 XJ 1998 XJ  
Figure 23D-320



ITEM	PART NUMBER	QTY	LINE	SERIES	BODY	ENGINE	TRANS	TRIM	DESCRIPTION
1									BLADE, Wiper
	5515 4920	1							1997 XJ
	55154 920AB	1							1998 XJ
	5515 5652	2	B, U						
2									ARM, Wiper
	5515 4919	1							1997 XJ
	55154 919AB	1							1998 XJ
	5515 5651	2	B, U						
3	6502 299	1							CAPS, M16x1.00
4									BEZEL, Liftgate Wiper Motor
	5515 4942	1							1997 XJ
	55154 942AB	1							1998 XJ
5									PLUG, Liftgate
	5515 4939	1							1997 XJ
	55154 939AB	1							1998 XJ
6	55154 944AB	1							MOTOR, Wiper
7	6500 165	1							NUT, Wiper Arm
8	6100 287	2							SCREW, M6x1x25
9									HOSE, Windshield Washer
	5515 5041	1							1997 XJ
	55155 041AB	1							1998 XJ
10	3420 1767	1							CLIP, Tube
-11	4778 344	1							RESERVOIR, Washer

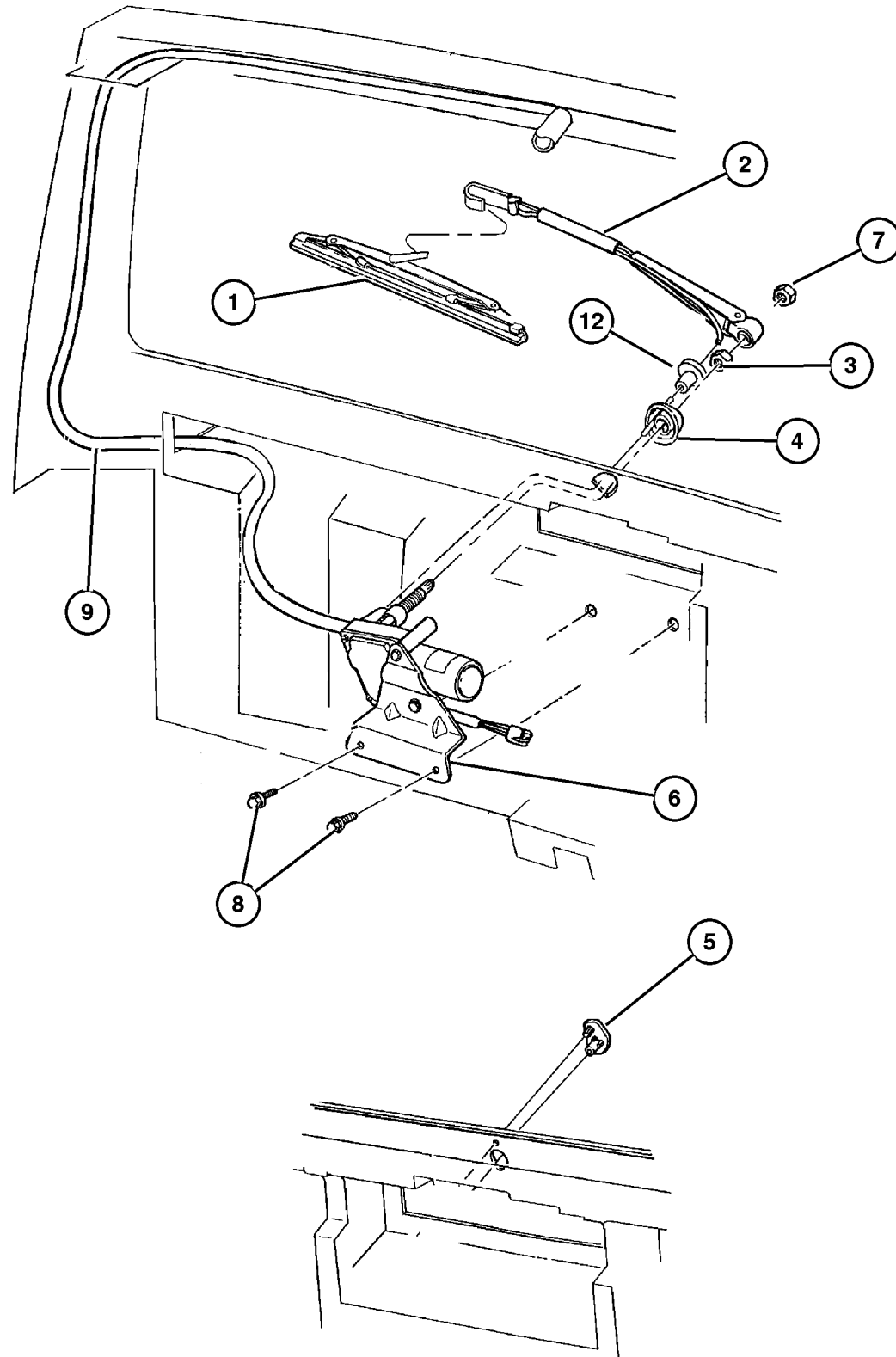
JEEP CHEROKEE (XJ)

SERIES	LINE	BODY	ENGINE	TRANSMISSION
L=Low Line	J=LHD (4WD) U=RHD (4WD) T=LHD (2WD) B=RHD (2WD)	74=4 DR. (101.4 WB) 72=2 DR. (101.4 WB)	ENC,EN0=2.5L 4 cyl. Turbo Die ERH,ER0=4.0L Power Tech I-6 EPE,EP0=Magnum 2.5L SMPI	DDQ=5Spd Man. DGS=4 Spd. Auto. AISIN DG0=All Auto Trans DBB=All Manual Trans.

AR = Use as required - = Non illustrated part # = New this model year

July 4, 2003

Rear Wiper & Washer 1999 XJ  
Figure 23D-320



ITEM	PART NUMBER	QTY	LINE	SERIES	BODY	ENGINE	TRANS	TRIM	DESCRIPTION
1	55154 920AB	1							BLADE, Wiper
2	55154 919AB	1							ARM, Wiper
3	6502 299	1							CAPS, M16x1.00
4	55154 942AB	1							BEZEL, Liftgate Wiper Motor
5	55154 939AB	1							PLUG, Liftgate
6	55154 944AB	1							MOTOR, Wiper
7	6500 165	1							NUT, Wiper Arm
8	6101 780	3							SCREW, M6x1x25
9	#55155 041AC	1							HOSE, Windshield Washer, Check Vavle & Grommet Included
-10	5515 5024	1							CHECK VALVE, Washer
-11	56009 766AB	1							GROMMET, Body Wiring, Liftgate to Body
12									CLIP, Tube
	3200 0404	1	B, U						
	3420 1633	1	J, T						
-13	4778 344	1							RESERVOIR, Washer
-14	4778 348	1							PUMP, Washer, Windshield

JEEP CHEROKEE (XJ)				
SERIES	LINE	BODY	ENGINE	TRANSMISSION
L=Low Line	J=LHD (4WD) U=RHD (4WD) T=LHD (2WD) B=RHD (2WD)	74=4 DR. (101.4 WB) 72=2 DR. (101.4 WB)	ENC,EN0=2.5L 4 cyl. Turbo Die ERH,ER0=4.0L Power Tech I-6 EPE,EP0=Magnum 2.5L SMPI	DDQ=5Spd Man. DGS=4 Spd. Auto. AISIN DG0=All Auto Trans DBB=All Manual Trans.

AR = Use as required - = Non illustrated part # = New this model year

July 4, 2003

# Group – 024

## Air Conditioning & Heater

### GROUP 24 - Air Conditioning & Heater

Illustration Title

Group-Fig. No.

#### Air Conditioner and Heater Units

Hevac Unit 1997 XJ 1998 XJ .....	Fig. 024-110
Hevac Unit 1999 XJ .....	Fig. 024-110

#### Air Conditioner and Heater Plumbing

Plumbing, Heater 2.5,4.0L Gas Engines LHD 1997 XJ 1998 XJ .....	Fig. 024-210
Plumbing, Heater 2.5,4.0L Engine,LHD 1999 XJ .....	Fig. 024-210
Plumbing, Heater 2.5,4.0L Gas Engines RHD 1997 XJ 1998 XJ .....	Fig. 024-220
Plumbing, Heater 2.5,4.0L Engine, RHD 1999 XJ .....	Fig. 024-220
Plumbing, Heater 2.5L Diesel Engine LHD 1997 XJ 1998 XJ .....	Fig. 024-230
Plumbing, Heater 2.5L Diesel Engine, LHD 1999 XJ .....	Fig. 024-230
Plumbing, Heater 2.5L Diesel Engine RHD 1997 XJ 1998 XJ .....	Fig. 024-240
Plumbing, Heater 2.5L Diesel Engine, RHD 1999 XJ .....	Fig. 024-240
Plumbing, Air Conditioning 2.5,4.0L Gas Engines LHD 1997 XJ .....	Fig. 024-250
Plumbing, Air Conditioning 2.5,4.0L Gas Engines LHD 1998 XJ .....	Fig. 024-250
Plumbing, Air Conditioning 2.5,4.0L Engine, LHD 1999 XJ .....	Fig. 024-250
Plumbing, Air Conditioning 2.5L Gas Engine RHD 1997 XJ 1998 XJ .....	Fig. 024-260
Plumbing, Air Conditioning 2.5L Gas Engine, RHD 1999 XJ .....	Fig. 024-260
Plumbing, Air Conditioning 4.0L Engine RHD 1997 XJ 1998 XJ .....	Fig. 024-270
Plumbing, Air Conditioning, 4.0L Engine, RHD 1999 XJ .....	Fig. 024-270
Plumbing, Air Conditioning 2.5L Diesel Engine LHD 1997 XJ 1998 XJ .....	Fig. 024-280
Plumbing, Air Conditioning, 2.5L Diesel Engine, LHD 1999 XJ .....	Fig. 024-280
Plumbing, Air Conditioning 2.5L Diesel Engine RHD 1997 XJ 1998 XJ .....	Fig. 024-290
Plumbing, Air Conditioning, 2.5L Diesel Engine, RHD 1999 XJ .....	Fig. 024-290

#### Air Conditioner and Heater Controls

Control, Heater and Air Conditioning 1997 XJ 1998 XJ .....	Fig. 024-310
Control, Heater and Air Conditioning 1999 XJ .....	Fig. 024-310

#### Air Conditioning Compressor

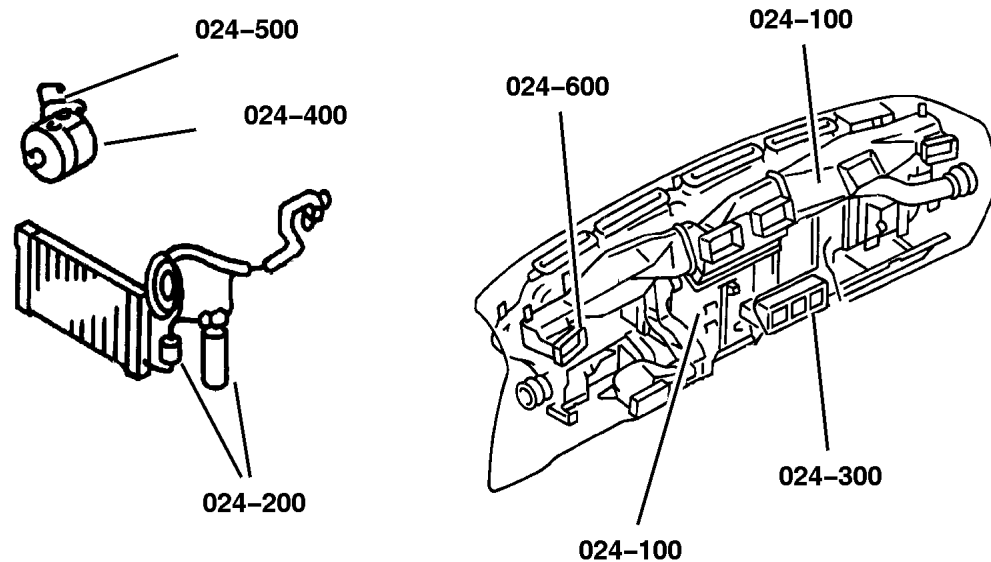
Compressor, Air Conditiong 2.5,4.0L Gas Engines 1997 XJ 1998 XJ .....	Fig. 024-410
Compressor, Air Conditioning, 2.5,4.0L Gas Engines 1999 XJ .....	Fig. 024-410
Compressor, Air Conditioning 2.5L Diesel Engine 1997 XJ 1998 XJ .....	Fig. 024-415
Compressor, Air Conditioning, 2.5L Diesel Engine 1999 XJ .....	Fig. 024-415

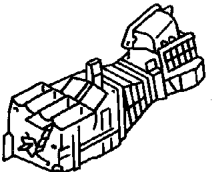
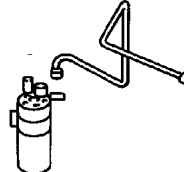
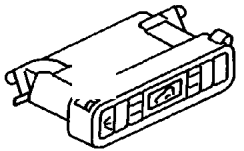
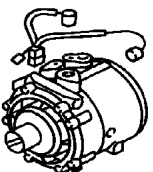
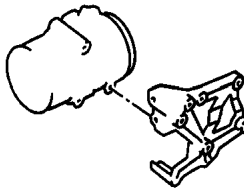
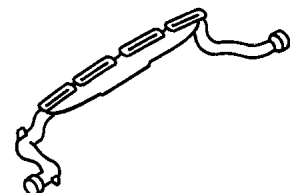
#### Air Conditioning Compressor Mounting

Compressor Mounting 1997 XJ 1998 XJ .....	Fig. 024-510
Compressor Mounting 1999 XJ .....	Fig. 024-510

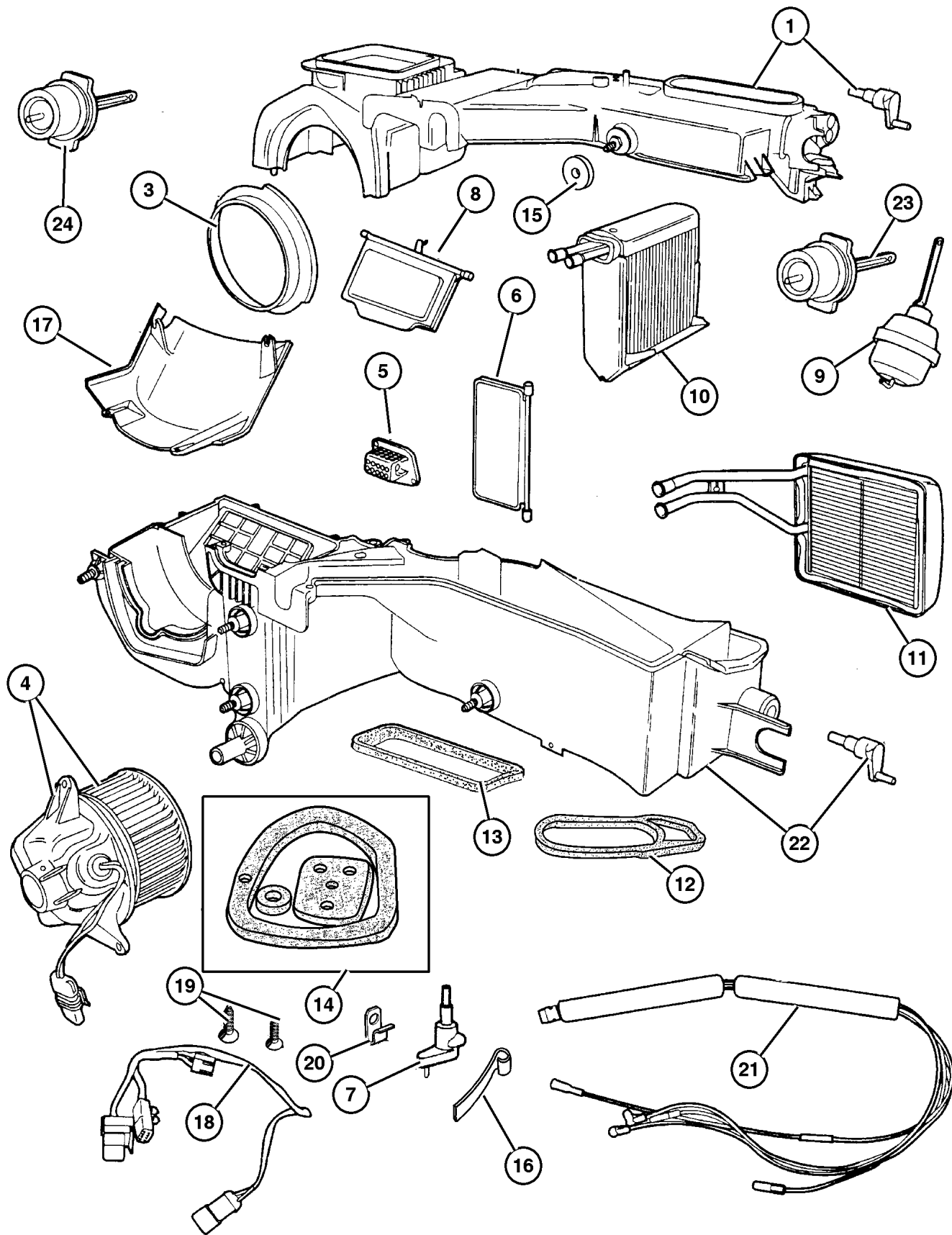
#### Air Ducts and Outlets

Air Distribution Ducts 1997 XJ 1998 XJ .....	Fig. 024-610
Air Distribution Ducts 1999 XJ .....	Fig. 024-610



<p><b>024-100</b> Air Conditioner and Heater Units</p> 	<p><b>024-200</b> Air Conditioner and Heater Plumbing</p> 	<p><b>024-300</b> Air Conditioner and Heater Controls</p> 	<p><b>024-400</b> Air Conditioning Compressor</p> 
<p><b>024-500</b> Air Conditioning Compressor Mounting</p> 	<p><b>024-600</b> Air Ducts and Outlets</p> 		

Hevac Unit 1997 XJ 1998 XJ  
Figure 024-110



ITEM	PART NUMBER	QTY	LINE	SERIES	BODY	ENGINE	TRANS	TRIM	DESCRIPTION
1									HOUSING, A/C Upper
	4864 943	1	J, T						Upper
	4864 945	1	B, U						Upper
-2									HOUSING, Heater
	4864 944	1	J						1997 XJ
	5013 736AA	1	J, T						1998 XJ
3									RING
	4864 951	1	J, T						
		1	B, U						
4									BLOWER
	4864 952	1	J						1997 XJ
	4864 956	1	B						1997 XJ
		1	B, U						1998 XJ
	4886 150AA	1	J, T						1998 XJ
5									RESISTOR, Blower Motor
	4864 957	1	B						1997 XJ
		1	J						1997 XJ
		1	J, T						1998 XJ
		1	B, U						1998 XJ
6									DOOR, Blend Air
	4897 610AA	1	J						1997 XJ
	4897 611AA	1	B, U						
7									LEVER, Blend Air Door
	4864 989	1	J, T						1997 XJ
	4864 991	1	B						1997 XJ
	4897 628AA	1	B, U						1998 XJ
	4897 629AA	1	J, T						1998 XJ
8									DOOR, Fresh Air
	4864 992	1	J						1997 XJ
	4864 993	1	B						1997 XJ
	4864 992	1	J, T						1998 XJ
	4864 993	1	B, U						1998 XJ
9									ACTUATOR, Vacuum
	4864 994	1	J						1997 XJ, Defroster
		1	B						1997 XJ, Defroster
		1	J, T						Defrost Door, 1998 XJ
		1	B, U						Defrost Door, 1998 XJ
10									EVAPORATOR KIT, A/C
	4864 999	1	J, T						
	4874 044	1	B, U						
11									CORE, Heater
	4874 045	1	J						1997 XJ

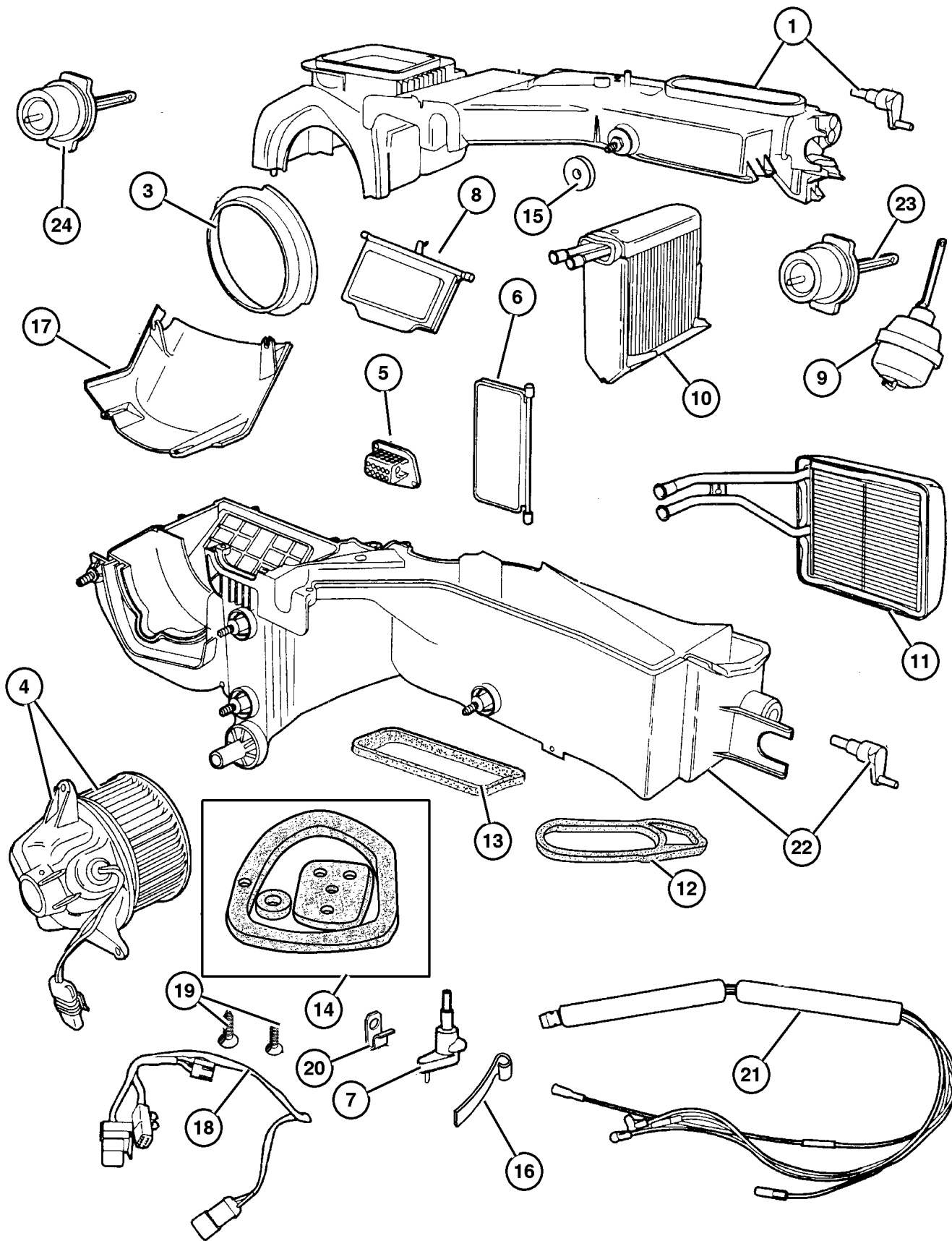
JEEP CHEROKEE (XJ)

SERIES	LINE	BODY	ENGINE	TRANSMISSION
L=Low Line	J=LHD (4WD) U=RHD (4WD) T=LHD (2WD) B=RHD (2WD)	74=4 DR. (101.4 WB) 72=2 DR. (101.4 WB)	ENC,EN0=2.5L 4 cyl. Turbo Die ERH,ER0=4.0L Power Tech I-6 EPE,EP0=Magnum 2.5L SMPI	DDQ=5Spd Man. DGS=4 Spd. Auto. AISIN DG0=All Auto Trans DBB=All Manual Trans.

AR = Use as required - = Non illustrated part # = New this model year

July 4, 2003

Hevac Unit 1997 XJ 1998 XJ  
Figure 024-110



ITEM	PART NUMBER	QTY	LINE	SERIES	BODY	ENGINE	TRANS	TRIM	DESCRIPTION
	4874 046	1	B						1997 XJ
	4874 045	1	J, T						1998 XJ
	4874 046	1	B, U						1998 XJ
12									SEAL, Demister
	4874 063	1	J						1997 XJ
	4874 065	1	B						1997 XJ
	4874 063	1	J, T						1998 XJ
	4874 065	1	B, U						1998 XJ
13									SEAL, Vent
	4874 068	1	J						1997 XJ
		1	B						1997 XJ
		1	J, T						1998 XJ
		1	B, U						1998 XJ
14									SEAL KIT, A/C And Heater Unit with Air Conditioning
	4874 069AB	1	J, T						with Air Conditioning, 1997 XJ
	4874 070AB	1	B						with Air Conditioning, 1998 XJ
		1	B, U						
	4874 071AB	1	J, T						without Air Conditioning
	4874 072AB	1	B						without Air Conditioning, 1997 XJ
		1	B, U						without Air Conditioning, 1998 XJ
15									WASHER, Sealing
	6031 087	5	J						1997 XJ
		5	B						1997 XJ
	5500 5519	1							1998 XJ
16									SPRING, A/C Heater Mode Door
	4874 077	1	J						1997 XJ
		1	B						1997 XJ
		1	J, T						1998 XJ
		1	B, U						1998 XJ
17									COVER, Recirculating Valve
	4874 078	1	J, T						
	4874 079	1	B, U						
18									WIRING, Air Conditioning Module
	4886 085AA	1	J, T						1997 XJ
		1	B, U						1997 XJ
	5013 744AA	1	J, T						1998 XJ
		1	B, U						1998 XJ
19									SCREW, Hex Head, M4.8-1.59x19
	4734 227	15	B						1997 XJ
		15	J						1997 XJ
		1	J, T						1998 XJ
		1	B, U						1998 XJ
20									CLIP, A/C Heater Housing

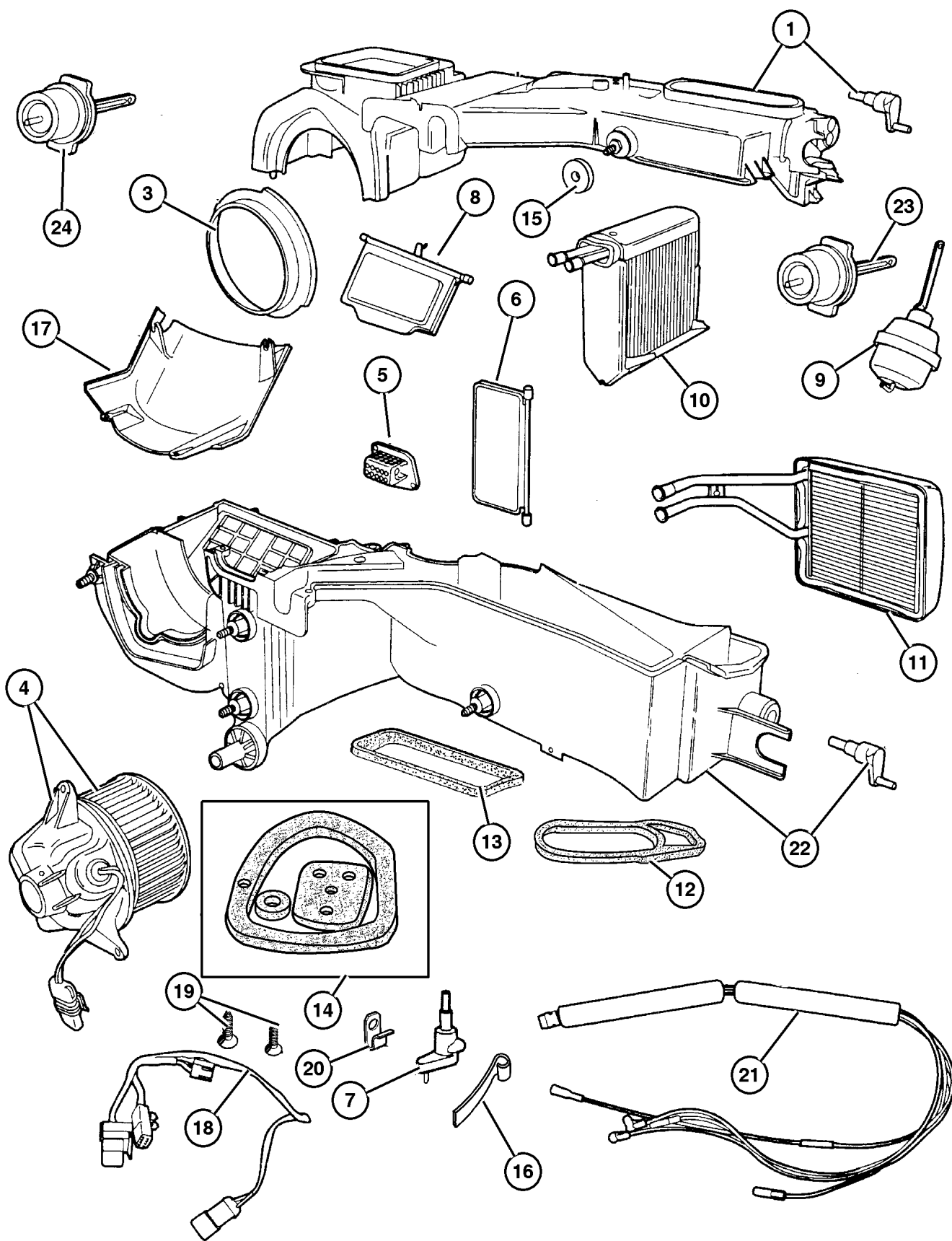
JEEP CHEROKEE (XJ)

SERIES	LINE	BODY	ENGINE	TRANSMISSION
L=Low Line	J=LHD (4WD) U=RHD (4WD) T=LHD (2WD) B=RHD (2WD)	74=4 DR. (101.4 WB) 72=2 DR. (101.4 WB)	ENC,EN0=2.5L 4 cyl. Turbo Die ERH,ER0=4.0L Power Tech I-6 EPE,EP0=Magnum 2.5L SMPI	DDQ=5Spd Man. DGS=4 Spd. Auto. AISIN DG0=All Auto Trans DBB=All Manual Trans.

AR = Use as required - = Non illustrated part # = New this model year

July 4, 2003

Hevac Unit 1997 XJ 1998 XJ  
Figure 024-110



ITEM	PART NUMBER	QTY	LINE	SERIES	BODY	ENGINE	TRANS	TRIM	DESCRIPTION
	4644 388	4	B						1997 XJ
		4	J						1997 XJ
		1	J, T						1998 XJ
		1	B, U						1998 XJ
21									HARNES, Heater Vacuum
	4883 888AA	1	J, T						1997 XJ
		1	B, U						1997 XJ
	4883 888AB	1	J, T						1998 XJ
		1	B, U						1998 XJ
22									HOUSING, A/C Lower
	4864 947	1	J						1997 XJ, Lower
	4864 949	1	B						1997 XJ, Lower
	4864 947	1	J, T						Up To 6-2-98, 1998 XJ
	4864 949	1	B, U						1998 XJ
	5014 859AA	1	J, T						After 6-2-98, 1998 XJ
23									ACTUATOR, Vacuum
	4864 995	1	B						1997 XJ
		1	J						1997 XJ
		1	J, T						Blend Door, 1998 XJ
		1	B, U						Blend Door, 1998 XJ
24									ACTUATOR, Vacuum
	4864 996	1	J						1997 XJ
		1	B						1997 XJ
		1	J, T						Recirculating Door, 1998 XJ
		1	B, U						Recirculating Door, 1998 XJ

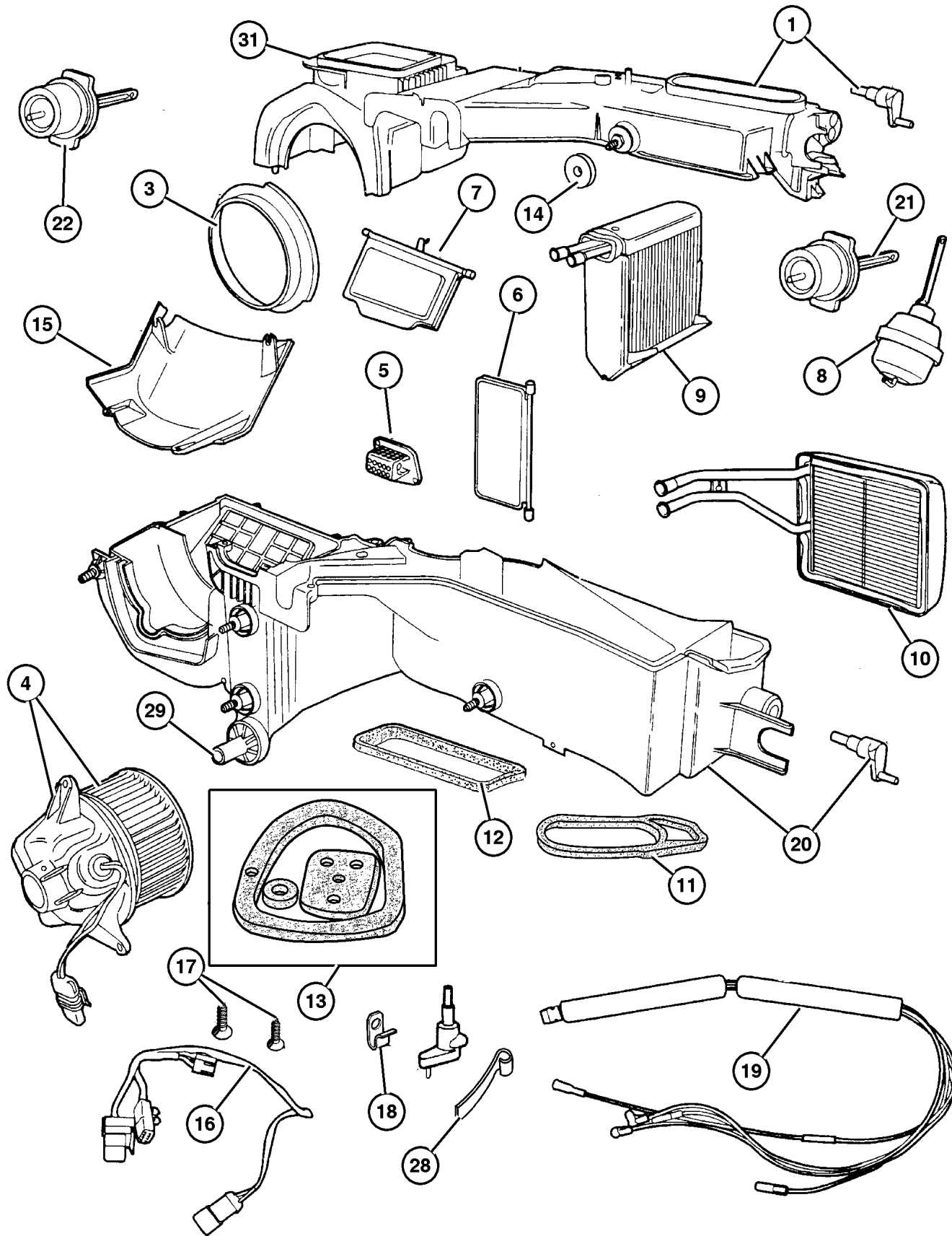
JEEP CHEROKEE (XJ)  
 SERIES LINE BODY ENGINE TRANSMISSION  
 L=Low Line J=LHD (4WD) 74=4 DR. (101.4 WB) ENC,EN0=2.5L 4 cyl. Turbo Die DDQ=5Spd Man.  
 U=RHD (4WD) 72=2 DR. (101.4 WB) ERH,ER0=4.0L Power Tech I-6 DGS=4 Spd. Auto. AISIN  
 T=LHD (2WD) EPE,EP0=Magnum 2.5L SMPI DG0=All Auto Trans  
 B=RHD (2WD) DBB=All Manual Trans.

AR = Use as required - = Non illustrated part # = New this model year

July 4, 2003



Hevac Unit 1999 XJ  
Figure 024-110



ITEM	PART NUMBER	QTY	LINE	SERIES	BODY	ENGINE	TRANS	TRIM	DESCRIPTION
1									HOUSING, A/C Upper
	4864 943	1	J, T						Upper
	4864 945	1	B, U						Upper
-2	5013 736AA	1	J, T						HOUSING, Heater
3									RING
	4864 951	1	J, T						
		1	B, U						
4									BLOWER
	4864 956	1	B, U						
	4886 150AA	1	J, T						
5									RESISTOR, Blower Motor
	4864 957	1	J, T						
		1	B, U						
6									DOOR, Blend Air
	4897 610AA	1	J, T						
	4897 611AA	1	B, U						
7									DOOR, Fresh Air
	4864 992	1	J, T						
	4864 993	1	B, U						
8									ACTUATOR, Vacuum
	4864 994	1	J, T						Defrost Door
		1	B, U						Defrost Door
9									EVAPORATOR KIT, A/C
	4864 999AC	1	J, T						
	4874 044AC	1	B, U						
10									CORE, Heater
	4874 045	1	J, T						
	4874 046	1	B, U						
11									SEAL, Demister
	4874 063	1	J, T						
	4874 065	1	B, U						
12									SEAL, Vent
	4874 068	1	J, T						
		1	B, U						
13									SEAL KIT, A/C And Heater Unit
	4874 069AB	1	J, T						with Air Conditioning
	4874 070AB	1	B, U						with Air Conditioning
	4874 071AB	1	J, T						without Air Conditioning
	4874 072AB	1	B, U						without Air Conditioning
14	5500 5519	1							WASHER, Sealing
15									COVER, Recirculating Valve
	4874 078	1	J, T						

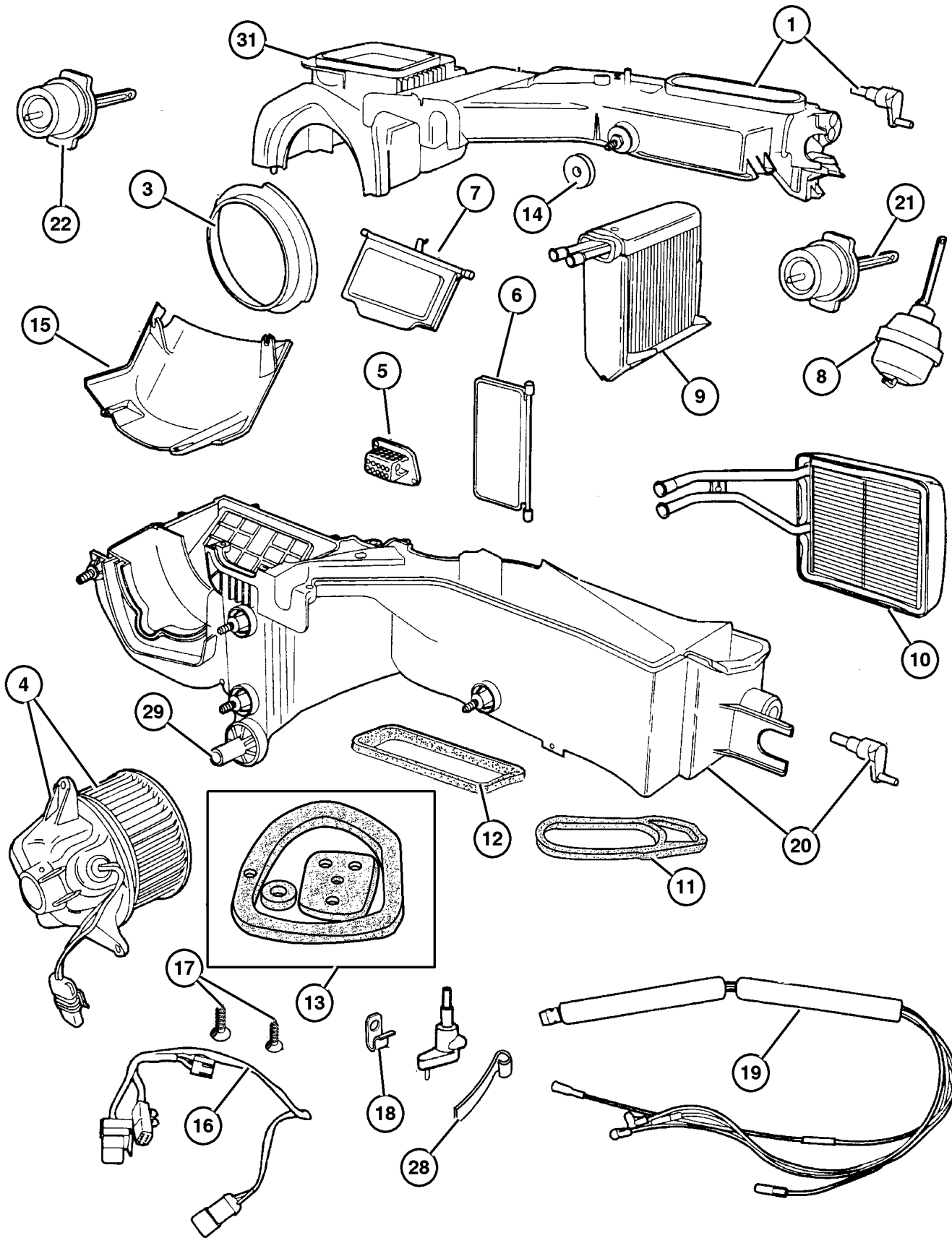
JEEP CHEROKEE (XJ)

SERIES	LINE	BODY	ENGINE	TRANSMISSION
L=Low Line	J=LHD (4WD) U=RHD (4WD) T=LHD (2WD) B=RHD (2WD)	74=4 DR. (101.4 WB) 72=2 DR. (101.4 WB)	ENC,EN0=2.5L 4 cyl. Turbo Die ERH,ER0=4.0L Power Tech I-6 EPE,EP0=Magnum 2.5L SMPI	DDQ=5Spd Man. DGS=4 Spd. Auto. AISIN DG0=All Auto Trans DBB=All Manual Trans.

AR = Use as required - = Non illustrated part # = New this model year

July 4, 2003

Hevac Unit 1999 XJ  
Figure 024-110



ITEM	PART NUMBER	QTY	LINE	SERIES	BODY	ENGINE	TRANS	TRIM	DESCRIPTION
16	4874 079	1	B, U						WIRING, Air Conditioning Module
	5013 744AA	1	J, T						
		1	B, U						
17									SCREW, Hex Head, M4.8-1.59x19
	4734 227	15	J, T						
		15	B, U						
18									CLIP, A/C Heater Housing
	4644 388	4	J, T						
		4	B, U						
19									VACUUM HARNESS, Heater and A/C
	#4883 887AC	1	B, U						
		1	J, T						
20									HOUSING, A/C Lower
	5013 735AA	1	J, T						
	5013 738AA	1	B, U						
21									ACTUATOR, Vacuum Blend Door
	4864 995	2	J, T						Blend Door
		2	B, U						
22									ACTUATOR, Vacuum Recirculating Door
	4864 996	1	J, T						Recirculating Door
		1	B, U						
-23									ACTUATOR, Blend Door
	5013 741AA	1	J, T						
		1	B, U						
-24									ADAPTER, Blend Door, A/C and Heater
	5013 742AA	1	J, T						
	5013 743AA	1	B, U						
-25									WIRING, Air Conditioning Module
	5013 744AA	1	J, T						
		1	B, U						
-26	5013 745AA	1	J, T						BRACKET, Blend Door Adapter, A/C and Heater
-27	5014 108AA	1	J, T						LEVER, Defroster Door
28									SPRING, A/C Heater Mode Door, (NOT REQUIRED)
29	56000 724AB	1							TUBE, Evaporator Housing
-30	5503 6352	1							LABEL, Refrigerant
31	4897 639AA	1	J, T						SEAL, Air Inlet

JEEP CHEROKEE (XJ)

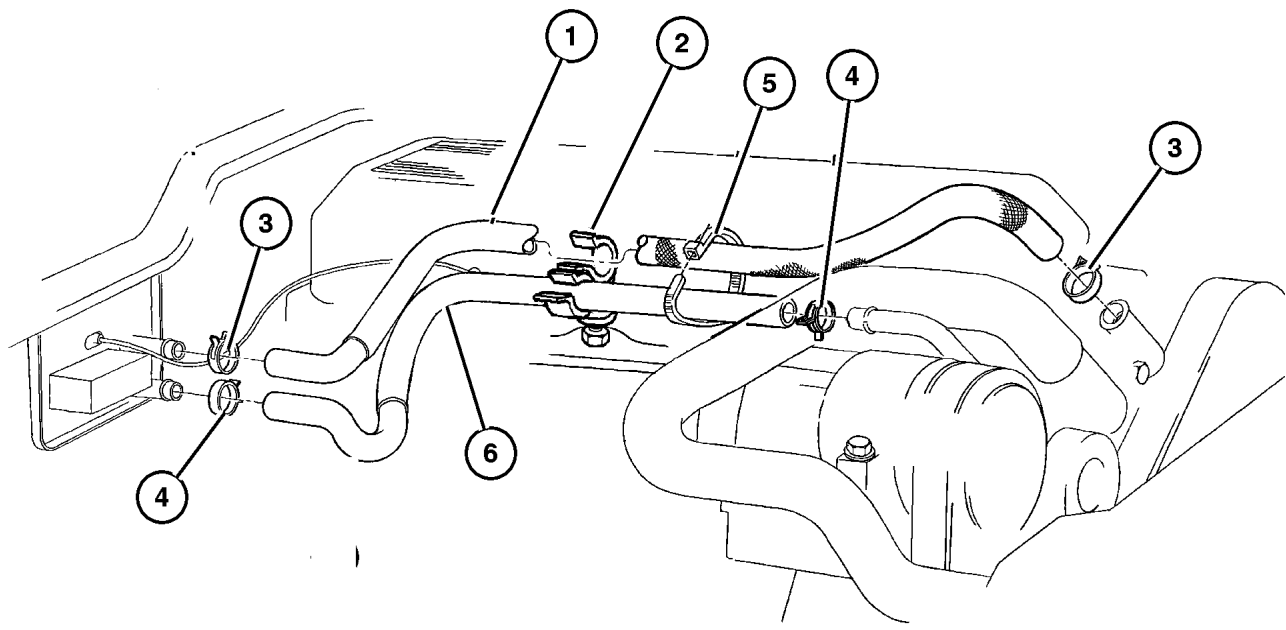
SERIES	LINE	BODY	ENGINE	TRANSMISSION
L=Low Line	J=LHD (4WD) U=RHD (4WD) T=LHD (2WD) B=RHD (2WD)	74=4 DR. (101.4 WB) 72=2 DR. (101.4 WB)	ENC,EN0=2.5L 4 cyl. Turbo Die ERH,ER0=4.0L Power Tech I-6 EPE,EP0=Magnum 2.5L SMPI	DDQ=5Spd Man. DGS=4 Spd. Auto. AISIN DG0=All Auto Trans DBB=All Manual Trans.

AR = Use as required - = Non illustrated part # = New this model year

July 4, 2003

**Plumbing, Heater 2.5,4.0L Gas Engines LHD 1997 XJ 1998 XJ  
Figure 024-210**

ITEM	PART NUMBER	QTY	LINE	SERIES	BODY	ENGINE	TRANS	TRIM	DESCRIPTION
Note: Sales Code EP0 = 2.5L Gas Engine									
Note: Sales Code ER0 = 4.0L Engine									
1									HOSE, Heater Supply
	5503 6925	1	J, T			EP0			2.5L Engine
	5503 7326	1	J, T			ER0			4.0L Engine
2	55035 933AB	1	J, T			EP0, ER0			BRACKET, Hose
3	6502 018	1				EN0			CLAMP, Hose, M28.9 x 1.60
4									CLAMP, Heater Hose
	6502 017	1				EP0, ER0			1998 XJ
		1	J			EN0			1997 XJ
5									STRAP, Tie
	4641 780	2							1998 XJ
		1				EP0, ER0			1997 XJ
6									HOSE, Heater Return
	5503 6924	1	J, T			ER0			4.0L Engine, 1998 XJ
	5503 6926	1	J, T			EP0			2.5L Engine, 1998 XJ
	55036 924AB	1	J, T			ER0			1997 XJ
	5503 6926	1	J, T			EP0			1997 XJ



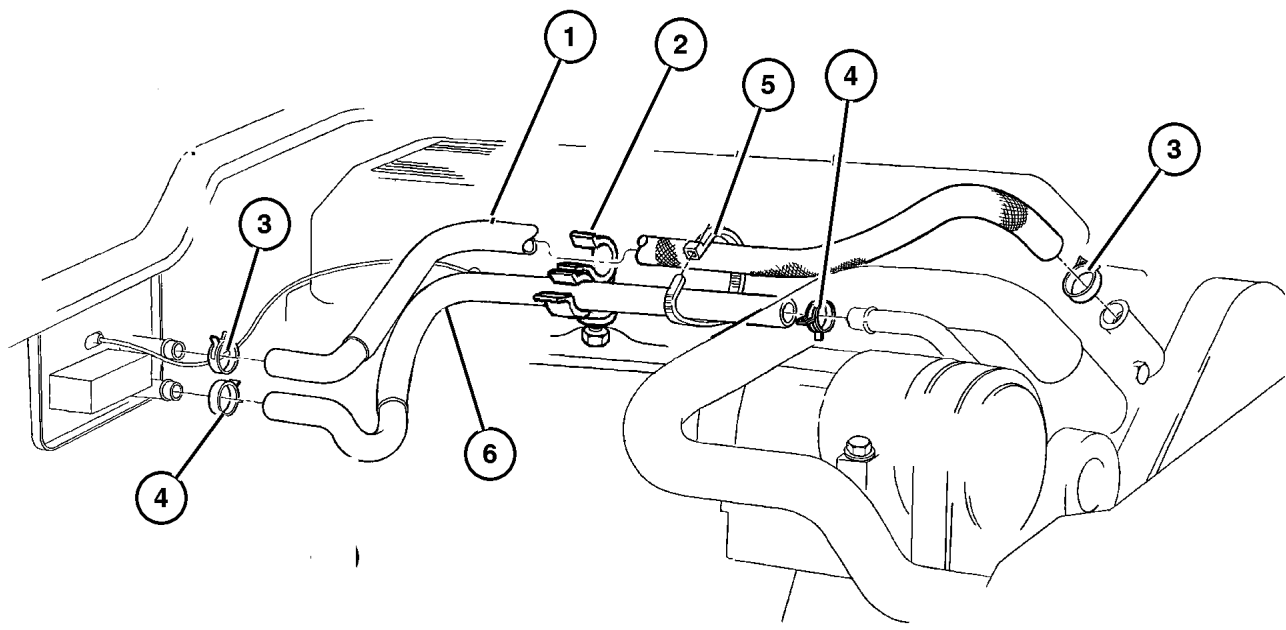
<b>JEEP CHEROKEE (XJ)</b>				
SERIES	LINE	BODY	ENGINE	TRANSMISSION
L=Low Line	J=LHD (4WD) U=RHD (4WD) T=LHD (2WD) B=RHD (2WD)	74=4 DR. (101.4 WB) 72=2 DR. (101.4 WB)	ENC,EN0=2.5L 4 cyl. Turbo Die ERH,ER0=4.0L Power Tech I-6 EPE,EP0=Magnum 2.5L SMPI	DDQ=5Spd Man. DGS=4 Spd. Auto. AISIN DG0=All Auto Trans DBB=All Manual Trans.

AR = Use as required - = Non illustrated part # = New this model year

July 4, 2003

**Plumbing, Heater 2.5,4.0L Engine,LHD 1999 XJ**  
**Figure 024-210**

ITEM	PART NUMBER	QTY	LINE	SERIES	BODY	ENGINE	TRANS	TRIM	DESCRIPTION
Note: Sales Code EP0 = 2.5L Gas Engine									
Note: Sales Code ER0 = 4.0L Engine									
1									HOSE, Heater Supply
	55036 925AC	1	J, T			EP0			
	55037 326AC	1	J, T			ER0			
2	55035 933AB	1	J, T			EP0, ER0			BRACKET, Hose
3	6502 018	1				EN0			CLAMP, Hose, M28.9 x 1.60
4									CLAMP, Heater Hose
	6502 017	1	J, T			EP0			
		2	J, T			ER0			
5	4641 780	2							STRAP, Tie
6									HOSE, Heater Return
	55036 924AC	1	J, T			ER0			
	55036 926AC	1	J, T			EP0			

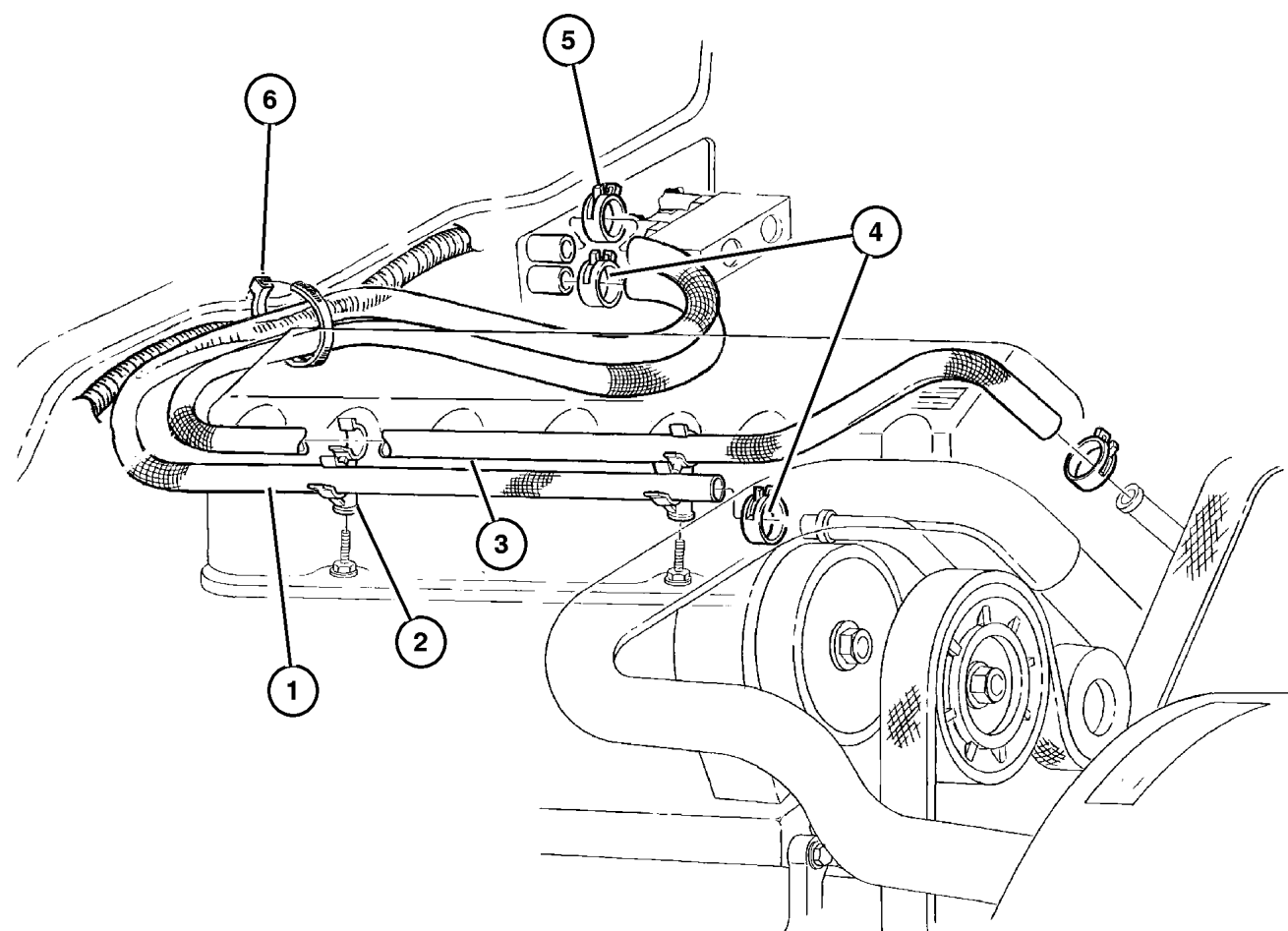


<b>JEEP CHEROKEE (XJ)</b>				
SERIES	LINE	BODY	ENGINE	TRANSMISSION
L=Low Line	J=LHD (4WD) U=RHD (4WD) T=LHD (2WD) B=RHD (2WD)	74=4 DR. (101.4 WB) 72=2 DR. (101.4 WB)	ENC,EN0=2.5L 4 cyl. Turbo Die ERH,ER0=4.0L Power Tech I-6 EPE,EP0=Magnum 2.5L SMPI	DDQ=5Spd Man. DGS=4 Spd. Auto. AISIN DG0=All Auto Trans DBB=All Manual Trans.

AR = Use as required - = Non illustrated part # = New this model year

July 4, 2003

**Plumbing, Heater 2.5,4.0L Gas Engines RHD 1997 XJ 1998 XJ**  
**Figure 024-220**



ITEM	PART NUMBER	QTY	LINE	SERIES	BODY	ENGINE	TRANS	TRIM	DESCRIPTION
Note: Sales Code EP0 = 2.5L Gas Engine									
Note: Sales Code ER0 = 4.0L Engine									
1									HOSE, Heater Return
	5503 7333	1	B, U			ER0			4.0L Engine, 1997 XJ
	5503 7334	1	B, U			EP0			2.5L Engine, 1997 XJ
	5503 7333	1	B, U			ER0			1998 XJ
	5503 7334	1	B, U			EP0			1998 XJ
2	55035 933AB	2	B, U			EP0, ER0			BRACKET, Hose
3									HOSE, Heater Supply
	5503 7268	1	B, U			EP0			4.0L Engine, 1997 XJ
	5503 7269	1	B, U			ER0			2.5L Engine, 1997 XJ
	5503 7268	1	B, U			EP0			1998 XJ
	5503 7269	1	B, U			ER0			1998 XJ
4									CLAMP, Heater Hose
	6502 017	1	B			EN0			1997 XJ
		1				EP0, ER0			1998 XJ
5									CLAMP, Hose, M28.9 x 1.60
	6502 018	1				EN0			1997 XJ
		1				EP0, ER0			1998 XJ
6									STRAP, Tie
	6015 756	2	B, U						1997 XJ
	4641 780	1				EP0, ER0			1998 XJ

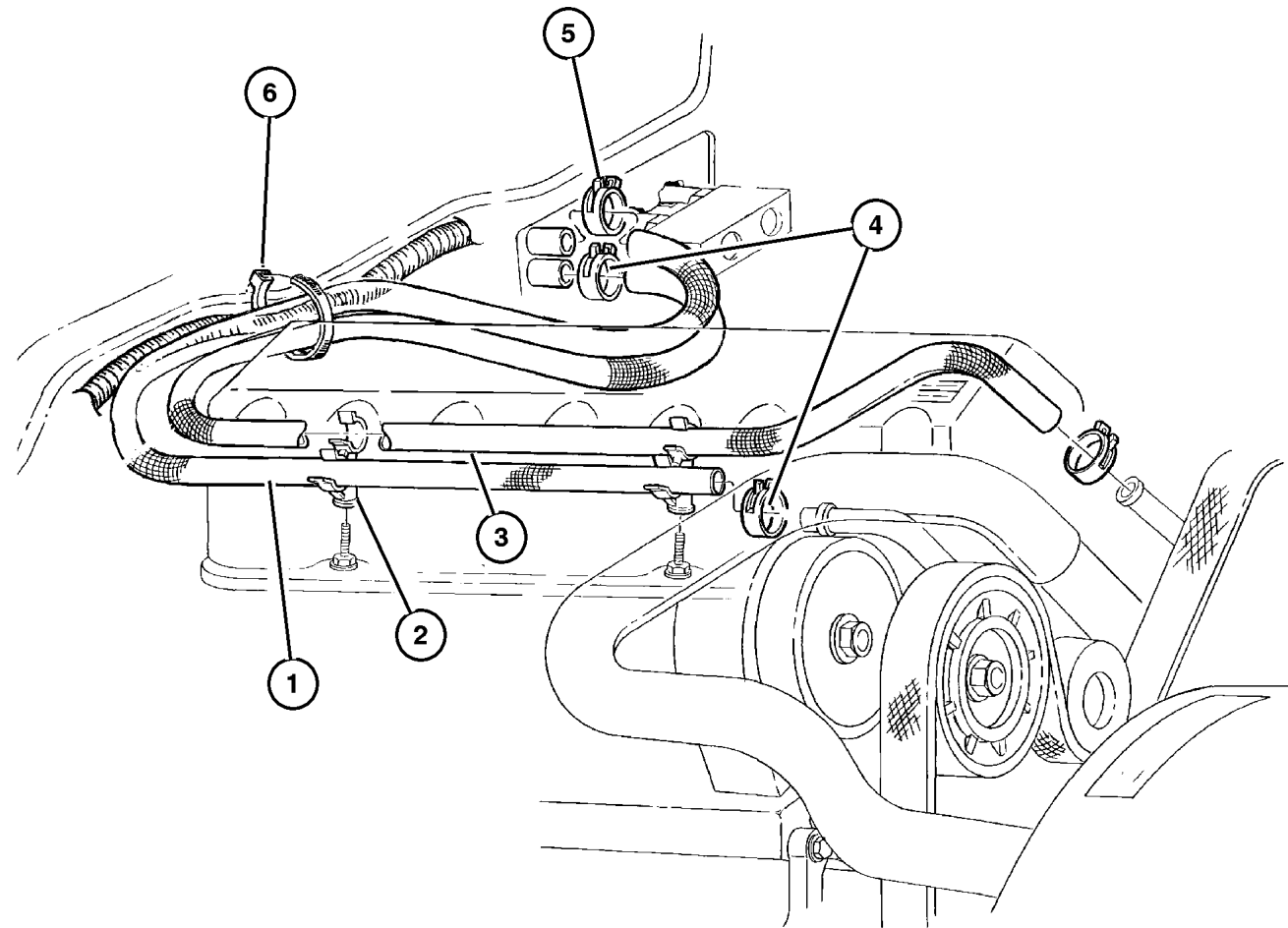
**JEEP CHEROKEE (XJ)**

SERIES	LINE	BODY	ENGINE	TRANSMISSION
L=Low Line	J=LHD (4WD) U=RHD (4WD) T=LHD (2WD) B=RHD (2WD)	74=4 DR. (101.4 WB) 72=2 DR. (101.4 WB)	ENC,EN0=2.5L 4 cyl. Turbo Die ERH,ER0=4.0L Power Tech I-6 EPE,EP0=Magnum 2.5L SMPI	DDQ=5Spd Man. DGS=4 Spd. Auto. AISIN DG0=All Auto Trans DBB=All Manual Trans.

AR = Use as required - = Non illustrated part # = New this model year

July 4, 2003

**Plumbing, Heater 2.5,4.0L Engine, RHD 1999 XJ**  
**Figure 024-220**



ITEM	PART NUMBER	QTY	LINE	SERIES	BODY	ENGINE	TRANS	TRIM	DESCRIPTION
Note: Sales Code EP0 = 2.5L Gas Engine									
Note: Sales Code ER0 = 4.0L Engine									
1									HOSE, Heater Return
	55037 333AC	1	B, U			ER0			
	55037 334AC	1	B, U			EP0			
2	55035 933AB	2	B, U			EP0, ER0			BRACKET, Hose
3									HOSE, Heater Supply
	55037 268AC	1	B, U			EP0			
	55037 269AC	1	B, U			ER0			
4									CLAMP, Heater Hose
	6502 017	2	B, U			EP0			
		2	B, U			ER0			
5	6502 018	1				EN0			CLAMP, Hose, M28.9 x 1.60
6	4641 780	1							STRAP, Tie

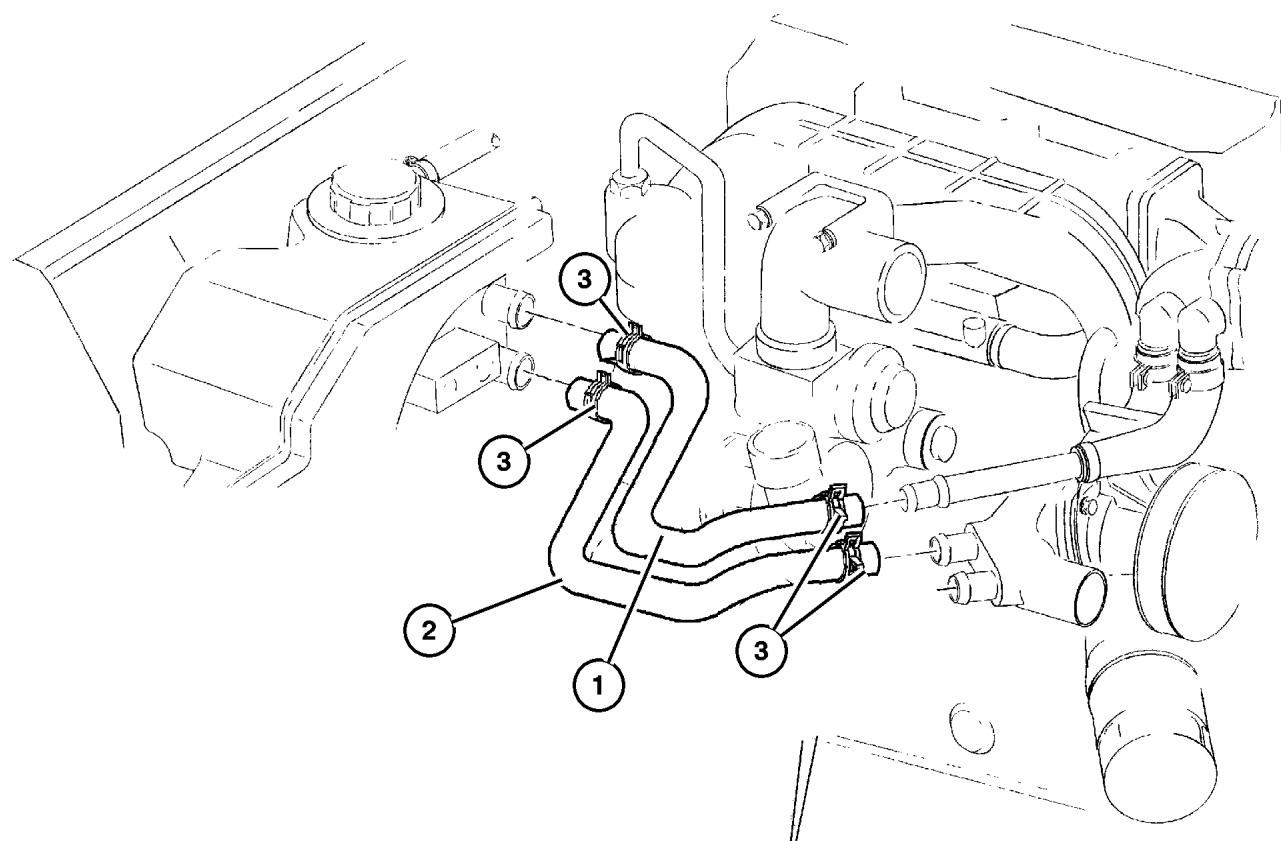
JEEP CHEROKEE (XJ)				
SERIES	LINE	BODY	ENGINE	TRANSMISSION
L=Low Line	J=LHD (4WD) U=RHD (4WD) T=LHD (2WD) B=RHD (2WD)	74=4 DR. (101.4 WB) 72=2 DR. (101.4 WB)	ENC,EN0=2.5L 4 cyl. Turbo Die ERH,ER0=4.0L Power Tech I-6 EPE,EP0=Magnum 2.5L SMPI	DDQ=5Spd Man. DGS=4 Spd. Auto. AISIN DG0=All Auto Trans DBB=All Manual Trans.

AR = Use as required - = Non illustrated part # = New this model year

July 4, 2003

**Plumbing, Heater 2.5L Diesel Engine LHD 1997 XJ 1998 XJ  
Figure 024-230**

ITEM	PART NUMBER	QTY	LINE	SERIES	BODY	ENGINE	TRANS	TRIM	DESCRIPTION
Note: Sales Code EN0 = 2.5L Diesel Engine									
1	5503 7301	1	J, T			EN0			HOSE, Heater Supply
2	5503 7319	1	J, T			EN0			HOSE, Heater Return
3	6502 017	1	J			EN0			CLAMP, Heater Hose 1997 XJ
		3	B, U			EN0			1998 XJ



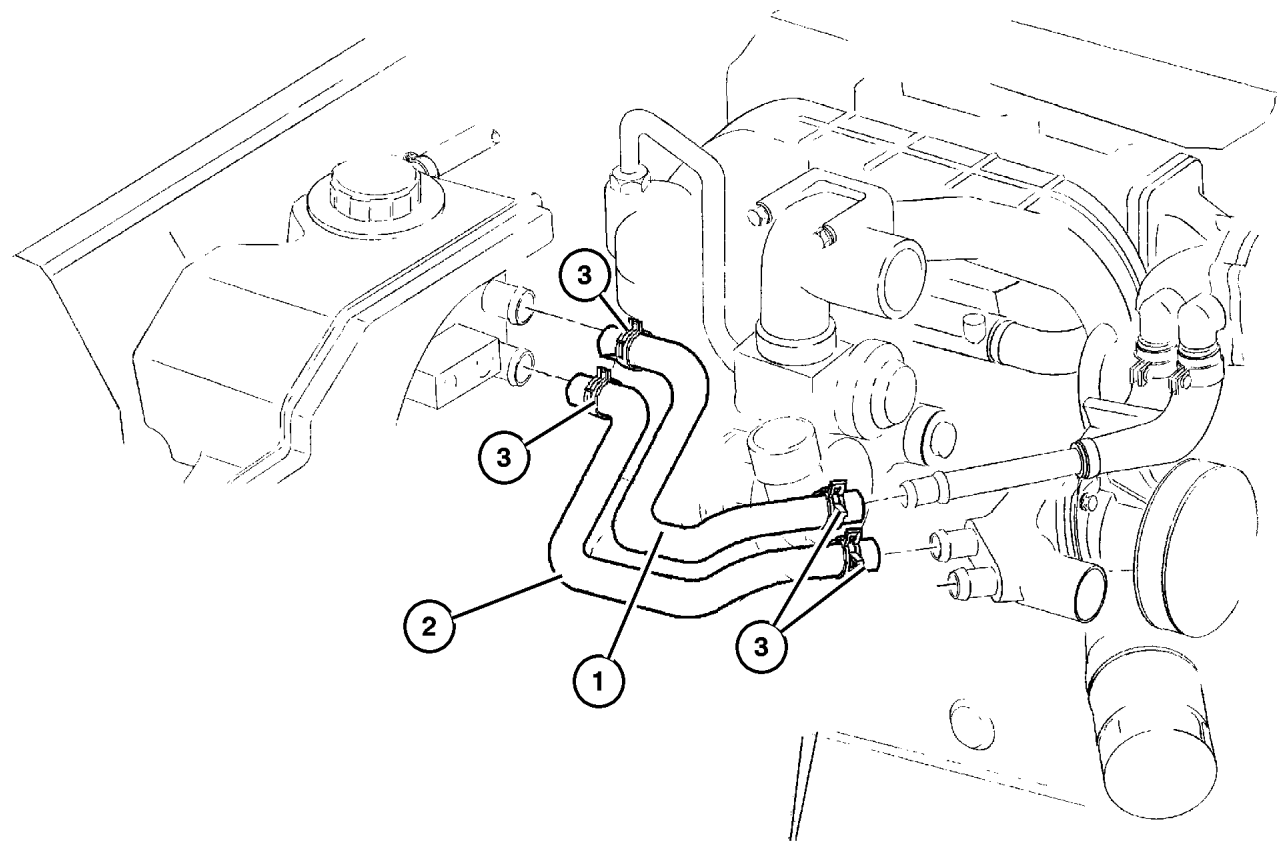
JEEP CHEROKEE (XJ)				
SERIES	LINE	BODY	ENGINE	TRANSMISSION
L=Low Line	J=LHD (4WD) U=RHD (4WD) T=LHD (2WD) B=RHD (2WD)	74=4 DR. (101.4 WB) 72=2 DR. (101.4 WB)	ENC,EN0=2.5L 4 cyl. Turbo Die ERH,ER0=4.0L Power Tech I-6 EPE,EP0=Magnum 2.5L SMPI	DDQ=5Spd Man. DGS=4 Spd. Auto. AISIN DG0=All Auto Trans DBB=All Manual Trans.

AR = Use as required - = Non illustrated part # = New this model year

July 4, 2003

**Plumbing, Heater 2.5L Diesel Engine, LHD 1999 XJ**  
**Figure 024-230**

ITEM	PART NUMBER	QTY	LINE	SERIES	BODY	ENGINE	TRANS	TRIM	DESCRIPTION
Note: Sales Code EN0 = 2.5L Diesel Engine									
1	5503 7301	1	J, T			EN0			HOSE, Heater Supply
2	5503 7319	1	J, T			EN0			HOSE, Heater Return
3	6502 017	2	B, U			EN0			CLAMP, Heater Hose



<b>JEEP CHEROKEE (XJ)</b>				
SERIES	LINE	BODY	ENGINE	TRANSMISSION
L=Low Line	J=LHD (4WD) U=RHD (4WD) T=LHD (2WD) B=RHD (2WD)	74=4 DR. (101.4 WB) 72=2 DR. (101.4 WB)	ENC,EN0=2.5L 4 cyl. Turbo Die ERH,ER0=4.0L Power Tech I-6 EPE,EP0=Magnum 2.5L SMPI	DDQ=5Spd Man. DGS=4 Spd. Auto. AISIN DG0=All Auto Trans DBB=All Manual Trans.

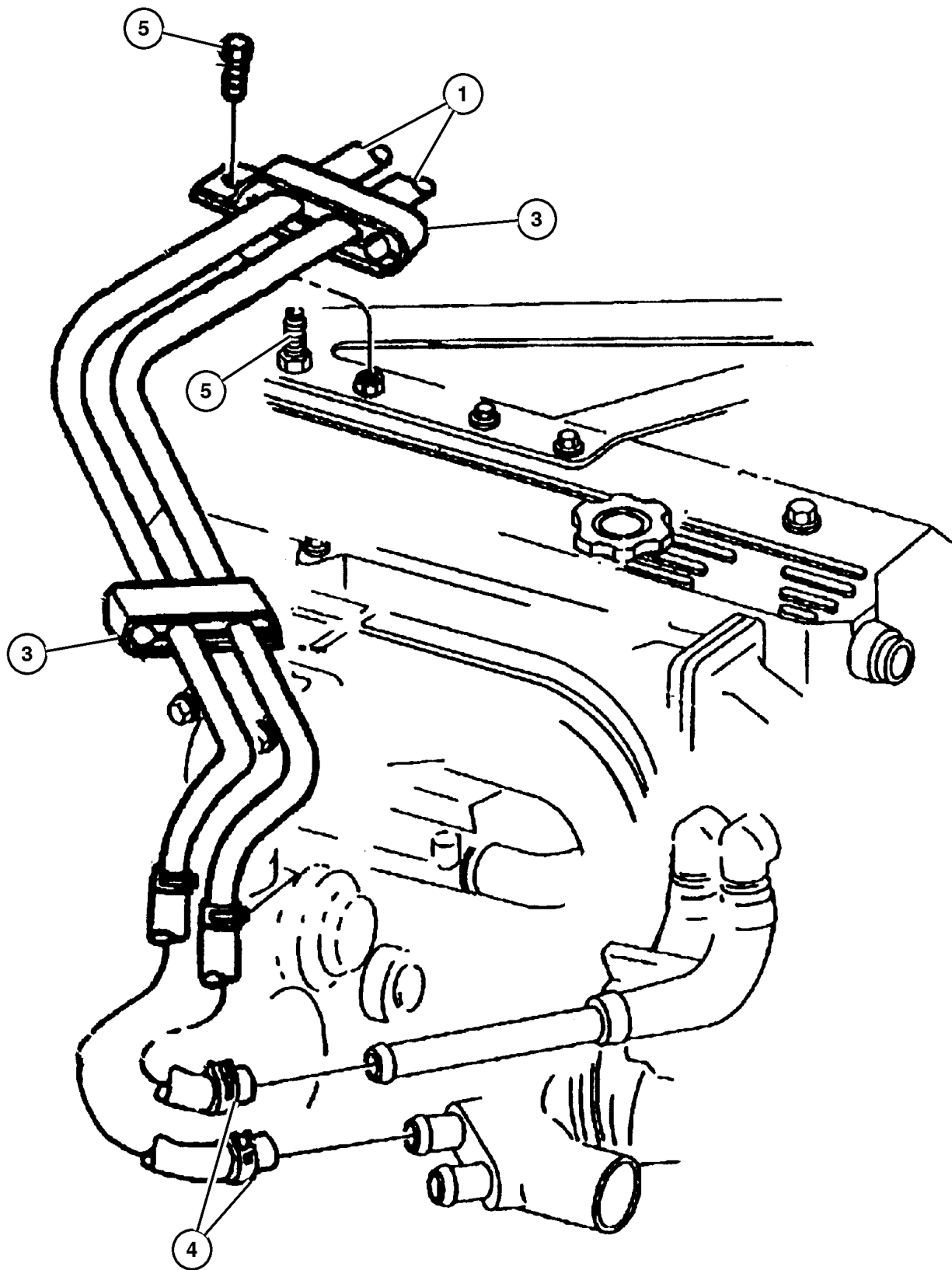
AR = Use as required - = Non illustrated part # = New this model year

July 4, 2003



Plumbing, Heater 2.5L Diesel Engine RHD 1997 XJ 1998 XJ  
Figure 024-240

ITEM	PART NUMBER	QTY	LINE	SERIES	BODY	ENGINE	TRANS	TRIM	DESCRIPTION
Note: Sales Code EN0 = 2.5L Diesel Engine									
1	5503 7276	1	B, U			EN0			HOSE, Heater Return
-2	5503 7277	1	B, U			EN0			HOSE, Heater Supply
3	5503 6832	2	B, U			EN0			CLIP, Heater Hose
4									CLAMP, Heater Hose
	6502 017	1	B			EN0			1997 XJ
		3	B, U			EN0			1998 XJ
5									SCREW, (NOT SERVICED) (Not Serviced)



JEEP CHEROKEE (XJ)				
SERIES	LINE	BODY	ENGINE	TRANSMISSION
L=Low Line	J=LHD (4WD) U=RHD (4WD) T=LHD (2WD) B=RHD (2WD)	74=4 DR. (101.4 WB) 72=2 DR. (101.4 WB)	ENC,EN0=2.5L 4 cyl. Turbo Die ERH,ER0=4.0L Power Tech I-6 EPE,EP0=Magnum 2.5L SMPI	DDQ=5Spd Man. DGS=4 Spd. Auto. AISIN DG0=All Auto Trans DBB=All Manual Trans.

AR = Use as required - = Non illustrated part # = New this model year

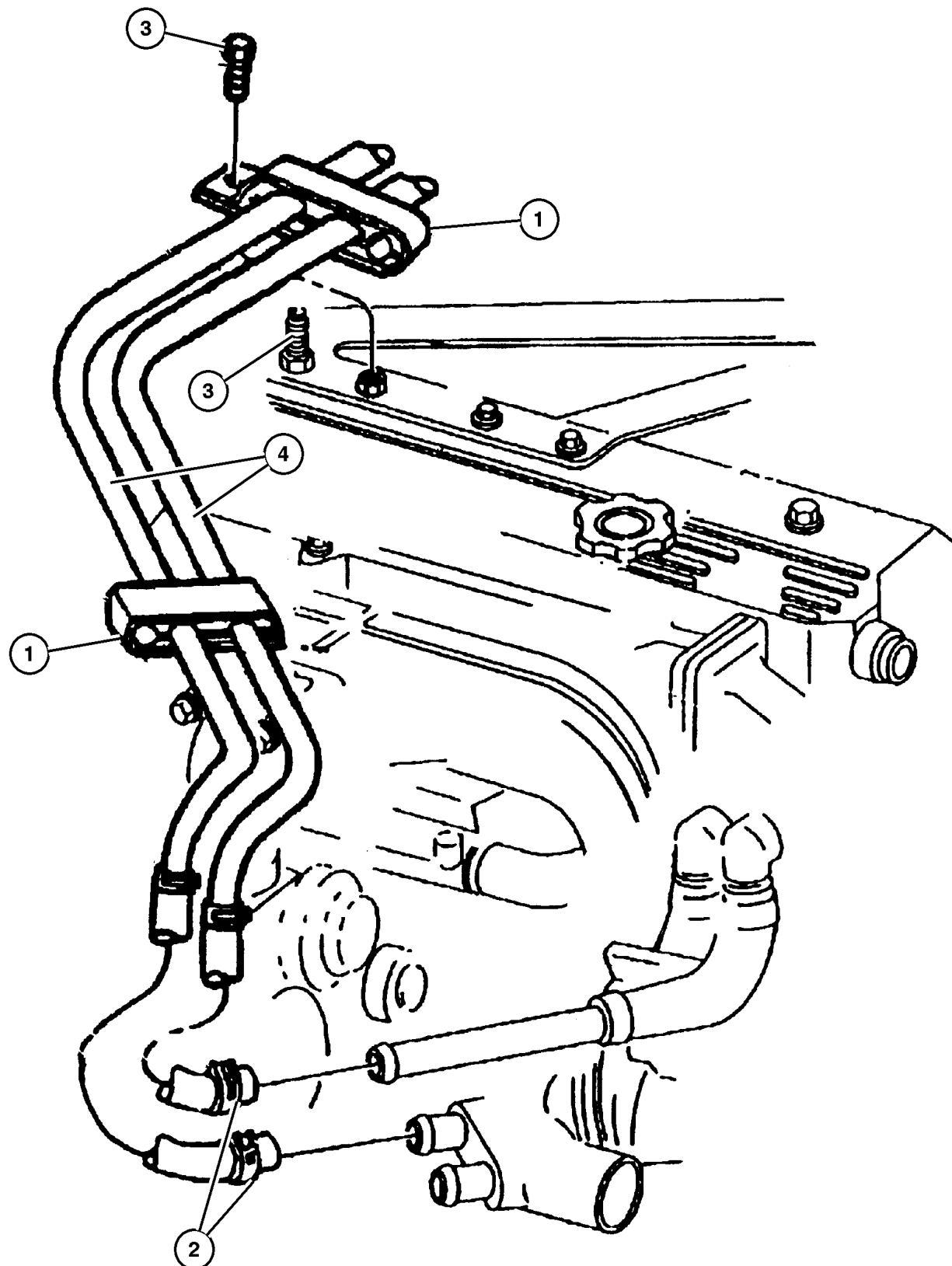
July 4, 2003

Plumbing, Heater 2.5L Diesel Engine, RHD 1999 XJ  
Figure 024-240

ITEM	PART NUMBER	QTY	LINE	SERIES	BODY	ENGINE	TRANS	TRIM	DESCRIPTION
------	-------------	-----	------	--------	------	--------	-------	------	-------------

Note: Sales Code EN0 = 2.5L Diesel Engine

1	5200 1603	1	J, T			ENC			CLIP, Heater Hose
2	4546 298	1	B, U			EN0			CLAMP, Heater Hose
3									SCREW, (NOT SERVICED) (Not Serviced)
4	52129 121AB	1	B, U			EN0			HOSE AND TUBE, Heater Supply And Return



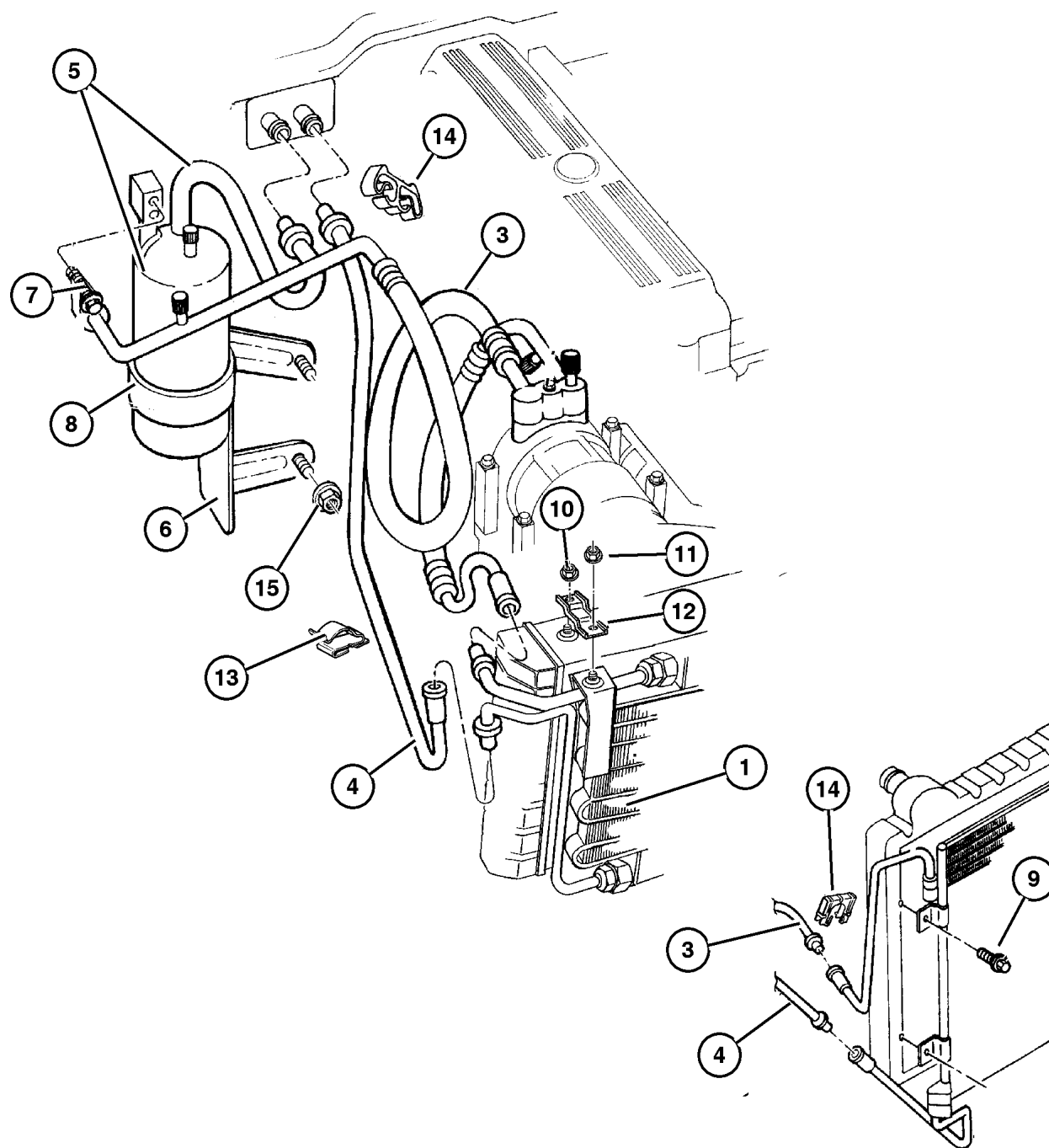
JEEP CHEROKEE (XJ)

SERIES	LINE	BODY	ENGINE	TRANSMISSION
L=Low Line	J=LHD (4WD) U=RHD (4WD) T=LHD (2WD) B=RHD (2WD)	74=4 DR. (101.4 WB) 72=2 DR. (101.4 WB)	ENC,EN0=2.5L 4 cyl. Turbo Die ERH,ER0=4.0L Power Tech I-6 EPE,EP0=Magnum 2.5L SMPI	DDQ=5Spd Man. DGS=4 Spd. Auto. AISIN DG0=All Auto Trans DBB=All Manual Trans.

AR = Use as required - = Non illustrated part # = New this model year

July 4, 2003

**Plumbing, Air Conditioning 2.5,4.0L Gas Engines LHD 1997 XJ**  
**Figure 024-250**



ITEM	PART NUMBER	QTY	LINE	SERIES	BODY	ENGINE	TRANS	TRIM	DESCRIPTION
Note: Sales Code EP0 = 2.5L Gas Engine									
Note: Sales Code ER0 = 4.0L Engine									
1									CONDENSER, A/C
	55036 595AD	1	J, T			ER0			
	55037 434AA	1	B, U			ER0			
-2	5503 6604	1				EP0			CONDENSER, Air Conditioning
3									LINE, A/C Suction & Discharge
	55036 634AB	1	J, T			EP0			
	55036 635AB	1	J, T			ER0			
4									LINE, A/C Liquid
	5503 6632	1	J, T			EP0, ER0			
	55037 147AB	1	J, T			EP0			Jumper Tube
	55037 824AB	1	J, T			EP0			Evap In
5	5503 6630	1	J, T			EP0, ER0			ACCUMULATOR, Suction Line
6	5503 6619	1	J, T						BRACKET, Accumulator
7	1150 2628	3				EP0			BOLT, Hex Flange Head, M8x1.25x30
8	5503 6206	1	J, T						BAND, Accumulator Retaining
9	6100 584	4				EP0			BOLT AND CONED WASHER, Hex Head, M8x30x20
10	1150 2722	3	J, T			EP0			NUT, Hex Flange, M5x.8
11	6100 814	2				EN0, EP0			NUT, Hex, M6
12	5600 2231	2				ER0			BRACKET, Radiator to Condenser
13	5503 7289	1				ER0			CLIP, A/C Liquid Line
14									CLIP, A/C Quick Disconnect
	4596 152	3	J, T			ER0			Discharge Line
		3				EN0			Suction Liquid Line
15	6032 988	2				EP0, ER0			SCREW
-16									O RING, A/C Suction Line
	4740 401	1	B, U						3/8'
		1	J, T			EP0, ER0			3/8"
	4761 737	1	B, U			EP0			5/8'
		1	J, T			EP0			5/8'
		1	J, T			ER0			5/8'
-17									O RING, A/C Liquid Line
	4741 705	1	B, U			EP0			1/2'

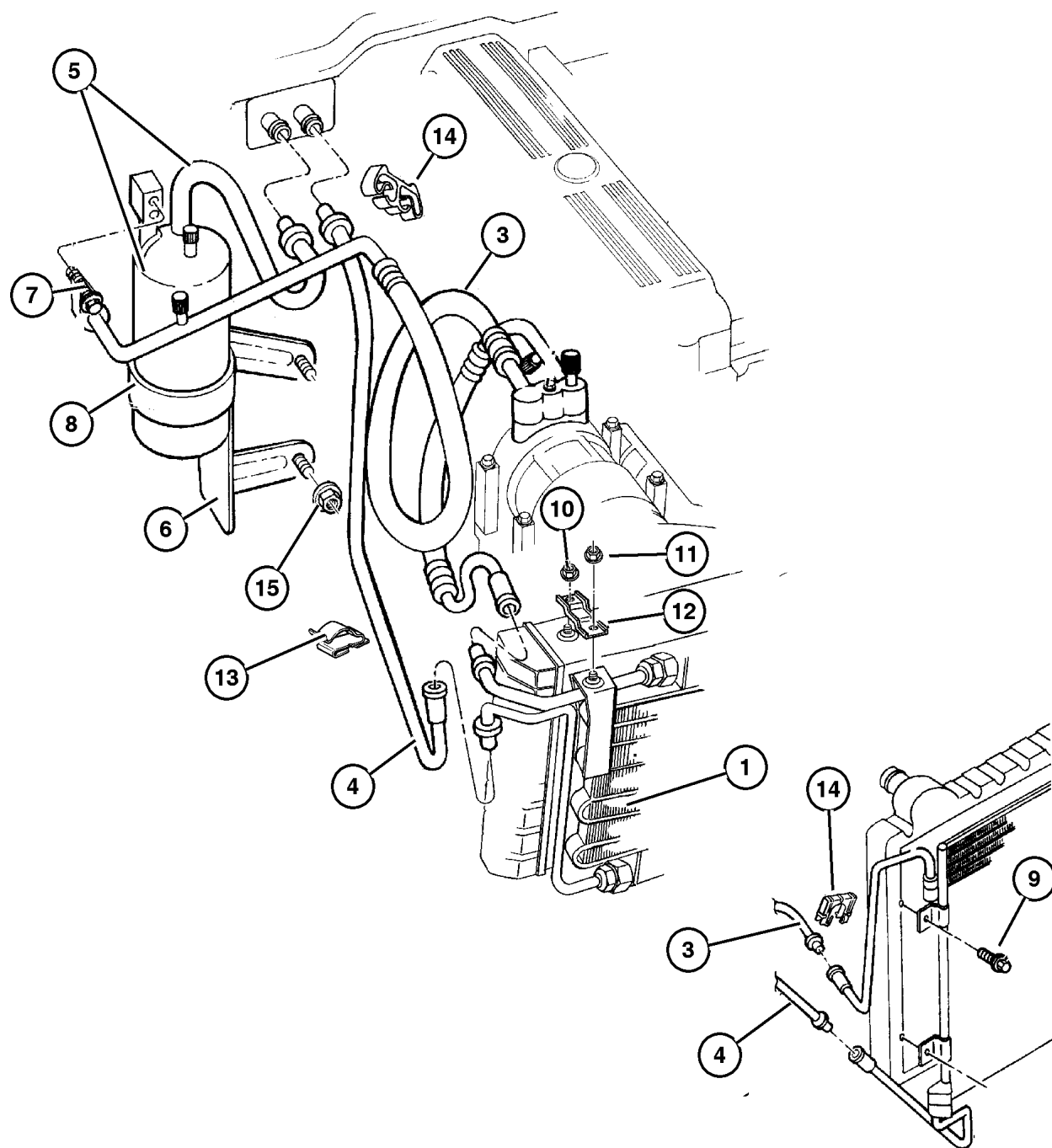
**JEEP CHEROKEE (XJ)**

SERIES	LINE	BODY	ENGINE	TRANSMISSION
L=Low Line	J=LHD (4WD) U=RHD (4WD) T=LHD (2WD) B=RHD (2WD)	74=4 DR. (101.4 WB) 72=2 DR. (101.4 WB)	ENC,EN0=2.5L 4 cyl. Turbo Die ERH,ER0=4.0L Power Tech I-6 EPE,EP0=Magnum 2.5L SMPI	DDQ=5Spd Man. DGS=4 Spd. Auto. AISIN DG0=All Auto Trans DBB=All Manual Trans.

AR = Use as required - = Non illustrated part # = New this model year

July 4, 2003

**Plumbing, Air Conditioning 2.5,4.0L Gas Engines LHD 1997 XJ**  
**Figure 024-250**



ITEM	PART NUMBER	QTY	LINE	SERIES	BODY	ENGINE	TRANS	TRIM	DESCRIPTION
		1	J, T			EP0,			1/2'
-18	4773 190	1	B, U			ER0			SWITCH, A/C High Pressure Cut Off
		1	J, T			EP0			
-19	4882 334	1	B, U			EP0			VALVE, A/C Discharge Line Check
		1	B, U			ER0			
		1	J, T			EP0			
-20	5264 642	1	B, U			ER0			CAP, A/C Check Valve
		1	J, T			ER0			
		1	J, T			EP0			
		1	B, U			EP0			
-21	4762 788	1	B, U			ER0			VALVE CORE, Service Port
		1	J, T			ER0			
		1	J, T			EP0			
		1	B, U			EP0			
-22	4728 856	1	B, U			EP0			SPRING, Quick Disconnect
		1	B, U			ER0			
		1	J, T			EP0,			
						ER0			
-23	4856 849	1	B, U						SWITCH, A/C Cycling
		1	J, T			EP0,			
						ER0			
-24	5503 6182	1	J, T			EP0,			ORIFICE, Liquid Line
						ER0			

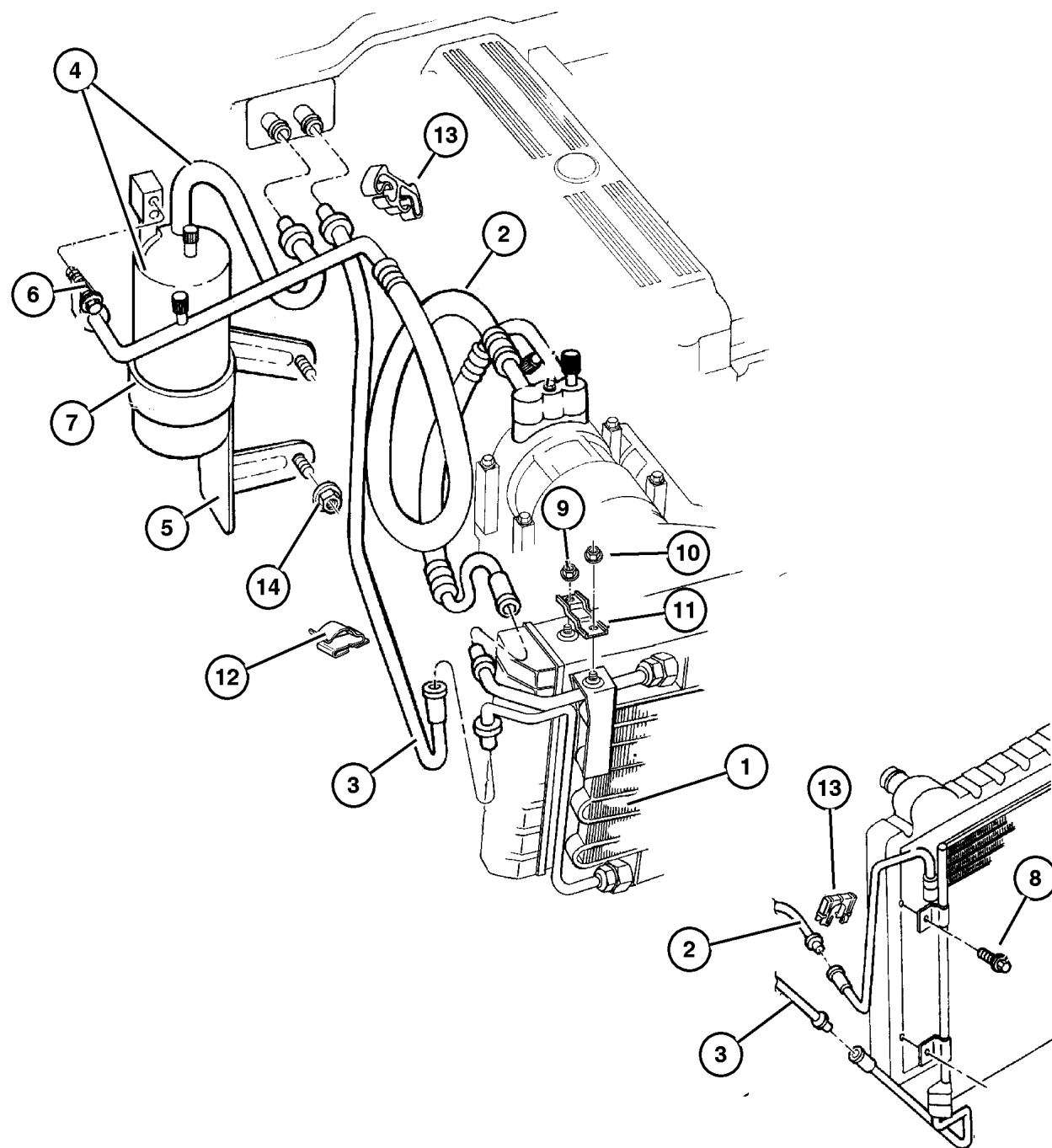
**JEEP CHEROKEE (XJ)**

SERIES	LINE	BODY	ENGINE	TRANSMISSION
L=Low Line	J=LHD (4WD) U=RHD (4WD) T=LHD (2WD) B=RHD (2WD)	74=4 DR. (101.4 WB) 72=2 DR. (101.4 WB)	ENC,EN0=2.5L 4 cyl. Turbo Die ERH,ER0=4.0L Power Tech I-6 EPE,EP0=Magnum 2.5L SMPI	DDQ=5Spd Man. DGS=4 Spd. Auto. AISIN DG0=All Auto Trans DBB=All Manual Trans.

AR = Use as required - = Non illustrated part # = New this model year

July 4, 2003

**Plumbing, Air Conditioning 2.5,4.0L Gas Engines LHD 1998 XJ**  
**Figure 024-250**



ITEM	PART NUMBER	QTY	LINE	SERIES	BODY	ENGINE	TRANS	TRIM	DESCRIPTION
Note: Sales Code EP0 = 2.5L Gas Engine									
Note: Sales Code ER0 = 4.0L Engine									
1	55036 595AB	1	J, T			EP0, ER0			CONDENSER, A/C
	55037 434AA	1	B, U			EP0, ER0			
2	55036 635AC	1	J, T			ER0			LINE, A/C Suction & Discharge
	55037 492AA	1	J, T			EP0			
3	55036 632AC	1	J, T			ER0			LINE, A/C Liquid
	55037 218AB	1	B, U			ER0			
	55037 495AA	1	B, U			EP0			Evaporator Out
	55037 496AA	1	B, U			EP0			Evaporator In
	55037 554AA	1	J, T			EP0			
4	55036 630AB	1	J, T			EP0, ER0			ACCUMULATOR, Suction Line
	55036 649AB	1	B, U			EN0, ER0			
	55037 479AA	1	B, U			EP0			
5	5503 6619	1	J, T			EP0, ER0			BRACKET, Accumulator
	5503 7338	1	B, U			EP0, ER0			
6	3420 1756	2							BOLT, Hex Flange Head, M8x1.25x30
7	55037 431AB	1	J, T			EP0, ER0			BAND, Accumulator Retaining
8	6100 584	4				EP0			BOLT AND CONED WASHER, Hex Head, M8x30x20
9	6503 226	4							NUT, Hex Flange, M5x.8
10	6100 814	2				EN0, ER0			NUT, Hex, M6
11	5600 2231	2				ER0			BRACKET, Radiator to Condenser
12	5003 560AA	1	B, U			EP0			CLIP, A/C Liquid Line
	5503 7289	1				ER0			
13	4596 152	2				EP0			CLIP, A/C Quick Disconnect
	4596 153	1							Suction Liquid Line Discharge Line

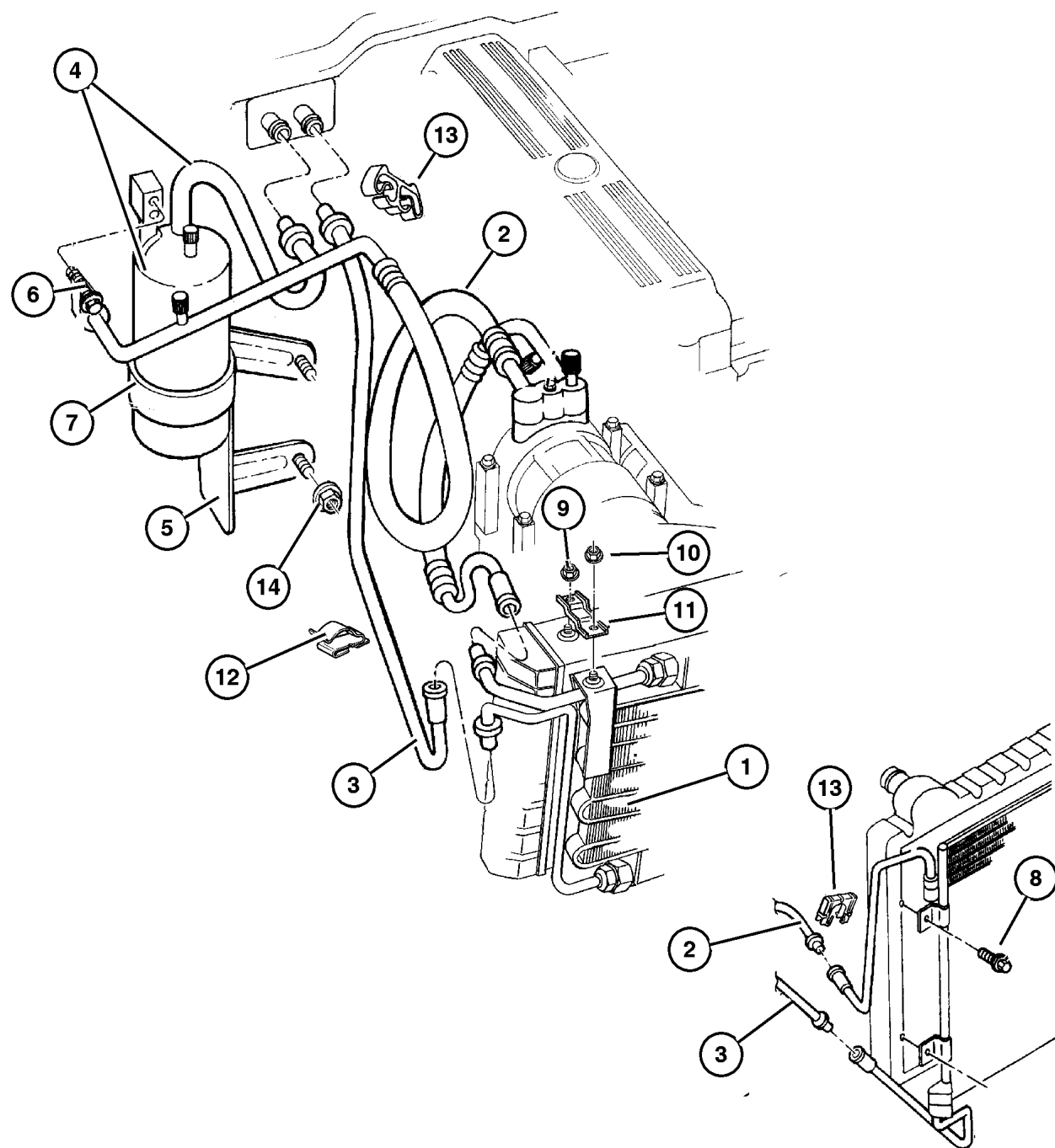
**JEEP CHEROKEE (XJ)**

SERIES	LINE	BODY	ENGINE	TRANSMISSION
L=Low Line	J=LHD (4WD) U=RHD (4WD) T=LHD (2WD) B=RHD (2WD)	74=4 DR. (101.4 WB) 72=2 DR. (101.4 WB)	ENC,EN0=2.5L 4 cyl. Turbo Die ERH,ER0=4.0L Power Tech I-6 EPE,EP0=Magnum 2.5L SMPI	DDQ=5Spd Man. DGS=4 Spd. Auto. AISIN DG0=All Auto Trans DBB=All Manual Trans.

AR = Use as required - = Non illustrated part # = New this model year

July 4, 2003

**Plumbing, Air Conditioning 2.5,4.0L Gas Engines LHD 1998 XJ**  
**Figure 024-250**



ITEM	PART NUMBER	QTY	LINE	SERIES	BODY	ENGINE	TRANS	TRIM	DESCRIPTION
14	6032 988	2				EP0, ER0			SCREW
-15	4740 401	1	B, U			EP0			O RING, A/C Suction Line
		1	J, T			EP0, ER0			
	4761 737	1	B, U			EN0, ER0			Stat O Seal
		1	J, T			EP0			Stat O Seal
	4796 667	1	J, T			ER0			Stat O Seal
		1	J, T			EP0			5/8 Brazeless, Compressor
		1	B, U			EP0			5/8 Brazeleaa, Compressor
		1	J, T			ER0			5/8 Brazeless, Compressor
-16	4741 705	1	B, U			EP0			O RING, A/C Liquid Line
		1	J, T			EP0			
		1	J, T			ER0			
-17	4897 617AA	1	J, T			ER0			SWITCH, A/C High Pressure Cut Off
		1	J, T			EP0			
-18	4882 334	1	J, T			ER0			VALVE, A/C Discharge Line Check
		1	J, T			EP0			
-19	4882 335	1	J, T			ER0			CAP, A/C Check Valve
		1	J, T			EP0			
-20	4762 788	1	J, T			ER0			VALVE CORE, Service Port
		1	J, T			EP0			
-21	4728 856	1	J, T			EP0			SPRING, Quick Disconnect
		1	J, T			ER0			
-22	4897 614AA	1	B, U			EP0			SWITCH, A/C Cycling
		1	J, T			EP0, ER0			

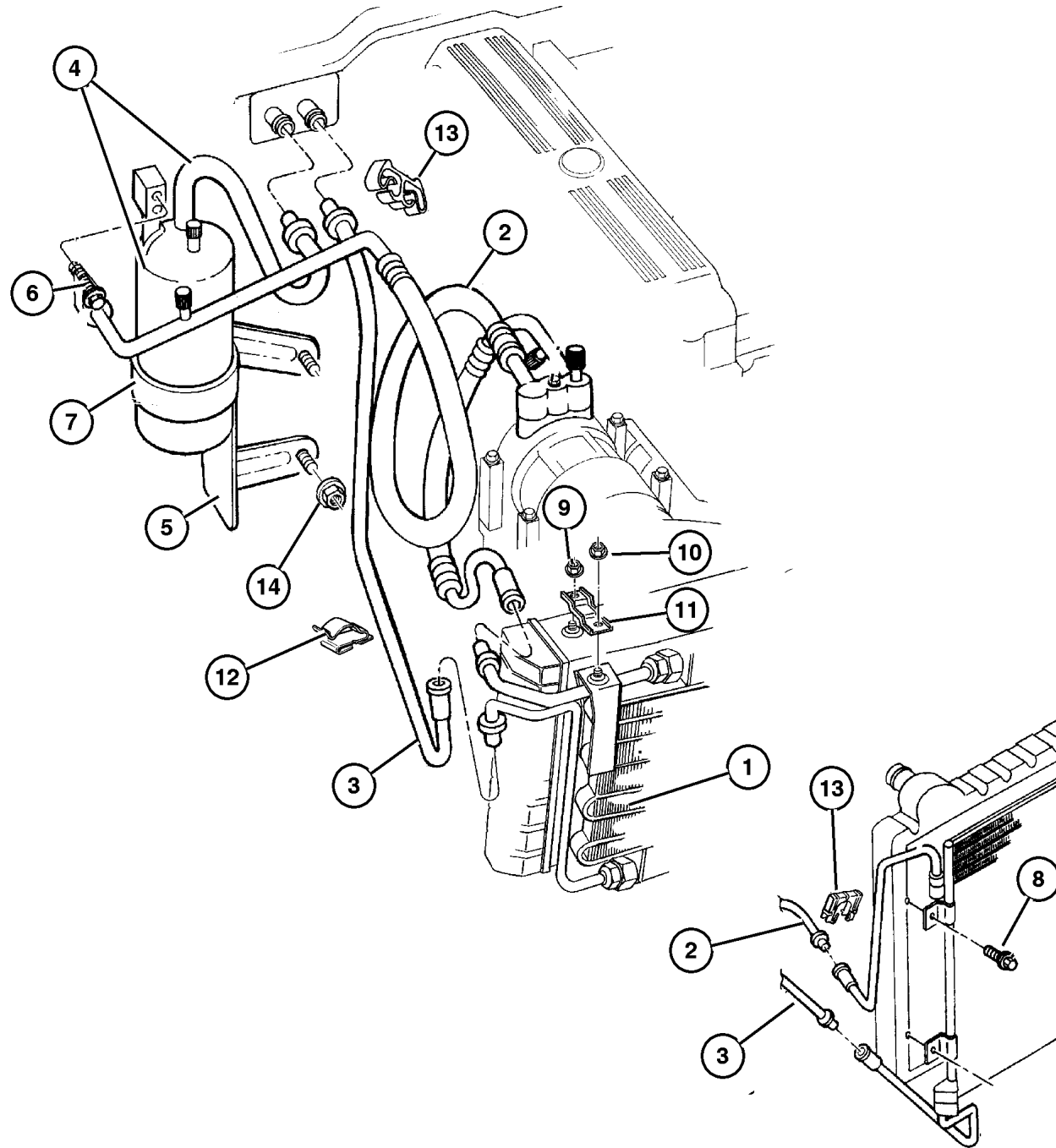
**JEEP CHEROKEE (XJ)**

<b>SERIES</b>	<b>LINE</b>	<b>BODY</b>	<b>ENGINE</b>	<b>TRANSMISSION</b>
L=Low Line	J=LHD (4WD) U=RHD (4WD) T=LHD (2WD) B=RHD (2WD)	74=4 DR. (101.4 WB) 72=2 DR. (101.4 WB)	ENC,EN0=2.5L 4 cyl. Turbo Die ERH,ER0=4.0L Power Tech I-6 EPE,EP0=Magnum 2.5L SMPI	DDQ=5Spd Man. DGS=4 Spd. Auto. AISIN DG0=All Auto Trans DBB=All Manual Trans.

AR = Use as required - = Non illustrated part # = New this model year

July 4, 2003

Plumbing, Air Conditioning 2.5,4.0L Engine, LHD 1999 XJ  
Figure 024-250



ITEM	PART NUMBER	QTY	LINE	SERIES	BODY	ENGINE	TRANS	TRIM	DESCRIPTION
Note: Sales Code EP0 = 2.5L Gas Engine									
Note: Sales Code ER0 = 4.0L Engine									
1	55036 595AD	1	J, T			EP0, ER0			CONDENSER, A/C
	55037 434AA	1	B, U			EP0, ER0			
2	55036 635AC	1	J, T			ER0			LINE, A/C Suction & Discharge
	55037 492AA	1	J, T			EP0			
3	55036 632AC	1	J, T			ER0			LINE, A/C Liquid
	#55037 218AC	1	B, U			ER0			
	55037 495AA	1	B, U			EP0			Evaporator Out
	55037 496AA	1	B, U			EP0			Evaporator In
	55037 554AA	1	J, T			EP0			
4									ACCUMULATOR, Suction Line
	55036 630AC	1	J, T			EP0, ER0			
	55036 649AC	1	B, U			EN0, ER0			
	55037 479AB	1	B, U			EP0			
5									BRACKET, Accumulator
	5503 6619	1	J, T			EP0, ER0			
	55036 620AD	1	B, U			EP0, ER0			
6	1150 2628	2				EP0			BOLT, Hex Flange Head, M8x1.25x30
7	55037 431AB	1	J, T			EP0, ER0			BAND, Accumulator Retaining
8									BOLT AND CONED WASHER, Hex Head, M8x30x20, (NOT SERVICED) (Not Serviced)
9	6503 226	4							NUT, Hex Flange, M5x.8
10	6100 814	2							NUT, Hex, M6
11	5600 2231	2							BRACKET, Radiator to Condenser
12	5503 7289	1				ER0			CLIP, A/C Liquid Line
13									CLIP, A/C Quick Disconnect
	4596 152	2				EP0			Suction Liquid Line
	4596 153	1							Discharge Line
14	6504 997AA	3	J, T						SCREW
-15									O RING, A/C Suction Line

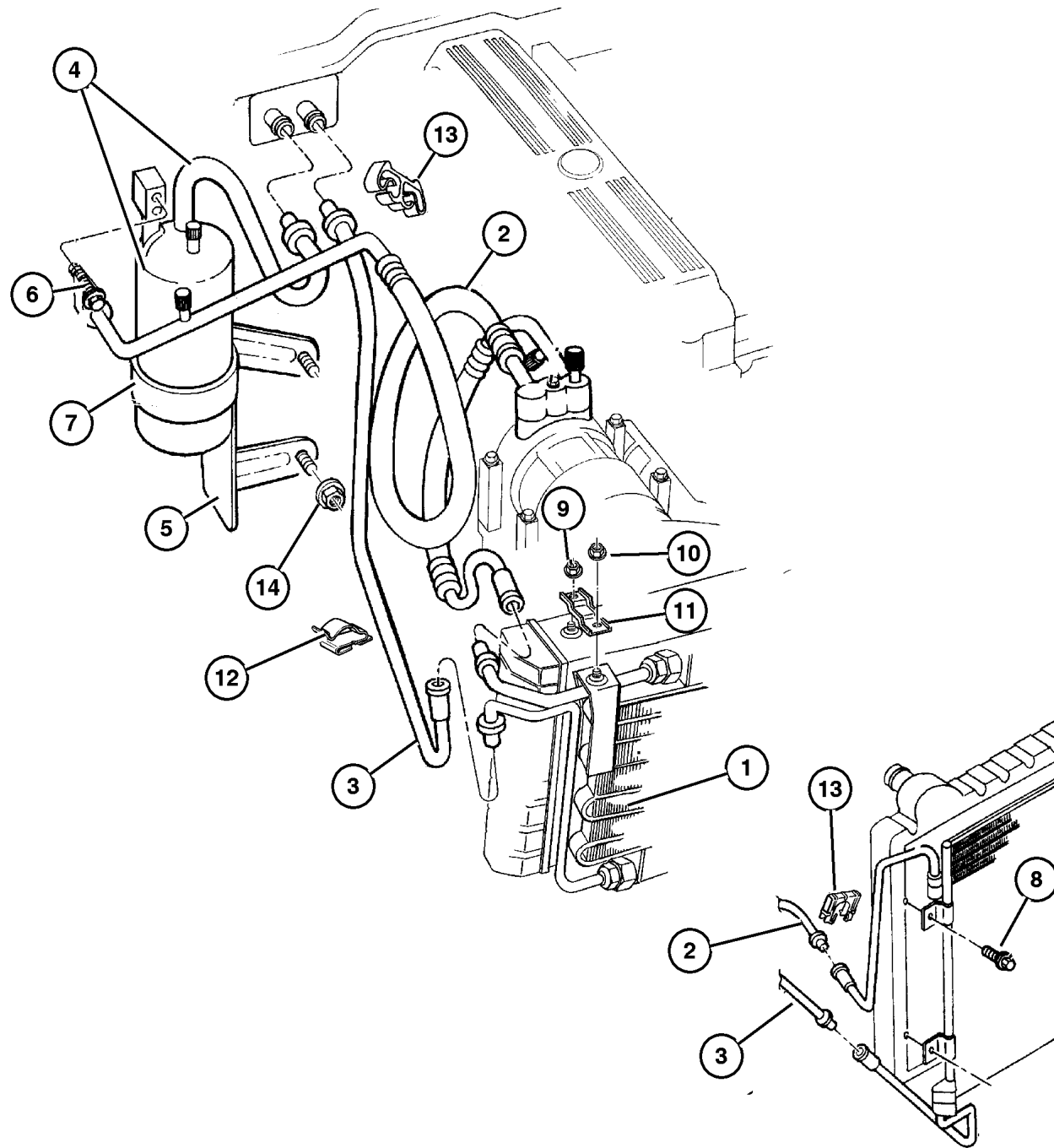
JEEP CHEROKEE (XJ)

SERIES	LINE	BODY	ENGINE	TRANSMISSION
L=Low Line	J=LHD (4WD) U=RHD (4WD) T=LHD (2WD) B=RHD (2WD)	74=4 DR. (101.4 WB) 72=2 DR. (101.4 WB)	ENC,EN0=2.5L 4 cyl. Turbo Die ERH,ER0=4.0L Power Tech I-6 EPE,EP0=Magnum 2.5L SMPI	DDQ=5Spd Man. DGS=4 Spd. Auto. AISIN DG0=All Auto Trans DBB=All Manual Trans.

AR = Use as required - = Non illustrated part # = New this model year

July 4, 2003

Plumbing, Air Conditioning 2.5,4.0L Engine, LHD 1999 XJ  
Figure 024-250



ITEM	PART NUMBER	QTY	LINE	SERIES	BODY	ENGINE	TRANS	TRIM	DESCRIPTION
	4740 401	2	B, U			EP0			
		1	J, T			EP0,			
		1	B, U			EN0,			
						ER0			
	4761 737	1	J, T			EP0			
		1	B, U			EP0			
		1	J, T			ER0			
-16									O RING, A/C Liquid Line
	4741 705	2	J, T			ER0			
		2	J, T			EP0			
		4	B, U			EP0			
-17									SWITCH, A/C High Pressure Cut Off
	4897 617AA	1	J, T			ER0			
		1	B, U			ER0			
-18									VALVE, A/C Discharge Line Check
	4882 334	1	J, T			ER0			
		1	J, T			EP0			
-19									CAP, A/C Check Valve
	4882 335	1	J, T			ER0			
		1	J, T			EP0			
-20	4762 788	1	J, T			ER0			VALVE CORE, Service Port
-21									SPRING, Quick Disconnect
	4728 856	1	J, T			EP0			
		1	J, T			ER0			
-22									SWITCH, A/C Cycling
	4897 614AA	1	B, U			EP0			
		1	J, T			EP0,			
						ER0			

JEEP CHEROKEE (XJ)

SERIES	LINE	BODY	ENGINE	TRANSMISSION
L=Low Line	J=LHD (4WD) U=RHD (4WD) T=LHD (2WD) B=RHD (2WD)	74=4 DR. (101.4 WB) 72=2 DR. (101.4 WB)	ENC,EN0=2.5L 4 cyl. Turbo Die ERH,ER0=4.0L Power Tech I-6 EPE,EP0=Magnum 2.5L SMPI	DDQ=5Spd Man. DGS=4 Spd. Auto. AISIN DG0=All Auto Trans DBB=All Manual Trans.

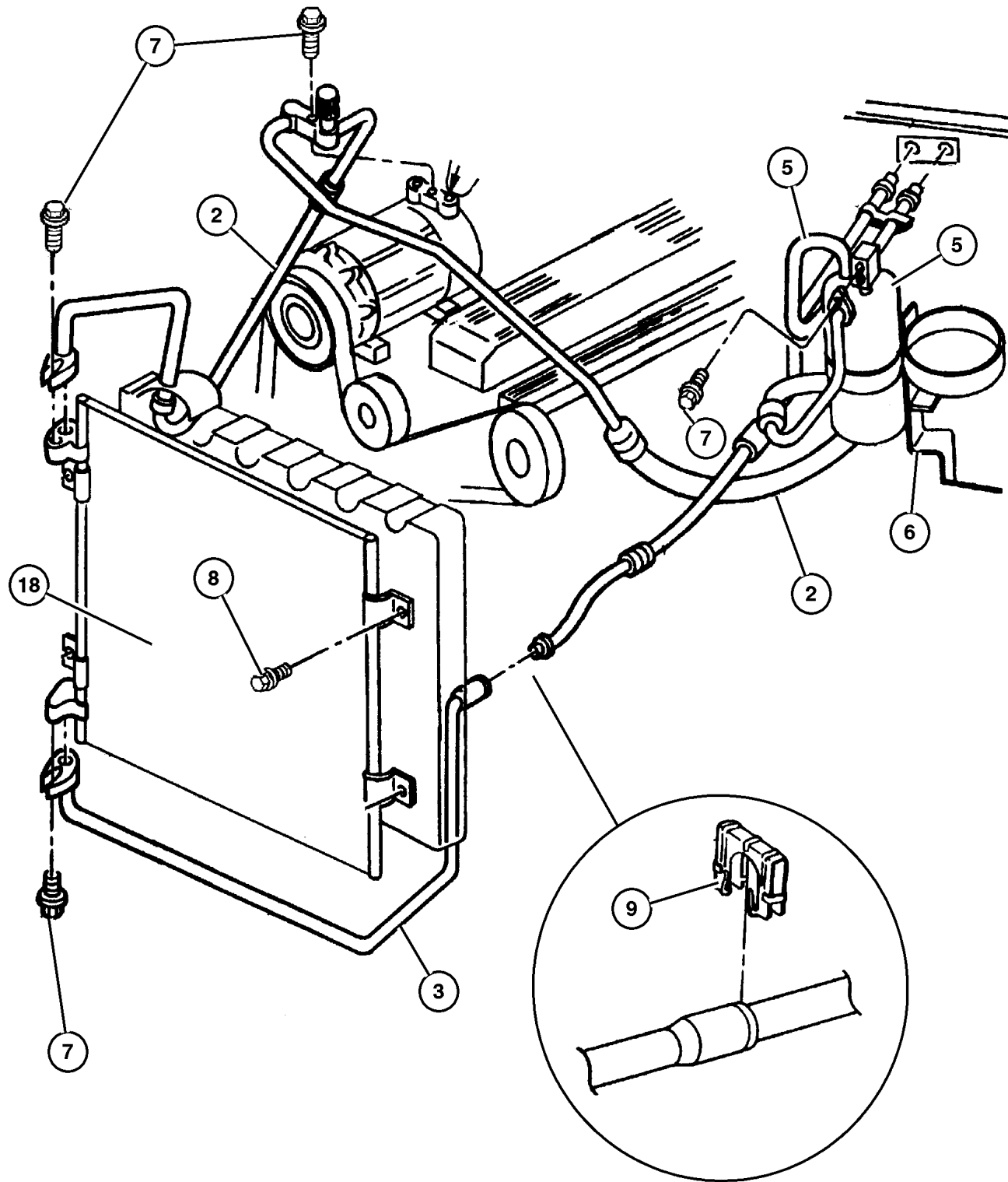
AR = Use as required - = Non illustrated part # = New this model year

July 4, 2003



**Plumbing, Air Conditioning 2.5L Gas Engine RHD 1997 XJ 1998 XJ**  
**Figure 024-260**

ITEM	PART NUMBER	QTY	LINE	SERIES	BODY	ENGINE	TRANS	TRIM	DESCRIPTION
Note: Sales Code EP0 = 2.5L Gas Engine									
-1	5503 6232	1				EP0			HOSE, A/C Discharge
2	5503 6637	1	B, U			EP0			LINE, A/C Suction & Discharge 1997 XJ
	55037 493AA	1	B, U			EP0			1998 XJ
3	5503 7367	1	B, U			EP0			LINE, A/C Liquid 1997 XJ
	55037 495AA	1	B, U			EP0			Evaporator Inlet, 1998 XJ
	55037 496AA	1	B, U			EP0			Evaporator Outlet, 1998 XJ
-4	5503 7220	1	B, U			EP0			BRACKET, A/C Line
5	5503 6649	1	B, U						ACCUMULATOR, Suction Line 1997 XJ
	55037 479AA	1	B, U			EP0			1998 XJ
6	5503 6620	1	B, U						BRACKET, Accumulator 1997 XJ
	55036 620AC	1	B, U						1998 XJ
7									BOLT, Hex Flange Head, M8x1. 25x30
	1150 2628	3				EP0			1997 XJ
		1							1998 XJ
8	6100 584	4				EP0			BOLT AND CONED WASHER, Hex Head, M8x30x20
9	4596 152	3				EN0			CLIP, A/C Quick Disconnect Discharge Line
	4596 153	1							Suction Liquid Line
-10	4773 190	1	B, U			EP0			SWITCH, A/C High Pressure Cut Off 1997 XJ
	4897 617AA	1	B, U			EP0			1998 XJ
-11									O RING, A/C Suction Line
	4740 401	1	B, U			EP0			1998 XJ
	4761 737	1	B, U			EP0			1997 XJ
-12	4882 334	1	B, U			ER0			VALVE, A/C Discharge Line Check 1997 XJ
		1	B, U			EP0			1998 XJ
-13	4882 335	1	B, U			EP0			CAP, A/C Check Valve 1998 XJ
	5264 642	1	B, U			ER0			1997 XJ
-14	4740 401	1	J			EP0, ER0			O RING, A/C Suction Line 1997 XJ
	4761 737	1	B, U			EP0			Stat O Seal, 1998 XJ, Compressor
-15									VALVE CORE, Service Port



**JEEP CHEROKEE (XJ)**

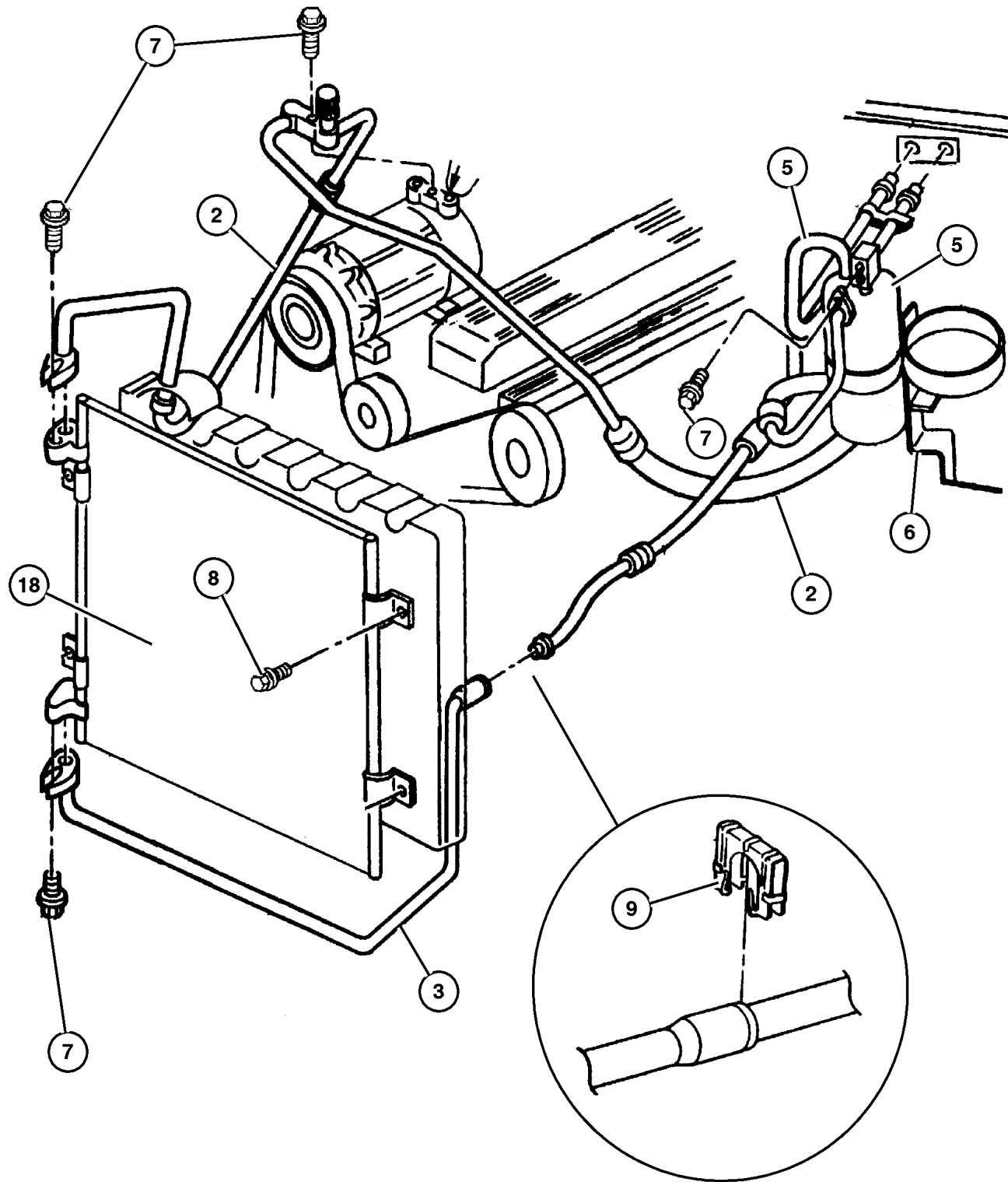
SERIES	LINE	BODY	ENGINE	TRANSMISSION
L=Low Line	J=LHD (4WD) U=RHD (4WD) T=LHD (2WD) B=RHD (2WD)	74=4 DR. (101.4 WB) 72=2 DR. (101.4 WB)	ENC,EN0=2.5L 4 cyl. Turbo Die ERH,ER0=4.0L Power Tech I-6 EPE,EP0=Magnum 2.5L SMPI	DDQ=5Spd Man. DGS=4 Spd. Auto. AISIN DG0=All Auto Trans DBB=All Manual Trans.

AR = Use as required - = Non illustrated part # = New this model year

July 4, 2003

Plumbing, Air Conditioning 2.5L Gas Engine RHD 1997 XJ 1998 XJ  
Figure 024-260

ITEM	PART NUMBER	QTY	LINE	SERIES	BODY	ENGINE	TRANS	TRIM	DESCRIPTION
	4762 788	1	J			EN0			1997 XJ
		1	B, U			EP0			1998 XJ
-16	4728 856	1	B			ER0			SPRING, Quick Disconnect 1997 XJ
		1	B, U			EP0			1998 XJ
-17	4741 705	1	J, T			EP0, ER0			O RING, A/C Liquid Line 1997 XJ
		1	B, U			EP0			1998 XJ
18	55036 595AD	1	J, T			ER0			CONDENSER, A/C 1997 XJ
		1	J, T			EP0, ER0			1998 XJ

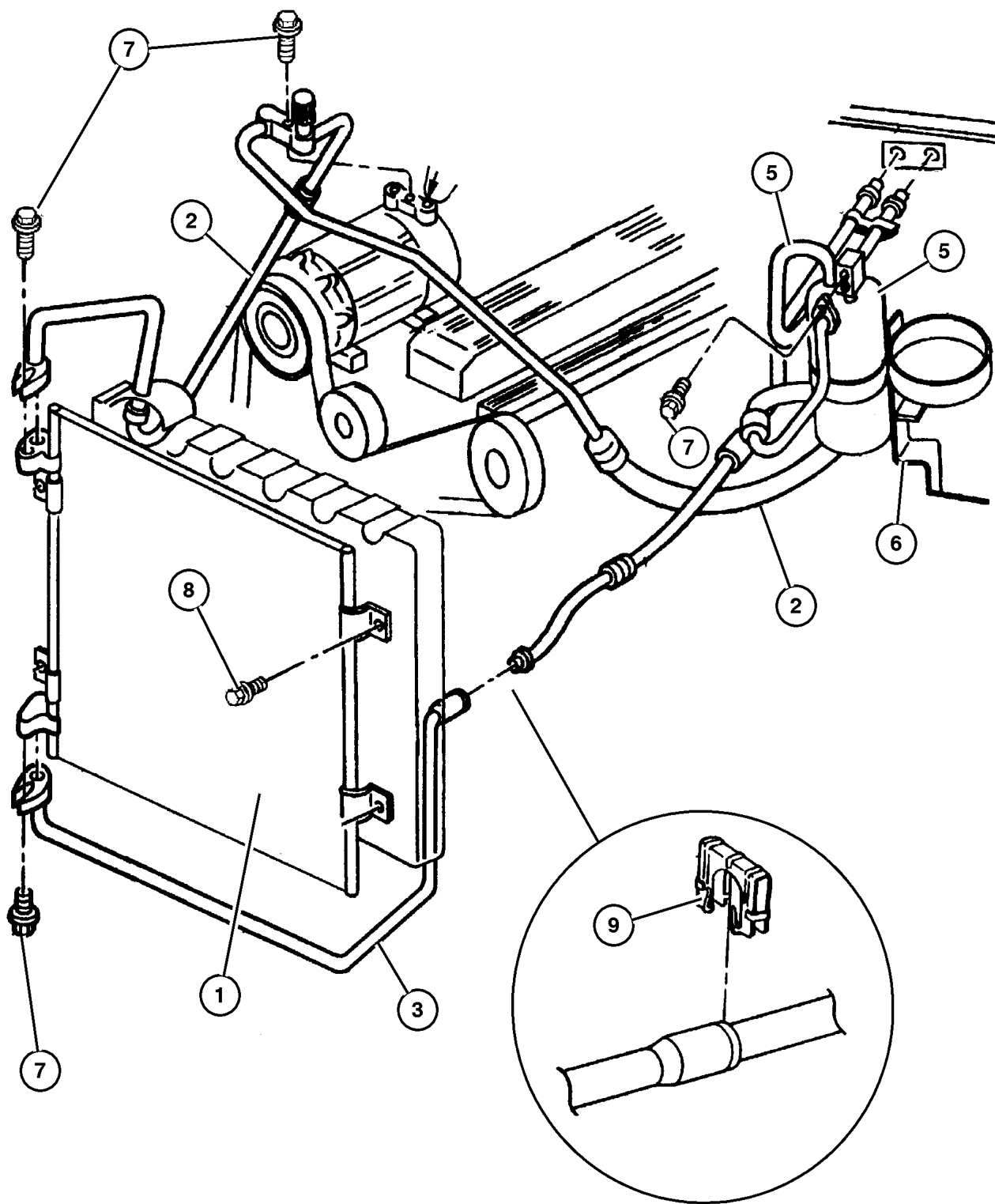


<b>JEEP CHEROKEE (XJ)</b>				
SERIES	LINE	BODY	ENGINE	TRANSMISSION
L=Low Line	J=LHD (4WD) U=RHD (4WD) T=LHD (2WD) B=RHD (2WD)	74=4 DR. (101.4 WB) 72=2 DR. (101.4 WB)	ENC,EN0=2.5L 4 cyl. Turbo Die ERH,ER0=4.0L Power Tech I-6 EPE,EP0=Magnum 2.5L SMPI	DDQ=5Spd Man. DGS=4 Spd. Auto. AISIN DG0=All Auto Trans DBB=All Manual Trans.

AR = Use as required - = Non illustrated part # = New this model year

July 4, 2003

Plumbing, Air Conditioning 2.5L Gas Engine, RHD 1999 XJ  
Figure 024-260



ITEM	PART NUMBER	QTY	LINE	SERIES	BODY	ENGINE	TRANS	TRIM	DESCRIPTION
Note: Sales Code EP0 = 2.5L Gas Engine									
1	55036 595AD	1	J, T			EP0,			CONDENSER, A/C
2	55037 493AA	1	B, U			EP0			LINE, A/C Suction & Discharge
3	55037 495AA	1	B, U			EP0			LINE, A/C Liquid
-4	5503 7220	1	B, U			EP0			BRACKET, A/C Line
5	55037 479AB	1	B, U			EP0			ACCUMULATOR, Suction Line
6	55036 620AD	1	B, U			EP0,			BRACKET, Accumulator
7	1150 2628	2				EP0			BOLT, Hex Flange Head, M8x1.25x30
8									BOLT AND CONED WASHER, Hex Head, M8x30x20, (NOT SERVICED) (Not Serviced)
9	4596 152	2				EP0			CLIP, A/C Quick Disconnect Discharge Line
	4596 153	1							Suction Liquid Line
-10	4897 617AA	1	B, U			EP0			SWITCH, A/C High Pressure Cut Off
-11	4740 401	2	B, U			EP0			O RING, A/C Suction Line
-12	4882 334	1	B, U			EP0			VALVE, A/C Discharge Line Check
-13	4882 335	1	B, U			EP0			CAP, A/C Check Valve
-14	4761 737	1	B, U			EP0			O RING, A/C Suction Line
-15	4762 788	1	B, U			ER0			VALVE CORE, Service Port
-16	4728 856	1	B, U			EP0			SPRING, Quick Disconnect
-17	4741 705	1	B, U			EP0			O RING, A/C Liquid Line

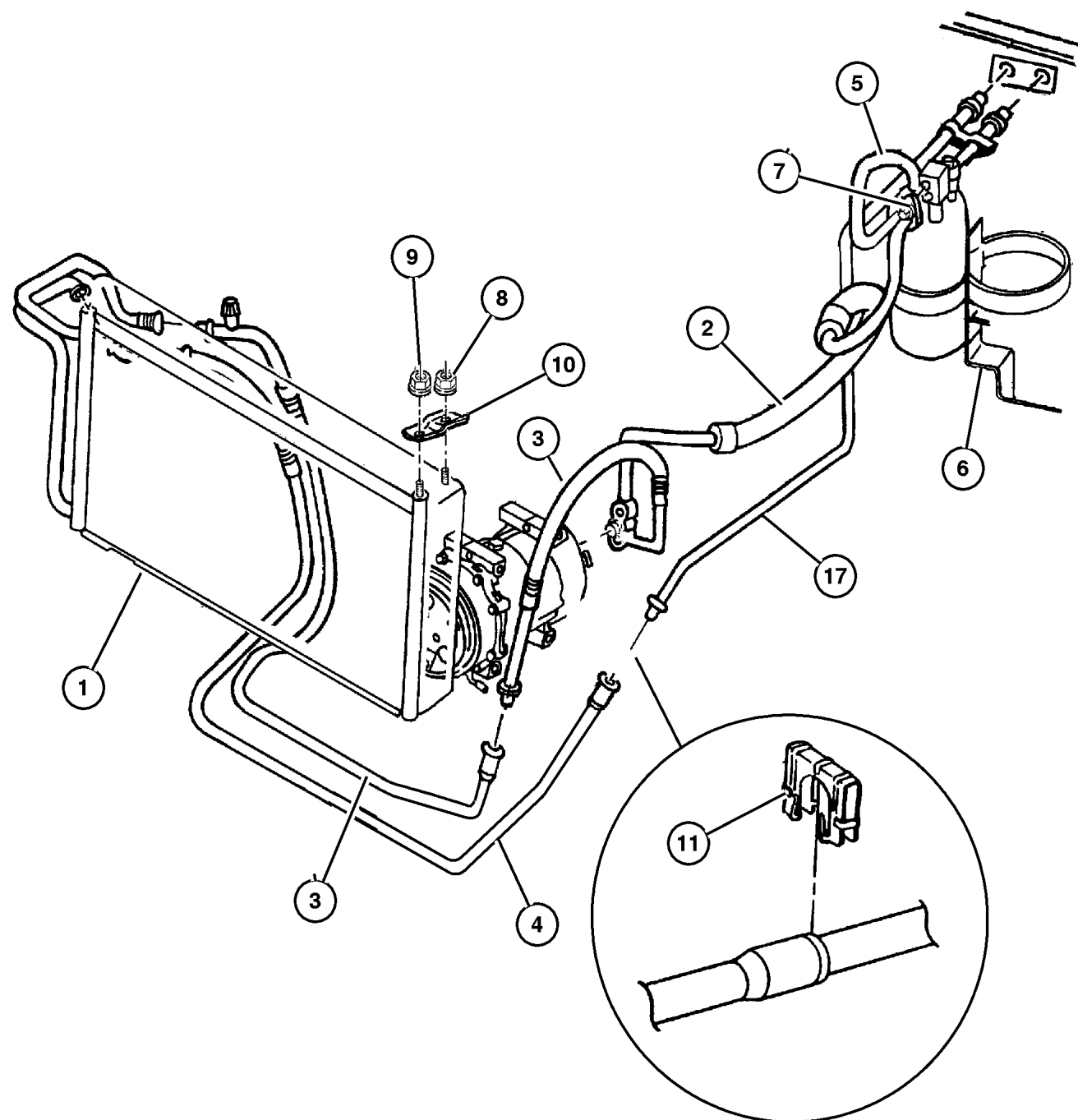
JEEP CHEROKEE (XJ)

SERIES	LINE	BODY	ENGINE	TRANSMISSION
L=Low Line	J=LHD (4WD) U=RHD (4WD) T=LHD (2WD) B=RHD (2WD)	74=4 DR. (101.4 WB) 72=2 DR. (101.4 WB)	ENC,EN0=2.5L 4 cyl. Turbo Die ERH,ER0=4.0L Power Tech I-6 EPE,EP0=Magnum 2.5L SMPI	DDQ=5Spd Man. DGS=4 Spd. Auto. AISIN DG0=All Auto Trans DBB=All Manual Trans.

AR = Use as required - = Non illustrated part # = New this model year

July 4, 2003

**Plumbing, Air Conditioning 4.0L Engine RHD 1997 XJ 1998 XJ**  
**Figure 024-270**



ITEM	PART NUMBER	QTY	LINE	SERIES	BODY	ENGINE	TRANS	TRIM	DESCRIPTION
Note: Sales Code ER0 = 4.0L Engine									
1	55037 434AA	1	B, U			ER0			CONDENSER, A/C 1997 XJ
		1	B, U			EP0, ER0			1998 XJ
2	5503 6638	1	B, U			ER0			LINE, A/C Suction & Discharge
3	55037 446AB	1	B, U			ER0			LINE, A/C Discharge
4	5503 6633	1	B, U			ER0			LINE, A/C Liquid
5									ACCUMULATOR, Suction Line
	5503 6649	1	B, U						1997 XJ
	55036 649AB	1	B, U			EN0, ER0			1998 XJ
6									BRACKET, Accumulator
	5503 6620	1	B, U						1997 XJ
	55036 620AB	1	B, U						1998 XJ
7	1150 2628	1							BOLT, Hex Flange Head, M8x1. 25x30
8									NUT, Hex Flange, M5x.8
	1150 2722	4				EN0, ER0			1997 XJ
		2				EN0, ER0			1998 XJ
9									NUT, Hex, M6
	6100 814	2				EN0, EP0			1997 XJ
		2				EN0, ER0			1998 XJ
10	5600 2231	2				ER0			BRACKET, Radiator to Condenser
11									CLIP, A/C Quick Disconnect
	4596 152	4	B, U			ER0			Discharge Line
	4596 153	1							Suction Liquid Line
-12									SWITCH, A/C High Pressure Cut Off
	4773 190	1	B, U			ER0			1997 XJ
	4897 617AA	1	B, U			ER0			1998 XJ
-13									O RING, A/C Suction Line
	4740 401	1	B, U						1997 XJ
		1	B, U			EN0, ER0			1998 XJ
-14									VALVE, A/C Discharge Line Check
	4723 029	1	B, U						1998 XJ
	4882 331	1	B, U			ER0			1997 XJ
-15	5264 642	1	B, U			ER0			CAP, A/C Check Valve

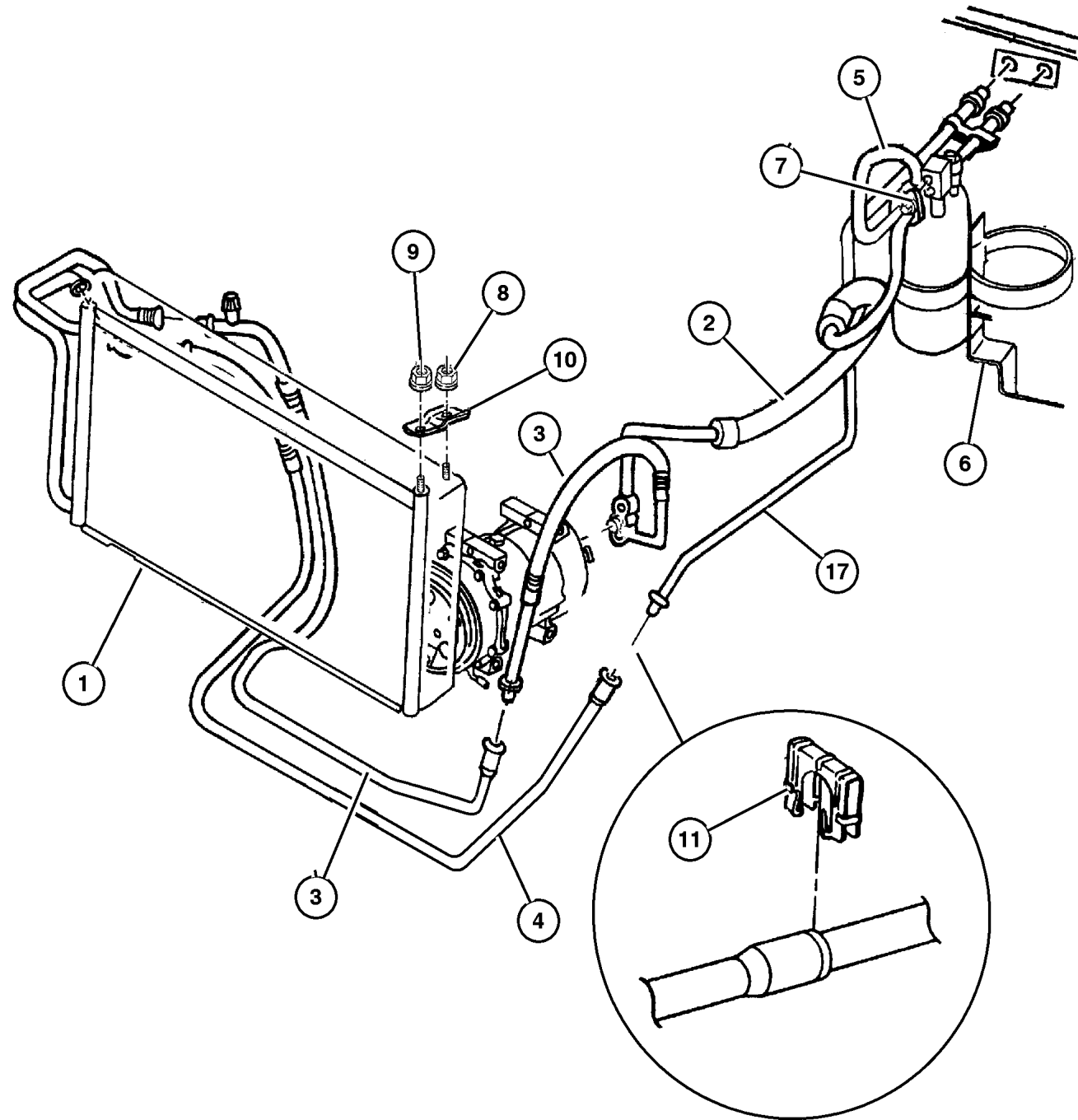
**JEEP CHEROKEE (XJ)**

SERIES	LINE	BODY	ENGINE	TRANSMISSION
L=Low Line	J=LHD (4WD) U=RHD (4WD) T=LHD (2WD) B=RHD (2WD)	74=4 DR. (101.4 WB) 72=2 DR. (101.4 WB)	ENC,EN0=2.5L 4 cyl. Turbo Die ERH,ER0=4.0L Power Tech I-6 EPE,EP0=Magnum 2.5L SMPI	DDQ=5Spd Man. DGS=4 Spd. Auto. AISIN DG0=All Auto Trans DBB=All Manual Trans.

AR = Use as required - = Non illustrated part # = New this model year

July 4, 2003

Plumbing, Air Conditioning 4.0L Engine RHD 1997 XJ 1998 XJ  
Figure 024-270



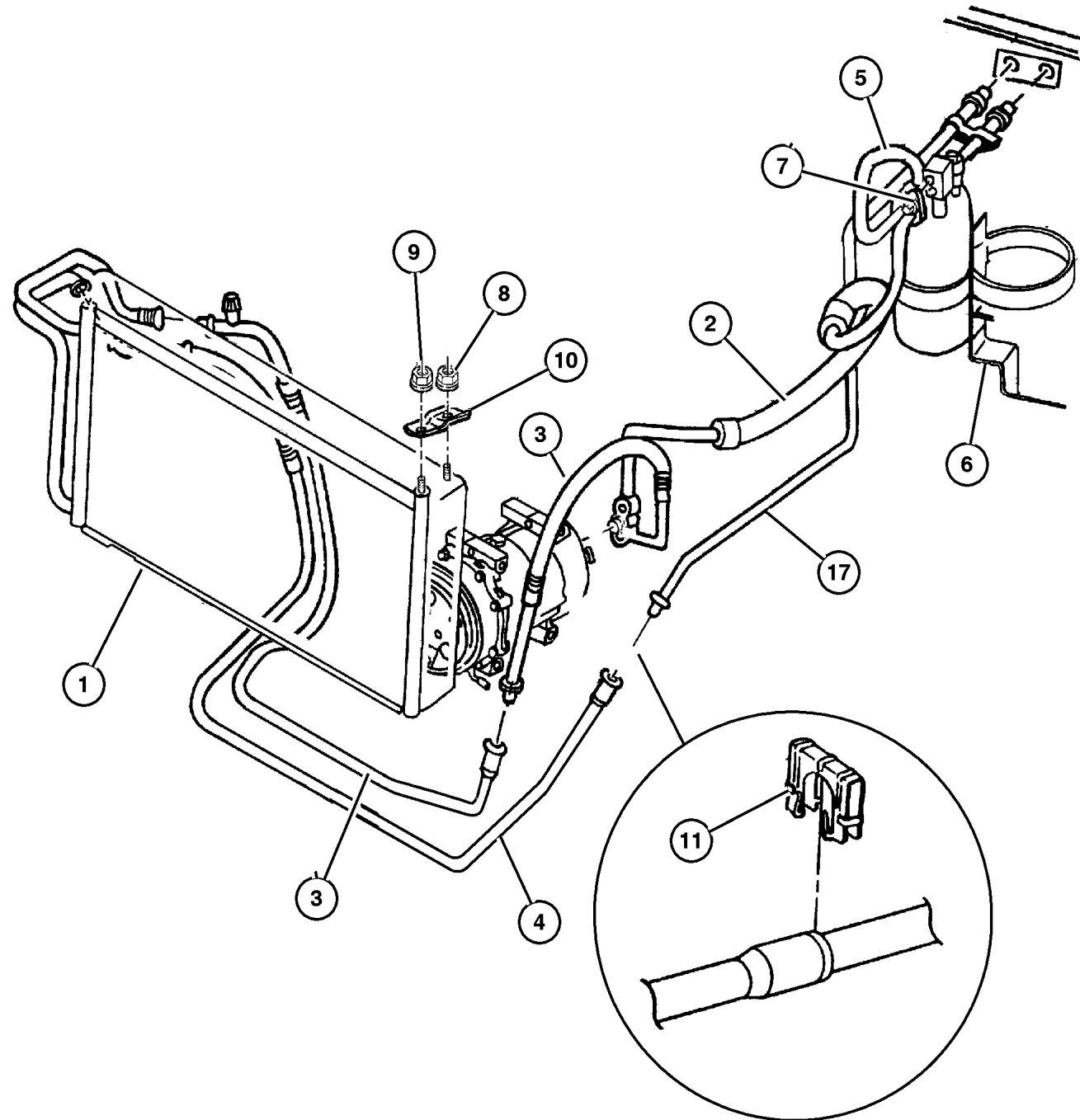
ITEM	PART NUMBER	QTY	LINE	SERIES	BODY	ENGINE	TRANS	TRIM	DESCRIPTION
-16	4762 788	1	B, U			ER0			VALVE CORE, Service Port
17									LINE, A/C Liquid
	55036 632AC	1	J, T			ER0			1998 XJ
	55037 218AB	1	B, U			ER0			1997 XJ

JEEP CHEROKEE (XJ)				
SERIES	LINE	BODY	ENGINE	TRANSMISSION
L=Low Line	J=LHD (4WD) U=RHD (4WD) T=LHD (2WD) B=RHD (2WD)	74=4 DR. (101.4 WB) 72=2 DR. (101.4 WB)	ENC,EN0=2.5L 4 cyl. Turbo Die ERH,ER0=4.0L Power Tech I-6 EPE,EP0=Magnum 2.5L SMPI	DDQ=5Spd Man. DGS=4 Spd. Auto. AISIN DG0=All Auto Trans DBB=All Manual Trans.

AR = Use as required - = Non illustrated part # = New this model year

July 4, 2003

Plumbing, Air Conditioning, 4.0L Engine, RHD 1999 XJ  
Figure 024-270



ITEM	PART NUMBER	QTY	LINE	SERIES	BODY	ENGINE	TRANS	TRIM	DESCRIPTION
Note: Sales Code ER0 = 4.0L Engine									
1	55037 434AA	1	B, U			EP0, ER0			CONDENSER, A/C
2	5503 6638	1	B, U			ER0			LINE, A/C Suction & Discharge
3	55037 446AB	1	B, U			ER0			LINE, A/C Discharge
4	55036 633AB	1	B, U			ER0			LINE, A/C Liquid
5	55036 649AC	1	B, U			EN0, ER0			ACCUMULATOR, Suction Line
6	55036 620AD	1	B, U			EP0, ER0			BRACKET, Accumulator
7	1150 2628	2				EP0			BOLT, Hex Flange Head, M8x1.25x30
8	1150 2722	2				EN0, ER0			NUT, Hex Flange, M5x.8
9	6100 814	2							NUT, Hex, M6
10	5600 2231	2							BRACKET, Radiator to Condenser
11									CLIP, A/C Quick Disconnect
	4596 152	4	B, U			ER0			Discharge Line
	4596 153	1							Suction Liquid Line
-12	4897 617AA	1	B, U			ER0			SWITCH, A/C High Pressure Cut Off
-13	4740 401	1	B, U			ER0			O RING, A/C Suction Line
-14	4723 029	1	B, U			ER0			VALVE, A/C Discharge Line Check
-15	5264 642	1	B, U			ER0			CAP, A/C Check Valve
-16	4762 788	1	B, U			ER0			VALVE CORE, Service Port
17	55036 632AC	1	J, T			ER0			LINE, A/C Liquid

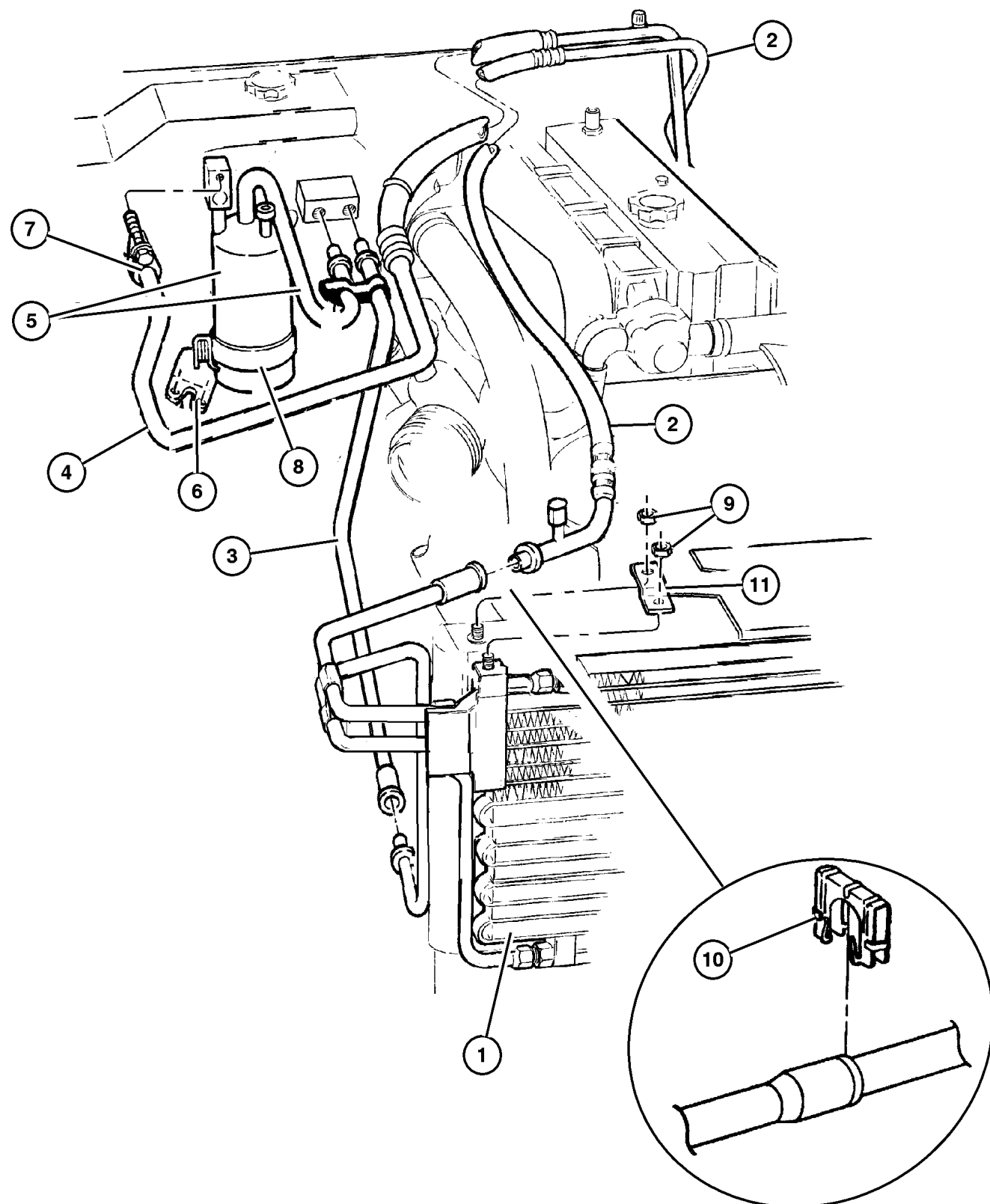
JEEP CHEROKEE (XJ)

SERIES	LINE	BODY	ENGINE	TRANSMISSION
L=Low Line	J=LHD (4WD) U=RHD (4WD) T=LHD (2WD) B=RHD (2WD)	74=4 DR. (101.4 WB) 72=2 DR. (101.4 WB)	ENC,EN0=2.5L 4 cyl. Turbo Die ERH,ER0=4.0L Power Tech I-6 EPE,EP0=Magnum 2.5L SMPI	DDQ=5Spd Man. DGS=4 Spd. Auto. AISIN DG0=All Auto Trans DBB=All Manual Trans.

AR = Use as required - = Non illustrated part # = New this model year

July 4, 2003

**Plumbing, Air Conditioning 2.5L Diesel Engine LHD 1997 XJ 1998 XJ  
Figure 024-280**



ITEM	PART NUMBER	QTY	LINE	SERIES	BODY	ENGINE	TRANS	TRIM	DESCRIPTION
Note: Sales Code EN0 = 2.5L Diesel Engine									
1	55036 599AB	1				EN0			CONDENSER, A/C
2	55037 366AB	1	J, T			EN0			LINE, A/C Suction
3	5503 6650	1	J, T			EN0			LINE, A/C Liquid
4	5503 6652	1	J, T			EN0			LINE, A/C Discharge
5									ACCUMULATOR, Suction Line
	55036 648AB	1	J, T			EN0			1997 XJ
	55036 648AC	1	J, T			EN0			1998 XJ
6	5503 6646	1	J, T			EN0			BRACKET, Accumulator
7									BOLT, Hex Flange Head, M8x1.25x30
	1150 2628	3				EP0			1997 XJ
		1							1998 XJ
8									BAND, Accumulator Retaining
	55036 206AB	1	J, T			EP0, ER0			1997 XJ
	55037 410AA	1	J, T			EN0			1998 XJ
9									NUT, Hex, M6
	6100 814	2				EN0, EP0			1997 XJ
		2				EN0, ER0			1998 XJ
10									CLIP, A/C Quick Disconnect
	4596 152	3	J, T			ER0			Discharge Line
	4596 153	1							Suction Liquid Line
11									BRACKET, Radiator to Condenser
	5600 2231	2				EN0, ER0			1997 XJ
		2				ER0			1998 XJ
-12	4740 401	1	J, T			EN0			O RING, A/C Suction Line
-13									VALVE, A/C Discharge Line Check
	4723 029	1	J, T			EN0			1998 XJ
	4882 334	1	B, U			EN0			1997 XJ
		1	J, T			EN0			1997 XJ
-14									VALVE CORE, Service Port
	4762 788	1	J, T			EN0			1997 XJ
		1	B, U			EN0			1997 XJ

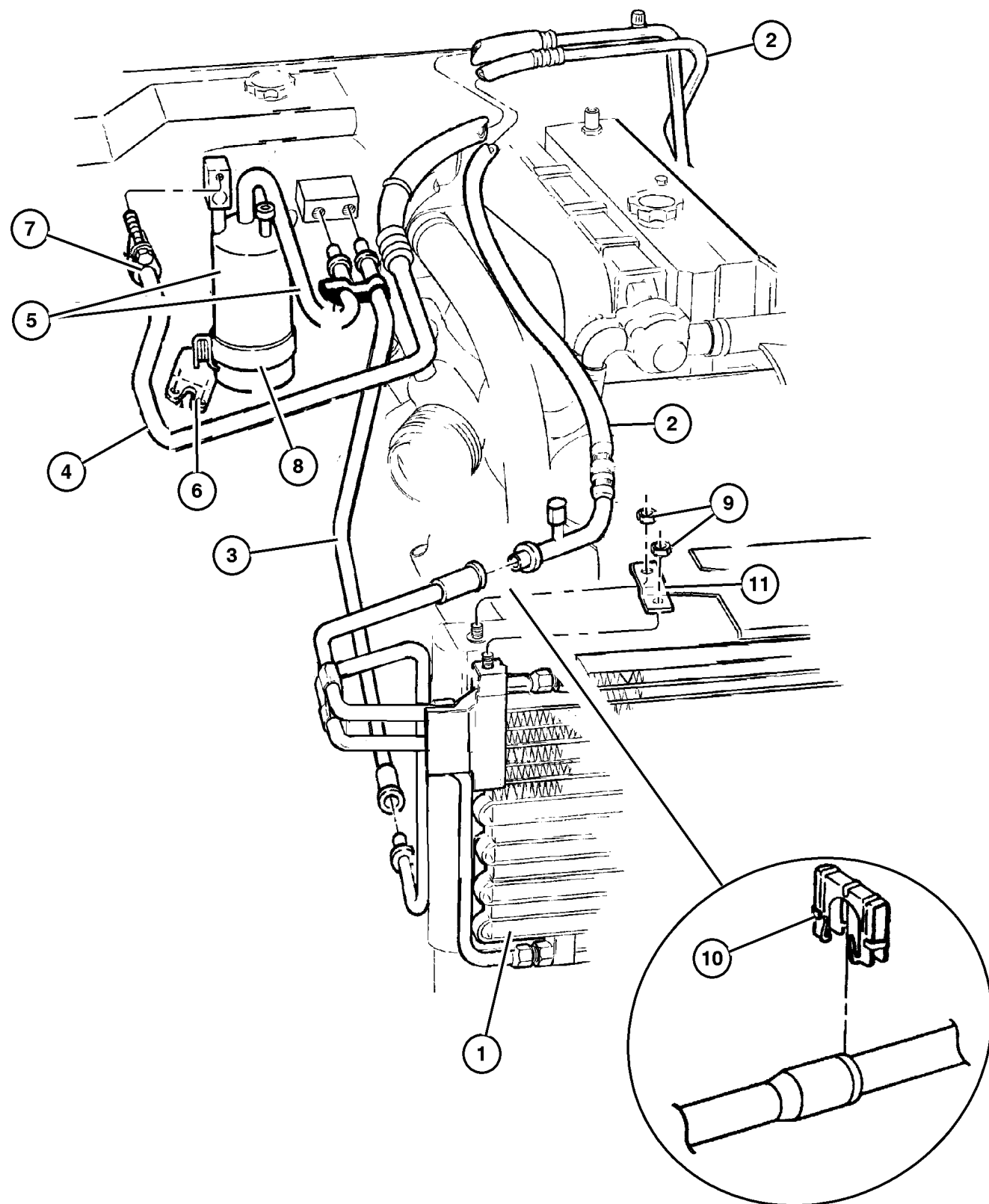
**JEEP CHEROKEE (XJ)**

SERIES	LINE	BODY	ENGINE	TRANSMISSION
L=Low Line	J=LHD (4WD) U=RHD (4WD) T=LHD (2WD) B=RHD (2WD)	74=4 DR. (101.4 WB) 72=2 DR. (101.4 WB)	ENC,EN0=2.5L 4 cyl. Turbo Die ERH,ER0=4.0L Power Tech I-6 EPE,EP0=Magnum 2.5L SMPI	DDQ=5Spd Man. DGS=4 Spd. Auto. AISIN DG0=All Auto Trans DBB=All Manual Trans.

AR = Use as required - = Non illustrated part # = New this model year

July 4, 2003

**Plumbing, Air Conditioning, 2.5L Diesel Engine, LHD 1999 XJ**  
**Figure 024-280**



ITEM	PART NUMBER	QTY	LINE	SERIES	BODY	ENGINE	TRANS	TRIM	DESCRIPTION
Note: Sales Code EN0 = 2.5L Diesel Engine									
1	55036 599AB	1				EN0			CONDENSER, A/C
2	55037 366AB	1	J, T			EN0			LINE, A/C Suction
3	5503 6650	1	J, T			EN0			LINE, A/C Liquid
4	5503 6652	1	J, T			EN0			LINE, A/C Discharge
5	55036 648AD	1	J, T			EN0			ACCUMULATOR, Suction Line
6	5503 6646	1	J, T			EN0			BRACKET, Accumulator
7	1150 2628	2				EPO			BOLT, Hex Flange Head, M8x1.25x30
8	55037 410AB	1	J, T			EN0			BAND, Accumulator Retaining
9	6100 814	2							NUT, Hex, M6
10	4596 152	3				EN0			CLIP, A/C Quick Disconnect
11	5600 2231	2							BRACKET, Radiator to Condenser
-12	4740 401	1	J, T			EN0			O RING, A/C Suction Line
-13	4723 029	1	J, T			EN0			VALVE, A/C Discharge Line Check
-14	4762 788	1	B, U			EN0			VALVE CORE, Service Port

**JEEP CHEROKEE (XJ)**

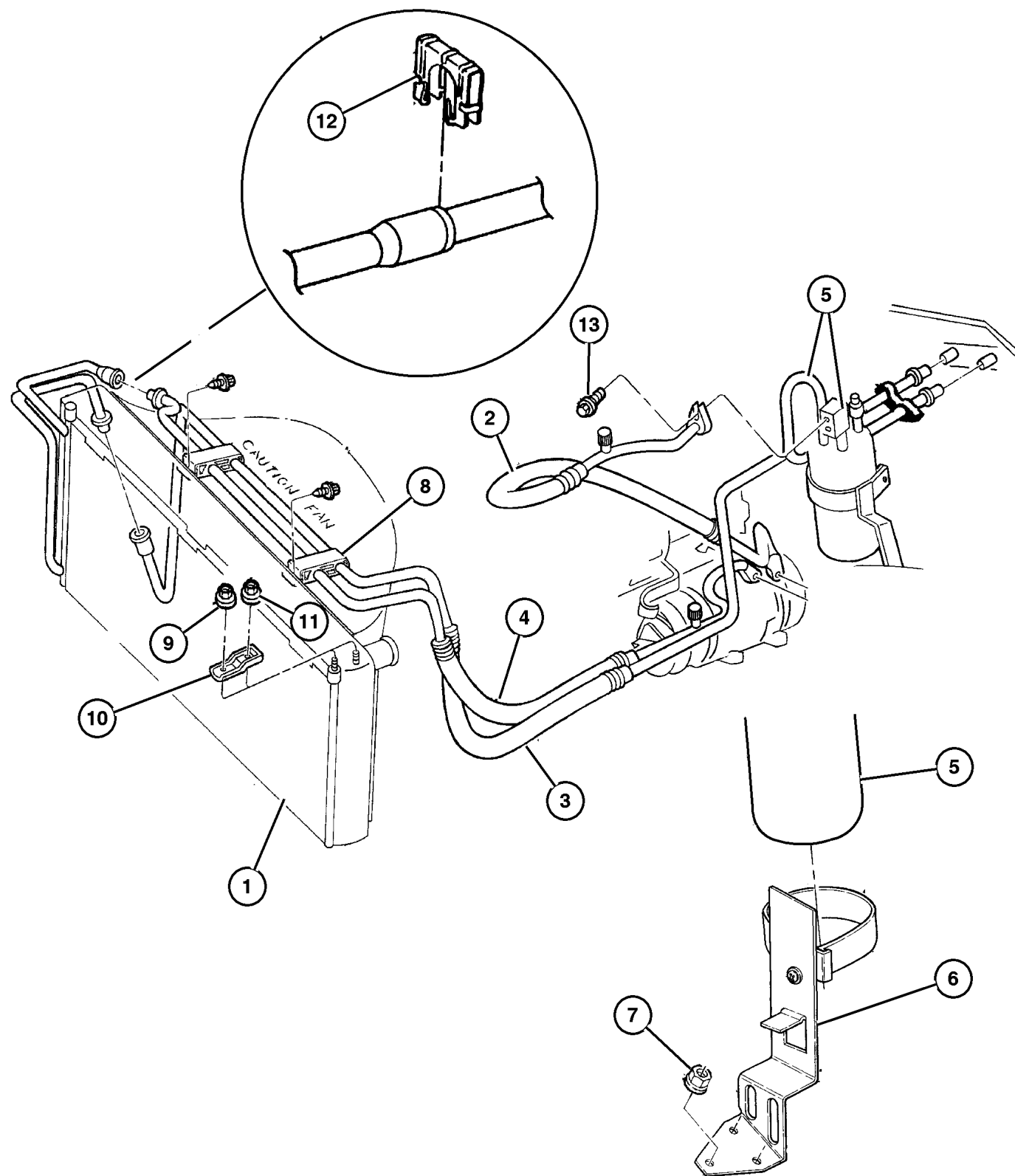
SERIES	LINE	BODY	ENGINE	TRANSMISSION
L=Low Line	J=LHD (4WD) U=RHD (4WD) T=LHD (2WD) B=RHD (2WD)	74=4 DR. (101.4 WB) 72=2 DR. (101.4 WB)	ENC,EN0=2.5L 4 cyl. Turbo Die ERH,ER0=4.0L Power Tech I-6 EPE,EPO=Magnum 2.5L SMPI	DDQ=5Spd Man. DGS=4 Spd. Auto. AISIN DG0=All Auto Trans DBB=All Manual Trans.

AR = Use as required - = Non illustrated part # = New this model year

July 4, 2003



**Plumbing, Air Conditioning 2.5L Diesel Engine RHD 1997 XJ 1998 XJ  
Figure 024-290**



ITEM	PART NUMBER	QTY	LINE	SERIES	BODY	ENGINE	TRANS	TRIM	DESCRIPTION
Note: Sales Code EN0 = 2.5L Diesel Engine									
1	55036 599AB	1				EN0			CONDENSER, A/C
2	55036 653AB	1	B, U			EN0			LINE, A/C Suction
3	55036 651AB	1	B, U			EN0			LINE, A/C Liquid
	55037 494AA	1	B, U			EN0			1997 XJ
4	55037 497AA	1	B, U			EN0			LINE, A/C Discharge
	5503 7821	1	B, U			EN0			1998 XJ
	5503 7821	1	B, U			EN0			1997 XJ
5	5503 6649	1	B, U			EN0, ER0			ACCUMULATOR, Suction Line
	55036 649AB	1	B, U			EN0, ER0			1997 XJ
	55036 649AB	1	B, U			EN0, ER0			1998 XJ
6	5503 6647	1	B, U			EN0			BRACKET, Accumulator
7	6033 560	3	B, U						NUT AND WASHER, Hex Nut-Coned Washer, .25-20
8	5503 7344	2	B, U			EN0			CLIP, Discharge Line
	5503 7344	2	B			EN0			1998 XJ
9	6100 814	2				EN0, EP0			NUT, Hex, M6
	6100 814	2				EN0, ER0			1997 XJ
	6100 814	2				EN0, ER0			1998 XJ
10	5600 2231	2				ER0			BRACKET, Radiator to Condenser
11	1150 2722	2				ER0			NUT, Hex Flange, M5x.8
12	4596 152	4	B, U			ER0			CLIP, A/C Quick Disconnect
	4596 153	1							Discharge Line
	4596 153	1							Suction Liquid Line
13	1150 2628	1							BOLT, Hex Flange Head, M8x1.25x30
-14	4740 401	1	B, U						O RING, A/C Suction Line
	4740 401	1	B, U			EN0, ER0			1997 XJ
	4740 401	1	B, U			EN0, ER0			1998 XJ
-15	4882 334	1	B, U			EN0			VALVE, A/C Discharge Line Check
-16	4882 335	1	B, U			EN0			CAP, A/C Check Valve
	4882 335	1	B, U			EN0			1998 XJ
	5264 642	1	B, U			EN0			1997 XJ
-17	4762 788	1	B, U			EN0			VALVE CORE, Service Port
-18	4728 856	1	B, U			EN0			SPRING, Quick Disconnect
-19	4741 705	1	B, U			EN0			O RING, A/C Liquid Line

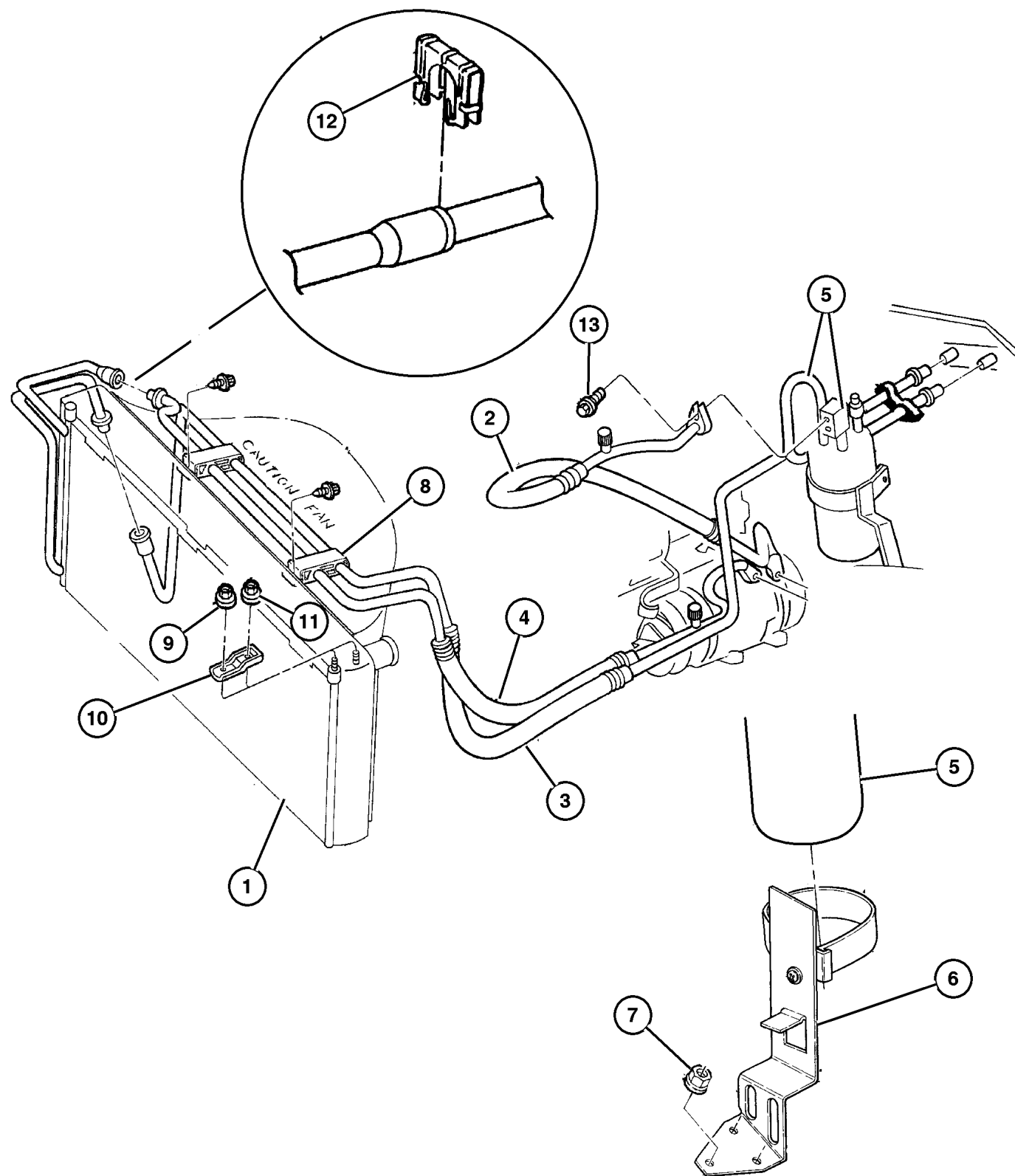
**JEEP CHEROKEE (XJ)**

SERIES	LINE	BODY	ENGINE	TRANSMISSION
L=Low Line	J=LHD (4WD) U=RHD (4WD) T=LHD (2WD) B=RHD (2WD)	74=4 DR. (101.4 WB) 72=2 DR. (101.4 WB)	ENC,EN0=2.5L 4 cyl. Turbo Die ERH,ER0=4.0L Power Tech I-6 EPE,EP0=Magnum 2.5L SMPI	DDQ=5Spd Man. DGS=4 Spd. Auto. AISIN DG0=All Auto Trans DBB=All Manual Trans.

AR = Use as required - = Non illustrated part # = New this model year

July 4, 2003

Plumbing, Air Conditioning, 2.5L Diesel Engine, RHD 1999 XJ  
Figure 024-290



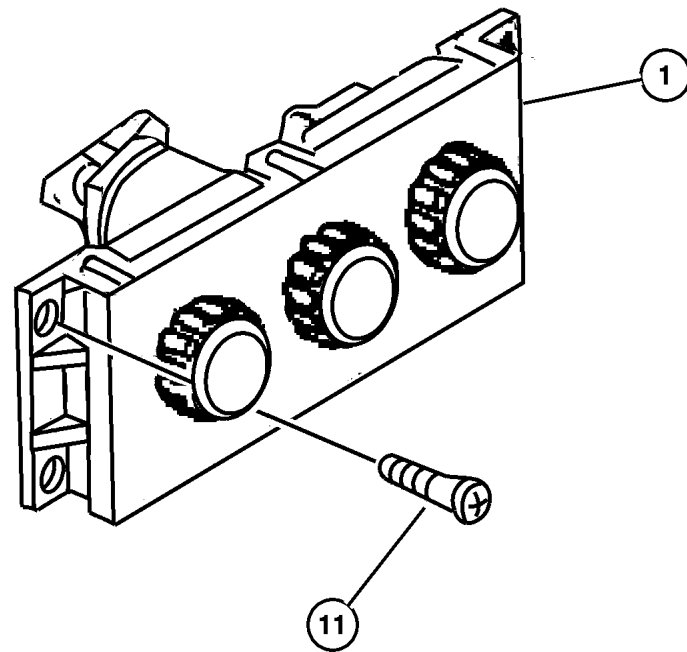
ITEM	PART NUMBER	QTY	LINE	SERIES	BODY	ENGINE	TRANS	TRIM	DESCRIPTION
Note: Sales Code EN0 = 2.5L Diesel Engine									
1	55036 599AB	1				EN0			CONDENSER, A/C
2	55036 653AB	1	B, U			EN0			LINE, A/C Suction
3	55037 494AA	1	B, U			EN0			LINE, A/C Liquid
4	55037 497AB	1	B, U			EN0			LINE, A/C Discharge
5	55036 649AC	1	B, U			EN0, ER0			ACCUMULATOR, Suction Line
6	55036 647AB	1	B, U			EN0			BRACKET, Accumulator
7	6033 560	1							NUT AND WASHER, Hex Nut-Coned Washer, .25-20
8	5503 7344	2	B, U			EN0			CLIP, Discharge Line
9	6100 814	2							NUT, Hex, M6
10	5600 2231	2				EN0			BRACKET, Radiator to Condenser
11	1150 2722	2				EN0, ER0			NUT, Hex Flange, M5x.8
12	4596 152	3				EN0			CLIP, A/C Quick Disconnect
13	1150 2628	2				EPO			BOLT, Hex Flange Head, M8x1. 25x30
-14	4740 401	1	B, U			EN0, ER0			O RING, A/C Suction Line
-15	4882 334	1	B, U			EN0			VALVE, A/C Discharge Line Check
-16	4882 335	1	B, U			EN0			CAP, A/C Check Valve
-17	4762 788	1	B, U			EN0			VALVE CORE, Service Port
-18	4728 856	1	B, U			EN0			SPRING, Quick Disconnect
-19	4741 705	1	B, U			EN0			O RING, A/C Liquid Line

JEEP CHEROKEE (XJ)				
SERIES	LINE	BODY	ENGINE	TRANSMISSION
L=Low Line	J=LHD (4WD) U=RHD (4WD) T=LHD (2WD) B=RHD (2WD)	74=4 DR. (101.4 WB) 72=2 DR. (101.4 WB)	ENC,EN0=2.5L 4 cyl. Turbo Die ERH,ER0=4.0L Power Tech I-6 EPE,EPO=Magnum 2.5L SMPI	DDQ=5Spd Man. DGS=4 Spd. Auto. AISIN DG0=All Auto Trans DBB=All Manual Trans.

AR = Use as required - = Non illustrated part # = New this model year

July 4, 2003

**Control, Heater and Air Conditioning 1997 XJ 1998 XJ**  
**Figure 024-310**



ITEM	PART NUMBER	QTY	LINE	SERIES	BODY	ENGINE	TRANS	TRIM	DESCRIPTION
1									CONTROL, A/C And Heater
	5011 343AA	1	J, T						
		1	B, U						
-2									CABLE, Temperature Control
	5003 393AA	1	J, T						
	5003 394AA	1	B, U						1998 XJ
-3									KNOB, A/C And Heater Control - Slide
	4882 861	3	J						1997 XJ
		3	B						1997 XJ
		3	J, T						1998 XJ
		3	B, U						1998 XJ
-4									HARNES, A/C And Heater Vacuum
	5011 341AA	1	J, T						
		1	B, U						
-5	5003 281AA	1	J, T						BULB, Heater and A/C Control
-6									CONTROL, Heater
	5011 342AA	1	J, T						
		1	B, U						
-7									CABLE, Temperature Control
	5003 393AA	1	J, T						
	5003 394AA	1	B, U						
-8									KNOB, A/C And Heater Control - Slide
	4882 861	3	B						1997 XJ
		3	J, T						1998 XJ
		3	B, U						1998 XJ
-9									HARNES, Heater Vacuum
	5011 340AA	1	J, T						
		1	B, U						1997 XJ
-10	5003 281AA	1	J, T						BULB, Heater and A/C Control
11	6032 723	4							SCREW, Self Tapping, M4.2x1.69x19.05
-12									HOSE AND VALVE, Vacuum
	55036 912AB	1	J, T			ER0			
	55036 913AB	1	J, T			EN0			1997 XJ
	55036 916AB	1	B, U			EN0			1997 XJ
	55036 917AB	1	B, U			EP0			w/Max. Cooling, 1997 XJ
	55036 918AB	1	B, U			ER0			w/Max. Cooling, 1997 XJ
	55037 468AA	1	B, U			EP0			w/o Max. Cooling, 1997 XJ
	55037 469AA	1	B, U			ER0			w/o Max. Cooling, 1997 XJ
	5503 6909	1	J, T			EP0			1998 XJ

**JEEP CHEROKEE (XJ)**

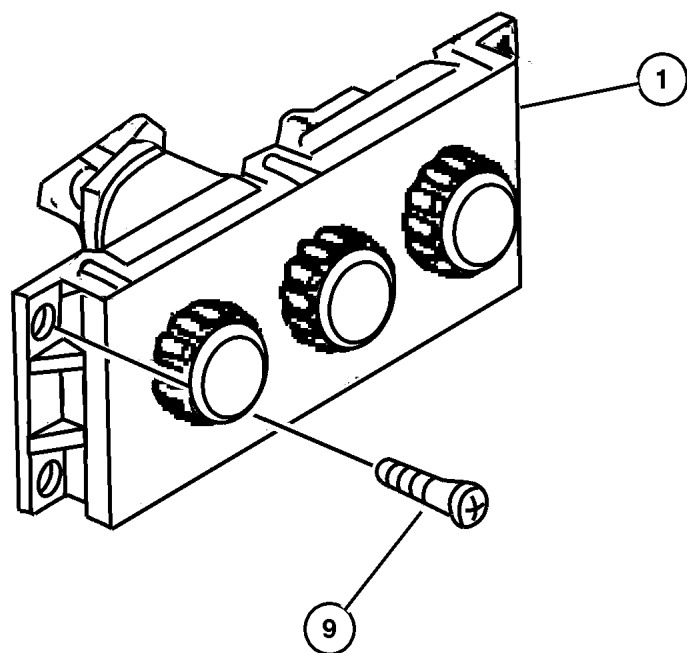
SERIES	LINE	BODY	ENGINE	TRANSMISSION
L=Low Line	J=LHD (4WD) U=RHD (4WD) T=LHD (2WD) B=RHD (2WD)	74=4 DR. (101.4 WB) 72=2 DR. (101.4 WB)	ENC,EN0=2.5L 4 cyl. Turbo Die ERH,ER0=4.0L Power Tech I-6 EPE,EP0=Magnum 2.5L SMPI	DDQ=5Spd Man. DGS=4 Spd. Auto. AISIN DG0=All Auto Trans DBB=All Manual Trans.

AR = Use as required - = Non illustrated part # = New this model year

July 4, 2003

**Control, Heater and Air Conditioning 1999 XJ  
Figure 024-310**

ITEM	PART NUMBER	QTY	LINE	SERIES	BODY	ENGINE	TRANS	TRIM	DESCRIPTION
Note: Sales Code EP0 = 2.5L Gas Engine									
1	#5011 343AB	1							CONTROL, A/C And Heater
-2	4882 861	3							KNOB, A/C And Heater Control - Slide
-3	55036 909AC	1	J, T			EP0			VACUUM HARNESS, Heater and A/C
-4	5003 281AA	1							BULB, Heater and A/C Control
-5	#5011 342AB	1							CONTROL, Heater
-6	4882 861	3							KNOB, A/C And Heater Control - Slide
-7	5011 340AB	1							HARNESS, Heater Vacuum
-8	5003 281AA	1							BULB, Heater and A/C Control
9	6032 723	2							SCREW, Self Tapping, M4.2x1.69x19.05
-10	55036 909AC	1	J, T			EP0			VACUUM HARNESS, Heater and A/C, For ER0 use 55037565AB

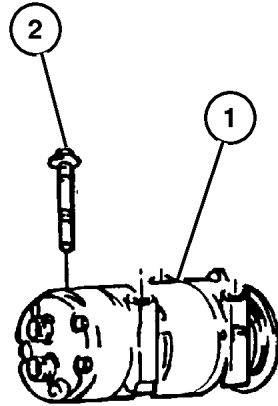


<b>JEEP CHEROKEE (XJ)</b>				
SERIES	LINE	BODY	ENGINE	TRANSMISSION
L=Low Line	J=LHD (4WD) U=RHD (4WD) T=LHD (2WD) B=RHD (2WD)	74=4 DR. (101.4 WB) 72=2 DR. (101.4 WB)	ENC,EN0=2.5L 4 cyl. Turbo Die ERH,ER0=4.0L Power Tech I-6 EPE,EP0=Magnum 2.5L SMPI	DDQ=5Spd Man. DGS=4 Spd. Auto. AISIN DG0=All Auto Trans DBB=All Manual Trans.

AR = Use as required - = Non illustrated part # = New this model year

July 4, 2003

**Compressor, Air Conditioning 2.5,4.0L Gas Engines 1997 XJ 1998 XJ  
Figure 024-410**



ITEM	PART NUMBER	QTY	LINE	SERIES	BODY	ENGINE	TRANS	TRIM	DESCRIPTION
Note: Sales Code EP0 = 2.5L Gas Engine									
Note: Sales Code ER0 = 4.0L Engine									
1	5503 7205	1	J, T			EP0, ER0			COMPRESSOR, Air Conditioning 1997 XJ
	55037 205AD	1				EP0			1998 XJ
		1	J, T			ER0			1998 XJ
	5503 7214	1	B, U			ER0			
2									STUD, (NOT SERVICED) (Not Serviced)
-3									JUNCTION BLOCK, Air Conditioning Lines
	5503 7347	1	B			ER0			1997 XJ
		1	B, U			ER0			1998 XJ
-4	4882 005	1	J			EP0, ER0			CLUTCH, A/C Compressor 1997 XJ
		1	J, T			EP0, ER0			1998 XJ
		1	B			EP0			1997 XJ
		1	B, U			EP0			1998 XJ
	4882 006	1	B, U			ER0			1998 XJ

JEEP CHEROKEE (XJ)				
SERIES	LINE	BODY	ENGINE	TRANSMISSION
L=Low Line	J=LHD (4WD) U=RHD (4WD) T=LHD (2WD) B=RHD (2WD)	74=4 DR. (101.4 WB) 72=2 DR. (101.4 WB)	ENC,EN0=2.5L 4 cyl. Turbo Die ERH,ER0=4.0L Power Tech I-6 EPE,EP0=Magnum 2.5L SMPI	DDQ=5Spd Man. DGS=4 Spd. Auto. AISIN DG0=All Auto Trans DBB=All Manual Trans.

AR = Use as required - = Non illustrated part # = New this model year

July 4, 2003

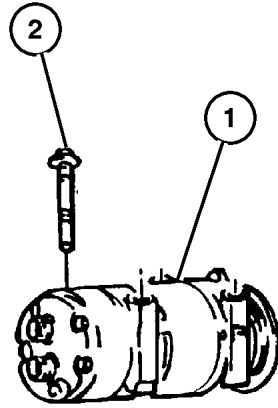
**Compressor, Air Conditioning, 2.5,4.0L Gas Engines 1999 XJ**  
**Figure 024-410**

ITEM	PART NUMBER	QTY	LINE	SERIES	BODY	ENGINE	TRANS	TRIM	DESCRIPTION
------	-------------	-----	------	--------	------	--------	-------	------	-------------

Note: Sales Code EP0 = 2.5L Gas Engine

Note: Sales Code ER0 = 4.0L Engine

1									COMPRESSOR, Air Conditioning
	55037 205AD	1	J, T			ER0			
	5503 7214	1	B, U			ER0			
	55037 205AD	1				EP0			
2									STUD, (NOT SERVICED) (Not Serviced)



**JEEP CHEROKEE (XJ)**

SERIES	LINE	BODY	ENGINE	TRANSMISSION
L=Low Line	J=LHD (4WD) U=RHD (4WD) T=LHD (2WD) B=RHD (2WD)	74=4 DR. (101.4 WB) 72=2 DR. (101.4 WB)	ENC,EN0=2.5L 4 cyl. Turbo Die ERH,ER0=4.0L Power Tech I-6 EPE,EP0=Magnum 2.5L SMPI	DDQ=5Spd Man. DGS=4 Spd. Auto. AISIN DG0=All Auto Trans DBB=All Manual Trans.

AR = Use as required - = Non illustrated part # = New this model year

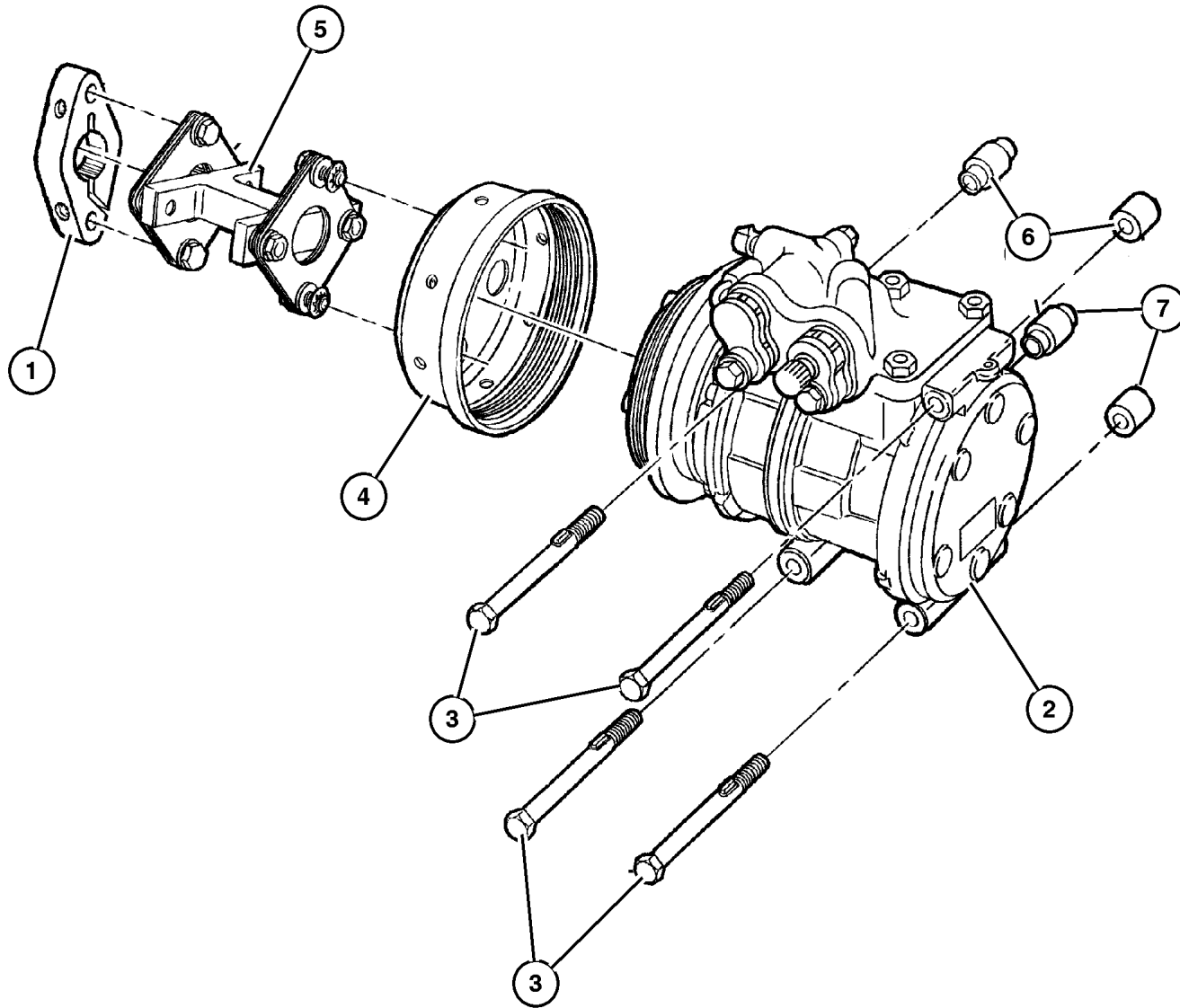
July 4, 2003

**Compressor, Air Conditioning 2.5L Diesel Engine 1997 XJ 1998 XJ**  
**Figure 024-415**

ITEM	PART NUMBER	QTY	LINE	SERIES	BODY	ENGINE	TRANS	TRIM	DESCRIPTION
------	-------------	-----	------	--------	------	--------	-------	------	-------------

Note: Sales Code EN0 = 2.5L Diesel Engine

1	4864 600	1				EN0			FLANGE, Accessory Drive
2									COMPRESSOR, Air Conditioning
	55035 993AB	1				EN0			1997 XJ
	55035 993AC	1				EN0			1998 XJ
3	6503 802	4				EN0			SCREW, M8-1.25
4	4797 754	1				EN0			CUP, A/C DRIVE
5	4797 720	1				EN0			SHAFT, Power Steering Pump
6	5503 6677	2				EN0			SPACER, A/C Compressor, Front
7	5503 6678	2				EN0			SPACER, A/C Compressor



**JEEP CHEROKEE (XJ)**

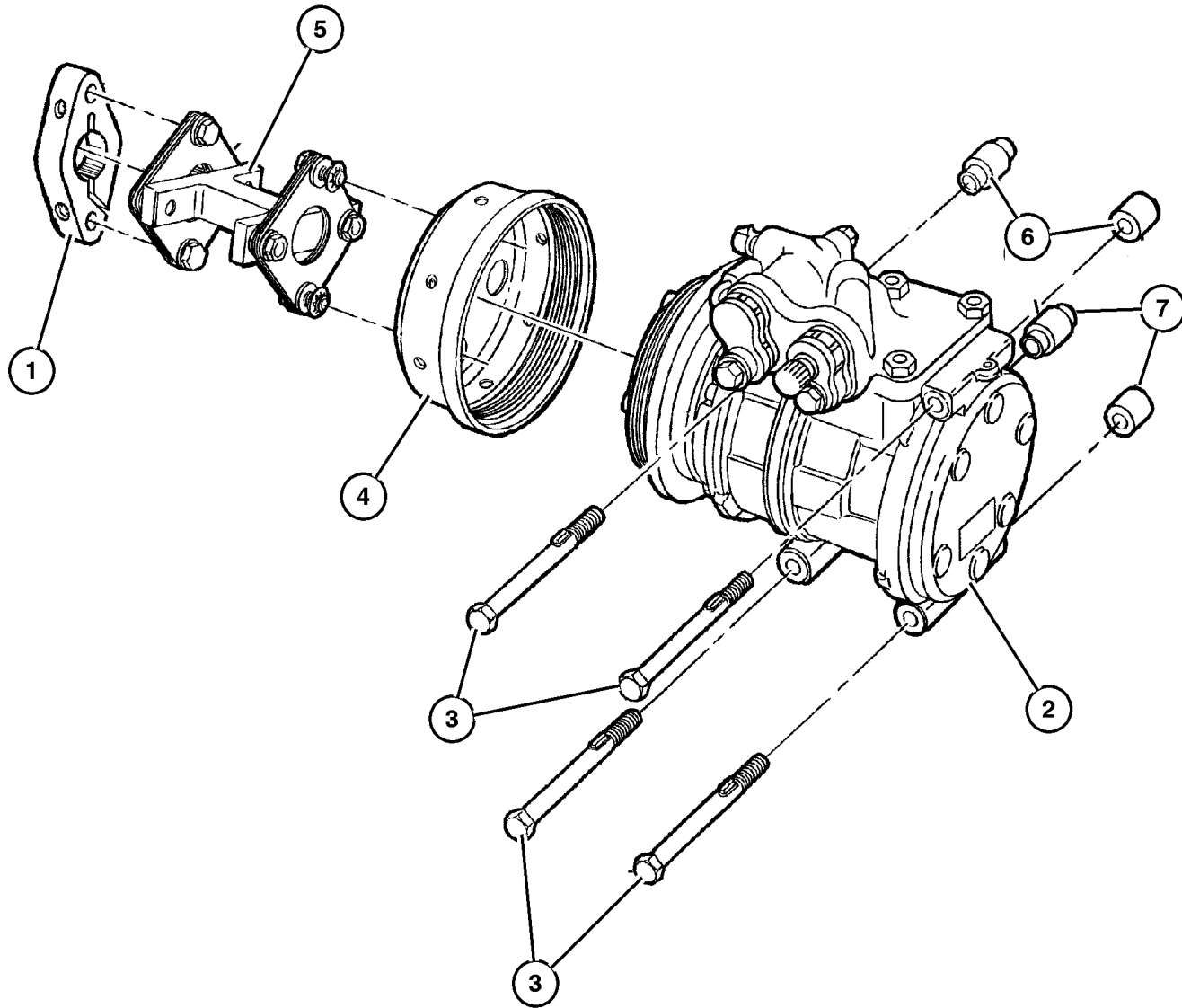
SERIES	LINE	BODY	ENGINE	TRANSMISSION
L=Low Line	J=LHD (4WD) U=RHD (4WD) T=LHD (2WD) B=RHD (2WD)	74=4 DR. (101.4 WB) 72=2 DR. (101.4 WB)	ENC,EN0=2.5L 4 cyl. Turbo Die ERH,ER0=4.0L Power Tech I-6 EPE,EP0=Magnum 2.5L SMPI	DDQ=5Spd Man. DGS=4 Spd. Auto. AISIN DG0=All Auto Trans DBB=All Manual Trans.

AR = Use as required - = Non illustrated part # = New this model year

July 4, 2003

**Compressor, Air Conditioning, 2.5L Diesel Engine 1999 XJ**  
**Figure 024-415**

ITEM	PART NUMBER	QTY	LINE	SERIES	BODY	ENGINE	TRANS	TRIM	DESCRIPTION
Note: Sales Code EN0 = 2.5L Diesel Engine									
1	4864 600	1				EN0			FLANGE, Accessory Drive
2	55035 993AC	1				EN0			COMPRESSOR, Air Conditioning
3	6503 802	4				EN0			SCREW, M8-1.25
4	4797 754	1				EN0			CUP, A/C DRIVE
5	4797 720AB	1				EN0			SHAFT, Power Steering Pump
6	5503 6677	2				EN0			SPACER, A/C Compressor
7	5503 6678	2				EN0			SPACER, A/C Compressor



JEEP CHEROKEE (XJ)				
SERIES	LINE	BODY	ENGINE	TRANSMISSION
L=Low Line	J=LHD (4WD) U=RHD (4WD) T=LHD (2WD) B=RHD (2WD)	74=4 DR. (101.4 WB) 72=2 DR. (101.4 WB)	ENC,EN0=2.5L 4 cyl. Turbo Die ERH,ER0=4.0L Power Tech I-6 EPE,EP0=Magnum 2.5L SMPI	DDQ=5Spd Man. DGS=4 Spd. Auto. AISIN DG0=All Auto Trans DBB=All Manual Trans.

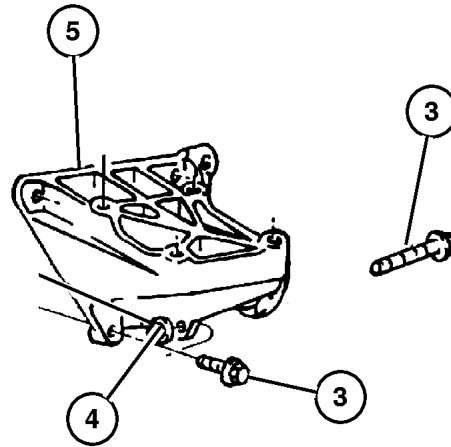
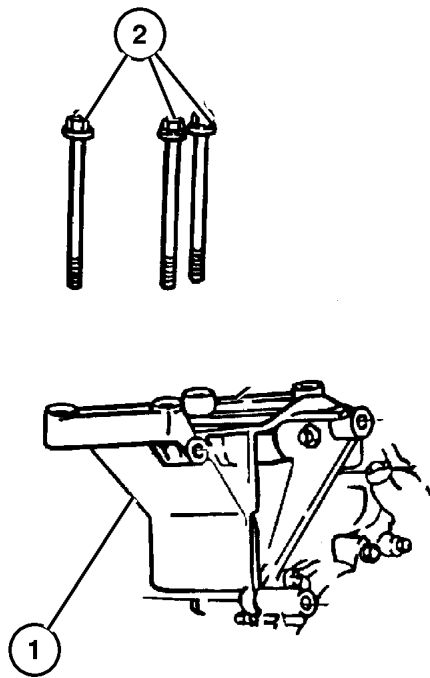
AR = Use as required - = Non illustrated part # = New this model year

July 4, 2003



**Compressor Mounting 1997 XJ 1998 XJ  
Figure 024-510**

ITEM	PART NUMBER	QTY	LINE	SERIES	BODY	ENGINE	TRANS	TRIM	DESCRIPTION
Note: Sales Code EP0 = 2.5L Gas Engine									
Note: Sales Code ER0 = 4.0L Engine									
1	5301 0207	1	J, T			EP0			BRACKET, Alternator And Compressor
2	6502 957	1	J, T			ER0			BOLT, Hex Flange Head, M10-1.5x90.0
3	J400 7073	2							SCREW AND WASHER, .375-16x1.125
4									NUT, Hex Flange, M10x1.5
	6502 135	2							1998 XJ
		4							1997 XJ
5									BRACKET, A/C Compressor, With Idler Mounting
	5301 0023	1	B, U			ER0			
	5301 1002	1	J, T			ER0			



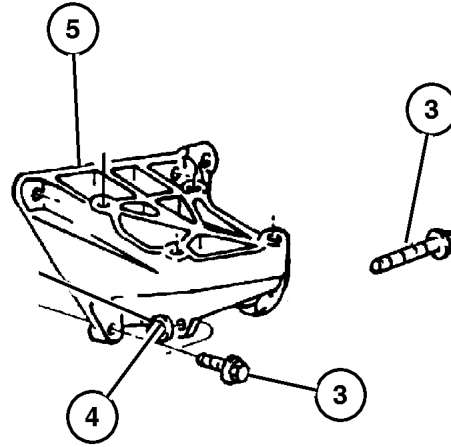
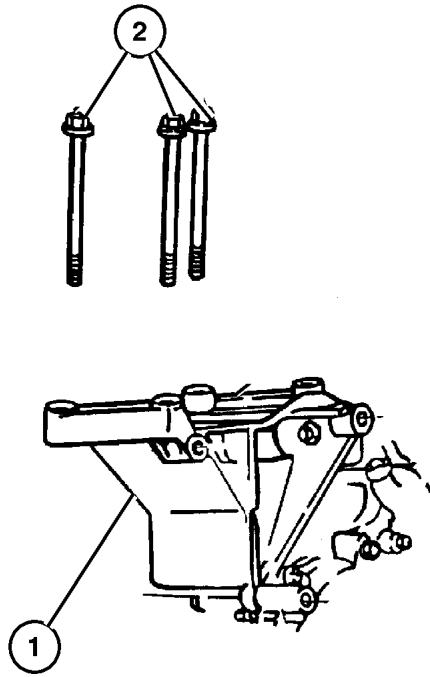
<b>JEEP CHEROKEE (XJ)</b>				
SERIES	LINE	BODY	ENGINE	TRANSMISSION
L=Low Line	J=LHD (4WD) U=RHD (4WD) T=LHD (2WD) B=RHD (2WD)	74=4 DR. (101.4 WB) 72=2 DR. (101.4 WB)	ENC,EN0=2.5L 4 cyl. Turbo Die ERH,ER0=4.0L Power Tech I-6 EPE,EP0=Magnum 2.5L SMPI	DDQ=5Spd Man. DGS=4 Spd. Auto. AISIN DG0=All Auto Trans DBB=All Manual Trans.

AR = Use as required - = Non illustrated part # = New this model year

July 4, 2003

**Compressor Mounting 1999 XJ**  
**Figure 024-510**

ITEM	PART NUMBER	QTY	LINE	SERIES	BODY	ENGINE	TRANS	TRIM	DESCRIPTION
Note: Sales Code EP0 = 2.5L Gas Engine									
Note: Sales Code ER0 = 4.0L Engine									
1	5301 0207	1	J, T			EP0			BRACKET, Alternator And Compressor
2	6502 957	1	J, T			ER0			BOLT, Hex Flange Head, M10-1.5x90.0
3	J400 7073	2							SCREW AND WASHER, .375-16x1.125
4									NUT, Hex Flange, M10x1.5
	6502 135	1	J, T			EP0			
		1	J, T			ER0			
5	5301 1002	1	J, T			ER0			BRACKET, A/C Compressor



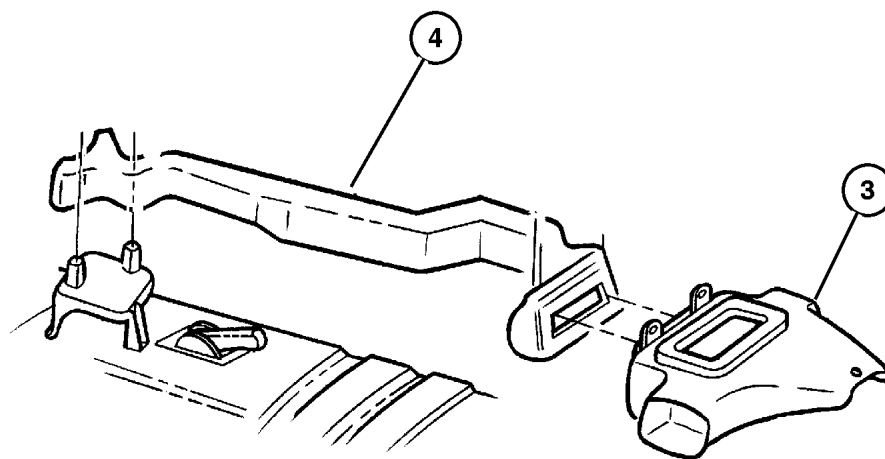
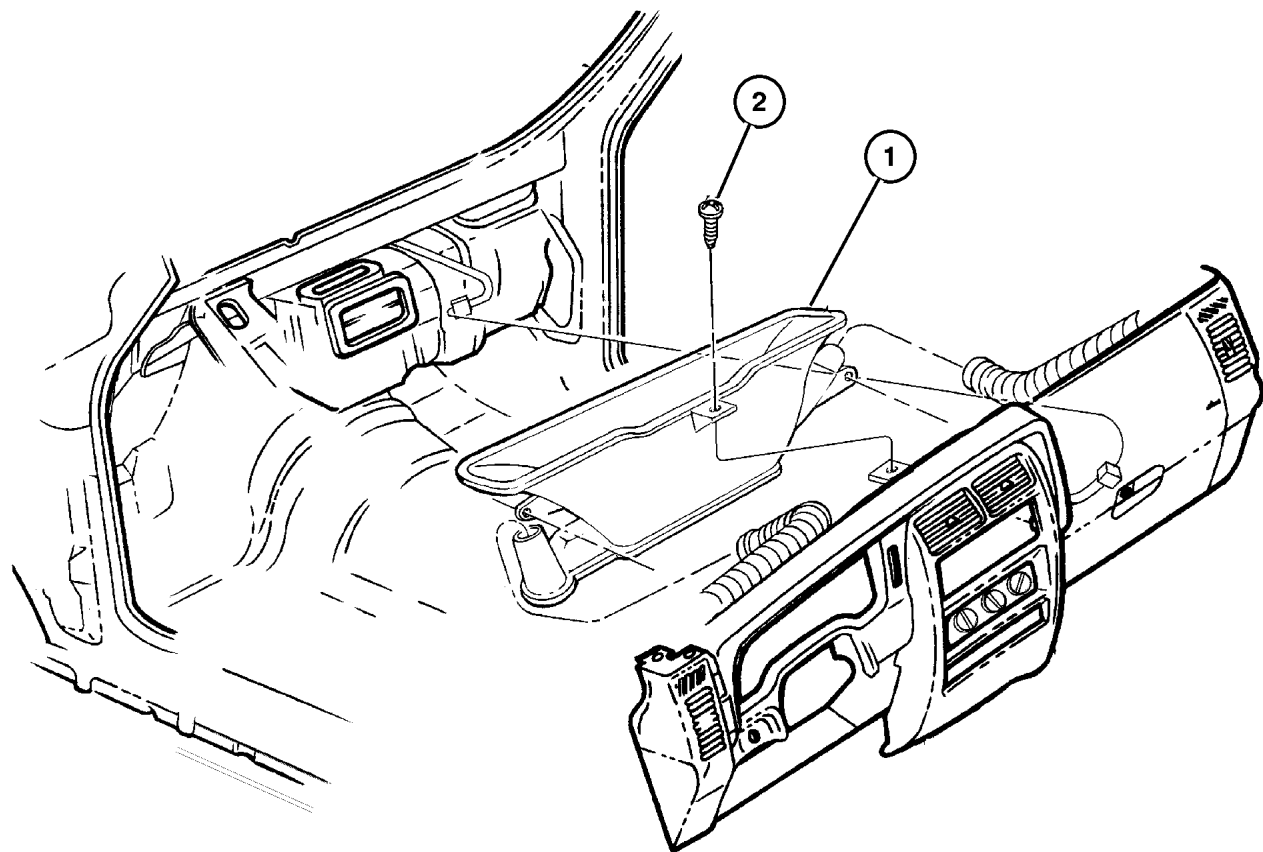
<b>JEEP CHEROKEE (XJ)</b>				
SERIES	LINE	BODY	ENGINE	TRANSMISSION
L=Low Line	J=LHD (4WD) U=RHD (4WD) T=LHD (2WD) B=RHD (2WD)	74=4 DR. (101.4 WB) 72=2 DR. (101.4 WB)	ENC,EN0=2.5L 4 cyl. Turbo Die ERH,ER0=4.0L Power Tech I-6 EPE,EP0=Magnum 2.5L SMPI	DDQ=5Spd Man. DGS=4 Spd. Auto. AISIN DG0=All Auto Trans DBB=All Manual Trans.

AR = Use as required - = Non illustrated part # = New this model year

July 4, 2003

**Air Distribution Ducts 1997 XJ 1998 XJ**  
**Figure 024-610**

ITEM	PART NUMBER	QTY	LINE	SERIES	BODY	ENGINE	TRANS	TRIM	DESCRIPTION
1									DUCT, Defroster
	5503 6682	1	J, T						
	5503 6683	1	B, U						
2									SCREW, Self Tapping, M4.2x1.69x19.05
	6032 723	3							1997 XJ
		6							1998 XJ
3									DUCT, Floor Console
	5503 6869	1	J						1997 XJ
	5503 6870	1	B						1997 XJ
	5503 6869	1	J, T						1998 XJ
	5503 6870	1	B, U						1998 XJ
4	5503 6789	1							DUCT, Rear Floor Heat
-5									HOSE, Demister
	5511 5494	1	J, T						Right
		1	B, U						Right
	5511 5495	1	J, T						Left
		1	B, U						Left

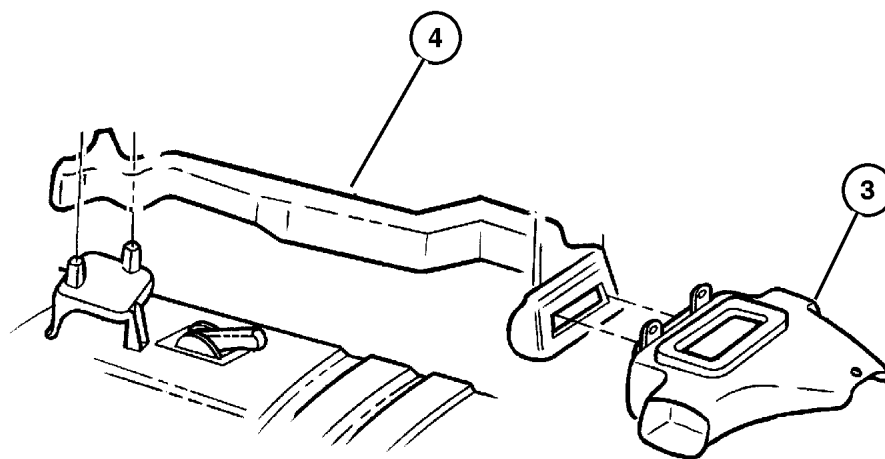
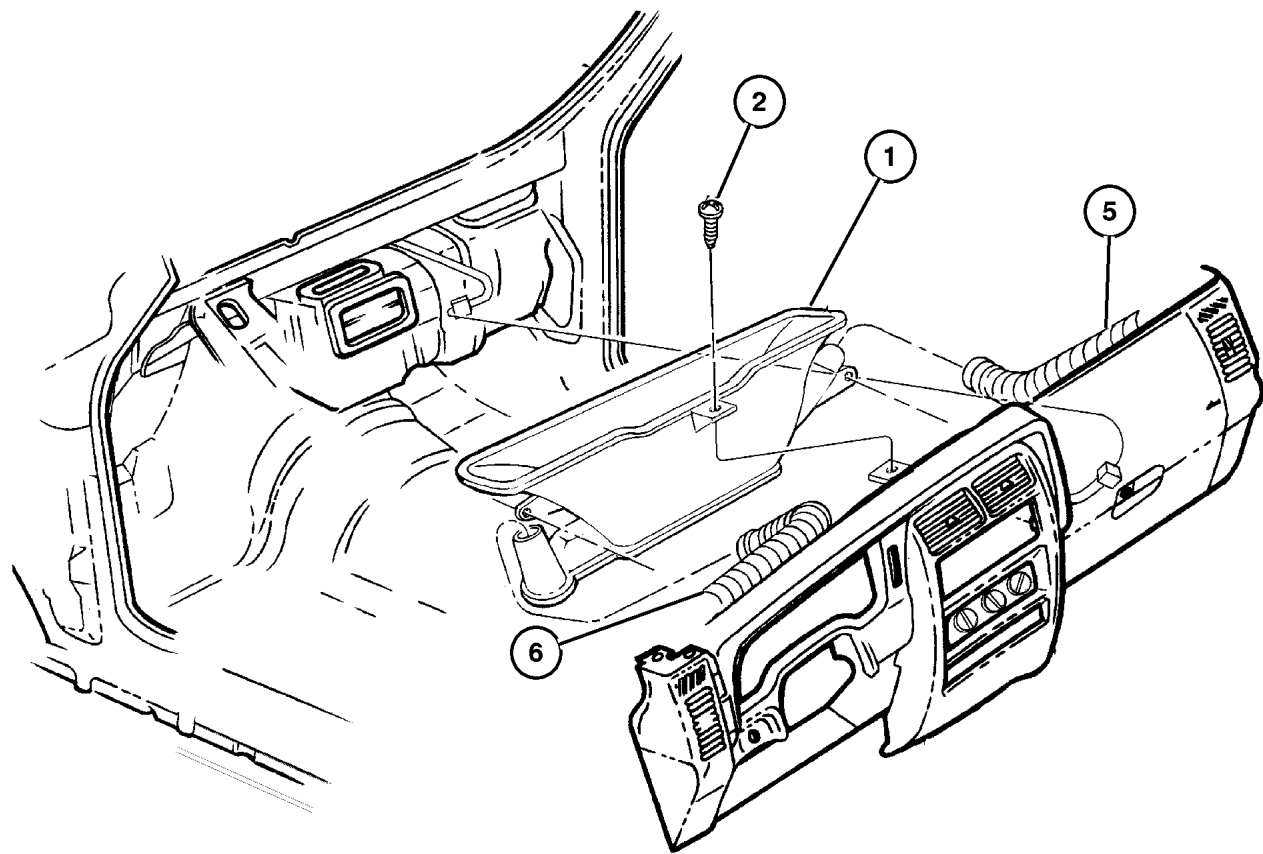


<b>JEEP CHEROKEE (XJ)</b>				
SERIES	LINE	BODY	ENGINE	TRANSMISSION
L=Low Line	J=LHD (4WD) U=RHD (4WD) T=LHD (2WD) B=RHD (2WD)	74=4 DR. (101.4 WB) 72=2 DR. (101.4 WB)	ENC,EN0=2.5L 4 cyl. Turbo Die ERH,ER0=4.0L Power Tech I-6 EPE,EP0=Magnum 2.5L SMPI	DDQ=5Spd Man. DGS=4 Spd. Auto. AISIN DG0=All Auto Trans DBB=All Manual Trans.

AR = Use as required - = Non illustrated part # = New this model year

July 4, 2003

**Air Distribution Ducts 1999 XJ**  
**Figure 024-610**



ITEM	PART NUMBER	QTY	LINE	SERIES	BODY	ENGINE	TRANS	TRIM	DESCRIPTION
1									DUCT, Defroster
	5503 6682	1	J, T						
	5503 6683	1	B, U						
2	6032 723	3							SCREW, Self Tapping, M4.2x1.69x19.05
3									DUCT, Floor Console
	5503 6869	1	J, T						
	5503 6870	1	B, U						
4	55036 789AB	1							DUCT, Rear Floor Heat
5									HOSE, Demister, Right
	5511 5494	1	J, T						
		1	B, U						
6									HOSE, Demister, Left
	5511 5495	1	J, T						
		1	B, U						
-7									DUCT, Demister
	5503 7040	1	B, U						Right
	5503 7041	1	B, U						Left
	5511 5492	1	J, T						Right
	5511 5493	1	J, T						Left

<b>JEEP CHEROKEE (XJ)</b>				
SERIES	LINE	BODY	ENGINE	TRANSMISSION
L=Low Line	J=LHD (4WD) U=RHD (4WD) T=LHD (2WD) B=RHD (2WD)	74=4 DR. (101.4 WB) 72=2 DR. (101.4 WB)	ENC,EN0=2.5L 4 cyl. Turbo Die ERH,ER0=4.0L Power Tech I-6 EPE,EP0=Magnum 2.5L SMPI	DDQ=5Spd Man. DGS=4 Spd. Auto. AISIN DG0=All Auto Trans DBB=All Manual Trans.

AR = Use as required - = Non illustrated part # = New this model year

July 4, 2003

# Group – 025

## Emission Systems

### GROUP 25 - Emission Systems

Illustration Title

Group-Fig. No.

#### Emission Labels

Emission Labels 2.5L (EPE), 2.5L (ENC) Diesel, 4.0L (ERH) Engine ..... Fig. 025-120

#### EGR System

EGR System 2.5L (ENC) Diesel Engine ..... Fig. 025-220

#### Vacuum Canister

Vacuum Canister 2.5L (EPE), 4.0L (ERH) Engine 1997 XJ ..... Fig. 025-330

Vacuum Canister 2.5L, 4.0L Engine 1998 XJ 1999 XJ ..... Fig. 025-335

#### Emission Harness

Emission Control Vacuum Harness 2.5L (EPE), 4.0L (ERH) Engine 1997 XJ ..... Fig. 025-430

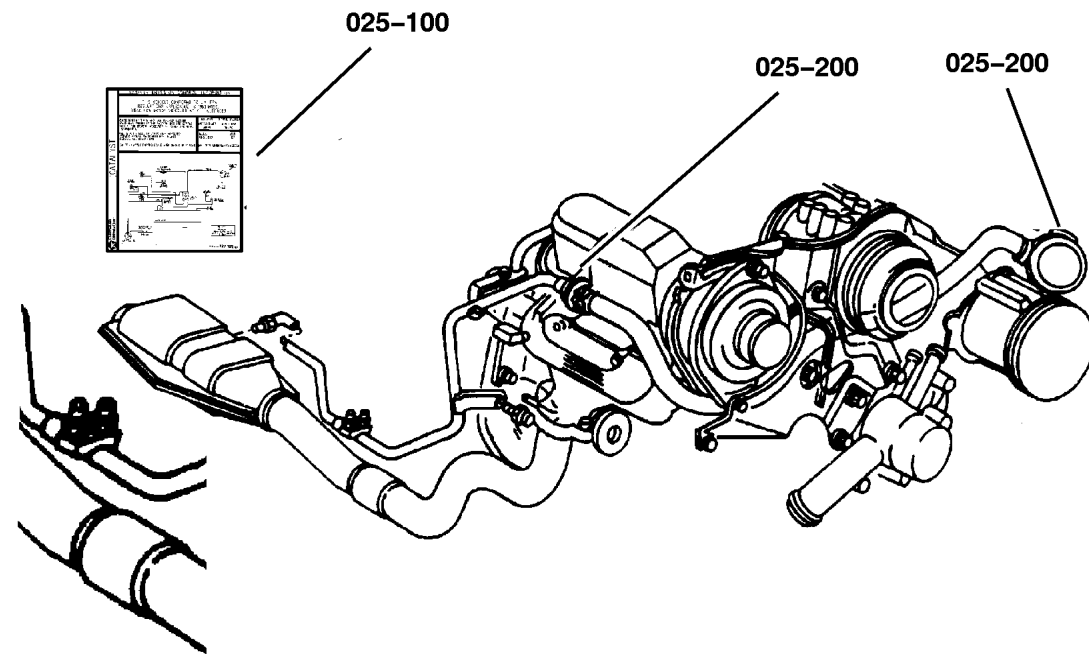
Emission Control Vacuum Harness 2.5L (EPE), 4.0L (ERH) Engine 1998 XJ ..... Fig. 025-430

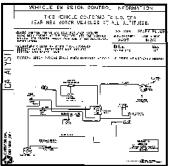
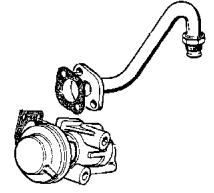
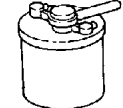
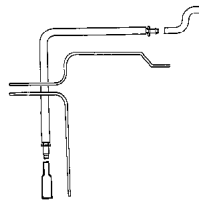
Emission Control Vacuum Harness 2.5L (EPE), 4.0L (ERH) Engine 1999 XJ ..... Fig. 025-430

Emission Control Vacuum Harness 2.5L (ENC) Diesel Engine ..... Fig. 025-450

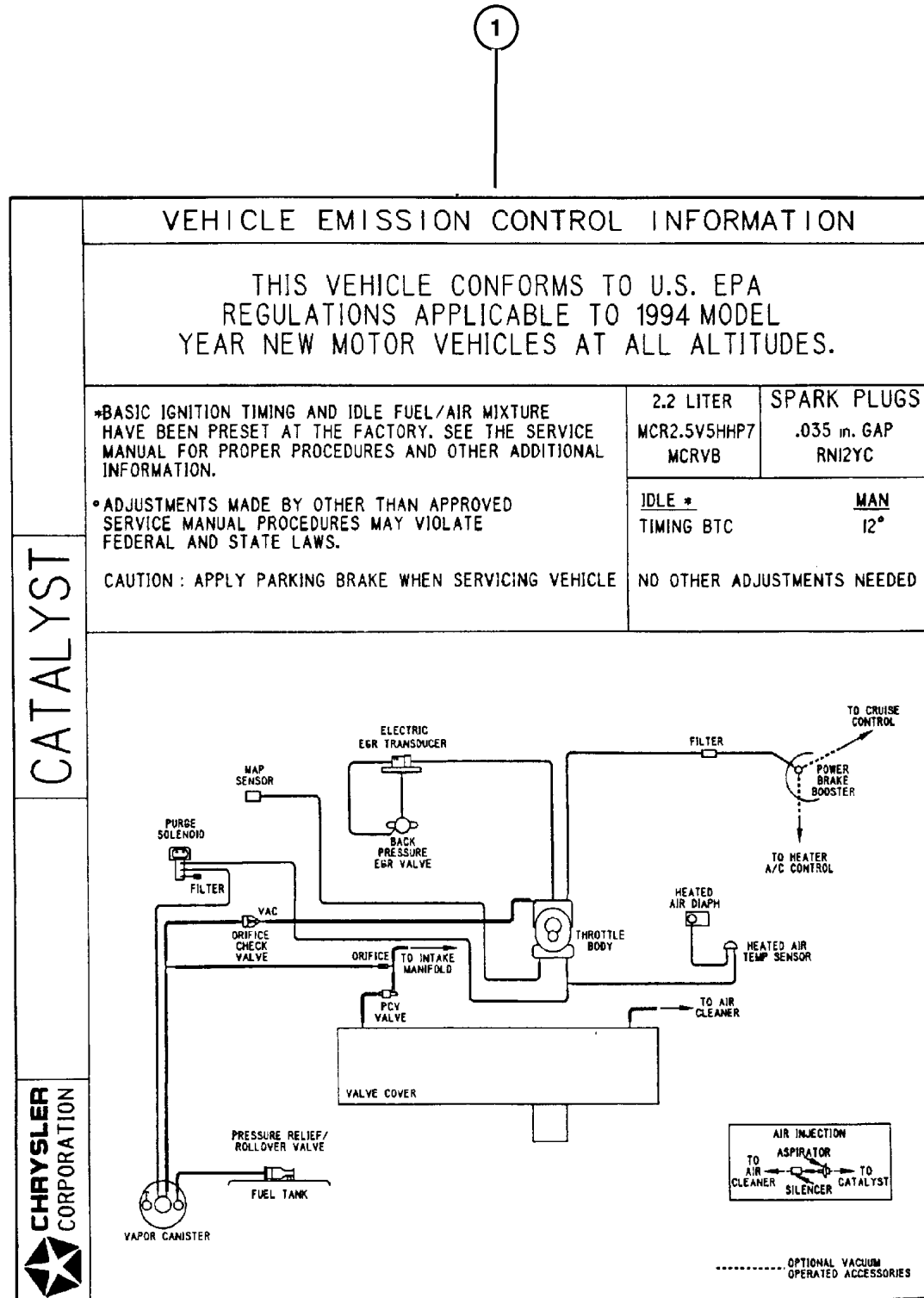
Leak Detection Pump 1998 XJ 1999 XJ ..... Fig. 025-460

Vacuum Pump 2.5L (ENC) Diesel Engine 1997 XJ ..... Fig. 025-470



<p><b>025-100</b> Emission Labels</p> 	<p><b>025-200</b> EGR System</p> 	<p><b>025-300</b> Vacuum Canister</p> 	<p><b>025-400</b> Emission Harness</p> 
---	--	---	--

**Emission Labels 2.5L (EPE), 2.5L (ENC) Diesel, 4.0L (ERH) Engine  
Figure 025-120**



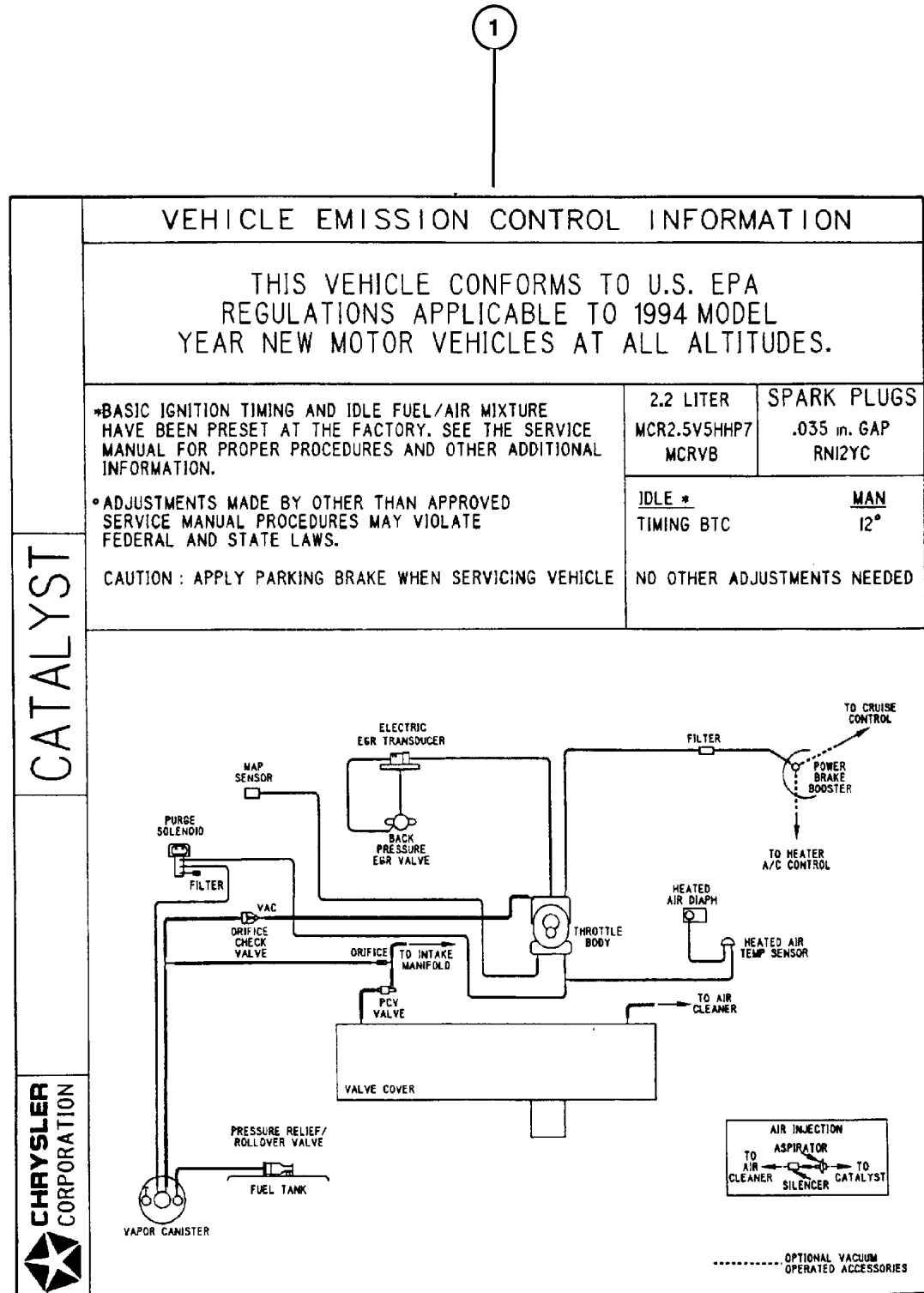
ITEM	PART NUMBER	QTY	LINE	SERIES	BODY	ENGINE	TRANS	TRIM	DESCRIPTION
NOTE: EN0=All 2.5L Diesel Engines DBB=All Manual Transmissions DG0=All Automatic Transmissions									
1									LABEL, Emission
	4854 520	1							1997 XJ
	4854 521	1				EPE			Canada, 1997 XJ
	4854 522	1				EPE			California, 1997 XJ
	4854 607	1	B, T			ERH			Federal, 1997 XJ
		1	J		72	ERH	DBB		Federal, w/Manual Transmission, 1997 XJ
	4854 608	1	U			ERH			Federal, 1997 XJ
		1	J			ERH	DG0		Federal, w/Automatic Transmission, 1997 XJ
	4854 609	1	T			ERH			Canada, 1997 XJ
		1	J		72	ERH	DBB		Canada, w/Manual Transmission, 1997 XJ
	4854 610	1	J			ERH	DG0		Canada, w/Automatic Transmission, 1997 XJ
	4854 611	1	J		74	ERH	DBB		Federal, 1997 XJ
	4854 612	1	J		74	ERH	DBB		Canada, 1997 XJ
	4854 613	1	B, T			ERH			California, 1997 XJ
		1	J		72	ERH	DBB		California, 1997 XJ
	4854 614	1	U			ERH	DBB		California, 1997 XJ
		1	J		74	ERH	DBB		California, 1997 XJ
	53013 234AA	1	J, U			ERH			Europe, 1998 XJ
	#53013 293AA	1	B, T			ERH			Federal, 1999 XJ
		1	J		72	ERH	DBB		Federal, 1999 XJ
	#53013 295AA	1	B, T			ERH			California, 1999 XJ
		1	J		72	ERH	DBB		California, 1999 XJ
	#53013 299AA	1	J		72	ERH	DG0		Federal, 1999 XJ
		1	J, U		74	ERH			Federal, 1999 XJ
	#53013 302AA	1	J		72	ERH	DG0		California, 1999 XJ
	#53013 303AA	1	J, U			ERH			Europe, 1999 XJ
	53013 637AA	1				EPE			Europe, 1997 XJ
	53013 638AA	1				ERH			Europe, 1997 XJ
	53013 639AA	1	U			ERH	DG0		California, 1997 XJ
		1	J		72	ERH	DG0		California, 1997 XJ
		1	J		74	ERH	DG0		California, 1997 XJ
	53013 825AA	1				EPE			California, 1998 XJ
	53013 827AA	1	J, T			EPE			Federal, 1998 XJ
	53013 828AA	1	J, U			EPE			Europe, 1998 XJ
	53013 829AA	1	T			ERH			California, 1998 XJ
		1	J		72	ERH	DBB		California, 1998 XJ
	53013 830AA	1	J		74	ERH			California, 1998 XJ

**JEEP CHEROKEE (XJ)**

SERIES	LINE	BODY	ENGINE	TRANSMISSION
L=Low Line	J=LHD (4WD) U=RHD (4WD) T=LHD (2WD) B=RHD (2WD)	74=4 DR. (101.4 WB) 72=2 DR. (101.4 WB)	ENC,EN0=2.5L 4 cyl. Turbo Die ERH,ER0=4.0L Power Tech I-6 EPE,EP0=Magnum 2.5L SMPI	DDQ=5Spd Man. DGS=4 Spd. Auto. AISIN DG0=All Auto Trans DBB=All Manual Trans.

AR = Use as required - = Non illustrated part # = New this model year

Emission Labels 2.5L (EPE), 2.5L (ENC) Diesel, 4.0L (ERH) Engine  
Figure 025-120



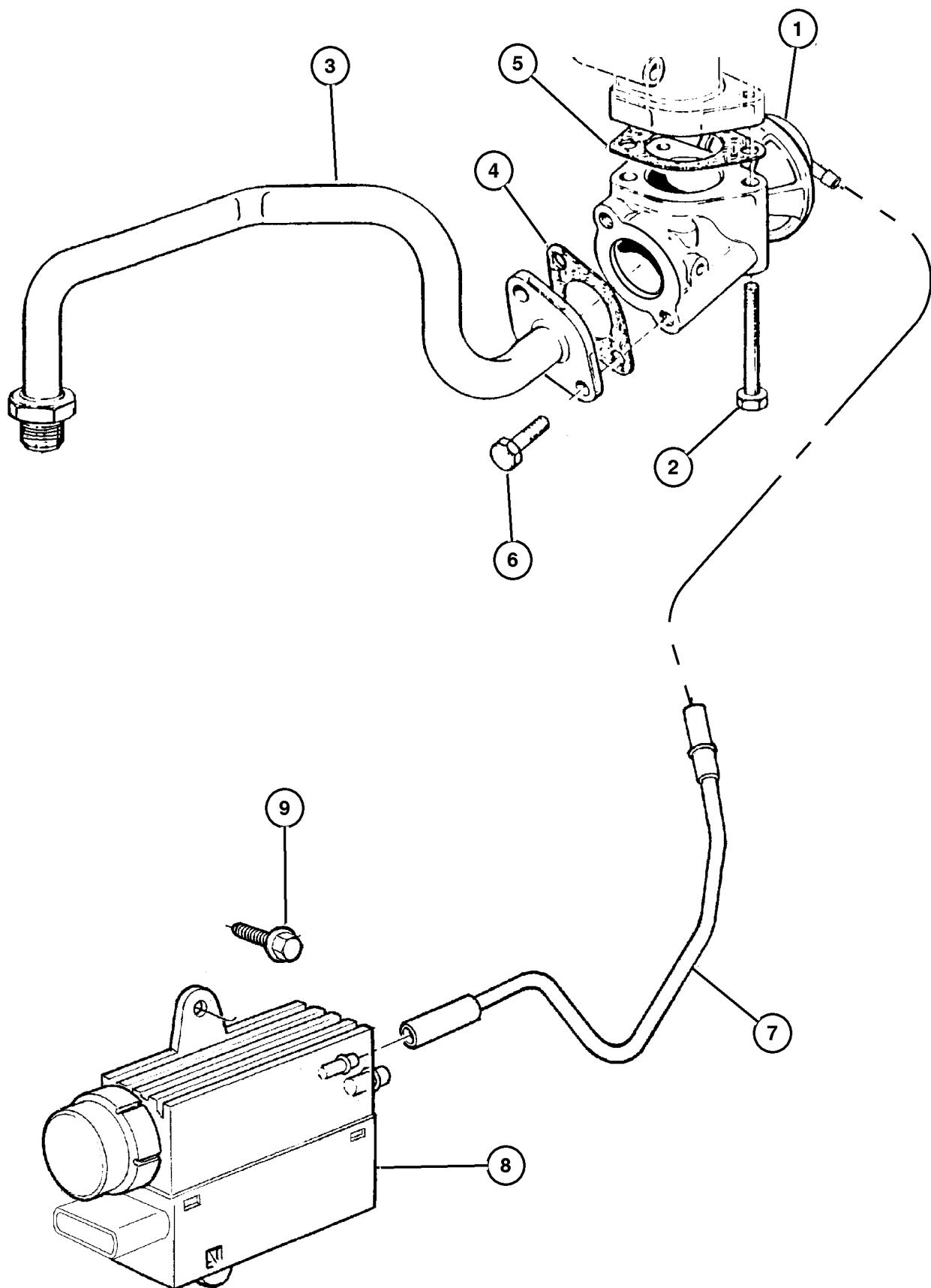
ITEM	PART NUMBER	QTY	LINE	SERIES	BODY	ENGINE	TRANS	TRIM	DESCRIPTION
		1	J		72	ERH	DG0		California, 1998 XJ
	53013 831AA	1	B, T			ERH			Federal, 1998 XJ
		1	J		72	ERH	DBB		Federal, 1998 XJ
	53013 832AA	1	J		72	ERH	DG0		Federal, 1998 XJ
		1	J, U		74	ERH			Federal, 1998 XJ
	53013 833AA	1	B, T			ERH			Canada, 1998 XJ
		1	J		72	ERH	DBB		Canada, 1998 XJ
	53013 834AA	1	J		72	ERH	DG0		Canada, 1998 XJ
		1	J, U		74	ERH			Canada, 1998 XJ
	53031 415AB	1				EN0			Australia, 1997 XJ
	#53031 833AA	1				EPE			Federal, 1999 XJ
	#53031 938AA	1				EPE			California, 1999 XJ
	#53031 939AA	1				EPE			Europe, 1999 XJ
	#53032 075AA	1				EPE			Northeast States, 1999 XJ
	#53032 077AA	1	B, T			ERH			Northeast States, 1999 XJ
	#53032 079AA	1	J, U			ERH			Northeast States, 1999 XJ

JEEP CHEROKEE (XJ)				
SERIES	LINE	BODY	ENGINE	TRANSMISSION
L=Low Line	J=LHD (4WD) U=RHD (4WD) T=LHD (2WD) B=RHD (2WD)	74=4 DR. (101.4 WB) 72=2 DR. (101.4 WB)	ENC,EN0=2.5L 4 cyl. Turbo Die ERH,ER0=4.0L Power Tech I-6 EPE,EP0=Magnum 2.5L SMPI	DDQ=5Spd Man. DGS=4 Spd. Auto. AISIN DG0=All Auto Trans DBB=All Manual Trans.

AR = Use as required - = Non illustrated part # = New this model year

**EGR System 2.5L (ENC) Diesel Engine**  
**Figure 025-220**

ITEM	PART NUMBER	QTY	LINE	SERIES	BODY	ENGINE	TRANS	TRIM	DESCRIPTION
NOTE: EN0=All 2.5L Diesel Engines									
1	4882 409	1				EN0			VALVE, EGR
2	4863 749	4				EN0			BOLT
		2				EN0			1997 XJ
						EN0			1998 XJ
	5003 565AA	2				EN0			1999 XJ
3	4864 751	1				EN0			PIPE, EGR to Manifold
4	4720 208	1				EN0			GASKET, EGR Tube Flange
5	4778 965	1				EN0			GASKET, EGR Tube
6									BOLT, 8Mx20
	4864 537	4				EN0			1997 XJ
		2				EN0			1998 XJ, 1999 XJ
7	5303 1542	1				EN0			TUBE, Exhaust Gas Recovery
8	5602 7094	1				EN0			MODULATOR, Vacuum Electric
9									SCREW/WASHER, Hex Head, .250-14x.500, (NOT SERVICED) (Not Serviced)



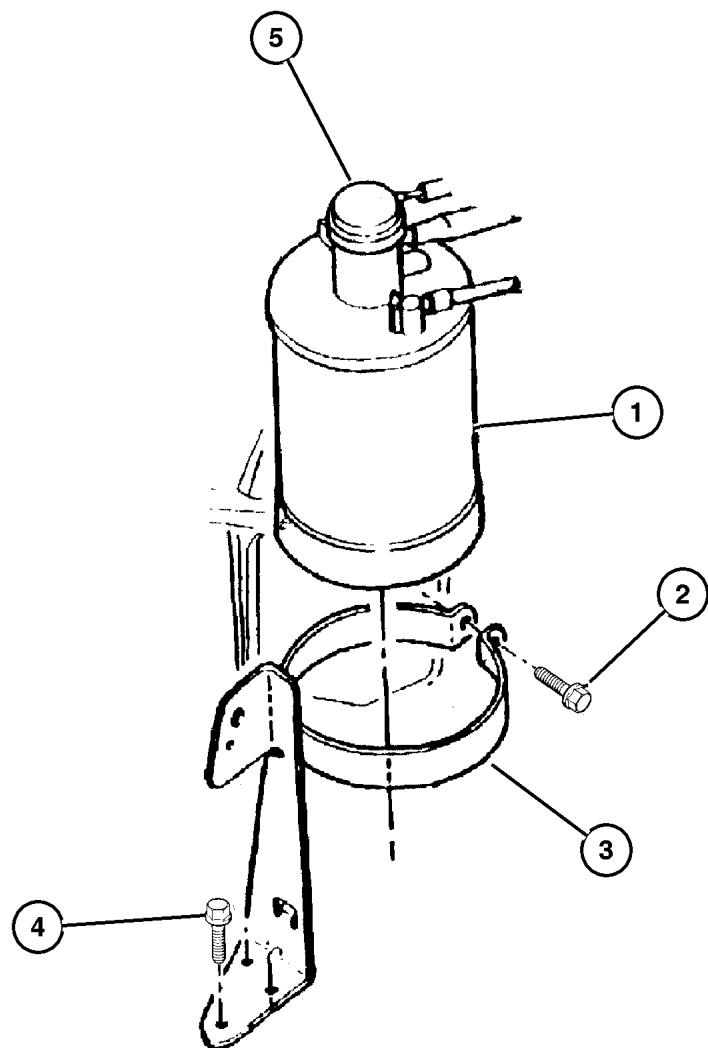
JEEP CHEROKEE (XJ)				
SERIES	LINE	BODY	ENGINE	TRANSMISSION
L=Low Line	J=LHD (4WD) U=RHD (4WD) T=LHD (2WD) B=RHD (2WD)	74=4 DR. (101.4 WB) 72=2 DR. (101.4 WB)	ENC,EN0=2.5L 4 cyl. Turbo Die ERH,ER0=4.0L Power Tech I-6 EPE,EP0=Magnum 2.5L SMPI	DDQ=5Spd Man. DGS=4 Spd. Auto. AISIN DG0=All Auto Trans DBB=All Manual Trans.

AR = Use as required - = Non illustrated part # = New this model year

July 4, 2003



Vacuum Canister 2.5L (EPE), 4.0L (ERH) Engine 1997 XJ  
Figure 025-330



ITEM	PART NUMBER	QTY	LINE	SERIES	BODY	ENGINE	TRANS	TRIM	DESCRIPTION
NOTE: EP0=All 2.5L Gas Engines ER0=All 4.0L Engines DG0=All Automatic Transmissions									
1	53031 904AB	1				EP0, ER0			CANISTER, Vapor
2	J942 0882	1				EP0, ER0			SCREW, Hex Flange Head, .25-14x1.50
3	5300 7836	1	J, T			EP0, ER0			BRACKET, Vapor Canister
4	6035 058	4				ER0	DG0		SCREW, Hex Flange Head, .19-16x.50
5	4192 074	1				EP0, ER0			CAP, Vapor Canister

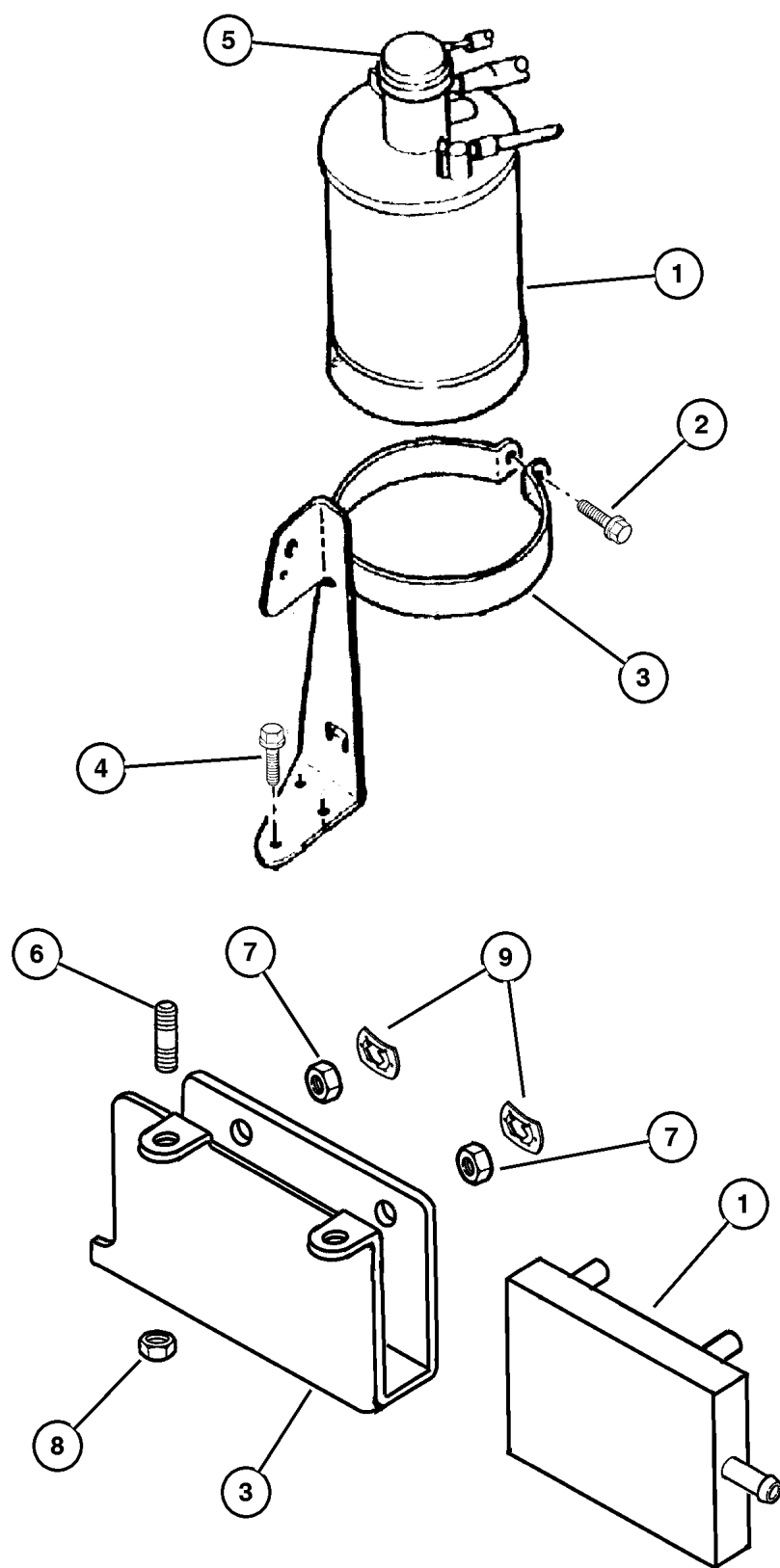
JEEP CHEROKEE (XJ)

SERIES	LINE	BODY	ENGINE	TRANSMISSION
L=Low Line	J=LHD (4WD) U=RHD (4WD) T=LHD (2WD) B=RHD (2WD)	74=4 DR. (101.4 WB) 72=2 DR. (101.4 WB)	ENC,EN0=2.5L 4 cyl. Turbo Die ERH,ER0=4.0L Power Tech I-6 EPE,EP0=Magnum 2.5L SMPI	DDQ=5Spd Man. DGS=4 Spd. Auto. AISIN DG0=All Auto Trans DBB=All Manual Trans.

AR = Use as required - = Non illustrated part # = New this model year

July 4, 2003

Vacuum Canister 2.5L, 4.0L Engine 1998 XJ 1999 XJ  
Figure 025-335



ITEM	PART NUMBER	QTY	LINE	SERIES	BODY	ENGINE	TRANS	TRIM	DESCRIPTION
1									CANISTER, Vapor
	4854 112	1				EP0, ER0			Federal, California
	53031 904AB	1				EP0, ER0			Europe, Leaded Gas
2	J942 0882	1				EP0, ER0			SCREW, Hex Flange Head, .25-14x1.50
3									BRACKET, Vapor Canister
	5300 7836	1	J, T			EP0, ER0			Europe, Leaded Gas
	53013 040AC	1				EP0, ER0			Federal, California
4	6035 058	3	J, T			EP0, ER0			SCREW, Hex Flange Head, .19-16x.50
5	4192 074	1				EP0, ER0			CAP, Vapor Canister
6	6503 951	2				EP0, ER0			STUD, M6X1.00X.250-14X30.00
7	4669 177	2				EP0, ER0			GROMMET, Air Cleaner Bracket
8									NUT, Hex, M6x1.00
	6101 469	2				EP0, ER0			1998 XJ
	6500 284	2				EP0, ER0			1999 XJ
9	0441 263	2				EP0, ER0			NUT, Push

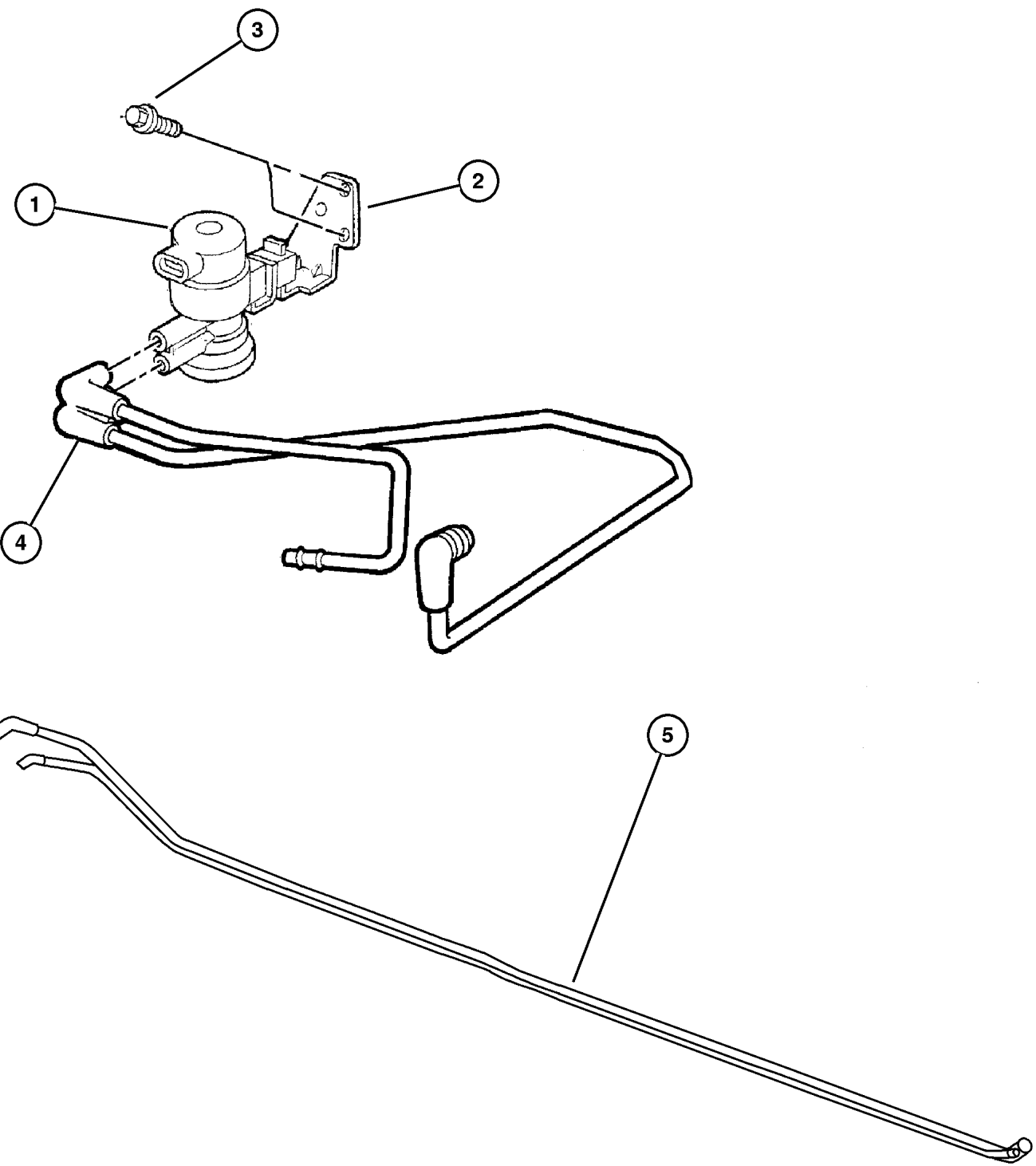
JEEP CHEROKEE (XJ)

SERIES	LINE	BODY	ENGINE	TRANSMISSION
L=Low Line	J=LHD (4WD) U=RHD (4WD) T=LHD (2WD) B=RHD (2WD)	74=4 DR. (101.4 WB) 72=2 DR. (101.4 WB)	ENC,EN0=2.5L 4 cyl. Turbo Die ERH,ER0=4.0L Power Tech I-6 EPE,EP0=Magnum 2.5L SMPI	DDQ=5Spd Man. DGS=4 Spd. Auto. AISIN DG0=All Auto Trans DBB=All Manual Trans.

AR = Use as required - = Non illustrated part # = New this model year

July 4, 2003

**Emission Control Vacuum Harness 2.5L (EPE), 4.0L (ERH) Engine 1997 XJ  
Figure 025-430**



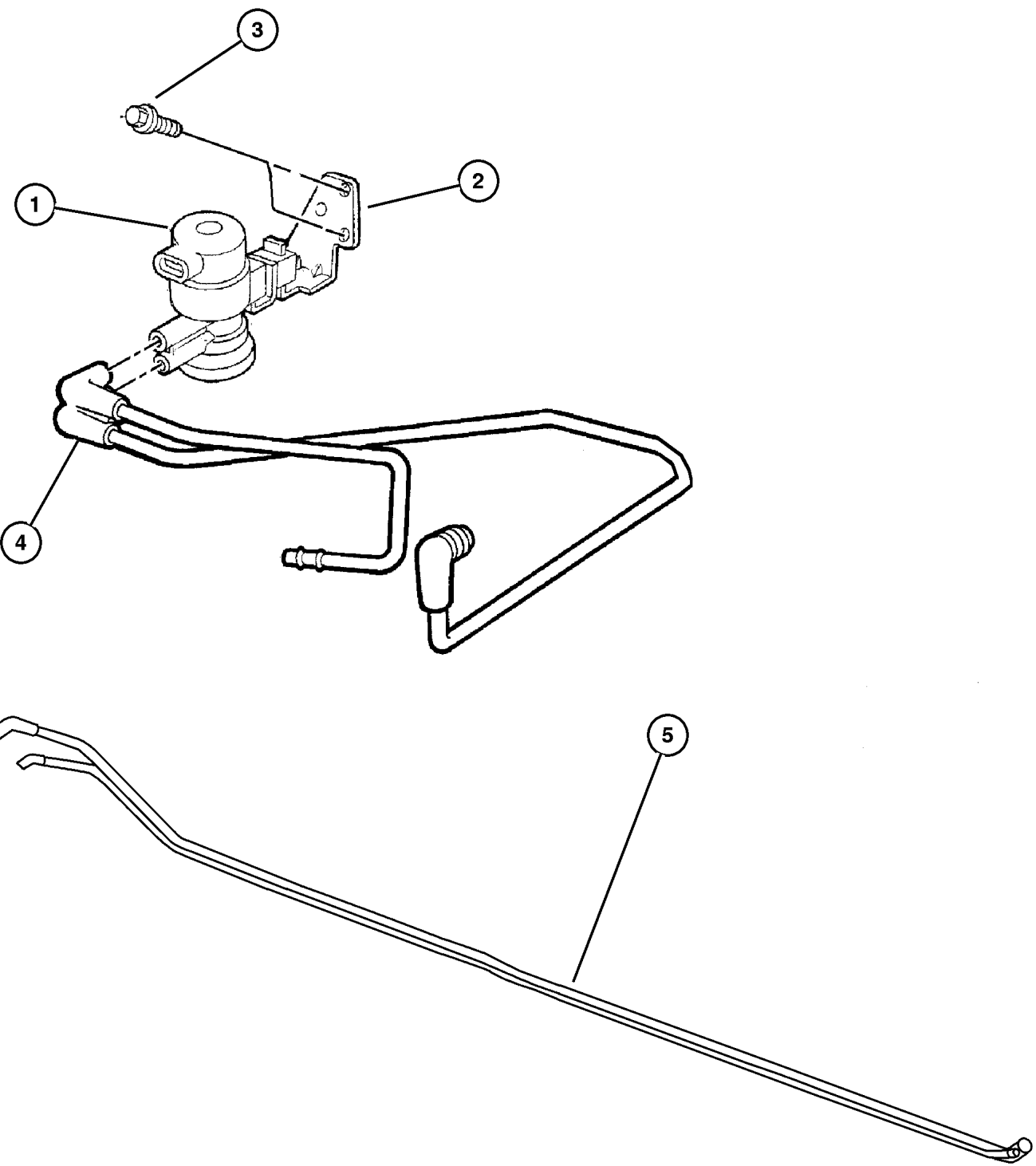
ITEM	PART NUMBER	QTY	LINE	SERIES	BODY	ENGINE	TRANS	TRIM	DESCRIPTION
NOTE: EP0=All 2.5L Gas Engines ER0=All 4.0L Engines									
1	4669 475AB	1				EP0, ER0			SOLENOID, Duty Cycle Purge
2	4882 996	1				EP0, ER0			BRACKET, Duty Cycle Purge Solenoid
3	6032 988	2							SCREW
4									HARNESS, Duty Cycle Purge Solenoid
	4854 149	1	B, U			EP0			
	4854 151	1	B, U			ER0			
	5303 0880	1	J, T			EP0			
	5303 0888	1	J, T			ER0			
5									HARNESS, Vacuum Body Side, (NOT REQUIRED)
-6									PORT, Emission Testing, (NOT REQUIRED)

JEEP CHEROKEE (XJ)				
SERIES	LINE	BODY	ENGINE	TRANSMISSION
L=Low Line	J=LHD (4WD) U=RHD (4WD) T=LHD (2WD) B=RHD (2WD)	74=4 DR. (101.4 WB) 72=2 DR. (101.4 WB)	ENC,EN0=2.5L 4 cyl. Turbo Die ERH,ER0=4.0L Power Tech I-6 EPE,EP0=Magnum 2.5L SMPI	DDQ=5Spd Man. DGS=4 Spd. Auto. AISIN DG0=All Auto Trans DBB=All Manual Trans.

AR = Use as required - = Non illustrated part # = New this model year

July 4, 2003

**Emission Control Vacuum Harness 2.5L (EPE), 4.0L (ERH) Engine 1998 XJ**  
**Figure 025-430**



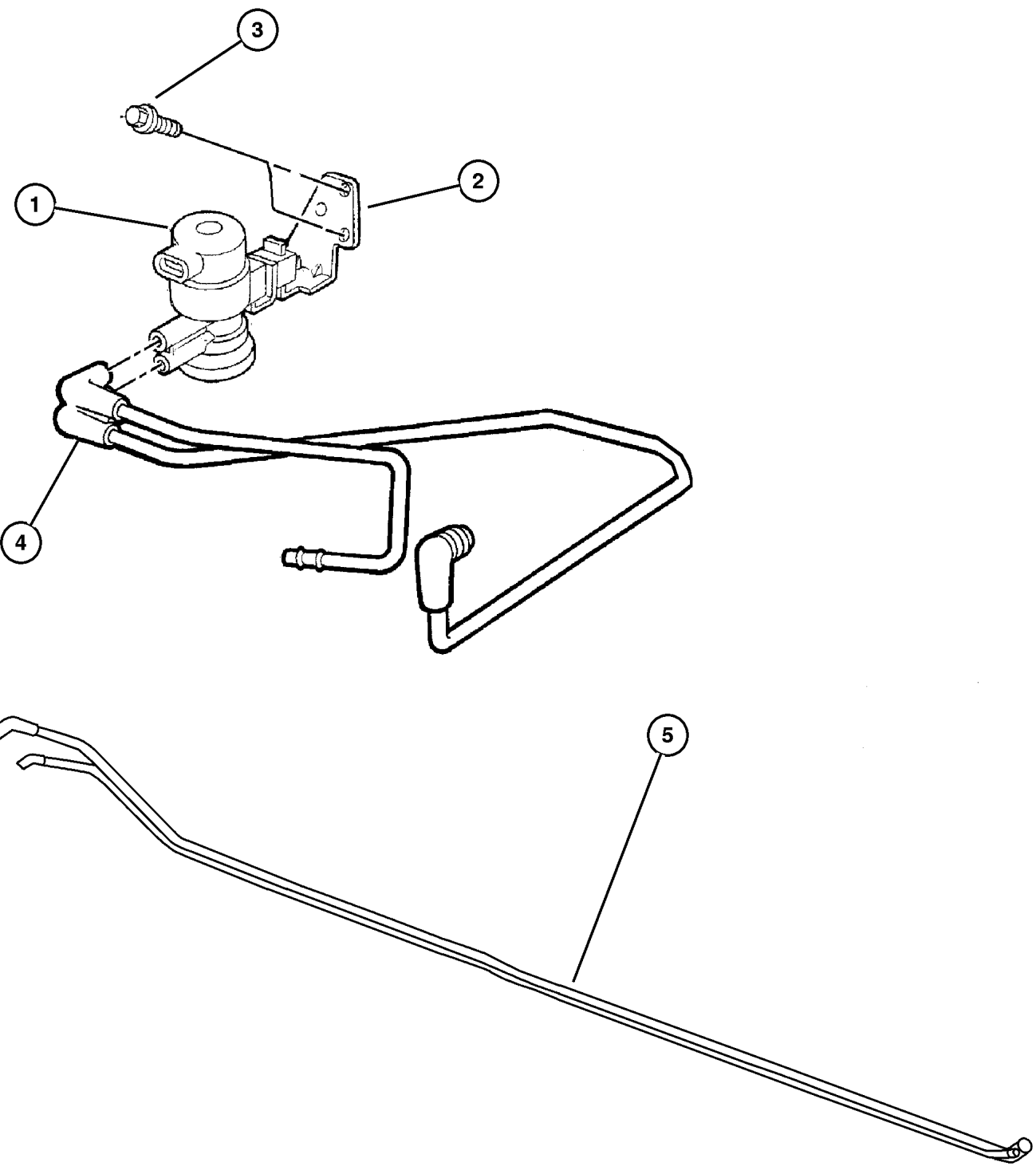
ITEM	PART NUMBER	QTY	LINE	SERIES	BODY	ENGINE	TRANS	TRIM	DESCRIPTION
NOTE: EP0=All 2.5L Gas Engines ER0=All 4.0L Engines									
1	4669 475AB	1				EP0, ER0			SOLENOID, Duty Cycle Purge
2	56027 773AB	1				EP0, ER0			BRACKET, Duty Cycle Purge Solenoid
3	6032 988	2				EP0, ER0			SCREW
4									HARNESS, Duty Cycle Purge Solenoid
	4854 149	1	B, U			EP0			
	4854 151	1	B, U			ER0			
	4854 895	1	J, T			EP0			
	4854 896	1	J, T			ER0			
5	4854 207AC	1				EP0, ER0			HARNESS, Vacuum Body Side
-6									PORT, Emission Testing
	4591 090	1	J, T			EP0			
		1	B, U			EP0			
		1	J, T			ER0			
		1	B, U			ER0			
-7	4854 138AD	1	J, T			ER0			HARNESS, Vapor Purge

JEEP CHEROKEE (XJ)				
SERIES	LINE	BODY	ENGINE	TRANSMISSION
L=Low Line	J=LHD (4WD) U=RHD (4WD) T=LHD (2WD) B=RHD (2WD)	74=4 DR. (101.4 WB) 72=2 DR. (101.4 WB)	ENC,EN0=2.5L 4 cyl. Turbo Die ERH,ER0=4.0L Power Tech I-6 EPE,EP0=Magnum 2.5L SMPI	DDQ=5Spd Man. DGS=4 Spd. Auto. AISIN DG0=All Auto Trans DBB=All Manual Trans.

AR = Use as required - = Non illustrated part # = New this model year

July 4, 2003

**Emission Control Vacuum Harness 2.5L (EPE), 4.0L (ERH) Engine 1999 XJ**  
**Figure 025-430**



ITEM	PART NUMBER	QTY	LINE	SERIES	BODY	ENGINE	TRANS	TRIM	DESCRIPTION
NOTE: EP0=All 2.5L Gas Engines ER0=All 4.0L Engines									
1	4669 475AB	1				EP0, ER0			SOLENOID, Duty Cycle Purge
2	56027 773AB	1				EP0, ER0			BRACKET, Duty Cycle Purge Solenoid
3	6032 988	2				EP0, ER0			SCREW
4									HARNESS, Duty Cycle Purge Solenoid
	4854 149	1	B, U			EP0			
	#4854 151AB	1	B, U			ER0			
	4854 895	1	J, T			EP0			
	#4854 896AB	1	J, T			ER0			
5	4854 207AC	1				EP0, ER0			HARNESS, Vacuum Body Side
-6									PORT, Emission Testing
	4591 090	1	J, T			EP0			
		1	B, U			EP0			
		1	J, T			ER0			
		1	B, U			ER0			
-7	#4854 138AC	1	J, T			ER0			HARNESS, Vapor Purge

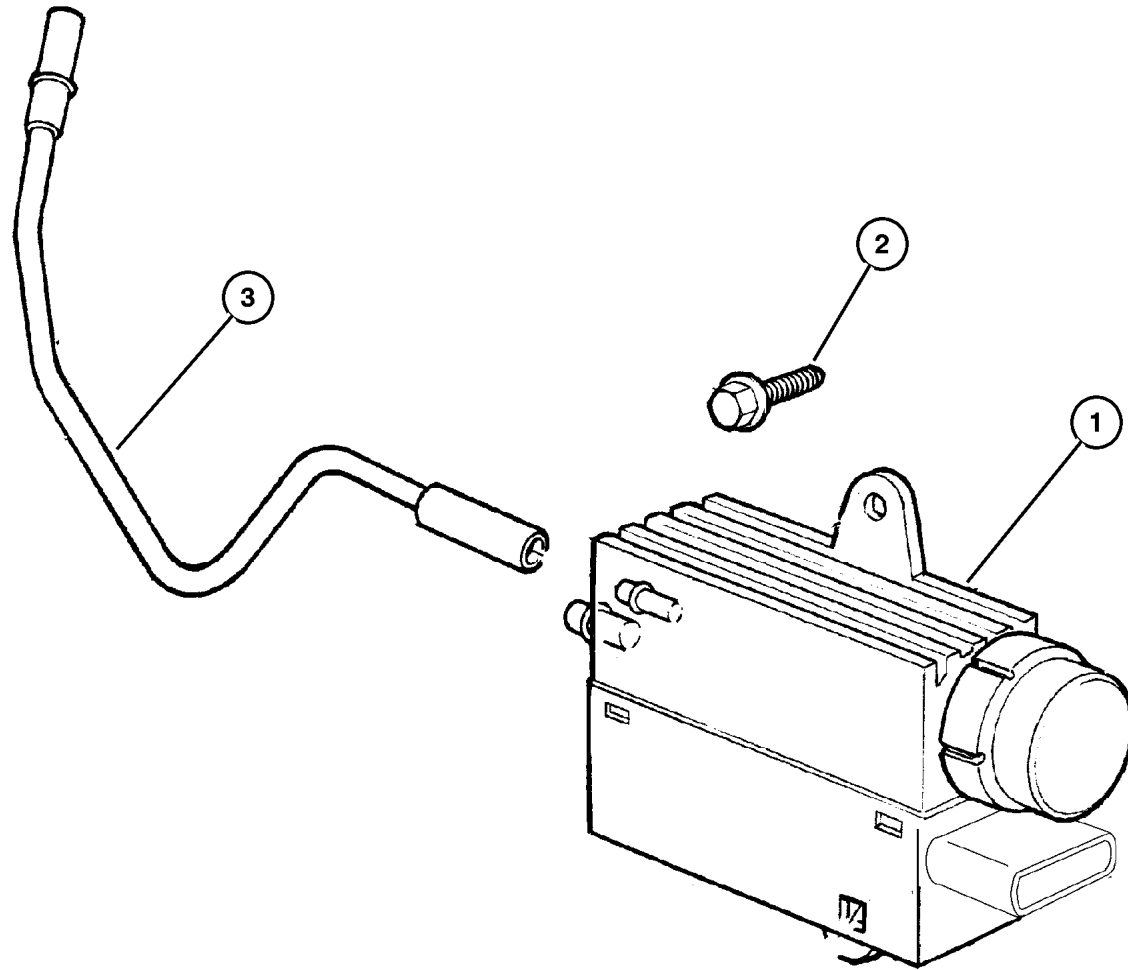
JEEP CHEROKEE (XJ)				
SERIES	LINE	BODY	ENGINE	TRANSMISSION
L=Low Line	J=LHD (4WD) U=RHD (4WD) T=LHD (2WD) B=RHD (2WD)	74=4 DR. (101.4 WB) 72=2 DR. (101.4 WB)	ENC,EN0=2.5L 4 cyl. Turbo Die ERH,ER0=4.0L Power Tech I-6 EPE,EP0=Magnum 2.5L SMPI	DDQ=5Spd Man. DGS=4 Spd. Auto. AISIN DG0=All Auto Trans DBB=All Manual Trans.

AR = Use as required - = Non illustrated part # = New this model year

July 4, 2003

**Emission Control Vacuum Harness 2.5L (ENC) Diesel Engine**  
**Figure 025-450**

ITEM	PART NUMBER	QTY	LINE	SERIES	BODY	ENGINE	TRANS	TRIM	DESCRIPTION
NOTE: All 2.5L Diesel Engines									
1	5602 7094	1				EN0			MODULATOR, Vacuum Electric
2	6034 959	2				EN0			SCREW, Hex Flange Head, .25-14x.549
3	5303 1542	1				EN0			TUBE, Exhaust Gas Recovery

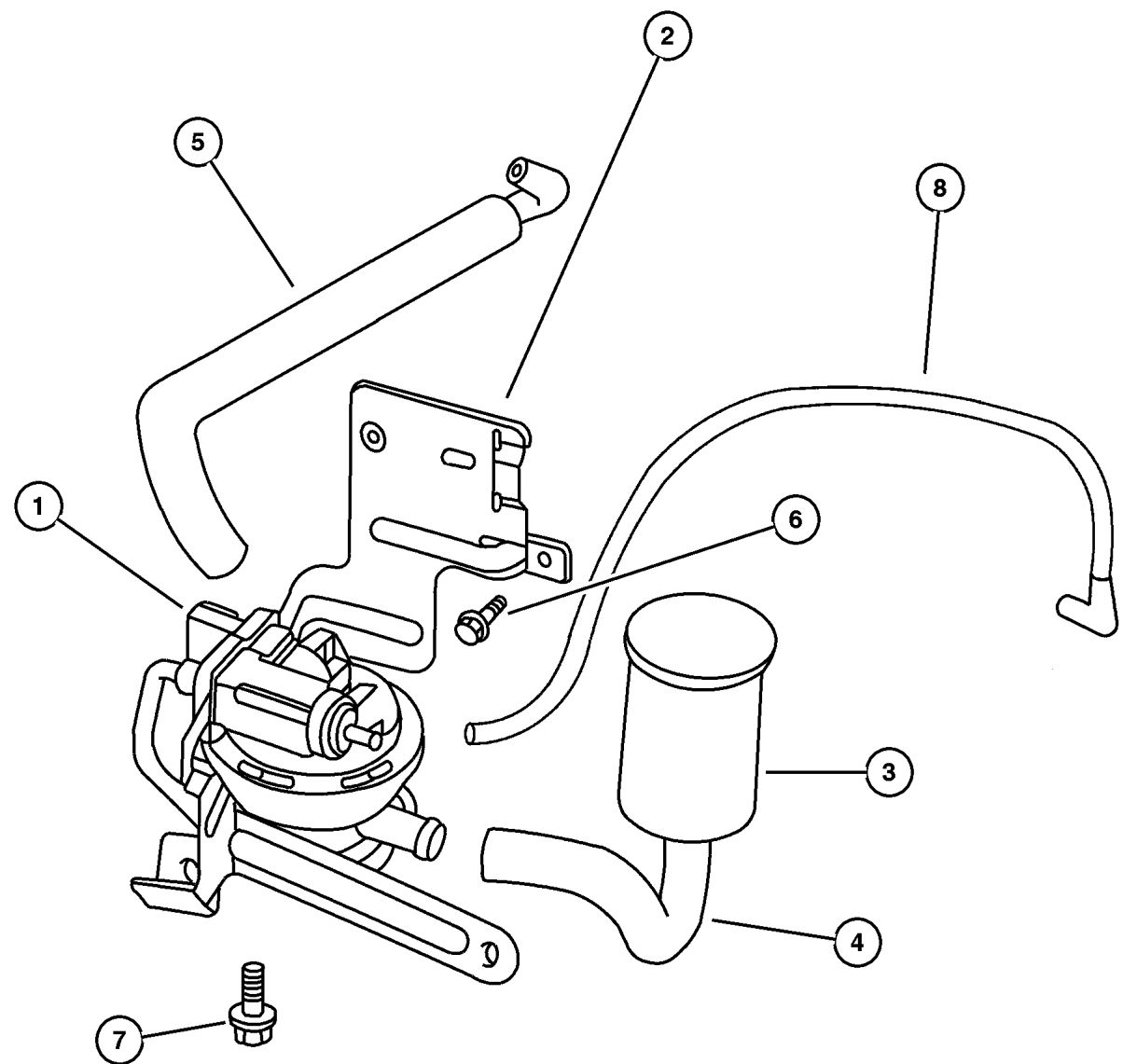


<b>JEEP CHEROKEE (XJ)</b>				
SERIES	LINE	BODY	ENGINE	TRANSMISSION
L=Low Line	J=LHD (4WD) U=RHD (4WD) T=LHD (2WD) B=RHD (2WD)	74=4 DR. (101.4 WB) 72=2 DR. (101.4 WB)	ENC,EN0=2.5L 4 cyl. Turbo Die ERH,ER0=4.0L Power Tech I-6 EPE,EP0=Magnum 2.5L SMPI	DDQ=5Spd Man. DGS=4 Spd. Auto. AISIN DG0=All Auto Trans DBB=All Manual Trans.

AR = Use as required - = Non illustrated part # = New this model year

July 4, 2003

**Leak Detection Pump 1998 XJ 1999 XJ**  
**Figure 025-460**



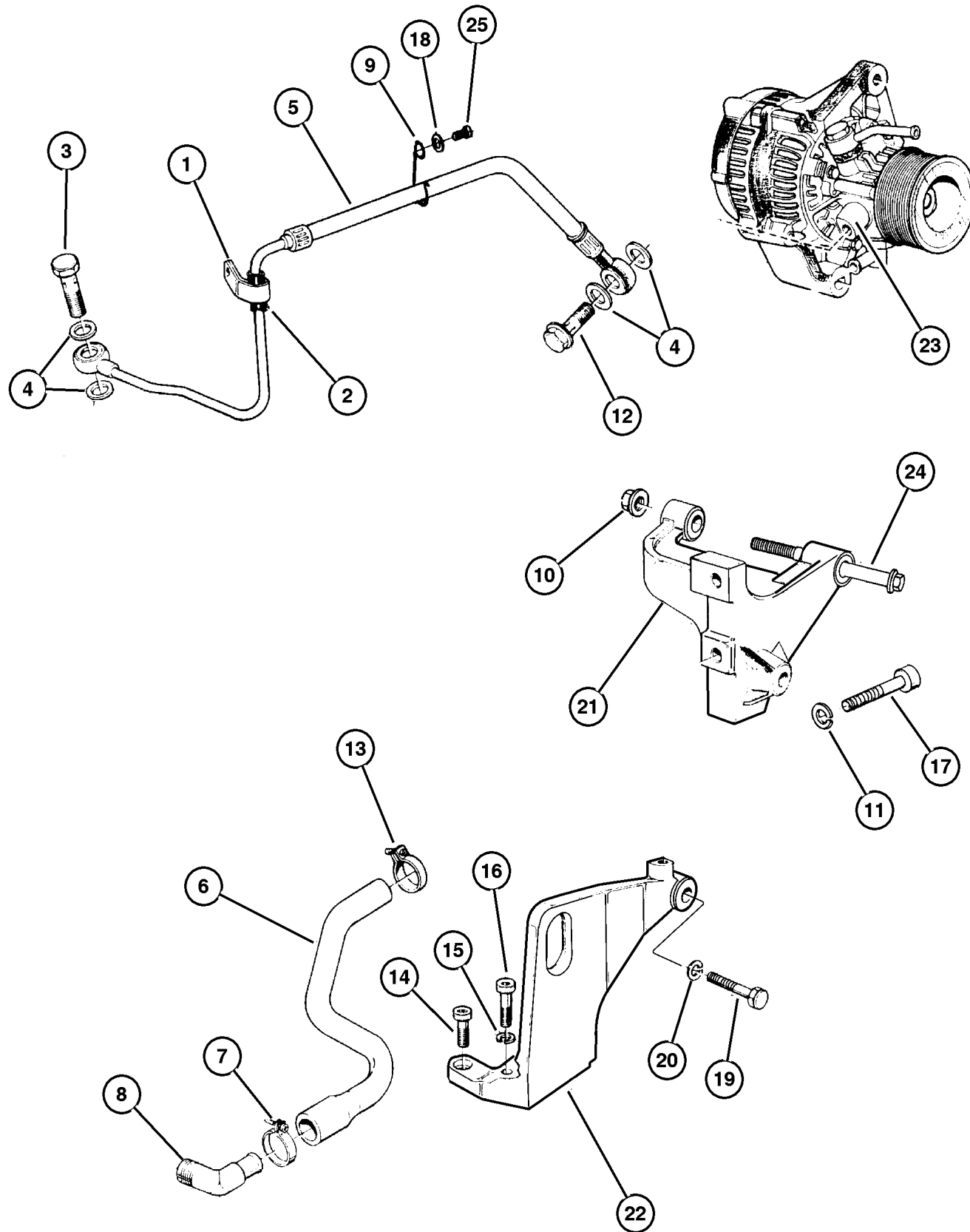
ITEM	PART NUMBER	QTY	LINE	SERIES	BODY	ENGINE	TRANS	TRIM	DESCRIPTION
1	53013 113AA	1	J, T			EP0, ER0			PUMP, Leak Detection
2	4854 184	1	J, T			EP0, ER0			BRACKET, Leak Detection Pump
3	4612 901	1	J, T			EP0, ER0			FILTER, Fuel Vapor Vent 1999 XJ
		1				EP0, ER0			1998 XJ
4	53013 001AA	1	J, T			EP0, ER0			HOSE, Leak Detection Pump
5	53013 030AA	1	J, T			EP0, ER0			HOSE, Leak Detection Pump
6									SCREW, M6x1.00x11.00, (NOT SERVICED) (Not Serviced)
7	6035 482	3	J, T			EP0, ER0			SCREW, Tapping, .19-16x.375 1999 XJ
		3				EP0, ER0			1998 XJ
8									TUBE, LDP to Intake Manifold
	53013 042AA	1	J, T			EP0			1998 XJ
	53013 042AB	1	J, T			EP0			1999 XJ
	53013 043AA	1	J, T			ER0			1998 XJ
	#53013 043AB	1	J, T			ER0			1999 XJ

<b>JEEP CHEROKEE (XJ)</b>				
SERIES	LINE	BODY	ENGINE	TRANSMISSION
L=Low Line	J=LHD (4WD) U=RHD (4WD) T=LHD (2WD) B=RHD (2WD)	74=4 DR. (101.4 WB) 72=2 DR. (101.4 WB)	ENC,EN0=2.5L 4 cyl. Turbo Die ERH,ER0=4.0L Power Tech I-6 EPE,EP0=Magnum 2.5L SMPI	DDQ=5Spd Man. DGS=4 Spd. Auto. AISIN DG0=All Auto Trans DBB=All Manual Trans.

AR = Use as required - = Non illustrated part # = New this model year

July 4, 2003

Vacuum Pump 2.5L (ENC) Diesel Engine 1997 XJ  
Figure 025-470



ITEM	PART NUMBER	QTY	LINE	SERIES	BODY	ENGINE	TRANS	TRIM	DESCRIPTION
NOTE: EN0=All 2.5L Diesel Engines									
1	4796 035	1				EN0			CLIP, Pipe
2	4797 759	1				EN0			SLEEVE, Rubber
3	4762 717	1				EN0			BOLT, Banjo
4	4720 713	2				EN0			WASHER, Implement Attaching
5	4864 601	1				EN0			PIPE, Vacuum Pump
6	4796 036	1				EN0			PIPE, Vacuum Pump Oil Drain
7	4886 052AA	2				EN0			CLAMP, Heater Hose
8	4773 709	1				EN0			ADAPTER, Oil Drain Pipe
9	4886 316AA	1				EN0			CLIP, Hose
10	4796 038	1				EN0			NUT, Hex Flange, M10x1.5
11	4864 758	2				EN0			WASHER
12	4797 802	1				EN0			BOLT, Banjo
13	4886 051AA	1				EN0			CLAMP, Heater Hose
14	4720 684	1				EN0			BOLT, Tow Hook
15	4720 688	6				EN0			WASHER, Flat
16	4797 768	6				EN0			BOLT, Vacuum Pump Bracket, M10x35
17	4864 757	2				EN0			BOLT
18	4720 702	1				EN0			WASHER, Plain
19	4723 291	1				EN0			BOLT, Starter
20	4723 165	3				EN0			WASHER, P Clip
21	4796 043	1				EN0			BRACKET, Vacuum Pump
22	4883 519AA	1				EN0			BRACKET, Alternator
23	4864 441	1				EN0			ALTERNATOR
24	4796 042	1				EN0			SCREW, Cap, M10x150
25	4797 768	6				EN0			BOLT, Vacuum Pump Bracket, M10x35

JEEP CHEROKEE (XJ)				
SERIES	LINE	BODY	ENGINE	TRANSMISSION
L=Low Line	J=LHD (4WD) U=RHD (4WD) T=LHD (2WD) B=RHD (2WD)	74=4 DR. (101.4 WB) 72=2 DR. (101.4 WB)	ENC,EN0=2.5L 4 cyl. Turbo Die ERH,ER0=4.0L Power Tech I-6 EPE,EP0=Magnum 2.5L SMPI	DDQ=5Spd Man. DGS=4 Spd. Auto. AISIN DG0=All Auto Trans DBB=All Manual Trans.

AR = Use as required - = Non illustrated part # = New this model year

July 4, 2003



# Group – DXJ

## Doors and Related Parts

### GROUP DXJ - Doors and Related Parts

Illustration Title

Group-Fig. No.

#### Front Door

Door, Front Shell and Hinges 1997 XJ 1998 XJ .....	Fig. DXJ-110
Door, Front, Shell and Hinges 1999 XJ .....	Fig. DXJ-110
Door, Front Glass and Regulator 1997 XJ 1998 XJ .....	Fig. DXJ-120
Door, Front, Glass and Controls 1999 XJ .....	Fig. DXJ-120
Door, Front Lock and Control 1997 XJ 1998 XJ .....	Fig. DXJ-130
Door, Front, Lock and Controls 1999 XJ .....	Fig. DXJ-130

#### Rear Door

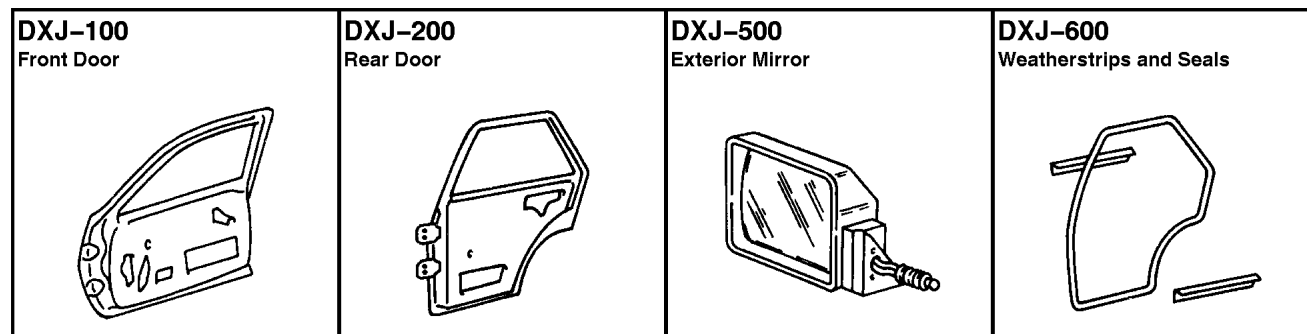
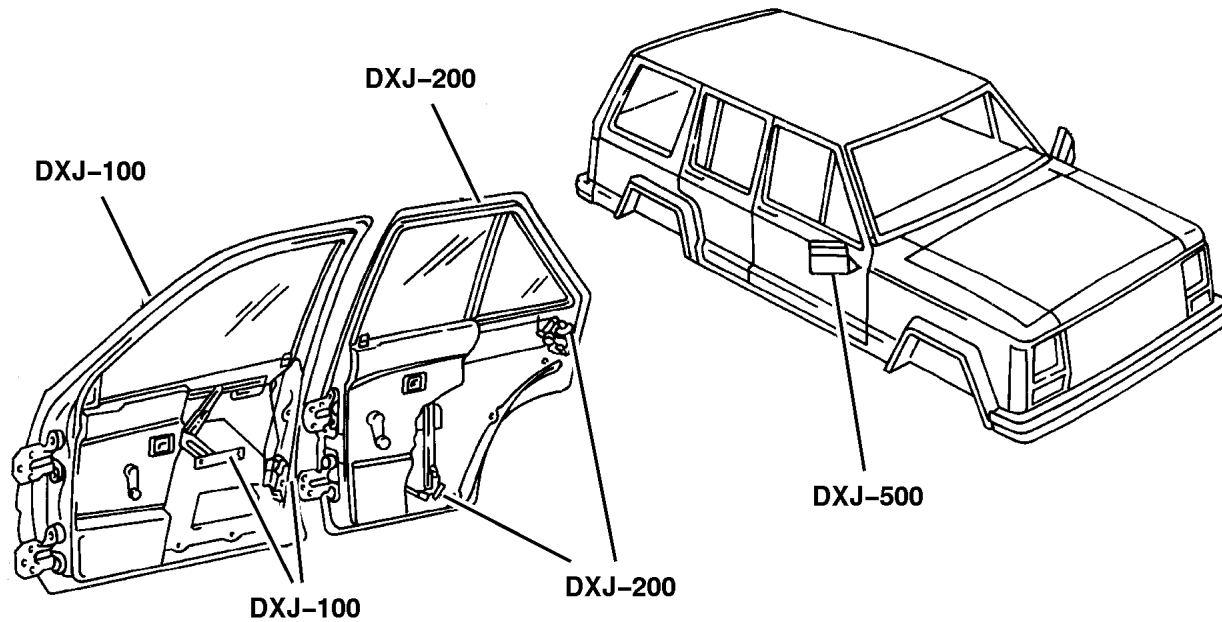
Door, Rear Shell and Hinges 1997 XJ .....	Fig. DXJ-210
Door, Rear Shell and Hinges 1998 XJ .....	Fig. DXJ-210
Door, Rear, Shell and Hinges 1999 XJ .....	Fig. DXJ-210
Door, Rear Glass and Regulator 1997 XJ 1998 XJ .....	Fig. DXJ-220
Door, Rear, Glass and Regulator 1999 XJ .....	Fig. DXJ-220
Door, Rear Lock and Control 1997 XJ 1998 XJ .....	Fig. DXJ-230
Door, Rear, Lock and Controls 1999 XJ .....	Fig. DXJ-230

#### Exterior Mirror

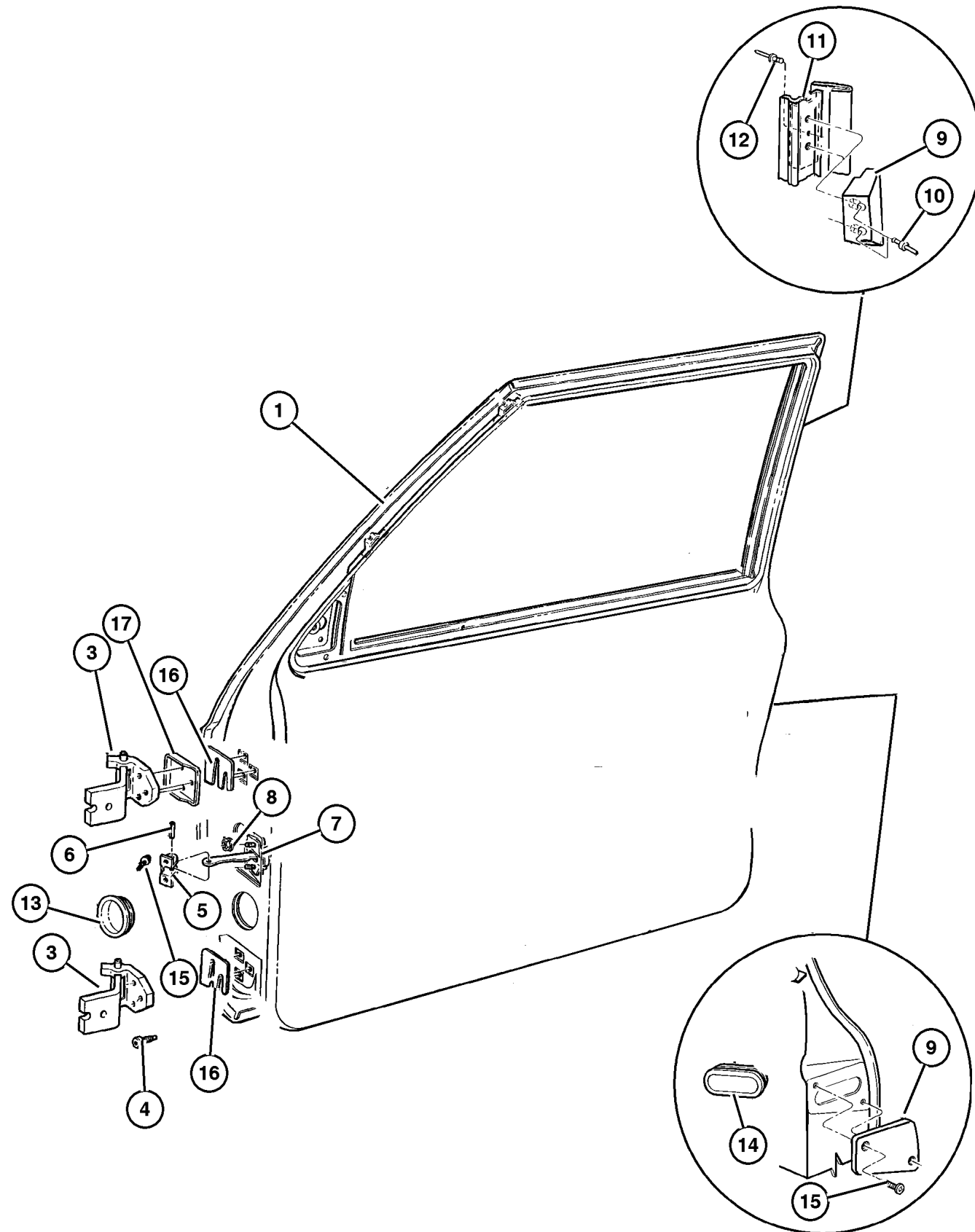
Mirrors, Exterior 1997 XJ 1998 XJ .....	Fig. DXJ-510
Mirrors, Exterior 1999 XJ .....	Fig. DXJ-510

#### Weatherstrips and Seals

Door, Front Weatherstrips and Seals 1997 XJ 1998 XJ .....	Fig. DXJ-610
Door, Front 1999 XJ .....	Fig. DXJ-610
Door, Rear Weatherstrips and Seals 1997 XJ 1998 XJ .....	Fig. DXJ-620
Door, Rear 1999 XJ .....	Fig. DXJ-620



**Door, Front Shell and Hinges 1997 XJ 1998 XJ  
Figure DXJ-110**



ITEM	PART NUMBER	QTY	LINE	SERIES	BODY	ENGINE	TRANS	TRIM	DESCRIPTION
1									DOOR, Front
	5517 5424	1			72				1997 XJ, Right
	55175 424AB	1	J, T, U		72				1998 XJ, Right
	5517 5425	1			72				1997 XJ, Left
	55175 425AB	1	J, T, U		72				1998 XJ, Left
	5517 5464	1			74				1997 XJ, Right
	55175 464AB	1			74				1998 XJ, Right
	5517 5465	1			74				1997 XJ, Left
	55175 465AB	1			74				1998 XJ, Left
-2									PANEL, Door Outer Repair
-2									PANEL, Door Outer Repair (Not Serviced) (NOT SERVICED), 1997 XJ
	5003 400AA	1	J, T, U		72				1998 XJ, Right
	5003 401AA	1	J, T, U		72				1998 XJ, Left
	5003 402AA	1			74				1998 XJ, Right
	5003 403AA	1			74				1998 XJ, Left
3	55235 368AB	4							HINGE, Front Door
4									SCREW, M8-1.25
	6504 493	12	B		74				1997 XJ
		12	J		72				1997 XJ
		12	U		72				1997 XJ
		12	T		74				1997 XJ
	6504 957AA	12							1998 XJ
5	5500 2361	2							BRACKET, Check Arm
6	5501 2900	2			74				PIN, Check Arm
7	5523 5571	2							CHECK, Front Door
8									LOCK NUT, Hex Flange, M6-1.00, (NOT SERVICED) (Not Serviced)
9									SPACER, Door
	5507 4906	1			72				Lower, 1997 XJ, Right
		1	J, T, U		72				1998 XJ, Lower Right
	5507 4907	1			72				Lower, 1997 XJ, Left
		1	J, T, U		72				1998 XJ, Lower Left
	5507 4908	1			72				Upper, 1997 XJ, Right
		1	J, T, U		72				1998 XJ, Upper Right
	5507 4909	1			72				Upper, 1997 XJ, Left
		1	J, T, U		72				1998 XJ, Upper Left
10									RIVET, Blind Expansion (R-Lok)
	6504 700	3	B, U						1998 XJ
		3	J, T						1998 XJ
	J400 6990	4			72				1997 XJ
11									REINFORCEMENT, Door Spacer

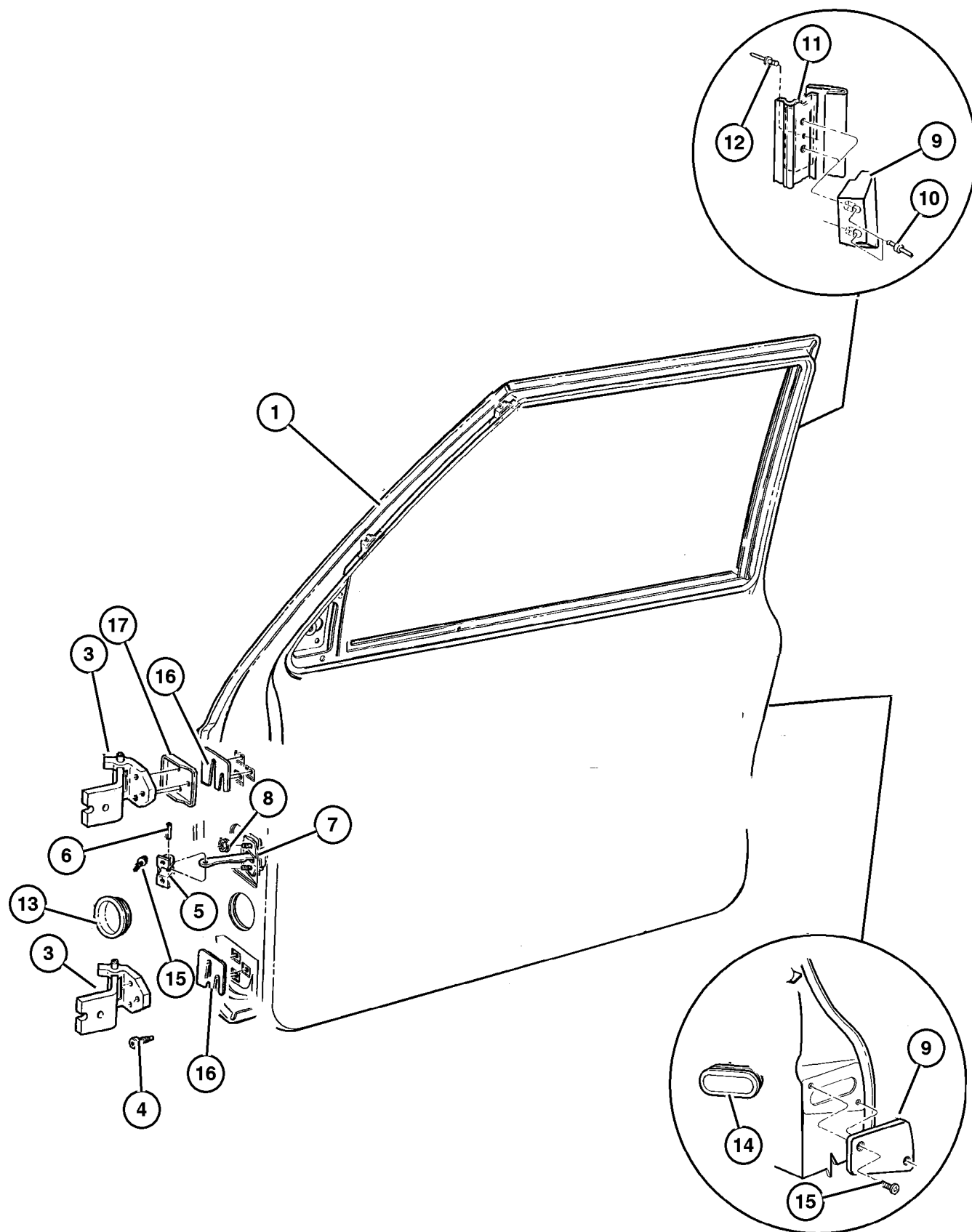
**JEEP CHEROKEE (XJ)**

SERIES	LINE	BODY	ENGINE	TRANSMISSION
L=Low Line	J=LHD (4WD) U=RHD (4WD) T=LHD (2WD) B=RHD (2WD)	74=4 DR. (101.4 WB) 72=2 DR. (101.4 WB)	ENC,EN0=2.5L 4 cyl. Turbo Die ERH,ER0=4.0L Power Tech I-6 EPE,EP0=Magnum 2.5L SMPI	DDQ=5Spd Man. DGS=4 Spd. Auto. AISIN DG0=All Auto Trans DBB=All Manual Trans.

AR = Use as required - = Non illustrated part # = New this model year

July 4, 2003

**Door, Front Shell and Hinges 1997 XJ 1998 XJ  
Figure DXJ-110**



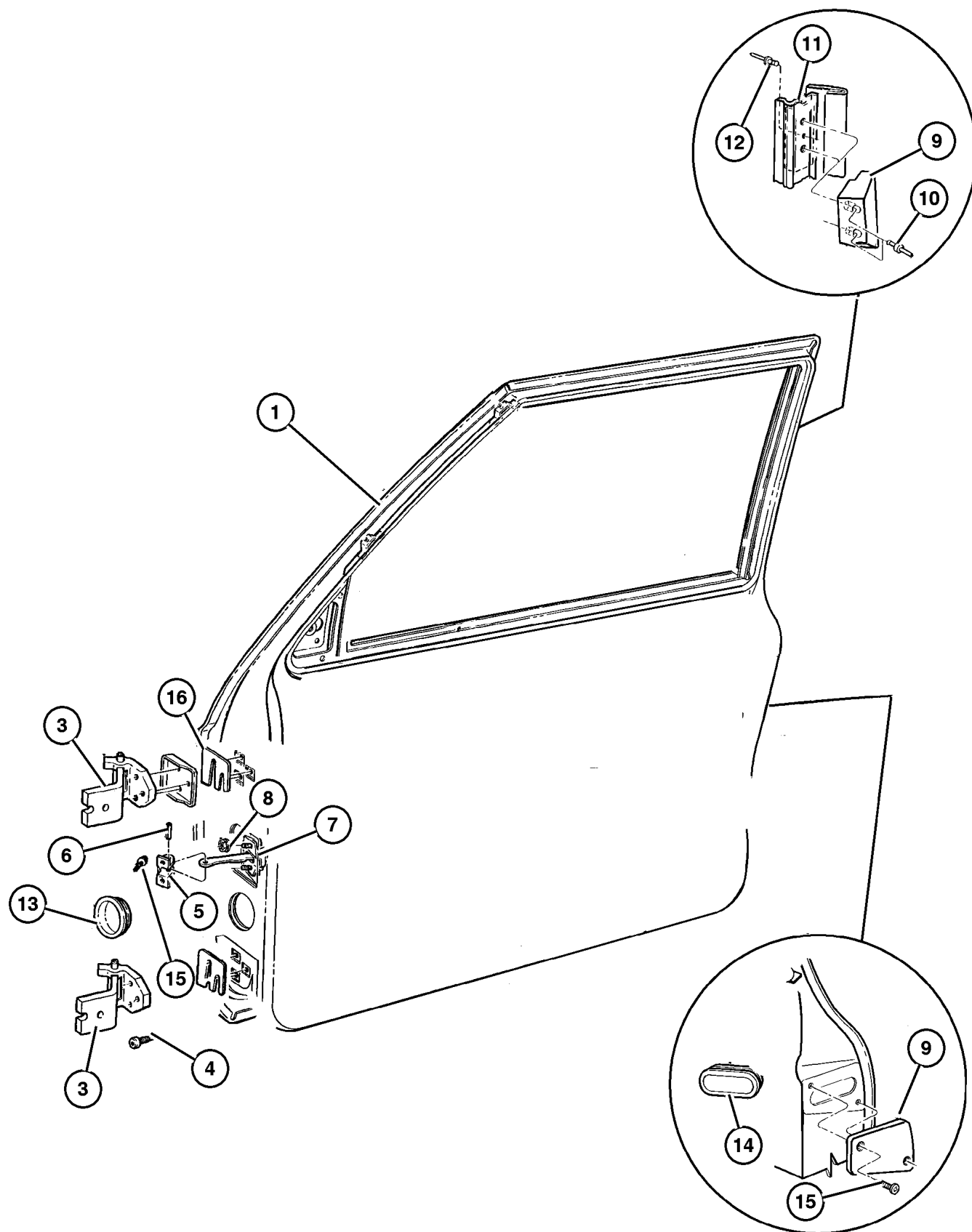
ITEM	PART NUMBER	QTY	LINE	SERIES	BODY	ENGINE	TRANS	TRIM	DESCRIPTION
	5500 6216	2			72				1997 XJ
		2	J, T, U		72				1998 XJ
12	3420 1684	4			72				RIVET, M3.18x2.37
		2			74				1997 XJ
		2			74				1998 XJ
		4	J, T, U		72				1998 XJ
13	5500 2367	2							PLUG, Door Wiring Conduit
14	5500 2368	2							PLUG, Door Latch
15									SCREW, (NOT SERVICED) (Not Serviced)
16									PLATE, Door Hinge
	5500 4597	AR							1997 XJ
		1							1998 XJ
17	5500 4920	AR							SHIM

<b>JEEP CHEROKEE (XJ)</b>				
SERIES	LINE	BODY	ENGINE	TRANSMISSION
L=Low Line	J=LHD (4WD) U=RHD (4WD) T=LHD (2WD) B=RHD (2WD)	74=4 DR. (101.4 WB) 72=2 DR. (101.4 WB)	ENC,EN0=2.5L 4 cyl. Turbo Die ERH,ER0=4.0L Power Tech I-6 EPE,EP0=Magnum 2.5L SMPI	DDQ=5Spd Man. DGS=4 Spd. Auto. AISIN DG0=All Auto Trans DBB=All Manual Trans.

AR = Use as required - = Non illustrated part # = New this model year

July 4, 2003

**Door, Front, Shell and Hinges 1999 XJ  
Figure DXJ-110**



ITEM	PART NUMBER	QTY	LINE	SERIES	BODY	ENGINE	TRANS	TRIM	DESCRIPTION
1									DOOR, Front
	55175 424AD	1	J, T, U		72				Right
	55175 425AD	1	J, T, U		72				Left
	#55235 906AA	1			74				Right
	#55235 907AA	1			74				Left
-2									PANEL, Door Outer Repair
	5003 400AA	1	J, T, U		72				Right
	5003 401AA	1	J, T, U		72				Left
	#5003 402AB	1			74				Right
	5003 403AA	1			74				Left
3	55235 368AC	4							HINGE, Door
4	6505 434AA	12							SCREW, M8-1.25
5	5500 2361	2							BRACKET, Check Arm
6	5501 2900	2							PIN, Check Arm
7	55235 571AB	2							CHECK, Front Door
8									LOCK NUT, Hex Flange, M6-1.00, (NOT SERVICED) (Not Serviced)
9									SPACER, Door
	5507 4906	1	J, T, U		72				Lower Right
	5507 4907	1	J, T, U		72				Lower Left
	5507 4908	1	J, T, U		72				Upper Right
	5507 4909	1	J, T, U		72				Upper Left
10	J400 6990	2							RIVET, Blind Expansion (R-Lok)
11	5500 6216	2	J, T, U		72				REINFORCEMENT, Door Spacer
12	3420 1684	2							RIVET, M3.18x2.37
13	5500 2367	2							PLUG, Door Wiring Conduit
14	5500 2368	2							PLUG, Door Latch
15									SCREW, (NOT SERVICED) (Not Serviced)
16	5500 4920	AR							SHIM

**JEEP CHEROKEE (XJ)**

SERIES	LINE	BODY	ENGINE	TRANSMISSION
L=Low Line	J=LHD (4WD) U=RHD (4WD) T=LHD (2WD) B=RHD (2WD)	74=4 DR. (101.4 WB) 72=2 DR. (101.4 WB)	ENC,EN0=2.5L 4 cyl. Turbo Die ERH,ER0=4.0L Power Tech I-6 EPE,EP0=Magnum 2.5L SMPI	DDQ=5Spd Man. DGS=4 Spd. Auto. AISIN DG0=All Auto Trans DBB=All Manual Trans.

AR = Use as required - = Non illustrated part # = New this model year

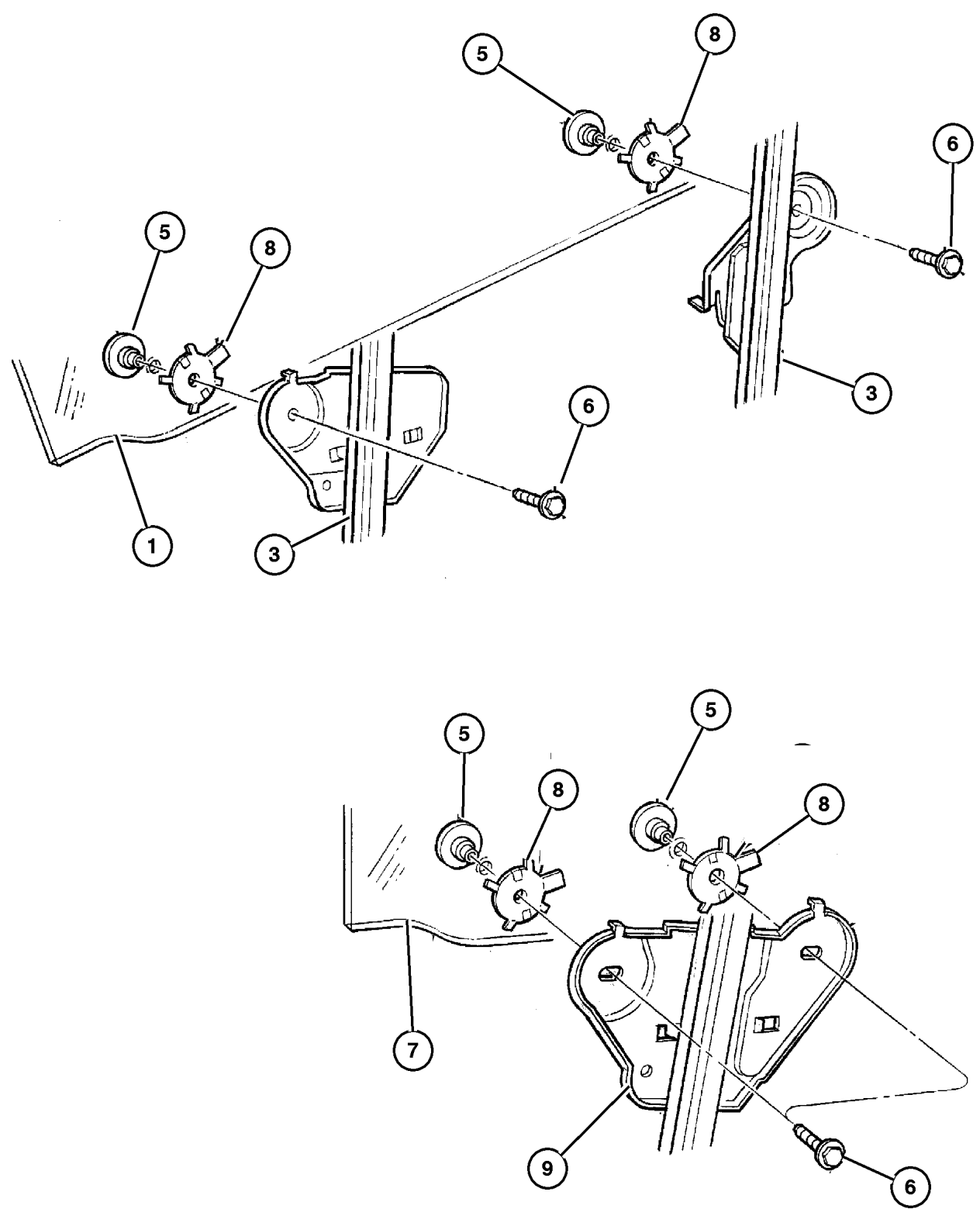
July 4, 2003

**Door, Front Glass and Regulator 1997 XJ 1998 XJ  
Figure DXJ-120**

ITEM	PART NUMBER	QTY	LINE	SERIES	BODY	ENGINE	TRANS	TRIM	DESCRIPTION
1									GLASS, Door
	5517 5436	1			72				1997 XJ, Right
	5517 5437	1			72				1997 XJ, Left
	5517 5436	1	J, T, U		72				1998 XJ, Right
	5517 5437	1	J, T, U		72				1998 XJ, Left
-2									CHANNEL, Glass Run Lower
-2									CHANNEL, Glass Run Lower (Not Serviced) (NOT SERVICED), 1998 XJ
	5507 6172	1			74				1997 XJ, Right
	5507 6173	1			74				1997 XJ, Left
3									REGULATOR, Front Door Window
	55076 276AB	1			72				Manual, 1997 XJ, Right
	55076 277AB	1			72				Manual, 1997 XJ, Left
	55154 958AB	1			74				Electric, 1997 XJ, Right
	55154 959AB	1			74				Electric, 1997 XJ, Left
	55155 012AC	1			72				Electric, 1997 XJ, Right
	55155 013AC	1			72				Electric, 1997 XJ, Left
	55076 276AH	1	J, T, U		72				Without Power, 1998 XJ, Right
	55076 277AH	1	J, T, U		72				Without Power, 1998 XJ, Left
	55155 012AG	1	J, T, U		72				With Power, 1998 XJ, Right
	55155 013AG	1	J, T, U		72				With Power, 1998 XJ, Left
	55076 052AE	1			74				Without Power, 1998 XJ, Right
	55076 053AE	1			74				Without Power, 1998 XJ, Left
	55154 958AG	1			74				With Power, 1998 XJ, Right
	55154 959AG	1			74				With Power, 1998 XJ, Left
-4									HANDLE, Window Regulator
	FW80 SC3	2							Grey
	FW80 TT6	2							Spice
5									RETAINER, Glass to Liftplate
	4415 943	2			74				1997 XJ
		4							1998 XJ
6									BOLT, Hex Flange Head, M6x1.
									00x16
	3420 1807	2							1997 XJ
		4							1998 XJ
7									GLASS, Front Door
	5517 5430	1			74				Right
	5517 5431	1			74				Left
8									RETAINER, Glass to Liftplate
	3502 6818	2			74				1997 XJ
		4							1998 XJ
9									REGULATOR, Front Door Window

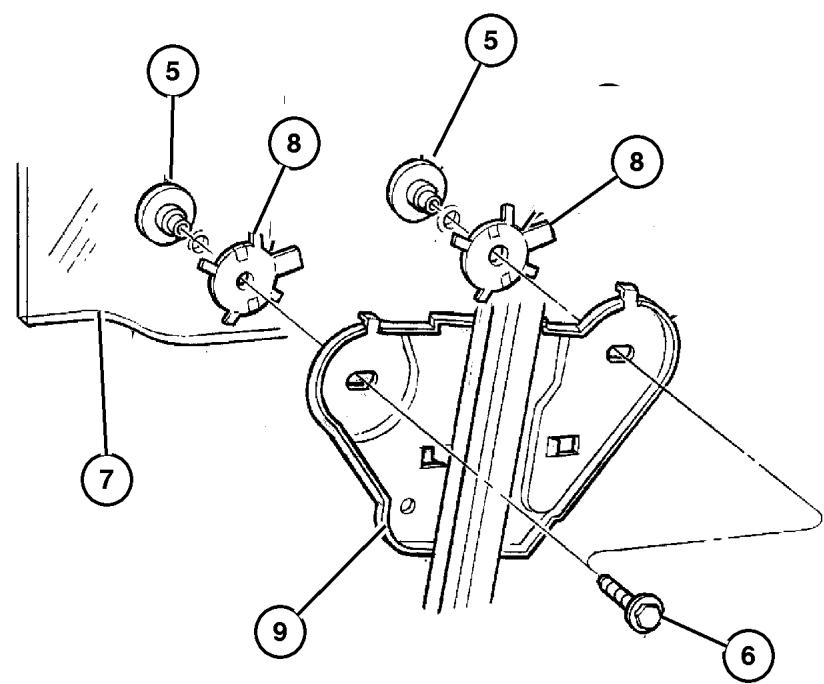
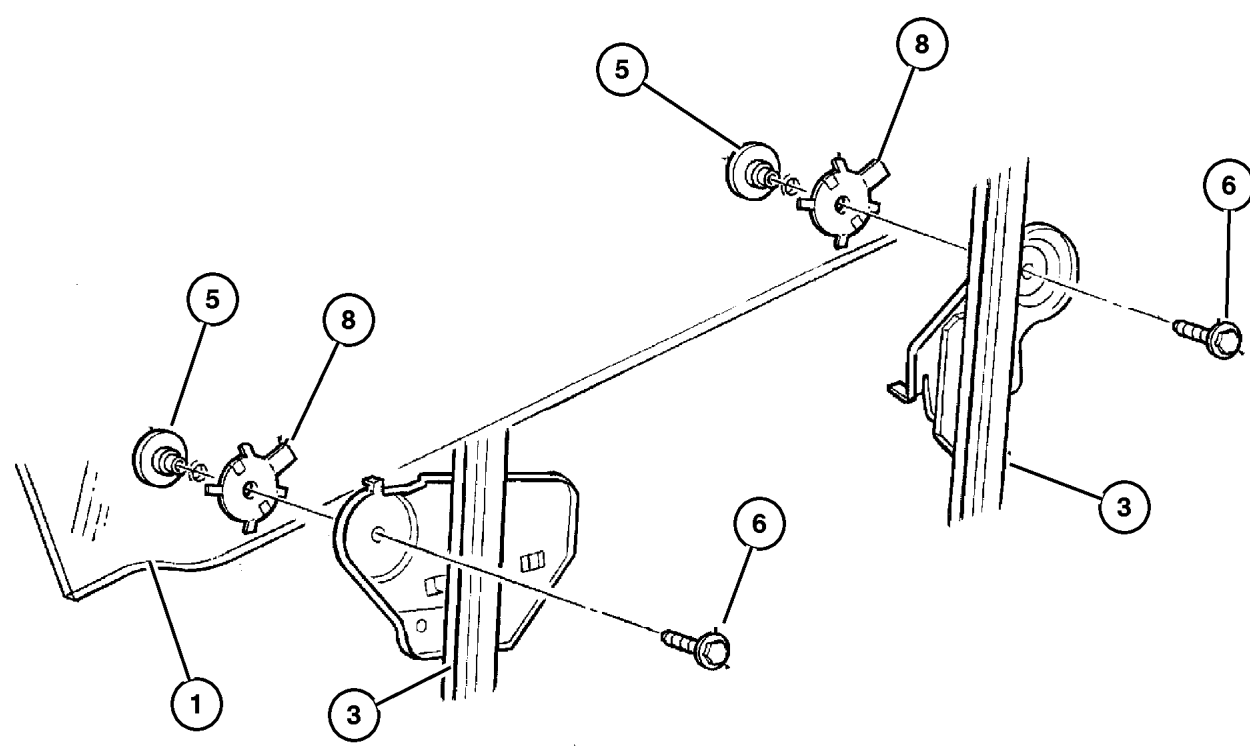
<b>JEEP CHEROKEE (XJ)</b>				
SERIES	LINE	BODY	ENGINE	TRANSMISSION
L=Low Line	J=LHD (4WD) U=RHD (4WD) T=LHD (2WD) B=RHD (2WD)	74=4 DR. (101.4 WB) 72=2 DR. (101.4 WB)	ENC,EN0=2.5L 4 cyl. Turbo Die ERH,ER0=4.0L Power Tech I-6 EPE,EP0=Magnum 2.5L SMPI	DDQ=5Spd Man. DGS=4 Spd. Auto. AISIN DG0=All Auto Trans DBB=All Manual Trans.

AR = Use as required - = Non illustrated part # = New this model year July 4, 2003



**Door, Front Glass and Regulator 1997 XJ 1998 XJ  
Figure DXJ-120**

ITEM	PART NUMBER	QTY	LINE	SERIES	BODY	ENGINE	TRANS	TRIM	DESCRIPTION
	55076 052AE	1			74				Manual, 1997 XJ, Right
	55076 053AE	1			74				Manual, 1997 XJ, Left
	55154 958AB	1			74				Electric, 1997 XJ, Right
	55154 959AB	1			74				Electric, 1997 XJ, Left
	55076 052AE	1			74				Right, 1998 XJ, Manual Window Regulator
	55076 053AE	1			74				Left, 1998 XJ, Manual Window Regulator
	55154 958AG	1			74				Right, 1998 XJ, Power Window
	55154 959AG	1			74				Left, 1998 XJ, Power Window
-10	5507 6218	2							SPACER, Door Handle



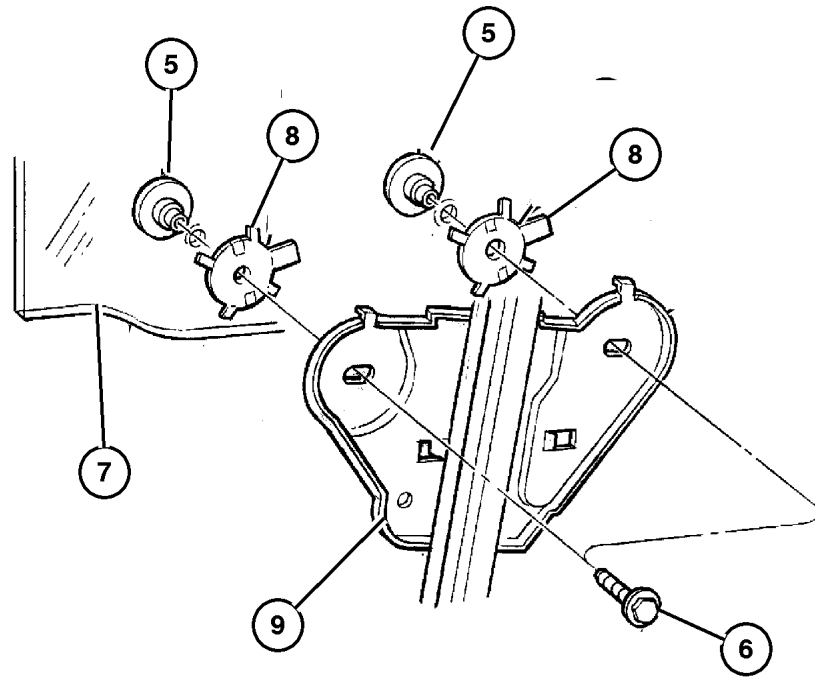
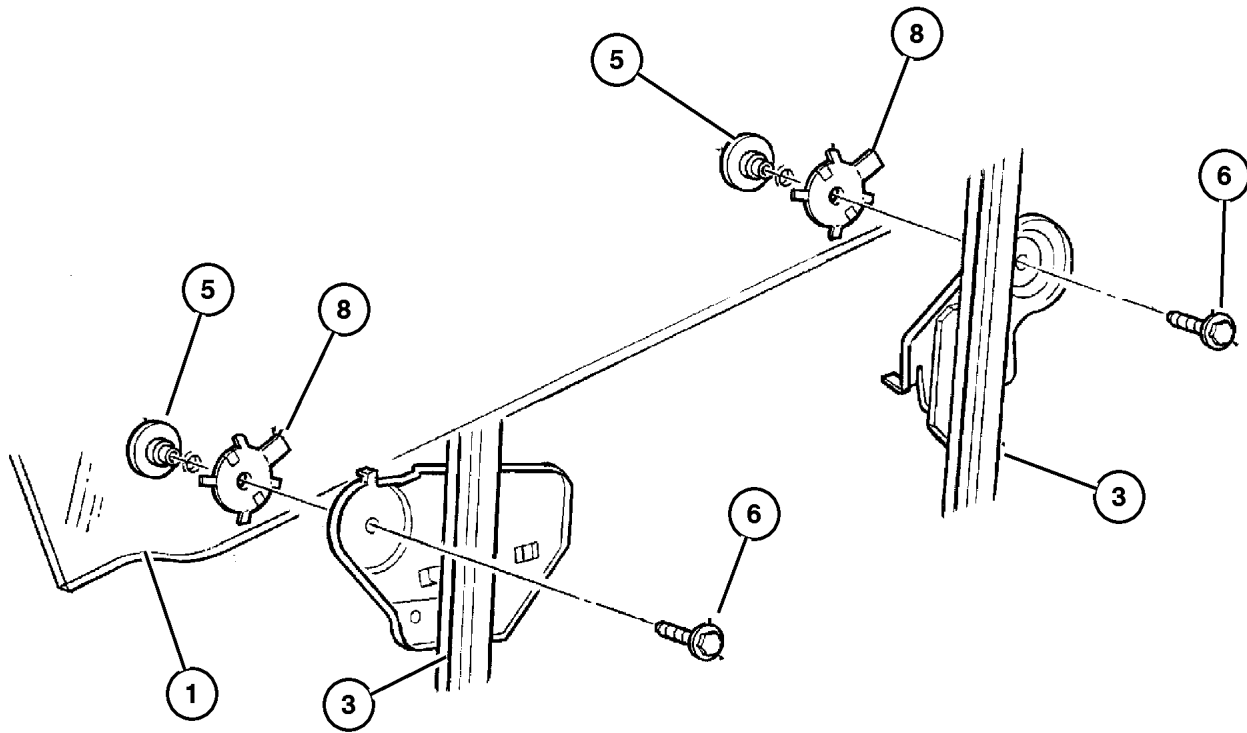
<b>JEEP CHEROKEE (XJ)</b>				
SERIES	LINE	BODY	ENGINE	TRANSMISSION
L=Low Line	J=LHD (4WD) U=RHD (4WD) T=LHD (2WD) B=RHD (2WD)	74=4 DR. (101.4 WB) 72=2 DR. (101.4 WB)	ENC,EN0=2.5L 4 cyl. Turbo Die ERH,ER0=4.0L Power Tech I-6 EPE,EP0=Magnum 2.5L SMPI	DDQ=5Spd Man. DGS=4 Spd. Auto. AISIN DG0=All Auto Trans DBB=All Manual Trans.

AR = Use as required - = Non illustrated part # = New this model year

July 4, 2003

Door, Front, Glass and Controls 1999 XJ  
Figure DXJ-120

ITEM	PART NUMBER	QTY	LINE	SERIES	BODY	ENGINE	TRANS	TRIM	DESCRIPTION
1									GLASS, Door
	5517 5436	1	J, T, U		72				Right
	5517 5437	1	J, T, U		72				Left
-2									CHANNEL, Glass Run Lower
	55076 172AB	1			74				Right
	55076 173AB	1			74				Left
3									REGULATOR, Front Door Window
	55076 276AH	1	J, T, U		72				Without Power, Right
	55076 277AH	1	J, T, U		72				Without Power, Left
	55076 052AF	1			74				Without Power, Right
	55076 053AF	1			74				Without Power, Left
-4									HANDLE, Window Regulator
	FW80 SK5	2	J, T, U						Tan
	FW80 TAZ	2	J, T, U						Gray
5	4415 943	4							RETAINER, Glass to Liftplate
6	3420 1807	2							BOLT, Hex Flange Head, M6x1.00x16
7									GLASS, Front Door
	5517 5430	1			74				Right
	5517 5431	1			74				Left
8	3502 6818	4							RETAINER, Glass to Liftplate
9									REGULATOR, Front Door Window
	55154 958AG	1			74				With Power, Right
	55154 959AG	1			74				With Power, Left
	#55155 012AJ	1	J, T, U		72				With Power, Right
	#55155 013AJ	1	J, T, U		72				With Power, Left



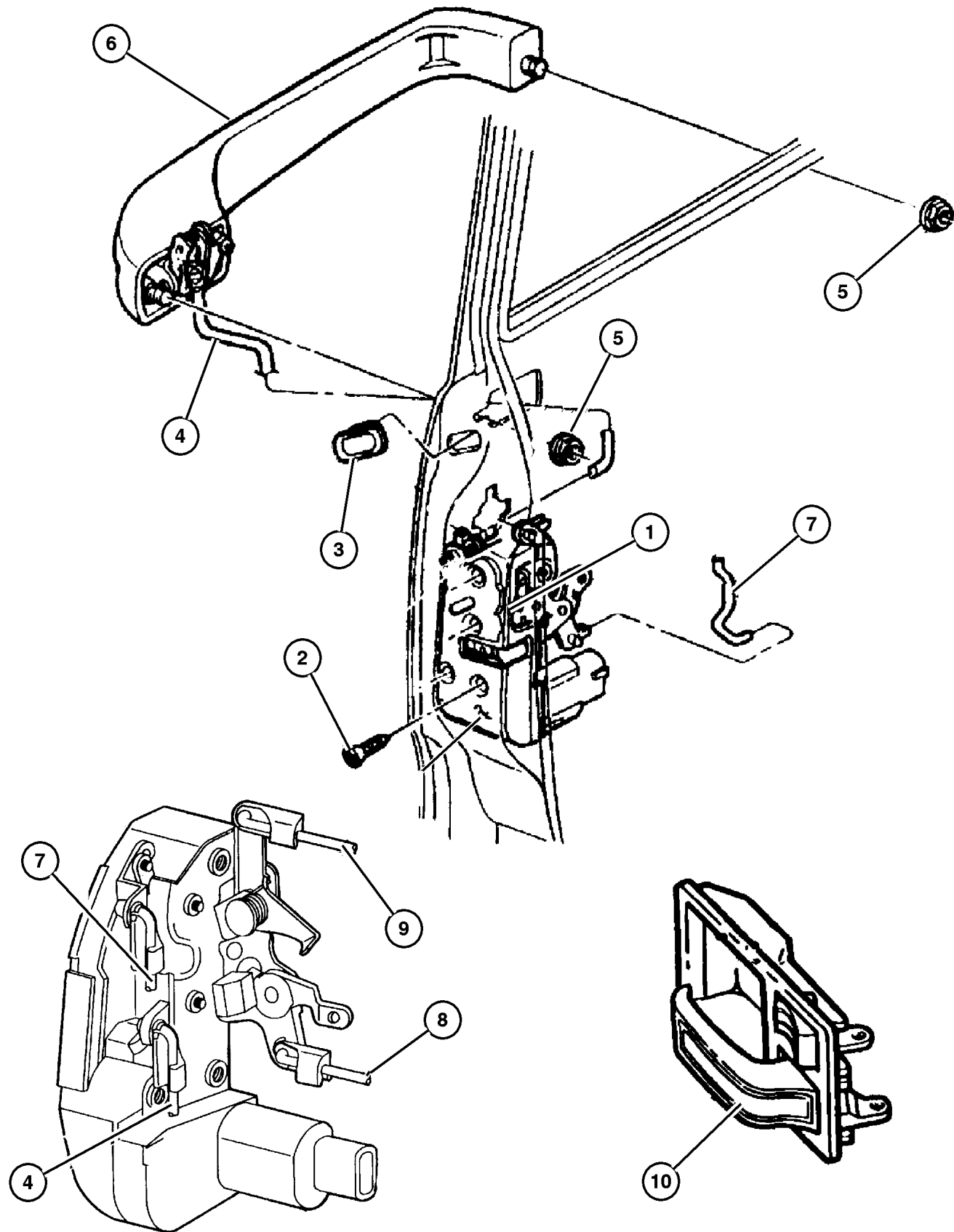
JEEP CHEROKEE (XJ)

SERIES	LINE	BODY	ENGINE	TRANSMISSION
L=Low Line	J=LHD (4WD) U=RHD (4WD) T=LHD (2WD) B=RHD (2WD)	74=4 DR. (101.4 WB) 72=2 DR. (101.4 WB)	ENC,EN0=2.5L 4 cyl. Turbo Die ERH,ER0=4.0L Power Tech I-6 EPE,EP0=Magnum 2.5L SMPI	DDQ=5Spd Man. DGS=4 Spd. Auto. AISIN DG0=All Auto Trans DBB=All Manual Trans.

AR = Use as required - = Non illustrated part # = New this model year

July 4, 2003

**Door, Front Lock and Control 1997 XJ 1998 XJ  
Figure DXJ-130**



ITEM	PART NUMBER	QTY	LINE	SERIES	BODY	ENGINE	TRANS	TRIM	DESCRIPTION
1									LATCH PKG, FRONT DOOR
	4773 636AB	1							without Power Locks, 1997 XJ, Right
		1							without Power Dr, Locks, 1998 XJ, Right
	4773 637AB	1							without Power Locks, 1997 XJ, Left
		1							without Power Dr, Locks, 1998 XJ, Left
	4798 914AC	1							with Power Locks, 1997 XJ, Right
		1							with Power Dr, Locks, 1998 XJ, Right
	4798 915AC	1							with Power Locks, 1997 XJ, Left
		1							with Power Dr, Locks, 1998 XJ, Left
2	6033 876	6							SCREW, Tapping, M6.3x1.8x38.1
3	5500 2368	2							PLUG, Door Latch
4									ROD, Outside Handle to Latch
	5507 6226	1			72				1997 XJ, Right
		1	J, T, U		72				1998 XJ, Right
	5507 6227	1			72				1997 XJ, Left
		1	J, T, U		72				1998 XJ, Left
	5523 5318	1			74				Right
	5523 5319	1			74				Left
5	6503 226	4							NUT, Hex Flange, M5x.8
6									HANDLE, Exterior Door
	55076 056AB	1			74				Right
	55076 057AB	1			74				Left
7									LINK, Key Cylinder To Latch
	5507 6046	1			72				1997 XJ, Right
		1	J, T, U		72				1998 XJ, Right
	5507 6047	1			72				1997 XJ, Left
		1	J, T, U		72				1998 XJ, Left
	5523 5326	1			74				Right
	5523 5327	1			74				Left
8									LINK, Latch Release
	55076 040AB	1			74				Right
	55076 041AB	1			74				Left
	55076 316AB	1			72				1997 XJ, Right
	55076 316AC	1	J, T, U		72				1998 XJ, Right
	55076 317AB	1			72				1997 XJ, Left
	55076 317AC	1	J, T, U		72				1998 XJ, Left
9									ROD, Inside Lock to Latch

**JEEP CHEROKEE (XJ)**

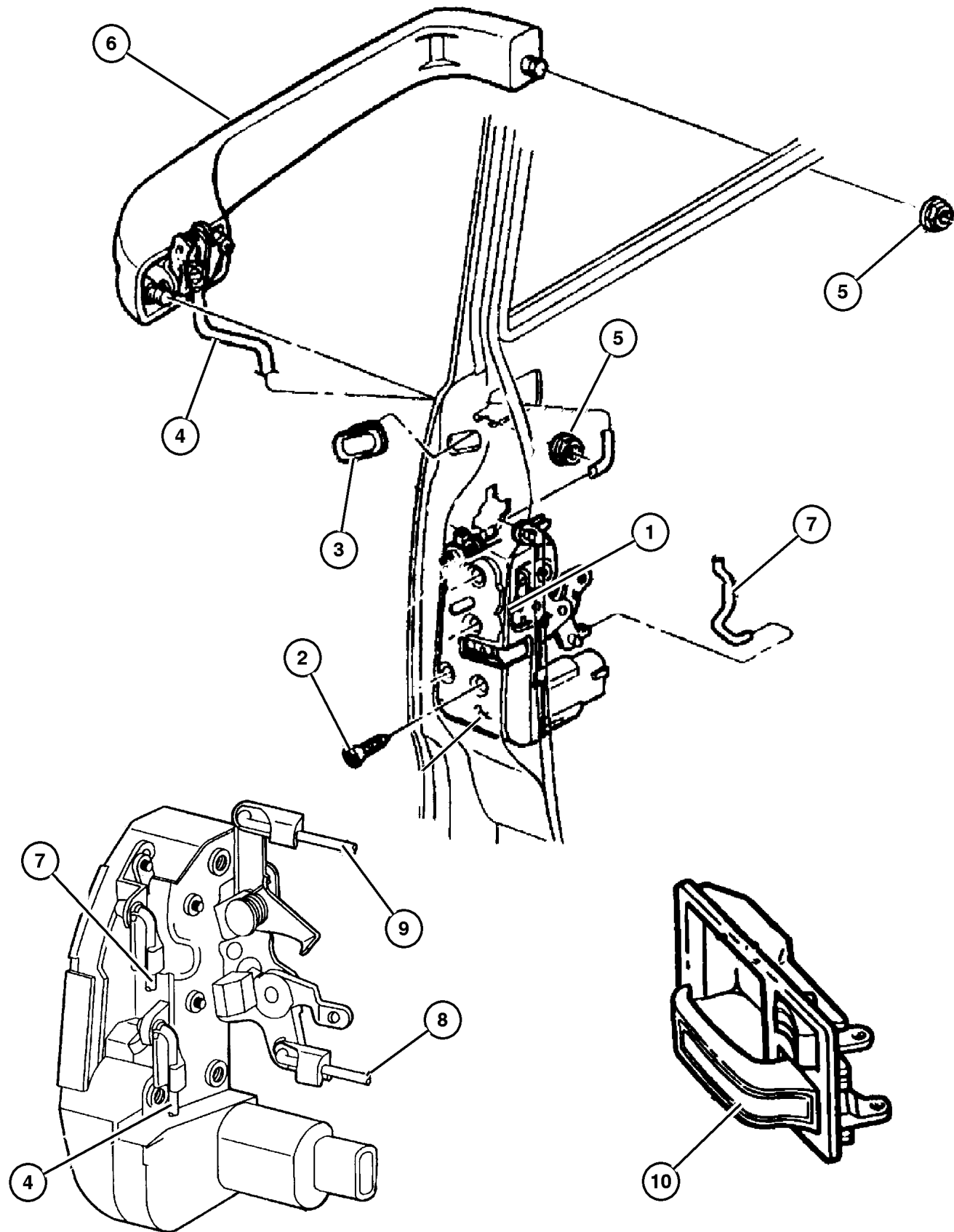
SERIES	LINE	BODY	ENGINE	TRANSMISSION
L=Low Line	J=LHD (4WD) U=RHD (4WD) T=LHD (2WD) B=RHD (2WD)	74=4 DR. (101.4 WB) 72=2 DR. (101.4 WB)	ENC,EN0=2.5L 4 cyl. Turbo Die ERH,ER0=4.0L Power Tech I-6 EPE,EP0=Magnum 2.5L SMPI	DDQ=5Spd Man. DGS=4 Spd. Auto. AISIN DG0=All Auto Trans DBB=All Manual Trans.

AR = Use as required - = Non illustrated part # = New this model year

July 4, 2003



**Door, Front Lock and Control 1997 XJ 1998 XJ  
Figure DXJ-130**



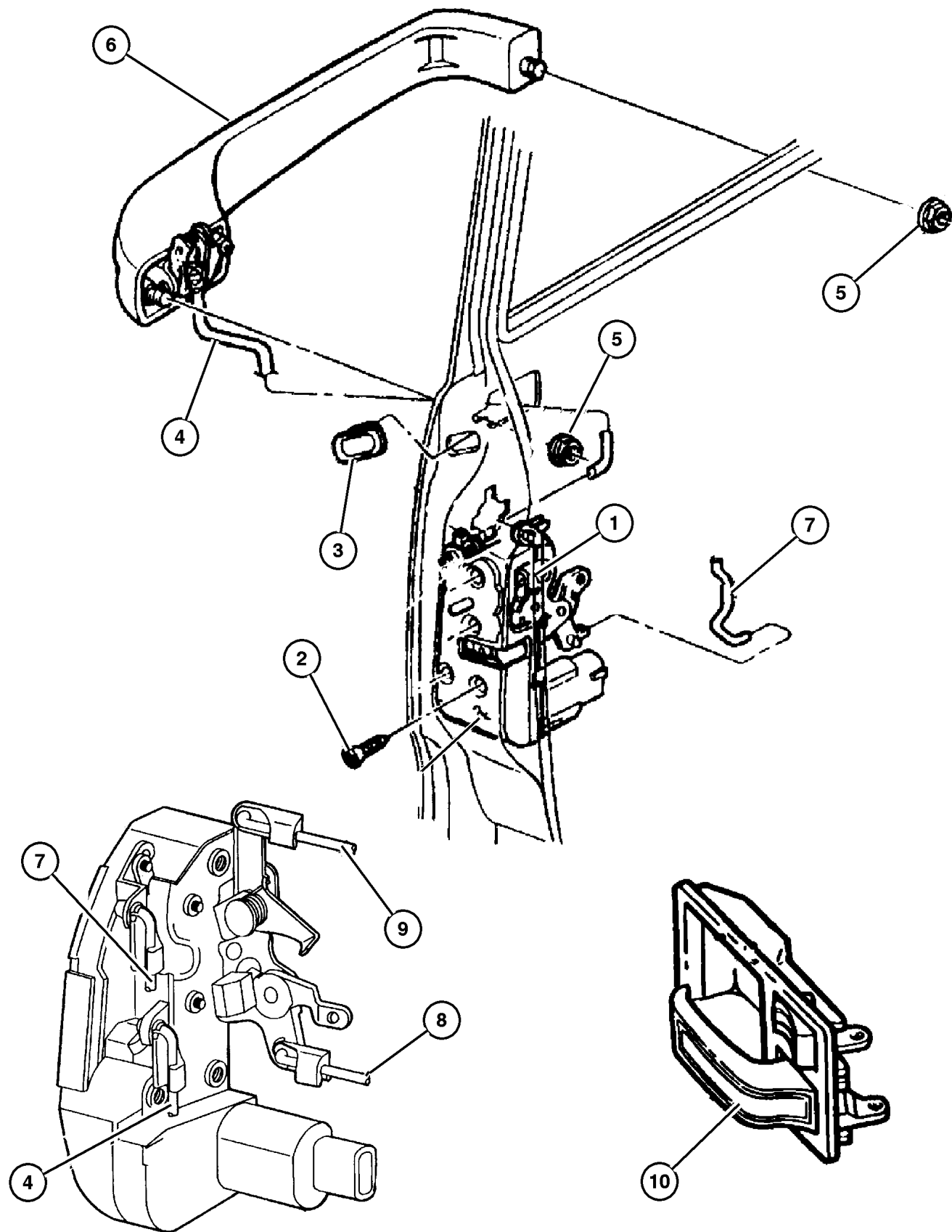
ITEM	PART NUMBER	QTY	LINE	SERIES	BODY	ENGINE	TRANS	TRIM	DESCRIPTION
	55076 272AC	1			74				Right
	55076 273AC	1			74				Left
	55076 320AB	1			72				1997 XJ, Right
		1	J, T, U		72				1998 XJ, Right
	55076 321AB	1			72				1997 XJ, Left
		1	J, T, U		72				1998 XJ, Left
10									HANDLE, Door Interior, 06505499AA
									Nut/Rivet
	5507 6054	1	B		72				1997 XJ, Right
		1			74				Right
		1	J, T		72				1998 XJ, Right
	5507 6055	1	B		72				1997 XJ, Left
		1			74				Left
		1	J, T		72				1998 XJ, Left

JEEP CHEROKEE (XJ)				
SERIES	LINE	BODY	ENGINE	TRANSMISSION
L=Low Line	J=LHD (4WD) U=RHD (4WD) T=LHD (2WD) B=RHD (2WD)	74=4 DR. (101.4 WB) 72=2 DR. (101.4 WB)	ENC,EN0=2.5L 4 cyl. Turbo Die ERH,ER0=4.0L Power Tech I-6 EPE,EP0=Magnum 2.5L SMPI	DDQ=5Spd Man. DGS=4 Spd. Auto. AISIN DG0=All Auto Trans DBB=All Manual Trans.

AR = Use as required - = Non illustrated part # = New this model year

July 4, 2003

**Door, Front, Lock and Controls 1999 XJ**  
**Figure DXJ-130**



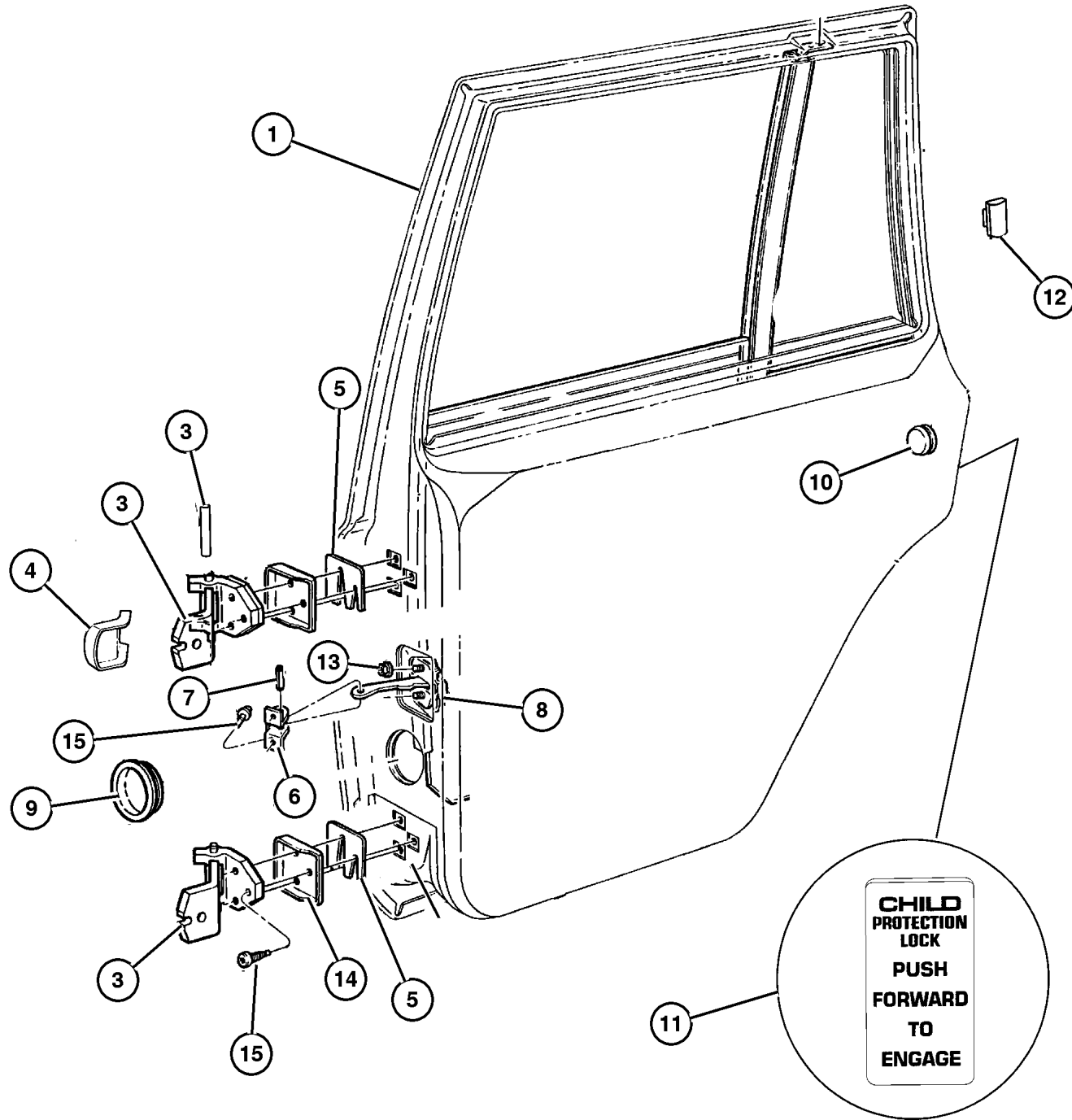
ITEM	PART NUMBER	QTY	LINE	SERIES	BODY	ENGINE	TRANS	TRIM	DESCRIPTION
1									LATCH PKG, FRONT DOOR
	4798 914AB	1							Right
	4798 915AB	1							Left
2	6033 876	6							SCREW, Tapping, M6.3x1.8x38.1
3	5500 2368	2							PLUG, Door Latch
4									ROD, Outside Handle to Latch
	5507 6226	1	J, T, U		72				Right
	5507 6227	1	J, T, U		72				Left
	5523 5318	1			74				Right
	5523 5319	1			74				Left
5	6503 226	4							NUT, Hex Flange, M5x.8
6									HANDLE, Exterior Door
	55076 056AB	1			74				Right
	55076 057AB	1			74				Left
7									LINK, Key Cylinder To Latch
	5507 6046	1	J, T, U		72				Right
	5507 6047	1	J, T, U		72				Left
	5523 5326	1			74				Right
	5523 5327	1			74				Left
8									LINK, Latch Release
	55076 040AB	1			74				Right
	55076 041AB	1			74				Left
	55076 316AC	1	J, T, U		72				Right
	55076 317AC	1	J, T, U		72				Left
9									ROD, Inside Lock to Latch
	55076 272AC	1			74				Right
	55076 273AC	1			74				Left
	55076 320AB	1	J, T, U		72				Right
	55076 321AB	1	J, T, U		72				Left
10									HANDLE, Door Interior, 6505449AA
									Rivet
	5507 6054	1			74				Right
		1	J, T		72				Right
	5507 6055	1			74				Left
		1	J, T		72				Left

**JEEP CHEROKEE (XJ)**

SERIES	LINE	BODY	ENGINE	TRANSMISSION
L=Low Line	J=LHD (4WD) U=RHD (4WD) T=LHD (2WD) B=RHD (2WD)	74=4 DR. (101.4 WB) 72=2 DR. (101.4 WB)	ENC,EN0=2.5L 4 cyl. Turbo Die ERH,ER0=4.0L Power Tech I-6 EPE,EP0=Magnum 2.5L SMPI	DDQ=5Spd Man. DGS=4 Spd. Auto. AISIN DG0=All Auto Trans DBB=All Manual Trans.

AR = Use as required - = Non illustrated part # = New this model year

**Door, Rear Shell and Hinges 1997 XJ  
Figure DXJ-210**



ITEM	PART NUMBER	QTY	LINE	SERIES	BODY	ENGINE	TRANS	TRIM	DESCRIPTION
1									DOOR, Rear
	5517 5600	1			74				Right
	5517 5601	1			74				Left
-2									PANEL, Door Outer Repair, 55235970-1aa, (NOT SERVICED) (Not Serviced)
3	55235 369AB	4			74				HINGE, Door
4	5507 4942	4			74				COVER, Body Half Hinge
5	5500 4597	AR			74				SHIM, Door Hinge Plate
6	5500 2361	2			74				BRACKET, Check Arm
7	5501 2900	2			74				PIN, Check Arm
8	5507 5259	2			74				CHECK, Rear Door
9	5500 2367	2			74				PLUG, Door Wiring Conduit
10	3420 2049	2							PLUG, Access Hole
11	4615 722	2			74				LABEL, Child Protection Lock, English
12									SHIM, (NOT SERVICED) (Not Serviced)
13									NUT, (NOT SERVICED) (Not Serviced)
14									TAPPING PLATE, Door Hinge
	5500 0248	2			74				Right
	5500 0249	2			74				Left
15									SCREW, (NOT SERVICED) (Not Serviced)

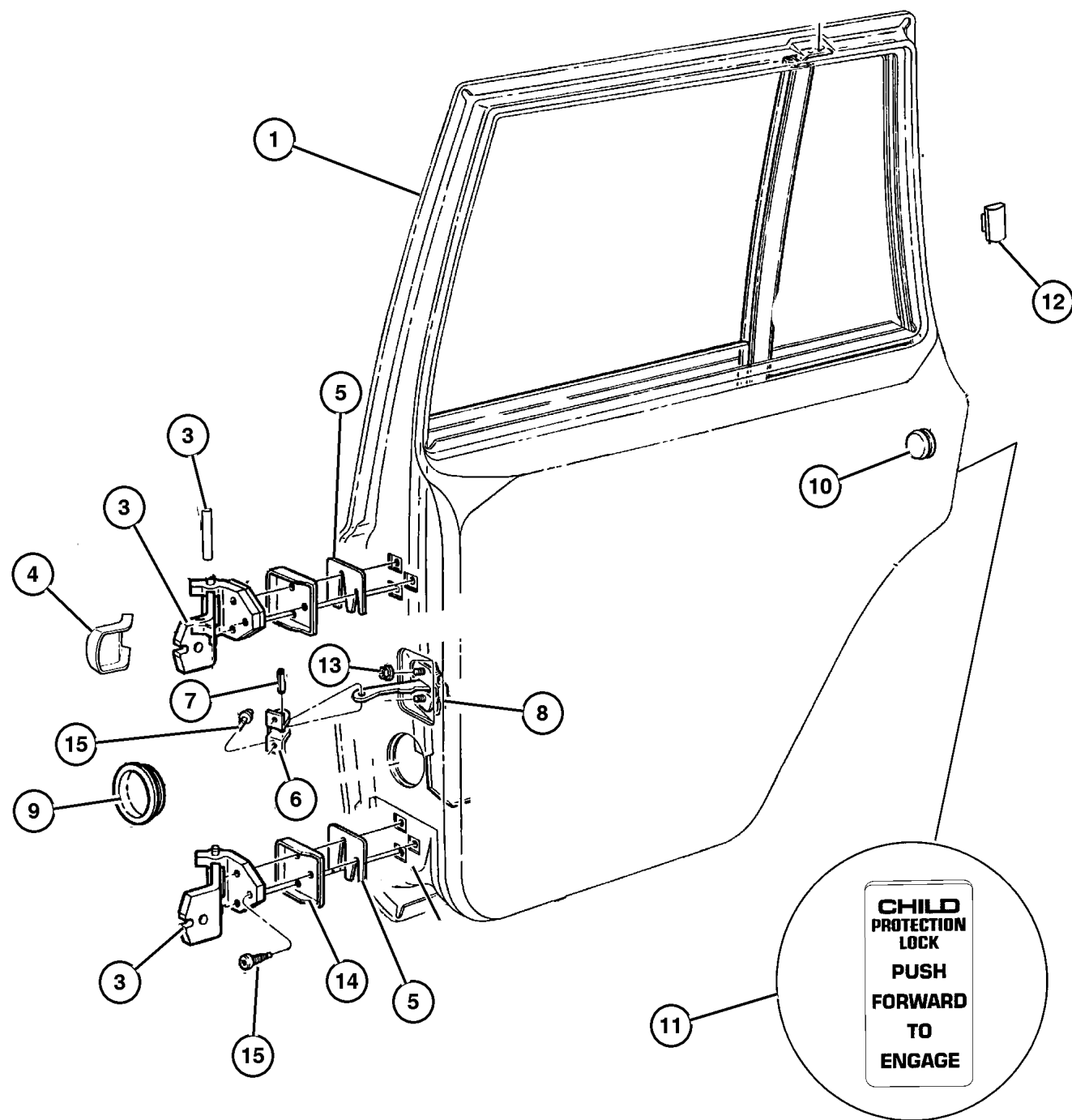
**JEEP CHEROKEE (XJ)**

SERIES	LINE	BODY	ENGINE	TRANSMISSION
L=Low Line	J=LHD (4WD) U=RHD (4WD) T=LHD (2WD) B=RHD (2WD)	74=4 DR. (101.4 WB) 72=2 DR. (101.4 WB)	ENC,EN0=2.5L 4 cyl. Turbo Die ERH,ER0=4.0L Power Tech I-6 EPE,EP0=Magnum 2.5L SMPI	DDQ=5Spd Man. DGS=4 Spd. Auto. AISIN DG0=All Auto Trans DBB=All Manual Trans.

AR = Use as required - = Non illustrated part # = New this model year

July 4, 2003

**Door, Rear Shell and Hinges 1998 XJ  
Figure DXJ-210**



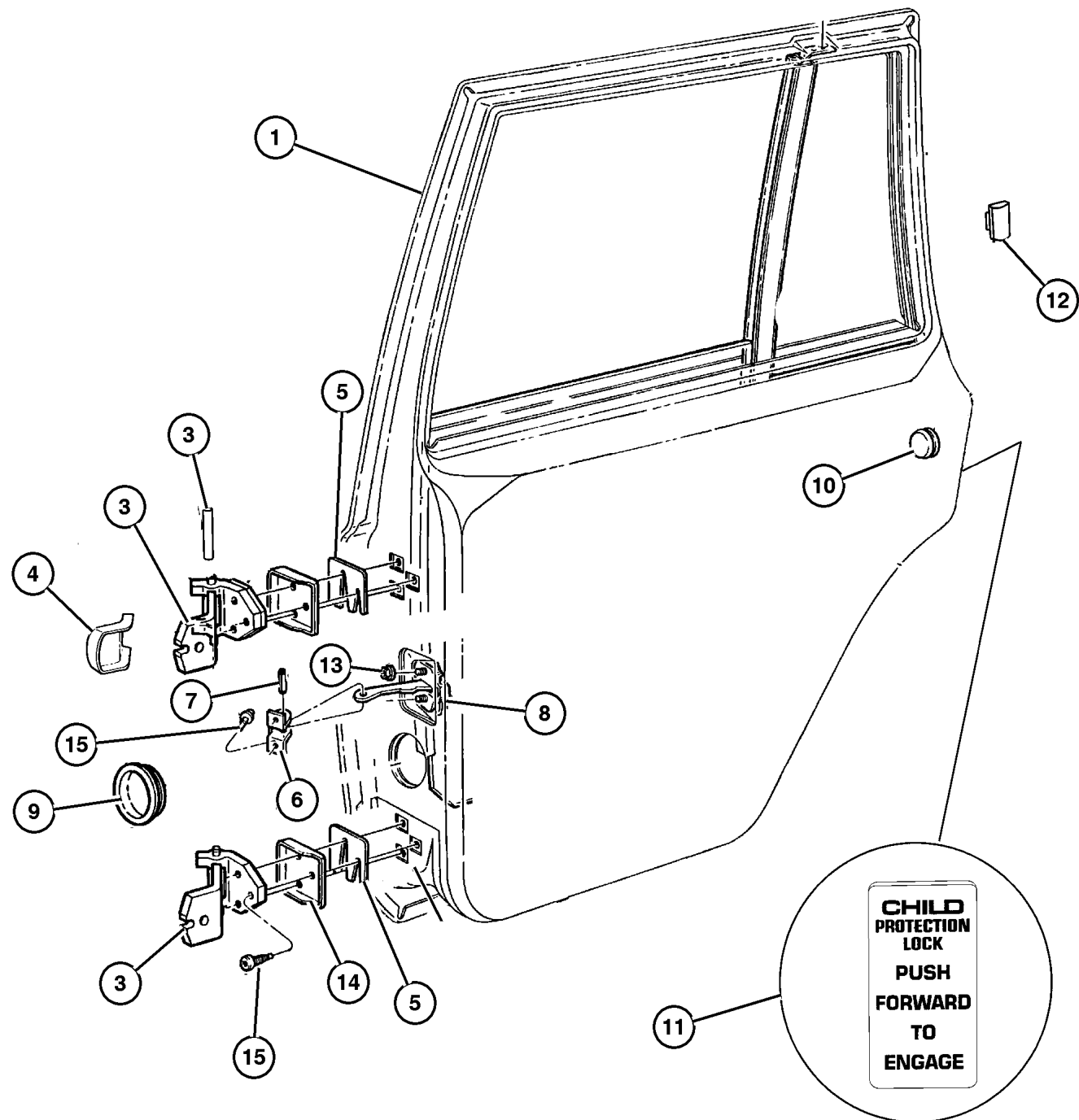
ITEM	PART NUMBER	QTY	LINE	SERIES	BODY	ENGINE	TRANS	TRIM	DESCRIPTION
1									DOOR, Rear
	5517 5600	1			74				Right
	5517 5601	1			74				Left
-2									PANEL, Door Outer Repair
	55235 970AA	1			74				Right
	55235 971AA	1			74				Left
3	55235 369AB	4			74				HINGE, Door
4	55235 822AA	4			74				COVER, Body Half Hinge
5	5500 4597	1			74				SHIM, Door Hinge Plate
6	5500 2361	2			74				BRACKET, Check Arm
7	5501 2900	2			74				PIN, Check Arm
8	55075 259AB	2			74				CHECK, Rear Door
9	5500 2367	2			74				PLUG, Door Wiring Conduit
10	3420 2049	2							PLUG, Access Hole
11	4615 722	2			74				LABEL, Child Protection Lock, English
12									SHIM, (NOT SERVICED) (Not Serviced)
13									NUT, (NOT SERVICED) (Not Serviced)
14									TAPPING PLATE, Door Hinge
	5500 0248	2			74				Right
	5500 0249	2			74				Left
15									SCREW, (NOT SERVICED) (Not Serviced)

<b>JEEP CHEROKEE (XJ)</b>				
SERIES	LINE	BODY	ENGINE	TRANSMISSION
L=Low Line	J=LHD (4WD) U=RHD (4WD) T=LHD (2WD) B=RHD (2WD)	74=4 DR. (101.4 WB) 72=2 DR. (101.4 WB)	ENC,EN0=2.5L 4 cyl. Turbo Die ERH,ER0=4.0L Power Tech I-6 EPE,EP0=Magnum 2.5L SMPI	DDQ=5Spd Man. DGS=4 Spd. Auto. AISIN DG0=All Auto Trans DBB=All Manual Trans.

AR = Use as required - = Non illustrated part # = New this model year

July 4, 2003

**Door, Rear, Shell and Hinges 1999 XJ  
Figure DXJ-210**



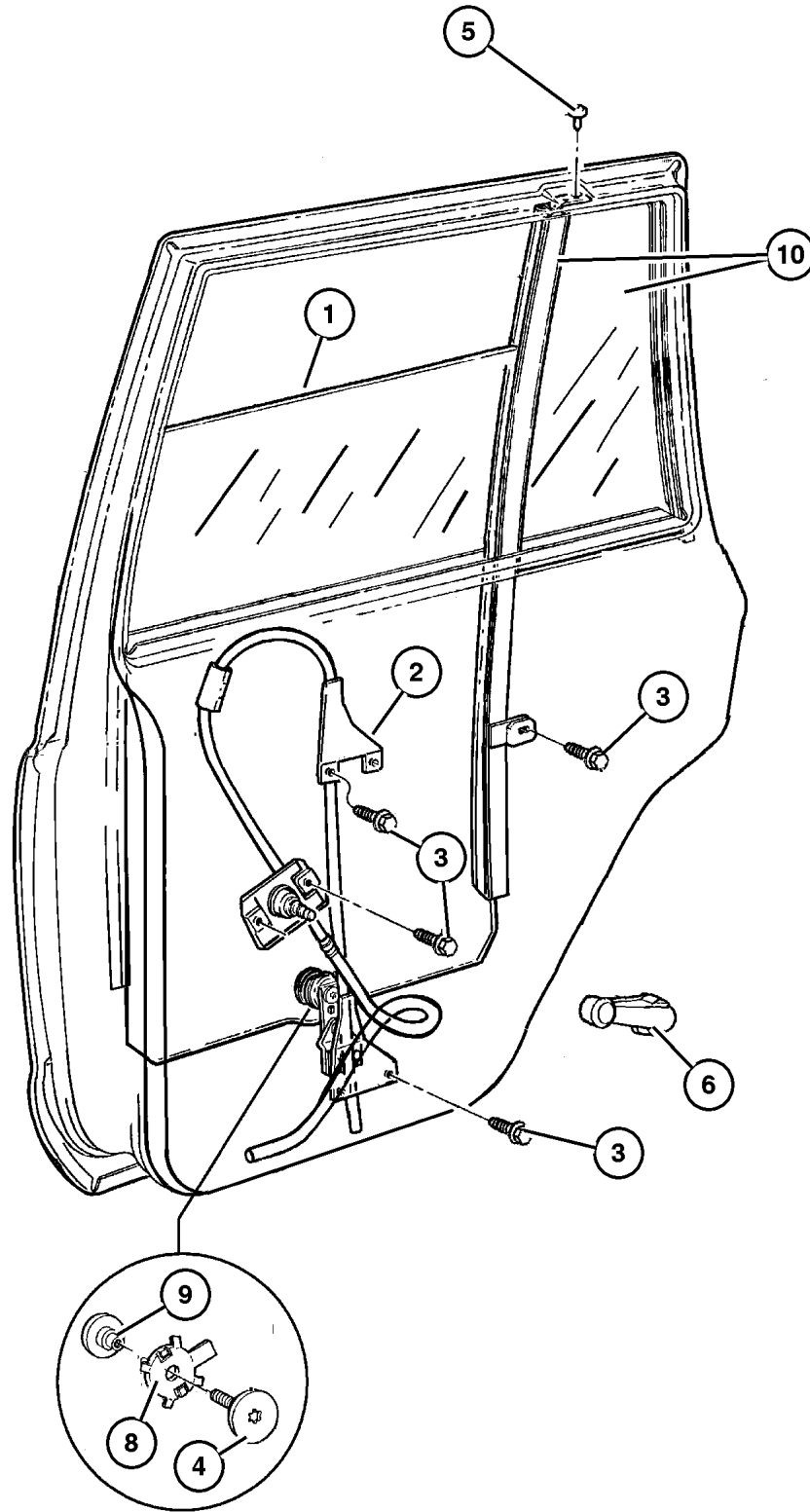
ITEM	PART NUMBER	QTY	LINE	SERIES	BODY	ENGINE	TRANS	TRIM	DESCRIPTION
1									DOOR, Rear
	#55235 904AA	1			74				Right
	#55235 905AA	1			74				Left
-2									PANEL, Door Outer Repair
	#5013 888AA	1			74				Right
	#5013 889AA	1			74				Left
3	55235 369AC	4			74				HINGE, Door
4	55235 822AA	4			74				COVER, Body Half Hinge
5									SHIM, Door Hinge Plate, (NOT REQUIRED)
6	5500 2361	2							BRACKET, Check Arm
7	5501 2900	2							PIN, Check Arm
8	55075 259AB	2			74				CHECK, Rear Door
9	5500 2367	2							PLUG, Door Wiring Conduit
10	4854 035	1							PLUG, Access Hole
11	4615 722AB	2			74				LABEL, Child Protection Lock, English
12	#55235 957AA	4			74				SHIM, Door Hinge
13									NUT, (NOT SERVICED) (Not Serviced)
14									TAPPING PLATE, Door Hinge
	5500 0248	1			74				Right
	5500 0249	1			74				Left
15									SCREW, (NOT SERVICED) (Not Serviced)

<b>JEEP CHEROKEE (XJ)</b>				
SERIES	LINE	BODY	ENGINE	TRANSMISSION
L=Low Line	J=LHD (4WD) U=RHD (4WD) T=LHD (2WD) B=RHD (2WD)	74=4 DR. (101.4 WB) 72=2 DR. (101.4 WB)	ENC,EN0=2.5L 4 cyl. Turbo Die ERH,ER0=4.0L Power Tech I-6 EPE,EP0=Magnum 2.5L SMPI	DDQ=5Spd Man. DGS=4 Spd. Auto. AISIN DG0=All Auto Trans DBB=All Manual Trans.

AR = Use as required - = Non illustrated part # = New this model year

July 4, 2003

**Door, Rear Glass and Regulator 1997 XJ 1998 XJ  
Figure DXJ-220**



ITEM	PART NUMBER	QTY	LINE	SERIES	BODY	ENGINE	TRANS	TRIM	DESCRIPTION
1	5500 0590	1			74				GLASS, Rear Door Tinted, Right
	5500 0591	1			74				Tinted, Left
	5517 5066	1			74				Privacy, Right
	5517 5067	1			74				Privacy, Left
2	5507 6292	1			74				REGULATOR, Rear Door Window Manual, 1997 XJ, Right
	55076 292AC	1			74				Right, 1998 XJ, Manual Window Regulator
	5507 6293	1			74				Manual, 1997 XJ, Left
	55076 293AC	1			74				Left, 1998 XJ, Manual Window Regulator
	5515 4960	1			74				Electric, 1997 XJ, Right
	55154 960AE	1			74				Right, 1998 XJ, Power Window Electric, 1997 XJ, Left
	55154 961AE	1			74				Left, 1998 XJ, Power Window
3									SCREW AND WASHER, Hex Head, M6x1x12
	6504 357	14			74				1997 XJ
		2			74				1998 XJ
4	5515 4752	2			74			SCREW FASTNER, Glass To Regulator, M6	
5								SCREW, (NOT SERVICED) (Not Serviced)	
6									HANDLE, Window Regulator
	FW80 SC3	2			74				Grey
	FW80 TT6	2			74				Spice
-7	1150 0654	2			74			NUT, U Multi Thread, M4 x .70 x 17. 00	
8	4415 943	4							RETAINER, Glass to Liftplate 1998 XJ
	3502 6818	2			74				1997 XJ
9	4415 943	2			74				RETAINER, Glass to Liftplate 1997 XJ
	3502 6818	2			74				1998 XJ
10									GLASS, Rear Door
	5523 5562	1			74				Privacy, Right
	5523 5563	1			74				Privacy, Left
	5523 5564	1			74				Tinted, Right
	5523 5565	1			74				Tinted, Left

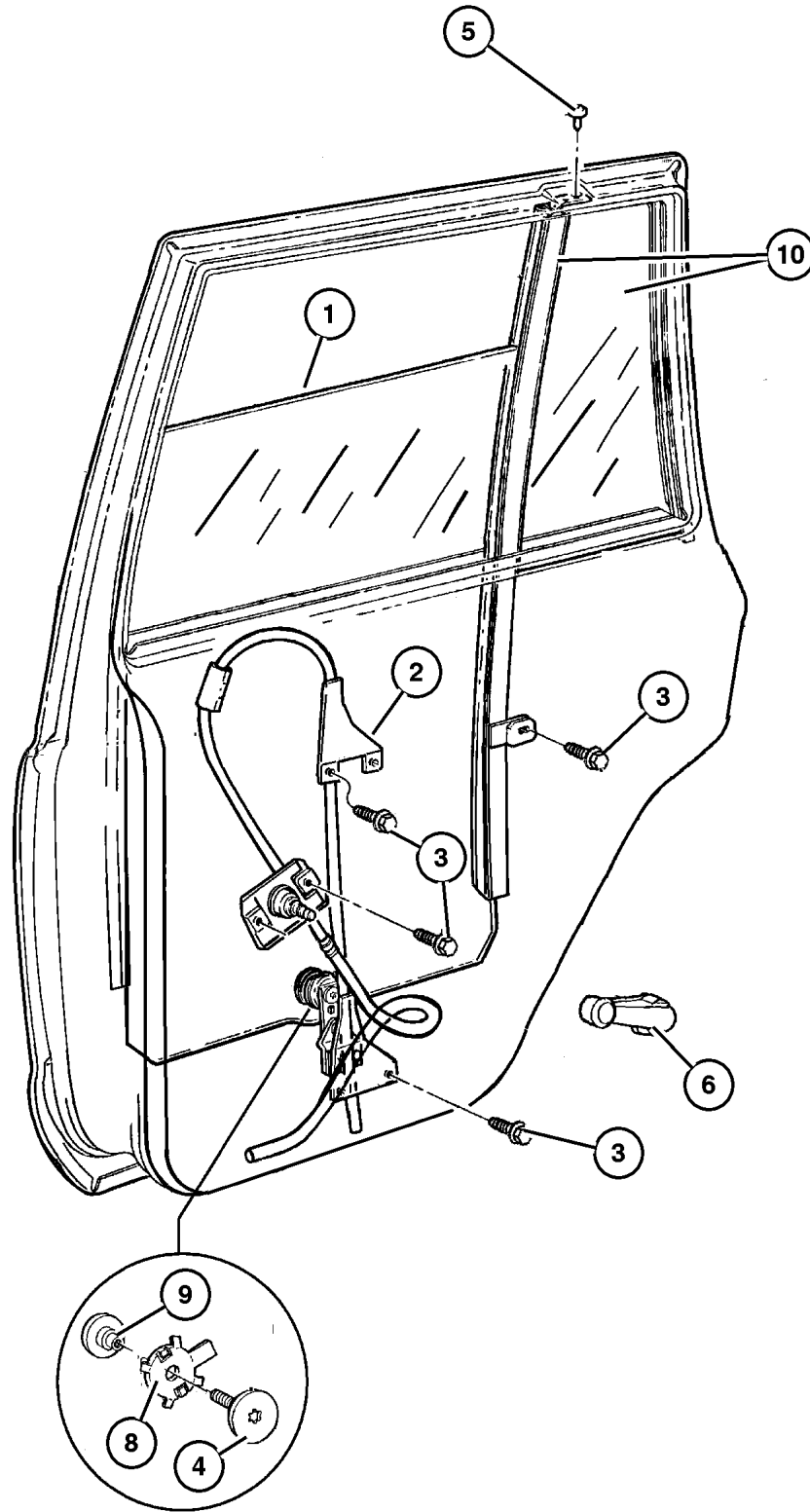
**JEEP CHEROKEE (XJ)**

SERIES	LINE	BODY	ENGINE	TRANSMISSION
L=Low Line	J=LHD (4WD) U=RHD (4WD) T=LHD (2WD) B=RHD (2WD)	74=4 DR. (101.4 WB) 72=2 DR. (101.4 WB)	ENC,EN0=2.5L 4 cyl. Turbo Die ERH,ER0=4.0L Power Tech I-6 EPE,EP0=Magnum 2.5L SMPI	DDQ=5Spd Man. DGS=4 Spd. Auto. AISIN DG0=All Auto Trans DBB=All Manual Trans.

AR = Use as required - = Non illustrated part # = New this model year

July 4, 2003

**Door, Rear, Glass and Regulator 1999 XJ  
Figure DXJ-220**



ITEM	PART NUMBER	QTY	LINE	SERIES	BODY	ENGINE	TRANS	TRIM	DESCRIPTION
1									GLASS, Rear Door
	5500 0590	1			74				Tinted, Right
	5500 0591	1			74				Tinted, Left
	55175 066AB	1			74				Privacy, Right
	55175 067AB	1			74				Privacy, Left
2									REGULATOR, Rear Door Window
	55076 292AD	1			74				Manual, Right
	55076 293AD	1			74				Manual, Left
	55154 960AE	1			74				Electric, Right
	55154 961AE	1			74				Electric, Left
3									SCREW AND WASHER, Hex Head, M6x1x12
	6504 357	4			74				
		2	J, T, U		72				
4	5515 4752	2			74				SCREW FASTNER, Glass To Regulator, M6
5									SCREW, (NOT SERVICED) (Not Serviced)
6									HANDLE, Window Regulator
	FW80 SK5	2	J, T, U						Tan
	FW80 TAZ	2	J, T, U						Grey
-7									NUT, U Multi Thread, M4 x .70 x 17.00, (NOT SERVICED) (Not Serviced)
8	4415 943	4							RETAINER, Glass to Liftplate
9	4415 943	4							RETAINER, Glass to Liftplate
10									GLASS, Rear Door
	55235 562AB	1			74				Privacy, Right
	55235 563AB	1			74				Privacy, Left
	5523 5564	1			74				Tinted, Right
	5523 5565	1			74				Tinted, Left

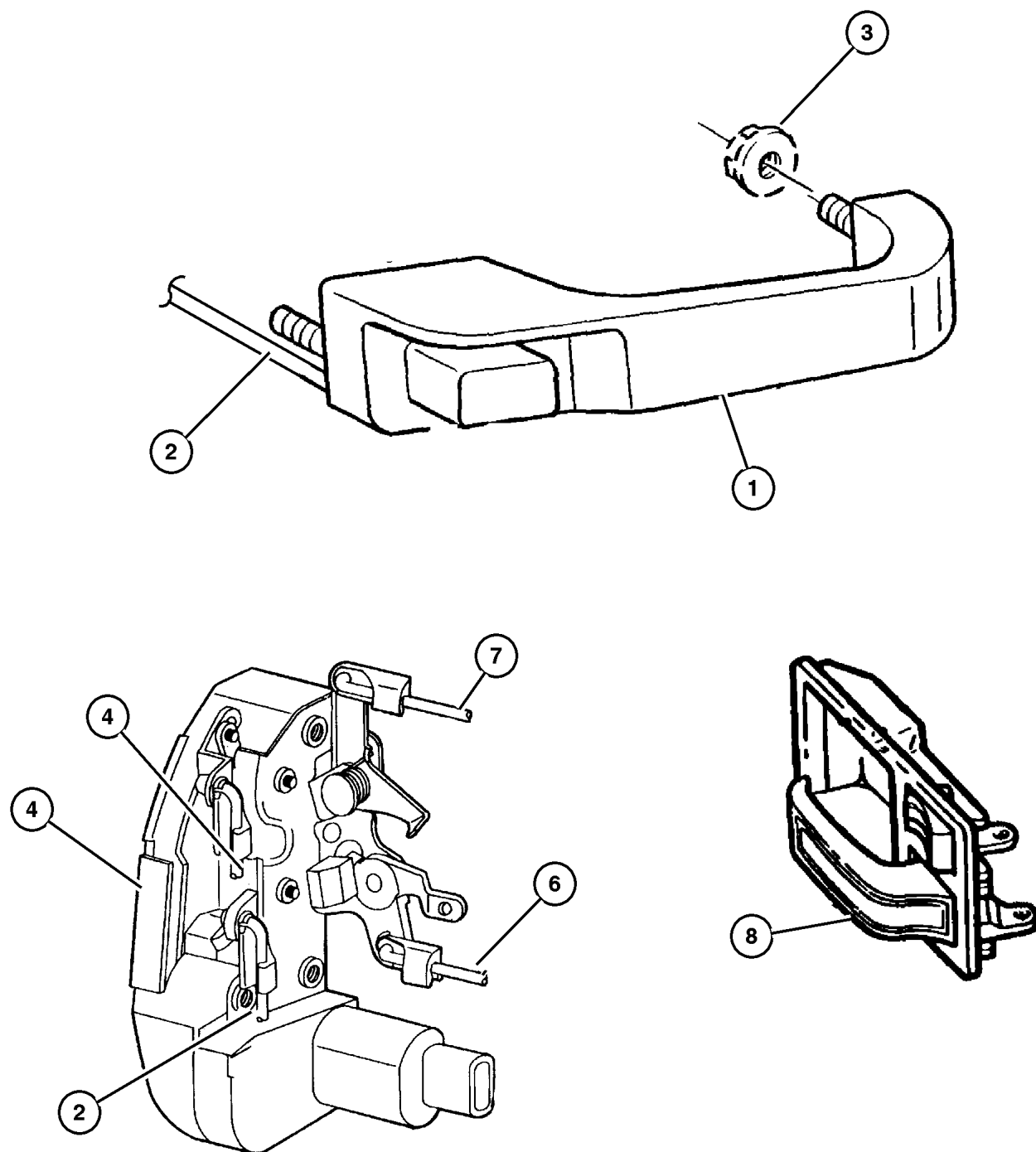
**JEEP CHEROKEE (XJ)**

SERIES	LINE	BODY	ENGINE	TRANSMISSION
L=Low Line	J=LHD (4WD) U=RHD (4WD) T=LHD (2WD) B=RHD (2WD)	74=4 DR. (101.4 WB) 72=2 DR. (101.4 WB)	ENC,EN0=2.5L 4 cyl. Turbo Die ERH,ER0=4.0L Power Tech I-6 EPE,EP0=Magnum 2.5L SMPI	DDQ=5Spd Man. DGS=4 Spd. Auto. AISIN DG0=All Auto Trans DBB=All Manual Trans.

AR = Use as required - = Non illustrated part # = New this model year

July 4, 2003

**Door, Rear Lock and Control 1997 XJ 1998 XJ  
Figure DXJ-230**



ITEM	PART NUMBER	QTY	LINE	SERIES	BODY	ENGINE	TRANS	TRIM	DESCRIPTION
1									HANDLE, Exterior Door
	55076 056AB	1			74				Right
	55076 057AB	1			74				Left
2									ROD, Outside Handle to Latch
	5507 6368	2			74				1997 XJ
		1			74				1998 XJ, Right
	5507 6369	1			74				1998 XJ, Left
3	6503 226	4			74				NUT, Hex Flange, M5x.8
4									LATCH, Door Manual with Child
									Guard
	55235 203AB	1			74				W/ Power Locks, 1997 XJ, Left
		1			74				w/Power Locks, 1998 XJ, Left
	55235 204AB	1			74				W/o Power Locks, 1997 XJ, Right
		1			74				w/o Power Locks, 1998 XJ, Right
	55235 205AB	1			74				W/o Power Locks, 1997 XJ, Left
		1			74				w/o Power Locks, 1998 XJ, Left
-5									LATCH, Rear Door
	55235 202AB	1			74				W/ Power Locks, 1997 XJ, Right
		1			74				w/Power Locks, 1998 XJ, Right
6									ROD, Inside Handle to Latch, Latch
									To Handle
	55076 070AB	1			74				1997 XJ, Right
	55076 070AC	1			74				1998 XJ, Right
	55076 071AB	1			74				1997 XJ, Left
	55076 071AC	1			74				1998 XJ, Left
7									ROD, Inside Handle to Latch, Latch
									To Lock
	55076 066AC	1			74				Right
	55076 067AC	1			74				Left
8									HANDLE, Door Interior
	5507 6054	1			74				Right
	5507 6055	1	J		74				1997 XJ, Left
		1			74				1998 XJ, Left
-9	4520 288	2			74				STRIKER, Door Latch
-10	6503 120	4			74				SCREW AND WASHER, Button
									Head Torx

**JEEP CHEROKEE (XJ)**

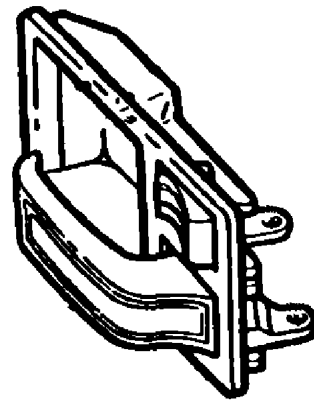
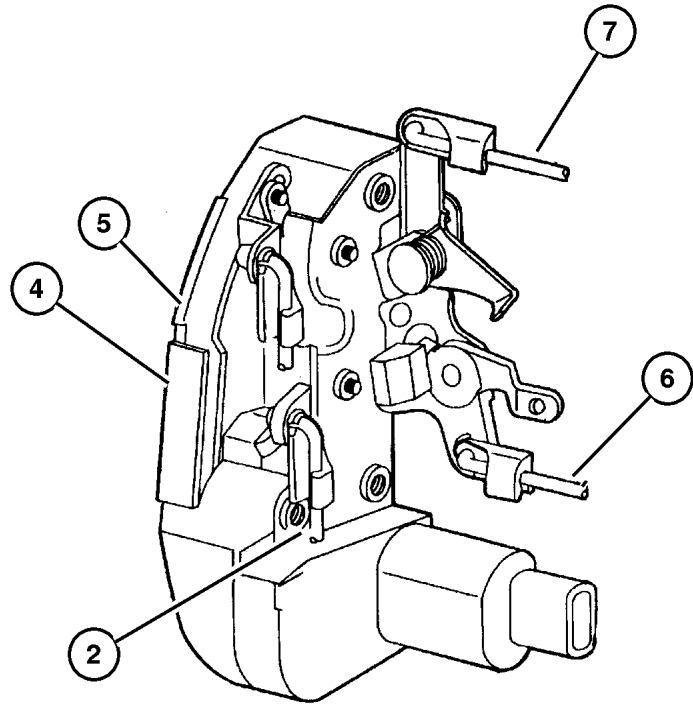
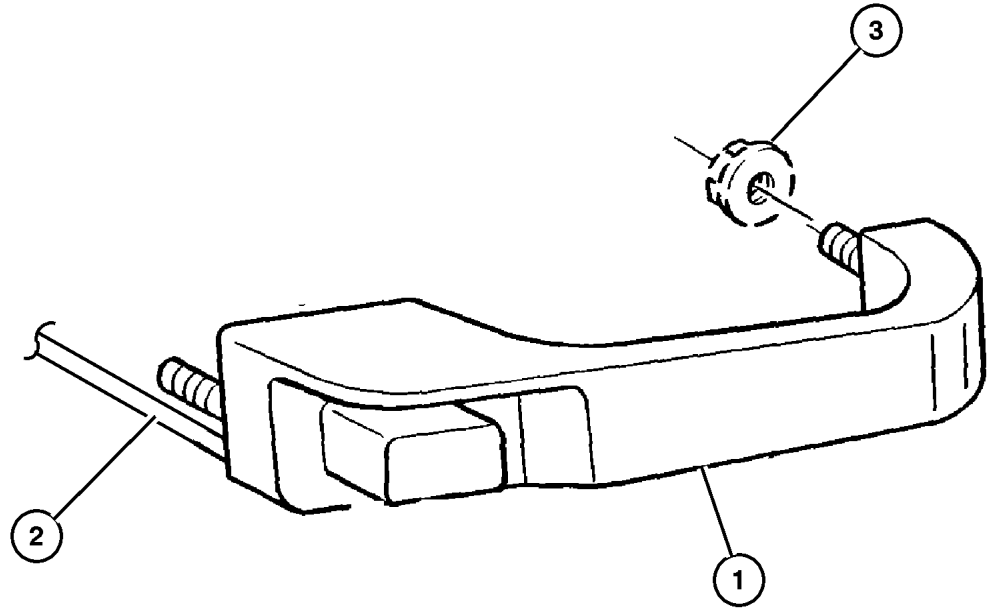
SERIES	LINE	BODY	ENGINE	TRANSMISSION
L=Low Line	J=LHD (4WD) U=RHD (4WD) T=LHD (2WD) B=RHD (2WD)	74=4 DR. (101.4 WB) 72=2 DR. (101.4 WB)	ENC,EN0=2.5L 4 cyl. Turbo Die ERH,ER0=4.0L Power Tech I-6 EPE,EP0=Magnum 2.5L SMPI	DDQ=5Spd Man. DGS=4 Spd. Auto. AISIN DG0=All Auto Trans DBB=All Manual Trans.

AR = Use as required - = Non illustrated part # = New this model year

July 4, 2003



Door, Rear, Lock and Controls 1999 XJ  
Figure DXJ-230



ITEM	PART NUMBER	QTY	LINE	SERIES	BODY	ENGINE	TRANS	TRIM	DESCRIPTION
1									HANDLE, Exterior Door
	55076 056AB	1			74				Right
	55076 057AB	1			74				Left
2									ROD, Outside Handle to Latch
	5507 6368	1			74				Right
	5507 6369	1			74				Left
3	6503 226	4							NUT, Hex Flange, M5x.8
4									LATCH, Door Manual with Child Guard
	55235 204AB	1			74				Right
	55235 205AB	1			74				Left
5									LATCH, Rear Door, Power with Power, Right
	55235 202AC	1			74				with Power, Right
	55235 203AC	1			74				with Power, Left
6									ROD, Inside Handle to Latch
	55076 070AC	1			74				Right
	55076 071AC	1			74				Left
7									ROD, Inside Lock to Latch
	55076 272AC	1			74				Right
	55076 273AC	1			74				Left

JEEP CHEROKEE (XJ)

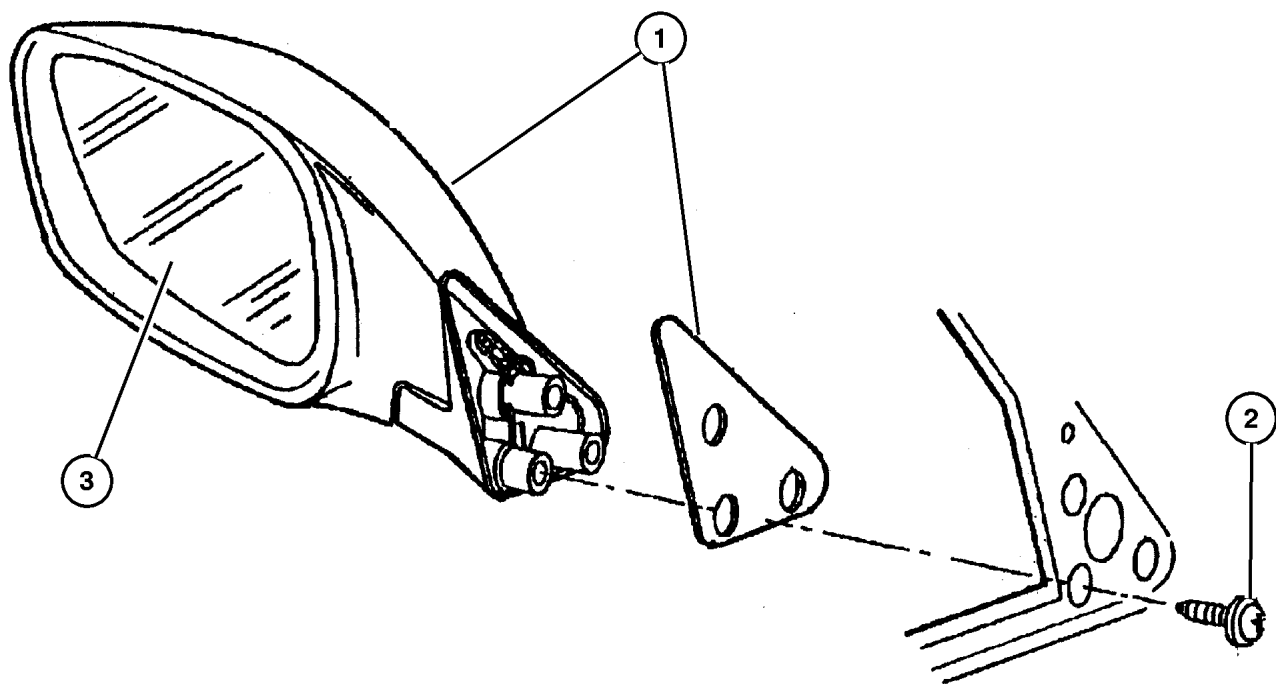
SERIES	LINE	BODY	ENGINE	TRANSMISSION
L=Low Line	J=LHD (4WD) U=RHD (4WD) T=LHD (2WD) B=RHD (2WD)	74=4 DR. (101.4 WB) 72=2 DR. (101.4 WB)	ENC,EN0=2.5L 4 cyl. Turbo Die ERH,ER0=4.0L Power Tech I-6 EPE,EP0=Magnum 2.5L SMPI	DDQ=5Spd Man. DGS=4 Spd. Auto. AISIN DG0=All Auto Trans DBB=All Manual Trans.

AR = Use as required - = Non illustrated part # = New this model year

July 4, 2003

Mirrors, Exterior 1997 XJ 1998 XJ  
Figure DXJ-510

ITEM	PART NUMBER	QTY	LINE	SERIES	BODY	ENGINE	TRANS	TRIM	DESCRIPTION
1									MIRROR, Outside Rearview
	55154 946AB	1	J, T						Black Manual Foldaway, 1997 XJ, Right
	55154 946AC	1	J, T						Black Manual Foldaway, 1998 XJ, Right
	55154 947AB	1	J, T						Black Manual Foldaway, 1997 XJ, Left
	55154 947AC	1	J, T						Black Manual Foldaway, 1998 XJ, Left
	55154 948AB	1							Black Electric Foldaway, 1997 XJ, Right
	55154 948AC	1							Black Electric Foldaway, 1998 XJ, Right
	55154 949AB	1							Black Electric Foldaway, 1997 XJ, Left
	55154 949AC	1							Black Electric Foldaway, 1998 XJ, Left
	55154 950AB	1							Electric Heated Foldaway, 1997 XJ, Right
	55154 950AC	1							Electric Heated Foldaway, 1998 XJ, Right
	55154 951AB	1	J, T						Electric Heated Foldaway, 1997 XJ, Left
	55154 951AC	1	J, T						Electric Heated Foldaway, 1998 XJ, Left
	55154 952AB	1	B, U						Electric Heated Foldaway, 1997 XJ, Right
	55154 952AC	1	B, U						Electric Heated, 1998 XJ, Right
	55154 953AB	1	B, U						Electric Heated Foldaway, 1997 XJ, Left
	55154 953AC	1	B, U						Electric Heated, 1998 XJ, Left
	55155 654AC	1	J, T						Manual Gulf Foldaway, 1998 XJ, Right
	55155 655AC	1	J, T						Manual Gulf Foldaway, 1998 XJ, Left
	55156 024AC	1	B, U						Black Manual Remote, Right
	55156 025AB	1	B, U						Black Manual Remote, 1997 XJ, Left
	55156 025AC	1	B, U						Black Manual Remote, 1998 XJ, Left
2	J400 4648	6							SCREW, Pan Head, .25-20x.620
3									GLASS, Mirror Replacement



JEEP CHEROKEE (XJ)

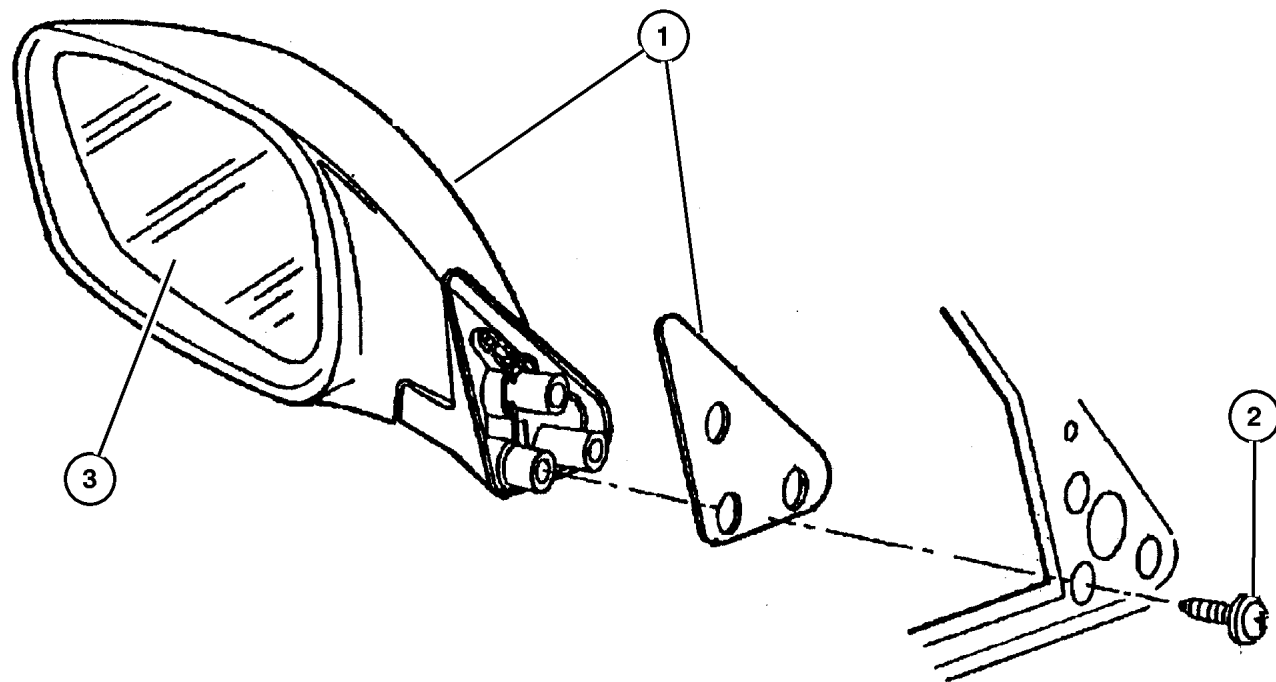
SERIES	LINE	BODY	ENGINE	TRANSMISSION
L=Low Line	J=LHD (4WD) U=RHD (4WD) T=LHD (2WD) B=RHD (2WD)	74=4 DR. (101.4 WB) 72=2 DR. (101.4 WB)	ENC,EN0=2.5L 4 cyl. Turbo Die ERH,ER0=4.0L Power Tech I-6 EPE,EP0=Magnum 2.5L SMPI	DDQ=5Spd Man. DGS=4 Spd. Auto. AISIN DG0=All Auto Trans DBB=All Manual Trans.

AR = Use as required - = Non illustrated part # = New this model year

July 4, 2003

Mirrors, Exterior 1997 XJ 1998 XJ  
Figure DXJ-510

ITEM	PART NUMBER	QTY	LINE	SERIES	BODY	ENGINE	TRANS	TRIM	DESCRIPTION
3									GLASS, Mirror Replacement (Not Serviced)
	5012 210AA	1	J, T						(NOT SERVICED), 1997 XJ For 55154946AC Mirror, 1998 XJ, Right
		1							For 55154946AC, 55154948AC Mirror, 1998 XJ, Right
	5012 211AA	1							For 55154947AC, 55154949AC Mirror, 1998 XJ, Left
	5012 212AA	1							For 55154950AC Mirror, 1998 XJ, Right
	5012 213AA	1	J, T						For 55154951AC Mirror, 1998 XJ, Left
	5012 214AA	1	B, U						For 55156024AC Mirror, 1998 XJ, Right
	5012 215AA	1	B, U						For 55156025AC Mirror, 1998 XJ, Left
	5012 216AA	1	B, U						For 55154952AC Mirror, 1998 XJ, Right
	5012 217AA	1	B, U						For 55154953AC Mirror, 1998 XJ, Left
	5012 218AA	1	B, U						For 55155654AC Mirror, 1998 XJ, Right
	5012 220AA	1	J, T						For 55155655AC Mirror, 1998 XJ, Right



JEEP CHEROKEE (XJ)

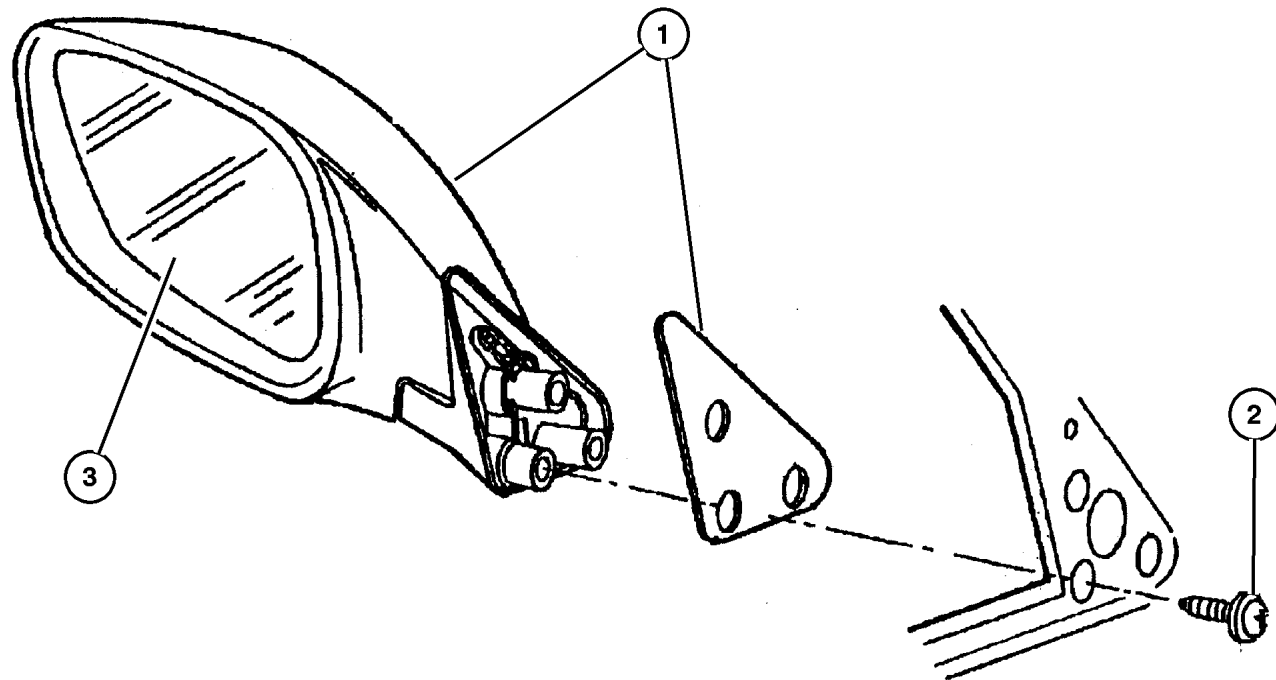
SERIES	LINE	BODY	ENGINE	TRANSMISSION
L=Low Line	J=LHD (4WD) U=RHD (4WD) T=LHD (2WD) B=RHD (2WD)	74=4 DR. (101.4 WB) 72=2 DR. (101.4 WB)	ENC,EN0=2.5L 4 cyl. Turbo Die ERH,ER0=4.0L Power Tech I-6 EPE,EP0=Magnum 2.5L SMPI	DDQ=5Spd Man. DGS=4 Spd. Auto. AISIN DG0=All Auto Trans DBB=All Manual Trans.

AR = Use as required - = Non illustrated part # = New this model year

July 4, 2003

Mirrors, Exterior 1999 XJ  
Figure DXJ-510

ITEM	PART NUMBER	QTY	LINE	SERIES	BODY	ENGINE	TRANS	TRIM	DESCRIPTION
1									MIRROR, Outside Rearview
	55154 946AC	1	J, T						Black Manual Foldaway, Right
	55154 947AC	1	J, T						Black Manual Foldaway, Left
	55154 948AC	1							Black Electric Foldaway, Right
	55154 949AC	1							Black Electric Foldaway, Left
	55154 950AC	1							Electric Heated Foldaway, Right
	55154 951AC	1	J, T						Electric Heated Foldaway, Left
	55154 952AC	1	B, U						Electric Heated, Right
	55154 953AC	1	B, U						Electric Heated, Left
	55155 654AC	1	J, T						Manual Gulf Foldaway, Right
	55155 655AC	1	J, T						Manual Gulf Foldaway, Left
	55156 024AC	1	B, U						Black Manual Remote, Right
	55156 025AC	1	B, U						Black Manual Remote, Left
2									SCREW, Pan Head, .25-20x.620, (NOT SERVICED) (Not Serviced)
3									GLASS, Mirror Replacement
	5012 210AA	1							For 55154946AC, 55154948AC Mirror, Right
	5012 211AA	1							For 55154947AC, 55154949AC Mirror, Left
	5012 212AA	1							For 55154950AC Mirror, Right
	5012 213AA	1	J, T						For 55154951AC Mirror, Left
	5012 214AA	1	B, U						For 55156024AC Mirror, Right
	5012 215AA	1	B, U						For 55156025AC Mirror, Left
	5012 216AA	1	B, U						For 55154952AC Mirror, Right
	5012 217AA	1	B, U						For 55154953AC Mirror, Left
	5012 218AA	1	J, T						For 55155654AC Mirror, Right
	5012 220AA	1	J, T						For 55155655Ac Mirror, Right



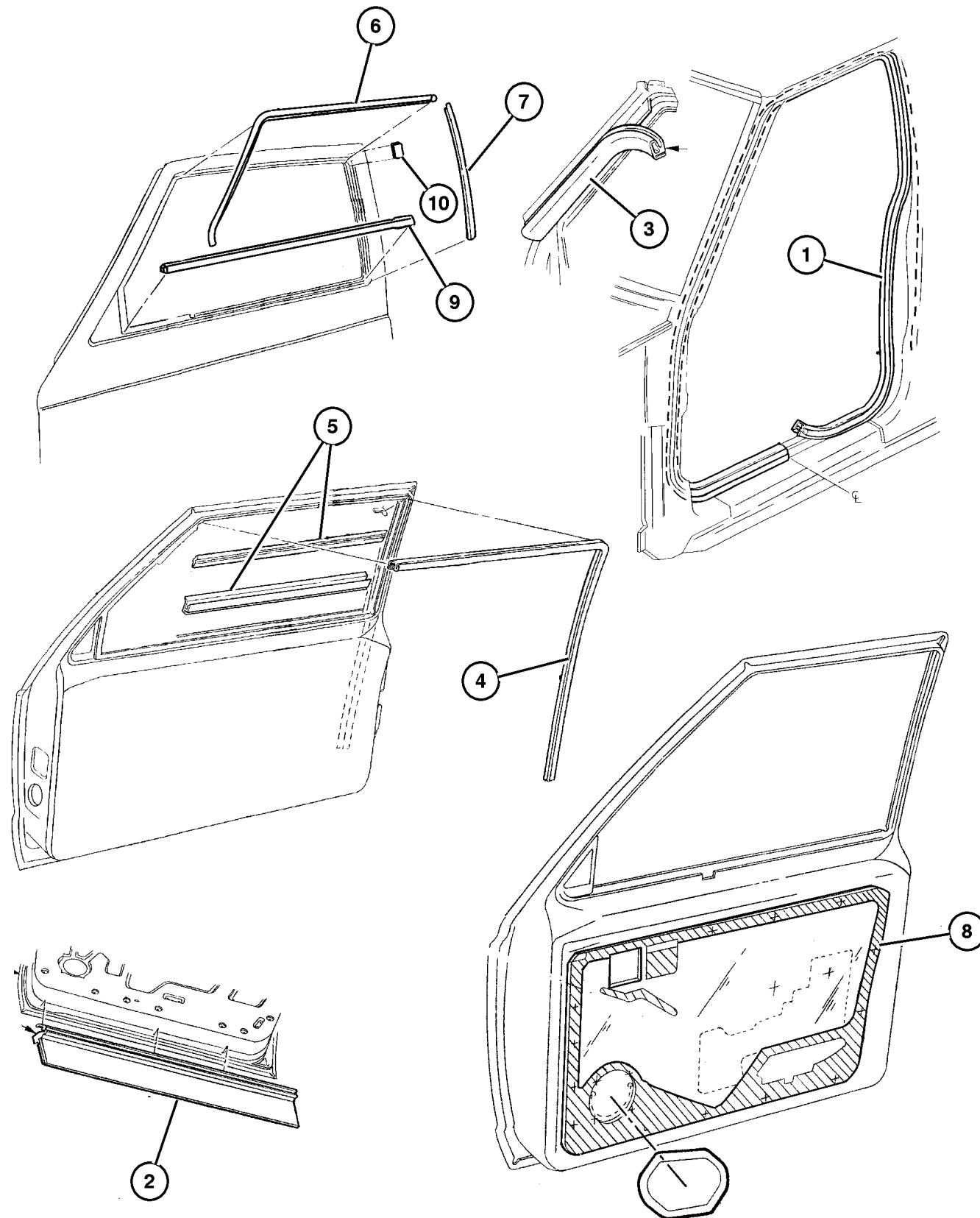
JEEP CHEROKEE (XJ)

SERIES	LINE	BODY	ENGINE	TRANSMISSION
L=Low Line	J=LHD (4WD) U=RHD (4WD) T=LHD (2WD) B=RHD (2WD)	74=4 DR. (101.4 WB) 72=2 DR. (101.4 WB)	ENC,EN0=2.5L 4 cyl. Turbo Die ERH,ER0=4.0L Power Tech I-6 EPE,EP0=Magnum 2.5L SMPI	DDQ=5Spd Man. DGS=4 Spd. Auto. AISIN DG0=All Auto Trans DBB=All Manual Trans.

AR = Use as required - = Non illustrated part # = New this model year

July 4, 2003

**Door, Front Weatherstrips and Seals 1997 XJ 1998 XJ  
Figure DXJ-610**



ITEM	PART NUMBER	QTY	LINE	SERIES	BODY	ENGINE	TRANS	TRIM	DESCRIPTION
1	5517 6146	2			72				WEATHERSEAL, Full Door To Body 1997 XJ
	5517 6148	2			74				
2	55235 410AB	2			74				SEAL, Rocker 1997 XJ
	55235 411AB	2			72				
3	55175 355AC	2							SEAL, Door, Secondary
									WEATHERSTRIP, Glass Channel Run
	55175 352AB	1			74				Right
	55175 353AB	1			74				Left
4	55175 368AB	1			72				1997 XJ, Right
	55175 369AB	1			72				1997 XJ, Left
	5517 5358	1			74				WEATHERSTRIP, Door Belt Inner, Right
	5517 5359	1			74				Inner, Left
5	5517 5370	1			72				Inner, 1997 XJ, Right
	5517 5371	1			72				Inner, 1997 XJ, Left
	5517 6194	1			74				MOLDING, Door 1997 XJ, Right
	5517 6195	1			74				1997 XJ, Left
6	5517 6196	1			72				1997 XJ, Right
	5517 6197	1			72				1997 XJ, Left
	55235 898AA	1			74				w/Clips, 1998 XJ, Right
	55235 899AA	1			74				w/Clips, 1998 XJ, Left
	55235 902AA	1	J, T, U		72				w/Clips, 1998 XJ, Right
	55235 903AA	1	J, T, U		72				w/Clips, 1998 XJ, Left
7	5523 5778	1							MOLDING, Front Door Frame Right
	5523 5779	1							Left
8	55175 348AB	1			72				WATERDAM, Front Door 1997 XJ, Right
	55175 349AB	1			72				1997 XJ, Left
	55175 362AB	1			74				Right
	55175 363AB	1			74				Left
9	55175 360AB	1			74				WEATHERSTRIP, Door Belt Right
	55175 361AB	1			74				Left
	55175 372AB	1			72				1997 XJ, Right
	55175 373AB	1			72				1997 XJ, Left
10								SHIM, (NOT SERVICED) (Not Serviced)	

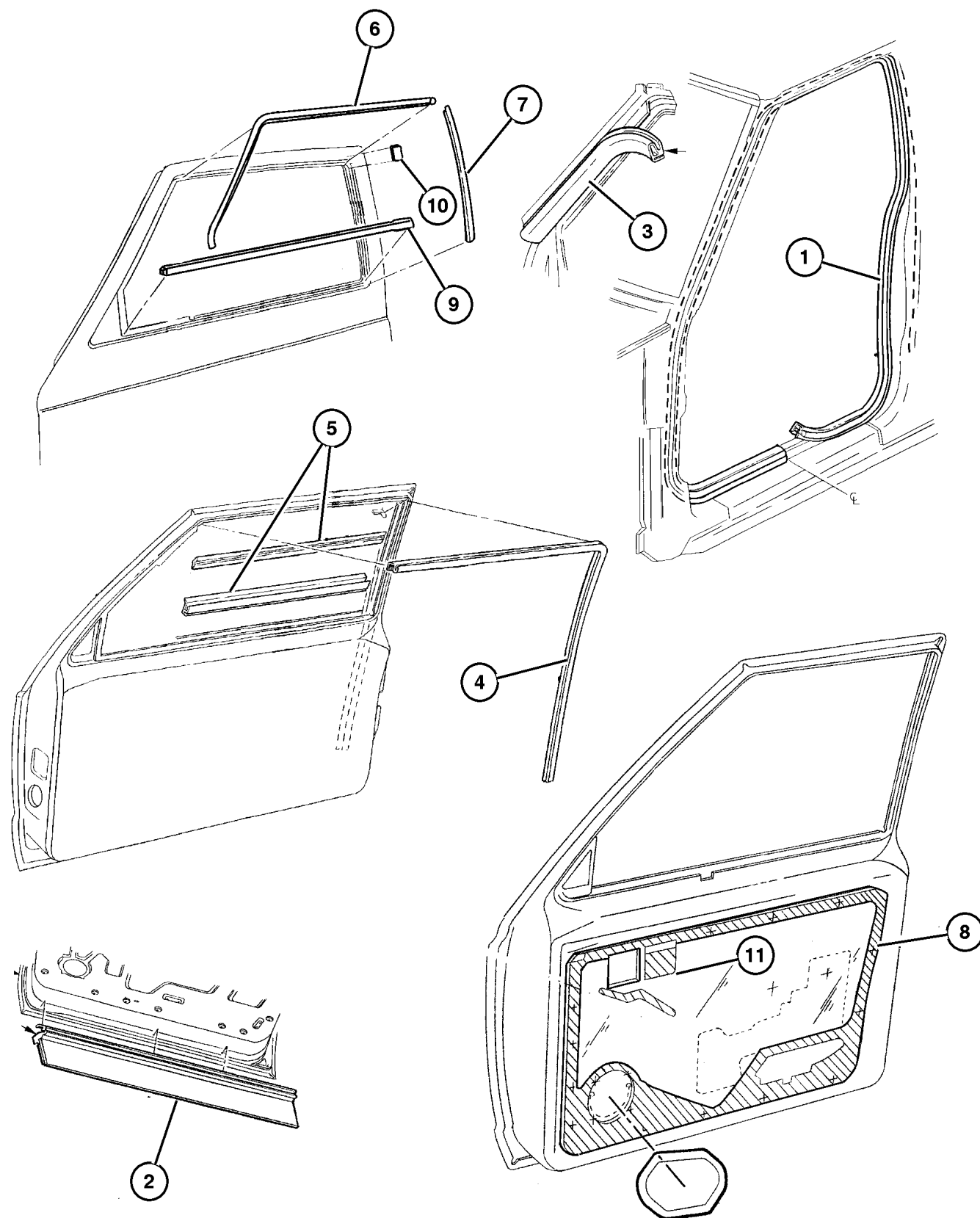
**JEEP CHEROKEE (XJ)**

SERIES	LINE	BODY	ENGINE	TRANSMISSION
L=Low Line	J=LHD (4WD) U=RHD (4WD) T=LHD (2WD) B=RHD (2WD)	74=4 DR. (101.4 WB) 72=2 DR. (101.4 WB)	ENC,EN0=2.5L 4 cyl. Turbo Die ERH,ER0=4.0L Power Tech I-6 EPE,EP0=Magnum 2.5L SMPI	DDQ=5Spd Man. DGS=4 Spd. Auto. AISIN DG0=All Auto Trans DBB=All Manual Trans.

AR = Use as required - = Non illustrated part # = New this model year

July 4, 2003

Door, Front 1999 XJ  
Figure DXJ-610



ITEM	PART NUMBER	QTY	LINE	SERIES	BODY	ENGINE	TRANS	TRIM	DESCRIPTION
1	55176 148AB	2			74				WEATHERSEAL, Full Door To Body
2	55235 410AC	2			74				SEAL, Rocker
	55235 411AC	2	J, T, U		72				
3	55175 355AC	2							SEAL, Door, Secondary
4									WEATHERSTRIP, Glass Channel
	55175 352AC	1			74				Run
	55175 353AC	1			74				Right
									Left
5									WEATHERSTRIP, Door Belt
	5517 5358	1			74				Inner, Right
	5517 5359	1			74				Inner, Left
	55175 372AB	1	J, T, U		72				Outer, Right
	55175 373AB	1	J, T, U		72				Outer, Left
6									MOLDING, Door
	55235 898AA	1			74				w/Clips, Right
	55235 899AA	1			74				w/Clips, Left
	55235 902AA	1	J, T, U		72				w/Clips, Right
	55235 903AA	1	J, T, U		72				w/Clips, Left
7									MOLDING, Front Door Frame
	5523 5778	1							Right
	5523 5779	1							Left
8									WATERDAM, Front Door
	55175 362AB	1			74				Right
	55175 363AB	1			74				Left
9									WEATHERSTRIP, Door Belt
	55175 360AB	1			74				Right
	55175 361AB	1			74				Left
10	5500 4920	AR							SHIM
11									WATERSHIELD, Front Door
	5502 7146	1			74				Right
	5502 7147	1			74				Left

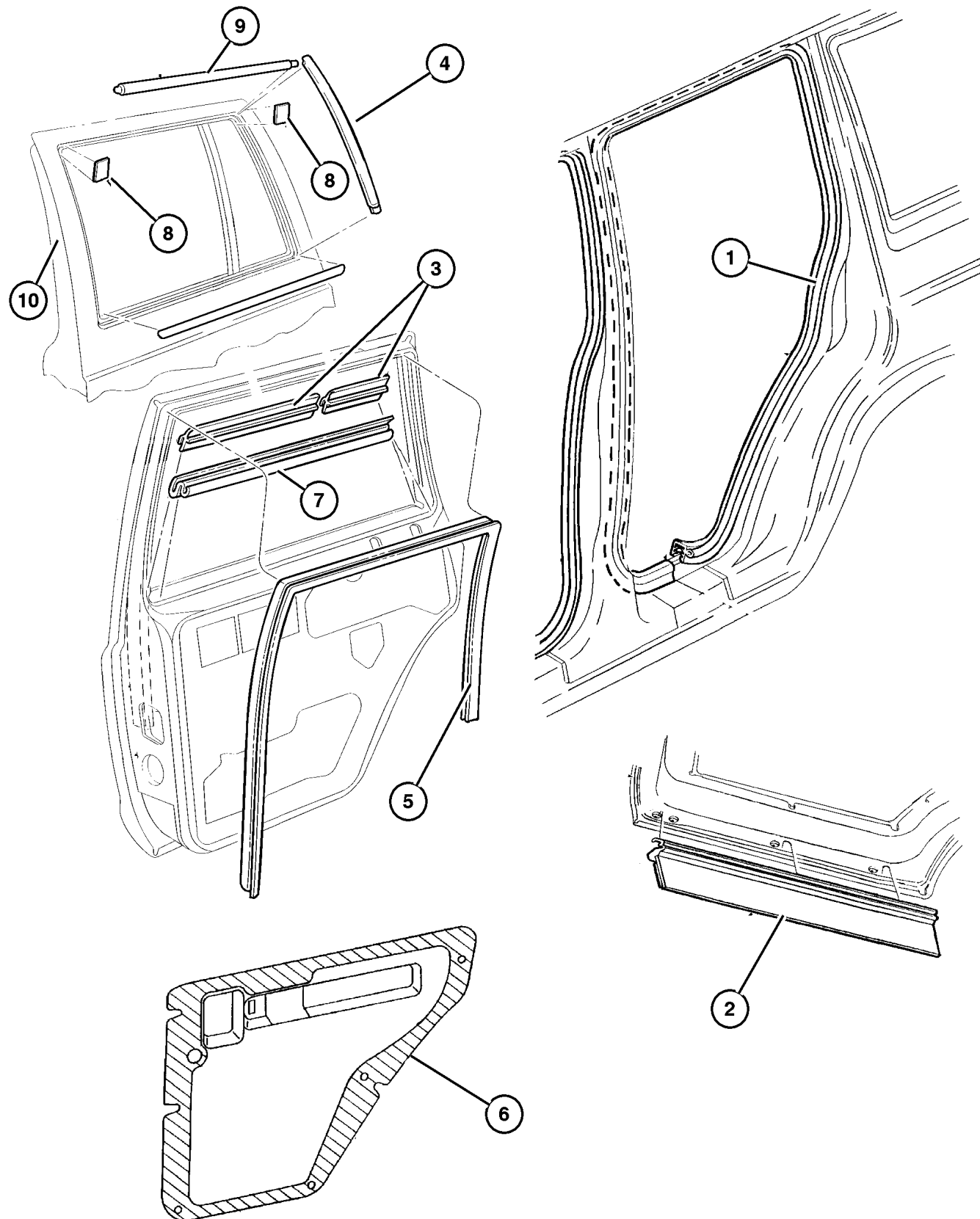
JEEP CHEROKEE (XJ)

SERIES	LINE	BODY	ENGINE	TRANSMISSION
L=Low Line	J=LHD (4WD) U=RHD (4WD) T=LHD (2WD) B=RHD (2WD)	74=4 DR. (101.4 WB) 72=2 DR. (101.4 WB)	ENC,EN0=2.5L 4 cyl. Turbo Die ERH,ER0=4.0L Power Tech I-6 EPE,EP0=Magnum 2.5L SMPI	DDQ=5Spd Man. DGS=4 Spd. Auto. AISIN DG0=All Auto Trans DBB=All Manual Trans.

AR = Use as required - = Non illustrated part # = New this model year

July 4, 2003

**Door, Rear Weatherstrips and Seals 1997 XJ 1998 XJ  
Figure DXJ-620**



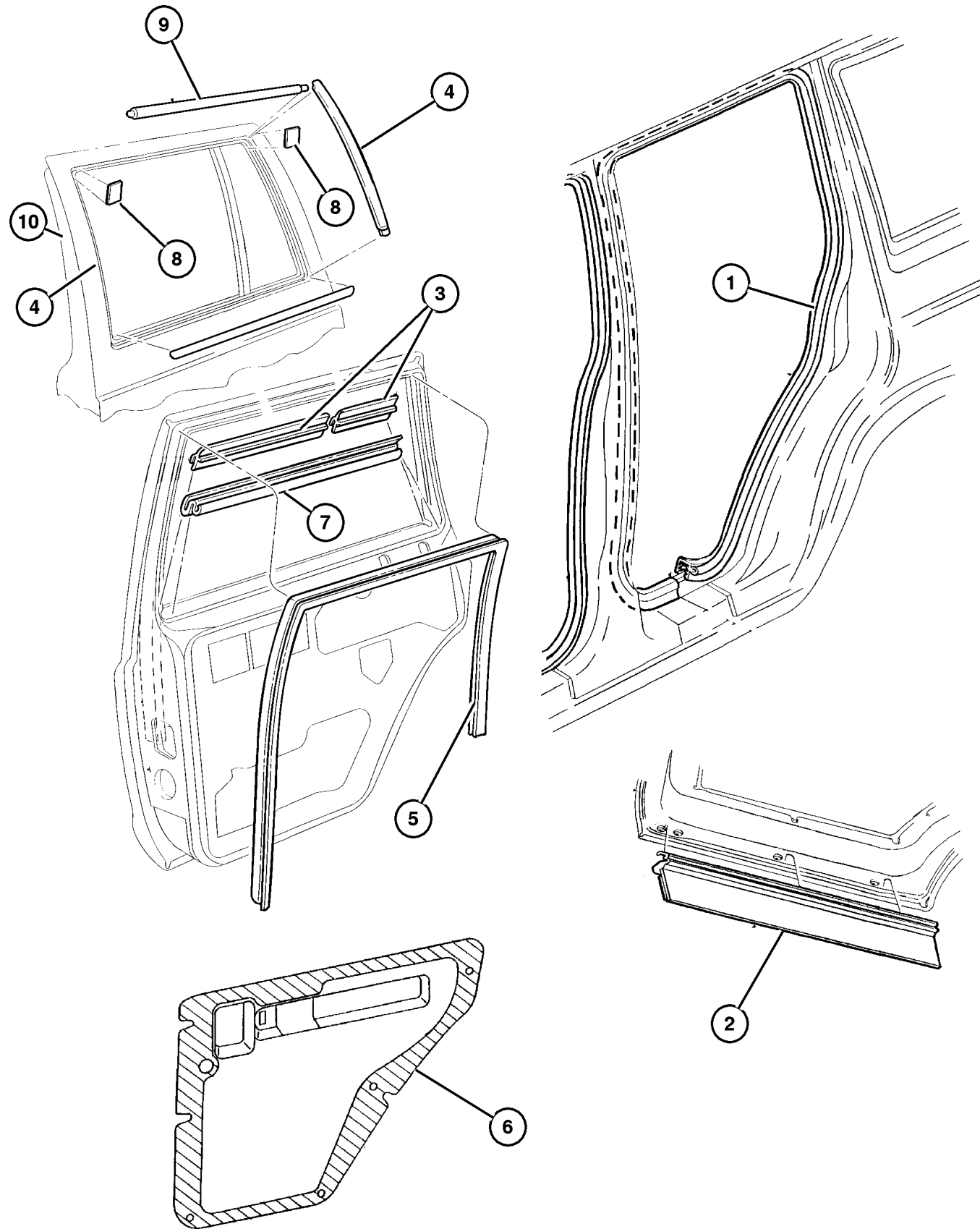
ITEM	PART NUMBER	QTY	LINE	SERIES	BODY	ENGINE	TRANS	TRIM	DESCRIPTION
1	5517 5351	2			74				WEATHERSEAL, Full Door To Body
2	55235 412AB	2			74				SEAL, Rocker
3	55175 952AB	2			74				WEATHERSTRIP, Belt, Outer
4									MOLDING, Rear Door Frame
	5523 5780	2			74				Right
	5523 5781	2			74				Left
5									WEATHERSTRIP, Door Glass Run
	55175 356AC	1			74				Right
	55175 357AC	1			74				Left
6									WATERDAM, Rear Door
	55235 300AB	1	J, T, U		74				Right
	55235 301AB	1	J, T, U		74				Left
7	5517 5948	2			74				WEATHERSTRIP, Belt, Inner
8									SHIM, (NOT SERVICED) (Not Serviced)
9	5517 5838	2			74				MOLDING, Rear Door Frame Up, Upper
10									WEATHERSTRIP, B Pillar
									Secondary
	55235 791AA	2			74				1997 XJ
	55235 791AB	2			74				1998 XJ

JEEP CHEROKEE (XJ)				
SERIES	LINE	BODY	ENGINE	TRANSMISSION
L=Low Line	J=LHD (4WD) U=RHD (4WD) T=LHD (2WD) B=RHD (2WD)	74=4 DR. (101.4 WB) 72=2 DR. (101.4 WB)	ENC,EN0=2.5L 4 cyl. Turbo Die ERH,ER0=4.0L Power Tech I-6 EPE,EP0=Magnum 2.5L SMPI	DDQ=5Spd Man. DGS=4 Spd. Auto. AISIN DG0=All Auto Trans DBB=All Manual Trans.

AR = Use as required - = Non illustrated part # = New this model year

July 4, 2003

Door, Rear 1999 XJ  
Figure DXJ-620



ITEM	PART NUMBER	QTY	LINE	SERIES	BODY	ENGINE	TRANS	TRIM	DESCRIPTION
1	55175 351AB	2			74				WEATHERSEAL, Full Door To Body
2	55235 412AC	2			74				SEAL, Rocker
3	55175 952AB	2			74				WEATHERSTRIP, Belt, Outer
4									MOLDING, Rear Door Frame
	5523 5780	2			74				Right
	5523 5781	2			74				Left
5									WEATHERSTRIP, Door Glass Run
	55175 356AC	1			74				Right
	55175 357AC	1			74				Left
6									WATERDAM, Rear Door
	#55235 986AB	1			74				Right
	#55235 987AB	1			74				Left
7	5517 5948	2			74				WEATHERSTRIP, Belt, Inner
8	5500 4920	AR							SHIM
9	#55175 838AB	2			74				MOLDING, Rear Door Frame Up, Upper
10	55235 791AB	2			74				WEATHERSTRIP, B Pillar Secondary

JEEP CHEROKEE (XJ)

SERIES	LINE	BODY	ENGINE	TRANSMISSION
L=Low Line	J=LHD (4WD) U=RHD (4WD) T=LHD (2WD) B=RHD (2WD)	74=4 DR. (101.4 WB) 72=2 DR. (101.4 WB)	ENC,EN0=2.5L 4 cyl. Turbo Die ERH,ER0=4.0L Power Tech I-6 EPE,EP0=Magnum 2.5L SMPI	DDQ=5Spd Man. DGS=4 Spd. Auto. AISIN DG0=All Auto Trans DBB=All Manual Trans.

AR = Use as required - = Non illustrated part # = New this model year

July 4, 2003



# Group – EXJ

## Exterior Ornamentation

### GROUP EXJ - Exterior Ornamentation

Illustration Title

Group-Fig. No.

#### Nameplates

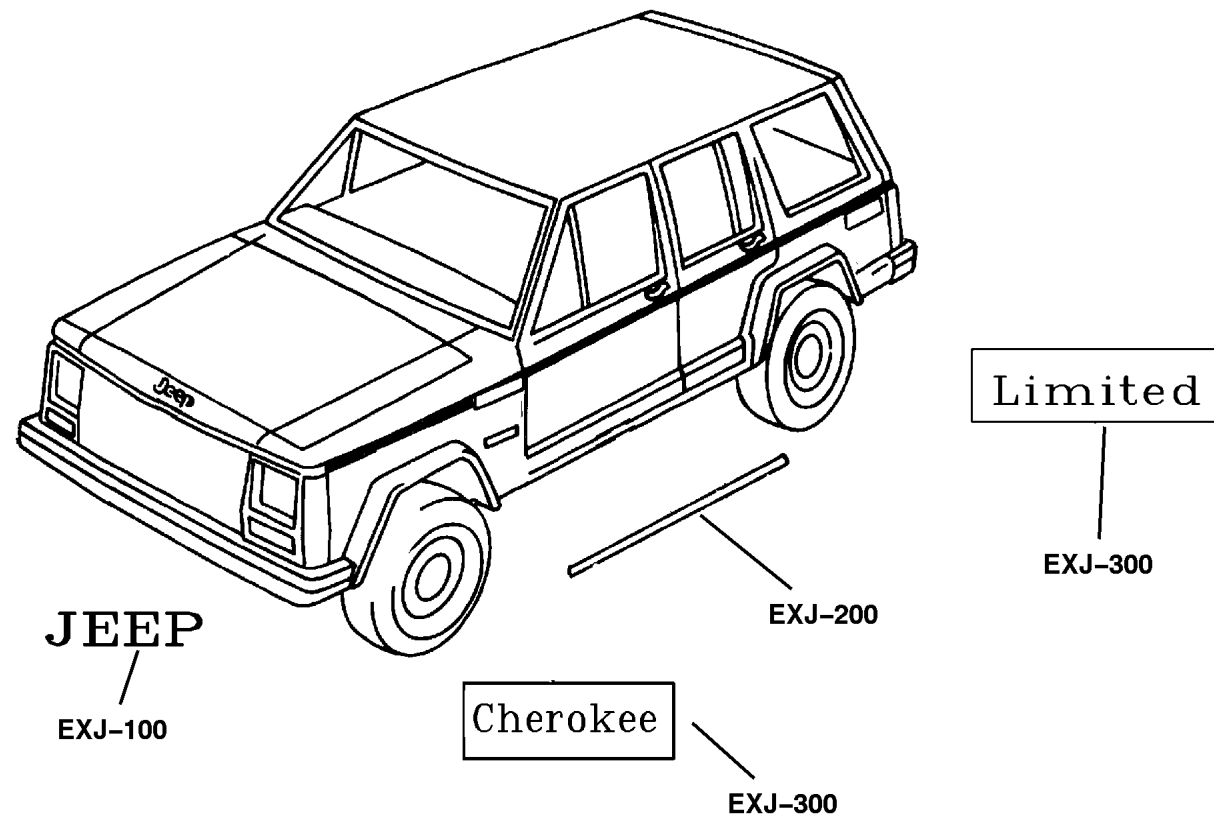
Nameplates 1997 XJ .....	Fig. EXJ-110
Nameplates 1998 XJ .....	Fig. EXJ-110
Nameplates 1999 XJ .....	Fig. EXJ-110

#### Moldings and Ornamentation

Moldings Body Side 1997 XJ 1998 XJ .....	Fig. EXJ-215
Moldings Body Side 1999 XJ .....	Fig. EXJ-215

#### Decals and Tapestripes

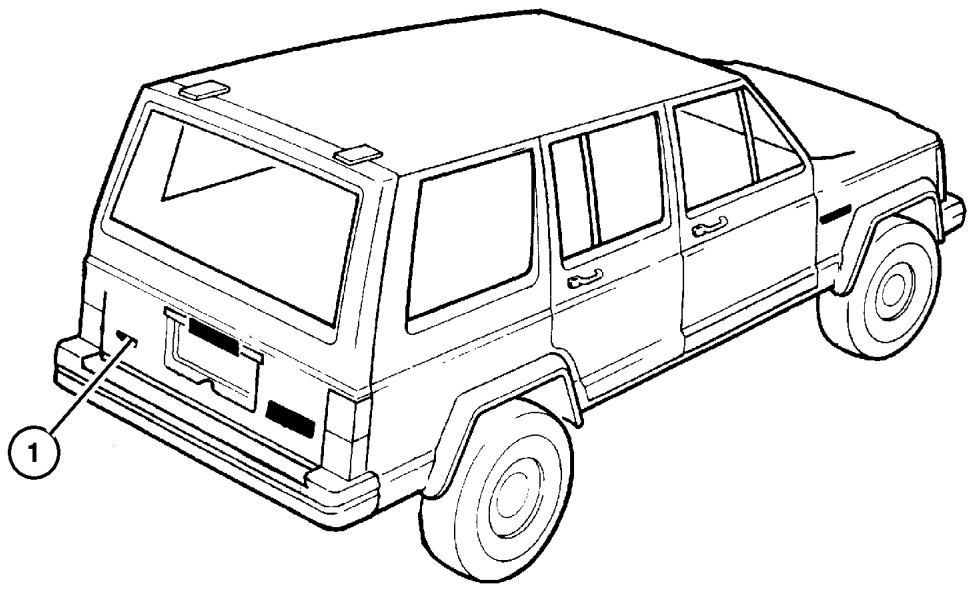
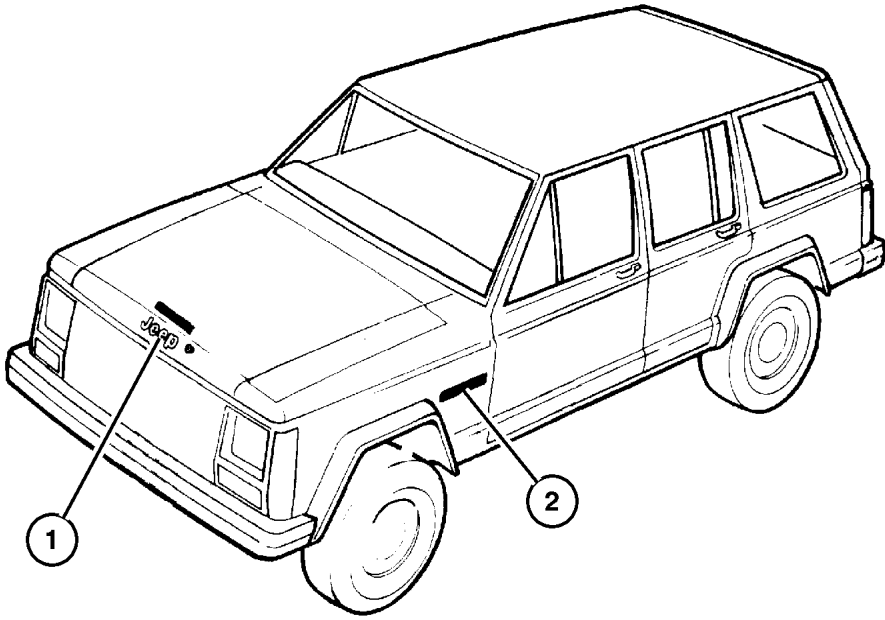
Decals 1997 XJ 1998 XJ .....	Fig. EXJ-310
Decals 1999 XJ .....	Fig. EXJ-310



EXJ-100 Nameplates	EXJ-200 Moldings and Ornamentation	EXJ-300 Decals and Tapestripes	

Nameplates 1997 XJ  
Figure EXJ-110

ITEM	PART NUMBER	QTY	LINE	SERIES	BODY	ENGINE	TRANS	TRIM	DESCRIPTION
1									NAMEPLATE, Jeep
	5EM8 7SA1	2							Silver
	5EM8 7TD8	2							Quartz
2									DECAL, Cherokee
	5FJ5 7CA1	2							Silver
	5FJ5 7HD8	2							Quartz

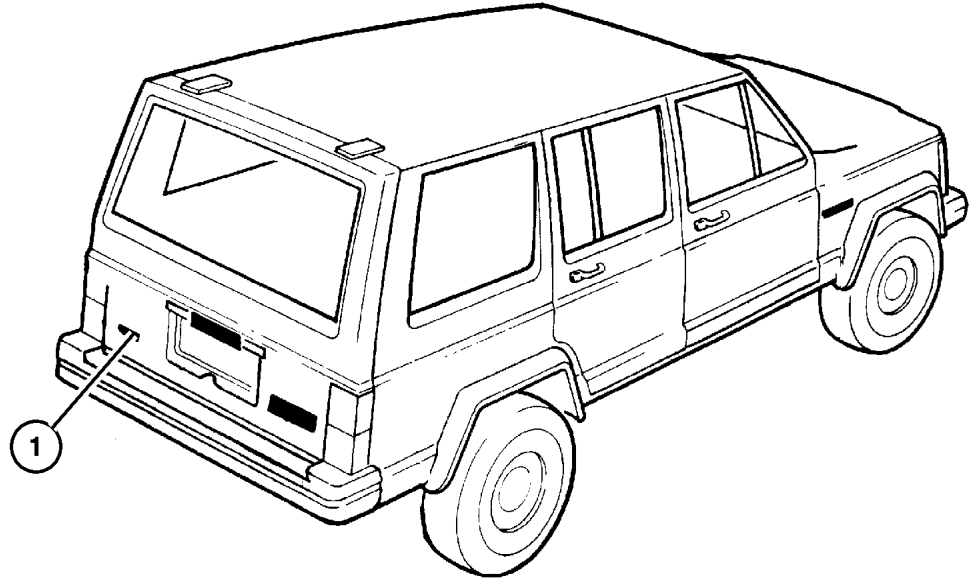
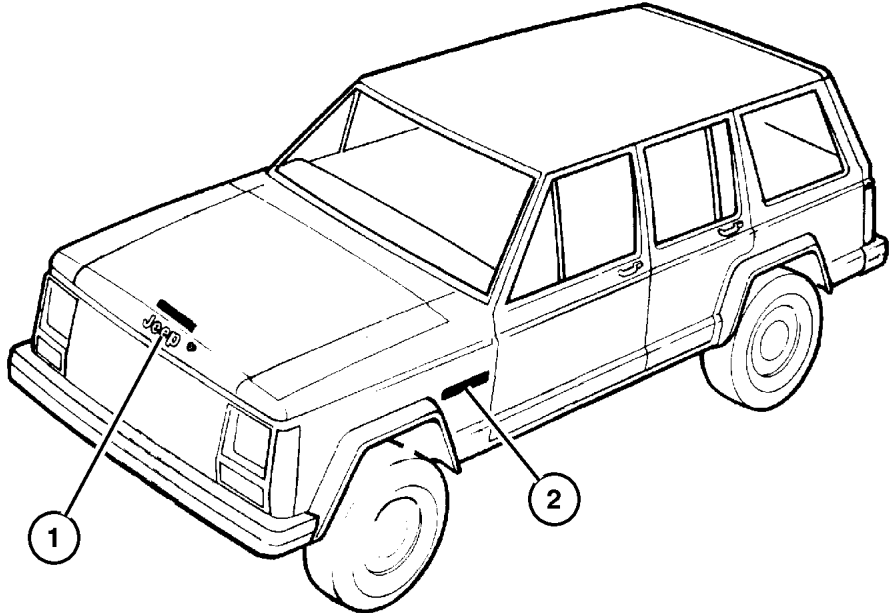


<b>JEEP CHEROKEE (XJ)</b>				
SERIES	LINE	BODY	ENGINE	TRANSMISSION
L=Low Line	J=LHD (4WD) U=RHD (4WD) T=LHD (2WD) B=RHD (2WD)	74=4 DR. (101.4 WB) 72=2 DR. (101.4 WB)	ENC,EN0=2.5L 4 cyl. Turbo Die ERH,ER0=4.0L Power Tech I-6 EPE,EP0=Magnum 2.5L SMPI	DDQ=5Spd Man. DGS=4 Spd. Auto. AISIN DG0=All Auto Trans DBB=All Manual Trans.

AR = Use as required - = Non illustrated part # = New this model year

July 4, 2003

Nameplates 1998 XJ  
Figure EXJ-110



ITEM	PART NUMBER	QTY	LINE	SERIES	BODY	ENGINE	TRANS	TRIM	DESCRIPTION
1									NAMEPLATE, Jeep
	5EM8 7TD8	1							Quartz
	5EM8 7SA1	1							Silver
2									DECAL, Cherokee
	5FJ5 7HD8	2							Quartz
	5FJ5 7CA1	2							Silver
-3									DIMENSIONAL GRAPHIC, Limited
	5EM9 1HD8	2							Quartz
	5EM9 1SA1	2							Silver
-4									DIMENSIONAL GRAPHIC, Cherokee
	5GC82 HD8AA	2							Quartz
	5GC82 CA1AA	2							Silver

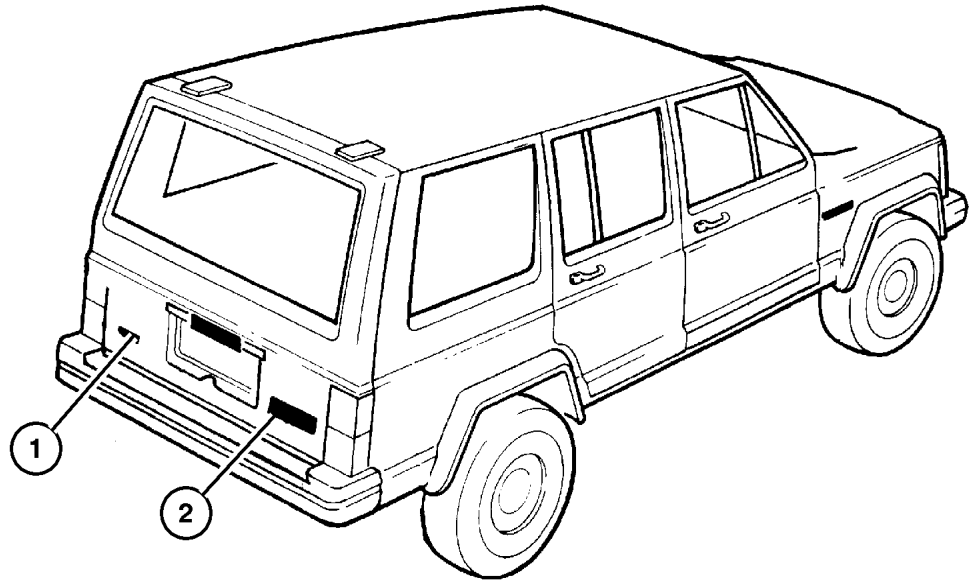
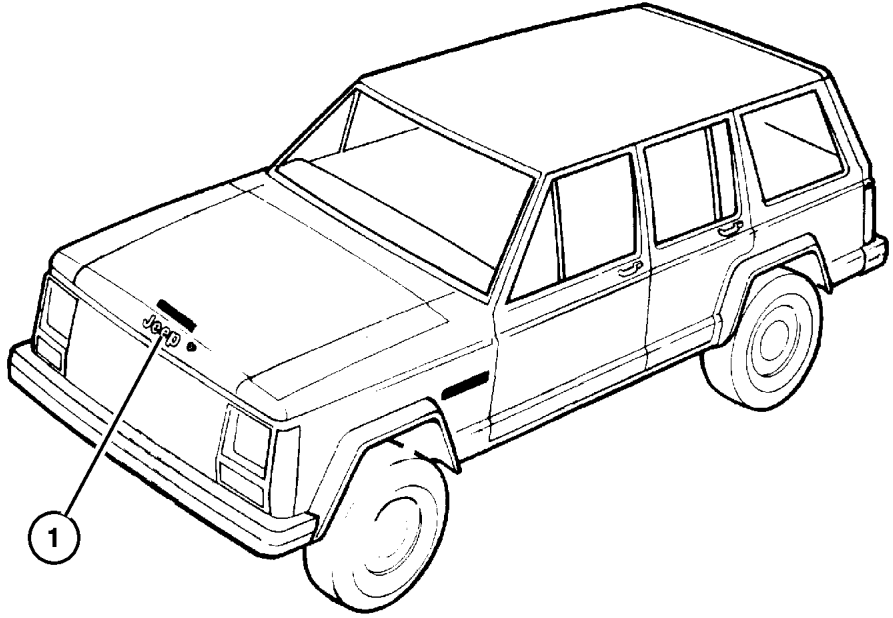
JEEP CHEROKEE (XJ)				
SERIES	LINE	BODY	ENGINE	TRANSMISSION
L=Low Line	J=LHD (4WD) U=RHD (4WD) T=LHD (2WD) B=RHD (2WD)	74=4 DR. (101.4 WB) 72=2 DR. (101.4 WB)	ENC,EN0=2.5L 4 cyl. Turbo Die ERH,ER0=4.0L Power Tech I-6 EPE,EP0=Magnum 2.5L SMPI	DDQ=5Spd Man. DGS=4 Spd. Auto. AISIN DG0=All Auto Trans DBB=All Manual Trans.

AR = Use as required - = Non illustrated part # = New this model year

July 4, 2003

Nameplates 1999 XJ  
Figure EXJ-110

ITEM	PART NUMBER	QTY	LINE	SERIES	BODY	ENGINE	TRANS	TRIM	DESCRIPTION
1	5EM8 7SA1	1							NAMEPLATE, Jeep, [KTP]
2	5FJ61 CA1AB	2	J, U						DECAL, 4x4, [KRP]



<b>JEEP CHEROKEE (XJ)</b>				
SERIES	LINE	BODY	ENGINE	TRANSMISSION
L=Low Line	J=LHD (4WD) U=RHD (4WD) T=LHD (2WD) B=RHD (2WD)	74=4 DR. (101.4 WB) 72=2 DR. (101.4 WB)	ENC,EN0=2.5L 4 cyl. Turbo Die ERH,ER0=4.0L Power Tech I-6 EPE,EP0=Magnum 2.5L SMPI	DDQ=5Spd Man. DGS=4 Spd. Auto. AISIN DG0=All Auto Trans DBB=All Manual Trans.

AR = Use as required - = Non illustrated part # = New this model year

July 4, 2003

Moldings Body Side 1997 XJ 1998 XJ  
Figure EXJ-215

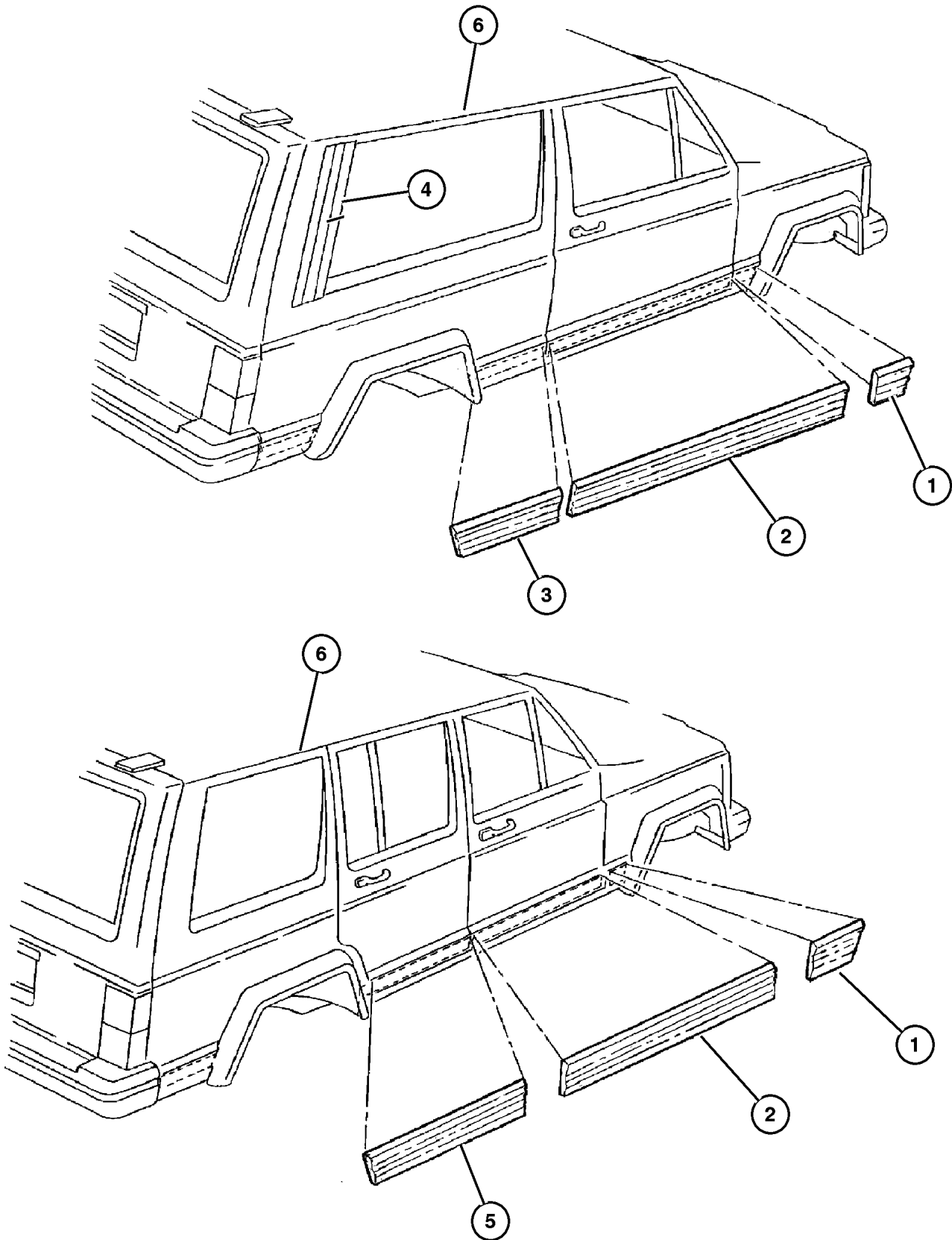
ITEM	PART NUMBER	QTY	LINE	SERIES	BODY	ENGINE	TRANS	TRIM	DESCRIPTION
1	MOLDING, Fender								
	5DY12 DX9AB	1							w/o Country Package, 1997 XJ, Right
		1							Black w/o Country Package, 1998 XJ, Right
	5DY13 DX9AB	1							w/o Country Package, 1997 XJ, Left
		1							Black w/o Country Package, 1998 XJ, Left
	5EM46 DX8AB	1							Black w/Country Package, Right
	5EM46 PCJAB	1							Dark Blue w/Country Package, 1997 XJ, Right
	5EM46 PR4AB	1							Red w/Country Package, Right
	5EM46 RJNAB	1							Green w/Country Package, Right
	5EM46 SW1AB	1							White w/Country Package, Right
	5EM46 TCNAB	1							Amethyst w/Country Package, 1998 XJ, Right
	5EM46 TQ7AB	1							Aquamarine Blue w/Country Package, Right
	5EM46 VEAAB	1							Chilli Pepper Redw/Country Package, 1998 XJ, Right
	5EM47 DX8AB	1							Black w/Country Package, Left
	5EM47 PCJAB	1							Dark Blue w/Country Package, 1997 XJ, Left
	5EM47 PR4AB	1							Red w/Country Package, Left
	5EM47 RJNAB	1							Green w/Country Package, Left
	5EM47 SW1AB	1							White w/Country Package, Left
5EM47 TCNAB	1							Amethyst w/Country Package, 1998 XJ, Left	
5EM47 TQ7AB	1							Aquamarine Blue w/Country package, 1997 XJ, Left	
	1							Aquamarine Blue w/Country Package, 1998 XJ, Left	
5EM47 VEAAB	1							Chilli Pepper Redw/Country Package, 1998 XJ, Left	
2	MOLDING, Front Door								
	5DY14 DX9AB	1	J, T, U		72				Black w/o Country Package, 1998 XJ, Right
	5DY15 DX9AB	1	J, T, U		72				Black w/o Country Package, 1998 XJ, Left
	5DY16 DX9AB	1			74				Black w/o Country Package, 1998 XJ, Right

JEEP CHEROKEE (XJ)

SERIES	LINE	BODY	ENGINE	TRANSMISSION
L=Low Line	J=LHD (4WD) U=RHD (4WD) T=LHD (2WD) B=RHD (2WD)	74=4 DR. (101.4 WB) 72=2 DR. (101.4 WB)	ENC,EN0=2.5L 4 cyl. Turbo Die ERH,ER0=4.0L Power Tech I-6 EPE,EP0=Magnum 2.5L SMPI	DDQ=5Spd Man. DGS=4 Spd. Auto. AISIN DG0=All Auto Trans DBB=All Manual Trans.

AR = Use as required - = Non illustrated part # = New this model year

July 4, 2003



Moldings Body Side 1997 XJ 1998 XJ  
Figure EXJ-215

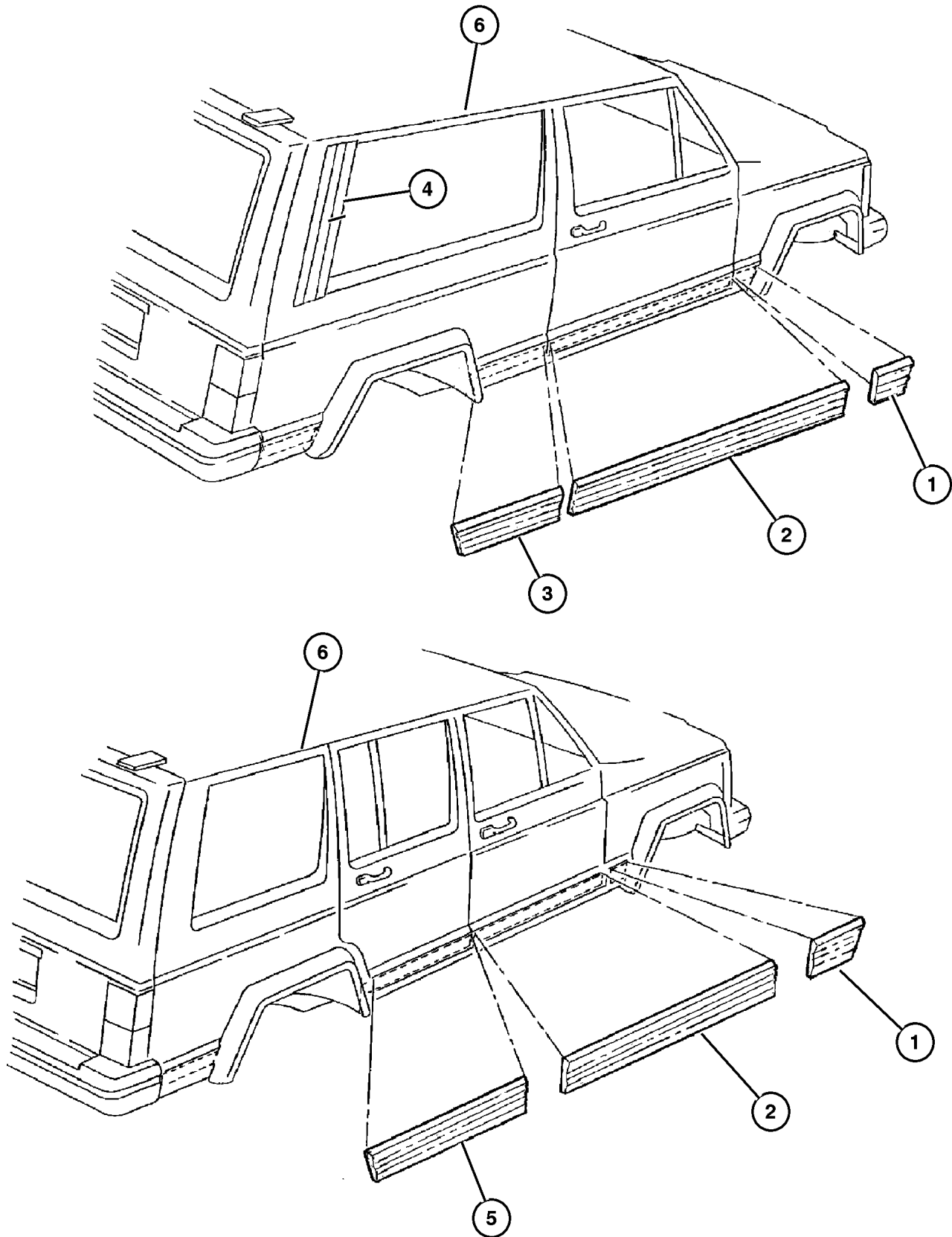
ITEM	PART NUMBER	QTY	LINE	SERIES	BODY	ENGINE	TRANS	TRIM	DESCRIPTION
	5DY17 DX9AB	1			74				Black w/o Country Package, 1998 XJ, Left
	5EM56 DX8AB	1			74				Black w/Country Package, 1998 XJ, Right
	5EM56 TCNAB	1			74				Amethyst w/Country Package, 1998 XJ, Right
	5EM56 VEAAB	1			74				Chilli Pepper Redw/Country Package, 1998 XJ, Right
	5EM57 TCNAB	1			74				Amethyst w/Country Package, 1998 XJ, Left
	5EM57 VEAAB	1			74				Chilli Pepper Redw/Country Package, 1998 XJ, Left
	5DY14 DX9AB	1			72				w/o Country Package, 1997 XJ, Right
	5EM57 DX8AB	1			74				Black w/Country Package, Left
	5EM57 PCJAB	1			74				Dark Blue w/Country Package, 1997 XJ, Left
	5EM57 PR4AB	1			74				Red w/Country Package, Left
	5EM57 RJNAB	1			74				Green w/Country Package, Left
	5EM57 SW1AB	1			74				White w/Country Package, Left
	5EM57 TQ7AB	1			74				Aquamarine Blue w/Country Package, Left
	5DY15 DX9AB	1			72				w/o Country Package, 1997 XJ, Left
	5DY16 DX9AB	1			74				w/o Country Package, 1997 XJ, Right
	5DY17 DX9AB	1			74				w/o Country Package, 1997 XJ, Left
	5EM56 PCJAB	1			74				Dark Blue w/Country Package, 1997 XJ, Right
	5EM56 PR4AB	1			74				Red w/Country Package, Right
	5EM56 RJNAB	1			74				Green w/Country Package, Right
	5EM56 SW1AB	1			74				White w/Country Package, Right
	5EM56 TQ7AB	1			74				Aquamarine Blue w/Country Package, Right
3	5DY26 DX9AB	1			72				MOLDING, Quarter Panel 1997 XJ, Right
	5DY27 DX9AB	1	J, T, U		72				1998 XJ, Right
		1	J, T, U		72				1997 XJ, Left
		1	J, T, U		72				1998 XJ, Left
4	5502 5788	1			72				APPLIQUE, Quarter Window 1997 XJ, Right

JEEP CHEROKEE (XJ)

SERIES	LINE	BODY	ENGINE	TRANSMISSION
L=Low Line	J=LHD (4WD) U=RHD (4WD) T=LHD (2WD) B=RHD (2WD)	74=4 DR. (101.4 WB) 72=2 DR. (101.4 WB)	ENC,EN0=2.5L 4 cyl. Turbo Die ERH,ER0=4.0L Power Tech I-6 EPE,EP0=Magnum 2.5L SMPI	DDQ=5Spd Man. DGS=4 Spd. Auto. AISIN DG0=All Auto Trans DBB=All Manual Trans.

AR = Use as required - = Non illustrated part # = New this model year

July 4, 2003



Moldings Body Side 1997 XJ 1998 XJ  
Figure EXJ-215

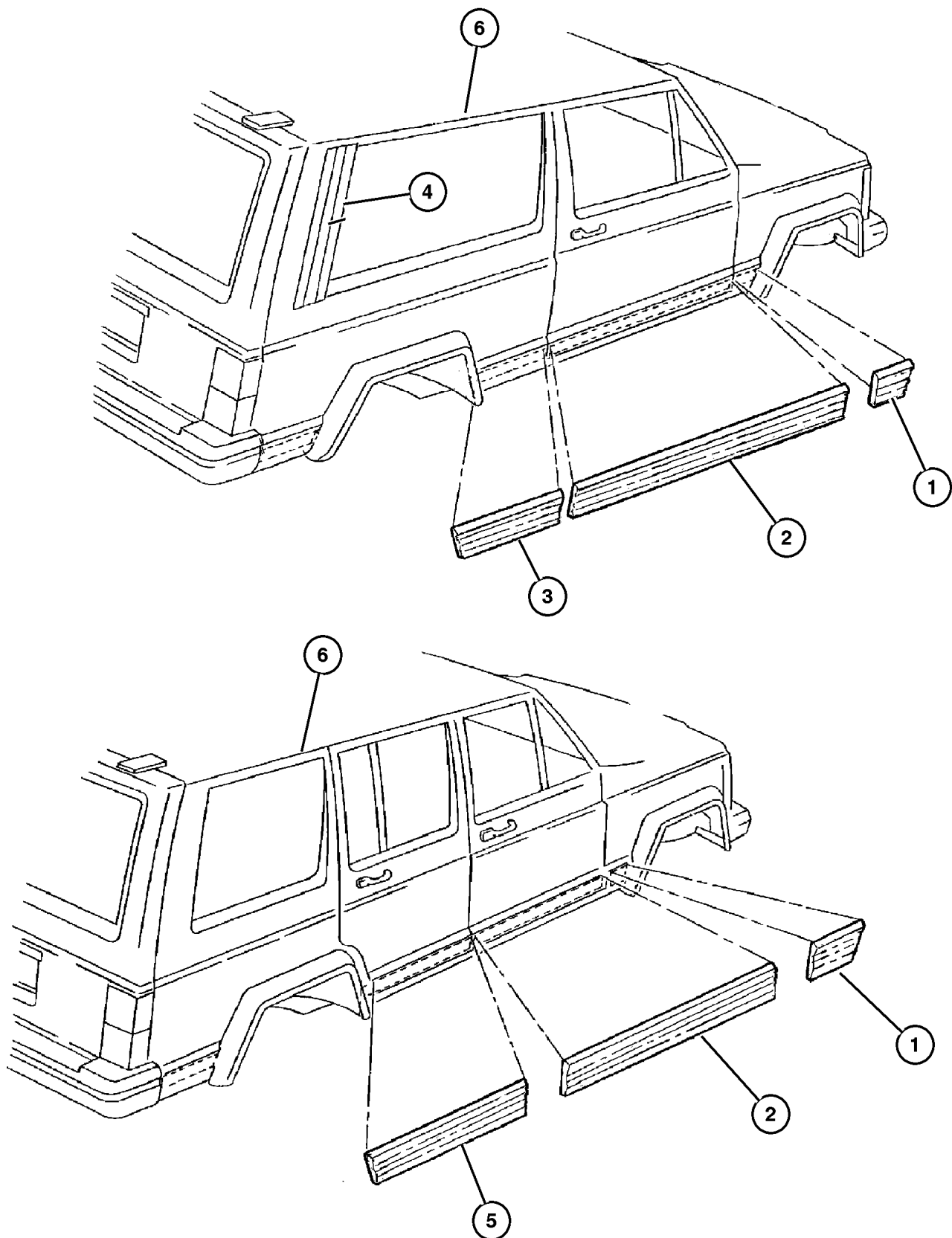
ITEM	PART NUMBER	QTY	LINE	SERIES	BODY	ENGINE	TRANS	TRIM	DESCRIPTION
		1	J, T, U		72				1998 XJ, Right
	5502 5789	1			72				1997 XJ, Left
		1	J, T, U		72				1998 XJ, Left
5									MOLDING, Rear Door
	5DY18 DX9AB	1			74				w/o Country Package, 1997 XJ, Right
		1			74				Black w/o Country Package, 1998 XJ, Right
	5DY19 DX9AB	1			74				w/o Country Ppackage, 1997 XJ, Left
		1			74				Black w/o Country Package, 1998 XJ, Left
	5EM58 DX8AB	1			74				Black w/Country Package, Right
	5EM58 PCJAB	1			74				Dark Blue w/Country Package, 1997 XJ, Right
	5EM58 PR4AB	1			74				Red w/Country Ppackage, 1997 XJ, Right
		1			74				Red w/Country Package, 1998 XJ, Right
	5EM58 RJNAB	1			74				Green w/Country Package, Right
	5EM58 SW1AB	1			74				White w/Country Package, Right
	5EM58 TCNAB	1			74				Amethyst w/Country Package, 1998 XJ, Right
	5EM58 TQ7AB	1			74				Aquamarine Blue w/Country Package, Right
	5EM58 VEAAB	1			74				Chilli Pepper Redw/Country Package, 1998 XJ, Right
	5EM59 DX8AB	1			74				Black w/Country Package, Left
	5EM59 PCJAB	1			74				Dark Blue w/Country Package, 1997 XJ, Left
	5EM59 PR4AB	1			74				Red w/Country Package, Left
	5EM59 RJNAB	1			74				Green w/Country Package, Left
	5EM59 SW1AB	1			74				White w/Country Package, Left
	5EM59 TCNAB	1			74				Amethyst w/Country Package, 1998 XJ, Left
	5EM59 TQ7AB	1			74				Aquamarine Blue w/Country Package, 1998 XJ, Left
	5EM59 VEAAB	1			74				Chilli Pepper Redw/Country Package, 1998 XJ, Left
6									MOLDING, Drip Rail
	5515 5292	1							Right
	5515 5293	1							Left
-7									CLIP, Roof Drip Molding

JEEP CHEROKEE (XJ)

SERIES	LINE	BODY	ENGINE	TRANSMISSION
L=Low Line	J=LHD (4WD) U=RHD (4WD) T=LHD (2WD) B=RHD (2WD)	74=4 DR. (101.4 WB) 72=2 DR. (101.4 WB)	ENC,EN0=2.5L 4 cyl. Turbo Die ERH,ER0=4.0L Power Tech I-6 EPE,EP0=Magnum 2.5L SMPI	DDQ=5Spd Man. DGS=4 Spd. Auto. AISIN DG0=All Auto Trans DBB=All Manual Trans.

AR = Use as required - = Non illustrated part # = New this model year

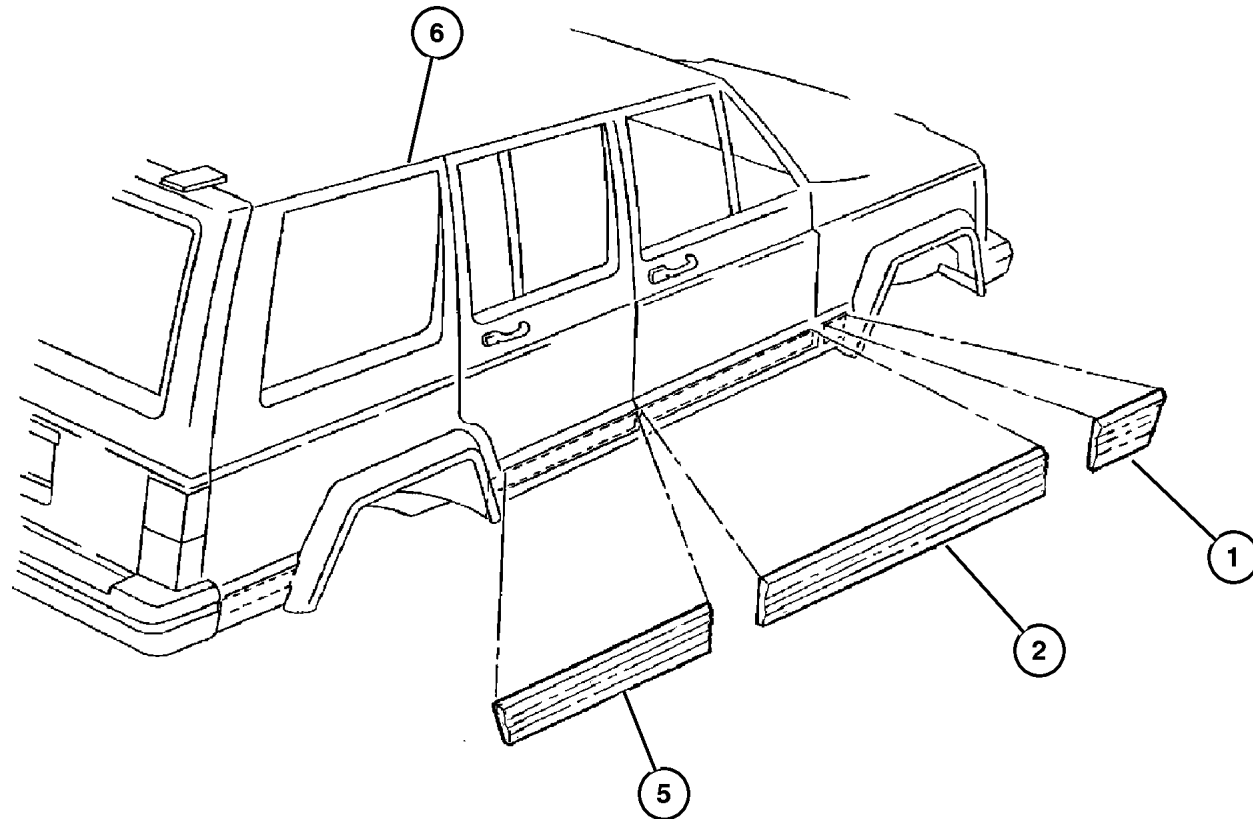
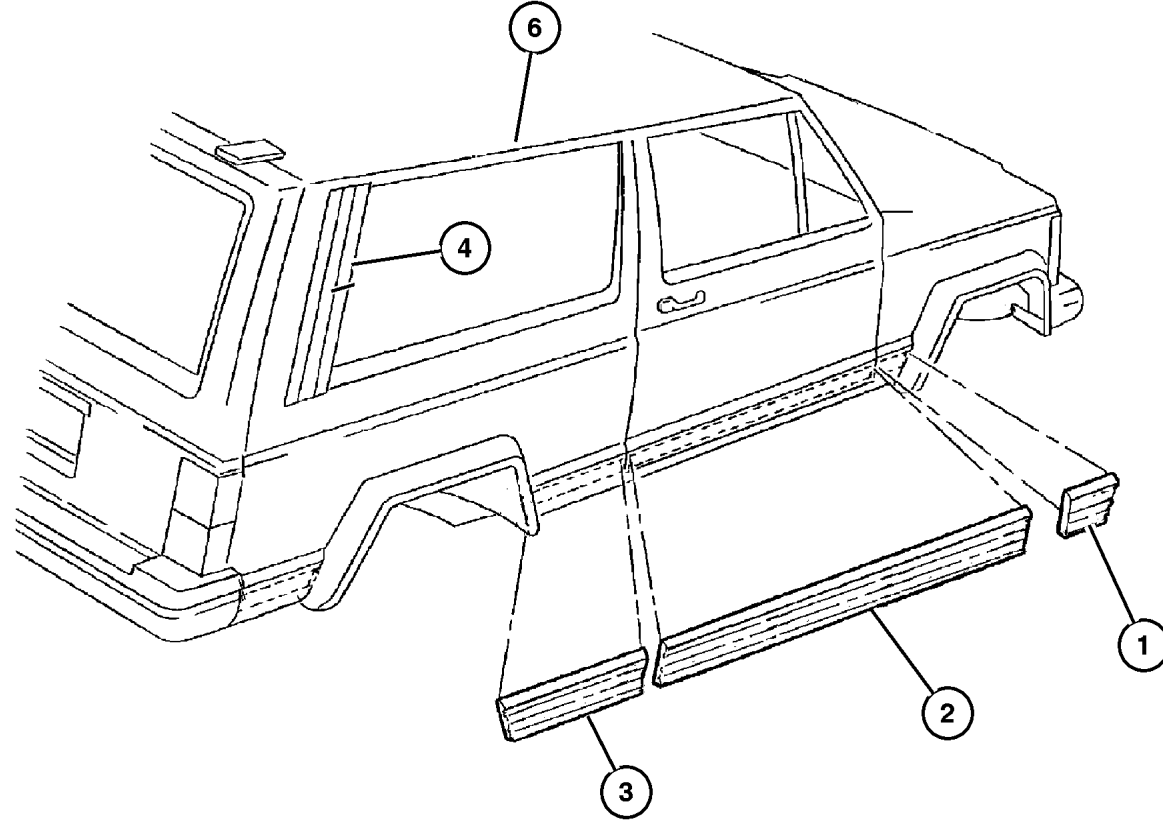
July 4, 2003



Moldings Body Side 1997 XJ 1998 XJ  
Figure EXJ-215

ITEM	PART NUMBER	QTY	LINE	SERIES	BODY	ENGINE	TRANS	TRIM	DESCRIPTION
------	-------------	-----	------	--------	------	--------	-------	------	-------------

	5523 5518	AR							1997 XJ
		10							1998 XJ



JEEP CHEROKEE (XJ)  
 SERIES LINE BODY ENGINE TRANSMISSION  
 L=Low Line J=LHD (4WD) 74=4 DR. (101.4 WB) ENC,EN0=2.5L 4 cyl. Turbo Die DDQ=5Spd Man.  
 U=RHD (4WD) 72=2 DR. (101.4 WB) ERH,ER0=4.0L Power Tech I-6 DGS=4 Spd. Auto. AISIN  
 T=LHD (2WD) EPE,EP0=Magnum 2.5L SMPI DG0=All Auto Trans  
 B=RHD (2WD) DBB=All Manual Trans.

AR = Use as required - = Non illustrated part # = New this model year

July 4, 2003



Moldings Body Side 1999 XJ  
Figure EXJ-215

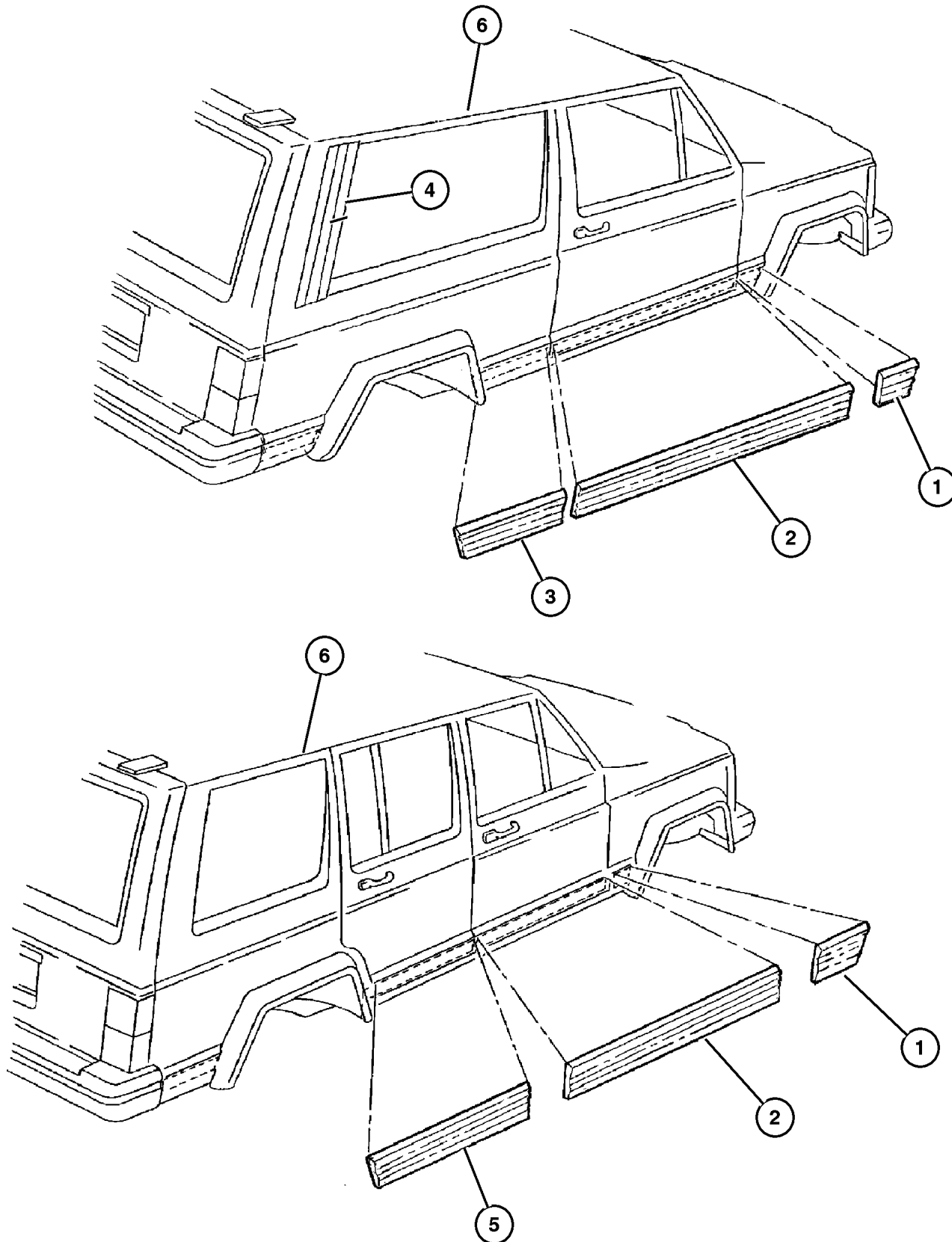
ITEM	PART NUMBER	QTY	LINE	SERIES	BODY	ENGINE	TRANS	TRIM	DESCRIPTION
1									MOLDING, Fender
	5DY12 DX9AB	1							Black w/o Country Package, Right
	5EM46 TQ7AB	1							Turquios w/Country Package, Right
	5EM47 DX8AB	1							Black w/Country Package, Left
	5EM47 PR4AB	1							Red w/Country Package, Left
	5EM47 SG8AB	1							Green w/Country Package, Left
	5EM47 SW1AB	1							White w/Country Package, Left
	5EM47 TCNAB	1							Amethyst w/Country Package, Left
	5EM47 VEAAB	1							Chilli Pepper Redw/Country Package, Left
	5EM47 WTDAB	1							Desert Sand w/Country Package, Left
	5EM47 TQ7AB	1							Turquios w/Country Package, Left
	5DY13 DX9AB	1							Black w/o Country Package, Left
	5EM46 DX8AB	1							Black w/Country Package, Right
	5EM46 PR4AB	1							Red w/Country Package, Right
	5EM46 SG8AB	1							Green w/Country Package, Right
	5EM46 SW1AB	1							White w/Country Package, Right
	5EM46 TCNAB	1							Amethyst w/Country Package, Right
	5EM46 VEAAB	1							Chilli Pepper Redw/Country Package, Right
	5EM46 WTDAB	1							Desert Sand w/Country Package, Right
2									MOLDING, Front Door
	5DY14 DX9AB	1	J, T, U		72				Black w/o Country Package, Right
	5EM56 VEAAB	1			74				Chilli Pepper Redw/Country Package, Right
	5EM56 WTDAB	1			74				Desert Sand w/Country Package, Right
	#5EM56 TQ7AC	1			74				Turquios w/Country Package, Right
	5EM57 DX8AB	1			74				Black w/Country Package, Left
	5EM57 PR4AB	1			74				Red w/Country Package, Left
	5EM57 SG8AB	1			74				Green w/Country Package, Left
	5EM57 SW1AB	1			74				White w/Country Package, Left
	5EM57 TCNAB	1			74				Amethyst w/Country Package, Left
	5EM57 VEAAB	1			74				Chilli Pepper Redw/Country Package, Left
	5EM57 WTDAB	1			74				Desert Sand w/Country Package, Left
	5DY15 DX9AB	1	J, T, U		72				Black w/o Country Package, Left
	#5EM57 TQ7AC	1			74				Turquios w/Country Package, Left

JEEP CHEROKEE (XJ)

SERIES	LINE	BODY	ENGINE	TRANSMISSION
L=Low Line	J=LHD (4WD) U=RHD (4WD) T=LHD (2WD) B=RHD (2WD)	74=4 DR. (101.4 WB) 72=2 DR. (101.4 WB)	ENC,EN0=2.5L 4 cyl. Turbo Die ERH,ER0=4.0L Power Tech I-6 EPE,EP0=Magnum 2.5L SMPI	DDQ=5Spd Man. DGS=4 Spd. Auto. AISIN DG0=All Auto Trans DBB=All Manual Trans.

AR = Use as required - = Non illustrated part # = New this model year

July 4, 2003



Moldings Body Side 1999 XJ  
Figure EXJ-215

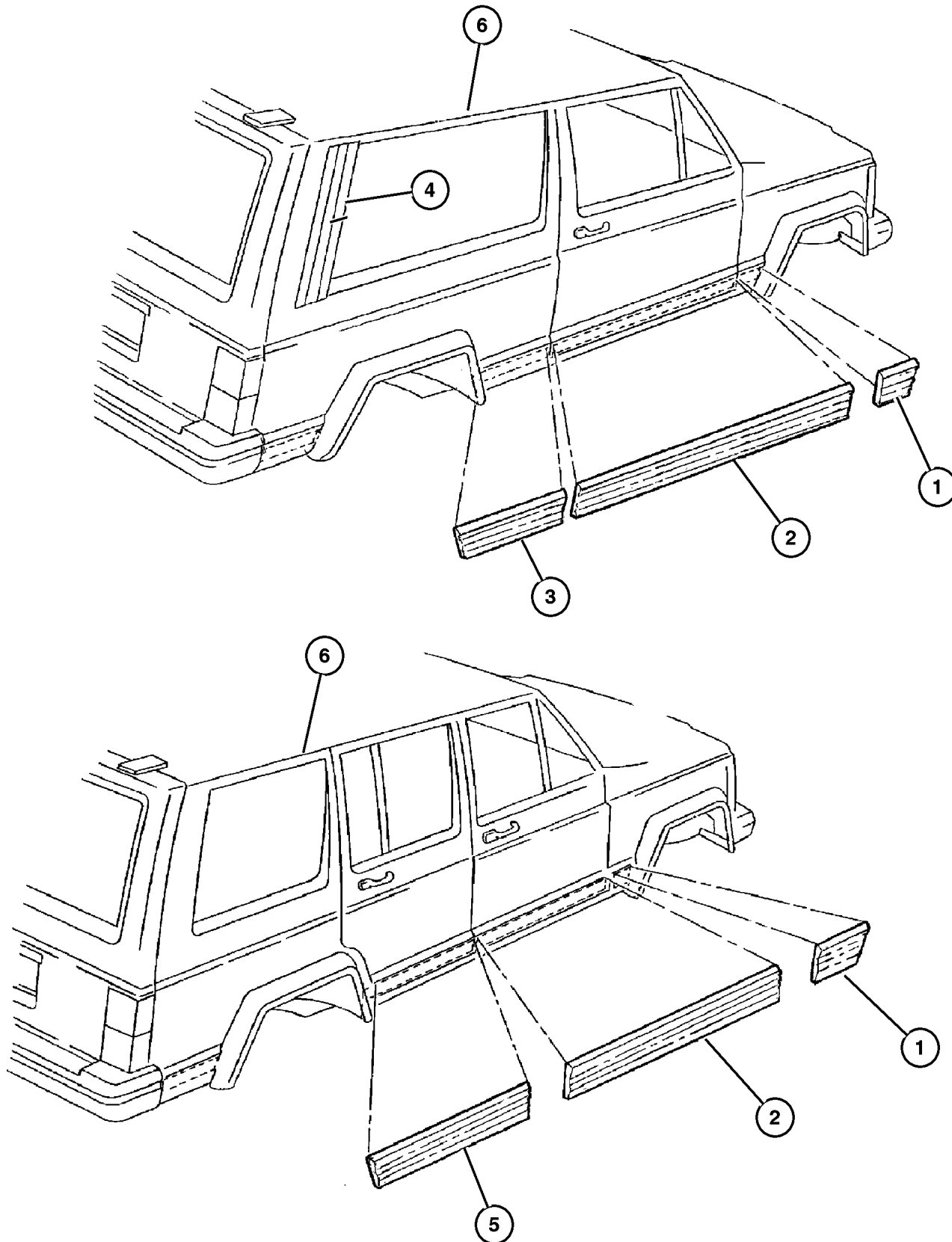
ITEM	PART NUMBER	QTY	LINE	SERIES	BODY	ENGINE	TRANS	TRIM	DESCRIPTION
	5DY16 DX9AB	1			74				Black w/o Country Package, Right
	5DY17 DX9AB	1			74				Black w/o Country Package, Left
	5EM56 DX8AB	1			74				Black w/Country Package, Right
	5EM56 PR4AB	1			74				Red w/Country Package, Right
	5EM56 SG8AB	1			74				Green w/Country Package, Right
	5EM56 SW1AB	1			74				White w/Country Package, Right
	5EM56 TCNAB	1			74				Amethyst w/Country Package, Right
3									MOLDING, Quarter Panel
	5DY26 DX9AB	1	J, T, U		72				Right
	5DY27 DX9AB	1	J, T, U		72				Left
4									APPLIQUE, Quarter Window
	5502 5788	1	J, T, U		72				Right
	5502 5789	1	J, T, U		72				Left
5									MOLDING, Rear Door
	5DY18 DX9AB	1			74				Black w/o Country Package, Right
	#5EM58 TQ7AC	1			74				Turquios w/Country Package, Right
	5EM59 DX8AB	1			74				Black w/Country Package, Left
	5EM59 PR4AB	1			74				Red w/Country Package, Left
	5EM59 SG8AB	1			74				Green w/Country Package, Left
	5EM59 SW1AB	1			74				White w/Country Package, Left
	5EM59 TCNAB	1			74				Amethyst w/Country Package, Left
	5EM59 VEAAB	1			74				Chilli Pepper Redw/Country Package, Left
	5EM59 WTDAB	1			74				Desert Sand w/Country Package, Left
	#5EM59 TQ7AC	1			74				Turquios w/Country Package, Left
	5DY19 DX9AB	1			74				Black w/o Country Package, Left
	5EM58 DX8AB	1			74				Black w/Country Package, Right
	5EM58 PR4AB	1			74				Red w/Country Package, Right
	5EM58 SG8AB	1			74				Green w/Country Package, Right
	5EM58 SW1AB	1			74				White w/Country Package, Right
	5EM58 TCNAB	1			74				Amethyst w/Country Package, Right
	5EM58 VEAAB	1			74				Chilli Pepper Redw/Country Package, Right
	5EM58 WTDAB	1			74				Desert Sand w/Country Package, Right
6									MOLDING, Drip Rail
	4856 714	1							Right
	4856 715	1							Left
-7	5523 5518	10							CLIP, Roof Drip Molding

JEEP CHEROKEE (XJ)

SERIES	LINE	BODY	ENGINE	TRANSMISSION
L=Low Line	J=LHD (4WD) U=RHD (4WD) T=LHD (2WD) B=RHD (2WD)	74=4 DR. (101.4 WB) 72=2 DR. (101.4 WB)	ENC,EN0=2.5L 4 cyl. Turbo Die ERH,ER0=4.0L Power Tech I-6 EPE,EP0=Magnum 2.5L SMPI	DDQ=5Spd Man. DGS=4 Spd. Auto. AISIN DG0=All Auto Trans DBB=All Manual Trans.

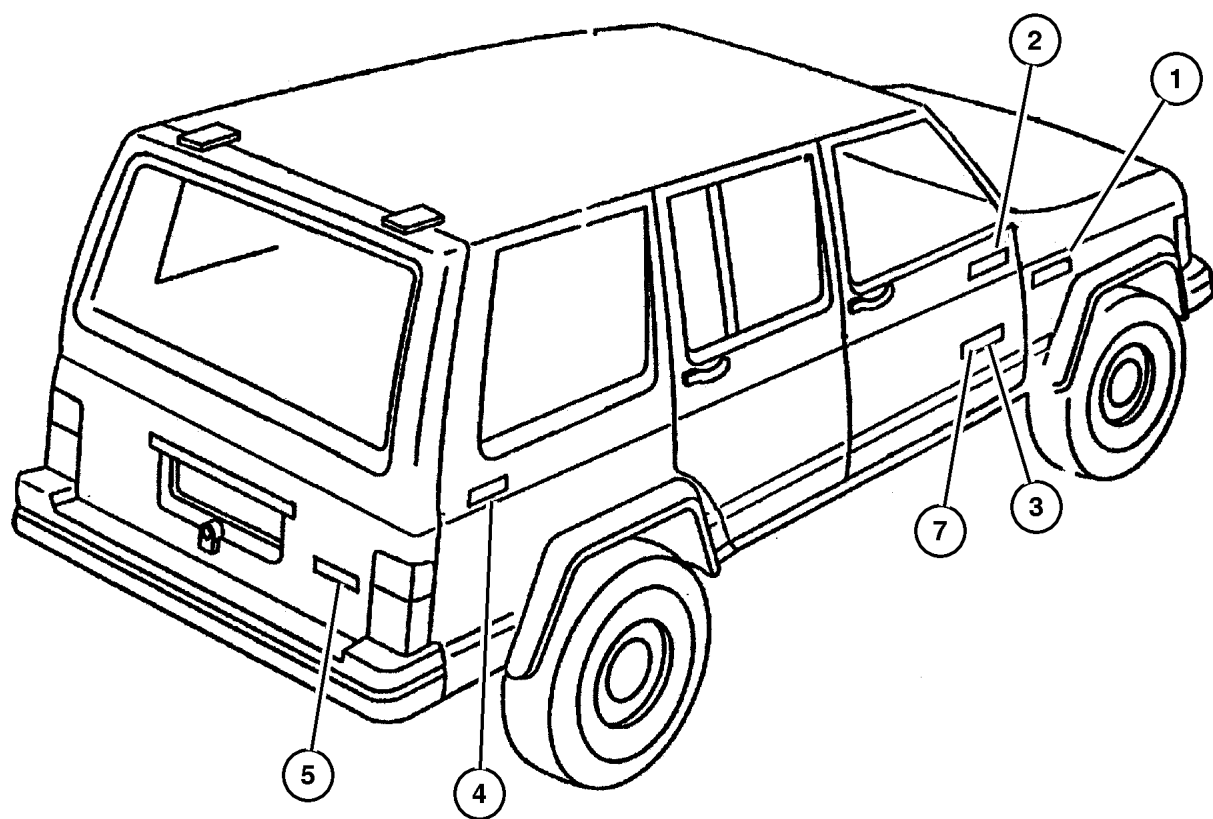
AR = Use as required - = Non illustrated part # = New this model year

July 4, 2003



Decals 1997 XJ 1998 XJ  
Figure EXJ-310

ITEM	PART NUMBER	QTY	LINE	SERIES	BODY	ENGINE	TRANS	TRIM	DESCRIPTION
1									DECAL, Sport
	5FP5 0RC4	1							Blue, Right
	5FP5 0SW1	1							White, Right
	5FP5 1RC4	1							Blue, Left
	5FP5 1SW1	1							White, Left
2									DECAL, Country
	5DL3 2MXW	1							'Up Country Suspension', 1998 XJ
	5EL1 4CA1	2			74				Silver, 1997 XJ
	5EL1 4HD8	2			74				Quartz, 1997 XJ
	5FY12 CA1AA	2			74				Silver, 'Cherokee Country', 1998 XJ
	5FY12 HD8AA	2			74				Quartz 'Cherokee Country', 1998 XJ
3									DECAL, Cherokee
	5FJ5 7CA1	2							Silver
	5FJ5 7HD8	2							Quartz
4									DECAL, 4 x 4
	5FJ6 1CA1	2	J, U						Silver
	5FJ6 1HD8	2	J, U						Quartz
5									DECAL, 4.0 Litre High Output
	5FJ6 4CA1	2							Silver, 1997 XJ
		1							Silver, 1998 XJ
	5FJ6 4HD8	2							Quartz, 1997 XJ
		1							Quartz, 1998 XJ
-6									DECAL, Liftgate, Turbo Diesel
	5FJ6 5CA1	1							Silver
	5FJ6 5HD8	1							Quartz
7									DECAL, Front Door
	5FY13 CA1AA	2							'Cherokee Limited', Silver, 1997 XJ
	5FY13 HD8AA	2							'Cherokee Limited', Quartz, 1997 XJ
	5GD07 CA1AA	2							Silver, Cherokee Classic, 1998 XJ
	5GD07 HD8AA	2							Quartz, Cherokee Classic, 1998 XJ



JEEP CHEROKEE (XJ)

SERIES	LINE	BODY	ENGINE	TRANSMISSION
L=Low Line	J=LHD (4WD) U=RHD (4WD) T=LHD (2WD) B=RHD (2WD)	74=4 DR. (101.4 WB) 72=2 DR. (101.4 WB)	ENC,ENO=2.5L 4 cyl. Turbo Die ERH,ERO=4.0L Power Tech I-6 EPE,EP0=Magnum 2.5L SMPI	DDQ=5Spd Man. DGS=4 Spd. Auto. AISIN DG0=All Auto Trans DBB=All Manual Trans.

AR = Use as required - = Non illustrated part # = New this model year

July 4, 2003

**Decals 1999 XJ**  
**Figure EXJ-310**

ITEM	PART NUMBER	QTY	LINE	SERIES	BODY	ENGINE	TRANS	TRIM	DESCRIPTION
1	#5GN26 CA1AA	2							DECAL, Sport
2	5FY12 CA1AA	2			74				DECAL, Country
3	5GC82 CA1AA	2							DIMENSIONAL GRAPHIC, Cherokee
4	5FJ61 CA1AB	2	J, U						DECAL, 4x4
5	5FJ6 4CA1	1							DECAL, 4.0 Litre High Output
-6	5FJ6 5CA1	1							DECAL, Liftgate, Turbo Diesel
7	#5GM60 CA1AA	2							DECAL, Front Door, Classic
-8	5EM9 1SA1	2							DIMENSIONAL GRAPHIC, Limited, Silver

---



---



---



---



---



---



---



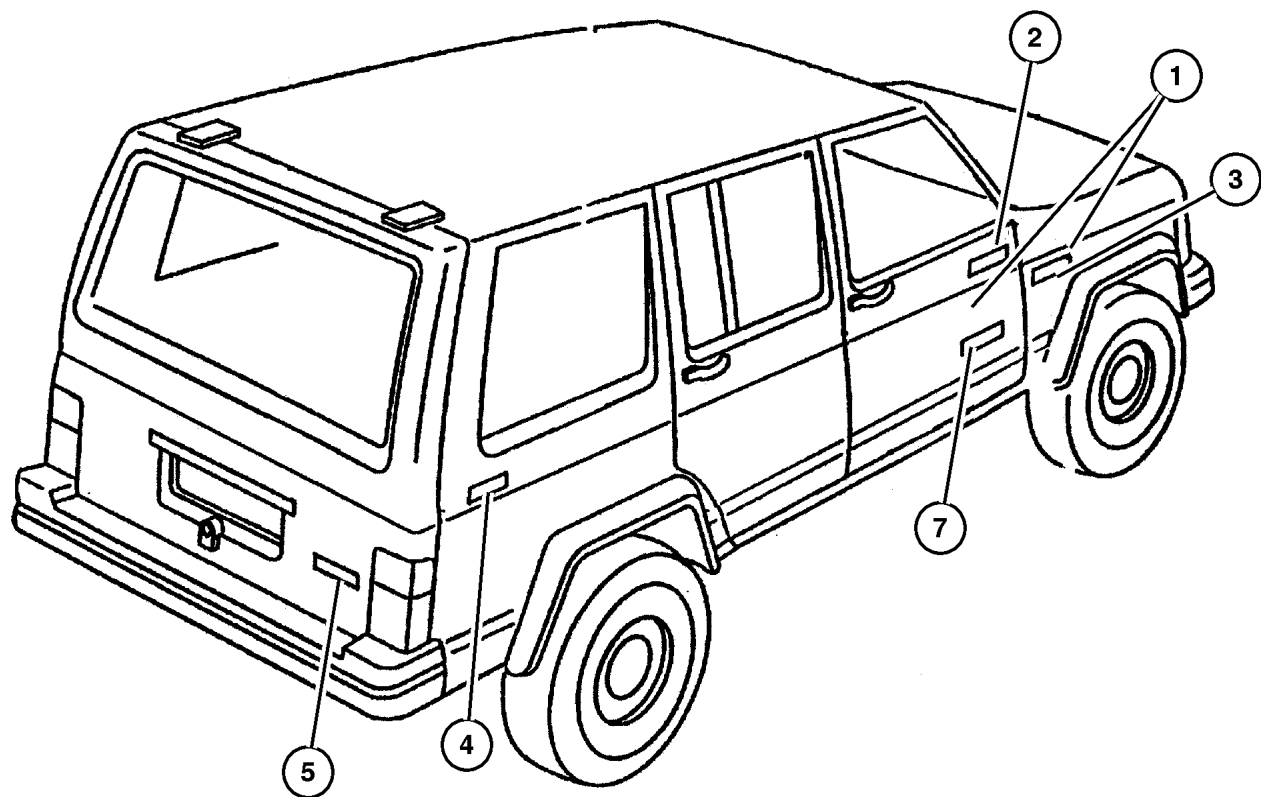
---



---



---



**JEEP CHEROKEE (XJ)**

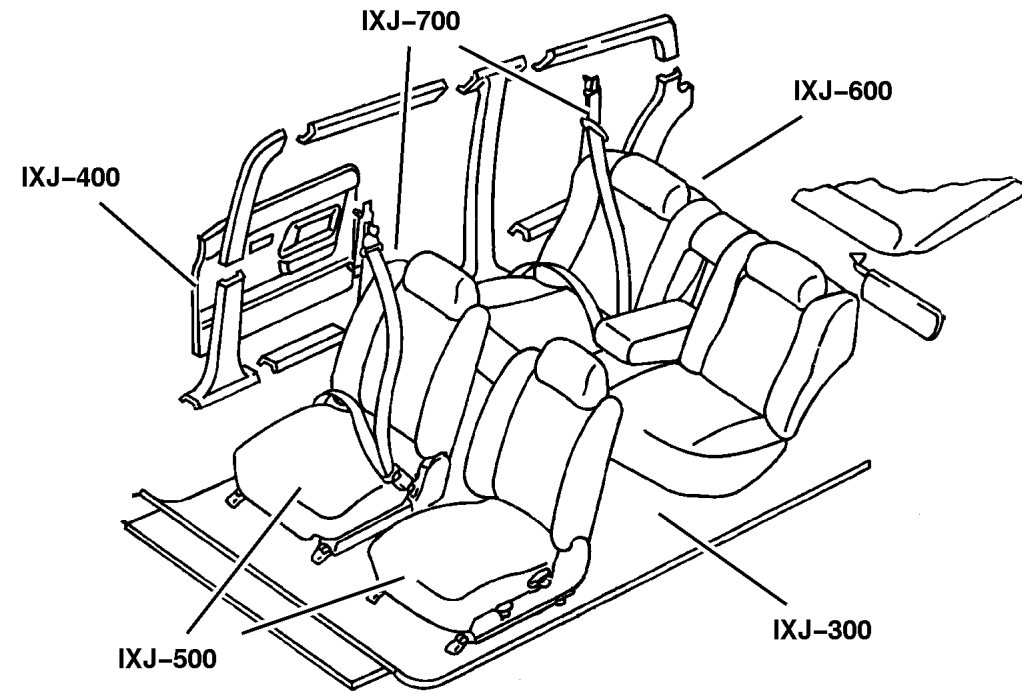
SERIES	LINE	BODY	ENGINE	TRANSMISSION
L=Low Line	J=LHD (4WD) U=RHD (4WD) T=LHD (2WD) B=RHD (2WD)	74=4 DR. (101.4 WB) 72=2 DR. (101.4 WB)	ENC,EN0=2.5L 4 cyl. Turbo Die ERH,ER0=4.0L Power Tech I-6 EPE,EP0=Magnum 2.5L SMPI	DDQ=5Spd Man. DGS=4 Spd. Auto. AISIN DG0=All Auto Trans DBB=All Manual Trans.

AR = Use as required - = Non illustrated part # = New this model year

July 4, 2003

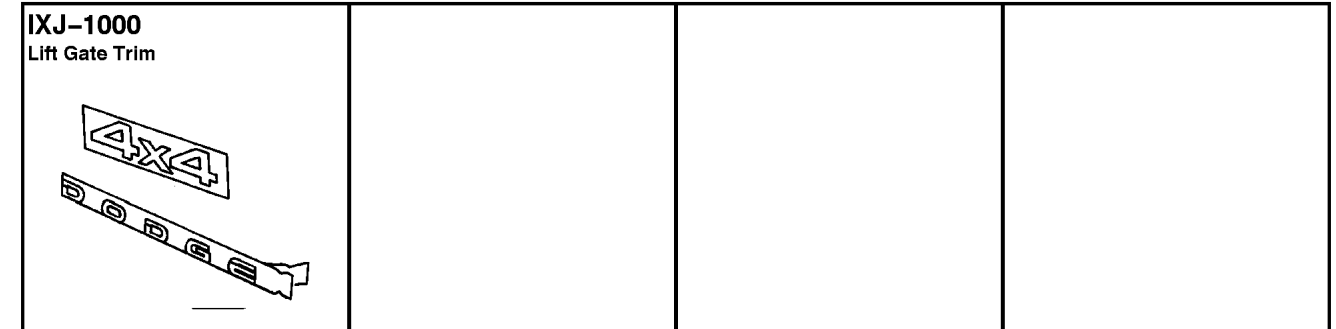
# Group – IXJ

## Interior Trim



# Group – IXJ

## Interior Trim



<p><b>IXJ-100</b> Headliner and Visor</p>	<p><b>IXJ-200</b> Moldings, Scuff Plates</p>	<p><b>IXJ-300</b> Carpet and Tonneau Cover</p>	<p><b>IXJ-400</b> Door Trim Panels—Front and Sliding</p>
<p><b>IXJ-500</b> Front Seats and Attaching Parts</p>	<p><b>IXJ-600</b> Rear Seats and Attaching Parts</p>	<p><b>IXJ-700</b> Seat Belts—Front and Rear</p>	<p><b>IXJ-800</b> Adjusters, Covers, Shields, and Risers</p>

**GROUP IXJ - Interior Trim**

Illustration Title	Group-Fig. No.
<b>Headliner and Visor</b>	
Headliner and Upper Trim Moldings 1997 XJ .....	Fig. IXJ-110
Headliner and Upper Trim Moldings 1998 XJ .....	Fig. IXJ-110
Headliner and Upper Trim Moldings 1999 XJ .....	Fig. IXJ-110
Visors and Vanity Mirrors 1997 XJ 1998 XJ .....	Fig. IXJ-120
Visors and Vanity Mirrors 1999 XJ .....	Fig. IXJ-120
<b>Moldings, Scuff Plates</b>	
Panels, Interior Trim, Front 2 Door 1997 XJ 1998 XJ .....	Fig. IXJ-210
Panels, Interior Trim, Front, 2 Door 2 Door 1999 XJ .....	Fig. IXJ-210
Panels, Interior Trim, Rear 2 Door 1997 XJ 1998 XJ .....	Fig. IXJ-215
Panels, Interior Trim, Rear, 2 Door 2 Door 1999 XJ .....	Fig. IXJ-215
Panels, Interior Trim, Front 4 Door 1997 XJ 1998 XJ .....	Fig. IXJ-220
Panels, Interior Trim, Front, 4 Door 4 Door 1999 XJ .....	Fig. IXJ-220
Panels, Interior Trim, Rear 4 Door 1997 XJ 1998 XJ .....	Fig. IXJ-225
Panels, Interior Trim, Rear, 4 Door 4 Door 1999 XJ .....	Fig. IXJ-225
<b>Carpet and Tonneau Cover</b>	
Carpets and Mats 1997 XJ .....	Fig. IXJ-310
Carpets and Mats 1998 XJ .....	Fig. IXJ-310
Carpets and Mats 1999 XJ .....	Fig. IXJ-310
Insulation 1997 XJ 1998 XJ .....	Fig. IXJ-320
Insulation 1999 XJ .....	Fig. IXJ-320
Cover, Cargo 1997 XJ 1998 XJ .....	Fig. IXJ-330
Cover, Cargo 1999 XJ .....	Fig. IXJ-330
<b>Door Trim Panels-Front and Sliding</b>	
Interior Trim Parts, 2 Door 2 Door 1997 XJ 1998 XJ .....	Fig. IXJ-410
Interior Trim Parts, 2 Door 2 Door 1999 XJ .....	Fig. IXJ-410
Interior Trim Parts, 4 Door 4 Door 1997 XJ 1998 XJ .....	Fig. IXJ-420
Interior Trim Parts, 4 Door 4 Door 1999 XJ .....	Fig. IXJ-420
<b>Front Seats and Attaching Parts</b>	
Seat Covers and Seat Assemblies 1997 XJ 1998 XJ .....	Fig. IXJ-510
Seat Covers and Seat Assemblies 1999 XJ .....	Fig. IXJ-510
<b>Rear Seats and Attaching Parts</b>	
Frame and Pad Rear Seat 1997 XJ 1998 XJ .....	Fig. IXJ-610
Frame and Pad Rear Seat 1999 XJ .....	Fig. IXJ-610
Covers, seat Upholstery Rear Seat 1997 XJ 1998 XJ .....	Fig. IXJ-620
Covers, Seat Upholstery Rear Seat 1999 XJ .....	Fig. IXJ-620
<b>Seat Belts-Front and Rear</b>	
Seat Belts, Front Seat 2 Door 1997 XJ 1998 XJ .....	Fig. IXJ-710
Seat Belts, Front Seat 2 Door 2 Door 1999 XJ .....	Fig. IXJ-710

**GROUP IXJ - Interior Trim**

Illustration Title	Group-Fig. No.
<b>Seat Belts-Front and Rear (Continued)</b>	
Seat Belts, Front Seat 4 Door 1997 XJ 1998 XJ .....	Fig. IXJ-720
Seat Belts, Front Seat 4 Door 4 Door 1999 XJ .....	Fig. IXJ-720
Seat Belts, Rear Seats 1997 XJ .....	Fig. IXJ-730
Seat Belts, Rear Seats 1998 XJ .....	Fig. IXJ-730
Seat Belts, Rear Seats 1999 XJ .....	Fig. IXJ-730
<b>Adjusters, Covers, Shields, and Risers</b>	
Recliner and Adjuster 1997 XJ .....	Fig. IXJ-810
Recliner and Adjuster 1998 XJ .....	Fig. IXJ-810
Recliner and Adjuster 1999 XJ .....	Fig. IXJ-810
<b>Lift Gate Trim</b>	
Liftgate Trim Panel 1997 XJ 1998 XJ .....	Fig. IXJ-1010
Liftgate Trim Panel 1999 XJ .....	Fig. IXJ-1010

## Headliner and Upper Trim Moldings 1997 XJ Figure IXJ-110

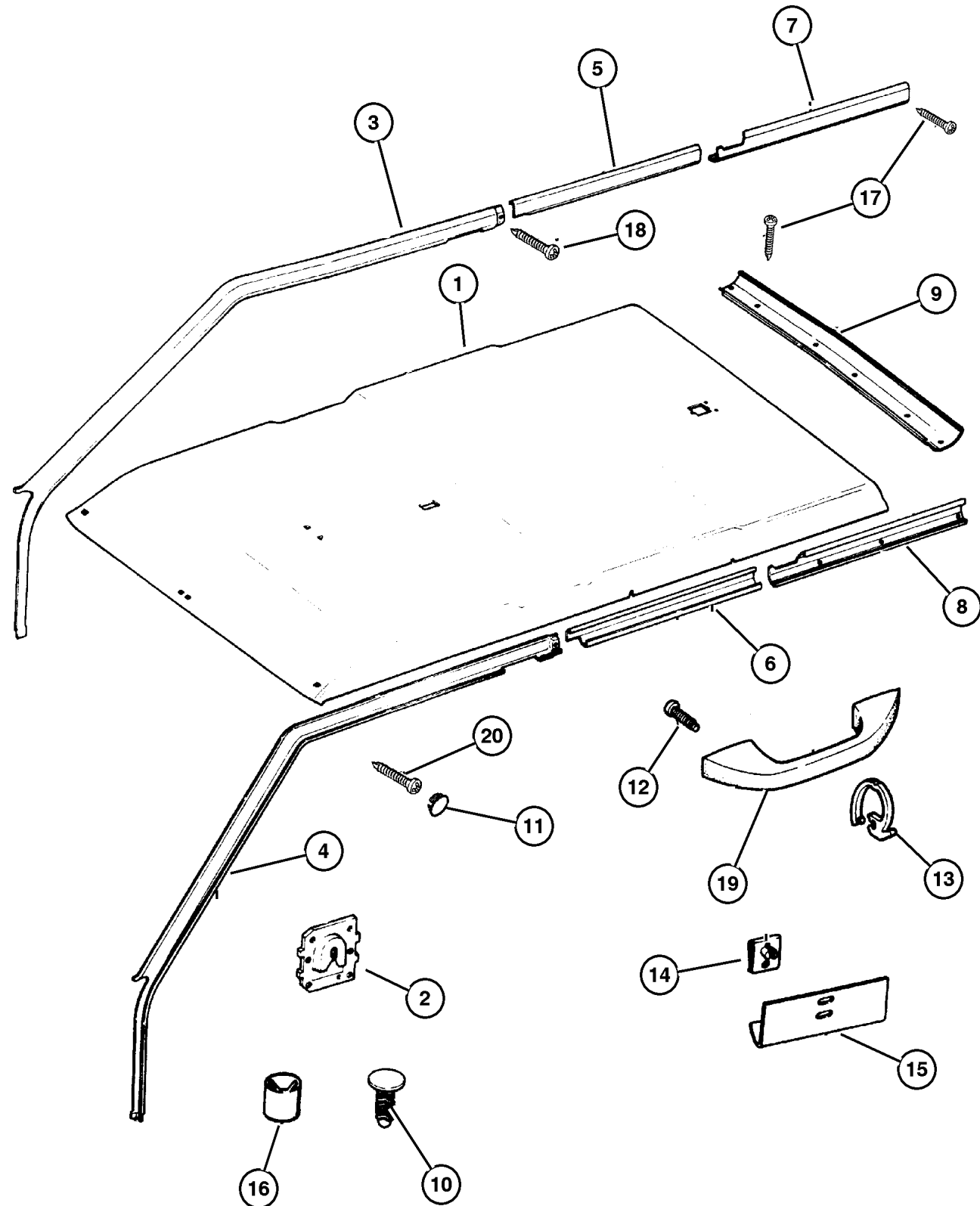
ITEM	PART NUMBER	QTY	LINE	SERIES	BODY	ENGINE	TRANS	TRIM	DESCRIPTION	
P.A.R.= Paint As Required										
Sales Codes:										
[RCD] = 4 Speakers										
[RCG] = 8 Speakers Infinity										
1									HEADLINER	
	QB84 RC3	1								[C3], Without [RCD or RCG]
	QB84 RT6	1								[T6], Without [RCD or RCG]
	5FN4 2RC3	1								[C3], With [RCD or RCG]
	5FN4 2RT6	1								[T6], With [RCD or RCG]
2	3420 1299	1			72					CLIP, Windshield
3									MOLDING, Windshield Garnish	
	5EW92 RC3AB	1			74					Mist Gray, Right
	5EW92 RT6AB	1			74					Saddle, Right
	5FF22 RC3AB	1			72					Mist Gray, Right
	5FF22 RT6AB	1			72					Saddle, Right
4									MOLDING, Windshield Garnish	
	5EW95 RC3AB	1	J, T		74					Mist Gray, Left
	5EW95 RT6AB	1	J, T		74					Saddle, Left
	5FF05 RC3AB	1	B, U		74					Mist Gray, Left
	5FF05 RT6AB	1	B, U		74					Saddle, Left
	5FF23 RC3AB	1	J, T		72					Mist Gray, Left
	5FF23 RT6AB	1	J, T		72					Saddle, Left
	5FF31 RC3AB	1	B, U		72					Mist Gray, Left
	5FF31 RT6AB	1	B, U		72					Saddle, Left
5	5AC6 2TT6	1			74					MOLDING, Headliner, P.A.R., Right
6	5AC6 3TC3	1			74					MOLDING, Headliner, P.A.R., Left
7									MOLDING, Headliner	
	5AC2 6TC3	1			74					P.A.R., Right
	5AD7 4TC3	1			72					P.A.R., Right
8									MOLDING, Headliner	
	5AC2 7TC3	1			74					P.A.R., Left
	5AD7 5TC3	1			72					P.A.R., Left
9									MOLDING, Liftgate Upper	
	5ER43 RC3AB	1								Mist Gray
	5ER43 RT6AB	1								Saddle
10									CLIP, Molding	
	3420 1545	2			74					
		4			72					
11									PLUG, Button	
	AW91 TC3	4								Mist Gray
	AW91 TT6	4								Saddle
12									SCREW, Pan Head Torx, M5x0.8x30.00	

### JEEP CHEROKEE (XJ)

SERIES	LINE	BODY	ENGINE	TRANSMISSION
L=Low Line	J=LHD (4WD) U=RHD (4WD) T=LHD (2WD) B=RHD (2WD)	74=4 DR. (101.4 WB) 72=2 DR. (101.4 WB)	ENC,EN0=2.5L 4 cyl. Turbo Die ERH,ER0=4.0L Power Tech I-6 EPE,EP0=Magnum 2.5L SMPI	DDQ=5Spd Man. DGS=4 Spd. Auto. AISIN DG0=All Auto Trans DBB=All Manual Trans.

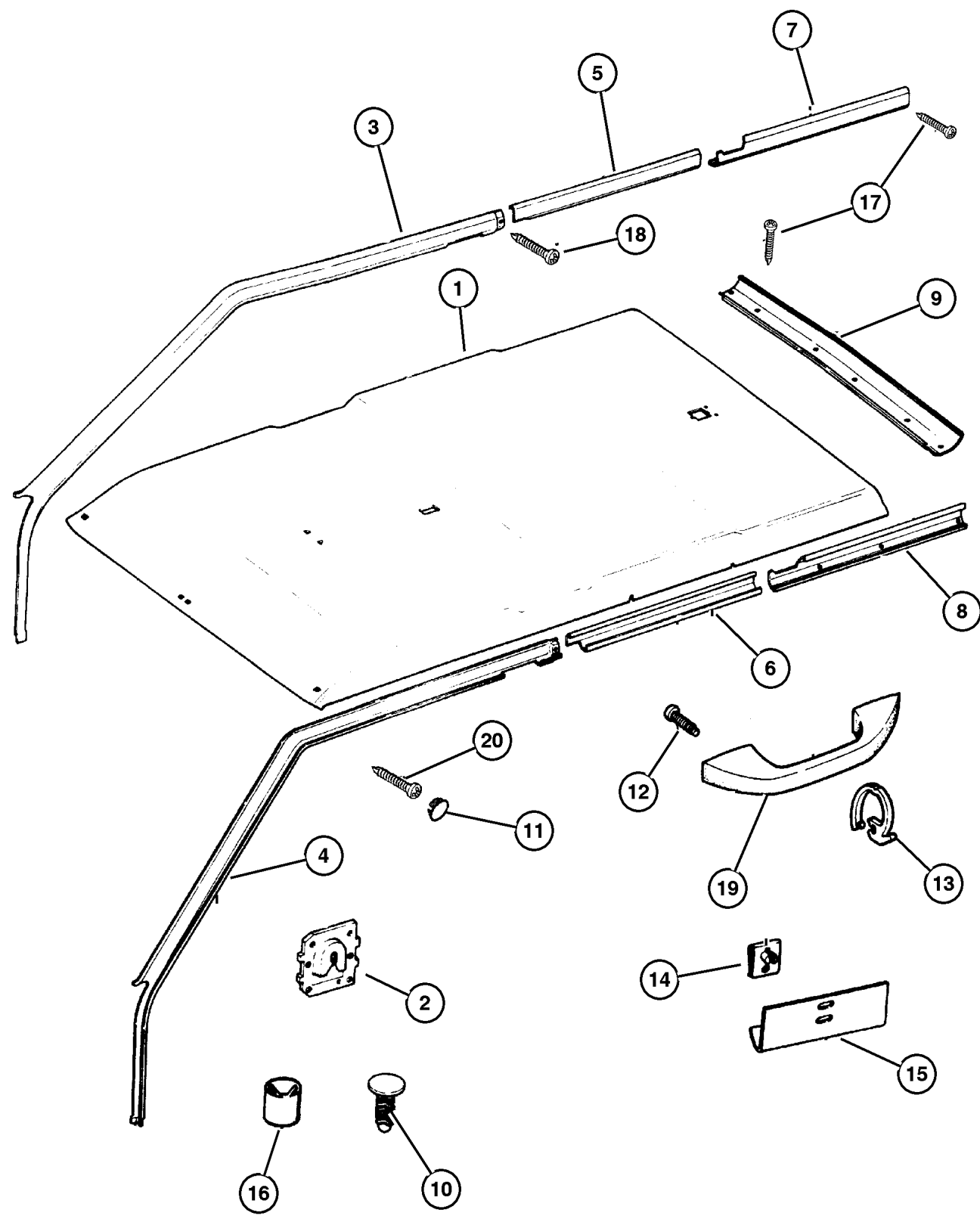
AR = Use as required - = Non illustrated part # = New this model year

July 4, 2003



### Headliner and Upper Trim Moldings 1997 XJ Figure IXJ-110

ITEM	PART NUMBER	QTY	LINE	SERIES	BODY	ENGINE	TRANS	TRIM	DESCRIPTION
	3420 2189	6	J, T						
		8	B, U						
13	5AD9 1TC3	2							HOOK, Coat, P.A.R.
14	J400 0322	2							CLIP, U Type, .625x.719x.020
15	J368 1225	2							CLIP, Headliner Mounting
16	5500 2520	2			72				SPACER, Headliner Molding Rear
17									SCREW, .164-18x.75, (NOT SERVICED) (Not Serviced)
18									SCREW, Pan Head, .164-18x.75, (NOT SERVICED) (Not Serviced)
19									HANDLE, Roof Grab
	5CX1 0TC3	3	J, T						Mist Gray
		4	B, U						Mist Gray
	5CX1 0TT6	3	J, T						Saddle
		4	B, U						Saddle
20									SCREW, .164-18x.75, (NOT SERVICED) (Not Serviced)



<b>JEEP CHEROKEE (XJ)</b>				
SERIES	LINE	BODY	ENGINE	TRANSMISSION
L=Low Line	J=LHD (4WD) U=RHD (4WD) T=LHD (2WD) B=RHD (2WD)	74=4 DR. (101.4 WB) 72=2 DR. (101.4 WB)	ENC,EN0=2.5L 4 cyl. Turbo Die ERH,ER0=4.0L Power Tech I-6 EPE,EP0=Magnum 2.5L SMPI	DDQ=5Spd Man. DGS=4 Spd. Auto. AISIN DG0=All Auto Trans DBB=All Manual Trans.

AR = Use as required - = Non illustrated part # = New this model year

July 4, 2003



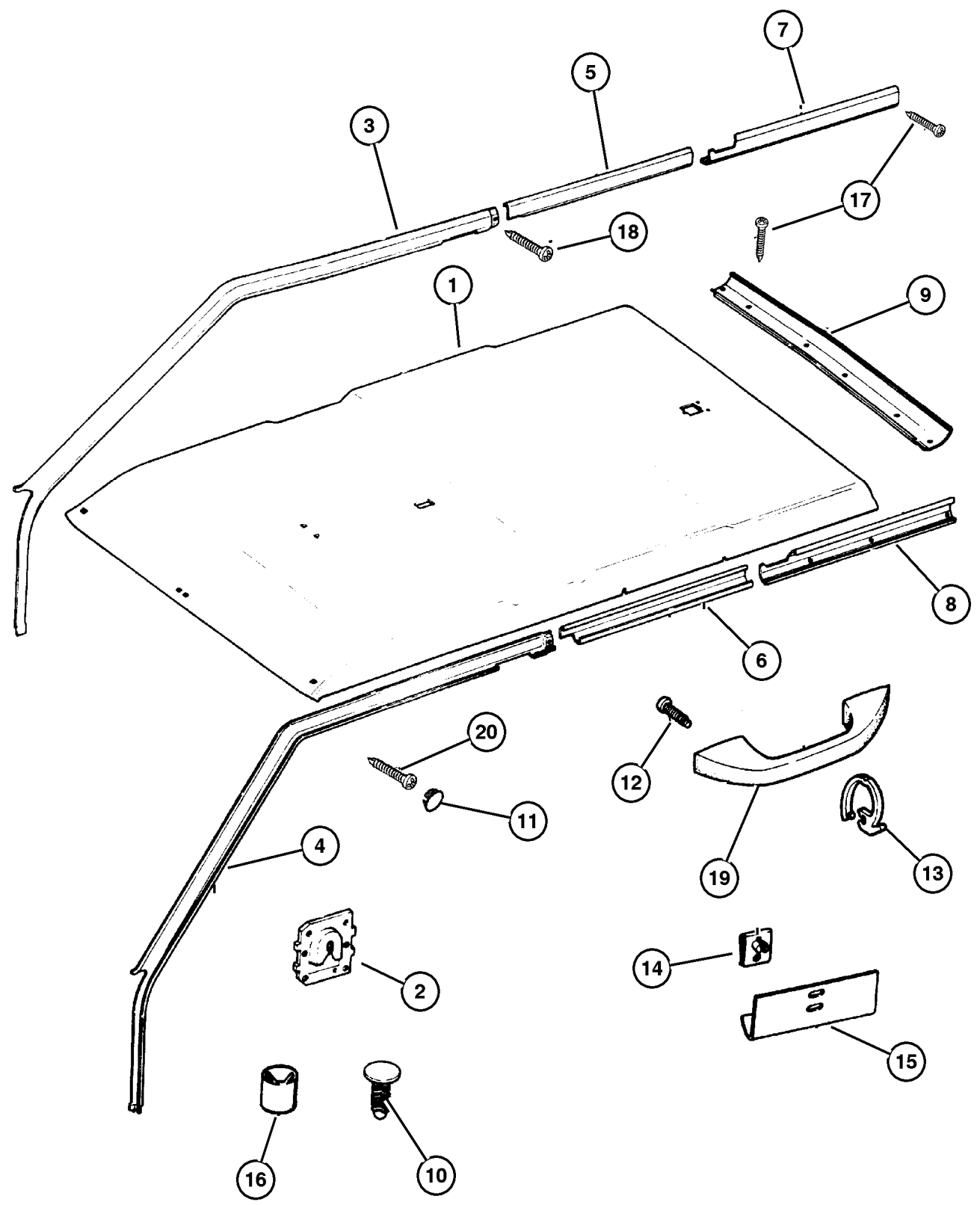
## Headliner and Upper Trim Moldings 1998 XJ Figure IXJ-110

ITEM	PART NUMBER	QTY	LINE	SERIES	BODY	ENGINE	TRANS	TRIM	DESCRIPTION
P.A.R.= Paint As Required									
Sales Codes:									
[CUN] = Overhead Console									
[LCD] = Lamps Map/Dome Reading									
[LCK] = Lamp Front Dome									
[RCG] = 6 Speakers, Premium Infinity									
[RCR] = 4 Speakers									
1									HEADLINER
	QB84 RC3	1							[C3], With Lamp Front Dome
									[LCK], Without 6 Speakers Infinity
									[RCG], Without 4 Speakers
									[RCR]
	5GG42 RT6AD	1							[T6], With Lamps Map/Dome
									Reading [LCD], Without 6
									Speakers Infinity [RCG], Without
									4 Speakers [RCR]
	QB84 RT6	1							[T6], With Lamp Front Dome [LCK],
									Without 6 Speakers Infinity
									[RCG], Without 4 Speakers
									[RCR]
	SF83 RC3AA	1							[C3], With Lamp Front Dome
									[LCK], 6 Speakers Infinity [RCG],
									4 Speakers [RCR]
	SF83 RT6AA	1							[T6], With Lamp Front Dome [LCK],
									6 Speakers Infinity [RCG], 4
									Speakers [RCR]
	SF86 RC3AA	1							[C3], With Lamps Map/Dome
									Reading [LCD], 6 Speakers
									Infinity [RCG], 4 Speakers [RCR]
	SF86 RT6AA	1							[T6], With Lamps Map/Dome
									Reading [LCD], 6 Speakers
									Infinity [RCG], 4 Speakers [RCR]
	SF87 RC3AA	1							[C3], Overhead Console [CUN]
	SF87 RT6AA	1							[T6], Overhead Console [CUN]
	5GG42 RC3AD	1							[C3], With Lamps Map/Dome
									Reading [LCD], Without 6
									Speakers Infinity [RCG], Without
									4 Speakers [RCR]
2	3420 1299	1	J, T, U			72			CLIP, Windshield
3									MOLDING, Windshield Garnish
	5EW92 RC3AC	1				74			[C3], Mist Gray, Right
	5EW92 RT6AC	1				74			[T6], Saddle, Right

JEEP CHEROKEE (XJ)				
SERIES	LINE	BODY	ENGINE	TRANSMISSION
L=Low Line	J=LHD (4WD) U=RHD (4WD) T=LHD (2WD) B=RHD (2WD)	74=4 DR. (101.4 WB) 72=2 DR. (101.4 WB)	ENC,EN0=2.5L 4 cyl. Turbo Die ERH,ER0=4.0L Power Tech I-6 EPE,EP0=Magnum 2.5L SMPI	DDQ=5Spd Man. DGS=4 Spd. Auto. AISIN DG0=All Auto Trans DBB=All Manual Trans.

AR = Use as required - = Non illustrated part # = New this model year

July 4, 2003



## Headliner and Upper Trim Moldings 1998 XJ Figure IXJ-110

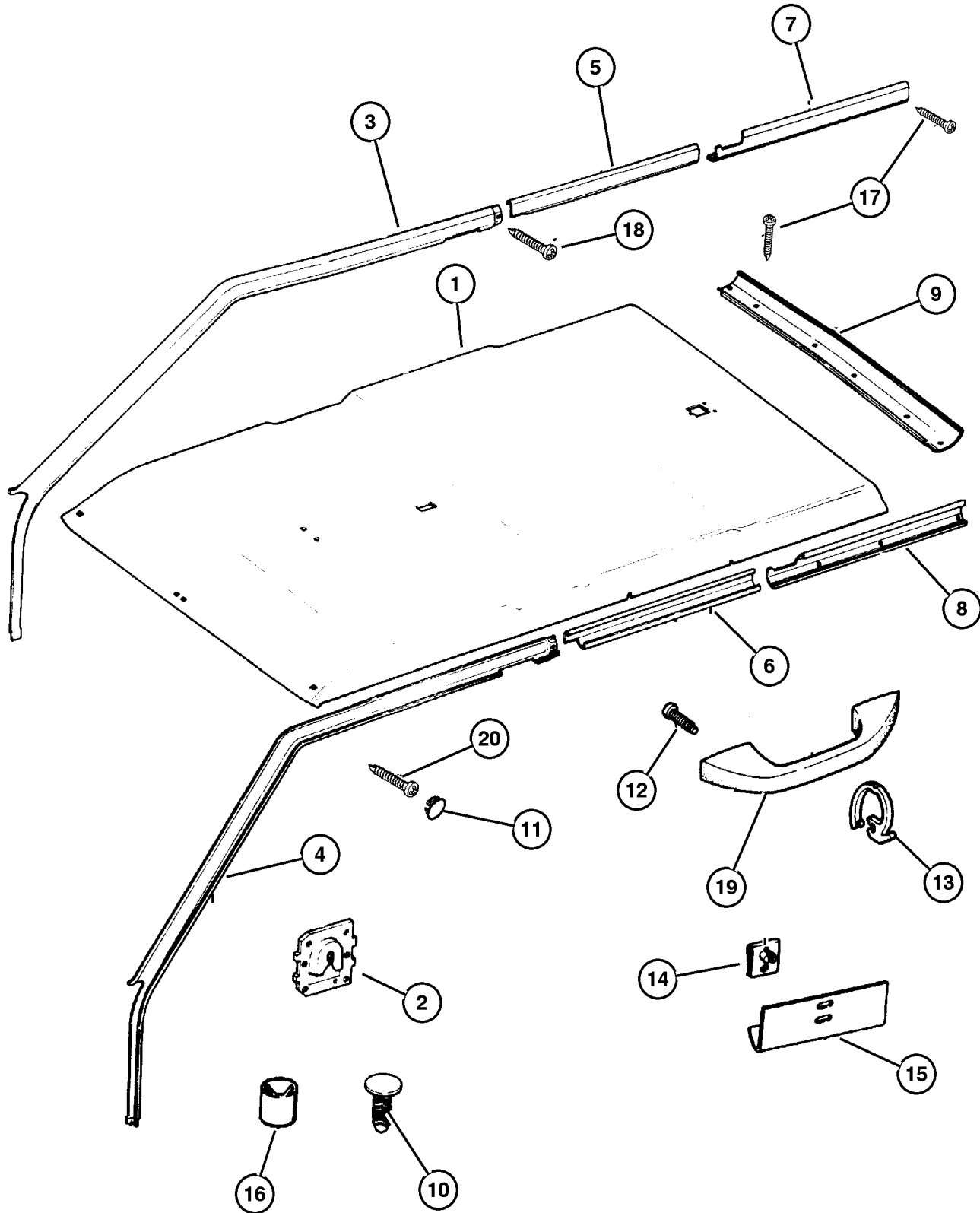
ITEM	PART NUMBER	QTY	LINE	SERIES	BODY	ENGINE	TRANS	TRIM	DESCRIPTION
	5FF22 RC3AC	1	J, T, U		72				[C3], Mist Gray, Right
	5FF22 RT6AC	1	J, T, U		72				[T6], Saddle, Right
4	5EW95 RC3AC	1	J, T		74				MOLDING, Windshield Garnish
		1	B, U		74				[C3], Mist Gray, Left
	5EW95 RT6AC	1	J, T		74				[C3], Mist Gray, Left
		1	B, U		74				[T6], Saddle, Left
	5FF23 RC3AC	1	J, T		72				[T6], Saddle, Left
	5FF23 RT6AC	1	J, T		72				[C3], Mist Gray, Left
5	5AC6 2TT6	1			74				[T6], Saddle, Left
6	5AC6 3TC3	1			74				MOLDING, Headliner, P.A.R., Right
7									MOLDING, Headliner, P.A.R., Left
	5AC2 6TC3	1			74				MOLDING, Headliner
	5AD7 4TC3	1	J, T, U		72				P.A.R., Right
8	5AC2 7TC3	1			74				MOLDING, Headliner
	5AD7 5TC3	1	J, T, U		72				P.A.R., Left
9	5ER43 RC3AC	1							MOLDING, Liftgate Upper
	5ER43 RT6AC	1							[C3], Mist Gray
10									[T6], Saddle
									CLIP, Molding
11	3420 1545	2			74				
		4	J, T, U		72				
	AW91 TC3	4							PLUG, Button
	AW91 TT6	4							[C3], Mist Gray
12									[T6], Saddle
									SCREW, Pan Head Torx, M5x0.8x30.00
	3420 2189	6	J, T						
		8	B, U						
13	5AD9 1TC3	2							HOOK, Coat, P.A.R.
14	J400 0322	1							CLIP, U Type, .625x.719x.020
15	J368 1225	1							CLIP, Headliner Mounting
16	5500 2520	2	J, T, U		72				SPACER, Headliner Molding Rear
17									SCREW, .164-18x.75, (NOT SERVICED) (Not Serviced)
18									SCREW, Pan Head, .164-18x.75, (NOT SERVICED) (Not Serviced)
19									HANDLE, Roof Grab
	5CX1 0TC3	3	J, T						[C3], Mist Gray
		4	B, U						[C3], Mist Gray
	5CX1 0TT6	3	J, T						[T6], Saddle

### JEEP CHEROKEE (XJ)

SERIES	LINE	BODY	ENGINE	TRANSMISSION
L=Low Line	J=LHD (4WD) U=RHD (4WD) T=LHD (2WD) B=RHD (2WD)	74=4 DR. (101.4 WB) 72=2 DR. (101.4 WB)	ENC,EN0=2.5L 4 cyl. Turbo Die ERH,ER0=4.0L Power Tech I-6 EPE,EP0=Magnum 2.5L SMPI	DDQ=5Spd Man. DGS=4 Spd. Auto. AISIN DG0=All Auto Trans DBB=All Manual Trans.

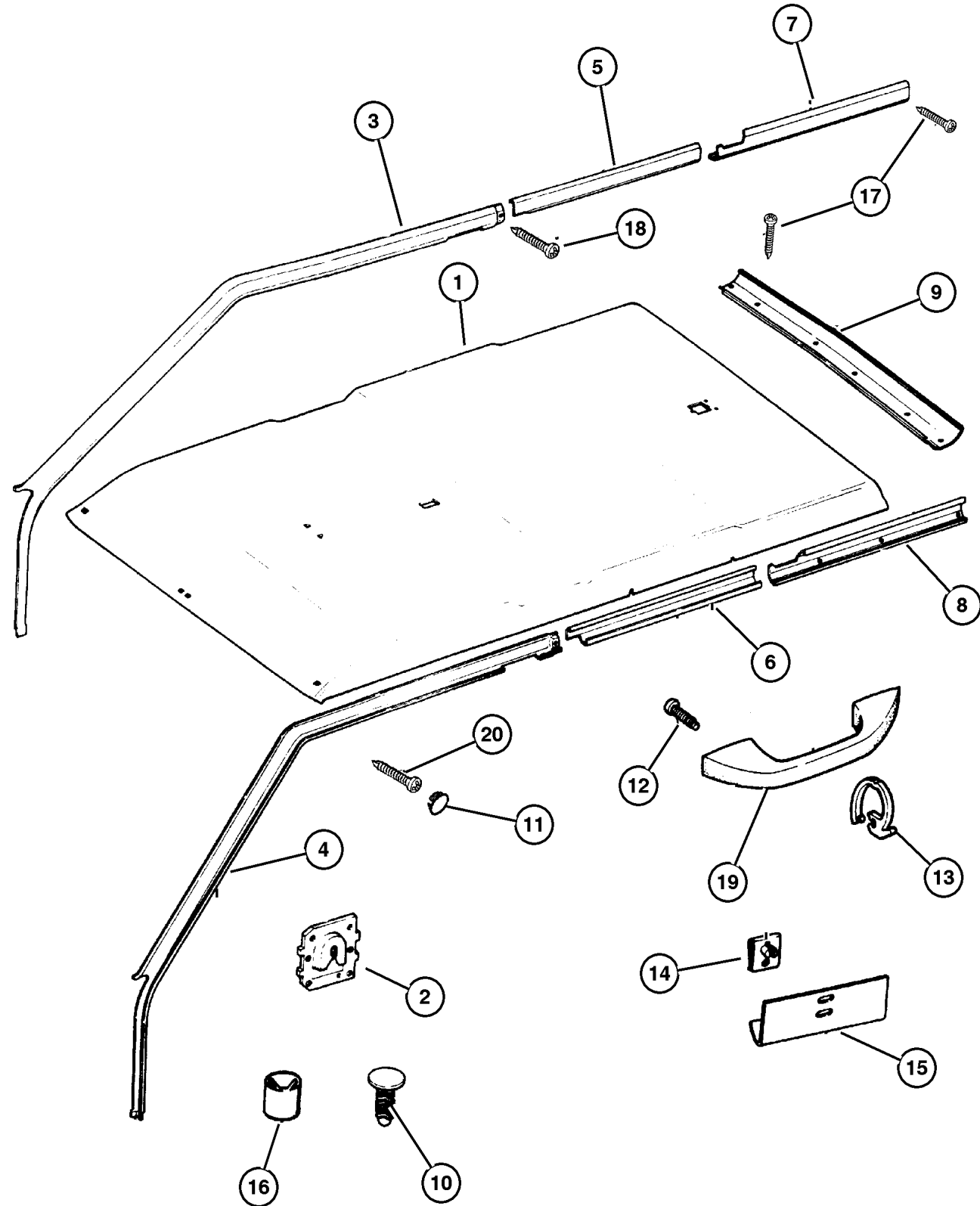
AR = Use as required - = Non illustrated part # = New this model year

July 4, 2003



### Headliner and Upper Trim Moldings 1998 XJ Figure IXJ-110

ITEM	PART NUMBER	QTY	LINE	SERIES	BODY	ENGINE	TRANS	TRIM	DESCRIPTION
		4	B, U						[T6], Saddle
20									SCREW, .164-18x.75, (NOT SERVICED) (Not Serviced)



<b>JEEP CHEROKEE (XJ)</b>				
SERIES	LINE	BODY	ENGINE	TRANSMISSION
L=Low Line	J=LHD (4WD) U=RHD (4WD) T=LHD (2WD) B=RHD (2WD)	74=4 DR. (101.4 WB) 72=2 DR. (101.4 WB)	ENC,EN0=2.5L 4 cyl. Turbo Die ERH,ER0=4.0L Power Tech I-6 EPE,EP0=Magnum 2.5L SMPI	DDQ=5Spd Man. DGS=4 Spd. Auto. AISIN DG0=All Auto Trans DBB=All Manual Trans.

AR = Use as required   - = Non illustrated part   # = New this model year

July 4, 2003

## Headliner and Upper Trim Moldings 1999 XJ Figure IXJ-110

ITEM	PART NUMBER	QTY	LINE	SERIES	BODY	ENGINE	TRANS	TRIM	DESCRIPTION
------	-------------	-----	------	--------	------	--------	-------	------	-------------

P.A.R.= Paint As Required

Sales Codes:

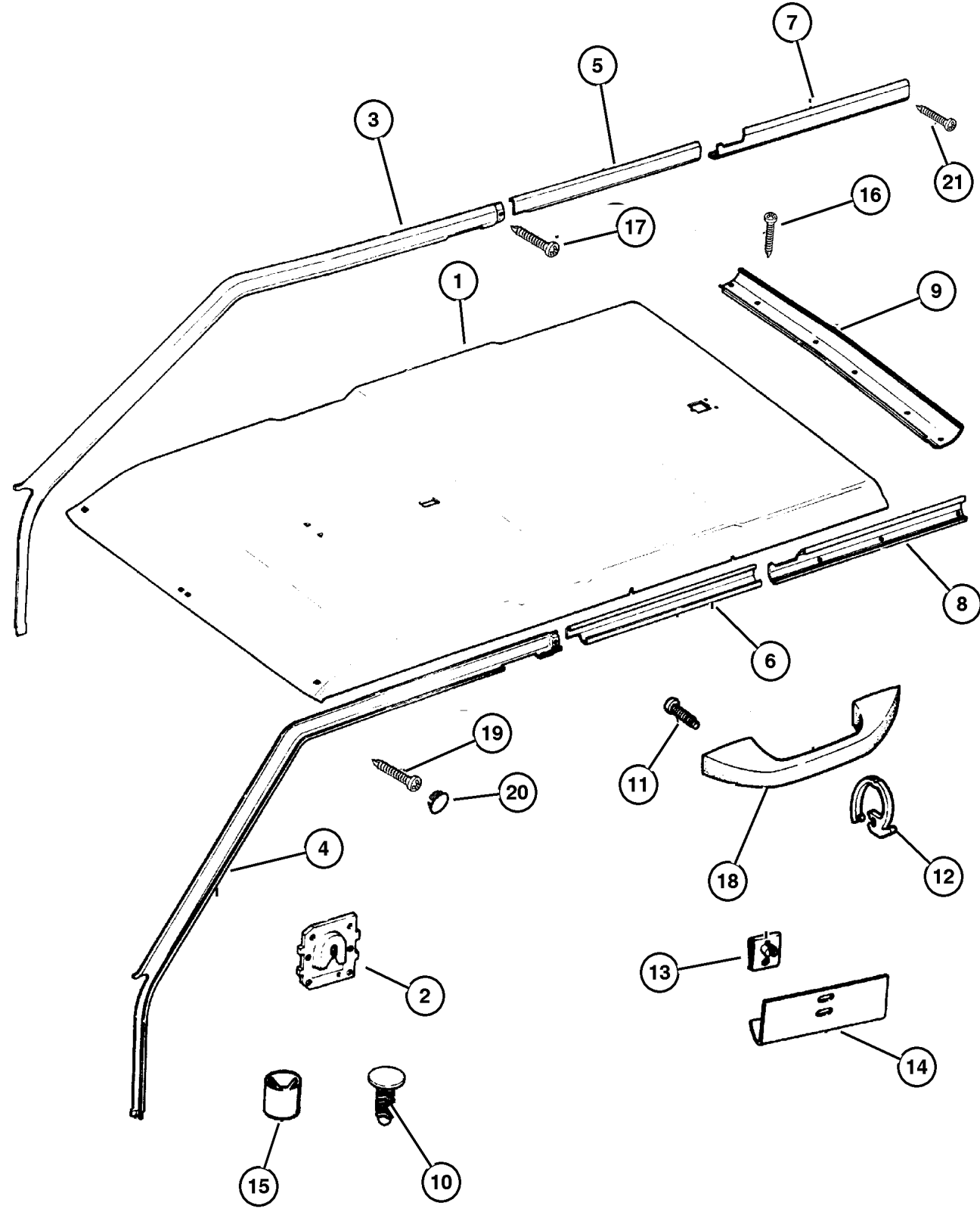
[CUN] = Overhead Console

[LCD] = Lamps Map/Dome Reading

[LCK] = Lamp Front Dome

[RCG] = 6 Speakers, Premium Infinity

[RCR] = 4 Speakers



1	QB84 HW8	1							HEADLINER [AZ], With Lamp Front Dome [LCK], Without 6 Speakers Infinity [RCG], Without 4 Speakers [RCR]
	#5FM41 RK5AF	1							[K5], With Lamp Front Dome [LCK], Without 6 Speakers Infinity [RCG], Without 4 Speakers [RCR], With Child Tether
	#5GG42 HW8AC	1							[AZ], With Lamps Map/ Dome Reading [LCD], Without 6 Speakers Infinity [RCG], Without 4 Speakers [RCR]
	#5GG42 HW8AH	1							[AZ], With Lamps Map/Dome Reading [LCD], Without 6 Speakers Infinity [RCG], Without 4 Speakers [RCR], With Child Tether
	#5GG42 RK5AC	1							[K5], With Lamps Map/ Dome Reading [LCD], Without 6 Speakers Infinity [RCG], Without 4 Speakers [RCR]
	#5GG42 RK5AH	1							[K5], With Lamps Map/Dome Reading [LCD], Without 6 Speakers Infinity [RCG], Without 4 Speakers [RCR], With Child Tether
	QB84 RK5	1							[K5], With Lamp Front Dome [LCK], Without 6 Speakers Infinity [RCG], Without 4 Speakers [RCR]
	SF83 HW8AA	1							[AZ], With Lamp Front Dome [LCK], 6 Speakers Infinity [RCG], 4 Speakers [RCR]

**JEEP CHEROKEE (XJ)**

SERIES	LINE	BODY	ENGINE	TRANSMISSION
L=Low Line	J=LHD (4WD) U=RHD (4WD) T=LHD (2WD) B=RHD (2WD)	74=4 DR. (101.4 WB) 72=2 DR. (101.4 WB)	ENC,EN0=2.5L 4 cyl. Turbo Die ERH,ER0=4.0L Power Tech I-6 EPE,EP0=Magnum 2.5L SMPI	DDQ=5Spd Man. DGS=4 Spd. Auto. AISIN DG0=All Auto Trans DBB=All Manual Trans.

AR = Use as required - = Non illustrated part # = New this model year

July 4, 2003

### Headliner and Upper Trim Moldings 1999 XJ Figure IXJ-110

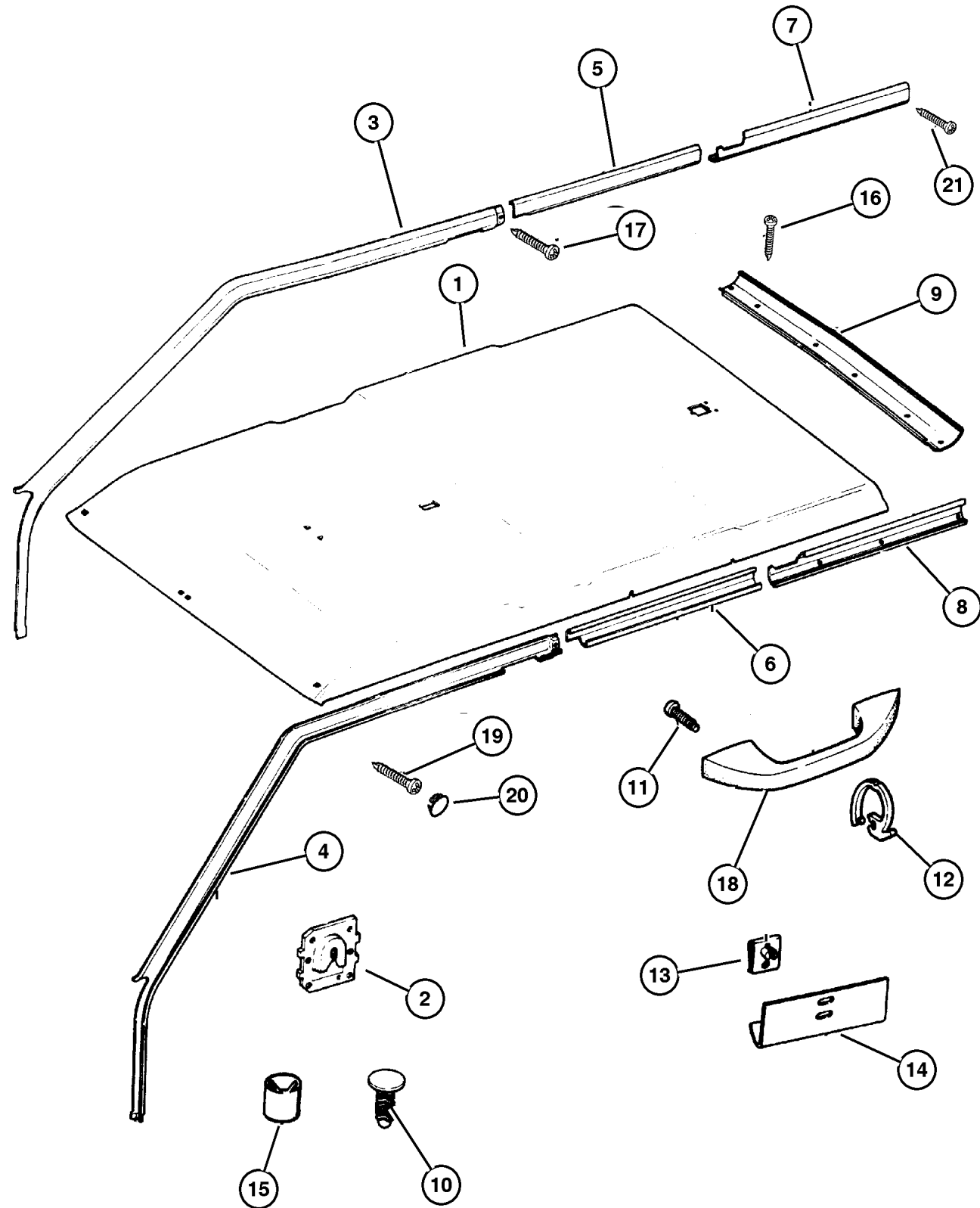
ITEM	PART NUMBER	QTY	LINE	SERIES	BODY	ENGINE	TRANS	TRIM	DESCRIPTION
	SF83 RK5AA	1							[K5], With Lamp Front Dome [LCK], 6 Speakers Infinity [RCG], 4 Speakers [RCR]
	SF86 HW8AA	1							[AZ], With Lamps Map/Dome Reading [LCD], 6 Speakers Infinity [RCG], 4 Speakers [RCR]
	SF86 RK5AA	1							[H5], With Lamps Map/Dome Reading [LCD], 6 Speakers Infinity [RCG], 4 Speakers [RCR]
	SF87 HW8AA	1							[AZ], Overhead Console [CUN]
	SF87 RK5AA	1							[K5], Overhead Console [CUN]
	#5FM41 HW8AF	1							[AZ], With Lamp Front Dome [LCK], Without 6 Speakers Infinity [RCG], Without 4 Speakers [RCR], With Child Tether
2	3420 1299	3							CLIP, Windshield
3									MOLDING, Windshield Garnish
	5GG38 LAZAB	1			74				Agate, With Holes, Up to 9-18-98, Right
	#5GG38 LAZAD	1			74				Agate, Without Holes, After 9-18- 98, Right
	5GG38 RK5AB	1			74				Camel, With Holes, Up to 9-18-98, Right
	#5GG38 RK5AD	1			74				Camel, Without Holes, After 9-18- 98, Right
	5GG48 LAZAB	1	J, T, U		72				Agate, With Holes, Up to 9-18-98, Right
	#5GG48 LAZAD	1	J, T, U		72				Agate, Without Holes, After 9-18- 98, Right
	5GG48 RK5AB	1	J, T, U		72				Camel, With Holes, Up to 9-18-98, Right
	#5GG48 RK5AD	1	J, T, U		72				Camel, Without Holes, After 9-18- 98, Right
4									MOLDING, Windshield Garnish
	5GG43 LAZAB	1	J, T		74				Agate, With Holes, Up to 9-18-98, Left
		1	B, U		74				Agate, With Holes, Up to 9-18-98, Left
	#5GG43 LAZAD	1	B, U		74				Agate, Without Holes, After 9-18- 98, Left
		1	J, T		74				Agate, Without Holes, After 9-18- 98, Left

**JEEP CHEROKEE (XJ)**

SERIES	LINE	BODY	ENGINE	TRANSMISSION
L=Low Line	J=LHD (4WD) U=RHD (4WD) T=LHD (2WD) B=RHD (2WD)	74=4 DR. (101.4 WB) 72=2 DR. (101.4 WB)	ENC,EN0=2.5L 4 cyl. Turbo Die ERH,ER0=4.0L Power Tech I-6 EPE,EP0=Magnum 2.5L SMPI	DDQ=5Spd Man. DGS=4 Spd. Auto. AISIN DG0=All Auto Trans DBB=All Manual Trans.

AR = Use as required - = Non illustrated part # = New this model year

July 4, 2003



## Headliner and Upper Trim Moldings 1999 XJ Figure IXJ-110

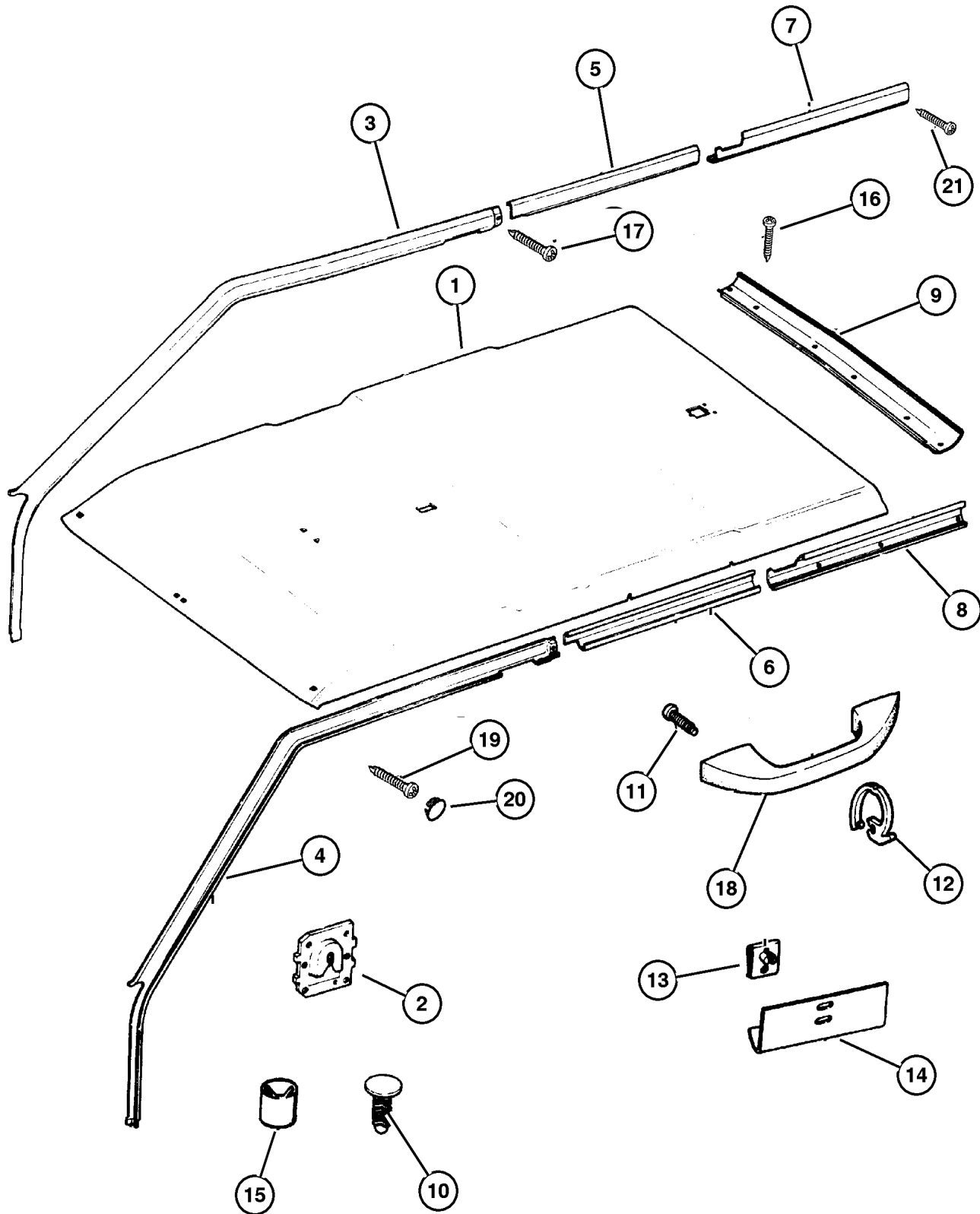
ITEM	PART NUMBER	QTY	LINE	SERIES	BODY	ENGINE	TRANS	TRIM	DESCRIPTION
	5GG43 RK5AB	1	J, T		74				Camel, With Holes, Up to 9-18-98, Left
		1	B, U		74				Camel, With Holes, Up to 9-18-98, Left
	#5GG43 RK5AD	1	B, U		74				Camel, Without Holes, After 9-18-98, Left
		1	J, T		74				Camel, Without Holes, After 9-18-98, Left
	5GG49 LAZAB	1	J, T		72				Agate, With Holes, Up to 9-18-98, Left
	#5GG49 LAZAD	1	J, T		72				Agate, Without Holes, After 9-18-98, Left
	5GG49 RK5AB	1	J, T		72				Camel, With Holes, Up to 9-18-98, Left
	#5GG49 RK5AD	1	J, T		72				Camel, Without Holes, After 9-18-98, Left
5	5AC6 2LAZ	1			74				MOLDING, Headliner, P.A.R., Right
6	5AC6 3LAZ	1			74				MOLDING, Headliner, P.A.R., Left
7	5AC2 6LAZ	1			74				MOLDING, Headliner P.A.R., Right
	5AD7 4LAZ	1	J, T, U		72				P.A.R., Right
8	5AC2 7LAZ	1			74				MOLDING, Headliner P.A.R., Left
	5AD7 5LAZ	1	J, T, U		72				P.A.R., Left
9	5ER43 LAZAD	1							MOLDING, Liftgate Upper Agate
	5ER43 RK5AD	1							Camel
10	3420 1545	4			74				CLIP, Molding
		4	J, T, U		72				
11									SCREW, Pan Head Torx, M5x0.8x30.00
	3420 2189	8	J, T						
		8	B, U						
12	5AD9 1LAZ	2							HOOK, Coat, P.A.R.
13	J400 0322	1							CLIP, U Type, .625x.719x.020
14	J368 1225	1							CLIP, Headliner Mounting
15	5500 2520	2	J, T, U		72				SPACER, Headliner Molding Rear
16									SCREW, .164-18x.75, (NOT SERVICED) (Not Serviced)
17									SCREW, Pan Head, .164-18x.75, (NOT SERVICED) (Not Serviced)
18									HANDLE, Roof Grab

### JEEP CHEROKEE (XJ)

SERIES	LINE	BODY	ENGINE	TRANSMISSION
L=Low Line	J=LHD (4WD) U=RHD (4WD) T=LHD (2WD) B=RHD (2WD)	74=4 DR. (101.4 WB) 72=2 DR. (101.4 WB)	ENC,EN0=2.5L 4 cyl. Turbo Die ERH,ER0=4.0L Power Tech I-6 EPE,EP0=Magnum 2.5L SMPI	DDQ=5Spd Man. DGS=4 Spd. Auto. AISIN DG0=All Auto Trans DBB=All Manual Trans.

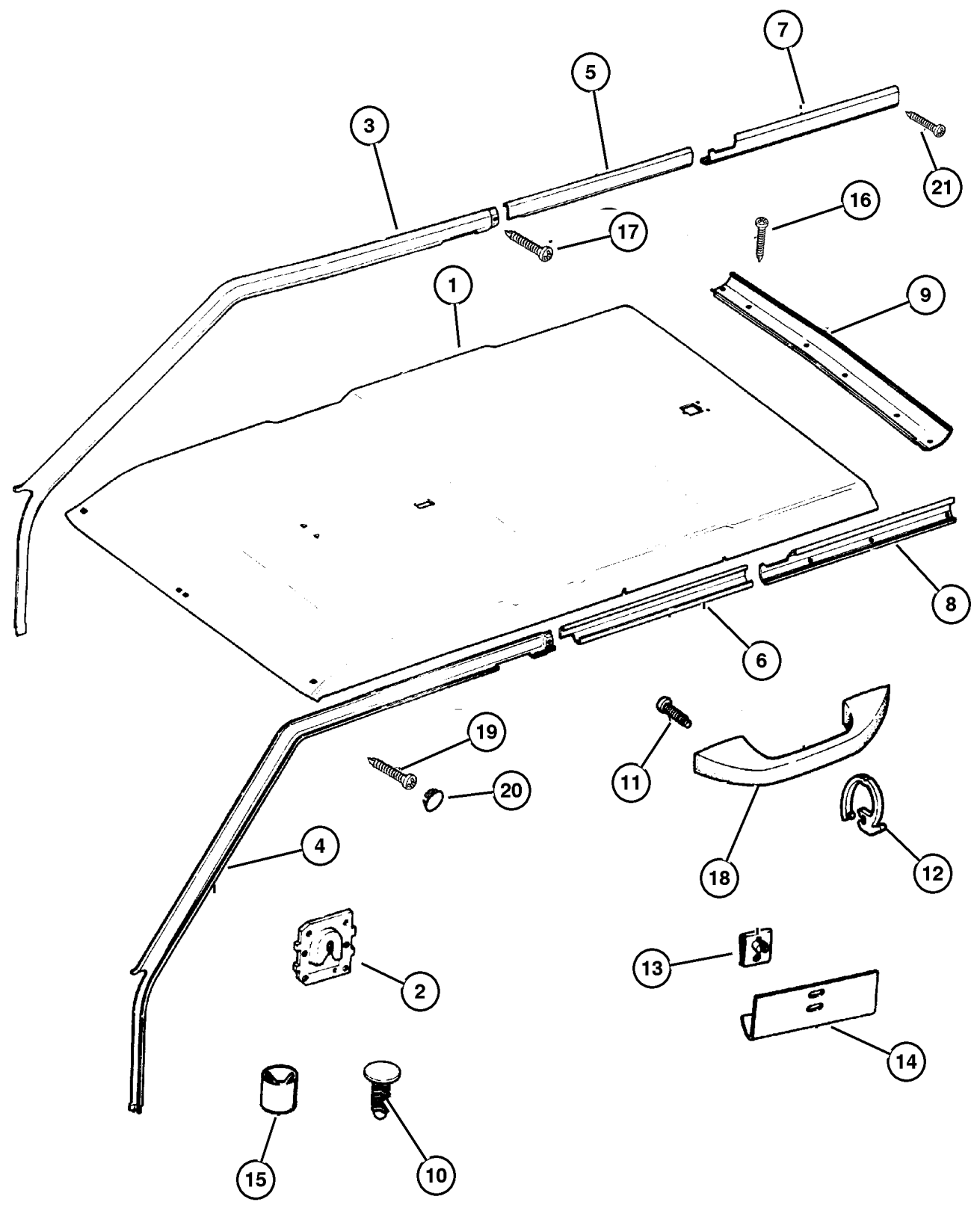
AR = Use as required - = Non illustrated part # = New this model year

July 4, 2003



### Headliner and Upper Trim Moldings 1999 XJ Figure IXJ-110

ITEM	PART NUMBER	QTY	LINE	SERIES	BODY	ENGINE	TRANS	TRIM	DESCRIPTION
	5CX1 0LAZ	3	J, T						Agate
		4	B, U						Agate
	5CX1 0RK5	3	J, T						Camel
		4	B, U						Camel
19									SCREW, .164-18x.75, (NOT SERVICED) (Not Serviced)
20									PLUG, Button
	AW91 LAZ	4							Agate, Up to 9-18-98
	AW91 RK5	4							Tan, Up to 9-18-98
21	1150 1614	4			74				SCREW DRILL, Oval Truss Head, .164x18x1.378



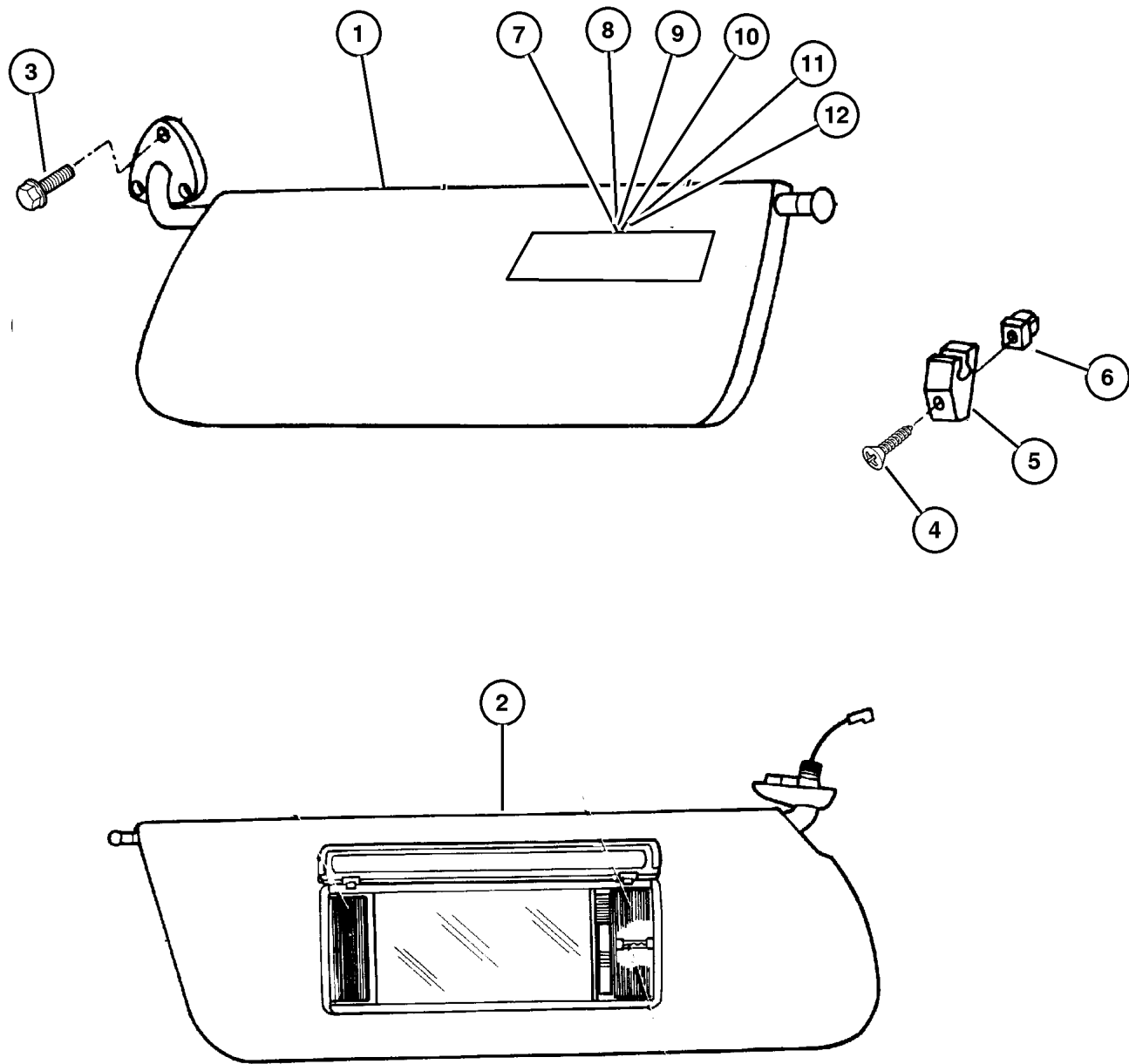
<b>JEEP CHEROKEE (XJ)</b>				
SERIES	LINE	BODY	ENGINE	TRANSMISSION
L=Low Line	J=LHD (4WD) U=RHD (4WD) T=LHD (2WD) B=RHD (2WD)	74=4 DR. (101.4 WB) 72=2 DR. (101.4 WB)	ENC,EN0=2.5L 4 cyl. Turbo Die ERH,ER0=4.0L Power Tech I-6 EPE,EP0=Magnum 2.5L SMPI	DDQ=5Spd Man. DGS=4 Spd. Auto. AISIN DG0=All Auto Trans DBB=All Manual Trans.

AR = Use as required - = Non illustrated part # = New this model year

July 4, 2003

Visors and Vanity Mirrors 1997 XJ 1998 XJ  
Figure IXJ-120

ITEM	PART NUMBER	QTY	LINE	SERIES	BODY	ENGINE	TRANS	TRIM	DESCRIPTION
1									VISOR
	5FX36 1C3AA	1							Mist Gray, Up to 2-17-97, 1997 XJ, Right
	5FX36 1C3AB	1							Mist Gray, After 2-17-97, 1997 XJ, Right
	5FX36 1T6AA	1							Mist Gray, 1998 XJ, Right Saddle, Up to 2-17-97, 1997 XJ, Right
	5FX36 1T6AB	1							Saddle, After 2-17-97, 1997 XJ, Right
	5FX37 1C3AA	1							Saddle, 1998 XJ, Right Mist Gray, Up to 2-17-97, 1997 XJ, Left
	5FX37 1C3AB	1							Mist Gray, After 2-17-97, 1997 XJ, Left
	5FX37 1T6AA	1							Mist Gray, 1998 XJ, Left Saddle, Up to 2-17-97, 1997 XJ, Left
	5FX37 1T6AB	1							Saddle, After 2-17-97, 1997 XJ, Left
		1							Saddle, 1998 XJ, Left
2									VISOR, Illuminated
	5FX34 1C3AA	1							Mist Gray, 2-17-97, 1997 XJ, Right
	5FX34 1C3AB	1							Mist Gray, After 2-17-97, 1997 XJ, Right
	5FX34 1T6AA	1							Mist Gray, 1998 XJ, Right Saddle, Up to 2-17-97, 1997 XJ, Right
	5FX34 1T6AB	1							Saddle, After 2-17-97, 1997 XJ, Right
	5FX35 1C3AA	1							Saddle, 1998 XJ, Right
	5FX35 1C3AB	1							Mist Gray, 2-17-97, 1997 XJ, Left
	5FX35 1T6AA	1							Mist Gray, After 2-17-97, 1997 XJ, Left
	5FX35 1T6AB	1							Mist Gray, 1998 XJ, Left Saddle, Up to 2-17-97, 1997 XJ, Left
	5FX35 1T6AB	1							Saddle, After 2-17-97, 1997 XJ, Left
		1							Saddle, 1998 XJ, Left
3	1150 1150	6							SCREW, Oval Head Tapping, .164x18x.984



JEEP CHEROKEE (XJ)

SERIES	LINE	BODY	ENGINE	TRANSMISSION
L=Low Line	J=LHD (4WD) U=RHD (4WD) T=LHD (2WD) B=RHD (2WD)	74=4 DR. (101.4 WB) 72=2 DR. (101.4 WB)	ENC,EN0=2.5L 4 cyl. Turbo Die ERH,ER0=4.0L Power Tech I-6 EPE,EP0=Magnum 2.5L SMPI	DDQ=5Spd Man. DGS=4 Spd. Auto. AISIN DG0=All Auto Trans DBB=All Manual Trans.

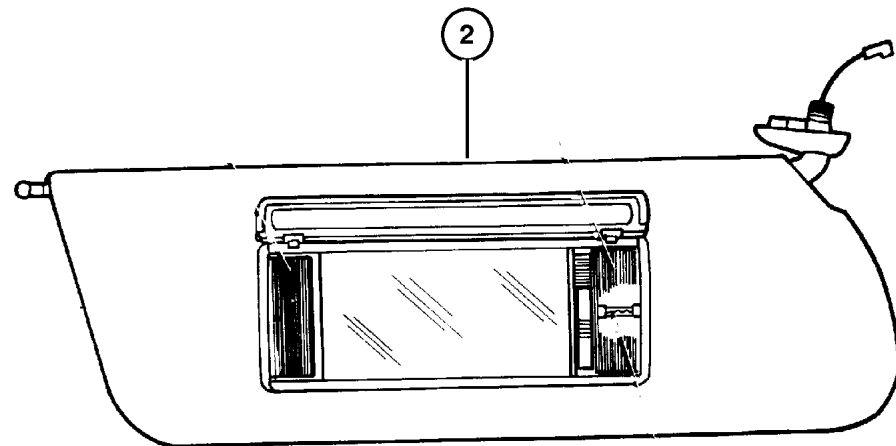
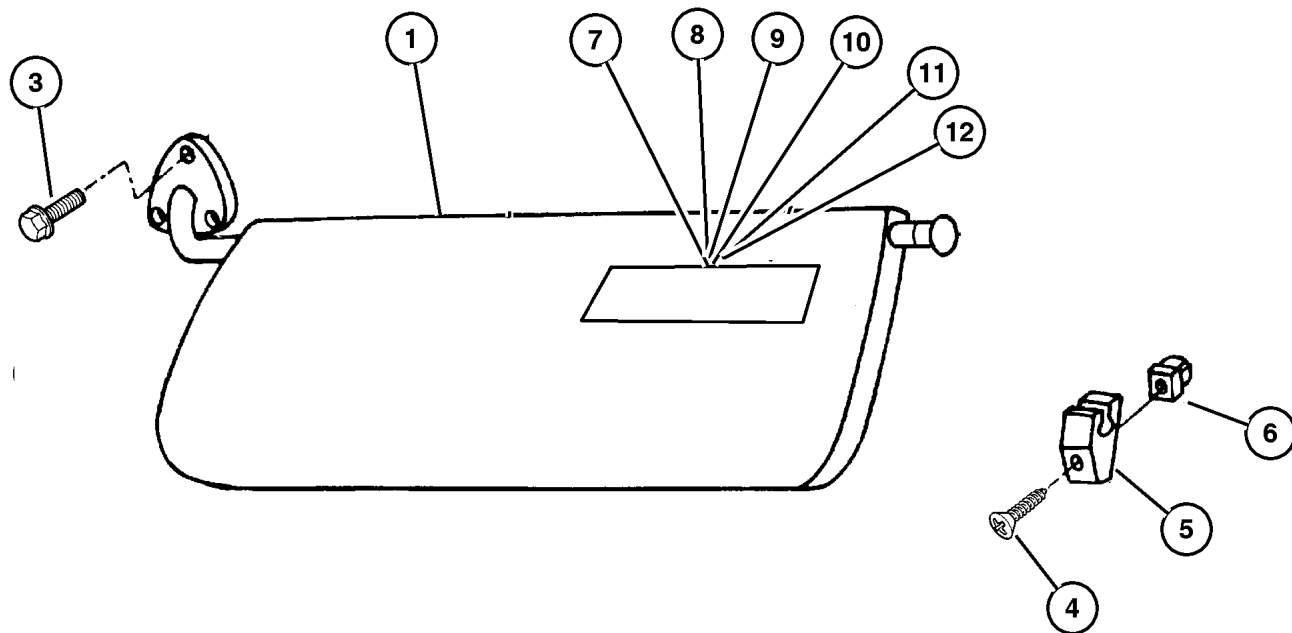
AR = Use as required - = Non illustrated part # = New this model year

July 4, 2003



Visors and Vanity Mirrors 1997 XJ 1998 XJ  
Figure IXJ-120

ITEM	PART NUMBER	QTY	LINE	SERIES	BODY	ENGINE	TRANS	TRIM	DESCRIPTION
4	3420 1398	2							SCREW AND WASHER, Oval Truss Head, .164-18x.984
5	DF49 RC3AB	2							CLIP, Visor Mist Gray, 1998 XJ
	DF49 RT6AB	2							Saddle, 1998 XJ
	DF49 TC3	2							Mist Gray, 1997 XJ
6	J400 5242	2							NUT, Push
7	5200 8712	1							LABEL, Anti-lock Brake Operation
8									LABEL, Closed Body Warning
	5500 9558	1	J, T						1997 XJ
		1	J, U						LABEL, Transfer Case Shift English, With 231
9	5300 8695	1	J, U						Bilingual, With 231
	5300 8696	1	J, U						English, With 242
	5300 9357	1	J, U						Bilingual, With 242
	5300 9358	1	J, U						LABEL, Diesel Starting English
10	5200 6337	1							French, 1998 XJ
	5521 4516	1							LABEL, Air Bag Warning, English and French, 5 Points
11	4787 437AA	2	J, T						LABEL, Airbag, Bi-Lingual
12	55196 783AA	2	J, T						



JEEP CHEROKEE (XJ)

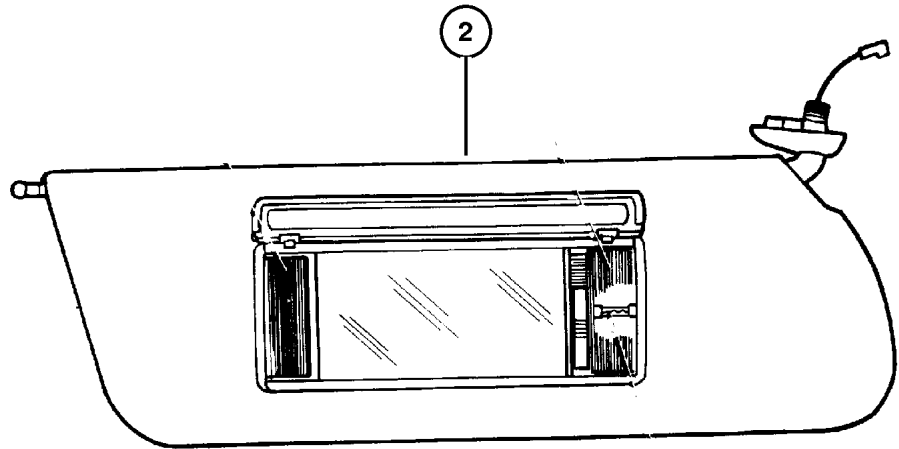
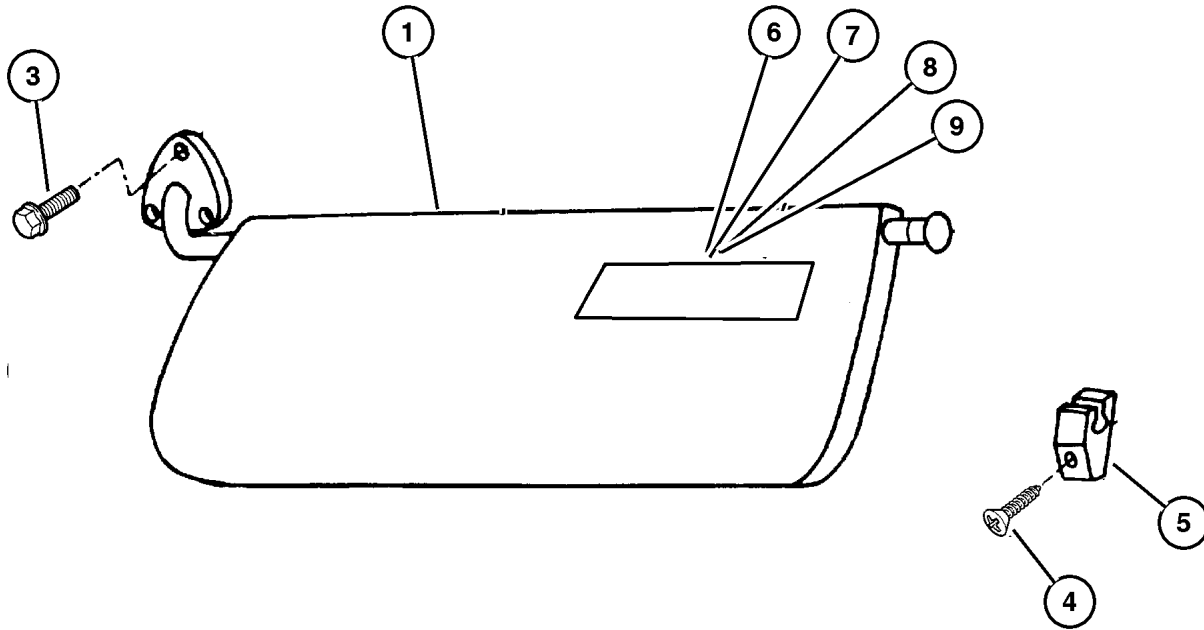
SERIES	LINE	BODY	ENGINE	TRANSMISSION
L=Low Line	J=LHD (4WD) U=RHD (4WD) T=LHD (2WD) B=RHD (2WD)	74=4 DR. (101.4 WB) 72=2 DR. (101.4 WB)	ENC,EN0=2.5L 4 cyl. Turbo Die ERH,ER0=4.0L Power Tech I-6 EPE,EP0=Magnum 2.5L SMPI	DDQ=5Spd Man. DGS=4 Spd. Auto. AISIN DG0=All Auto Trans DBB=All Manual Trans.

AR = Use as required - = Non illustrated part # = New this model year

July 4, 2003

Visors and Vanity Mirrors 1999 XJ  
Figure IXJ-120

ITEM	PART NUMBER	QTY	LINE	SERIES	BODY	ENGINE	TRANS	TRIM	DESCRIPTION
1									VISOR
	5FX36 1K5AB	1							Camel, Right
	5FX36 1W8AB	1							Quartz, Right
	5FX37 1K5AB	1							Camel, Left
	5FX37 1W8AB	1							Quartz, Left
2									VISOR, Illuminated
	5FX34 1K5AB	1							Camel, Right
	5FX34 1W8AB	1							Quartz, Right
	5FX35 1K5AB	1							Camel, Left
	5FX35 1W8AB	1							Quartz, Left
3	1150 1150	6	J, T, U		72				SCREW, Oval Head Tapping, .164x18x.984
4	3420 1398	4							SCREW AND WASHER, Oval Truss Head, .164-18x.984
5									CLIP, Visor
	DF49 HW8AB	2							Quartz
	DF49 RK5AB	2							Camel
6									LABEL, Transfer Case Shift
	5300 9357	1	J, U						English, With 242
	5300 9358	1	J, U						Bilingual, With 242
7	52006 337AB	1							LABEL, Diesel Starting
8	4787 437AA	2	J, T						LABEL, Air Bag Warning, English and French, 5 Points
9									LABEL, Airbag
	4897 875AA	1							
	55196 783AA	1	J, T						CANADA

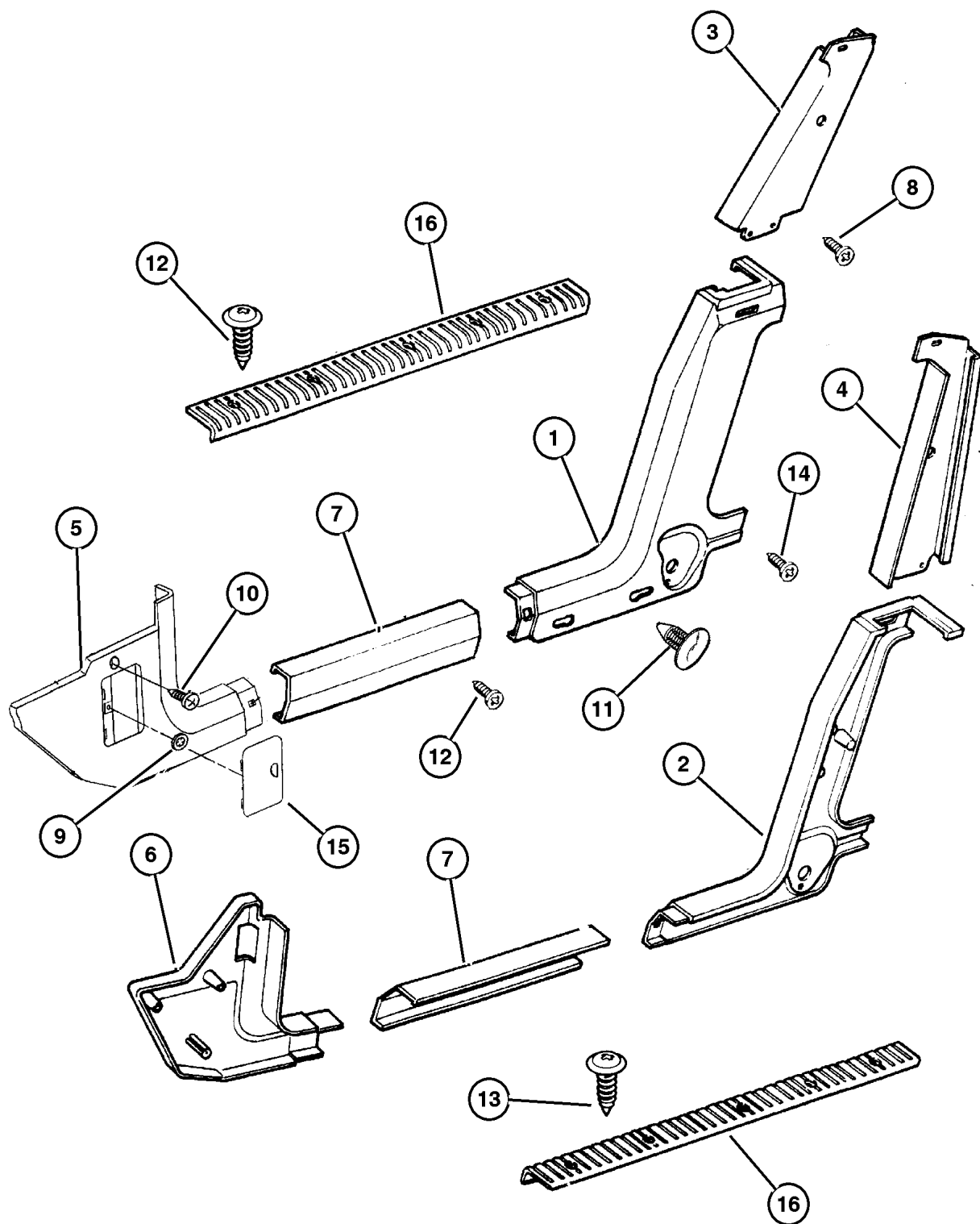


<b>JEEP CHEROKEE (XJ)</b>				
SERIES	LINE	BODY	ENGINE	TRANSMISSION
L=Low Line	J=LHD (4WD) U=RHD (4WD) T=LHD (2WD) B=RHD (2WD)	74=4 DR. (101.4 WB) 72=2 DR. (101.4 WB)	ENC,EN0=2.5L 4 cyl. Turbo Die ERH,ER0=4.0L Power Tech I-6 EPE,EP0=Magnum 2.5L SMPI	DDQ=5Spd Man. DGS=4 Spd. Auto. AISIN DG0=All Auto Trans DBB=All Manual Trans.

AR = Use as required - = Non illustrated part # = New this model year

July 4, 2003

**Panels, Interior Trim, Front 2 Door 1997 XJ 1998 XJ**  
**Figure IXJ-210**



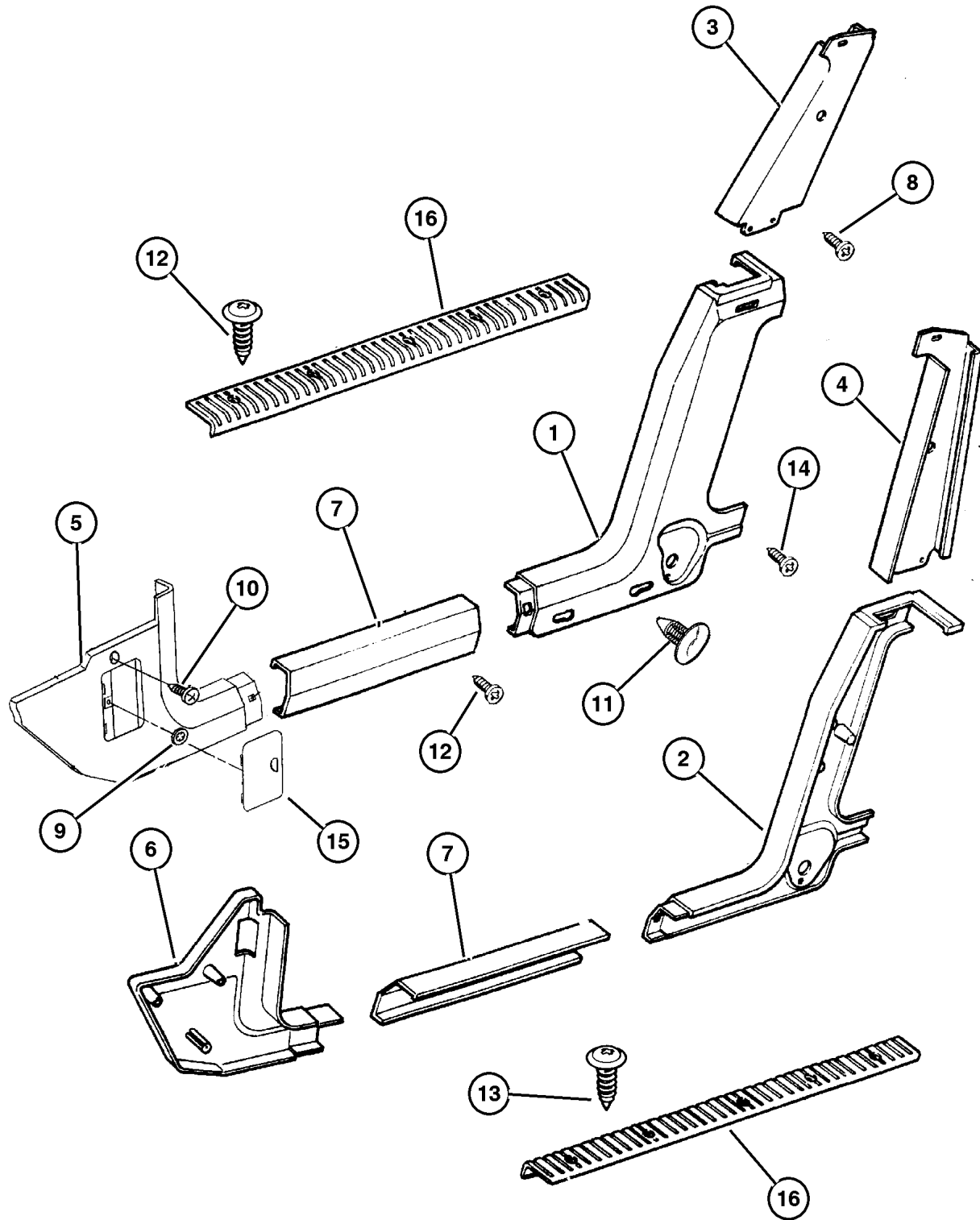
ITEM	PART NUMBER	QTY	LINE	SERIES	BODY	ENGINE	TRANS	TRIM	DESCRIPTION
P.A.R.= Paint As Required									
1	5EW9 0TC3	1			72				EXTENSION, B Pillar P.A.R., 1997 XJ, Right
		1	J, T, U		72				P.A.R., 1998 XJ, Right
2	5EW9 1TC3	1			72				EXTENSION, B Pillar P.A.R., 1997 XJ, Left
		1	J, T, U		72				P.A.R., 1998 XJ, Left
3	5ER1 6RC3	1			72				COVER, Lock Pillar Mist Gray, 1997 XJ, Right
	5ER1 6RT6	1	J, T, U		72				Mist Gray, 1998 XJ, Right
		1	J, T, U		72				Saddle, 1997 XJ, Right
		1	J, T, U		72				Saddle, 1998 XJ, Right
4	5ER1 7RC3	1			72				COVER, Lock Pillar Mist Gray, 1997 XJ, Left
		1	J, T, U		72				Mist Gray, 1998 XJ, Left
	5ER1 7RT6	1			72				Saddle, 1997 XJ, Left
		1	J, T, U		72				Saddle, 1998 XJ, Left
5	5EG14 RC3AB	1							PANEL, Cowl Side Trim Mist Gray, 1997 XJ, Right
	5EG14 RC3AC	1							Mist Gray, 1998 XJ, Right
	5EG14 RT6AB	1							Saddle, 1997 XJ, Right
	5EG14 RT6AC	1							Saddle, 1998 XJ, Right
6	5EG17 RC3AB	1	J, T						PANEL, Cowl Side Trim Mist Gray, 1997 XJ, Left
	5EG17 RC3AC	1	J, T						Mist Gray, 1998 XJ, Left
	5EG17 RT6AB	1	J, T						Saddle, 1997 XJ, Left
	5EG17 RT6AC	1	J, T						Saddle, 1998 XJ, Left
	5ES93 RC3AB	1	B, U						Mist Gray, 1997 XJ, Left
	5ES93 RC3AC	1	B, U						Mist Gray, 1998 XJ, Left
	5ES93 RT6AB	1	B, U						Saddle, 1997 XJ, Left
	5ES93 RT6AC	1	B, U						Saddle, 1998 XJ, Left
7	5EW7 8TC3	1			72				PLATE, Scuff Mist Gray, 1997 XJ, Right
		1	J, T, U		72				Mist Gray, 1998 XJ, Right
	5EW7 8TT6	1			72				Saddle, 1997 XJ, Right
		1	J, T, U		72				Saddle, 1998 XJ, Right
	5EW7 9TC3	1			72				Mist Gray, 1997 XJ, Left
		1	J, T, U		72				Mist Gray, 1998 XJ, Left
	5EW7 9TT6	1			72				Saddle, 1997 XJ, Left
		1	J, T, U		72				Saddle, 1998 XJ, Left
8	3420 1314	4							SCREW, Tapping Round Head, .164x18x1.232

**JEEP CHEROKEE (XJ)**  
 SERIES LINE BODY ENGINE TRANSMISSION  
 L=Low Line J=LHD (4WD) 74=4 DR. (101.4 WB) ENC,EN0=2.5L 4 cyl. Turbo Die DDQ=5Spd Man.  
 U=RHD (4WD) 72=2 DR. (101.4 WB) ERH,ER0=4.0L Power Tech I-6 DGS=4 Spd. Auto. AISIN  
 T=LHD (2WD) EPE,EP0=Magnum 2.5L SMPI DG0=All Auto Trans  
 B=RHD (2WD) DBB=All Manual Trans.

AR = Use as required - = Non illustrated part # = New this model year

July 4, 2003

**Panels, Interior Trim, Front 2 Door 1997 XJ 1998 XJ**  
**Figure IXJ-210**



ITEM	PART NUMBER	QTY	LINE	SERIES	BODY	ENGINE	TRANS	TRIM	DESCRIPTION
9	6033 560	1							NUT AND WASHER, Hex Nut-Coned Washer, .25-20
10									SCREW AND WASHER, Pan Head, .19-16x1, (NOT SERVICED) (Not Serviced)
11	3420 1545	4			72				CLIP, Molding 1997 XJ
		4	J, T, U		72				1998 XJ
12									SCREW, Pan Head, .164-18x1.25, (NOT SERVICED) (Not Serviced)
13									SCREW, .164-18x.500, (NOT SERVICED) (Not Serviced)
14									SCREW AND FINISH WASHER, Oval Head TR, 40mm Long
	3420 1400	2			72				1997 XJ
		2	J, T, U		72				1998 XJ
15									DOOR, Fuse Access
	5FU3 4RC3	1							Mist Gray
	5FU3 4RT6	1							Saddle
16									PLATE, Scuff
	5500 3374	2			72				1997 XJ
		2	J, T, U		72				1998 XJ

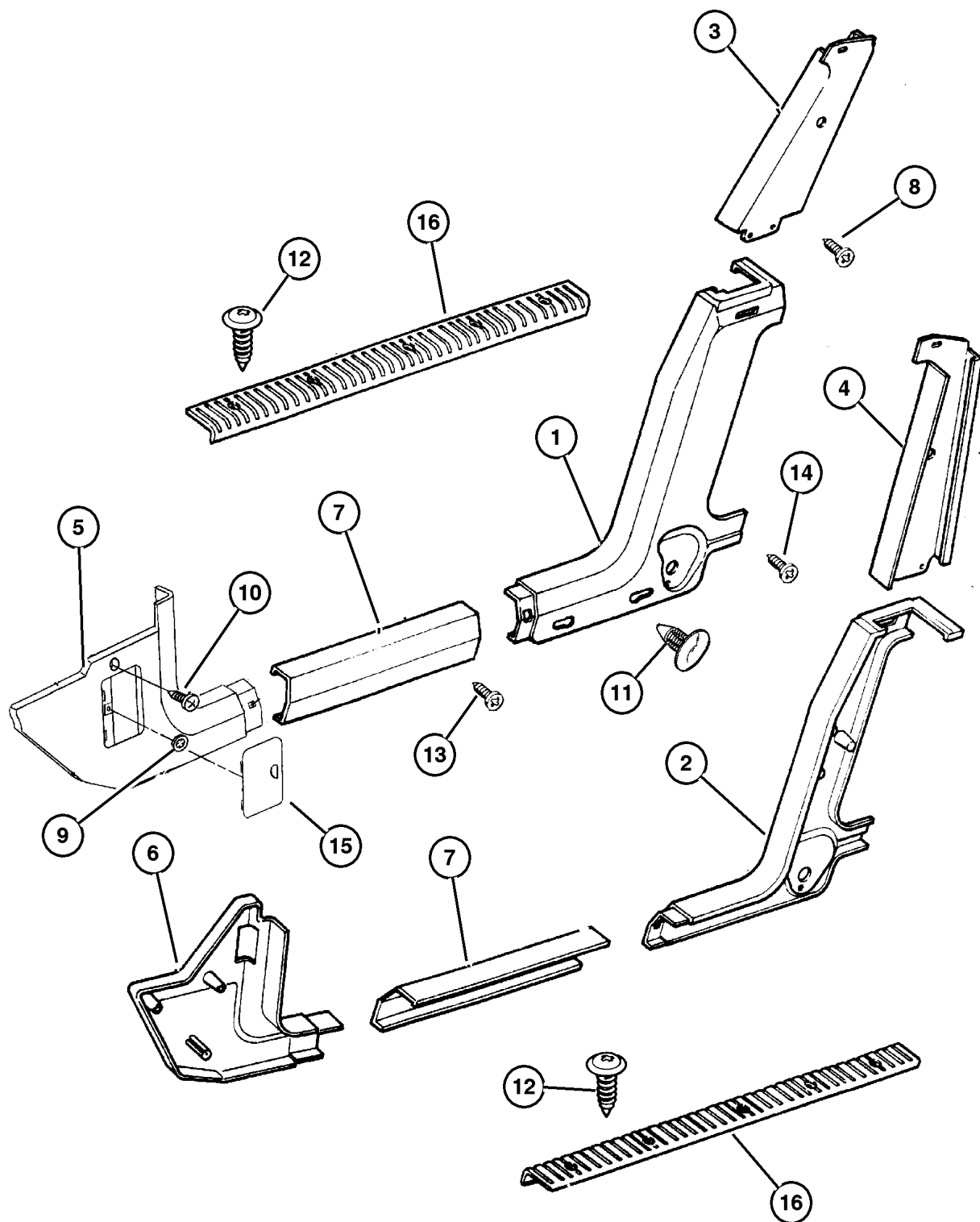
**JEEP CHEROKEE (XJ)**

SERIES	LINE	BODY	ENGINE	TRANSMISSION
L=Low Line	J=LHD (4WD) U=RHD (4WD) T=LHD (2WD) B=RHD (2WD)	74=4 DR. (101.4 WB) 72=2 DR. (101.4 WB)	ENC,EN0=2.5L 4 cyl. Turbo Die ERH,ER0=4.0L Power Tech I-6 EPE,EP0=Magnum 2.5L SMPI	DDQ=5Spd Man. DGS=4 Spd. Auto. AISIN DG0=All Auto Trans DBB=All Manual Trans.

AR = Use as required - = Non illustrated part # = New this model year

July 4, 2003

**Panels, Interior Trim, Front, 2 Door 2 Door 1999 XJ**  
**Figure IXJ-210**



ITEM	PART NUMBER	QTY	LINE	SERIES	BODY	ENGINE	TRANS	TRIM	DESCRIPTION
[P.A.R.] = Paint As Required									
1	5EW90 LAZAB	1	J, T, U		72				EXTENSION, B Pillar, P.A.R., Right
2	5EW91 LAZAB	1	J, T, U		72				EXTENSION, B Pillar, P.A.R., Left
3	5ER16 LAZAC	1	J, T, U		72				COVER, Lock Pillar Agate, Right
	5ER16 RK5AC	1	J, T, U		72				Camel, Right
4	5ER17 LAZAC	1	J, T, U		72				COVER, Lock Pillar Agate, Left
	5ER17 RK5AC	1	J, T, U		72				Camel, Left
5	5EG14 LAZAE	1							PANEL, Cowl Side Trim Agate, Right
	5EG14 RK5AE	1							Camel, Right
6	5EG17 LAZAD	1	J, T						PANEL, Cowl Side Trim Agate, Left
	5EG17 RK5AD	1	J, T						Camel, Left
	5ES93 LAZAD	1	B, U						Agate, Left
	5ES93 RK5AD	1	B, U						Camel, Left
7	5EW7 8LAZ	1	J, T, U		72				PLATE, Scuff Agate, Right
	5EW7 8RK5	1	J, T, U		72				Camel, Right
	5EW7 9LAZ	1	J, T, U		72				Agate, Left
	5EW7 9RK5	1	J, T, U		72				Camel, Left
8	3420 1314	4	J, T, U		72				SCREW, Tapping Round Head, .164x18x1.232
9	6033 560	1							NUT AND WASHER, Hex Nut-Coned Washer, .25-20
10									SCREW AND WASHER, Pan Head, .19-16x1, (NOT SERVICED) (Not Serviced)
11	6504 995AA	4	J, T, U		72				PIN, Push, M6.3x19.84
12									SCREW, .164-18x.500, (NOT SERVICED) (Not Serviced)
13	6034 863	8	J, T, U		72				SCREW, Pan Head, .164-18x1.25
14	3420 1400	2	J, T, U		72				SCREW AND FINISH WASHER, Oval Head TR, 40mm Long
15	5FU3 4LAZ	1							DOOR, Fuse Access Agate
	5FU3 4RK5	1							Camel
16	5500 3374	2	J, T, U		72				PLATE, Scuff

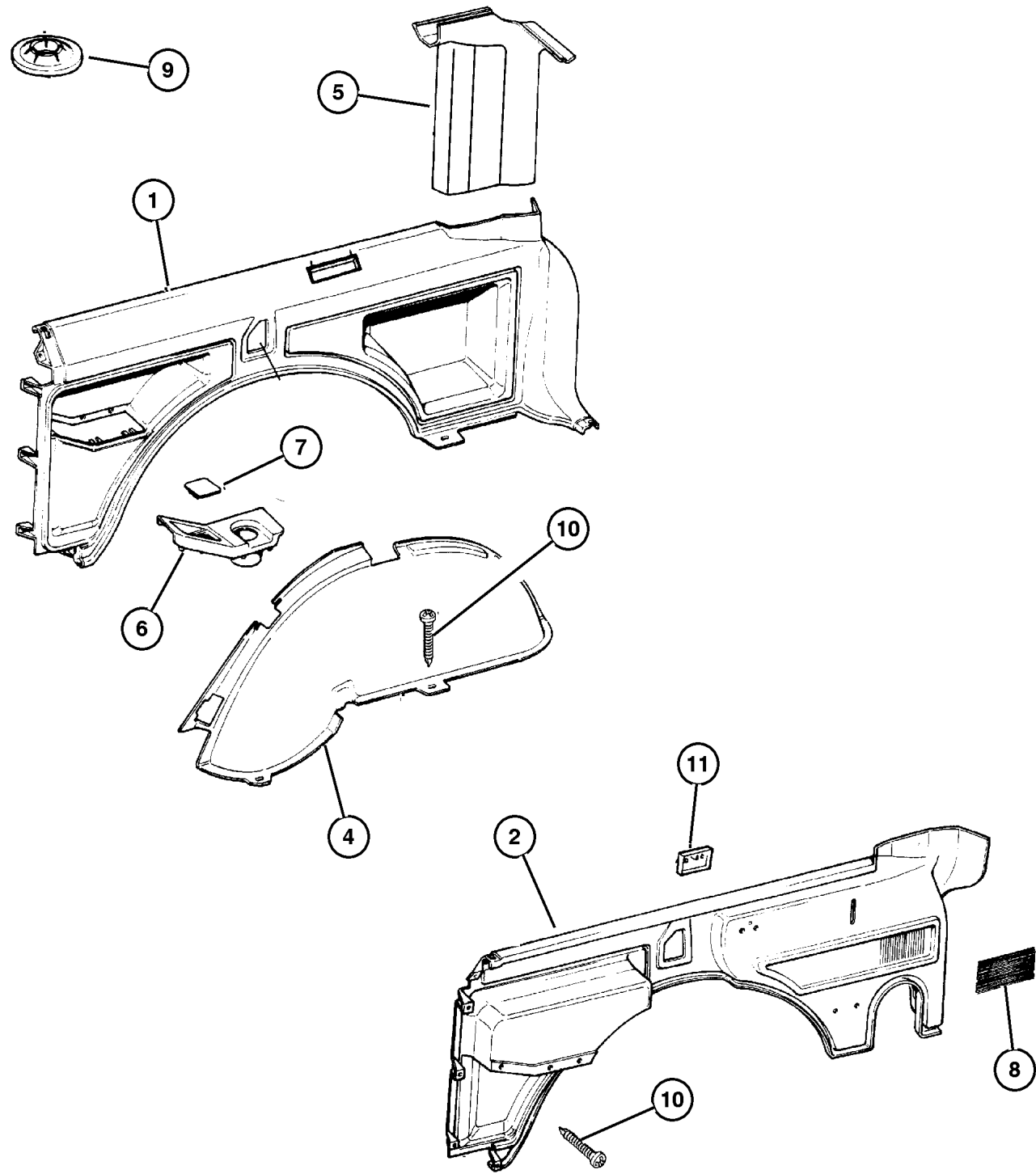
**JEEP CHEROKEE (XJ)**

SERIES	LINE	BODY	ENGINE	TRANSMISSION
L=Low Line	J=LHD (4WD) U=RHD (4WD) T=LHD (2WD) B=RHD (2WD)	74=4 DR. (101.4 WB) 72=2 DR. (101.4 WB)	ENC,EN0=2.5L 4 cyl. Turbo Die ERH,ER0=4.0L Power Tech I-6 EPE,EP0=Magnum 2.5L SMPI	DDQ=5Spd Man. DGS=4 Spd. Auto. AISIN DG0=All Auto Trans DBB=All Manual Trans.

AR = Use as required - = Non illustrated part # = New this model year

July 4, 2003

**Panels, Interior Trim, Rear 2 Door 1997 XJ 1998 XJ**  
**Figure IXJ-215**



ITEM	PART NUMBER	QTY	LINE	SERIES	BODY	ENGINE	TRANS	TRIM	DESCRIPTION
P.A.R.= Paint As Required									
1									PANEL, Quarter Trim
	5EG0 4RC3	1			72				Mist Gray, 1997 XJ, Right
	5EG04 RC3AC	1	J, T, U		72				Mist Gray, 1998 XJ, Right
	5EG0 4RT6	1			72				Saddle, 1997 XJ, Right
	5EG04 RT6AC	1	J, T, U		72				Saddle, 1998 XJ, Right
2									PANEL, Quarter Trim
	5EG05 RC3AF	1			72				Mist Gray, 1997 XJ, Left
		1	J, T, U		72				Mist Gray, 1998 XJ, Left
	5EG05 RT6AF	1			72				Saddle, 1997 XJ, Left
		1	J, T, U		72				Saddle, 1998 XJ, Left
-3									PIN, Push .281 (NOT REQUIRED), 1998 XJ
	5AA3 5TC3	1							Mist Gray, 1997 XJ
	5AA3 5TT6	1							Saddle, 1997 XJ
4									PANEL, Wheelhouse
	5AC5 8TC3	1							Mist Gray, Right
	5AC5 8TT6	1							Saddle, Right
	5AC5 9TC3	1							Mist Gray, Left
	5AC5 9TT6	1							Saddle, Left
5									COVER, Liftgate Pillar
	5ER40 RC3AC	1	J, T, U		72				Mist Gray, 1998 XJ, Right
	5ER4 0RT6	1			72				P.A.R., 1997 XJ, Right
	5ER40 RT6AC	1	J, T, U		72				Saddle, 1998 XJ, Right
	5ER41 RC3AC	1	J, T, U		72				Mist Gray, 1998 XJ, Left
	5ER4 1RT6	1			72				P.A.R., 1997 XJ, Left
	5ER41 RT6AC	1	J, T, U		72				Saddle, 1998 XJ, Left
6									COVER, Armrest, Serviced in Quarter Trim Panel, (NOT SERVICED) (Not Serviced)
7									COVER, Ash Receiver Opening
	5AC6 4TC3	2			72				Mist Gray, 1997 XJ
		2	J, T, U		72				Mist Gray, 1998 XJ
	5AC6 4TT6	2			72				Saddle, 1997 XJ
		2	J, T, U		72				Saddle, 1998 XJ
8									SCREEN, Louvre
	5500 4406	1			72				1997 XJ
		1	J, T, U		72				1998 XJ
9									NUT, Push On
	3420 1481	6			72				1997 XJ
		6	J, T, U		72				1998 XJ
10	3420 1468	4							SCREW, Round Washer Head, M4. 2x1.41x25.00

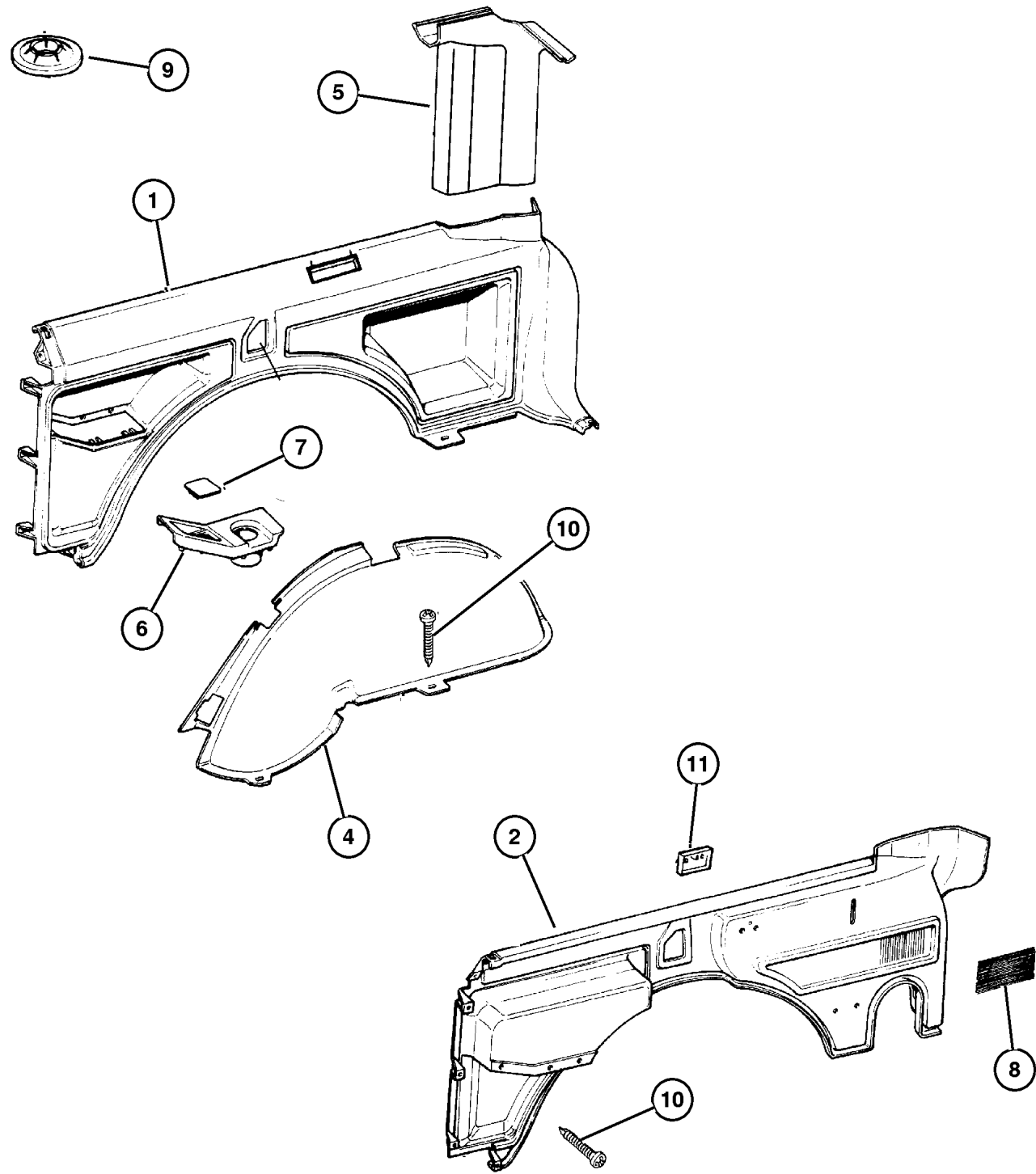
**JEEP CHEROKEE (XJ)**

SERIES	LINE	BODY	ENGINE	TRANSMISSION
L=Low Line	J=LHD (4WD) U=RHD (4WD) T=LHD (2WD) B=RHD (2WD)	74=4 DR. (101.4 WB) 72=2 DR. (101.4 WB)	ENC,EN0=2.5L 4 cyl. Turbo Die ERH,ER0=4.0L Power Tech I-6 EPE,EP0=Magnum 2.5L SMPI	DDQ=5Spd Man. DGS=4 Spd. Auto. AISIN DG0=All Auto Trans DBB=All Manual Trans.

AR = Use as required - = Non illustrated part # = New this model year

July 4, 2003

Panels, Interior Trim, Rear 2 Door 1997 XJ 1998 XJ  
Figure IXJ-215



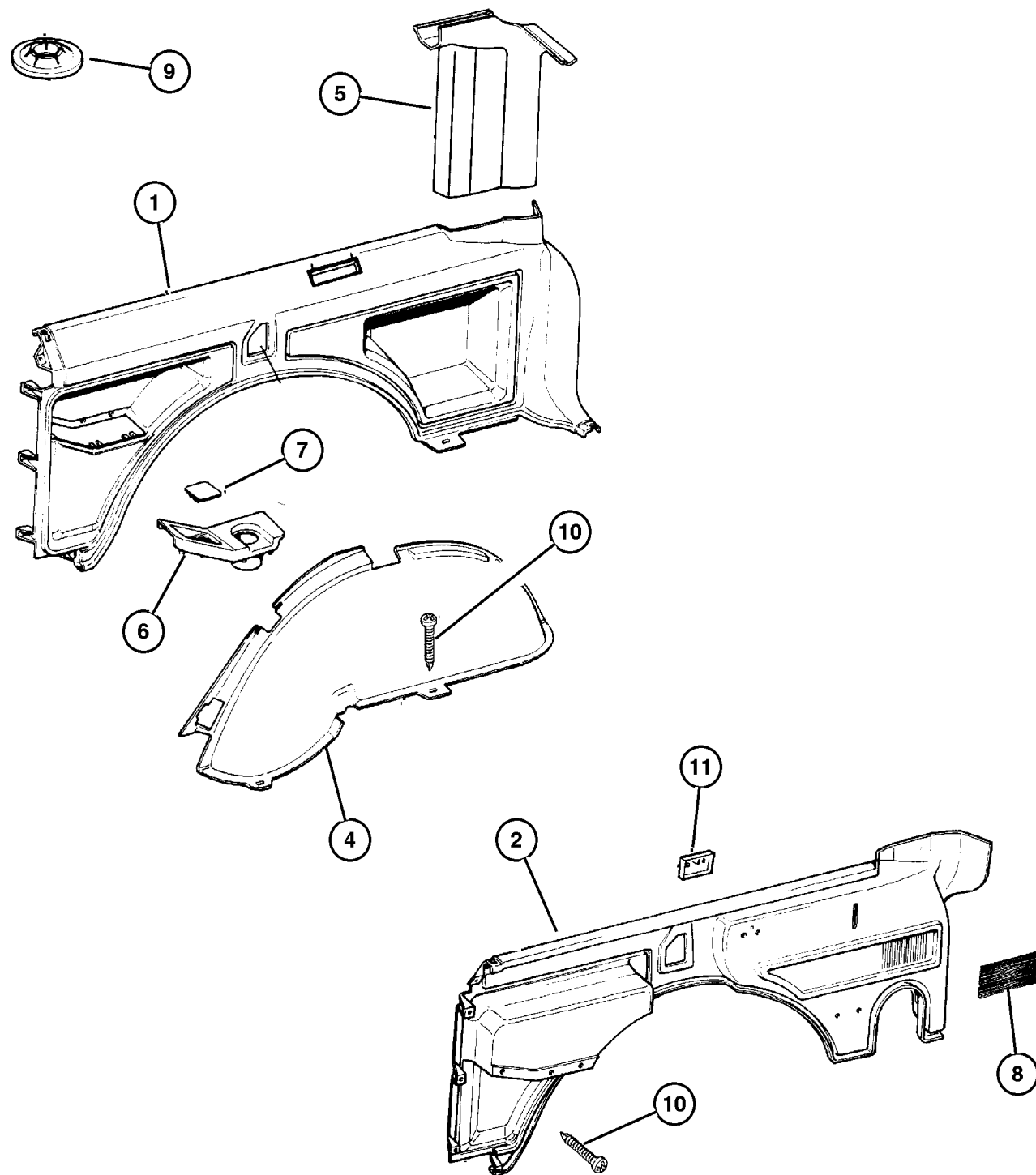
ITEM	PART NUMBER	QTY	LINE	SERIES	BODY	ENGINE	TRANS	TRIM	DESCRIPTION
11									REST, Spare Tire, (NOT SERVICED) (Not Serviced)

JEEP CHEROKEE (XJ)				
SERIES	LINE	BODY	ENGINE	TRANSMISSION
L=Low Line	J=LHD (4WD) U=RHD (4WD) T=LHD (2WD) B=RHD (2WD)	74=4 DR. (101.4 WB) 72=2 DR. (101.4 WB)	ENC,EN0=2.5L 4 cyl. Turbo Die ERH,ER0=4.0L Power Tech I-6 EPE,EP0=Magnum 2.5L SMPI	DDQ=5Spd Man. DGS=4 Spd. Auto. AISIN DG0=All Auto Trans DBB=All Manual Trans.

AR = Use as required - = Non illustrated part # = New this model year

July 4, 2003

**Panels, Interior Trim, Rear, 2 Door 2 Door 1999 XJ**  
**Figure IXJ-215**



ITEM	PART NUMBER	QTY	LINE	SERIES	BODY	ENGINE	TRANS	TRIM	DESCRIPTION
1									PANEL, Quarter Trim
	5EG04 LAZAD	1	J, T, U		72				Agate, Right
	5EG04 RK5AD	1	J, T, U		72				Camel, Right
2									PANEL, Quarter Trim
	5EG05 LAZAF	1	J, T, U		72				Agate, Left
	5EG05 RK5AF	1	J, T, U		72				Camel, Left
-3									PIN, Push .281, (NOT REQUIRED)
4									PANEL, Wheelhouse
	5AC58 LAZAB	1							Agate, Right
	5AC58 VK9AB	1							Dark Tan, Right
	5AC59 LAZAB	1							Agate, Left
	5AC59 VK9AB	1							Dark Tan, Left
5									COVER, Liftgate Pillar
	5ER40 LAZAD	1	J, T, U		72				Agate, Right
	5ER40 RK5AD	1	J, T, U		72				Camel, Right
	5ER41 LAZAD	1	J, T, U		72				Agate, Left
	5ER41 RK5AD	1	J, T, U		72				Camel, Left
6									COVER, Armrest, Serviced in Quarter Trim Panel, (NOT SERVICED) (Not Serviced)
7									COVER, Ash Receiver Opening
	5AC6 4LAZ	2	J, T, U		72				Agate
	5AC6 4VK9	2	J, T, U		72				Dark Tan
8									SCREEN, Louvre
	5500 4406	1			74				
		1	J, T, U		72				
9	3420 1481	6	J, T, U		72				NUT, Push On
10	3420 1468	4							SCREW, Round Washer Head, M4. 2x1.41x25.00
11									REST, Spare Tire, (NOT SERVICED) (Not Serviced)

**JEEP CHEROKEE (XJ)**

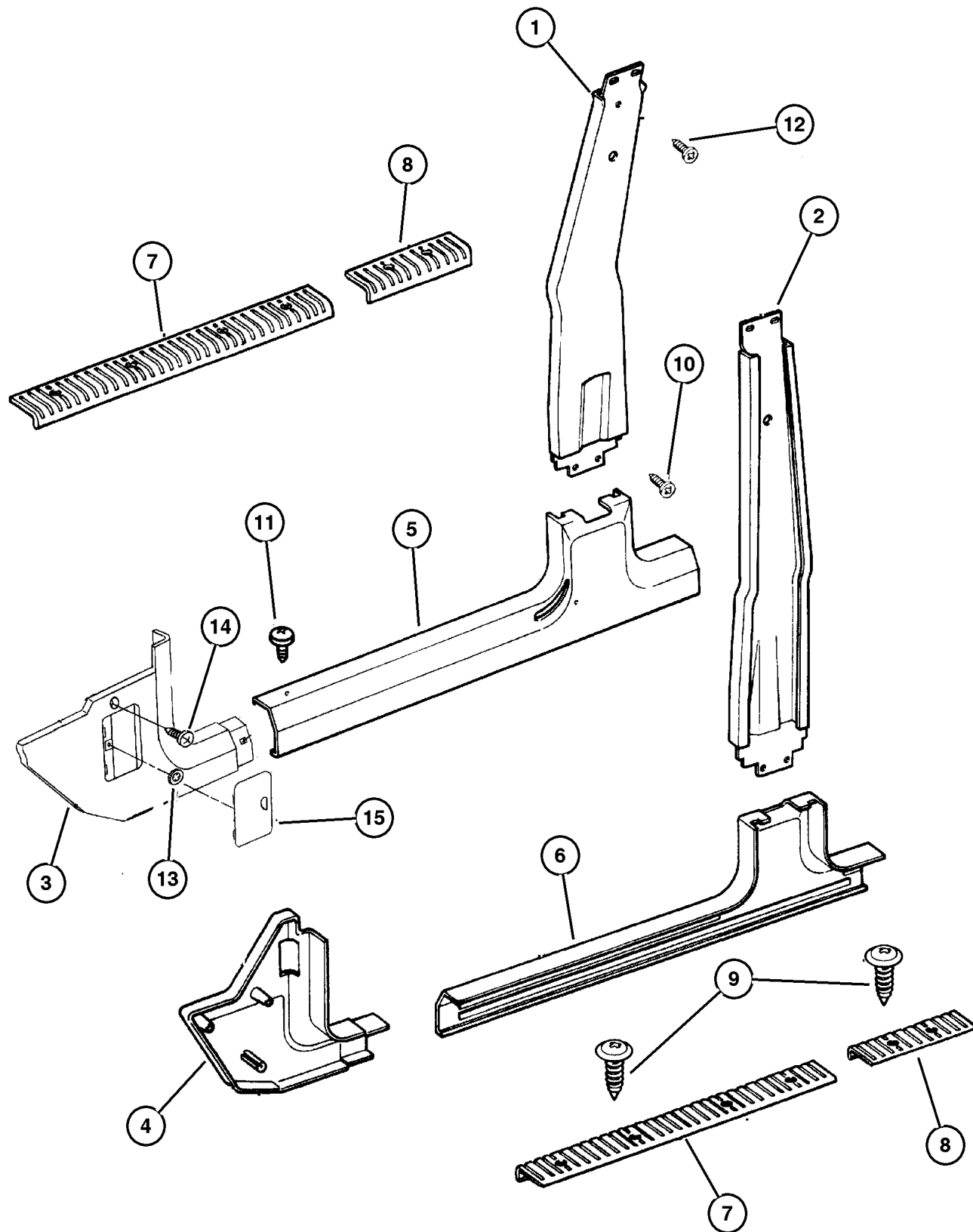
SERIES	LINE	BODY	ENGINE	TRANSMISSION
L=Low Line	J=LHD (4WD) U=RHD (4WD) T=LHD (2WD) B=RHD (2WD)	74=4 DR. (101.4 WB) 72=2 DR. (101.4 WB)	ENC,EN0=2.5L 4 cyl. Turbo Die ERH,ER0=4.0L Power Tech I-6 EPE,EP0=Magnum 2.5L SMPI	DDQ=5Spd Man. DGS=4 Spd. Auto. AISIN DG0=All Auto Trans DBB=All Manual Trans.

AR = Use as required - = Non illustrated part # = New this model year

July 4, 2003



**Panels, Interior Trim, Front 4 Door 1997 XJ 1998 XJ**  
**Figure IXJ-220**



ITEM	PART NUMBER	QTY	LINE	SERIES	BODY	ENGINE	TRANS	TRIM	DESCRIPTION
P.A.R.= Paint As Required									
1	5ER2 0RT6	1			74				COVER, B Pillar Trim Panel, P.A.R., Right
2	5ER2 1RT6	1			74				COVER, B Pillar Trim Panel, P.A.R., Left
3	5EG14 RC3AB	1							PANEL, Cowl Side Trim Mist Gray, 1997 XJ, Right
	5EG14 RC3AC	1							Mist Gray, 1998 XJ, Right
	5EG14 RT6AB	1							Saddle, 1997 XJ, Right
	5EG14 RT6AC	1							Saddle, 1998 XJ, Right
4	5EG17 RC3AB	1	J, T						PANEL, Cowl Side Trim Mist Gray, 1997 XJ, Left
	5EG17 RC3AC	1	J, T						Mist Gray, 1998 XJ, Left
	5EG17 RT6AB	1	J, T						Saddle, 1997 XJ, Left
	5EG17 RT6AC	1	J, T						Saddle, 1998 XJ, Left
	5ES93 RC3AB	1	B, U						Mist Gray, 1997 XJ, Left
	5ES93 RC3AC	1	B, U						Mist Gray, 1998 XJ, Left
	5ES93 RT6AB	1	B, U						Saddle, 1997 XJ, Left
	5ES93 RT6AC	1	B, U						Saddle, 1998 XJ, Left
5	5EW80 RC3AC	1			74				COVER, B Pillar Trim Panel Mist Gray, 1998 XJ, Right
	5EW80 RT6AC	1			74				Saddle, 1998 XJ, Right
	5EW8 0TC3	1			74				Mist Gray, 1997 XJ, Right
	5EW8 0TT6	1			74				Saddle, 1997 XJ, Right
6	5EW81 RC3AC	1			74				COVER, B Pillar Trim Panel Mist Gray, 1998 XJ, Left
	5EW81 RT6AC	1			74				Saddle, 1998 XJ, Left
	5EW8 1TC3	1			74				Mist Gray, 1997 XJ, Left
	5EW8 1TT6	1			74				Saddle, 1997 XJ, Left
7	5500 3370	2			74				PLATE, Scuff, Front
8	5500 3372	2			74				PLATE, Scuff, Rear
9									SCREW, .164-18x.500, (NOT SERVICED) (Not Serviced)
10	3420 1545	2			74				CLIP, Molding
11	3420 1400	10			74				SCREW AND FINISH WASHER, Oval Head TR, 40mm Long
12	3420 1314	4							SCREW, Tapping Round Head, .164x18x1.232
13	6033 560	1							NUT AND WASHER, Hex Nut-Coned Washer, .25-20
14	3420 1468	2							SCREW, Round Washer Head, M4. 2x1.41x25.00
15									DOOR, Fuse Access

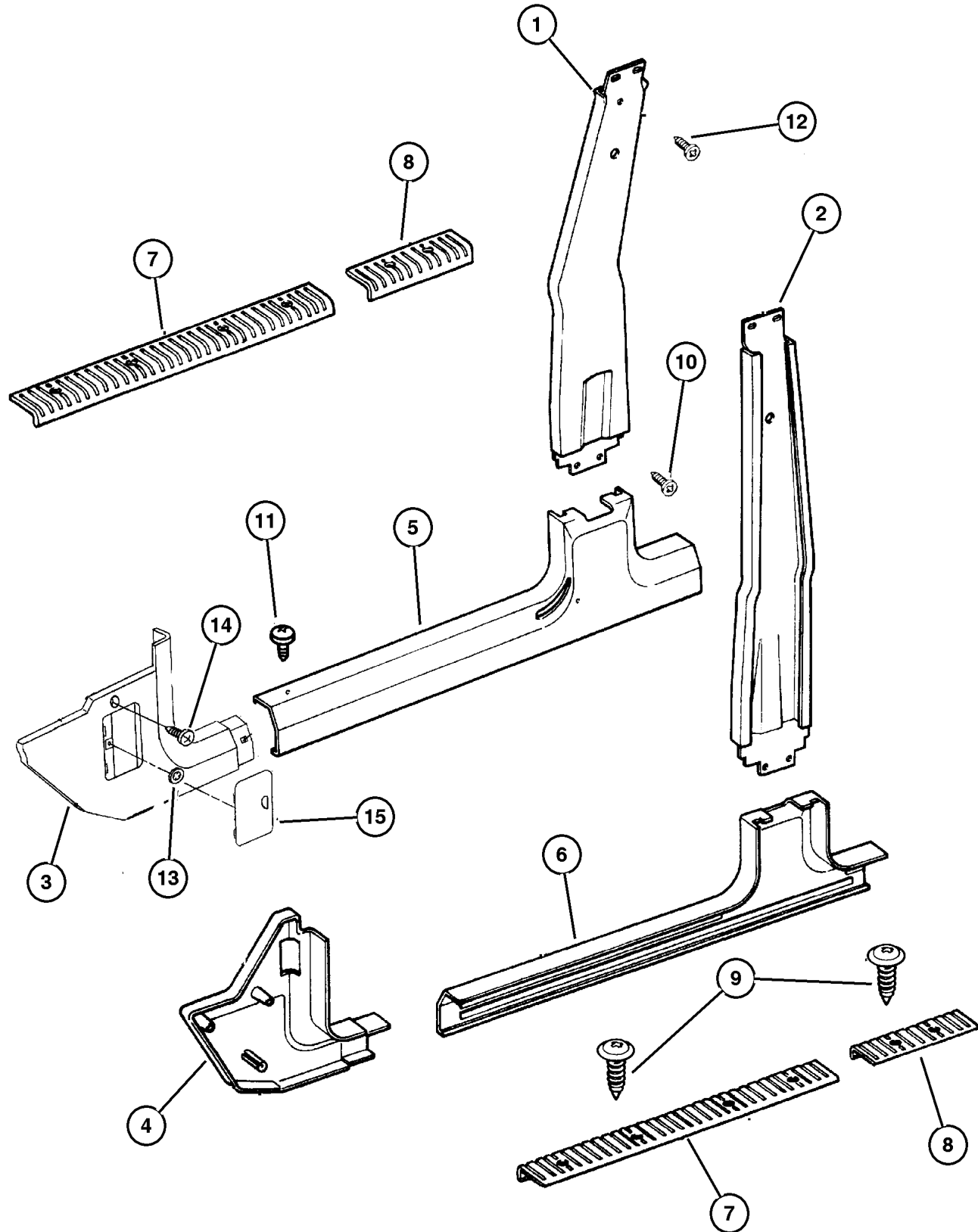
**JEEP CHEROKEE (XJ)**

SERIES	LINE	BODY	ENGINE	TRANSMISSION
L=Low Line	J=LHD (4WD) U=RHD (4WD) T=LHD (2WD) B=RHD (2WD)	74=4 DR. (101.4 WB) 72=2 DR. (101.4 WB)	ENC,EN0=2.5L 4 cyl. Turbo Die ERH,ER0=4.0L Power Tech I-6 EPE,EP0=Magnum 2.5L SMPI	DDQ=5Spd Man. DGS=4 Spd. Auto. AISIN DG0=All Auto Trans DBB=All Manual Trans.

AR = Use as required - = Non illustrated part # = New this model year

July 4, 2003

**Panels, Interior Trim, Front 4 Door 1997 XJ 1998 XJ**  
**Figure IXJ-220**



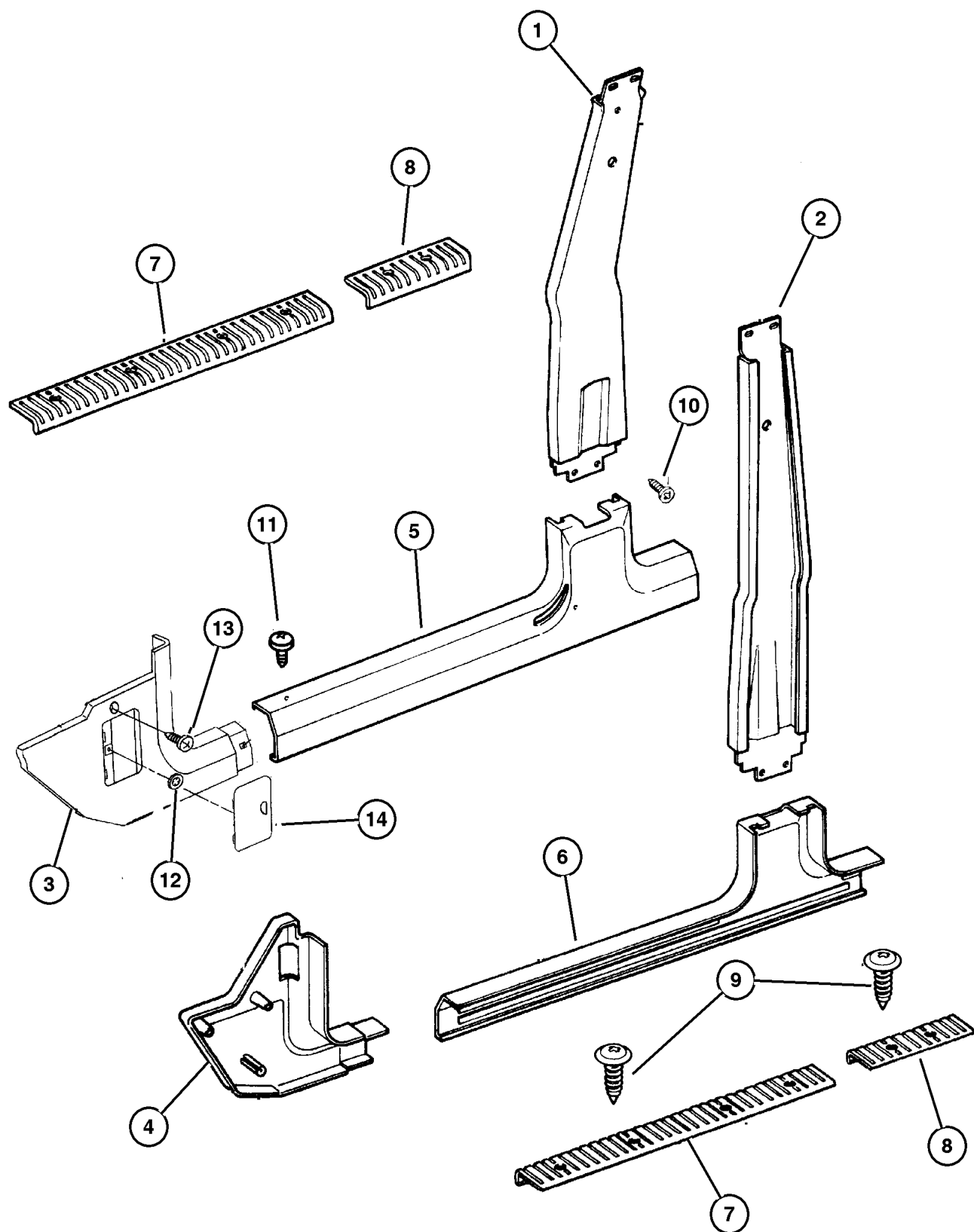
ITEM	PART NUMBER	QTY	LINE	SERIES	BODY	ENGINE	TRANS	TRIM	DESCRIPTION
	5FU3 4RC3	1							Mist Gray
	5FU3 4RT6	1							Saddle

<b>JEEP CHEROKEE (XJ)</b>				
SERIES	LINE	BODY	ENGINE	TRANSMISSION
L=Low Line	J=LHD (4WD) U=RHD (4WD) T=LHD (2WD) B=RHD (2WD)	74=4 DR. (101.4 WB) 72=2 DR. (101.4 WB)	ENC,EN0=2.5L 4 cyl. Turbo Die ERH,ER0=4.0L Power Tech I-6 EPE,EP0=Magnum 2.5L SMPI	DDQ=5Spd Man. DGS=4 Spd. Auto. AISIN DG0=All Auto Trans DBB=All Manual Trans.

AR = Use as required - = Non illustrated part # = New this model year

July 4, 2003

**Panels, Interior Trim, Front, 4 Door 4 Door 1999 XJ**  
**Figure IXJ-220**



ITEM	PART NUMBER	QTY	LINE	SERIES	BODY	ENGINE	TRANS	TRIM	DESCRIPTION
[P.A.R.] = Paint As Required									
1	5ER20 RK5AD	1			74				COVER, B Pillar Trim Panel, P.A.R., Right
2	5ER21 RK5AD	1			74				COVER, B Pillar Trim Panel, P.A.R., Left
3	5EG14 LAZAE	1							PANEL, Cowl Side Trim Agate, Right
	5EG14 RK5AE	1							Camel, Right
4	5EG17 LAZAD	1	J, T						PANEL, Cowl Side Trim Agate, Left
	5EG17 RK5AD	1	J, T						Camel, Left
	5ES93 LAZAD	1	B, U						Agate, Left
	5ES93 RK5AD	1	B, U						Camel, Left
5	5EW80 LAZAD	1			74				COVER, B Pillar Trim Panel Agate, Right
	5EW80 RK5AD	1			74				Camel, Right
6	5EW81 LAZAD	1			74				COVER, B Pillar Trim Panel Agate, Left
	5EW81 RK5AD	1			74				Camel, Left
7	5500 3370	2			74				PLATE, Scuff, Front
8	5500 3372	2			74				PLATE, Scuff, Rear
9									SCREW, .164-18x.500, (NOT SERVICED) (Not Serviced)
10	6504 995AA	2			74				PIN, Push, M6.3x19.84
11	3420 1400	10			74				SCREW AND FINISH WASHER, Oval Head TR, 40mm Long
12	6033 560	1							NUT AND WASHER, Hex Nut-Coned Washer, .25-20
13	3420 1468	2							SCREW, Round Washer Head, M4. 2x1.41x25.00
14	5FU3 4LAZ	1							DOOR, Fuse Access Agate
	5FU3 4RK5	1							Camel

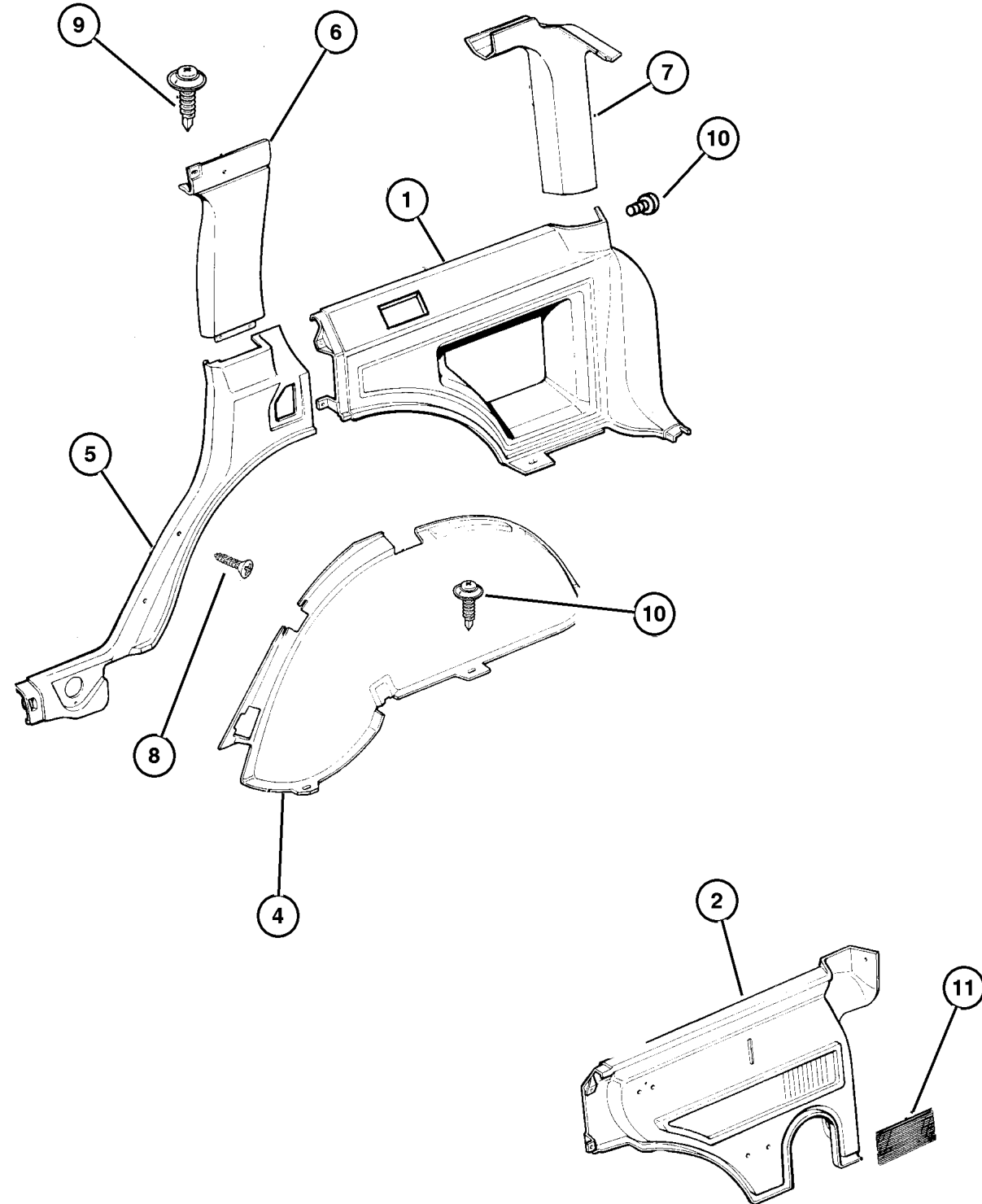
**JEEP CHEROKEE (XJ)**

SERIES	LINE	BODY	ENGINE	TRANSMISSION
L=Low Line	J=LHD (4WD) U=RHD (4WD) T=LHD (2WD) B=RHD (2WD)	74=4 DR. (101.4 WB) 72=2 DR. (101.4 WB)	ENC,EN0=2.5L 4 cyl. Turbo Die ERH,ER0=4.0L Power Tech I-6 EPE,EP0=Magnum 2.5L SMPI	DDQ=5Spd Man. DGS=4 Spd. Auto. AISIN DG0=All Auto Trans DBB=All Manual Trans.

AR = Use as required - = Non illustrated part # = New this model year

July 4, 2003

**Panels, Interior Trim, Rear 4 Door 1997 XJ 1998 XJ**  
**Figure IXJ-225**



ITEM	PART NUMBER	QTY	LINE	SERIES	BODY	ENGINE	TRANS	TRIM	DESCRIPTION
P.A.R.= Paint As Required									
1	5EG02 RC3AB	1			74				PANEL, Quarter Trim Mist Gray, Up To 2-7-97, 1997 XJ, Right
	5EG02 RC3AC	1			74				Mist Gray, After 2-7-97, 1997 XJ, Right
	5EG02 RT6AB	1			74				Mist Gray, 1998 XJ, Right Saddle, Up To 2-7-97, 1997 XJ, Right
	5EG02 RT6AC	1			74				Saddle, After 2-7-97, 1997 XJ, Right Saddle, 1998 XJ, Right
2	5EG03 RC3AG	1			74				PANEL, Quarter Trim Mist Gray, Left
	5EG03 RT6AG	1			74				Saddle, Left
-3									PIN, Push .281 (NOT REQUIRED), 1998 XJ
	5AA3 5TC3	1							Mist Gray~~, 1997 XJ
	5AA3 5TT6	1							Saddle, 1997 XJ
4	5AC5 8TC3	1							PANEL, Wheelhouse Mist Gray, Right
	5AC5 8TT6	1							Saddle, Right
	5AC5 9TC3	1							Mist Gray, Left
	5AC5 9TT6	1							Saddle, Left
5									EXTENSION, C Pillar
	5EW88 RC3AB	1			74				Mist Gray, 1997 XJ, Right
	5EW88 RC3AC	1			74				Mist Gray, 1998 XJ, Right
	5EW88 RT6AB	1			74				Saddle, 1997 XJ, Right
	5EW88 RT6AC	1			74				Saddle, 1998 XJ, Right
	5EW89 RC3AB	1			74				Mist Gray, 1997 XJ, Left
	5EW89 RC3AC	1			74				Mist Gray, 1998 XJ, Left
	5EW89 RT6AB	1			74				Saddle, 1997 XJ, Left
	5EW89 RT6AC	1			74				Saddle, 1998 XJ, Left
6	5EW8 6TC3	1			74				COVER, C Pillar P.A.R., Right
	5EW8 7TC3	1			74				P.A.R., Left
7									COVER, Liftgate
	5FX18 RC3AB	1			74				Mist Gray, Up To 2-7-97, 1997 XJ, Right
	5FX18 RC3AC	1			74				Mist Gray, After 2-7-97, 1997 XJ, Right
		1			74				Mist Gray, 1998 XJ, Right

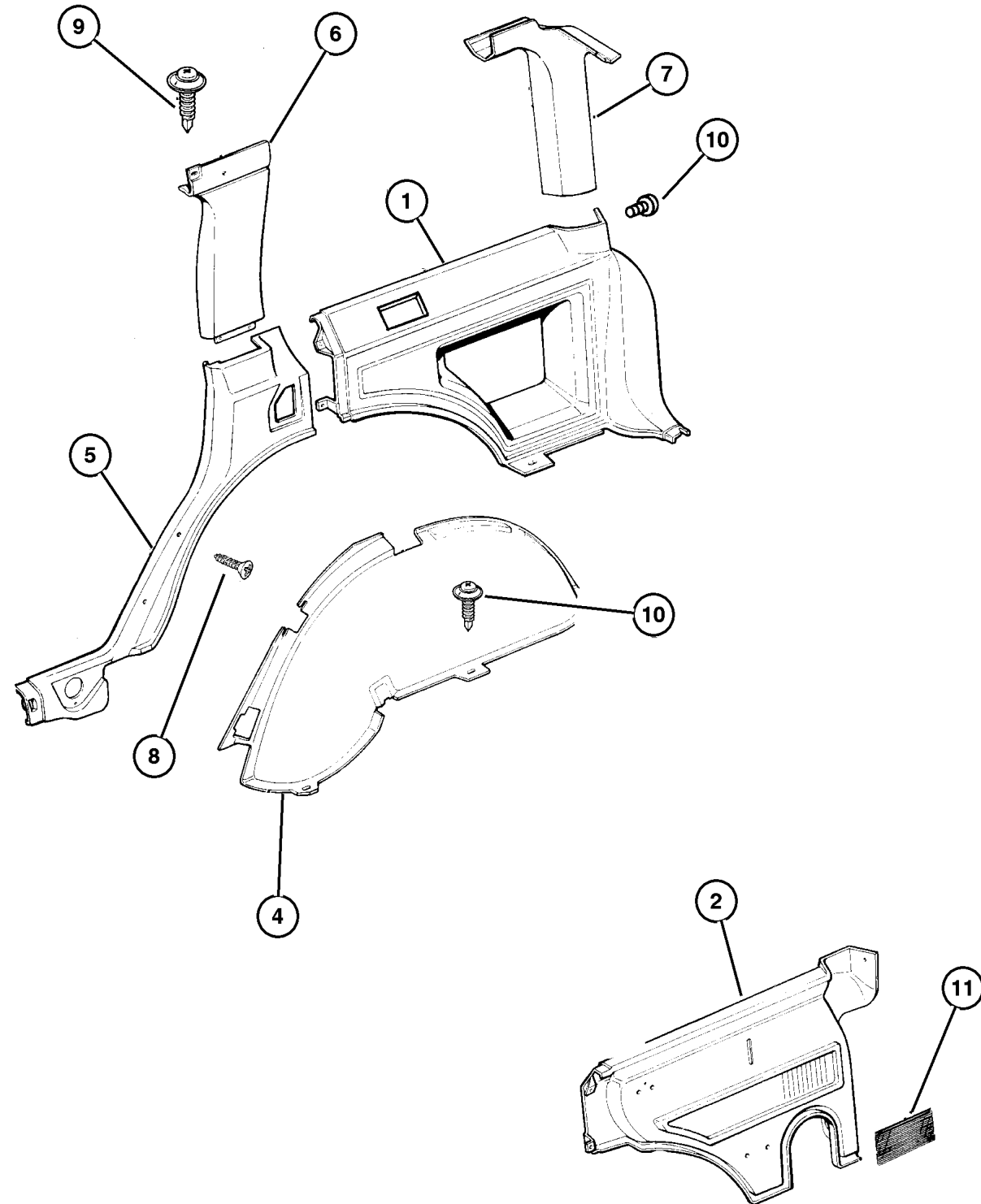
**JEEP CHEROKEE (XJ)**

SERIES	LINE	BODY	ENGINE	TRANSMISSION
L=Low Line	J=LHD (4WD) U=RHD (4WD) T=LHD (2WD) B=RHD (2WD)	74=4 DR. (101.4 WB) 72=2 DR. (101.4 WB)	ENC,EN0=2.5L 4 cyl. Turbo Die ERH,ER0=4.0L Power Tech I-6 EPE,EP0=Magnum 2.5L SMPI	DDQ=5Spd Man. DGS=4 Spd. Auto. AISIN DG0=All Auto Trans DBB=All Manual Trans.

AR = Use as required - = Non illustrated part # = New this model year

July 4, 2003

**Panels, Interior Trim, Rear 4 Door 1997 XJ 1998 XJ**  
**Figure IXJ-225**



ITEM	PART NUMBER	QTY	LINE	SERIES	BODY	ENGINE	TRANS	TRIM	DESCRIPTION
	5FX18 RT6AB	1			74				Saddle, Up To 2-7-97, 1997 XJ, Right
	5FX18 RT6AC	1			74				Saddle, After 2-7-97, 1997 XJ, Right
		1			74				Saddle, 1998 XJ, Right
	5FX19 RC3AB	1			74				Mist Gray, Up To 2-7-97, 1997 XJ, Left
	5FX19 RC3AC	1			74				Mist Gray, After 2-7-97, 1997 XJ, Left
		1			74				Mist Gray, 1998 XJ, Left
	5FX19 RT6AB	1			74				Saddle, Up To 2-7-97, 1997 XJ, Left
	5FX19 RT6AC	1			74				Saddle, After 2-7-97, 1997 XJ, Left
		1			74				Saddle, 1998 XJ, Left
8	3420 1545	4			74				CLIP, Molding
9									SCREW, Tapping Round Head, .164x18x1.232
	3420 1314	6							1997 XJ
		6			74				1998 XJ
10	3420 1468	4							SCREW, Round Washer Head, M4. 2x1.41x25.00
11	5500 4406	1			74				SCREEN, Louvre

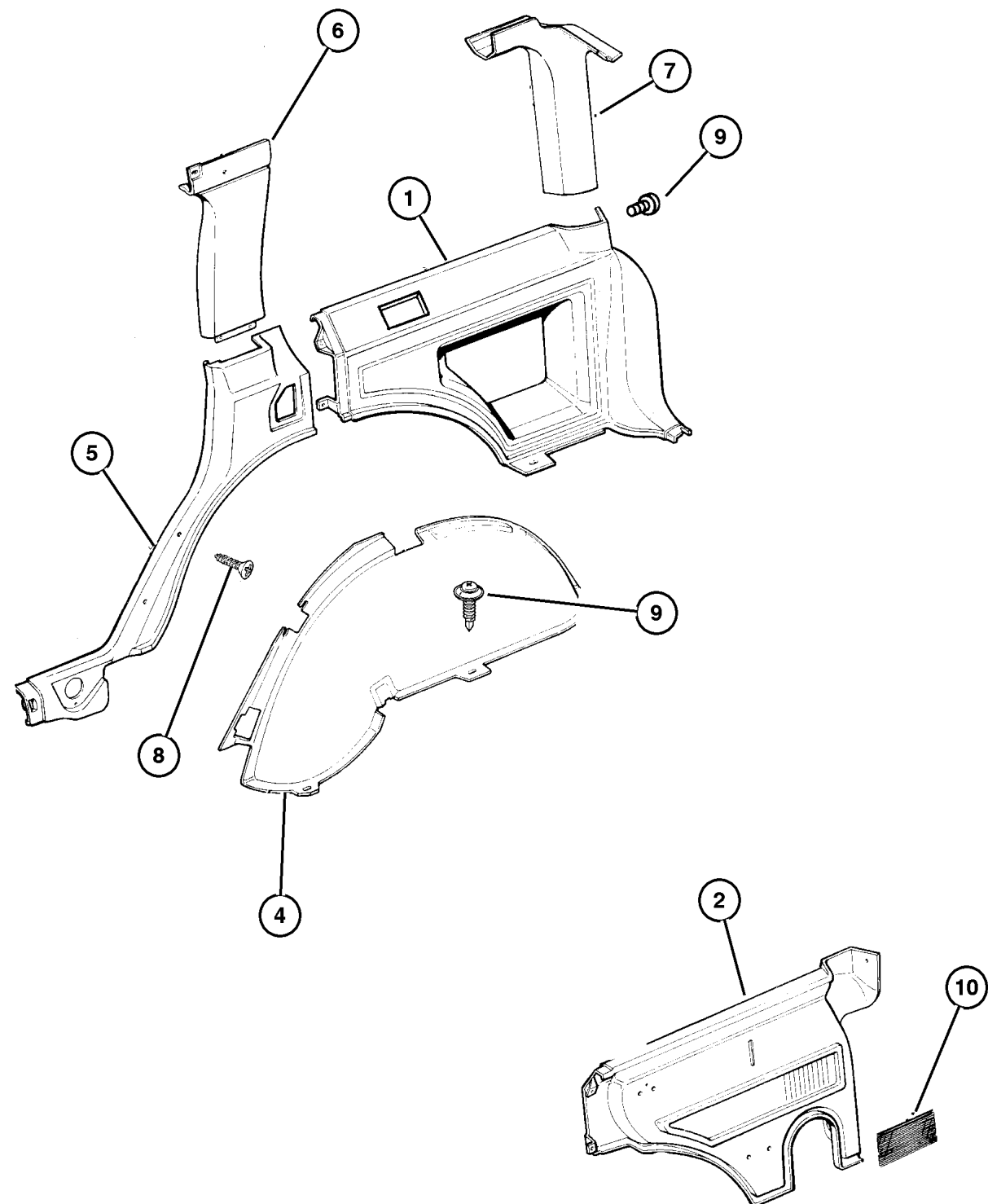
**JEEP CHEROKEE (XJ)**

SERIES	LINE	BODY	ENGINE	TRANSMISSION
L=Low Line	J=LHD (4WD) U=RHD (4WD) T=LHD (2WD) B=RHD (2WD)	74=4 DR. (101.4 WB) 72=2 DR. (101.4 WB)	ENC,EN0=2.5L 4 cyl. Turbo Die ERH,ER0=4.0L Power Tech I-6 EPE,EP0=Magnum 2.5L SMPI	DDQ=5Spd Man. DGS=4 Spd. Auto. AISIN DG0=All Auto Trans DBB=All Manual Trans.

AR = Use as required - = Non illustrated part # = New this model year

July 4, 2003

**Panels, Interior Trim, Rear, 4 Door 4 Door 1999 XJ**  
**Figure IXJ-225**



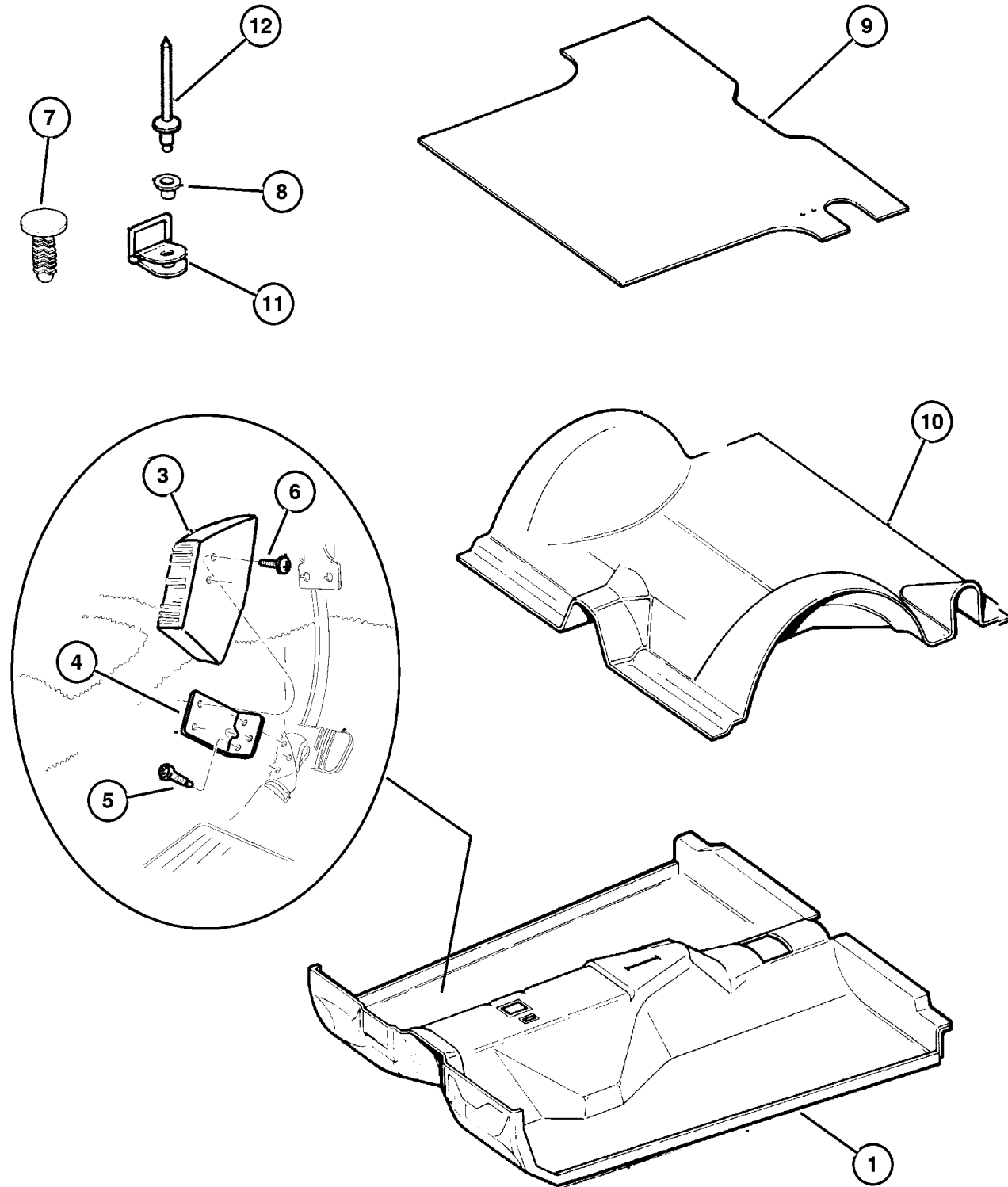
ITEM	PART NUMBER	QTY	LINE	SERIES	BODY	ENGINE	TRANS	TRIM	DESCRIPTION
[P.A.R.] = Paint As Required									
1	5EG02 LAZAD	1			74				PANEL, Quarter Trim Agate, Right
	5EG02 RK5AD	1			74				Camel, Right
2	5EG03 LAZAG	1			74				PANEL, Quarter Trim Agate, Left
	5EG03 RK5AG	1			74				Camel, Left
-3									PIN, Push .281, (NOT REQUIRED)
4	5AC58 LAZAB	1							PANEL, Wheelhouse Agate, Right
	5AC58 VK9AB	1							Dark Tan, Right
	5AC59 LAZAB	1							Agate, Left
	5AC59 VK9AB	1							Dark Tan, Left
5	5GM58 LAZAA	1			74				EXTENSION, C Pillar Agate, Right
	5GM58 RK5AA	1			74				Camel, Right
	5GM59 LAZAA	1			74				Agate, Left
	5GM59 RK5AA	1			74				Camel, Left
6	#5EW86 LAZAC	1			74				COVER, C Pillar Paint as Required, Right
	#5EW87 LAZAC	1			74				Paint as Required, Left
7	5FX18 LAZAC	1			74				COVER, Liftgate Agate, Right
	5FX18 RK5AC	1			74				Camel, Right
	5FX19 LAZAD	1			74				Agate, Left
	5FX19 RK5AD	1			74				Camel, Left
8	6504 995AA	4			74				PIN, Push, M6.3x19.84
9	3420 1468	4							SCREW, Round Washer Head, M4. 2x1.41x25.00
10	5500 4406	1			74				SCREEN, Louvre
		1	J, T, U		72				

**JEEP CHEROKEE (XJ)**  
 SERIES LINE BODY ENGINE TRANSMISSION  
 L=Low Line J=LHD (4WD) 74=4 DR. (101.4 WB) ENC,EN0=2.5L 4 cyl. Turbo Die DDQ=5Spd Man.  
 U=RHD (4WD) 72=2 DR. (101.4 WB) ERH,ER0=4.0L Power Tech I-6 DGS=4 Spd. Auto. AISIN  
 T=LHD (2WD) EPE,EP0=Magnum 2.5L SMPI DG0=All Auto Trans  
 B=RHD (2WD) DBB=All Manual Trans.

AR = Use as required - = Non illustrated part # = New this model year

July 4, 2003

**Carpets and Mats 1997 XJ  
Figure IXJ-310**



ITEM	PART NUMBER	QTY	LINE	SERIES	BODY	ENGINE	TRANS	TRIM	DESCRIPTION
1									CARPET, Floor
	5EY16 RC3AE	1	J, T						Mist Gray, Gas Only
	5EY16 RT6AE	1	J, T						Saddle, Gas Only
	5FM05 RC3AC	1	B, U						Mist Gray
	5FM05 RT6AC	1	B, U						Saddle
	5FY03 RC3AC	1	J, T						Mist Gray, Diesel
	5FY03 RT6AC	1	J, T						Saddle, Diesel
-2									MAT, Full Floor, Rubber
	5FM11 DX9AB	1	B, U						Black
	5FN10 DX9AC	1	J, T						Black
3	5511 5066	1	B, U						PAD, Foot Rest
4	5511 5067	1	B, U						BRACKET, Foot Rest
5									SCREW, .190-16x.625, (NOT SERVICED) (Not Serviced)
6									SCREW, .190-16x1.00, (NOT SERVICED) (Not Serviced)
7									PIN, Push .281
	5AA3 5TC3	1							Mist Gray
	5AA3 5TT6	1							Saddle
8	3420 2365	4							WASHER
9	5500 8727	1							MAT, Floor, Cargo Compartment
10									CARPET, Cargo Floor
	5FX1 4RC3	1							Mist Gray
	5FX1 4RT6	1							Saddle
11	5521 5609	4							LOOP, Cargo Tie Down
12	6035 122	4							RIVET, .187x.70 Black
-13	3420 2672	2							RIVET, .197 Grip-.187-.375, Carpet Attach
-14									MAT, Floor
	5FJ3 5RC3	1	B, U						Mist Gray ~~~
	5FJ3 5RT6	1	B, U						Saddle

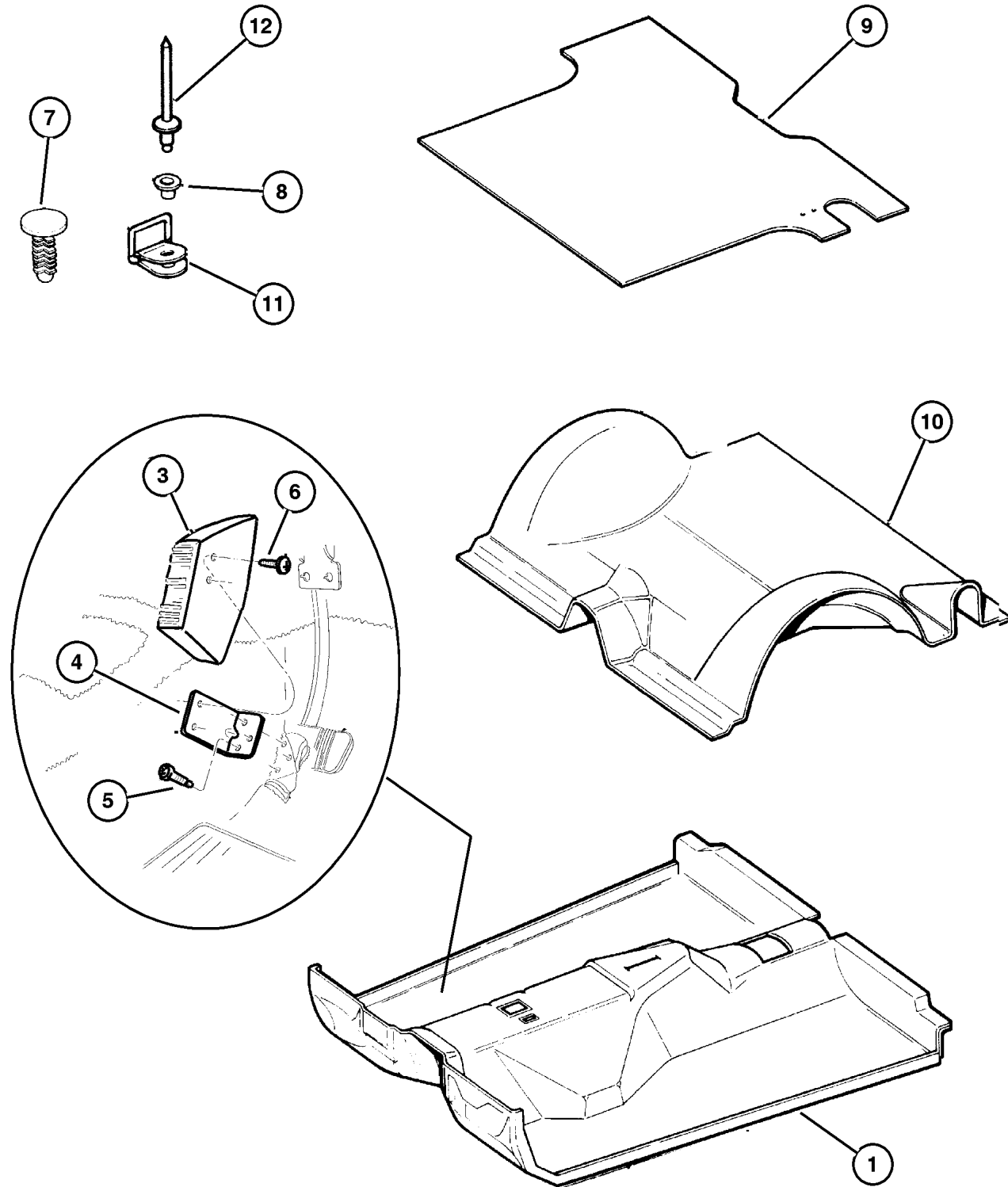
**JEEP CHEROKEE (XJ)**

SERIES	LINE	BODY	ENGINE	TRANSMISSION
L=Low Line	J=LHD (4WD) U=RHD (4WD) T=LHD (2WD) B=RHD (2WD)	74=4 DR. (101.4 WB) 72=2 DR. (101.4 WB)	ENC,EN0=2.5L 4 cyl. Turbo Die ERH,ER0=4.0L Power Tech I-6 EPE,EP0=Magnum 2.5L SMPI	DDQ=5Spd Man. DGS=4 Spd. Auto. AISIN DG0=All Auto Trans DBB=All Manual Trans.

AR = Use as required - = Non illustrated part # = New this model year

July 4, 2003

**Carpets and Mats 1998 XJ  
Figure IXJ-310**



ITEM	PART NUMBER	QTY	LINE	SERIES	BODY	ENGINE	TRANS	TRIM	DESCRIPTION
1									CARPET, Floor
	5EY16 RC3AI	1	J, T						Mist Gray, Gas Only
	5EY16 RT6AI	1	J, T						Saddle, Gas Only
	5FM05 RC3AG	1	B, U						Mist Gray
	5FM05 RT6AG	1	B, U						Saddle
	5FY03 RC3AH	1	J, T						Mist Gray, Diesel
	5FY03 RT6AH	1	J, T						Saddle, Diesel
-2									MAT, Full Floor, Rubber
	5FM11 DX9AE	1	B, U						
	5FN10 DX9AG	1	J, T						
3	5511 5066	1	B, U						PAD, Foot Rest
4	5511 5067	1	B, U						BRACKET, Foot Rest
5									SCREW, .190-16x.625, (NOT SERVICED) (Not Serviced)
6									SCREW, .190-16x1.00, (NOT SERVICED) (Not Serviced)
7									PIN, Push .281, (NOT REQUIRED)
8	3420 2365	4							WASHER
9	5500 8727	1							MAT, Floor
10									CARPET, Cargo Floor
	5FX14 RC3AD	1							Mist Gray
	5FX14 RT6AD	1							Saddle
11	5521 5609	4							LOOP, Cargo Tie Down
12	6035 122	4							RIVET, .187x.70 Black
-13	3420 2672	2							RIVET, .197 Grip-.187-.375, Carpet Attach
-14									MAT, Floor
	5FJ3 5RC3	1	B, U						Mist Gray
	5FJ3 5RT6	1	B, U						Saddle
-15									CLIP, Carpet
	55196 834AA	1	J, T						
		1	B, U						

**JEEP CHEROKEE (XJ)**

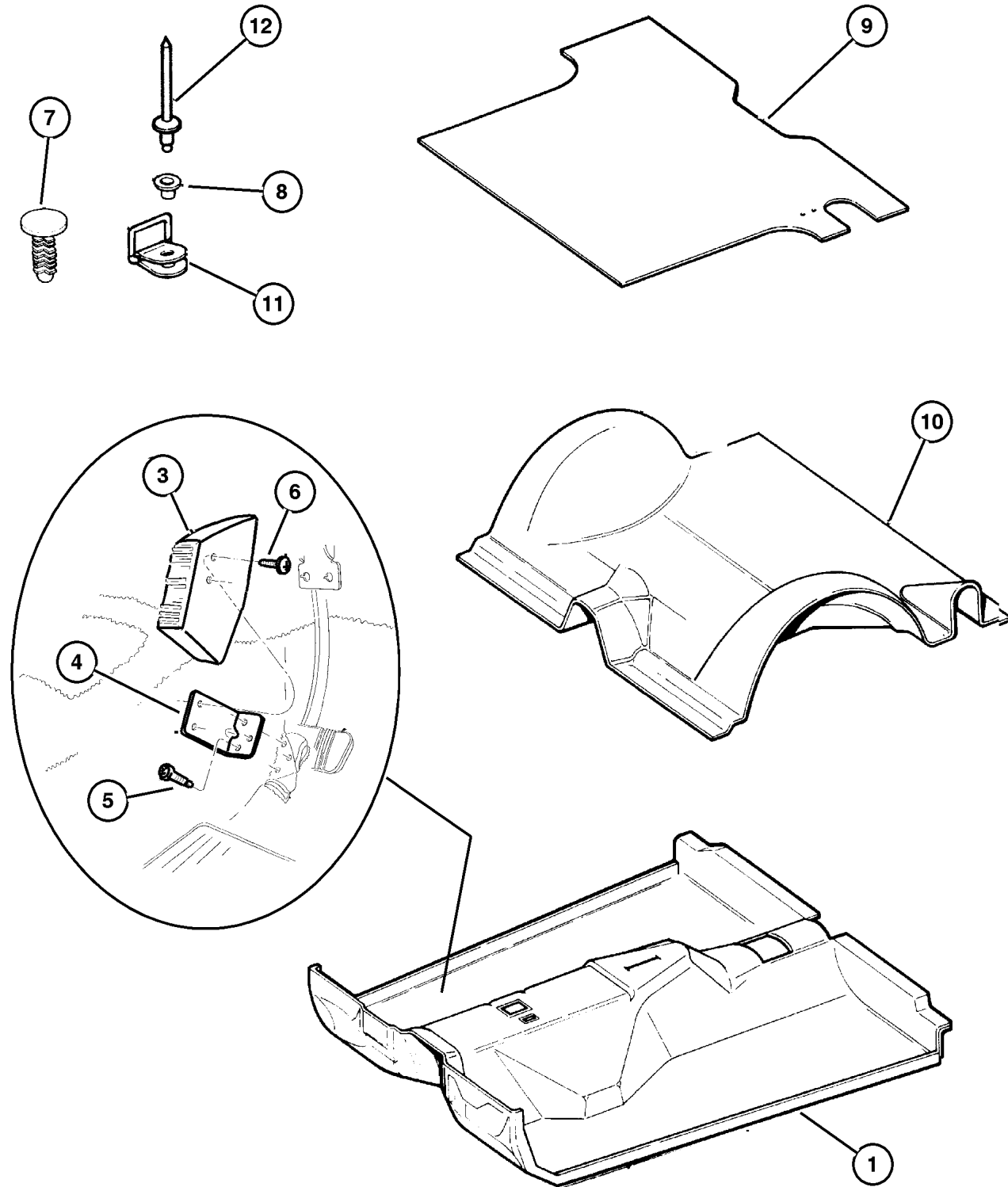
SERIES	LINE	BODY	ENGINE	TRANSMISSION
L=Low Line	J=LHD (4WD) U=RHD (4WD) T=LHD (2WD) B=RHD (2WD)	74=4 DR. (101.4 WB) 72=2 DR. (101.4 WB)	ENC,EN0=2.5L 4 cyl. Turbo Die ERH,ER0=4.0L Power Tech I-6 EPE,EP0=Magnum 2.5L SMPI	DDQ=5Spd Man. DGS=4 Spd. Auto. AISIN DG0=All Auto Trans DBB=All Manual Trans.

AR = Use as required - = Non illustrated part # = New this model year

July 4, 2003



**Carpets and Mats 1999 XJ  
Figure IXJ-310**



ITEM	PART NUMBER	QTY	LINE	SERIES	BODY	ENGINE	TRANS	TRIM	DESCRIPTION
1									CARPET, Floor
	#5EY16 LAZAM	1	J, T						Agate, Gas Only
	#5EY16 VK9AM	1	J, T						Dark Tan, Gas Only
	#5FM05 LAZAJ	1	B, U						Agate
	#5FM05 VK9AJ	1	B, U						Dark Tan
	#5FY03 LAZAL	1	J, T						Agate, Diesel
	#5FY03 VK9AL	1	J, T						Dark Tan, Diesel
-2									MAT, Full Floor, Rubber
	5FM11 DX9AG	1	B, U						
	5FN10 DX9AJ	1	J, T						
3	5511 5066	1	B, U						PAD, Foot Rest
4	5511 5067	1	B, U						BRACKET, Foot Rest
5									SCREW, .190-16x.625, (NOT SERVICED) (Not Serviced)
6									SCREW, .190-16x1.00, (NOT SERVICED) (Not Serviced)
7									PIN, Push .281, (NOT REQUIRED)
8	3420 2365	4							WASHER
9	5500 8727	1							MAT, Floor
10									CARPET, Cargo Floor
	5FX14 LAZAE	1							Agate
	5FX14 VK9AE	1							Dark Tan
11	5521 5609	4							LOOP, Cargo Tie Down
12	6035 122	4							RIVET, .187x.70 Black
-13	3420 2672	2							RIVET, .197 Grip-.187-.375, Carpet Attach
-14									MAT KIT, Floor
	5FJ35 LAZAB	1	B, U						Agate
	5FJ35 VK9AB	1	B, U						Dark Tan
-15									CLIP, Carpet
	55196 834AA	1	J, T						
		1	B, U						

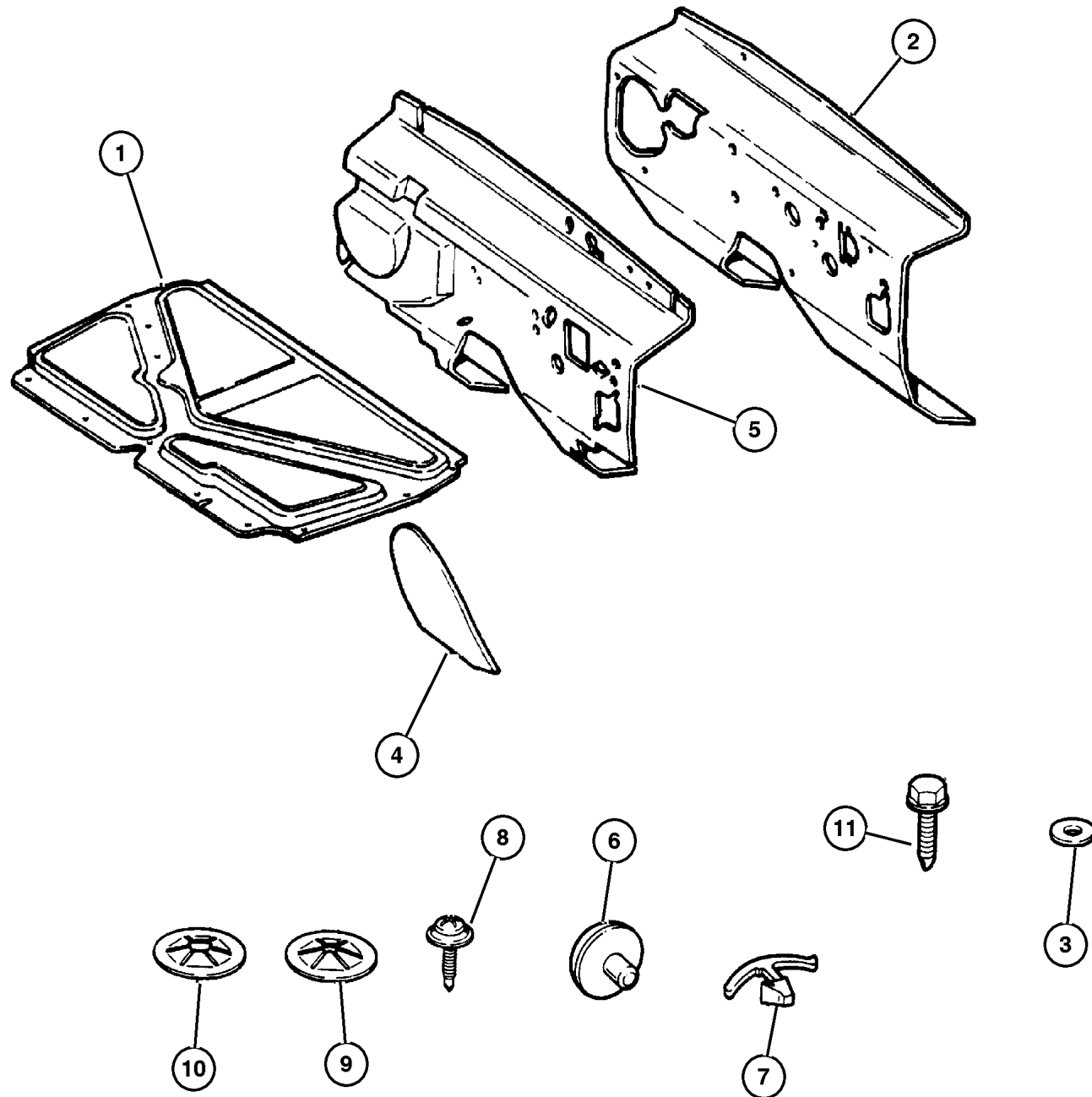
**JEEP CHEROKEE (XJ)**

SERIES	LINE	BODY	ENGINE	TRANSMISSION
L=Low Line	J=LHD (4WD) U=RHD (4WD) T=LHD (2WD) B=RHD (2WD)	74=4 DR. (101.4 WB) 72=2 DR. (101.4 WB)	ENC,EN0=2.5L 4 cyl. Turbo Die ERH,ER0=4.0L Power Tech I-6 EPE,EP0=Magnum 2.5L SMPI	DDQ=5Spd Man. DGS=4 Spd. Auto. AISIN DG0=All Auto Trans DBB=All Manual Trans.

AR = Use as required - = Non illustrated part # = New this model year

July 4, 2003

Insulation 1997 XJ 1998 XJ  
Figure IXJ-320



ITEM	PART NUMBER	QTY	LINE	SERIES	BODY	ENGINE	TRANS	TRIM	DESCRIPTION
1									INSULATION, Hood
	55217 068AB	1							1998 XJ
	55217 068AC	1							1997 XJ
2									INSULATION, Dash Panel
	5521 7409	1	J, T						1997 XJ, Inner
	55217 409AF	1	J, T						1998 XJ, Inner
3									WASHER, Flat
	1150 0323	4							(NOT REQUIRED), 1998 XJ
									1997 XJ
4	5500 4230	1							INSULATION, Toe Board
5									INSULATION, Dash Panel
	55352 647AA	1	J						1997 XJ, Outer
		AR							1998 XJ, Outer
6	J308 1054	7							CLIP, Silencer, Insulation to Dash
7	6003 351	13							RETAINER, Hood Insulation, .415x.690
8									SCREW, Flat Head, .312-18x1.00
									(NOT REQUIRED), 1998 XJ
	6035 156	2							1997 XJ
9	J400 5955	4	J, T						NUT, Hood Insulation , Diesel Engine
10	J400 0235	2							NUT, Push, .375, Insulation to Accelerator Stud
11									SCREW, Flat Head, .312-18x1.00, Attach Insulation to Dash Panel, (NOT SERVICED) (Not Serviced)

JEEP CHEROKEE (XJ)

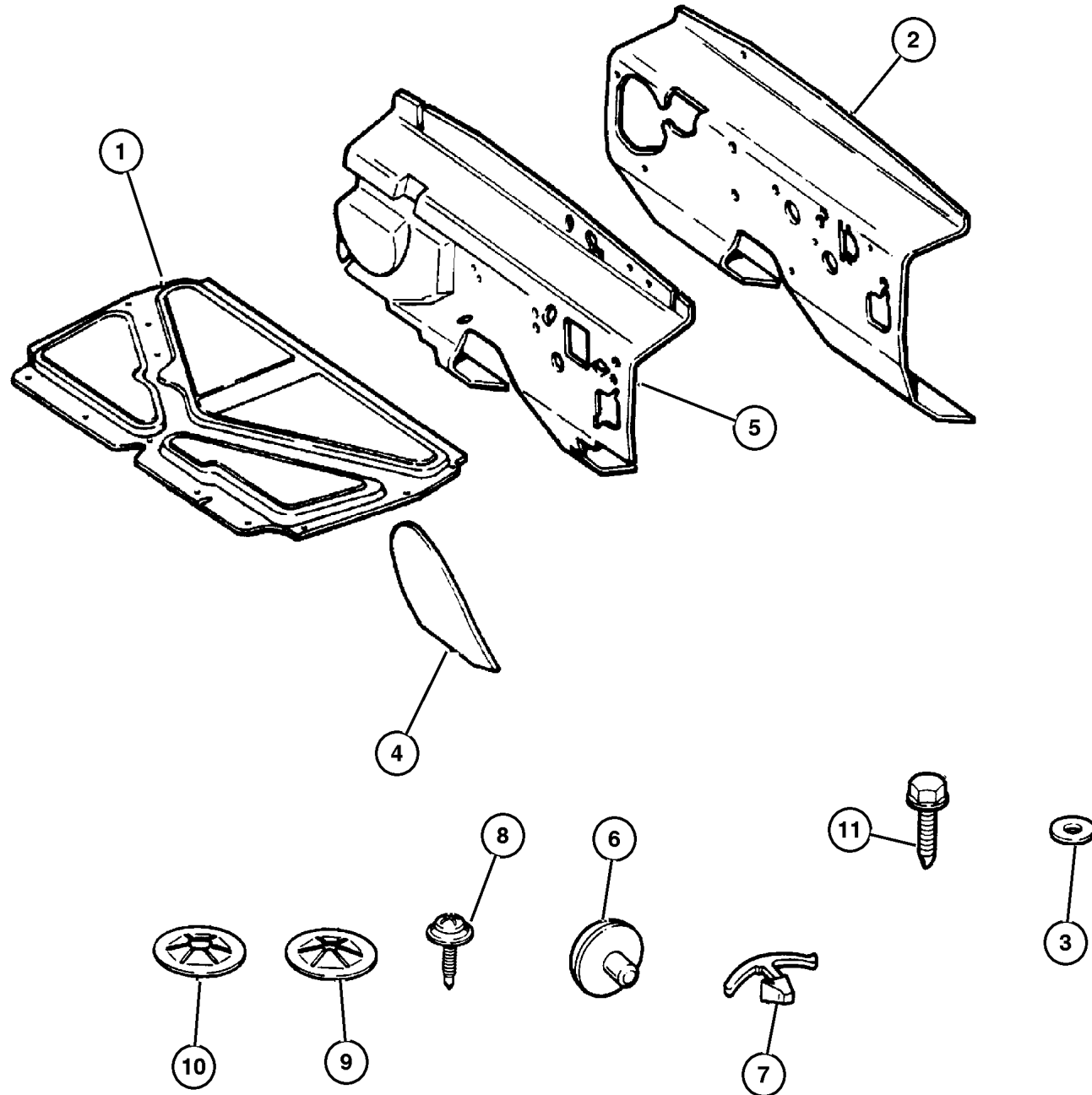
SERIES	LINE	BODY	ENGINE	TRANSMISSION
L=Low Line	J=LHD (4WD) U=RHD (4WD) T=LHD (2WD) B=RHD (2WD)	74=4 DR. (101.4 WB) 72=2 DR. (101.4 WB)	ENC,EN0=2.5L 4 cyl. Turbo Die ERH,ER0=4.0L Power Tech I-6 EPE,EP0=Magnum 2.5L SMPI	DDQ=5Spd Man. DGS=4 Spd. Auto. AISIN DG0=All Auto Trans DBB=All Manual Trans.

AR = Use as required - = Non illustrated part # = New this model year

July 4, 2003

Insulation 1999 XJ  
Figure IXJ-320

ITEM	PART NUMBER	QTY	LINE	SERIES	BODY	ENGINE	TRANS	TRIM	DESCRIPTION
1	55217 068AC	1							INSULATION, Hood
2	55217 409AJ	1	J, T						INSULATION, Dash Panel, Inner
3									WASHER, Flat, (NOT REQUIRED)
4	5500 4230	1							INSULATION, Toe Board
5	55352 647AA	AR							INSULATION, Dash Panel, Outer
6	J308 1054	7							CLIP, Silencer, Insulation to Dash
7	6003 351	13							RETAINER, Hood Insulation, .415x.690
8									SCREW, Flat Head, .312-18x1.00, (NOT REQUIRED)
9	J400 5955	4	J, T						NUT, Hood Insulation , Diesel Engine
10	J400 0235	2							NUT, Push, .375, Insulation to Accelerator Stud
11	6035 156	2							SCREW, Flat Head, .312-18x1.00, Attach Insulation to Dash Panel



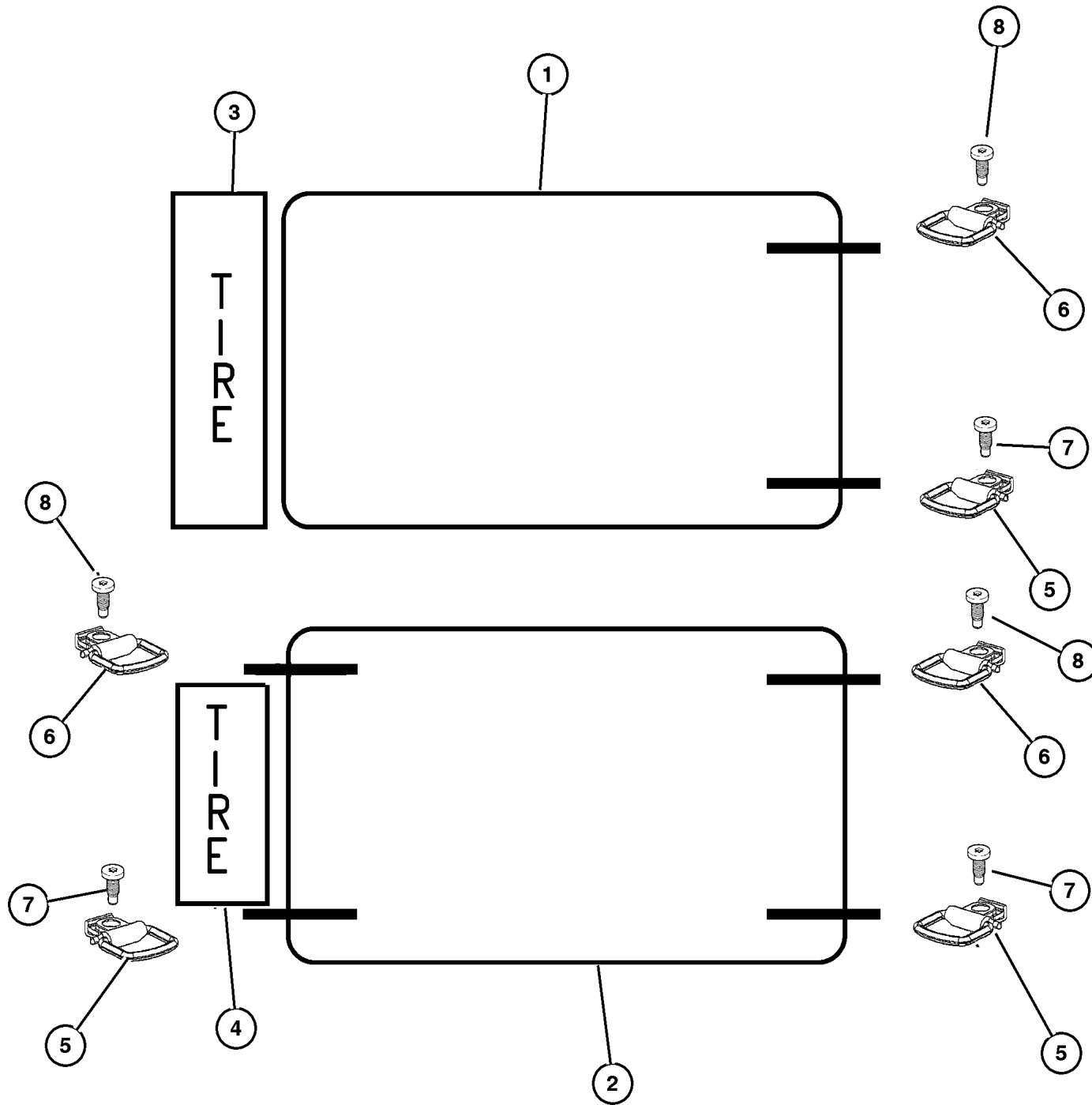
JEEP CHEROKEE (XJ)

SERIES	LINE	BODY	ENGINE	TRANSMISSION
L=Low Line	J=LHD (4WD) U=RHD (4WD) T=LHD (2WD) B=RHD (2WD)	74=4 DR. (101.4 WB) 72=2 DR. (101.4 WB)	ENC,EN0=2.5L 4 cyl. Turbo Die ERH,ER0=4.0L Power Tech I-6 EPE,EP0=Magnum 2.5L SMPI	DDQ=5Spd Man. DGS=4 Spd. Auto. AISIN DG0=All Auto Trans DBB=All Manual Trans.

AR = Use as required - = Non illustrated part # = New this model year

July 4, 2003

**Cover, Cargo 1997 XJ 1998 XJ**  
**Figure IXJ-330**



ITEM	PART NUMBER	QTY	LINE	SERIES	BODY	ENGINE	TRANS	TRIM	DESCRIPTION
1									COVER, Cargo Compartment
	5FX86 RC3AA	1							Mist Gray, Full Spare, 1997 XJ
		1							Mist Gray, With Full Spare, 1998 XJ
	5FX86 RT6AA	1							Saddle, Full Spare, 1997 XJ
		1							Saddle, With Full Spare, 1998 XJ
	5FX87 RC3AA	1	J, U						Mist Gray, With Compact Spare T155/90D16-Full
	5FX87 RT6AA	1	J, U						Saddle, With Compact Spare T155/90D16-Full
2									COVER, Cargo Compartment
	5FX84 RC3AA	1	J, T						Mist Gray, 1997 XJ, Mini-Spare
		1	J, T						Mist Gray, With Mini Spare, 1998 XJ
	5FX84 RT6AA	1	J, T						Saddle, 1997 XJ, Mini-Spare
		1	J, T						Saddle, With Mini Spare, 1998 XJ
	5FX88 RC3AA	1							Mist Gray, Outside Spare, 1998 XJ
	5FX88 RT6AA	1							Saddle, Outside Spare, 1998 XJ
3									COVER, Spare Tire
	5FX76 RC3AA	1	J, U						Mist Gray, With Compact Spare T155/90D16-Full, 1997 XJ
	5FX76 RC3AB	1	J, U						Mist Gray, With Compact Spare T155/90D16-Full, 1998 XJ
	5FX76 RT6AA	1	J, U						Saddle, With Compact Spare T155/90D16-Full, 1997 XJ
	5FX76 RT6AB	1	J, U						Saddle, With Compact Spare T155/90D16-Full, 1998 XJ
	5FX79 RC3AA	1							Mist Gray, Full Spare, 1997 XJ
	5FX79 RC3AC	1							Mist Gray, Full Spare, 1998 XJ
	5FX79 RT6AA	1							Saddle, Full Spare, 1997 XJ
	5FX79 RT6AC	1							Saddle, Full Spare, 1998 XJ
4									COVER, Inside Spare Tire
	5FM7 4TC3	1							Mist Gray, 1997 XJ, Mini-Spare
		1							Mist Gray, Mini Spare, 1998 XJ
	5FM7 4TT6	1							Saddle, 1997 XJ, Mini-Spare
		1							Saddle, Mini Spare, 1998 XJ
5									LOOP, Cargo Tie Down
	55352 692AA	1	B, J						1997 XJ, Front
		1							1998 XJ, Front
6									LOOP, Cargo Tie Down
	55352 697AA	1	B, J						1997 XJ, Rear
		1							1998 XJ, Rear

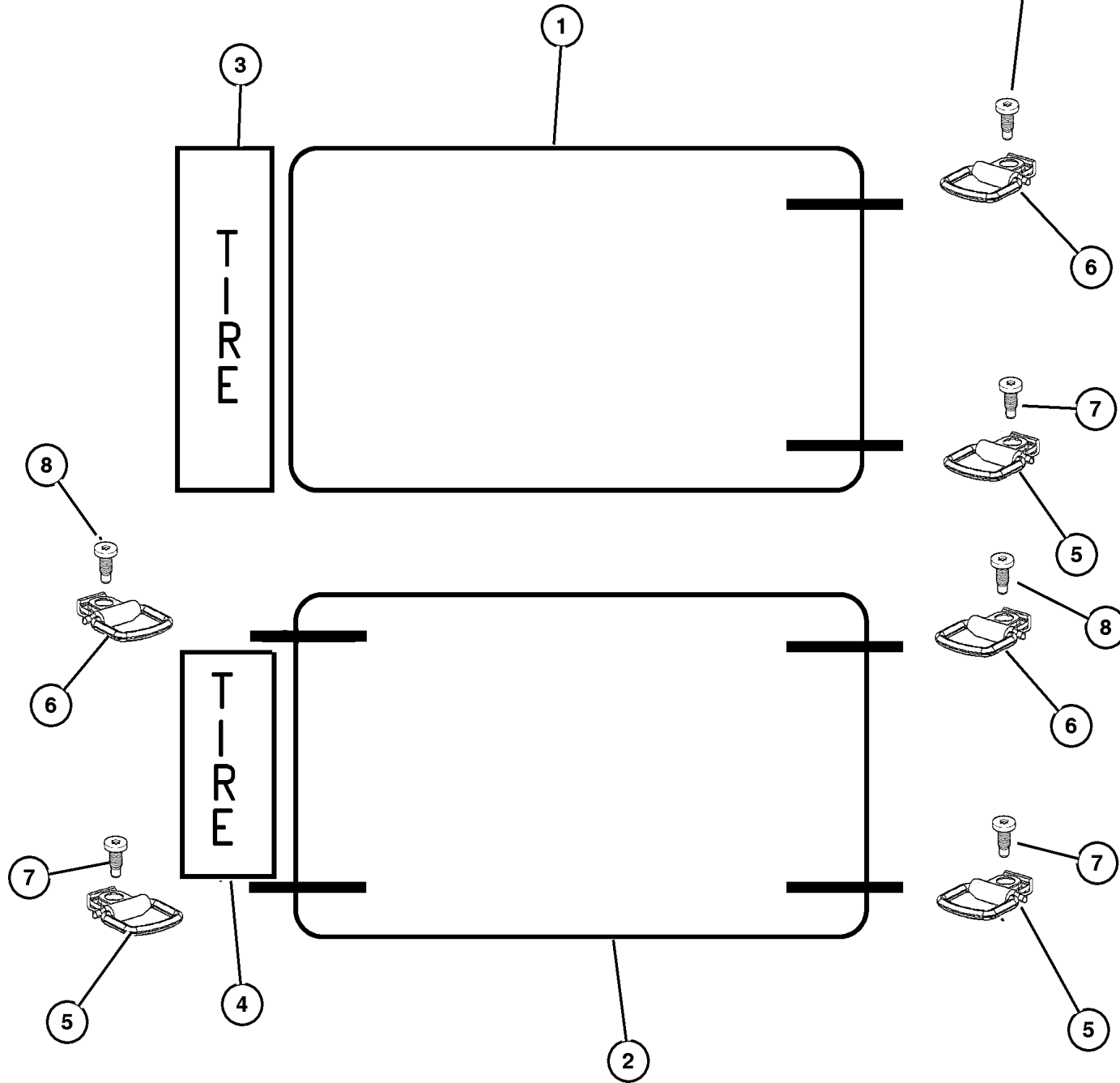
**JEEP CHEROKEE (XJ)**

SERIES	LINE	BODY	ENGINE	TRANSMISSION
L=Low Line	J=LHD (4WD) U=RHD (4WD) T=LHD (2WD) B=RHD (2WD)	74=4 DR. (101.4 WB) 72=2 DR. (101.4 WB)	ENC,EN0=2.5L 4 cyl. Turbo Die ERH,ER0=4.0L Power Tech I-6 EPE,EP0=Magnum 2.5L SMPI	DDQ=5Spd Man. DGS=4 Spd. Auto. AISIN DG0=All Auto Trans DBB=All Manual Trans.

AR = Use as required - = Non illustrated part # = New this model year

July 4, 2003

**Cover, Cargo 1997 XJ 1998 XJ**  
**Figure IXJ-330**



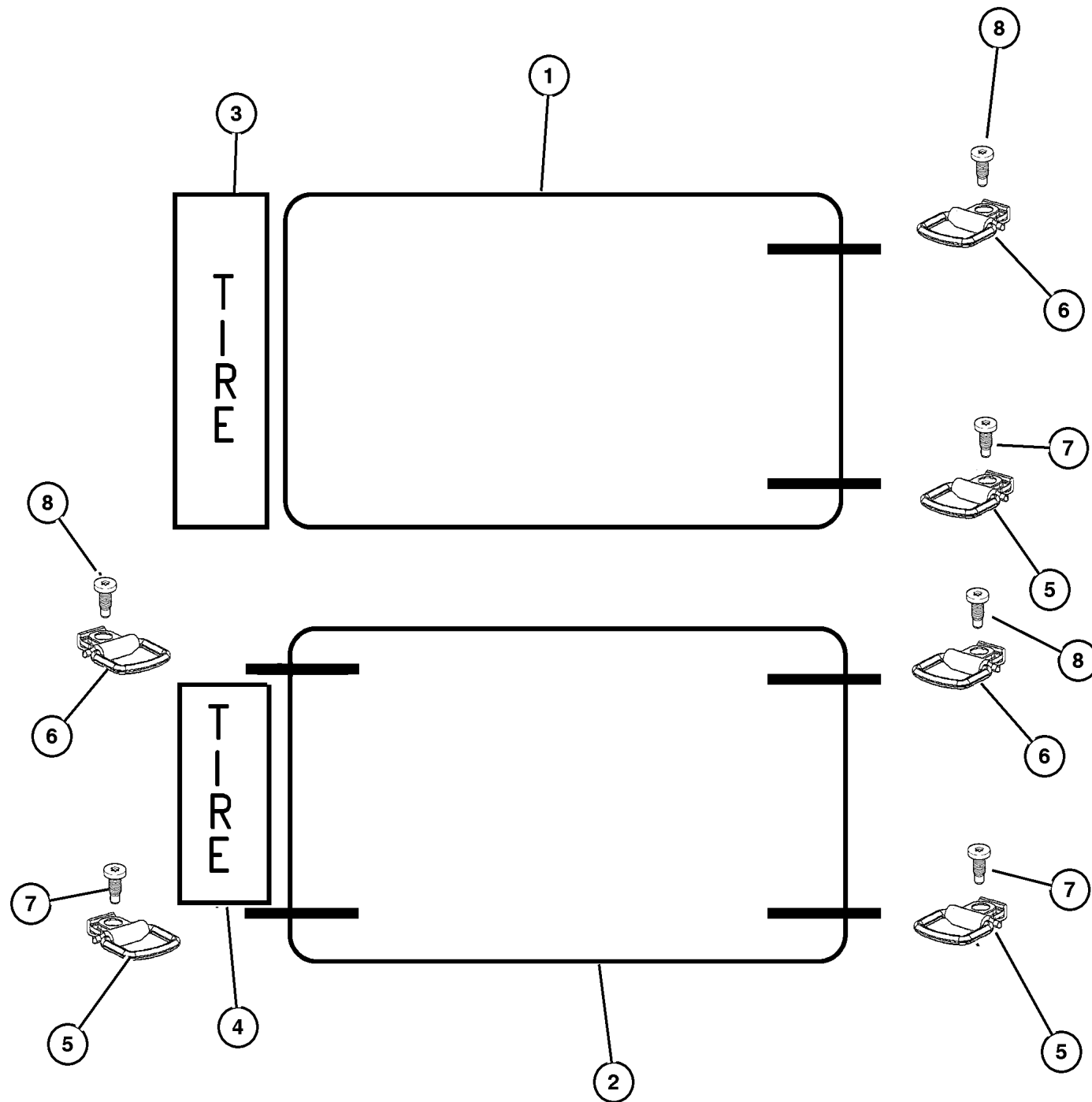
ITEM	PART NUMBER	QTY	LINE	SERIES	BODY	ENGINE	TRANS	TRIM	DESCRIPTION
7									SCREW AND FINISH WASHER, Oval Head TR, 40mm Long
	3420 1400	2			72				1997 XJ
		2							1998 XJ
8									SCREW DRILL, Oval Truss Head, .164x18x1.378, (NOT SERVICED) (Not Serviced)

<b>JEEP CHEROKEE (XJ)</b>				
SERIES	LINE	BODY	ENGINE	TRANSMISSION
L=Low Line	J=LHD (4WD) U=RHD (4WD) T=LHD (2WD) B=RHD (2WD)	74=4 DR. (101.4 WB) 72=2 DR. (101.4 WB)	ENC,EN0=2.5L 4 cyl. Turbo Die ERH,ER0=4.0L Power Tech I-6 EPE,EP0=Magnum 2.5L SMPI	DDQ=5Spd Man. DGS=4 Spd. Auto. AISIN DG0=All Auto Trans DBB=All Manual Trans.

AR = Use as required - = Non illustrated part # = New this model year

July 4, 2003

**Cover, Cargo 1999 XJ**  
**Figure IXJ-330**



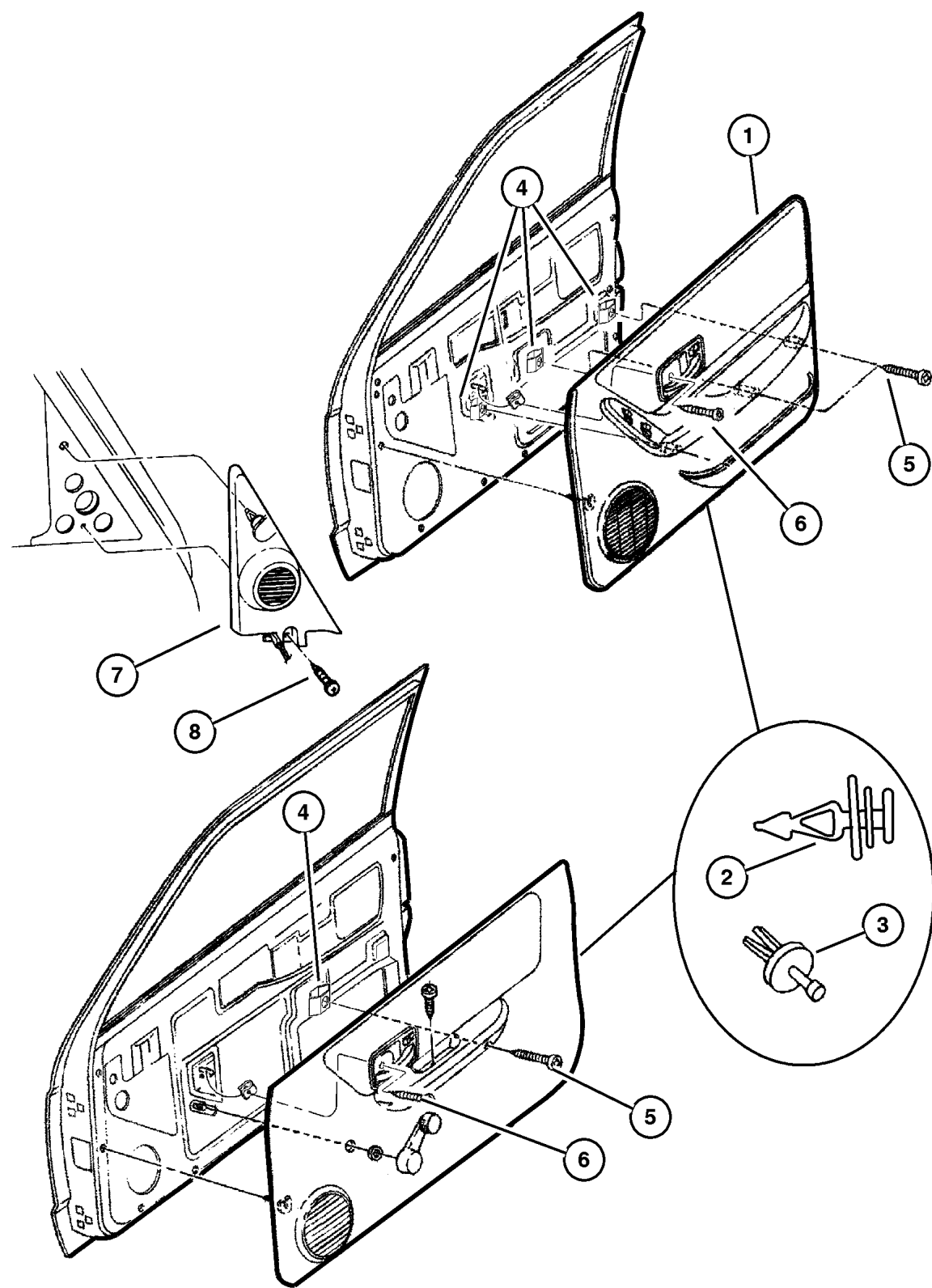
ITEM	PART NUMBER	QTY	LINE	SERIES	BODY	ENGINE	TRANS	TRIM	DESCRIPTION
1									COVER, Cargo Compartment
	5FX86 LAZAB	1							Agate, With Full Spare
	5FX87 LAZAB	1	J, U						Agate, With Compact Spare T155/90D16-Full
	5FX87 RK5AB	1	J, U						Camel, With Compact Spare T155/90D16-Full
2									COVER, Cargo Compartment
	5FX84 LAZAA	1	J, T						Agate, With Mini Spare
	5FX84 RK5AA	1	J, T						Camel, With Mini Spare
3									COVER, Spare Tire
	5FX76 LAZAC	1	J, U						Agate, With Compact Spare T155/90D16-Full
	5FX76 VK9AC	1	J, U						Camel, With Compact Spare T155/90D16-Full
	5FX79 LAZAD	1							Agate, Full Spare, With Cargo Cover
	5FX79 VK9AD	1							Camel, Full Spare, With Cargo Cover
	#5FM76 LAZAD	1							Agate, Full Spare, Without Cargo Cover
	#5FM76 VK9AD	1							Camel, Full Spare, Without Cargo Cover
4									COVER, Inside Spare Tire
	5FM74 LAZAB	1							Agate, Mini Spare
	5FM74 VK9AB	1							Camel, Mini Spare
5	55352 692AA	2							LOOP, Cargo Tie Down
6	55352 697AA	2							LOOP, Cargo Tie Down
7	3420 1400	2							SCREW AND FINISH WASHER, Oval Head TR, 40mm Long
8									SCREW DRILL, Oval Truss Head, .164x18x1.378, (NOT SERVICED) (Not Serviced)

<b>JEEP CHEROKEE (XJ)</b>				
SERIES	LINE	BODY	ENGINE	TRANSMISSION
L=Low Line	J=LHD (4WD) U=RHD (4WD) T=LHD (2WD) B=RHD (2WD)	74=4 DR. (101.4 WB) 72=2 DR. (101.4 WB)	ENC,EN0=2.5L 4 cyl. Turbo Die ERH,ER0=4.0L Power Tech I-6 EPE,EP0=Magnum 2.5L SMPI	DDQ=5Spd Man. DGS=4 Spd. Auto. AISIN DG0=All Auto Trans DBB=All Manual Trans.

AR = Use as required - = Non illustrated part # = New this model year

July 4, 2003

**Interior Trim Parts, 2 Door 2 Door 1997 XJ 1998 XJ  
Figure IXJ-410**



ITEM	PART NUMBER	QTY	LINE	SERIES	BODY	ENGINE	TRANS	TRIM	DESCRIPTION
1									PANEL, Front Door Trim
	QL60 1C3	1	J		72				Mist Gray, Vinyl, With Power, 1997 XJ, Right
	QL61 1C3	1	J		72				Mist Gray, Vinyl, With Power, 1997 XJ, Left
	QL61 1T6	1	J		72				Saddle, Vinyl, With Power, 1997 XJ, Left
	5EH3 21C3	1	B, U		72				Mist Gray, Vinyl, Without Power, 1997 XJ, Right
		1	J, T		72				Mist Gray, Vinyl, Without Power, 1997 XJ, Right
	5EH3 21T6	1	B, U		72				Saddle, Vinyl, Without Power, 1997 XJ, Right
		1	J, T		72				Saddle, Vinyl, Without Power, 1997 XJ, Right
	5EH3 31C3	1	J, T		72				Mist Gray, Vinyl, Without Power, 1997 XJ, Left
		1	B, U		72				Mist Gray, Vinyl, Without Power, 1997 XJ, Left
	5EH3 31T6	1	J, T		72				Saddle, Vinyl, Without Power, 1997 XJ, Left
		1	B, U		72				Saddle, Vinyl, Without Power, 1997 XJ, Left
	5EH35 1C3AB	1	J, T		72				Mist Gray, With Power Mirrors Only, 1997 XJ, Left
	5EH35 1T6AB	1	J, T		72				Saddle, With Power Mirrors Only, 1997 XJ, Left
	QL60 1C3	1	J, T		72				Mist Gray, Vinyl, With Power, Up to 2-5-98, 1998 XJ, Right
	5EH32 1C3AD	1	J, T		72				Mist Gray, Vinyl, Without Power, After 2-5-98, 1998 XJ, Right
	5EH32 1T6AB	1	J, T		72				Saddle, Vinyl, Without Power, Up to 2-5-98, 1998 XJ, Right
	5EH32 1T6AD	1	J, T		72				Saddle, Vinyl, Without Power, After 2-5-98, 1998 XJ, Right
	5EH33 1C3AB	1	J, T		72				Mist Gray, Vinyl, Without Power, Up to 2-5-98, 1998 XJ, Left
	5EH33 1C3AD	1	J, T		72				Mist Gray, Vinyl, Without Power, After 2-5-98, 1998 XJ, Left
	5EH33 1T6AB	1	J, T		72				Saddle, Vinyl, Without Power, Up to 2-5-98, 1998 XJ, Left
	5EH33 1T6AD	1	J, T		72				Saddle, Vinyl, Without Power, After 2-5-98, 1998 XJ, Left

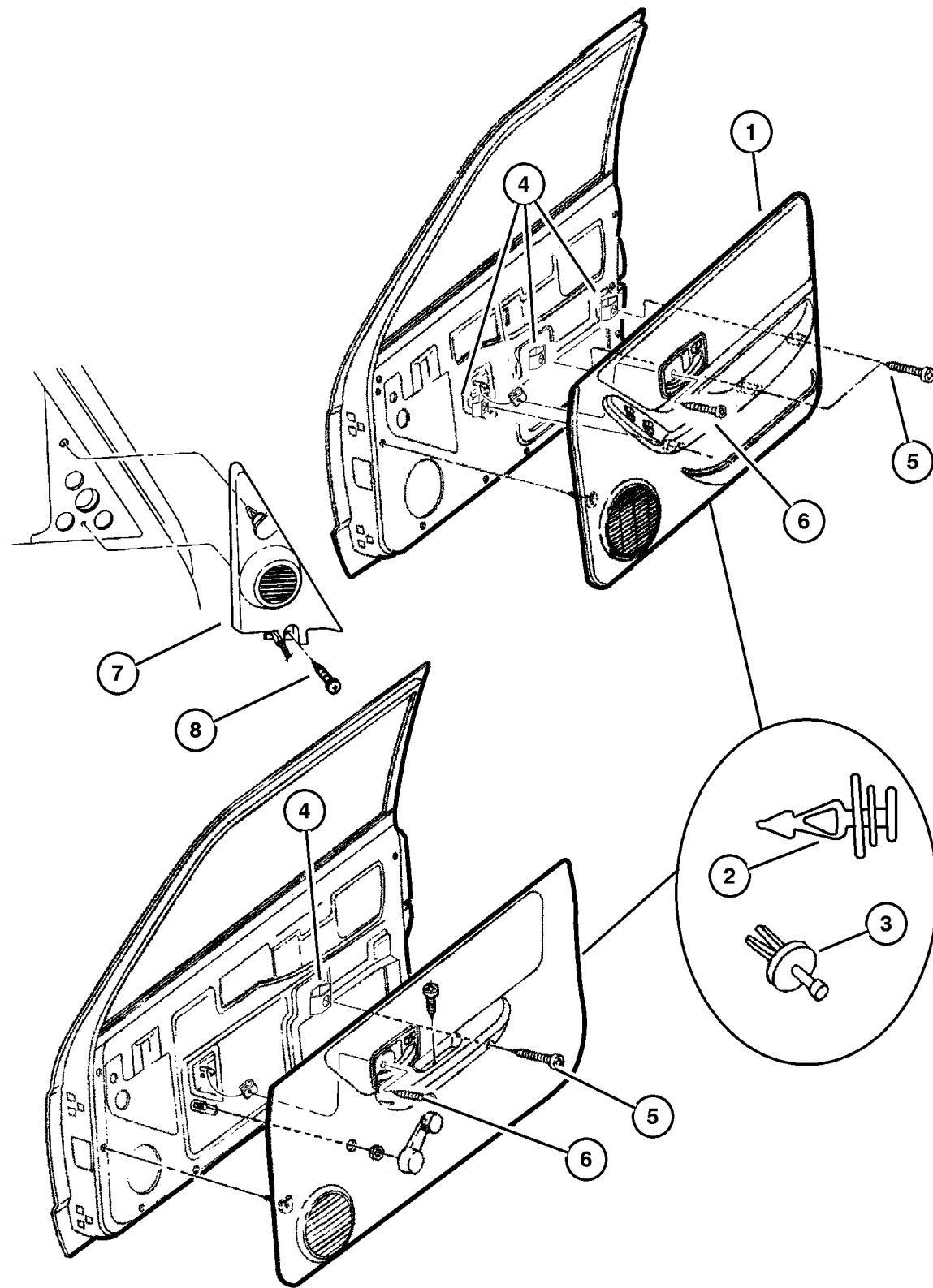
**JEEP CHEROKEE (XJ)**

SERIES	LINE	BODY	ENGINE	TRANSMISSION
L=Low Line	J=LHD (4WD) U=RHD (4WD) T=LHD (2WD) B=RHD (2WD)	74=4 DR. (101.4 WB) 72=2 DR. (101.4 WB)	ENC,EN0=2.5L 4 cyl. Turbo Die ERH,ER0=4.0L Power Tech I-6 EPE,EP0=Magnum 2.5L SMPI	DDQ=5Spd Man. DGS=4 Spd. Auto. AISIN DG0=All Auto Trans DBB=All Manual Trans.

AR = Use as required - = Non illustrated part # = New this model year

July 4, 2003

**Interior Trim Parts, 2 Door 2 Door 1997 XJ 1998 XJ  
Figure IXJ-410**



ITEM	PART NUMBER	QTY	LINE	SERIES	BODY	ENGINE	TRANS	TRIM	DESCRIPTION
	5EH35 1C3AB	1	J, T		72				Mist Gray, With Power Mirrors
	5EH35 1C3AE	1	J, T		72				Only, Up to 2-5-98, 1998 XJ, Left
	5EH35 1T6AB	1	J, T		72				Mist Gray, With Power Mirrors
	QL60 1T6	1	J, T		72				Only, After 2-5-98, 1998 XJ, Left
	5EH35 1T6AE	1	J, T		72				Saddle, With Power Mirrors Only,
	QL61 1C3	1	J, T		72				Up to 2-5-98, 1998 XJ, Left
	QL61 1T6	1	J, T		72				Saddle, Vinyl, With Power, Up to 2-5-98, 1998 XJ, Right
	SR12 1C3AA	1	J, T		72				Saddle, With Power Mirrors Only,
	SR12 1T6AA	1	J, T		72				After 2-5-98, 1998 XJ, Left
	SR13 1C3AA	1	J, T		72				Mist Gray, Vinyl, With Power, Up to 2-5-98, 1998 XJ, Left
	SR13 1T6AA	1	J, T		72				Saddle, Vinyl, With Power, Up to 2-5-98, 1998 XJ, Left
	5EH32 1C3AB	1	J, T		72				Saddle, Vinyl, With Power, After 2-5-98, 1998 XJ, Right
	5EH32 1T6AA	1	J, T		72				Saddle, Vinyl, With Power, After 2-5-98, 1998 XJ, Right
	5EH32 1T6AE	1	J, T		72				Mist Gray, Vinyl, With Power, After 2-5-98, 1998 XJ, Left
	5EH32 1T6AE	1	J, T		72				Saddle, Vinyl, With Power, After 2-5-98, 1998 XJ, Left
2	6504 014	10							Mist Gray, Vinyl, Without Power, Up to 2-5-98, 1998 XJ, Right
		10							Mist Gray, Vinyl, Without Power, Up to 2-5-98, 1998 XJ, Right
									FASTENER, Door Trim Panel
									White, 1997 XJ
									White, 1998 XJ
3	6505 009AA	AR							FASTENER, Door Trim Panel, Black
4	6029 509	6							U-NUT, .250-14
5									SCREW, .250-14x1.772, (NOT SERVICED) (Not Serviced)
6									SCREW, M4x0.7-16, (NOT SERVICED) (Not Serviced)
7									COVER, Mirror Opening
	5FM0 2RC3	1							Mist Gray, With 2 or 4 Speaker System, 1997 XJ, Right
	5FM0 2RT6	1							Saddle, With 2 or 4 Speaker System, 1997 XJ, Right
	5FM0 3RC3	1							Mist Gray, With 2 or 4 Speaker System, 1997 XJ, Left
	5FM0 3RT6	1							Saddle, With 2 or 4 Speaker System, 1997 XJ, Left

**JEEP CHEROKEE (XJ)**

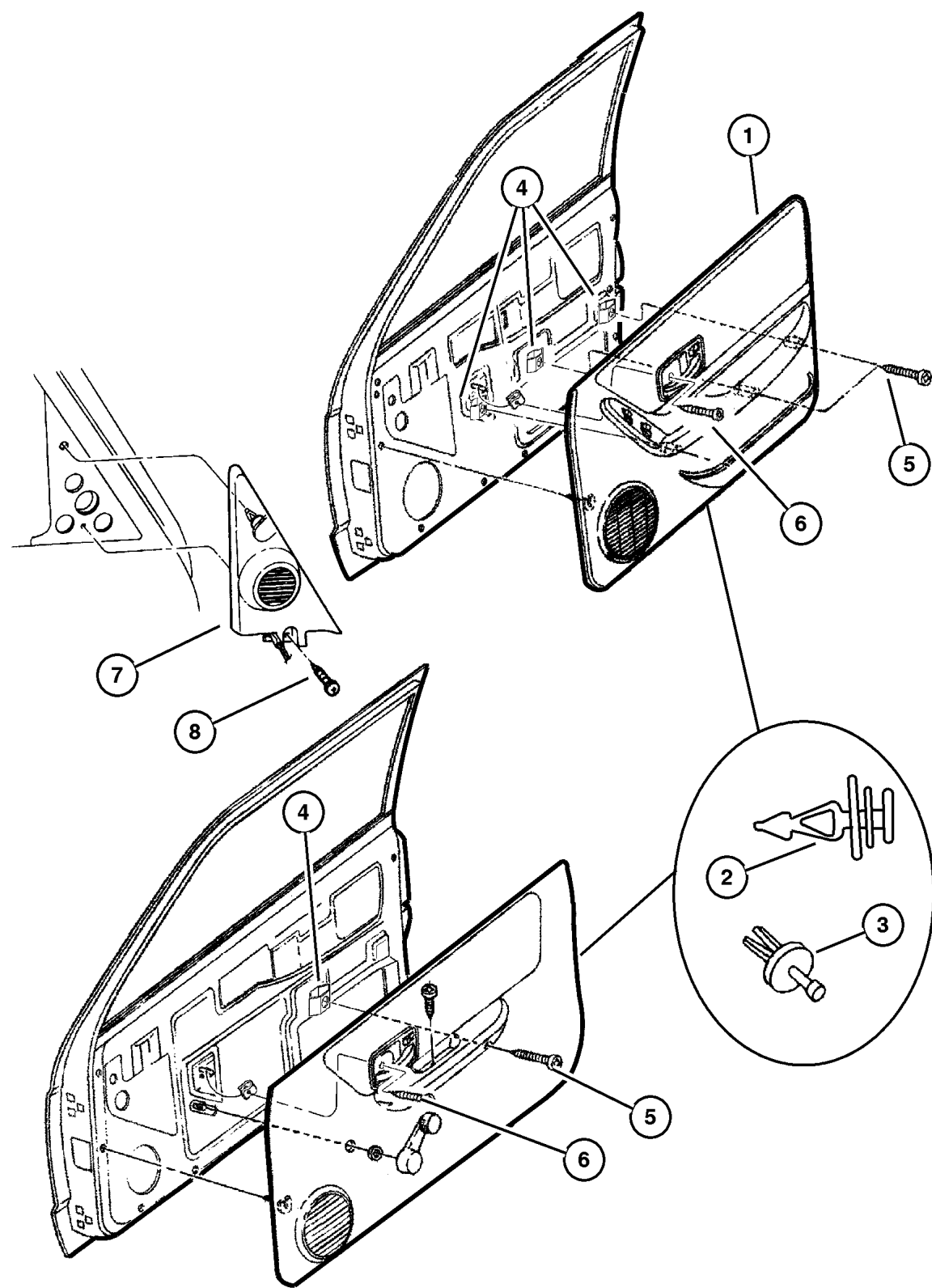
SERIES	LINE	BODY	ENGINE	TRANSMISSION
L=Low Line	J=LHD (4WD) U=RHD (4WD) T=LHD (2WD) B=RHD (2WD)	74=4 DR. (101.4 WB) 72=2 DR. (101.4 WB)	ENC,EN0=2.5L 4 cyl. Turbo Die ERH,ER0=4.0L Power Tech I-6 EPE,EP0=Magnum 2.5L SMPI	DDQ=5Spd Man. DGS=4 Spd. Auto. AISIN DG0=All Auto Trans DBB=All Manual Trans.

AR = Use as required - = Non illustrated part # = New this model year

July 4, 2003



**Interior Trim Parts, 2 Door 2 Door 1997 XJ 1998 XJ  
Figure IXJ-410**



ITEM	PART NUMBER	QTY	LINE	SERIES	BODY	ENGINE	TRANS	TRIM	DESCRIPTION
	5FV1 4RC3	1							Mist Gray, With 6 Speaker System and Tweeter, 1997 XJ, Right
	5FV1 4RT6	1							Saddle, With 6 Speaker System and Tweeter, 1997 XJ, Right
	5FV1 5RC3	1							Mist Gray, With 6 Speaker System and Tweeter, 1997 XJ, Left
	5FM02 RC3AB	1							Mist Gray, With 2 or 4 Speaker System, 1998 XJ, Right
	5FM02 RT6AB	1							Saddle, With 2 or 4 Speaker System, 1998 XJ, Right
	5FM03 RC3AB	1							Mist Gray, With 2 or 4 Speaker System, 1998 XJ, Left
	5FM03 RT6AB	1							Saddle, With 2 or 4 Speaker System, 1998 XJ, Left
	5FV14 RC3AB	1							Mist Gray, With 6 Speaker System and Tweeter, 1998 XJ, Right
	5FV14 RT6AB	1							Saddle, With 6 Speaker System and Tweeter, 1998 XJ, Right
	5FV15 RC3AB	1							Mist Gray, With 6 Speaker System and Tweeter, 1998 XJ, Left
8									SCREW, .164-18x.625, (NOT SERVICED) (Not Serviced)
-9									SCREW, Self Tapping, M4.2x1.69x19.05, Used on Front Door Trim Panel Tab
	6032 723	2							(NOT REQUIRED), 1997 XJ 1998 XJ

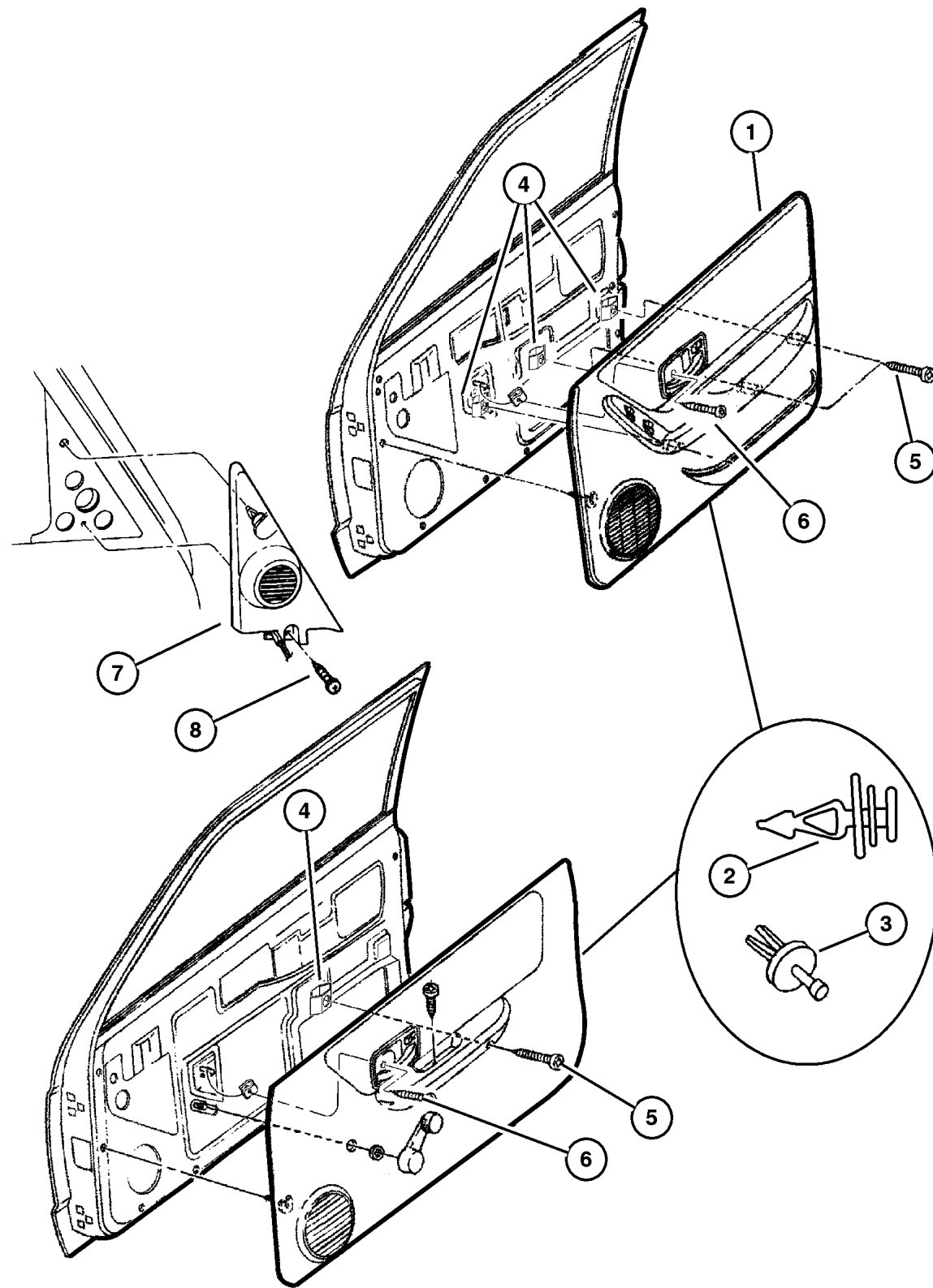
**JEEP CHEROKEE (XJ)**

SERIES	LINE	BODY	ENGINE	TRANSMISSION
L=Low Line	J=LHD (4WD) U=RHD (4WD) T=LHD (2WD) B=RHD (2WD)	74=4 DR. (101.4 WB) 72=2 DR. (101.4 WB)	ENC,EN0=2.5L 4 cyl. Turbo Die ERH,ER0=4.0L Power Tech I-6 EPE,EP0=Magnum 2.5L SMPI	DDQ=5Spd Man. DGS=4 Spd. Auto. AISIN DG0=All Auto Trans DBB=All Manual Trans.

AR = Use as required - = Non illustrated part # = New this model year

July 4, 2003

**Interior Trim Parts, 2 Door 2 Door 1999 XJ  
Figure IXJ-410**



ITEM	PART NUMBER	QTY	LINE	SERIES	BODY	ENGINE	TRANS	TRIM	DESCRIPTION
1									PANEL, Front Door Trim
	SR12 1AZAA	1	J, T		72				Agate, With Power Windows, Locks, Right
	5EH35 1K5AE	1	J, T		72				Camel, With Power Mirrors, Left
	SR12 1K5AA	1	J, T		72				Camel, With Power Windows, Locks, Right
	SR13 1AZAA	1	J, T		72				Agate, With Power Windows, Locks, Mirrors, Left
	SR13 1K5AA	1	J, T		72				Camel, With Power Windows, Locks, Mirrors, Left
	5EH32 1AZAD	1	J, T		72				Agate, Right
	5EH32 1K5AD	1	J, T		72				Camel, Right
	5EH33 1AZAD	1	J, T		72				Agate, Left
	5EH33 1K5AD	1	J, T		72				Camel, Left
	5EH35 1AZAE	1	J, T		72				Agate, With Power Mirrors, Left
2	6504 014	AR							FASTENER, Door Trim Panel, White
3	6505 009AC	AR							FASTENER, Door Trim Panel, Black
4	6029 509	6							U-NUT, .250-14
5	1150 0068	6			74				SCREW, Pan Head Tapping, .250x14x1.772
6									SCREW, M4x0.7-16, (NOT SERVICED) (Not Serviced)
7									COVER, Mirror Opening
	5FM02 LAZAB	1							Agate, Without Tweeter, Right
	5FM03 LAZAB	1							Agate, Without Tweeter, Left
	5FV14 LAZAB	1							Agate, With Tweeter, Right
	5FV14 RK5AB	1							Camel, With Tweeter, Right
	5FV15 LAZAB	1							Agate, With Tweeter, Left
8									SCREW, .164-18x.625, (NOT SERVICED) (Not Serviced)
-9	6032 723	2							SCREW, Self Tapping, M4.2x1.69x19.05, Used on Front Door Trim Panel Tab
-10	6505 387AA	6							U-NUT, M6.3X1.81~~

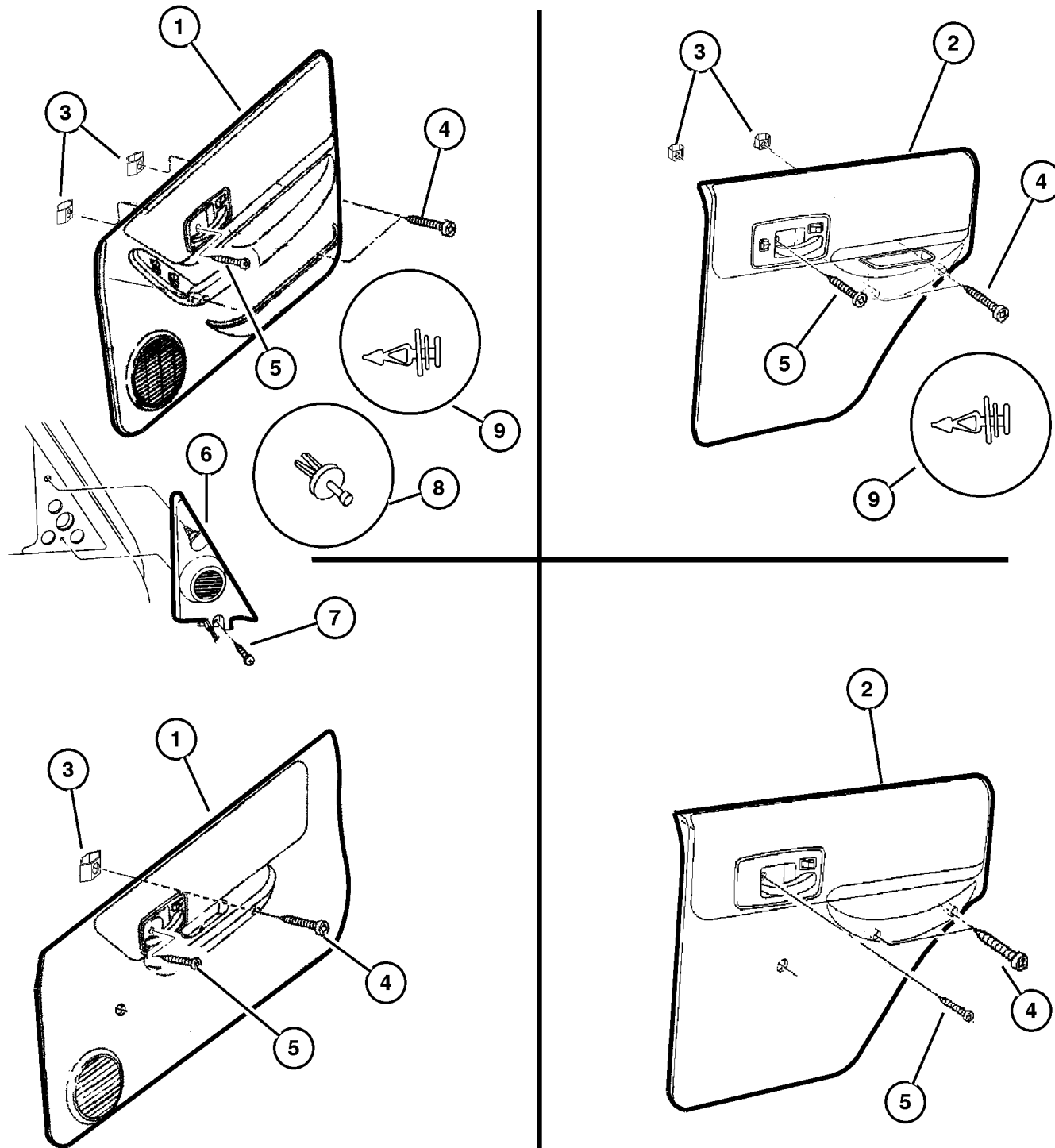
**JEEP CHEROKEE (XJ)**

SERIES	LINE	BODY	ENGINE	TRANSMISSION
L=Low Line	J=LHD (4WD) U=RHD (4WD) T=LHD (2WD) B=RHD (2WD)	74=4 DR. (101.4 WB) 72=2 DR. (101.4 WB)	ENC,EN0=2.5L 4 cyl. Turbo Die ERH,ER0=4.0L Power Tech I-6 EPE,EP0=Magnum 2.5L SMPI	DDQ=5Spd Man. DGS=4 Spd. Auto. AISIN DG0=All Auto Trans DBB=All Manual Trans.

AR = Use as required - = Non illustrated part # = New this model year

July 4, 2003

**Interior Trim Parts, 4 Door 4 Door 1997 XJ 1998 XJ  
Figure IXJ-420**



ITEM	PART NUMBER	QTY	LINE	SERIES	BODY	ENGINE	TRANS	TRIM	DESCRIPTION
CBW= Highland Vinyl CBV= Cloth With Map Pocket CBZ= Premium Vinly With Map Pocket GVB= Power Mirrors JPA= Power Windows JPB= Power Locks									
1	QL56 1C3	1	J, T		74				PANEL, Front Door Trim Mist Gray, With Sales Codes CBW, JPA,JPB, 1997 XJ, Right
	SR07 1T6AA	1	B, U		74				Saddle, With Sales Code CBV, After 2-5-98, 1998 XJ, Left
	QL66 1T6	1	J, T		74				Saddle, With Sales Code CBV ~~, 1997 XJ, Right
		1	J, T		74				Saddle, With Sales Code CBV, Up to 2-5-98, 1998 XJ, Right
	QL67 1C3	1	J		74				Mist Gray, With Sales Code CBV, 1997 XJ, Left
		1	J, T		74				Mist Gray, With Sales Code CBV, Up to 2-5-98, 1998 XJ, Left
	QL67 1T6	1	J		74				Saddle, With Sales Code CBV, 1997 XJ, Left
		1	J, T		74				Saddle, With Sales Code CBV, Up to 2-5-98, 1998 XJ, Left
	QL68 1C3	1	B, U		74				Mist Gray, With Sales Code CBV, 1997 XJ, Right
		1	B, U		74				Mist Gray, With Sales Code CBV, Up to 2-5-98, 1998 XJ, Right
	QL68 1T6	1	B, U		74				Saddle,With Sales Code CBV, 1997 XJ, Right
		1	B, U		74				Saddle, With Sales Code CBV, Up to 2-5-98, 1998 XJ, Right
	QL69 1C3	1	B, U		74				Mist Gray, With Sales Code CBV, 1997 XJ, Left
		1	B, U		74				Mist Gray, With Sales Code CBV, Up to 2-5-98, 1998 XJ, Left
	QL69 1T6	1	B, U		74				Saddle, With Sales Code CBV, 1997 XJ, Left
		1	B, U		74				Saddle, With Sales Code CBV, Up to 2-5-98, 1998 XJ, Left
	QL70 1C3	1	J, T		74				Mist Gray, With Sales Code CBZ, 1997 XJ, Right

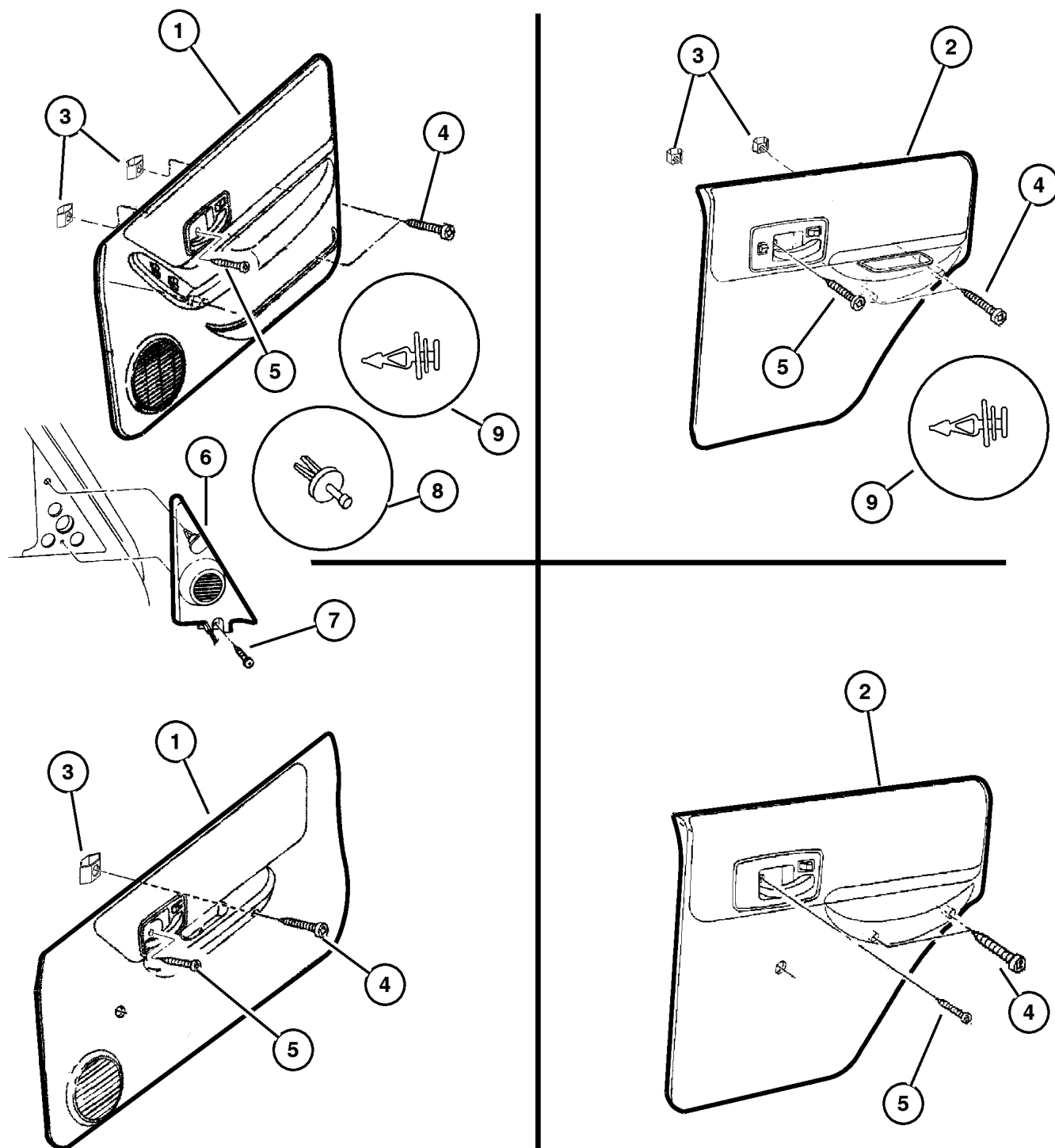
**JEEP CHEROKEE (XJ)**

SERIES	LINE	BODY	ENGINE	TRANSMISSION
L=Low Line	J=LHD (4WD) U=RHD (4WD) T=LHD (2WD) B=RHD (2WD)	74=4 DR. (101.4 WB) 72=2 DR. (101.4 WB)	ENC,EN0=2.5L 4 cyl. Turbo Die ERH,ER0=4.0L Power Tech I-6 EPE,EP0=Magnum 2.5L SMPI	DDQ=5Spd Man. DGS=4 Spd. Auto. AISIN DG0=All Auto Trans DBB=All Manual Trans.

AR = Use as required - = Non illustrated part # = New this model year

July 4, 2003

**Interior Trim Parts, 4 Door 4 Door 1997 XJ 1998 XJ**  
**Figure IXJ-420**



ITEM	PART NUMBER	QTY	LINE	SERIES	BODY	ENGINE	TRANS	TRIM	DESCRIPTION
	5EH27 1T6AE	1	J, T		74				Saddle, With Sales Code CBW, Without Power Locks, Windows, Doors, With Power Mirrors, After 2-5-98, 1998 XJ, Left
	QL70 1T6	1	J, T		74				Saddle, With Sales Code CBZ, 1997 XJ, Right
	5EH27 1T6AB	1	J, T		74				Saddle, With Sales Code CBW, Without Power Locks, Windows, Doors, With Power Mirrors, Up to 2-5-98, 1998 XJ, Left
	QL71 1C3	1	J, T		74				Mist Gray, With Sales Code CBZ, 1997 XJ, Left
	5EH27 1C3AE	1	J, T		74				Mist Gray, With Sales Code CBW, Without Power Locks, Windows, Doors, With Power Mirrors, After 2-5-98, 1998 XJ, Left
	QL56 1T6	1	J, T		74				Saddle, With Sales Codes CBW, JPA,JPB, 1997 XJ, Right
	SR07 1C3AA	1	B, U		74				Mist Gray, With Sales Code CBV, After 2-5-98, 1998 XJ, Left
	QL71 1T6	1	J, T		74				Saddle, With Sales Code CBZ, 1997 XJ, Left
	5EH27 1C3AB	1	J, T		74				Mist Gray, With Sales Code CBW, Without Power Locks, Windows, Doors, With Power Mirrors, Up to 2-5-98, 1998 XJ, Left
	QL72 1C3	1	B, U		74				Mist Gray, With Sales Code CBZ, 1997 XJ, Right
	5EH26 1T6AE	1	B, U		74				Saddle, With Sales Code CBW, Without Power Locks, Windows, Doors, With Power Mirrors, After 2-5-98, 1998 XJ, Right
	QL72 1T6	1	B, U		74				Saddle, With Sales Code CBZ, 1997 XJ, Right
	5EH26 1T6AB	1	B, U		74				Saddle, With Sales Code CBW, Without Power Locks, Windows, Doors, With Power Mirrors, Up to 2-5-98, 1998 XJ, Right
	QL73 1C3	1	B, U		74				Mist Gray, With Sales Code CBZ, 1997 XJ, Left

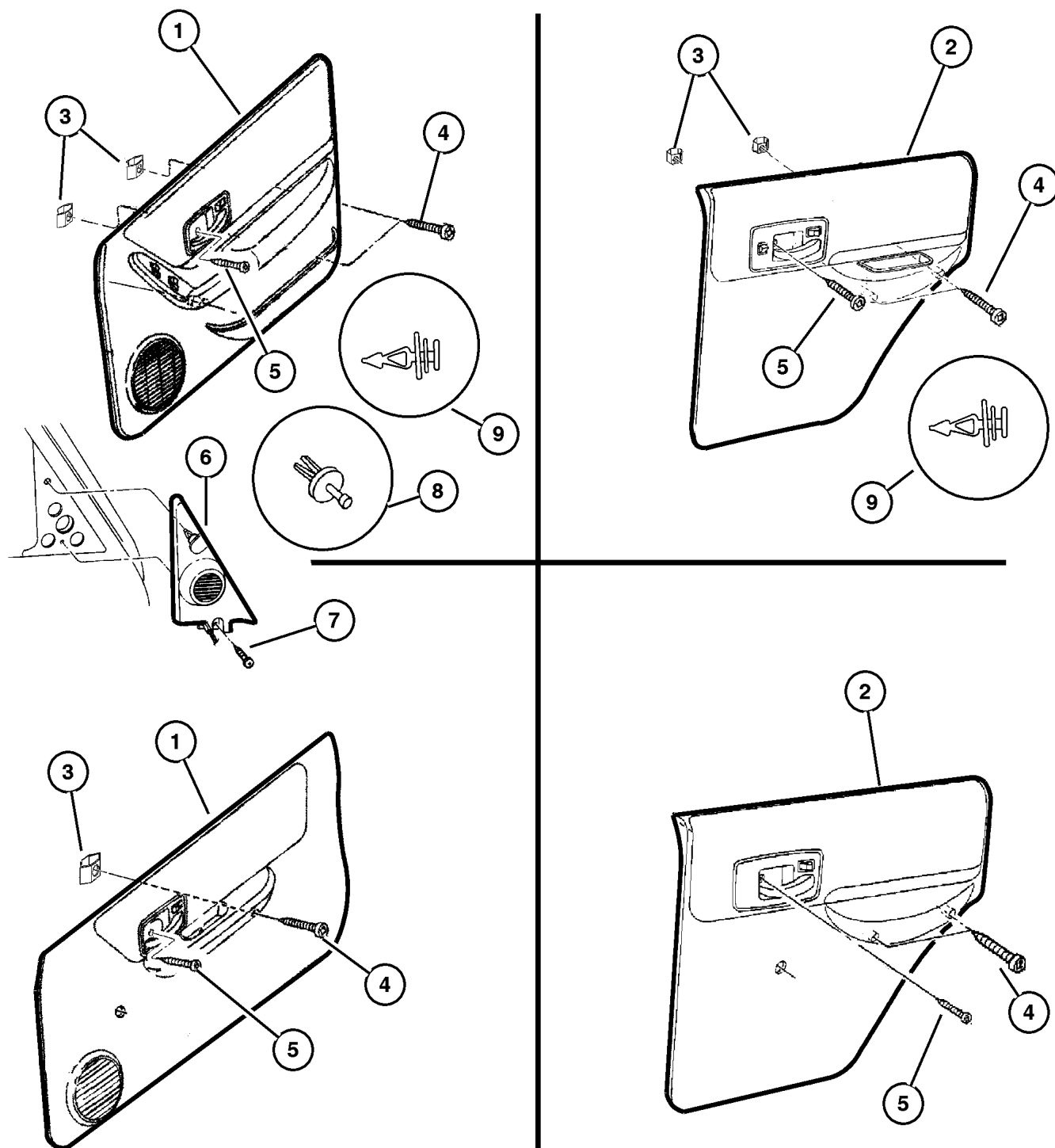
**JEEP CHEROKEE (XJ)**

SERIES	LINE	BODY	ENGINE	TRANSMISSION
L=Low Line	J=LHD (4WD) U=RHD (4WD) T=LHD (2WD) B=RHD (2WD)	74=4 DR. (101.4 WB) 72=2 DR. (101.4 WB)	ENC,EN0=2.5L 4 cyl. Turbo Die ERH,ER0=4.0L Power Tech I-6 EPE,EP0=Magnum 2.5L SMPI	DDQ=5Spd Man. DGS=4 Spd. Auto. AISIN DG0=All Auto Trans DBB=All Manual Trans.

AR = Use as required - = Non illustrated part # = New this model year

July 4, 2003

**Interior Trim Parts, 4 Door 4 Door 1997 XJ 1998 XJ**  
**Figure IXJ-420**



ITEM	PART NUMBER	QTY	LINE	SERIES	BODY	ENGINE	TRANS	TRIM	DESCRIPTION
	5EH26 1C3AE	1	B, U		74				Mist Gray, With Sales Code CBW, Without Power Locks, Windows, Doors, With Power Mirrors, After 2-5-98, 1998 XJ, Right
	QL73 1T6	1	B, U		74				Saddle, With Sales Code CBZ, 1997 XJ, Left
	5EH26 1C3AB	1	B, U		74				Mist Gray, With Sales Code CBW, Without Power Locks, Windows, Doors, With Power Mirrors, Up to 2-5-98, 1998 XJ, Right
	QL57 1C3	1	J, T		74				Mist Gray, With Sales Codes CBW, JPA, JPB, GVB, Up to 2-5-98, 1998 XJ, Left
	5EH2 41C3	1	J, T		74				Mist Gray, With Sales Code CBW, Without Power, 1997 XJ, Right
	QL57 1T6	1	J, T		74				Saddle, With Sales Codes CBW, JPA, JPB, GVB, Up to 2-5-98, 1998 XJ, Left
	5EH2 41C3	1	B, U		74				Mist Gray, With Sales Code CBW, Without Power, 1997 XJ, Right
	SR01 1C3AA	1	J, T		74				Mist Gray, With Sales Codes CBW, JPA, GVB, JPB, After 2-5-98, 1998 XJ, Left
	5EH2 41T6	1	J, T		74				Saddle, With Sales Code CBW, Without Power, 1997 XJ, Right
	SR01 1T6AA	1	J, T		74				Saddle, With Sales Codes CBW, JPA, GVB, JPB, After 2-5-98, 1998 XJ, Left
	5EH2 41T6	1	B, U		74				Saddle, With Sales Code CBW, Without Power, 1997 XJ, Right
	QL59 1C3	1	B, U		74				Mist Gray, With Sales Codes CBW, JPA, JPB, GVB, Up to 2-5-98, 1998 XJ, Left
	5EH2 51C3	1	B, U		74				Mist Gray, With Sales Code CBW, Without Power, 1997 XJ, Left
	QL57 1C3	1	J, T		74				Mist Gray, With Sales Codes CBW, JPA, GVB, JPB, 1997 XJ, Left
	SR06 1T6AA	1	B, U		74				Saddle, With Sales Code CBV, After 2-5-98, 1998 XJ, Right
	QL59 1T6	1	B, U		74				Saddle, With Sales Codes CBW, JPA, JPB, GVB, Up to 2-5-98, 1998 XJ, Left

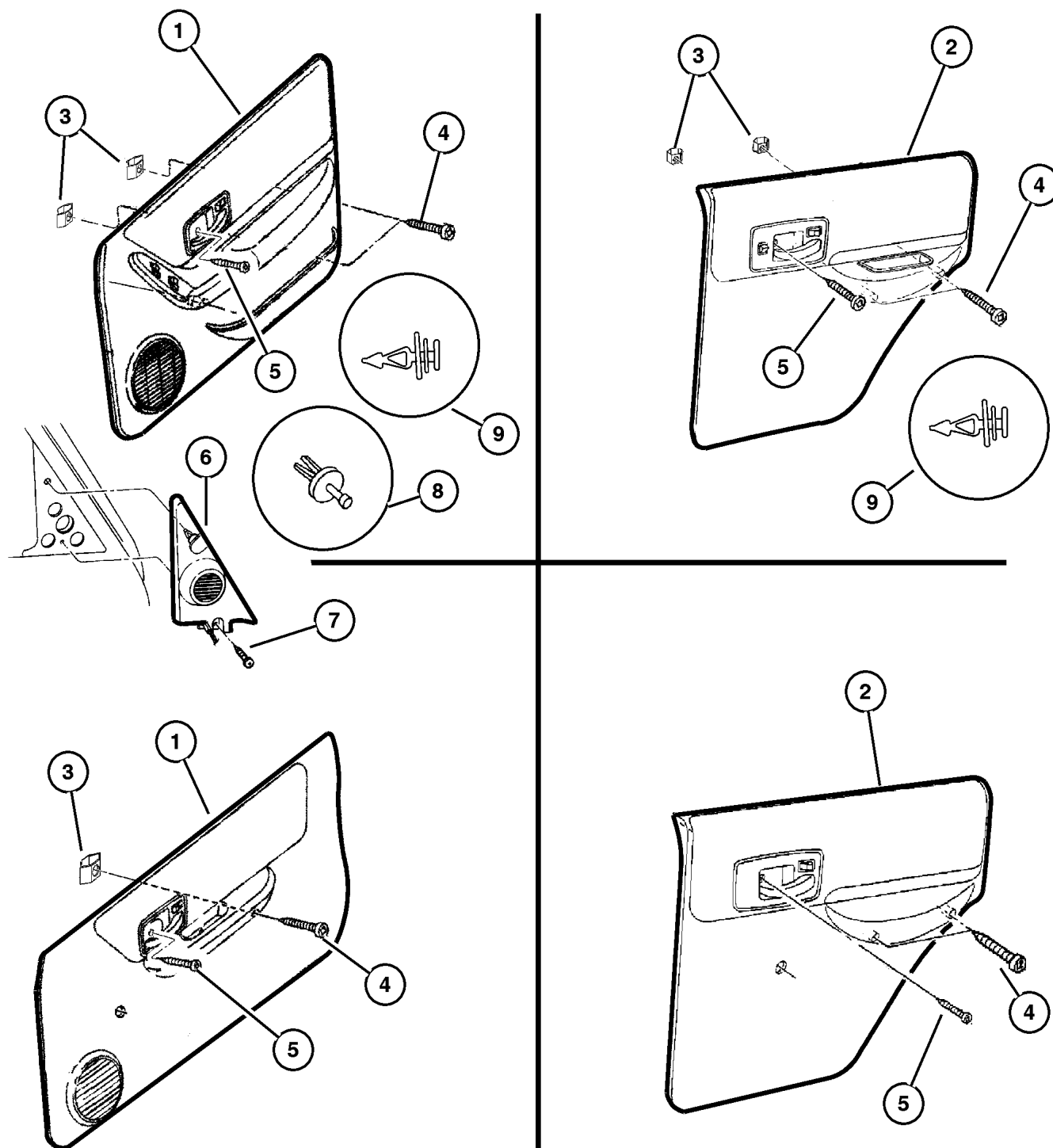
**JEEP CHEROKEE (XJ)**

SERIES	LINE	BODY	ENGINE	TRANSMISSION
L=Low Line	J=LHD (4WD) U=RHD (4WD) T=LHD (2WD) B=RHD (2WD)	74=4 DR. (101.4 WB) 72=2 DR. (101.4 WB)	ENC,EN0=2.5L 4 cyl. Turbo Die ERH,ER0=4.0L Power Tech I-6 EPE,EP0=Magnum 2.5L SMPI	DDQ=5Spd Man. DGS=4 Spd. Auto. AISIN DG0=All Auto Trans DBB=All Manual Trans.

AR = Use as required - = Non illustrated part # = New this model year

July 4, 2003

**Interior Trim Parts, 4 Door 4 Door 1997 XJ 1998 XJ  
Figure IXJ-420**



ITEM	PART NUMBER	QTY	LINE	SERIES	BODY	ENGINE	TRANS	TRIM	DESCRIPTION
	5EH2 51C3	1	J, T		74				Mist Gray, With Sales Code CBW, Without Power, 1997 XJ, Left
	SR03 1C3AA	1	B, U		74				Mist Gray, With Sales Codes CBW, JPA. GVB, JPB, After 2-5-98, 1998 XJ, Left
	5EH2 51T6	1	B, U		74				Saddle, With Sales Code CBW, Without Power, 1997 XJ, Left
	SR03 1T6AA	1	B, U		74				Saddle, With Sales Codes CBW, JPA. GVB, JPB, After 2-5-98, 1998 XJ, Left
	5EH2 51T6	1	J, T		74				Saddle, With Sales Code CBW, Without Power, 1997 XJ, Left
	SR02 1T6AA	1	B, U		74				Saddle, With Sales Codes CBW, JPA, JPB, After 2-5-98, 1998 XJ, Right
	5EH2 61C3	1	B, U		74				Mist Gray, With Sales Code CBW, Without Power, With Power Mirrors, 1997 XJ, Right
	SR02 1C3AA	1	B, U		74				Mist Gray, With Sales Codes CBW, JPA, JPB, After 2-5-98, 1998 XJ, Right
	5EH2 61T6	1	B, U		74				Saddle, With Sales Code CBW, Without Power, With Power Mirrors, 1997 XJ, Right
	QL58 1T6	1	B, U		74				Saddle, With Sales Codes CBW, JPA,JPB, Up to 2-5-98, 1998 XJ, Right
	5EH2 71C3	1	J, T		74				Mist Gray, With Sales Code CBW, Without Power, With Power Mirrors, 1997 XJ, Left
	QL58 1C3	1	B, U		74				Mist Gray,With Sales Codes CBW, JPA,JPB, Up to 2-5-98, 1998 XJ, Right
	5EH2 71T6	1	J, T		74				Saddle, With Sales Code CBW, Without Power, With Power Mirrors, 1997 XJ, Left
	SR00 1T6AA	1	J, T		74				Saddle, With Sales Codes CBW, JPA, JPB, After 2-5-98, 1998 XJ, Right
	SR00 1C3AA	1	J, T		74				Mist Gray, With Sales Codes CBW, JPA, JPB, After 2-5-98, 1998 XJ, Right

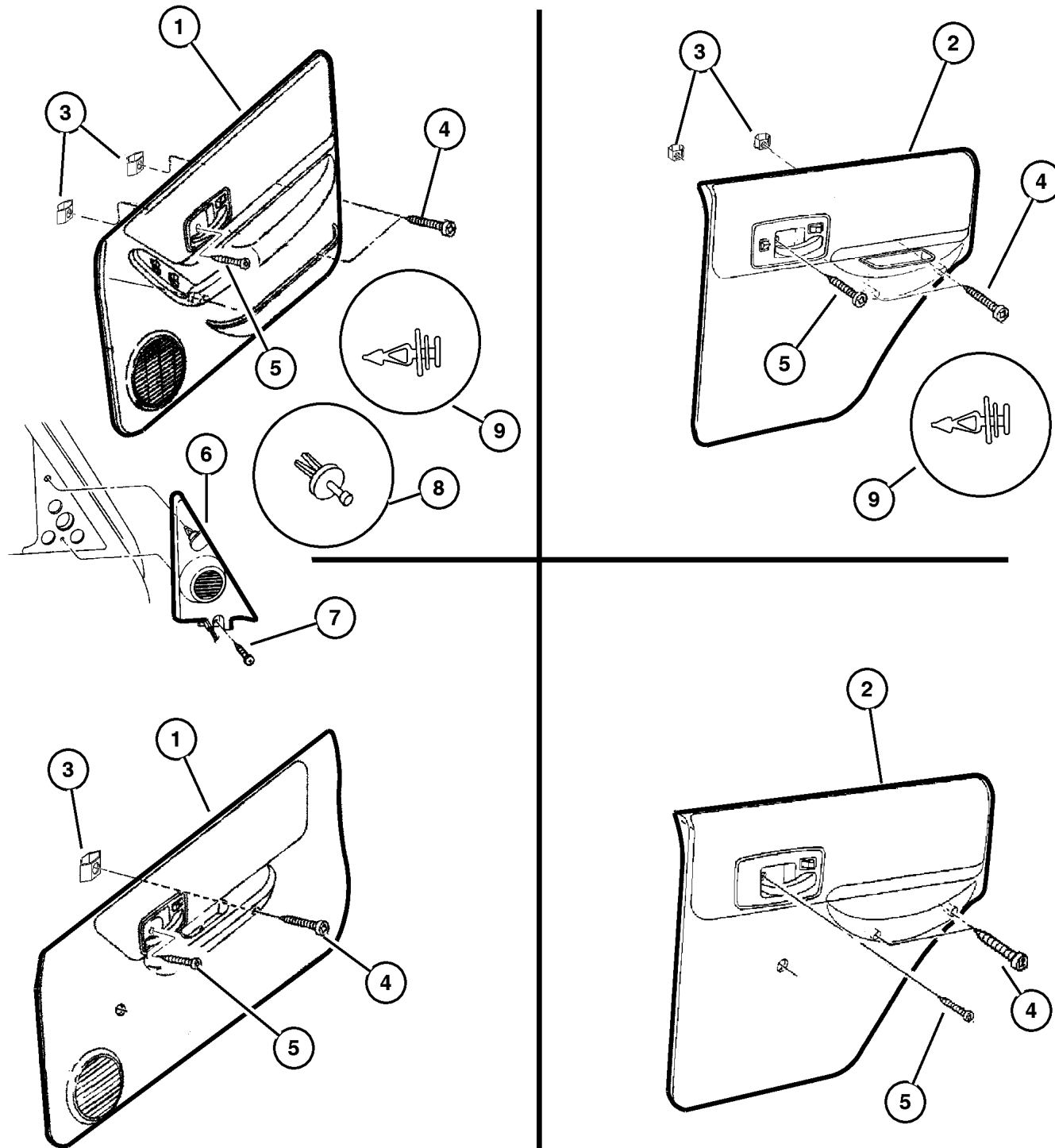
**JEEP CHEROKEE (XJ)**

SERIES	LINE	BODY	ENGINE	TRANSMISSION
L=Low Line	J=LHD (4WD) U=RHD (4WD) T=LHD (2WD) B=RHD (2WD)	74=4 DR. (101.4 WB) 72=2 DR. (101.4 WB)	ENC,EN0=2.5L 4 cyl. Turbo Die ERH,ER0=4.0L Power Tech I-6 EPE,EP0=Magnum 2.5L SMPI	DDQ=5Spd Man. DGS=4 Spd. Auto. AISIN DG0=All Auto Trans DBB=All Manual Trans.

AR = Use as required - = Non illustrated part # = New this model year

July 4, 2003

**Interior Trim Parts, 4 Door 4 Door 1997 XJ 1998 XJ**  
**Figure IXJ-420**



ITEM	PART NUMBER	QTY	LINE	SERIES	BODY	ENGINE	TRANS	TRIM	DESCRIPTION
	QL56 1T6	1	J, T		74				Saddle, With Sales Codes CBW, JPA,JPB, Up to 2-5-98, 1998 XJ, Right
	QL57 1T6	1	J, T		74				Saddle, With Sales Codes CBW, JPA,GVB,JPB, 1997 XJ, Left
	SR06 1C3AA	1	B, U		74				Mist Gray, With Sales Code CBV, After 2-5-98, 1998 XJ, Right
	QL56 1C3	1	J, T		74				Mist Gray, With Sales Codes CBW, JPA,JPB, Up to 2-5-98, 1998 XJ, Right
	5EH25 1T6AD	1	J, T		74				Saddle, With Sales Code CBW, Without Power, After 2-5-98, 1998 XJ, Left
	5EH25 1T6AB	1	J, T		74				Saddle, With Sales Code CBW, Without Power, Up to 2-5-98, 1998 XJ, Left
	5EH25 1C3AD	1	J, T		74				Mist Gray, With Sales Code CBW, Without Power, After 2-5-98, 1998 XJ, Left
	5EH25 1C3AB	1	J, T		74				Mist Gray, With Sales Code CBW, Without Power, Up to 2-5-98, 1998 XJ, Left
	5EH24 1T6AD	1	B, U		74				Saddle, With Sales Code CBW, Without Power, After 2-5-98, 1998 XJ, Right
	5EH24 1T6AB	1	B, U		74				Saddle, With Sales Code CBW, Without Power, Up to 2-5-98, 1998 XJ, Right
	5EH24 1C3AD	1	B, U		74				Mist Gray, With Sales Code CBW, Without Power, After 2-5-98, 1998 XJ, Right
	5EH24 1C3AB	1	B, U		74				Mist Gray, With Sales Code CBW, Without Power, Up to 2-5-98, 1998 XJ, Right
		1	J, T		74				Mist Gray, With Sales Code CBW, Without Power, Up to 2-5-98, 1998 XJ, Right
	QL58 1C3	1	B, U		74				Mist Gray, Sales Codes CBW, JPA,JPB, 1997 XJ, Right
	SR05 1T6AA	1	J, T		74				Saddle, With Sales Code CBV, After 2-5-98, 1998 XJ, Left

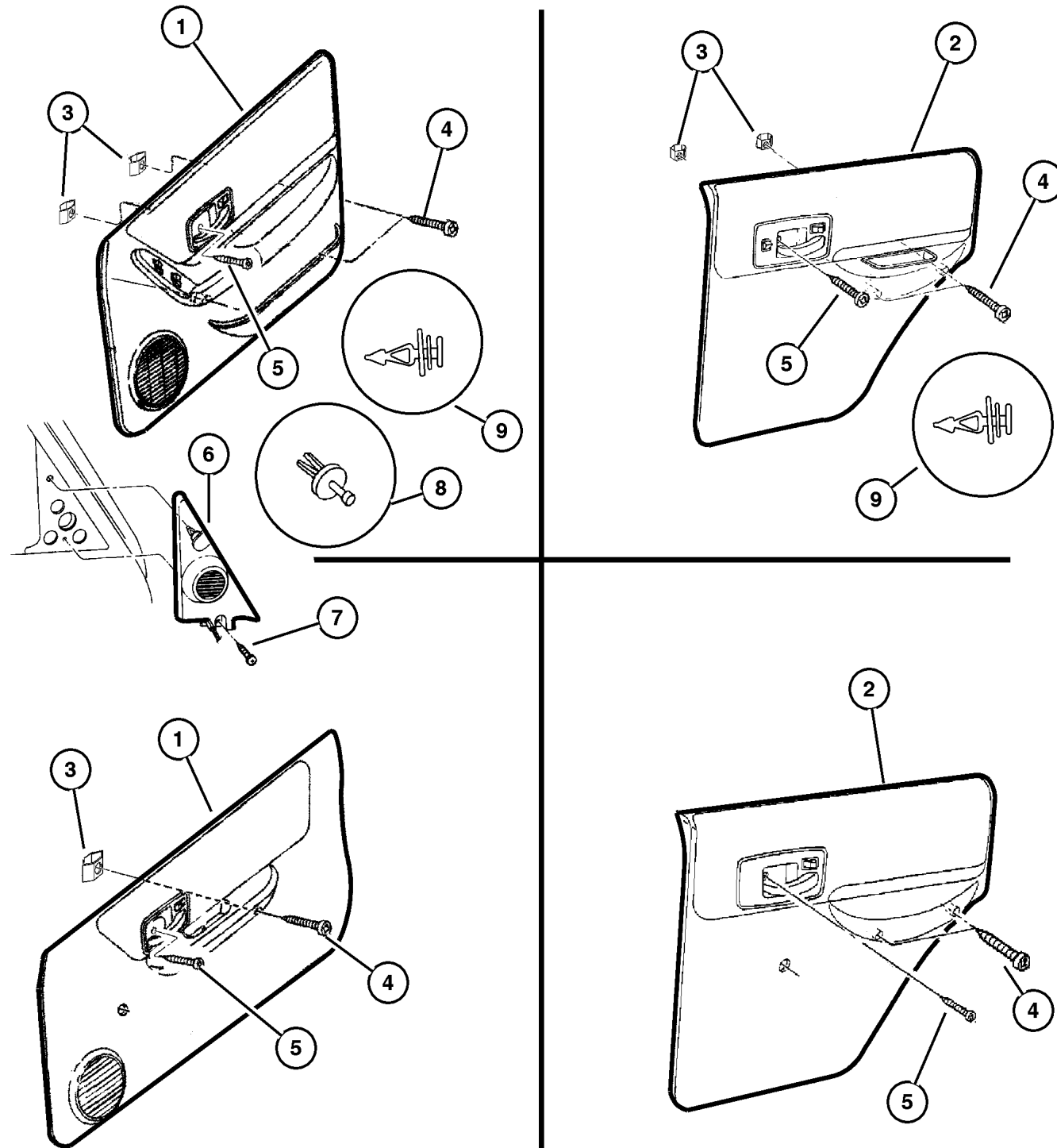
**JEEP CHEROKEE (XJ)**

SERIES	LINE	BODY	ENGINE	TRANSMISSION
L=Low Line	J=LHD (4WD) U=RHD (4WD) T=LHD (2WD) B=RHD (2WD)	74=4 DR. (101.4 WB) 72=2 DR. (101.4 WB)	ENC,EN0=2.5L 4 cyl. Turbo Die ERH,ER0=4.0L Power Tech I-6 EPE,EP0=Magnum 2.5L SMPI	DDQ=5Spd Man. DGS=4 Spd. Auto. AISIN DG0=All Auto Trans DBB=All Manual Trans.

AR = Use as required - = Non illustrated part # = New this model year

July 4, 2003

**Interior Trim Parts, 4 Door 4 Door 1997 XJ 1998 XJ**  
**Figure IXJ-420**



ITEM	PART NUMBER	QTY	LINE	SERIES	BODY	ENGINE	TRANS	TRIM	DESCRIPTION
	5EH25 1T6AD	1	B, U		74				Saddle, With Sales Code CBW, Without Power, After 2-5-98, 1998 XJ, Left
	5EH24 1C3AD	1	J, T		74				Mist Gray, With Sales Code CBW, Without Power, After 2-5-98, 1998 XJ, Right
	5EH25 1T6AB	1	B, U		74				Saddle, With Sales Code CBW, Without Power, Up to 2-5-98, 1998 XJ, Left
	5EH24 1T6AB	1	J, T		74				Saddle, With Sales Code CBW, Without Power, Up to 2-5-98, 1998 XJ, Right
	5EH25 1C3AD	1	B, U		74				Mist Gray, With Sales Code CBW, Without Power, After 2-5-98, 1998 XJ, Left
	5EH24 1T6AD	1	J, T		74				Saddle, With Sales Code CBW, Without Power, After 2-5-98, 1998 XJ, Right
	5EH25 1C3AB	1	B, U		74				Mist Gray, With Sales Code CBW, Without Power, Up to 2-5-98, 1998 XJ, Left
	SR09 1T6AA	1	J, T		74				Saddle, With Sales Code CBZ, After 2-5-98, 1998 XJ, Left
	SR10 1C3AA	1	B, U		74				Mist Gray, With Sales Code CBZ, After 2-5-98, 1998 XJ, Right
	SR10 1T6AA	1	B, U		74				Saddle, With Sales Code CBZ, After 2-5-98, 1998 XJ, Right
	QL58 1T6	1	B, U		74				Saddle, With Sales Codes CBW, JPA,JPB, 1997 XJ, Right
	SR05 1C3AA	1	J, T		74				Mist Gray, With Sales Code CBV, After 2-5-98, 1998 XJ, Left
	SR09 1C3AA	1	J, T		74				Mist Gray, With Sales Code CBZ, After 2-5-98, 1998 XJ, Left
	SR08 1T6AA	1	J, T		74				Saddle, With Sales Code CBZ, After 2-5-98, 1998 XJ, Right
	SR11 1C3AA	1	B, U		74				Mist Gray, With Sales Code CBZ, After 2-5-98, 1998 XJ, Left
	SR11 1T6AA	1	B, U		74				Saddle, With Sales Code CBZ, After 2-5-98, 1998 XJ, Left
	SR08 1C3AA	1	J, T		74				Mist Gray, With Sales Code CBZ, After 2-5-98, 1998 XJ, Right
	QL73 1T6	1	B, U		74				Saddle, With Sales Code CBZ, Up to 2-5-98, 1998 XJ, Left

**JEEP CHEROKEE (XJ)**

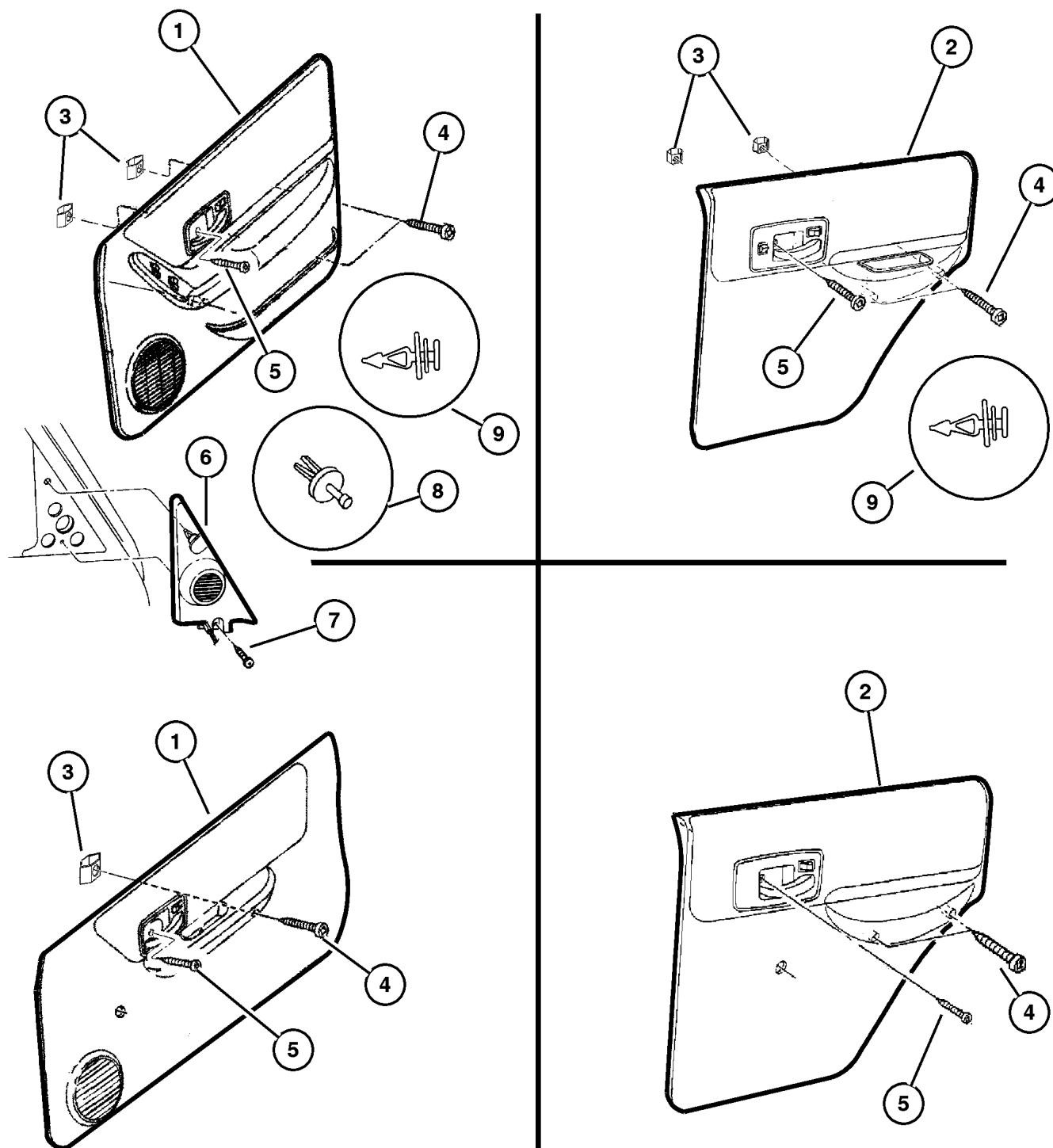
SERIES	LINE	BODY	ENGINE	TRANSMISSION
L=Low Line	J=LHD (4WD) U=RHD (4WD) T=LHD (2WD) B=RHD (2WD)	74=4 DR. (101.4 WB) 72=2 DR. (101.4 WB)	ENC,EN0=2.5L 4 cyl. Turbo Die ERH,ER0=4.0L Power Tech I-6 EPE,EP0=Magnum 2.5L SMPI	DDQ=5Spd Man. DGS=4 Spd. Auto. AISIN DG0=All Auto Trans DBB=All Manual Trans.

AR = Use as required - = Non illustrated part # = New this model year

July 4, 2003



**Interior Trim Parts, 4 Door 4 Door 1997 XJ 1998 XJ**  
**Figure IXJ-420**



ITEM	PART NUMBER	QTY	LINE	SERIES	BODY	ENGINE	TRANS	TRIM	DESCRIPTION
	QL73 1C3	1	B, U		74				Mist Gray, With Sales Code CBZ, Up to 2-5-98, 1998 XJ, Left
	QL72 1T6	1	B, U		74				Saddle, With Sales Code CBZ, Up to 2-5-98, 1998 XJ, Right
	QL72 1C3	1	B, U		74				Mist Gray, With Sales Code CBZ, Up to 2-5-98, 1998 XJ, Right
	QL71 1T6	1	J, T		74				Saddle, With Sales Code CBZ, Up to 2-5-98, 1998 XJ, Left
	QL59 1C3	1	B, U		74				Mist Gray, With Sales Codes CBW, JPA,GVB,JPB, 1997 XJ, Left
	SR04 1T6AA	1	J, T		74				Saddle, With Sales Code CBV, After 2-5-98, 1998 XJ, Right
	QL71 1C3	1	J, T		74				Mist Gray, With Sales Code CBZ, Up to 2-5-98, 1998 XJ, Left
	QL70 1T6	1	J, T		74				Saddle, With Sales Code CBZ, Up to 2-5-98, 1998 XJ, Right
	QL70 1C3	1	J, T		74				Mist Gray, With Sales Code CBZ, Up to 2-5-98, 1998 XJ, Right
	QL59 1T6	1	B, U		74				Saddle, With Sales Codes CBW, JPA,GVB,JPB, 1997 XJ, Left
	SR04 1C3AA	1	J, T		74				Mist Gray, With Sales Code CBV, After 2-5-98, 1998 XJ, Right
	QL66 1C3	1	J, T		74				Mist Gray, With Sales Code CBV, 1997 XJ, Right
		1	J, T		74				Mist Gray, With Sales Code CBV, Up to 2-5-98, 1998 XJ, Right
2	QL78 1C3	1			74				PANEL, Rear Door Trim Mist Gray, With Sales Code CBW, With Power, 1997 XJ, Right
		1			74				Mist Gray, With Sales Codes CBW, JPA, JPB, 1998 XJ, Right
	QL78 1T6	1			74				Saddle, With Sales Code CBW, With Power, 1997 XJ, Right
		1			74				Saddle, With Sales Codes CBW, JPA, JPB, 1998 XJ, Right
	QL79 1C3	1			74				Mist Gray, With Sales Code CBW, With Power, 1997 XJ, Left
		1			74				Mist Gray, With Sales Codes CBW, JPA, JPB, 1998 XJ, Left
	QL79 1T6	1			74				Saddle, With Sales Code CBW, With Power, 1997 XJ, Left
		1			74				Saddle, With Sales Codes CBW, JPA, JPB, 1998 XJ, Left

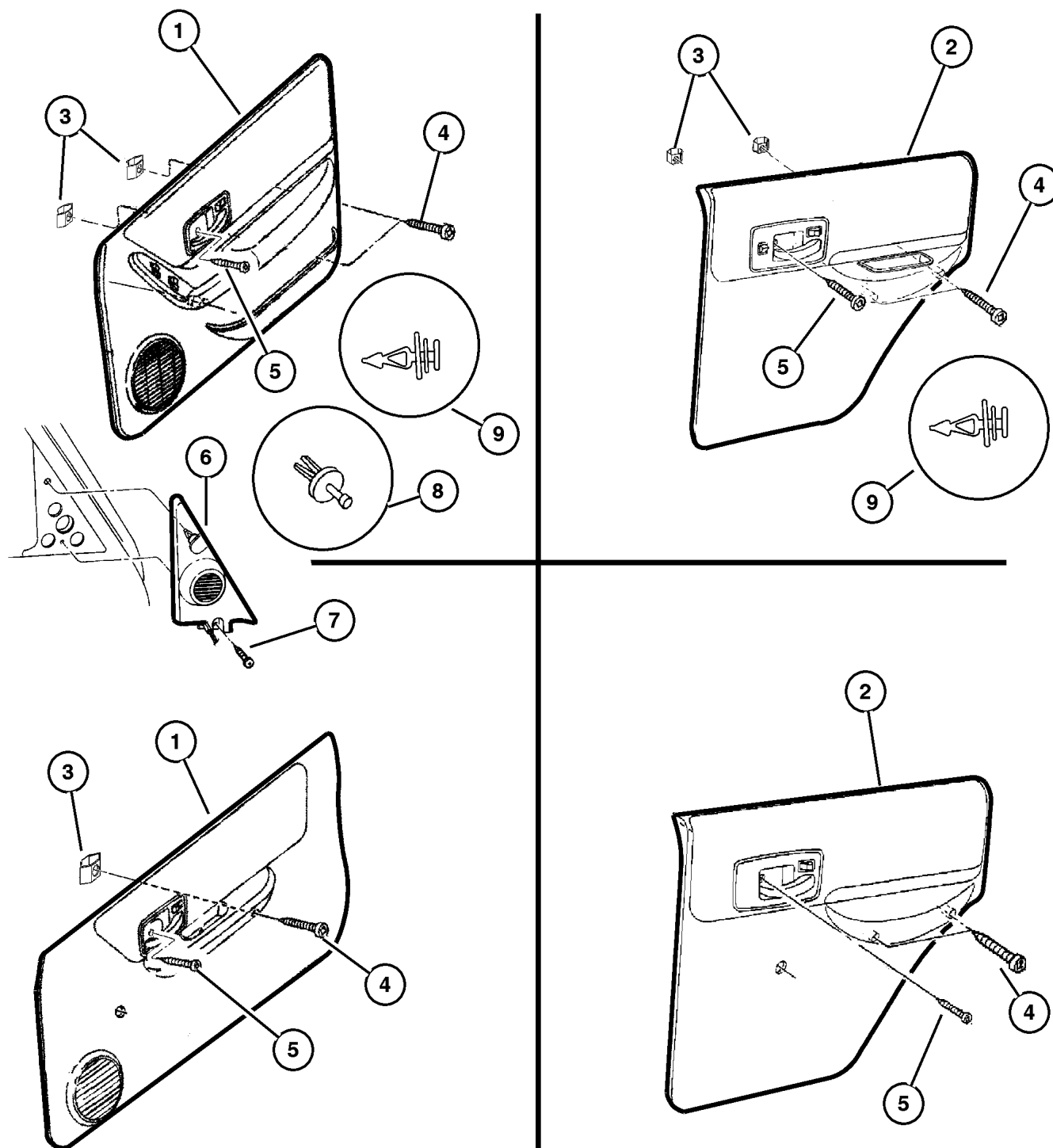
**JEEP CHEROKEE (XJ)**

SERIES	LINE	BODY	ENGINE	TRANSMISSION
L=Low Line	J=LHD (4WD) U=RHD (4WD) T=LHD (2WD) B=RHD (2WD)	74=4 DR. (101.4 WB) 72=2 DR. (101.4 WB)	ENC,EN0=2.5L 4 cyl. Turbo Die ERH,ER0=4.0L Power Tech I-6 EPE,EP0=Magnum 2.5L SMPI	DDQ=5Spd Man. DGS=4 Spd. Auto. AISIN DG0=All Auto Trans DBB=All Manual Trans.

AR = Use as required - = Non illustrated part # = New this model year

July 4, 2003

**Interior Trim Parts, 4 Door 4 Door 1997 XJ 1998 XJ  
Figure IXJ-420**



ITEM	PART NUMBER	QTY	LINE	SERIES	BODY	ENGINE	TRANS	TRIM	DESCRIPTION
	QL80 1C3	1			74				Mist Gray, With Sales Code CBV, Right
	QL80 1T6	1			74				Saddle, With Sales Code CBV, Right
	QL81 1C3	1			74				Mist Gray, With Sales Code CBV, Left
	QL81 1T6	1			74				Saddle, With Sales Code CBV, Left
	QL82 1C3	1			74				Mist Gray, With Sales Code CBZ, 1997 XJ, Right
		1			74				Mist Gray, With Sales Code CBZ, 1998 XJ, Right
	QL82 1T6	1			74				Saddle, With Sales Code CBZ, 1997 XJ, Right
		1			74				Saddle, With Sales Code CBZ, 1998 XJ, Right
	QL83 1C3	1			74				Mist Gray, With Sales Code CBZ, 1997 XJ, Left
		1			74				Mist Gray, With Sales Code CBZ, 1998 XJ, Left
	QL83 1T6	1			74				Saddle, With Sales Code CBZ, 1997 XJ, Left
		1			74				Saddle, With Sales Code CBZ, 1998 XJ, Left
	5EG8 21C3	1			74				Mist Gray, With Sales Code CBW, Without Power, 1997 XJ, Right
	5EG82 1C3AB	1			74				Mist Gray, With Sales Code CBW, Without Power, 1998 XJ, Right
	5EG8 21T6	1			74				Saddle, With Sales Code CBW, Without Power, 1997 XJ, Right
	5EG82 1T6AB	1			74				Saddle, With Sales Code CBW, Without Power, 1998 XJ, Right
	5EG8 31C3	1			74				Mist Gray, With Sales Code CBW, Without Power, 1997 XJ, Left
	5EG83 1C3AB	1			74				Mist Gray, With Sales Code CBW, Without Power, 1998 XJ, Left
	5EG8 31T6	1			74				Saddle, With Sales Code CBW, Without Power, 1997 XJ, Left
	5EG83 1T6AB	1			74				Saddle, With Sales Code CBW, Without Power, 1998 XJ, Left
3	6029 509	6			74				U-NUT, .250-14
4									SCREW, Pan Head Tapping, .250x14x1.772, (NOT SERVICED) (Not Serviced)

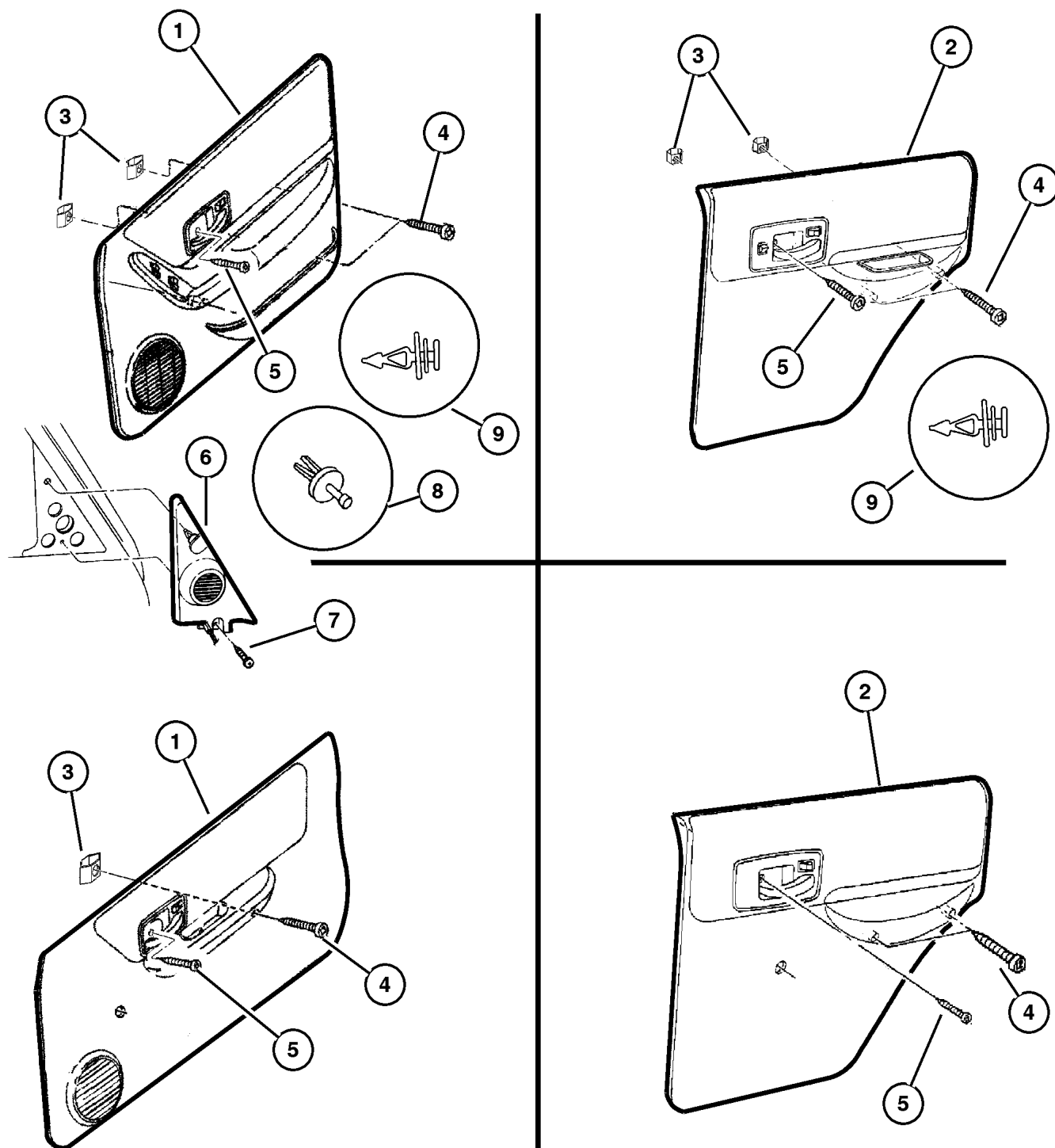
**JEEP CHEROKEE (XJ)**

SERIES	LINE	BODY	ENGINE	TRANSMISSION
L=Low Line	J=LHD (4WD) U=RHD (4WD) T=LHD (2WD) B=RHD (2WD)	74=4 DR. (101.4 WB) 72=2 DR. (101.4 WB)	ENC,EN0=2.5L 4 cyl. Turbo Die ERH,ER0=4.0L Power Tech I-6 EPE,EP0=Magnum 2.5L SMPI	DDQ=5Spd Man. DGS=4 Spd. Auto. AISIN DG0=All Auto Trans DBB=All Manual Trans.

AR = Use as required - = Non illustrated part # = New this model year

July 4, 2003

**Interior Trim Parts, 4 Door 4 Door 1997 XJ 1998 XJ**  
**Figure IXJ-420**



ITEM	PART NUMBER	QTY	LINE	SERIES	BODY	ENGINE	TRANS	TRIM	DESCRIPTION
5									SCREW, Remote Control Handle, M4x.7x16, (NOT SERVICED) (Not Serviced)
6									COVER, Mirror Opening
	5FM0 2RC3	1							Mist Gray, With 2 or 4 Speaker System, 1997 XJ, Right
	5FM02 RC3AB	1							Mist Gray, With 2 or 4 Speaker System, 1998 XJ, Right
	5FM0 2RT6	1							Saddle, With 2 or 4 Speaker System, 1997 XJ, Right
	5FM02 RT6AB	1							Saddle, With 2 or 4 Speaker System, 1998 XJ, Right
	5FM0 3RC3	1							Mist Gray, With 2 or 4 Speaker System, 1997 XJ, Left
	5FM03 RC3AB	1							Mist Gray, With 2 or 4 Speaker System, 1998 XJ, Left
	5FM0 3RT6	1							Saddle, With 2 or 4 Speaker System, 1997 XJ, Left
	5FM03 RT6AB	1							Saddle, With 2 or 4 Speaker System, 1998 XJ, Left
	5FV1 4RC3	1							Mist Gray, With 6 Speaker System, 1997 XJ, Right
	5FV14 RC3AB	1							Mist Gray, With 6 Speaker System, 1998 XJ, Right
	5FV1 4RT6	1							Saddle, With 6 Speaker System, 1997 XJ, Right
	5FV14 RT6AB	1							Saddle, With 6 Speaker System, 1998 XJ, Right
	5FV1 5RC3	1							Mist Gray, With 6 Speaker System, 1997 XJ, Left
	5FV15 RC3AB	1							Mist Gray, With 6 Speaker System, 1998 XJ, Left
	5FV1 5RT6	1							Saddle, With 6 Speaker System, 1997 XJ, Left
	5FV15 RT6AB	1							Saddle, With 6 Speaker System, 1998 XJ, Left
7									SCREW, .164-18x.625, (NOT SERVICED) (Not Serviced)
8	6505 009AA	AR							FASTENER, Door Trim Panel, Black
9	6504 014	AR							FASTENER, Door Trim Panel, White
-10									SCREW, Self Tapping, M4.2x1.69x19.05, Used on Front Door Trim Panel Tab

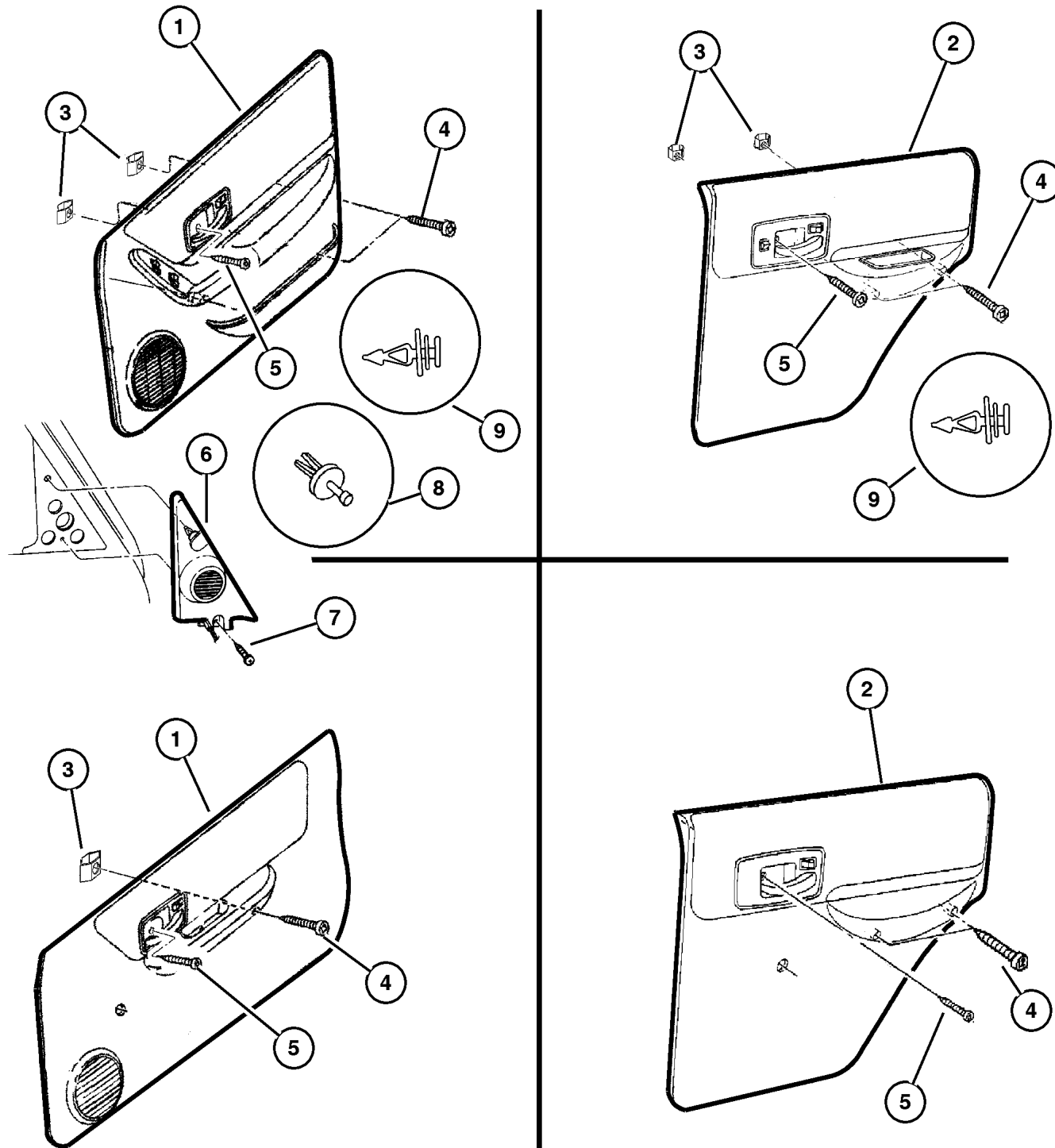
**JEEP CHEROKEE (XJ)**

SERIES	LINE	BODY	ENGINE	TRANSMISSION
L=Low Line	J=LHD (4WD) U=RHD (4WD) T=LHD (2WD) B=RHD (2WD)	74=4 DR. (101.4 WB) 72=2 DR. (101.4 WB)	ENC,EN0=2.5L 4 cyl. Turbo Die ERH,ER0=4.0L Power Tech I-6 EPE,EP0=Magnum 2.5L SMPI	DDQ=5Spd Man. DGS=4 Spd. Auto. AISIN DG0=All Auto Trans DBB=All Manual Trans.

AR = Use as required - = Non illustrated part # = New this model year

July 4, 2003

**Interior Trim Parts, 4 Door 4 Door 1997 XJ 1998 XJ**  
**Figure IXJ-420**



ITEM	PART NUMBER	QTY	LINE	SERIES	BODY	ENGINE	TRANS	TRIM	DESCRIPTION
------	-------------	-----	------	--------	------	--------	-------	------	-------------

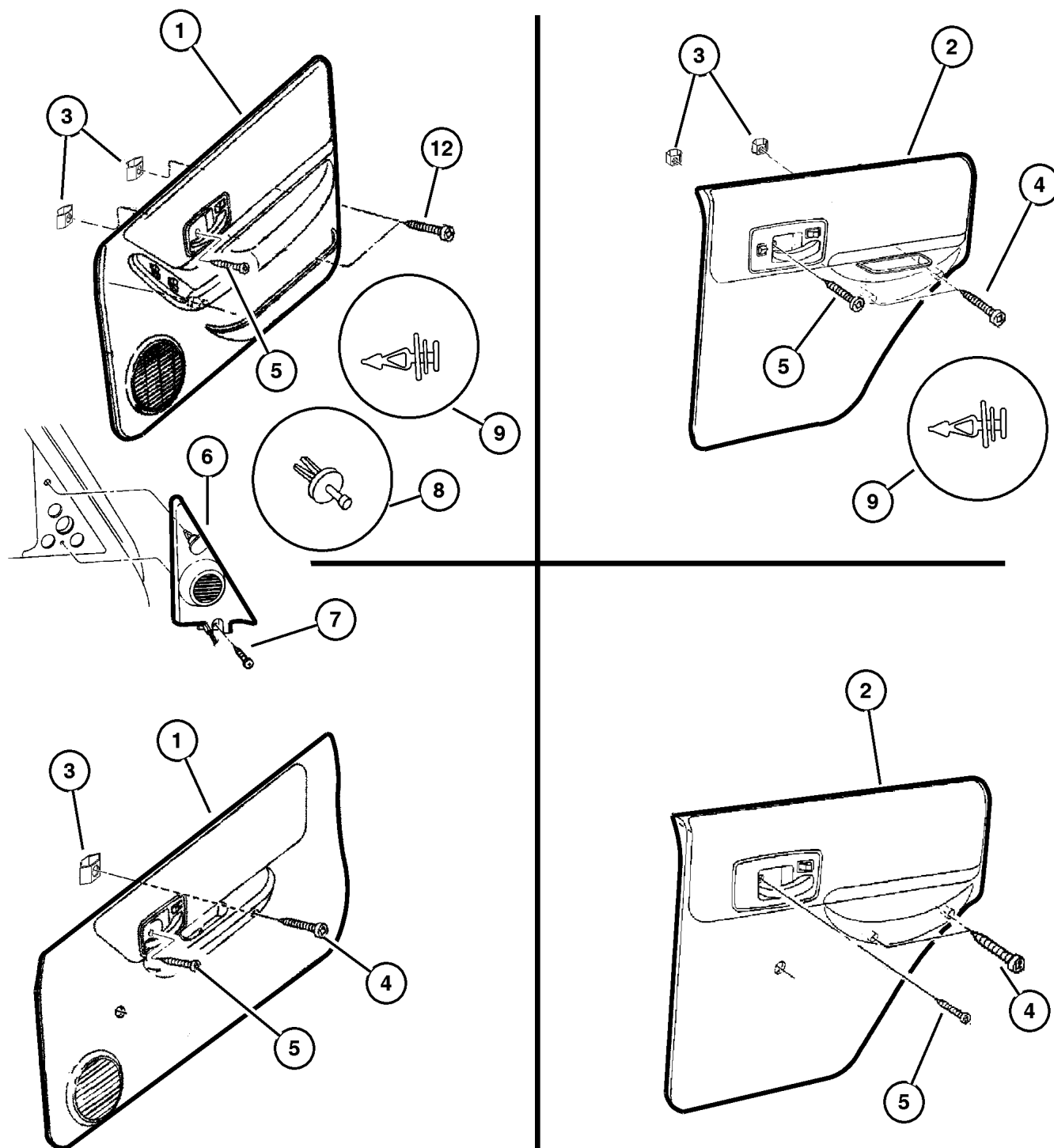
									(NOT REQUIRED), 1997 XJ
	6032 723	2							1998 XJ

JEEP CHEROKEE (XJ)				
SERIES	LINE	BODY	ENGINE	TRANSMISSION
L=Low Line	J=LHD (4WD) U=RHD (4WD) T=LHD (2WD) B=RHD (2WD)	74=4 DR. (101.4 WB) 72=2 DR. (101.4 WB)	ENC,EN0=2.5L 4 cyl. Turbo Die ERH,ER0=4.0L Power Tech I-6 EPE,EP0=Magnum 2.5L SMPI	DDQ=5Spd Man. DGS=4 Spd. Auto. AISIN DG0=All Auto Trans DBB=All Manual Trans.

AR = Use as required - = Non illustrated part # = New this model year

July 4, 2003

**Interior Trim Parts, 4 Door 4 Door 1999 XJ**  
**Figure IXJ-420**



ITEM	PART NUMBER	QTY	LINE	SERIES	BODY	ENGINE	TRANS	TRIM	DESCRIPTION
Sales Codes: [CBW]= Highland Vinyl [CBV]= Cloth With Map Pocket [CBZ]= Premium Vinyl With Map Pocket [GVB]= Power Mirrors [JPA]= Power Windows [JPB]= Power Doors									
1									PANEL, Front Door Trim
	SR00 1AZAA	1	J, T		74				Agate, Highland Vinyl, With Sales Codes CBW, JPA, JPB, Right
	SR04 1K5AA	1	J, T		74				Camel, Cloth With Map Pocket, (CBV), Right
	SR05 1AZAA	1	J, T		74				Agate, Cloth With Map Pocket, (CBV), Left
	SR05 1K5AA	1	J, T		74				Camel, Cloth With Map Pocket, (CBV), Left
	SR06 1AZAA	1	B, U		74				Agate, Cloth With Map Pocket, (CBV), Right
	SR06 1K5AA	1	B, U		74				Camel, Cloth With Map Pocket, (CBV), Right
	SR07 1AZAA	1	B, U		74				Agate, Cloth With Map Pocket, (CBV), Left
	SR07 1K5AA	1	B, U		74				Camel, Cloth With Map Pocket, (CBV), Left
	SR08 1AZAA	1	J, T		74				Agate, Premium Vinyl With Map Pocket, (CBZ), Right
	SR08 1K5AA	1	J, T		74				Camel, Premium Vinyl With Map Pocket, (CBZ), Right
	SR09 1AZAA	1	J, T		74				Agate, Premium Vinyl With Map Pocket, (CBZ), Left
	SR00 1K5AA	1	J, T		74				Camel, Highland Vinyl, With Sales Codes CBW, JPA, JPB, Right
	SR09 1K5AA	1	J, T		74				Camel, Premium Vinyl With Map Pocket, (CBZ), Left
	SR10 1AZAA	1	B, U		74				Agate, Premium Vinyl With Map Pocket, (CBZ), Right
	SR10 1K5AA	1	B, U		74				Camel, Premium Vinyl With Map Pocket, (CBZ), Right
	SR11 1AZAA	1	B, U		74				Agate, Premium Vinyl With Map Pocket, (CBZ), Left
	SR11 1K5AA	1	B, U		74				Camel, Premium Vinyl With Map Pocket, (CBZ), Left
	5EH24 1AZAD	1	J, T		74				Agate, Highland Vinyl, Without Power, (CBW), Right

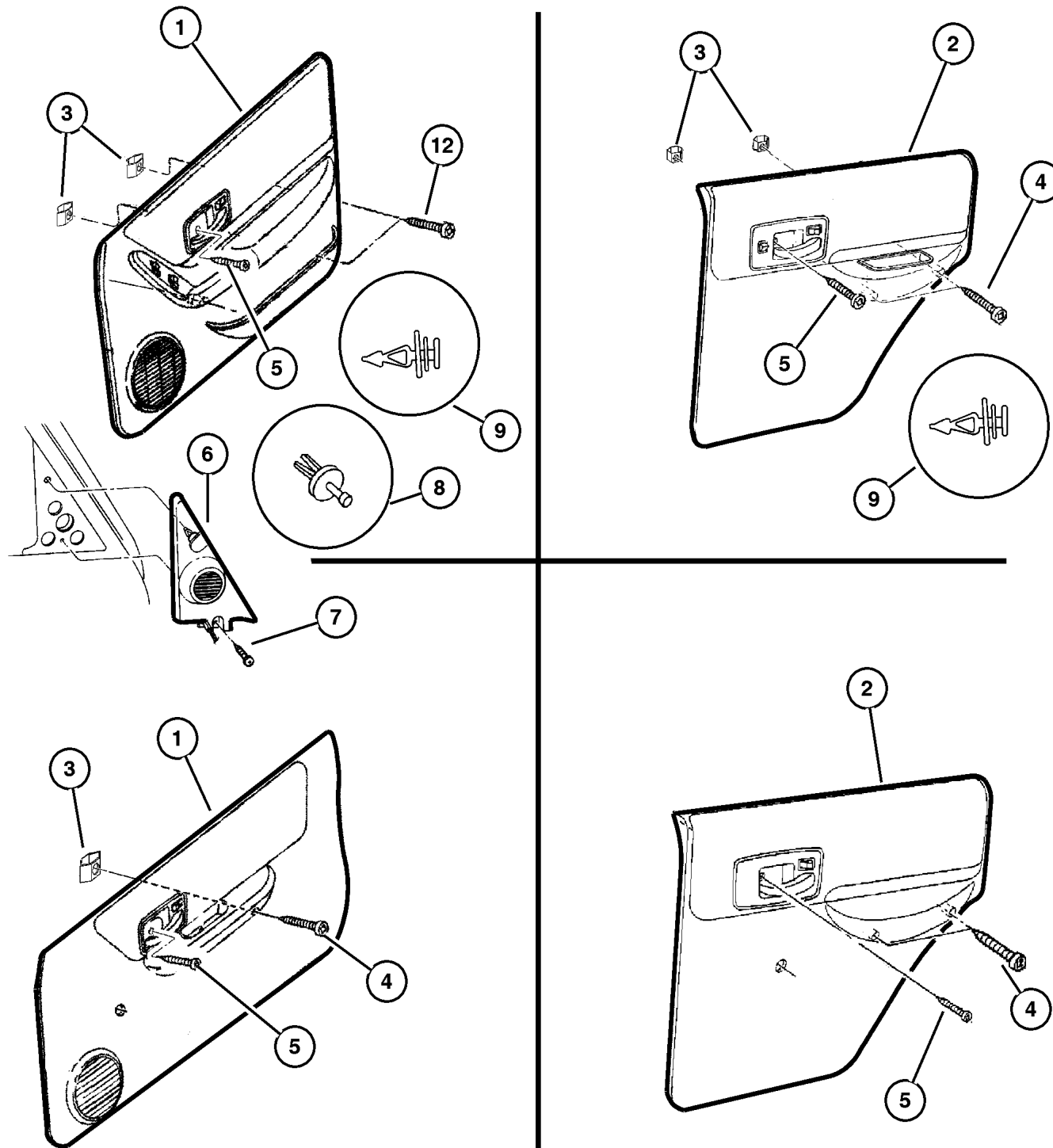
**JEEP CHEROKEE (XJ)**

SERIES	LINE	BODY	ENGINE	TRANSMISSION
L=Low Line	J=LHD (4WD) U=RHD (4WD) T=LHD (2WD) B=RHD (2WD)	74=4 DR. (101.4 WB) 72=2 DR. (101.4 WB)	ENC,EN0=2.5L 4 cyl. Turbo Die ERH,ER0=4.0L Power Tech I-6 EPE,EP0=Magnum 2.5L SMPI	DDQ=5Spd Man. DGS=4 Spd. Auto. AISIN DG0=All Auto Trans DBB=All Manual Trans.

AR = Use as required - = Non illustrated part # = New this model year

July 4, 2003

**Interior Trim Parts, 4 Door 4 Door 1999 XJ**  
**Figure IXJ-420**



ITEM	PART NUMBER	QTY	LINE	SERIES	BODY	ENGINE	TRANS	TRIM	DESCRIPTION
		1	B, U		74				Agate, Highland Vinyl, Without Power, (CBW), Right
	5EH24 1K5AD	1	J, T		74				Camel, Highland Vinyl, Without Power, (CBW), Right
		1	B, U		74				Camel, Highland Vinyl, Without Power, (CBW), Right
	5EH25 1AZAD	1	B, U		74				Agate, Highland Vinyl, Without Power, (CBW), Left
	SR01 1AZAA	1	J, T		74				Agate, Highland Vinyl, With Sales Codes CBW, JPA, JPB, GVB, Left
	5EH25 1AZAD	1	J, T		74				Agate, Highland Vinyl, Without Power, (CBW), Left
	5EH25 1K5AD	1	B, U		74				Camel, Highland Vinyl, Without Power, (CBW), Left
		1	J, T		74				Camel, Highland Vinyl, Without Power, (CBW), Left
	5EH26 1AZAC	1	B, U		74				Agate, Highland Vinyl, With Power Mirrors Only, (CBW, GVB), Right
	5EH26 1K5AC	1	B, U		74				Camel, Highland Vinyl, With Power Mirrors Only, (CBW, GVB), Right
	5EH27 1AZAC	1	J, T		74				Agate, Highland Vinyl, With Power Mirrors Only, (CBW, GVB), Left
	5EH27 1K5AC	1	J, T		74				Camel, Highland Vinyl, With Power Mirrors Only, (CBW, GVB), Left
	SR01 1K5AA	1	J, T		74				Camel, Highland Vinyl, With Sales Codes CBW, JPA, JPB, GVB, Left
	SR02 1AZAA	1	B, U		74				Agate, Highland Vinyl, With Sales Codes CBW, JPA, JPB, Right
	SR02 1K5AA	1	B, U		74				Camel, Highland Vinyl, With Sales Codes CBW, JPA, JPB, Right
	SR03 1AZAA	1	B, U		74				Agate, Highland Vinyl, With Sales Codes CBW, JPA, JPB, GVB, Left
	SR03 1K5AA	1	B, U		74				Camel, Highland Vinyl, With Sales Codes CBW, JPA, JPB, GVB, Left
	SR04 1AZAA	1	J, T		74				Agate, Cloth With Map Pocket, (CBV), Right
2									PANEL, Rear Door Trim

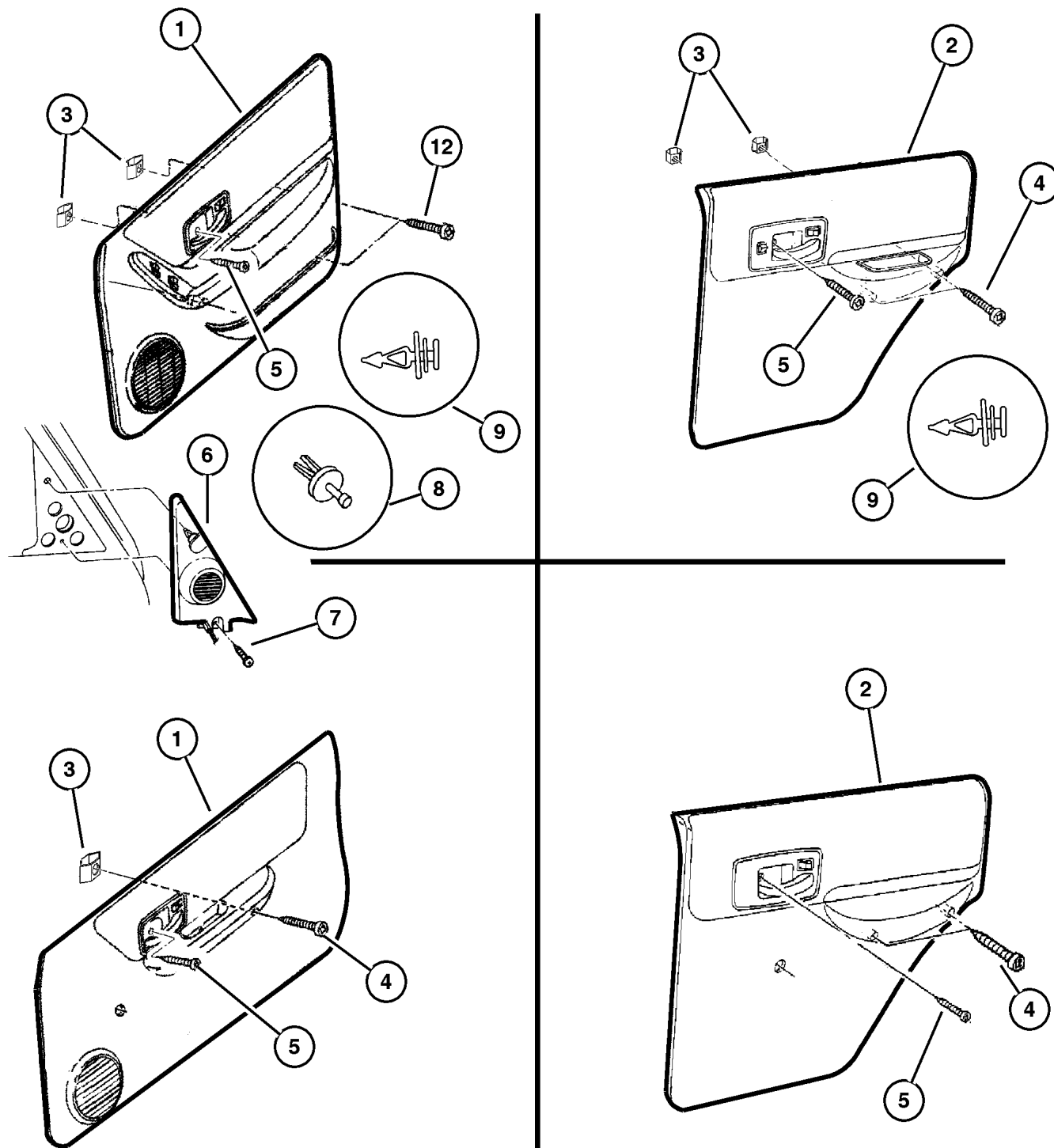
**JEEP CHEROKEE (XJ)**

<b>SERIES</b>	<b>LINE</b>	<b>BODY</b>	<b>ENGINE</b>	<b>TRANSMISSION</b>
L=Low Line	J=LHD (4WD) U=RHD (4WD) T=LHD (2WD) B=RHD (2WD)	74=4 DR. (101.4 WB) 72=2 DR. (101.4 WB)	ENC,EN0=2.5L 4 cyl. Turbo Die ERH,ER0=4.0L Power Tech I-6 EPE,EP0=Magnum 2.5L SMPI	DDQ=5Spd Man. DGS=4 Spd. Auto. AISIN DG0=All Auto Trans DBB=All Manual Trans.

AR = Use as required - = Non illustrated part # = New this model year

July 4, 2003

**Interior Trim Parts, 4 Door 4 Door 1999 XJ**  
**Figure IXJ-420**



ITEM	PART NUMBER	QTY	LINE	SERIES	BODY	ENGINE	TRANS	TRIM	DESCRIPTION
	QL78 1AZ	1			74				Agate, Highland Vinyl, With Power Windows, Locks, (CBW, JPA, JPB), Right
	QL81 1K5	1			74				Camel, Cloth With Map Pocket, (CBV), Left
	QL82 1AZ	1			74				Agate, Premium Vinyl, (CBZ), Right
	QL82 1K5	1			74				Camel, Premium Vinyl, (CBZ), Right
	QL83 1AZ	1			74				Agate, Premium Vinyl, (CBZ), Left
	QL83 1K5	1			74				Camel, Premium Vinyl, (CBZ), Left
	5EG82 1AZAB	1			74				Agate, Highland Vinyl, Without Power, (CBW), Right
	5EG82 1K5AB	1			74				Camel, Highland Vinyl, Without Power, (CBW), Right
	5EG83 1AZAB	1			74				Agate, Highland Vinyl, Without Power, (CBW), Left
	5EG83 1K5AB	1			74				Camel, Highland Vinyl, Without Power, (CBW), Left
	QL78 1K5	1			74				Camel, Highland Vinyl, With Power Windows, Locks, (CBW, JPA, JPB), Right
	QL79 1AZ	1			74				Agate, Highland Vinyl, With Power Windows, Locks, (CBW, JPA, JPB), Left
	QL79 1K5	1			74				Camel, Highland Vinyl, With Power Windows, Locks, (CBW, JPA, JPB), Left
	QL80 1AZ	1			74				Agate, Cloth With Map Pocket, (CBW, JPA, JPB), Right
					74				Agate, Cloth With Map Pocket, (CBV)
	QL80 1K5	1			74				Camel, Cloth With Map Pocket, (CBW, JPA, JPB), Right
					74				Camel, Cloth With Map Pocket, (CBV)
	QL81 1AZ	1			74				Agate, Cloth With Map Pocket, (CBV), Left
3	6029 509	6			74				U-NUT, .250-14
4									SCREW, Pan Head Tapping, .250x14x1.772, (NOT SERVICED) (Not Serviced)

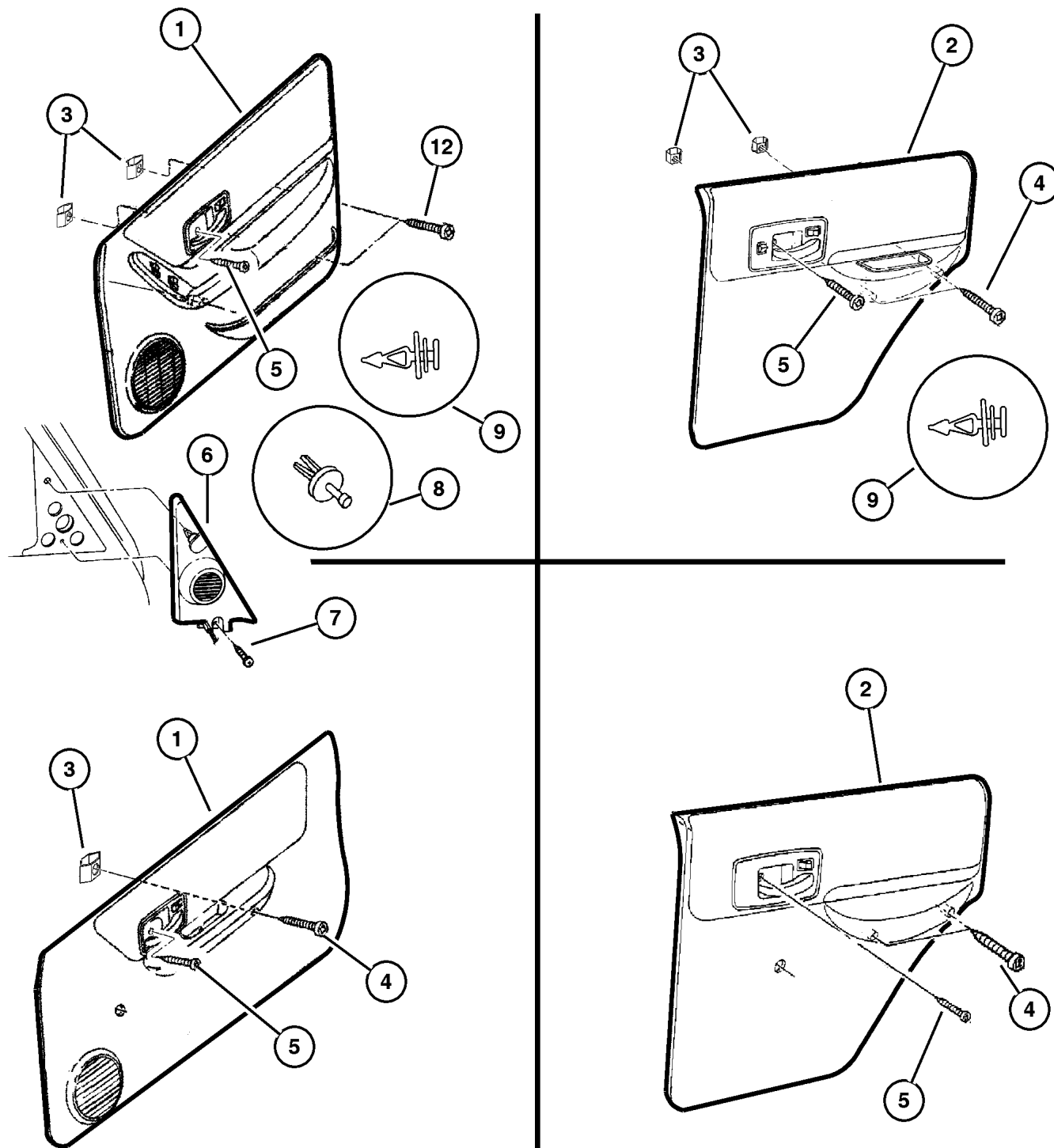
**JEEP CHEROKEE (XJ)**

SERIES	LINE	BODY	ENGINE	TRANSMISSION
L=Low Line	J=LHD (4WD) U=RHD (4WD) T=LHD (2WD) B=RHD (2WD)	74=4 DR. (101.4 WB) 72=2 DR. (101.4 WB)	ENC,EN0=2.5L 4 cyl. Turbo Die ERH,ER0=4.0L Power Tech I-6 EPE,EP0=Magnum 2.5L SMPI	DDQ=5Spd Man. DGS=4 Spd. Auto. AISIN DG0=All Auto Trans DBB=All Manual Trans.

AR = Use as required - = Non illustrated part # = New this model year

July 4, 2003

**Interior Trim Parts, 4 Door 4 Door 1999 XJ**  
**Figure IXJ-420**



ITEM	PART NUMBER	QTY	LINE	SERIES	BODY	ENGINE	TRANS	TRIM	DESCRIPTION
5									SCREW, Remote Control Handle, M4x.7x16, (NOT SERVICED) (Not Serviced)
6									COVER, Mirror Opening
	5FM02 LAZAB	1							Agate, Without Tweeter, Right
	5FM03 LAZAB	1							Agate, Without Tweeter, Left
	5FV14 LAZAB	1							Agate, With Tweeter, Right
	5FV14 RK5AB	1							Camel, With Tweeter, Right
	5FV15 LAZAB	1							Agate, With Tweeter, Left
7									SCREW, .164-18x.625, (NOT SERVICED) (Not Serviced)
8	6505 009AC	AR							FASTENER, Door Trim Panel, Black
9	6504 014	5							FASTENER, Door Trim Panel, White
-10	6032 723	2							SCREW, Self Tapping, M4.2x1.69x19.05, Used on Front Door Trim Panel Tab
-11	6505 387AA	6			74				U-NUT, M6.3X1.81~~
12	1150 0068	6							SCREW, Pan Head Tapping, .250x14x1.772

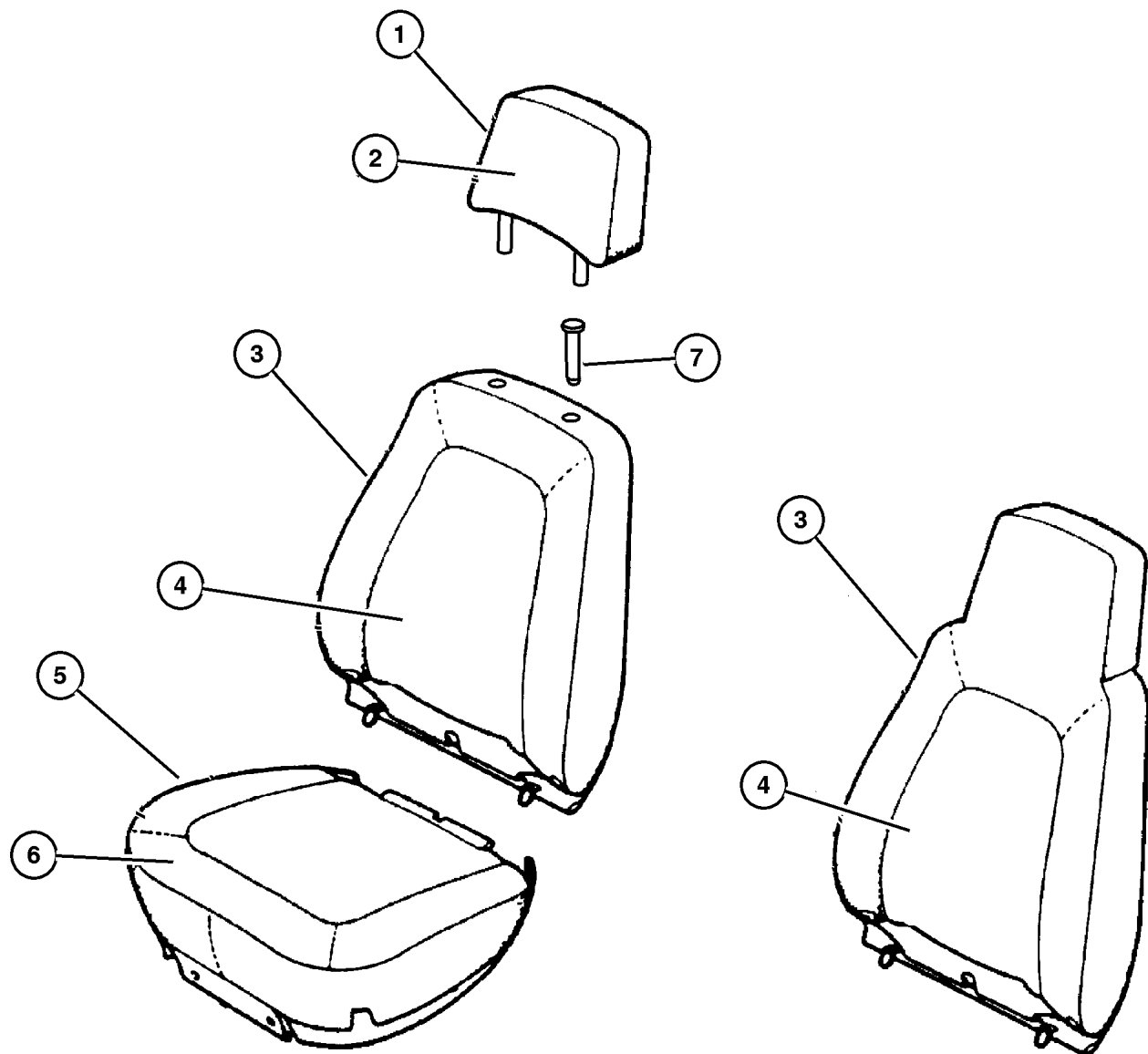
JEEP CHEROKEE (XJ)				
SERIES	LINE	BODY	ENGINE	TRANSMISSION
L=Low Line	J=LHD (4WD) U=RHD (4WD) T=LHD (2WD) B=RHD (2WD)	74=4 DR. (101.4 WB) 72=2 DR. (101.4 WB)	ENC,EN0=2.5L 4 cyl. Turbo Die ERH,ER0=4.0L Power Tech I-6 EPE,EP0=Magnum 2.5L SMPI	DDQ=5Spd Man. DGS=4 Spd. Auto. AISIN DG0=All Auto Trans DBB=All Manual Trans.

AR = Use as required - = Non illustrated part # = New this model year

July 4, 2003



**Seat Covers and Seat Assemblies 1997 XJ 1998 XJ**  
**Figure IXJ-510**



ITEM	PART NUMBER	QTY	LINE	SERIES	BODY	ENGINE	TRANS	TRIM	DESCRIPTION
1									HEADREST, Front
	QW18 1C3AA	2	B, U		74			DL	Mist Gray, 1998 XJ
	QW18 1T6AA	2	B, U		74			DL	Saddle, 1998 XJ
	QW63 1C3AA	2	J, T		74			XJ	Mist Gray, 1998 XJ
		2	J, T		72			XJ	Mist Gray, 1998 XJ
		2	B, U		74			XJ	Mist Gray, 1998 XJ
	QW63 1T6AA	2	J, T		72			XJ	Saddle, 1998 XJ
		2	J, T		74			XJ	Saddle, 1998 XJ
		2	B, U		74			XJ	Saddle, 1998 XJ
	QW18 1C3AA	1	B, U		74			DL	Mist Gray, 1997 XJ
	QW63 1T6AA	1	B, U		72			XJ	Saddle, 1997 XJ
	QW18 1C3AA	2	J, T		74			DL	Mist Gray
	QW18 1T6AA	1	B, U		74			DL	Saddle, 1997 XJ
		2	J, T		74			DL	Saddle
	QW63 1C3AA	2			74			XJ	Mist Gray, 1997 XJ
		1	B, U		72			XJ	Mist Gray, 1997 XJ
		1	J, T		72			XJ	Mist Gray, 1997 XJ
	QW63 1T6AA	2			74			XJ	Saddle, 1997 XJ
		1	J, T		72			XJ	Saddle, 1997 XJ
2									COVER, Seat Headrest
	QW20 1C3AA	2	B, U		74			DL	Mist Gray, 1998 XJ
	QW20 1T6AA	2	J, T		74			DL	Saddle, 1998 XJ
		2	B, U		74			DL	Saddle, 1998 XJ
		2	J, T		74			DL	Mist Gray, 1998 XJ
	QW65 1C3AA	2	J, T		74			XJ	Mist Gray, 1998 XJ
		2	J, T		72			XJ	Mist Gray, 1998 XJ
		2	B, U		74			XJ	Mist Gray, 1998 XJ
	QW65 1T6AA	2	J, T		74			XJ	Saddle, 1998 XJ
		2	J, T		72			XJ	Saddle, 1998 XJ
		2	B, U		74			XJ	Saddle, 1998 XJ
	QW20 1C3AA	1			74			DL	Mist Gray, 1997 XJ
	QW20 1T6AA	1			74			DL	Saddle, 1997 XJ
	QW65 1C3AA	2			74			XJ	Mist Gray, 1997 XJ
		2	J		72			XJ	Mist Gray, 1997 XJ
	QW65 1T6AA	2			74			XJ	Saddle, 1997 XJ
		2	J		72			XJ	Saddle, 1997 XJ
3									BACK, Front Seat
	QV90 1C3AA	1	J, T		74			B6	Mist Gray, Highback, 1998 XJ, Right
		1	B, U		74			B6	Mist Gray, Highback, 1998 XJ, Right
		1	J, T, U		72			B6	Mist Gray, Highback, 1998 XJ, Right

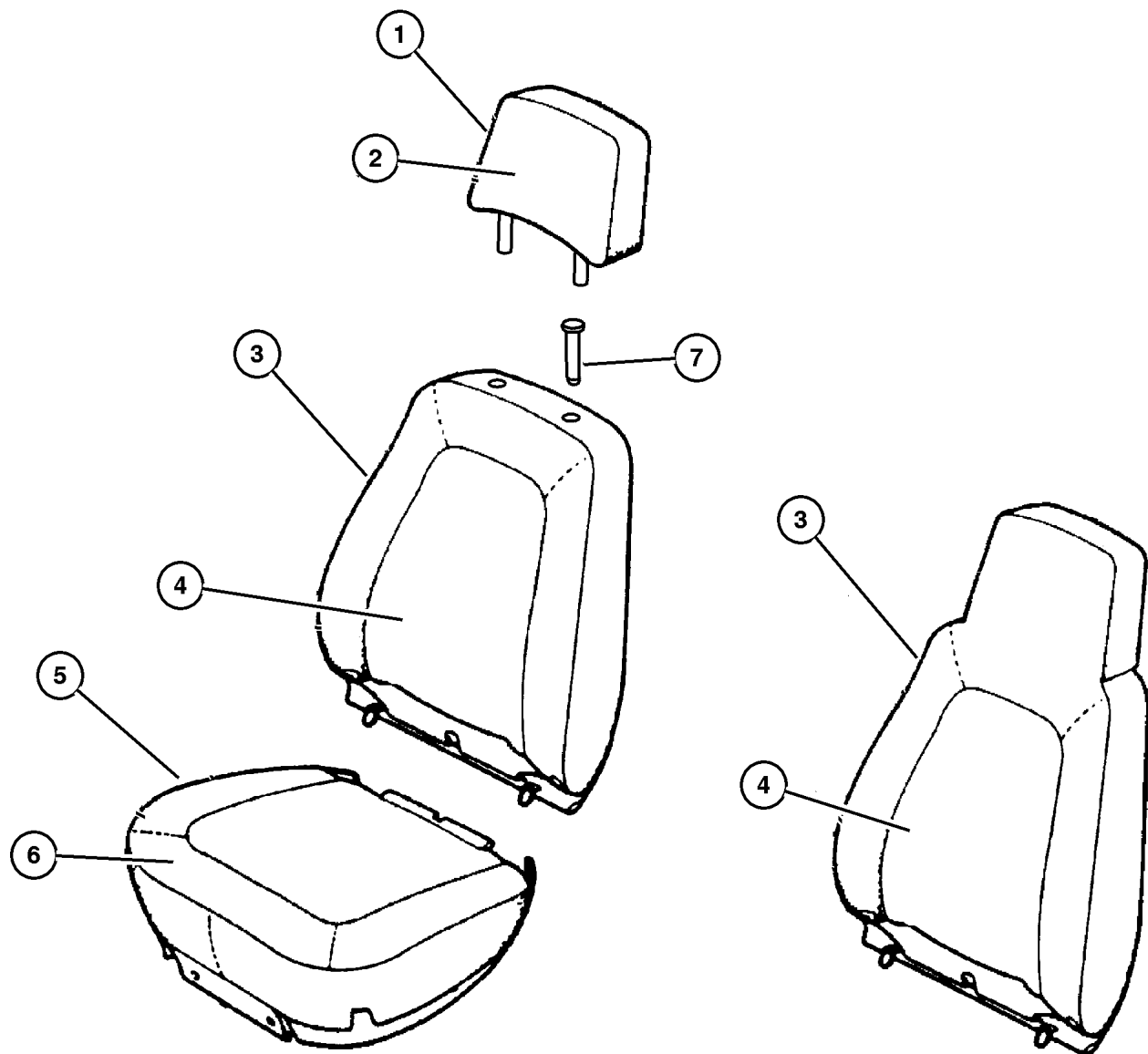
**JEEP CHEROKEE (XJ)**

SERIES	LINE	BODY	ENGINE	TRANSMISSION
L=Low Line	J=LHD (4WD) U=RHD (4WD) T=LHD (2WD) B=RHD (2WD)	74=4 DR. (101.4 WB) 72=2 DR. (101.4 WB)	ENC,EN0=2.5L 4 cyl. Turbo Die ERH,ER0=4.0L Power Tech I-6 EPE,EP0=Magnum 2.5L SMPI	DDQ=5Spd Man. DGS=4 Spd. Auto. AISIN DG0=All Auto Trans DBB=All Manual Trans.

AR = Use as required - = Non illustrated part # = New this model year

July 4, 2003

**Seat Covers and Seat Assemblies 1997 XJ 1998 XJ**  
**Figure IXJ-510**



ITEM	PART NUMBER	QTY	LINE	SERIES	BODY	ENGINE	TRANS	TRIM	DESCRIPTION
	QV90 1T6AA	1	J, T		74			B6	Saddle, Highback, 1998 XJ, Right
		1	B, U		74			B6	Saddle, Highback, 1998 XJ, Right
		1	J, T, U		72			B6	Saddle, Highback, 1998 XJ, Right
	QV91 1C3AA	1	J, T		74			B6	Mist Gray, Highback, 1998 XJ, Left
		1	B, U		74			B6	Mist Gray, Highback, 1998 XJ, Left
		1	J, T, U		72			B6	Mist Gray, Highback, 1998 XJ, Left
	QV91 1T6AA	1	J, T		74			B6	Saddle, Highback, 1998 XJ, Left
		1	B, U		74			B6	Saddle, Highback, 1998 XJ, Left
		1	J, T, U		72			B6	Saddle, Highback, 1998 XJ, Left
	QW06 1C3AA	1	B, U		74			DL	Mist Gray, Lowback, 1998 XJ, Right
	QW06 1T6AA	1	B, U		74			DL	Saddle, Lowback, 1998 XJ, Right
	QW07 1C3AA	1	B, U		74			DL	Mist Gray, Lowback, 1998 XJ, Left
	QW07 1T6AA	1	B, U		74			DL	Saddle, Lowback, 1998 XJ, Left
	QW22 1C3AA	1	J, T		72			M5	Mist Gray, Highback, 1998 XJ, Right
		1	J, T		74			M5	Mist Gray, Highback, 1998 XJ, Right
		1	B, U		74			M5	Mist Gray, Highback, 1998 XJ, Right
	QW23 1C3AA	1	J, T		72			M5	Mist Gray, Highback, 1998 XJ, Left
		1	J, T		74			M5	Mist Gray, Highback, 1998 XJ, Left
		1	J, T		74			X5	Mist Gray, Highback, 1998 XJ, Left
		1	B, U		74			M5	Mist Gray, Highback, 1998 XJ, Left
	QW23 1T6AA	1	J, T		72			M5	Saddle, Highback, 1998 XJ, Left
		1	J, T		74			M5	Saddle, Highback, 1998 XJ, Left
		1	B, U		74			M5	Saddle, Highback, 1998 XJ, Left
	QW44 1C3AA	1	J, T		72			XJ	Mist Gray, Lowback, 1998 XJ, Right
		1	J, T		74			XJ	Mist Gray, Lowback, 1998 XJ, Right
		1	B, U		74			XJ	Mist Gray, Lowback, 1998 XJ, Right
	QW44 1T6AA	1	J, T		72			XJ	Saddle, Lowback, 1998 XJ, Left
		1	J, T		74			XJ	Saddle, Lowback, 1998 XJ, Left
		1	B, U		74			XJ	Saddle, Lowback, 1998 XJ, Left
	QW45 1C3AA	1	J, T		74			XJ	Mist Gray, Lowback, 1998 XJ, Left
		1	B, U		74			XJ	Mist Gray, Lowback, 1998 XJ, Left
	QW45 1T6AA	1	J, T		72			XJ	Saddle, Highback, 1998 XJ, Left
		1	J, T		74			XJ	Saddle, Highback, 1998 XJ, Left
		1	B, U		74			XJ	Saddle, Highback, 1998 XJ, Left
	QV90 1C3AA	1			72			B6	Mist Gray, Highback, 1997 XJ, Right

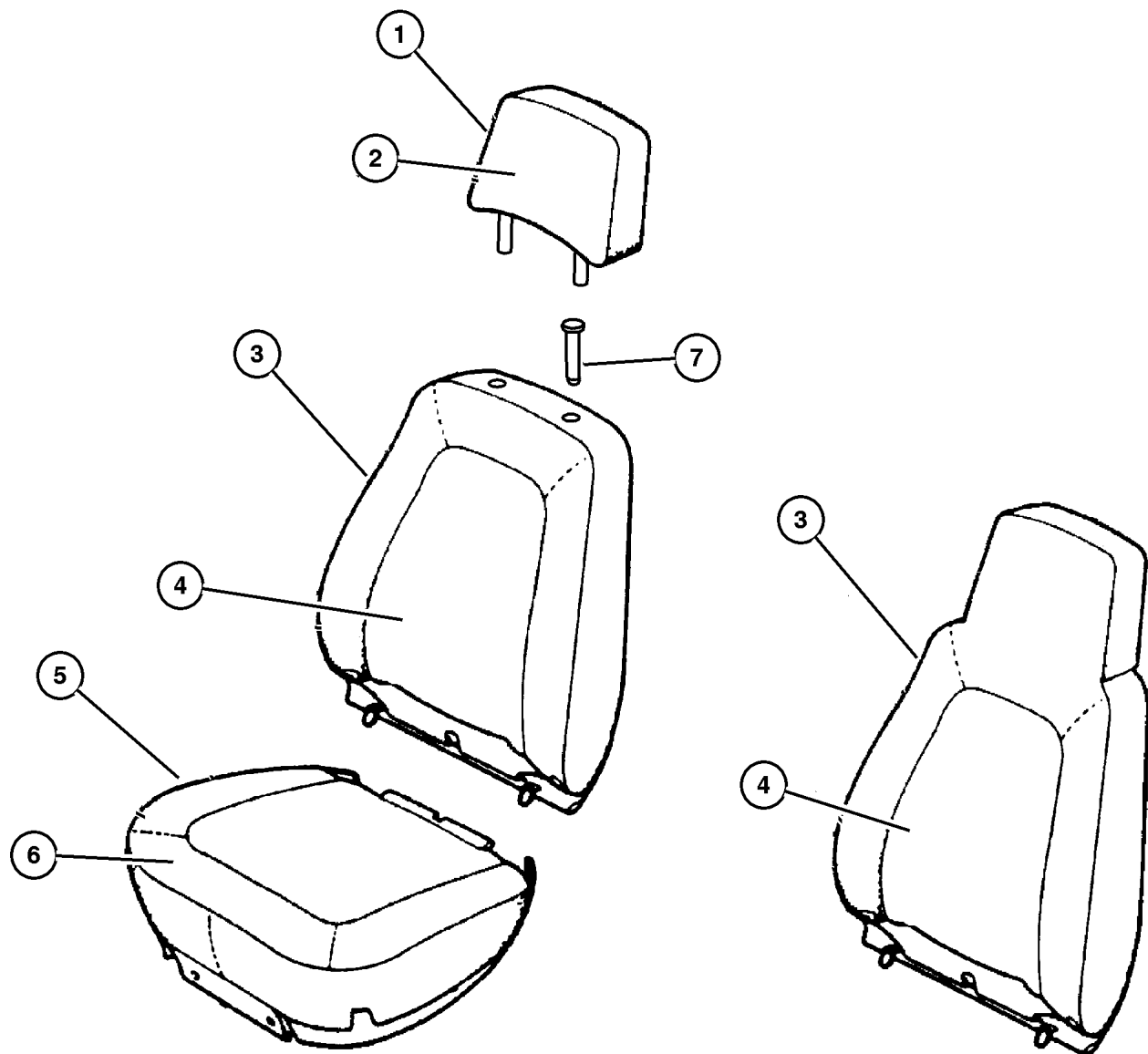
**JEEP CHEROKEE (XJ)**

<b>SERIES</b>	<b>LINE</b>	<b>BODY</b>	<b>ENGINE</b>	<b>TRANSMISSION</b>
L=Low Line	J=LHD (4WD) U=RHD (4WD) T=LHD (2WD) B=RHD (2WD)	74=4 DR. (101.4 WB) 72=2 DR. (101.4 WB)	ENC,EN0=2.5L 4 cyl. Turbo Die ERH,ER0=4.0L Power Tech I-6 EPE,EP0=Magnum 2.5L SMPI	DDQ=5Spd Man. DGS=4 Spd. Auto. AISIN DG0=All Auto Trans DBB=All Manual Trans.

AR = Use as required - = Non illustrated part # = New this model year

July 4, 2003

**Seat Covers and Seat Assemblies 1997 XJ 1998 XJ**  
**Figure IXJ-510**



ITEM	PART NUMBER	QTY	LINE	SERIES	BODY	ENGINE	TRANS	TRIM	DESCRIPTION
	QW06 1T6AA	1	J, T		74			DL	Saddle, Lowback, Right
	QW07 1C3AA	1	J, T		74			DL	Mist Gray, Lowback, Left
	QW07 1T6AA	1	J, T		74			DL	Saddle, Lowback, Left
	QW22 1C3AA	1			72			M5	Mist Gray, Highback, 1997 XJ, Right
		1			74			M5	Mist Gray, Highback, 1997 XJ, Right
		1	J, T		74			X5	Mist Gray, Highback, Right
	QW22 1T6AA	1			74			M5	Saddle, Highback, 1997 XJ, Right
	QW23 1T6AA	1			74			M5	Saddle, Highback, 1997 XJ, Left
		1			72			M5	Saddle, Highback, 1997 XJ, Left
		1	J, T		74			X5	Saddle, Highback, Left
	QV90 1C3AA	1			74			B6	Mist Gray, Highback, 1997 XJ, Right
		1	B		72			XJ	Mist Gray, Lowback, 1997 XJ, Right
		1			74			XJ	Mist Gray, Lowback, 1997 XJ, Right
		1	J		72			XJ	Mist Gray, Lowback, 1997 XJ, Right
	QW44 1C3AA	1	B		72			XJ	Saddle, Lowback, 1997 XJ, Right
		1	J		72			XJ	Saddle, Lowback, 1997 XJ, Right
		1			74			XJ	Saddle, Lowback, 1997 XJ, Right
	QW45 1C3AA	1	J, T		72			XJ	Mist Gray, Lowback, Left
		1	B, U		72			XJ	Mist Gray, Lowback, 1997 XJ, Left
		1			74			XJ	Mist Gray, Lowback, 1997 XJ, Left
	QW45 1T6AA	1			74			XJ	Saddle, Lowback, 1997 XJ, Left
	QV90 1T6AA	1			74			B6	Saddle, Highback, 1997 XJ, Right
	QW45 1T6AA	1	J, T		72			XJ	Saddle, Lowback, 1997 XJ, Left
		1	B, U		72			XJ	Saddle, Lowback, 1997 XJ, Left
	QV90 1T6AA	1			72			B6	Saddle, Highback, 1997 XJ, Right
	QV91 1C3AA	1			72			B6	Mist Gray, Highback, 1997 XJ, Left
		1			74			B6	Mist Gray, Highback, 1997 XJ, Left
	QV91 1T6AA	1			72			B6	Saddle, Highback, 1997 XJ, Left
		1			74			B6	Saddle, Highback, 1997 XJ, Left
	QW06 1C3AA	1	J, T		74			DL	Mist Gray, Lowback, Right
4									COVER, Seat Back
	QV95 1C3AA	2	J, T		74			B6	Mist Gray, Highback, 1998 XJ
		2	B, U		74			B6	Mist Gray, Highback, 1998 XJ
		2	J, T, U		72			B6	Mist Gray, Highback, 1998 XJ
	QV95 1T6AA	2	J, T		74			B6	Saddle, Highback, 1998 XJ
		2	B, U		74			B6	Saddle, Highback, 1998 XJ

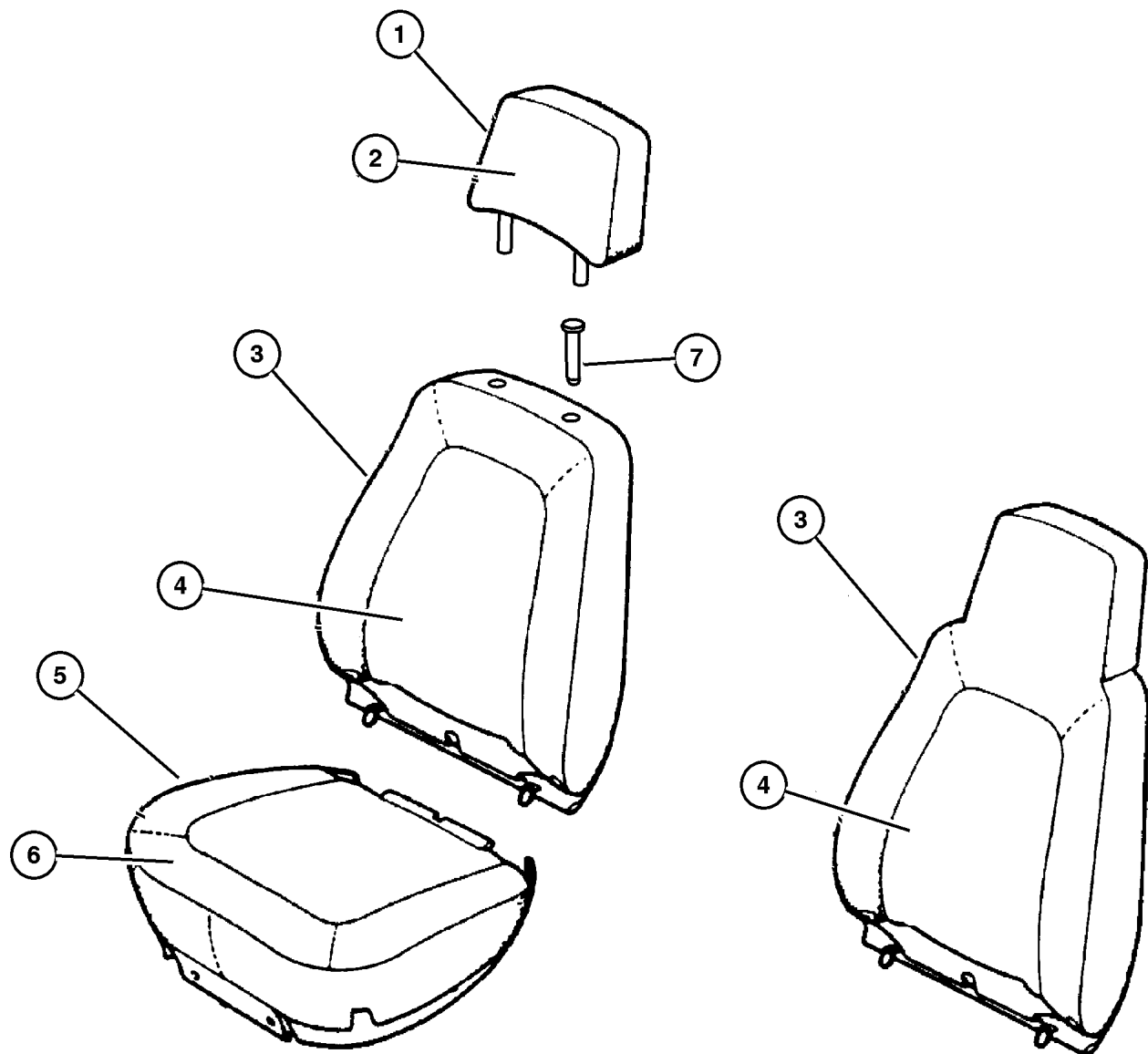
**JEEP CHEROKEE (XJ)**

SERIES	LINE	BODY	ENGINE	TRANSMISSION
L=Low Line	J=LHD (4WD) U=RHD (4WD) T=LHD (2WD) B=RHD (2WD)	74=4 DR. (101.4 WB) 72=2 DR. (101.4 WB)	ENC,EN0=2.5L 4 cyl. Turbo Die ERH,ER0=4.0L Power Tech I-6 EPE,EP0=Magnum 2.5L SMPI	DDQ=5Spd Man. DGS=4 Spd. Auto. AISIN DG0=All Auto Trans DBB=All Manual Trans.

AR = Use as required - = Non illustrated part # = New this model year

July 4, 2003

**Seat Covers and Seat Assemblies 1997 XJ 1998 XJ**  
**Figure IXJ-510**



ITEM	PART NUMBER	QTY	LINE	SERIES	BODY	ENGINE	TRANS	TRIM	DESCRIPTION
		2	J, T, U		72			B6	Saddle, Highback, 1998 XJ
	QW04 1C3AA	2	J, T		74			DL	Mist Gray, Lowback, 1998 XJ
		2	B, U		74			DL	Mist Gray, Lowback, 1998 XJ
	QW04 1T6AA	2	J, T		74			DL	Saddle, Lowback, 1998 XJ
		2	B, U		74			DL	Saddle, Lowback, 1998 XJ
	QW24 1C3AA	2	J, T		72			M5	Mist Gray, Highback, 1998 XJ
		2	J, T		74			M5	Mist Gray, Highback, 1998 XJ
		2	B, U		74			M5	Mist Gray, Highback, 1998 XJ
	QW24 1T6AA	2	J, T		72			M5	Saddle, Highback, 1998 XJ
		2	J, T		74			M5	Saddle, Highback, 1998 XJ
	QW46 1C3AA	2	J, T		74			XJ	Mist Gray, Lowback, 1998 XJ
		2	J, T		72			XJ	Mist Gray, Lowback, 1998 XJ
		2	B, U		74			XJ	Mist Gray, Lowback, 1998 XJ
	QW46 1T6AA	2	J, T		74			XJ	Saddle, Lowback, 1998 XJ
		2	J, T		72			XJ	Saddle, Lowback, 1998 XJ
		2	B, U		74			XJ	Saddle, Lowback, 1998 XJ
	QV95 1C3AA	2			72			B6	Mist Gray, Highback, 1997 XJ
	QW24 1T6AA	2			72			M5	Saddle, Highback, 1997 XJ
		2			74			M5	Saddle, Highback, 1997 XJ
		2			74			X5	Saddle, Highback, 1997 XJ
	QW46 1C3AA	2			74			XJ	Mist Gray, Lowback, 1997 XJ
		2	J		72			XJ	Mist Gray, Lowback, 1997 XJ
		2	B		72			XJ	Mist Gray, Lowback, 1997 XJ
	QW46 1T6AA	2	B		72			XJ	Saddle, Lowback, 1997 XJ
		2	J		72			XJ	Saddle, Lowback, 1997 XJ
		2			74			XJ	Saddle, Lowback, 1997 XJ
	QV95 1C3AA	2			74			B6	Mist Gray, Highback, 1997 XJ
	QV95 1T6AA	2			74			B6	Saddle, Highback, 1997 XJ
		2			72			B6	Saddle, Highback, 1997 XJ
	QW04 1C3AA	2			74			DL	Mist Gray, Lowback, 1997 XJ
	QW04 1T6AA	2			74			DL	Saddle, Lowback, 1997 XJ
	QW24 1C3AA	2			74			X5	Mist Gray, Highback, 1997 XJ
		2			72			M5	Mist Gray, Highback, 1997 XJ
		2			74			M5	Mist Gray, Highback, 1997 XJ
5									FRAME, Front Seat
	4856 470	1	J, T		74			B6	1998 XJ, Right
		1	J, T		72			M5	1998 XJ, Right
		1	J, T		74			M5	1998 XJ, Right
		1	J, T		74			XJ	1998 XJ, Right
		1	J, T		72			XJ	1998 XJ, Right
		1	B, U		74			XJ	1998 XJ, Right

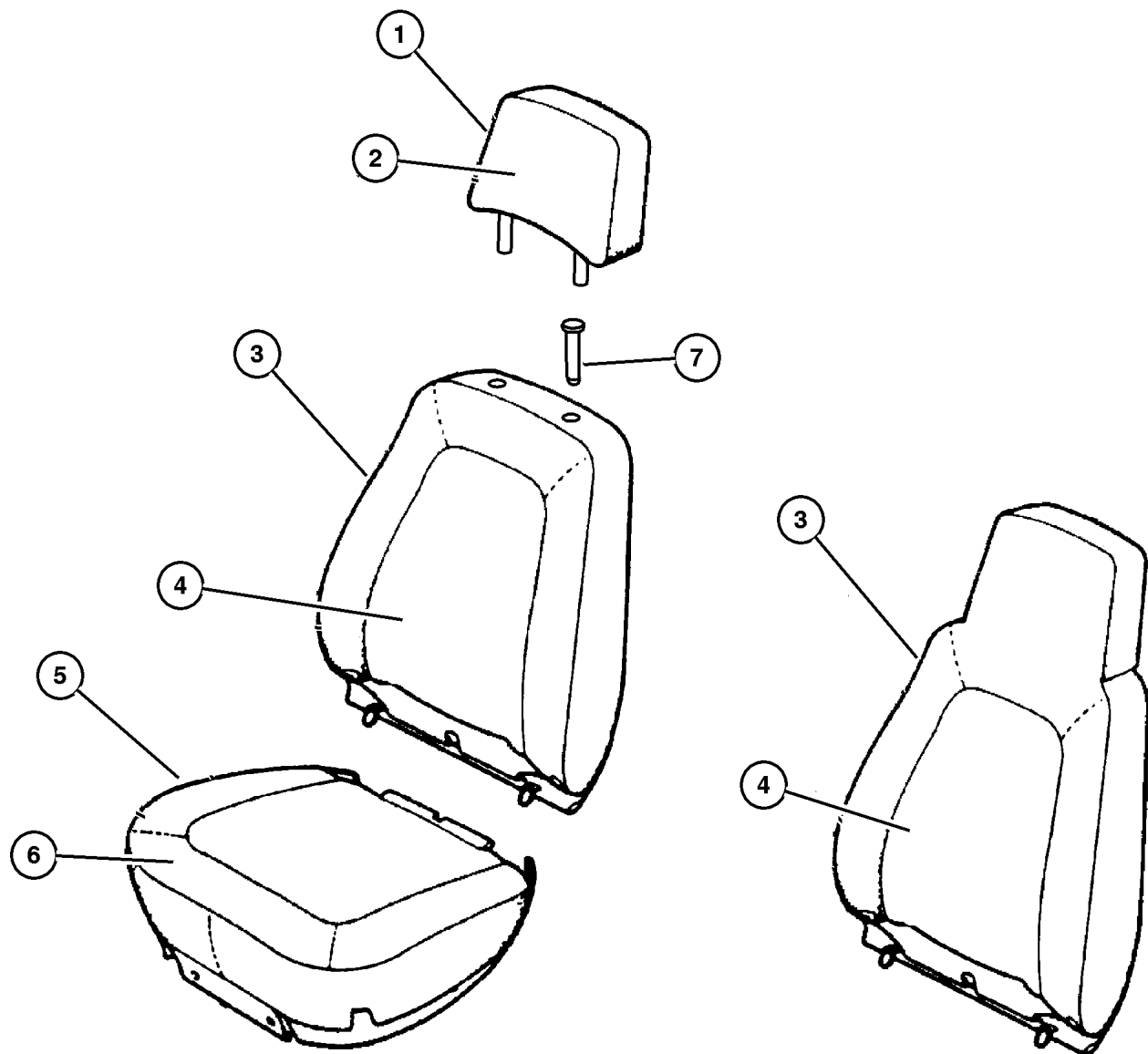
**JEEP CHEROKEE (XJ)**

SERIES	LINE	BODY	ENGINE	TRANSMISSION
L=Low Line	J=LHD (4WD) U=RHD (4WD) T=LHD (2WD) B=RHD (2WD)	74=4 DR. (101.4 WB) 72=2 DR. (101.4 WB)	ENC,EN0=2.5L 4 cyl. Turbo Die ERH,ER0=4.0L Power Tech I-6 EPE,EP0=Magnum 2.5L SMPI	DDQ=5Spd Man. DGS=4 Spd. Auto. AISIN DG0=All Auto Trans DBB=All Manual Trans.

AR = Use as required - = Non illustrated part # = New this model year

July 4, 2003

**Seat Covers and Seat Assemblies 1997 XJ 1998 XJ**  
**Figure IXJ-510**



ITEM	PART NUMBER	QTY	LINE	SERIES	BODY	ENGINE	TRANS	TRIM	DESCRIPTION
		1	J, T		74			X5	1998 XJ, Right
		1	B, U		74			M5	1998 XJ, Right
		1	B, U		74			B6	1998 XJ, Right
		1	J, T		74			DL	1998 XJ, Right
		1	B, U		74			DL	1998 XJ, Right
		1	J, T, U		72			B6	1998 XJ, Right
	4856 471	1	J, T		74			B6	1998 XJ, Left
		1	J, T		74			DL	1998 XJ, Left
		1	J, T		72			M5	1998 XJ, Left
		1	J, T		74			M5	1998 XJ, Left
		1	J, T		72			XJ	1998 XJ, Left
		1	J, T		74			XJ	1998 XJ, Left
		1	B, U		74			XJ	1998 XJ, Left
		1	J, T		74			X5	1998 XJ, Left
		1	B, U		74			M5	1998 XJ, Left
		1	B, U		74			B6	1998 XJ, Left
		1	B, U		74			DL	1998 XJ, Left
		1	J, T, U		72			B6	1998 XJ, Left
	4856 470	1			72			B6	1997 XJ, Right
	4856 471	1			72			M5	1997 XJ, Left
		1			74			DL	1997 XJ, Left
		1			74			B6	1997 XJ, Left
		1			72			B6	1997 XJ, Left
	4856 470	1			74			B6	1997 XJ, Right
		1			74			DL	1997 XJ, Right
		1			72			M5	1997 XJ, Right
		1			74			M5	1997 XJ, Right
		1			74			XJ	1997 XJ, Right
	4856 471	1			74			X5	1997 XJ, Left
		1			74			XJ	1997 XJ, Left
		1			74			M5	1997 XJ, Left
6									COVER AND PAD, Cushion
	RG62 1C3AA	1	J, T		74			B6	Mist Gray, 1998 XJ, Right
		1	J, T, U		72			B6	Mist Gray, 1998 XJ, Right
	RG62 1T6AA	1	J, T		74			B6	Saddle, 1998 XJ, Right
		1	J, T, U		72			B6	Saddle, 1998 XJ, Right
	RG63 1C3AA	1	J, T		74			B6	Mist Gray, 1998 XJ, Left
		1	J, T, U		72			B6	Mist Gray, 1998 XJ, Left
	RG63 1T6AA	1	J, T		74			B6	Saddle, 1998 XJ, Left
		1	J, T, U		72			B6	Saddle, 1998 XJ, Left
	RG68 1C3AA	1	J, T		74			DL	Mist Gray, 1998 XJ, Right
		1	B, U		74			DL	Mist Gray, 1998 XJ, Right

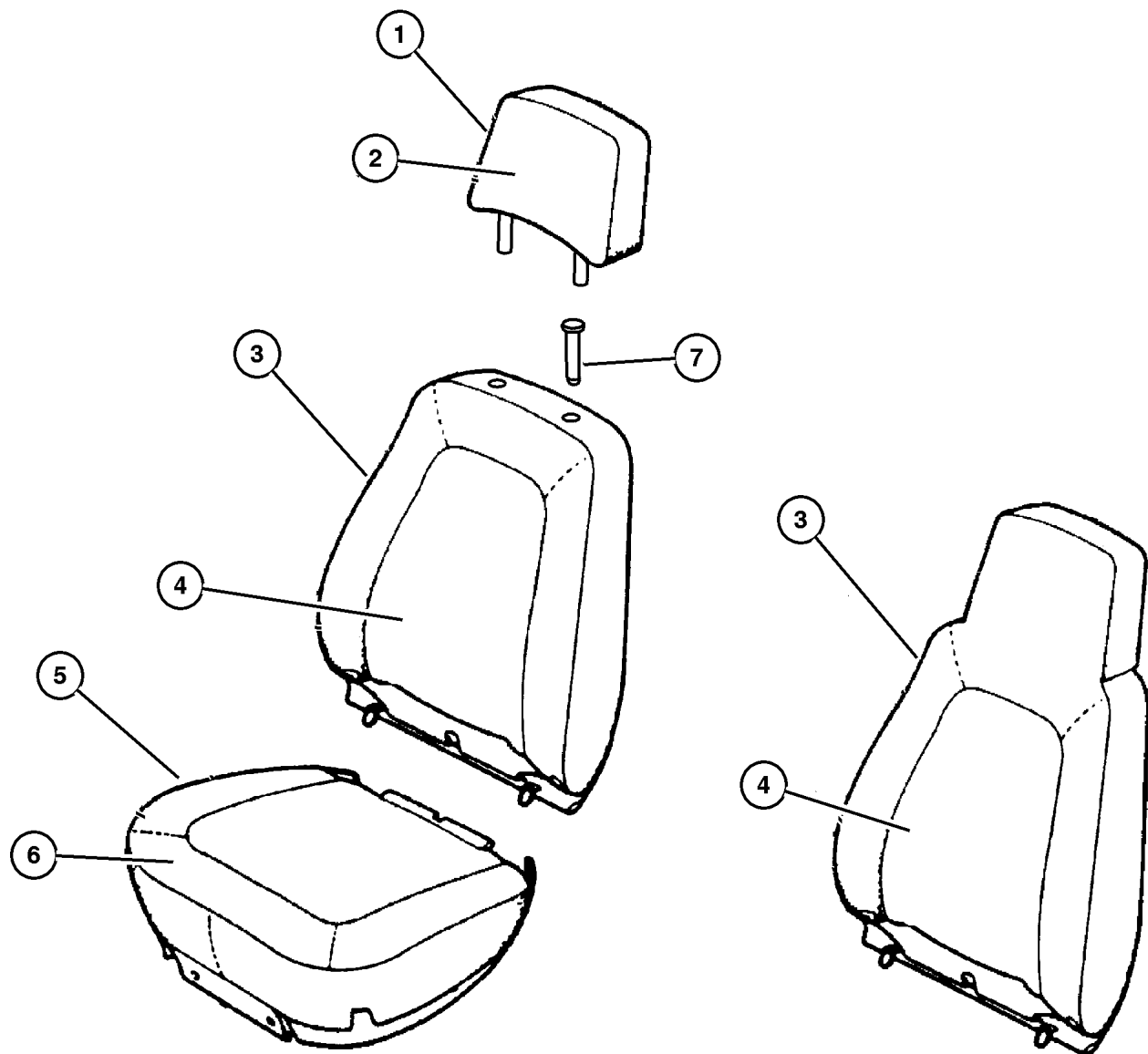
**JEEP CHEROKEE (XJ)**

SERIES	LINE	BODY	ENGINE	TRANSMISSION
L=Low Line	J=LHD (4WD) U=RHD (4WD) T=LHD (2WD) B=RHD (2WD)	74=4 DR. (101.4 WB) 72=2 DR. (101.4 WB)	ENC,EN0=2.5L 4 cyl. Turbo Die ERH,ER0=4.0L Power Tech I-6 EPE,EP0=Magnum 2.5L SMPI	DDQ=5Spd Man. DGS=4 Spd. Auto. AISIN DG0=All Auto Trans DBB=All Manual Trans.

AR = Use as required - = Non illustrated part # = New this model year

July 4, 2003

**Seat Covers and Seat Assemblies 1997 XJ 1998 XJ**  
**Figure IXJ-510**



ITEM	PART NUMBER	QTY	LINE	SERIES	BODY	ENGINE	TRANS	TRIM	DESCRIPTION
	RG68 1T6AA	1	J, T		74			DL	Saddle, 1998 XJ, Right
		1	B, U		74			DL	Saddle, 1998 XJ, Right
	RG69 1C3AA	1	J, T		74			DL	Mist Gray, 1998 XJ, Left
		1	B, U		74			DL	Mist Gray, 1998 XJ, Left
	RG69 1T6AA	1	J, T		74			DL	Saddle, 1998 XJ, Left
		1	B, U		74			DL	Saddle, 1998 XJ, Left
	RG70 1C3AA	1	J, T		72			M5	Mist Gray, 1998 XJ, Right
		1	J, T		74			M5	Mist Gray, 1998 XJ, Right
		1	J, T		74			X5	Mist Gray, 1998 XJ, Right
	RG70 1T6AA	1	J, T		72			M5	Saddle, 1998 XJ, Right
		1	J, T		74			M5	Saddle, 1998 XJ, Right
		1	J, T		74			X5	Saddle, 1998 XJ, Right
	RG71 1C3AA	1	J, T		72			M5	Mist Gray, 1998 XJ, Left
		1	J, T		74			M5	Mist Gray, 1998 XJ, Left
		1	J, T		74			X5	Mist Gray, 1998 XJ, Left
	RG71 1T6AA	1	J, T		72			M5	Saddle, 1998 XJ, Left
		1	J, T		74			M5	Saddle, 1998 XJ, Left
		1	J, T		74			X5	Saddle, 1998 XJ, Left
	RG72 1C3AA	1	J, T		72			XJ	Mist Gray, 1998 XJ, Right
		1	J, T		74			XJ	Mist Gray, 1998 XJ, Right
		1	B, U		74			XJ	Mist Gray, 1998 XJ, Right
	RG72 1T6AA	1	J, T		72			XJ	Saddle, 1998 XJ, Right
		1	J, T		74			XJ	Saddle, 1998 XJ, Right
		1	B, U		74			XJ	Saddle, 1998 XJ, Right
	RG73 1C3AA	1	J, T		72			XJ	Mist Gray, 1998 XJ, Left
		1	J, T		74			XJ	Mist Gray, 1998 XJ, Left
		1	B, U		74			XJ	Mist Gray, 1998 XJ, Left
	RG73 1T6AA	1	J, T		72			XJ	Saddle, 1998 XJ, Left
		1	J, T		74			XJ	Saddle, 1998 XJ, Left
		1	B, U		74			XJ	Saddle, 1998 XJ, Left
	QV88 1C3AA	1			74			B6	Mist Gray, 1997 XJ, Right
	QW02 1T6AA	1	J, T		74			DL	Saddle, 1997 XJ, Right
	QW03 1C3AA	1	J, T		74			DL	Mist Gray, 1997 XJ, Left
	QW03 1T6AA	1	J, T		74			DL	Saddle, 1997 XJ, Left
	QW26 1C3AA	1			72			M5	Mist Gray, 1997 XJ, Right
		1			74			M5	Mist Gray, 1997 XJ, Right
		1	J, T		74			X5	Mist Gray, 1997 XJ, Right
	QW26 1T6AA	1			72			M5	Saddle, 1997 XJ, Right
		1			74			M5	Saddle, 1997 XJ, Right
		1	J, T		74			X5	Saddle, 1997 XJ, Right
	QW27 1C3AA	1	J, T		74			X5	Mist Gray, 1997 XJ, Left
	QV88 1C3AA	1	J, T		72			B6	Mist Gray, 1997 XJ, Right

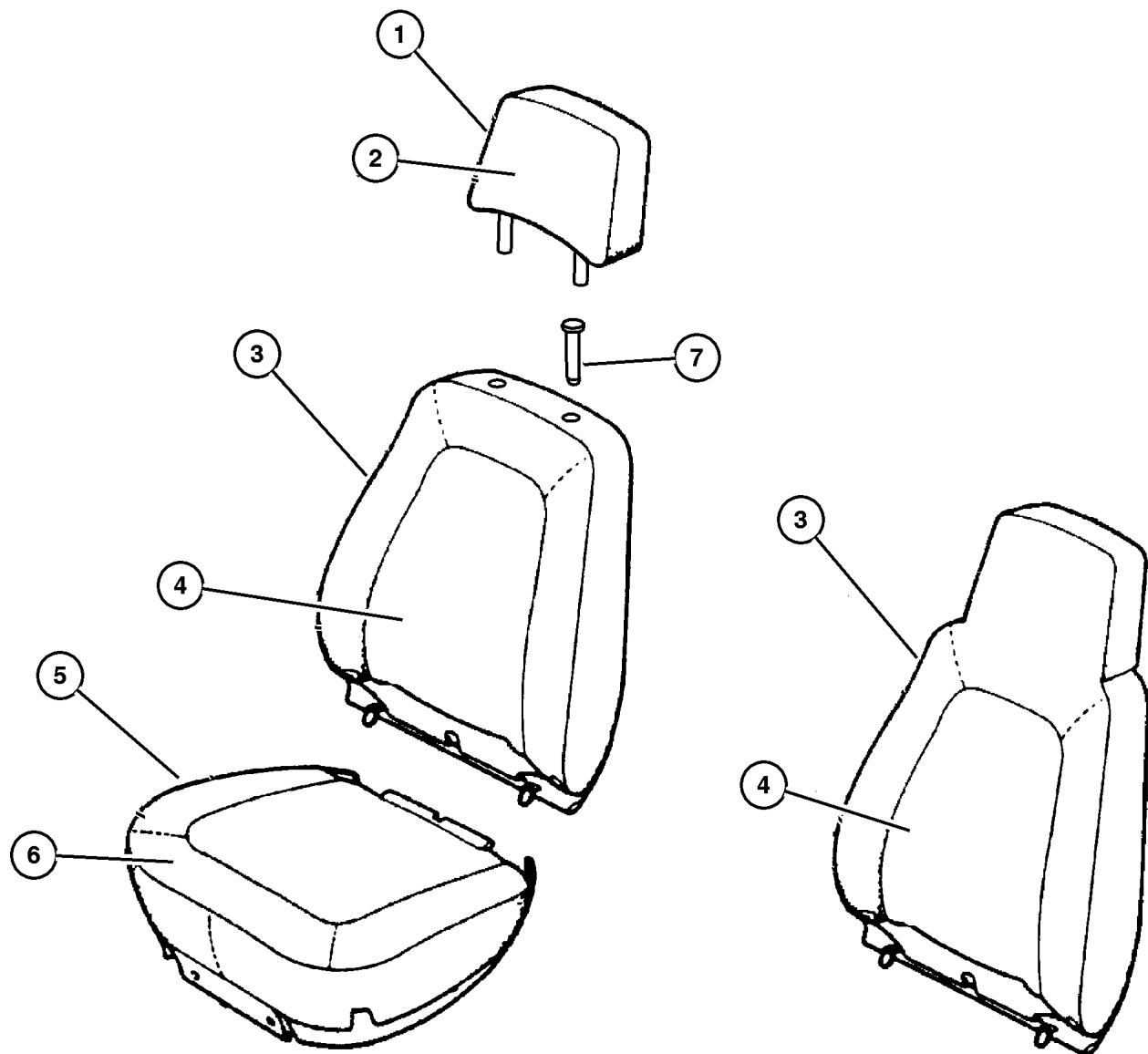
**JEEP CHEROKEE (XJ)**

<b>SERIES</b>	<b>LINE</b>	<b>BODY</b>	<b>ENGINE</b>	<b>TRANSMISSION</b>
L=Low Line	J=LHD (4WD) U=RHD (4WD) T=LHD (2WD) B=RHD (2WD)	74=4 DR. (101.4 WB) 72=2 DR. (101.4 WB)	ENC,EN0=2.5L 4 cyl. Turbo Die ERH,ER0=4.0L Power Tech I-6 EPE,EP0=Magnum 2.5L SMPI	DDQ=5Spd Man. DGS=4 Spd. Auto. AISIN DG0=All Auto Trans DBB=All Manual Trans.

AR = Use as required - = Non illustrated part # = New this model year

July 4, 2003

**Seat Covers and Seat Assemblies 1997 XJ 1998 XJ**  
**Figure IXJ-510**



ITEM	PART NUMBER	QTY	LINE	SERIES	BODY	ENGINE	TRANS	TRIM	DESCRIPTION
	QW27 1C3AA	1			72			M5	Mist Gray, 1997 XJ, Left
		1			74			M5	Mist Gray, 1997 XJ, Left
	QW27 1T6AA	1	J, T		74			X5	Saddle, 1997 XJ, Left
		1			74			M5	Saddle, 1997 XJ, Left
		1			72			M5	Saddle, 1997 XJ, Left
	QW50 1C3AA	1	B		72			XJ	Mist Gray, 1997 XJ, Right
		1	J		72			XJ	Mist Gray, 1997 XJ, Right
		1			74			XJ	Mist Gray, 1997 XJ, Right
	QW50 1T6AA	1			74			XJ	Saddle, 1997 XJ, Right
		1	B		72			XJ	Saddle, 1997 XJ, Right
	QV88 1T6AA	1	J, T		72			B6	Saddle, 1997 XJ, Right
	QW50 1T6AA	1	J		72			XJ	Saddle, 1997 XJ, Right
	QW51 1C3AA	1	B, U		72			XJ	Mist Gray, 1997 XJ, Left
		1	J, T		72			XJ	Mist Gray, 1997 XJ, Left
		1			74			XJ	Mist Gray, 1997 XJ, Left
	QW51 1T6AA	1			74			XJ	Saddle, 1997 XJ, Left
		1	J, T		72			XJ	Saddle, 1997 XJ, Left
		1	B, U		72			XJ	Saddle, 1997 XJ, Left
	QV88 1T6AA	1			74			B6	Saddle, 1997 XJ, Right
	QV89 1C3AA	1			74			B6	Mist Gray, 1997 XJ, Left
		1	J, T		72			B6	Mist Gray, 1997 XJ, Left
	QV89 1T6AA	1			74			B6	Saddle, 1997 XJ, Left
		1	J, T		72			B6	Saddle, 1997 XJ, Left
	QW02 1C3AA	1	J, T		74			DL	Mist Gray, 1997 XJ, Right
7									CYLINDER, Headrest
	4723 834	2	J, T		74			DL	1998 XJ
		2	J, T		74			XJ	1998 XJ
		4	J, T		72			XJ	1998 XJ
		4	B, U		74			XJ	1998 XJ
		2			74			DL	1997 XJ
		1			74			XJ	1997 XJ
		1	J, T		72			XJ	1997 XJ
		1	B, U		72			XJ	1997 XJ

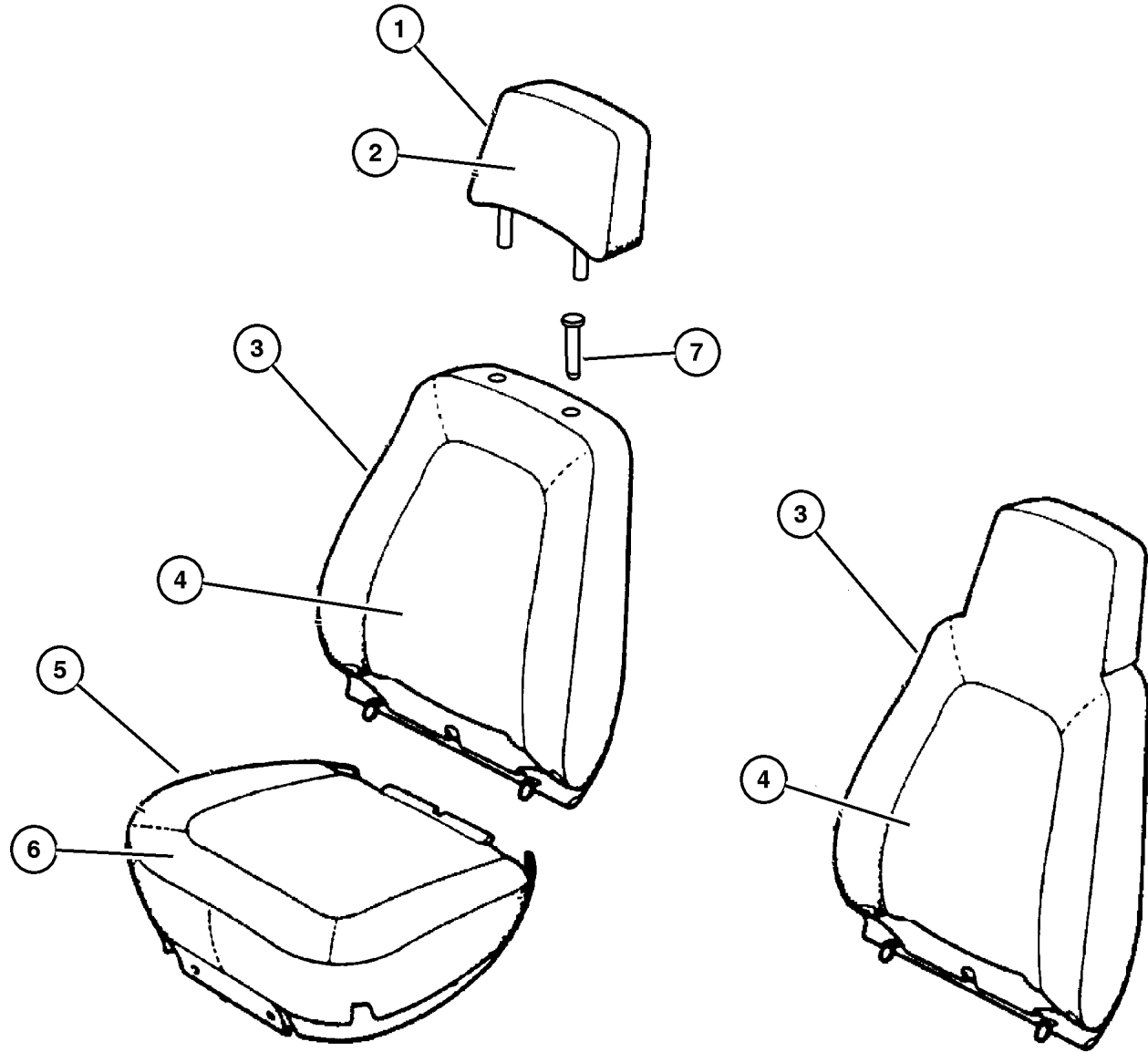
**JEEP CHEROKEE (XJ)**

SERIES	LINE	BODY	ENGINE	TRANSMISSION
L=Low Line	J=LHD (4WD) U=RHD (4WD) T=LHD (2WD) B=RHD (2WD)	74=4 DR. (101.4 WB) 72=2 DR. (101.4 WB)	ENC,EN0=2.5L 4 cyl. Turbo Die ERH,ER0=4.0L Power Tech I-6 EPE,EP0=Magnum 2.5L SMPI	DDQ=5Spd Man. DGS=4 Spd. Auto. AISIN DG0=All Auto Trans DBB=All Manual Trans.

AR = Use as required - = Non illustrated part # = New this model year

July 4, 2003

**Seat Covers and Seat Assemblies 1999 XJ**  
**Figure IXJ-510**



ITEM	PART NUMBER	QTY	LINE	SERIES	BODY	ENGINE	TRANS	TRIM	DESCRIPTION
1									HEADREST, Front
	QW18 1AZAA	2	J, T		74			DL	Agate
	QW63 1K5AA	2	B, U		74			XJ	Camel
	QW18 1AZAA	2	B, U		74			DL	Agate
	QW18 1K5AA	2	J, T		74			DL	Camel
		2	B, U		74			DL	Camel
	QW63 1AZAA	2	J, T		74			XJ	Agate
		2	J, T		72			XJ	Agate
		2	B, U		74			XJ	Agate
	QW63 1K5AA	2	J, T		74			XJ	Camel
		2	J, T		72			XJ	Camel
2									COVER, Seat Headrest
	QW20 1AZAA	2	J, T		74			DL	Agate
	QW65 1K5AA	2	B, U		74			XJ	Camel
	QW20 1AZAA	2	B, U		74			DL	Agate
	QW20 1K5AA	2	J, T		74			DL	Camel
		2	B, U		74			DL	Camel
	QW65 1AZAA	2	J, T		74			XJ	Agate
		2	J, T		72			XJ	Agate
		2	B, U		74			XJ	Agate
	QW65 1K5AA	2	J, T		72			XJ	Camel
		2	J, T		74			XJ	Camel
3									BACK, Front Seat
	QV90 1AZAA	1	J, T, U		72			B6	Agate, Right
	QV91 1K5AA	1	J, T, U		72			B6	Camel, Left
		1	J, T		74			B6	Camel, Left
		1	B, U		74			B6	Camel, Left
	QW06 1AZAA	1	J, T		74			DL	Agate, Right
	QW06 1K5AA	1	J, T		74			DL	Camel, Right
	QW07 1AZAA	1	J, T		74			DL	Agate, Left
	QW07 1K5AA	1	J, T		74			DL	Camel, Left
	QW22 1AZAA	1	J, T		72			M5	Agate, Right
		1	J, T		74			M5	Agate, Right
		1	B, U		74			M5	Agate, Right
	QV90 1AZAA	1	J, T		74			B6	Agate, Right
	QW22 1AZAA	1	J, T		74			X5	Agate, Right
	QW22 1K5AA	1	J, T		72			M5	Camel, Right
		1	J, T		74			M5	Camel, Right
		1	J, T		74			X5	Camel, Right
		1	B, U		74			M5	Camel, Right
	QW23 1AZAA	1	J, T		72			M5	Agate, Left
		1	J, T		74			M5	Agate, Left

**JEEP CHEROKEE (XJ)**

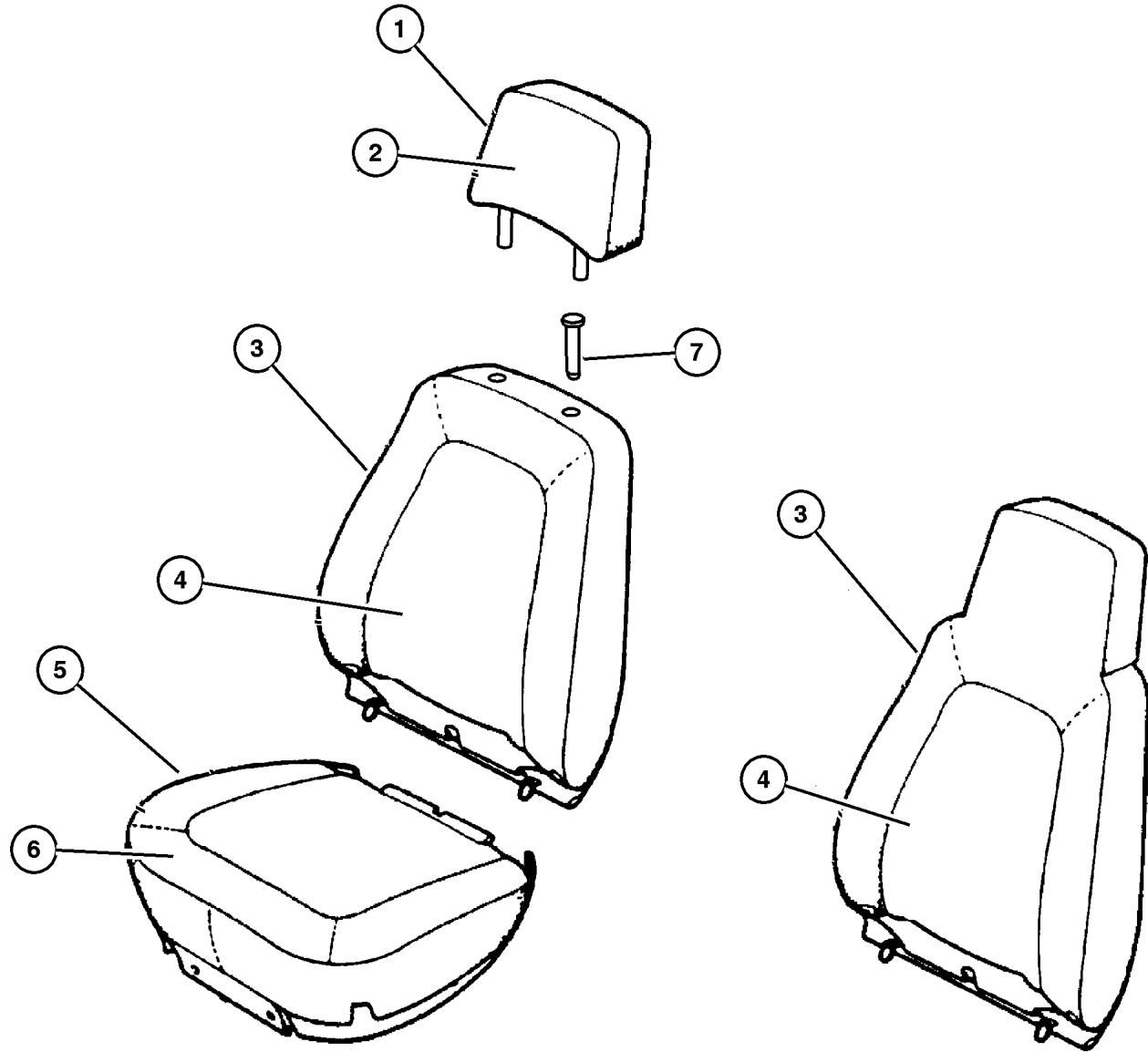
SERIES	LINE	BODY	ENGINE	TRANSMISSION
L=Low Line	J=LHD (4WD) U=RHD (4WD) T=LHD (2WD) B=RHD (2WD)	74=4 DR. (101.4 WB) 72=2 DR. (101.4 WB)	ENC,EN0=2.5L 4 cyl. Turbo Die ERH,ER0=4.0L Power Tech I-6 EPE,EP0=Magnum 2.5L SMPI	DDQ=5Spd Man. DGS=4 Spd. Auto. AISIN DG0=All Auto Trans DBB=All Manual Trans.

AR = Use as required - = Non illustrated part # = New this model year

July 4, 2003



**Seat Covers and Seat Assemblies 1999 XJ**  
**Figure IXJ-510**



ITEM	PART NUMBER	QTY	LINE	SERIES	BODY	ENGINE	TRANS	TRIM	DESCRIPTION
		1	B, U		74			M5	Agate, Left
		1	J, T		74			X5	Agate, Left
	QW23 1K5AA	1	J, T		72			M5	Camel, Left
	QV90 1AZAA	1	B, U		74			B6	Agate, Right
	QW23 1K5AA	1	J, T		74			M5	Camel, Left
		1	J, T		74			X5	Camel, Left
		1	B, U		74			M5	Camel, Left
	QW44 1AZAA	1	J, T		74			XJ	Agate, Right
		1	J, T		72			XJ	Agate, Right
		1	B, U		74			XJ	Agate, Right
	QW44 1K5AA	1	J, T		74			XJ	Camel, Right
		1	J, T		72			XJ	Camel, Right
		1	B, U		74			XJ	Camel, Right
	QW45 1AZAA	1	J, T		74			XJ	Agate, Left
	QV90 1K5AA	1	J, T, U		72			B6	Camel, Right
	QW45 1AZAA	1	J, T		72			XJ	Agate, Left
		1	B, U		74			XJ	Agate, Left
	QW45 1K5AA	1	J, T		74			XJ	Camel, Left
		1	J, T		72			XJ	Camel, Left
	#SN48 1AZAA	1	J, T		74			DL	Agate, Heated, Right
		1	B, U		74			DL	Agate, Heated, Right
	#SN48 1K5AA	1	J, T		74			DL	Camel, Heated, Right
		1	B, U		74			DL	Camel, Heated, Right
	#SN49 1AZAA	1	J, T		74			DL	Agate, Heated, Left
		1	B, U		74			DL	Agate, Heated, Left
	QV90 1K5AA	1	J, T		74			B6	Camel, Right
	#SN49 1K5AA	1	J, T		74			DL	Camel, Heated, Left
		1	B, U		74			DL	Camel, Heated, Left
	QV90 1K5AA	1	B, U		74			B6	Camel, Right
	QV91 1AZAA	1	J, T, U		72			B6	Agate, Left
		1	J, T		74			B6	Agate, Left
		1	B, U		74			B6	Agate, Left
4									COVER, Seat Back
	QV95 1AZAA	2	J, T, U		72			B6	Agate
	QW24 1AZAA	2	J, T		74			M5	Agate
		2	J, T		74			X5	Agate
		2	B, U		74			M5	Agate
	QW24 1K5AA	2	J, T		72			M5	Camel
		2	J, T		74			M5	Camel
		2	J, T		74			X5	Camel
		2	B, U		74			M5	Camel
	QW46 1AZAA	2	J, T		74			XJ	Agate

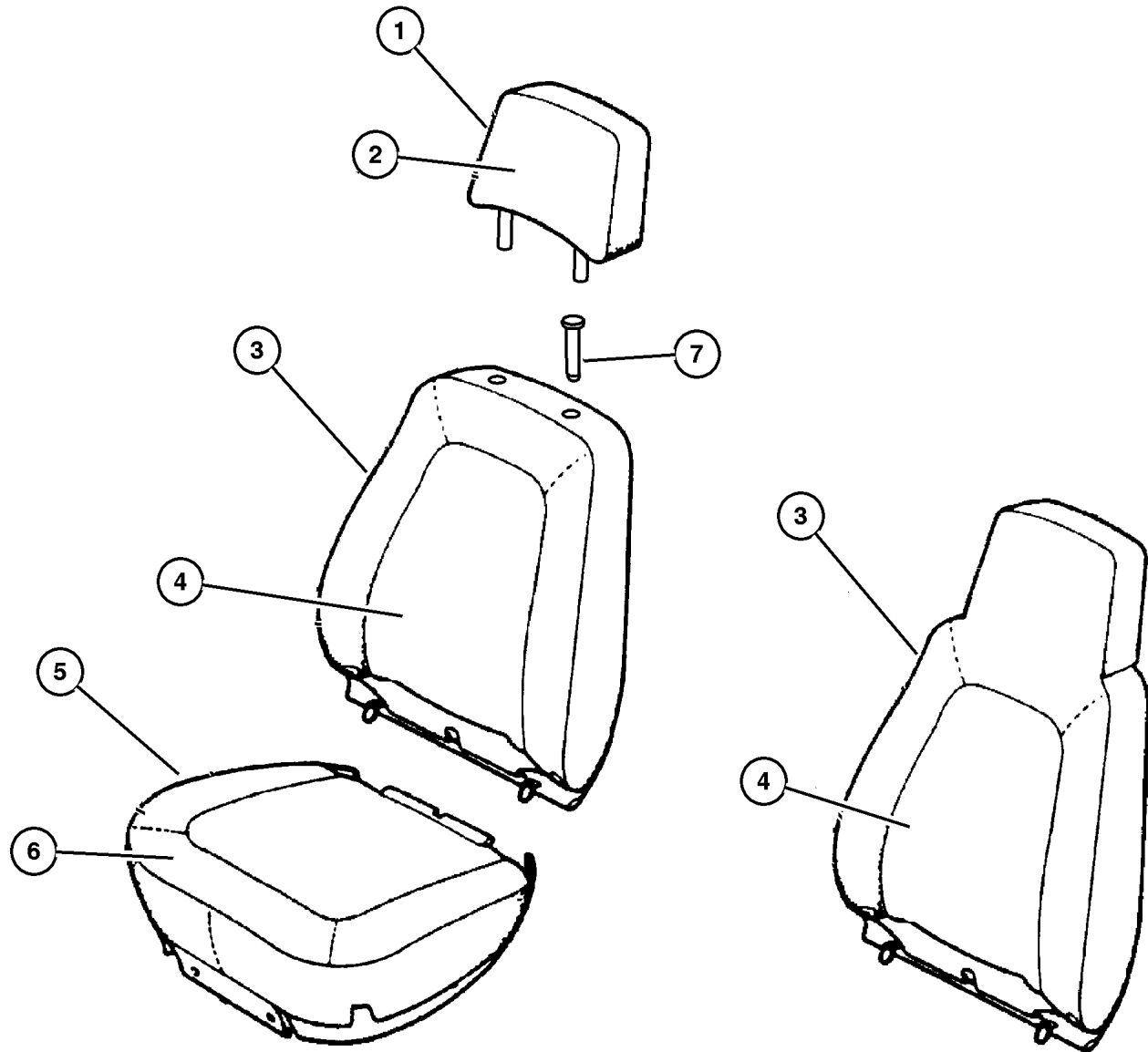
**JEEP CHEROKEE (XJ)**

SERIES	LINE	BODY	ENGINE	TRANSMISSION
L=Low Line	J=LHD (4WD) U=RHD (4WD) T=LHD (2WD) B=RHD (2WD)	74=4 DR. (101.4 WB) 72=2 DR. (101.4 WB)	ENC,EN0=2.5L 4 cyl. Turbo Die ERH,ER0=4.0L Power Tech I-6 EPE,EP0=Magnum 2.5L SMPI	DDQ=5Spd Man. DGS=4 Spd. Auto. AISIN DG0=All Auto Trans DBB=All Manual Trans.

AR = Use as required - = Non illustrated part # = New this model year

July 4, 2003

**Seat Covers and Seat Assemblies 1999 XJ**  
**Figure IXJ-510**



ITEM	PART NUMBER	QTY	LINE	SERIES	BODY	ENGINE	TRANS	TRIM	DESCRIPTION
		2	J, T		72			XJ	Agate
		2	B, U		74			XJ	Agate
	QV95 1AZAA	2	J, T		74			B6	Agate
	QW46 1K5AA	2	J, T		74			XJ	Camel
		2	J, T		72			XJ	Camel
		2	B, U		74			XJ	Camel
	#SN55 1AZAA	2	J, T		74			DL	Agate, Heated
		2	B, U		74			DL	Agate, Heated
	#SN55 1K5AA	2	J, T		74			DL	Camel, Heated
		2	B, U		74			DL	Camel, Heated
	QV95 1AZAA	2	B, U		74			B6	Agate
	QV95 1K5AA	2	J, T, U		72			B6	Camel
		2	J, T		74			B6	Camel
		2	B, U		74			B6	Camel
	QW04 1AZAA	2	J, T		74			DL	Agate
	QW04 1K5AA	2	J, T		74			DL	Camel
	QW24 1AZAA	2	J, T		72			M5	Agate
5									FRAME, Front Seat
	4856 470	1	J, T, U		72			B6	Right
		1	J, T		74			X5	Right
		1	J, T		74			DL	Right
		1	B, U		74			DL	Right
	4856 471	1	J, T, U		72			B6	Left
		1	J, T		72			M5	Left
		1	J, T		74			B6	Left
		1	J, T		74			DL	Left
		1	J, T		74			M5	Left
		1	B, U		74			XJ	Left
		1	B, U		74			M5	Left
	4856 470	1	J, T		72			M5	Right
	4856 471	1	B, U		74			B6	Left
		1	J, T		74			X5	Left
		1	B, U		74			DL	Left
	4856 470	1	J, T		72			XJ	Right
		1	J, T		74			B6	Right
		1	J, T		74			M5	Right
		1	J, T		74			XJ	Right
		1	B, U		74			XJ	Right
		1	B, U		74			M5	Right
		1	B, U		74			B6	Right
6									COVER AND PAD, Cushion
	RG62 1AZAA	1	J, T		74			B6	Agate, Right

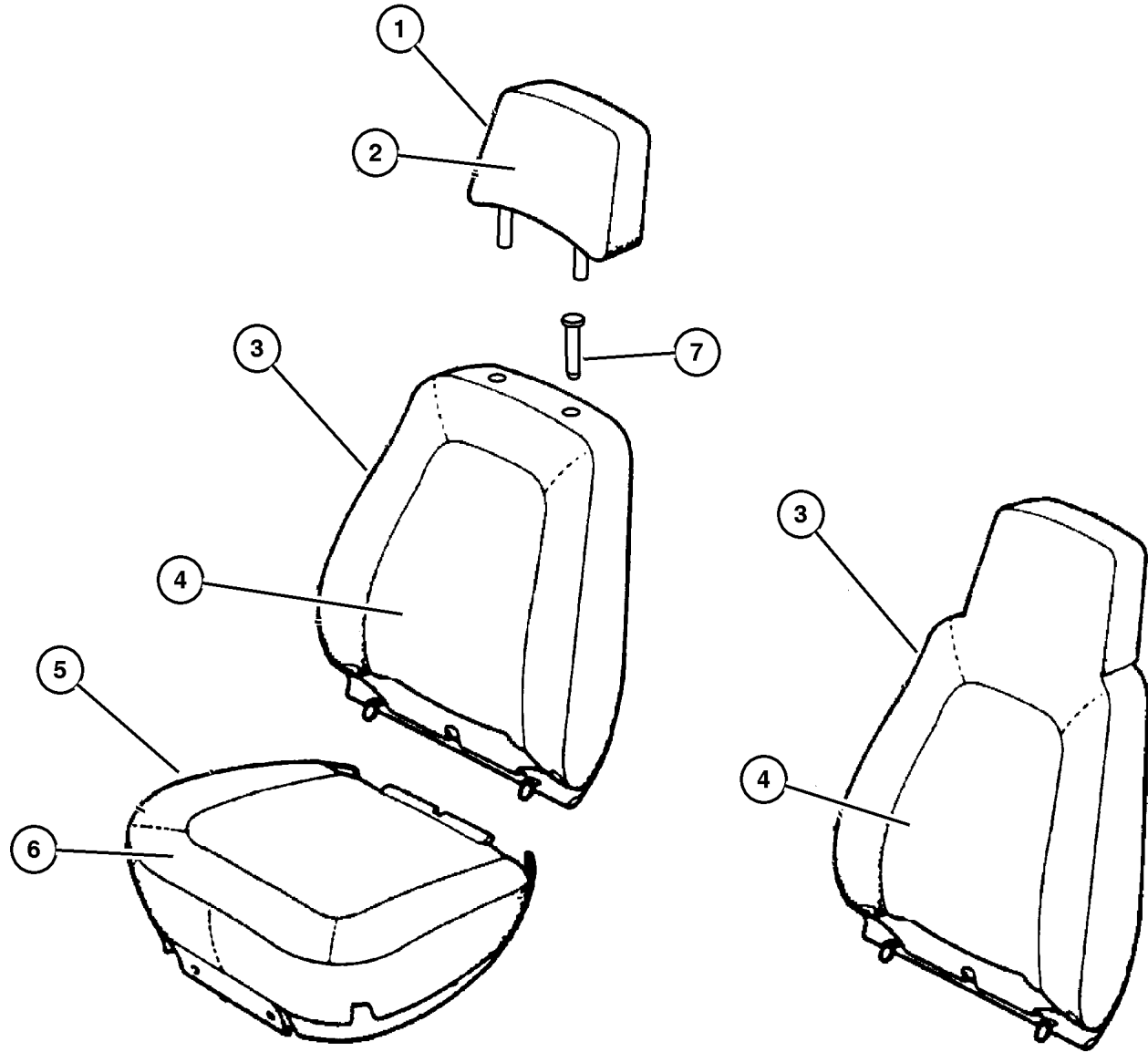
**JEEP CHEROKEE (XJ)**

SERIES	LINE	BODY	ENGINE	TRANSMISSION
L=Low Line	J=LHD (4WD) U=RHD (4WD) T=LHD (2WD) B=RHD (2WD)	74=4 DR. (101.4 WB) 72=2 DR. (101.4 WB)	ENC,EN0=2.5L 4 cyl. Turbo Die ERH,ER0=4.0L Power Tech I-6 EPE,EP0=Magnum 2.5L SMPI	DDQ=5Spd Man. DGS=4 Spd. Auto. AISIN DG0=All Auto Trans DBB=All Manual Trans.

AR = Use as required - = Non illustrated part # = New this model year

July 4, 2003

**Seat Covers and Seat Assemblies 1999 XJ**  
**Figure IXJ-510**



ITEM	PART NUMBER	QTY	LINE	SERIES	BODY	ENGINE	TRANS	TRIM	DESCRIPTION
	RG63 1K5AA	1	J, T		74			B6	Camel, Left
		1	J, T, U		72			B6	Camel, Left
		1	B, U		74			B6	Camel, Left
	RG68 1AZAA	1	J, T		74			DL	Agate, Right
	RG68 1K5AA	1	J, T		74			DL	Camel, Right
	RG69 1AZAA	1	J, T		74			DL	Agate, Left
	RG69 1K5AA	1	J, T		74			DL	Camel, Left
	RG70 1AZAA	1	J, T		72			M5	Agate, Right
		1	J, T		74			M5	Agate, Right
		1	J, T		74			X5	Agate, Right
	RG62 1AZAA	1	J, T, U		72			B6	Agate, Right
	RG70 1AZAA	1	B, U		74			M5	Agate, Right
	RG70 1K5AA	1	J, T		72			M5	Camel, Right
		1	J, T		74			M5	Camel, Right
		1	J, T		74			X5	Camel, Right
		1	B, U		74			M5	Camel, Right
	RG71 1AZAA	1	J, T		72			M5	Agate, Left
		1	J, T		74			M5	Agate, Left
		1	J, T		74			X5	Agate, Left
		1	B, U		74			M5	Agate, Left
	RG71 1K5AA	1	J, T		72			M5	Camel, Left
	RG62 1AZAA	1	B, U		74			B6	Agate, Right
	RG71 1K5AA	1	J, T		74			M5	Camel, Left
		1	J, T		74			X5	Camel, Left
		1	B, U		74			M5	Camel, Left
	RG72 1AZAA	1	B, U		74			XJ	Agate, Right
		1	J, T		72			XJ	Agate, Right
		1	J, T		74			XJ	Agate, Right
	RG72 1K5AA	1	B, U		74			XJ	Camel, Right
		1	J, T		72			XJ	Camel, Right
		1	J, T		74			XJ	Camel, Right
	RG73 1AZAA	1	B, U		74			XJ	Agate, Left
	RG62 1K5AA	1	J, T		74			B6	Camel, Right
	RG73 1AZAA	1	J, T		72			XJ	Agate, Left
		1	J, T		74			XJ	Agate, Left
	RG73 1K5AA	1	B, U		74			XJ	Camel, Left
		1	J, T		72			XJ	Camel, Left
		1	J, T		74			XJ	Camel, Left
	#SN90 1AZAA	1	J, T		74			DL	Agate, Heated, Right
		1	B, U		74			DL	Agate, Heated, Right
	#SN90 1K5AA	1	J, T		74			DL	Camel, Heated, Right
		1	B, U		74			DL	Camel, Heated, Right

**JEEP CHEROKEE (XJ)**

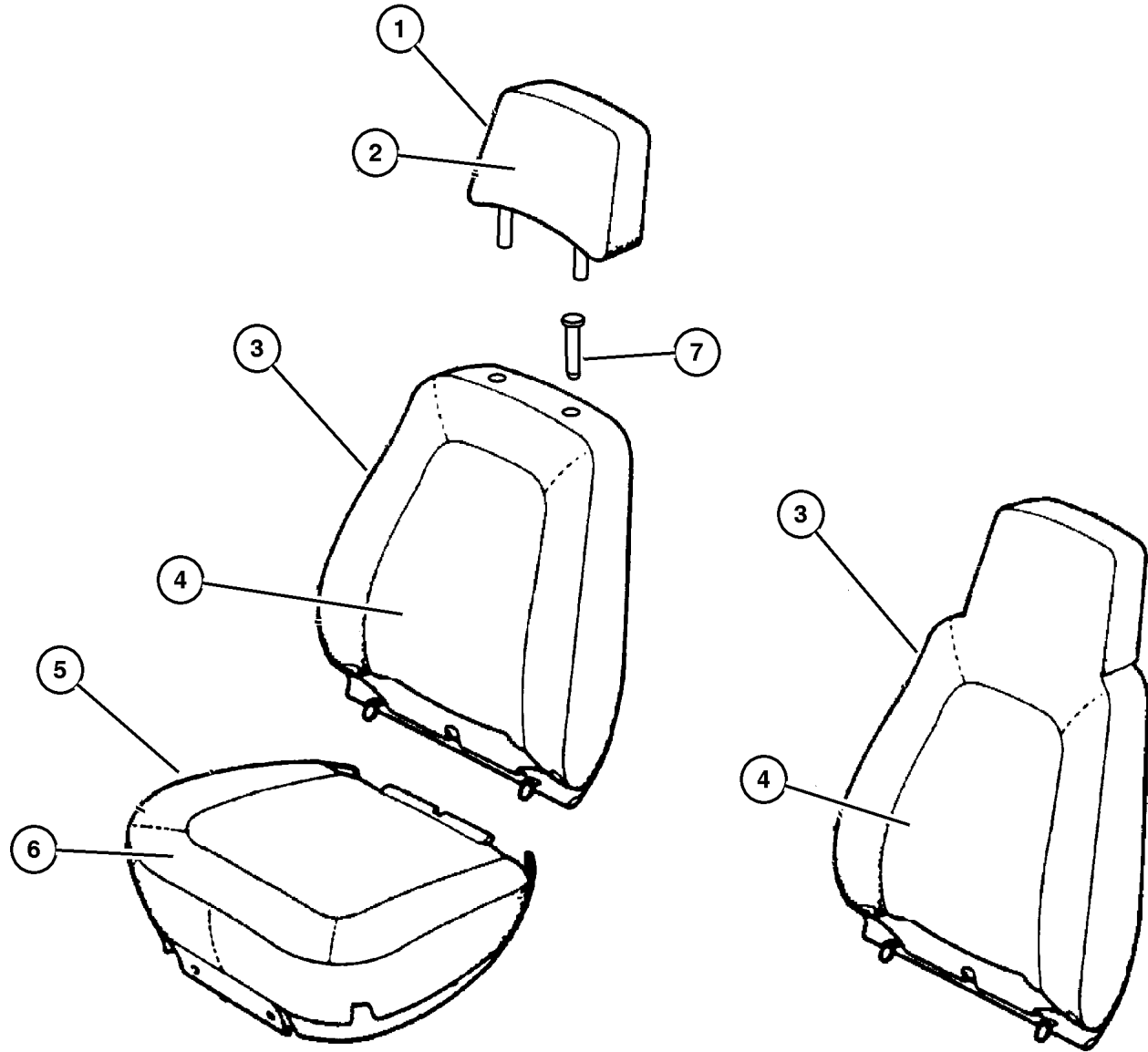
SERIES	LINE	BODY	ENGINE	TRANSMISSION
L=Low Line	J=LHD (4WD) U=RHD (4WD) T=LHD (2WD) B=RHD (2WD)	74=4 DR. (101.4 WB) 72=2 DR. (101.4 WB)	ENC,EN0=2.5L 4 cyl. Turbo Die ERH,ER0=4.0L Power Tech I-6 EPE,EP0=Magnum 2.5L SMPI	DDQ=5Spd Man. DGS=4 Spd. Auto. AISIN DG0=All Auto Trans DBB=All Manual Trans.

AR = Use as required - = Non illustrated part # = New this model year

July 4, 2003

**Seat Covers and Seat Assemblies 1999 XJ**  
**Figure IXJ-510**

ITEM	PART NUMBER	QTY	LINE	SERIES	BODY	ENGINE	TRANS	TRIM	DESCRIPTION
	#SN91 1AZAA	1	J, T		74			DL	Agate, Heated, Left
	RG62 1K5AA	1	J, T, U		72			B6	Camel, Right
	#SN91 1AZAA	1	B, U		74			DL	Agate, Heated, Left
	#SN91 1K5AA	1	J, T		74			DL	Camel, Heated, Left
		1	B, U		74			DL	Camel, Heated, Left
	RG62 1K5AA	1	B, U		74			B6	Camel, Right
	RG63 1AZAA	1	J, T		74			B6	Agate, Left
		1	J, T, U		72			B6	Agate, Left
		1	B, U		74			B6	Agate, Left
7									CYLINDER, Headrest
	#5013 152AA	4	J, T		74			DL	
		4	J, T		74			XJ	
		4	J, T		72			XJ	
		4	B, U		74			XJ	
		4	B, U		74			DL	

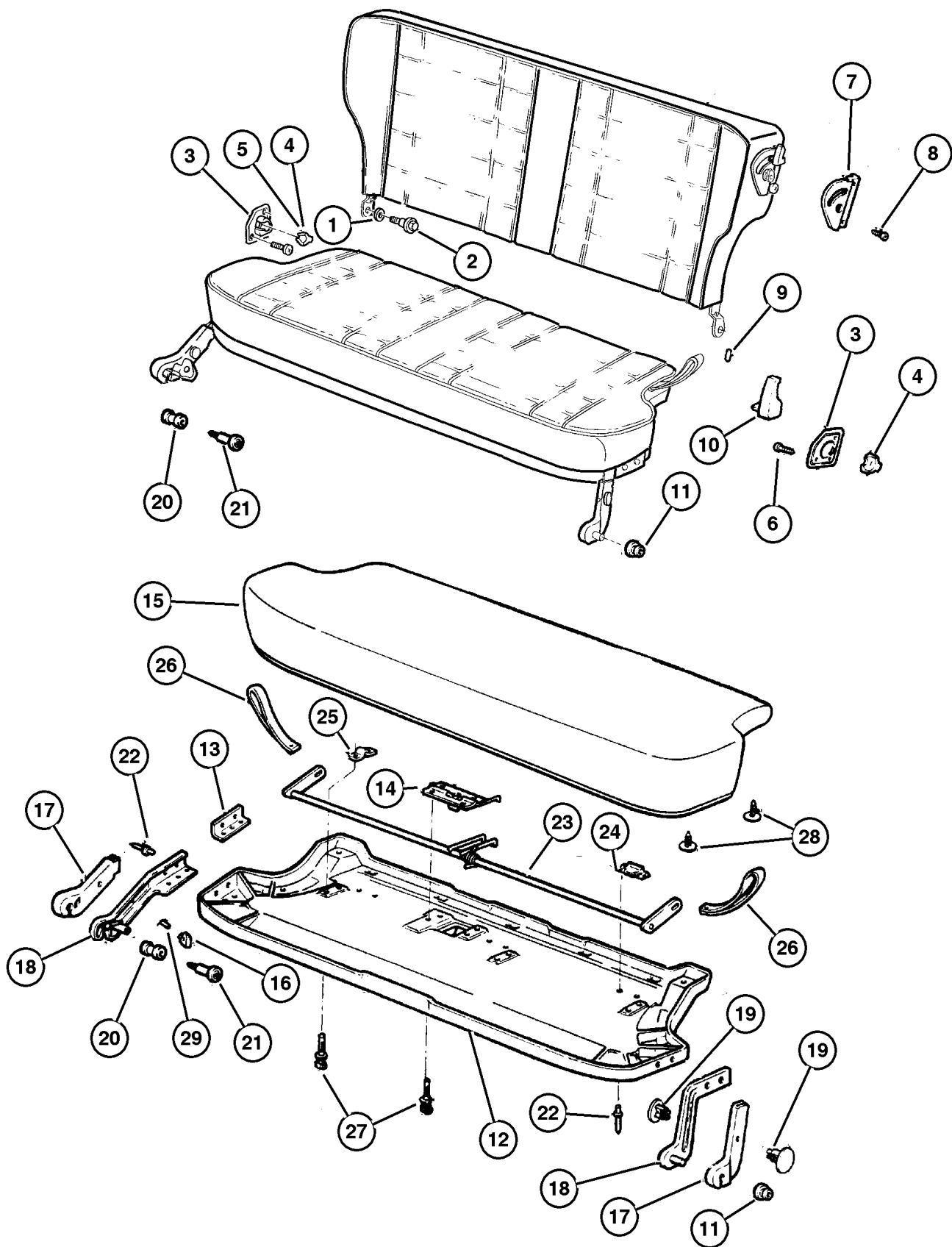


<b>JEEP CHEROKEE (XJ)</b>				
SERIES	LINE	BODY	ENGINE	TRANSMISSION
L=Low Line	J=LHD (4WD) U=RHD (4WD) T=LHD (2WD) B=RHD (2WD)	74=4 DR. (101.4 WB) 72=2 DR. (101.4 WB)	ENC,EN0=2.5L 4 cyl. Turbo Die ERH,ER0=4.0L Power Tech I-6 EPE,EP0=Magnum 2.5L SMPI	DDQ=5Spd Man. DGS=4 Spd. Auto. AISIN DG0=All Auto Trans DBB=All Manual Trans.

AR = Use as required - = Non illustrated part # = New this model year

July 4, 2003

**Frame and Pad Rear Seat 1997 XJ 1998 XJ**  
**Figure IXJ-610**



ITEM	PART NUMBER	QTY	LINE	SERIES	BODY	ENGINE	TRANS	TRIM	DESCRIPTION
1	5500 5617	1							SPACER, Seat Back Pivot
2	3420 1537	2							SCREW, Hex Washer Shoulder, M10x1.50x25.00
3	5519 5980	1							BRACKET, Seat Lock Striker Right
	5519 5981	1							Left
4	5500 1212	1							BUMPER, Latch Striker, Right
5	5500 1213	1							BUMPER, Seat Back, Left
6									SCREW, Pan Head Torx, M5x0.8x30.00
	3420 2189	6	J, T						
		8	B, U						
7									BEZEL, Seat Latch
	5AC6 61C3	1			72			B6	Mist Gray, 1997 XJ, Right
		1			74			B6	Mist Gray, 1997 XJ, Right
		1			74			DL	Mist Gray, 1997 XJ, Right
		1			72			M5	Mist Gray, 1997 XJ, Right
		1			74			M5	Mist Gray, 1997 XJ, Right
		1			74			XJ	Mist Gray, 1997 XJ, Right
		1	J		72			XJ	Mist Gray, 1997 XJ, Right
		1			74			X5	Mist Gray, 1997 XJ, Right
		1	B		72			XJ	Mist Gray, 1997 XJ, Right
		1	J, T		74			B6	Mist Gray, 1998 XJ, Right
		1	J, T		74			DL	Mist Gray, 1998 XJ, Right
		1	J, T		72			M5	Mist Gray, 1998 XJ, Right
		1	J, T		74			M5	Mist Gray, 1998 XJ, Right
		1	J, T		74			XJ	Mist Gray, 1998 XJ, Right
		1	B, U		74			XJ	Mist Gray, 1998 XJ, Right
		1	J, T		74			X5	Mist Gray, 1998 XJ, Right
		1	B, U		74			M5	Mist Gray, 1998 XJ, Right
		1	B, U		74			B6	Mist Gray, 1998 XJ, Right
		1	J, T		72			XJ	Mist Gray, 1998 XJ, Right
		1	B, U		74			DL	Mist Gray, 1998 XJ, Right
	5AC6 61T6	1	J, T, U		72			B6	Mist Gray, 1998 XJ, Right
		1			72			B6	Saddle, 1997 XJ, Right
		1			74			B6	Saddle, 1997 XJ, Right
		1			74			DL	Saddle, 1997 XJ, Right
		1			72			M5	Saddle, 1997 XJ, Right
		1			74			M5	Saddle, 1997 XJ, Right
		1			74			XJ	Saddle, 1997 XJ, Right
		1			74			X5	Saddle, 1997 XJ, Right
		1	B		72			XJ	Saddle, 1997 XJ, Right

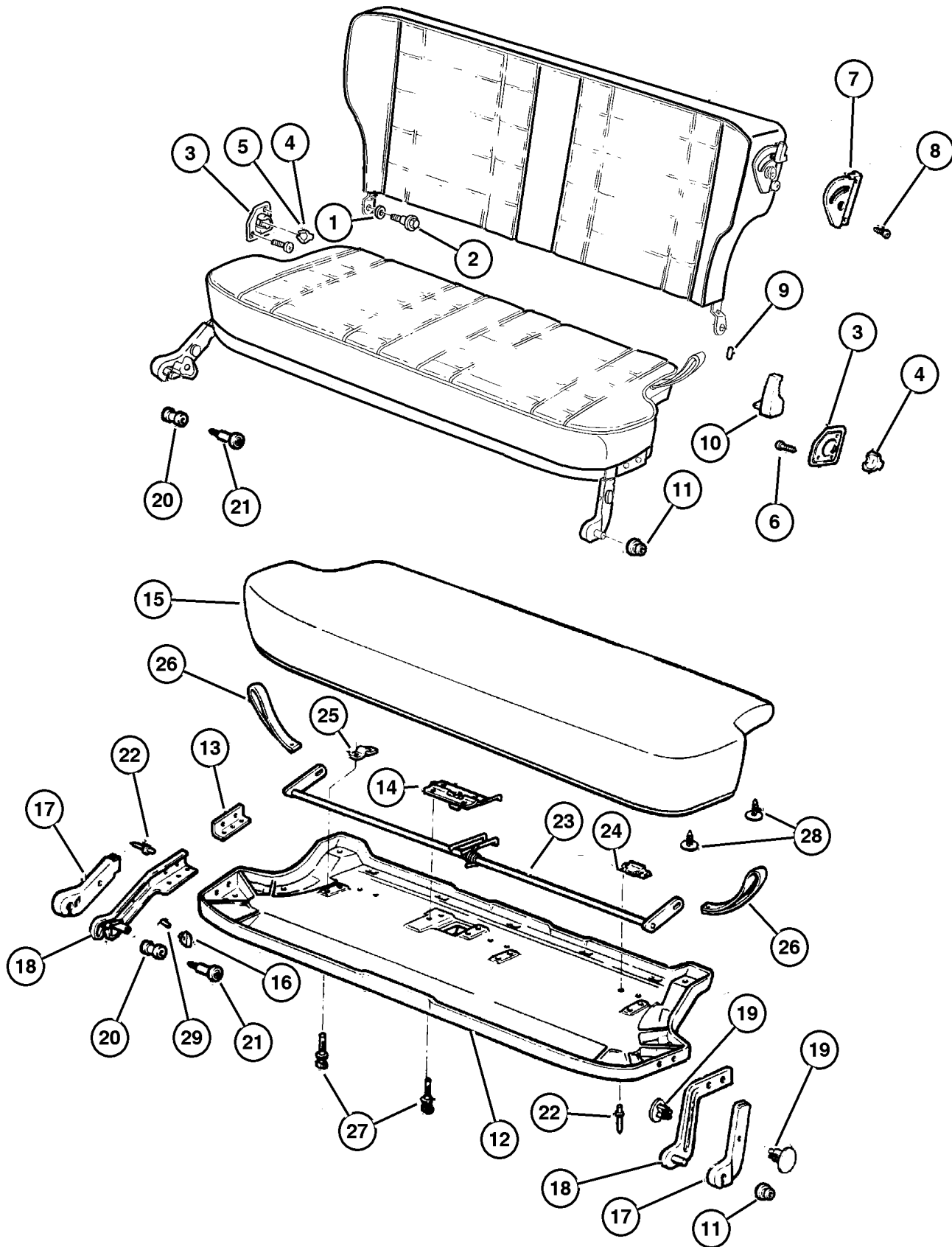
**JEEP CHEROKEE (XJ)**

SERIES	LINE	BODY	ENGINE	TRANSMISSION
L=Low Line	J=LHD (4WD) U=RHD (4WD) T=LHD (2WD) B=RHD (2WD)	74=4 DR. (101.4 WB) 72=2 DR. (101.4 WB)	ENC,EN0=2.5L 4 cyl. Turbo Die ERH,ER0=4.0L Power Tech I-6 EPE,EP0=Magnum 2.5L SMPI	DDQ=5Spd Man. DGS=4 Spd. Auto. AISIN DG0=All Auto Trans DBB=All Manual Trans.

AR = Use as required - = Non illustrated part # = New this model year

July 4, 2003

Frame and Pad Rear Seat 1997 XJ 1998 XJ  
Figure IXJ-610



ITEM	PART NUMBER	QTY	LINE	SERIES	BODY	ENGINE	TRANS	TRIM	DESCRIPTION
		1	J, T		74			B6	Saddle, 1998 XJ, Right
		1	J, T		74			DL	Saddle, 1998 XJ, Right
		1	J, T		72			M5	Saddle, 1998 XJ, Right
		1	J, T		74			M5	Saddle, 1998 XJ, Right
		1	J, T		74			XJ	Saddle, 1998 XJ, Right
		1	J, T		72			XJ	Saddle, 1998 XJ, Right
		1	B, U		74			XJ	Saddle, 1998 XJ, Right
		1	J, T		74			X5	Saddle, 1998 XJ, Right
		1	B, U		74			M5	Saddle, 1998 XJ, Right
		1	B, U		74			B6	Saddle, 1998 XJ, Right
		1	B, U		74			DL	Saddle, 1998 XJ, Right
		1	J, T, U		72			B6	Saddle, 1998 XJ, Right
	5AC6 71C3	1			72			B6	Mist Gray, 1997 XJ, Left
		1			74			B6	Mist Gray, 1997 XJ, Left
		1			74			DL	Mist Gray, 1997 XJ, Left
		1			72			M5	Mist Gray, 1997 XJ, Left
		1			74			M5	Mist Gray, 1997 XJ, Left
		1			74			XJ	Mist Gray, 1997 XJ, Left
		1	J		72			XJ	Mist Gray, 1997 XJ, Left
		1			74			X5	Mist Gray, 1997 XJ, Left
		1	B		72			XJ	Mist Gray, 1997 XJ, Left
		1	J, T		74			B6	Mist Gray, 1998 XJ, Left
		1	J, T		74			DL	Mist Gray, 1998 XJ, Left
		1	J, T		72			M5	Mist Gray, 1998 XJ, Left
		1	J, T		74			M5	Mist Gray, 1998 XJ, Left
		1	J, T		74			XJ	Mist Gray, 1998 XJ, Left
		1	J, T		72			XJ	Mist Gray, 1998 XJ, Left
		1	B, U		74			XJ	Mist Gray, 1998 XJ, Left
		1	J, T		74			X5	Mist Gray, 1998 XJ, Left
		1	B, U		74			M5	Mist Gray, 1998 XJ, Left
		1	B, U		74			B6	Mist Gray, 1998 XJ, Left
		1	B, U		74			DL	Mist Gray, 1998 XJ, Left
		1	J, T, U		72			B6	Mist Gray, 1998 XJ, Left
	5AC6 71T6	1			72			B6	Saddle, 1997 XJ, Left
		1			74			B6	Saddle, 1997 XJ, Left
		1			74			DL	Saddle, 1997 XJ, Left
		1			72			M5	Saddle, 1997 XJ, Left
		1			74			M5	Saddle, 1997 XJ, Left
		1			74			XJ	Saddle, 1997 XJ, Left
		1	J		72			XJ	Saddle, 1997 XJ, Left
		1			74			X5	Saddle, 1997 XJ, Left
		1	B		72			XJ	Saddle, 1997 XJ, Left

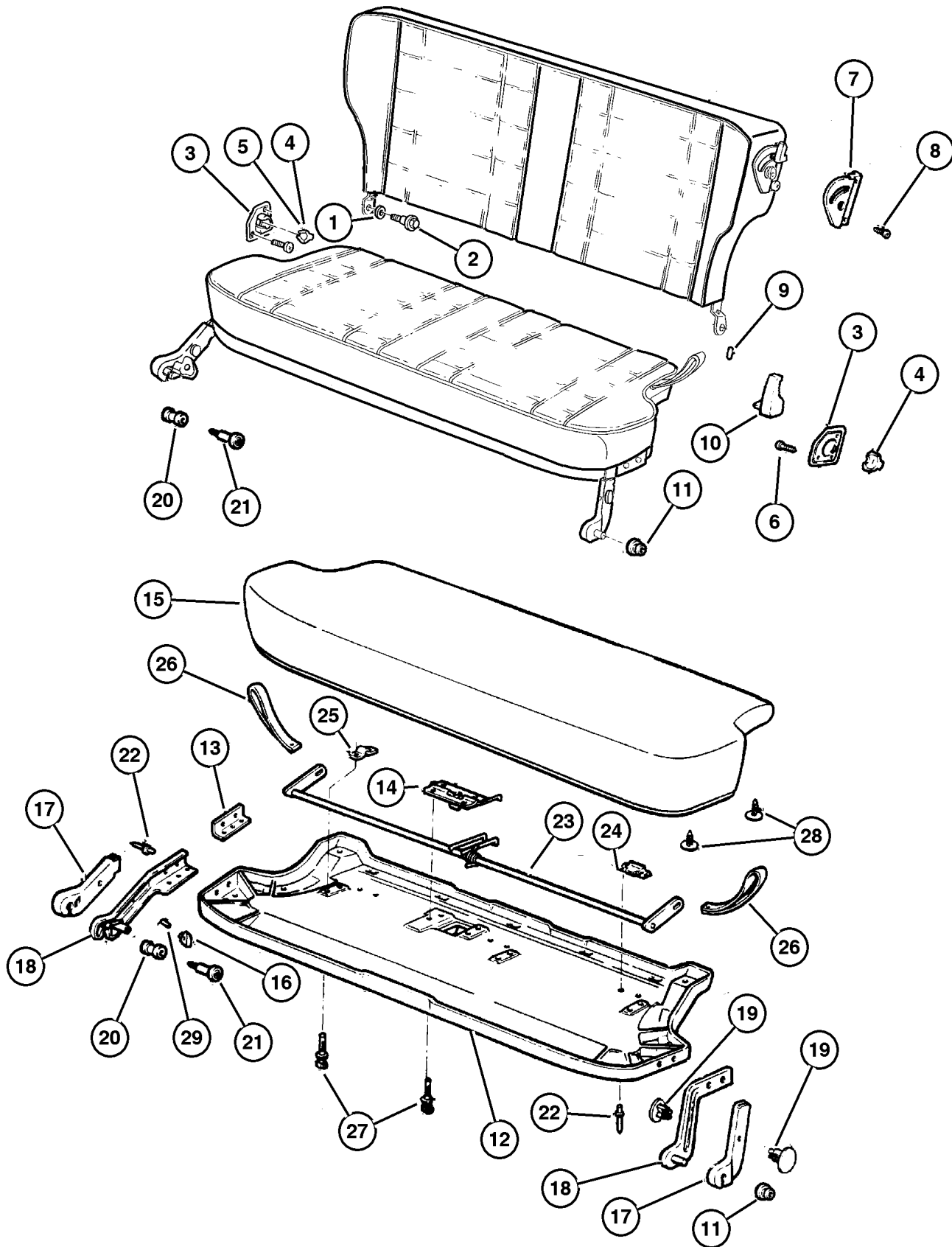
JEEP CHEROKEE (XJ)

SERIES	LINE	BODY	ENGINE	TRANSMISSION
L=Low Line	J=LHD (4WD) U=RHD (4WD) T=LHD (2WD) B=RHD (2WD)	74=4 DR. (101.4 WB) 72=2 DR. (101.4 WB)	ENC,EN0=2.5L 4 cyl. Turbo Die ERH,ER0=4.0L Power Tech I-6 EPE,EP0=Magnum 2.5L SMPI	DDQ=5Spd Man. DGS=4 Spd. Auto. AISIN DG0=All Auto Trans DBB=All Manual Trans.

AR = Use as required - = Non illustrated part # = New this model year

July 4, 2003

Frame and Pad Rear Seat 1997 XJ 1998 XJ  
Figure IXJ-610



ITEM	PART NUMBER	QTY	LINE	SERIES	BODY	ENGINE	TRANS	TRIM	DESCRIPTION
		1	J, T		74			B6	Saddle, 1998 XJ, Left
		1	J, T		74			DL	Saddle, 1998 XJ, Left
		1	J, T		72			M5	Saddle, 1998 XJ, Left
		1	J, T		74			M5	Saddle, 1998 XJ, Left
		1	J, T		74			XJ	Saddle, 1998 XJ, Left
		1	J, T		72			XJ	Saddle, 1998 XJ, Left
		1	B, U		74			XJ	Saddle, 1998 XJ, Left
		1	J, T		74			X5	Saddle, 1998 XJ, Left
		1	B, U		74			M5	Saddle, 1998 XJ, Left
		1	B, U		74			B6	Saddle, 1998 XJ, Left
		1	B, U		74			DL	Saddle, 1998 XJ, Left
		1	J, T, U		72			B6	Saddle, 1998 XJ, Left
8	3420 1314	4							SCREW, Tapping Round Head, .164x18x1.232
9	J045 5735	4			72			B6	1997 XJ
		4			74			B6	1997 XJ
		4			74			DL	1997 XJ
		4			72			M5	1997 XJ
		4			74			M5	1997 XJ
		4			74			XJ	1997 XJ
		4	J		72			XJ	1997 XJ
		4			74			X5	1997 XJ
		4	B		72			XJ	1997 XJ
		4	J, T		74			B6	1998 XJ
		4	J, T		74			DL	1998 XJ
		4	J, T		72			M5	1998 XJ
		4	J, T		74			M5	1998 XJ
		4	J, T		74			XJ	1998 XJ
		4	J, T		72			XJ	1998 XJ
		4	B, U		74			XJ	1998 XJ
		4	J, T		74			X5	1998 XJ
		4	B, U		74			M5	1998 XJ
		4	B, U		74			B6	1998 XJ
		4	B, U		74			DL	1998 XJ
		4	J, T, U		72			B6	1998 XJ
10									KNOB, Seat Back Latch
	QC04 1C3	1			72			B6	Mist Gray, 1997 XJ, Right
		1			74			B6	Mist Gray, 1997 XJ, Right
		1			74			DL	Mist Gray, 1997 XJ, Right
		1			72			M5	Mist Gray, 1997 XJ, Right
		1			74			M5	Mist Gray, 1997 XJ, Right

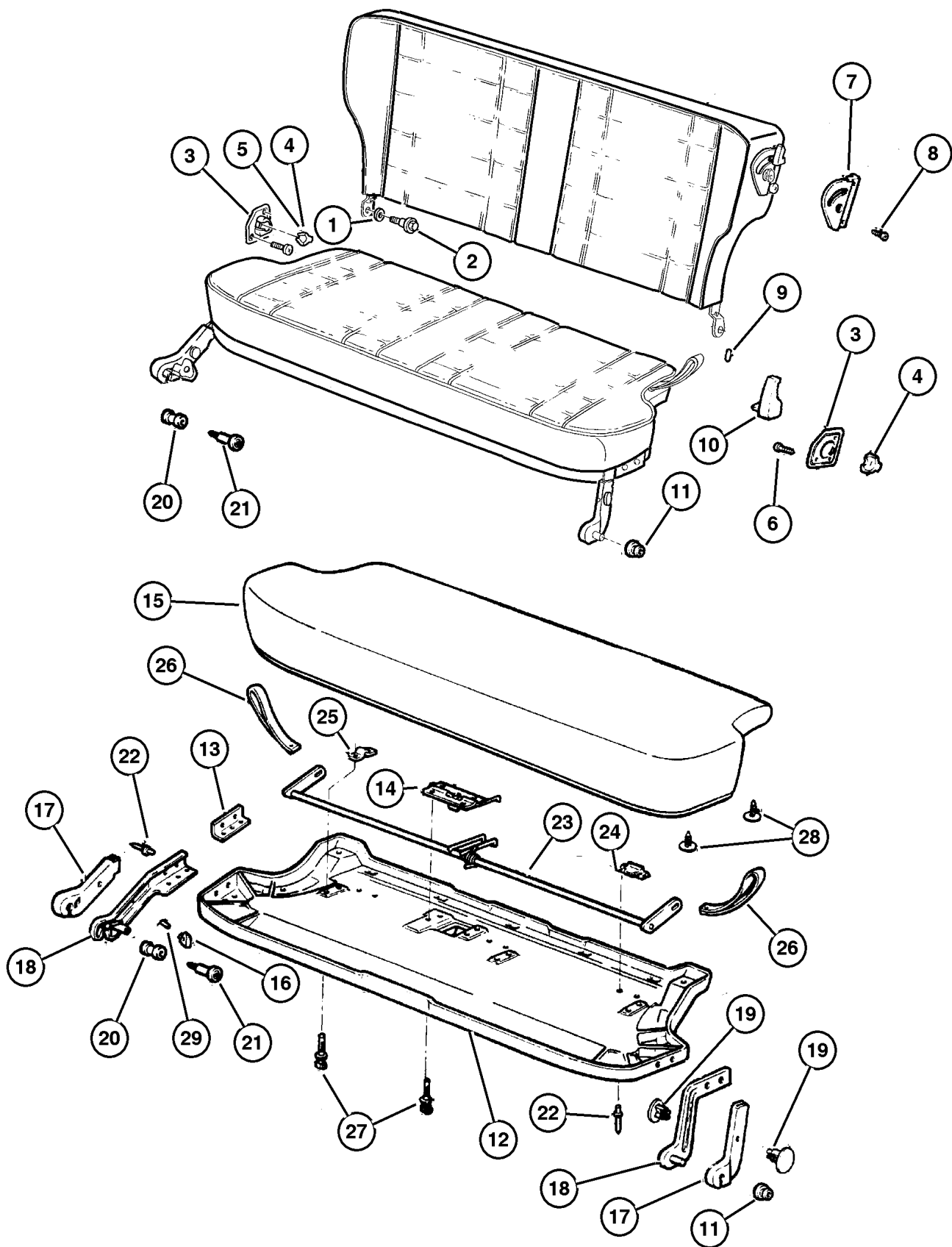
JEEP CHEROKEE (XJ)

SERIES	LINE	BODY	ENGINE	TRANSMISSION
L=Low Line	J=LHD (4WD) U=RHD (4WD) T=LHD (2WD) B=RHD (2WD)	74=4 DR. (101.4 WB) 72=2 DR. (101.4 WB)	ENC,EN0=2.5L 4 cyl. Turbo Die ERH,ER0=4.0L Power Tech I-6 EPE,EP0=Magnum 2.5L SMPI	DDQ=5Spd Man. DGS=4 Spd. Auto. AISIN DG0=All Auto Trans DBB=All Manual Trans.

AR = Use as required - = Non illustrated part # = New this model year

July 4, 2003

**Frame and Pad Rear Seat 1997 XJ 1998 XJ**  
**Figure IXJ-610**



ITEM	PART NUMBER	QTY	LINE	SERIES	BODY	ENGINE	TRANS	TRIM	DESCRIPTION
		1			74			XJ	Mist Gray, 1997 XJ, Right
		1	J		72			XJ	Mist Gray, 1997 XJ, Right
		1			74			X5	Mist Gray, 1997 XJ, Right
		1	B		72			XJ	Mist Gray, 1997 XJ, Right
		1	J, T		74			B6	Mist Gray, 1998 XJ, Right
		1	J, T		74			DL	Mist Gray, 1998 XJ, Right
		1	J, T		72			M5	Mist Gray, 1998 XJ, Right
		1	J, T		74			M5	Mist Gray, 1998 XJ, Right
		1	J, T		74			XJ	Mist Gray, 1998 XJ, Right
		1	J, T		72			XJ	Mist Gray, 1998 XJ, Right
		1	B, U		74			XJ	Mist Gray, 1998 XJ, Right
		1	J, T		74			X5	Mist Gray, 1998 XJ, Right
		1	B, U		74			M5	Mist Gray, 1998 XJ, Right
		1	B, U		74			B6	Mist Gray, 1998 XJ, Right
		1	B, U		74			DL	Mist Gray, 1998 XJ, Right
		1	J, T, U		72			B6	Mist Gray, 1998 XJ, Right
	QC04 1T6	1			72			B6	Saddle, 1997 XJ, Right
		1			74			B6	Saddle, 1997 XJ, Right
		1			74			DL	Saddle, 1997 XJ, Right
		1			72			M5	Saddle, 1997 XJ, Right
		1			74			M5	Saddle, 1997 XJ, Right
		1			74			XJ	Saddle, 1997 XJ, Right
		1	J		72			XJ	Saddle, 1997 XJ, Right
		1			74			X5	Saddle, 1997 XJ, Right
		1	B		72			XJ	Saddle, 1997 XJ, Right
		1	J, T		74			B6	Saddle, 1998 XJ, Right
		1	J, T		74			DL	Saddle, 1998 XJ, Right
		1	J, T		72			M5	Saddle, 1998 XJ, Right
		1	J, T		74			M5	Saddle, 1998 XJ, Right
		1	J, T		74			XJ	Saddle, 1998 XJ, Right
		1	J, T		72			XJ	Saddle, 1998 XJ, Right
		1	J, T		74			X5	Saddle, 1998 XJ, Right
		1	B, U		74			M5	Saddle, 1998 XJ, Right
		1	B, U		74			B6	Saddle, 1998 XJ, Right
		1	B, U		74			XJ	Saddle, 1998 XJ, Right
		1	B, U		74			DL	Saddle, 1998 XJ, Right
		1	J, T, U		72			B6	Saddle, 1998 XJ, Right
	QC05 1C3	1			72			B6	Mist Gray, 1997 XJ, Left
		1			74			B6	Mist Gray, 1997 XJ, Left
		1			74			DL	Mist Gray, 1997 XJ, Left
		1			72			M5	Mist Gray, 1997 XJ, Left
		1			74			M5	Mist Gray, 1997 XJ, Left

**JEEP CHEROKEE (XJ)**

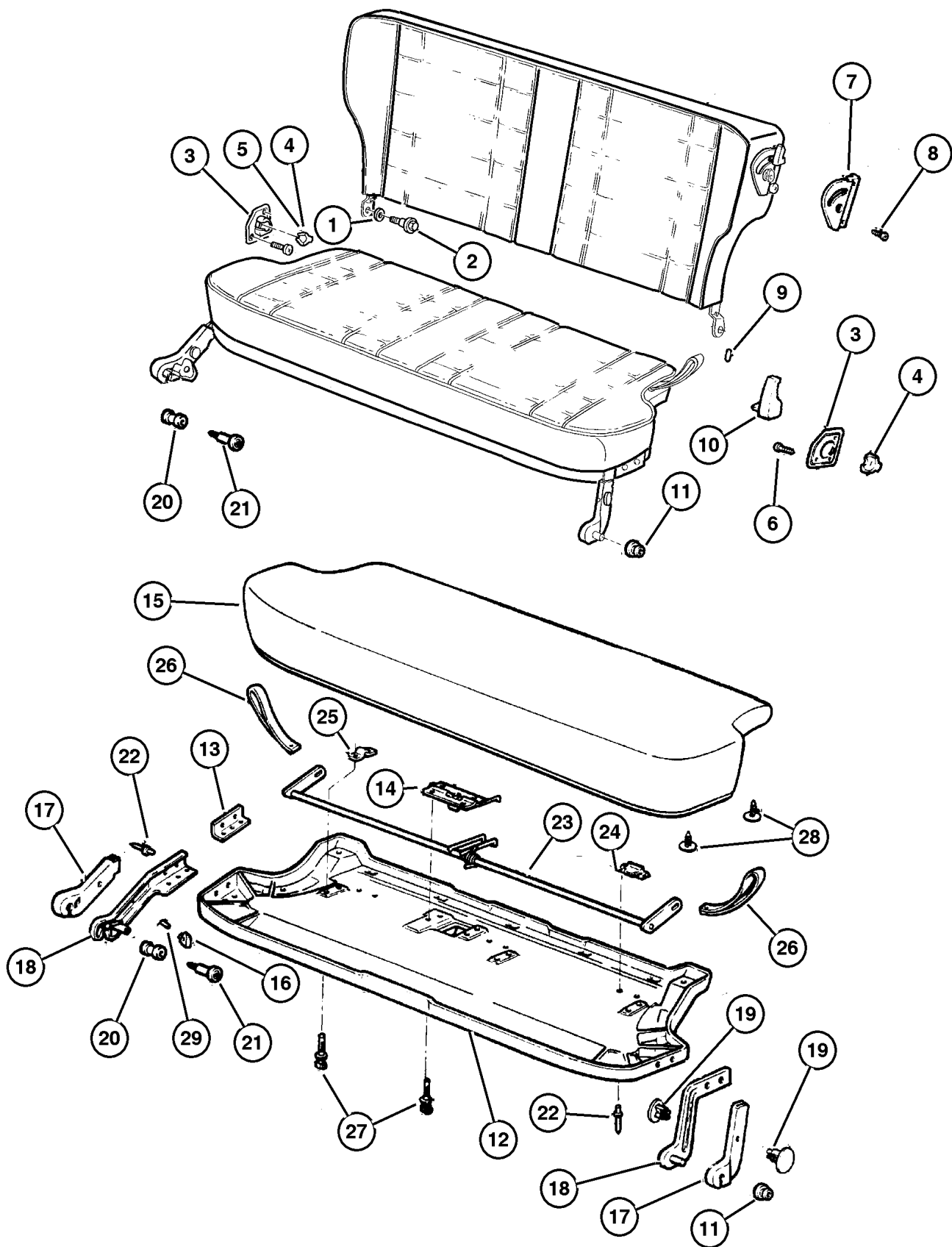
SERIES	LINE	BODY	ENGINE	TRANSMISSION
L=Low Line	J=LHD (4WD) U=RHD (4WD) T=LHD (2WD) B=RHD (2WD)	74=4 DR. (101.4 WB) 72=2 DR. (101.4 WB)	ENC,EN0=2.5L 4 cyl. Turbo Die ERH,ER0=4.0L Power Tech I-6 EPE,EP0=Magnum 2.5L SMPI	DDQ=5Spd Man. DGS=4 Spd. Auto. AISIN DG0=All Auto Trans DBB=All Manual Trans.

AR = Use as required - = Non illustrated part # = New this model year

July 4, 2003



**Frame and Pad Rear Seat 1997 XJ 1998 XJ**  
**Figure IXJ-610**



ITEM	PART NUMBER	QTY	LINE	SERIES	BODY	ENGINE	TRANS	TRIM	DESCRIPTION
		1			74			XJ	Mist Gray, 1997 XJ, Left
		1	J		72			XJ	Mist Gray, 1997 XJ, Left
		1			74			X5	Mist Gray, 1997 XJ, Left
		1	B		72			XJ	Mist Gray, 1997 XJ, Left
		1	J, T		74			B6	Mist Gray, 1998 XJ, Left
		1	J, T		74			DL	Mist Gray, 1998 XJ, Left
		1	J, T		72			M5	Mist Gray, 1998 XJ, Left
		1	J, T		74			M5	Mist Gray, 1998 XJ, Left
		1	J, T		74			XJ	Mist Gray, 1998 XJ, Left
		1	J, T		72			XJ	Mist Gray, 1998 XJ, Left
		1	J, T		74			X5	Mist Gray, 1998 XJ, Left
		1	B, U		74			M5	Mist Gray, 1998 XJ, Left
		1	B, U		74			B6	Mist Gray, 1998 XJ, Left
		1	B, U		74			XJ	Mist Gray, 1998 XJ, Left
		1	B, U		74			DL	Mist Gray, 1998 XJ, Left
		1	J, T, U		72			B6	Mist Gray, 1998 XJ, Left
	QC05 1T6	1			72			B6	Saddle, 1997 XJ, Left
		1			74			B6	Saddle, 1997 XJ, Left
		1			74			DL	Saddle, 1997 XJ, Left
		1			72			M5	Saddle, 1997 XJ, Left
		1			74			M5	Saddle, 1997 XJ, Left
		1			74			XJ	Saddle, 1997 XJ, Left
		1	J		72			XJ	Saddle, 1997 XJ, Left
		1			74			X5	Saddle, 1997 XJ, Left
		1	B		72			XJ	Saddle, 1997 XJ, Left
		1	J, T		74			B6	Saddle, 1998 XJ, Left
		1	J, T		74			DL	Saddle, 1998 XJ, Left
		1	J, T		72			M5	Saddle, 1998 XJ, Left
		1	J, T		74			M5	Saddle, 1998 XJ, Left
		1	J, T		74			XJ	Saddle, 1998 XJ, Left
		1	J, T		72			XJ	Saddle, 1998 XJ, Left
		1	B, U		74			XJ	Saddle, 1998 XJ, Left
		1	J, T		74			X5	Saddle, 1998 XJ, Left
		1	B, U		74			M5	Saddle, 1998 XJ, Left
		1	B, U		74			B6	Saddle, 1998 XJ, Left
		1	B, U		74			DL	Saddle, 1998 XJ, Left
		1	J, T, U		72			B6	Saddle, 1998 XJ, Left
11	5500 1230	1							GROMMET, Rear Seat
12									PANEL, Seat Cushion
	5519 5237	1			72			B6	1997 XJ
		1			74			B6	1997 XJ
		1			74			DL	1997 XJ

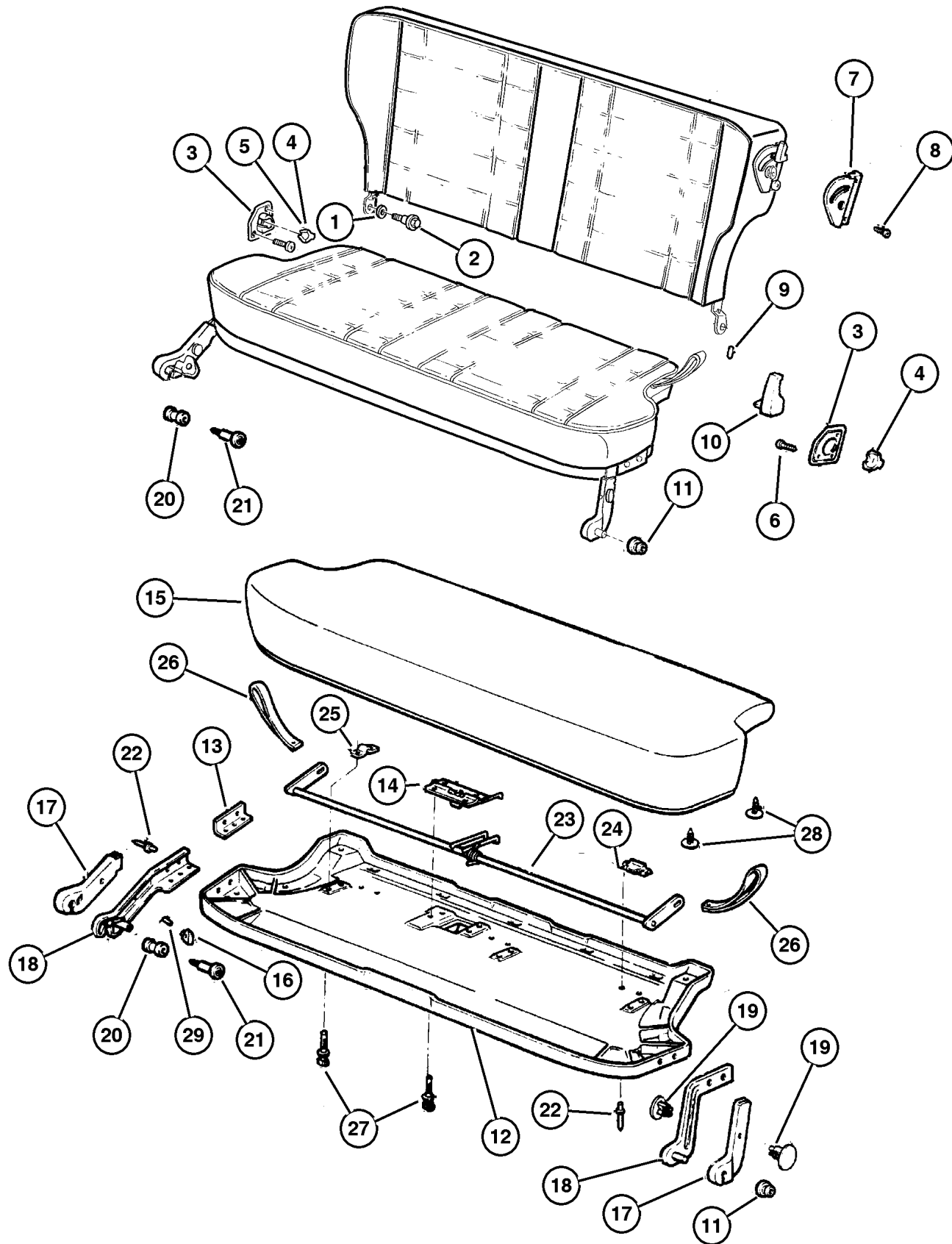
**JEEP CHEROKEE (XJ)**

<b>SERIES</b>	<b>LINE</b>	<b>BODY</b>	<b>ENGINE</b>	<b>TRANSMISSION</b>
L=Low Line	J=LHD (4WD) U=RHD (4WD) T=LHD (2WD) B=RHD (2WD)	74=4 DR. (101.4 WB) 72=2 DR. (101.4 WB)	ENC,EN0=2.5L 4 cyl. Turbo Die ERH,ER0=4.0L Power Tech I-6 EPE,EP0=Magnum 2.5L SMPI	DDQ=5Spd Man. DGS=4 Spd. Auto. AISIN DG0=All Auto Trans DBB=All Manual Trans.

AR = Use as required - = Non illustrated part # = New this model year

July 4, 2003

Frame and Pad Rear Seat 1997 XJ 1998 XJ  
Figure IXJ-610



ITEM	PART NUMBER	QTY	LINE	SERIES	BODY	ENGINE	TRANS	TRIM	DESCRIPTION
		1			72			M5	1997 XJ
		1			74			M5	1997 XJ
		1			74			XJ	1997 XJ
		1	J		72			XJ	1997 XJ
		1			74			X5	1997 XJ
		1	B		72			XJ	1997 XJ
		1	J, T		74			B6	1998 XJ
		1	J, T		74			DL	1998 XJ
		1	J, T		72			M5	1998 XJ
		1	J, T		74			M5	1998 XJ
		1	J, T		74			XJ	1998 XJ
		1	J, T		74			XJ	1998 XJ
		1	B, U		74			XJ	1998 XJ
		1	J, T		74			X5	1998 XJ
		1	B, U		74			M5	1998 XJ
		1	B, U		74			B6	1998 XJ
		1	B, U		74			DL	1998 XJ
		1	J, T, U		72			B6	1998 XJ
13									REINFORCEMENT, Seat Cushion Hinge
	5500 2833	2			72			B6	1997 XJ
		2			74			B6	1997 XJ
		2			74			DL	1997 XJ
		2			72			M5	1997 XJ
		2			74			M5	1997 XJ
		2			74			XJ	1997 XJ
		2	J		72			XJ	1997 XJ
		2			74			X5	1997 XJ
		2	B		72			XJ	1997 XJ
		2	J, T		74			B6	1998 XJ
		2	J, T		74			DL	1998 XJ
		2	J, T		72			M5	1998 XJ
		2	J, T		74			M5	1998 XJ
		2	J, T		74			XJ	1998 XJ
		2	J, T		72			XJ	1998 XJ
		2	B, U		74			XJ	1998 XJ
		2	J, T		74			X5	1998 XJ
		2	B, U		74			M5	1998 XJ
		2	B, U		74			B6	1998 XJ
		2	B, U		74			DL	1998 XJ
		2	J, T, U		72			B6	1998 XJ
14									LATCH, Seat

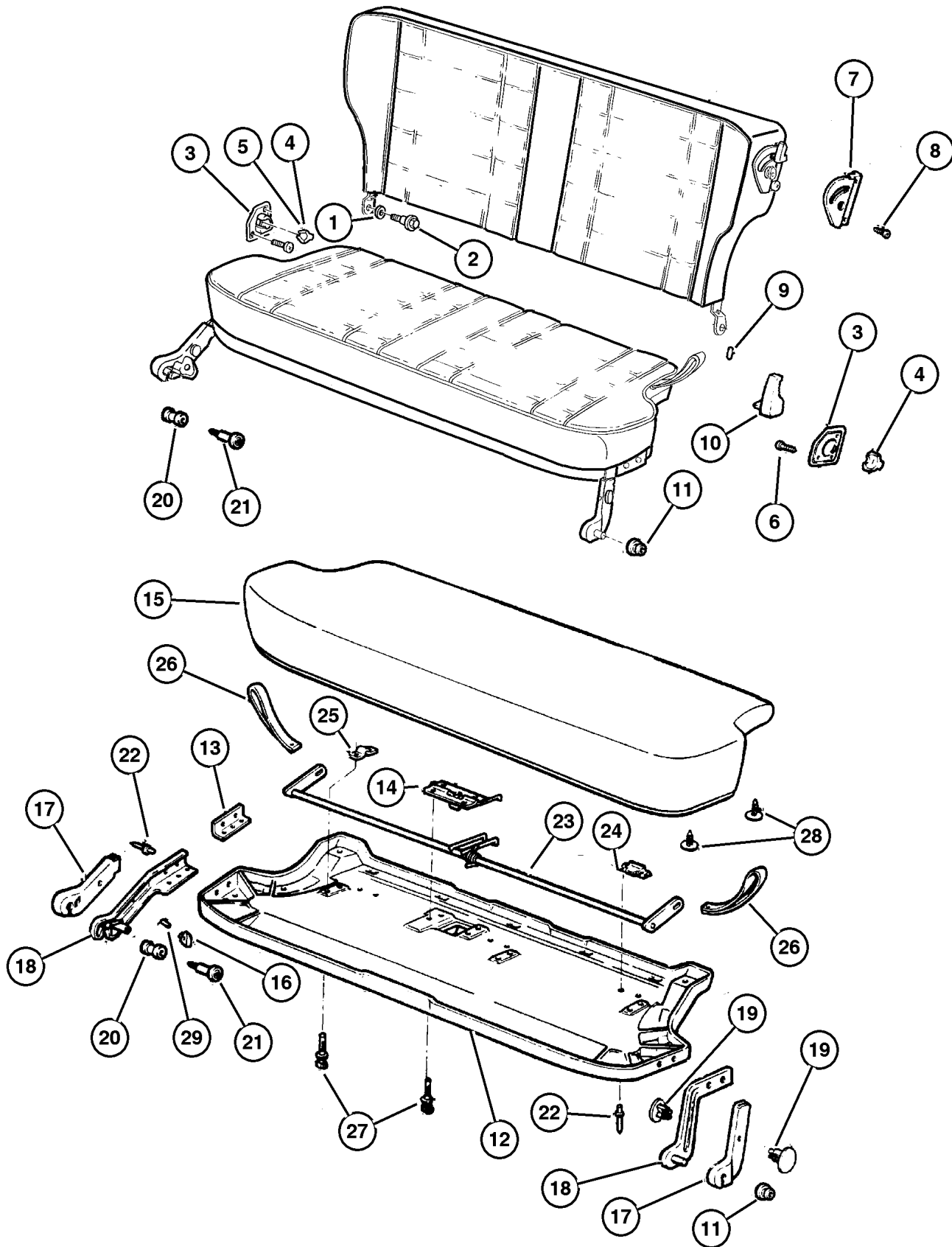
JEEP CHEROKEE (XJ)

SERIES	LINE	BODY	ENGINE	TRANSMISSION
L=Low Line	J=LHD (4WD) U=RHD (4WD) T=LHD (2WD) B=RHD (2WD)	74=4 DR. (101.4 WB) 72=2 DR. (101.4 WB)	ENC,EN0=2.5L 4 cyl. Turbo Die ERH,ER0=4.0L Power Tech I-6 EPE,EP0=Magnum 2.5L SMPI	DDQ=5Spd Man. DGS=4 Spd. Auto. AISIN DG0=All Auto Trans DBB=All Manual Trans.

AR = Use as required - = Non illustrated part # = New this model year

July 4, 2003

Frame and Pad Rear Seat 1997 XJ 1998 XJ  
Figure IXJ-610



ITEM	PART NUMBER	QTY	LINE	SERIES	BODY	ENGINE	TRANS	TRIM	DESCRIPTION
	5519 5372	1			72			B6	1997 XJ
		1			74			B6	1997 XJ
		1			74			DL	1997 XJ
		1			72			M5	1997 XJ
		1			74			M5	1997 XJ
		1			74			XJ	1997 XJ
		1	J		72			XJ	1997 XJ
		1			74			X5	1997 XJ
		1	B		72			XJ	1997 XJ
		1	J, T		74			B6	1998 XJ
		1	J, T		74			DL	1998 XJ
		1	J, T		72			M5	1998 XJ
		1	J, T		74			M5	1998 XJ
		1	J, T		74			XJ	1998 XJ
		1	J, T		72			XJ	1998 XJ
		1	B, U		74			XJ	1998 XJ
		1	J, T		74			X5	1998 XJ
		1	B, U		74			M5	1998 XJ
		1	B, U		74			B6	1998 XJ
		1	B, U		74			DL	1998 XJ
		1	J, T, U		72			B6	1998 XJ
15									PAD, Rear Seat Cushion
	5500 4573	1			72			B6	1997 XJ
		1			74			B6	1997 XJ
		1			74			DL	1997 XJ
		1			72			M5	1997 XJ
		1			74			M5	1997 XJ
		1			74			XJ	1997 XJ
		1	J		72			XJ	1997 XJ
		1			74			X5	1997 XJ
		1	B		72			XJ	1997 XJ
		1	J, T		74			B6	1998 XJ
		1	J, T		74			DL	1998 XJ
		1	J, T		72			M5	1998 XJ
		1	J, T		74			M5	1998 XJ
		1	J, T		74			XJ	1998 XJ
		1	J, T		72			XJ	1998 XJ
		1	B, U		74			XJ	1998 XJ
		1	J, T		74			X5	1998 XJ
		1	B, U		74			M5	1998 XJ
		1	B, U		74			B6	1998 XJ
		1	B, U		74			DL	1998 XJ

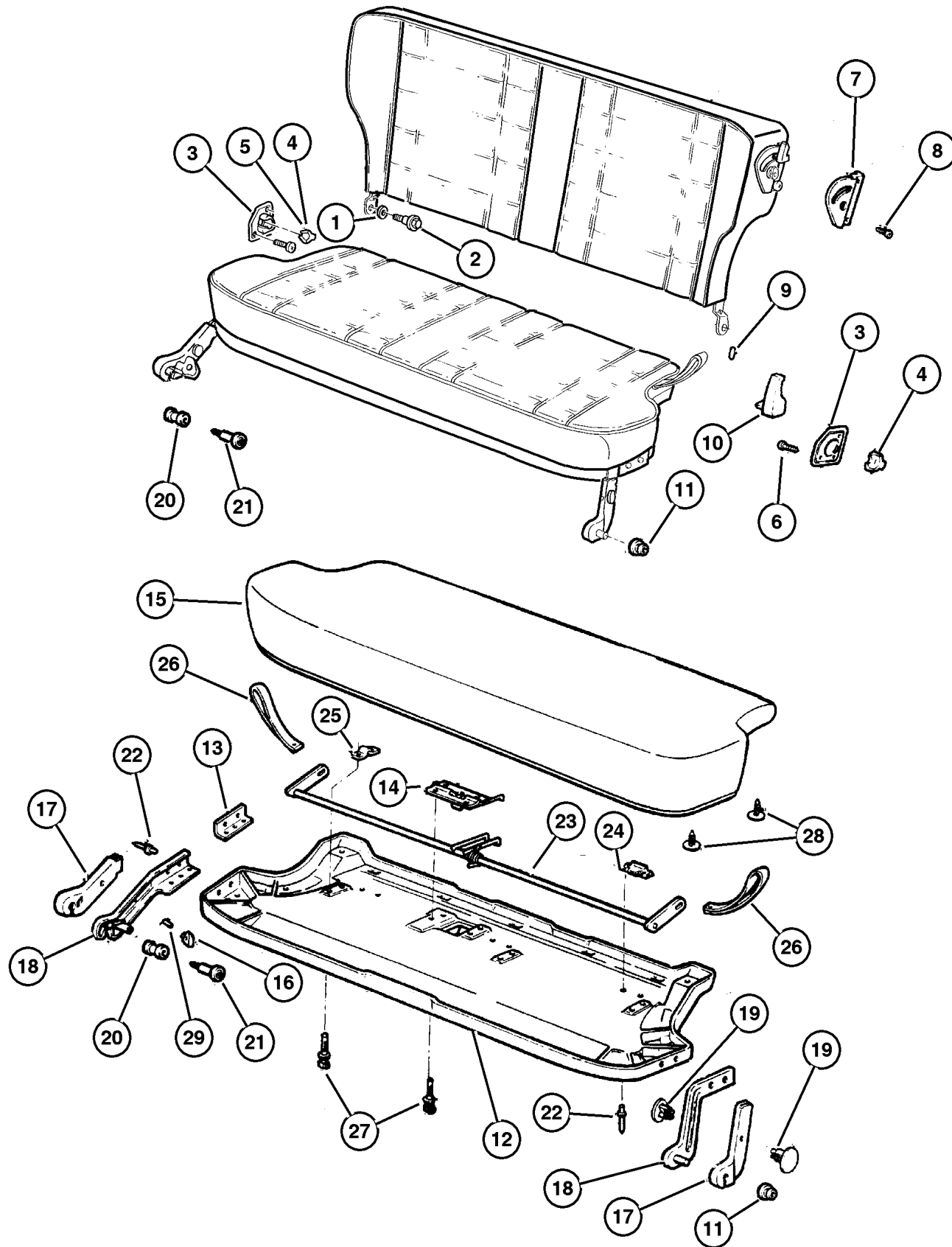
JEEP CHEROKEE (XJ)

SERIES	LINE	BODY	ENGINE	TRANSMISSION
L=Low Line	J=LHD (4WD) U=RHD (4WD) T=LHD (2WD) B=RHD (2WD)	74=4 DR. (101.4 WB) 72=2 DR. (101.4 WB)	ENC,EN0=2.5L 4 cyl. Turbo Die ERH,ER0=4.0L Power Tech I-6 EPE,EP0=Magnum 2.5L SMPI	DDQ=5Spd Man. DGS=4 Spd. Auto. AISIN DG0=All Auto Trans DBB=All Manual Trans.

AR = Use as required - = Non illustrated part # = New this model year

July 4, 2003

**Frame and Pad Rear Seat 1997 XJ 1998 XJ**  
**Figure IXJ-610**



ITEM	PART NUMBER	QTY	LINE	SERIES	BODY	ENGINE	TRANS	TRIM	DESCRIPTION
		1	J, T, U		72			B6	1998 XJ
16	5AC6 81C3	2			72			B6	KNOB, Seat Back Latch
		2			74			B6	Mist Gray, 1997 XJ
		2			74			DL	Mist Gray, 1997 XJ
		2			72			M5	Mist Gray, 1997 XJ
		2			74			M5	Mist Gray, 1997 XJ
		2			74			XJ	Mist Gray, 1997 XJ
		2			74			X5	Mist Gray, 1997 XJ
		2	J		72			XJ	Mist Gray, 1997 XJ
		2	B		72			XJ	Mist Gray, 1997 XJ
		2	J, T		74			B6	Mist Gray, 1998 XJ
		2	J, T		74			DL	Mist Gray, 1998 XJ
		2	J, T		72			M5	Mist Gray, 1998 XJ
		2	J, T		74			M5	Mist Gray, 1998 XJ
		2	J, T		74			XJ	Mist Gray, 1998 XJ
		2	J, T		72			XJ	Mist Gray, 1998 XJ
		2	B, U		74			XJ	Mist Gray, 1998 XJ
		2	J, T		74			X5	Mist Gray, 1998 XJ
		2	B, U		74			M5	Mist Gray, 1998 XJ
		2	B, U		74			B6	Mist Gray, 1998 XJ
		2	B, U		74			DL	Mist Gray, 1998 XJ
		2	J, T, U		72			B6	Mist Gray, 1998 XJ
	5AC6 81T6	2			72			B6	Saddle, 1997 XJ
		2			74			DL	Saddle, 1997 XJ
		2			72			M5	Saddle, 1997 XJ
		2			74			M5	Saddle, 1997 XJ
		2			74			XJ	Saddle, 1997 XJ
		2	J		72			XJ	Saddle, 1997 XJ
		2			74			X5	Saddle, 1997 XJ
		2	B		72			XJ	Saddle, 1997 XJ
		2	J, T		74			B6	Saddle, 1998 XJ
		2	J, T		74			DL	Saddle, 1998 XJ
		2	J, T		72			M5	Saddle, 1998 XJ
		2	J, T		74			M5	Saddle, 1998 XJ
		2	J, T		74			XJ	Saddle, 1998 XJ
		2	J, T		72			XJ	Saddle, 1998 XJ
		2	B, U		74			XJ	Saddle, 1998 XJ
		2	J, T		74			X5	Saddle, 1998 XJ
		2	B, U		74			M5	Saddle, 1998 XJ
		2	B, U		74			B6	Saddle, 1998 XJ
		2	B, U		74			DL	Saddle, 1998 XJ

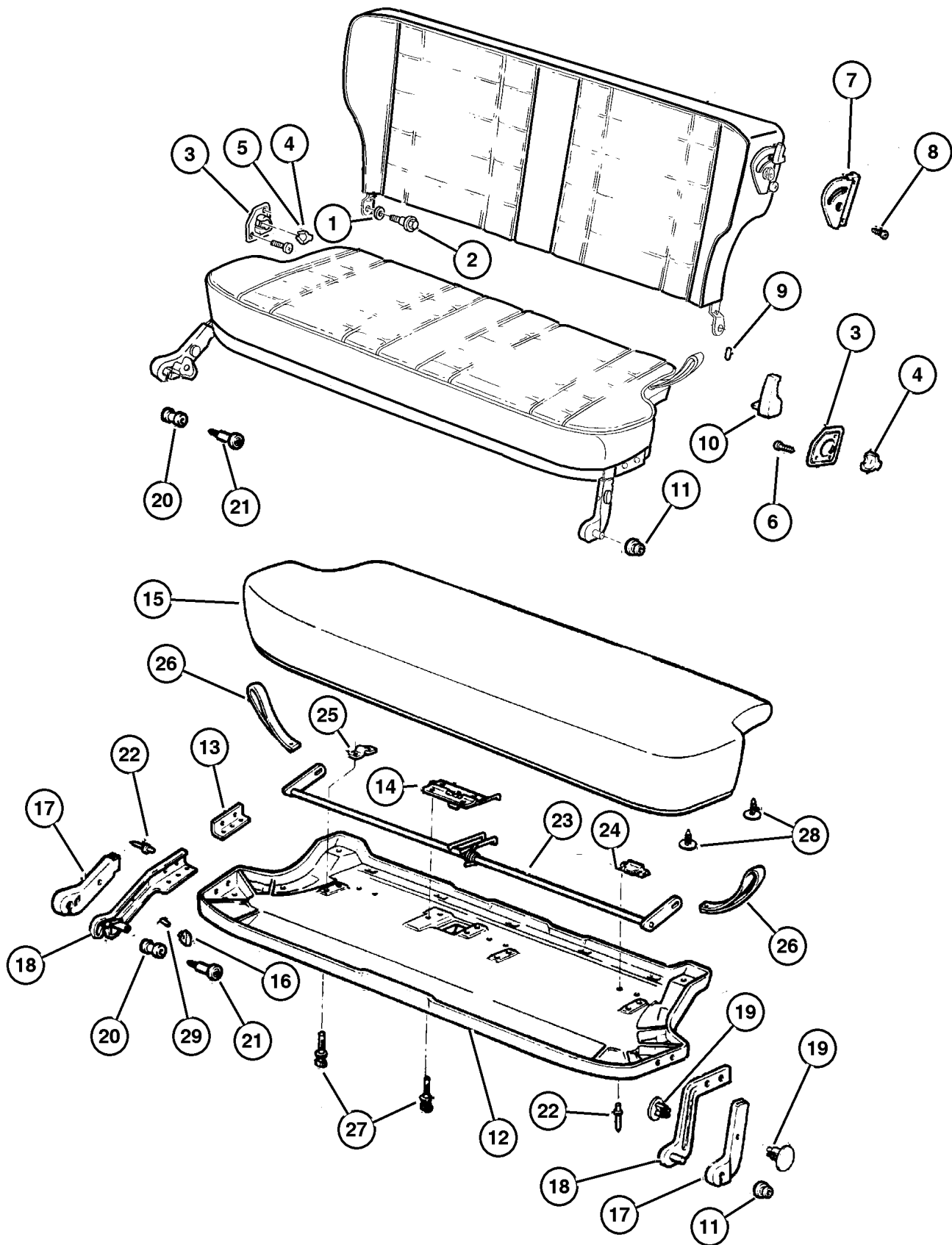
**JEEP CHEROKEE (XJ)**

SERIES	LINE	BODY	ENGINE	TRANSMISSION
L=Low Line	J=LHD (4WD) U=RHD (4WD) T=LHD (2WD) B=RHD (2WD)	74=4 DR. (101.4 WB) 72=2 DR. (101.4 WB)	ENC,EN0=2.5L 4 cyl. Turbo Die ERH,ER0=4.0L Power Tech I-6 EPE,EP0=Magnum 2.5L SMPI	DDQ=5Spd Man. DGS=4 Spd. Auto. AISIN DG0=All Auto Trans DBB=All Manual Trans.

AR = Use as required - = Non illustrated part # = New this model year

July 4, 2003

Frame and Pad Rear Seat 1997 XJ 1998 XJ  
Figure IXJ-610



ITEM	PART NUMBER	QTY	LINE	SERIES	BODY	ENGINE	TRANS	TRIM	DESCRIPTION
		2	J, T, U		72			B6	Saddle, 1998 XJ
17	5AC4 61C3	1			74			XJ	COVER, Rear Seat Hinge Mist Gray, 1997 XJ
		1			72			B6	Mist Gray, 1997 XJ, Right
		1			74			B6	Mist Gray, 1997 XJ, Right
		1			74			DL	Mist Gray, 1997 XJ, Right
		1			72			M5	Mist Gray, 1997 XJ, Right
		1			74			M5	Mist Gray, 1997 XJ, Right
		1	J		72			XJ	Mist Gray, 1997 XJ, Right
		1			74			X5	Mist Gray, 1997 XJ, Right
		1	B		72			XJ	Mist Gray, 1997 XJ, Right
		1	J, T		74			B6	Mist Gray, 1998 XJ, Right
		1	J, T		74			DL	Mist Gray, 1998 XJ, Right
		1	J, T		72			M5	Mist Gray, 1998 XJ, Right
		1	J, T		74			XJ	Mist Gray, 1998 XJ, Right
		1	J, T		72			XJ	Mist Gray, 1998 XJ, Right
		1	J, T		74			M5	Mist Gray, 1998 XJ, Right
		1	B, U		74			XJ	Mist Gray, 1998 XJ, Right
		1	J, T		74			X5	Mist Gray, 1998 XJ, Right
		1	B, U		74			M5	Mist Gray, 1998 XJ, Right
		1	B, U		74			B6	Mist Gray, 1998 XJ, Right
		1	B, U		74			DL	Mist Gray, 1998 XJ, Right
		1	J, T, U		72			B6	Mist Gray, 1998 XJ, Right
	5AC4 61T6	1			72			B6	Saddle, 1997 XJ, Right
		1			74			B6	Saddle, 1997 XJ, Right
		1			74			DL	Saddle, 1997 XJ, Right
		1			72			M5	Saddle, 1997 XJ, Right
		1			74			M5	Saddle, 1997 XJ, Right
		1			74			XJ	Saddle, 1997 XJ, Right
		1			74			X5	Saddle, 1997 XJ, Right
		1	J		72			XJ	Saddle, 1997 XJ, Right
		1	B		72			XJ	Saddle, 1997 XJ, Right
		1	J, T		74			B6	Saddle, 1998 XJ, Right
		1	J, T		74			DL	Saddle, 1998 XJ, Right
		1	J, T		72			M5	Saddle, 1998 XJ, Right
		1	J, T		72			XJ	Saddle, 1998 XJ, Right
		1	J, T		74			M5	Saddle, 1998 XJ, Right
		1	B, U		74			XJ	Saddle, 1998 XJ, Right
		1	J, T		74			X5	Saddle, 1998 XJ, Right
		1	B, U		74			M5	Saddle, 1998 XJ, Right
		1	B, U		74			B6	Saddle, 1998 XJ, Right
		1	B, U		74			DL	Saddle, 1998 XJ, Right

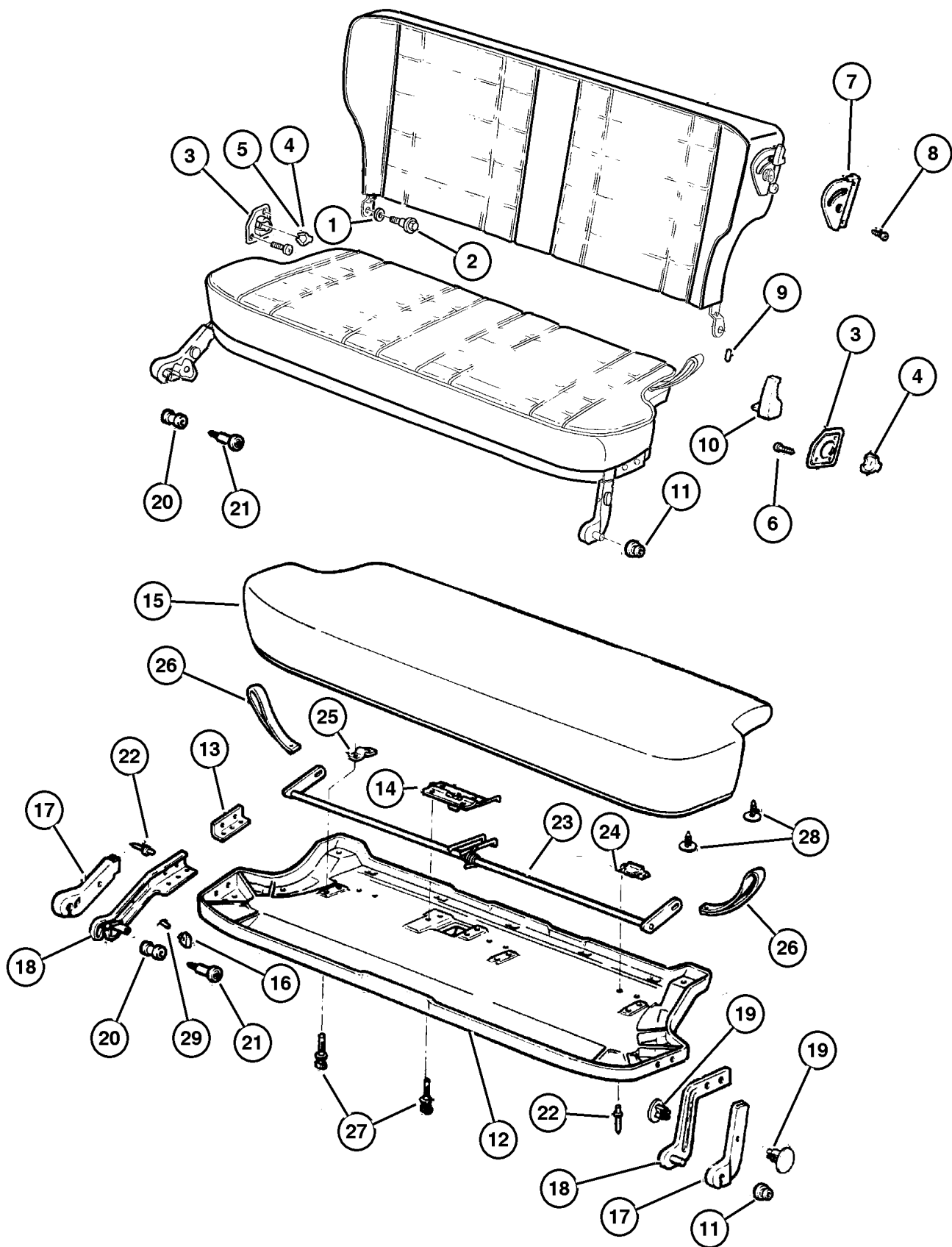
JEEP CHEROKEE (XJ)

SERIES	LINE	BODY	ENGINE	TRANSMISSION
L=Low Line	J=LHD (4WD) U=RHD (4WD) T=LHD (2WD) B=RHD (2WD)	74=4 DR. (101.4 WB) 72=2 DR. (101.4 WB)	ENC,EN0=2.5L 4 cyl. Turbo Die ERH,ER0=4.0L Power Tech I-6 EPE,EP0=Magnum 2.5L SMPI	DDQ=5Spd Man. DGS=4 Spd. Auto. AISIN DG0=All Auto Trans DBB=All Manual Trans.

AR = Use as required - = Non illustrated part # = New this model year

July 4, 2003

Frame and Pad Rear Seat 1997 XJ 1998 XJ  
Figure IXJ-610



ITEM	PART NUMBER	QTY	LINE	SERIES	BODY	ENGINE	TRANS	TRIM	DESCRIPTION
		1	J, T, U		72			B6	Saddle, 1998 XJ, Right
	5AC4 71C3	1			74			XJ	1997 XJ, Left
		1			72			B6	Mist Gray, 1997 XJ, Left
		1			74			B6	Mist Gray, 1997 XJ, Left
		1			74			DL	Mist Gray, 1997 XJ, Left
		1			72			M5	Mist Gray, 1997 XJ, Left
		1			74			M5	Mist Gray, 1997 XJ, Left
		1			74			X5	Mist Gray, 1997 XJ, Left
		1	J		72			XJ	Mist Gray, 1997 XJ, Left
		1	B		72			XJ	Mist Gray, 1997 XJ, Left
		1	J, T		74			B6	Mist Gray, 1998 XJ, Left
		1	J, T		74			DL	Mist Gray, 1998 XJ, Left
		1	J, T		74			XJ	Mist Gray, 1998 XJ, Left
		1	J, T		72			M5	Mist Gray, 1998 XJ, Left
		1	J, T		74			M5	Mist Gray, 1998 XJ, Left
		1	B, U		74			XJ	Mist Gray, 1998 XJ, Left
		1	J, T		74			X5	Mist Gray, 1998 XJ, Left
		1	B, U		74			M5	Mist Gray, 1998 XJ, Left
		1	B, U		74			B6	Mist Gray, 1998 XJ, Left
		1	J, T		72			XJ	Mist Gray, 1998 XJ, Left
		1	B, U		74			DL	Mist Gray, 1998 XJ, Left
	5AC4 71T6	1	J, T, U		72			B6	Mist Gray, 1998 XJ, Left
		1			72			B6	Saddle, 1997 XJ, Left
		1			74			B6	Saddle, 1997 XJ, Left
		1			74			DL	Saddle, 1997 XJ, Left
		1			72			M5	Saddle, 1997 XJ, Left
		1			74			M5	Saddle, 1997 XJ, Left
		1			74			XJ	Saddle, 1997 XJ, Left
		1	J		72			XJ	Saddle, 1997 XJ, Left
		1			74			X5	Saddle, 1997 XJ, Left
		1	B		72			XJ	Saddle, 1997 XJ, Left
		1	J, T		72			XJ	1998 XJ, Left
		1	B, U		74			XJ	1998 XJ, Left
		1	J, T		74			B6	Saddle, 1998 XJ, Left
		1	J, T		74			DL	Saddle, 1998 XJ, Left
		1	J, T		72			M5	Saddle, 1998 XJ, Left
		1	J, T		74			XJ	Saddle, 1998 XJ, Left
		1	J, T		74			M5	Saddle, 1998 XJ, Left
		1	J, T		74			X5	Saddle, 1998 XJ, Left
		1	B, U		74			M5	Saddle, 1998 XJ, Left
		1	B, U		74			B6	Saddle, 1998 XJ, Left
		1	B, U		74			DL	Saddle, 1998 XJ, Left

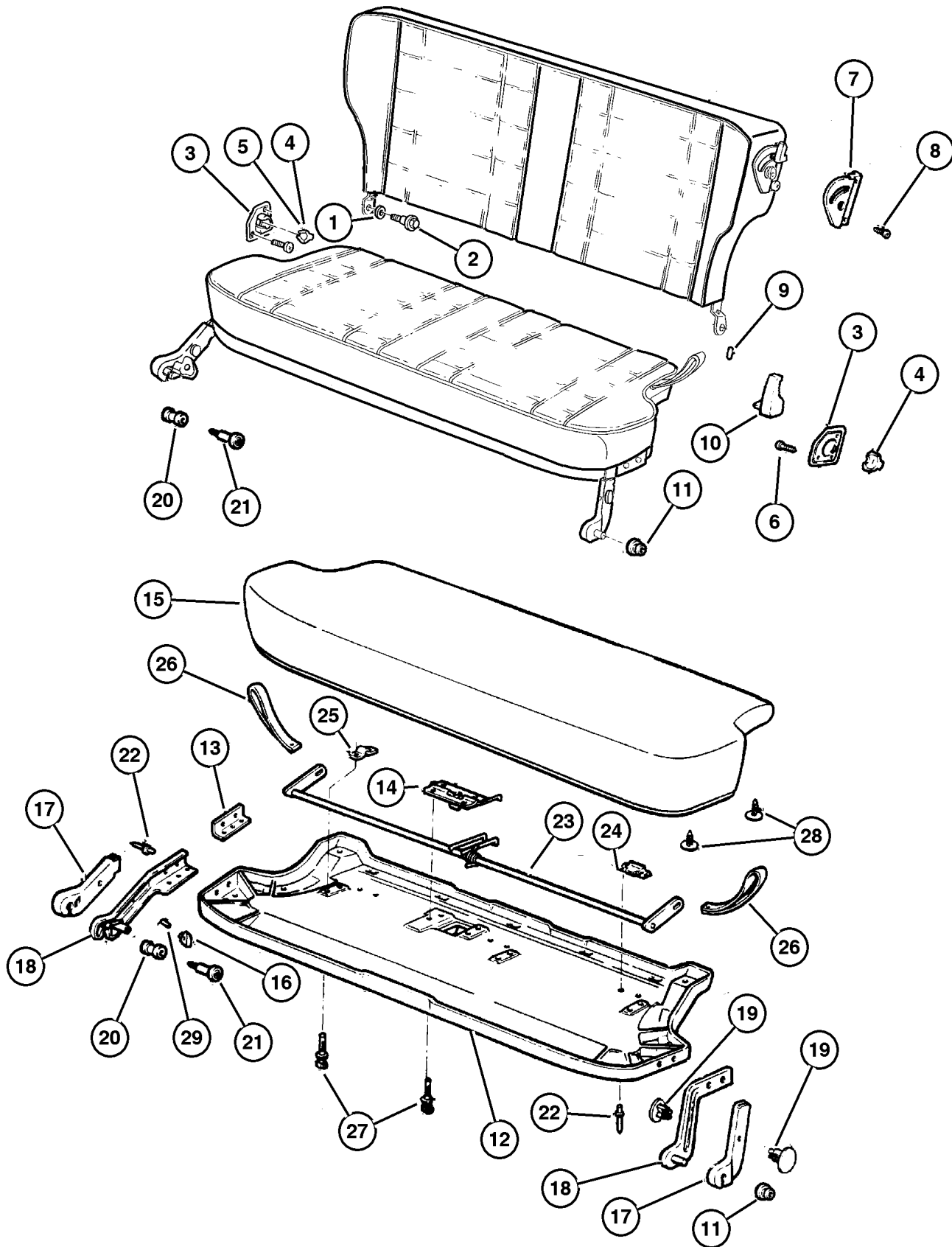
JEEP CHEROKEE (XJ)

SERIES	LINE	BODY	ENGINE	TRANSMISSION
L=Low Line	J=LHD (4WD) U=RHD (4WD) T=LHD (2WD) B=RHD (2WD)	74=4 DR. (101.4 WB) 72=2 DR. (101.4 WB)	ENC,EN0=2.5L 4 cyl. Turbo Die ERH,ER0=4.0L Power Tech I-6 EPE,EP0=Magnum 2.5L SMPI	DDQ=5Spd Man. DGS=4 Spd. Auto. AISIN DG0=All Auto Trans DBB=All Manual Trans.

AR = Use as required - = Non illustrated part # = New this model year

July 4, 2003

Frame and Pad Rear Seat 1997 XJ 1998 XJ  
Figure IXJ-610



ITEM	PART NUMBER	QTY	LINE	SERIES	BODY	ENGINE	TRANS	TRIM	DESCRIPTION
		1	J, T, U		72			B6	Saddle, 1998 XJ, Left
18	5500 1136	1			72			B6	HINGE, Seat Cushion
		1			74			B6	1997 XJ, Right
		1			74			DL	1997 XJ, Right
		1			72			M5	1997 XJ, Right
		1			74			M5	1997 XJ, Right
		1			74			XJ	1997 XJ, Right
		1			74			X5	1997 XJ, Right
		1	J		72			XJ	1997 XJ, Right
		1	B		72			XJ	1997 XJ, Right
		1	J, T		74			B6	1998 XJ, Right
		1	J, T		74			DL	1998 XJ, Right
		1	J, T		72			M5	1998 XJ, Right
		1	J, T		74			M5	1998 XJ, Right
		1	J, T		72			XJ	1998 XJ, Right
		1	J, T		74			XJ	1998 XJ, Right
		1	B, U		74			XJ	1998 XJ, Right
		1	J, T		74			X5	1998 XJ, Right
		1	B, U		74			M5	1998 XJ, Right
		1	B, U		74			B6	1998 XJ, Right
		1	B, U		74			DL	1998 XJ, Right
		1	J, T, U		72			B6	1998 XJ, Right
	5500 1137	1			72			B6	1997 XJ, Left
		1			74			B6	1997 XJ, Left
		1			74			DL	1997 XJ, Left
		1			72			M5	1997 XJ, Left
		1			74			M5	1997 XJ, Left
		1			74			XJ	1997 XJ, Left
		1	J		72			XJ	1997 XJ, Left
		1			74			X5	1997 XJ, Left
		1	B		72			XJ	1997 XJ, Left
		1	J, T		74			B6	1998 XJ, Left
		1	J, T		74			DL	1998 XJ, Left
		1	J, T		72			M5	1998 XJ, Left
		1	J, T		74			M5	1998 XJ, Left
		1	J, T		74			XJ	1998 XJ, Left
		1	J, T		72			XJ	1998 XJ, Left
		1	J, T		74			X5	1998 XJ, Left
		1	B, U		74			M5	1998 XJ, Left
		1	B, U		74			B6	1998 XJ, Left
		1	B, U		74			XJ	1998 XJ, Left

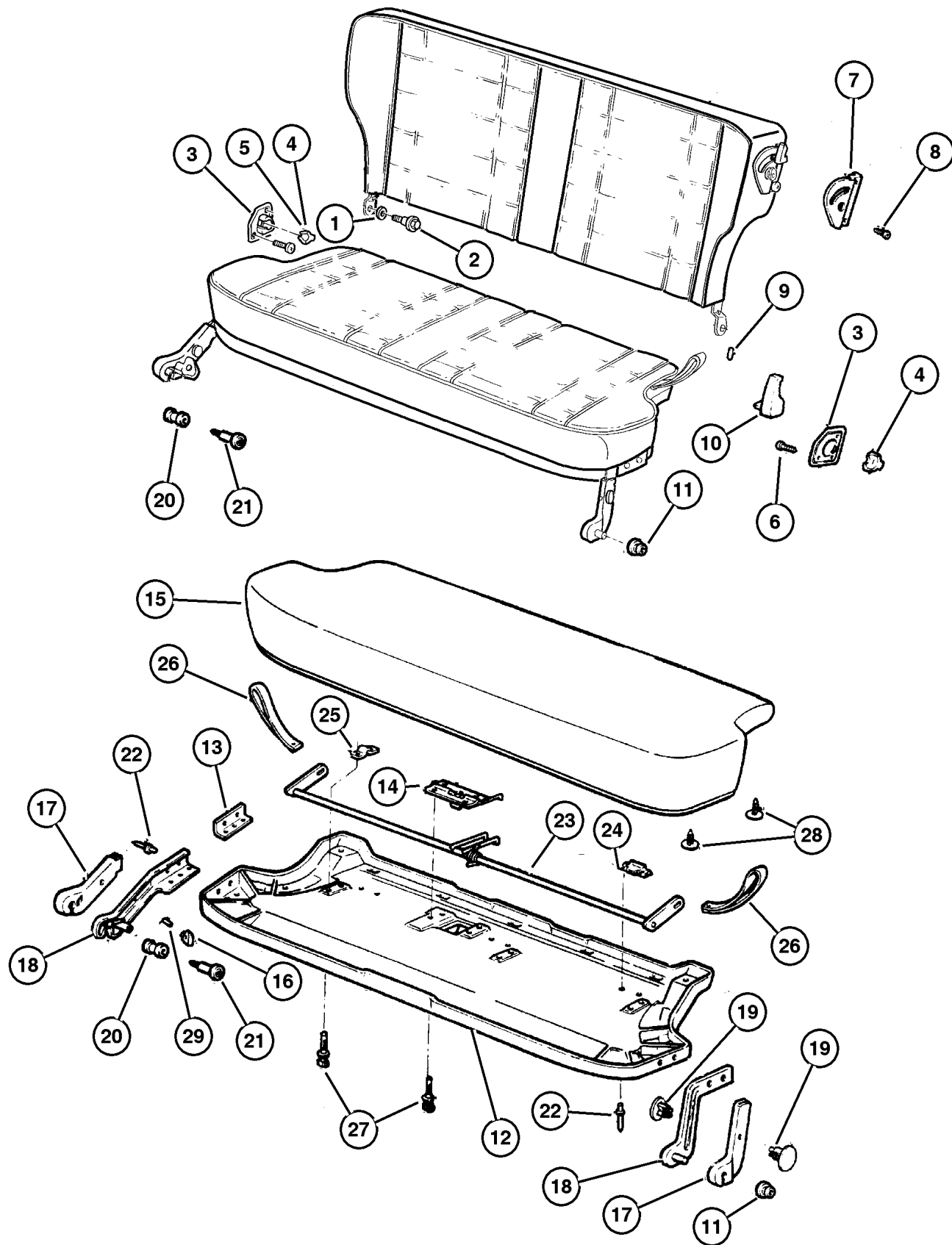
JEEP CHEROKEE (XJ)

SERIES	LINE	BODY	ENGINE	TRANSMISSION
L=Low Line	J=LHD (4WD) U=RHD (4WD) T=LHD (2WD) B=RHD (2WD)	74=4 DR. (101.4 WB) 72=2 DR. (101.4 WB)	ENC,EN0=2.5L 4 cyl. Turbo Die ERH,ER0=4.0L Power Tech I-6 EPE,EP0=Magnum 2.5L SMPI	DDQ=5Spd Man. DGS=4 Spd. Auto. AISIN DG0=All Auto Trans DBB=All Manual Trans.

AR = Use as required - = Non illustrated part # = New this model year

July 4, 2003

Frame and Pad Rear Seat 1997 XJ 1998 XJ  
Figure IXJ-610



ITEM	PART NUMBER	QTY	LINE	SERIES	BODY	ENGINE	TRANS	TRIM	DESCRIPTION
		1	B, U		74			DL	1998 XJ, Left
		1	J, T, U		72			B6	1998 XJ, Left
19		4			72			B6	RIVET, M8x12.40 Ratchet Type
	3420 1845	4			74			B6	1997 XJ
		4			74			B6	1997 XJ
		4			74			DL	1997 XJ
		4			72			M5	1997 XJ
		4			74			M5	1997 XJ
		4			74			XJ	1997 XJ
		4			74			X5	1997 XJ
		4	J		72			XJ	1997 XJ
		4	B		74			XJ	1997 XJ
		4	J, T		74			B6	1998 XJ
		4	J, T		74			DL	1998 XJ
		4	J, T		72			M5	1998 XJ
		4	J, T		74			M5	1998 XJ
		4	J, T		74			XJ	1998 XJ
		4	J, T		72			XJ	1998 XJ
		4	J, T		74			X5	1998 XJ
		4	B, U		74			M5	1998 XJ
		4	B, U		74			B6	1998 XJ
		4	B, U		74			XJ	1998 XJ
		4	B, U		74			DL	1998 XJ
20	5500 2437	1							BUSHING, Seat Cushion
21	3420 1530	1							BOLT, Shoulder, M10x1.50x50.6
22									RIVET, M6.3x23.47
	3420 1557	2			72			B6	1997 XJ
		2			74			B6	1997 XJ
		2			72			M5	1997 XJ
		2			74			M5	1997 XJ
		2			74			XJ	1997 XJ
		2	J		72			XJ	1997 XJ
		2			74			X5	1997 XJ
		2	B		72			XJ	1997 XJ
		2	J, T		74			B6	1998 XJ
		2	J, T		74			DL	1998 XJ
		2	J, T		72			M5	1998 XJ
		2	J, T		74			M5	1998 XJ
		2	J, T		74			XJ	1998 XJ
		2	J, T		72			XJ	1998 XJ
		2	J, T		74			X5	1998 XJ
		2	B, U		74			M5	1998 XJ

JEEP CHEROKEE (XJ)

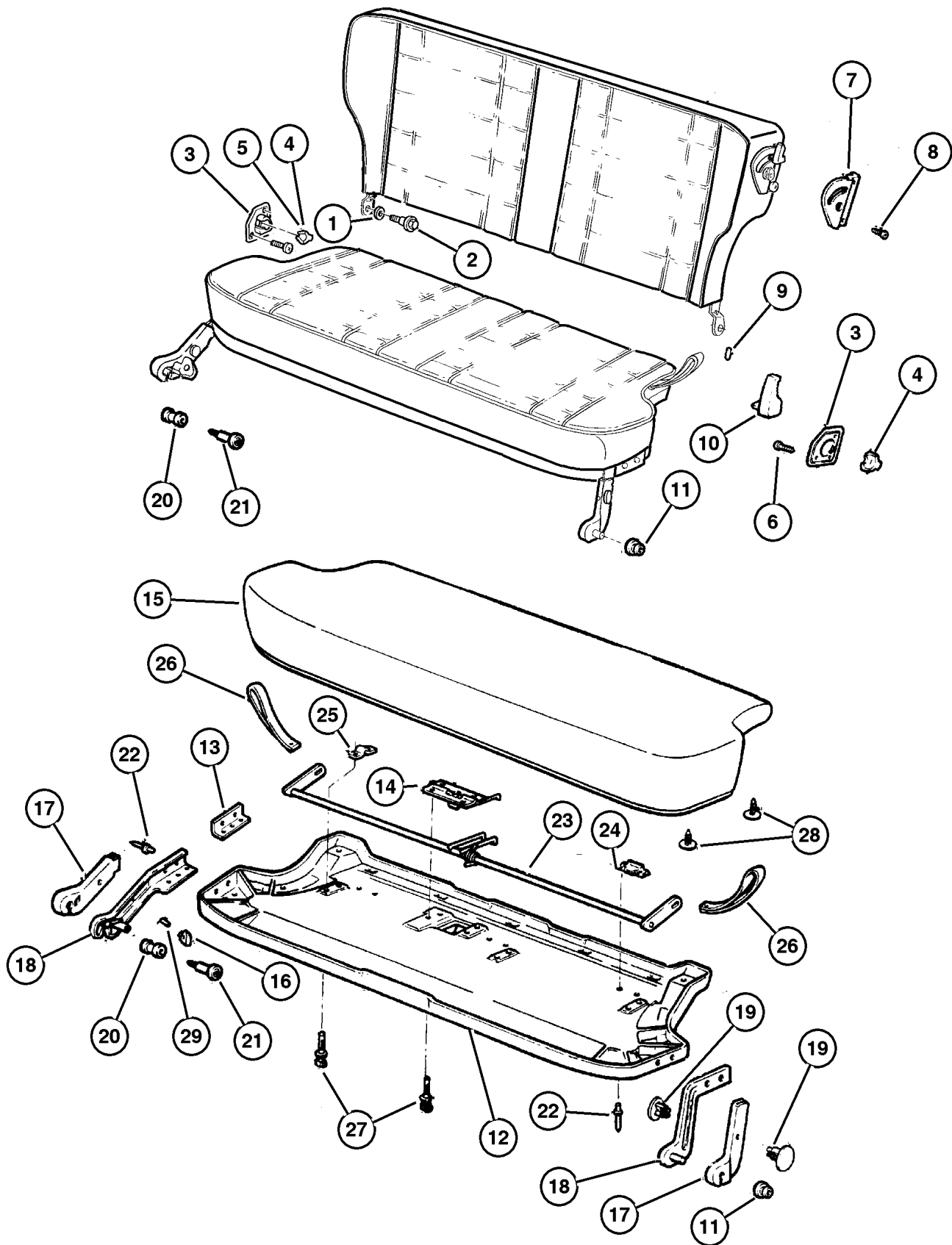
SERIES	LINE	BODY	ENGINE	TRANSMISSION
L=Low Line	J=LHD (4WD) U=RHD (4WD) T=LHD (2WD) B=RHD (2WD)	74=4 DR. (101.4 WB) 72=2 DR. (101.4 WB)	ENC,EN0=2.5L 4 cyl. Turbo Die ERH,ER0=4.0L Power Tech I-6 EPE,EP0=Magnum 2.5L SMPI	DDQ=5Spd Man. DGS=4 Spd. Auto. AISIN DG0=All Auto Trans DBB=All Manual Trans.

AR = Use as required - = Non illustrated part # = New this model year

July 4, 2003



Frame and Pad Rear Seat 1997 XJ 1998 XJ  
Figure IXJ-610



ITEM	PART NUMBER	QTY	LINE	SERIES	BODY	ENGINE	TRANS	TRIM	DESCRIPTION
23	5500 4302	2	B, U		74			B6	1998 XJ
		2	B, U		74			XJ	1998 XJ
		2	B, U		74			DL	1998 XJ
		1			72			B6	1997 XJ
		1			74			B6	1997 XJ
		1			72			M5	1997 XJ
		1			74			M5	1997 XJ
		1			74			XJ	1997 XJ
		1			74			X5	1997 XJ
		1		J	72			XJ	1997 XJ
		1		B	72			XJ	1997 XJ
1		J, T	74			B6	1998 XJ		
1		J, T	74			DL	1998 XJ		
1		J, T	72			M5	1998 XJ		
1		J, T	74			M5	1998 XJ		
1		J, T	74			XJ	1998 XJ		
1		J, T	72			XJ	1998 XJ		
1		B, U	74			XJ	1998 XJ		
1		J, T	74			X5	1998 XJ		
1		B, U	74			M5	1998 XJ		
1		B, U	74			B6	1998 XJ		
1		B, U	74			DL	1998 XJ		
1		J, T, U	72			B6	1998 XJ		
24								BRACKET, Seat Cushion	
	5519 5937	1			72			B6	1997 XJ
		1			74			B6	1997 XJ
		1			74			DL	1997 XJ
		1			72			M5	1997 XJ
		1			74			M5	1997 XJ
		1			74			XJ	1997 XJ
		1			74			X5	1997 XJ
		1		J	72			XJ	1997 XJ
		1	B		72			XJ	1997 XJ
		1	J, T		74			B6	1998 XJ
		1	J, T		74			DL	1998 XJ
		1	J, T		72			M5	1998 XJ
		1	J, T		74			M5	1998 XJ
		1	J, T		72			XJ	1998 XJ
		1	B, U		74			XJ	1998 XJ
		1	J, T		74			X5	1998 XJ
		1	B, U		74			M5	1998 XJ

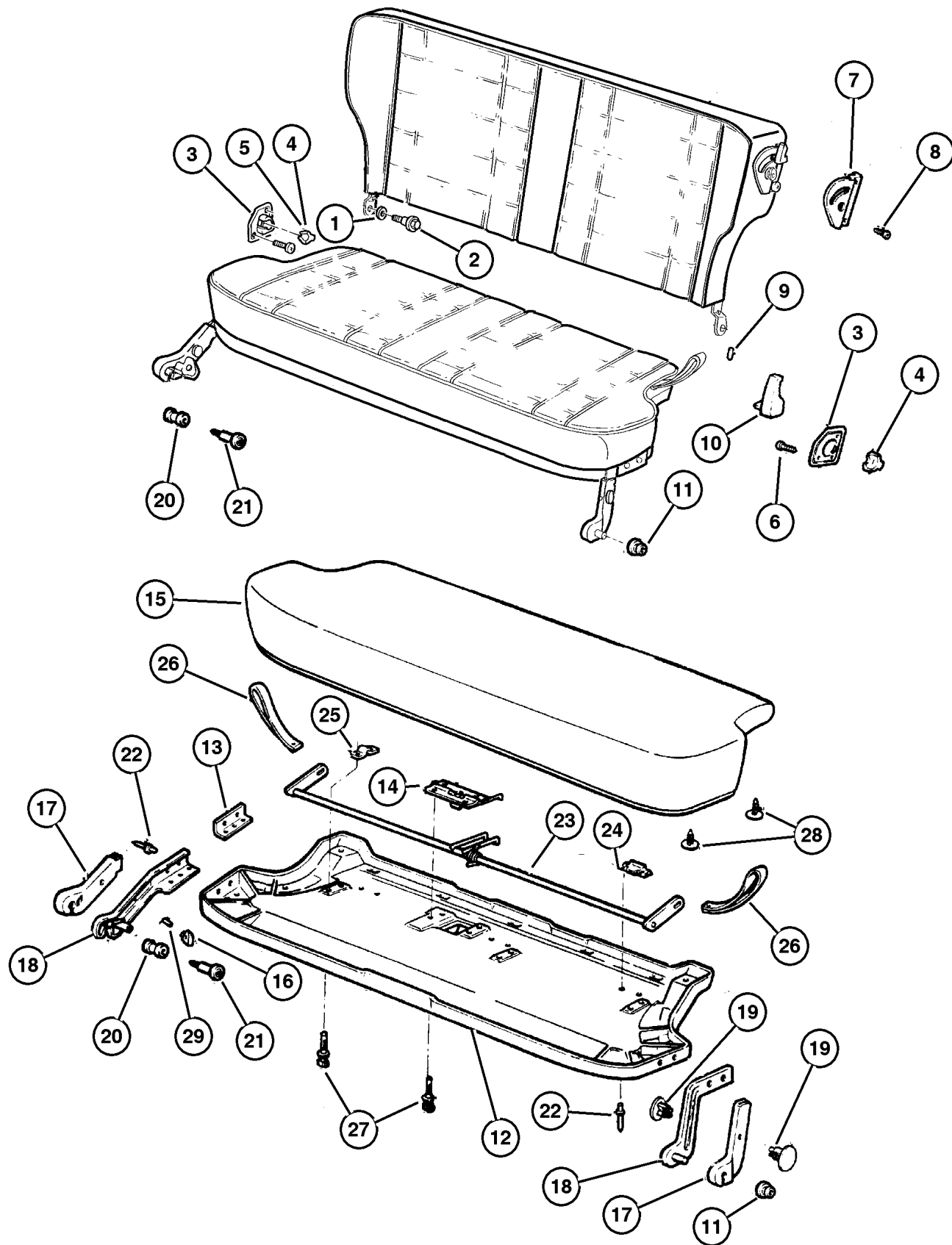
JEEP CHEROKEE (XJ)

SERIES	LINE	BODY	ENGINE	TRANSMISSION
L=Low Line	J=LHD (4WD) U=RHD (4WD) T=LHD (2WD) B=RHD (2WD)	74=4 DR. (101.4 WB) 72=2 DR. (101.4 WB)	ENC,EN0=2.5L 4 cyl. Turbo Die ERH,ER0=4.0L Power Tech I-6 EPE,EP0=Magnum 2.5L SMPI	DDQ=5Spd Man. DGS=4 Spd. Auto. AISIN DG0=All Auto Trans DBB=All Manual Trans.

AR = Use as required - = Non illustrated part # = New this model year

July 4, 2003

Frame and Pad Rear Seat 1997 XJ 1998 XJ  
Figure IXJ-610



ITEM	PART NUMBER	QTY	LINE	SERIES	BODY	ENGINE	TRANS	TRIM	DESCRIPTION
25	5500 4301	1	B, U		74			B6	1998 XJ
		1	B, U		74			DL	1998 XJ
		1	J, T, U		72			B6	1998 XJ
		2			72			B6	1997 XJ
		2			74			B6	1997 XJ
		2			74			DL	1997 XJ
		2			72			M5	1997 XJ
		2			74			M5	1997 XJ
		2			74			XJ	1997 XJ
		2	J		72			XJ	1997 XJ
		2			74			X5	1997 XJ
		2	B		72			XJ	1997 XJ
26	5AJ4 71C3	2	J, T		74			B6	1998 XJ
		2	J, T		74			DL	1998 XJ
		2	J, T		72			M5	1998 XJ
		2	J, T		74			M5	1998 XJ
		2	J, T		74			XJ	1998 XJ
		2	J, T		72			XJ	1998 XJ
		2	J, T		74			X5	1998 XJ
		2	B, U		74			M5	1998 XJ
		2	B, U		74			B6	1998 XJ
		2	B, U		74			XJ	1998 XJ
		2	B, U		74			DL	1998 XJ
		2	J, T, U		72			B6	1998 XJ
26	5AJ4 71C3	2			72			B6	Mist Gray, 1997 XJ
		2			74			B6	Mist Gray, 1997 XJ
		2			74			DL	Mist Gray, 1997 XJ
		2			72			M5	Mist Gray, 1997 XJ
		2			74			M5	Mist Gray, 1997 XJ
		2			74			XJ	Mist Gray, 1997 XJ
		2			74			X5	Mist Gray, 1997 XJ
		2	J		72			XJ	Mist Gray, 1997 XJ
		2	B		72			XJ	Mist Gray, 1997 XJ
		2	J, T		74			B6	Mist Gray, 1998 XJ
		2	J, T		74			DL	Mist Gray, 1998 XJ
		2	J, T		72			M5	Mist Gray, 1998 XJ
2	J, T		74			XJ	Mist Gray, 1998 XJ		
2	J, T		72			XJ	Mist Gray, 1998 XJ		
2	J, T		74			M5	Mist Gray, 1998 XJ		
2	J, T		74			X5	Mist Gray, 1998 XJ		

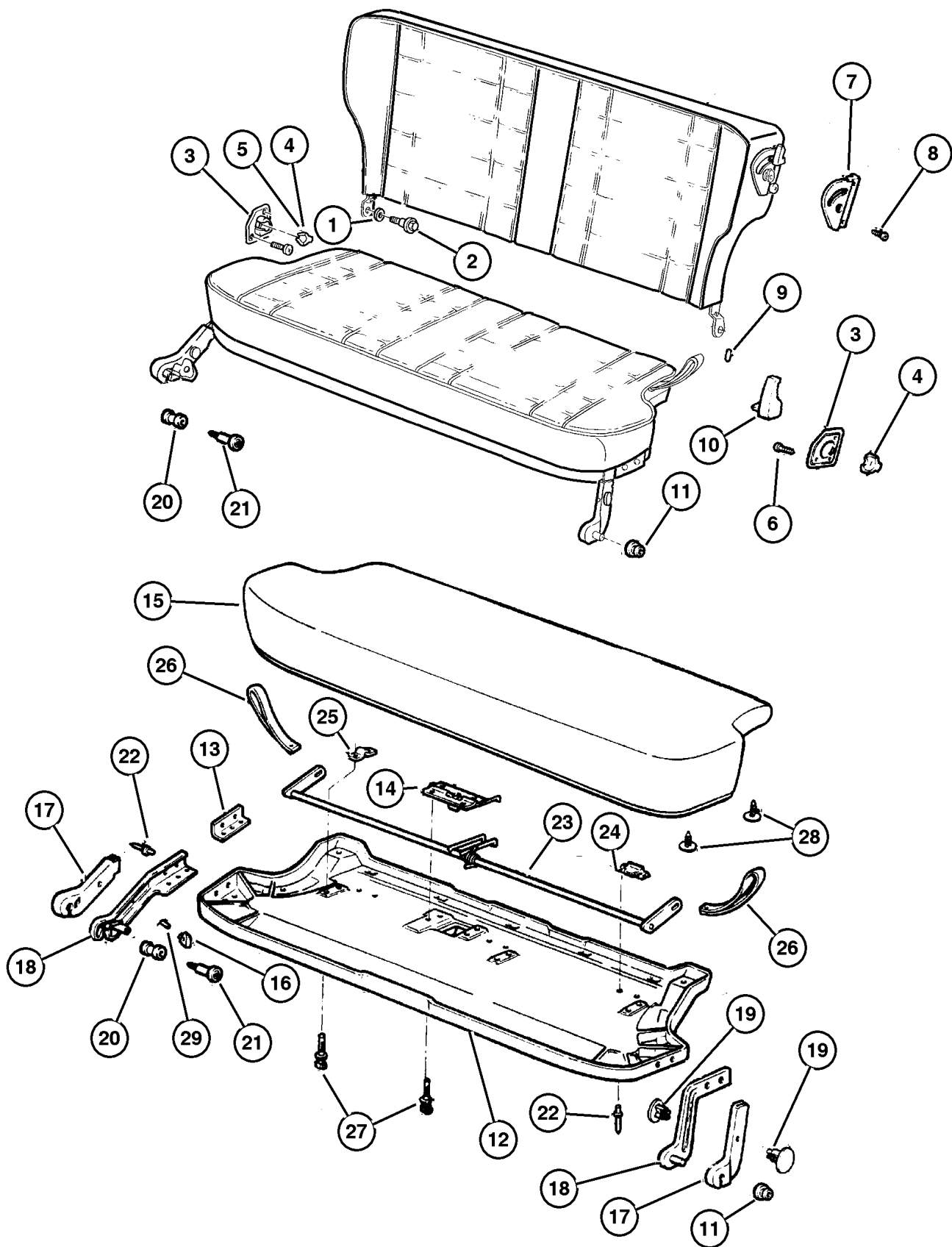
JEEP CHEROKEE (XJ)

SERIES	LINE	BODY	ENGINE	TRANSMISSION
L=Low Line	J=LHD (4WD) U=RHD (4WD) T=LHD (2WD) B=RHD (2WD)	74=4 DR. (101.4 WB) 72=2 DR. (101.4 WB)	ENC,EN0=2.5L 4 cyl. Turbo Die ERH,ER0=4.0L Power Tech I-6 EPE,EP0=Magnum 2.5L SMPI	DDQ=5Spd Man. DGS=4 Spd. Auto. AISIN DG0=All Auto Trans DBB=All Manual Trans.

AR = Use as required - = Non illustrated part # = New this model year

July 4, 2003

**Frame and Pad Rear Seat 1997 XJ 1998 XJ**  
**Figure IXJ-610**



ITEM	PART NUMBER	QTY	LINE	SERIES	BODY	ENGINE	TRANS	TRIM	DESCRIPTION
		2	B, U		74			M5	Mist Gray, 1998 XJ
		2	B, U		74			B6	Mist Gray, 1998 XJ
		2	B, U		74			XJ	Mist Gray, 1998 XJ
		2	B, U		74			DL	Mist Gray, 1998 XJ
		1	J, T, U		72			B6	Mist Gray, 1998 XJ
	5AJ4 71T6	2			74			B6	Saddle, 1997 XJ
		2			74			DL	Saddle, 1997 XJ
		2			72			M5	Saddle, 1997 XJ
		2			74			M5	Saddle, 1997 XJ
		2			74			XJ	Saddle, 1997 XJ
		2	J		72			XJ	Saddle, 1997 XJ
		2			74			X5	Saddle, 1997 XJ
		2	B		72			XJ	Saddle, 1997 XJ
		2	J, T		74			B6	Saddle, 1998 XJ
		2	J, T		74			DL	Saddle, 1998 XJ
		2	J, T		72			M5	Saddle, 1998 XJ
		2	J, T		74			XJ	Saddle, 1998 XJ
		2	J, T		72			XJ	Saddle, 1998 XJ
		2	J, T		74			M5	Saddle, 1998 XJ
		2	J, T		74			X5	Saddle, 1998 XJ
		2	B, U		74			M5	Saddle, 1998 XJ
		2	B, U		74			B6	Saddle, 1998 XJ
		2	B, U		74			XJ	Saddle, 1998 XJ
		2	B, U		74			DL	Saddle, 1998 XJ
		1	J, T, U		72			B6	Saddle, 1998 XJ
27									RIVET, Blind, M6.25x28
	3420 2078	6			72			B6	1997 XJ
		6			74			B6	1997 XJ
		6			74			DL	1997 XJ
		6			72			M5	1997 XJ
		6			74			M5	1997 XJ
		6			74			XJ	1997 XJ
		6			74			X5	1997 XJ
		6	J		72			XJ	1997 XJ
		6	B		72			XJ	1997 XJ
		6	J, T		74			B6	1998 XJ
		6	J, T		74			DL	1998 XJ
		6	J, T		72			M5	1998 XJ
		6	J, T		74			M5	1998 XJ
		6	J, T		74			X5	1998 XJ
		6	B, U		74			M5	1998 XJ
		6	B, U		74			B6	1998 XJ

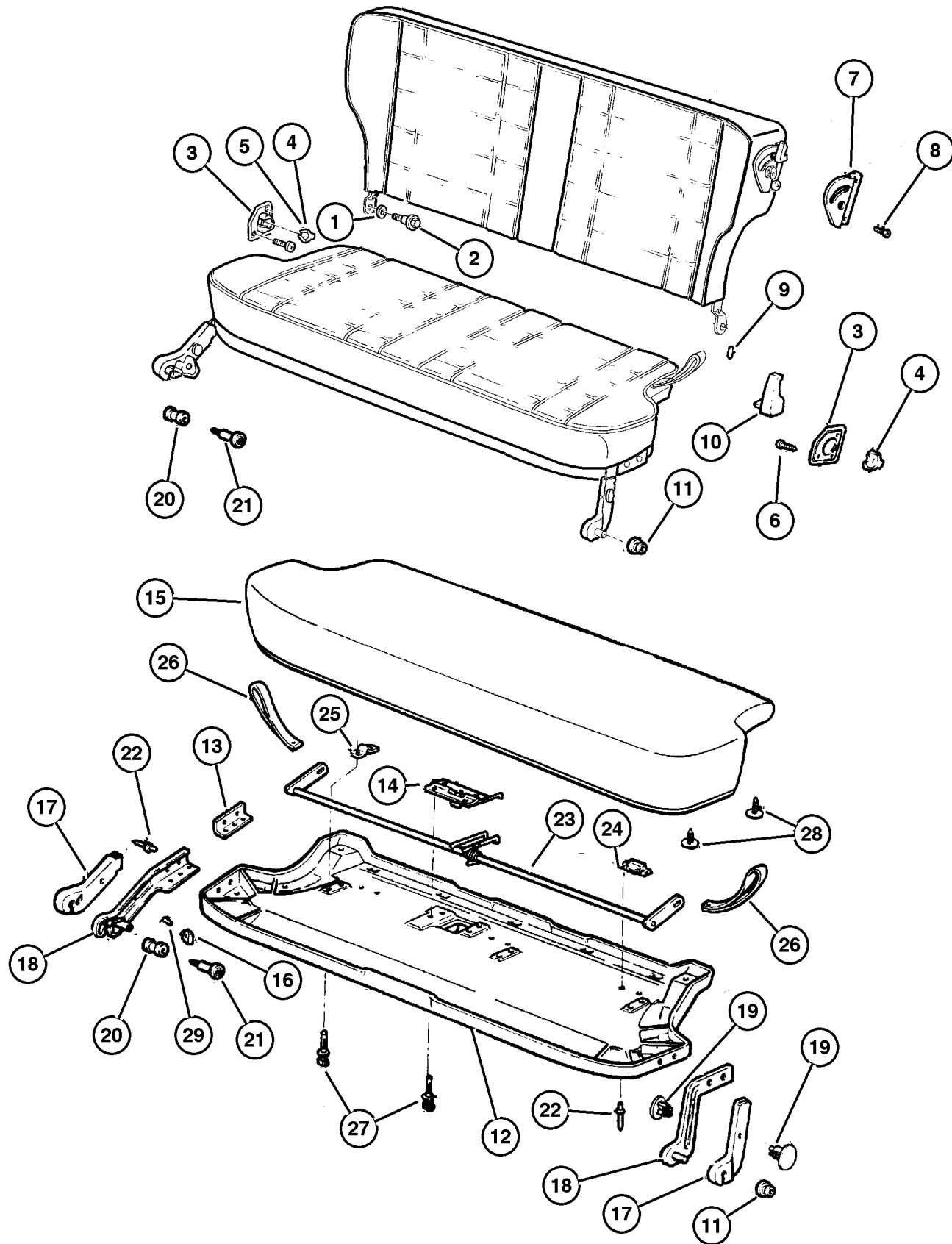
**JEEP CHEROKEE (XJ)**

<b>SERIES</b>	<b>LINE</b>	<b>BODY</b>	<b>ENGINE</b>	<b>TRANSMISSION</b>
L=Low Line	J=LHD (4WD) U=RHD (4WD) T=LHD (2WD) B=RHD (2WD)	74=4 DR. (101.4 WB) 72=2 DR. (101.4 WB)	ENC,EN0=2.5L 4 cyl. Turbo Die ERH,ER0=4.0L Power Tech I-6 EPE,EP0=Magnum 2.5L SMPI	DDQ=5Spd Man. DGS=4 Spd. Auto. AISIN DG0=All Auto Trans DBB=All Manual Trans.

AR = Use as required - = Non illustrated part # = New this model year

July 4, 2003

Frame and Pad Rear Seat 1997 XJ 1998 XJ  
Figure IXJ-610



ITEM	PART NUMBER	QTY	LINE	SERIES	BODY	ENGINE	TRANS	TRIM	DESCRIPTION
		6	J, T		72			XJ	1998 XJ
		6	J, T		74			XJ	1998 XJ
		6	B, U		74			XJ	1998 XJ
		6	B, U		74			DL	1998 XJ
		6	J, T, U		72			B6	1998 XJ
28	5AA3 41C3	6			72			B6	FASTENER, .193 Hole Mist Gray, 1997 XJ
		6			74			DL	Mist Gray, 1997 XJ
		6			72			M5	Mist Gray, 1997 XJ
		6			74			M5	Mist Gray, 1997 XJ
		6			74			XJ	Mist Gray, 1997 XJ
		6			74			X5	Mist Gray, 1997 XJ
		6	J		72			XJ	Mist Gray, 1997 XJ
		6	B		72			XJ	Mist Gray, 1997 XJ
		6	J, T		74			B6	Mist Gray, 1998 XJ
		6	J, T		74			DL	Mist Gray, 1998 XJ
		6	J, T		72			M5	Mist Gray, 1998 XJ
		6	J, T		74			M5	Mist Gray, 1998 XJ
		6	J, T		72			XJ	Mist Gray, 1998 XJ
		6	J, T		74			XJ	Mist Gray, 1998 XJ
		6	J, T		74			XJ	Mist Gray, 1998 XJ
		6	B, U		74			XJ	Mist Gray, 1998 XJ
		6	B, U		74			DL	Mist Gray, 1998 XJ
		6	J, T		74			X5	Mist Gray, 1998 XJ
		6	B, U		74			M5	Mist Gray, 1998 XJ
		6	B, U		74			B6	Mist Gray, 1998 XJ
	5AA3 41T6	6	J, T, U		72			B6	Mist Gray, 1998 XJ
		6			72			B6	Saddle, 1997 XJ
		6			74			B6	Saddle, 1997 XJ
		6			74			DL	Saddle, 1997 XJ
		6			72			M5	Saddle, 1997 XJ
		6			74			M5	Saddle, 1997 XJ
		6			74			XJ	Saddle, 1997 XJ
		6	J		72			XJ	Saddle, 1997 XJ
		6			74			X5	Saddle, 1997 XJ
		6	B		72			XJ	Saddle, 1997 XJ
		6	J, T		74			B6	Saddle, 1998 XJ
		6	J, T		74			DL	Saddle, 1998 XJ
		6	J, T		72			XJ	Saddle, 1998 XJ
		6	J, T		74			XJ	Saddle, 1998 XJ
		6	J, T		74			M5	Saddle, 1998 XJ
		6	B, U		74			XJ	Saddle, 1998 XJ
		6	B, U		74			DL	Saddle, 1998 XJ

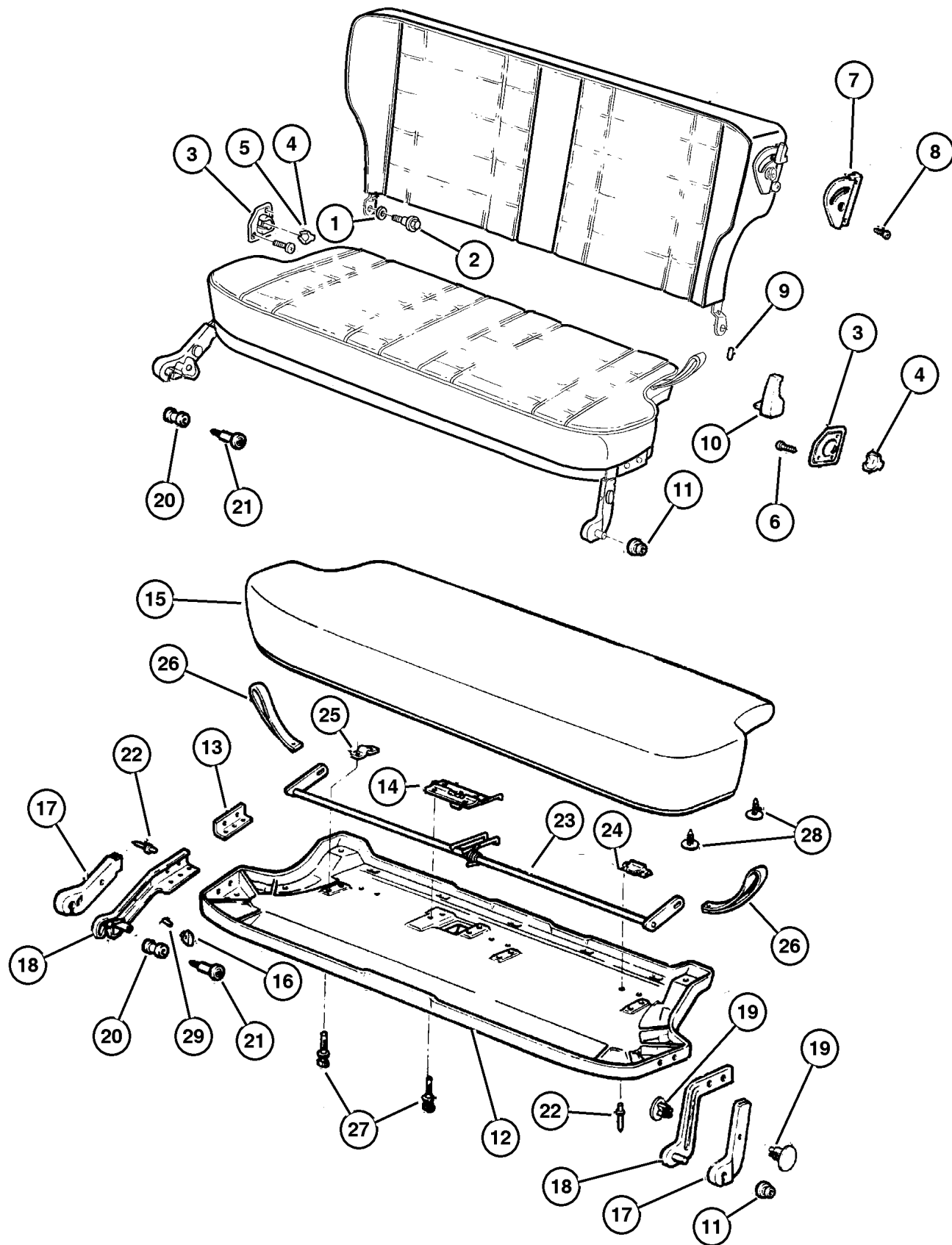
JEEP CHEROKEE (XJ)

SERIES	LINE	BODY	ENGINE	TRANSMISSION
L=Low Line	J=LHD (4WD) U=RHD (4WD) T=LHD (2WD) B=RHD (2WD)	74=4 DR. (101.4 WB) 72=2 DR. (101.4 WB)	ENC,EN0=2.5L 4 cyl. Turbo Die ERH,ER0=4.0L Power Tech I-6 EPE,EP0=Magnum 2.5L SMPI	DDQ=5Spd Man. DGS=4 Spd. Auto. AISIN DG0=All Auto Trans DBB=All Manual Trans.

AR = Use as required - = Non illustrated part # = New this model year

July 4, 2003

Frame and Pad Rear Seat 1997 XJ 1998 XJ  
Figure IXJ-610



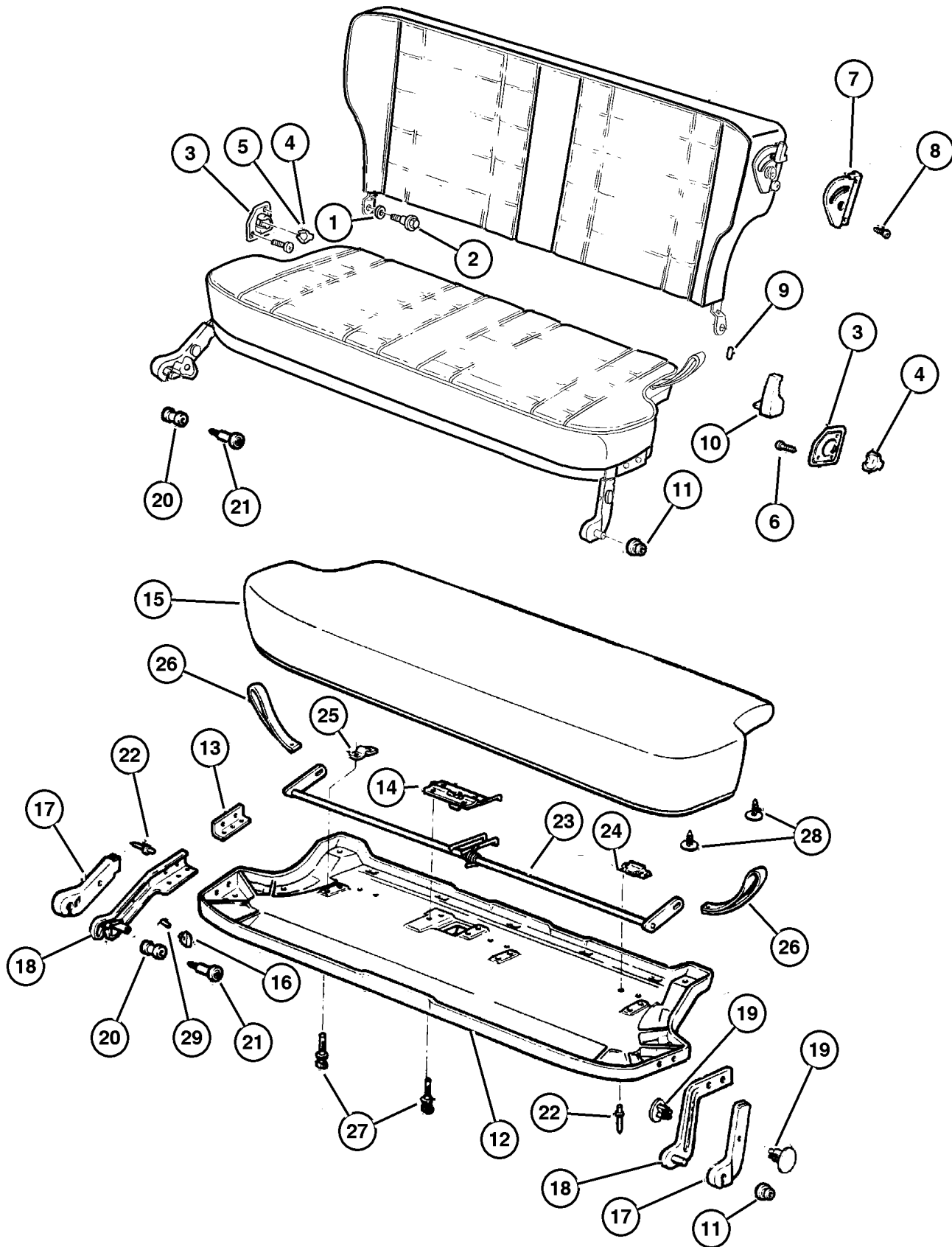
ITEM	PART NUMBER	QTY	LINE	SERIES	BODY	ENGINE	TRANS	TRIM	DESCRIPTION
		6	J, T		74			X5	Saddle, 1998 XJ
		6	B, U		74			M5	Saddle, 1998 XJ
		6	B, U		74			B6	Saddle, 1998 XJ
		6	J, T, U		72			B6	Saddle, 1998 XJ
29									SPRING, Pin
	J045 5735	4	B, U		74			B6	
		4			72			B6	1997 XJ
		4			74			B6	1997 XJ
		4			72			M5	1997 XJ
		4			74			M5	1997 XJ
		4			74			XJ	1997 XJ
		4	J		72			XJ	1997 XJ
		4			74			X5	1997 XJ
		4	B		72			XJ	1997 XJ
		4	J, T		74			B6	1998 XJ
		4	J, T		72			M5	1998 XJ
		4	J, T		74			M5	1998 XJ
		4	J, T		74			XJ	1998 XJ
		4	J, T		72			XJ	1998 XJ
		4	B, U		74			XJ	1998 XJ
		4	J, T		74			X5	1998 XJ
		4	B, U		74			M5	1998 XJ
		4	J, T		74			DL	1998 XJ
		4	B, U		74			DL	1998 XJ
		4	J, T, U		72			B6	1998 XJ
-30									TETHER PACKAGE, Child Seat (NOT REQUIRED), 1998 XJ
	5003 422AA	1							1997 XJ

JEEP CHEROKEE (XJ)  
 SERIES LINE BODY ENGINE TRANSMISSION  
 L=Low Line J=LHD (4WD) 74=4 DR. (101.4 WB) ENC,EN0=2.5L 4 cyl. Turbo Die DDQ=5Spd Man.  
 U=RHD (4WD) 72=2 DR. (101.4 WB) ERH,ER0=4.0L Power Tech I-6 DGS=4 Spd. Auto. AISIN  
 T=LHD (2WD) EPE,EP0=Magnum 2.5L SMPI DG0=All Auto Trans  
 B=RHD (2WD) DBB=All Manual Trans.

AR = Use as required - = Non illustrated part # = New this model year

July 4, 2003

**Frame and Pad Rear Seat 1999 XJ**  
**Figure IXJ-610**



ITEM	PART NUMBER	QTY	LINE	SERIES	BODY	ENGINE	TRANS	TRIM	DESCRIPTION
1	5500 5617	1							SPACER, Seat Back Pivot
2	3420 1537	2							SCREW, Hex Washer Shoulder, M10x1.50x25.00
3	5519 5980	1							BRACKET, Seat Lock Striker Right
	5519 5981	1							Left
4	5500 1212	1							BUMPER, Latch Striker
5	5500 1213	1							BUMPER, Seat Back
6									SCREW, Pan Head Torx, M5x0.8x30.00
	3420 2189	8	J, T						
		8	B, U						
7									BEZEL, Seat Latch
	5AC6 61AZ	1	J, T		74			B6	Agate, Right
		1	B, U		74			B6	Agate, Right
		1	J, T		74			DL	Agate, Right
		1	J, T		72			M5	Agate, Right
		1	J, T		74			M5	Agate, Right
		1	J, T		74			X5	Agate, Right
		1	B, U		74			M5	Agate, Right
		1	J, T		74			XJ	Agate, Right
		1	J, T		72			XJ	Agate, Right
		1	B, U		74			XJ	Agate, Right
		1	J, T, U		72			B6	Agate, Right
	5AC6 61K5	1	J, T		74			B6	Camel, Right
		1	B, U		74			B6	Camel, Right
		1	J, T		74			DL	Camel, Right
		1	J, T		72			M5	Camel, Right
		1	J, T		74			M5	Camel, Right
		1	J, T		74			X5	Camel, Right
		1	B, U		74			M5	Camel, Right
		1	J, T		74			XJ	Camel, Right
		1	J, T		72			XJ	Camel, Right
		1	B, U		74			XJ	Camel, Right
		1	B, U		74			DL	Camel, Right
		1	J, T, U		72			B6	Camel, Right
	5AC6 71AZ	1	J, T		74			B6	Agate, Left
		1	B, U		74			B6	Agate, Left
		1	J, T		74			DL	Agate, Left
		1	J, T		72			M5	Agate, Left
		1	J, T		74			M5	Agate, Left
		1	J, T		74			X5	Agate, Left

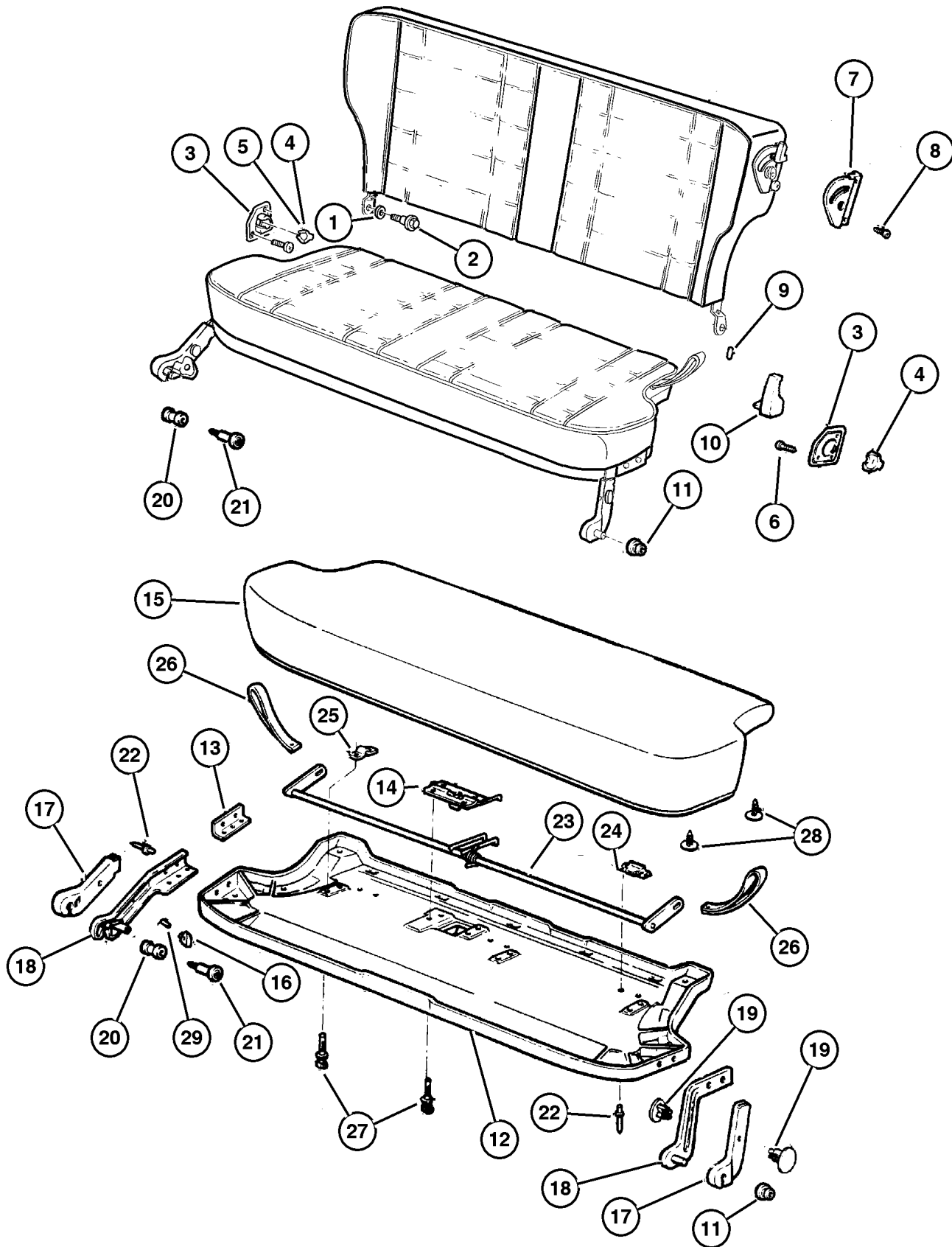
**JEEP CHEROKEE (XJ)**

SERIES	LINE	BODY	ENGINE	TRANSMISSION
L=Low Line	J=LHD (4WD) U=RHD (4WD) T=LHD (2WD) B=RHD (2WD)	74=4 DR. (101.4 WB) 72=2 DR. (101.4 WB)	ENC,EN0=2.5L 4 cyl. Turbo Die ERH,ER0=4.0L Power Tech I-6 EPE,EP0=Magnum 2.5L SMPI	DDQ=5Spd Man. DGS=4 Spd. Auto. AISIN DG0=All Auto Trans DBB=All Manual Trans.

AR = Use as required - = Non illustrated part # = New this model year

July 4, 2003

Frame and Pad Rear Seat 1999 XJ  
Figure IXJ-610



ITEM	PART NUMBER	QTY	LINE	SERIES	BODY	ENGINE	TRANS	TRIM	DESCRIPTION
		1	B, U		74			M5	Agate, Left
		1	J, T		72			XJ	Agate, Left
		1	B, U		74			XJ	Agate, Left
		1	J, T, U		72			B6	Agate, Left
	5AC6 71K5	1	J, T		74			B6	Camel, Left
		1	B, U		74			B6	Camel, Left
		1	J, T		74			DL	Camel, Left
		1	J, T		72			M5	Camel, Left
		1	J, T		74			M5	Camel, Left
		1	J, T		74			X5	Camel, Left
		1	B, U		74			M5	Camel, Left
		1	J, T		74			XJ	Camel, Left
		1	J, T		72			XJ	Camel, Left
		1	B, U		74			XJ	Camel, Left
		1	B, U		74			DL	Camel, Left
		1	J, T, U		72			B6	Camel, Left
8									SCREW, Tapping Round Head, .164x18x1.232
	3420 1314	4			74				
		4	J, T, U		72				
9									SPRING, Pin
	J045 5735	4	J, T		72			M5	
		4	J, T		72			XJ	
		4	J, T		74			B6	
		4	J, T		74			DL	
		4	J, T		74			M5	
		4	J, T		74			XJ	
		4	B, U		74			XJ	
		4	J, T		74			X5	
		4	B, U		74			M5	
		4	B, U		74			B6	
		4	B, U		74			DL	
10									KNOB, Seat Back Latch
	QC04 1AZ	1	J, T		74			B6	Agate, Right
		1	B, U		74			B6	Agate, Right
		1	J, T		74			DL	Agate, Right
		1	J, T		72			M5	Agate, Right
		1	J, T		74			M5	Agate, Right
		1	J, T		74			X5	Agate, Right
		1	B, U		74			M5	Agate, Right
		1	J, T		72			XJ	Agate, Right
		1	J, T		74			XJ	Agate, Right

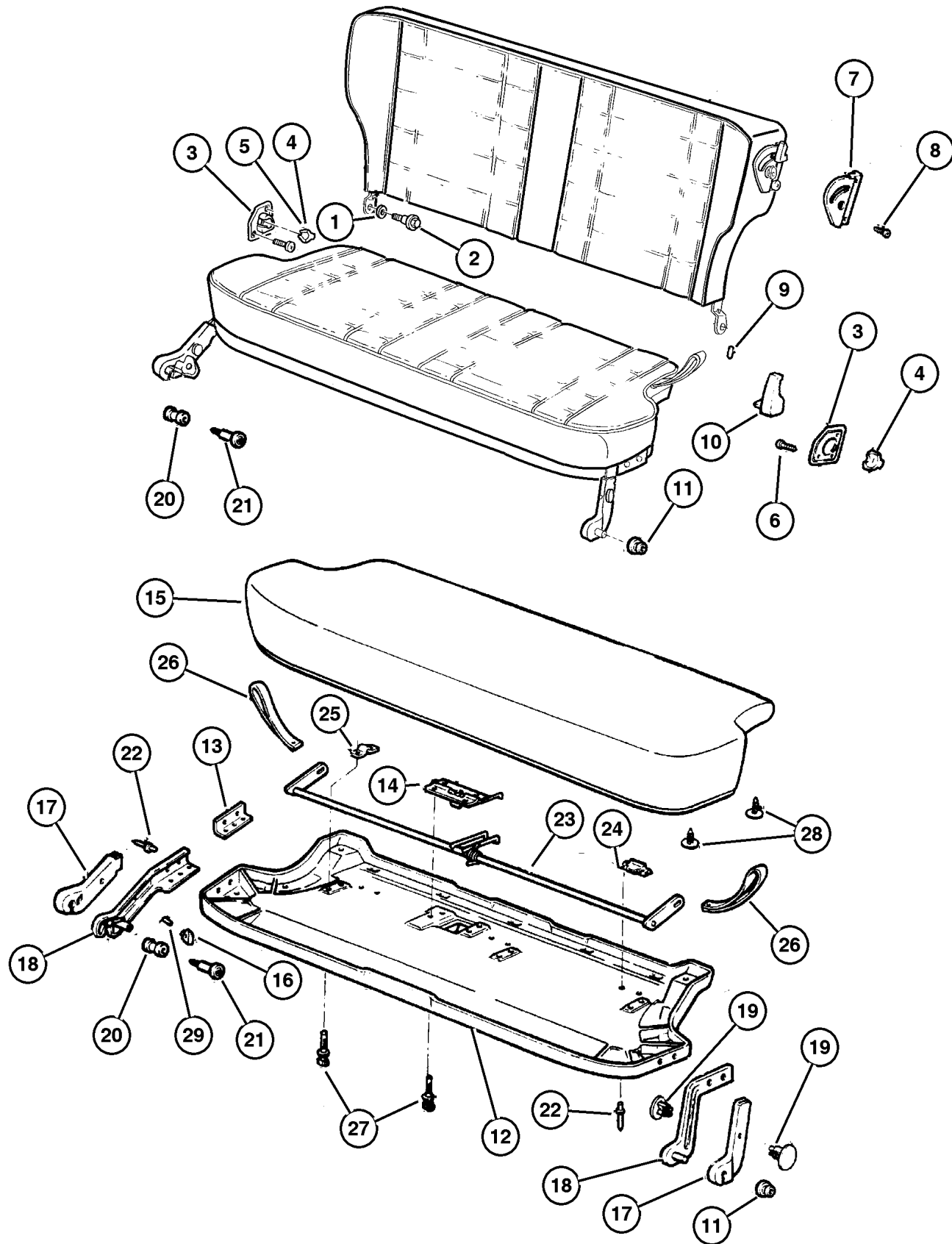
JEEP CHEROKEE (XJ)

SERIES	LINE	BODY	ENGINE	TRANSMISSION
L=Low Line	J=LHD (4WD) U=RHD (4WD) T=LHD (2WD) B=RHD (2WD)	74=4 DR. (101.4 WB) 72=2 DR. (101.4 WB)	ENC,EN0=2.5L 4 cyl. Turbo Die ERH,ER0=4.0L Power Tech I-6 EPE,EP0=Magnum 2.5L SMPI	DDQ=5Spd Man. DGS=4 Spd. Auto. AISIN DG0=All Auto Trans DBB=All Manual Trans.

AR = Use as required - = Non illustrated part # = New this model year

July 4, 2003

**Frame and Pad Rear Seat 1999 XJ**  
**Figure IXJ-610**



ITEM	PART NUMBER	QTY	LINE	SERIES	BODY	ENGINE	TRANS	TRIM	DESCRIPTION
		1	B, U		74			XJ	Agate, Right
		1	J, T, U		72			B6	Agate, Right
	QC04 1K5	1	J, T		74			B6	Camel, Right
		1	B, U		74			B6	Camel, Right
		1	J, T		74			DL	Camel, Right
		1	J, T		72			M5	Camel, Right
		1	J, T		74			M5	Camel, Right
		1	J, T		74			X5	Camel, Right
		1	B, U		74			M5	Camel, Right
		1	J, T		74			XJ	Camel, Right
		1	J, T		72			XJ	Camel, Right
		1	B, U		74			XJ	Camel, Right
		1	B, U		74			DL	Camel, Right
	QC05 1AZ	1	J, T, U		72			B6	Camel, Right
		1	J, T		74			B6	Agate, Left
		1	B, U		74			B6	Agate, Left
		1	J, T		74			DL	Agate, Left
		1	J, T		72			M5	Agate, Left
		1	J, T		74			M5	Agate, Left
		1	J, T		74			X5	Agate, Left
		1	B, U		74			M5	Agate, Left
		1	J, T		72			XJ	Agate, Left
		1	J, T		74			XJ	Agate, Left
		1	B, U		74			XJ	Agate, Left
		1	J, T, U		72			B6	Agate, Left
	QC05 1K5	1	J, T		74			B6	Camel, Left
		1	B, U		74			B6	Camel, Left
		1	J, T		74			DL	Camel, Left
		1	J, T		72			M5	Camel, Left
		1	J, T		74			M5	Camel, Left
		1	J, T		74			X5	Camel, Left
		1	B, U		74			M5	Camel, Left
		1	J, T		72			XJ	Camel, Left
		1	J, T		74			XJ	Camel, Left
		1	B, U		74			DL	Camel, Left
		1	J, T, U		72			B6	Camel, Left
11	5500 1230	1							GROMMET, Rear Seat
12									PANEL, Seat Cushion
	5519 5237	1	J, T		72			M5	
		1	J, T		72			XJ	
		1	J, T		74			B6	

**JEEP CHEROKEE (XJ)**

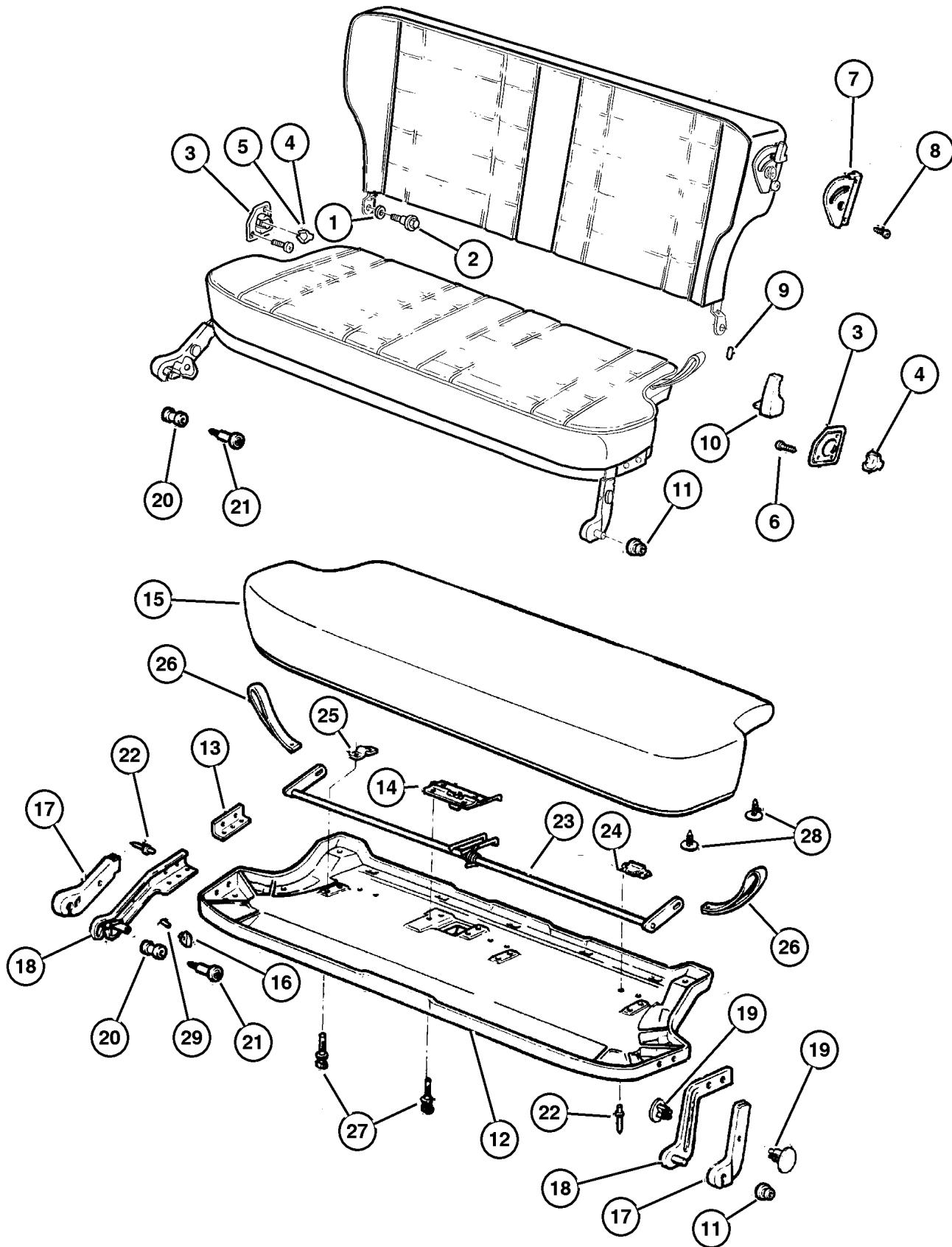
<b>SERIES</b>	<b>LINE</b>	<b>BODY</b>	<b>ENGINE</b>	<b>TRANSMISSION</b>
L=Low Line	J=LHD (4WD) U=RHD (4WD) T=LHD (2WD) B=RHD (2WD)	74=4 DR. (101.4 WB) 72=2 DR. (101.4 WB)	ENC,EN0=2.5L 4 cyl. Turbo Die ERH,ER0=4.0L Power Tech I-6 EPE,EP0=Magnum 2.5L SMPI	DDQ=5Spd Man. DGS=4 Spd. Auto. AISIN DG0=All Auto Trans DBB=All Manual Trans.

AR = Use as required - = Non illustrated part # = New this model year

July 4, 2003



**Frame and Pad Rear Seat 1999 XJ**  
**Figure IXJ-610**



ITEM	PART NUMBER	QTY	LINE	SERIES	BODY	ENGINE	TRANS	TRIM	DESCRIPTION
		1	J, T		74			DL	
		1	J, T		74			M5	
		1	J, T		74			XJ	
		1	B, U		74			XJ	
		1	J, T		74			X5	
		1	B, U		74			M5	
		1	B, U		74			B6	
		1	B, U		74			DL	
		1	J, T, U		72			B6	
13									REINFORCEMENT, Seat Cushion Hinge
	5500 2833	2	J, T		72			M5	
		2	J, T		72			XJ	
		2	J, T		74			B6	
		2	J, T		74			M5	
		2	J, T		74			XJ	
		2	B, U		74			XJ	
		2	J, T		74			X5	
		2	B, U		74			M5	
		2	B, U		74			B6	
		2	J, T		74			DL	
		2	B, U		74			DL	
		2	J, T, U		72			B6	
14									LATCH, Seat
	5519 5372	1	J, T		72			XJ	
		1	J, T		74			DL	
		1	J, T		74			XJ	
		1	B, U		74			XJ	
		1	J, T		74			X5	
		1	B, U		74			M5	
		1	B, U		74			B6	
		1	B, U		74			DL	
		1	J, T		74			B6	
		1	J, T		72			M5	
		1	J, T		74			M5	
		1	J, T, U		72			B6	
15									PAD, Rear Seat Cushion
	5500 4573	1	J, T		72			M5	
		1	J, T		72			XJ	
		1	J, T		74			B6	
		1	J, T		74			DL	
		1	J, T		74			M5	

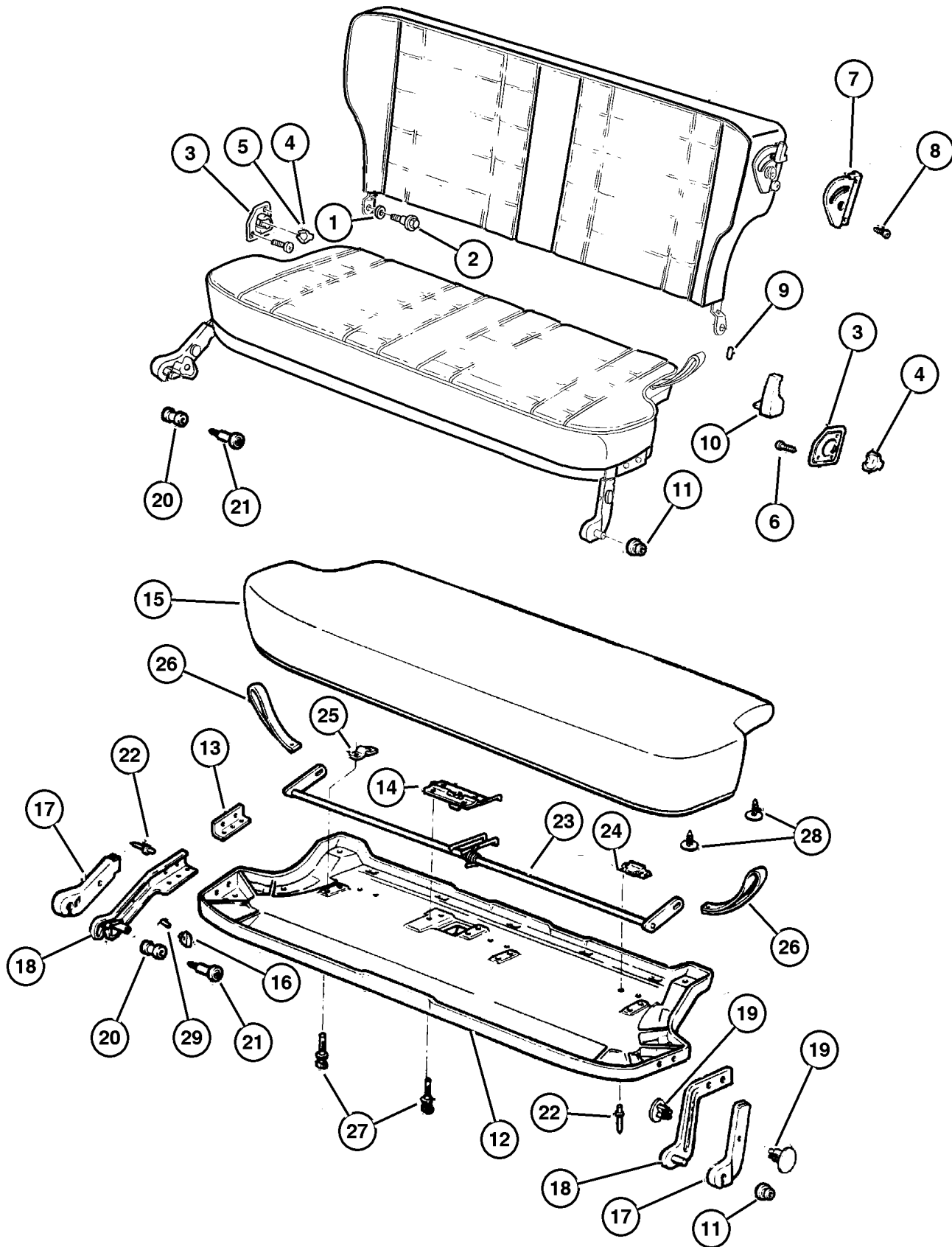
**JEEP CHEROKEE (XJ)**

SERIES	LINE	BODY	ENGINE	TRANSMISSION
L=Low Line	J=LHD (4WD) U=RHD (4WD) T=LHD (2WD) B=RHD (2WD)	74=4 DR. (101.4 WB) 72=2 DR. (101.4 WB)	ENC,EN0=2.5L 4 cyl. Turbo Die ERH,ER0=4.0L Power Tech I-6 EPE,EP0=Magnum 2.5L SMPI	DDQ=5Spd Man. DGS=4 Spd. Auto. AISIN DG0=All Auto Trans DBB=All Manual Trans.

AR = Use as required - = Non illustrated part # = New this model year

July 4, 2003

Frame and Pad Rear Seat 1999 XJ  
Figure IXJ-610



ITEM	PART NUMBER	QTY	LINE	SERIES	BODY	ENGINE	TRANS	TRIM	DESCRIPTION
		1	J, T		74			XJ	
		1	B, U		74			XJ	
		1	J, T		74			X5	
		1	B, U		74			M5	
		1	B, U		74			B6	
		1	B, U		74			DL	
		1	J, T, U		72			B6	
16									KNOB, Seat Back Latch
	5AC6 81AZ	2	J, T		74			B6	Agate
		2	B, U		74			B6	Agate
		2	J, T		74			DL	Agate
		2	J, T		72			M5	Agate
		2	J, T		74			M5	Agate
		2	J, T		74			X5	Agate
		2	B, U		74			M5	Agate
		2	J, T		72			XJ	Agate
		2	J, T		74			XJ	Agate
		2	B, U		74			XJ	Agate
		2	B, U		74			DL	Agate
		2	J, T, U		72			B6	Agate
	5AC6 81K5	2	J, T		74			B6	Camel
		2	B, U		74			B6	Camel
		2	J, T		74			DL	Camel
		2	J, T		72			M5	Camel
		2	J, T		74			M5	Camel
		2	J, T		74			X5	Camel
		2	B, U		74			M5	Camel
		2	J, T		72			XJ	Camel
		2	B, U		74			XJ	Camel
		2	B, U		74			DL	Camel
		2	J, T, U		72			B6	Camel
17									COVER, Rear Seat Hinge
	5AC4 61AZ	1	J, T		72			XJ	Agate, Right
		1	J, T		72			M5	Agate, Right
		1	J, T		74			B6	Agate, Right
		1	J, T		74			DL	Agate, Right
		1	J, T		74			M5	Agate, Right
		1	J, T		74			XJ	Agate, Right
		1	B, U		74			XJ	Agate, Right
		1	J, T		74			X5	Agate, Right
		1	B, U		74			M5	Agate, Right
		1	B, U		74			B6	Agate, Right

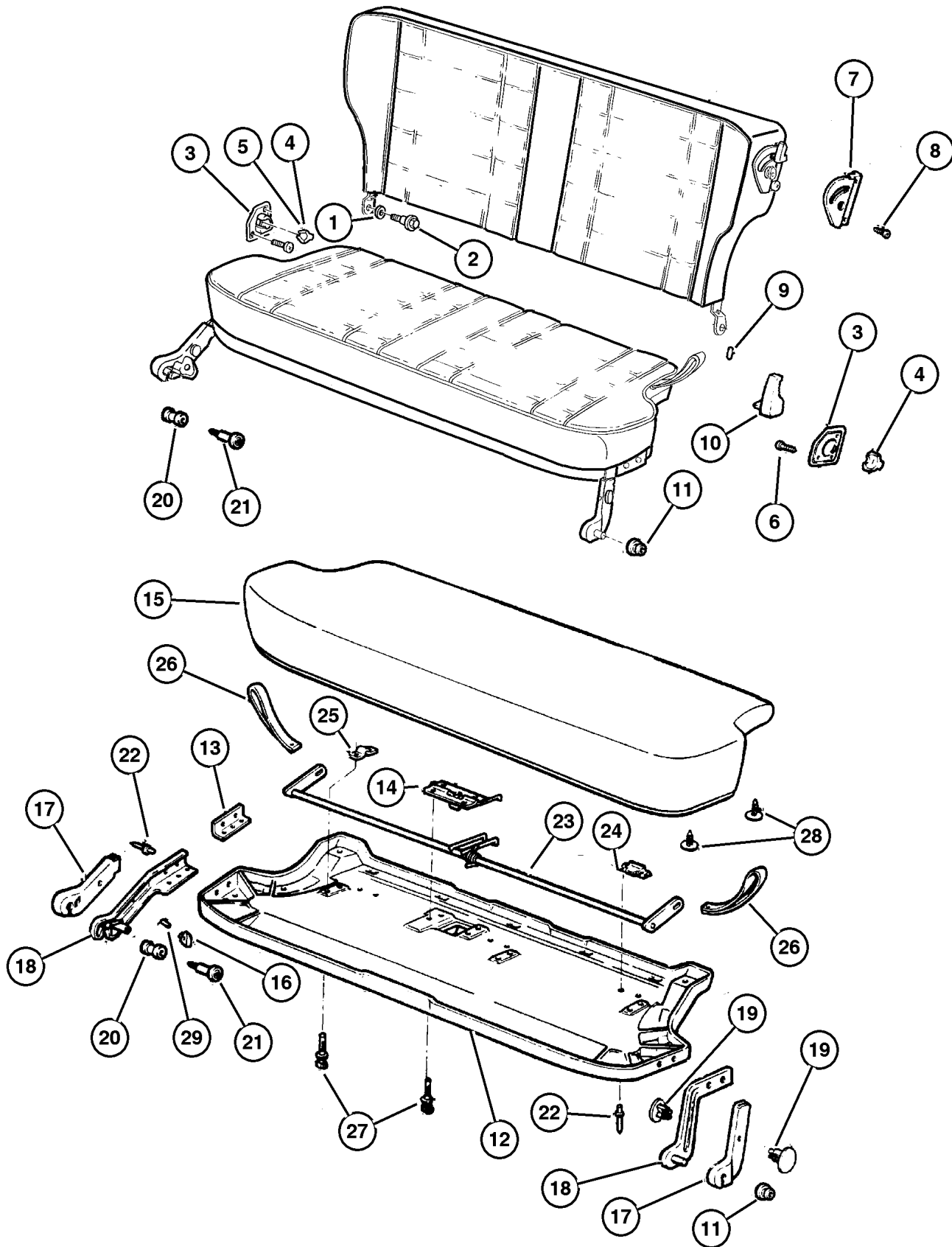
JEEP CHEROKEE (XJ)

SERIES	LINE	BODY	ENGINE	TRANSMISSION
L=Low Line	J=LHD (4WD) U=RHD (4WD) T=LHD (2WD) B=RHD (2WD)	74=4 DR. (101.4 WB) 72=2 DR. (101.4 WB)	ENC,EN0=2.5L 4 cyl. Turbo Die ERH,ER0=4.0L Power Tech I-6 EPE,EP0=Magnum 2.5L SMPI	DDQ=5Spd Man. DGS=4 Spd. Auto. AISIN DG0=All Auto Trans DBB=All Manual Trans.

AR = Use as required - = Non illustrated part # = New this model year

July 4, 2003

**Frame and Pad Rear Seat 1999 XJ**  
**Figure IXJ-610**



ITEM	PART NUMBER	QTY	LINE	SERIES	BODY	ENGINE	TRANS	TRIM	DESCRIPTION
		1	B, U		74			DL	Agate, Right
		1	J, T, U		72			B6	Agate, Right
	5AC4 61K5	1	J, T		72			XJ	Camel, Right
		1	J, T		72			M5	Camel, Right
		1	J, T		74			B6	Camel, Right
		1	J, T		74			M5	Camel, Right
		1	J, T		74			XJ	Camel, Right
		1	B, U		74			XJ	Camel, Right
		1	B, U		74			M5	Camel, Right
		1	B, U		74			B6	Camel, Right
		1	J, T		74			X5	Camel, Right
		1	J, T		74			DL	Camel, Right
		1	B, U		74			DL	Camel, Right
	5AC4 71AZ	1	J, T		74			B6	Agate, Left
		1	B, U		74			B6	Agate, Left
		1	J, T		72			M5	Agate, Left
		1	J, T		74			M5	Agate, Left
		1	B, U		74			M5	Agate, Left
		1	J, T		74			X5	Agate, Left
		1	J, T		72			XJ	Agate, Left
		1	J, T		74			XJ	Agate, Left
		1	B, U		74			XJ	Agate, Left
		1	B, U		74			DL	Agate, Left
		1	J, T		74			DL	Agate, Left
		1	J, T, U		72			B6	Agate, Left
	5AC4 71K5	1	J, T		74			B6	Camel, Left
		1	B, U		74			B6	Camel, Left
		1	J, T		72			M5	Camel, Left
		1	J, T		74			M5	Camel, Left
		1	J, T		74			X5	Camel, Left
		1	B, U		74			M5	Camel, Left
		1	J, T		74			XJ	Camel, Left
		1	J, T		72			XJ	Camel, Left
		1	B, U		74			XJ	Camel, Left
		1	J, T		74			DL	Camel, Left
		1	B, U		74			DL	Camel, Left
		1	J, T, U		72			B6	Camel, Left
18									HINGE, Seat Cushion
	5500 1136	1	J, T		72			M5	Right
		1	J, T		72			XJ	Right
		1	J, T		74			B6	Right
		1	J, T		74			M5	Right

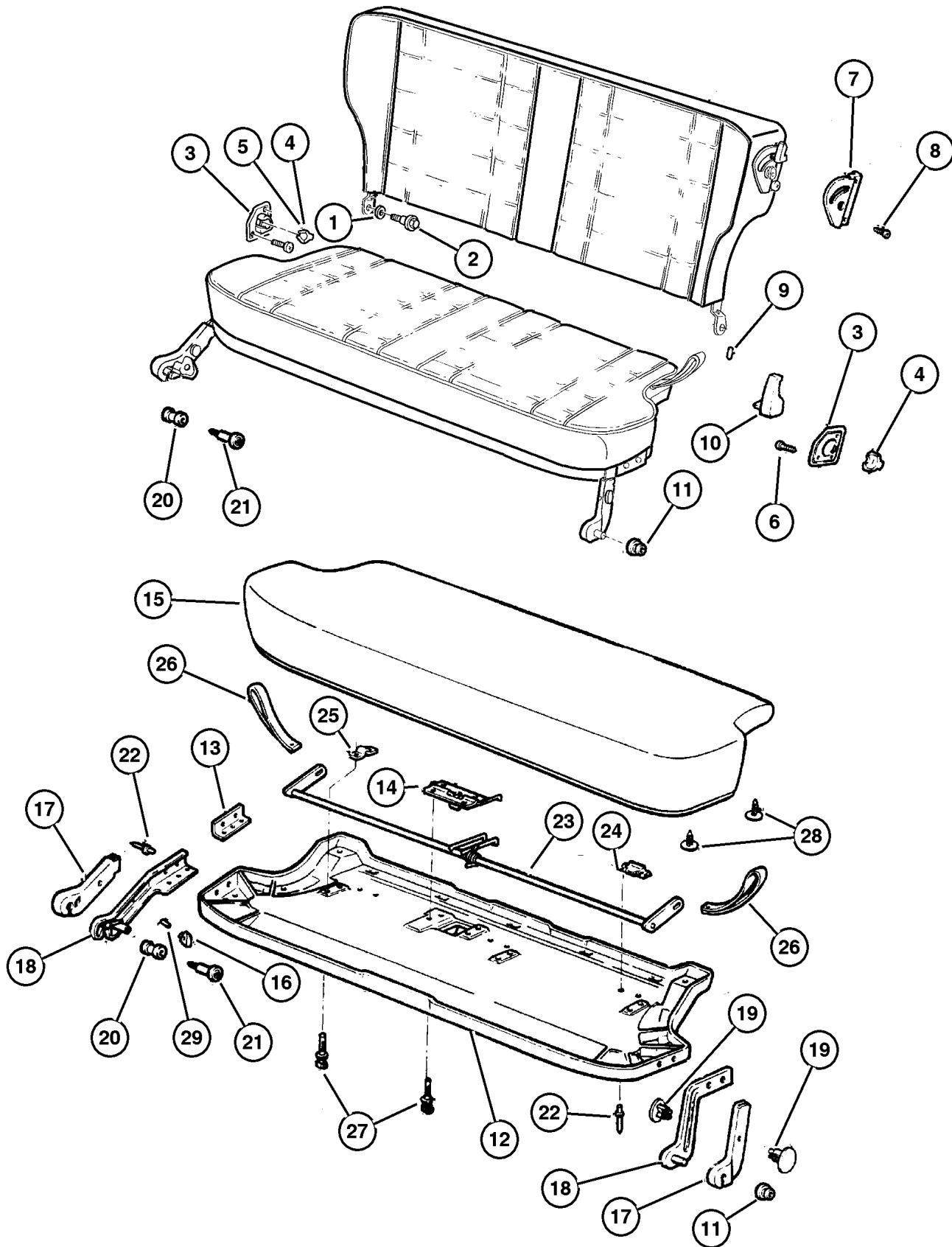
**JEEP CHEROKEE (XJ)**

<b>SERIES</b>	<b>LINE</b>	<b>BODY</b>	<b>ENGINE</b>	<b>TRANSMISSION</b>
L=Low Line	J=LHD (4WD) U=RHD (4WD) T=LHD (2WD) B=RHD (2WD)	74=4 DR. (101.4 WB) 72=2 DR. (101.4 WB)	ENC,EN0=2.5L 4 cyl. Turbo Die ERH,ER0=4.0L Power Tech I-6 EPE,EP0=Magnum 2.5L SMPI	DDQ=5Spd Man. DGS=4 Spd. Auto. AISIN DG0=All Auto Trans DBB=All Manual Trans.

AR = Use as required - = Non illustrated part # = New this model year

July 4, 2003

Frame and Pad Rear Seat 1999 XJ  
Figure IXJ-610



ITEM	PART NUMBER	QTY	LINE	SERIES	BODY	ENGINE	TRANS	TRIM	DESCRIPTION
		1	J, T		74			XJ	Right
		1	B, U		74			XJ	Right
		1	J, T		74			X5	Right
		1	B, U		74			M5	Right
		1	B, U		74			B6	Right
		1	J, T		74			DL	Right
		1	B, U		74			DL	Right
		1	J, T, U		72			B6	Right
5500	1137	1	J, T		72			M5	Left
		1	J, T		72			XJ	Left
		1	J, T		74			B6	Left
		1	J, T		74			M5	Left
		1	J, T		74			XJ	Left
		1	B, U		74			XJ	Left
		1	J, T		74			X5	Left
		1	B, U		74			M5	Left
		1	B, U		74			B6	Left
		1	J, T		74			DL	Left
		1	B, U		74			DL	Left
		1	J, T, U		72			B6	Left
19									RIVET, M8x12.40 Ratchet Type
3420	1845	4	J, T		74			B6	
		4	B, U		74			B6	
		4	J, T		74			DL	
		4	J, T		72			M5	
		4	J, T		74			M5	
		4	J, T		74			X5	
		4	B, U		74			M5	
		4	J, T		72			XJ	
		4	J, T		74			XJ	
		4	B, U		74			XJ	
		4	B, U		74			DL	
		4	J, T, U		72			B6	
20	5500 2437	1							BUSHING, Seat Cushion
21	3420 1530	1							BOLT, Shoulder, M10x1.50x50.6
22									RIVET, M6.3x23.47
	3420 1557	2	J, T		72			M5	
		2	J, T		72			XJ	
		2	J, T		74			B6	
		2	J, T		74			M5	
		2	J, T		74			XJ	
		2	B, U		74			XJ	

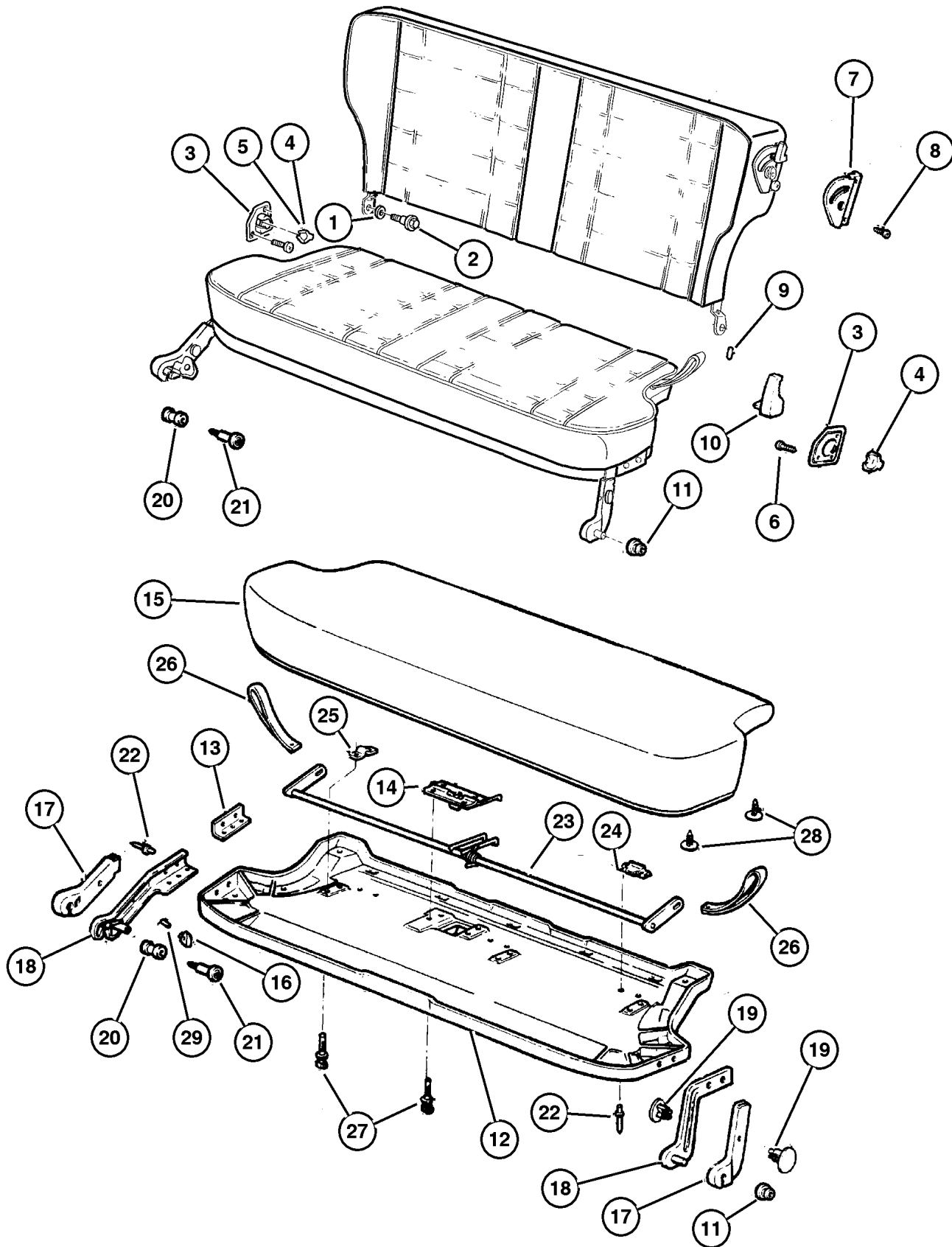
JEEP CHEROKEE (XJ)

SERIES	LINE	BODY	ENGINE	TRANSMISSION
L=Low Line	J=LHD (4WD) U=RHD (4WD) T=LHD (2WD) B=RHD (2WD)	74=4 DR. (101.4 WB) 72=2 DR. (101.4 WB)	ENC,EN0=2.5L 4 cyl. Turbo Die ERH,ER0=4.0L Power Tech I-6 EPE,EP0=Magnum 2.5L SMPI	DDQ=5Spd Man. DGS=4 Spd. Auto. AISIN DG0=All Auto Trans DBB=All Manual Trans.

AR = Use as required - = Non illustrated part # = New this model year

July 4, 2003

**Frame and Pad Rear Seat 1999 XJ**  
**Figure IXJ-610**



ITEM	PART NUMBER	QTY	LINE	SERIES	BODY	ENGINE	TRANS	TRIM	DESCRIPTION
		2	J, T		74			X5	
		2	B, U		74			M5	
		2	B, U		74			B6	
		2	J, T		74			DL	
		2	B, U		74			DL	
		2	J, T, U		72			B6	
23	5500 4302	1	J, T		74			B6	RELEASE, Seat Latch
		1	B, U		74			B6	
		1	J, T		74			DL	
		1	J, T		72			M5	
		1	J, T		74			M5	
		1	J, T		74			X5	
		1	B, U		74			M5	
		1	J, T		72			XJ	
		1	J, T		74			XJ	
		1	B, U		74			DL	
		1	B, U		74			XJ	
		1	J, T, U		72			B6	
24	5519 5937	1	J, T		72			M5	BRACKET, Seat Cushion
		1	J, T		72			XJ	
		1	J, T		74			B6	
		1	J, T		74			M5	
		1	J, T		74			XJ	
		1	B, U		74			XJ	
		1	B, U		74			M5	
		1	B, U		74			B6	
		1	J, T		74			X5	
		1	J, T		74			DL	
		1	B, U		74			DL	
		1	J, T, U		72			B6	
25	5500 4301	2	J, T		72			M5	BRACKET, Seat Latch
		2	J, T		72			XJ	
		2	J, T		74			B6	
		2	J, T		74			M5	
		2	J, T		74			XJ	
		2	B, U		74			XJ	
		2	J, T		74			X5	
		2	B, U		74			M5	
		2	B, U		74			B6	

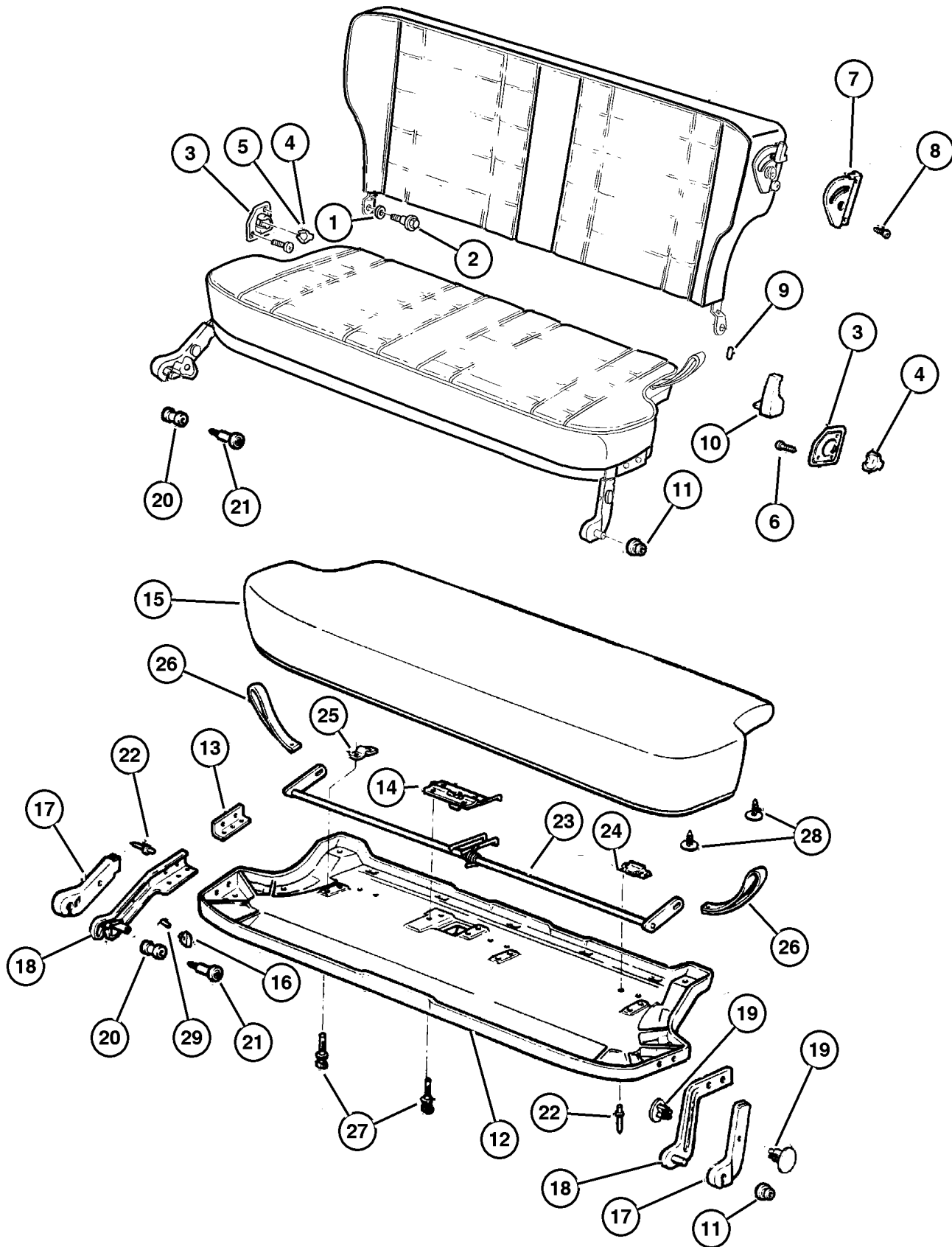
**JEEP CHEROKEE (XJ)**

<b>SERIES</b>	<b>LINE</b>	<b>BODY</b>	<b>ENGINE</b>	<b>TRANSMISSION</b>
L=Low Line	J=LHD (4WD) U=RHD (4WD) T=LHD (2WD) B=RHD (2WD)	74=4 DR. (101.4 WB) 72=2 DR. (101.4 WB)	ENC,EN0=2.5L 4 cyl. Turbo Die ERH,ER0=4.0L Power Tech I-6 EPE,EP0=Magnum 2.5L SMPI	DDQ=5Spd Man. DGS=4 Spd. Auto. AISIN DG0=All Auto Trans DBB=All Manual Trans.

AR = Use as required - = Non illustrated part # = New this model year

July 4, 2003

Frame and Pad Rear Seat 1999 XJ  
Figure IXJ-610



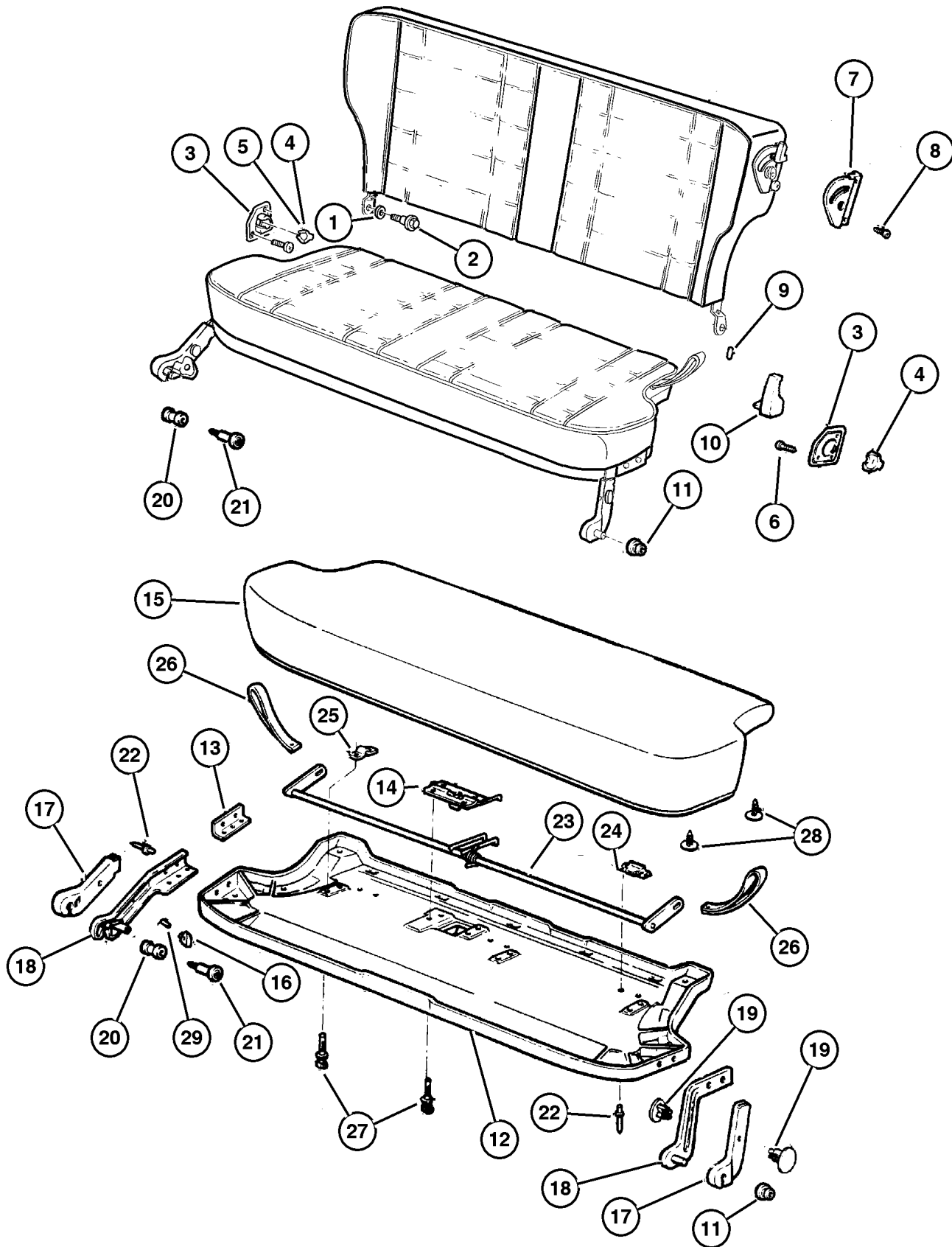
ITEM	PART NUMBER	QTY	LINE	SERIES	BODY	ENGINE	TRANS	TRIM	DESCRIPTION
26	5AJ4 71AZ	2	J, T		74			DL	
		2	B, U		74			DL	
		1	J, T, U		72			B6	STRAP, Rear Seat Latch
		2	J, T		74			B6	Agate
		2	B, U		74			B6	Agate
		2	J, T		72			M5	Agate
		2	J, T		74			M5	Agate
		2	J, T		74			X5	Agate
		2	B, U		74			M5	Agate
		2	J, T		74			XJ	Agate
26	5AJ4 71K5	2	J, T		72			XJ	Agate
		2	B, U		74			DL	Agate
		2	J, T		74			DL	Agate
		2	J, T, U		72			B6	Agate
		2	J, T		74			B6	Camel
		2	B, U		74			B6	Camel
		2	J, T		72			M5	Camel
		2	J, T		74			M5	Camel
		2	B, U		74			M5	Camel
		2	J, T		74			X5	Camel
27	3420 2078	2	J, T		72			XJ	Camel
		2	J, T		74			XJ	Camel
		2	B, U		74			XJ	Camel
		2	J, T		74			DL	Camel
		2	J, T		74			DL	Camel
		2	J, T, U		72			B6	Camel
		6	J, T		72			XJ	RIVET, Blind, M6.25x28
		6	J, T		72			M5	
		6	J, T		74			B6	
		6	J, T		74			XJ	
28		6	J, T		74			M5	
		6	B, U		74			XJ	
		6	J, T		74			X5	
		6	B, U		74			M5	
		6	B, U		74			B6	
		6	J, T		74			DL	
		6	B, U		74			DL	
		6	J, T, U		72			B6	
		6	J, T, U		72			B6	
		6	J, T, U		72			B6	

JEEP CHEROKEE (XJ)  
 SERIES LINE BODY ENGINE TRANSMISSION  
 L=Low Line J=LHD (4WD) 74=4 DR. (101.4 WB) ENC,EN0=2.5L 4 cyl. Turbo Die DDQ=5Spd Man.  
 U=RHD (4WD) 72=2 DR. (101.4 WB) ERH,ER0=4.0L Power Tech I-6 DGS=4 Spd. Auto. AISIN  
 T=LHD (2WD) EPE,EP0=Magnum 2.5L SMPI DG0=All Auto Trans  
 B=RHD (2WD) DBB=All Manual Trans.

AR = Use as required - = Non illustrated part # = New this model year

July 4, 2003

**Frame and Pad Rear Seat 1999 XJ**  
**Figure IXJ-610**



ITEM	PART NUMBER	QTY	LINE	SERIES	BODY	ENGINE	TRANS	TRIM	DESCRIPTION
	5AA3 41AZ	6	J, T		74			B6	Agate
		6	B, U		74			B6	Agate
		6	J, T		72			M5	Agate
		6	J, T		74			M5	Agate
		6	B, U		74			M5	Agate
		6	J, T		74			X5	Agate
		6	J, T		72			XJ	Agate
		6	J, T		74			XJ	Agate
		6	B, U		74			XJ	Agate
		6	B, U		74			DL	Agate
		6	J, T		74			DL	Agate
		6	J, T, U		72			B6	Agate
	5AA3 41K5	6	J, T		74			B6	Camel
		6	B, U		74			B6	Camel
		6	J, T		72			M5	Camel
		6	J, T		74			M5	Camel
		6	B, U		74			M5	Camel
		6	J, T		74			X5	Camel
		6	J, T		72			XJ	Camel
		6	J, T		74			XJ	Camel
		6	B, U		74			XJ	Camel
		6	B, U		74			DL	Camel
		6	J, T		74			DL	Camel
		6	J, T, U		72			B6	Camel
29									SPRING, Pin
	J045 5735	4	J, T		72			M5	
		4	J, T		72			XJ	
		4	J, T		74			B6	
		4	J, T		74			M5	
		4	J, T		74			XJ	
		4	B, U		74			XJ	
		4	J, T		74			X5	
		4	B, U		74			M5	
		4	B, U		74			B6	
		4	J, T		74			DL	
		4	B, U		74			DL	
		1	J, T, U		72			B6	
-30									TETHER PACKAGE, Child Seat, (NOT REQUIRED)

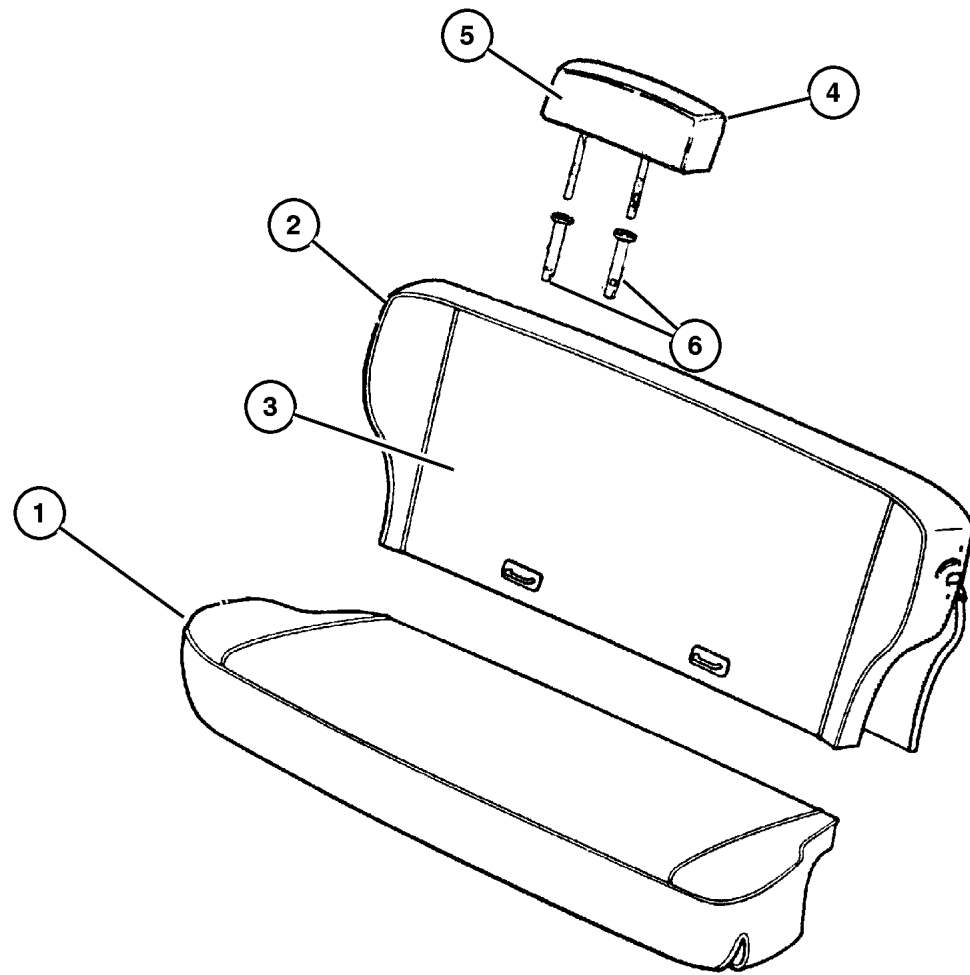
**JEEP CHEROKEE (XJ)**

SERIES	LINE	BODY	ENGINE	TRANSMISSION
L=Low Line	J=LHD (4WD) U=RHD (4WD) T=LHD (2WD) B=RHD (2WD)	74=4 DR. (101.4 WB) 72=2 DR. (101.4 WB)	ENC,EN0=2.5L 4 cyl. Turbo Die ERH,ER0=4.0L Power Tech I-6 EPE,EP0=Magnum 2.5L SMPI	DDQ=5Spd Man. DGS=4 Spd. Auto. AISIN DG0=All Auto Trans DBB=All Manual Trans.

AR = Use as required - = Non illustrated part # = New this model year

July 4, 2003

**Covers, seat Upholstery Rear Seat 1997 XJ 1998 XJ**  
**Figure IXJ-620**



ITEM	PART NUMBER	QTY	LINE	SERIES	BODY	ENGINE	TRANS	TRIM	DESCRIPTION
1									COVER, Rear Seat Cushion
	QW00 1C3AA	1			72			B6	Mist Gray, 1997 XJ
		1			74			B6	Mist Gray, 1997 XJ
		1			74			X5	Mist Gray, 1997 XJ
	QW00 1T6AA	1			72			B6	Saddle, 1997 XJ
		1			74			B6	Saddle, 1997 XJ
		1			74			X5	Saddle, 1997 XJ
	QW15 1C3AA	1			74			DL	Mist Gray, 1997 XJ
	QW15 1T6AA	1			74			DL	Saddle, 1997 XJ
	QW43 1C3AA	1			72			M5	Mist Gray, 1997 XJ
		1			74			M5	Mist Gray, 1997 XJ
	QW43 1T6AA	1			72			M5	Saddle, 1997 XJ
		1			74			M5	Saddle, 1997 XJ
	QW61 1C3AA	1			74			XJ	Saddle, 1997 XJ
		1			74			XJ	Mist Gray, 1997 XJ
		1	J		72			XJ	Mist Gray, 1997 XJ
		1	B		72			XJ	Mist Gray, 1997 XJ
	QW61 1T6AA	1	J		72			XJ	Saddle, 1997 XJ
		1	B		72			XJ	Saddle, 1997 XJ
	RG61 1C3AA	1	J, T		74			B6	Mist Gray, 1998 XJ
		1	J, T		74			X5	Mist Gray, 1998 XJ
		1	B, U		74			B6	Mist Gray, 1998 XJ
		1	J, T, U		72			B6	Mist Gray, 1998 XJ
	RG61 1T6AA	1	J, T		74			B6	Saddle, 1998 XJ
		1	J, T		74			X5	Saddle, 1998 XJ
		1	B, U		74			B6	Saddle, 1998 XJ
		1	J, T, U		72			B6	Saddle, 1998 XJ
	RG64 1C3AA	1	J, T		74			DL	Mist Gray, 1998 XJ
		1	B, U		74			DL	Mist Gray, 1998 XJ
	RG64 1T6AA	1	J, T		74			DL	Saddle, 1998 XJ
		1	B, U		74			DL	Saddle, 1998 XJ
	RG74 1C3AA	1	J, T		72			M5	Mist Gray, 1998 XJ
		1	J, T		74			M5	Mist Gray, 1998 XJ
		1	B, U		74			M5	Mist Gray, 1998 XJ
	RG74 1T6AA	1	J, T		72			M5	Saddle, 1998 XJ
		1	J, T		74			M5	Saddle, 1998 XJ
		1	B, U		74			M5	Saddle, 1998 XJ
	RG75 1C3AA	1	J, T		72			XJ	Mist Gray, 1998 XJ
		1	J, T		74			XJ	Mist Gray, 1998 XJ
		1	B, U		74			XJ	Mist Gray, 1998 XJ
	RG75 1T6AA	1	J, T		72			XJ	Saddle, 1998 XJ
		1	J, T		74			XJ	Saddle, 1998 XJ

**JEEP CHEROKEE (XJ)**

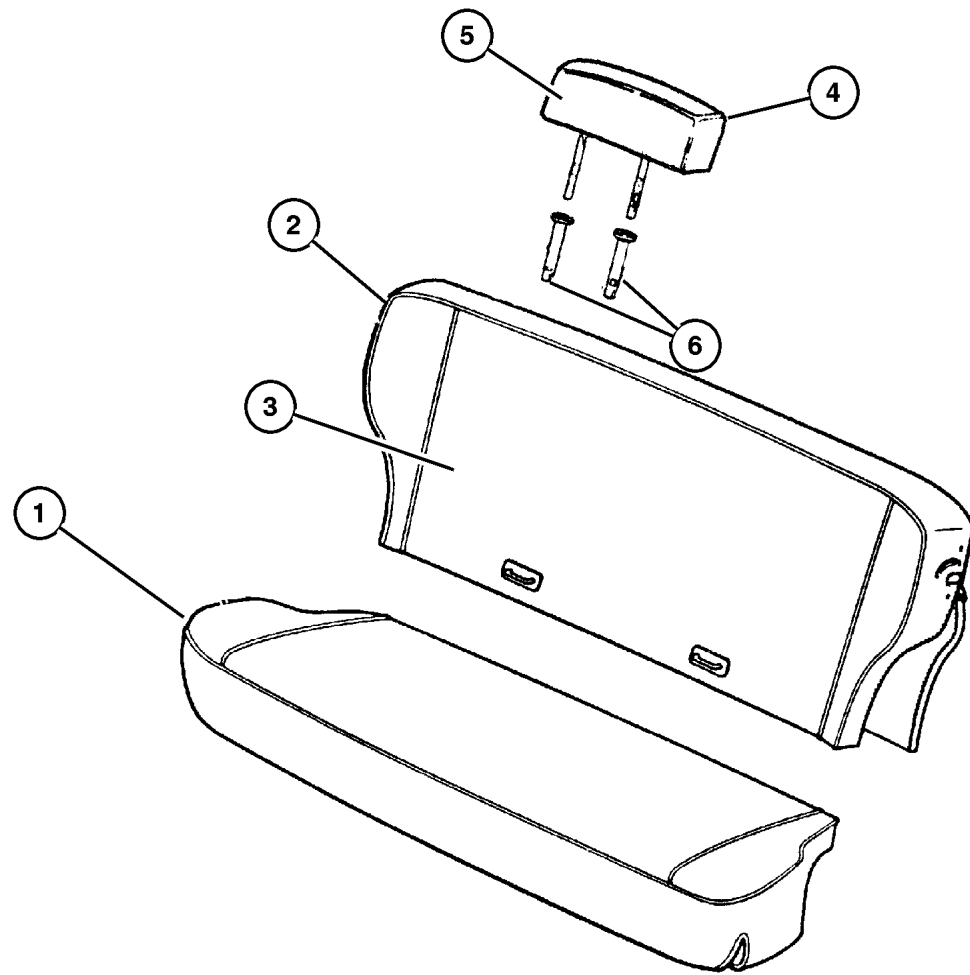
SERIES	LINE	BODY	ENGINE	TRANSMISSION
L=Low Line	J=LHD (4WD) U=RHD (4WD) T=LHD (2WD) B=RHD (2WD)	74=4 DR. (101.4 WB) 72=2 DR. (101.4 WB)	ENC,EN0=2.5L 4 cyl. Turbo Die ERH,ER0=4.0L Power Tech I-6 EPE,EP0=Magnum 2.5L SMPI	DDQ=5Spd Man. DGS=4 Spd. Auto. AISIN DG0=All Auto Trans DBB=All Manual Trans.

AR = Use as required - = Non illustrated part # = New this model year

July 4, 2003



**Covers, seat Upholstery Rear Seat 1997 XJ 1998 XJ**  
**Figure IXJ-620**



ITEM	PART NUMBER	QTY	LINE	SERIES	BODY	ENGINE	TRANS	TRIM	DESCRIPTION
		1	B, U		74			XJ	Saddle, 1998 XJ
2									SEAT BACK, Rear
	QV96 1C3AA	1			72			B6	Mist Gray, 1997 XJ
		1			74			B6	Mist Gray, 1997 XJ
		1			74			X5	Mist Gray, 1997 XJ
		1	J, T		74			B6	Mist Gray, 1998 XJ
		1	B, U		74			B6	Mist Gray, 1998 XJ
		1	J, T		74			X5	Mist Gray, 1998 XJ
		1	J, T, U		72			B6	Mist Gray, 1998 XJ
	QV96 1T6AA	1			72			B6	Saddle, 1997 XJ
		1			74			B6	Saddle, 1997 XJ
		1			74			X5	Saddle, 1997 XJ
		1	J, T		74			B6	Saddle, 1998 XJ
		1	B, U		74			B6	Saddle, 1998 XJ
		1	J, T		74			X5	Saddle, 1998 XJ
		1	J, T, U		72			B6	Saddle, 1998 XJ
	QW08 1C3AA	1	J, T		74			DL	Mist Gray
	QW08 1T6AA	1	J, T		74			DL	Saddle
	QW10 1C3AA	1	J		74			DL	Mist Gray, 1997 XJ, Export
		1	B		74			DL	Mist Gray, 1997 XJ, Export
		1	B, U		74			DL	Mist Gray, 1998 XJ
	QW10 1T6AA	1	J		74			DL	Saddle, 1997 XJ, Export
		1	B		74			DL	Saddle, 1997 XJ, Export
		1	B, U		74			DL	Saddle, 1998 XJ
	QW25 1C3AA	1			72			M5	Mist Gray, 1997 XJ
		1			74			M5	Mist Gray, 1997 XJ
		1	J, T		72			M5	Mist Gray, 1998 XJ
		1	J, T		74			M5	Mist Gray, 1998 XJ
		1	B, U		74			M5	Mist Gray, 1998 XJ
	QW25 1T6AA	1			72			M5	Saddle, 1997 XJ
		1			74			M5	Saddle, 1997 XJ
		1	J, T		72			M5	Saddle, 1998 XJ
		1	J, T		74			M5	Saddle, 1998 XJ
	QW47 1C3AA	1	B, U		74			M5	Saddle, 1998 XJ
		1			74			XJ	Mist Gray, 1997 XJ
		1	J, T		74			XJ	Mist Gray, 1998 XJ
	QW47 1T6AA	1	J, T		74			XJ	Saddle, 1998 XJ
	QW53 1C3AA	1	J		72			XJ	Mist Gray, 1997 XJ, Export
		1	J		74			XJ	Mist Gray, 1997 XJ, Export
		1	B		74			XJ	Mist Gray, 1997 XJ, Export
		1	J, T		72			XJ	Mist Gray, 1998 XJ
		1	B, U		74			XJ	Mist Gray, 1998 XJ

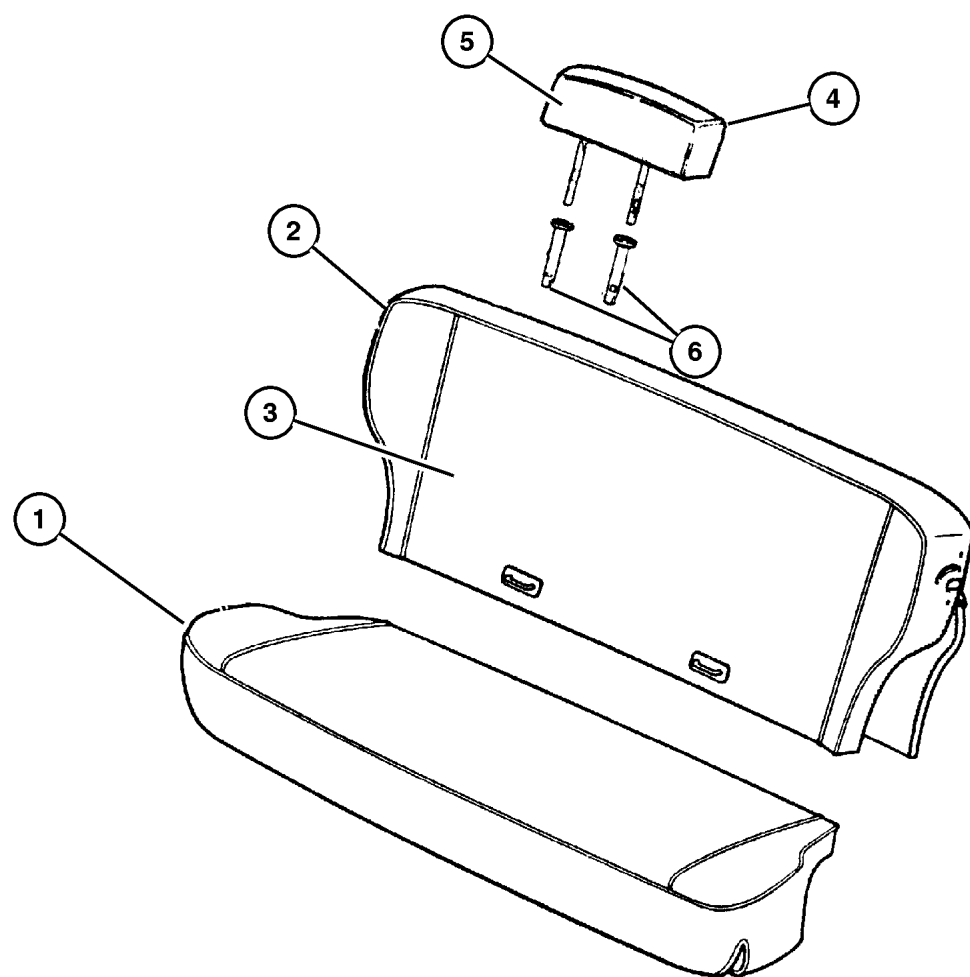
**JEEP CHEROKEE (XJ)**

SERIES	LINE	BODY	ENGINE	TRANSMISSION
L=Low Line	J=LHD (4WD) U=RHD (4WD) T=LHD (2WD) B=RHD (2WD)	74=4 DR. (101.4 WB) 72=2 DR. (101.4 WB)	ENC,EN0=2.5L 4 cyl. Turbo Die ERH,ER0=4.0L Power Tech I-6 EPE,EP0=Magnum 2.5L SMPI	DDQ=5Spd Man. DGS=4 Spd. Auto. AISIN DG0=All Auto Trans DBB=All Manual Trans.

AR = Use as required - = Non illustrated part # = New this model year

July 4, 2003

**Covers, seat Upholstery Rear Seat 1997 XJ 1998 XJ**  
**Figure IXJ-620**



ITEM	PART NUMBER	QTY	LINE	SERIES	BODY	ENGINE	TRANS	TRIM	DESCRIPTION
	QW53 1T6AA	1	J		72			XJ	Saddle, 1997 XJ, Export
		1	J		74			XJ	Saddle, 1997 XJ, Export
		1	B		72			XJ	Saddle, 1997 XJ, Export
		1	B		74			XJ	Saddle, 1997 XJ, Export
		1	J, T		72			XJ	Saddle, 1998 XJ
		1	B, U		74			XJ	Saddle, 1998 XJ
3	QV99 1C3AA	1			72			B6	COVER, Rear Seat Back Mist Gray, 1997 XJ
		1			74			B6	Mist Gray, 1997 XJ
		1			74			X5	Mist Gray, 1997 XJ
		1	J, T		74			B6	Mist Gray, 1998 XJ
		1	J, T		74			X5	Mist Gray, 1998 XJ
		1	B, U		74			B6	Mist Gray, 1998 XJ
	QV99 1T6AA	1	J, T, U		72			B6	Mist Gray, 1998 XJ
		1			72			B6	Saddle, 1997 XJ
		1			74			B6	Saddle, 1997 XJ
		1			74			X5	Saddle, 1997 XJ
		1	J, T		74			B6	Saddle, 1998 XJ
		1	J, T		74			X5	Saddle, 1998 XJ
		1	B, U		74			B6	Saddle, 1998 XJ
		1	J, T, U		72			B6	Saddle, 1998 XJ
	QW09 1C3AA	1			74			DL	Mist Gray, 1997 XJ
		1	J, T		74			DL	Mist Gray, 1998 XJ
	QW09 1T6AA	1			74			DL	Saddle, 1997 XJ
		1	J, T		74			DL	Saddle, 1998 XJ
	QW11 1C3AA	1	J		74			DL	Mist Gray, 1997 XJ, Export
		1	B		74			DL	Mist Gray, 1997 XJ, Export
		1	J, T		74			DL	Export, Mist Gray, 1998 XJ
		1	B, U		74			DL	Export, Mist Gray, 1998 XJ
	QW11 1T6AA	1	J		74			DL	Saddle, 1997 XJ, Export
		1	B		74			DL	Saddle, 1997 XJ, Export
		1	J, T		74			DL	Export, Saddle, 1998 XJ
		1	B, U		74			DL	Export, Saddle, 1998 XJ
	QW42 1C3AA	1			72			M5	Mist Gray, 1997 XJ
		1			74			M5	Mist Gray, 1997 XJ
		1	J, T		72			M5	Mist Gray, 1998 XJ
		1	J, T		74			M5	Mist Gray, 1998 XJ
		1	B, U		74			M5	Mist Gray, 1998 XJ
	QW42 1T6AA	1			72			M5	Saddle, 1997 XJ
		1			74			M5	Saddle, 1997 XJ
		1	J, T		72			M5	Saddle, 1998 XJ
		1	J, T		74			M5	Saddle, 1998 XJ

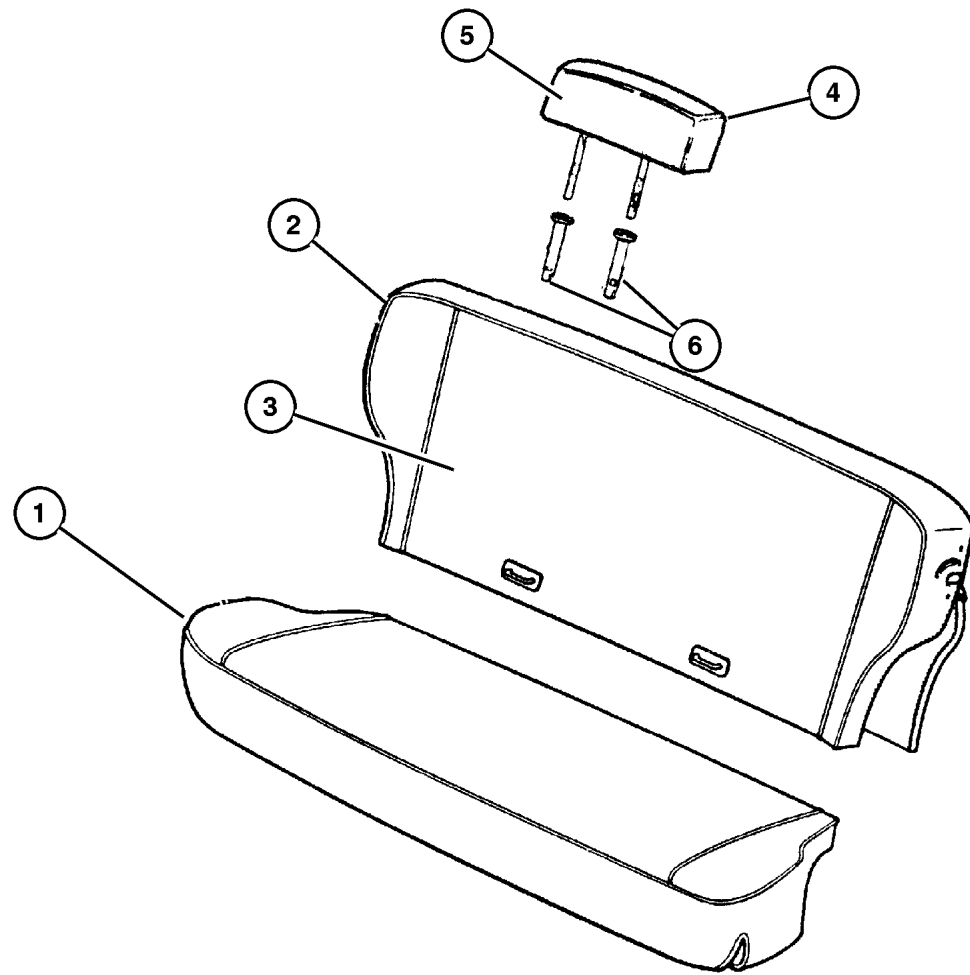
**JEEP CHEROKEE (XJ)**

SERIES	LINE	BODY	ENGINE	TRANSMISSION
L=Low Line	J=LHD (4WD) U=RHD (4WD) T=LHD (2WD) B=RHD (2WD)	74=4 DR. (101.4 WB) 72=2 DR. (101.4 WB)	ENC,EN0=2.5L 4 cyl. Turbo Die ERH,ER0=4.0L Power Tech I-6 EPE,EP0=Magnum 2.5L SMPI	DDQ=5Spd Man. DGS=4 Spd. Auto. AISIN DG0=All Auto Trans DBB=All Manual Trans.

AR = Use as required - = Non illustrated part # = New this model year

July 4, 2003

**Covers, seat Upholstery Rear Seat 1997 XJ 1998 XJ**  
**Figure IXJ-620**



ITEM	PART NUMBER	QTY	LINE	SERIES	BODY	ENGINE	TRANS	TRIM	DESCRIPTION
		1	B, U		74			M5	Saddle, 1998 XJ
	QW52 1C3AA	1			74			XJ	Mist Gray, 1997 XJ
		1	J, T		74			XJ	Mist Gray, 1998 XJ
	QW52 1T6AA	1			74			XJ	Saddle, 1997 XJ
		1	J, T		74			XJ	Saddle, 1998 XJ
	QW60 1C3AA	1	J		72			XJ	Mist Gray, 1997 XJ, Export
		1	B		72			XJ	Mist Gray, 1997 XJ, Export
		1	J, T		72			XJ	Export, Mist Gray, 1998 XJ
		1	J, T		74			XJ	Export, Mist Gray, 1998 XJ
	QW60 1T6AA	1	B, U		74			XJ	Export, Mist Gray, 1998 XJ
		1	J		72			XJ	Saddle, 1997 XJ, Export
		1	B		72			XJ	Saddle, 1997 XJ, Export
		1	J, T		72			XJ	Export, Saddle, 1998 XJ
		1	J, T		74			XJ	Export, Saddle, 1998 XJ
		1	B, U		74			XJ	Export, Saddle, 1998 XJ
4	QW19 1C3AA	2	J		74			DL	Mist Gray, 1997 XJ, Export
		2	B		74			DL	Mist Gray, 1997 XJ, Export
		2	J, T		74			DL	Export, Mist Gray, 1998 XJ
		2	B, U		74			DL	Export, Mist Gray, 1998 XJ
	QW19 1T6AA	2	J		74			DL	Saddle, 1997 XJ, Export
		2	B		74			DL	Saddle, 1997 XJ, Export
		2	B, U		74			DL	Export, Saddle, 1998 XJ
	QW64 1C3AA	2	J		72			XJ	Mist Gray, 1997 XJ, Export
		2	J		74			XJ	Mist Gray, 1997 XJ, Export
		2	B		72			XJ	Mist Gray, 1997 XJ, Export
		2	B		74			XJ	Mist Gray, 1997 XJ, Export
		2	J, T		72			XJ	Export, Mist Gray, 1998 XJ
		2	J, T		74			XJ	Export, Mist Gray, 1998 XJ
	QW64 1T6AA	2	B, U		74			XJ	Export, Mist Gray, 1998 XJ
		2	J		72			XJ	Saddle, 1997 XJ, Export
		2	J		74			XJ	Saddle, 1997 XJ, Export
		2	B		72			XJ	Saddle, 1997 XJ, Export
		2	B		74			XJ	Saddle, 1997 XJ, Export
		2	J, T		72			XJ	Export, Saddle, 1998 XJ
		2	J, T		74			XJ	Export, Saddle, 1998 XJ
		2	B, U		74			XJ	Export, Saddle, 1998 XJ
5	QW21 1C3AA	2	J, T		74			DL	Export, Mist Gray, 1998 XJ
		2	B, U		74			DL	Export, Mist Gray, 1998 XJ
	QW21 1T6AA	1	J		74			DL	Saddle, 1997 XJ, Export
		2	J, T		74			DL	Export, Saddle, 1998 XJ

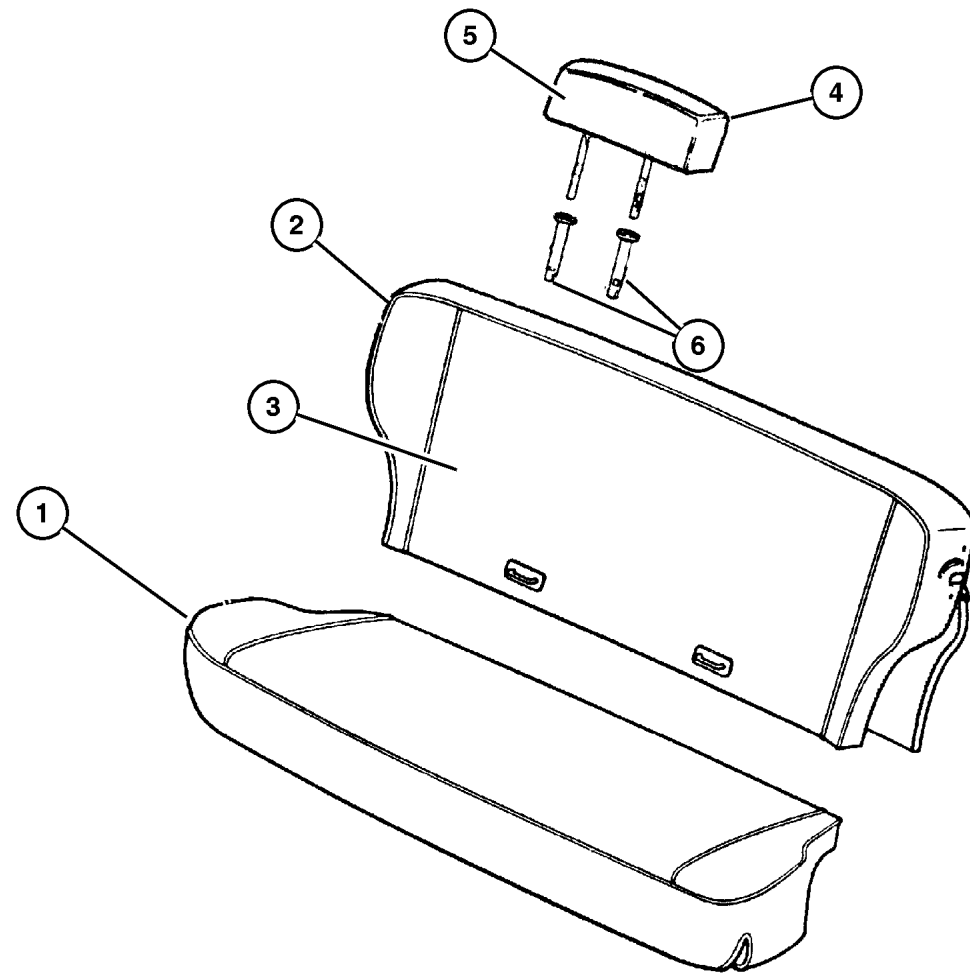
**JEEP CHEROKEE (XJ)**

SERIES	LINE	BODY	ENGINE	TRANSMISSION
L=Low Line	J=LHD (4WD) U=RHD (4WD) T=LHD (2WD) B=RHD (2WD)	74=4 DR. (101.4 WB) 72=2 DR. (101.4 WB)	ENC,EN0=2.5L 4 cyl. Turbo Die ERH,ER0=4.0L Power Tech I-6 EPE,EP0=Magnum 2.5L SMPI	DDQ=5Spd Man. DGS=4 Spd. Auto. AISIN DG0=All Auto Trans DBB=All Manual Trans.

AR = Use as required - = Non illustrated part # = New this model year

July 4, 2003

**Covers, seat Upholstery Rear Seat 1997 XJ 1998 XJ  
Figure IXJ-620**



ITEM	PART NUMBER	QTY	LINE	SERIES	BODY	ENGINE	TRANS	TRIM	DESCRIPTION
		2	B, U		74			DL	Export, Saddle, 1998 XJ
	QW66 1C3AA	2	J		72			XJ	Mist Gray, 1997 XJ, Export
		2	J		74			XJ	Mist Gray, 1997 XJ, Export
		2	B		72			XJ	Mist Gray, 1997 XJ, Export
		2	B		74			XJ	Mist Gray, 1997 XJ, Export
		2	J, T		72			XJ	Export, Mist Gray, 1998 XJ
		2	J, T		74			XJ	Export, Mist Gray, 1998 XJ
		2	B, U		74			XJ	Export, Mist Gray, 1998 XJ
	QW66 1T6AA	2	J		72			XJ	Saddle, 1997 XJ, Export
		2	J		74			XJ	Saddle, 1997 XJ, Export
		2	B		72			XJ	Saddle, 1997 XJ, Export
		2	B		74			XJ	Saddle, 1997 XJ, Export
		2	J, T		72			XJ	Export, Saddle, 1998 XJ
		2	J, T		74			XJ	Export, Saddle, 1998 XJ
		2	B, U		74			XJ	Export, Saddle, 1998 XJ
6	4723 834	2			74			DL	CYLINDER, Headrest 1997 XJ
		1			74			XJ	1997 XJ
		1	J, T		72			XJ	1997 XJ
		1	B, U		72			XJ	1997 XJ
		4	J, T		74			DL	1998 XJ
		4	J, T		72			XJ	1998 XJ
		4	J, T		74			XJ	1998 XJ
		4	B, U		74			XJ	1998 XJ
-7	5003 422AA	1							TETHER PACKAGE, Child Seat

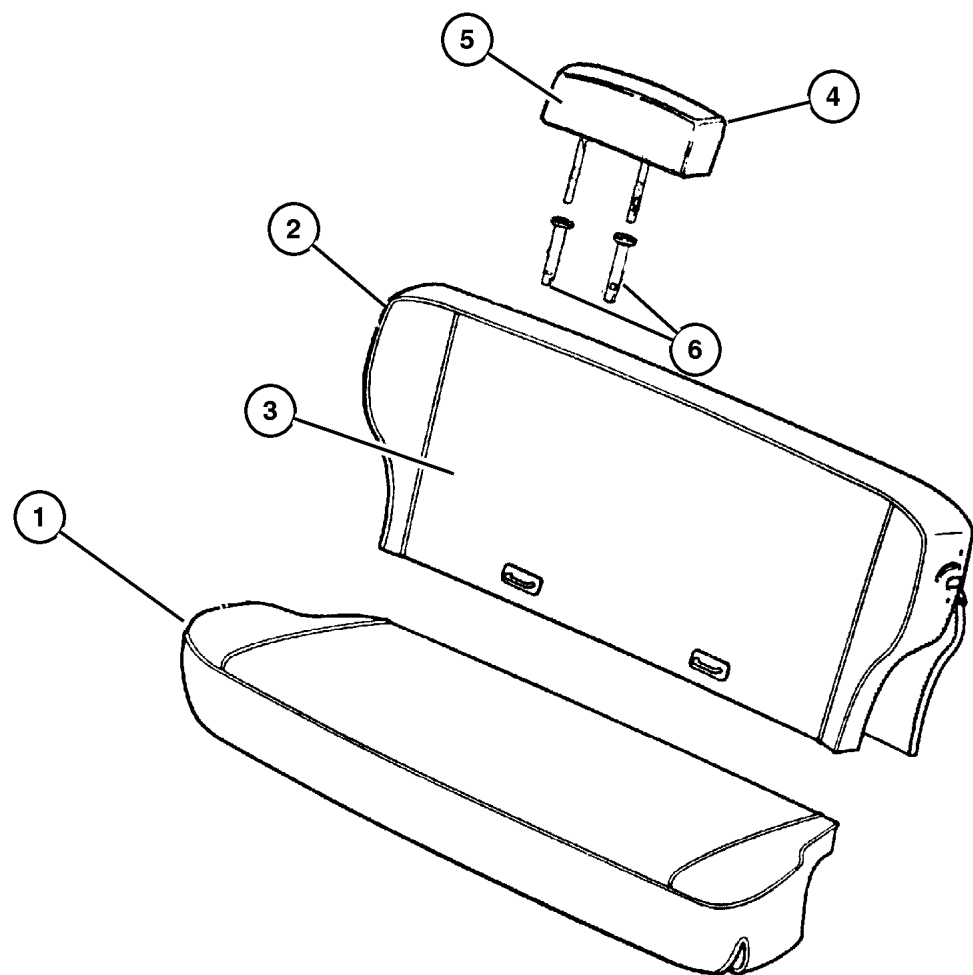
**JEEP CHEROKEE (XJ)**

SERIES	LINE	BODY	ENGINE	TRANSMISSION
L=Low Line	J=LHD (4WD) U=RHD (4WD) T=LHD (2WD) B=RHD (2WD)	74=4 DR. (101.4 WB) 72=2 DR. (101.4 WB)	ENC,EN0=2.5L 4 cyl. Turbo Die ERH,ER0=4.0L Power Tech I-6 EPE,EP0=Magnum 2.5L SMPI	DDQ=5Spd Man. DGS=4 Spd. Auto. AISIN DG0=All Auto Trans DBB=All Manual Trans.

AR = Use as required - = Non illustrated part # = New this model year

July 4, 2003

**Covers, Seat Upholstery Rear Seat 1999 XJ**  
**Figure IXJ-620**



ITEM	PART NUMBER	QTY	LINE	SERIES	BODY	ENGINE	TRANS	TRIM	DESCRIPTION
1									COVER, Rear Seat Cushion
	RG61 1AZAA	1	J, T		74			B6	Agate
		1	B, U		74			B6	Agate
		1	J, T		74			X5	Agate
		1	J, T, U		72			B6	Agate
	RG61 1K5AA	1	J, T		74			B6	Camel
		1	J, T		74			X5	Camel
		1	B, U		74			B6	Camel
		1	J, T, U		72			B6	Camel
	RG64 1AZAA	1	J, T		74			DL	Agate
		1	B, U		74			DL	Agate
	RG64 1K5AA	1	J, T		74			DL	Camel
		1	B, U		74			DL	Camel
	RG74 1AZAA	1	J, T		72			M5	Agate
		1	J, T		74			M5	Agate
		1	B, U		74			M5	Agate
	RG74 1K5AA	1	J, T		72			M5	Camel
		1	J, T		74			M5	Camel
		1	B, U		74			M5	Camel
	RG75 1AZAA	1	J, T		74			XJ	Agate
		1	J, T		72			XJ	Agate
		1	B, U		74			XJ	Agate
	RG75 1K5AA	1	J, T		72			XJ	Camel
		1	J, T		74			XJ	Camel
		1	B, U		74			XJ	Camel
2									SEAT BACK, Rear
	QV96 1AZAA	1	J, T		74			B6	Agate
		1	B, U		74			B6	Agate
		1	J, T		74			X5	Agate
		1	J, T, U		72			B6	Agate
	QV96 1K5AA	1	J, T		74			B6	Camel
		1	B, U		74			B6	Camel
		1	J, T		74			X5	Camel
		1	J, T, U		72			B6	Camel
	QW08 1AZAA	1	J, T		74			DL	Agate
	QW08 1K5AA	1	J, T		74			DL	Camel
	QW10 1AZAA	1	J, T		74			DL	Agate, Export
		1	B, U		74			DL	Agate, Export
	QW10 1K5AA	1	J, T		74			DL	Camel, Export
		1	B, U		74			DL	Camel, Export
	QW25 1AZAA	1	J, T		72			M5	Agate
		1	J, T		74			M5	Agate

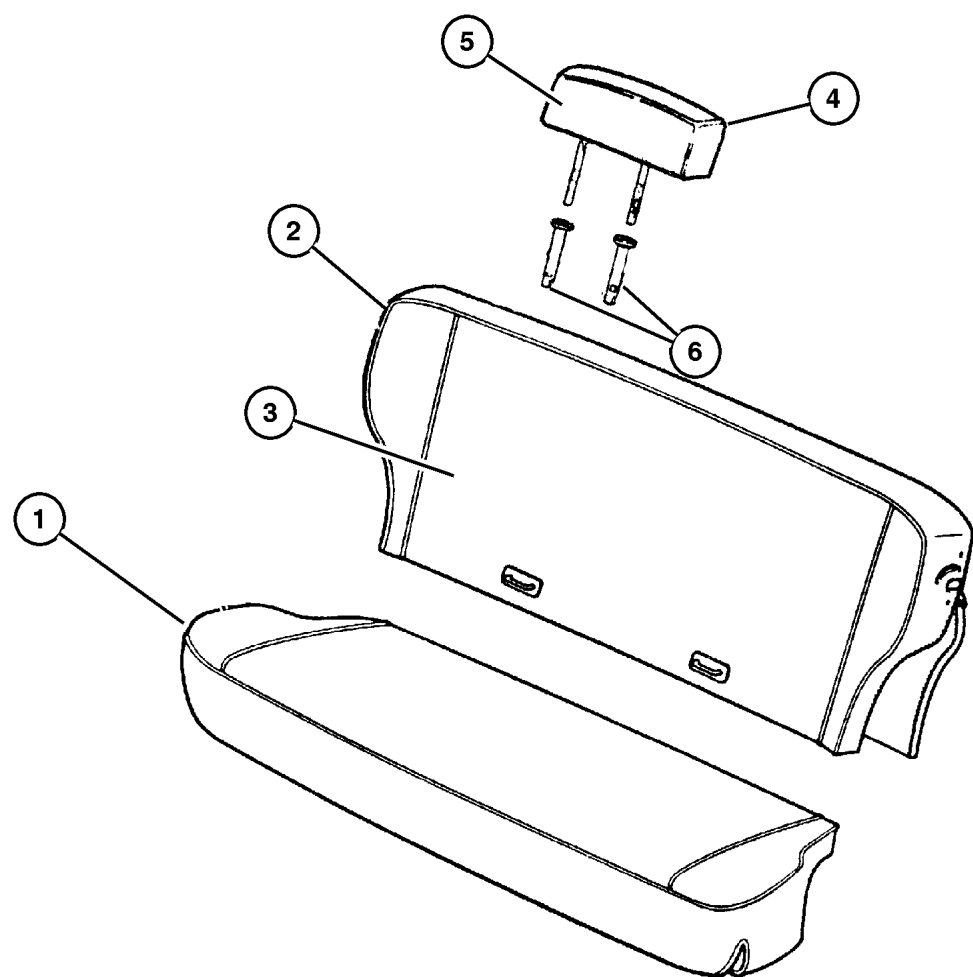
**JEEP CHEROKEE (XJ)**

SERIES	LINE	BODY	ENGINE	TRANSMISSION
L=Low Line	J=LHD (4WD) U=RHD (4WD) T=LHD (2WD) B=RHD (2WD)	74=4 DR. (101.4 WB) 72=2 DR. (101.4 WB)	ENC,EN0=2.5L 4 cyl. Turbo Die ERH,ER0=4.0L Power Tech I-6 EPE,EP0=Magnum 2.5L SMPI	DDQ=5Spd Man. DGS=4 Spd. Auto. AISIN DG0=All Auto Trans DBB=All Manual Trans.

AR = Use as required - = Non illustrated part # = New this model year

July 4, 2003

**Covers, Seat Upholstery Rear Seat 1999 XJ**  
**Figure IXJ-620**



ITEM	PART NUMBER	QTY	LINE	SERIES	BODY	ENGINE	TRANS	TRIM	DESCRIPTION
		1	B, U		74			M5	Agate
	QW25 1K5AA	1	J, T		72			M5	Camel
		1	J, T		74			M5	Camel
		1	B, U		74			M5	Camel
	QW47 1AZAA	1	J, T		74			XJ	Agate
	QW47 1K5AA	1	J, T		74			XJ	Camel
	QW53 1AZAA	1	J, T		72			XJ	Agate, Export
		1	J, T		74			XJ	Agate, Export
		1	B, U		74			XJ	Agate, Export
	QW53 1K5AA	1	J, T		72			XJ	Camel, Export
		1	J, T		74			XJ	Camel, Export
		1	B, U		74			XJ	Camel, Export
3									COVER, Rear Seat Back
	QV99 1AZAA	1	J, T		74			B6	Agate
		1	B, U		74			B6	Agate
		1	J, T		74			X5	Agate
		1	J, T, U		72			B6	Agate
	QV99 1K5AA	1	J, T		74			B6	Camel
		1	B, U		74			B6	Camel
		1	J, T		74			X5	Camel
		1	J, T, U		72			B6	Camel
	QW09 1AZAA	1	J, T		74			DL	Agate
	QW09 1K5AA	1	J, T		74			DL	Camel
	QW11 1AZAA	1	J, T		74			DL	Agate, Export
		1	B, U		74			DL	Agate, Export
	QW11 1K5AA	1	J, T		74			DL	Camel, Export
		1	B, U		74			DL	Camel, Export
	QW42 1AZAA	1	J, T		74			M5	Agate
		1	J, T		72			M5	Agate
		1	B, U		74			M5	Agate
	QW42 1K5AA	1	J, T		72			M5	Camel
		1	J, T		74			M5	Camel
		1	B, U		74			M5	Camel
	QW52 1AZAA	1	J, T		74			XJ	Agate
	QW52 1K5AA	1	J, T		74			XJ	Camel
	QW60 1AZAA	1	J, T		72			XJ	Agate, Export
		1	B, U		74			XJ	Agate, Export
		1	J, T		74			XJ	Agate, Export
	QW60 1K5AA	1	J, T		72			XJ	Camel, Export
		1	J, T		74			XJ	Camel, Export
		1	B, U		74			XJ	Camel, Export
4									HEADREST, Rear

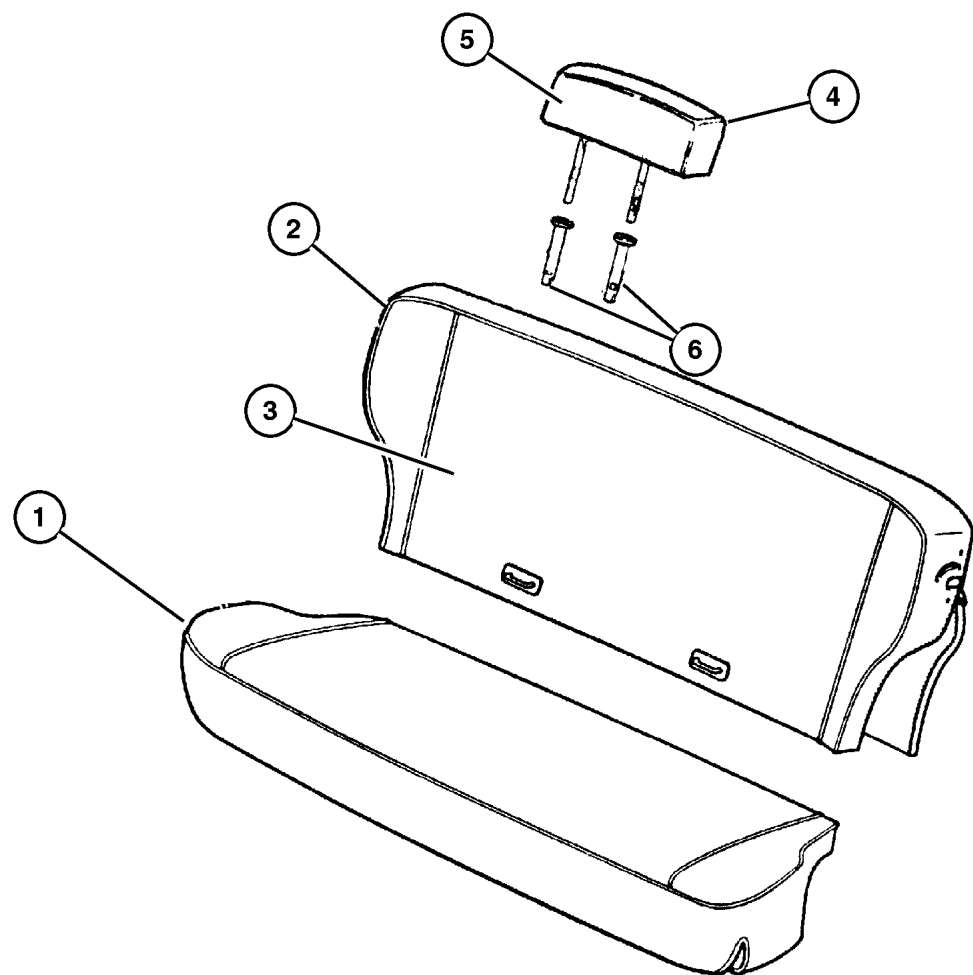
**JEEP CHEROKEE (XJ)**

SERIES	LINE	BODY	ENGINE	TRANSMISSION
L=Low Line	J=LHD (4WD) U=RHD (4WD) T=LHD (2WD) B=RHD (2WD)	74=4 DR. (101.4 WB) 72=2 DR. (101.4 WB)	ENC,EN0=2.5L 4 cyl. Turbo Die ERH,ER0=4.0L Power Tech I-6 EPE,EP0=Magnum 2.5L SMPI	DDQ=5Spd Man. DGS=4 Spd. Auto. AISIN DG0=All Auto Trans DBB=All Manual Trans.

AR = Use as required - = Non illustrated part # = New this model year

July 4, 2003

**Covers, Seat Upholstery Rear Seat 1999 XJ**  
**Figure IXJ-620**



ITEM	PART NUMBER	QTY	LINE	SERIES	BODY	ENGINE	TRANS	TRIM	DESCRIPTION
	QW19 1AZAA	2	J, T		74			DL	Agate
		2	B, U		74			DL	Agate
	QW19 1K5AA	2	J, T		74			DL	Camel
		2	B, U		74			DL	Camel
	QW64 1AZAA	2	J, T		72			XJ	Agate
		2	J, T		74			XJ	Agate
		2	B, U		74			XJ	Agate
	QW64 1K5AA	2	J, T		72			XJ	Camel
		2	J, T		74			XJ	Camel
		2	B, U		74			XJ	Camel
5									COVER, Seat Headrest
	QW21 1AZAA	2	J, T		74			DL	Agate
		2	B, U		74			DL	Agate
	QW21 1K5AA	2	J, T		74			DL	Camel
		2	B, U		74			DL	Camel
	QW66 1AZAA	2	J, T		72			XJ	Agate
		2	J, T		74			XJ	Agate
		2	B, U		74			XJ	Agate
	QW66 1K5AA	2	J, T		72			XJ	Camel
		2	J, T		74			XJ	Camel
		2	B, U		74			XJ	Camel
6									CYLINDER, Headrest
	4723 834	2	J, T		72			XJ	
		2	J, T		74			XJ	
		2	B, U		74			XJ	
		2	J, T		74			DL	
		2	B, U		74			DL	
-7	5003 422AB	1							TETHER PACKAGE, Child Seat

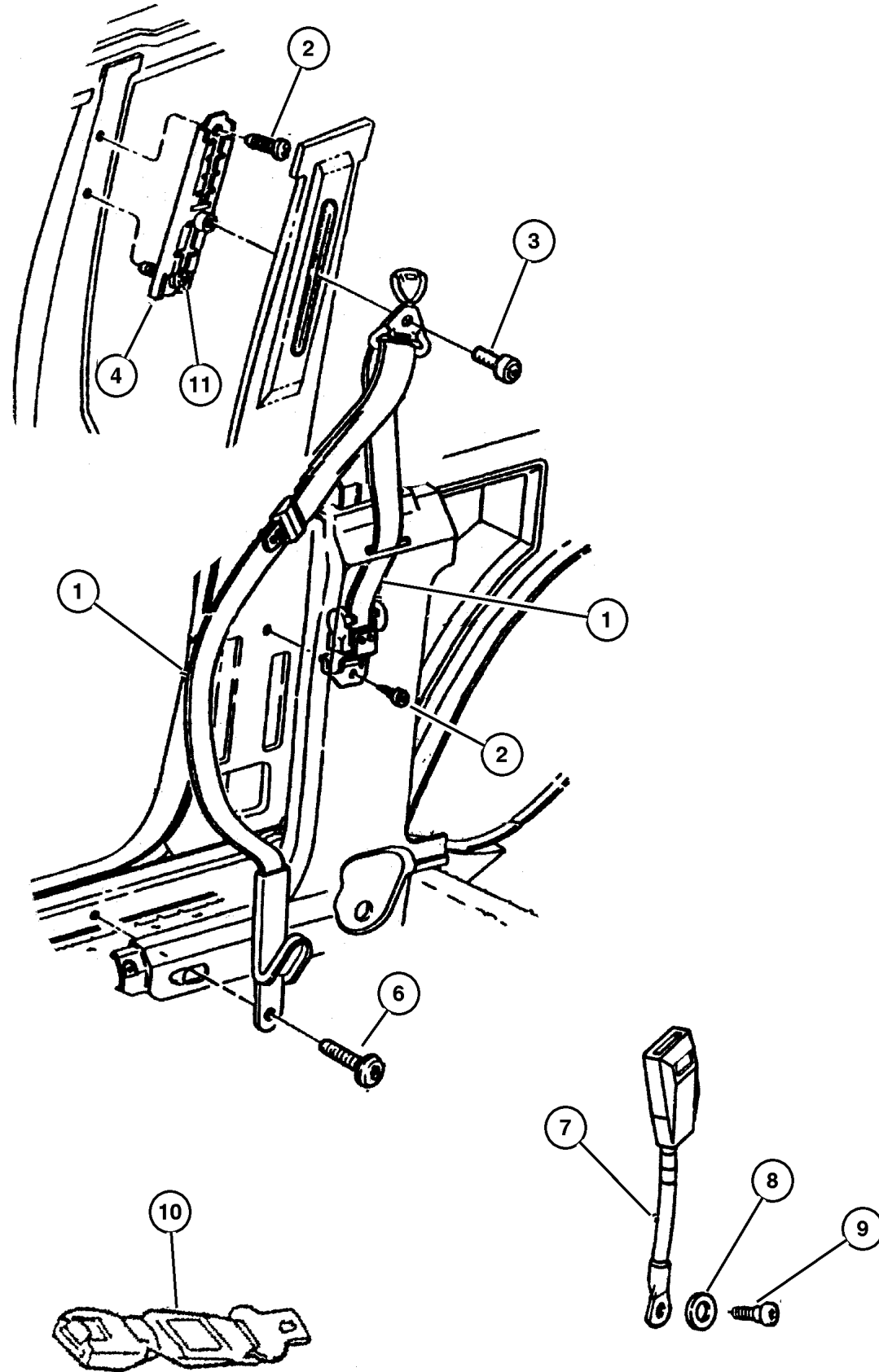
**JEEP CHEROKEE (XJ)**

SERIES	LINE	BODY	ENGINE	TRANSMISSION
L=Low Line	J=LHD (4WD) U=RHD (4WD) T=LHD (2WD) B=RHD (2WD)	74=4 DR. (101.4 WB) 72=2 DR. (101.4 WB)	ENC,EN0=2.5L 4 cyl. Turbo Die ERH,ER0=4.0L Power Tech I-6 EPE,EP0=Magnum 2.5L SMPI	DDQ=5Spd Man. DGS=4 Spd. Auto. AISIN DG0=All Auto Trans DBB=All Manual Trans.

AR = Use as required - = Non illustrated part # = New this model year

July 4, 2003

**Seat Belts, Front Seat 2 Door 1997 XJ 1998 XJ**  
**Figure IXJ-710**



ITEM	PART NUMBER	QTY	LINE	SERIES	BODY	ENGINE	TRANS	TRIM	DESCRIPTION								
1	5521 7140	2	J, U		72				SEAT BELT, Front Outer								
	5EZ14 LAZAB	1			72				Export								
		1	J, T, U		72				1997 XJ, Right								
	5EZ15 LAZAB	1			72				1998 XJ, Right								
2	6034 384	2			72				1997 XJ, Left								
									1998 XJ, Left								
3	6034 457	2	J, T, U		72				SCREW, Pan Head, .437-20x1.15								
									SCREW, Pan Head, .437-20x1.375								
4	55314 697AB	2	J, U		72				ADJUSTER, Seat Belt Turning Loop								
									1997 XJ								
									1998 XJ								
-5	55352 693AA	2			72				SPACER								
									2	J, T, U	72					1997 XJ	
6	6034 398	2			72				SCREW, Pan Head								
									2	J, T, U	72				1997 XJ		
7	5521 7188	1	J, T		72			XJ	SEAT BELT, Front Inner								
									Manual Seats, Right								
									5521 7189	1	J, T		72			XJ	Manual Seats, Left
										1	B, U		72			XJ	Manual Seats, 1997 XJ, Left
									5531 4868	1	J, T		72			XJ	Power Seats, Right
									5531 4869	1	J, T		72			XJ	Power Seats, Left
										1	B, U		72			XJ	Power Seats, 1997 XJ, Left
									5535 2609	1	B, U		72			XJ	Power Seats, 1997 XJ, Right
									5535 2612	1	B, U		72			XJ	Manual Seats, 1997 XJ, Right
									5EE5 2LAZ	1			72			B6	Manual Seats, 1997 XJ, Right
										1			72			M5	Manual Seats, 1997 XJ, Right
										1	J, T		72			M5	Agate, 1998 XJ, Right
5EE5 3LAZ	1	1	J, T, U		72				B6								
									Agate, 1998 XJ, Right								
									B6								
									Agate, 1998 XJ, Right								
									B6								
									Manual Seats, 1997 XJ, Left								
5FS2 5LAZ	1	1	J, T		72				M5								
									Manual Seats, 1997 XJ, Left								
									M5								
									Agate, 1998 XJ, Left								
5FS2 5LAZ	1	1	J, T		72				M5								
									Agate, Manual Seats, 1998 XJ, Left								
									M5								
									Power Seats, 1997 XJ, Left								
8	4798 898	1	J, T		72			XJ	WASHER, Seat Belt Attaching								
									1997 XJ								
									1	B, U		72			XJ	1997 XJ	
9		2	J, T		72				SCREW, Button Head, .375-24x.62								
									1998 XJ								

**JEEP CHEROKEE (XJ)**

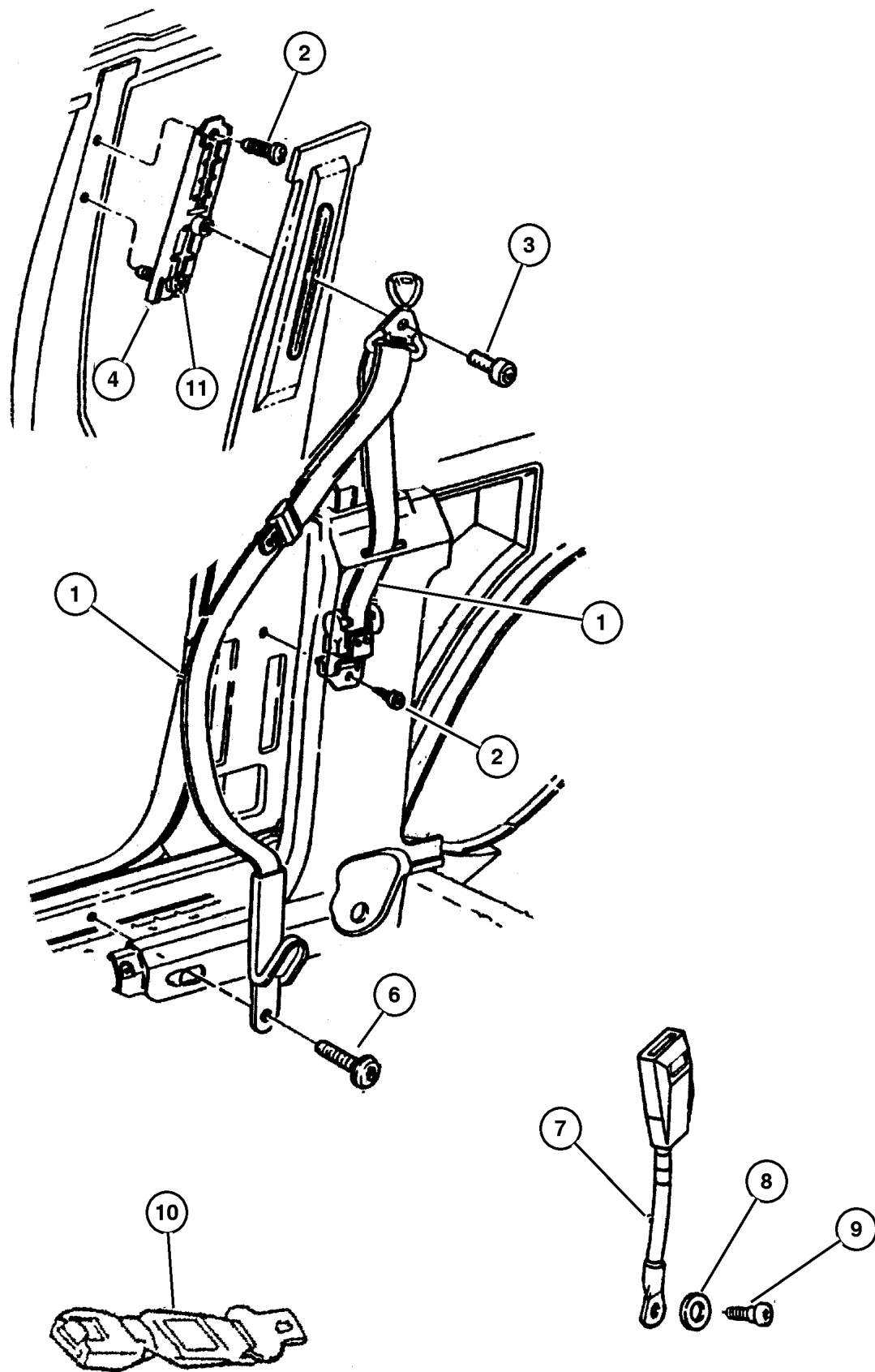
SERIES	LINE	BODY	ENGINE	TRANSMISSION
L=Low Line	J=LHD (4WD) U=RHD (4WD) T=LHD (2WD) B=RHD (2WD)	74=4 DR. (101.4 WB) 72=2 DR. (101.4 WB)	ENC,EN0=2.5L 4 cyl. Turbo Die ERH,ER0=4.0L Power Tech I-6 EPE,EP0=Magnum 2.5L SMPI	DDQ=5Spd Man. DGS=4 Spd. Auto. AISIN DG0=All Auto Trans DBB=All Manual Trans.

AR = Use as required - = Non illustrated part # = New this model year

July 4, 2003



Seat Belts, Front Seat 2 Door 1997 XJ 1998 XJ  
Figure IXJ-710



ITEM	PART NUMBER	QTY	LINE	SERIES	BODY	ENGINE	TRANS	TRIM	DESCRIPTION
	6035 115	2	J, T		72			XJ	
		2			72			B6	1997 XJ
		2			72			M5	1997 XJ
		2	B		72			XJ	1997 XJ
		2	J, T		72			M5	1998 XJ
		2	J, T, U		72			B6	1998 XJ
10	4740 415	1							EXTENDER, Seat Belt
11									SCREW, Hex Head, M10x1.5x30
	6502 985	2	J, U						1997 XJ
		2							1998 XJ

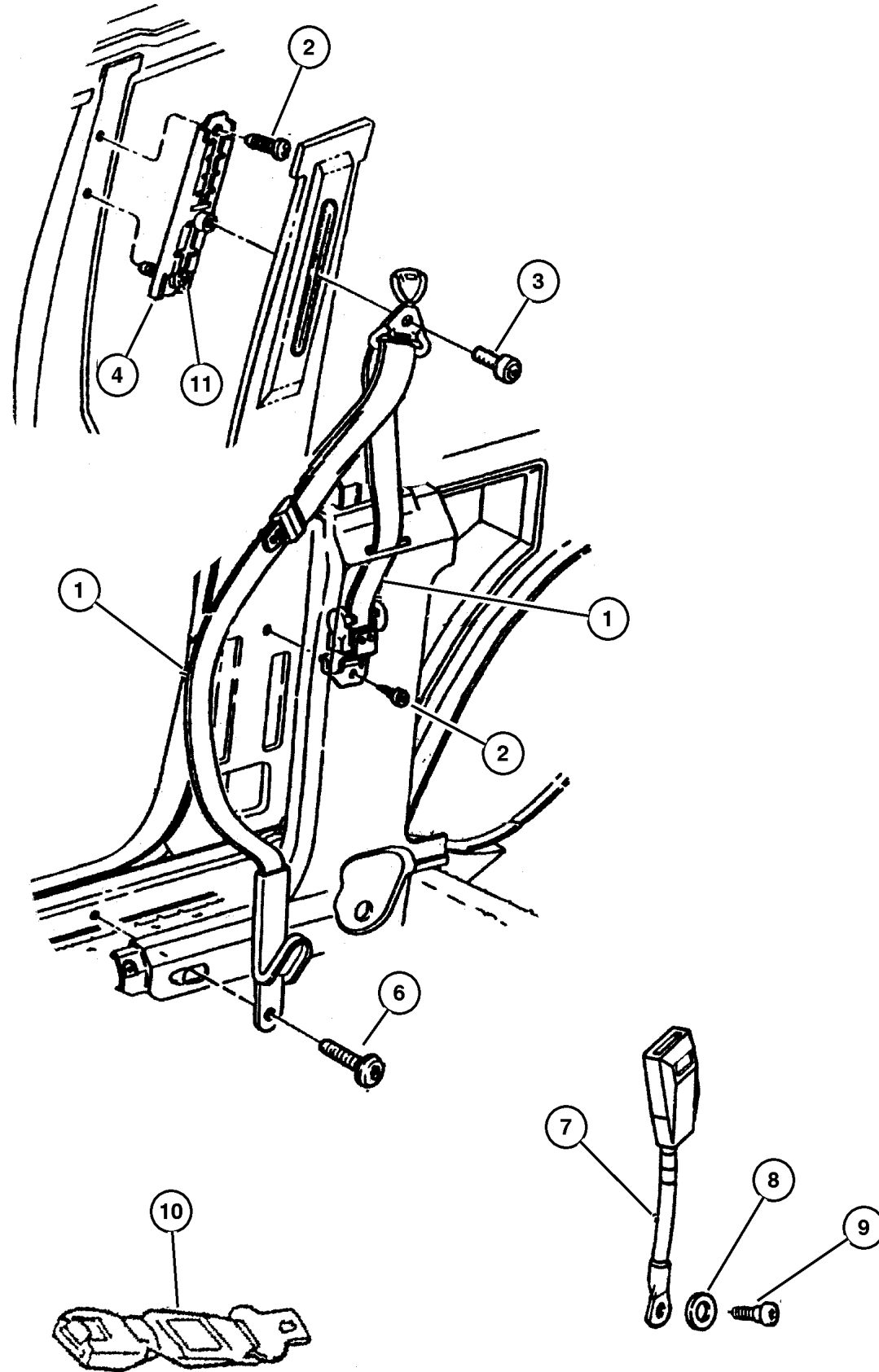
JEEP CHEROKEE (XJ)

SERIES	LINE	BODY	ENGINE	TRANSMISSION
L=Low Line	J=LHD (4WD) U=RHD (4WD) T=LHD (2WD) B=RHD (2WD)	74=4 DR. (101.4 WB) 72=2 DR. (101.4 WB)	ENC,EN0=2.5L 4 cyl. Turbo Die ERH,ER0=4.0L Power Tech I-6 EPE,EP0=Magnum 2.5L SMPI	DDQ=5Spd Man. DGS=4 Spd. Auto. AISIN DG0=All Auto Trans DBB=All Manual Trans.

AR = Use as required - = Non illustrated part # = New this model year

July 4, 2003

**Seat Belts, Front Seat 2 Door 2 Door 1999 XJ**  
**Figure IXJ-710**



ITEM	PART NUMBER	QTY	LINE	SERIES	BODY	ENGINE	TRANS	TRIM	DESCRIPTION
1									SEAT BELT, Front Outer
	5EZ14 LAZAD	1	J, T, U		72				Right
	5EZ15 LAZAD	1	J, T, U		72				Left
	5GG66 LAZAA	2	J, U		72				Export
2	6034 384	2							SCREW, Pan Head, .437-20x1.15
3	6036 095AA	2	J, T, U		72				SCREW, Pan Head
4	55314 697AB	2							ADJUSTER, Seat Belt Turning Loop
-5	55352 693AA	2	J, T, U		72				SPACER
6	6034 398	2	J, T, U		72				SCREW, Pan Head
7									SEAT BELT, Front Inner
	5EE5 2LAZ	1	J, T		72			M5	Agate, Manual Seats, Right
		1	J, T		72			XJ	Agate, Manual Seats, Right
		1	J, T, U		72			B6	Agate, Manual Seats, Right
	5EE5 3LAZ	1	J, T		72			M5	Agate, Manual Seats, Left
		1	J, T, U		72			B6	Agate, Manual Seats, Left
	5FS2 4LAZ	1	J, T		72			XJ	Agate, Power Seats, Right
	5FS2 5LAZ	1	J, T		72			M5	Agate, Power Seats, Left
	5GA13 1AZAA	1	J, T		72			XJ	Agate, Manual Seats, Left,Export
	5GH59 1AZAA	1	J, T		72			XJ	Agate, Power Seats, Left
8									WASHER, Seat Belt Attaching
	4798 898	2	J, T		72			M5	
		2	J, T		72			XJ	
		2	J, T, U		72			B6	
9									SCREW, Button Head, .375-24x.62
	6035 115	2	J, T		72			M5	
		2	J, T		72			XJ	
		2	J, T, U		72			B6	
10	4740 415	1							EXTENDER, Seat Belt
11	6502 985	2							SCREW, Hex Head, M10x1.5x30

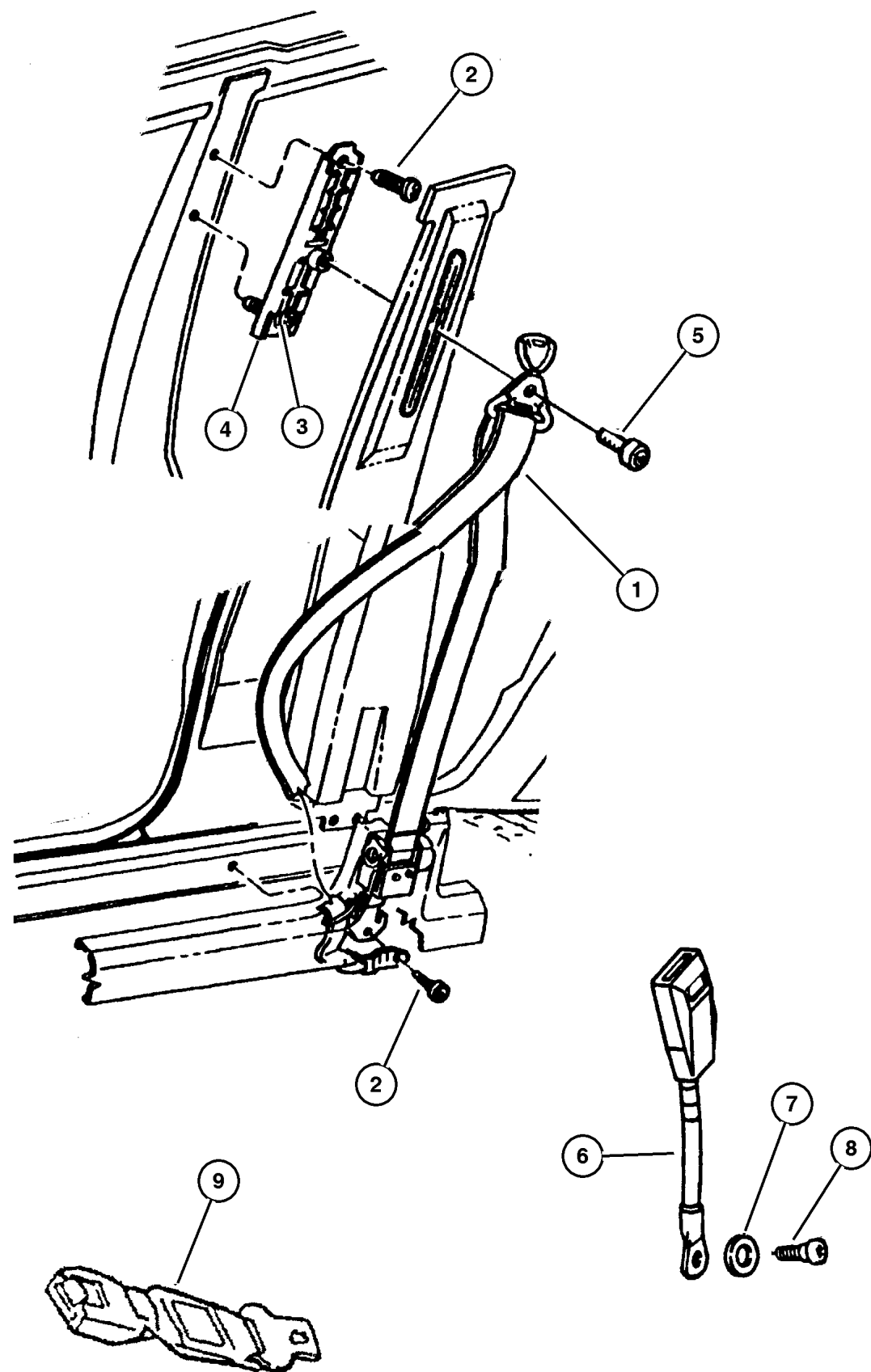
**JEEP CHEROKEE (XJ)**

SERIES	LINE	BODY	ENGINE	TRANSMISSION
L=Low Line	J=LHD (4WD) U=RHD (4WD) T=LHD (2WD) B=RHD (2WD)	74=4 DR. (101.4 WB) 72=2 DR. (101.4 WB)	ENC,EN0=2.5L 4 cyl. Turbo Die ERH,ER0=4.0L Power Tech I-6 EPE,EP0=Magnum 2.5L SMPI	DDQ=5Spd Man. DGS=4 Spd. Auto. AISIN DG0=All Auto Trans DBB=All Manual Trans.

AR = Use as required - = Non illustrated part # = New this model year

July 4, 2003

**Seat Belts, Front Seat 4 Door 1997 XJ 1998 XJ**  
**Figure IXJ-720**



ITEM	PART NUMBER	QTY	LINE	SERIES	BODY	ENGINE	TRANS	TRIM	DESCRIPTION
1									SEAT BELT, Front Outer
	5521 7142	1	J, U		74				Right,Export
	5521 7143	1	J, U		74				Left,Export
	5FM30 LAZAB	1			74				Right
	5FM31 LAZAB	1			74				Left
2	6034 384	2							SCREW, Pan Head, .437-20x1.15
3									SCREW, Hex Head, M10x1.5x30
	6502 985	2	J, U						1997 XJ
		2							1998 XJ
4									ADJUSTER, Seat Belt Turning Loop
	55314 697AB	2	J, U						1997 XJ
		2							1998 XJ
5									SCREW, Pan Head, .437-20x1.375
									(NOT REQUIRED), 1998 XJ
	6034 457	2	J						1997 XJ
6									SEAT BELT, Front Inner
	5521 7188	1	J, T		74			XJ	Manual Seats, 1997 XJ, Right, Export
	5521 7189	1	J, T		74			XJ	Manual Seats, 1997 XJ, Left,Export
		1	B, U		74			XJ	Manual Seats, 1997 XJ, Left,Export
	5531 4868	1	J, T		74			DL	Power Seats, Right,Export
		1	J, T		74			XJ	Power Seats, 1998 XJ, Right, Export
	5531 4869	1	J, T		74			DL	Power Seats, Left,Export
		1	B, U		74			DL	Power Seats, Left,Export
		1	B, U		74			XJ	Power Seats, 1998 XJ, Left,Export
		1	J, T		74			XJ	Power Seats, 1998 XJ, Left,Export
	5535 2609	1	B, U		74			DL	Power Seats, Right
		1	B		74			XJ	Power Seats, 1997 XJ, Right
		1	B, U		74			XJ	Power Seats, 1998 XJ, Right, Export
	5535 2612	1	B, U		74			XJ	Manual Seats, Right
		1	B, U		74			M5	Manual Seats, 1998 XJ, Right, Export
		1	B, U		74			B6	Manual Seats, 1998 XJ, Right, Export
	5EE5 2LAZ	1			74			B6	Manual Seats, 1997 XJ, Right
		1			74			M5	Manual Seats, 1997 XJ, Right
		1			74			DL	Manual Seats, 1997 XJ, Right
		1			74			XJ	Manual Seats, 1997 XJ, Right
		1	J, T		74			XJ	Agate, 1998 XJ, Right
		1	J, T		74			DL	Agate, 1998 XJ, Right

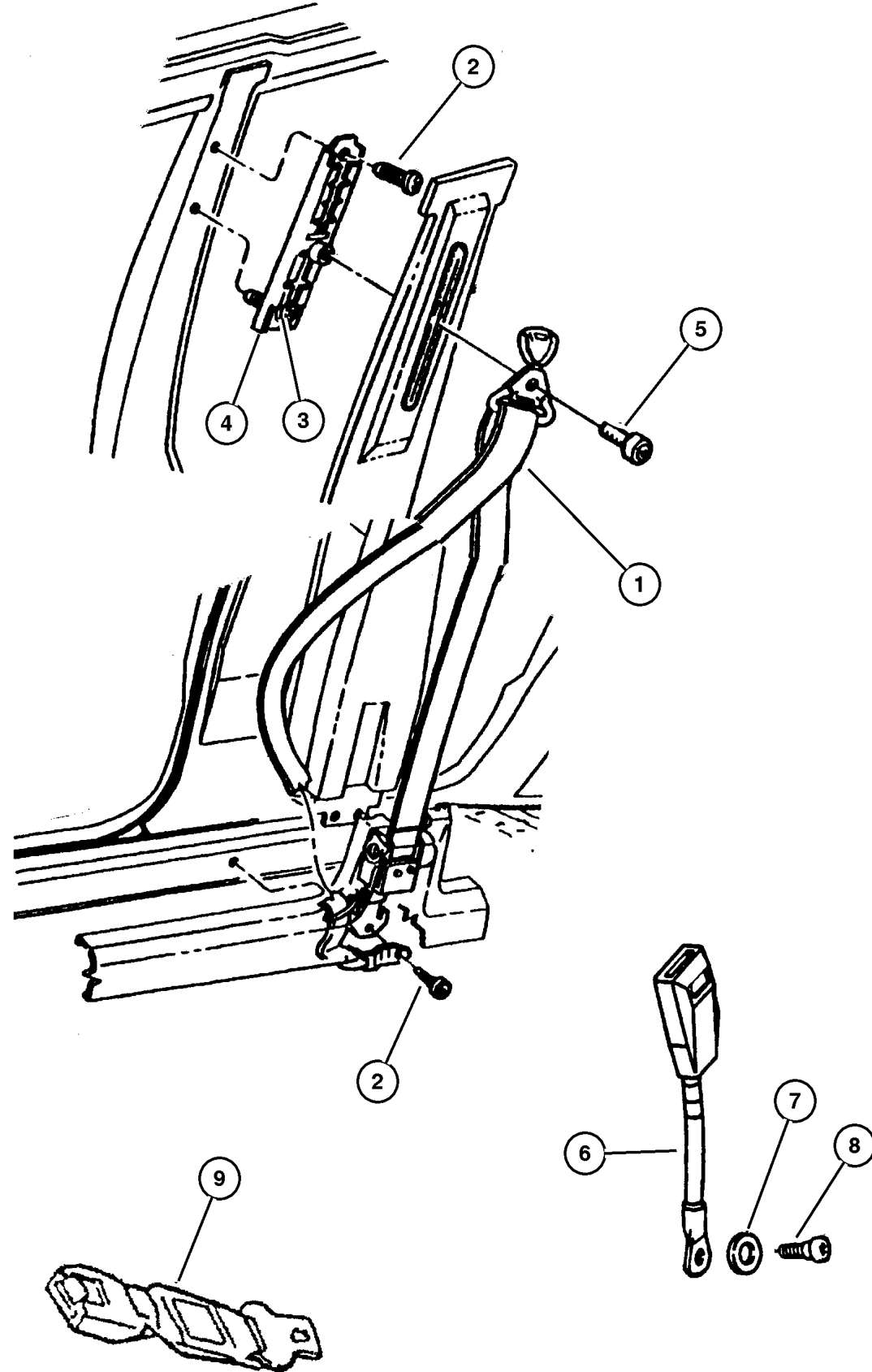
**JEEP CHEROKEE (XJ)**

SERIES	LINE	BODY	ENGINE	TRANSMISSION
L=Low Line	J=LHD (4WD) U=RHD (4WD) T=LHD (2WD) B=RHD (2WD)	74=4 DR. (101.4 WB) 72=2 DR. (101.4 WB)	ENC,EN0=2.5L 4 cyl. Turbo Die ERH,ER0=4.0L Power Tech I-6 EPE,EP0=Magnum 2.5L SMPI	DDQ=5Spd Man. DGS=4 Spd. Auto. AISIN DG0=All Auto Trans DBB=All Manual Trans.

AR = Use as required - = Non illustrated part # = New this model year

July 4, 2003

Seat Belts, Front Seat 4 Door 1997 XJ 1998 XJ  
Figure IXJ-720



ITEM	PART NUMBER	QTY	LINE	SERIES	BODY	ENGINE	TRANS	TRIM	DESCRIPTION
		1	J, T		74			B6	Agate, 1998 XJ, Right
		1	J, T		74			M5	Agate, 1998 XJ, Right
		1	J, T		74			X5	Agate, 1998 XJ, Right
	5EE5 3LAZ	1			74			B6	Manual Seats, 1997 XJ, Left
		1			74			M5	Manual Seats, 1997 XJ, Left
		1			74			XJ	Manual Seats, 1997 XJ, Left
		1	J, T		74			B6	Agate, 1998 XJ, Left
		1	J, T		74			M5	Agate Manual Seats, 1998 XJ, Left
		1	J, T		74			XJ	Agate Manual Seats, 1998 XJ, Left
		1	J, T		74			X5	Agate Manual Seats, 1998 XJ, Left
	5FS2 5LAZ	1			74			DL	Power Seats, 1997 XJ, Left
		1			74			XJ	Power Seats, 1997 XJ, Left
		1	J, T		74			M5	Power Seats, 1997 XJ, Left
		1	J, T		74			XJ	Agate, Power Seats, 1998 XJ, Left
		1	J, T		74			DL	Agate, Power Seats, 1998 XJ, Left
		1	J, T		74			M5	Agate, Power Seats, 1998 XJ, Left
		1	J, T		74			X5	Agate, Power Seats, 1998 XJ, Left
	5GA12 1AZAA	1	B, U		74			M5	With Postal Package, Right
		1	B, U		74			B6	With Postal Package, 1998 XJ, Right
	5GA13 1AZAA	1	B, U		74			M5	With Postal Package, Left
		1	B, U		74			B6	With Postal Package, Left
7	4798 898	2	J		74			XJ	WASHER, Seat Belt Attaching
		2	B		74			XJ	1997 XJ
		1	J, T		74			DL	1997 XJ
		1	B, U		74			DL	1997 XJ
		2	J, T		74			DL	1998 XJ
		2	J, T		74			XJ	1998 XJ
		2	B, U		74			XJ	1998 XJ
		2	B, U		74			DL	1998 XJ
8	6035 115	2			74			B6	SCREW, Button Head, .375-24x.62
		2			74			M5	1997 XJ
		2			74			DL	1997 XJ
		2			74			XJ	1997 XJ
		2			74			X5	1997 XJ
		2	B, U		74			B6	1998 XJ
		2	B, U		74			M5	1998 XJ
		2	J, T		74			X5	1998 XJ
		2	B, U		74			XJ	1998 XJ
		2	B, U		74			DL	1998 XJ

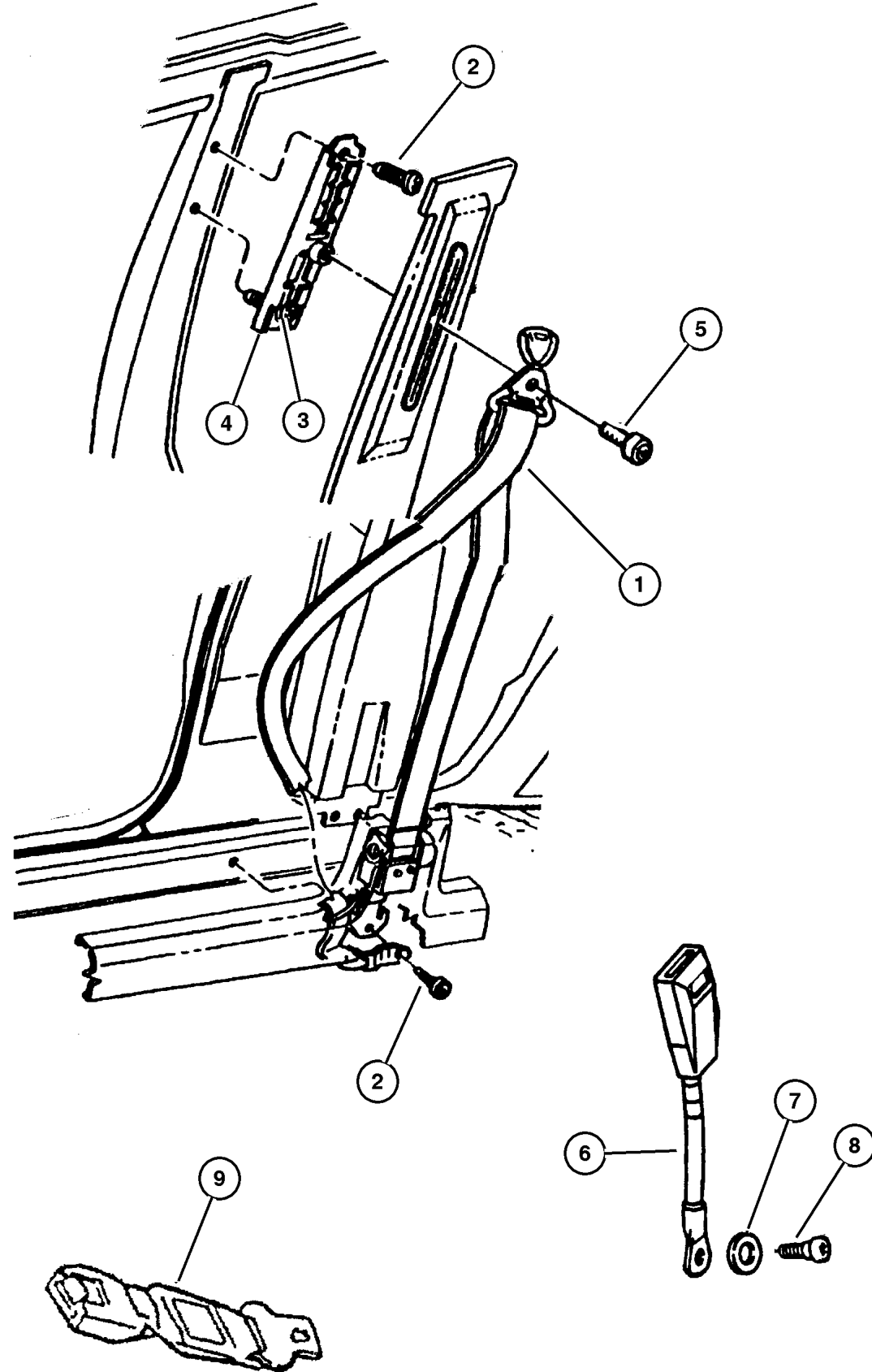
JEEP CHEROKEE (XJ)

SERIES	LINE	BODY	ENGINE	TRANSMISSION
L=Low Line	J=LHD (4WD) U=RHD (4WD) T=LHD (2WD) B=RHD (2WD)	74=4 DR. (101.4 WB) 72=2 DR. (101.4 WB)	ENC,EN0=2.5L 4 cyl. Turbo Die ERH,ER0=4.0L Power Tech I-6 EPE,EP0=Magnum 2.5L SMPI	DDQ=5Spd Man. DGS=4 Spd. Auto. AISIN DG0=All Auto Trans DBB=All Manual Trans.

AR = Use as required - = Non illustrated part # = New this model year

July 4, 2003

Seat Belts, Front Seat 4 Door 1997 XJ 1998 XJ  
Figure IXJ-720



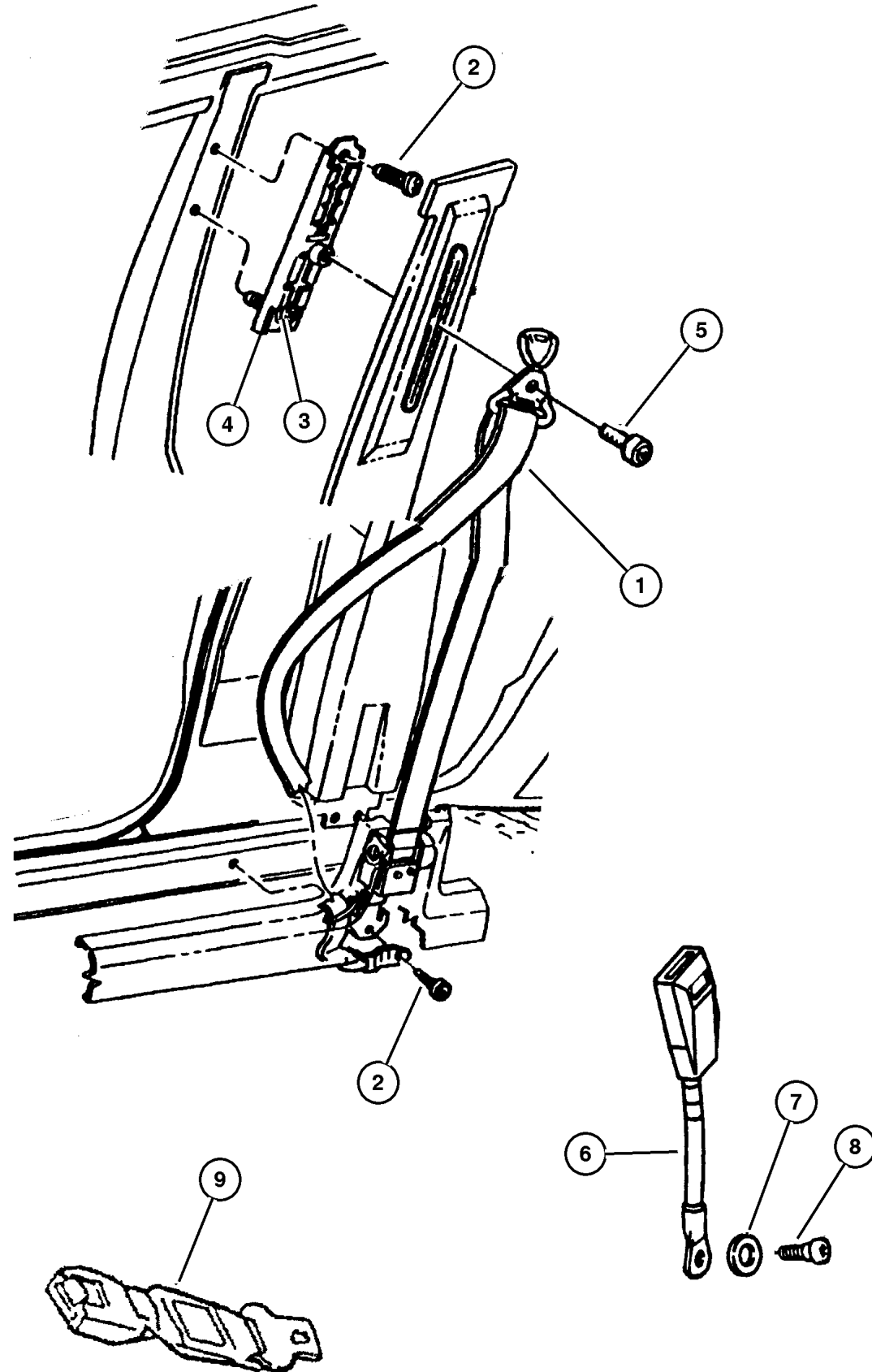
ITEM	PART NUMBER	QTY	LINE	SERIES	BODY	ENGINE	TRANS	TRIM	DESCRIPTION
		2	J, T		74			M5	1998 XJ
		2	J, T		74			XJ	1998 XJ
		2	J, T		74			DL	1998 XJ
		2	J, T		74			B6	1998 XJ
9	4740 415	1							EXTENDER, Seat Belt

JEEP CHEROKEE (XJ)				
SERIES	LINE	BODY	ENGINE	TRANSMISSION
L=Low Line	J=LHD (4WD) U=RHD (4WD) T=LHD (2WD) B=RHD (2WD)	74=4 DR. (101.4 WB) 72=2 DR. (101.4 WB)	ENC,EN0=2.5L 4 cyl. Turbo Die ERH,ER0=4.0L Power Tech I-6 EPE,EP0=Magnum 2.5L SMPI	DDQ=5Spd Man. DGS=4 Spd. Auto. AISIN DG0=All Auto Trans DBB=All Manual Trans.

AR = Use as required - = Non illustrated part # = New this model year

July 4, 2003

Seat Belts, Front Seat 4 Door 4 Door 1999 XJ  
Figure IXJ-720



ITEM	PART NUMBER	QTY	LINE	SERIES	BODY	ENGINE	TRANS	TRIM	DESCRIPTION
1									SEAT BELT, Front Outer
	5FM30 LAZAD	1			74				Right
	5FM31 LAZAD	1			74				Left
	5GG68 LAZAB	1	J, U		74				Right,Export
	5GG69 LAZAB	1	J, U		74				Left,Export
2	6034 384	2							SCREW, Pan Head, .437-20x1.15
3	6502 985	2							SCREW, Hex Head, M10x1.5x30
4	55314 697AB	2							ADJUSTER, Seat Belt Turning Loop
5									SCREW, Pan Head, .437-20x1.375, (NOT REQUIRED)
6									SEAT BELT, Front Inner
	5EE5 2LAZ	1	J, T		74			X5	Manual Seats, Right
		1	J, T		74			B6	Manual Seats, Right
		1	J, T		74			M5	Manual Seats, Right
		1	J, T		74			XJ	Manual Seats, Right
		1	J, T		74			DL	Manual Seats, Right
	5EE5 3LAZ	1	J, T		74			X5	Manual Seats, Left
		1	J, T		74			B6	Manual Seats, Left
		1	J, T		74			M5	Manual Seats, Left
		1	J, T		74			XJ	Manual Seats, Left
	5FS2 4LAZ	1	J, T		74			XJ	Power Seats, Right,Export
		1	J, T		74			DL	Power Seats, Right,Export
	5FS2 5LAZ	1	J, T		74			M5	Power Seats, Left
		1	J, T		74			X5	Power Seats, Left
		1	J, T		74			DL	Power Seats, Left
		1	J, T		74			XJ	Power Seats, Left
	5GA12 1AZAA	1	B, U		74			M5	Manual Seats, Right
		1	B, U		74			B6	Manual Seats, Right
		1	B, U		74			XJ	Manual Seats, Right
	5GA13 1AZAA	1	B, U		74			M5	Manual Seats, Left
		1	B, U		74			B6	Manual Seats, Left
		1	B, U		74			XJ	Manual Seats, Left
	5GH59 1AZAA	1	J, T		74			DL	Left,Export
		1	J, T		74			XJ	Left,Export
		1	B, U		74			DL	Left,Export
		1	B, U		74			XJ	Left,Export
	5GH60 1AZAA	1	B, U		74			DL	Right,Export
		1	B, U		74			XJ	Right,Export
7									WASHER, Seat Belt Attaching
	4798 898	2	J, T		74			B6	
		2	J, T		74			M5	
		2	J, T		74			XJ	

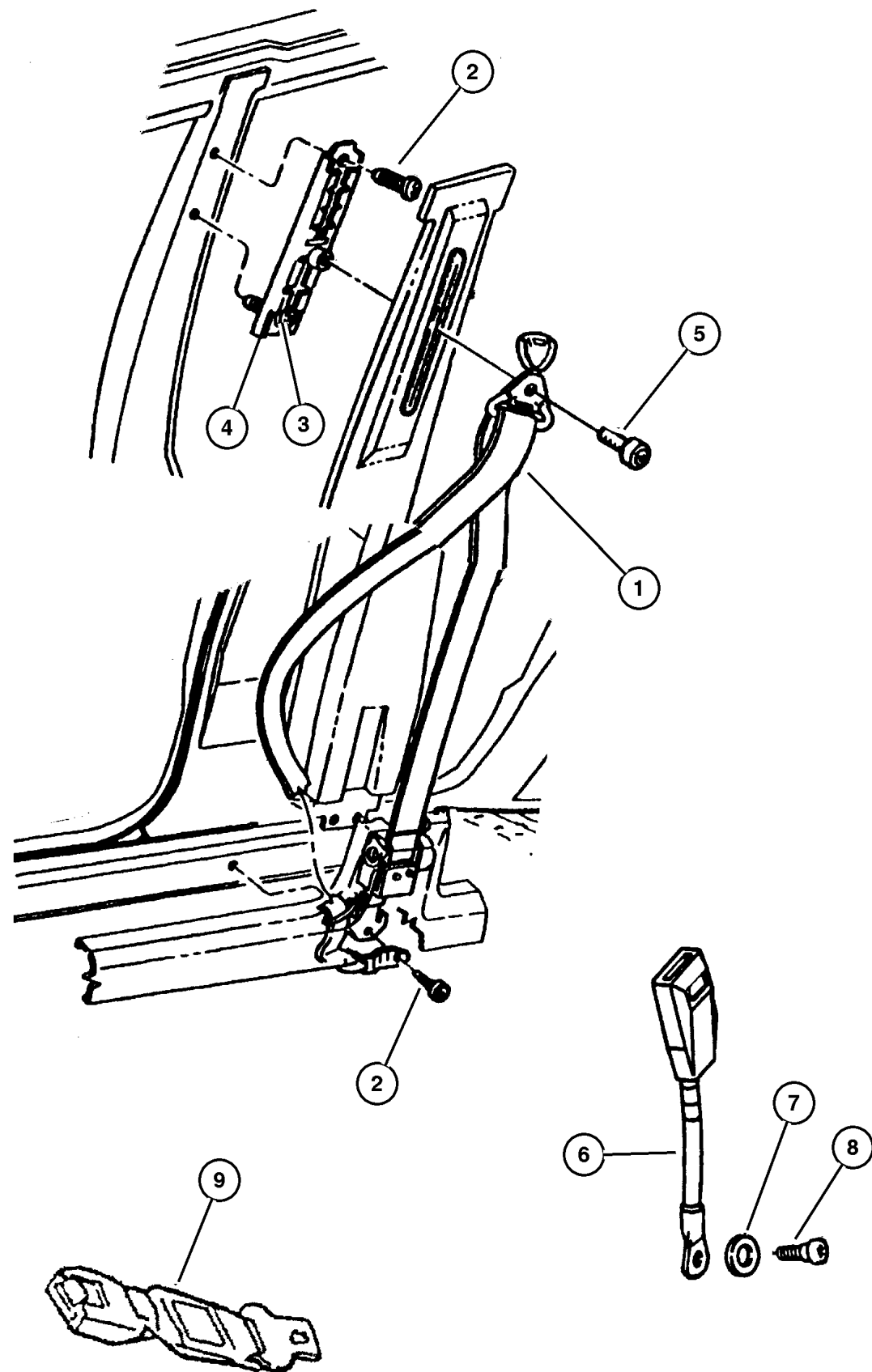
JEEP CHEROKEE (XJ)

SERIES	LINE	BODY	ENGINE	TRANSMISSION
L=Low Line	J=LHD (4WD) U=RHD (4WD) T=LHD (2WD) B=RHD (2WD)	74=4 DR. (101.4 WB) 72=2 DR. (101.4 WB)	ENC,EN0=2.5L 4 cyl. Turbo Die ERH,ER0=4.0L Power Tech I-6 EPE,EP0=Magnum 2.5L SMPI	DDQ=5Spd Man. DGS=4 Spd. Auto. AISIN DG0=All Auto Trans DBB=All Manual Trans.

AR = Use as required - = Non illustrated part # = New this model year

July 4, 2003

Seat Belts, Front Seat 4 Door 1999 XJ  
Figure IXJ-720



ITEM	PART NUMBER	QTY	LINE	SERIES	BODY	ENGINE	TRANS	TRIM	DESCRIPTION
		2	B, U		74			XJ	
		2	B, U		74			M5	
		2	B, U		74			B6	
		2	J, T		74			X5	
		2	J, T		74			DL	
		2	B, U		74			DL	
8	6035 115	2	J, T		74			B6	SCREW, Button Head, .375-24x.62
		2	J, T		74			M5	
		2	B, U		74			M5	
		2	B, U		74			B6	
		2	J, T		74			X5	
		2	J, T		74			DL	
		2	J, T		74			XJ	
		2	B, U		74			XJ	
		2	B, U		74			DL	
9	4740 415	1							EXTENDER, Seat Belt

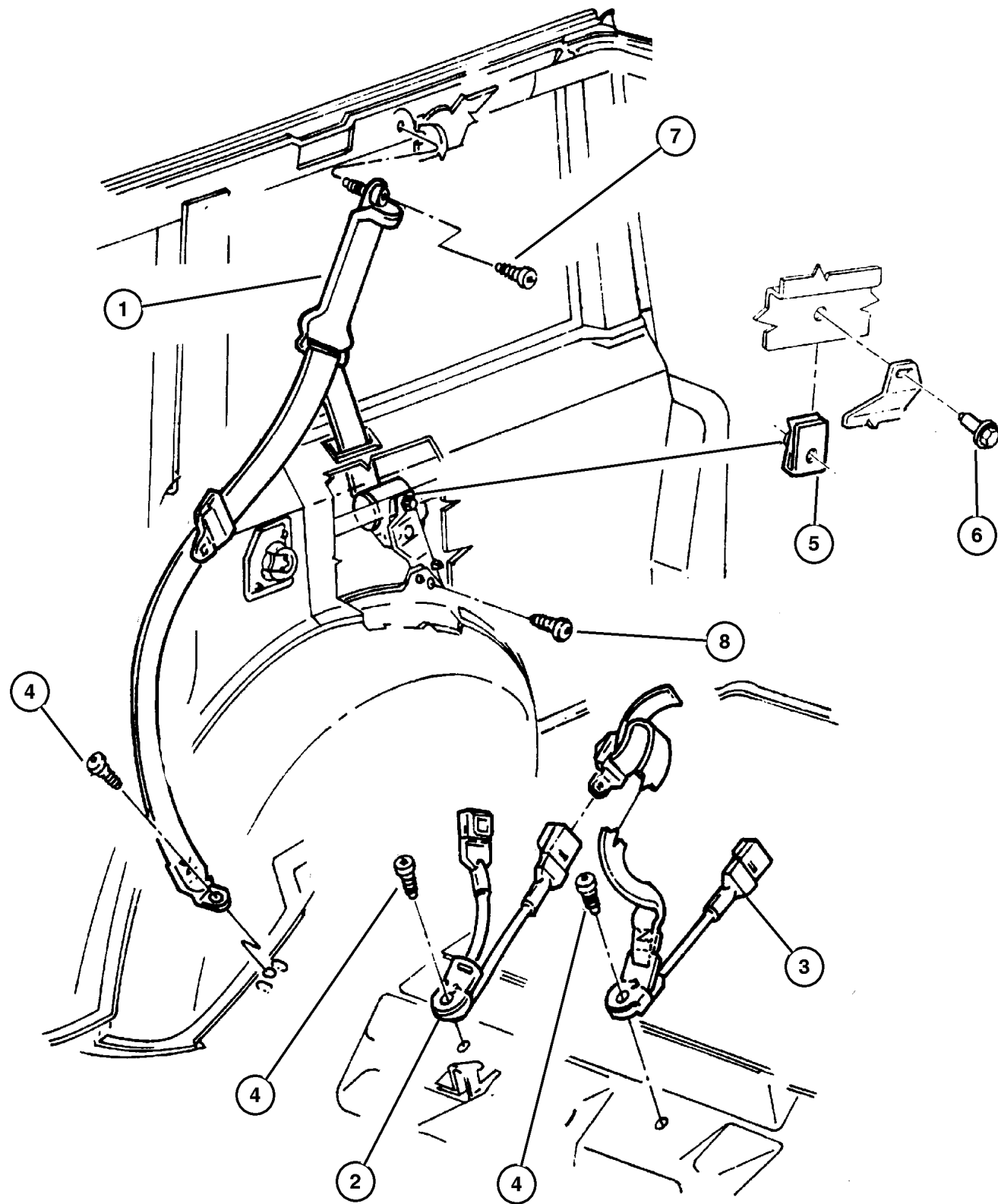
JEEP CHEROKEE (XJ)

SERIES	LINE	BODY	ENGINE	TRANSMISSION
L=Low Line	J=LHD (4WD) U=RHD (4WD) T=LHD (2WD) B=RHD (2WD)	74=4 DR. (101.4 WB) 72=2 DR. (101.4 WB)	ENC,EN0=2.5L 4 cyl. Turbo Die ERH,ER0=4.0L Power Tech I-6 EPE,EP0=Magnum 2.5L SMPI	DDQ=5Spd Man. DGS=4 Spd. Auto. AISIN DG0=All Auto Trans DBB=All Manual Trans.

AR = Use as required - = Non illustrated part # = New this model year

July 4, 2003

Seat Belts, Rear Seats 1997 XJ  
Figure IXJ-730



ITEM	PART NUMBER	QTY	LINE	SERIES	BODY	ENGINE	TRANS	TRIM	DESCRIPTION
1									SEAT BELT, Outer
	55217 146AB	1							EUROPE, Right
	55217 147AB	1							EUROPE, Left
	5FG52 1C3AC	1							Mist Gray, Right
	5FG52 1T6AC	1							Saddle, Right
	5FG53 1C3AB	1							Mist Gray, Left
	5FG53 1T6AB	1							Saddle, Left
2									SEAT BELT, Two Buckles Right
	5FG5 0SAZ	1							EUROPE, Right
3									SEAT BELT, Buckle And Tip
	5FG5 1SAZ	1							EUROPE
	5FT5 3SX9	1							
4	6034 383	4							SCREW, Pan Head, .437-20x1.5
5	6504 118	2							U-NUT, M6 x 1.00, M6x1.00
6	3420 1807	2							BOLT, Hex Flange Head, M6x1.00x16
7	6034 389	1							SCREW, Pan Head Shoulder, .437-20x1.87
8	6034 384	2							SCREW, Pan Head, .437-20x1.15
-9	5003 422AB	1							TETHER PACKAGE, Child Seat

JEEP CHEROKEE (XJ)

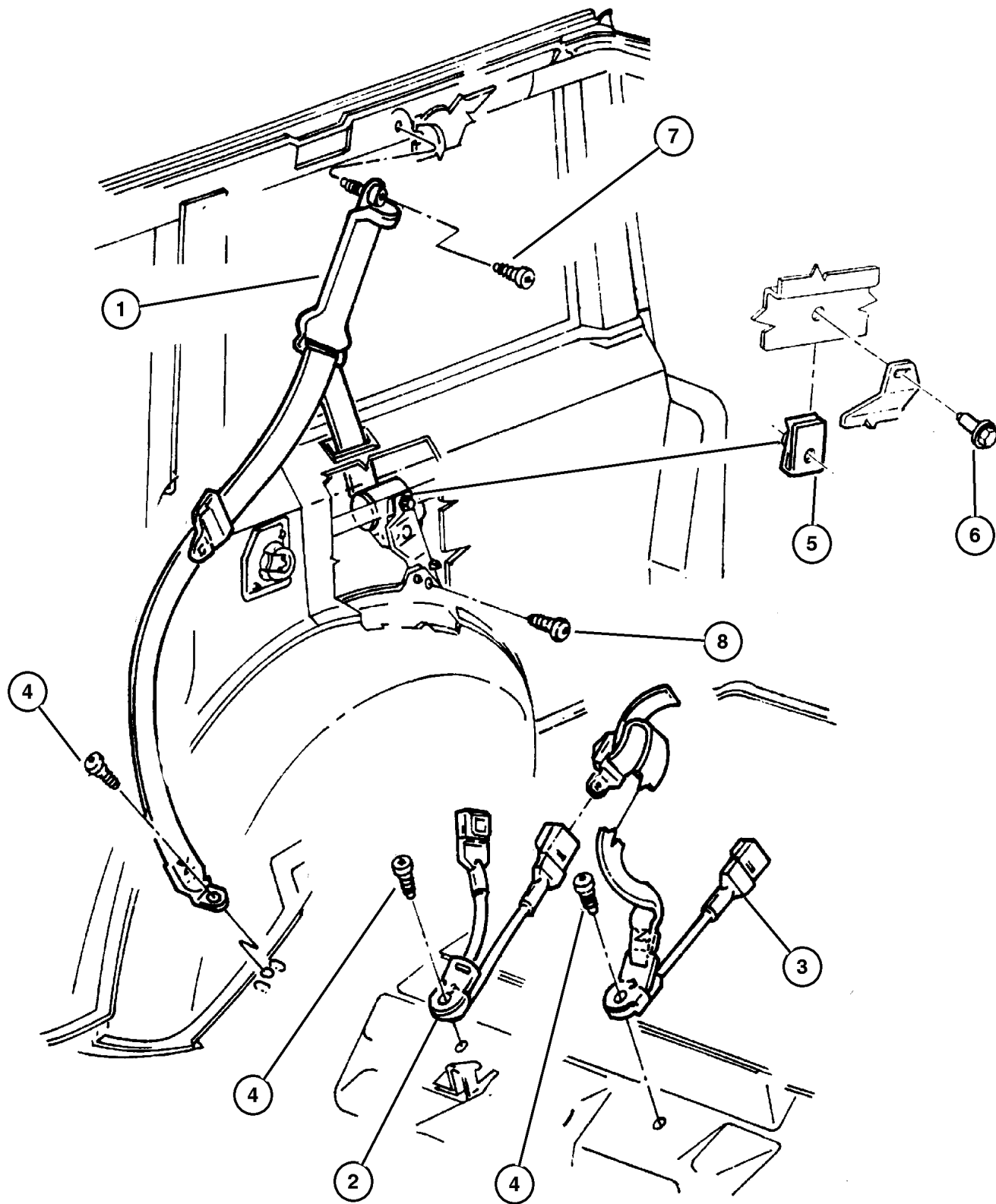
SERIES	LINE	BODY	ENGINE	TRANSMISSION
L=Low Line	J=LHD (4WD) U=RHD (4WD) T=LHD (2WD) B=RHD (2WD)	74=4 DR. (101.4 WB) 72=2 DR. (101.4 WB)	ENC,EN0=2.5L 4 cyl. Turbo Die ERH,ER0=4.0L Power Tech I-6 EPE,EP0=Magnum 2.5L SMPI	DDQ=5Spd Man. DGS=4 Spd. Auto. AISIN DG0=All Auto Trans DBB=All Manual Trans.

AR = Use as required - = Non illustrated part # = New this model year

July 4, 2003



Seat Belts, Rear Seats 1998 XJ  
Figure IXJ-730



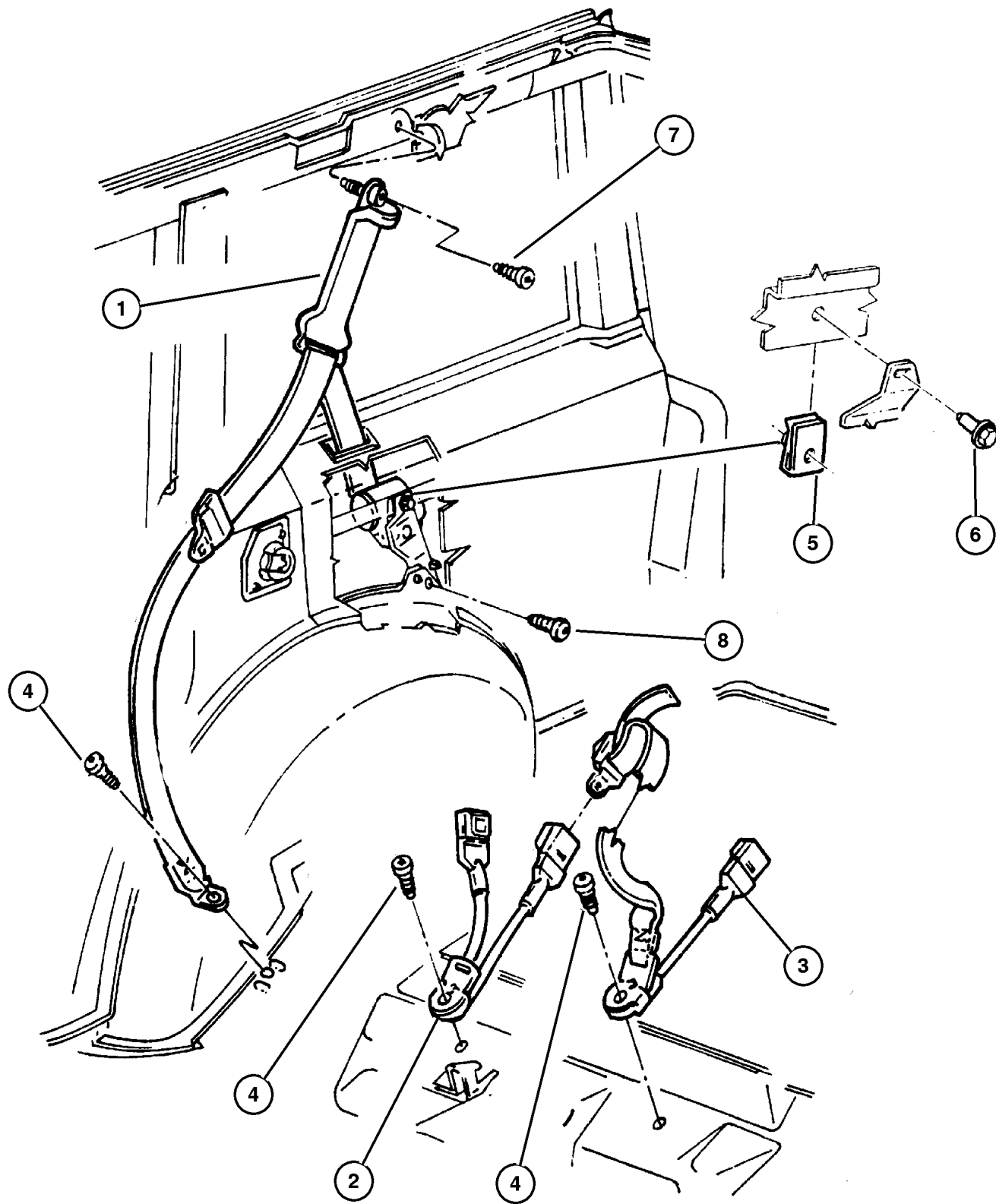
ITEM	PART NUMBER	QTY	LINE	SERIES	BODY	ENGINE	TRANS	TRIM	DESCRIPTION
1									SEAT BELT, Outer
	55217 146AC	1							EUROPE, Right
	55217 147AC	1							EUROPE, Left
	5FG52 1C3AC	1							Mist Gray, Right
	5FG52 1T6AC	1							Saddle, Right
	5FG53 1C3AC	1							Mist Gray, Left
	5FG53 1T6AC	1							Saddle, Left
2									SEAT BELT, Two Buckles
	5FG50 LAZAB	1							Domestic, Right
	5FG5 0SX9	1							Europe, Right
3									SEAT BELT, Buckle And Tip
	5FT5 3SX9	1							Europe
	5FG51 LAZAB	1							Domestic
4	6034 383	4							SCREW, Pan Head, .437-20x1.5
5	6504 118	2							U-NUT, M6 x 1.00, M6x1.00
6	3420 1807	2							BOLT, Hex Flange Head, M6x1.00x16
7									SCREW, Pan Head Shoulder, .437-20x1.87, (NOT REQUIRED)
8	6034 384	2							SCREW, Pan Head, .437-20x1.15
-9	5003 422AB	1							TETHER PACKAGE, Child Seat

JEEP CHEROKEE (XJ)  
 SERIES LINE BODY ENGINE TRANSMISSION  
 L=Low Line J=LHD (4WD) 74=4 DR. (101.4 WB) ENC,EN0=2.5L 4 cyl. Turbo Die DDQ=5Spd Man.  
 U=RHD (4WD) 72=2 DR. (101.4 WB) ERH,ER0=4.0L Power Tech I-6 DGS=4 Spd. Auto. AISIN  
 T=LHD (2WD) EPE,EP0=Magnum 2.5L SMPI DG0=All Auto Trans  
 B=RHD (2WD) DBB=All Manual Trans.

AR = Use as required - = Non illustrated part # = New this model year

July 4, 2003

Seat Belts, Rear Seats 1999 XJ  
Figure IXJ-730



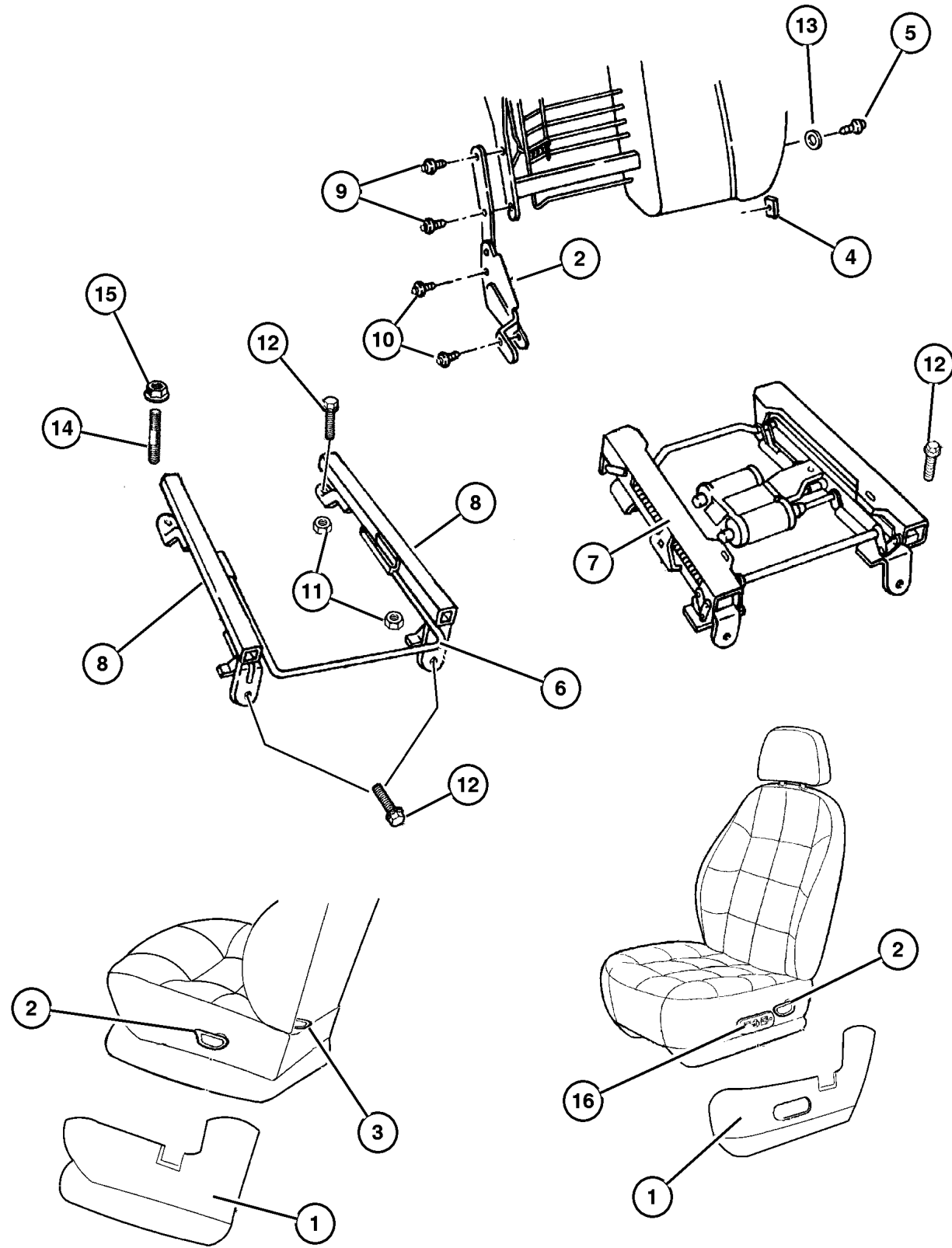
ITEM	PART NUMBER	QTY	LINE	SERIES	BODY	ENGINE	TRANS	TRIM	DESCRIPTION
1									SEAT BELT, Outer
	5FG52 1K5AD	1							Camel, Right
	5FG52 LAZAD	1							Agate, Right
	5FG53 1K5AD	1							Camel, Left
	5FG53 LAZAD	1							Agate, Left
	5GG70 1K5AA	1							Camel, Right,Export
	5GG70 LAZAA	1							Agate, Right,Export
	5GG71 1K5AA	1							Camel, Left,Export
	5GG71 LAZAA	1							Agate, Left,Export
2	5FG50 LAZAB	1							SEAT BELT, Two Buckles, Right
3									SEAT BELT, Buckle And Tip
	5FG51 LAZAB	1							Left
	5FT5 3LAZ	1							Left,Export
4	6034 383	2							SCREW, Pan Head, .437-20x1.5
5	6504 118	2							U-NUT, M6 x 1.00, M6x1.00
6	3420 1807	2							BOLT, Hex Flange Head, M6x1.00x16
7									SCREW, Pan Head Shoulder, .437-20x1.87, (NOT REQUIRED)
8	6034 384	2							SCREW, Pan Head, .437-20x1.15
-9	5003 422AB	1							TETHER PACKAGE, Child Seat

JEEP CHEROKEE (XJ)  
 SERIES LINE BODY ENGINE TRANSMISSION  
 L=Low Line J=LHD (4WD) 74=4 DR. (101.4 WB) ENC,EN0=2.5L 4 cyl. Turbo Die DDQ=5Spd Man.  
 U=RHD (4WD) 72=2 DR. (101.4 WB) ERH,ER0=4.0L Power Tech I-6 DGS=4 Spd. Auto. AISIN  
 T=LHD (2WD) EPE,EP0=Magnum 2.5L SMPI DG0=All Auto Trans  
 B=RHD (2WD) DBB=All Manual Trans.

AR = Use as required - = Non illustrated part # = New this model year

July 4, 2003

Recliner and Adjuster 1997 XJ  
Figure IXJ-810



ITEM	PART NUMBER	QTY	LINE	SERIES	BODY	ENGINE	TRANS	TRIM	DESCRIPTION
1									SHIELD, Seat Cushion
	RA70 1C3AA	1	J		74			XJ	Mist Gray, With Power, Right
		1	B		74			XJ	Mist Gray, With Power, Right
		1	J, T		74			DL	Mist Gray, With Power, Right
		1	J, T		72			XJ	Mist Gray, With Power, Right
	RA70 1T6AA	1	B, U		74			DL	Mist Gray, With Power, Right
		1	B, U		72			XJ	Mist Gray, With Power, Right
		1	J		74			XJ	Saddle, With Power, Right
		1	B		74			XJ	Saddle, With Power, Right
		1	J, T		74			DL	Saddle, With Power, Right
		1	J, T		72			XJ	Saddle, With Power, Right
		1	B, U		74			DL	Saddle, With Power, Right
		1	B, U		72			XJ	Saddle, With Power, Right
	RA71 1C3AA	1			74			DL	Mist Gray, With Power, Left
		1			74			XJ	Mist Gray, With Power, Left
		1	J, T		72			XJ	Mist Gray, With Power, Left
		1	B, U		72			M5	Mist Gray, With Power, Left
	RA71 1T6AA	1	B, U		74			M5	Mist Gray, With Power, Left
		1	B, U		72			XJ	Mist Gray, With Power, Left
		1			74			DL	Saddle, With Power, Left
		1			74			XJ	Saddle, With Power, Left
		1	J, T		72			XJ	Saddle, With Power
		1	B, U		72			M5	Saddle, With Power, Left
		1	B, U		74			M5	Saddle, With Power, Left
		1	B, U		72			XJ	Saddle, With Power, Left
	RA72 1C3AA	1			72			B6	Mist Gray, Manual, Right
		1			74			B6	Mist Gray, Manual, Right
		1			72			M5	Mist Gray, Manual, Right
		1			74			M5	Mist Gray, Manual, Right
		1			74			X5	Mist Gray, Manual, Right
		1			74			DL	Mist Gray, Manual, Right
		1			74			XJ	Mist Gray, Manual, Right
		1	J, T		72			XJ	Mist Gray, Manual, Right
	RA72 1T6AA	1	B, U		72			XJ	Mist Gray, Manual, Right
		1			72			B6	Saddle, Manual, Right
		1			74			B6	Saddle, Manual, Right
		1			72			M5	Saddle, Manual, Right
		1			74			M5	Saddle, Manual, Right
		1			74			XJ	Saddle, Manual, Right
		1			74			X5	Saddle, Manual, Right
		1			74			DL	Saddle, Manual, Right
		1	J, T		72			XJ	Saddle, Manual, Right

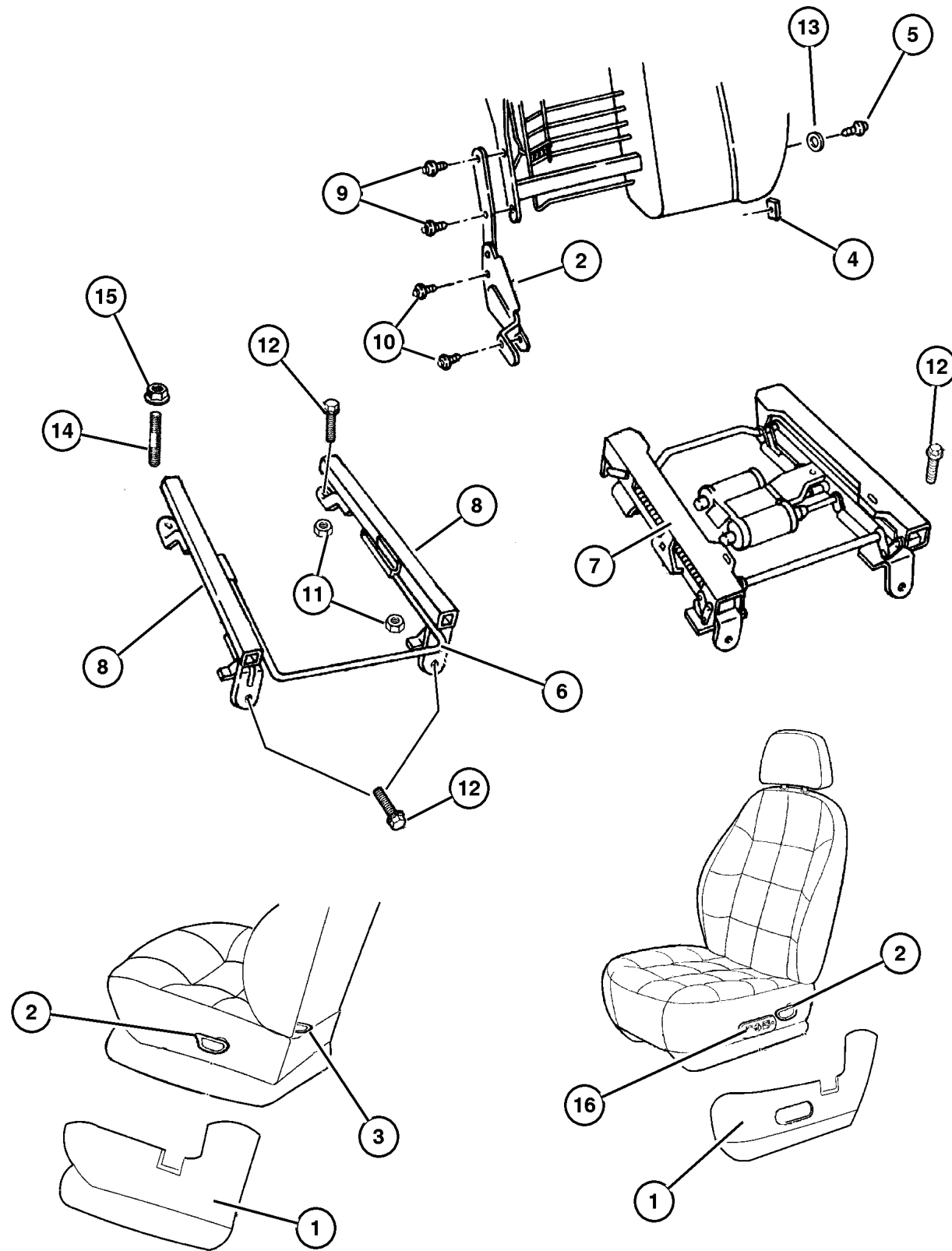
JEEP CHEROKEE (XJ)

SERIES	LINE	BODY	ENGINE	TRANSMISSION
L=Low Line	J=LHD (4WD) U=RHD (4WD) T=LHD (2WD) B=RHD (2WD)	74=4 DR. (101.4 WB) 72=2 DR. (101.4 WB)	ENC,EN0=2.5L 4 cyl. Turbo Die ERH,ER0=4.0L Power Tech I-6 EPE,EP0=Magnum 2.5L SMPI	DDQ=5Spd Man. DGS=4 Spd. Auto. AISIN DG0=All Auto Trans DBB=All Manual Trans.

AR = Use as required - = Non illustrated part # = New this model year

July 4, 2003

**Recliner and Adjuster 1997 XJ  
Figure IXJ-810**



ITEM	PART NUMBER	QTY	LINE	SERIES	BODY	ENGINE	TRANS	TRIM	DESCRIPTION
		1	B, U		72			XJ	Saddle, Manual, Right
	RA73 1C3AA	1			72			B6	Mist Gray, Manual, Left
		1			74			B6	Mist Gray, Manual, Left
		1			72			M5	Mist Gray, Manual, Left
		1			74			M5	Mist Gray, Manual, Left
		1			74			XJ	Mist Gray, Manual, Left
		1			74			X5	Mist Gray, Manual, Left
		1	J, T		72			XJ	Mist Gray, Manual, Left
		1	B, U		72			XJ	Mist Gray, Manual, Left
	RA73 1T6AA	1			72			B6	Saddle, Manual, Left
		1			74			B6	Saddle, Manual, Left
		1			72			M5	Saddle, Manual, Left
		1			74			M5	Saddle, Manual, Left
		1			74			XJ	Saddle, Manual, Left
		1			74			X5	Saddle, Manual, Left
		1	J, T		72			XJ	Saddle, Manual, Left
		1	B, U		72			XJ	Saddle, Manual, Left
2									RECLINER, Seat Back
	4796 712	1			72			B6	Right
	4796 714	1			74			DL	Includes Handle, Right
		1			74			M5	Includes Handle, Right
		1			74			XJ	Includes Handle, Right
		1			74			X5	Includes Handle, Right
	4796 715	1			74			B6	Includes Handle, Left
		1			74			DL	Includes Handle, Left
		1			74			M5	Includes Handle, Left
		1			74			XJ	Includes Handle, Left
		1	J, T		74			X5	Includes Handle, Left
	4796 712	1			72			M5	Right
		1	B		72			XJ	Right
		1	J, T		72			XJ	Right
	4796 713	1			72			B6	Left
		1			72			M5	Left
		1	B		72			XJ	Left
		1	J, T		72			XJ	Left
	4796 714	1			74			B6	Includes Handle, Right
3									KNOB, Seat Recliner
	4796 720	2			72			B6	
		2			72			M5	
		2	B		72			XJ	
		1	J, T		72			XJ	
4									U-NUT, Seat Back

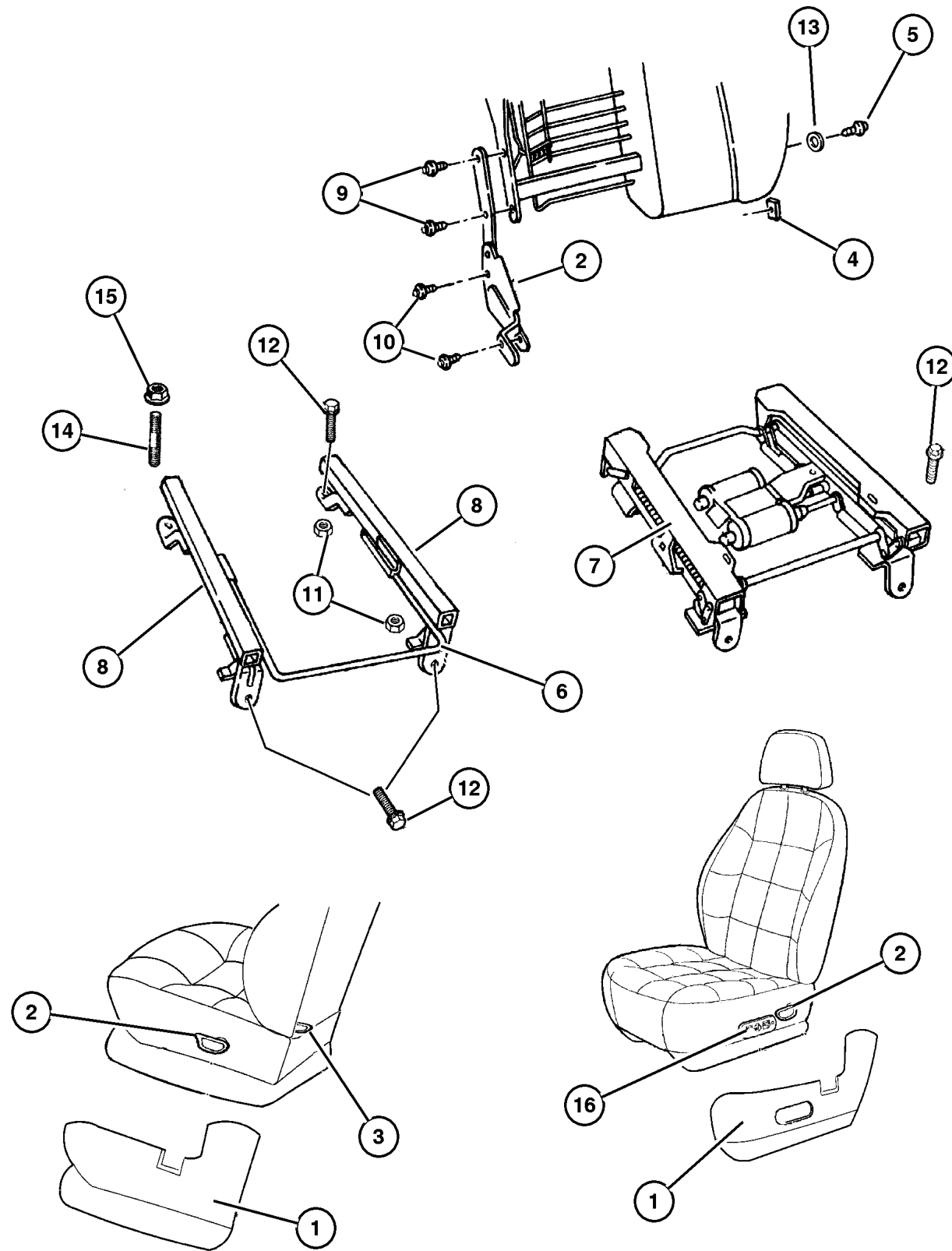
**JEEP CHEROKEE (XJ)**

SERIES	LINE	BODY	ENGINE	TRANSMISSION
L=Low Line	J=LHD (4WD) U=RHD (4WD) T=LHD (2WD) B=RHD (2WD)	74=4 DR. (101.4 WB) 72=2 DR. (101.4 WB)	ENC,EN0=2.5L 4 cyl. Turbo Die ERH,ER0=4.0L Power Tech I-6 EPE,EP0=Magnum 2.5L SMPI	DDQ=5Spd Man. DGS=4 Spd. Auto. AISIN DG0=All Auto Trans DBB=All Manual Trans.

AR = Use as required - = Non illustrated part # = New this model year

July 4, 2003

Recliner and Adjuster 1997 XJ  
Figure IXJ-810



ITEM	PART NUMBER	QTY	LINE	SERIES	BODY	ENGINE	TRANS	TRIM	DESCRIPTION
	4713 982	2			72			B6	
		2			74			B6	
		2			74			DL	
		2			72			M5	
		2			74			M5	
		2			74			XJ	
		2			74			X5	
		2	B		72			XJ	
		1	J, T		72			XJ	
5									BOLT, Shoulder, I.B.-Back To Cushion-Pivot
	4797 554	2			72			B6	
		2			74			B6	
		2			74			DL	
		2			72			M5	
		2			74			M5	
		2			74			XJ	
		2			74			X5	
		2	B		72			XJ	
		1	J, T		72			XJ	
6									HANDLE, Seat Release
	4796 780	2			72			B6	
		2			74			B6	
		1			74			DL	
		2			72			M5	
		2			74			M5	
		1			74			XJ	
		2			74			X5	
		2	B		72			XJ	
7									ADJUSTER, Power Seat, Includes Motor
	4886 375AA	1	J		74			XJ	Right
		1	B		74			XJ	Right
		1	J, T		74			DL	Right
		1	J, T		72			XJ	Right
		1	B, U		74			DL	Right
		1	B, U		72			XJ	Right
	4886 376AA	1			74			DL	Left
		1			74			XJ	Left
		1	J		72			XJ	Left
		1	B		72			XJ	Left
8									ADJUSTER, Manual Seat

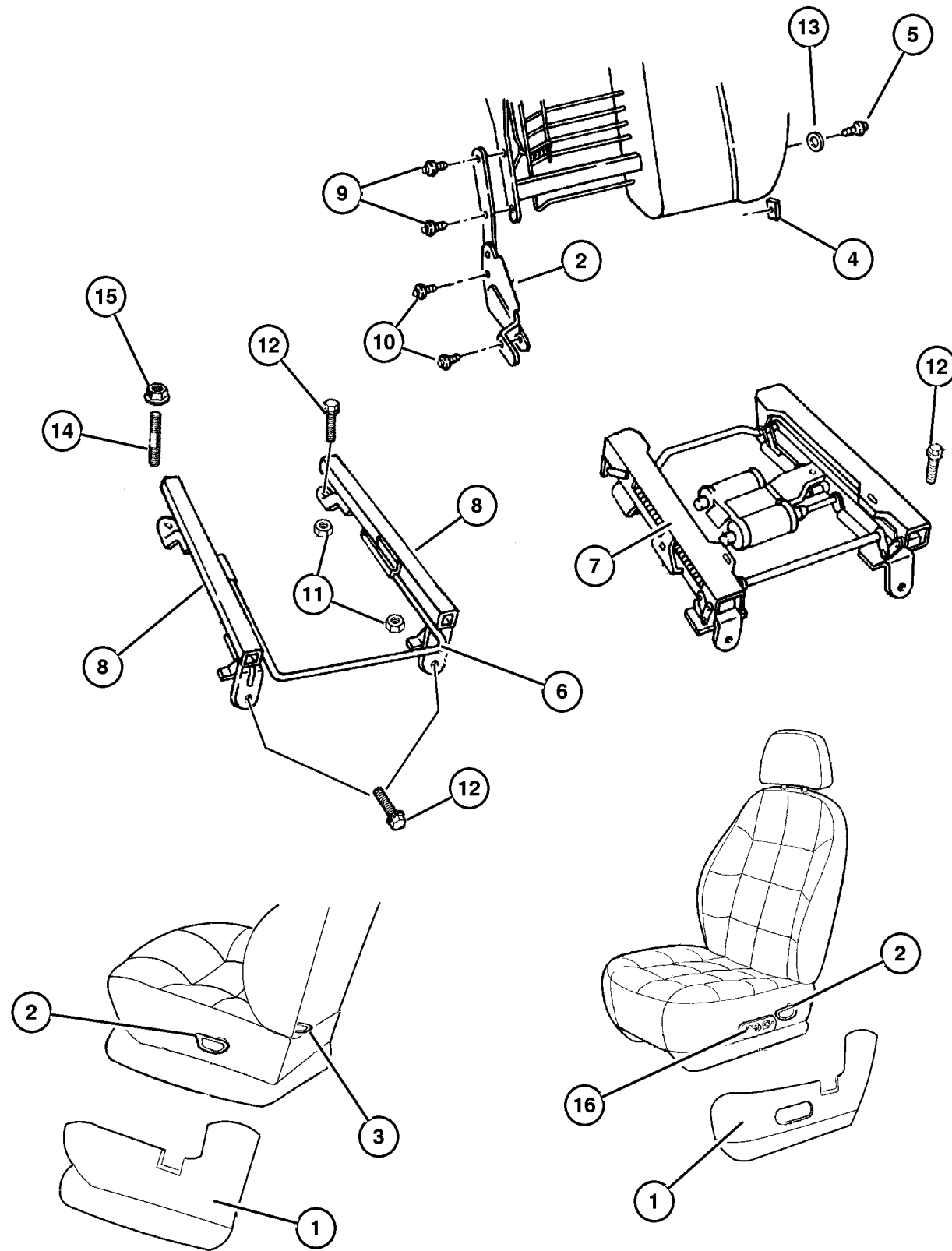
JEEP CHEROKEE (XJ)

SERIES	LINE	BODY	ENGINE	TRANSMISSION
L=Low Line	J=LHD (4WD) U=RHD (4WD) T=LHD (2WD) B=RHD (2WD)	74=4 DR. (101.4 WB) 72=2 DR. (101.4 WB)	ENC,EN0=2.5L 4 cyl. Turbo Die ERH,ER0=4.0L Power Tech I-6 EPE,EP0=Magnum 2.5L SMPI	DDQ=5Spd Man. DGS=4 Spd. Auto. AISIN DG0=All Auto Trans DBB=All Manual Trans.

AR = Use as required - = Non illustrated part # = New this model year

July 4, 2003

**Recliner and Adjuster 1997 XJ  
Figure IXJ-810**



ITEM	PART NUMBER	QTY	LINE	SERIES	BODY	ENGINE	TRANS	TRIM	DESCRIPTION
	4796 774	1			72			B6	Driver, Outboard
		1			74			B6	Driver, Outboard
		1			72			M5	Driver, Outboard
		1			74			M5	Driver, Outboard
		1			74			XJ	Driver, Outboard
		1			74			X5	Driver, Outboard
		1	J, T		72			XJ	Driver, Outboard
		1	B, U		72			XJ	Driver, Outboard
	4796 775	1			72			B6	Driver, Inboard
		1			74			B6	Driver, Inboard
		1			72			M5	Driver, Inboard
		1			74			M5	Driver, Inboard
		1			74			XJ	Driver, Inboard
		1			74			X5	Driver, Inboard
	4796 776	1			72			B6	Passenger, Outboard
		1			74			B6	Passenger, Outboard
		1			74			DL	Passenger, Outboard
		1			74			M5	Passenger, Outboard
		1			74			XJ	Passenger, Outboard
		1			74			X5	Passenger, Outboard
		1	B		72			XJ	Passenger, Outboard
		1	J, T		72			XJ	Passenger, Outboard
		1	B, U		72			M5	Passenger, Outboard
	4796 777	1			72			B6	Passenger, Inboard
		1			74			B6	Passenger, Inboard
		1			74			DL	Passenger, Inboard
		1			72			M5	Passenger, Inboard
		1			74			M5	Passenger, Inboard
		1			74			XJ	Passenger, Inboard
		1			74			X5	Passenger, Inboard
	4796 794	1	J, T		72			XJ	Passenger, Traveling Inboard Buckle, Export
		1	J, T		74			XJ	Passenger, Traveling Inboard Buckle, Export
		1	B, U		72			XJ	Passenger, Traveling Inboard Buckle, Export
		1	B, U		74			XJ	Passenger, Traveling Inboard Buckle, Export
	4796 795	1	J, T		72			XJ	Driver, Traveling Inboard Buckle, Export
		1	J, T		74			XJ	Driver, Traveling Inboard Buckle, Export

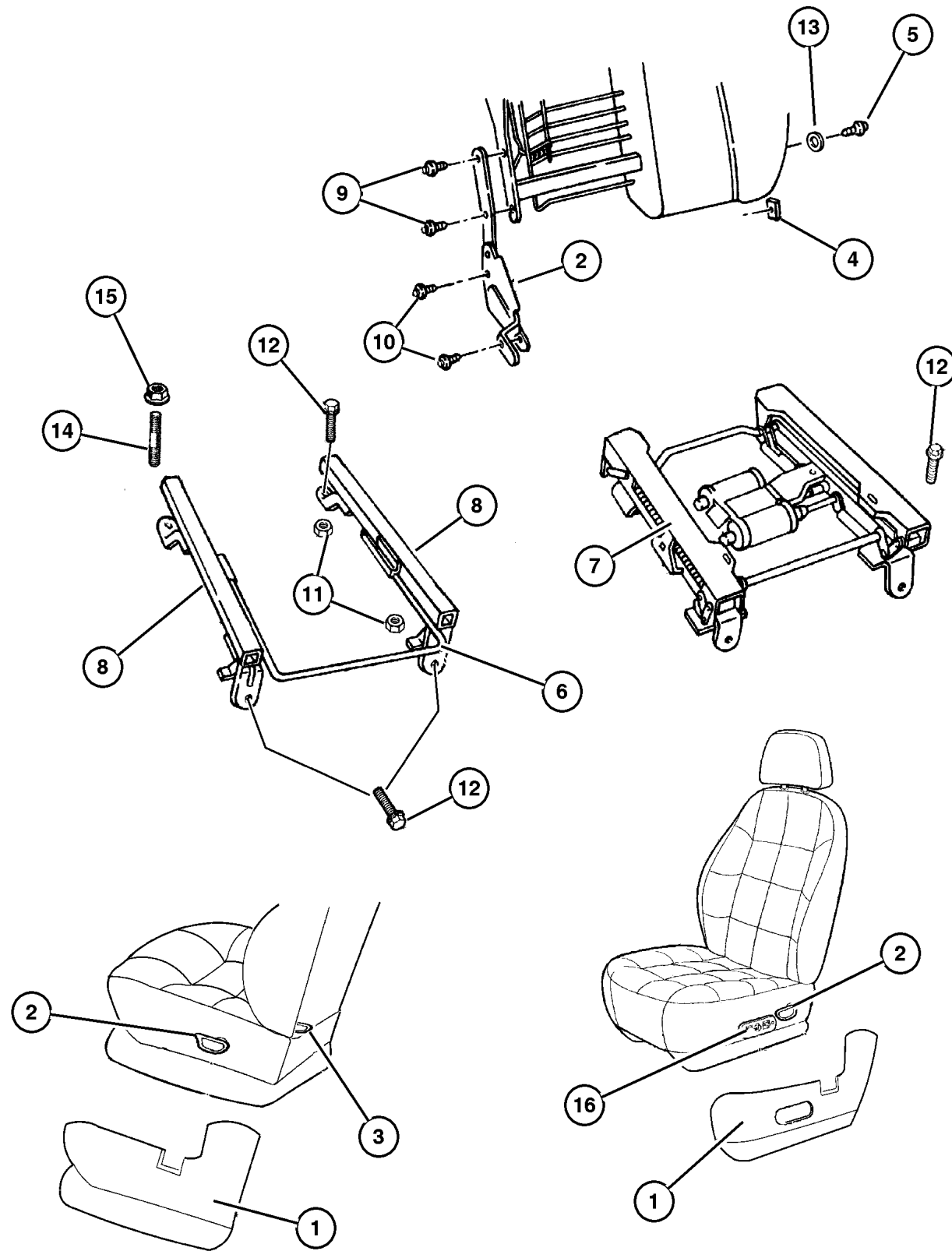
**JEEP CHEROKEE (XJ)**

SERIES	LINE	BODY	ENGINE	TRANSMISSION
L=Low Line	J=LHD (4WD) U=RHD (4WD) T=LHD (2WD) B=RHD (2WD)	74=4 DR. (101.4 WB) 72=2 DR. (101.4 WB)	ENC,EN0=2.5L 4 cyl. Turbo Die ERH,ER0=4.0L Power Tech I-6 EPE,EP0=Magnum 2.5L SMPI	DDQ=5Spd Man. DGS=4 Spd. Auto. AISIN DG0=All Auto Trans DBB=All Manual Trans.

AR = Use as required - = Non illustrated part # = New this model year

July 4, 2003

Recliner and Adjuster 1997 XJ  
Figure IXJ-810



ITEM	PART NUMBER	QTY	LINE	SERIES	BODY	ENGINE	TRANS	TRIM	DESCRIPTION
		1	B, U		72			XJ	Driver, Traveling Inboard Buckle, Export
		1	B, U		74			XJ	Driver, Traveling Inboard Buckle, Export
9									BOLT, Recliner to Seat Back
	4720 768	4			72			B6	
		4			74			B6	
		4			74			DL	
		4			72			M5	
		4			74			M5	
		4			74			XJ	
		4	J		72			XJ	
		4	B		72			XJ	
10									BOLT, Recliner To Cushion, Front Seat
	4796 793	4			72			B6	
		4			74			B6	
		4			74			DL	
		4			72			M5	
		4			74			M5	
		4			74			XJ	
		4	J		72			XJ	
		4			74			X5	
		4	B		72			XJ	
		1	J, T		72			XJ	
11	5101 925AA	8							NUT, Seat Adjuster To Cushion
12	6504 071	6							SCREW AND WASHER, Hex Head Tap, M8x1.25x33.00
13									WASHER, (NOT SERVICED) (Not Serviced)
14									STUD, (NOT SERVICED) (Not Serviced)
15	0152 477	2							NUT, Hex Flange Lock, .437-20
16									SWITCH, Seat
	4373 666	2			72				
		1			74				

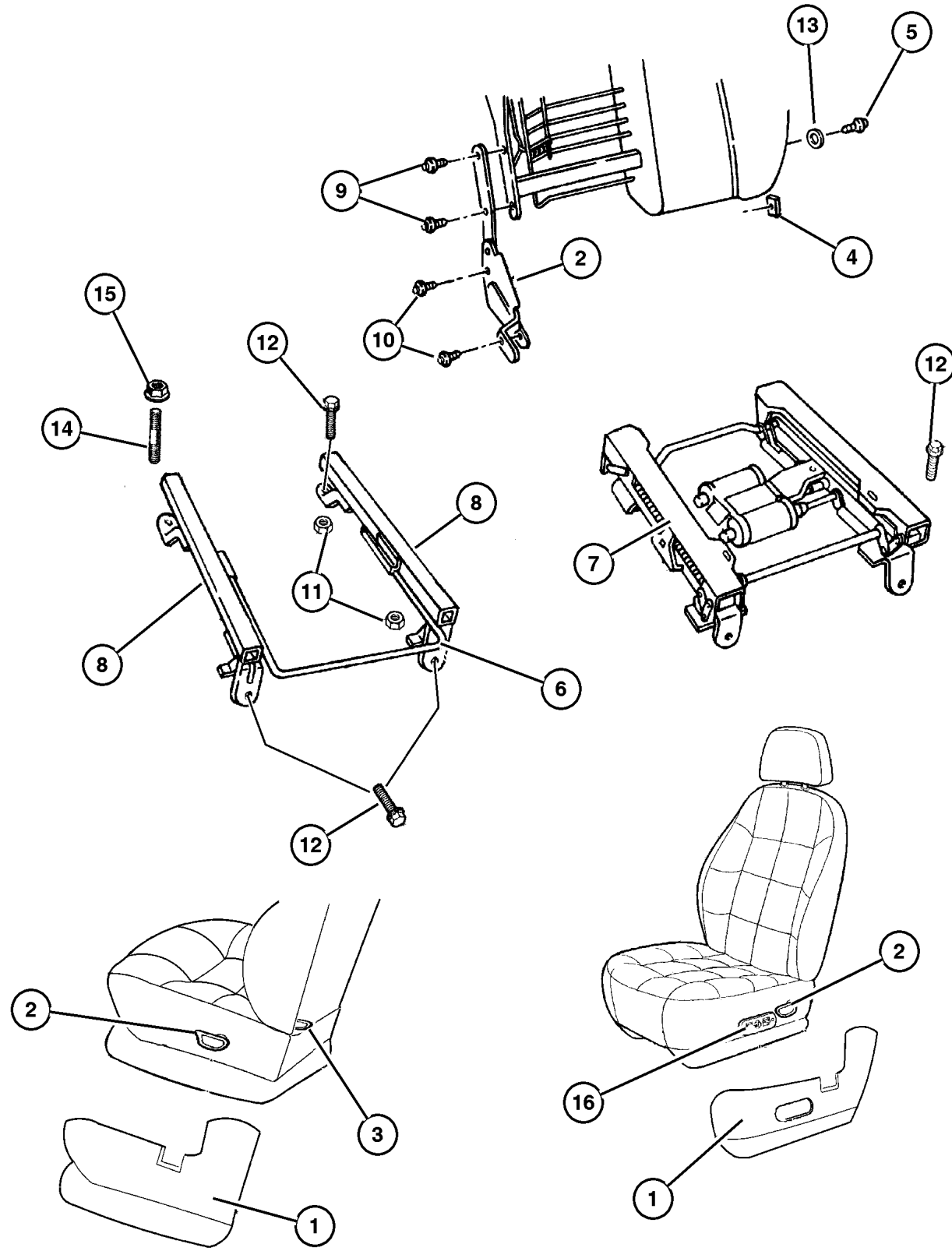
JEEP CHEROKEE (XJ)

SERIES	LINE	BODY	ENGINE	TRANSMISSION
L=Low Line	J=LHD (4WD) U=RHD (4WD) T=LHD (2WD) B=RHD (2WD)	74=4 DR. (101.4 WB) 72=2 DR. (101.4 WB)	ENC,EN0=2.5L 4 cyl. Turbo Die ERH,ER0=4.0L Power Tech I-6 EPE,EP0=Magnum 2.5L SMPI	DDQ=5Spd Man. DGS=4 Spd. Auto. AISIN DG0=All Auto Trans DBB=All Manual Trans.

AR = Use as required - = Non illustrated part # = New this model year

July 4, 2003

**Recliner and Adjuster 1998 XJ  
Figure IXJ-810**

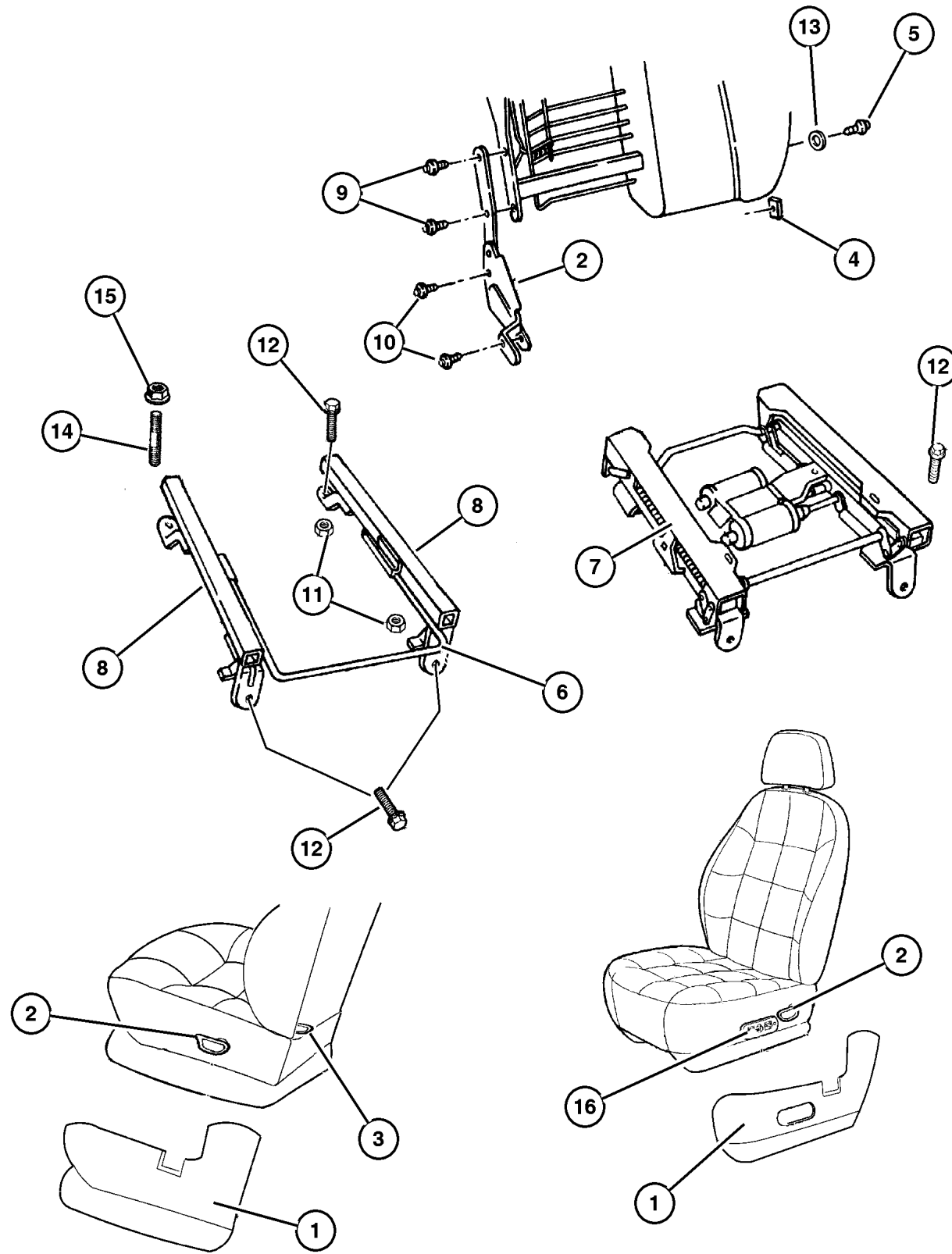


ITEM	PART NUMBER	QTY	LINE	SERIES	BODY	ENGINE	TRANS	TRIM	DESCRIPTION
1									SHIELD, Seat Cushion
	RA70 1C3AA	1	J, T		74			DL	Mist Gray, With Power, Right
		1	J, T		72			XJ	Mist Gray, With Power, Right
		1	J, T		74			XJ	Mist Gray, With Power, Right
		1	B, U		74			XJ	Mist Gray, With Power, Right
	RA70 1T6AA	1	B, U		74			DL	Mist Gray, With Power, Right
		1	J, T		74			DL	Saddle, With Power, Right
		1	J, T		72			XJ	Saddle, With Power, Right
		1	J, T		74			XJ	Saddle, With Power, Right
	RA71 1C3AA	1	B, U		74			XJ	Saddle, With Power, Right
		1	B, U		74			DL	Saddle, With Power, Right
		1	J, T		72			XJ	Mist Gray, With Power, Left
		1	J, T		74			XJ	Mist Gray, With Power, Left
		1	B, U		74			XJ	Mist Gray, With Power, Left
		1	B, U		74			DL	Mist Gray, With Power, Left
		1	J, T		74			DL	Mist Gray, With Power, Left
		1	J, T		72			M5	Mist Gray, With Power, Left
	RA71 1T6AA	1	J, T		74			M5	Mist Gray, With Power, Left
		1	J, T		72			XJ	Saddle, With Power, Left
		1	J, T		74			XJ	Saddle, With Power, Left
		1	B, U		74			XJ	Saddle, With Power, Left
		1	B, U		74			DL	Saddle, With Power, Left
		1	J, T		74			DL	Saddle, With Power, Left
		1	J, T		72			M5	Saddle, With Power, Left
		1	J, T		74			M5	Saddle, With Power, Left
	RA72 1C3AA	1	J, T		74			B6	Mist Gray, Manual, Right
		1	J, T		72			M5	Mist Gray, Manual, Right
		1	J, T		74			M5	Mist Gray, Manual, Right
		1	J, T		74			XJ	Mist Gray, Manual, Right
		1	J, T		72			XJ	Mist Gray, Manual, Right
		1	B, U		74			XJ	Mist Gray, Manual, Right
		1	J, T		74			X5	Mist Gray, Manual, Right
		1	B, U		74			M5	Mist Gray, Manual, Right
		1	B, U		74			B6	Mist Gray, Manual, Right
	RA72 1T6AA	1	J, T, U		72			B6	Mist Gray, Manual, Right
		1	J, T		74			B6	Saddle, Manual, Right
		1	J, T		72			M5	Saddle, Manual, Right
		1	J, T		74			M5	Saddle, Manual, Right
		1	J, T		74			XJ	Saddle, Manual, Right
		1	J, T		72			XJ	Saddle, Manual, Right
		1	B, U		74			XJ	Saddle, Manual, Right
		1	J, T		74			X5	Saddle, Manual, Right

**JEEP CHEROKEE (XJ)**  
 SERIES LINE BODY ENGINE TRANSMISSION  
 L=Low Line J=LHD (4WD) 74=4 DR. (101.4 WB) ENC,EN0=2.5L 4 cyl. Turbo Die DDQ=5Spd Man.  
 U=RHD (4WD) 72=2 DR. (101.4 WB) ERH,ER0=4.0L Power Tech I-6 DGS=4 Spd. Auto. AISIN  
 T=LHD (2WD) EPE,EP0=Magnum 2.5L SMPI DG0=All Auto Trans  
 B=RHD (2WD) DBB=All Manual Trans.



Recliner and Adjuster 1998 XJ  
Figure IXJ-810



ITEM	PART NUMBER	QTY	LINE	SERIES	BODY	ENGINE	TRANS	TRIM	DESCRIPTION
		1	B, U		74			M5	Saddle, Manual, Right
		1	B, U		74			B6	Saddle, Manual, Right
		1	J, T, U		72			B6	Saddle, Manual, Right
	RA73 1C3AA	1	J, T		74			B6	Mist Gray, Manual, Left
		1	J, T		72			M5	Mist Gray, Manual, Left
		1	J, T		74			M5	Mist Gray, Manual, Left
		1	J, T		74			XJ	Mist Gray, Manual, Left
		1	J, T		72			XJ	Mist Gray, Manual, Left
		1	B, U		74			XJ	Mist Gray, Manual, Left
		1	J, T		74			X5	Mist Gray, Manual, Left
		1	B, U		74			M5	Mist Gray, Manual, Left
		1	B, U		74			B6	Mist Gray, Manual, Left
		1	J, T, U		72			B6	Mist Gray, Manual, Left
	RA73 1T6AA	1	J, T		74			B6	Saddle, Manual, Left
		1	J, T		72			M5	Saddle, Manual, Left
		1	J, T		74			M5	Saddle, Manual, Left
		1	J, T		74			XJ	Saddle, Manual, Left
		1	J, T		72			XJ	Saddle, Manual, Left
		1	B, U		74			XJ	Saddle, Manual, Left
		1	J, T		74			X5	Saddle, Manual, Left
		1	B, U		74			M5	Saddle, Manual, Left
		1	B, U		74			B6	Saddle, Manual, Left
		1	J, T, U		72			B6	Saddle, Manual, Left
2									RECLINER, Seat Back
	4796 712	1	J, T, U		72			B6	Right
	4796 714	1	J, T		74			XJ	Includes Handle, Right
		1	B, U		74			XJ	Includes Handle, Right
		1	B, U		74			DL	Includes Handle, Right
		1	J, T		74			X5	Includes Handle, Right
		1	B, U		74			M5	Includes Handle, Right
		1	B, U		74			B6	Includes Handle, Right
	4796 715	1	J, T		74			B6	Includes Handle, Left
		1	J, T		74			DL	Includes Handle, Left
		1	J, T		74			M5	Includes Handle, Left
		1	J, T		74			XJ	Includes Handle, Left
	4796 712	1	J, T		72			M5	Right
	4796 715	1	B, U		74			XJ	Includes Handle, Left
		1	B, U		74			DL	Includes Handle, Left
		1	J, T		74			X5	Includes Handle, Left
		1	B, U		74			M5	Includes Handle, Left
		1	B, U		74			B6	Left
	4796 712	1	J, T		72			XJ	Right

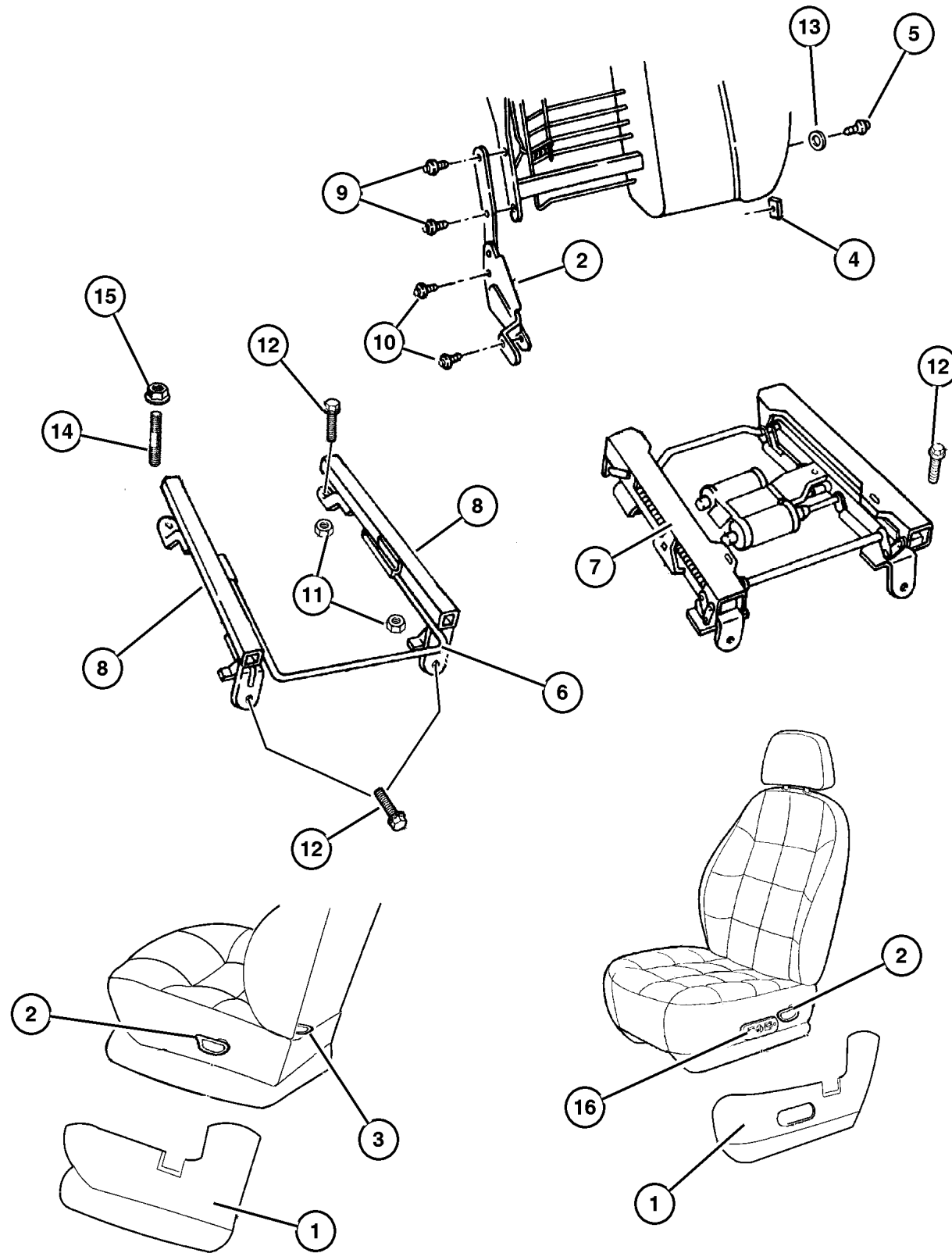
JEEP CHEROKEE (XJ)

SERIES	LINE	BODY	ENGINE	TRANSMISSION
L=Low Line	J=LHD (4WD) U=RHD (4WD) T=LHD (2WD) B=RHD (2WD)	74=4 DR. (101.4 WB) 72=2 DR. (101.4 WB)	ENC,EN0=2.5L 4 cyl. Turbo Die ERH,ER0=4.0L Power Tech I-6 EPE,EP0=Magnum 2.5L SMPI	DDQ=5Spd Man. DGS=4 Spd. Auto. AISIN DG0=All Auto Trans DBB=All Manual Trans.

AR = Use as required - = Non illustrated part # = New this model year

July 4, 2003

**Recliner and Adjuster 1998 XJ  
Figure IXJ-810**



ITEM	PART NUMBER	QTY	LINE	SERIES	BODY	ENGINE	TRANS	TRIM	DESCRIPTION
	4796 713	1	J, T, U		72			B6	Left
		1	J, T		72			M5	Left
		1	J, T		72			XJ	Left
	4796 714	1	J, T		74			B6	Includes Handle, Right
		1	J, T		74			DL	Includes Handle, Right
3		1	J, T		74			M5	Includes Handle, Right KNOB, Seat Recliner
	4796 720	2	J, T		72			M5	
		2	J, T		72			XJ	
4		2	J, T, U		72			B6	U-NUT, Seat Back
	4713 982	2	J, T		74			B6	
		2	J, T		74			DL	
		2	J, T		72			M5	
		2	J, T		74			M5	
		2	J, T		74			XJ	
		2	J, T		72			XJ	
		2	B, U		74			XJ	
		2	J, T		74			X5	
		2	B, U		74			M5	
		2	B, U		74			B6	
5		2	B, U		74			DL	
		2	J, T, U		72			B6	BOLT, Shoulder, I.B.-Back To Cushion-Pivot
	4797 554	2	J, T		74			B6	
		2	J, T		74			DL	
		2	J, T		72			M5	
		2	J, T		74			M5	
		2	J, T		74			XJ	
		2	J, T		72			XJ	
		2	J, T		74			X5	
		2	B, U		74			M5	
		2	B, U		74			B6	
		2	B, U		74			XJ	
		2	B, U		74			DL	
		2	J, T, U		72			B6	
6									HANDLE, Seat Release
	4796 780	2	J, T		74			B6	
		1	J, T		74			DL	
		2	J, T		72			M5	
		2	J, T		74			M5	

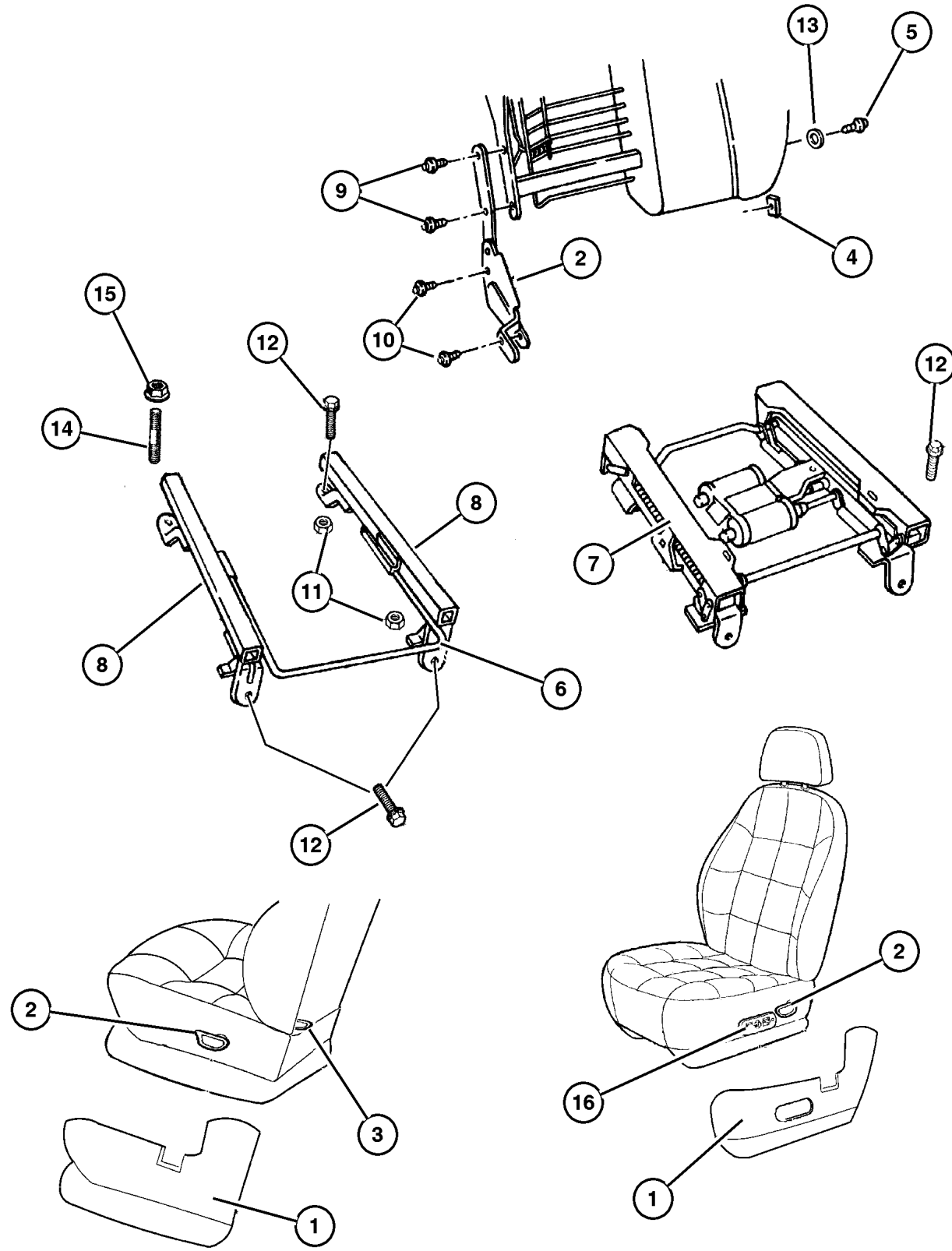
**JEEP CHEROKEE (XJ)**

SERIES	LINE	BODY	ENGINE	TRANSMISSION
L=Low Line	J=LHD (4WD) U=RHD (4WD) T=LHD (2WD) B=RHD (2WD)	74=4 DR. (101.4 WB) 72=2 DR. (101.4 WB)	ENC,EN0=2.5L 4 cyl. Turbo Die ERH,ER0=4.0L Power Tech I-6 EPE,EP0=Magnum 2.5L SMPI	DDQ=5Spd Man. DGS=4 Spd. Auto. AISIN DG0=All Auto Trans DBB=All Manual Trans.

AR = Use as required - = Non illustrated part # = New this model year

July 4, 2003

**Recliner and Adjuster 1998 XJ  
Figure IXJ-810**



ITEM	PART NUMBER	QTY	LINE	SERIES	BODY	ENGINE	TRANS	TRIM	DESCRIPTION
		1	J, T		74			XJ	
		2	B, U		74			XJ	
		2	J, T		74			X5	
		2	B, U		74			M5	
		2	B, U		74			B6	
7		2	J, T, U		72			B6	ADJUSTER, Power Seat, Includes Motor
	4886 375AA	1	J, T		74			DL	Right
		1	J, T		72			XJ	Right
		1	J, T		74			XJ	Right
		1	B, U		74			XJ	Right
		1	B, U		74			DL	Right
	4886 376AA	1	J, T		74			DL	Left
		1	J, T		74			XJ	Left
		1	J, T		72			XJ	Left
		1	J, T		72			M5	Left
		1	J, T		74			M5	Left
		1	B, U		74			XJ	Left
		1	B, U		74			DL	Left
8									ADJUSTER, Manual Seat
	4796 774	1	J, T		74			B6	Driver Outboard
		1	J, T		72			M5	Driver Outboard
		1	J, T		74			M5	Driver Outboard
		1	J, T		74			XJ	Driver Outboard
		1	J, T		72			XJ	Driver Outboard
		1	B, U		74			XJ	Driver Outboard
		1	J, T		74			X5	Driver Outboard
		1	B, U		74			M5	Driver Outboard
		1	B, U		74			B6	Driver Outboard
		1	J, T, U		72			B6	Driver Outboard
	4796 776	1	J, T		74			B6	Passenger Outboard
		1	J, T		74			DL	Passenger Outboard
		1	J, T		72			M5	Passenger Outboard
		1	J, T		74			M5	Passenger Outboard
		1	J, T		74			XJ	Passenger Outboard
		1	J, T		72			XJ	Passenger Outboard
		1	B, U		74			XJ	Passenger Outboard
		1	J, T		74			X5	Passenger Outboard
		1	B, U		74			M5	Passenger Outboard
		1	B, U		74			B6	Passenger Outboard
		1	J, T, U		72			B6	Passenger Outboard

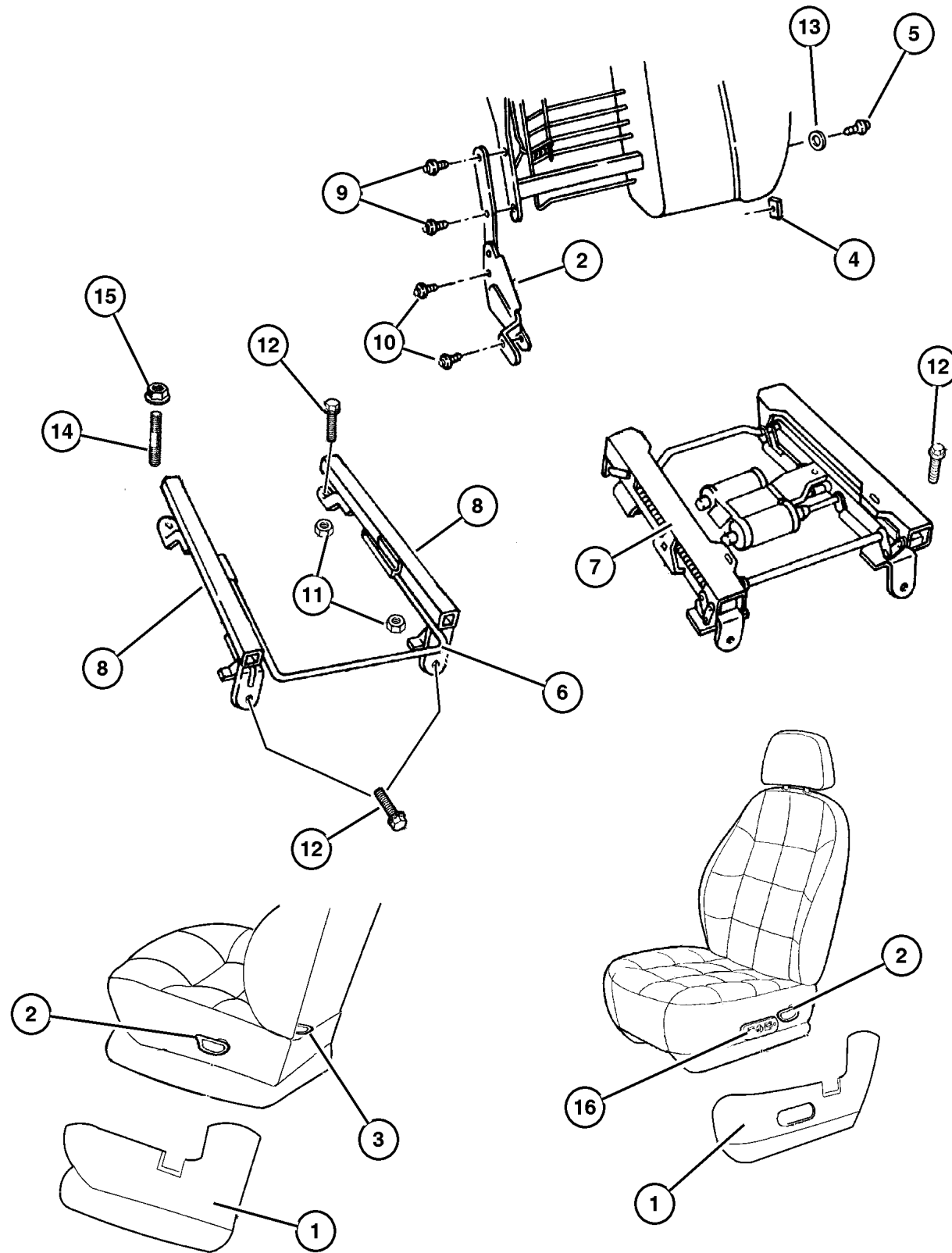
**JEEP CHEROKEE (XJ)**

SERIES	LINE	BODY	ENGINE	TRANSMISSION
L=Low Line	J=LHD (4WD) U=RHD (4WD) T=LHD (2WD) B=RHD (2WD)	74=4 DR. (101.4 WB) 72=2 DR. (101.4 WB)	ENC,EN0=2.5L 4 cyl. Turbo Die ERH,ER0=4.0L Power Tech I-6 EPE,EP0=Magnum 2.5L SMPI	DDQ=5Spd Man. DGS=4 Spd. Auto. AISIN DG0=All Auto Trans DBB=All Manual Trans.

AR = Use as required - = Non illustrated part # = New this model year

July 4, 2003

**Recliner and Adjuster 1998 XJ  
Figure IXJ-810**



ITEM	PART NUMBER	QTY	LINE	SERIES	BODY	ENGINE	TRANS	TRIM	DESCRIPTION
	5003 811AA	1	J, T		72			XJ	Passenger Inboard
		1	J, T		74			XJ	Passenger Inboard
		1	B, U		74			XJ	Passenger Inboard
		1	J, T		74			B6	Passenger Inboard
		1	J, T		74			DL	Passenger Inboard
		1	J, T		72			M5	Passenger Inboard
		1	J, T		74			M5	Passenger Inboard
		1	J, T		74			X5	Passenger Inboard
		1	B, U		74			M5	Passenger Inboard
		1	B, U		74			B6	Passenger Inboard
		1	J, T, U		72			B6	Passenger Inboard
	5003 812AA	1	J, T		72			XJ	Driver Inboard
		1	J, T		74			XJ	Driver Inboard
		1	B, U		74			XJ	Driver Inboard
		1	J, T		74			B6	Driver Inboard
		1	J, T		72			M5	Driver Inboard
		1	J, T		74			M5	Driver Inboard
		1	J, T		74			X5	Driver Inboard
		1	B, U		74			M5	Driver Inboard
		1	B, U		74			B6	Driver Inboard
		1	J, T, U		72			B6	Driver Inboard
9									BOLT, Recliner to Seat Back
	4720 768	4	J, T		74			X5	
		4	B, U		74			M5	
		4	B, U		74			B6	
		4	B, U		74			DL	
10									BOLT, Recliner To Cushion, Front Seat
	4796 793	4	J, T		74			B6	
		4	J, T		74			DL	
		4	J, T		72			M5	
		4	J, T		74			M5	
		4	J, T		72			XJ	
		4	J, T		74			XJ	
		4	B, U		74			XJ	
		4	B, U		74			M5	
		4	B, U		74			B6	
		4	B, U		74			DL	
11	5101 925AA	8							NUT, Seat Adjuster To Cushion
12	6504 071	6							SCREW AND WASHER, Hex Head Tap, M8x1.25x33.00
13									WASHER, (NOT SERVICED) (Not Serviced)

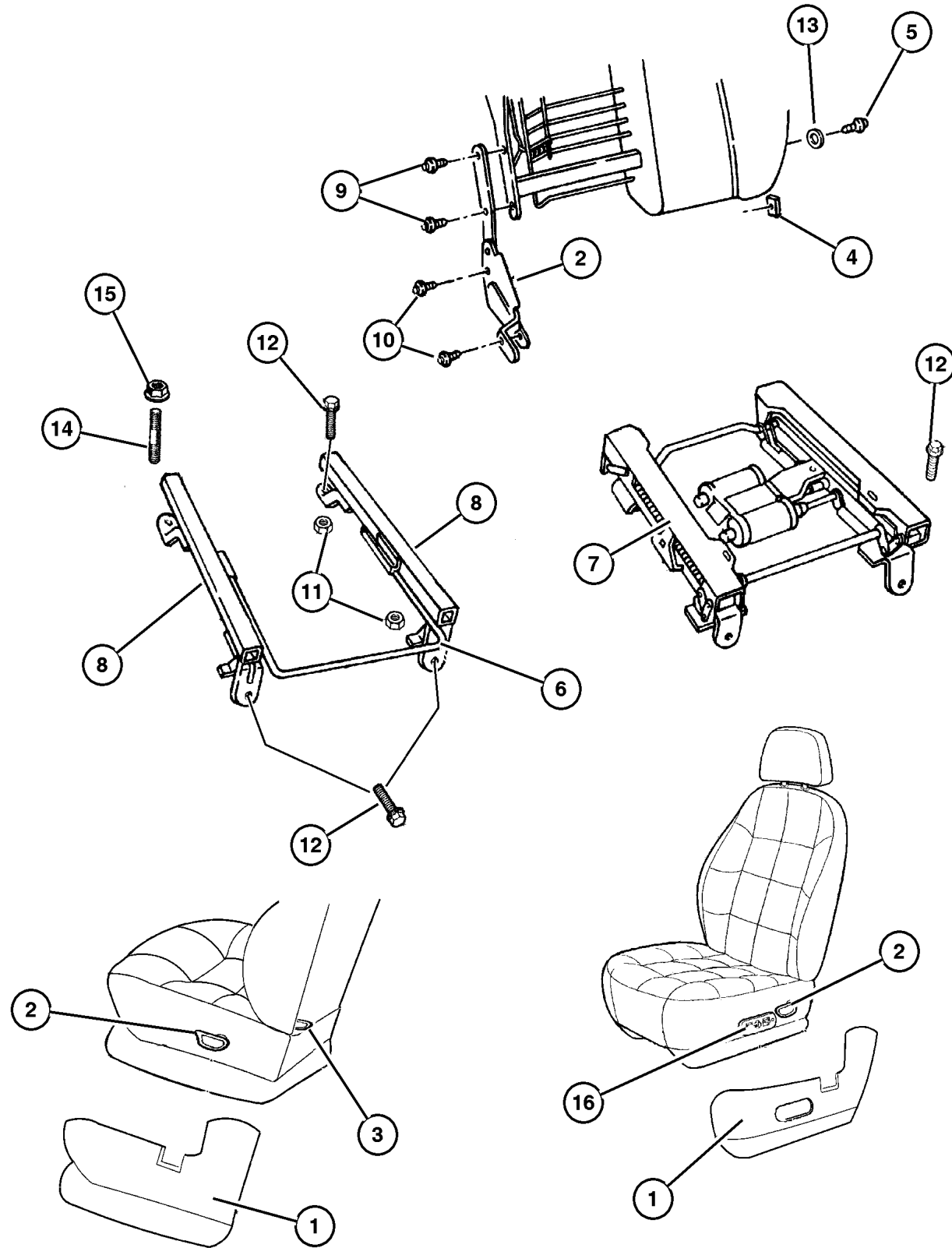
**JEEP CHEROKEE (XJ)**

SERIES	LINE	BODY	ENGINE	TRANSMISSION
L=Low Line	J=LHD (4WD) U=RHD (4WD) T=LHD (2WD) B=RHD (2WD)	74=4 DR. (101.4 WB) 72=2 DR. (101.4 WB)	ENC,EN0=2.5L 4 cyl. Turbo Die ERH,ER0=4.0L Power Tech I-6 EPE,EP0=Magnum 2.5L SMPI	DDQ=5Spd Man. DGS=4 Spd. Auto. AISIN DG0=All Auto Trans DBB=All Manual Trans.

AR = Use as required - = Non illustrated part # = New this model year

July 4, 2003

**Recliner and Adjuster 1998 XJ  
Figure IXJ-810**



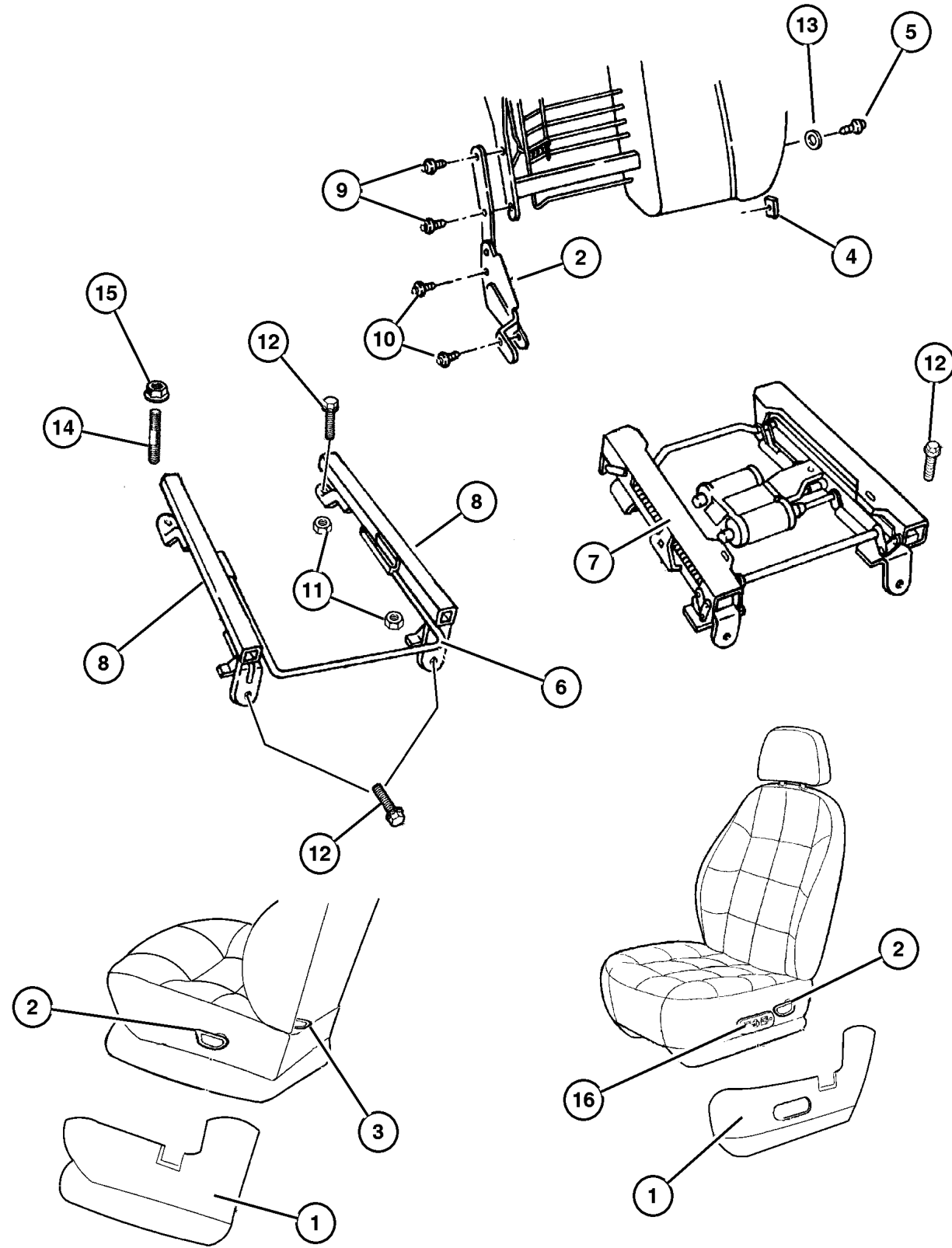
ITEM	PART NUMBER	QTY	LINE	SERIES	BODY	ENGINE	TRANS	TRIM	DESCRIPTION
14									STUD, (NOT SERVICED) (Not Serviced)
15	0152 477	2							NUT, Hex Flange Lock, .437-20
16	4373 666	2	B, U		74			XJ	SWITCH, Seat
		2	B, U		74			DL	
		2	J, T		74			XJ	
		2	J, T		72			XJ	
		2	J, T		74			DL	

JEEP CHEROKEE (XJ)				
SERIES	LINE	BODY	ENGINE	TRANSMISSION
L=Low Line	J=LHD (4WD) U=RHD (4WD) T=LHD (2WD) B=RHD (2WD)	74=4 DR. (101.4 WB) 72=2 DR. (101.4 WB)	ENC,EN0=2.5L 4 cyl. Turbo Die ERH,ER0=4.0L Power Tech I-6 EPE,EP0=Magnum 2.5L SMPI	DDQ=5Spd Man. DGS=4 Spd. Auto. AISIN DG0=All Auto Trans DBB=All Manual Trans.

AR = Use as required - = Non illustrated part # = New this model year

July 4, 2003

Recliner and Adjuster 1999 XJ  
Figure IXJ-810



ITEM	PART NUMBER	QTY	LINE	SERIES	BODY	ENGINE	TRANS	TRIM	DESCRIPTION
1									SHIELD, Seat Cushion
	RA70 1AZAA	1	J, T		72			XJ	Agate, With Power, Right
	RA70 1K5AA	1	B, U		74			DL	Camel, With Power, Right
	RA71 1AZAA	1	J, T		74			M5	Agate, With Power, Left
		1	J, T		72			M5	Agate, With Power, Left
		1	B, U		74			DL	Agate, With Power, Left
		1	J, T		74			DL	Agate, With Power, Left
		1	B, U		74			XJ	Agate, With Power, Left
		1	J, T		74			XJ	Agate, With Power, Left
		1	J, T		72			XJ	Agate, With Power, Left
	RA71 1K5AA	1	J, T		74			M5	Camel, With Power, Left
		1	J, T		72			M5	Camel, With Power, Left
	RA70 1AZAA	1	J, T		74			XJ	Agate, With Power, Right
	RA71 1K5AA	1	B, U		74			DL	Camel, With Power, Left
		1	J, T		74			DL	Camel, With Power, Left
		1	B, U		74			XJ	Camel, With Power, Left
		1	J, T		74			XJ	Camel, With Power, Left
		1	J, T		72			XJ	Camel, With Power, Left
	RA72 1AZAA	1	J, T, U		72			B6	Agate, Manual, Right
		1	J, T		74			B6	Agate, Manual, Right
		1	B, U		74			B6	Agate, Manual, Right
		1	J, T		74			DL	Agate, Manual, Right
		1	J, T		72			M5	Agate, Manual, Right
	RA70 1AZAA	1	B, U		74			XJ	Agate, With Power, Right
	RA72 1AZAA	1	J, T		74			M5	Agate, Manual, Right
		1	J, T		74			X5	Agate, Manual, Right
		1	B, U		74			M5	Agate, Manual, Right
		1	J, T		72			XJ	Agate, Manual, Right
		1	J, T		74			XJ	Agate, Manual, Right
		1	B, U		74			XJ	Agate, Manual, Right
	RA72 1K5AA	1	B, U		74			XJ	Camel, Manual, Right
		1	J, T		74			XJ	Camel, Manual, Right
		1	J, T		72			XJ	Camel, Manual, Right
		1	B, U		74			M5	Camel, Manual, Right
	RA70 1AZAA	1	J, T		74			DL	Agate, With Power, Right
	RA72 1K5AA	1	J, T		74			X5	Camel, Manual, Right
		1	J, T		72			M5	Camel, Manual, Right
		1	J, T		74			M5	Camel, Manual, Right
		1	J, T		74			DL	Camel, Manual, Right
		1	B, U		74			B6	Camel, Manual, Right
		1	J, T		74			B6	Camel, Manual, Right
		1	J, T, U		72			B6	Camel, Manual, Right

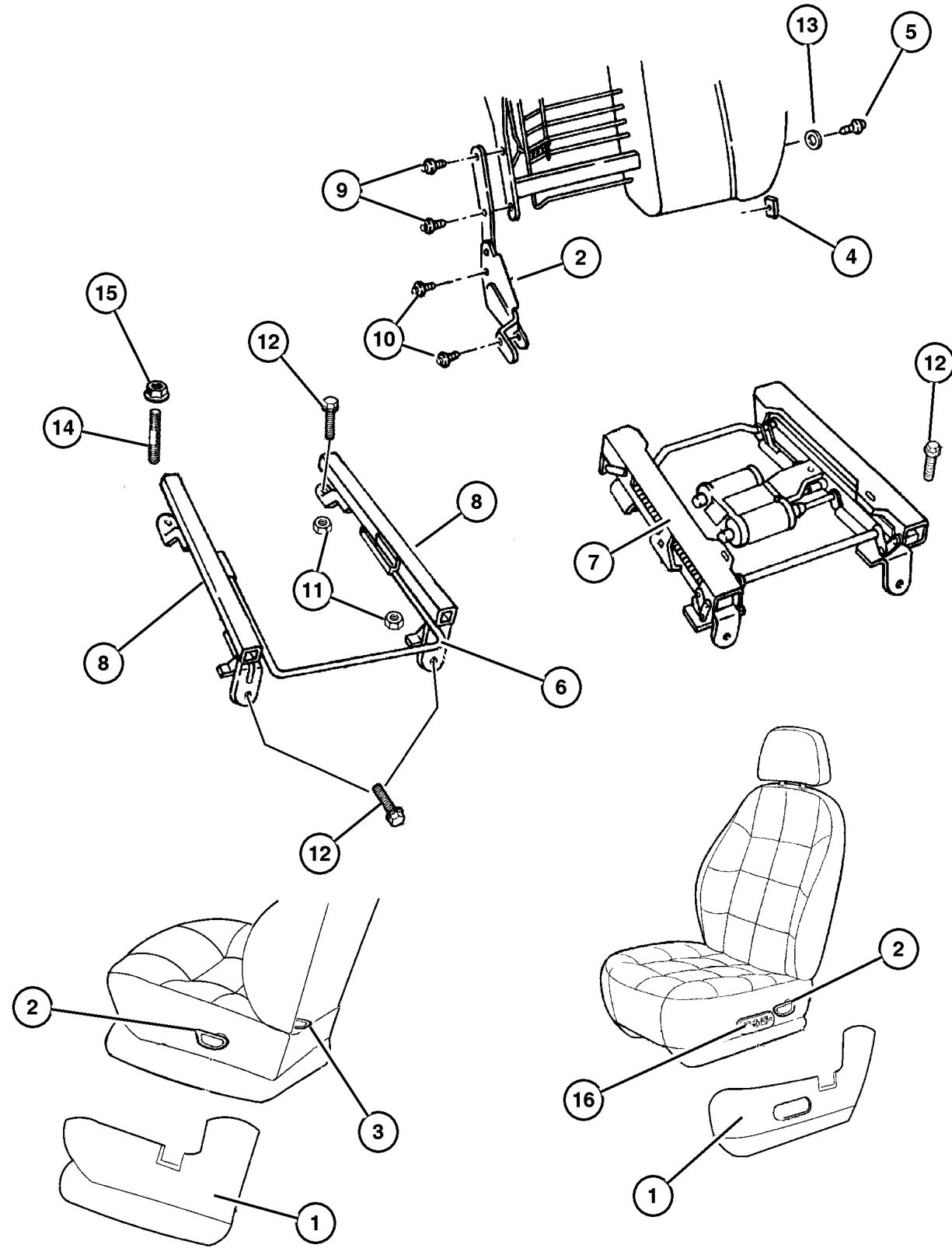
JEEP CHEROKEE (XJ)

SERIES	LINE	BODY	ENGINE	TRANSMISSION
L=Low Line	J=LHD (4WD) U=RHD (4WD) T=LHD (2WD) B=RHD (2WD)	74=4 DR. (101.4 WB) 72=2 DR. (101.4 WB)	ENC,EN0=2.5L 4 cyl. Turbo Die ERH,ER0=4.0L Power Tech I-6 EPE,EP0=Magnum 2.5L SMPI	DDQ=5Spd Man. DGS=4 Spd. Auto. AISIN DG0=All Auto Trans DBB=All Manual Trans.

AR = Use as required - = Non illustrated part # = New this model year

July 4, 2003

**Recliner and Adjuster 1999 XJ  
Figure IXJ-810**



ITEM	PART NUMBER	QTY	LINE	SERIES	BODY	ENGINE	TRANS	TRIM	DESCRIPTION
	RA73 1AZAA	1	J, T, U		72			B6	Agate, Manual, Left
		1	J, T		74			B6	Agate, Manual, Left
		1	B, U		74			XJ	Agate, Manual, Left
	RA70 1AZAA	1	B, U		74			DL	Agate, With Power, Right
	RA73 1AZAA	1	J, T		74			XJ	Agate, Manual, Left
		1	J, T		72			XJ	Agate, Manual, Left
		1	B, U		74			M5	Agate, Manual, Left
		1	J, T		74			X5	Agate, Manual, Left
		1	J, T		74			M5	Agate, Manual, Left
		1	J, T		72			M5	Agate, Manual, Left
		1	B, U		74			B6	Agate, Manual, Left
	RA73 1K5AA	1	J, T, U		72			B6	Camel, Manual, Left
		1	J, T		74			B6	Camel, Manual, Left
		1	B, U		74			B6	Camel, Manual, Left
	RA70 1K5AA	1	J, T		72			XJ	Camel, With Power, Right
	RA73 1K5AA	1	J, T		72			M5	Camel, Manual, Left
		1	J, T		74			M5	Camel, Manual, Left
		1	J, T		74			X5	Camel, Manual, Left
		1	B, U		74			M5	Camel, Manual, Left
		1	J, T		72			XJ	Camel, Manual, Left
		1	J, T		74			XJ	Camel, Manual, Left
		1	B, U		74			XJ	Camel, Manual, Left
		1	J, T		74			XJ	Camel, With Power, Right
		1	B, U		74			XJ	Camel, With Power, Right
		1	J, T		74			DL	Camel, With Power, Right
2									RECLINER, Seat Back
	4796 712	1	J, T, U		72			B6	Right
	4796 714	1	B, U		74			XJ	Includes Handle, Right
		1	J, T		74			X5	Includes Handle, Right
		1	B, U		74			M5	Includes Handle, Right
		1	B, U		74			B6	Includes Handle, Right
		1	J, T		74			DL	Includes Handle, Right
		1	B, U		74			DL	Includes Handle, Right
	4796 715	1	B, U		74			DL	Includes Handle, Left
		1	J, T		74			DL	Includes Handle, Left
		1	B, U		74			B6	Includes Handle, Left
		1	B, U		74			M5	Includes Handle, Left
	4796 712	1	J, T		72			M5	Right
	4796 715	1	J, T		74			X5	Includes Handle, Left
		1	B, U		74			XJ	Includes Handle, Left
		1	J, T		74			XJ	Includes Handle, Left
		1	J, T		74			M5	Includes Handle, Left

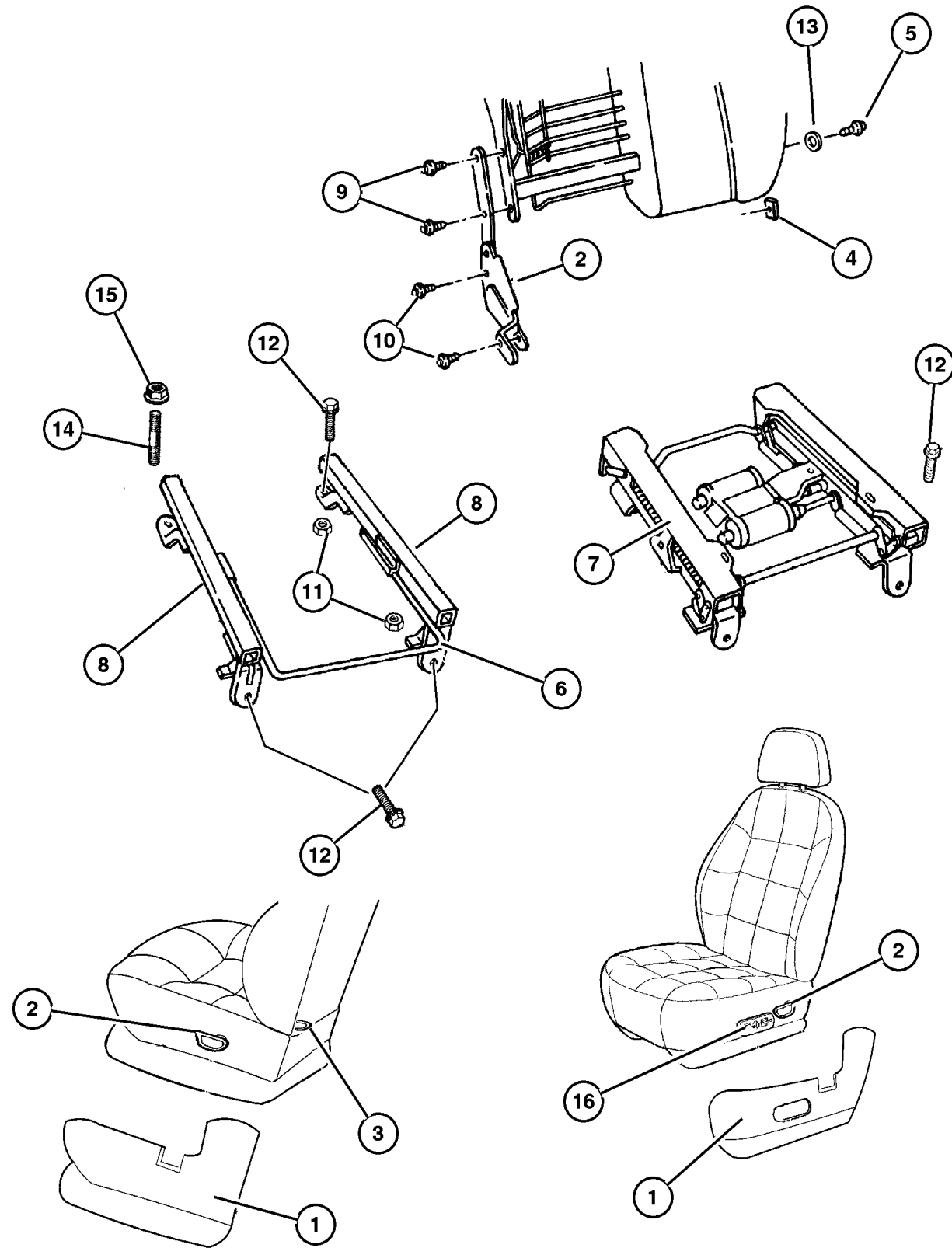
**JEEP CHEROKEE (XJ)**

SERIES	LINE	BODY	ENGINE	TRANSMISSION
L=Low Line	J=LHD (4WD) U=RHD (4WD) T=LHD (2WD) B=RHD (2WD)	74=4 DR. (101.4 WB) 72=2 DR. (101.4 WB)	ENC,EN0=2.5L 4 cyl. Turbo Die ERH,ER0=4.0L Power Tech I-6 EPE,EP0=Magnum 2.5L SMPI	DDQ=5Spd Man. DGS=4 Spd. Auto. AISIN DG0=All Auto Trans DBB=All Manual Trans.

AR = Use as required - = Non illustrated part # = New this model year

July 4, 2003

**Recliner and Adjuster 1999 XJ  
Figure IXJ-810**



ITEM	PART NUMBER	QTY	LINE	SERIES	BODY	ENGINE	TRANS	TRIM	DESCRIPTION
		1	J, T		74			B6	Includes Handle, Left
	4796 712	1	J, T		72			XJ	Right
	4796 713	1	J, T		72			XJ	Left
		1	J, T		72			M5	Left
		1	J, T, U		72			B6	Left
	4796 714	1	J, T		74			B6	Includes Handle, Right
		1	J, T		74			M5	Includes Handle, Right
		1	J, T		74			XJ	Includes Handle, Right
3									KNOB, Seat Recliner
	4796 720	2	J, T, U		72			B6	
		2	J, T		72			M5	
		2	J, T		72			XJ	
4									U-NUT, Seat Back
	4713 982	2	J, T		72			M5	
		2	J, T		74			DL	
		2	B, U		74			DL	
		2	J, T, U		72			B6	
		2	J, T		72			XJ	
		2	J, T		74			B6	
		2	J, T		74			M5	
		2	J, T		74			XJ	
		2	B, U		74			XJ	
		2	J, T		74			X5	
		2	B, U		74			M5	
		2	B, U		74			B6	
5									BOLT, Shoulder, I.B.-Back To Cushion-Pivot
	4797 554	2	J, T		72			M5	
		2	J, T		74			DL	
		2	B, U		74			DL	
		2	J, T, U		72			B6	
		2	J, T		72			XJ	
		2	J, T		74			B6	
		2	J, T		74			M5	
		2	J, T		74			XJ	
		2	B, U		74			XJ	
		2	J, T		74			X5	
		2	B, U		74			M5	
		2	B, U		74			B6	
6									HANDLE, Seat Release
	4796 780	2	J, T, U		72			B6	
		2	J, T		74			B6	

**JEEP CHEROKEE (XJ)**

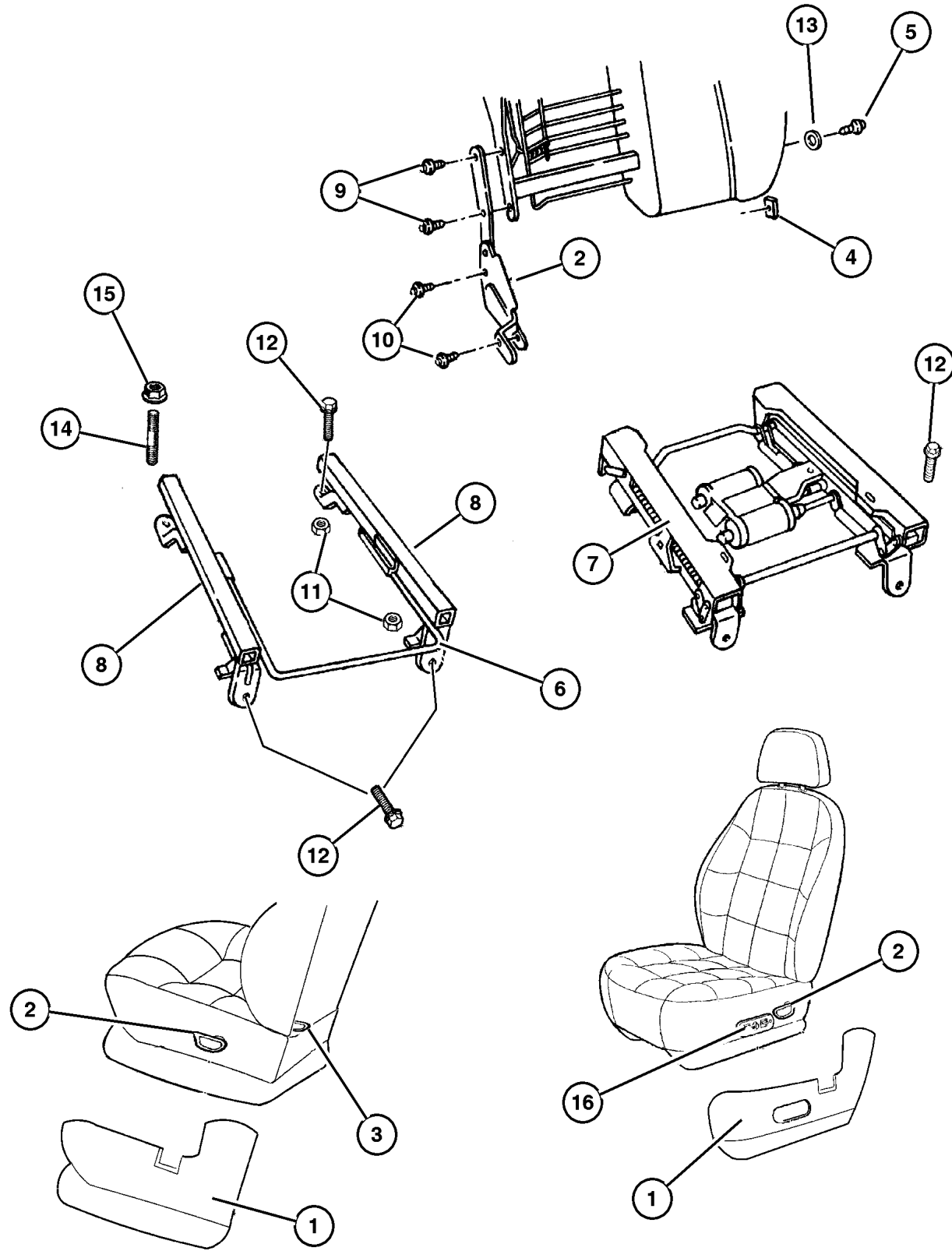
SERIES	LINE	BODY	ENGINE	TRANSMISSION
L=Low Line	J=LHD (4WD) U=RHD (4WD) T=LHD (2WD) B=RHD (2WD)	74=4 DR. (101.4 WB) 72=2 DR. (101.4 WB)	ENC,EN0=2.5L 4 cyl. Turbo Die ERH,ER0=4.0L Power Tech I-6 EPE,EP0=Magnum 2.5L SMPI	DDQ=5Spd Man. DGS=4 Spd. Auto. AISIN DG0=All Auto Trans DBB=All Manual Trans.

AR = Use as required - = Non illustrated part # = New this model year

July 4, 2003



**Recliner and Adjuster 1999 XJ  
Figure IXJ-810**



ITEM	PART NUMBER	QTY	LINE	SERIES	BODY	ENGINE	TRANS	TRIM	DESCRIPTION
		1	J, T		74			DL	
		2	J, T		72			M5	
		2	J, T		74			M5	
		2	J, T		74			XJ	
		2	B, U		74			XJ	
		2	B, U		74			M5	
		2	B, U		74			B6	
7									ADJUSTER, Power Seat, Includes Motor
	4886 375AA	1	J, T		72			XJ	Right,Export
	#5013 658AA	1	J, T		74			DL	With Heated Seats, Right
		1	B, U		74			DL	With Heated Seats, Right
	#5013 659AA	1	B, U		74			DL	With Heated Seats, Left
		1	J, T		74			DL	With Heated Seats, Left
	4886 375AA	1	J, T		74			XJ	Right,Export
		1	B, U		74			XJ	Right,Export
	4886 376AA	1	J, T		74			DL	Left
		1	J, T		72			M5	Left
		1	J, T		74			M5	Left
		1	B, U		74			XJ	Left
		1	J, T		74			XJ	Left
		1	J, T		72			XJ	Left
8									ADJUSTER, Manual Seat
	4796 774	1	J, T		74			B6	Driver Outboard
	4796 776	1	B, U		74			XJ	Passenger Outboard
		1	J, T		72			XJ	Passenger Outboard
		1	J, T		74			XJ	Passenger Outboard
		1	B, U		74			M5	Passenger Outboard
		1	J, T		74			M5	Passenger Outboard
		1	J, T		72			M5	Passenger Outboard
		1	J, T		74			DL	Passenger Outboard
		1	B, U		74			B6	Passenger Outboard
		1	J, T		74			B6	Passenger Outboard
		1	J, T, U		72			B6	Passenger Outboard
	4796 774	1	B, U		74			B6	Driver Outboard
	5003 811AA	1	J, T		74			B6	Passenger Inboard
		1	B, U		74			B6	Passenger Inboard
		1	J, T		74			DL	Passenger Inboard
		1	J, T		72			M5	Passenger Inboard
		1	J, T		74			M5	Passenger Inboard
		1	B, U		74			M5	Passenger Inboard
		1	J, T		74			X5	Passenger Inboard

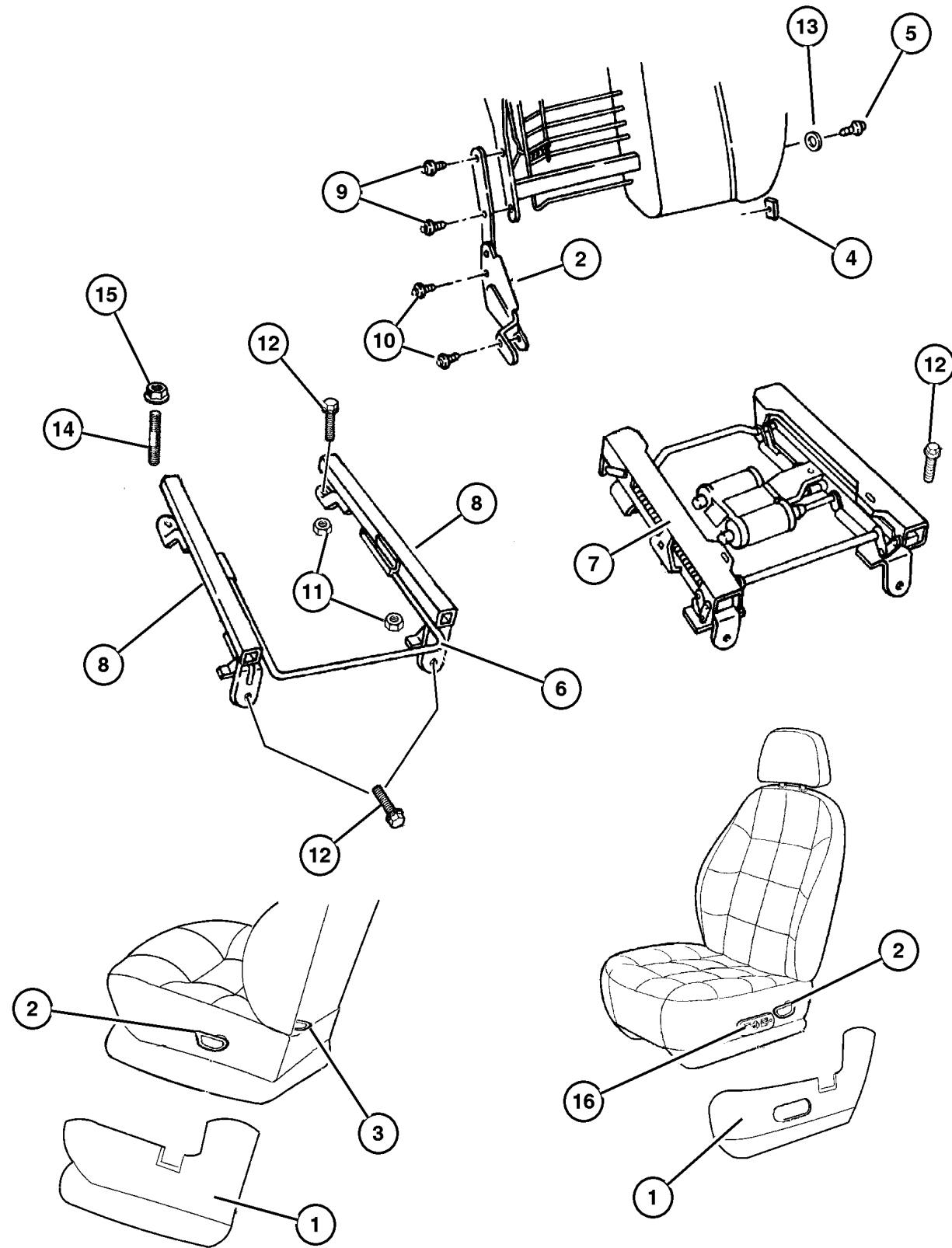
**JEEP CHEROKEE (XJ)**

SERIES	LINE	BODY	ENGINE	TRANSMISSION
L=Low Line	J=LHD (4WD) U=RHD (4WD) T=LHD (2WD) B=RHD (2WD)	74=4 DR. (101.4 WB) 72=2 DR. (101.4 WB)	ENC,EN0=2.5L 4 cyl. Turbo Die ERH,ER0=4.0L Power Tech I-6 EPE,EP0=Magnum 2.5L SMPI	DDQ=5Spd Man. DGS=4 Spd. Auto. AISIN DG0=All Auto Trans DBB=All Manual Trans.

AR = Use as required - = Non illustrated part # = New this model year

July 4, 2003

**Recliner and Adjuster 1999 XJ  
Figure IXJ-810**



ITEM	PART NUMBER	QTY	LINE	SERIES	BODY	ENGINE	TRANS	TRIM	DESCRIPTION
		1	J, T		74			XJ	Passenger Inboard
		1	J, T		72			XJ	Passenger Inboard
		1	J, T, U		72			B6	Passenger Inboard
	4796 774	1	J, T		74			M5	Driver Outboard
	5003 811AA	1	B, U		74			XJ	Passenger Inboard
	5003 812AA	1	J, T		74			XJ	Driver Inboard
		1	J, T, U		72			B6	Driver Inboard
		1	J, T		72			M5	Driver Inboard
		1	J, T		72			XJ	Driver Inboard
		1	J, T		74			X5	Driver Inboard
		1	B, U		74			M5	Driver Inboard
		1	B, U		74			B6	Driver Inboard
	4796 774	1	J, T		74			X5	Driver Outboard
		1	B, U		74			M5	Driver Outboard
		1	J, T		72			XJ	Driver Outboard
		1	J, T		74			XJ	Driver Outboard
		1	J, T, U		72			B6	Driver Outboard
		1	J, T		72			M5	Driver Outboard
9									BOLT, Recliner to Seat Back
	4720 768	4	J, T, U		72			B6	
		4	B, U		74			XJ	
		4	J, T		74			DL	
		4	B, U		74			DL	
		4	J, T		74			B6	
		4	B, U		74			B6	
		4	J, T		72			M5	
		4	J, T		74			M5	
		4	B, U		74			M5	
		4	J, T		74			X5	
		4	J, T		74			XJ	
		4	J, T		72			XJ	
10									BOLT, Recliner To Cushion, Front Seat
	4796 793	4	J, T		74			B6	
		4	B, U		74			XJ	
		4	B, U		74			DL	
		4	J, T, U		72			B6	
		4	B, U		74			B6	
		4	J, T		74			DL	
		4	J, T		72			M5	
		4	J, T		74			M5	
		4	B, U		74			M5	

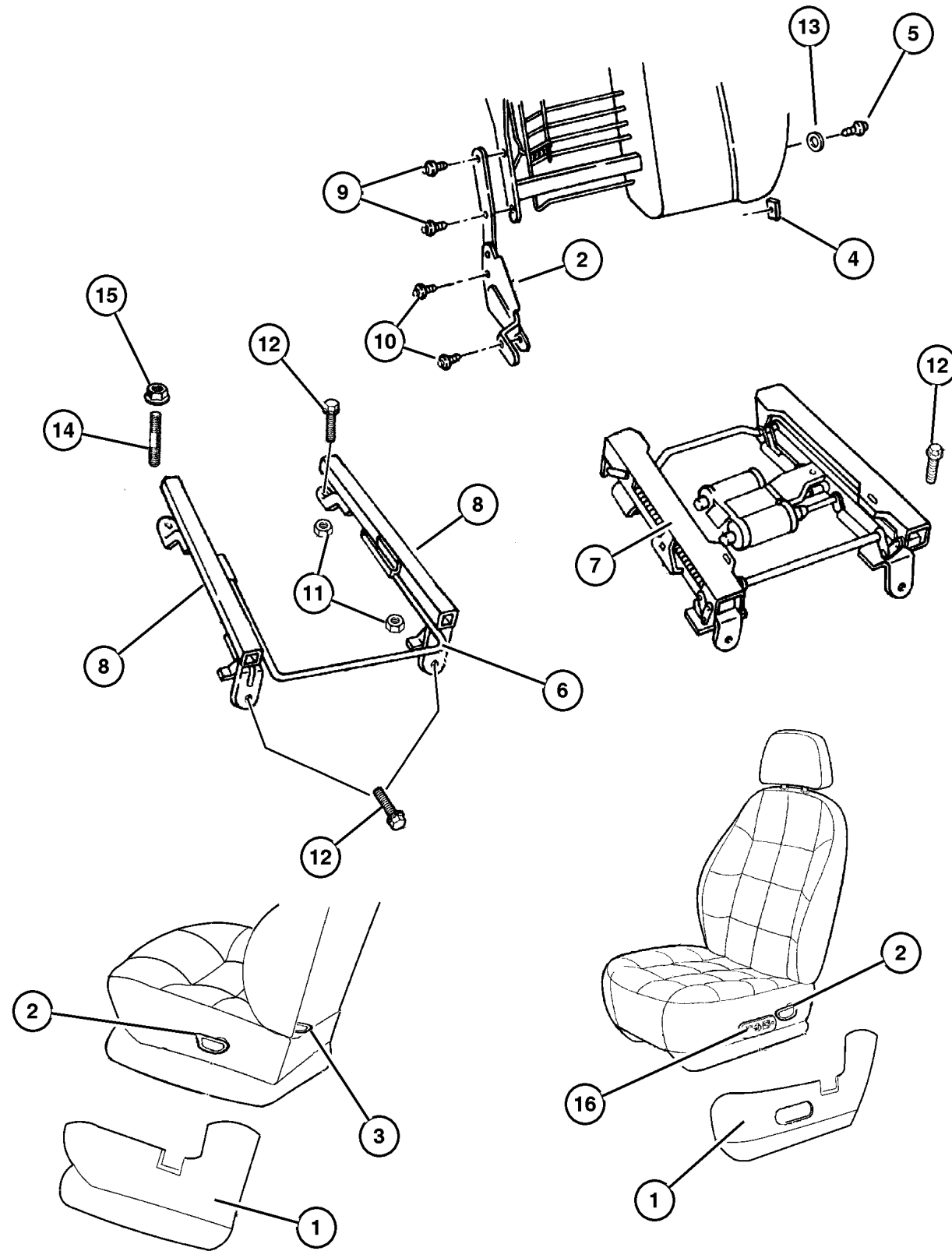
**JEEP CHEROKEE (XJ)**

SERIES	LINE	BODY	ENGINE	TRANSMISSION
L=Low Line	J=LHD (4WD) U=RHD (4WD) T=LHD (2WD) B=RHD (2WD)	74=4 DR. (101.4 WB) 72=2 DR. (101.4 WB)	ENC,EN0=2.5L 4 cyl. Turbo Die ERH,ER0=4.0L Power Tech I-6 EPE,EP0=Magnum 2.5L SMPI	DDQ=5Spd Man. DGS=4 Spd. Auto. AISIN DG0=All Auto Trans DBB=All Manual Trans.

AR = Use as required - = Non illustrated part # = New this model year

July 4, 2003

**Recliner and Adjuster 1999 XJ  
Figure IXJ-810**



ITEM	PART NUMBER	QTY	LINE	SERIES	BODY	ENGINE	TRANS	TRIM	DESCRIPTION
		4	J, T		74			X5	
		4	J, T		74			XJ	
		4	J, T		72			XJ	
11	5101 925AA	8							NUT, Seat Adjuster To Cushion
12	6505 227AA	6							SCREW AND WASHER, Hex Head Tap, M8x1.25x33.00
13									WASHER, (NOT SERVICED) (Not Serviced)
14									STUD, (NOT SERVICED) (Not Serviced)
15	0152 477	2							NUT, Hex Flange Lock, .437-20
16	4373 666	1	J, T		72			M5	SWITCH, Seat
		2	J, T		72			XJ	
		2	J, T		74			XJ	
		2	B, U		74			XJ	
		2	J, T		74			DL	
		2	B, U		74			DL	

**JEEP CHEROKEE (XJ)**

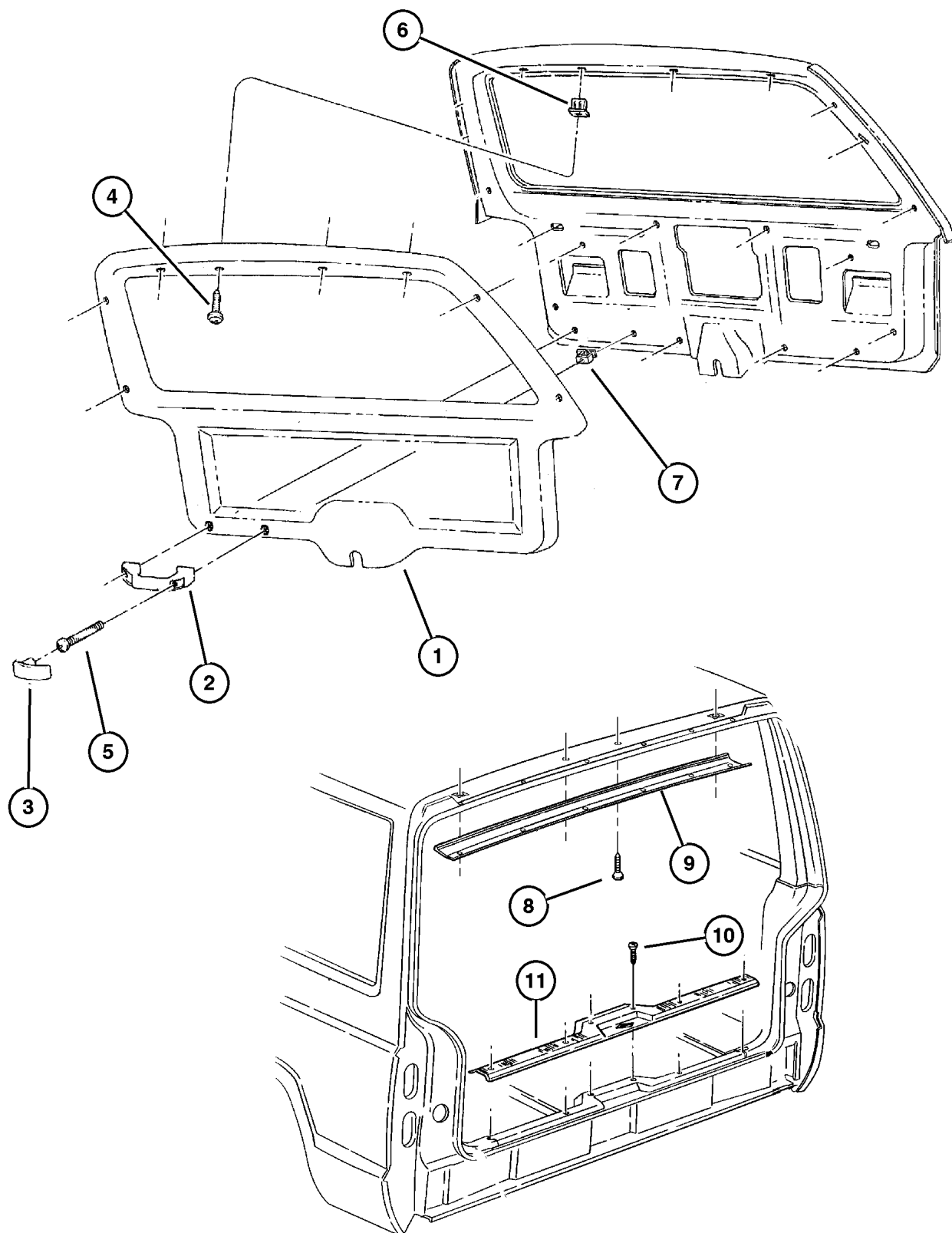
SERIES	LINE	BODY	ENGINE	TRANSMISSION
L=Low Line	J=LHD (4WD) U=RHD (4WD) T=LHD (2WD) B=RHD (2WD)	74=4 DR. (101.4 WB) 72=2 DR. (101.4 WB)	ENC,EN0=2.5L 4 cyl. Turbo Die ERH,ER0=4.0L Power Tech I-6 EPE,EP0=Magnum 2.5L SMPI	DDQ=5Spd Man. DGS=4 Spd. Auto. AISIN DG0=All Auto Trans DBB=All Manual Trans.

AR = Use as required - = Non illustrated part # = New this model year

July 4, 2003

Liftgate Trim Panel 1997 XJ 1998 XJ  
Figure IXJ-1010

ITEM	PART NUMBER	QTY	LINE	SERIES	BODY	ENGINE	TRANS	TRIM	DESCRIPTION
P.A.R.= Paint As Required									
1	5EG06 RC3AB	1							PANEL, Liftgate Mist Gray, 1998 XJ
	5EG0 6RT6	1							P.A.R., 1997 XJ
	5EG06 RT6AB	1							Saddle, 1998 XJ
2	5DX7 6RT6	1							HANDLE, Roof Grab Saddle
	5DX7 6TC3	1							Mist Gray
3									PLUG, Assist and Grab Handle
	H526 RT6	1							Saddle, 1997 XJ
		2							Saddle, 1998 XJ
	H526 TC3	1							Mist Gray, 1997 XJ
		2							Mist Gray, 1998 XJ
4									SCREW, .164-18x1.00, (NOT SERVICED) (Not Serviced)
5									SCREW, .250-14x2.375, (NOT SERVICED) (Not Serviced)
6									NUT, Snap In, M4.2 x 1.41
	6505 141AA	4							After 6-2-97, 1997 XJ, Spring
		4							1998 XJ
	3420 1872	2							Up to 6-2-97, 1997 XJ, Plastic
7	6029 509	2							U-NUT, .250-14
8									SCREW, .164-18x.625, (NOT SERVICED) (Not Serviced)
9									MOLDING, Liftgate Upper
	5ER43 RC3AB	1							Mist Gray, 1997 XJ
	5ER43 RC3AC	1							Mist Gray, 1998 XJ
	5ER43 RT6AB	1							Saddle, 1997 XJ
	5ER43 RT6AC	1							Saddle, 1998 XJ
10	3420 1468	6							SCREW, Round Washer Head, M4.2x1.41x25.00
11									SILL COVER, Interior
	5EG0 9RC3	1							Mist Gray
	5EG0 9RT6	1							Saddle



JEEP CHEROKEE (XJ)

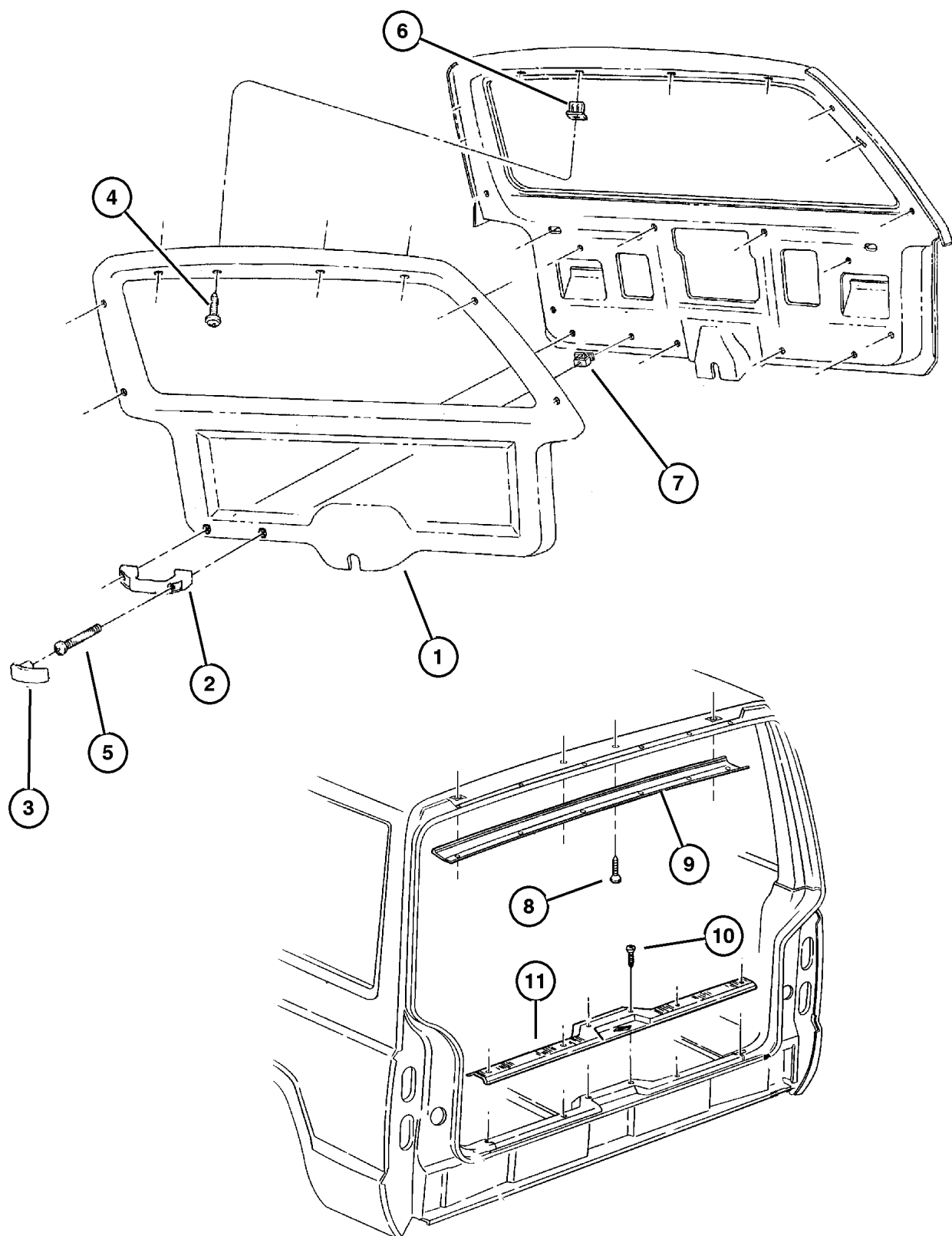
SERIES	LINE	BODY	ENGINE	TRANSMISSION
L=Low Line	J=LHD (4WD) U=RHD (4WD) T=LHD (2WD) B=RHD (2WD)	74=4 DR. (101.4 WB) 72=2 DR. (101.4 WB)	ENC,EN0=2.5L 4 cyl. Turbo Die ERH,ER0=4.0L Power Tech I-6 EPE,EP0=Magnum 2.5L SMPI	DDQ=5Spd Man. DGS=4 Spd. Auto. AISIN DG0=All Auto Trans DBB=All Manual Trans.

AR = Use as required - = Non illustrated part # = New this model year

July 4, 2003

Liftgate Trim Panel 1999 XJ  
Figure IXJ-1010

ITEM	PART NUMBER	QTY	LINE	SERIES	BODY	ENGINE	TRANS	TRIM	DESCRIPTION
1									PANEL, Liftgate
	5EG06 LAZAB	1							Agate
	5EG06 RK5AB	1							Camel
2									HANDLE, Roof Grab
	5DX76 LAZAB	1							Agate
	5DX76 RK5AB	1							Camel
3									PLUG, Assist and Grab Handle
	H526 TAZ	2							Agate
	H526 TK5	2							Camel
4									SCREW, .164-18x1.00, (NOT SERVICED) (Not Serviced)
5									SCREW, .250-14x2.375, (NOT SERVICED) (Not Serviced)
6	6505 141AA	4							NUT, Snap In, M4.2 x 1.41
7	6029 509	2							U-NUT, .250-14
8									SCREW, .164-18x.625, (NOT SERVICED) (Not Serviced)
9									MOLDING, Liftgate Upper
	5ER43 LAZAD	1							Agate
	5ER43 RK5AD	1							Camel
10	3420 1468	6							SCREW, Round Washer Head, M4.2x1.41x25.00
11									SILL COVER, Interior
	5EG0 9LAZ	1							Agate
	5EG0 9RK5	1							Camel
-12	6506 063AA	2							NUT, Snap In, Upper Liftgate Molding Mounting



JEEP CHEROKEE (XJ)

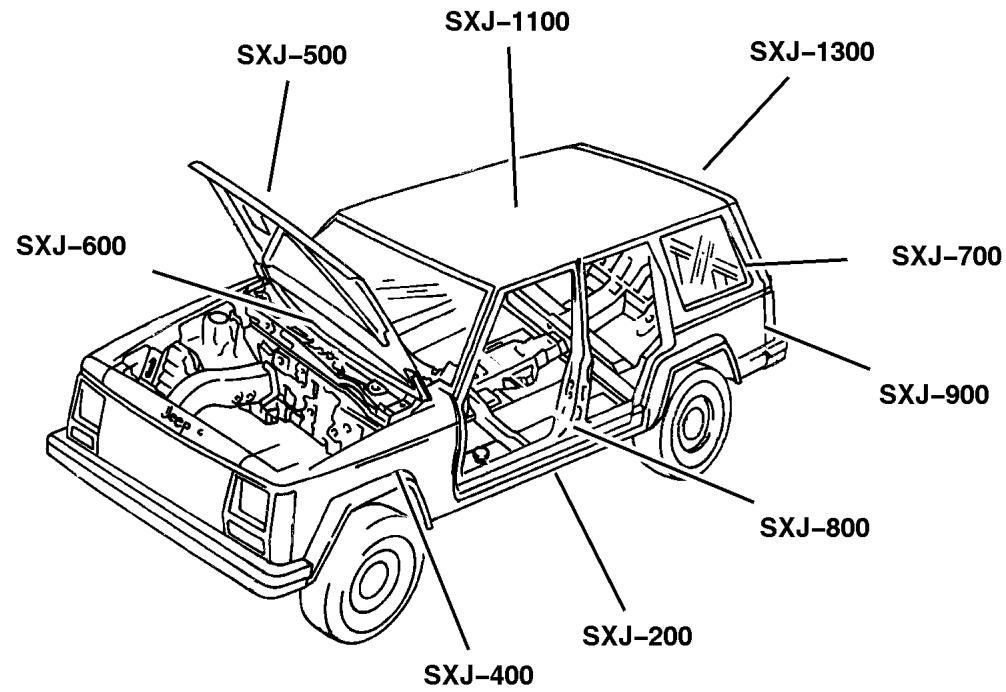
SERIES	LINE	BODY	ENGINE	TRANSMISSION
L=Low Line	J=LHD (4WD) U=RHD (4WD) T=LHD (2WD) B=RHD (2WD)	74=4 DR. (101.4 WB) 72=2 DR. (101.4 WB)	ENC,EN0=2.5L 4 cyl. Turbo Die ERH,ER0=4.0L Power Tech I-6 EPE,EP0=Magnum 2.5L SMPI	DDQ=5Spd Man. DGS=4 Spd. Auto. AISIN DG0=All Auto Trans DBB=All Manual Trans.

AR = Use as required - = Non illustrated part # = New this model year

July 4, 2003

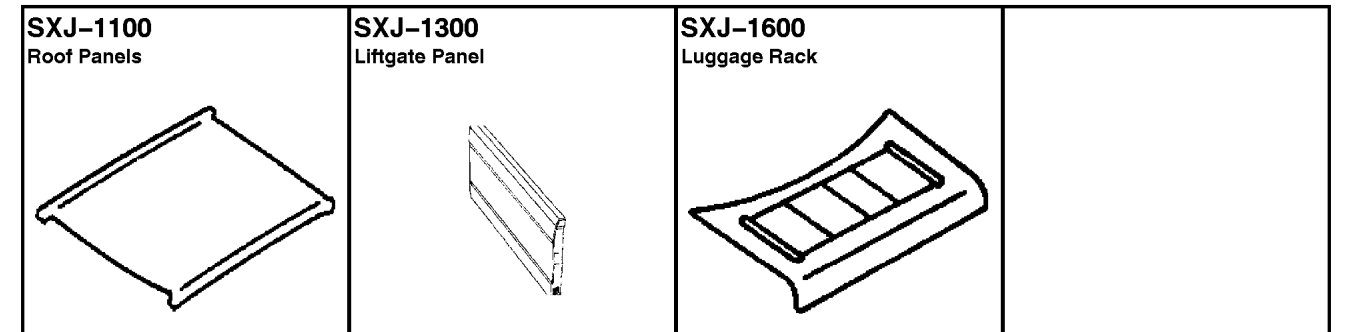
# Group – SXJ

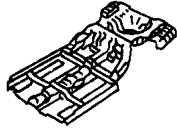

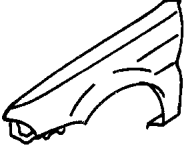
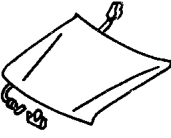
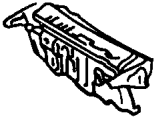

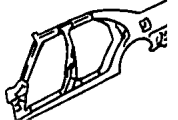
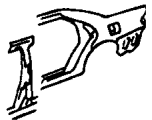
## Body Sheet Metal Except Doors



# Group – SXJ

## Body Sheet Metal Except Doors



<p><b>SXJ-200</b> Floor Pans</p> 	<p><b>SXJ-300</b> Plugs</p> 	<p><b>SXJ-400</b> Front Fenders</p> 	<p><b>SXJ-500</b> Hood &amp; Hood Release</p> 
<p><b>SXJ-600</b> Cowl and Dash Panel</p> 	<p><b>SXJ-700</b> Glass and Rear View Mirror</p> 	<p><b>SXJ-800</b> Aperture Panel</p> 	<p><b>SXJ-900</b> Quarter Panel and Pillar</p> 

---

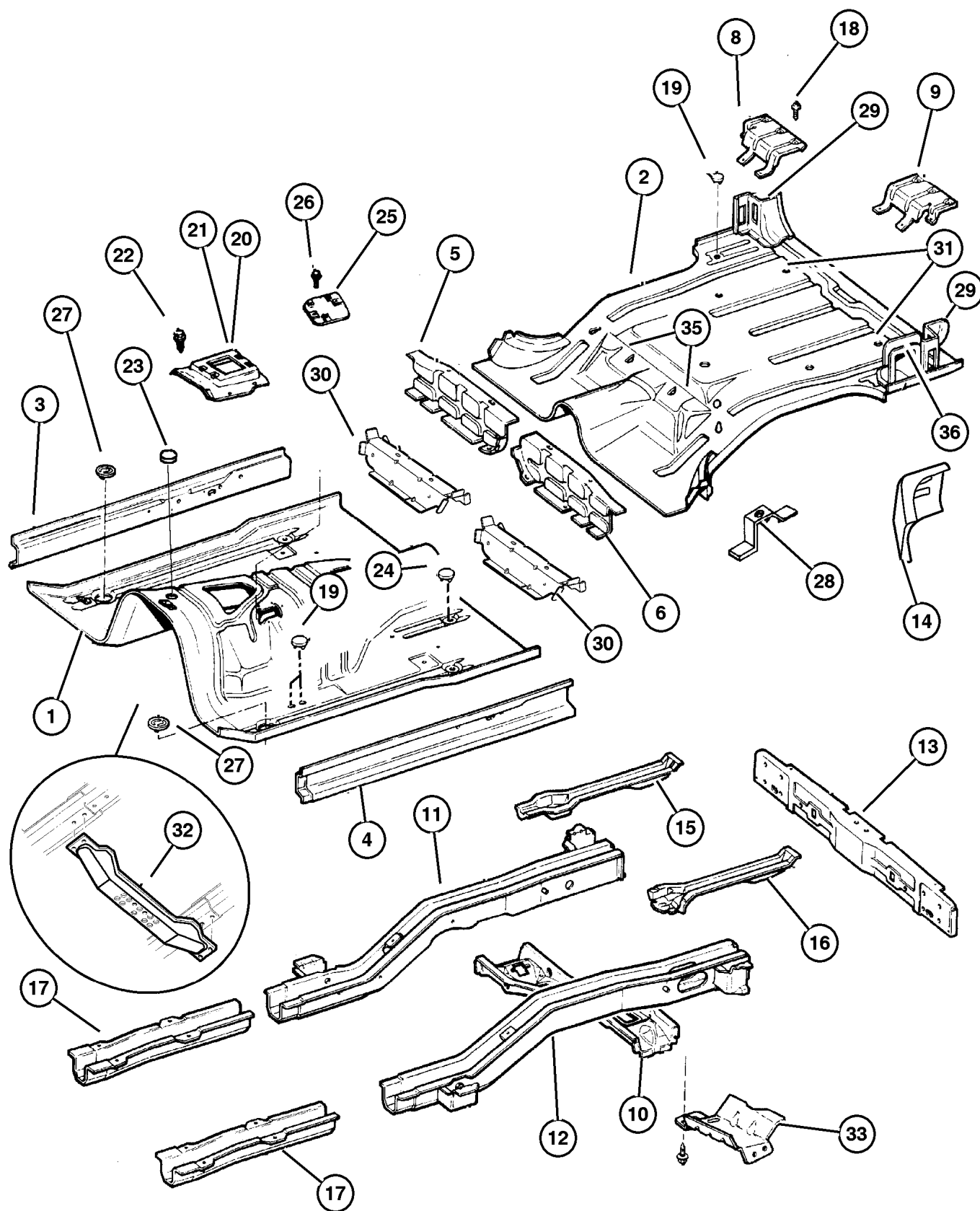
**GROUP SXJ - Body Sheet Metal Except Doors**

Illustration Title	Group-Fig. No.
<b>Floor Pans</b>	
Pans, Floor 1997 XJ .....	Fig. SXJ-210
Pans, Floor 1998 XJ .....	Fig. SXJ-210
Pans, Floor 1999 XJ .....	Fig. SXJ-210
Plates, Underbody Skid 1997 XJ 1998 XJ .....	Fig. SXJ-220
Plates, Underbody Skid 1999 XJ .....	Fig. SXJ-220
<b>Plugs</b>	
Plugs 1997 XJ 1998 XJ .....	Fig. SXJ-310
Plugs 1999 XJ .....	Fig. SXJ-310
<b>Front Fenders</b>	
Panels, Front End Inner and Wheelhouse 1997 XJ 1998 XJ .....	Fig. SXJ-410
Panels, Front End Inner and Wheelhouse 1999 XJ .....	Fig. SXJ-410
Fenders, Front 1997 XJ .....	Fig. SXJ-420
Fenders, Front 1998 XJ .....	Fig. SXJ-420
Fenders, Front 1999 XJ .....	Fig. SXJ-420
<b>Hood &amp; Hood Release</b>	
Hood, Latch and Hinges 1997 XJ .....	Fig. SXJ-510
Hood, Latch and Hinges 1998 XJ .....	Fig. SXJ-510
Hood, Latch and Hinges 1999 XJ .....	Fig. SXJ-510
<b>Cowl and Dash Panel</b>	
Panels, Cowl And Dash, L.H.D. 1997 XJ 1998 XJ .....	Fig. SXJ-610
Panels, Cowl And Dash, L.H.D. 1999 XJ .....	Fig. SXJ-610
Cowl And Dash Panel, R.H.D. 1997 XJ 1998 XJ .....	Fig. SXJ-620
Cowl And Dash Panel, R.H.D. 1999 XJ .....	Fig. SXJ-620
<b>Glass and Rear View Mirror</b>	
Glass, Windshield, Backlite and Mirror .....	Fig. SXJ-710
Windows, Quarter, 2 and 4 Doors 1997 XJ 1998 XJ .....	Fig. SXJ-720
Windows, Quarter, 2 and 4 Doors 1999 XJ .....	Fig. SXJ-720
<b>Aperture Panel</b>	
Panels, Body side, 2 Door .....	Fig. SXJ-810
Panels, Body Side, 4 Door .....	Fig. SXJ-820
<b>Quarter Panel and Pillar</b>	
Panels, Rear Quarter, 2 Door .....	Fig. SXJ-910
Fuel Filler Housing & Door 1997 XJ 1998 XJ .....	Fig. SXJ-920
Fuel Filler Housing & Door 1999 XJ .....	Fig. SXJ-920
Panels, Rear Quarter, 4 Door 1997 XJ 1998 XJ .....	Fig. SXJ-930
Panels, Rear Quarter, 4 Door 1999 XJ .....	Fig. SXJ-930
Appliques, Rear Quarter Panel .....	Fig. SXJ-940

**GROUP SXJ - Body Sheet Metal Except Doors**

Illustration Title	Group-Fig. No.
<b>Roof Panels</b>	
Roof Panel 1997 XJ 1998 XJ .....	Fig. SXJ-1110
Roof Panel 1999 XJ .....	Fig. SXJ-1110
<b>Liftgate Panel</b>	
Lift Door, Latch and Hinges 1997 XJ .....	Fig. SXJ-1310
Lift Door, Latch and Hinges 1998 XJ .....	Fig. SXJ-1310
Lift Door, Latch and Hinges 1999 XJ .....	Fig. SXJ-1310
<b>Luggage Rack</b>	
Rack, Roof Luggage 1997 XJ 1998 XJ .....	Fig. SXJ-1610
Rack, Roof Luggage 1999 XJ .....	Fig. SXJ-1610

Pans, Floor 1997 XJ  
Figure SXJ-210



ITEM	PART NUMBER	QTY	LINE	SERIES	BODY	ENGINE	TRANS	TRIM	DESCRIPTION
1	5517 5512	1							PAN, Front Floor
2	5517 5177	1							PAN, Floor
3	5517 5088	1							SILL, Body Side, Right
4	5523 5527	1							SILL, Body Side, Left
5	55235 812AA	1							CROSSMEMBER, Floor Pan, Right
6	55235 813AA	1							CROSSMEMBER, Floor Pan, Left
-7	J400 7073	2							SCREW AND WASHER, .375-16x1.125
8	5500 2230	1							SUPPORT, Rear Floor, Right
9	5500 2231	1							SUPPORT, Rear Floor, Left
10	5517 5942	1							CROSSMEMBER, Rear Suspension
11	5523 5696	1							SILL, Rear, Right
12	5523 5697	1							SILL, Rear, Left
13	5517 5178	1							SILL, Rear Cross
14	5517 5228	1							REINFORCEMENT, Liftgate Opening
15	5700 0022	1							SUPPORT, Fuel Tank, Right
16	5500 2935	1							SUPPORT, Fuel Tank, Left
17	5523 5554	2							SILL, Body Side
18	J400 1701	7							SCREW, Hex Self Tapping, .19-16x.50
19	5523 5716	2							PLUG, Floor
20	5210 4216	1							COVER, Floor Pan
21	5300 0704	1		J, T					COVER, Gearshift Automatic Transmission
		1		B, U					Automatic Transmission
22	J400 1701	7							SCREW, Hex Self Tapping, .19-16x.50
23	J400 0499	1		B, T					PLUG, Floor Pan, 1.50 Diameter
		1		J, U					
24	5500 6579	3							PLUG, Body, 38.1mm Diameter
25	5501 0460	1		B, T					COVER, Floor Pan
26									SCREW, M5x0.8x25.00, (NOT SERVICED) (Not Serviced)
27	4586 052	6							PLUG
28	5500 1903	1							BRACKET, Jack
29									BRACE, Liftgate Opening
	55345 172AB	1							Right
	55345 173AB	1							Left
30									REINFORCEMENT, Front Seat
	5517 4756	1							Right
	5517 4759	1							Left
31	4780 194	6							PLUG

JEEP CHEROKEE (XJ)

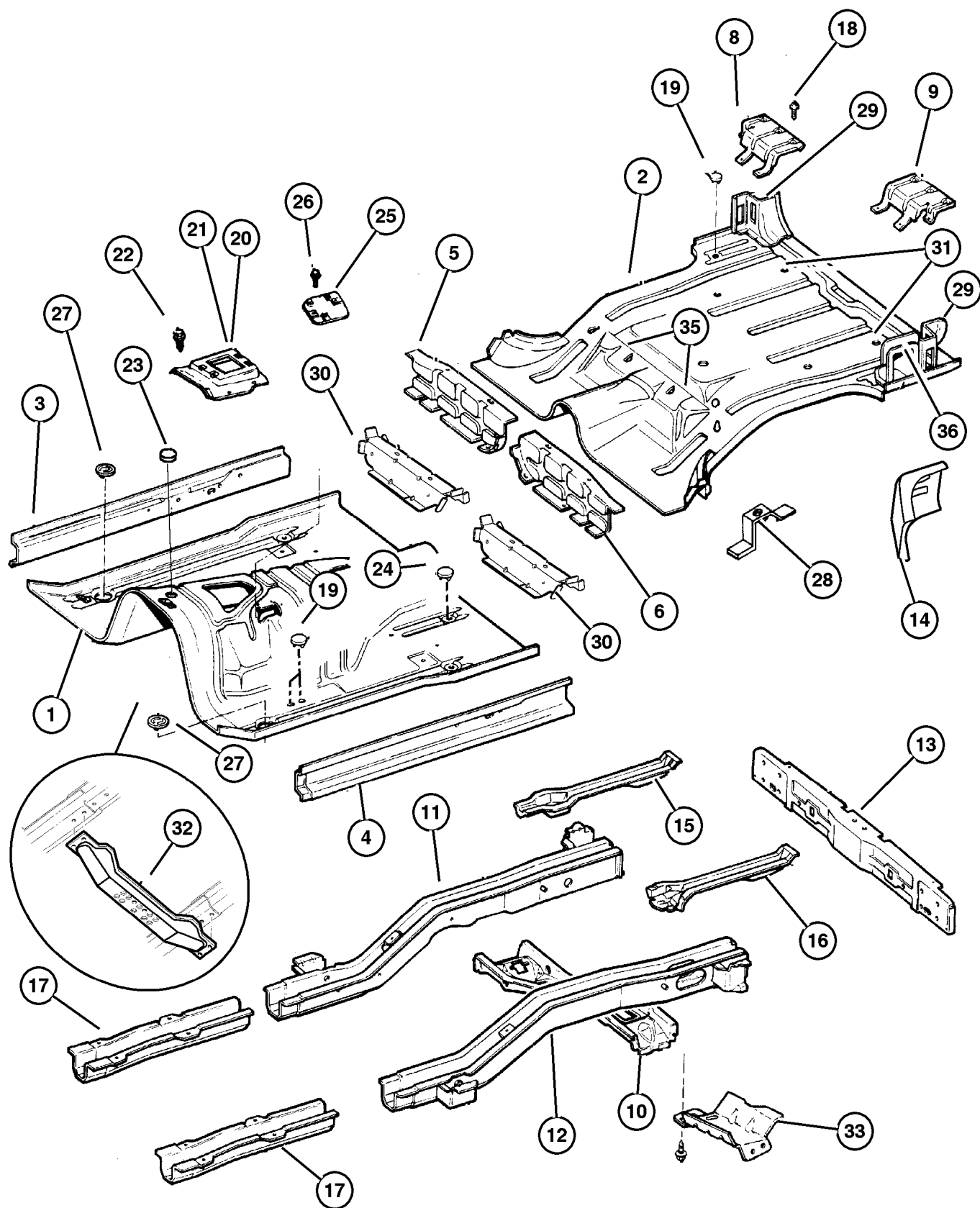
SERIES	LINE	BODY	ENGINE	TRANSMISSION
L=Low Line	J=LHD (4WD) U=RHD (4WD) T=LHD (2WD) B=RHD (2WD)	74=4 DR. (101.4 WB) 72=2 DR. (101.4 WB)	ENC,EN0=2.5L 4 cyl. Turbo Die ERH,ER0=4.0L Power Tech I-6 EPE,EP0=Magnum 2.5L SMPI	DDQ=5Spd Man. DGS=4 Spd. Auto. AISIN DG0=All Auto Trans DBB=All Manual Trans.

AR = Use as required - = Non illustrated part # = New this model year

July 4, 2003



Pans, Floor 1997 XJ  
Figure SXJ-210



ITEM	PART NUMBER	QTY	LINE	SERIES	BODY	ENGINE	TRANS	TRIM	DESCRIPTION
32									CROSSMEMBER, Transmission
	5200 2328	1							4.0L, Automatic
	5200 3929	1							4.0L, Manual 5 Speed
	5205 8643	1							2.5I, All Manual
	5205 8682	1							Turbo, Diesel
33	55003 285AB	1							SHIELD, Heat
-34									REINFORCEMENT, Rear Floor Pan, (NOT REQUIRED)
35									REINFORCEMENT, Seat Belt
									Anchor
	5523 5028	1							Right
	5523 5029	1							Left
36									EXTENSION, Rear Floor Pan
	5517 5960	1			74				Right
		1			72				Right
	5517 5961	1			74				Left
		1			72				Left

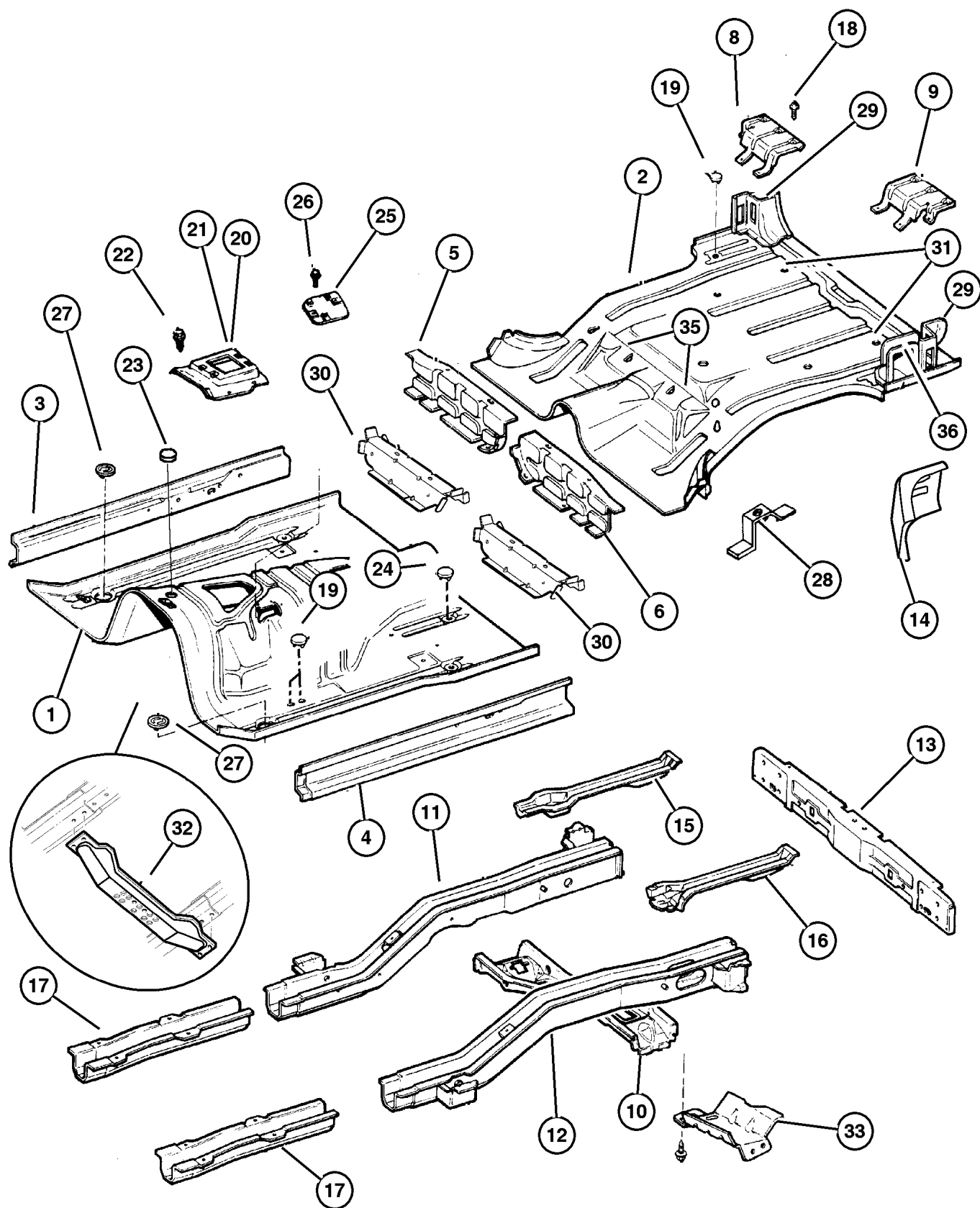
JEEP CHEROKEE (XJ)

SERIES	LINE	BODY	ENGINE	TRANSMISSION
L=Low Line	J=LHD (4WD) U=RHD (4WD) T=LHD (2WD) B=RHD (2WD)	74=4 DR. (101.4 WB) 72=2 DR. (101.4 WB)	ENC,EN0=2.5L 4 cyl. Turbo Die ERH,ER0=4.0L Power Tech I-6 EPE,EP0=Magnum 2.5L SMPI	DDQ=5Spd Man. DGS=4 Spd. Auto. AISIN DG0=All Auto Trans DBB=All Manual Trans.

AR = Use as required - = Non illustrated part # = New this model year

July 4, 2003

Pans, Floor 1998 XJ  
Figure SXJ-210



ITEM	PART NUMBER	QTY	LINE	SERIES	BODY	ENGINE	TRANS	TRIM	DESCRIPTION
1	5517 5512	1							PAN, Front Floor
2	55175 177AB	1							PAN, Floor
3	5517 5088	1							SILL, Body Side, Right
4	5523 5527	1							SILL, Body Side, Left
5	55235 812AA	1							CROSSMEMBER, Floor Pan, Right
6	55235 813AA	1							CROSSMEMBER, Floor Pan, Left
-7	J400 7073	2							SCREW AND WASHER, .375-16x1.125
8	5500 2230	1							SUPPORT, Rear Floor, Right
9	5500 2231	1							SUPPORT, Rear Floor, Left
10	5517 5942	1							CROSSMEMBER, Rear Suspension
11	5523 5696	1							SILL, Rear, Right
12	5523 5697	1							SILL, Rear, Left
13	5517 5178	1							SILL, Rear Cross
14	5517 5228	1							REINFORCEMENT, Liftgate Opening
15	5700 0022	1							SUPPORT, Fuel Tank, Right
16	5500 2935	1							SUPPORT, Fuel Tank, Left
17	5523 5554	2							SILL, Body Side
18	J400 1701	7							SCREW, Hex Self Tapping, .19-16x.50
19	5523 5716	2							PLUG, Floor
20	5210 4216	1							COVER, Floor Pan
21	5300 0704	1	J, T						COVER, Gearshift Automatic Transmission
		1	B, U						Automatic Transmission
22	J400 1701	7							SCREW, Hex Self Tapping, .19-16x.50
23	J400 0499	1	B, T						PLUG, Floor Pan, 1.50 Diameter
		1	J, U						
24	5500 6579	3							PLUG, Body, 38.1mm Diameter
25	5501 0460	1	B, T						COVER, Floor Pan
26									SCREW, M5x0.8x25.00, (NOT SERVICED) (Not Serviced)
27	4586 052	2							PLUG
28	5500 1903	1							BRACKET, Jack
29									BRACE, Liftgate Opening
	55345 172AB	1							Right
	55345 173AB	1							Left
30									REINFORCEMENT, Front Seat
	5517 4756	1							Right
	5517 4759	1							Left
31	4780 194	6							PLUG

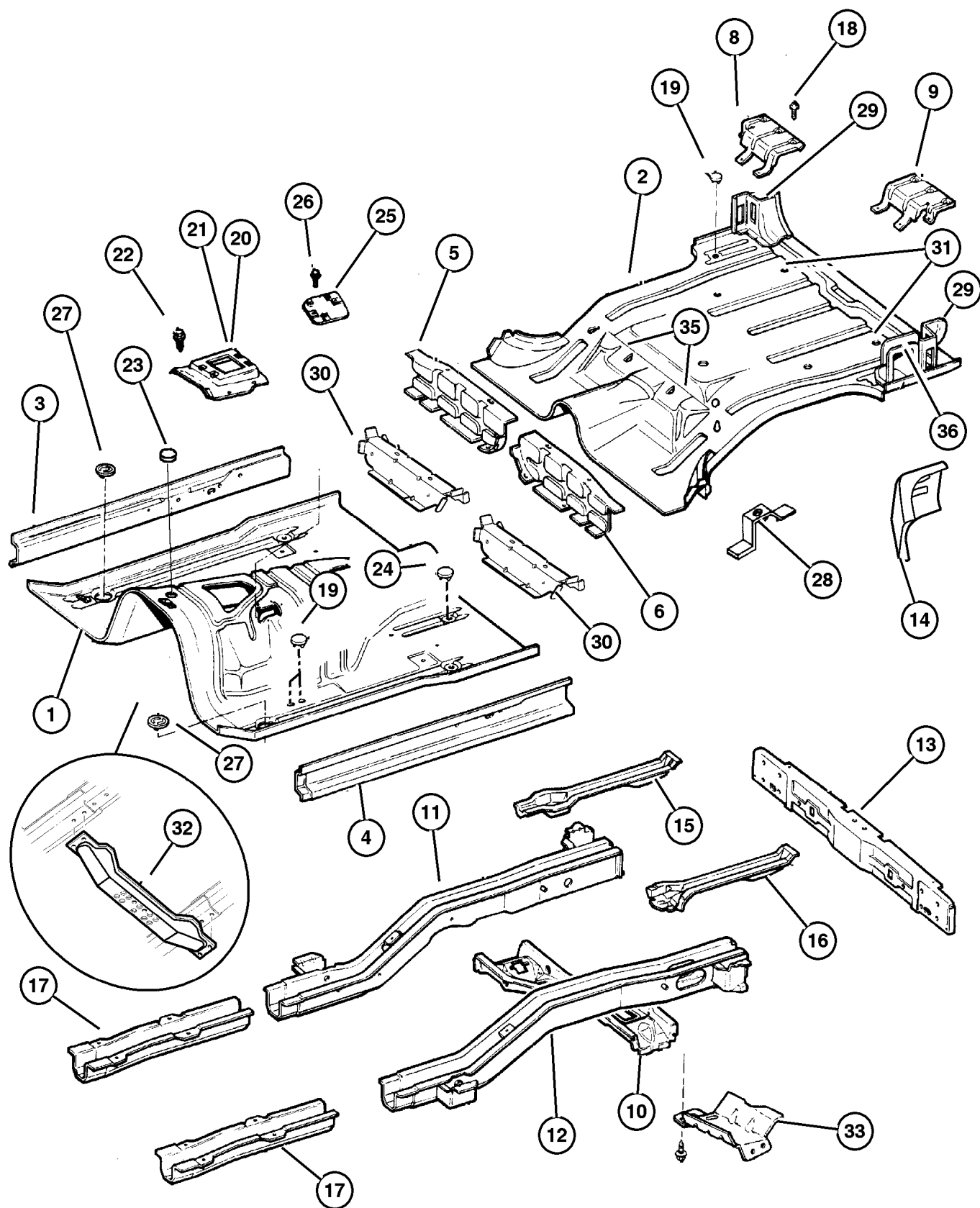
JEEP CHEROKEE (XJ)

SERIES	LINE	BODY	ENGINE	TRANSMISSION
L=Low Line	J=LHD (4WD) U=RHD (4WD) T=LHD (2WD) B=RHD (2WD)	74=4 DR. (101.4 WB) 72=2 DR. (101.4 WB)	ENC,EN0=2.5L 4 cyl. Turbo Die ERH,ER0=4.0L Power Tech I-6 EPE,EP0=Magnum 2.5L SMPI	DDQ=5Spd Man. DGS=4 Spd. Auto. AISIN DG0=All Auto Trans DBB=All Manual Trans.

AR = Use as required - = Non illustrated part # = New this model year

July 4, 2003

Pans, Floor 1998 XJ  
Figure SXJ-210



ITEM	PART NUMBER	QTY	LINE	SERIES	BODY	ENGINE	TRANS	TRIM	DESCRIPTION
32									CROSSMEMBER, Transmission
	52002 328AB	1							4.0L, Automatic
		1	B, U						2.5L, All Manual
	5200 3929	1							4.0L, Manual 5 Speed
	52058 643AC	1	J, T						2.5L, All Manual
	5205 8682	1							Turbo, Diesel
	52058 643AC	1	J, T						2.5L, Automatic
33	55003 285AB	1							SHIELD, Heat
-34	55235 831AA	1							REINFORCEMENT, Rear Floor Pan
35									REINFORCEMENT, Seat Belt
									Anchor
	5523 5028	1							Right
	55235 029AB	1							Left
36									EXTENSION, Rear Floor Pan
	5517 5960	1	J, T, U		72				Right
		1			74				Right
	5517 5961	1	J, T, U		72				Left
		1			74				Left

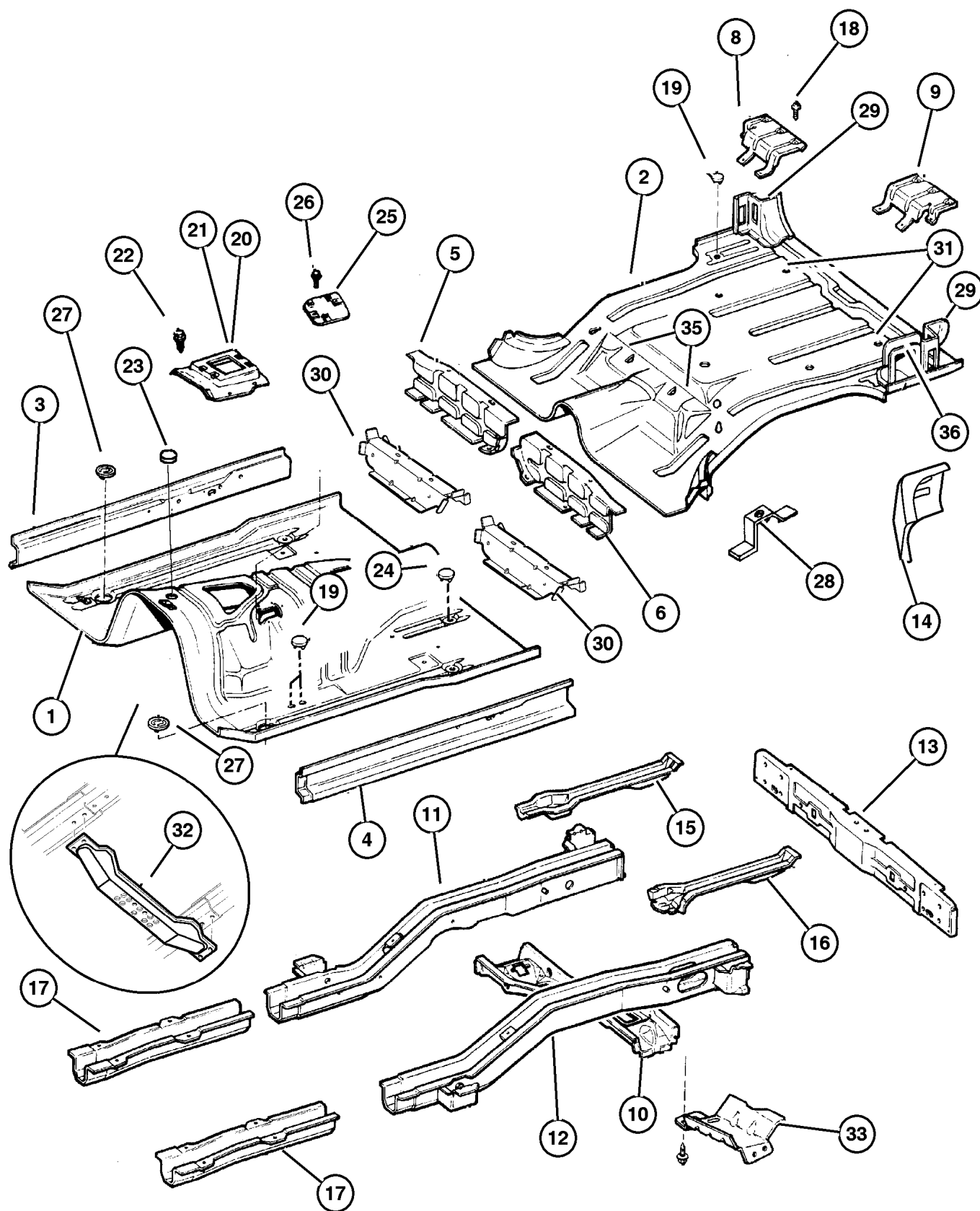
JEEP CHEROKEE (XJ)

SERIES	LINE	BODY	ENGINE	TRANSMISSION
L=Low Line	J=LHD (4WD) U=RHD (4WD) T=LHD (2WD) B=RHD (2WD)	74=4 DR. (101.4 WB) 72=2 DR. (101.4 WB)	ENC,EN0=2.5L 4 cyl. Turbo Die ERH,ER0=4.0L Power Tech I-6 EPE,EP0=Magnum 2.5L SMPI	DDQ=5Spd Man. DGS=4 Spd. Auto. AISIN DG0=All Auto Trans DBB=All Manual Trans.

AR = Use as required - = Non illustrated part # = New this model year

July 4, 2003

Pans, Floor 1999 XJ  
Figure SXJ-210



ITEM	PART NUMBER	QTY	LINE	SERIES	BODY	ENGINE	TRANS	TRIM	DESCRIPTION
1	5517 5512	1							PAN, Front Floor
2	55175 177AC	1							PAN, Floor
3	5517 5088	1							SILL, Body Side, Right
4	5523 5527	1							SILL, Body Side, Left
5	55235 812AA	1							CROSSMEMBER, Floor Pan, Right
6	55235 813AA	1							CROSSMEMBER, Floor Pan, Left
-7	J400 7073	2							SCREW AND WASHER, .375-16x1.125
8	5500 2230	1							SUPPORT, Rear Floor, Right
9	5500 2231	1							SUPPORT, Rear Floor, Left
10	5517 5942	1							CROSSMEMBER, Rear Suspension
11	#55235 696AB	1							SILL, Rear, Right
12	#55235 697AB	1							SILL, Rear, Left
13	5517 5178	1							SILL, Rear Cross
14	5517 5228	1							REINFORCEMENT, Liftgate Opening
15	5700 0022	1							SUPPORT, Fuel Tank, Right
16	5500 2935	1							SUPPORT, Fuel Tank, Left
17	5523 5554	2							SILL, Body Side, Center
18	J400 1701	7							SCREW, Hex Self Tapping, .19-16x.50
19	5523 5716	2							PLUG, Floor
20	5210 4216	1							COVER, Floor Pan
21	5300 0704	1							COVER, Gearshift, Automatic Transmission
22	J400 1701	7							SCREW, Hex Self Tapping, .19-16x.50
23									PLUG, Floor Pan, 1.50 Diameter
	J400 0499	1			B, T				
		1			J, U				
24	5500 6579	3							PLUG, Body, 38.1mm Diameter
25	5501 0460	1			B, T				COVER, Floor Pan
26									SCREW, M5x0.8x25.00, (NOT SERVICED) (Not Serviced)
27	4586 052	2							PLUG
28	5500 1903	1							BRACKET, Jack
29									BRACE, Liftgate Opening
	55345 172AB	1							Right
	55345 173AB	1							Left
30									REINFORCEMENT, Front Seat
	55174 756AB	1							Right
	55174 759AB	1							Left
31	4780 194	6							PLUG
32									CROSSMEMBER, Transmission

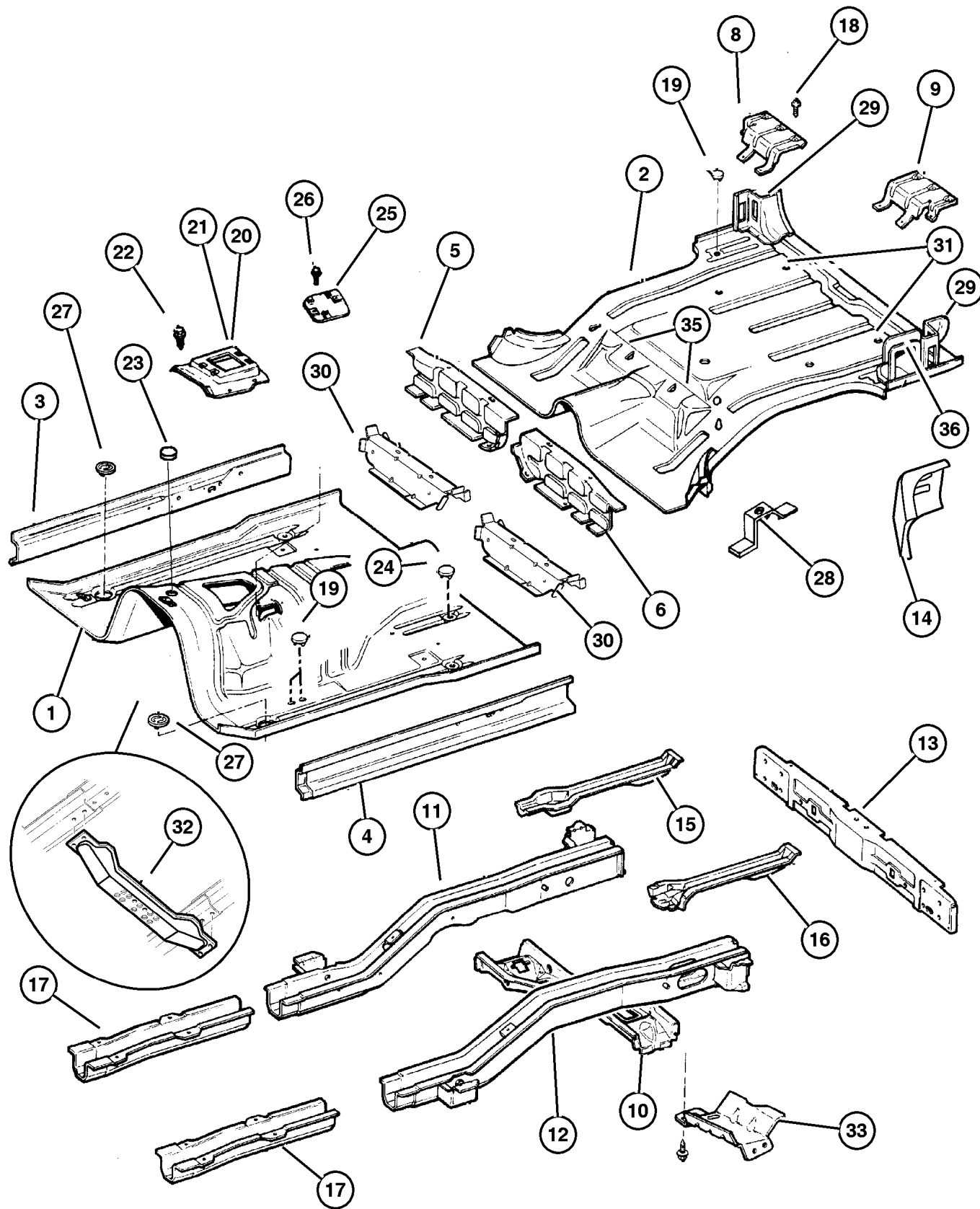
JEEP CHEROKEE (XJ)

SERIES	LINE	BODY	ENGINE	TRANSMISSION
L=Low Line	J=LHD (4WD) U=RHD (4WD) T=LHD (2WD) B=RHD (2WD)	74=4 DR. (101.4 WB) 72=2 DR. (101.4 WB)	ENC,EN0=2.5L 4 cyl. Turbo Die ERH,ER0=4.0L Power Tech I-6 EPE,EP0=Magnum 2.5L SMPI	DDQ=5Spd Man. DGS=4 Spd. Auto. AISIN DG0=All Auto Trans DBB=All Manual Trans.

AR = Use as required - = Non illustrated part # = New this model year

July 4, 2003

Pans, Floor 1999 XJ  
Figure SXJ-210



ITEM	PART NUMBER	QTY	LINE	SERIES	BODY	ENGINE	TRANS	TRIM	DESCRIPTION
	52002 328AB	1							4.0L, Automatic
		1	B, U						2.5L, All Manual
	52003 929AB	1							4.0L, Manual 5 Speed
	52058 643AC	1	J, T						2.5L, All Manual
	5205 8682	1							Turbo, Diesel
33	55003 285AB	1							SHIELD, Heat
-34	55235 831AB	1							REINFORCEMENT, Rear Floor Pan
35									REINFORCEMENT, Seat Belt Anchor
	5523 5028	1							Right
	55235 029AB	1							Left
36									EXTENSION, Rear Floor Pan
	5517 5960	1			74				Right
		1	J, T, U		72				Right
	5517 5961	1			74				Left
		1	J, T, U		72				Left

JEEP CHEROKEE (XJ)

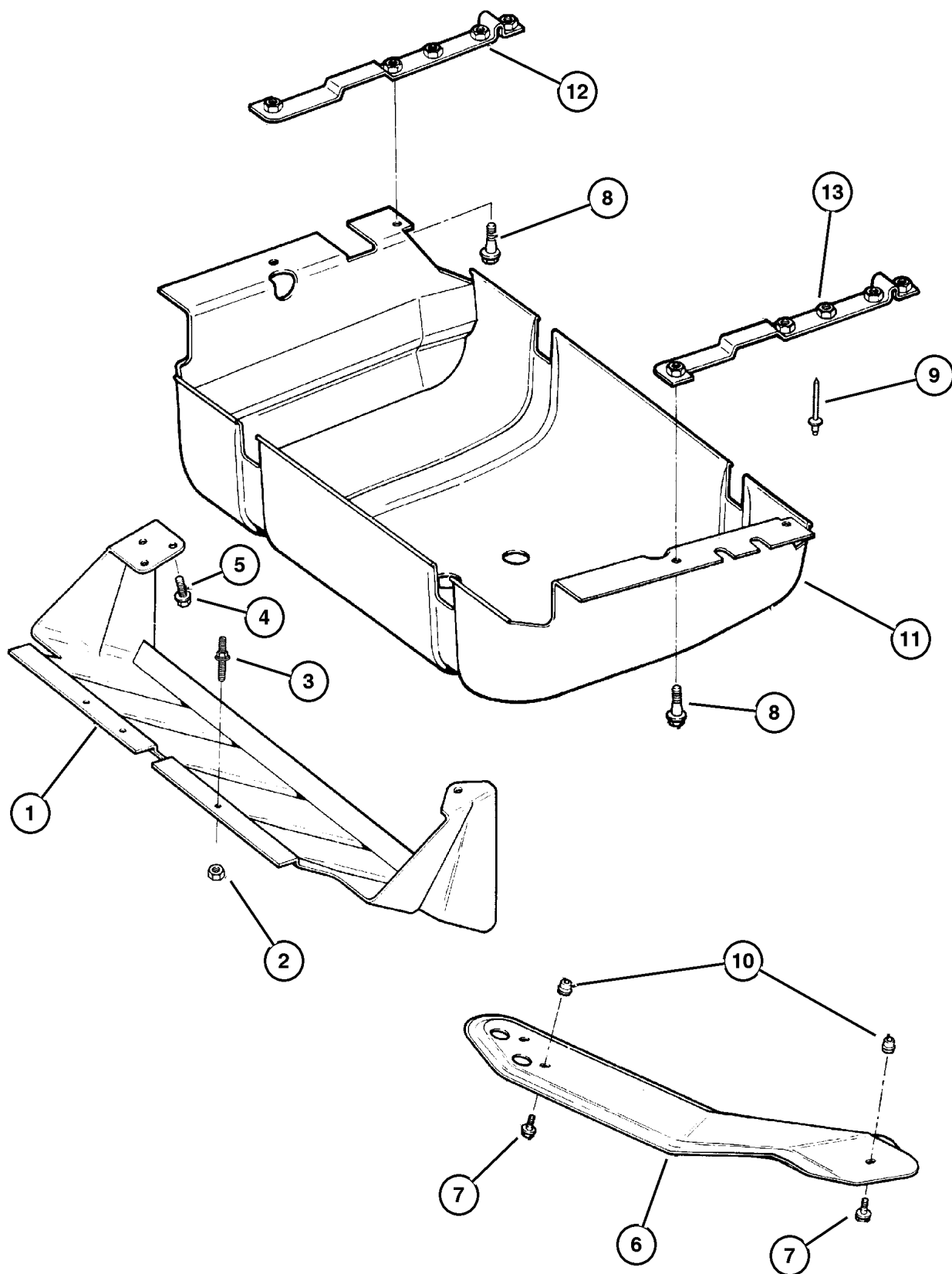
SERIES	LINE	BODY	ENGINE	TRANSMISSION
L=Low Line	J=LHD (4WD) U=RHD (4WD) T=LHD (2WD) B=RHD (2WD)	74=4 DR. (101.4 WB) 72=2 DR. (101.4 WB)	ENC,EN0=2.5L 4 cyl. Turbo Die ERH,ER0=4.0L Power Tech I-6 EPE,EP0=Magnum 2.5L SMPI	DDQ=5Spd Man. DGS=4 Spd. Auto. AISIN DG0=All Auto Trans DBB=All Manual Trans.

AR = Use as required - = Non illustrated part # = New this model year

July 4, 2003

Plates, Underbody Skid 1997 XJ 1998 XJ  
Figure SXJ-220

ITEM	PART NUMBER	QTY	LINE	SERIES	BODY	ENGINE	TRANS	TRIM	DESCRIPTION
1	5201 8009	1							SKID PLATE, Front
2	J420 0046	3							NUT AND WASHER, Hex Flange, M8x1.25
3	3420 2209	3							STUD, Collared, M8x1.25x44.00
4									SCREW AND WASHER, Hex Head, M10x1.5x30
	6502 467	2							4.0L, 1997 XJ
		2							1998 XJ
5									BOLT AND WASHER, Hex Head
	3420 2219	4							2.5L
		4							1998 XJ
6	8220 0616	1							PLATE, Transfer Case Skid
									1997 XJ
									1998 XJ
7	1150 2850	4	J, U						BOLT, Hex Flange Head, M8x1.25x20
8	3420 1964	4							BOLT, Hex Flange Head, M12x1.75x40
9	3420 1353	4							RIVET, M6.3x14.02
10	3420 1575	2	J, U						NUT, Insert, M8 x 1.25 x 18.29
11									PLATE, Skid
	5210 0015	1							1997 XJ
	52100 328AA	1							1998 XJ
12	5200 1174	1							REINFORCEMENT, Sill, Right
13	5200 1175	1							REINFORCEMENT, Sill, Left



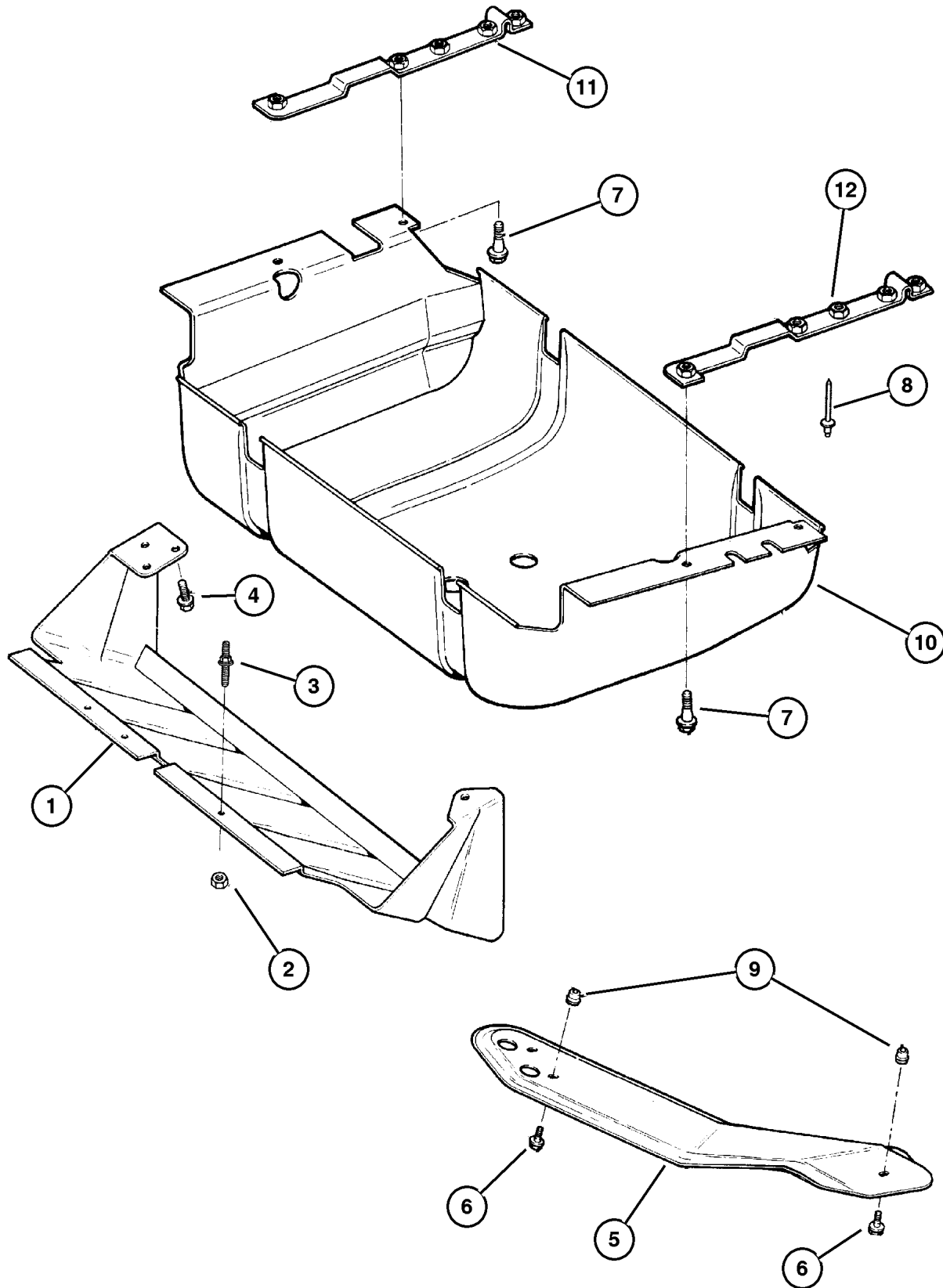
JEEP CHEROKEE (XJ)				
SERIES	LINE	BODY	ENGINE	TRANSMISSION
L=Low Line	J=LHD (4WD) U=RHD (4WD) T=LHD (2WD) B=RHD (2WD)	74=4 DR. (101.4 WB) 72=2 DR. (101.4 WB)	ENC,EN0=2.5L 4 cyl. Turbo Die ERH,ER0=4.0L Power Tech I-6 EPE,EP0=Magnum 2.5L SMPI	DDQ=5Spd Man. DGS=4 Spd. Auto. AISIN DG0=All Auto Trans DBB=All Manual Trans.

AR = Use as required - = Non illustrated part # = New this model year

July 4, 2003

Plates, Underbody Skid 1999 XJ  
Figure SXJ-220

ITEM	PART NUMBER	QTY	LINE	SERIES	BODY	ENGINE	TRANS	TRIM	DESCRIPTION
1	8220 2851	1							PLATE PACKAGE, Skid - Front
2	J420 0046	3							NUT AND WASHER, Hex Flange, M8x1.25
3	3420 2209	3							STUD, Collared, M8x1.25x44.00
4	3420 1540	4							BOLT AND WASHER, Implement Attaching
5	8220 0616	1	J, U						PLATE PACKAGE, Skid - Transfer Case
6	1150 2850	4							BOLT, Hex Flange Head, M8x1.25x20
7	3420 1964	4							BOLT, Hex Flange Head, M12x1.75x40
8									RIVET, .250x.475, (NOT SERVICED) (Not Serviced)
9	3420 1575	2	J, U						NUT, Insert, M8 x 1.25 x 18.29
10	52100 328AA	1							PLATE, Skid
11	5200 1174	1							REINFORCEMENT, Sill, Right
12	5200 1175	1							REINFORCEMENT, Sill, Left

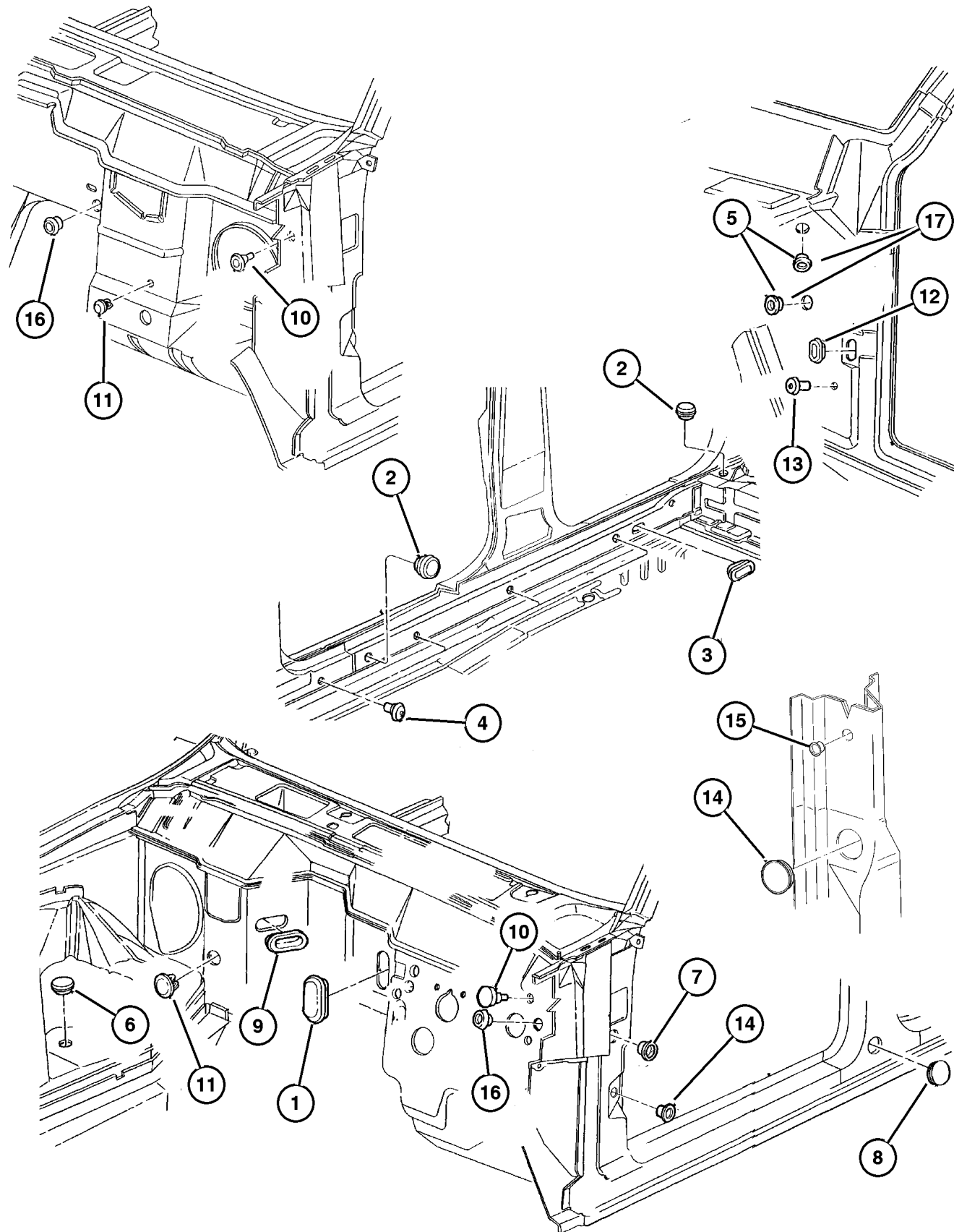


JEEP CHEROKEE (XJ)				
SERIES	LINE	BODY	ENGINE	TRANSMISSION
L=Low Line	J=LHD (4WD) U=RHD (4WD) T=LHD (2WD) B=RHD (2WD)	74=4 DR. (101.4 WB) 72=2 DR. (101.4 WB)	ENC,EN0=2.5L 4 cyl. Turbo Die ERH,ER0=4.0L Power Tech I-6 EPE,EP0=Magnum 2.5L SMPI	DDQ=5Spd Man. DGS=4 Spd. Auto. AISIN DG0=All Auto Trans DBB=All Manual Trans.

AR = Use as required - = Non illustrated part # = New this model year

July 4, 2003

Plugs 1997 XJ 1998 XJ  
Figure SXJ-310



ITEM	PART NUMBER	QTY	LINE	SERIES	BODY	ENGINE	TRANS	TRIM	DESCRIPTION
1	3420 2215	1	B, J, U						PLUG, Dash Panel
2	3420 1532	4							PLUG, Liftgate Wiring Hole
3	3420 1613	2							PLUG, Floor Pan, .748 x 1.0
4	3420 1973	4			72				PLUG, Sill, Button 1997 XJ
		1	J, T						1998 XJ
		1	B, U						1998 XJ
5									PLUG, Body, 1.25 Diameter Plastic (NOT REQUIRED), 1998 XJ
	J400 4649	2							1997 XJ
6	J400 5015	2							PLUG, Body, .54 Diameter Plastic
7	J400 0377	2							PLUG, Floor Pan, 1.00 Diameter
8	J400 0377	2							PLUG, Floor Pan, 1.00 Diameter
9	6502 246	1							PLUG, Body, 4.0mm X 76.4mm
10									PLUG, (NOT SERVICED) (Not Serviced)
11	5500 9554	1							PLUG, Sealing
12									PLUG, Body, 25.4mm x 39mm (NOT REQUIRED), 1998 XJ
	5500 5400	2							1997 XJ
13	3420 1973	4			72				PLUG, Sill, Button 1997 XJ
		1	J, T						1998 XJ
		1	B, U						1998 XJ
14	5500 2367	2							PLUG, Door Wiring Conduit
15	3420 1614	2			74				PLUG, Door Hinge, Button
16	6034 362	1							PLUG, Body, 31.9mm Diameter
17	5523 5717	2							PLUG, Body
-18	4586 055	2							PLUG, Floor Pan 30x50mm, 1997 XJ
		2							1998 XJ

JEEP CHEROKEE (XJ)

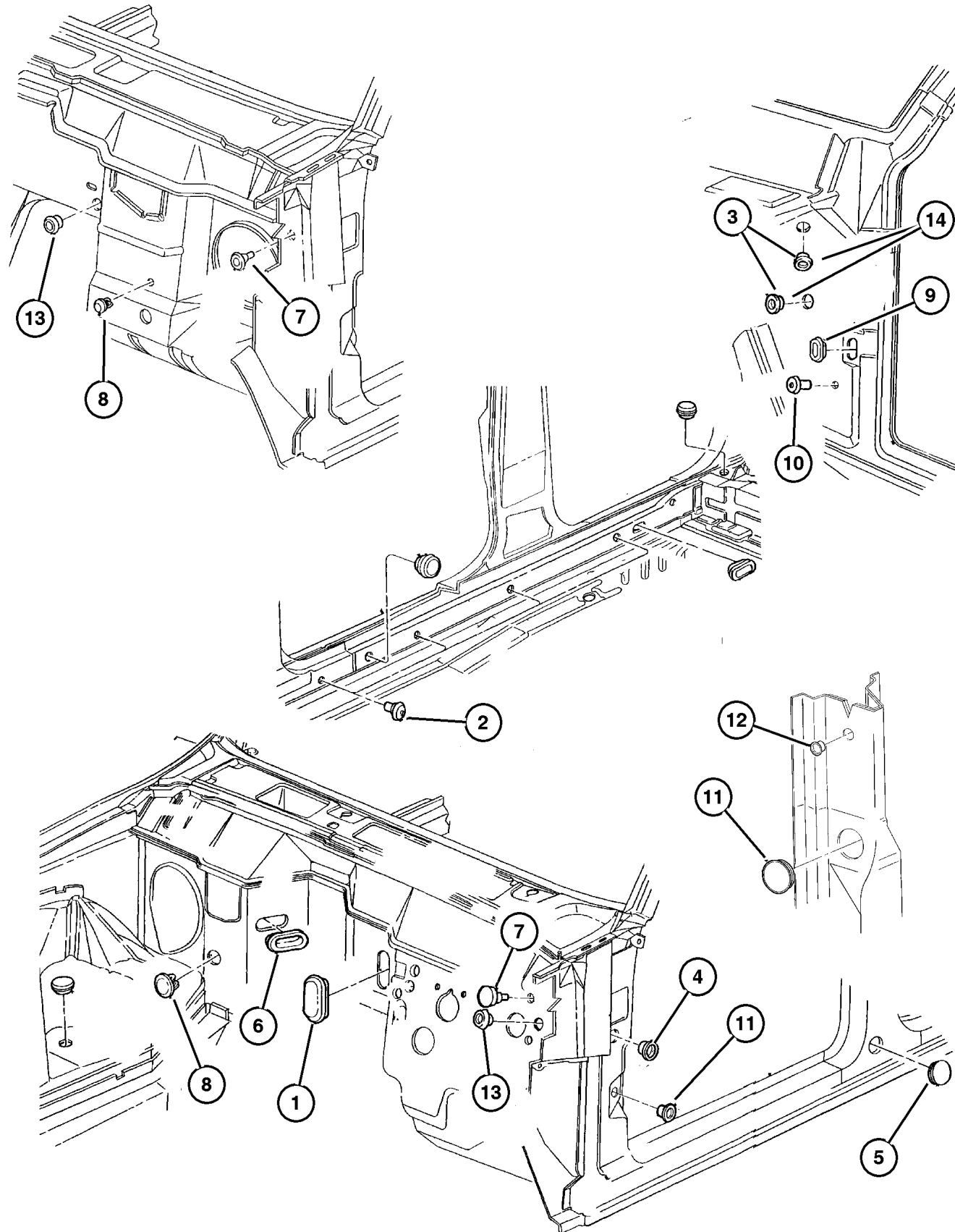
SERIES	LINE	BODY	ENGINE	TRANSMISSION
L=Low Line	J=LHD (4WD) U=RHD (4WD) T=LHD (2WD) B=RHD (2WD)	74=4 DR. (101.4 WB) 72=2 DR. (101.4 WB)	ENC,EN0=2.5L 4 cyl. Turbo Die ERH,ER0=4.0L Power Tech I-6 EPE,EP0=Magnum 2.5L SMPI	DDQ=5Spd Man. DGS=4 Spd. Auto. AISIN DG0=All Auto Trans DBB=All Manual Trans.

AR = Use as required - = Non illustrated part # = New this model year

July 4, 2003



Plugs 1999 XJ  
Figure SXJ-310



ITEM	PART NUMBER	QTY	LINE	SERIES	BODY	ENGINE	TRANS	TRIM	DESCRIPTION
1	3420 2215	1	B, J, U						PLUG, Dash Panel
2	3420 1973	1	J, T						PLUG, Sill, Button
		1	B, U						
3									PLUG, Body, 1.25 Diameter Plastic, (NOT REQUIRED)
4	J400 0377	2							PLUG, Floor Pan, 1.00 Diameter
5	J400 0377	2							PLUG, Floor Pan, 1.00 Diameter
6	6502 246	1							PLUG, Body, 4.0mm X 76.4mm
7									PLUG, (NOT SERVICED) (Not Serviced)
8	5500 9554	1							PLUG, Sealing
9									PLUG, Body, 25.4mm x 39mm, (NOT REQUIRED)
10	3420 1973	1	J, T						PLUG, Sill, Button
		1	B, U						
11	5500 2367	2							PLUG, Door Wiring Conduit
12	3420 1614	2			74				PLUG, Door Hinge, Button
13	6034 362	1							PLUG, Body, 31.9mm Diameter
14	55275 493AA	2							PLUG, Body
-15	4586 055	2							PLUG, Floor Pan

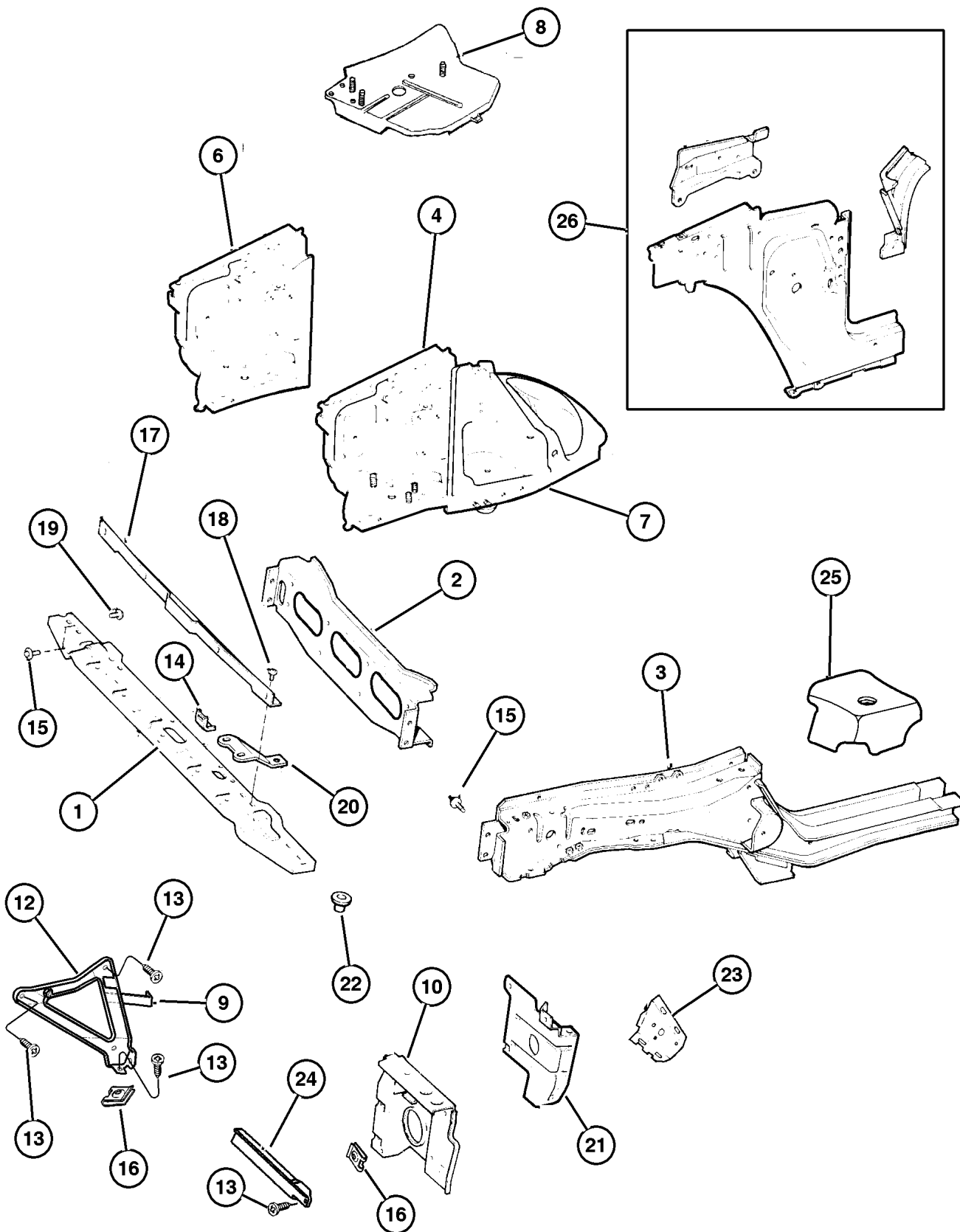
JEEP CHEROKEE (XJ)

SERIES	LINE	BODY	ENGINE	TRANSMISSION
L=Low Line	J=LHD (4WD) U=RHD (4WD) T=LHD (2WD) B=RHD (2WD)	74=4 DR. (101.4 WB) 72=2 DR. (101.4 WB)	ENC,EN0=2.5L 4 cyl. Turbo Die ERH,ER0=4.0L Power Tech I-6 EPE,EP0=Magnum 2.5L SMPI	DDQ=5Spd Man. DGS=4 Spd. Auto. AISIN DG0=All Auto Trans DBB=All Manual Trans.

AR = Use as required - = Non illustrated part # = New this model year

July 4, 2003

**Panels, Front End Inner and Wheelhouse 1997 XJ 1998 XJ  
Figure SXJ-410**



ITEM	PART NUMBER	QTY	LINE	SERIES	BODY	ENGINE	TRANS	TRIM	DESCRIPTION
EPO= 2.5, 4 Cylinder Gas ENO= 4 Cylinder Turbo Diesel ER0= 4.0, 6 Cylinder Gas									
1	5517 4973	1							CROSSMEMBER, Radiator 1997 XJ, Diesel
	5534 5545	1	J, T						1997 XJ, Gas Only
	5502 7533	1	B, U						With Sales Code EPO, 1998 XJ
	55235 830AA	1	J, T						With Sales Code EPO, 1998 XJ With Sales codes EN0,ER0, 1998 XJ
2	5517 4978	1							CROSSMEMBER, Front Suspension
3									PANEL, Sill
	4798 084	1	J, T						1997 XJ, Right
	4798 085	1	J, T						1997 XJ, Left
	4897 136AA	1	B, U						1997 XJ, Right
	4897 137AA	1	B, U						1997 XJ, Left
	4798 084AB	1	J, T						1998 XJ, Right
	4798 085AB	1	J, T						1998 XJ, Left
	4897 136AB	1	B, U						1998 XJ, Right
	4897 137AB	1	B, U						1998 XJ, Left
4									WHEELHOUSE, Front Inner
	5517 5636	1	B, U						Right
	5517 5637	1	B, U						Left
	5517 5640	1	J, T						Right
	5517 5641	1	J, T						Left
-5	9428 962	3	B, U						SCREW, Internal Weld Stud, .250x20x.625
6									PANEL, Front Wheelhouse
	5523 5624	1							Right
	5523 5625	1							Left
7									SUPPORT, Shock Absorber
	5517 4992	1							Right
	5517 4993	1							Left
	5517 5003	1							Includes 55174993 & 6503267 Screw, 1997 XJ, Left Includes 55174993 & 6503268 Screw, 1998 XJ, Left
8									REINFORCEMENT, Battery Tray
	5501 5210	1							Diesel, Left Side
	5523 5293	1							
9	5501 9221	2							REINFORCEMENT, Sill
10									BAFFLE, Radiator
	5523 5220	1							1997 XJ, Right

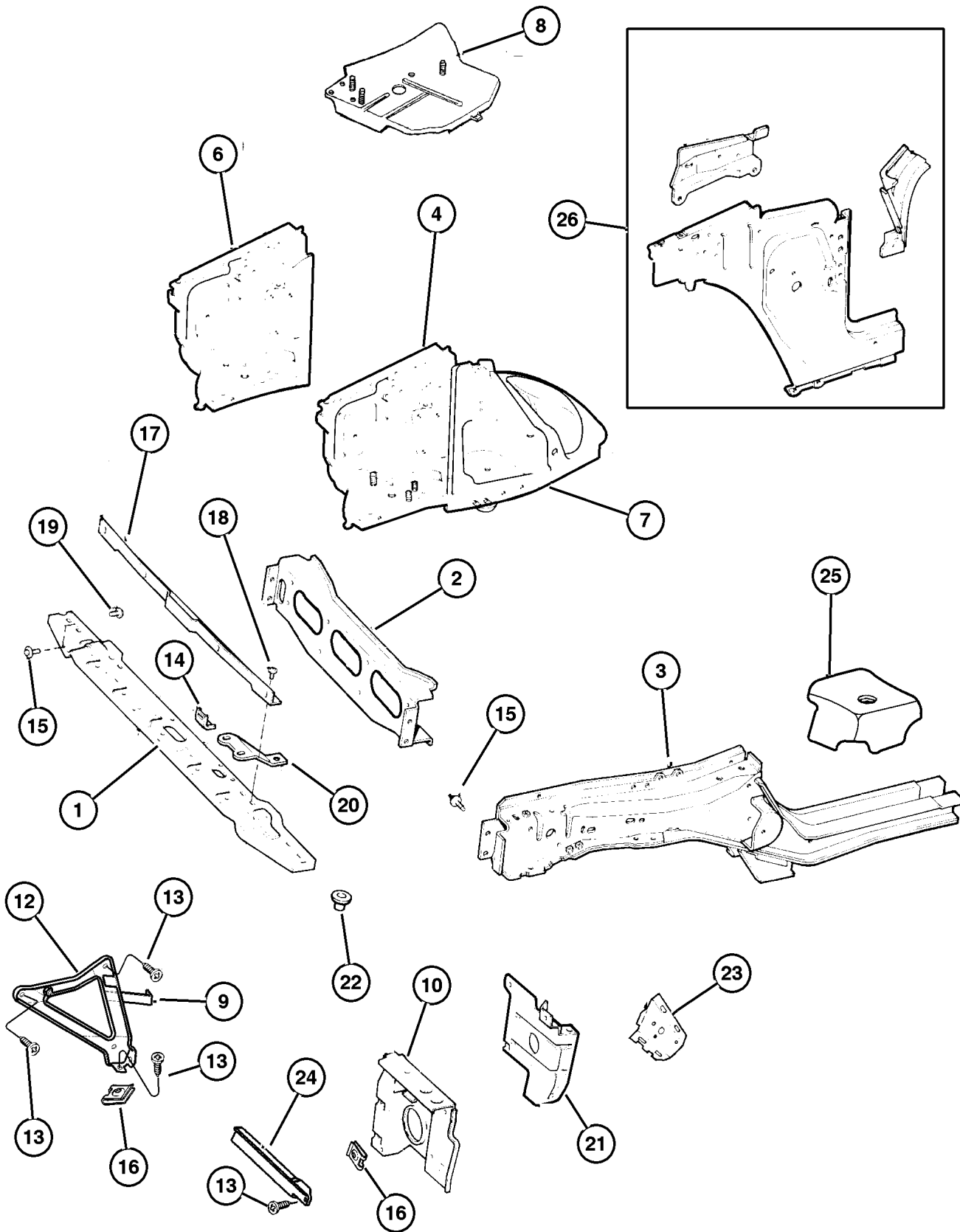
**JEEP CHEROKEE (XJ)**

SERIES	LINE	BODY	ENGINE	TRANSMISSION
L=Low Line	J=LHD (4WD) U=RHD (4WD) T=LHD (2WD) B=RHD (2WD)	74=4 DR. (101.4 WB) 72=2 DR. (101.4 WB)	ENC,EN0=2.5L 4 cyl. Turbo Die ERH,ER0=4.0L Power Tech I-6 EPE,EP0=Magnum 2.5L SMPI	DDQ=5Spd Man. DGS=4 Spd. Auto. AISIN DG0=All Auto Trans DBB=All Manual Trans.

AR = Use as required - = Non illustrated part # = New this model year

July 4, 2003

**Panels, Front End Inner and Wheelhouse 1997 XJ 1998 XJ  
Figure SXJ-410**



ITEM	PART NUMBER	QTY	LINE	SERIES	BODY	ENGINE	TRANS	TRIM	DESCRIPTION
	5523 5221	1							1997 XJ, Left
	55235 220AB	1							1998 XJ, Right
	55235 221AB	1							1998 XJ, Left
-11	6504 147	2							SCREW AND WASHER, PAN HEAD, M6X1.00X16.00
12									REINFORCEMENT, Sill
	5501 3176	1							1997 XJ, Right
	5501 3177	1							1997 XJ, Left
	55013 176AB	1							1998 XJ, Right
	55013 177AB	1							1998 XJ, Left
13	3420 2575	2							SCREW AND WASHER, Hex Head
14									BRACKET, Grille Opening Panel (NOT REQUIRED), 1998 XJ
	5500 9473	1							1997 XJ
15	3420 1808	2							SCREW AND CONED WASHER, Hex Head, M6x1.00x16.00
16	6504 118	3							U-NUT, M6 x 1.00, M6x1.00
17									BRACKET, Grille
	5501 0074	1							1997 XJ
	55010 074AB	1							1998 XJ
18	6504 352	4							SCREW
19	3420 2399	2							SCREW AND WASHER, Round Head, M6x1x16
20	5517 5247	1							BRACE, Radiator
21									SUPPORT, Radiator
	5500 9188	1			J, T				4 Cylinder or Diesel Engine, Right
	5534 5449	1			J, T				4 Cylinder or Diesel Engine, Left
22	3420 1348	2							NUT, Well
23									REINFORCEMENT, Sill
	5500 6948	1							Right
	5500 6949	1							Left
24									REINFORCEMENT, Radiator Baffle
	5523 5222	1							Right
	5523 5223	1							1998 XJ, Left
25									REINFORCEMENT, Spring and Shock
	5534 6023	1							Left
	5534 6022	1							1998 XJ, Right
26									REINFORCEMENT, Pillar And Cowl
	5517 5194	1							Right
	5517 5195	1							Left
-27									PLUG, Body, .875 Diameter (NOT REQUIRED), 1997 XJ

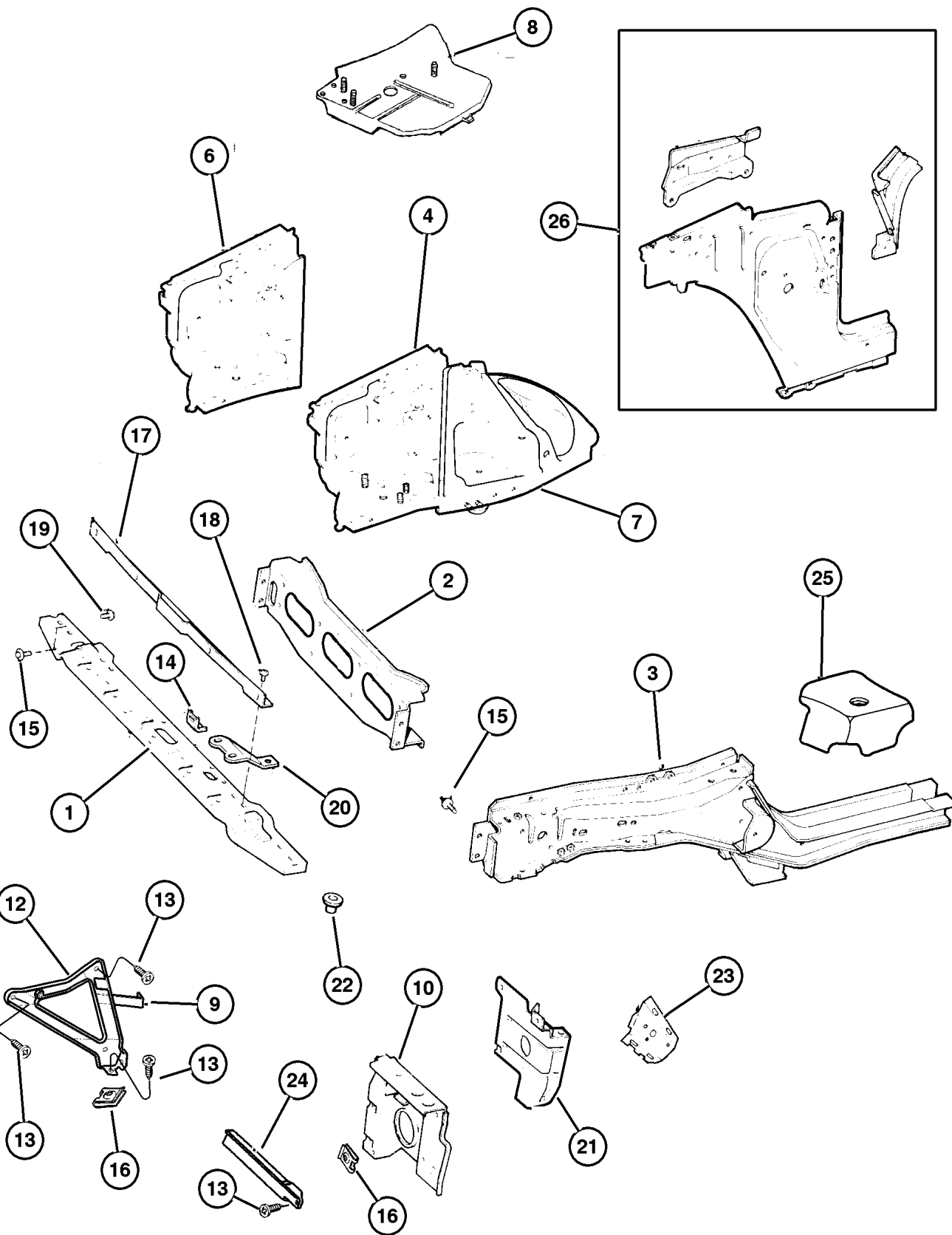
**JEEP CHEROKEE (XJ)**

SERIES	LINE	BODY	ENGINE	TRANSMISSION
L=Low Line	J=LHD (4WD) U=RHD (4WD) T=LHD (2WD) B=RHD (2WD)	74=4 DR. (101.4 WB) 72=2 DR. (101.4 WB)	ENC,EN0=2.5L 4 cyl. Turbo Die ERH,ER0=4.0L Power Tech I-6 EPE,EP0=Magnum 2.5L SMPI	DDQ=5Spd Man. DGS=4 Spd. Auto. AISIN DG0=All Auto Trans DBB=All Manual Trans.

AR = Use as required - = Non illustrated part # = New this model year

July 4, 2003

**Panels, Front End Inner and Wheelhouse 1997 XJ 1998 XJ**  
**Figure SXJ-410**



ITEM	PART NUMBER	QTY	LINE	SERIES	BODY	ENGINE	TRANS	TRIM	DESCRIPTION
------	-------------	-----	------	--------	------	--------	-------	------	-------------

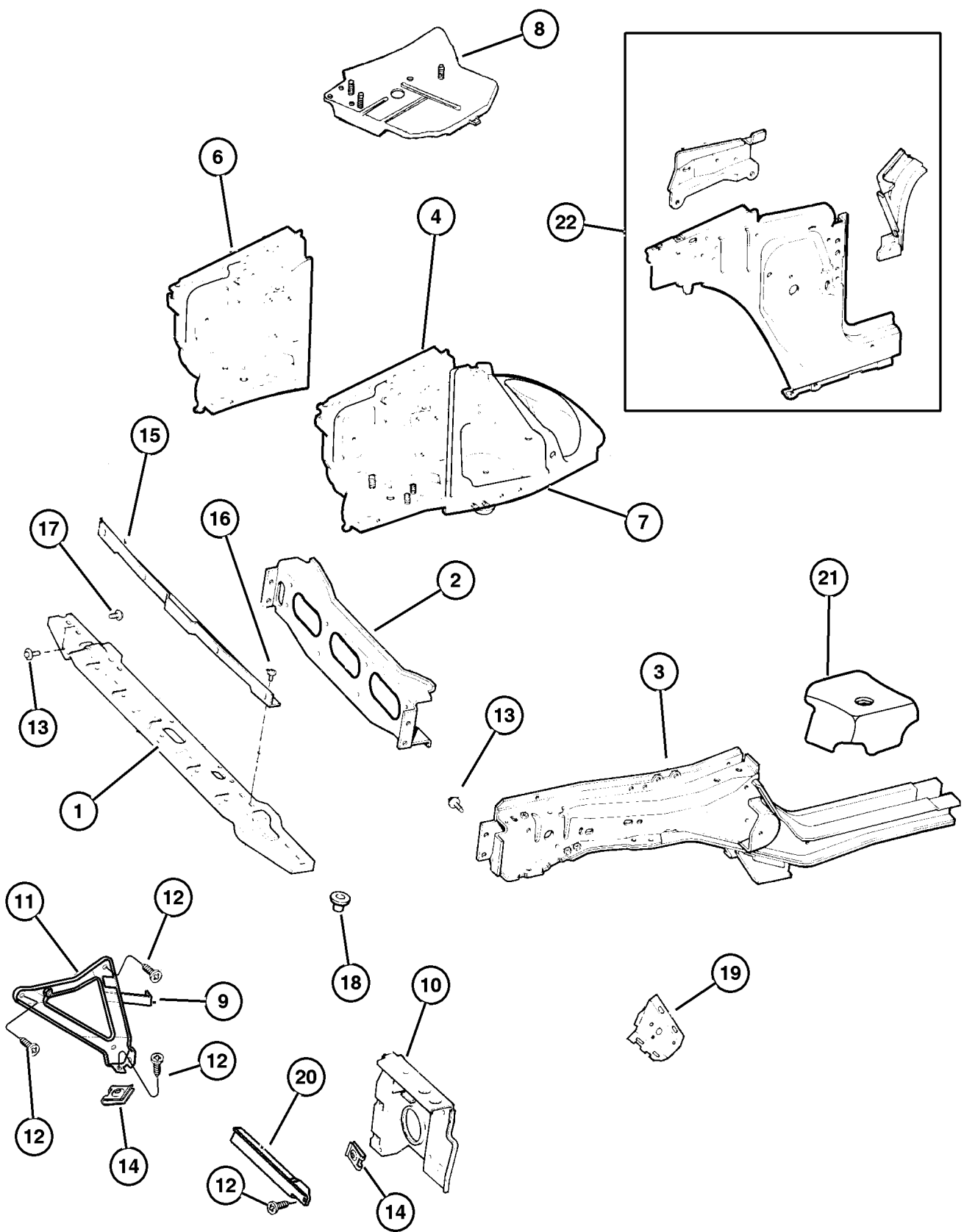
	5255 216	2							1998 XJ
--	----------	---	--	--	--	--	--	--	---------

<b>JEEP CHEROKEE (XJ)</b>				
SERIES	LINE	BODY	ENGINE	TRANSMISSION
L=Low Line	J=LHD (4WD) U=RHD (4WD) T=LHD (2WD) B=RHD (2WD)	74=4 DR. (101.4 WB) 72=2 DR. (101.4 WB)	ENC,EN0=2.5L 4 cyl. Turbo Die ERH,ER0=4.0L Power Tech I-6 EPE,EP0=Magnum 2.5L SMPI	DDQ=5Spd Man. DGS=4 Spd. Auto. AISIN DG0=All Auto Trans DBB=All Manual Trans.

AR = Use as required - = Non illustrated part # = New this model year

July 4, 2003

**Panels, Front End Inner and Wheelhouse 1999 XJ**  
**Figure SXJ-410**



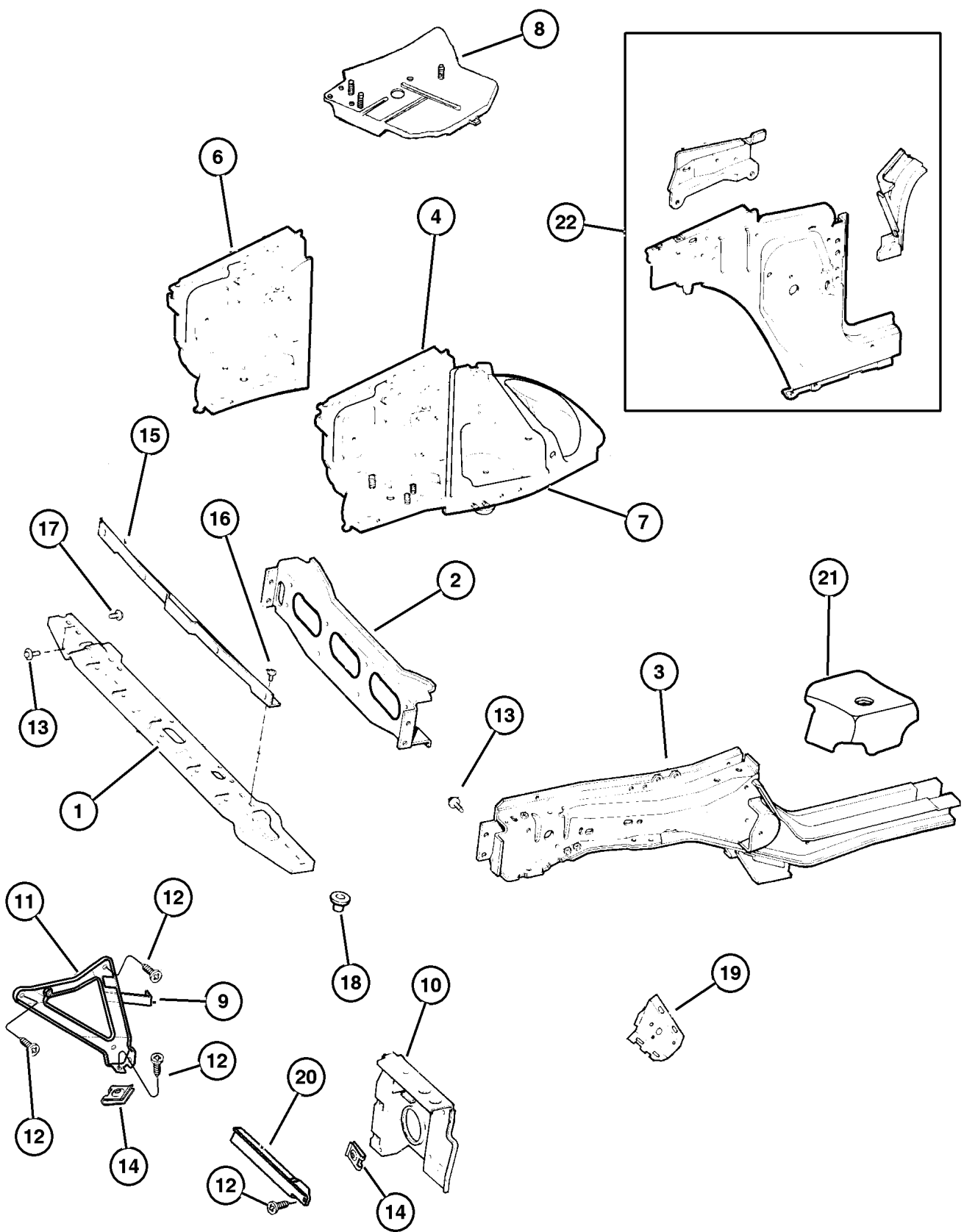
ITEM	PART NUMBER	QTY	LINE	SERIES	BODY	ENGINE	TRANS	TRIM	DESCRIPTION
1	55235 830AA	1							CROSSMEMBER, Radiator
2	5517 4978	1							CROSSMEMBER, Front Suspension
3	4798 084AB	1	J, T						PANEL, Sill Right
	4798 085AB	1	J, T						Left
	4897 136AB	1	B, U						Right
	4897 137AB	1	B, U						Left
4	5517 5636	1	B, U						WHEELHOUSE, Front Inner Right
	5517 5637	1	B, U						Left
	#55175 640AB	1	J, T						Right
	#55235 517AB	1	J, T						Left
-5	9428 962	3	B, U						SCREW, Internal Weld Stud, .250x20x.625
6	#55235 624AB	1							PANEL, Front Wheelhouse Right
	#55235 625AB	1							Left
7	5517 4992	1							SUPPORT, Shock Absorber Right
	5517 4993	1							Left
	5517 5003	1							Includes 55174993 & 6503267
8	5501 5210	1							Screw, Left REINFORCEMENT, Battery Tray Diesel,Left Side
	5523 5293	1							
9	5501 9221	2							REINFORCEMENT, Sill
10	55235 220AD	1							BAFFLE, Radiator Right
	55235 221AD	1							Left
11	55013 176AB	1							REINFORCEMENT, Sill Right
	55013 177AB	1							Left
12	3420 2575	2							SCREW AND WASHER, Hex Head
13	3420 1808	2							SCREW AND CONED WASHER, Hex Head, M6x1.00x16.00
14	6504 118	3							U-NUT, M6 x 1.00, M6x1.00
15	55010 074AC	1							BRACKET, Grille
16	6503 259	4							SCREW, Tapping, M6x1x20
17	3420 2399	2							SCREW AND WASHER, Round Head, M6x1x16
18	3420 1348	2							NUT, Well
19	5500 6948	1							REINFORCEMENT, Sill Right

**JEEP CHEROKEE (XJ)**  
 SERIES LINE BODY ENGINE TRANSMISSION  
 L=Low Line J=LHD (4WD) 74=4 DR. (101.4 WB) ENC,EN0=2.5L 4 cyl. Turbo Die DDQ=5Spd Man.  
 U=RHD (4WD) 72=2 DR. (101.4 WB) ERH,ER0=4.0L Power Tech I-6 DGS=4 Spd. Auto. AISIN  
 T=LHD (2WD) EPE,EP0=Magnum 2.5L SMPI DG0=All Auto Trans  
 B=RHD (2WD) DBB=All Manual Trans.

AR = Use as required - = Non illustrated part # = New this model year

July 4, 2003

**Panels, Front End Inner and Wheelhouse 1999 XJ  
Figure SXJ-410**



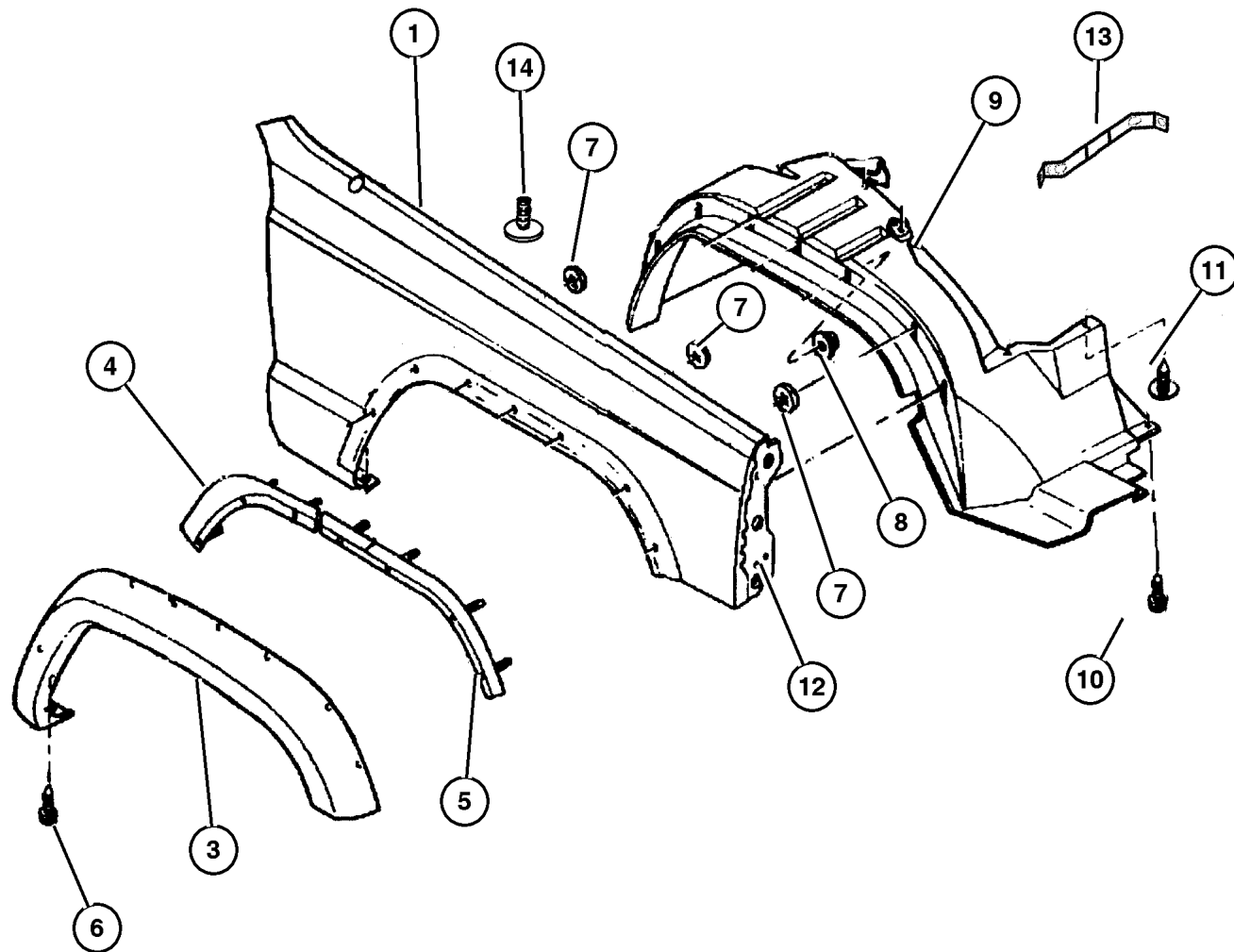
ITEM	PART NUMBER	QTY	LINE	SERIES	BODY	ENGINE	TRANS	TRIM	DESCRIPTION
	5500 6949	1							Left
20									REINFORCEMENT, Radiator Baffle, Serviced With BAFFLE, Radiator, (NOT SERVICED) (Not Serviced)
21									REINFORCEMENT, Spring and Shock
	5534 6022	1							Right
	5534 6023	1							Left
22									REINFORCEMENT, Pillar And Cowl
	5517 5194	1							Right
	5517 5195	1							Left

<b>JEEP CHEROKEE (XJ)</b>				
SERIES	LINE	BODY	ENGINE	TRANSMISSION
L=Low Line	J=LHD (4WD) U=RHD (4WD) T=LHD (2WD) B=RHD (2WD)	74=4 DR. (101.4 WB) 72=2 DR. (101.4 WB)	ENC,EN0=2.5L 4 cyl. Turbo Die ERH,ER0=4.0L Power Tech I-6 EPE,EP0=Magnum 2.5L SMPI	DDQ=5Spd Man. DGS=4 Spd. Auto. AISIN DG0=All Auto Trans DBB=All Manual Trans.

AR = Use as required - = Non illustrated part # = New this model year

July 4, 2003

Fenders, Front 1997 XJ  
Figure SXJ-420



ITEM	PART NUMBER	QTY	LINE	SERIES	BODY	ENGINE	TRANS	TRIM	DESCRIPTION
ARU= SE Decor ARW= Sport Decor ARX= Country Decor ART= Classic Decore									
1									FENDER, Front
	5517 5396	1							Export, Right
	5517 5397	1							Export, Left
	5517 5508	1							Right
	5517 5509	1							Left
-2	1150 3745	2							NUT, Hex, M6x1
3									APPLIQUE, Fender Wheel Opening
	5FW70 DX8AA	1							Black, With Country or Classic, (ARX), Right
	5FW70 PCJAA	1							Dark Montego Blue, Right
	5FW70 PR4AA	1							Red, Right
	5FW70 RJNAA	1							Moss Green, Right
	5FW70 SW1AA	1							White, Right
	5FW70 TQ7AA	1							Gunmetal Pearl, Right
	5FW71 DX8AA	1							Black, With Country or Classic, (ARX), Left
	5FW71 PCJAA	1							Dark Montego Blue, Left
	5FW71 PR4AA	1							Red, Left
	5FW71 SW1AA	1							White, Left
	5FW71 TQ7AA	1							Gunmetal Pearl, Left
	5FW72 DX9AA	1							Black, With SE or Sport, (ARU, ARW), Right
	5FW73 DX9AA	1							Black, With SE or Sport, (ARU, ARW), Left
4									RETAINER, Applique, Rear
	55155 674AA	1							Right
	55155 675AA	1							Left
5									RETAINER, Applique, Front
	55155 676AB	1							Right
	55155 677AA	1							Left
6	3420 2358	2							SCREW, Pan Head, M4.8x1.59x13.00
7	6505 049AA	6							NUT, M5
8	J420 0408	14							NUT AND WASHER, Hex Nut-Coned Washer, M5 x 0.80
9									LINER, Front Fender
	55175 896AB	1							Right
	55175 897AB	1							Left
10	3420 2575	2							SCREW AND WASHER, Hex Head

JEEP CHEROKEE (XJ)

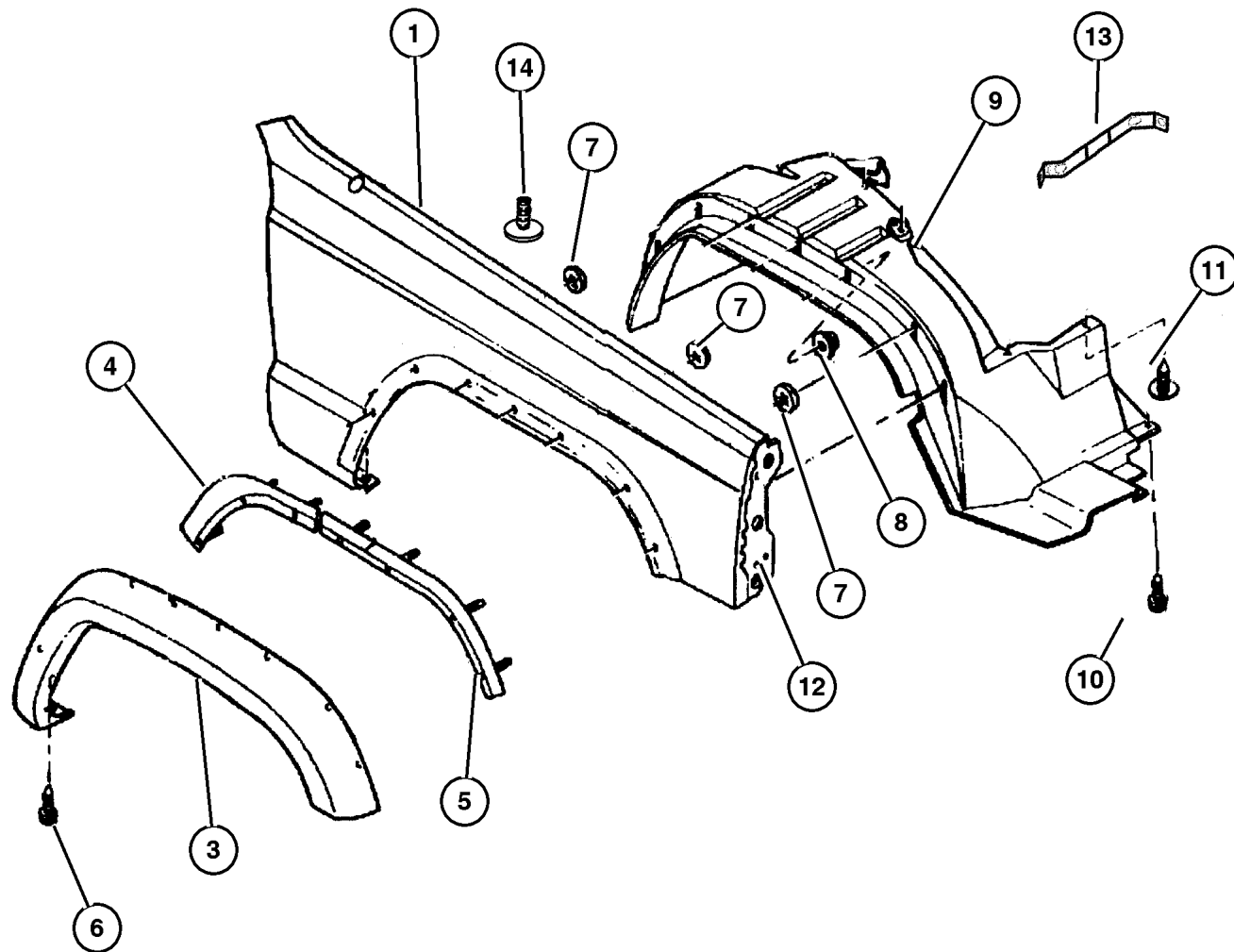
SERIES	LINE	BODY	ENGINE	TRANSMISSION
L=Low Line	J=LHD (4WD) U=RHD (4WD) T=LHD (2WD) B=RHD (2WD)	74=4 DR. (101.4 WB) 72=2 DR. (101.4 WB)	ENC,EN0=2.5L 4 cyl. Turbo Die ERH,ER0=4.0L Power Tech I-6 EPE,EP0=Magnum 2.5L SMPI	DDQ=5Spd Man. DGS=4 Spd. Auto. AISIN DG0=All Auto Trans DBB=All Manual Trans.

AR = Use as required - = Non illustrated part # = New this model year

July 4, 2003

Fenders, Front 1997 XJ  
Figure SXJ-420

ITEM	PART NUMBER	QTY	LINE	SERIES	BODY	ENGINE	TRANS	TRIM	DESCRIPTION
11	6030 441	14							PIN, Retainer
12	5517 5586	1							BRACKET, Fender Extension To Baffle, Right
	5517 5587	1							Extension To Baffle, Left
13	5500 3652	2							BRACKET, Fender, Wheelhouse To Support Spring Shock
14	J368 9548	2							BUMPER, Hood



JEEP CHEROKEE (XJ)				
SERIES	LINE	BODY	ENGINE	TRANSMISSION
L=Low Line	J=LHD (4WD) U=RHD (4WD) T=LHD (2WD) B=RHD (2WD)	74=4 DR. (101.4 WB) 72=2 DR. (101.4 WB)	ENC,EN0=2.5L 4 cyl. Turbo Die ERH,ER0=4.0L Power Tech I-6 EPE,EP0=Magnum 2.5L SMPI	DDQ=5Spd Man. DGS=4 Spd. Auto. AISIN DG0=All Auto Trans DBB=All Manual Trans.

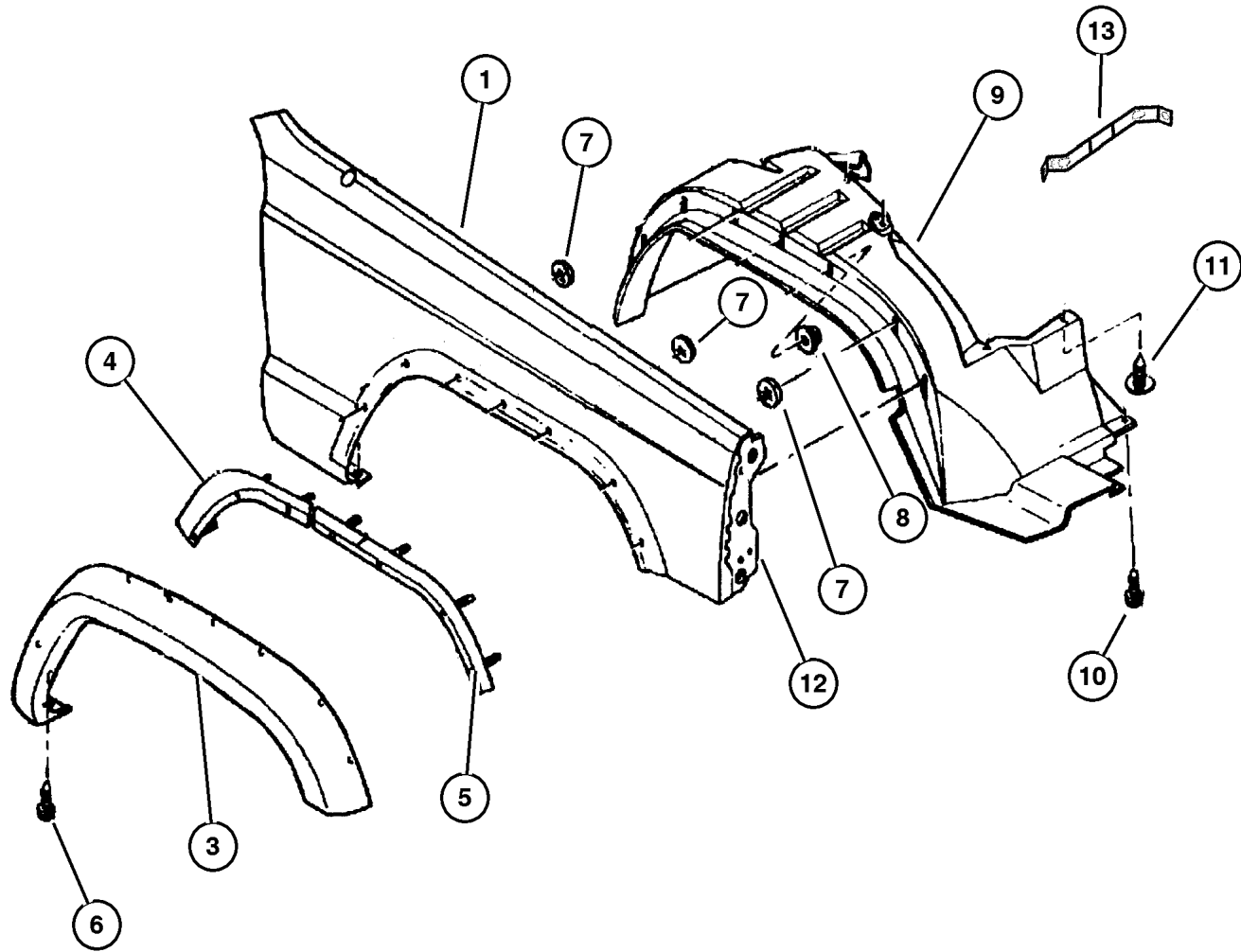
AR = Use as required - = Non illustrated part # = New this model year

July 4, 2003



Fenders, Front 1998 XJ  
Figure SXJ-420

ITEM	PART NUMBER	QTY	LINE	SERIES	BODY	ENGINE	TRANS	TRIM	DESCRIPTION
ARU= SE Decor ARW= Sport Decor ARX= Country Decor ART= Classic Decore									
1									FENDER, Front
	5517 5396	1	J, U						Right,Export
	5517 5397	1	J, U						Left,Export
	5517 5508	1							Right
	5517 5509	1							Left
-2	1150 3745	2							NUT, Hex, M6x1
3									APPLIQUE, Fender Wheel Opening
	5FW70 DX8AD	1							Black, With Country or Classic, (ART,ARX), Right
	5FW70 PR4AD	1							Red, Right
	5FW70 RJNAD	1							Moss Green, Right
	5FW70 SW1AD	1							White, Right
	5FW70 TCNAD	1							Deep Amethyst, Right
	5FW70 TQ7AD	1							Gunmetal Pearl, Right
	5FW70 VEAAD	1							Chilli Pepper Red, Right
	5FW71 DX8AD	1							Black, With Country or Classic, (ART,ARX), Left
	5FW71 PR4AD	1							Red, Left
	5FW71 RJNAD	1							Moss Green, Left
	5FW71 SW1AD	1							White, Left
	5FW71 TCNAD	1							Deep Amethyst, Left
	5FW71 TQ7AD	1							Gunmetal Pearl, Left
	5FW71 VEAAD	1							Chilli Pepper Red, Left
	5FW72 DX9AD	1							Black, With SE or Sport, (ARU, ARW), Right
	5FW73 DX9AD	1							Black, With SE or Sport, (ARU, ARW), Left
4									RETAINER, Applique, Rear
	55155 674AA	1							Right
	55155 675AA	1							Left
5									RETAINER, Applique, Front
	55155 676AC	1							Right
	55155 677AC	1							Left
6	3420 2358	2							SCREW, Pan Head, M4.8x1.59x13.00
7	6505 049AA	6							NUT, M5
8	J420 0408	14							NUT AND WASHER, Hex Nut-Coned
									Washer, M5 x 0.80
9									LINER, Front Fender



JEEP CHEROKEE (XJ)

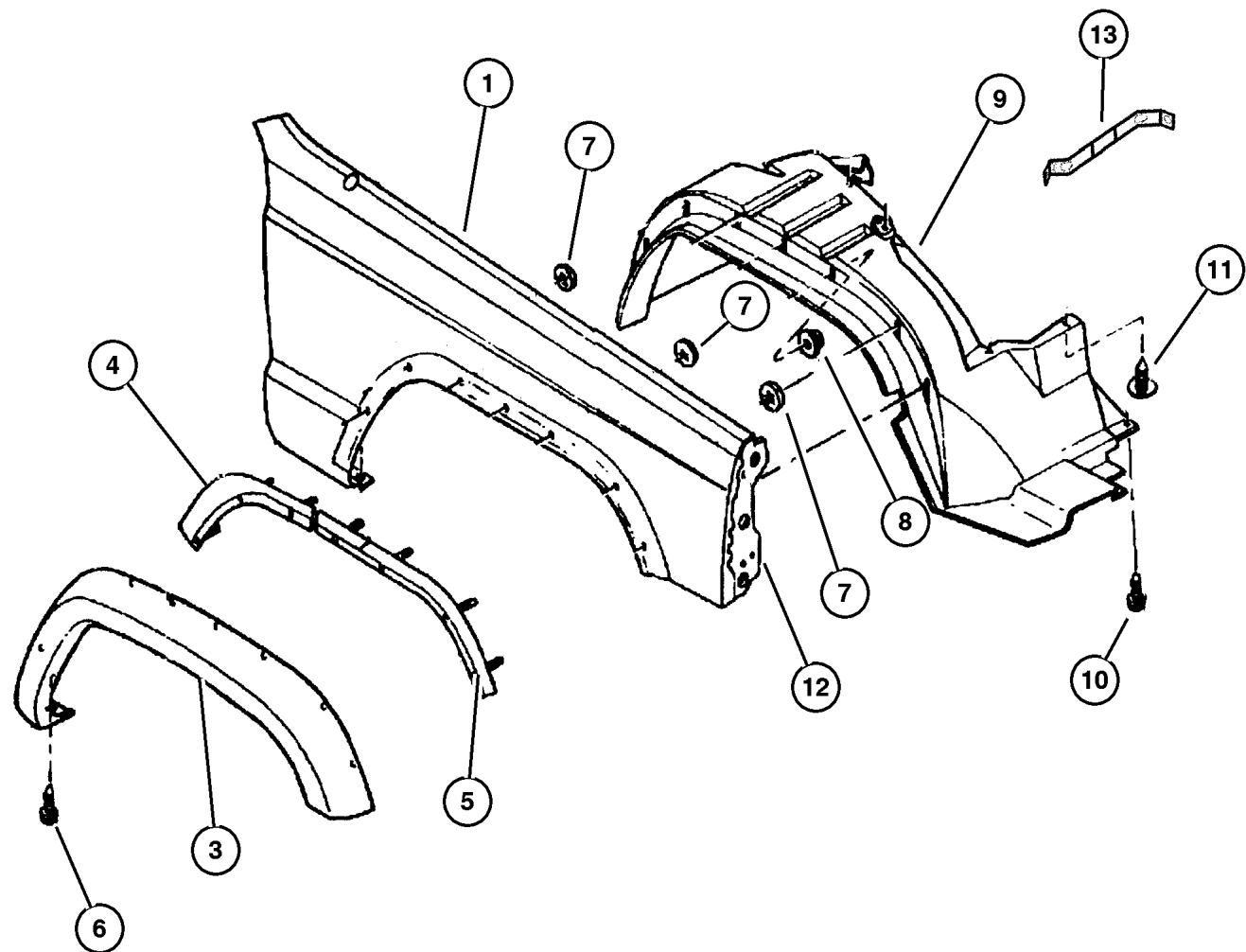
SERIES	LINE	BODY	ENGINE	TRANSMISSION
L=Low Line	J=LHD (4WD) U=RHD (4WD) T=LHD (2WD) B=RHD (2WD)	74=4 DR. (101.4 WB) 72=2 DR. (101.4 WB)	ENC,EN0=2.5L 4 cyl. Turbo Die ERH,ER0=4.0L Power Tech I-6 EPE,EP0=Magnum 2.5L SMPI	DDQ=5Spd Man. DGS=4 Spd. Auto. AISIN DG0=All Auto Trans DBB=All Manual Trans.

AR = Use as required - = Non illustrated part # = New this model year

July 4, 2003

Fenders, Front 1998 XJ  
Figure SXJ-420

ITEM	PART NUMBER	QTY	LINE	SERIES	BODY	ENGINE	TRANS	TRIM	DESCRIPTION
	55175 896AC	1							Right
	55175 897AC	1							Left
10	3420 2575	2							SCREW AND WASHER, Hex Head
11	6030 441	14							PIN, Retainer
12									BRACKET, Fender
	5517 5586	1							Extension To Baffle, Right
	5517 5587	1							Extension To Baffle, Left
13	5500 3652	2							BRACKET, Fender, Wheelhouse To Support Spring Shock



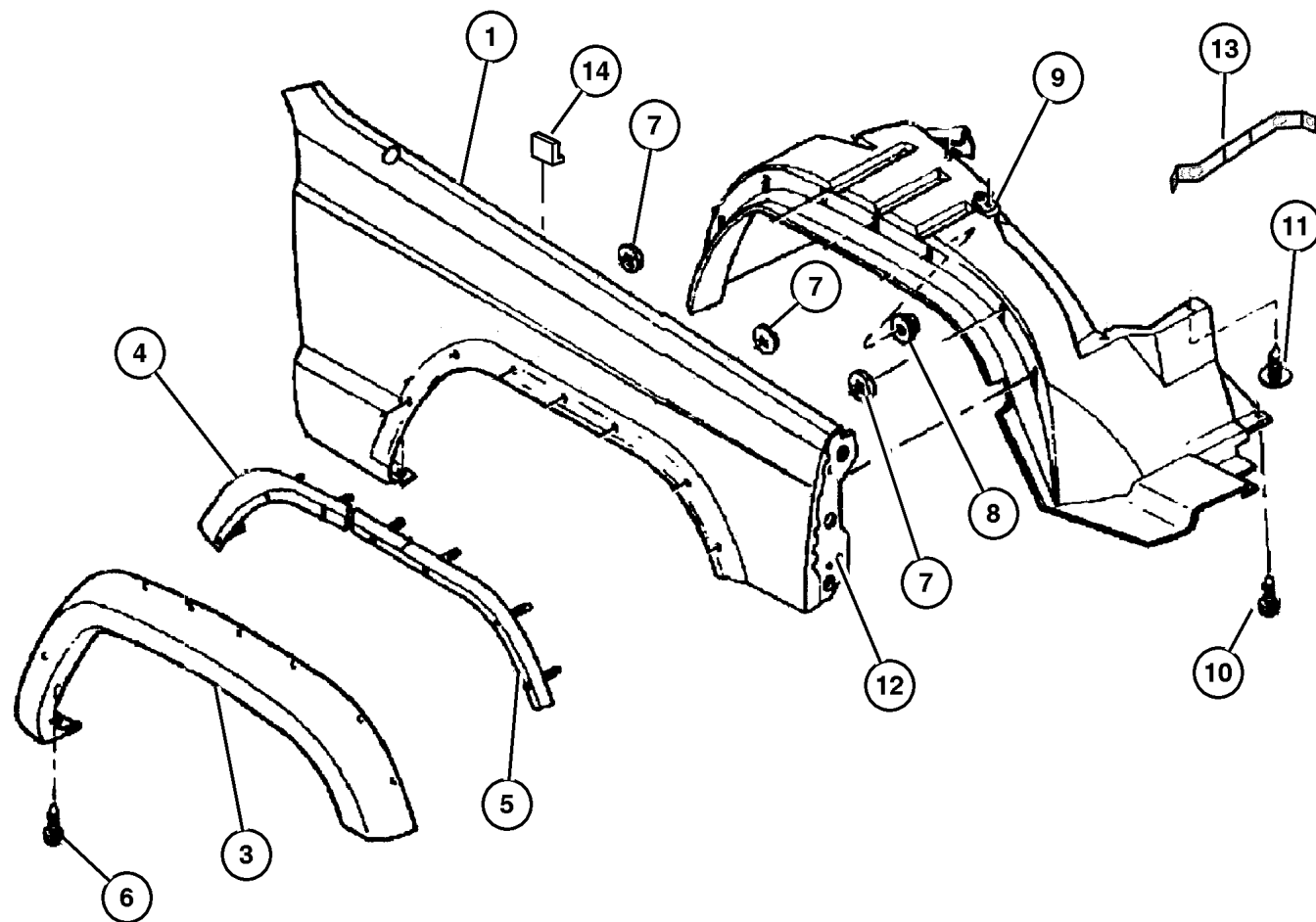
JEEP CHEROKEE (XJ)

SERIES	LINE	BODY	ENGINE	TRANSMISSION
L=Low Line	J=LHD (4WD) U=RHD (4WD) T=LHD (2WD) B=RHD (2WD)	74=4 DR. (101.4 WB) 72=2 DR. (101.4 WB)	ENC,EN0=2.5L 4 cyl. Turbo Die ERH,ER0=4.0L Power Tech I-6 EPE,EP0=Magnum 2.5L SMPI	DDQ=5Spd Man. DGS=4 Spd. Auto. AISIN DG0=All Auto Trans DBB=All Manual Trans.

AR = Use as required - = Non illustrated part # = New this model year

July 4, 2003

Fenders, Front 1999 XJ  
Figure SXJ-420



ITEM	PART NUMBER	QTY	LINE	SERIES	BODY	ENGINE	TRANS	TRIM	DESCRIPTION
Sles Code : [ARU]= [SE] Decor									
1									FENDER, Front
	56022 320AA	1							Right
	56022 321AA	1							Left
-2	1150 3745	2							NUT, Hex, M6x1
3									APPLIQUE, Fender Wheel Opening
	5FW70 DX8AD	1							Glossy Black, Right
	5FW70 PR4AD	1							Flame Red, Right
	5FW70 SG8AD	1							Forest Green, Right
	5FW70 SW1AD	1							Stone White, Right
	5FW70 TCNAD	1							Deep Amethyst, Right
	5FW70 TQ7AD	1							Gunmetal, Right
	5FW70 VEAAD	1							Chili Pepper Red, Right
	5FW70 WTDAD	1							Dessert Sand, Right
	5FW71 DX8AD	1							Glossy Black, Left
	5FW71 PR4AD	1							Flame Red, Left
	5FW71 SG8AD	1							Forest Green, Left
	5FW71 SW1AD	1							Stone White, Left
	5FW71 TCNAD	1							Deep Amethyst, Left
	5FW71 TQ7AD	1							Gunmetal, Left
	5FW71 VEAAD	1							Chili Pepper Red, Left
	5FW71 WTDAD	1							Dessert Sand, Left
	5FW72 DX9AD	1							Flat Black, SE Decor, (ARU), Right
	5FW73 DX9AD	1							Flat Black, SE Decor, (ARU), Left
4									RETAINER, Applique, Rear
	55155 674AB	1							Right
	55155 675AB	1							Left
5									RETAINER, Applique, Front
	55155 676AE	1							Right
	55155 677AE	1							Left
6	6035 322	2							SCREW
7	6505 049AA	6							NUT, M5
8	J420 0408	14							NUT AND WASHER, Hex Nut-Coned
									Washer, M5 x 0.80
9									LINER, Front Fender
	55175 896AD	1							Right
	55175 897AD	1							Left
10	3420 2575	2							SCREW AND WASHER, Hex Head
11	6030 441	14							PIN, Retainer
12									BRACKET, Fender
	5517 5586	1							Extension To Baffle, Right
	5517 5587	1							Extension To Baffle, Left

JEEP CHEROKEE (XJ)

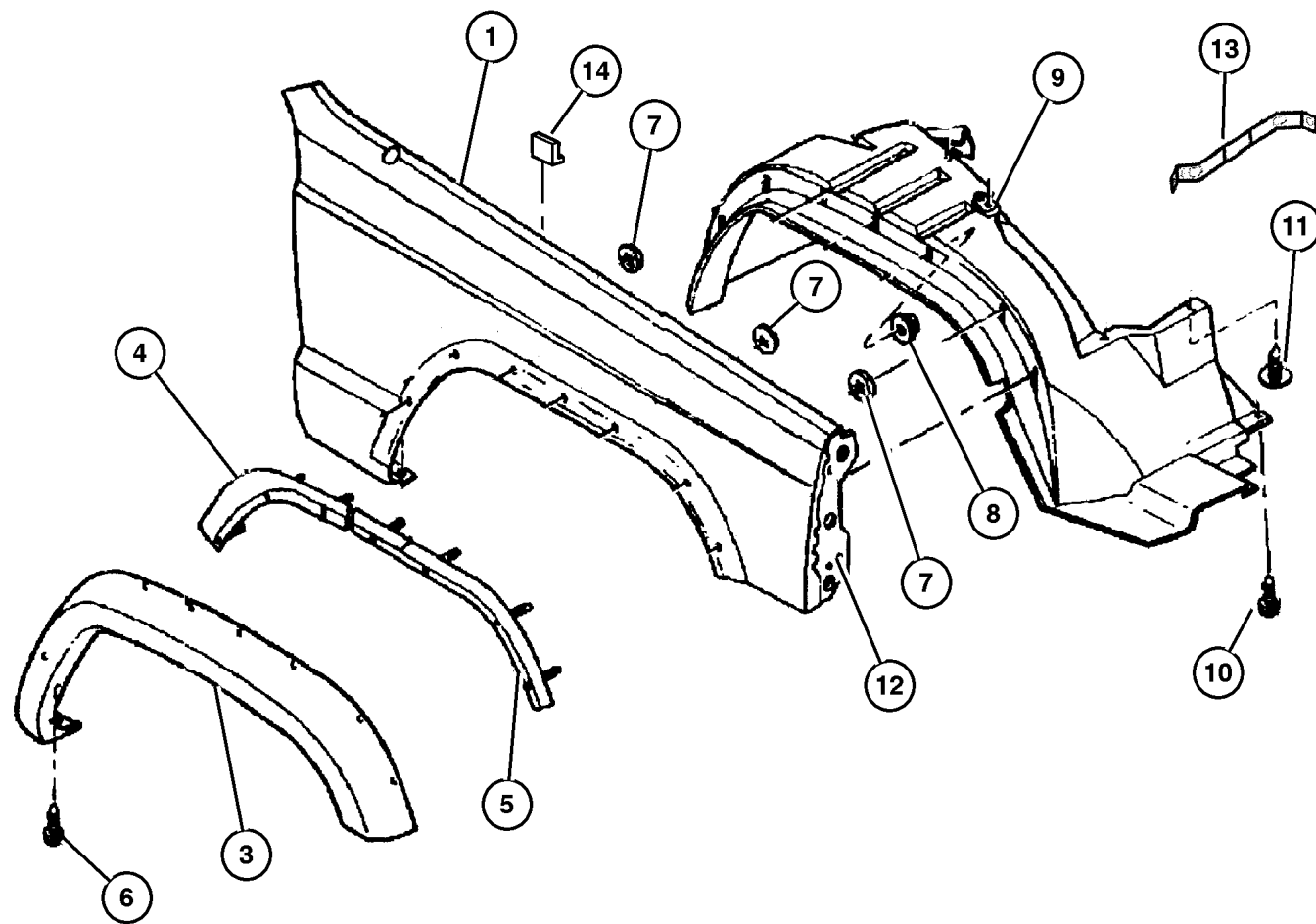
SERIES	LINE	BODY	ENGINE	TRANSMISSION
L=Low Line	J=LHD (4WD) U=RHD (4WD) T=LHD (2WD) B=RHD (2WD)	74=4 DR. (101.4 WB) 72=2 DR. (101.4 WB)	ENC,EN0=2.5L 4 cyl. Turbo Die ERH,ER0=4.0L Power Tech I-6 EPE,EP0=Magnum 2.5L SMPI	DDQ=5Spd Man. DGS=4 Spd. Auto. AISIN DG0=All Auto Trans DBB=All Manual Trans.

AR = Use as required - = Non illustrated part # = New this model year

July 4, 2003

Fenders, Front 1999 XJ  
Figure SXJ-420

ITEM	PART NUMBER	QTY	LINE	SERIES	BODY	ENGINE	TRANS	TRIM	DESCRIPTION
13	5500 3652	2							BRACKET, Fender, Wheelhouse To Support Spring Shock
14	J368 9548	2							BUMPER, Hood, Fender to Hood

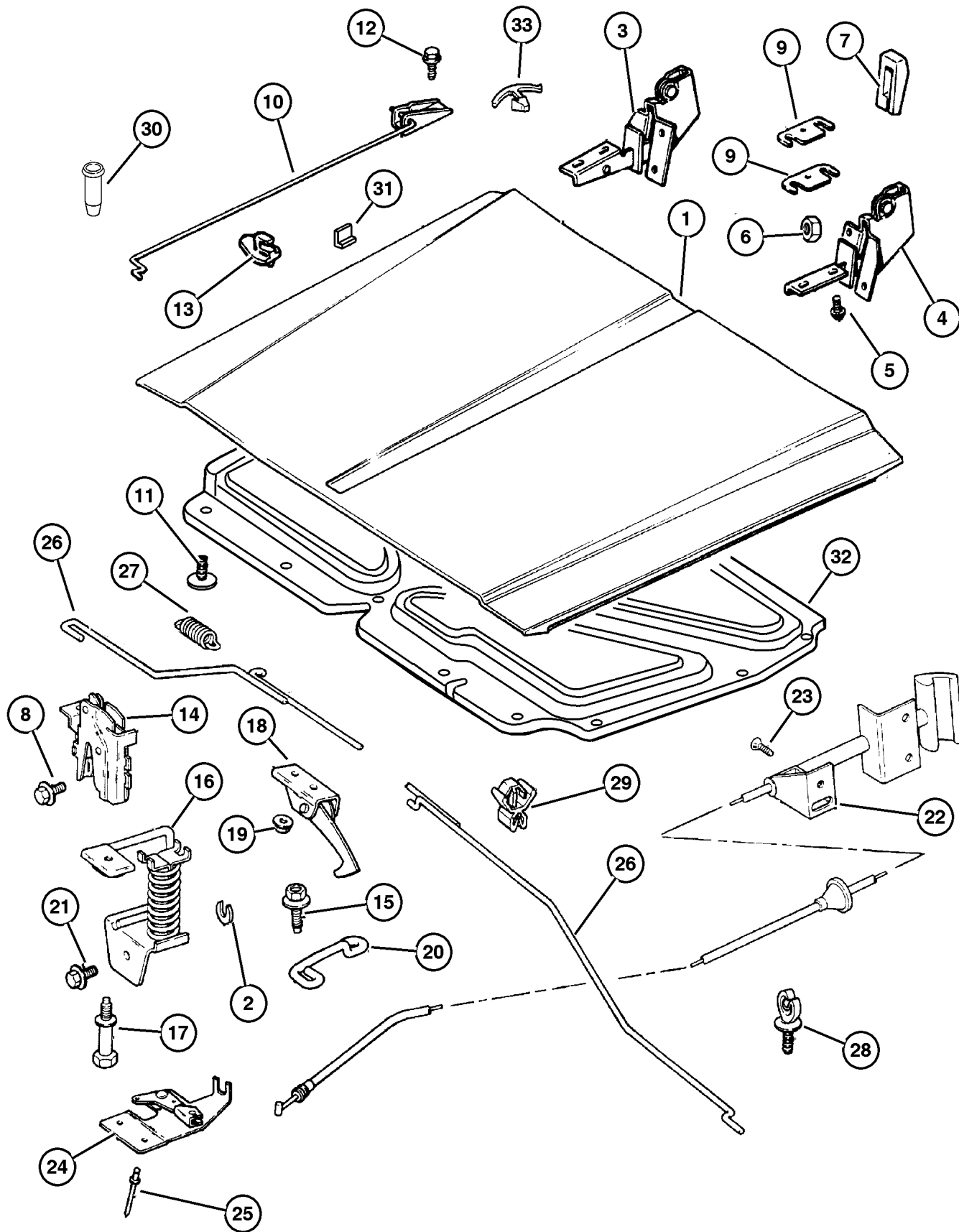


<b>JEEP CHEROKEE (XJ)</b>				
SERIES	LINE	BODY	ENGINE	TRANSMISSION
L=Low Line	J=LHD (4WD) U=RHD (4WD) T=LHD (2WD) B=RHD (2WD)	74=4 DR. (101.4 WB) 72=2 DR. (101.4 WB)	ENC,EN0=2.5L 4 cyl. Turbo Die ERH,ER0=4.0L Power Tech I-6 EPE,EP0=Magnum 2.5L SMPI	DDQ=5Spd Man. DGS=4 Spd. Auto. AISIN DG0=All Auto Trans DBB=All Manual Trans.

AR = Use as required - = Non illustrated part # = New this model year

July 4, 2003

## Hood, Latch and Hinges 1997 XJ Figure SXJ-510



ITEM	PART NUMBER	QTY	LINE	SERIES	BODY	ENGINE	TRANS	TRIM	DESCRIPTION
1	5523 5439	1							HOOD
2	3420 2581	AR							SPACER, Hood Latch
3	55235 724AB	1							HINGE, Hood, Right
4	55235 725AB	1							HINGE, Hood, Left
5									SCREW AND WASHER, Hex Head, M8-1.25x30, (NOT REQUIRED)
6	6500 284	6							NUT, Hex, M6x1.00
7	5500 1982	2							SEAL, Hood Hinge
8	3420 2005	2							SCREW, Pan Head Torx, M6x1x14
9	J068 0435	8							SHIM, Hood Hinge
10	5501 7480	1							ROD, Hood Prop
11									BUMPER, Hood
	4103 165	1							Crossmember to Hood Adjust
	J368 9548	2							Hood Front to Hood Adjust
12	3420 1807	2							BOLT, Hex Flange Head, M6x1. 00x16
13	5507 5480	1							CLIP, Prop Rod
14	5523 5523	2							LATCH, Hood
15	6504 641	2							SCREW AND WASHER, Button Head Torx
16	5507 5884	2							STRIKER, Hood Latch
17	6503 963	2							BOLT AND CONED WASHER, Hex Head, M8x1.25x58.28
18	5500 9998	1							HOOK, Hood Safety Catch
19	3420 1680	2							NUT, Hex Flange, M6x1
20	5500 9999	1							STRIKER, Hood Safety Catch
21	6504 641	2							SCREW AND WASHER, Button Head Torx
22									CABLE, Hood Release
	5523 5270	1	B, U						
	5523 5483	1	J, T						
23									SCREW
	6504 997AA	3	J, T						
		2	B, U						
24	5507 4526	1							BELLCRANK, Hood Release
25	3420 1208	2							RIVET, M4.8x13.23
26	5507 5442	1							ROD, Hood Latch
27	5502 9718	1							SPRING, Hood Latch
28									CLIP, Tube
	3200 0404	1	B, U						
		2	J, T						
29	3420 2688	2							CLIP, Latch&Line
30	6504 262	2							NUT, Rivet

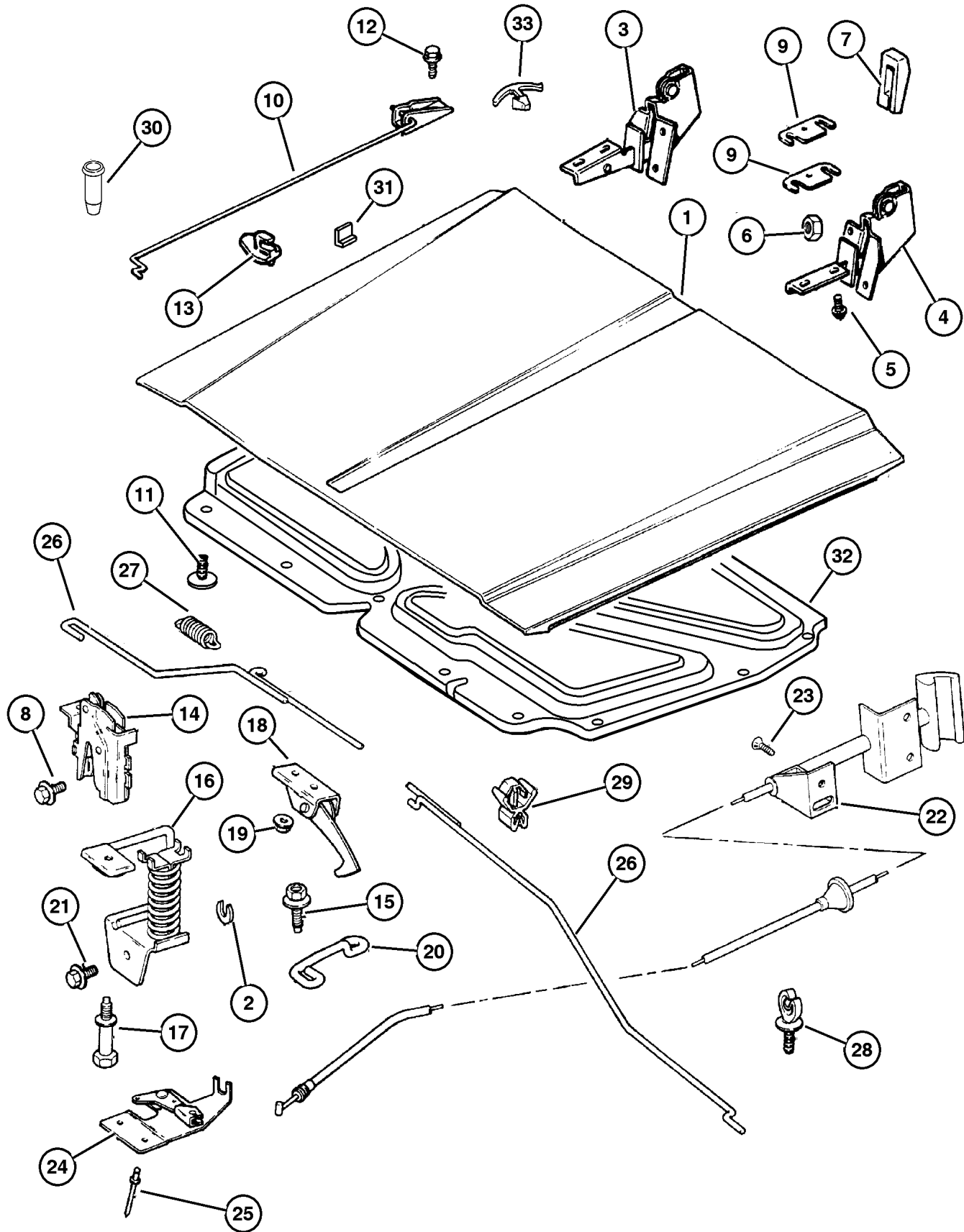
### JEEP CHEROKEE (XJ)

SERIES	LINE	BODY	ENGINE	TRANSMISSION
L=Low Line	J=LHD (4WD) U=RHD (4WD) T=LHD (2WD) B=RHD (2WD)	74=4 DR. (101.4 WB) 72=2 DR. (101.4 WB)	ENC,EN0=2.5L 4 cyl. Turbo Die ERH,ER0=4.0L Power Tech I-6 EPE,EP0=Magnum 2.5L SMPI	DDQ=5Spd Man. DGS=4 Spd. Auto. AISIN DG0=All Auto Trans DBB=All Manual Trans.

AR = Use as required - = Non illustrated part # = New this model year

July 4, 2003

Hood, Latch and Hinges 1997 XJ  
Figure SXJ-510



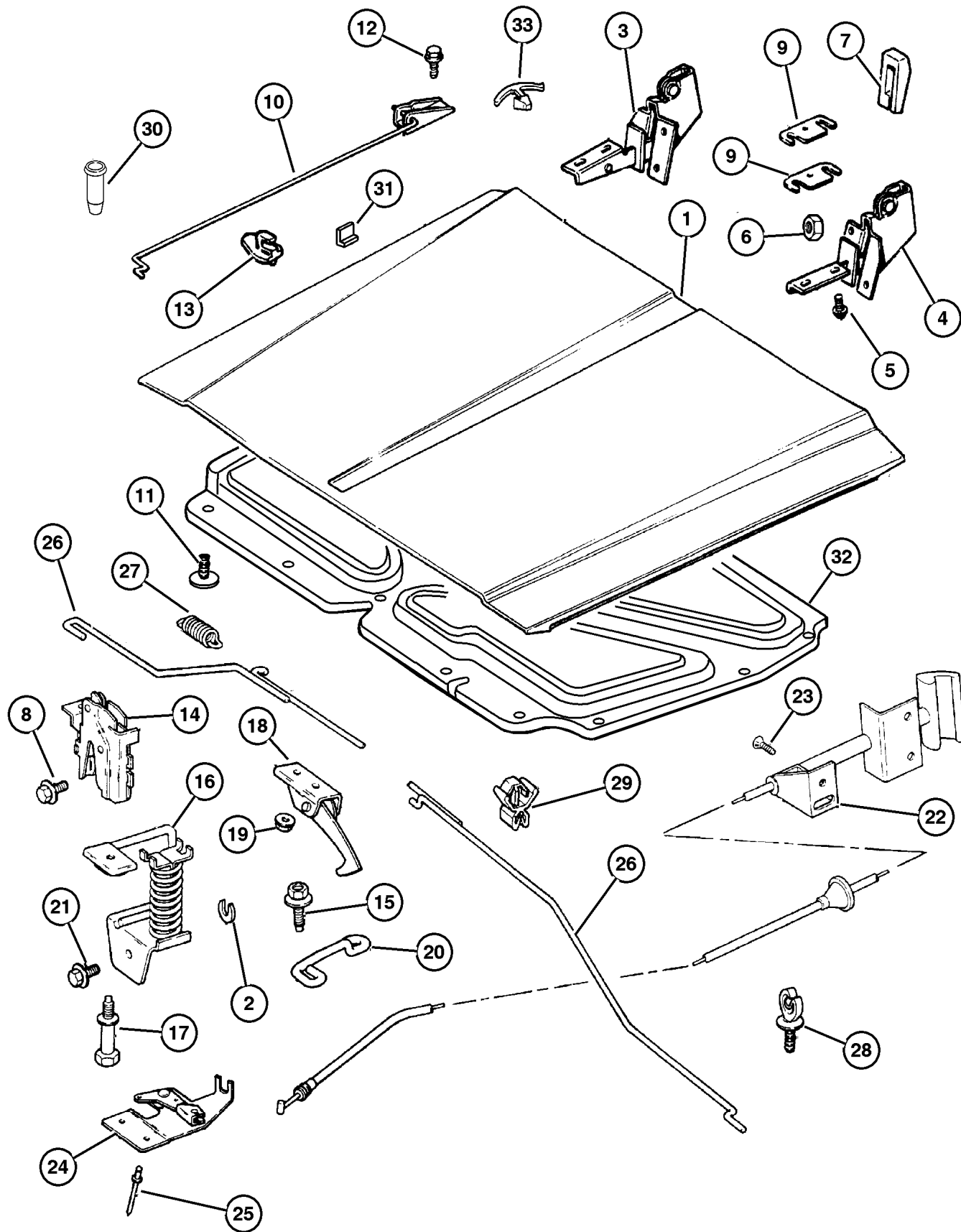
ITEM	PART NUMBER	QTY	LINE	SERIES	BODY	ENGINE	TRANS	TRIM	DESCRIPTION
31	J368 9548	2							BUMPER, Hood, Hood Front Fender Side
32	55217 068AC	1							INSULATION, Hood
33	6003 351	13							RETAINER, Hood Insulation, .415x.690

JEEP CHEROKEE (XJ)				
SERIES	LINE	BODY	ENGINE	TRANSMISSION
L=Low Line	J=LHD (4WD) U=RHD (4WD) T=LHD (2WD) B=RHD (2WD)	74=4 DR. (101.4 WB) 72=2 DR. (101.4 WB)	ENC,EN0=2.5L 4 cyl. Turbo Die ERH,ER0=4.0L Power Tech I-6 EPE,EP0=Magnum 2.5L SMPI	DDQ=5Spd Man. DGS=4 Spd. Auto. AISIN DG0=All Auto Trans DBB=All Manual Trans.

AR = Use as required - = Non illustrated part # = New this model year

July 4, 2003

## Hood, Latch and Hinges 1998 XJ Figure SXJ-510



ITEM	PART NUMBER	QTY	LINE	SERIES	BODY	ENGINE	TRANS	TRIM	DESCRIPTION
1	5523 5439	1							HOOD
2	3420 2581	AR							SPACER, Hood Latch
3	55235 724AB	1							HINGE, Hood, Right
4	55235 725AC	1							HINGE, Hood, Left
5	6100 576	4							SCREW AND WASHER, Hex Head, M8-1.25x30
6	6500 284	6							NUT, Hex, M6x1.00
7	5500 1982	2							SEAL, Hood Hinge
8	3420 2005	2							SCREW, Pan Head Torx, M6x1x14
9	J068 0435	8							SHIM, Hood Hinge
10	5501 7480	1							ROD, Hood Prop
11									BUMPER, Hood
	4103 165	1							Crossmember to Hood Adjust
	J368 9548	2							Hood Front Fender Side
12	3420 1807	2							BOLT, Hex Flange Head, M6x1. 00x16
13	5507 5480	1							CLIP, Prop Rod
14	55235 523AC	2							LATCH, Hood
15	6504 641	2							SCREW AND WASHER, Button Head Torx
16	55075 884AB	2							STRIKER, Hood Latch
17	6503 963	2							BOLT AND CONED WASHER, Hex Head, M8x1.25x58.28
18	55009 998AB	1							HOOK, Hood Safety Catch
19	3420 1680	2							NUT, Hex Flange, M6x1
20	5500 9999	1							STRIKER, Hood Safety Catch
21	6504 641	2							SCREW AND WASHER, Button Head Torx
22									CABLE, Hood Release
	55235 270AC	1	B, U						
	55235 483AB	1	J, T						
23									SCREW
	6504 997AA	3	J, T						
		2	B, U						
24	5507 4526	1							BELLCRANK, Hood Release
25	3420 1208	2							RIVET, M4.8x13.23
26	5507 5442	1							ROD, Hood Latch
27	5502 9718	1							SPRING, Hood Latch
28									CLIP, Tube
	3200 0404	1	B, U						
		2	J, T						
29	3420 2688	2							CLIP, Latch&Line
30	6505 175AA	2							NUT, Rivet

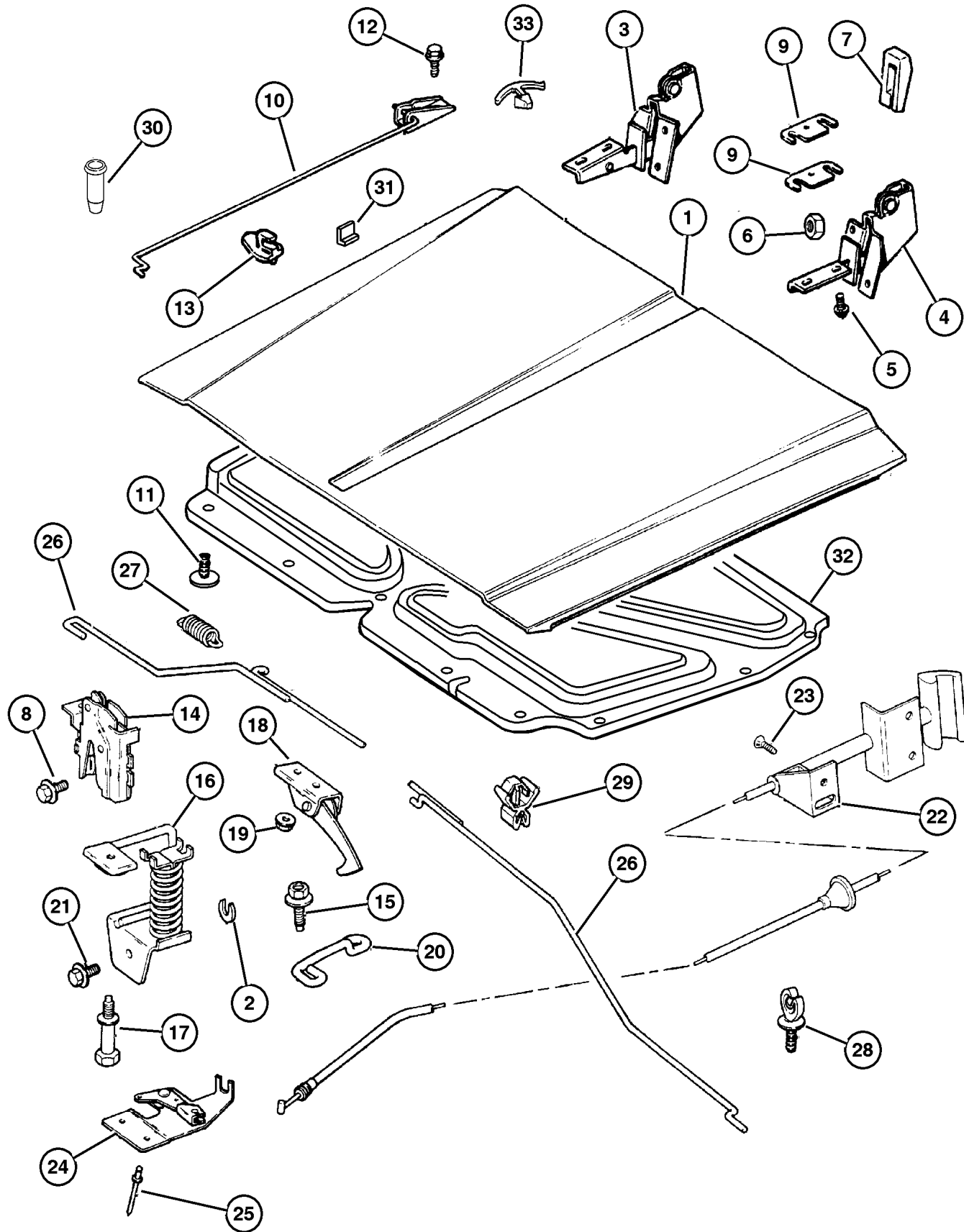
### JEEP CHEROKEE (XJ)

SERIES	LINE	BODY	ENGINE	TRANSMISSION
L=Low Line	J=LHD (4WD) U=RHD (4WD) T=LHD (2WD) B=RHD (2WD)	74=4 DR. (101.4 WB) 72=2 DR. (101.4 WB)	ENC,EN0=2.5L 4 cyl. Turbo Die ERH,ER0=4.0L Power Tech I-6 EPE,EP0=Magnum 2.5L SMPI	DDQ=5Spd Man. DGS=4 Spd. Auto. AISIN DG0=All Auto Trans DBB=All Manual Trans.

AR = Use as required - = Non illustrated part # = New this model year

July 4, 2003

Hood, Latch and Hinges 1998 XJ  
Figure SXJ-510



ITEM	PART NUMBER	QTY	LINE	SERIES	BODY	ENGINE	TRANS	TRIM	DESCRIPTION
31	J368 9548	2							BUMPER, Hood, Hood Front Fender Side
32	55217 068AC	1							INSULATION, Hood
33	6003 351	13							RETAINER, Hood Insulation, .415x.690

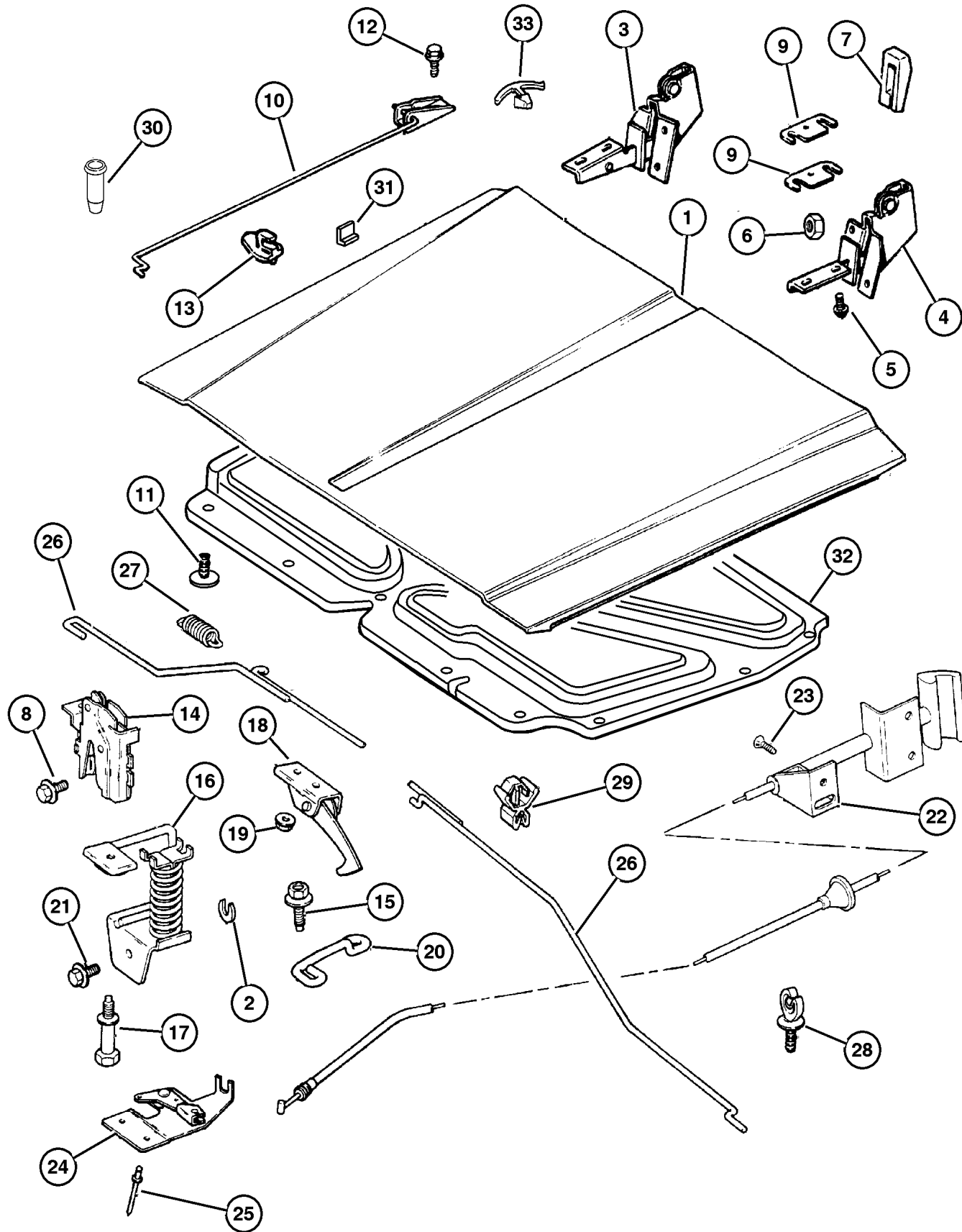
JEEP CHEROKEE (XJ)				
SERIES	LINE	BODY	ENGINE	TRANSMISSION
L=Low Line	J=LHD (4WD) U=RHD (4WD) T=LHD (2WD) B=RHD (2WD)	74=4 DR. (101.4 WB) 72=2 DR. (101.4 WB)	ENC,EN0=2.5L 4 cyl. Turbo Die ERH,ER0=4.0L Power Tech I-6 EPE,EP0=Magnum 2.5L SMPI	DDQ=5Spd Man. DGS=4 Spd. Auto. AISIN DG0=All Auto Trans DBB=All Manual Trans.

AR = Use as required - = Non illustrated part # = New this model year

July 4, 2003



## Hood, Latch and Hinges 1999 XJ Figure SXJ-510



ITEM	PART NUMBER	QTY	LINE	SERIES	BODY	ENGINE	TRANS	TRIM	DESCRIPTION
1	5523 5439	1							HOOD
2	3420 2581	AR							SPACER, Hood Latch
3	55235 724AB	1							HINGE, Hood, Right
4	55235 725AB	1							HINGE, Hood, Left
5	6100 576	4							SCREW AND WASHER, Hex Head, M8-1.25x30
6	6500 284	6							NUT, Hex, M6x1.00
7	5500 1982	2							SEAL, Hood Hinge
8	3420 2005	2							SCREW, Pan Head Torx, M6x1x14
9	J068 0435	AR							SHIM, Hood Hinge
10	5501 7480	1							ROD, Hood Prop
11									BUMPER, Hood
	4103 165	1							Crossmember to Hood Adjust
	J368 9548	2							Hood Front Fender Side
12	3420 1807	2							BOLT, Hex Flange Head, M6x1. 00x16
13	5507 5480	1							CLIP, Prop Rod
14	55235 523AC	2							LATCH, Hood
15	6504 641	2							SCREW AND WASHER, Button Head Torx
16	5507 5884	2							STRIKER, Hood Latch
17	6503 963	2							BOLT AND CONED WASHER, Hex Head, M8x1.25x58.28
18	55009 998AE	1							HOOK, Hood Safety Catch
19	3420 1680	2							NUT, Hex Flange, M6x1
20	55009 999AB	1							STRIKER, Hood Safety Catch
21	6504 641	2							SCREW AND WASHER, Button Head Torx
22									CABLE, Hood Release
	55235 270AD	1	B, U						
	55235 483AB	1	J, T						
23	6504 997AA	3	J, T						SCREW
24	55074 526AC	1							BELLCRANK, Hood Release
25	3420 1208	2							RIVET, M4.8x13.23
26	5507 5442	1							ROD, Hood Latch
27	5502 9718	1							SPRING, Hood Latch
28									CLIP, Tube
	3200 0404	3	B, U						
		2	J, T						
29	3420 2688	2							CLIP, Latch&Line
30	6505 175AA	2							NUT, Rivet
31	J368 9548	2							BUMPER, Hood, Hood Front Fender Side

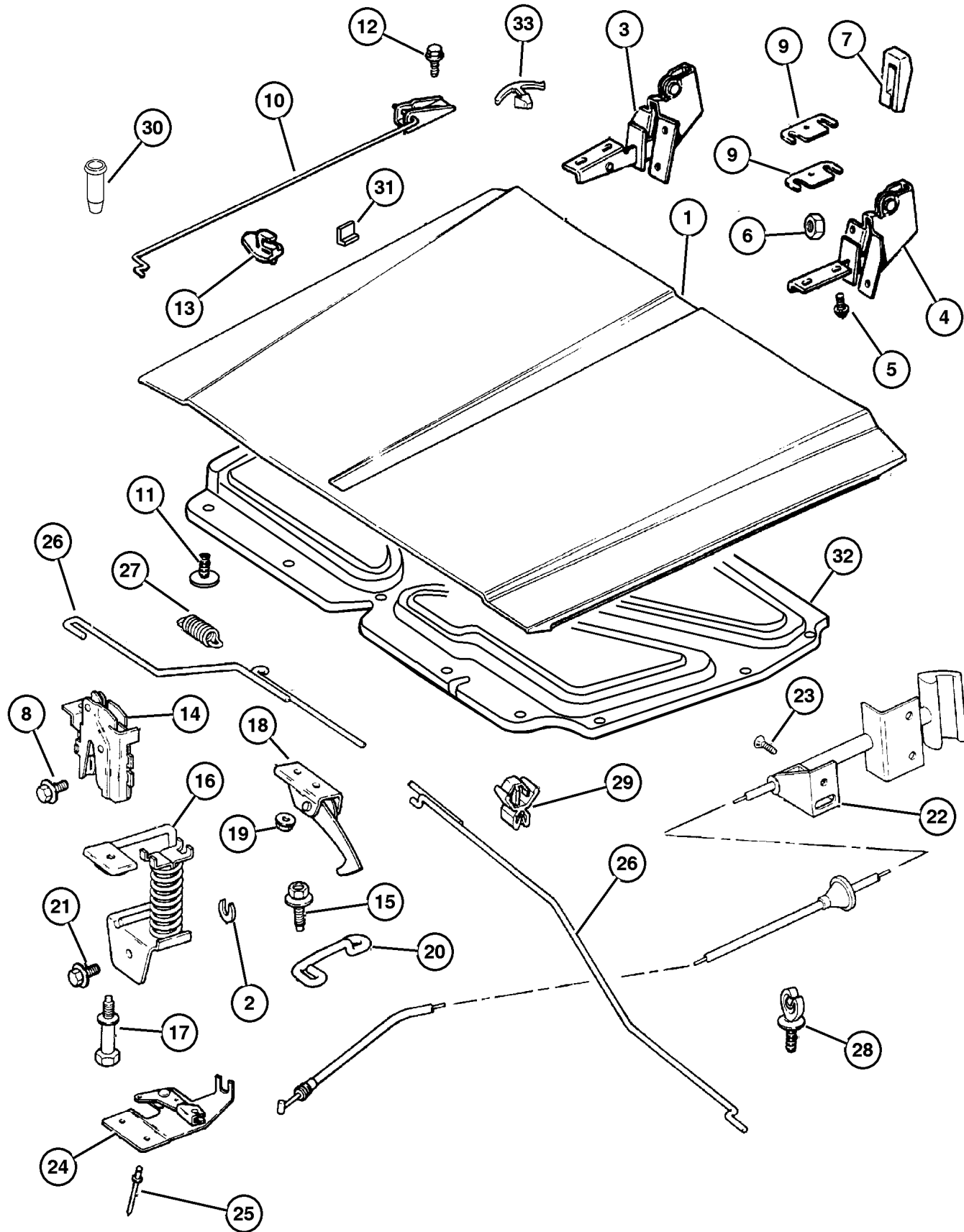
### JEEP CHEROKEE (XJ)

SERIES	LINE	BODY	ENGINE	TRANSMISSION
L=Low Line	J=LHD (4WD) U=RHD (4WD) T=LHD (2WD) B=RHD (2WD)	74=4 DR. (101.4 WB) 72=2 DR. (101.4 WB)	ENC,EN0=2.5L 4 cyl. Turbo Die ERH,ER0=4.0L Power Tech I-6 EPE,EP0=Magnum 2.5L SMPI	DDQ=5Spd Man. DGS=4 Spd. Auto. AISIN DG0=All Auto Trans DBB=All Manual Trans.

AR = Use as required - = Non illustrated part # = New this model year

July 4, 2003

Hood, Latch and Hinges 1999 XJ  
Figure SXJ-510



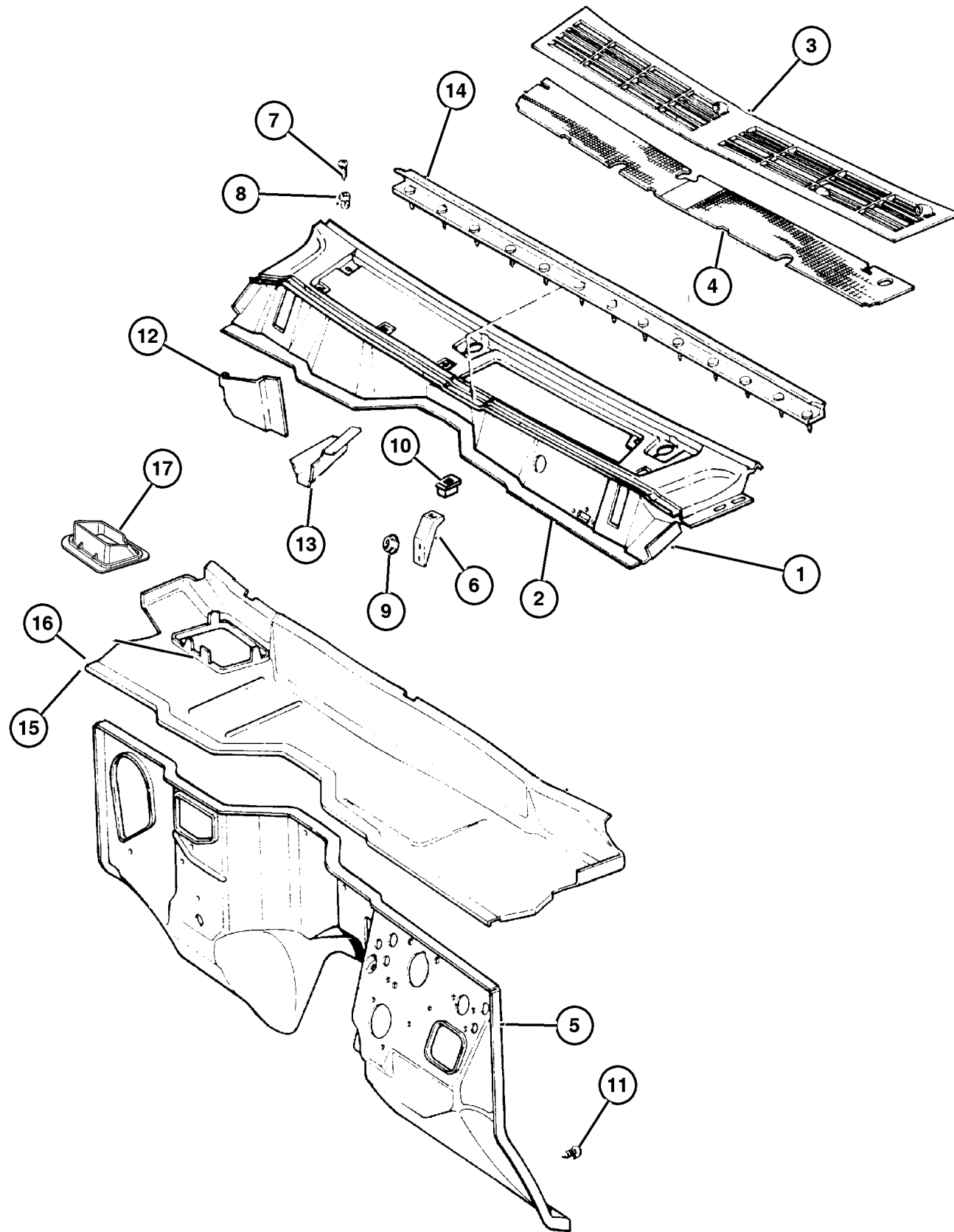
ITEM	PART NUMBER	QTY	LINE	SERIES	BODY	ENGINE	TRANS	TRIM	DESCRIPTION
32	55217 068AC	1							INSULATION, Hood
33	6003 351	13							RETAINER, Hood Insulation, .415x.690

JEEP CHEROKEE (XJ)				
SERIES	LINE	BODY	ENGINE	TRANSMISSION
L=Low Line	J=LHD (4WD) U=RHD (4WD) T=LHD (2WD) B=RHD (2WD)	74=4 DR. (101.4 WB) 72=2 DR. (101.4 WB)	ENC,EN0=2.5L 4 cyl. Turbo Die ERH,ER0=4.0L Power Tech I-6 EPE,EP0=Magnum 2.5L SMPI	DDQ=5Spd Man. DGS=4 Spd. Auto. AISIN DG0=All Auto Trans DBB=All Manual Trans.

AR = Use as required - = Non illustrated part # = New this model year

July 4, 2003

**Panels, Cowl And Dash, L.H.D. 1997 XJ 1998 XJ  
Figure SXJ-610**



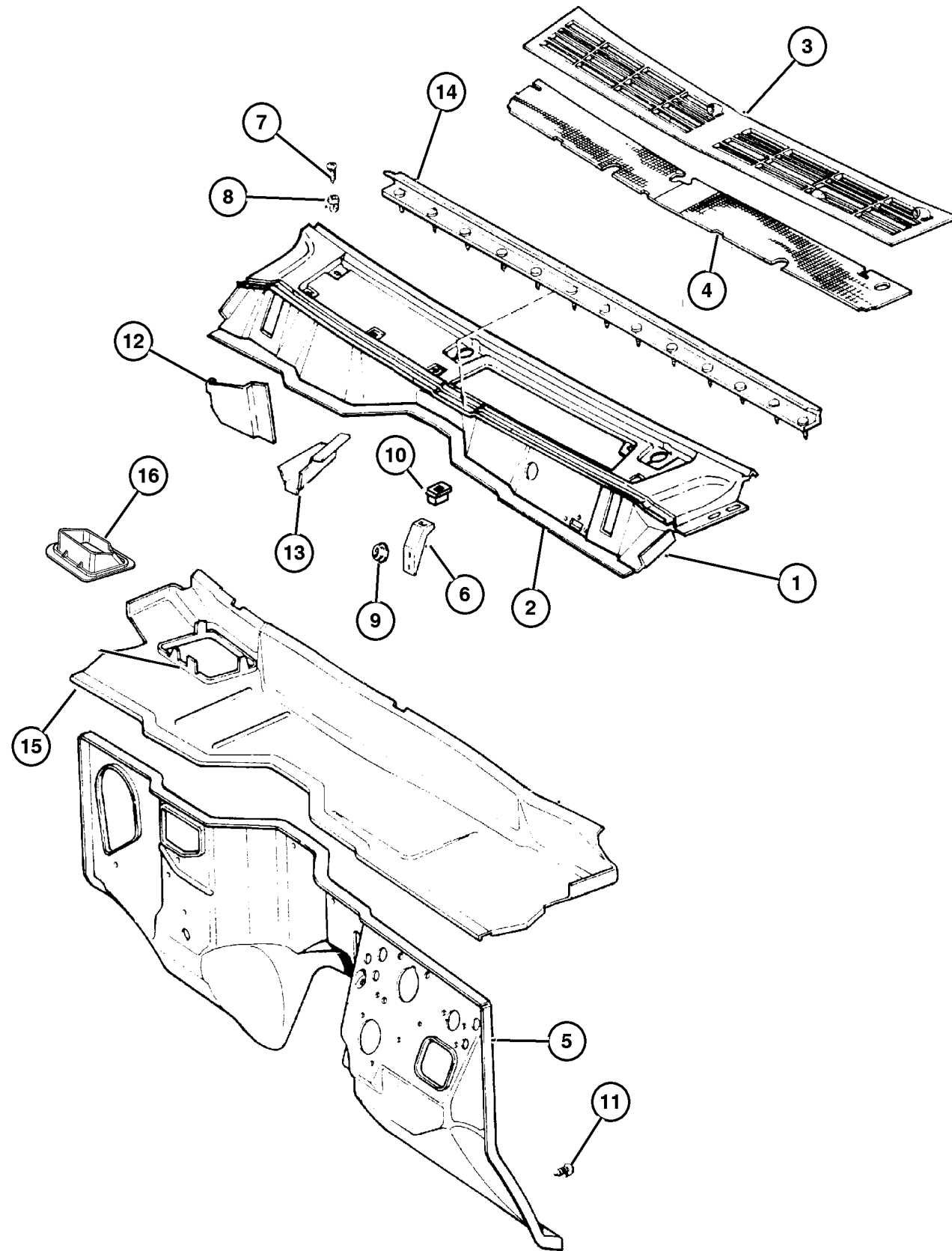
ITEM	PART NUMBER	QTY	LINE	SERIES	BODY	ENGINE	TRANS	TRIM	DESCRIPTION
1	5517 5386	1	J, T						PANEL, Cowl
2	5517 5638	1	J, T						EXTENSION, Cowl Top
3	5500 8832	1	J, T						GRILLE, Cowl Panel
4	5500 8833	1	J, T						SCREEN, Cowl
5	5517 5378	1	J, T						PANEL, Dash
6	5523 5370	1	J, T						BRACKET, Grille To Cowl Extension
7	3420 1230	7							SCREW, Round Washer Head AB
8	J400 5242	5							NUT, Push
9	3420 1358	2							NUT AND WASHER, Hex Nut- Sealing Washer, M6 x 1.00
10	3420 1872	1							NUT, Snap In, M4.2 x 1.41
11	6504 700	3	J, T						RIVET, Blind Expansion (R-Lok)
12	5500 6544	1	J, T						SHIELD, Plenum
13	5500 4918	1	J, T						SHIELD, Cowl
14	5523 5178	1							SEAL, Hood To Cowl
15	5517 5964	1	J, T						PANEL, Cowl And Plenum
16	5523 5387	1	J, T						PANEL, Cowl And Plenum
17	5503 7128	1	J, T						BAFFLE, Air Inlet

<b>JEEP CHEROKEE (XJ)</b>				
SERIES	LINE	BODY	ENGINE	TRANSMISSION
L=Low Line	J=LHD (4WD) U=RHD (4WD) T=LHD (2WD) B=RHD (2WD)	74=4 DR. (101.4 WB) 72=2 DR. (101.4 WB)	ENC,EN0=2.5L 4 cyl. Turbo Die ERH,ER0=4.0L Power Tech I-6 EPE,EP0=Magnum 2.5L SMPI	DDQ=5Spd Man. DGS=4 Spd. Auto. AISIN DG0=All Auto Trans DBB=All Manual Trans.

AR = Use as required - = Non illustrated part # = New this model year

July 4, 2003

**Panels, Cowl And Dash, L.H.D. 1999 XJ  
Figure SXJ-610**



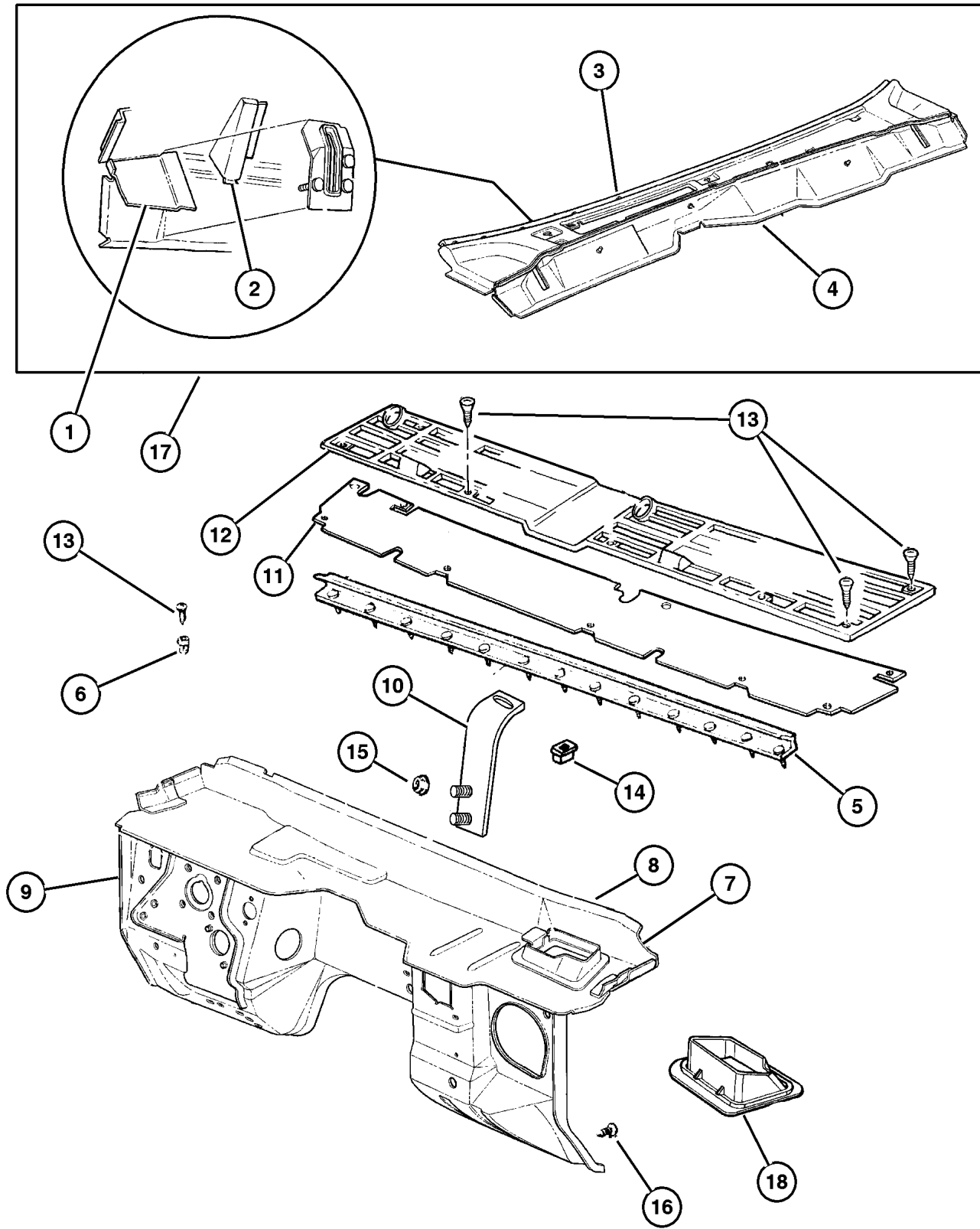
ITEM	PART NUMBER	QTY	LINE	SERIES	BODY	ENGINE	TRANS	TRIM	DESCRIPTION
1	5517 5386	1	J, T						PANEL, Cowl
2	5517 5638	1	J, T						EXTENSION, Cowl Top
3	5500 8832	1	J, T						GRILLE, Cowl Panel
4	5500 8833	1	J, T						SCREEN, Cowl
5	55175 378AB	1	J, T						PANEL, Dash
6	55235 370AB	1	J, T						BRACKET, Grille To Cowl Extension
7	3420 1230	7							SCREW, Round Washer Head AB
8	J400 5242	5							NUT, Push
9	3420 1358	2							NUT AND WASHER, Hex Nut- Sealing Washer, M6 x 1.00
10	6505 366AA	1							NUT, Snap In
11									RIVET, Blind Expansion (R-Lok), (NOT SERVICED) (Not Serviced)
12	5500 6544	1	J, T						SHIELD, Plenum
13	5500 4918	1	J, T						SHIELD, Cowl
14	55235 178AB	1							SEAL, Hood To Cowl
15	55175 964AB	1	J, T						PANEL, Cowl And Plenum
16	55037 128AB	1	J, T						BAFFLE, Air Inlet

<b>JEEP CHEROKEE (XJ)</b>				
SERIES	LINE	BODY	ENGINE	TRANSMISSION
L=Low Line	J=LHD (4WD) U=RHD (4WD) T=LHD (2WD) B=RHD (2WD)	74=4 DR. (101.4 WB) 72=2 DR. (101.4 WB)	ENC,EN0=2.5L 4 cyl. Turbo Die ERH,ER0=4.0L Power Tech I-6 EPE,EP0=Magnum 2.5L SMPI	DDQ=5Spd Man. DGS=4 Spd. Auto. AISIN DG0=All Auto Trans DBB=All Manual Trans.

AR = Use as required - = Non illustrated part # = New this model year

July 4, 2003

**Cowl And Dash Panel, R.H.D. 1997 XJ 1998 XJ  
Figure SXJ-620**



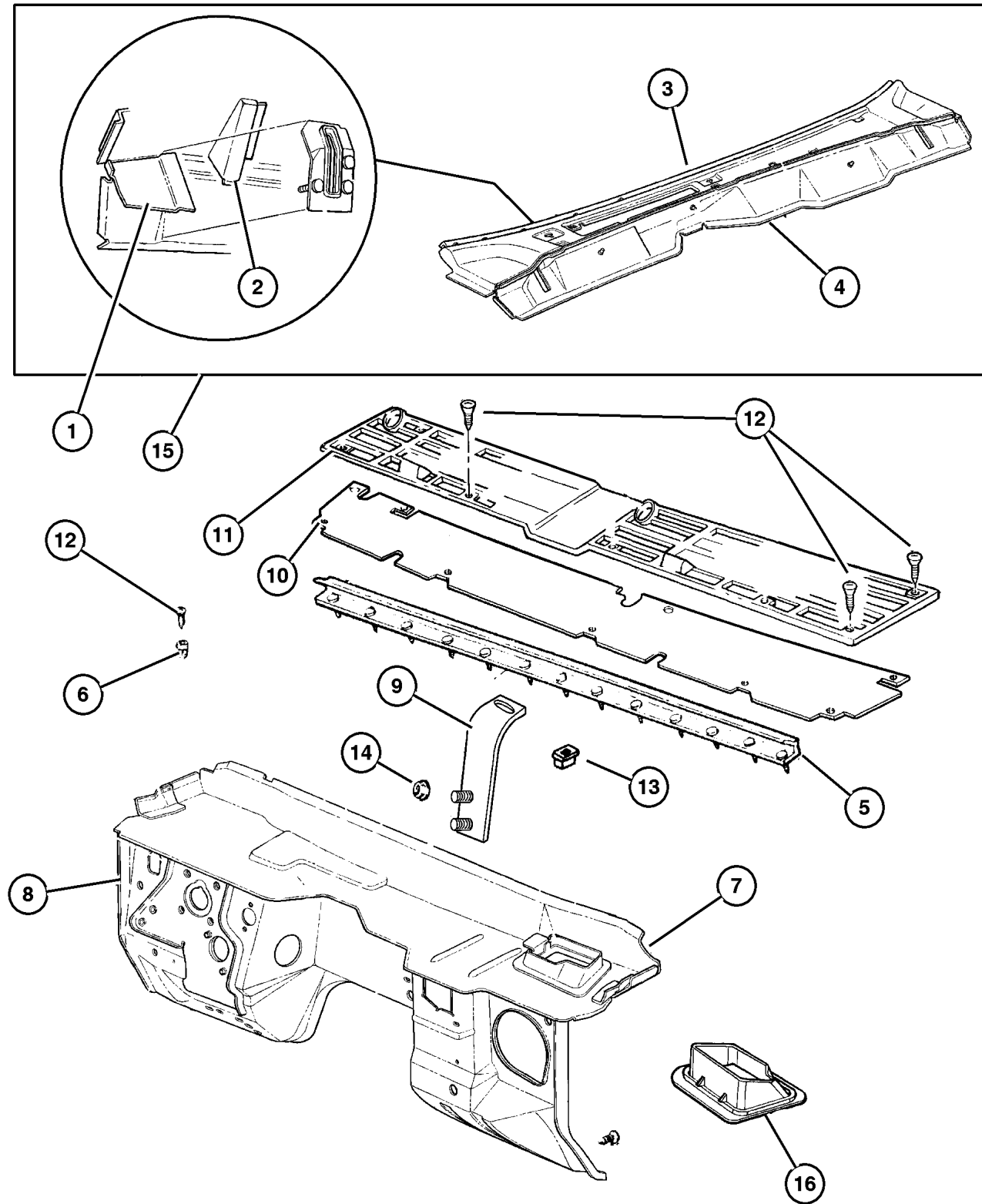
ITEM	PART NUMBER	QTY	LINE	SERIES	BODY	ENGINE	TRANS	TRIM	DESCRIPTION
1	5502 7542	1	B, U						SHIELD, Plenum
2	5502 7543	1	B, U						SHIELD, Cowl
3	5517 5389	1	B, U						PANEL, Cowl Top
4	5517 5639	1	B, U						EXTENSION, Cowl Top
5	5523 5178	1							SEAL, Hood To Cowl
6	J400 5242	5							NUT, Push
7	5517 5965	1	B, U						PANEL, Cowl And Plenum, Panel and Cowl Assemble
8	5523 5388	1	B, U						PANEL, Cowl, Panel Only
9	5517 5379	1	B, U						PANEL, Dash
10	5523 5371	1	B, U						BRACKET, Extension to Cowl Top
11	5502 7697	1	B, U						SCREEN, Cowl
12	5502 7696	1	B, U						GRILLE, Cowl Panel
13	3420 1230	7							SCREW, Round Washer Head AB
14	3420 1872	1							NUT, Snap In, M4.2 x 1.41
15	3420 1358	2							NUT AND WASHER, Hex Nut-Sealing Washer, M6 x 1.00
16	6504 700	3	B, U						RIVET, Blind Expansion (R-Lok)
17	5517 5387	1	B, U						PANEL, Cowl
18	5503 7127	1	B, U						DEFLECTOR, Cowl Air Chamber

<b>JEEP CHEROKEE (XJ)</b>				
SERIES	LINE	BODY	ENGINE	TRANSMISSION
L=Low Line	J=LHD (4WD) U=RHD (4WD) T=LHD (2WD) B=RHD (2WD)	74=4 DR. (101.4 WB) 72=2 DR. (101.4 WB)	ENC,EN0=2.5L 4 cyl. Turbo Die ERH,ER0=4.0L Power Tech I-6 EPE,EP0=Magnum 2.5L SMPI	DDQ=5Spd Man. DGS=4 Spd. Auto. AISIN DG0=All Auto Trans DBB=All Manual Trans.

AR = Use as required - = Non illustrated part # = New this model year

July 4, 2003

**Cowl And Dash Panel, R.H.D. 1999 XJ  
Figure SXJ-620**



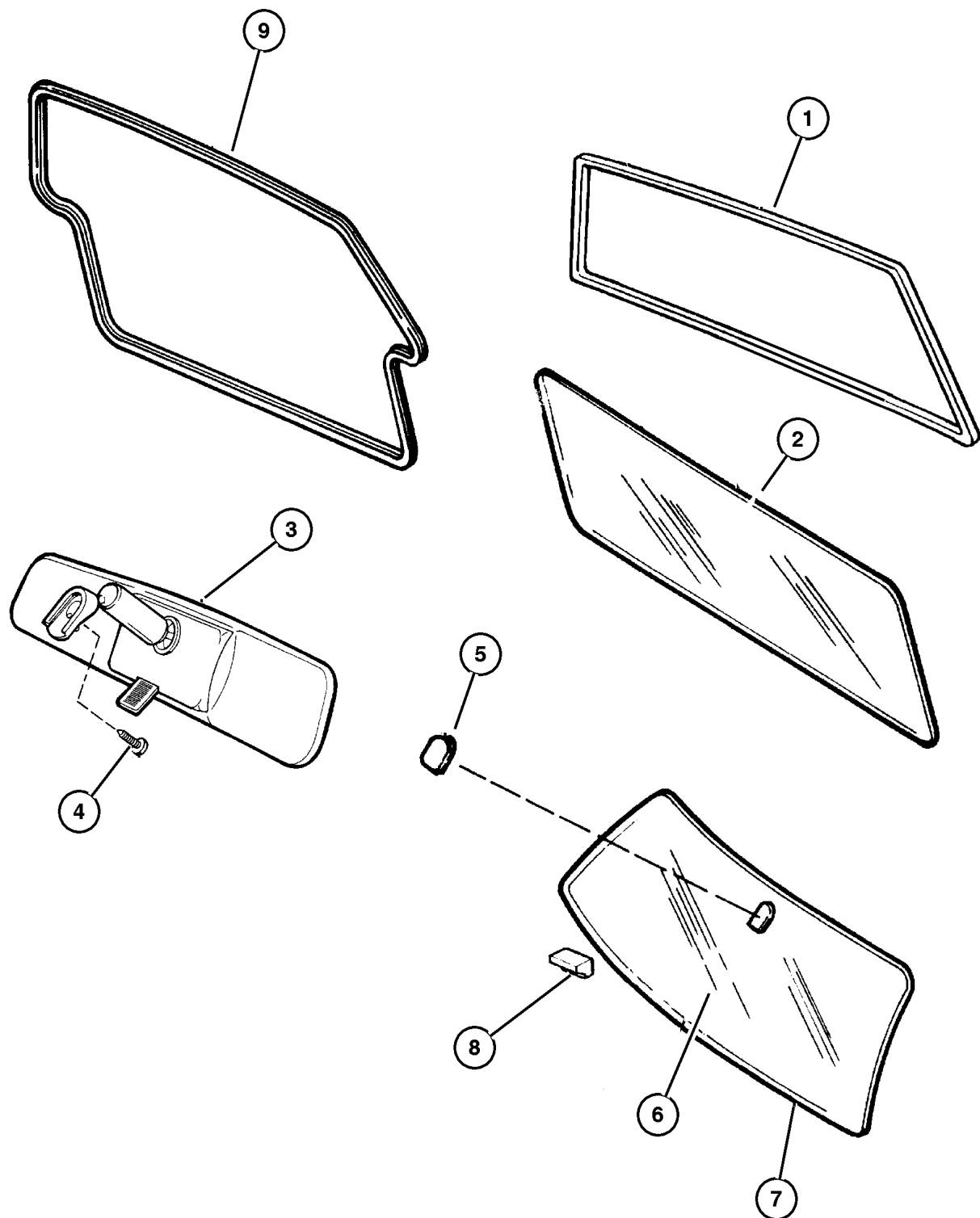
ITEM	PART NUMBER	QTY	LINE	SERIES	BODY	ENGINE	TRANS	TRIM	DESCRIPTION
1	5502 7542	1	B, U						SHIELD, Plenum
2	5502 7543	1	B, U						SHIELD, Cowl
3	5517 5387	1	B, U						PANEL, Cowl, Includes Item #4
4	5517 5639	1	B, U						EXTENSION, Cowl Top
5	55235 178AB	1							SEAL, Hood To Cowl
6	J400 5242	5							NUT, Push
7	55175 965AB	1	B, U						PANEL, Cowl And Plenum
8	55175 379AC	1	B, U						PANEL, Dash
9	55235 371AB	1	B, U						BRACKET, Extension to Cowl Top
10	5502 7697	1	B, U						SCREEN, Cowl
11	5502 7696	1	B, U						GRILLE, Cowl Panel
12	3420 1230	7							SCREW, Round Washer Head AB
13	6505 366AA	1							NUT, Snap In
14	3420 1358	2							NUT AND WASHER, Hex Nut-Sealing Washer, M6 x 1.00
15	5517 5387	1	B, U						PANEL, Cowl
16	55037 127AB	1	B, U						BAFFLE, Air Inlet

JEEP CHEROKEE (XJ)				
SERIES	LINE	BODY	ENGINE	TRANSMISSION
L=Low Line	J=LHD (4WD) U=RHD (4WD) T=LHD (2WD) B=RHD (2WD)	74=4 DR. (101.4 WB) 72=2 DR. (101.4 WB)	ENC,EN0=2.5L 4 cyl. Turbo Die ERH,ER0=4.0L Power Tech I-6 EPE,EP0=Magnum 2.5L SMPI	DDQ=5Spd Man. DGS=4 Spd. Auto. AISIN DG0=All Auto Trans DBB=All Manual Trans.

AR = Use as required - = Non illustrated part # = New this model year

July 4, 2003

**Glass, Windshield, Backlite and Mirror  
Figure SXJ-710**



ITEM	PART NUMBER	QTY	LINE	SERIES	BODY	ENGINE	TRANS	TRIM	DESCRIPTION
1									MOLDING, Liftgate
	5517 5366	1							1997 XJ
	55175 366AB	1							1998 XJ
	55175 366AC	1							1999 XJ
2									BACKLITE
	5517 4950	1							Tinted
	5517 4951	1							Tint Heated, 1997 XJ, 1998 XJ
	55174 951AB	1							Tint Heated, 1999 XJ
	5517 4952	1							Privacy, Heated, 1997 XJ
		1							1998 XJ
	55174 952AB	1							Privacy, Heated, 1998 XJ
	55174 952AC	1							Privacy Heated, 1999 XJ
	55235 853AA	1							Privacy, 1997 XJ, 1998 XJ
3									MIRROR, Inside Rear View
	4299 325	1							1998 XJ, 1999 XJ
	4520 336	1							1997 XJ
4	6031 094	1							SCREW, Pan Head Tapping, .19-16x.375
5	4054 098	1							BUTTON, Rear View Mirror
6	5515 4994	1							WINDSHIELD
7	55235 391AB	1							MOLDING, Windshield
8	55235 796AA	2							SPACER, Windshield
9									WEATHERSEAL, Tailgate
	5517 5354	1							1997 XJ
	55175 354AD	1							1998 XJ, 1999 XJ

<b>JEEP CHEROKEE (XJ)</b>				
SERIES	LINE	BODY	ENGINE	TRANSMISSION
L=Low Line	J=LHD (4WD) U=RHD (4WD) T=LHD (2WD) B=RHD (2WD)	74=4 DR. (101.4 WB) 72=2 DR. (101.4 WB)	ENC,EN0=2.5L 4 cyl. Turbo Die ERH,ER0=4.0L Power Tech I-6 EPE,EP0=Magnum 2.5L SMPI	DDQ=5Spd Man. DGS=4 Spd. Auto. AISIN DG0=All Auto Trans DBB=All Manual Trans.

AR = Use as required - = Non illustrated part # = New this model year

July 4, 2003

**Windows, Quarter, 2 and 4 Doors 1997 XJ 1998 XJ  
Figure SXJ-720**

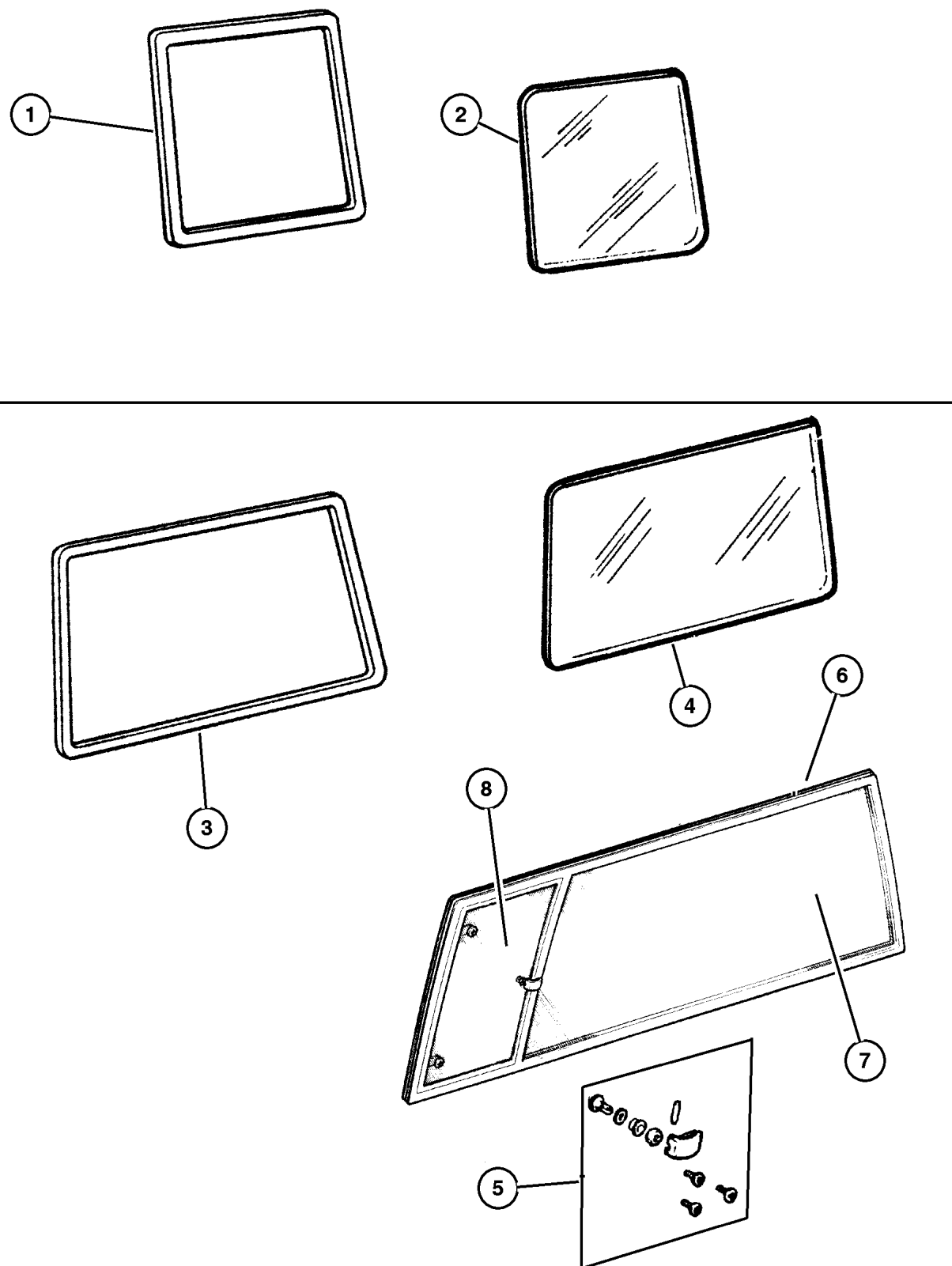
ITEM	PART NUMBER	QTY	LINE	SERIES	BODY	ENGINE	TRANS	TRIM	DESCRIPTION
1									SEAL, Quarter Window
	5500 7128	1			74				Right
	5500 7129	1			74				Left
2									GLASS, Quarter Window
	5500 0700	1			74				Tinted, Right
	5500 0701	1			74				Tinted, Left
	5517 4998	1			74				Privacy, 1997 XJ, Right
	55174 998AB	1			74				Privacy, 1998 XJ, Right
	5517 4999	1			74				Privacy, 1997 XJ, Left
	55174 999AB	1			74				Privacy, 1998 XJ, Left
3									SEAL, Quarter Window
	55235 296AB	1			72				1997 XJ, Right
		1	J, T, U		72				1998 XJ, Right
	55235 297AB	1			72				1997 XJ, Left
		1	J, T, U		72				1998 XJ, Left
4									GLASS, Quarter Window
	5500 0186	1			72				Without Vents, 1997 XJ, Right
		1	J, T, U		72				Without Vents, 1998 XJ, Right
	5500 0187	1			72				Without Vents, 1997 XJ, Left
		1	J, T, U		72				Without Vents, 1998 XJ, Left
5									LATCH, Vent Window
	4773 489	1			72				1997 XJ
	5010 036AA	1	J, T, U		72				1998 XJ
6									GLASS, Quarter Window
	5513 4642	1			72				Privacy, 1997 XJ, Right
	55134 642AB	1	J, T, U		72				Privacy, 1998 XJ, Right
	5513 4643	1			72				Privacy, 1997 XJ, Left
	55134 643AB	1	J, T, U		72				Privacy, 1998 XJ, Left
7									GLASS, Quarter Window
	4713 872	1			72				Privacy, 1997 XJ, Right
		1	J, T, U		72				Privacy, 1998 XJ, Right
	4713 873	1			72				Privacy, 1997 XJ, Left
		1	J, T, U		72				Privacy, 1998 XJ, Left
8									GLASS, Quarter Vent Window
	5513 4644	1			72				Privacy, 1997 XJ, Right
		1	J, T, U		72				Privacy, 1998 XJ, Right
	5513 4645	1			72				Privacy, 1997 XJ, Left
		1	J, T, U		72				Privacy, 1998 XJ, Left
-9									HINGE, Glass
	4762 241	1			72				1997 XJ
		1	J, T, U		72				1998 XJ

**JEEP CHEROKEE (XJ)**

SERIES	LINE	BODY	ENGINE	TRANSMISSION
L=Low Line	J=LHD (4WD) U=RHD (4WD) T=LHD (2WD) B=RHD (2WD)	74=4 DR. (101.4 WB) 72=2 DR. (101.4 WB)	ENC,EN0=2.5L 4 cyl. Turbo Die ERH,ER0=4.0L Power Tech I-6 EPE,EP0=Magnum 2.5L SMPI	DDQ=5Spd Man. DGS=4 Spd. Auto. AISIN DG0=All Auto Trans DBB=All Manual Trans.

AR = Use as required - = Non illustrated part # = New this model year

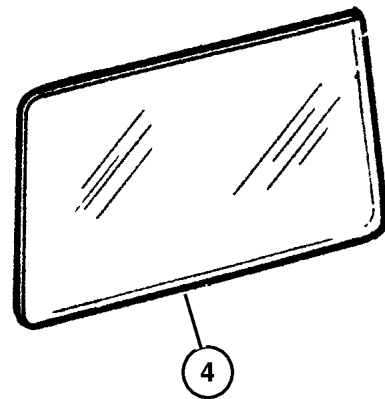
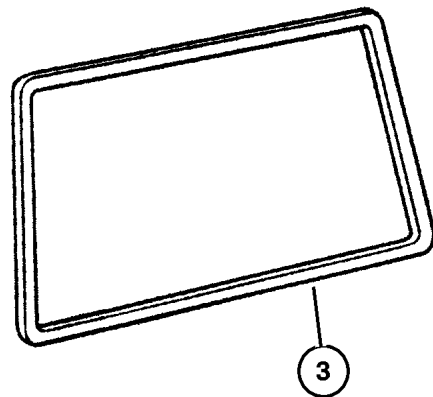
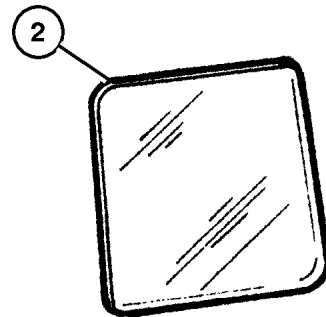
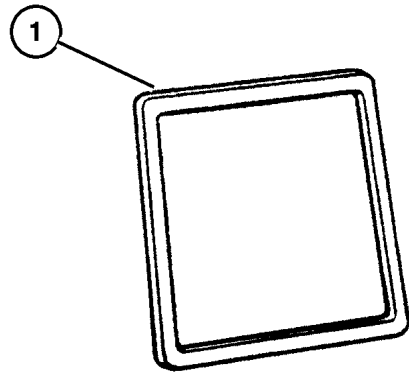
July 4, 2003





**Windows, Quarter, 2 and 4 Doors 1999 XJ  
Figure SXJ-720**

ITEM	PART NUMBER	QTY	LINE	SERIES	BODY	ENGINE	TRANS	TRIM	DESCRIPTION
1									SEAL, Quarter Window
	5500 7128	1			74				Right
	5500 7129	1			74				Left
2									GLASS, Quarter Window
	5500 0700	1			74				Tinted, Right
	5500 0701	1			74				Tinted, Left
	55174 998AB	1			74				Privacy, Right
	55174 999AB	1			74				Privacy, Left
3									SEAL, Quarter Window
	55235 296AB	1	J, T, U		72				Right
	55235 297AB	1	J, T, U		72				Left
4									GLASS, Quarter Window
	5500 0186	1	J, T, U		72				Without Vents, Right
	5500 0187	1	J, T, U		72				Without Vents, Left
	#55235 990AA	1	J, T, U		72				Privacy, Right
	#55235 991AA	1	J, T, U		72				Privacy, Left



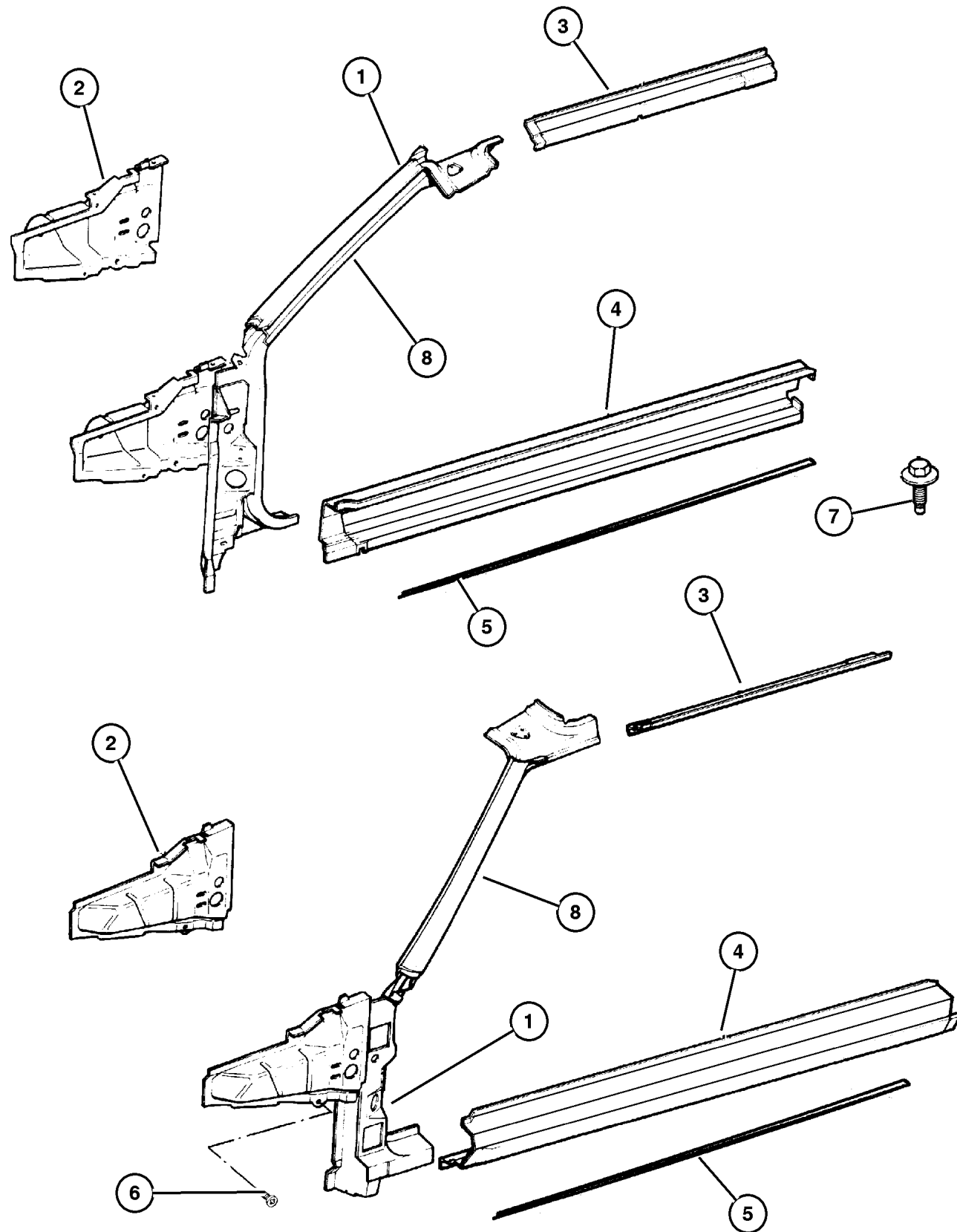
**JEEP CHEROKEE (XJ)**

SERIES	LINE	BODY	ENGINE	TRANSMISSION
L=Low Line	J=LHD (4WD) U=RHD (4WD) T=LHD (2WD) B=RHD (2WD)	74=4 DR. (101.4 WB) 72=2 DR. (101.4 WB)	ENC,EN0=2.5L 4 cyl. Turbo Die ERH,ER0=4.0L Power Tech I-6 EPE,EP0=Magnum 2.5L SMPI	DDQ=5Spd Man. DGS=4 Spd. Auto. AISIN DG0=All Auto Trans DBB=All Manual Trans.

AR = Use as required - = Non illustrated part # = New this model year

July 4, 2003

**Panels, Body side, 2 Door  
Figure SXJ-810**



ITEM	PART NUMBER	QTY	LINE	SERIES	BODY	ENGINE	TRANS	TRIM	DESCRIPTION
1	5523 5620	1			72				PILLAR, Front 1997 XJ, Right
	55235 620AB	1	J, T, U		72				1998 XJ, 1999 XJ, Right
	5523 5621	1			72				1997 XJ, Left
	55235 621AB	1	J, T, U		72				1998 XJ, 1999 XJ, Left
2	5517 5506	1			72				PANEL, Cowl Side 1997 XJ, Right
	55175 506AB	1	J, T, U		72				1998 XJ, 1999 XJ, Right
	5517 5507	1			72				1997 XJ, Left
	55175 507AB	1	J, T, U		72				1998 XJ, 1999 XJ, Left
3	5534 5844	1			72				RAIL, Roof Side 1997 XJ, Right
		1	J, T, U		72				1998 XJ, 1999 XJ, Right
	5534 5845	1			72				1997 XJ, Left
		1	J, T, U		72				1998 XJ, 1999 XJ, Left
4	5523 5088	1			72				PANEL, Rocker Extension Without Sport or Country Decor Group, 1997 XJ, Right
		1	J, T, U		72				1998 XJ, 1999 XJ, Right
	5523 5089	1			72				Without Sport or Country Decor Group, 1997 XJ, Left
		1	J, T, U		72				1998 XJ, 1999 XJ, Left
	5523 5458	1			72				With Sport or Country Decor Group, 1997 XJ, Right
	5523 5459	1			72				With Sport or Country Decor Group, 1997 XJ, Left
5		2			72				SEAL, Rocker Panel (NOT REQUIRED), 1998 XJ, 1999 XJ
	5523 5478	2			72				1997 XJ
6									RIVET, Blind Expansion (R-Lok)
									RIVET, Blind Expansion (R-Lok) (Not Serviced)
7	6504 700	3	B, U						(NOT SERVICED), 1999 XJ 1997 XJ, 1998 XJ
		3	J, T						1997 XJ, 1998 XJ
	6101 455	2							SCREW AND WASHER, Hex Head, M6x1x20
8	5523 5640	1			72				REINFORCEMENT, Front Pillar 1997 XJ, Right
	55235 640AB	1	J, T, U		72				1998 XJ, 1999 XJ, Right
	5523 5641	1			72				1997 XJ, Left

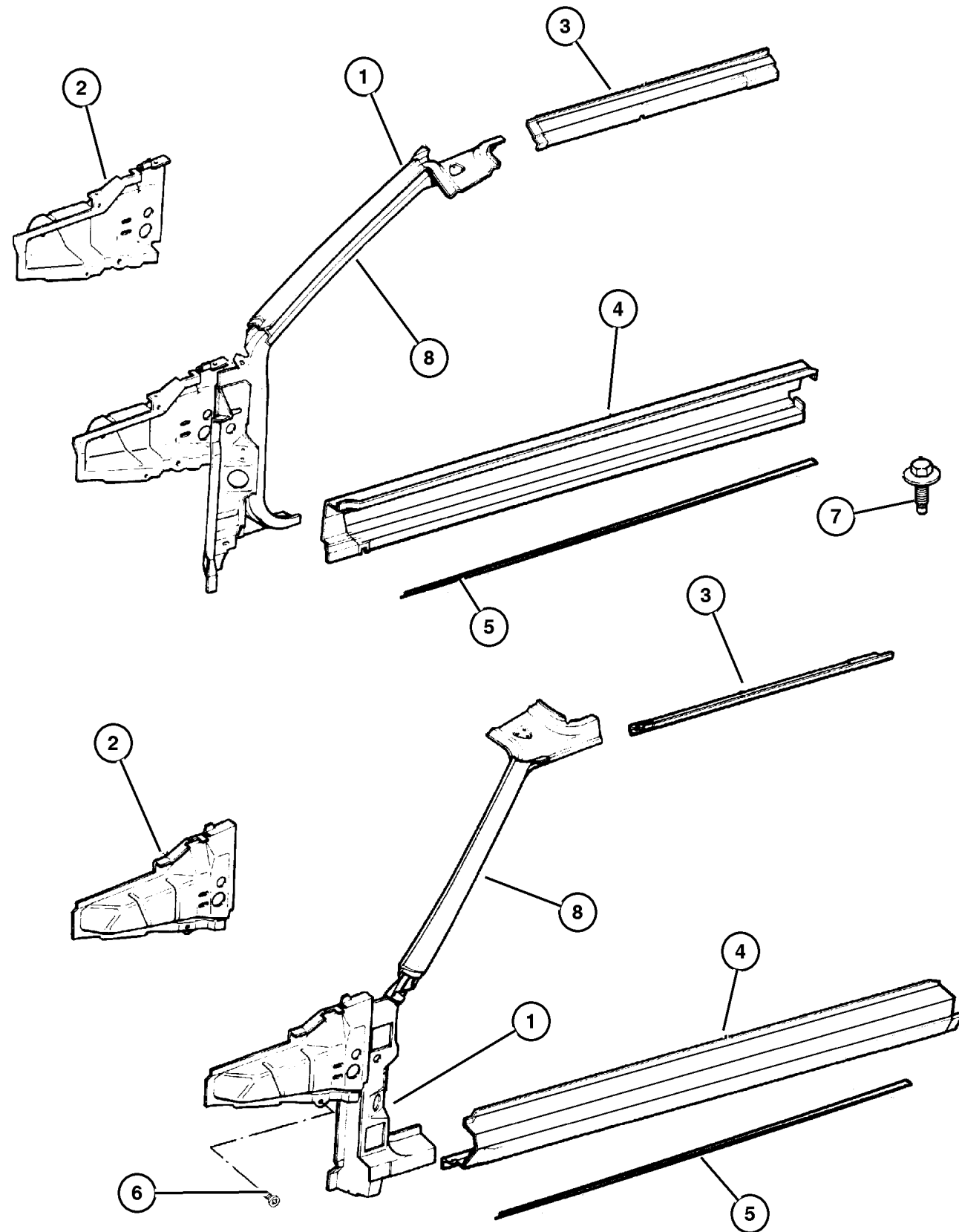
**JEEP CHEROKEE (XJ)**

SERIES	LINE	BODY	ENGINE	TRANSMISSION
L=Low Line	J=LHD (4WD) U=RHD (4WD) T=LHD (2WD) B=RHD (2WD)	74=4 DR. (101.4 WB) 72=2 DR. (101.4 WB)	ENC,EN0=2.5L 4 cyl. Turbo Die ERH,ER0=4.0L Power Tech I-6 EPE,EP0=Magnum 2.5L SMPI	DDQ=5Spd Man. DGS=4 Spd. Auto. AISIN DG0=All Auto Trans DBB=All Manual Trans.

AR = Use as required - = Non illustrated part # = New this model year

July 4, 2003

Panels, Body side, 2 Door  
Figure SXJ-810



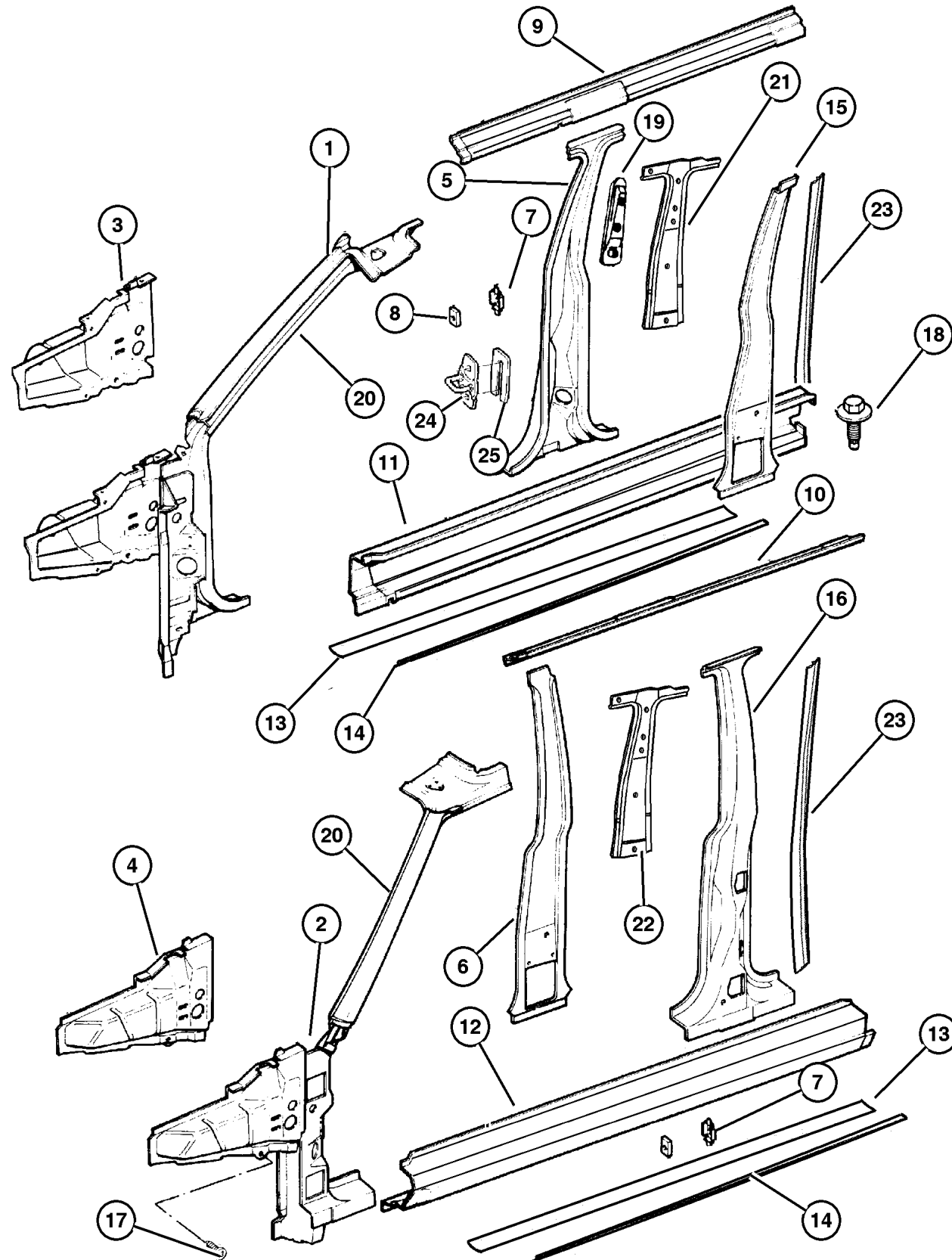
ITEM	PART NUMBER	QTY	LINE	SERIES	BODY	ENGINE	TRANS	TRIM	DESCRIPTION
	55235 641AB	1	J, T, U		72				1998 XJ, 1999 XJ, Left

JEEP CHEROKEE (XJ)				
SERIES	LINE	BODY	ENGINE	TRANSMISSION
L=Low Line	J=LHD (4WD) U=RHD (4WD) T=LHD (2WD) B=RHD (2WD)	74=4 DR. (101.4 WB) 72=2 DR. (101.4 WB)	ENC,EN0=2.5L 4 cyl. Turbo Die ERH,ER0=4.0L Power Tech I-6 EPE,EP0=Magnum 2.5L SMPI	DDQ=5Spd Man. DGS=4 Spd. Auto. AISIN DG0=All Auto Trans DBB=All Manual Trans.

AR = Use as required - = Non illustrated part # = New this model year

July 4, 2003

**Panels, Body Side, 4 Door  
Figure SXJ-820**



ITEM	PART NUMBER	QTY	LINE	SERIES	BODY	ENGINE	TRANS	TRIM	DESCRIPTION
1	5523 5620	1			72				PILLAR, Front 1997 XJ, Right
	55235 620AB	1			74				1998 XJ, 1999 XJ, Right
2	5523 5621	1			74				PILLAR, Front 1997 XJ, Left
	55235 621AB	1			74				1998 XJ, 1999 XJ, Left
3	5517 5506	1			74				PANEL, Cowl Side 1997 XJ, Right
	55175 506AB	1			74				1998 XJ, 1999 XJ, Right
4	5517 5507	1			74				PANEL, Cowl Side 1997 XJ, Left
	55175 507AB	1			74				1998 XJ, 1999 XJ, Left
5	5523 5466	1			74				PILLAR, Center, Right
6	5523 5695	1			74				REINFORCEMENT, Center Pillar 1997 XJ, Left
	55235 695AB	1			74				1998 XJ, 1999 XJ, Left
7	5525 6174	1			74				RETAINER, Door Lock Striker
8	4674 669	2							PLATE, Liftgate Striker 1997 XJ
		2			74				1998 XJ, 1999 XJ
9	5523 5328	1			74				RAIL, Roof Side 1997 XJ, Right
	55235 328AB	1			74				1998 XJ, 1999 XJ, Right
10	5523 5329	1			74				RAIL, Roof Side 1997 XJ, Left
	55235 329AB	1			74				1998 XJ, 1999 XJ, Left
11	5523 5090	1			74				PANEL, Rocker Extension With Sport Decor Group, 1997 XJ, Right
		1			74				1998 XJ, 1999 XJ With SE or Country Decor Group, 1997 XJ, Right
12	5523 5091	1			74				PANEL, Rocker Extension With Sport Decor Group, 1997 XJ, Left
		1			74				1998 XJ, 1999 XJ With SE or Country Decor Group, 1997 XJ, Left
13	5523 5479	2			74				TAPE, Anti Chip (NOT REQUIRED), 1998 XJ, 1999 XJ
		2			74				1997 XJ
14									SEAL, Rocker Panel

**JEEP CHEROKEE (XJ)**

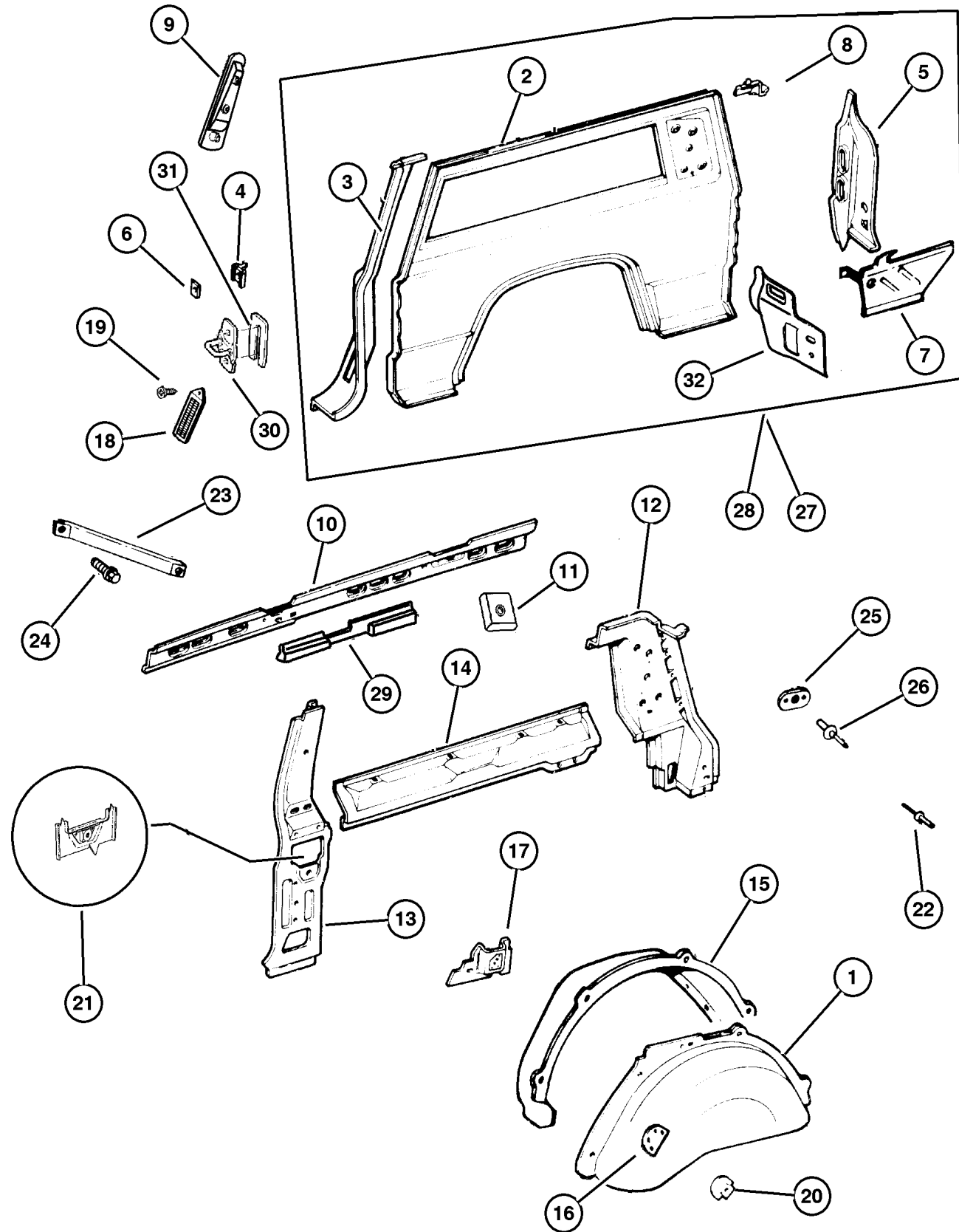
SERIES	LINE	BODY	ENGINE	TRANSMISSION
L=Low Line	J=LHD (4WD) U=RHD (4WD) T=LHD (2WD) B=RHD (2WD)	74=4 DR. (101.4 WB) 72=2 DR. (101.4 WB)	ENC,EN0=2.5L 4 cyl. Turbo Die ERH,ER0=4.0L Power Tech I-6 EPE,EP0=Magnum 2.5L SMPI	DDQ=5Spd Man. DGS=4 Spd. Auto. AISIN DG0=All Auto Trans DBB=All Manual Trans.

AR = Use as required - = Non illustrated part # = New this model year

July 4, 2003



**Panels, Rear Quarter, 2 Door  
Figure SXJ-910**



ITEM	PART NUMBER	QTY	LINE	SERIES	BODY	ENGINE	TRANS	TRIM	DESCRIPTION
1									WHEELHOUSE, Rear Inner
	5500 0147	1			72				1997 XJ, Left
	5502 7694	1	J, T, U		72				1998 XJ, 1999 XJ, Left
		1			72				1997 XJ, Right
		1	J, T, U		72				1998 XJ, 1999 XJ, Right
2									PANEL, Quarter
	5523 5426	1			72				1997 XJ, Right
		1	J, T, U		72				1998 XJ, 1999 XJ, Right
	5523 5427	1			72				1997 XJ, Left
		1	J, T, U		72				1998 XJ, 1999 XJ, Left
3									PILLAR, Rear Cargo Door Lock
	5517 5674	1			72				1997 XJ, Right
		1	J, T, U		72				1998 XJ, 1999 XJ, Right
	5517 5675	1			72				1997 XJ, Left
		1	J, T, U		72				1998 XJ, 1999 XJ, Left
4									PLATE, Liftgate Striker
	4674 669	2							1997 XJ
		1	J, T, U		72				1998 XJ, 1999 XJ
5									PANEL, Taillamp Mounting
	5523 5510	1			72				1997 XJ, Right
		1	J, T, U		72				1998 XJ, 1999 XJ, Right
	5523 5511	1			72				1997 XJ, Left
		1	J, T, U		72				1998 XJ, 1999 XJ, Left
6	4520 288	2							STRIKER, Door Latch
7									EXTENSION, Rear Floor Pan
	5517 5960	1			72				1997 XJ, Right
		1	J, T, U		72				1998 XJ, 1999 XJ, Right
	5517 5961	1			72				1997 XJ, Left
		1	J, T, U		72				1998 XJ, 1999 XJ, Left
8									EXTENSION, Quarter Panel
	5517 6082	1			72				1997 XJ, Right
		1	J, T, U		72				1998 XJ, 1999 XJ, Right
	5517 6083	1			72				1997 XJ, Left
		1	J, T, U		72				1998 XJ, 1999 XJ, Left
9									TAPPING PLATE, Shoulder Belt
	5523 5692	1			72				1997 XJ
		1	J, T, U		72				1998 XJ, 1999 XJ
10									RAIL, Roof Side
	55235 846AA	1	J, T, U		72				1998 XJ, 1999 XJ, Right
	55235 847AA	1	J, T, U		72				1998 XJ, 1999 XJ, Left
	5534 6251	1			72				1997 XJ, Right
	5534 6253	1			72				1997 XJ, Left
11									TAPPING PLATE

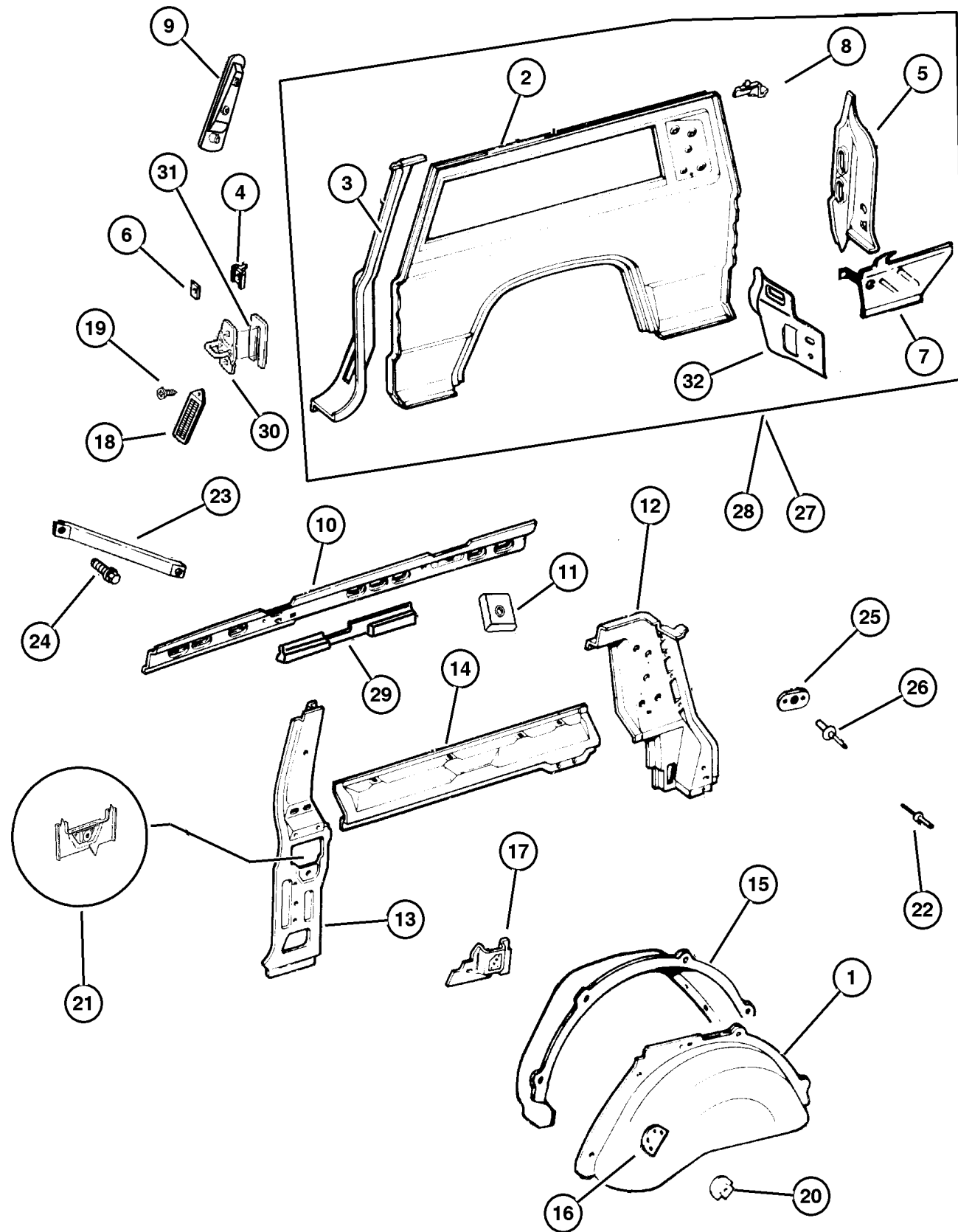
**JEEP CHEROKEE (XJ)**

SERIES	LINE	BODY	ENGINE	TRANSMISSION
L=Low Line	J=LHD (4WD) U=RHD (4WD) T=LHD (2WD) B=RHD (2WD)	74=4 DR. (101.4 WB) 72=2 DR. (101.4 WB)	ENC,EN0=2.5L 4 cyl. Turbo Die ERH,ER0=4.0L Power Tech I-6 EPE,EP0=Magnum 2.5L SMPI	DDQ=5Spd Man. DGS=4 Spd. Auto. AISIN DG0=All Auto Trans DBB=All Manual Trans.

AR = Use as required - = Non illustrated part # = New this model year

July 4, 2003

**Panels, Rear Quarter, 2 Door  
Figure SXJ-910**



ITEM	PART NUMBER	QTY	LINE	SERIES	BODY	ENGINE	TRANS	TRIM	DESCRIPTION
	4490 111	1			72				Rail, Roof Side, 1997 XJ
12	5517 6094	1	J, T, U		72				1998 XJ, 1999 XJ PILLAR, Liftgate Opening
	5517 6095	1	J, T, U		72				1997 XJ, Right 1998 XJ, 1999 XJ, Right
13	55345 808AB	1			72				1997 XJ, Left 1998 XJ, 1999 XJ, Left REINFORCEMENT, Body Lock Pillar
	55345 809AB	1	J, T, U		72				1998 XJ, 1999 XJ, Right 1997 XJ, Left 1998 XJ, 1999 XJ, Left
14	5523 5382	1			72				1997 XJ, Right
	55235 382AB	1	J, T, U		72				1998 XJ, 1999 XJ, Right
	5534 4583	1			72				1997 XJ, Left
	55344 583AB	1	J, T, U		72				1998 XJ, 1999 XJ, Left
15	5523 5346	1			72				WHEELHOUSE, Rear Outer
	5523 5347	1	J, T, U		72				1997 XJ, Right 1998 XJ, 1999 XJ, Right 1997 XJ, Left
16	5502 6758	1	J, T, U		72				1998 XJ, 1999 XJ, Left DOUBLER, Wheelhouse
17	5500 1270	1			72				1997 XJ
	5500 1271	1	J, T, U		72				1998 XJ, 1999 XJ, Right 1997 XJ, Left
18	5500 1980	AR 2	J, T, U		72				1998 XJ, 1999 XJ, Left EXHAUSTER, Quarter Panel
19									1997 XJ 1998 XJ, 1999 XJ
20	5500 1231	1			72				SCREW, .164-18x.437, (NOT SERVICED) (Not Serviced)
21	5534 5291	1	J, T, U		72				BRACKET, Seat 1997 XJ 1998 XJ, 1999 XJ
22		1	J, T, U		72				BRACKET, Seat Belt Retractor 1997 XJ 1998 XJ, 1999 XJ
									RIVET, M4x12 Aluminum (NOT REQUIRED), 1999 XJ

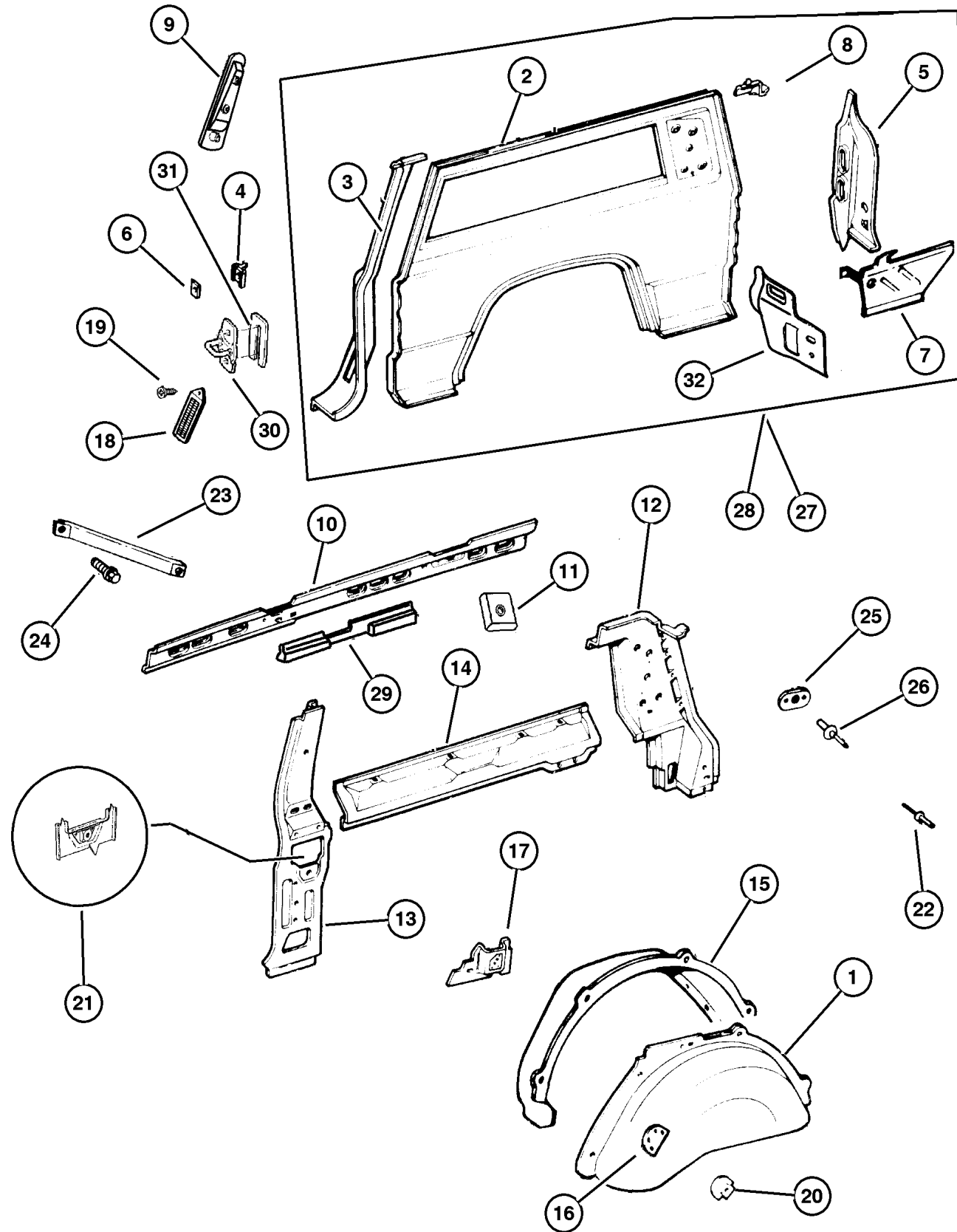
**JEEP CHEROKEE (XJ)**

SERIES	LINE	BODY	ENGINE	TRANSMISSION
L=Low Line	J=LHD (4WD) U=RHD (4WD) T=LHD (2WD) B=RHD (2WD)	74=4 DR. (101.4 WB) 72=2 DR. (101.4 WB)	ENC,EN0=2.5L 4 cyl. Turbo Die ERH,ER0=4.0L Power Tech I-6 EPE,EP0=Magnum 2.5L SMPI	DDQ=5Spd Man. DGS=4 Spd. Auto. AISIN DG0=All Auto Trans DBB=All Manual Trans.

AR = Use as required - = Non illustrated part # = New this model year

July 4, 2003

**Panels, Rear Quarter, 2 Door  
Figure SXJ-910**



ITEM	PART NUMBER	QTY	LINE	SERIES	BODY	ENGINE	TRANS	TRIM	DESCRIPTION
	3420 1032	2			72				1997 XJ
23		2	J, T, U		72				1998 XJ
	5500 6218	2			72				BRACE, Door Lock
		2	J, T, U		72				1997 XJ
24		4			72				1998 XJ, 1999 XJ
	3420 2036	4	J, T, U		72				SCREW, Hex Head, M8x1.25x25
25		4	J, T, U		72				1997 XJ
	4490 111	1			72				1998 XJ, 1999 XJ
26		1	J, T, U		72				TAPPING PLATE
	3420 1197	2			72				1997 XJ
27		2							1998 XJ, 1999 XJ
	5523 5606	1			72				PANEL, Rear Body
		1	J, T, U		72				1997 XJ, Right
28		1	J, T, U		72				1998 XJ, 1999 XJ, Right
	5523 5607	1			72				PANEL, Body Side
		1	J, T, U		72				1997 XJ, Left
29		1	J, T, U		72				1998 XJ, 1999 XJ, Left
	5500 6988	1			72				REINFORCEMENT
		1	J, T, U		72				1997 XJ
	#55006 988AB	2	J, T, U		72				1998 XJ
30	4520 288	2							1999 XJ
31		AR							STRIKER, Door Latch
	4520 289	AR							SPACER, Door Latch Striker
	5507 5483	AR							1997 XJ, 1999 XJ
		AR							2.0/2.5 Thick, 1997 XJ, 1999 XJ
32									1998 XJ
	5523 5600	1			72				REINFORCEMENT, Rear Corner
		1			74				Panel
		1	J, T, U		72				1997 XJ, Right
	5523 5601	1			72				1998 XJ, 1999 XJ, Right
		1			72				1997 XJ, Left
		1			74				1997 XJ, Left
		1	J, T, U		72				1998 XJ, 1999 XJ, Left

**JEEP CHEROKEE (XJ)**

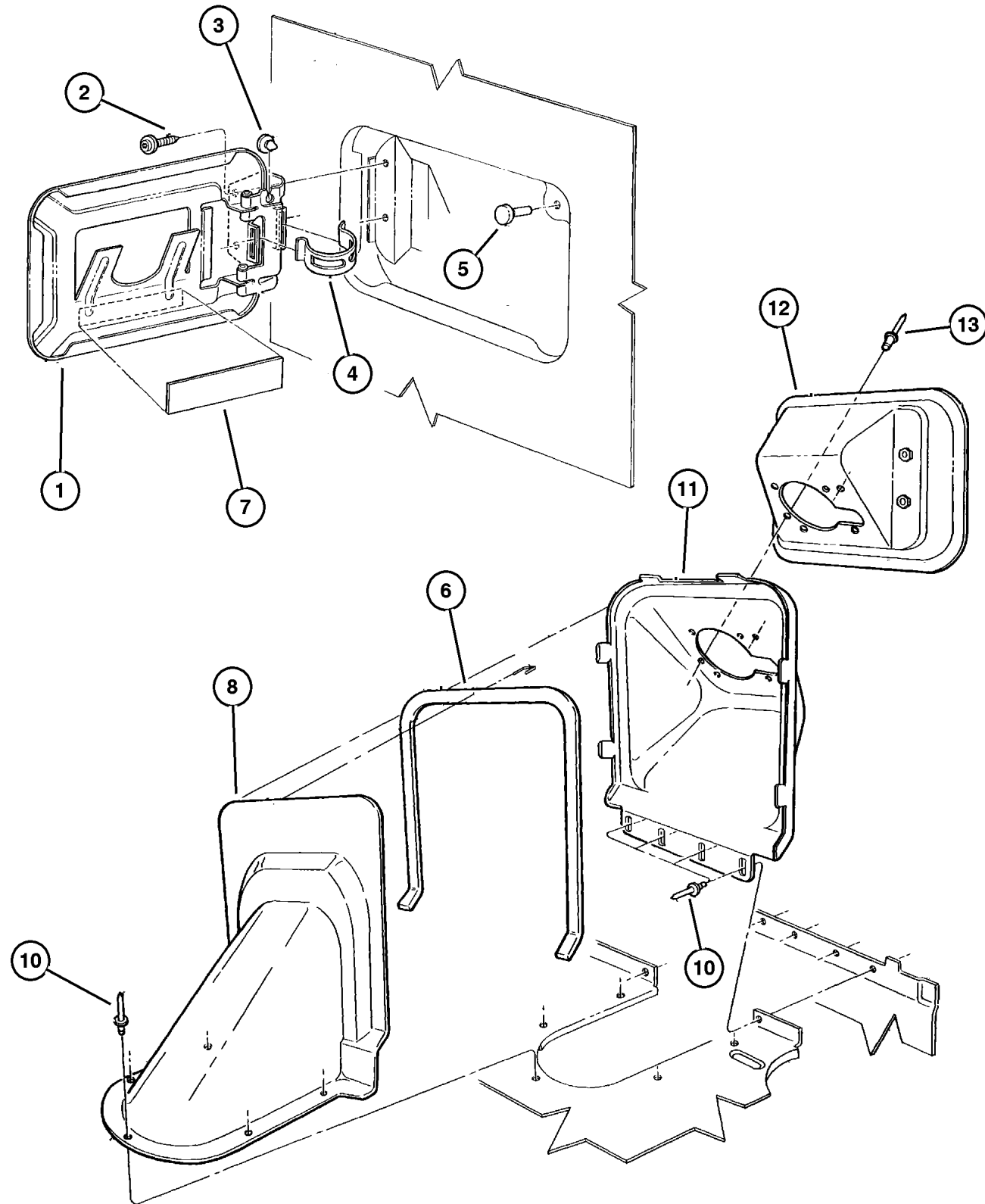
SERIES	LINE	BODY	ENGINE	TRANSMISSION
L=Low Line	J=LHD (4WD) U=RHD (4WD) T=LHD (2WD) B=RHD (2WD)	74=4 DR. (101.4 WB) 72=2 DR. (101.4 WB)	ENC,EN0=2.5L 4 cyl. Turbo Die ERH,ER0=4.0L Power Tech I-6 EPE,EP0=Magnum 2.5L SMPI	DDQ=5Spd Man. DGS=4 Spd. Auto. AISIN DG0=All Auto Trans DBB=All Manual Trans.

AR = Use as required - = Non illustrated part # = New this model year

July 4, 2003



Fuel Filler Housing & Door 1997 XJ 1998 XJ  
Figure SXJ-920



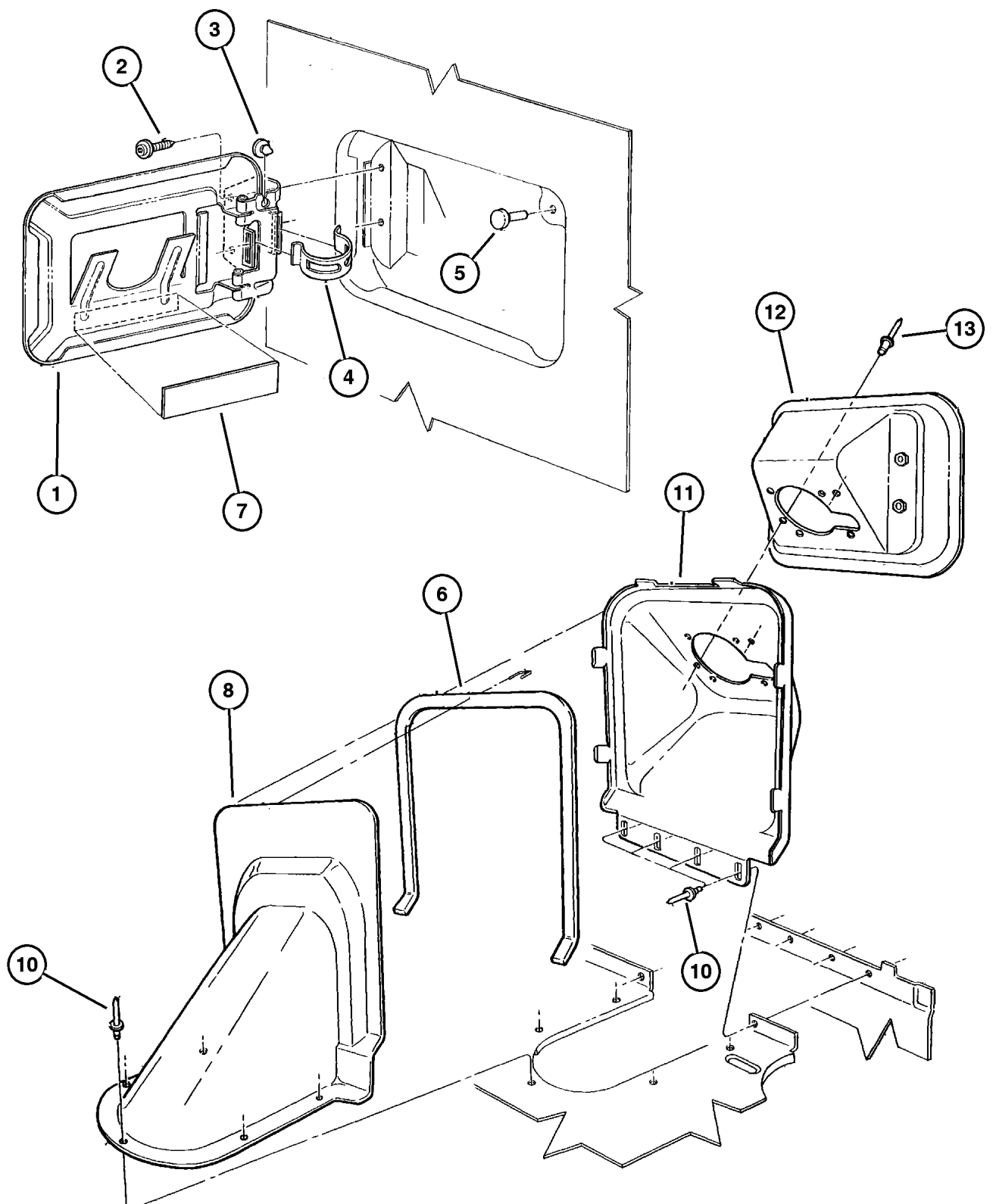
ITEM	PART NUMBER	QTY	LINE	SERIES	BODY	ENGINE	TRANS	TRIM	DESCRIPTION
1	55000 819AB	1							DOOR, Fuel Fill
2	3420 2399	2							SCREW AND WASHER, Round Head, M6x1x16
3	J063 5787	1							BUMPER, Fuel Door
4	5500 4206	1							SPRING, Fuel Filler Door
5	3420 1812	1							BUMPER, Fuel Door
6	5534 5178	1							SEAL, Fuel Filler Flange
7									LABEL, Fuel
	J369 6394	1	J, T, U						
	J546 4900	1							
8	5534 5623	1							HOUSING, Fuel Filler
-9	5534 5178	1							SEAL, Fuel Filler Flange
10	3420 1208	5							RIVET, M4.8x13.23
11									EXTENSION, Fuel Filler Housing
	5523 5533	1							1997 XJ
	55235 533AC	1							1998 XJ
12									HOUSING, Fuel Filler
	5210 0230	1			74				1997 XJ
		1			72				1997 XJ
	52100 230AC	1			74				1998 XJ
		1	J, T, U		72				1998 XJ
13	3420 1684	2							RIVET, M3.18x2.37

JEEP CHEROKEE (XJ)				
SERIES	LINE	BODY	ENGINE	TRANSMISSION
L=Low Line	J=LHD (4WD) U=RHD (4WD) T=LHD (2WD) B=RHD (2WD)	74=4 DR. (101.4 WB) 72=2 DR. (101.4 WB)	ENC,EN0=2.5L 4 cyl. Turbo Die ERH,ER0=4.0L Power Tech I-6 EPE,EP0=Magnum 2.5L SMPI	DDQ=5Spd Man. DGS=4 Spd. Auto. AISIN DG0=All Auto Trans DBB=All Manual Trans.

AR = Use as required - = Non illustrated part # = New this model year

July 4, 2003

Fuel Filler Housing & Door 1999 XJ  
Figure SXJ-920



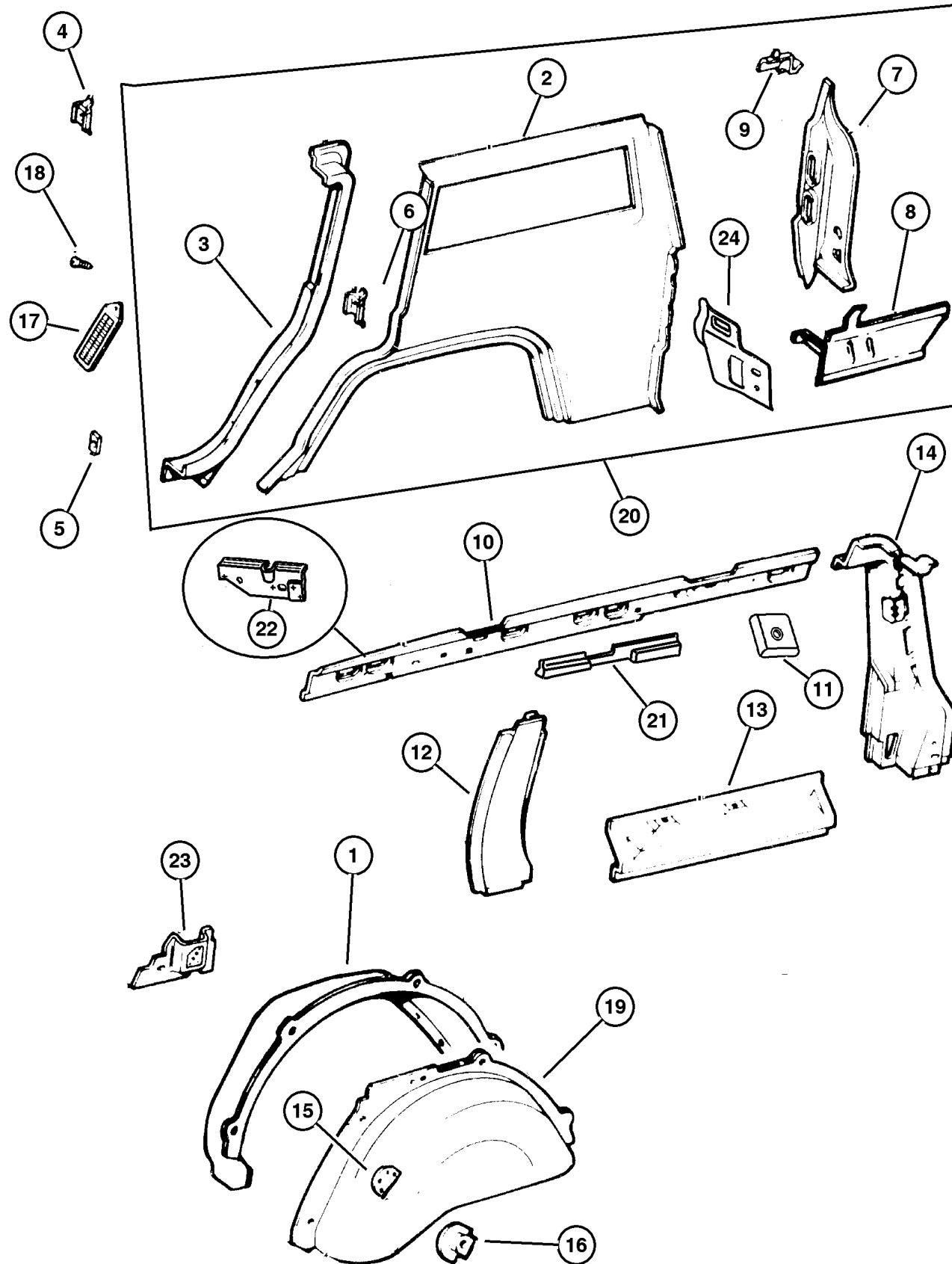
ITEM	PART NUMBER	QTY	LINE	SERIES	BODY	ENGINE	TRANS	TRIM	DESCRIPTION
1									DOOR, Fuel Fill
	55000 819AD	1			74				
		1	J, T, U		72				
2									SCREW AND WASHER, Button Head
	3420 1661	2			74				
		2	J, T, U		72				
3	J0635 787AB	1							BUMPER, Fuel Door
4	5500 4206	1							SPRING, Fuel Filler Door
5	55235 953AA	1							BUMPER, Fuel Door
6	5534 5178	1							SEAL, Fuel Filler Flange
7	J546 4900	1							LABEL, Fuel
8	5534 5623	1							HOUSING, Fuel Filler
-9	5534 5178	1							SEAL, Fuel Filler Flange
10	3420 1208	5							RIVET, M4.8x13.23
11	55235 533AC	1							EXTENSION, Fuel Filler Housing
12	52100 230AC	1	J, T, U		72				HOUSING, Fuel Filler
13	3420 1684	2							RIVET, M3.18x2.37

JEEP CHEROKEE (XJ)				
SERIES	LINE	BODY	ENGINE	TRANSMISSION
L=Low Line	J=LHD (4WD) U=RHD (4WD) T=LHD (2WD) B=RHD (2WD)	74=4 DR. (101.4 WB) 72=2 DR. (101.4 WB)	ENC,EN0=2.5L 4 cyl. Turbo Die ERH,ER0=4.0L Power Tech I-6 EPE,EP0=Magnum 2.5L SMPI	DDQ=5Spd Man. DGS=4 Spd. Auto. AISIN DG0=All Auto Trans DBB=All Manual Trans.

AR = Use as required - = Non illustrated part # = New this model year

July 4, 2003

**Panels, Rear Quarter, 4 Door 1997 XJ 1998 XJ  
Figure SXJ-930**



ITEM	PART NUMBER	QTY	LINE	SERIES	BODY	ENGINE	TRANS	TRIM	DESCRIPTION
1									WHEELHOUSE, Rear Outer
	5523 5346	1			74				Right
	5523 5347	1			74				Left
2									PANEL, Quarter
	5523 5424	1			74				Right
	5523 5425	1			74				Left
3									PILLAR, Front Door Lock
	5517 5672	1			74				Right
	5517 5673	1			74				Left
4									PLATE, Liftgate Striker
	4674 669	2							1997 XJ
		2			74				1998 XJ
5	4520 288	2							STRIKER, Door Latch
6	5525 6174	1			74				RETAINER, Door Lock Striker
7									PANEL, Taillamp Mounting
	5523 5510	1			74				Right
	5523 5511	1			74				Left
8									EXTENSION, Rear Floor Pan
	5517 5960	1			74				Right
	5517 5961	1			74				Left
9									EXTENSION, Quarter Panel
	5517 6084	1			74				Right
	5517 6085	1			74				Left
10									RAIL, Roof Side
	5523 5332	1			74				1997 XJ, Right
	55235 332AB	1			74				1998 XJ, Right
	5523 5333	1			74				1997 XJ, Left
	55235 333AB	1			74				1998 XJ, Left
11									TAPPING PLATE
	4490 111	1			74				Rail, Roof Side, 1997 XJ
		1			74				1998 XJ
12									REINFORCEMENT, Body Lock Pillar
	55235 792AA	1			74				Right
	55235 793AA	1			74				Left
13									RAIL, Rear Quarter Belt
	55235 794AA	1			74				Right
	55235 795AA	1			74				Left
14									PILLAR, Liftgate Opening
	5517 6096	1			74				Right
	5517 6097	1			74				Left
15	5502 6758	1			74				DOUBLER, Wheelhouse
16	5500 1231	1			74				BRACKET, Seat
17									EXHAUSTER, Quarter Panel

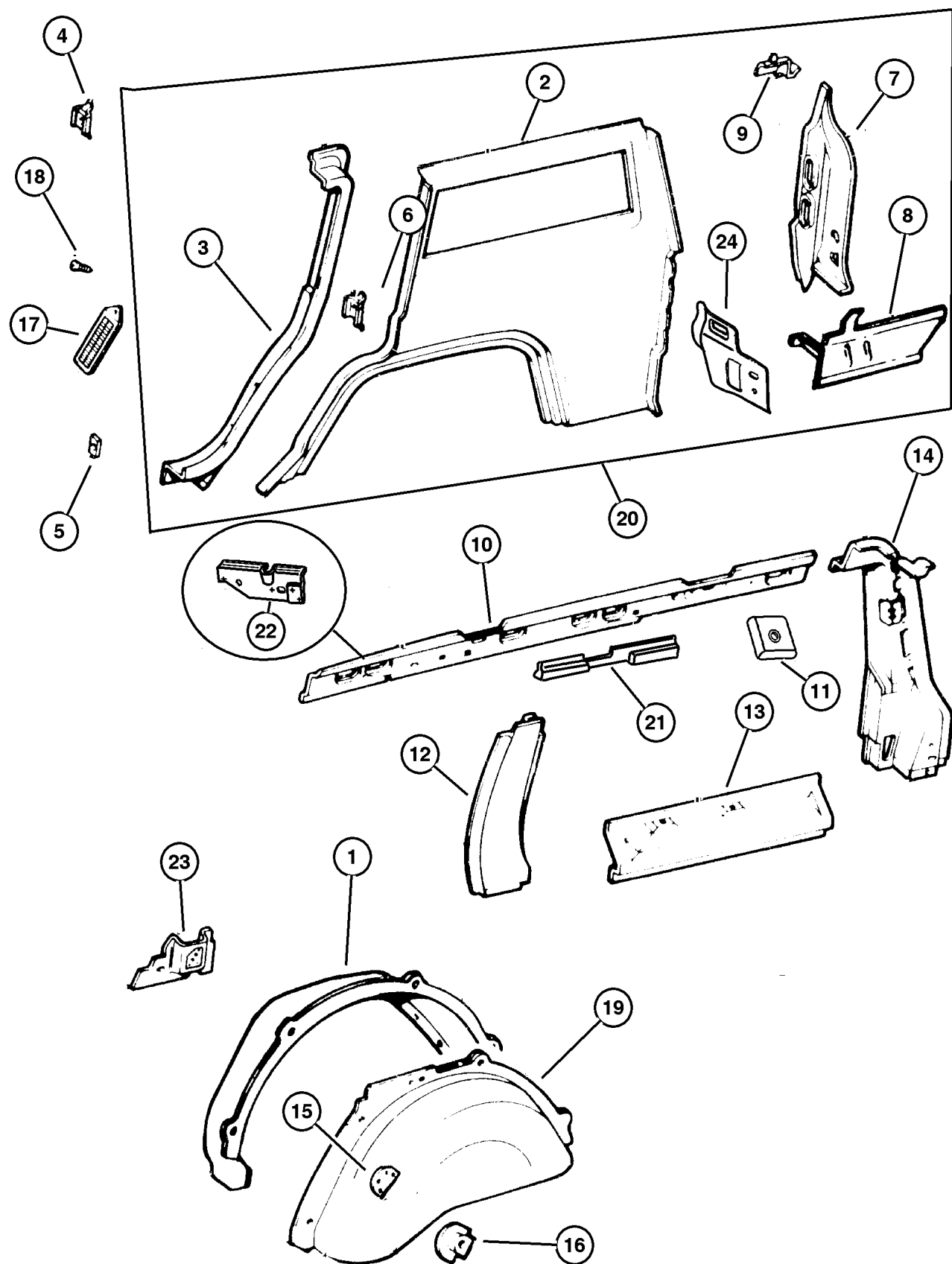
**JEEP CHEROKEE (XJ)**

SERIES	LINE	BODY	ENGINE	TRANSMISSION
L=Low Line	J=LHD (4WD) U=RHD (4WD) T=LHD (2WD) B=RHD (2WD)	74=4 DR. (101.4 WB) 72=2 DR. (101.4 WB)	ENC,EN0=2.5L 4 cyl. Turbo Die ERH,ER0=4.0L Power Tech I-6 EPE,EP0=Magnum 2.5L SMPI	DDQ=5Spd Man. DGS=4 Spd. Auto. AISIN DG0=All Auto Trans DBB=All Manual Trans.

AR = Use as required - = Non illustrated part # = New this model year

July 4, 2003

**Panels, Rear Quarter, 4 Door 1997 XJ 1998 XJ  
Figure SXJ-930**



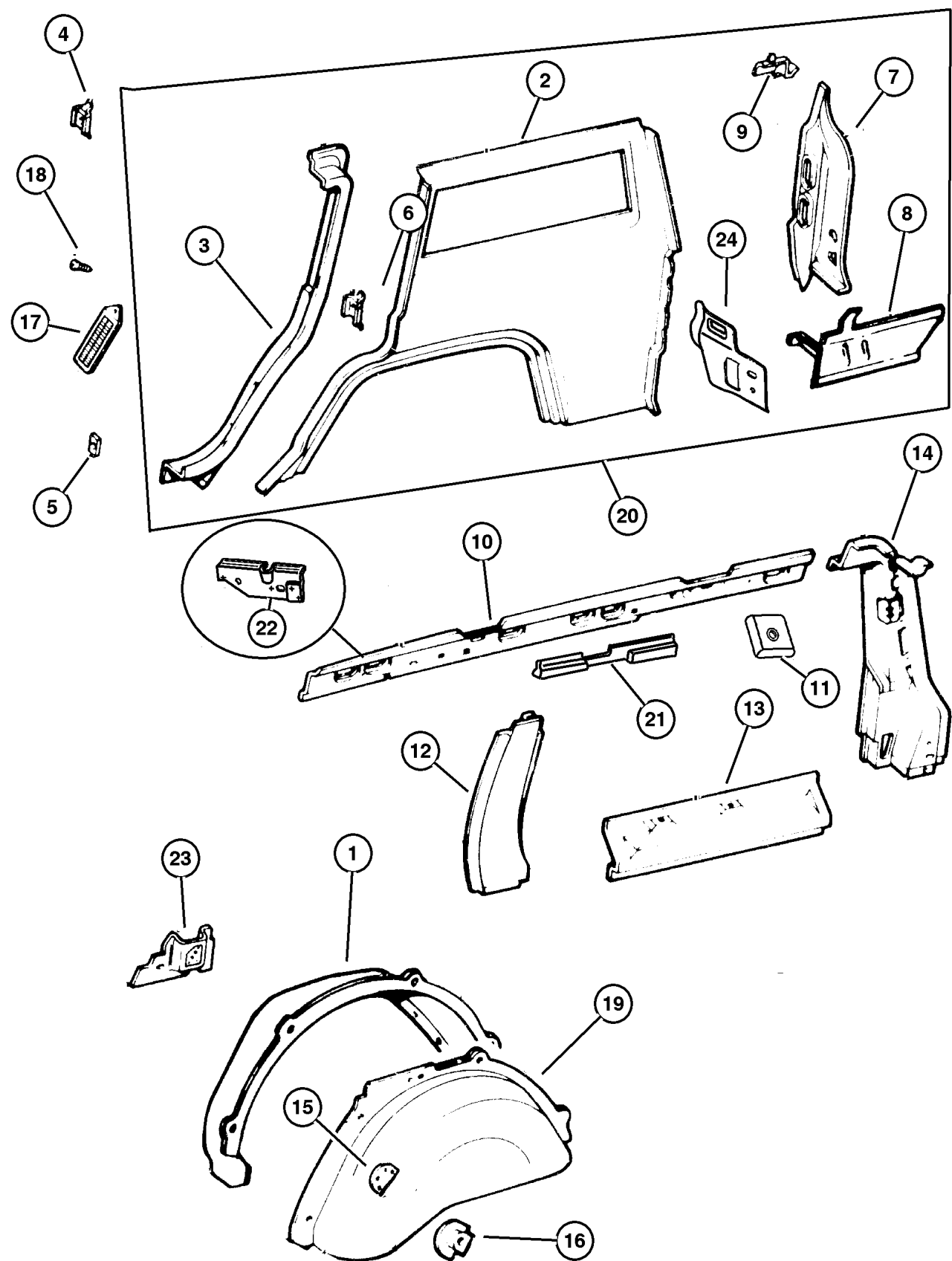
ITEM	PART NUMBER	QTY	LINE	SERIES	BODY	ENGINE	TRANS	TRIM	DESCRIPTION
	5500 1980	AR							1997 XJ
		2							1998 XJ
18									SCREW, .164-18x.437, (NOT SERVICED) (Not Serviced)
19									WHEELHOUSE, Rear Inner
	5500 0147	1			74				Left
	5502 7694	1			74				Right
20									PANEL, Quarter
	5523 5604	1			74				Right
	5523 5605	1			74				Left
21	5500 6988	2			74				REINFORCEMENT
22									REINFORCEMENT
	5523 5602	1			74				Right
	5523 5603	1			74				Left
23									BRACKET, Seat
	5500 1270	1			74				Right
	5500 1271	1			74				Left
24									REINFORCEMENT, Rear Corner
	5523 5600	1			74				Right
		1			72				1997 XJ, Right
	5523 5601	1			74				Left
		1			72				1997 XJ, Left

**JEEP CHEROKEE (XJ)**  
 SERIES LINE BODY ENGINE TRANSMISSION  
 L=Low Line J=LHD (4WD) 74=4 DR. (101.4 WB) ENC,EN0=2.5L 4 cyl. Turbo Die DDQ=5Spd Man.  
 U=RHD (4WD) 72=2 DR. (101.4 WB) ERH,ER0=4.0L Power Tech I-6 DGS=4 Spd. Auto. AISIN  
 T=LHD (2WD) EPE,EP0=Magnum 2.5L SMPI DG0=All Auto Trans  
 B=RHD (2WD) DBB=All Manual Trans.

AR = Use as required - = Non illustrated part # = New this model year

July 4, 2003

**Panels, Rear Quarter, 4 Door 1999 XJ  
Figure SXJ-930**



ITEM	PART NUMBER	QTY	LINE	SERIES	BODY	ENGINE	TRANS	TRIM	DESCRIPTION
1									WHEELHOUSE, Rear Outer
	5523 5346	1			74				Right
	5523 5347	1			74				Left
2									PANEL, Quarter
	5523 5424	1			74				Right
	5523 5425	1			74				Left
3									PILLAR, Front Door Lock
	5517 5672	1			74				Right
	5517 5673	1			74				Left
4	4674 669	2			74				PLATE, Liftgate Striker
5	4520 288	2							STRIKER, Door Latch
6	5525 6174	1			74				RETAINER, Door Lock Striker
7									PANEL, Taillamp Mounting
	5523 5510	1			74				Right
	5523 5511	1			74				Left
8									EXTENSION, Rear Floor Pan
	5517 5960	1			74				Right
	5517 5961	1			74				Left
9	5517 6084	1			74				EXTENSION, Quarter Panel, Right
10									RAIL, Roof Side
	55235 332AB	1			74				Right
	55235 333AB	1			74				Left
11	4490 111	1			74				TAPPING PLATE
12									REINFORCEMENT, Body Lock Pillar
	55235 792AA	1			74				Right
	55235 793AA	1			74				Left
13									RAIL, Rear Quarter Belt
	55235 794AA	1			74				Right
	55235 795AA	1			74				Left
14									PILLAR, Liftgate Opening
	5517 6096	1			74				Right
	5517 6097	1			74				Left
15	5502 6758	1			74				DOUBLER, Wheelhouse
16	5500 1231	1			74				BRACKET, Seat
17	5500 1980	2							EXHAUSTER, Quarter Panel
18									SCREW, .164-18x.437, (NOT SERVICED) (Not Serviced)
19									WHEELHOUSE, Rear Inner
	5500 0147	1			74				Left
	5502 7694	1			74				Right
20									PANEL, Quarter
	5523 5604	1			74				Right

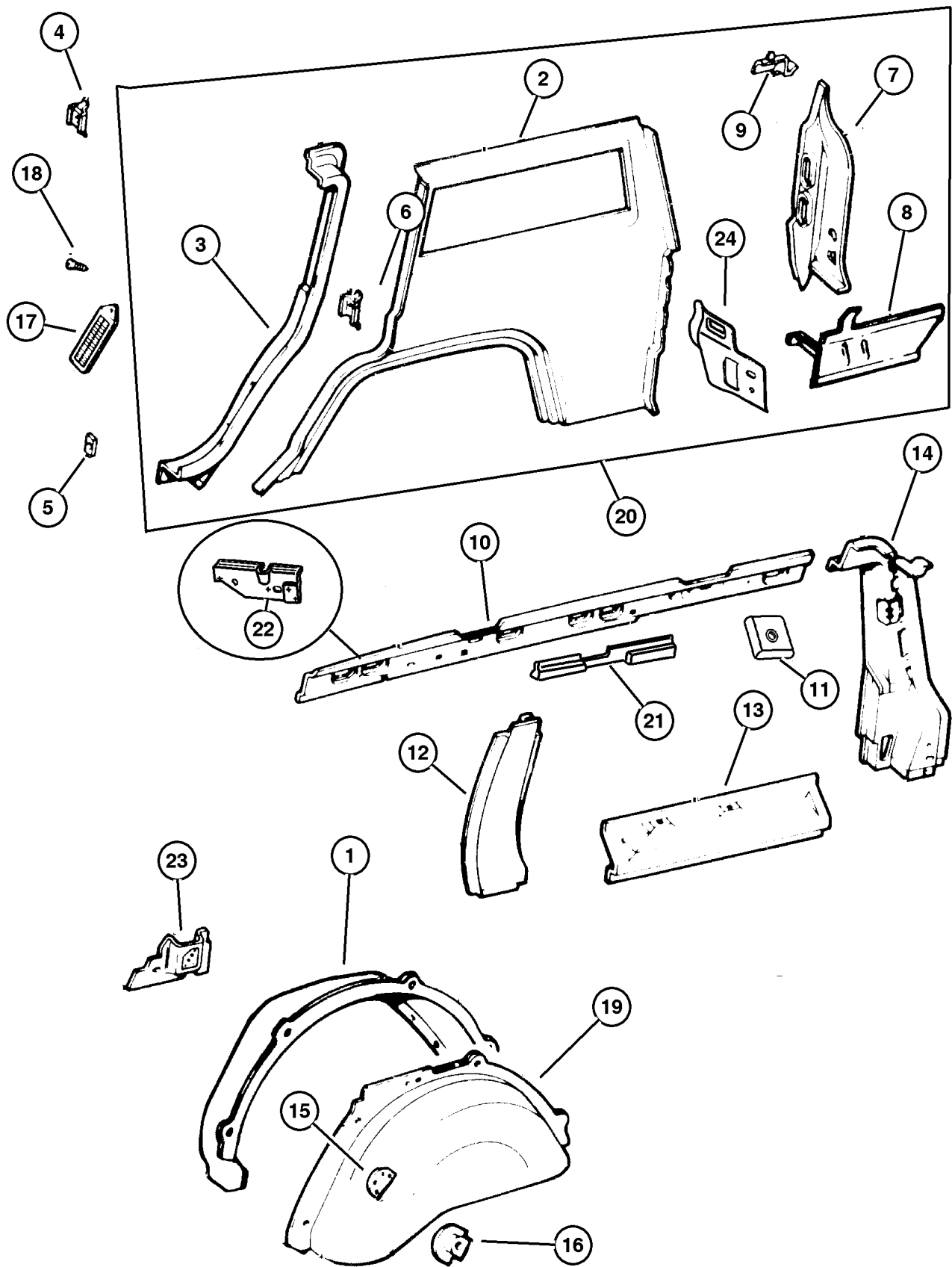
**JEEP CHEROKEE (XJ)**

SERIES	LINE	BODY	ENGINE	TRANSMISSION
L=Low Line	J=LHD (4WD) U=RHD (4WD) T=LHD (2WD) B=RHD (2WD)	74=4 DR. (101.4 WB) 72=2 DR. (101.4 WB)	ENC,EN0=2.5L 4 cyl. Turbo Die ERH,ER0=4.0L Power Tech I-6 EPE,EP0=Magnum 2.5L SMPI	DDQ=5Spd Man. DGS=4 Spd. Auto. AISIN DG0=All Auto Trans DBB=All Manual Trans.

AR = Use as required - = Non illustrated part # = New this model year

July 4, 2003

**Panels, Rear Quarter, 4 Door 1999 XJ  
Figure SXJ-930**



ITEM	PART NUMBER	QTY	LINE	SERIES	BODY	ENGINE	TRANS	TRIM	DESCRIPTION
	5523 5605	1			74				Left
21	#55006 988AB	2			74				REINFORCEMENT
22									REINFORCEMENT
	5523 5602	1			74				Right
	5523 5603	1			74				Left
23									BRACKET, Seat
	5500 1270	1			74				Right
	5500 1271	1			74				Left
24									REINFORCEMENT, Rear Corner
									Panel
	5523 5600	1			74				Right
	5523 5601	1			74				Left

**JEEP CHEROKEE (XJ)**  
 SERIES LINE BODY ENGINE TRANSMISSION  
 L=Low Line J=LHD (4WD) 74=4 DR. (101.4 WB) ENC,EN0=2.5L 4 cyl. Turbo Die DDQ=5Spd Man.  
 U=RHD (4WD) 72=2 DR. (101.4 WB) ERH,ER0=4.0L Power Tech I-6 DGS=4 Spd. Auto. AISIN  
 T=LHD (2WD) EPE,EP0=Magnum 2.5L SMPI DG0=All Auto Trans  
 B=RHD (2WD) DBB=All Manual Trans.

AR = Use as required - = Non illustrated part # = New this model year

July 4, 2003

**Appliques, Rear Quarter Panel  
Figure SXJ-940**

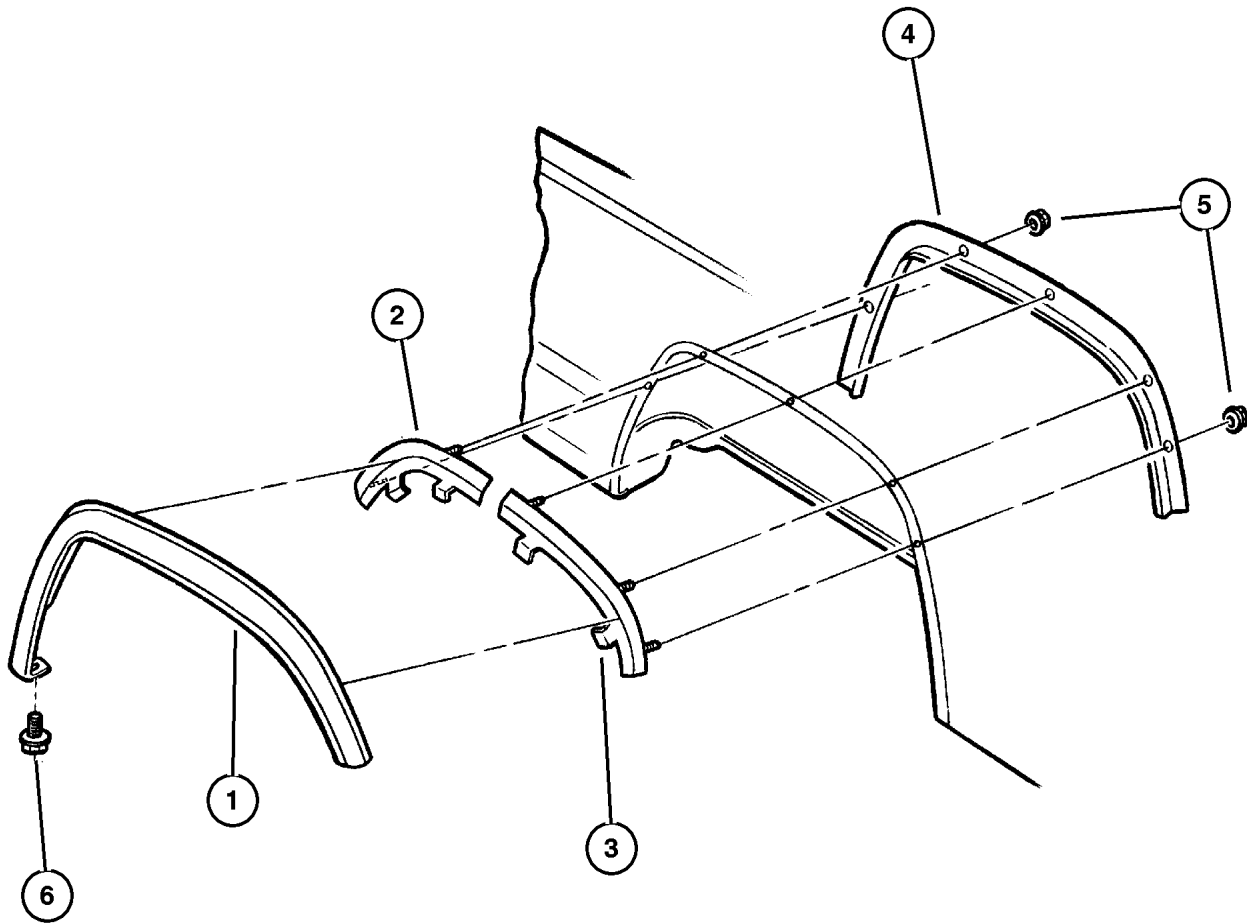
ITEM	PART NUMBER	QTY	LINE	SERIES	BODY	ENGINE	TRANS	TRIM	DESCRIPTION
1									APPLIQUE, Fender Wheel Opening
	5FW74 DX8AA	1							Glossy Black, 1997 XJ, Right
	5FW74 DX8AC	1							Glossy Black, 1998 XJ, Right
	5FW74 PCJAA	1							Dark Montego Blue, 1997 XJ, Right
	5FW74 PR4AA	1							Red, 1997 XJ, Right
	5FW74 PR4AC	1							Red, 1998 XJ, Right
	5FW74 RJNAA	1							Moss Green, 1997 XJ, Right
	5FW74 RJNAC	1							Moss Green, 1998 XJ, Right
	5FW74 SW1AA	1							White, 1997 XJ, Right
	5FW74 SW1AC	1							White, 1998 XJ, Right
	5FW74 TCNAC	1							Deep Amethyst, 1998 XJ, Right
	5FW74 TQ7AA	1							Gunmetal Pearl, 1997 XJ, Right
	5FW74 TQ7AC	1							Gunmetal Pearl, 1998 XJ, Right
	5FW74 VEAAC	1							Chilli Pepper Red, 1998 XJ, Right
	5FW75 DX8AA	1							Glossy Black, 1997 XJ, Left
	5FW75 DX8AC	1							Glossy Black, 1998 XJ, Left
	5FW75 PCJAA	1							Dark Montego Blue, 1997 XJ, Left
	5FW75 PR4AA	1							Red, 1997 XJ, Left
	5FW75 PR4AC	1							Red, 1998 XJ, Left
	5FW75 RJNAA	1							Moss Green, 1997 XJ, Left
	5FW75 RJNAC	1							Moss Green, 1998 XJ, Left
	5FW75 SW1AA	1							White, 1997 XJ, Left
	5FW75 SW1AC	1							White, 1998 XJ, Left
	5FW75 TCNAC	1							Deep Amethyst, 1998 XJ, Left
	5FW75 TQ7AA	1							Gunmetal Pearl, 1997 XJ, Left
	5FW75 TQ7AC	1							Gunmetal Pearl, 1998 XJ, Left
	5FW75 VEAAC	1							Chilli Pepper Red, 1998 XJ, Left
	5FW76 DX9AA	1							Flat Black, 1997 XJ, Right
	5FW76 DX9AC	1							Flat Black, 1998 XJ, Right
	5FW77 DX9AA	1							Flat Black, 1997 XJ, Left
	5FW77 DX9AC	1							Flat Black, 1998 XJ, Left
	5FW74 DX8AC	1							[K3X], 1999 XJ, Right
	5FW75 PR4AC	1							[K3R], 1999 XJ, Left
	5FW75 SG8AC	1							[K3G], 1999 XJ, Left
	5FW75 SW1AC	1							[K3N], 1999 XJ, Left
	5FW75 TCNAC	1							[K3C], 1999 XJ, Left
	5FW75 TQ7AC	1							[K3A], 1999 XJ, Left
	5FW75 VEAAC	1							[K3F], 1999 XJ, Left
	5FW75 WTDAC	1							[K3S], 1999 XJ, Left
	5FW76 DX9AC	1							[K3Z], Textured, 1999 XJ, Right
	5FW77 DX9AC	1							[K3Z], Textured, 1999 XJ, Left
	5FW74 PR4AC	1							[K3R], 1999 XJ, Right
	5FW74 SG8AC	1							[K3G], 1999 XJ, Right

**JEEP CHEROKEE (XJ)**

SERIES	LINE	BODY	ENGINE	TRANSMISSION
L=Low Line	J=LHD (4WD) U=RHD (4WD) T=LHD (2WD) B=RHD (2WD)	74=4 DR. (101.4 WB) 72=2 DR. (101.4 WB)	ENC,EN0=2.5L 4 cyl. Turbo Die ERH,ER0=4.0L Power Tech I-6 EPE,EP0=Magnum 2.5L SMPI	DDQ=5Spd Man. DGS=4 Spd. Auto. AISIN DG0=All Auto Trans DBB=All Manual Trans.

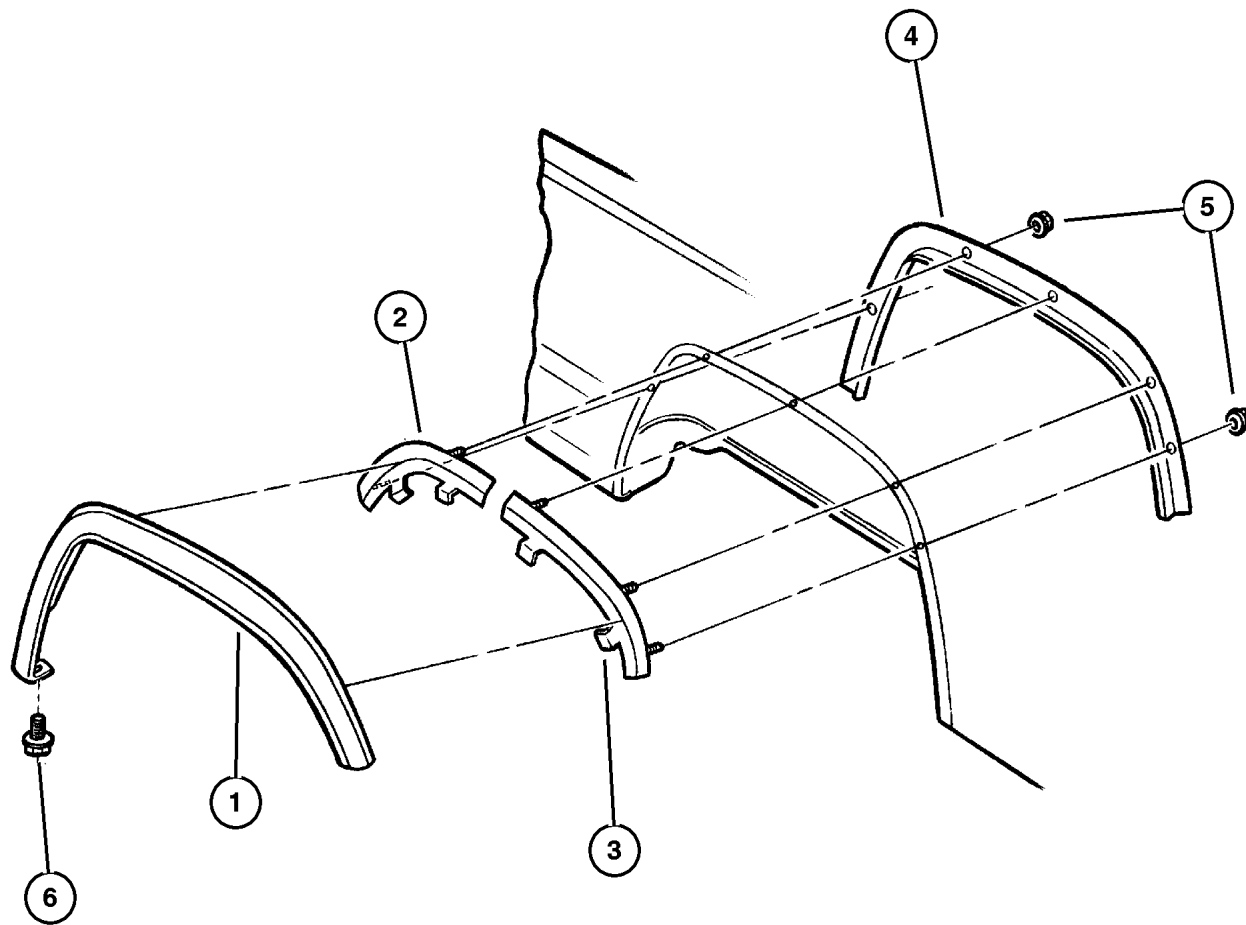
AR = Use as required - = Non illustrated part # = New this model year

July 4, 2003



Appliques, Rear Quarter Panel  
Figure SXJ-940

ITEM	PART NUMBER	QTY	LINE	SERIES	BODY	ENGINE	TRANS	TRIM	DESCRIPTION
	5FW74 SW1AC	1							[K3N], 1999 XJ, Right
	5FW74 TCNAC	1							[K3C], 1999 XJ, Right
	5FW74 TQ7AC	1							[K3A], 1999 XJ, Right
	5FW74 VEAAC	1							[K3F], 1999 XJ, Right
	5FW74 WTDAC	1							[K3S], 1999 XJ, Right
	5FW75 DX8AC	1							[K3X], 1999 XJ, Left
2									RETAINER, Applique
	55155 678AB	1							1997 XJ, 1998 XJ, Right
	55155 678AC	1							1999 XJ, Right
	55155 679AA	1							1997 XJ, Left
	55155 679AB	1							1998 XJ, Left
	55155 679AC	1							1999 XJ, Left
3									RETAINER, Applique
	55155 680AA	1							1997 XJ, Right
	55155 680AB	1							1998 XJ, Right
	55155 680AC	1							1999 XJ, Right
	55155 681AA	1							1997 XJ, Left
	55155 681AB	1							1998 XJ, Left
	55155 681AC	1							1999 XJ, Left
4									LINER, Fender Side
	5517 5898	1							Right
	5517 5899	1							Left
5	J420 0408	10							NUT AND WASHER, Hex Nut-Coned Washer, M5 x 0.80
6	0153 185	2							SCREW, .164-18x.500



JEEP CHEROKEE (XJ)

SERIES	LINE	BODY	ENGINE	TRANSMISSION
L=Low Line	J=LHD (4WD) U=RHD (4WD) T=LHD (2WD) B=RHD (2WD)	74=4 DR. (101.4 WB) 72=2 DR. (101.4 WB)	ENC,EN0=2.5L 4 cyl. Turbo Die ERH,ER0=4.0L Power Tech I-6 EPE,EP0=Magnum 2.5L SMPI	DDQ=5Spd Man. DGS=4 Spd. Auto. AISIN DG0=All Auto Trans DBB=All Manual Trans.

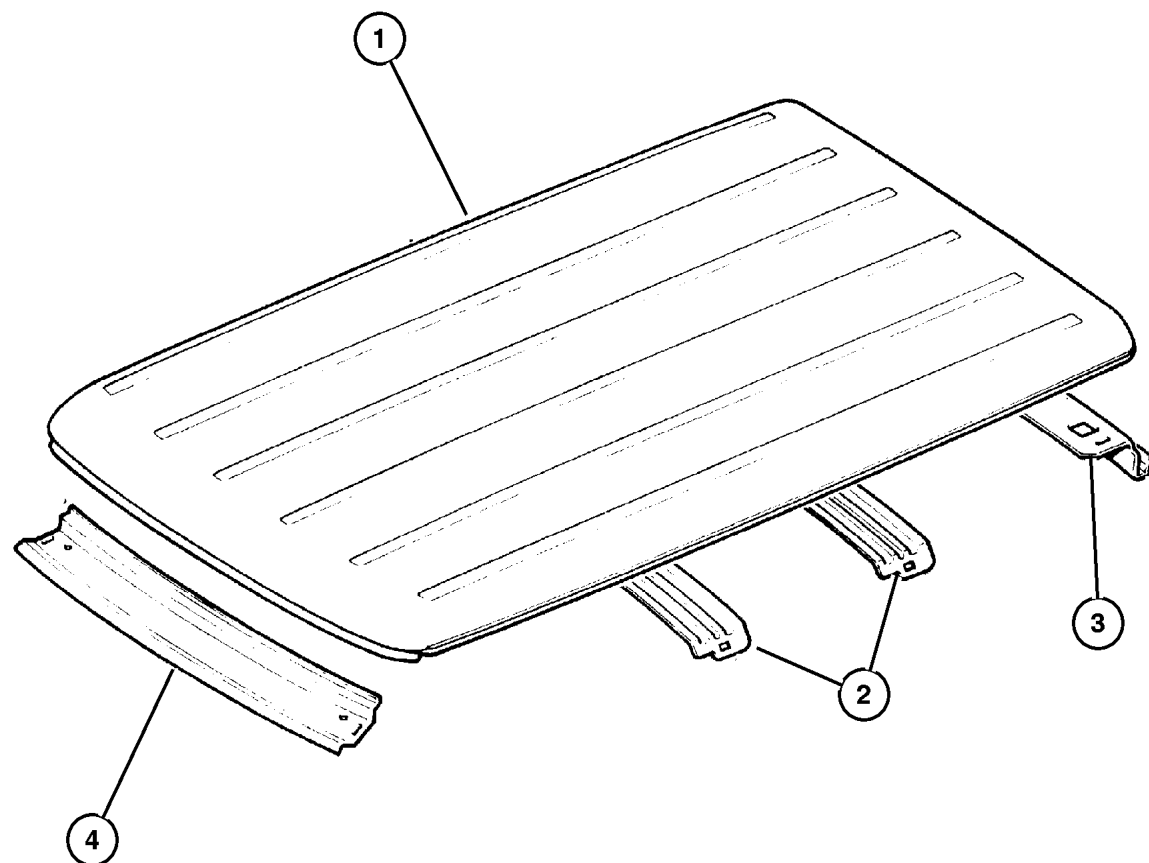
AR = Use as required - = Non illustrated part # = New this model year

July 4, 2003



Roof Panel 1997 XJ 1998 XJ  
Figure SXJ-1110

ITEM	PART NUMBER	QTY	LINE	SERIES	BODY	ENGINE	TRANS	TRIM	DESCRIPTION
1	5517 5156	1							PANEL, Roof
2	5500 0138	2							SUPPORT, Roof
3									PANEL, Liftgate Opening
	5517 6168	1	B, U						
	5517 6169	1	J, T						
4	5523 5339	1							HEADER, Windshield



JEEP CHEROKEE (XJ)

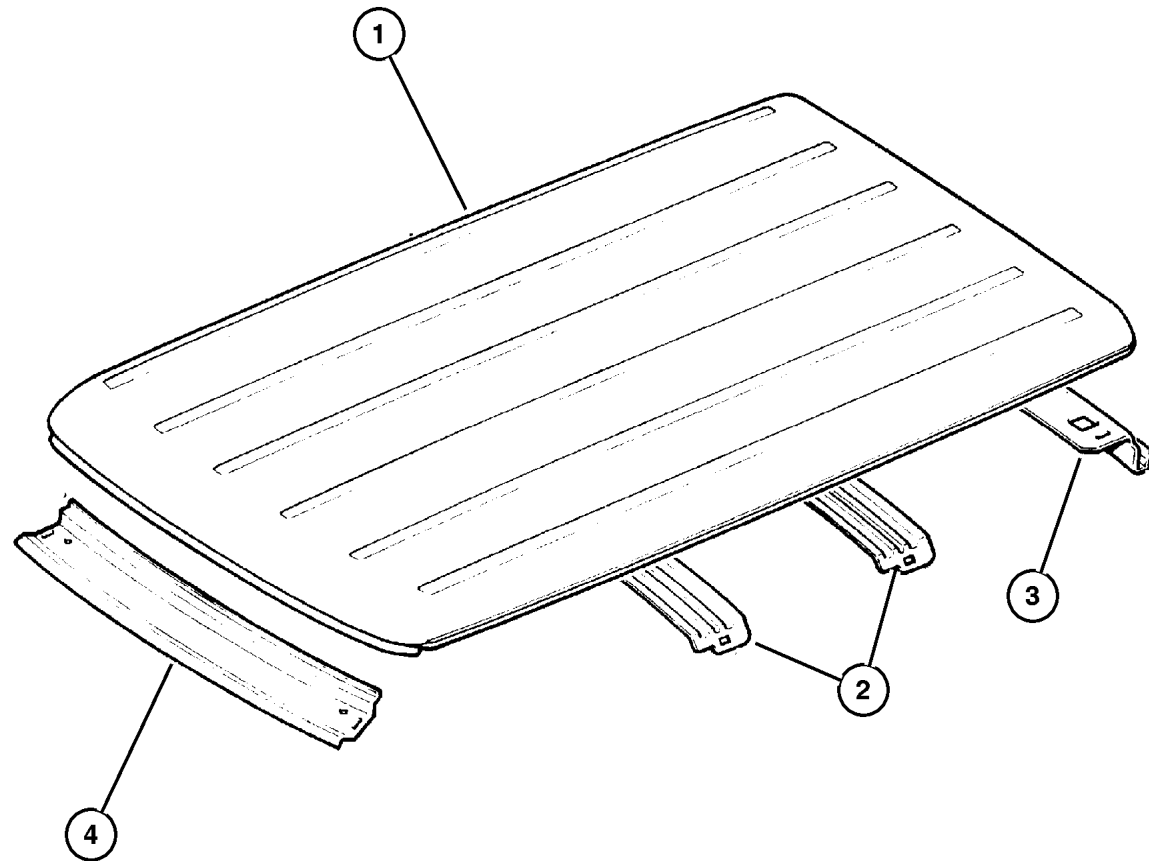
SERIES	LINE	BODY	ENGINE	TRANSMISSION
L=Low Line	J=LHD (4WD) U=RHD (4WD) T=LHD (2WD) B=RHD (2WD)	74=4 DR. (101.4 WB) 72=2 DR. (101.4 WB)	ENC,EN0=2.5L 4 cyl. Turbo Die ERH,ER0=4.0L Power Tech I-6 EPE,EP0=Magnum 2.5L SMPI	DDQ=5Spd Man. DGS=4 Spd. Auto. AISIN DG0=All Auto Trans DBB=All Manual Trans.

AR = Use as required - = Non illustrated part # = New this model year

July 4, 2003

Roof Panel 1999 XJ  
Figure SXJ-1110

ITEM	PART NUMBER	QTY	LINE	SERIES	BODY	ENGINE	TRANS	TRIM	DESCRIPTION
1	5517 5156	1							PANEL, Roof, With or Without Luggage Rack. Only One Roof Rack Used in Production.
2	55000 138AB	2							SUPPORT, Roof
3									PANEL, Liftgate
	#55176 168AB	1	B, U						
	#55176 169AB	1	J, T						
4	5523 5339	1							HEADER, Windshield

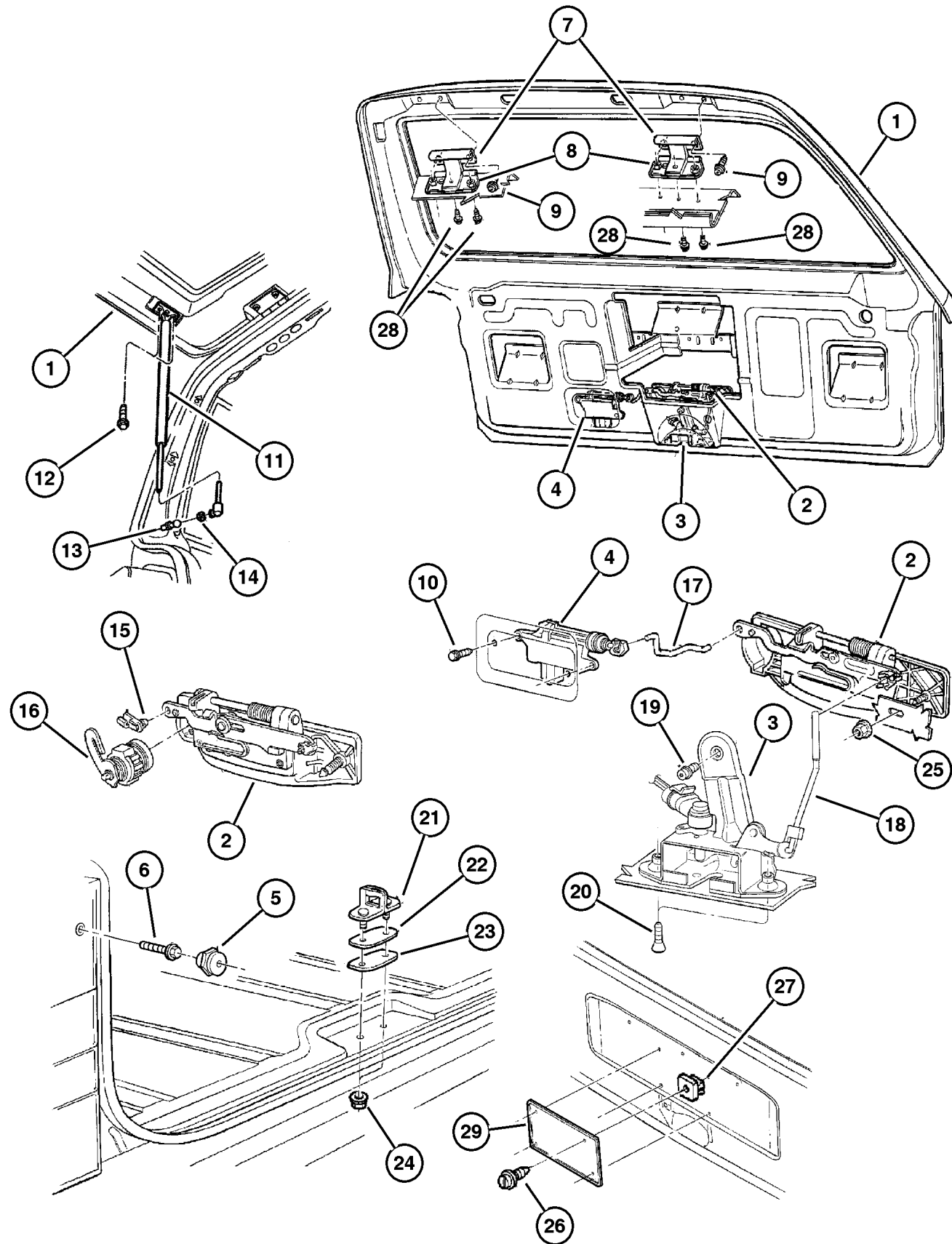


<b>JEEP CHEROKEE (XJ)</b>				
SERIES	LINE	BODY	ENGINE	TRANSMISSION
L=Low Line	J=LHD (4WD) U=RHD (4WD) T=LHD (2WD) B=RHD (2WD)	74=4 DR. (101.4 WB) 72=2 DR. (101.4 WB)	ENC,EN0=2.5L 4 cyl. Turbo Die ERH,ER0=4.0L Power Tech I-6 EPE,EP0=Magnum 2.5L SMPI	DDQ=5Spd Man. DGS=4 Spd. Auto. AISIN DG0=All Auto Trans DBB=All Manual Trans.

AR = Use as required - = Non illustrated part # = New this model year

July 4, 2003

Lift Door, Latch and Hinges 1997 XJ  
Figure SXJ-1310



ITEM	PART NUMBER	QTY	LINE	SERIES	BODY	ENGINE	TRANS	TRIM	DESCRIPTION
1	5517 4895	1							LIFTGATE
2	5507 6016	1							HANDLE, Liftgate
3	5523 5643	1							LATCH, Liftgate
4	5529 5716	1							ACTUATOR, Liftgate Lock
5	5525 4847	2							BUMPER, Liftgate
6	6035 646	2							BOLT, Hex Head, .312-18
7	5507 6225	2							HINGE, Liftgate
8	5523 5699	2							SEAL, Hinge
9	6503 757	10							SCREW AND WASHER, Hex Head, M8-1.25x22.00
10									SCREW, .250-14x.750, (NOT SERVICED) (Not Serviced)
11	5507 6208	2							PROP, Liftgate
12									SCREW, M6x1.00x20, (NOT SERVICED) (Not Serviced)
13	55075 205AB	2							BALL STUD, Liftgate Glass
14									WASHER, (NOT SERVICED) (Not Serviced)
15	5257 479	1							CLIP, Door Lock Rod
16									LOCK CYLINDER, Decklid, See Group 23c, (NOT SERVICED) (Not Serviced)
17	5507 6377	1							LINK, Latch Locking
18	5507 5860	1							ROD, Liftgate Handle to Latch
19	6503 154	1							SCREW AND WASHER, Round Head, M8x1.25x20
20	6502 623	2							SCREW, Flat Head, M8x1.25x23
21	5529 6077	1							STRIKER, Door Latch
22	5507 6342	AR							STRIKER, Seal Plate
23	5507 6341	1							STRIKER, Liftgate
24	6101 761	2							NUT, Coned Washer, M10 x 1.50
25	6501 730	1							NUT, Retainer, M6 x 1.00
26	6502 407	4							SCREW AND WASHER, Hex Head, M6x1x20, SETUP
27									NUT, (NOT SERVICED) (Not Serviced)
28	6503 764	6							SCREW AND WASHER, Hex Head, M8x1.25x25
29									LICENSE PLATE KIT, (NOT SERVICED) (Not Serviced)

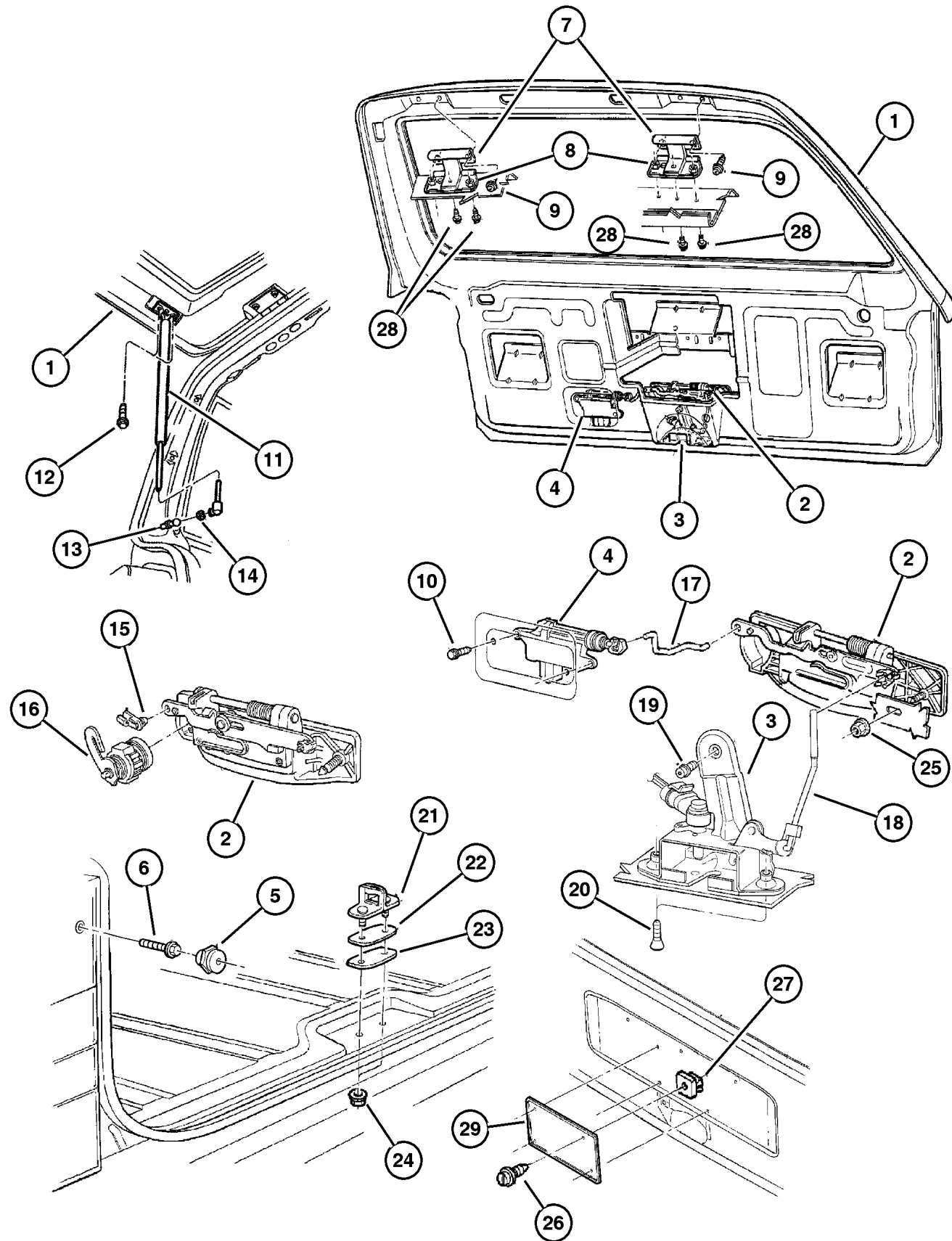
JEEP CHEROKEE (XJ)

SERIES	LINE	BODY	ENGINE	TRANSMISSION
L=Low Line	J=LHD (4WD) U=RHD (4WD) T=LHD (2WD) B=RHD (2WD)	74=4 DR. (101.4 WB) 72=2 DR. (101.4 WB)	ENC,EN0=2.5L 4 cyl. Turbo Die ERH,ER0=4.0L Power Tech I-6 EPE,EP0=Magnum 2.5L SMPI	DDQ=5Spd Man. DGS=4 Spd. Auto. AISIN DG0=All Auto Trans DBB=All Manual Trans.

AR = Use as required - = Non illustrated part # = New this model year

July 4, 2003

Lift Door, Latch and Hinges 1998 XJ  
Figure SXJ-1310



ITEM	PART NUMBER	QTY	LINE	SERIES	BODY	ENGINE	TRANS	TRIM	DESCRIPTION
1	55174 895AC	1							LIFTGATE
2	55076 016AE	1							HANDLE, Liftgate
3	55235 643AB	1							LATCH, Liftgate
4	55295 716AB	1							ACTUATOR, Liftgate Lock
5	5525 4847	2							BUMPER, Liftgate
6	6035 646	2							BOLT, Hex Head, .312-18
7	55076 225AB	2							HINGE, Liftgate
8	5523 5699	2							SEAL, Hinge
9	6503 757	4							SCREW AND WASHER, Hex Head, M8-1.25x22.00
10									SCREW, .250-14x.750, (NOT SERVICED) (Not Serviced)
11	5507 6208	2							PROP, Liftgate
12									SCREW, M6x1.00x20, (NOT SERVICED) (Not Serviced)
13	55075 205AB	2							BALL STUD, Liftgate Glass
14									WASHER, (NOT SERVICED) (Not Serviced)
15	5257 479	1							CLIP, Door Lock Rod
16									LOCK CYLINDER, Decklid, See Group 23c, (NOT SERVICED) (Not Serviced)
17	5507 6377	1							LINK, Latch Locking
18	5507 5860	1							ROD, Liftgate Handle to Latch
19	6503 154	1							SCREW AND WASHER, Round Head, M8x1.25x20
20	6502 623	2							SCREW, Flat Head, M8x1.25x23
21	5529 6077	1							STRIKER, Door Latch
22	55235 844AA	AR							STRIKER, Seal Plate
23	5507 6341	1							STRIKER, Liftgate
24	6101 761	2							NUT, Coned Washer, M10 x 1.50
25	6501 730	1							NUT, Retainer, M6 x 1.00
26	6502 407	4							SCREW AND WASHER, Hex Head, M6x1x20, SETUP
27									NUT, (NOT SERVICED) (Not Serviced)
28	6503 764	6							SCREW AND WASHER, Hex Head, M8x1.25x25
29									LICENSE PLATE KIT, (NOT SERVICED) (Not Serviced)

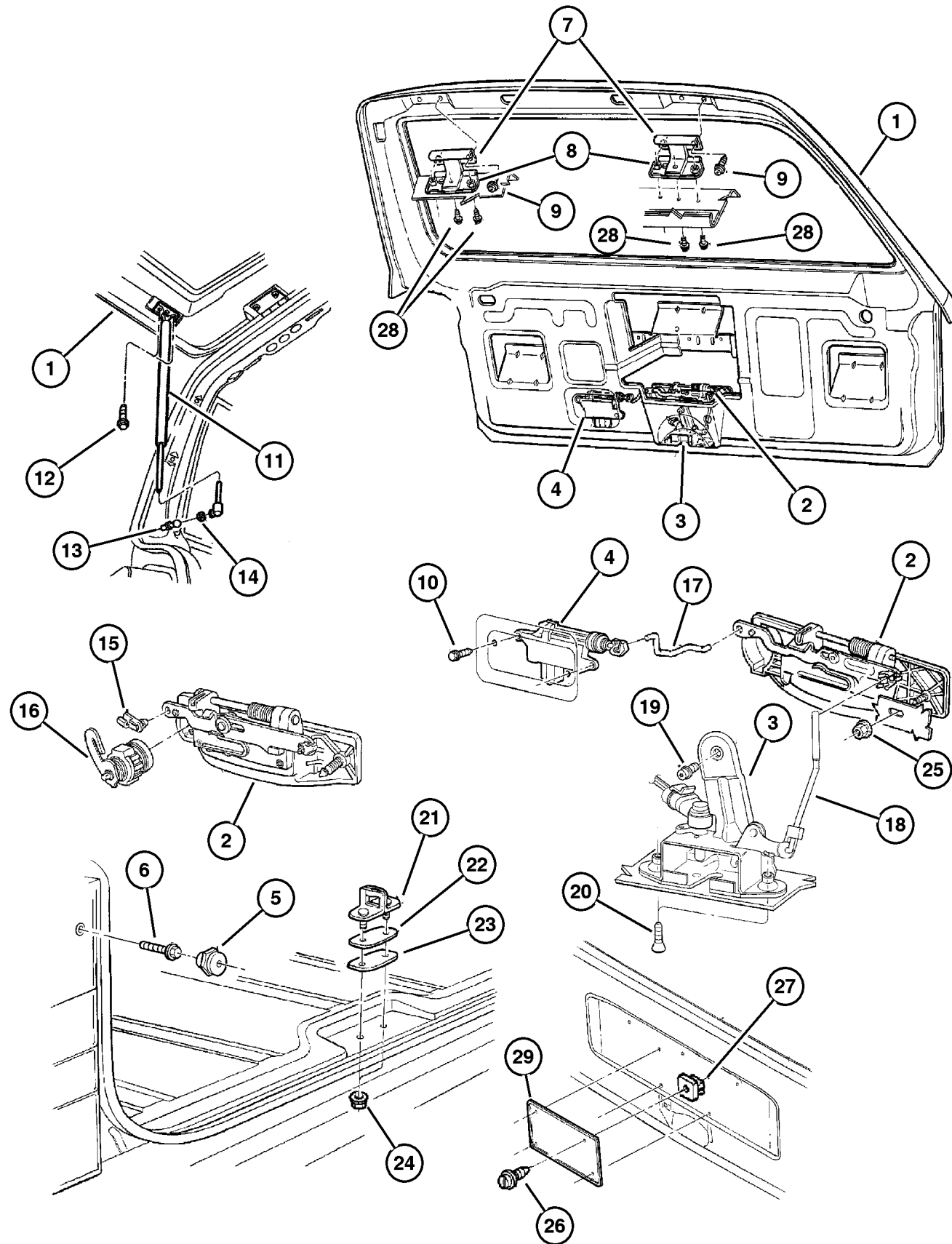
JEEP CHEROKEE (XJ)

SERIES	LINE	BODY	ENGINE	TRANSMISSION
L=Low Line	J=LHD (4WD) U=RHD (4WD) T=LHD (2WD) B=RHD (2WD)	74=4 DR. (101.4 WB) 72=2 DR. (101.4 WB)	ENC,EN0=2.5L 4 cyl. Turbo Die ERH,ER0=4.0L Power Tech I-6 EPE,EP0=Magnum 2.5L SMPI	DDQ=5Spd Man. DGS=4 Spd. Auto. AISIN DG0=All Auto Trans DBB=All Manual Trans.

AR = Use as required - = Non illustrated part # = New this model year

July 4, 2003

Lift Door, Latch and Hinges 1999 XJ  
Figure SXJ-1310



ITEM	PART NUMBER	QTY	LINE	SERIES	BODY	ENGINE	TRANS	TRIM	DESCRIPTION
1	55174 895AC	1							LIFTGATE
2	55076 016AE	1							HANDLE, Liftgate
3	55235 643AB	1							LATCH, Liftgate
4	55295 716AB	1							ACTUATOR, Liftgate Lock
5	5525 4847	2							BUMPER, Liftgate
6	6035 646	2							BOLT, Hex Head, .312-18
7	55076 225AC	2							HINGE, Liftgate
8	5523 5699	2							SEAL, Hinge
9	6503 757	4							SCREW AND WASHER, Hex Head, M8-1.25x22.00
10									SCREW, .250-14x.750, (NOT SERVICED) (Not Serviced)
11	5507 6208	2							PROP, Liftgate
12									SCREW, M6x1.00x20, (NOT SERVICED) (Not Serviced)
13	55075 205AB	2							BALL STUD, Liftgate Glass
14									WASHER, (NOT SERVICED) (Not Serviced)
15	4658 677	1							CLIP, Latch Link
16									LOCK CYLINDER, Decklid, See Group 23c, (NOT SERVICED) (Not Serviced)
17	5507 6377	1							LINK, Latch Locking
18	5507 5860	1							ROD, Liftgate Handle to Latch
19	6503 154	1							SCREW AND WASHER, Round Head, M8x1.25x20
20	6502 623	2							SCREW, Flat Head, M8x1.25x23
21	5529 6077	1							STRIKER, Door Latch
22	55235 844AA	AR							STRIKER, Seal Plate
23	55235 842AA	1							STRIKER, Seal Plate
24	6101 761	2							NUT, Coned Washer, M10 x 1.50
25	6501 730	1							NUT, Retainer, M6 x 1.00
26	6502 407	4							SCREW AND WASHER, Hex Head, M6x1x20
27									NUT, (NOT SERVICED) (Not Serviced)
28	6503 764	6							SCREW AND WASHER, Hex Head, M8x1.25x25
29									LICENSE PLATE KIT, (NOT SERVICED) (Not Serviced)

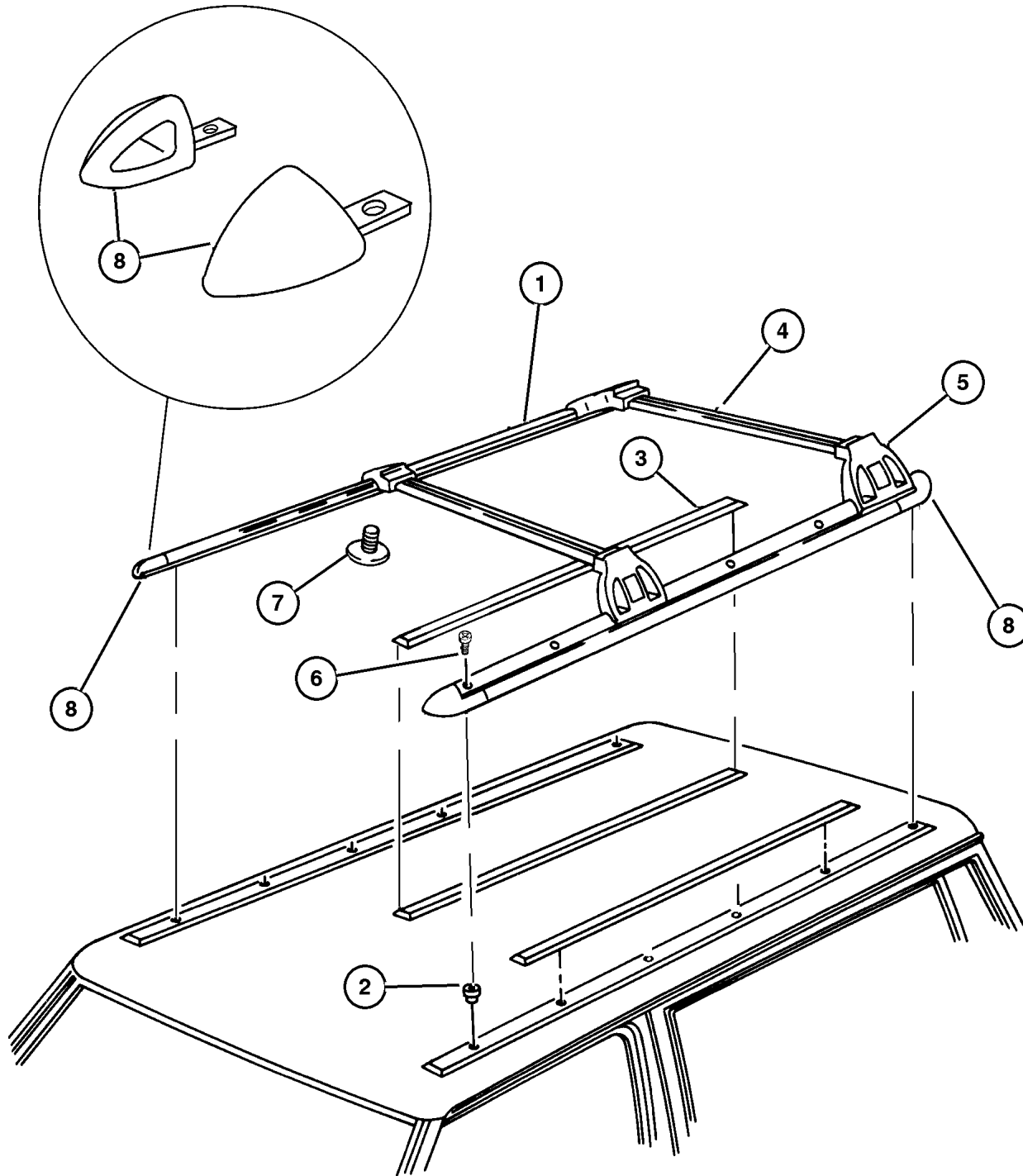
JEEP CHEROKEE (XJ)

SERIES	LINE	BODY	ENGINE	TRANSMISSION
L=Low Line	J=LHD (4WD) U=RHD (4WD) T=LHD (2WD) B=RHD (2WD)	74=4 DR. (101.4 WB) 72=2 DR. (101.4 WB)	ENC,EN0=2.5L 4 cyl. Turbo Die ERH,ER0=4.0L Power Tech I-6 EPE,EP0=Magnum 2.5L SMPI	DDQ=5Spd Man. DGS=4 Spd. Auto. AISIN DG0=All Auto Trans DBB=All Manual Trans.

AR = Use as required - = Non illustrated part # = New this model year

July 4, 2003

Rack, Roof Luggage 1997 XJ 1998 XJ  
Figure SXJ-1610



ITEM	PART NUMBER	QTY	LINE	SERIES	BODY	ENGINE	TRANS	TRIM	DESCRIPTION
1									RAIL, Luggage Rack Side
	5507 5115	2							AUSTRALIA, JAPAN, 1998 XJ
		4	B, U						AUSTRALIA, JAPAN, 1997 XJ
	55235 809AA	1	B, U						
2	6503 910	12							NUT
3	5507 5106	4							SKID STRIP, Roof Rack
4									CROSS BAR, Roof Rack
	55235 239AB	2							1997 XJ
	55235 239AC	2							Smooth Paint, 1998 XJ
		4	B, U						Smooth Paint, AUSTRALIA, JAPAN, 1998 XJ
	55235 239AD	2							Textured Finish, 1998 XJ
		4	B, U						Textured Finish, AUSTRALIA, JAPAN, 1998 XJ
5									STANCHION, Luggage Rack Cross Bar
	5507 4633	4							AUSTRALIA, JAPAN, 1998 XJ
		8	B, U						
6	6502 667	12							SCREW, Pan Head, M6x1x16
7	6035 499	4							SCREW, Pan Head Tapping, .242-10x.625
8									CAP, Side Rail
	5507 5084	2							Right
	5507 5085	2							Left
-9									SPRING, Tension
-9									SPRING, Tension (Not Serviced) (NOT SERVICED), 1998 XJ
	4897 128AA	2							Used Inside Crossrail, 1997 XJ

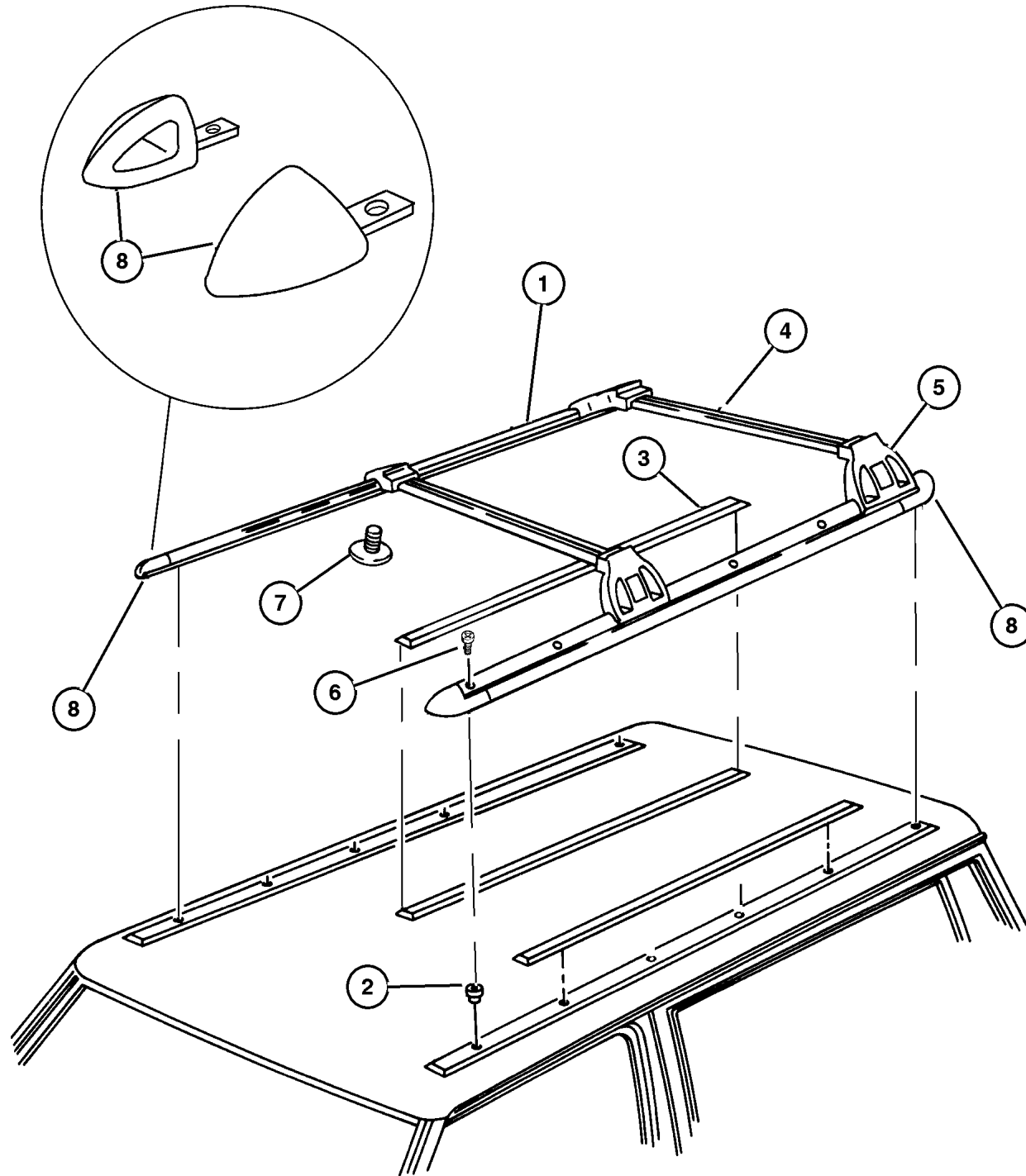
JEEP CHEROKEE (XJ)

SERIES	LINE	BODY	ENGINE	TRANSMISSION
L=Low Line	J=LHD (4WD) U=RHD (4WD) T=LHD (2WD) B=RHD (2WD)	74=4 DR. (101.4 WB) 72=2 DR. (101.4 WB)	ENC,EN0=2.5L 4 cyl. Turbo Die ERH,ER0=4.0L Power Tech I-6 EPE,EP0=Magnum 2.5L SMPI	DDQ=5Spd Man. DGS=4 Spd. Auto. AISIN DG0=All Auto Trans DBB=All Manual Trans.

AR = Use as required - = Non illustrated part # = New this model year

July 4, 2003

Rack, Roof Luggage 1999 XJ  
Figure SXJ-1610



ITEM	PART NUMBER	QTY	LINE	SERIES	BODY	ENGINE	TRANS	TRIM	DESCRIPTION
1	#55235 979AA	2							RAIL, Luggage Rack Side
2	6503 910	12							NUT
3	55075 106AB	4							SKID STRIP, Roof Rack
4	#55235 978AA	2							CROSS BAR, Roof Rack
5									STANCHION, LUGG RACK CROSS RAIL
	55076 028AB	2							Right
	55076 029AB	2							Left
6	#6505 937AA	10							SCREW, Pan Head
7	6035 499	4							SCREW, Pan Head Tapping, .242-10x.625
8									CAP, Side Rail
	55075 918AB	2							Up to 3-2-99, Right
	55075 919AB	2							Up to 3-2-99, Left
	#55236 002AA	2							After 3-2-99, Right
	#55236 003AA	2							After 3-2-99, Left

JEEP CHEROKEE (XJ)

SERIES	LINE	BODY	ENGINE	TRANSMISSION
L=Low Line	J=LHD (4WD) U=RHD (4WD) T=LHD (2WD) B=RHD (2WD)	74=4 DR. (101.4 WB) 72=2 DR. (101.4 WB)	ENC,EN0=2.5L 4 cyl. Turbo Die ERH,ER0=4.0L Power Tech I-6 EPE,EP0=Magnum 2.5L SMPI	DDQ=5Spd Man. DGS=4 Spd. Auto. AISIN DG0=All Auto Trans DBB=All Manual Trans.

AR = Use as required - = Non illustrated part # = New this model year

July 4, 2003