

2000 JEEP CHEROKEE (XJ)

PARTS CATALOG

ILLUSTRATION AND TEXT
(CHASSIS - BODY - TRIM)

December 2002

SUPERSEDES
November 2002
ENGLISH



Jeep

CHRYSLER • PLYMOUTH • DODGE • JEEP

THE MOPAR DIFFERENCE

INDEX TO INFORMATION PAGES

The use of this Parts Catalog and the arrangement of information herein is explained in the General Information Section as indexed below.

Abbreviations	INF-15
Alphabetic Index	INF-12
Body Code Plate Interpretation	INF-14
Catalog Groups - Titles & Contents	INF-2
How to Use This Catalog and Locate Parts	INF-10
Illustration Index	INF-12
Illustration Numbering Index	INF-11
Index.....	INF-1
Logical Illustration Index.....	INF-4
Logical Illustrations	INF-11
Numerical Index	INF-12
Page Numbering.....	INF-11
Part Packages	INF-12
Standard Parts.....	INF-12
Symbols Used in this Catalog.....	INF-11
VIN Plate Decoding Information	INF-13

CATALOG GROUPS - TITLES & CONTENT

SXJ	Body Sheet Metal Except Doors
-----	-------------------------------

Group	Content
001	Component Parts for Mopar Accessories
002	Front Suspension & Drive
003	Rear Axle
004	Parking Brake
005	Service Brakes
006	Clutch
007	Cooling
008	Electrical
009	Engine Mounting
011	Exhaust
013	Frames and Bumpers
014	Fuel
016	Propeller Shafts and U-Joints
017	Rear Suspension
019	Steering
022	Wheels, Covers and Jacks
024	Air Conditioning & Heater
025	Emission Systems
08A	Instrument Panel and Radios and Consoles
2.5L4	Engine 2.5L Four Cylinder
2.5LD	Engine 2.5L Four Cylinder (Turbo Diesel)
21P	Speedometer Pinions
231	Transfer Case Model 231
23D	Wiper/Lock Cylinder and Keys
242	Transfer Case Model 242
30RH	Automatic Transmission 3 Speed
3550	Manual Transmission 5 Speed
4.0L	Engine 4.0L Six Cylinder
AW4	Automatic Transmission 4 Speed
AX	Manual Transmission 5 Speed
DXJ	Doors and Related Parts
EXJ	Exterior Ornamentation
IXJ	Interior Trim

LOGICAL ILLUSTRATION INDEX

Group	Logical Illustration	Logical Illustration Name
001	100	Audio & Electronics
001	1000	4 - Wheeling & Off Road
001	200	Carriers & Cargo Hauling
001	300	Driving Convenience
001	400	Exterior Appearance
001	500	Exterior Protection
001	600	Fog Lights & Electrical
001	900	Security
002	100	Front Suspension & Strut
002	200	Front Axle Drive Shafts
002	300	Front Axle Housing
002	400	Front Axle Assembly
002	600	Front Axle Differential
003	100	Rear Axle
003	200	Differential and Housing
003	300	Rear Axle Vent
003	400	Rear Axle Shafts
004	100	Parking Brake Lever and Cables
005	100	Front Brakes
005	200	Rear Brakes
005	300	Power Brake Booster
005	400	Brake Master Cylinder
005	500	Brake Lines and Hoses
005	600	Brake Pedals
006	100	Clutch
006	200	Clutch Housing
006	300	Clutch Controls
006	400	Clutch Pedals
007	100	Radiator and Related Parts
007	200	Water Pump and Related Parts
007	300	Tank, Coolant Engine
007	400	Pulleys and Related Parts
007	500	Drive Belts

007	600	Lines, Transmission Oil Cooler
007	700	Grilles
008	100	Starters
008	1000	Battery Tray and Cables
008	1100	Lamps - Front, Rear and Courtesy
008	1200	Wiring-Engine & Related Parts
008	1300	Wiring-Headlamp to Dash
008	1400	Wiring-Instrument Panel
008	1500	Wiring-Body & Accessories
008	1600	Wiring Repair
008	1900	Spark Plugs-Cables-Coils
008	200	Alternators
008	300	Distributor
008	400	Modules
008	500	Relays
008	600	Sensors
008	700	Single Board Engine Controllers
008	800	Switches
008	900	Horns
009	100	Engine Mounting
011	100	Exhaust System
011	200	Heat Shields
013	200	Front Bumper and Fascia
013	300	Rear Bumper and Fascia
013	600	Trailer Tow
014	100	Tank, Fuel
014	1000	Speed Control
014	1100	Accelerator Pedal
014	200	Fuel Tank Filler Tube
014	300	Fuel Lines
014	400	Fuel Rail
014	500	Fuel Pump and Sending Unit
014	600	Throttle Body
014	700	Throttle Controls
014	800	Air Cleaner
014	900	Air Intake System

016	100	Propeller Shaft
017	100	Rear Suspension
019	100	Steering Wheel
019	200	Steering Column
019	300	Steering Gear
019	400	Steering Linkage
019	500	Power Steering Pump
019	700	Power Steering Hoses
022	100	Wheels and Hardware
022	200	Wheel Covers and Center Caps
022	300	Jack Stowage
022	400	Spare Tire Stowage
024	100	Air Conditioner and Heater Units
024	200	Air Conditioner and Heater Plumbing
024	300	Air Conditioner and Heater Controls
024	400	Air Conditioning Compressor
024	500	Air Conditioning Compressor Mounting
024	600	Air Ducts and Outlets
025	100	Emission Labels
025	200	EGR System
025	300	Vacuum Canister
025	400	Emission Harness
08A	100	Instrument Panel
08A	200	Instrument Panel Cluster
08A	300	Radio, Antenna, and Speakers
08A	400	Consoles
2.5L4	200	Cylinder Head
2.5L4	300	Cylinder Block
2.5L4	400	Crankshaft, Piston and Drive Plate
2.5L4	500	Camshafts & Valves
2.5L4	600	Timing Belt and Cover
2.5L4	700	Engine Oiling
2.5L4	800	Manifolds
2.5L4	900	Crankcase Ventilation
2.5LD	200	Cylinder Head
2.5LD	300	Cylinder Block

2.5LD	400	Crankshaft, Piston and Drive Plate
2.5LD	500	Camshafts & Valves
2.5LD	600	Timing Belt and Cover
2.5LD	700	Engine Oiling
2.5LD	800	Manifolds
2.5LD	900	Crankcase Ventilation
21P	100	Speedometer Pinions
231	100	Transfer Case Assembly
231	1200	Gearshift Controls
231	200	Case and Related Parts
231	400	Gear Train
231	900	Fork and Rails
23D	100	Lock Cylinders and Keys
23D	200	Windshield Wiper and Washer Systems
23D	300	Rear Wiper and Washer System
242	100	Transfer Case Assembly
242	1200	Gearshift Controls
242	200	Case and Related Parts
242	400	Gear Train
242	900	Fork and Rails
30RH	100	Transmission Assembly
30RH	1200	Gearshift Controls
30RH	200	Case and Extension
30RH	300	Oil Pump
30RH	400	Gear Train
30RH	500	Bands, Reverse and Kickdown
30RH	600	Governor
30RH	700	Valve Body
3550	100	Transmission Assembly
3550	1200	Gearshift Controls
3550	200	Case and Extension
3550	400	Gear Train
3550	900	Fork and Rails
4.0L	200	Cylinder Head
4.0L	300	Cylinder Block
4.0L	400	Crankshaft, Piston and Torque Converter

4.0L	500	Camshafts & Valves
4.0L	600	Timing Belt and Cover
4.0L	700	Engine Oiling
4.0L	800	Manifolds
4.0L	900	Crankcase Ventilation
AW4	100	Transmission Assembly
AW4	1200	Gearshift Controls
AW4	200	Case and Extension
AW4	300	Oil Pump
AW4	400	Gear Train
AW4	500	Bands, Reverse and Kickdown
AW4	700	Valve Body
AX	100	Transmission Assembly
AX	1200	Gearshift Controls
AX	200	Case and Extension
AX	400	Gear Train
AX	900	Fork and Rails
DXJ	100	Front Door
DXJ	200	Rear Door
DXJ	500	Exterior Mirror
DXJ	600	Weatherstrips and Seals
EXJ	100	Nameplates
EXJ	200	Moldings and Ornamentation
EXJ	300	Decals and Tapestripes
IXJ	100	Headliner and Visor
IXJ	1000	Lift Gate Trim
IXJ	200	Moldings, Scuff Plates
IXJ	300	Carpet and Tonneau Cover
IXJ	400	Door Trim Panels-Front and Sliding
IXJ	500	Front Seats and Attaching Parts
IXJ	600	Rear Seats and Attaching Parts
IXJ	700	Seat Belts-Front and Rear
IXJ	800	Adjusters, Covers, Shields, and Risers
SXJ	1100	Roof Panels
SXJ	1300	Liftgate Panel
SXJ	1600	Luggage Rack

SXJ	200	Floor Pans
SXJ	300	Plugs
SXJ	400	Front Fenders
SXJ	500	Hood & Hood Release
SXJ	600	Cowl and Dash Panel
SXJ	700	Glass and Rear View Mirror
SXJ	800	Aperture Panel
SXJ	900	Quarter Panel and Pillar

HOW TO USE THIS CATALOG AND LOCATE PARTS

This Catalog is divided into Part Groups in which illustrations for parts of a similar function and/or location are published. The Group contents listing on the next page shows the type of parts contained in each group. Tabs are provided or available to separate each group.

Several methods may be used to locate a specific part:

Option 1: From the Group Contents listing. Select the group which would most logically contain the part to be found. Open the catalog to the beginning of that group. The first page of the group will contain the part. Turn to the selected illustration and locate the part by reviewing the illustration item numbers and associated text information following the illustration.

Option 2: If the "noun" name of the part you seek is known, an alphabetical index of Nouns and illustration titles is provided to assist in finding the part. Several keys may be found in this index.

RESERVOIR, Power Steering Oil Pump Group 19	Group Reference
ALTERNATOR All Engines 8-210	Illustration Reference
BELT, Front Seat Imdl/710/3	Illustration/Item Reference

Group by Model _____	_____
Illustration Number _____	_____
Item _____	_____

Option 3: If the part number is known but the applications need to be determined, refer to the numerical index. This index shows the group, illustration number and each part listed in the catalog. Multiple references mean the part is listed more than once.

Option 4: Other options such as group identifiers exist in these catalogs. For Example, Group 23 Body has been broken in sections, i.e. 23A Sheet Metal now is S(model code). Example: SGS for model GS. Group 23C Doors now is D(model code) ex. DGS. Group 23 Exterior Ornamentation now is E(model code). This same logic applies to the Interior Trim Section (ex. IGS).

The Group 9 Engine sections in prior parts catalogs had been numbered 9A, 9B, 9C, etc. There was no real meaning to this numbering scheme. In this new MACS produced catalog the group numbering scheme is as follows: 2.5LD means 2.5 Liter Diesel Engine; 2.0L means 2.0 Liter Four Cylinder Gas Engine; 3.3L6T means 3.3 Liter Six Cylinder Transverse Mounted Engine; and 3.8L means 3.8 Liter Six Cylinder Engine. Also note that Engine Mounting parts are located in Group 9.

PAGE NUMBERING

Two-part page numbers are used throughout this catalog. The first part of the page designation indicates one major group or section. The second part indicates the actual page number in the group. For example:

2-1 indicates Group 2, Front Suspension, Page 1
3-4 indicates Group 3, Axle Rear, Page 4

In the maintenance of the Loose Leaf Parts Catalog Revision Service, it may become necessary to add information beyond the capacity of the page. In this event, an "A" page will be used. For example, if it becomes necessary, because of change, to add several part numbers to page 2-1 and space does not permit the addition, you will be given Page 2-1A. Page 2-1A should be filed immediately following Page 2-1.

Figure and Item Numbers are also commonly used to identify locations in the Catalog, i.e., 14-910/8 refers to Group 14, illustration 910, Item Number 8. Illustration Numbers are always ascending sequential within the Groups.

SYMBOLS USED IN THIS CATALOG

The Following symbols are commonly used with Part Number and Quantity information in this Catalog:

AR - Indicates the quantity required may vary or is to be determined by the user.

PAR - Indicates "Paint As Required"

BLANK - Indicates "All Condition"

- = "Not Illustrated"

LOGICAL ILLUSTRATIONS

Refer to Illustration in front of each group. This will give assistance to as how each group is broken down and what Specific Illustration should be referenced.

ILLUSTRATION NUMBERING INDEX

Illustration numbers in this Catalog are Group standards. This indicates group and consistent content. EXAMPLE: 8-100 is a Logical Illustration for Starters. 8-101 to 8-199 are Specific Illustrations used for Starters for all Catalogs. 8-200 will contain Alternators for all Catalogs and so on. Always refer to group index in front of each group.

ILLUSTRATION INDEX

This index is a compilation of catalog parts description data with reference to illustrations, figures and key numbers as shown:

Fender ie; Model.....Group: S(Model)Illustration 410
(Fender is located in Sheet Metal Section (S) in Illustration 410)

The first page of each group contains a listing of all illustrations and group breakdown within that group. Also refer to illustrations alphabetically listed in information section.

ALPHABETIC INDEX

This index is a compilation of catalog parts description data with a reference to the location of the item by Group, Figure, and Key Number as shown in the following example:

Housing, w/Pump.....Group 7 Illustration 210 Item 10
(Housing, w/Pump.....7-210/10)

The index will be expanded progressively as data is added to computer files. To locate a part by name refer to the Alphabetical Index. This index indicates the group and illustration and item number where the part is located. Alphabetical Index can be found in INF section of this Catalog.

NUMERICAL INDEX

A listing of Part Numbers contained in the catalog. The numbers are in numerical sequence with reference to the group and Illustration and item number where the part is located.

PARTS PACKAGES

Service Parts Packages, containing all parts needed for specific service operation, are listed in their respective groups with related parts. The listing will show adaptability and model application.

STANDARD PARTS

Important attaching standard parts such as bolts, nuts, etc, are generally listed in the text of the respective major parts groups.

VIN PLATE DECODING INFORMATION

1	2	3	4	5	6	7	8	9	10	11	12 thru 17
Country	Make	Vehicle Type	Other	Line	Series	Body Style	Engine	Check Digit	Model Year	Assy. Plant	Sequence No.

The following table interprets the VIN Plate positions shown above.

Position	Interpretation	Codes = Description
1	Country of Origin	1 = U.S.
2	Make	J = Jeep
3	Vehicle type	4 = Multipurpose Passenger Vehicle
4	GVWR & Pass. Safety	D=0-1360 kg (0-3000 lbs) E=1361-1814 kg (3001-4000 lbs) F=1815-2267 kg (4001-5000 lbs) G=2268-2721 kg (5001-6000 lbs) H=2722-3175 kg (6001-7000 lbs) J=3176-3628 kg (7001-8000 lbs) K=3629-4082 kg (8001-9000 lbs) L=4083-4535 kg (9001-10000 lbs) M=4536-6350 kg (10001-14000 lbs)
5	Vehicle Line	F = Cherokee 4x4 (LHD) J = Cherokee 4x4 (RHD) BUX w/ABB N = Cherokee 4x4 (RHD) w/o ABB B = Cherokee 4x2 (RHD) T = Cherokee 4x2 (LHD)
6	Series	2 = SE 4 = Sport 5 = Classic 6 = Limited 7 = Country
7	Body Style	8 =Sport Utility 4 Door 7 =Sport Utility 2 Door
8	Engine	P = 2.5L Power Tech (EPE) S = 4.0L I6 (ERH) M = 2.5L Diesel (ENC) H = 2.5L Leaded (EPE) V = 4.0L Leaded (ERH)
9	Check Digit	
10	Model Year	Y = 2000
11	Assembly Plant	L = Toledo #1
12 thru 17	Vehicle Build Sequence	Model Year Assembly Sequence

BODY CODE PLATE INTERPRETATION

The Body Code Plate is located on the Left Front Side Shield or Wheel Housing or the Upper Radiator Support. The Plate contains 7 rows of data. The bottom 3 rows are reserved for the specific information as depicted below. Starting at the fourth row (following the reserved portion), other Sales Codes used to build a specific vehicle are listed in the ascending order by ALPHA sequence.

1	2	3	4	5	6	7	8	9	10	11	12	13	14	15	16	17	18	19	20	21
22	23	24	25	26	27	28	29	30	31	32	33	34	35	36	37	38	39			
40	41	42	43	44	45	46	47	48	49	50	51	52	53	54	55	56	57	58	59	60

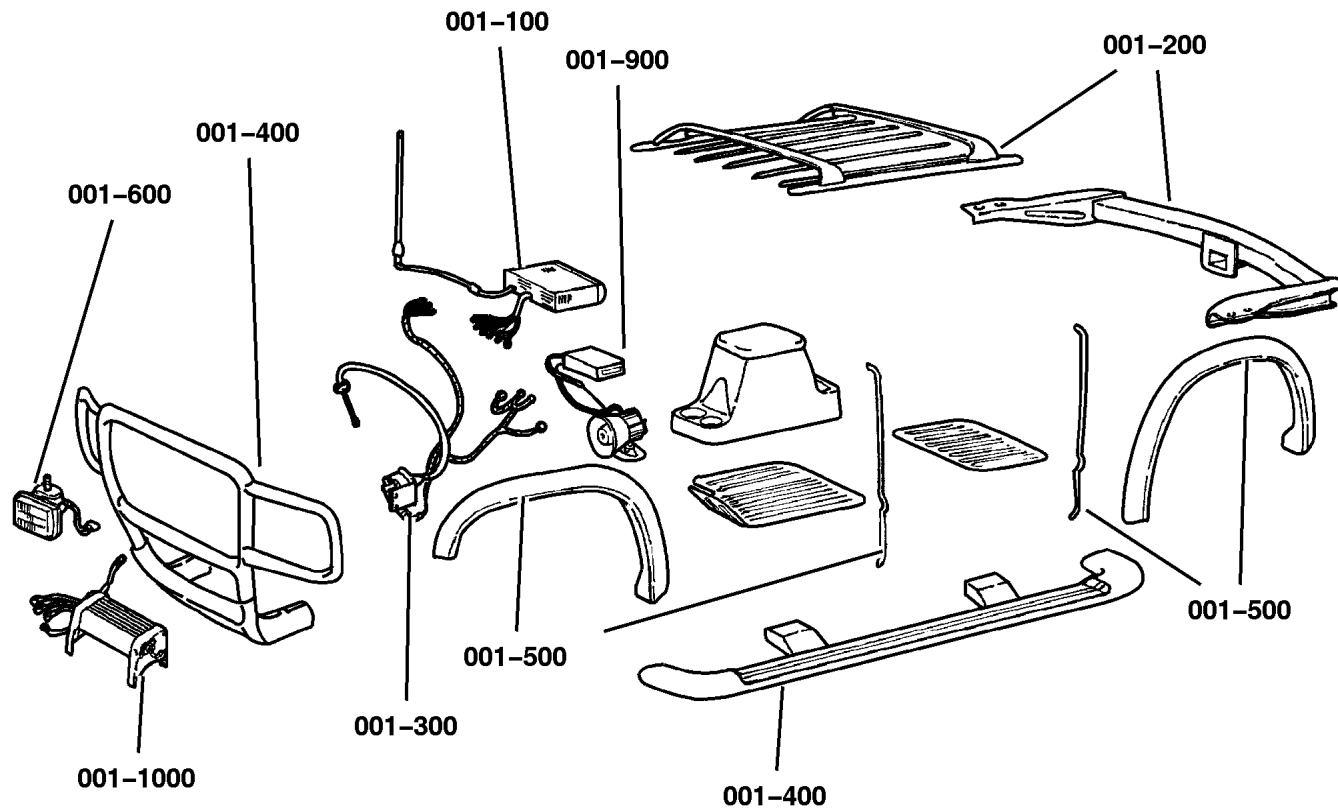
1-12	VEHICLE ORDER NUMBER
13-15	VINYL ROOF CODE/DOOR COMBO CODES
16-18	VEHICLE SHELL CAR LINE
19	PRICE CLASS
20-21	BODY TYPE
22-24	PAINT PROCEDURE
25-28	PRIMARY PAINT
29-32	SECONDARY PAINT
33-36	INTERIOR TRIM CODE
37-39	ENGINE CODES
40-42	TRANSMISSION CODES
43	MARKET CODES
44-46	VEHICLE IDENTIFICATION NUMBER (VIN) For definition of the Elements and the individual position see Vin Plate Defined.

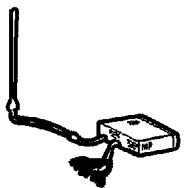


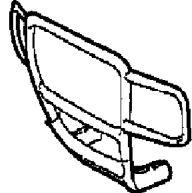

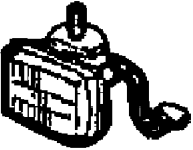
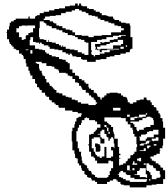
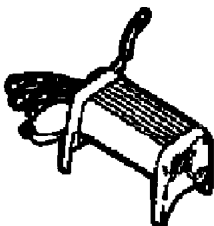
ABBREVIATIONS

A/C	Air Conditioner
ABS	Anti-Lock Brakes System
AR	As Required
ATC	Automatic Temperature Control
AWD	All Wheel Drive
BUX	Built Up Export
CV	Constant Velocity
DOHC	Dual (or Double) OverHead Cam
EFI	Electronic Fuel Injection
EGR	Exhaust Gas Recirculation
ECU	Electronic Control Unit
FWD	Front Wheel Drive
HEX	HEXagon
HCU	Hydraulic Control Unit
I/D	Inside Diameter
L	Liter
LED	Light Emitting Diode
MAP	Manifold Absolute Pressure
MPH	Miles Per Hour
O/D	Outside Diameter
P/S	Power Steering
PSI	Pounds per Square Inch
PSF	Pounds per Square Foot
PRNODL	Park, Reverse, Neutral, Overdrive, Drive, Low
PRNDL	Park, Reverse, Neutral, Drive, Low
PTO	Power Take Off
RFI	Radio Frequency Interference
RPM	Revolutions Per Minute
RTV	Room Temperature Vulcanizer (sealant)
T/BODY	Throttle BODY
U/BODY	Under BODY
SOHC	Single OverHead Cam
PAR	Paint As Required

Group - 001

Component Parts for Mopar Accessories



001-100 Audio & Electronics 	001-200 Carriers & Cargo Hauling 	001-300 Driving Convenience 	001-400 Exterior Appearance 
001-500 Exterior Protection 	001-600 Fog Lights & Electrical 	001-900 Security 	001-1000 4 - Wheeling & Off Road 

GROUP 1 - Component Parts for Mopar Accessories

Illustration Title Group-Fig. No.

Audio & Electronics

Player Kit - CD Changer - 12 Disc Fig. 001-112

Carriers & Cargo Hauling

Bike Carrier - Hitch Mount Fold-Down Style Fig. 001-210
 Bike Carrier - Roof Mount Fork Mount Style Fig. 001-215
 Carrier Kit - Canoe Fig. 001-220
 Carrier Kit - Water Sports Fig. 001-222
 Ski Carrier - Hitch Mount Fig. 001-230
 Carrier Kit - Ski (Two Pair) Roof Mount Fig. 001-232
 Carrier Kit - Ski (Four Pair) Roof Mount Fig. 001-234
 Tire Carrier - Roof Mount Fig. 001-240
 Luggage Rack Package, Roof Fig. 001-260
 Utility Bar Package - Roof Fig. 001-262
 Carrier Kit - Multipurpose Airporter Fig. 001-270
 Carrier Kit - Basket Type Fig. 001-272
 Luggage Carrier - Roof Mount Fig. 001-274
 Trailer Tow Kit Fig. 001-280
 Wiring Kit - Trailer Tow Fig. 001-285
 Cooler Kit - Transmission Oil Fig. 001-290

Driving Convenience

Mounting Kit - Cellular Phone Fig. 001-310

Exterior Appearance

Step Kit - Side Tubular Fig. 001-410

Exterior Protection

Shield Kit Fig. 001-510
 Skid Plate - Front Fig. 001-520
 Skid Plate - Transfer Case Fig. 001-522
 Skid Plate - Fuel Tank Fig. 001-524

Fog Lights & Electrical

Light Package - Fog Fig. 001-610
 Instalation Kit - Fog Lamp Fig. 001-616
 Heater Kit Engine Block Fig. 001-620

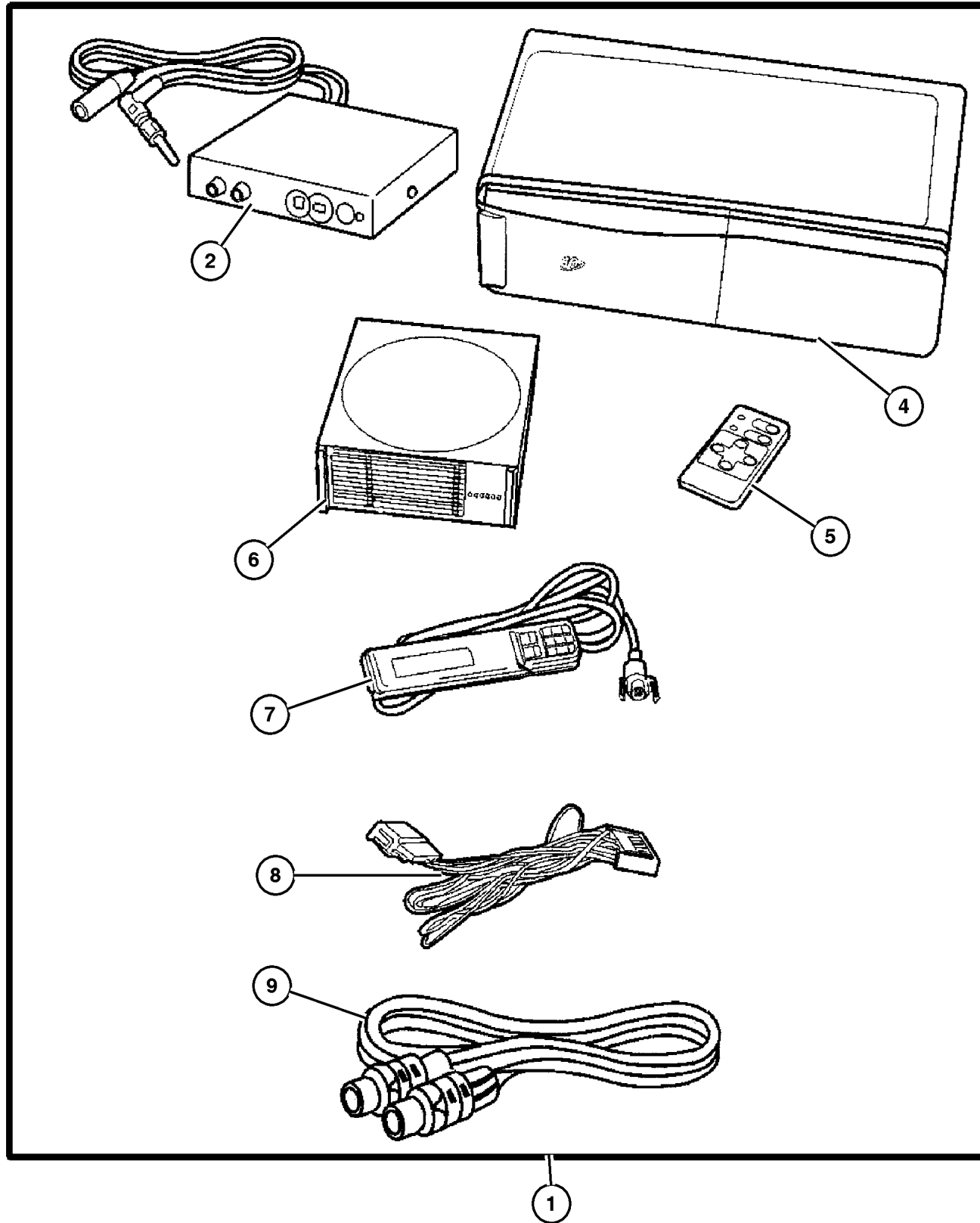
Security

Alarm - EVS Base System Fig. 001-910
 Alarm - EVS Plus System Fig. 001-915

4 - Wheeling & Off Road

Guard - Rock Rails Fig. 001-1020
 Winch Kit - Power Fig. 001-1030

**Player Kit - CD Changer - 12 Disc
Figure 001-112**



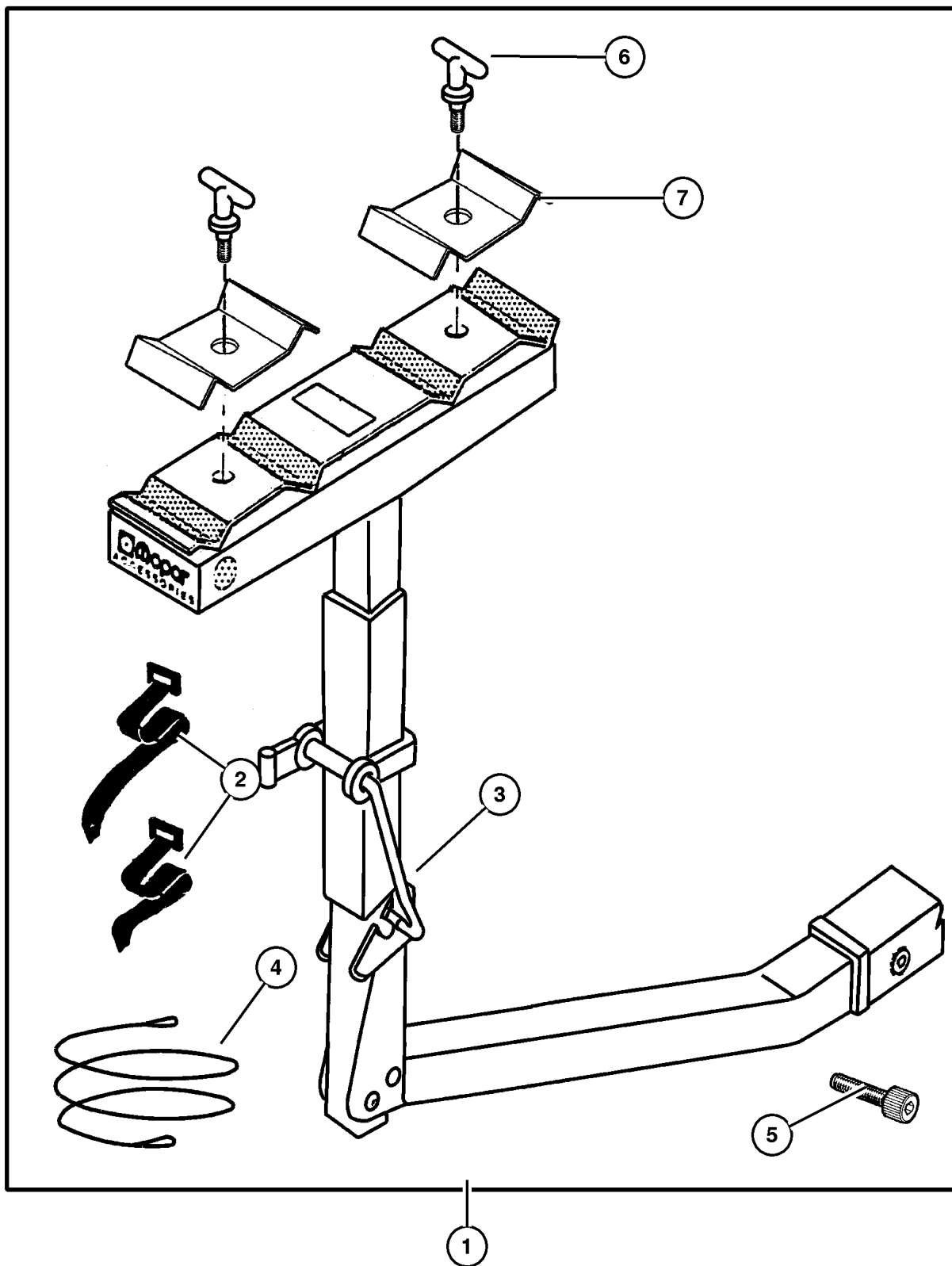
ITEM	PART NUMBER	QTY	LINE	SERIES	BODY	ENGINE	TRANS	TRIM	DESCRIPTION
NOTE; For radio without CD controls. Pentastar Logo, Includes RF Modulator, Power Cord, Din Cord, Hand Held and IR Remote Controller and Operating manual, 12 Disc Magazine.									
1	8220 4730	1	J, T		72, 74				PLAYER KIT, CD Changer - 12 Disc
2	5013 804AA	1	J, T		72, 74				MODULATOR, FM
-3	5013 800AA	1	J, T		72, 74				HARDWARE KIT, Mounting
4	5013 806AA	1	J, T		72, 74				CHANGER, CD
5	5013 802AA	1	J, T		72, 74				CONTROLLER, CD Wireless
6	5013 805AA	1	J, T		72, 74				MAGAZINE, CD Changer
7	5013 803AA	1	J, T		72, 74				CONTROLLER, CD Wired
8	4465 117	1	J, T		72, 74				ADAPTOR, A/C
9	5013 801AA	1	J, T		72, 74				DIN CORD, CD Player, 5 Meter

JEEP CHEROKEE (XJ)				
SERIES	LINE	BODY	ENGINE	TRANSMISSION
P=Classic	J=LHD (4WD)	74=4 Dr.(101.4WB)	ENC,EN0=2.5L 4 cyl. Turbo Die	DDD, DDQ=5 spd. Man.
S=Limited	U=RHD (4WD)	72=2 Dr.(101.4WB)	ERH,ER0=4.0L Power Tech I-6	DGS=4 spd. Auto. AISIN
H=Sport	T=LHD (2WD)		EPE,EP0=Magnum 2.5L SMPI	DG0=All Auto/Trans.
L=SE	B=RHD (2WD)			DBB=All Manual Trans.

AR = Use as required - = Non illustrated part # = New this model year

December 7, 2002

**Bike Carrier - Hitch Mount Fold-Down Style
Figure 001-210**



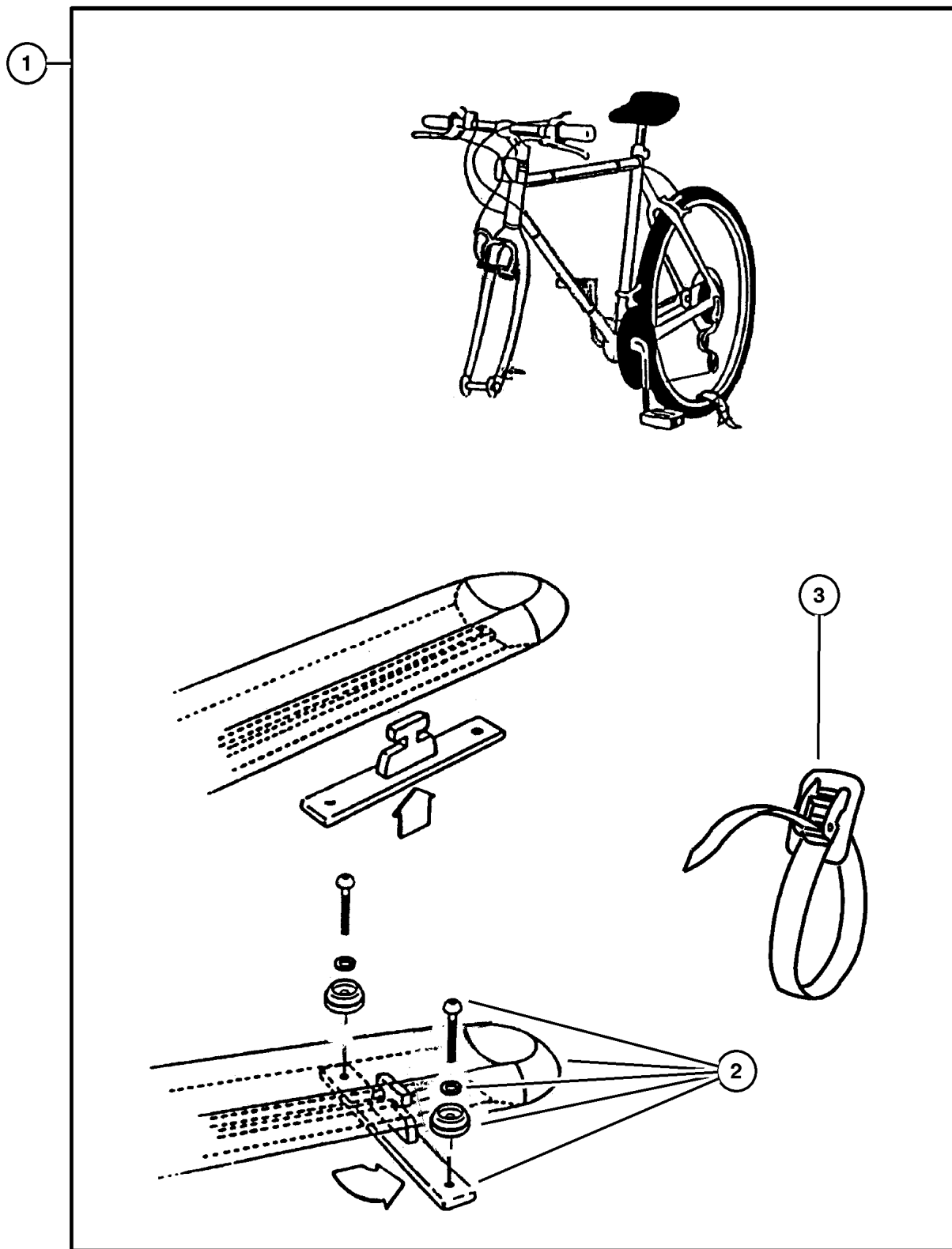
ITEM	PART NUMBER	QTY	LINE	SERIES	BODY	ENGINE	TRANS	TRIM	DESCRIPTION
1									CARRIER KIT, Bike, 2 inch hitch opening
	8220 4328	1	J, T		72, 74				Four Bike
	8220 4453	1	J, T		72, 74				Two Bike
2	4762 880	1							STRAP KIT, Velcro, Consists of: 1- Long and 1-Short
3	5016 775AA	1	J, T		74				STRAP KIT, Bike Carrier Latch, Consists of: Two- Rubber Straps
4	4762 882	1							LOCK KIT, Bike Carrier Handle
5	5016 776AA	1	J, T		72, 74				BOLT KIT, Security
6	5016 610AA	1	J, T		72, 74				HARDWARE KIT, Accessory, T-Handle
7	5016 657AA	1	J, T		72, 74				HARDWARE KIT, Accessory, Top Clamp - 82204328 uses 2 Total

JEEP CHEROKEE (XJ)				
SERIES	LINE	BODY	ENGINE	TRANSMISSION
P=Classic	J=LHD (4WD)	74=4 Dr.(101.4WB)	ENC,EN0=2.5L 4 cyl. Turbo Die	DDD, DDQ=5 spd. Man.
S=Limited	U=RHD (4WD)	72=2 Dr.(101.4WB)	ERH,ER0=4.0L Power Tech I-6	DGS=4 spd. Auto. AISIN
H=Sport	T=LHD (2WD)		EPE,EP0=Magnum 2.5L SMPI	DG0=All Auto/Trans.
L=SE	B=RHD (2WD)			DBB=All Manual Trans.

AR = Use as required - = Non illustrated part # = New this model year

December 7, 2002

**Bike Carrier - Roof Mount Fork Mount Style
Figure 001-215**



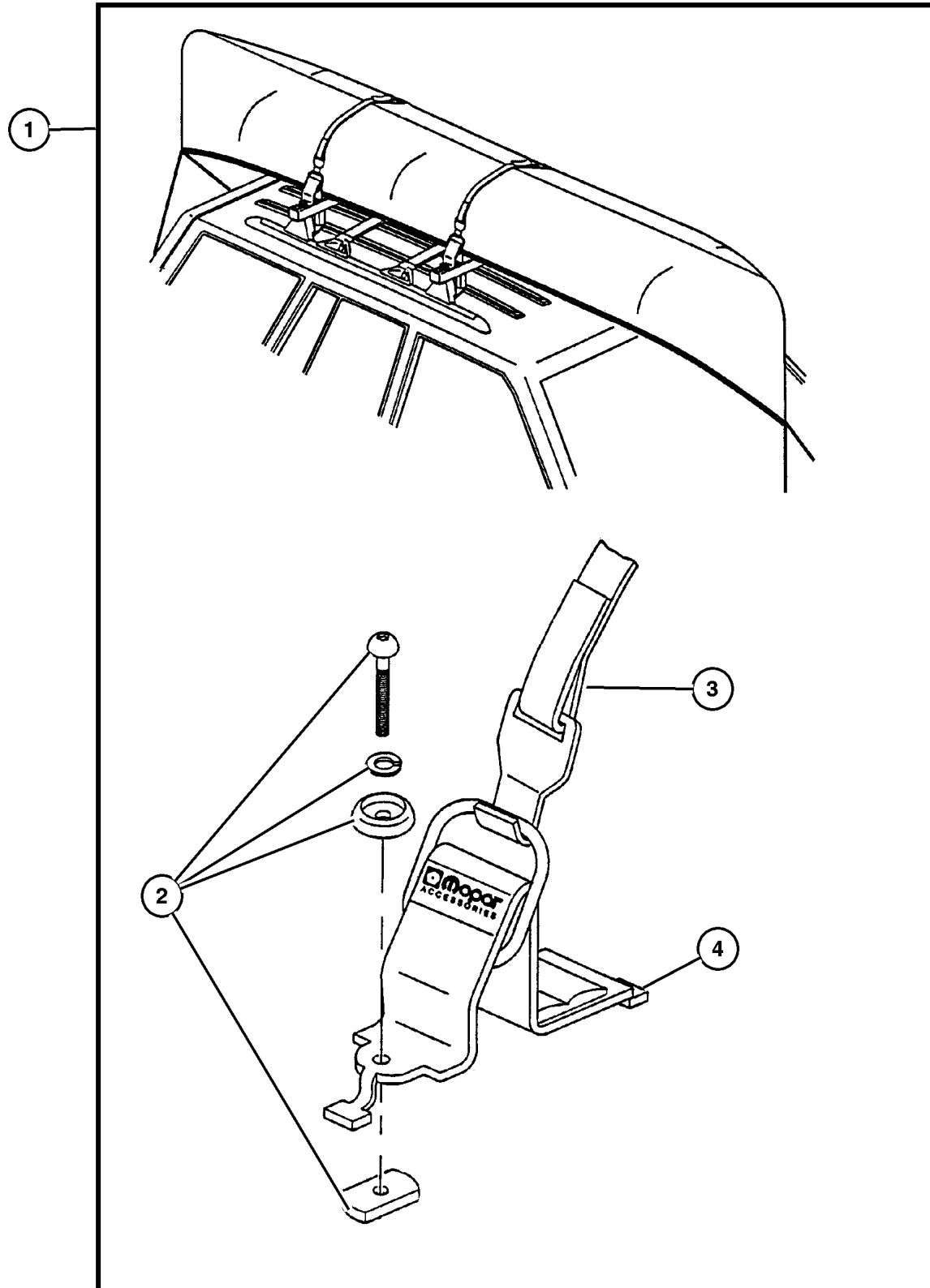
ITEM	PART NUMBER	QTY	LINE	SERIES	BODY	ENGINE	TRANS	TRIM	DESCRIPTION
NOTE: Hardware Kit also contained in Carrier Kit.									
NOTE: Carrier Kit has Upright Clamp for bike.									
1	8230 0585	1	J, T		72, 74				CARRIER KIT, Bike, Fork - Mount
2	5016 512AA	1	J, T		72, 74				HARDWARE KIT, Accessory, Consists of:2 T-Slot Bars, 4 Round Dome Washers, 4 M6X1.0X16MM Machine Screws, 2 M6 Lockwashers
3	5016 513AA	1	J, T		72, 74				STRAP, Cargo Tie Down, Consists of ; 2 Straps for securing the tire(s) onto the rack.NOTE: 82300585 only needs one strap but will receive 2 in this kit.

JEEP CHEROKEE (XJ)				
SERIES	LINE	BODY	ENGINE	TRANSMISSION
P=Classic	J=LHD (4WD)	74=4 Dr.(101.4WB)	ENC,EN0=2.5L 4 cyl. Turbo Die	DDD, DDQ=5 spd. Man.
S=Limited	U=RHD (4WD)	72=2 Dr.(101.4WB)	ERH,ER0=4.0L Power Tech I-6	DGS=4 spd. Auto. AISIN
H=Sport	T=LHD (2WD)		EPE,EP0=Magnum 2.5L SMPI	DG0=All Auto/Trans.
L=SE	B=RHD (2WD)			DBB=All Manual Trans.

AR = Use as required - = Non illustrated part # = New this model year

December 7, 2002

Carrier Kit - Canoe
Figure 001-220



ITEM	PART NUMBER	QTY	LINE	SERIES	BODY	ENGINE	TRANS	TRIM	DESCRIPTION
------	-------------	-----	------	--------	------	--------	-------	------	-------------

NOTE: Use only with Sport Utility Bar

NOTE: Hardware Kit also contained in Carrier Kit

1	8220 4700	1	J, T		72, 74				CARRIER KIT, Water Sports
2	5016 389AA	1	J, T		72, 74				HARDWARE KIT, Accessory, Consists of: 4-25MM Button Head Screws, 4-30MM Button Head Screws, 4 Lock Washers, 4 Dome Washers, 4 T-Nuts
3	5016 511AA	1	J, T		72, 74				STRAP, Cargo Tie Down
4	5016 510AA	1	J, T		72, 74				BRACKET, Cargo Tie Down

JEEP CHEROKEE (XJ)

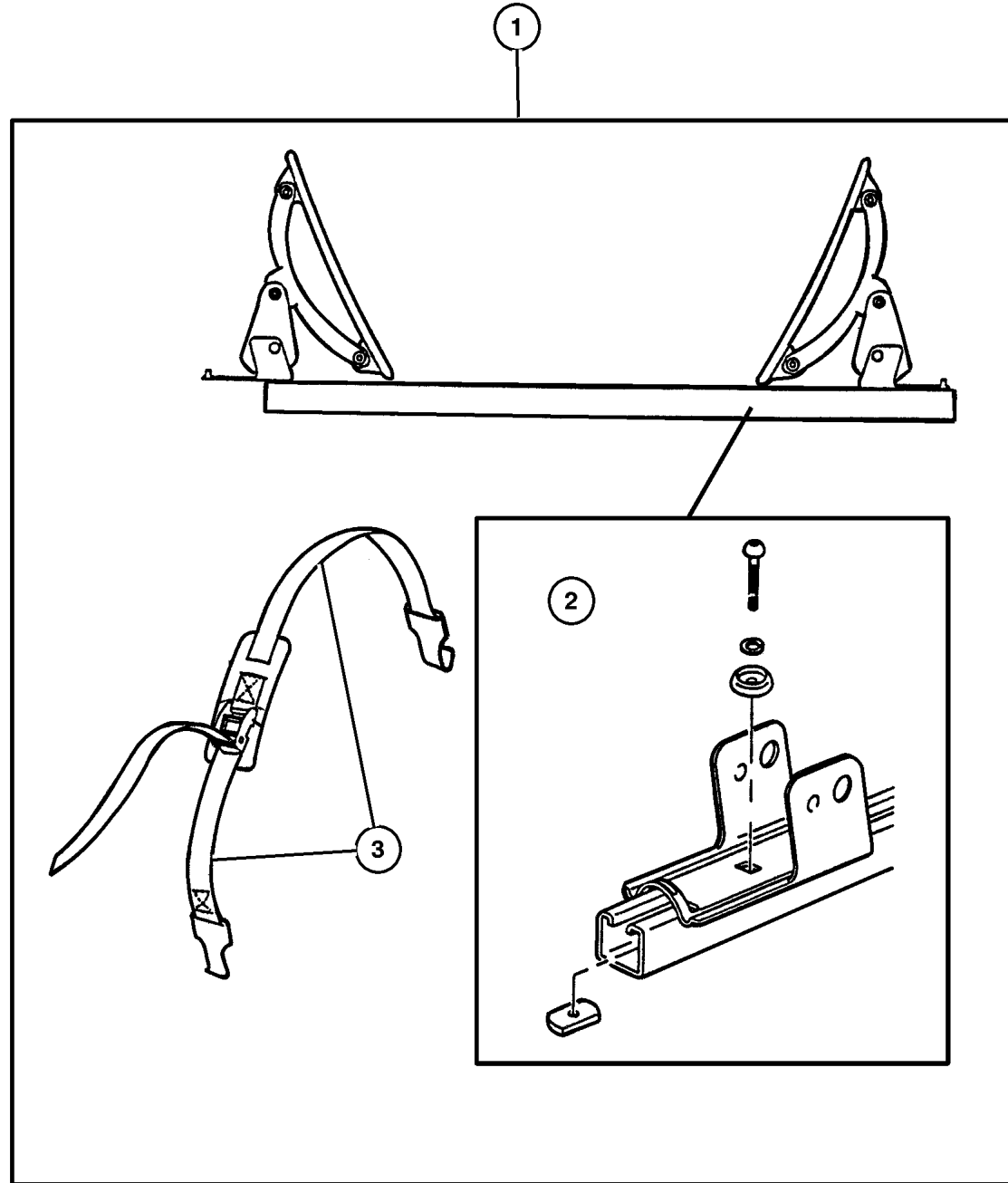
SERIES	LINE	BODY	ENGINE	TRANSMISSION
P=Classic	J=LHD (4WD)	74=4 Dr.(101.4WB)	ENC,EN0=2.5L 4 cyl. Turbo Die	DDD, DDQ=5 spd. Man.
S=Limited	U=RHD (4WD)	72=2 Dr.(101.4WB)	ERH,ER0=4.0L Power Tech I-6	DGS=4 spd. Auto. AISIN
H=Sport	T=LHD (2WD)		EPE,EP0=Magnum 2.5L SMPI	DG0=All Auto/Trans.
L=SE	B=RHD (2WD)			DBB=All Manual Trans.

AR = Use as required - = Non illustrated part # = New this model year

December 7, 2002

**Carrier Kit - Water Sports
Figure 001-222**

ITEM	PART NUMBER	QTY	LINE	SERIES	BODY	ENGINE	TRANS	TRIM	DESCRIPTION
1	8220 4701	1	J, T		72, 74				CARRIER KIT, Water Sports
2	5016 389AA	1	J, T		72, 74				HARDWARE KIT, Accessory, Consists of: 4-25 MM Button Head Screws, 4-30MM Button Head Screws, 4- Dome Washers, 4- Rubber Washers and 4- T-Nuts
3	5016 511AA	1	J, T		72, 74				STRAP, Cargo Tie Down

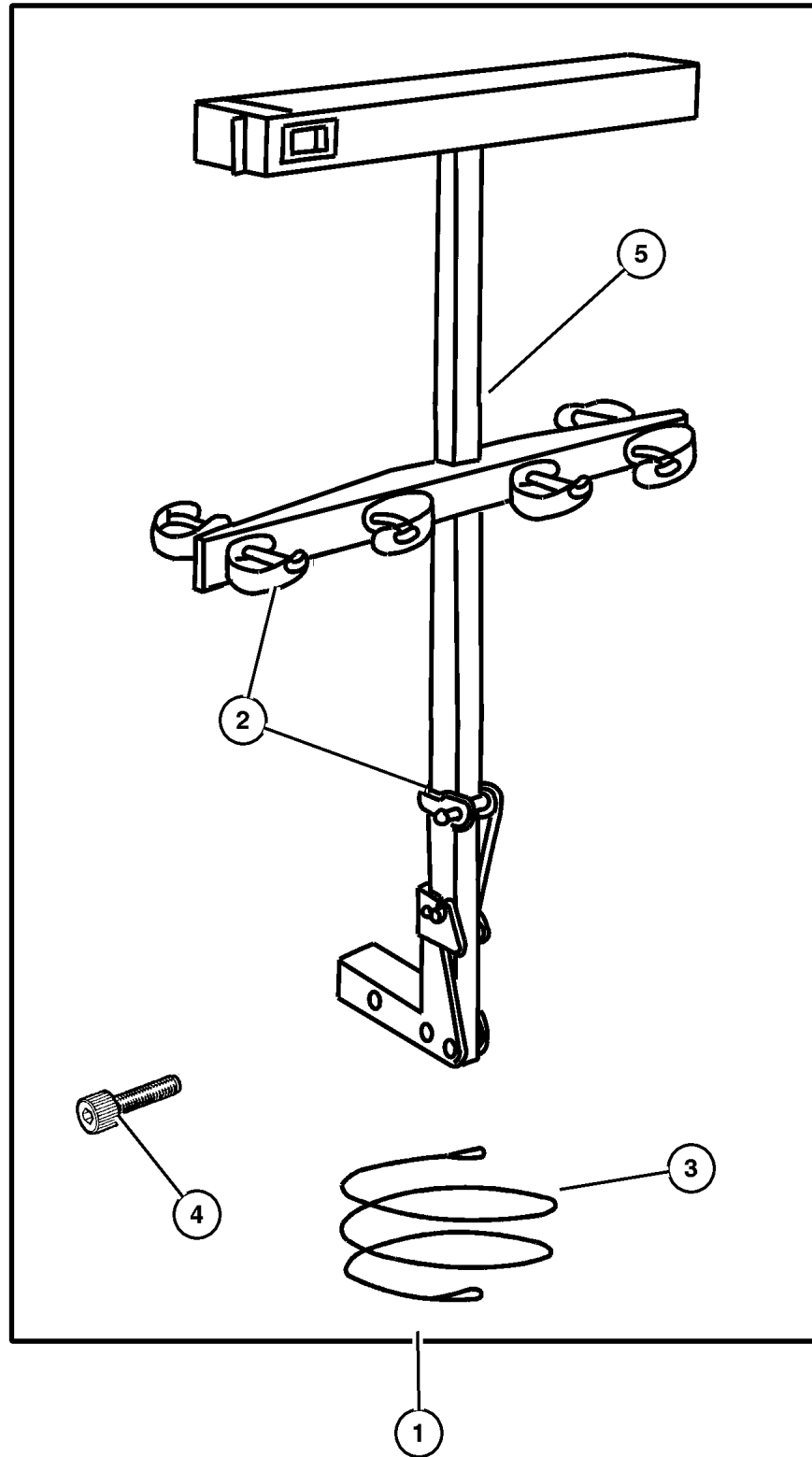


JEEP CHEROKEE (XJ)				
SERIES	LINE	BODY	ENGINE	TRANSMISSION
P=Classic	J=LHD (4WD)	74=4 Dr.(101.4WB)	ENC,EN0=2.5L 4 cyl. Turbo Die	DDD, DDQ=5 spd. Man.
S=Limited	U=RHD (4WD)	72=2 Dr.(101.4WB)	ERH,ER0=4.0L Power Tech I-6	DGS=4 spd. Auto. AISIN
H=Sport	T=LHD (2WD)		EPE,EP0=Magnum 2.5L SMPI	DG0=All Auto/Trans.
L=SE	B=RHD (2WD)			DBB=All Manual Trans.

AR = Use as required - = Non illustrated part # = New this model year

December 7, 2002

Ski Carrier - Hitch Mount
Figure 001-230



ITEM	PART NUMBER	QTY	LINE	SERIES	BODY	ENGINE	TRANS	TRIM	DESCRIPTION
1	8220 4454	1	J, T		72, 74				CARRIER KIT, Ski - 4 Pair
2	4762 881	1	J, T		72, 74				STRAP KIT, Bike Carrier Latch, Consists of: 2 - Rubber Straps
3	4762 882	1	J, T		72, 74				LOCK KIT, Bike Carrier Handle
4	5016 774AA	1	J, T		72, 74				BOLT KIT, Security, Consists of: 1- Security Bolt, 1- Security Wrench, 1- Washer, 1- Nut.
5	5016 610AA	1	J, T		72, 74				HARDWARE KIT, Accessory

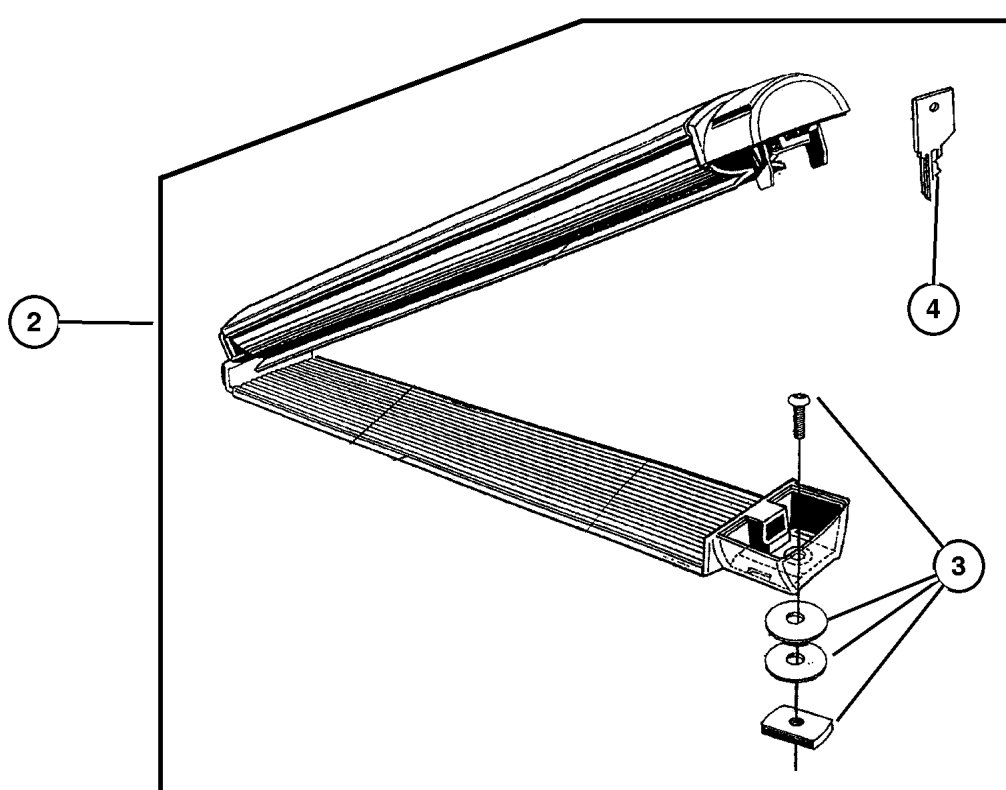
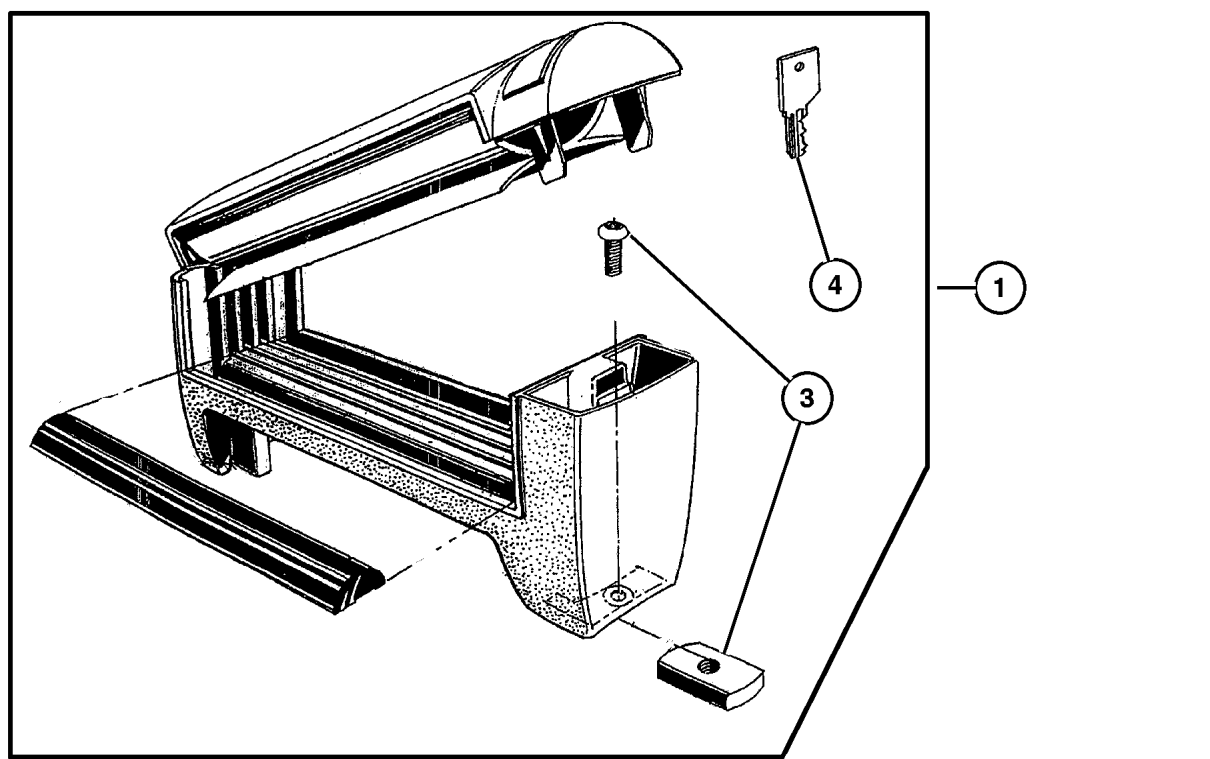
JEEP CHEROKEE (XJ)				
SERIES	LINE	BODY	ENGINE	TRANSMISSION
P=Classic	J=LHD (4WD)	74=4 Dr.(101.4WB)	ENC,EN0=2.5L 4 cyl. Turbo Die	DDD, DDQ=5 spd. Man.
S=Limited	U=RHD (4WD)	72=2 Dr.(101.4WB)	ERH,ER0=4.0L Power Tech I-6	DGS=4 spd. Auto. AISIN
H=Sport	T=LHD (2WD)		EPE,EP0=Magnum 2.5L SMPI	DG0=All Auto/Trans.
L=SE	B=RHD (2WD)			DBB=All Manual Trans.

AR = Use as required - = Non illustrated part # = New this model year

December 7, 2002

**Carrier Kit - Ski (Two Pair) Roof Mount
Figure 001-232**

ITEM	PART NUMBER	QTY	LINE	SERIES	BODY	ENGINE	TRANS	TRIM	DESCRIPTION
1	8220 3474	1							CARRIER KIT, Ski - 2 Pair, High Mount
2	8220 3472	1							CARRIER KIT, Ski
3	#5019 077AA	1							HARDWARE KIT, Mounting
	5018 389AA	1							High Mount
4									KEY, Master, (NOT SERVICED) (Not Serviced)
-5	5016 513AA	1							STRAP, Cargo Tie Down, Use with 2 Pair

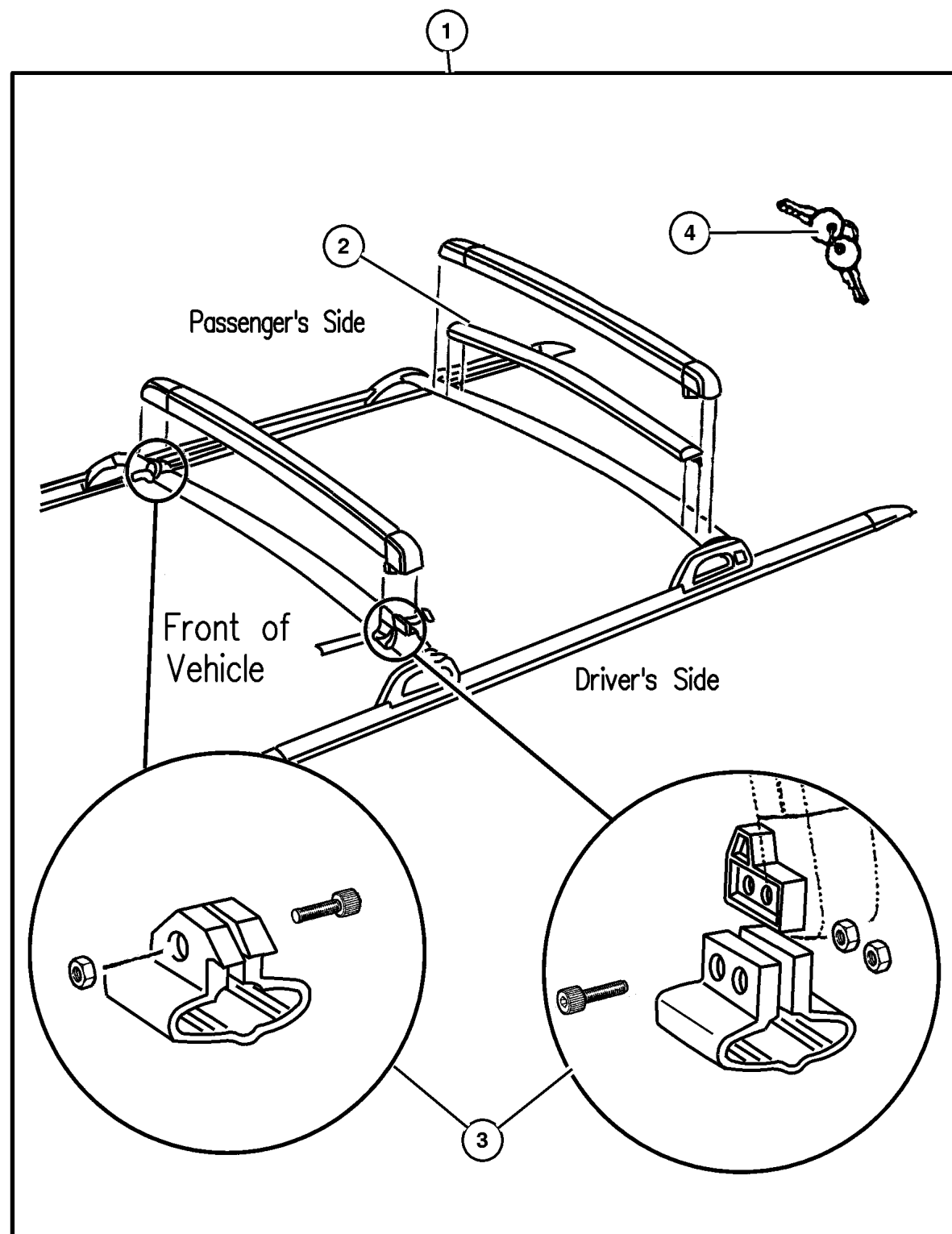


JEEP CHEROKEE (XJ)				
SERIES	LINE	BODY	ENGINE	TRANSMISSION
P=Classic	J=LHD (4WD)	74=4 Dr.(101.4WB)	ENC,EN0=2.5L 4 cyl. Turbo Die	DDD, DDQ=5 spd. Man.
S=Limited	U=RHD (4WD)	72=2 Dr.(101.4WB)	ERH,ER0=4.0L Power Tech I-6	DGS=4 spd. Auto. AISIN
H=Sport	T=LHD (2WD)		EPE,EP0=Magnum 2.5L SMPI	DG0=All Auto/Trans.
L=SE	B=RHD (2WD)			DBB=All Manual Trans.

AR = Use as required - = Non illustrated part # = New this model year

December 7, 2002

Carrier Kit - Ski (Four Pair) Roof Mount
Figure 001-234



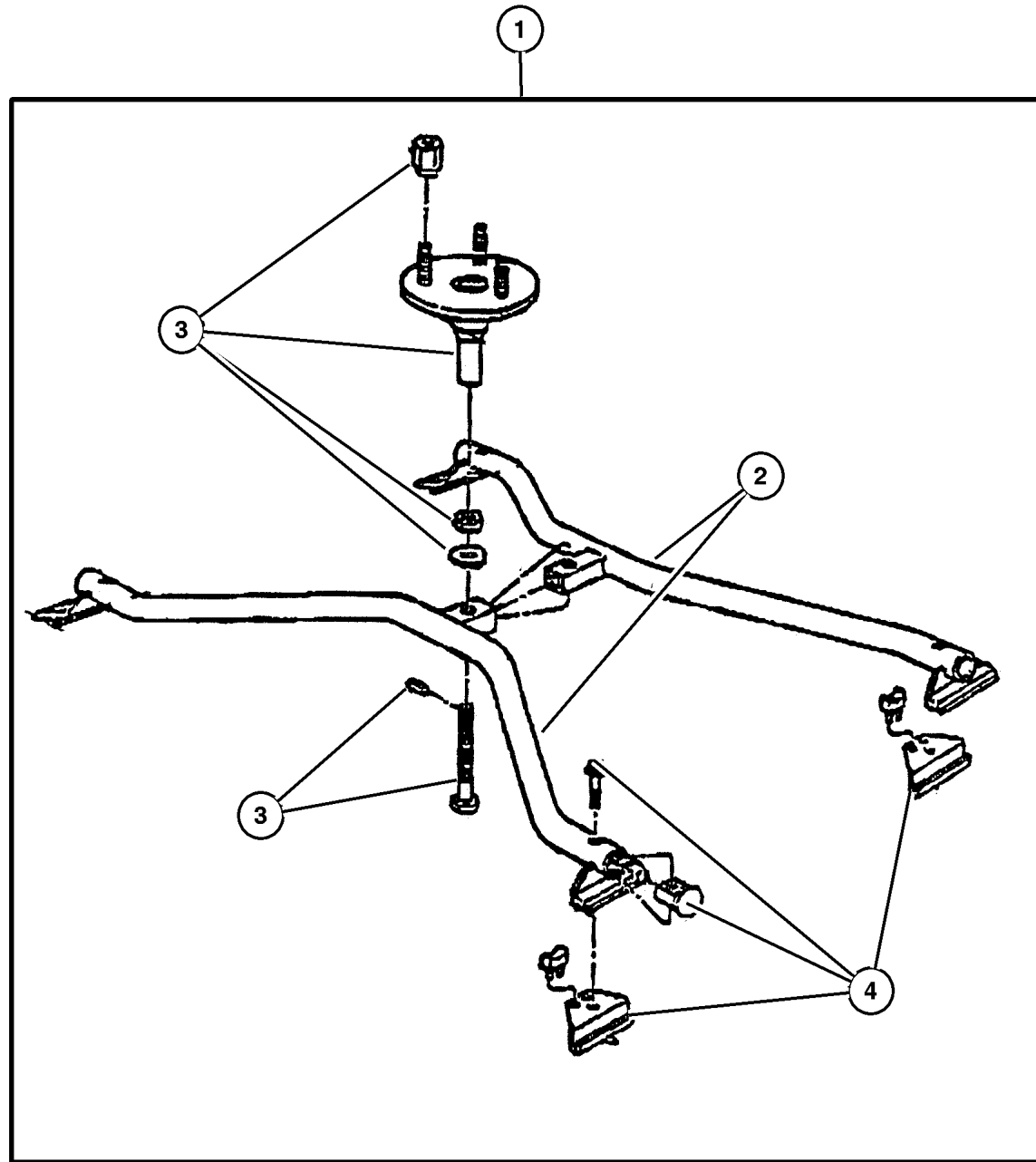
ITEM	PART NUMBER	QTY	LINE	SERIES	BODY	ENGINE	TRANS	TRIM	DESCRIPTION
1	8220 4101	1	J, T		72, 74				CARRIER KIT, Ski - 4 Pair
2	4797 617	1	J, T		72, 74				PAD, Crossbar, Comes in 36 Inches - Cut to Size.
3	4797 618	1							HARDWARE KIT, Accessory
4	4796 058	1	J, T		72, 74				LOCK KIT, Carrier, Consists of: 2 Lock Assy. with Keys and 2- Clips

JEEP CHEROKEE (XJ)		BODY	ENGINE	TRANSMISSION
SERIES	LINE	74=4 Dr.(101.4WB)	ENC,EN0=2.5L 4 cyl. Turbo Die	DDD, DDQ=5 spd. Man.
P=Classic	J=LHD (4WD)	72=2 Dr.(101.4WB)	ERH,ER0=4.0L Power Tech I-6	DGS=4 spd. Auto. AISIN
S=Limited	U=RHD (4WD)		EPE,EP0=Magnum 2.5L SMPI	DG0=All Auto/Trans.
H=Sport	T=LHD (2WD)			DBB=All Manual Trans.
L=SE	B=RHD (2WD)			

AR = Use as required - = Non illustrated part # = New this model year

December 7, 2002

**Tire Carrier - Roof Mount
Figure 001-240**



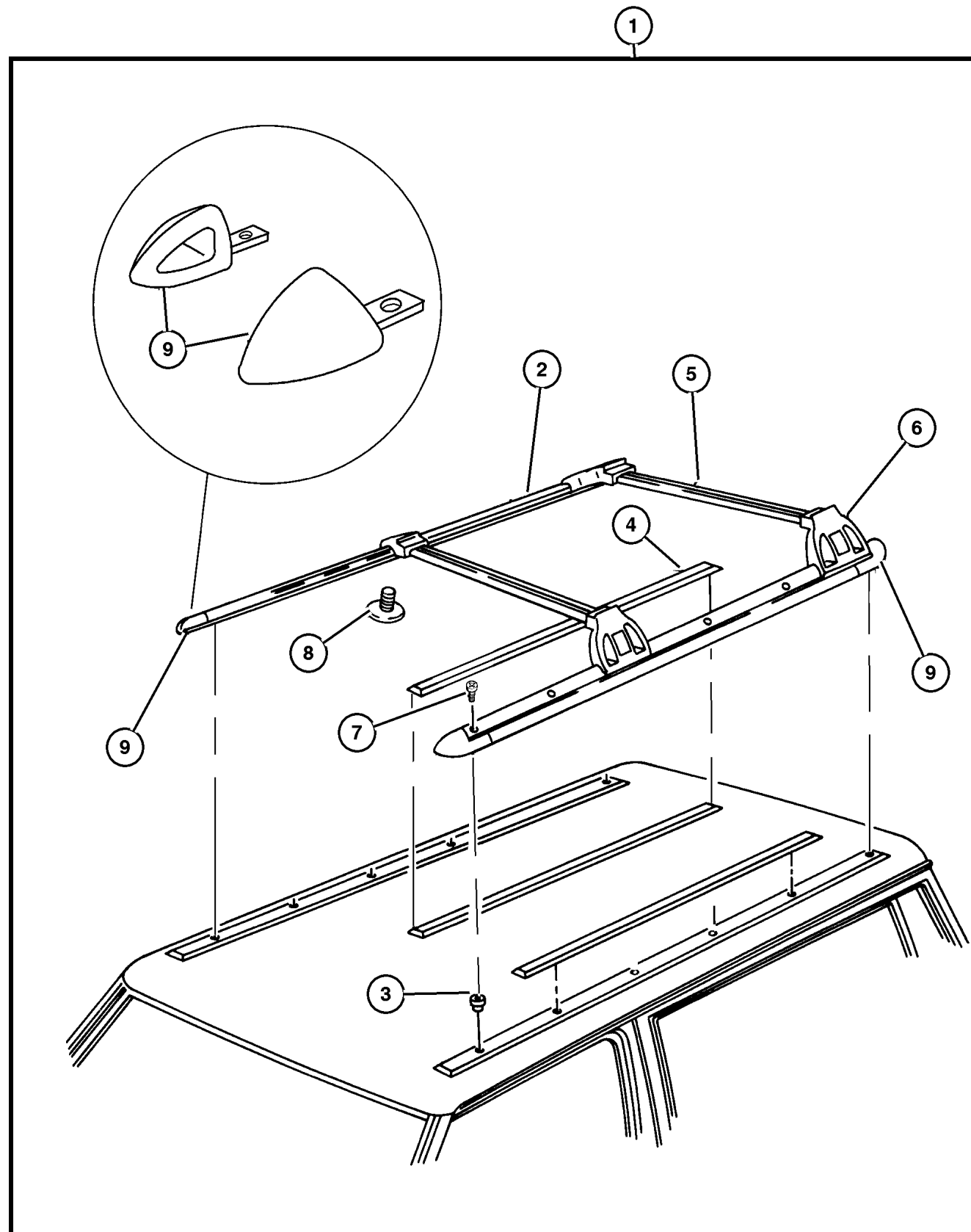
ITEM	PART NUMBER	QTY	LINE	SERIES	BODY	ENGINE	TRANS	TRIM	DESCRIPTION
1	8220 3257	1	J, T		72, 74				CARRIER KIT, Tire-Roof Rack Mount
2									FRAME, Sedrviced in Assembly, (NOT SERVICED) (Not Serviced)
3	#5019 304AA	1	J, T		72, 74				HARDWARE KIT, Tire-Roof Rack Mount, Tire to Carrier
4	#5019 305AA	1	J, T		72, 74				HARDWARE KIT, Tire-Roof Rack Mount, Carrier to Roof Rack

JEEP CHEROKEE (XJ)				
SERIES	LINE	BODY	ENGINE	TRANSMISSION
P=Classic	J=LHD (4WD)	74=4 Dr.(101.4WB)	ENC,EN0=2.5L 4 cyl. Turbo Die	DDD, DDQ=5 spd. Man.
S=Limited	U=RHD (4WD)	72=2 Dr.(101.4WB)	ERH,ER0=4.0L Power Tech I-6	DGS=4 spd. Auto. AISIN
H=Sport	T=LHD (2WD)		EPE,EP0=Magnum 2.5L SMPI	DG0=All Auto/Trans.
L=SE	B=RHD (2WD)			DBB=All Manual Trans.

AR = Use as required - = Non illustrated part # = New this model year

December 7, 2002

Luggage Rack Package, Roof
Figure 001-260



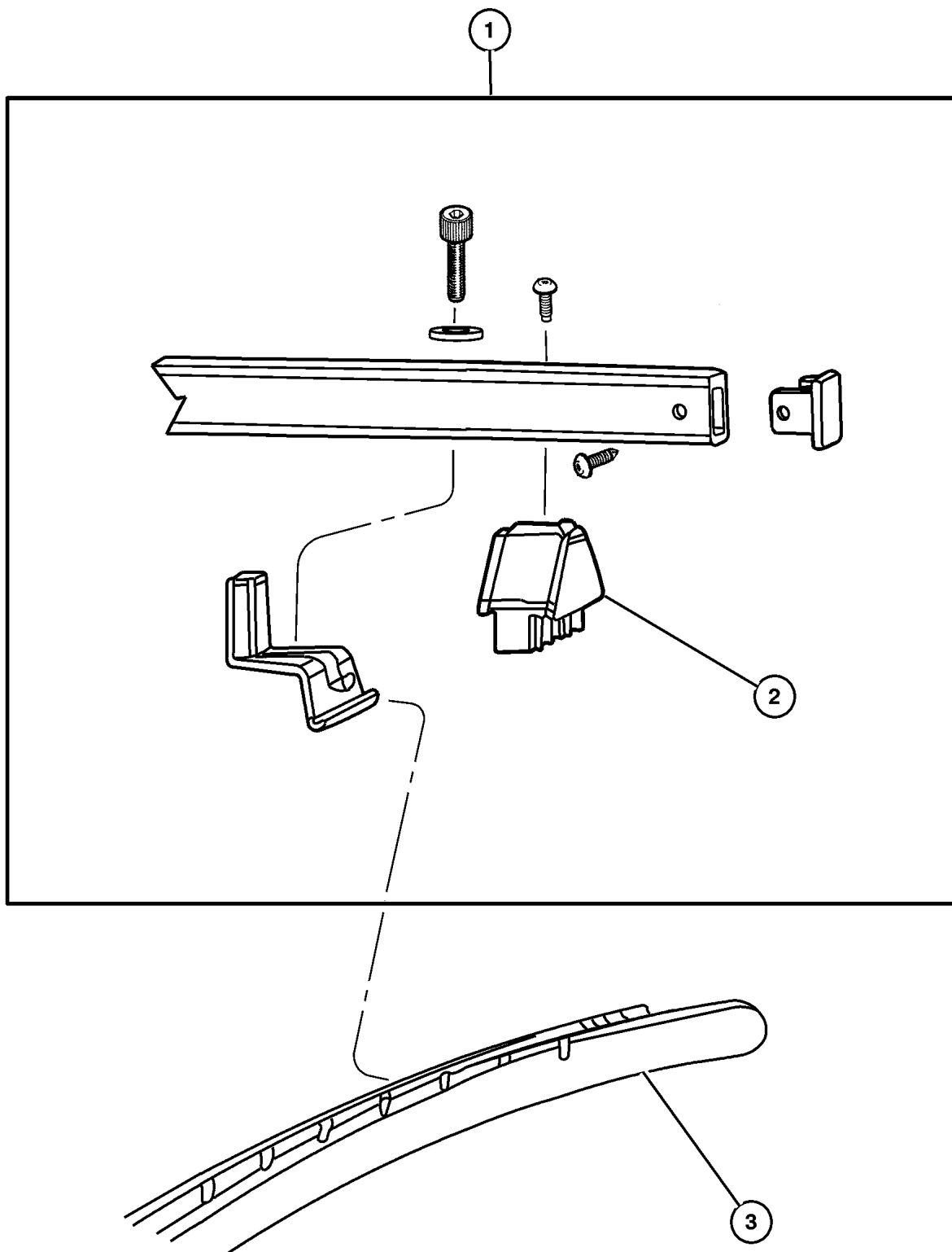
ITEM	PART NUMBER	QTY	LINE	SERIES	BODY	ENGINE	TRANS	TRIM	DESCRIPTION
1	8220 6323	1							RACK KIT, Roof
2	55235 999AA	2							RAIL, Luggage Rack Side
3	6503 910	10							NUT
4	55075 106AB	4							SKID STRIP, Roof Rack
5	55235 978AA	2							CROSS BAR, Roof Rack
6									STANCHION, LUGG RACK CROSS RAIL
	55076 028AB	2							Right
	55076 029AB	2							Left
7	6505 937AA	10							SCREW, Pan Head
8	6035 499	4							SCREW, Pan Head Tapping, .242-10x.625
9									CAP, Side Rail
	55236 002AA	2							Right
	55236 003AA	2							Left

JEEP CHEROKEE (XJ)				
SERIES	LINE	BODY	ENGINE	TRANSMISSION
P=Classic	J=LHD (4WD)	74=4 Dr.(101.4WB)	ENC,EN0=2.5L 4 cyl. Turbo Die	DDD, DDQ=5 spd. Man.
S=Limited	U=RHD (4WD)	72=2 Dr.(101.4WB)	ERH,ER0=4.0L Power Tech I-6	DGS=4 spd. Auto. AISIN
H=Sport	T=LHD (2WD)		EPE,EP0=Magnum 2.5L SMPI	DG0=All Auto/Trans.
L=SE	B=RHD (2WD)			DBB=All Manual Trans.

AR = Use as required - = Non illustrated part # = New this model year

December 7, 2002

**Utility Bar Package - Roof
Figure 001-262**



ITEM	PART NUMBER	QTY	LINE	SERIES	BODY	ENGINE	TRANS	TRIM	DESCRIPTION
Note: Utility type rack, used with other roof top accessories.									
1	8220 3447	1	J, T		72, 74				RACK KIT, Sport - Rail Mount
2	#5066 452AA	1	J, T		72, 74				SUPPORT, Roof Rack
3	55235 999AA	2							RAIL, Luggage Rack Side, not serviced with this kit

JEEP CHEROKEE (XJ)				
SERIES	LINE	BODY	ENGINE	TRANSMISSION
P=Classic	J=LHD (4WD)	74=4 Dr.(101.4WB)	ENC,EN0=2.5L 4 cyl. Turbo Die	DDD, DDQ=5 spd. Man.
S=Limited	U=RHD (4WD)	72=2 Dr.(101.4WB)	ERH,ER0=4.0L Power Tech I-6	DGS=4 spd. Auto. AISIN
H=Sport	T=LHD (2WD)		EPE,EP0=Magnum 2.5L SMPI	DG0=All Auto/Trans.
L=SE	B=RHD (2WD)			DBB=All Manual Trans.

AR = Use as required - = Non illustrated part # = New this model year

December 7, 2002

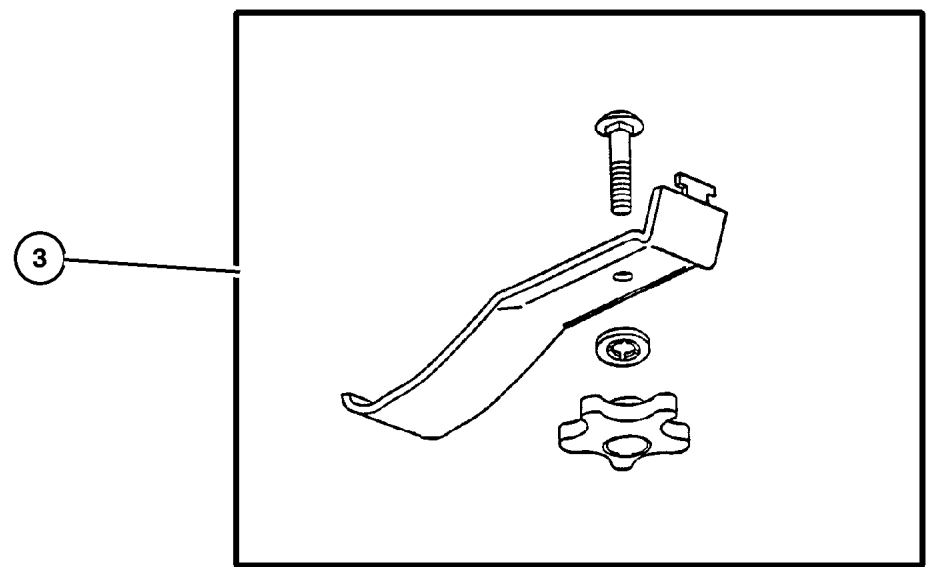
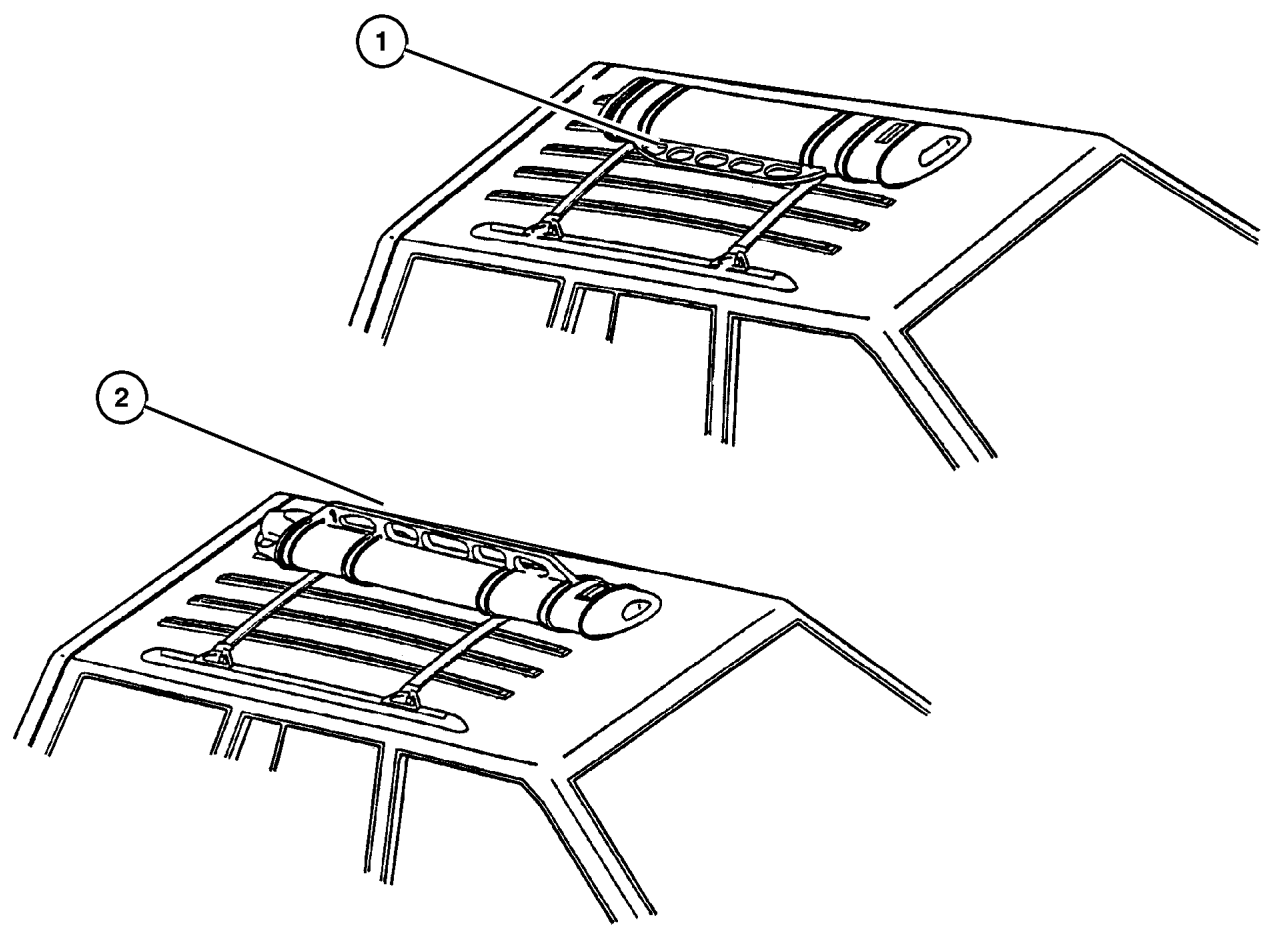
**Carrier Kit - Multipurpose Airporter
Figure 001-270**

ITEM	PART NUMBER	QTY	LINE	SERIES	BODY	ENGINE	TRANS	TRIM	DESCRIPTION
------	-------------	-----	------	--------	------	--------	-------	------	-------------

NOTE: Carrier Kits - Multipurpose: Skis or Fishing Pole
Snow Board or Surfboard

NOTE: Hardware Kit also contained in Carrier Kit

1	8220 4699	1	J, T		72, 74				CARRIER KIT, Wind/Surf Boards
2	8220 4698	1	J, T		72, 74				CARRIER KIT, Ski
3	5016 509AA	1	J, T		72, 74				HARDWARE KIT, Accessory, Consists of: 1- Carriage Bolt, 1- Retaining Knob, 1-Retaining Washer, 1- Attachment Bracket.
-4	5016 617AA	1	J, T		72, 74				LOCK KIT, Carrier, 2 Locks supplied.

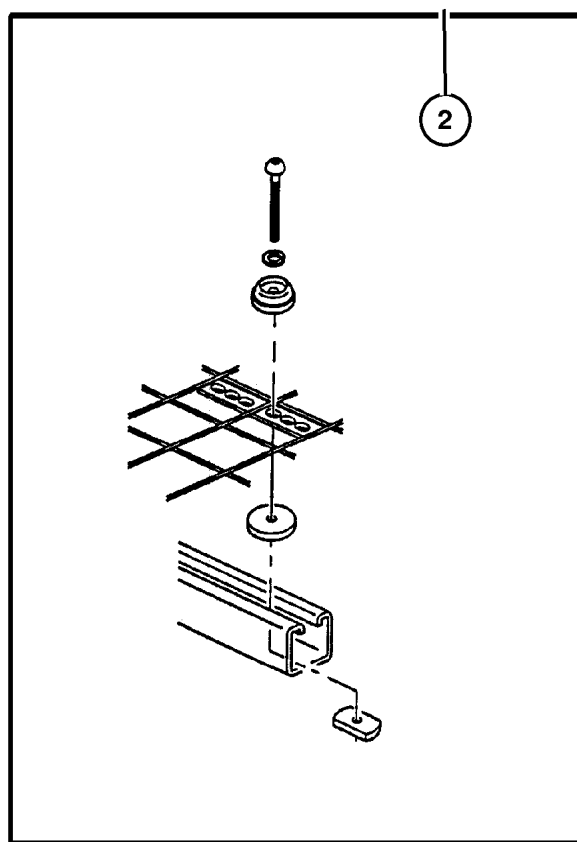
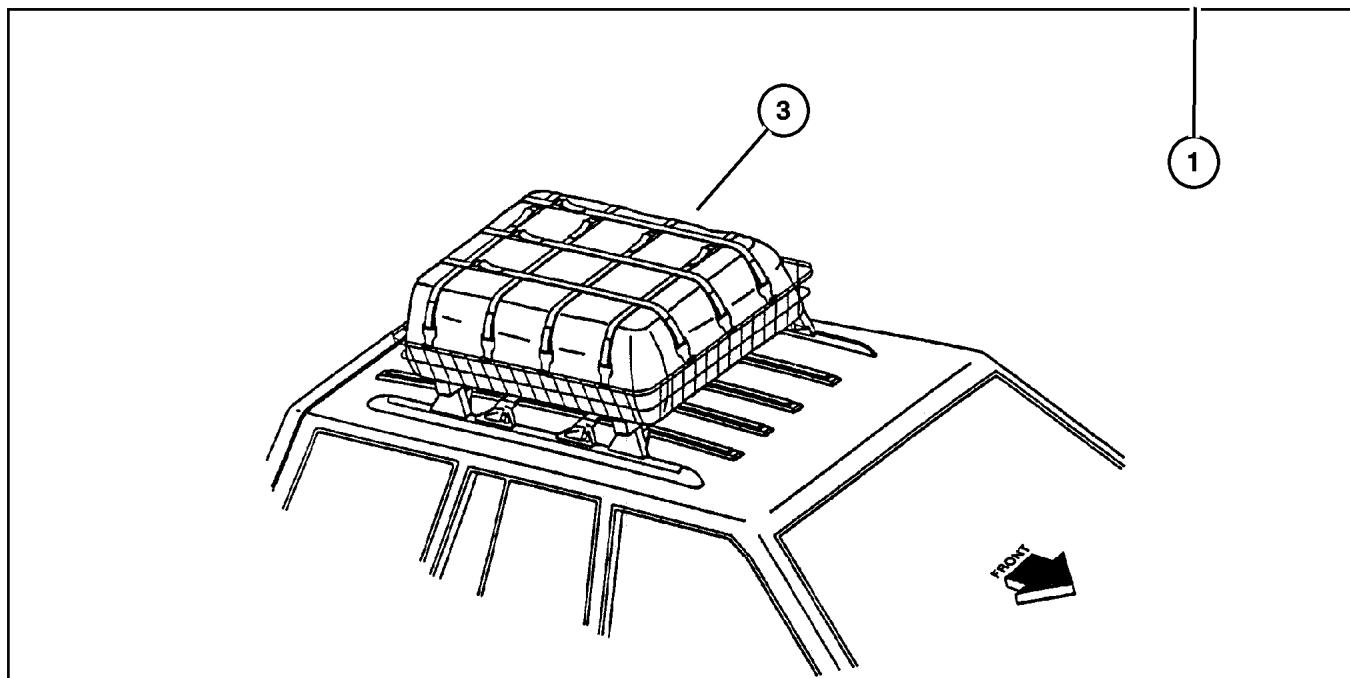


JEEP CHEROKEE (XJ)				
SERIES	LINE	BODY	ENGINE	TRANSMISSION
P=Classic	J=LHD (4WD)	74=4 Dr.(101.4WB)	ENC,EN0=2.5L 4 cyl. Turbo Die	DDD, DDQ=5 spd. Man.
S=Limited	U=RHD (4WD)	72=2 Dr.(101.4WB)	ERH,ER0=4.0L Power Tech I-6	DGS=4 spd. Auto. AISIN
H=Sport	T=LHD (2WD)		EPE,EP0=Magnum 2.5L SMPI	DG0=All Auto/Trans.
L=SE	B=RHD (2WD)			DBB=All Manual Trans.

AR = Use as required - = Non illustrated part # = New this model year

December 7, 2002

**Carrier Kit - Basket Type
Figure 001-272**



ITEM	PART NUMBER	QTY	LINE	SERIES	BODY	ENGINE	TRANS	TRIM	DESCRIPTION
NOTE; Hardware Kit also contained in Carrier Kit.									
1	8220 4697	1	J, T		72, 74				CARRIER KIT, Basket
2	5016 389AA	1	J, T		72, 74				HARDWARE KIT, Accessory, Consists of: 4-25MM Button Head Screws, 4-30MM Button Head Screws, 4- Lock Washers, 4-Dome Washers, 4- Rubber Washers, 4-T- Nuts.
3	8220 4857	1	J, T		72, 74				NET KIT, Cargo

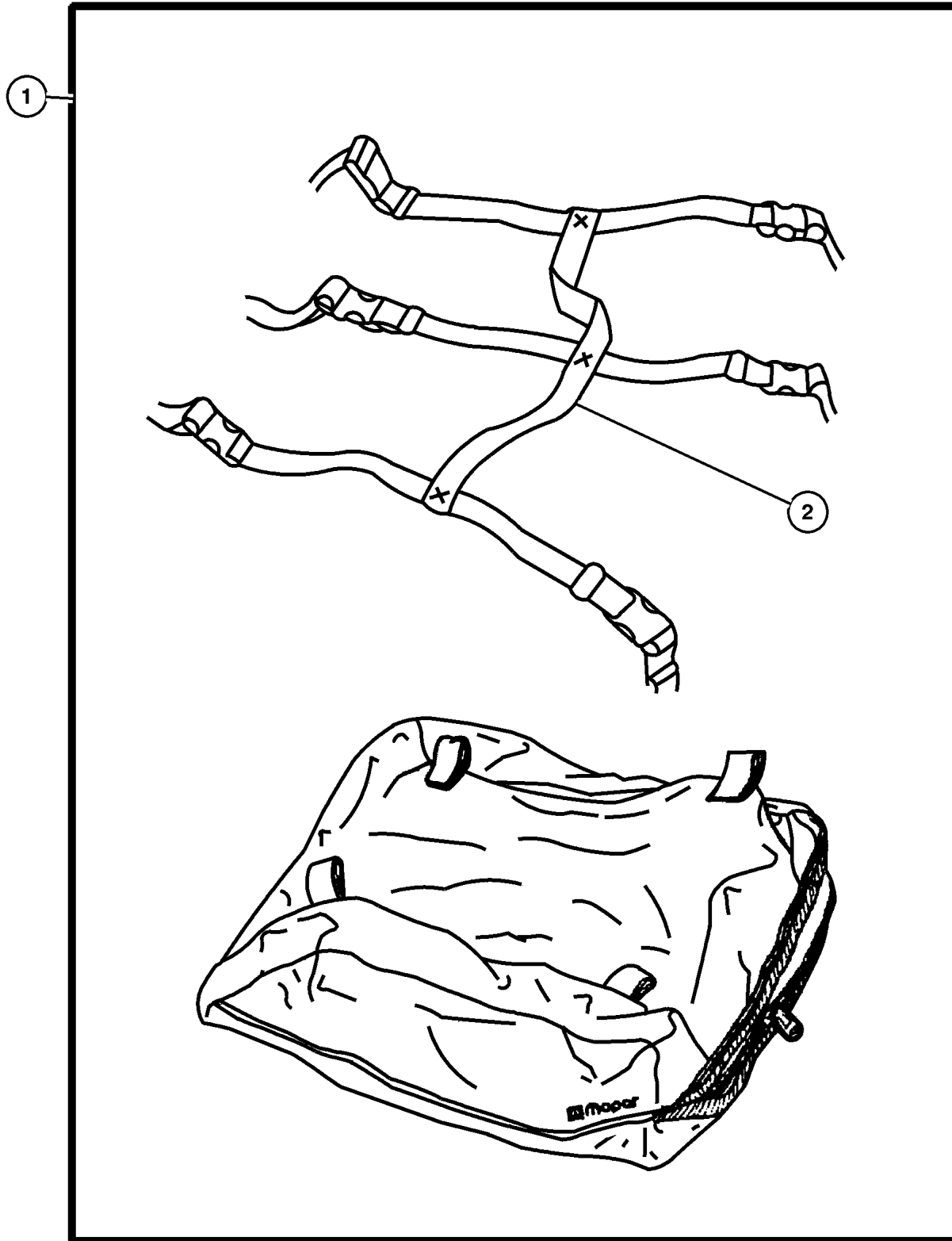
JEEP CHEROKEE (XJ)				
SERIES	LINE	BODY	ENGINE	TRANSMISSION
P=Classic	J=LHD (4WD)	74=4 Dr.(101.4WB)	ENC,EN0=2.5L 4 cyl. Turbo Die	DDD, DDQ=5 spd. Man.
S=Limited	U=RHD (4WD)	72=2 Dr.(101.4WB)	ERH,ER0=4.0L Power Tech I-6	DGS=4 spd. Auto. AISIN
H=Sport	T=LHD (2WD)		EPE,EP0=Magnum 2.5L SMPI	DG0=All Auto/Trans.
L=SE	B=RHD (2WD)			DBB=All Manual Trans.

AR = Use as required - = Non illustrated part # = New this model year

December 7, 2002

Luggage Carrier - Roof Mount
Figure 001-274

ITEM	PART NUMBER	QTY	LINE	SERIES	BODY	ENGINE	TRANS	TRIM	DESCRIPTION
1	8220 4344	1	J, T		72, 74				CARRIER KIT, Luggage
2	5066 332AA	1	J, T		72, 74				STRAP KIT, Luggage Carrier

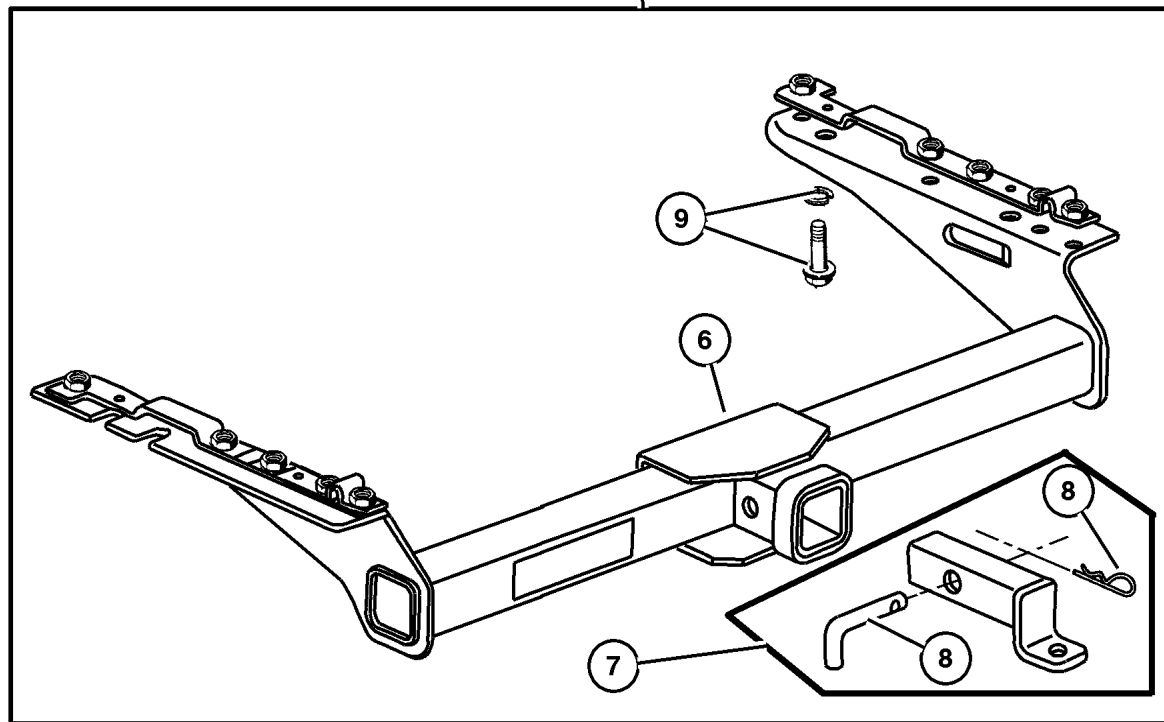
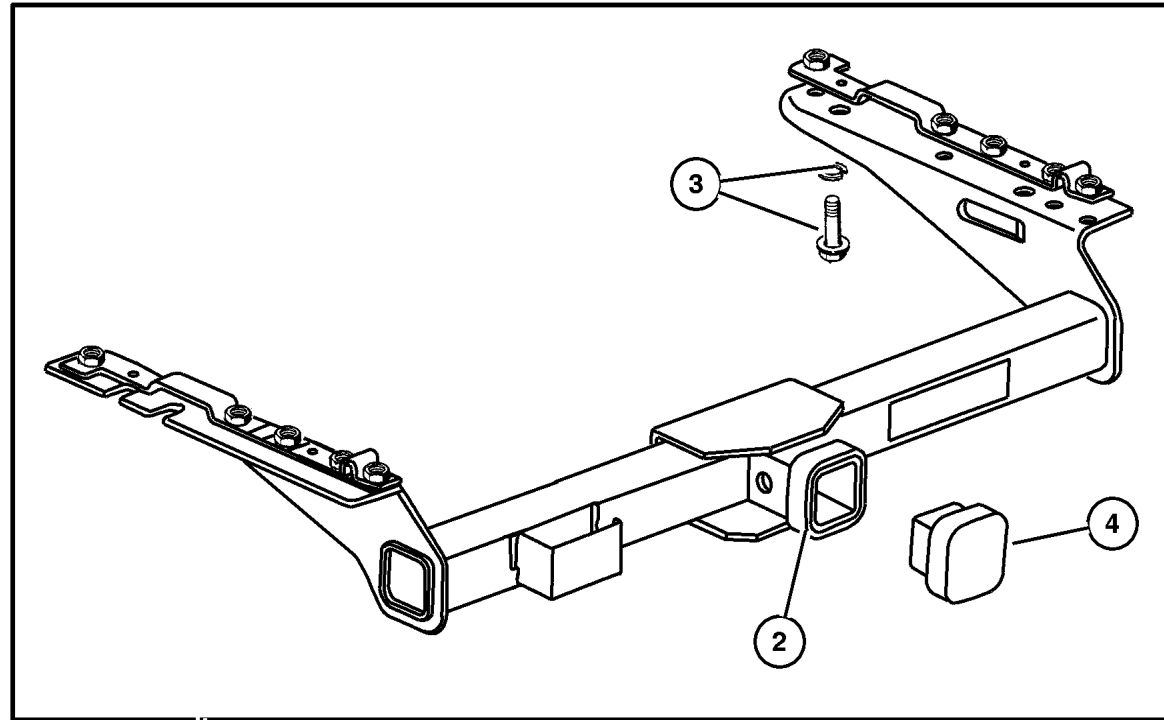


JEEP CHEROKEE (XJ)				
SERIES	LINE	BODY	ENGINE	TRANSMISSION
P=Classic	J=LHD (4WD)	74=4 Dr.(101.4WB)	ENC,EN0=2.5L 4 cyl. Turbo Die	DDD, DDQ=5 spd. Man.
S=Limited	U=RHD (4WD)	72=2 Dr.(101.4WB)	ERH,ER0=4.0L Power Tech I-6	DGS=4 spd. Auto. AISIN
H=Sport	T=LHD (2WD)		EPE,EP0=Magnum 2.5L SMPI	DG0=All Auto/Trans.
L=SE	B=RHD (2WD)			DBB=All Manual Trans.

AR = Use as required - = Non illustrated part # = New this model year

December 7, 2002

**Trailer Tow Kit
Figure 001-280**



ITEM	PART NUMBER	QTY	LINE	SERIES	BODY	ENGINE	TRANS	TRIM	DESCRIPTION
1	8220 4709	1	J, T		72, 74				RECEIVER KIT, Trailer Tow, 2 inch Receiver
2									HITCH, Trailer, (NOT SERVICED) (Not Serviced)
3	#5019 470AA	1	J, T		72, 74				HARDWARE KIT, Hitch
4	8220 3600	1	J, T		72, 74				COVER KIT, Trailer Tow, With Jeep Logo
5	8220 2852	1	J, T		72, 74				RECEIVER KIT, Trailer Tow, 1 1/4 inch Receiver
6									HITCH, Trailer, (NOT SERVICED) (Not Serviced)
7									ADAPTER KIT, Ball Mount
	8220 0248	1	J, T		72, 74				3/4 inch shank
	8220 1148	1	J, T		72, 74				1.0 inch shank, 1 3/4 inch rise 1.0 inch drop
	8220 1149	1	J, T		72, 74				1.0 inch shank, 3.0 inch rise 2 1/4 inch drop
8	5016 666AA	1	J, T		72, 74				PIN, Hitch
9	#5019 470AA	1	J, T		72, 74				HARDWARE KIT, Hitch, Consists of: 4 - 1/2" Lock washers, 4 - 12MM Hex Bolts
-10									BALL KIT, Trailer Tow
	8240 1102	1	J, T		72, 74				1 7/8 ball, 1.0X2 1/8 inch shank
	8240 1103	1	J, T		72, 74				2.0 ball, 1.0X2 1/8 inch shank
	8240 1104	1	J, T		72, 74				1 7/8 ball, 3/4X2 3/4 inch shank
	8240 1197	1	J, T		72, 74				1 7/8 ball, 3/4X2 5/16 inch shank

JEEP CHEROKEE (XJ)

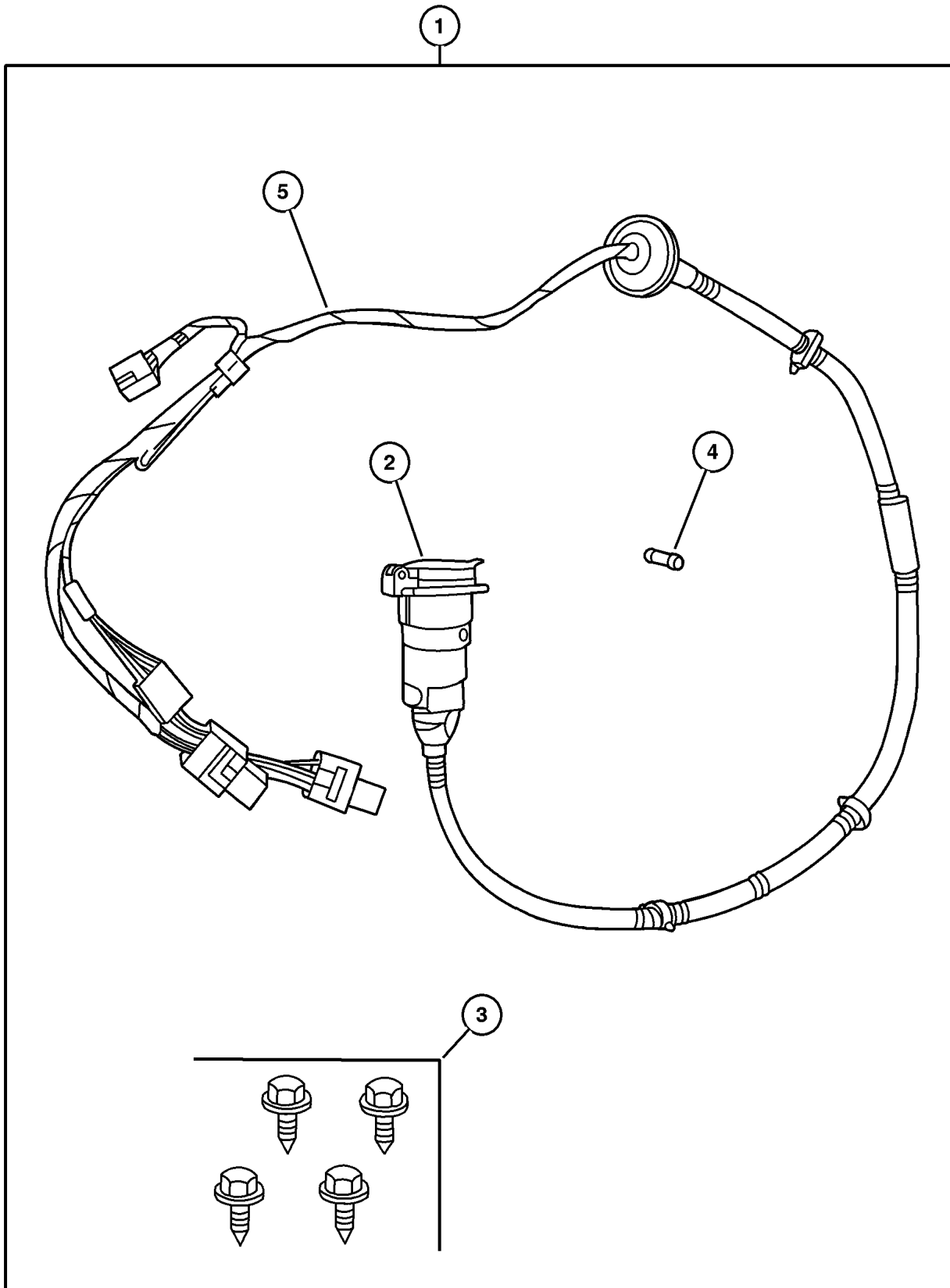
SERIES	LINE	BODY	ENGINE	TRANSMISSION
P=Classic	J=LHD (4WD)	74=4 Dr.(101.4WB)	ENC,EN0=2.5L 4 cyl. Turbo Die	DDD, DDQ=5 spd. Man.
S=Limited	U=RHD (4WD)	72=2 Dr.(101.4WB)	ERH,ER0=4.0L Power Tech I-6	DGS=4 spd. Auto. AISIN
H=Sport	T=LHD (2WD)		EPE,EP0=Magnum 2.5L SMPI	DG0=All Auto/Trans.
L=SE	B=RHD (2WD)			DBB=All Manual Trans.

AR = Use as required - = Non illustrated part # = New this model year

December 7, 2002

**Wiring Kit - Trailer Tow
Figure 001-285**

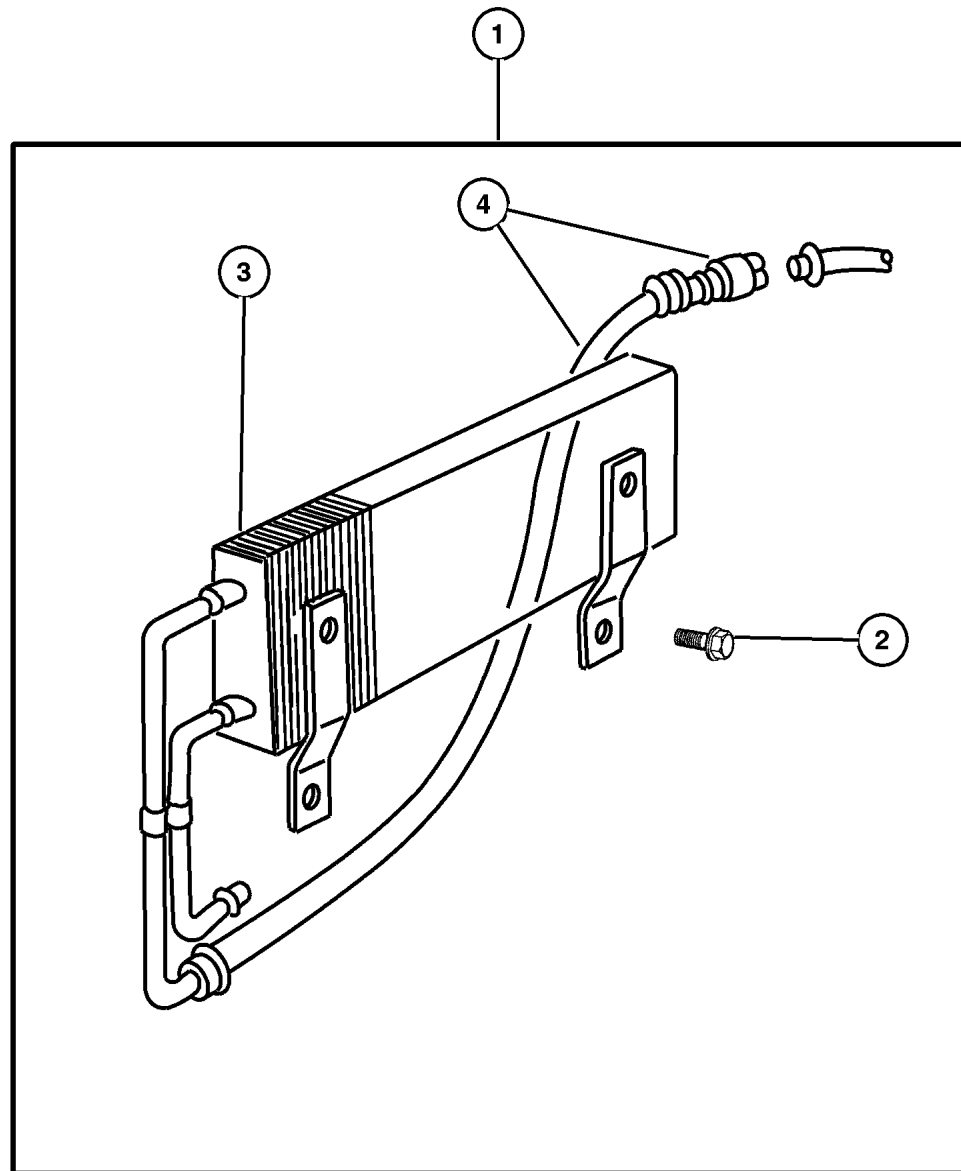
ITEM	PART NUMBER	QTY	LINE	SERIES	BODY	ENGINE	TRANS	TRIM	DESCRIPTION
1	8220 4634	1	J, T		72, 74				WIRING PACKAGE, Trailer Tow
2	56038 366AB	1	J, T		72, 74				CONNECTOR, 7 Way
3	0154 633	1	J, T		72, 74				SCREW, .164-18x.625
4	6101 486	1	J, T		72, 74				FUSE, Mini, 10 AMP, Red
5	5600 9832	1	J, T		72, 74				WIRING, Trailer Tow



JEEP CHEROKEE (XJ)

SERIES	LINE	BODY	ENGINE	TRANSMISSION
P=Classic	J=LHD (4WD)	74=4 Dr.(101.4WB)	ENC,EN0=2.5L 4 cyl. Turbo Die	DDD, DDQ=5 spd. Man.
S=Limited	U=RHD (4WD)	72=2 Dr.(101.4WB)	ERH,ER0=4.0L Power Tech I-6	DGS=4 spd. Auto. AISIN
H=Sport	T=LHD (2WD)		EPE,EP0=Magnum 2.5L SMPI	DG0=All Auto/Trans.
L=SE	B=RHD (2WD)			DBB=All Manual Trans.

**Cooler Kit - Transmission Oil
Figure 001-290**



ITEM	PART NUMBER	QTY	LINE	SERIES	BODY	ENGINE	TRANS	TRIM	DESCRIPTION
1	8220 4191	1	J, T		72, 74				COOLER PACKAGE, Transmission Oil
2									SCREW, Hex Head with Washer .164-18x.818 , (NOT SERVICED) (Not Serviced)
3	52028 516AE	1	J, T		72, 74				COOLER, Auxiliary Oil, Includes: Hose and Connector
4	5003 096AC	1	J, T						HOSE AND CONNECTOR, Oil Cooler

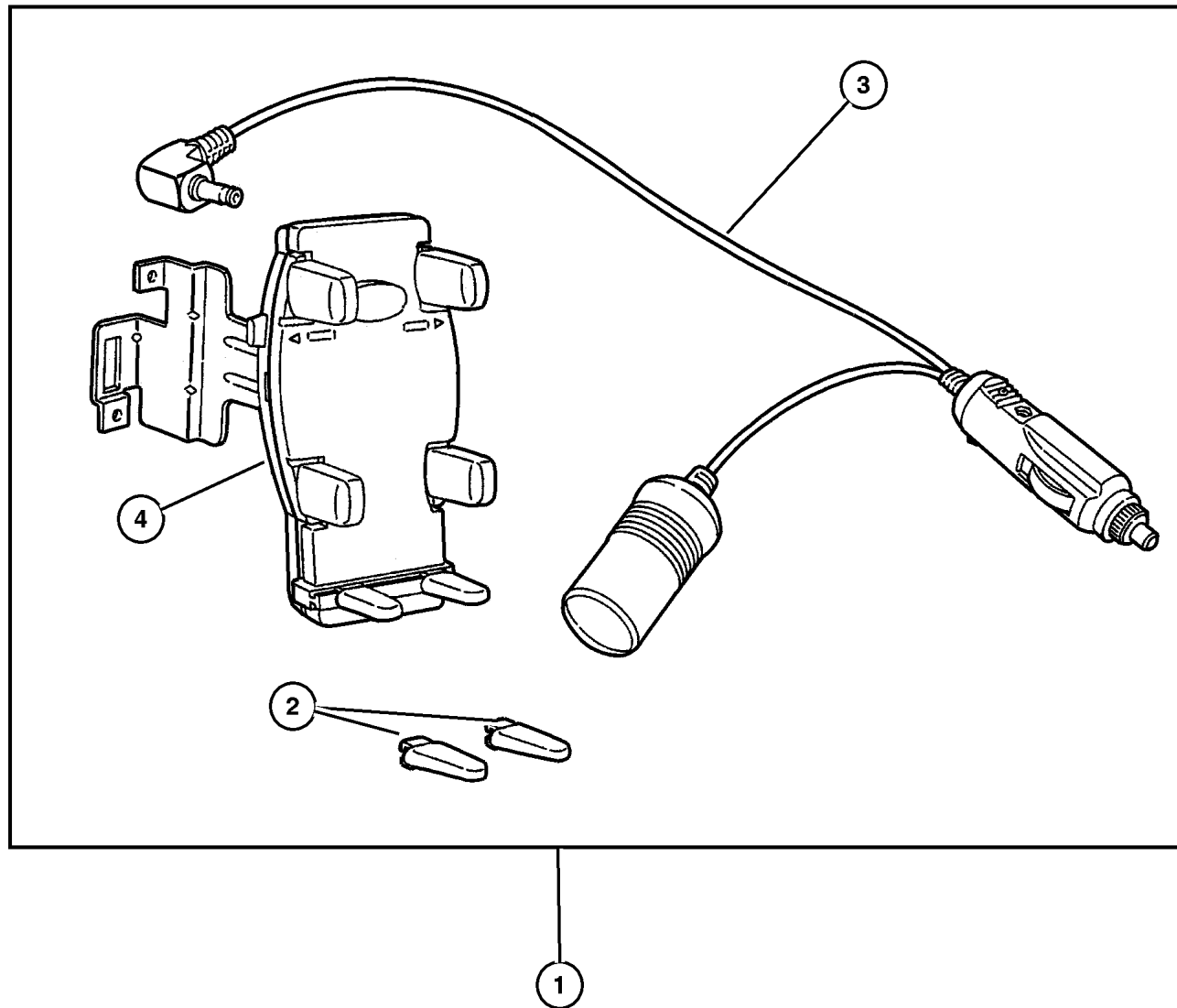
JEEP CHEROKEE (XJ)				
SERIES	LINE	BODY	ENGINE	TRANSMISSION
P=Classic	J=LHD (4WD)	74=4 Dr.(101.4WB)	ENC,EN0=2.5L 4 cyl. Turbo Die	DDD, DDQ=5 spd. Man.
S=Limited	U=RHD (4WD)	72=2 Dr.(101.4WB)	ERH,ER0=4.0L Power Tech I-6	DGS=4 spd. Auto. AISIN
H=Sport	T=LHD (2WD)		EPE,EP0=Magnum 2.5L SMPI	DG0=All Auto/Trans.
L=SE	B=RHD (2WD)			DBB=All Manual Trans.

AR = Use as required - = Non illustrated part # = New this model year

December 7, 2002

Mounting Kit - Cellular Phone
Figure 001-310

ITEM	PART NUMBER	QTY	LINE	SERIES	BODY	ENGINE	TRANS	TRIM	DESCRIPTION
NOTE; Smart Holder and Bracket Assy. with Jeep Logo, Bracket to be black powder coated low gloss.									
NOTE: Holder is free of knee and airbag deployment area.									
1	8220 5274	1	J, T		72, 74				MOUNTING KIT, Cellular Phone
2	#5018 103AA	1	J, T		72, 74				HARDWARE KIT, Accessory, Consists of : 1-Set of Long Support Feet.
3	5019 524AA	1	J, T		72, 74				CORD, Cellular Phone, 6' Cord with 'Y' Accessory Feed.
4									HOLDER KIT, Cellular Phone, Served in assembly, (NOT SERVICED) (Not Serviced)



JEEP CHEROKEE (XJ)				
SERIES	LINE	BODY	ENGINE	TRANSMISSION
P=Classic	J=LHD (4WD)	74=4 Dr.(101.4WB)	ENC,EN0=2.5L 4 cyl. Turbo Die	DDD, DDQ=5 spd. Man.
S=Limited	U=RHD (4WD)	72=2 Dr.(101.4WB)	ERH,ER0=4.0L Power Tech I-6	DGS=4 spd. Auto. AISIN
H=Sport	T=LHD (2WD)		EPE,EP0=Magnum 2.5L SMPI	DG0=All Auto/Trans.
L=SE	B=RHD (2WD)			DBB=All Manual Trans.

AR = Use as required - = Non illustrated part # = New this model year

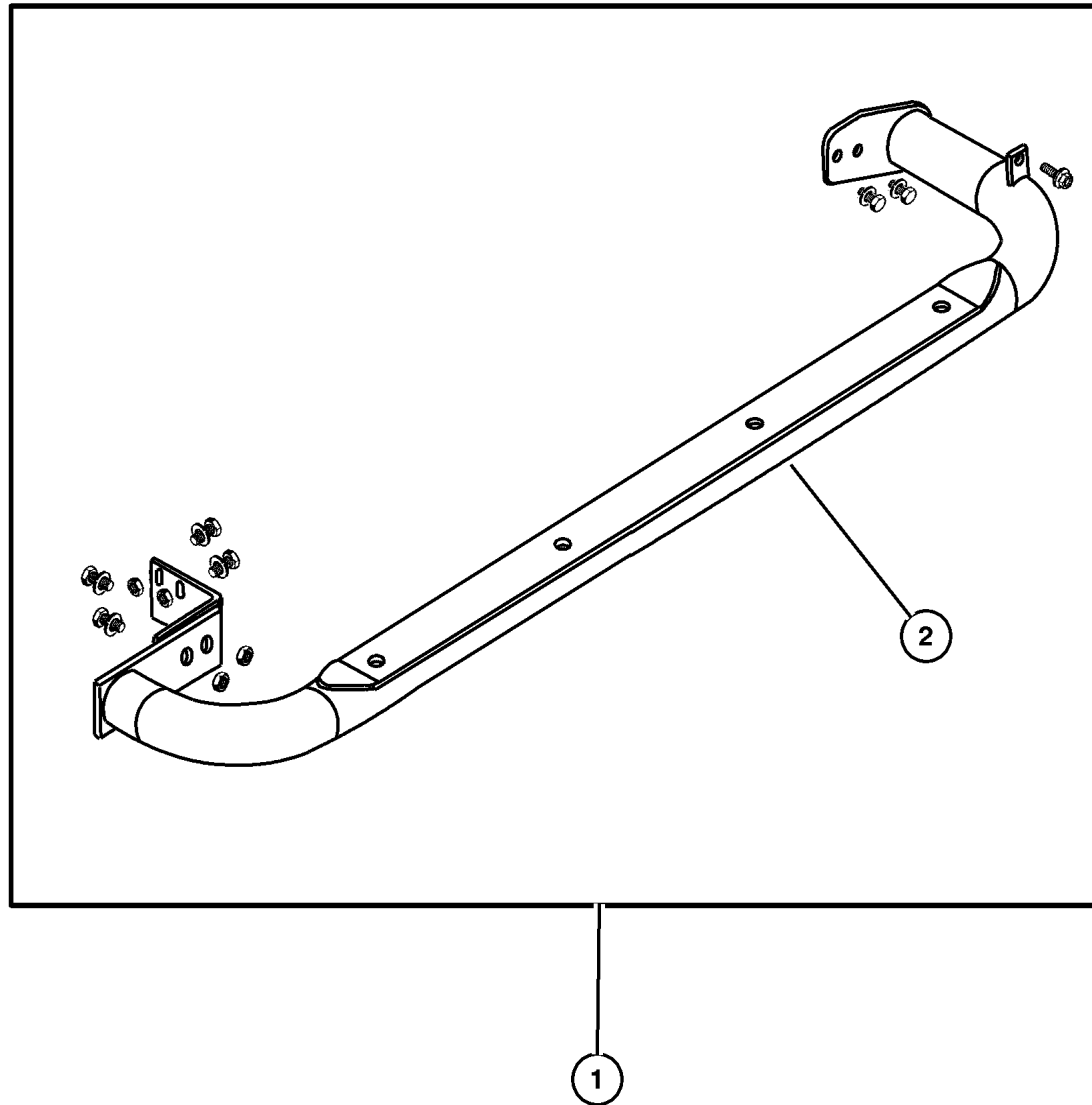
December 7, 2002

**Step Kit - Side Tubular
Figure 001-410**

ITEM	PART NUMBER	QTY	LINE	SERIES	BODY	ENGINE	TRANS	TRIM	DESCRIPTION
------	-------------	-----	------	--------	------	--------	-------	------	-------------

NOTE: Each Right and Left Kit contains it's own Mounting Bracket and Hardware.

1									STEP KIT, Tubular Side, Right and Left Steps Included
	8220 3388	1	J, T		72, 74				Natural Aluminum
	8220 3390	1	J, T		72, 74				Chromed Steel
	8220 3391	1	J, T		72, 74				Black Steel
2									STEP KIT, Tubular Side
	#5019 269AA	1	J, T		72, 74				Natural Aluminum, Left
	#5019 272AA	1	J, T		72, 74				Natural Aluminum, Right
	#5019 273AA	1	J, T		72, 74				Chromed Steel, Left
	#5019 274AA	1	J, T		72, 74				Chromed Steel, Right
	#5019 275AA	1	J, T		72, 74				Black Steel, Left
	#5019 276AA	1	J, T		72, 74				Black Steel, Right



JEEP CHEROKEE (XJ)

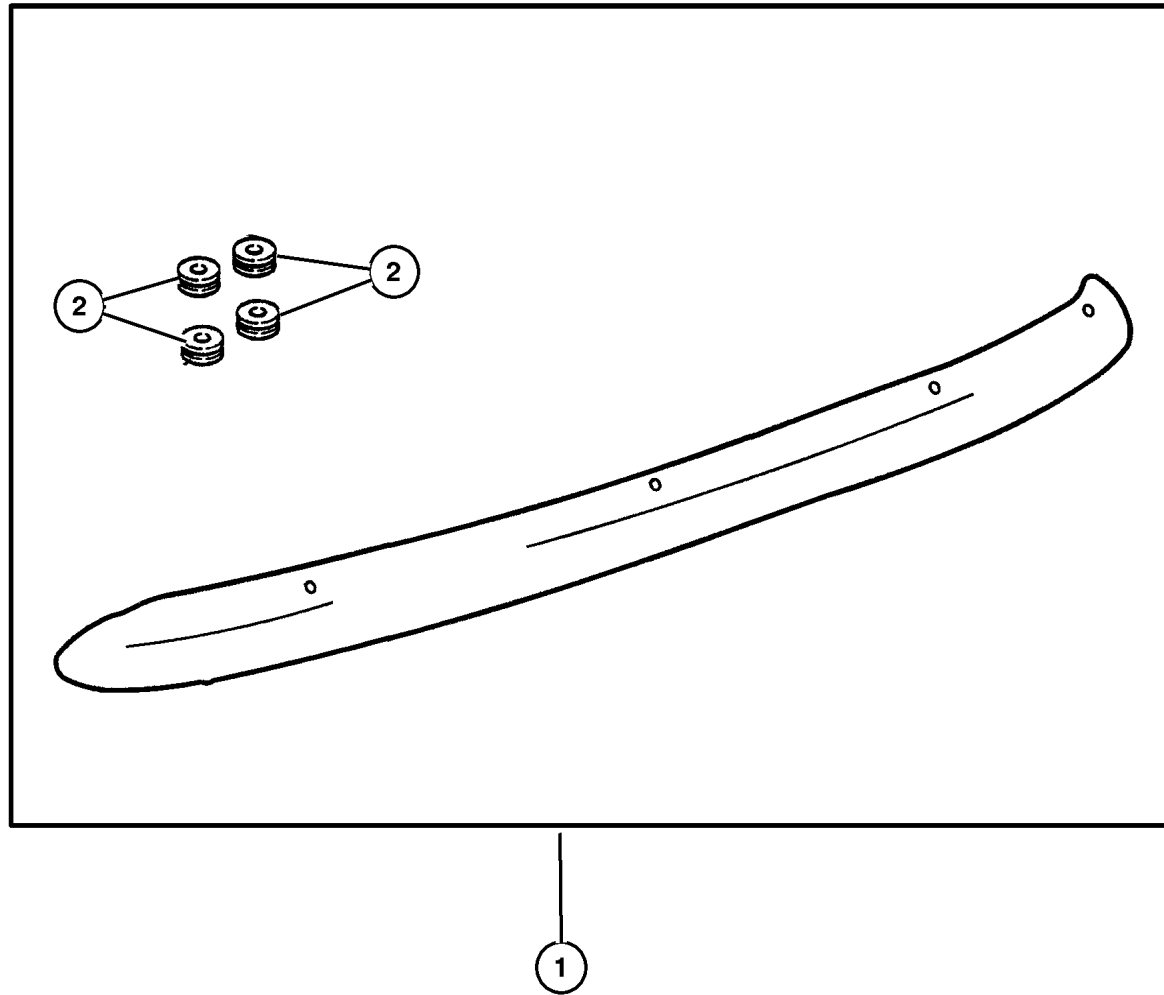
SERIES	LINE	BODY	ENGINE	TRANSMISSION
P=Classic	J=LHD (4WD)	74=4 Dr.(101.4WB)	ENC,EN0=2.5L 4 cyl. Turbo Die	DDD, DDQ=5 spd. Man.
S=Limited	U=RHD (4WD)	72=2 Dr.(101.4WB)	ERH,ER0=4.0L Power Tech I-6	DGS=4 spd. Auto. AISIN
H=Sport	T=LHD (2WD)		EPE,EP0=Magnum 2.5L SMPI	DG0=All Auto/Trans.
L=SE	B=RHD (2WD)			DBB=All Manual Trans.

AR = Use as required - = Non illustrated part # = New this model year

December 7, 2002

**Shield Kit
Figure 001-510**

ITEM	PART NUMBER	QTY	LINE	SERIES	BODY	ENGINE	TRANS	TRIM	DESCRIPTION
1	8220 3379	1	J, T		72, 74				SHIELD KIT, Air - Front
2	5014 754AA	1	J, T		72, 74				SPACER, Air Deflector, Will Service All Deflectors. Has Better Adhesive



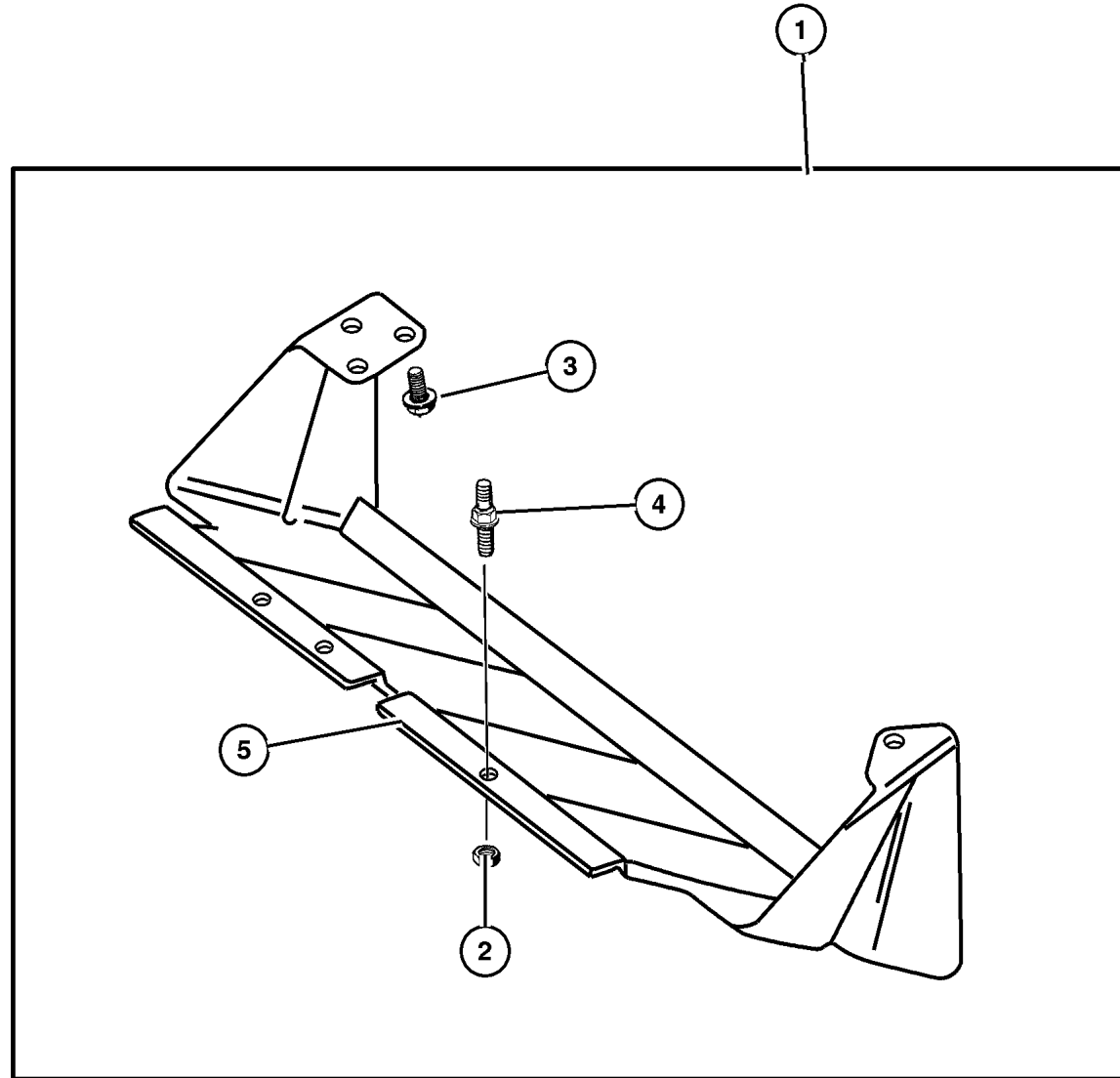
JEEP CHEROKEE (XJ)				
SERIES	LINE	BODY	ENGINE	TRANSMISSION
P=Classic	J=LHD (4WD)	74=4 Dr.(101.4WB)	ENC,EN0=2.5L 4 cyl. Turbo Die	DDD, DDQ=5 spd. Man.
S=Limited	U=RHD (4WD)	72=2 Dr.(101.4WB)	ERH,ER0=4.0L Power Tech I-6	DGS=4 spd. Auto. AISIN
H=Sport	T=LHD (2WD)		EPE,EP0=Magnum 2.5L SMPI	DG0=All Auto/Trans.
L=SE	B=RHD (2WD)			DBB=All Manual Trans.

AR = Use as required - = Non illustrated part # = New this model year

December 7, 2002

Skid Plate - Front
Figure 001-520

ITEM	PART NUMBER	QTY	LINE	SERIES	BODY	ENGINE	TRANS	TRIM	DESCRIPTION
1	8220 2851	1	J, T		72, 74				PLATE PACKAGE, Skid - Front
2	J420 0046	1	J, T		72, 74				NUT AND WASHER, Hex Flange, M8x1.25
3	6502 467	1	J, T		72, 74				SCREW AND WASHER, Hex Head, M10x1.5x30
4	3420 2209	1	J, T		72, 74				STUD, Collared, M8x1.25x44.00
5	52018 009AB	1	J, T		72, 74				SKID PLATE, Front



JEEP CHEROKEE (XJ)

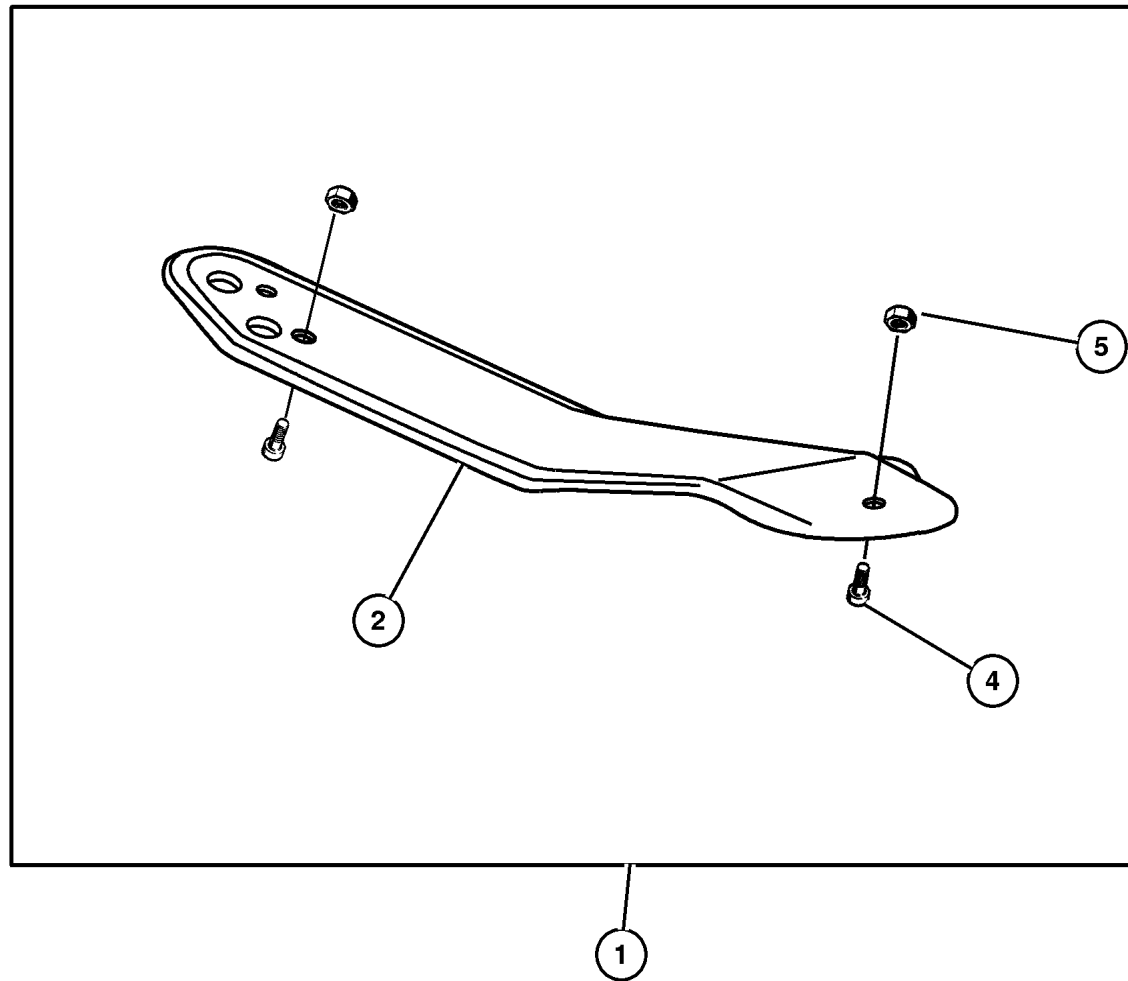
SERIES	LINE	BODY	ENGINE	TRANSMISSION
P=Classic	J=LHD (4WD)	74=4 Dr.(101.4WB)	ENC,EN0=2.5L 4 cyl. Turbo Die	DDD, DDQ=5 spd. Man.
S=Limited	U=RHD (4WD)	72=2 Dr.(101.4WB)	ERH,ER0=4.0L Power Tech I-6	DGS=4 spd. Auto. AISIN
H=Sport	T=LHD (2WD)		EPE,EP0=Magnum 2.5L SMPI	DG0=All Auto/Trans.
L=SE	B=RHD (2WD)			DBB=All Manual Trans.

AR = Use as required - = Non illustrated part # = New this model year

December 7, 2002

Skid Plate - Transfer Case
Figure 001-522

ITEM	PART NUMBER	QTY	LINE	SERIES	BODY	ENGINE	TRANS	TRIM	DESCRIPTION
1	8220 5147	1	J		72, 74				PLATE PACKAGE, Skid - Transfer Case
2	52003 111AC	1	J		72, 74				PLATE, Transfer Case Skid
-3	5011 659AA	1	J		72, 74				RIVNUT, Installation
4	1150 2850	1	J		72, 74				BOLT, Hex Flange Head, M8x1.25x20
5	3420 1575	1	J		72, 74				NUT, Insert, M8 x 1.25 x 18.29



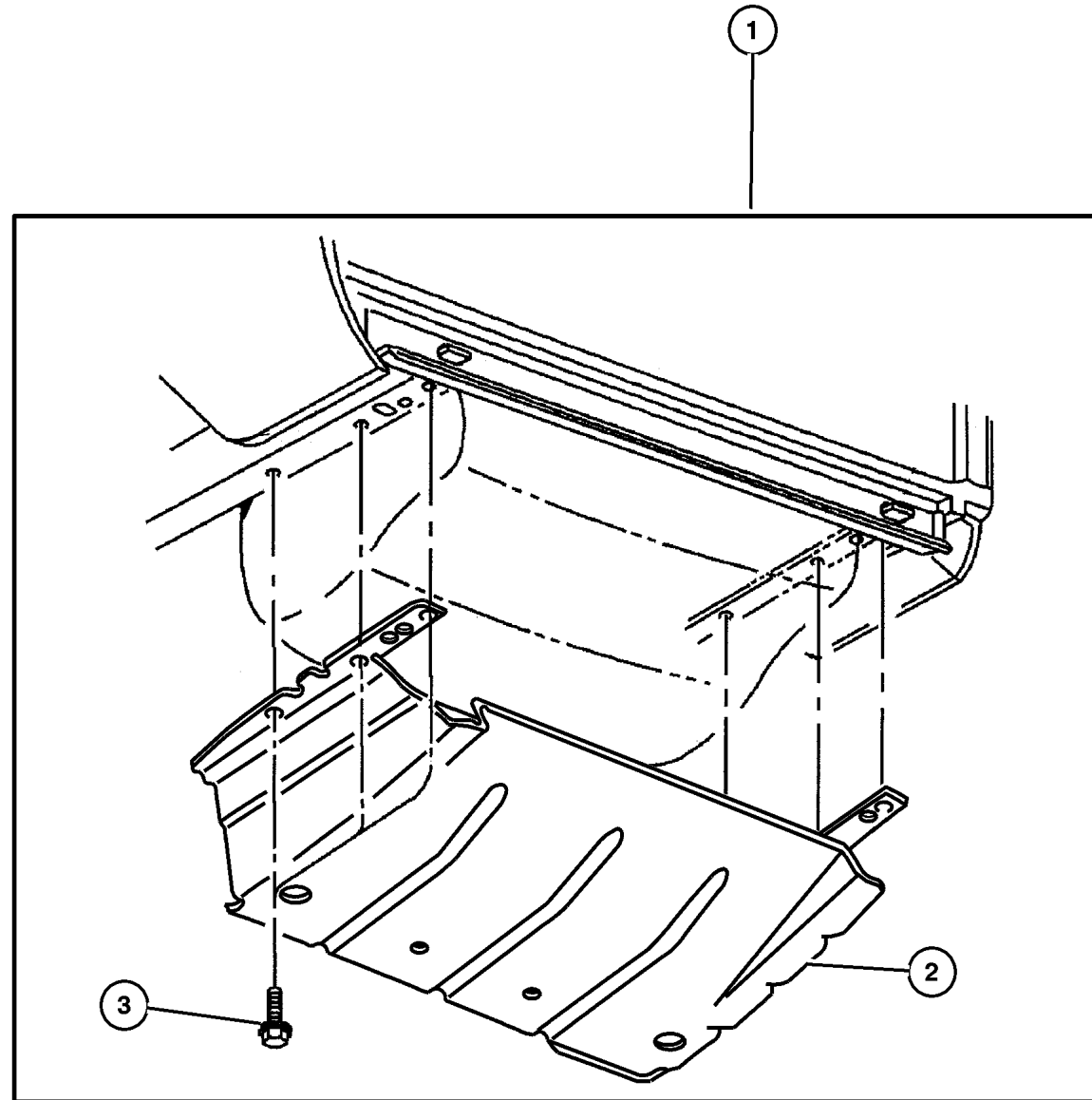
JEEP CHEROKEE (XJ)				
SERIES	LINE	BODY	ENGINE	TRANSMISSION
P=Classic	J=LHD (4WD)	74=4 Dr.(101.4WB)	ENC,EN0=2.5L 4 cyl. Turbo Die	DDD, DDQ=5 spd. Man.
S=Limited	U=RHD (4WD)	72=2 Dr.(101.4WB)	ERH,ER0=4.0L Power Tech I-6	DGS=4 spd. Auto. AISIN
H=Sport	T=LHD (2WD)		EPE,EP0=Magnum 2.5L SMPI	DG0=All Auto/Trans.
L=SE	B=RHD (2WD)			DBB=All Manual Trans.

AR = Use as required - = Non illustrated part # = New this model year

December 7, 2002

Skid Plate - Fuel Tank
Figure 001-524

ITEM	PART NUMBER	QTY	LINE	SERIES	BODY	ENGINE	TRANS	TRIM	DESCRIPTION
1	8220 3726	1	J, T		72, 74				SKID PLATE PACKAGE, Fuel Tank
2	52100 328AA	1	J, T		72, 74				PLATE, Skid
3	3420 1964	6							BOLT, Hex Flange Head, M12x1.75x40
-4									REINFORCEMENT, Sill
	5200 1174	1	J, T		72, 74				Right
	5200 1175	1	J, T		72, 74				Left
-5	1150 1060	5							NUT, Hex, M12x1.75



JEEP CHEROKEE (XJ)				
SERIES	LINE	BODY	ENGINE	TRANSMISSION
P=Classic	J=LHD (4WD)	74=4 Dr.(101.4WB)	ENC,EN0=2.5L 4 cyl. Turbo Die	DDD, DDQ=5 spd. Man.
S=Limited	U=RHD (4WD)	72=2 Dr.(101.4WB)	ERH,ER0=4.0L Power Tech I-6	DGS=4 spd. Auto. AISIN
H=Sport	T=LHD (2WD)		EPE,EP0=Magnum 2.5L SMPI	DG0=All Auto/Trans.
L=SE	B=RHD (2WD)			DBB=All Manual Trans.

AR = Use as required - = Non illustrated part # = New this model year

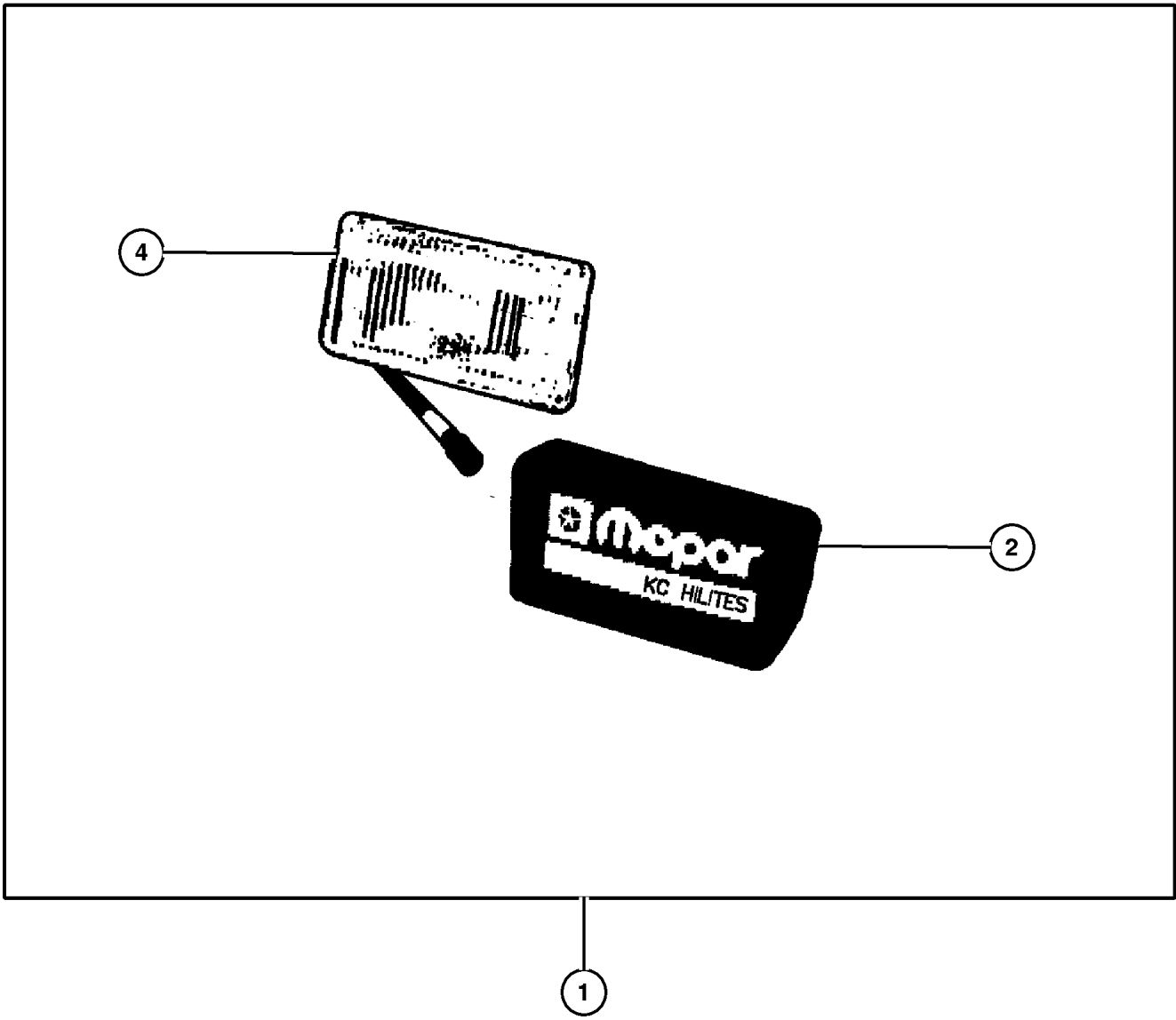
December 7, 2002

Light Package - Fog
Figure 001-610

ITEM	PART NUMBER	QTY	LINE	SERIES	BODY	ENGINE	TRANS	TRIM	DESCRIPTION
------	-------------	-----	------	--------	------	--------	-------	------	-------------

NOTE: Light Packages - use 55 watt Bulb only. Complete kit including lights for mounting on a Brush Guard.

1	8220 1230	1	J, T		72, 74				LIGHT KIT, Fog, 5 x 7', Bright Chrome
2	4720 332	1	J, T		72, 74				COVER, Fog Lamp
-3	4728 646	1	J, T		72, 74				BULB PACKAGE, 55 Watt
4	4720 329	1	J, T		72, 74				LENS, Fog Lamp

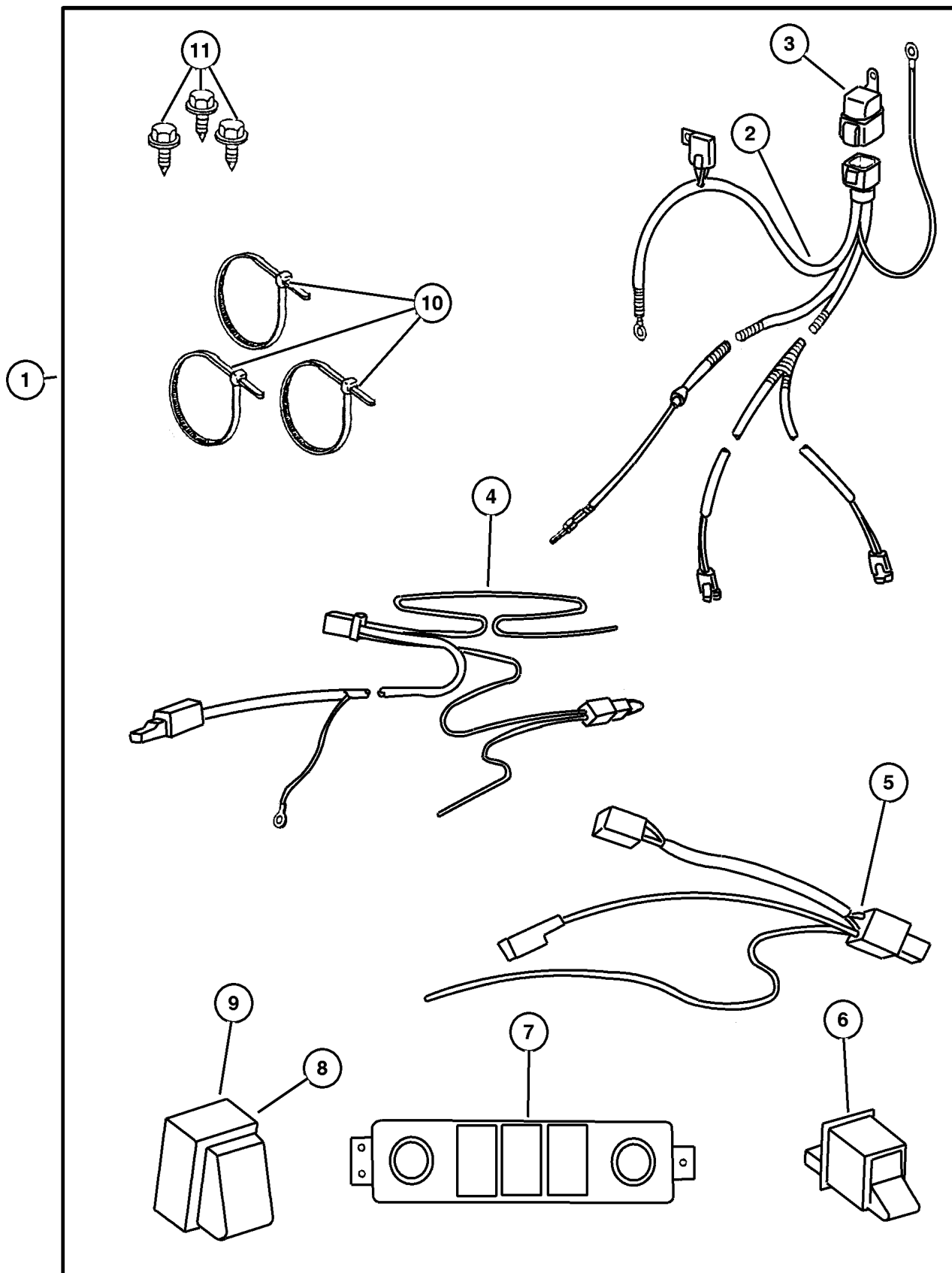


JEEP CHEROKEE (XJ)				
SERIES	LINE	BODY	ENGINE	TRANSMISSION
P=Classic	J=LHD (4WD)	74=4 Dr.(101.4WB)	ENC,EN0=2.5L 4 cyl. Turbo Die	DDD, DDQ=5 spd. Man.
S=Limited	U=RHD (4WD)	72=2 Dr.(101.4WB)	ERH,ER0=4.0L Power Tech I-6	DGS=4 spd. Auto. AISIN
H=Sport	T=LHD (2WD)		EPE,EP0=Magnum 2.5L SMPI	DG0=All Auto/Trans.
L=SE	B=RHD (2WD)			DBB=All Manual Trans.

AR = Use as required - = Non illustrated part # = New this model year

December 7, 2002

**Installation Kit - Fog Lamp
Figure 001-616**



ITEM	PART NUMBER	QTY	LINE	SERIES	BODY	ENGINE	TRANS	TRIM	DESCRIPTION
1	8220 4235	1	J, T		72, 74				INSTALL PACKAGE, Off Road Light
2									WIRING KIT, Fog Light, (NOT SERVICED) (Not Serviced)
3	4638 271	1	J, T		72, 74				RELAY PACKAGE, Electrical
4									WIRING, Jumper, Switch, (NOT SERVICED) (Not Serviced)
5									WIRING, Hi Beam Cut/Off, (NOT SERVICED) (Not Serviced)
6	5600 7247	1	J, T		72, 74				SWITCH, Fog Lamp
7	4897 502AF	1	J, T		72, 74				BEZEL, Switch
8	5600 7329	1	J, T		72, 74				PLUG, Switch Opening, Heated Back Light
9	5600 7330	1	J, T		72, 74				PLUG, Switch Opening, Wiper Washer
10									STRAP, Tie, (NOT SERVICED) (Not Serviced)
11									SCREW, Hex Head, (NOT SERVICED) (Not Serviced)

JEEP CHEROKEE (XJ)

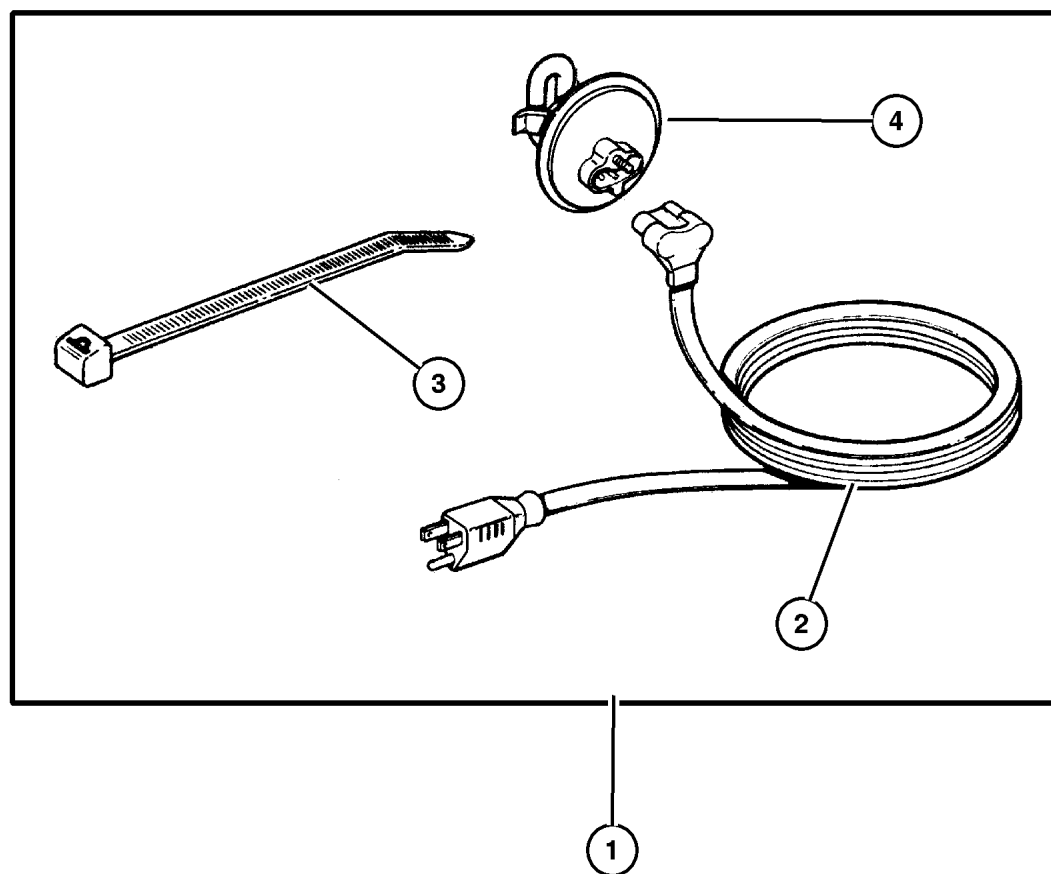
SERIES	LINE	BODY	ENGINE	TRANSMISSION
P=Classic	J=LHD (4WD)	74=4 Dr.(101.4WB)	ENC,EN0=2.5L 4 cyl. Turbo Die	DDD, DDQ=5 spd. Man.
S=Limited	U=RHD (4WD)	72=2 Dr.(101.4WB)	ERH,ER0=4.0L Power Tech I-6	DGS=4 spd. Auto. AISIN
H=Sport	T=LHD (2WD)		EPE,EP0=Magnum 2.5L SMPI	DG0=All Auto/Trans.
L=SE	B=RHD (2WD)			DBB=All Manual Trans.

AR = Use as required - = Non illustrated part # = New this model year

December 7, 2002

**Heater Kit Engine Block
Figure 001-620**

ITEM	PART NUMBER	QTY	LINE	SERIES	BODY	ENGINE	TRANS	TRIM	DESCRIPTION
1	8220 1506	1	J, T		72, 74				HEATER PACKAGE, Engine Block
2	5300 0878	1	J, T		72, 74				CORD, Engine Block Heater
3	4641 780	1	J, T		72, 74				STRAP, Tie
4									HEATER, Engine Block, Serviced only in package, (NOT SERVICED) (Not Serviced)

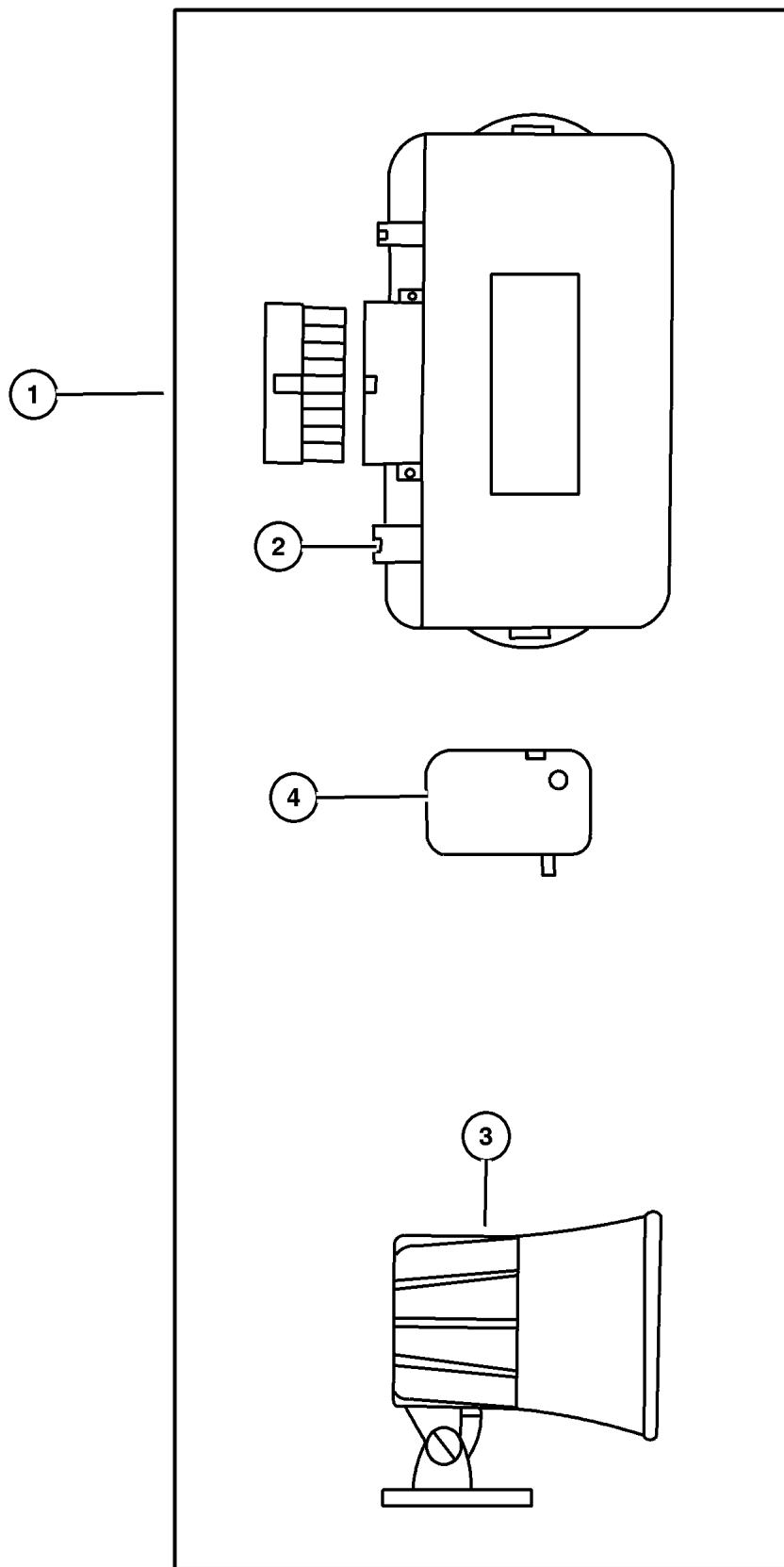


JEEP CHEROKEE (XJ)				
SERIES	LINE	BODY	ENGINE	TRANSMISSION
P=Classic	J=LHD (4WD)	74=4 Dr.(101.4WB)	ENC,EN0=2.5L 4 cyl. Turbo Die	DDD, DDQ=5 spd. Man.
S=Limited	U=RHD (4WD)	72=2 Dr.(101.4WB)	ERH,ER0=4.0L Power Tech I-6	DGS=4 spd. Auto. AISIN
H=Sport	T=LHD (2WD)		EPE,EP0=Magnum 2.5L SMPI	DG0=All Auto/Trans.
L=SE	B=RHD (2WD)			DBB=All Manual Trans.

AR = Use as required - = Non illustrated part # = New this model year

December 7, 2002

**Alarm - EVS Base System
Figure 001-910**



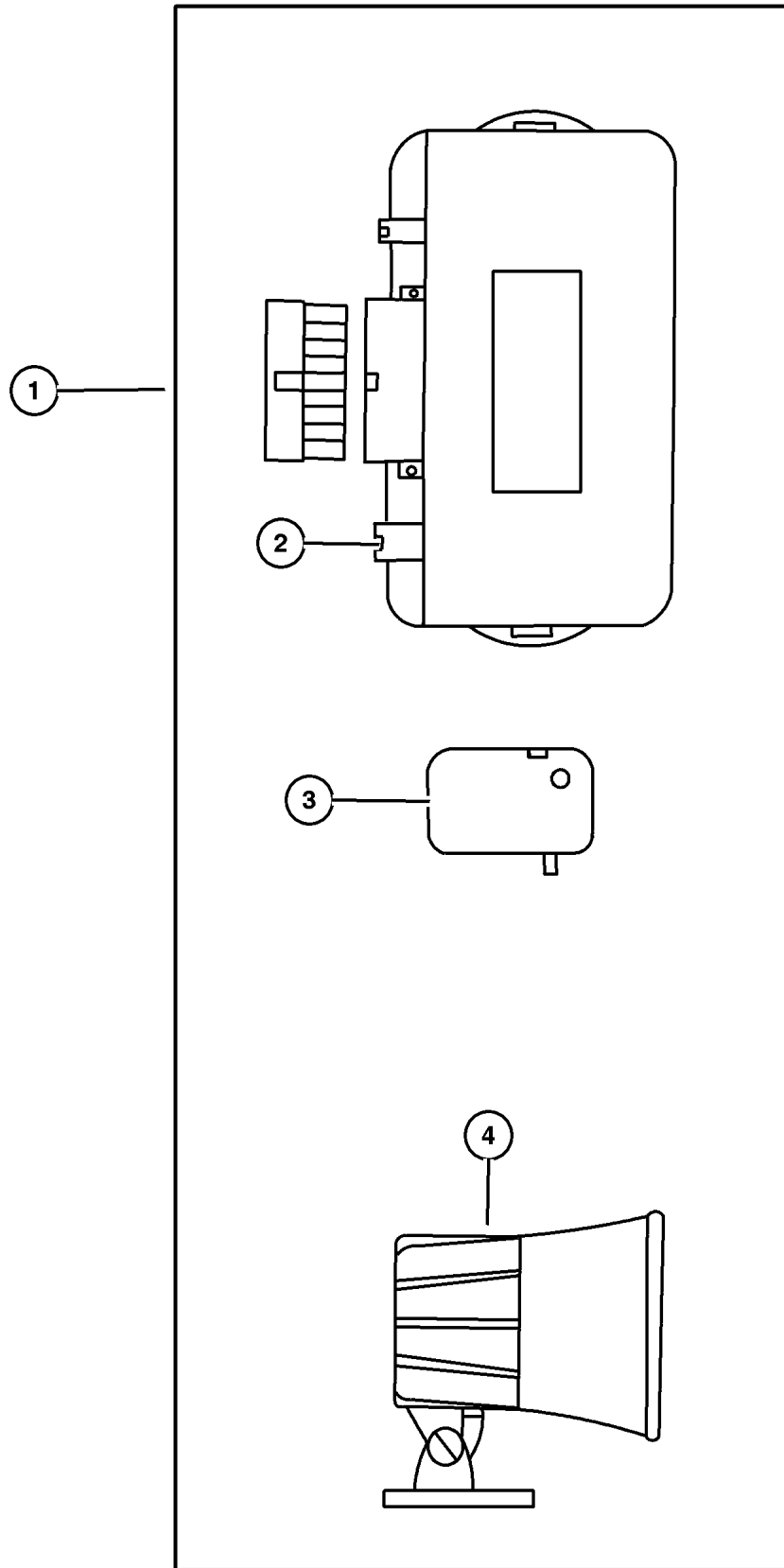
ITEM	PART NUMBER	QTY	LINE	SERIES	BODY	ENGINE	TRANS	TRIM	DESCRIPTION
NOTE: Item # 6 -Wiring Harness is an Optional Feature.									
1	8220 3763	1	J, T		72, 74				MODULE KIT, Alarm without Keyless
2	5012 164AA	1	J, T		72, 74				MODULE, Security Alarm
3	8220 3198	1	J, T		72, 74				SIREN, Alarm
4	4886 374AA	1	J, T		72, 74				TRANSMITTER, Alarm or Keyless
-5	4636 141	1	J, T		72, 74				BATTERY, Transmitter
-6	8220 4216	1	J, T		72, 74				WIRING KIT, Park and Headlight

JEEP CHEROKEE (XJ)				
SERIES	LINE	BODY	ENGINE	TRANSMISSION
P=Classic	J=LHD (4WD)	74=4 Dr.(101.4WB)	ENC,EN0=2.5L 4 cyl. Turbo Die	DDD, DDQ=5 spd. Man.
S=Limited	U=RHD (4WD)	72=2 Dr.(101.4WB)	ERH,ER0=4.0L Power Tech I-6	DGS=4 spd. Auto. AISIN
H=Sport	T=LHD (2WD)		EPE,EP0=Magnum 2.5L SMPI	DG0=All Auto/Trans.
L=SE	B=RHD (2WD)			DBB=All Manual Trans.

AR = Use as required - = Non illustrated part # = New this model year

December 7, 2002

**Alarm - EVS Plus System
Figure 001-915**



ITEM	PART NUMBER	QTY	LINE	SERIES	BODY	ENGINE	TRANS	TRIM	DESCRIPTION
------	-------------	-----	------	--------	------	--------	-------	------	-------------

NOTE: Items #5-6 are Wiring Harnesses for Optional Features.,

1	8220 4268	1	J, T		72, 74				MODULE, Security Alarm
2	5011 619AA	1	J, T		72, 74				MODULE, Security Alarm
3	4886 261AA	1	J, T		72, 74				SENSOR, Shock, With Connector
4	8220 3198	1	J, T		72, 74				SIREN, Alarm
-5	8220 4216	1	J, T		72, 74				WIRING KIT, Park and Headlight
-6	#8220 5886	1	J, T		72, 74				WIRING KIT, Alarm Security Plus

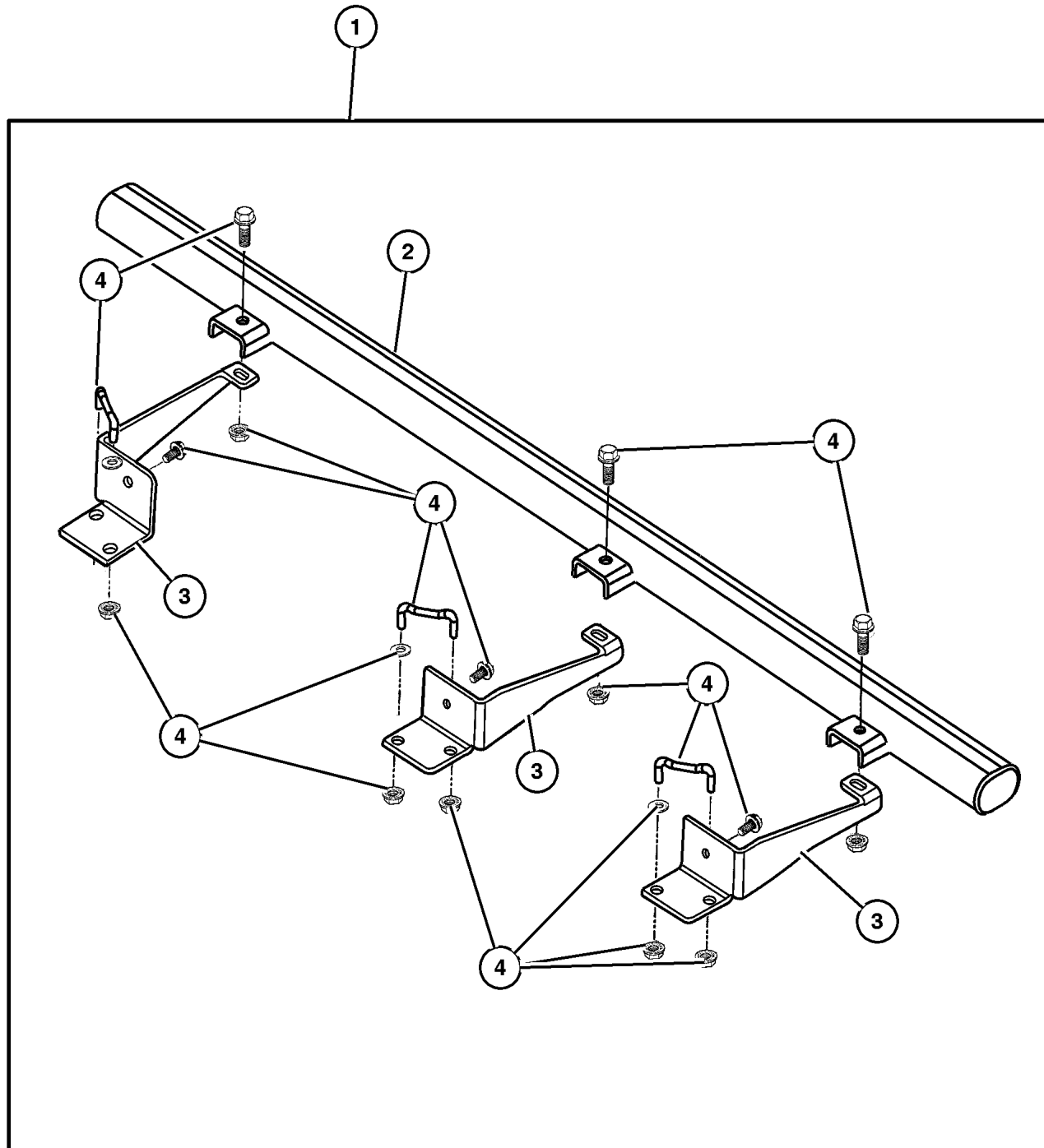
JEEP CHEROKEE (XJ)

SERIES	LINE	BODY	ENGINE	TRANSMISSION
P=Classic	J=LHD (4WD)	74=4 Dr.(101.4WB)	ENC,EN0=2.5L 4 cyl. Turbo Die	DDD, DDQ=5 spd. Man.
S=Limited	U=RHD (4WD)	72=2 Dr.(101.4WB)	ERH,ER0=4.0L Power Tech I-6	DGS=4 spd. Auto. AISIN
H=Sport	T=LHD (2WD)		EPE,EP0=Magnum 2.5L SMPI	DG0=All Auto/Trans.
L=SE	B=RHD (2WD)			DBB=All Manual Trans.

AR = Use as required - = Non illustrated part # = New this model year

December 7, 2002

Guard - Rock Rails
Figure 001-1020



ITEM	PART NUMBER	QTY	LINE	SERIES	BODY	ENGINE	TRANS	TRIM	DESCRIPTION
1	8220 5091	1	J, T		72, 74				GUARD KIT, Bodyside, Tubular Black Steel w/Moulded Splash Guards
2	#5018 983AA	1	J, T		72, 74				GUARD KIT, Bodyside Left
	#5018 984AA	1	J, T		72, 74				Right
3	#5018 985AA	1	J, T		72, 74				BRACKET, Mounting, Front, Center and Rear Left,Side
	#5019 248AA	1	J, T		72, 74				Right,Side
4	#5019 247AA	1	J, T		72, 74				HARDWARE KIT, Mounting

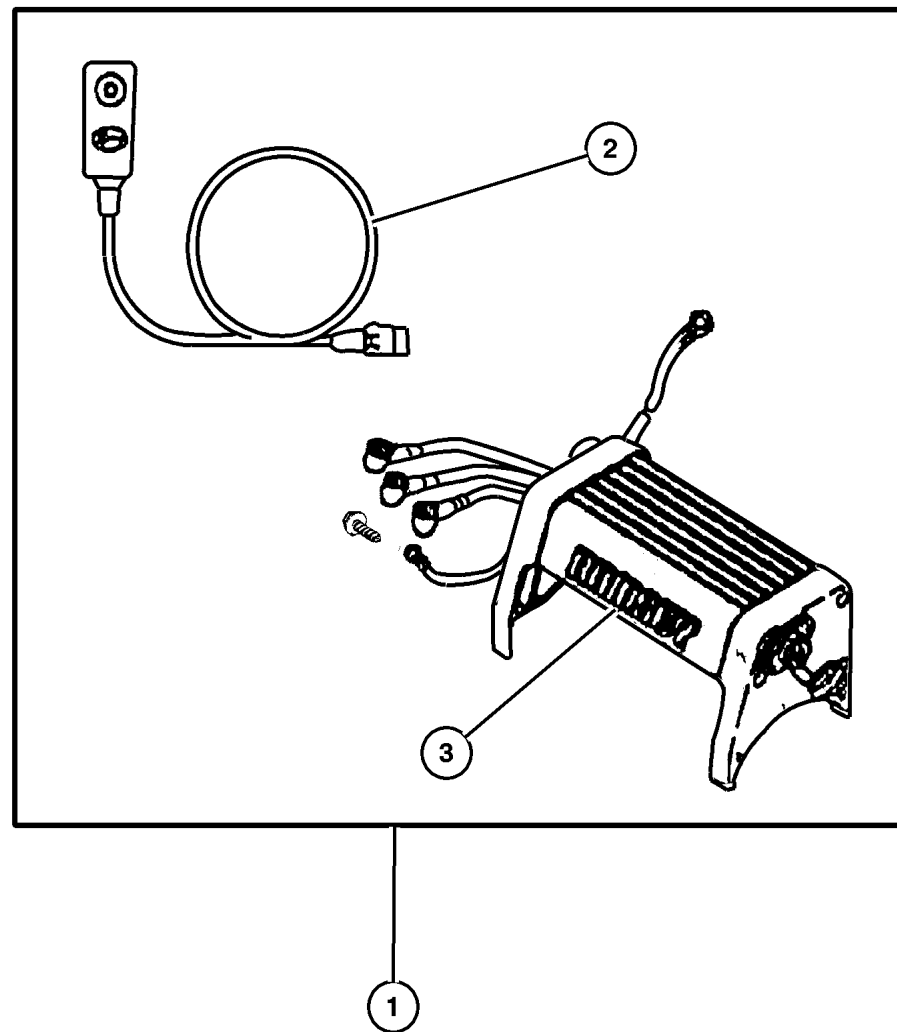
JEEP CHEROKEE (XJ)				
SERIES	LINE	BODY	ENGINE	TRANSMISSION
P=Classic	J=LHD (4WD)	74=4 Dr.(101.4WB)	ENC,EN0=2.5L 4 cyl. Turbo Die	DDD, DDQ=5 spd. Man.
S=Limited	U=RHD (4WD)	72=2 Dr.(101.4WB)	ERH,ER0=4.0L Power Tech I-6	DGS=4 spd. Auto. AISIN
H=Sport	T=LHD (2WD)		EPE,EP0=Magnum 2.5L SMPI	DG0=All Auto/Trans.
L=SE	B=RHD (2WD)			DBB=All Manual Trans.

AR = Use as required - = Non illustrated part # = New this model year

December 7, 2002

Winch Kit - Power
Figure 001-1030

ITEM	PART NUMBER	QTY	LINE	SERIES	BODY	ENGINE	TRANS	TRIM	DESCRIPTION
1									WINCH KIT, Power
	8220 4129	1	J		72, 74				9000H Series with 95 foot Cable.
	8220 4130	1	J		72, 74				6000H Series
	8220 4131	1	J		72, 74				8000H Series with 95 foot Cable.
	8220 4134	1	J		72, 74				8000HX Series
2	5018 221AA	1	J		72, 74				CABLE KIT, Winch, Switch Assembly is 12 feet long. Use only with Power Winch.
3									SOLENOID, Winch
	5018 363AA	1	J		72, 74				Includes Hardware, 12 volt rated
	5018 366AA	1	J		72, 74				Use for 8000HX Series



JEEP CHEROKEE (XJ)				
SERIES	LINE	BODY	ENGINE	TRANSMISSION
P=Classic	J=LHD (4WD)	74=4 Dr.(101.4WB)	ENC,EN0=2.5L 4 cyl. Turbo Die	DDD, DDQ=5 spd. Man.
S=Limited	U=RHD (4WD)	72=2 Dr.(101.4WB)	ERH,ER0=4.0L Power Tech I-6	DGS=4 spd. Auto. AISIN
H=Sport	T=LHD (2WD)		EPE,EP0=Magnum 2.5L SMPI	DG0=All Auto/Trans.
L=SE	B=RHD (2WD)			DBB=All Manual Trans.

AR = Use as required - = Non illustrated part # = New this model year

December 7, 2002

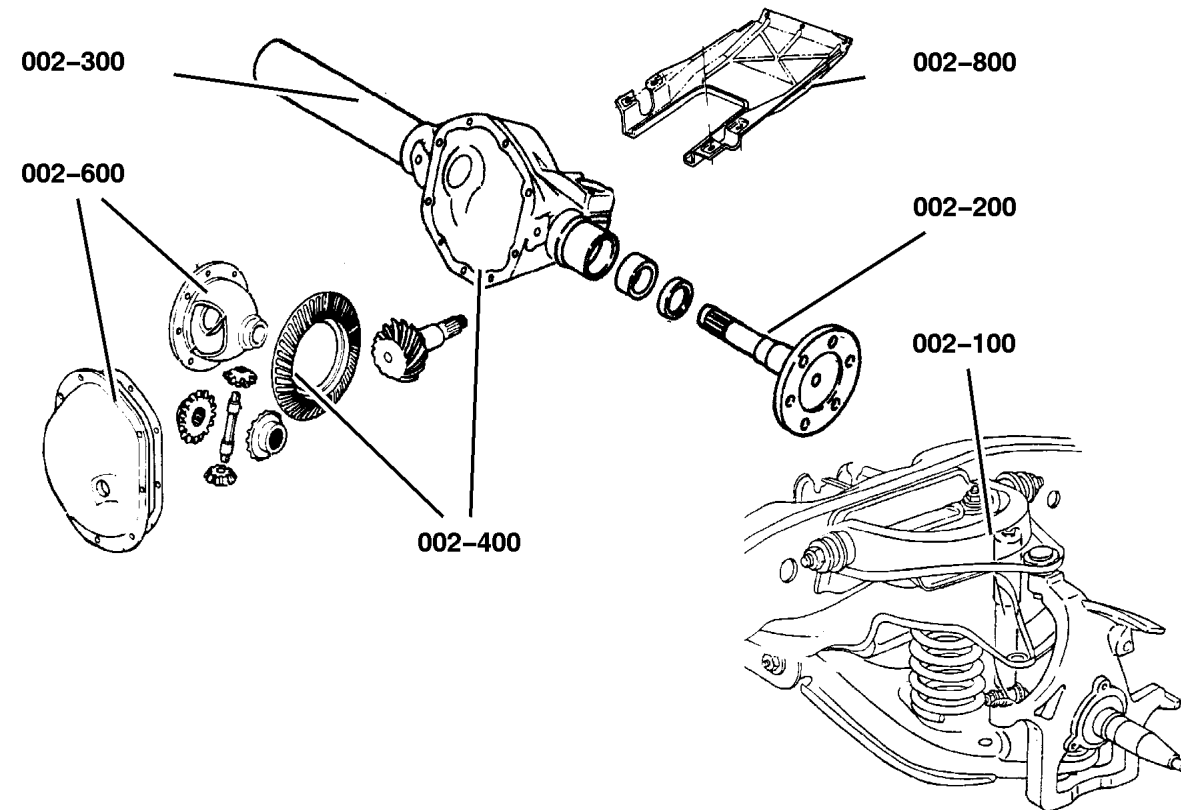
Group – 002

Front Suspension & Drive

GROUP 2 - Front Suspension & Drive

Illustration Title

Group-Fig. No.



Front Suspension

Arms,Control,Upper and Lower	Fig. 002-110
Spring and Shocks,Front	Fig. 002-120
Front Stabilizer Bar And Track Bar	Fig. 002-130

Front Axle Drive Shafts

Shafts,Front Axle	Fig. 002-210
-------------------------	--------------

Front Axle Housing

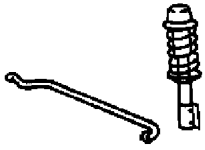
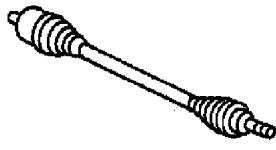
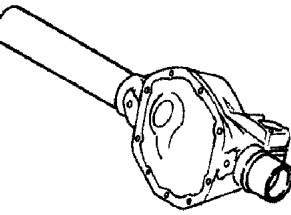
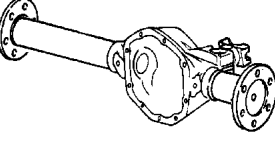
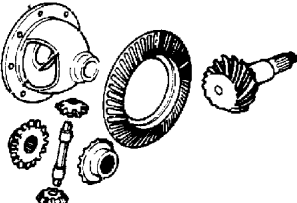
Housing,Front Axle,2 Wheel Drive	Fig. 002-310
Housing,Front Axle,4 Wheel Drive	Fig. 002-320

Front Axle Assembly

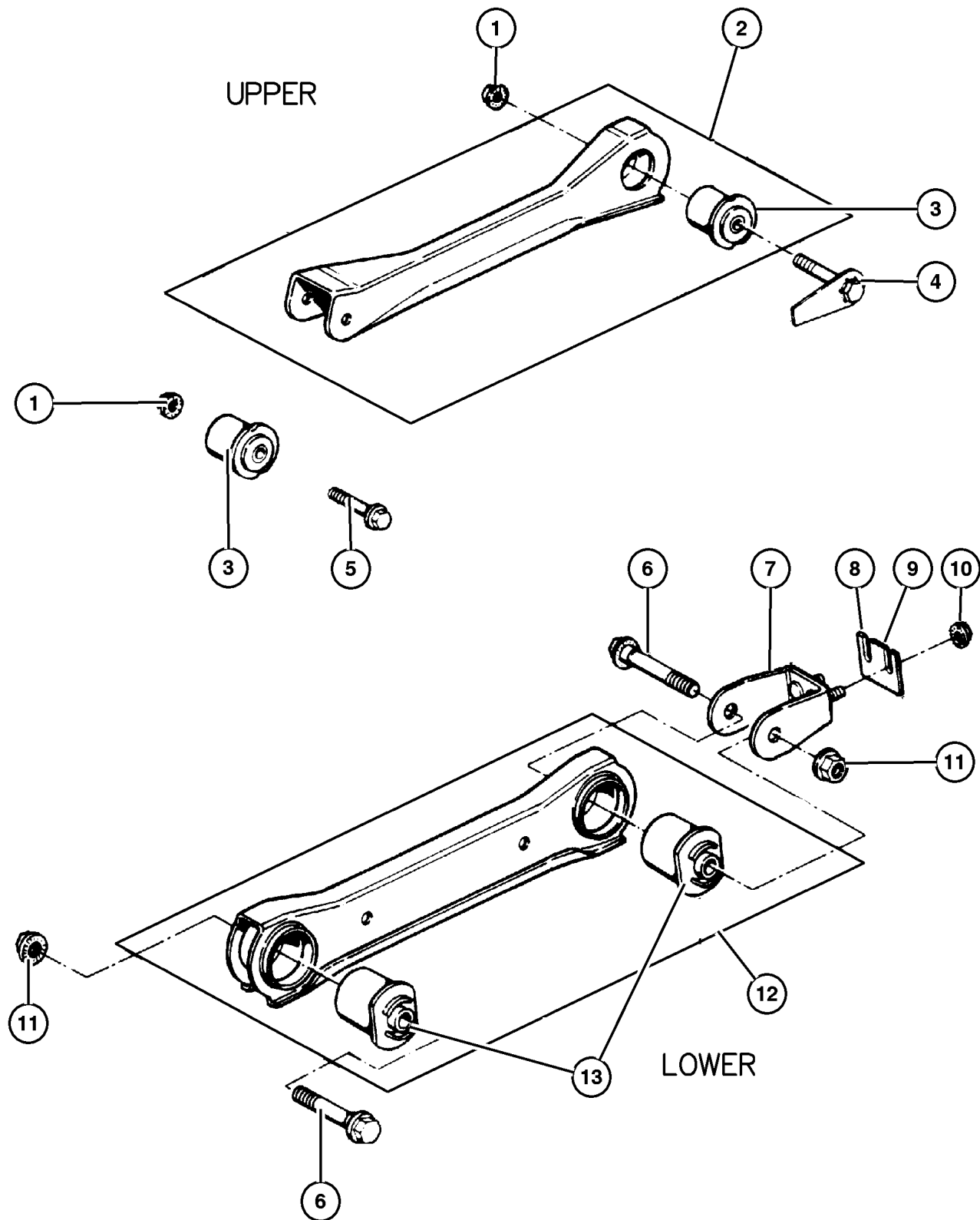
Axle Assembly,Front,4 Wheel Drive	Fig. 002-410
---	--------------

Front Axle Differential

Differential,Front Axle	Fig. 002-610
-------------------------------	--------------

<p>002-100 Front Suspension</p> 	<p>002-200 Front Axle Drive Shafts</p> 	<p>002-300 Front Axle Housing</p> 	<p>002-400 Front Axle Assembly</p> 
<p>002-600 Front Axle Differential</p> 			

Arms,Control,Upper and Lower
Figure 002-110



ITEM	PART NUMBER	QTY	LINE	SERIES	BODY	ENGINE	TRANS	TRIM	DESCRIPTION
1	1150 6007	2							NUT, Hex Flange, M10x1.5, UCA to Sill and Axle, Mounting
2	5208 7711	2							ARM, Control, Upper
3	5208 7852	2							BUSHING, Control Arm, UCA to Sill and Axle
4	6505 153AA	2							BOLT, M10x1.50x85, UCA to Sill, Mounting
5									BOLT, M10x1.50x75, (NOT SERVICED) (Not Serviced)
6	3420 1334	4							BOLT, Hex Flange Head, M14x2.00x110, LCA to Clevis and Axle, Mounting
7	5200 0532	2							CLEVIS, Lower Suspension Arm, To Sill
8	5200 0234	AR							SHIM, Control Arm, Caster and Pinion Angle Adjusting-.9mm Thick
9	5200 3976	AR							SHIM, Pinion Angle, Caster and Pinion Angle Adjusting-.4mm Thick
10	6101 695	4							NUT, Hex Flange Lock, Clevis to Sill, Mounting
11	6503 672	4							NUT, Hex, M14-2, LCA to Clevis and Axle, Mounting
12	#52001 162AB	2							ARM, Control, Lower
13	#52001 161AB	4							BUSHING, Control Arm, Lower

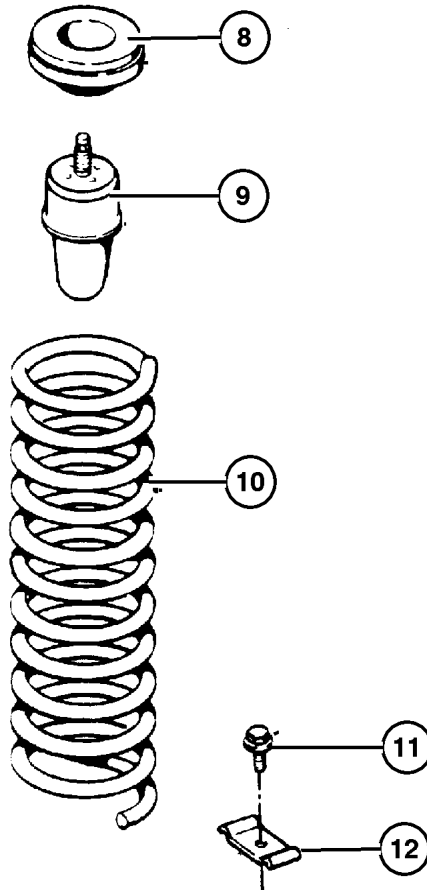
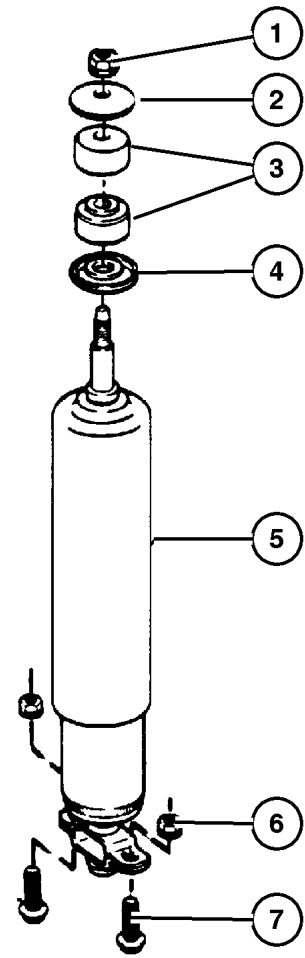
JEEP CHEROKEE (XJ)

SERIES	LINE	BODY	ENGINE	TRANSMISSION
P=Classic	J=LHD (4WD)	74=4 Dr.(101.4WB)	ENC,EN0=2.5L 4 cyl. Turbo Die	DDD, DDQ=5 spd. Man.
S=Limited	U=RHD (4WD)	72=2 Dr.(101.4WB)	ERH,ER0=4.0L Power Tech I-6	DGS=4 spd. Auto. AISIN
H=Sport	T=LHD (2WD)		EPE,EP0=Magnum 2.5L SMPI	DG0=All Auto/Trans.
L=SE	B=RHD (2WD)			DBB=All Manual Trans.

AR = Use as required - = Non illustrated part # = New this model year

December 7, 2002

Spring and Shocks,Front Figure 002-120



ITEM	PART NUMBER	QTY	LINE	SERIES	BODY	ENGINE	TRANS	TRIM	DESCRIPTION
Note:Sales Codes;									
[SDA]=Suspension - Normal Duty									
[SDB]=Suspension - Heavy Duty									
[SDU]=Shocks - High Pressure Gas Charged									
[ZFD] Thru [ZVJ]= Spring Group Types, Found on Individual Vehicle Sales Code Listing.									
1	6502 556	2							NUT, Hex, M10-1.5, Upper Shock, Mounting
2	5203 8805	2							RETAINER, Shock Absorber, Upper Shock, Mounting
3	5208 7768	2							GROMMET, Shock Absorber, Upper Shock, Mounting
4	5203 8809	2							RETAINER, Shock Absorber, Lower Shock, Mounting
5									SHOCK ABSORBER PACKAGE, Suspension, Front
	4897 413AD	2							SDA
	4897 414AD	2							SDB
	4897 412AD	2	J, U						SDU
6	6101 695	4							NUT, Hex Flange Lock, Lower Shock, Mounting
7	6502 555	4							BOLT, M8x1.25x30, Lower Shock, Mounting
8	5200 0229	2							ISOLATOR, Spring, Upper
9	5200 4295	2							BUMPER, Jounce, Upper
10									SPRING, Front Coil
	5200 1113	1							ZUD,ZFD
	5200 1122	1							ZVF,ZGF
	5200 1123	1							ZVG,ZGG
	5200 1124	1							ZVH,ZGH
	5200 1125	1							ZVJ,ZGJ
	5200 1793	1							ZVK,ZGK
	5200 1794	1							ZVL,ZGL
	5200 1114	1							ZUE,ZFE
	5200 1115	1							ZUF,ZFF
	5200 1116	1							ZUG,ZFG
	5200 1117	1							ZUH,ZFH
	5200 1118	1							ZUJ,ZFJ
	5200 1119	1							ZUK,ZFK
	5200 1120	1							ZVD,ZGD
	5200 1121	1							ZVE,ZGE
11	3420 1888	2							SCREW, Hex Head, Lower Front Coil, Mounting

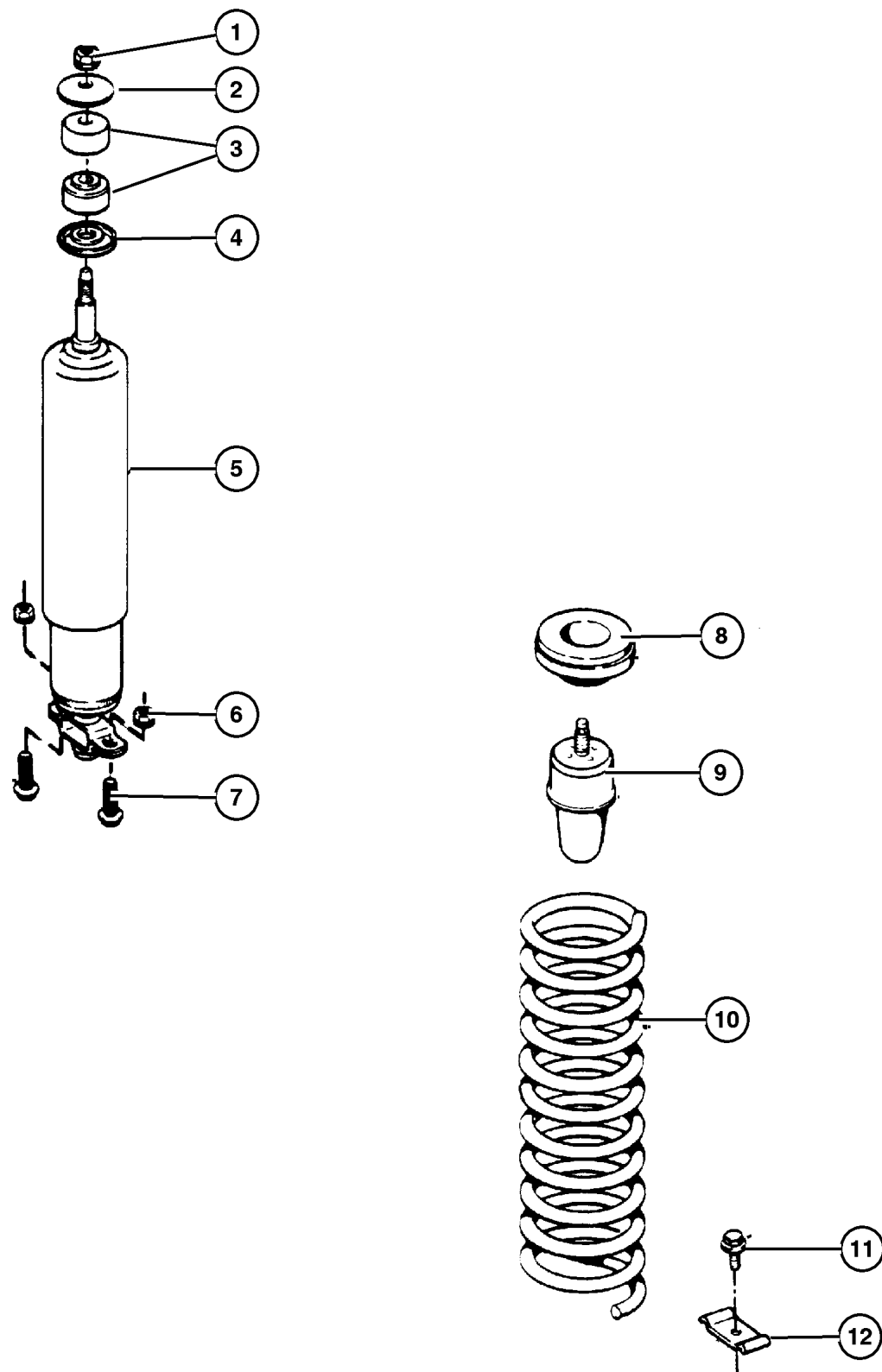
JEEP CHEROKEE (XJ)

SERIES	LINE	BODY	ENGINE	TRANSMISSION
P=Classic	J=LHD (4WD)	74=4 Dr.(101.4WB)	ENC,EN0=2.5L 4 cyl. Turbo Die	DDD, DDQ=5 spd. Man.
S=Limited	U=RHD (4WD)	72=2 Dr.(101.4WB)	ERH,ER0=4.0L Power Tech I-6	DGS=4 spd. Auto. AISIN
H=Sport	T=LHD (2WD)		EPE,EP0=Magnum 2.5L SMPI	DG0=All Auto/Trans.
L=SE	B=RHD (2WD)			DBB=All Manual Trans.

AR = Use as required - = Non illustrated part # = New this model year

December 7, 2002

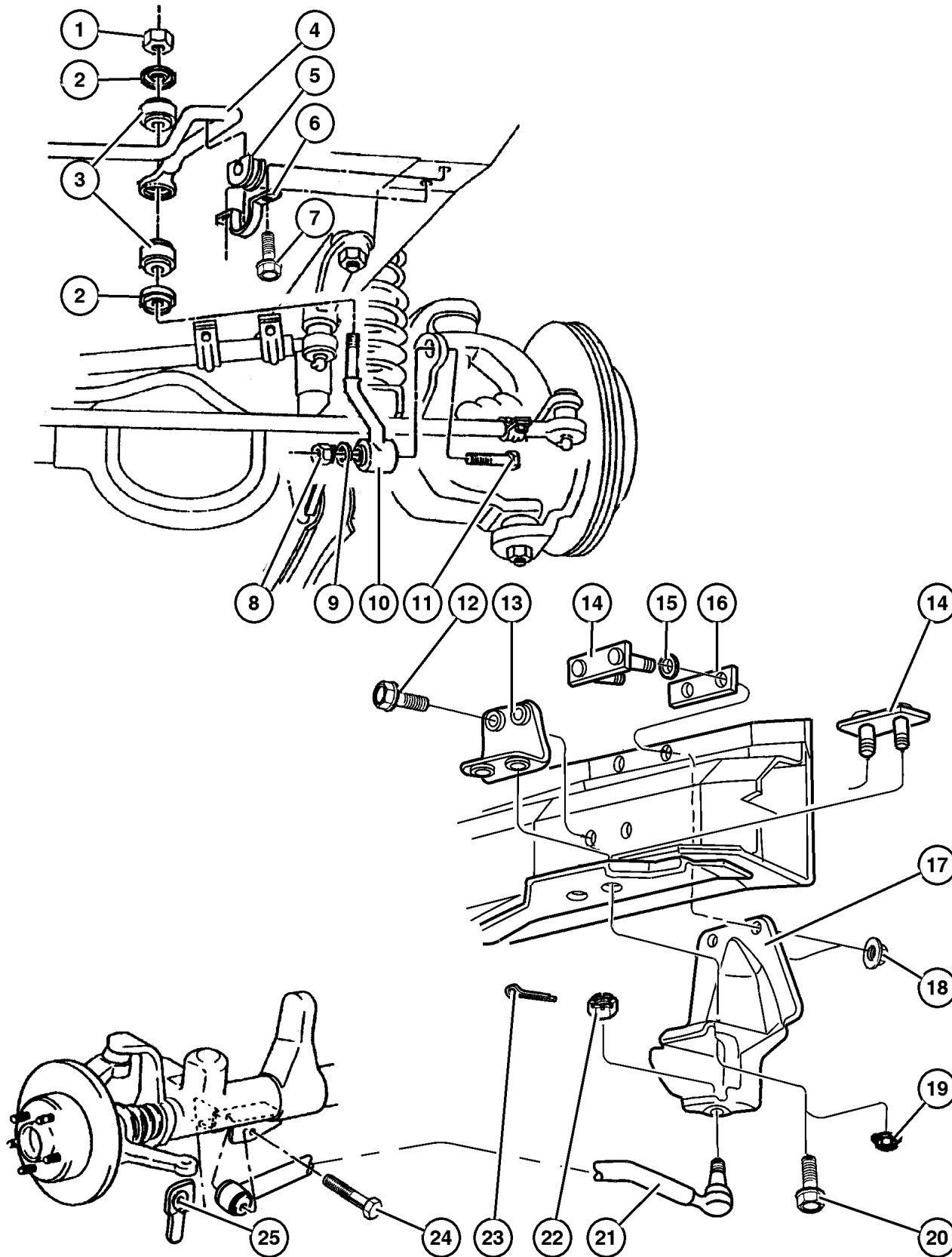
Spring and Shocks,Front
Figure 002-120



ITEM	PART NUMBER	QTY	LINE	SERIES	BODY	ENGINE	TRANS	TRIM	DESCRIPTION
12	5300 0899	2							BRACKET, Spring, Lower Front Coil, Mounting

JEEP CHEROKEE (XJ)		BODY	ENGINE	TRANSMISSION
SERIES	LINE	74=4 Dr.(101.4WB)	ENC,EN0=2.5L 4 cyl. Turbo Die	DDD, DDQ=5 spd. Man.
P=Classic	J=LHD (4WD)	72=2 Dr.(101.4WB)	ERH,ER0=4.0L Power Tech I-6	DGS=4 spd. Auto. AISIN
S=Limited	U=RHD (4WD)		EPE,EP0=Magnum 2.5L SMPI	DG0=All Auto/Trans.
H=Sport	T=LHD (2WD)			DBB=All Manual Trans.
L=SE	B=RHD (2WD)			

Front Stabilizer Bar And Track Bar Figure 002-130



ITEM	PART NUMBER	QTY	LINE	SERIES	BODY	ENGINE	TRANS	TRIM	DESCRIPTION
Note; Sales Codes;									
[ENC]=Engine - 2.5L Diesel									
[EP0]=Engines - All 2.5L Gas									
[ER0]=Engines - All 4.0L Gas									
1									NUT, M10x1.50, (NOT SERVICED) (Not Serviced)
2	5208 7668	4							RETAINER, Sway Bar, Mounting
3	5200 1132	4							GROMMET, Sway Bar, Mounting
4	5208 7859	1							BAR, Front Sway
5	5208 8523	2							CUSHION, Sway Eliminator, Mounting
6	5208 7865	2							RETAINER, Sway Bar, Mounting
7	3420 1540	4							BOLT AND WASHER, Implement Attaching, Sway Bar Retainer, Mounting
8	6502 697	2							NUT, Hex Flange Lock, M12x1.75, Sway Bar Link to Axle, Mounting
9									WASHER, Flat, (NOT SERVICED) (Not Serviced)
10	5203 7849	2							LINK, Sway Eliminator, Mounting
11	6503 032	2							SCREW, Pan Head, M12 x 1.75 x 58.00, Sway Bar Link to Axle, Mounting
12									BOLT, Hex Flange Head, M10x1. 50x35
	6502 137	2				ENC			Reinforcement, Mounting
		2	B, U			EP0, ER0			Reinforcement, Mounting
13									REINFORCEMENT, Track Bar Mounting
	5208 7861	1	J, T			ENC			Mounting
	5203 7507	1	B, U						Mounting
14									PLATE, Track Bar Mounting
	5200 1493	1	J, T			EP0			Mounting
15	J012 0396	1	B, U			EP0			WASHER, Flat, .531x1.09
16									BRACKET, Sill, (NOT SERVICED) (Not Serviced)
17									BRACKET, Track Bar Mounting
	52007 121AC	1	J, T						Mounting
	52006 508AC	1	B, U						Mounting
18	6502 697	2							NUT, Hex Flange Lock, M12x1.75, Bracket to Reinforcement, Mounting

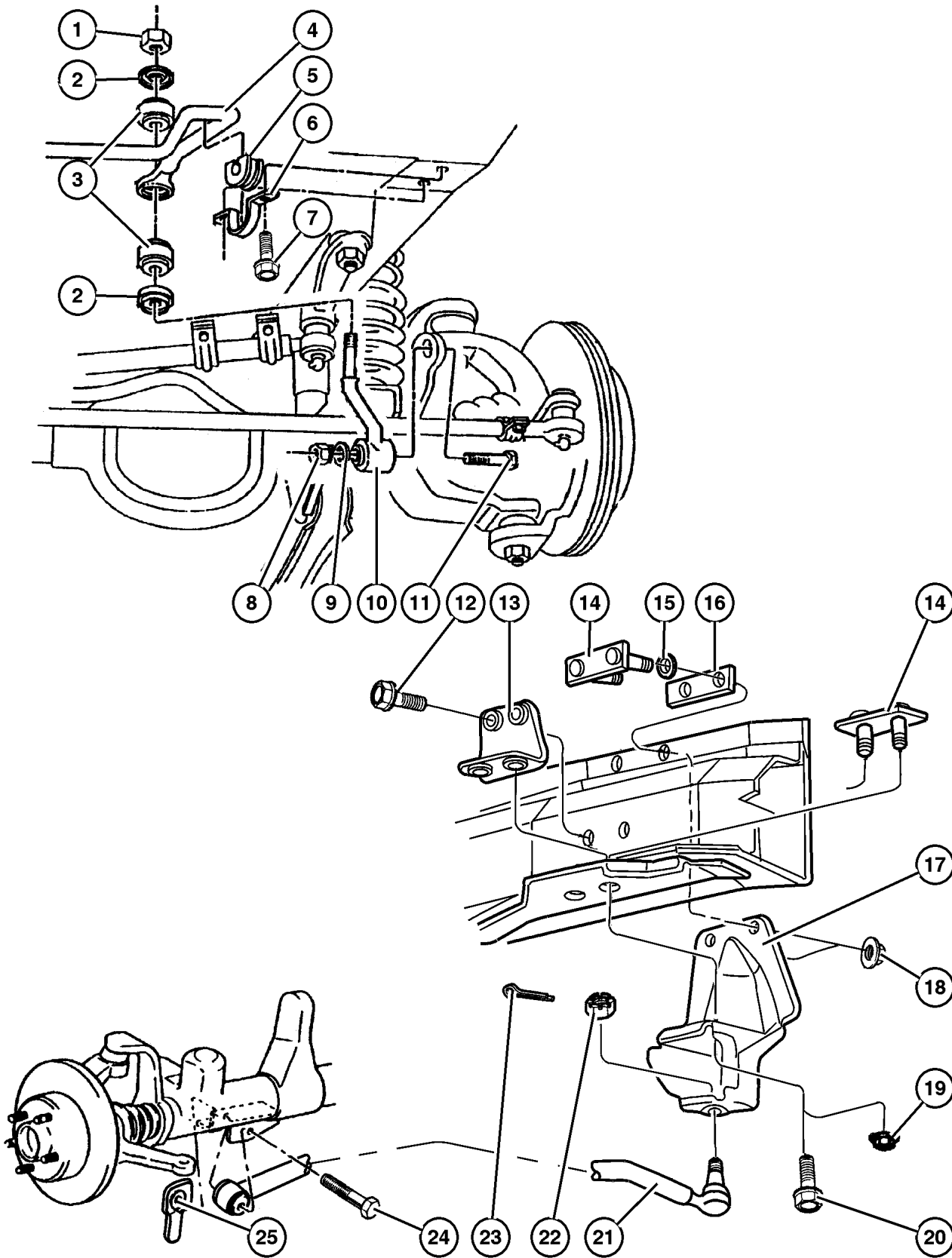
JEEP CHEROKEE (XJ)

SERIES	LINE	BODY	ENGINE	TRANSMISSION
P=Classic	J=LHD (4WD)	74=4 Dr.(101.4WB)	ENC,EN0=2.5L 4 cyl. Turbo Die	DDD, DDQ=5 spd. Man.
S=Limited	U=RHD (4WD)	72=2 Dr.(101.4WB)	ERH,ER0=4.0L Power Tech I-6	DGS=4 spd. Auto. AISIN
H=Sport	T=LHD (2WD)		EPE,EP0=Magnum 2.5L SMPI	DG0=All Auto/Trans.
L=SE	B=RHD (2WD)			DBB=All Manual Trans.

AR = Use as required - = Non illustrated part # = New this model year

December 7, 2002

**Front Stabilizer Bar And Track Bar
Figure 002-130**



ITEM	PART NUMBER	QTY	LINE	SERIES	BODY	ENGINE	TRANS	TRIM	DESCRIPTION
19	6502 697	2							NUT, Hex Flange Lock, M12x1.75, Bracket to Track Bar Plate, Mounting
20	3420 1964	2							BOLT, Hex Flange Head, M12x1.75x40, Bracket to Reinforcement, Mounting
21	5200 7118	1	J, T						BAR, Track
	5305 4317	1	B, U						
22	J027 4428	1							NUT, Hex Slotted, Track Bar to Bracket, Mounting
23	3420 2101	1							PIN, Cotter, Track Bar, Mounting
24	6505 549AA	1							SCREW, Track Bar To Axle, Mounting
25	6506 264AA	1	J, T						
	5208 7888	1	B, U						NUT, Hex Flange Lock, M10x1.5 Track Bar To Axle, Mounting

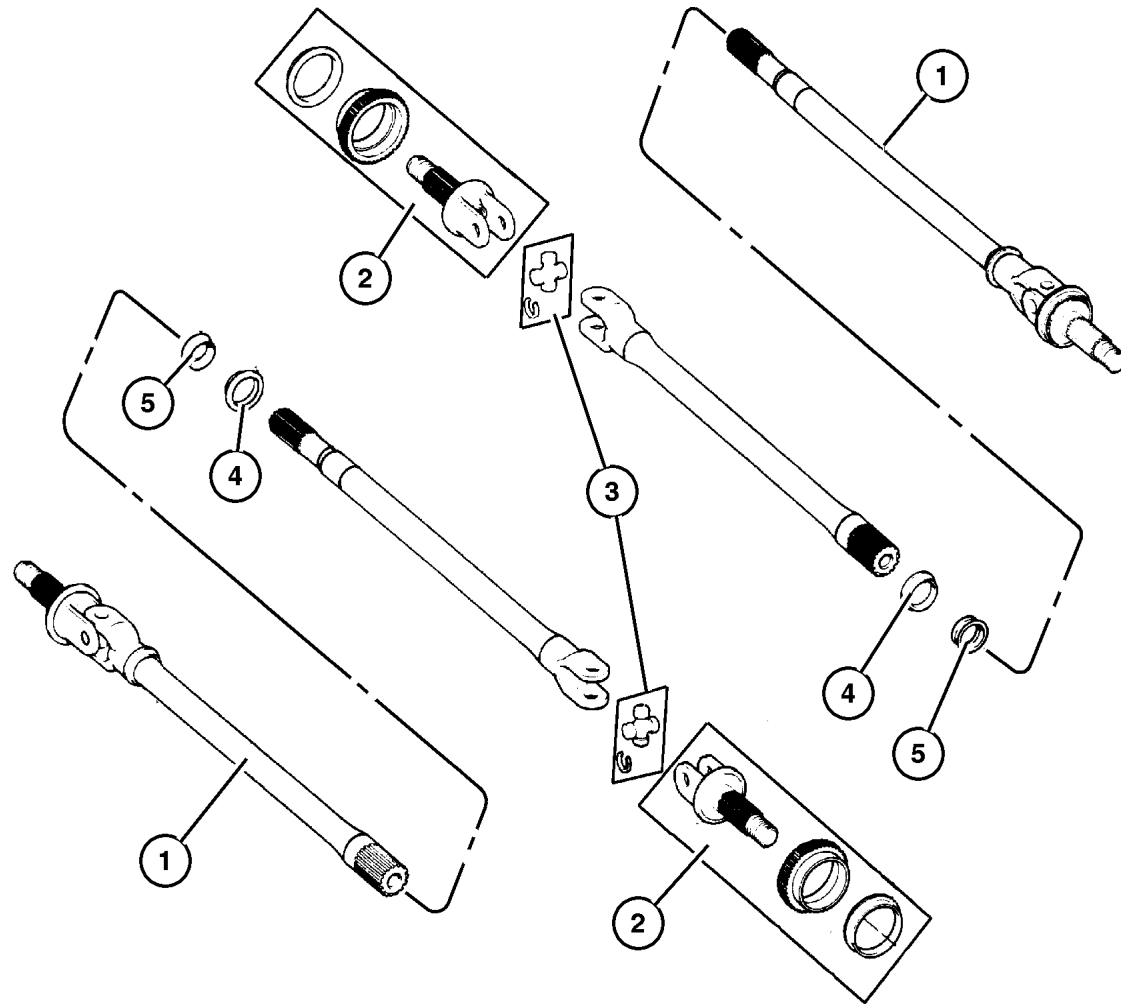
JEEP CHEROKEE (XJ)				
SERIES	LINE	BODY	ENGINE	TRANSMISSION
P=Classic	J=LHD (4WD)	74=4 Dr.(101.4WB)	ENC,EN0=2.5L 4 cyl. Turbo Die	DDD, DDQ=5 spd. Man.
S=Limited	U=RHD (4WD)	72=2 Dr.(101.4WB)	ERH,ER0=4.0L Power Tech I-6	DGS=4 spd. Auto. AISIN
H=Sport	T=LHD (2WD)		EPE,EP0=Magnum 2.5L SMPI	DG0=All Auto/Trans.
L=SE	B=RHD (2WD)			DBB=All Manual Trans.

AR = Use as required - = Non illustrated part # = New this model year

December 7, 2002

Shafts,Front Axle
Figure 002-210

ITEM	PART NUMBER	QTY	LINE	SERIES	BODY	ENGINE	TRANS	TRIM	DESCRIPTION
Note;Sales Codes: [BGA]=Brakes - Power Front Disc/Rear Drum [BGK]=Brakes - 4 Wheel Anti-Lock									
1									SHAFT, Axle
	4874 302	1	J						[BGA], Right
	4874 303	1	J						[BGA], Left
	4874 302	1	U						[BGA], Right
	4874 303	1	U						[BGA], Left
	4874 306	1	J						[BGK], Right
	4874 307	1	J						[BGK], Left
	4874 306	1	U						[BGK], Right
	4874 307	1	U						[BGK], Left
2									SHAFT, Axle
	8350 0184	1	J						[BGA], Right or Left
	4728 984	1	J						[BGK], Right or Left
	8350 0184	1	U						[BGA], Right or Left
	4728 984	1	U						[BGK], Right or Left
3									U JOINT, Front Axle
	4137 757	2	J						Right or Left
		2	U						Right or Left
4									SLINGER, Oil
	4882 135	2	J						Right or Left
		2	U						Right or Left
5									SEAL, Axle Drive Shaft
	J812 1781	2	J						Right or Left
		2	U						Right or Left

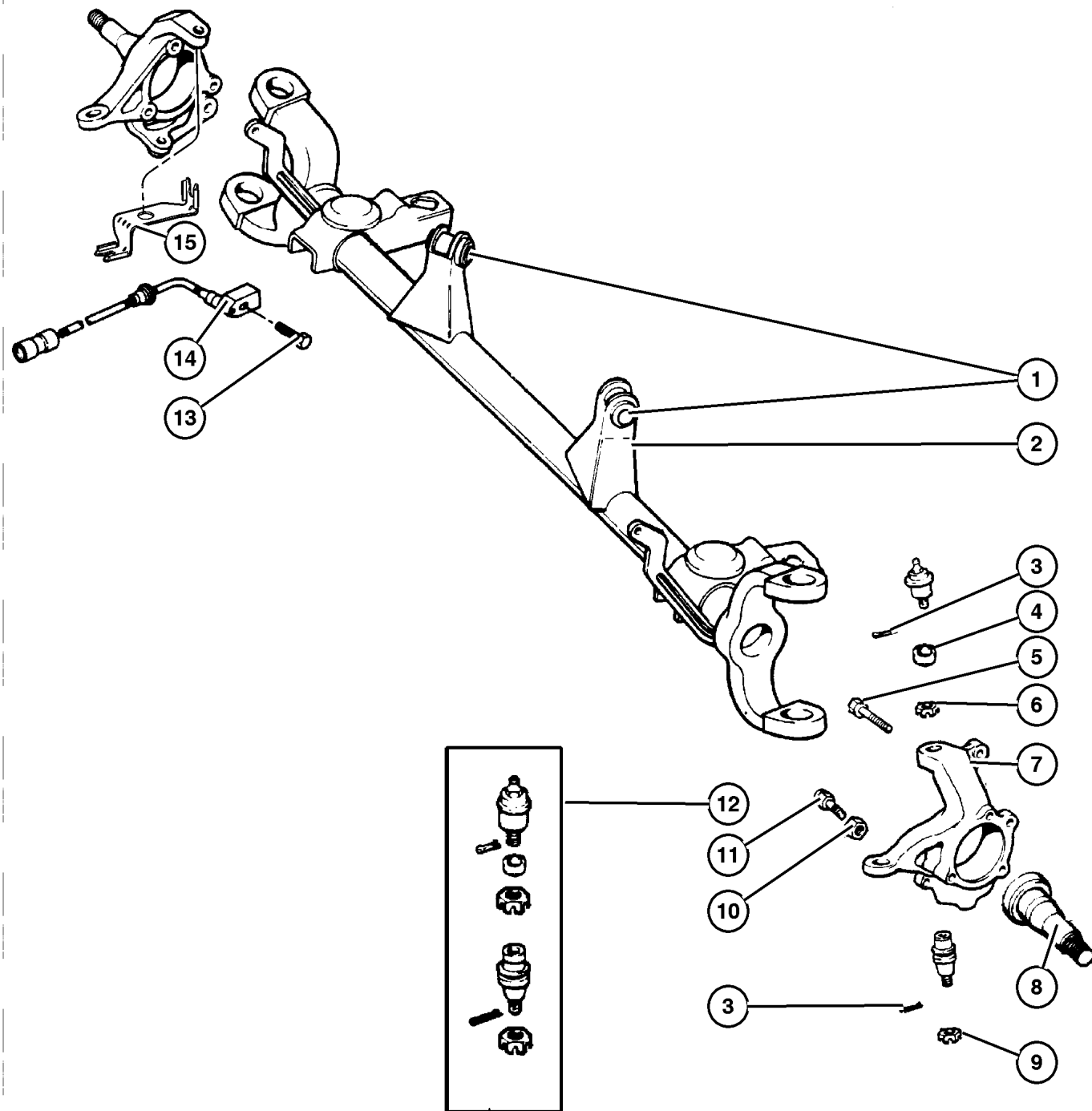


JEEP CHEROKEE (XJ)				
SERIES	LINE	BODY	ENGINE	TRANSMISSION
P=Classic	J=LHD (4WD)	74=4 Dr.(101.4WB)	ENC,EN0=2.5L 4 cyl. Turbo Die	DDD, DDQ=5 spd. Man.
S=Limited	U=RHD (4WD)	72=2 Dr.(101.4WB)	ERH,ER0=4.0L Power Tech I-6	DGS=4 spd. Auto. AISIN
H=Sport	T=LHD (2WD)		EPE,EP0=Magnum 2.5L SMPI	DG0=All Auto/Trans.
L=SE	B=RHD (2WD)			DBB=All Manual Trans.

AR = Use as required - = Non illustrated part # = New this model year

December 7, 2002

Housing,Front Axle,2 Wheel Drive Figure 002-310



ITEM	PART NUMBER	QTY	LINE	SERIES	BODY	ENGINE	TRANS	TRIM	DESCRIPTION
1									BUSHING, Control Arm
	5208 7852	2	B		74				
		2	T						
2									HOUSING, Front Axle
	4773 430	1	B		74				
	#5017 166AA	1	T						
3									PIN, Cotter
	J812 1392	2	B		74				
		2	T						
4									RING, Ball Joint
	8350 0203	1	B		74				
		1	T						
5									BOLT
	3420 1535	6	B		74				Knuckle to Hub and Bearing, Mounting
		6	T						Knuckle to Hub and Bearing, Mounting
6									NUT, Steering Knuckle Socket
	J012 5258	1	B		74				
		1	T						
7									KNUCKLE, Front
	5206 7576	1	B		74				Right
	5206 7577	1	B		74				Left
	5206 7576	1	T						Right
	5206 7577	1	T						Left
8									SHAFT, Dummy
	4741 011	2	B		74				Right or Left
		2	T						Right or Left
9									NUT
	J812 3318	1	B		74				
		1	T						
10									NUT, Steering Knuckle Stop
	S011 4494	2	B		74				
		2	T						Stop
11									BOLT, Steering Knuckle Stop
	1791 701	2	B		74				
		2	T						
12									BALL JOINT KIT, Knuckle
	8350 0202	2	B		74				
		2	T						
13									BOLT
	8350 4920	2	B		74				ABS Sensor, Mounting

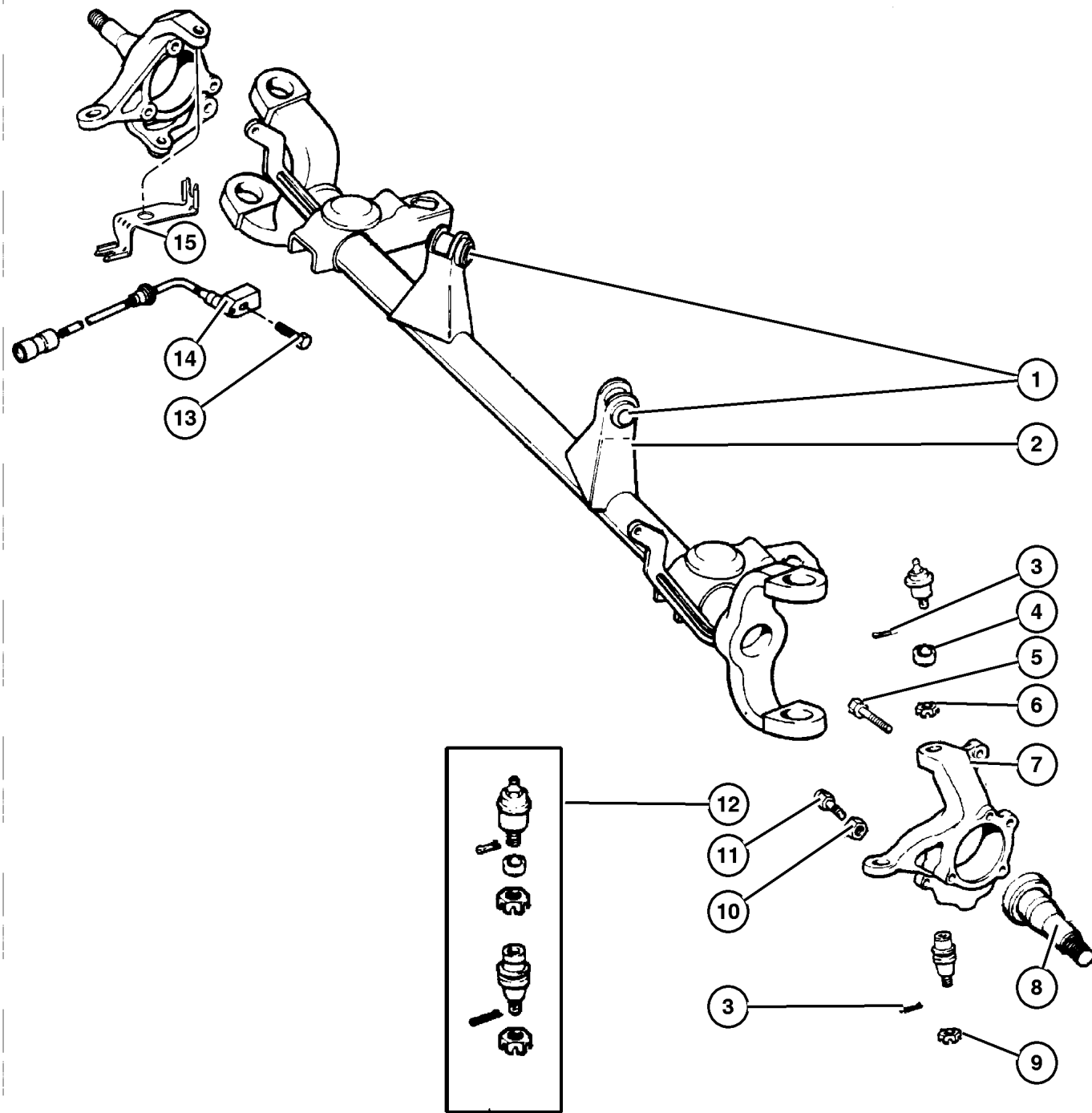
JEEP CHEROKEE (XJ)

SERIES	LINE	BODY	ENGINE	TRANSMISSION
P=Classic	J=LHD (4WD)	74=4 Dr.(101.4WB)	ENC,EN0=2.5L 4 cyl. Turbo Die	DDD, DDQ=5 spd. Man.
S=Limited	U=RHD (4WD)	72=2 Dr.(101.4WB)	ERH,ER0=4.0L Power Tech I-6	DGS=4 spd. Auto. AISIN
H=Sport	T=LHD (2WD)		EPE,EP0=Magnum 2.5L SMPI	DG0=All Auto/Trans.
L=SE	B=RHD (2WD)			DBB=All Manual Trans.

AR = Use as required - = Non illustrated part # = New this model year

December 7, 2002

Housing,Front Axle,2 Wheel Drive
Figure 002-310



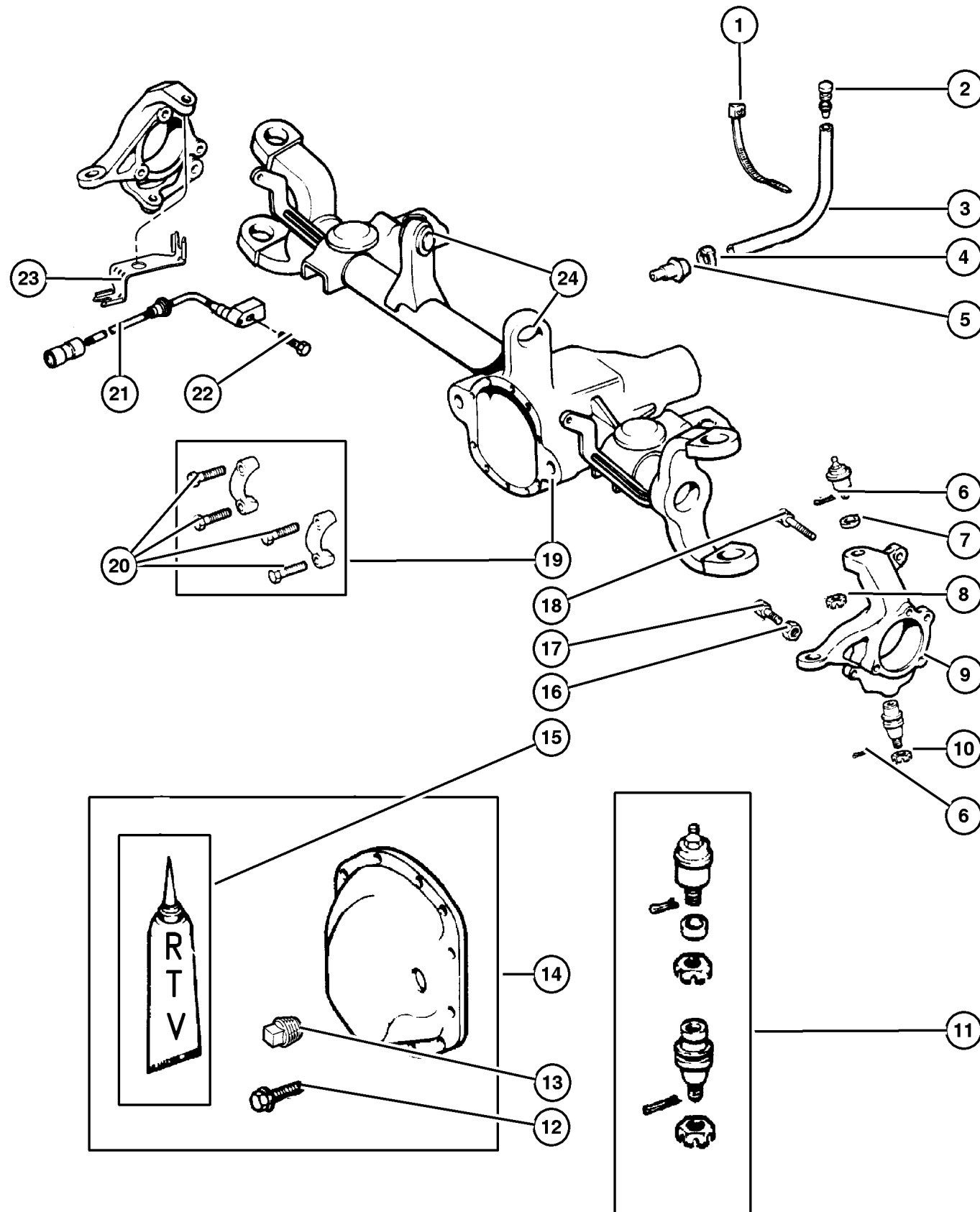
ITEM	PART NUMBER	QTY	LINE	SERIES	BODY	ENGINE	TRANS	TRIM	DESCRIPTION
		2	T						ABS Sensor, Mounting
14	5600 5217	2	B		74				SENSOR, Anti-Lock Brakes
		2	T						
15									BRACKET, Brake Sensor
	5602 6766	1	B		74				Right
	5602 6767	1	B		74				Left
	5602 6766	1	T						Right
	5602 6767	1	T						Left

JEEP CHEROKEE (XJ)				
SERIES	LINE	BODY	ENGINE	TRANSMISSION
P=Classic	J=LHD (4WD)	74=4 Dr.(101.4WB)	ENC,EN0=2.5L 4 cyl. Turbo Die	DDD, DDQ=5 spd. Man.
S=Limited	U=RHD (4WD)	72=2 Dr.(101.4WB)	ERH,ER0=4.0L Power Tech I-6	DGS=4 spd. Auto. AISIN
H=Sport	T=LHD (2WD)		EPE,EP0=Magnum 2.5L SMPI	DG0=All Auto/Trans.
L=SE	B=RHD (2WD)			DBB=All Manual Trans.

AR = Use as required - = Non illustrated part # = New this model year

December 7, 2002

Housing,Front Axle,4 Wheel Drive Figure 002-320



Note: Sales Codes;

[ENC]=Engine - 2.5L 4 Cylinder Turbo Diesel

[EN0]=Engines - All 4/5 Cylinder Turbo Diesel

[EP0]=Engines - All 2.5L 4 Cylinder Gas

[ER0]=Engines - All 4.0L 6 Cylinder Gas

ITEM	PART NUMBER	QTY	LINE	SERIES	BODY	ENGINE	TRANS	TRIM	DESCRIPTION
1	4641 780	1	J, U						STRAP, Tie, Holds Upper Vent Hose
2	J535 2955	1	J, U						VENT, Axle, Upper
3	HFV0 0516	1	J, U						HOSE, Fuel And Vapor, 25 Foot Roll 5/16", Axle Vent
4	6502 081	2	J, U						CLAMP, Oil Cooler Line, Lower
5	8350 4653	1	J						VENT, Axle Lower
		1	U						VENT, Axle Lower
6	1101 0069	2	J						PIN, Cotter, M4x40.00
		2	U						
7	8350 0203	1	J						RING, Ball Joint
		1	U						
8	J012 5258	2	J						NUT, Steering Knuckle Socket
		2	U						
9	5015 980AA	1	J						KNUCKLE, Front Right
	5015 981AA	1	J						KNUCKLE, Front Left
	5015 980AA	1	U						KNUCKLE, Front Right
	5015 981AA	1	U						KNUCKLE, Front Left
10	J812 3318	2	J						NUT
		2	U						
11	8350 0202	2	J						BALL JOINT KIT, Knuckle
		2	U						
12	2954 031	10	J						BOLT, Differential Cover
		10	U						
13	J400 4751	1	J						PLUG, Differential Cover
		1	U						
14	5252 583	1	J						COVER, Differential
		1	U						
15		1	U						SEALANT, RTV

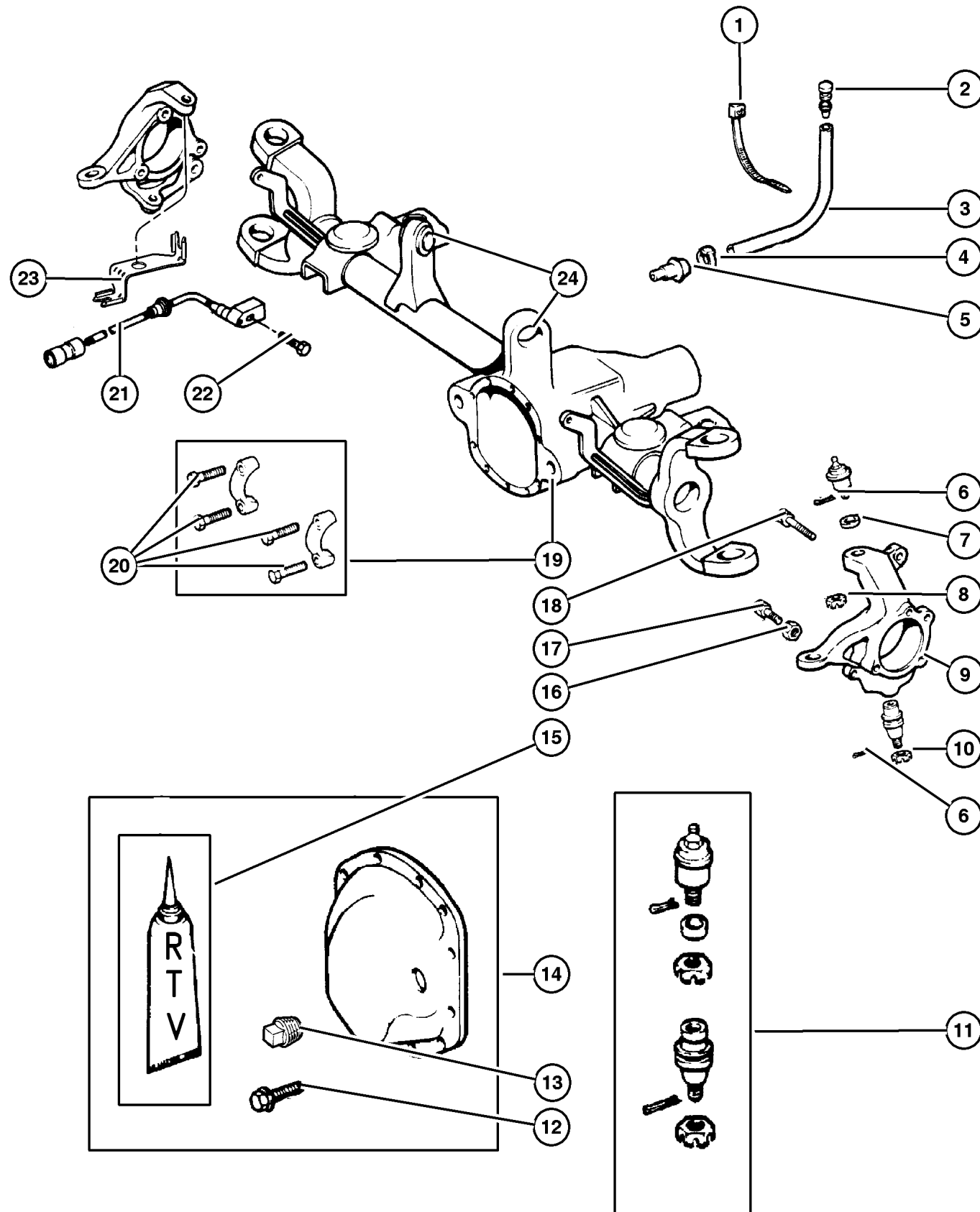
JEEP CHEROKEE (XJ)

SERIES	LINE	BODY	ENGINE	TRANSMISSION
P=Classic	J=LHD (4WD)	74=4 Dr.(101.4WB)	ENC,EN0=2.5L 4 cyl. Turbo Die	DDD, DDQ=5 spd. Man.
S=Limited	U=RHD (4WD)	72=2 Dr.(101.4WB)	ERH,ER0=4.0L Power Tech I-6	DGS=4 spd. Auto. AISIN
H=Sport	T=LHD (2WD)		EPE,EP0=Magnum 2.5L SMPI	DG0=All Auto/Trans.
L=SE	B=RHD (2WD)			DBB=All Manual Trans.

AR = Use as required - = Non illustrated part # = New this model year

December 7, 2002

Housing,Front Axle,4 Wheel Drive Figure 002-320



ITEM	PART NUMBER	QTY	LINE	SERIES	BODY	ENGINE	TRANS	TRIM	DESCRIPTION
	5010 884AA	1	J						
		1	U						
16	S011 4494	2	J						NUT, Steering Knuckle Stop
		2	U						Stop
17									BOLT, Steering Knuckle Stop
	1791 701	2	J						
		2	U						
18									BOLT
	3420 1535	6	J						Mounting
		6	U						Mounting
19									HOUSING, Front Axle
	#5015 978AA	1	J						[DMD,DMM] Includes Item 24
	4778 905	1	J			ENC			[DME] Includes Item 24
	4773 429	1	J						[DMF] Includes Item 24
	#5016 112AA	1	U						[DMD] Includes Item 24
	4797 774	1	U			ENC			[DME] Includes Item 24
	4773 458	1	U						[DMF] Includes Item 24
20									BOLT, Differential
	4897 482AB	4	J						
		4	U						
21									SENSOR, Anti-Lock Brakes
	5600 5217	2	J						
		2	U						
22	8350 4920	2							BOLT, ABS Sensor, Mounting
23									BRACKET, Brake Sensor
	5602 6766	1	J						ABS, Right
	5602 6767	1	J						ABS, Left
	5602 6766	1	U						ABS, Right
	5602 6767	1	U						ABS, Left
24									BUSHING, Control Arm
	5203 8025	2	J						Front, Upper
		2	U						Front, Upper

JEEP CHEROKEE (XJ)

SERIES	LINE	BODY	ENGINE	TRANSMISSION
P=Classic	J=LHD (4WD)	74=4 Dr.(101.4WB)	ENC,EN0=2.5L 4 cyl. Turbo Die	DDD, DDQ=5 spd. Man.
S=Limited	U=RHD (4WD)	72=2 Dr.(101.4WB)	ERH,ER0=4.0L Power Tech I-6	DGS=4 spd. Auto. AISIN
H=Sport	T=LHD (2WD)		EPE,EP0=Magnum 2.5L SMPI	DG0=All Auto/Trans.
L=SE	B=RHD (2WD)			DBB=All Manual Trans.

AR = Use as required - = Non illustrated part # = New this model year

December 7, 2002

**Axle Assembly,Front,4 Wheel Drive
Figure 002-410**

ITEM	PART NUMBER	QTY	LINE	SERIES	BODY	ENGINE	TRANS	TRIM	DESCRIPTION
------	-------------	-----	------	--------	------	--------	-------	------	-------------

Note: Sales Codes;

[DMD]=Axle Ratio - 3.55

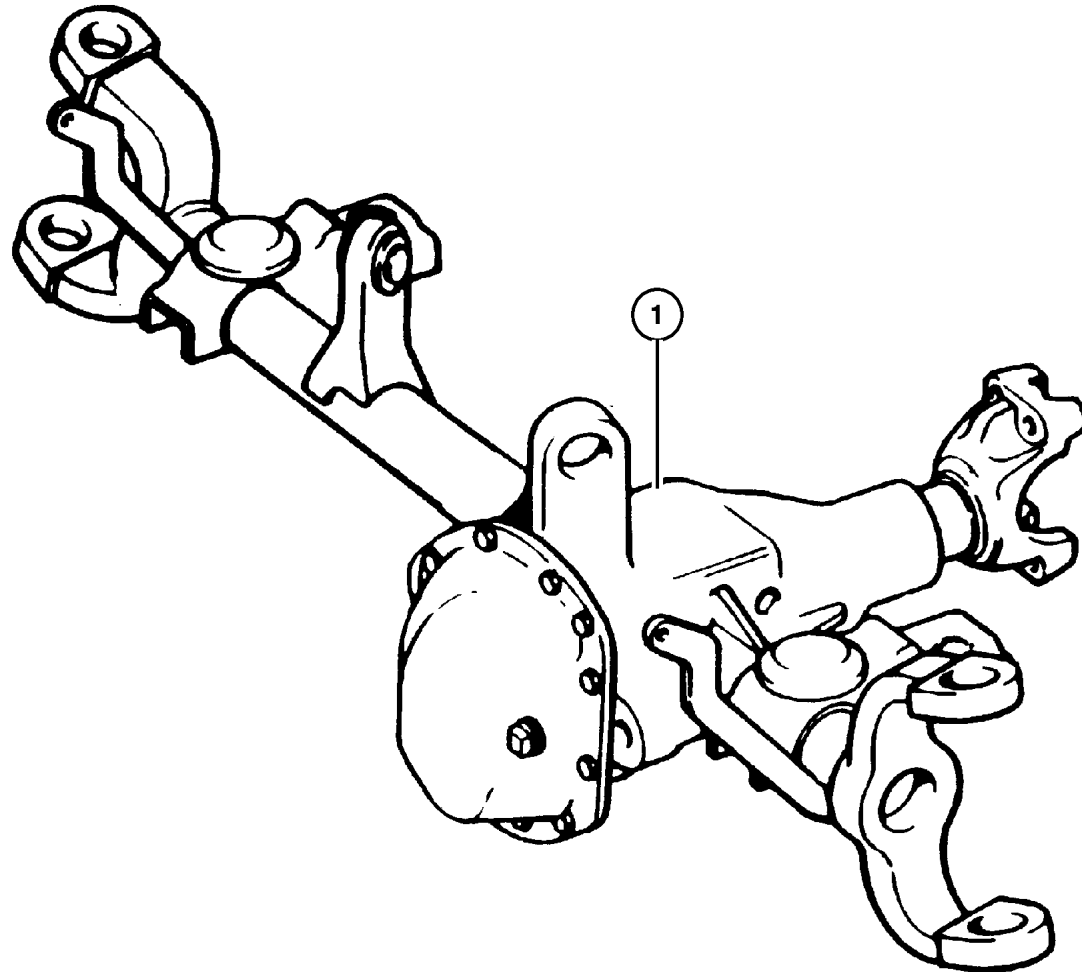
[DME]=Axle Ratio - 3.73

[DMF]=Axle Ratio - 4.10

[DMM]=Axle Ratio - 3.07

[ENC]=Engine - 2.5L 4 Cylinder Turbo Diesel

1									AXLE, Service Front
	#5015 979AA	1	J						[DMM]
	#5015 982AA	1	J						[DMD]
	4778 909	1	J			ENC			[DME]
	4773 454	1	J						[DMF]
	#5016 113AA	1	U						[DMD]
	4797 780	1	U			ENC			[DME]
	4798 029	1	U						[DMF]



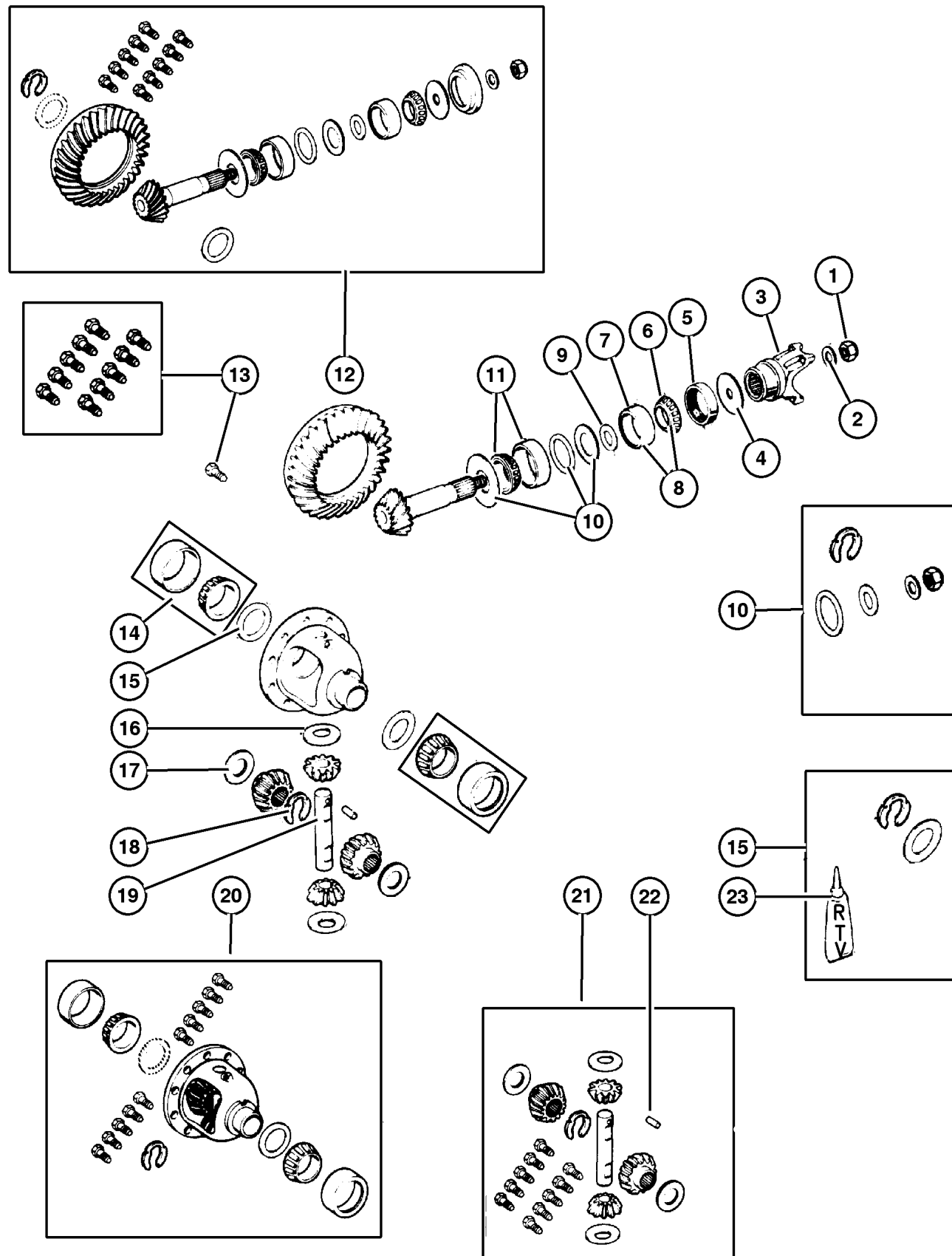
JEEP CHEROKEE (XJ)

SERIES	LINE	BODY	ENGINE	TRANSMISSION
P=Classic	J=LHD (4WD)	74=4 Dr.(101.4WB)	ENC,EN0=2.5L 4 cyl. Turbo Die	DDD, DDQ=5 spd. Man.
S=Limited	U=RHD (4WD)	72=2 Dr.(101.4WB)	ERH,ER0=4.0L Power Tech I-6	DGS=4 spd. Auto. AISIN
H=Sport	T=LHD (2WD)		EPE,EP0=Magnum 2.5L SMPI	DG0=All Auto/Trans.
L=SE	B=RHD (2WD)			DBB=All Manual Trans.

AR = Use as required - = Non illustrated part # = New this model year

December 7, 2002

Differential, Front Axle Figure 002-610



ITEM	PART NUMBER	QTY	LINE	SERIES	BODY	ENGINE	TRANS	TRIM	DESCRIPTION
Note: Sales Codes;									
[DMD]=Axle Ratio - 3.55									
[DME]=Axle Ratio - 3.73									
[DMF]=Axle Ratio - 4.10									
[DMM]=Axle Ratio - 3.07									
[ENC]=Engine - 2.5L 4 Cylinder Turbo Diesel									
1	1791 575	1	J						NUT, Pinion Yoke
		1	U						
2	1791 576	1	J						WASHER, Pinion Yoke
		1	U						
3	8350 3388	1	J						YOKE, Axle
		1	U						
4	4031 974	1	J						SLINGER, Drive Pinion
		1	U						
5	4746 772	1	J						SEAL, Drive Pinion
		1	U						
6	J005 2878	1	J						BEARING, Drive Pinion
		1	U						[DME,DMF] Bearing Only, Front
7	J005 2879	1	J						CUP, Drive Pinion Bearing
		1	U						[DME,DMF] Cup Only, Front
8	5252 508	1	J						BEARING, Drive Pinion
		1	U						[DMM,DMD] Bearing and Cup, Front
									[DMM,DMD] Bearing and Cup, Front
9	4864 845AB	1	J						SPACER
		1	U						[DMM,DMD] Crush
10	8350 0192	1	J						SHIM KIT, Pinion Shaft
		1	U						[DME,DMF]
	4720 862	1	J						[DMM,DMD]
		1	U						[DMM,DMD]
11	J812 6499	1	J						BEARING, Drive Pinion
									Bearing and Cup, Rear

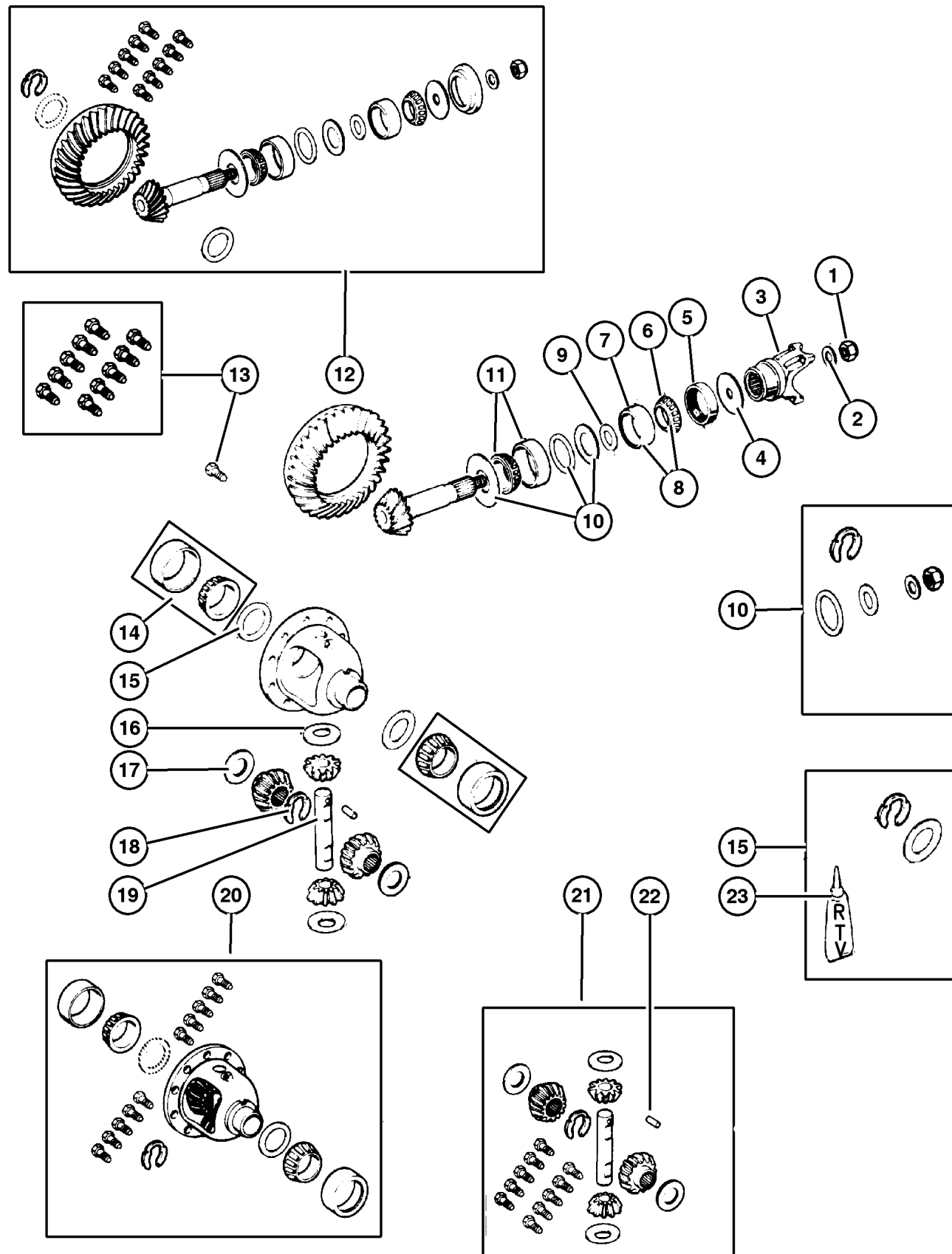
JEEP CHEROKEE (XJ)

SERIES	LINE	BODY	ENGINE	TRANSMISSION
P=Classic	J=LHD (4WD)	74=4 Dr.(101.4WB)	ENC,EN0=2.5L 4 cyl. Turbo Die	DDD, DDQ=5 spd. Man.
S=Limited	U=RHD (4WD)	72=2 Dr.(101.4WB)	ERH,ER0=4.0L Power Tech I-6	DGS=4 spd. Auto. AISIN
H=Sport	T=LHD (2WD)		EPE,EP0=Magnum 2.5L SMPI	DG0=All Auto/Trans.
L=SE	B=RHD (2WD)			DBB=All Manual Trans.

AR = Use as required - = Non illustrated part # = New this model year

December 7, 2002

Differential, Front Axle Figure 002-610



ITEM	PART NUMBER	QTY	LINE	SERIES	BODY	ENGINE	TRANS	TRIM	DESCRIPTION
		1	U						Bearing and Cup, Rear
12									GEAR KIT, Ring And Pinion
	5012 476AB	1	J						[DMD]
	4746 074	1	J			ENC			[DME]
	8350 2353	1	J						[DMF]
	4864 853	1	J						[DMM]
	5012 476AB	1	U						[DMD]
	4746 074	1	U			ENC			[DME]
	8350 2353	1	U						[DMF]
13									SCREW, Drive Gear
	5252 503	10	J						
		10	U						
14									BEARING, Differential
	J812 6500	1	J						Consists of 2 Bearing and 2 Cups
		1	U						Consists of 2 Bearing and 2 Cups
15									SHIM KIT, Differential
	8350 0191	1	J						
		1	U						
16									WASHER, Pinion Gear
	J812 0831	2	J						Thrust
		2	U						Thrust
17									WASHER, Side Gear
	J813 3724	2	J						Thrust
		2	U						Thrust
18									SNAP RING, Front Axle Shaft
	4137 739	2	J						
		2	U						
19									SHAFT, Differential
	5003 840AA	1	J						Pinion
		1	U						Pinion
20									CASE, Differential
	5252 590	1	J						[DME,DMF]
		1	U						[DME,DMF]
	5252 582	1	J						[DMD,DMM]
		1	U						[DMD,DMM]
21									GEAR KIT, Center Differential
	5252 591	1	J						
		1	U						
22									PIN, Differential Shaft
	1791 563	1	J						
		1	U						
23									SEALANT, RTV

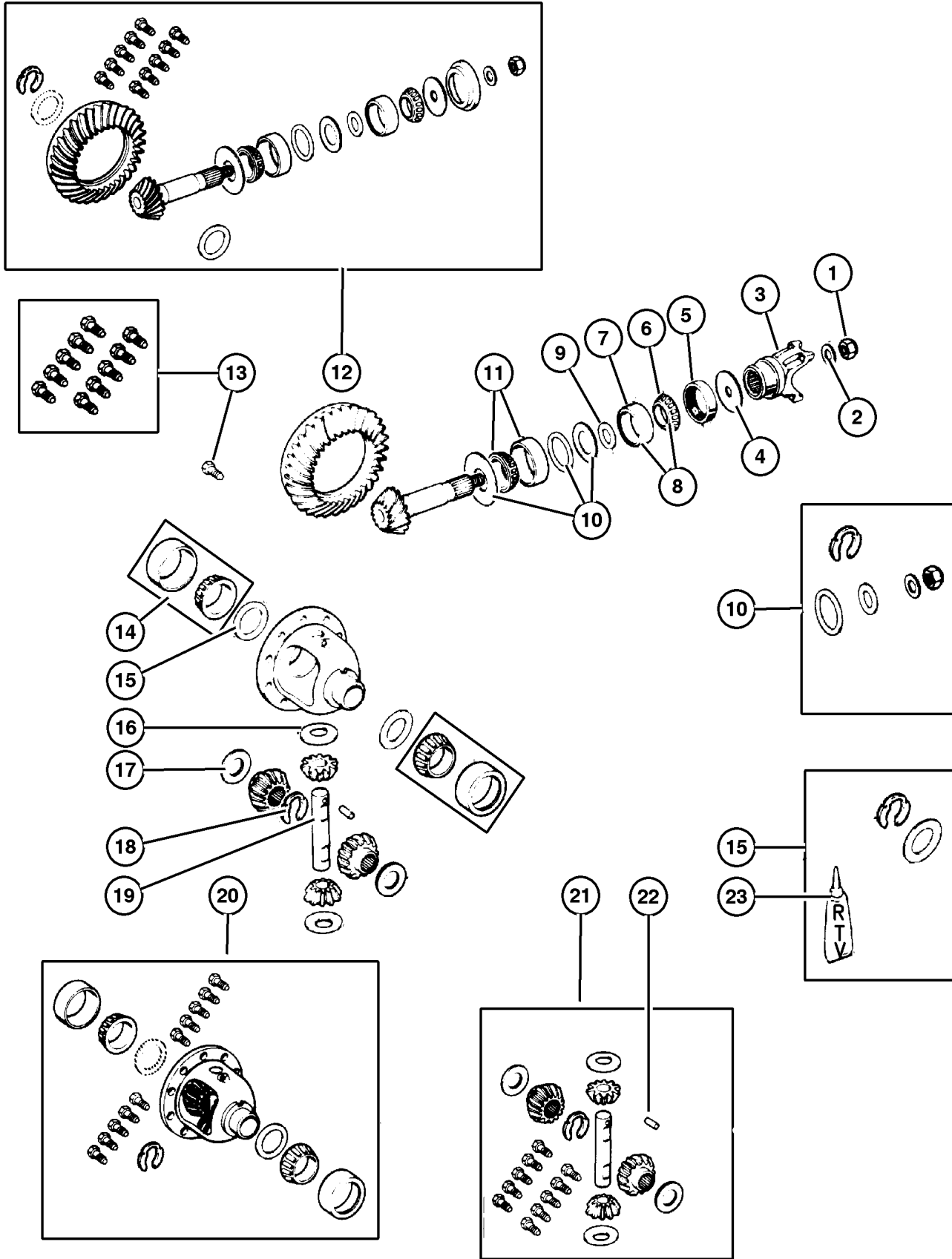
JEEP CHEROKEE (XJ)

SERIES	LINE	BODY	ENGINE	TRANSMISSION
P=Classic	J=LHD (4WD)	74=4 Dr.(101.4WB)	ENC,EN0=2.5L 4 cyl. Turbo Die	DDD, DDQ=5 spd. Man.
S=Limited	U=RHD (4WD)	72=2 Dr.(101.4WB)	ERH,ER0=4.0L Power Tech I-6	DGS=4 spd. Auto. AISIN
H=Sport	T=LHD (2WD)		EPE,EP0=Magnum 2.5L SMPI	DG0=All Auto/Trans.
L=SE	B=RHD (2WD)			DBB=All Manual Trans.

AR = Use as required - = Non illustrated part # = New this model year

December 7, 2002

Differential,Front Axle
Figure 002-610



ITEM	PART NUMBER	QTY	LINE	SERIES	BODY	ENGINE	TRANS	TRIM	DESCRIPTION
------	-------------	-----	------	--------	------	--------	-------	------	-------------

	5010 884AA	1	J						
		1	U						

JEEP CHEROKEE (XJ)				
SERIES	LINE	BODY	ENGINE	TRANSMISSION
P=Classic	J=LHD (4WD)	74=4 Dr.(101.4WB)	ENC,EN0=2.5L 4 cyl. Turbo Die	DDD, DDQ=5 spd. Man.
S=Limited	U=RHD (4WD)	72=2 Dr.(101.4WB)	ERH,ER0=4.0L Power Tech I-6	DGS=4 spd. Auto. AISIN
H=Sport	T=LHD (2WD)		EPE,EP0=Magnum 2.5L SMPI	DG0=All Auto/Trans.
L=SE	B=RHD (2WD)			DBB=All Manual Trans.

AR = Use as required - = Non illustrated part # = New this model year December 7, 2002

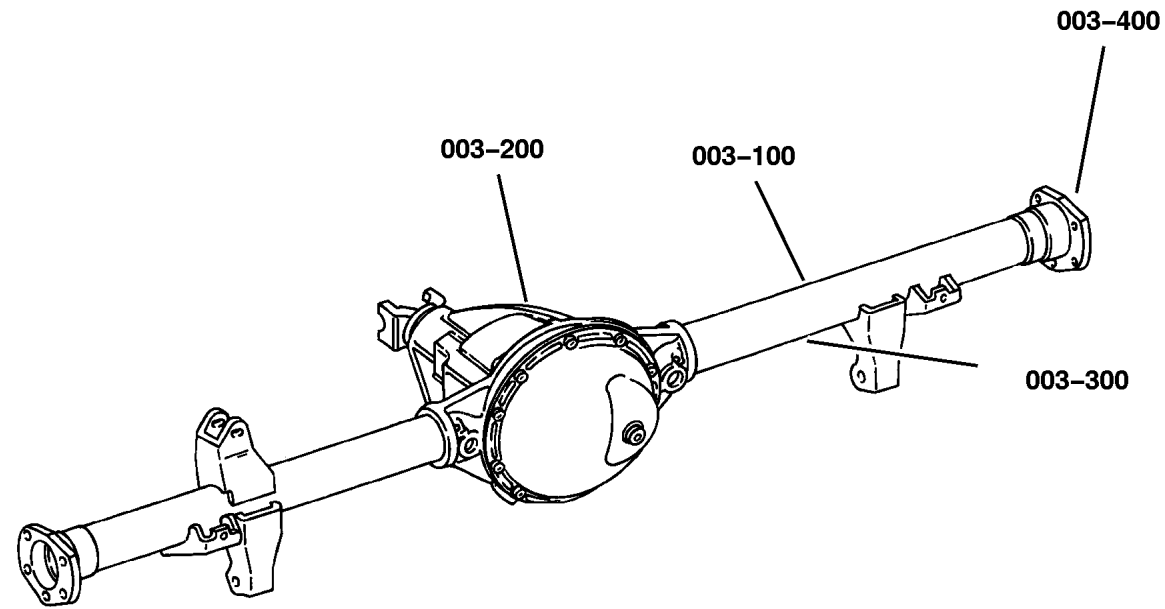
Group – 003

Rear Axle

GROUP 3 - Rear Axle

Illustration Title

Group-Fig. No.



Rear Axle

Axle Assembly,Rear-Chrysler Model 8.25 Fig. 003-110

Axle Assembly, Rear Dana Model 35 Fig. 003-120

Differential and Housing

Differential and Housing-Chrysler Model 8.25 Fig. 003-210

Housing, Rear Axle Dana Model 35 Fig. 003-250

Differential,Without Trac-Lok-Dana Model 35 Fig. 003-260

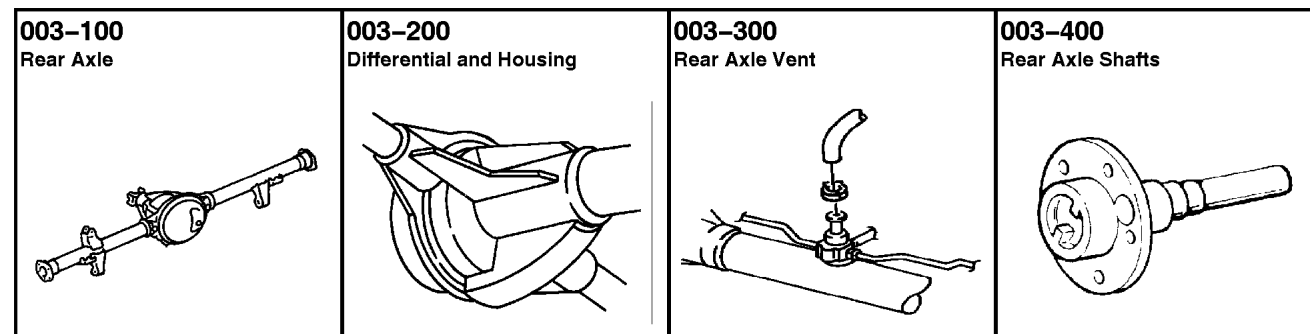
Differential, With Trac-Lok-Dana Model 35 Fig. 003-270

Rear Axle Vent

Vent, Axle Fig. 003-305

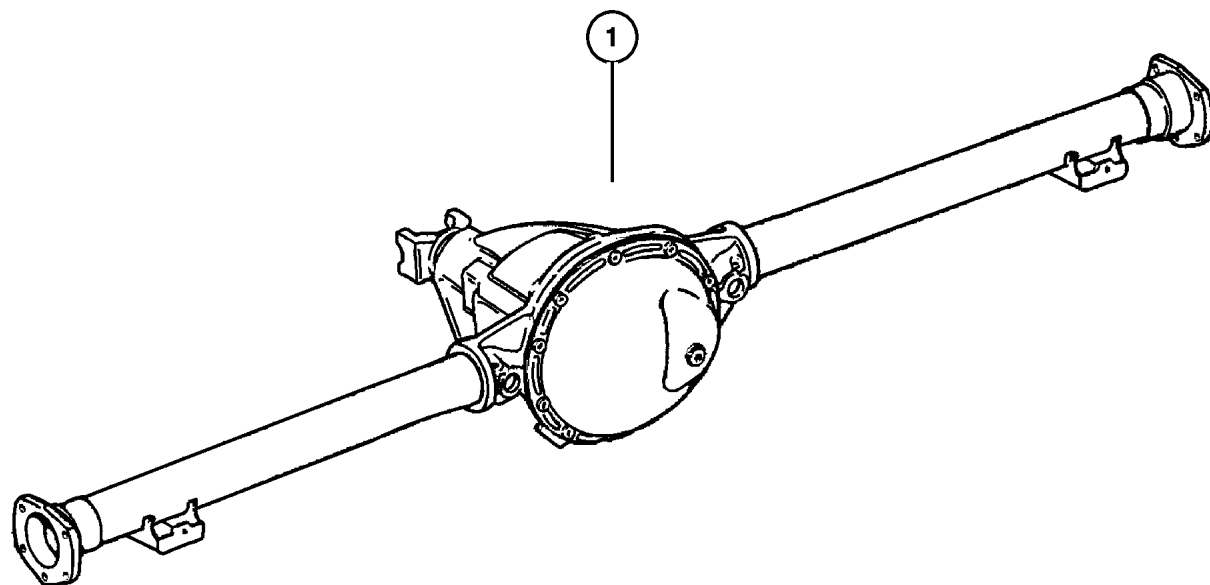
Rear Axle Shafts

Shaft, Rear Axle Dana Model 35 Fig. 003-430



**Axle Assembly,Rear-Chrysler Model 8.25
Figure 003-110**

ITEM	PART NUMBER	QTY	LINE	SERIES	BODY	ENGINE	TRANS	TRIM	DESCRIPTION
Note: DSA= Trac-Lok Differential									
1									AXLE, Service Rear
	4886 139AB	1							[DMM,-DSA] with Tag 52078715AF
	4886 140AB	1							[DMM,+DSA] with Tag 52099380AE
	4886 138AA	1							[DMD,-DSA] with Tag 52098716AF
	4886 133AA	1							[DMD,+DSA] with Tag 52098717AF
	4886 148AB	1							[DMF,-DSA] with Tag 52098718AG
	4886 145AB	1							[DMF,+DSA] with Tag 52099381AF

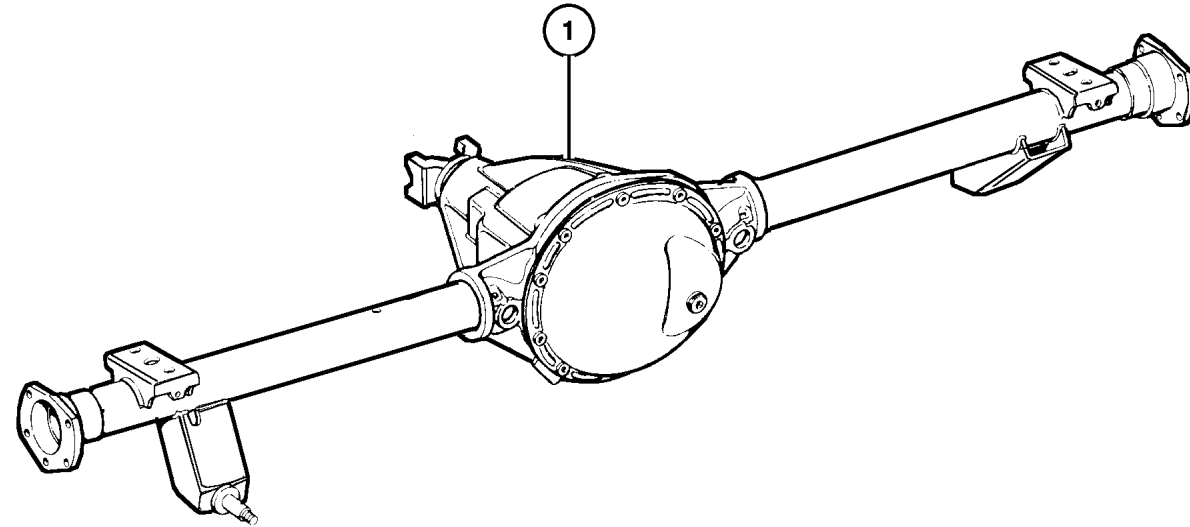


JEEP CHEROKEE (XJ)				
SERIES	LINE	BODY	ENGINE	TRANSMISSION
P=Classic	J=LHD (4WD)	74=4 Dr.(101.4WB)	ENC,EN0=2.5L 4 cyl. Turbo Die	DDD, DDQ=5 spd. Man.
S=Limited	U=RHD (4WD)	72=2 Dr.(101.4WB)	ERH,ER0=4.0L Power Tech I-6	DGS=4 spd. Auto. AISIN
H=Sport	T=LHD (2WD)		EPE,EP0=Magnum 2.5L SMPI	DG0=All Auto/Trans.
L=SE	B=RHD (2WD)			DBB=All Manual Trans.

AR = Use as required - = Non illustrated part # = New this model year

December 7, 2002

**Axle Assembly, Rear Dana Model 35
Figure 003-120**



ITEM	PART NUMBER	QTY	LINE	SERIES	BODY	ENGINE	TRANS	TRIM	DESCRIPTION
------	-------------	-----	------	--------	------	--------	-------	------	-------------

Note:Sales Codes;
 [DMD]=Axle Ratio - 3.55
 [DME]=Axle Ratio - 3.73
 [DMM]=Axle Ratio - 3.07
 [DRJ]=Axle - Rear,Dana M35/194MM
 [DRM]=Axle - Rear,Dana 35C/194MM
 [DSA]=Axle - Trac-Lok Differential

1									AXLE, Service Rear
	4797 571	1							[DRM,DMD,BGK,DSA] Tag-52099457AD,52099458AC
	4882 527	1							[DRJ,DMM,BGK,DSA] Tag-52099459AD
	4882 560	1							[DRM,DME,BGK,DSA] Tag-52099460AD
	4798 093	1							[DRM,DME,BGK,DSA] Tag-52099468AD
	4797 553	1							[DRM,DMD,BGK,] Tag-52099473AD
	4882 529	1							[DRJ,DMM,BGK] Tag-52099474AD
	5011 693AA	1							[DRJ,DMM,BGA,DSA] Tag-52111769AC
	5011 690AA	1							[DRM,DMD,BGA,DSA] Tag-52111770AC

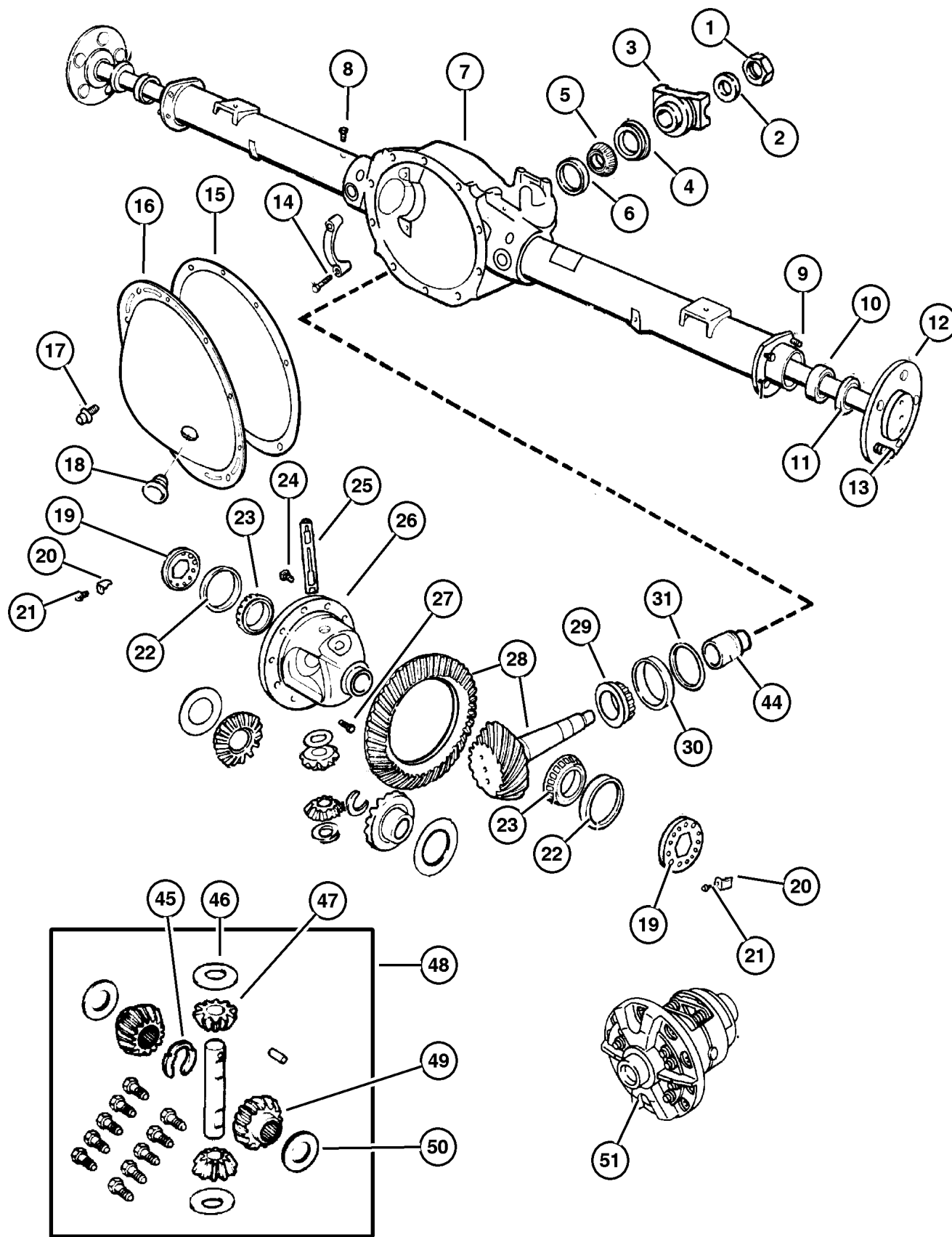
JEEP CHEROKEE (XJ)

SERIES	LINE	BODY	ENGINE	TRANSMISSION
P=Classic	J=LHD (4WD)	74=4 Dr.(101.4WB)	ENC,EN0=2.5L 4 cyl. Turbo Die	DDD, DDQ=5 spd. Man.
S=Limited	U=RHD (4WD)	72=2 Dr.(101.4WB)	ERH,ER0=4.0L Power Tech I-6	DGS=4 spd. Auto. AISIN
H=Sport	T=LHD (2WD)		EPE,EP0=Magnum 2.5L SMPI	DG0=All Auto/Trans.
L=SE	B=RHD (2WD)			DBB=All Manual Trans.

AR = Use as required - = Non illustrated part # = New this model year

December 7, 2002

Differential and Housing-Chrysler Model 8.25
Figure 003-210

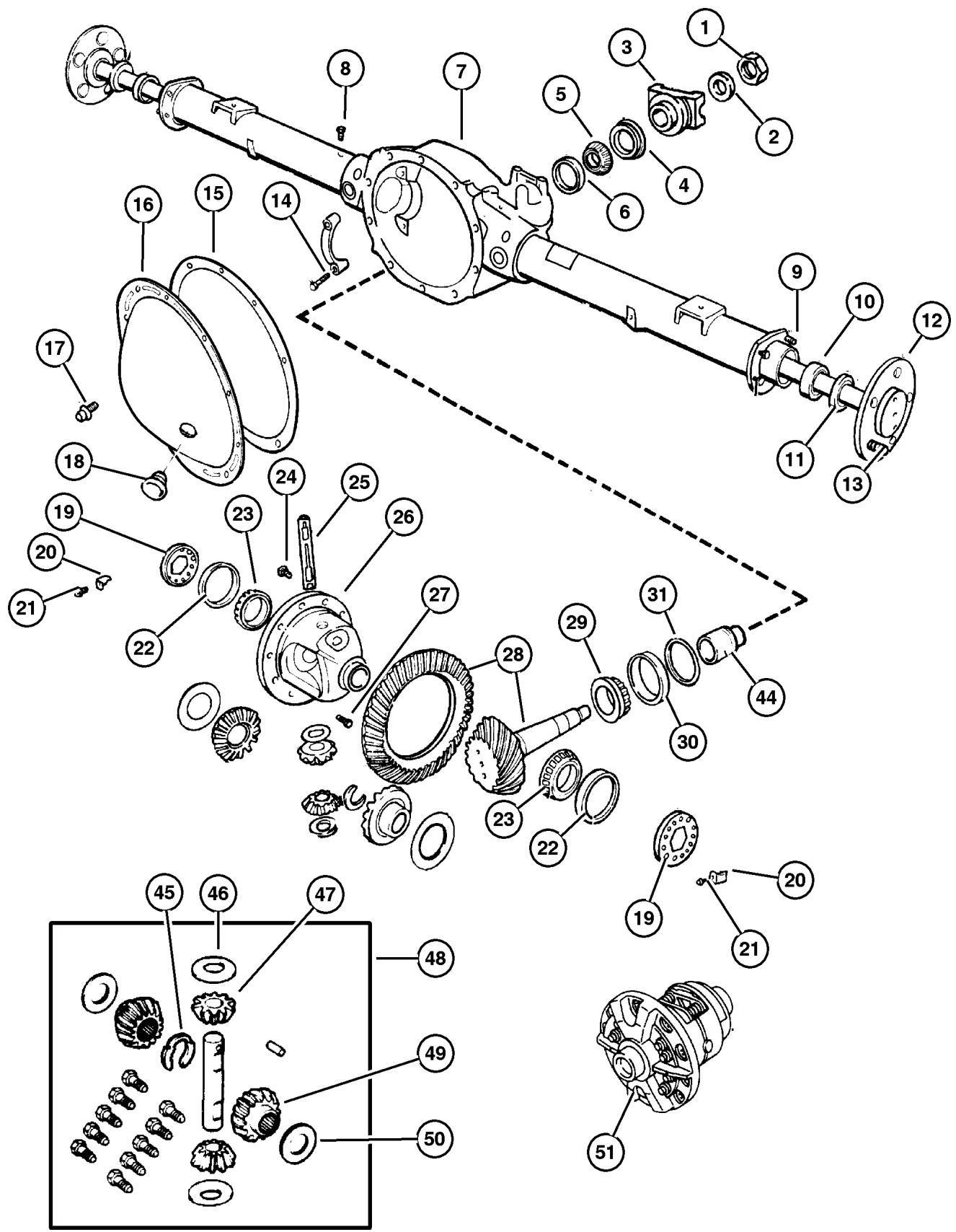


ITEM	PART NUMBER	QTY	LINE	SERIES	BODY	ENGINE	TRANS	TRIM	DESCRIPTION
Note: DSA= Trac-Lok Differential									
1	6028 041	1							NUT, Pinion Yoke, Pinion Yoke
2	2070 117	1							WASHER, Pinion Yoke
3	5206 8839	1							YOKE, Axle
4	5206 7595	1							SEAL, Drive Pinion
5	2070 316	1							BEARING, Drive Pinion, Front
6	2070 317	1							CUP, Drive Pinion Bearing, Front
7	4886 134AA	1							HOUSING, Axle
8	5206 7508	1							BOLT, Axle Vent
9	3723 668	8							STUD, Axle Housing to Backing Plate
10	3507 898AB	2							BEARING, Wheel
11	4137 426	2							SEAL, Axle Drive Shaft
12	5209 8902	2							SHAFT, Axle
13	5300 8135	5							STUD, Hub, Wheel
14	3432 695	4							SCREW, Hex Head, .50-13x2.38, Carrier Bearing Cap Retaining Screws
15	5010 884AA	1	J, U						SEALANT, RTV
16	3723 681AC	1							COVER, Differential
17	6033 043	10							SCREW AND WASHER, Hex Flange Head, .312-18x.562, Differential Cover
18	3723 687	1							PLUG, Differential Cover
19	3507 876	2							ADJUSTER, Differential Bearing
20	3723 859	2							LOCK, Differential Bearing
21	6023 092	2							SCREW AND WASHER, Hex Head, .25-20x.50, Differential Bearing Lock
22	3723 569	2							CUP, Differential Side Bearing
23	1790 541	2							BEARING, Differential
24	4443 158	1							SCREW PACKAGE, Axle Drive Gear, Ring Gear Attaching
25	5206 9657	1							SHAFT, Differential Pinion
26	5209 8776	1							CASE, Differential, without DSA
27	3507 724	1							SCREW, Hex Head, .312-18x1.80, Differential Pinion Shaft Lock
28	53008 036AB	1							GEAR KIT, Ring And Pinion [DMM]
	4856 540AB	1							[DMD]
	53008 038AB	1							[DMF]
29	2800 484	1							BEARING, Drive Pinion, Rear
30	2800 485	1							CUP, Drive Pinion Bearing, Rear

JEEP CHEROKEE (XJ)				
SERIES	LINE	BODY	ENGINE	TRANSMISSION
P=Classic	J=LHD (4WD)	74=4 Dr.(101.4WB)	ENC,EN0=2.5L 4 cyl. Turbo Die	DDD, DDQ=5 spd. Man.
S=Limited	U=RHD (4WD)	72=2 Dr.(101.4WB)	ERH,ER0=4.0L Power Tech I-6	DGS=4 spd. Auto. AISIN
H=Sport	T=LHD (2WD)		EPE,EP0=Magnum 2.5L SMPI	DG0=All Auto/Trans.
L=SE	B=RHD (2WD)			DBB=All Manual Trans.

Differential and Housing-Chrysler Model 8.25
Figure 003-210

ITEM	PART NUMBER	QTY	LINE	SERIES	BODY	ENGINE	TRANS	TRIM	DESCRIPTION
31	3723 520	AR							SHIM, Drive Pinion Bearing, .020
-32	3723 522	AR							SHIM, Drive Pinion Bearing, .022
-33	3723 524	AR							SHIM, Drive Pinion Bearing, .024
-34	3723 526	AR							SHIM, Drive Pinion Bearing, .026
-35	3723 527	AR							SHIM, Drive Pinion Bearing, .027
-36	3723 528	AR							SHIM, Drive Pinion Bearing, .028
-37	3723 529	AR							SHIM, Drive Pinion Bearing, .029
-38	3723 530	AR							SHIM, Drive Pinion Bearing, .030
-39	3723 531	AR							SHIM, Drive Pinion Bearing, .031
-40	3723 532	AR							SHIM, Drive Pinion Bearing, .032
-41	3723 534	AR							SHIM, Drive Pinion Bearing, .034
-42	3723 536	AR							SHIM, Drive Pinion Bearing, .036
-43	3723 538	AR							SHIM, Drive Pinion Bearing, .038
44	3507 575	1							SPACER, Drive Pinion Bearing, Crush
45	5206 9426	2							RETAINER, Axle Shaft
46	2852 912	2							WASHER, Pinion Thrust
47	5206 9655	2							PINION, Differential
48	4883 087	1							GEAR PACKAGE, Differential
49	5206 9429	2							GEAR, Differential, Side
50	4883 085	1							WASHER PACKAGE, Side Gear Thrust
51	5209 8778	1							CASE, Differential, with DSA

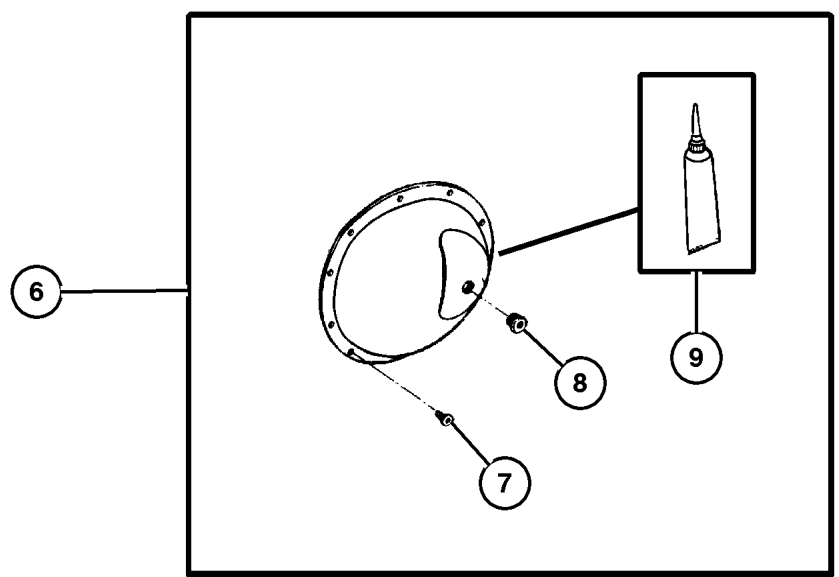
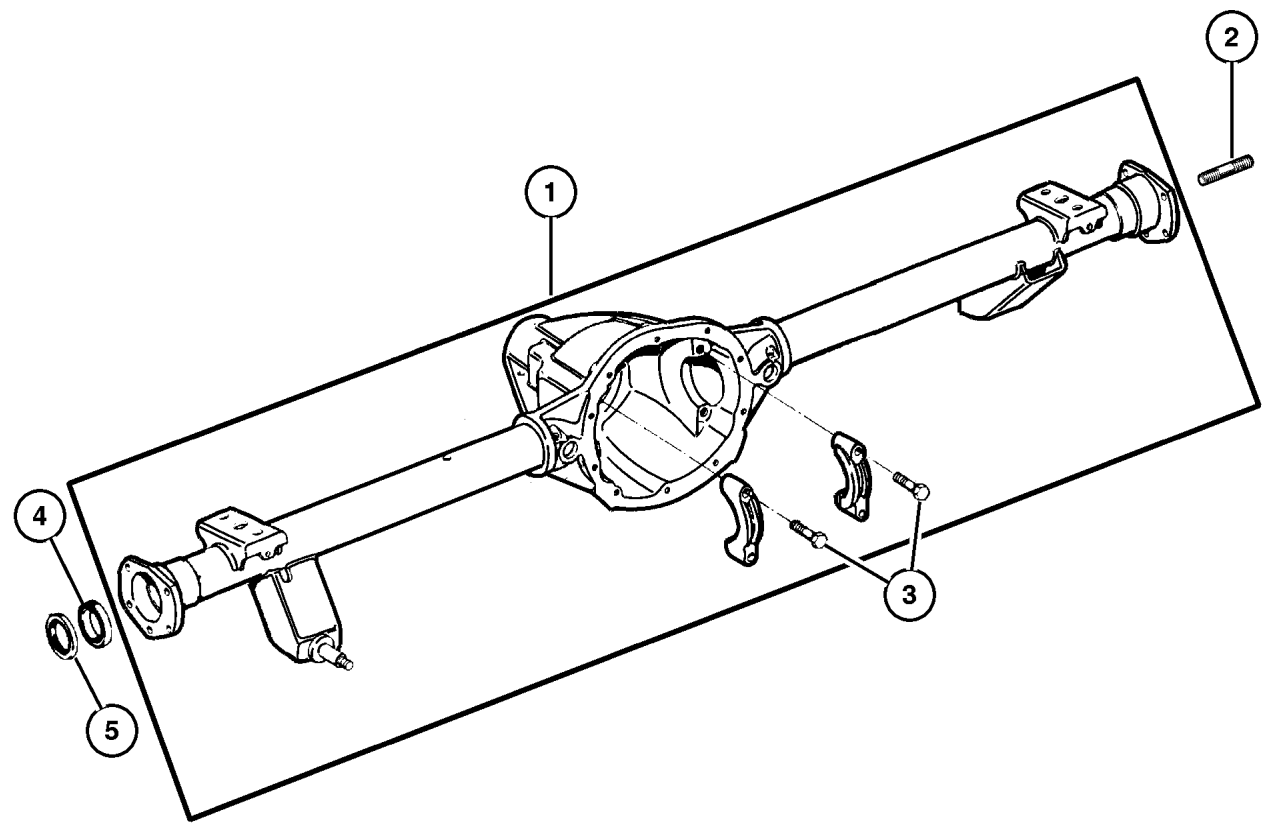


JEEP CHEROKEE (XJ)

SERIES	LINE	BODY	ENGINE	TRANSMISSION
P=Classic	J=LHD (4WD)	74=4 Dr.(101.4WB)	ENC,EN0=2.5L 4 cyl. Turbo Die	DDD, DDQ=5 spd. Man.
S=Limited	U=RHD (4WD)	72=2 Dr.(101.4WB)	ERH,ER0=4.0L Power Tech I-6	DGS=4 spd. Auto. AISIN
H=Sport	T=LHD (2WD)		EPE,EP0=Magnum 2.5L SMP1	DG0=All Auto/Trans.
L=SE	B=RHD (2WD)			DBB=All Manual Trans.

Housing, Rear Axle Dana Model 35
Figure 003-250

ITEM	PART NUMBER	QTY	LINE	SERIES	BODY	ENGINE	TRANS	TRIM	DESCRIPTION
1									HOUSING, Rear Axle
	4636 168	1							Tag-52099457AC
		1							Tag-52094458AC
		1							Tag-52099473AC
	4798 092	1							Tag-52099459AC
		1							Tag-52099460AC
		1							Tag-52099468AC
		1							Tag-52099474AC
		1							Tag-52111769AB
		1							Tag-52111770AB
2	J099 4313	8							STUD, Backing Plate to Housing Mounting
3	J400 6553	4							BOLT, Differential, Carrier Cap Retaining
4	J813 4586	2							BEARING, Axle Shaft
5	4856 336	2							SEAL, Axle Drive Shaft
6	5252 493	1							COVER, Differential, with Cover Screws, Plug, and Gasket
7	J400 6708	10							SCREW, Pan Head, .312-18x.56, Cover Attaching
8	5252 504	1							PLUG, Differential Cover
9	5010 884AA	1	J, U						SEALANT, RTV

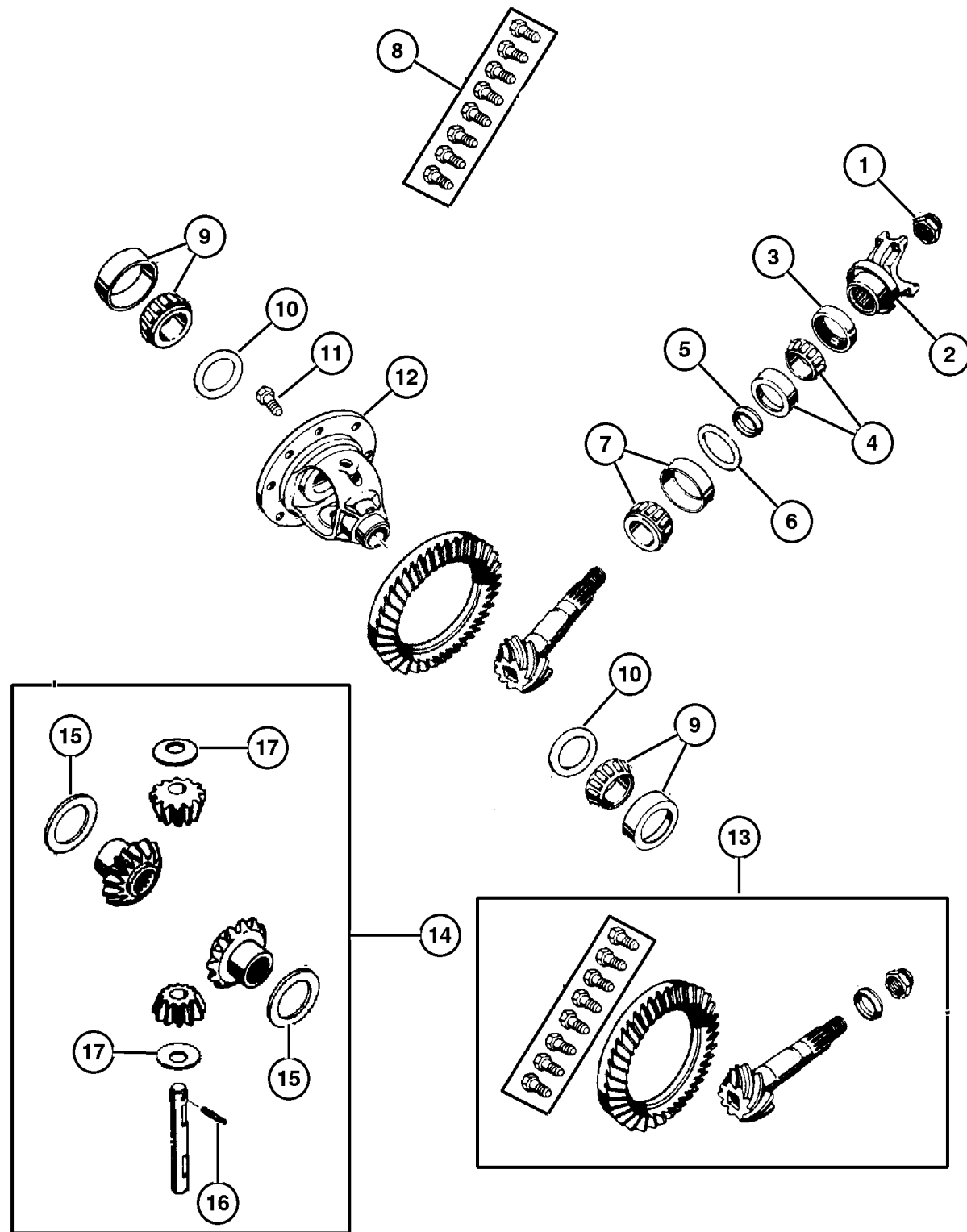


JEEP CHEROKEE (XJ)				
SERIES	LINE	BODY	ENGINE	TRANSMISSION
P=Classic	J=LHD (4WD)	74=4 Dr.(101.4WB)	ENC,EN0=2.5L 4 cyl. Turbo Die	DDD, DDQ=5 spd. Man.
S=Limited	U=RHD (4WD)	72=2 Dr.(101.4WB)	ERH,ER0=4.0L Power Tech I-6	DGS=4 spd. Auto. AISIN
H=Sport	T=LHD (2WD)		EPE,EP0=Magnum 2.5L SMPI	DG0=All Auto/Trans.
L=SE	B=RHD (2WD)			DBB=All Manual Trans.

AR = Use as required - = Non illustrated part # = New this model year

December 7, 2002

Differential, Without Trac-Lok-Dana Model 35
Figure 003-260



ITEM	PART NUMBER	QTY	LINE	SERIES	BODY	ENGINE	TRANS	TRIM	DESCRIPTION
Note: DMM= 3.07 Axle Ratio									
DMD= 3.55 Axle Ratio									
1	4720 895	1							NUT, Pinion Yoke
2	4746 835	1							YOKE, Axle 3.07 Ratio
	4797 552	1							3.55 Ratio
3	8350 4946	1							SEAL, Drive Pinion
4	5252 508	1	J						BEARING, Drive Pinion, Bearing and Cup, Front
5	J317 5779	1							SPACER, Drive Pinion Bearing, Crush
6	4720 922	1							SHIM KIT, Pinion Shaft
7	5252 507	1							BEARING, Drive Pinion, Bearing and Cup, Rear
8	4720 891	1							BOLT KIT, Consists of 8 5252503 Screws
9	J812 6500	1							BEARING, Differential, Consists of 2 Bearings and 2 Cups
10	8350 3004	1							SHIM KIT, Differential, Carrier Bearing
11	5252 503	8							SCREW, Drive Gear, Ring Gear Mounting
12	4740 833	1							CASE, Differential [DMM]
	4740 834	1							[DMD]
13	8350 5472	1							GEAR KIT, Ring And Pinion [DMM]
	4761 676	1							[DMD]
14	4740 670	1							GEAR KIT, Center Differential
15	J812 0832	2							WASHER, Differential Side Gear, Thrust
16	5252 502	1							PIN, Differential Shaft
17	J812 0831	2							WASHER, Flat, Pinion Thrust

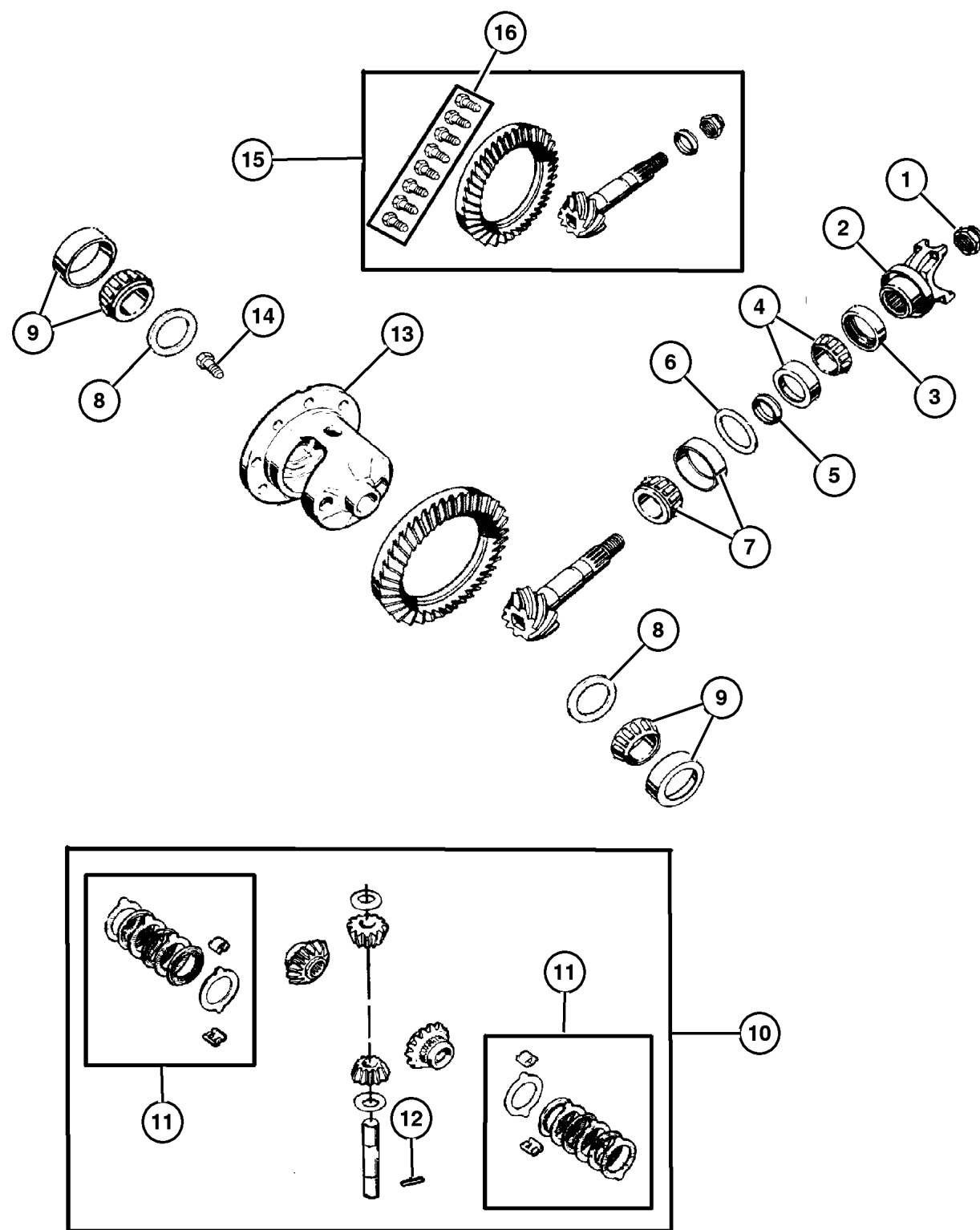
JEEP CHEROKEE (XJ)

SERIES	LINE	BODY	ENGINE	TRANSMISSION
P=Classic	J=LHD (4WD)	74=4 Dr.(101.4WB)	ENC,EN0=2.5L 4 cyl. Turbo Die	DDD, DDQ=5 spd. Man.
S=Limited	U=RHD (4WD)	72=2 Dr.(101.4WB)	ERH,ER0=4.0L Power Tech I-6	DGS=4 spd. Auto. AISIN
H=Sport	T=LHD (2WD)		EPE,EP0=Magnum 2.5L SMPI	DG0=All Auto/Trans.
L=SE	B=RHD (2WD)			DBB=All Manual Trans.

AR = Use as required - = Non illustrated part # = New this model year

December 7, 2002

**Differential, With Trac-Lok-Dana Model 35
Figure 003-270**



ITEM	PART NUMBER	QTY	LINE	SERIES	BODY	ENGINE	TRANS	TRIM	DESCRIPTION
1	4720 895	1							NUT, Pinion Yoke
2	4797 552	1							YOKE, Axle 3.55 Ratio
	4746 835	1							3.07,3.73 Ratio
3	8350 4946	1							SEAL, Drive Pinion
4	5252 508	1							BEARING, Drive Pinion, Bearing and Cup, Front
5	J317 5779	1							SPACER, Drive Pinion Bearing, Crush
6	4720 922	1							SHIM KIT, Pinion Shaft
7	5252 507	1							BEARING, Drive Pinion, Bearing and Cup, Rear
8	8350 3004	1							SHIM KIT, Differential, Carrier Bearing
9	J812 6500	1							BEARING, Differential, Consists of 2 Bearings and 2 Cups
10	4773 010	1							GEAR KIT, Center Differential
11	5252 506	1							DISC AND PLATE KIT, Differential
12	5252 502	1							PIN, Differential Shaft
13	5252 512	1							CASE, Differential [DRJ]
	5252 496	1							[DRM]
14	5252 503	8							SCREW, Drive Gear, Ring Gear Mounting
15	8350 5472	1							GEAR KIT, Ring And Pinion 3.07 Ratio
	4761 676	1							3.55 Ratio
	4761 678	1							3.73 Ratio
16	4720 891	1	J						BOLT KIT, Consist of 8-5252503 Ring Gear Mounting Screws

JEEP CHEROKEE (XJ)

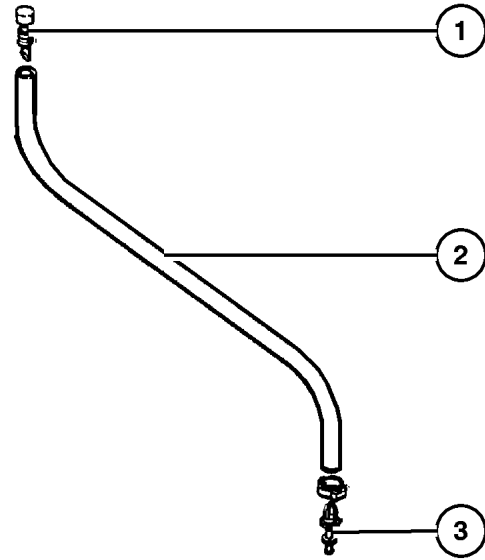
SERIES	LINE	BODY	ENGINE	TRANSMISSION
P=Classic	J=LHD (4WD)	74=4 Dr.(101.4WB)	ENC,EN0=2.5L 4 cyl. Turbo Die	DDD, DDQ=5 spd. Man.
S=Limited	U=RHD (4WD)	72=2 Dr.(101.4WB)	ERH,ER0=4.0L Power Tech I-6	DGS=4 spd. Auto. AISIN
H=Sport	T=LHD (2WD)		EPE,EP0=Magnum 2.5L SMPI	DG0=All Auto/Trans.
L=SE	B=RHD (2WD)			DBB=All Manual Trans.

AR = Use as required - = Non illustrated part # = New this model year

December 7, 2002

Vent, Axle
Figure 003-305

ITEM	PART NUMBER	QTY	LINE	SERIES	BODY	ENGINE	TRANS	TRIM	DESCRIPTION
1	J318 7999	1							VENT, Axle, Upper
2	4443 176	1							HOSE, Fuel, .31 I.D. 50 Foot Roll
3	5206 7508	1							BOLT, Axle Vent, Lower



JEEP CHEROKEE (XJ)

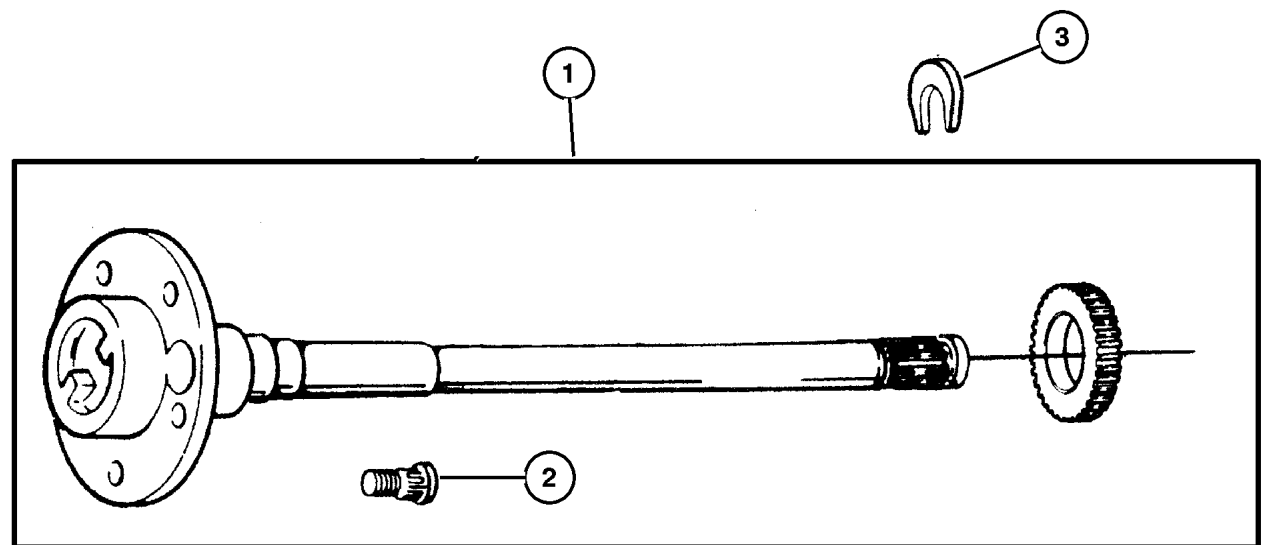
SERIES	LINE	BODY	ENGINE	TRANSMISSION
P=Classic	J=LHD (4WD)	74=4 Dr.(101.4WB)	ENC,EN0=2.5L 4 cyl. Turbo Die	DDD, DDQ=5 spd. Man.
S=Limited	U=RHD (4WD)	72=2 Dr.(101.4WB)	ERH,ER0=4.0L Power Tech I-6	DGS=4 spd. Auto. AISIN
H=Sport	T=LHD (2WD)		EPE,EP0=Magnum 2.5L SMPI	DG0=All Auto/Trans.
L=SE	B=RHD (2WD)			DBB=All Manual Trans.

AR = Use as required - = Non illustrated part # = New this model year

December 7, 2002

**Shaft, Rear Axle Dana Model 35
Figure 003-430**

ITEM	PART NUMBER	QTY	LINE	SERIES	BODY	ENGINE	TRANS	TRIM	DESCRIPTION
1									SHAFT, Axle
	4713 192	1							Right
	4713 193	1							Left
2	5011 312AA	10							STUD, Hub
3	5252 505	2							RETAINER, Axle Shaft



JEEP CHEROKEE (XJ)				
SERIES	LINE	BODY	ENGINE	TRANSMISSION
P=Classic	J=LHD (4WD)	74=4 Dr.(101.4WB)	ENC,EN0=2.5L 4 cyl. Turbo Die	DDD, DDQ=5 spd. Man.
S=Limited	U=RHD (4WD)	72=2 Dr.(101.4WB)	ERH,ER0=4.0L Power Tech I-6	DGS=4 spd. Auto. AISIN
H=Sport	T=LHD (2WD)		EPE,EP0=Magnum 2.5L SMPI	DG0=All Auto/Trans.
L=SE	B=RHD (2WD)			DBB=All Manual Trans.

AR = Use as required - = Non illustrated part # = New this model year

December 7, 2002

Group – 004

Parking Brake

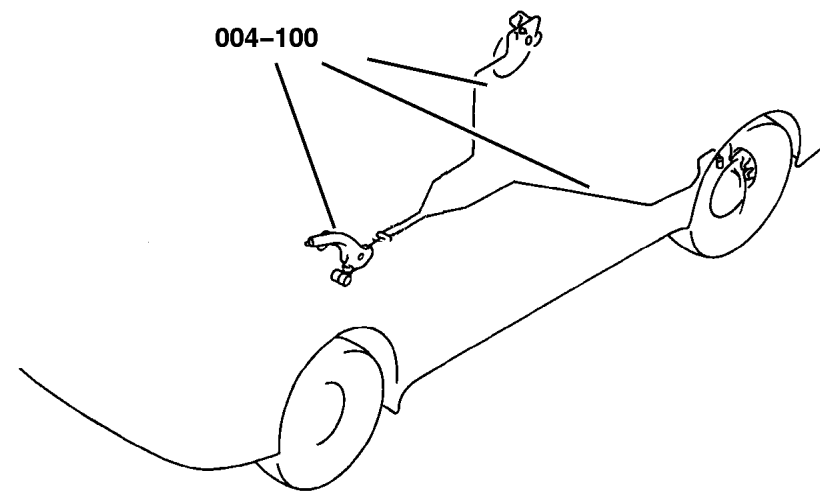
GROUP 4 - Parking Brake


Illustration Title

Group-Fig. No.

Parking Brake Lever and Cables

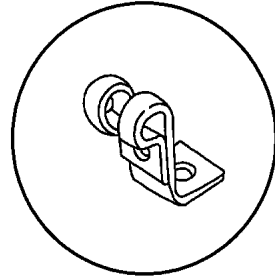
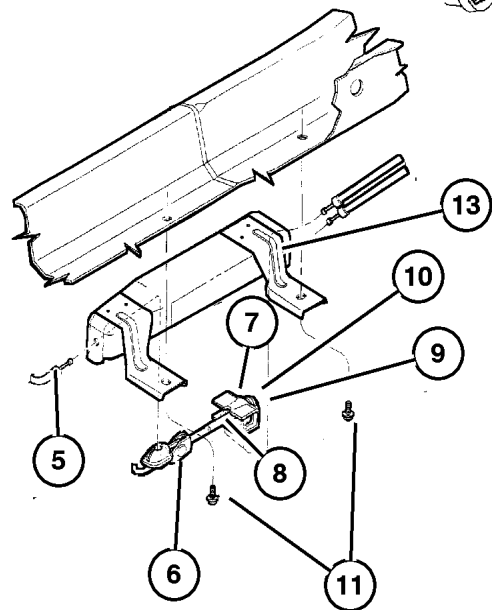
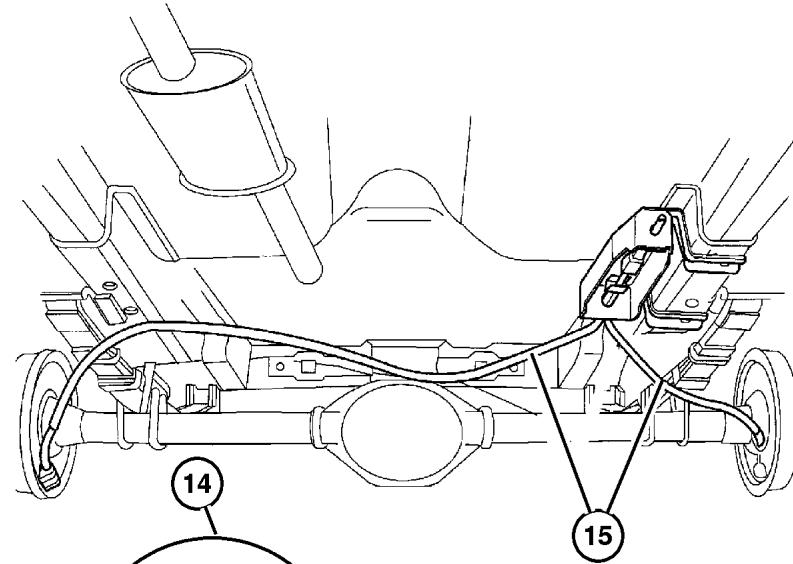
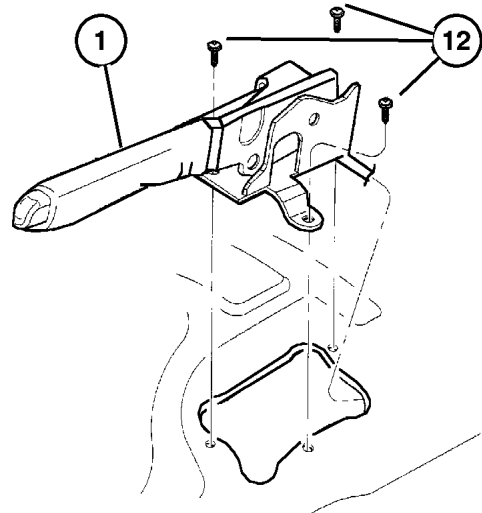
Lever Assembly and Cables Fig. 004-120



004-100 Parking Brake Lever and Cables			
			

Lever Assembly and Cables
Figure 004-120

ITEM	PART NUMBER	QTY	LINE	SERIES	BODY	ENGINE	TRANS	TRIM	DESCRIPTION
1	52078 943AC	1							LEVER, Park Brake
-2	5212 7960	1							SWITCH, Parking Brake
-3									PIN, Parking Release, (Service in Assy) , (NOT SERVICED) (Not Serviced)
-4	5207 8012	1							CLIP, Parking Brake Cable
5	52128 164AB	1							CABLE, Parking Brake, Front
6	5212 8185	1							ADJUSTER, Parking Brake Cable
7	4423 264	1							EQUALIZER, Parking Brake Cable
8	0274 865	1							SPACER, Parking Brake
9	4423 735	1							WASHER, Teflon, ID=.380 /OD=.760/ THK=.025
10	6030 607	1							NUT, Hex Flange Lock, .312-18
11	6100 582	2							BOLT AND CONED WASHER, Hex Head, M8x20x20
12	6101 780	3							SCREW, M6x1x25
13	5212 8172	1							BRACKET, Parking Brake
14	52128 235AA	1							BRACKET, Brake Cable Guide
15									CABLE, Parking Brake
	52128 072AD	1							Right
	5212 8073	1							Left



JEEP CHEROKEE (XJ)

SERIES	LINE	BODY	ENGINE	TRANSMISSION
P=Classic	J=LHD (4WD)	74=4 Dr.(101.4WB)	ENC,EN0=2.5L 4 cyl. Turbo Die	DDD, DDQ=5 spd. Man.
S=Limited	U=RHD (4WD)	72=2 Dr.(101.4WB)	ERH,ER0=4.0L Power Tech I-6	DGS=4 spd. Auto. AISIN
H=Sport	T=LHD (2WD)		EPE,EP0=Magnum 2.5L SMPI	DG0=All Auto/Trans.
L=SE	B=RHD (2WD)			DBB=All Manual Trans.

AR = Use as required - = Non illustrated part # = New this model year

December 7, 2002

Group – 005

Service Brakes

GROUP 5 - Service Brakes

Illustration Title

Group-Fig. No.

Front Brakes

Brakes, Front Fig. 005-120

Rear Brakes

Brakes, Rear Fig. 005-220

Power Brake Booster

Master Cylinder and Booster Fig. 005-320

Power Brake Vacuum Booster Hose Fig. 005-330

Brake Master Cylinder

Hydraulic Control Unit Fig. 005-420

Brake Lines and Hoses

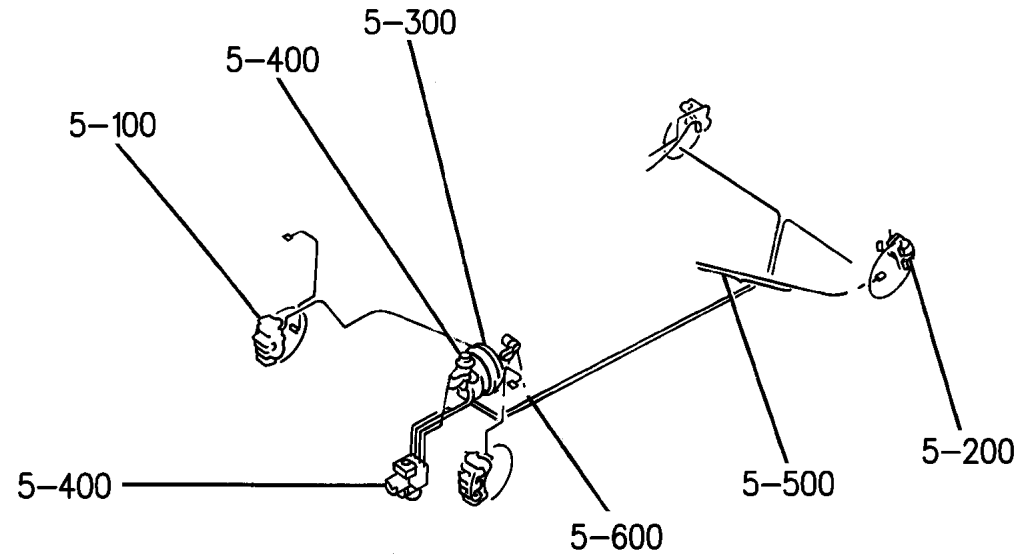
Brake Lines, Front without Anti-Lock Brakes Fig. 005-550

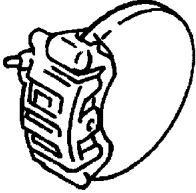
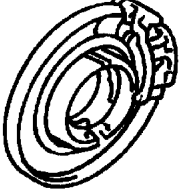
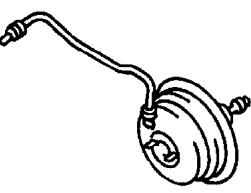
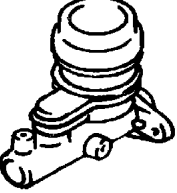
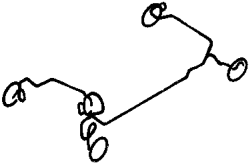

Brake Lines, Front with Anti-Lock Brakes Fig. 005-555

Brake Lines and Hoses, Rear Fig. 005-560

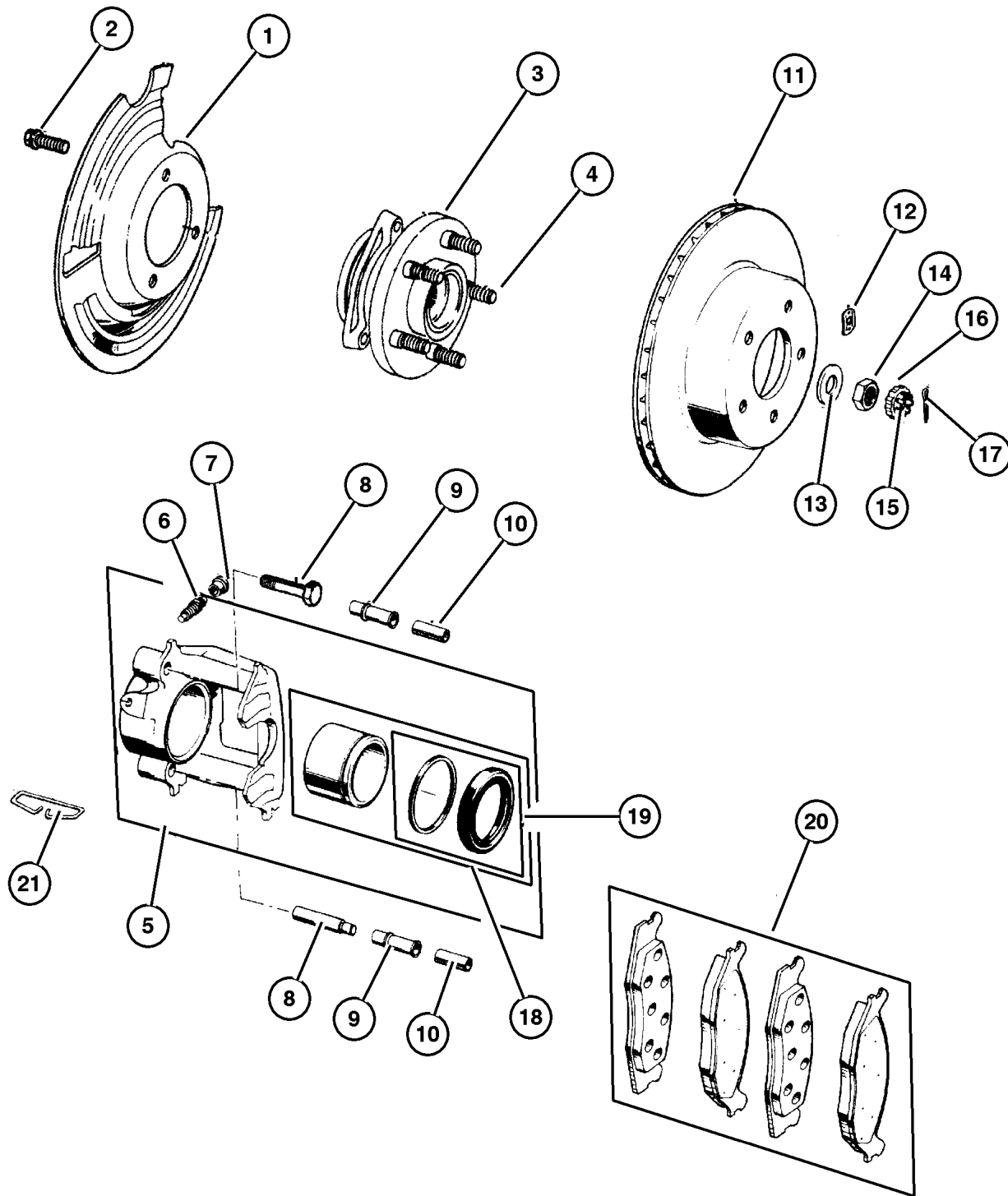
Brake Pedals

Brake Pedal Fig. 005-610



<p>005-100 Front Brakes</p> 	<p>005-200 Rear Brakes</p> 	<p>005-300 Power Brake Booster</p> 	<p>005-400 Brake Master Cylinder</p> 
<p>005-500 Brake Lines and Hoses</p> 	<p>005-600 Brake Pedals</p> 		

Brakes, Front Figure 005-120



ITEM	PART NUMBER	QTY	LINE	SERIES	BODY	ENGINE	TRANS	TRIM	DESCRIPTION
1	5200 5476	1	B		74				SHIELD, Brake
		1	T						Right
		1	J						Right
		1	U						Right
5200 5477	5200 5477	1	B		74				Left
		1	T						Left
		1	U						Left
		1	J						Left
2	3420 1535	6	U						BOLT
		6	J						
3	53007 449AC	2	B		74				HUB AND BEARING, Brake
		2	T						
		2	J						
		2	U						
4	6036 194AA	10	B		74				STUD, Hub
		10	T						
		10	J						
		10	U						
5	5252 984	1	B		74				CALIPER, Disc Brake
		1	T						Right
		1	J						Right
		1	U						Right
		1	T						Left
		1	B		74				Left
5252 985	5252 985	1	U						Left
		1	J						Left
		1	J						Left
6	J320 3313	1	B		74				SCREW, Bleeder
		1	T						
		1	J						
7	4238 717	1	B		74				CAP, Bleeder
		1	T						
		1	U						
		1	J						
8		1	B						PIN, Caliper
		1	T						
		1	U						
		1	J						

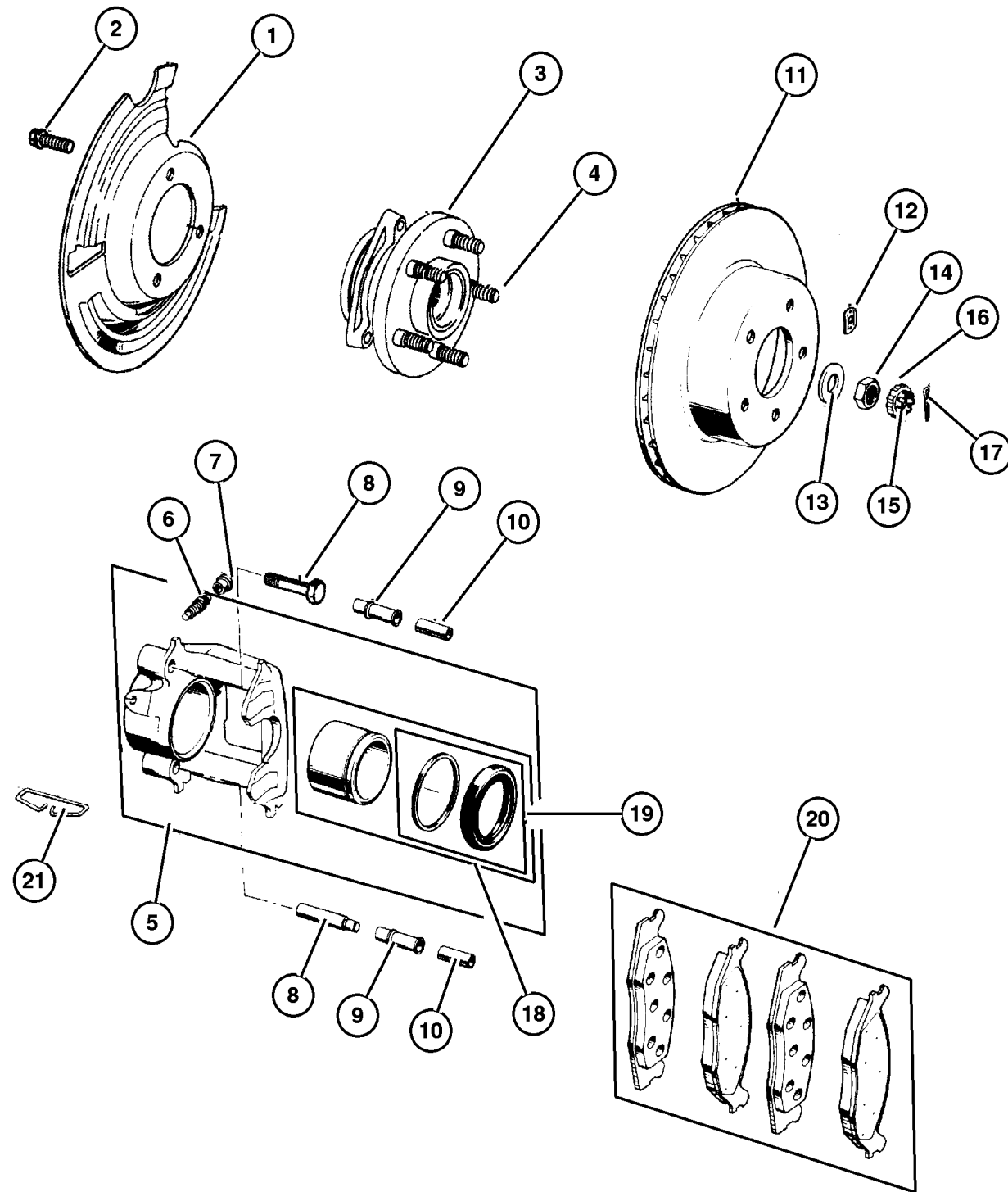
JEEP CHEROKEE (XJ)

SERIES	LINE	BODY	ENGINE	TRANSMISSION
P=Classic	J=LHD (4WD)	74=4 Dr.(101.4WB)	ENC,EN0=2.5L 4 cyl. Turbo Die	DDD, DDQ=5 spd. Man.
S=Limited	U=RHD (4WD)	72=2 Dr.(101.4WB)	ERH,ER0=4.0L Power Tech I-6	DGS=4 spd. Auto. AISIN
H=Sport	T=LHD (2WD)		EPE,EP0=Magnum 2.5L SMPI	DG0=All Auto/Trans.
L=SE	B=RHD (2WD)			DBB=All Manual Trans.

AR = Use as required - = Non illustrated part # = New this model year

December 7, 2002

Brakes, Front Figure 005-120



ITEM	PART NUMBER	QTY	LINE	SERIES	BODY	ENGINE	TRANS	TRIM	DESCRIPTION
	5253 000	4	B		74				
		4	T						
		4	U						
		4	J						
9									BUSHING, Disc Brake Caliper
	4383 471	2	B		74				
		2	T						
		2	U						
		2	J						
10									SLEEVE, Disc Brake Caliper
	4423 573	2	B		74				
		2	T						
		2	U						
		2	J						
11									ROTOR, Brake
	5016 434AA	2	B		74				
		2	T						
		2	J						
		2	U						
12	6026 430	AR							SPRING RETAINER, Push On, .50x20
13									WASHER, Flat
	J420 0096	2	J						
		2	U						
14									NUT, Hex
	J420 0095	2	J						
		2	U						
15									RETAINER, Hub Nut
	J420 0097	2	J						
		2	U						
16									WASHER, Wave
	4740 749	2	B		74				
		2	T						
		2	U						
		2	J						
17									PIN, Cotter, M4x40.00
	1101 0069	2	T						
		6	B		74				
		6	J						
		6	U						
18									PISTON, Brake
	5252 614	1	B		74				

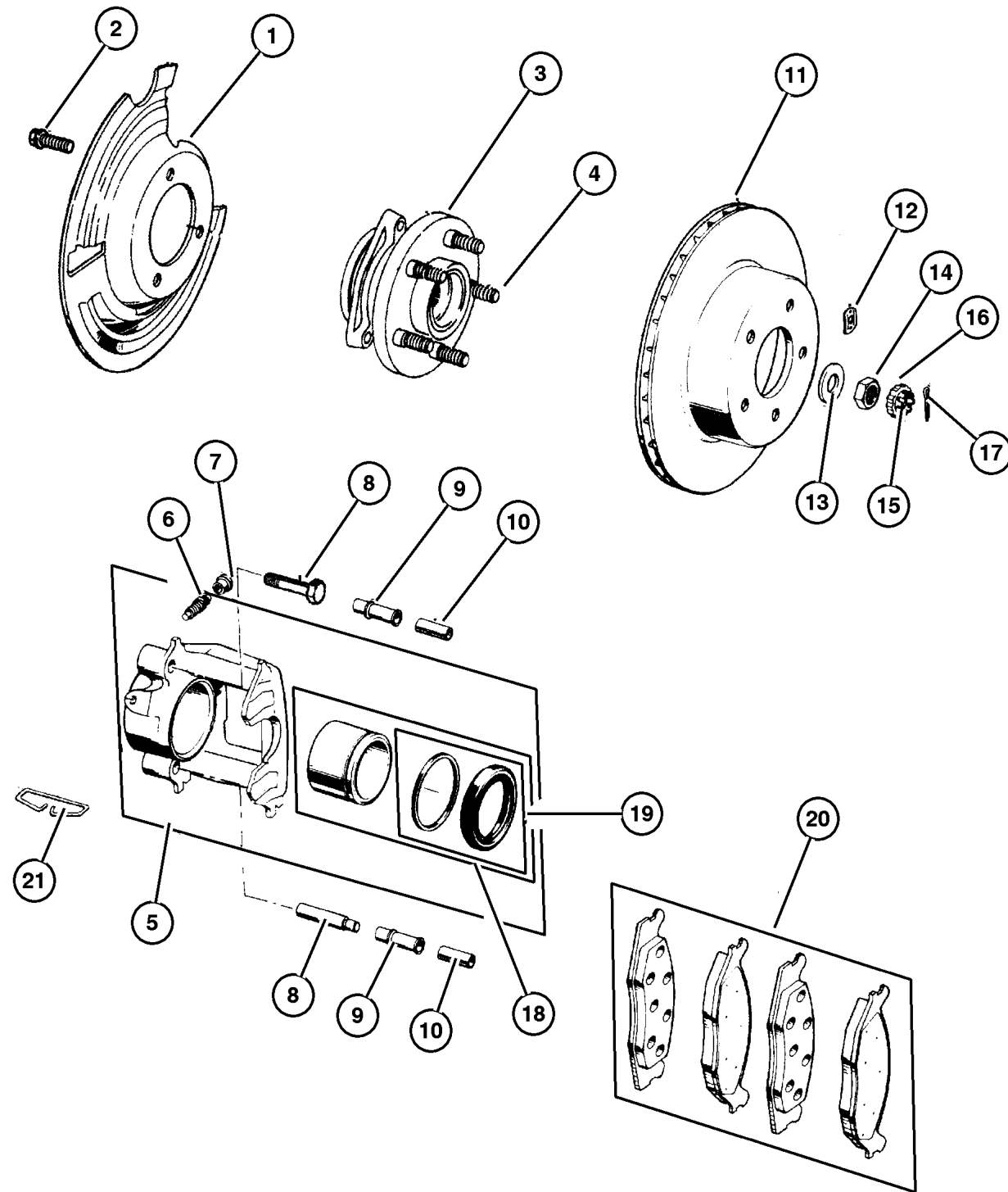
JEEP CHEROKEE (XJ)

SERIES	LINE	BODY	ENGINE	TRANSMISSION
P=Classic	J=LHD (4WD)	74=4 Dr.(101.4WB)	ENC,EN0=2.5L 4 cyl. Turbo Die	DDD, DDQ=5 spd. Man.
S=Limited	U=RHD (4WD)	72=2 Dr.(101.4WB)	ERH,ER0=4.0L Power Tech I-6	DGS=4 spd. Auto. AISIN
H=Sport	T=LHD (2WD)		EPE,EP0=Magnum 2.5L SMPI	DG0=All Auto/Trans.
L=SE	B=RHD (2WD)			DBB=All Manual Trans.

AR = Use as required - = Non illustrated part # = New this model year

December 7, 2002

Brakes, Front Figure 005-120



ITEM	PART NUMBER	QTY	LINE	SERIES	BODY	ENGINE	TRANS	TRIM	DESCRIPTION
		1	T						
		1	U						
		1	J						
19	J813 3852	1	B		74				BOOT AND SEAL, Disc Brake
		1	T						
		1	U						
		1	J						
20	4883 344AC	1	B		74				PAD KIT, Front Disc Brake
		1	J						
		1	T						
		1	U						
21	J323 9865	2	B		74				CLIP, Brake Caliper
		2	T						
		2	U						
		2	J						

JEEP CHEROKEE (XJ)

SERIES	LINE	BODY	ENGINE	TRANSMISSION
P=Classic	J=LHD (4WD)	74=4 Dr.(101.4WB)	ENC,EN0=2.5L 4 cyl. Turbo Die	DDD, DDQ=5 spd. Man.
S=Limited	U=RHD (4WD)	72=2 Dr.(101.4WB)	ERH,ER0=4.0L Power Tech I-6	DGS=4 spd. Auto. AISIN
H=Sport	T=LHD (2WD)		EPE,EP0=Magnum 2.5L SMPI	DG0=All Auto/Trans.
L=SE	B=RHD (2WD)			DBB=All Manual Trans.

AR = Use as required - = Non illustrated part # = New this model year

December 7, 2002

Brakes, Rear Figure 005-220

ITEM	PART NUMBER	QTY	LINE	SERIES	BODY	ENGINE	TRANS	TRIM	DESCRIPTION
------	-------------	-----	------	--------	------	--------	-------	------	-------------

NOTE: Sales Code AHB= Police Package

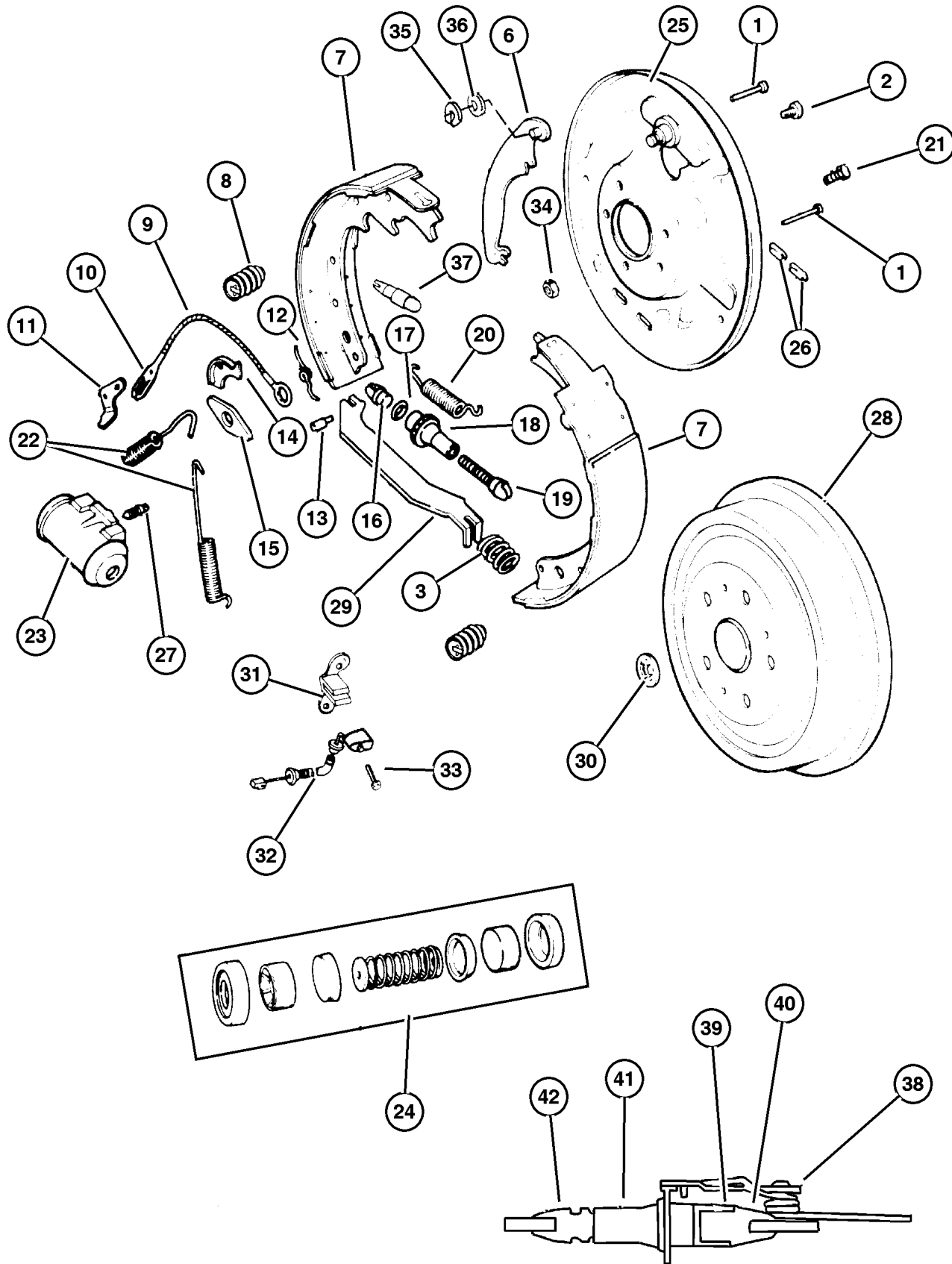
1	2260 548	2							PIN, Brake Shoe Hold Down 9" Brakes
	4746 783	2							10" Brakes (AHB Police Package)
2	6028 921	2							BOLT, Hex Head
3	8350 4918	2							SPRING, Parking Brake Strut, 10" Brakes (AHB Police Package)
-4	4773 762	1							CLIP, Park Brake Strut, 10" Brakes (AHB Police Package)
-5	4713 364	1							WASHER, 10" Brakes (AHB Police Package)
6	4313 810	1							LEVER, Park Brake 9" Brakes, Right
	4313 811	1							9" Brakes, Left
	4713 362	1							10" Brakes (AHB Police Package), Right
	4713 363	1							10" Brakes (AHB Police Package), Left
7	4723 367AB	1							SHOE AND LINING KIT, drum 9' Brakes Upto and Including 03- 09-00
	#5019 536AA	1							9' Brakes 03-10-00 and After
	4796 310	1							10' Brakes (AHB Police Package)
8	4313 062	2							SPRING, Brake Shoe Hold Down 9" Brakes
	4746 782	2							10" Brakes (AHB Police Package)
9	3461 662	1							CABLE, Brake Automatic Adjuster 9" Brakes
	4713 350	1							10" Brakes (AHB Police Package)
10	3461 660	1							SPRING, Adjuster Cable, 9" Brakes
11	4728 546	1							LEVER, Park Brake Adjusting 10" brakes (AHB Police Package), Right
	4728 547	1							10" brakes (AHB Police Package), Left
12	2944 580	1							SPRING, Brake Auto Adjuster Lever 9" Brakes, Right
	2944 581	1							9" Brakes, Left
13	4049 681	1							HARDWARE PACKAGE, Rear Brake, 9" Brakes-Contains 2 Pins,2 Washers, and 2 Horse shoe Retainers
14									GUIDE, Brake Adjusting Cable

JEEP CHEROKEE (XJ)

SERIES	LINE	BODY	ENGINE	TRANSMISSION
P=Classic	J=LHD (4WD)	74=4 Dr.(101.4WB)	ENC,EN0=2.5L 4 cyl. Turbo Die	DDD, DDQ=5 spd. Man.
S=Limited	U=RHD (4WD)	72=2 Dr.(101.4WB)	ERH,ER0=4.0L Power Tech I-6	DGS=4 spd. Auto. AISIN
H=Sport	T=LHD (2WD)		EPE,EP0=Magnum 2.5L SMPI	DG0=All Auto/Trans.
L=SE	B=RHD (2WD)			DBB=All Manual Trans.

AR = Use as required - = Non illustrated part # = New this model year

December 7, 2002



Brakes, Rear
Figure 005-220

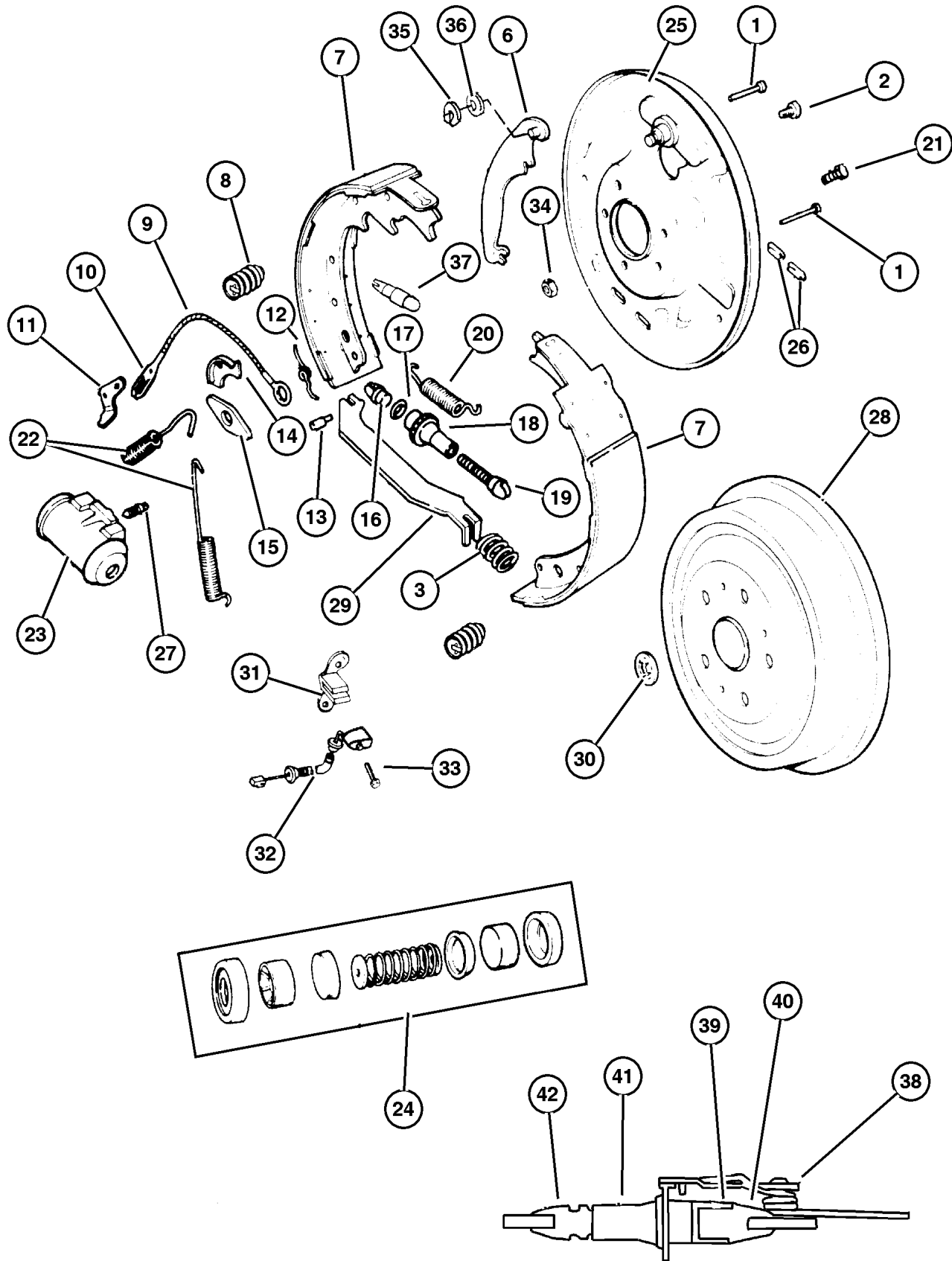
ITEM	PART NUMBER	QTY	LINE	SERIES	BODY	ENGINE	TRANS	TRIM	DESCRIPTION
	2260 793	1							9" Brakes
	J320 1947	1							10" Brakes (AHB Police Package)
15	2260 788	1							PLATE, Brake Shoe Guide
	4313 075	1							10" Brakes (AHB Police Package)
16	2944 586	1							9" Brakes
17	6027 559	1							BUTTON, Rear Brake Auto Adjust, 9" Brakes
18	2944 692	1							WASHER, Adjuster Button, 9" Brakes
	2944 693	1							NUT, Rear Brake Auto Adjust Pivot
19	4423 898	1							9" Brakes, Right
	4423 899	1							9" Brakes, Left
20	4423 085	1							SCREW, Brake Adjusting
	4746 588	1							9" Brakes, Right
	3723 668	8							9" Brakes, Left
	J099 4313	8							SPRING, Brake Shoe to Shoe
21									9" Brakes
	2881 676	2							10" Brakes (AHB Police Package)
	J311 2780	2							STUD
22	4423 601	1							Chrysler 8.25 Axle (DRA)
	#4313 056	1							Dana Model 35 (194RBI) Axle
	5200 0848	1							(DRM or DRJ)
	5200 0849	1							SPRING, Brake Shoe Return
23	5252 630	1							9" Brakes
	5252 631	1							10" Brakes (AHB Police Package)
24	8350 0987	1							CYLINDER, Wheel
	4773 490	1							9" Brakes Upto and Including 03-09-00
	4773 491	1							9" Brakes 03-10-00 and After
25									10" Brakes (AHB Police Package), Right
									10" Brakes (AHB Police Package), Left
									REPAIR KIT, Wheel Cylinder
									9" Brakes Upto and Including 03-09-00
									9" Brakes 03-10-00 and After
									10" Brakes (AHB Police Package)
									PLATE, Brake Backing
									10' Brakes (AHB Police Package), Right
									10' Brakes (AHB Police Package), Left

JEEP CHEROKEE (XJ)

SERIES	LINE	BODY	ENGINE	TRANSMISSION
P=Classic	J=LHD (4WD)	74=4 Dr.(101.4WB)	ENC,EN0=2.5L 4 cyl. Turbo Die	DDD, DDQ=5 spd. Man.
S=Limited	U=RHD (4WD)	72=2 Dr.(101.4WB)	ERH,ER0=4.0L Power Tech I-6	DGS=4 spd. Auto. AISIN
H=Sport	T=LHD (2WD)		EPE,EP0=Magnum 2.5L SMPI	DG0=All Auto/Trans.
L=SE	B=RHD (2WD)			DBB=All Manual Trans.

AR = Use as required - = Non illustrated part # = New this model year

December 7, 2002

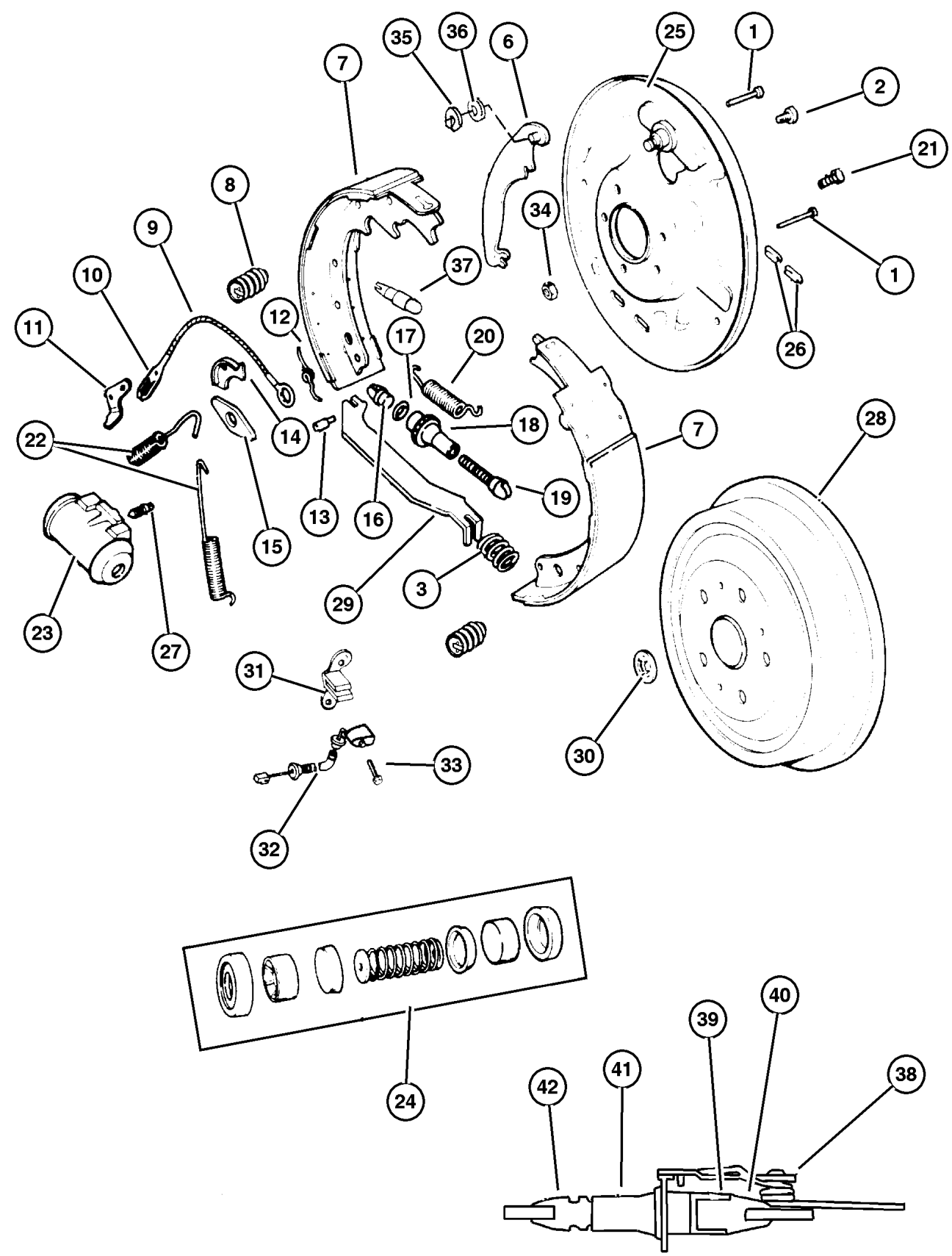


**Brakes, Rear
Figure 005-220**

ITEM	PART NUMBER	QTY	LINE	SERIES	BODY	ENGINE	TRANS	TRIM	DESCRIPTION
	4856 718	1							9" Brakes w/ABS, Right
	4856 719	1							9" Brakes w/ABS, Left
26	4238 721	3							PLUG, Brake Adjusting Hole 9" Brakes
	3200 0147	2							10" Brakes (AHB Police Package)
27	3766 674	1							SCREW, Bleeder 9" Brakes
	J320 3313	1							10" Brakes (AHB Police Package)
28									DRUM, Brake
	5200 5350	2							9" Brakes
	5200 7502	2							10" Brakes (AHB Police Package)
29									STRUT, Parking Brake
	4713 366	1							10" Brakes (AHB Police Package), Right
	4713 367	1							10" Brakes (AHB Police Package), Left
	4713 590	1							9" Brakes (w/spring)
30	6026 430	AR							SPRING RETAINER, Push On, .50x20
31									BRACKET, Brake Sensor Right
	5200 7804	1							Left
32									SENSOR, Anti-Lock Brakes Right
	5200 5932	1							Left
	5200 5933	1							Right
33	8350 4920	2							BOLT
34									NUT, Hex Flange Lock Chrysler 8.25 Axle (DRA) Dana Model 35 (194RBI) Axle (DRM or DRJ)
	0152 345	8							
	J941 1783	8							
35	J310 8202	1							RETAINER, Parking Brake Lever, 10" Brakes (AHB Police Package)
36	8350 2900	1							WASHER, Parking Brake Lever, 10" Brakes (AHB Police Package)
37	J004 8331	2							LINK, Brake Cylinder, 10" Brakes (AHB Police package)
38									SPRING, Auto Adjusting
	4746 582	1							10" Brakes (AHB Police Package), Right
	4746 583	1							10" Brakes (AHB Police Package), Left
39	4746 585	1							WASHER, Rear Brake Adjuster, 10" Brakes (AHB Police Package)

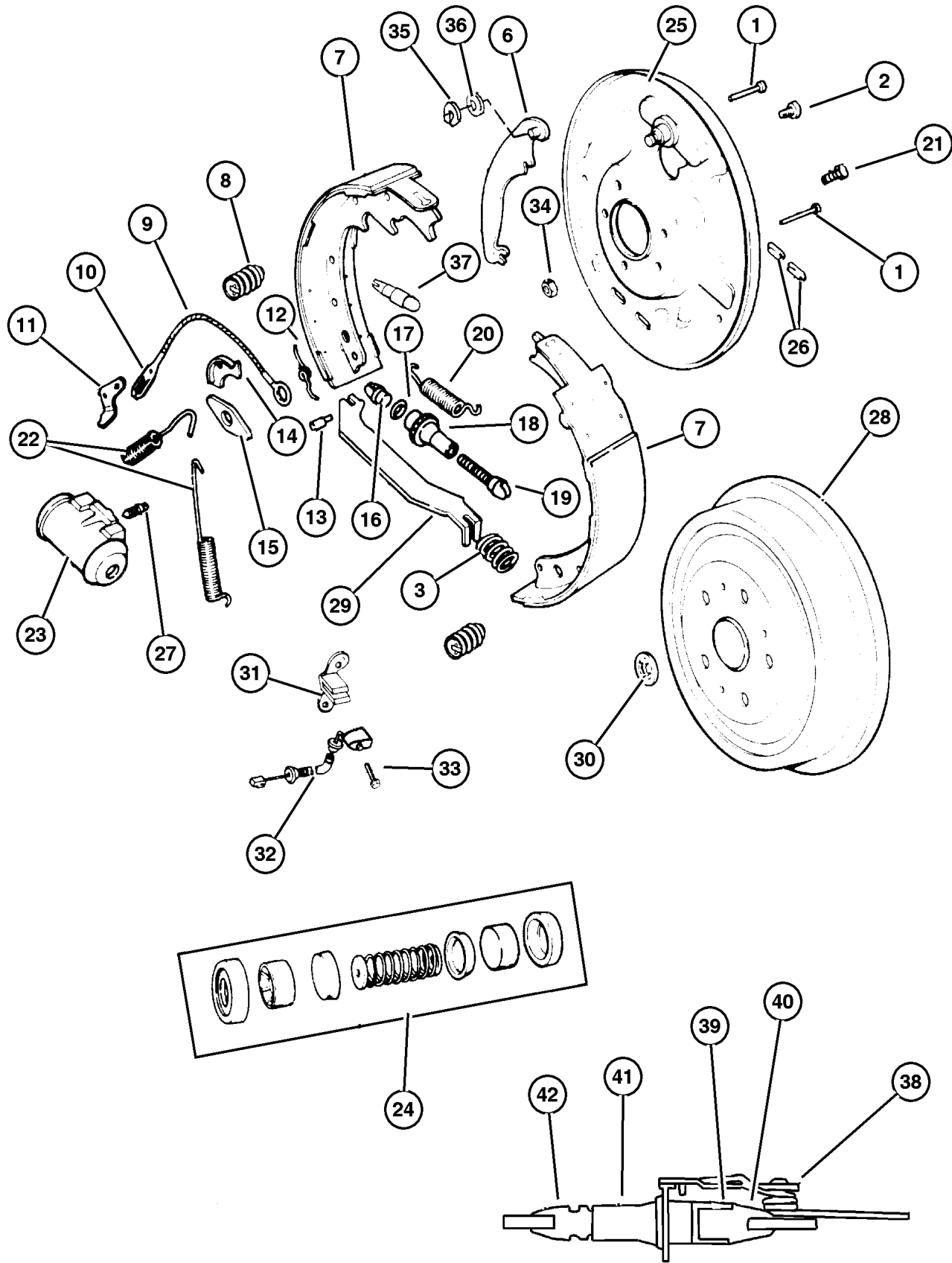
JEEP CHEROKEE (XJ)				
SERIES	LINE	BODY	ENGINE	TRANSMISSION
P=Classic	J=LHD (4WD)	74=4 Dr.(101.4WB)	ENC,EN0=2.5L 4 cyl. Turbo Die	DDD, DDQ=5 spd. Man.
S=Limited	U=RHD (4WD)	72=2 Dr.(101.4WB)	ERH,ER0=4.0L Power Tech I-6	DGS=4 spd. Auto. AISIN
H=Sport	T=LHD (2WD)		EPE,EP0=Magnum 2.5L SMPI	DG0=All Auto/Trans.
L=SE	B=RHD (2WD)			DBB=All Manual Trans.

AR = Use as required - = Non illustrated part # = New this model year December 7, 2002



Brakes, Rear
Figure 005-220

ITEM	PART NUMBER	QTY	LINE	SERIES	BODY	ENGINE	TRANS	TRIM	DESCRIPTION
40	4746 586	1							SOCKET, Brake Adjusting, 10" Brakes (AHB Police Package)
41	2944 692	1							NUT, Rear Brake Auto Adjust Pivot 10" Brakes (AHB Police Package), Right
	2944 693	1							10" Brakes (AHB Police Package), Left
42	2881 686	1							SCREW, Brake Adjusting 10" Brakes (AHB Police Package), Right
	2881 687	1							10" Brakes (AHB Police Package), Left



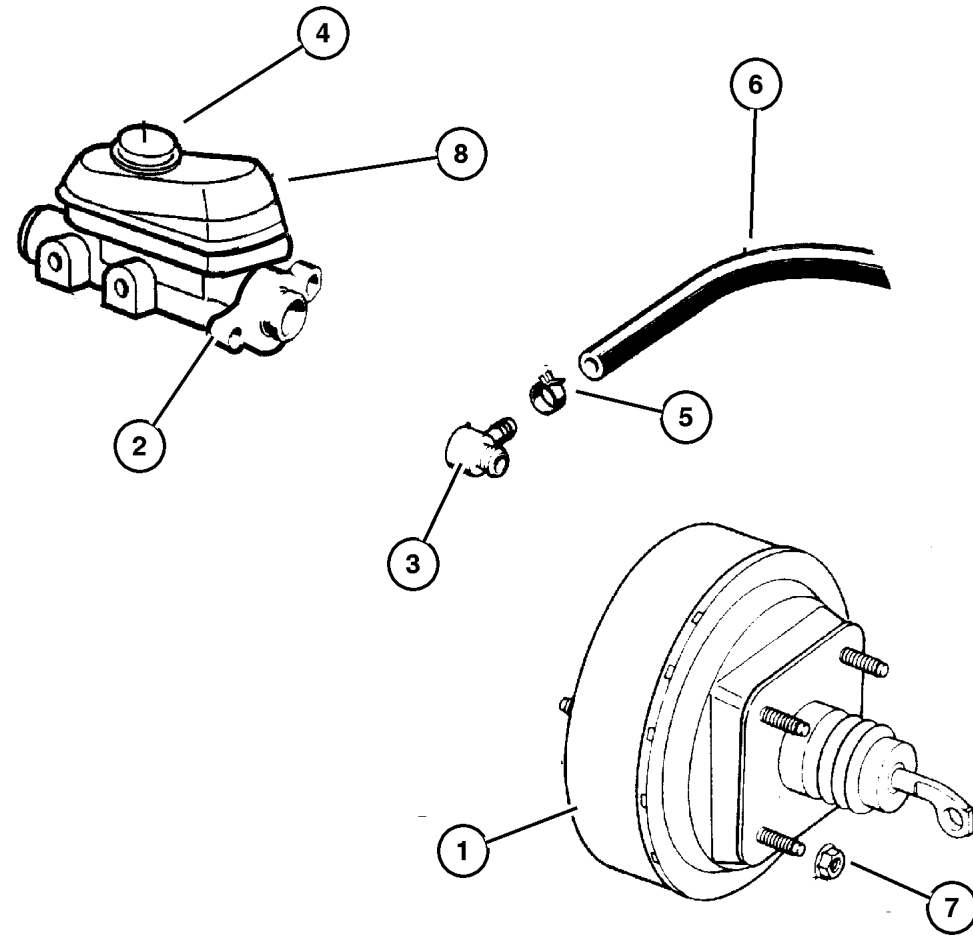
JEEP CHEROKEE (XJ)

SERIES	LINE	BODY	ENGINE	TRANSMISSION
P=Classic	J=LHD (4WD)	74=4 Dr.(101.4WB)	ENC,EN0=2.5L 4 cyl. Turbo Die	DDD, DDQ=5 spd. Man.
S=Limited	U=RHD (4WD)	72=2 Dr.(101.4WB)	ERH,ER0=4.0L Power Tech I-6	DGS=4 spd. Auto. AISIN
H=Sport	T=LHD (2WD)		EPE,EP0=Magnum 2.5L SMPI	DG0=All Auto/Trans.
L=SE	B=RHD (2WD)			DBB=All Manual Trans.

AR = Use as required - = Non illustrated part # = New this model year

December 7, 2002

**Master Cylinder and Booster
Figure 005-320**



ITEM	PART NUMBER	QTY	LINE	SERIES	BODY	ENGINE	TRANS	TRIM	DESCRIPTION
NOTES; SALES CODE EP0= 2.5L GAS ENGINE, ERO= 4.0 L ENGINE, ENC 2.5L DIESEL ENGINE									
1	4856 672AB	1							BOOSTER, Power Brake w/ EP0, ERO
	4856 673AB	1							w/ ENC
	4856 673AC	1							
2	4761 941	1							MASTER CYLINDER, Brake w/ EP0, ERO
		1							w/ ENC
3	J448 7455	1							VALVE, Vacuum Check w/ EP0, ERO
	4798 873	1							w/ ENC
4	4761 944	1							CAP, Master Cylinder Reservoir w/ EP0, ERO
		1							w/ ENC
5	2448 761	1	J, T						CLAMP, Hose w/ EP0
		1	B, U						w/ EP0
		1	J, T						w/ ENC
		1	B, U						w/ ENC
	2448 770	2	J, T						w/ ERO
6	5200 8761	1	B, U						HOSE, Vacuum Supply w/ EP0
	5200 9407	1	J, T						w/ EP0
	5212 8003	1	J, T						w/ ERO
	5212 8232	1	J, T						w/ ENC
	52128 290AA	1	B, U						w/ ERO
7	J400 3909	4							NUT, Hex Flange With Serration
8	4761 942	1							RESERVOIR, Brake Master Cylinder w/ ENC
		1							w/ EP0, ERO
-9	5017 194AA	2							NUT, Master Cylinder to Booster Mounting

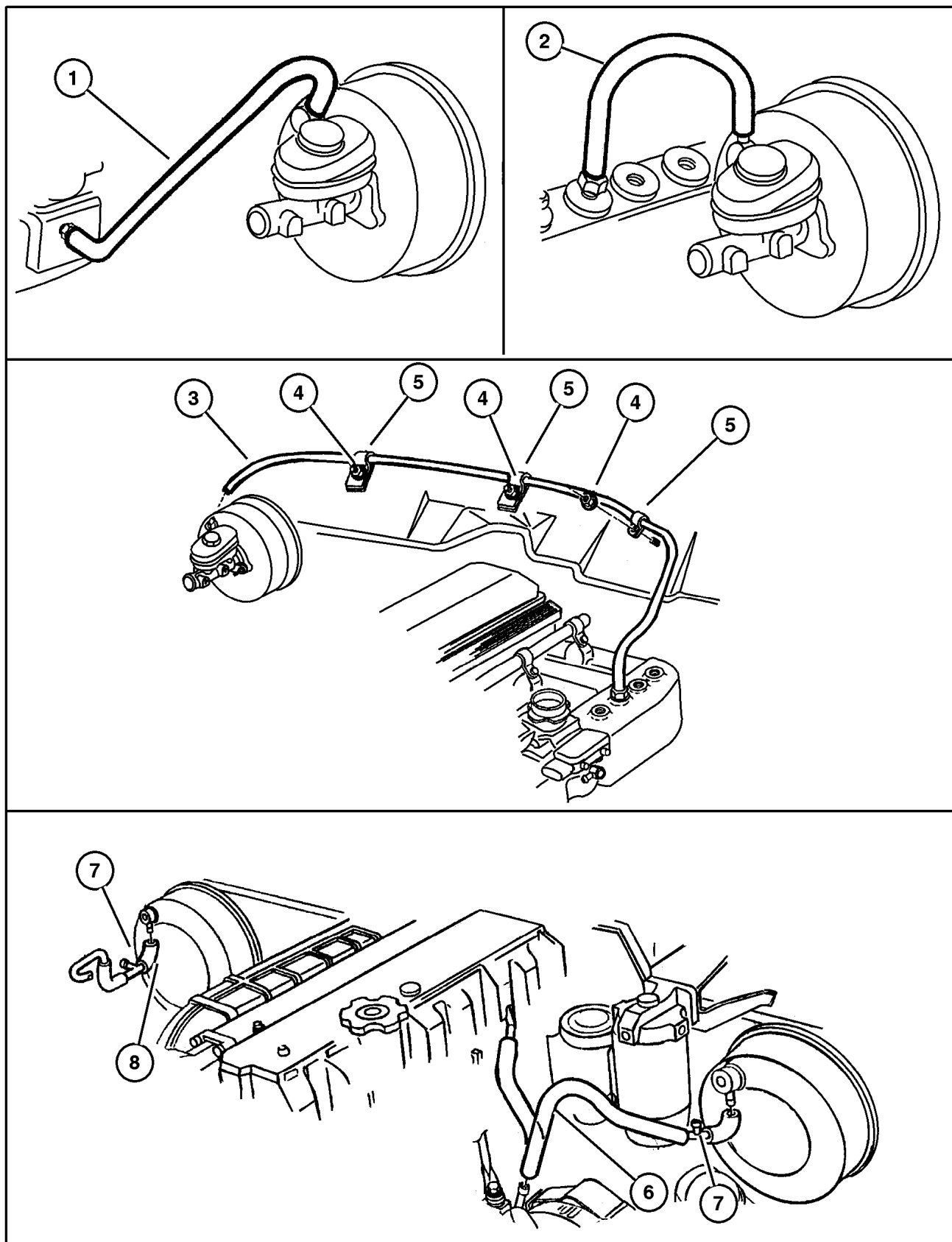
JEEP CHEROKEE (XJ)

SERIES	LINE	BODY	ENGINE	TRANSMISSION
P=Classic	J=LHD (4WD)	74=4 Dr.(101.4WB)	ENC,EN0=2.5L 4 cyl. Turbo Die	DDD, DDQ=5 spd. Man.
S=Limited	U=RHD (4WD)	72=2 Dr.(101.4WB)	ERH,ER0=4.0L Power Tech I-6	DGS=4 spd. Auto. AISIN
H=Sport	T=LHD (2WD)		EPE,EP0=Magnum 2.5L SMPI	DG0=All Auto/Trans.
L=SE	B=RHD (2WD)			DBB=All Manual Trans.

AR = Use as required - = Non illustrated part # = New this model year

December 7, 2002

**Power Brake Vacuum Booster Hose
Figure 005-330**



ITEM	PART NUMBER	QTY	LINE	SERIES	BODY	ENGINE	TRANS	TRIM	DESCRIPTION
1									HOSE, Vacuum Supply
	5200 8761	1	B, U						
	5200 9407	1	J, T						
2									HOSE, Vacuum Supply
	5212 8003	1	J, T						
	52128 290AA	1	B, U						
3									HOSE, Vacuum Supply
	5212 8003	1	J, T						
	52128 290AA	1	B, U						
4	6100 839	2							NUT, Push, M5
5									CLIP, (NOT SERVICED) (Not Serviced)
6	5212 8232	1	J, T						HOSE, Vacuum Supply
7									TEE, Brake Vacuum
	4343 852	1	J, T						
			B, U						
8	5010 907AA	1	B, U						HOSE, Brake Vacuum

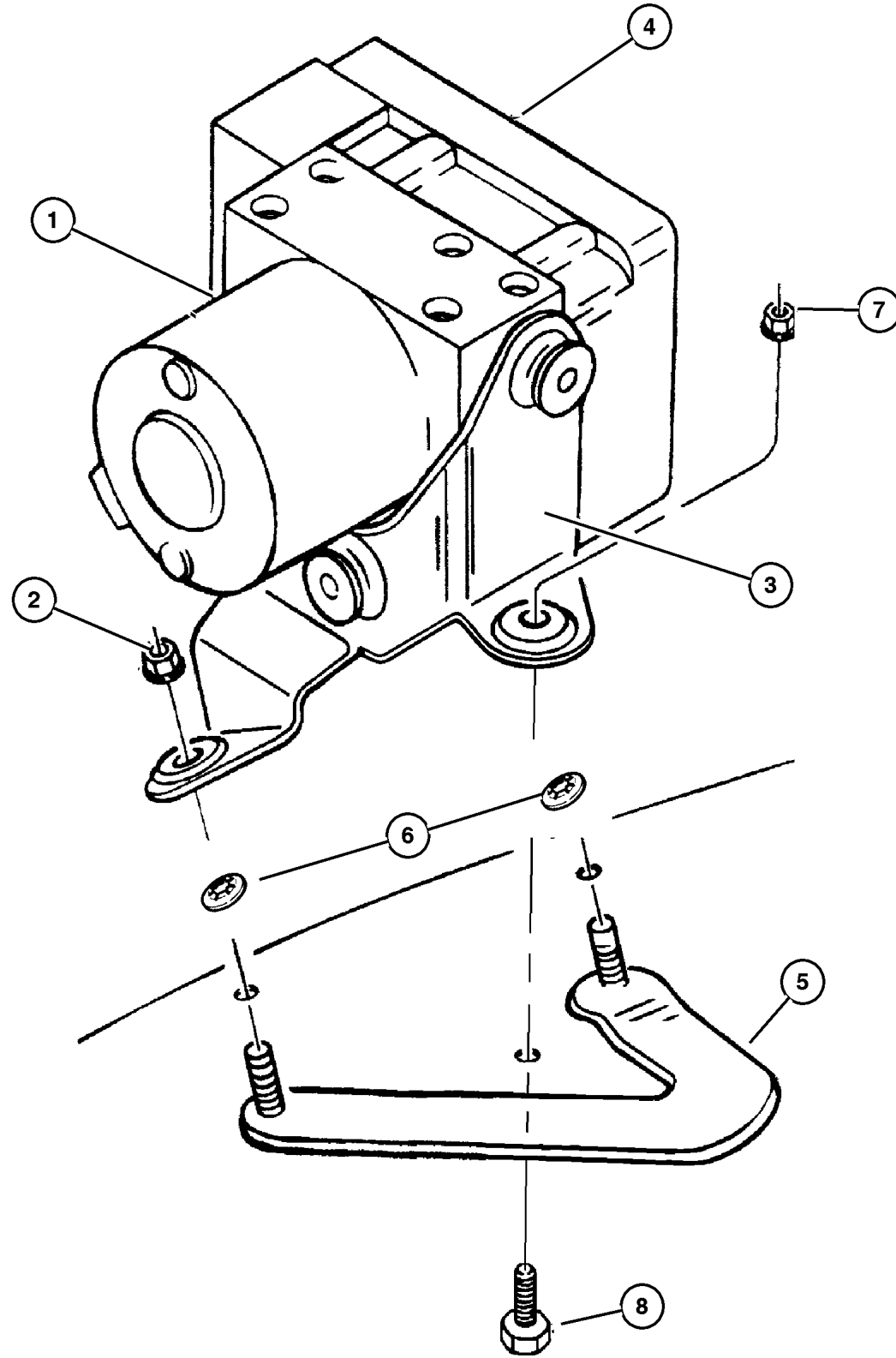
JEEP CHEROKEE (XJ)

SERIES	LINE	BODY	ENGINE	TRANSMISSION
P=Classic	J=LHD (4WD)	74=4 Dr.(101.4WB)	ENC,EN0=2.5L 4 cyl. Turbo Die	DDD, DDQ=5 spd. Man.
S=Limited	U=RHD (4WD)	72=2 Dr.(101.4WB)	ERH,ER0=4.0L Power Tech I-6	DGS=4 spd. Auto. AISIN
H=Sport	T=LHD (2WD)		EPE,EP0=Magnum 2.5L SMPI	DG0=All Auto/Trans.
L=SE	B=RHD (2WD)			DBB=All Manual Trans.

AR = Use as required - = Non illustrated part # = New this model year

December 7, 2002

Hydraulic Control Unit
Figure 005-420



ITEM	PART NUMBER	QTY	LINE	SERIES	BODY	ENGINE	TRANS	TRIM	DESCRIPTION
1	5200 9137	1							CONTROL UNIT, Anti-Lock Brake
2	3420 1711	2							NUT, Hex Flange, M8x1.25
3	5212 7929	1							BRACKET, Hydraulic Control Unit
4	56027 931AC	1							MODULE, Anti-lock Brakes
5	5200 8230	1							STUD PLATE, Hydraulic Control Unit
6	6100 841	2							PUSH NUT, M8
7	6503 445	1							NUT
8	6101 453	1							SCREW AND WASHER, Hex Head, M8x1.25x30

JEEP CHEROKEE (XJ)

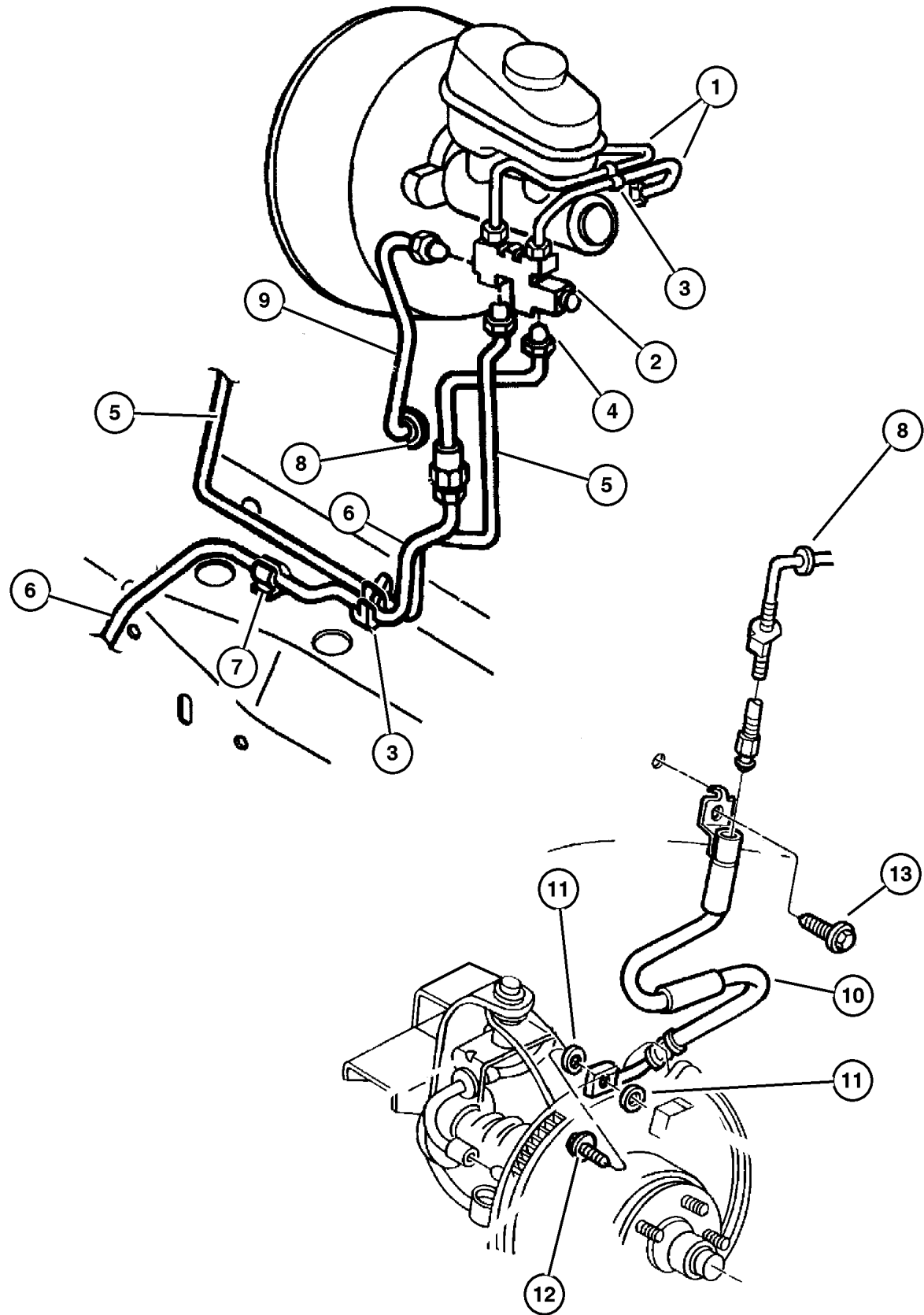
SERIES	LINE	BODY	ENGINE	TRANSMISSION
P=Classic	J=LHD (4WD)	74=4 Dr.(101.4WB)	ENC,EN0=2.5L 4 cyl. Turbo Die	DDD, DDQ=5 spd. Man.
S=Limited	U=RHD (4WD)	72=2 Dr.(101.4WB)	ERH,ER0=4.0L Power Tech I-6	DGS=4 spd. Auto. AISIN
H=Sport	T=LHD (2WD)		EPE,EP0=Magnum 2.5L SMPI	DG0=All Auto/Trans.
L=SE	B=RHD (2WD)			DBB=All Manual Trans.

AR = Use as required - = Non illustrated part # = New this model year

December 7, 2002

**Brake Lines, Front without Anti-Lock Brakes
Figure 005-550**

ITEM	PART NUMBER	QTY	LINE	SERIES	BODY	ENGINE	TRANS	TRIM	DESCRIPTION
1	5200 9069	1							TUBE, Brake Primary, Master Cylinder to Proportioning Valve
	5200 9074	1							Secondary, Master Cylinder to Proportioning Valve
2	52128 420AA	1							VALVE, Proportioning
3	5200 8940	5	B, U						CLIP, Brake Line
		5	J, T						
4	5212 8170	1	J, T						TUBE, Brake Proportioning Valve to Union
	52128 171AB	1	B, U						Proportioning Valve to Union
5	52127 988AC	1	J, T						TUBE, Brake Proportioning Valve to Front, Right
		1	B, U						
6	5212 7967	1							TUBE, Brake Proportioning Valve to Front, Right
7	3420 2688	2							CLIP, Latch&Line
8	J312 6237	2							GROMMET, Front Brake Tube
9	5212 8381	1	J, T						TUBE, Brake Proportioning Valve to Front Left
		1	B, U						
10	52008 674AC	1							HOSE, Brake Right
		1							
11	J323 7672	4							GASKET, Brake Hose To Caliper
12	J400 6700	2							BOLT, Hex Head, .375-24x1.03 Grade 8
13	6502 711	2							BOLT, ABS Sensor



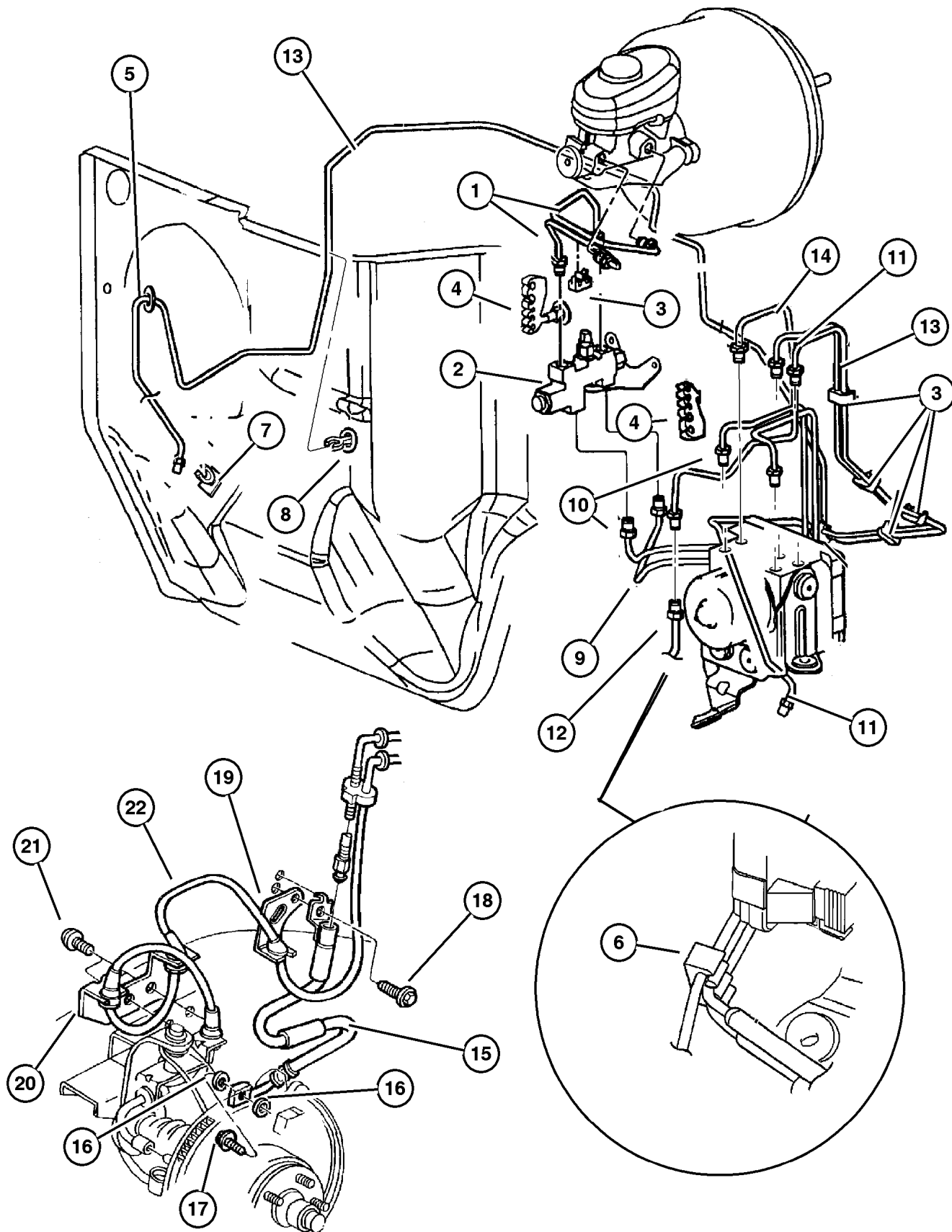
JEEP CHEROKEE (XJ)

SERIES	LINE	BODY	ENGINE	TRANSMISSION
P=Classic	J=LHD (4WD)	74=4 Dr.(101.4WB)	ENC,EN0=2.5L 4 cyl. Turbo Die	DDD, DDQ=5 spd. Man.
S=Limited	U=RHD (4WD)	72=2 Dr.(101.4WB)	ERH,ER0=4.0L Power Tech I-6	DGS=4 spd. Auto. AISIN
H=Sport	T=LHD (2WD)		EPE,EP0=Magnum 2.5L SMPI	DG0=All Auto/Trans.
L=SE	B=RHD (2WD)			DBB=All Manual Trans.

AR = Use as required - = Non illustrated part # = New this model year

December 7, 2002

**Brake Lines, Front with Anti-Lock Brakes
Figure 005-555**



ITEM	PART NUMBER	QTY	LINE	SERIES	BODY	ENGINE	TRANS	TRIM	DESCRIPTION
1	5200 9069	1							TUBE, Brake Primary
	5200 9074	1							Secondary
2	5212 8035	1	J, T						VALVE, Proportioning 10' Rear Brakes
	5212 9030	1							9' Rear Brakes
3	5200 8940	5	B, U						CLIP, Brake Line
		5	J, T						
4	5212 8060	2	J, T						CLIP, Five Way
		3	B, U						
5	J312 6237	2							GROMMET, Front Brake Tube
6	5200 9163	1	J, T						CLIP, Brake Line
		7	B, U						
7	3420 2688	2							CLIP, Latch&Line
8	5212 8157	1	J, T						CLIP, Brake Line
9	5200 9067	1	J, T						TUBE, Brake Proportioning Valve to HCU Primary
	52009 075AB	1	B, U						Proportioning Valve to HCU Primary
10	5200 9068	1	J, T						TUBE, Brake Proportioning Valve to HCU Secondary
	52009 076AC	1	B, U						Proportioning Valve to HCU Secondary
11	5200 9073	1	J, T						TUBE, Brake HCU to Front, Left
	52009 079AB	1	B, U						HCU to Front, Left
12	5200 9067	1	J, T						TUBE, Brake, HCU to Union, Rear
13	52009 072AB	1	J, T						TUBE, Brake HCU to Front, Right
	52009 078AB	1	B, U						HCU to Front, Right
14	5200 9146	1							TUBE, Brake
15	52008 674AC	1							HOSE, Brake Right
	52008 675AC	1							Left
16	J323 7672	4							GASKET, Brake Hose To Caliper
17	J400 6700	2							BOLT, Hex Head, .375-24x1.03 Grade 8
	6502 711	2							BOLT, ABS Sensor

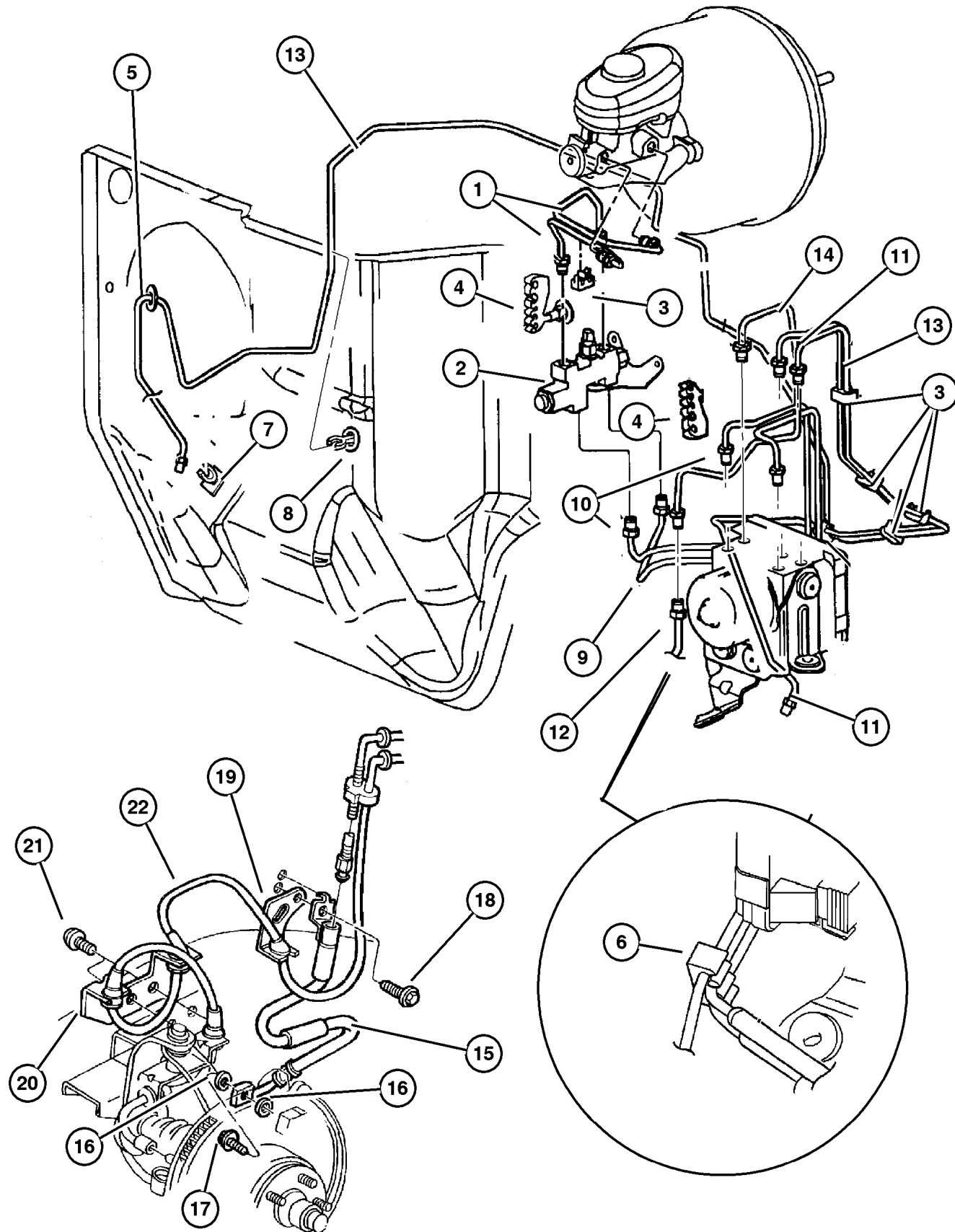
JEEP CHEROKEE (XJ)

SERIES	LINE	BODY	ENGINE	TRANSMISSION
P=Classic	J=LHD (4WD)	74=4 Dr.(101.4WB)	ENC,EN0=2.5L 4 cyl. Turbo Die	DDD, DDQ=5 spd. Man.
S=Limited	U=RHD (4WD)	72=2 Dr.(101.4WB)	ERH,ER0=4.0L Power Tech I-6	DGS=4 spd. Auto. AISIN
H=Sport	T=LHD (2WD)		EPE,EP0=Magnum 2.5L SMPI	DG0=All Auto/Trans.
L=SE	B=RHD (2WD)			DBB=All Manual Trans.

AR = Use as required - = Non illustrated part # = New this model year

December 7, 2002

**Brake Lines, Front with Anti-Lock Brakes
Figure 005-555**



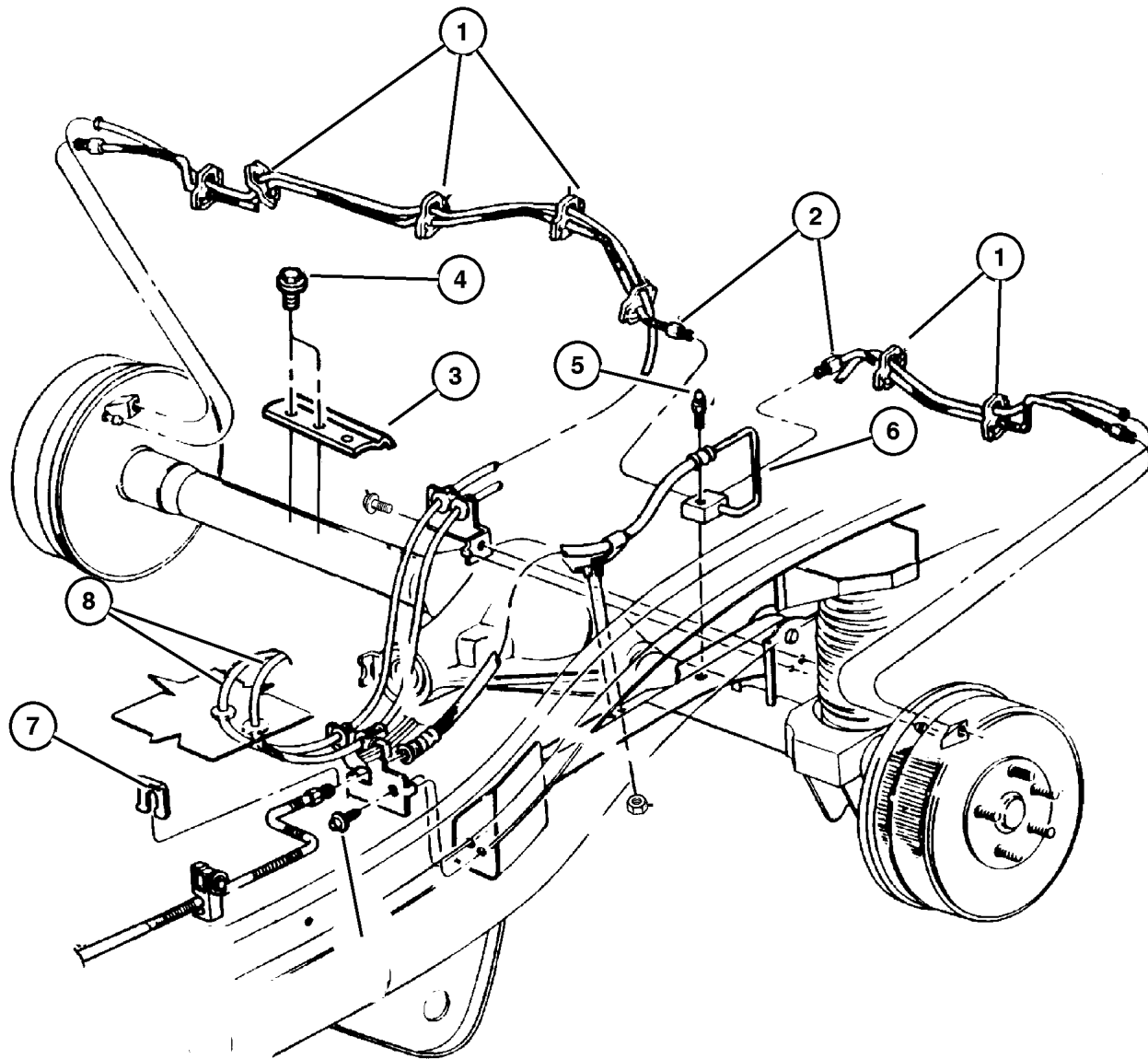
ITEM	PART NUMBER	QTY	LINE	SERIES	BODY	ENGINE	TRANS	TRIM	DESCRIPTION
19									BRACKET, ABS Sensor
	5602 6836	1							Right
	5602 6837	1							Left
20									BRACKET, Brake Sensor
	5602 6996	1							Right
	5602 6997	1							Left
21	3420 1912	2							SCREW, Self Tapping, M6x1x14
22									SENSOR, Anti-Lock Brakes
	5600 5217	2	B			74			
		2	T						
		2	J						
		2	U						

JEEP CHEROKEE (XJ)				
SERIES	LINE	BODY	ENGINE	TRANSMISSION
P=Classic	J=LHD (4WD)	74=4 Dr.(101.4WB)	ENC,EN0=2.5L 4 cyl. Turbo Die	DDD, DDQ=5 spd. Man.
S=Limited	U=RHD (4WD)	72=2 Dr.(101.4WB)	ERH,ER0=4.0L Power Tech I-6	DGS=4 spd. Auto. AISIN
H=Sport	T=LHD (2WD)		EPE,EP0=Magnum 2.5L SMPI	DG0=All Auto/Trans.
L=SE	B=RHD (2WD)			DBB=All Manual Trans.

AR = Use as required - = Non illustrated part # = New this model year December 7, 2002

Brake Lines and Hoses, Rear
Figure 005-560

ITEM	PART NUMBER	QTY	LINE	SERIES	BODY	ENGINE	TRANS	TRIM	DESCRIPTION
1	5602 6775	10							CLIP, Tube To Speed Sensor
2	52128 264AC	1							TUBE, Brake Dana Model 35 axle, w/10' Brakes (Police Package), Right
	52128 265AC	1							Dana Model 35 axle, w/10' Brakes (Police Package), Left
	5212 9022	1							Chrysler 8.25 Axle, Right
	5212 9023	1							Chrysler 8.25 Axle, Left
	5213 0024	1							Dana Model 35 Axle w/ 9' Brakes, Right
	5213 0025	1							Dana Model 35 Axle w/ 9' Brakes, Left
3	5200 7800	1							CLIP, Brake Tube
4	3420 1912	4							SCREW, Self Tapping, M6x1x14
5	J318 7999	1							VENT, Axle
6	52007 562AC	1							HOSE, Brake
7	2208 893	1							LOCK, Brake Hose
8	5200 5932	1							SENSOR, Anti-Lock Brakes Right
	5200 5933	1							Left



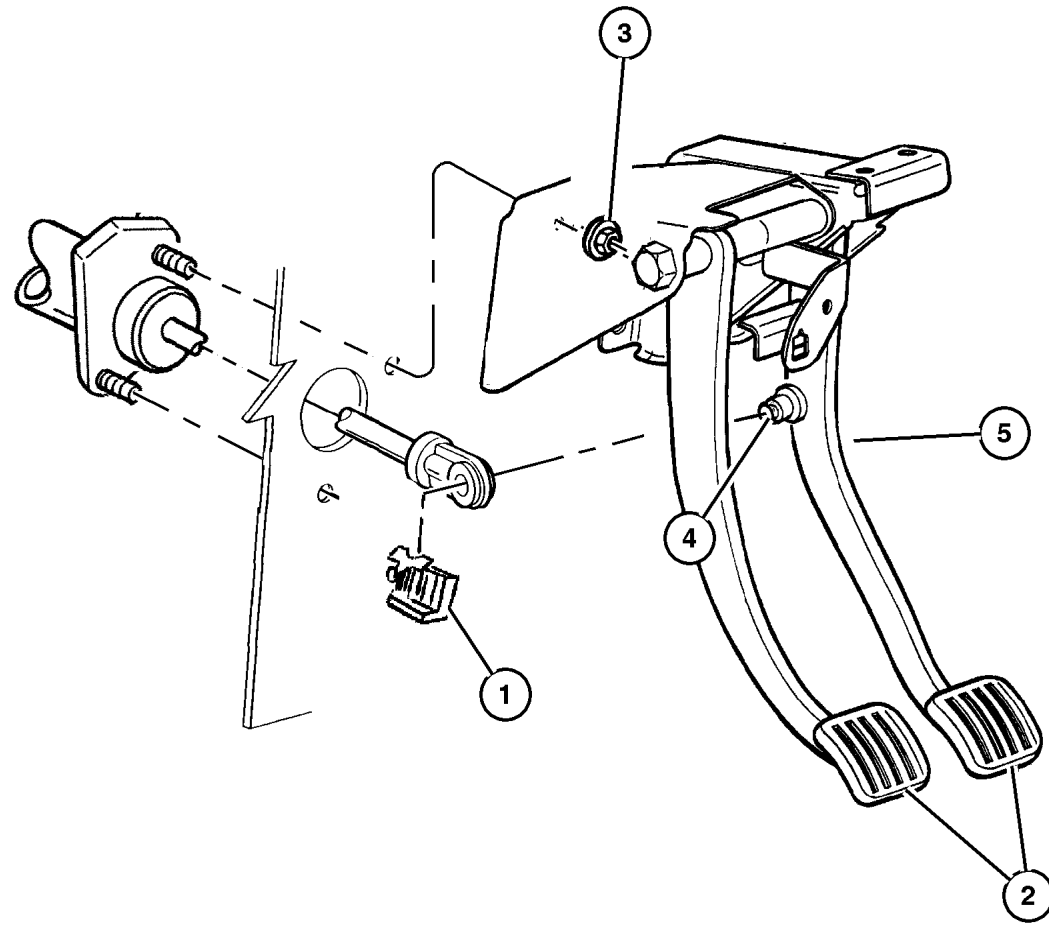
JEEP CHEROKEE (XJ)				
SERIES	LINE	BODY	ENGINE	TRANSMISSION
P=Classic	J=LHD (4WD)	74=4 Dr.(101.4WB)	ENC,EN0=2.5L 4 cyl. Turbo Die	DDD, DDQ=5 spd. Man.
S=Limited	U=RHD (4WD)	72=2 Dr.(101.4WB)	ERH,ER0=4.0L Power Tech I-6	DGS=4 spd. Auto. AISIN
H=Sport	T=LHD (2WD)		EPE,EP0=Magnum 2.5L SMPI	DG0=All Auto/Trans.
L=SE	B=RHD (2WD)			DBB=All Manual Trans.

AR = Use as required - = Non illustrated part # = New this model year

December 7, 2002

**Brake Pedal
Figure 005-610**

ITEM	PART NUMBER	QTY	LINE	SERIES	BODY	ENGINE	TRANS	TRIM	DESCRIPTION
1	6035 334	1							CLIP, Brake Push Rod
2	4779 027	1	B, U						PAD, Pedal
		1	J, T						
3	J400 3909	2							NUT, Hex Flange With Serration
4	52078 848AE	1	B, U						PEDAL, Brake w/ Auto Trans
	52129 061AG	1	J, T						w/ Auto Trans
5	52079 254AC	1	B, U						PEDAL, Brake And Clutch w/ Manual Trans
	52128 398AA	1	J, T						w/ Manual Trans
-6	4446 361	1							BUSHING, Hydraulic Clutch Actuator



JEEP CHEROKEE (XJ)				
SERIES	LINE	BODY	ENGINE	TRANSMISSION
P=Classic	J=LHD (4WD)	74=4 Dr.(101.4WB)	ENC,EN0=2.5L 4 cyl. Turbo Die	DDD, DDQ=5 spd. Man.
S=Limited	U=RHD (4WD)	72=2 Dr.(101.4WB)	ERH,ER0=4.0L Power Tech I-6	DGS=4 spd. Auto. AISIN
H=Sport	T=LHD (2WD)		EPE,EP0=Magnum 2.5L SMPI	DG0=All Auto/Trans.
L=SE	B=RHD (2WD)			DBB=All Manual Trans.

AR = Use as required - = Non illustrated part # = New this model year

December 7, 2002

Group – 006

Clutch

GROUP 6 - Clutch

Illustration Title

Group-Fig. No.

Clutch

Clutch Fig. 006-110

Clutch Housing

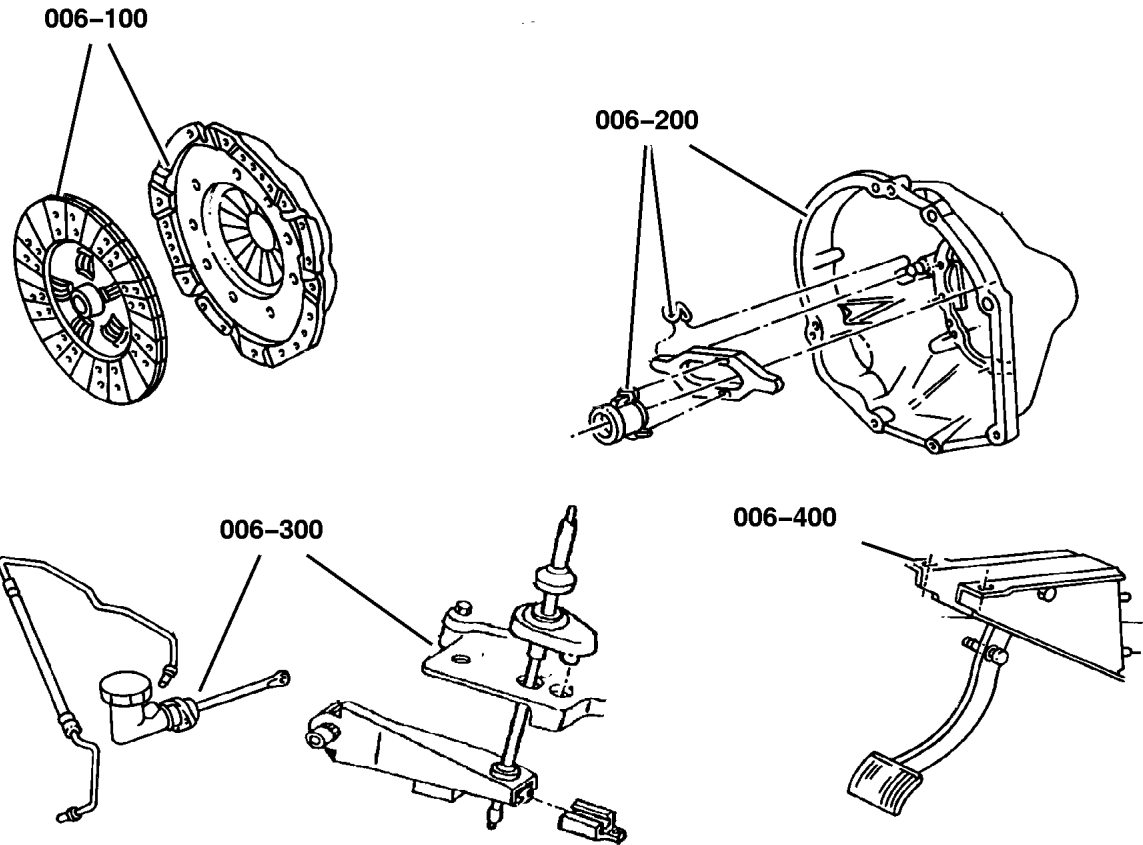
Clutch Housing Fig. 006-210

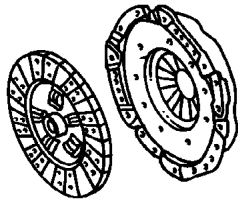
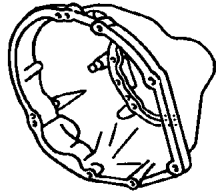
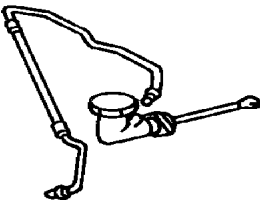
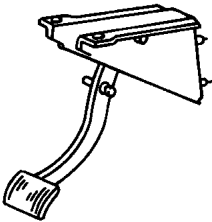
Clutch Controls

Clutch Control Fig. 006-320

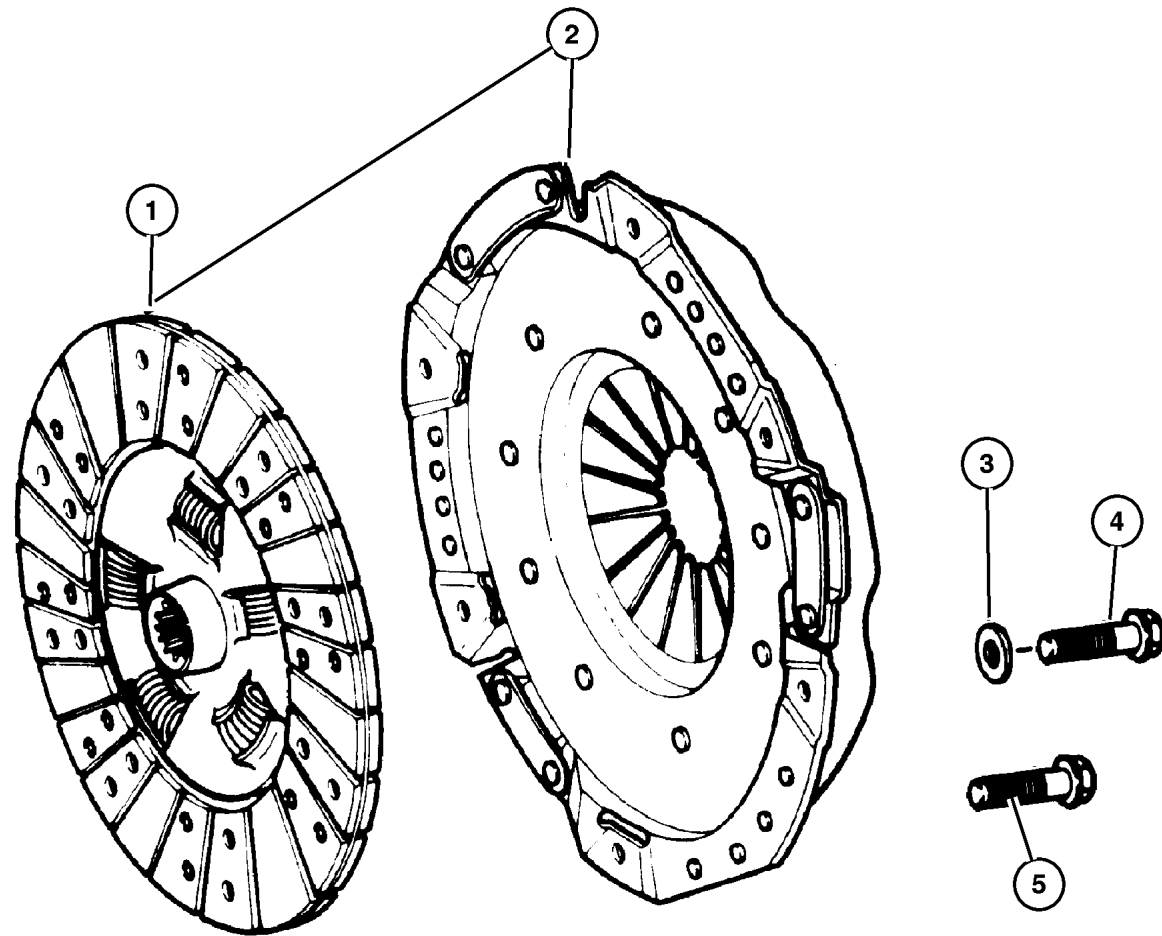
Clutch Pedals

Pedal Clutch Fig. 006-420



<p>006-100 Clutch</p> 	<p>006-200 Clutch Housing</p> 	<p>006-300 Clutch Controls</p> 	<p>006-400 Clutch Pedals</p> 
--	--	--	---

Clutch Figure 006-110



ITEM	PART NUMBER	QTY	LINE	SERIES	BODY	ENGINE	TRANS	TRIM	DESCRIPTION
Notes:									
EPO= All 2.5L, 4 Cylinder, Gas Engine									
ER0= All 4L., 6 Cylinder, Gas Engine									
EN0= All 4/5 Cylinder, Turbo Diesel Engine									
DDD = 5 Speed Heavy Duty Manual Transmission									
DBB = All Manual Transmissions									
1									DISC, Clutch
	#52104 363AA	1				ER0	DDD		
	5210 7571	1				EPO	DBB		
	#53008 259AB	1				EN0	DDD		
2									CLUTCH PACKAGE
	#4874 175AC	1				EN0	DDD		
	#5015 606AA	1				ER0	DDD		
3	1150 0221	6				EPO	DBB		WASHER, Flat
4	3420 1373	6				EPO	DBB		BOLT, Hex Head, M8x1.25x22
5									BOLT, Hex Head, .375-16x.84
	6035 626	6				ER0	DBB		
		6				EN0	DBB		
-6	5210 7570	1				EPO	DBB		CLUTCH KIT, Manual Transmission

JEEP CHEROKEE (XJ)

SERIES	LINE	BODY	ENGINE	TRANSMISSION
P=Classic	J=LHD (4WD)	74=4 Dr.(101.4WB)	ENC,EN0=2.5L 4 cyl. Turbo Die	DDD, DDQ=5 spd. Man.
S=Limited	U=RHD (4WD)	72=2 Dr.(101.4WB)	ERH,ER0=4.0L Power Tech I-6	DGS=4 spd. Auto. AISIN
H=Sport	T=LHD (2WD)		EPE,EPO=Magnum 2.5L SMPI	DG0=All Auto/Trans.
L=SE	B=RHD (2WD)			DBB=All Manual Trans.

AR = Use as required - = Non illustrated part # = New this model year

December 7, 2002

Clutch Housing Figure 006-210

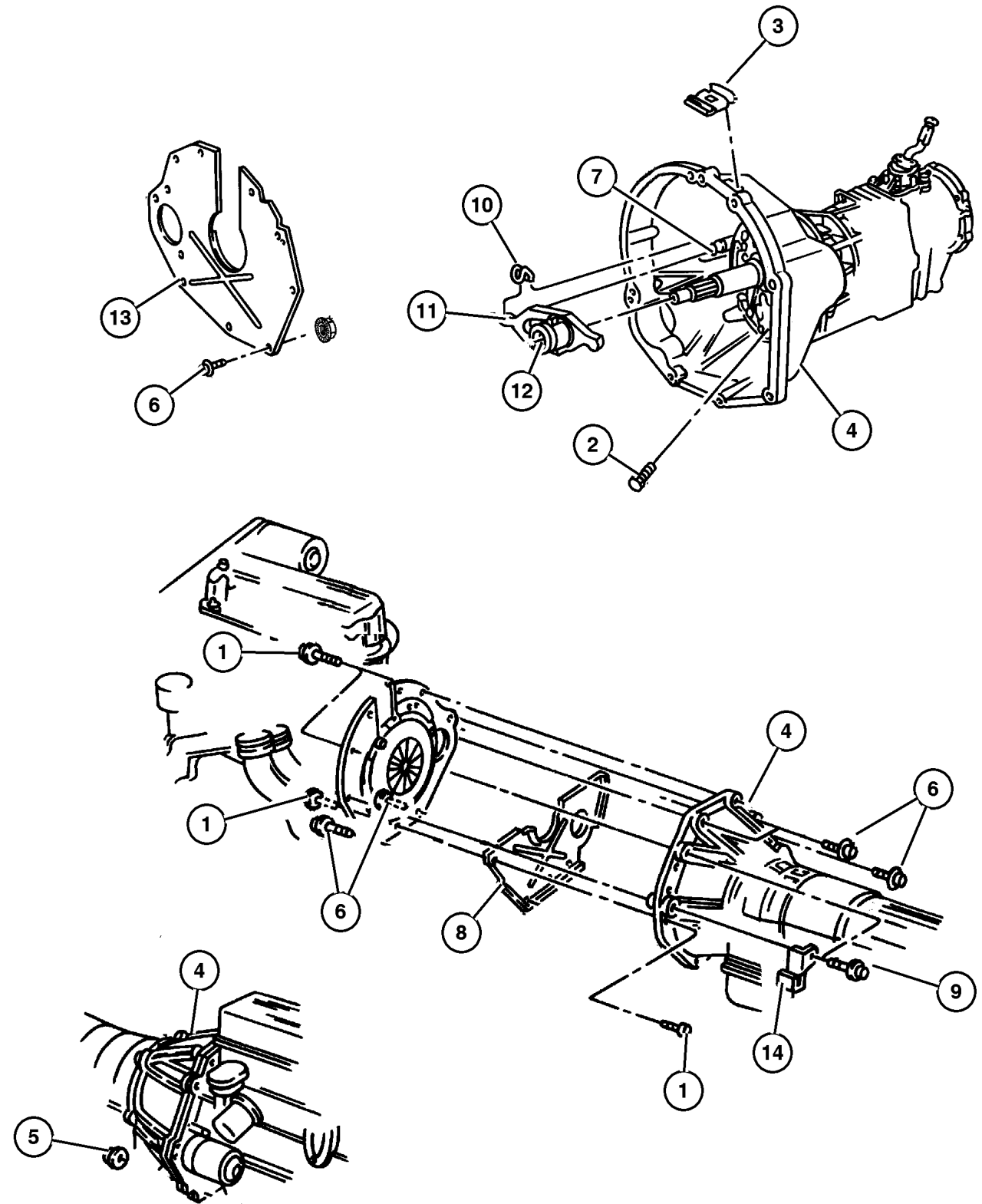
ITEM	PART NUMBER	QTY	LINE	SERIES	BODY	ENGINE	TRANS	TRIM	DESCRIPTION
Notes:									
EPO= All 2.5L, 4 Cylinder, Gas Engine									
ER0= All 4L., 6 Cylinder, Gas Engine									
EN0= All 4/5 Cylinder, Turbo Diesel Engine									
DDD = 5 Speed Heavy Duty Manual Transmission									
DBB = All Manual Transmissions									
1									BOLT, Hex Flange Head, M8x2.12x16
	1150 0986	3				ER0	DBB		
2	6503 299	9				EPO	DBB		BOLT, Hex Head
3	5300 6010	1				EPO, ER0	DBB		GROMMET, Timing Probe
4									HOUSING, Clutch
	5210 4045	1				ER0	DDD		
	5210 7552	1				EN0, ER0	DBB		
5									NUT, .375-16
	0152 344	1				EPO	DBB		
		1				EN0, ER0	DBB		
6	1150 4922	2				EPO	DBB		BOLT, Hex Head, M12x1.75x50
7	5208 7542	1				EPO	DBB		PIVOT, Clutch Release
		1				EN0, ER0	DBB		
8	5300 3382	1				EPO	DBB		COVER, Transmission Dust
9	3420 1837	2				EPO	DBB		BOLT, Hex Flange Head, M12x1.75x90
10	4338 855	1					DBB		SPRING, Clutch Release
11	5210 7555	1					DBB		FORK, Clutch Release
12	5300 8342	1					DBB		BEARING, Clutch Release
13	53004 473AB	1				ER0	DBB		SPACER, Clutch Housing
14	#52107 595AB	1				EN0	DBB		BRACKET, Clutch Tube

JEEP CHEROKEE (XJ)

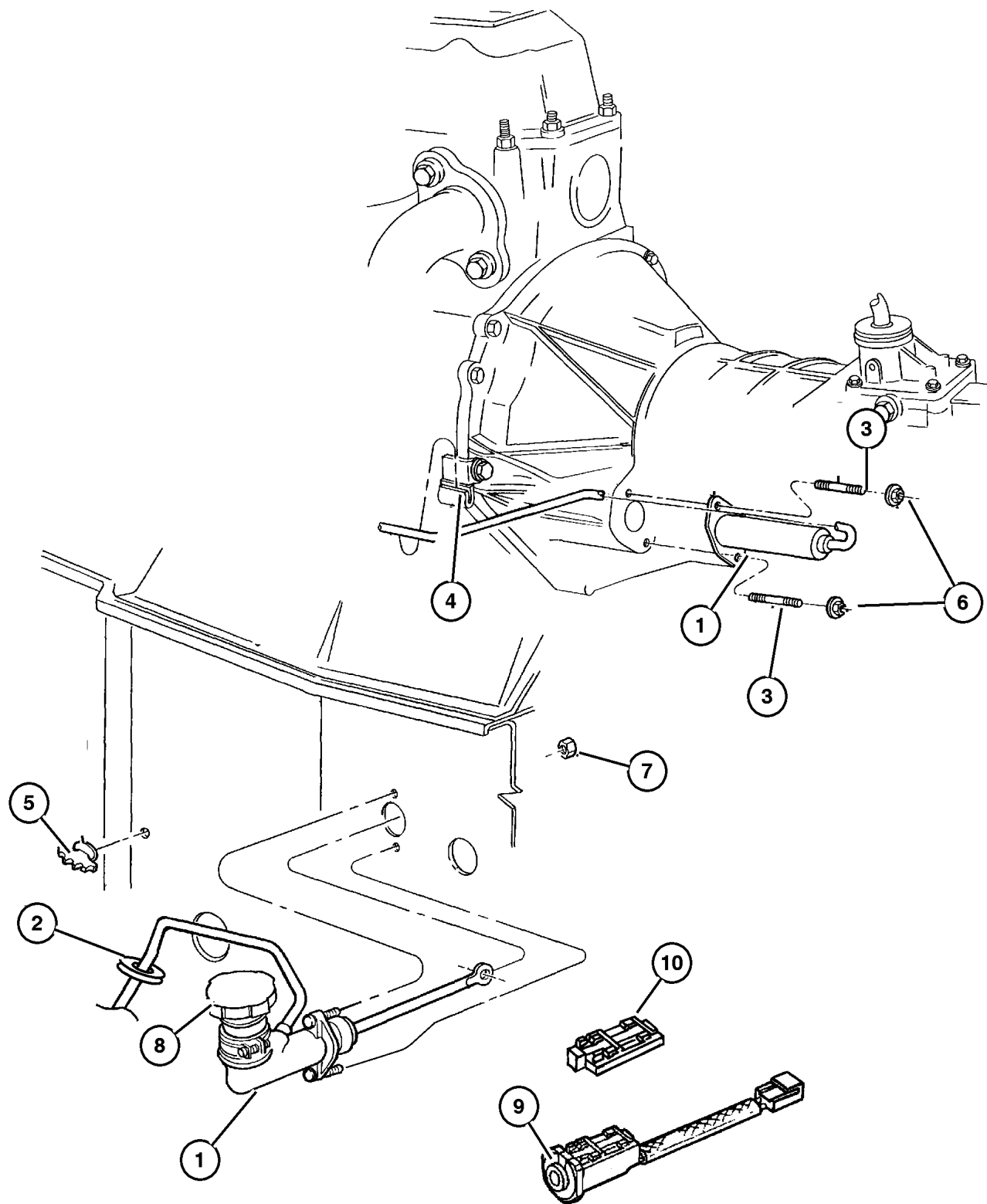
SERIES	LINE	BODY	ENGINE	TRANSMISSION
P=Classic	J=LHD (4WD)	74=4 Dr.(101.4WB)	ENC,EN0=2.5L 4 cyl. Turbo Die	DDD, DDQ=5 spd. Man.
S=Limited	U=RHD (4WD)	72=2 Dr.(101.4WB)	ERH,ER0=4.0L Power Tech I-6	DGS=4 spd. Auto. AISIN
H=Sport	T=LHD (2WD)		EPE,EPO=Magnum 2.5L SMP1	DG0=All Auto/Trans.
L=SE	B=RHD (2WD)			DBB=All Manual Trans.

AR = Use as required - = Non illustrated part # = New this model year

December 7, 2002



Clutch Control Figure 006-320



ITEM	PART NUMBER	QTY	LINE	SERIES	BODY	ENGINE	TRANS	TRIM	DESCRIPTION
Notes:									
EPO= All 2.5L, 4 Cylinder, Gas Engine									
ER0= All 4L., 6 Cylinder, Gas Engine									
EN0= All 4/5 Cylinder, Turbo Diesel Engine									
DBB = All Manual Transmissions									
1									HYDRAULIC CONTROL, Clutch Actuator
	#52107 654AC	1	J, T			EN0	DBB		
	52107 657AB	1	U			EN0	DBB		
	#52119 686AA	1	J, T			EPO,	DBB		
						ER0			
	#52119 687AA	1	B, U			EPO,	DBB		
						ER0			
2									CLIP, Tube
	3200 0404	3	B, U						
		2	J, T						
3	6032 878	2					DBB		STUD, .312-18x2.00
4	#52107 595AB	1					DBB		BRACKET, Clutch Tube
5									CLIP, Five Way
	5212 8060	3	B, U						
		2	J, T						
6	0152 472	2					DBB		NUT, Hex Flange Lock, .312-18
7	J400 3909	4							NUT, Hex Flange With Serration
8									CAP, Clutch Reservoir
	4883 544AA	1	J, T			EPO,	DBB		
						ER0			
		1	B, U			EPO,	DBB		
						ER0			
		1	J, T			EN0	DBB		
		1	U			EN0	DBB		
9									SWITCH, Clutch Starter Interlock
	53007 944AB	1	J, T			EN0,	DBB		
						EPO,			
		1	B, U			ER0	DBB		
						EPO,			
		1	U			ER0	DBB		
						EN0	DBB		
10									COVER, Switch
	5015 960AA	1	J, T			EN0	DBB		
		1	J, T			EPO,	DBB		
						ER0			
		1	U			EN0	DBB		

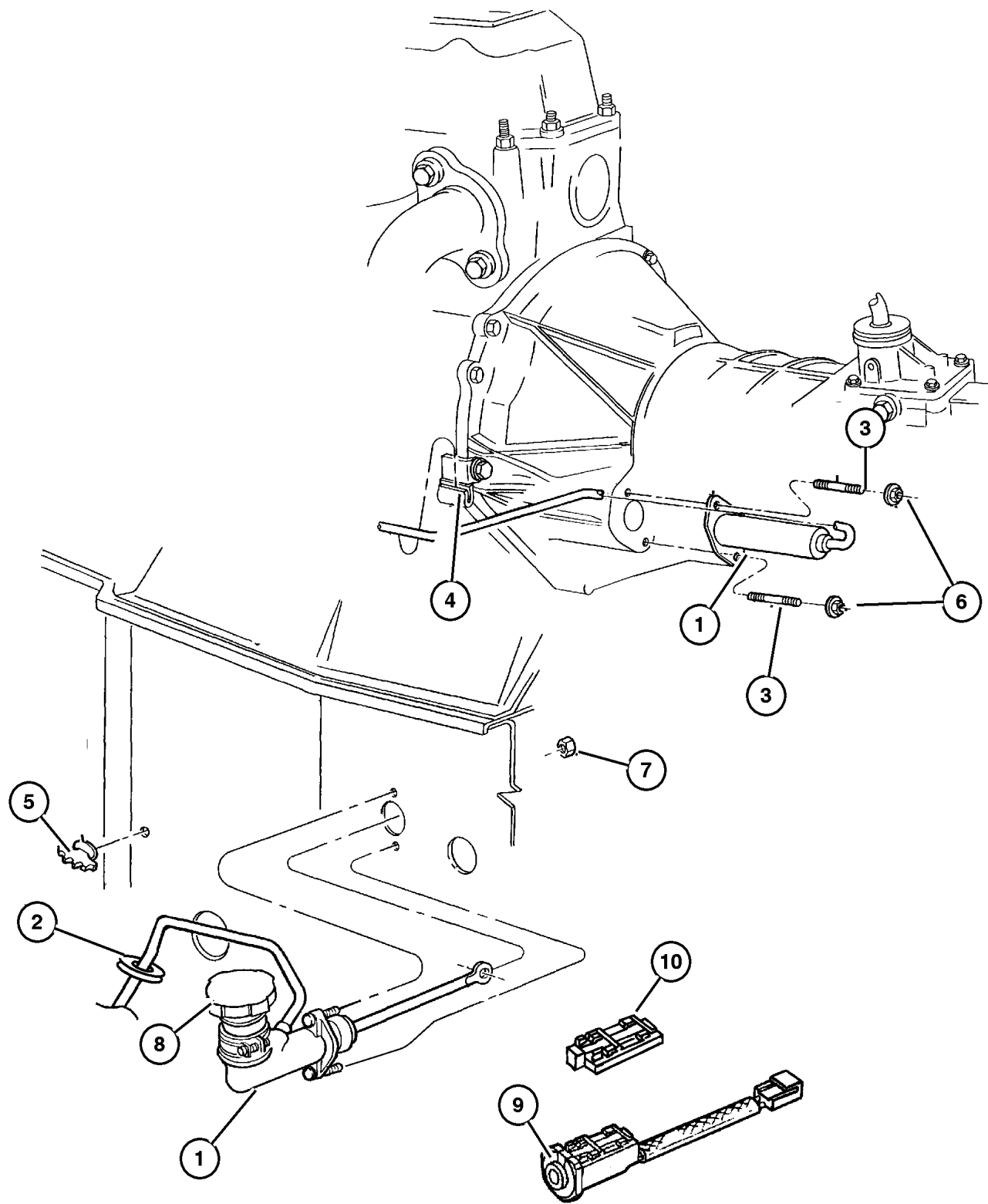
JEEP CHEROKEE (XJ)

SERIES	LINE	BODY	ENGINE	TRANSMISSION
P=Classic	J=LHD (4WD)	74=4 Dr.(101.4WB)	ENC,EN0=2.5L 4 cyl. Turbo Die	DDD, DDQ=5 spd. Man.
S=Limited	U=RHD (4WD)	72=2 Dr.(101.4WB)	ERH,ER0=4.0L Power Tech I-6	DGS=4 spd. Auto. AISIN
H=Sport	T=LHD (2WD)		EPE,EPO=Magnum 2.5L SMPI	DG0=All Auto/Trans.
L=SE	B=RHD (2WD)			DBB=All Manual Trans.

AR = Use as required - = Non illustrated part # = New this model year

December 7, 2002

Clutch Control Figure 006-320



ITEM	PART NUMBER	QTY	LINE	SERIES	BODY	ENGINE	TRANS	TRIM	DESCRIPTION
		1	B, U			EP0, ERO	DBB		

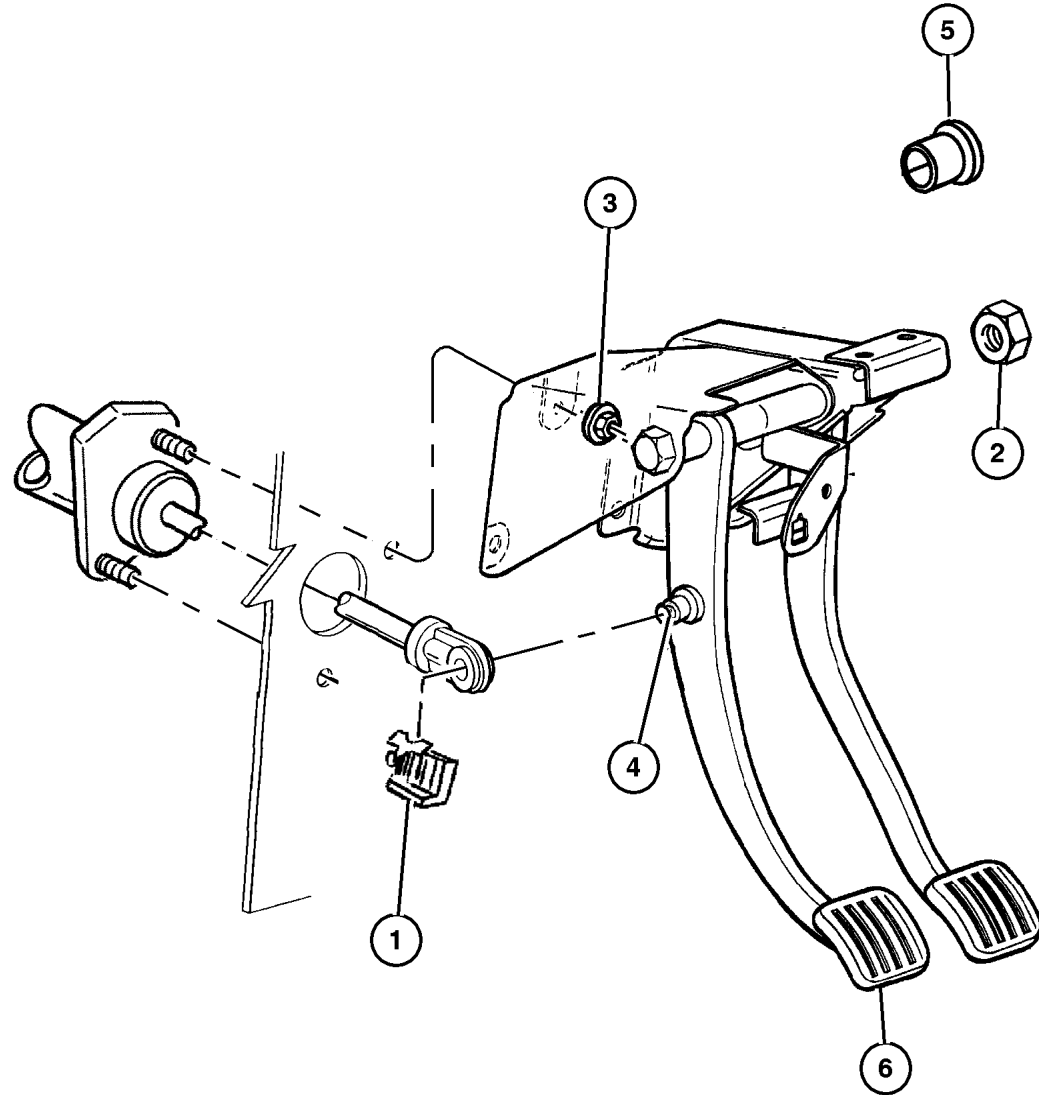
JEEP CHEROKEE (XJ)				
SERIES	LINE	BODY	ENGINE	TRANSMISSION
P=Classic	J=LHD (4WD)	74=4 Dr.(101.4WB)	ENC,EN0=2.5L 4 cyl. Turbo Die	DDD, DDQ=5 spd. Man.
S=Limited	U=RHD (4WD)	72=2 Dr.(101.4WB)	ERH,ER0=4.0L Power Tech I-6	DGS=4 spd. Auto. AISIN
H=Sport	T=LHD (2WD)		EPE,EP0=Magnum 2.5L SMPI	DG0=All Auto/Trans.
L=SE	B=RHD (2WD)			DBB=All Manual Trans.

AR = Use as required - = Non illustrated part # = New this model year

December 7, 2002

**Pedal Clutch
Figure 006-420**

ITEM	PART NUMBER	QTY	LINE	SERIES	BODY	ENGINE	TRANS	TRIM	DESCRIPTION
Notes:									
DBB = All Manual Transmissions									
1	6035 334	1							CLIP, Brake Push Rod
2									NUT, Engine Mounting, M12 x 1.75, (NOT REQUIRED)
3	J400 3909	2					DBB		NUT, Hex Flange With Serration
4	4446 361	1							BUSHING, Hydraulic Clutch Actuator
5									BUSHING, Clutch and Brake Pedal, (NOT REQUIRED)
6	5200 2750	2	B, U				DBB		PAD, Pedal
		1	J, T				DBB		



JEEP CHEROKEE (XJ)				
SERIES	LINE	BODY	ENGINE	TRANSMISSION
P=Classic	J=LHD (4WD)	74=4 Dr.(101.4WB)	ENC,EN0=2.5L 4 cyl. Turbo Die	DDD, DDQ=5 spd. Man.
S=Limited	U=RHD (4WD)	72=2 Dr.(101.4WB)	ERH,ER0=4.0L Power Tech I-6	DGS=4 spd. Auto. AISIN
H=Sport	T=LHD (2WD)		EPE,EP0=Magnum 2.5L SMPI	DG0=All Auto/Trans.
L=SE	B=RHD (2WD)			DBB=All Manual Trans.

AR = Use as required - = Non illustrated part # = New this model year

December 7, 2002

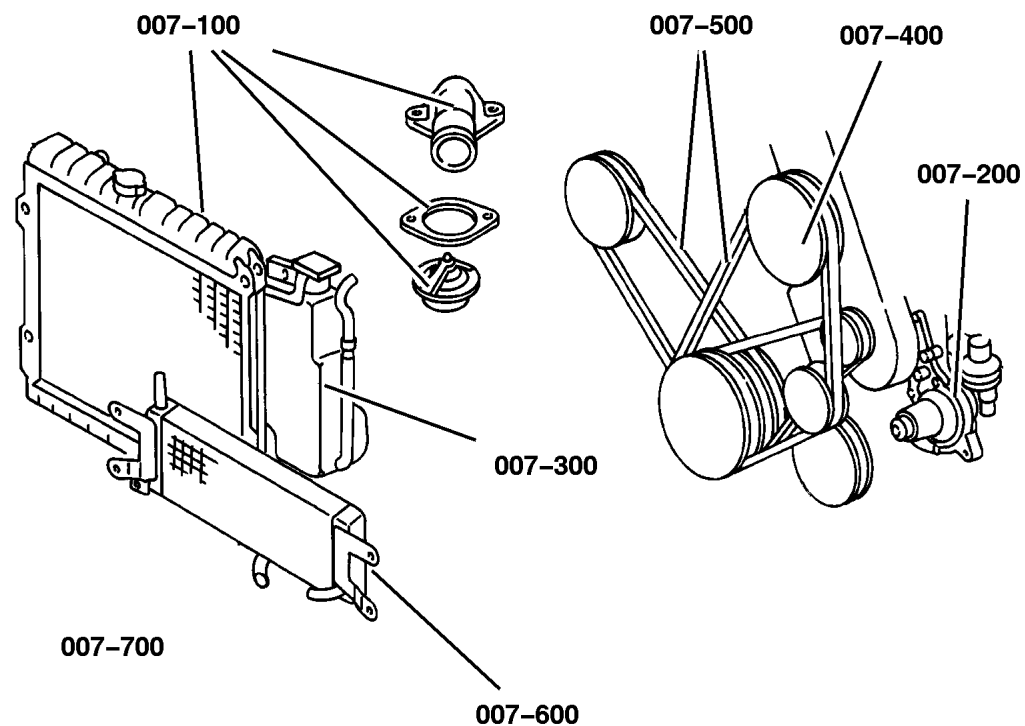
Group – 007

Cooling

GROUP 7 - Cooling

Illustration Title

Group-Fig. No.



Radiator and Related Parts

Radiator and Related Parts, 4.0L Engine	Fig. 007-120
Radiator and Related Parts, 2.5L Gas Engine	Fig. 007-130
Radiator and Related Parts, 2.5L Diesel Engine	Fig. 007-145
Charge Air Cooler, 2.5L Diesel Engine	Fig. 007-147

Water Pump and Related Parts

Water Pump and Related Parts, 2.5,4.0L Gas Engines	Fig. 007-210
Water Pump and Water Manifold, 2.5L Diesel Engine	Fig. 007-215

Tank, Coolant Engine

Bottle, Coolant Recovery, LHD	Fig. 007-305
Bottle, Coolant Recovery, RHD	Fig. 007-310

Pulleys and Related Parts

Drive Pulleys, 2.5L Gas Engine	Fig. 007-407
Drive Pulleys, 4.0L Engine, LHD	Fig. 007-408
Drive Pulleys, 4.0L Engine, RHD	Fig. 007-409
Drive Pulleys, 2.5L Diesel Engine	Fig. 007-415

Drive Belts

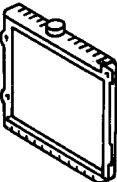
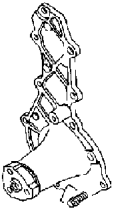

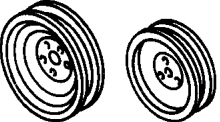
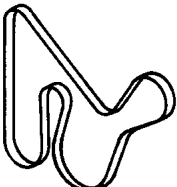
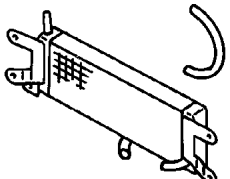
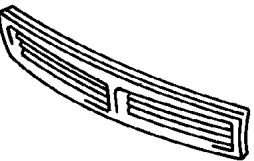
Drive Belts	Fig. 007-510
-------------------	--------------

Lines, Transmission Oil Cooler

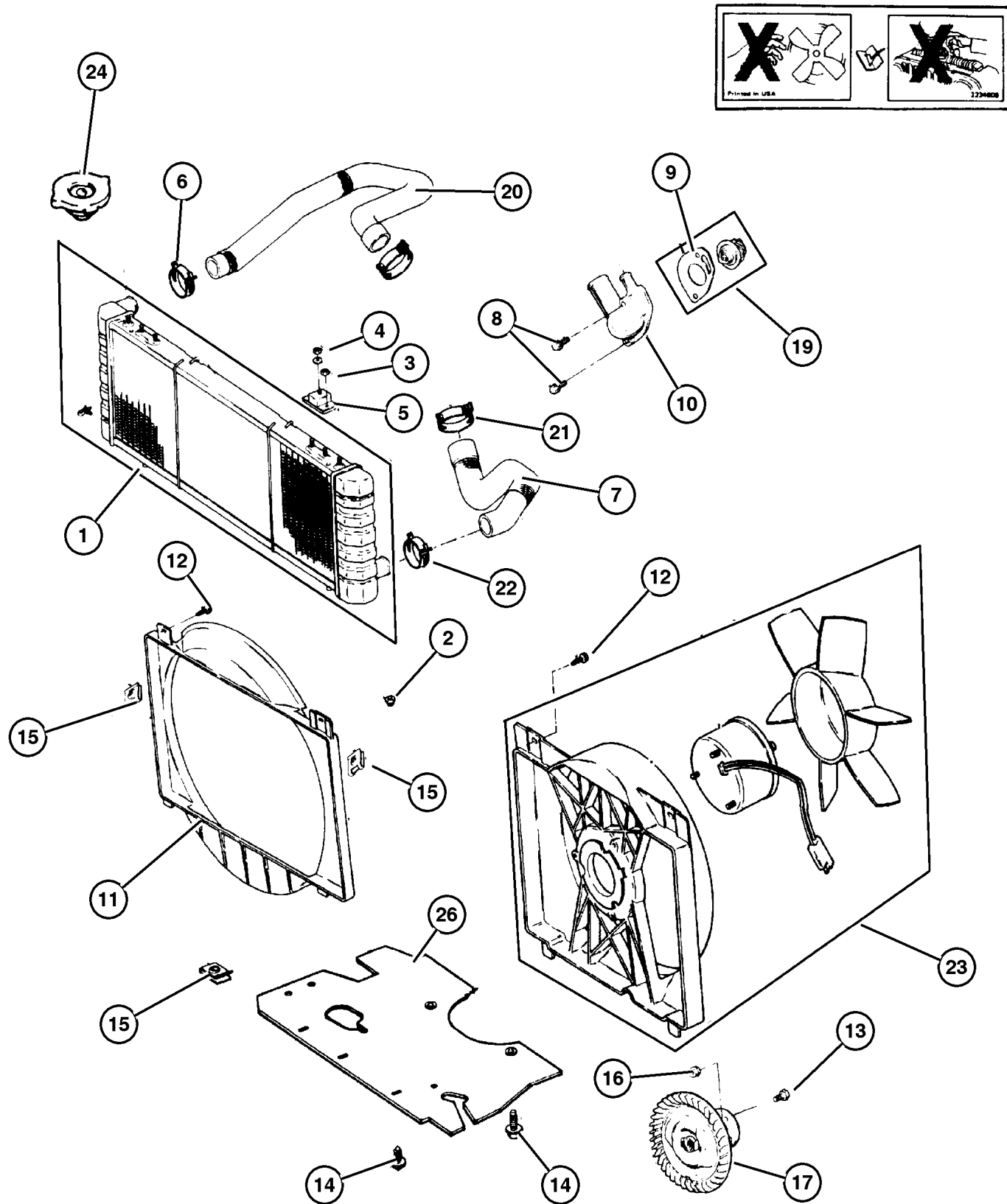
Oil Cooler Lines, LHD	Fig. 007-610
Oil Cooler Lines, RHD	Fig. 007-620

Grilles

Grille and Related Parts	Fig. 007-710
--------------------------------	--------------

<p>007-100 Radiator and Related Parts</p> 	<p>007-200 Water Pump and Related Parts</p> 	<p>007-300 Tank, Coolant Engine</p> 	<p>007-400 Pulleys and Related Parts</p> 
<p>007-500 Drive Belts</p> 	<p>007-600 Lines, Transmission Oil Cooler</p> 	<p>007-700 Grilles</p> 	

Radiator and Related Parts, 4.0L Engine Figure 007-120



ITEM	PART NUMBER	QTY	LINE	SERIES	BODY	ENGINE	TRANS	TRIM	DESCRIPTION
Note: Sales Code ER0 = 4.0L Engine									
Note: Sales Code DGB = Manual Trans									
Note: Sales Code DG0 = All Auto Trans									
1	5202 8133	1	J, T			ER0	DBB		RADIATOR, Engine Cooling Copper Brass Middle East
	5202 8537	1	B, U			ER0	DG0		
	5202 8544	1	B, U			ER0	DBB		
	52080 104AC	1	J, T			ER0	DG0		With Max Cooling
	52080 115AC	1	J, T			ER0	DBB		
	52079 682AE	1	J, T			ER0	DG0		Without Max Cooling
2	J068 7550	2				EN0, EP0, ER0			GROMMET, Radiator
3	1150 2722	2				EN0, ER0			NUT, Hex Flange, M5x.8
4	1150 3745	2				EN0, EP0, ER0			NUT, Hex, M6x1
5	5200 2585	2				EN0, EP0, ER0			ISOLATOR, Radiator
6	3200 2983	1				EP0, ER0			CLAMP, Hose, 32mm Black
7	5200 6301	1	J, T			ER0			HOSE, Radiator
	5202 9635	1	B, U			ER0			
8	6034 927	1				EP0, ER0			SCREW AND WASHER, Hex Head, .312-18x.970
9	53020 547AB	1				EP0, ER0			GASKET, Thermostat
10	5300 6192	1				EP0, ER0			HOUSING, Thermostat
11	52027 501AB	1	J, T			ER0			SHROUD, Fan
	5202 8324	1	B, U			ER0			
12									SCREW, (NOT SERVICED) (Not Serviced)
13	6034 860	4				EP0, ER0			BOLT AND WASHER, Implement Attaching
14	5200 9234	1							FASTENER, Push Pin
15									NUT, U Type, M10 x 1.50, (NOT SERVICED) (Not Serviced)

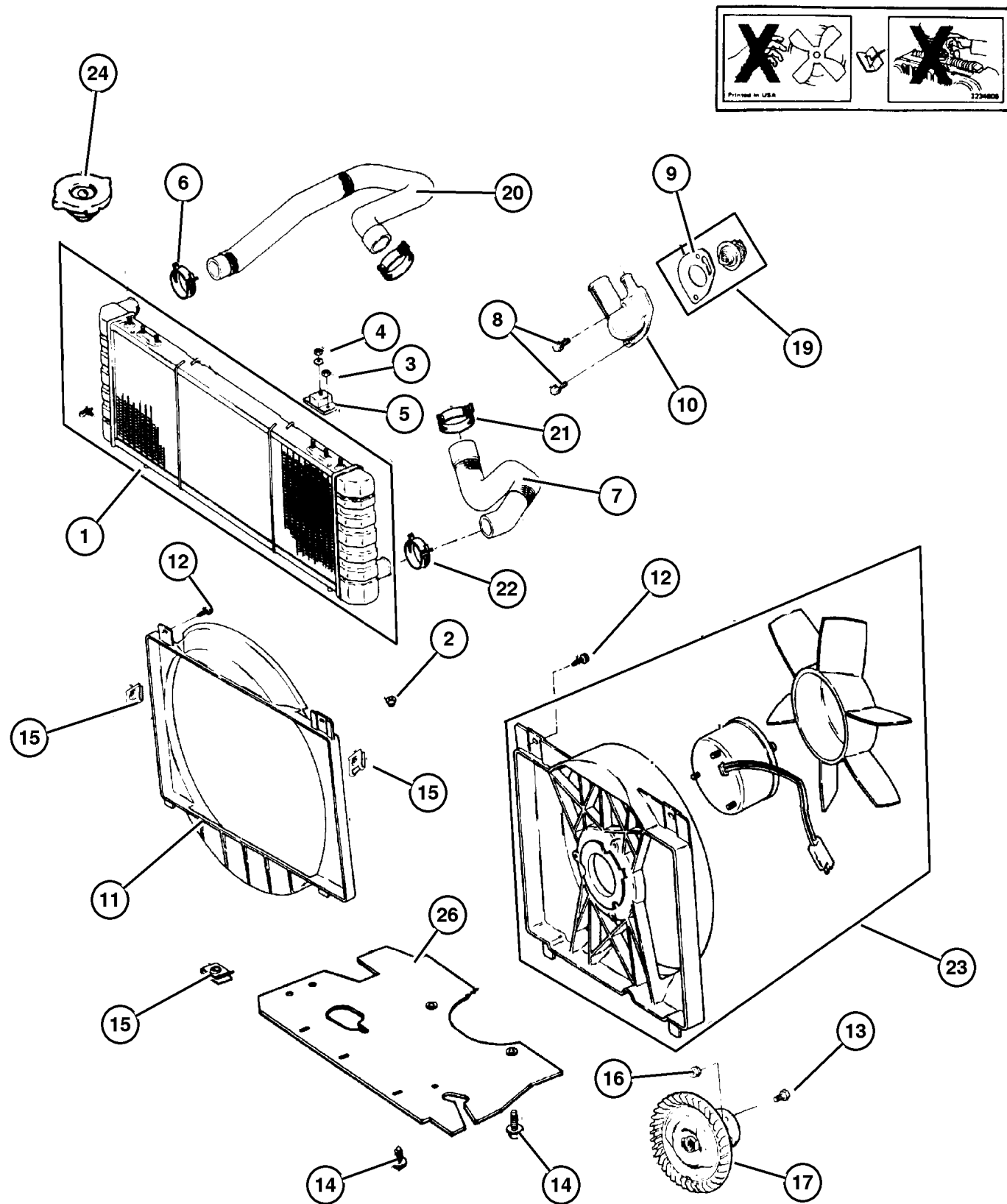
JEEP CHEROKEE (XJ)

SERIES	LINE	BODY	ENGINE	TRANSMISSION
P=Classic	J=LHD (4WD)	74=4 Dr.(101.4WB)	ENC,EN0=2.5L 4 cyl. Turbo Die	DDD, DDQ=5 spd. Man.
S=Limited	U=RHD (4WD)	72=2 Dr.(101.4WB)	ERH,ER0=4.0L Power Tech I-6	DGS=4 spd. Auto. AISIN
H=Sport	T=LHD (2WD)		EPE,EP0=Magnum 2.5L SMPI	DG0=All Auto/Trans.
L=SE	B=RHD (2WD)			DBB=All Manual Trans.

AR = Use as required - = Non illustrated part # = New this model year

December 7, 2002

Radiator and Related Parts, 4.0L Engine Figure 007-120



ITEM	PART NUMBER	QTY	LINE	SERIES	BODY	ENGINE	TRANS	TRIM	DESCRIPTION
16									NUT, (NOT SERVICED) (Not Serviced)
17	5207 9625	1				ER0			VISCOUS CLUTCH, Fan Drive
-18	5200 2593	1				ER0			FAN
19	5202 8186	1				EP0,			THERMOSTAT, 195 Degrees
						ER0			
20	52028 286AE	1				ER0			HOSE, Radiator Inlet
21	3200 2366	1				EP0,			CLAMP, Hose, 55mm Black
						ER0			
22	3200 2366	1				EP0,			CLAMP, Hose, 55mm Black
						ER0			
23									FAN MODULE, Radiator Cooling
	52028 337AB	1	J, T			ER0			
	52028 338AB	1	J			ER0			Middle East
	52028 339AB	1	B, U			ER0			
24	3781 830	1	J, T			ER0	DBB		CAP, Radiator
-25									DRAINCOCK, Radiator
	5202 8466	1	J, T			ER0	DG0		
		1	J, T			ER0	DBB		
26	5517 4736	1				EP0,			SHIELD, Engine
						ER0			

JEEP CHEROKEE (XJ)

SERIES	LINE	BODY	ENGINE	TRANSMISSION
P=Classic	J=LHD (4WD)	74=4 Dr.(101.4WB)	ENC,EN0=2.5L 4 cyl. Turbo Die	DDD, DDQ=5 spd. Man.
S=Limited	U=RHD (4WD)	72=2 Dr.(101.4WB)	ERH,ER0=4.0L Power Tech I-6	DGS=4 spd. Auto. AISIN
H=Sport	T=LHD (2WD)		EPE,EP0=Magnum 2.5L SMPI	DG0=All Auto/Trans.
L=SE	B=RHD (2WD)			DBB=All Manual Trans.

AR = Use as required - = Non illustrated part # = New this model year

December 7, 2002

Radiator and Related Parts, 2.5L Gas Engine Figure 007-130

ITEM	PART NUMBER	QTY	LINE	SERIES	BODY	ENGINE	TRANS	TRIM	DESCRIPTION
------	-------------	-----	------	--------	------	--------	-------	------	-------------

Note: Sales Code EP0 = 2.5L Gas Engine
 Note: Sales Code DGB = Manual Trans
 Note: Sales Code DG0 = All Auto Trans
 Note: Sales Code EP0 = 2.5L Gas Engine

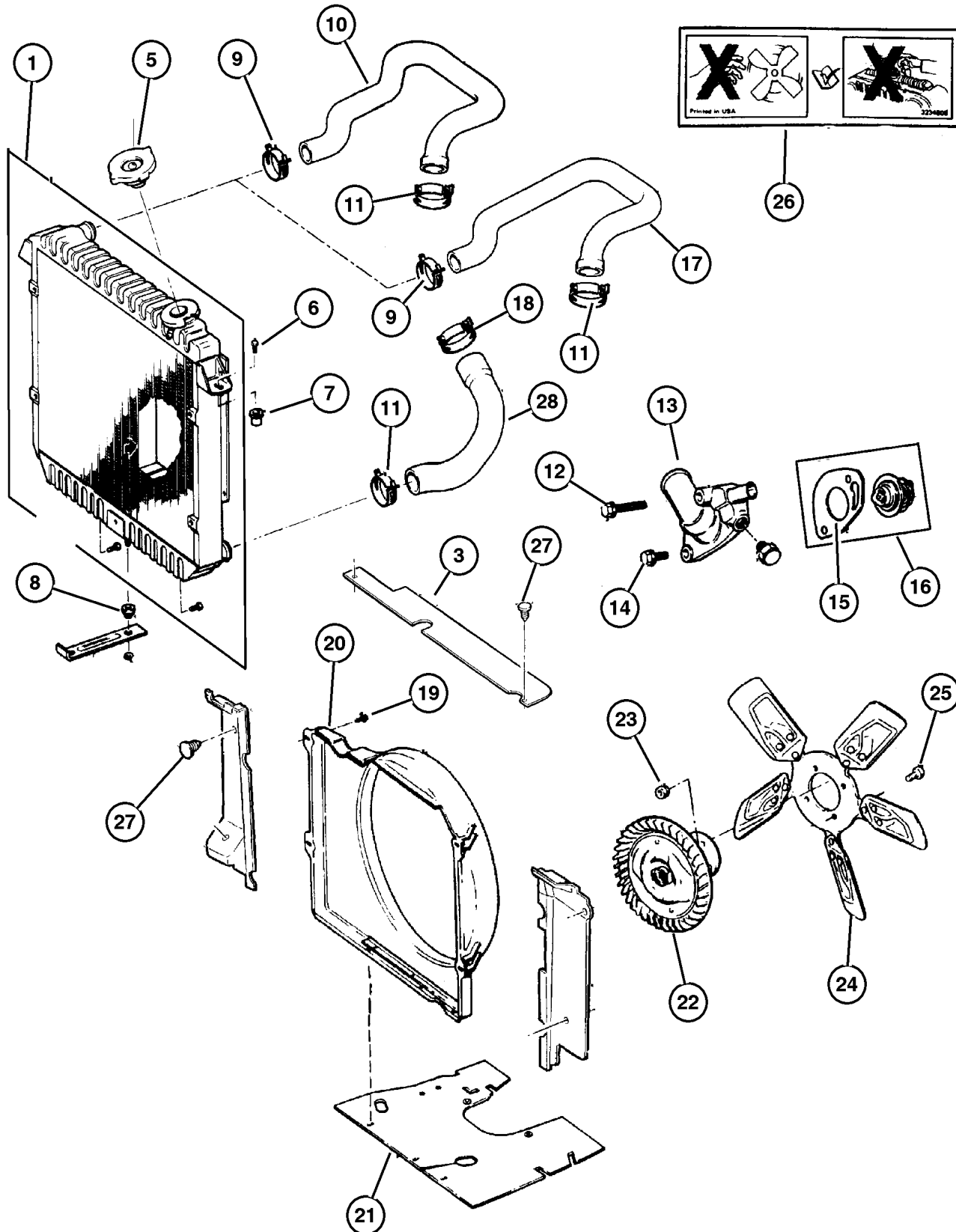
1									RADIATOR, Engine Cooling
	52079 682AE	1	J, T			ER0	DG0		
	52079 693AD	1				EP0	DBB		
	52079 682AE	1	J, T			EP0	DG0		Without [ABD]
-2	52028 516AE	1	J, T			EP0,	DG0		COOLER, Auxiliary Oil
						ER0			
3									SEAL, Radiator Crossmember, (NOT REQUIRED)
-4	55235 830AA	1				EN0,			CROSSMEMBER, Radiator
						EP0,			
						ER0			
5									CAP, Radiator
	52079 880AA	1				EP0	DBB		
		1	J, T			EP0	DG0		
6	1150 2628	2					DGD		BOLT, Hex Flange Head, M8x1.25x30
7									NUT, Well, (NOT SERVICED) (Not Serviced)
8	J068 7550	2				EN0,			GROMMET, Radiator
						EP0,			
						ER0			
9	3200 2983	1				EP0,			CLAMP, Hose, 32mm Black
						ER0			
10	52003 789AB	1				EP0			HOSE, Thermostat Outlet
11	5200 5580	1				EP0,			CLAMP, Hose to Radiator
						ER0			
12	6034 927	1				EP0,			SCREW AND WASHER, Hex Head, .312-18x.970
						ER0			
13	5300 6192	1				EP0,			HOUSING, Thermostat
						ER0			
14	6034 927	1				EP0,			SCREW AND WASHER, Hex Head, .312-18x.970
						ER0			
15	53020 547AB	1				EP0,			GASKET, Thermostat
						ER0			
16	5202 8186	1				EP0,			THERMOSTAT, 195 Degrees
						ER0			
17	52003 789AB	1				EP0			HOSE, Thermostat Outlet

JEEP CHEROKEE (XJ)

SERIES	LINE	BODY	ENGINE	TRANSMISSION
P=Classic	J=LHD (4WD)	74=4 Dr.(101.4WB)	ENC,EN0=2.5L 4 cyl. Turbo Die	DDD, DDQ=5 spd. Man.
S=Limited	U=RHD (4WD)	72=2 Dr.(101.4WB)	ERH,ER0=4.0L Power Tech I-6	DGS=4 spd. Auto. AISIN
H=Sport	T=LHD (2WD)		EPE,EP0=Magnum 2.5L SMPI	DG0=All Auto/Trans.
L=SE	B=RHD (2WD)			DBB=All Manual Trans.

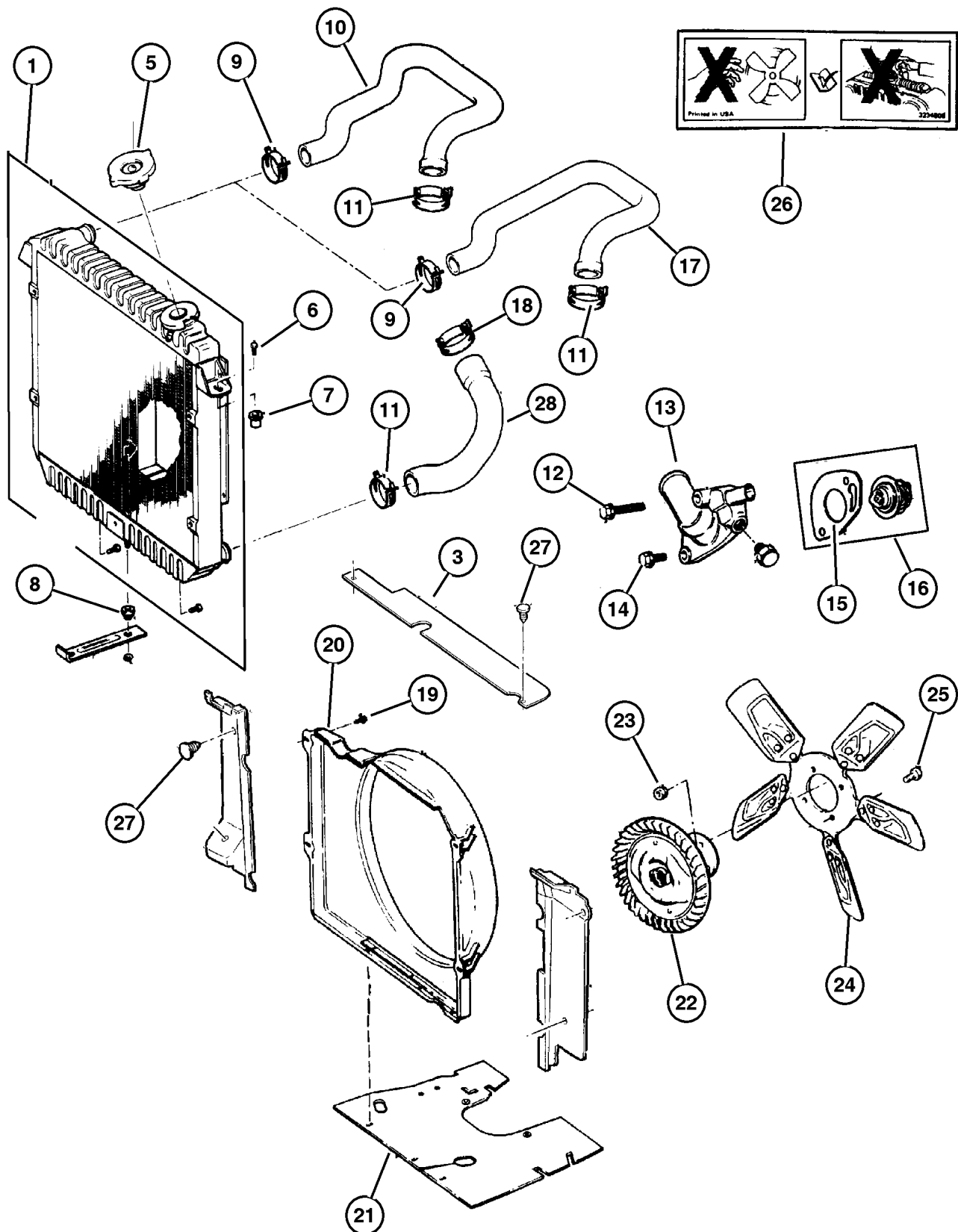
AR = Use as required - = Non illustrated part # = New this model year

December 7, 2002



Radiator and Related Parts, 2.5L Gas Engine
Figure 007-130

ITEM	PART NUMBER	QTY	LINE	SERIES	BODY	ENGINE	TRANS	TRIM	DESCRIPTION
18	3200 2366	1				EP0,			CLAMP, Hose, 55mm Black
19	0154 552	3				EP0,			SCREW, Hex Head, .190-16x.625
20	52079 634AB	1				EP0			SHROUD, Fan
21	5517 4736	1				EP0,			SHIELD, Engine
22									VISCOUS CLUTCH, Fan Drive
	5207 9684	1				EP0			w/Air Conditioning
	#52028 428AB	1				EP0			w/o Air Conditioning
23									NUT AND WASHER, Hex, .312-18
	0154 591	4				EP0,			ER0
	6035 051	2				EP0	DGD		
24	5202 8331	1				EP0			FAN, Cooling
25	6034 860	4				EP0,			BOLT AND WASHER, Implement
						ER0			Attaching
26	J323 4806	1				ENC,			LABEL, Fan Caution
						EP0			
27	6030 441	14							PIN, Retainer
28	52003 790AE	1				EP0			HOSE, Radiator To Pump
-29	52079 661AB	1				EP0			FAN MODULE, Radiator Cooling
-30									DRAINCOCK, Radiator
	5202 8466	1	J, T			EP0	DG0		
		1				EP0	DBB		



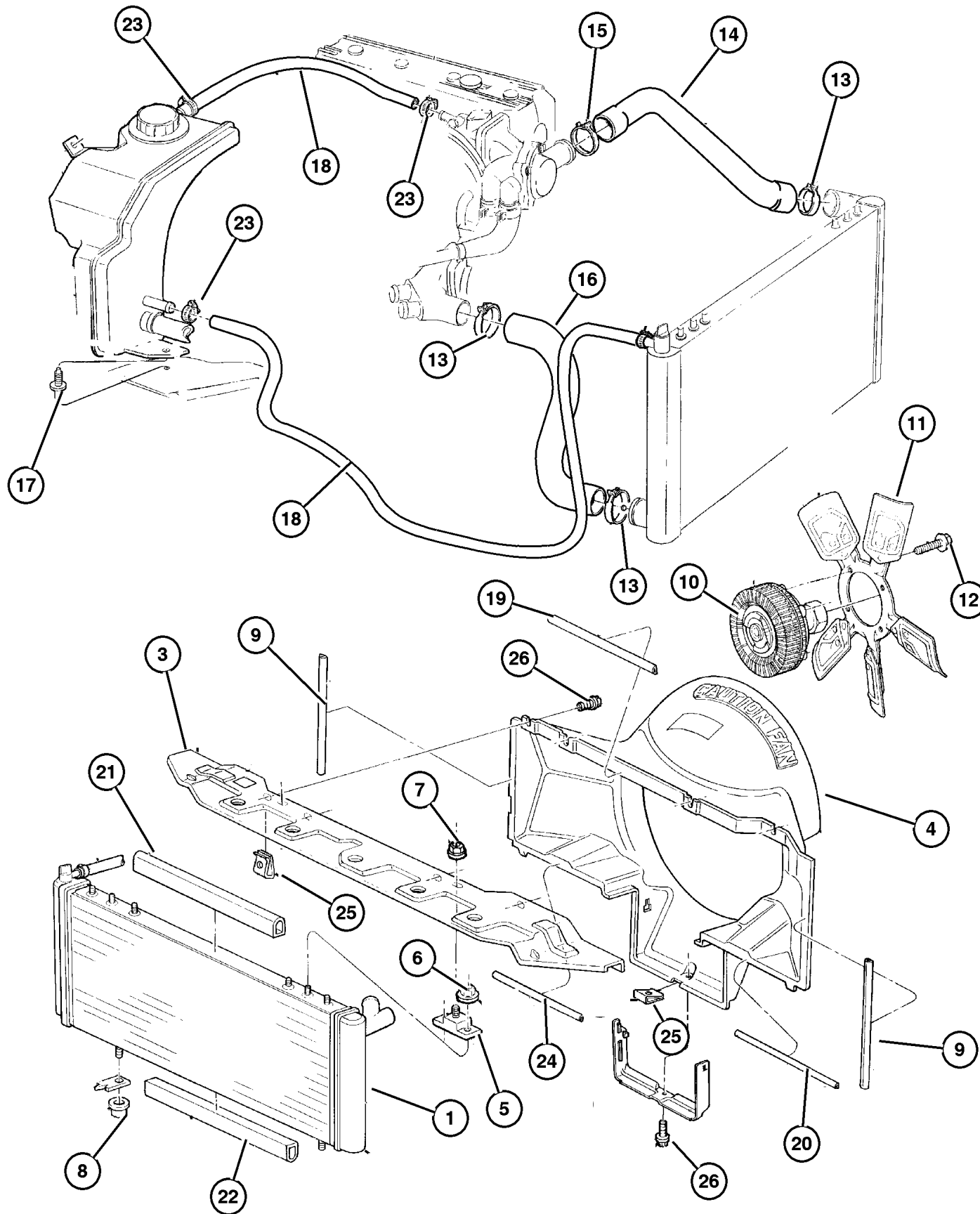
JEEP CHEROKEE (XJ)

SERIES	LINE	BODY	ENGINE	TRANSMISSION
P=Classic	J=LHD (4WD)	74=4 Dr.(101.4WB)	ENC,EN0=2.5L 4 cyl. Turbo Die	DDD, DDQ=5 spd. Man.
S=Limited	U=RHD (4WD)	72=2 Dr.(101.4WB)	ERH,ER0=4.0L Power Tech I-6	DGS=4 spd. Auto. AISIN
H=Sport	T=LHD (2WD)		EPE,EP0=Magnum 2.5L SMPI	DG0=All Auto/Trans.
L=SE	B=RHD (2WD)			DBB=All Manual Trans.

AR = Use as required - = Non illustrated part # = New this model year

December 7, 2002

Radiator and Related Parts, 2.5L Diesel Engine Figure 007-145



ITEM	PART NUMBER	QTY	LINE	SERIES	BODY	ENGINE	TRANS	TRIM	DESCRIPTION
Note: Sales Code EN0 = 2.5L Diesel Engine									
1	5202 9100	1				EN0			RADIATOR, Engine Cooling
-2	5202 8256	1				EN0	DD0		CAP, Radiator
3	55235 830AA	1				EN0, EP0,			CROSSMEMBER, Radiator
4	52079 624AB	1				EN0			SHROUD, Fan
5	5200 2585	2				EN0, EP0,			ISOLATOR, Radiator
6	1150 2722	4				ER0 EN0, EP0, ER0			NUT, Hex Flange, M5x.8
7	1150 3745	2				EN0, EP0, ER0			NUT, Hex, M6x1
8	J068 7550	2				EN0, EP0, ER0			GROMMET, Radiator
9	5202 8230	2				EN0			SEAL, Radiator Shroud
10	52028 370AC	1				EN0			DRIVE, Fan
11	5202 8200	1				EN0			FAN, Cooling
12	6034 860	4				EN0			BOLT AND WASHER, Implement Attaching
13									CLAMP, Radiator, 55mm Silver, (NOT SERVICED) (Not Serviced)
14	5207 9690	1				EN0			HOSE, Radiator Inlet
15	3200 2983	1				EN0			CLAMP, Hose, 32mm Black
16	52028 407AC	1				EN0			HOSE, Radiator Outlet
17	6032 824	1				EN0			BOLT, Hex Flange Head, .25-14x.625
18	5207 9457	1				EN0			HOSE, Coolant Recovery Bottle
19	5202 8234	1				EN0			SEAL, Radiator Shroud, Upper
20	5202 8216	1				EN0			SEAL, Radiator Shroud, Lower
21	5202 8238	1				EN0			SEAL, Crossmember
22	5202 8237	1				EN0			SEAL, Crossmember
23	6502 081	1				EN0			CLAMP, Oil Cooler Line
24	5202 8223	1				EN0			SEAL, Radiator Shroud
25	6503 998	5				EN0			NUT, U Multi Thread, M5 x .80
26	4886 243AA	1				EN0			SCREW
-27	52079 626AC	1				EN0			FAN MODULE, Radiator Cooling

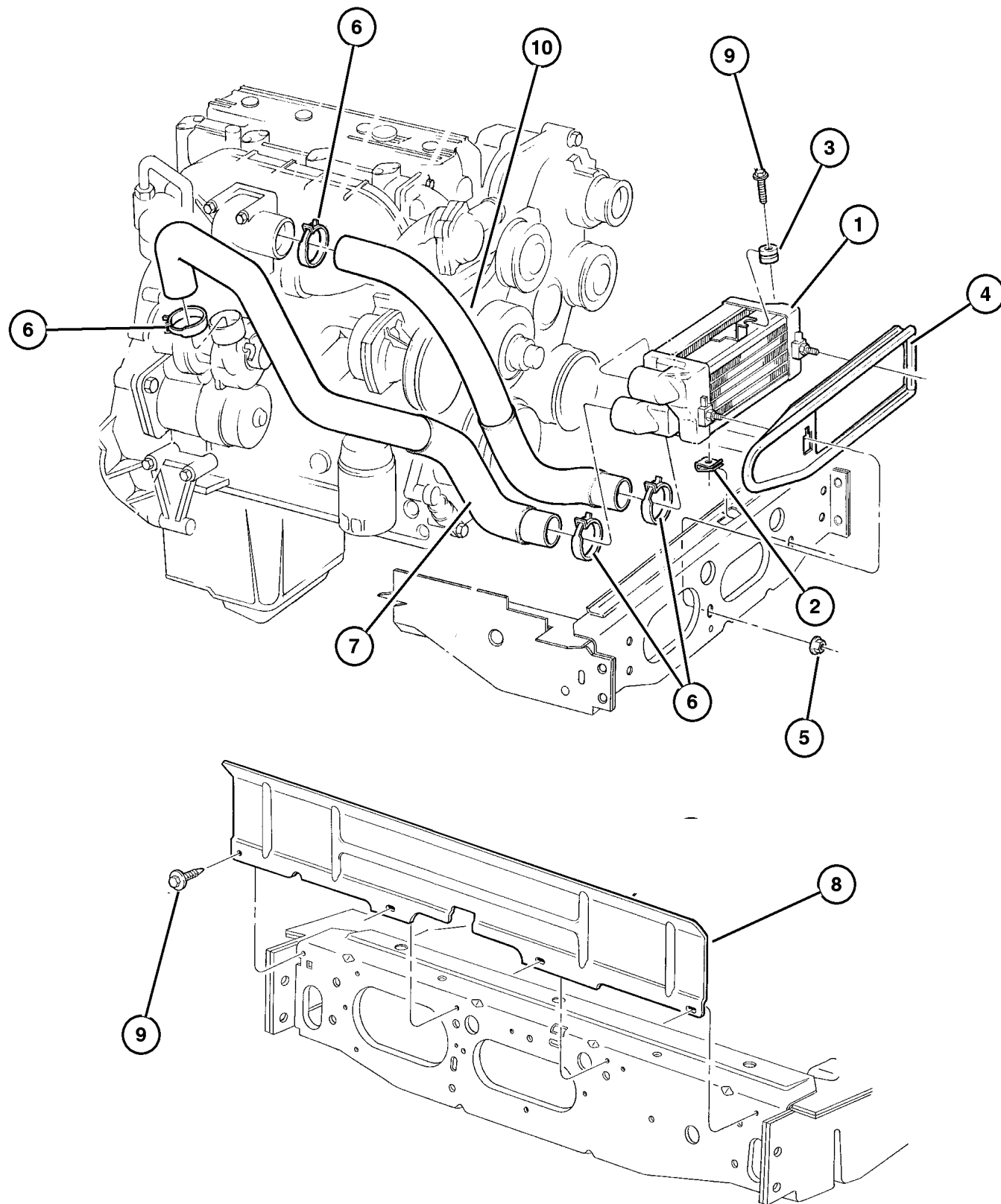
JEEP CHEROKEE (XJ)

SERIES	LINE	BODY	ENGINE	TRANSMISSION
P=Classic	J=LHD (4WD)	74=4 Dr.(101.4WB)	ENC,EN0=2.5L 4 cyl. Turbo Die	DDD, DDQ=5 spd. Man.
S=Limited	U=RHD (4WD)	72=2 Dr.(101.4WB)	ERH,ER0=4.0L Power Tech I-6	DGS=4 spd. Auto. AISIN
H=Sport	T=LHD (2WD)		EPE,EP0=Magnum 2.5L SMPI	DG0=All Auto/Trans.
L=SE	B=RHD (2WD)			DBB=All Manual Trans.

AR = Use as required - = Non illustrated part # = New this model year

December 7, 2002

Charge Air Cooler, 2.5L Diesel Engine
Figure 007-147



ITEM	PART NUMBER	QTY	LINE	SERIES	BODY	ENGINE	TRANS	TRIM	DESCRIPTION
Note: Sales Code EN0 = 2.5L Diesel Engine									
1	5202 8089	1				EN0			COOLER, Engine Oil
2	6101 442	1				EN0			U-NUT, M6 x 1.00, M6x1.00
3	5202 8236	1				EN0			ISOLATOR
4	5202 8235	1				EN0			SEAL, Cooler
5	3420 1358	2							NUT AND WASHER, Hex Nut-Sealing Washer, M6 x 1.00
6	5202 8008	2				EN0			CLAMP, Hose, 64mm
7	5207 9581	1				EN0			HOSE, Charge Air Cooler
8	5202 8374	1				EN0			DEFLECTOR, Air
9									SCREW, (NOT SERVICED) (Not Serviced)
10	5207 9496	1				EN0			HOSE, Charge Air Cooler

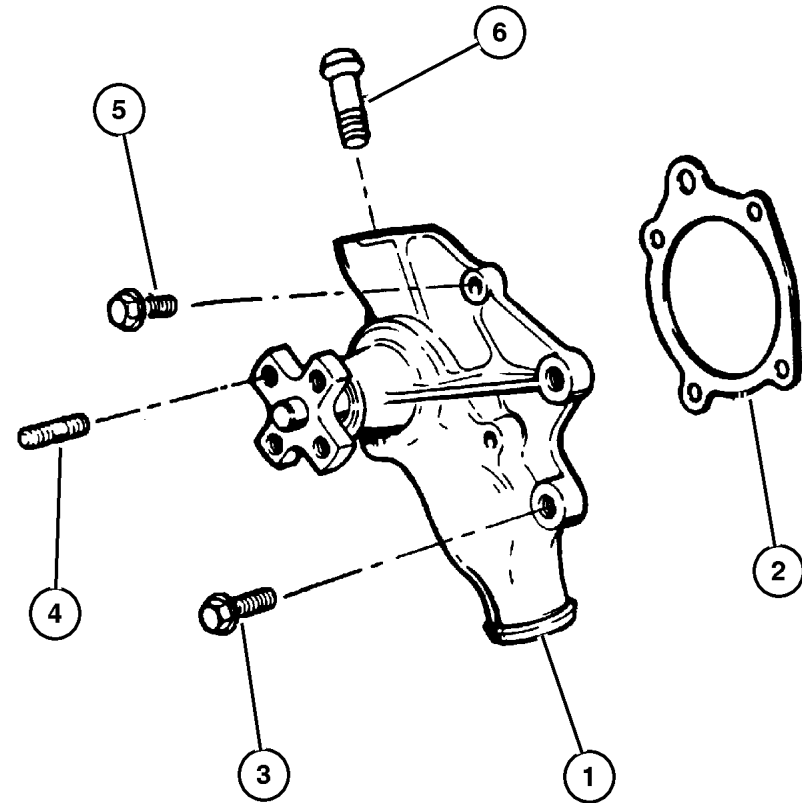
JEEP CHEROKEE (XJ)				
SERIES	LINE	BODY	ENGINE	TRANSMISSION
P=Classic	J=LHD (4WD)	74=4 Dr.(101.4WB)	ENC,EN0=2.5L 4 cyl. Turbo Die	DDD, DDQ=5 spd. Man.
S=Limited	U=RHD (4WD)	72=2 Dr.(101.4WB)	ERH,ER0=4.0L Power Tech I-6	DGS=4 spd. Auto. AISIN
H=Sport	T=LHD (2WD)		EPE,EP0=Magnum 2.5L SMP1	DG0=All Auto/Trans.
L=SE	B=RHD (2WD)			DBB=All Manual Trans.

AR = Use as required - = Non illustrated part # = New this model year

December 7, 2002

**Water Pump and Related Parts, 2.5,4.0L Gas Engines
Figure 007-210**

ITEM	PART NUMBER	QTY	LINE	SERIES	BODY	ENGINE	TRANS	TRIM	DESCRIPTION
Note: Sales Code EP0 = 2.5L Gas Engine									
Note: Sales Code ER0 = 4.0L Engine									
1									PUMP PACKAGE, Water
	4626 054AD	1				EP0			
	4626 215AD	1				ER0			
2	5301 0419	1				EP0, ER0			GASKET, Water Pump
3									SCREW AND WASHER, Hex Head, .312-18x1.75, (NOT SERVICED) (Not Serviced)
4	J400 6714	4				EP0 ER0			STUD, .312-18/.312-24x1.250
5									SCREW AND WASHER, Hex Head, .312-18x1.12, (NOT SERVICED) (Not Serviced)
6	5300 7978	1				EP0, ER0			TUBE, Water Pump Heater Return



JEEP CHEROKEE (XJ)

SERIES	LINE	BODY	ENGINE	TRANSMISSION
P=Classic	J=LHD (4WD)	74=4 Dr.(101.4WB)	ENC,EN0=2.5L 4 cyl. Turbo Die	DDD, DDQ=5 spd. Man.
S=Limited	U=RHD (4WD)	72=2 Dr.(101.4WB)	ERH,ER0=4.0L Power Tech I-6	DGS=4 spd. Auto. AISIN
H=Sport	T=LHD (2WD)		EPE,EP0=Magnum 2.5L SMPI	DG0=All Auto/Trans.
L=SE	B=RHD (2WD)			DBB=All Manual Trans.

AR = Use as required - = Non illustrated part # = New this model year

December 7, 2002

Water Pump and Water Manifold, 2.5L Diesel Engine Figure 007-215

ITEM	PART NUMBER	QTY	LINE	SERIES	BODY	ENGINE	TRANS	TRIM	DESCRIPTION
------	-------------	-----	------	--------	------	--------	-------	------	-------------

Note: Sales Code EN0 = 2.5L Diesel Engine

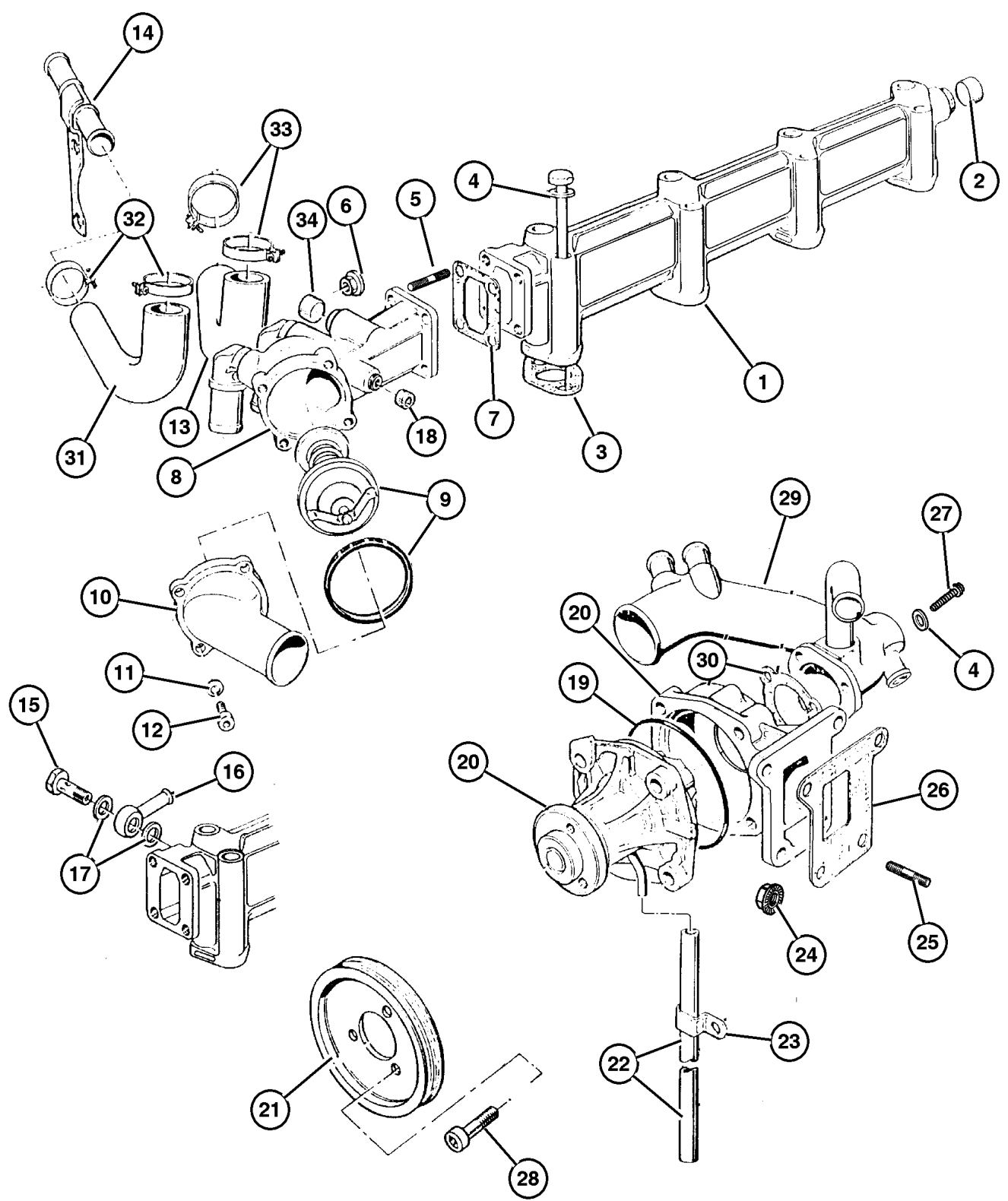
1	4797 748	1				EN0			MANIFOLD, Water
2	4864 753	1				EN0			PLUG
3	4720 450	4				EN0			GASKET, Water Manifold
4	4720 305	2				EN0			WASHER, Plain
5	4797 764	4				EN0			STUD, M6x14
6	4778 936	4				EN0			NUT, Suction Pipe Attaching
7	4778 971	1				EN0			GASKET, Thermostat
8	4778 974AB	1				EN0			HOUSING, Thermostat
9	4778 975	1				EN0			THERMOSTAT
10	4778 976	1				EN0			COVER, Thermostat Housing
11	4720 305	2				EN0			WASHER, Plain
12	4720 658	4				EN0			SCREW, Intake Manifold Elbow
13	4778 977	1				EN0			HOSE, Water Pump Bypass
14	4778 980	1				EN0			TUBE, Heater Feed
15	4720 358	5				EN0			BOLT, Banjo
16	4797 755	1				EN0			BANJO, Air Bleed
17	4720 554	10				EN0			WASHER, Banjo
18									PLUG, Water Manifold, (NOT SERVICED) (Not Serviced)
19	4723 198	1				EN0			O RING, Water Pump
20	4864 566	1				EN0			PUMP, Water
21	4864 567	1				EN0			PULLEY, Water Pump
22	4720 438	1				EN0			PIPE, Water Pump Drain
23	4720 446	1				EN0			CLIP, Drain Pipe
24	4778 961	3				EN0			NUT
25	4720 550	4				EN0			STUD, Water Pump To Block
26	4864 575	1				EN0			GASKET, Water Pump
27									SCREW, Water Pump To Pipe, (NOT SERVICED) (Not Serviced)
28	5003 554AA	3				EN0			SCREW
29									ADAPTER, Water Return To Pump, (NOT REQUIRED)
30	4864 575	1				EN0			GASKET, Water Pump
31									HOSE, Heater Feed, (NOT REQUIRED)
32	4883 924AA	1				EN0			CLAMP, Heater Hose
33									CLAMP, Heater Hose, (NOT SERVICED) (Not Serviced)
34									PLUG, Water Manifold, (NOT SERVICED) (Not Serviced)

JEEP CHEROKEE (XJ)

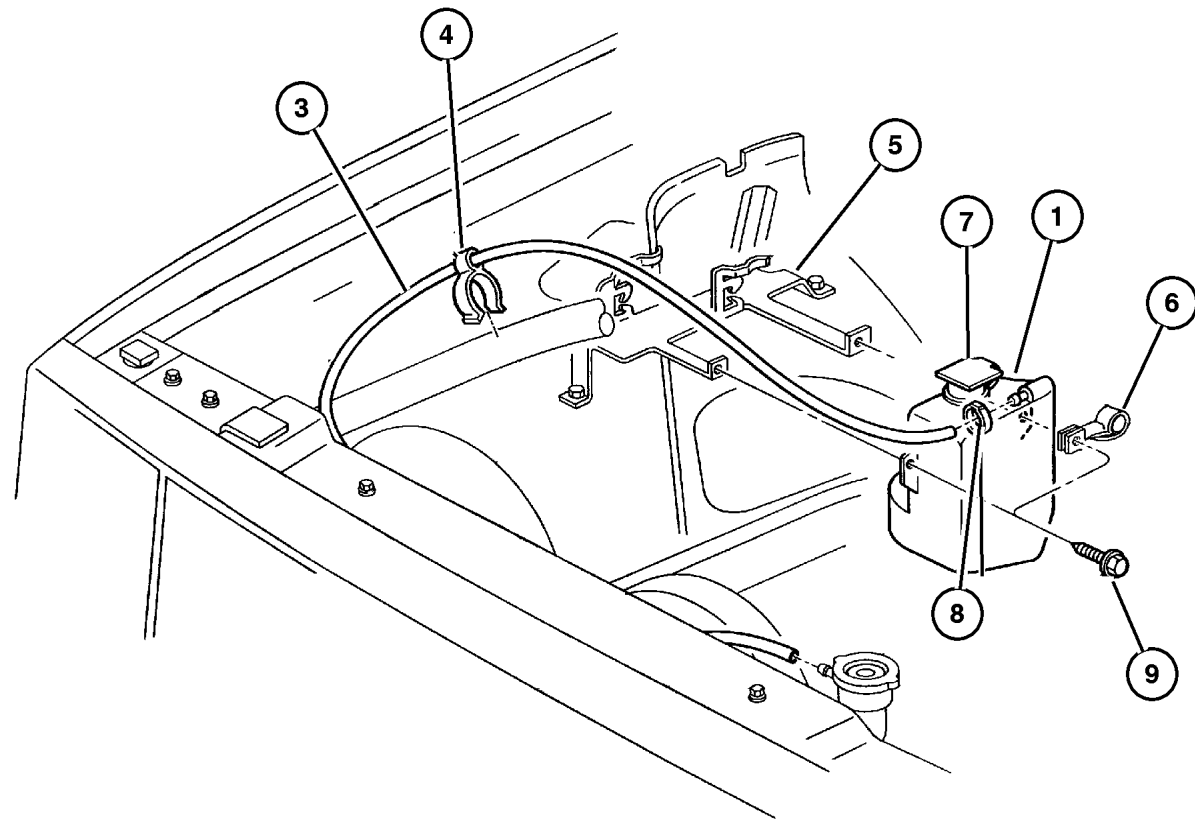
SERIES	LINE	BODY	ENGINE	TRANSMISSION
P=Classic	J=LHD (4WD)	74=4 Dr.(101.4WB)	ENC,EN0=2.5L 4 cyl. Turbo Die	DDD, DDQ=5 spd. Man.
S=Limited	U=RHD (4WD)	72=2 Dr.(101.4WB)	ERH,ER0=4.0L Power Tech I-6	DGS=4 spd. Auto. AISIN
H=Sport	T=LHD (2WD)		EPE,EP0=Magnum 2.5L SMPI	DG0=All Auto/Trans.
L=SE	B=RHD (2WD)			DBB=All Manual Trans.

AR = Use as required - = Non illustrated part # = New this model year

December 7, 2002



**Bottle, Coolant Recovery, LHD
Figure 007-305**



ITEM	PART NUMBER	QTY	LINE	SERIES	BODY	ENGINE	TRANS	TRIM	DESCRIPTION
Note: Sales Code EN0 = 2.5L Diesel Engine									
Note: Sales Code EP0 = 2.5L Gas Engine									
Note: Sales Code ER0 = 4.0L Engine									
1	5202 7984	1				EP0, ER0			TANK, Coolant Reserve
-2	52079 493AC	1				EN0	DD0		BOTTLE, Degasser
3	4026 148	1	J, T			ER0			HOSE, Coolant Reserve Tank
		1	B, U			ER0			
4									CLIP, Hose
	5200 7404	1				ER0			
	6034 648	2				EP0			
5	5600 8885	1	J, T			EP0, ER0			BRACKET, Power Distribution Center
6									CLIP, Cable
	6025 867	1	J, T			EPE, ER0			
		1	B, U			EPE, ER0			
7	5207 9331	1				EP0, ER0			CAP, Coolant Reserve Tank
8	2448 761	1	J, T			EP0			CLAMP, Hose
9									SCREW, (NOT SERVICED) (Not Serviced)

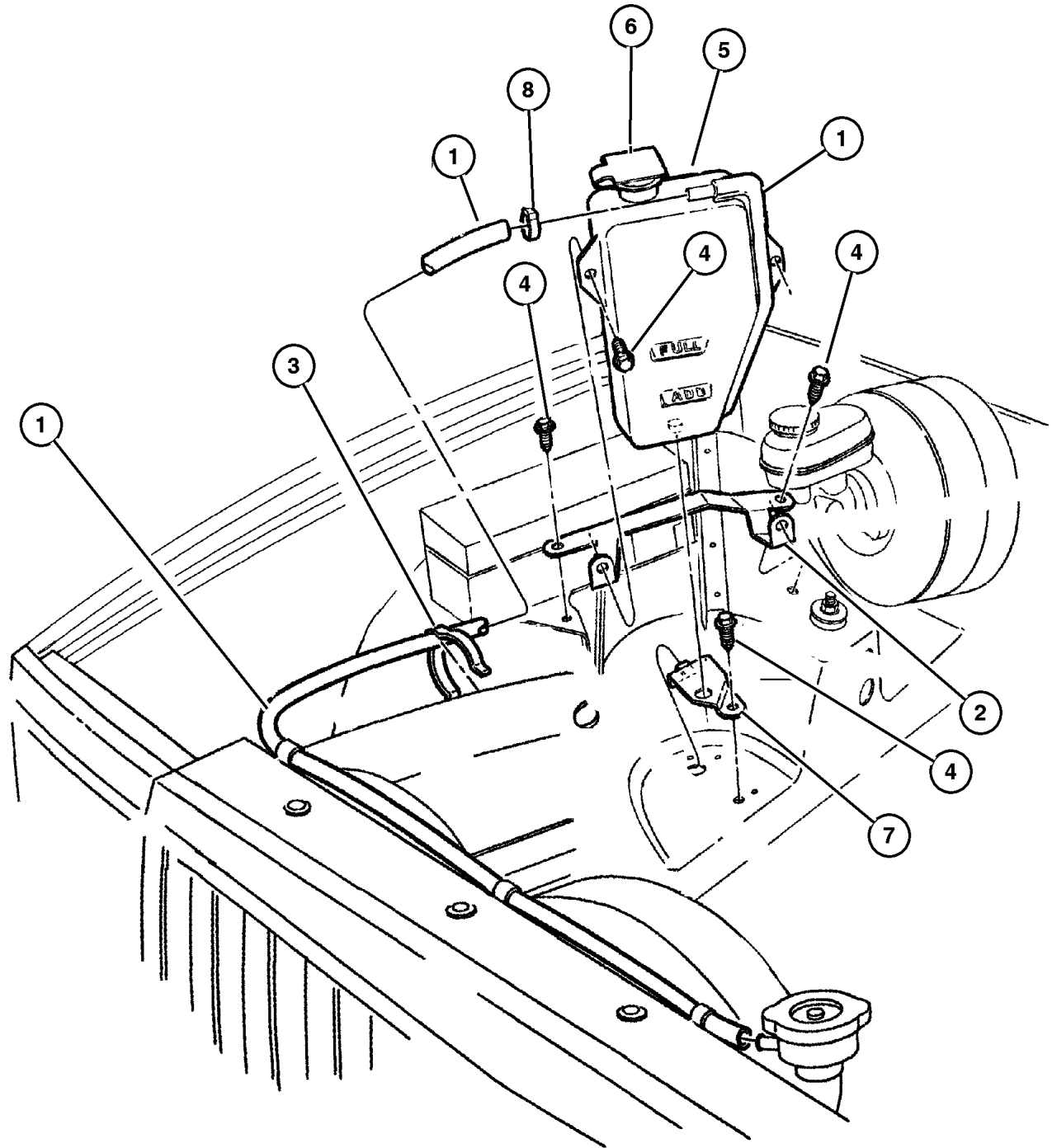
JEEP CHEROKEE (XJ)

SERIES	LINE	BODY	ENGINE	TRANSMISSION
P=Classic	J=LHD (4WD)	74=4 Dr.(101.4WB)	ENC,EN0=2.5L 4 cyl. Turbo Die	DDD, DDQ=5 spd. Man.
S=Limited	U=RHD (4WD)	72=2 Dr.(101.4WB)	ERH,ER0=4.0L Power Tech I-6	DGS=4 spd. Auto. AISIN
H=Sport	T=LHD (2WD)		EPE,EP0=Magnum 2.5L SMPI	DG0=All Auto/Trans.
L=SE	B=RHD (2WD)			DBB=All Manual Trans.

AR = Use as required - = Non illustrated part # = New this model year

December 7, 2002

Bottle, Coolant Recovery, RHD
Figure 007-310



ITEM	PART NUMBER	QTY	LINE	SERIES	BODY	ENGINE	TRANS	TRIM	DESCRIPTION
Note: Sales Code EN0 = 2.5L Diesel Engine									
Note: Sales Code EP0 = 2.5L Gas Engine									
Note: Sales Code ER0 = 4.0L Engine									
1	4026 148	1	B, U			ER0			HOSE, Coolant Reserve Tank
2	5202 8346	1	B, U			EP0,			BRACKET, Coolant Recovery Bottle
3	5200 7404	1				ER0			CLIP, Hose
4	6100 557	1	B, U			EPE,			BOLT AND CONED WASHER, Hex Head, M6x20x14
5	5202 7984	1				EP0,			TANK, Coolant Reserve
6	5207 9331	1				EP0,			CAP, Coolant Reserve Tank
7	5202 8347	1	B, U			EP0,			BRACKET, Coolant Recovery Bottle
8	2448 761	2	B, U			EP0			CLAMP, Hose

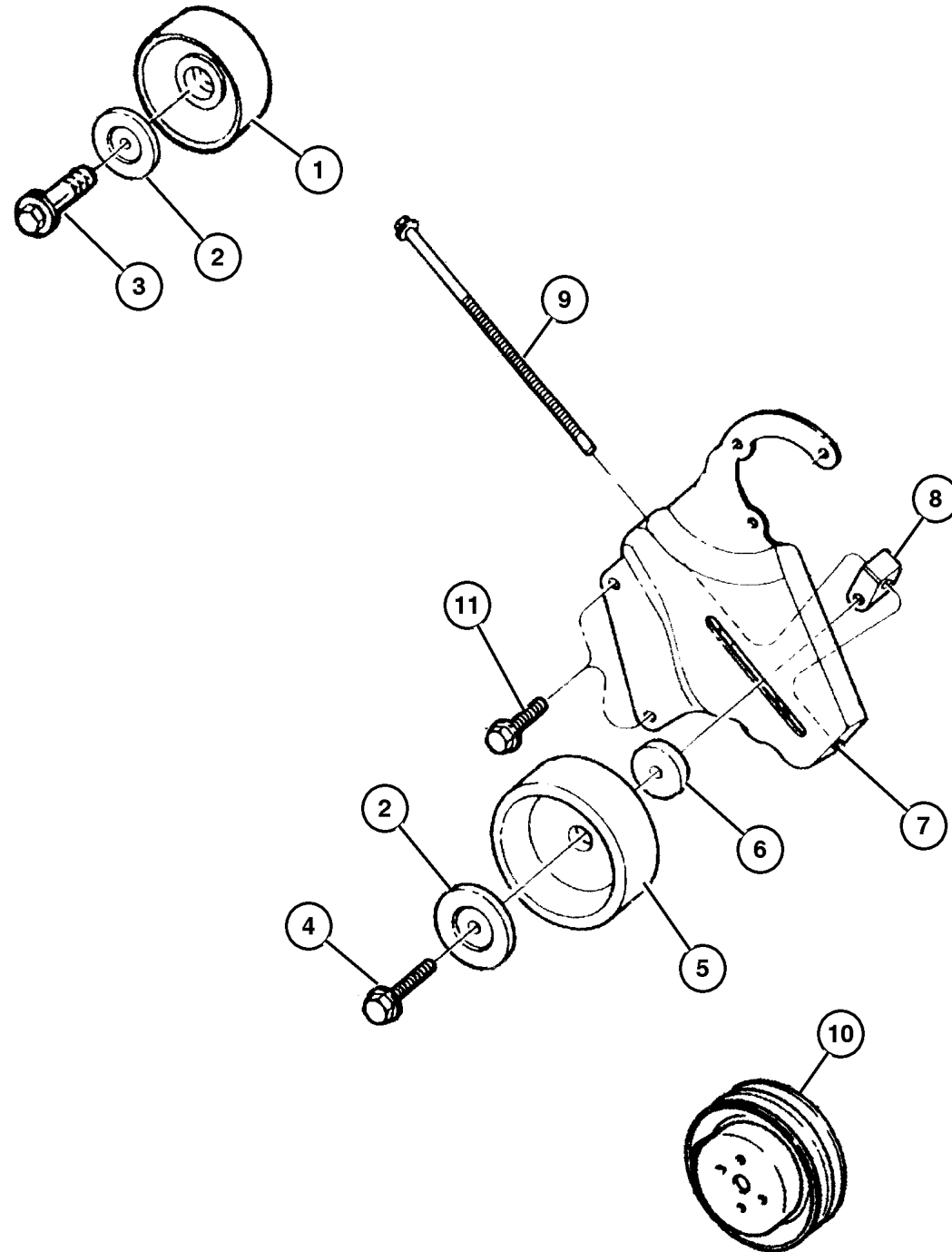
JEEP CHEROKEE (XJ)

SERIES	LINE	BODY	ENGINE	TRANSMISSION
P=Classic	J=LHD (4WD)	74=4 Dr.(101.4WB)	ENC,EN0=2.5L 4 cyl. Turbo Die	DDD, DDQ=5 spd. Man.
S=Limited	U=RHD (4WD)	72=2 Dr.(101.4WB)	ERH,ER0=4.0L Power Tech I-6	DGS=4 spd. Auto. AISIN
H=Sport	T=LHD (2WD)		EPE,EP0=Magnum 2.5L SMPI	DG0=All Auto/Trans.
L=SE	B=RHD (2WD)			DBB=All Manual Trans.

AR = Use as required - = Non illustrated part # = New this model year

December 7, 2002

Drive Pulleys, 2.5L Gas Engine
Figure 007-407



ITEM	PART NUMBER	QTY	LINE	SERIES	BODY	ENGINE	TRANS	TRIM	DESCRIPTION
Note: Sales Code EP0 = 2.5L Gas Engine									
1	5301 0230	1				EP0			PULLEY, Idler
2	3300 2201	1				EP0			BUSHING, Idler Pulley
3	6504 239	1				EP0			SCREW AND WASHER, M10x1.5x40
4	3420 2029	1				EP0			BOLT, Hex Flange Head, M10x1.50x50
5	4792 112	1	B, U			EP0			PULLEY, Idler
6	6503 230	1	J, T			EP0, ER0			SPACER, Belt Tensioner
7	5301 0148	1	B, U			EP0			BRACKET, Tensioner
8	5301 0149	1	J, T			EP0			COLLAR, Tensioner Adjustment
9	6503 198	1				EP0			BOLT
10	5300 7154	1	J, T			EP0			PULLEY, Water Pump
		1	B, U			EP0			
11									SCREW, (NOT SERVICED) (Not Serviced)

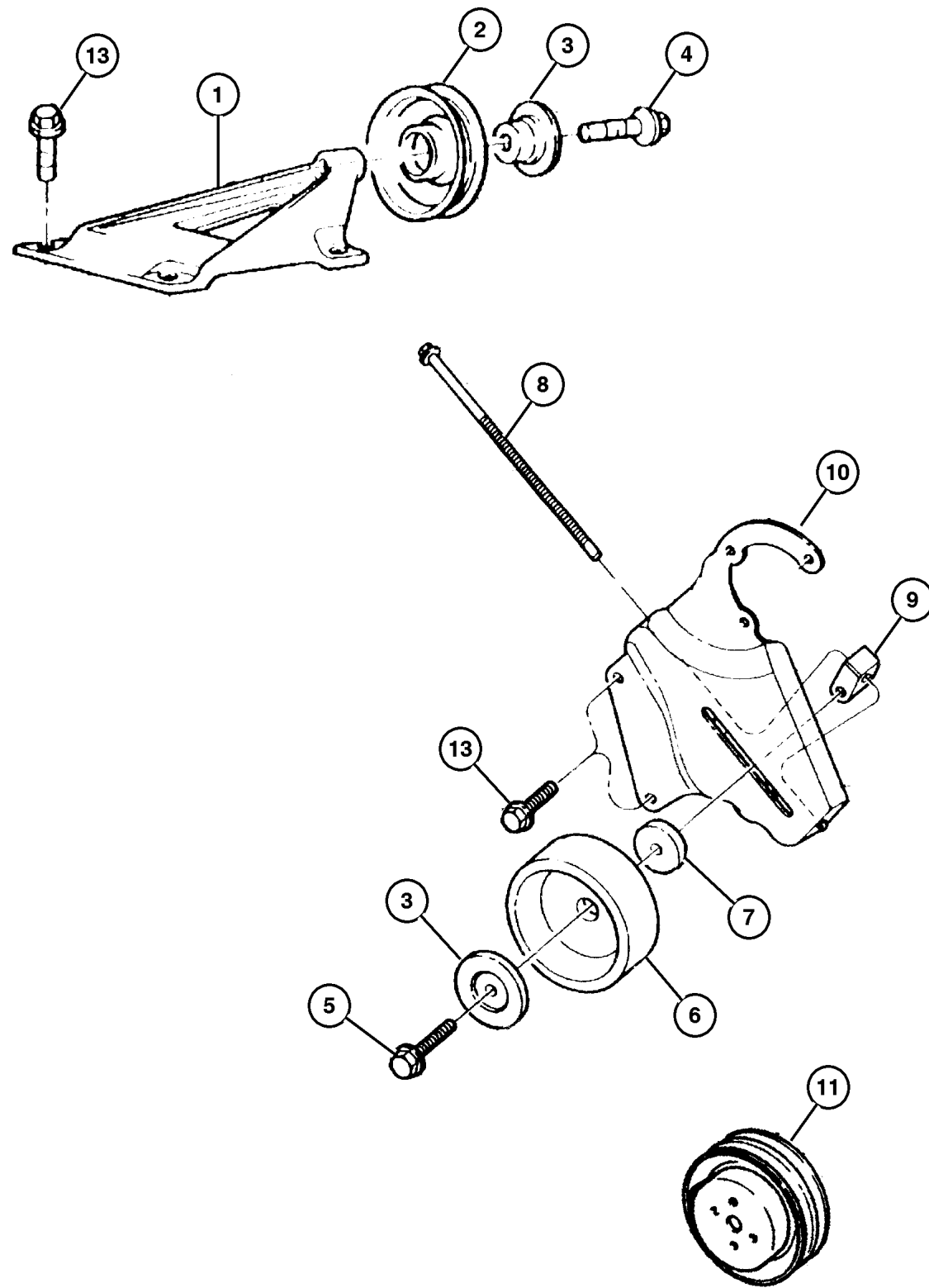
JEEP CHEROKEE (XJ)

SERIES	LINE	BODY	ENGINE	TRANSMISSION
P=Classic	J=LHD (4WD)	74=4 Dr.(101.4WB)	ENC,EN0=2.5L 4 cyl. Turbo Die	DDD, DDQ=5 spd. Man.
S=Limited	U=RHD (4WD)	72=2 Dr.(101.4WB)	ERH,ER0=4.0L Power Tech I-6	DGS=4 spd. Auto. AISIN
H=Sport	T=LHD (2WD)		EPE,EP0=Magnum 2.5L SMPI	DG0=All Auto/Trans.
L=SE	B=RHD (2WD)			DBB=All Manual Trans.

AR = Use as required - = Non illustrated part # = New this model year

December 7, 2002

Drive Pulleys, 4.0L Engine, LHD
Figure 007-408



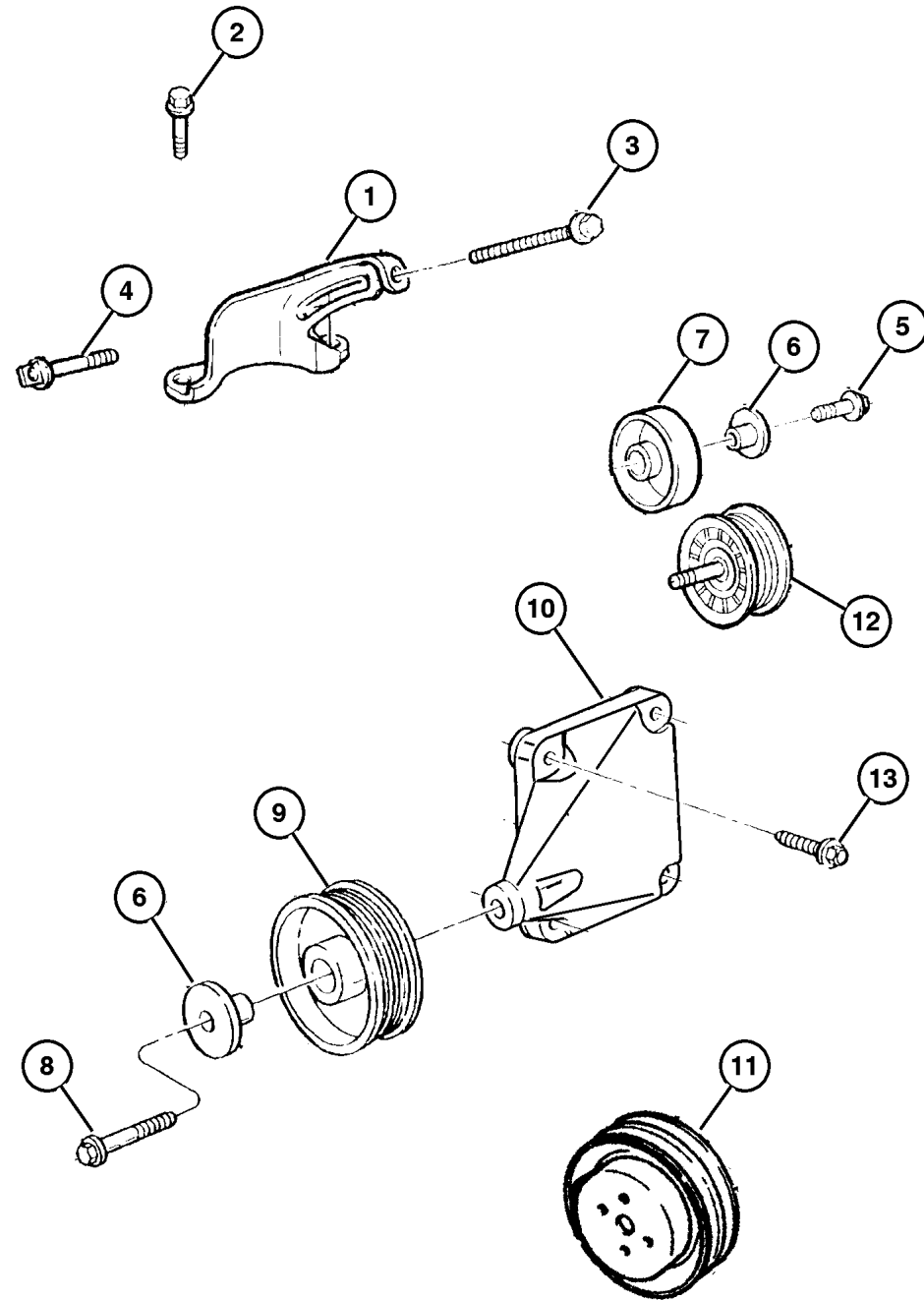
ITEM	PART NUMBER	QTY	LINE	SERIES	BODY	ENGINE	TRANS	TRIM	DESCRIPTION
Note: Sales Code ER0 = 4.0L Engine									
1	5300 6551	1	J, T			ER0			BRACKET, Idler Pulley
2	5300 2903	1				ER0			PULLEY, Idler
3	3300 2201	1				EP0			BUSHING, Idler Pulley
4	6504 239	1	J, T			ER0			SCREW AND WASHER, M10x1.5x40
5	3420 2029	1	J, T			ER0			BOLT, Hex Flange Head, M10x1.50x50
6	4792 112	1	J, T			EP0, ER0			PULLEY, Idler
7	6503 230	1	J, T			EP0, ER0			SPACER, Belt Tensioner
8	6503 198	1	J, T			ER0			BOLT
9	5301 0149	1	J, T			ER0			COLLAR, Tensioner Adjustment
10	5301 0148	1	J, T			ER0			BRACKET, Tensioner
11	5300 2907	1	J, T			ER0			PULLEY, Water Pump
-12	5301 0309	1	J, T			ER0			PULLEY, Fan
13									SCREW, (NOT SERVICED) (Not Serviced)

JEEP CHEROKEE (XJ)				
SERIES	LINE	BODY	ENGINE	TRANSMISSION
P=Classic	J=LHD (4WD)	74=4 Dr.(101.4WB)	ENC,EN0=2.5L 4 cyl. Turbo Die	DDD, DDQ=5 spd. Man.
S=Limited	U=RHD (4WD)	72=2 Dr.(101.4WB)	ERH,ER0=4.0L Power Tech I-6	DGS=4 spd. Auto. AISIN
H=Sport	T=LHD (2WD)		EPE,EP0=Magnum 2.5L SMPI	DG0=All Auto/Trans.
L=SE	B=RHD (2WD)			DBB=All Manual Trans.

AR = Use as required - = Non illustrated part # = New this model year

December 7, 2002

Drive Pulleys, 4.0L Engine, RHD
Figure 007-409



ITEM	PART NUMBER	QTY	LINE	SERIES	BODY	ENGINE	TRANS	TRIM	DESCRIPTION
Note: Sales Code ER0 = 4.0L Engine									
1	#53010 190AC	1	B, U			ER0			BRACKET, Tensioner
2	6502 144	2	B, U			ER0			SCREW AND WASHER, Hex Head, M10x1.5x25
3	6502 929	1	B, U			ER0			SCREW AND WASHER, Hex Head, M8x1.25x110
4	6502 592	1	B, U			ER0			SCREW, M8x1.25 Tapped Head, M10x1.5x50
5	6502 137	2	B, U			EP0,			BOLT, Hex Flange Head, M10x1.5x35
6	3300 2201	1	B, U			ER0			BUSHING, Idler Pulley
7	5301 0230	1	B, U			ER0			PULLEY, Idler
8	6034 497	1	B, U			ER0			BOLT AND WASHER, Hex Head, .375-16x2.375
9	5300 2903	1				ER0			PULLEY, Idler
10	5301 0163	1	B, U			ER0			BRACKET, Fan
11	5300 2907	1	B, U			ER0			PULLEY, Water Pump
12	53010 228AB	1	B, U			ER0			PULLEY, Idler
13									SCREW, (NOT SERVICED) (Not Serviced)

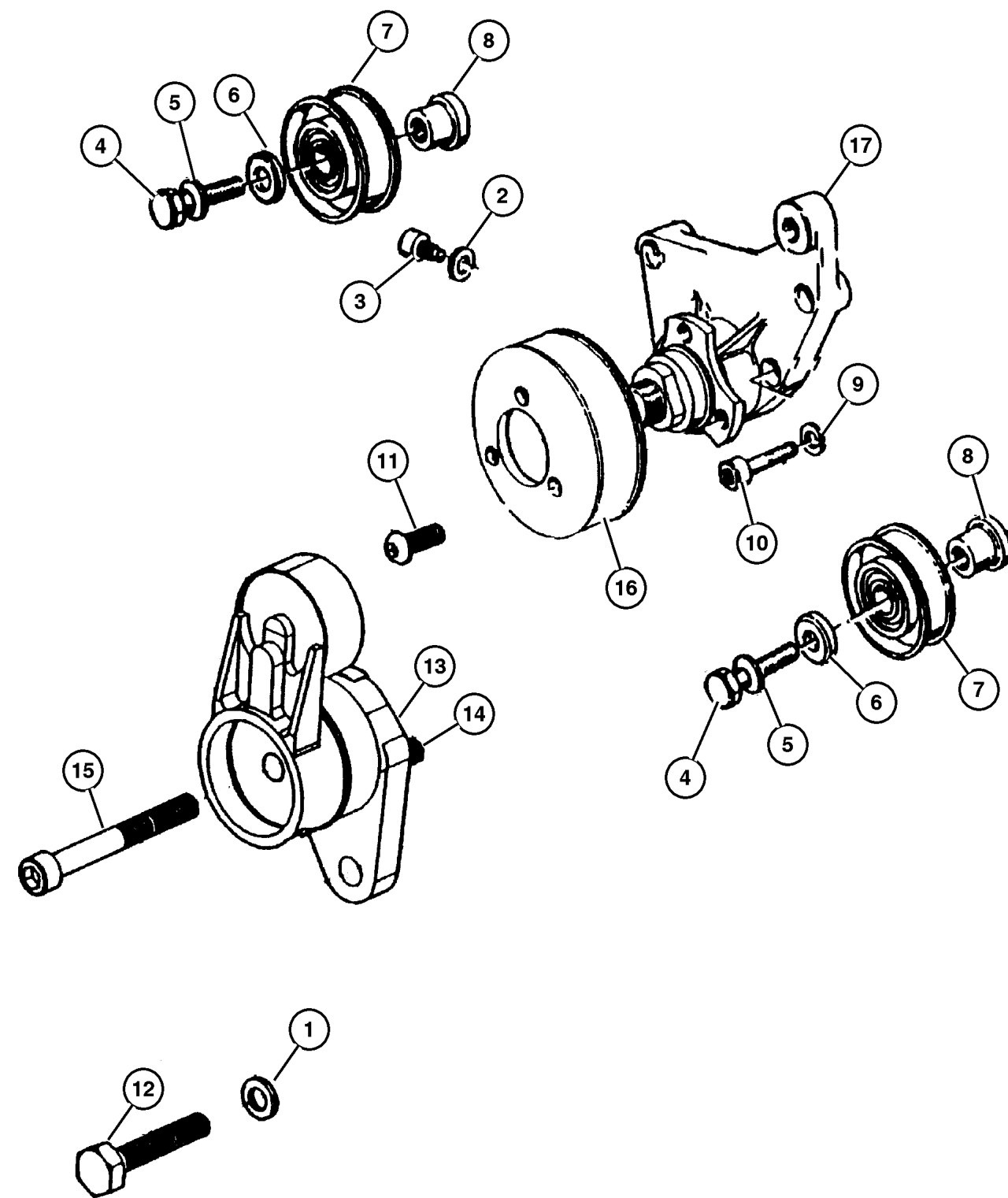
JEEP CHEROKEE (XJ)				
SERIES	LINE	BODY	ENGINE	TRANSMISSION
P=Classic	J=LHD (4WD)	74=4 Dr.(101.4WB)	ENC,EN0=2.5L 4 cyl. Turbo Die	DDD, DDQ=5 spd. Man.
S=Limited	U=RHD (4WD)	72=2 Dr.(101.4WB)	ERH,ER0=4.0L Power Tech I-6	DGS=4 spd. Auto. AISIN
H=Sport	T=LHD (2WD)		EPE,EP0=Magnum 2.5L SMPI	DG0=All Auto/Trans.
L=SE	B=RHD (2WD)			DBB=All Manual Trans.

AR = Use as required - = Non illustrated part # = New this model year

December 7, 2002

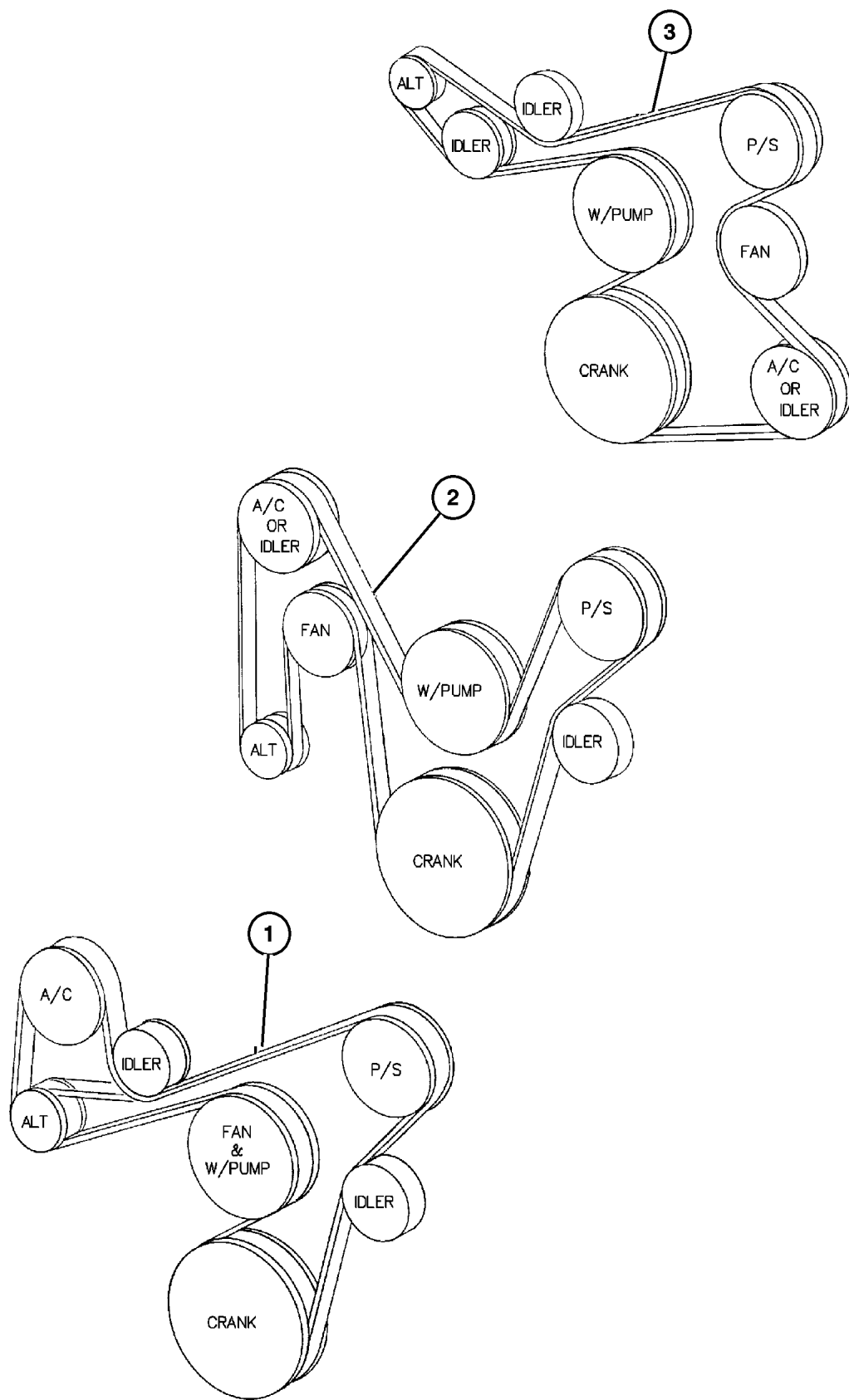
Drive Pulleys, 2.5L Diesel Engine
Figure 007-415

ITEM	PART NUMBER	QTY	LINE	SERIES	BODY	ENGINE	TRANS	TRIM	DESCRIPTION
Note: Sales Code EN0 = 2.5L Diesel Engine									
1	4864 758	2				EN0			WASHER
2	4723 200	1				EN0			WASHER, Flat
3	4796 030	1				EN0			SCREW, Fan Bearing
4									BOLT, Left Hand Thread, M10x50, (NOT SERVICED) (Not Serviced)
5	4720 243	6				EN0			WASHER, Lock, M10
6									WASHER, Idler Pulley, (NOT SERVICED) (Not Serviced)
7	5003 567AA	2				EN0			PULLEY, Idler
8									SHAFT, Idler Pulley, (NOT SERVICED) (Not Serviced)
9	4720 688	4				EN0			WASHER, Flat
10	4797 768	4				EN0			BOLT, Vacuum Pump Bracket, M10x35
11	4863 752	2				EN0			SCREW
12	5003 536AA	1				EN0			BOLT, Belt Tensioner
13	4897 159AB	1				EN0			TENSIONER, Belt
14	4883 528AA	1				EN0			BOLT, Adaptor Plate
15	4886 053AA	1				EN0			BOLT, Belt Tensioner
16	4883 491AA	1				EN0			PULLEY, Fan
17	5003 566AA	1				EN0			BRACKET, Fan



JEEP CHEROKEE (XJ)				
SERIES	LINE	BODY	ENGINE	TRANSMISSION
P=Classic	J=LHD (4WD)	74=4 Dr.(101.4WB)	ENC,EN0=2.5L 4 cyl. Turbo Die	DDD, DDQ=5 spd. Man.
S=Limited	U=RHD (4WD)	72=2 Dr.(101.4WB)	ERH,ER0=4.0L Power Tech I-6	DGS=4 spd. Auto. AISIN
H=Sport	T=LHD (2WD)		EPE,EP0=Magnum 2.5L SMPI	DG0=All Auto/Trans.
L=SE	B=RHD (2WD)			DBB=All Manual Trans.

Drive Belts Figure 007-510



ITEM	PART NUMBER	QTY	LINE	SERIES	BODY	ENGINE	TRANS	TRIM	DESCRIPTION
Note: Sales Code EN0 = 2.5L Diesel Engine									
Note: Sales Code EP0 = 2.5L Gas Engine									
Note: Sales Code ER0 = 4.0L Engine									
1	5301 0257	1	J, T			EP0			BELT, Accessory Drive 2.5L Engine, Heater
	5301 0311	1	B, U			EP0			2.5L Engine, Heater
	5301 1035	1	J, T			EP0			2.5L Engine, A/C
	5301 2002	1	B, U			EP0			2.5L Engine, A/C
2	5301 0314	1	J, T			ER0			BELT, Accessory Drive, 4.0L Engine
3	5301 0234	1	B, U			ER0			BELT, Accessory Drive, 4.0L Engine
-4	5301 0297	1	B, U			ER0			LABEL, Belt Routing
	5301 0298	1				EP0			
	5301 0299	1	J, T			ER0			
	5304 0078	1				EN0			

JEEP CHEROKEE (XJ)				
SERIES	LINE	BODY	ENGINE	TRANSMISSION
P=Classic	J=LHD (4WD)	74=4 Dr.(101.4WB)	ENC,EN0=2.5L 4 cyl. Turbo Die	DDD, DDQ=5 spd. Man.
S=Limited	U=RHD (4WD)	72=2 Dr.(101.4WB)	ERH,ER0=4.0L Power Tech I-6	DGS=4 spd. Auto. AISIN
H=Sport	T=LHD (2WD)		EPE,EP0=Magnum 2.5L SMPI	DG0=All Auto/Trans.
L=SE	B=RHD (2WD)			DBB=All Manual Trans.

AR = Use as required - = Non illustrated part # = New this model year

December 7, 2002

Oil Cooler Lines, LHD Figure 007-610

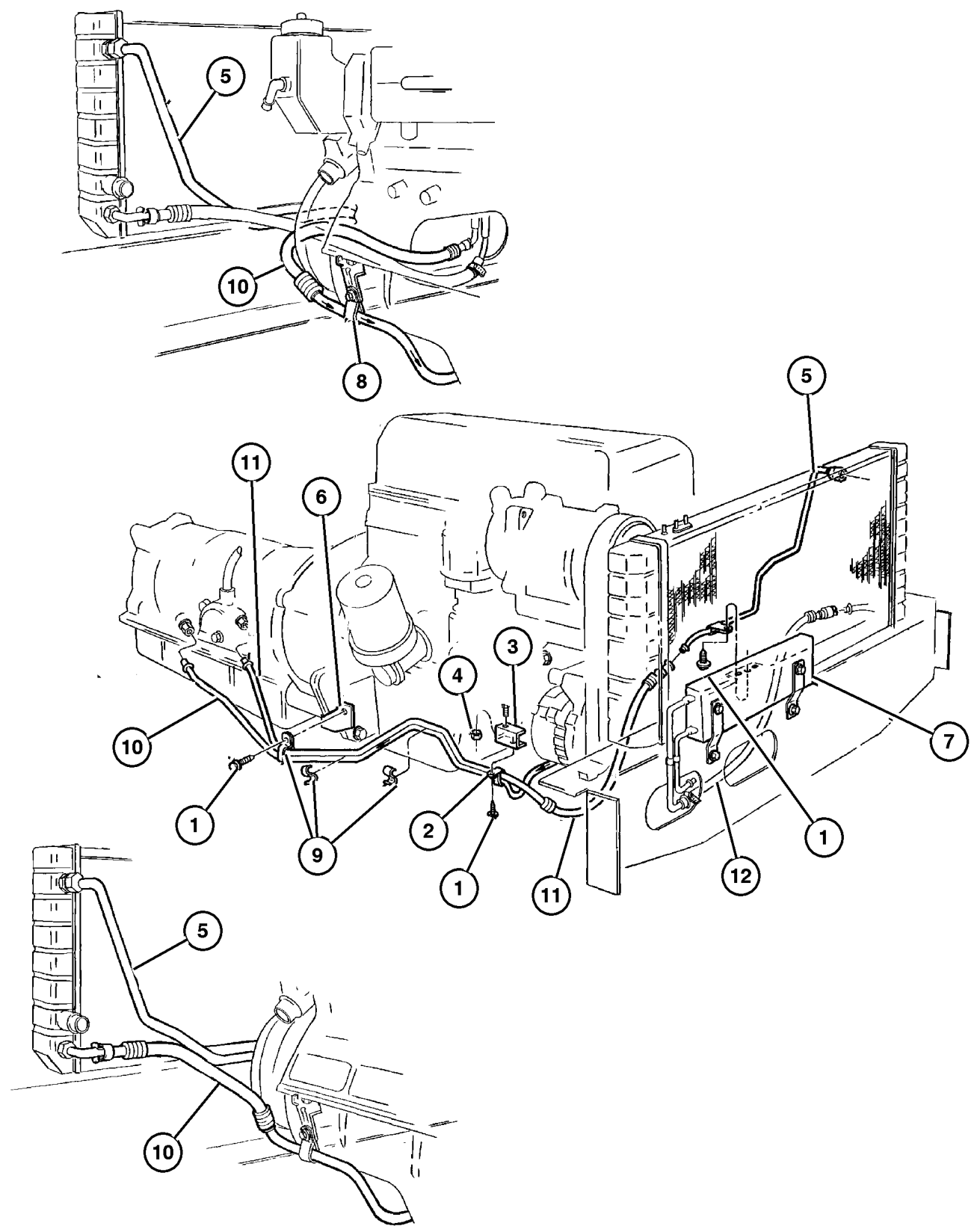
ITEM	PART NUMBER	QTY	LINE	SERIES	BODY	ENGINE	TRANS	TRIM	DESCRIPTION
Note: Sales Code DGB = Manual Trans Note: Sales Code DG0 = All Auto Trans Note: Sales Code EN0 = 2.5L Diesel Engine Note: Sales Code EP0 = 2.5L Gas Engine Note: Sales Code ER0 = 4.0L Engine									
1	6035 058	1	J, T			EP0	DG0		SCREW, Hex Flange Head, .19-16x.50
2	3420 2698	1				ER0	DG0		CLIP, Oil Tube
3	5300 4990	1				ER0	DG0		BRACKET, Oil Cooler Tube
4									NUT AND WASHER, Hex Nut-Coned Washer, .25-20
	6033 560	1				EP0			
		2				ER0			
5	5202 8328	1	J, T			ER0	DG0		TUBE, Supply
6	5300 4631	1				ER0	DG0		BRACKET, Oil Cooler Tube
7	52028 516AE	1	J, T			EP0, ER0	DG0		COOLER, Auxiliary Oil
8	3420 2697	2	J, T			ER0	DG0		CLIP, Oil Cooler Tube
9									CLIP, (NOT SERVICED) (Not Serviced)
10									TUBE AND HOSE, Return
	52028 566AD	1	J, T			ER0	DG0		
	52118 569AE	1	J, T			EP0	DGD		
11									TUBE AND HOSE, Supply
	52028 504AF	1	J, T			EP0	DGD		
	52028 605AD	1	J, T			ER0	DG0		
12	5003 096AC	1	J, T			EP0, ER0	DG0		HOSE AND CONNECTOR, Oil Cooler

JEEP CHEROKEE (XJ)

SERIES	LINE	BODY	ENGINE	TRANSMISSION
P=Classic	J=LHD (4WD)	74=4 Dr.(101.4WB)	ENC,EN0=2.5L 4 cyl. Turbo Die	DDD, DDQ=5 spd. Man.
S=Limited	U=RHD (4WD)	72=2 Dr.(101.4WB)	ERH,ER0=4.0L Power Tech I-6	DGS=4 spd. Auto. AISIN
H=Sport	T=LHD (2WD)		EPE,EP0=Magnum 2.5L SMPI	DG0=All Auto/Trans.
L=SE	B=RHD (2WD)			DBB=All Manual Trans.

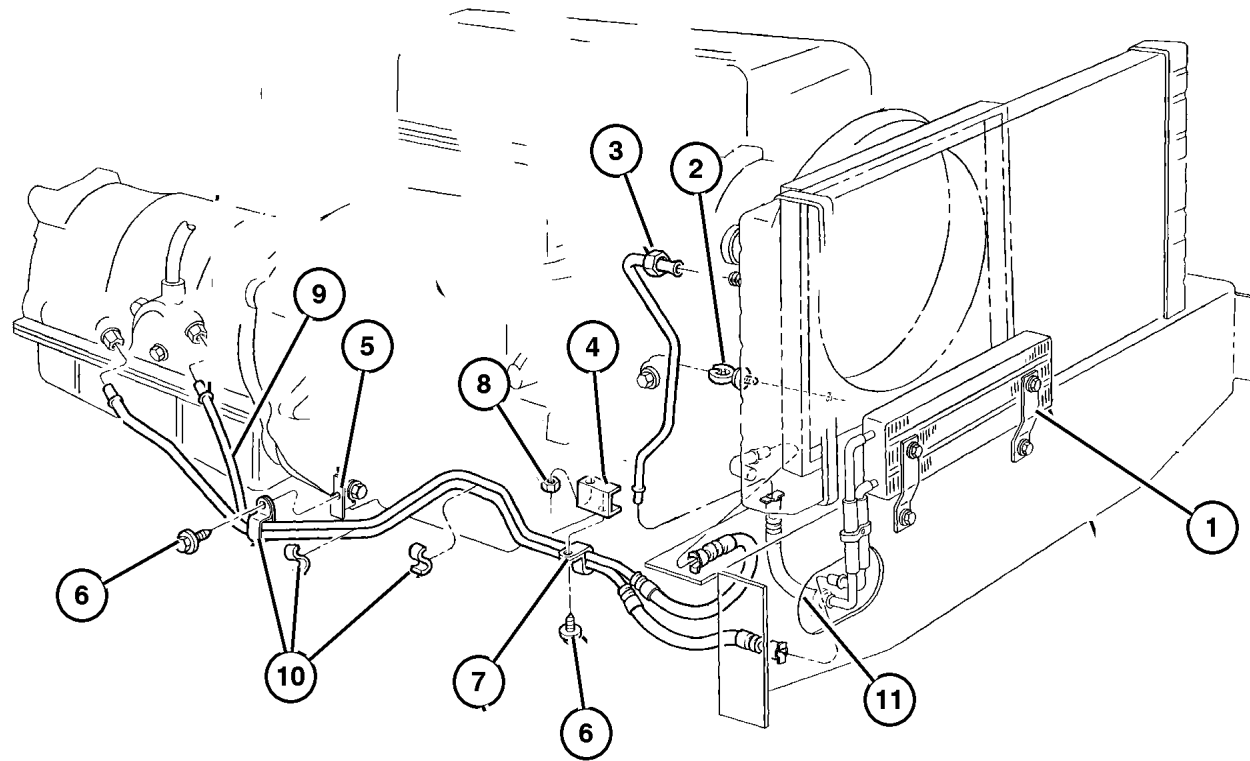
AR = Use as required - = Non illustrated part # = New this model year

December 7, 2002



Oil Cooler Lines, RHD Figure 007-620

ITEM	PART NUMBER	QTY	LINE	SERIES	BODY	ENGINE	TRANS	TRIM	DESCRIPTION
Note: Sales Code DGB = Manual Trans									
Note: Sales Code DG0 = All Auto Trans									
Note: Sales Code EN0 = 2.5L Diesel Engine									
Note: Sales Code EP0 = 2.5L Gas Engine									
Note: Sales Code ER0 = 4.0L Engine									
1	52028 517AC	1	B, U			ER0			COOLER, Transmission Oil
2	3200 0404	3	B, U						CLIP, Tube
3	5202 8310	1	B, U			ER0	DG0		TUBE, Oil Cooler
4	5300 4990	1				ER0	DG0		BRACKET, Oil Cooler Tube
5	5300 4631	1				ER0	DG0		BRACKET, Oil Cooler Tube
6	6035 058	4				ER0	DG0		SCREW, Hex Flange Head, .19-16x.50
7	3420 2698	1				ER0	DG0		CLIP, Oil Tube
8	6033 560	1							NUT AND WASHER, Hex Nut-Coned Washer, .25-20
9	5202 8310	1	B, U			ER0	DG0		TUBE, Oil Cooler
10									CLIP, (NOT SERVICED) (Not Serviced)
11	5015 643AA	1	B, U			ER0			HOSE AND CONNECTOR, Oil Cooler
-12	52028 567AC	1	B, U			ER0	DG0		TUBE AND HOSE, Return
-13	52028 561AC	1	B, U			ER0	DG0		TUBE AND HOSE, Oil Cooler, Supply



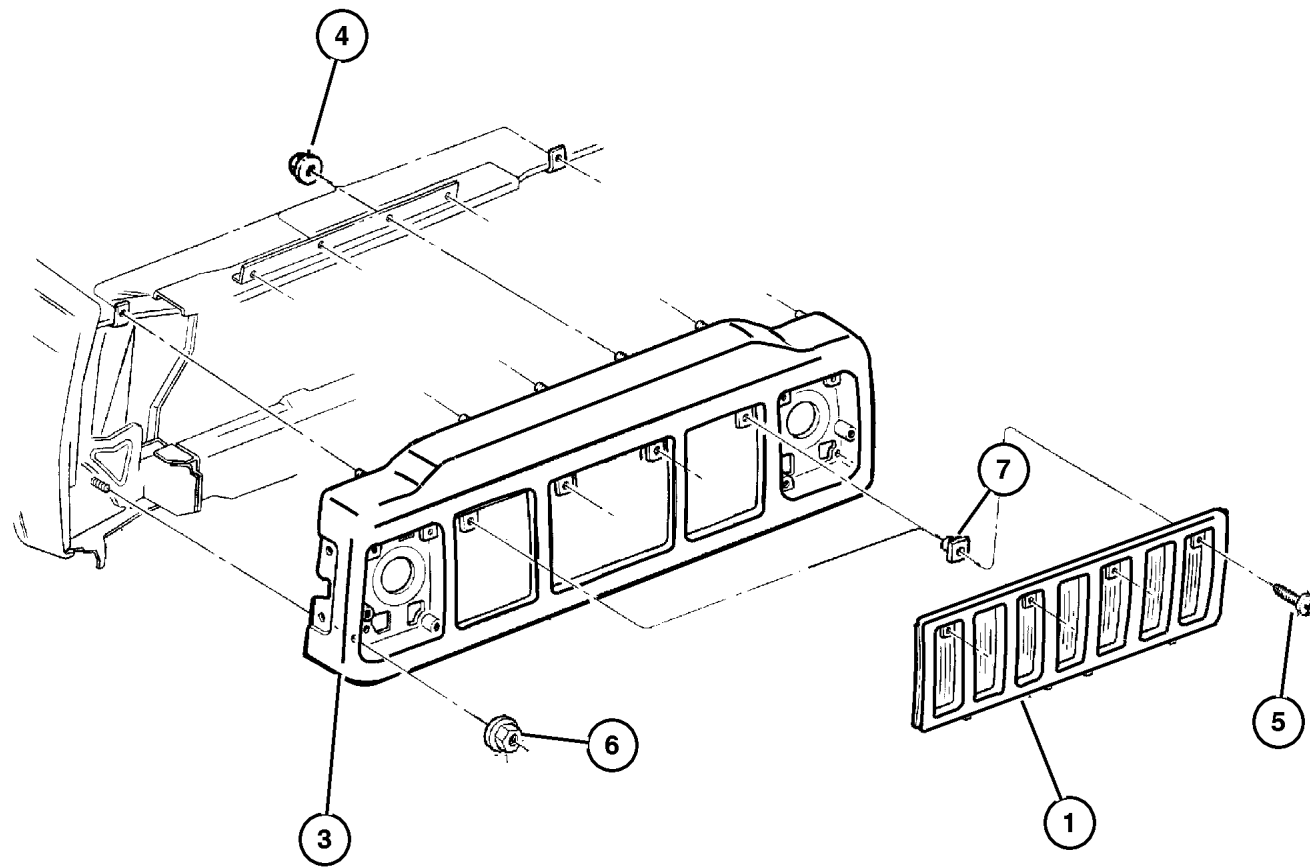
JEEP CHEROKEE (XJ)

SERIES	LINE	BODY	ENGINE	TRANSMISSION
P=Classic	J=LHD (4WD)	74=4 Dr.(101.4WB)	ENC,EN0=2.5L 4 cyl. Turbo Die	DDD, DDQ=5 spd. Man.
S=Limited	U=RHD (4WD)	72=2 Dr.(101.4WB)	ERH,ER0=4.0L Power Tech I-6	DGS=4 spd. Auto. AISIN
H=Sport	T=LHD (2WD)		EPE,EP0=Magnum 2.5L SMPI	DG0=All Auto/Trans.
L=SE	B=RHD (2WD)			DBB=All Manual Trans.

AR = Use as required - = Non illustrated part # = New this model year

December 7, 2002

**Grille and Related Parts
Figure 007-710**



ITEM	PART NUMBER	QTY	LINE	SERIES	BODY	ENGINE	TRANS	TRIM	DESCRIPTION
Note: Sales Code DGB = Manual Trans									
Note: Sales Code EN0 = 2.5L Diesel Engine									
Note: Sales Code EP0 = 2.5L Gas Engine									
Note: Sales Code ER0 = 4.0L Engine									
1									GRILLE, Radiator
	5505 5150	1							Sport and SE Model
	5EM6 5WU7	1							Sienna Pearl Coat
	5EM6 5XS5	1							Silverstone
	5EM6 5DX8	1							Black Clear Coat
	5EM6 5PR4	1							Flame Red
	5EM6 5SG8	1							Forest Green
	5EM6 5SW1	1							Stone White
	5EM6 5WTD	1							Desert Sand
	#55156 028AA	1							Chrome/Black
	5EM6 5RJP	1							Fern Green
	5EM6 5WBT	1							Patriot Blue
-2	5202 8374	1				EN0			DEFLECTOR, Air
3	55055 233AD	1							PANEL, Grille Opening
4									NUT, Hex, M6x1.00
	6500 284	2				EP0, ER0			
		1	B, U			EN0			
		1	J, T			EN0			
5	6034 204	4							SCREW, Pan Head, #6 HiLo
6	6100 047	1				EP0			NUT AND WASHER, Hex Nut-Coned
									Washer, M6 x 1.00
7	6035 657	4							NUT, Plastic Snap-In, For .164-15 Screw

JEEP CHEROKEE (XJ)

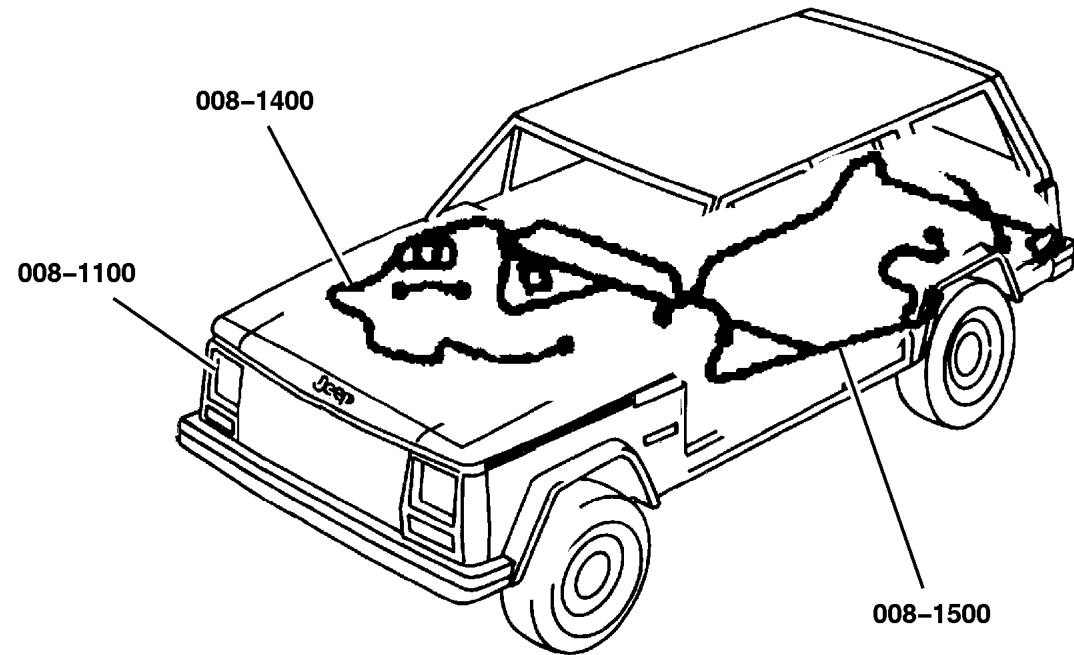
SERIES	LINE	BODY	ENGINE	TRANSMISSION
P=Classic	J=LHD (4WD)	74=4 Dr.(101.4WB)	ENC,EN0=2.5L 4 cyl. Turbo Die	DDD, DDQ=5 spd. Man.
S=Limited	U=RHD (4WD)	72=2 Dr.(101.4WB)	ERH,ER0=4.0L Power Tech I-6	DGS=4 spd. Auto. AISIN
H=Sport	T=LHD (2WD)		EPE,EP0=Magnum 2.5L SMPI	DG0=All Auto/Trans.
L=SE	B=RHD (2WD)			DBB=All Manual Trans.

AR = Use as required - = Non illustrated part # = New this model year

December 7, 2002

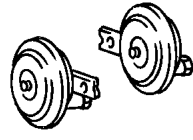
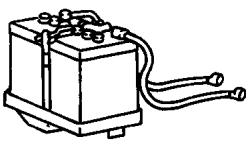
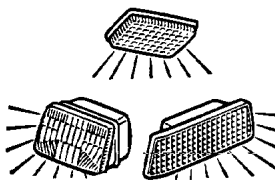
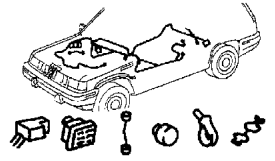

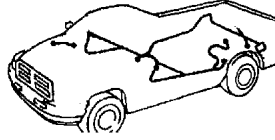
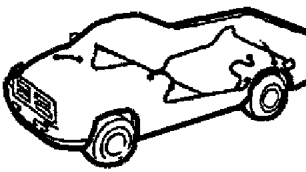
Group – 008

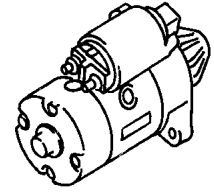
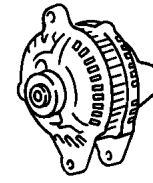
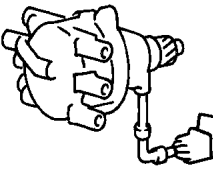
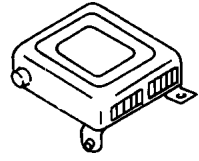

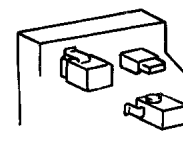
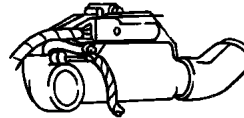
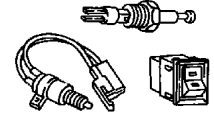
Electrical



Group – 008

Electrical

<p>008-900 Horns</p> 	<p>008-1000 Battery Tray and Cables</p> 	<p>008-1100 Lamps – Front, Rear and Courtesy</p> 	<p>008-1200 Wiring-Engine & Related Parts</p> 
<p>008-1300 Wiring-Headlamp to Dash</p> 	<p>008-1400 Wiring-Instrument Panel</p> <p>WIRING INSTR. PANEL</p>	<p>008-1500 Wiring-Body & Accessories</p> 	<p>008-1600 Wiring Repair</p> <p>WIRING REPAIR PKG.</p>
<p>008-1900 Spark Plugs-Cables-Coils</p> 			

<p>008-100 Starters</p> 	<p>008-200 Alternators</p> 	<p>008-300 Distributor</p> 	<p>008-400 Modules</p> 
<p>008-500 Relays</p> 	<p>008-600 Sensors</p> 	<p>008-700 Single Board Engine Controllers</p> 	<p>008-800 Switches</p> 

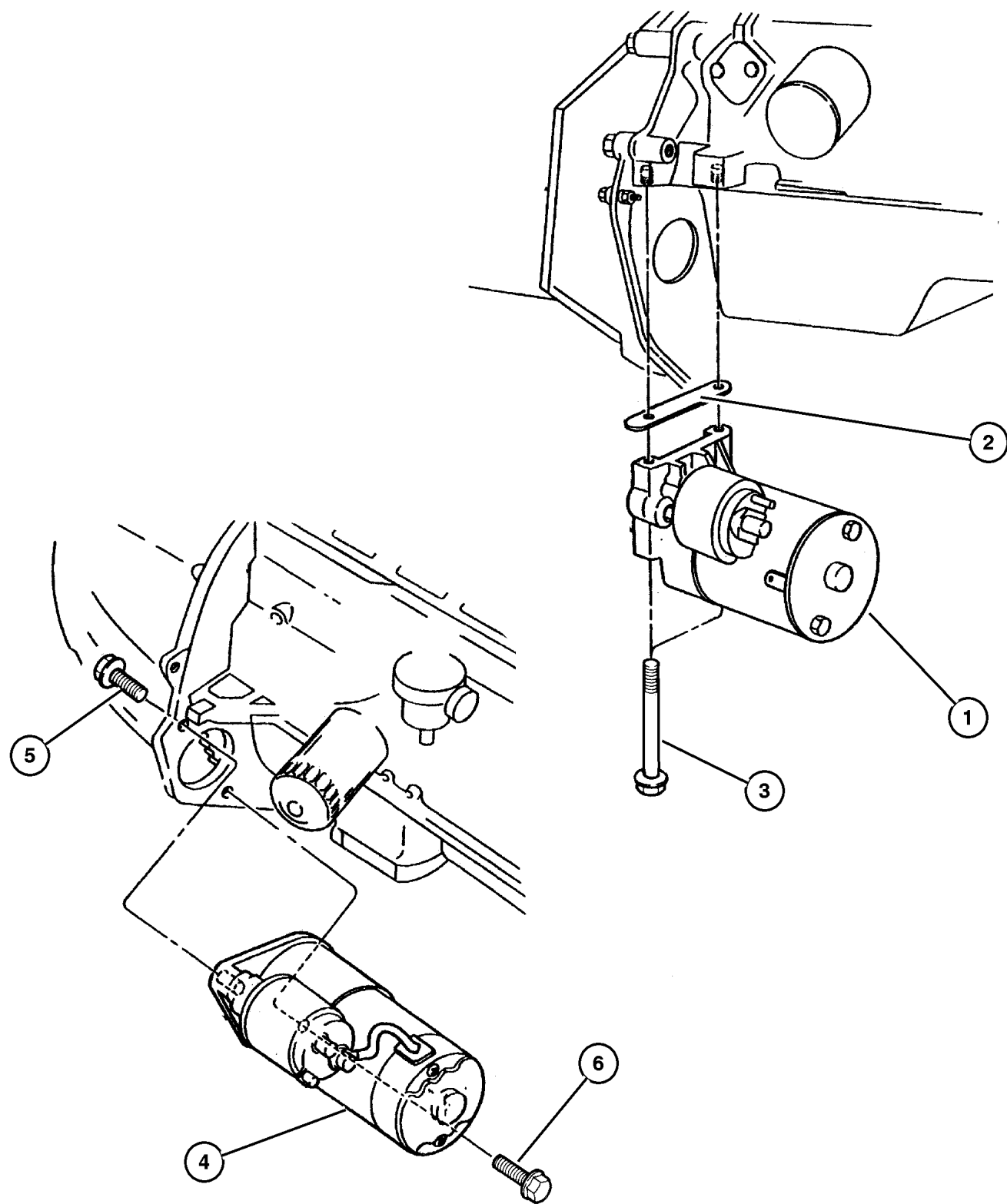
GROUP 8 - Electrical

Illustration Title	Group-Fig. No.
Starters	
Starter and Mounting (2.5L & 4.0L Engines)	Fig. 008-105
Starter and Mounting (Diesel Engine)	Fig. 008-110
Alternators	
Alternator 2.5L & 4.0L Engines R.H.D.	Fig. 008-205
Alternator 2.5L & 4.0L Engines L.H.D.	Fig. 008-207
Alternator Diesel Engine	Fig. 008-210
Distributor	
Distributor 2.5L Engine	Fig. 008-305
Modules	
Modules	Fig. 008-405
Relays	
Relays	Fig. 008-510
Sensors	
Sensors & Control Units	Fig. 008-605
Single Board Engine Controllers	
Single Board Engine Controllers	Fig. 008-710
Switches	
Switches & Sending Units	Fig. 008-810
Horns	
Horns	Fig. 008-910
Battery Tray and Cables	
Battery Tray	Fig. 008-1005
Battery Cables	Fig. 008-1010
Lamps - Front, Rear and Courtesy	
Lamps Fog	Fig. 008-1135
Lamps Front	Fig. 008-1140
Lamps Rear	Fig. 008-1155
Lamps Cargo - Dome - Underhood	Fig. 008-1165
Bulbs	Fig. 008-1170
Wiring-Engine & Related Parts	
Wiring Engine & Related Parts	Fig. 008-1210
Wiring-Headlamp to Dash	
Wiring Headlamp / Dash	Fig. 008-1310
Wiring-Instrument Panel	
Wiring Instrument Panel	Fig. 008-1410

GROUP 8 - Electrical

Illustration Title	Group-Fig. No.
Wiring-Body & Accessories	
Wiring Body & Accessory	Fig. 008-1510
Wiring Repair	
Connector Repair Package	Fig. 008-1605
Power Distribution Center Repair	Fig. 008-1615
Spark Plugs-Cables-Coils	
Spark Plug-Cables & Coil	Fig. 008-1905

**Starter and Mounting (2.5L & 4.0L Engines)
Figure 008-105**



ITEM	PART NUMBER	QTY	LINE	SERIES	BODY	ENGINE	TRANS	TRIM	DESCRIPTION
EP0=2.5L Engine									
ER0=4.0L Engine									
1	56041 013AB	1				EP0	DBB		STARTER
2	J324 1711	AR				EP0			SHIM, Starter Motor
3	6035 607	2				EP0	DG0		SCREW, Starter Motor
4	56041 012AB	1				ER0			STARTER
5	6503 699	1				ER0			SCREW AND WASHER, Hex Head, M10x1.5x28
6	J400 6192	1				ER0			BOLT AND WASHER, Hex Head, .375-16x1.75
-7	#56041 476AA	1				ER0			COIL, Ignition

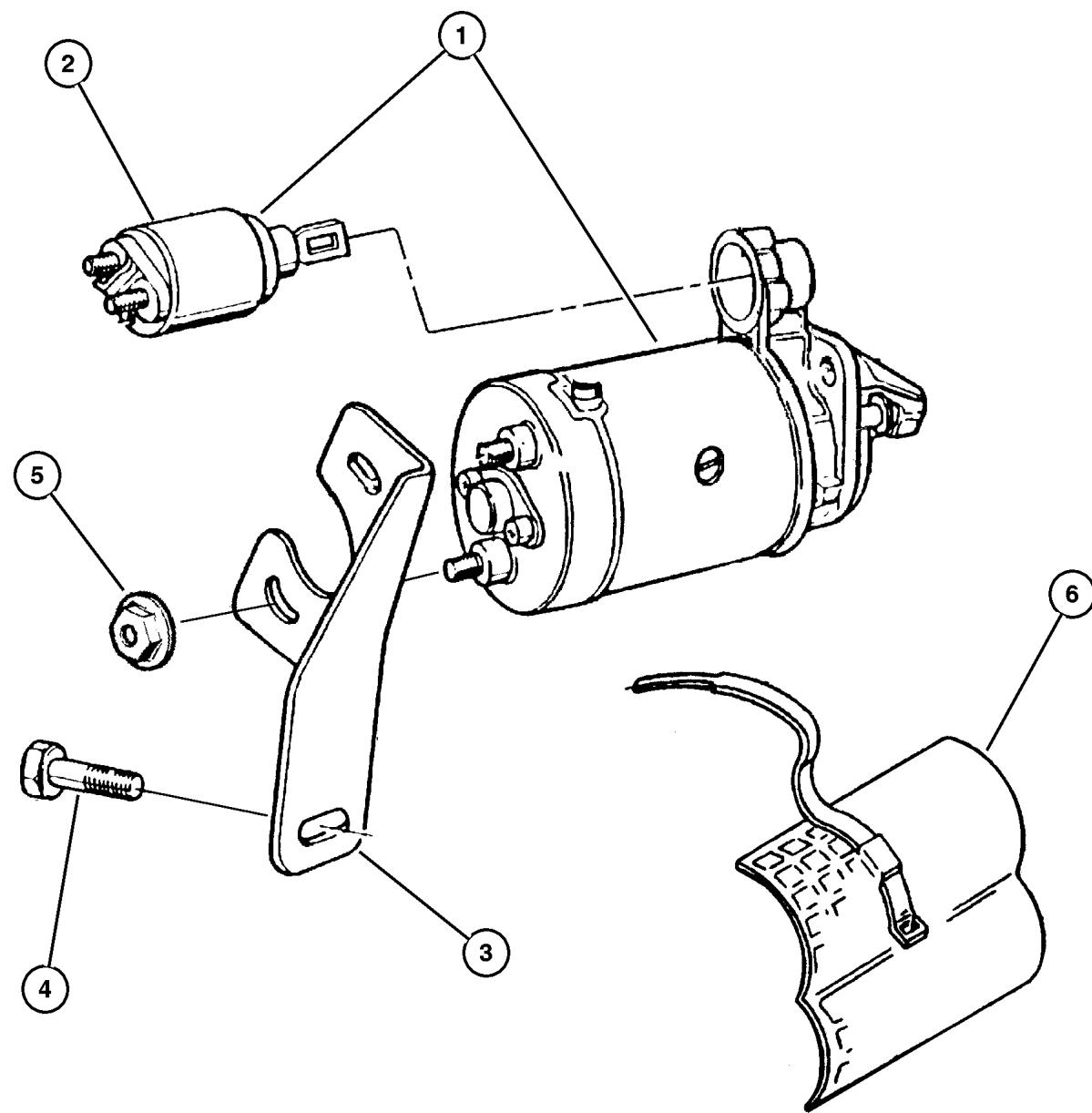
JEEP CHEROKEE (XJ)				
SERIES	LINE	BODY	ENGINE	TRANSMISSION
P=Classic	J=LHD (4WD)	74=4 Dr.(101.4WB)	ENC,EN0=2.5L 4 cyl. Turbo Die	DDD, DDQ=5 spd. Man.
S=Limited	U=RHD (4WD)	72=2 Dr.(101.4WB)	ERH,ER0=4.0L Power Tech I-6	DGS=4 spd. Auto. AISIN
H=Sport	T=LHD (2WD)		EPE,EP0=Magnum 2.5L SMPI	DG0=All Auto/Trans.
L=SE	B=RHD (2WD)			DBB=All Manual Trans.

AR = Use as required - = Non illustrated part # = New this model year

December 7, 2002

**Starter and Mounting (Diesel Engine)
Figure 008-110**

ITEM	PART NUMBER	QTY	LINE	SERIES	BODY	ENGINE	TRANS	TRIM	DESCRIPTION
EN0=4Cylinder Turbo Engine									
1	4883 447AA	1				EN0			STARTER
2	4723 275	1				EN0			SOLENOID, Starter
3	4796 045	1				EN0			BRACKET, Starter
4	4720 684	1				EN0			BOLT
5	4778 936	2				EN0			NUT, Suction Pipe Attaching
6	5602 7329	1				EN0			SHIELD, Heat
-7	#56041 476AA	1				ER0			COIL, Ignition

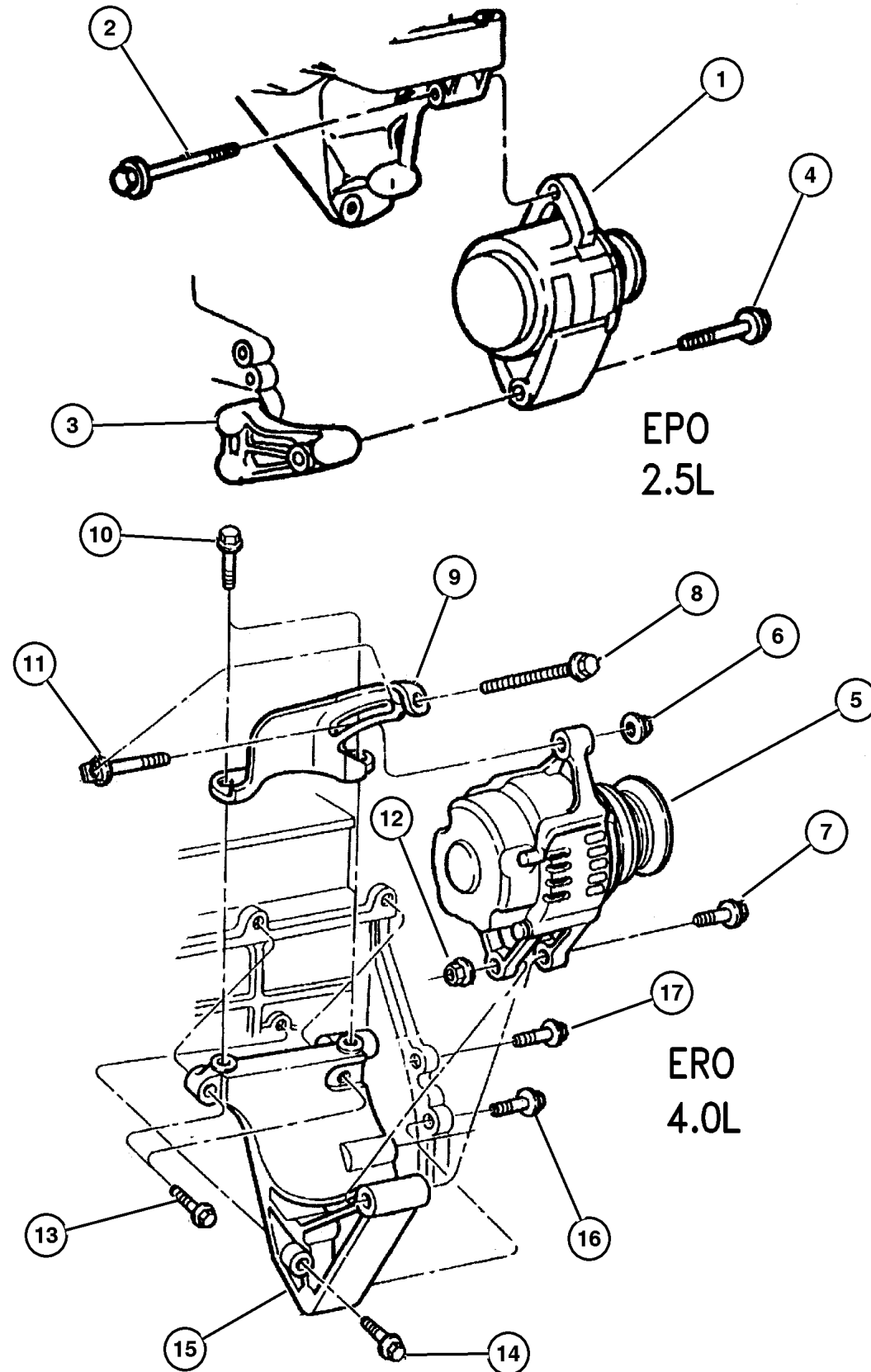


JEEP CHEROKEE (XJ)				
SERIES	LINE	BODY	ENGINE	TRANSMISSION
P=Classic	J=LHD (4WD)	74=4 Dr.(101.4WB)	ENC,EN0=2.5L 4 cyl. Turbo Die	DDD, DDQ=5 spd. Man.
S=Limited	U=RHD (4WD)	72=2 Dr.(101.4WB)	ERH,ER0=4.0L Power Tech I-6	DGS=4 spd. Auto. AISIN
H=Sport	T=LHD (2WD)		EPE,EP0=Magnum 2.5L SMPI	DG0=All Auto/Trans.
L=SE	B=RHD (2WD)			DBB=All Manual Trans.

AR = Use as required - = Non illustrated part # = New this model year

December 7, 2002

**Alternator 2.5L & 4.0L Engines R.H.D.
Figure 008-205**



ITEM	PART NUMBER	QTY	LINE	SERIES	BODY	ENGINE	TRANS	TRIM	DESCRIPTION
EPO=2.5L Engine									
ERO=4.0L Engine									
1	56026 936AB	1	B, U			EPO			ALTERNATOR
2	6502 666	1	B, U			EPO			SCREW AND CONED WASHER, Hex Flange Head, M8x1.25x55
3	5300 8721	1	B, U			EPO			BRACKET, Alternator
4	6502 143	1	B, U			EPO			BOLT, Hex Flange Head, M10x1.5-80
5	56041 822AA	1				ERO			ALTERNATOR
6	6101 448	1	B, U			ERO			NUT AND WASHER, Hex Nut-Coned Washer, M10 x 1.5
7	6502 134	1	B, U			ERO			BOLT, Hex Flange Head, M10x1.50x110
8	6502 929	1	B, U			ERO			SCREW AND WASHER, Hex Head, M8x1.25x110
9	#53010 190AC	1	B, U			ERO			BRACKET, Tensioner
10	6502 144	2	B, U			ERO			SCREW AND WASHER, Hex Head, M10x1.5x25
11	6502 592	1	B, U			ERO			SCREW, M8x1.25 Tapped Head, M10x1.5x50
12	6502 135	1	B, U			ERO			NUT, Hex Flange, M10x1.5
13									SCREW AND WASHER, Hex Head, Coned, Header, .312-18x2.75, .375-16x1.625, (NOT SERVICED) (Not Serviced)
14	6034 497	1	B, U			ERO			BOLT AND WASHER, Hex Head, .375-16x2.375
15	5301 0231	1	B, U			ERO			BRACKET, Alternator
16									BOLT, Hex Flange Head, .375-16 x 2.75, (NOT SERVICED) (Not Serviced)
17	6034 242	1	B, U			ERO			SCREW AND WASHER

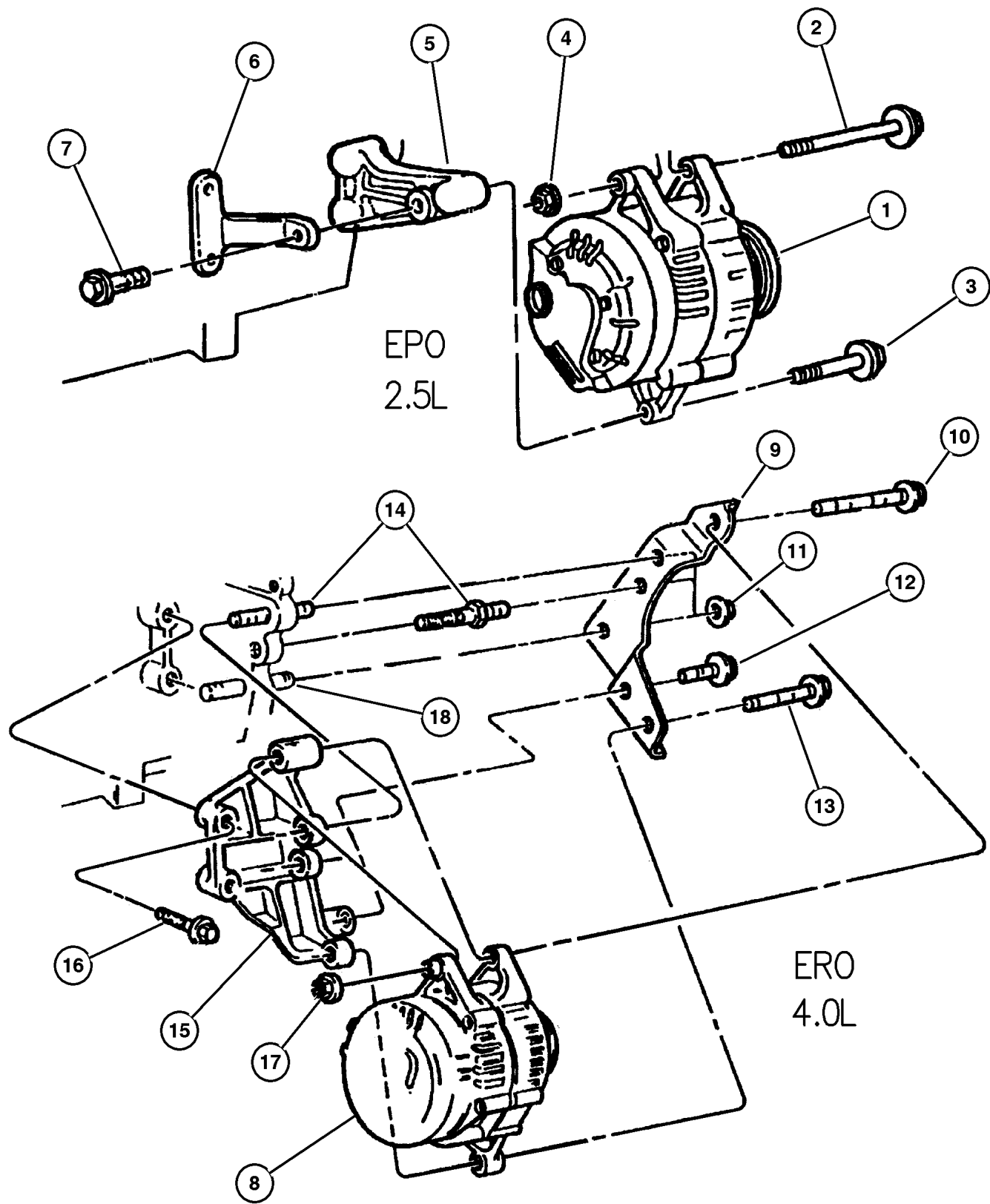
JEEP CHEROKEE (XJ)

SERIES	LINE	BODY	ENGINE	TRANSMISSION
P=Classic	J=LHD (4WD)	74=4 Dr.(101.4WB)	ENC,EN0=2.5L 4 cyl. Turbo Die	DDD, DDQ=5 spd. Man.
S=Limited	U=RHD (4WD)	72=2 Dr.(101.4WB)	ERH,ER0=4.0L Power Tech I-6	DGS=4 spd. Auto. AISIN
H=Sport	T=LHD (2WD)		EPE,EP0=Magnum 2.5L SMPI	DG0=All Auto/Trans.
L=SE	B=RHD (2WD)			DBB=All Manual Trans.

AR = Use as required - = Non illustrated part # = New this model year

December 7, 2002

**Alternator 2.5L & 4.0L Engines L.H.D.
Figure 008-207**



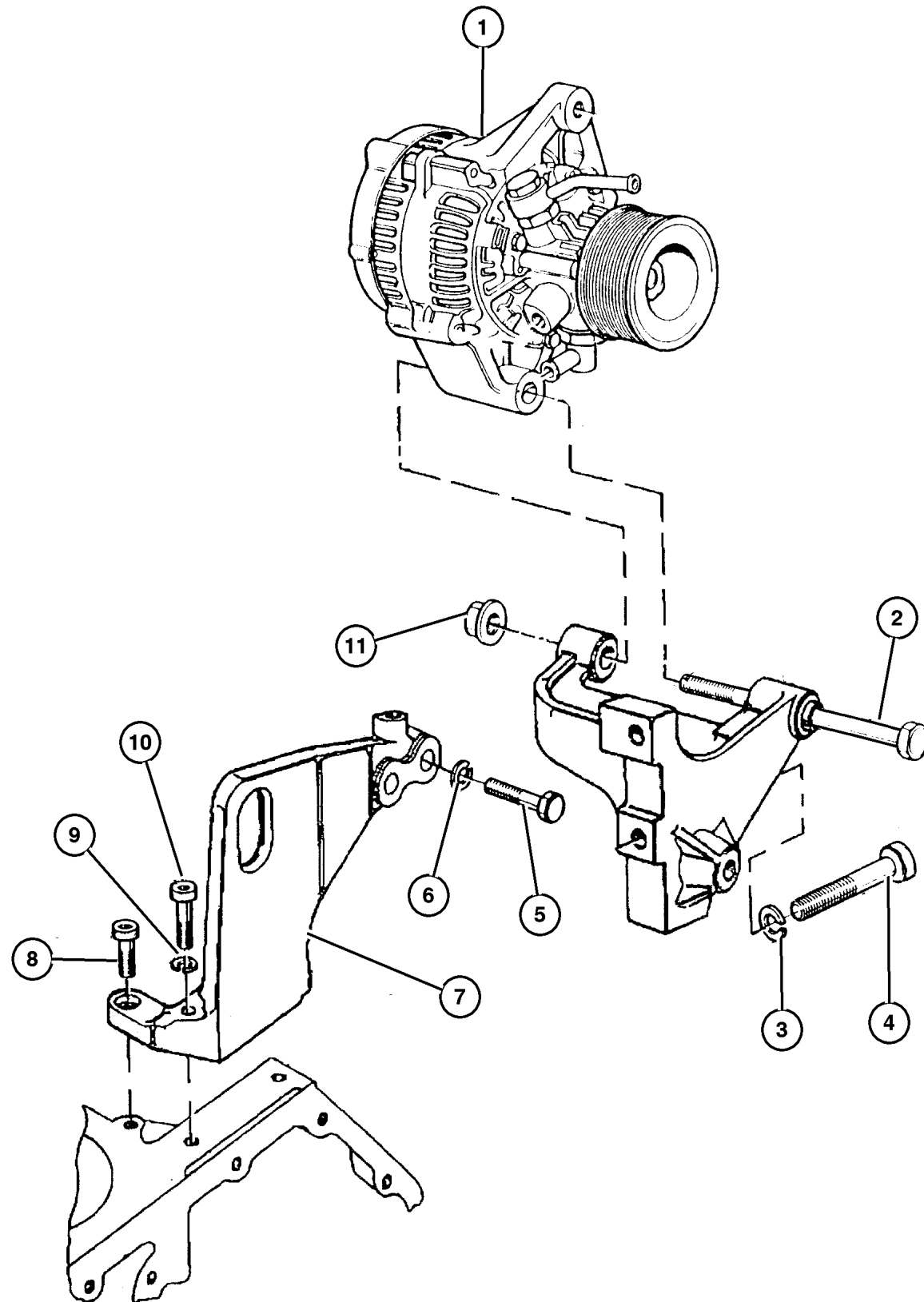
ITEM	PART NUMBER	QTY	LINE	SERIES	BODY	ENGINE	TRANS	TRIM	DESCRIPTION
EPO=2.5L Engine									
ERO=4.0L Engine									
1	56041 822AA	1				ER0			ALTERNATOR
		1	J, T			EP0			
2	6502 134	1	J, T			EP0			BOLT, Hex Flange Head, M10x1.50x110
3	6502 136	1	J, T			EP0			BOLT, Hex Flange Head, M10x1.50x55
4	6502 135	1	J, T			EP0			NUT, Hex Flange, M10x1.5
5	5300 7604	1	J, T			EP0			BRACKET, Alternator
6	5300 7506	1	J, T			EP0			BRACKET, Alternator
7	6502 144	1	J, T			EP0			SCREW AND WASHER, Hex Head, M10x1.5x25
8	56041 822AA	1				ER0			ALTERNATOR
		1	J, T			EP0			
9	5300 6869	1	J, T			ER0			BRACKET, Alternator
10	6502 134	1	J, T			ER0			BOLT, Hex Flange Head, M10x1.50x110
11	0152 344	3	J, T			ER0			NUT, .375-16
12	6502 144	1	J, T			ER0			SCREW AND WASHER, Hex Head, M10x1.5x25
13	6502 136	1	J, T			ER0			BOLT, Hex Flange Head, M10x1.50x55
14	6034 093	2	J, T			ER0			STUD, .375-16x3.750
15	5300 8850	1	J, T			ER0			BRACKET, Alternator
16									SCREW AND WASHER, .375-16x1.125
	6025 063	1	J, T			EP0			
		1	J, T			ER0			
17	6502 135	1	J, T			ER0			NUT, Hex Flange, M10x1.5
18									STUD, .312-18/.375-16x2.875, (NOT SERVICED) (Not Serviced)

JEEP CHEROKEE (XJ)				
SERIES	LINE	BODY	ENGINE	TRANSMISSION
P=Classic	J=LHD (4WD)	74=4 Dr.(101.4WB)	ENC,EN0=2.5L 4 cyl. Turbo Die	DDD, DDQ=5 spd. Man.
S=Limited	U=RHD (4WD)	72=2 Dr.(101.4WB)	ERH,ER0=4.0L Power Tech I-6	DGS=4 spd. Auto. AISIN
H=Sport	T=LHD (2WD)		EPE,EP0=Magnum 2.5L SMPI	DG0=All Auto/Trans.
L=SE	B=RHD (2WD)			DBB=All Manual Trans.

AR = Use as required - = Non illustrated part # = New this model year

December 7, 2002

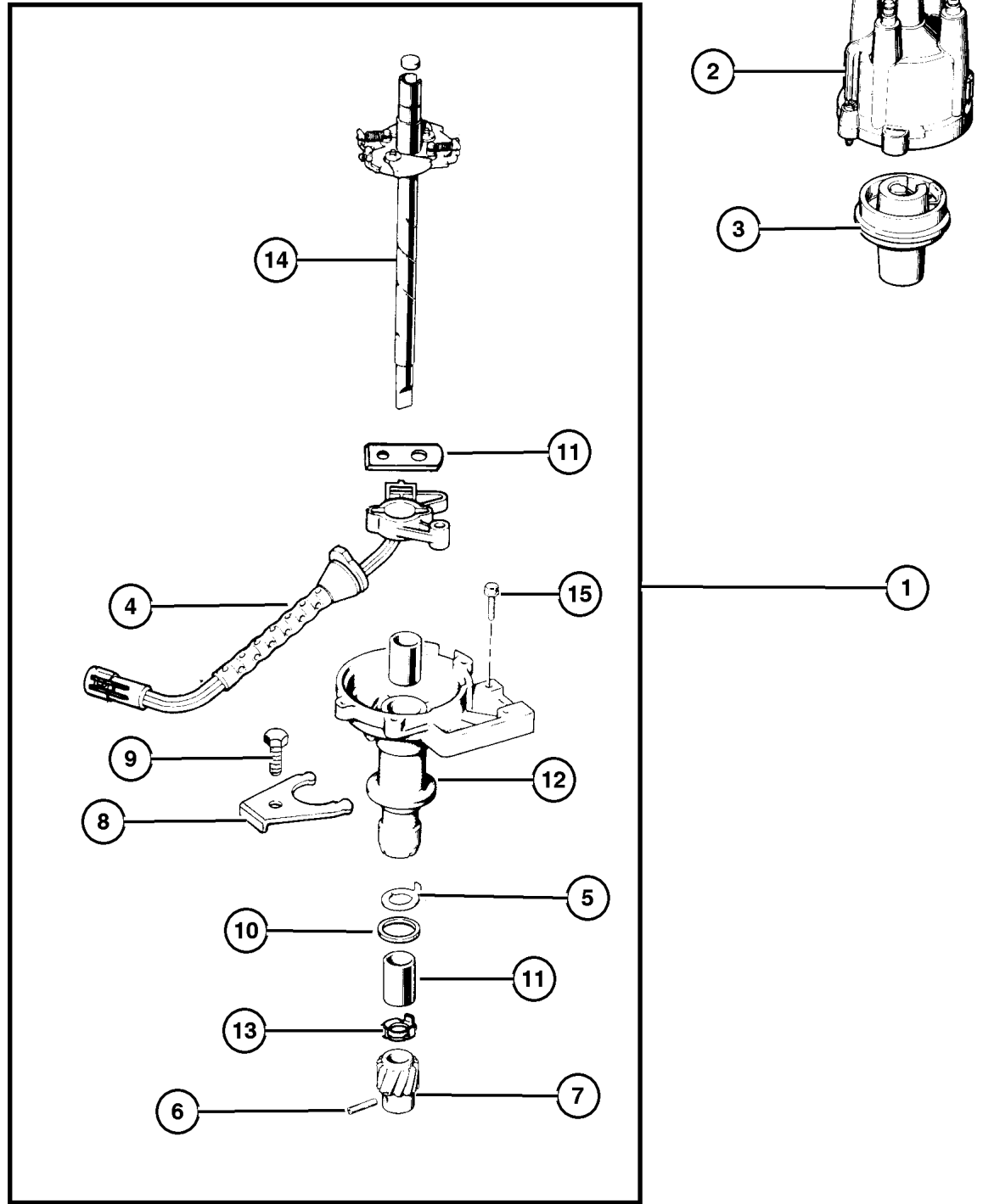
Alternator Diesel Engine Figure 008-210



ITEM	PART NUMBER	QTY	LINE	SERIES	BODY	ENGINE	TRANS	TRIM	DESCRIPTION
EN0=4Cylinder Turbo Engine									
DDQ=Manual Transmission 5 Speed									
1	5014 087AA	1				EN0			ALTERNATOR
2									SCREW, Cap, M10x150, (NOT SERVICED) (Not Serviced)
3	4864 758	2				EN0			WASHER
4	4720 684	1				EN0			BOLT
5									BOLT, Starter, (NOT SERVICED) (Not Serviced)
6	4723 165	2				EN0			WASHER, P Clip
7									BRACKET, Alternator
	5003 568AA	1				EN0			Lower
	5003 569AA	1				EN0			Upper
8	4720 684	1				EN0			BOLT
9	4210 983	2	J, U			EN0	DDQ		WASHER, Flat
10	4797 768	2				EN0			BOLT, Vacuum Pump Bracket, M10x35
11	4796 038	1				EN0			NUT, Hex Flange, M10x1.5

JEEP CHEROKEE (XJ)				
SERIES	LINE	BODY	ENGINE	TRANSMISSION
P=Classic	J=LHD (4WD)	74=4 Dr.(101.4WB)	ENC,EN0=2.5L 4 cyl. Turbo Die	DDD, DDQ=5 spd. Man.
S=Limited	U=RHD (4WD)	72=2 Dr.(101.4WB)	ERH,ER0=4.0L Power Tech I-6	DGS=4 spd. Auto. AISIN
H=Sport	T=LHD (2WD)		EPE,EP0=Magnum 2.5L SMPI	DG0=All Auto/Trans.
L=SE	B=RHD (2WD)			DBB=All Manual Trans.

**Distributor 2.5L Engine
Figure 008-305**



ITEM	PART NUMBER	QTY	LINE	SERIES	BODY	ENGINE	TRANS	TRIM	DESCRIPTION
EP0=2.5L Engine									
DG0=Automatic Transmission									
DBB=Manual Transmission 5 Speed									
1	5604 1033	1				EP0			DISTRIBUTOR, Engine
2	53006 152AB	1				EP0			CAP, Distributor
3	5602 7019	1				EP0			ROTOR, Distributor
4	5604 1030	1				EP0			SWITCHPLATE, Distributor
5	3300 4594	1				EP0			WASHER, Distributor Gear
6	9422 127	1				EP0			ROLL PIN, .19x.75
7	8350 4635	1				EP0			GEAR, Distributor Drive
8	3300 4242	1				EP0			CLAMP, Distributor
9	6033 479	6	B, T				DGD		BOLT, Hex Head, .25-28x1-5/8
10	J318 1288	1				EP0			GASKET, Distributor
11									SPACER, Distributor, Serviced w/ Distrbutor, (NOT SERVICED) (Not Serviced)
12									HOUSING, Distributor, Serviced w/ Distrbutor, (NOT SERVICED) (Not Serviced)
13									RETAINER, Serviced w/Distrbutor, (NOT SERVICED) (Not Serviced)
14									SHAFT, Distributor, Serviced w/ Distrbutor, (NOT SERVICED) (Not Serviced)
15									SCREW, Serviced w/Distrbutor, (NOT SERVICED) (Not Serviced)

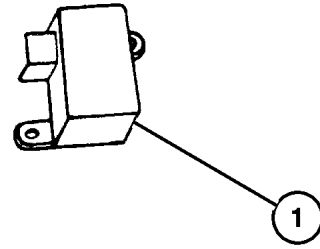
JEEP CHEROKEE (XJ)				
SERIES	LINE	BODY	ENGINE	TRANSMISSION
P=Classic	J=LHD (4WD)	74=4 Dr.(101.4WB)	ENC,EN0=2.5L 4 cyl. Turbo Die	DDD, DDQ=5 spd. Man.
S=Limited	U=RHD (4WD)	72=2 Dr.(101.4WB)	ERH,ER0=4.0L Power Tech I-6	DGS=4 spd. Auto. AISIN
H=Sport	T=LHD (2WD)		EPE,EP0=Magnum 2.5L SMPI	DG0=All Auto/Trans.
L=SE	B=RHD (2WD)			DBB=All Manual Trans.

AR = Use as required - = Non illustrated part # = New this model year

December 7, 2002

Modules
Figure 008-405

ITEM	PART NUMBER	QTY	LINE	SERIES	BODY	ENGINE	TRANS	TRIM	DESCRIPTION
EP0=2.5L Engine									
ER0=4.0L Engine									
EN0=4Cylinder Turbo Engine									
DG0=Automatic Transmission									
DBB=Manual Transmission 5 Speed									
1	5600 4262	1							MODULE, Daytime Running Lamp
-2	5600 9324	1							MODULE, Headlamp Delay
-3	#56007 323AE	1							MODULE, Air Bag Control
-4									MODULE, Transmission Control
	56041 386AB	1				ER0	DG0		
	#56041 876AA	1				ER0	DG0		JAPAN
-5									MODULE PACKAGE, Keyless Entry
	5003 378AC	1							
	5003 382AB	1							EUROPE
-6	56009 712AC	1							MODULE, Security Alarm, Sentry Key (Immobilizer Module)
-7	5003 378AD	1							MODULE PACKAGE, Keyless Entry
-8	5003 378AD	1							MODULE PACKAGE, Keyless Entry
-9									MODULE, Heated Front Seats
	#56010 159AD	1	J, T		74				
		1	B, U		74				



JEEP CHEROKEE (XJ)

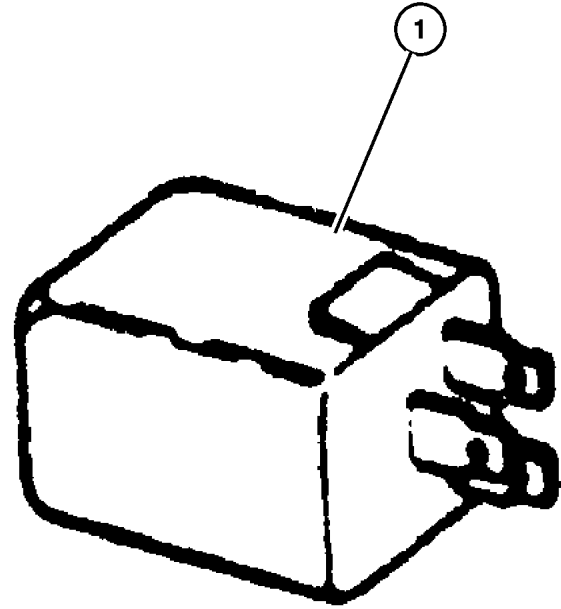
SERIES	LINE	BODY	ENGINE	TRANSMISSION
P=Classic	J=LHD (4WD)	74=4 Dr.(101.4WB)	ENC,EN0=2.5L 4 cyl. Turbo Die	DDD, DDQ=5 spd. Man.
S=Limited	U=RHD (4WD)	72=2 Dr.(101.4WB)	ERH,ER0=4.0L Power Tech I-6	DGS=4 spd. Auto. AISIN
H=Sport	T=LHD (2WD)		EPE,EP0=Magnum 2.5L SMPI	DG0=All Auto/Trans.
L=SE	B=RHD (2WD)			DBB=All Manual Trans.

AR = Use as required - = Non illustrated part # = New this model year

December 7, 2002

**Relays
Figure 008-510**

ITEM	PART NUMBER	QTY	LINE	SERIES	BODY	ENGINE	TRANS	TRIM	DESCRIPTION
1	5600 9057	1	J, U						RELAY, Rear Fog Lamp
-2	5600 6846	2							RELAY, Electrical, T/Tow
-3	4638 094	1							RELAY PACKAGE, Electrical
-4	4671 168	1							RELAY, Mini A/C
		1							Fog Lamp
-5	5600 9711	1	J, U						FLASHER Flasher Combination, Export
	5602 1551	1							Turn Signal & Hazard

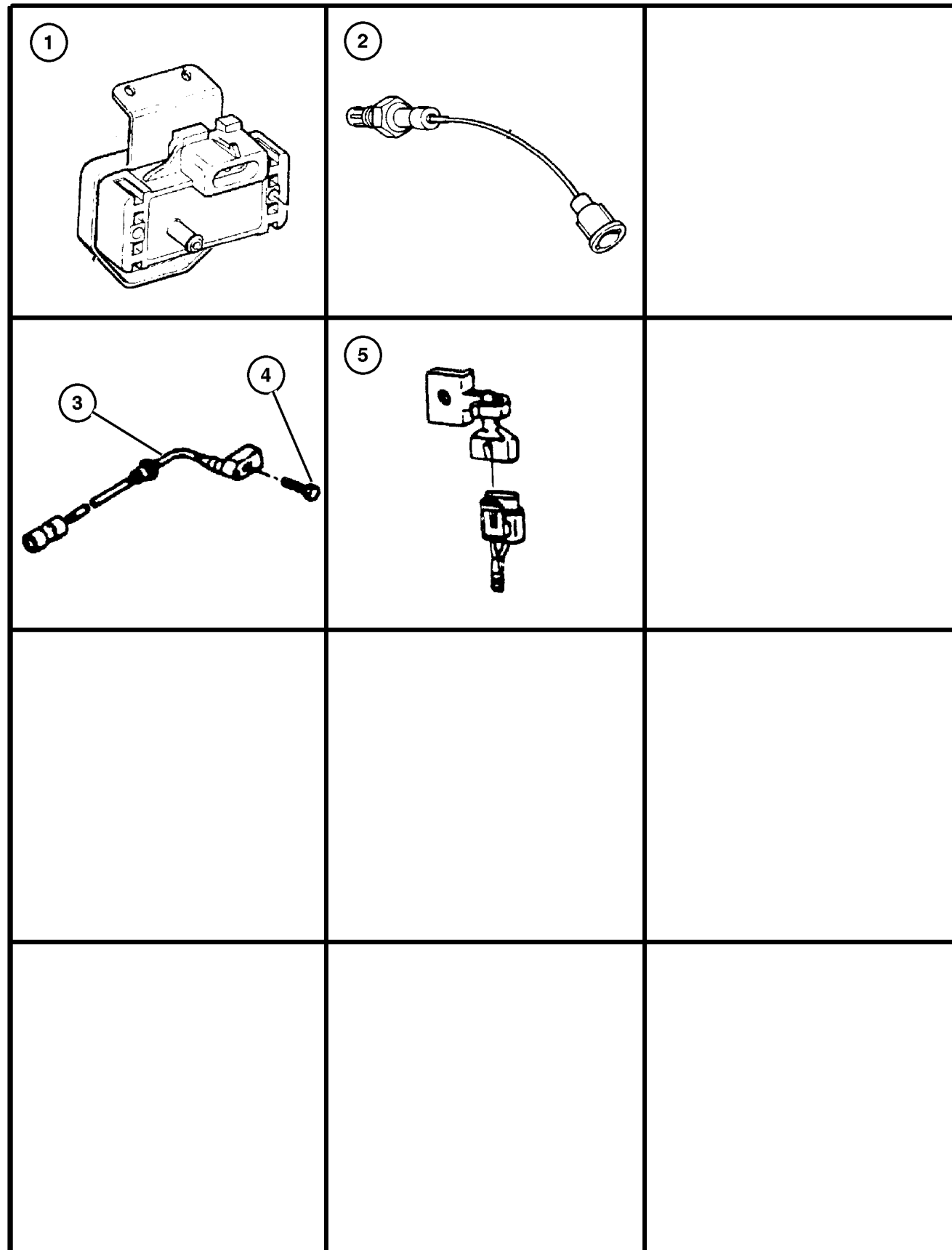


JEEP CHEROKEE (XJ)				
SERIES	LINE	BODY	ENGINE	TRANSMISSION
P=Classic	J=LHD (4WD)	74=4 Dr.(101.4WB)	ENC,EN0=2.5L 4 cyl. Turbo Die	DDD, DDQ=5 spd. Man.
S=Limited	U=RHD (4WD)	72=2 Dr.(101.4WB)	ERH,ER0=4.0L Power Tech I-6	DGS=4 spd. Auto. AISIN
H=Sport	T=LHD (2WD)		EPE,EP0=Magnum 2.5L SMPI	DG0=All Auto/Trans.
L=SE	B=RHD (2WD)			DBB=All Manual Trans.

AR = Use as required - = Non illustrated part # = New this model year

December 7, 2002

Sensors & Control Units
Figure 008-605



ITEM	PART NUMBER	QTY	LINE	SERIES	BODY	ENGINE	TRANS	TRIM	DESCRIPTION
EP0=2.5L Engine ER0=4.0L Engine EN0=4Cylinder Turbo Engine DGS=Automatic Transmission 4 Speed AISIN DGD=Automatic Transmission 3 Speed									
1	5602 9405	1				EP0, ER0			SENSOR, Map
2	56041 212AE	1				ER0			SENSOR, Oxygen Before Catalyst (California & European III Emissions)
	56041 213AF	1				EP0			Before Catalyst (Federal, California, European II & III Emissions)
	56041 213AG	1				EP0, ER0			After Catalyst (Federal, California, European II & III Emissions)
	#56044 214AA	1				ER0			Before Catalyst (Federal & European II Emissions)
	#56044 215AA	1				ER0			After Catalyst (California & European III Emissions)
	56041 213AF	1				ER0			Before Catalyst (California Emissions), Right & Left
3	5200 5932	1							SENSOR, Anti-Lock Brakes Rear Right
	5200 5933	1							Rear Left
	5600 5217	2	J			ENC			Front
		2	U			ENC			Front
		2	J						Front
		2	B		74				Front
		2	T						Front
4	8350 4920	2							BOLT
5	4688 204AB	1							SENSOR, Ambient Temperature
-6	#56027 978AB	1				ER0			BRACKET, Oxygen Sensor Before Catalyst
	5604 1000	1				EP0			Before Catalyst
		1				EP0, ER0			After Catalyst
-7									SENSOR, Vehicle Speed
	4897 734AA	2	B, T			ER0	DGS		
	5602 7905	1							
	4897 734AA	2	J, U				DGS		
-8									O RING
	1556 385	1	B, T				DGD		

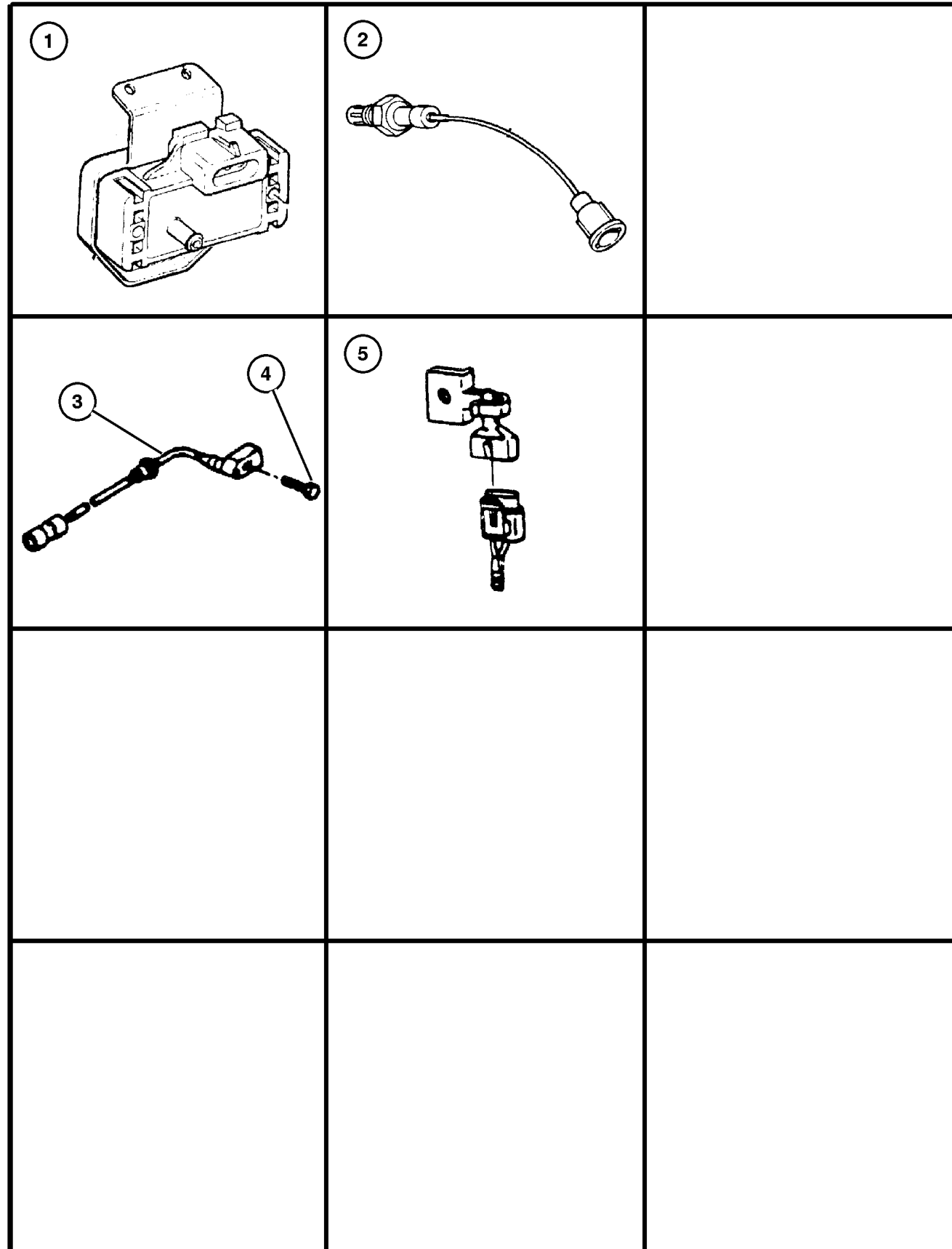
JEEP CHEROKEE (XJ)

SERIES	LINE	BODY	ENGINE	TRANSMISSION
P=Classic	J=LHD (4WD)	74=4 Dr.(101.4WB)	ENC,EN0=2.5L 4 cyl. Turbo Die	DDD, DDQ=5 spd. Man.
S=Limited	U=RHD (4WD)	72=2 Dr.(101.4WB)	ERH,ER0=4.0L Power Tech I-6	DGS=4 spd. Auto. AISIN
H=Sport	T=LHD (2WD)		EPE,EP0=Magnum 2.5L SMPI	DG0=All Auto/Trans.
L=SE	B=RHD (2WD)			DBB=All Manual Trans.

AR = Use as required - = Non illustrated part # = New this model year

December 7, 2002

Sensors & Control Units
Figure 008-605



ITEM	PART NUMBER	QTY	LINE	SERIES	BODY	ENGINE	TRANS	TRIM	DESCRIPTION
	8350 3789	1	J, U				DGS		
		1	B, T			ER0	DGS		
-9	#56027 866AE	1				ER0			SENSOR, Crankshaft Position
	56041 819AA	1				EP0			
-10									BOLT AND WASHER, Hex Head, M7x1.00x25
	6503 520	2				EP0	DBB		Crankshaft Attaching
		2				ER0			Crankshaft Attaching
		2				EN0			Crankshaft Attaching
-11									SENSOR, Throttle Position
	4874 371AC	1				ER0			
		1				EP0			
-12	5515 4979	1							SENSOR, Washer Fluid Level
-13	5602 7873	1				EP0, ER0			SENSOR, Coolant Temperature
-14									BRACKET, Brake Sensor
	5602 6996	1							Right
	5602 6997	1							Left
-15	5602 7963	1				EN0			SENSOR, Engine Electric Control
-16									SENSOR, Battery Temperature
	5602 7332	1				EP0, ER0			
	5604 1053	1				EN0			
-17									SENSOR, Air Temperature
	5602 7872	1				EP0, ER0			
	5003 734AA	1				EN0			
-18	5014 067AA	2				EN0			SENSOR, Temperature Sending Unit
-19	4897 023AA	1				ER0			SENSOR, Camshaft
-20	5083 881AA	1				ER0			DRIVE, OIL PUMP
-21	3420 2536	2				EP0	DGD		STUD, .312-18x2.26, Crank Sensor Mounting

JEEP CHEROKEE (XJ)

SERIES	LINE	BODY	ENGINE	TRANSMISSION
P=Classic	J=LHD (4WD)	74=4 Dr.(101.4WB)	ENC,EN0=2.5L 4 cyl. Turbo Die	DDD, DDQ=5 spd. Man.
S=Limited	U=RHD (4WD)	72=2 Dr.(101.4WB)	ERH,ER0=4.0L Power Tech I-6	DGS=4 spd. Auto. AISIN
H=Sport	T=LHD (2WD)		EPE,EP0=Magnum 2.5L SMPI	DG0=All Auto/Trans.
L=SE	B=RHD (2WD)			DBB=All Manual Trans.

AR = Use as required - = Non illustrated part # = New this model year

December 7, 2002

Single Board Engine Controllers
Figure 008-710

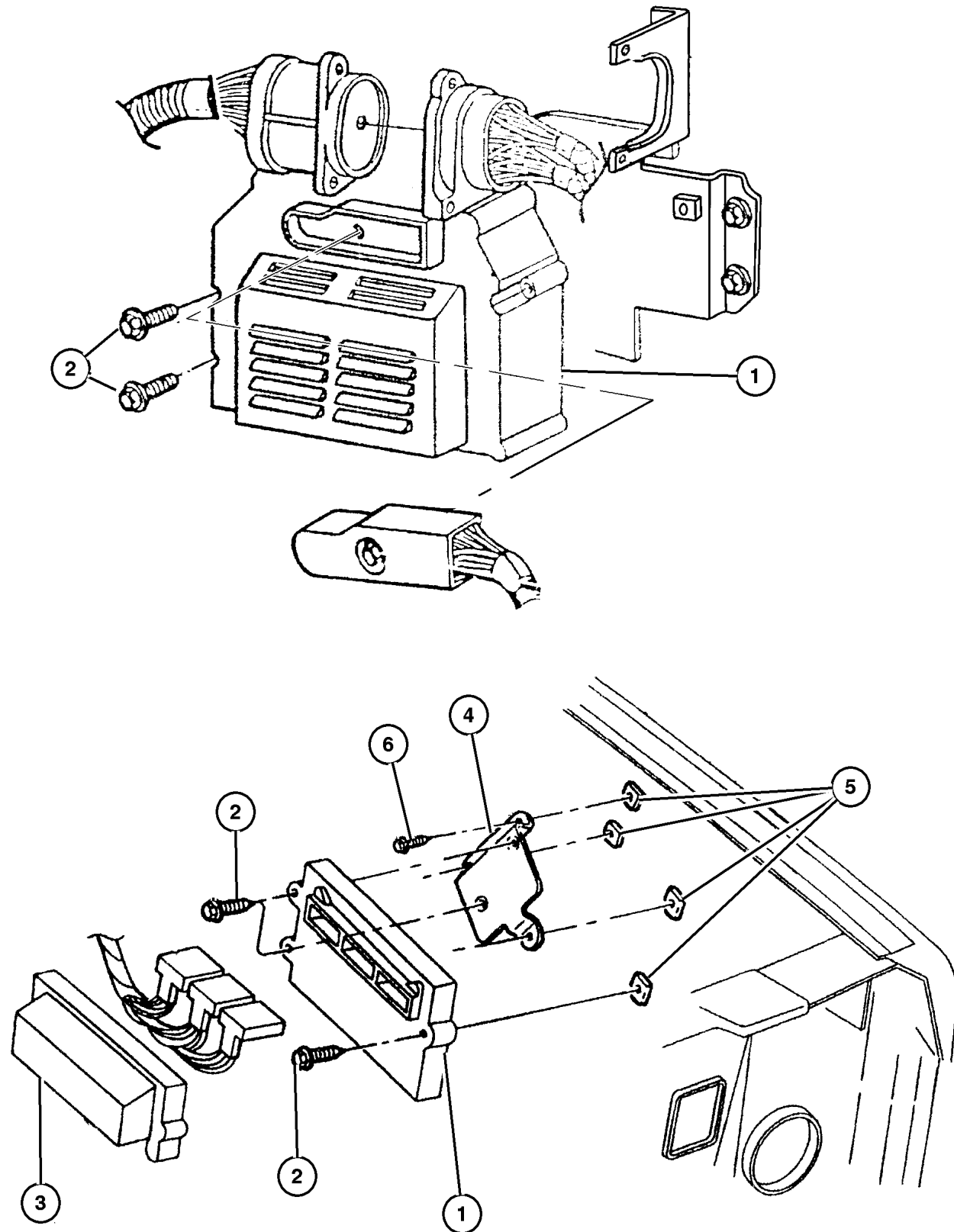
ITEM	PART NUMBER	QTY	LINE	SERIES	BODY	ENGINE	TRANS	TRIM	DESCRIPTION
EP0=2.5L Engine ER0=4.0L Engine EN0=4Cylinder Turbo Engine DG0=Automatic Transmission DBB=Manual Transmission 5 Speed									
1									MODULE, Powertrain Control
	#56041 632AD	1				ER0	DBB		4.0L Engine w/Export Emission
	#56041 663AD	1				EP0	DBB		2.5L Engine w/Export Emission
	#56041 664AD	1				EP0	DBB		2.5L Engine w/Leaded Fuel Emission
	#56041 665AD	1				EP0	DG0		2.5L Engine w/Federal Emission
	#56041 666AD	1				EP0	DG0		2.5L Engine w/California Emission
	#56041 667AD	1				ER0	DBB		4.0L Engine w/Federal Emission
	#56041 668AD	1				ER0	DBB		4.0L Engine w/California Emission
	#56041 672AD	1				ER0	DBB		4.0L Engine w/European III Emission
	#56041 673AD	1				ER0	DG0		4.0L Engine w/European III Emission
	#56041 633AD	1				ER0	DBB		4.0L Engine w/Leaded Fuel Emission
	#56041 634AE	1				ER0	DG0		4.0L Engine w/Federal Emission
	#56041 635AE	1				ER0	DG0		4.0L Engine w/California Emission
	#56041 636AD	1				ER0	DG0		4.0L Engine w/Export Emission
	#56041 639AD	1				ER0	DG0		4.0L Engine w/Leaded Fuel Emission
	#56041 640AB	1				EN0	DBB		Diesel Engine
	#56041 661AD	1				EP0	DBB		2.5L Engine w/Federal Emission
	#56041 662AD	1				EP0	DBB		2.5L Engine w/California Emission
2									SCREW, (NOT SERVICED) (Not Serviced)
3									COVER, Module, (NOT SERVICED) (Not Serviced)
4									BRACKET, Module
	56041 067AC	1	J, T			EP0, ER0	DG0		
	56041 372AC	1	J, T			EN0			
	#56041 561AC	1	B, U			EP0, ER0	DG0		
5	6100 515	2				EN0			NUT, Hex Flange Lock, M5
6	0154 552	3				EP0, ER0			SCREW, Hex Head, .190-16x.625
-7	#56041 588AA	1				EN0	DBB		MODULE, Engine Controller

JEEP CHEROKEE (XJ)

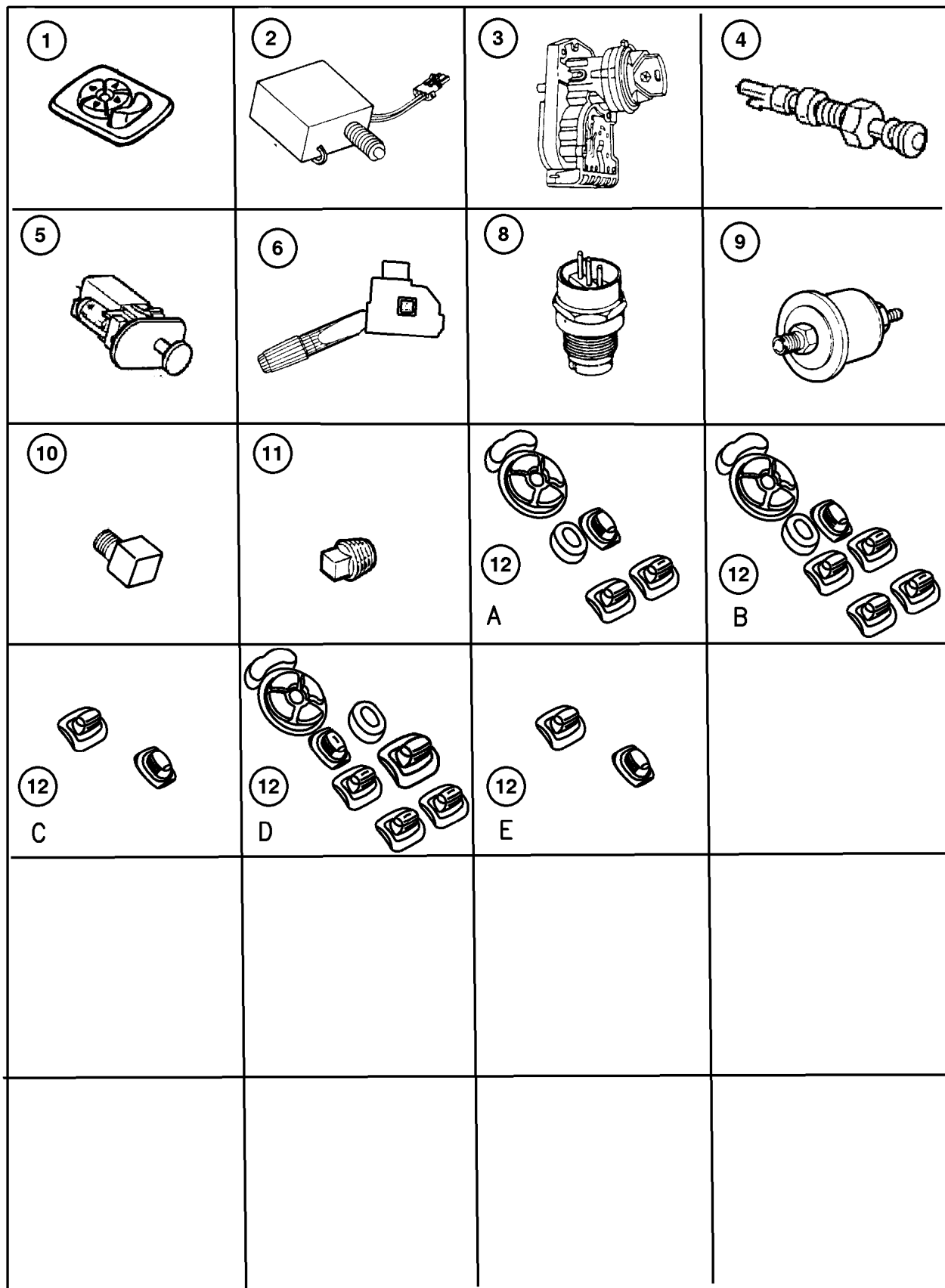
SERIES	LINE	BODY	ENGINE	TRANSMISSION
P=Classic	J=LHD (4WD)	74=4 Dr.(101.4WB)	ENC,EN0=2.5L 4 cyl. Turbo Die	DDD, DDQ=5 spd. Man.
S=Limited	U=RHD (4WD)	72=2 Dr.(101.4WB)	ERH,ER0=4.0L Power Tech I-6	DGS=4 spd. Auto. AISIN
H=Sport	T=LHD (2WD)		EPE,EP0=Magnum 2.5L SMPI	DG0=All Auto/Trans.
L=SE	B=RHD (2WD)			DBB=All Manual Trans.

AR = Use as required - = Non illustrated part # = New this model year

December 7, 2002



Switches & Sending Units Figure 008-810



ITEM	PART NUMBER	QTY	LINE	SERIES	BODY	ENGINE	TRANS	TRIM	DESCRIPTION
EP0=2.5L Engine ER0=4.0L Engine EN0=4Cylinder Turbo Engine DG0=Automatic Transmission DBB=Manual Transmission 5 Speed									
1	56007 678AB	1							SWITCH, Mirror
2	4671 336	1							SWITCH, Stop Lamp
3	4565 326	1					DG0		SWITCH, Ignition
4	4373 296	1							SWITCH, Door Ajar
5									SWITCH, Glove Box Lamp, (NOT REQUIRED)
6	56010 315AA	1					DG0		SWITCH, Multifunction
-7	4863 839	1							CONNECTOR PACKAGE, Beam Select Switch
8									SWITCH, Neutral, Safety, Back Up
	4882 173	1	B, T			ER0	DGS		
		1	J, U				DGS		
	56028 181AB	1	B, T				DGD		
9									SENDING UNIT, Oil Pressure
	56028 807AA	1				EP0, ER0			
		1				EN0			
10									ELBOW, Oil Gauge Sending Unit
	J093 4001	1				EP0			
	J3212 002AB	1				ER0			
11									PLUG, Square Head, 1/8-27NPTx. 32, (NOT REQUIRED)
12									SWITCH, Window and Door Lock
	56009 449AC	1	J, T			74			Left Front Door, Power Mirrors, Power Windows & Power Locks
	56009 450AC	1	J, T			72			Left Front Door, Power Windows & Power Locks
	56009 451AC	1	J, T			72			Right Front Door, Power Windows & Power Locks
		1	J, T			74			Right Front Door, Power Windows & Power Locks
	56009 512AC	1	B, U			74			Power Mirrors, Power Windows & Power Locks
	56009 571AC	1	B, U			74			Power Windows & Power Locks
-13	5600 7695	1				74			SWITCH, Power Window
-14	5600 7249	1							SWITCH, Wiper and Washer, Rear
-15									SWITCH, Speed Control
	56007 530AD	1							Right

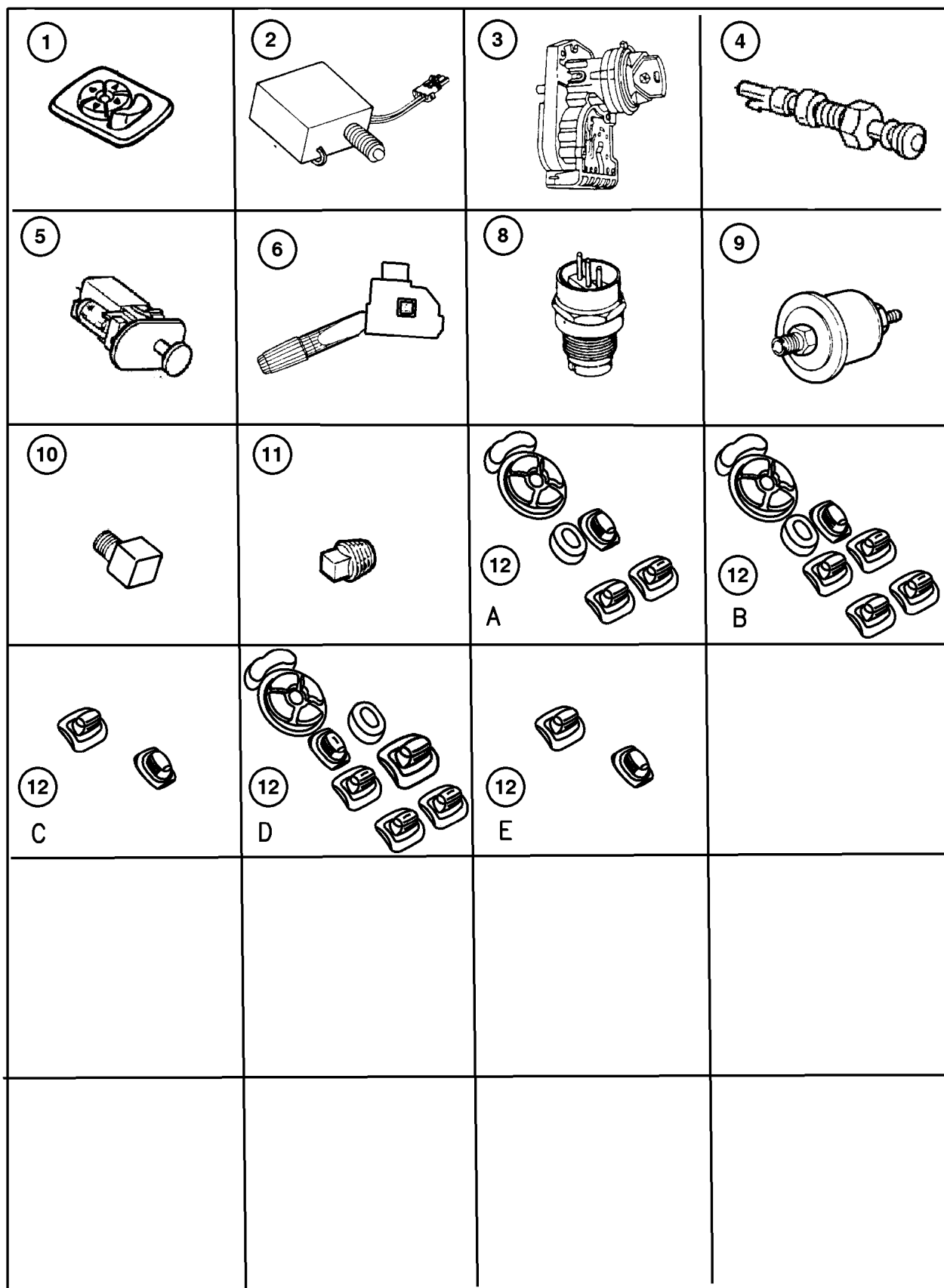
JEEP CHEROKEE (XJ)

SERIES	LINE	BODY	ENGINE	TRANSMISSION
P=Classic	J=LHD (4WD)	74=4 Dr.(101.4WB)	ENC,EN0=2.5L 4 cyl. Turbo Die	DDD, DDQ=5 spd. Man.
S=Limited	U=RHD (4WD)	72=2 Dr.(101.4WB)	ERH,ER0=4.0L Power Tech I-6	DGS=4 spd. Auto. AISIN
H=Sport	T=LHD (2WD)		EPE,EP0=Magnum 2.5L SMPI	DG0=All Auto/Trans.
L=SE	B=RHD (2WD)			DBB=All Manual Trans.

AR = Use as required - = Non illustrated part # = New this model year

December 7, 2002

Switches & Sending Units Figure 008-810



ITEM	PART NUMBER	QTY	LINE	SERIES	BODY	ENGINE	TRANS	TRIM	DESCRIPTION
	56007 531AD	1							Left
-16	5600 7248	1	J, U						SWITCH, Fog Lamp EUROPE, Rear
	5080 861AA	1							Front
-17	5600 7250	1							SWITCH, Electric Back Light
-18	56009 869AB	1							SWITCH, Headlamp
-19	56021 893AA	1							RETAINER, Headlamp Switch
-20	5600 9376	1							KNOB AND SHAFT, Headlamp Switch
-21	56007 675AB	1							SWITCH, Headlamp Leveling
-22	4793 313	1					DG0		SWITCH, Intermittent Wiper
-23	5600 8728	1							SWITCH, Extended Idle
-24	5212 7960	1							SWITCH, Parking Brake
-25									BEZEL, Switch
	#4897 502AG	1							w/3 Switch Opening
	#4897 503AG	1							w/2 Switch Opening
	#4897 505AG	1							w/4 Switch Opening
-26									SWITCH, Heated Seat
	#56010 135AB	1							Right
	#56010 136AB	1							Left
-27	#5GH07 LAZAB	1							BEZEL, Floor Console Switch, Heated Seats Switch (Console)
									Agate
-28	4565 031	2							SWITCH, Overhead Console Lamp

JEEP CHEROKEE (XJ)

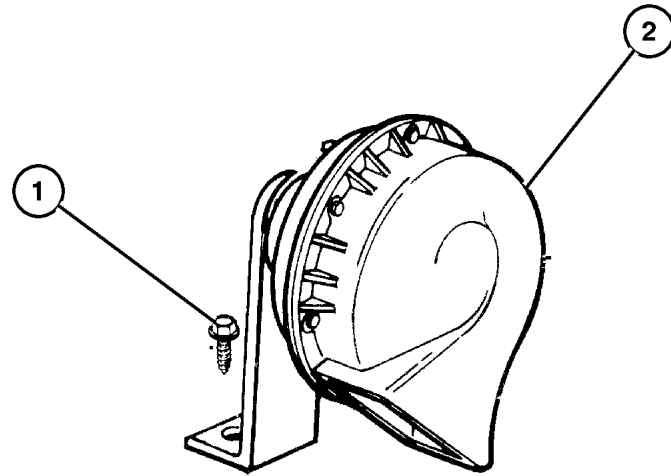
SERIES	LINE	BODY	ENGINE	TRANSMISSION
P=Classic	J=LHD (4WD)	74=4 Dr.(101.4WB)	ENC,EN0=2.5L 4 cyl. Turbo Die	DDD, DDQ=5 spd. Man.
S=Limited	U=RHD (4WD)	72=2 Dr.(101.4WB)	ERH,ER0=4.0L Power Tech I-6	DGS=4 spd. Auto. AISIN
H=Sport	T=LHD (2WD)		EPE,EP0=Magnum 2.5L SMPI	DG0=All Auto/Trans.
L=SE	B=RHD (2WD)			DBB=All Manual Trans.

AR = Use as required - = Non illustrated part # = New this model year

December 7, 2002

Horns Figure 008-910

ITEM	PART NUMBER	QTY	LINE	SERIES	BODY	ENGINE	TRANS	TRIM	DESCRIPTION
EP0=2.5L Engine									
ER0=4.0L Engine									
EN0=4Cylinder Turbo Engine									
DDQ=Automatic 4 Speed AISIN									
1	3420 2606	2	J, T			EP0			BOLT, Hex Head
2	5600 9614	1							HORN, High Note
-3	5600 9573	1							HORN, Low Note
-4	6024 030	1				ER0			SCREW AND WASHER, Hex

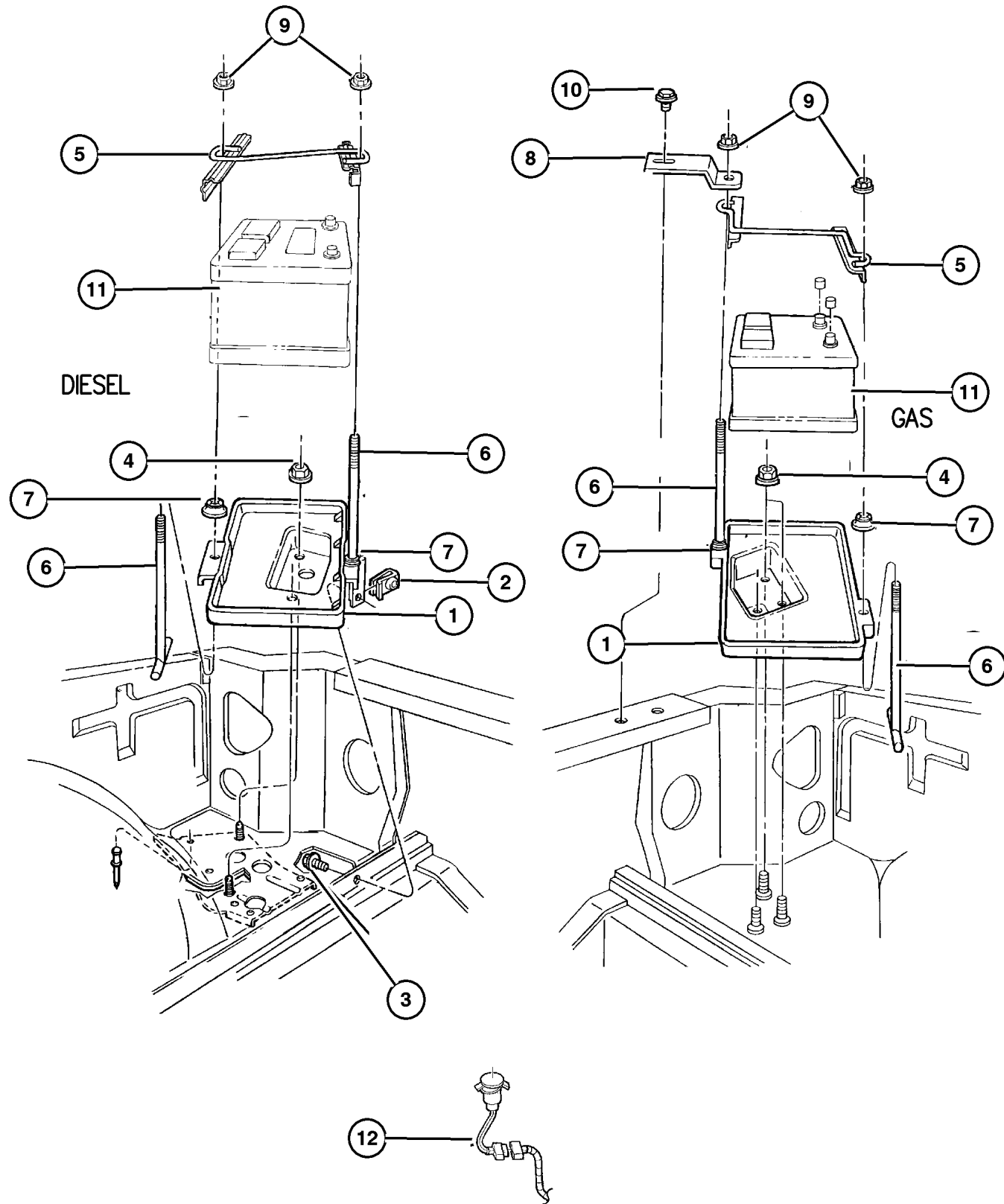


JEEP CHEROKEE (XJ)				
SERIES	LINE	BODY	ENGINE	TRANSMISSION
P=Classic	J=LHD (4WD)	74=4 Dr.(101.4WB)	ENC,EN0=2.5L 4 cyl. Turbo Die	DDD, DDQ=5 spd. Man.
S=Limited	U=RHD (4WD)	72=2 Dr.(101.4WB)	ERH,ER0=4.0L Power Tech I-6	DGS=4 spd. Auto. AISIN
H=Sport	T=LHD (2WD)		EPE,EP0=Magnum 2.5L SMPI	DG0=All Auto/Trans.
L=SE	B=RHD (2WD)			DBB=All Manual Trans.

AR = Use as required - = Non illustrated part # = New this model year

December 7, 2002

Battery Tray Figure 008-1005



ITEM	PART NUMBER	QTY	LINE	SERIES	BODY	ENGINE	TRANS	TRIM	DESCRIPTION
EP0=2.5L Engine ER0=4.0L Engine EN0=4Cylinder Turbo Engine									
1									TRAY, Battery
	5517 4970	1				EN0			
	55235 819AA	1				EP0, ER0			
2									NUT, U Type Multi Thread, M8 x 1.25, (NOT SERVICED) (Not Serviced)
3	1150 2693	1				EN0			BOLT, Hex Flange Head, M8-1.25x20.0
4									NUT AND CONED WASHER, M8x1.25, (NOT SERVICED) (Not Serviced)
5									BRACKET, Battery Hold Down
	5501 0722	1				EP0, ER0			
	5501 1012	1				EN0			
6	55014 375AB	2							BOLT, J, M8x1.25x192
7									RETAINER, Battery Hold Down, (NOT SERVICED) (Not Serviced)
8	5534 6107	1				EP0, ER0			STRAP, Battery
9	6101 809	2							NUT AND WASHER, Hex, M8x1.25
10	6101 455	1							SCREW AND WASHER, Hex Head, M6x1x20
11									COVER, Battery
	5517 6267	1				EN0			
	56041 001AB	1				EP0, ER0			
12									SENSOR, Battery Temperature
	5602 7332	1				EP0, ER0			
	5604 1053	1				EN0			

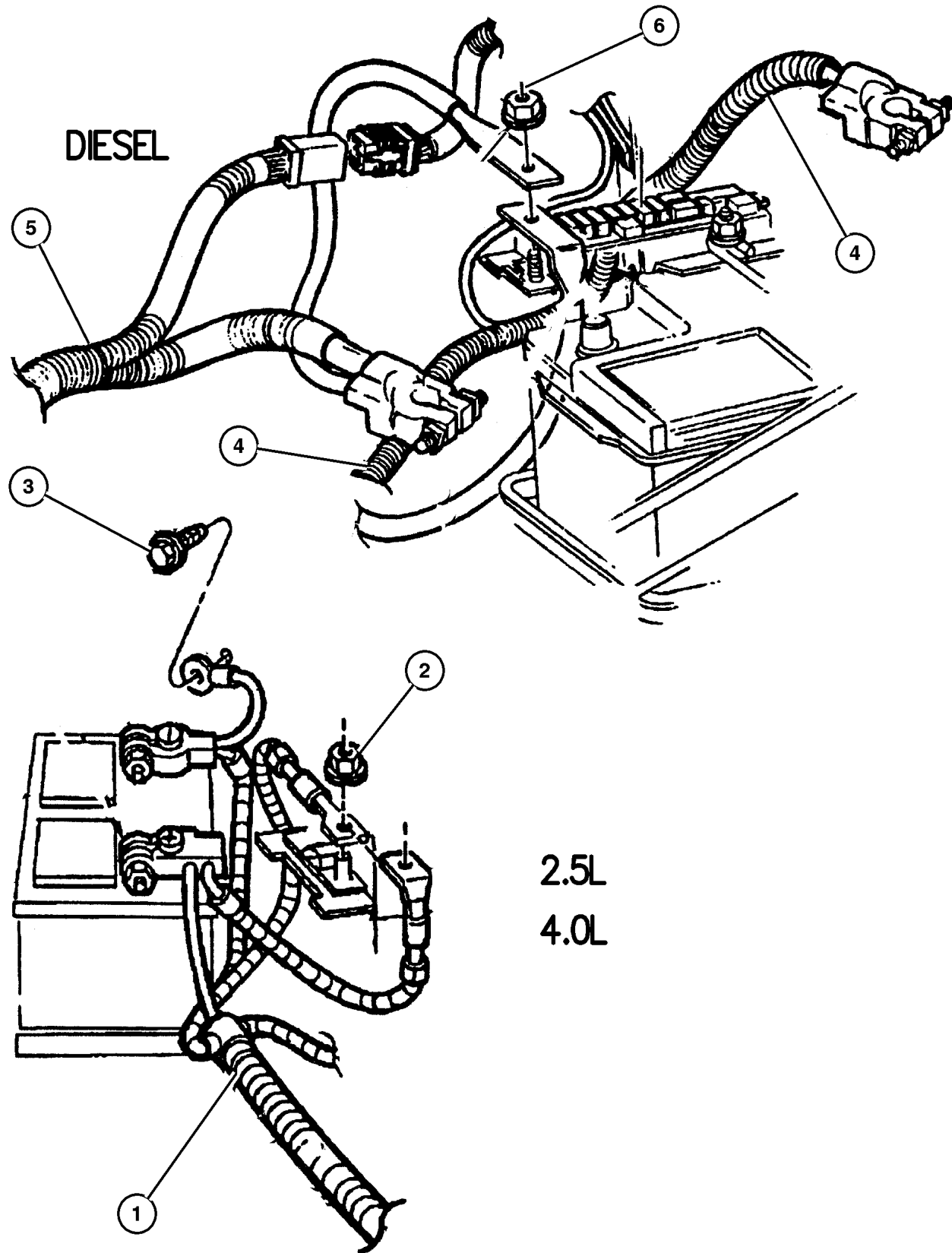
JEEP CHEROKEE (XJ)

SERIES	LINE	BODY	ENGINE	TRANSMISSION
P=Classic	J=LHD (4WD)	74=4 Dr.(101.4WB)	ENC,EN0=2.5L 4 cyl. Turbo Die	DDD, DDQ=5 spd. Man.
S=Limited	U=RHD (4WD)	72=2 Dr.(101.4WB)	ERH,ER0=4.0L Power Tech I-6	DGS=4 spd. Auto. AISIN
H=Sport	T=LHD (2WD)		EPE,EP0=Magnum 2.5L SMPI	DG0=All Auto/Trans.
L=SE	B=RHD (2WD)			DBB=All Manual Trans.

AR = Use as required - = Non illustrated part # = New this model year

December 7, 2002

Battery Cables
Figure 008-1010



ITEM	PART NUMBER	QTY	LINE	SERIES	BODY	ENGINE	TRANS	TRIM	DESCRIPTION
EP0=2.5L Engine									
ER0=4.0L Engine									
EN0=4Cylinder Turbo Engine									
1									WIRING, Battery
	56009 782AD	1	J, T			EP0			
	56009 783AD	1				ER0			
	56009 784AD	1	B, U			EP0			
2	6035 723	1							NUT AND WASHER, Hex Nut-E Teeth Washer, .312-18
3	0154 554	1							SCREW, Self Piercing, .25-14x.625
4	5600 9787	1				EN0			WIRING, Battery Negative
5	#56009 785AD	1				EN0			WIRING, Battery Positive
6									NUT, Hex Flange Lock, M6x1
	6502 691	1				EP0			
		1				ER0			
		1				EN0			

JEEP CHEROKEE (XJ)

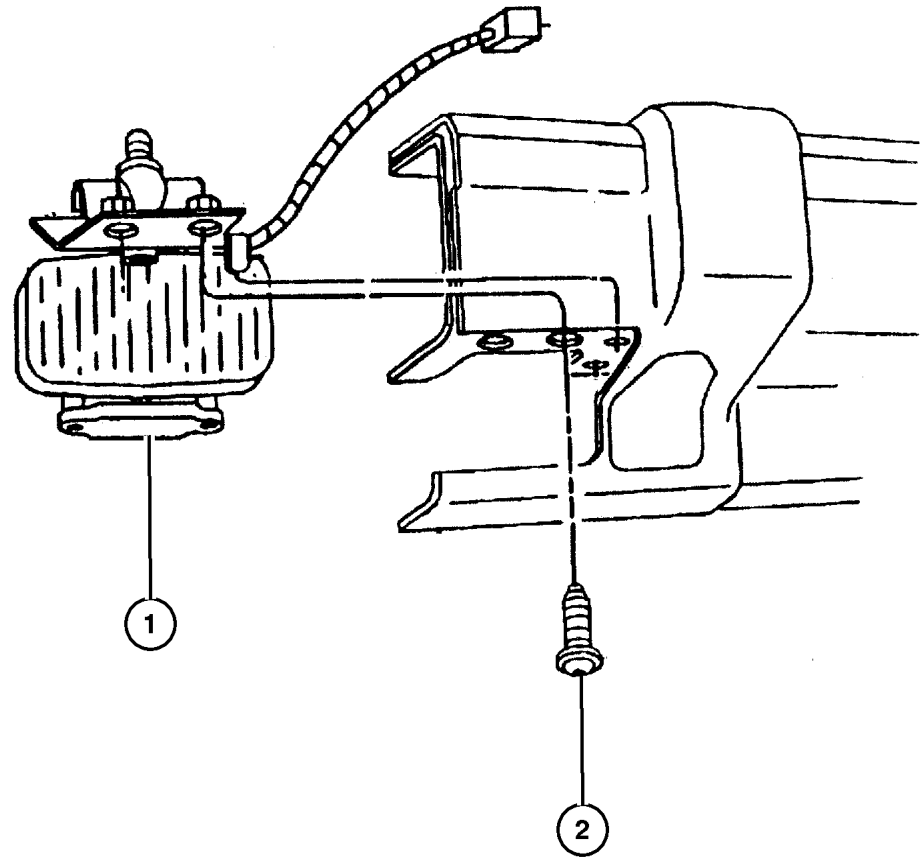
SERIES	LINE	BODY	ENGINE	TRANSMISSION
P=Classic	J=LHD (4WD)	74=4 Dr.(101.4WB)	ENC,EN0=2.5L 4 cyl. Turbo Die	DDD, DDQ=5 spd. Man.
S=Limited	U=RHD (4WD)	72=2 Dr.(101.4WB)	ERH,ER0=4.0L Power Tech I-6	DGS=4 spd. Auto. AISIN
H=Sport	T=LHD (2WD)		EPE,EP0=Magnum 2.5L SMPI	DG0=All Auto/Trans.
L=SE	B=RHD (2WD)			DBB=All Manual Trans.

AR = Use as required - = Non illustrated part # = New this model year

December 7, 2002

Lamps Fog
Figure 008-1135

ITEM	PART NUMBER	QTY	LINE	SERIES	BODY	ENGINE	TRANS	TRIM	DESCRIPTION
1									LAMP AND BRACKET, Off Road
	55055 274AB	1							Lamp Right
	55055 275AB	1							Left
2									SCREW, Round Head, M8x1.25x30, (NOT SERVICED) (Not Serviced)
-3	4728 646	1							BULB PACKAGE, 55 Watt

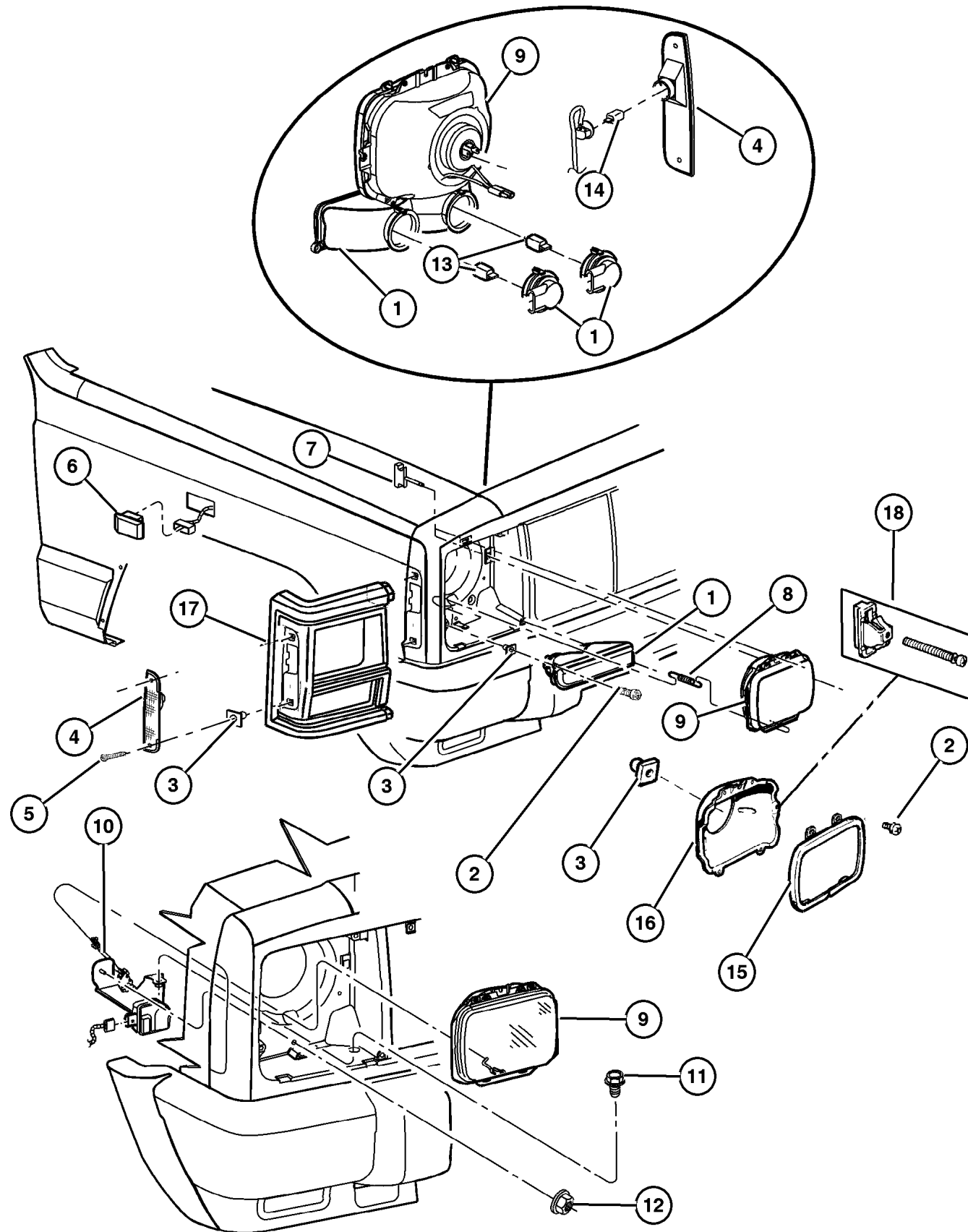


JEEP CHEROKEE (XJ)				
SERIES	LINE	BODY	ENGINE	TRANSMISSION
P=Classic	J=LHD (4WD)	74=4 Dr.(101.4WB)	ENC,EN0=2.5L 4 cyl. Turbo Die	DDD, DDQ=5 spd. Man.
S=Limited	U=RHD (4WD)	72=2 Dr.(101.4WB)	ERH,ER0=4.0L Power Tech I-6	DGS=4 spd. Auto. AISIN
H=Sport	T=LHD (2WD)		EPE,EP0=Magnum 2.5L SMPI	DG0=All Auto/Trans.
L=SE	B=RHD (2WD)			DBB=All Manual Trans.

AR = Use as required - = Non illustrated part # = New this model year

December 7, 2002

Lamps Front
Figure 008-1140



ITEM	PART NUMBER	QTY	LINE	SERIES	BODY	ENGINE	TRANS	TRIM	DESCRIPTION
1									LAMP, Park and Turn Signal
	5505 5142	1							Right
	5505 5143	1							Left
2	3420 1230	4							SCREW, Round Washer Head AB
3	6035 657	4							NUT, Plastic Snap-In, For .164-15 Screw
4									LAMP, Side Marker
	5505 5146	1							USA, Mexico & Canada, Right
	5505 5147	1							USA, Mexico & Canada, Left
	5505 5148	1							Europe, Right
	5505 5149	1							Europe, Left
5									SCREW, Pan Head, M4.2x1.41x20, (NOT SERVICED) (Not Serviced)
6	5505 5014	2							LAMP, Side Repeater, Europe
7	55054 621AB	4							SCREW AND NUT, Headlamp Adjustment
8	3600 0885	2							SPRING, Headlamp Adjusting
9									HEADLAMP
	55055 296AE	1	B, U						Europe with out Leveling, Right
	55155 331AE	1	B, U						Europe with Leveling, Left
	55055 297AE	1	B, U						Europe with out Leveling, Left
	55055 298AE	1	J, T						Europe with Leveling, Right
	55055 299AE	1	J, T						Europe with Leveling, Left
	55055 302AE	1	J, T						Europe with out Leveling (Clear), Right
	55055 303AE	1	J, T						Europe with out Leveling (Clear), Left
	55055 300AF	1							Domestic with out Leveling (Type 2B1), Right
	55055 301AF	1							Domestic with out Leveling (Type 2B1), Left
	55155 330AE	1	B, U						Europe with Leveling, Right
10									ACTUATOR, Headlamp
	55055 240AC	1							Right
	55055 241AC	1							Left
11	6101 455	2							SCREW AND WASHER, Hex Head, M6x1x20
12	6100 044	2							NUT AND WASHER, Hex, m5x0.80
13	L000 3157	4							BULB, 3157, Front Park/Turn Signal
14	L000 0168	2							BULB, 168, Front Side Marker Lamp
15									RETAINER, Headlamp Bulb
	4897 198AA	1	J, T						without Leveling

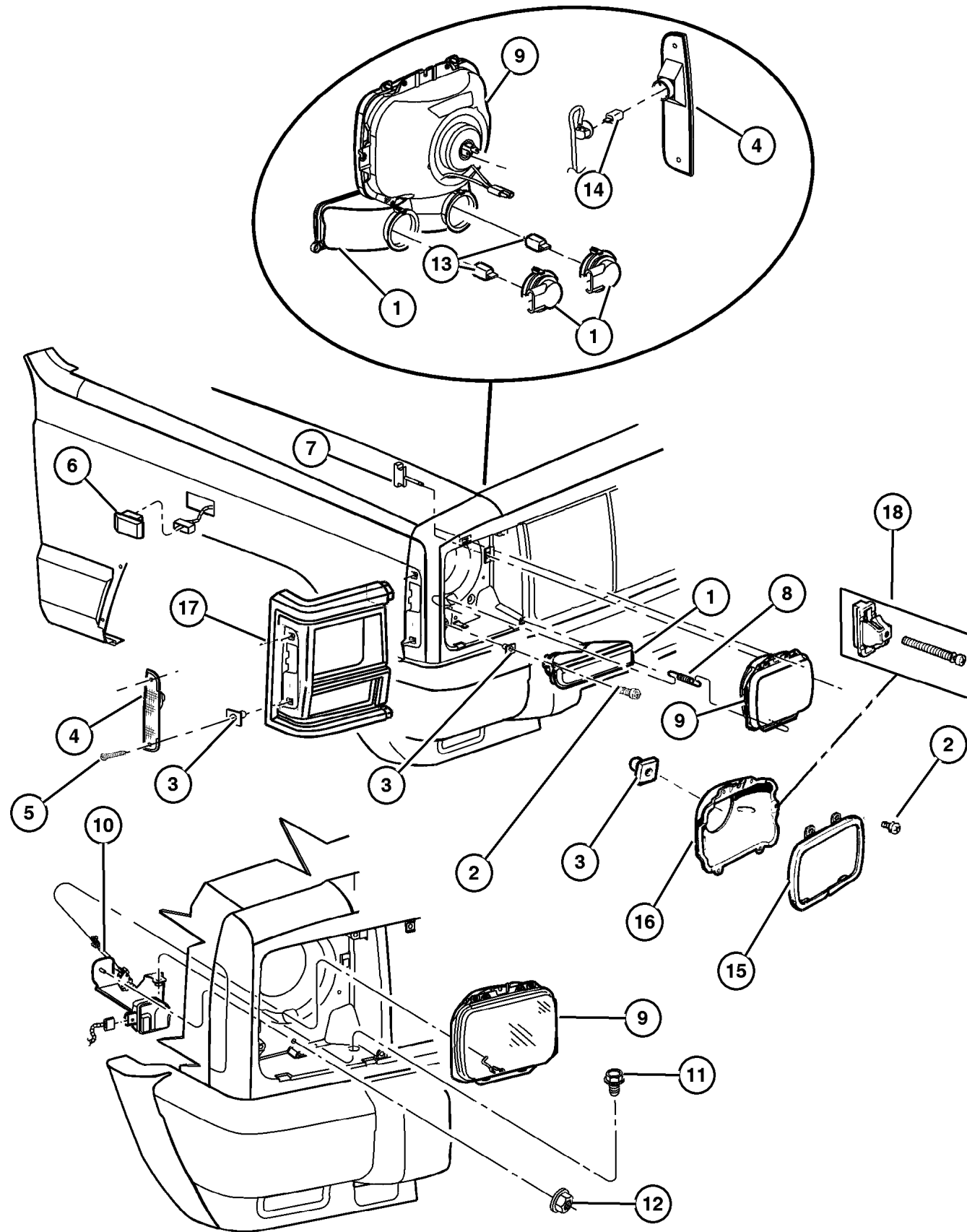
JEEP CHEROKEE (XJ)

SERIES	LINE	BODY	ENGINE	TRANSMISSION
P=Classic	J=LHD (4WD)	74=4 Dr.(101.4WB)	ENC,EN0=2.5L 4 cyl. Turbo Die	DDD, DDQ=5 spd. Man.
S=Limited	U=RHD (4WD)	72=2 Dr.(101.4WB)	ERH,ER0=4.0L Power Tech I-6	DGS=4 spd. Auto. AISIN
H=Sport	T=LHD (2WD)		EPE,EP0=Magnum 2.5L SMPI	DG0=All Auto/Trans.
L=SE	B=RHD (2WD)			DBB=All Manual Trans.

AR = Use as required - = Non illustrated part # = New this model year

December 7, 2002

Lamps Front
Figure 008-1140



ITEM	PART NUMBER	QTY	LINE	SERIES	BODY	ENGINE	TRANS	TRIM	DESCRIPTION
		1	B, U						without Leveling
	4897 199AC	1	B, U						with Leveling
16	4897 196AB	1	J, T						with Leveling
	4897 197AB	1							SEAT, Headlamp Right
17	5EM7 2SW1	1							Left
	5EM7 3SW1	1							BEZEL, Headlamp P.A.R. (Body Color), Right
	5505 5136	1							P.A.R. (Body Color), Left
	5505 5137	1							Black, Right
	#55156 030AA	1							Black, Left
	#55156 031AA	1							Chrome, Right
	#55156 031AA	1							Chrome, Left
18	55054 621AB	4							SCREW AND NUT, Headlamp Adjustment
-19	5505 4827	1	B, U						BULB, Headlamp (Europe) Bulbs J3242537 & 4882328 Included
	5600 0887	1	J, T						(Europe) Bulbs J3242537 & L0003893 Included
-20	J324 2537	1	B, U						BULB, H4 Clear Europe
	4882 328	1	J, T						Europe
-21	L000 3893	1	B, U						BULB, 4 Watt - Bayonette Type, Europe
-22	0154 911AA	1	J, T						BULB, T8/4, Europe
-23		1							BULB, H6054BL, Domestic
-24		1							LABEL, Headlamp Leveling, (NOT SERVICED) (Not Serviced)

JEEP CHEROKEE (XJ)

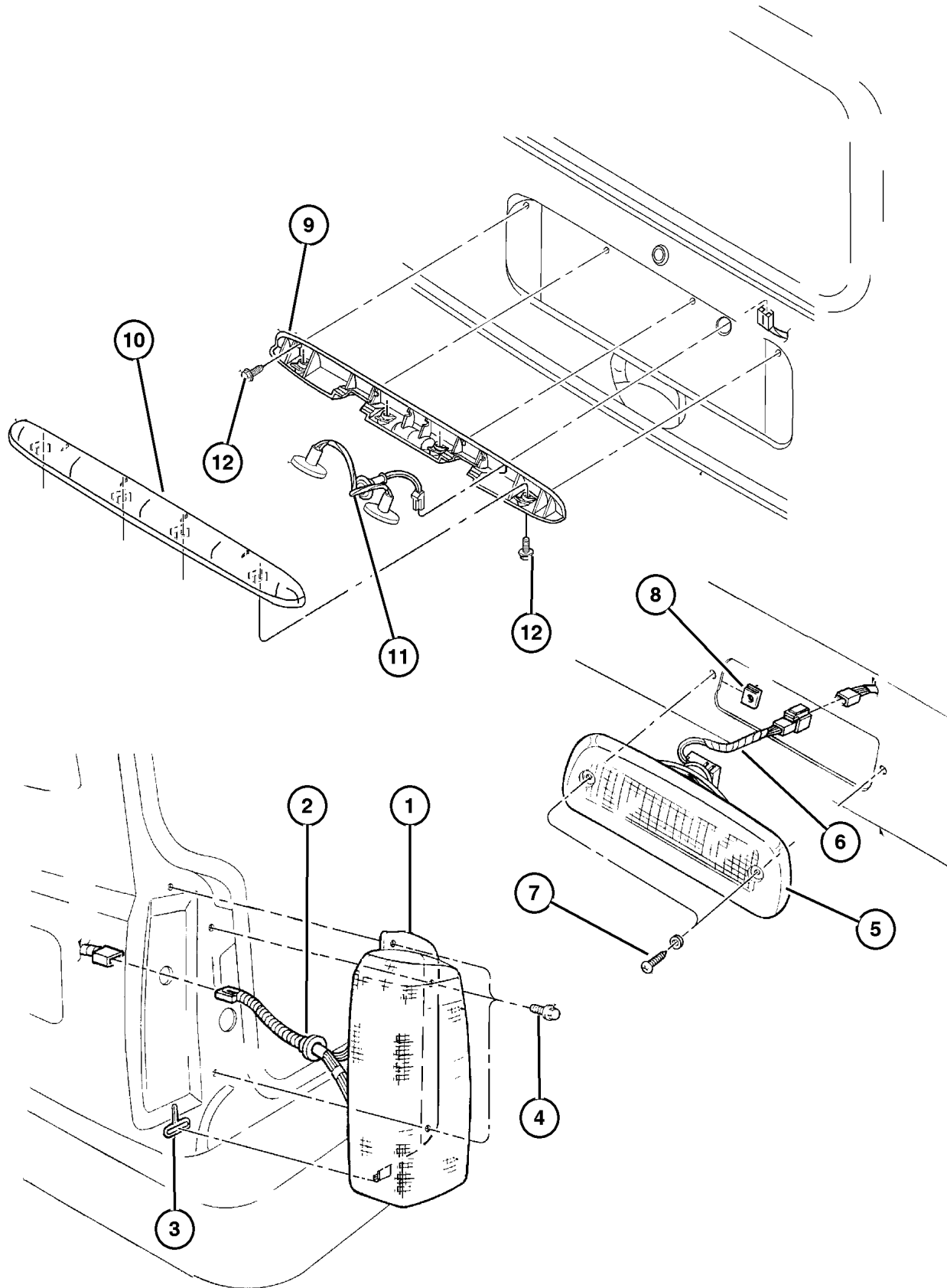
SERIES	LINE	BODY	ENGINE	TRANSMISSION
P=Classic	J=LHD (4WD)	74=4 Dr.(101.4WB)	ENC,EN0=2.5L 4 cyl. Turbo Die	DDD, DDQ=5 spd. Man.
S=Limited	U=RHD (4WD)	72=2 Dr.(101.4WB)	ERH,ER0=4.0L Power Tech I-6	DGS=4 spd. Auto. AISIN
H=Sport	T=LHD (2WD)		EPE,EP0=Magnum 2.5L SMPI	DG0=All Auto/Trans.
L=SE	B=RHD (2WD)			DBB=All Manual Trans.

AR = Use as required - = Non illustrated part # = New this model year

December 7, 2002

Lamps Rear Figure 008-1155

ITEM	PART NUMBER	QTY	LINE	SERIES	BODY	ENGINE	TRANS	TRIM	DESCRIPTION
1									LAMP, Tail Stop Turn
	4897 398AA	1							USA/CANADA (Right)
	4897 399AA	1							USA/CANADA (Left)
	4897 400AC	1							w/Export Equipment Package (Right)
	4897 401AC	1							w/Export Equipment Package (Left)
2									WIRING, Taillamp
	#56009 642AB	1							Europe
	#56009 770AB	1							
3	4676 350	2							GROMMET, Lamp
4	6504 016	6							SCREW AND WASHER, M6x20
5	55155 614AE	1							LAMP, High Mounted Stop
6	5600 8722	1							WIRING, High Mounted Stop Lamp
7									SCREW, .164-18x1.00, (NOT SERVICED) (Not Serviced)
8	6036 042AA	2							NUT/SPRING, Snap In, .164-18
9									LAMP, License Plate
	55155 613AB	1							w/Export Equipment Package
	55155 612AB	1							USA/CANADA
10									COVER, Lamp
	5FL86 DX9AB	1							P.A.R.
	#55156 011AC	1							Chrome
11									WIRING, License Lamp
	5600 9643	1							USA/CANADA
	56042 545AD	1							w/Export Equipment Package
12	6033 718	3							SCREW, Tapping, .19-16x.625
-13	L000 0168	2							BULB, 168
-14	0153 625	2							BULB, W10/5
-15	0154 851AA	4							BULB, 3157



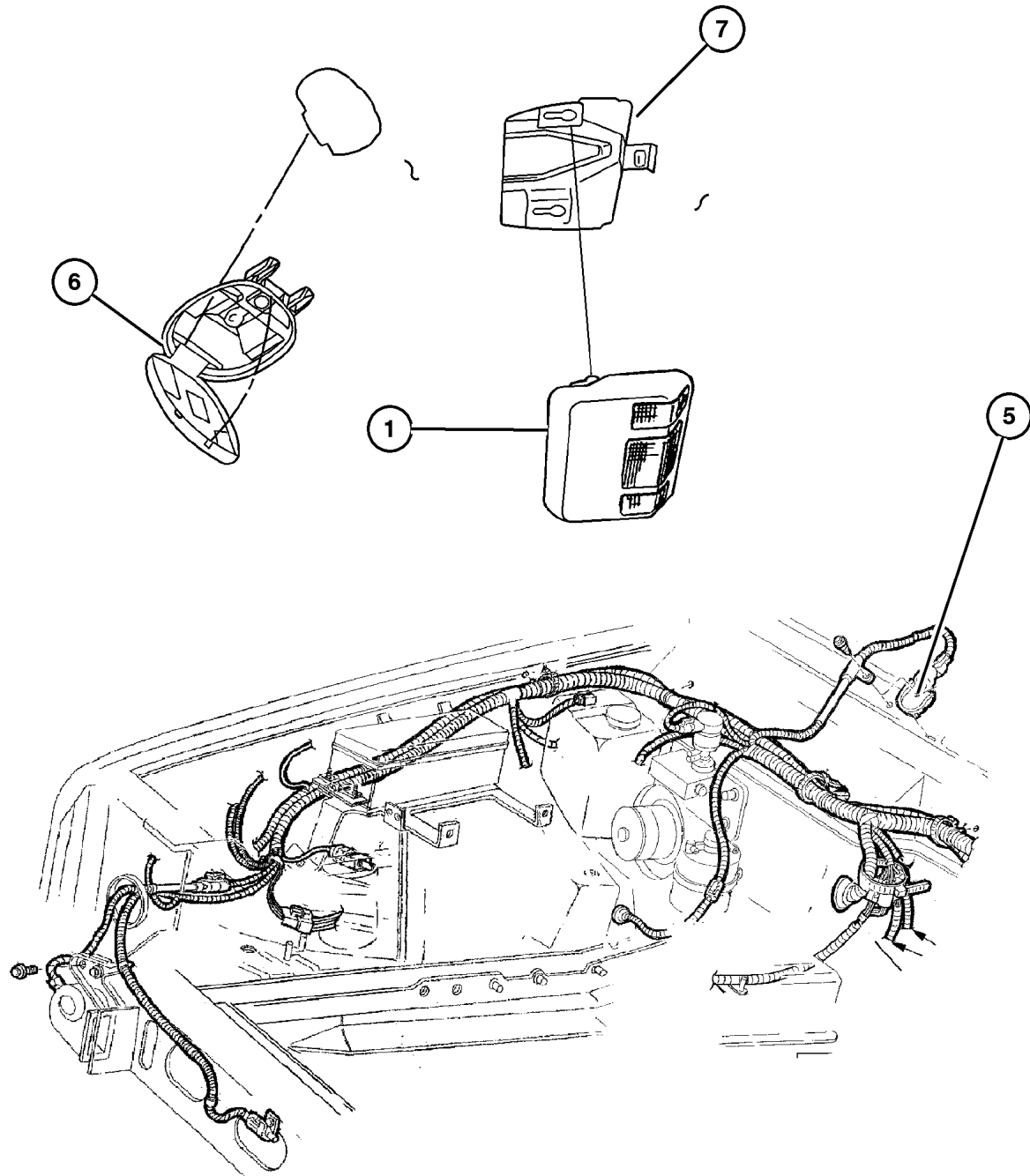
JEEP CHEROKEE (XJ)

SERIES	LINE	BODY	ENGINE	TRANSMISSION
P=Classic	J=LHD (4WD)	74=4 Dr.(101.4WB)	ENC,EN0=2.5L 4 cyl. Turbo Die	DDD, DDQ=5 spd. Man.
S=Limited	U=RHD (4WD)	72=2 Dr.(101.4WB)	ERH,ER0=4.0L Power Tech I-6	DGS=4 spd. Auto. AISIN
H=Sport	T=LHD (2WD)		EPE,EP0=Magnum 2.5L SMPI	DG0=All Auto/Trans.
L=SE	B=RHD (2WD)			DBB=All Manual Trans.

AR = Use as required - = Non illustrated part # = New this model year

December 7, 2002

Lamps Cargo - Dome - Underhood
Figure 008-1165



ITEM	PART NUMBER	QTY	LINE	SERIES	BODY	ENGINE	TRANS	TRIM	DESCRIPTION
1									LAMP, Dome And Reading
	5GJ32 HW8AE	1							Light Quartz (w/Lens)
	5GJ32 RK5AE	1							Tan/Agate (w/Lens)
-2	56042 072AB	1							LENS, Reading Lamp
-3	L000 0561	1							BULB, 561
-4									LAMP, Cargo
	5FY15 HW8AA	1							Quartz
	5FY15 RK5AA	1							Tan/Agate
5	5602 1441	1							LAMP, Underhood
6									LAMP, Dome
	JV76 HW8	1							Quartz
	JV76 RK5	1							Tan/Agate
7	55352 764AA	1							BRACKET, Dome Lamp
-8	L000 0906	2							BULB, 906
-9	55352 754AA	1							BRACKET, Dome Lamp, Front of Headliner

JEEP CHEROKEE (XJ)

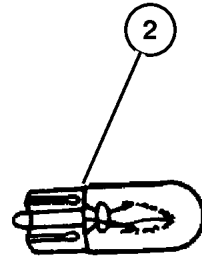
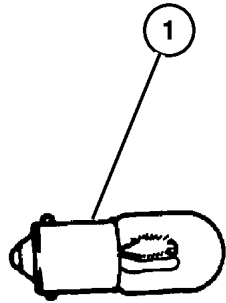
SERIES	LINE	BODY	ENGINE	TRANSMISSION
P=Classic	J=LHD (4WD)	74=4 Dr.(101.4WB)	ENC,EN0=2.5L 4 cyl. Turbo Die	DDD, DDQ=5 spd. Man.
S=Limited	U=RHD (4WD)	72=2 Dr.(101.4WB)	ERH,ER0=4.0L Power Tech I-6	DGS=4 spd. Auto. AISIN
H=Sport	T=LHD (2WD)		EPE,EP0=Magnum 2.5L SMPI	DG0=All Auto/Trans.
L=SE	B=RHD (2WD)			DBB=All Manual Trans.

AR = Use as required - = Non illustrated part # = New this model year

December 7, 2002

Bulbs
Figure 008-1170

ITEM	PART NUMBER	QTY	LINE	SERIES	BODY	ENGINE	TRANS	TRIM	DESCRIPTION
EP0=2.5L Engine									
ER0=4.0L Engine									
EN0=4Cylinder Turbo Engine									
DG0=Automatic Transmission									
DBB=Manual Transmission									
1	0154 851AA	4							BULB, 3157
2	L000 0168	2							BULB, 168
-3	L000 0561	1							BULB, 561
-4									BULB, 658
	L000 0658	2	J, U				DG0		
		1	B, T				DG0		
-5									BULB, 74
	L000 0074	1				EP0,			
						ER0			
		1				EN0			

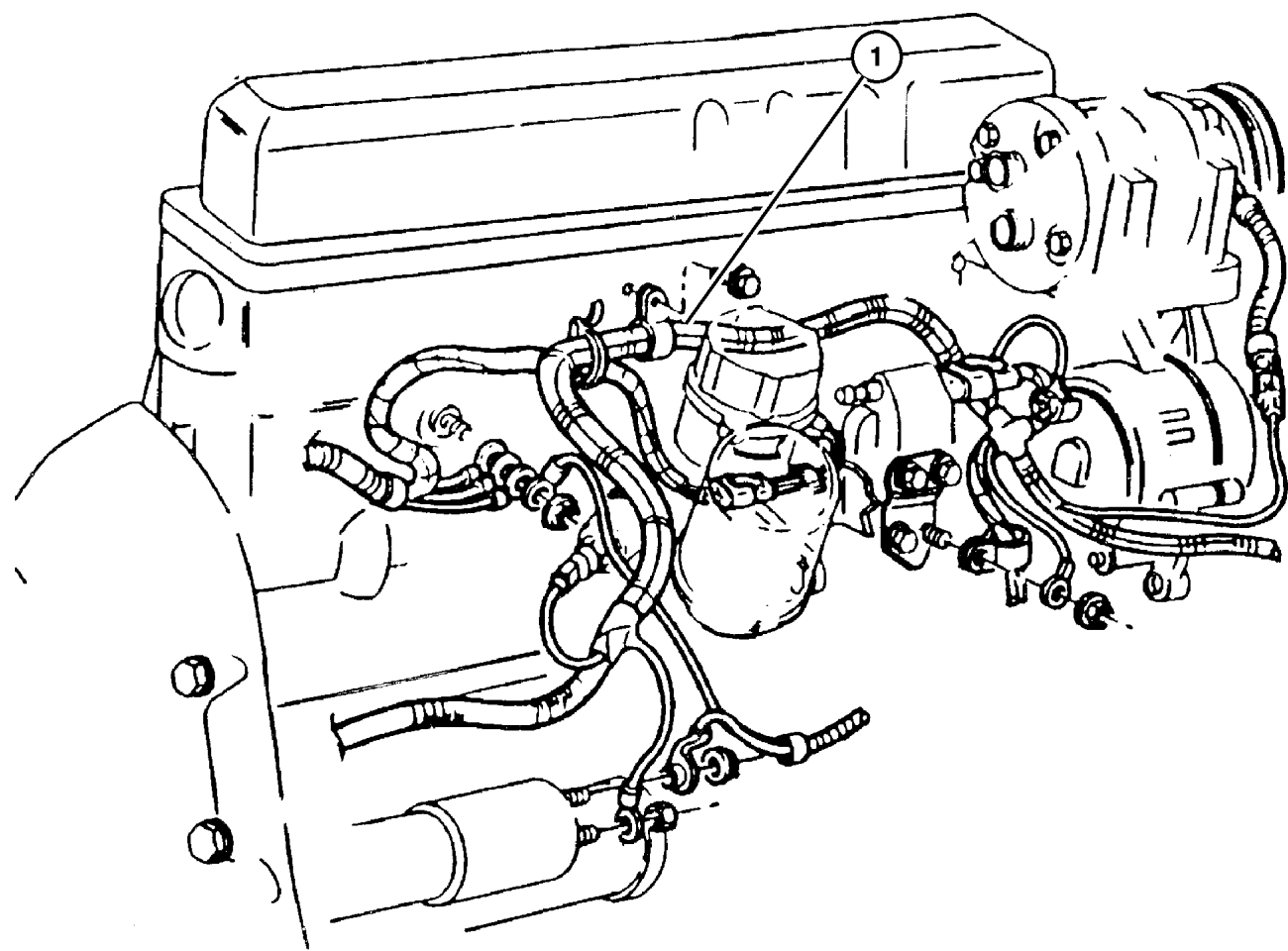


JEEP CHEROKEE (XJ)				
SERIES	LINE	BODY	ENGINE	TRANSMISSION
P=Classic	J=LHD (4WD)	74=4 Dr.(101.4WB)	ENC,EN0=2.5L 4 cyl. Turbo Die	DDD, DDQ=5 spd. Man.
S=Limited	U=RHD (4WD)	72=2 Dr.(101.4WB)	ERH,ER0=4.0L Power Tech I-6	DGS=4 spd. Auto. AISIN
H=Sport	T=LHD (2WD)		EPE,EP0=Magnum 2.5L SMPI	DG0=All Auto/Trans.
L=SE	B=RHD (2WD)			DBB=All Manual Trans.

AR = Use as required - = Non illustrated part # = New this model year

December 7, 2002

**Wiring Engine & Related Parts
Figure 008-1210**



ITEM	PART NUMBER	QTY	LINE	SERIES	BODY	ENGINE	TRANS	TRIM	DESCRIPTION
EP0=2.5L Engine ER0=4.0L Engine EN0=4 Cylinder Turbo Engine DG0=Automatic Transmission DBB=Manual Transmission									
1									WIRING, Engine
	#56009 771AE	1	B, T			EP0	DG0		2WD
	#56041 611AA	1	J, U			ER0	DBB		4WD w/231 Transfer Case (California & European III Emission)
	#56009 773AE	1	B, T			EP0	DBB		2WD
	#56009 774AE	1	J, U			EP0	DBB		231 Transfer Case
	#56009 781AC	1				EN0	DBB		Diesel Engine
	#56041 498AA	1	B, T			ER0			2WD (Federal/Leaded Fuel/Export & European III Emission)
	#56041 499AA	1	J, U			ER0	DG0		4WD w/ 231 or 242 Transfer Case (Federal/Leaded Fuel & Export Emission)
	#56041 500AA	1	J, U			ER0	DBB		4WD w/ 231 Transfer Case (Federal/Leaded Fuel & Export Emission)
	#56041 501AA	1	B, T			ER0			2WD (California & Europe Emission)
	#56041 502AA	1	J, U			ER0	DG0		4WD w/231 or 242 Transfer Case (California & Europe Emission)
-2	00AT M15	1							FUSE, Mini, 15 AMP, Light Blue
-3	00AT M10	1							FUSE, Mini, 10 AMP, Red
-4	00AT M20	1							FUSE, Mini, 20 AMP, Yellow
-5	00MA X30	4							FUSE, Maxi, 30 Amp, Green
-6	00MA X40	5							FUSE, Maxi, 40 AMP, Amber
-7	00MA X50	3							FUSE, Maxi, 50 AMP, Red
-8									COVER, Power Distribution Center Top (Diesel Engine)
	#56038 361AD	AR							Top (2.5L/4.0L Engines)
	#56038 363AC	AR							Bottom (All Engines)
	5603 8364	1							

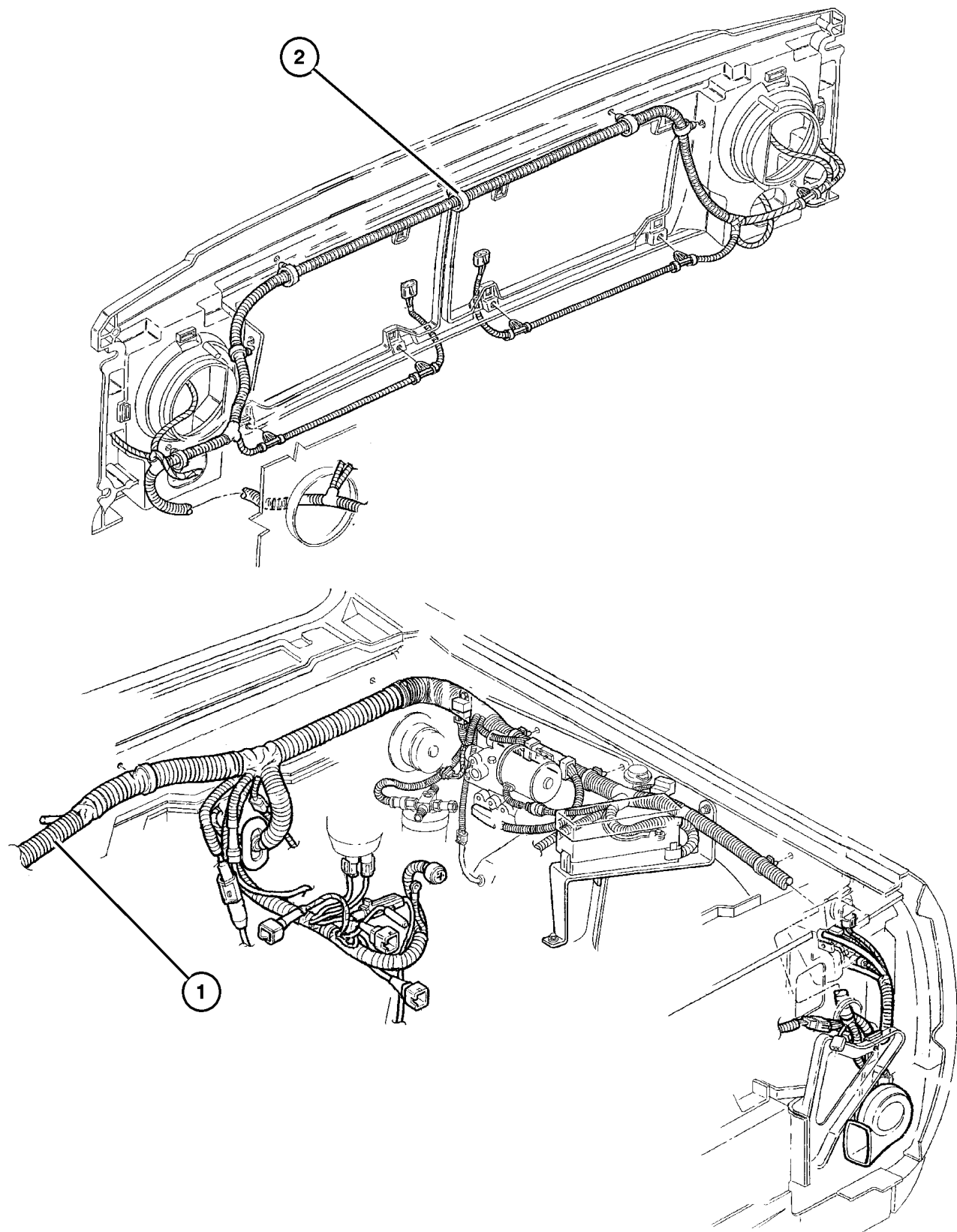
JEEP CHEROKEE (XJ)

SERIES	LINE	BODY	ENGINE	TRANSMISSION
P=Classic	J=LHD (4WD)	74=4 Dr.(101.4WB)	ENC,EN0=2.5L 4 cyl. Turbo Die	DDD, DDQ=5 spd. Man.
S=Limited	U=RHD (4WD)	72=2 Dr.(101.4WB)	ERH,ER0=4.0L Power Tech I-6	DGS=4 spd. Auto. AISIN
H=Sport	T=LHD (2WD)		EPE,EP0=Magnum 2.5L SMPI	DG0=All Auto/Trans.
L=SE	B=RHD (2WD)			DBB=All Manual Trans.

AR = Use as required - = Non illustrated part # = New this model year

December 7, 2002

**Wiring Headlamp / Dash
Figure 008-1310**



ITEM	PART NUMBER	QTY	LINE	SERIES	BODY	ENGINE	TRANS	TRIM	DESCRIPTION
EP0=2.5L Engine ER0=4.0L Engine EN0=4 Cylinder Turbo Engine DG0=Automatic Transmission DBB=Manual Transmission									
1									WIRING, Headlamp to Dash
	#56009 737AF	1	J, T			EP0			w/Daytime Running Lights
	#56009 746AF	1	J, T			ER0	DBB		w/Daytime Running Lights & w/ ABS
	#56009 747AF	1	J, T			ER0	DBB		w/o Daytime Running Lights & w/o ABS
	#56009 748AF	1	B, U			EP0	DBB		w/o ABS
	#56009 749AF	1	B, U			ER0	DG0		w/o ABS
	#56009 750AF	1	B, U			ER0	DG0		w/ABS
	#56009 751AG	1	U			EN0			w/ABS
	#56009 752AG	1	B, U			EN0			w/o ABS
	#56009 753AF	1	J			EN0			w/ABS
	#56009 754AF	1	J			EN0			w/o ABS
	#56009 738AF	1	J, T			EP0			w/o Daytime Running Lights
	#56009 739AF	1	J, T			ER0	DG0		w/o Daytime Running Lights & w/ ABS
	#56009 740AF	1	J, T			ER0	DG0		w/Daytime Running Lights & w/o ABS
	#56009 741AF	1	J, T			ER0	DG0		w/Daytime Running Lights & w/ ABS
	#56009 742AF	1	J, T			ER0	DG0		w/o Daytime Running Lights, ABS, Foglamp, H/Lamp Leveling & w/o 6 Infinity Speaker System
	#56009 743AF	1	J, T			ER0	DG0		w/Daytime Running Lights, H/Lamp Leveling, 6 Infinity Speaker System & w/o Foglamp & ABS, w/o Daytime Running Lights & w/ ABS
	#56009 744AF	1	J, T			ER0	DBB		w/Daytime Running Lights & w/o ABS
	#56009 745AF	1	J, T			ER0	DBB		w/Daytime Running Lights & w/o ABS
2									WIRING, Front End Lighting
	56007 628AE	1							w/ or w/o H/Lamp Leveling
	56007 684AD	1							w/o H/Lamp Leveling & w/o Foglamp
	56007 686AE	1							w/o H/Lamp Leveling
	56007 687AB	1							w/ or w/o Foglamp & w/o Headlamp Leveling
-3	56007 685AB	2							WIRING, Turn Signal Lamp

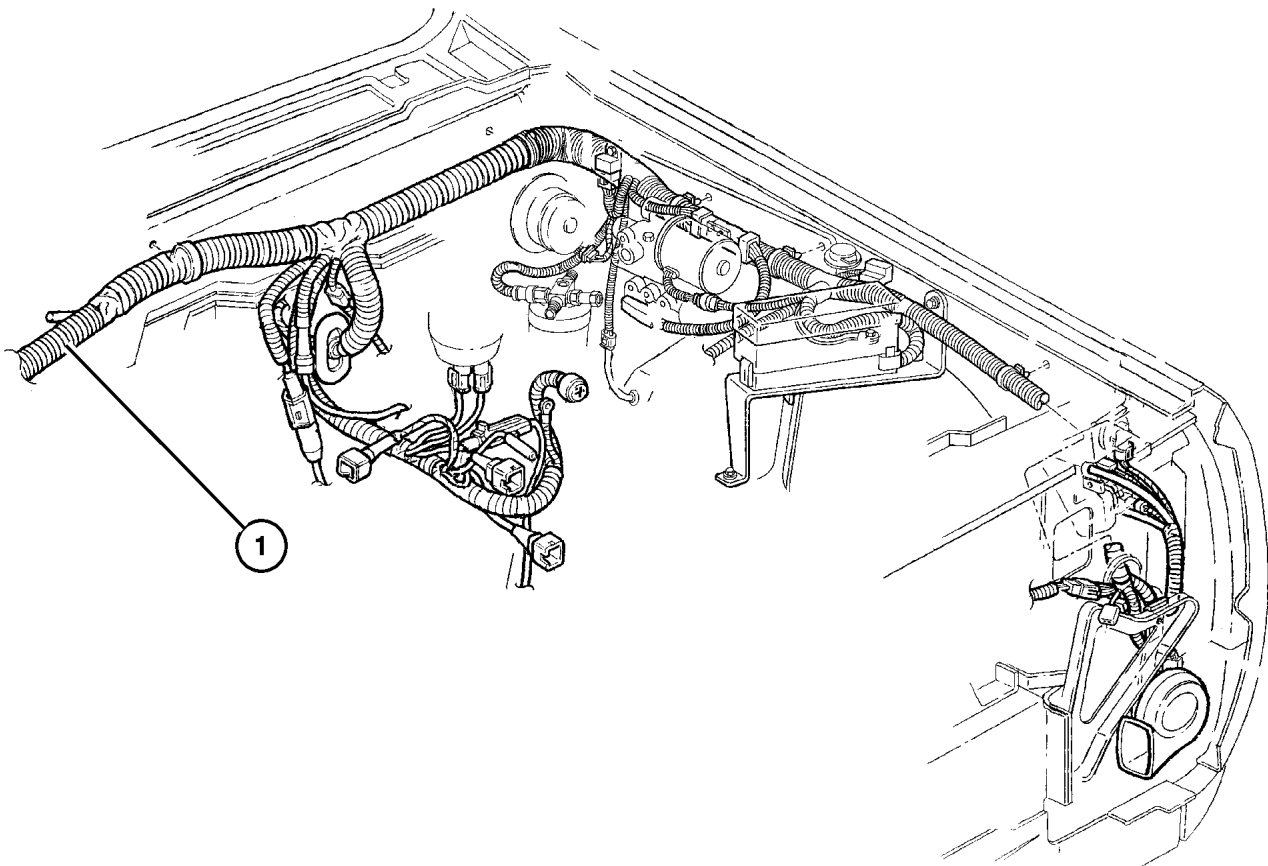
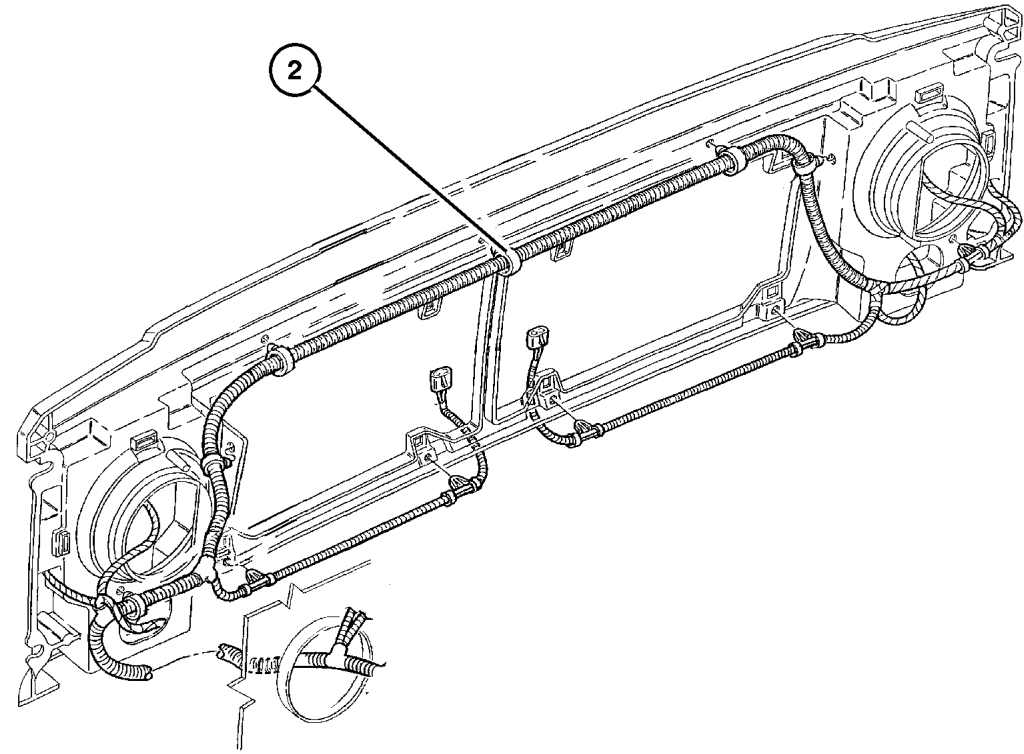
JEEP CHEROKEE (XJ)

SERIES	LINE	BODY	ENGINE	TRANSMISSION
P=Classic	J=LHD (4WD)	74=4 Dr.(101.4WB)	ENC,EN0=2.5L 4 cyl. Turbo Die	DDD, DDQ=5 spd. Man.
S=Limited	U=RHD (4WD)	72=2 Dr.(101.4WB)	ERH,ER0=4.0L Power Tech I-6	DGS=4 spd. Auto. AISIN
H=Sport	T=LHD (2WD)		EPE,EP0=Magnum 2.5L SMPI	DG0=All Auto/Trans.
L=SE	B=RHD (2WD)			DBB=All Manual Trans.

AR = Use as required - = Non illustrated part # = New this model year

December 7, 2002

Wiring Headlamp / Dash
Figure 008-1310



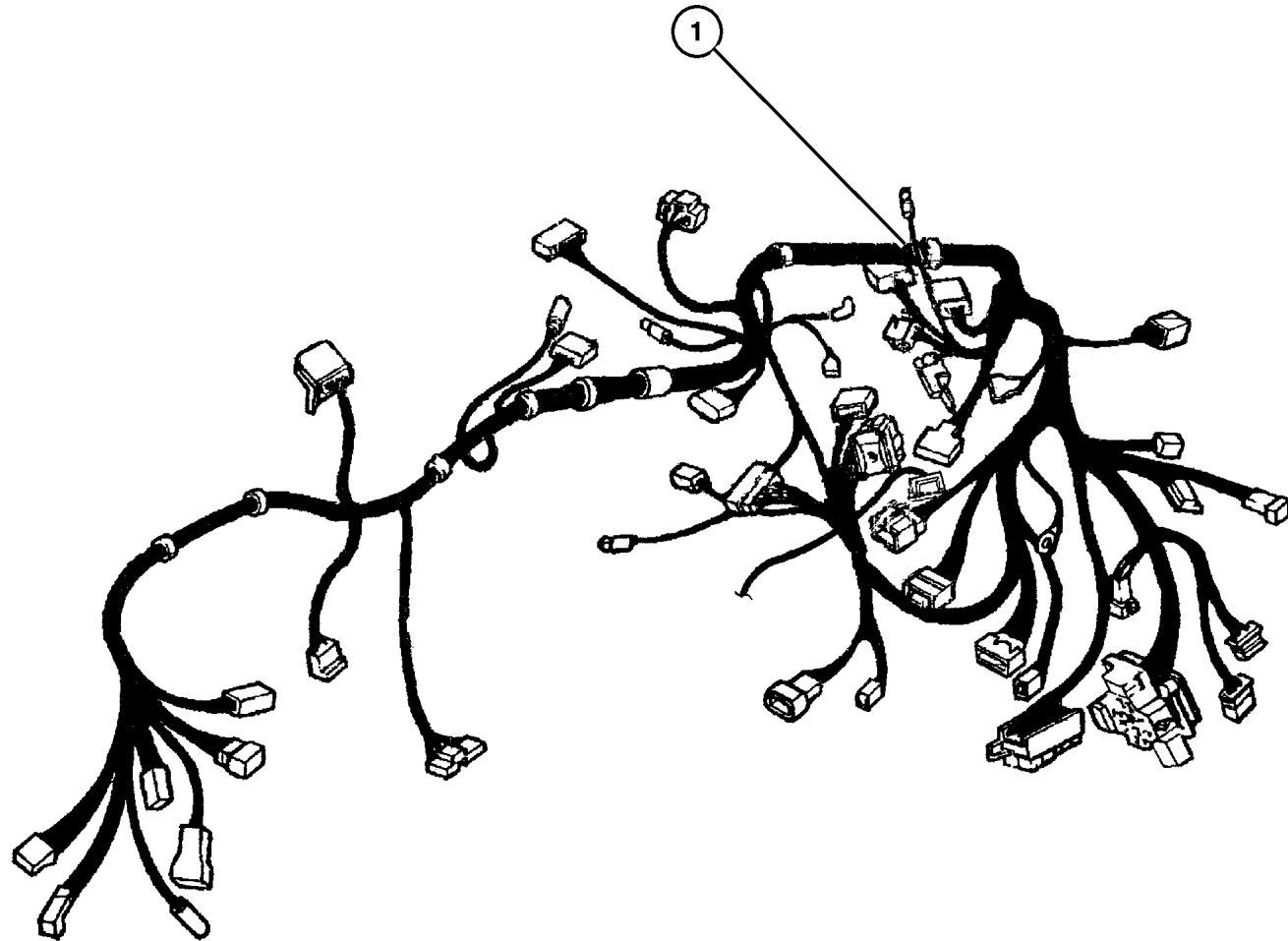
ITEM	PART NUMBER	QTY	LINE	SERIES	BODY	ENGINE	TRANS	TRIM	DESCRIPTION
-4									COVER, Power Distribution Center Export
	#56038 361AD	AR							
	#56038 363AC	AR							

JEEP CHEROKEE (XJ)

SERIES	LINE	BODY	ENGINE	TRANSMISSION
P=Classic	J=LHD (4WD)	74=4 Dr.(101.4WB)	ENC,EN0=2.5L 4 cyl. Turbo Die	DDD, DDQ=5 spd. Man.
S=Limited	U=RHD (4WD)	72=2 Dr.(101.4WB)	ERH,ER0=4.0L Power Tech I-6	DGS=4 spd. Auto. AISIN
H=Sport	T=LHD (2WD)		EPE,EP0=Magnum 2.5L SMPI	DG0=All Auto/Trans.
L=SE	B=RHD (2WD)			DBB=All Manual Trans.

**Wiring Instrument Panel
Figure 008-1410**

ITEM	PART NUMBER	QTY	LINE	SERIES	BODY	ENGINE	TRANS	TRIM	DESCRIPTION
1									WIRING, Instrument Panel
	56009 791AI	1	J, T						USA/CANADA
	56009 795AI	1	J						EUROPE
	56009 797AI	1	J, T						w/Police Package
	#56009 798AK	1	B, U						w/Postal Package
	#56009 799AM	1	U						w/o Postal Package
	#56009 802AH	1	J, T						I/Panel Floor
-2	5601 7442	2							WIRING, Courtesy Lamp
-3	56009 715AB	1							COVER, Fuse Access
-4	56007 573AE	1							JUNCTION BLOCK, Multifunction Module



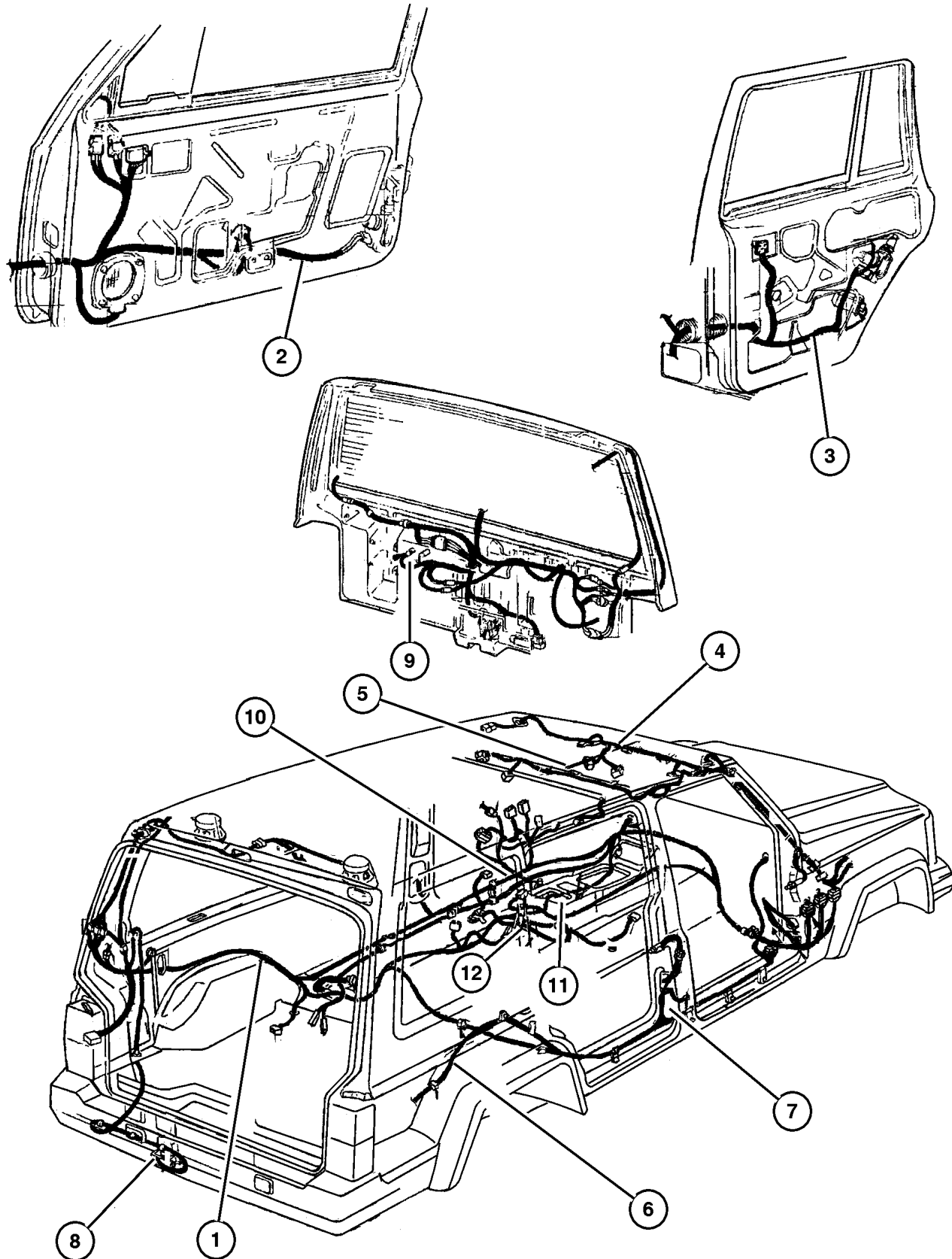
JEEP CHEROKEE (XJ)				
SERIES	LINE	BODY	ENGINE	TRANSMISSION
P=Classic	J=LHD (4WD)	74=4 Dr.(101.4WB)	ENC,EN0=2.5L 4 cyl. Turbo Die	DDD, DDQ=5 spd. Man.
S=Limited	U=RHD (4WD)	72=2 Dr.(101.4WB)	ERH,ER0=4.0L Power Tech I-6	DGS=4 spd. Auto. AISIN
H=Sport	T=LHD (2WD)		EPE,EP0=Magnum 2.5L SMPI	DG0=All Auto/Trans.
L=SE	B=RHD (2WD)			DBB=All Manual Trans.

AR = Use as required - = Non illustrated part # = New this model year

December 7, 2002

Wiring Body & Accessory
Figure 008-1510

ITEM	PART NUMBER	QTY	LINE	SERIES	BODY	ENGINE	TRANS	TRIM	DESCRIPTION
1									WIRING, Body
	56009 808AH	1	J, T						Base Model, Left Hand Drive
	56009 810AH	1	J, T						w/Power Locks & w/o Premium Sound System
	56009 811AH	1	J, T						w/Premium Sound System
2									WIRING, Door
	56009 819AB	1							Base Model, Left Door
	56009 820AE	1	J, T						w/Power Mirrors, Left Door
	56009 821AE	1	J, T						w/Power Locks, Left Door
	56009 823AE	1	B, U						w/Power Locks, Left Door
	56009 824AE	1	B, U						w/Power Mirrors, Left Door
	56009 826AB	1							Base Model, Right Door
	56009 827AE	1	J, T						w/Power Mirrors, Right Door
	56009 828AE	1	J, T						w/Power Locks, Right Door
	56009 830AE	1	B, U						w/Power Locks, Right Door
	56009 831AE	1	B, U						w/Power Mirrors, Right Door
3	56009 806AE	2				74			WIRING, Rear Door, w/Power Locks
4									WIRING, Overhead Console
	4882 780	1							Type II w/Keyless Entry System- Type I
		1							Type II w/Keyless Entry System w/ Immobilizer
5	56009 757AD	1							WIRING, Dome Lamp, Base Model w/Overhead Console
6	56009 816AD	1							WIRING, Body to Liftgate
7									WIRING, Door Jumper
	5600 9804	2				74			Courtesy Lamp Switch (Model 74)
	56007 579AC	2							Front Door
8	5600 9832	1							WIRING, Trailer Tow
9	56009 760AD	1							WIRING, Liftgate
10									WIRING, Power Seat
	#56008 712AC	1	B, U		74				with Power Seats, Left
		1	J, T		74				with Power Seats, Left
	#56008 713AC	1	B, U		74				with Power Seats, Right
		1	J, T		74				with Power Seats, Right
	#56009 841AC	1							with Power and Heated Seats
	56010 286AA	1							Europe
11									WIRING, Console
	56009 793AC	1	B, T				DG0		
		1	J, U				DBB		
12	56009 839AB	1							WIRING, Anti-lock Brake
-13	5503 4132	2							CONDUIT, Door Harness



JEEP CHEROKEE (XJ)

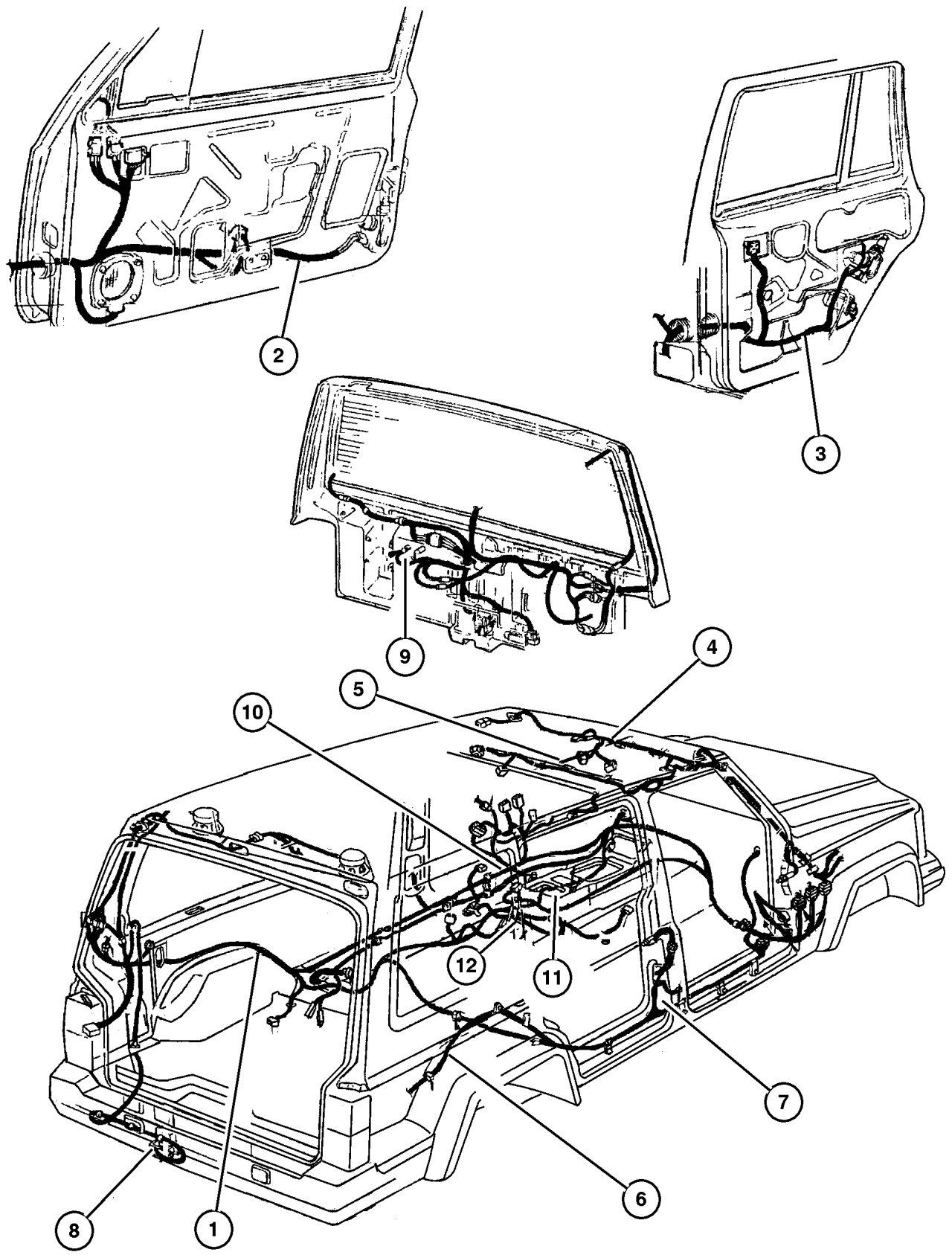
SERIES	LINE	BODY	ENGINE	TRANSMISSION
P=Classic	J=LHD (4WD)	74=4 Dr.(101.4WB)	ENC,EN0=2.5L 4 cyl. Turbo Die	DDD, DDQ=5 spd. Man.
S=Limited	U=RHD (4WD)	72=2 Dr.(101.4WB)	ERH,ER0=4.0L Power Tech I-6	DGS=4 spd. Auto. AISIN
H=Sport	T=LHD (2WD)		EPE,EP0=Magnum 2.5L SMPI	DG0=All Auto/Trans.
L=SE	B=RHD (2WD)			DBB=All Manual Trans.

AR = Use as required - = Non illustrated part # = New this model year

December 7, 2002

Wiring Body & Accessory
Figure 008-1510

ITEM	PART NUMBER	QTY	LINE	SERIES	BODY	ENGINE	TRANS	TRIM	DESCRIPTION
-14	56038 366AB	1	J, T	H, L, P, S	72, 74				CONNECTOR, 7 Way, With Trailer Tow



JEEP CHEROKEE (XJ)

SERIES	LINE	BODY	ENGINE	TRANSMISSION
P=Classic	J=LHD (4WD)	74=4 Dr.(101.4WB)	ENC,EN0=2.5L 4 cyl. Turbo Die	DDD, DDQ=5 spd. Man.
S=Limited	U=RHD (4WD)	72=2 Dr.(101.4WB)	ERH,ER0=4.0L Power Tech I-6	DGS=4 spd. Auto. AISIN
H=Sport	T=LHD (2WD)		EPE,EP0=Magnum 2.5L SMPI	DG0=All Auto/Trans.
L=SE	B=RHD (2WD)			DBB=All Manual Trans.

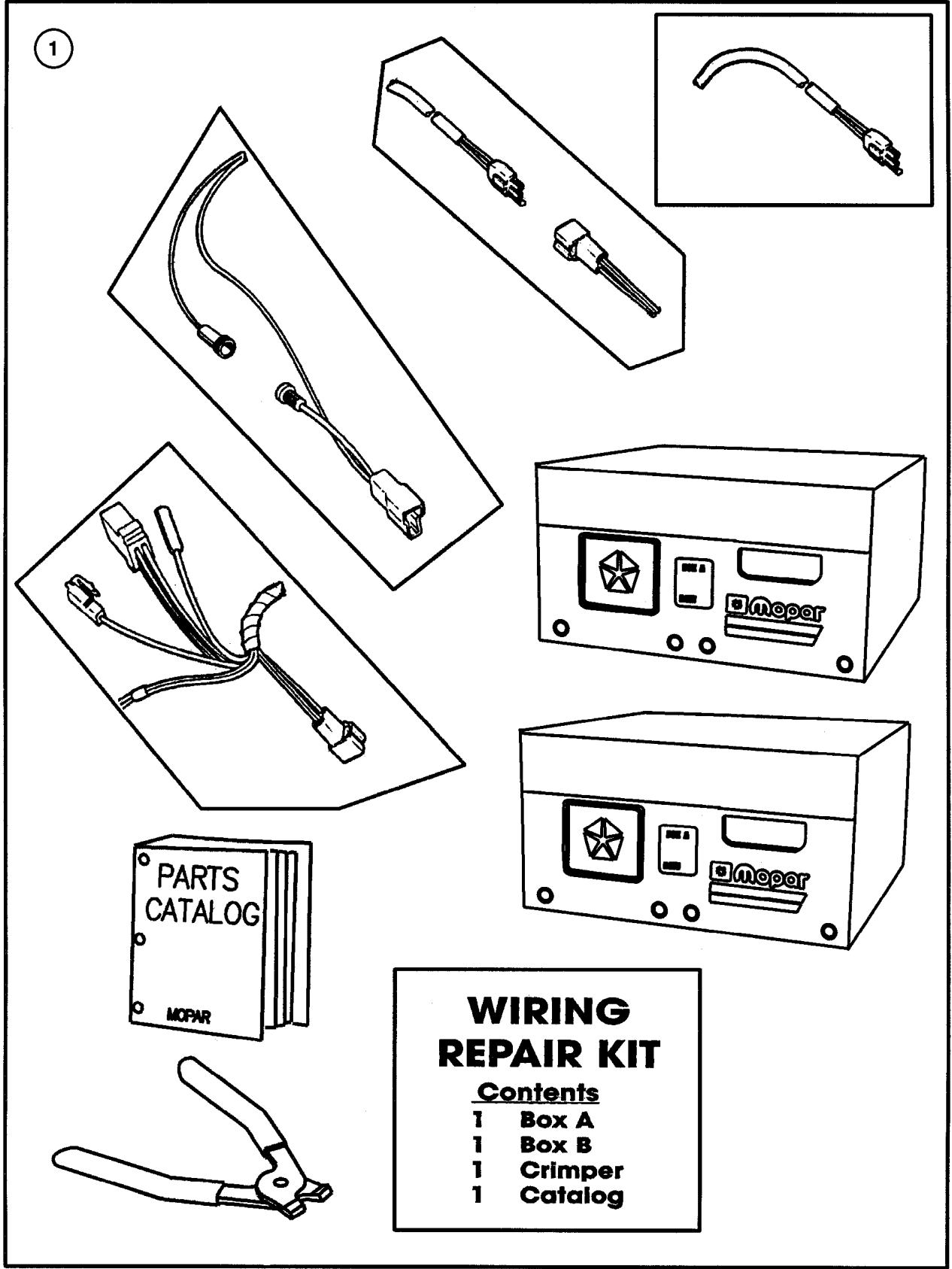
AR = Use as required - = Non illustrated part # = New this model year

December 7, 2002

Connector Repair Package Figure 008-1605

ITEM	PART NUMBER	QTY	LINE	SERIES	BODY	ENGINE	TRANS	TRIM	DESCRIPTION
------	-------------	-----	------	--------	------	--------	-------	------	-------------

1	5013 930AB	1							WIRING PACKAGE, Underhood
-2	4863 839	1							Connector Repair CONNECTOR PACKAGE, Beam Select Switch



WIRING REPAIR KIT

Contents

1 **Box A**

1 **Box B**

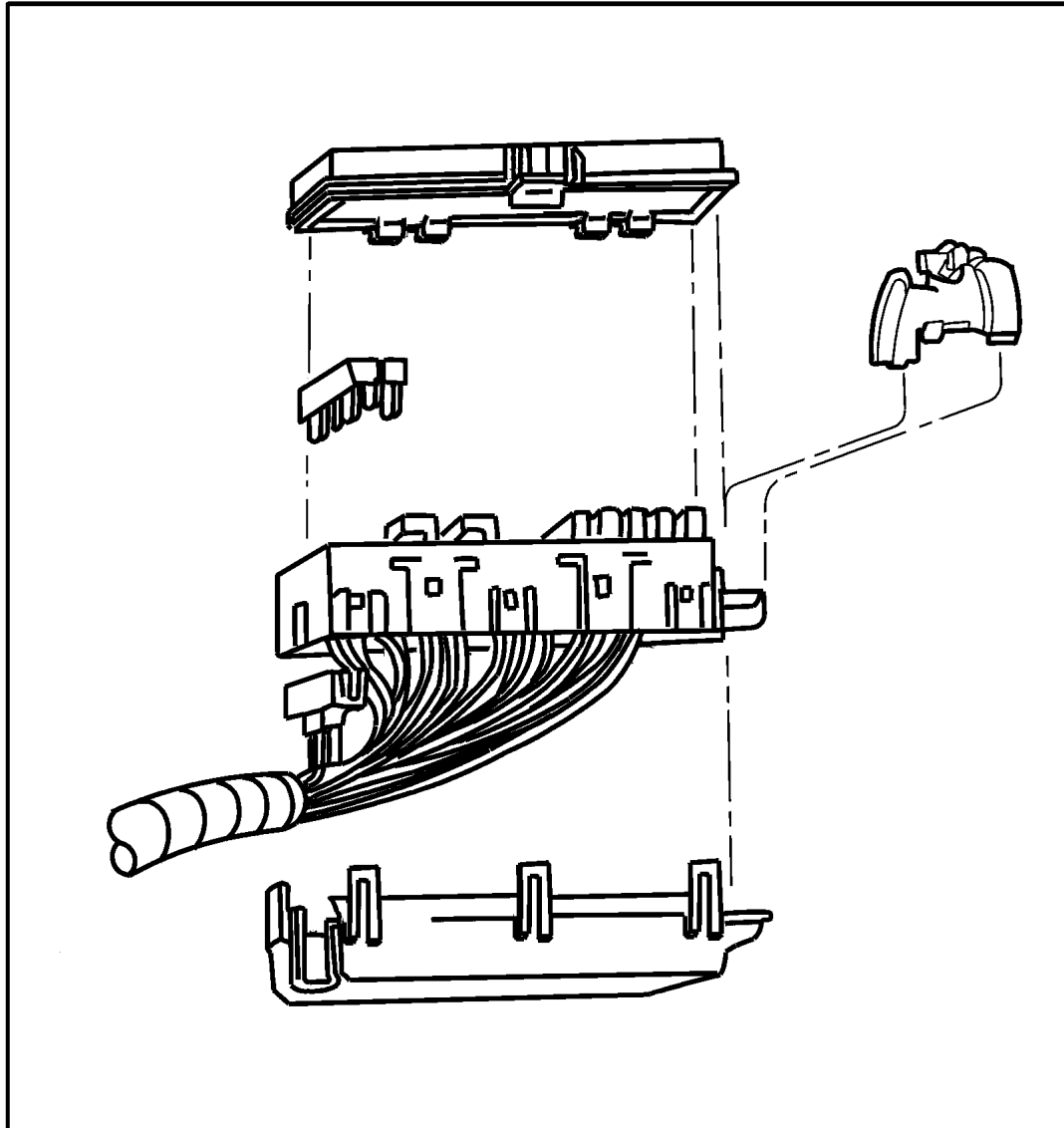
1 **Crimper**

1 **Catalog**

JEEP CHEROKEE (XJ)				
SERIES	LINE	BODY	ENGINE	TRANSMISSION
P=Classic	J=LHD (4WD)	74=4 Dr.(101.4WB)	ENC,EN0=2.5L 4 cyl. Turbo Die	DDD, DDQ=5 spd. Man.
S=Limited	U=RHD (4WD)	72=2 Dr.(101.4WB)	ERH,ER0=4.0L Power Tech I-6	DGS=4 spd. Auto. AISIN
H=Sport	T=LHD (2WD)		EPE,EP0=Magnum 2.5L SMPI	DG0=All Auto/Trans.
L=SE	B=RHD (2WD)			DBB=All Manual Trans.

**Power Distribution Center Repair
Figure 008-1615**

ITEM	PART NUMBER	QTY	LINE	SERIES	BODY	ENGINE	TRANS	TRIM	DESCRIPTION
1	5014 460AB	1							REPAIR KIT, Power Distribution Center



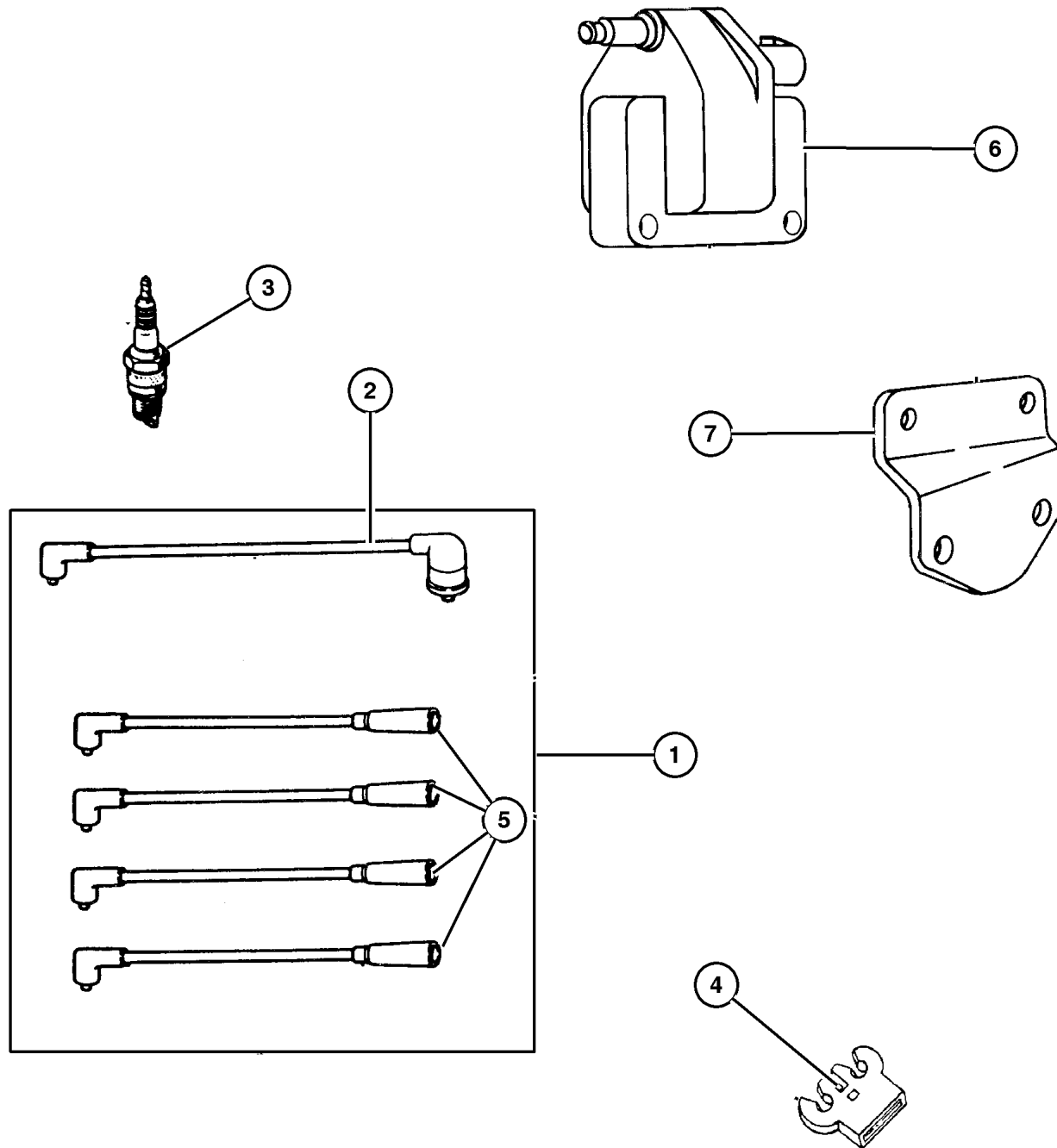
1

JEEP CHEROKEE (XJ)				
SERIES	LINE	BODY	ENGINE	TRANSMISSION
P=Classic	J=LHD (4WD)	74=4 Dr.(101.4WB)	ENC,EN0=2.5L 4 cyl. Turbo Die	DDD, DDQ=5 spd. Man.
S=Limited	U=RHD (4WD)	72=2 Dr.(101.4WB)	ERH,ER0=4.0L Power Tech I-6	DGS=4 spd. Auto. AISIN
H=Sport	T=LHD (2WD)		EPE,EP0=Magnum 2.5L SMPI	DG0=All Auto/Trans.
L=SE	B=RHD (2WD)			DBB=All Manual Trans.

AR = Use as required - = Non illustrated part # = New this model year

December 7, 2002

Spark Plug-Cables & Coil Figure 008-1905



ITEM	PART NUMBER	QTY	LINE	SERIES	BODY	ENGINE	TRANS	TRIM	DESCRIPTION
EP0=2.5L Engine									
ER0=4.0L Engine									
1	8350 7180	1				EP0			CABLE PACKAGE, Ignition
2	5602 7270	1				EP0			CABLE, Ignition Coil
3									SPARK PLUG
	SP0RC 12ECC	4				EP0			
		6				ER0			
4	5300 6579	1				EP0			SEPERATOR, Ignition Cable
5									CABLE, Ignition
	3300 7152	1				EP0			#1
	3300 7153	1				EP0			#3
		1				EP0			#2
	3300 7157	1				EP0			#4
6									COIL, Ignition
	5602 8172	1				EP0			
	#56041 476AA	1				ER0			Coil Pack
7	5300 8702	1				EP0			BRACKET, Ignition Coil
-8	6102 146AA	4				ER0			SCREW AND WASHER, Ignition Coil Mounting

JEEP CHEROKEE (XJ)

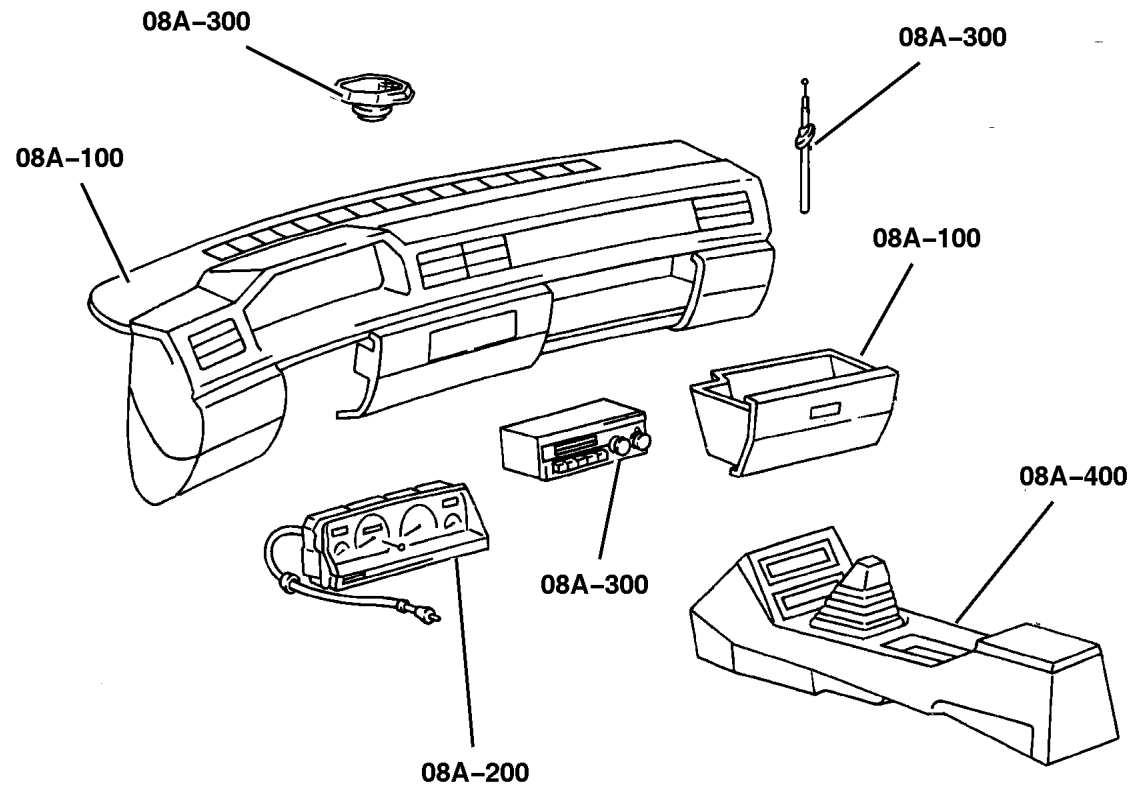
SERIES	LINE	BODY	ENGINE	TRANSMISSION
P=Classic	J=LHD (4WD)	74=4 Dr.(101.4WB)	ENC,EN0=2.5L 4 cyl. Turbo Die	DDD, DDQ=5 spd. Man.
S=Limited	U=RHD (4WD)	72=2 Dr.(101.4WB)	ERH,ER0=4.0L Power Tech I-6	DGS=4 spd. Auto. AISIN
H=Sport	T=LHD (2WD)		EPE,EP0=Magnum 2.5L SMPI	DG0=All Auto/Trans.
L=SE	B=RHD (2WD)			DBB=All Manual Trans.

AR = Use as required - = Non illustrated part # = New this model year

December 7, 2002

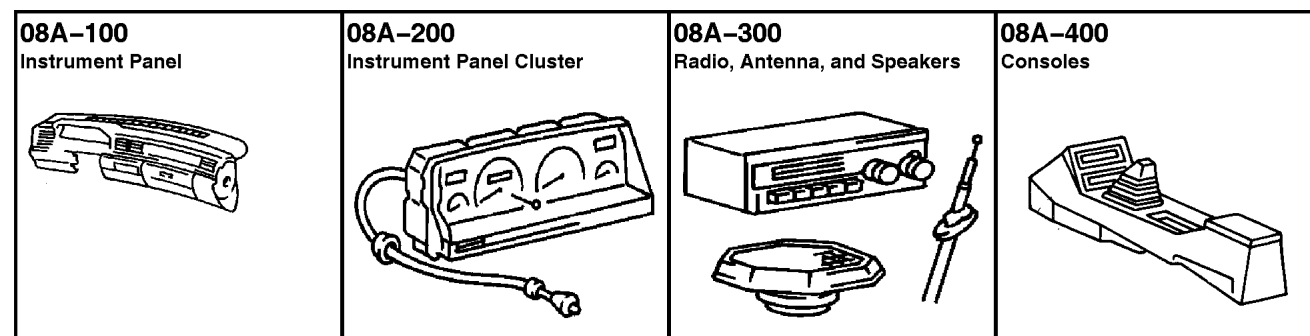
Group – 08A

Instrument Panel and Radios and Consoles

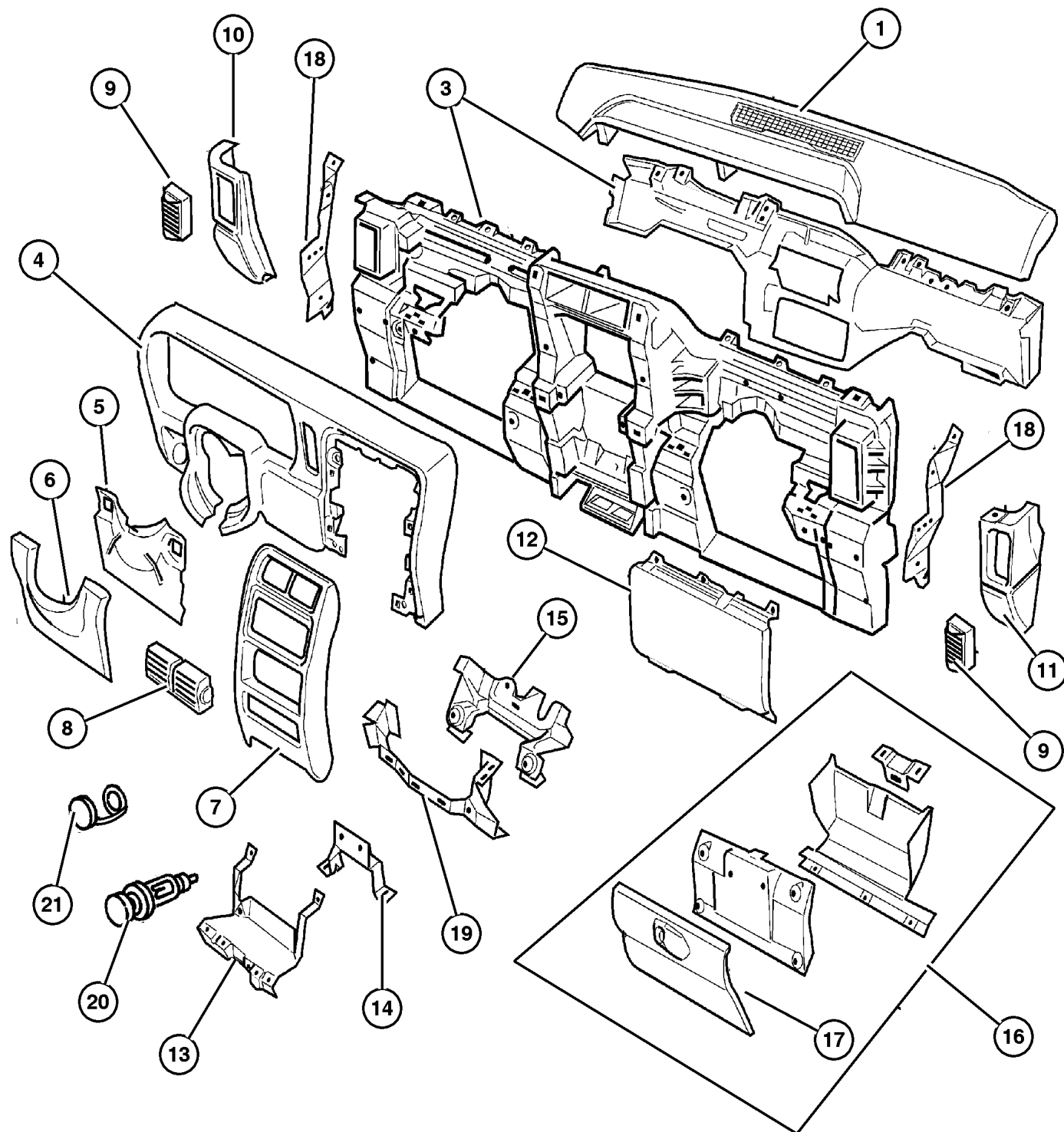


GROUP 8A - Instrument Panel and Radios and Consoles

Illustration Title	Group-Fig. No.
Instrument Panel	
Pad & Bezel (LHD)	Fig. 08A-120
Pad & Bezels (RHD)	Fig. 08A-122
Instrument Panel Cluster	
Cluster	Fig. 08A-220
Radio, Antenna, and Speakers	
Radio	Fig. 08A-310
Speakers	Fig. 08A-320
Antenna	Fig. 08A-330
Consoles	
Floor Console	Fig. 08A-420
Overhead Console	Fig. 08A-450



**Pad & Bezel (LHD)
Figure 08A-120**



ITEM	PART NUMBER	QTY	LINE	SERIES	BODY	ENGINE	TRANS	TRIM	DESCRIPTION
1	5EB78 LAZAB	1	J, T						COVER, Instrument Panel, Agate
-2	5503 7354	7	J, T						CLIP, Panel, OTY. 07
3	4897 067AA	1	J, T						PANEL, Instrument Panel
4	5EJ84 LAZAC	1	J, T						BEZEL, Instrument Cluster 2.5L & 4.0L Engine (Agate)
5	5ER60 LAZAC	1	J, T						Diesel Engine (Agate)
5	55115 525AB	1							LINER, Steering Column Cover
6	5EJ9 2LAZ	1							COVER, Steering Column Agate
6	5EJ9 2RK5	1							Tan/Agate
7	5EB69 LAZAE	1							BEZEL, Instrument Panel, Center Black
	5EN00 LAZAE	1							Agate/Woodgrain
8	5FS10 LAZAB	1							OUTLET, Air Conditioning & Heater, Agate, Center
9	5DP5 4TAZ	1	J, T						OUTLET, Air Conditioning & Heater Agate, Right
	5DP5 5TAZ	1	J, T						Agate, Left
10	5EB77 1K5AC	1	J, T						CAP, Instrument Panel End Tan/Agate, Left
	5EB77 LAZAC	1	J, T						Agate, Left
11	5EB76 1K5AC	1	J, T						CAP, Instrument Panel End Tan/Agate, Right
	5EB76 LAZAC	1	J, T						Agate, Right
12	5GE02 LAZAA	1	J, T						AIR BAG, Passenger, Agate
13	55115 467AB	1	J, T						BRACKET, Air Bag
14	55115 489AB	1							BRACKET, Instrument Panel, I/P Floor Bracket To Floor
15	5511 5561	1	J, T						BRACKET, Instrument Cluster
16	5EB7 0LAZ	1	J, T						GLOVE BOX, Instrument Panel Agate
	5EB7 0RK5	1	J, T						Tan/Agate
17									DOOR, Glove Box, Serviced w/ Glovebox Assembly, (NOT SERVICED) (Not Serviced)
18	55037 194AB	1	J, T						SUPPORT, Instrument Panel Right
	55037 195AB	1	J, T						Left
19	55037 395AA	1	J, T						REINFORCEMENT, Instrument Panel
20	4685 536	1							KNOB AND ELEMENT, Cigar Lighter

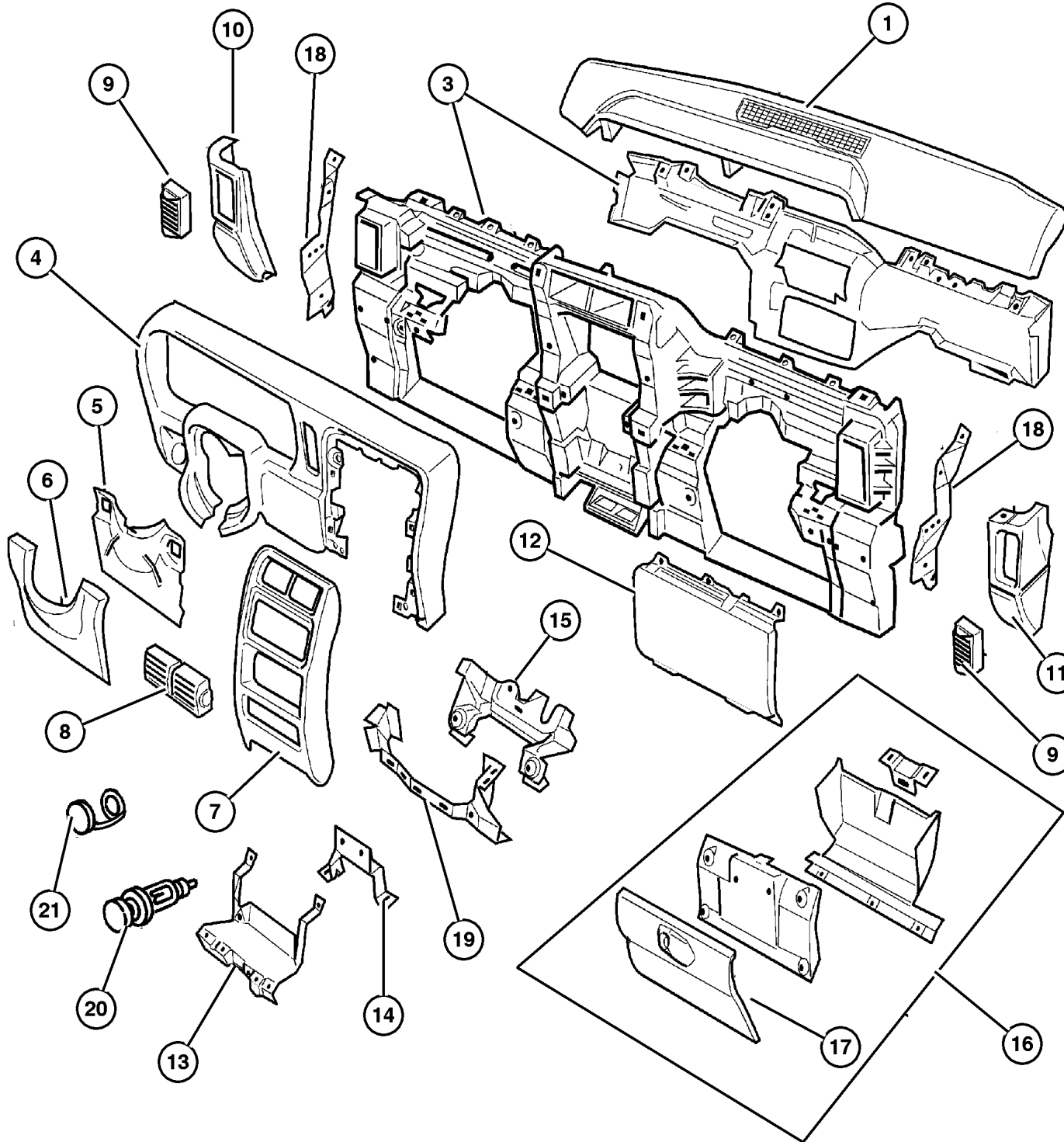
JEEP CHEROKEE (XJ)

SERIES	LINE	BODY	ENGINE	TRANSMISSION
P=Classic	J=LHD (4WD)	74=4 Dr.(101.4WB)	ENC,EN0=2.5L 4 cyl. Turbo Die	DDD, DDQ=5 spd. Man.
S=Limited	U=RHD (4WD)	72=2 Dr.(101.4WB)	ERH,ER0=4.0L Power Tech I-6	DGS=4 spd. Auto. AISIN
H=Sport	T=LHD (2WD)		EPE,EP0=Magnum 2.5L SMPI	DG0=All Auto/Trans.
L=SE	B=RHD (2WD)			DBB=All Manual Trans.

AR = Use as required - = Non illustrated part # = New this model year

December 7, 2002

Pad & Bezel (LHD)
Figure 08A-120



ITEM	PART NUMBER	QTY	LINE	SERIES	BODY	ENGINE	TRANS	TRIM	DESCRIPTION
21									POWER OUTLET, Cigar Lighter, Serviced in Switch Bezel (Item #27), (NOT SERVICED) (Not Serviced)
-22									BASE, Cigar Lighter, Serviced in Switch Bezel (Item #27), (NOT SERVICED) (Not Serviced)
-23									LABEL, Air Bag Warning
	4595 749AA	1	J, T						Visor English/French (5 Point)
	4595 748AA	1							End Cap Warning
	5265 949	1	J, T						I/Panel Airbag Warning
-24									BUMPER, Glove Box Door
	4524 343	2							Glovebox Catch
	55037 414AA	2	J, T						Glovebox Door
-25	5EB7 2LAZ	1	J, T						DOOR, Passenger Air Bag, Agate
-26	6034 833	2	J, T						CLIP, Push, .164-7.5
-27									BEZEL, Switch
	#4897 502AG	1	J, U						w/Rear Foglamp, Rear Defroster, Rear Wiper/Washer & w/o Front Foglamp
	#4897 505AG	1	J, U						w/Rear Foglamp, Rear Defroster, Rear Wiper/Washer & w/Front Foglamp
	#4897 502AG	1							w/Rear Wiper, Rear Defroster, Police Package & w/o Rear Foglamp & w/o Front Foglamp
		1							w/Front Foglamp, Rear Defroster, Rear Wiper & w/o Rear Foglamp & w/o Police Package
	#4897 503AG	1							w/Rear Defroster, Rear Wiper & w/o Rear Foglamp, Front Foglamp & w/o Police Package
-28	55217 409AL	1	J, T						INSULATION, Dash Panel

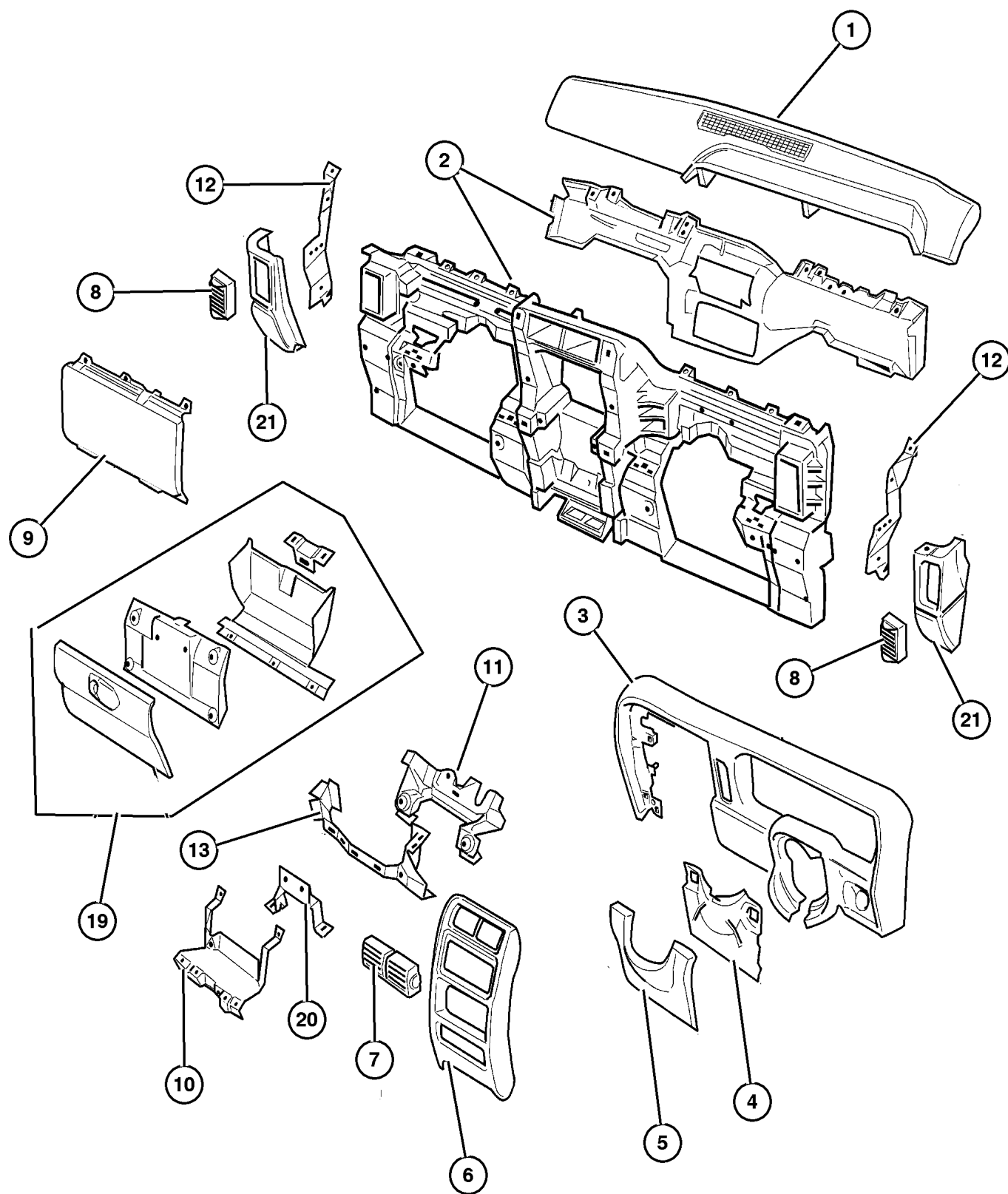
JEEP CHEROKEE (XJ)

SERIES	LINE	BODY	ENGINE	TRANSMISSION
P=Classic	J=LHD (4WD)	74=4 Dr.(101.4WB)	ENC,EN0=2.5L 4 cyl. Turbo Die	DDD, DDQ=5 spd. Man.
S=Limited	U=RHD (4WD)	72=2 Dr.(101.4WB)	ERH,ER0=4.0L Power Tech I-6	DGS=4 spd. Auto. AISIN
H=Sport	T=LHD (2WD)		EPE,EP0=Magnum 2.5L SMPI	DG0=All Auto/Trans.
L=SE	B=RHD (2WD)			DBB=All Manual Trans.

AR = Use as required - = Non illustrated part # = New this model year

December 7, 2002

Pad & Bezels (RHD)
Figure 08A-122



ITEM	PART NUMBER	QTY	LINE	SERIES	BODY	ENGINE	TRANS	TRIM	DESCRIPTION
1	5EB71 LAZAB	1	B, U						COVER, Instrument Panel, Agate
2	4897 066AA	1	B, U						PANEL, Instrument Panel
3	5EJ85 LAZAC	1	B, U						BEZEL, Instrument Cluster
	5ER59 LAZAC	1	B, U						2.5L & 4.0L Engine (Agate) Diesel Engine (Agate)
4	55115 525AB	1							LINER, Steering Column Cover
5	5EJ9 2LAZ	1							COVER, Steering Column
	5EJ9 2RK5	1							Agate Tan/Agate
6	5EB69 LAZAE	1							BEZEL, Instrument Panel, Center
	5EN00 LAZAE	1							Black Agate/Woodgrain
7	5FS10 LAZAB	1							OUTLET, Air Conditioning & Heater,
									Agate, Center
8	5DP5 4TAZ	1	B, U						OUTLET, Air Conditioning & Heater
	5DP5 5TAZ	1	B, U						Agate, Right Agate, Left
9	5GE03 LAZAA	1	B, U						AIR BAG, Passenger, Agate
10	55115 466AB	1	B, U						BRACKET, Air Bag
11	5511 5561	1	B, U						BRACKET, Instrument Cluster
12	55037 194AB	1	B, U						SUPPORT, Instrument Panel
	55037 195AB	1	B, U						Right Left
13	55037 394AA	1	B, U						REINFORCEMENT, Instrument
									Panel
-14	6034 833	2	B, U						CLIP, Push, .164-7.5
-15	4595 746AA	1							LABEL, Air Bag Warning
	4595 748AA	1							Removable Dash Warning
	5265 949	1	B, U						End Cap Warning
-16	5EB6 7LAZ	1	B, U						I/Panel Warning
-17	55115 470AB	1	B, U						DOOR, Passenger Air Bag, Agate
-18	4524 343	2							STRIKER, Glove Box Door Latch
	55037 414AA	2	B, U						BUMPER, Glove Box Door
19	5EE0 7LAZ	1	B, U						Glovebox Catch
	5EE0 7RK5	1	B, U						Glovebox Door
20	55115 489AB	1							GLOVE BOX, Instrument Panel
21	5EB76 1K5AC	1	B, U						Agate
	5EB76 LAZAC	1	B, U						Tan/Agate
									BRACKET, Instrument Panel
									CAP, Instrument Panel End
									Tan/Agate, Right
									Agate, Right

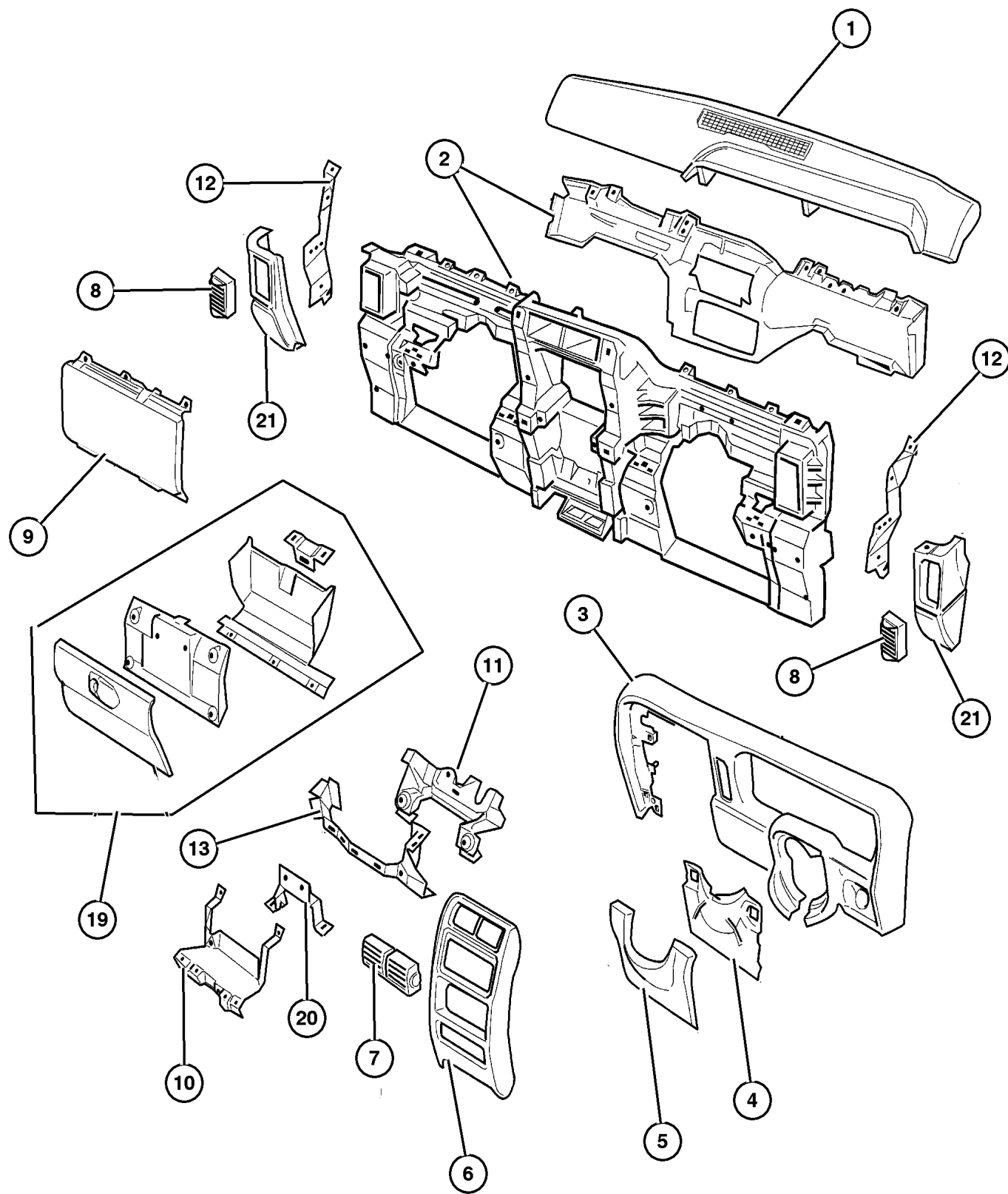
JEEP CHEROKEE (XJ)

SERIES	LINE	BODY	ENGINE	TRANSMISSION
P=Classic	J=LHD (4WD)	74=4 Dr.(101.4WB)	ENC,EN0=2.5L 4 cyl. Turbo Die	DDD, DDQ=5 spd. Man.
S=Limited	U=RHD (4WD)	72=2 Dr.(101.4WB)	ERH,ER0=4.0L Power Tech I-6	DGS=4 spd. Auto. AISIN
H=Sport	T=LHD (2WD)		EPE,EP0=Magnum 2.5L SMPI	DG0=All Auto/Trans.
L=SE	B=RHD (2WD)			DBB=All Manual Trans.

AR = Use as required - = Non illustrated part # = New this model year

December 7, 2002

Pad & Bezels (RHD)
Figure 08A-122



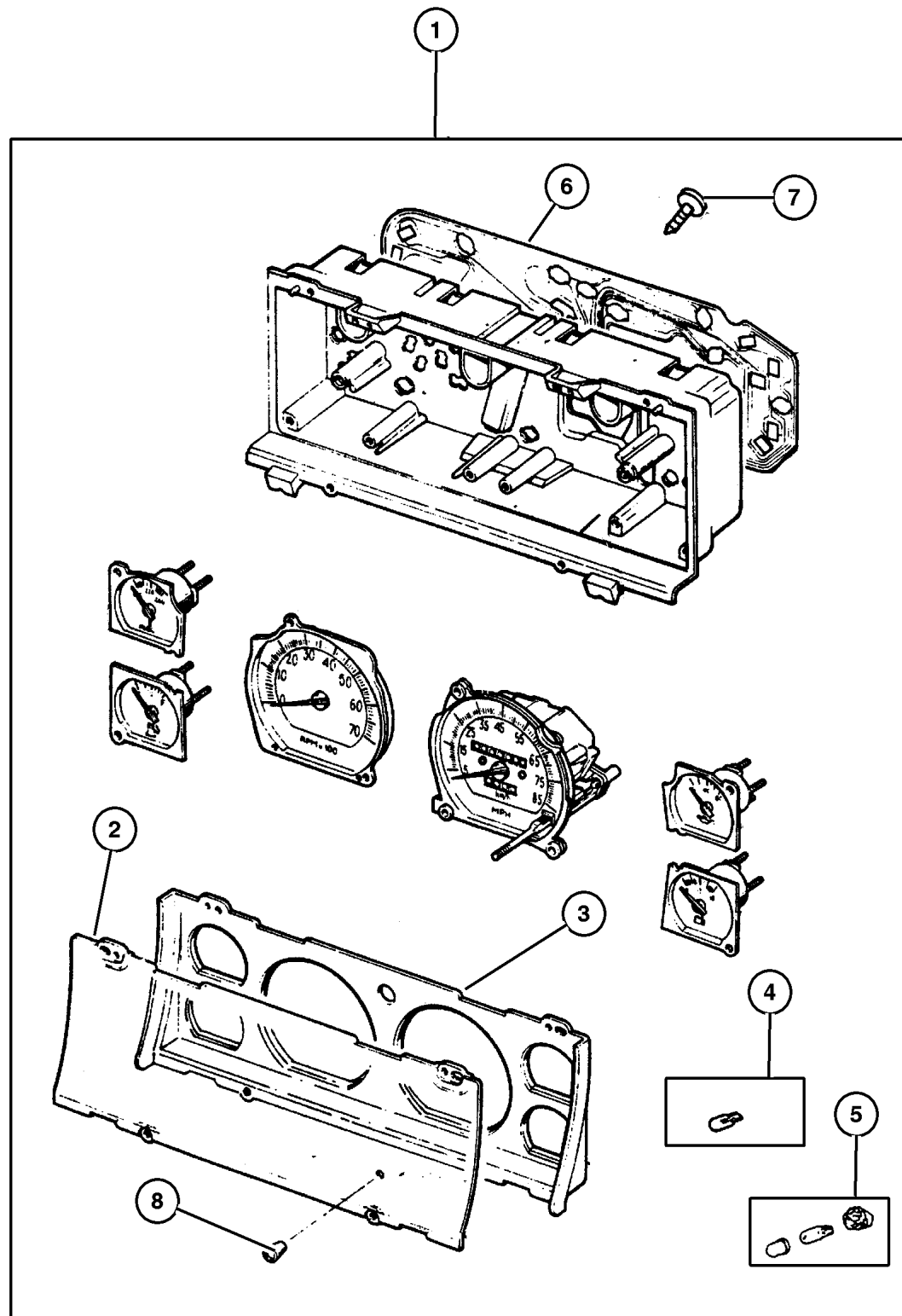
ITEM	PART NUMBER	QTY	LINE	SERIES	BODY	ENGINE	TRANS	TRIM	DESCRIPTION
	5EB77 1K5AC	1	B, U						Tan/Agate, Left
	5EB77 LAZAC	1	B, U						Agate, Left

JEEP CHEROKEE (XJ)				
SERIES	LINE	BODY	ENGINE	TRANSMISSION
P=Classic	J=LHD (4WD)	74=4 Dr.(101.4WB)	ENC,EN0=2.5L 4 cyl. Turbo Die	DDD, DDQ=5 spd. Man.
S=Limited	U=RHD (4WD)	72=2 Dr.(101.4WB)	ERH,ER0=4.0L Power Tech I-6	DGS=4 spd. Auto. AISIN
H=Sport	T=LHD (2WD)		EPE,EP0=Magnum 2.5L SMPI	DG0=All Auto/Trans.
L=SE	B=RHD (2WD)			DBB=All Manual Trans.

AR = Use as required - = Non illustrated part # = New this model year

December 7, 2002

Cluster
Figure 08A-220



ITEM	PART NUMBER	QTY	LINE	SERIES	BODY	ENGINE	TRANS	TRIM	DESCRIPTION
1									CLUSTER
	#56010 190AC	1							2.5L & 4.0L Engine w/100 MPH & w/o Tach (Lowline)
	#56010 199AC	1	J, T						120 MPH (Police)
	#56010 200AC	1	J, T						200 KPH (Police)
	#56010 191AC	1							2.5L & 4.0L Engine w/200 KPH & w/o Tach (Lowline)
	#56010 192AC	1							2.5L & 4.0L Engine w/100 MPH & w/Tach (High Line)
	#56010 193AC	1							2.5L & 4.0L Engine w/200 KPH & w/Tach (High Line)
	#56010 194AC	1	B, U						2.5L & 4.0L Engine w/200 KPH & w/Tach (High Line) w/o Secondary
	#56010 195AC	1	B, U						2.5L & 4.0L Engine w/120 MPH & w/Tach (High Line)
	#56010 196AC	1	B, U						Diesel Engine w/120 MPH
	#56010 197AC	1	B, U						Diesel Engine w/200 KPH & w/o Secondary
	#56010 198AC	1							Diesel Engine w/200 KPH Primary
2	4874 345	1							LENS, Cluster
3	4874 344	1							MASK, Instrument Cluster
4	L000 PC74	10							BULB, PC74
5	4874 349	5	B, U						BULB AND SOCKET
6	4874 348	1							COVER, Cluster
7	6032 723	4							SCREW, Self Tapping, M4.2x1.69x19.05
8	4874 346	1							GROMMET, Speedometer Trip Reset BOARD, Circuit, Serviced w/Item # 1, (NOT SERVICED) (Not Serviced)
-9									
-10									INDICATOR
	5600 9613	1	J, T						Diesel Engine
	5600 9639	1	B, U						Diesel Engine

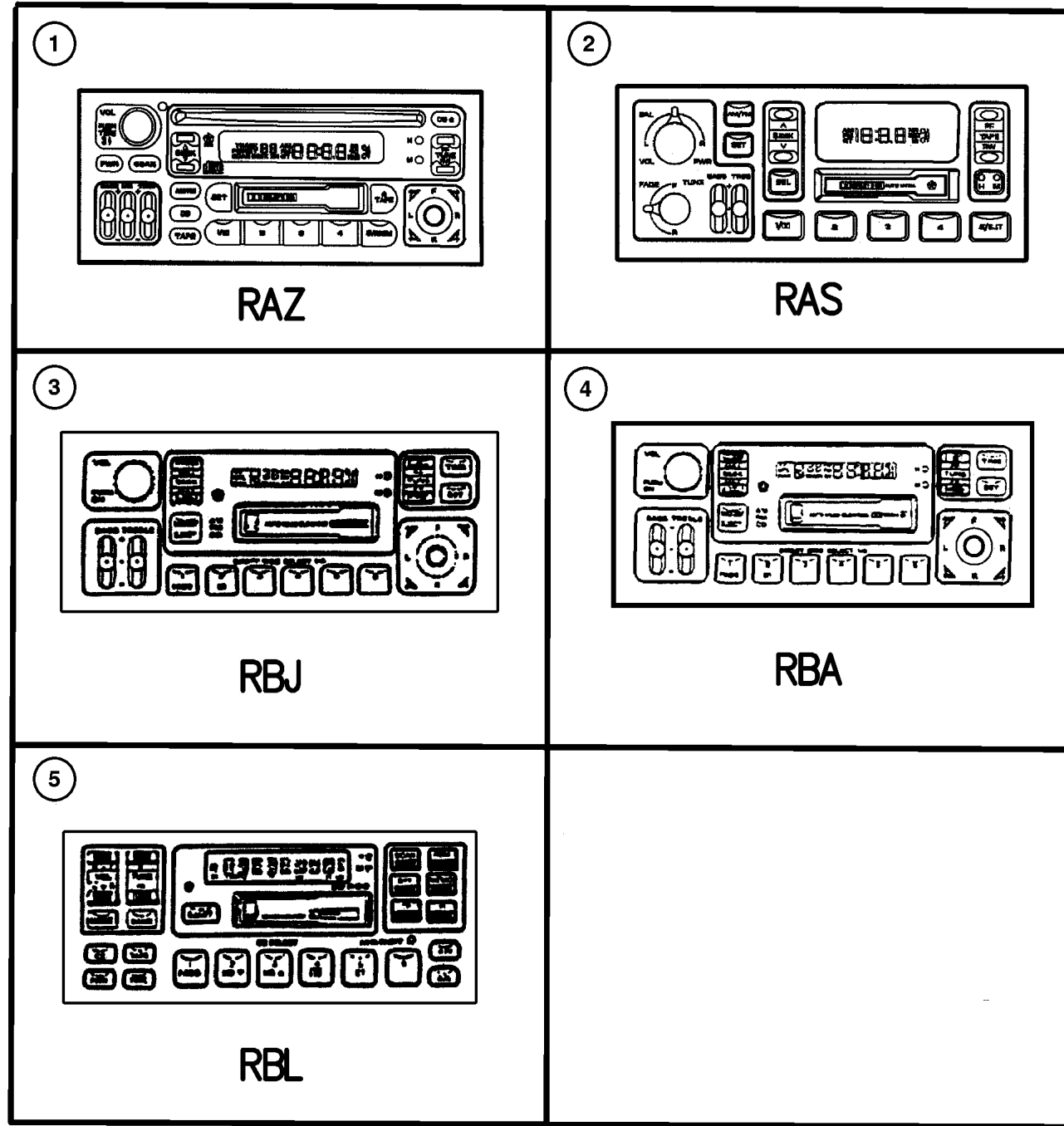
JEEP CHEROKEE (XJ)

SERIES	LINE	BODY	ENGINE	TRANSMISSION
P=Classic	J=LHD (4WD)	74=4 Dr.(101.4WB)	ENC,EN0=2.5L 4 cyl. Turbo Die	DDD, DDQ=5 spd. Man.
S=Limited	U=RHD (4WD)	72=2 Dr.(101.4WB)	ERH,ER0=4.0L Power Tech I-6	DGS=4 spd. Auto. AISIN
H=Sport	T=LHD (2WD)		EPE,EP0=Magnum 2.5L SMPI	DG0=All Auto/Trans.
L=SE	B=RHD (2WD)			DBB=All Manual Trans.

AR = Use as required - = Non illustrated part # = New this model year

December 7, 2002

Radio
Figure 08A-310



ITEM	PART NUMBER	QTY	LINE	SERIES	BODY	ENGINE	TRANS	TRIM	DESCRIPTION
RAS=AM/FM Cassette									
RAZ=AM/FM w/Cassette & CD									
RBA=AM/FM w/Cassette & CD Changer Control (Argentina, Brazil, Paraguay & Uruguay)									
RBJ=Midline AM/FM w/Cassette & CD Changer Control (Japan)									
RBL=AM/FM/MW/RDS Cassette & CD Changer Control (Europe)									
1	4704 383AH	1							RADIO, AM/FM with CD and Cassette, (RAZ)
2	56038 933AB	1							RADIO, AM/FM Cassette, (RAS)
3	4704 393AD	1							RADIO, AM/FM with CD, (RBJ)
4	4704 392AD	1							RADIO, AM/FM with CD, (RBA)
5	#4859 504AD	1							RADIO, FM/MW/LW-RDS and Cassette, (RBL)
-6	56007 653AD	1							AMPLIFIER, Radio

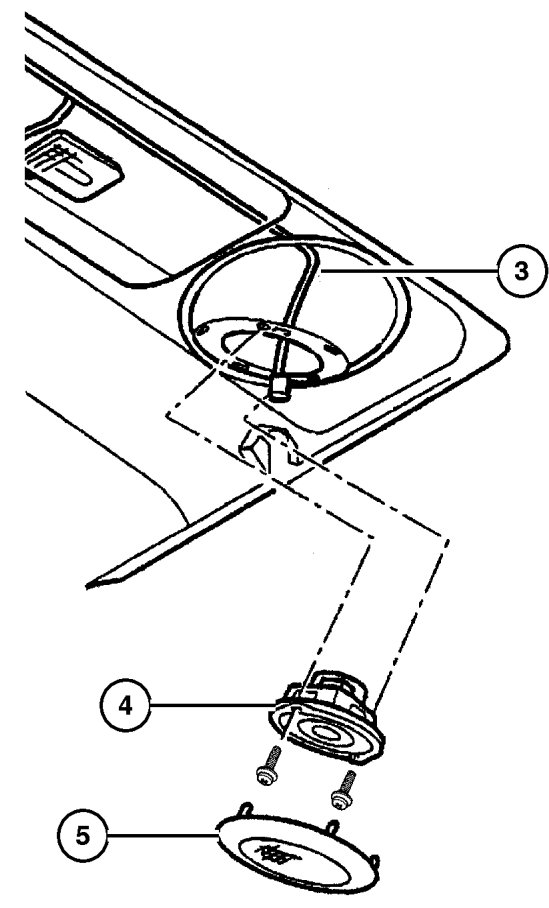
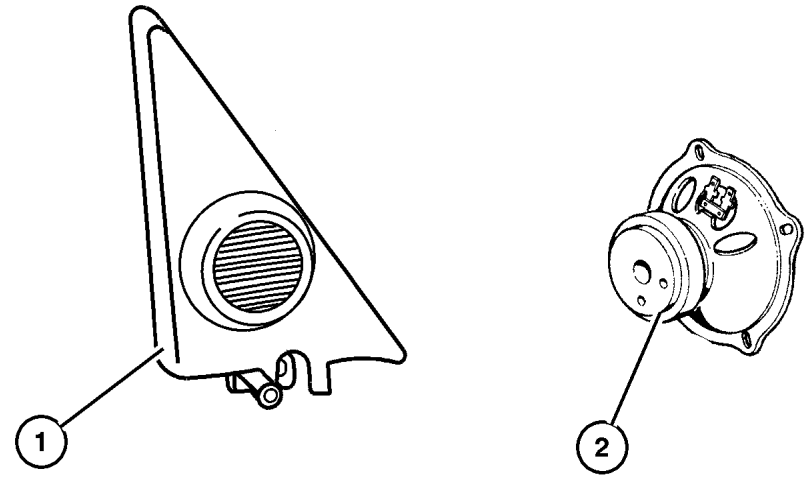
JEEP CHEROKEE (XJ)				
SERIES	LINE	BODY	ENGINE	TRANSMISSION
P=Classic	J=LHD (4WD)	74=4 Dr.(101.4WB)	ENC,EN0=2.5L 4 cyl. Turbo Die	DDD, DDQ=5 spd. Man.
S=Limited	U=RHD (4WD)	72=2 Dr.(101.4WB)	ERH,ER0=4.0L Power Tech I-6	DGS=4 spd. Auto. AISIN
H=Sport	T=LHD (2WD)		EPE,EP0=Magnum 2.5L SMPI	DG0=All Auto/Trans.
L=SE	B=RHD (2WD)			DBB=All Manual Trans.

AR = Use as required - = Non illustrated part # = New this model year

December 7, 2002

Speakers Figure 08A-320

ITEM	PART NUMBER	QTY	LINE	SERIES	BODY	ENGINE	TRANS	TRIM	DESCRIPTION
RCB=Two Speaker System									
RCD=Four Speaker System									
RCG=Six Premium Speaker System (Infinity)									
1									COVER, Mirror Opening
	5FM02 LAZAB	1							w/o Tweeter (Agate), Right
	5FM03 LAZAB	1							w/o Tweeter (Agate), Left
	5FV14 LAZAB	1							w/Tweeter (Agate), Right
	5FV15 LAZAB	1							w/Tweeter (Agate), Left
2									SPEAKER, Door
	56008 750AC	2							Premium RCG
	56008 751AD	2							Standard RCB=RCR
3	56009 936AA	1							WIRING, Headliner
4									SPEAKER, Sound Bar
	56008 754AB	2							Standard (5.25 Full Range)
	5600 8756	1							Premium (5.25 Coaxial)
5									GRILLE, Speaker
	5FY19 HW8AA	2							Quartz
	5FY19 RK5AA	2							Tan/Agate
-6	55352 694AA	AR							BRACKET, Speaker

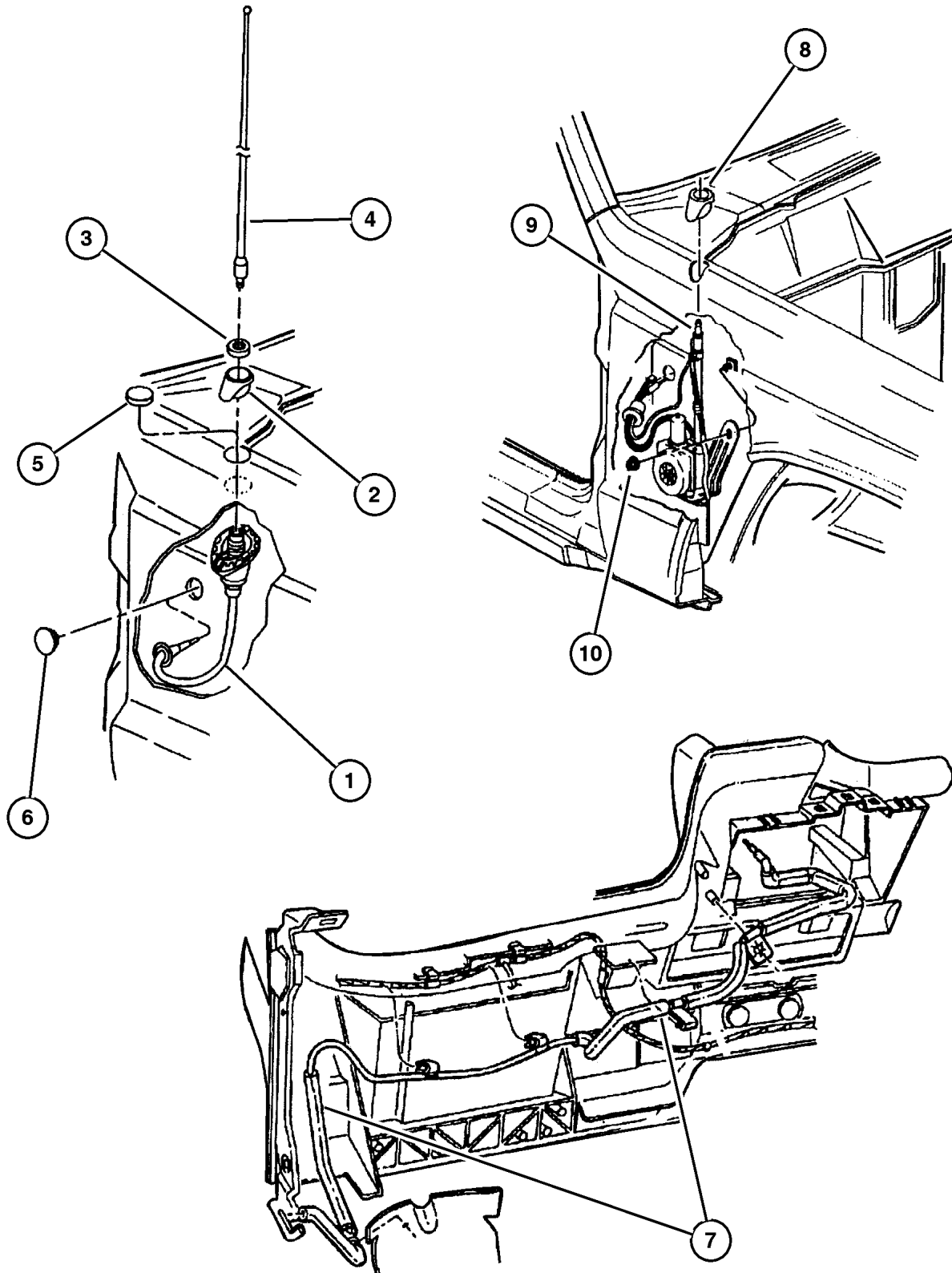


JEEP CHEROKEE (XJ)				
SERIES	LINE	BODY	ENGINE	TRANSMISSION
P=Classic	J=LHD (4WD)	74=4 Dr.(101.4WB)	ENC,EN0=2.5L 4 cyl. Turbo Die	DDD, DDQ=5 spd. Man.
S=Limited	U=RHD (4WD)	72=2 Dr.(101.4WB)	ERH,ER0=4.0L Power Tech I-6	DGS=4 spd. Auto. AISIN
H=Sport	T=LHD (2WD)		EPE,EP0=Magnum 2.5L SMPI	DG0=All Auto/Trans.
L=SE	B=RHD (2WD)			DBB=All Manual Trans.

AR = Use as required - = Non illustrated part # = New this model year December 7, 2002

Antenna Figure 08A-330

ITEM	PART NUMBER	QTY	LINE	SERIES	BODY	ENGINE	TRANS	TRIM	DESCRIPTION
1	56038 505AB	1							BASE, Antenna
2	56038 507AB	1							ESCUTCHEON, Antenna
3	56007 570AB	1							CAP NUT, Antenna
4	5600 8917	1							MAST, Antenna
5	5603 8506	1							PLUG, Antenna Hole
6	2860 332	1							PLUG, Anti-Rattle
7									CABLE, Antenna
	56038 508AD	1	J, T						
	56038 509AB	1	B, U						
8									GROMMET, Antenna Mounting
	56022 200AA	1	J, T						
		1	B, U						
9									ANTENNA
	56022 199AA	1	B, U						
		1	J, T						
10	6101 820	1							NUT, Hex Flange Lock



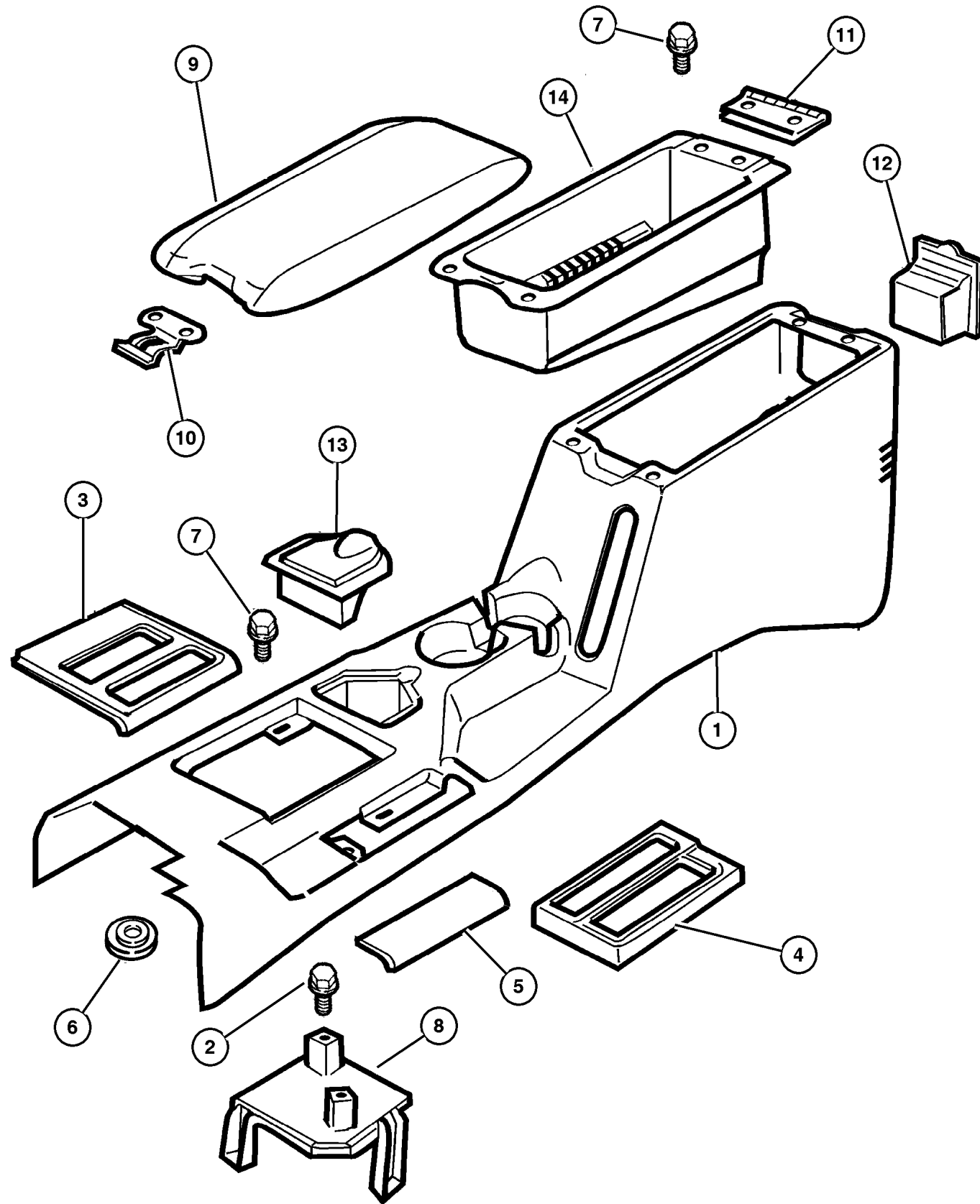
JEEP CHEROKEE (XJ)

SERIES	LINE	BODY	ENGINE	TRANSMISSION
P=Classic	J=LHD (4WD)	74=4 Dr.(101.4WB)	ENC,EN0=2.5L 4 cyl. Turbo Die	DDD, DDQ=5 spd. Man.
S=Limited	U=RHD (4WD)	72=2 Dr.(101.4WB)	ERH,ER0=4.0L Power Tech I-6	DGS=4 spd. Auto. AISIN
H=Sport	T=LHD (2WD)		EPE,EP0=Magnum 2.5L SMPI	DG0=All Auto/Trans.
L=SE	B=RHD (2WD)			DBB=All Manual Trans.

AR = Use as required - = Non illustrated part # = New this model year

December 7, 2002

Floor Console
Figure 08A-420



ITEM	PART NUMBER	QTY	LINE	SERIES	BODY	ENGINE	TRANS	TRIM	DESCRIPTION
1									CONSOLE, Base
	QX10 1K5AA	1							Tan/Agate
	QX10 LAZAA	1							Agate
2	0153 185	1							SCREW, .164-18x.500
3									BEZEL, Console PRNDL
	5EK03 LAZAB	1	J, T						(Agate) 4 Speed Automatic Transmission-Aisin Warner
	5EK07 LAZAB	1	B, U						(Agate) 4 Speed Automatic Transmission-Aisin Warner
	5GC35 LAZAB	1	J, T						(Agate) 3 Speed Automatic Transmission 30RH
	5GC36 LAZAB	1	B, U						(Agate) 3 Speed Automatic Transmission 30RH
4									BEZEL, Transfer Case
	5EK13 LAZAB	1	U						(Agate) w/242 Transfer Case-Select Trac
	5EK17 LAZAB	1	U						(Agate) w/231 Transfer Case-Command Trac
	5EL86 LAZAB	1	J						(Agate) w/242 Transfer Case-Select Trac
	5EL90 LAZAB	1	J						w/231 Transfer Case-Command Trac (Agate)
5									COVER, Transfer Case Lever Hole
	5EU6 6LAZ	1	B, T						(Agate)
	5EU6 6RK5	1	B, T						(Tan/Agate)
6									WASHER
	4798 118	1	J, U						
	6501 988	4							
7	6032 723	2							SCREW, Self Tapping, M4.2x1.69x19.05
8	55037 038AC	1							BRACKET, Floor Console
9									LID, Floor Console Bin
	5EJ50 LAZAD	1							Agate
	5EJ50 RK5AD	1							Tan/Agate
10	55037 537AA	1							LATCH, Armrest Lid
11	55352 505AB	1							HINGE, Floor Console Lid
12	5EK1 0LAZ	1							ASH RECEIVER, Floor Console, Agate (Rear Console)
13									ASH RECEIVER, Floor Console Agate (with Heated Seats) Front
	5GK66 LAZAA	1							Agate (without Heated Seats) Front
	5EB68 LAZAB	1							
14	5511 5523	1							BIN, Floor Console
-15									SWITCH, Heated Seat

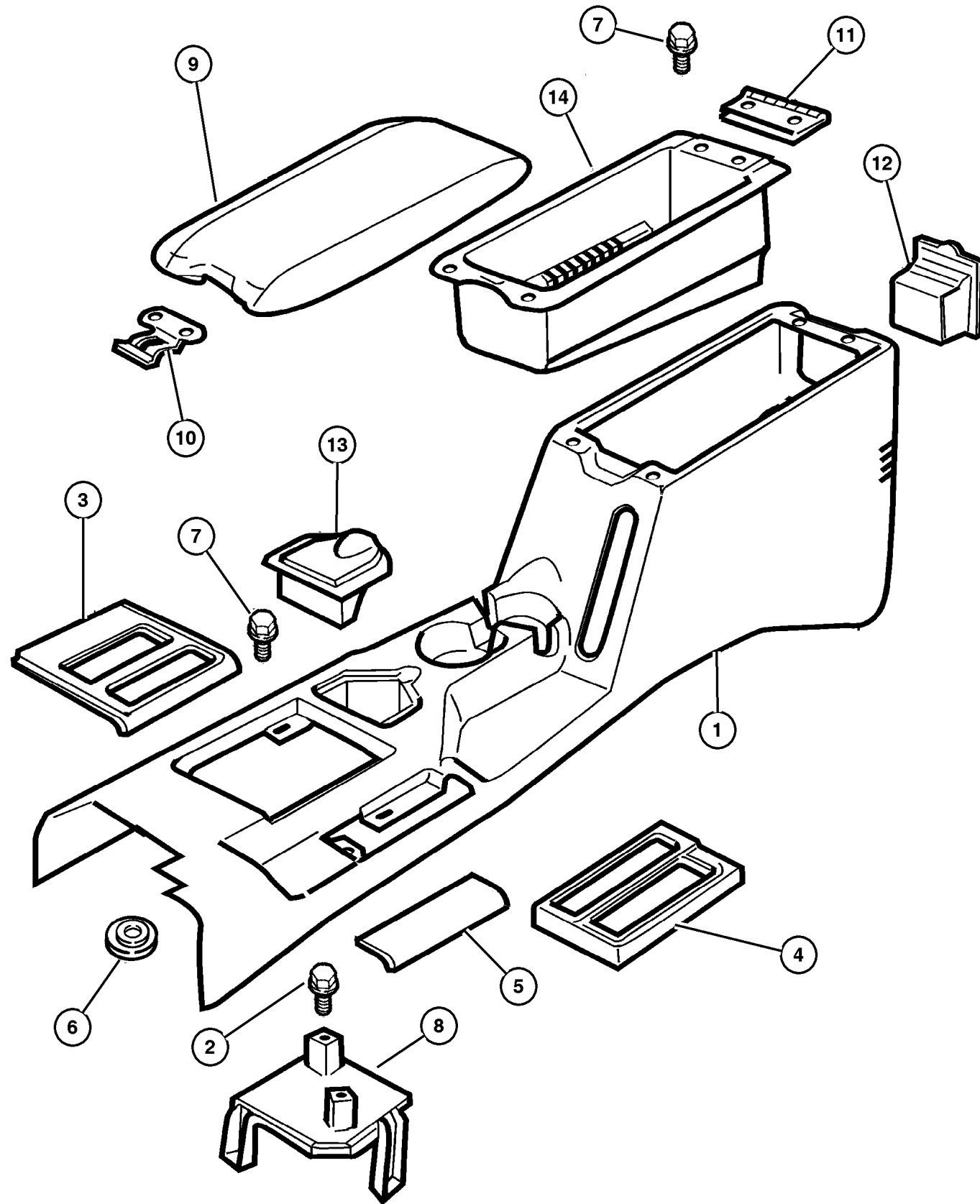
JEEP CHEROKEE (XJ)

SERIES	LINE	BODY	ENGINE	TRANSMISSION
P=Classic	J=LHD (4WD)	74=4 Dr.(101.4WB)	ENC,EN0=2.5L 4 cyl. Turbo Die	DDD, DDQ=5 spd. Man.
S=Limited	U=RHD (4WD)	72=2 Dr.(101.4WB)	ERH,ER0=4.0L Power Tech I-6	DGS=4 spd. Auto. AISIN
H=Sport	T=LHD (2WD)		EPE,EP0=Magnum 2.5L SMPI	DG0=All Auto/Trans.
L=SE	B=RHD (2WD)			DBB=All Manual Trans.

AR = Use as required - = Non illustrated part # = New this model year

December 7, 2002

Floor Console
Figure 08A-420



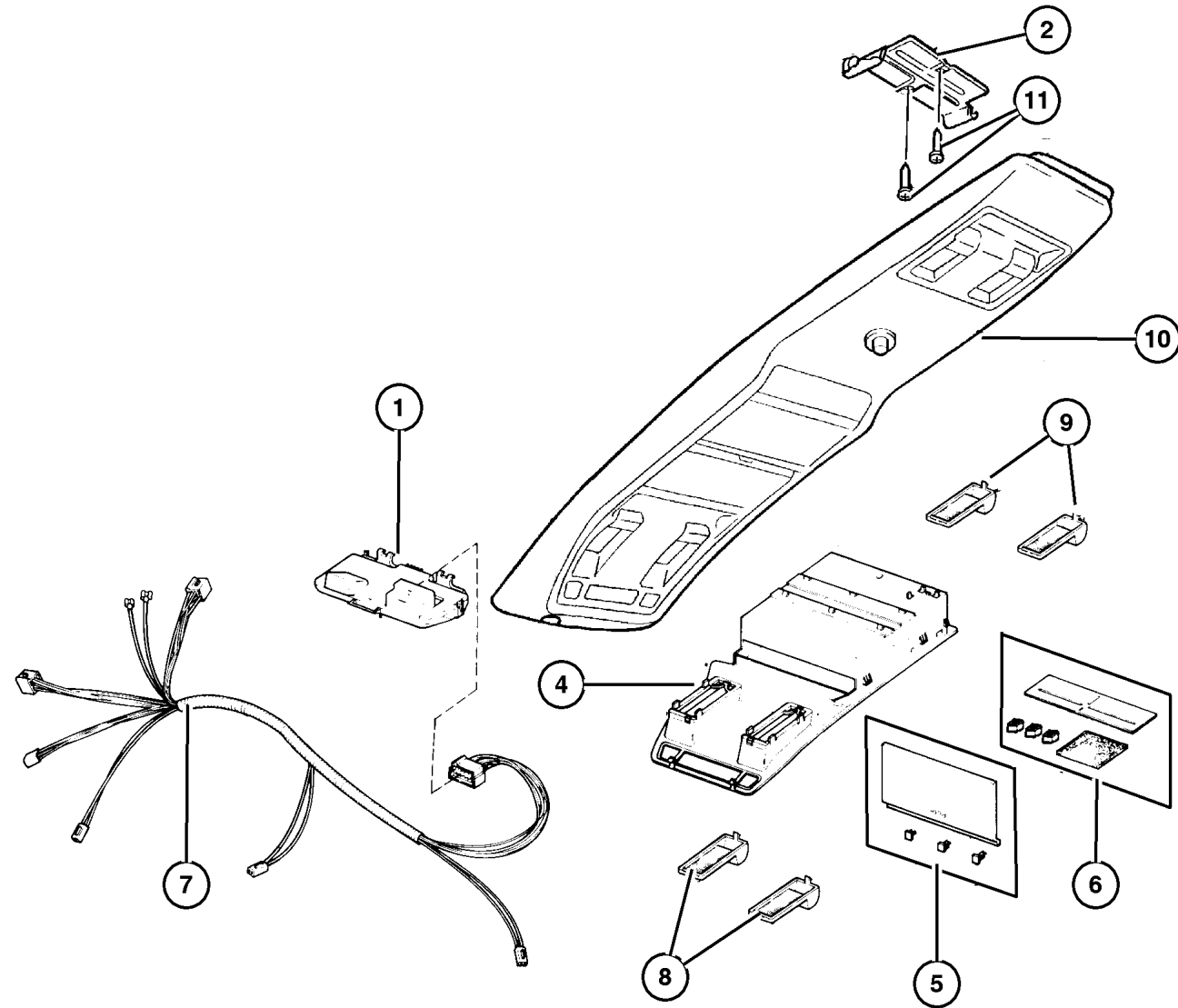
ITEM	PART NUMBER	QTY	LINE	SERIES	BODY	ENGINE	TRANS	TRIM	DESCRIPTION
	#56010 135AB	1							Right
	#56010 136AB	1							Left
-16	#5GH07 LAZAB	1							BEZEL, Floor Console Switch, Heated Seats (Agate)
-17	3420 1314	4			74				SCREW, Tapping Round Head, .164x18x1.232
-18	4524 343	2							BUMPER, Glove Box Door
-19	5503 7315	4	J, T						CLIP
-20	6034 833	2							CLIP, Push, .164-7.5
-21	55037 550AA	1							ASH RECEIVER, Smokers Package, Ash Receiver Cup

JEEP CHEROKEE (XJ)				
SERIES	LINE	BODY	ENGINE	TRANSMISSION
P=Classic	J=LHD (4WD)	74=4 Dr.(101.4WB)	ENC,EN0=2.5L 4 cyl. Turbo Die	DDD, DDQ=5 spd. Man.
S=Limited	U=RHD (4WD)	72=2 Dr.(101.4WB)	ERH,ER0=4.0L Power Tech I-6	DGS=4 spd. Auto. AISIN
H=Sport	T=LHD (2WD)		EPE,EP0=Magnum 2.5L SMPI	DG0=All Auto/Trans.
L=SE	B=RHD (2WD)			DBB=All Manual Trans.

AR = Use as required - = Non illustrated part # = New this model year

December 7, 2002

Overhead Console
Figure 08A-450



ITEM	PART NUMBER	QTY	LINE	SERIES	BODY	ENGINE	TRANS	TRIM	DESCRIPTION
1	56009 380AB	1							MODULE, Compass Temperature
2	55352 518AB	1							BRACKET, Overhead Console
-3									SCREW, Pan Head Tapping, .164-32x.625, (NOT SERVICED) (Not Serviced)
4	4761 436	1							HOUSING AND DOOR, Overhead Console
5	4761 965	1							DOOR, Garage Door Opener
6	4798 405	1							ADAPTER, Garage Door Button
7	4882 780	1							WIRING, Overhead Console, Lamp Switches & Bulb Housing Serviced Only w/Wiring Harness
8	5268 175	1							LENS, Reading Lamp
9									LENS, Reading Lamp
	5268 177	1							Left Rear
	5268 178	1							Right Rear
10									HOUSING, Overhead Console
	QL65 1K5	1							[K5] Without Immobilizer
	QL74 1K5	1							[K5] With Immobilizer
	QL74 1W8	1							[AZ] With Immobilizer
	QL65 1W8	1							[AZ] Without Immobilizer
11	3420 1197	2	B, U						RIVET, Blind, M3.17x10.00, Overhead Console Mounting

JEEP CHEROKEE (XJ)				
SERIES	LINE	BODY	ENGINE	TRANSMISSION
P=Classic	J=LHD (4WD)	74=4 Dr.(101.4WB)	ENC,EN0=2.5L 4 cyl. Turbo Die	DDD, DDQ=5 spd. Man.
S=Limited	U=RHD (4WD)	72=2 Dr.(101.4WB)	ERH,ER0=4.0L Power Tech I-6	DGS=4 spd. Auto. AISIN
H=Sport	T=LHD (2WD)		EPE,EP0=Magnum 2.5L SMPI	DG0=All Auto/Trans.
L=SE	B=RHD (2WD)			DBB=All Manual Trans.

AR = Use as required - = Non illustrated part # = New this model year

December 7, 2002

Group – 009

Engine Mounting

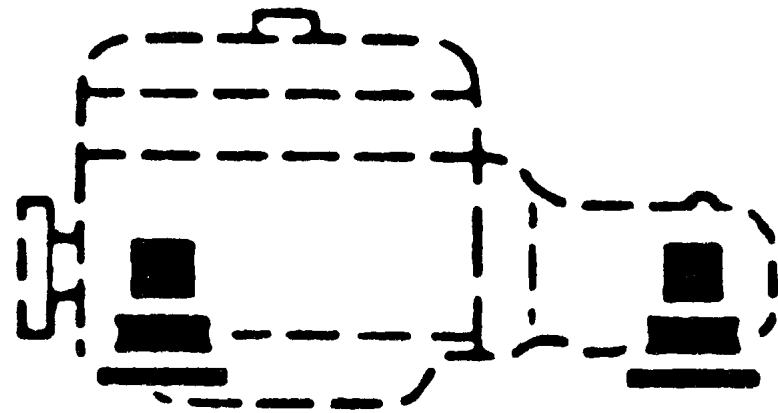
GROUP 9 - Engine Mounting

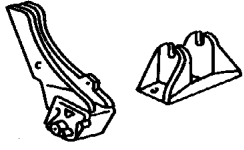
Illustration Title

Group-Fig. No.

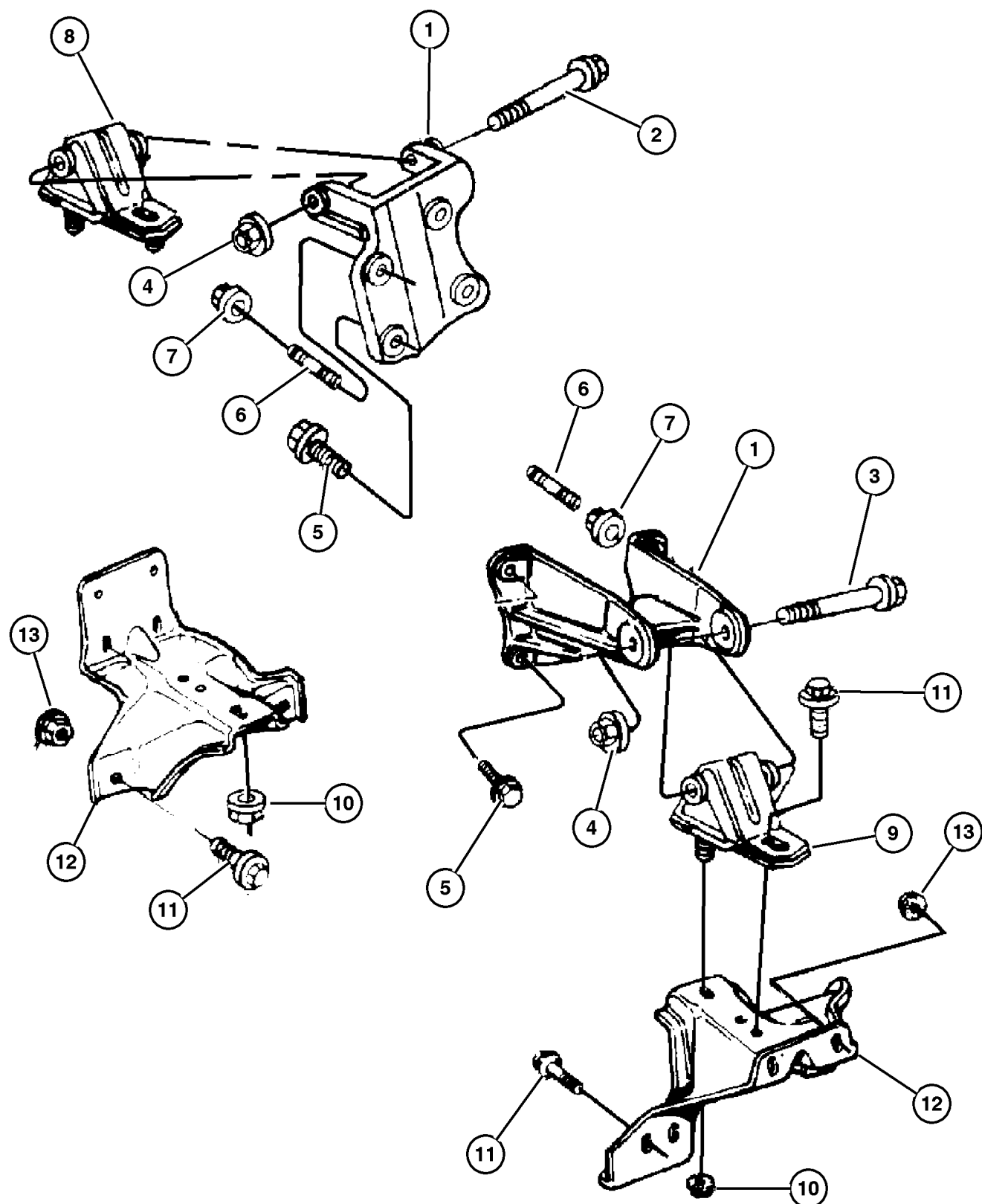
Engine Mounting

Engine Mounting, Front 2.5L (EPE) Engine	Fig. 009-110
Engine Mounting, Rear,	Fig. 009-120
Engine Mounting, Front 2.5L (ENC) Diesel Engine	Fig. 009-130
Engine Mounting, Rear 2.5L (ENC) Diesel Engine	Fig. 009-140
Engine Mounting, Front 4.0L (ERH) Engine	Fig. 009-150
Engine Mounting, Rear 4.0L (ERH) Engine	Fig. 009-160



<p>009-100 Engine Mounting</p> 			
---	--	--	--

**Engine Mounting, Front 2.5L (EPE) Engine
Figure 009-110**



ITEM	PART NUMBER	QTY	LINE	SERIES	BODY	ENGINE	TRANS	TRIM	DESCRIPTION
NOTE: EP0=All 2.5L Gas Engines, ERO= All 4.0L Gas Engines, DGD= 3 Speed Automatic Transmission, DBB= Manual Transmissions									
1	5201 7731	1	B, U			EP0	DBB		BRACKET, Engine Mount Right
	52018 450AB	1	J, T			EP0			Right
	52058 877AB	1	J, T			EP0			Left
	5206 0003	1	B, U			EP0	DBB		Left
2	6101 742	1	B, U			EP0			BOLT, Square Neck, M12x1.75x130, Right
3	3420 1959	1	B, U			EP0			BOLT, Hex Flange Head, M12-1.75x125, Left
4	6502 697	2							NUT, Hex Flange Lock, M12x1.75
5									SCREW, Hex Head, .375-16x1.125
	6036 176AA	5				EP0	DGD		
		4				EP0	DBB		
6	6033 883	3				EP0	DBB		STUD, .375-16x2.00"
		4				EP0	DGD		
7	0152 474	4				EP0	DGD		NUT, Hex Flange Lock, .375-16
		3				EP0	DBB		
8	J324 2728	1	B, U			EP0	DBB		INSULATOR, Engine Mount, Right
9	5200 7394	1	B, U			EP0	DBB		CUSHION, Engine Support, Left
10									NUT, Hex Flange, M10x1.5, (NOT SERVICED) (Not Serviced)
11	6504 511	2				EP0, ERO			SCREW AND WASHER, M10x1.5x40
12	5200 3005	1	B, U			EP0	DBB		BRACKET, Engine Mount Left
	52020 219AB	1	J, T			EP0			Left
	52059 010AB	1	J, T			EP0			Right
	5205 9030	1	B, U			EP0	DBB		Right
13	3420 1416	4				EP0			NUT, Hex Flange, M8x1.25

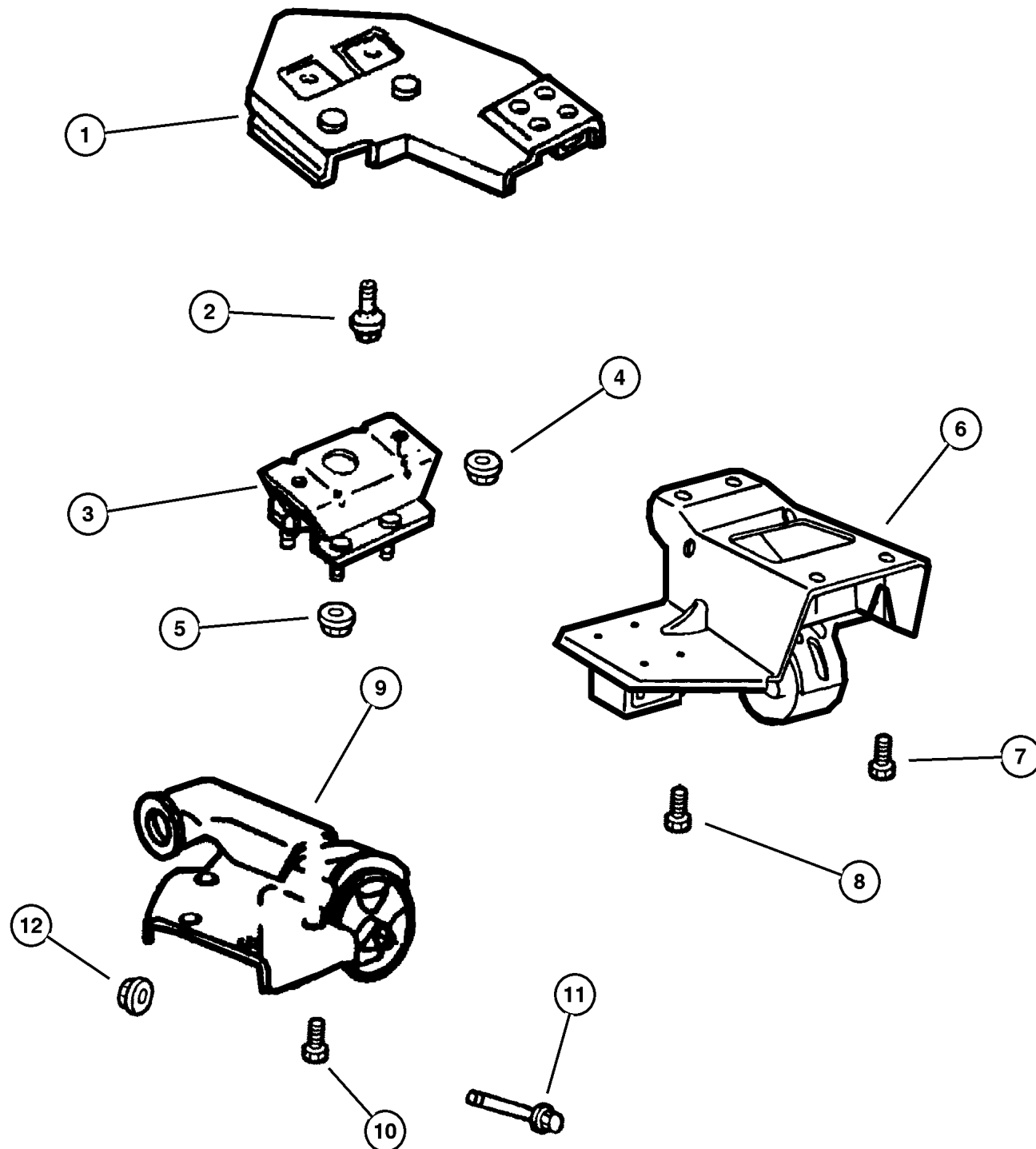
JEEP CHEROKEE (XJ)

SERIES	LINE	BODY	ENGINE	TRANSMISSION
P=Classic	J=LHD (4WD)	74=4 Dr.(101.4WB)	ENC,EN0=2.5L 4 cyl. Turbo Die	DDD, DDQ=5 spd. Man.
S=Limited	U=RHD (4WD)	72=2 Dr.(101.4WB)	ERH,ER0=4.0L Power Tech I-6	DGS=4 spd. Auto. AISIN
H=Sport	T=LHD (2WD)		EPE,EP0=Magnum 2.5L SMPI	DG0=All Auto/Trans.
L=SE	B=RHD (2WD)			DBB=All Manual Trans.

AR = Use as required - = Non illustrated part # = New this model year

December 7, 2002

Engine Mounting, Rear, Figure 009-120



ITEM	PART NUMBER	QTY	LINE	SERIES	BODY	ENGINE	TRANS	TRIM	DESCRIPTION
Note: EPO= All 2.5L Gas Engines, DGD= 3 Speed Automatic Transmissions, DBB= Manual Transmissions.									
1	52058 885AB	1	B, U			EPO	DBB		BRACKET, Support Rear
2									BOLT, (NOT SERVICED) (Not Serviced)
3	5200 1180	1	U			EPO	DBB		INSULATOR, Engine Mount
4	5200 7393	1	B			EPO	DBB		NUT, Hex Flange, M10x1.5, (NOT SERVICED) (Not Serviced)
5	6101 695	4							NUT, Hex Flange Lock, M8x1.25
6	52058 880AB	1	T			EPO	DGD		BRACKET, Transmission Mount
7	6033 358	2	J, T			EPO	DGD		SCREW AND WASHER, Hex Head Locking, .437-14x1.25
8	6028 606	2	T			EPO	DGD		SCREW AND WASHER, Hex Head Lock, .312-18x1.00
9									BRACKET, Transmission Mount
	52059 149AA	1	T			EPO	DBB		
	52059 150AA	1	J			EPO	DBB		
10									SCREW, .437-14x1.12, (NOT SERVICED) (Not Serviced)
11									BOLT, Hex Flange Head, M12x1.75x110
	6502 809	1	J, T			EPO	DGD		
		1	J, T			EPO	DBB		
12	6502 697	1							NUT, Hex Flange Lock, M12x1.75

JEEP CHEROKEE (XJ)

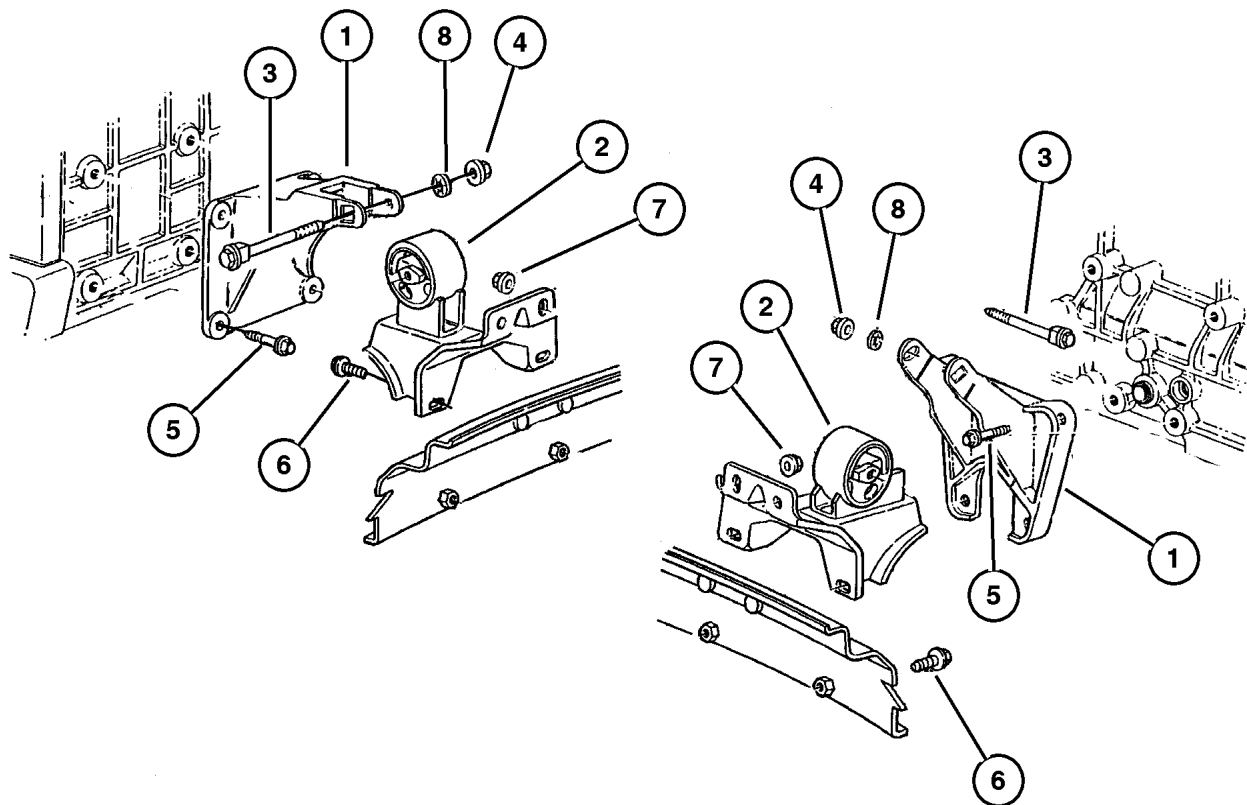
SERIES	LINE	BODY	ENGINE	TRANSMISSION
P=Classic	J=LHD (4WD)	74=4 Dr.(101.4WB)	ENC,EN0=2.5L 4 cyl. Turbo Die	DDD, DDQ=5 spd. Man.
S=Limited	U=RHD (4WD)	72=2 Dr.(101.4WB)	ERH,ER0=4.0L Power Tech I-6	DGS=4 spd. Auto. AISIN
H=Sport	T=LHD (2WD)		EPE,EPO=Magnum 2.5L SMPI	DG0=All Auto/Trans.
L=SE	B=RHD (2WD)			DBB=All Manual Trans.

AR = Use as required - = Non illustrated part # = New this model year

December 7, 2002

**Engine Mounting, Front 2.5L (ENC) Diesel Engine
Figure 009-130**

ITEM	PART NUMBER	QTY	LINE	SERIES	BODY	ENGINE	TRANS	TRIM	DESCRIPTION
NOTE: EN0=All 2.5L Diesel Engines DDB= Manual Transmission									
1	5205 9102	1				EN0			BRACKET, Engine Mount Left
	5205 9114	1				EN0			Right
2	52059 200AC	1				EN0			BRACKET, Engine Mount Right
	52059 201AC	1				EN0			Left
3	6101 742	2				EN0	DBB		BOLT, Square Neck, M12x1.75x130
4	6502 697	2							NUT, Hex Flange Lock, M12x1.75
5	6101 238	8				EN0			SCREW, Header Point, M10x1. 50x25.00
6	6504 511	4				EN0			SCREW AND WASHER, M10x1. 5x40
7	3420 1416	4				EN0			NUT, Hex Flange, M8x1.25
8									NUT, M12, (NOT SERVICED) (Not Serviced)



JEEP CHEROKEE (XJ)

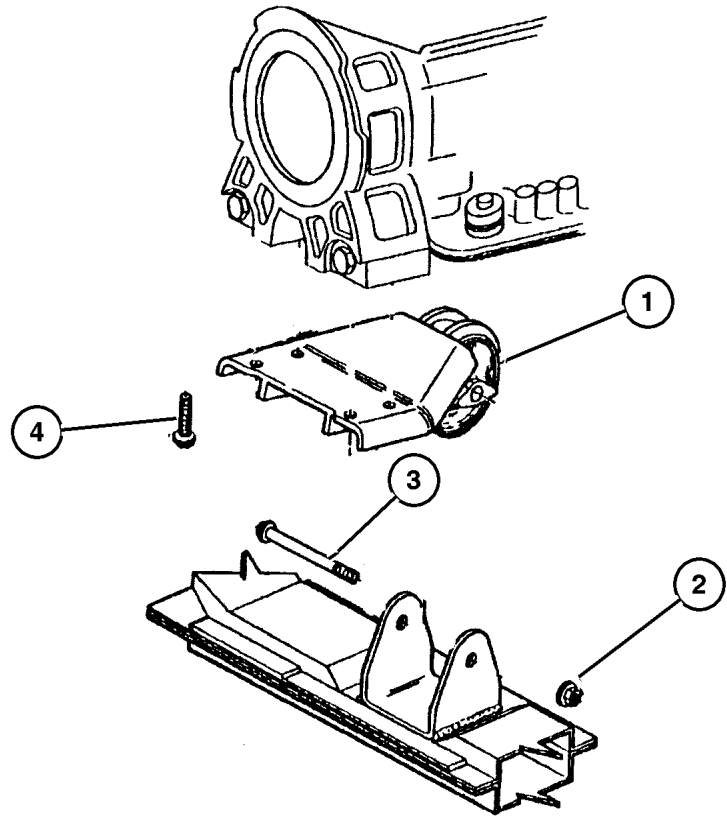
SERIES	LINE	BODY	ENGINE	TRANSMISSION
P=Classic	J=LHD (4WD)	74=4 Dr.(101.4WB)	ENC,EN0=2.5L 4 cyl. Turbo Die	DDD, DDQ=5 spd. Man.
S=Limited	U=RHD (4WD)	72=2 Dr.(101.4WB)	ERH,ER0=4.0L Power Tech I-6	DGS=4 spd. Auto. AISIN
H=Sport	T=LHD (2WD)		EPE,EP0=Magnum 2.5L SMPI	DG0=All Auto/Trans.
L=SE	B=RHD (2WD)			DBB=All Manual Trans.

AR = Use as required - = Non illustrated part # = New this model year

December 7, 2002

**Engine Mounting, Rear 2.5L (ENC) Diesel Engine
Figure 009-140**

ITEM	PART NUMBER	QTY	LINE	SERIES	BODY	ENGINE	TRANS	TRIM	DESCRIPTION
NOTE: ENC=2.5L Diesel Engine DDB= Manual Transmission									
1	5205 8539	1				ENC	DBB		ISOLATOR, Transmission Mount
2	6502 697	2							NUT, Hex Flange Lock, M12x1.75
3	3420 2606	1				ENC	DBB		BOLT, Hex Head
4									BOLT AND CONED WASHER, Hex Head, .437-14x1.12, (NOT SERVICED) (Not Serviced)



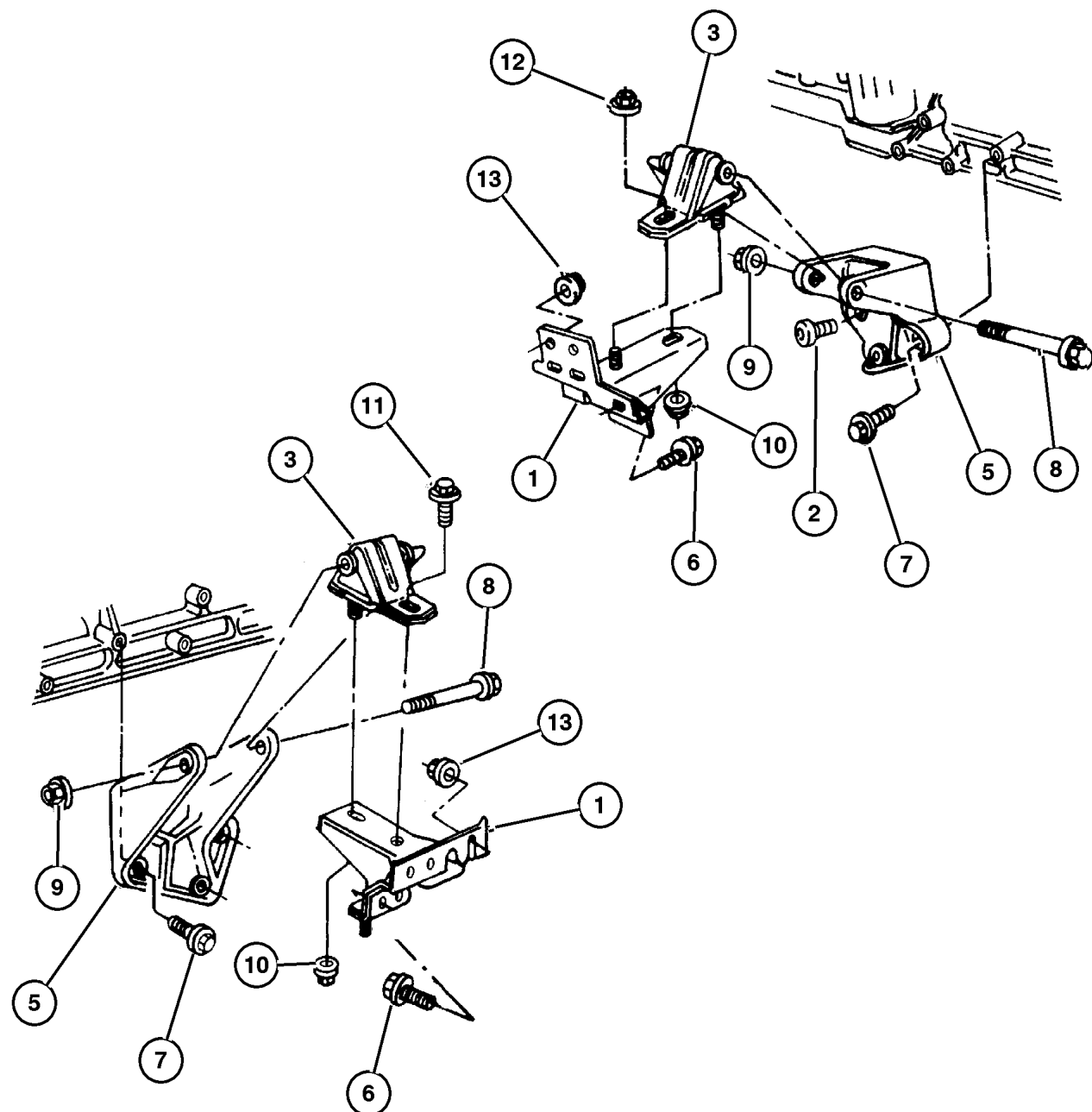
JEEP CHEROKEE (XJ)				
SERIES	LINE	BODY	ENGINE	TRANSMISSION
P=Classic	J=LHD (4WD)	74=4 Dr.(101.4WB)	ENC,EN0=2.5L 4 cyl. Turbo Die	DDD, DDQ=5 spd. Man.
S=Limited	U=RHD (4WD)	72=2 Dr.(101.4WB)	ERH,ER0=4.0L Power Tech I-6	DGS=4 spd. Auto. AISIN
H=Sport	T=LHD (2WD)		EPE,EP0=Magnum 2.5L SMPI	DG0=All Auto/Trans.
L=SE	B=RHD (2WD)			DBB=All Manual Trans.

AR = Use as required - = Non illustrated part # = New this model year

December 7, 2002

Engine Mounting, Front 4.0L (ERH) Engine Figure 009-150

ITEM	PART NUMBER	QTY	LINE	SERIES	BODY	ENGINE	TRANS	TRIM	DESCRIPTION
NOTE: ER0=All 4.0L Engines, EPO= All 2.5L Gas Engines									
1									BRACKET, Engine Mount
	52002 603AC	1				ER0			Left
	52019 010AC	1	J, T			ER0			Right
	52058 424AC	1	B, U			ER0			Right
2	6036 176AA	1				ER0			SCREW, Hex Head, .375-16x1.125
3									CUSHION, Engine Support
	#52019 201AC	2	J, T			ER0			
		1	B, U			ER0			
-4	5202 0018	1	B, U			ER0			INSULATOR, Engine Mount, Left
5									BRACKET, Engine Mount
	5202 0270	1				ER0			Right
	5200 2607	1				ER0			Left
6	6504 511	2				EP0,			SCREW AND WASHER, M10x1.
						ER0			5x40
7	6036 176AA	5				ER0			SCREW, Hex Head, .375-16x1.125
8	#6505 713AA	2				ER0			BOLT
9	6502 697	2							NUT, Hex Flange Lock, M12x1.75
10									NUT, M10x1.50, (NOT SERVICED) (Not Serviced)
11	6504 511	2				EP0,			SCREW AND WASHER, M10x1.
						ER0			5x40
12	6502 135	1	J, T			ER0			NUT, Hex Flange, M10x1.5
13	3420 1416	3				ER0			NUT, Hex Flange, M8x1.25



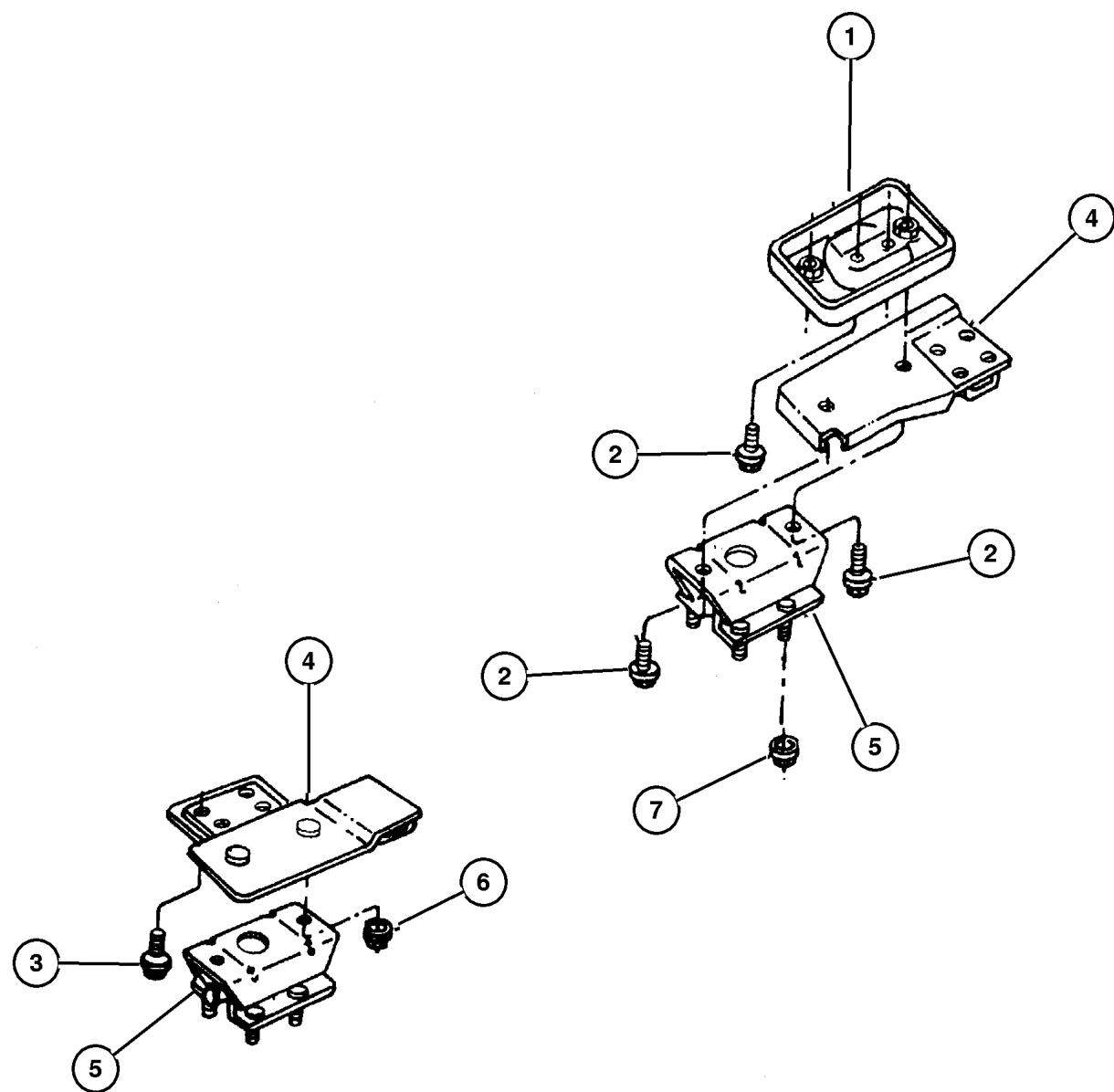
JEEP CHEROKEE (XJ)

SERIES	LINE	BODY	ENGINE	TRANSMISSION
P=Classic	J=LHD (4WD)	74=4 Dr.(101.4WB)	ENC,EN0=2.5L 4 cyl. Turbo Die	DDD, DDQ=5 spd. Man.
S=Limited	U=RHD (4WD)	72=2 Dr.(101.4WB)	ERH,ER0=4.0L Power Tech I-6	DGS=4 spd. Auto. AISIN
H=Sport	T=LHD (2WD)		EPE,EP0=Magnum 2.5L SMPI	DG0=All Auto/Trans.
L=SE	B=RHD (2WD)			DBB=All Manual Trans.

AR = Use as required - = Non illustrated part # = New this model year

December 7, 2002

Engine Mounting, Rear 4.0L (ERH) Engine Figure 009-160



ITEM	PART NUMBER	QTY	LINE	SERIES	BODY	ENGINE	TRANS	TRIM	DESCRIPTION
NOTE: ER0=All 4.0L Engines, DBB= Manual Transmissions, DG0=All Automatic Transmissions									
1	5200 2337	1	B, T			ER0	DG0		BRACKET, Engine Mount
2	5201 7887	2	B, T			ER0	DG0		BOLT, Hex Flange Head, M12x1.75x25
3									BOLT, Hex Head, .437-14x1.25, (NOT SERVICED) (Not Serviced)
4									BRACKET, Transmission Mount
	52058 882AB	1				ER0	DG0		
	52058 883AB	1				ER0	DBB		
5	52059 347AA	1				ER0			INSULATOR, Engine Mount
6	6502 697	2							NUT, Hex Flange Lock, M12x1.75
7	6101 695	4				ER0			NUT, Hex Flange Lock, M8x1.25

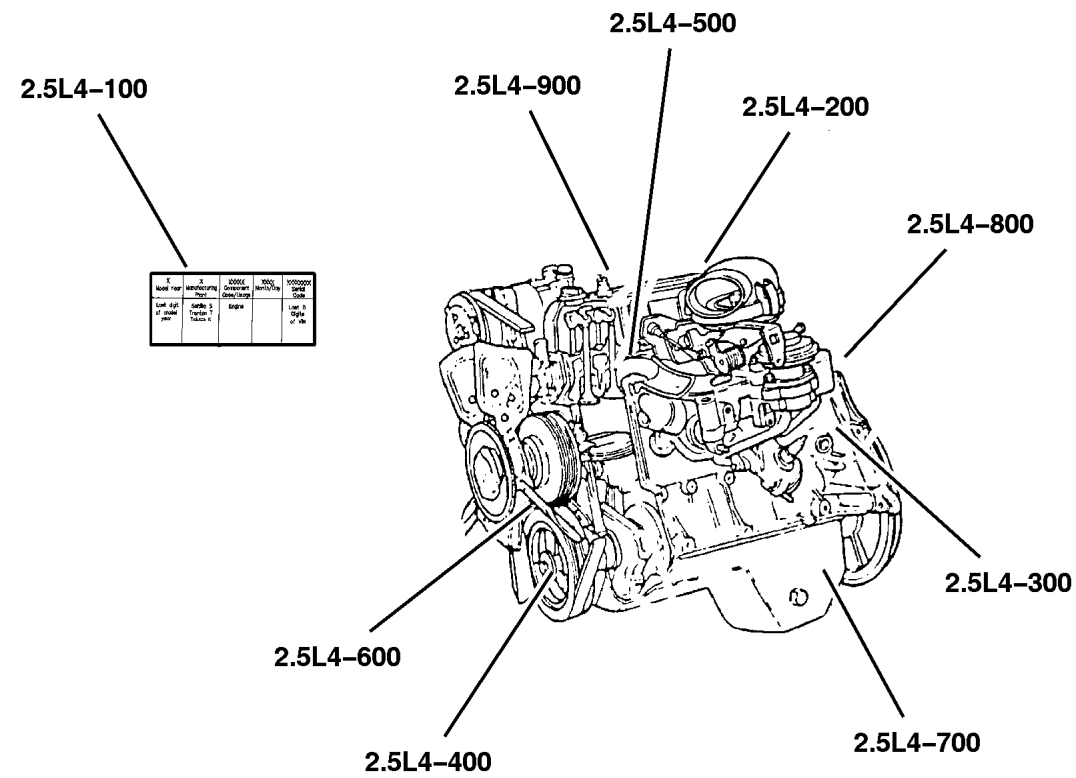
JEEP CHEROKEE (XJ)				
SERIES	LINE	BODY	ENGINE	TRANSMISSION
P=Classic	J=LHD (4WD)	74=4 Dr.(101.4WB)	ENC,EN0=2.5L 4 cyl. Turbo Die	DDD, DDQ=5 spd. Man.
S=Limited	U=RHD (4WD)	72=2 Dr.(101.4WB)	ERH,ER0=4.0L Power Tech I-6	DGS=4 spd. Auto. AISIN
H=Sport	T=LHD (2WD)		EPE,EP0=Magnum 2.5L SMPI	DG0=All Auto/Trans.
L=SE	B=RHD (2WD)			DBB=All Manual Trans.

AR = Use as required - = Non illustrated part # = New this model year December 7, 2002

Group – 2.5L4

Engine 2.5L Four Cylinder

GROUP 2.5L4 - Engine 2.5L Four Cylinder



Part No.	Part Name	Quantity	Notes
2.5L4-100	Timing Belt and Cover	1	
2.5L4-200	Cylinder Head	1	
2.5L4-300	Cylinder Block	1	
2.5L4-400	Crankshaft, Piston and Drive Plate	1	
2.5L4-500	Camshafts & Valves	1	
2.5L4-600	Timing Belt and Cover	1	
2.5L4-700	Engine Oiling	1	
2.5L4-800	Manifolds	1	
2.5L4-900	Crankcase Ventilation	1	

Illustration Title

Group-Fig. No.

Cylinder Head

Cylinder Head 2.5L (EPE) Engine Fig. 2.5L4-210

Cylinder Block

Cylinder Block 2.5L (EPE) Engine Fig. 2.5L4-310

Crankshaft, Piston and Drive Plate

Crankshaft, Piston and Torque Converter 2.5L (EPE) Engine Fig. 2.5L4-410

Camshafts & Valves

Camshaft and Valves 2.5L (EPE) Engine Fig. 2.5L4-510

Timing Belt and Cover

Timing Cover 2.5L (EPE) Engine Fig. 2.5L4-610

Engine Oiling

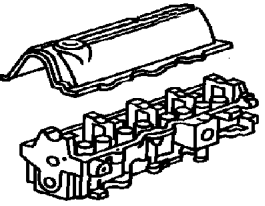
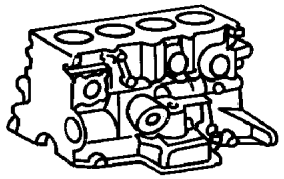
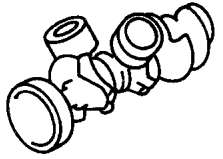
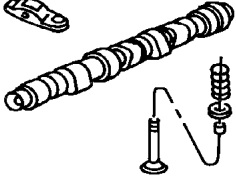
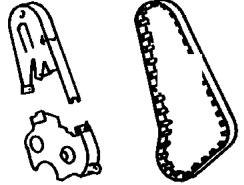
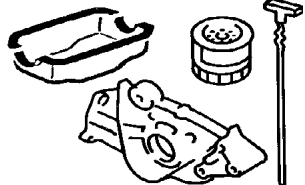
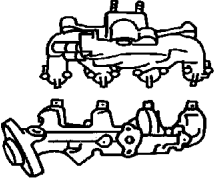
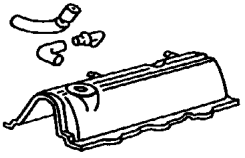
Engine Oiling 2.5L (EPE) Engine Fig. 2.5L4-710

Manifolds

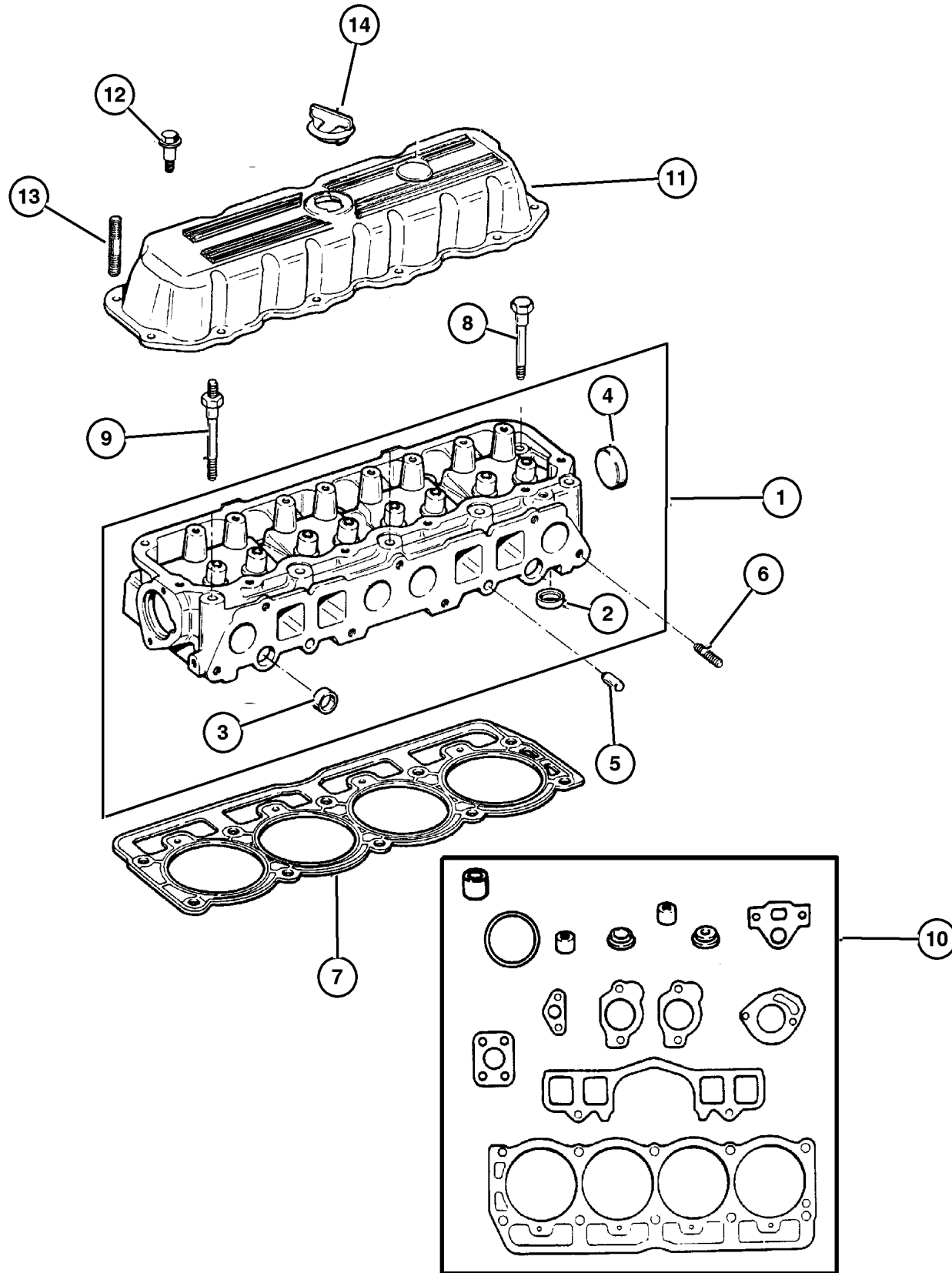
Manifold, Intake and Exhaust 2.5L (EPE) Engine Fig. 2.5L4-810

Crankcase Ventilation

Crankcase Ventilation 2.5L (EPE) Engine Fig. 2.5L4-910

2.5L4-200 Cylinder Head 	2.5L4-300 Cylinder Block 	2.5L4-400 Crankshaft, Piston and Drive Plate 	2.5L4-500 Camshafts & Valves 
2.5L4-600 Timing Belt and Cover 	2.5L4-700 Engine Oiling 	2.5L4-800 Manifolds 	2.5L4-900 Crankcase Ventilation 

**Cylinder Head 2.5L (EPE) Engine
Figure 2.5L4-210**



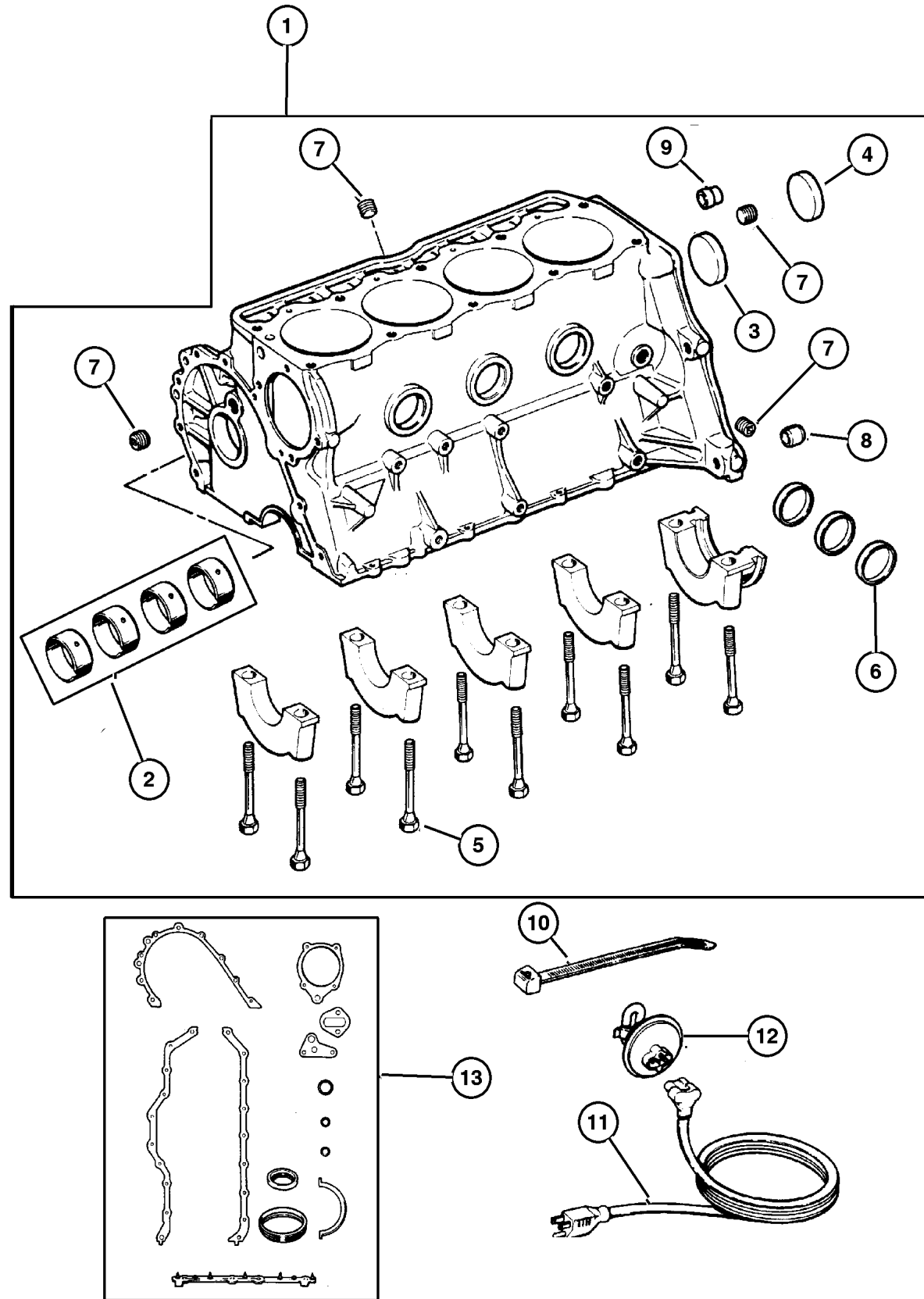
ITEM	PART NUMBER	QTY	LINE	SERIES	BODY	ENGINE	TRANS	TRIM	DESCRIPTION
NOTE: EP0=All 2.5L Gas Engines, ERO= All 4.0L Gas Engines									
1	33007 115AB	1				EP0			HEAD, Cylinder
2	3300 7142	4				EP0			SEAT, Exhaust Valve
3	J317 2319	4				EP0			PLUG, Cylinder Block Oil Hole
4	J310 5394	1				EP0			PLUG, Cylinder Block Oil Hole
5	J317 2318	2				EP0, ER0			DOWEL, Cylinder Head To Intake
6	6036 193AA	2				EP0, ER0			STUD, .375-16/.375-24x1.75
7	53009 549AB	1				EP0			GASKET, Cylinder Head
8	6035 514	5				EP0			BOLT, Cylinder Head
9	6035 516	4				EP0			STUD, Double Ended, .50-13/.437-14x6.00
10	4798 992AC	1				EP0			GASKET PACKAGE, Engine
11	53010 428AB	1				EP0			COVER, Cylinder Head
12	6035 566	1				EP0			BOLT, Hex Flange Head, .250-20x1.00
13	6035 968AA	10				EP0			STUD, .250-20x2.00
14	5302 0555	1				EP0			CAP, Oil Filler

JEEP CHEROKEE (XJ)				
SERIES	LINE	BODY	ENGINE	TRANSMISSION
P=Classic	J=LHD (4WD)	74=4 Dr.(101.4WB)	ENC,EN0=2.5L 4 cyl. Turbo Die	DDD, DDQ=5 spd. Man.
S=Limited	U=RHD (4WD)	72=2 Dr.(101.4WB)	ERH,ER0=4.0L Power Tech I-6	DGS=4 spd. Auto. AISIN
H=Sport	T=LHD (2WD)		EPE,EP0=Magnum 2.5L SMPI	DG0=All Auto/Trans.
L=SE	B=RHD (2WD)			DBB=All Manual Trans.

AR = Use as required - = Non illustrated part # = New this model year

December 7, 2002

**Cylinder Block 2.5L (EPE) Engine
Figure 2.5L4-310**



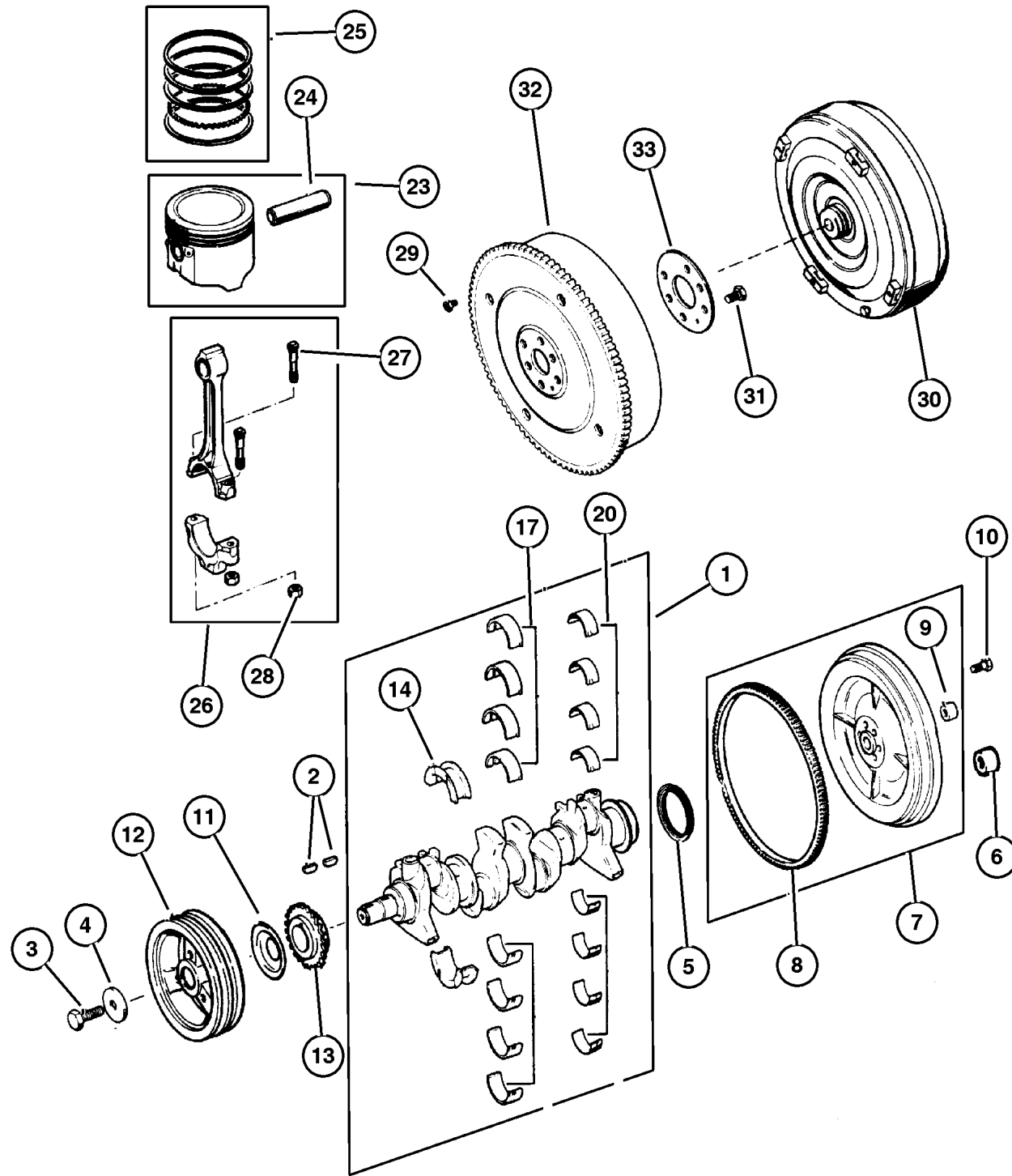
ITEM	PART NUMBER	QTY	LINE	SERIES	BODY	ENGINE	TRANS	TRIM	DESCRIPTION
NOTE: EP0=All 2.5L Gas Engines									
1	4856 744	1				EP0			BLOCK, Short
2	4636 985AB	1				EP0			BEARING PACKAGE, Camshaft, Standard Size
3	J317 2313	1				EP0			PLUG, Camshaft
4	5302 0465	1				EP0			PLUG, Cylinder Block
5	J400 6948	10				EP0			BOLT, Hex Head, .50-13x2.97
6	J400 6580	3				EP0			PLUG, Cylinder Block Oil Hole
7	6034 166	3				EP0			PLUG, Cylinder Block Oil Hole
8	J400 6953	1				EP0			DOWEL, Block To Cylinder Head
9	J324 1332	1				EP0			DOWEL, Clutch Housing To Block
10	J369 3058	1	U						STRAP, Retaining
		1	J						
11	5300 0878	1				EP0			CORD, Engine Block Heater
12	8230 0749	1				EP0			HEATER KIT, Engine Block
13	4713 023AC	1				EP0			GASKET PACKAGE, Engine

JEEP CHEROKEE (XJ)				
SERIES	LINE	BODY	ENGINE	TRANSMISSION
P=Classic	J=LHD (4WD)	74=4 Dr.(101.4WB)	ENC,EN0=2.5L 4 cyl. Turbo Die	DDD, DDQ=5 spd. Man.
S=Limited	U=RHD (4WD)	72=2 Dr.(101.4WB)	ERH,ER0=4.0L Power Tech I-6	DGS=4 spd. Auto. AISIN
H=Sport	T=LHD (2WD)		EPE,EP0=Magnum 2.5L SMPI	DG0=All Auto/Trans.
L=SE	B=RHD (2WD)			DBB=All Manual Trans.

AR = Use as required - = Non illustrated part # = New this model year

December 7, 2002

Crankshaft, Piston and Torque Converter 2.5L (EPE) Engine Figure 2.5L4-410



ITEM	PART NUMBER	QTY	LINE	SERIES	BODY	ENGINE	TRANS	TRIM	DESCRIPTION
------	-------------	-----	------	--------	------	--------	-------	------	-------------

NOTE: EP0=All 2.5L Gas Engines, ERO= All 4.0L Gas Engines, DBB=All Manual Transmissions
DGO= All Automatic Transmissions, DGD= 3 Speed Automatic Transmissions

1	#4713 051AB	1				EP0			CRANKSHAFT
2	6034 749	1				EP0, ER0			KEY, Crankshaft Sprocket
3	0182 776	1				EP0, ER0			BOLT
4	J323 0155	1				EP0, ER0			WASHER, Plain
5	3300 4143	1				EP0			SEAL, Rear Main Crankshaft
6	5211 7830	1				EP0	DGO		ADAPTER, Torque Converter
7	5302 0578	1				EP0	DBB		FLYWHEEL
8	J324 1718	1				EP0	DBB		GEAR, Ring
9	J325 0005	1				EP0	DBB		BEARING, Pilot
10	J400 7123	6				EP0	DBB		BOLT, Flywheel
11	J317 3076	1				EP0, ER0			SLINGER, Oil
12	3300 2879	1				EP0			DAMPER, Crankshaft
13	3300 4020	1				EP0			GEAR, Crankshaft
14	8350 7084	1				EP0, ER0			BEARING PACKAGE, Crankshaft Thrust, Standard Size
-15	8350 7086	AR				EP0, ER0			BEARING PACKAGE, Crankshaft Thrust, .001" Undersize
-16	8350 7090	AR				EP0, ER0			BEARING PACKAGE, Crankshaft Thrust, .010" Undersize
17	8350 7079	4				EP0			BEARING PACKAGE, Crankshaft, Standard
-18	8350 7080	AR				EP0, ER0			BEARING PACKAGE, Crankshaft, .001 Undersize
-19	8350 7083	AR				EP0, ER0			BEARING PACKAGE, Crankshaft, .010 Undersize
20	8350 0300	8				EP0			BEARING KIT, Connecting Rod, Standard
-21	8350 1397	AR				EP0, ER0			BEARING KIT, Connecting Rod, .001 Undersize
-22	8350 0301	AR				EP0, ER0			BEARING KIT, Connecting Rod, .010 Undersize
23									PISTON PIN AND ROD
	4798 329	4				EP0			B Size, 3.8742
	4798 330	4				EP0			C Size, 3.8746
	4798 331	4				EP0			D Size, 3.8750
	4798 332	4				EP0			E Size, 3.8754

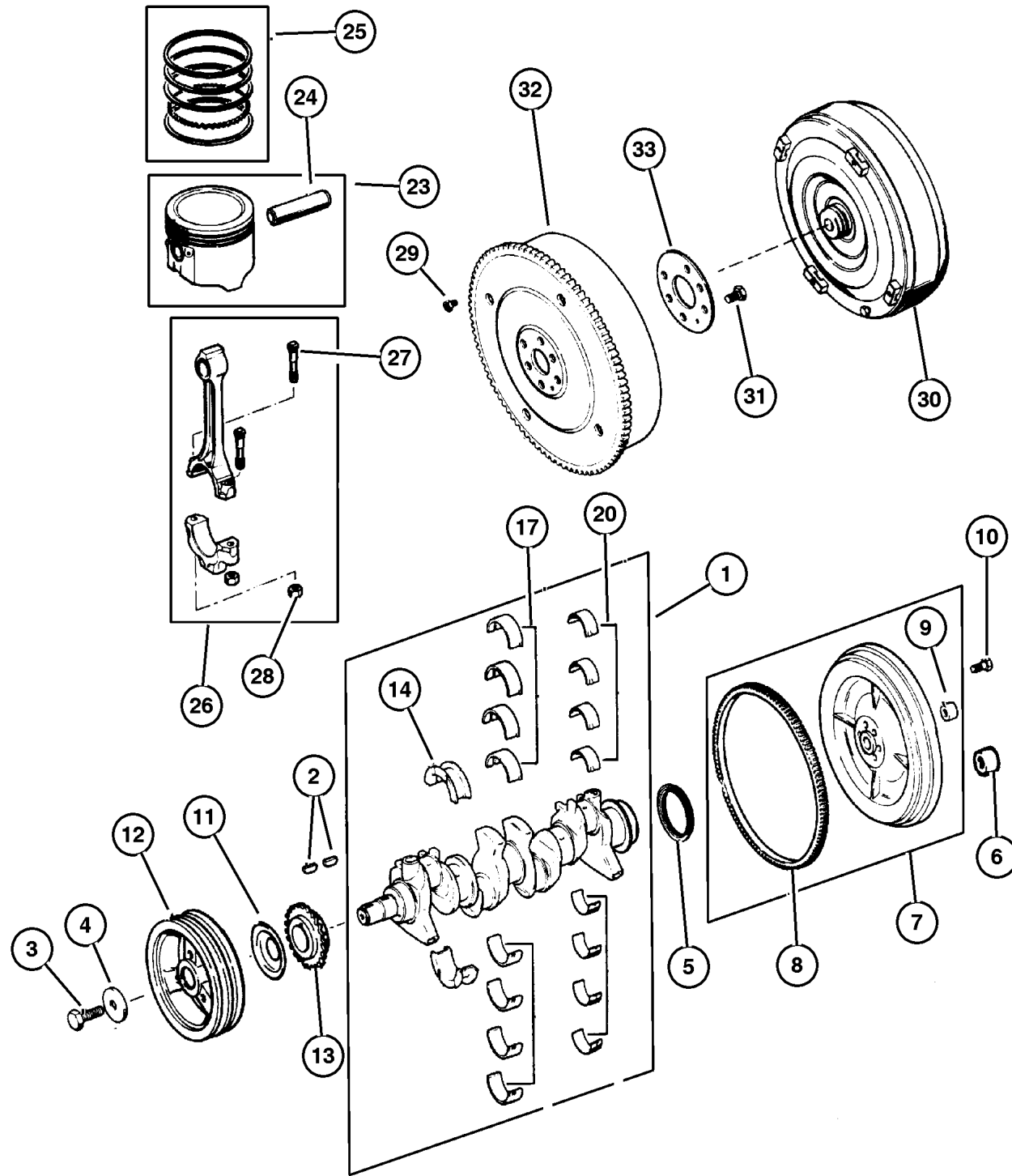
JEEP CHEROKEE (XJ)

SERIES	LINE	BODY	ENGINE	TRANSMISSION
P=Classic	J=LHD (4WD)	74=4 Dr.(101.4WB)	ENC,EN0=2.5L 4 cyl. Turbo Die	DDD, DDQ=5 spd. Man.
S=Limited	U=RHD (4WD)	72=2 Dr.(101.4WB)	ERH,ER0=4.0L Power Tech I-6	DGS=4 spd. Auto. AISIN
H=Sport	T=LHD (2WD)		EPE,EP0=Magnum 2.5L SMPI	DGO=All Auto/Trans.
L=SE	B=RHD (2WD)			DBB=All Manual Trans.

AR = Use as required - = Non illustrated part # = New this model year

December 7, 2002

**Crankshaft, Piston and Torque Converter 2.5L (EPE) Engine
Figure 2.5L4-410**



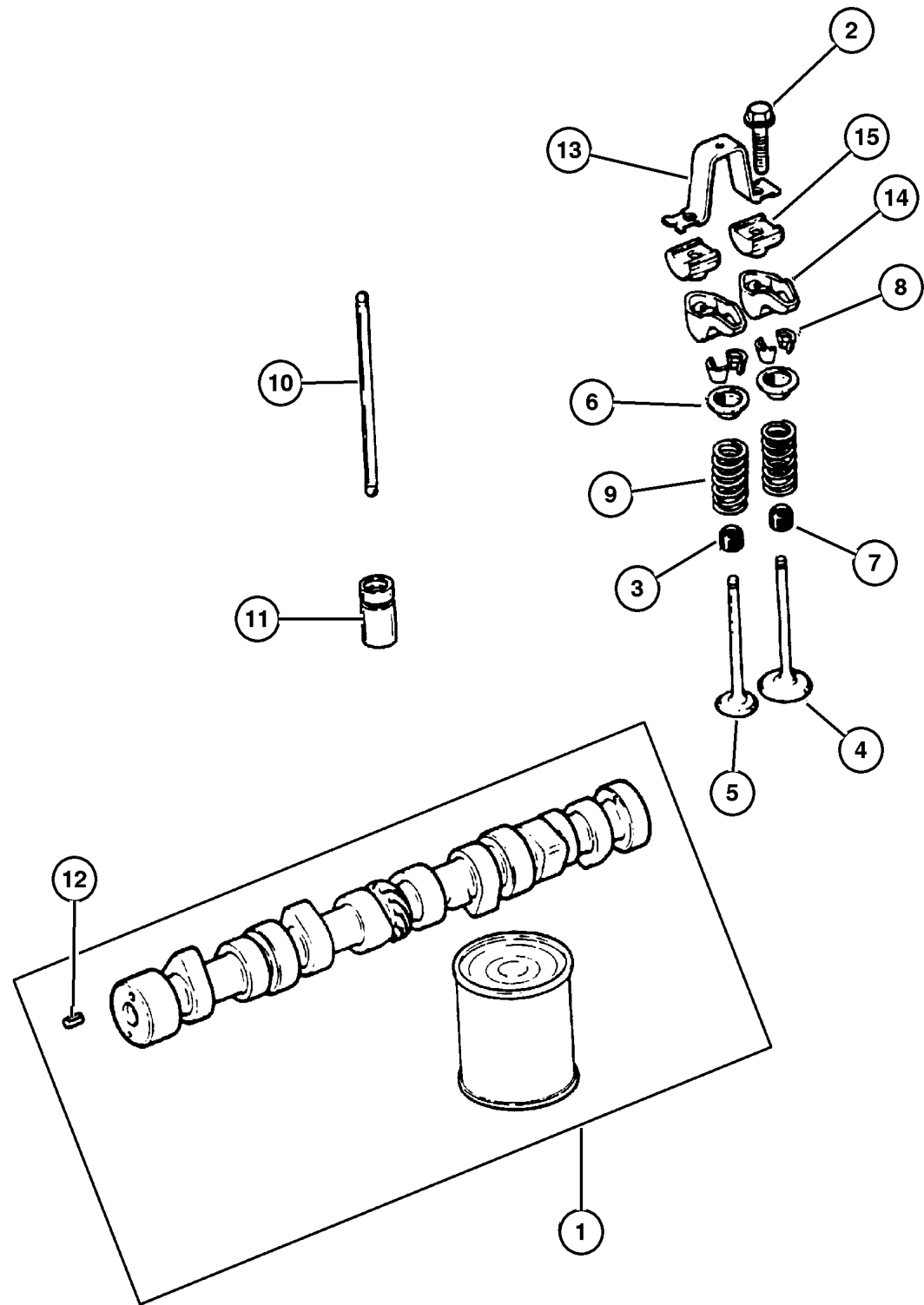
ITEM	PART NUMBER	QTY	LINE	SERIES	BODY	ENGINE	TRANS	TRIM	DESCRIPTION
	4798 333	4				EP0			F Size, 3.8758
24									PIN, Piston, Serviced in Piston Assembly, (NOT SERVICED) (Not Serviced)
25	4798 324	1				EP0			RING PACKAGE, Piston, Standard Size Complete Engine
26									ROD, Connecting, Serviced in Piston Assembly, (NOT SERVICED) (Not Serviced)
27	5302 0123	8				EP0			BOLT, Connecting Rod
28	J400 6385	8				EP0			NUT, Hex Flange, .3437-24
29	6501 099	4				EP0	DGD		BOLT, Hex Head, M10x1.50 x 13.20
30	4736 388AB	1				EP0	DGD		CONVERTER, Torque
31	6034 780	6				EP0	DG0		BOLT, Hex Head, .437-24x1.20
32	5210 4139	1				EP0	DG0		PLATE, Torque Converter Drive
33	5211 7830	1				EP0	DG0		ADAPTER, Torque Converter

JEEP CHEROKEE (XJ)				
SERIES	LINE	BODY	ENGINE	TRANSMISSION
P=Classic	J=LHD (4WD)	74=4 Dr.(101.4WB)	ENC,EN0=2.5L 4 cyl. Turbo Die	DDD, DDQ=5 spd. Man.
S=Limited	U=RHD (4WD)	72=2 Dr.(101.4WB)	ERH,ER0=4.0L Power Tech I-6	DGS=4 spd. Auto. AISIN
H=Sport	T=LHD (2WD)		EPE,EP0=Magnum 2.5L SMPI	DG0=All Auto/Trans.
L=SE	B=RHD (2WD)			DBB=All Manual Trans.

AR = Use as required - = Non illustrated part # = New this model year

December 7, 2002

Camshaft and Valves 2.5L (EPE) Engine Figure 2.5L4-510



ITEM	PART NUMBER	QTY	LINE	SERIES	BODY	ENGINE	TRANS	TRIM	DESCRIPTION
NOTE: EP0=All 2.5L Gas Engines									
1	5302 0497	1				EP0			CAMSHAFT, Engine
2	J942 5708	8				EP0			BOLT, Hex Flange Head, .312-18x1.25
3	5300 9887	4				EP0			SEAL, Valve Guide, Standard
4	53010 512AA	6				ER0			VALVE, Intake, Standard
5	53010 513AA	4				EP0			VALVE, Exhaust, Standard
6	53010 514AA	8				EP0			RETAINER, Valve Spring
7	5300 9886	4				EP0			SEAL, Valve Guide
8	53010 515AA	16				EP0			LOCK, Valve Spring Retainer
9	5301 0388	8				EP0			SPRING, Valve
10	J324 1709	8				EP0			PUSH ROD, FRONT SUSPENSION
11	4740 269	8				EP0			TAPPET, Valve
12	J045 6384	1				EP0			DOWEL, Camshaft Sprocket
13	J323 6513	4				EP0			BRIDGE, Rocker Arm
14	J324 2393	8				EP0			ROCKER ARM, Valve
15	J323 5090	8				EP0			PIVOT, Rocker Arm

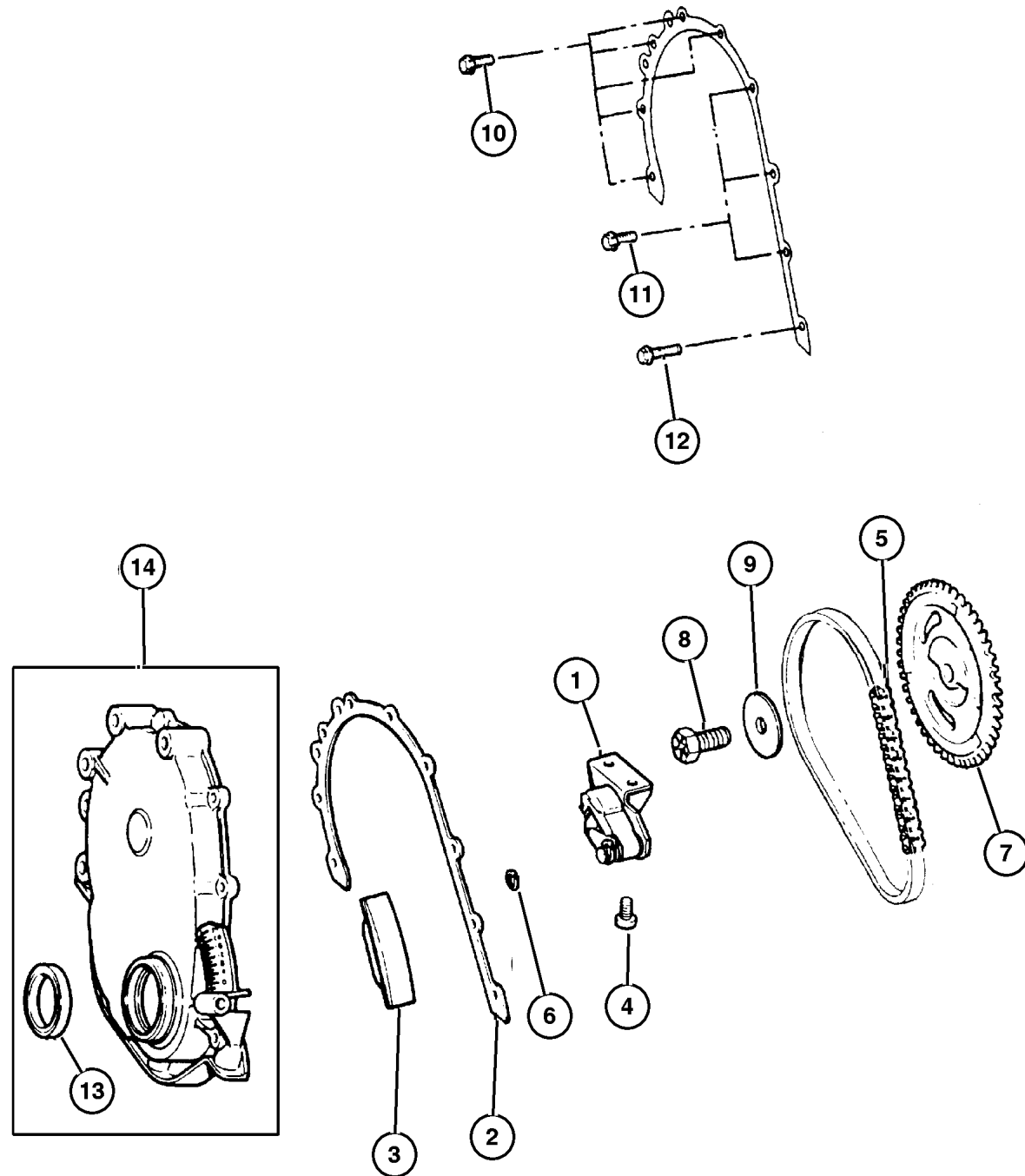
JEEP CHEROKEE (XJ)				
SERIES	LINE	BODY	ENGINE	TRANSMISSION
P=Classic	J=LHD (4WD)	74=4 Dr.(101.4WB)	ENC,EN0=2.5L 4 cyl. Turbo Die	DDD, DDQ=5 spd. Man.
S=Limited	U=RHD (4WD)	72=2 Dr.(101.4WB)	ERH,ER0=4.0L Power Tech I-6	DGS=4 spd. Auto. AISIN
H=Sport	T=LHD (2WD)		EPE,EP0=Magnum 2.5L SMPI	DG0=All Auto/Trans.
L=SE	B=RHD (2WD)			DBB=All Manual Trans.

AR = Use as required - = Non illustrated part # = New this model year

December 7, 2002

**Timing Cover 2.5L (EPE) Engine
Figure 2.5L4-610**

ITEM	PART NUMBER	QTY	LINE	SERIES	BODY	ENGINE	TRANS	TRIM	DESCRIPTION
NOTE: EP0=All 2.5L Gas Engines, ERO= All 4.0L Gas Engines									
1	3300 3421	1				EP0			TENSIONER, Belt
2	5302 0487	1				EP0, ER0			GASKET, Front Cover
3	3300 3446	1				EP0, ER0			SNUBBER, Timing Chain
4	J400 6708	2				EP0			SCREW, Pan Head, .312-18x.56
5	J324 2300	1				EP0			CHAIN, Timing
6									CLIP, Serviced in Tensioner Assembly, (NOT SERVICED) (Not Serviced)
7	J324 2280	1				EP0			GEAR, Camshaft
8	J324 3156	1				EP0			BOLT, Hex Flange Head, .50-20x1.38
9	J317 3284	1				EP0			WASHER, Flat, .206 Diameter
10	6035 893	5				EP0, ER0			BOLT, Hex
11	6035 894	2				EP0			SCREW
12	6035 895	1				EP0, ER0			SCREW
13	3300 4681	1				EP0, ER0			SEAL, Front Main Crankshaft
14	5302 0222	1				EP0, ER0			COVER, Timing Belt

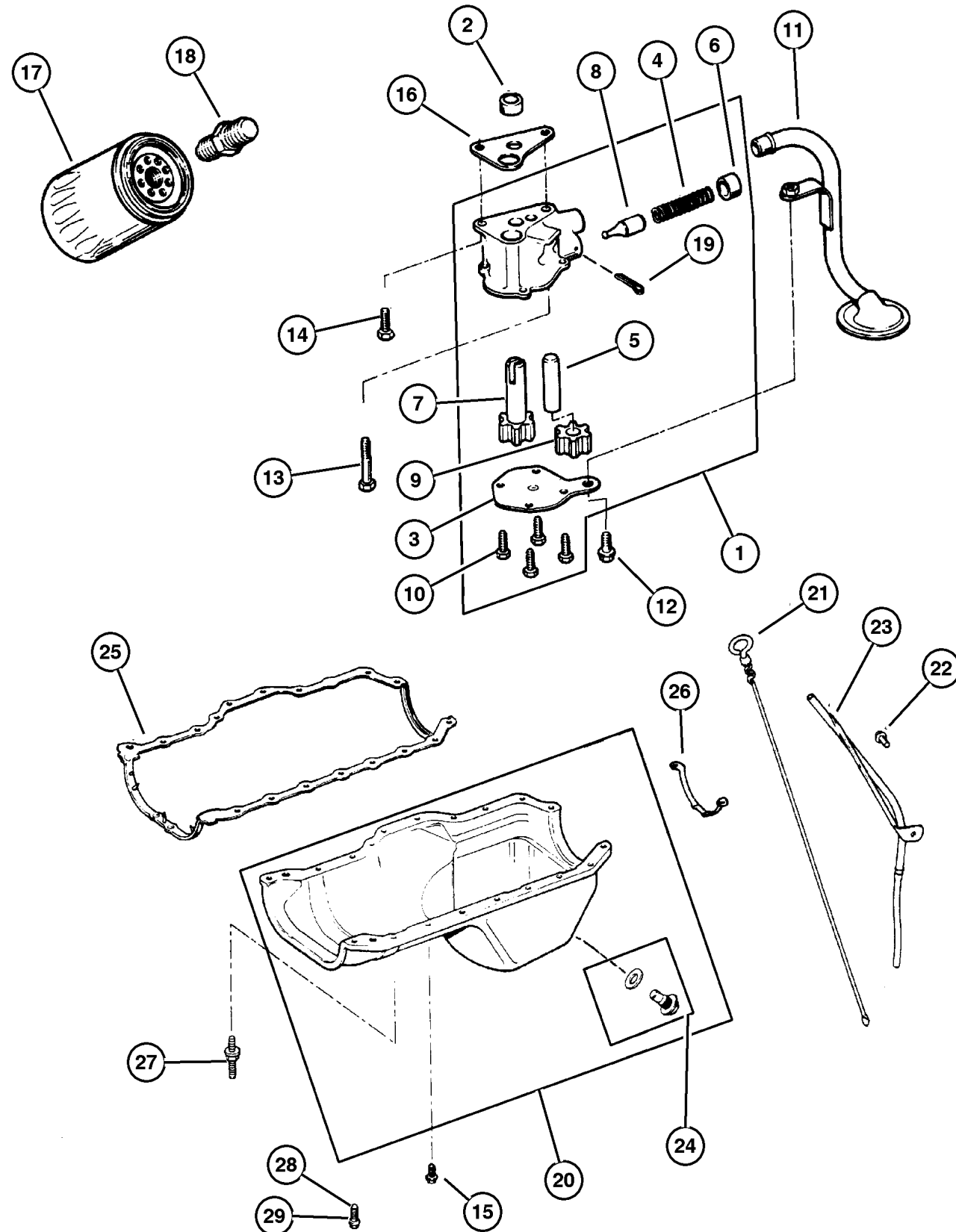


JEEP CHEROKEE (XJ)				
SERIES	LINE	BODY	ENGINE	TRANSMISSION
P=Classic	J=LHD (4WD)	74=4 Dr.(101.4WB)	ENC,EN0=2.5L 4 cyl. Turbo Die	DDD, DDQ=5 spd. Man.
S=Limited	U=RHD (4WD)	72=2 Dr.(101.4WB)	ERH,ER0=4.0L Power Tech I-6	DGS=4 spd. Auto. AISIN
H=Sport	T=LHD (2WD)		EPE,EP0=Magnum 2.5L SMPI	DG0=All Auto/Trans.
L=SE	B=RHD (2WD)			DBB=All Manual Trans.

AR = Use as required - = Non illustrated part # = New this model year

December 7, 2002

**Engine Oiling 2.5L (EPE) Engine
Figure 2.5L4-710**



ITEM	PART NUMBER	QTY	LINE	SERIES	BODY	ENGINE	TRANS	TRIM	DESCRIPTION
NOTE:EPO= All 2.5L Gas Engines, ERO= All 4.0L Gas Engines									
1	J324 1399	1				EP0			PUMP, Engine Oil
2	J400 5149	1				EP0, ERO			DOWEL, Oil Pump
3	J324 1733	1				EP0			COVER, Engine Oil Pump
4	J323 9668	1				EP0			SPRING, Oil Pressure Relief Valve
5	J317 1956	1				EP0			SHAFT, Oil Pump
6	J317 1958	1				EP0			RETAINER, Oil Release Valve
7	J317 2334	1				EP0			GEAR, Oil Pump
8	J318 8661	1				EP0			PLUNGER, Oil Pressure Relief Valve
9	J319 6843	1				EP0			GEAR, Oil Pump Driven
10	J941 6852	4				EP0			SCREW, Hex Flange Head, .25-20x.50
11	5302 0564	1				EP0			TUBE, Oil Pump Inlet
12	J941 9683	1				EP0			BOLT, Hex Flange Head, .312-18x.625
13	0154 593	1				EP0, ERO			SCREW, Hex Head Coned, .312-18x2.625
14	6022 235	1				EP0, ERO			BOLT AND WASHER, Hex Head, .312-18x1.00
15	6034 732	13				EP0			SCREW AND WASHER, Hex Head, .25-20x.545
16	J317 2332	1				EP0, ERO			GASKET, Oil Pump
17	5281 090	1				EP0, ERO			FILTER, Engine Oil
18	5300 7563	1				EP0			CONNECTOR, Oil Filter
19	J027 1448	1				EP0			PIN, Roll, 5/32" x 1.00"
20	5302 0560	1				EP0			PAN, Engine Oil
21	53010 444AB	1				EP0			INDICATOR, Engine Oil Level
22	6035 664	1				EP0, ERO			STUD, .312-18x1.560
23	5301 0343	1				EP0			TUBE, Oil Filler
24	6035 417	1				EP0			PLUG, Oil Drain
25	5300 7567	1				EP0			GASKET, Oil Pan
26	J324 3116	1				EP0			SUPPORT, Engine Oil Pan
27	6034 734	6				EP0			BOLT, Double Stud Hex, .250-20x1.437 & .250-20 x.700
28	6034 483	3				EP0			SCREW, Hex Head Coned, .312-18x.875
29	6034 733	1				EP0			STUD, .312-18/.250-20x1.680

JEEP CHEROKEE (XJ)

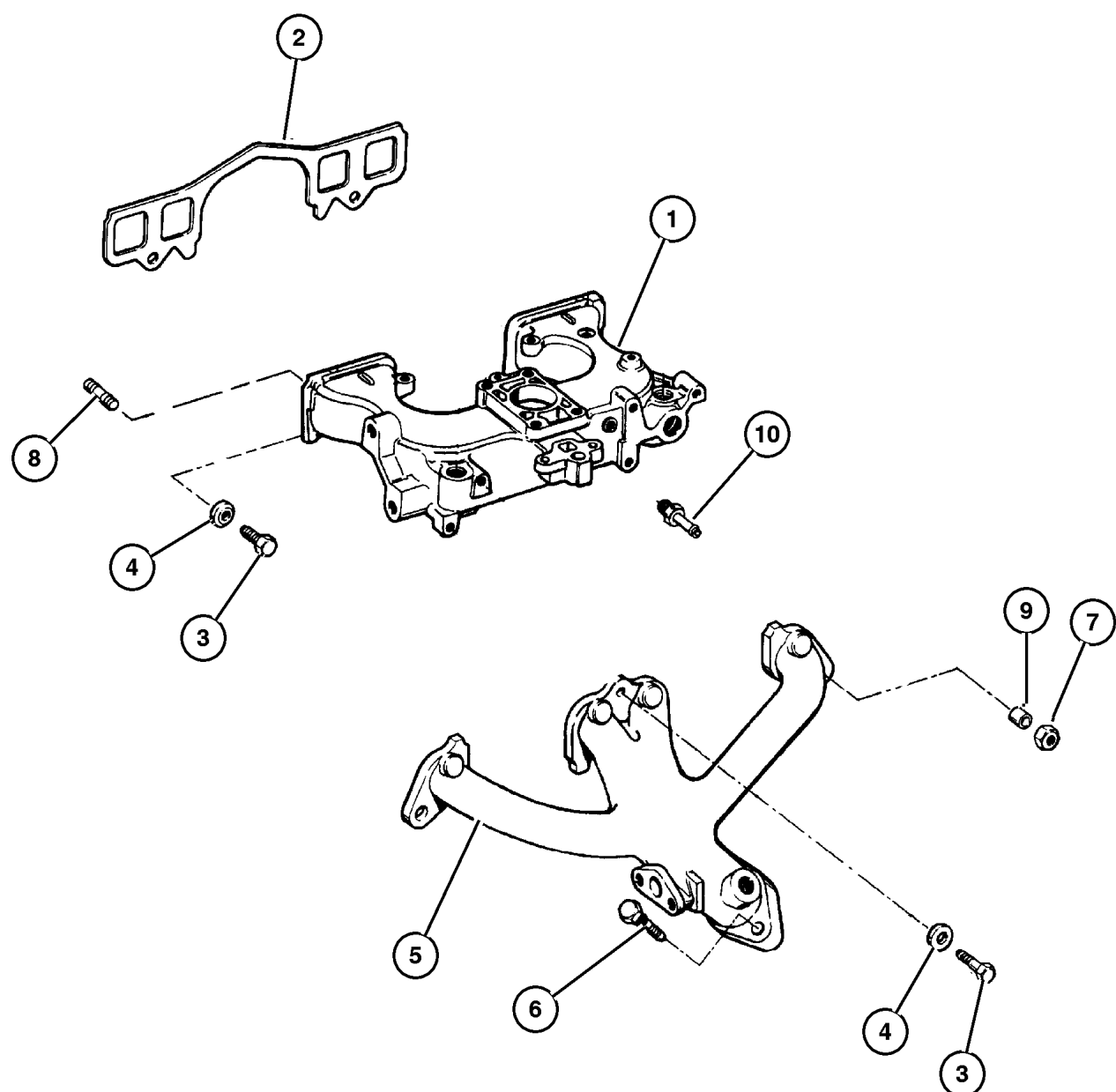
SERIES	LINE	BODY	ENGINE	TRANSMISSION
P=Classic	J=LHD (4WD)	74=4 Dr.(101.4WB)	ENC,EN0=2.5L 4 cyl. Turbo Die	DDD, DDQ=5 spd. Man.
S=Limited	U=RHD (4WD)	72=2 Dr.(101.4WB)	ERH,ER0=4.0L Power Tech I-6	DGS=4 spd. Auto. AISIN
H=Sport	T=LHD (2WD)		EPE,EP0=Magnum 2.5L SMPI	DG0=All Auto/Trans.
L=SE	B=RHD (2WD)			DBB=All Manual Trans.

AR = Use as required - = Non illustrated part # = New this model year

December 7, 2002

Manifold, Intake and Exhaust 2.5L (EPE) Engine
Figure 2.5L4-810

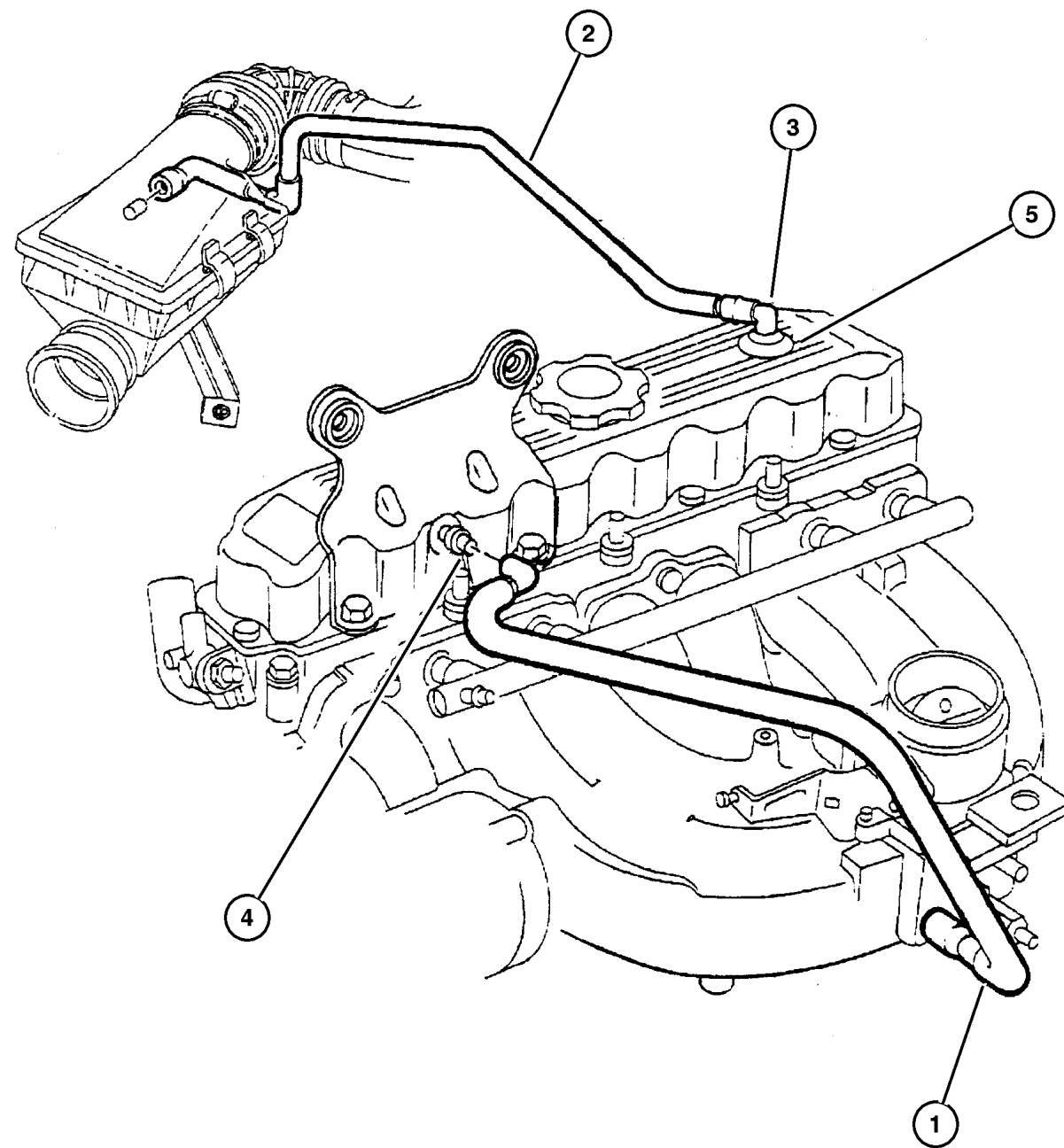
ITEM	PART NUMBER	QTY	LINE	SERIES	BODY	ENGINE	TRANS	TRIM	DESCRIPTION
NOTE: EP0=All 2.5L Gas Engines, ERO= All 4.0L Gas Engines									
1	5301 0245	1				EP0			MANIFOLD, Intake
2	5302 0112	1				EP0			GASKET, Intake Manifold
3	6036 045AA	4				EP0			BOLT AND RETAINER, Hex Head
4	6036 171AA	2				EP0,			NUT AND WASHER
						ER0			
5	5300 8860	1				EP0			MANIFOLD, Exhaust
6	J400 7109	2				EP0			STUD, .375-16x1.69
7	3300 3332	2				EP0			SPACER, Exhaust Manifold
8	6036 193AA	2				EP0,			STUD, .375-16/.375-24x1.75
						ER0			
9	3300 3332	2				EP0			SPACER, Exhaust Manifold
10									FITTING, Vacuum
	4854 194	1				EP0			Power Brake
		1				EP0			Crankcase Ventilation
		1				EP0			Duty Cycle Purge Solenoid
	5302 0027	1				EP0			Heater Control



JEEP CHEROKEE (XJ)				
SERIES	LINE	BODY	ENGINE	TRANSMISSION
P=Classic	J=LHD (4WD)	74=4 Dr.(101.4WB)	ENC,EN0=2.5L 4 cyl. Turbo Die	DDD, DDQ=5 spd. Man.
S=Limited	U=RHD (4WD)	72=2 Dr.(101.4WB)	ERH,ER0=4.0L Power Tech I-6	DGS=4 spd. Auto. AISIN
H=Sport	T=LHD (2WD)		EPE,EP0=Magnum 2.5L SMPI	DG0=All Auto/Trans.
L=SE	B=RHD (2WD)			DBB=All Manual Trans.

**Crankcase Ventilation 2.5L (EPE) Engine
Figure 2.5L4-910**

ITEM	PART NUMBER	QTY	LINE	SERIES	BODY	ENGINE	TRANS	TRIM	DESCRIPTION
NOTE: EP0=All 2.5L Gas Engines									
1	4854 072	1				EP0			TUBE, Vent
2	4854 192	1				EP0			TUBE, Crankcase Vent To Air Cleaner
3	5303 0991	1				EP0			FITTING, Crankcase Vent Tube
4	3300 4175	1				EP0			CONNECTOR, Vacuum Hose
5	2946 079	1				EP0			GROMMET, Crankcase Vent



JEEP CHEROKEE (XJ)				
SERIES	LINE	BODY	ENGINE	TRANSMISSION
P=Classic	J=LHD (4WD)	74=4 Dr.(101.4WB)	ENC,EN0=2.5L 4 cyl. Turbo Die	DDD, DDQ=5 spd. Man.
S=Limited	U=RHD (4WD)	72=2 Dr.(101.4WB)	ERH,ER0=4.0L Power Tech I-6	DGS=4 spd. Auto. AISIN
H=Sport	T=LHD (2WD)		EPE,EP0=Magnum 2.5L SMPI	DG0=All Auto/Trans.
L=SE	B=RHD (2WD)			DBB=All Manual Trans.

AR = Use as required - = Non illustrated part # = New this model year

December 7, 2002

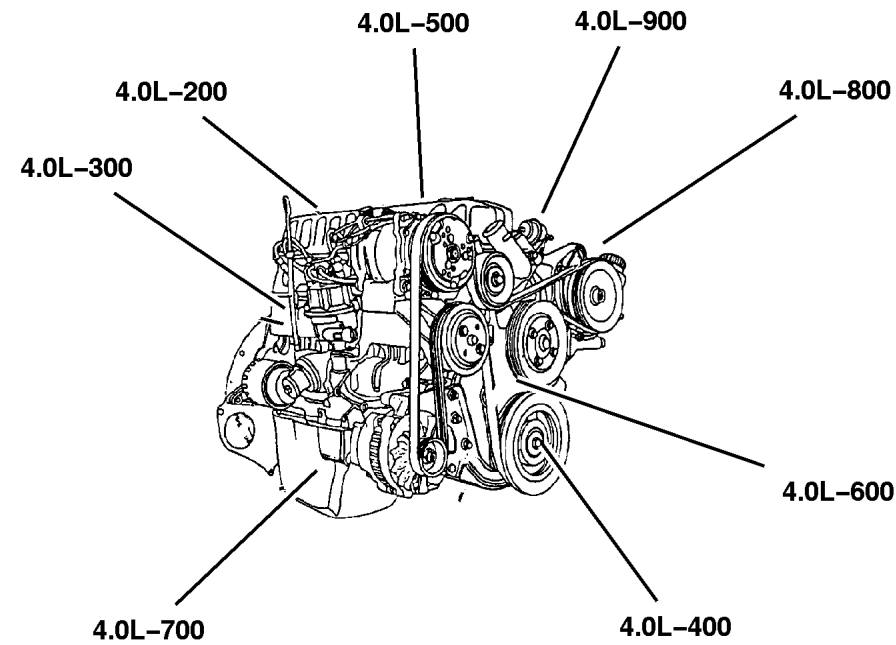
Group – 4.0L

Engine 4.0L Six Cylinder

GROUP 4.0L - Engine 4.0L Six Cylinder

Illustration Title

Group-Fig. No.



Cylinder Head

Cylinder Head 4.0L (ERH) Engine Fig. 4.0L-210

Cylinder Block

Cylinder Block 4.0L (ERH) Engine Fig. 4.0L-310

Crankshaft, Piston and Torque Converter

Crankshaft, Piston and Torque Converter 4.0L (ERH) Engine Fig. 4.0L-410

Camshafts & Valves

Camshaft and Valves 4.0L (ERH) Engine Fig. 4.0L-510

Timing Belt and Cover

Timing Cover 4.0L (ERH) Engine Fig. 4.0L-610

Engine Oiling

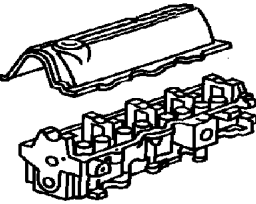
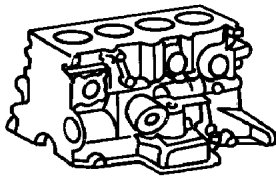
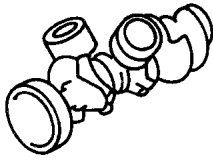
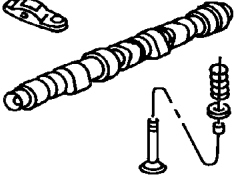
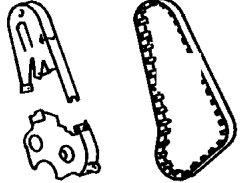
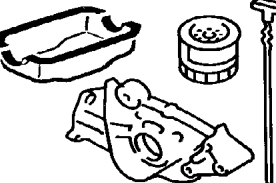
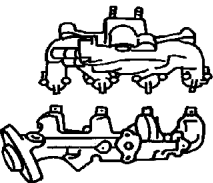
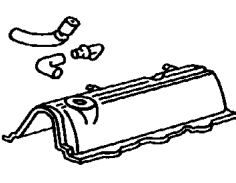
Engine Oiling 4.0L (ERH) Engine Fig. 4.0L-710

Manifolds

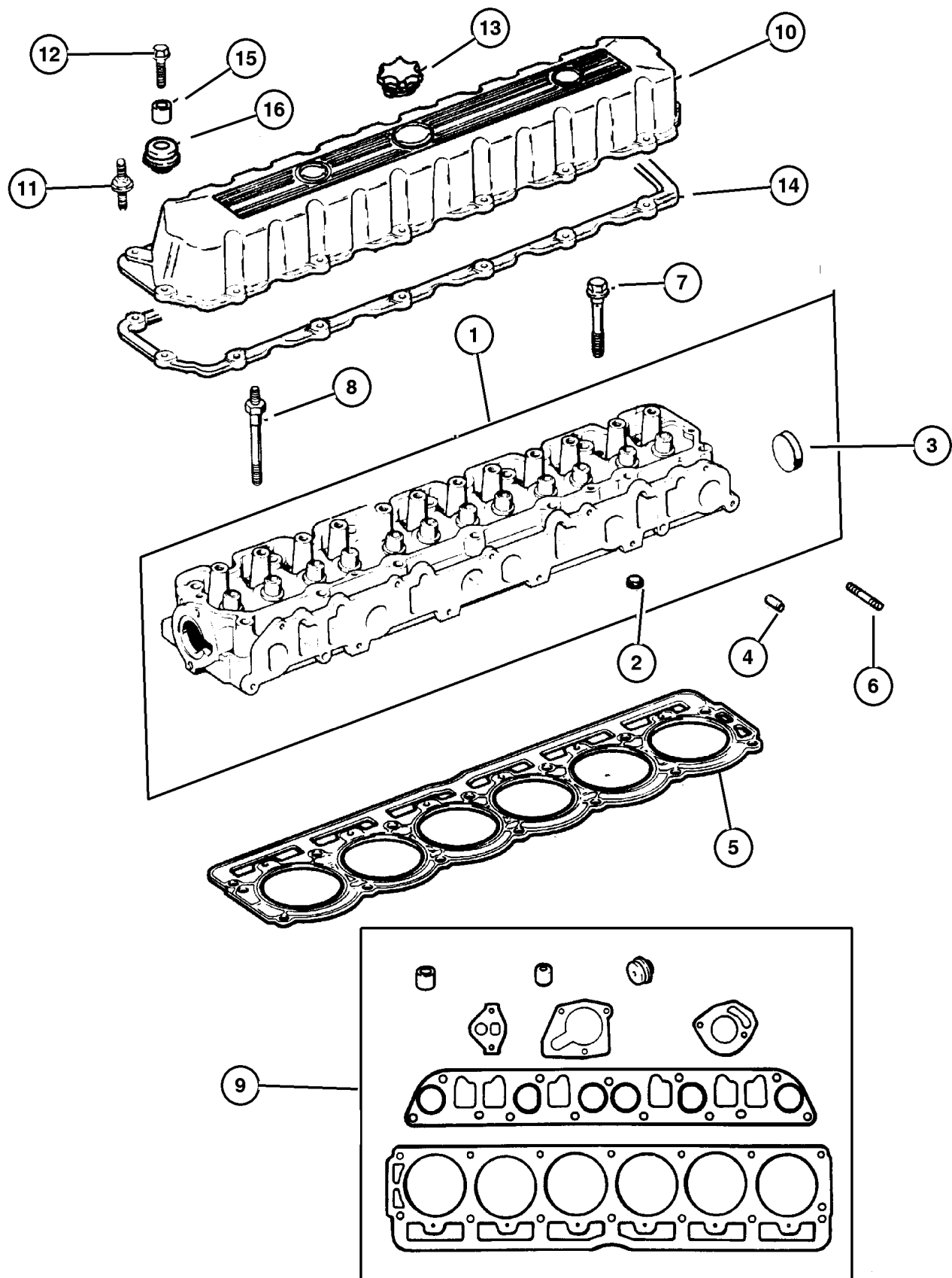
Manifold, Intake and Exhaust 4.0L (ERH) Engine Fig. 4.0L-810

Crankcase Ventilation

Crankcase Ventilation 4.0L (ERH) Engine Fig. 4.0L-910

<p>4.0L-200 Cylinder Head</p> 	<p>4.0L-300 Cylinder Block</p> 	<p>4.0L-400 Crankshaft, Piston and Torque Converter</p> 	<p>4.0L-500 Camshafts & Valves</p> 
<p>4.0L-600 Timing Belt and Cover</p> 	<p>4.0L-700 Engine Oiling</p> 	<p>4.0L-800 Manifolds</p> 	<p>4.0L-900 Crankcase Ventilation</p> 

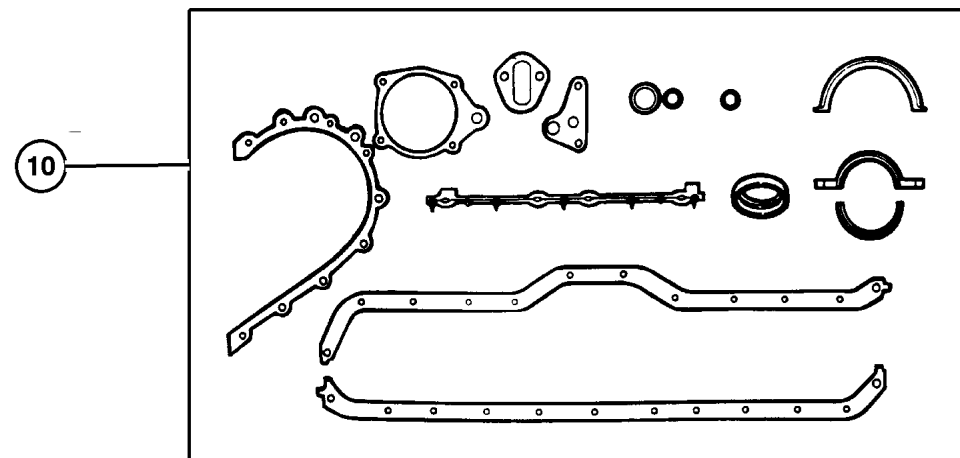
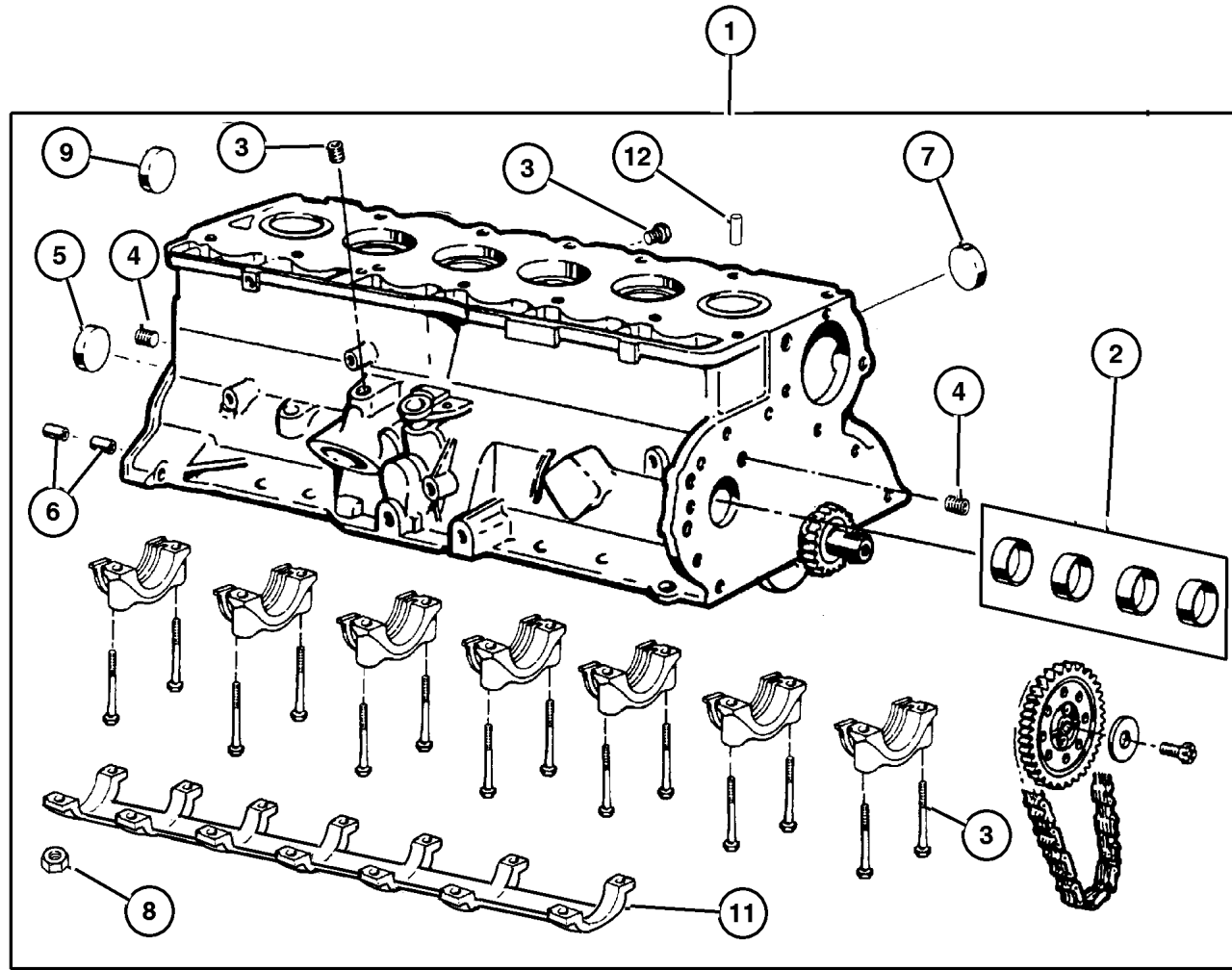
**Cylinder Head 4.0L (ERH) Engine
Figure 4.0L-210**



ITEM	PART NUMBER	QTY	LINE	SERIES	BODY	ENGINE	TRANS	TRIM	DESCRIPTION
NOTE: ER0=All 4.0L Engines, EPO= All 2.5L Gas Engines									
1	5301 0334	1				ER0			HEAD, Cylinder
2	J400 7434	4				ER0			PLUG, Cylinder Block Oil Hole
3	J310 5394	1				ER0			PLUG, Cylinder Block Oil Hole
4	J317 2318	2				EPO,			DOWEL, Cylinder Head To Intake
5	53020 754AB	1				ER0			GASKET, Cylinder Head
6	6036 193AA	2				EPO,			STUD, .375-16/.375-24x1.75
7	6035 514	5				ER0			BOLT, Cylinder Head w/o Dome
	6035 515	2				ER0			w/Dome
8	6035 516	6				ER0			STUD, Double Ended, .50-13/.437-14x6.00
9	5012 365AA	1				ER0			GASKET PACKAGE, Engine Upper COVER, Cylinder Head
10	5302 0323	1				ER0			COVER, Cylinder Head
11	6035 968AA	7				ER0			STUD, .250-20x2.00
12	6035 566	8				ER0			BOLT, Hex Flange Head, .250-20x1.00
13	4777 536	1				ER0			CAP, Oil Filler
14	53020 758AC	1				ER0			GASKET, Valve Cover
15	53020 598AB	15				ER0			SLEEVE, Torque Limiter
16	5301 0424	15				ER0			GROMMET, Insulator

JEEP CHEROKEE (XJ)				
SERIES	LINE	BODY	ENGINE	TRANSMISSION
P=Classic	J=LHD (4WD)	74=4 Dr.(101.4WB)	ENC,EN0=2.5L 4 cyl. Turbo Die	DDD, DDQ=5 spd. Man.
S=Limited	U=RHD (4WD)	72=2 Dr.(101.4WB)	ERH,ER0=4.0L Power Tech I-6	DGS=4 spd. Auto. AISIN
H=Sport	T=LHD (2WD)		EPE,EPO=Magnum 2.5L SMPI	DG0=All Auto/Trans.
L=SE	B=RHD (2WD)			DBB=All Manual Trans.

**Cylinder Block 4.0L (ERH) Engine
Figure 4.0L-310**



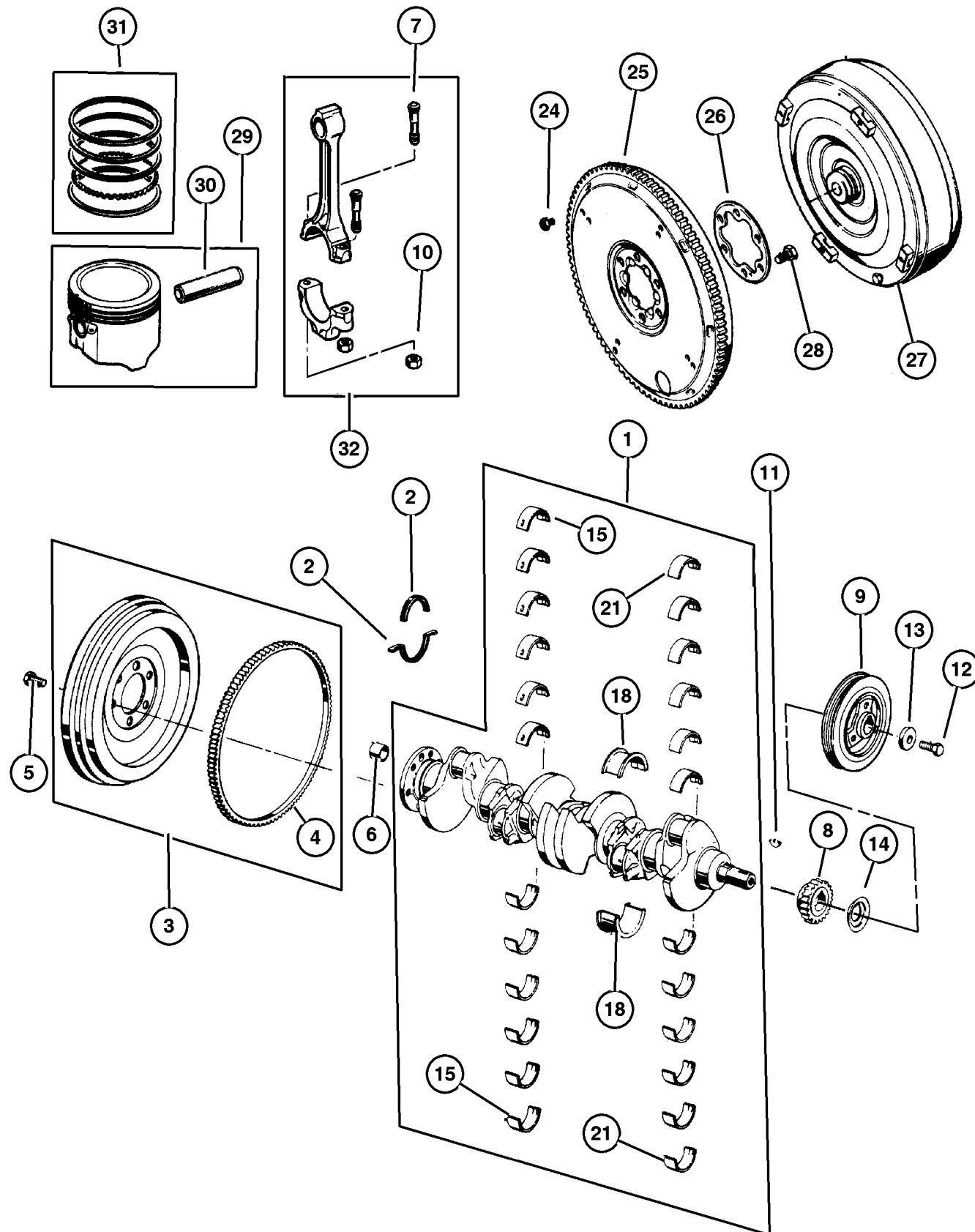
ITEM	PART NUMBER	QTY	LINE	SERIES	BODY	ENGINE	TRANS	TRIM	DESCRIPTION
NOTE: ER0=All 4.0L Engines, EPO= All 2.5L Gas Engines									
1	#5013 116AB	1				ER0			BLOCK, Short, Contains: Crank, Rods, Pistons, Rings, Cam Bearings, Timing Chain, Sprockets
2	4636 985AB	1				ER0			BEARING PACKAGE, Camshaft, Standard Size
3	6035 207	14				ER0			STUD, .500-13/.375-16x3.97
4	6034 166	3				ER0			PLUG, Cylinder Block Oil Hole
5	J317 2313	1				EPO			PLUG, Camshaft
6	J400 5148	2				ER0			DOWEL, Transmission
7	J310 5394	6				ER0			PLUG, Cylinder Block Oil Hole
8	0152 474	14				ER0			NUT, Hex Flange Lock, .375-16
9	5302 0465	1				EPO			PLUG, Cylinder Block
10	5017 432AA	1				ER0			GASKET PACKAGE, Engine Lower
11	5302 0566	1				ER0			BRACE, Main Bearing Cap
12	0141 215	2				ER0			DOWEL, .312 x .500

JEEP CHEROKEE (XJ)				
SERIES	LINE	BODY	ENGINE	TRANSMISSION
P=Classic	J=LHD (4WD)	74=4 Dr.(101.4WB)	ENC,EN0=2.5L 4 cyl. Turbo Die	DDD, DDQ=5 spd. Man.
S=Limited	U=RHD (4WD)	72=2 Dr.(101.4WB)	ERH,ER0=4.0L Power Tech I-6	DGS=4 spd. Auto. AISIN
H=Sport	T=LHD (2WD)		EPE,EPO=Magnum 2.5L SMPI	DG0=All Auto/Trans.
L=SE	B=RHD (2WD)			DBB=All Manual Trans.

AR = Use as required - = Non illustrated part # = New this model year

December 7, 2002

Crankshaft, Piston and Torque Converter 4.0L (ERH) Engine Figure 4.0L-410



ITEM	PART NUMBER	QTY	LINE	SERIES	BODY	ENGINE	TRANS	TRIM	DESCRIPTION
NOTE: ER0=All 4.0L Engines, EPO= All 2.5L Gas Engines, DBB=All Manual Transmissions DG0=All Automatic Transmissions DGS=Aisin 4 Speed Automatic Transmission									
1	#4864 726AB	1				ER0			CRANKSHAFT
2	#53020 599AB	2				ER0			SEAL, Rear Main Crankshaft
3	#53020 519AB	1				ER0	DBB		FLYWHEEL
4	J317 9741	1				ER0	DBB		GEAR, Ring
5	J317 0524	6				ER0	DBB		BOLT, Flywheel
6	53009 180AB	1				ER0	DBB		BEARING, Pilot
7	5302 0123	12				ER0			BOLT, Connecting Rod
8	5302 0443	1				ER0			GEAR, Crankshaft
9	3300 2920	1				ER0			DAMPER, Crankshaft Use Up 2/11/00
	#33002 920AB	1				ER0			Use After 2/11/00
10	J400 6385	12				ER0			NUT, Hex Flange, .3437-24
11	6034 749	1				EP0, ER0			KEY, Crankshaft Sprocket
12	0182 776	1				EP0, ER0			BOLT
13	J323 0155	1				EP0, ER0			WASHER, Plain
14	J317 3076	1				EP0, ER0			SLINGER, Oil
15	8350 7079	6				ER0			BEARING PACKAGE, Crankshaft, Standard
-16	8350 7080	AR				EP0, ER0			BEARING PACKAGE, Crankshaft, .001 Undersize
-17	8350 7083	AR				EP0, ER0			BEARING PACKAGE, Crankshaft, .010 Undersize
18	8350 7084	1				EP0, ER0			BEARING PACKAGE, Crankshaft Thrust, Standard Size
-19	8350 7086	AR				EP0, ER0			BEARING PACKAGE, Crankshaft Thrust, .001" Undersize
-20	8350 7090	AR				EP0, ER0			BEARING PACKAGE, Crankshaft Thrust, .010" Undersize
21	8350 0300	8				EP0			BEARING KIT, Connecting Rod, Standard
-22	8350 1397	AR				EP0, ER0			BEARING KIT, Connecting Rod, .001 Undersize
-23	8350 0301	AR				EP0, ER0			BEARING KIT, Connecting Rod, .010 Undersize
24	3420 2497	4				ER0	DG0		BOLT, Hex Head, M10x1.50x14
25	5211 8551	1				ER0	DG0		PLATE, Drive Plate

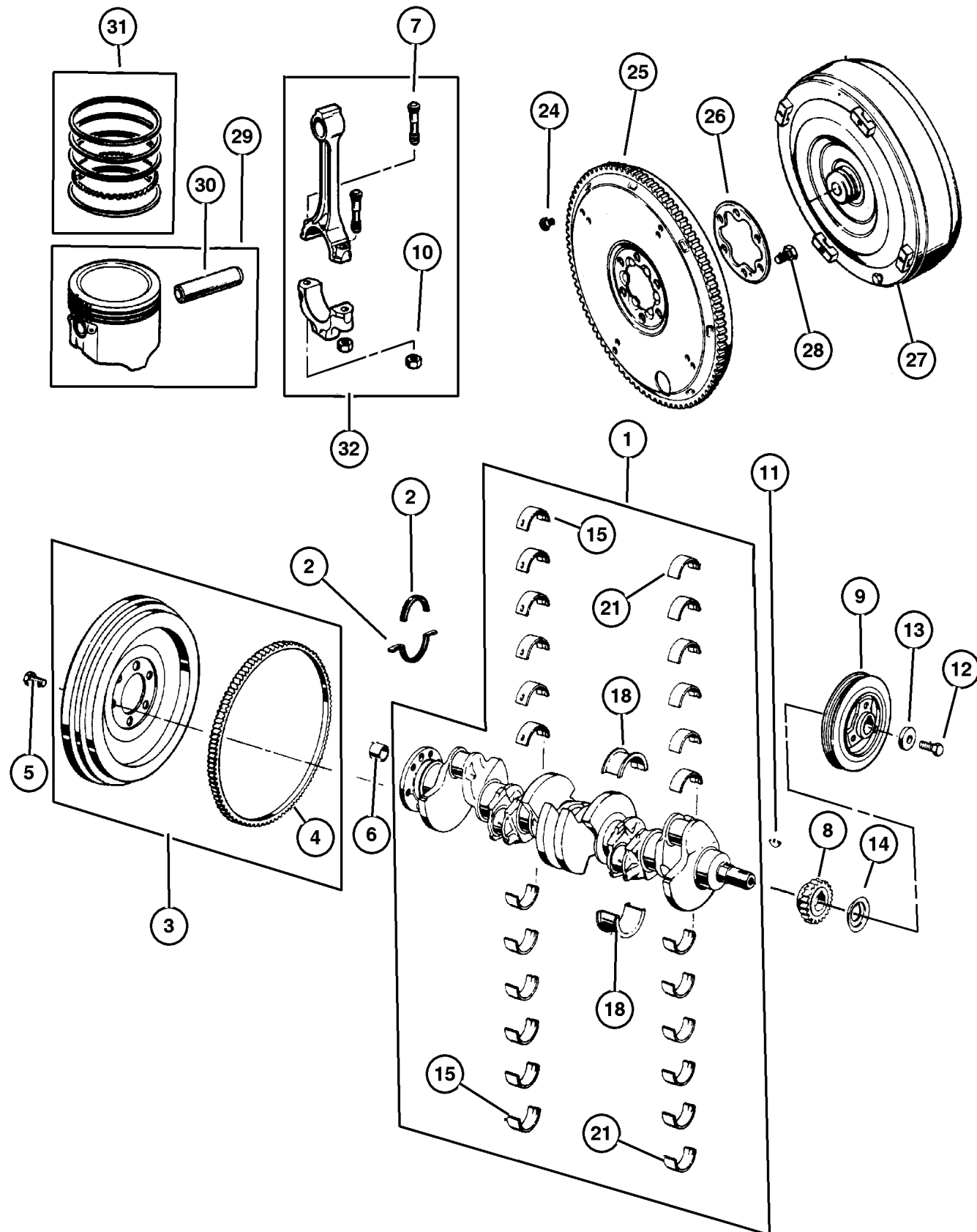
JEEP CHEROKEE (XJ)

SERIES	LINE	BODY	ENGINE	TRANSMISSION
P=Classic	J=LHD (4WD)	74=4 Dr.(101.4WB)	ENC,EN0=2.5L 4 cyl. Turbo Die	DDD, DDQ=5 spd. Man.
S=Limited	U=RHD (4WD)	72=2 Dr.(101.4WB)	ERH,ER0=4.0L Power Tech I-6	DGS=4 spd. Auto. AISIN
H=Sport	T=LHD (2WD)		EPE,EP0=Magnum 2.5L SMPI	DG0=All Auto/Trans.
L=SE	B=RHD (2WD)			DBB=All Manual Trans.

AR = Use as required - = Non illustrated part # = New this model year

December 7, 2002

**Crankshaft, Piston and Torque Converter 4.0L (ERH) Engine
Figure 4.0L-410**



ITEM	PART NUMBER	QTY	LINE	SERIES	BODY	ENGINE	TRANS	TRIM	DESCRIPTION
26	J321 4094	1				ER0	DG0		PLATE, Drive Plate Backing
27	5300 3431	1	B, T			ER0	DGS		CONVERTER, Torque
		1	J, U				DGS		
28	J315 1407	6				ER0	DG0		BOLT, Hex Head, .50-20x.56
29	4798 329	6				ER0			PISTON PIN AND ROD
	4798 330	6				ER0			B Size, 3.8742
	4798 331	6				ER0			C Size, 3.8746
	4798 332	6				ER0			D Size, 3.8750
	4798 333	6				ER0			E Size, 3.8754
						ER0			F Size, 3.8758
30									PIN, Piston, Serviced in Piston Assembly, (NOT SERVICED) (Not Serviced)
31	4798 878	1				ER0			RING PACKAGE, Piston, Standard Size Complete Engine
32									ROD, Connecting, Serviced in Piston Assembly, (NOT SERVICED) (Not Serviced)

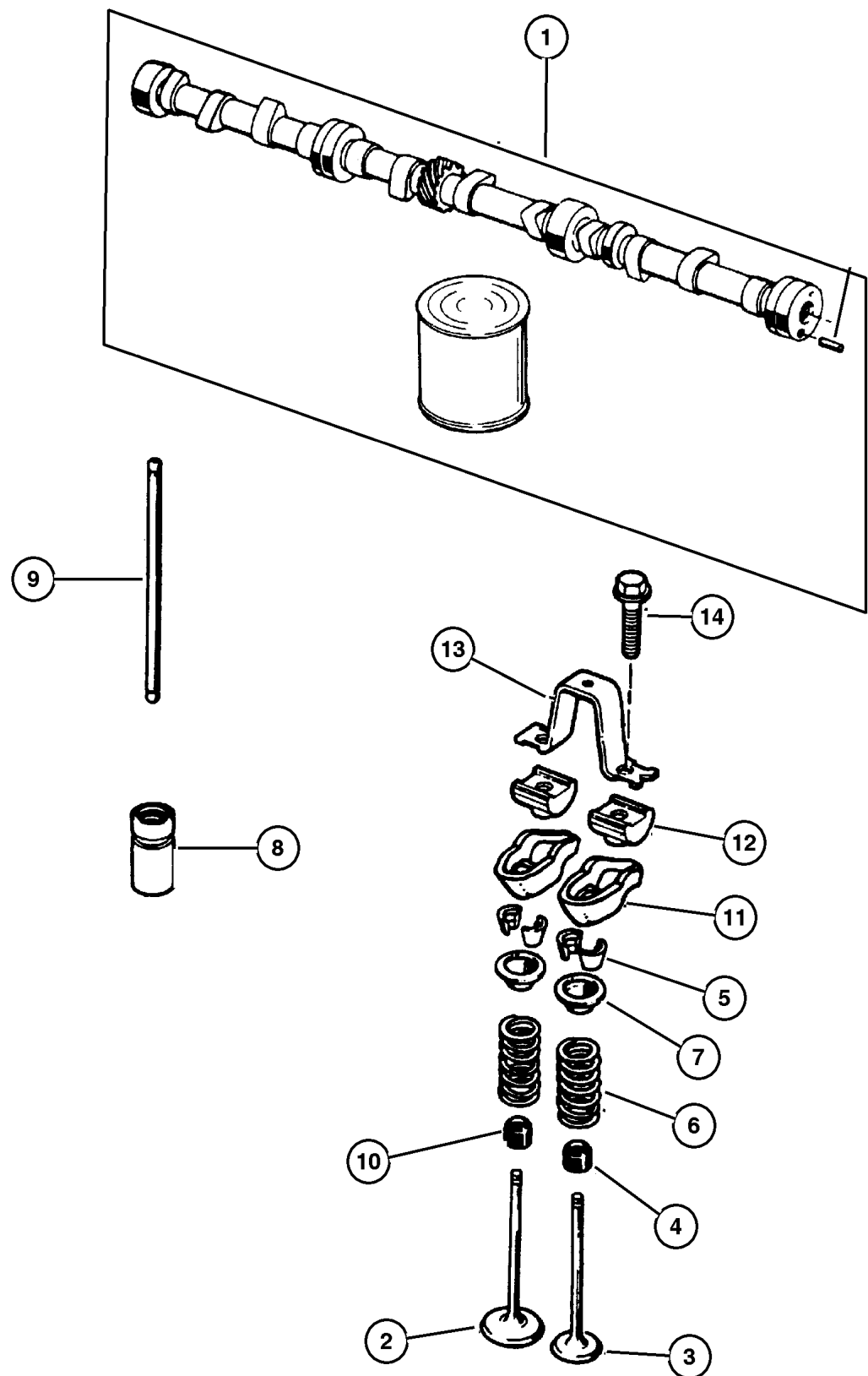
JEEP CHEROKEE (XJ)

SERIES	LINE	BODY	ENGINE	TRANSMISSION
P=Classic	J=LHD (4WD)	74=4 Dr.(101.4WB)	ENC,EN0=2.5L 4 cyl. Turbo Die	DDD, DDQ=5 spd. Man.
S=Limited	U=RHD (4WD)	72=2 Dr.(101.4WB)	ERH,ER0=4.0L Power Tech I-6	DGS=4 spd. Auto. AISIN
H=Sport	T=LHD (2WD)		EPE,EP0=Magnum 2.5L SMPI	DG0=All Auto/Trans.
L=SE	B=RHD (2WD)			DBB=All Manual Trans.

AR = Use as required - = Non illustrated part # = New this model year

December 7, 2002

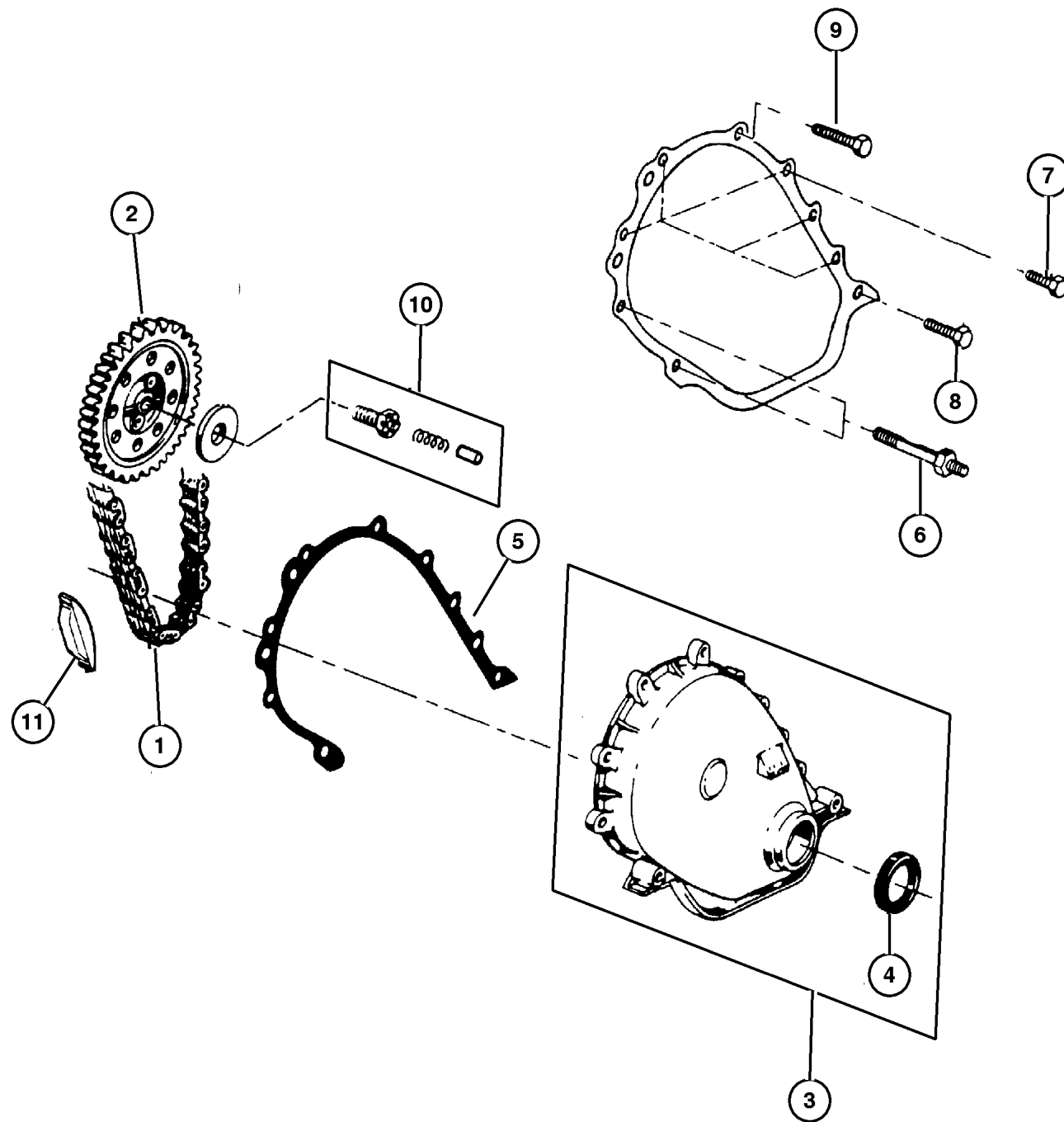
**Camshaft and Valves 4.0L (ERH) Engine
Figure 4.0L-510**



ITEM	PART NUMBER	QTY	LINE	SERIES	BODY	ENGINE	TRANS	TRIM	DESCRIPTION
NOTE: ER0=All 4.0L Engines									
1	53010 448AA	1				ER0			CAMSHAFT
2	53010 512AA	6				ER0			VALVE, Intake, Standard
3	53010 513AA	6				ER0			VALVE, Exhaust, Standard
4	5300 9886	6				ER0			SEAL, Valve Guide, Standard
5	53010 515AA	24				ER0			LOCK, Valve Spring Retainer
6	5301 0388	12				ER0			SPRING, Valve
7	53010 514AA	12				ER0			RETAINER, Valve Spring
8	4740 269	12				ER0			TAPPET, Valve
9	3300 2986	12				ER0			PUSH ROD, Valve
10	5300 9886	6				ER0			SEAL, Valve Guide
11	J324 2393	12				ER0			ROCKER ARM, Valve
12	J323 5090	12				ER0			PIVOT, Rocker Arm
13	J323 6513	6				ER0			BRIDGE, Rocker Arm
14	J942 5708	12				ER0			BOLT, Hex Flange Head, .312-18x1.25

JEEP CHEROKEE (XJ)				
SERIES	LINE	BODY	ENGINE	TRANSMISSION
P=Classic	J=LHD (4WD)	74=4 Dr.(101.4WB)	ENC,EN0=2.5L 4 cyl. Turbo Die	DDD, DDQ=5 spd. Man.
S=Limited	U=RHD (4WD)	72=2 Dr.(101.4WB)	ERH,ER0=4.0L Power Tech I-6	DGS=4 spd. Auto. AISIN
H=Sport	T=LHD (2WD)		EPE,EP0=Magnum 2.5L SMPI	DG0=All Auto/Trans.
L=SE	B=RHD (2WD)			DBB=All Manual Trans.

Timing Cover 4.0L (ERH) Engine
Figure 4.0L-610



ITEM	PART NUMBER	QTY	LINE	SERIES	BODY	ENGINE	TRANS	TRIM	DESCRIPTION
NOTE: ER0=All 4.0L Engines, EPO= All 2.5L Gas Engines									
1	5302 0444	1				ER0			CHAIN, Timing
2	5301 0400	1				ER0			SPROCKET, Camshaft
3	5302 0222	1				EP0, ER0			COVER, Timing Belt
4	3300 4681	1				EP0, ER0			SEAL, Front Main Crankshaft
5	5302 0487	1				EP0, ER0			GASKET, Front Cover
6	6035 921AA	1				ER0			STUD
7	6035 893	5				EP0, ER0			BOLT, Hex
8	6035 895	1				EP0, ER0			SCREW
9	6035 894	1				ER0			SCREW
10	6024 030	1				ER0			SCREW AND WASHER, Hex
11	3300 3446	1				EP0, ER0			SNUBBER, Timing Chain
-12	5301 0401	1				ER0			PLATE, Camshaft Thrust
-13	6035 975AA	2				ER0			SCREW, Pan Head

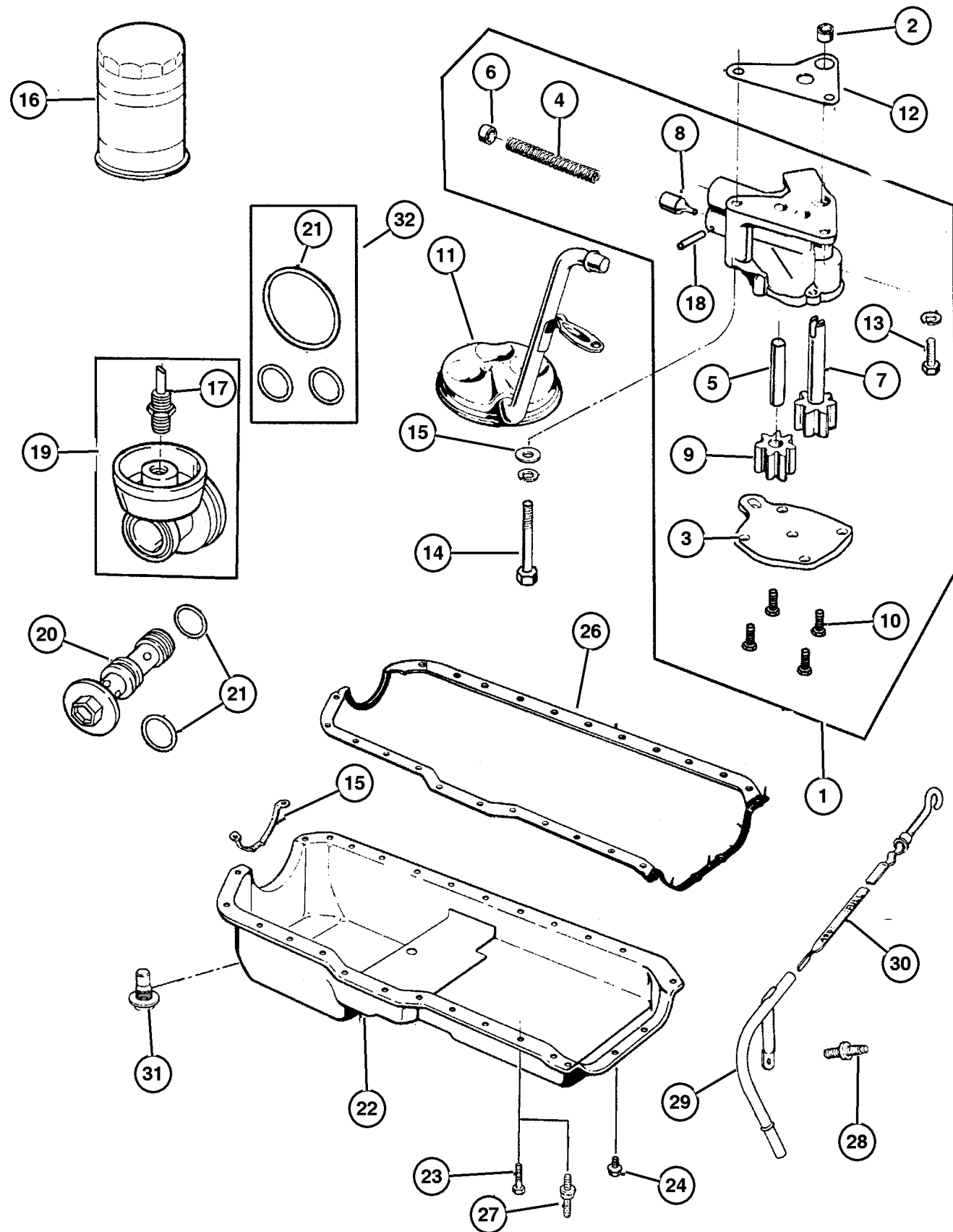
JEEP CHEROKEE (XJ)

SERIES	LINE	BODY	ENGINE	TRANSMISSION
P=Classic	J=LHD (4WD)	74=4 Dr.(101.4WB)	ENC,EN0=2.5L 4 cyl. Turbo Die	DDD, DDQ=5 spd. Man.
S=Limited	U=RHD (4WD)	72=2 Dr.(101.4WB)	ERH,ER0=4.0L Power Tech I-6	DGS=4 spd. Auto. AISIN
H=Sport	T=LHD (2WD)		EPE,EP0=Magnum 2.5L SMPI	DG0=All Auto/Trans.
L=SE	B=RHD (2WD)			DBB=All Manual Trans.

AR = Use as required - = Non illustrated part # = New this model year

December 7, 2002

**Engine Oiling 4.0L (ERH) Engine
Figure 4.0L-710**



ITEM	PART NUMBER	QTY	LINE	SERIES	BODY	ENGINE	TRANS	TRIM	DESCRIPTION
NOTE: ER0=All 4.0L Engines, EPO= All 2.5L Gas Engines									
1	J324 1399	1				ER0			PUMP, Engine Oil
2	J400 5149	1				EP0, ER0			DOWEL, Oil Pump
3	J324 1733	1				ER0			COVER, Engine Oil Pump
4	J323 9668	1				ER0			SPRING, Oil Pressure Relief Valve
5	J317 1956	1				ER0			SHAFT, Oil Pump
6	J317 1958	1				ER0			RETAINER, Oil Release Valve
7	J317 2334	1				ER0			GEAR, Oil Pump
8	J318 8661	1				ER0			PLUNGER, Oil Pressure Relief Valve
9	J319 6843	1				ER0			GEAR, Oil Pump Driven
10	J941 6852	4				ER0			SCREW, Hex Flange Head, .25-20x.50
11	3300 2696	1				ER0			TUBE, Oil Pump Inlet
12	J317 2332	1				EP0, ER0			GASKET, Oil Pump
13	6022 235	1				EP0, ER0			BOLT AND WASHER, Hex Head, .312-18x1.00
14	0154 593	1				EP0, ER0			SCREW, Hex Head Coned, .312-18x2.625
15	53010 511AA	1				ER0			SUPPORT, Engine Oil Pan
16	5281 090	1				EP0, ER0			FILTER, Engine Oil
17	5300 7563	1				ER0			CONNECTOR, Oil Filter
18	J027 1448	1				ER0			PIN, Roll, 5/32" x 1.00"
19	5302 0080	1				ER0			ADAPTER, Oil Filter
20	5302 0237	1				ER0			BOLT, Oil Filter Adapter
21	3300 2972	1				ER0			O RING, Oil Filter Adapter
22	53020 833AB	1				ER0			PAN, Engine Oil
23	6034 732	15				ER0			SCREW AND WASHER, Hex Head, .25-20x.545
24	6034 483	3				ER0			SCREW, Hex Head Coned, .312-18x.875
-25	6034 733	1				ER0			STUD, .312-18/.250-20x1.680
26	#53007 568AC	1				ER0			GASKET, Oil Pan
27	6034 734	9				ER0			BOLT, Double Stud Hex, .250-20x1.437 & .250-20 x.700
28	6035 664	1				EP0, ER0			STUD, .312-18x1.560
29	5302 0782	1				ER0			TUBE, Oil Filler
30	5301 0445	1				ER0			INDICATOR, Engine Oil Level
31	6035 417	1				ER0			PLUG, Oil Drain

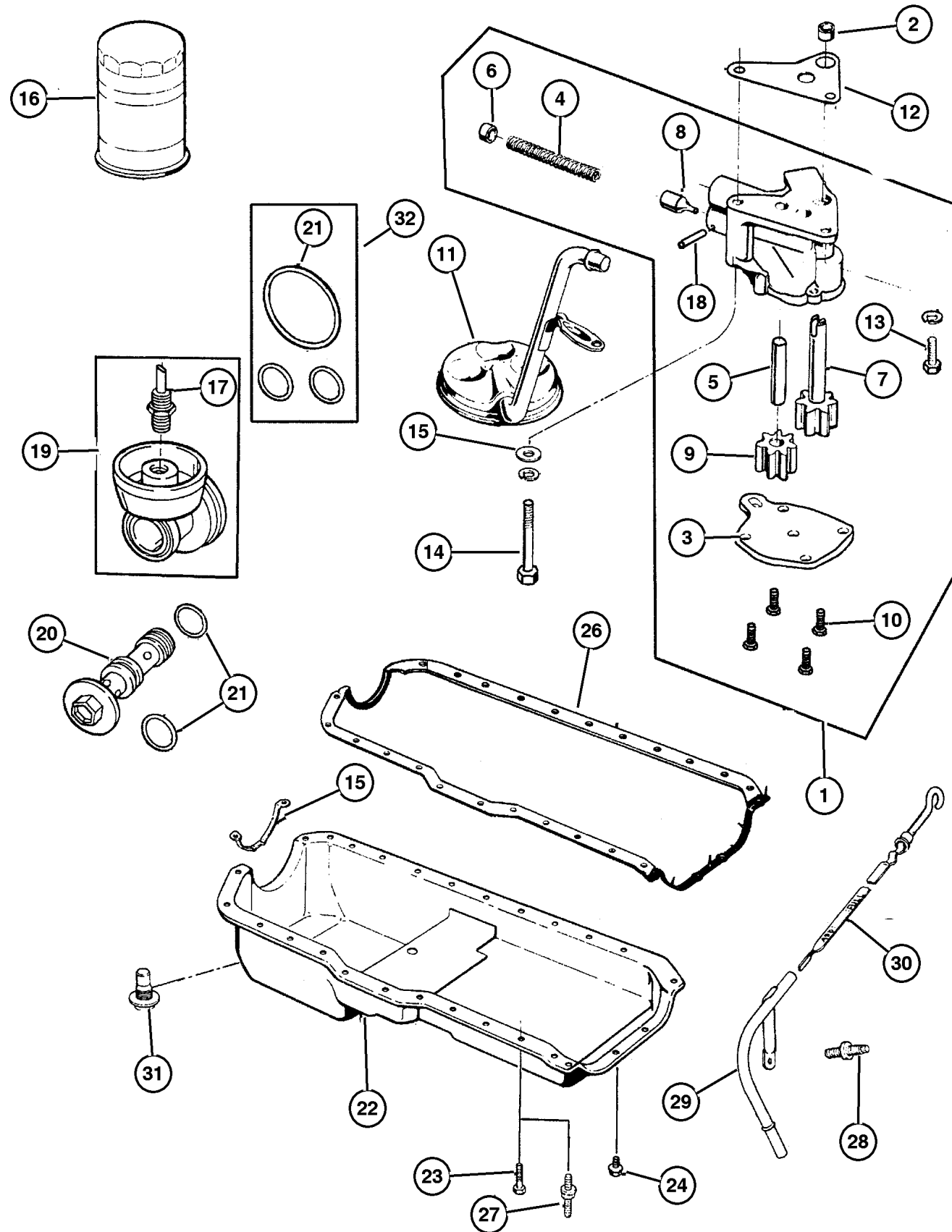
JEEP CHEROKEE (XJ)

SERIES	LINE	BODY	ENGINE	TRANSMISSION
P=Classic	J=LHD (4WD)	74=4 Dr.(101.4WB)	ENC,EN0=2.5L 4 cyl. Turbo Die	DDD, DDQ=5 spd. Man.
S=Limited	U=RHD (4WD)	72=2 Dr.(101.4WB)	ERH,ER0=4.0L Power Tech I-6	DGS=4 spd. Auto. AISIN
H=Sport	T=LHD (2WD)		EPE,EP0=Magnum 2.5L SMPI	DG0=All Auto/Trans.
L=SE	B=RHD (2WD)			DBB=All Manual Trans.

AR = Use as required - = Non illustrated part # = New this model year

December 7, 2002

**Engine Oiling 4.0L (ERH) Engine
Figure 4.0L-710**



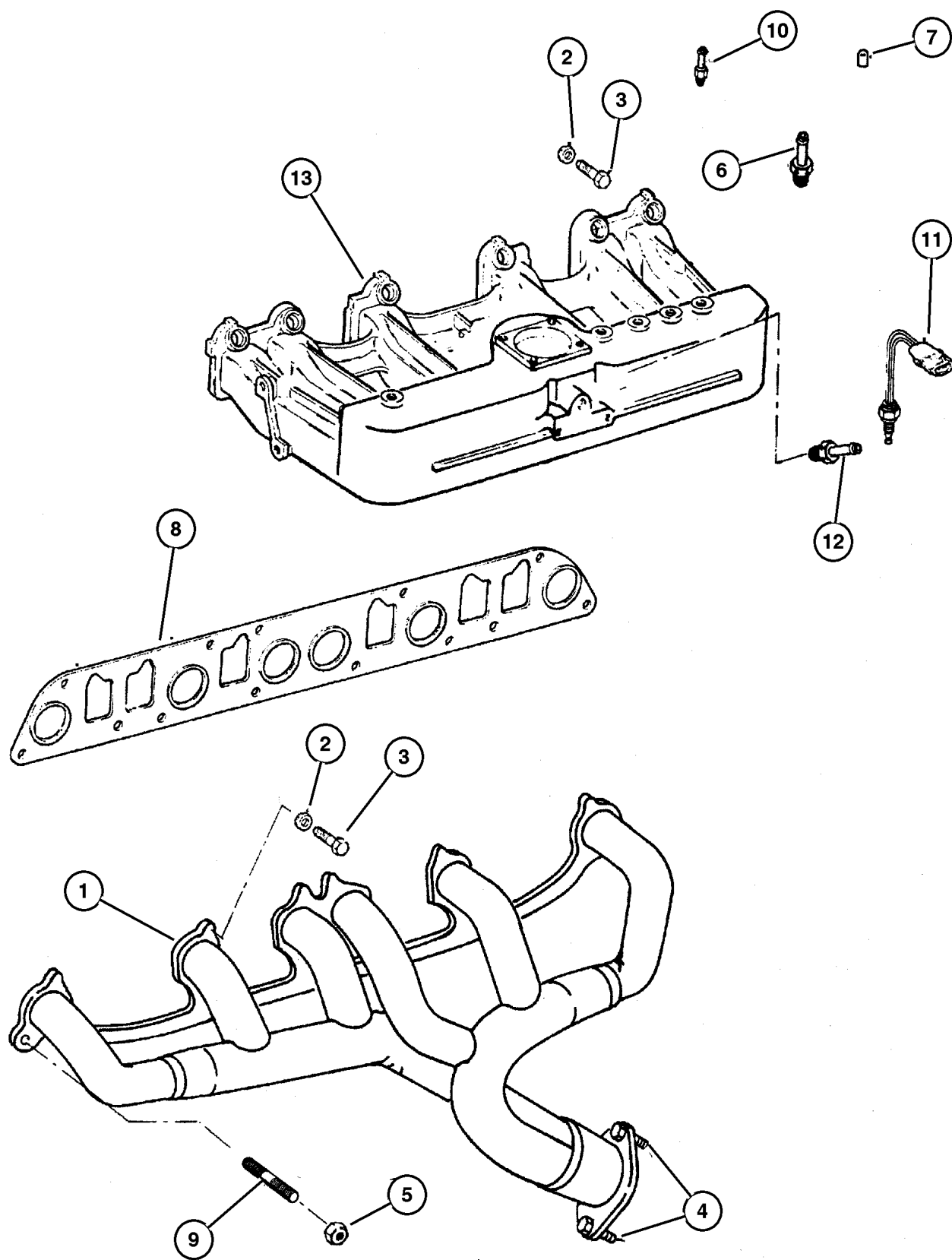
ITEM	PART NUMBER	QTY	LINE	SERIES	BODY	ENGINE	TRANS	TRIM	DESCRIPTION
32	4720 363	1				ER0			SEAL PACKAGE, Oil Filter Adapter
-33	5083 881AA	1				ER0			DRIVE, OIL PUMP

JEEP CHEROKEE (XJ)				
SERIES	LINE	BODY	ENGINE	TRANSMISSION
P=Classic	J=LHD (4WD)	74=4 Dr.(101.4WB)	ENC,EN0=2.5L 4 cyl. Turbo Die	DDD, DDQ=5 spd. Man.
S=Limited	U=RHD (4WD)	72=2 Dr.(101.4WB)	ERH,ER0=4.0L Power Tech I-6	DGS=4 spd. Auto. AISIN
H=Sport	T=LHD (2WD)		EPE,EP0=Magnum 2.5L SMPI	DG0=All Auto/Trans.
L=SE	B=RHD (2WD)			DBB=All Manual Trans.

AR = Use as required - = Non illustrated part # = New this model year

December 7, 2002

**Manifold, Intake and Exhaust 4.0L (ERH) Engine
Figure 4.0L-810**



ITEM	PART NUMBER	QTY	LINE	SERIES	BODY	ENGINE	TRANS	TRIM	DESCRIPTION
NOTE: ER0=All 4.0L Engines, EPO= All 2.5L Gas Engines									
1	5301 0196	1				ER0			MANIFOLD, Exhaust Front
	5301 0199	1				ER0			Rear
2	6036 171AA	2				EP0,			NUT AND WASHER
						ER0			
3	6036 045AA	8				ER0			BOLT AND RETAINER, Hex Head
4	6505 754AA	4				ER0			SCREW, Hex Head
5	6036 171AA	2				EP0,			NUT AND WASHER
						ER0			
6									FITTING, Vacuum, Serviced in Manifold, (NOT SERVICED) (Not Serviced)
7	3580 172	1				ER0			CAP, Vacuum
8	4854 038	1				ER0			GASKET, Intake/Exhaust Manifold
9	6036 193AA	2				EP0,			STUD, .375-16/.375-24x1.75
						ER0			
10									FITTING, Vacuum, Serviced in Manifold, (NOT SERVICED) (Not Serviced)
11	5602 7872	1				EP0,			SENSOR, Air Temperature
						ER0			
12	4854 194	1				ER0			FITTING, Vacuum
13	4854 197AA	1				ER0			MANIFOLD, Intake
-14	J420 0413	2				EP0,			PLUG, Cylinder Block Oil Hole
						ER0			
-15	6034 057	2				EP0,			WASHER, Flat, .721x.990 Copper
						ER0			

JEEP CHEROKEE (XJ)

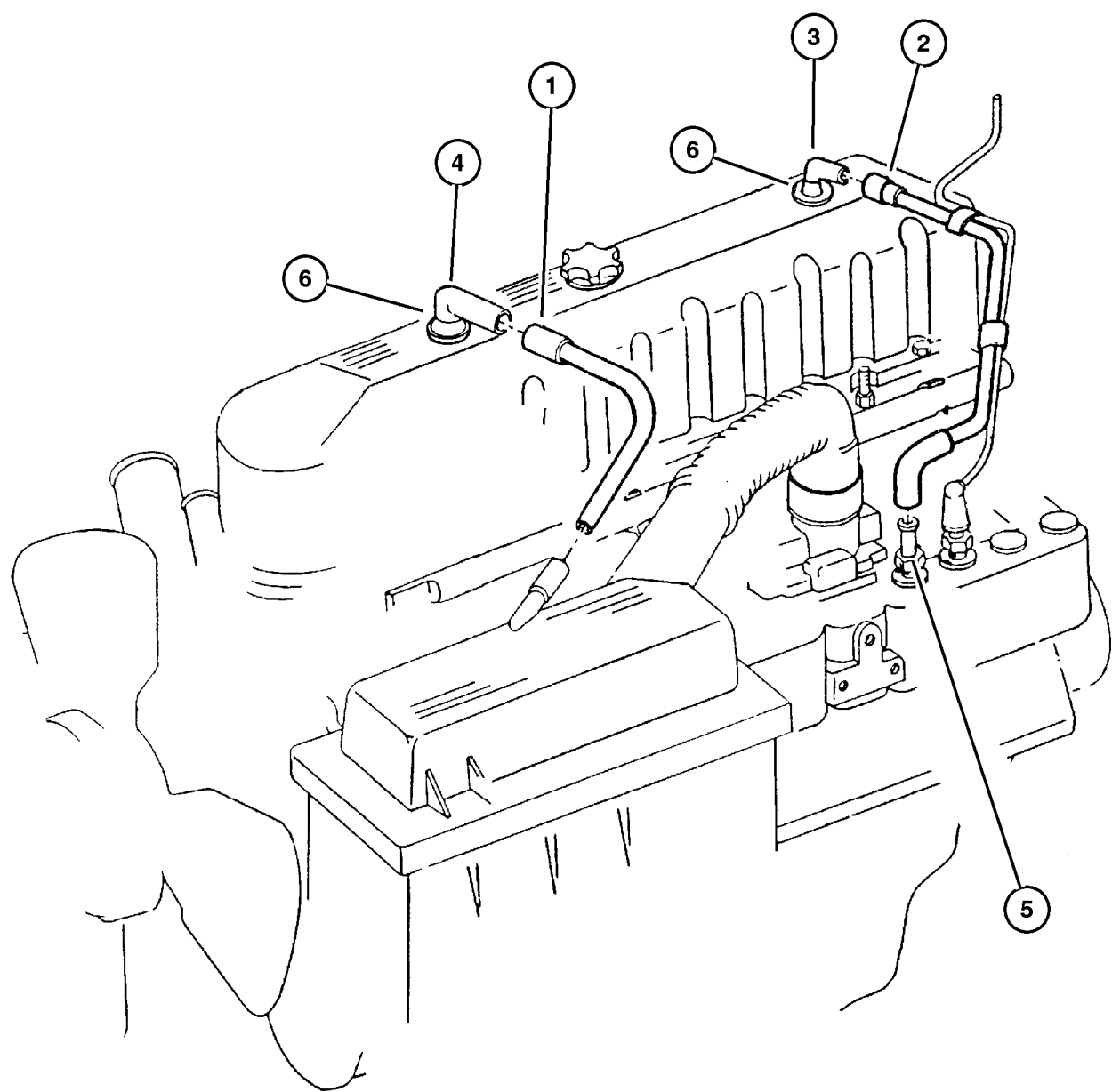
SERIES	LINE	BODY	ENGINE	TRANSMISSION
P=Classic	J=LHD (4WD)	74=4 Dr.(101.4WB)	ENC,EN0=2.5L 4 cyl. Turbo Die	DDD, DDQ=5 spd. Man.
S=Limited	U=RHD (4WD)	72=2 Dr.(101.4WB)	ERH,ER0=4.0L Power Tech I-6	DGS=4 spd. Auto. AISIN
H=Sport	T=LHD (2WD)		EPE,EP0=Magnum 2.5L SMPI	DG0=All Auto/Trans.
L=SE	B=RHD (2WD)			DBB=All Manual Trans.

AR = Use as required - = Non illustrated part # = New this model year

December 7, 2002

**Crankcase Ventilation 4.0L (ERH) Engine
Figure 4.0L-910**

ITEM	PART NUMBER	QTY	LINE	SERIES	BODY	ENGINE	TRANS	TRIM	DESCRIPTION
NOTE: ER0=All 4.0L Engines									
1	4854 180	1				ER0			TUBE, Cylinder Cover to A/CInr
2	4854 265	1				ER0			TUBE, Crankcase Vent To Intake Manifold
3	5303 0495	1				ER0			TUBE, Crankcase Vent To Air Cleaner
4	5303 0991	1				ER0			FITTING, Crankcase Vent Tube
5	4854 194	1				ER0			FITTING, Vacuum
6	2946 079	2				ER0			GROMMET, Crankcase Vent



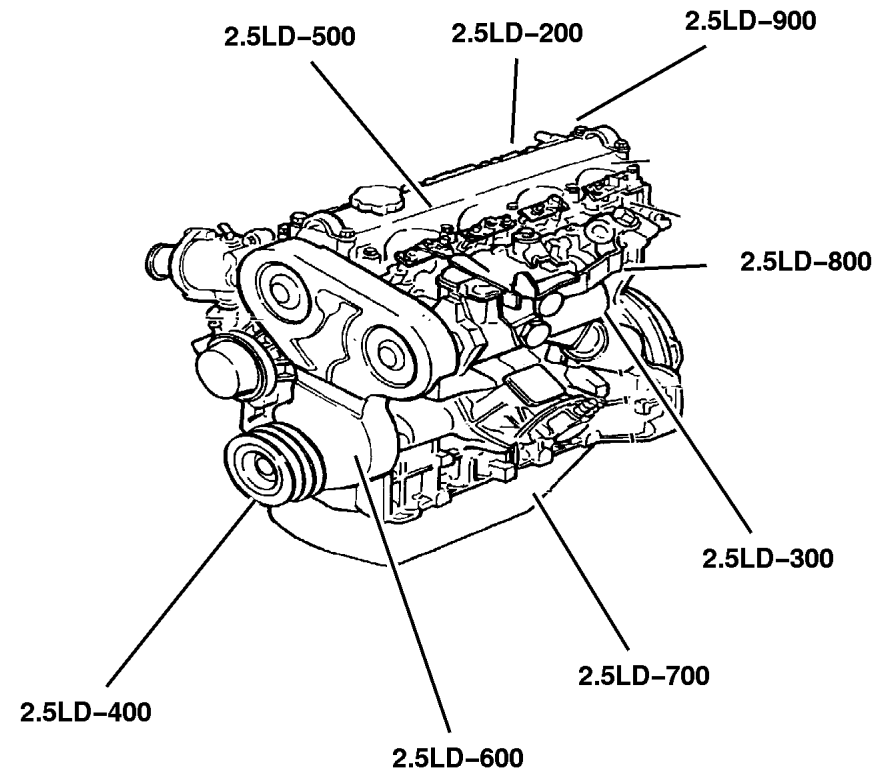
JEEP CHEROKEE (XJ)				
SERIES	LINE	BODY	ENGINE	TRANSMISSION
P=Classic	J=LHD (4WD)	74=4 Dr.(101.4WB)	ENC,EN0=2.5L 4 cyl. Turbo Die	DDD, DDQ=5 spd. Man.
S=Limited	U=RHD (4WD)	72=2 Dr.(101.4WB)	ERH,ER0=4.0L Power Tech I-6	DGS=4 spd. Auto. AISIN
H=Sport	T=LHD (2WD)		EPE,EP0=Magnum 2.5L SMPI	DG0=All Auto/Trans.
L=SE	B=RHD (2WD)			DBB=All Manual Trans.

AR = Use as required - = Non illustrated part # = New this model year

December 7, 2002

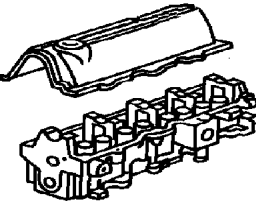
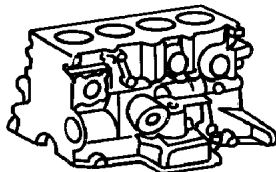
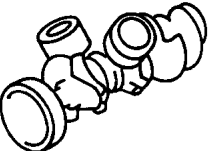
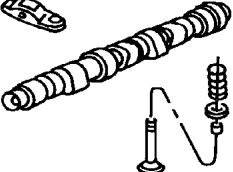
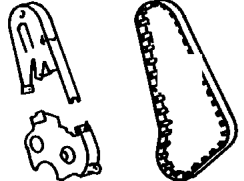
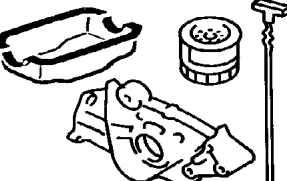
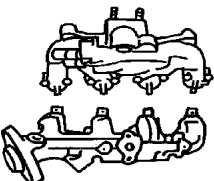
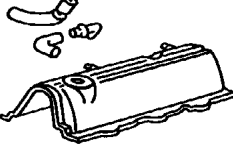
Group – 2.5LD

Engine 2.5L Four Cylinder (Turbo Diesel)

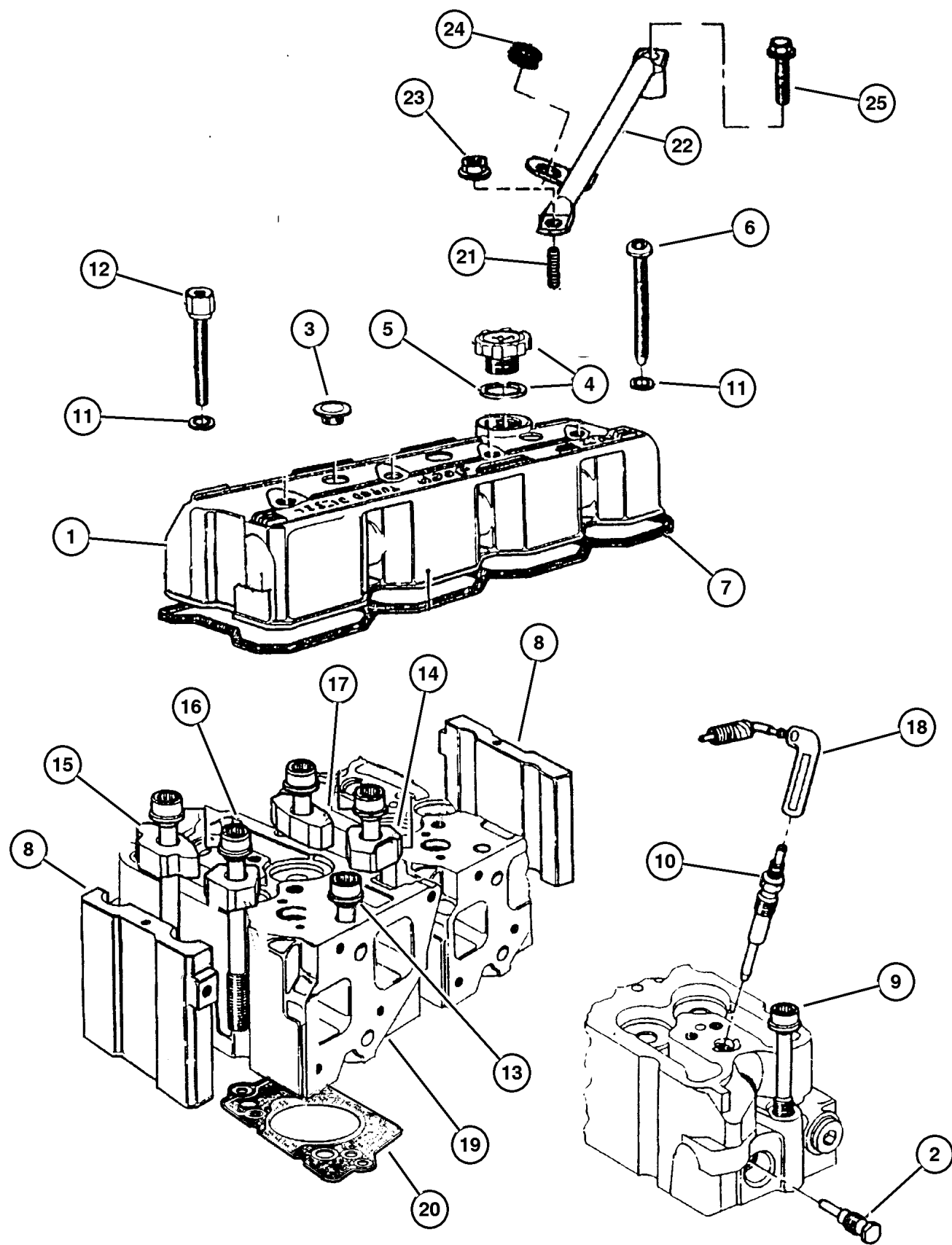


GROUP 2.5LD - Engine 2.5L Four Cylinder (Turbo Diesel)

Illustration Title	Group-Fig. No.
Cylinder Head	
Cylinder Head 2.5L (ENC) Diesel Engine	Fig. 2.5LD-210
Cylinder Block	
Cylinder Block 2.5L (ENC) Diesel Engine	Fig. 2.5LD-310
Crankshaft, Piston and Drive Plate	
Crankshaft, Piston and Torque Converter 2.5L (ENC) Diesel Engine	Fig. 2.5LD-410
Camshafts & Valves	
Camshaft and Valves 2.5L (ENC) Diesel Engine	Fig. 2.5LD-510
Timing Belt and Cover	
Timing Cover 2.5L (ENC) Diesel Engine	Fig. 2.5LD-610
Engine Oiling	
Engine Oiling 2.5L (ENC) Diesel Engine	Fig. 2.5LD-710
Oil Lines 2.5L (ENC) Diesel Engine	Fig. 2.5LD-720
Manifolds	
Manifold, Intake and Exhaust 2.5L (ENC) Diesel Engine	Fig. 2.5LD-810
Crankcase Ventilation	
Crankcase Ventilation 2.5L (ENC) Diesel Engine	Fig. 2.5LD-910

2.5LD-200 Cylinder Head 	2.5LD-300 Cylinder Block 	2.5LD-400 Crankshaft, Piston and Drive Plate 	2.5LD-500 Camshafts & Valves 
2.5LD-600 Timing Belt and Cover 	2.5LD-700 Engine Oiling 	2.5LD-800 Manifolds 	2.5LD-900 Crankcase Ventilation 

Cylinder Head 2.5L (ENC) Diesel Engine
Figure 2.5LD-210



ITEM	PART NUMBER	QTY	LINE	SERIES	BODY	ENGINE	TRANS	TRIM	DESCRIPTION
NOTE: EN0=All 2.5L Diesel Engines									
1	4864 747	1				EN0			COVER, Cylinder Head
2	4863 770	4				EN0			PLUG, Dummy
3	4864 555	3				EN0			PLUG, Cylinder Block
4	4863 741	1				EN0			CAP, Oil Filler
5	4720 300	1				EN0			GASKET, Oil Filler Cap
6	5003 565AA	2				EN0			BOLT
7	4863 789AC	1				EN0			GASKET, Valve Cover
8	4882 407	2				EN0			CLAMP, Cylinder Head
9	4720 671AB	4				EN0			BOLT, Cylinder Head
10	4863 826	4				EN0			GLOW PLUG
11	4864 554	4				EN0			SEAL, Valve Cover Bolt
12	4863 752	2				EN0			SCREW
13	4720 233AB	4				EN0			BOLT, Cylinder Head
14	4864 038	5				EN0			CLAMP, Cylinder Head
15	4864 039	2				EN0			CLAMP, Cylinder Head
16	4720 235AC	10				EN0			BOLT, Cylinder Head
17	4864 040	3				EN0			CLAMP, Cylinder Head
18	4864 557	1				EN0			WIRING, Glow Plug
19	4883 416AB	4				EN0			HEAD, Cylinder
20									GASKET, Cylinder Head
	5014 059AA	1				EN0		1.42	
	5014 060AA	1				EN0		1.52	
	5014 061AA	1				EN0		1.62	
21	4864 745	1				EN0			BOLT
22	4864 746	1				EN0			BRACKET, Alternator Upper
23	4778 936	1				EN0			NUT, Suction Pipe Attaching
24	4720 362	1				EN0			GASKET, Engine Oil Indicator Pipe
25	4864 537	1				EN0			BOLT, 8Mx20

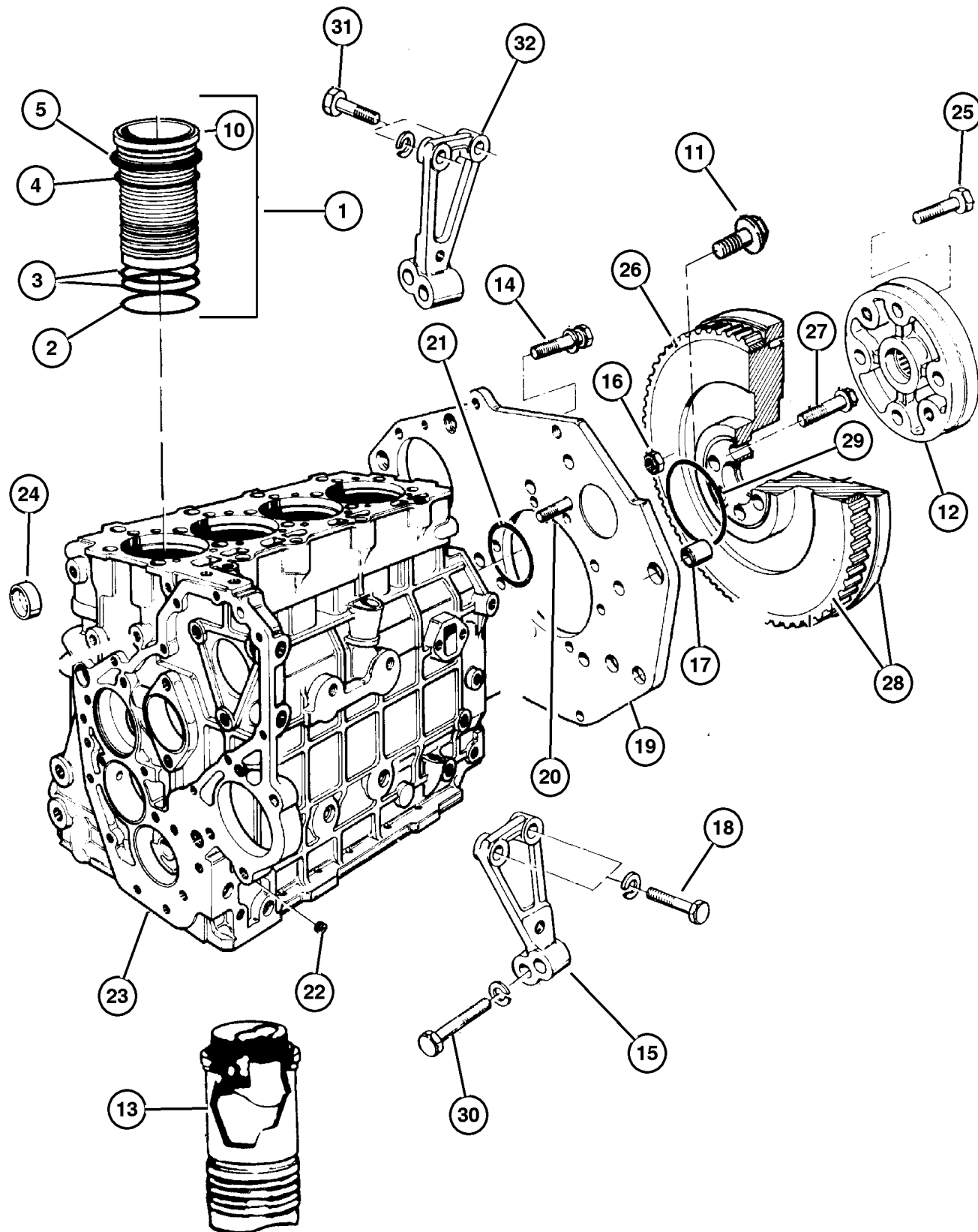
JEEP CHEROKEE (XJ)

SERIES	LINE	BODY	ENGINE	TRANSMISSION
P=Classic	J=LHD (4WD)	74=4 Dr.(101.4WB)	ENC,EN0=2.5L 4 cyl. Turbo Die	DDD, DDQ=5 spd. Man.
S=Limited	U=RHD (4WD)	72=2 Dr.(101.4WB)	ERH,ER0=4.0L Power Tech I-6	DGS=4 spd. Auto. AISIN
H=Sport	T=LHD (2WD)		EPE,EP0=Magnum 2.5L SMPI	DG0=All Auto/Trans.
L=SE	B=RHD (2WD)			DBB=All Manual Trans.

AR = Use as required - = Non illustrated part # = New this model year

December 7, 2002

Cylinder Block 2.5L (ENC) Diesel Engine
Figure 2.5LD-310



ITEM	PART NUMBER	QTY	LINE	SERIES	BODY	ENGINE	TRANS	TRIM	DESCRIPTION
Note;3/4 Engine - 05014068AA, Up To 9-9-99									
3/4 Engine - 05014068AB, After 9-9-99,									
ENO= All 2.5L Diesel Engines									
1	4723 118	4				ENO			SHIM KIT, Cylinder Liner
2	4720 625	4				ENO			O RING, Cylinder Liner
3	4720 627	8				ENO			O RING, Cylinder Liner
4	4720 626	4				ENO			O RING, Cylinder Liner
5	4720 620	4				ENO			SHIM, Cylinder Liner, 0.15mm
-6	4720 624	4				ENO			SHIM, Cylinder Liner, 0.17mm
-7	4720 621	4				ENO			SHIM, Cylinder Liner, 0.20mm
-8	4720 623	4				ENO			SHIM, Cylinder Liner, 0.23mm
-9	4720 622	4				ENO			SHIM, Cylinder Liner, 0.25mm
10									LINER, Cylinder
	4720 611	4				ENO			Up To 9-9-99
	5014 328AA	4				ENO			After 9-9-99
11	4864 537	1				ENO			BOLT, 8Mx20
12	4778 808	1				ENO			HOUSING, Pilot Bearing
13									LINER AND PISTON, Cylinder
	4864 532	4				ENO			Up To 9-9-99
	5014 329AA	4				ENO			After 9-9-99
14	5003 532AA	4				ENO			BOLT, Adaptor Plate
15	4778 806	1				ENO			STIFFENER, Flywheel Housing
16	4778 961	6				ENO			NUT
17	4797 758	2				ENO			DOWEL, Transmission Adapter
18	5003 533AA	2				ENO			BOLT, M10x45
19	4886 254AA	1				ENO			HOUSING, Flywheel
20	4720 677	6				ENO			STUD, Adaptor Plate
21	4863 833	1				ENO			O RING
22	4883 425AA	1				ENO			PLUG
23									BLOCK, Cylinder, (NOT SERVICED) (Not Serviced)
24	4778 887	1				ENO			PLUG, Cylinder Block Oil Hole
25	4864 534	4				ENO			BOLT, Adaptor Plate
26	4883 427AA	1				ENO			GEAR, Ring
27	4720 232AB	6				ENO			BOLT, Flywheel
28	4883 426AA	1				ENO			FLYWHEEL
29	4720 240	1				ENO			O RING, Flywheel To Crankshaft
30	5003 534AA	2				ENO			BOLT, M12x55
31	4897 253AA	2				ENO			BOLT, Hex Flange Head, M10x35
32	4796 394	1				ENO			STIFFENER, Flywheel Housing

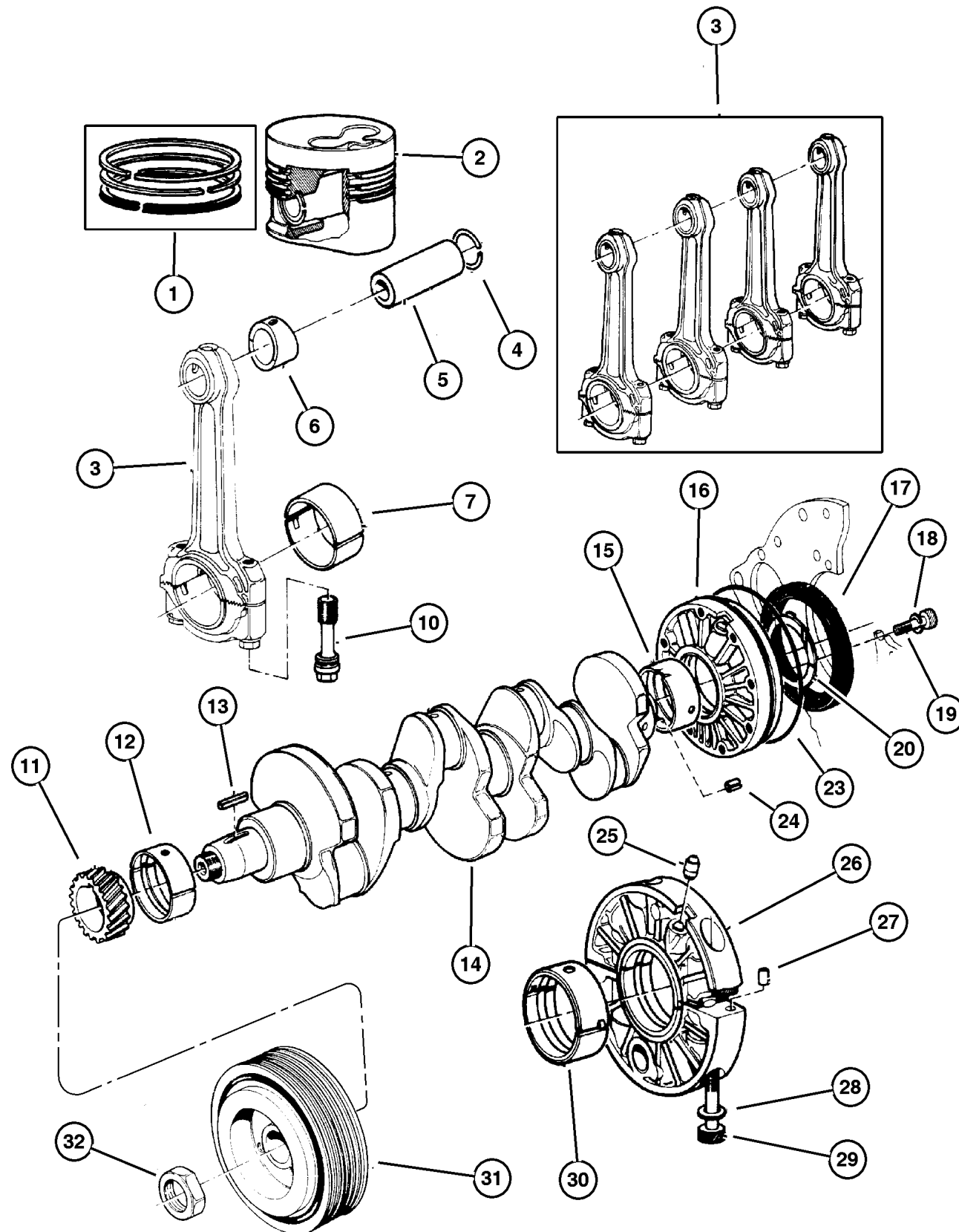
JEEP CHEROKEE (XJ)

SERIES	LINE	BODY	ENGINE	TRANSMISSION
P=Classic	J=LHD (4WD)	74=4 Dr.(101.4WB)	ENC,ENO=2.5L 4 cyl. Turbo Die	DDD, DDQ=5 spd. Man.
S=Limited	U=RHD (4WD)	72=2 Dr.(101.4WB)	ERH,ER0=4.0L Power Tech I-6	DGS=4 spd. Auto. AISIN
H=Sport	T=LHD (2WD)		EPE,EP0=Magnum 2.5L SMPI	DG0=All Auto/Trans.
L=SE	B=RHD (2WD)			DBB=All Manual Trans.

AR = Use as required - = Non illustrated part # = New this model year

December 7, 2002

**Crankshaft, Piston and Torque Converter 2.5L (ENC) Diesel Engine
Figure 2.5LD-410**



ITEM	PART NUMBER	QTY	LINE	SERIES	BODY	ENGINE	TRANS	TRIM	DESCRIPTION
NOTE: EN0=All 2.5L Diesel Engines									
1	4720 084	4				EN0			RING KIT, Piston, Standard Up To 9-9-99
	5014 333AA	4				EN0			After 9-9-99
2	4864 190	4				EN0			PISTON Up To 9-9-99
	5014 332AA	4				EN0			After 9-9-99
3	4723 122	1				EN0			ROD, Connecting Up To 9-9-99
	5014 330AA	1				EN0			After 9-9-99
4	4720 099	8				EN0			RING, Piston Pin
5									PIN, Piston, Serviced in Piston, (NOT SERVICED) (Not Serviced)
6	4723 160	4				EN0			BUSHING, Connecting Rod Up To 9-9-99
	5014 331AA	4				EN0			After 9-9-99
7	4720 877	4				EN0			BUSHING, Connecting Rod
-8	4720 882	4				EN0			BEARING, Connecting Rod, .010" U/S, Up To 9-9-99
-9	4720 883	AR				EN0			BEARING, Connecting Rod, .25 mm U/S
10	4883 386AB	8				EN0			BOLT, Connecting Rod
11	4882 402	1				EN0			GEAR, Crankshaft
12	4720 885	1				EN0			BEARING, Crankshaft Standard
	4720 886	1				EN0			.125mm, Up To 9-9-99
	4720 887	AR				EN0			.250mm
13	5003 529AA	1				EN0			KEY, Crankshaft Sprocket
14	4864 538	1				EN0			CRANKSHAFT
15	4864 539	1				EN0			BEARING, Crankshaft Standard
	4864 540	1				EN0			.125mm, Up To 9-9-99
	4864 541	AR				EN0			.250mm
16	4864 542AB	1				EN0			HOUSING, Rear Bearing Up To 9-9-99
	4864 676AB	1				EN0			After 9-9-99
17	5010 817AA	1				EN0			SEAL, Rear Main Crankshaft
18	4723 204	8				EN0			WASHER, Implement Attaching
19	4720 284	8				EN0			SCREW, Rear Crankshaft Support
20	4864 046	1				EN0			WASHER, Thrust
-21	4864 543	AR				EN0			WASHER, Thrust, 0.10 Oversize
-22	4864 544	AR				EN0			WASHER, Thrust, 0.20 Oversize

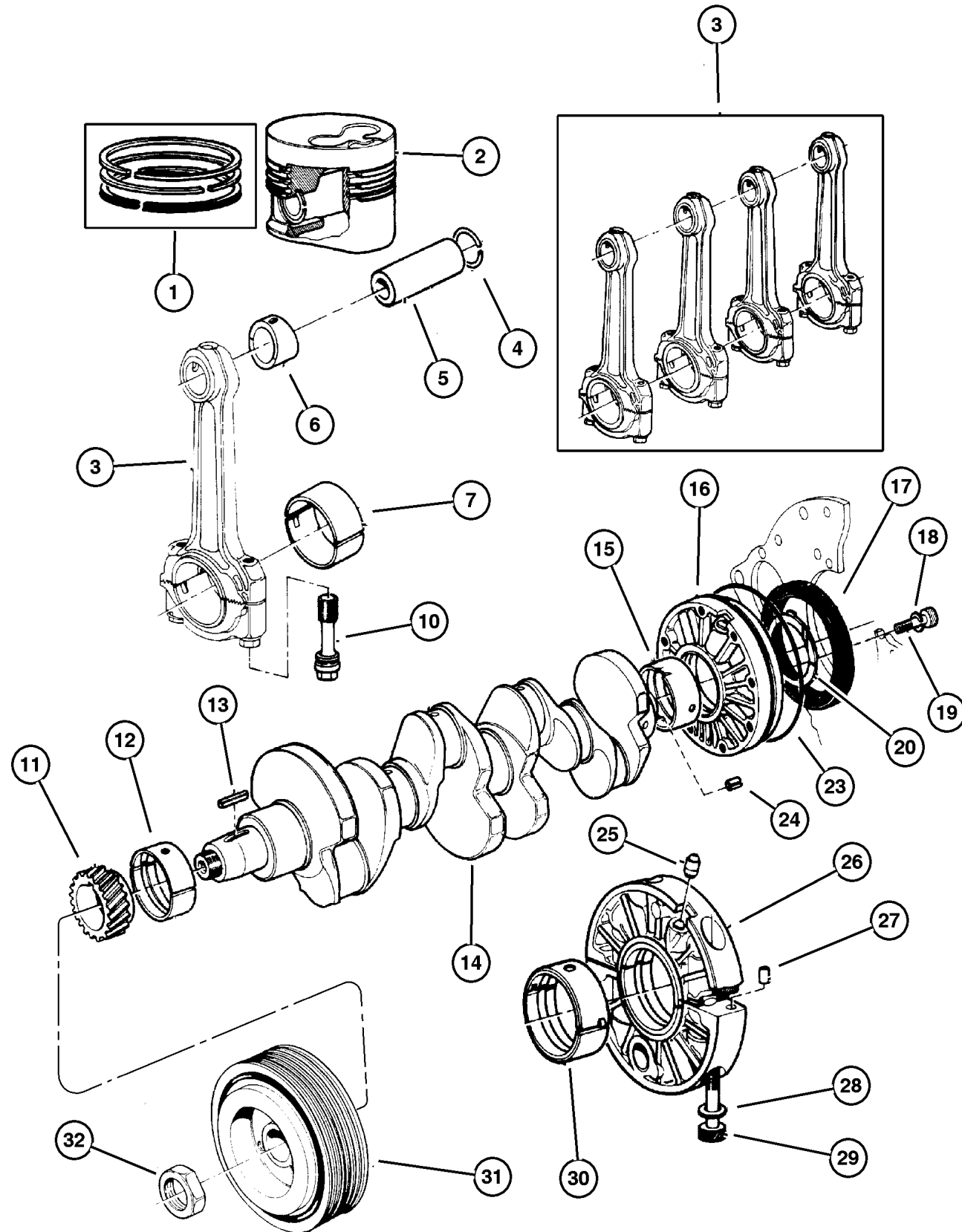
JEEP CHEROKEE (XJ)

SERIES	LINE	BODY	ENGINE	TRANSMISSION
P=Classic	J=LHD (4WD)	74=4 Dr.(101.4WB)	ENC,EN0=2.5L 4 cyl. Turbo Die	DDD, DDQ=5 spd. Man.
S=Limited	U=RHD (4WD)	72=2 Dr.(101.4WB)	ERH,ER0=4.0L Power Tech I-6	DGS=4 spd. Auto. AISIN
H=Sport	T=LHD (2WD)		EPE,EP0=Magnum 2.5L SMP1	DG0=All Auto/Trans.
L=SE	B=RHD (2WD)			DBB=All Manual Trans.

AR = Use as required - = Non illustrated part # = New this model year

December 7, 2002

**Crankshaft, Piston and Torque Converter 2.5L (ENC) Diesel Engine
Figure 2.5LD-410**



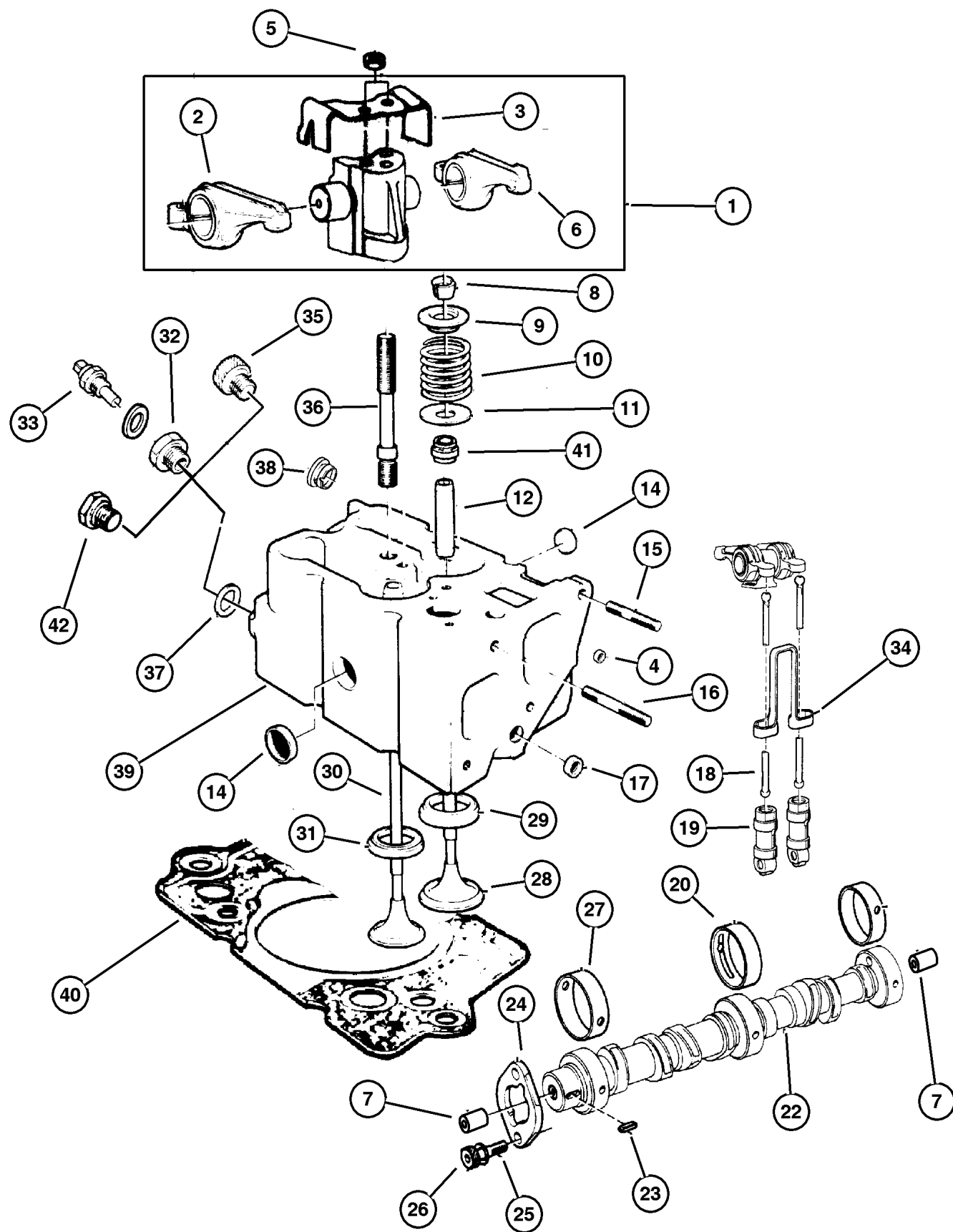
ITEM	PART NUMBER	QTY	LINE	SERIES	BODY	ENGINE	TRANS	TRIM	DESCRIPTION
23	4720 277	1				ENO			O RING, Crankshaft Rear Support
24	4723 158AB	1				ENO			PIN, Dowel
25	4720 246AB	3				ENO			JET, Piston Oil Cooler, Up To 9-9-99
26	4723 161	3				ENO			HOUSING, Crankshaft Bearing Up To 9-9-99
	4863 711	3				ENO			After 9-9-99
27	4720 241	6				ENO			DOWEL, Center Bearing Housing
28	4720 243	6				ENO			WASHER, Lock, M10
29	4720 242	6				ENO			SCREW
30	4720 889	3				ENO			BEARING, Crankshaft Standard
	4720 890	3				ENO			.125mm, Up To 9-9-99
	4720 892	AR				ENO			.250mm
31	4886 225AA	1				ENO			DAMPER, Crankshaft
32	4720 273	1				ENO			NUT, Damper Pulley

JEEP CHEROKEE (XJ)				
SERIES	LINE	BODY	ENGINE	TRANSMISSION
P=Classic	J=LHD (4WD)	74=4 Dr.(101.4WB)	ENC,ENO=2.5L 4 cyl. Turbo Die	DDD, DDQ=5 spd. Man.
S=Limited	U=RHD (4WD)	72=2 Dr.(101.4WB)	ERH,ER0=4.0L Power Tech I-6	DGS=4 spd. Auto. AISIN
H=Sport	T=LHD (2WD)		EPE,EP0=Magnum 2.5L SMP1	DG0=All Auto/Trans.
L=SE	B=RHD (2WD)			DBB=All Manual Trans.

AR = Use as required - = Non illustrated part # = New this model year

December 7, 2002

Camshaft and Valves 2.5L (ENC) Diesel Engine Figure 2.5LD-510



ITEM	PART NUMBER	QTY	LINE	SERIES	BODY	ENGINE	TRANS	TRIM	DESCRIPTION
NOTE: EN0=All 2.5L Diesel Engines									
1	4883 397AA	4				EN0			ROCKER ARM, Inlet and Exhaust Valve
2	4883 399AA	4				EN0			ROCKER ARM, Exhaust Valve
3	4863 861	4				EN0			SPRING, Valve
4	4723 196AB	2				EN0			PLUG, Camshaft
5	4883 396AA	8				EN0			NUT
6	4883 398AA	4				EN0			ROCKER ARM, Intake Valve
7	4723 196AB	2				EN0			PLUG, Camshaft
8	4720 155	16				EN0			LOCK, Valve Spring Retainer
9	4720 152	8				EN0			RETAINER, Valve Spring
10	4720 158	8				EN0			SPRING, Valve
11	4720 153	8				EN0			WASHER, Plain
12	4883 417AA	8				EN0			GUIDE, Intake/Exhaust Valve, Standard Size
-13	4883 820AA	AR				EN0			GUIDE, Intake/Exhaust Valve, 0.10mm Oversize
14	4723 228	8				EN0			PLUG, Cylinder Block Oil Hole
15	4723 241	3				EN0			STUD
16	4882 405	8				EN0			STUD
17	4723 210	4				EN0			PLUG, Cylinder Block Oil Hole
18	4883 395AA	8				EN0			PUSH ROD, Valve
19	4773 712	8				EN0			TAPPET, Valve
20	4720 220	1				EN0			BEARING, Camshaft
-21	4720 219	1				EN0			BEARING, Camshaft
22	4882 399	1				EN0			CAMSHAFT, Engine
23	4720 137	1				EN0			KEY, Camshaft Sprocket
24	4723 163	1				EN0			PLATE, Camshaft Thrust
25	4723 165	2				EN0			WASHER, P Clip
26	4720 135	5				EN0			BOLT, Hex Head, M8x18
27	5010 274AA	1				EN0			BEARING, Camshaft
28	4720 146	4				EN0			VALVE, Intake, Standard
29	4723 245	4				EN0			SEAT, Intake Valve, 0.30mm Oversize
30	4720 148	4				EN0			VALVE, Exhaust, Standard
31	4723 244	4				EN0			SEAT, Exhaust Valve, 0.30mm Oversize
32	5014 065AA	2				EN0			ADAPTER, Temperature Sensor
33	5014 067AA	2				EN0			SENSOR, Temperature Sending Unit
34	4773 701	4				EN0			BRACKET, Antirotation
35	4720 159	1				EN0			PLUG, Cylinder Block Oil Hole
36	4897 831AA	8				EN0			STUD

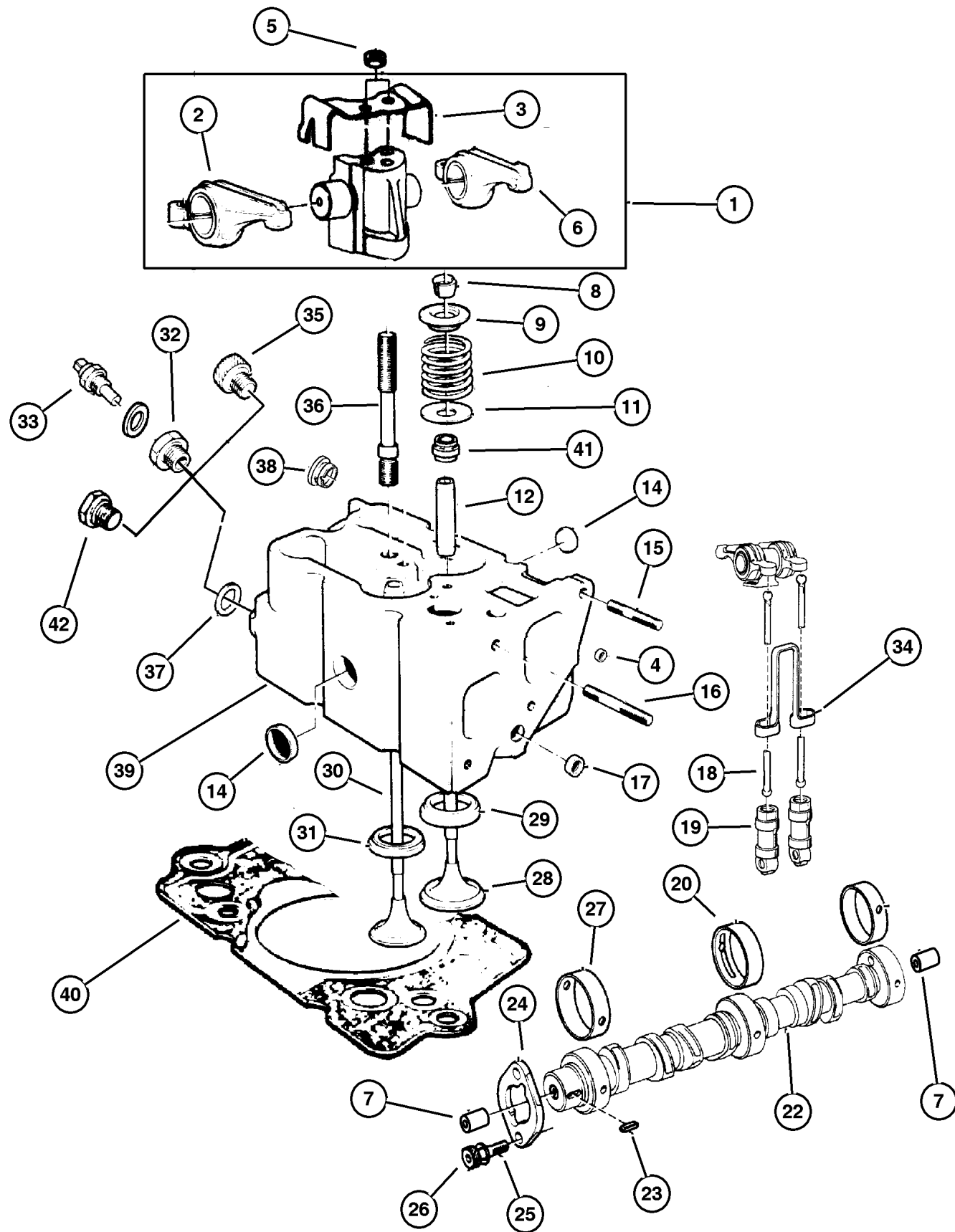
JEEP CHEROKEE (XJ)

SERIES	LINE	BODY	ENGINE	TRANSMISSION
P=Classic	J=LHD (4WD)	74=4 Dr.(101.4WB)	ENC,EN0=2.5L 4 cyl. Turbo Die	DDD, DDQ=5 spd. Man.
S=Limited	U=RHD (4WD)	72=2 Dr.(101.4WB)	ERH,ER0=4.0L Power Tech I-6	DGS=4 spd. Auto. AISIN
H=Sport	T=LHD (2WD)		EPE,EP0=Magnum 2.5L SMPI	DG0=All Auto/Trans.
L=SE	B=RHD (2WD)			DBB=All Manual Trans.

AR = Use as required - = Non illustrated part # = New this model year

December 7, 2002

Camshaft and Valves 2.5L (ENC) Diesel Engine Figure 2.5LD-510



ITEM	PART NUMBER	QTY	LINE	SERIES	BODY	ENGINE	TRANS	TRIM	DESCRIPTION
37	4723 246	4				ENO			WASHER, Plain
38	4863 769	4				ENO			PLUG
39	4883 416AB	4				ENO			HEAD, Cylinder
40									GASKET, Cylinder Head
	5014 059AA	1				ENO			1.42
	5014 060AA	1				ENO			1.52
	5014 061AA	1				ENO			1.62
41	4883 821AA	8				ENO			SEAL, Valve Guide
42	4864 606	1				ENO			PLUG

JEEP CHEROKEE (XJ)

SERIES	LINE	BODY	ENGINE	TRANSMISSION
P=Classic	J=LHD (4WD)	74=4 Dr.(101.4WB)	ENC,ENO=2.5L 4 cyl. Turbo Die	DDD, DDQ=5 spd. Man.
S=Limited	U=RHD (4WD)	72=2 Dr.(101.4WB)	ERH,ER0=4.0L Power Tech I-6	DGS=4 spd. Auto. AISIN
H=Sport	T=LHD (2WD)		EPE,EP0=Magnum 2.5L SMPI	DG0=All Auto/Trans.
L=SE	B=RHD (2WD)			DBB=All Manual Trans.

AR = Use as required - = Non illustrated part # = New this model year

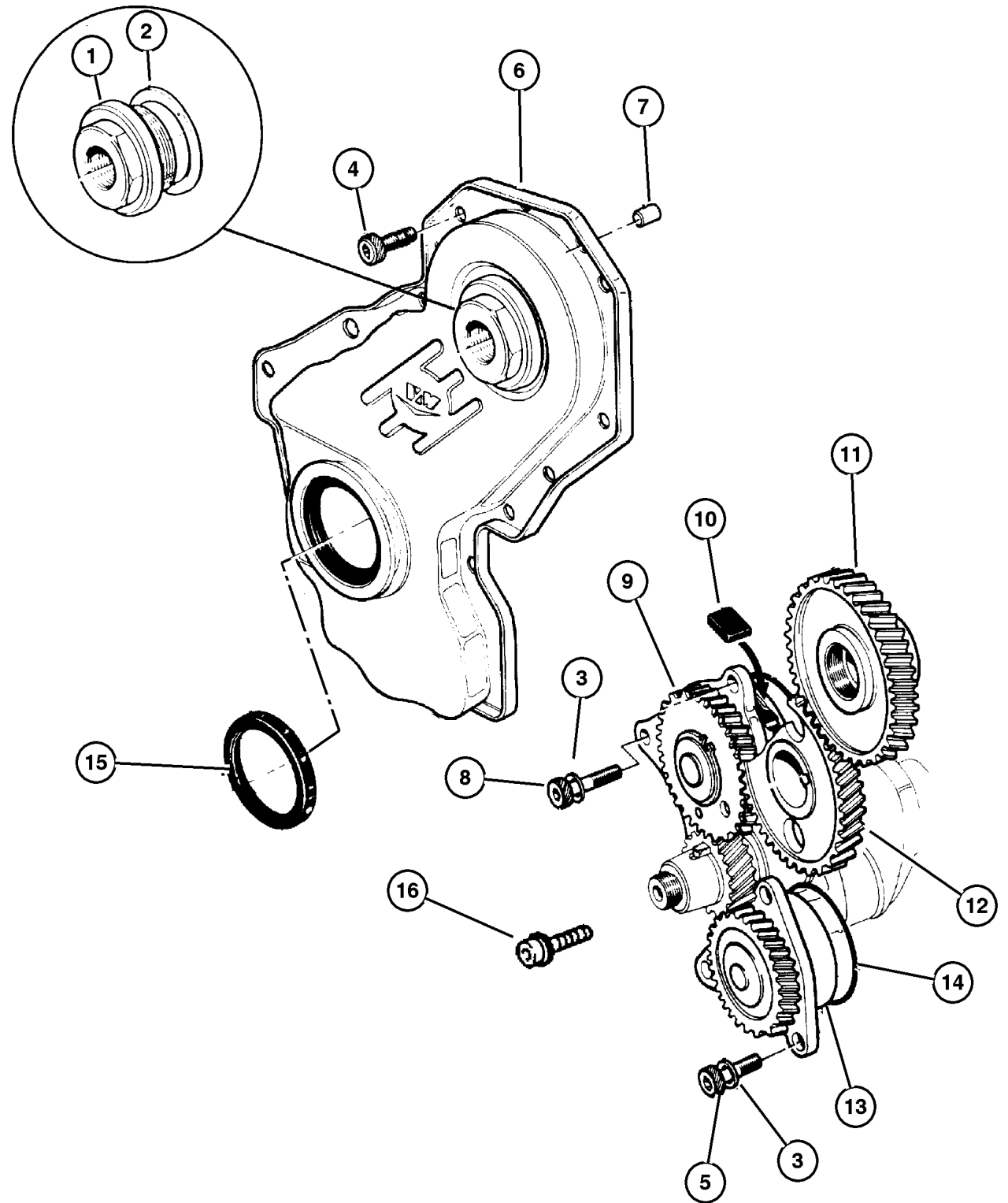
December 7, 2002

**Timing Cover 2.5L (ENC) Diesel Engine
Figure 2.5LD-610**

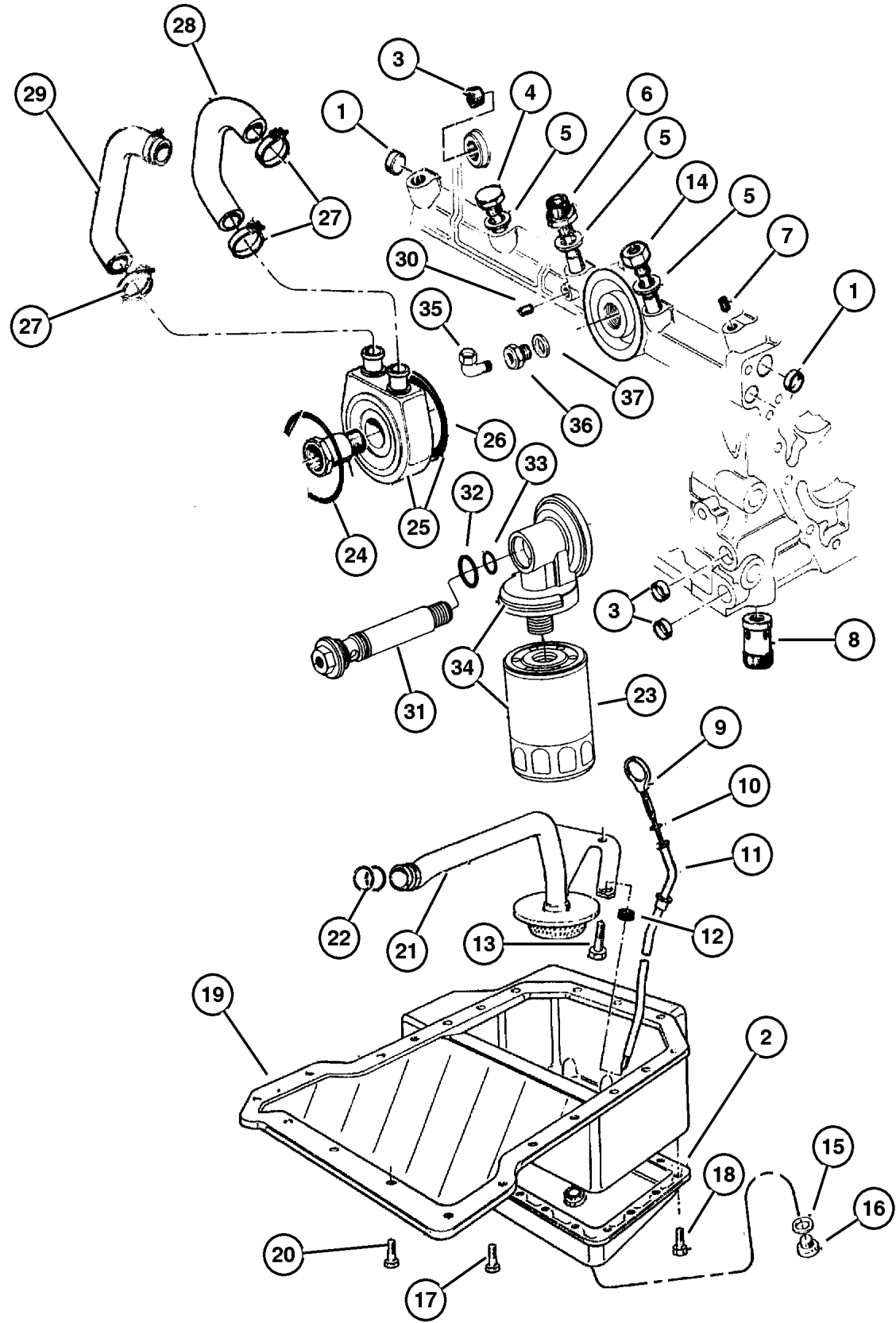
ITEM	PART NUMBER	QTY	LINE	SERIES	BODY	ENGINE	TRANS	TRIM	DESCRIPTION
NOTE: EN0=All 2.5L Diesel Engines									
1	4778 839	1				EN0			COVER, Timing Belt
2	4720 290	1				EN0			GASKET, Engine Oil Plug
3	4720 565	6				EN0			WASHER, Tube Bolt
4	5003 551AA	1				EN0			BOLT, M6x10
5	4720 135	5				EN0			BOLT, Hex Head, M8x18
6	5010 853AA	1				EN0			COVER, Timing Belt
7	4720 304	2				EN0			DOWEL, Front Cover
8	4720 136	3				EN0			BOLT, Hex Head, M8x20
9	5003 716AB	1				EN0			PUMP, Vacuum
10	5010 821AA	3				EN0			INSERT, Vacuum Pump Rotor
11	4882 412	1				EN0			GEAR, Injection Pump
12	4882 403	1				EN0			GEAR, Camshaft
13	4723 233	1				EN0			PUMP, Engine Oil
14	4720 239	1				EN0			O RING, Adaptor Plate
15	5010 856AA	1				EN0			SEAL, Timing Belt Cover
16	5003 539AA	1				EN0			BOLT

JEEP CHEROKEE (XJ)				
SERIES	LINE	BODY	ENGINE	TRANSMISSION
P=Classic	J=LHD (4WD)	74=4 Dr.(101.4WB)	ENC,EN0=2.5L 4 cyl. Turbo Die	DDD, DDQ=5 spd. Man.
S=Limited	U=RHD (4WD)	72=2 Dr.(101.4WB)	ERH,ER0=4.0L Power Tech I-6	DGS=4 spd. Auto. AISIN
H=Sport	T=LHD (2WD)		EPE,EP0=Magnum 2.5L SMPI	DG0=All Auto/Trans.
L=SE	B=RHD (2WD)			DBB=All Manual Trans.

AR = Use as required - = Non illustrated part # = New this model year December 7, 2002



**Engine Oiling 2.5L (ENC) Diesel Engine
Figure 2.5LD-710**



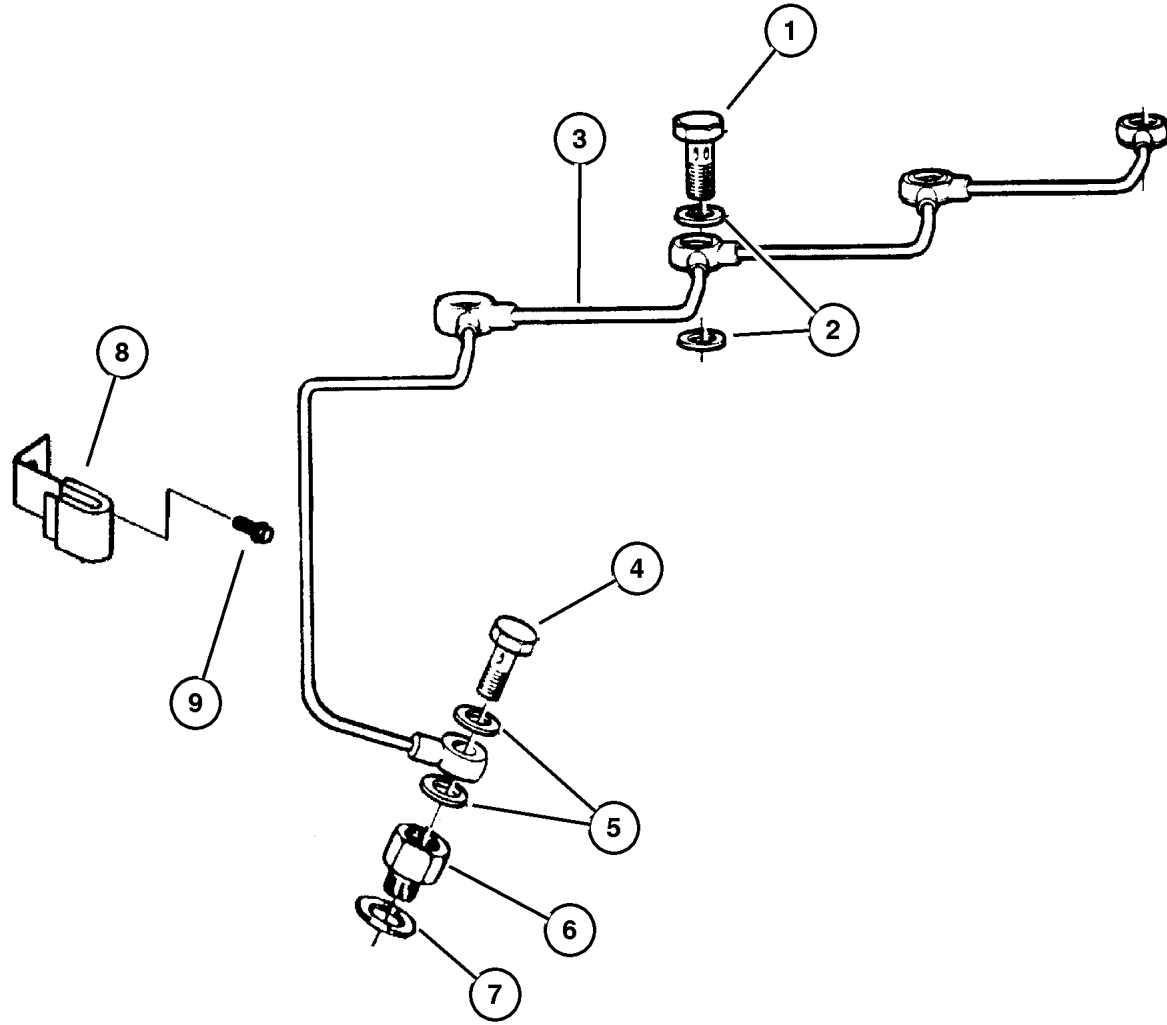
ITEM	PART NUMBER	QTY	LINE	SERIES	BODY	ENGINE	TRANS	TRIM	DESCRIPTION
NOTE: EN0=All 2.5L Diesel Engines									
1	4723 211	2				EN0			PLUG, Cylinder Block Oil Hole
2	4778 933	1				EN0			COVER, Oil Pump
3	4864 753	3				EN0			PLUG
4	4720 726	2				EN0			BOLT, Oil Feed To Turbo Adapter
5	4720 704	3				EN0			WASHER, Oil Pressure Transducer
6	4720 709	1				EN0			BOLT, Turbo Oil Feed Adapter
7	4883 424AA	2				EN0			PLUG, Cylinder Block
8	5003 543AA	1				EN0			VALVE, Oil Pressure Relief
9	4778 947	1				EN0			INDICATOR, Engine Oil Level
10	4720 373	1				EN0			O RING, Engine Oil Indicator
11	4882 408	1				EN0			TUBE, Oil Gauge
12	4720 362	1				EN0			GASKET, Engine Oil Indicator Pipe
13	5003 551AA	1				EN0			BOLT, M6x10
14	4720 726	2				EN0			BOLT, Oil Feed To Turbo Adapter
15	4720 353	1				EN0			WASHER, Plain
16	4720 352	1				EN0			PLUG, Oil Drain
17	5003 551AA	1				EN0			BOLT, M6x10
18	5003 557AA	13				EN0			SCREW
19	4778 935	1				EN0			PAN, Engine Oil
20	4864 551	20				EN0			SCREW
21	4778 937	1				EN0			PICKUP, Engine Oil
22	4720 374	2				EN0			O RING, Oil Suction Tube
23	5003 558AA	1				EN0			FILTER, Engine Oil
24	4720 375	1				EN0			O RING, Oil Filter Base
25	4720 366	1				EN0			COOLER, Engine Oil
26	4723 217	1				EN0			O RING, Oil Cooler
27	4883 924AA	4				EN0			CLAMP, Heater Hose
28	4864 578	1				EN0			HOSE, Oil Cooler
29	4778 988	1				EN0			HOSE, Engine Oil Cooler
30	4883 424AA	2				EN0			PLUG, Cylinder Block
31	5003 559AA	1				EN0			ADAPTER, Oil Pressure Sender
32	4723 334	1				EN0			GASKET, Valve
33	4886 305AA	1				EN0			O RING, Oil Filter Adapter
34	5010 893AA	1				EN0			BASE, Oil Filter
35	5014 070AA	1				EN0			ADAPTER, Oil Pressure Sender
36	5003 544AA	1				EN0			ADAPTER, Oil Pressure Sender
37	4797 784	1				EN0			WASHER, Plain, 16.2x19.9x1.5

JEEP CHEROKEE (XJ)				
SERIES	LINE	BODY	ENGINE	TRANSMISSION
P=Classic	J=LHD (4WD)	74=4 Dr.(101.4WB)	ENC,EN0=2.5L 4 cyl. Turbo Die	DDD, DDQ=5 spd. Man.
S=Limited	U=RHD (4WD)	72=2 Dr.(101.4WB)	ERH,ER0=4.0L Power Tech I-6	DGS=4 spd. Auto. AISIN
H=Sport	T=LHD (2WD)		EPE,EP0=Magnum 2.5L SMPI	DG0=All Auto/Trans.
L=SE	B=RHD (2WD)			DBB=All Manual Trans.

AR = Use as required - = Non illustrated part # = New this model year

December 7, 2002

**Oil Lines 2.5L (ENC) Diesel Engine
Figure 2.5LD-720**



ITEM	PART NUMBER	QTY	LINE	SERIES	BODY	ENGINE	TRANS	TRIM	DESCRIPTION
NOTE: EN0=All 2.5L Diesel Engines									
1	4720 358	1				EN0			BOLT, Banjo
2	4720 554	2				EN0			WASHER, Banjo
3	5015 284AA	1				EN0			TUBE PACKAGE, Oil Feed
4	4720 358	1				EN0			BOLT, Banjo
5	4720 554	2				EN0			WASHER, Banjo
6	4863 777	1				EN0			UNION
7	4720 704	1				EN0			WASHER, Oil Pressure Transducer
8	5013 828AA	1				EN0			BRACKET, Tube
9	5014 071AA	1				EN0			BOLT, M5x10

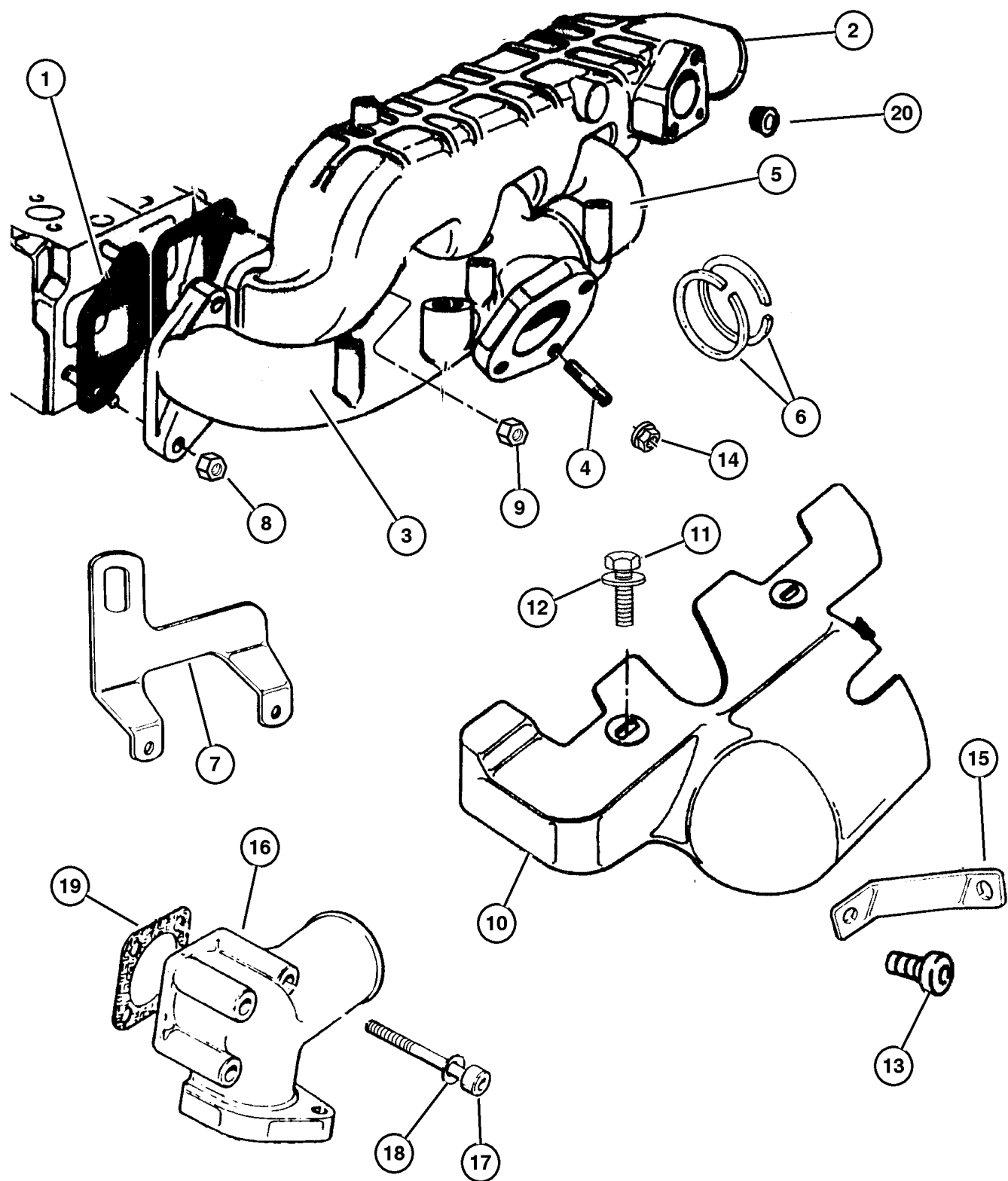
JEEP CHEROKEE (XJ)

SERIES	LINE	BODY	ENGINE	TRANSMISSION
P=Classic	J=LHD (4WD)	74=4 Dr.(101.4WB)	ENC,EN0=2.5L 4 cyl. Turbo Die	DDD, DDQ=5 spd. Man.
S=Limited	U=RHD (4WD)	72=2 Dr.(101.4WB)	ERH,ER0=4.0L Power Tech I-6	DGS=4 spd. Auto. AISIN
H=Sport	T=LHD (2WD)		EPE,EP0=Magnum 2.5L SMPI	DG0=All Auto/Trans.
L=SE	B=RHD (2WD)			DBB=All Manual Trans.

AR = Use as required - = Non illustrated part # = New this model year

December 7, 2002

Manifold, Intake and Exhaust 2.5L (ENC) Diesel Engine
Figure 2.5LD-810



ITEM	PART NUMBER	QTY	LINE	SERIES	BODY	ENGINE	TRANS	TRIM	DESCRIPTION
NOTE: EN0=All 2.5L Diesel Engines									
1	5003 546AA	1				EN0			GASKET, Intake/Exhaust Manifold
2	5014 064AA	1				EN0			MANIFOLD, Intake
3	4778 957	1				EN0			MANIFOLD, Exhaust
4	4882 606	3				EN0			STUD, Turbo Elbow
5	4778 960	1				EN0			MANIFOLD, Exhaust
6	4720 214	2				EN0			CIRCLIP, Exhaust Manifold
7	5014 073AA	1				EN0			BRACKET, Engine Lift
8	4882 611	8				EN0			NUT, Lock
9	4778 961	8				EN0			NUT
10	4864 752	1				EN0			SHIELD, Heat
11	4728 183	2				EN0			BOLT, Exhaust Shield
12									WASHER, Starter
	4723 279	2				EN0			Up To 9-9-99
	4720 553	2				EN0			After 9-9-99
13	5003 551AA	1				EN0			BOLT, M6x10
14	4882 610	3				EN0			NUT, Lock
15	4796 396	1				EN0			BRACKET, Heat Shield
16	4778 963	1				EN0			ELBOW, Intake Manifold Vacuum
17	4886 291AA	4				EN0			BOLT, Water Manifold
18	4723 204	4				EN0			WASHER, Implement Attaching
19	4720 207	1				EN0			GASKET, Intake Connector
20	4883 425AA	1				EN0			PLUG

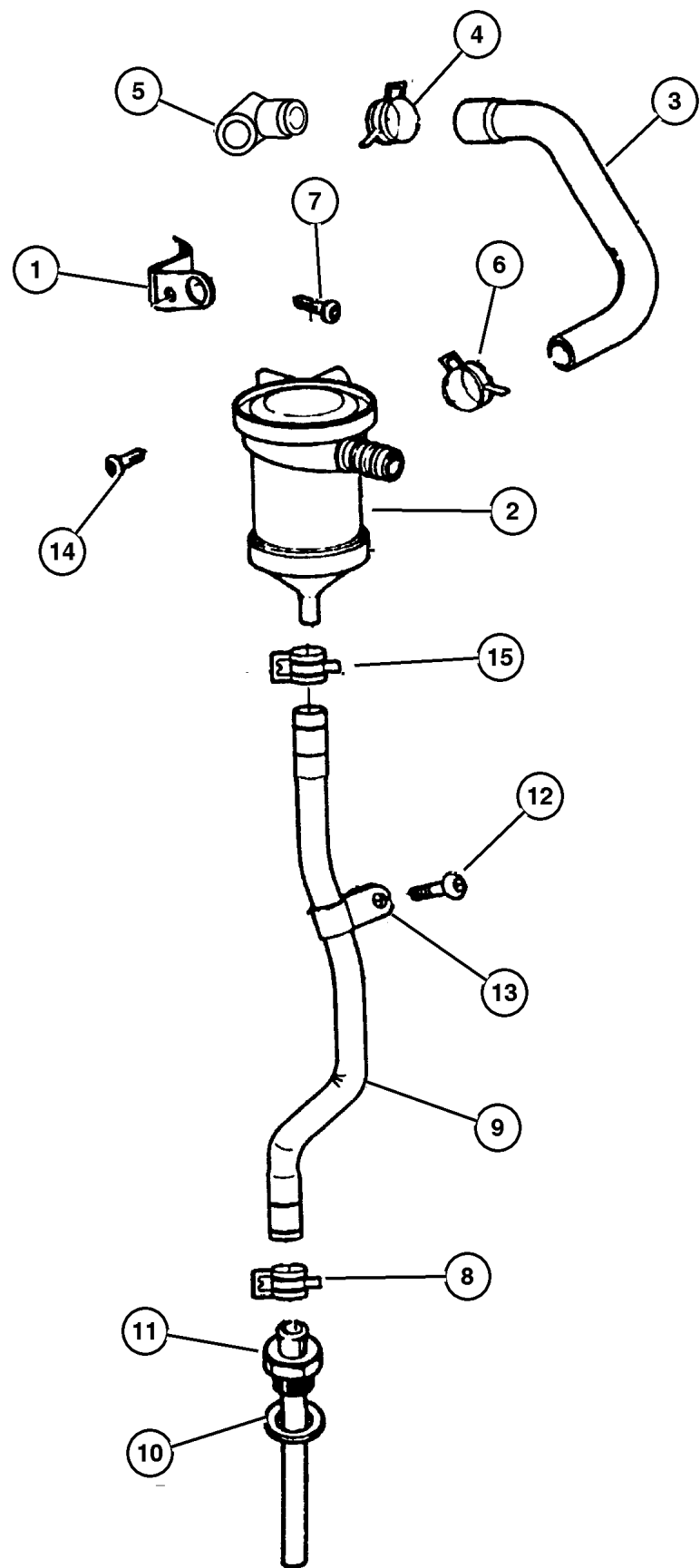
JEEP CHEROKEE (XJ)

SERIES	LINE	BODY	ENGINE	TRANSMISSION
P=Classic	J=LHD (4WD)	74=4 Dr.(101.4WB)	ENC,EN0=2.5L 4 cyl. Turbo Die	DDD, DDQ=5 spd. Man.
S=Limited	U=RHD (4WD)	72=2 Dr.(101.4WB)	ERH,ER0=4.0L Power Tech I-6	DGS=4 spd. Auto. AISIN
H=Sport	T=LHD (2WD)		EPE,EP0=Magnum 2.5L SMP1	DG0=All Auto/Trans.
L=SE	B=RHD (2WD)			DBB=All Manual Trans.

AR = Use as required - = Non illustrated part # = New this model year

December 7, 2002

Crankcase Ventilation 2.5L (ENC) Diesel Engine
Figure 2.5LD-910



ITEM	PART NUMBER	QTY	LINE	SERIES	BODY	ENGINE	TRANS	TRIM	DESCRIPTION
NOTE: EN0=All 2.5L Diesel Engines									
1	4883 452AA	1				EN0			BRACKET, Oil Seperator, Engine
2	4863 796	1				EN0			SEPERATOR, Oil
3	4886 290AA	1				EN0			PIPE, Oil Separator
4	4886 044AA	1				EN0			CLAMP, Heater Hose
5	4720 691	1				EN0			ADAPTER, Crankcase Vent
6	4883 924AA	1				EN0			CLAMP, Heater Hose
7	5003 551AA	1				EN0			BOLT, M6x10
8	5003 552AA	1				EN0			CLAMP, Oil Seperator Hose
9	4883 454AA	1				EN0			TUBE, Oil Separator Drain
10	4720 704	1				EN0			WASHER, Oil Pressure Transduser
11	4778 942	1				EN0			ADAPTER, Oil Drain Pipe
12	5003 554AA	1				EN0			SCREW
13	4886 223AA	1				EN0			P CLIP
14	5003 553AA	1				EN0			SCREW
15	4886 051AA	1				EN0			CLAMP, Heater Hose

JEEP CHEROKEE (XJ)				
SERIES	LINE	BODY	ENGINE	TRANSMISSION
P=Classic	J=LHD (4WD)	74=4 Dr.(101.4WB)	ENC,EN0=2.5L 4 cyl. Turbo Die	DDD, DDQ=5 spd. Man.
S=Limited	U=RHD (4WD)	72=2 Dr.(101.4WB)	ERH,ER0=4.0L Power Tech I-6	DGS=4 spd. Auto. AISIN
H=Sport	T=LHD (2WD)		EPE,EP0=Magnum 2.5L SMPI	DG0=All Auto/Trans.
L=SE	B=RHD (2WD)			DBB=All Manual Trans.

AR = Use as required - = Non illustrated part # = New this model year

December 7, 2002

Group – 011

Exhaust

GROUP 11 - Exhaust

Illustration Title

Group-Fig. No.

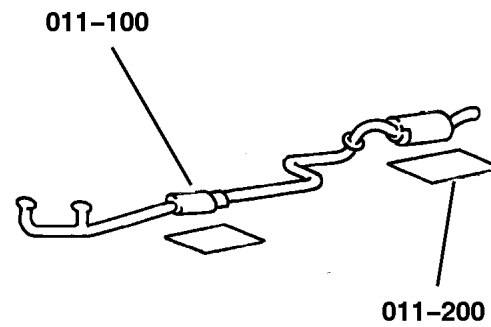
Exhaust System

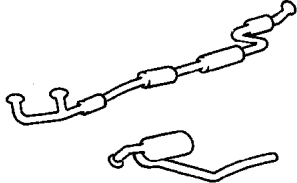
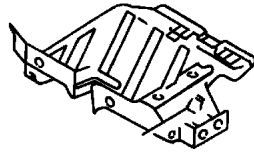
Exhaust System 2.5 [EPE] 4.0 [ERH] Engine 2.5L (EPE), 4.0L (ERH) Engine Fig. 011-120

Exhaust System 2.5 [ENC] Diesel Engine Fig. 011-140

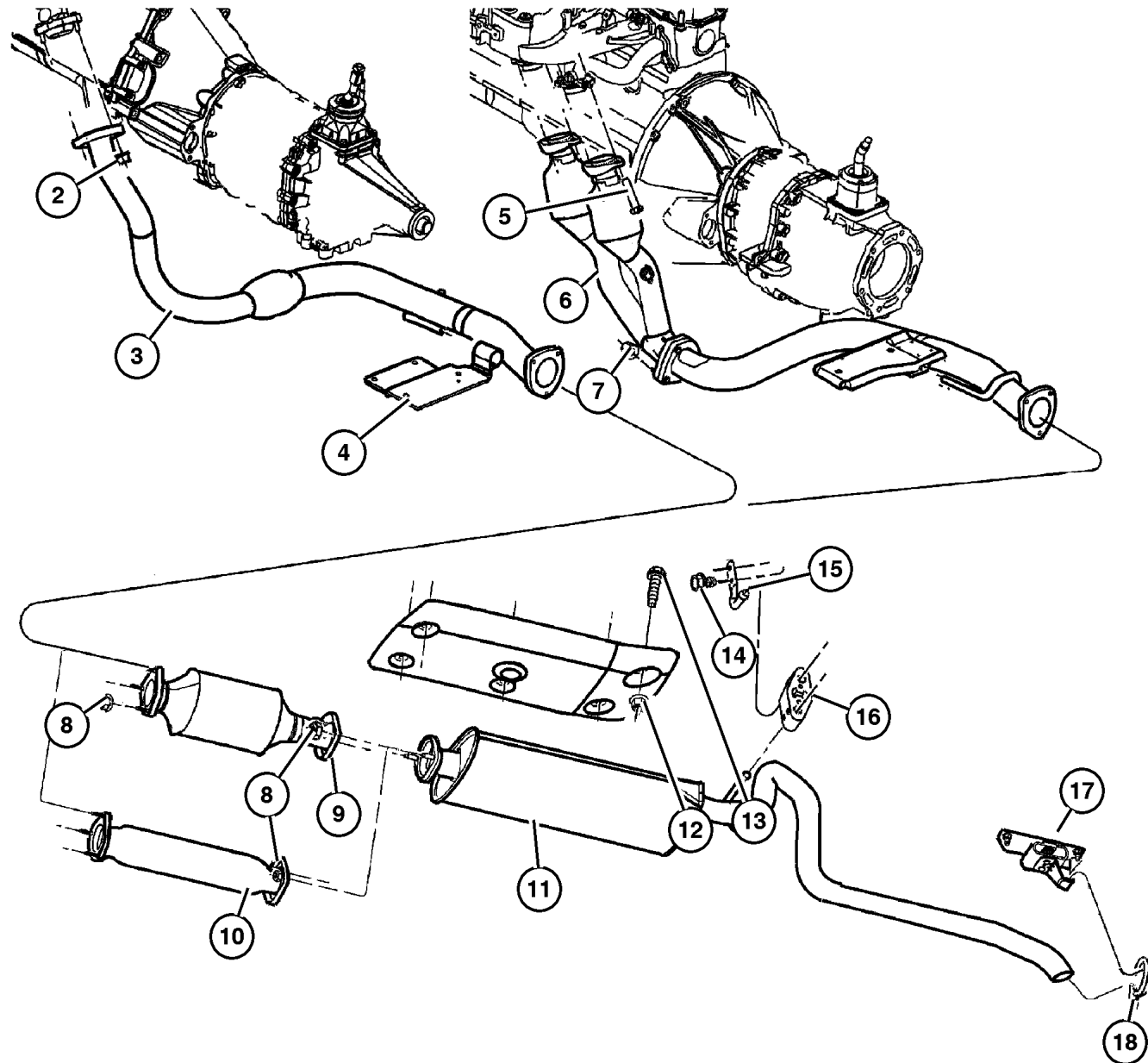
Heat Shields

Heat Shields 2.5L (EPE), 4.0L (ERH) Engine Fig. 011-210



<p>011-100 Exhaust System</p> 	<p>011-200 Heat Shields</p> 		
--	--	--	--

**Exhaust System 2.5 [EPE] 4.0 [ERH] Engine 2.5L (EPE), 4.0L (ERH) Engine
Figure 011-120**



ITEM	PART NUMBER	QTY	LINE	SERIES	BODY	ENGINE	TRANS	TRIM	DESCRIPTION
NOTE:ENO= All 2.5L Diesel Engines, EPO= All 2.5L Gas Engines, ERO= All 4.0L Gas Engines									
-1	52021 047AF	1				EPO			PIPE, Exhaust Federal, Europe II, Leaded Fuel Up to 1-20-00
	#52021 047AG	1				EPO			Federal, Europe II, Leaded Fuel After 1-20-00
	#52101 193AF	1				ERO			Use after 1-20-00 with a bolt flange
	#52101 193AH	1				ERO	DG0		Federal, Europe II, Leaded Fuel After Built Date 1-20-00
2	J400 5142	2				EPO			NUT, Hex Flange Lock
3	#52020 027AC	1				EPO			CONVERTER, Catalytic California After 1-20-00
	52020 027AB	1				EPO			California, Up to 1-20-00
4	5207 9405	1				ENO			SHIELD, Heat
5	6505 754AA	4				ERO			SCREW, Hex Head
6									PIPE AND CONVERTER, Exhaust, To Manifold
	#52101 112AB	1				ERO			Use up to 1-20-00 Has a slip connection
	#52101 112AD	1				ERO			Use after 1-20-00 has a flanged connection
7									NUT, Hex Flange, M8x1.25, (NOT SERVICED) (Not Serviced)
8	#6101 696	2							NUT
9									CONVERTER, Catalytic
	#52019 480AH	1				EPO			Federal,Europe II, After 1/20/00
	52019 480AG	1				ERO			Federal,Europe II,Up to 1/20/00
		1				EPO			Federal,Europe II,Up to 1/20/00
	#52019 480AH	1				ERO			
10	#52019 500AD	1				EPO, ERO			RESONATOR, Exhaust
11									MUFFLER AND TAILPIPE, Exhaust
	#52101 052AD	1				EPO			
	52101 262AF	1				ERO			
	#52101 262AH	1				ERO			Use this number for flanged exhaust muffler and tail pipe
12	J012 0375	5				EPO, ERO			NUT, Hex, .250-20
13	6034 997	5							SCREW, Hex Head, .25-20x.75
14	J400 1933	1	B, U			EPO, ERO			SCREW, Hex Flange Head, .312-x18x.875
15	5200 2403	1							HANGER, Exhaust
16	5200 1759	1							INSULATOR, Exhaust

JEEP CHEROKEE (XJ)

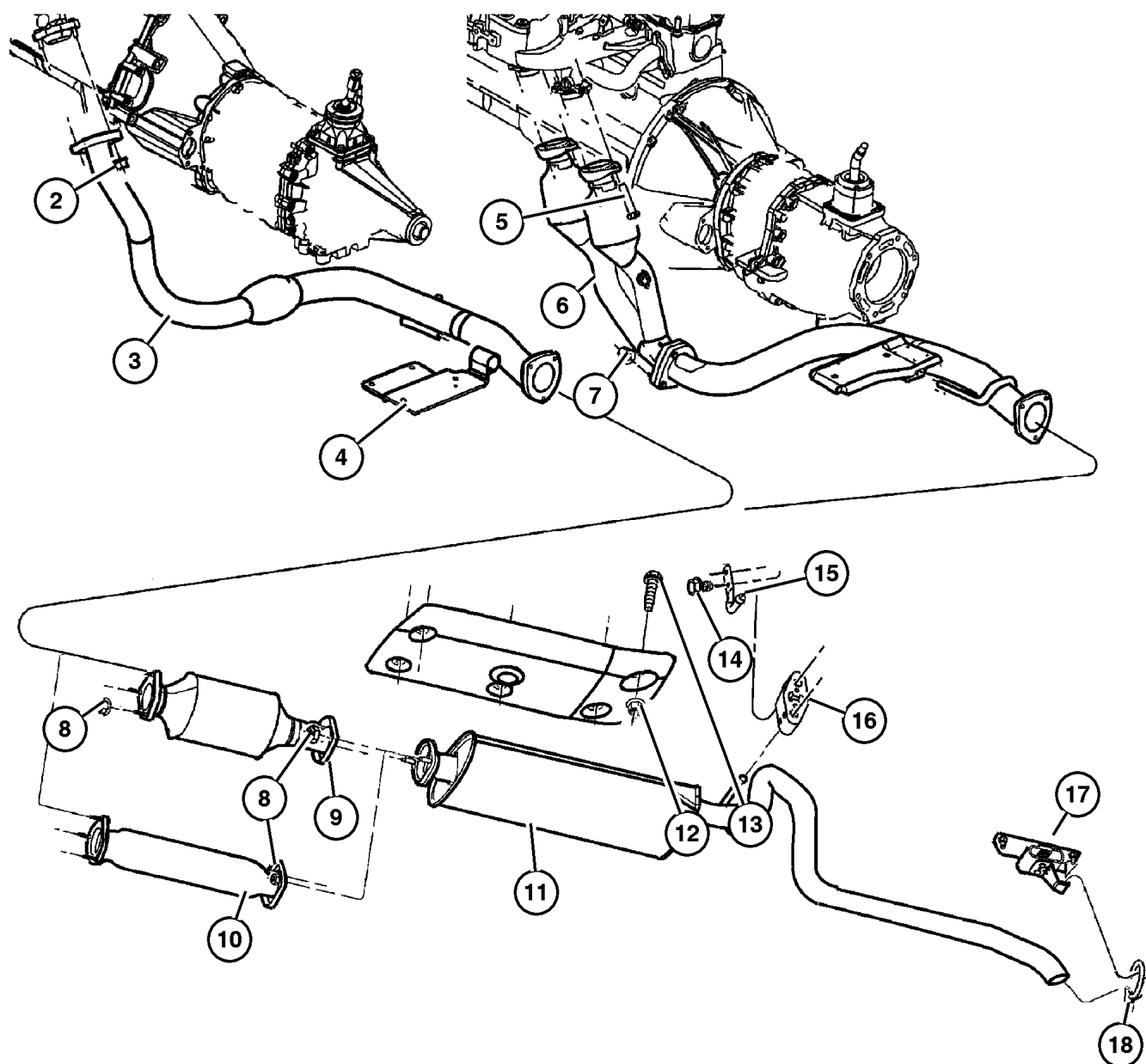
SERIES	LINE	BODY	ENGINE	TRANSMISSION
P=Classic	J=LHD (4WD)	74=4 Dr.(101.4WB)	ENC,ENO=2.5L 4 cyl. Turbo Die	DDD, DDQ=5 spd. Man.
S=Limited	U=RHD (4WD)	72=2 Dr.(101.4WB)	ERH,ER0=4.0L Power Tech I-6	DGS=4 spd. Auto. AISIN
H=Sport	T=LHD (2WD)		EPE,EPO=Magnum 2.5L SMPI	DG0=All Auto/Trans.
L=SE	B=RHD (2WD)			DBB=All Manual Trans.

AR = Use as required - = Non illustrated part # = New this model year

December 7, 2002

**Exhaust System 2.5 [EPE] 4.0 [ERH] Engine 2.5L (EPE), 4.0L (ERH) Engine
Figure 011-120**

ITEM	PART NUMBER	QTY	LINE	SERIES	BODY	ENGINE	TRANS	TRIM	DESCRIPTION
17	52101 097AC	1							HANGER, Tailpipe
18	#52101 265AA	1				EN0, ER0			CLAMP, Exhaust

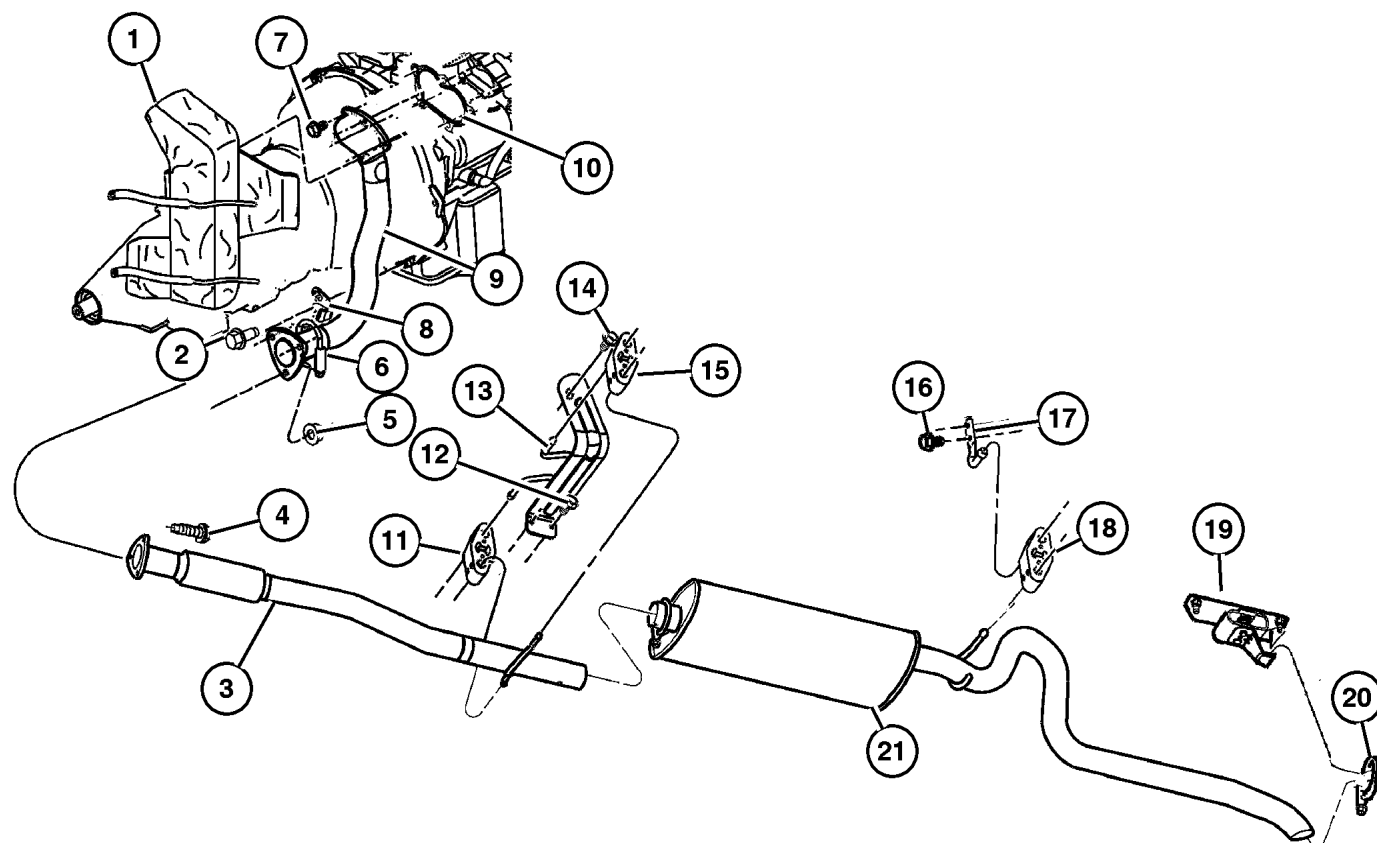


JEEP CHEROKEE (XJ)				
SERIES	LINE	BODY	ENGINE	TRANSMISSION
P=Classic	J=LHD (4WD)	74=4 Dr.(101.4WB)	ENC,EN0=2.5L 4 cyl. Turbo Die	DDD, DDQ=5 spd. Man.
S=Limited	U=RHD (4WD)	72=2 Dr.(101.4WB)	ERH,ER0=4.0L Power Tech I-6	DGS=4 spd. Auto. AISIN
H=Sport	T=LHD (2WD)		EPE,EP0=Magnum 2.5L SMPI	DG0=All Auto/Trans.
L=SE	B=RHD (2WD)			DBB=All Manual Trans.

AR = Use as required - = Non illustrated part # = New this model year

December 7, 2002

Exhaust System 2.5 [ENC] Diesel Engine Figure 011-140



ITEM	PART NUMBER	QTY	LINE	SERIES	BODY	ENGINE	TRANS	TRIM	DESCRIPTION
NOTE: EN0=All 2.5L Diesel Engines, ENC= 2.5L Diesel Engine, ERO= All 4.0L Gas Engines									
1	5207 9405	1				EN0			SHIELD, Heat
2									BOLT, Tran Bolt, (NOT SERVICED) (Not Serviced)
3	52101 111AD	1				EN0			PIPE, Exhaust
4	6034 501	3				EN0			SCREW, Hex Head Header Point, .375-16x1.375
5	6031 959	3				EN0			NUT, Hex Flange Lock
6	6100 055	2							NUT AND WASHER, Hex Nut-Coned Washer, M12 x 1.75
7	6504 070	5				ENC			SCREW, M8-1.25
8	52018 818AC	1				EN0			FLANGE, Exhaust Pipe
9	52019 388AB	1				ENC			ADAPTER, Turbo
10	5201 8875	1				EN0			GASKET, Turbo Adapter
11	5201 7607	2				EN0			INSULATOR, Exhaust
12	6101 777	2				EN0			SCREW, Hex Flange Head Tapping, M6x1.00x20.00
13	5210 1056	1				EN0			HANGER, Muffler
14	6100 574	1				EN0			BOLT AND CONED WASHER, Hex Head, M8x20x17
15	5201 7607	2				EN0			INSULATOR, Exhaust
16	J400 1933	2							SCREW, Hex Flange Head, .312- x18x.875
17	5200 2403	1							HANGER, Exhaust
18	5200 1759	1							INSULATOR, Exhaust
19	52101 097AC	1							HANGER, Tailpipe
20	#52101 265AA	1				EN0, ERO			CLAMP, Exhaust
21									MUFFLER AND TAILPIPE, Exhaust
	#52101 052AF	1				EP0			
	#52101 063AG	1				EN0			
	#52101 262AH	1				ERO			

JEEP CHEROKEE (XJ)

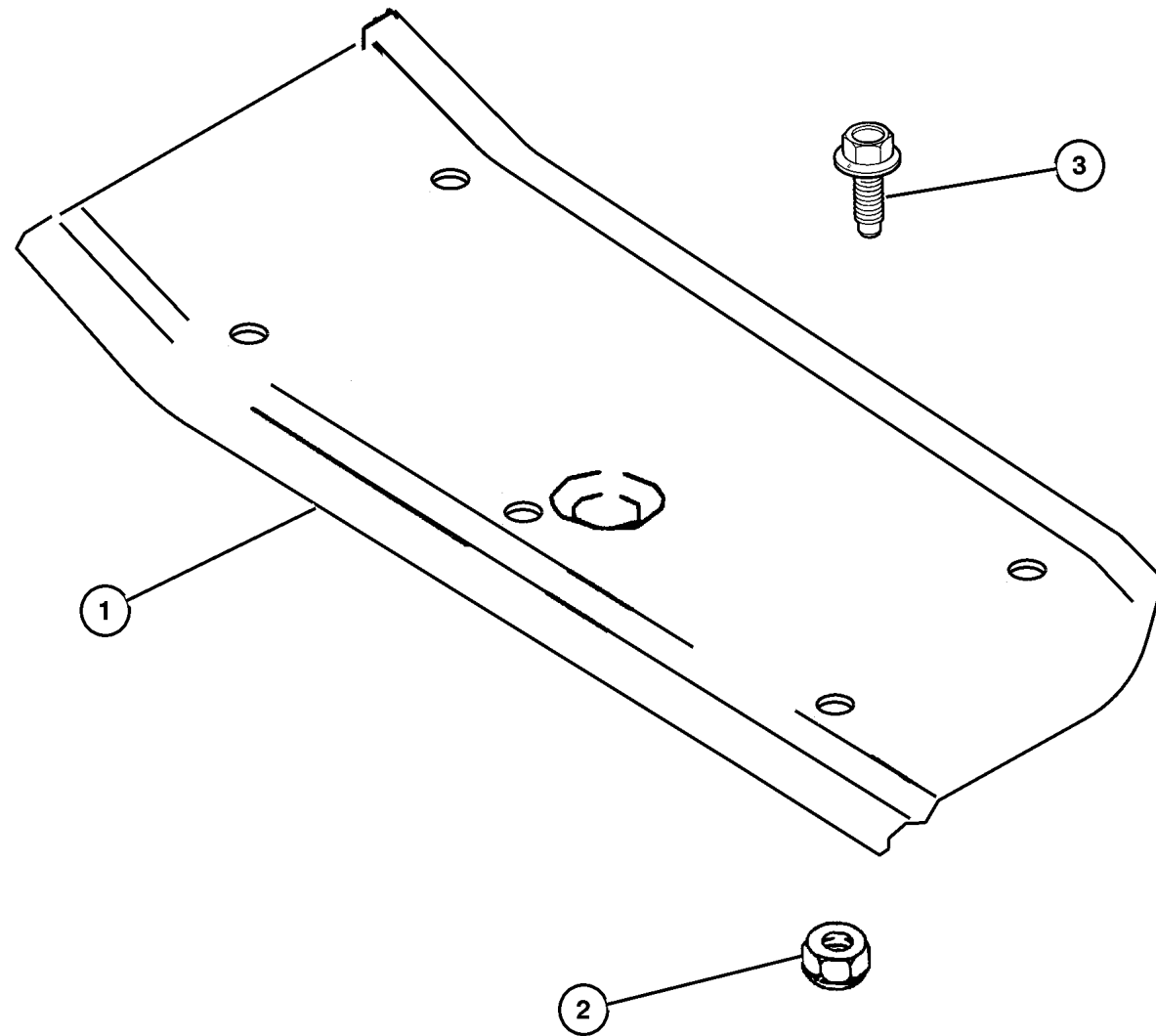
SERIES	LINE	BODY	ENGINE	TRANSMISSION
P=Classic	J=LHD (4WD)	74=4 Dr.(101.4WB)	ENC,EN0=2.5L 4 cyl. Turbo Die	DDD, DDQ=5 spd. Man.
S=Limited	U=RHD (4WD)	72=2 Dr.(101.4WB)	ERH,ER0=4.0L Power Tech I-6	DGS=4 spd. Auto. AISIN
H=Sport	T=LHD (2WD)		EPE,EP0=Magnum 2.5L SMPI	DG0=All Auto/Trans.
L=SE	B=RHD (2WD)			DBB=All Manual Trans.

AR = Use as required - = Non illustrated part # = New this model year

December 7, 2002

**Heat Shields 2.5L (EPE), 4.0L (ERH) Engine
Figure 011-210**

ITEM	PART NUMBER	QTY	LINE	SERIES	BODY	ENGINE	TRANS	TRIM	DESCRIPTION
NOTE: EP0=All 2.5L Engines ER0=All 4.0L Engines									
1	55235 811AB	1				EP0, ER0			SHIELD, Muffler
2	J012 0375	5				EP0, ER0			NUT, Hex, .250-20
3									SCREW, (NOT SERVICED) (Not Serviced)



JEEP CHEROKEE (XJ)				
SERIES	LINE	BODY	ENGINE	TRANSMISSION
P=Classic	J=LHD (4WD)	74=4 Dr.(101.4WB)	ENC,EN0=2.5L 4 cyl. Turbo Die	DDD, DDQ=5 spd. Man.
S=Limited	U=RHD (4WD)	72=2 Dr.(101.4WB)	ERH,ER0=4.0L Power Tech I-6	DGS=4 spd. Auto. AISIN
H=Sport	T=LHD (2WD)		EPE,EP0=Magnum 2.5L SMPI	DG0=All Auto/Trans.
L=SE	B=RHD (2WD)			DBB=All Manual Trans.

AR = Use as required - = Non illustrated part # = New this model year

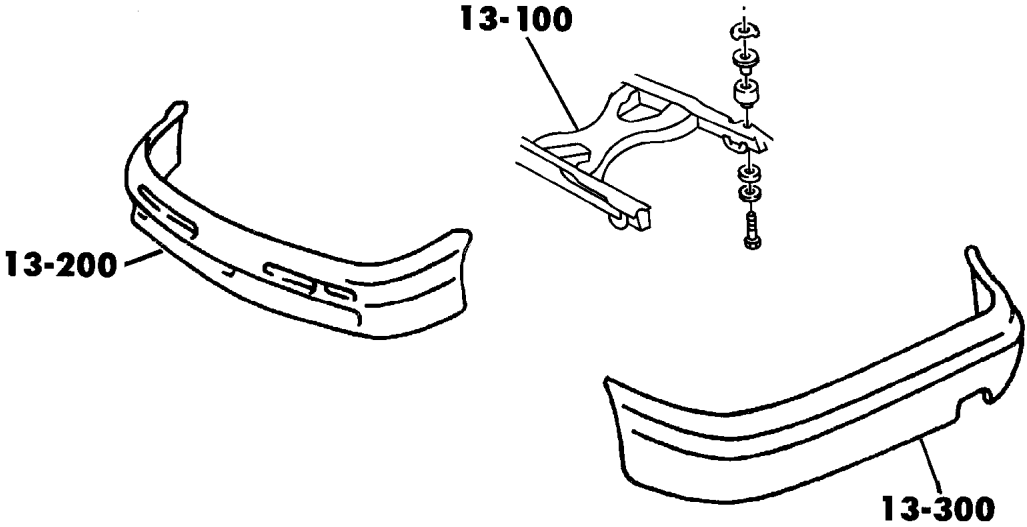
December 7, 2002

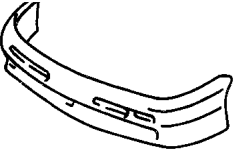
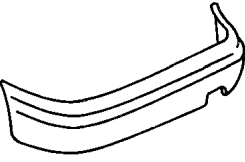

Group – 013

Frames and Bumpers

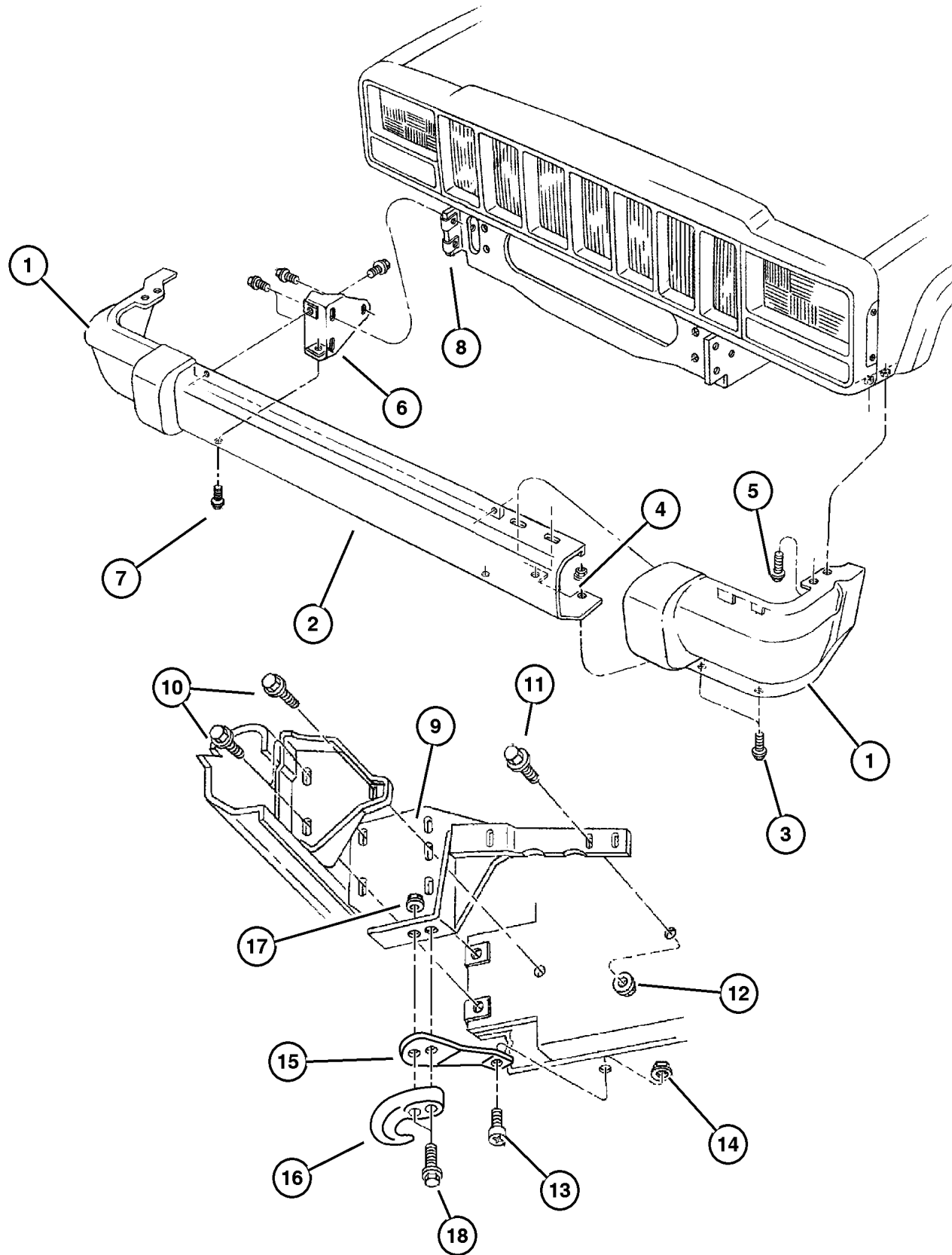
GROUP 13 - Frames and Bumpers

Illustration Title	Group-Fig. No.
Front Bumper and Fascia	
Bumper, Front	Fig. 013-210
Rear Bumper and Fascia	
Bumper, Rear	Fig. 013-310
Trailer Tow	
Hitch, Trailer Tow	Fig. 013-610



013-200 Front Bumper and Fascia 	013-300 Rear Bumper and Fascia 	013-600 Trailer Tow 	
--	---	--	--

Bumper, Front Figure 013-210



ITEM	PART NUMBER	QTY	LINE	SERIES	BODY	ENGINE	TRANS	TRIM	DESCRIPTION
1									END CAP, Bumper
	5DY00 DX8AC	1							[X8] [MBM], Right
	5DY40 DX9AC	1							Sport [MBK], Right
	5DY01 DX8AC	1							[X8] [MBM], Left
	5DY01 PR4AC	1							[R4] [MBM], Left
	5DY01 RJPAC	1							[JP] [MBM], Left
	5DY01 SG8AC	1							[G8] [MBM], Left
	5DY01 SW1AC	1							[W1] [MBM], Left
	5DY01 WBTAC	1							[BT] [MBM], Left
	5DY01 WTDAC	1							[TD] [MBM], Left
	5DY01 WU7AC	1							[U7] [MBM], Left
	5DY01 XS5AC	1							[S5] [MBM], Left
	5DY00 PR4AC	1							[R4] [MBM], Right
	5DY41 DX9AC	1							Sport [MBK], Left
	5DY00 RJPAC	1							[JP] [MBM], Right
	5DY00 SG8AC	1							[G8] [MBM], Right
	5DY00 SW1AC	1							[W1] [MBM], Right
	5DY00 WBTAC	1							[BT] [MBM], Right
	5DY00 WTDAC	1							[TD] [MBM], Right
	5DY00 WU7AC	1							[U7] [MBM], Right
	5DY00 XS5AC	1							[S5] [MBM], Right
2									BAR, Bumper Front - Painted
	5EE85 JX8AC	1							Black [MBJ]
	5EE85 XS5AC	1							[S5] [MBL]
	5EE85 DX8AC	1							[X8] [MBL]
	5EE85 PR4AC	1							[R4] [MBL]
	5EE85 SG8AC	1							[G8] [MBL]
	5EE85 SW1AC	1							[W1] [MBL]
	5EE85 WTDAC	1							[TD] [MBL]
	5EE85 RJPAC	1							[JP] [MBL]
	5EE85 WBTAC	1							[BT] [MBL]
	5EE85 WU7AC	1							[U7] [MBL]
3									BOLT AND CONED WASHER, Hex
									Head, M6x20x12.5, (NOT
									REQUIRED)
4	6101 694	4							NUT, M6x1.00
5	6504 249	4							SCREW, Hex Head, M6x1x20
6									BRACKET, Bumper
	55175 268AB	1							Right
	55175 269AB	1							Left
7	1150 0662	4							NUT, U Type, M10 x 1.50
8	3420 1540	2							BOLT AND WASHER, Implement
									Attaching

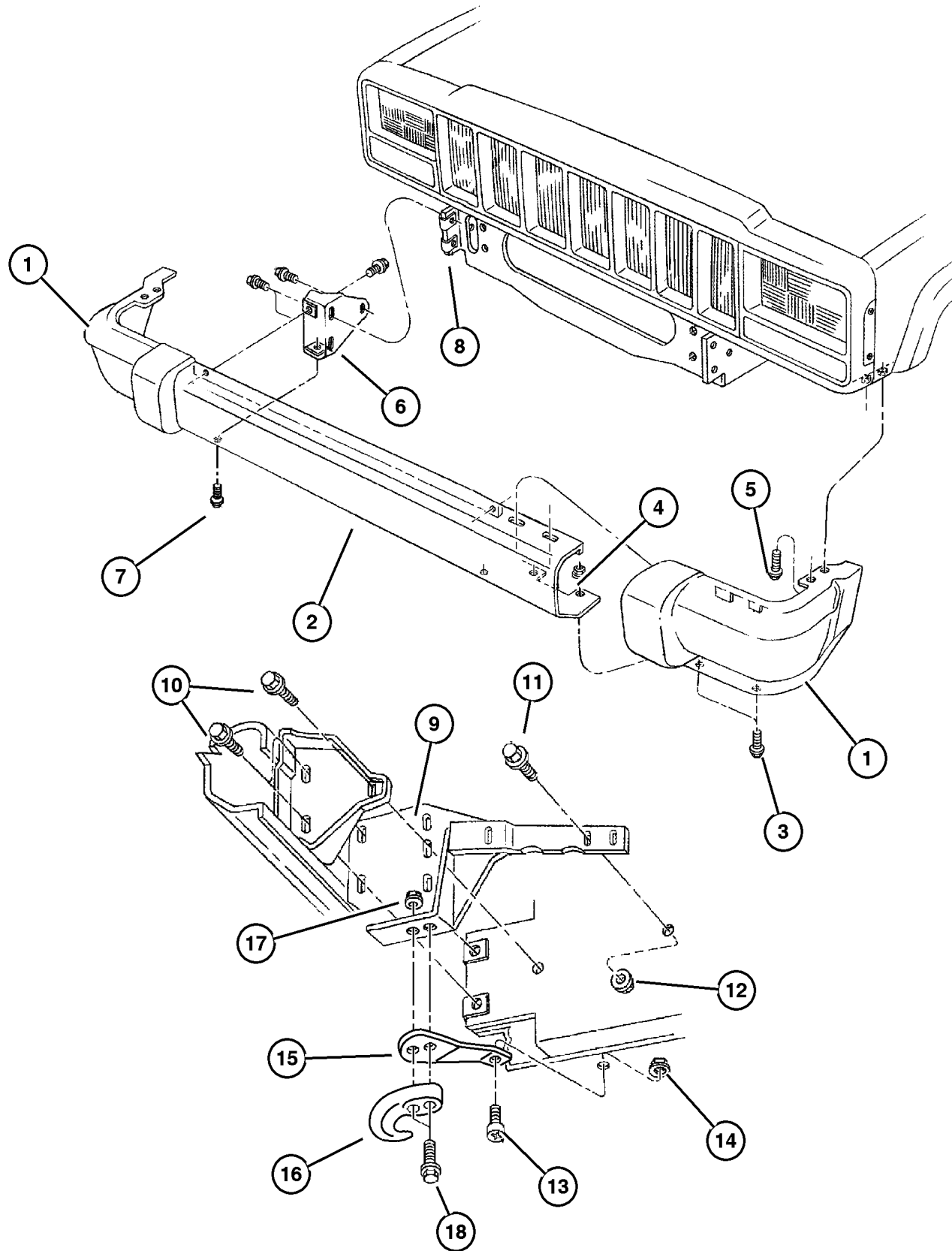
JEEP CHEROKEE (XJ)

SERIES	LINE	BODY	ENGINE	TRANSMISSION
P=Classic	J=LHD (4WD)	74=4 Dr.(101.4WB)	ENC,EN0=2.5L 4 cyl. Turbo Die	DDD, DDQ=5 spd. Man.
S=Limited	U=RHD (4WD)	72=2 Dr.(101.4WB)	ERH,ER0=4.0L Power Tech I-6	DGS=4 spd. Auto. AISIN
H=Sport	T=LHD (2WD)		EPE,EP0=Magnum 2.5L SMPI	DG0=All Auto/Trans.
L=SE	B=RHD (2WD)			DBB=All Manual Trans.

AR = Use as required - = Non illustrated part # = New this model year

December 7, 2002

Bumper, Front Figure 013-210



ITEM	PART NUMBER	QTY	LINE	SERIES	BODY	ENGINE	TRANS	TRIM	DESCRIPTION
9									BRACKET, Front Bumper
	55155 096AB	1							Right
	55155 097AB	1							Left
10	3420 2219	6							BOLT AND WASHER, Hex Head
11	3420 2388	1							BOLT, Button Head Torx, M14 x 2.0 x 80
12	6502 698	1							NUT
13	6101 452	2							SCREW AND WASHER, Hex Head, M8x1.25x20
14	6101 695	2							NUT, Hex Flange Lock, M8x1.25
15									BRACE, Tow Hook
	5200 1972	1							Right
	5200 1973	1							Left
16	52057 999AB	2							HOOK, Tow
17	6502 697	2							NUT, Hex Flange Lock, M12x1.75
18	6504 910AA	4							BOLT, Hex Flange Head, M12x1.75x87.50
-19									DEFLECTOR, Air
	5EF0 8DX9	1		L					Black
	5EP0 4WU7	1		P					[K3U]
	5EP0 4XS5	1		P					[K3L]
	5EF0 8DX9	1		H					Black
	5EP0 4DX8	1		P					[K3X]
	5EP0 4PR4	1		P					[K3R]
	5EP0 4RJP	1		P					[K3M]
	5EP0 4SG8	1		P					[K3G]
	5EP0 4SW1	1		P					[K3N]
	5EP0 4WBT	1		P					[K3B]
	5EP0 4WTD	1		P					[K3S]
-20	6035 944AA	3							RIVET
-21	5200 3479	1							BRACKET, License Plate

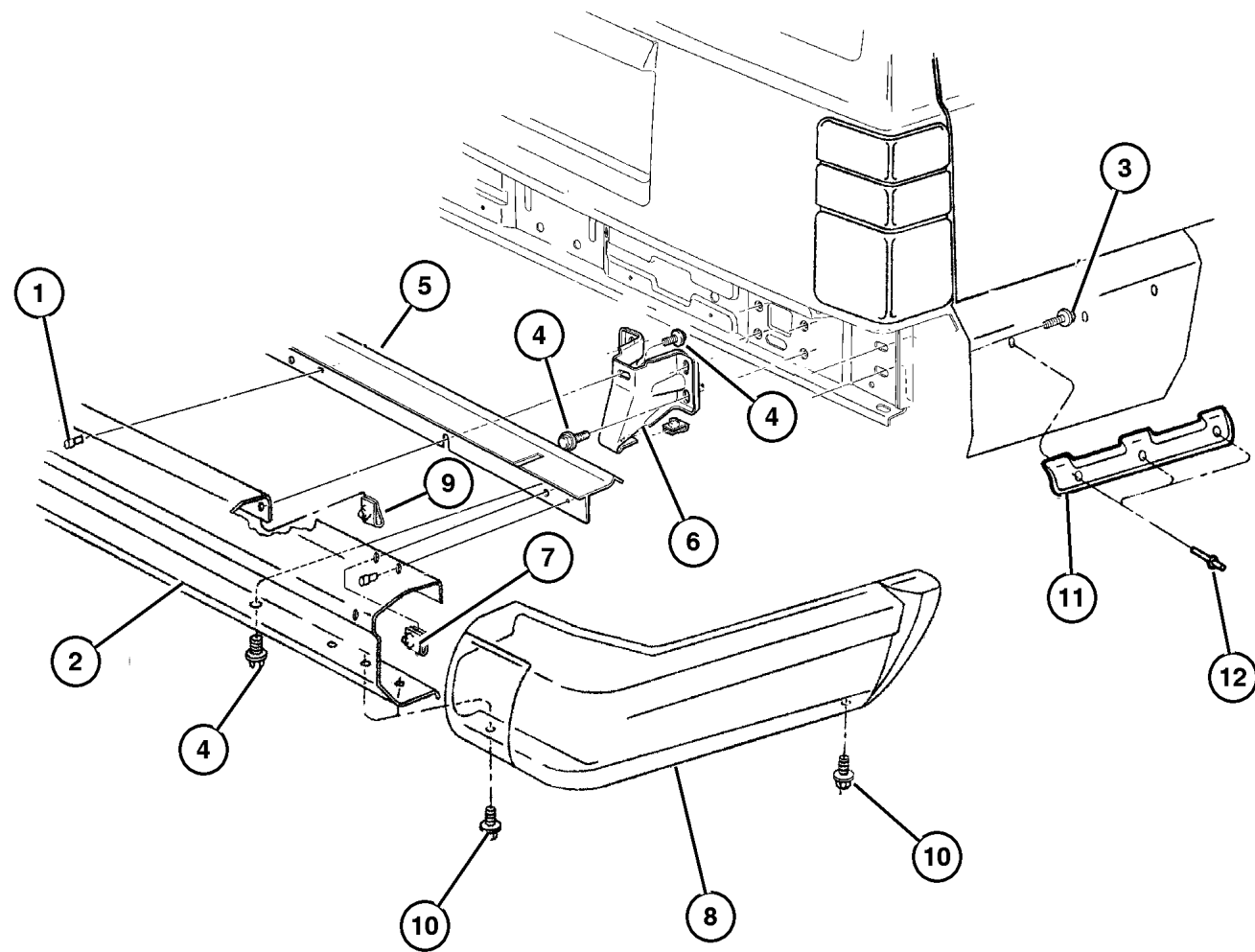
JEEP CHEROKEE (XJ)

SERIES	LINE	BODY	ENGINE	TRANSMISSION
P=Classic	J=LHD (4WD)	74=4 Dr.(101.4WB)	ENC,EN0=2.5L 4 cyl. Turbo Die	DDD, DDQ=5 spd. Man.
S=Limited	U=RHD (4WD)	72=2 Dr.(101.4WB)	ERH,ER0=4.0L Power Tech I-6	DGS=4 spd. Auto. AISIN
H=Sport	T=LHD (2WD)		EPE,EP0=Magnum 2.5L SMPI	DG0=All Auto/Trans.
L=SE	B=RHD (2WD)			DBB=All Manual Trans.

AR = Use as required - = Non illustrated part # = New this model year

December 7, 2002

Bumper, Rear Figure 013-310



ITEM	PART NUMBER	QTY	LINE	SERIES	BODY	ENGINE	TRANS	TRIM	DESCRIPTION
1									RIVET, M5x20.00 Plastic, (NOT SERVICED) (Not Serviced)
2	5EE84 DX8AF	1							BUMPER, Rear
3	J400 1933	4							SCREW, Hex Flange Head, .312-x18x.875
4	3420 1540	8							BOLT AND WASHER, Implement Attaching
5	5502 6542	1							SHIELD, Bumper
6									BRACKET, Bumper
	55155 990AA	1							Right
	55155 991AA	1							Left
7									U-NUT, M8x1.25, (NOT SERVICED) (Not Serviced)
8									END CAP, Bumper
	5DY1 0DX9	1							[MBS], Right
	5DY0 8WU7	1							[PU7] [MBW], Right
	5DY0 8XS5	1							[PS5] [MBW], Right
	5DY0 9DX8	1							[PX8] [MBW], Left
	5DY0 9PR4	1							[PR4] [MBW], Left
	5DY0 9SG8	1							[PG8] [MBW], Left
	5DY0 9SW1	1							[PW1] [MBW], Left
	5DY0 9WTD	1							[PTD] [MBW], Left
	5DY0 9WBT	1							[PBT] [MBW], Left
	5DY0 9RJP	1							[PJP] [MBW], Left
	5DY0 9WU7	1							[PU7] [MBW], Left
	5DY1 1DX9	1							[MBS], Left
	5DY0 9XS5	1							[PS5] [MBW], Left
	5DY0 8DX8	1							[PX8] [MBW], Right
	5DY0 8PR4	1							[PR4] [MBW], Right
	5DY0 8SG8	1							[PG8] [MBW], Right
	5DY0 8SW1	1							[PW1] [MBW], Right
	5DY0 8WTD	1							[PTD] [MBW], Right
	5DY0 8WBT	1							[PBT] [MBW], Right
	5DY0 8RJP	1							[PJP] [MBW], Right
9	1150 0662	4							NUT, U Type, M10 x 1.50
10	6101 455	2							SCREW AND WASHER, Hex Head, M6x1x20
11									BRACKET
	5517 5692	1							Right
	5517 5693	1							Left
12	6035 122	4							RIVET, .187x.70 Black

JEEP CHEROKEE (XJ)

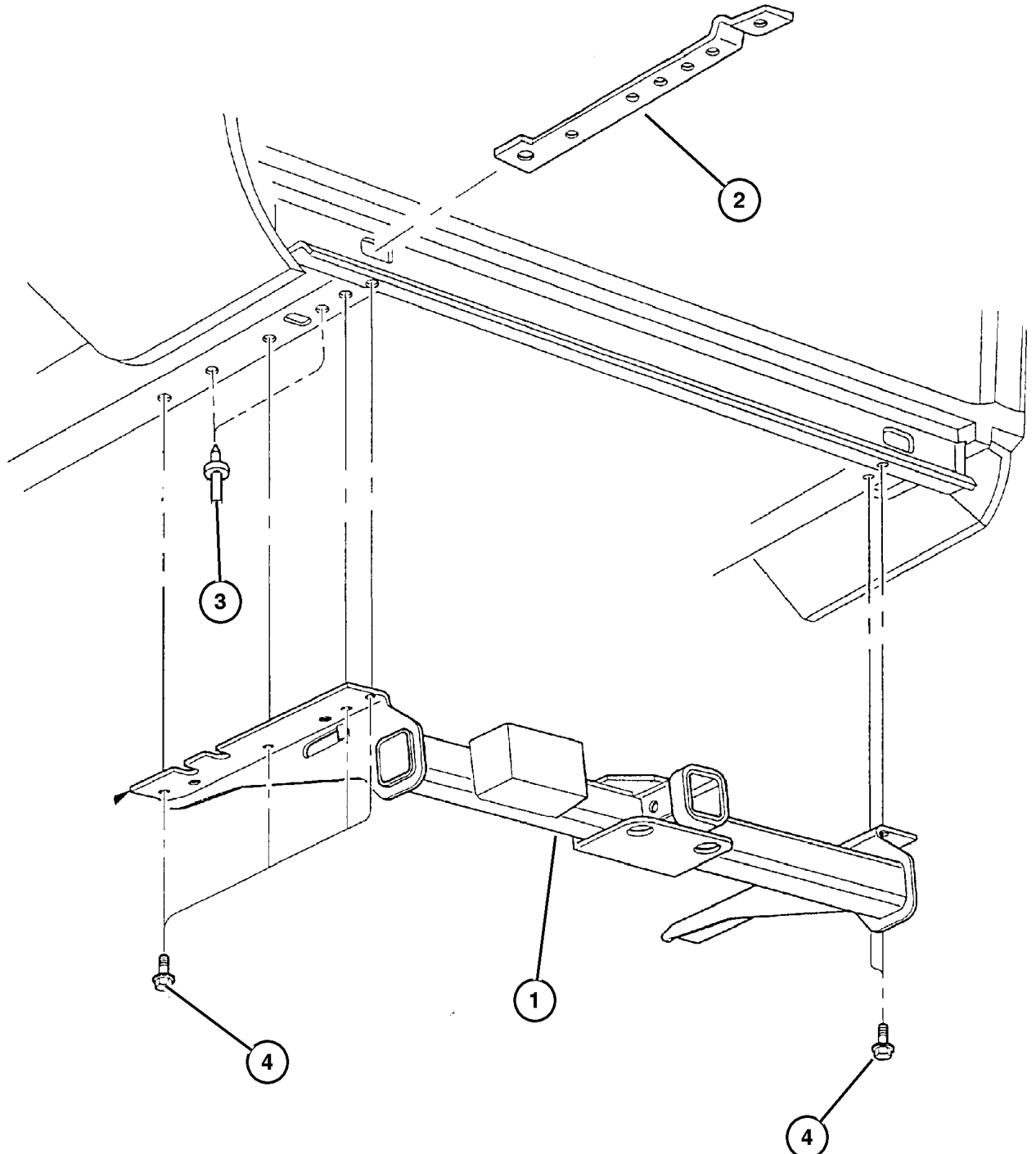
SERIES	LINE	BODY	ENGINE	TRANSMISSION
P=Classic	J=LHD (4WD)	74=4 Dr.(101.4WB)	ENC,EN0=2.5L 4 cyl. Turbo Die	DDD, DDQ=5 spd. Man.
S=Limited	U=RHD (4WD)	72=2 Dr.(101.4WB)	ERH,ER0=4.0L Power Tech I-6	DGS=4 spd. Auto. AISIN
H=Sport	T=LHD (2WD)		EPE,EP0=Magnum 2.5L SMPI	DG0=All Auto/Trans.
L=SE	B=RHD (2WD)			DBB=All Manual Trans.

AR = Use as required - = Non illustrated part # = New this model year

December 7, 2002

Hitch, Trailer Tow Figure 013-610

ITEM	PART NUMBER	QTY	LINE	SERIES	BODY	ENGINE	TRANS	TRIM	DESCRIPTION
1	5205 8266	1							HITCH, Trailer
2	5200 1174	1							REINFORCEMENT, Sill Right
	5200 1175	1							Left
3									RIVET, M6.3x14.02, (NOT SERVICED) (Not Serviced)
4	3420 1964	6							BOLT, Hex Flange Head, M12x1. 75x40



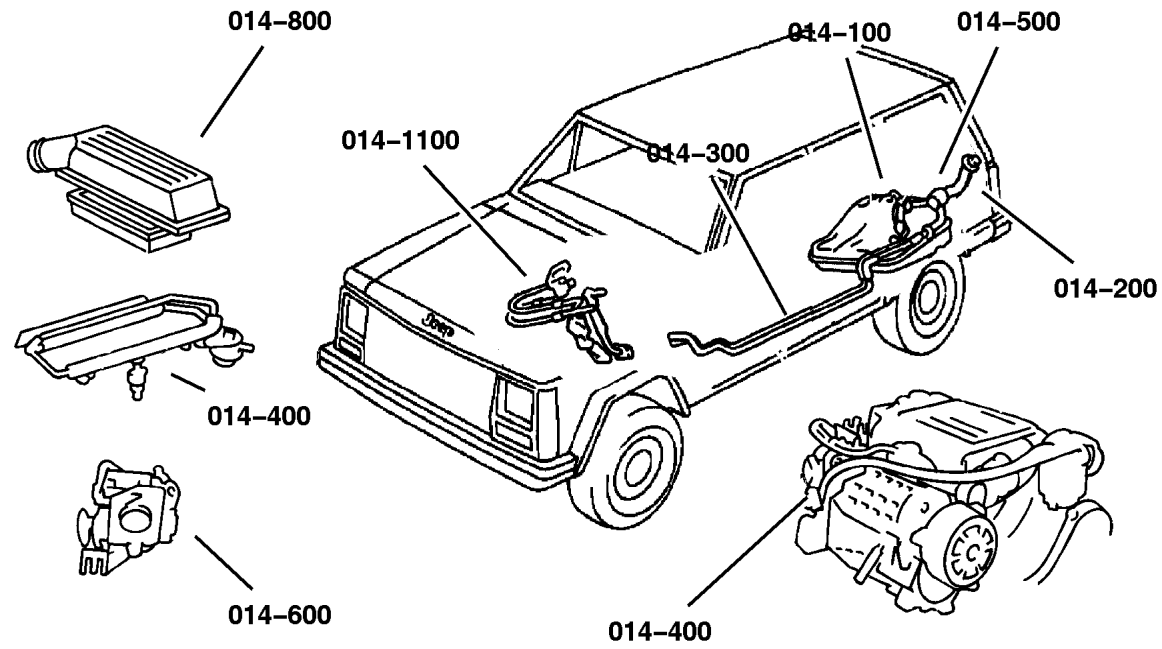
JEEP CHEROKEE (XJ)				
SERIES	LINE	BODY	ENGINE	TRANSMISSION
P=Classic	J=LHD (4WD)	74=4 Dr.(101.4WB)	ENC,EN0=2.5L 4 cyl. Turbo Die	DDD, DDQ=5 spd. Man.
S=Limited	U=RHD (4WD)	72=2 Dr.(101.4WB)	ERH,ER0=4.0L Power Tech I-6	DGS=4 spd. Auto. AISIN
H=Sport	T=LHD (2WD)		EPE,EP0=Magnum 2.5L SMPI	DG0=All Auto/Trans.
L=SE	B=RHD (2WD)			DBB=All Manual Trans.

AR = Use as required - = Non illustrated part # = New this model year

December 7, 2002

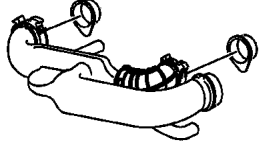
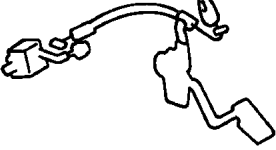

Group – 014

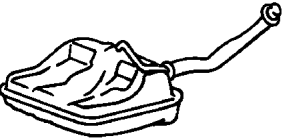
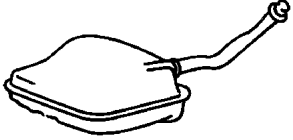

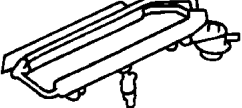
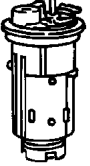

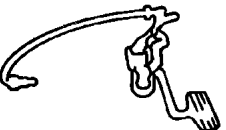
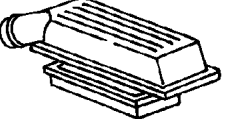
Fuel



Group – 014

Fuel

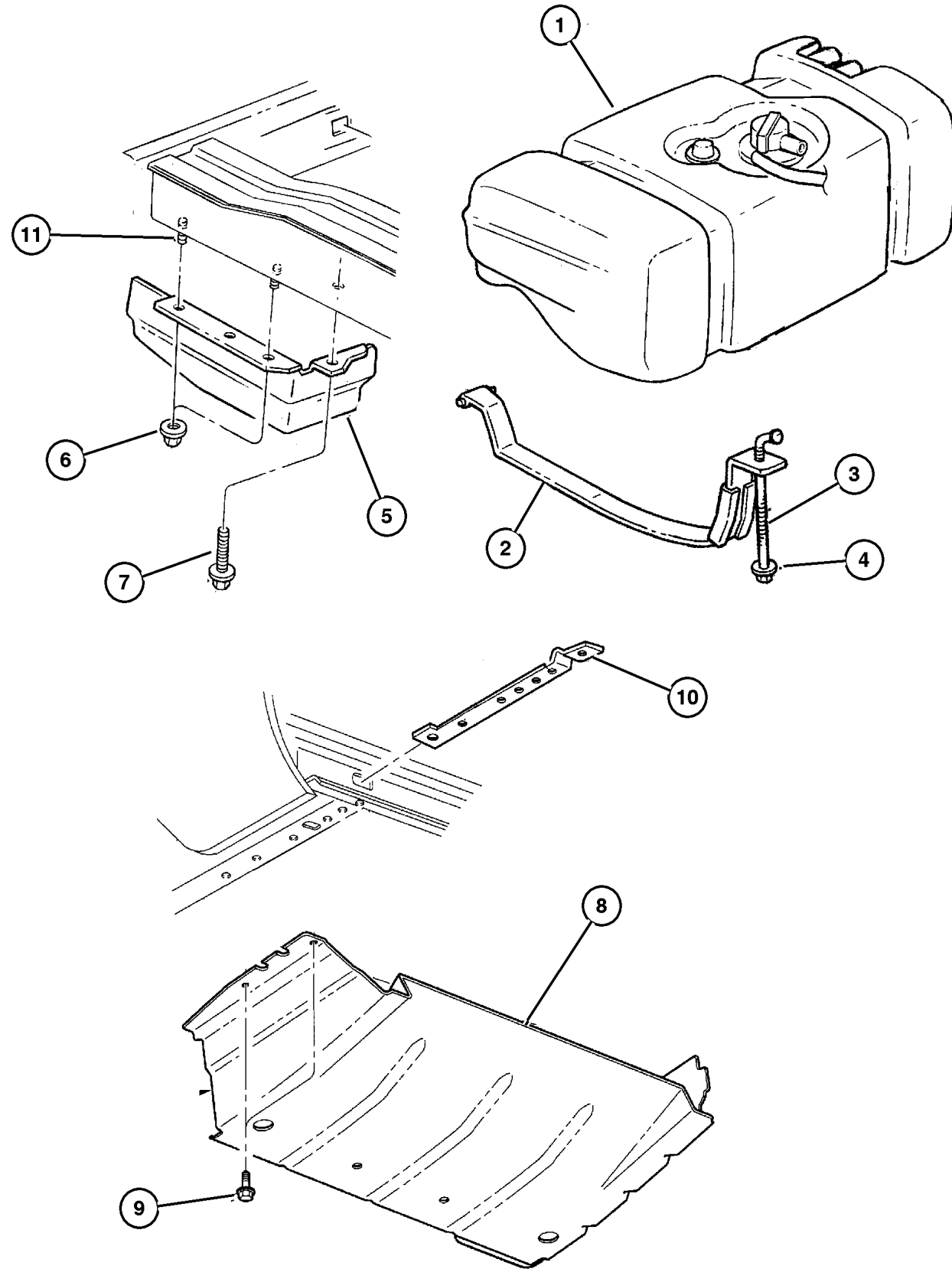
<p>014-900 Air Intake System</p> 	<p>014-1000 Speed Control</p> 	<p>014-1100 Accelerator Pedal</p> 	
---	--	--	--

<p>014-100 Tank, Fuel</p> 	<p>014-200 Fuel Tank Filler Tube</p> 	<p>014-300 Fuel Lines</p> 	<p>014-400 Fuel Rail</p> 
<p>014-500 Fuel Pump and Sending Unit</p> 	<p>014-600 Throttle Body</p> 	<p>014-700 Throttle Controls</p> 	<p>014-800 Air Cleaner</p> 

GROUP 14 - Fuel

Illustration Title	Group-Fig. No.
Tank, Fuel	
Fuel Tank 2.5L (EPE), 2.5L (ENC) Diesel, 4.0L (ERH) Engine	Fig. 014-120
Fuel Tank Filler Tube	
Fuel Tank Filler Tube 2.5L (EPE), 2.5L (ENC) Diesel, 4.0L (ERH) Engine	Fig. 014-220
Fuel Lines	
Fuel Lines, Front 2.5L (EPE), 4.0L (ERH) Engine	Fig. 014-310
Fuel Lines, Rear 2.5L (EPE), 4.0L (ERH) Engine	Fig. 014-320
Fuel Lines, Front 2.5L (ENC) Diesel Engine	Fig. 014-325
Fuel Lines, Rear 2.5L (ENC) Diesel Engine	Fig. 014-335
Fuel Rail	
Fuel Injection System 2.5L (EPE), 4.0L (ERH) Engine	Fig. 014-410
Fuel Injection System 2.5L (ENC) Diesel Engine	Fig. 014-440
Fuel Injection Pump 2.5L (ENC) Diesel Engine	Fig. 014-460
Fuel Pump and Sending Unit	
Fuel Pump and Sending Unit	Fig. 014-520
Throttle Body	
Throttle Body 2.5L (EPE), 4.0L (ERH) Engine	Fig. 014-610
Turbocharger 2.5L (ENC) Diesel Engine	Fig. 014-660
Throttle Controls	
Throttle Controls 2.5L (EPE), 4.0L (ERH) Engine	Fig. 014-720
Air Cleaner	
Air Cleaner 2.5L (EPE), 4.0L (ERH) Engine	Fig. 014-820
Air Cleaner 2.5L (ENC) Diesel Engine	Fig. 014-835
Air Intake System	
Air Intake System 2.5L (EPE) Engine	Fig. 014-910
Speed Control	
Speed Control 2.5L (EPE), 4.0L (ERH) Engine	Fig. 014-1010
Accelerator Pedal	
Accelerator Pedal 2.5L (EPE), 2.5L (ENC) Diesel, 4.0L (ERH) Engine	Fig. 014-1110

Fuel Tank 2.5L (EPE), 2.5L (ENC) Diesel, 4.0L (ERH) Engine
Figure 014-120



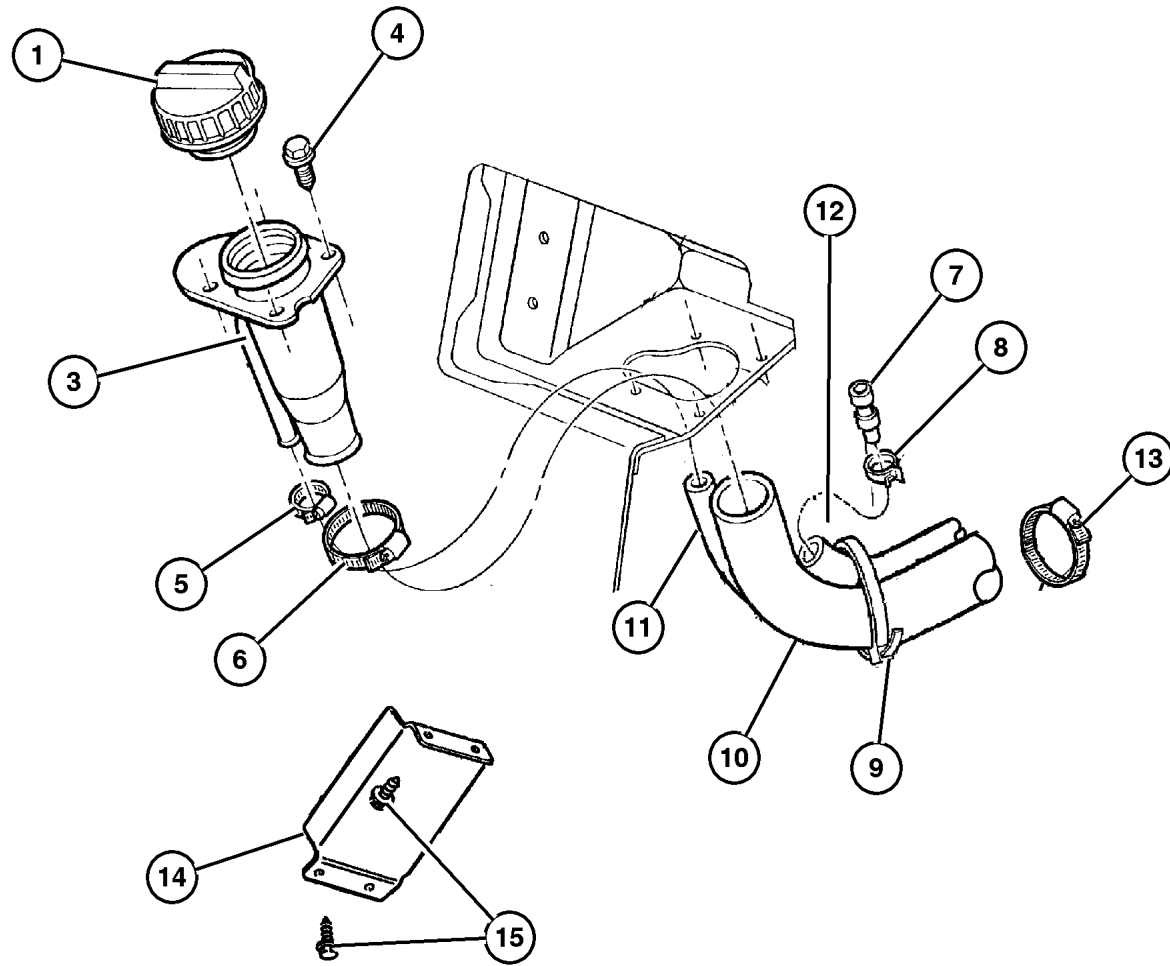
ITEM	PART NUMBER	QTY	LINE	SERIES	BODY	ENGINE	TRANS	TRIM	DESCRIPTION
NOTE: EP0=All 2.5L Gas Engines, EN0=All 2.5L Diesel Engines, ER0=All 4.0L Engines									
1	#52100 179AD	1				EP0, ER0 EN0			TANK, Fuel
2	52100 009AB	2							STRAP, Fuel Tank
3	52100 362AA	2							J BOLT, Fuel Tank Support
4	6034 955	2							NUT, Hex Flange Lock, .375-16
5	52100 338AA	1							SHIELD, Fuel Tank
6	6100 055	2							NUT AND WASHER, Hex Nut-Coned Washer, M12 x 1.75
7	6101 777	4							SCREW, Hex Flange Head Tapping, M6x1.00x20.00
8	52100 328AA	1							PLATE, Skid
9	3420 1964	2							BOLT, Hex Flange Head, M12x1.75x40
10									REINFORCEMENT, Sill
	5200 1174	1							Right
	5200 1175	1							Left
11	6505 137AA	2							STUD, M12x1.75x72.00
-12	#5278 632AA	1							CAP, Fuel Filler

JEEP CHEROKEE (XJ)				
SERIES	LINE	BODY	ENGINE	TRANSMISSION
P=Classic	J=LHD (4WD)	74=4 Dr.(101.4WB)	ENC,EN0=2.5L 4 cyl. Turbo Die	DDD, DDQ=5 spd. Man.
S=Limited	U=RHD (4WD)	72=2 Dr.(101.4WB)	ERH,ER0=4.0L Power Tech I-6	DGS=4 spd. Auto. AISIN
H=Sport	T=LHD (2WD)		EPE,EP0=Magnum 2.5L SMPI	DG0=All Auto/Trans.
L=SE	B=RHD (2WD)			DBB=All Manual Trans.

AR = Use as required - = Non illustrated part # = New this model year

December 7, 2002

Fuel Tank Filler Tube 2.5L (EPE), 2.5L (ENC) Diesel, 4.0L (ERH) Engine
Figure 014-220



ITEM	PART NUMBER	QTY	LINE	SERIES	BODY	ENGINE	TRANS	TRIM	DESCRIPTION
NOTE: EP0=All 2.5L Gas Engines, EN0=All 2.5L Diesel Engines, ER0=All 4.0L Gas Engines									
1	#5278 632AA	1							CAP, Fuel Filler, Non - Locking Quick On
-2	#5015 636AB	1							CAP KIT, Fuel Tank Locking, Locking Quick On
3	52100 174AB	1							TUBE, Fuel Filler
	#52100 173AC	1				EP0, ER0			Leaded Fuel and Diesel
4	0154 236	4							SCREW, Stake, .19-24
5	J320 3077	1							CLAMP, Hose
6									CLAMP, (NOT SERVICED) (Not Serviced)
7	J535 2955	1	J, U						VENT, Axle
8	6502 081	1				EN0 EP0, ER0			CLAMP, Oil Cooler Line
9	4641 780	1				EP0, ER0			STRAP, Tie
10									HOSE, Fuel Filler
	52100 131AC	1				EP0, ER0 EN0			
11		1							HOSE, Fuel Filler Vent
	5210 0132	1				EP0, ER0 EN0			
12	5201 8866	1				EN0			TUBE, Vent
13									CLAMP, HOSE CLAMP, (NOT SERVICED) (Not Serviced)
14	55003 285AB	1							SHIELD, Heat
15	3420 1895	2							SCREW, Hex Head Tapping, M6. 3x1.81x16.00

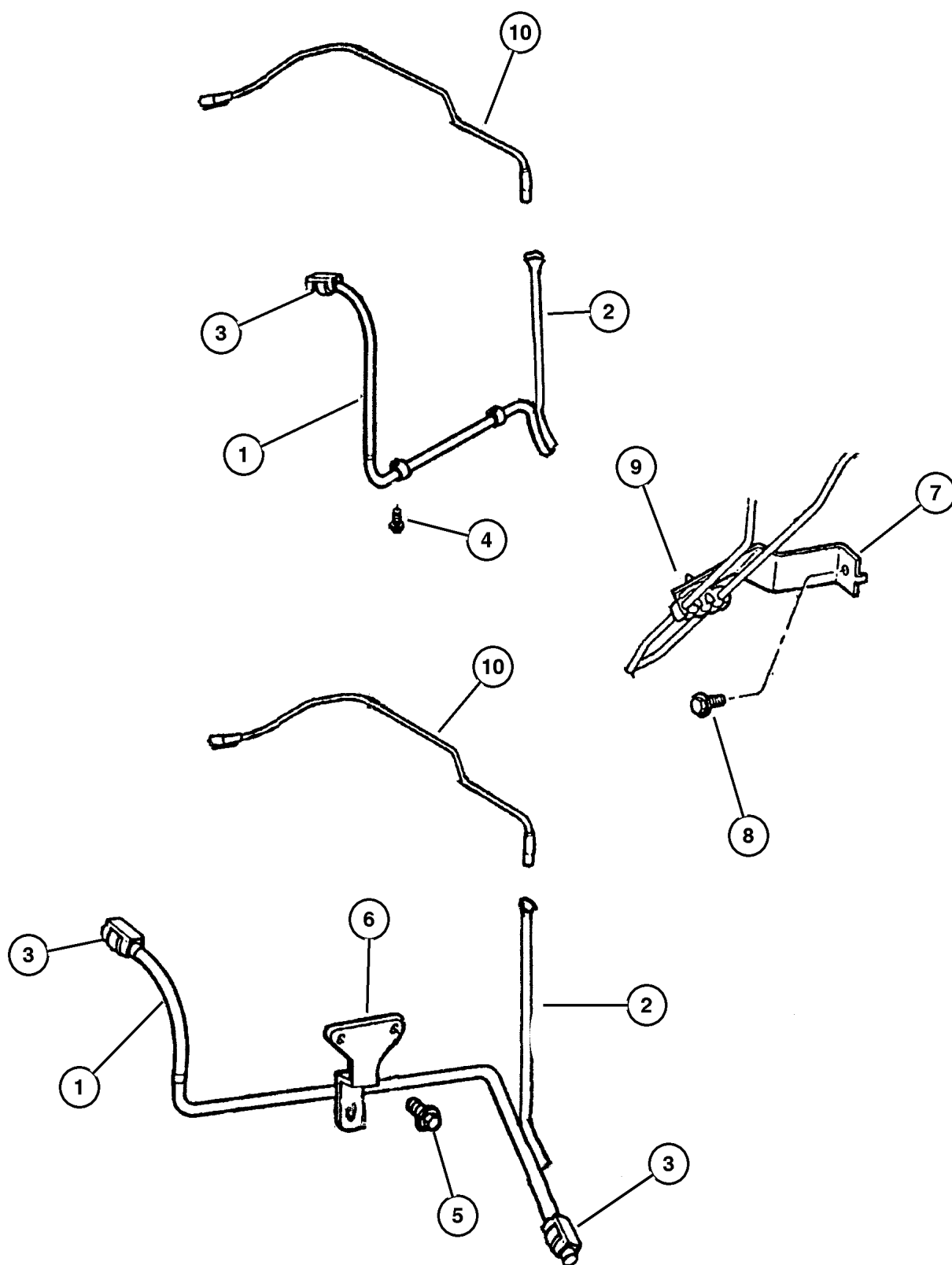
JEEP CHEROKEE (XJ)

SERIES	LINE	BODY	ENGINE	TRANSMISSION
P=Classic	J=LHD (4WD)	74=4 Dr.(101.4WB)	ENC,EN0=2.5L 4 cyl. Turbo Die	DDD, DDQ=5 spd. Man.
S=Limited	U=RHD (4WD)	72=2 Dr.(101.4WB)	ERH,ER0=4.0L Power Tech I-6	DGS=4 spd. Auto. AISIN
H=Sport	T=LHD (2WD)		EPE,EP0=Magnum 2.5L SMPI	DG0=All Auto/Trans.
L=SE	B=RHD (2WD)			DBB=All Manual Trans.

AR = Use as required - = Non illustrated part # = New this model year

December 7, 2002

Fuel Lines, Front 2.5L (EPE), 4.0L (ERH) Engine
Figure 014-310



ITEM	PART NUMBER	QTY	LINE	SERIES	BODY	ENGINE	TRANS	TRIM	DESCRIPTION
NOTE: EP0=All 2.5L Gas Engines, ER0=All 4.0L Engines									
1	52100 135AE	1				EP0			BUNDLE, Fuel Line
	52100 349AB	1				ER0			
2	52100 162AE	1				EP0, ER0			TUBE, Fuel Vapor
3	5212 7788	1				EP0			CLIP, Fuel Line
		2				ER0			
4	6101 786	2				EP0			SCREW, Self Tapping, M6x1x15
5	6505 600AA	1				ER0			STUD
6	6505 648AA	1				ER0			CLIP, Fuel Line
7	52100 314AA	1							BRACKET, Fuel Line
8	3420 1895	2							SCREW, Hex Head Tapping, M6. 3x1.81x16.00
9	52100 286AC	7							CLIP, 5 Way
10	52100 126AB	1	B, U			EP0, ER0			TUBE, Fuel Vapor

JEEP CHEROKEE (XJ)

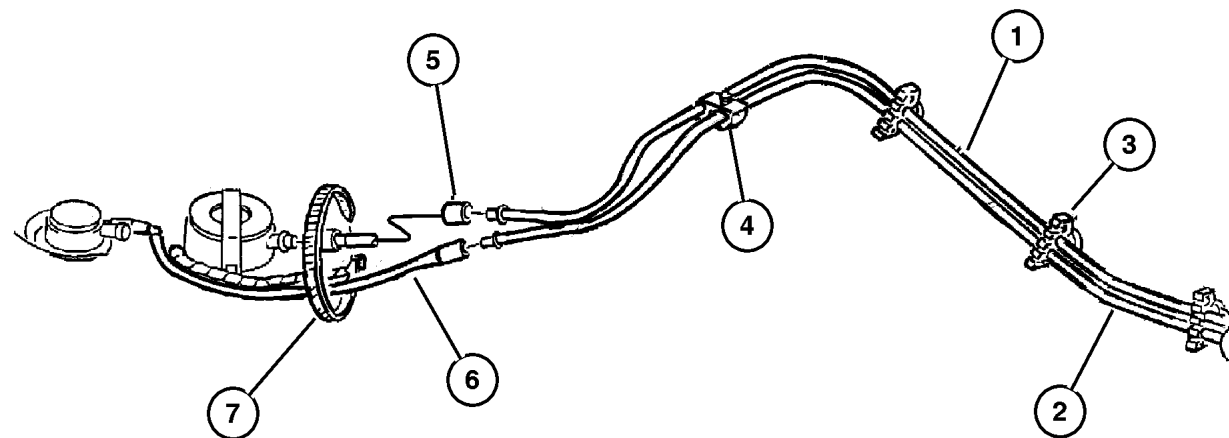
SERIES	LINE	BODY	ENGINE	TRANSMISSION
P=Classic	J=LHD (4WD)	74=4 Dr.(101.4WB)	ENC,EN0=2.5L 4 cyl. Turbo Die	DDD, DDQ=5 spd. Man.
S=Limited	U=RHD (4WD)	72=2 Dr.(101.4WB)	ERH,ER0=4.0L Power Tech I-6	DGS=4 spd. Auto. AISIN
H=Sport	T=LHD (2WD)		EPE,EP0=Magnum 2.5L SMPI	DG0=All Auto/Trans.
L=SE	B=RHD (2WD)			DBB=All Manual Trans.

AR = Use as required - = Non illustrated part # = New this model year

December 7, 2002

**Fuel Lines, Rear 2.5L (EPE), 4.0L (ERH) Engine
Figure 014-320**

ITEM	PART NUMBER	QTY	LINE	SERIES	BODY	ENGINE	TRANS	TRIM	DESCRIPTION
NOTE: EP0=All 2.5L Gas Engines, ER0=All 4.0L Engines									
1	5212 7896	1							TUBE, Fuel Supply
2	52100 162AE	1				EP0, ER0			TUBE, Fuel Vapor
3	52100 286AC	7							CLIP, 5 Way
4	4612 871AB	1							CLIP, Fuel Bundle
5	52100 037AB	1				EP0, ER0			TUBE, Fuel Supply
6	52100 035AB	1				EP0, ER0			TUBE, Fuel Vapor
7	4641 780	1				EP0, ER0			STRAP, Tie

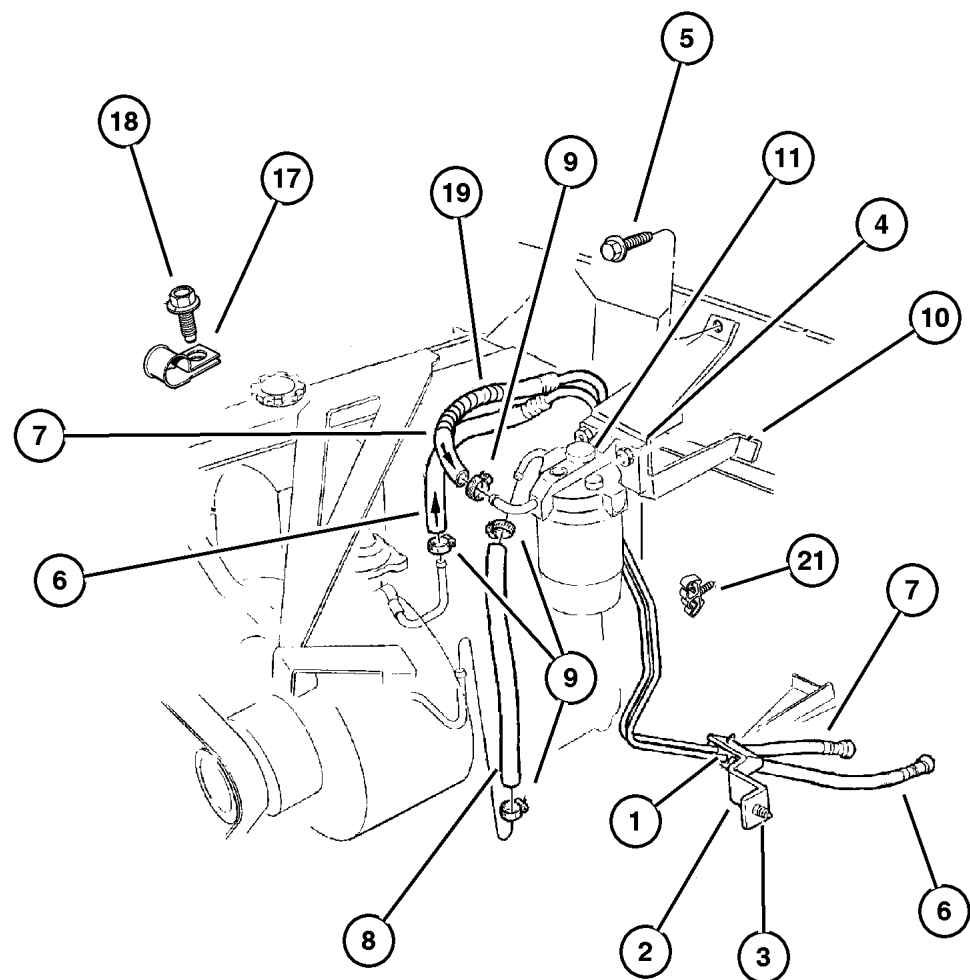


JEEP CHEROKEE (XJ)				
SERIES	LINE	BODY	ENGINE	TRANSMISSION
P=Classic	J=LHD (4WD)	74=4 Dr.(101.4WB)	ENC,EN0=2.5L 4 cyl. Turbo Die	DDD, DDQ=5 spd. Man.
S=Limited	U=RHD (4WD)	72=2 Dr.(101.4WB)	ERH,ER0=4.0L Power Tech I-6	DGS=4 spd. Auto. AISIN
H=Sport	T=LHD (2WD)		EPE,EP0=Magnum 2.5L SMPI	DG0=All Auto/Trans.
L=SE	B=RHD (2WD)			DBB=All Manual Trans.

AR = Use as required - = Non illustrated part # = New this model year

December 7, 2002

Fuel Lines, Front 2.5L (ENC) Diesel Engine Figure 014-325



ITEM	PART NUMBER	QTY	LINE	SERIES	BODY	ENGINE	TRANS	TRIM	DESCRIPTION
NOTE: EN0=All 2.5L Diesel Engines									
1	52100 286AC	7							CLIP, 5 Way
2	52100 314AA	1							BRACKET, Fuel Line
3	3420 1381	4							SCREW, Hex Flange Head Tapping, M6x1.00x20.00
4	6101 675	2				EN0			NUT, Hex Flange Lock, M8x1.25
5									SCREW AND WASHER, .190-16x.500, (NOT SERVICED) (Not Serviced)
6	5210 0079	1				EN0			TUBE, Fuel Return
7	5210 0107	1				EN0			TUBE, Fuel Supply
8	4443 176	1							HOSE, Fuel, .31 I.D. 50 Foot Roll
9	6502 081	2	J, T			EN0			CLAMP, Oil Cooler Line
10	5303 0927	1	J, T			EN0			BRACKET, Fuel Filter
11									FILTER, Fuel, Consists of: #12,13,14,15,16, (NOT SERVICED) (Not Serviced)
-12	4723 899	1				EN0			HEAD, Fuel Filter
-13	4723 901	1				EN0			VALVE KIT, Fuel Filter Check
-14	4723 905	1				EN0			FILTER, Fuel
-15	4723 906	1				EN0			BOWL, Fuel Filter
-16	4723 907	1				EN0			DRAIN, Fuel Filter Bowl
17	3420 2997	1				EN0			CLIP, Wrap Around Sealing
18	6101 777	1				EN0			SCREW, Hex Flange Head Tapping, M6x1.00x20.00
19	4592 145	1				EN0			SLEEVE, Braided
-20	4546 594	1				EN0			SLEEVE, Braided Expandable
21	5210 0077	1				EN0			CLIP, Tube, 2 Way

JEEP CHEROKEE (XJ)

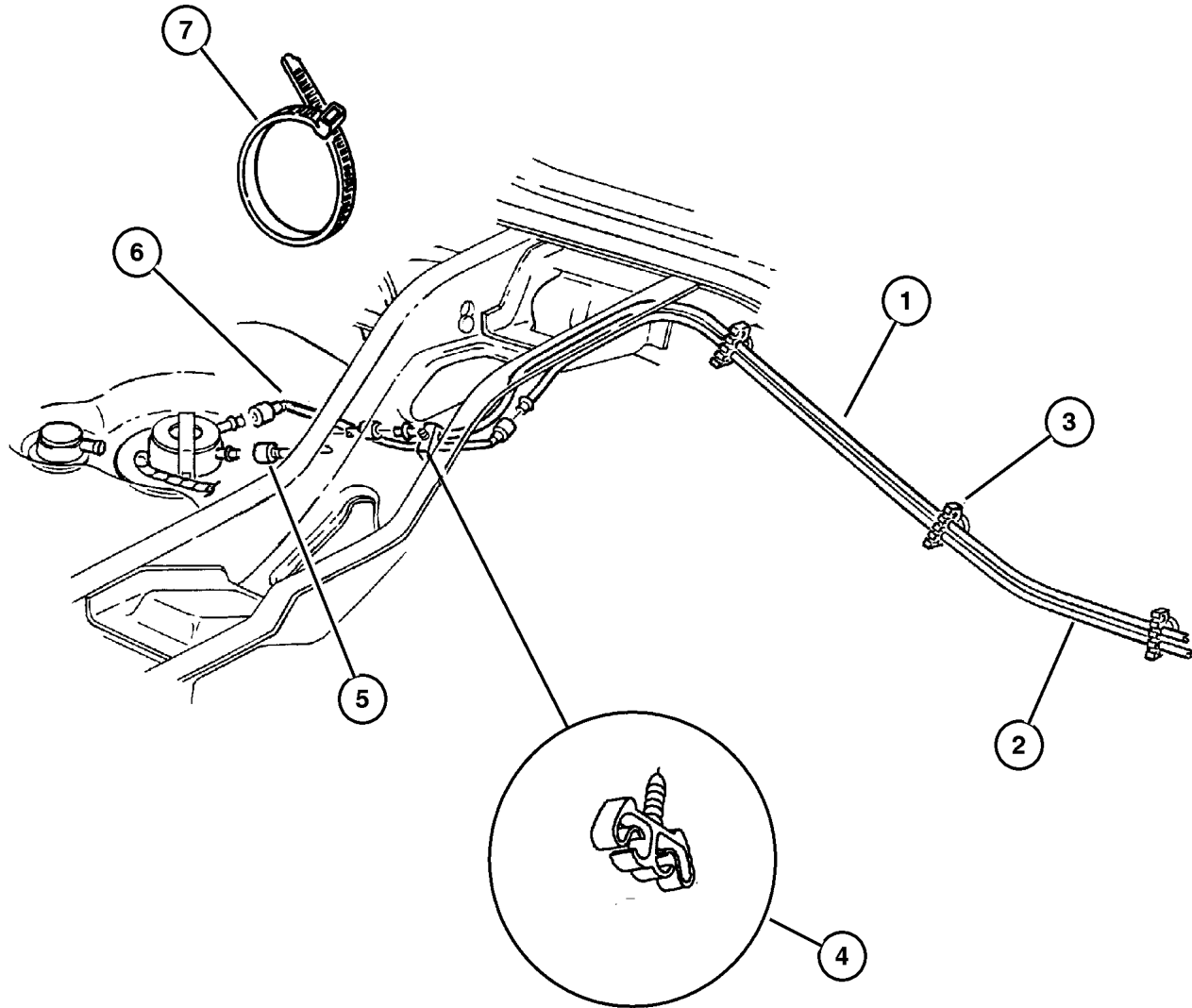
SERIES	LINE	BODY	ENGINE	TRANSMISSION
P=Classic	J=LHD (4WD)	74=4 Dr.(101.4WB)	ENC,EN0=2.5L 4 cyl. Turbo Die	DDD, DDQ=5 spd. Man.
S=Limited	U=RHD (4WD)	72=2 Dr.(101.4WB)	ERH,ER0=4.0L Power Tech I-6	DGS=4 spd. Auto. AISIN
H=Sport	T=LHD (2WD)		EPE,EP0=Magnum 2.5L SMPI	DG0=All Auto/Trans.
L=SE	B=RHD (2WD)			DBB=All Manual Trans.

AR = Use as required - = Non illustrated part # = New this model year

December 7, 2002

**Fuel Lines, Rear 2.5L (ENC) Diesel Engine
Figure 014-335**

ITEM	PART NUMBER	QTY	LINE	SERIES	BODY	ENGINE	TRANS	TRIM	DESCRIPTION
NOTE: ENO= All 2.5L Diesel Engines									
1	5212 7896	1							TUBE, Fuel Supply
2	5212 7898	1				ENO			TUBE, Fuel Return
3	52100 286AC	7							CLIP, 5 Way
4	4612 871AB	1							CLIP, Fuel Bundle
5	52100 037AB	1				ENO			TUBE, Fuel Supply
6	5210 0038	1				ENO			TUBE, Fuel Return
7	4641 780	1							STRAP, Tie

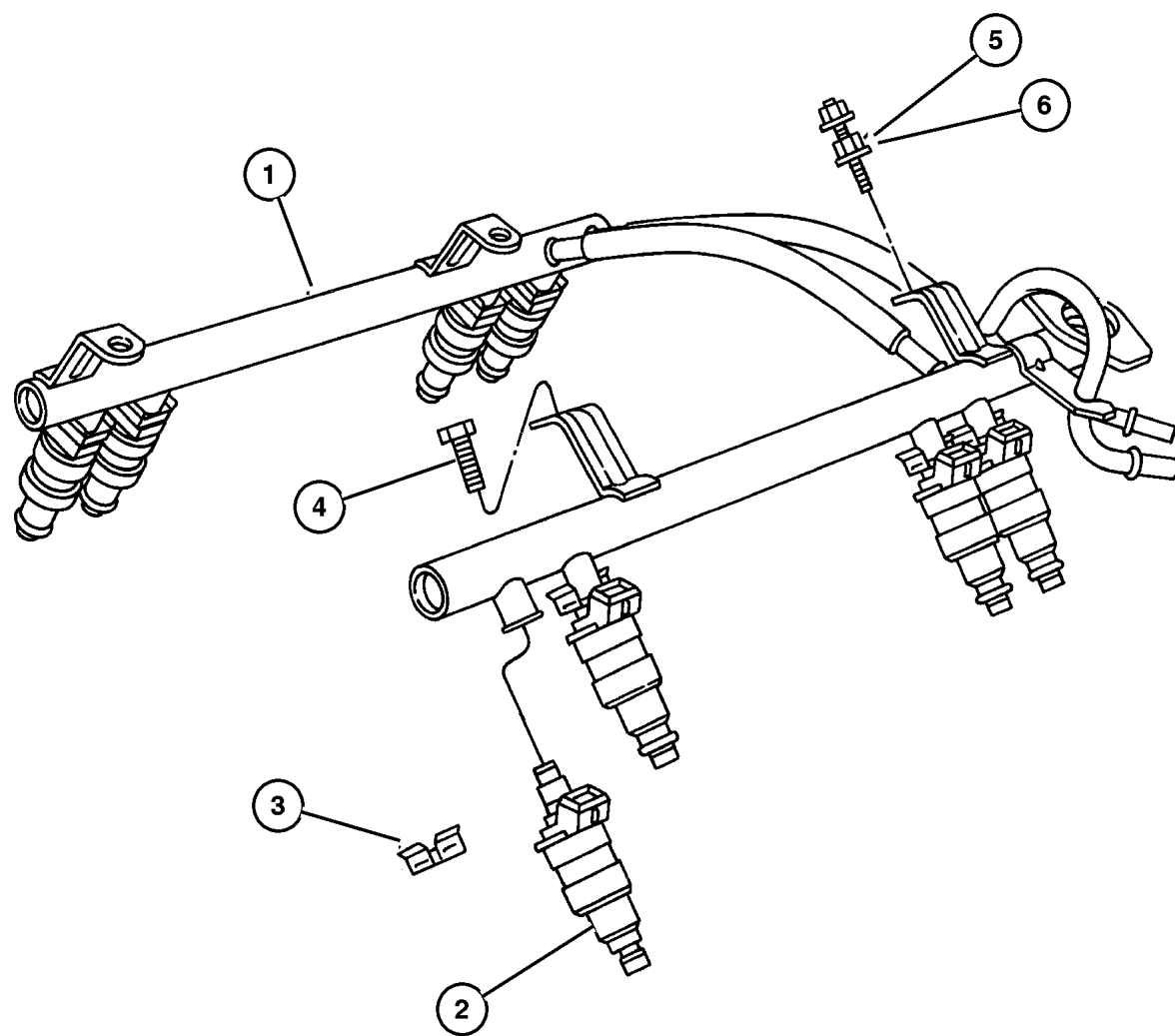


JEEP CHEROKEE (XJ)				
SERIES	LINE	BODY	ENGINE	TRANSMISSION
P=Classic	J=LHD (4WD)	74=4 Dr.(101.4WB)	ENC,ENO=2.5L 4 cyl. Turbo Die	DDD, DDQ=5 spd. Man.
S=Limited	U=RHD (4WD)	72=2 Dr.(101.4WB)	ERH,ER0=4.0L Power Tech I-6	DGS=4 spd. Auto. AISIN
H=Sport	T=LHD (2WD)		EPE,EP0=Magnum 2.5L SMPI	DG0=All Auto/Trans.
L=SE	B=RHD (2WD)			DBB=All Manual Trans.

AR = Use as required - = Non illustrated part # = New this model year

December 7, 2002

**Fuel Injection System 2.5L (EPE), 4.0L (ERH) Engine
Figure 014-410**



ITEM	PART NUMBER	QTY	LINE	SERIES	BODY	ENGINE	TRANS	TRIM	DESCRIPTION
NOTE: EP0=All 2.5L Gas Engines, ER0=All 4.0L Engines									
1	5013 157AA	1				EP0			RAIL, Fuel
	5014 496AA	1				ER0			
2	5303 0778	4				EP0			INJECTOR, Fuel
	4854 181	6				ER0			
3	4418 257	4				EP0			CLIP, Fuel Injector
		6				ER0			
4	6501 979	2				EP0			SCREW AND WASHER, Hex Head, M6x1x17
		3				ER0			
5	6502 086	2				EP0			STUD
6	6502 647	2				ER0			STUD, M6x1.00x44
-7	5018 781AA	1				EP0			Diagnostic Port
		1				ER0			Diagnostic Port
-8	4897 125AA	4				EP0			O RING KIT, Fuel Injector

JEEP CHEROKEE (XJ)

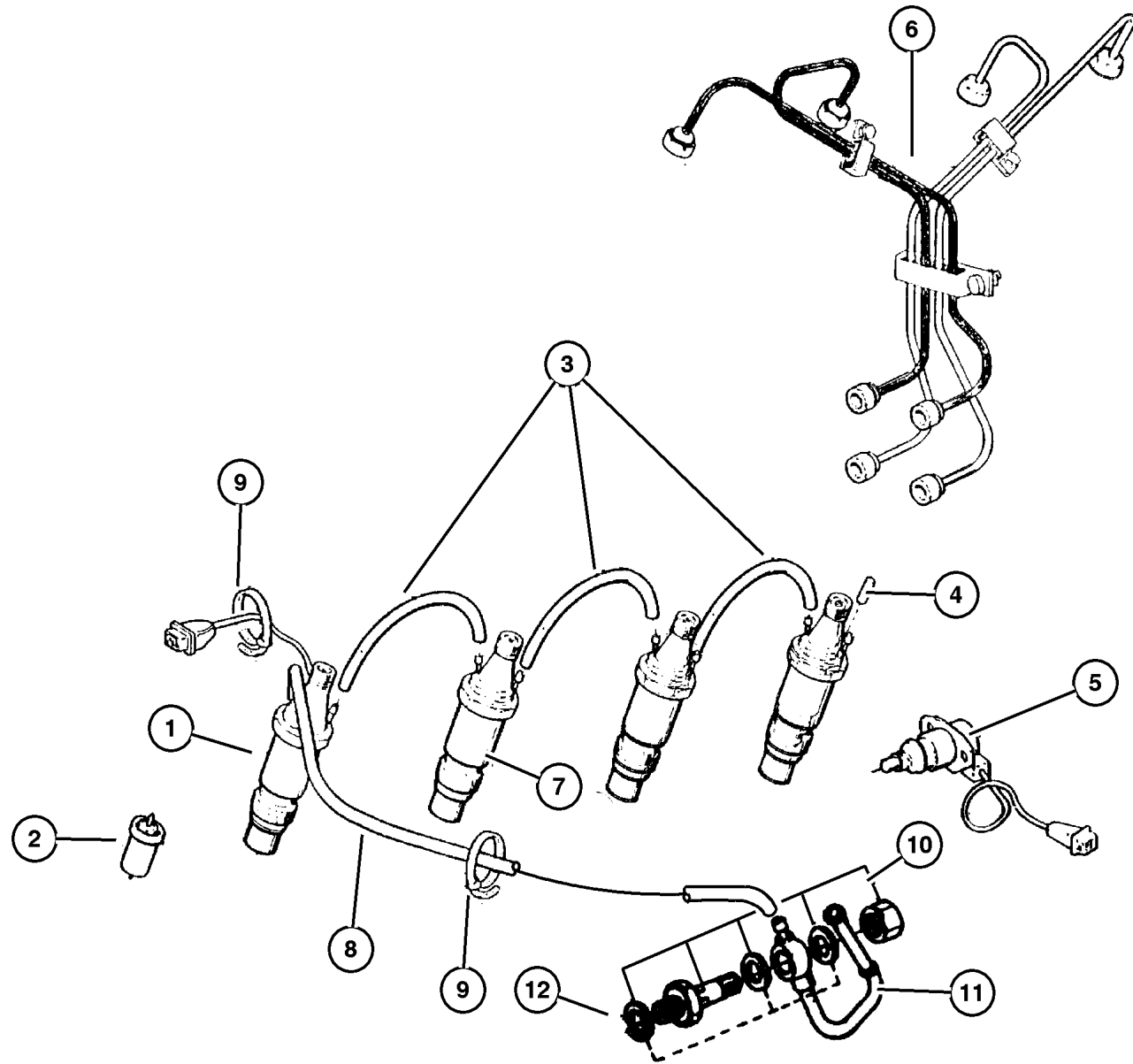
SERIES	LINE	BODY	ENGINE	TRANSMISSION
P=Classic	J=LHD (4WD)	74=4 Dr.(101.4WB)	ENC,EN0=2.5L 4 cyl. Turbo Die	DDD, DDQ=5 spd. Man.
S=Limited	U=RHD (4WD)	72=2 Dr.(101.4WB)	ERH,ER0=4.0L Power Tech I-6	DGS=4 spd. Auto. AISIN
H=Sport	T=LHD (2WD)		EPE,EP0=Magnum 2.5L SMPI	DG0=All Auto/Trans.
L=SE	B=RHD (2WD)			DBB=All Manual Trans.

AR = Use as required - = Non illustrated part # = New this model year

December 7, 2002

Fuel Injection System 2.5L (ENC) Diesel Engine
Figure 014-440

ITEM	PART NUMBER	QTY	LINE	SERIES	BODY	ENGINE	TRANS	TRIM	DESCRIPTION
NOTE: EN0=All 2.5L Diesel Engines									
1	4886 231AA	1				EN0			INJECTOR, Fuel
2	4723 346	4				EN0			NOZZLE, Fuel Injector
3	4720 189AB	3				EN0			PIPE, Fuel Spill Return
4	#4720 197AB	1				EN0			PLUG, Cylinder Block Oil Hole
5	4797 786	1				EN0			ADVANCE, Automatic Injection
6	5003 530AA	1				EN0			TUBE, Fuel Injector Supply
7	4720 171	3				EN0			INJECTOR, Fuel
8	4720 190AB	1				EN0			PIPE, Fuel Spill Return
9	4728 184	3				EN0			CLIP, Spill Return Pipe
10	4874 444	1				EN0			VALVE, Flow Control
11	4864 579	1				EN0			BANJO, Fuel
12	4720 703	2				EN0			WASHER, Plain

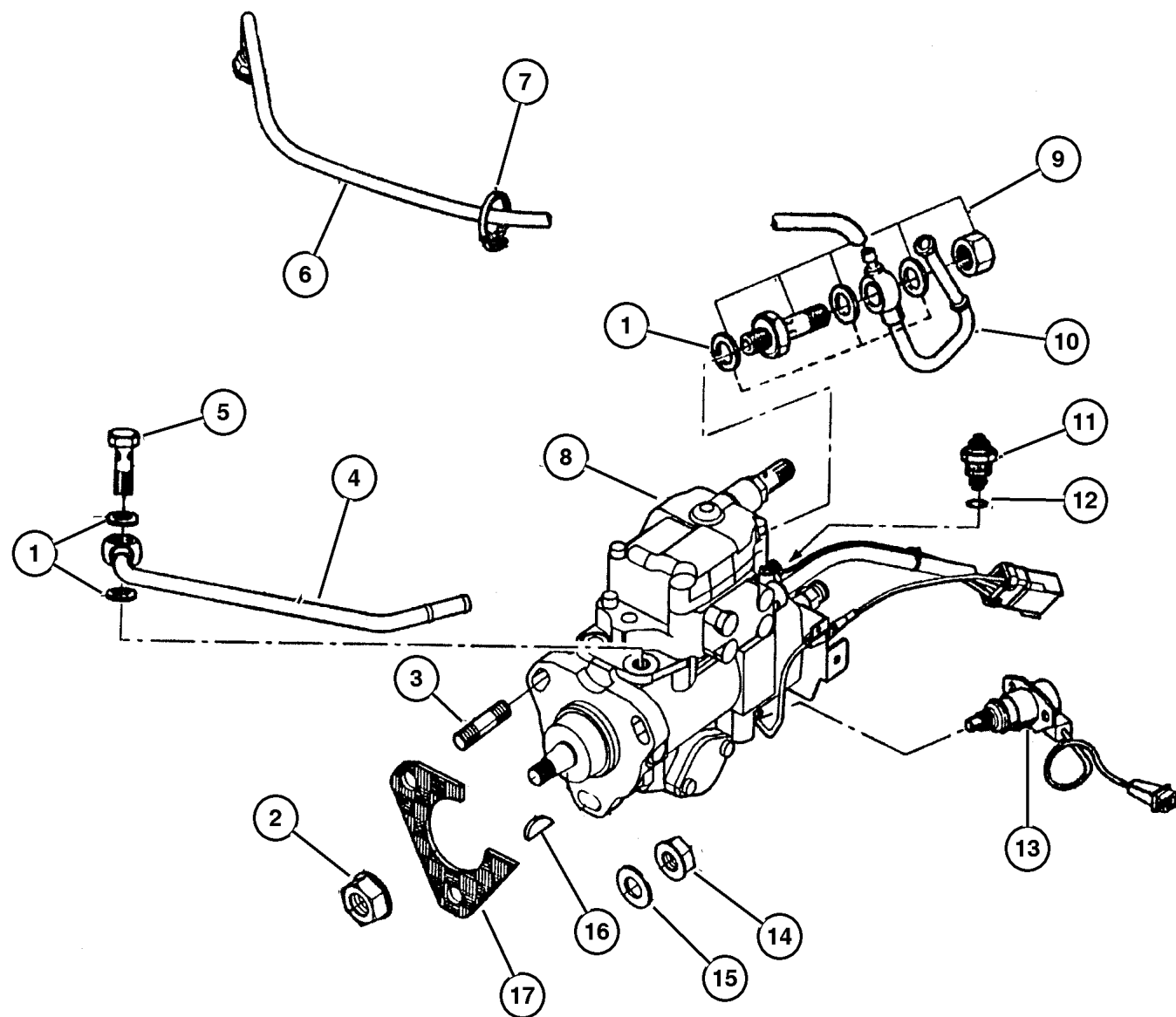


JEEP CHEROKEE (XJ)				
SERIES	LINE	BODY	ENGINE	TRANSMISSION
P=Classic	J=LHD (4WD)	74=4 Dr.(101.4WB)	ENC,EN0=2.5L 4 cyl. Turbo Die	DDD, DDQ=5 spd. Man.
S=Limited	U=RHD (4WD)	72=2 Dr.(101.4WB)	ERH,ER0=4.0L Power Tech I-6	DGS=4 spd. Auto. AISIN
H=Sport	T=LHD (2WD)		EPE,EP0=Magnum 2.5L SMPI	DG0=All Auto/Trans.
L=SE	B=RHD (2WD)			DBB=All Manual Trans.

AR = Use as required - = Non illustrated part # = New this model year

December 7, 2002

**Fuel Injection Pump 2.5L (ENC) Diesel Engine
Figure 014-460**



ITEM	PART NUMBER	QTY	LINE	SERIES	BODY	ENGINE	TRANS	TRIM	DESCRIPTION
NOTE: EN0=All 2.5L Diesel Engines									
1	4720 703	2				EN0			WASHER, Plain
2	4883 402AA	1				EN0			NUT
3	4723 241	8				EN0			STUD
4	4886 307AA	1				EN0			BANJO, Fuel
5	4720 367	1				EN0			BOLT, Banjo
6	4720 190AB	1				EN0			PIPE, Fuel Spill Return
7	4728 184	3				EN0			CLIP, Spill Return Pipe
8	4883 459AA	1				EN0			PUMP, Fuel Injection
9	4874 444	1				EN0			VALVE, Flow Control
10	4864 579	1				EN0			BANJO, Fuel
11	4723 264	1				EN0			SOLENOID, Fuel Shut Off Valve
12	4723 266	1				EN0			O RING, Fuel Solenoid
13	4797 786	1				EN0			ADVANCE, Automatic Injection
14	4778 961	3				EN0			NUT
15									WASHER, Flat
	4720 193	6				EN0			Up To 9-9-99
	#5016 574AA	3				EN0			After 9-9-99
16	4720 198	1				EN0			KEY, Fuel Injection Pump
17	4720 196	1				EN0			GASKET, Injection Pump

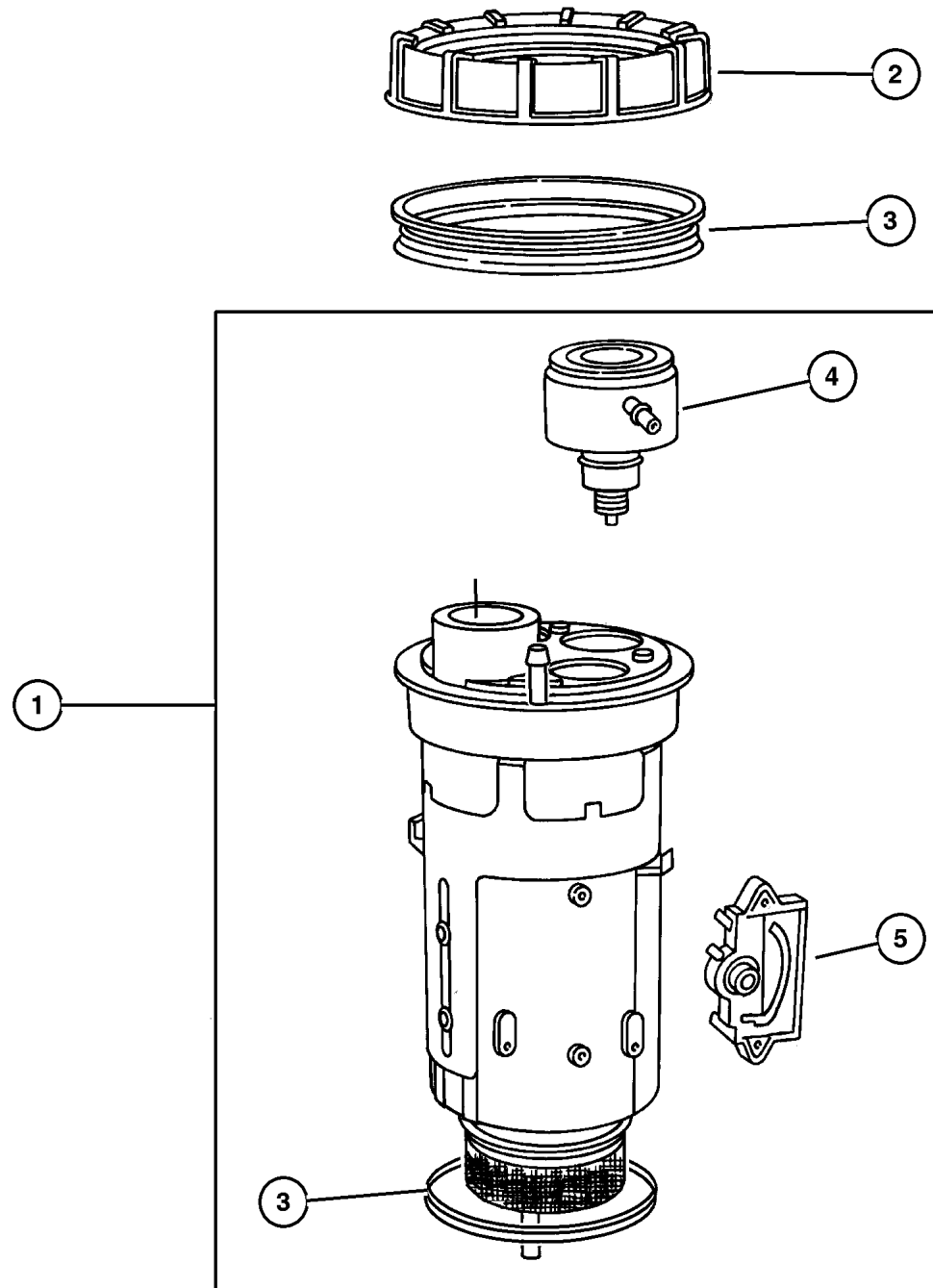
JEEP CHEROKEE (XJ)

SERIES	LINE	BODY	ENGINE	TRANSMISSION
P=Classic	J=LHD (4WD)	74=4 Dr.(101.4WB)	ENC,EN0=2.5L 4 cyl. Turbo Die	DDD, DDQ=5 spd. Man.
S=Limited	U=RHD (4WD)	72=2 Dr.(101.4WB)	ERH,ER0=4.0L Power Tech I-6	DGS=4 spd. Auto. AISIN
H=Sport	T=LHD (2WD)		EPE,EP0=Magnum 2.5L SMPI	DG0=All Auto/Trans.
L=SE	B=RHD (2WD)			DBB=All Manual Trans.

AR = Use as required - = Non illustrated part # = New this model year

December 7, 2002

Fuel Pump and Sending Unit Figure 014-520



ITEM	PART NUMBER	QTY	LINE	SERIES	BODY	ENGINE	TRANS	TRIM	DESCRIPTION
------	-------------	-----	------	--------	------	--------	-------	------	-------------

Note: ENO= All 2.5L Diesel Engines, EPO= All 2.5L Gas Engines

ERO= All 4.0L Gas Engines

1	5012 953AB	1				EPO, ERO			MODULE PACKAGE, Fuel Tank
2	5012 958AB	1				ENO			NUT, Fuel Pump Module
	5200 5389	1				EPO, ERO			
3		1				ENO			SEAL, Fuel Pump and Level Unit
	5201 8808	1				EPO, ERO			
4		1				ENO			FILTER, Fuel
	4723 905	1				ENO			
5	4798 301	1				EPO, ERO			BOARD PACKAGE, Fuel Level Circuit
	5013 473AA	1				EPO, ERO ENO			

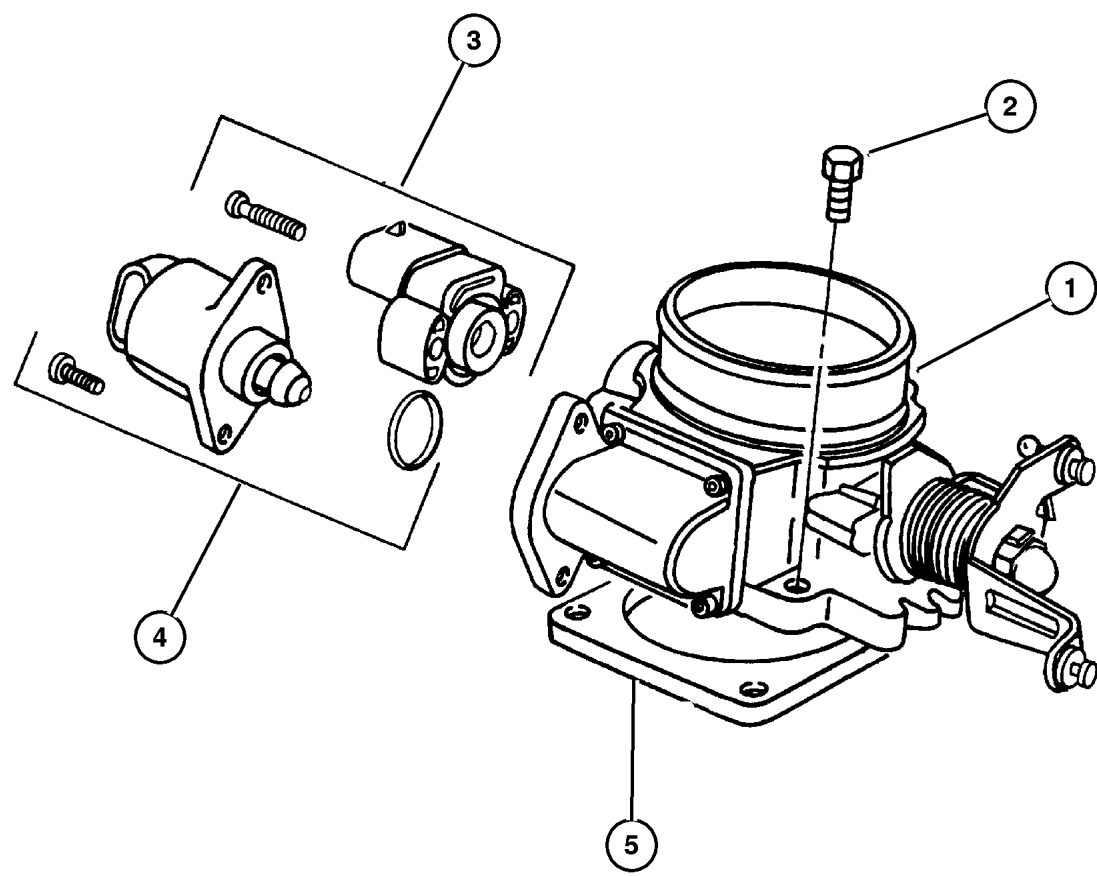
JEEP CHEROKEE (XJ)				
SERIES	LINE	BODY	ENGINE	TRANSMISSION
P=Classic	J=LHD (4WD)	74=4 Dr.(101.4WB)	ENC,ENO=2.5L 4 cyl. Turbo Die	DDD, DDQ=5 spd. Man.
S=Limited	U=RHD (4WD)	72=2 Dr.(101.4WB)	ERH,ERO=4.0L Power Tech I-6	DGS=4 spd. Auto. AISIN
H=Sport	T=LHD (2WD)		EPE,EPO=Magnum 2.5L SMPI	DG0=All Auto/Trans.
L=SE	B=RHD (2WD)			DBB=All Manual Trans.

AR = Use as required - = Non illustrated part # = New this model year

December 7, 2002

**Throttle Body 2.5L (EPE), 4.0L (ERH) Engine
Figure 014-610**

ITEM	PART NUMBER	QTY	LINE	SERIES	BODY	ENGINE	TRANS	TRIM	DESCRIPTION
NOTE: EP0=All 2.5L Gas Engines, ER0=All 4.0L Engines									
1									THROTTLE BODY
	53032 016AD	1				EP0			
	53032 023AC	1				ER0			
2	6503 929	4				EP0, ER0			SCREW AND WASHER, Coned Pilot, M6x1x30
3	4874 371AC	1				ER0			SENSOR, Throttle Position
		1				EP0			
4	4874 373AB	1				ER0			MOTOR, Air Idle Speed
		1				EP0			
5	5300 7543	1				EP0, ER0			GASKET, Throttle Body
-6	5300 9672	1				EP0, ER0			CONNECTOR, Emission Hose

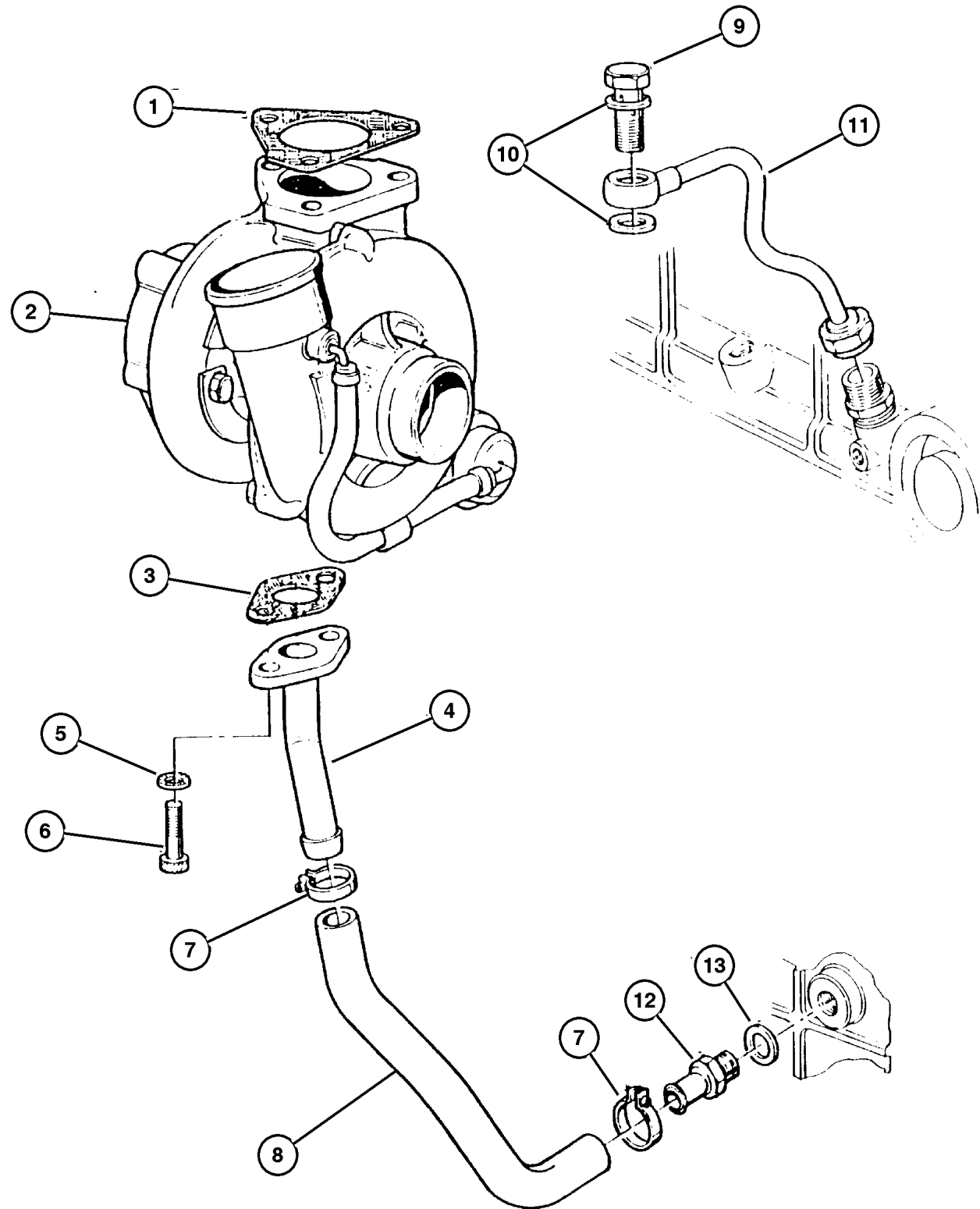


JEEP CHEROKEE (XJ)				
SERIES	LINE	BODY	ENGINE	TRANSMISSION
P=Classic	J=LHD (4WD)	74=4 Dr.(101.4WB)	ENC,EN0=2.5L 4 cyl. Turbo Die	DDD, DDQ=5 spd. Man.
S=Limited	U=RHD (4WD)	72=2 Dr.(101.4WB)	ERH,ER0=4.0L Power Tech I-6	DGS=4 spd. Auto. AISIN
H=Sport	T=LHD (2WD)		EPE,EP0=Magnum 2.5L SMPI	DG0=All Auto/Trans.
L=SE	B=RHD (2WD)			DBB=All Manual Trans.

AR = Use as required - = Non illustrated part # = New this model year

December 7, 2002

**Turbocharger 2.5L (ENC) Diesel Engine
Figure 014-660**



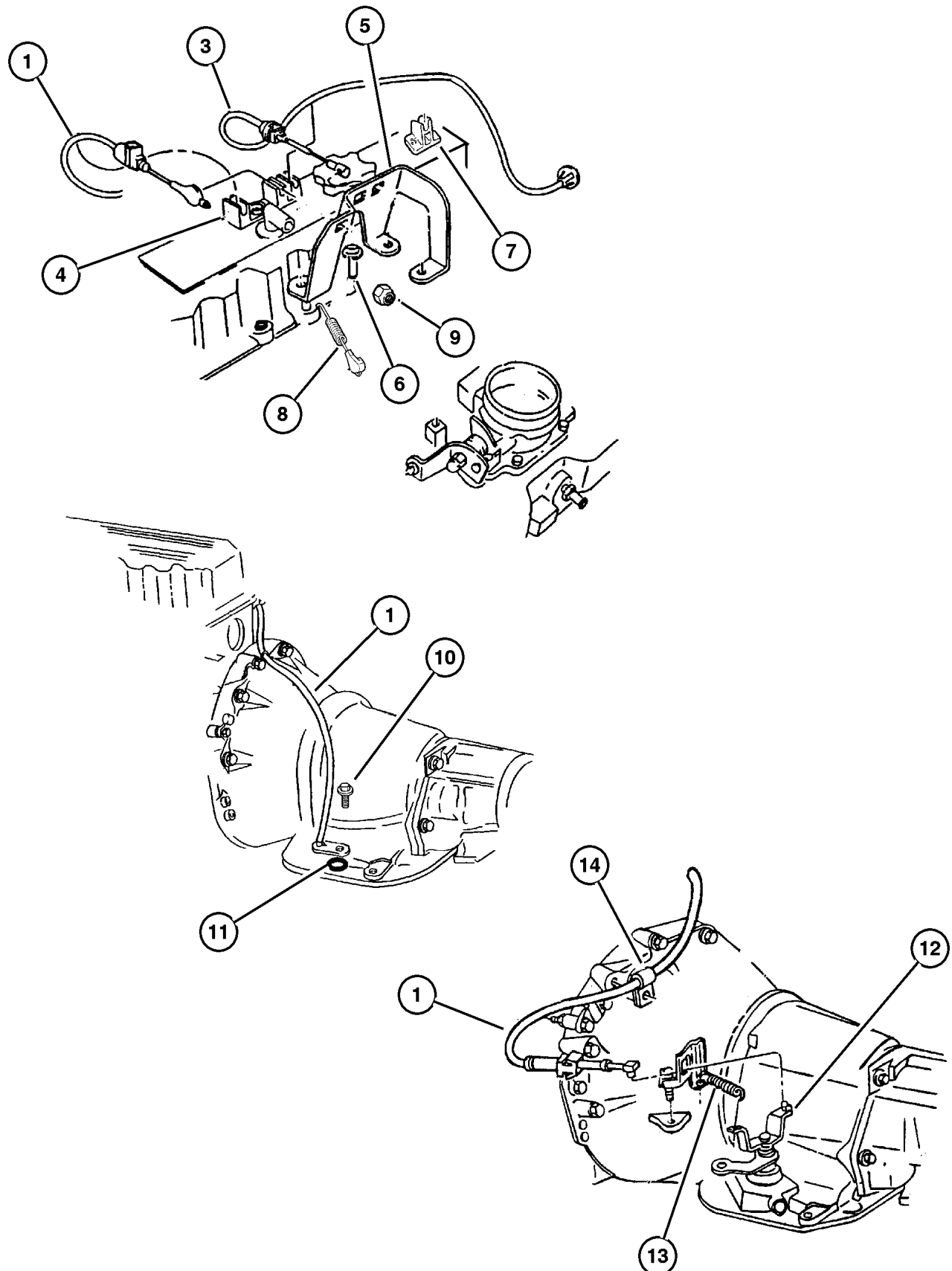
ITEM	PART NUMBER	QTY	LINE	SERIES	BODY	ENGINE	TRANS	TRIM	DESCRIPTION
NOTE: EN0=All 2.5L Diesel Engines									
1	4720 203AB	1				EN0			GASKET, Turbocharger To Manifold
2	4864 756	1				EN0			TURBOCHARGER
3	4796 007AB	1				EN0			GASKET, Turbo Oil Return Pipe
4	4796 008	1				EN0			PIPE, Oil Return
5	4720 305	2				EN0			WASHER, Plain
6	4728 186	2				EN0			BOLT, Oil Drain Pipe
7	4886 052AA	2				EN0			CLAMP, Heater Hose
8	4796 009	1				EN0			PIPE, Oil Return
9	4720 367	1				EN0			BOLT, Banjo
10	4720 703	2				EN0			WASHER, Plain
11	4796 400	1				EN0			PIPE, Oil Feed
12	4796 010	1				EN0			ADAPTER, Oil Delivery Tube
13	4797 784	1				EN0			WASHER, Plain, 16.2x19.9x1.5

JEEP CHEROKEE (XJ)				
SERIES	LINE	BODY	ENGINE	TRANSMISSION
P=Classic	J=LHD (4WD)	74=4 Dr.(101.4WB)	ENC,EN0=2.5L 4 cyl. Turbo Die	DDD, DDQ=5 spd. Man.
S=Limited	U=RHD (4WD)	72=2 Dr.(101.4WB)	ERH,ER0=4.0L Power Tech I-6	DGS=4 spd. Auto. AISIN
H=Sport	T=LHD (2WD)		EPE,EP0=Magnum 2.5L SMPI	DG0=All Auto/Trans.
L=SE	B=RHD (2WD)			DBB=All Manual Trans.

AR = Use as required - = Non illustrated part # = New this model year

December 7, 2002

Throttle Controls 2.5L (EPE), 4.0L (ERH) Engine Figure 014-720



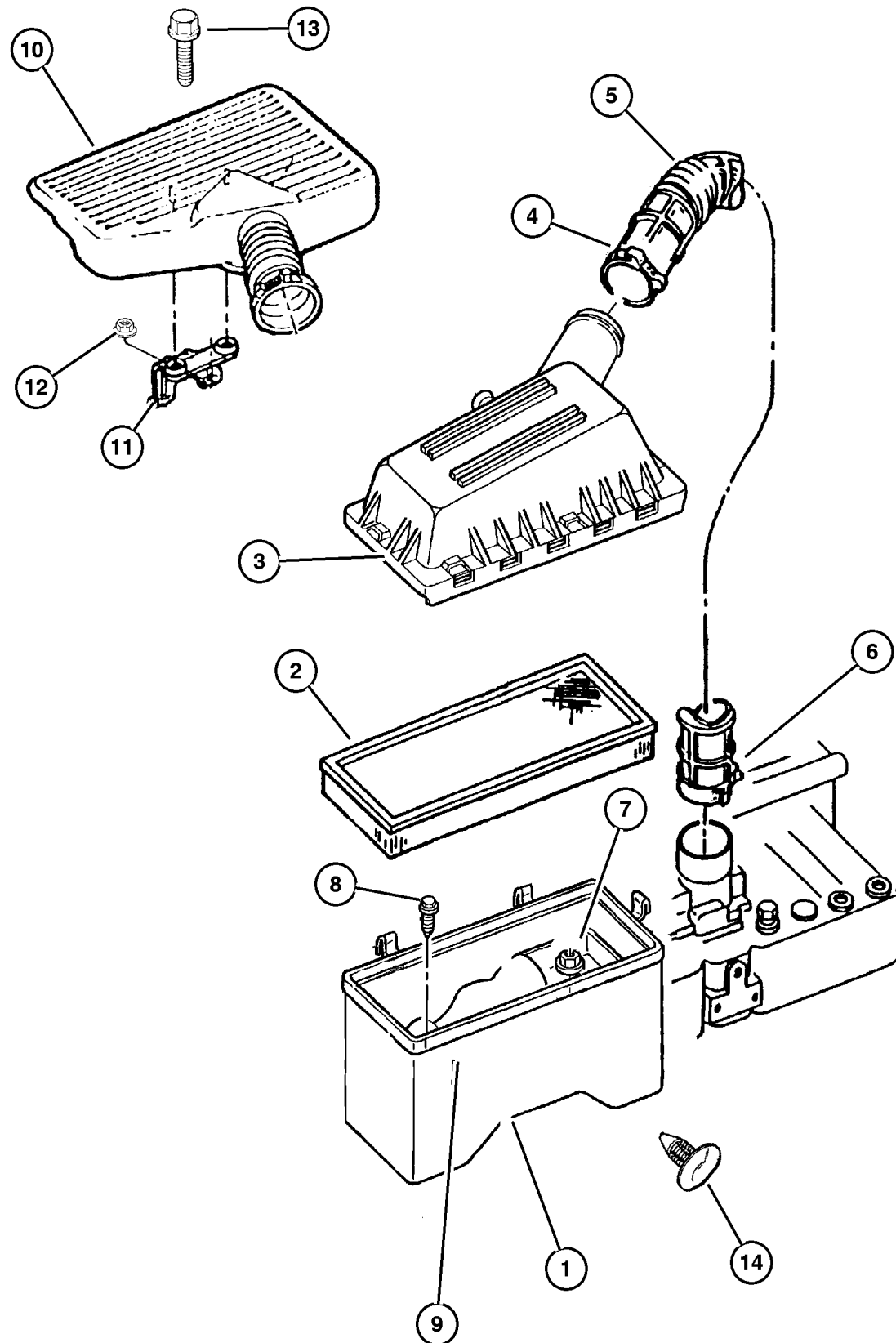
ITEM	PART NUMBER	QTY	LINE	SERIES	BODY	ENGINE	TRANS	TRIM	DESCRIPTION
NOTE: EP0=All 2.5L Gas Engine ER0=All 4.0L Engines, DBB= Manual Transmission, DGO= All Automatic Transmissions, DGD= 3 Speed Automatic Transmissions, DGS= 4 Speed Automatic Transmissions									
1	52078 171AB	1	J, T			EP0	DG0		CABLE, Throttle Valve
-2									CABLE, Throttle Control
	5207 7578	1	B, T			ER0	DGS		
		1	J, U				DGS		
3	5207 9504	1	J, T			EP0,			CABLE, Accelerator
						ER0			
4	5207 9305	1	B, U			EP0			GUIDE, Accelerator Cable
	5207 9029	1				ER0			
	5300 7620	1				EP0			
5									BRACKET, Accelerator Cable
	5300 7485	1				EP0			
	53013 160AA	1				ER0			
6									SCREW AND WASHER, Hex Head, M6x1x17
	6501 979	2				EP0			
		3				ER0			
7	5207 8987	1	J, T			ER0			GUIDE, Accelerator Cable
8									SPRING, Throttle Return
	52078 102AB	1				EP0,	DBB		
						ER0			
	5300 7985	1	J, T			EP0	DG0		
9	6100 047	1				EP0			NUT AND WASHER, Hex Nut-Coned Washer, M6 x 1.00
10									SCREW AND CONED WASHER, Hex Head, M6x1.00x16.00
	3420 1808	AR	J, U				DGS		
		AR	B, T			ER0	DGS		
11									O RING, Throttle Cable
	8350 3708	1	B, T			ER0	DGS		
		1	J, U				DGS		
12	5300 7983	1	J, T			EP0	DG0		LEVER, Throttle Valve
13	5300 7985	1	J, T			EP0	DG0		SPRING, Throttle Return
14	5207 8465	1				EP0	DGD		CLIP, Cable

JEEP CHEROKEE (XJ)				
SERIES	LINE	BODY	ENGINE	TRANSMISSION
P=Classic	J=LHD (4WD)	74=4 Dr.(101.4WB)	ENC,EN0=2.5L 4 cyl. Turbo Die	DDD, DDQ=5 spd. Man.
S=Limited	U=RHD (4WD)	72=2 Dr.(101.4WB)	ERH,ER0=4.0L Power Tech I-6	DGS=4 spd. Auto. AISIN
H=Sport	T=LHD (2WD)		EPE,EP0=Magnum 2.5L SMPI	DG0=All Auto/Trans.
L=SE	B=RHD (2WD)			DBB=All Manual Trans.

AR = Use as required - = Non illustrated part # = New this model year

December 7, 2002

**Air Cleaner 2.5L (EPE), 4.0L (ERH) Engine
Figure 014-820**



ITEM	PART NUMBER	QTY	LINE	SERIES	BODY	ENGINE	TRANS	TRIM	DESCRIPTION
NOTE: EP0=All 2.5L Gas Engines, ER0=All 4.0L Engines									
1	4854 153AC	1				EP0, ER0			BODY, Air Cleaner
2	5300 4383	1				EP0, ER0			FILTER, Air
3	5303 0707	1				EP0, ER0			COVER, Air Cleaner
4									CLAMP, Hose to Air Cleaner
	5300 6584	1				EP0			
		1				ER0			
5	5300 6275	1				ER0			HOSE, Air Cleaner to T/Body
6									CLAMP, Air Cleaner Duct
	5300 6273	1				EP0			
		1				ER0			
7	6501 291	1				EP0, ER0			NUT AND WASHER, Hex Nut-Coned Washer, M8 x 1.25
8									SCREW, M8x1.25x30, (NOT SERVICED) (Not Serviced)
9	4854 154	1				EP0			INSERT, Air Cleaner Noise Resonator, Air Cleaner
10									
	5303 0982	1				EP0			
	5303 0797	1				ER0			
11	5303 0796	1				ER0			BRACKET, Resonator
12									NUT AND WASHER, Hex Nut-Coned Washer, .25-20
	6033 560	2				EP0			
		2				ER0			
13	6100 288	2				EP0			BOLT AND CONED WASHER, Hex Head, M6x30x20
14	6030 441	2							PIN, Retainer

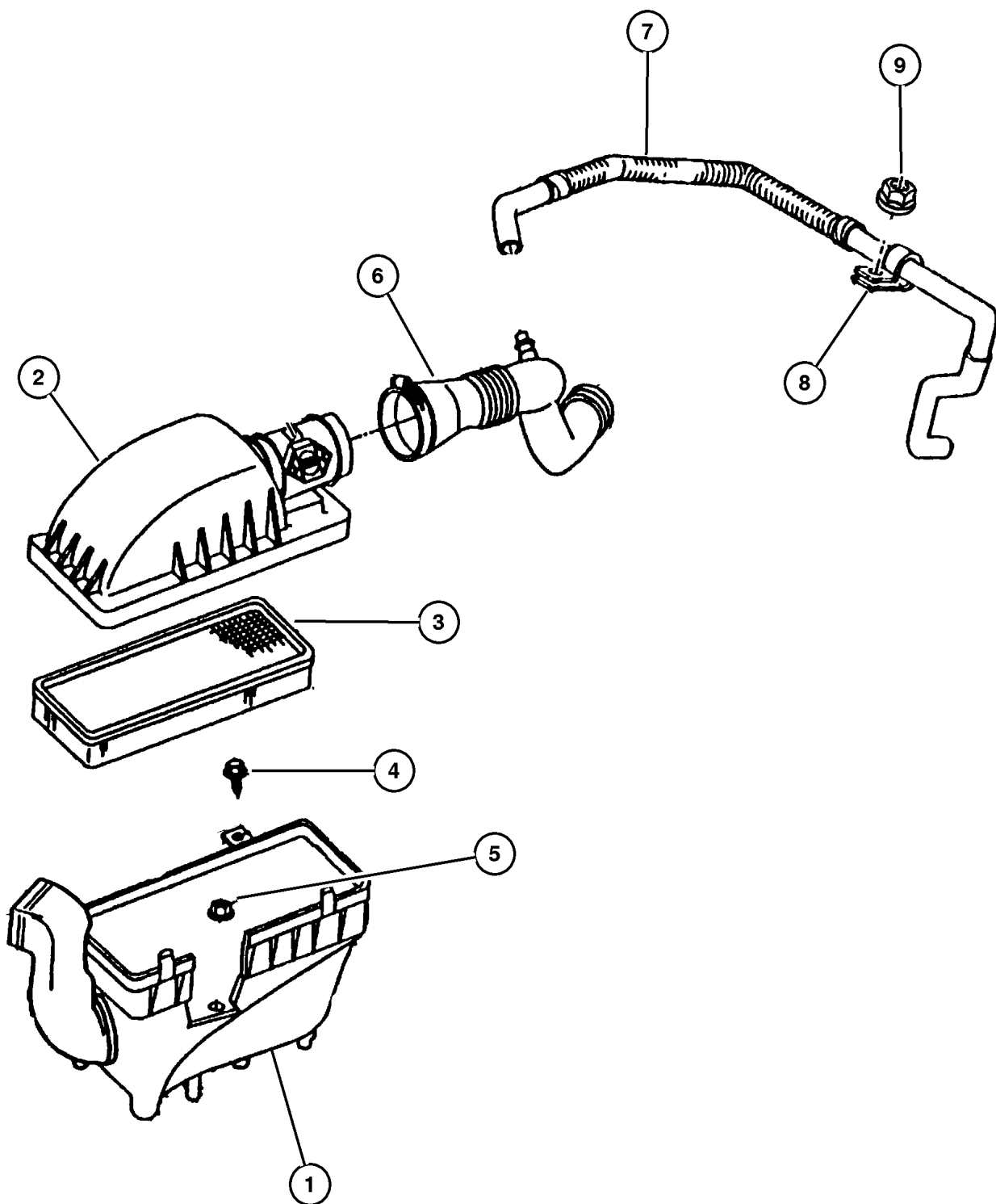
JEEP CHEROKEE (XJ)				
SERIES	LINE	BODY	ENGINE	TRANSMISSION
P=Classic	J=LHD (4WD)	74=4 Dr.(101.4WB)	ENC,EN0=2.5L 4 cyl. Turbo Die	DDD, DDQ=5 spd. Man.
S=Limited	U=RHD (4WD)	72=2 Dr.(101.4WB)	ERH,ER0=4.0L Power Tech I-6	DGS=4 spd. Auto. AISIN
H=Sport	T=LHD (2WD)		EPE,EP0=Magnum 2.5L SMPI	DG0=All Auto/Trans.
L=SE	B=RHD (2WD)			DBB=All Manual Trans.

AR = Use as required - = Non illustrated part # = New this model year

December 7, 2002

Air Cleaner 2.5L (ENC) Diesel Engine
Figure 014-835

ITEM	PART NUMBER	QTY	LINE	SERIES	BODY	ENGINE	TRANS	TRIM	DESCRIPTION
NOTE: ENO= All 2.5L Diesel Engines									
1	5303 1036	1				ENO			BODY, Air Cleaner
2	53013 242AA	1				ENO			COVER, Air Cleaner
3	5303 0730	1				ENO			ELEMENT, Air Cleaner
4	6035 668	1				ENO			SCREW AND WASHER, Hex Head Tapping, .25-14x1
5	6501 291	1				ENO			NUT AND WASHER, Hex Nut-Coned Washer, M8 x 1.25
6	5303 0696	1				ENO			HOSE, Air Induction
7	4854 047	1				ENO			TUBE, Oil Separator Drain
8	J400 7577	1				ENO			CLIP
9	3420 1358	1	J, T			ENO			NUT AND WASHER, Hex Nut- Sealing Washer, M6 x 1.00



JEEP CHEROKEE (XJ)				
SERIES	LINE	BODY	ENGINE	TRANSMISSION
P=Classic	J=LHD (4WD)	74=4 Dr.(101.4WB)	ENC,ENO=2.5L 4 cyl. Turbo Die	DDD, DDQ=5 spd. Man.
S=Limited	U=RHD (4WD)	72=2 Dr.(101.4WB)	ERH,ER0=4.0L Power Tech I-6	DGS=4 spd. Auto. AISIN
H=Sport	T=LHD (2WD)		EPE,EP0=Magnum 2.5L SMPI	DG0=All Auto/Trans.
L=SE	B=RHD (2WD)			DBB=All Manual Trans.

AR = Use as required - = Non illustrated part # = New this model year

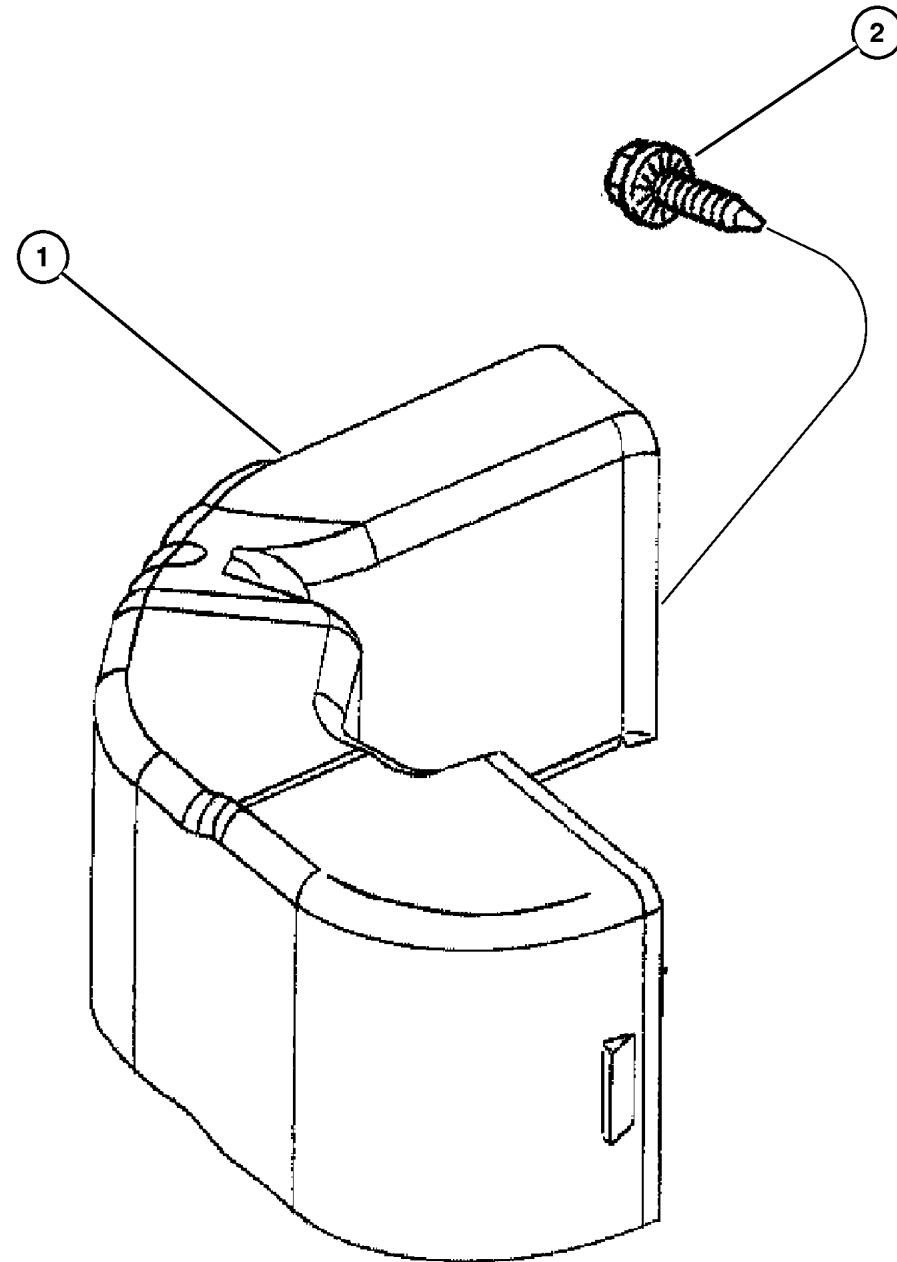
December 7, 2002

**Air Intake System 2.5L (EPE) Engine
Figure 014-910**

ITEM	PART NUMBER	QTY	LINE	SERIES	BODY	ENGINE	TRANS	TRIM	DESCRIPTION
------	-------------	-----	------	--------	------	--------	-------	------	-------------

NOTE: EPO= All 2.5L Gas Engines

1	5303 0983	1				EPO			ADAPTER, Ambient Air
2	6030 441	1				EPO			PIN, Retainer



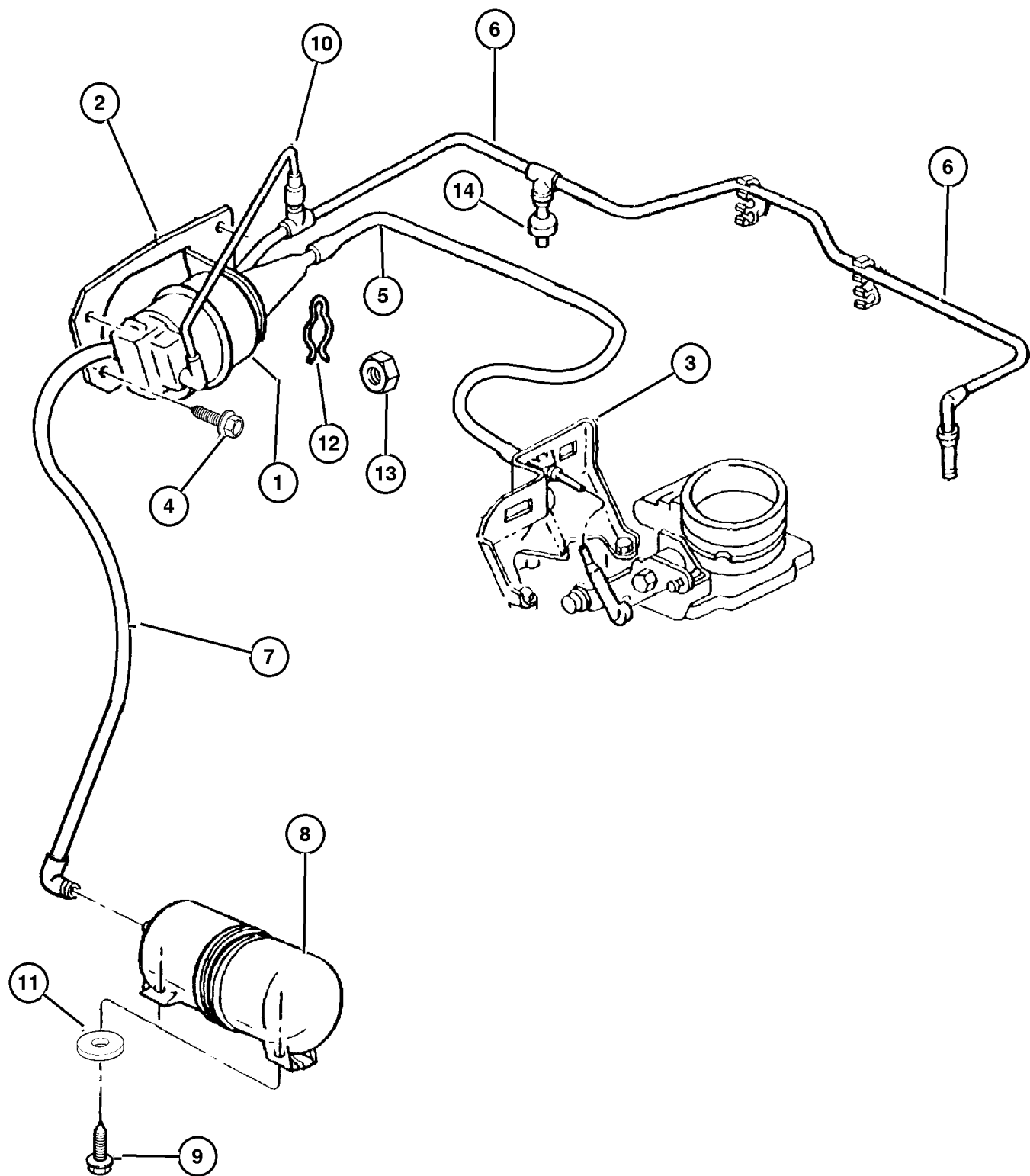
JEEP CHEROKEE (XJ)

SERIES	LINE	BODY	ENGINE	TRANSMISSION
P=Classic	J=LHD (4WD)	74=4 Dr.(101.4WB)	ENC,EN0=2.5L 4 cyl. Turbo Die	DDD, DDQ=5 spd. Man.
S=Limited	U=RHD (4WD)	72=2 Dr.(101.4WB)	ERH,ER0=4.0L Power Tech I-6	DGS=4 spd. Auto. AISIN
H=Sport	T=LHD (2WD)		EPE,EP0=Magnum 2.5L SMPI	DG0=All Auto/Trans.
L=SE	B=RHD (2WD)			DBB=All Manual Trans.

AR = Use as required - = Non illustrated part # = New this model year

December 7, 2002

**Speed Control 2.5L (EPE), 4.0L (ERH) Engine
Figure 014-1010**



ITEM	PART NUMBER	QTY	LINE	SERIES	BODY	ENGINE	TRANS	TRIM	DESCRIPTION
NOTE: EP0=All 2.5L Gas Engines, EPE= 2.5L Gas Engine, ER0=All 4.0L Engines									
1	4669 979	1	J, T			EPE, ER0			SERVO, Speed Control
2	5300 7958	1	J, T			EPE, ER0			BRACKET, Speed Control Servo
3	5300 7485	1				EP0			BRACKET, Accelerator Cable
4	53013 160AA	1				ER0			SCREW
	6035 322	3	J, T			EPE, ER0			
5	5300 7485	1				EP0			CABLE, Speed Control
	53013 160AA	1				ER0			
6	6035 322	3	J, T			EPE, ER0			VACUUM HARNESS, Heater and A/C
	4854 001	1	J, T			EPE, ER0			
7	5303 0839	1	B, U			EPE, ER0			HOSE AND VALVE, Vacuum
	55036 909AC	1	J, T			EP0			
8	#55037 565AB	1	J, T			ER0			RESERVOIR, Speed Control Vacuum
	55036 917AD	1	U			EP0			
9	#55037 566AA	1	B, U			ER0			SCREW, Hex Head Tapping, M6. 3x1.81x16.00
	5503 5902	1				EP0, ER0			
10	3420 1895	2						SCREW, Hex Head Tapping, M6. 3x1.81x16.00	
11	5207 8082	1	J, T			EPE, ER0			HARNESS, Speed Control Vacuum
12									WASHER, (NOT SERVICED) (Not Serviced)
13	6025 867	1	J, T			EPE, ER0			CLIP, Cable to Servo Attach
		1	B, U			EPE, ER0			
14									NUT, Hex Flange Serration, M6x1

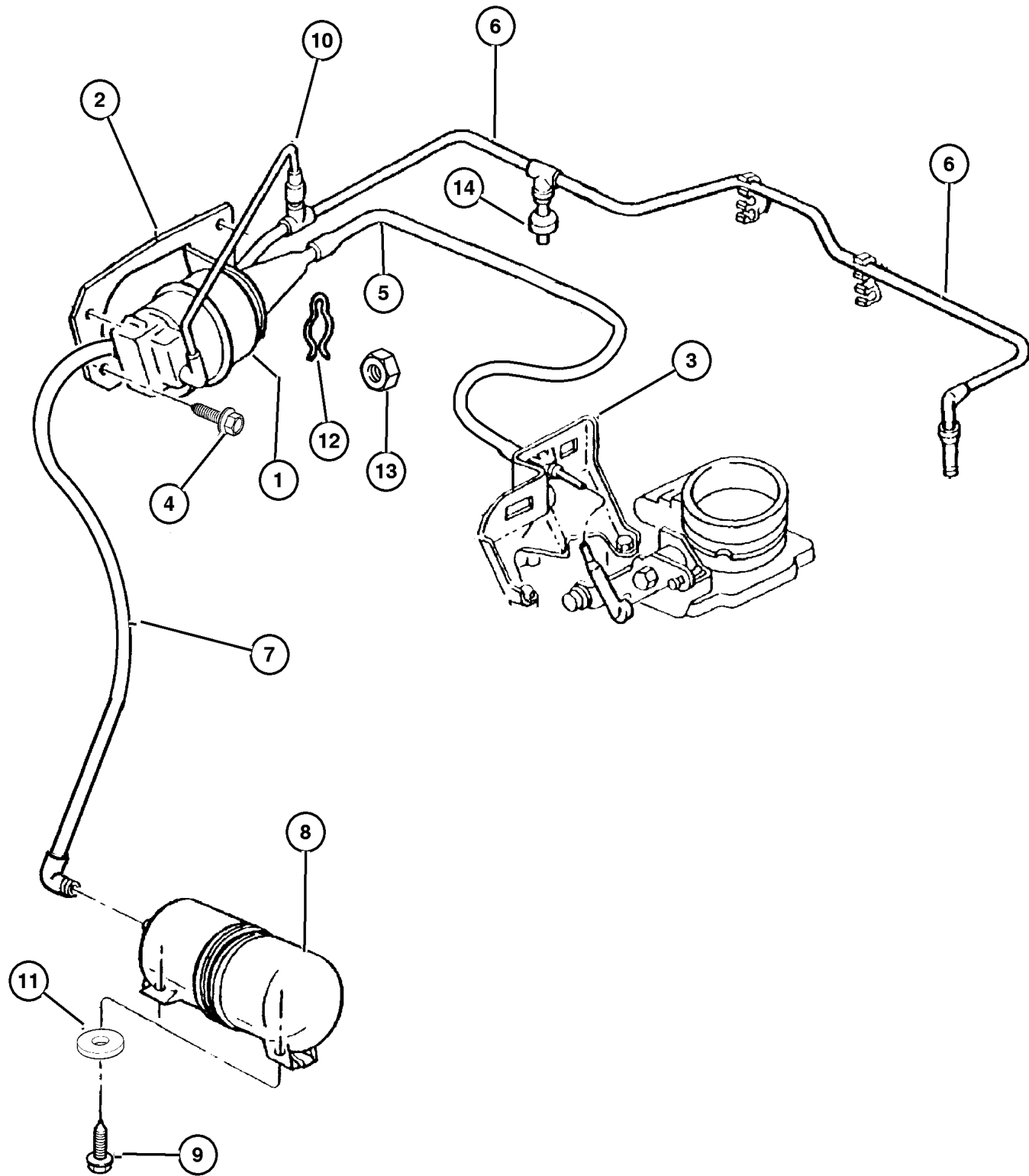
JEEP CHEROKEE (XJ)

SERIES	LINE	BODY	ENGINE	TRANSMISSION
P=Classic	J=LHD (4WD)	74=4 Dr.(101.4WB)	ENC,EN0=2.5L 4 cyl. Turbo Die	DDD, DDQ=5 spd. Man.
S=Limited	U=RHD (4WD)	72=2 Dr.(101.4WB)	ERH,ER0=4.0L Power Tech I-6	DGS=4 spd. Auto. AISIN
H=Sport	T=LHD (2WD)		EPE,EP0=Magnum 2.5L SMPI	DG0=All Auto/Trans.
L=SE	B=RHD (2WD)			DBB=All Manual Trans.

AR = Use as required - = Non illustrated part # = New this model year

December 7, 2002

**Speed Control 2.5L (EPE), 4.0L (ERH) Engine
Figure 014-1010**



ITEM	PART NUMBER	QTY	LINE	SERIES	BODY	ENGINE	TRANS	TRIM	DESCRIPTION
	6502 493	2	J, T			EPE, ER0			
		2	B, U			EPE, ER0			
14									VALVE, Check, 1/4, Serviced in Hose Assembly, (NOT SERVICED) (Not Serviced)
-15									VALVE PACKAGE, Check
	4549 209	1	B, U			EP0			
		1	J, T			ER0			
		1	J, T			EP0			

JEEP CHEROKEE (XJ)

SERIES	LINE	BODY	ENGINE	TRANSMISSION
P=Classic	J=LHD (4WD)	74=4 Dr.(101.4WB)	ENC,EN0=2.5L 4 cyl. Turbo Die	DDD, DDQ=5 spd. Man.
S=Limited	U=RHD (4WD)	72=2 Dr.(101.4WB)	ERH,ER0=4.0L Power Tech I-6	DGS=4 spd. Auto. AISIN
H=Sport	T=LHD (2WD)		EPE,EP0=Magnum 2.5L SMPI	DG0=All Auto/Trans.
L=SE	B=RHD (2WD)			DBB=All Manual Trans.

AR = Use as required - = Non illustrated part # = New this model year

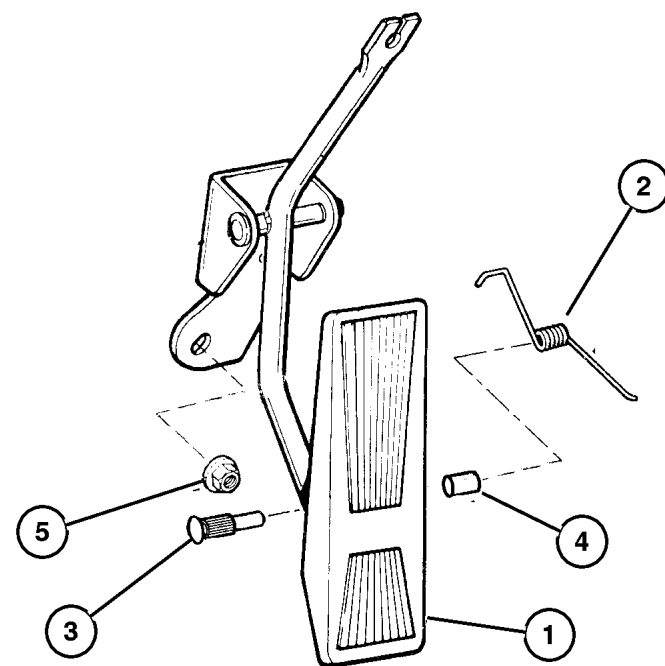
December 7, 2002

**Accelerator Pedal 2.5L (EPE), 2.5L (ENC) Diesel, 4.0L (ERH) Engine
Figure 014-1110**

ITEM	PART NUMBER	QTY	LINE	SERIES	BODY	ENGINE	TRANS	TRIM	DESCRIPTION
------	-------------	-----	------	--------	------	--------	-------	------	-------------

NOTE: EP0=All 2.5L Gas Engines, EN0=2.5L Diesel Engines, ER0=All 4.0L Engines

1	5207 9117	1	B, U			EN0			PEDAL, Accelerator No Components Available
	5207 9206	1	J, T			EP0, ER0			
	5207 9207	1	B, U			EP0, ER0			No Components Available
	5207 9216	1	J, T			EN0			
2	5303 0874	1	J, T			EP0, ER0			SPRING, Torsion
		1	B, U			EP0, ER0			
3	5207 9019	1	J, T			EP0, ER0			PIN, Accelerator Pedal Mtg.
			B, U			EP0, ER0			
4	5207 8653	2	J, T			EP0, ER0			BUSHING, Accelerator Pedal
			B, U			EP0, ER0			
5	1150 3745	2				EN0, EP0, ER0			NUT, Hex, M6x1



JEEP CHEROKEE (XJ)

SERIES	LINE	BODY	ENGINE	TRANSMISSION
P=Classic	J=LHD (4WD)	74=4 Dr.(101.4WB)	ENC,EN0=2.5L 4 cyl. Turbo Die	DDD, DDQ=5 spd. Man.
S=Limited	U=RHD (4WD)	72=2 Dr.(101.4WB)	ERH,ER0=4.0L Power Tech I-6	DGS=4 spd. Auto. AISIN
H=Sport	T=LHD (2WD)		EPE,EP0=Magnum 2.5L SMPI	DG0=All Auto/Trans.
L=SE	B=RHD (2WD)			DBB=All Manual Trans.

AR = Use as required - = Non illustrated part # = New this model year

December 7, 2002

Group – 016

Propeller Shafts and U-Joints

GROUP 16 - Propeller Shafts and U-Joints

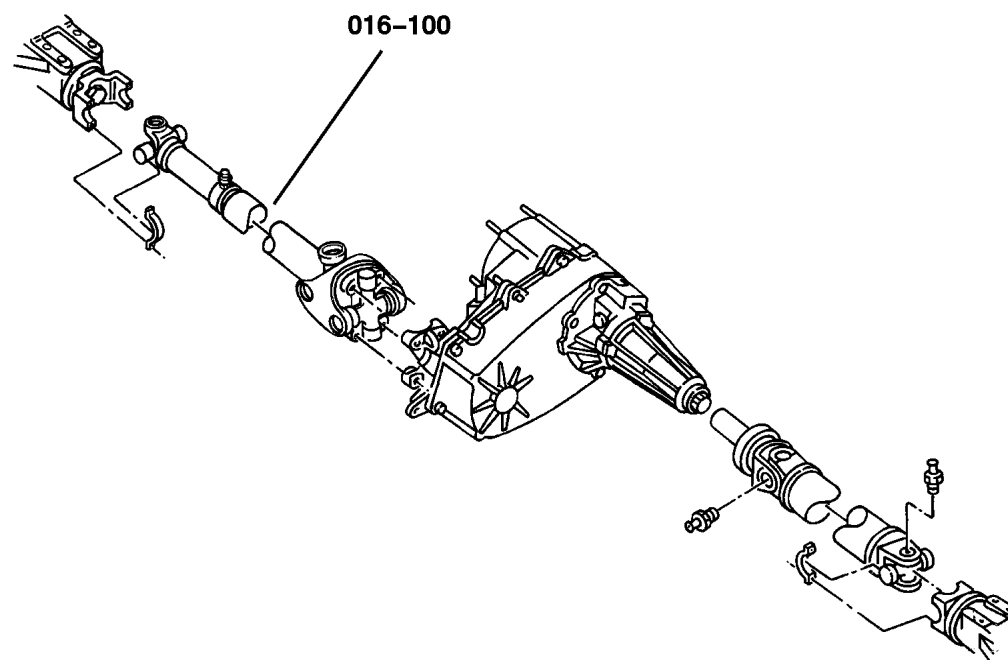
Illustration Title

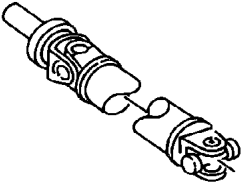
Group-Fig. No.

Propeller Shaft

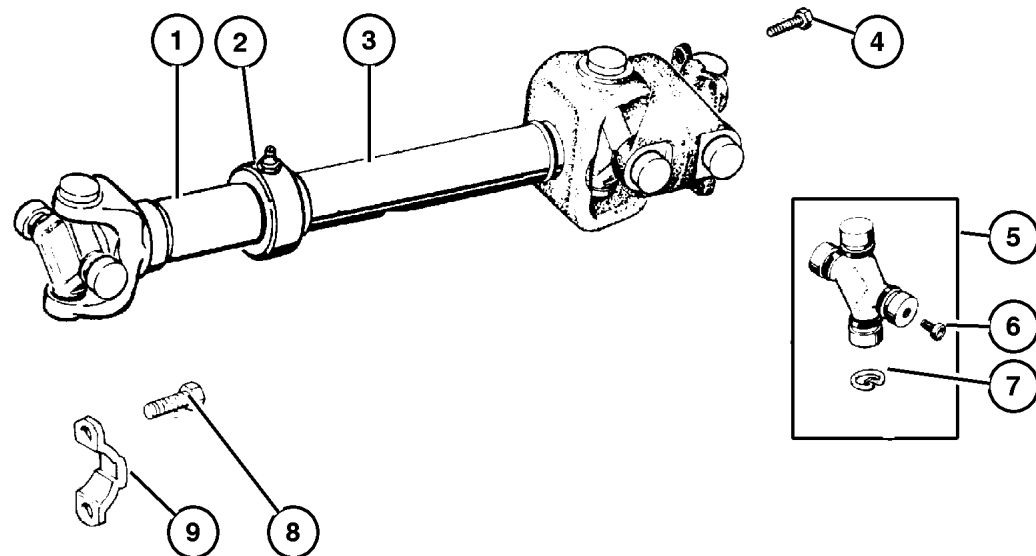
Propeller Shaft,Front Fig. 016-110

Propeller Shaft,Rear Fig. 016-120



<p>016-100 Propeller Shaft</p> 			
---	--	--	--

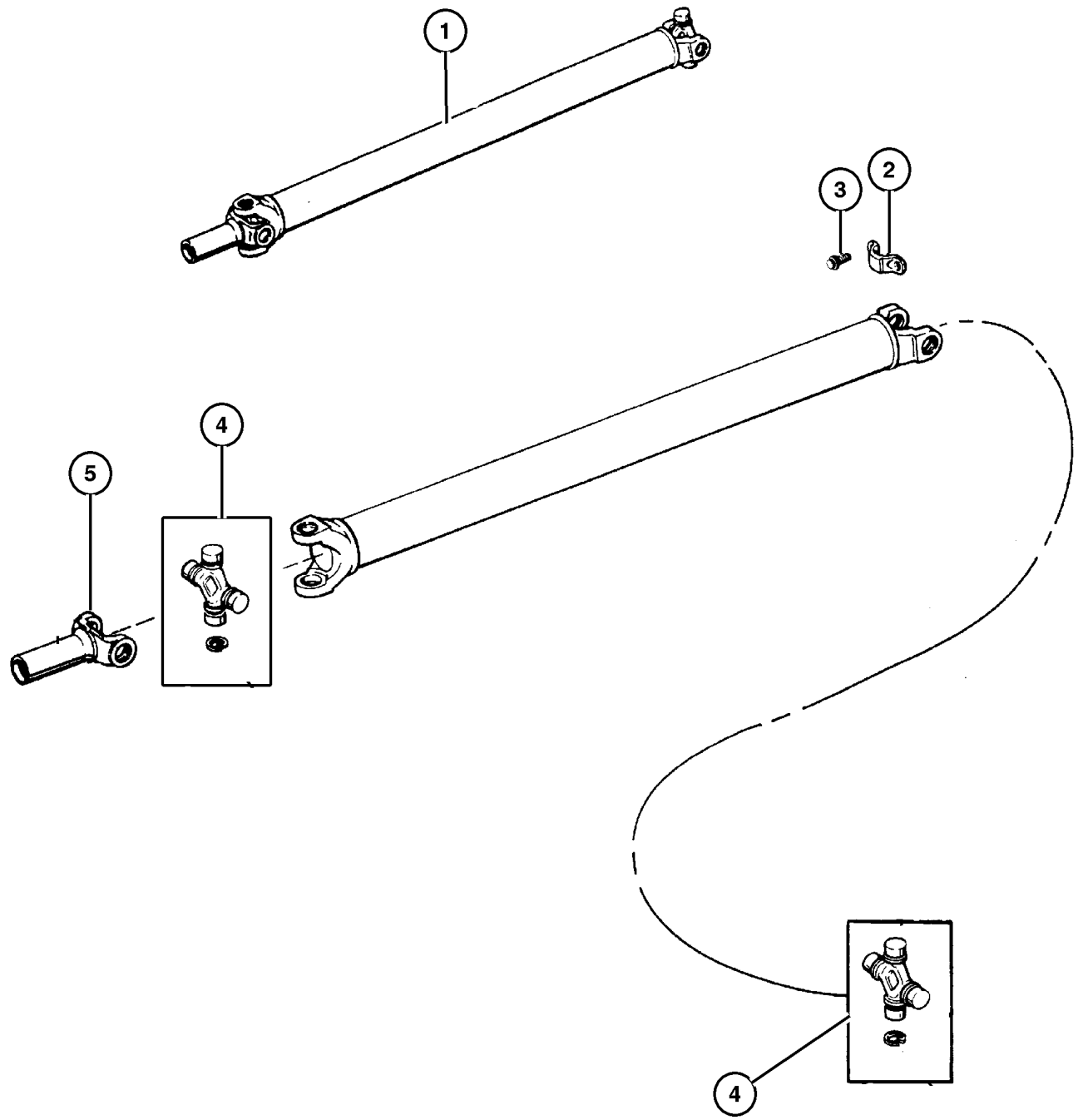
**Propeller Shaft,Front
Figure 016-110**



ITEM	PART NUMBER	QTY	LINE	SERIES	BODY	ENGINE	TRANS	TRIM	DESCRIPTION
Note: Sales Codes;									
DBB= Transmissions - All Manual									
DG0 = Transmissions - All Automatic									
EN0=Engines - All 4/5 Cylinder Turbo Diesel									
EP0=Engines -All 2.5L 4 Cylinder Gas									
ER0=Engines - All 4.0L 6 Cylinder Gas									
1	8350 1594	1	J, U			EN0			YOKE, Drive Shaft
		1	J, U			EP0			
		1	J, U			ER0	DG0		
2	8350 1595	1	J, U			ER0	DBB		SEAL, Drive Shaft Yoke
		1	J, U			EN0			
		1	J, U			EP0			
		1	J, U			ER0	DG0		
		1	J, U			ER0	DBB		
3	5209 8208	1	J, U			EN0			SHAFT, Front Drive
	5300 5541	1	J, U			EP0			
	5300 5542	1	J, U			ER0	DG0		
	5300 5543	1	J, U			ER0	DBB		
4	6034 966	4	J, U						BOLT, .312-24x1.170, Drive Shaft to Transfer Case Yoke, Mounting
5	4882 793	1	J, U			EN0			U JOINT
		1	J, U			EP0			As Required
		1	J, U			ER0	DG0		As Required
		1	J, U			ER0	DBB		As Required
6	8350 7064	1	J, T						FITTING PACKAGE, Grease
		1	B, U						As Required
7	J320 7886	4	J, U			EN0			RING, U Joint
		4	J, U			EP0			
		4	J, U			ER0	DG0		
		4	J, U			ER0	DBB		
8	J400 6928	4							BOLT, Drive Shaft to Front Axle Yoke, Mounting
9	J324 0553	2	J, U						STRAP, Prop Shaft, Drive Shaft to Front Axle Yoke, Mounting

JEEP CHEROKEE (XJ)				
SERIES	LINE	BODY	ENGINE	TRANSMISSION
P=Classic	J=LHD (4WD)	74=4 Dr.(101.4WB)	ENC,EN0=2.5L 4 cyl. Turbo Die	DDD, DDQ=5 spd. Man.
S=Limited	U=RHD (4WD)	72=2 Dr.(101.4WB)	ERH,ER0=4.0L Power Tech I-6	DGS=4 spd. Auto. AISIN
H=Sport	T=LHD (2WD)		EPE,EP0=Magnum 2.5L SMPI	DG0=All Auto/Trans.
L=SE	B=RHD (2WD)			DBB=All Manual Trans.

**Propeller Shaft,Rear
Figure 016-120**

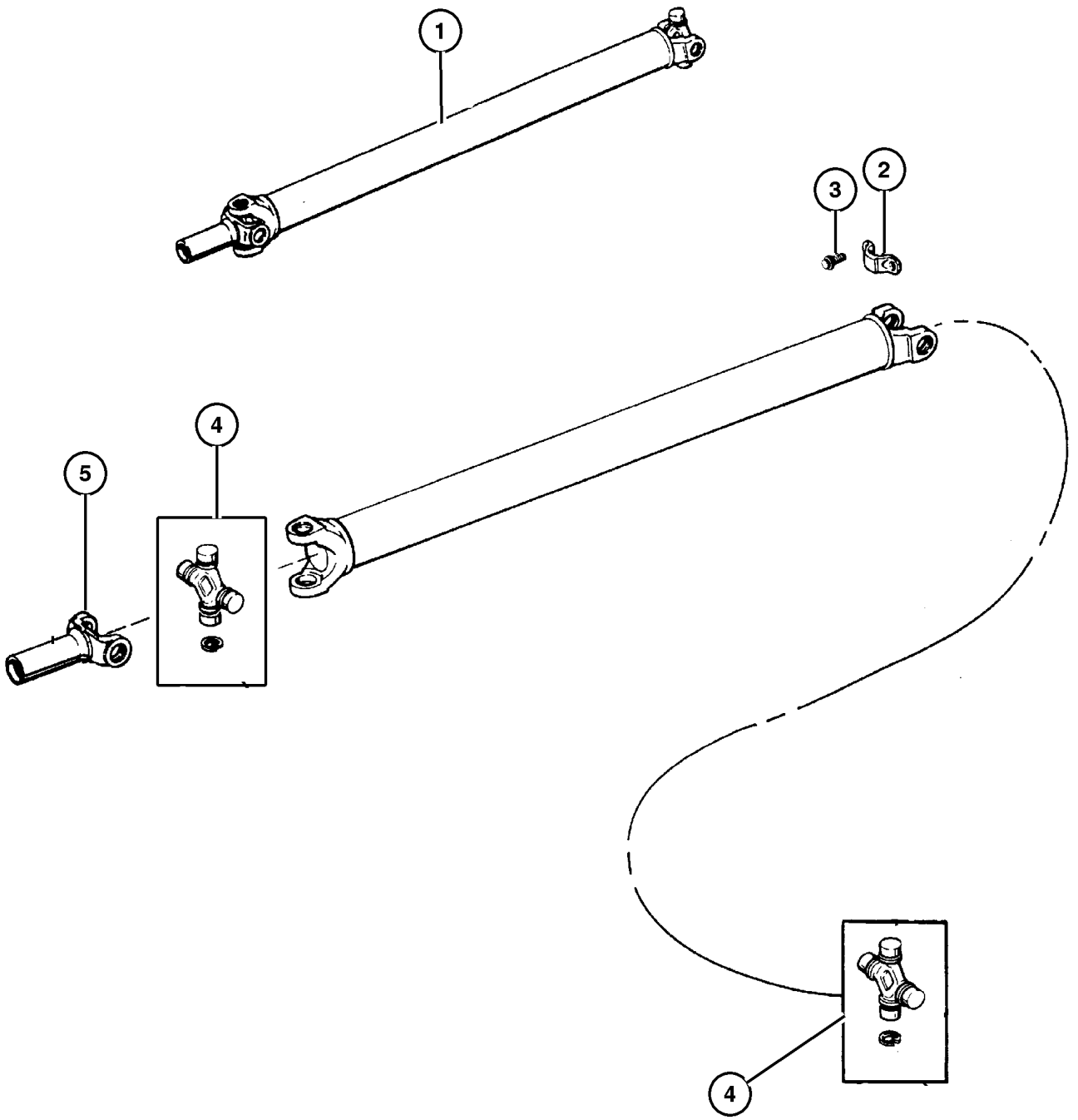


ITEM	PART NUMBER	QTY	LINE	SERIES	BODY	ENGINE	TRANS	TRIM	DESCRIPTION
Note: Sales Codes;									
DBB= Transmissions - All Manual									
DG0 = Transmissions - All Automatic									
DHN =Command-Trac Part Time 4WD System									
DRA= Axle - Rear, Corporate 8.25									
DRJ= Axle - Rear, Dana M35/194MM RBI									
DRM= Axle - Rear, Dana 35C/194MM									
EN0=Engines - All 4/5 Cylinder Turbo Diesel									
EP0=Engines -All 2.5L 4 Cylinder Gas									
ER0=Engines - All 4.0L 6 Cylinder Gas									
1									SHAFT, Drive
	5209 9422	1	J, U			EN0	DBB		[DRJ,DRM,DHN]
	#52111 153AC	1	B, T			ER0	DBB		[DRJ,DRM]
	5209 9056	1	B, T			ER0	DG0		[DRA]
	5209 9064	1	B, T			ER0	DG0		[DRJ,DRM]
	#52098 744AB	1	J, U			EP0			
	#52098 732AC	1	J, U			ER0	DBB		[DRA]
	#52098 814AB	1	J, U			ER0	DG0		[DRA]
	#52098 731AC	1	J, U			ER0	DG0		[DRJ,DRM]
	5209 8851	1	J, U			ER0	DBB		[DRJ]
	5209 9057	1	B, T			EP0	DBB		
	52099 054AB	1	B, T			EP0	DG0		[DRA]
	#52111 152AC	1	B, T			ER0	DBB		[DRA]
2	J324 0553	2	J, U						STRAP, Prop Shaft
3	J400 6928	4	J, U						BOLT
4									U JOINT
	5014 062AA	1	J, U			EN0	DBB		[DRJ,DRM,DHN], Front
	4882 793	1	B, T			EP0	DG0		[DRA], Front or Rear
	5015 694AA	1	B, T			ER0	DBB		[DRA], Front or Rear
		1	B, T			ER0	DBB		[DRJ,DRM], Front or Rear
	4882 793	1	B, T			ER0	DG0		[DRA], Front or Rear
		1	B, T			ER0	DG0		[DRJ,DRM], Front or Rear
		1	J, U			EN0	DBB		[DRJ,DRM,DHN], Rear
		1	J, U			EP0			Front or Rear
		1	J, U			ER0	DBB		[DRA], Front or Rear
		1	J, U			ER0	DG0		[DRA], Front or Rear
		1	J, U			ER0	DG0		[DRJ,DRM], Front or Rear
	5014 062AA	1	J, U			ER0	DBB		[DRJ], Front
	4882 793	1	J, U			ER0	DBB		[DRJ], Rear
		1	B, T			EP0	DBB		Front or Rear
5									YOKE, Drive Shaft
	5012 918AA	1	J, U			EN0	DBB		[DRJ,DRM,DHN]

JEEP CHEROKEE (XJ)				
SERIES	LINE	BODY	ENGINE	TRANSMISSION
P=Classic	J=LHD (4WD)	74=4 Dr.(101.4WB)	ENC,EN0=2.5L 4 cyl. Turbo Die	DDD, DDQ=5 spd. Man.
S=Limited	U=RHD (4WD)	72=2 Dr.(101.4WB)	ERH,ER0=4.0L Power Tech I-6	DGS=4 spd. Auto. AISIN
H=Sport	T=LHD (2WD)		EPE,EP0=Magnum 2.5L SMPI	DG0=All Auto/Trans.
L=SE	B=RHD (2WD)			DBB=All Manual Trans.

**Propeller Shaft,Rear
Figure 016-120**

ITEM	PART NUMBER	QTY	LINE	SERIES	BODY	ENGINE	TRANS	TRIM	DESCRIPTION
	#5018 320AA	1	B, T			ER0	DBB		[DRJ,DRM]
	8350 3593	1	B, T			ER0	DG0		[DRA]
		1	B, T			ER0	DG0		[DRJ,DRM]
	4882 714	1	J, U			EP0			
		1	J, U			ER0	DBB		[DRA]
		1	J, U			ER0	DG0		[DRA]
		1	J, U			ER0	DG0		[DRJ,DRM]
		1	J, U			ER0	DBB		[DRJ]
	5300 1987	1	B, T			EP0	DBB		
	5300 1986	1	B, T			EP0	DG0		[DRA]
	#5018 320AA	1	B, T			ER0	DBB		[DRA]



JEEP CHEROKEE (XJ)				
SERIES	LINE	BODY	ENGINE	TRANSMISSION
P=Classic	J=LHD (4WD)	74=4 Dr.(101.4WB)	ENC,EN0=2.5L 4 cyl. Turbo Die	DDD, DDQ=5 spd. Man.
S=Limited	U=RHD (4WD)	72=2 Dr.(101.4WB)	ERH,ER0=4.0L Power Tech I-6	DGS=4 spd. Auto. AISIN
H=Sport	T=LHD (2WD)		EPE,EP0=Magnum 2.5L SMPI	DG0=All Auto/Trans.
L=SE	B=RHD (2WD)			DBB=All Manual Trans.

AR = Use as required - = Non illustrated part # = New this model year

December 7, 2002

Group - 017

Rear Suspension

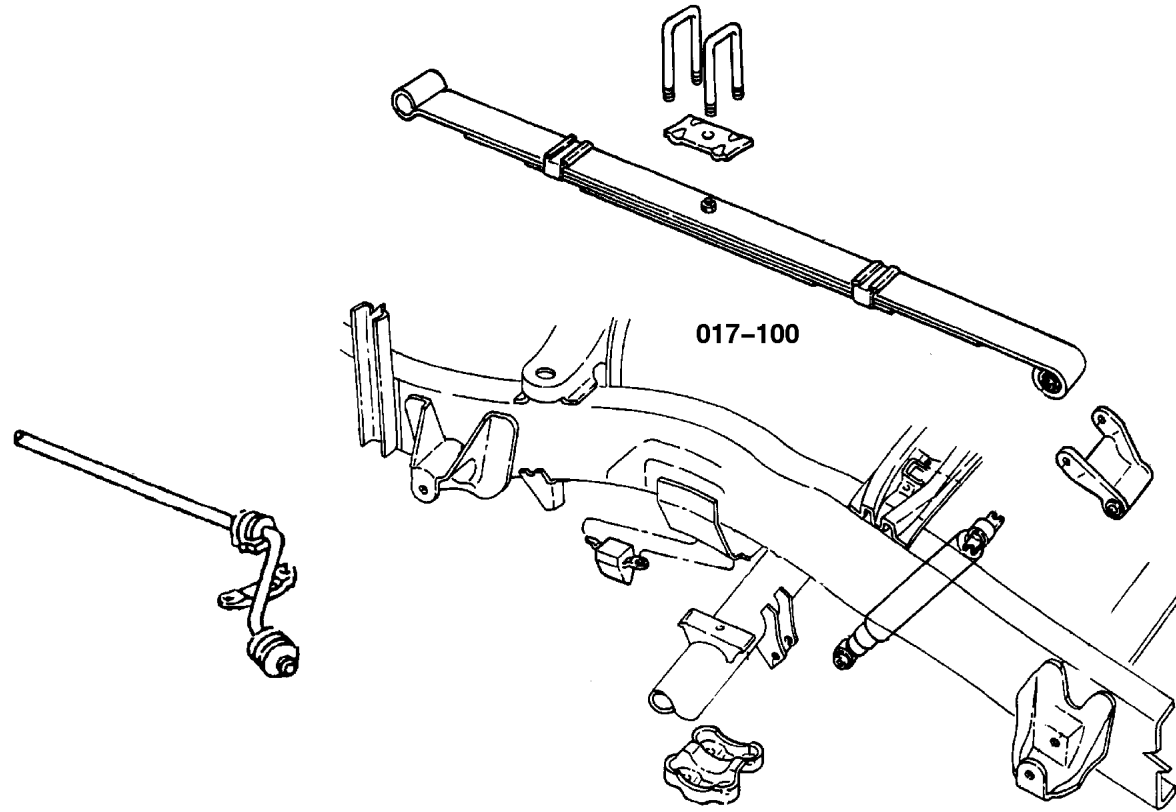
GROUP 17 - Rear Suspension

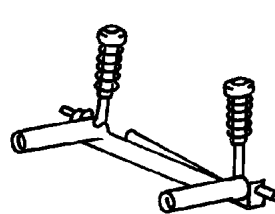
Illustration Title

Group-Fig. No.

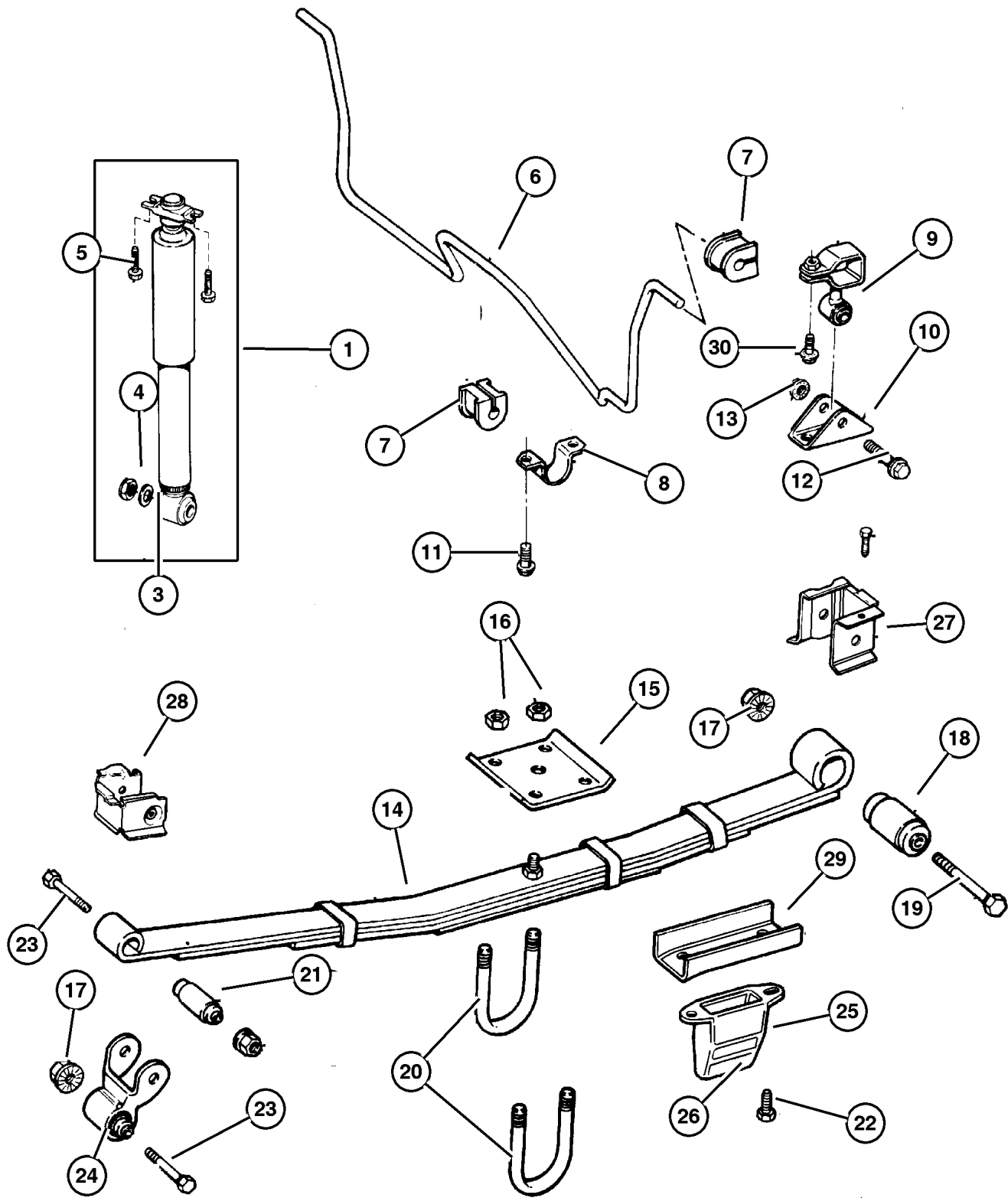
Rear Suspension

Suspension, Rear and Shock Absorber Fig. 017-120



<p>017-100 Rear Suspension</p> 			
---	--	--	--

**Suspension, Rear and Shock Absorber
Figure 017-120**



ITEM	PART NUMBER	QTY	LINE	SERIES	BODY	ENGINE	TRANS	TRIM	DESCRIPTION
1									SHOCK ABSORBER, Suspension, Rear
	52087 777AE	2							Standard
	52087 948AD	2							Heavy Duty
-2	#4886 509AG	2	J, U						SHOCK ABSORBER PACKAGE, suspension
3	1150 0325	2							WASHER, Shock Absorber
4	6101 688	2							NUT, Hex Lock, M12x1.75
5	J400 1933	4							SCREW, Hex Flange Head, .312-x18x.875
6	5200 1135	1							BAR, Rear Sway
7	5200 1145	4							CUSHION, Sway Eliminator
8	5208 7865	2							RETAINER, Sway Bar
9	5200 1094	2							LINK, Sway Eliminator
10	5200 6450	2							BRACKET, Stabilizer Bar
11	6505 574AA	4							SCREW AND WASHER, Hex Head, M10x1.5x40
12	1150 5098	2							BOLT, Hex Flange Head, M12x1.75x60
13	6502 697	2							NUT, Hex Flange Lock, M12x1.75
14									SPRING, Rear Leaf
	52000 050AB	1							[ZFS,ZUS], Right or Left
	52000 051AB	1							[ZFT,ZUT], Right or Left
	52000 707AB	1							[ZGU,ZVU], Right or Left
	52000 706AB	1							[ZFU,ZUU], Right or Left
	52000 544AB	1							[ZGS,AVS], Right or Left
	52000 545AB	1							[ZGT,ZVT], Right or Left
	52002 390AB	1							[ZGV,ZVV], Right or Left
	52002 392AB	1							[ZGW,ZVW], Right or Left
15	5200 6449	2							PLATE, U Bolt
16	6502 697	8							NUT, Hex Flange Lock, M12x1.75
17	1150 2814	2							NUT, Hex Flange Lock, M14z2
18	5200 0503	1							BUSHING, Spring
19	3420 2118	2							BOLT, Hex Flange Head, M14x2.0x120
20									U-BOLT, Rear Spring
	5200 4010	4							w/ 2 5/8 Bolt
	5200 6440	4							
21	5200 0504	2							BUSHING, Spring
22	J400 1933	2							SCREW, Hex Flange Head, .312-x18x.875
23	3420 2118	4							BOLT, Hex Flange Head, M14x2.0x120

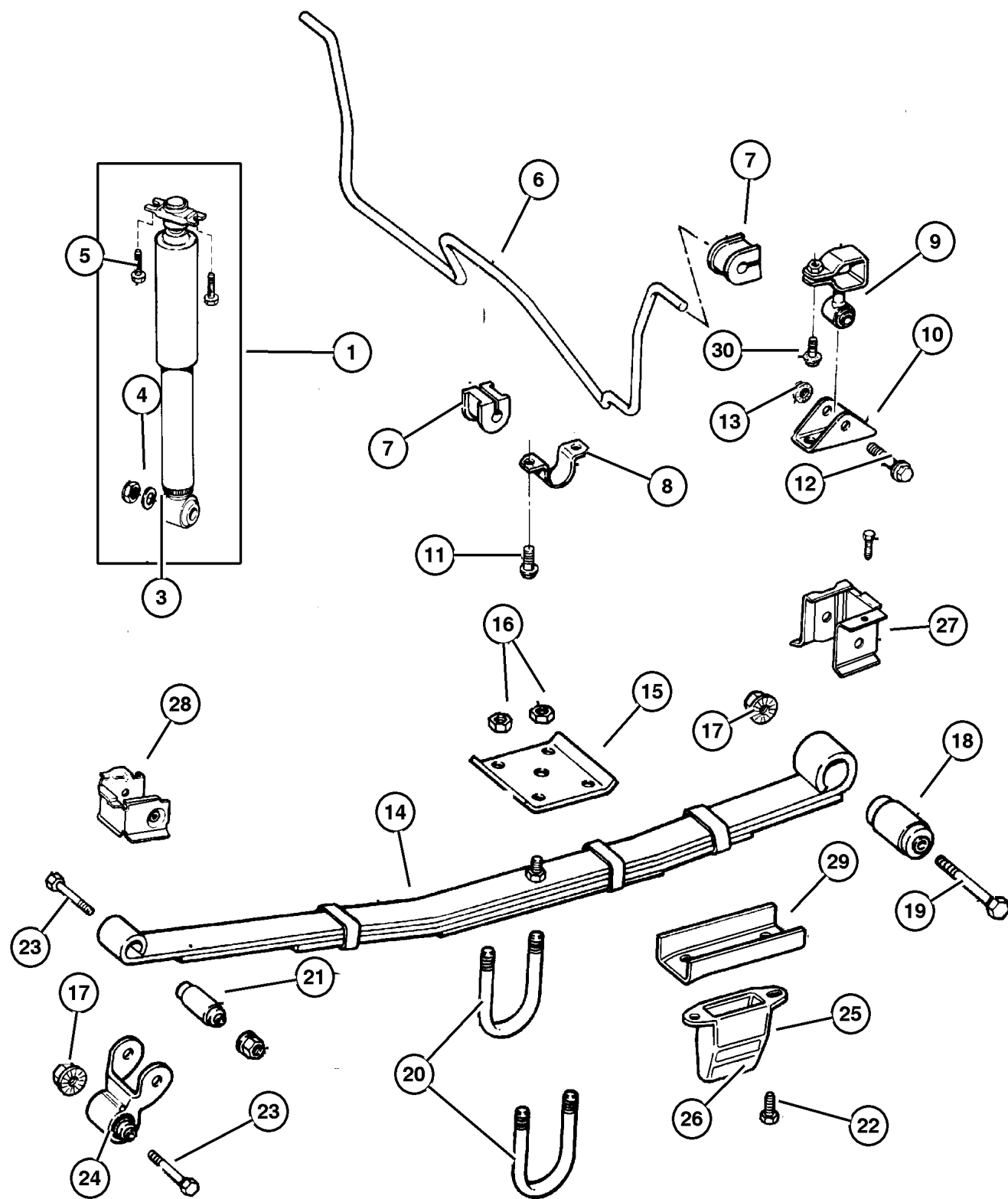
JEEP CHEROKEE (XJ)

SERIES	LINE	BODY	ENGINE	TRANSMISSION
P=Classic	J=LHD (4WD)	74=4 Dr.(101.4WB)	ENC,EN0=2.5L 4 cyl. Turbo Die	DDD, DDQ=5 spd. Man.
S=Limited	U=RHD (4WD)	72=2 Dr.(101.4WB)	ERH,ER0=4.0L Power Tech I-6	DGS=4 spd. Auto. AISIN
H=Sport	T=LHD (2WD)		EPE,EP0=Magnum 2.5L SMPI	DG0=All Auto/Trans.
L=SE	B=RHD (2WD)			DBB=All Manual Trans.

AR = Use as required - = Non illustrated part # = New this model year

December 7, 2002

Suspension, Rear and Shock Absorber Figure 017-120



ITEM	PART NUMBER	QTY	LINE	SERIES	BODY	ENGINE	TRANS	TRIM	DESCRIPTION
24	5200 0507	2							SHACKLE, Spring
25	5200 4297	2							BUMPER, Suspension Jounce
26	5200 2393	2	J, U						BUMPER, Jounce
27	5500 1102	1							BRACKET, Spring Right
	5500 1103	1							Left
28	5014 590AA	1							BRACKET, Spring Right
	5014 591AA	1							Left
29	5200 2386	2	J, U						REINFORCEMENT, Jounce Bumper
30	3420 1686	2							BOLT, Hex Flange Head, M12x1. 18x35

JEEP CHEROKEE (XJ)				
SERIES	LINE	BODY	ENGINE	TRANSMISSION
P=Classic	J=LHD (4WD)	74=4 Dr.(101.4WB)	ENC,EN0=2.5L 4 cyl. Turbo Die	DDD, DDQ=5 spd. Man.
S=Limited	U=RHD (4WD)	72=2 Dr.(101.4WB)	ERH,ER0=4.0L Power Tech I-6	DGS=4 spd. Auto. AISIN
H=Sport	T=LHD (2WD)		EPE,EP0=Magnum 2.5L SMPI	DG0=All Auto/Trans.
L=SE	B=RHD (2WD)			DBB=All Manual Trans.

AR = Use as required - = Non illustrated part # = New this model year

December 7, 2002

Group – 019

Steering

GROUP 19 - Steering

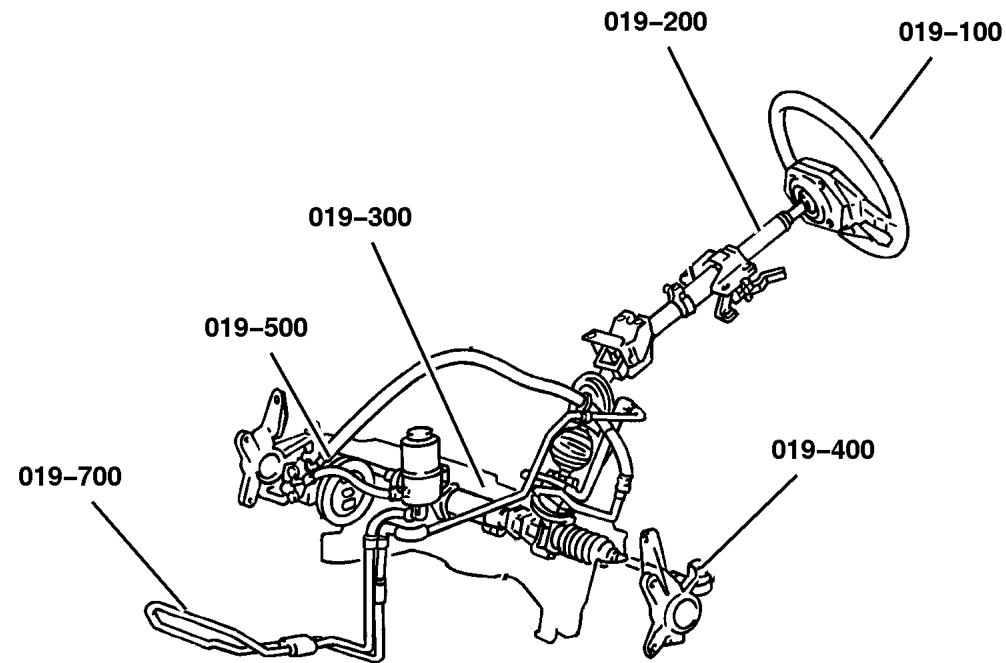


Illustration Title

Group-Fig. No.

Steering Wheel

Wheel Steering Fig. 019-110

Steering Column

Column, Steering Upper and Lower Fig. 019-250

Steering Gear

Gear, Steering Fig. 019-320

Steering Linkage

Linkage and Damper Fig. 019-410

Power Steering Pump

Pump and Mounting, with 2.5L Gas Engine Fig. 019-530

Pump and Mounting, with 4.0L Engine Fig. 019-535

Pump and Mounting, with 2.5L Diesel Engine Fig. 019-545

Power Steering Hoses

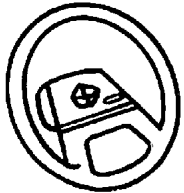
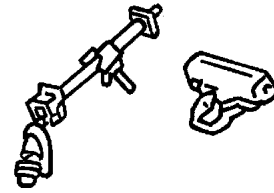
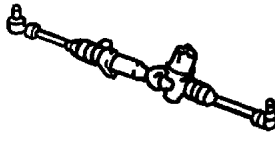
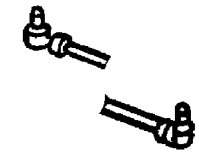
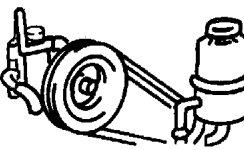
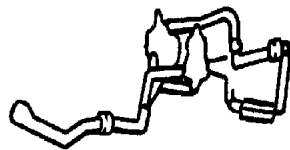
Hoses and Reservoir, 2.5L Gas Engine, Left Hand Drive Fig. 019-715

Hoses and Reservoir, 2.5L Gas Engine, Right Hand Drive Fig. 019-725

Hoses and Reservoir, 4.0L Gas Engine Fig. 019-740

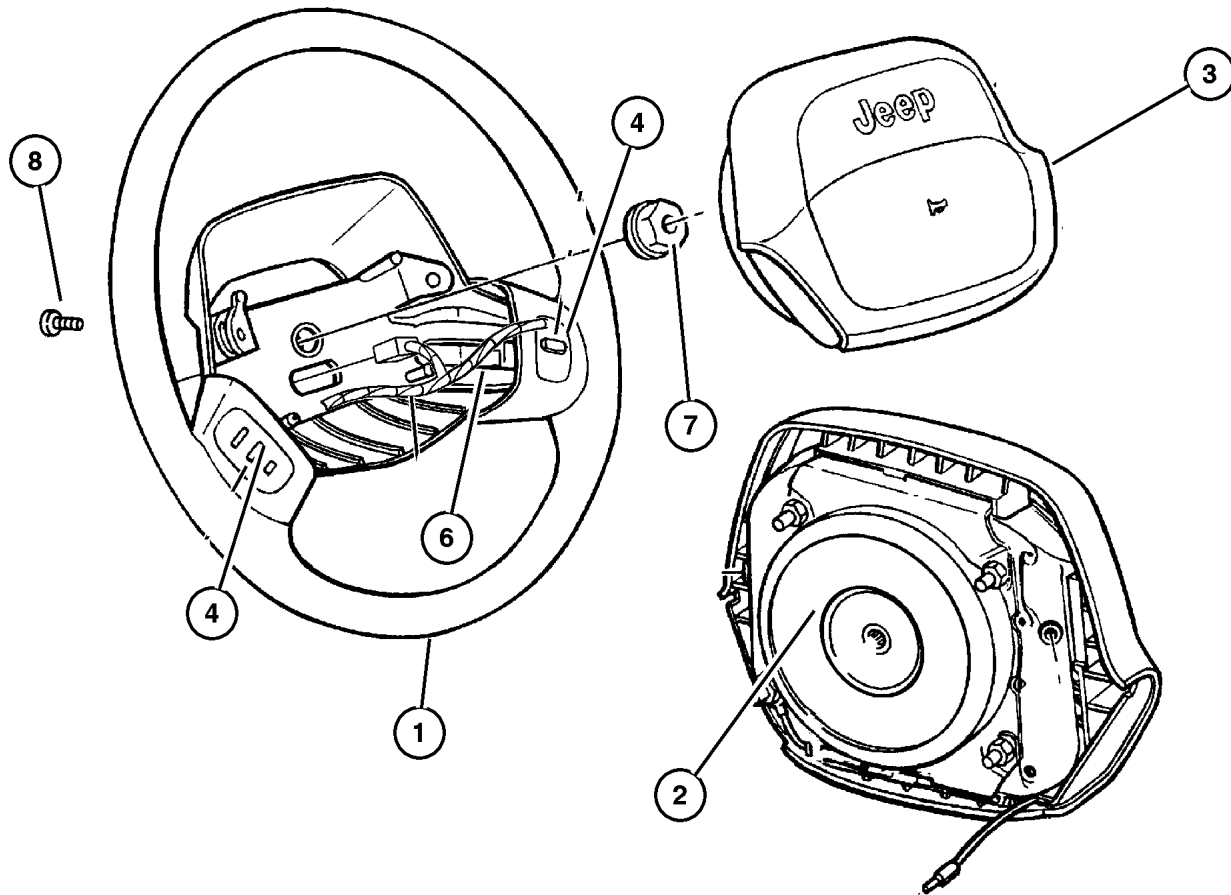
Hoses and Reservoir, 2.5L Diesel Engine, Left Hand Drive Fig. 019-745

Hoses and Reservoir, 2.5L Diesel Engine, Right Hand Drive Fig. 019-755

<p>019-100 Steering Wheel</p> 	<p>019-200 Steering Column</p> 	<p>019-300 Steering Gear</p> 	<p>019-400 Steering Linkage</p> 
<p>019-500 Power Steering Pump</p> 	<p>019-700 Power Steering Hoses</p> 		

Wheel Steering Figure 019-110

ITEM	PART NUMBER	QTY	LINE	SERIES	BODY	ENGINE	TRANS	TRIM	DESCRIPTION
Note: If Horn Switch is defective, you must replace the AIR BAG COVER WITH SWITCH and not the AIR BAG MODULE ASSEMBLY itself.									
1	5DY22 LAZAC	1							WHEEL, Steering
	5GK43 1AZAA	1							Leather, w/speed control Sport
	5GL44 1AZAA	1							Leather, w/o Speed Control
2	5GC51 LAZAB	1							AIR BAG, Driver
3	4798 182	1							COVER, Air Bag Module, Includes Horn Switch
4	56007 530AD	1							SWITCH, Speed Control Right
	56007 531AD	1							Left
-5	5GK16 DX9AA	1							BEZEL, Steering Wheel Right
	5GK17 DX9AA	1							Left
6	5600 9437	1							WIRING, Steering Wheel
7	4882 610	3				ENO			NUT, Lock
8	6503 771	2							SCREW, Hex Flange Head, M6x1x23



JEEP CHEROKEE (XJ)

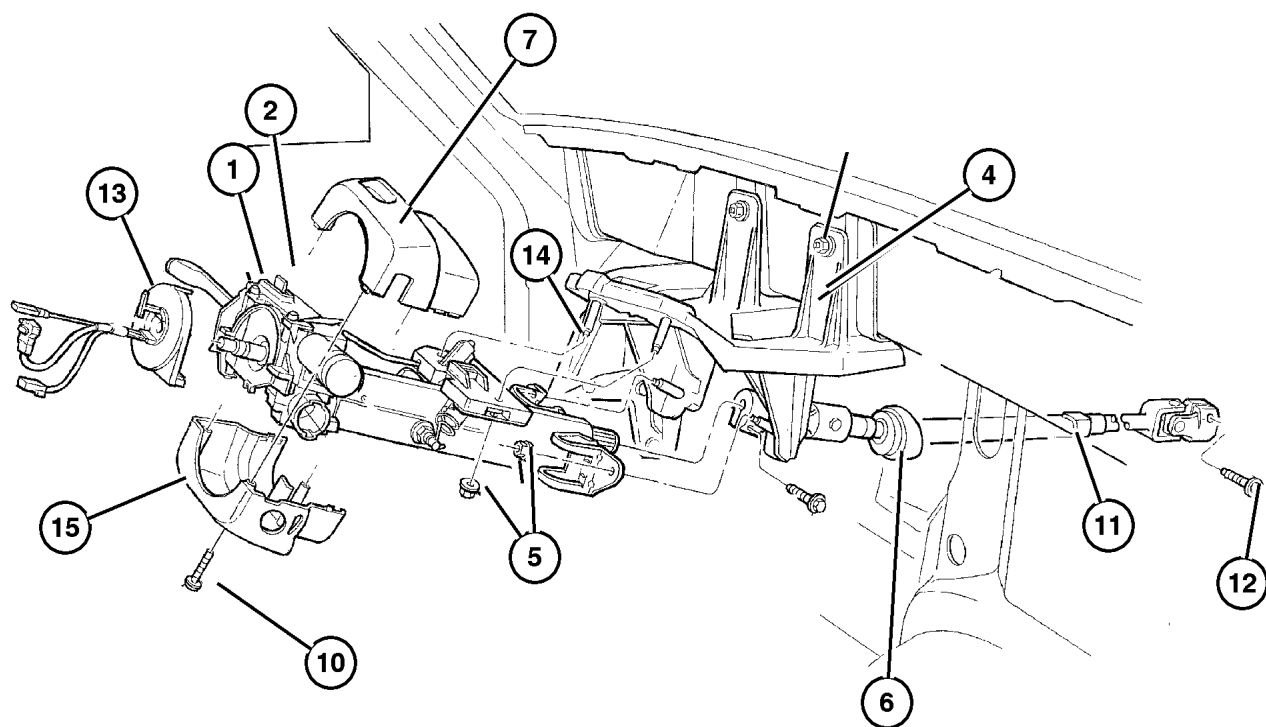
SERIES	LINE	BODY	ENGINE	TRANSMISSION
P=Classic	J=LHD (4WD)	74=4 Dr.(101.4WB)	ENC,ENO=2.5L 4 cyl. Turbo Die	DDD, DDQ=5 spd. Man.
S=Limited	U=RHD (4WD)	72=2 Dr.(101.4WB)	ERH,ER0=4.0L Power Tech I-6	DGS=4 spd. Auto. AISIN
H=Sport	T=LHD (2WD)		EPE,EP0=Magnum 2.5L SMPI	DG0=All Auto/Trans.
L=SE	B=RHD (2WD)			DBB=All Manual Trans.

AR = Use as required - = Non illustrated part # = New this model year

December 7, 2002

Column, Steering Upper and Lower Figure 019-250

ITEM	PART NUMBER	QTY	LINE	SERIES	BODY	ENGINE	TRANS	TRIM	DESCRIPTION
NOTES; SALES CODE DGO= ALL AUTOMATIC TRANSMISSIONS, DBB= MANUAL TRANSMISSIONS, ABB= EUROPEAN EQUIPMENT									
1									COLUMN, steering, non tilt
	4897 818AB	1					DG0		
	4897 820AB	1					DBB		
2									COLUMN, Steering, Tilt
	4897 809AB	1					DG0		w/o ABB
	4897 810AB	1					DG0		w/ ABB
	4897 811AB	1					DBB		w/o ABB
	4897 812AB	1					DBB		w/ ABB
-3									LEVER, Tilt Column Release
	4690 372AD	1					DG0		
		1					DBB		
4									BRACKET, Steering Column
	5207 8853	1		J, T					
	52078 930AB	1		B, U					
5	6501 279	5							NUT, Hex Flange Lock, M8x1.25
6									SEAL, Steering Column Shaft, (NOT SERVICED) (Not Serviced)
7									SHROUD, Steering Column
	5FV71 LAZAC	1					DBB		w/Tilt, Upper
		1					DG0		w/Tilt, Upper
	5FV74 LAZAC	1					DBB		w/o Tilt, Upper
		1					DG0		w/o Tilt, Upper
-8	55314 965AB	1							TRIM RING, Ignition Key Cylinder
-9									SHIELD, Steering Column
	5207 9332	1					DBB		
		1					DG0		
10	6035 434	3							SCREW AND WASHER, Pan Head
11	#52079 010AF	1							SHAFT, Intermediate
12	6503 210	2							SCREW, Hex Flange Head, M10x1.5x35.
13									CLOCKSPRING
	5600 9071	1							With [NHM]
	5600 9070	1							Without [NHM]
14									BRACKET, Instrument Panel Wiring
	5600 9146	1		J, T					
	5600 9147	1		B, U					
15									SHROUD, Steering Column
	5FV70 LAZAC	1					DG0		
	5FV76 LAZAC	1					DBB		



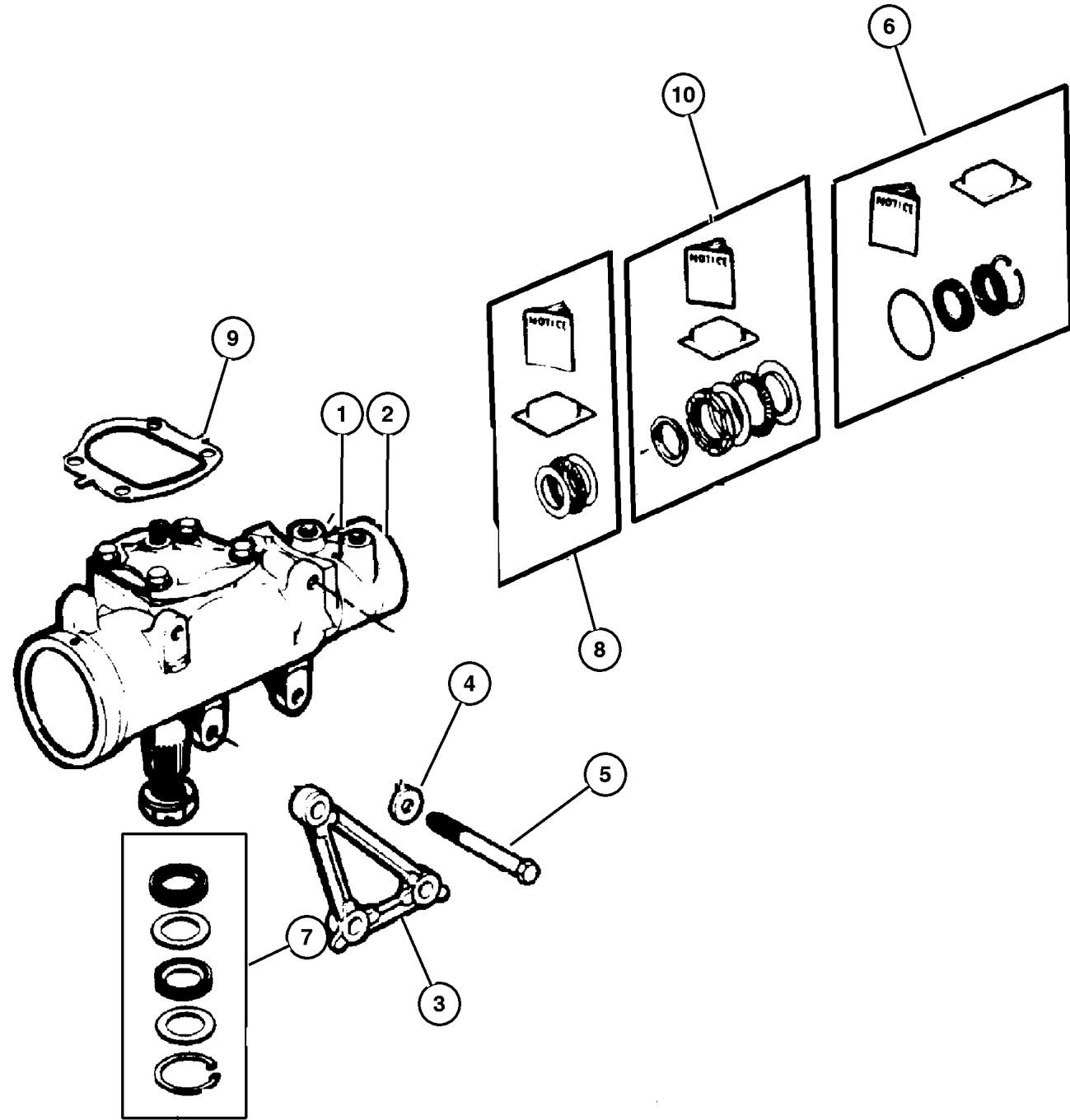
JEEP CHEROKEE (XJ)

SERIES	LINE	BODY	ENGINE	TRANSMISSION
P=Classic	J=LHD (4WD)	74=4 Dr.(101.4WB)	ENC,EN0=2.5L 4 cyl. Turbo Die	DDD, DDQ=5 spd. Man.
S=Limited	U=RHD (4WD)	72=2 Dr.(101.4WB)	ERH,ER0=4.0L Power Tech I-6	DGS=4 spd. Auto. AISIN
H=Sport	T=LHD (2WD)		EPE,EP0=Magnum 2.5L SMPI	DG0=All Auto/Trans.
L=SE	B=RHD (2WD)			DBB=All Manual Trans.

AR = Use as required - = Non illustrated part # = New this model year

December 7, 2002

Gear, Steering
Figure 019-320



ITEM	PART NUMBER	QTY	LINE	SERIES	BODY	ENGINE	TRANS	TRIM	DESCRIPTION
1	52088 386AC	1	J, T						GEAR, Power Steering
2	52088 532AE	1	B, U						GEAR, Power Steering, RHD
3	5200 0090	1	J, T						ADAPTER, Steering Gear
4	J400 3926	3							WASHER, Flat, .437x.875x.135
5	6035 939AA	3							SCREW, Hex Head
6	3893 557	1	J, T						SEAL KIT, Steering gear end plug
7	4470 365	1	J, T						SEAL KIT, Steering gear pitman shaft
8	4897 000AA	1	J, T						REPAIR KIT, Thrust Bearing, Steering Gear
9	3893 558	1	J, T						SEAL, Steering Gear Cover
10	4886 349AA	1	J, T						SEAL KIT, Steering gear adjuster plug

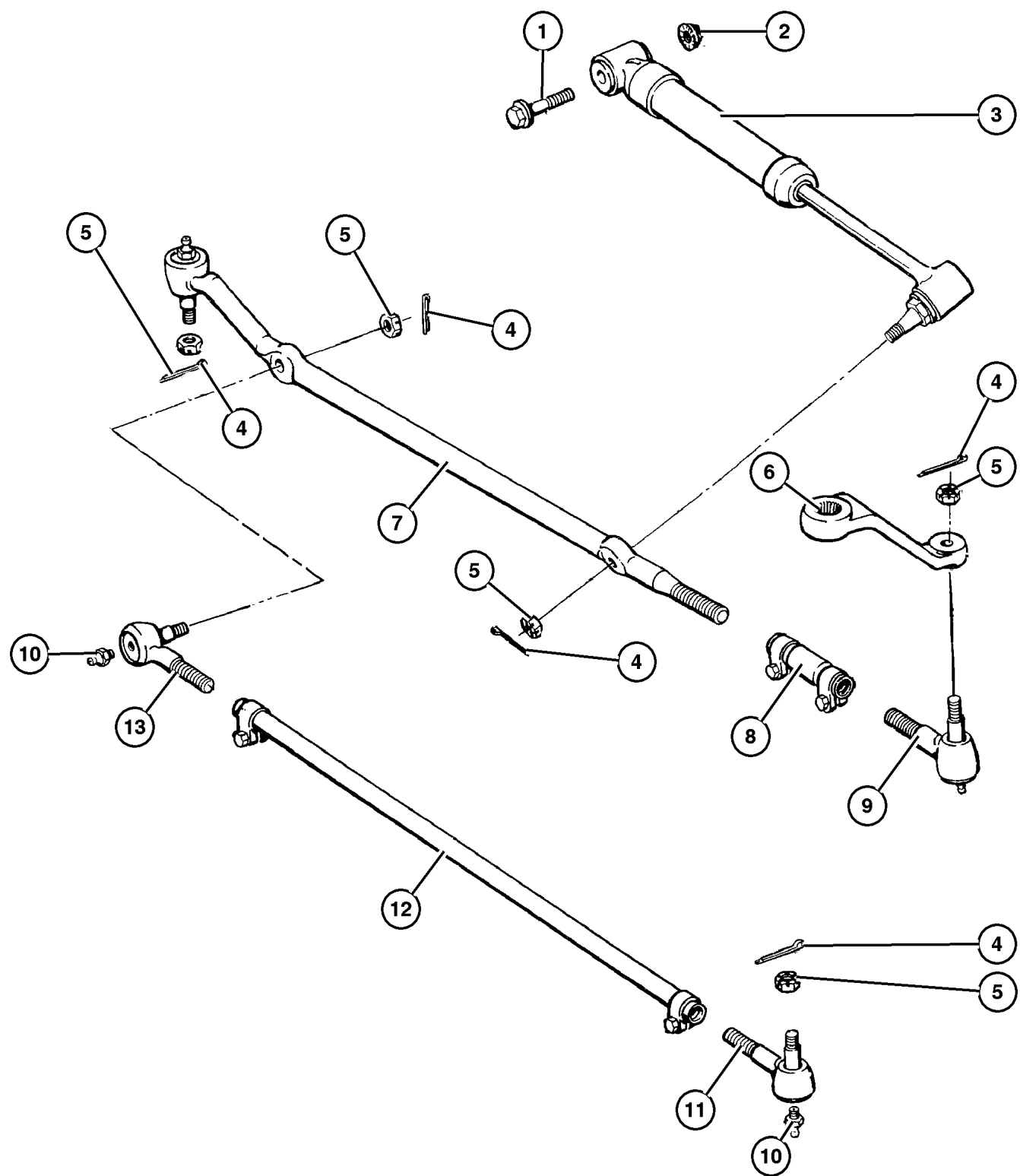
JEEP CHEROKEE (XJ)

SERIES	LINE	BODY	ENGINE	TRANSMISSION
P=Classic	J=LHD (4WD)	74=4 Dr.(101.4WB)	ENC,EN0=2.5L 4 cyl. Turbo Die	DDD, DDQ=5 spd. Man.
S=Limited	U=RHD (4WD)	72=2 Dr.(101.4WB)	ERH,ER0=4.0L Power Tech I-6	DGS=4 spd. Auto. AISIN
H=Sport	T=LHD (2WD)		EPE,EP0=Magnum 2.5L SMPI	DG0=All Auto/Trans.
L=SE	B=RHD (2WD)			DBB=All Manual Trans.

AR = Use as required - = Non illustrated part # = New this model year

December 7, 2002

Linkage and Damper Figure 019-410

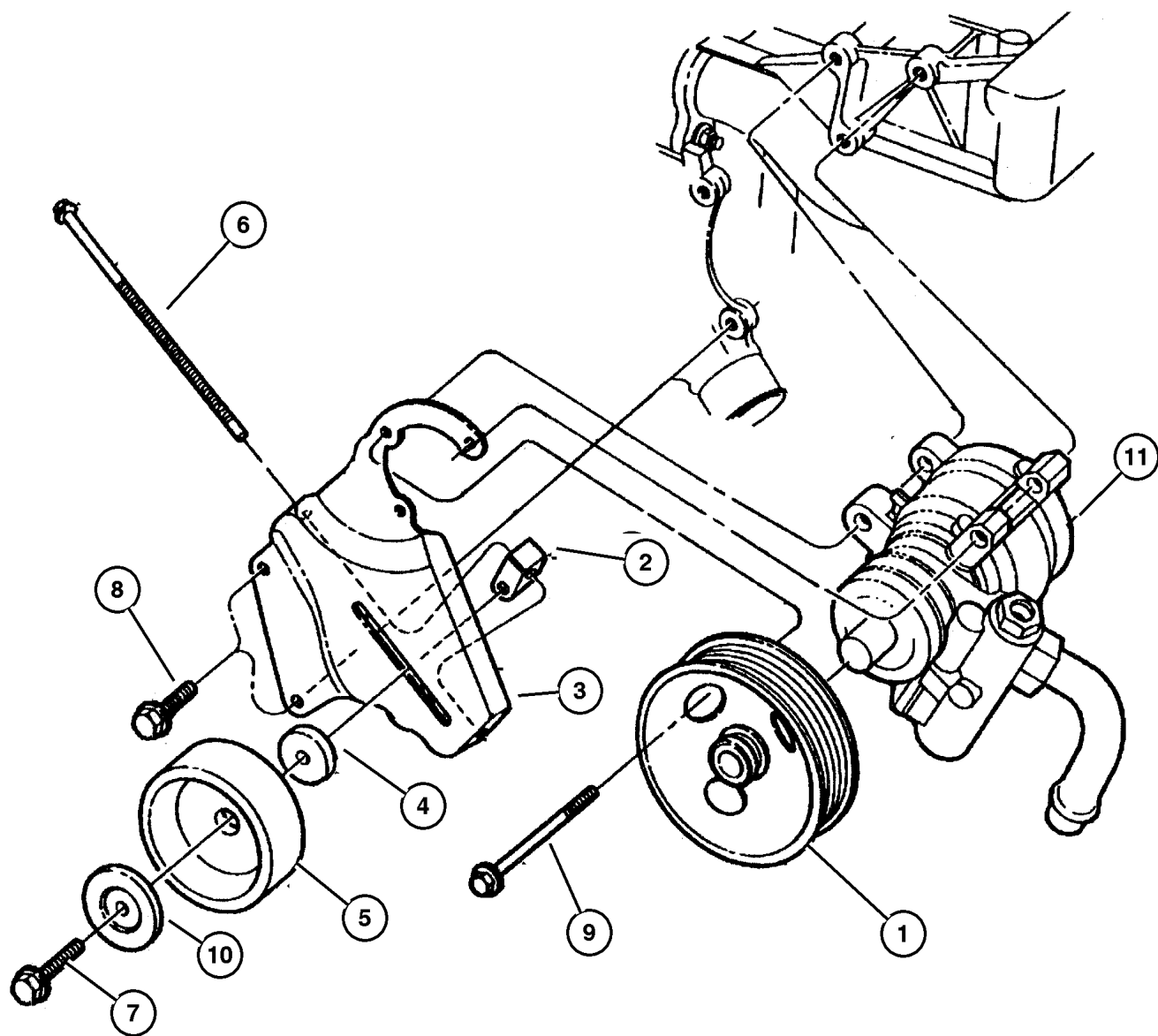


ITEM	PART NUMBER	QTY	LINE	SERIES	BODY	ENGINE	TRANS	TRIM	DESCRIPTION
1	1150 5098	1							BOLT, Hex Flange Head, M12x1.75x60
2	6502 697	1							NUT, Hex Flange Lock, M12x1.75
3									DAMPER, Steering Linkage
	52087 827AB	1	J, T						
	52037 506AB	1	B, U						
4	3420 2101	1							PIN, Cotter
5	J027 4428	1							NUT, Hex Slotted
6									ARM, Pitman
	5200 0615	1	J, T						
	5200 6505	1	B, U						
7									SOCKET, Drag Link Outer
	5200 6592	1	J, T						
	5200 6582	1	B, U						Outer
8									TUBE, Tie Rod
	#52005 742AB	1	J, T						
		1	B, U						
9									SOCKET
	5200 5739	1	J, T						Drag Link, Inner
		1	B, U						Drag Link, Inner
10									FITTING PACKAGE, Grease
	8350 7064	1	J, T						
		1	B, U						
11									SOCKET, Tie Rod, Outer
	5200 5741	1	J, T						
		1	B, U						
12									TUBE, Tie Rod
	#52005 743AB	1	J, T						
		1	B, U						
13									SOCKET, Tie Rod, Inner
	5200 5740	1	J, T						
		1	B, U						

JEEP CHEROKEE (XJ)

SERIES	LINE	BODY	ENGINE	TRANSMISSION
P=Classic	J=LHD (4WD)	74=4 Dr.(101.4WB)	ENC,EN0=2.5L 4 cyl. Turbo Die	DDD, DDQ=5 spd. Man.
S=Limited	U=RHD (4WD)	72=2 Dr.(101.4WB)	ERH,ER0=4.0L Power Tech I-6	DGS=4 spd. Auto. AISIN
H=Sport	T=LHD (2WD)		EPE,EP0=Magnum 2.5L SMPI	DG0=All Auto/Trans.
L=SE	B=RHD (2WD)			DBB=All Manual Trans.

Pump and Mounting, with 2.5L Gas Engine
Figure 019-530



ITEM	PART NUMBER	QTY	LINE	SERIES	BODY	ENGINE	TRANS	TRIM	DESCRIPTION
NOTES; EPO= ALL 2.5L GAS ENGINES ERO= ALL 4.0L GAS ENGINES, DGO= ALL AUTOMATIC TRANSMISSIONS									
1	53010 258AB	1				EPO, ERO			PULLEY, Power Steering Pump
2	5301 0149	1				EPO			COLLAR, Tensioner Adjustment
3	5301 0148	1				EPO			BRACKET, Tensioner
4	6503 230	1	B, U			EPO			SPACER, Belt Tensioner
5	4792 112	1	J, T			EPO, ERO			PULLEY, Idler
6	6503 198	1	B, U			EPO			BOLT
7	3420 2029	1	J, T			EPO			BOLT, Hex Flange Head, M10x1.50x50
8	0181 112	1	J, T			EPO	DGO		SCREW AND WASHER, .375-16x1.00
9	6502 425	2				EPO			SCREW AND WASHER, Hex Head, M8x1.25x95
10	3300 2201	1				EPO			BUSHING, Idler Pulley
11	5208 8018	1				EPO			PUMP, Power Steering

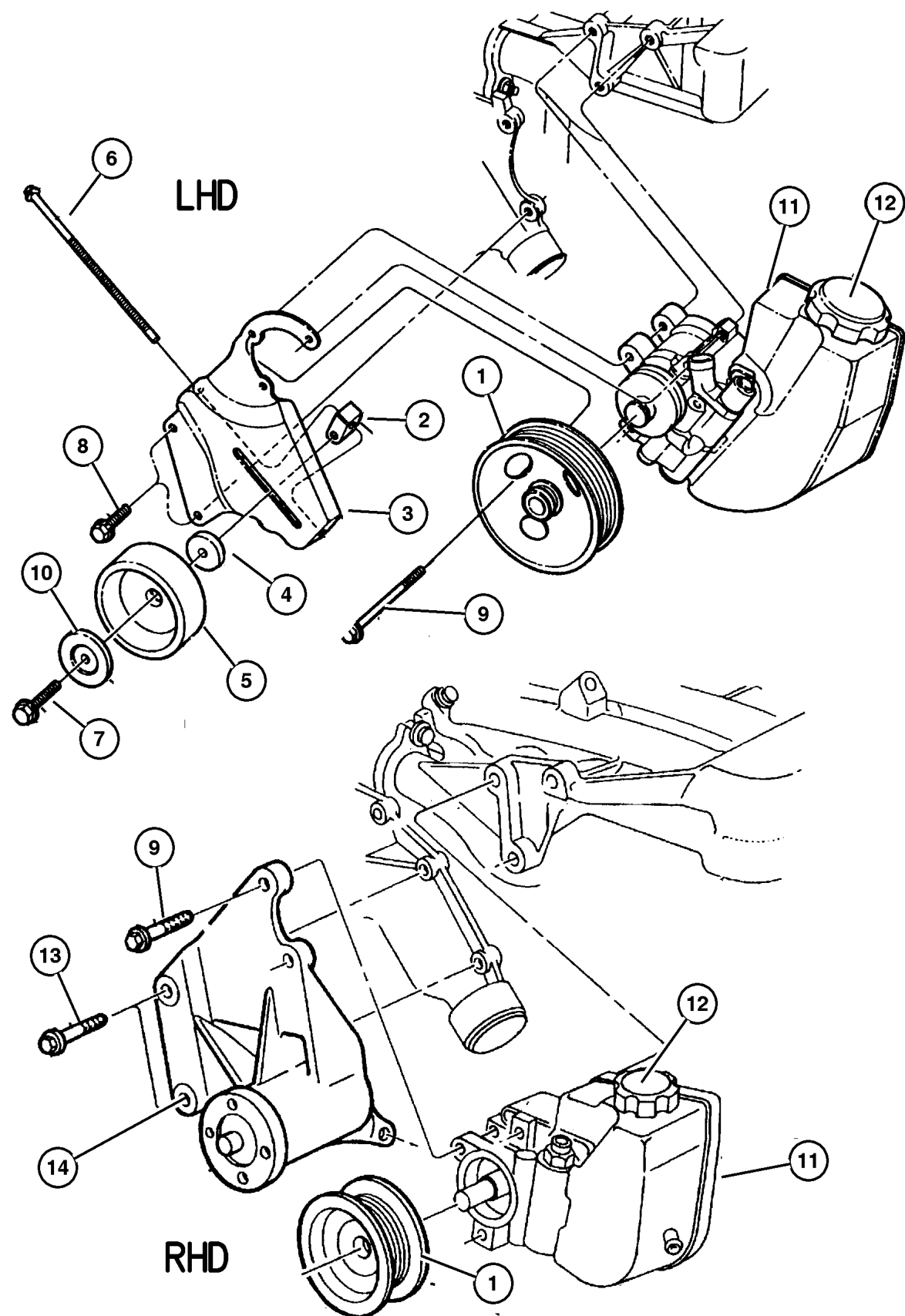
JEEP CHEROKEE (XJ)

SERIES	LINE	BODY	ENGINE	TRANSMISSION
P=Classic	J=LHD (4WD)	74=4 Dr.(101.4WB)	ENC,EN0=2.5L 4 cyl. Turbo Die	DDD, DDQ=5 spd. Man.
S=Limited	U=RHD (4WD)	72=2 Dr.(101.4WB)	ERH,ER0=4.0L Power Tech I-6	DGS=4 spd. Auto. AISIN
H=Sport	T=LHD (2WD)		EPE,EPO=Magnum 2.5L SMPI	DG0=All Auto/Trans.
L=SE	B=RHD (2WD)			DBB=All Manual Trans.

AR = Use as required - = Non illustrated part # = New this model year

December 7, 2002

Pump and Mounting, with 4.0L Engine
Figure 019-535



ITEM	PART NUMBER	QTY	LINE	SERIES	BODY	ENGINE	TRANS	TRIM	DESCRIPTION
NOTE; EPO= ALL 2.5L GAS ENGINES ERO= ALL 4.0L GAS ENGINES									
1	53010 258AB	1				EP0, ER0			PULLEY, Power Steering Pump
2	5301 0149	1	J, T			ER0			COLLAR, Tensioner Adjustment
3	5301 0148	1	J, T			ER0			BRACKET, Tensioner
	#53010 190AC	1	B, U			ER0			
4	6503 230	1	J, T			EP0, ER0			SPACER, Belt Tensioner
5	4792 112	1	J, T			EP0, ER0			PULLEY, Idler
	5300 2903	1				ER0			w/ Air Cond.
	53010 228AB	1	B, U			ER0			
6	6503 198	1	J, T			ER0			BOLT
7	3420 2029	1	J, T			ER0			BOLT, Hex Flange Head, M10x1.50x50
8									SCREW AND WASHER, .375-16x1.00, (NOT REQUIRED)
9									SCREW AND WASHER, Hex Head, M8x1.25x95
	6502 425	2	J, T			ER0			
		3	B, U			ER0			
10									BUSHING, Idler Pulley
	3300 2201	1	J, T			ER0			
		1	B, U			ER0			
11	52087 871AD	1	J, T			ER0			PUMP, Power Steering
	52088 139AC	1	B, U			ER0			
12	4897 287AA	1	J, T			ER0			CAP, Power Steering Reservoir
		1	B, U			ER0			
13									SCREW AND WASHER, .375-16x1.125
	6025 063	2	J, T			ER0			
		2	B, U			ER0			
14	5301 0243	1	B, U			ER0			BRACKET, Power Steering Pump

JEEP CHEROKEE (XJ)

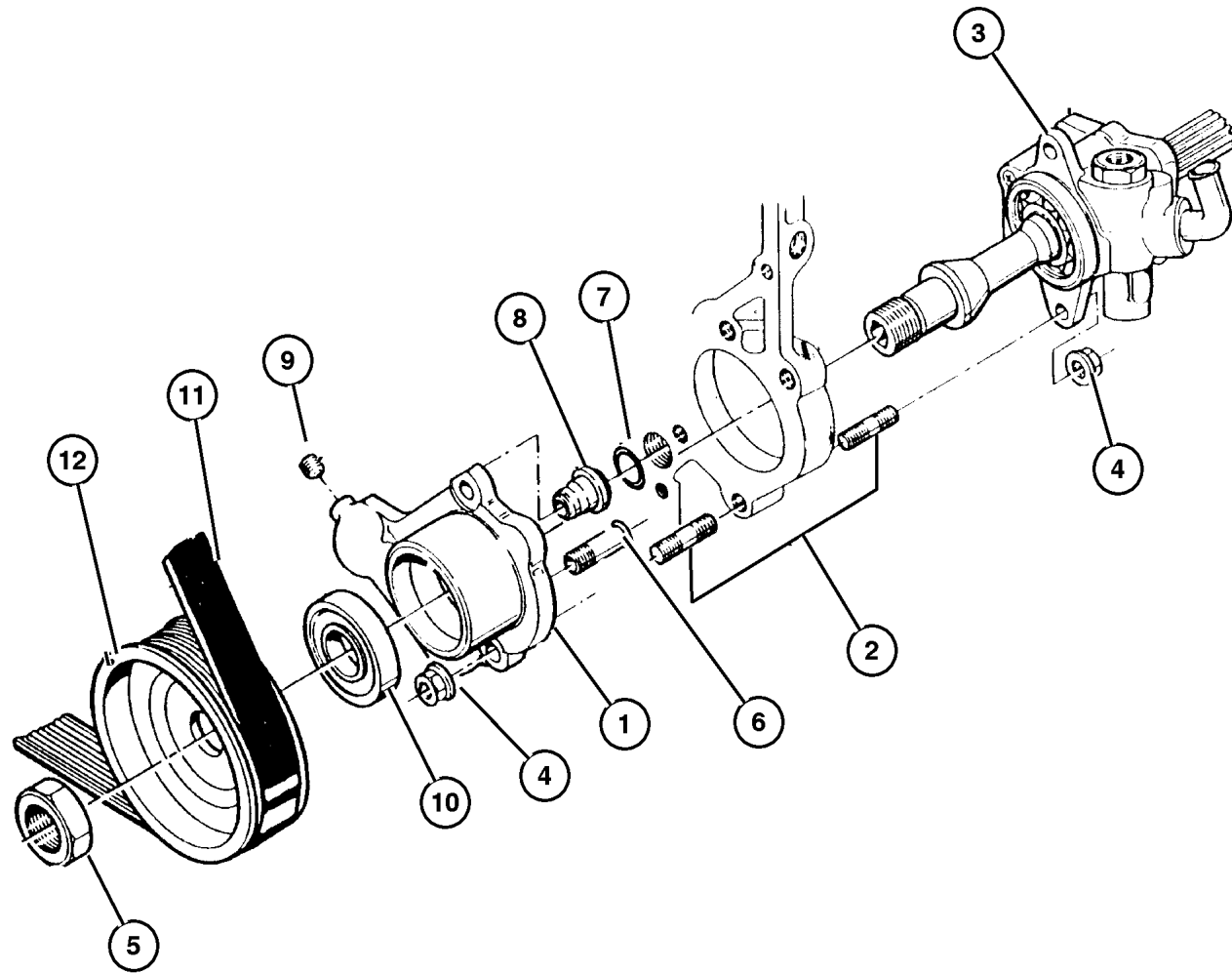
SERIES	LINE	BODY	ENGINE	TRANSMISSION
P=Classic	J=LHD (4WD)	74=4 Dr.(101.4WB)	ENC,EN0=2.5L 4 cyl. Turbo Die	DDD, DDQ=5 spd. Man.
S=Limited	U=RHD (4WD)	72=2 Dr.(101.4WB)	ERH,ER0=4.0L Power Tech I-6	DGS=4 spd. Auto. AISIN
H=Sport	T=LHD (2WD)		EPE,EP0=Magnum 2.5L SMPI	DG0=All Auto/Trans.
L=SE	B=RHD (2WD)			DBB=All Manual Trans.

AR = Use as required - = Non illustrated part # = New this model year

December 7, 2002

**Pump and Mounting, with 2.5L Diesel Engine
Figure 019-545**

ITEM	PART NUMBER	QTY	LINE	SERIES	BODY	ENGINE	TRANS	TRIM	DESCRIPTION
NOTES; ENO= ALL 2.5L DIESEL ENGINES									
1	4883 461AA	1				ENO			SUPPORT, Power Steering Pump
2	4723 331	5				ENO			STUD, M8x25
3	4883 460AA	1				ENO			PUMP, Power Steering
4									NUT, Hex Lock, M8, (NOT SERVICED) (Not Serviced)
5									NUT, Power Steering Pump Pulley, (NOT SERVICED) (Not Serviced)
6	5003 548AA	1				ENO			PIPE, Vacuum Pump
7	4723 334	1				ENO			GASKET, Valve
8	4723 335	1				ENO			VALVE, Vacuum Pump
9	4883 425AA	1				ENO			PLUG
10	4723 339	1				ENO			BEARING, Power Steering Pump Shaft
11	4883 445AA	1				ENO			BELT, Accessory Drive
12	4796 034	1				ENO			PULLEY, Power Steering Pump



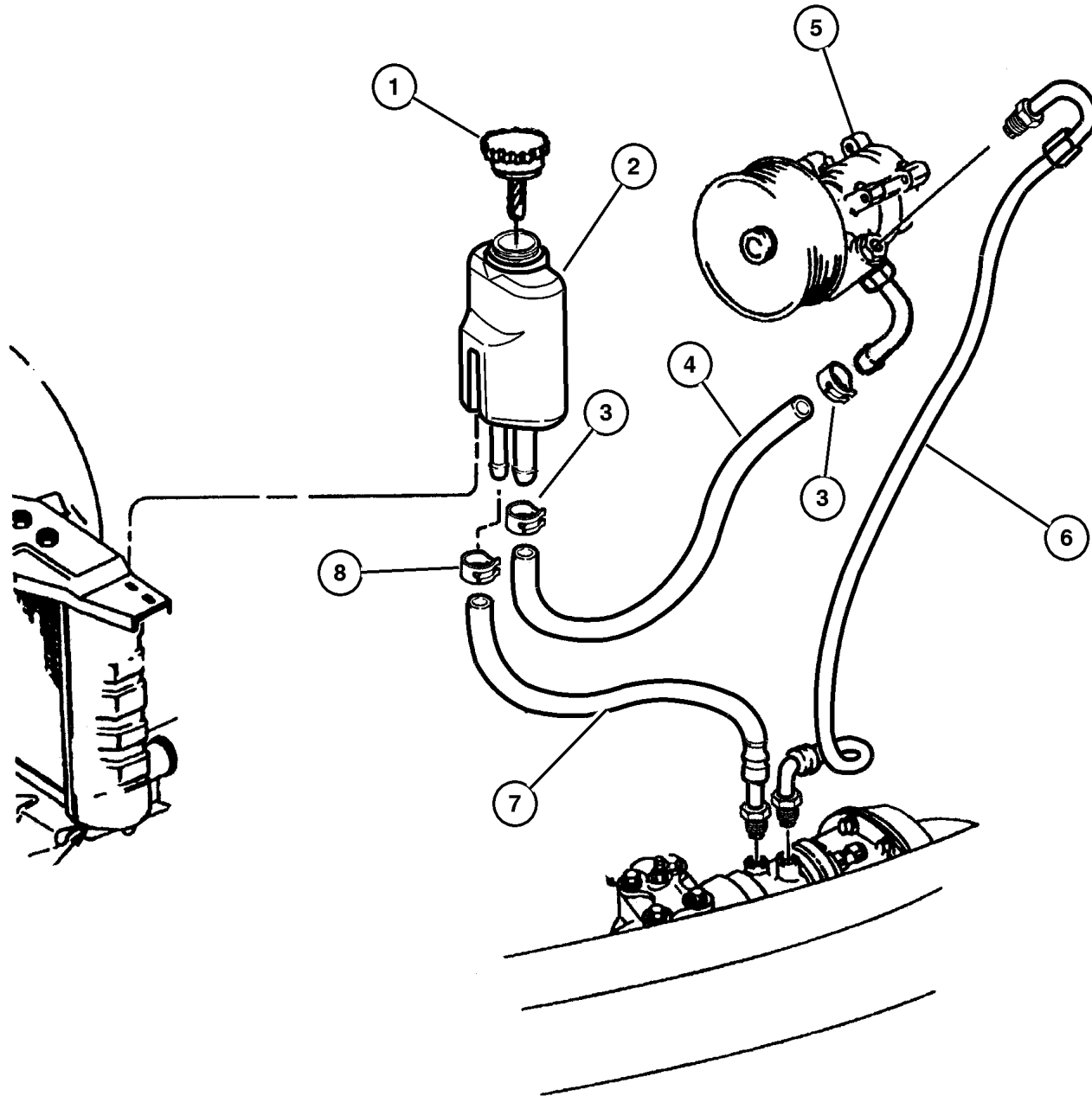
JEEP CHEROKEE (XJ)				
SERIES	LINE	BODY	ENGINE	TRANSMISSION
P=Classic	J=LHD (4WD)	74=4 Dr.(101.4WB)	ENC,ENO=2.5L 4 cyl. Turbo Die	DDD, DDQ=5 spd. Man.
S=Limited	U=RHD (4WD)	72=2 Dr.(101.4WB)	ERH,ER0=4.0L Power Tech I-6	DGS=4 spd. Auto. AISIN
H=Sport	T=LHD (2WD)		EPE,EP0=Magnum 2.5L SMPI	DG0=All Auto/Trans.
L=SE	B=RHD (2WD)			DBB=All Manual Trans.

AR = Use as required - = Non illustrated part # = New this model year

December 7, 2002

Hoses and Reservoir, 2.5L Gas Engine, Left Hand Drive
Figure 019-715

ITEM	PART NUMBER	QTY	LINE	SERIES	BODY	ENGINE	TRANS	TRIM	DESCRIPTION
NOTE; ENC= 2.5L TURBO DIESEL ENGINE EPO= ALL 2.5L GAS ENGINES, DGO= ALL AUTOMATIC TRANSMISSIONS									
1	4694 766	1				ENC, EPO			CAP, Power Steering Pump
2	52087 713AC	1				ENC, EPO			RESERVOIR, Power Steering Pump
3	2448 761	2	J, T			EPO			CLAMP, Hose
4	5208 8541	1				EPO			HOSE, Power Steering Reservoir
5	5208 8018	1				EPO			PUMP, Power Steering
6	52088 387AC	1	J, T			EPE			HOSE, Power Steering Pressure
7	52003 135AB	1	J, T			EPO			HOSE, Power Steering Return
8	2448 770	1	J, T			EPO	DGO		CLAMP, Hose



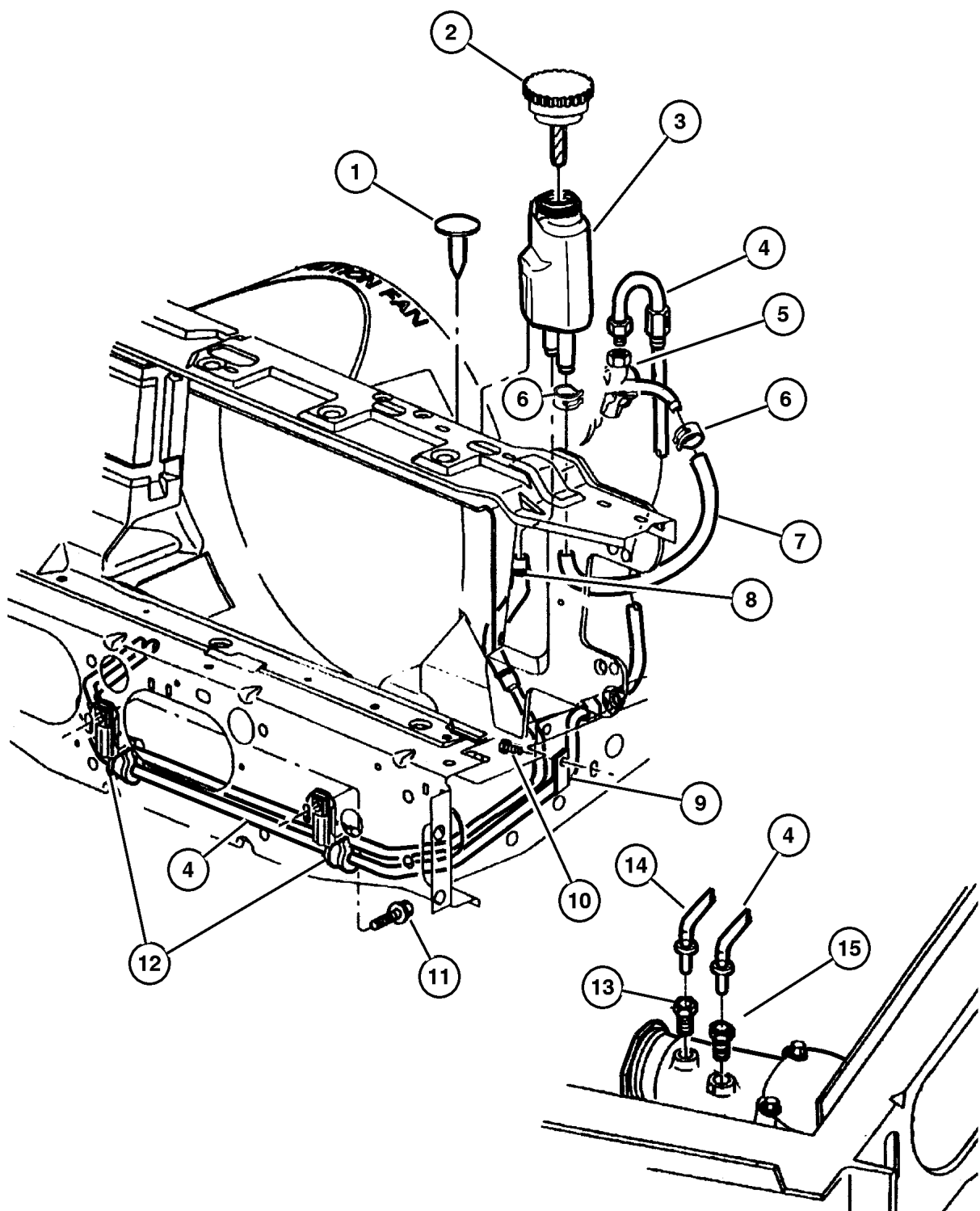
JEEP CHEROKEE (XJ)				
SERIES	LINE	BODY	ENGINE	TRANSMISSION
P=Classic	J=LHD (4WD)	74=4 Dr.(101.4WB)	ENC,EN0=2.5L 4 cyl. Turbo Die	DDD, DDQ=5 spd. Man.
S=Limited	U=RHD (4WD)	72=2 Dr.(101.4WB)	ERH,ER0=4.0L Power Tech I-6	DGS=4 spd. Auto. AISIN
H=Sport	T=LHD (2WD)		EPE,EPO=Magnum 2.5L SMPI	DG0=All Auto/Trans.
L=SE	B=RHD (2WD)			DBB=All Manual Trans.

AR = Use as required - = Non illustrated part # = New this model year

December 7, 2002

Hoses and Reservoir, 2.5L Gas Engine, Right Hand Drive
Figure 019-725

ITEM	PART NUMBER	QTY	LINE	SERIES	BODY	ENGINE	TRANS	TRIM	DESCRIPTION
NOTE; ENC= 2.5L TURBO DIESEL ENGINE									
EPE= 2.5L POWER-TECH I-4									
EPO= ALL 2.5L GAS ENGINES									
1	#52088 924AA	1				EPO			RETAINER
2	4694 766	1				ENC,			CAP, Power Steering Pump
3	52087 713AC	1				ENC,			RESERVOIR, Power Steering Pump
4	52088 388AC	1	B, U			EPE			HOSE, Power Steering Pressure
5	5208 8018	1				EPO			PUMP, Power Steering
6	2448 761	2	B, U			EPO			CLAMP, Hose
7	5208 8541	1				EPO			HOSE, Power Steering Reservoir
8	2448 761	2	B, U			EPO			CLAMP, Hose
9	3420 2697	1	B, U			EPO			CLIP, Oil Cooler Tube
10	0154 236	1	B, U			EPO			SCREW, Stake, .19-24
11	6503 270	2	B, U			EPO			SCREW, Hex Head, M8x1.25x30
12	4333 457	2	B, U			EPO			BRACKET, Power Steering Hose
13	5208 8116	1	B, U			ENC,			FITTING, Power Steering, Quick
						EPE			Connect
14	52088 166AD	1	B, U			EPO			HOSE, Power Steering Return
15	5203 7556	1	B, U			ENC,			FITTING, Power Steering, Quick
						EPE			Connect

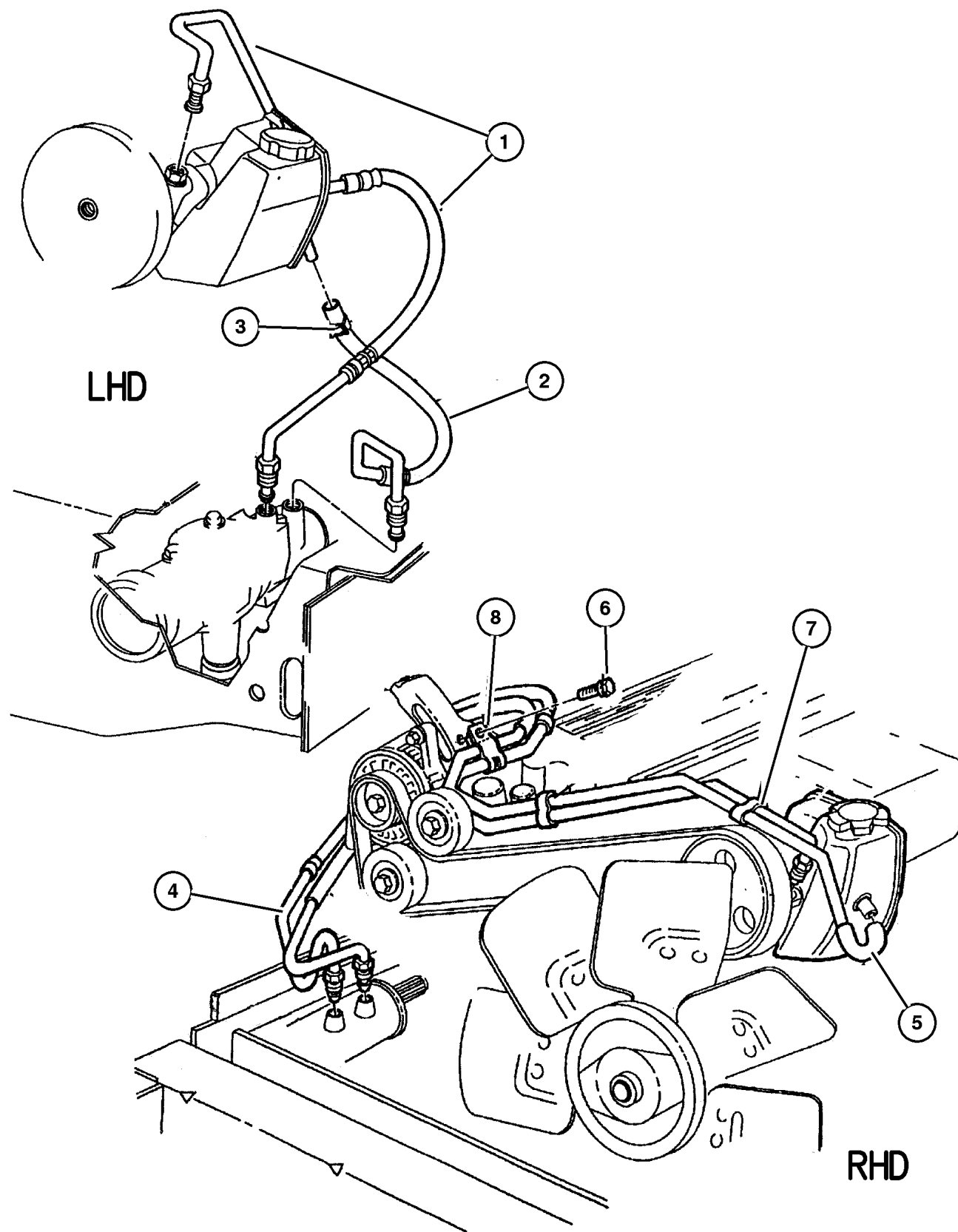


JEEP CHEROKEE (XJ)				
SERIES	LINE	BODY	ENGINE	TRANSMISSION
P=Classic	J=LHD (4WD)	74=4 Dr.(101.4WB)	ENC,EN0=2.5L 4 cyl. Turbo Die	DDD, DDQ=5 spd. Man.
S=Limited	U=RHD (4WD)	72=2 Dr.(101.4WB)	ERH,ER0=4.0L Power Tech I-6	DGS=4 spd. Auto. AISIN
H=Sport	T=LHD (2WD)		EPE,EP0=Magnum 2.5L SMPI	DG0=All Auto/Trans.
L=SE	B=RHD (2WD)			DBB=All Manual Trans.

AR = Use as required - = Non illustrated part # = New this model year

December 7, 2002

Hoses and Reservoir, 4.0L Gas Engine Figure 019-740



ITEM	PART NUMBER	QTY	LINE	SERIES	BODY	ENGINE	TRANS	TRIM	DESCRIPTION
NOTE; ERO= ALL 4.0L GAS ENGINES									
DGO= ALL AUTOMATIC TRANSMISSIONS									
1	5208 8489	1	J, T			ERO			HOSE, Power Steering Pressure
2	5203 7645	1	J, T			ERO			HOSE, Power Steering Return
3	2448 770	2	J, T			ERO	DGO		CLAMP, Hose
4	#52088 021AB	1	B, U			ERO			HOSE, Power Steering Pressure
5	#52087 975AB	1	B, U			ERO			HOSE, Power Steering Return
6	6502 946	1	B, U			ERO			SCREW, Heat Shield, M6x1.00x13.00
7	5208 7977	1	B, U			ERO			CLIP, Power Steering Hose
8	5208 7977	1	B, U			ERO			CLIP, Power Steering Hose

JEEP CHEROKEE (XJ)				
SERIES	LINE	BODY	ENGINE	TRANSMISSION
P=Classic	J=LHD (4WD)	74=4 Dr.(101.4WB)	ENC,EN0=2.5L 4 cyl. Turbo Die	DDD, DDQ=5 spd. Man.
S=Limited	U=RHD (4WD)	72=2 Dr.(101.4WB)	ERH,ER0=4.0L Power Tech I-6	DGS=4 spd. Auto. AISIN
H=Sport	T=LHD (2WD)		EPE,EP0=Magnum 2.5L SMPI	DG0=All Auto/Trans.
L=SE	B=RHD (2WD)			DBB=All Manual Trans.

AR = Use as required - = Non illustrated part # = New this model year

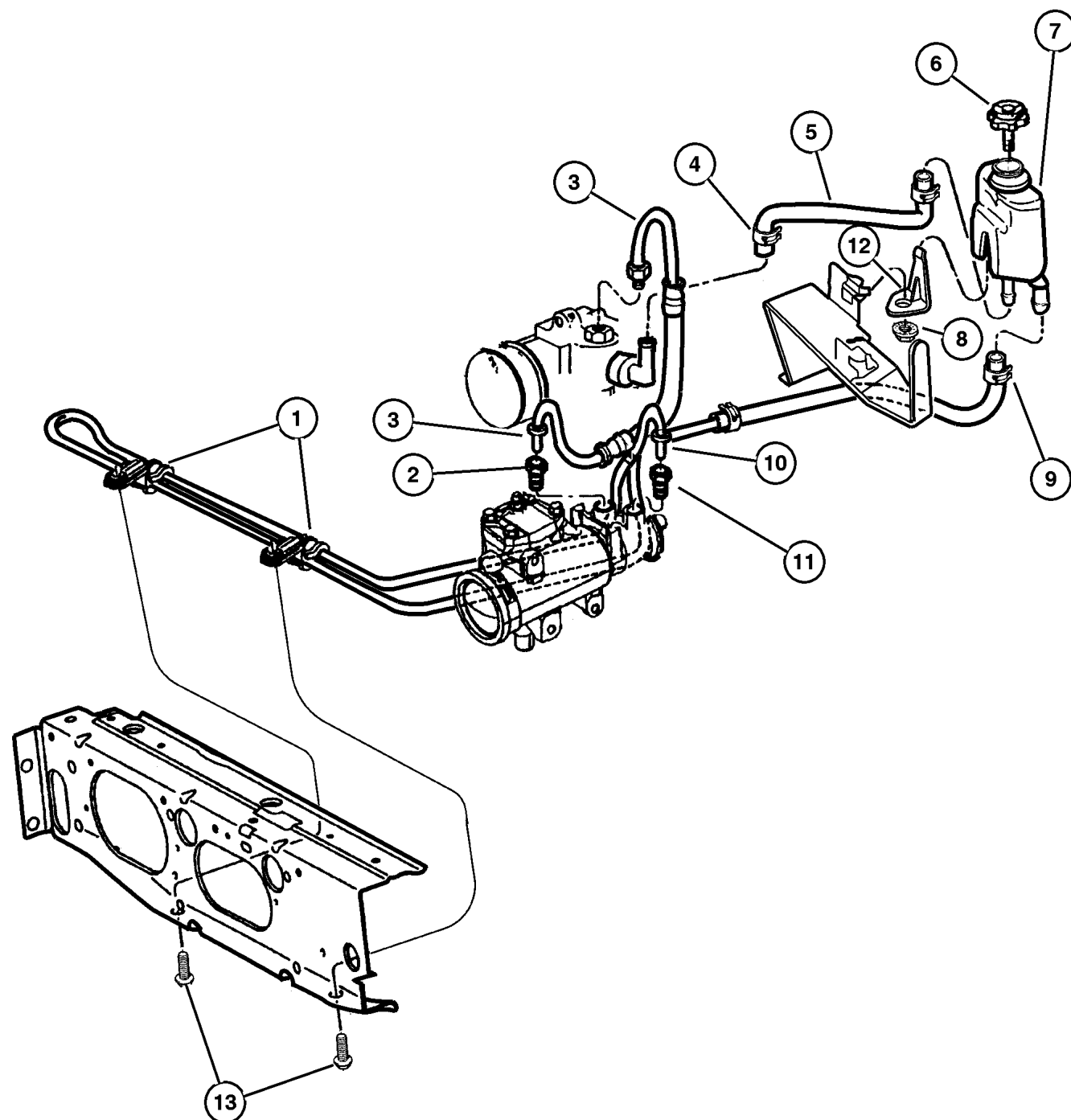
December 7, 2002

Hoses and Reservoir, 2.5L Diesel Engine, Left Hand Drive
Figure 019-745

ITEM	PART NUMBER	QTY	LINE	SERIES	BODY	ENGINE	TRANS	TRIM	DESCRIPTION
------	-------------	-----	------	--------	------	--------	-------	------	-------------

NOTE; ENC= 2.5L TURBO DIESEL ENGINE
EPO= ALL 2.5L AGS ENGINES

1	5208 8109	2	J, T			ENC			BRACKET, Power Steering Hose
2	5203 7556	1	J, T			ENC			FITTING, Power Steering, Quick Connect
3	52087 783AC	1	J, T			ENC			HOSE, Power Steering Pressure
4									CLAMP, Power Steering Hose, Serviced in Hose, (NOT SERVICED) (Not Serviced)
5	52088 216AC	1				ENC			HOSE, Pump Supply
6	4694 766	1				ENC, EPO			CAP, Power Steering Pump
7	52087 713AC	1				ENC, EPO			RESERVOIR, Power Steering Pump
8	6100 516	3				ENC			NUT, Hex Flange Lock, M6 Phosphate
9	2448 761	1	J, T			ENC			CLAMP, Hose
10	52088 184AC	1	J, T			ENC			HOSE, Power Steering Return
11	5203 7556	1	J, T			ENC			FITTING, Power Steering, Quick Connect
12	5208 7766	1				ENC			BRACKET, Power Steering Reservoir
13	6502 280	2	J, T			ENC			SCREW AND WASHER, Hex Head Special Point, M8x1.25x17

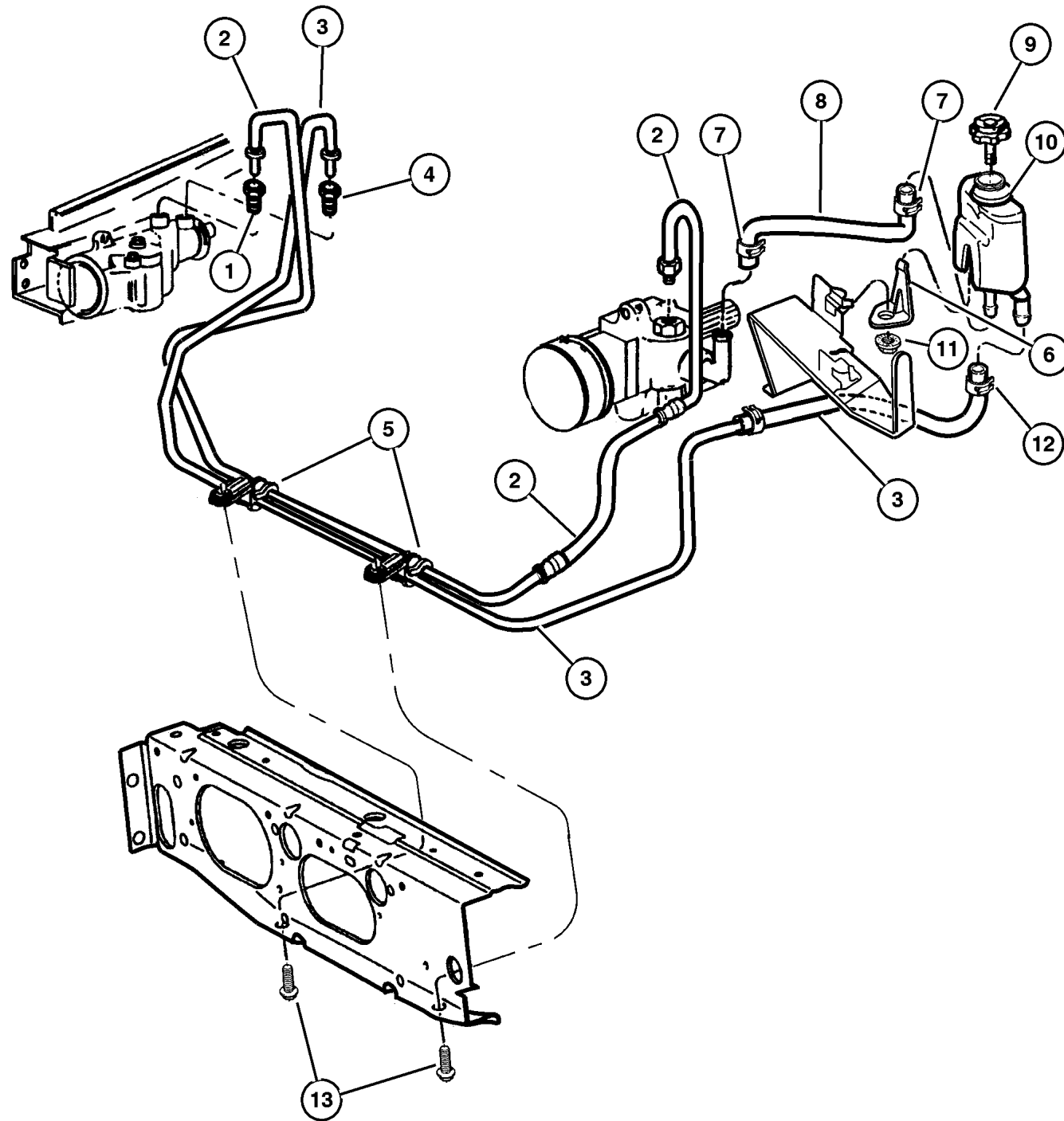


JEEP CHEROKEE (XJ)				
SERIES	LINE	BODY	ENGINE	TRANSMISSION
P=Classic	J=LHD (4WD)	74=4 Dr.(101.4WB)	ENC,EN0=2.5L 4 cyl. Turbo Die	DDD, DDQ=5 spd. Man.
S=Limited	U=RHD (4WD)	72=2 Dr.(101.4WB)	ERH,ER0=4.0L Power Tech I-6	DGS=4 spd. Auto. AISIN
H=Sport	T=LHD (2WD)		EPE,EP0=Magnum 2.5L SMPI	DG0=All Auto/Trans.
L=SE	B=RHD (2WD)			DBB=All Manual Trans.

AR = Use as required - = Non illustrated part # = New this model year

December 7, 2002

Hoses and Reservoir, 2.5L Diesel Engine, Right Hand Drive Figure 019-755



ITEM	PART NUMBER	QTY	LINE	SERIES	BODY	ENGINE	TRANS	TRIM	DESCRIPTION
NOTE; ENC= 2.5L TURBO DIESEL ENGINE EPO= ALL 2.5L GAS ENGINES DGO= ALL AUTOMATIC TRANSMISSIONS									
1	5203 7556	1	B, U			ENC, EPE			FITTING, Power Steering, Quick Connect, Pressure
2	5208 7886	1	B, U			ENC			HOSE, Power Steering Pressure
3	52087 892AB	1	B, U			ENC			HOSE, Power Steering Return
4	5208 8116	1	B, U			ENC, EPE			FITTING, Power Steering, Quick Connect, Return
5	5208 8109	1	B, U			ENC			BRACKET, Power Steering Hose
6	5208 7766	1				ENC			BRACKET, Power Steering Reservoir
7									CLAMP, Power Steering Hose, Serviced in Hose, (NOT SERVICED) (Not Serviced)
8	52088 216AC	1				ENC			HOSE, Pump Supply
9	4694 766	1				ENC, EPO			CAP, Power Steering Pump
10	52087 713AC	1				ENC, EPO			RESERVOIR, Power Steering Pump
11	6100 516	3				ENC			NUT, Hex Flange Lock, M6 Phosphate
12	2448 761	1	B, U			ENC			CLAMP, Hose
13	6501 648	4					DGO		SCREW, Hex Flange Head, M8x1.25x25.00

JEEP CHEROKEE (XJ)

SERIES	LINE	BODY	ENGINE	TRANSMISSION
P=Classic	J=LHD (4WD)	74=4 Dr.(101.4WB)	ENC,EN0=2.5L 4 cyl. Turbo Die	DDD, DDQ=5 spd. Man.
S=Limited	U=RHD (4WD)	72=2 Dr.(101.4WB)	ERH,ER0=4.0L Power Tech I-6	DGS=4 spd. Auto. AISIN
H=Sport	T=LHD (2WD)		EPE,EP0=Magnum 2.5L SMPI	DG0=All Auto/Trans.
L=SE	B=RHD (2WD)			DBB=All Manual Trans.

AR = Use as required - = Non illustrated part # = New this model year

December 7, 2002

Group – 30RH

Automatic Transmission 3 Speed

GROUP 30RH - Automatic Transmission 3 Speed

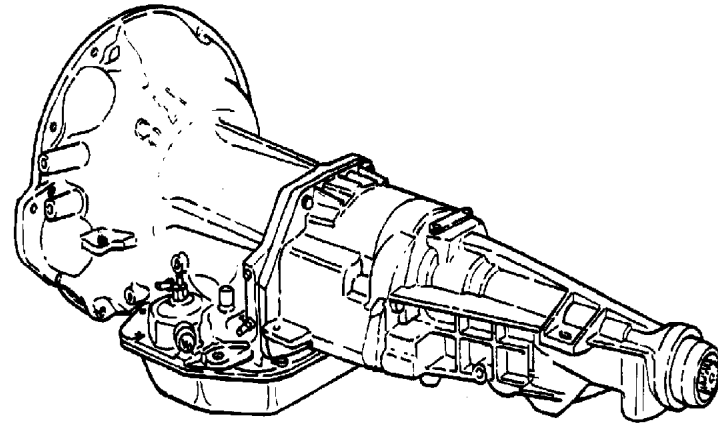


Illustration Title

Group-Fig. No.

Transmission Assembly

Transmission 30RH (DGD) Fig. 30RH-110

Case and Extension

Case and Related Parts 30RH (DGD) Fig. 30RH-210

Oil Pump

Oil Pump 30RH (DGD) Fig. 30RH-310

Gear Train

Gear 30RH (DGD) Fig. 30RH-410

Gear 30RH (DGD) Fig. 30RH-420

Bands, Reverse and Kickdown

Bands 30RH (DGD) Fig. 30RH-510

Governor

Governor 30RH (DGD) Fig. 30RH-610

Valve Body

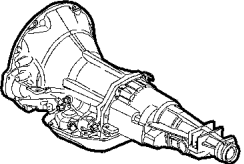
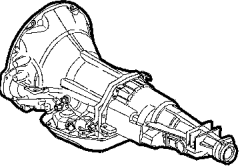

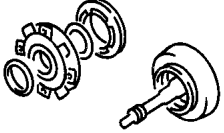
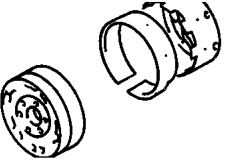
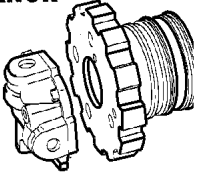
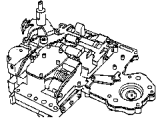
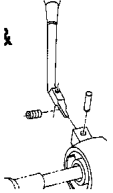
Valve Body 30 RH (DGD) Fig. 30RH-710

Servos 30RH (DGD) Fig. 30RH-720

Parking Sprag 30RH (DGD) Fig. 30RH-730

Gearshift Controls

Gearshift Controls 30RH (DGD) Fig. 30RH-1210

<p>30RH-100 Transmission Assembly</p> 	<p>30RH-200 Case and Extension</p> 	<p>30RH-300 Oil Pump</p> 	<p>30RH-400 Gear Train</p> 
<p>30RH-500 Bands, Reverse and Kickdown</p> 	<p>30RH-600 Governor</p> 	<p>30RH-700 Valve Body</p> 	<p>30RH-1200 Gearshift Controls</p> 

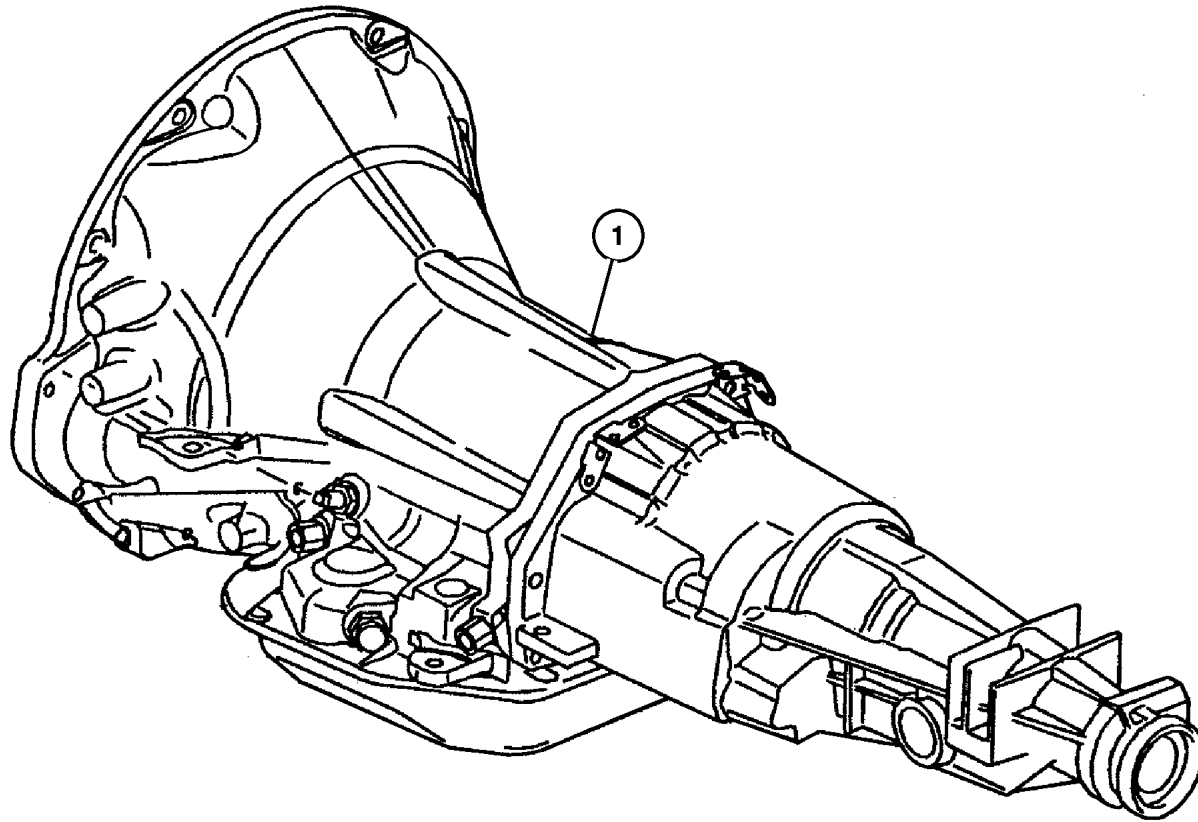
Transmission 30RH (DGD)
Figure 30RH-110

ITEM	PART NUMBER	QTY	LINE	SERIES	BODY	ENGINE	TRANS	TRIM	DESCRIPTION
------	-------------	-----	------	--------	------	--------	-------	------	-------------

Notes:

DGD = 30 RH 3 Speed Automatic Transmission

1	#5015 268AA	1	B, T				DGD		TRANSMISSION PACKAGE, 52119830AA (Package Contains 52119830AA Transmission, K4736388AA Converter, K6501099 Bolts)
---	-------------	---	------	--	--	--	-----	--	---



JEEP CHEROKEE (XJ)

SERIES	LINE	BODY	ENGINE	TRANSMISSION
P=Classic	J=LHD (4WD)	74=4 Dr.(101.4WB)	ENC,EN0=2.5L 4 cyl. Turbo Die	DDD, DDQ=5 spd. Man.
S=Limited	U=RHD (4WD)	72=2 Dr.(101.4WB)	ERH,ER0=4.0L Power Tech I-6	DGS=4 spd. Auto. AISIN
H=Sport	T=LHD (2WD)		EPE,EP0=Magnum 2.5L SMPI	DG0=All Auto/Trans.
L=SE	B=RHD (2WD)			DBB=All Manual Trans.

AR = Use as required - = Non illustrated part # = New this model year

December 7, 2002

**Case and Related Parts 30RH (DGD)
Figure 30RH-210**

ITEM	PART NUMBER	QTY	LINE	SERIES	BODY	ENGINE	TRANS	TRIM	DESCRIPTION
------	-------------	-----	------	--------	------	--------	-------	------	-------------

Notes:

DG0 = All Automatic Transmissions
DGD = 30 RH 3 Speed Automatic Transmission
EP0 = All 2.5L 4 Cylinder Gas Engines

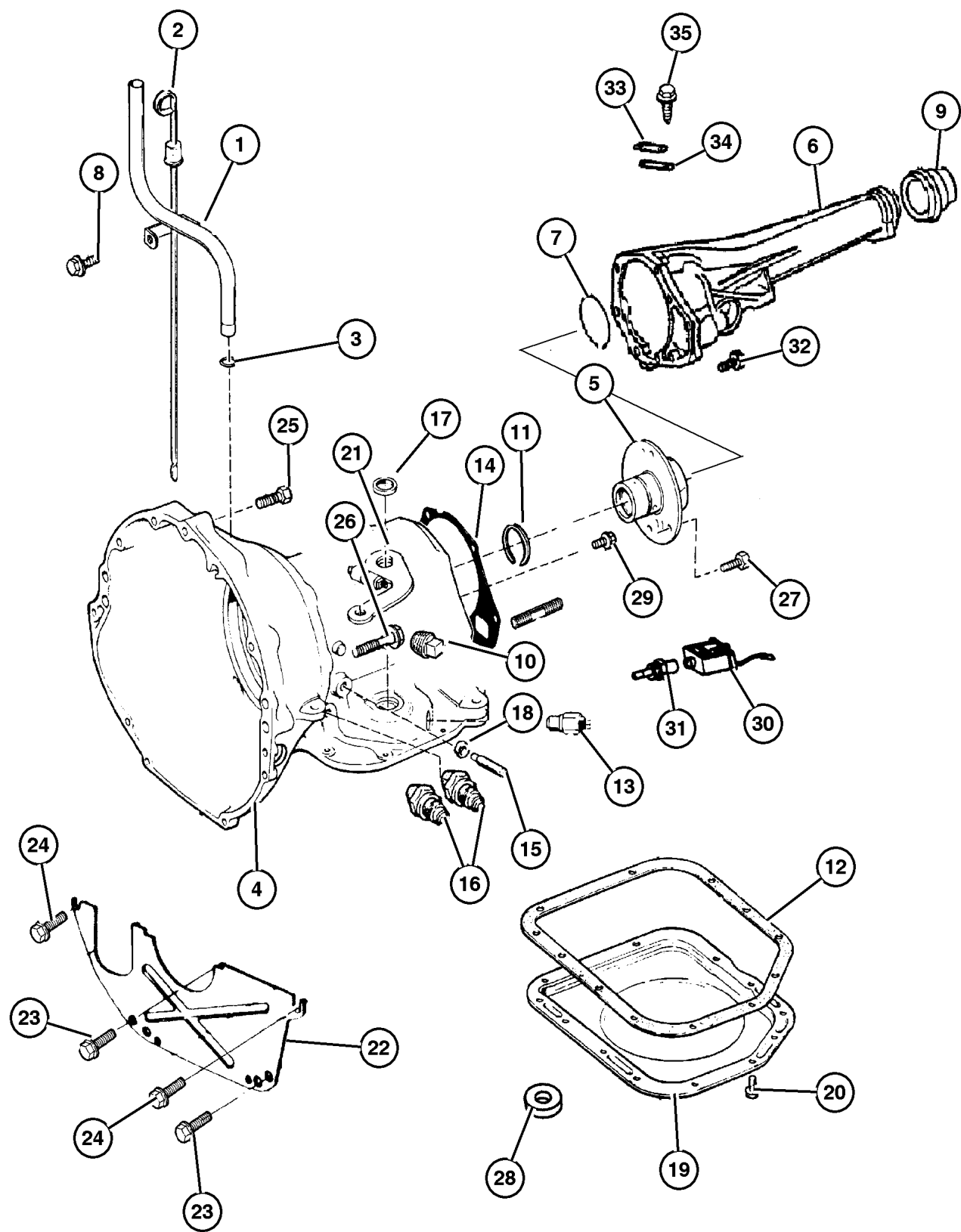
1	52104 244AB	1				EP0	DG0		TUBE, Transmission Oil Filler
2	52104 278AB	1				EP0	DG0		INDICATOR, Transmission Fluid Level
3	52118 629AB	1				EP0	DG0		SEAL, Oil Filler Tube
4	5211 8593	1	B, T				DGD		CASE, Transmission
5	4431 433	1	B, T				DGD		SUPPORT, Output Shaft
6	52118 835AA	1	B, T				DGD		CASE, Transmission Rear
7	2400 185	1	B, T				DGD		SNAP RING
8	J400 1701	AR							SCREW, Hex Self Tapping, .19-16x.50
9	4638 941	1	B, T				DGD		SEAL, Extension
10	6028 095	1	B, T				DGD		PLUG, Pressure Check
11	6033 480	1	B, T				DGD		SNAP RING, Reverse Drum
12	4295 875	1	B, T				DGD		GASKET, Oil Pan
13	56028 181AB	1	B, T				DGD		SWITCH, Neutral, Safety, Back Up
14	2466 954	1	B, T				DGD		GASKET, Transmission Case
15	6036 141AA	1	B, T				DGD		SCREW
16	6033 879	2	B, T				DGD		NUT, Inverted Flare, .62-18
17	4505 098	1	B, T				DGD		SEAL, Manual Shift Valve, 1.25 OD
18									NUT, (NOT SERVICED) (Not Serviced)
19	5211 8802	1	B, T				DGD		PAN, Transmission Oil
20	4723 548	14	B, T				DGD		SCREW AND WASHER, Hex Head, .312-18x.625
21	5300 3090	1	J, T			EP0	DGD		LEVER, Selector
22	2466 957	1	B, T				DGD		COVER, Transmission Converter
23									BOLT, (NOT SERVICED) (Not Serviced)
24	1150 2628	2					DGD		BOLT, Hex Flange Head, M8x1.25x30
25									BOLT, (NOT SERVICED) (Not Serviced)
26	3420 1837	1					DGD		BOLT, Hex Flange Head, M12x1.75x90
27	6033 479	6	B, T				DGD		BOLT, Hex Head, .25-28x1-5/8
28	3681 601	1	B, T				DGD		MAGNET, Transmission
29	6033 616	5	B, T				DGD		SCREW, Hex Flange Head, .25-28x.875

JEEP CHEROKEE (XJ)

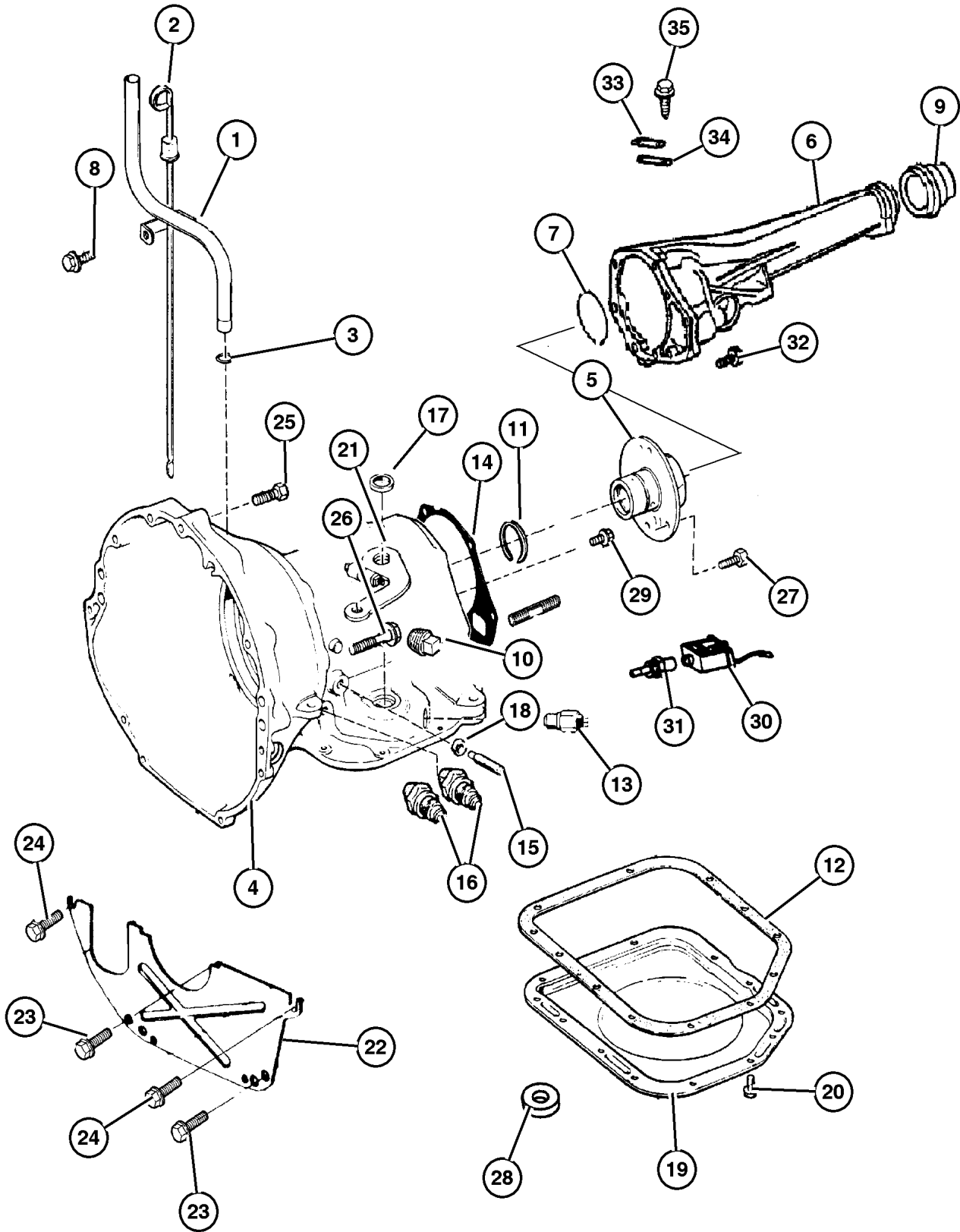
SERIES	LINE	BODY	ENGINE	TRANSMISSION
P=Classic	J=LHD (4WD)	74=4 Dr.(101.4WB)	ENC,EN0=2.5L 4 cyl. Turbo Die	DDD, DDQ=5 spd. Man.
S=Limited	U=RHD (4WD)	72=2 Dr.(101.4WB)	ERH,ER0=4.0L Power Tech I-6	DGS=4 spd. Auto. AISIN
H=Sport	T=LHD (2WD)		EPE,EP0=Magnum 2.5L SMPI	DG0=All Auto/Trans.
L=SE	B=RHD (2WD)			DBB=All Manual Trans.

AR = Use as required - = Non illustrated part # = New this model year

December 7, 2002



Case and Related Parts 30RH (DGD)
Figure 30RH-210



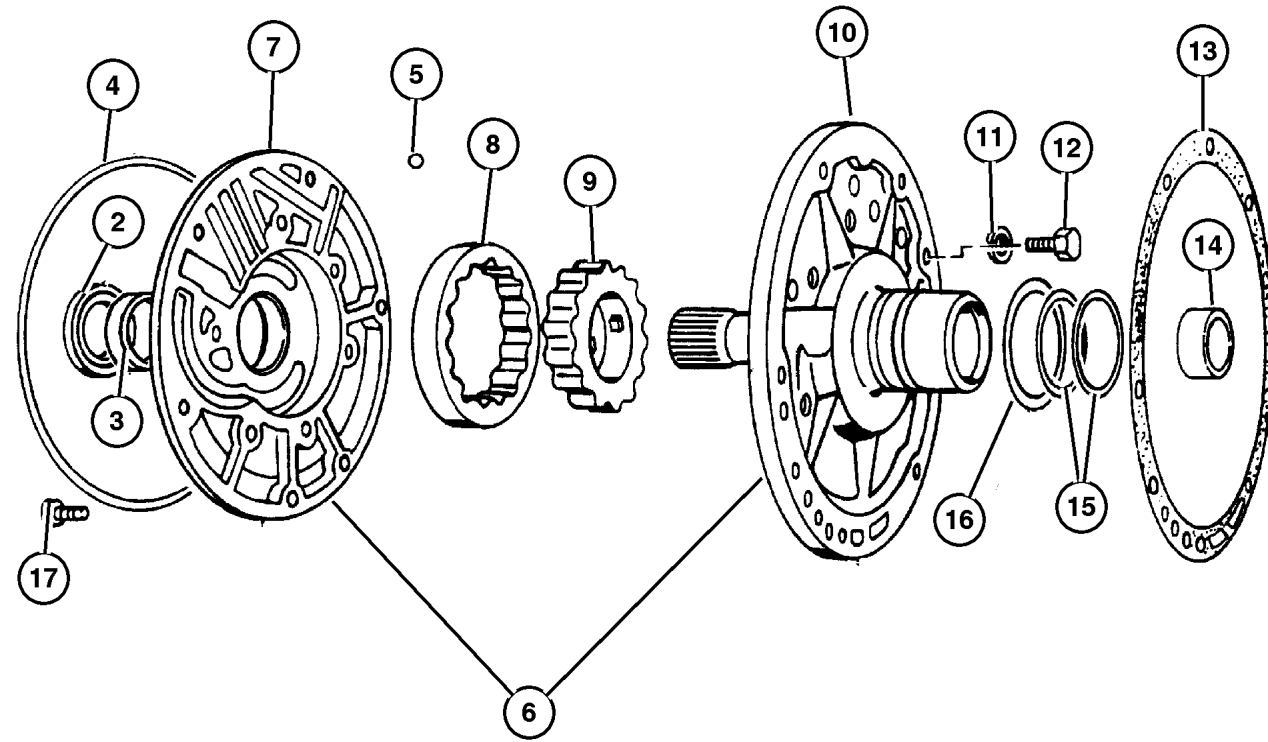
ITEM	PART NUMBER	QTY	LINE	SERIES	BODY	ENGINE	TRANS	TRIM	DESCRIPTION
30	5211 8595	1	B, T				DGD		SOLENOID, Transmission
31	5603 8235	1	B, T				DGD		CONNECTOR, Wiring
32	6029 531	6	B, T				DGD		SCREW, Hex Flange Head Lock, .375-16x1.25
33	2466 957	1	B, T				DGD		COVER, Transmission Converter
34	2801 398	1	B, T				DGD		GASKET, Transmission
35	6028 022	2	B, T				DGD		SCREW, Flange Head Locking, .25-20x.62

JEEP CHEROKEE (XJ)				
SERIES	LINE	BODY	ENGINE	TRANSMISSION
P=Classic	J=LHD (4WD)	74=4 Dr.(101.4WB)	ENC,EN0=2.5L 4 cyl. Turbo Die	DDD, DDQ=5 spd. Man.
S=Limited	U=RHD (4WD)	72=2 Dr.(101.4WB)	ERH,ER0=4.0L Power Tech I-6	DGS=4 spd. Auto. AISIN
H=Sport	T=LHD (2WD)		EPE,EP0=Magnum 2.5L SMPI	DG0=All Auto/Trans.
L=SE	B=RHD (2WD)			DBB=All Manual Trans.

AR = Use as required - = Non illustrated part # = New this model year

December 7, 2002

**Oil Pump 30RH (DGD)
Figure 30RH-310**



ITEM	PART NUMBER	QTY	LINE	SERIES	BODY	ENGINE	TRANS	TRIM	DESCRIPTION
------	-------------	-----	------	--------	------	--------	-------	------	-------------

Notes:

DGD = 30 RH 3 Speed Automatic Transmission

-1	4713 108AB	1	B, T				DGD		GASKET AND SEAL PACKAGE, Transmission Oil Pump
2	4412 475	1	B, T				DGD		SEAL, Impeller Hub, 57.25mm OD
3	2466 796	1	B, T				DGD		BUSHING, Front Pump
4	2204 709	1	B, T				DGD		SEAL, Front Pump Housing
5	0104 918	3	B, T				DGD		BALL, Valve Body Check
6	52118 267AB	1	B, T				DGD		PUMP, Transmission Oil
7									HOUSING, Pump, (NOT SERVICED) (Not Serviced)
8									ROTOR, Oil Pump, (NOT SERVICED) (Not Serviced)
9									ROTOR, Oil Pump, (NOT SERVICED) (Not Serviced)
10									SHAFT, Oil Pump, (NOT SERVICED) (Not Serviced)
11									LOCK WASHER, (NOT SERVICED) (Not Serviced)
12	0179 815	6	B, T				DGD		SCREW, Hex Head, .312-18x.687
13	5211 8266	1	B, T				DGD		GASKET, Transmission Oil Pump
14	4058 635	1	B, T				DGD		BUSHING, Reaction Shaft
15	4471 874	2	B, T				DGD		SEAL, Ring Reaction Support, 2 1/16 O.D.
16	4617 786	1	B, T				DGD		THRUST WASHER, Front Clutch
17	6023 943	7	B, T				DGD		SCREW AND WASHER, Hex Flange Head, .312-18x1.375

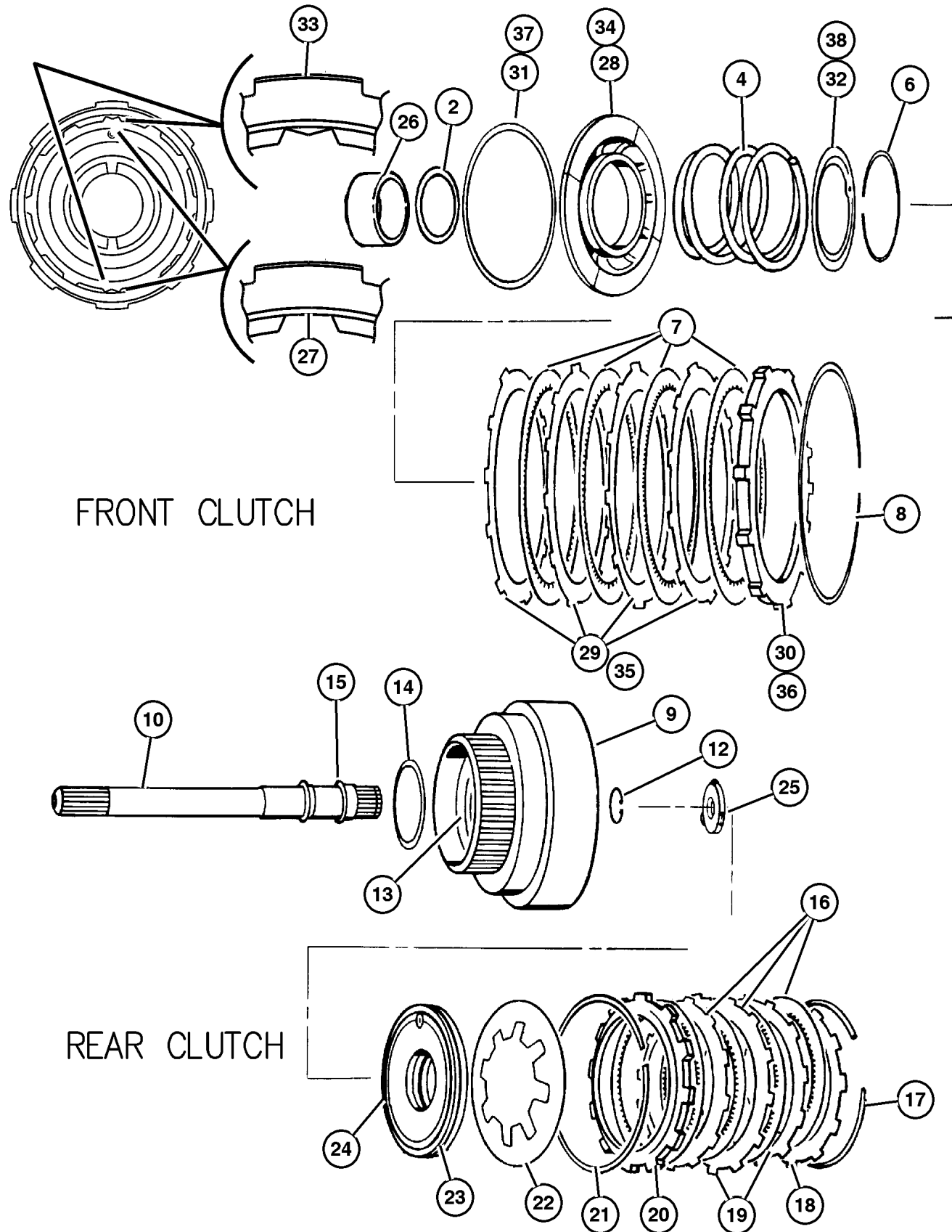
JEEP CHEROKEE (XJ)

SERIES	LINE	BODY	ENGINE	TRANSMISSION
P=Classic	J=LHD (4WD)	74=4 Dr.(101.4WB)	ENC,EN0=2.5L 4 cyl. Turbo Die	DDD, DDQ=5 spd. Man.
S=Limited	U=RHD (4WD)	72=2 Dr.(101.4WB)	ERH,ER0=4.0L Power Tech I-6	DGS=4 spd. Auto. AISIN
H=Sport	T=LHD (2WD)		EPE,EP0=Magnum 2.5L SMPI	DG0=All Auto/Trans.
L=SE	B=RHD (2WD)			DBB=All Manual Trans.

AR = Use as required - = Non illustrated part # = New this model year

December 7, 2002

**Gear 30RH (DGD)
Figure 30RH-410**



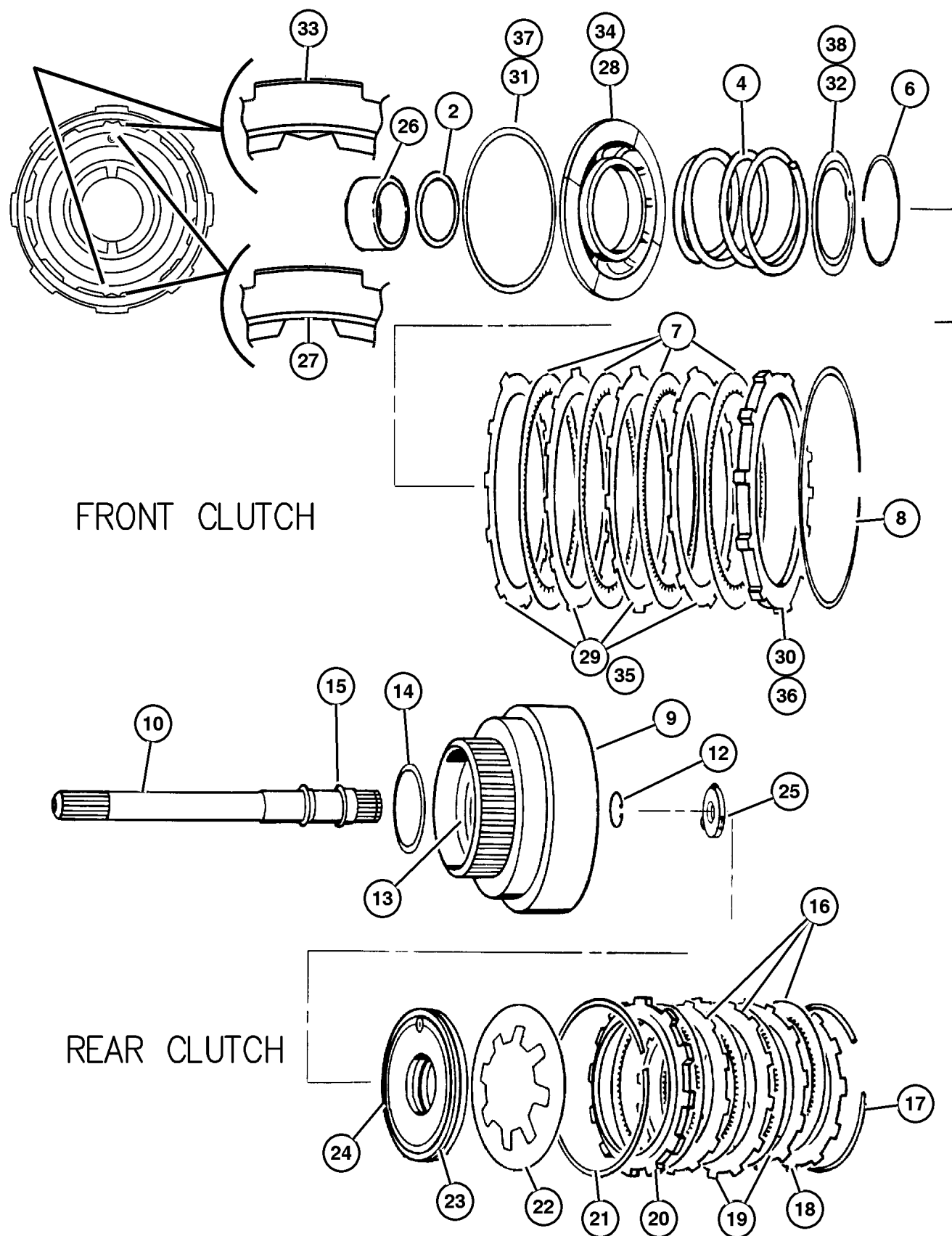
ITEM	PART NUMBER	QTY	LINE	SERIES	BODY	ENGINE	TRANS	TRIM	DESCRIPTION
Notes:									
DGD = 30 RH 3 Speed Automatic Transmission									
EP0 = All 2.5L 4 Cylinder Gas Engines									
-1	#5252 926AB	1	B, T				DGD		SEAL PACKAGE, Transmission Clutch
2	3515 176	1	B, T				DGD		SEAL, Front Clutch Piston
-3	0147 483	1	B, T				DGD		CHECK BALL, Dia-.187
4	3515 054	1	B, T				DGD		SPRING, Front Clutch
-5	0147 483	1	B, T				DGD		CHECK BALL, Dia-.187
6	1942 400	1	B, T				DGD		SNAP RING
7	4617 362	4	B, T				DGD		DISC, Direct Clutch
8	2464 464	1	B, T				DGD		SNAP RING
9	4505 195	1	B, T				DGD		RETAINER, Transmission Rear Clutch
10									SHAFT, Input, (NOT SERVICED) (Not Serviced)
-11	0147 483	1	B, T				DGD		CHECK BALL, Dia-.187
12	6022 859	1	B, T				DGD		SNAP RING, .890625
13	4028 333	1	B, T				DGD		SEAL, Rear Clutch, 1.50 ODx.009 Thk
14	4617 786	1	B, T				DGD		THRUST WASHER, Front Clutch
15	1401 221AB	1	B, T				DGD		SEAL, Input Shaft
16	4713 880	3	B, T				DGD		DISC, Clutch
17	5014 226AA	1	B, T				DGD		SNAP RING PACKAGE, Transmission
18	#4617 176AB	1	B, T				DGD		PLATE, Transmission Clutch Reaction
19	1942 403AB	2	B, T				DGD		PLATE, Clutch Separator
20	2466 281	1	B, T				DGD		PLATE, Clutch Pressure
21	2466 283	1	B, T				DGD		SPRING, Rear Clutch
22	4728 487	1	B, T				DGD		SPRING, Rear Clutch Piston
23	2538 510	1	B, T				DGD		SEAL, Rear Clutch Piston
24	3515 716	1	B, T				DGD		PISTON, Clutch
25	4505 185	1	B, T				DGD		THRUST WASHER, Output Shaft, Gray .052
26	4617 157	1	B, T				DGD		BUSHING, Front Clutch
27	4531 285	1	B, T				DGD		RETAINER AND BUSHING, Transmission Front Clutch, Up to 01 -07-2000
28	4617 154	1	B, T				DGD		PISTON, Clutch
29	1942 403AC	4	B, T				DGD		PLATE, Clutch Separator
30	4617 176	1	B, T				DGD		PLATE, Transmission Clutch Reaction

JEEP CHEROKEE (XJ)				
SERIES	LINE	BODY	ENGINE	TRANSMISSION
P=Classic	J=LHD (4WD)	74=4 Dr.(101.4WB)	ENC,EN0=2.5L 4 cyl. Turbo Die	DDD, DDQ=5 spd. Man.
S=Limited	U=RHD (4WD)	72=2 Dr.(101.4WB)	ERH,ER0=4.0L Power Tech I-6	DGS=4 spd. Auto. AISIN
H=Sport	T=LHD (2WD)		EPE,EP0=Magnum 2.5L SMPI	DG0=All Auto/Trans.
L=SE	B=RHD (2WD)			DBB=All Manual Trans.

AR = Use as required - = Non illustrated part # = New this model year

December 7, 2002

**Gear 30RH (DGD)
Figure 30RH-410**



FRONT CLUTCH

REAR CLUTCH

ITEM	PART NUMBER	QTY	LINE	SERIES	BODY	ENGINE	TRANS	TRIM	DESCRIPTION
31	4058 487	1	B, T				DGD		SEAL, Front Piston Clutch
32	4617 516AB	1	B, T				DGD		RETAINER, Transmission Front Clutch Piston Spring
33	#4531 285AB	1	B, T				DGD		RETAINER AND BUSHING, Transmission Front Clutch, From 01 -07-2000
34	4617 154AB	1	B, T				DGD		PISTON, Clutch
35	1942 403AC	4	B, T				DGD		PLATE, Clutch Separator
36	4617 176AB	1	B, T				DGD		PLATE, Transmission Clutch Reaction
37	4058 487AB	1	B, T				DGD		SEAL, Front Piston Clutch
38	4617 516AC	1	B, T				DGD		RETAINER, Transmission Front Clutch Piston Spring

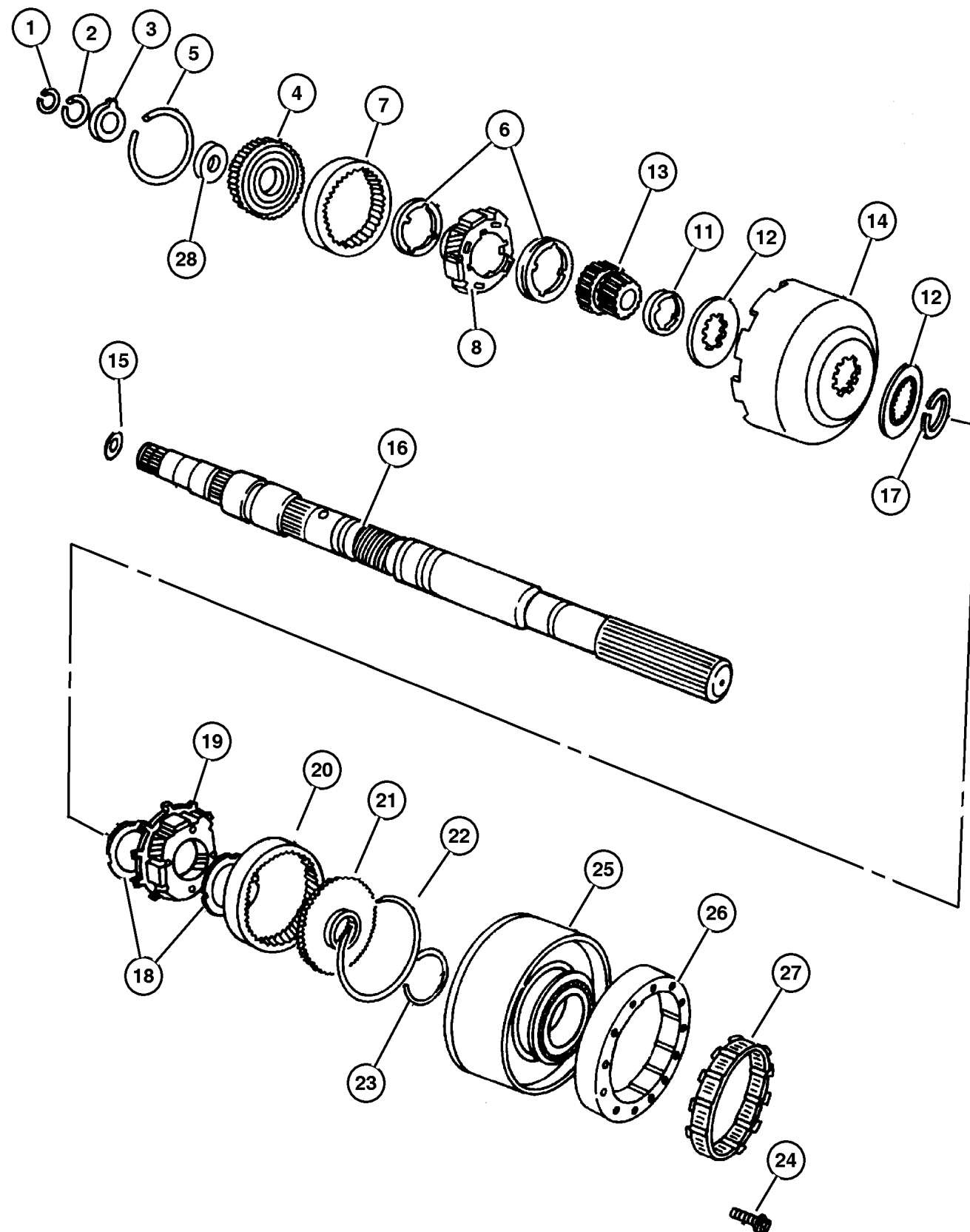
JEEP CHEROKEE (XJ)				
SERIES	LINE	BODY	ENGINE	TRANSMISSION
P=Classic	J=LHD (4WD)	74=4 Dr.(101.4WB)	ENC,EN0=2.5L 4 cyl. Turbo Die	DDD, DDQ=5 spd. Man.
S=Limited	U=RHD (4WD)	72=2 Dr.(101.4WB)	ERH,ER0=4.0L Power Tech I-6	DGS=4 spd. Auto. AISIN
H=Sport	T=LHD (2WD)		EPE,EP0=Magnum 2.5L SMPI	DG0=All Auto/Trans.
L=SE	B=RHD (2WD)			DBB=All Manual Trans.

AR = Use as required - = Non illustrated part # = New this model year

December 7, 2002

**Gear 30RH (DGD)
Figure 30RH-420**

ITEM	PART NUMBER	QTY	LINE	SERIES	BODY	ENGINE	TRANS	TRIM	DESCRIPTION
Notes:									
DGD = 30 RH 3 Speed Automatic Transmission									
1	6026 289	1	B, T				DGD		SNAP RING, .946 ID
2	6030 576	1	B, T				DGD		SNAP RING, Annulus Gear, 1.375 ID
3	3681 969	1	B, T				DGD		THRUST WASHER, Annulus Gear
4	4617 774	1	B, T				DGD		SUPPORT, Annulus Gear
5	6030 576	1	B, T				DGD		SNAP RING, Annulus Gear, 1.375 ID
6	4130 518	2	B, T				DGD		THRUST WASHER, Planetary Carrier
7	4130 512	1	B, T				DGD		GEAR, Front Annulus
8	4130 514	1	B, T				DGD		CARRIER, Planetary Pinion, Front
-9	3681 949	8	B, T				DGD		THRUST WASHER, Planet Pinion
-10	3743 664	76	B, T				DGD		ROLLER, Front and Rear Pinion
11	4130 736	1	B, T				DGD		SPACER, Sun Gear
12	4471 566	2	B, T				DGD		PLATE, Transmission Module
13	4130 685	1	B, T				DGD		GEAR, Sun
14	4531 288	1	B, T				DGD		SHELL, Sun Gear
15	4505 188	1	B, T				DGD		PLATE, Transmission Module
16	4617 318	1	B, T				DGD		MAINSHAFT, Transmission
17	1942 439	1	B, T				DGD		SNAP RING, Sun Gear Shell
18	4130 518	2	B, T				DGD		THRUST WASHER, Planetary Carrier
19	4431 438	1	B, T				DGD		CARRIER, Planetary Pinion, Rear
20	3743 184	1	B, T				DGD		GEAR, Rear Annulus
21	3515 501	1	B, T				DGD		SUPPORT, Annulus Gear
22	1942 444	1	B, T				DGD		SNAP RING
23	6033 480	1	B, T				DGD		SNAP RING, Reverse Drum
24	6033 616	5	B, T				DGD		SCREW, Hex Flange Head, .25-28x.875
25	4637 956	1	B, T				DGD		DRUM PACKAGE, Transmission
26	4431 690	1	B, T				DGD		CAM, Overrunning Clutch
27	4431 432	1	B, T				DGD		CLUTCH, Overrunning
28	4617 775	1	B, T				DGD		PLATE, Annulus Gear Thrust



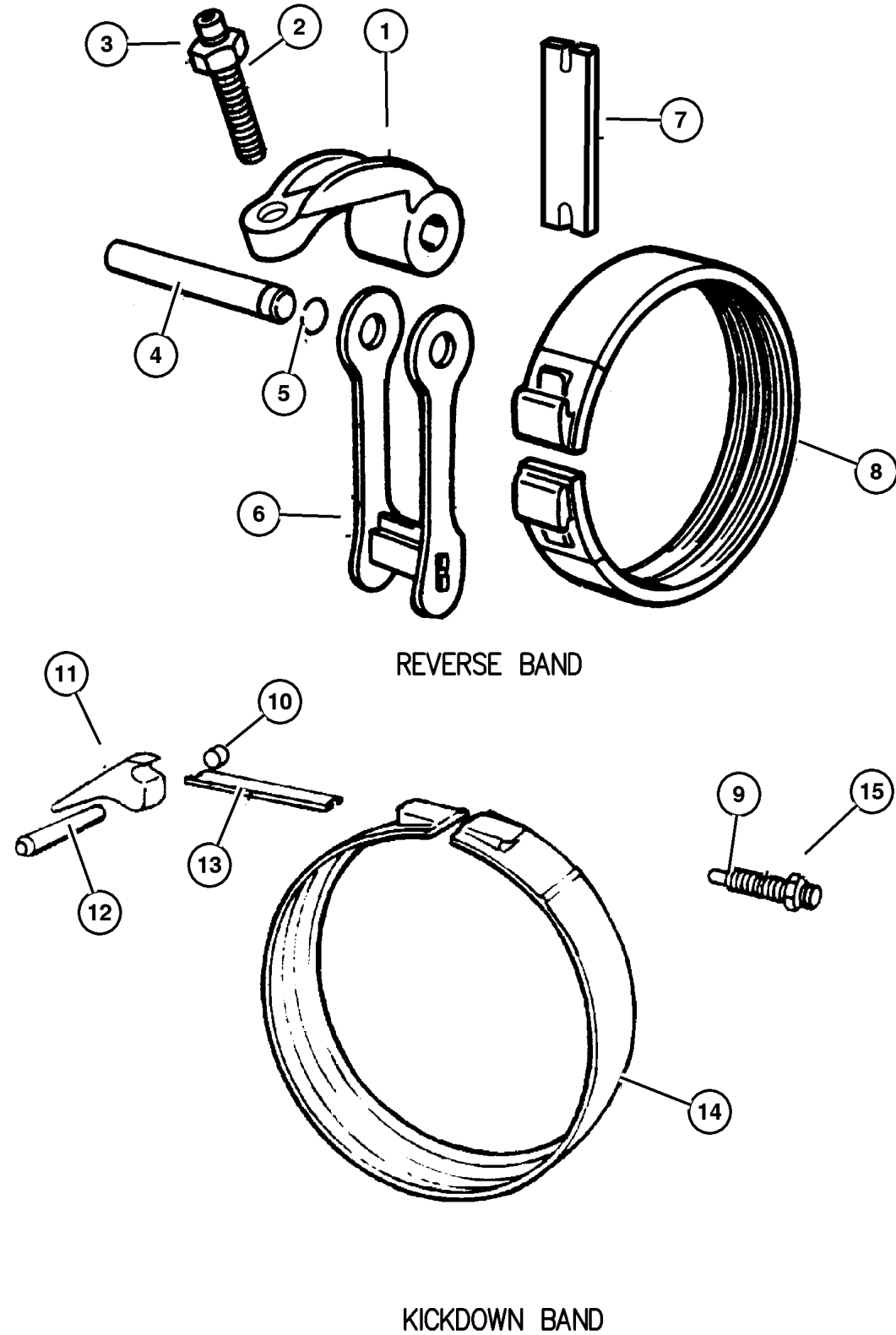
JEEP CHEROKEE (XJ)

SERIES	LINE	BODY	ENGINE	TRANSMISSION
P=Classic	J=LHD (4WD)	74=4 Dr.(101.4WB)	ENC,EN0=2.5L 4 cyl. Turbo Die	DDD, DDQ=5 spd. Man.
S=Limited	U=RHD (4WD)	72=2 Dr.(101.4WB)	ERH,ER0=4.0L Power Tech I-6	DGS=4 spd. Auto. AISIN
H=Sport	T=LHD (2WD)		EPE,EP0=Magnum 2.5L SMPI	DG0=All Auto/Trans.
L=SE	B=RHD (2WD)			DBB=All Manual Trans.

AR = Use as required - = Non illustrated part # = New this model year

December 7, 2002

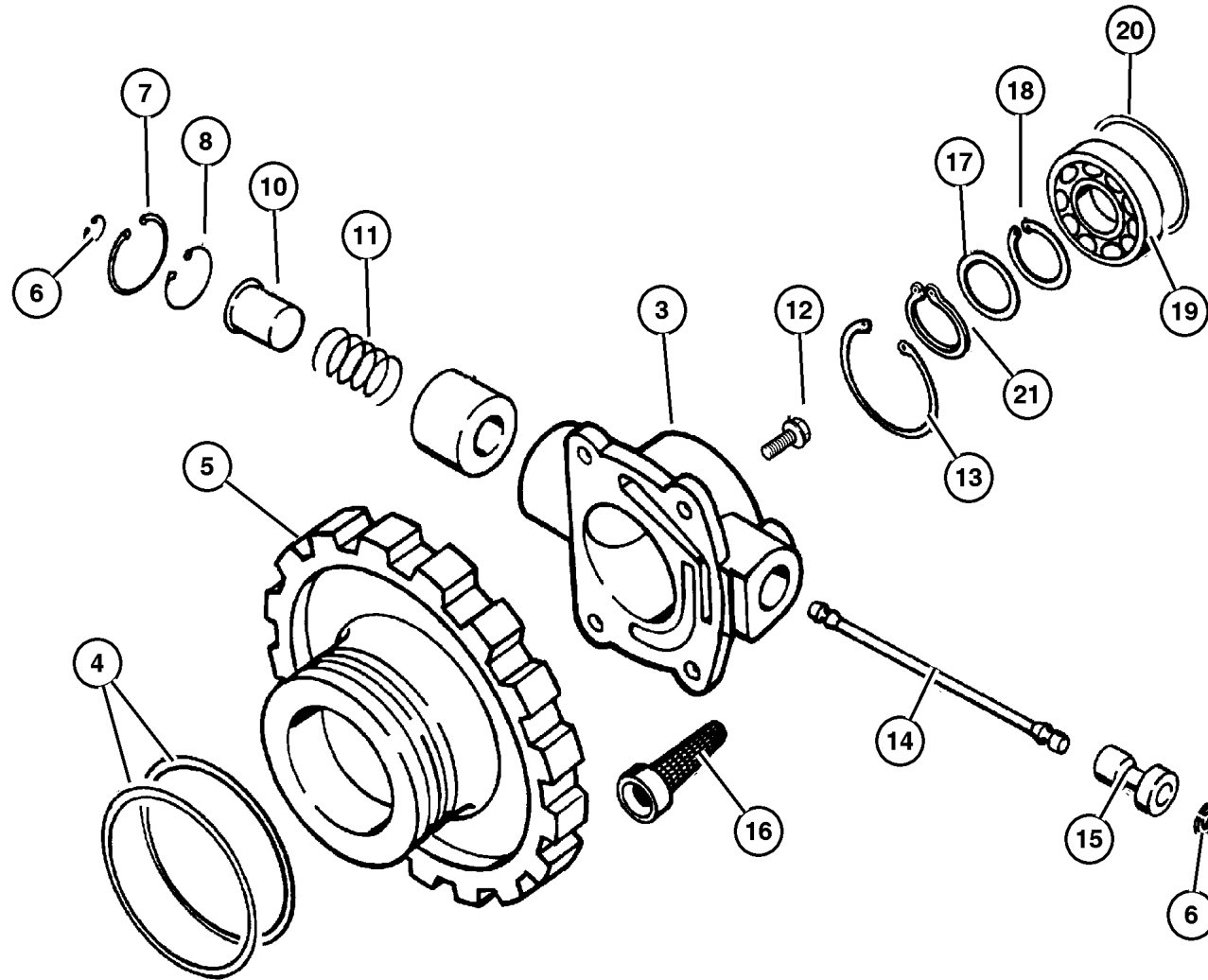
**Bands 30RH (DGD)
Figure 30RH-510**



ITEM	PART NUMBER	QTY	LINE	SERIES	BODY	ENGINE	TRANS	TRIM	DESCRIPTION
Notes:									
DGD = 30 RH 3 Speed Automatic Transmission									
1	3681 139	1	B, T				DGD		LEVER, Reverse Band
2	6030 704	1	B, T				DGD		SCREW, Cap, .437-20x1.812
3	0271 506	1	B, T				DGD		NUT, Hex, .42-20
4	3410 102	1	B, T				DGD		SHAFT, Reverse Band
5	6030 657	1	B, T				DGD		O RING, Steering Gear
6	2464 439	1	B, T				DGD		LINK, Transmission Reverse Band
7	3515 589	1	B, T				DGD		STRUT, Reverse Band
8	4431 405	1	B, T				DGD		BAND, Reverse
9	6036 141AA	1	B, T				DGD		SCREW
10									PLUG, (NOT SERVICED) (Not Serviced)
11	2125 067	1	B, T				DGD		LEVER, Kickdown
12	4531 181	1	B, T				DGD		SHAFT, Band Lever
13	3515 084	1	B, T				DGD		STRUT, Kickdown Band
14	4617 849	1	B, T				DGD		BAND, Kickdown
15	0124 934	1	B, T				DGD		NUT, Hex Jam, .50-20

JEEP CHEROKEE (XJ)				
SERIES	LINE	BODY	ENGINE	TRANSMISSION
P=Classic	J=LHD (4WD)	74=4 Dr.(101.4WB)	ENC,EN0=2.5L 4 cyl. Turbo Die	DDD, DDQ=5 spd. Man.
S=Limited	U=RHD (4WD)	72=2 Dr.(101.4WB)	ERH,ER0=4.0L Power Tech I-6	DGS=4 spd. Auto. AISIN
H=Sport	T=LHD (2WD)		EPE,EP0=Magnum 2.5L SMPI	DG0=All Auto/Trans.
L=SE	B=RHD (2WD)			DBB=All Manual Trans.

**Governor 30RH (DGD)
Figure 30RH-610**



ITEM	PART NUMBER	QTY	LINE	SERIES	BODY	ENGINE	TRANS	TRIM	DESCRIPTION
Notes:									
DGD = 30 RH 3 Speed Automatic Transmission									
-1	4883 956AB	1	B, T				DGD		GASKET AND SEAL PACKAGE, Governor
-2	4728 460	1	B, T				DGD		BODY PACKAGE, Governor
3									BODY, Governor, (NOT SERVICED) (Not Serviced)
4	1942 109	1	B, T				DGD		SEAL, Governor
5	3743 518	1	B, T				DGD		SUPPORT, Governor
6	1638 461	2	B, T				DGD		SNAP RING
7	6031 392	1	B, T				DGD		SNAP RING, Brake Master Cylinder
8	6034 723	1	B, T				DGD		SNAP RING, Governor, .675 x .025
-9	5211 7938	1	B, T				DGD		WEIGHT KIT, Transmission
10									Governor WEIGHT PACKAGE, Transmission Governor, (NOT SERVICED) (Not Serviced)
11									SPRING, (NOT SERVICED) (Not Serviced)
12	6031 613	2	B, T				DGD		BOLT, Hex Head, .25-20x.68
13	6027 271	1	B, T				DGD		SNAP RING, Governor, 1.156
14	1556 082	1	B, T				DGD		SHAFT, Governor
15	4617 064	1	B, T				DGD		VALVE, Governor
16	3743 519	1	B, T				DGD		FILTER, Transmission Governor
17									SPACER, Output Shaft, (NOT REQUIRED)
18	6029 675	1	B, T				DGD		SNAP RING, Output Shaft, 1.125 OD
19	3410 465	1	B, T				DGD		BEARING, Output Shaft
20									O RING, Output Shaft Bearing, Transmission, (NOT REQUIRED)
21	6031 392	1	B, T				DGD		SNAP RING, Brake Master Cylinder

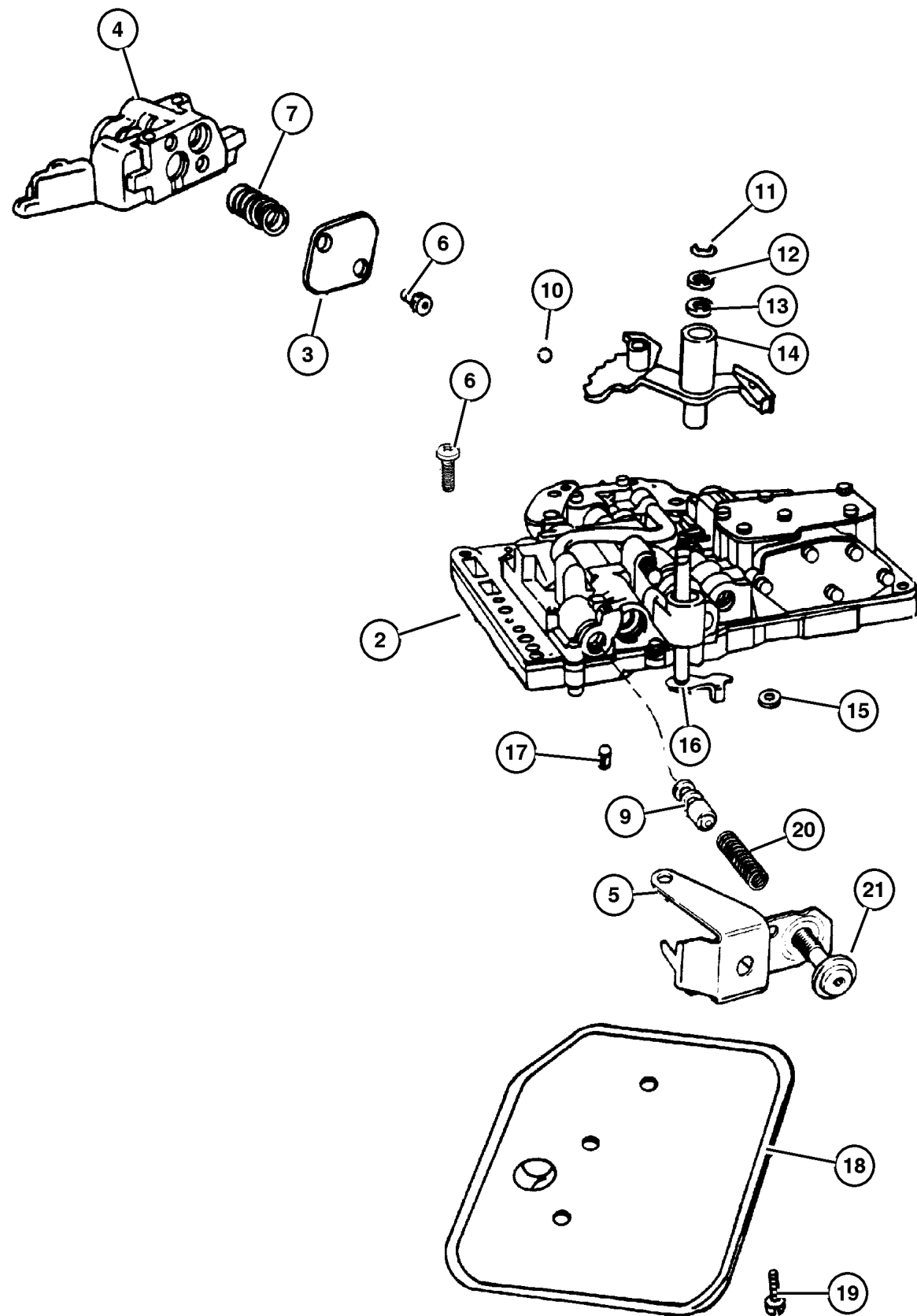
JEEP CHEROKEE (XJ)

SERIES	LINE	BODY	ENGINE	TRANSMISSION
P=Classic	J=LHD (4WD)	74=4 Dr.(101.4WB)	ENC,EN0=2.5L 4 cyl. Turbo Die	DDD, DDQ=5 spd. Man.
S=Limited	U=RHD (4WD)	72=2 Dr.(101.4WB)	ERH,ER0=4.0L Power Tech I-6	DGS=4 spd. Auto. AISIN
H=Sport	T=LHD (2WD)		EPE,EP0=Magnum 2.5L SMPI	DG0=All Auto/Trans.
L=SE	B=RHD (2WD)			DBB=All Manual Trans.

AR = Use as required - = Non illustrated part # = New this model year

December 7, 2002

Valve Body 30 RH (DGD)
Figure 30RH-710



ITEM	PART NUMBER	QTY	LINE	SERIES	BODY	ENGINE	TRANS	TRIM	DESCRIPTION
Notes:									
DGD = 30 RH 3 Speed Automatic Transmission									
-1	4713 105AB	1	B, T				DGD		GASKET AND SEAL PACKAGE, Valve Body
2	5211 8596	1	B, T				DGD		BODY, Transfer Plate
3									PLATE, (NOT SERVICED) (Not Serviced)
4									VALVE, Valve Body, (NOT SERVICED) (Not Serviced)
5									BRACKET, (NOT SERVICED) (Not Serviced)
6									SCREW, (NOT SERVICED) (Not Serviced)
7									SPRING, Lock Up Valve, NOTE: Not Serviced For 1999., (NOT SERVICED) (Not Serviced)
-8	4348 907	1	B, T				DGD		SPRING, Limit Valve
9	4505 036	1	B, T				DGD		VALVE, Trans Lockup Switch
10	0147 488	1	B, T				DGD		BALL, Manual Lever Detent, .343 Diameter
11	6035 208	2	B, T				DGD		SNAP RING
12	2538 062	1	B, T				DGD		WASHER, Manual Valve Lever
13	2466 548	1	B, T				DGD		SEAL, Valve Lever Shift
14	4617 439	1	B, T				DGD		LEVER, Manual Valve
15	4505 098	1	B, T				DGD		SEAL, Manual Shift Valve, 1.25 OD
16	3681 227	1	B, T				DGD		LEVER, Throttle Valve
17	3878 313	1	B, T				DGD		SCREEN, Transmission Regulator Valve
18	3515 996	1	B, T				DGD		FILTER, Valve Body
19	6033 826	3	B, T				DGD		SCREW AND WASHER, Oil Filter Mounting, Fillester Head .190-24x2.500
20	4130 492	1	B, T				DGD		SPRING, Switch Valve
21	6030 609	1	B, T				DGD		SCREW, Cap Head Lock, .312-24x1.25

JEEP CHEROKEE (XJ)

SERIES	LINE	BODY	ENGINE	TRANSMISSION
P=Classic	J=LHD (4WD)	74=4 Dr.(101.4WB)	ENC,EN0=2.5L 4 cyl. Turbo Die	DDD, DDQ=5 spd. Man.
S=Limited	U=RHD (4WD)	72=2 Dr.(101.4WB)	ERH,ER0=4.0L Power Tech I-6	DGS=4 spd. Auto. AISIN
H=Sport	T=LHD (2WD)		EPE,EP0=Magnum 2.5L SMPI	DG0=All Auto/Trans.
L=SE	B=RHD (2WD)			DBB=All Manual Trans.

AR = Use as required - = Non illustrated part # = New this model year

December 7, 2002

Servos 30RH (DGD)
Figure 30RH-720

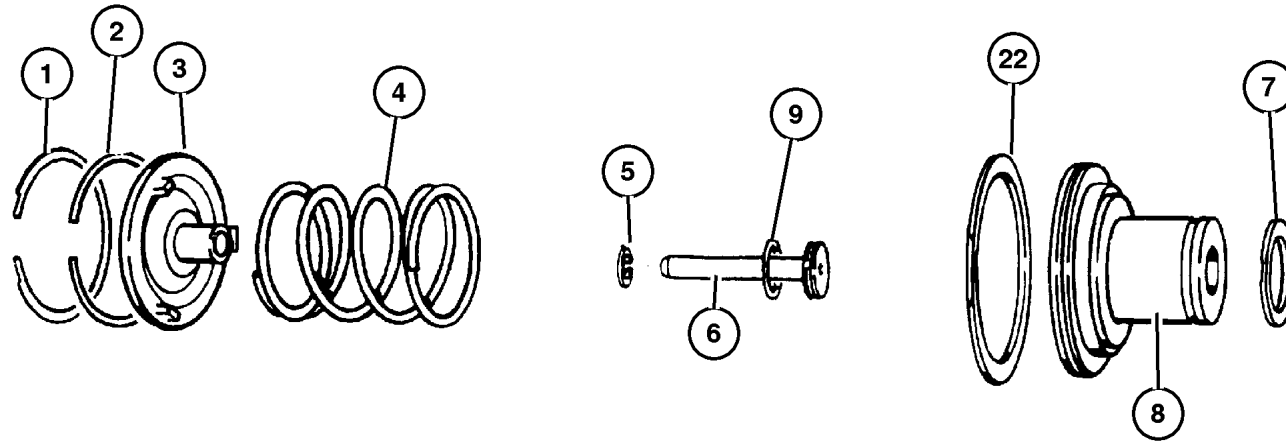
ITEM	PART NUMBER	QTY	LINE	SERIES	BODY	ENGINE	TRANS	TRIM	DESCRIPTION
------	-------------	-----	------	--------	------	--------	-------	------	-------------

Notes:

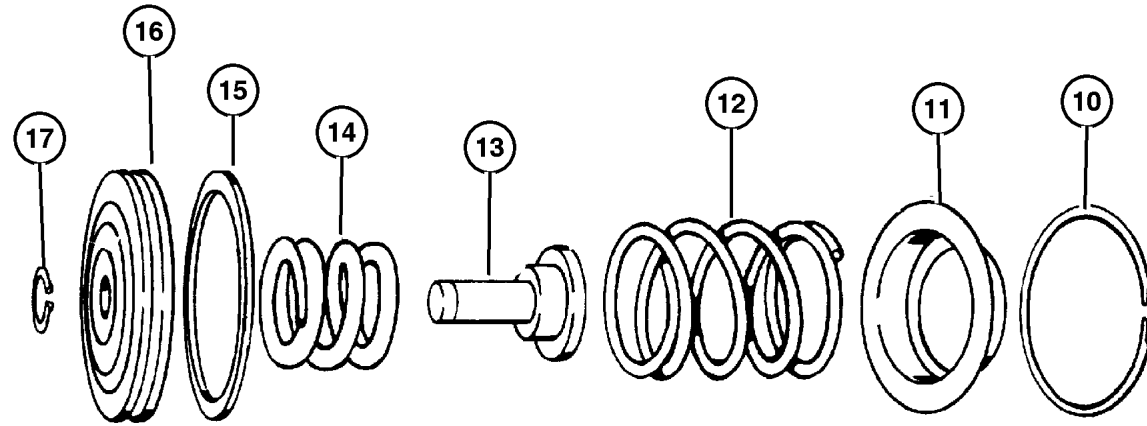
DGD = 30 RH 3 Speed Automatic Transmission

EPO = All 2.5L 4 Cylinder Gas Engines

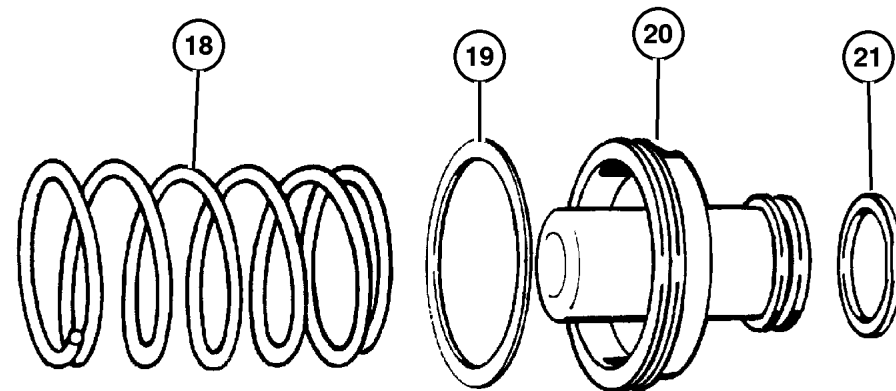
1	1942 486	1	B, T				DGD		SNAP RING
2	3743 014	1	B, T				DGD		SEAL, Kickdown Servo
3	1942 485	1	B, T				DGD		GUIDE, Kickdown Servo
4									SPRING, Kickdown Servo Piston, (NOT SERVICED) (Not Serviced)
5	6025 031	1	B, T				DGD		SNAP RING, 1.205 OD
6	4058 943	1	B, T				DGD		ROD, Kickdown Servo Piston
7	4295 965	1	B, T				DGD		SEAL, Kickdown Servo
8	4058 942	1	B, T				DGD		PISTON, Kickdown Servo
9	6031 410	1	B, T				DGD		O RING, Trans Kickdown Servo
10	2464 464	1	B, T				DGD		SNAP RING
11	2464 463	1	B, T				DGD		RETAINER, Transmission Rear Clutch
12	2801 274	1	B, T				DGD		SPRING, Reverse Servo Piston
13	5211 8741	1	B, T				DGD		PLUG, Reverse Servo Piston
14	3743 580	1	B, T				DGD		SPRING, Reverse Servo Piston
15	4202 864	1	B, T				DGD		SEAL, Reverse Servo Piston
16	5211 8744	1	B, T				DGD		PISTON, Reverse Servo
17	6027 153	1	B, T				DGD		SNAP RING, .435 ID
18	4531 259	1	B, T				DGD		SPRING, Transmission Accumulator
19	3743 013	1	B, T				DGD		SEAL, Piston Accumulator
20	3743 650	1	B, T				DGD		PISTON, Accumulator
21	3743 010	1	B, T				DGD		SEAL, Piston Accumulator
22	1636 470	1	B, T				DGD		SEAL, Servo Piston



KICKDOWN SERVO



LOW AND REVERSE SERVO



ACCUMULATOR PISTON AND SPRING

JEEP CHEROKEE (XJ)

SERIES	LINE	BODY	ENGINE	TRANSMISSION
P=Classic	J=LHD (4WD)	74=4 Dr.(101.4WB)	ENC,EN0=2.5L 4 cyl. Turbo Die	DDD, DDQ=5 spd. Man.
S=Limited	U=RHD (4WD)	72=2 Dr.(101.4WB)	ERH,ER0=4.0L Power Tech I-6	DGS=4 spd. Auto. AISIN
H=Sport	T=LHD (2WD)		EPE,EP0=Magnum 2.5L SMPI	DG0=All Auto/Trans.
L=SE	B=RHD (2WD)			DBB=All Manual Trans.

AR = Use as required - = Non illustrated part # = New this model year

December 7, 2002

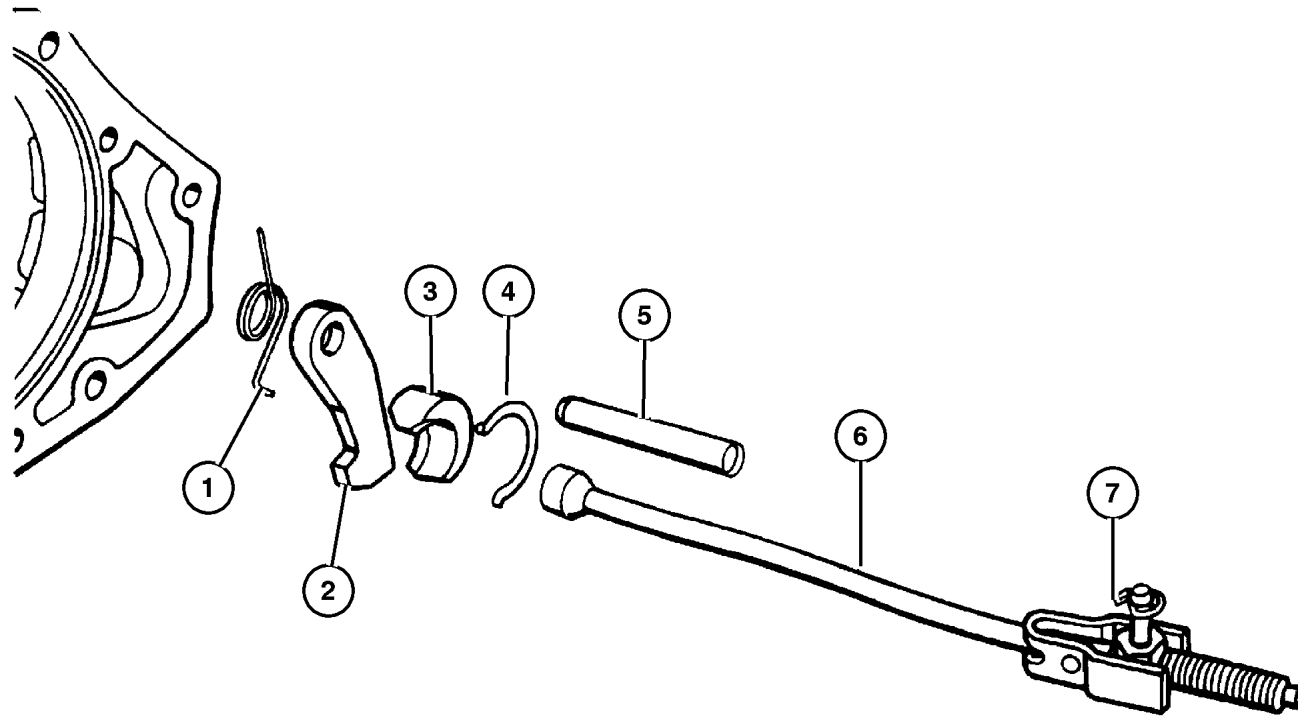
**Parking Sprag 30RH (DGD)
Figure 30RH-730**

ITEM	PART NUMBER	QTY	LINE	SERIES	BODY	ENGINE	TRANS	TRIM	DESCRIPTION
------	-------------	-----	------	--------	------	--------	-------	------	-------------

Notes:

DGD = 30 RH 3 Speed Automatic Transmission

1	2466 909	1	B, T				DGD		SPRING, Parking Sprag
2	4471 415	1	B, T				DGD		SPRAG, Transmission Parking
3	2538 042	1	B, T				DGD		PLUG, Parking Sprag
4	2538 034	1	B, T				DGD		SNAP RING, Transmission
5	2466 892	1	B, T				DGD		SHAFT, Parking Sprag
6	2466 906	1	B, T				DGD		ROD, Parking Sprag
7	6035 256	1	B, T				DGD		SNAP RING, Rod



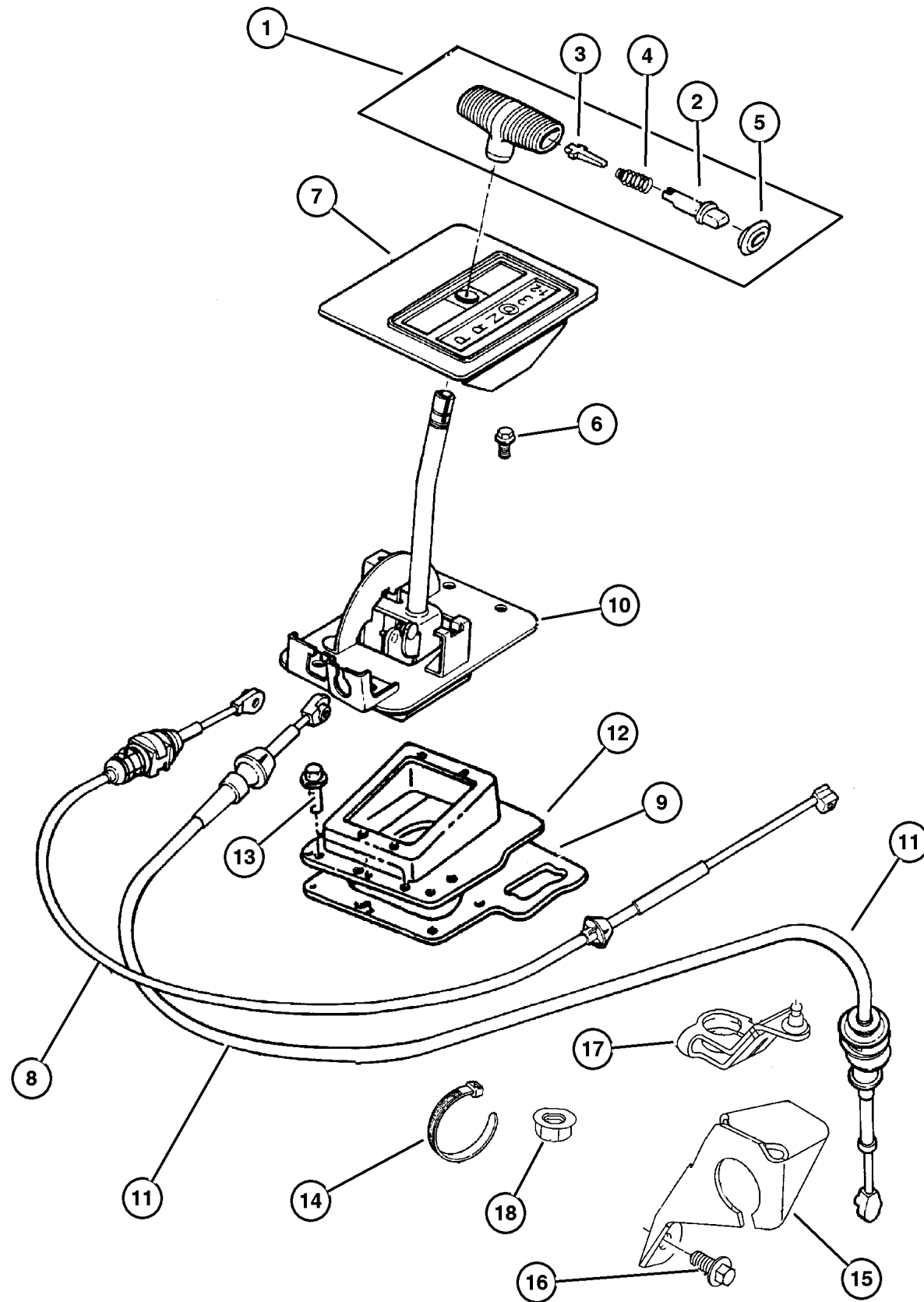
JEEP CHEROKEE (XJ)

SERIES	LINE	BODY	ENGINE	TRANSMISSION
P=Classic	J=LHD (4WD)	74=4 Dr.(101.4WB)	ENC,EN0=2.5L 4 cyl. Turbo Die	DDD, DDQ=5 spd. Man.
S=Limited	U=RHD (4WD)	72=2 Dr.(101.4WB)	ERH,ER0=4.0L Power Tech I-6	DGS=4 spd. Auto. AISIN
H=Sport	T=LHD (2WD)		EPE,EP0=Magnum 2.5L SMPI	DG0=All Auto/Trans.
L=SE	B=RHD (2WD)			DBB=All Manual Trans.

AR = Use as required - = Non illustrated part # = New this model year

December 7, 2002

Gearshift Controls 30RH (DGD) Figure 30RH-1210



Notes:

DG0 = All Automatic Transmissions
 DGD = 30 RH 3 Speed Automatic Transmission
 EP0 = All 2.5L 4 Cylinder Gas Engines
 ER0 = All 4.0L 6 Cylinder Gas Engines

ITEM	PART NUMBER	QTY	LINE	SERIES	BODY	ENGINE	TRANS	TRIM	DESCRIPTION
1	5210 4028	1				EP0, ER0	DG0		HANDLE, Gearshift
2	5300 0211	1				EP0, ER0	DG0		BUTTON, Gearshift Knob
3	5300 0865	1				EP0, ER0	DG0		LEVER, Gearshift
4	5300 0866	1				EP0, ER0	DG0		SPRING, Button Return
5	5207 7561	1				EP0, ER0	DG0		CAP, Gearshift Handle Button
6									SCREW, Hex Head, M8x1.25x18, (NOT SERVICED) (Not Serviced)
7	5GC36 LAZAB	1	B, U				DGD		BEZEL, Console PRNDL
8	52104 144AB	1	B, U			EP0, ER0	DG0		CABLE, Park Interlock
9									SEAL, Shift Housing, (NOT SERVICED) (Not Serviced)
10	52104 007AB	1	B, U				DG0		HOUSING, Shift Lever
11	52077 532AC	1					DG0		CABLE, Gearshift Control
12	5300 0704	1					DG0		COVER, Gearshift
13	J400 1701	AR							SCREW, Hex Self Tapping, .19-16x. 50
14	4641 780	1	J, U						STRAP, Tie
15	5207 8380	1				EP0	DGD		BRACKET, Transmission Control Cable
16									BOLT, square neck, Header Point .437-14x1.25, (NOT SERVICED) (Not Serviced)
17	3681 227	1	B, T				DGD		LEVER, Throttle Valve
18	J400 4005	1				EP0	DGD		NUT, Hex, .437-14

JEEP CHEROKEE (XJ)

SERIES	LINE	BODY	ENGINE	TRANSMISSION
P=Classic	J=LHD (4WD)	74=4 Dr.(101.4WB)	ENC,EN0=2.5L 4 cyl. Turbo Die	DDD, DDQ=5 spd. Man.
S=Limited	U=RHD (4WD)	72=2 Dr.(101.4WB)	ERH,ER0=4.0L Power Tech I-6	DGS=4 spd. Auto. AISIN
H=Sport	T=LHD (2WD)		EPE,EP0=Magnum 2.5L SMPI	DG0=All Auto/Trans.
L=SE	B=RHD (2WD)			DBB=All Manual Trans.

AR = Use as required - = Non illustrated part # = New this model year

December 7, 2002

Group – AW4

Automatic Transmission 4 Speed

GROUP AW4 - Automatic Transmission 4 Speed

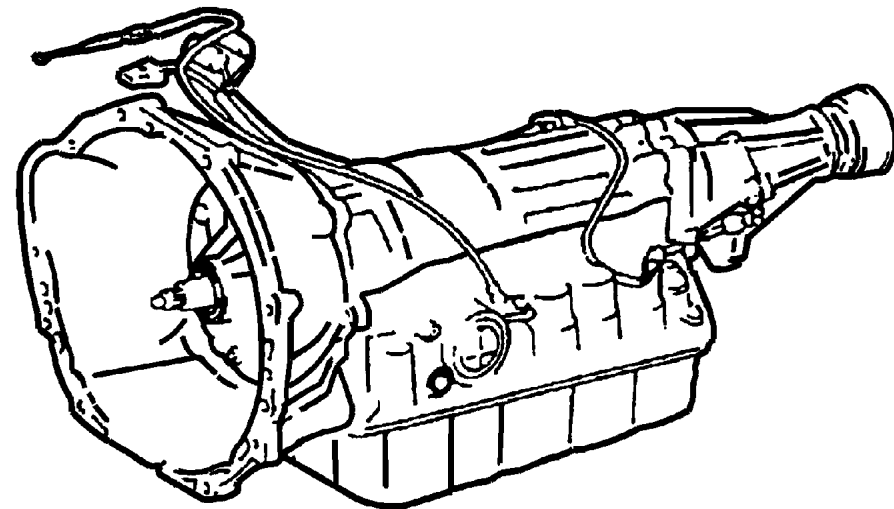


Illustration Title

Group-Fig. No.

Transmission Assembly

Transmission AW4 (DGS) Fig. AW4-110

Case and Extension

Case and Related Parts AW4 (DGS) Fig. AW4-210

Linkage AW4 (DGS) Fig. AW4-220

Oil Pump

Oil Pump AW4 (DGS) Fig. AW4-310

Gear Train

Overdrive Clutch AW4 (DGS) Fig. AW4-410

Clutches, Forward and Direct AW4 (DGS) Fig. AW4-420

Clutch and Sun Gear AW4 (DGS) Fig. AW4-430

Gear Train AW4 (DGS) Fig. AW4-440

Bands, Reverse and Kickdown

Bands AW4 (DGS) Fig. AW4-510

Valve Body

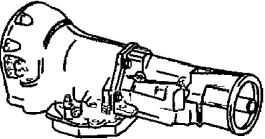
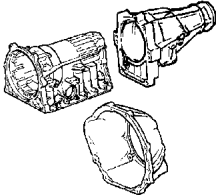

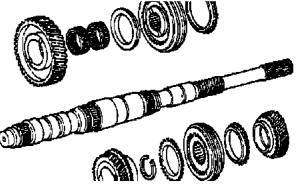
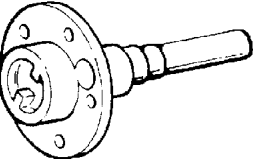

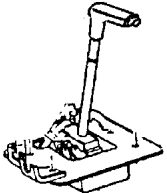
Valve Body AW4 (DGS) Fig. AW4-710

Accumulator Piston AW4 (DGS) Fig. AW4-720

Lock, Parking AW4 (DGS) Fig. AW4-730

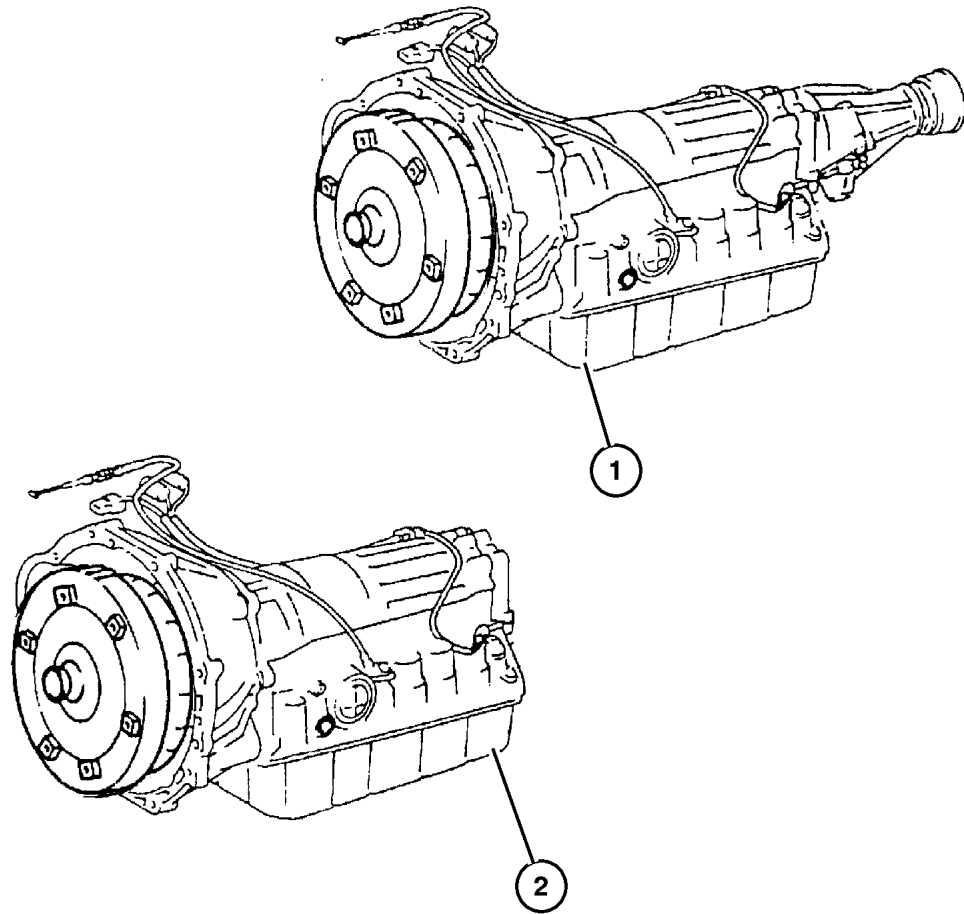
Gearshift Controls

Gearshift Controls AW4 (DGS) Fig. AW4-1210

<p>AW4-100 Transmission Assembly</p> 	<p>AW4-200 Case and Extension</p> 	<p>AW4-300 Oil Pump</p> 	<p>AW4-400 Gear Train</p> 
<p>AW4-500 Bands, Reverse and Kickdown</p> 	<p>AW4-700 Valve Body</p> 	<p>AW4-1200 Gearshift Controls</p> 	

**Transmission AW4 (DGS)
Figure AW4-110**

ITEM	PART NUMBER	QTY	LINE	SERIES	BODY	ENGINE	TRANS	TRIM	DESCRIPTION
Notes:									
ER0 = All 4.0L 6 Cylinder Gas Engines									
DGS = Aisin Warner 4 Speed Automatic Transmission									
1	52104 180AD	1	B, T			ER0	DGS		TRANSMISSION
2	52104 210AC	1	J, U				DGS		TRANSMISSION

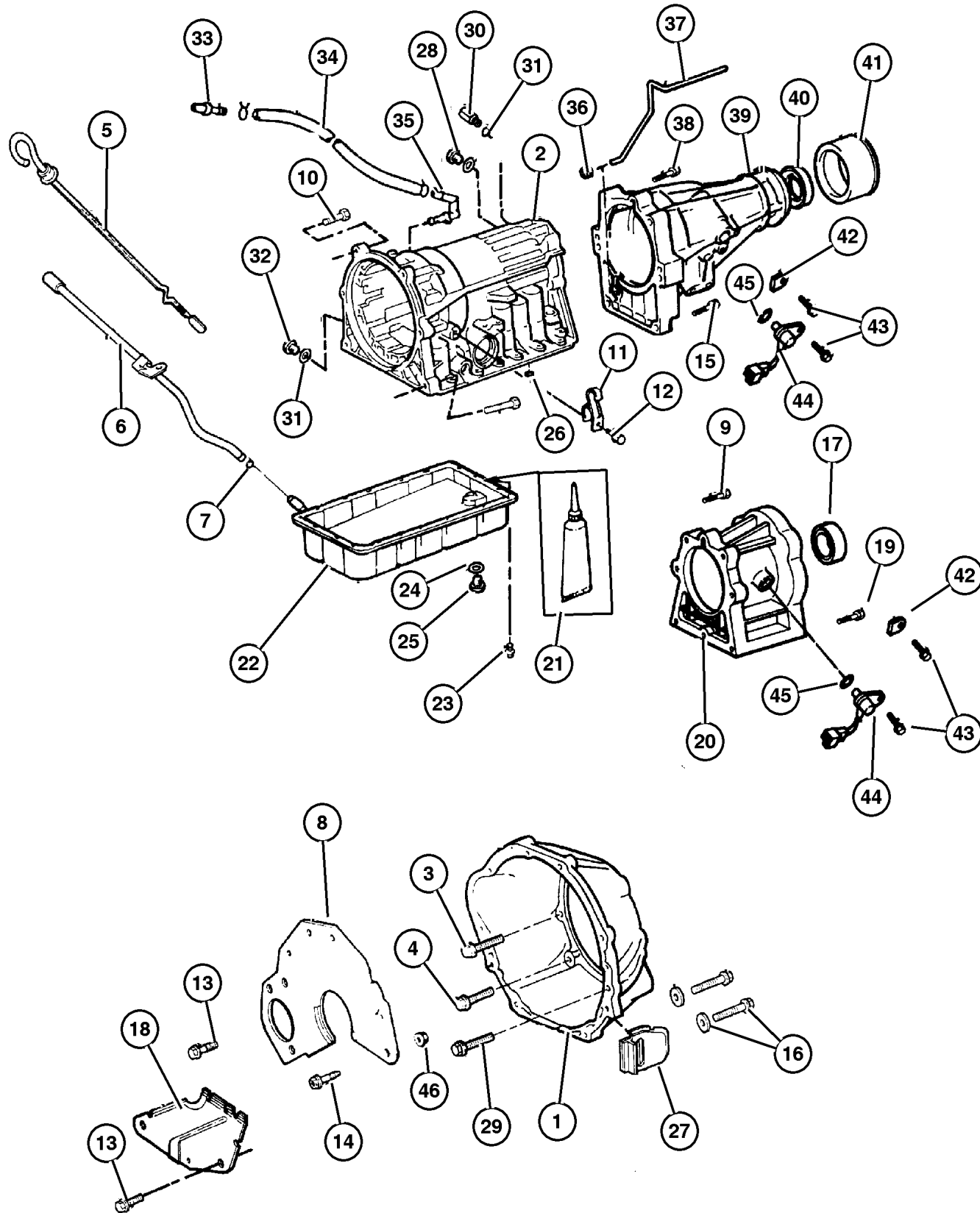


JEEP CHEROKEE (XJ)				
SERIES	LINE	BODY	ENGINE	TRANSMISSION
P=Classic	J=LHD (4WD)	74=4 Dr.(101.4WB)	ENC,EN0=2.5L 4 cyl. Turbo Die	DDD, DDQ=5 spd. Man.
S=Limited	U=RHD (4WD)	72=2 Dr.(101.4WB)	ERH,ER0=4.0L Power Tech I-6	DGS=4 spd. Auto. AISIN
H=Sport	T=LHD (2WD)		EPE,EP0=Magnum 2.5L SMPI	DG0=All Auto/Trans.
L=SE	B=RHD (2WD)			DBB=All Manual Trans.

AR = Use as required - = Non illustrated part # = New this model year

December 7, 2002

**Case and Related Parts AW4 (DGS)
Figure AW4-210**



ITEM	PART NUMBER	QTY	LINE	SERIES	BODY	ENGINE	TRANS	TRIM	DESCRIPTION
------	-------------	-----	------	--------	------	--------	-------	------	-------------

Notes:

ER0 = All 4.0l 6 Cylinder Gas Engines

DG0 = All Automatic Transmissions

DGS = Aisin Warner 4 Speed Automatic Transmission

1									HOUSING, Torque Converter
	8350 4062	1	B, T			ER0	DGS		
		1	J, U				DGS		
2	4897 731AA	1	B, T			ER0	DGS		CASE, Transmission
		1	J, U				DGS		
3	8350 3747	4	B, T			ER0	DGS		BOLT, M10x1.50x35
		4	J, U				DGS		
4	8350 3746	1	B, T			ER0	DGS		BOLT
		1	J, U				DGS		
5	5210 4146	1				ER0	DG0		INDICATOR, Transmission Fluid Level
6	#53002 870AB	1				ER0	DG0		TUBE, Filler
7	5300 3977	1				ER0	DG0		O RING, Indicator Tube Oil Level, Transmission
8	53004 907AB	1				ER0	DG0		COVER, Converter
9	4637 494	2	J, U				DGS		BOLT, M10x1.5x100
10	8350 3711	1	B, T			ER0	DGS		BOLT AND WASHER, M8x16
		1	J, U				DGS		
11	8350 3715	1	B, T			ER0	DGS		CLAMP, Transmission
		1	J, U				DGS		
12	8350 3746	1	B, T			ER0	DGS		BOLT
		1	J, U				DGS		
13	1150 2850	4				ER0	DG0		BOLT, Hex Flange Head, M8x1.25x20
14	1150 4922	2				ER0	DG0		BOLT, Hex Head, M12x1.75x50
15	4637 492	3	B, T			ER0	DGS		BOLT, Transmission Case
16									BOLT AND WASHER, M10x1.5, (NOT SERVICED) (Not Serviced)
17	8350 4048	1	B, T			ER0	DGS		SEAL, Transmission Case
	8350 4055	1	J, U				DGS		
18	52118 078AB	1				ER0	DG0		COVER, Transmission Dust

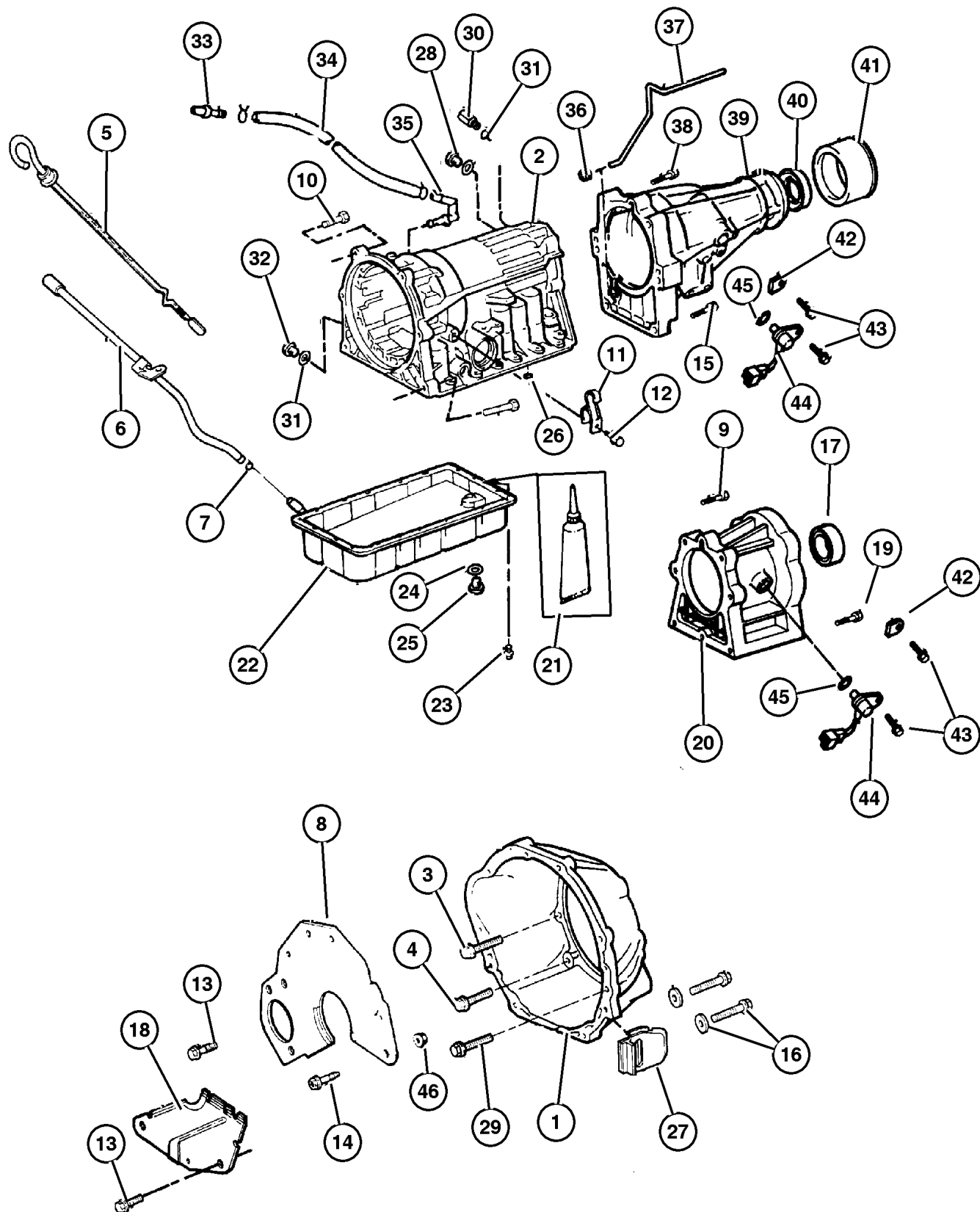
JEEP CHEROKEE (XJ)

SERIES	LINE	BODY	ENGINE	TRANSMISSION
P=Classic	J=LHD (4WD)	74=4 Dr.(101.4WB)	ENC,EN0=2.5L 4 cyl. Turbo Die	DDD, DDQ=5 spd. Man.
S=Limited	U=RHD (4WD)	72=2 Dr.(101.4WB)	ERH,ER0=4.0L Power Tech I-6	DGS=4 spd. Auto. AISIN
H=Sport	T=LHD (2WD)		EPE,EP0=Magnum 2.5L SMPI	DG0=All Auto/Trans.
L=SE	B=RHD (2WD)			DBB=All Manual Trans.

AR = Use as required - = Non illustrated part # = New this model year

December 7, 2002

Case and Related Parts AW4 (DGS)
Figure AW4-210



ITEM	PART NUMBER	QTY	LINE	SERIES	BODY	ENGINE	TRANS	TRIM	DESCRIPTION
19	4637 495	5	J, U				DGS		BOLT AND WASHER, M10x1.5x4
20	4897 739AA	1	J, U				DGS		ADAPTER, Transmission
21	5010 428AA	1	B, T			ER0	DGS		GASKET, Sealant
22	8350 4037	1	B, T			ER0	DGS		PAN, Transmission Oil
		1	J, U				DGS		
23	4637 548	19	B, T			ER0	DGS		BOLT, Oil Pan
		19	J, U				DGS		
24	8350 4040	1	B, T			ER0	DGS		GASKET, Drain Plug
		1	J, U				DGS		
25	8350 4041	1	J, U				DGS		PLUG, Transmission
		1	B, T			ER0	DGS		
26	5252 444	1	B, T			ER0	DGS		SEAL, Transmission
		1	J, U				DGS		
27	5211 7660	1				ER0	DG0		GROMMET, Timing Probe
28	8350 3749	2	B, T			ER0	DGS		PLUG, Transmission Case
29	4637 491	1	B, T			ER0	DGS		BOLT
		1	J, U				DGS		
30	8350 3728	2	B, T			ER0	DGS		UNION, Transmission Oil Cooler
		2	J, U				DGS		
31	8350 3727	2	B, T			ER0	DGS		O RING, Oil Cooler
		2	J, U				DGS		
32	8350 3749	2	B, T			ER0	DGS		PLUG, Transmission Case
		2	J, U				DGS		
33	8350 3729	1	B, T			ER0	DGS		BREATHER, Transmission
	8350 3737	1	J, U				DGS		
34	8350 3720	1	J, U				DGS		HOSE, Transmission Vent
35	4897 739AA	1	J, U				DGS		ADAPTER, Transmission
36	8350 4052	1	B, T			ER0	DGS		SEAL, Transmission Vent
37	8350 4334	2	B, T			ER0	DGS		TUBE, Valve Body
		2	J, U				DGS		
38	4637 493	4	B, T			ER0	DGS		BOLT AND WASHER, M10x1.5

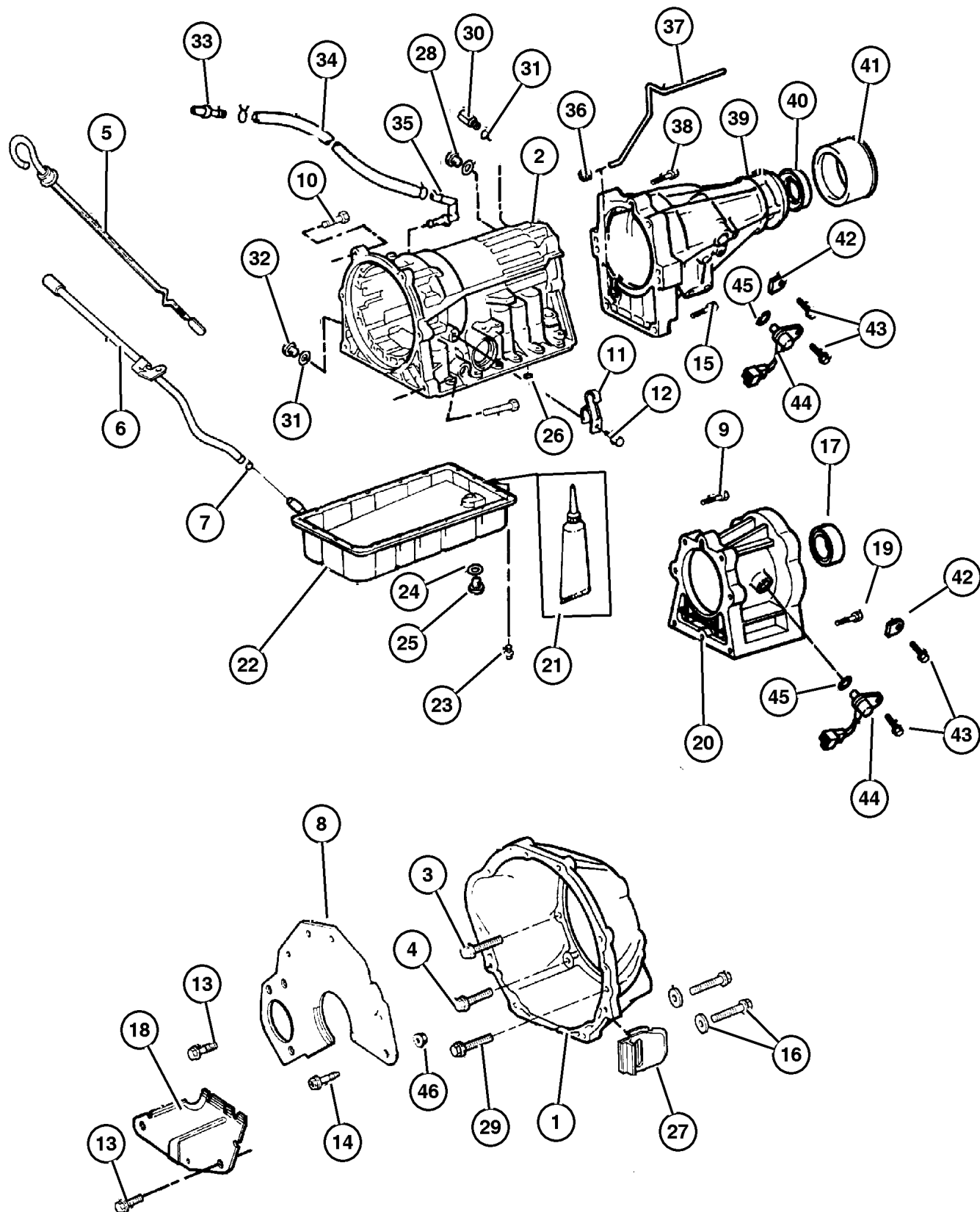
JEEP CHEROKEE (XJ)

SERIES	LINE	BODY	ENGINE	TRANSMISSION
P=Classic	J=LHD (4WD)	74=4 Dr.(101.4WB)	ENC,EN0=2.5L 4 cyl. Turbo Die	DDD, DDQ=5 spd. Man.
S=Limited	U=RHD (4WD)	72=2 Dr.(101.4WB)	ERH,ER0=4.0L Power Tech I-6	DGS=4 spd. Auto. AISIN
H=Sport	T=LHD (2WD)		EPE,EP0=Magnum 2.5L SMPI	DG0=All Auto/Trans.
L=SE	B=RHD (2WD)			DBB=All Manual Trans.

AR = Use as required - = Non illustrated part # = New this model year

December 7, 2002

Case and Related Parts AW4 (DGS)
Figure AW4-210



ITEM	PART NUMBER	QTY	LINE	SERIES	BODY	ENGINE	TRANS	TRIM	DESCRIPTION
39	4897 736AB	1	B, T			ER0	DGS		CASE, Transmission Rear
40	8350 4048	1	B, T			ER0	DGS		SEAL, Transmission Case
	8350 4055	1	J, U				DGS		
41	8350 4050	1	B, T			ER0	DGS		DEFLECTOR, Transfer Case Dust
42									PLATE, Retaining
	8350 3717	1	B, T			ER0	DGS		
		1	J, U				DGS		
43									SCREW AND CONED WASHER, Hex Head, M6x1.00x16.00
	3420 1808	AR	B, T			ER0	DGS		
		AR	J, U				DGS		
44									SENSOR, Vehicle Speed
	4897 734AA	2	B, T			ER0	DGS		
		2	J, U				DGS		
45									O RING, Trans Speedo Adapter
	5010 301AA	1	B, T			ER0	DGS		
		1	J, U				DGS		
46	6502 697	2				ER0			NUT, Hex Flange Lock, M12x1.75

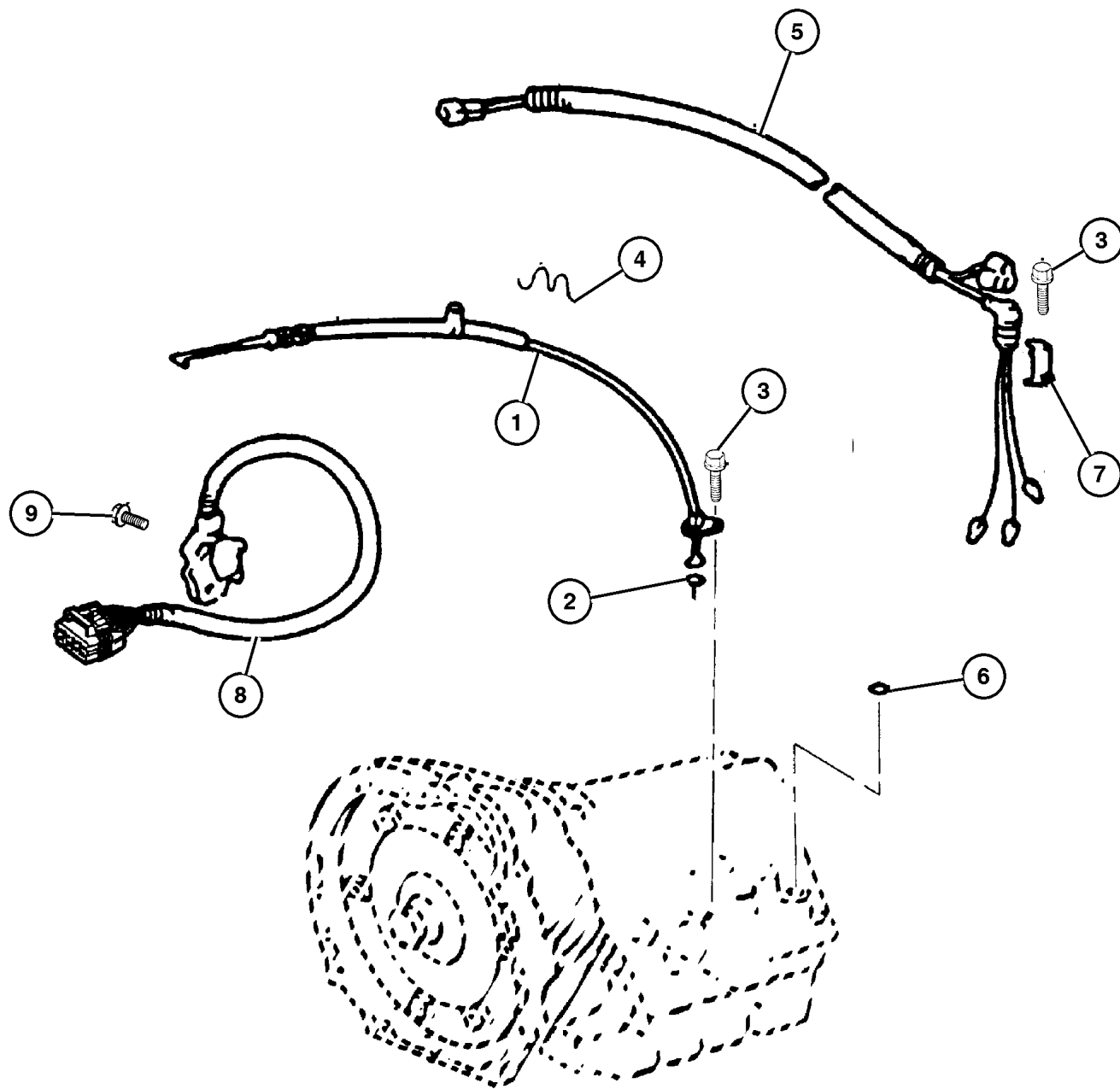
JEEP CHEROKEE (XJ)

SERIES	LINE	BODY	ENGINE	TRANSMISSION
P=Classic	J=LHD (4WD)	74=4 Dr.(101.4WB)	ENC,EN0=2.5L 4 cyl. Turbo Die	DDD, DDQ=5 spd. Man.
S=Limited	U=RHD (4WD)	72=2 Dr.(101.4WB)	ERH,ER0=4.0L Power Tech I-6	DGS=4 spd. Auto. AISIN
H=Sport	T=LHD (2WD)		EPE,EP0=Magnum 2.5L SMPI	DG0=All Auto/Trans.
L=SE	B=RHD (2WD)			DBB=All Manual Trans.

AR = Use as required - = Non illustrated part # = New this model year

December 7, 2002

**Linkage AW4 (DGS)
Figure AW4-220**



ITEM	PART NUMBER	QTY	LINE	SERIES	BODY	ENGINE	TRANS	TRIM	DESCRIPTION
Notes:									
ER0 = All 4.0l 6 Cylinder Gas Engines									
DGS = Aisin Warner 4 Speed Automatic Transmission									
1	5207 7578	1	B, T			ER0	DGS		CABLE, Throttle Control
		1	J, U				DGS		
2	8350 3708	1	B, T			ER0	DGS		O RING, Throttle Cable
		1	J, U				DGS		
3	3420 1808	AR	B, T			ER0	DGS		SCREW AND CONED WASHER, Hex Head, M6x1.00x16.00
		1	J, U				DGS		
4	8350 3710	1	B, T			ER0	DGS		RETAINER, Throttle Cable Retention
		1	J, U				DGS		
5	4897 742AA	1	B, T			ER0	DGS		HARNESS, Valve Body Solenoid
		1	J, U				DGS		
6	8350 3719	1	B, T			ER0	DGS		O RING, Solenoid Connector Seal, Transmission
		1	J, U				DGS		
7	8350 3717	1	B, T			ER0	DGS		PLATE, Retaining
		1	J, U				DGS		
8	4882 173	1	B, T			ER0	DGS		SWITCH, Neutral, Safety, Back Up
		1	J, U				DGS		
9	8350 3714	1	B, T			ER0	DGS		BOLT, M8x1.25x30
		1	J, U				DGS		

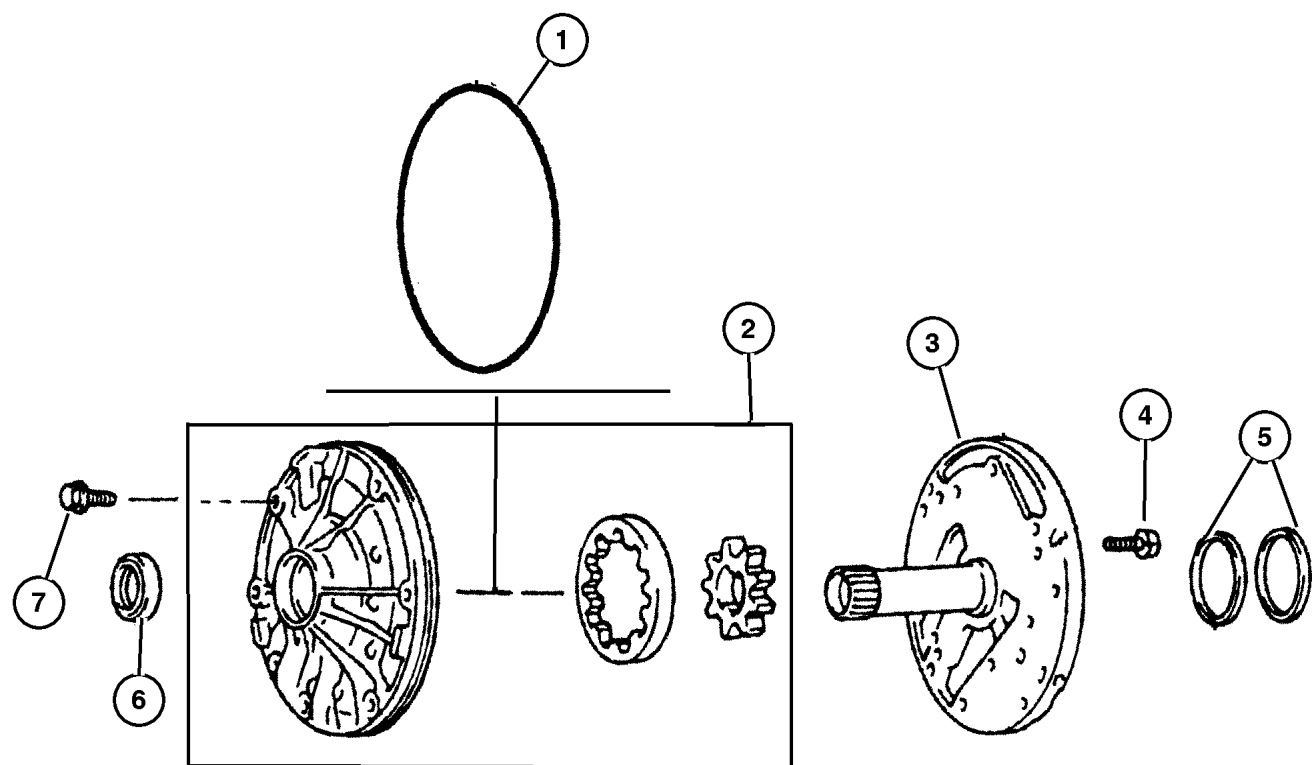
JEEP CHEROKEE (XJ)

SERIES	LINE	BODY	ENGINE	TRANSMISSION
P=Classic	J=LHD (4WD)	74=4 Dr.(101.4WB)	ENC,EN0=2.5L 4 cyl. Turbo Die	DDD, DDQ=5 spd. Man.
S=Limited	U=RHD (4WD)	72=2 Dr.(101.4WB)	ERH,ER0=4.0L Power Tech I-6	DGS=4 spd. Auto. AISIN
H=Sport	T=LHD (2WD)		EPE,EP0=Magnum 2.5L SMPI	DG0=All Auto/Trans.
L=SE	B=RHD (2WD)			DBB=All Manual Trans.

AR = Use as required - = Non illustrated part # = New this model year

December 7, 2002

Oil Pump AW4 (DGS) Figure AW4-310



ITEM	PART NUMBER	QTY	LINE	SERIES	BODY	ENGINE	TRANS	TRIM	DESCRIPTION
Notes:									
ER0 = All 4.0l 6 Cylinder Gas Engines									
DGS = Aisin Warner 4 Speed Automatic Transmission									
1	8350 3758	1	B, T			ER0	DGS		O RING, Transmission Pump Assy
		1	J, U				DGS		
2	8350 4283	1	B, T			ER0	DGS		HOUSING, Pump
		1	J, U				DGS		
3	4626 166	1	B, T			ER0	DGS		STATOR, Support
		1	J, U				DGS		
4	4626 167	13	B, T			ER0	DGS		BOLT AND WASHER, Hex Head, M6x1.0x16
		13	J, U				DGS		
5	8350 3757	4	B, T			ER0	DGS		SEAL, Pump Reaction Shaft
		2	J, U				DGS		
6	8350 3752	1	B, T			ER0	DGS		SEAL, Transmission Oil Pump
		1	J, U				DGS		
7	8350 3759	7	B, T			ER0	DGS		BOLT
		7	J, U				DGS		

JEEP CHEROKEE (XJ)

SERIES	LINE	BODY	ENGINE	TRANSMISSION
P=Classic	J=LHD (4WD)	74=4 Dr.(101.4WB)	ENC,EN0=2.5L 4 cyl. Turbo Die	DDD, DDQ=5 spd. Man.
S=Limited	U=RHD (4WD)	72=2 Dr.(101.4WB)	ERH,ER0=4.0L Power Tech I-6	DGS=4 spd. Auto. AISIN
H=Sport	T=LHD (2WD)		EPE,EP0=Magnum 2.5L SMPI	DG0=All Auto/Trans.
L=SE	B=RHD (2WD)			DBB=All Manual Trans.

AR = Use as required - = Non illustrated part # = New this model year

December 7, 2002

**Overdrive Clutch AW4 (DGS)
Figure AW4-410**

ITEM	PART NUMBER	QTY	LINE	SERIES	BODY	ENGINE	TRANS	TRIM	DESCRIPTION
------	-------------	-----	------	--------	------	--------	-------	------	-------------

Notes:

ER0 = All 4.0l 6 Cylinder Gas Engines

DGS = Aisin Warner 4 Speed Automatic Transmission

1									OVERDRIVE PACKAGE, Support and Piston
	5016 293AA	1	B, T			ER0	DGS		
		1	J, U				DGS		
2	4796 568	2	B, T			ER0	DGS		BOLT, Overdrive Support
		2	J, U				DGS		
3	8350 3801	1	B, T			ER0	DGS		RACE, Thrust Bearing
		1	J, U				DGS		
4	8350 3757	4	B, T			ER0	DGS		SEAL, Pump Reaction Shaft
		2	J, U				DGS		
5									O RING, O/Drive Support Outer, Transmission
	4636 782	1	B, T			ER0	DGS		
		1	J, U				DGS		
6									SPRING, Overdrive Brake Return
	5011 234AA	1	B, T			ER0	DGS		
		1	J, U				DGS		
7									THRUST BEARING PACKAGE, Overdrive
	4637 023	1	B, T			ER0	DGS		
		1	J, U				DGS		
8									O RING, O/Drive Support Inner, Transmission
	4636 783	1	B, T			ER0	DGS		
		1	J, U				DGS		
9									GEAR PACKAGE, Planetary Overdrive
	4886 128AA	1	B, T			ER0	DGS		
		1	J, U				DGS		
10									RACE, Thrust Bearing
	8350 3916	1	B, T			ER0	DGS		
		1	J, U				DGS		
11									THRUST BEARING
	8350 3802	1	B, T			ER0	DGS		
		1	J, U				DGS		
12									RACE, Thrust Bearing

JEEP CHEROKEE (XJ)

SERIES
P=Classic
S=Limited
H=Sport
L=SE

LINE
J=LHD (4WD)
U=RHD (4WD)
T=LHD (2WD)
B=RHD (2WD)

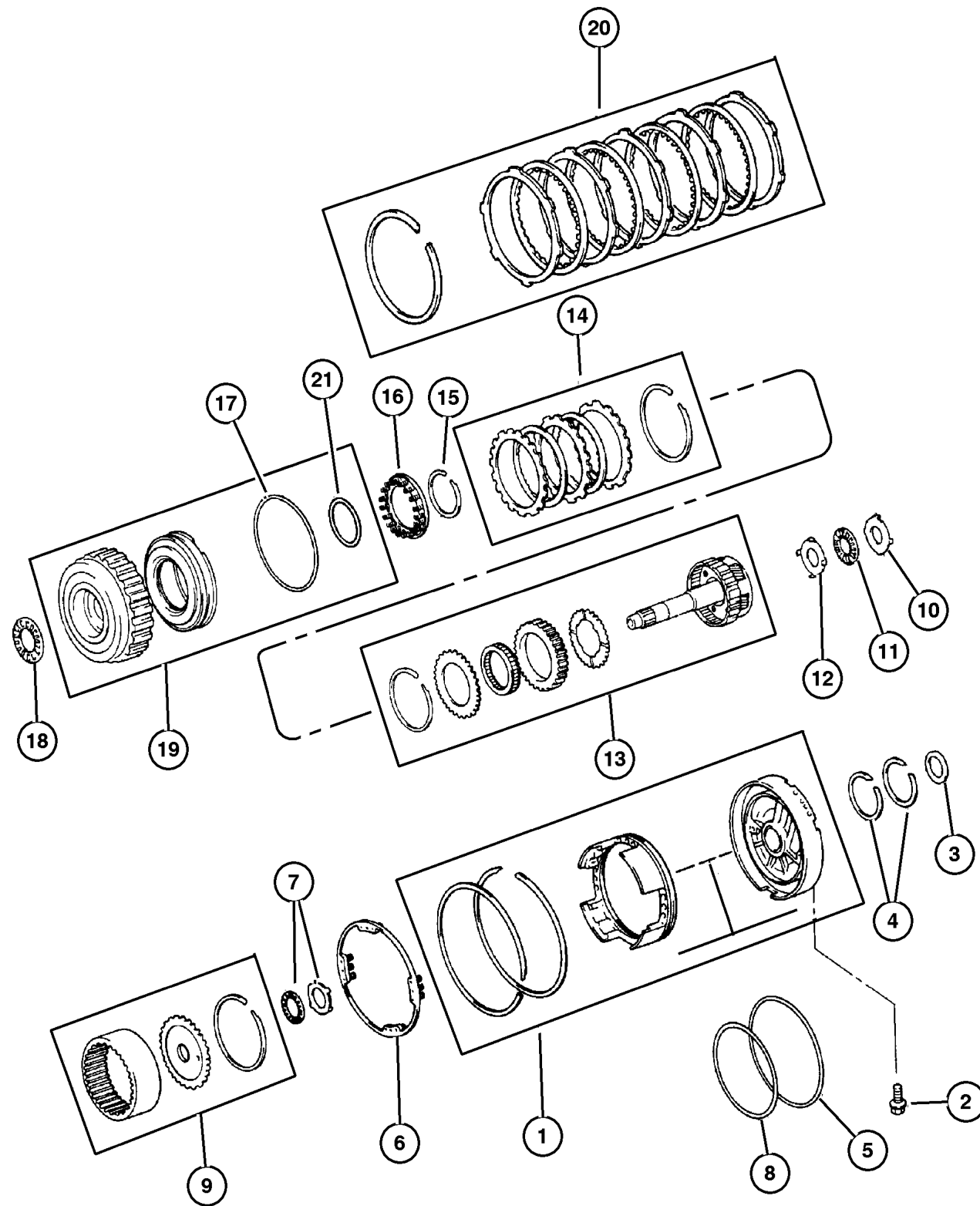
BODY
74=4 Dr.(101.4WB)
72=2 Dr.(101.4WB)

ENGINE
ENC,EN0=2.5L 4 cyl. Turbo Die
ERH,ER0=4.0L Power Tech I-6
EPE,EP0=Magnum 2.5L SMPI

TRANSMISSION
DDD, DDQ=5 spd. Man.
DGS=4 spd. Auto. AISIN
DG0=All Auto/Trans.
DBB=All Manual Trans.

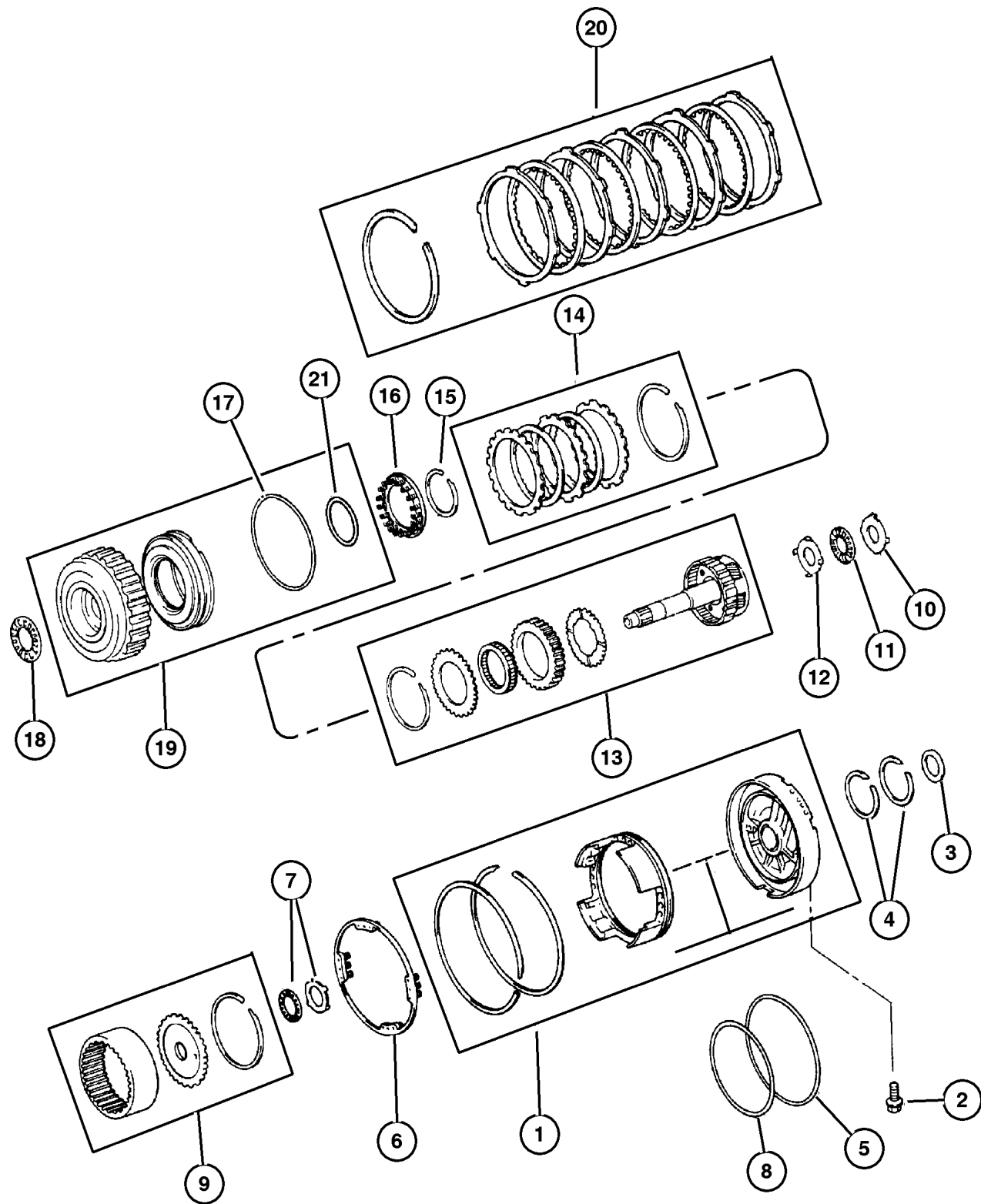
AR = Use as required - = Non illustrated part # = New this model year

December 7, 2002



Overdrive Clutch AW4 (DGS)
Figure AW4-410

ITEM	PART NUMBER	QTY	LINE	SERIES	BODY	ENGINE	TRANS	TRIM	DESCRIPTION
	8350 3915	1	B, T			ER0	DGS		
13		1	J, U				DGS		GEAR PACKAGE, Planetary Overdrive
	4637 024	1	B, T			ER0	DGS		
14		1	J, U				DGS		CLUTCH PACKAGE, Direct Clutch
	4886 043AA	1	B, T			ER0	DGS		
		1	J, U				DGS		
15									SNAP RING
	8350 3810	1	B, T			ER0	DGS		
		1	J, U				DGS		
16									SPRING, Piston Return
	8350 3928	1	B, T			ER0	DGS		
		1	J, U				DGS		
17									O RING, Transmission Clutch Piston Outer
	8350 3926	1	B, T			ER0	DGS		
		1	J, U				DGS		
18									BEARING, (NOT SERVICED) (Not Serviced)
19									DRUM PACKAGE, Transmission
	4637 025AB	1	B, T			ER0	DGS		
		1	J, U				DGS		
20									DISC AND PLATE PACKAGE
	4886 126AA	1	B, T			ER0	DGS		
	4883 921AA	1	J, U				DGS		
21									O RING, Transmission Clutch Piston Inner
	8350 3811	1	B, T			ER0	DGS		
		1	J, U				DGS		



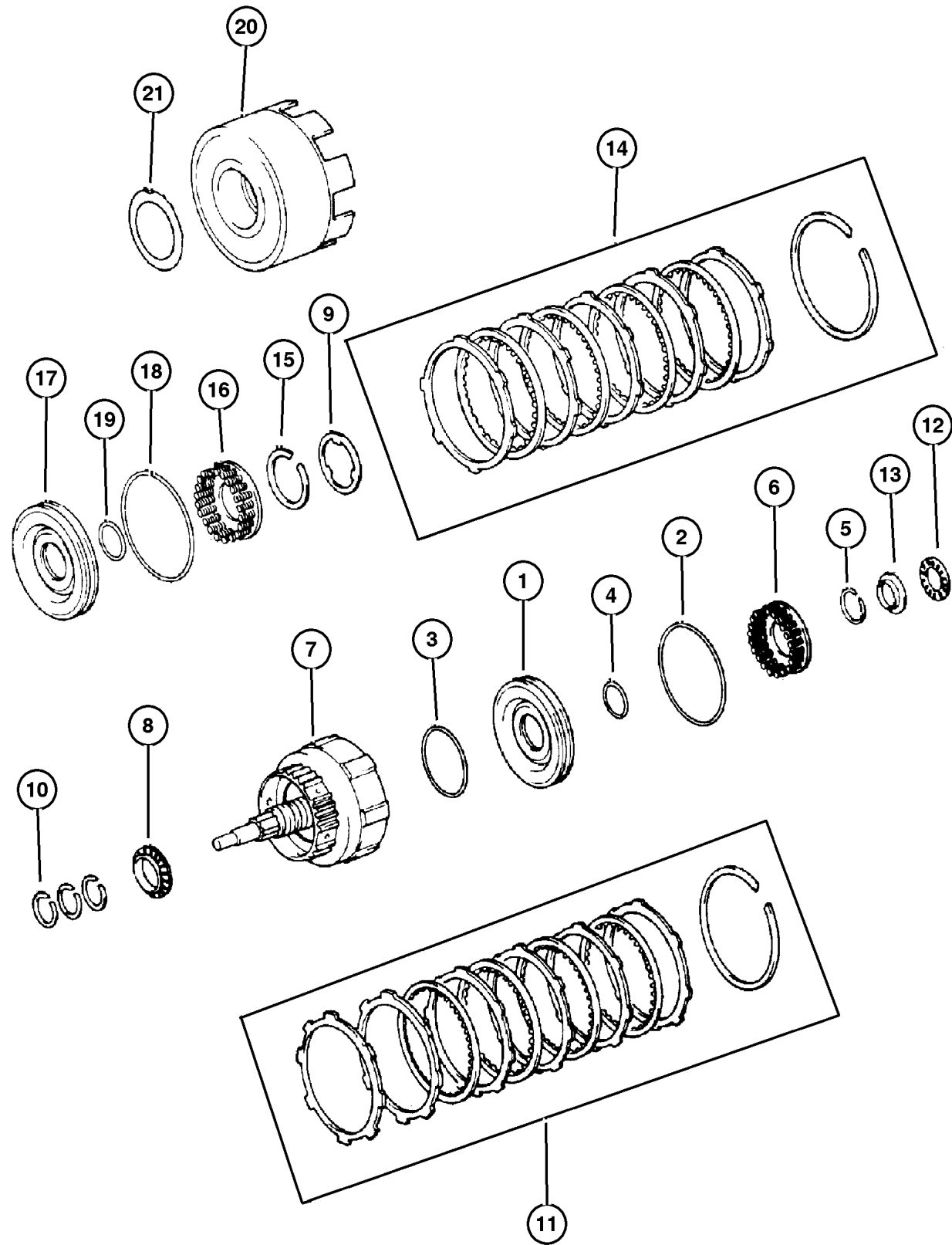
JEEP CHEROKEE (XJ)

SERIES	LINE	BODY	ENGINE	TRANSMISSION
P=Classic	J=LHD (4WD)	74=4 Dr.(101.4WB)	ENC,EN0=2.5L 4 cyl. Turbo Die	DDD, DDQ=5 spd. Man.
S=Limited	U=RHD (4WD)	72=2 Dr.(101.4WB)	ERH,ER0=4.0L Power Tech I-6	DGS=4 spd. Auto. AISIN
H=Sport	T=LHD (2WD)		EPE,EP0=Magnum 2.5L SMPI	DG0=All Auto/Trans.
L=SE	B=RHD (2WD)			DBB=All Manual Trans.

AR = Use as required - = Non illustrated part # = New this model year

December 7, 2002

**Clutches, Forward and Direct AW4 (DGS)
Figure AW4-420**



ITEM	PART NUMBER	QTY	LINE	SERIES	BODY	ENGINE	TRANS	TRIM	DESCRIPTION
Notes:									
ER0 = All 4.0l 6 Cylinder Gas Engines									
DGS = Aisin Warner 4 Speed Automatic Transmission									
1	4636 683	1	B, T			ER0	DGS		PISTON, Clutch
		1	J, U				DGS		
2	4637 006	1	B, T			ER0	DGS		O RING, Transmission Clutch
		1	J, U				DGS		
3	4626 170	1	B, T			ER0	DGS		O RING, Transmission Clutch
		1	J, U				DGS		
4	4626 176	1	B, T			ER0	DGS		O RING, Transmission Clutch
	4626 170	1	J, U				DGS		
5	8350 3792	1	B, T			ER0	DGS		SNAP RING
		1	J, U				DGS		
6	8350 3793	1	B, T			ER0	DGS		SPRING, Clutch
		1	J, U				DGS		
7	4626 169	1	B, T			ER0	DGS		INPUT SHAFT, Transmission
		1	J, U				DGS		
8	8350 3785	1	B, T			ER0	DGS		BEARING, Forward Clutch
		1	J, U				DGS		
9	8350 3825	1	B, T			ER0	DGS		THRUST WASHER, Direct Clutch
		1	J, U				DGS		
10	8350 3799	3	B, T			ER0	DGS		SEAL, Input Shaft
		3	J, U				DGS		
11	4637 022	1	B, T			ER0	DGS		CLUTCH, Front
		1	J, U				DGS		
12	8350 3802	1	B, T			ER0	DGS		THRUST BEARING
		1	J, U				DGS		
13	8350 3800	1	B, T			ER0	DGS		RACE, Thrust Bearing 52104180AB
		1	J, U				DGS		
14									CLUTCH PACKAGE, Direct Clutch

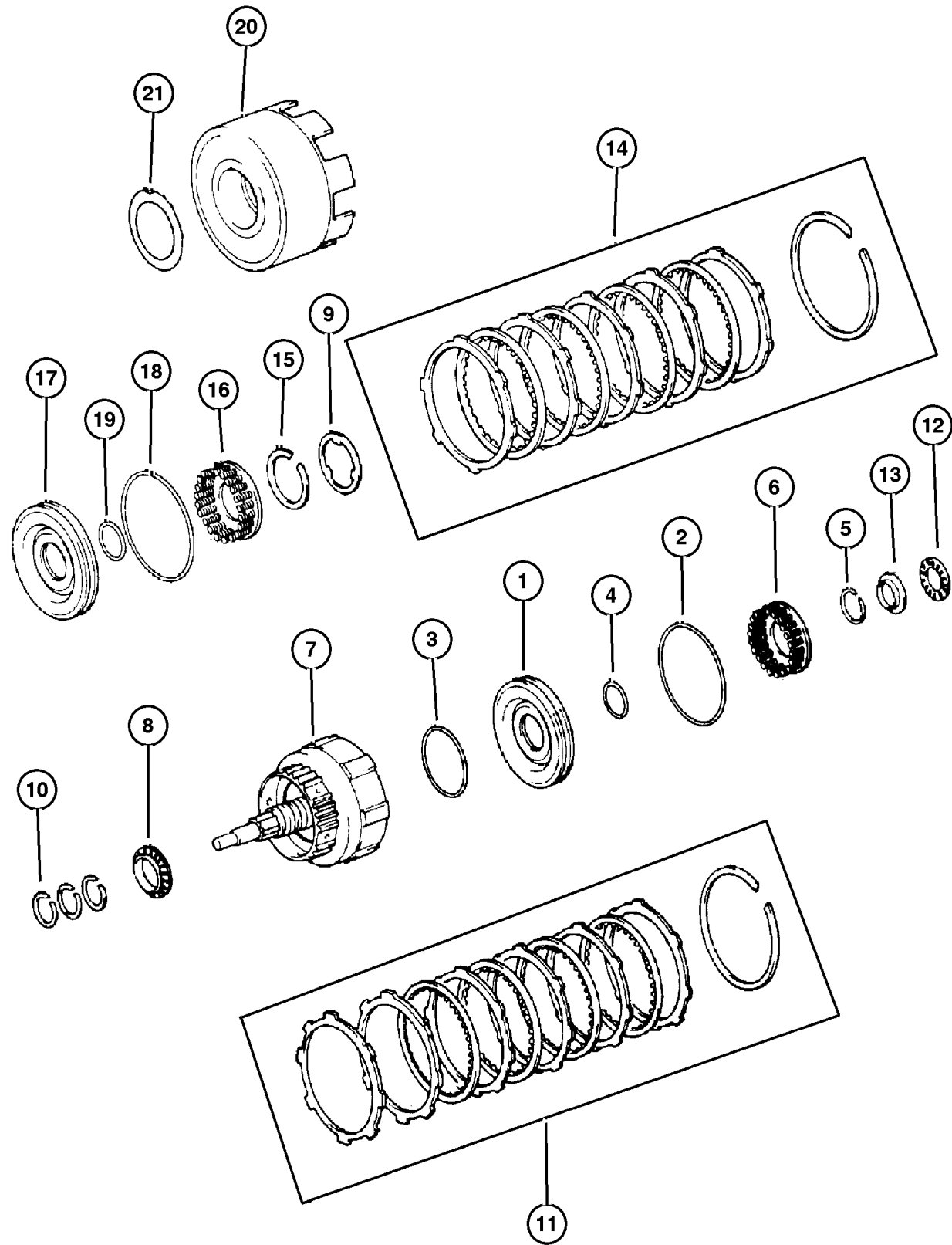
JEEP CHEROKEE (XJ)

SERIES	LINE	BODY	ENGINE	TRANSMISSION
P=Classic	J=LHD (4WD)	74=4 Dr.(101.4WB)	ENC,EN0=2.5L 4 cyl. Turbo Die	DDD, DDQ=5 spd. Man.
S=Limited	U=RHD (4WD)	72=2 Dr.(101.4WB)	ERH,ER0=4.0L Power Tech I-6	DGS=4 spd. Auto. AISIN
H=Sport	T=LHD (2WD)		EPE,EP0=Magnum 2.5L SMPI	DG0=All Auto/Trans.
L=SE	B=RHD (2WD)			DBB=All Manual Trans.

AR = Use as required - = Non illustrated part # = New this model year

December 7, 2002

**Clutches, Forward and Direct AW4 (DGS)
Figure AW4-420**



ITEM	PART NUMBER	QTY	LINE	SERIES	BODY	ENGINE	TRANS	TRIM	DESCRIPTION
	4886 043AA	1	B, T			ER0	DGS		
15		1	J, U				DGS		SNAP RING
	8350 3792	1	B, T			ER0	DGS		
		1	J, U				DGS		
16		1	B, T			ER0	DGS		SPRING, Clutch
	8350 3793	1	J, U				DGS		
17		1	B, T			ER0	DGS		PISTON, Clutch
	4636 683	1	J, U				DGS		
18		1	B, T			ER0	DGS		O RING, Transmission Clutch
	4637 006	1	J, U				DGS		
19		AR	B, T				DGS		O RING, Transmission Clutch Piston Inner
	8350 3811	1	J, U			ER0	DGS		52104180AB
20		1	B, T				DGS		DRUM, Automatic Transmission
	4883 917AA	1	J, U			ER0	DGS		
21		1	B, T				DGS		THRUST WASHER, Direct Clutch, (NOT SERVICED) (Not Serviced)

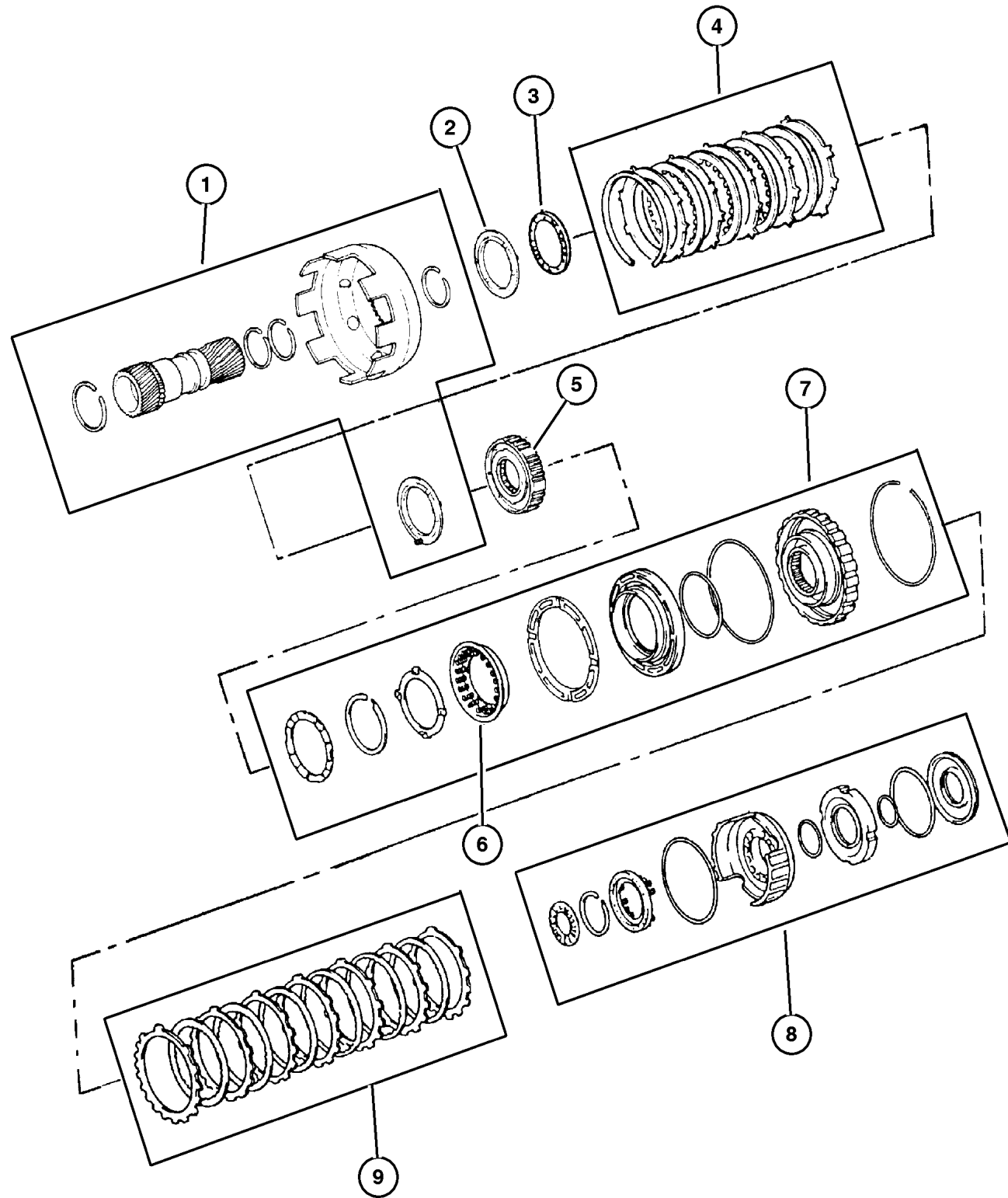
JEEP CHEROKEE (XJ)

SERIES	LINE	BODY	ENGINE	TRANSMISSION
P=Classic	J=LHD (4WD)	74=4 Dr.(101.4WB)	ENC,EN0=2.5L 4 cyl. Turbo Die	DDD, DDQ=5 spd. Man.
S=Limited	U=RHD (4WD)	72=2 Dr.(101.4WB)	ERH,ER0=4.0L Power Tech I-6	DGS=4 spd. Auto. AISIN
H=Sport	T=LHD (2WD)		EPE,EP0=Magnum 2.5L SMPI	DG0=All Auto/Trans.
L=SE	B=RHD (2WD)			DBB=All Manual Trans.

AR = Use as required - = Non illustrated part # = New this model year

December 7, 2002

**Clutch and Sun Gear AW4 (DGS)
Figure AW4-430**



ITEM	PART NUMBER	QTY	LINE	SERIES	BODY	ENGINE	TRANS	TRIM	DESCRIPTION
Notes:									
ER0 = All 4.0l 6 Cylinder Gas Engines									
DGS = Aisin Warner 4 Speed Automatic Transmission									
1	4637 035	1	B, T			ER0	DGS		GEAR PACKAGE, Sun
		1	J, U				DGS		
2	8350 3872	1	J, U				DGS		RACE, Thrust Bearing
		1	B, T			ER0	DGS		
3	8350 3878	1	J, U				DGS		THRUST BEARING, Needle Roller
		1	B, T			ER0	DGS		
4									REPAIR PACKAGE, 2nd Brake Coast
	4886 124AA	1	J, U				DGS		
		1	B, T			ER0	DGS		
5									CLUTCH, Overrunning
	4637 008	1	J, U				DGS		
		1	B, T			ER0	DGS		
6	8350 3837	1	J, U				DGS		SPRING, Return 2nd Brake
		1	B, T			ER0	DGS		
7									REPAIR PACKAGE, 2nd Brake Coast
	4636 979	1	J, U				DGS		
		1	B, T			ER0	DGS		
8	4637 032	1	J, U				DGS		GEAR PACKAGE, First And Reverse
		1	B, T			ER0	DGS		
9	4883 921AA	1	J, U				DGS		DISC AND PLATE PACKAGE
		1	B, T			ER0	DGS		

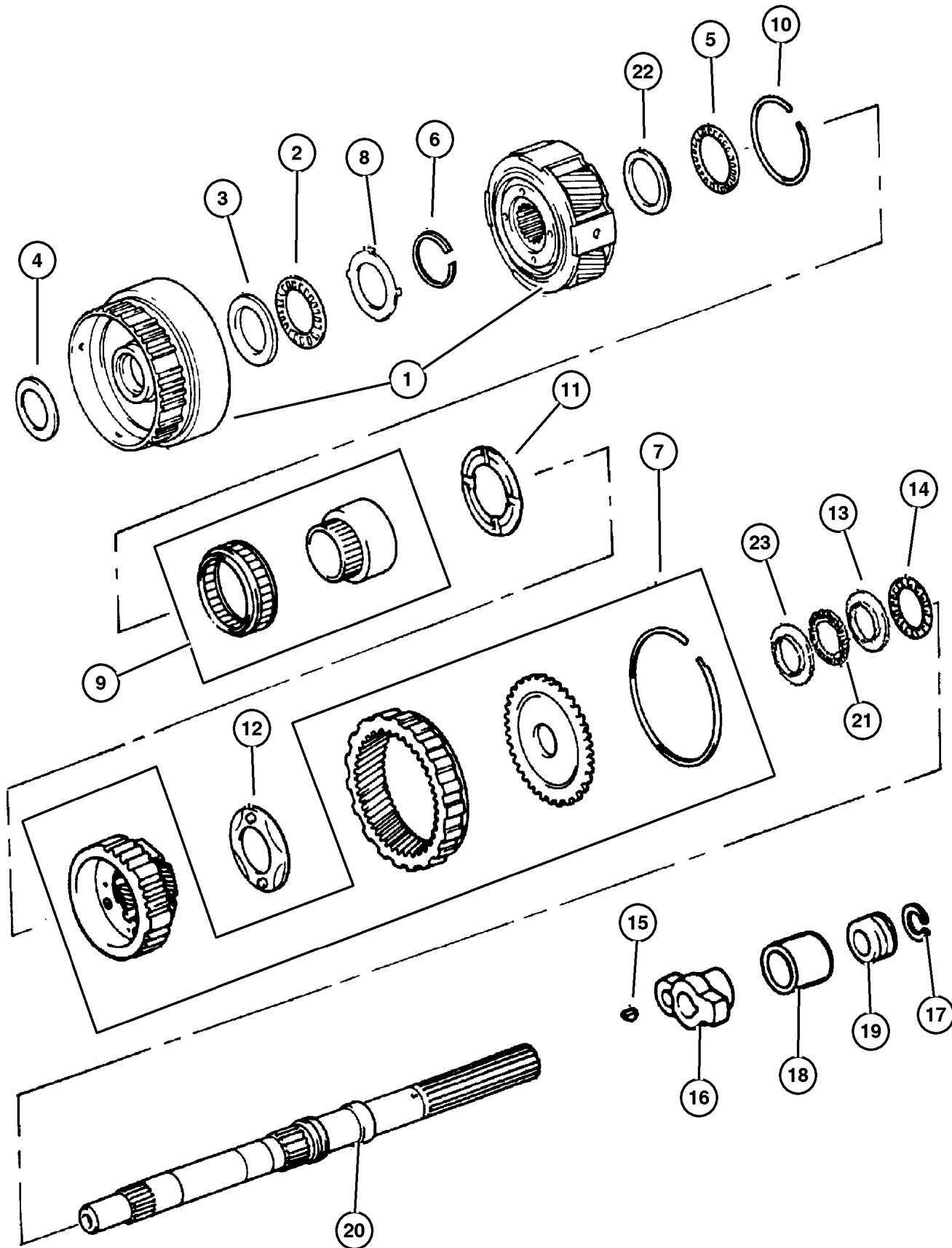
JEEP CHEROKEE (XJ)

SERIES	LINE	BODY	ENGINE	TRANSMISSION
P=Classic	J=LHD (4WD)	74=4 Dr.(101.4WB)	ENC,EN0=2.5L 4 cyl. Turbo Die	DDD, DDQ=5 spd. Man.
S=Limited	U=RHD (4WD)	72=2 Dr.(101.4WB)	ERH,ER0=4.0L Power Tech I-6	DGS=4 spd. Auto. AISIN
H=Sport	T=LHD (2WD)		EPE,EP0=Magnum 2.5L SMPI	DG0=All Auto/Trans.
L=SE	B=RHD (2WD)			DBB=All Manual Trans.

AR = Use as required - = Non illustrated part # = New this model year

December 7, 2002

**Gear Train AW4 (DGS)
Figure AW4-440**



ITEM	PART NUMBER	QTY	LINE	SERIES	BODY	ENGINE	TRANS	TRIM	DESCRIPTION
Notes:									
ER0 = All 4.0L 6 Cylinder Gas Engines									
DGS = Aisin Warner 4 Speed Automatic Transmission									
1	8350 4326	1	B, T			ER0	DGS		GEAR, Planetary
		1	J, U				DGS		
2	8350 3802	1	B, T			ER0	DGS		THRUST BEARING
		1	J, U				DGS		
3	4637 023	1	B, T			ER0	DGS		THRUST BEARING PACKAGE, Overdrive
		1	J, U				DGS		
4	8350 3801	1	B, T			ER0	DGS		RACE, Thrust Bearing
		1	J, U				DGS		
5	8350 3878	1	B, T			ER0	DGS		THRUST BEARING, Needle Roller
		1	J, U				DGS		
6	8350 3879	1	B, T			ER0	DGS		SNAP RING
		1	J, U				DGS		
7	4886 128AA	1	J, U				DGS		GEAR PACKAGE, Planetary Overdrive
		1	B, T			ER0	DGS		
8	4637 023	1	B, T			ER0	DGS		THRUST BEARING PACKAGE, Overdrive
		1	J, U				DGS		
9	4637 036	1	B, T			ER0	DGS		CLUTCH PACKAGE
		1	J, U				DGS		
10	8350 3890	1	B, T			ER0	DGS		SNAP RING
		1	J, U				DGS		
11	8350 3891	1	B, T			ER0	DGS		THRUST WASHER, Planetary Carrier
		1	J, U				DGS		
12									THRUST WASHER, Planetary Carrier

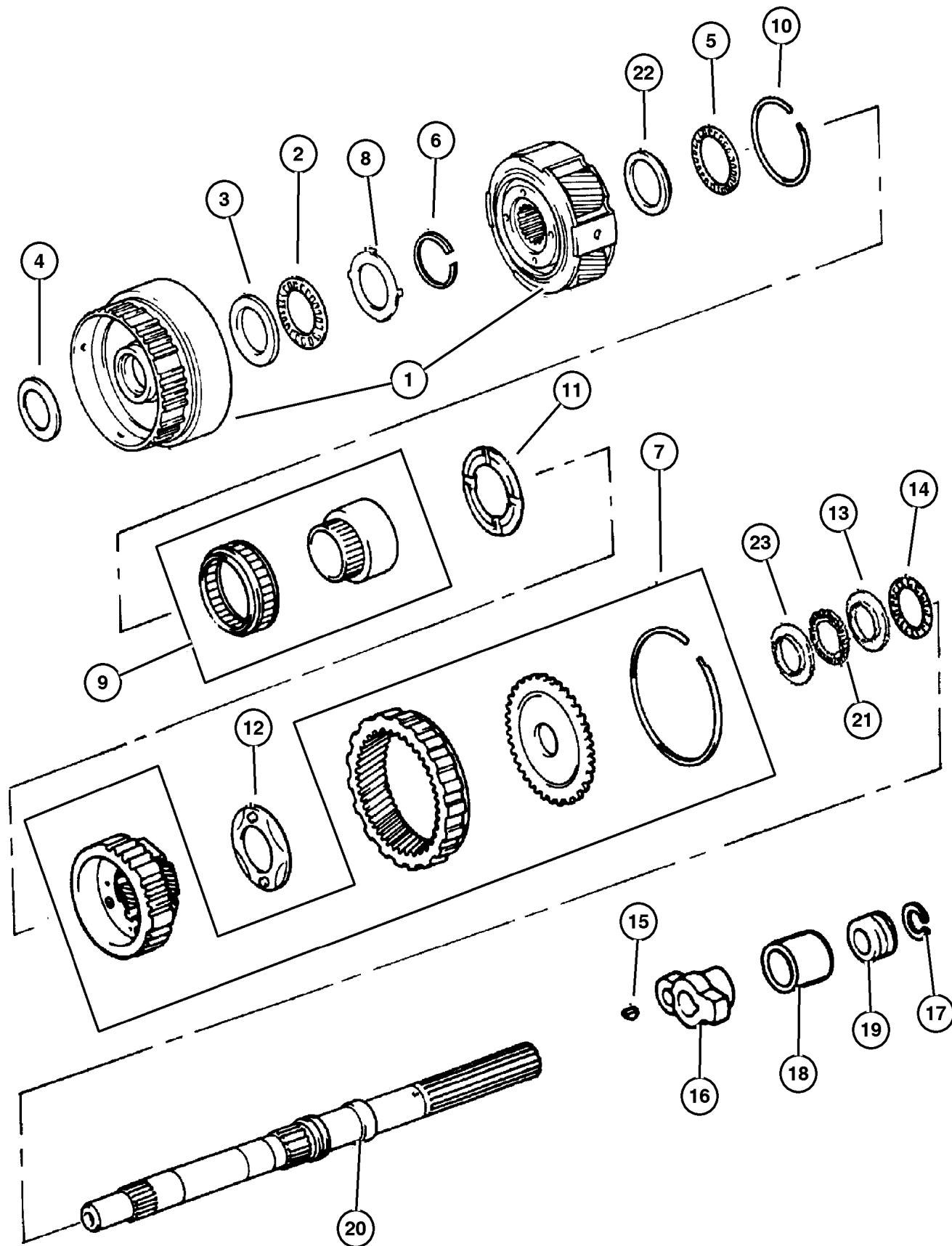
JEEP CHEROKEE (XJ)

SERIES	LINE	BODY	ENGINE	TRANSMISSION
P=Classic	J=LHD (4WD)	74=4 Dr.(101.4WB)	ENC,EN0=2.5L 4 cyl. Turbo Die	DDD, DDQ=5 spd. Man.
S=Limited	U=RHD (4WD)	72=2 Dr.(101.4WB)	ERH,ER0=4.0L Power Tech I-6	DGS=4 spd. Auto. AISIN
H=Sport	T=LHD (2WD)		EPE,EP0=Magnum 2.5L SMPI	DG0=All Auto/Trans.
L=SE	B=RHD (2WD)			DBB=All Manual Trans.

AR = Use as required - = Non illustrated part # = New this model year

December 7, 2002

**Gear Train AW4 (DGS)
Figure AW4-440**



ITEM	PART NUMBER	QTY	LINE	SERIES	BODY	ENGINE	TRANS	TRIM	DESCRIPTION
	8350 3893	1	B, T			ER0	DGS		
		1	J, U				DGS		
13	8350 3887	1	B, T			ER0	DGS		RACE, Thrust Bearing
		1	J, U				DGS		
14	8350 3897	1	B, T			ER0	DGS		THRUST BEARING, Needle Roller
		1	J, U				DGS		
15									KEY, Woodruff
	8350 3947	1	B, T			ER0	DGS		
		1	J, U				DGS		
16									SENSOR, Transmission Output Speed
	4897 740AA	1	J, U				DGS		
	4897 740AB	1	B, T			ER0	DGS		
17									SNAP RING
	8350 3943	1	J, U				DGS		
	8350 3945	1	B, T			ER0	DGS		
18	8350 3705	1	B, T			ER0	DGS		SPACER, Speedometer Gear
19	8350 3704	1	B, T			ER0	DGS		GEAR, Speedometer Drive
20									MAINSHAFT, Transmission
	8350 3944	1	B, T			ER0	DGS		
	4636 789	1	J, U				DGS		
21									THRUST BEARING, Needle Roller
	8350 3885	1	B, T			ER0	DGS		
		1	J, U				DGS		
22									RACE, Thrust Bearing
	8350 3877	1	B, T			ER0	DGS		
		1	J, U				DGS		
23									RACE, Thrust Bearing
	8350 3886	1	B, T			ER0	DGS		
		1	J, U				DGS		

JEEP CHEROKEE (XJ)

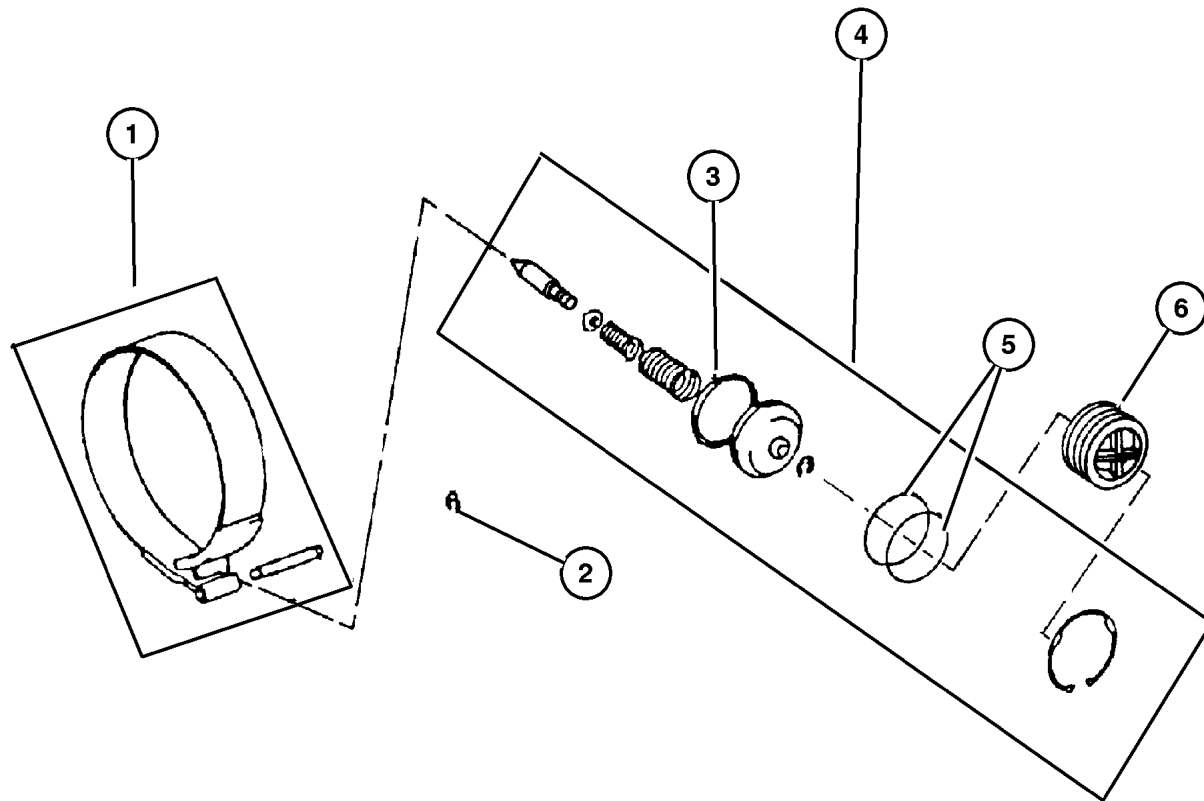
SERIES	LINE	BODY	ENGINE	TRANSMISSION
P=Classic	J=LHD (4WD)	74=4 Dr.(101.4WB)	ENC,EN0=2.5L 4 cyl. Turbo Die	DDD, DDQ=5 spd. Man.
S=Limited	U=RHD (4WD)	72=2 Dr.(101.4WB)	ERH,ER0=4.0L Power Tech I-6	DGS=4 spd. Auto. AISIN
H=Sport	T=LHD (2WD)		EPE,EP0=Magnum 2.5L SMPI	DG0=All Auto/Trans.
L=SE	B=RHD (2WD)			DBB=All Manual Trans.

AR = Use as required - = Non illustrated part # = New this model year

December 7, 2002

**Bands AW4 (DGS)
Figure AW4-510**

ITEM	PART NUMBER	QTY	LINE	SERIES	BODY	ENGINE	TRANS	TRIM	DESCRIPTION
Notes: ER0 = All 4.0L 6 Cylinder Gas Engines DGS = Aisin Warner 4 Speed Automatic Transmission									
1									BAND PACKAGE, Transmission Brake
	4886 125AA	1	B, T			ER0	DGS		
		1	J, U				DGS		
2									E RING, (NOT SERVICED) (Not Serviced)
3									SEAL, Transmission Brake
	8350 3849	1	B, T			ER0	DGS		
		1	J, U				DGS		
4									PISTON, Brake
	8350 4299	1	B, T			ER0	DGS		
		1	J, U				DGS		
5									O RING, Transmission Coast Break
	8350 3855	2	B, T			ER0	DGS		
		2	J, U				DGS		
6									COVER, Brake Band
	8350 3853	1	B, T			ER0	DGS		
		1	J, U				DGS		

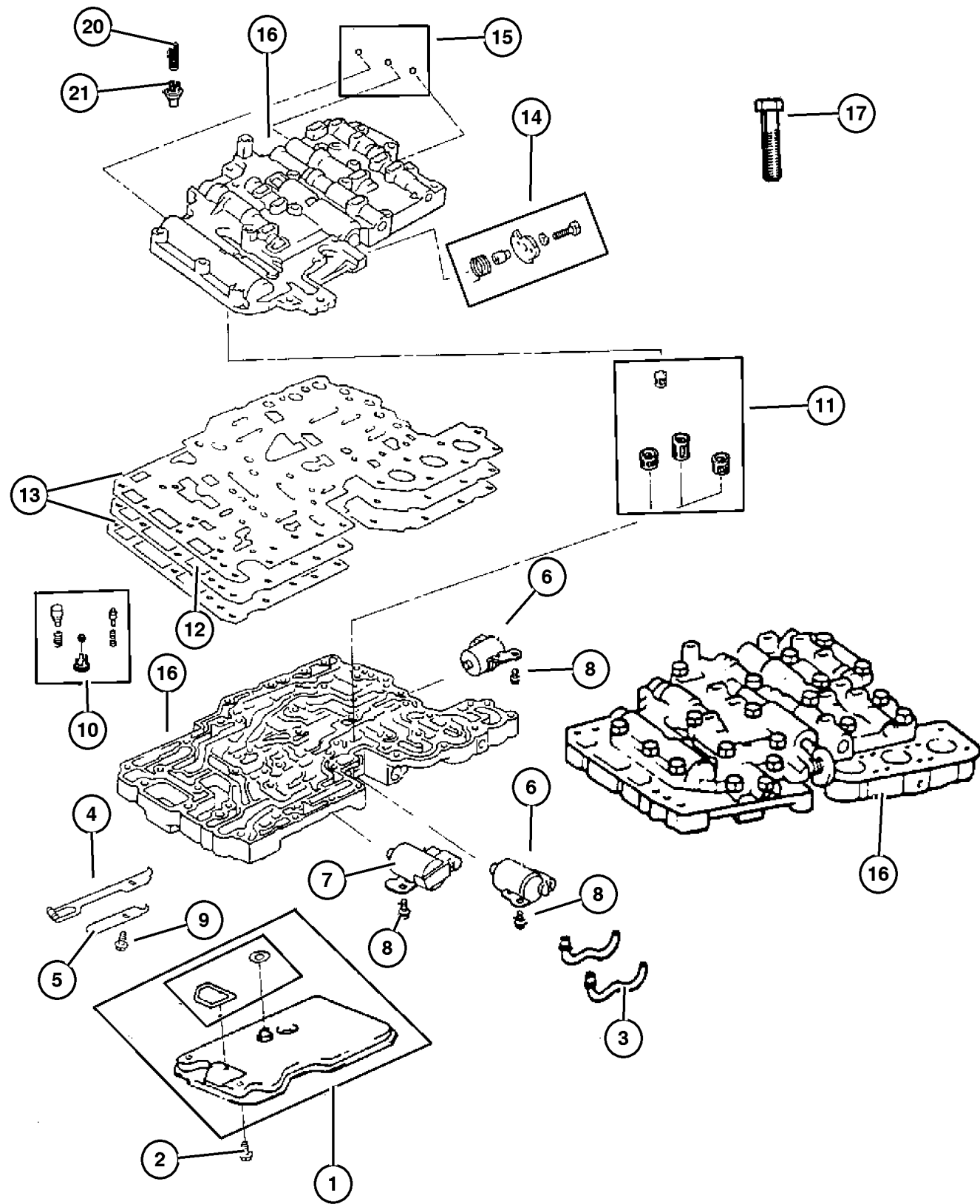


JEEP CHEROKEE (XJ)				
SERIES	LINE	BODY	ENGINE	TRANSMISSION
P=Classic	J=LHD (4WD)	74=4 Dr.(101.4WB)	ENC,EN0=2.5L 4 cyl. Turbo Die	DDD, DDQ=5 spd. Man.
S=Limited	U=RHD (4WD)	72=2 Dr.(101.4WB)	ERH,ER0=4.0L Power Tech I-6	DGS=4 spd. Auto. AISIN
H=Sport	T=LHD (2WD)		EPE,EP0=Magnum 2.5L SMPI	DG0=All Auto/Trans.
L=SE	B=RHD (2WD)			DBB=All Manual Trans.

AR = Use as required - = Non illustrated part # = New this model year

December 7, 2002

**Valve Body AW4 (DGS)
Figure AW4-710**



ITEM	PART NUMBER	QTY	LINE	SERIES	BODY	ENGINE	TRANS	TRIM	DESCRIPTION
Notes:									
ER0 = All 4.0l 6 Cylinder Gas Engines									
DGS = Aisin Warner 4 Speed Automatic Transmission									
1	8350 4032	1	B, T			ER0	DGS		FILTER, Valve Body
		1	J, U				DGS		
2	8350 4031	4	B, T			ER0	DGS		BOLT, Hex Head, M6x1.00x12
		4	J, U				DGS		
3	8350 4334	2	B, T			ER0	DGS		TUBE, Valve Body
		2	J, U				DGS		
4	8350 4016	1	B, T			ER0	DGS		SPRING, Detent Manual
		1	J, U				DGS		
5	8350 4015	1	B, T			ER0	DGS		COVER, Transmission Detent
		1	J, U				DGS		
6	5016 120AA	2	J, U				DGS		SOLENOID, Transmission
		2	B, T			ER0	DGS		
7	#5016 121AA	1	J, U				DGS		SOLENOID, Transmission
		1	B, T			ER0	DGS		
8	8350 4031	3	B, T			ER0	DGS		BOLT, Hex Head, M6x1.00x12
		4	J, U				DGS		
9	8350 4014	1	B, T			ER0	DGS		BOLT, M6x1.00x32
	8350 3783	2	J, U				DGS		
10	8350 4042	1	B, T			ER0	DGS		BODY, Check Ball
		1	J, U				DGS		
11	8350 4336	1	B, T			ER0	DGS		FILTER, Valve Body
		1	J, U				DGS		
12	4637 468	1	J, U				DGS		PLATE, Transmission Valve Body
		1	B, T			ER0	DGS		
13	4882 361	1	B, T			ER0	DGS		GASKET, Valve Body
		1	J, U				DGS		
14									CAM PACKAGE, Throttle Valve

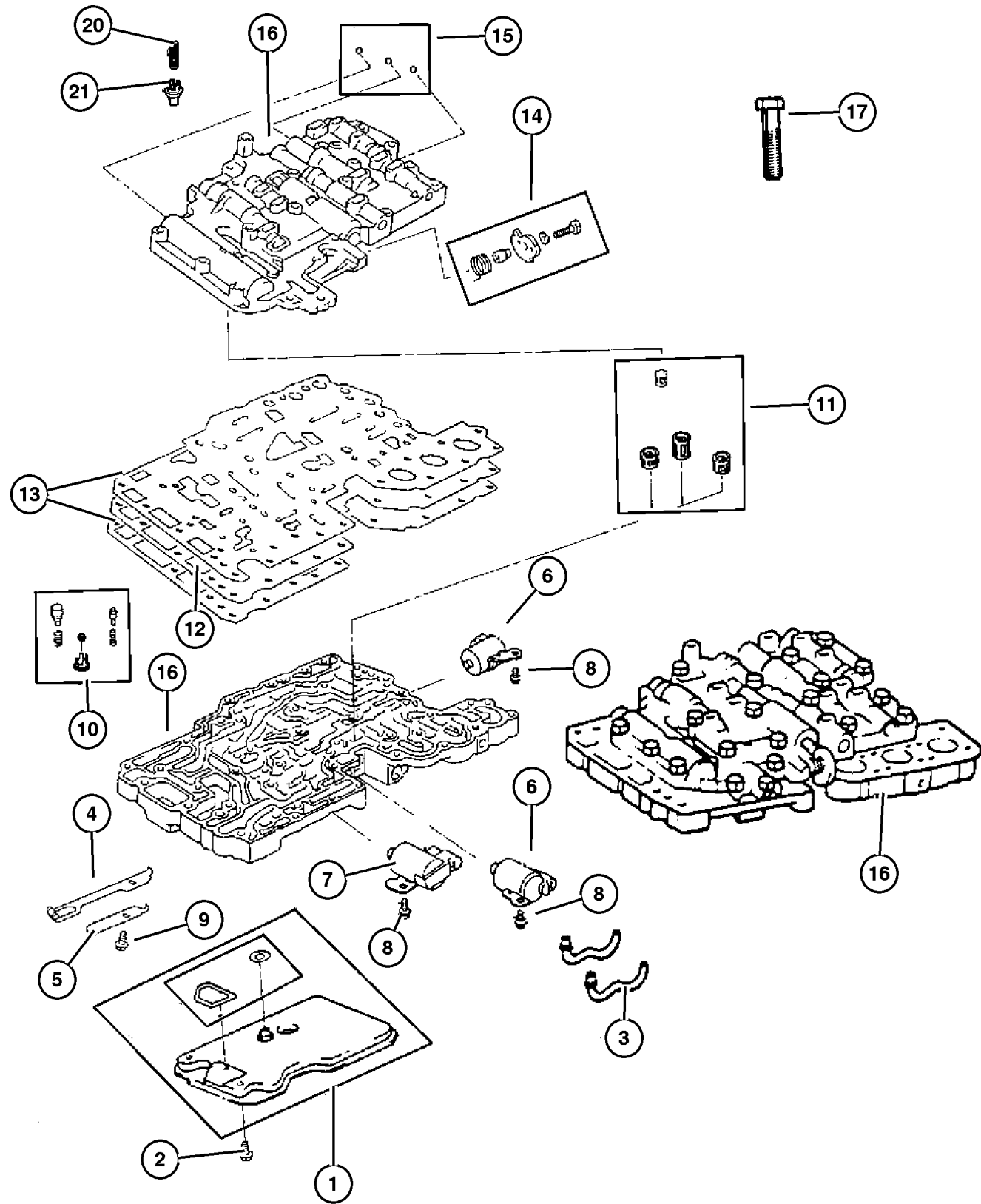
JEEP CHEROKEE (XJ)

SERIES	LINE	BODY	ENGINE	TRANSMISSION
P=Classic	J=LHD (4WD)	74=4 Dr.(101.4WB)	ENC,EN0=2.5L 4 cyl. Turbo Die	DDD, DDQ=5 spd. Man.
S=Limited	U=RHD (4WD)	72=2 Dr.(101.4WB)	ERH,ER0=4.0L Power Tech I-6	DGS=4 spd. Auto. AISIN
H=Sport	T=LHD (2WD)		EPE,EP0=Magnum 2.5L SMPI	DG0=All Auto/Trans.
L=SE	B=RHD (2WD)			DBB=All Manual Trans.

AR = Use as required - = Non illustrated part # = New this model year

December 7, 2002

Valve Body AW4 (DGS)
Figure AW4-710



ITEM	PART NUMBER	QTY	LINE	SERIES	BODY	ENGINE	TRANS	TRIM	DESCRIPTION
	4637 026	1	B, T			ER0	DGS		
15		1	J, U				DGS		CHECK BALL PACKAGE, Valve Body 52104180AB
	4637 031	1	B, T			ER0	DGS		
16		1	J, U				DGS		VALVE BODY
	4797 404	1	B, T			ER0	DGS		
		1	J, U				DGS		
17									BOLT, Hex Head, M6x1.00x12 52104180AB
	8350 4031	3	B, T			ER0	DGS		
		4	J, U				DGS		
-18									BOLT, M6x1.00x32
	8350 4014	1	B, T			ER0	DGS		
		1	J, U				DGS		
-19									BOLT
	8350 4011	9	B, T			ER0	DGS		
	8350 4012	3	B, T			ER0	DGS		
	8350 4013	13	B, T			ER0	DGS		
	8350 4011	9	J, U				DGS		
	8350 4012	3	J, U				DGS		
	8350 4013	13	J, U				DGS		
20									SPRING, Accumulator
	8350 4036	1	B, T			ER0	DGS		
		1	J, U				DGS		
21									BODY, Check Ball
	8350 4042	1	B, T			ER0	DGS		
		1	J, U				DGS		

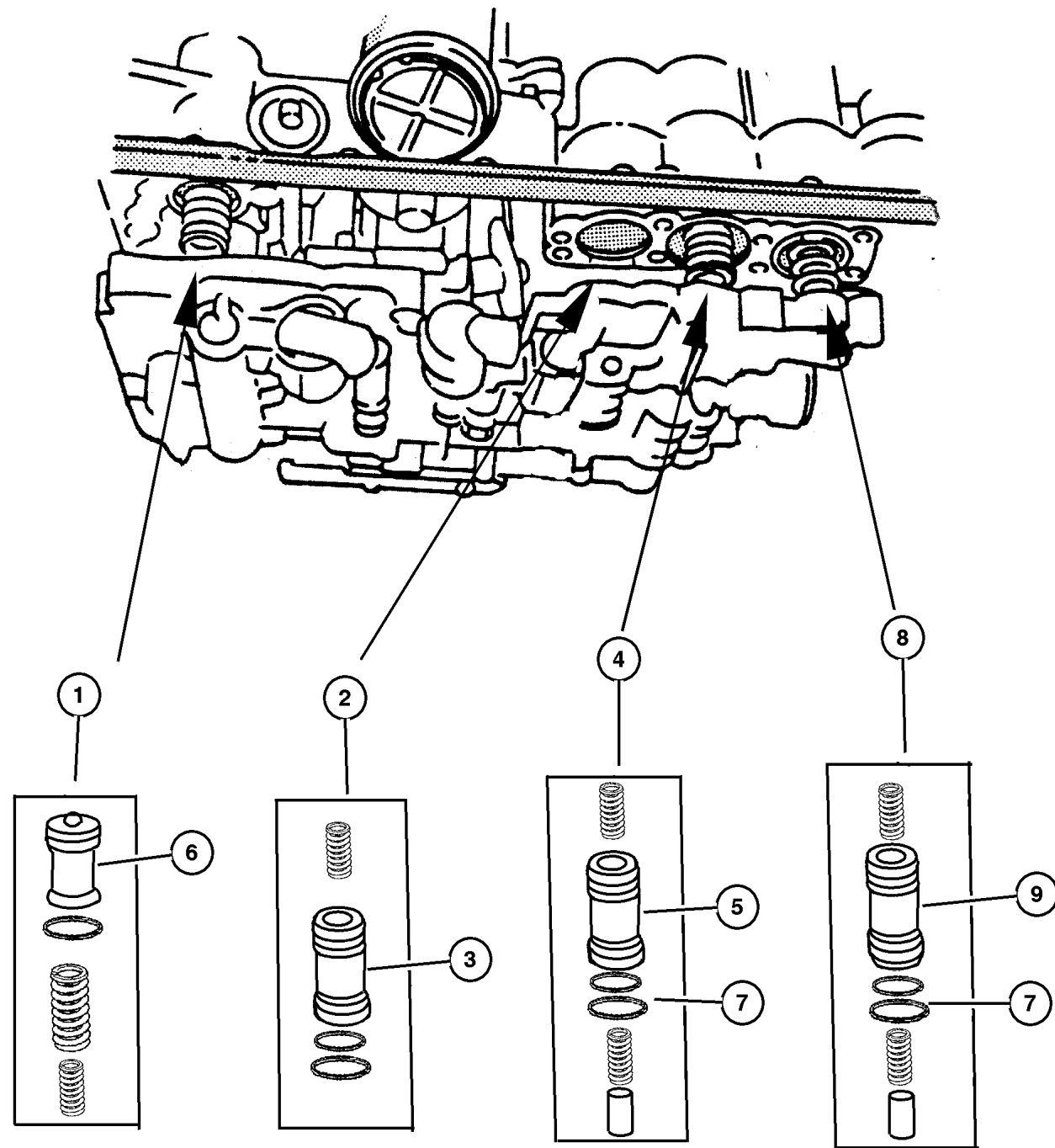
JEEP CHEROKEE (XJ)

SERIES	LINE	BODY	ENGINE	TRANSMISSION
P=Classic	J=LHD (4WD)	74=4 Dr.(101.4WB)	ENC,EN0=2.5L 4 cyl. Turbo Die	DDD, DDQ=5 spd. Man.
S=Limited	U=RHD (4WD)	72=2 Dr.(101.4WB)	ERH,ER0=4.0L Power Tech I-6	DGS=4 spd. Auto. AISIN
H=Sport	T=LHD (2WD)		EPE,EP0=Magnum 2.5L SMPI	DG0=All Auto/Trans.
L=SE	B=RHD (2WD)			DBB=All Manual Trans.

AR = Use as required - = Non illustrated part # = New this model year

December 7, 2002

**Accumulator Piston AW4 (DGS)
Figure AW4-720**



ITEM	PART NUMBER	QTY	LINE	SERIES	BODY	ENGINE	TRANS	TRIM	DESCRIPTION
Notes:									
ER0 = All 4.0l 6 Cylinder Gas Engines									
DGS = Aisin Warner 4 Speed Automatic Transmission									
1	8350 4343	1	J, U				DGS		PISTON, Accumulator
2	4637 028	1	B, T			ER0	DGS		ACCUMULATOR PACKAGE, Piston
3	4636 788	1	J, U				DGS		PISTON, Accumulator
4	4637 029	1	B, T			ER0	DGS		ACCUMULATOR PACKAGE, Piston
5	4636 786	1	J, U				DGS		PISTON, Accumulator
6	8350 4017	1	J, U				DGS		PISTON, Accumulator
7	8350 4029	AR	J, U				DGS		O RING, Transmission Accumulator/ Strainer
8	5003 158AA	1	J, U				DGS		ACCUMULATOR PACKAGE, Piston
9	4636 787	1	J, U				DGS		PISTON, Accumulator

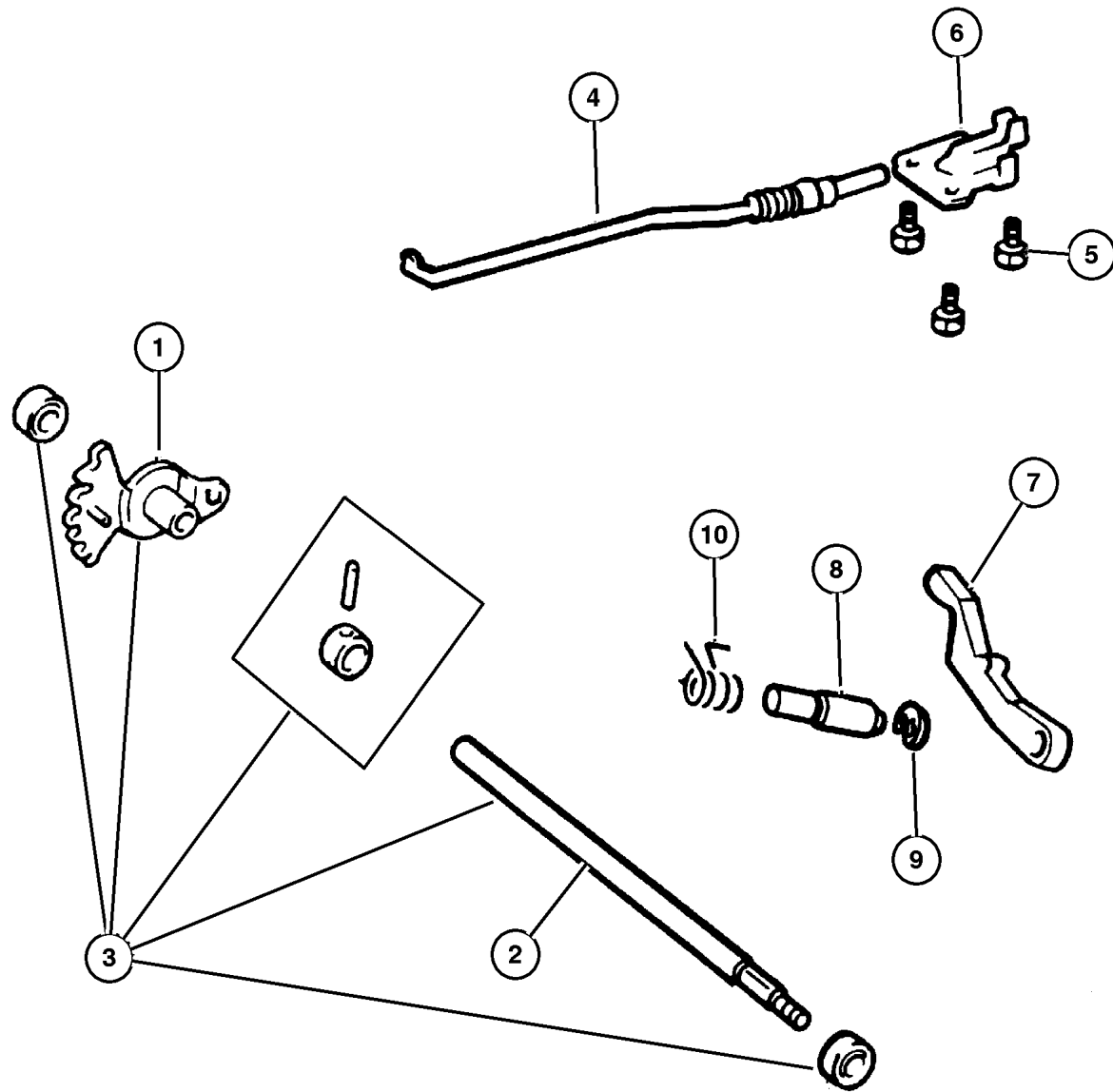
JEEP CHEROKEE (XJ)

SERIES	LINE	BODY	ENGINE	TRANSMISSION
P=Classic	J=LHD (4WD)	74=4 Dr.(101.4WB)	ENC,EN0=2.5L 4 cyl. Turbo Die	DDD, DDQ=5 spd. Man.
S=Limited	U=RHD (4WD)	72=2 Dr.(101.4WB)	ERH,ER0=4.0L Power Tech I-6	DGS=4 spd. Auto. AISIN
H=Sport	T=LHD (2WD)		EPE,EP0=Magnum 2.5L SMPI	DG0=All Auto/Trans.
L=SE	B=RHD (2WD)			DBB=All Manual Trans.

AR = Use as required - = Non illustrated part # = New this model year

December 7, 2002

**Lock, Parking AW4 (DGS)
Figure AW4-730**



ITEM	PART NUMBER	QTY	LINE	SERIES	BODY	ENGINE	TRANS	TRIM	DESCRIPTION
Notes:									
ER0 = All 4.0l 6 Cylinder Gas Engines									
DGS = Aisin Warner 4 Speed Automatic Transmission									
1	8350 3774	1	J, U				DGS		LEVER, Manual Valve
2	8350 3725	1	B, T			ER0	DGS		SHAFT, Manual Valve
3	8350 4332	1	J, U				DGS		LEVER REPAIR PACKAGE, Valve Body
4	4886 042AA	1	J, U				DGS		ROD, Transmission Pawl
5	8350 3783	2	J, U				DGS		BOLT, M6x1.00x32
6	4886 041AA	1	J, U				DGS		BRACKET, Park Lock
7	4886 040AA	1	J, U				DGS		PAWL, Parking Sprag
8	8350 3777	1	J, U				DGS		SHAFT, Parking Sprag
9	8350 3776	1	J, U				DGS		SNAP RING, Parking Pawl
10	8350 3778	1	J, U				DGS		SPRING, Park Lock

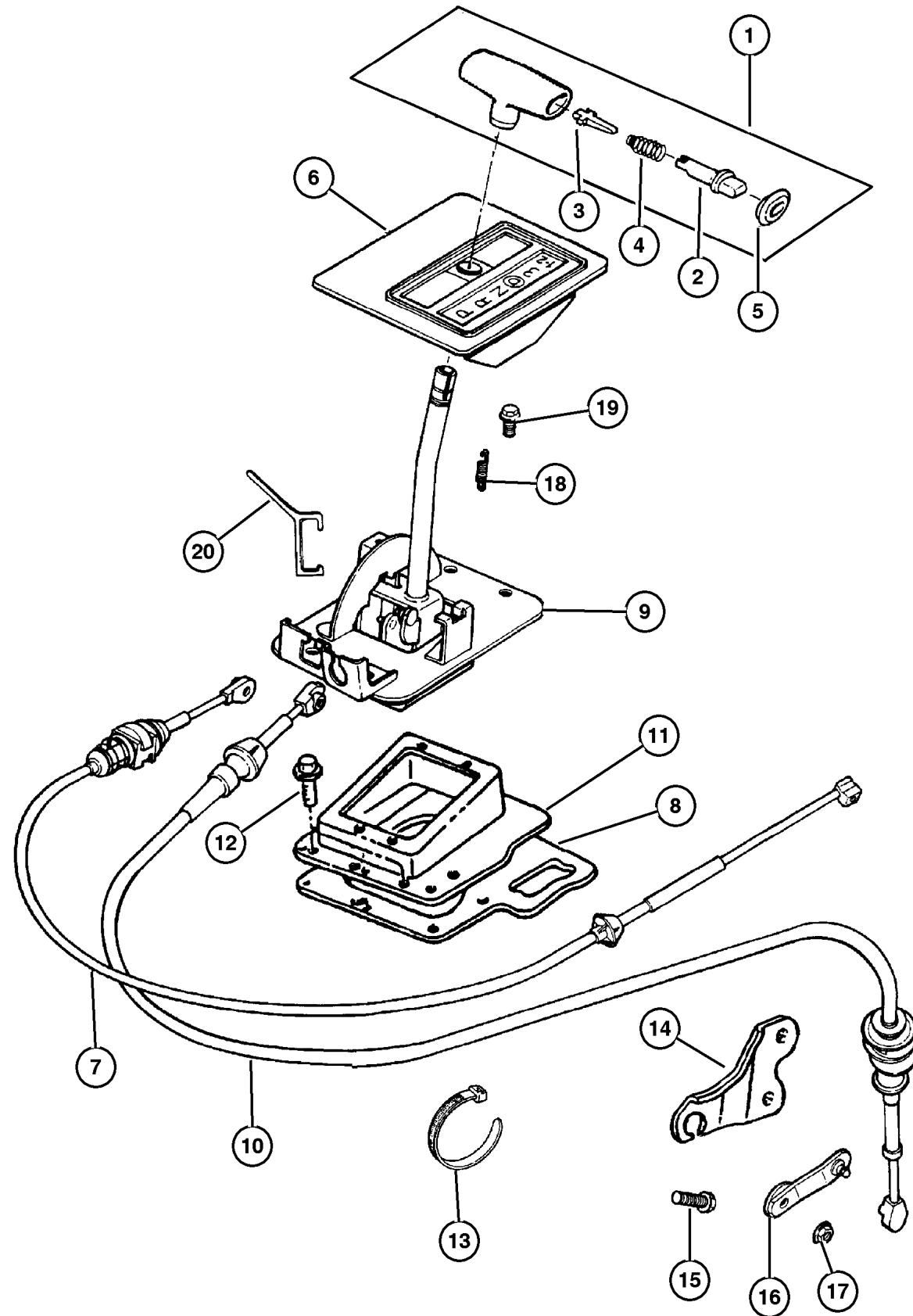
JEEP CHEROKEE (XJ)

SERIES	LINE	BODY	ENGINE	TRANSMISSION
P=Classic	J=LHD (4WD)	74=4 Dr.(101.4WB)	ENC,EN0=2.5L 4 cyl. Turbo Die	DDD, DDQ=5 spd. Man.
S=Limited	U=RHD (4WD)	72=2 Dr.(101.4WB)	ERH,ER0=4.0L Power Tech I-6	DGS=4 spd. Auto. AISIN
H=Sport	T=LHD (2WD)		EPE,EP0=Magnum 2.5L SMPI	DG0=All Auto/Trans.
L=SE	B=RHD (2WD)			DBB=All Manual Trans.

AR = Use as required - = Non illustrated part # = New this model year

December 7, 2002

Gearshift Controls AW4 (DGS) Figure AW4-1210



ITEM	PART NUMBER	QTY	LINE	SERIES	BODY	ENGINE	TRANS	TRIM	DESCRIPTION
Notes:									
ER0 = All 4.0l 6 Cylinder Gas Engines									
EP0 = All 2.5L Gas Engines									
DG0 = All Automatic Transmissions									
DGS = Aisin Warner 4 Speed Automatic Transmission									
1	5210 4028	1				EP0, ER0	DG0		HANDLE, Gearshift
2	5300 0211	1				EP0, ER0	DG0		BUTTON, Gearshift Knob
3	5300 0865	1				EP0, ER0	DG0		LEVER, Gearshift
4	5300 0866	1				EP0, ER0	DG0		SPRING, Button Return
5	5207 7561	1				EP0, ER0	DG0		CAP, Gearshift Handle Button
6									BEZEL, Console PRNDL
	5EK03 LAZAB	1	J, T				DGS		
	5EK07 LAZAB	1	B, U				DGS		
7									CABLE, Park Interlock
	5210 4144	1	J, T			EP0, ER0	DG0		
	52104 144AB	1	B, U			EP0, ER0	DG0		
8									SEAL, Shift Housing, (NOT SERVICED) (Not Serviced)
9									HOUSING, Shift Lever
	52104 005AB	1	J, T				DG0		
	52104 007AB	1	B, U				DG0		
10	52077 532AC	1					DG0		CABLE, Gearshift Control
11	5300 0704	1					DG0		COVER, Gearshift
12	J400 1701	AR							SCREW, Hex Self Tapping, .19-16x.50
13	3420 1788	1				EP0, ER0			STRAP, Tie
14	5300 7746	1				ER0	DGS		BRACKET, Transmission Control Cable
15	1150 2850	2				ER0	DGS		BOLT, Hex Flange Head, M8x1.25x20
16	5300 7747	1	B, T			ER0	DGS		LEVER, Gearshift
17	J420 0046	3							NUT AND WASHER, Hex Flange, M8x1.25
18									SPRING, Pawl Return, (NOT SERVICED) (Not Serviced)

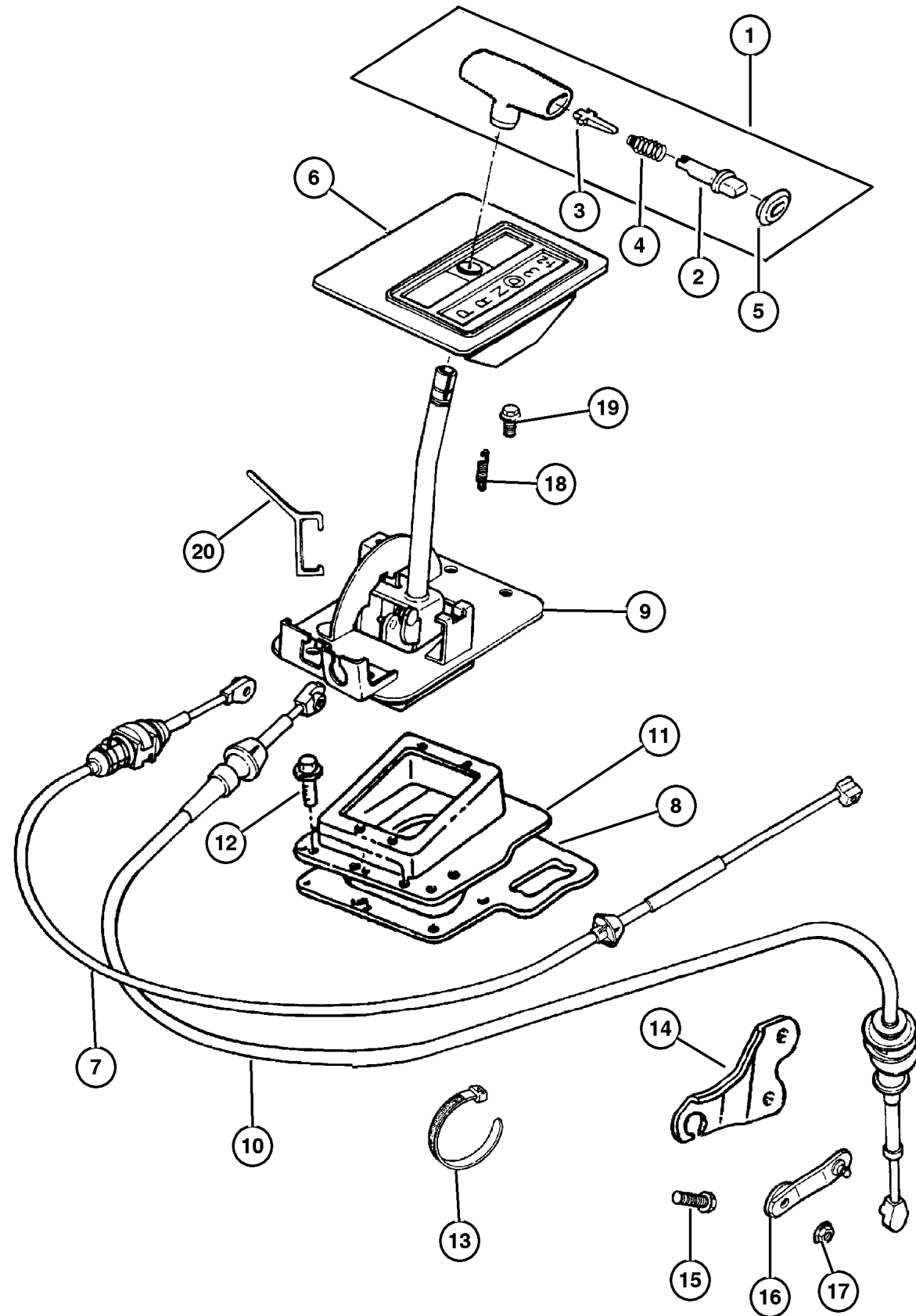
JEEP CHEROKEE (XJ)

SERIES	LINE	BODY	ENGINE	TRANSMISSION
P=Classic	J=LHD (4WD)	74=4 Dr.(101.4WB)	ENC,EN0=2.5L 4 cyl. Turbo Die	DDD, DDQ=5 spd. Man.
S=Limited	U=RHD (4WD)	72=2 Dr.(101.4WB)	ERH,ER0=4.0L Power Tech I-6	DGS=4 spd. Auto. AISIN
H=Sport	T=LHD (2WD)		EPE,EP0=Magnum 2.5L SMPI	DG0=All Auto/Trans.
L=SE	B=RHD (2WD)			DBB=All Manual Trans.

AR = Use as required - = Non illustrated part # = New this model year

December 7, 2002

Gearshift Controls AW4 (DGS) Figure AW4-1210



ITEM	PART NUMBER	QTY	LINE	SERIES	BODY	ENGINE	TRANS	TRIM	DESCRIPTION
------	-------------	-----	------	--------	------	--------	-------	------	-------------

19									SCREW, Hex Head, M8x1.25x18, (NOT SERVICED) (Not Serviced)
20									GAUGE, Transmission Shifter, (NOT SERVICED) (Not Serviced)

JEEP CHEROKEE (XJ)				
SERIES	LINE	BODY	ENGINE	TRANSMISSION
P=Classic	J=LHD (4WD)	74=4 Dr.(101.4WB)	ENC,EN0=2.5L 4 cyl. Turbo Die	DDD, DDQ=5 spd. Man.
S=Limited	U=RHD (4WD)	72=2 Dr.(101.4WB)	ERH,ER0=4.0L Power Tech I-6	DGS=4 spd. Auto. AISIN
H=Sport	T=LHD (2WD)		EPE,EP0=Magnum 2.5L SMPI	DG0=All Auto/Trans.
L=SE	B=RHD (2WD)			DBB=All Manual Trans.

AR = Use as required - = Non illustrated part # = New this model year

December 7, 2002

Group – 3550

Manual Transmission 5 Speed

GROUP 3550 - Manual Transmission 5 Speed

Illustration Title

Group-Fig. No.

Transmission Assembly

Transmission Assembly (DDD) Fig. 3550-110

Case and Extension

Case and Extension (DDD) Fig. 3550-210

Gear Train

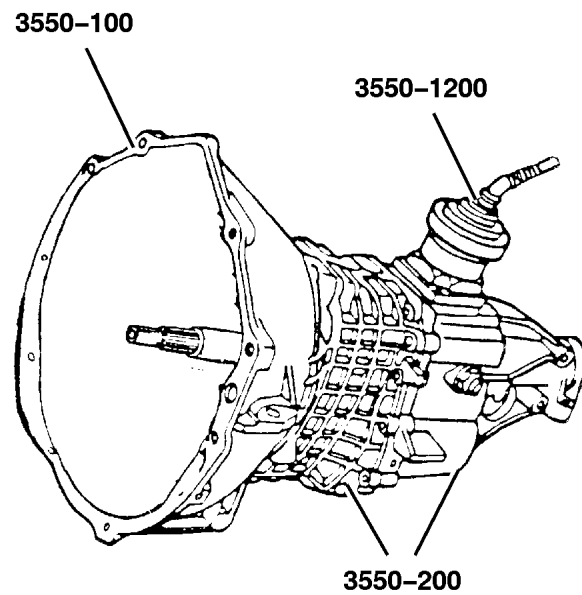
Gear Train (DDD) Fig. 3550-410

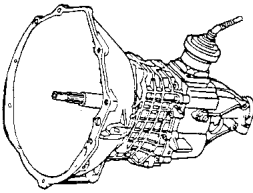
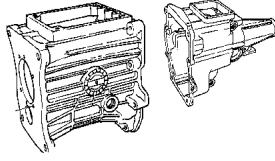
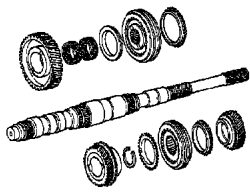
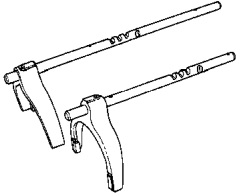

Fork and Rails

Fork and Rails (DDD) Fig. 3550-910

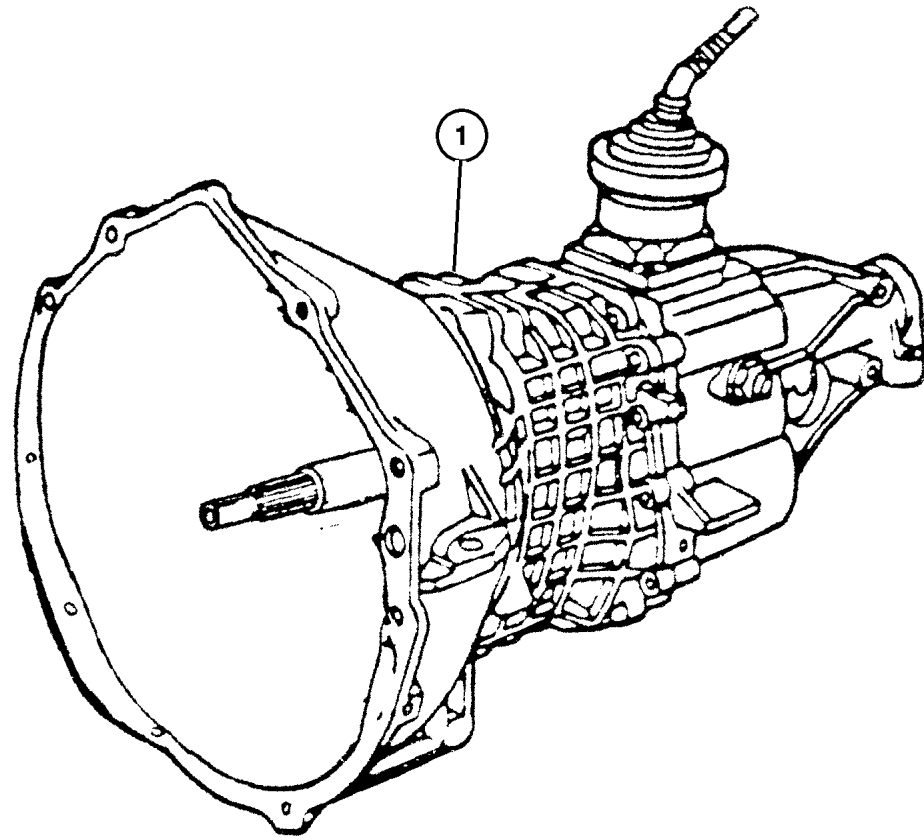
Gearshift Controls

Gearshift Controls (DDD) Fig. 3550-1210



<p>3550-100 Transmission Assembly</p> 	<p>3550-200 Case and Extension</p> 	<p>3550-400 Gear Train</p> 	<p>3550-900 Fork and Rails</p> 
<p>3550-1200 Gearshift Controls</p> 			

**Transmission Assembly (DDD)
Figure 3550-110**



ITEM	PART NUMBER	QTY	LINE	SERIES	BODY	ENGINE	TRANS	TRIM	DESCRIPTION
------	-------------	-----	------	--------	------	--------	-------	------	-------------

Notes:

ER0 = All 4.0L 6 Cylinder Gas Engine

ENC = 2.5L 4 Cylinder Turbo Diesel Engines

DDD = 5 Speed Manual Transmission

1 TRANSMISSION, 5 Speed

	#52104 385AA	1	J, U			ER0	DDD		
	#52104 386AA	1	B, T			ER0	DDD		
	#52104 387AA	1	J, U			ENC	DDD		

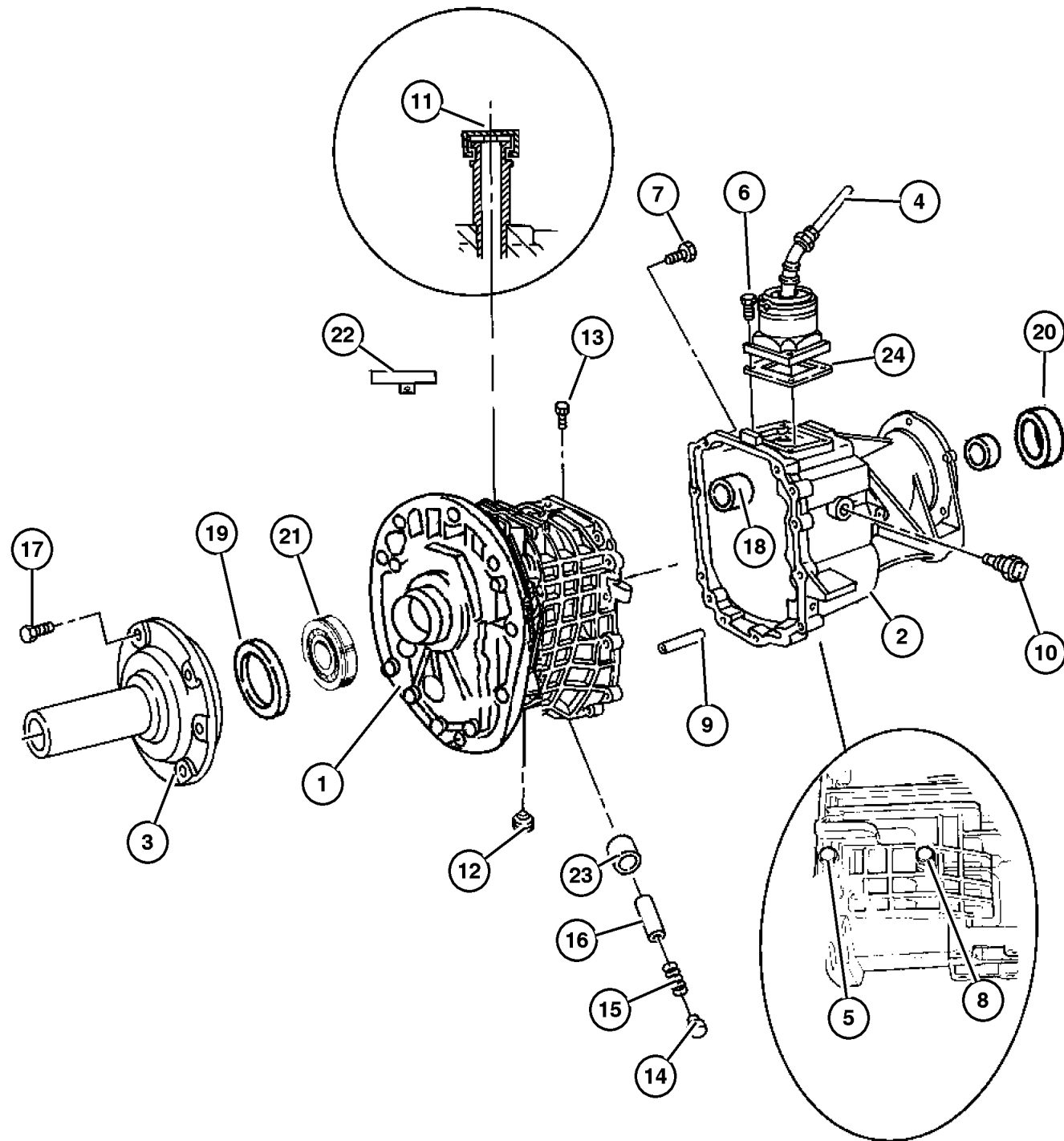
JEEP CHEROKEE (XJ)

SERIES	LINE	BODY	ENGINE	TRANSMISSION
P=Classic	J=LHD (4WD)	74=4 Dr.(101.4WB)	ENC,EN0=2.5L 4 cyl. Turbo Die	DDD, DDQ=5 spd. Man.
S=Limited	U=RHD (4WD)	72=2 Dr.(101.4WB)	ERH,ER0=4.0L Power Tech I-6	DGS=4 spd. Auto. AISIN
H=Sport	T=LHD (2WD)		EPE,EP0=Magnum 2.5L SMPI	DG0=All Auto/Trans.
L=SE	B=RHD (2WD)			DBB=All Manual Trans.

AR = Use as required - = Non illustrated part # = New this model year

December 7, 2002

Case and Extension (DDD)
Figure 3550-210



ITEM	PART NUMBER	QTY	LINE	SERIES	BODY	ENGINE	TRANS	TRIM	DESCRIPTION
Notes:									
ER0 = All 4.0L 6 Cylinder Gas Engine									
ENC = 2.5L 4 Cylinder Turbo Diesel Engines									
DDD = 5 Speed Manual Transmission									
1									CASE, Transmission
	#5015 577AA	1	B, T			ER0	DDD		
		1	J, U			ER0	DDD		
		1	J, U			ENC	DDD		
2									CASE, Transmission Rear
	#5015 946AA	1	B, T			ER0	DDD		
	#5015 947AA	1	J, U			ER0	DDD		
		1	J, U			ENC	DDD		
3									RETAINER, Shaft
	#5013 306AA	1	J, U			ENC	DDD		
		1	B, T			ER0	DDD		
		1	J, U			ER0	DDD		
4									LEVER, Gearshift
	#5015 952AA	1	B, T			ER0	DDD		
		1	J, U			ER0	DDD		
	#5015 953AA	1	J, U			ENC	DDD		
5									BOLT, M8-1.25x70
	4741 313	1	J, U			ENC	DDD		
		1	B, T			ER0	DDD		
		1	J, U			ER0	DDD		
6									BOLT, Hex Head
	4741 144	4	J, U			ENC	DDD		
		4	B, T			ER0	DDD		
		4	J, U			ER0	DDD		
7									BOLT, Hex Head, M8x1.25x50
	4741 123	11	J, U			ENC	DDD		
		11	B, T			ER0	DDD		
		11	J, U			ER0	DDD		
8									BOLT, Hex
	4741 115	1	B, T			ER0	DDD		
		1	J, U			ENC	DDD		
		1	J, U			ER0	DDD		
9									PIN, Locating
	4741 122	2	J, U			ENC	DDD		
		2	B, T			ER0	DDD		
		2	J, U			ER0	DDD		
10									SWITCH, Back Up Lamp
	4741 121	1	J, U			ENC	DDD		

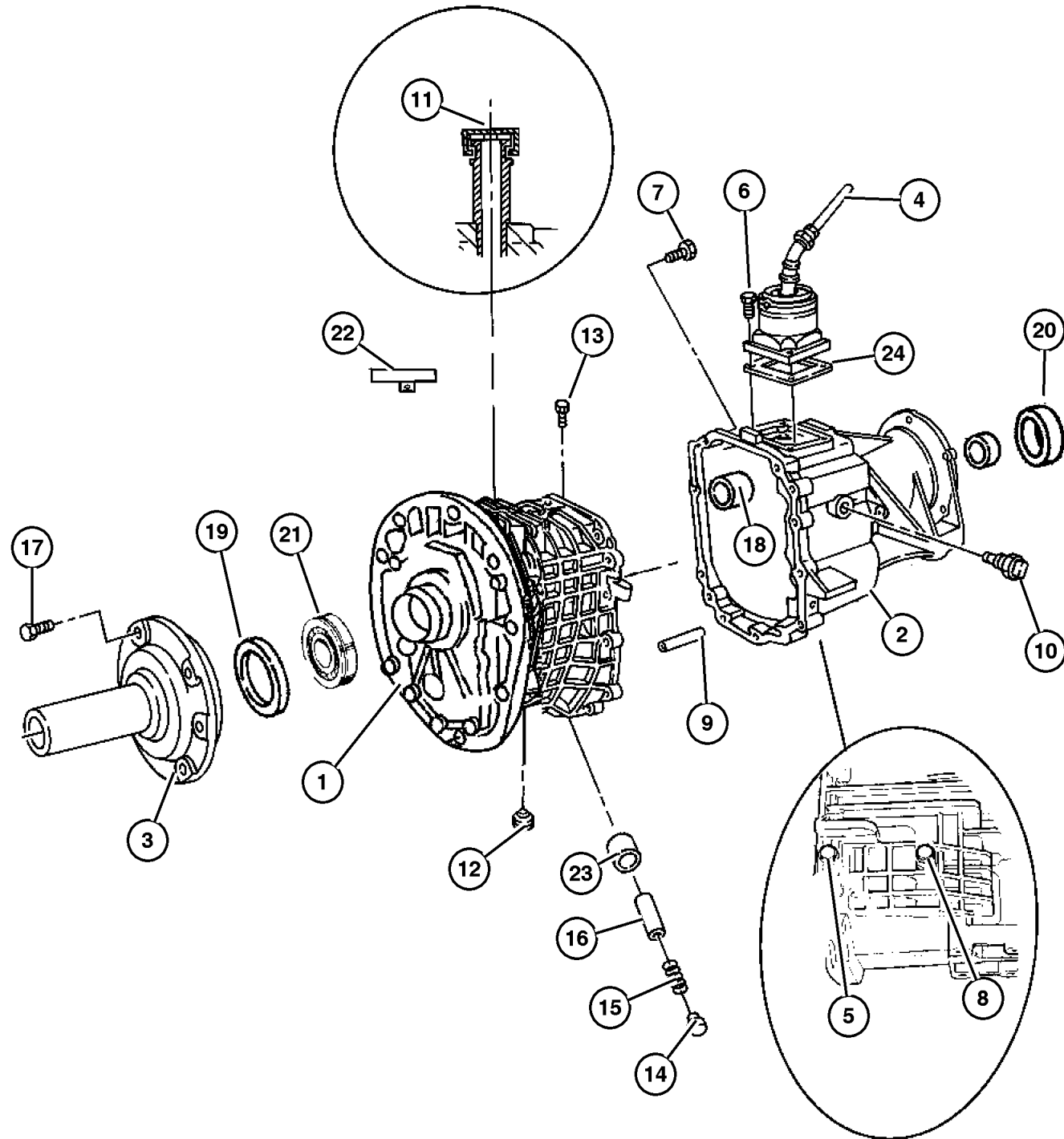
JEEP CHEROKEE (XJ)

SERIES	LINE	BODY	ENGINE	TRANSMISSION
P=Classic	J=LHD (4WD)	74=4 Dr.(101.4WB)	ENC,EN0=2.5L 4 cyl. Turbo Die	DDD, DDQ=5 spd. Man.
S=Limited	U=RHD (4WD)	72=2 Dr.(101.4WB)	ERH,ER0=4.0L Power Tech I-6	DGS=4 spd. Auto. AISIN
H=Sport	T=LHD (2WD)		EPE,EP0=Magnum 2.5L SMPI	DG0=All Auto/Trans.
L=SE	B=RHD (2WD)			DBB=All Manual Trans.

AR = Use as required - = Non illustrated part # = New this model year

December 7, 2002

Case and Extension (DDD)
Figure 3550-210



ITEM	PART NUMBER	QTY	LINE	SERIES	BODY	ENGINE	TRANS	TRIM	DESCRIPTION
		1	B, T			ER0	DDD		
		1	J, U			ER0	DDD		
11	#5015 945AA	1	J, U			ENC	DDD		VENT, Transmission
		1	B, T			ER0	DDD		
		1	J, U			ER0	DDD		
12	4882 280	1	B, T			ER0	DDD		PLUG, Oil Fill
		1	J, U			ENC	DDD		
		1	J, U			ER0	DDD		
13	5013 321AA	1	J, U			ENC	DDD		PIN, Detent
		1	B, T			ER0	DDD		
		1	J, U			ER0	DDD		
14	4741 128	1	J, U			ENC	DDD		CAP, Detent
		1	B, T			ER0	DDD		
		1	J, U			ER0	DDD		
15	4796 673	1	J, U			ENC	DDD		SPRING, Shift Detent
		1	B, T			ER0	DDD		
		1	J, U			ER0	DDD		
16	5015 949AA	1	J, U			ENC	DDD		PLUNGER
		1	B, T			ER0	DDD		
		1	J, U			ER0	DDD		
17	4741 300	6	J, U			ENC			BOLT, Hex Head, M6x1.00x25
		6	B, T			ER0	DDD		
		6	J, U			ER0	DDD		
18	4741 112	1	J, U			ENC	DDD		BEARING, Ball
		1	B, T			ER0	DDD		
		1	J, U			ER0	DDD		
19	4741 296	1	J, U			ENC	DDD		SEAL, Input Shaft
		1	B, T			ER0	DDD		
		1	J, U			ER0	DDD		
20	4741 118	1	J, U			ENC	DDD		SEAL, Output Shaft
		1	J, U			ER0	DDD		
	4741 119	1	B, T			ER0	DDD		
21									BEARING, Input Shaft

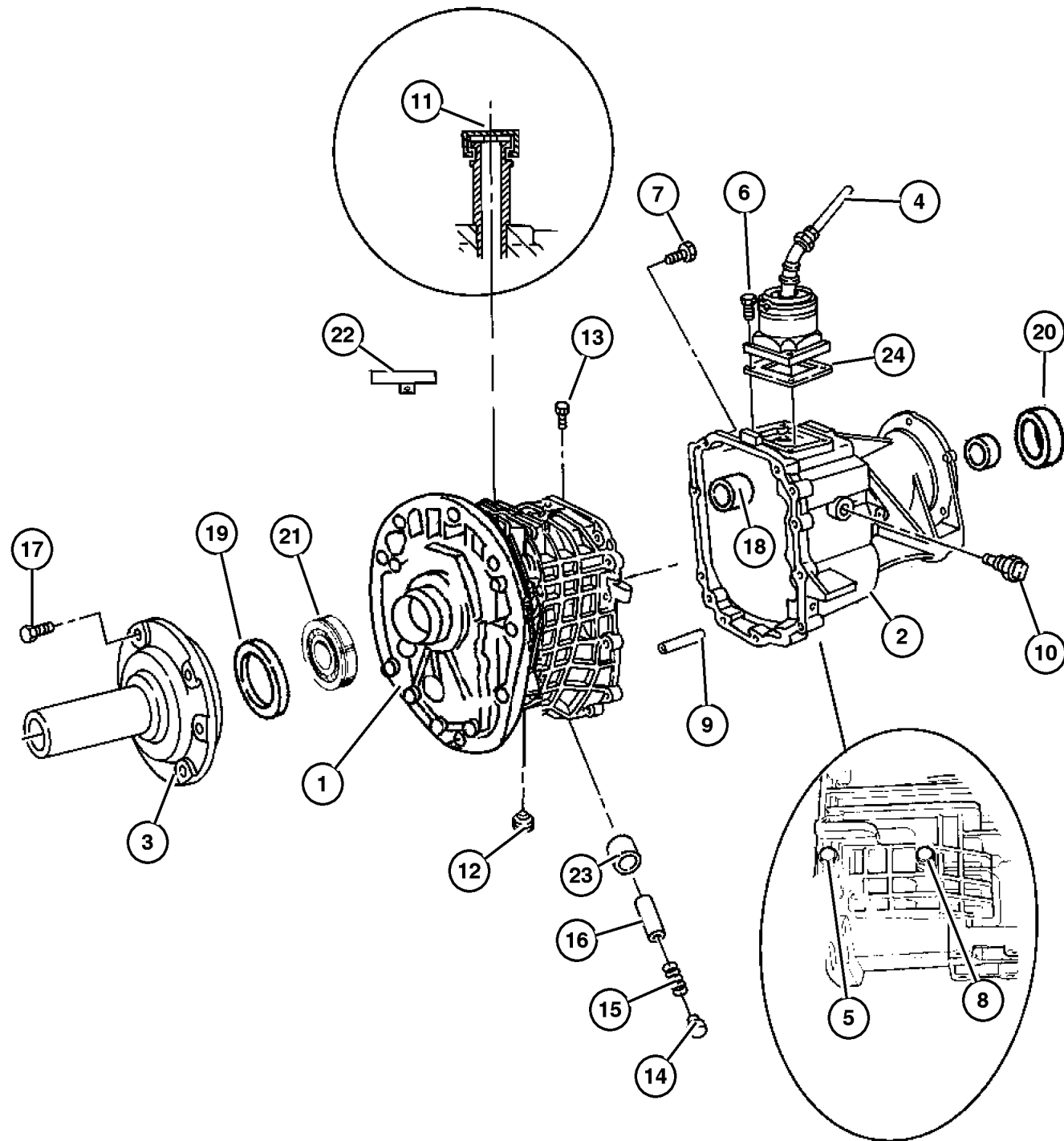
JEEP CHEROKEE (XJ)

SERIES	LINE	BODY	ENGINE	TRANSMISSION
P=Classic	J=LHD (4WD)	74=4 Dr.(101.4WB)	ENC,EN0=2.5L 4 cyl. Turbo Die	DDD, DDQ=5 spd. Man.
S=Limited	U=RHD (4WD)	72=2 Dr.(101.4WB)	ERH,ER0=4.0L Power Tech I-6	DGS=4 spd. Auto. AISIN
H=Sport	T=LHD (2WD)		EPE,EP0=Magnum 2.5L SMPI	DG0=All Auto/Trans.
L=SE	B=RHD (2WD)			DBB=All Manual Trans.

AR = Use as required - = Non illustrated part # = New this model year

December 7, 2002

Case and Extension (DDD)
Figure 3550-210



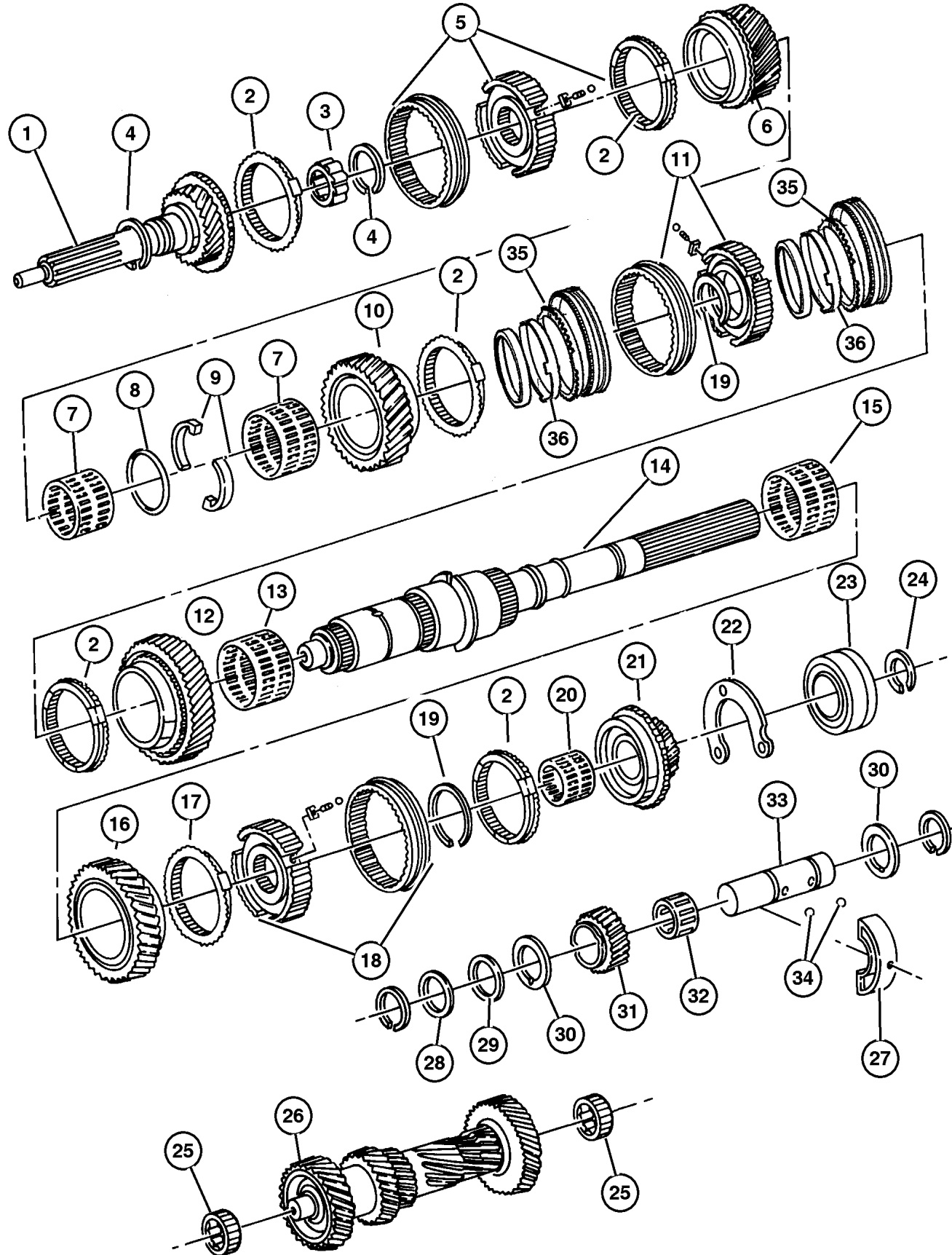
ITEM	PART NUMBER	QTY	LINE	SERIES	BODY	ENGINE	TRANS	TRIM	DESCRIPTION
	4874 174	1	J, U			ENC	DDD		
		1	B, T			ER0	DDD		
		1	J, U			ER0	DDD		
22	#5015 945AA	1	J, U			ENC	DDD		VENT, Transmission
		1	B, T			ER0	DDD		
		1	J, U			ER0	DDD		
23	5012 337AA	1	J, U			ENC	DDD		BUSHING, Transmission
		1	B, T			ER0	DDD		
		1	J, U			ER0	DDD		
24	4886 153AA	1	J, U			ENC	DDD		SEAL, Shift Lever
		1	B, T			ER0	DDD		
		1	J, U			ER0	DDD		

JEEP CHEROKEE (XJ)				
SERIES	LINE	BODY	ENGINE	TRANSMISSION
P=Classic	J=LHD (4WD)	74=4 Dr.(101.4WB)	ENC,EN0=2.5L 4 cyl. Turbo Die	DDD, DDQ=5 spd. Man.
S=Limited	U=RHD (4WD)	72=2 Dr.(101.4WB)	ERH,ER0=4.0L Power Tech I-6	DGS=4 spd. Auto. AISIN
H=Sport	T=LHD (2WD)		EPE,EP0=Magnum 2.5L SMPI	DG0=All Auto/Trans.
L=SE	B=RHD (2WD)			DBB=All Manual Trans.

AR = Use as required - = Non illustrated part # = New this model year

December 7, 2002

**Gear Train (DDD)
Figure 3550-410**



ITEM	PART NUMBER	QTY	LINE	SERIES	BODY	ENGINE	TRANS	TRIM	DESCRIPTION
------	-------------	-----	------	--------	------	--------	-------	------	-------------

Notes:

ER0 = All 4.0L 6 Cylinder Gas Engine
 ENC = 2.5L 4 Cylinder Turbo Diesel Engines
 DDD = 5 Speed Manual Transmission

1									SHAFT, Input
	#5013 302AA	1	B, T			ER0	DDD		
		1	J, U			ENC	DDD		
		1	J, U			ER0	DDD		
2									STOP RING, Synchronizer
	4741 277	2	J, U			ENC			
		2	B, T			ER0	DDD		
		2	J, U			ER0	DDD		
3									NEEDLE BEARING, Input Shaft
	4741 878	1	J, U			ENC	DDD		
		1	B, T			ER0	DDD		
		1	J, U			ER0	DDD		
4									SNAP RING, Output Shaft Bearing
	4741 266	2	J, U			ENC			
		2	B, T			ER0	DDD		
		2	J, U			ER0	DDD		
5									SYNCHRONIZER, Third and Fourth
	4741 293	1	J, U			ENC	DDD		
		1	B, T			ER0	DDD		
		1	J, U			ER0	DDD		
6									GEAR, Third
	#5013 195AA	1	J, U			ENC	DDD		
		1	B, T			ER0	DDD		
		1	J, U			ER0	DDD		
7									NEEDLE BEARING, Second Gear
	5003 039AA	1	B, T			ER0	DDD		
		1	J, U			ENC	DDD		
		1	J, U			ER0	DDD		
8									SNAP RING
	4897 922AA	1	B, T			ER0	DDD		
		1	J, U			ENC	DDD		
		1	J, U			ER0	DDD		
9									WASHER, Output Shaft
	#5013 192AA	2	J, U			ENC			
		2	B, T			ER0	DDD		
		2	J, U			ER0	DDD		
10									GEAR, Second
	#5013 194AA	1	J, U			ENC	DDD		

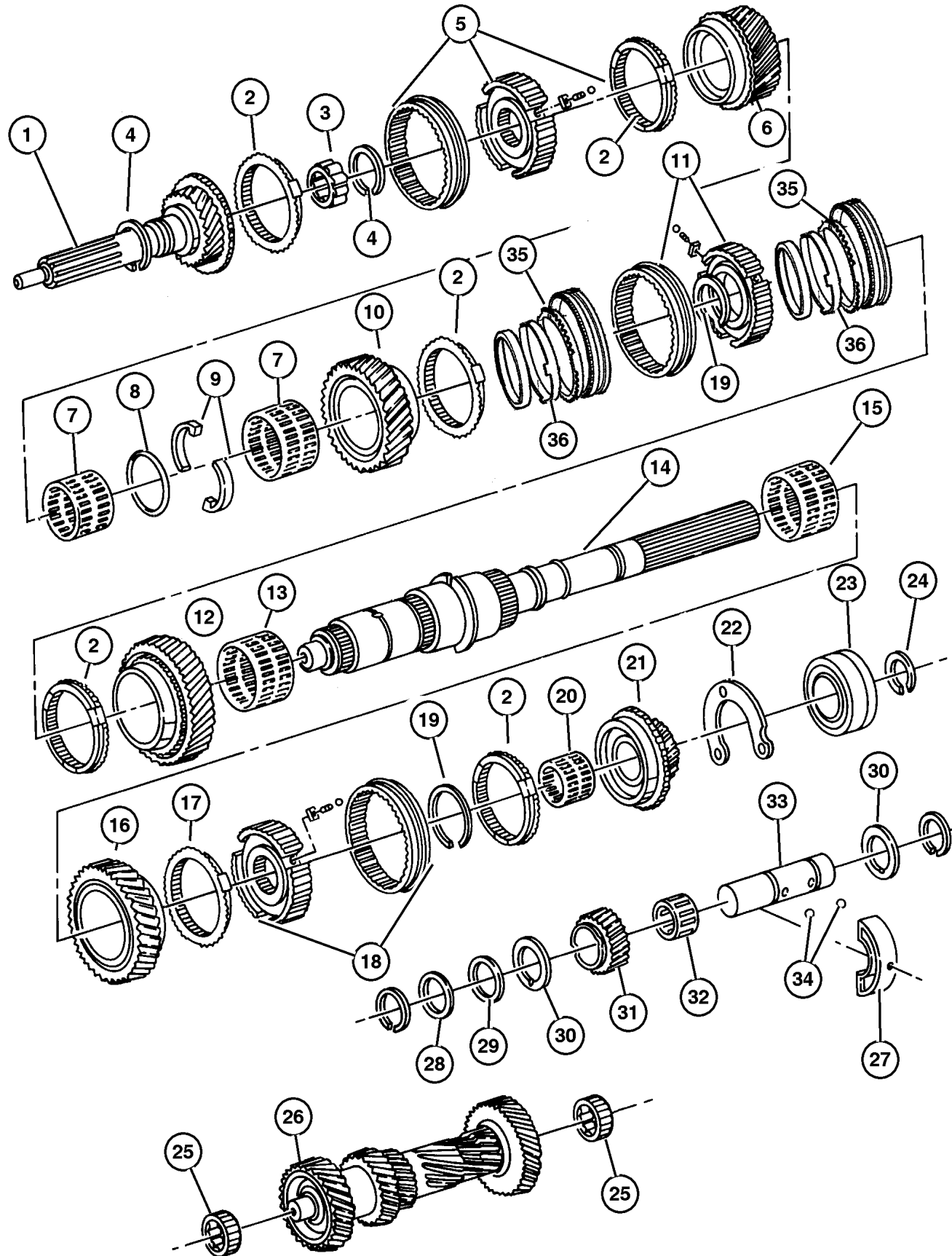
JEEP CHEROKEE (XJ)

SERIES	LINE	BODY	ENGINE	TRANSMISSION
P=Classic	J=LHD (4WD)	74=4 Dr.(101.4WB)	ENC,EN0=2.5L 4 cyl. Turbo Die	DDD, DDQ=5 spd. Man.
S=Limited	U=RHD (4WD)	72=2 Dr.(101.4WB)	ERH,ER0=4.0L Power Tech I-6	DGS=4 spd. Auto. AISIN
H=Sport	T=LHD (2WD)		EPE,EP0=Magnum 2.5L SMPI	DG0=All Auto/Trans.
L=SE	B=RHD (2WD)			DBB=All Manual Trans.

AR = Use as required - = Non illustrated part # = New this model year

December 7, 2002

Gear Train (DDD)
Figure 3550-410



ITEM	PART NUMBER	QTY	LINE	SERIES	BODY	ENGINE	TRANS	TRIM	DESCRIPTION
		1	B, T			ER0	DDD		
		1	J, U			ER0	DDD		
11	#5013 191AA	1	J, U			ENC	DDD		SYNCHRONIZER, First and Second
		1	B, T			ER0	DDD		
12	#5013 189AA	1	J, U			ER0	DDD		GEAR, First
		1	J, U			ENC	DDD		
		1	B, T			ER0	DDD		
13	4741 871	1	J, U			ER0	DDD		NEEDLE BEARING, Transmission
		1	J, U			ENC	DDD		
		1	B, T			ER0	DDD		
14	5013 180AA	1	J, U			ER0	DDD		SHAFT, Output
		1	J, U			ENC	DDD		
		1	B, T			ER0	DDD		
15	#5015 955AA	1	J, U			ER0	DDD		NEEDLE BEARING, Transmission
		1	J, U			ENC	DDD		
		1	B, T			ER0	DDD		
16	4741 871	1	J, U			ER0	DDD		GEAR, Reverse
		1	J, U			ENC	DDD		
		1	B, T			ER0	DDD		
17	#5013 185AA	1	J, U			ER0	DDD		STOP RING, Synchronizer
		1	J, U			ENC	DDD		
		1	B, T			ER0	DDD		
18	4741 285	1	J, U			ER0	DDD		SYNCHRONIZER, Fifth And Reverse
		1	J, U			ENC	DDD		
		1	B, T			ER0	DDD		
19	4741 278	1	J, U			ER0	DDD		RING, Transmission
		1	J, U			ENC	DDD		
		1	B, T			ER0	DDD		
20	4741 805	1	J, U			ER0	DDD		BEARING, Needle
		1	J, U			ENC	DDD		
		1	B, T			ER0	DDD		
21	4741 273	1	J, U			ER0	DDD		GEAR, Fifth

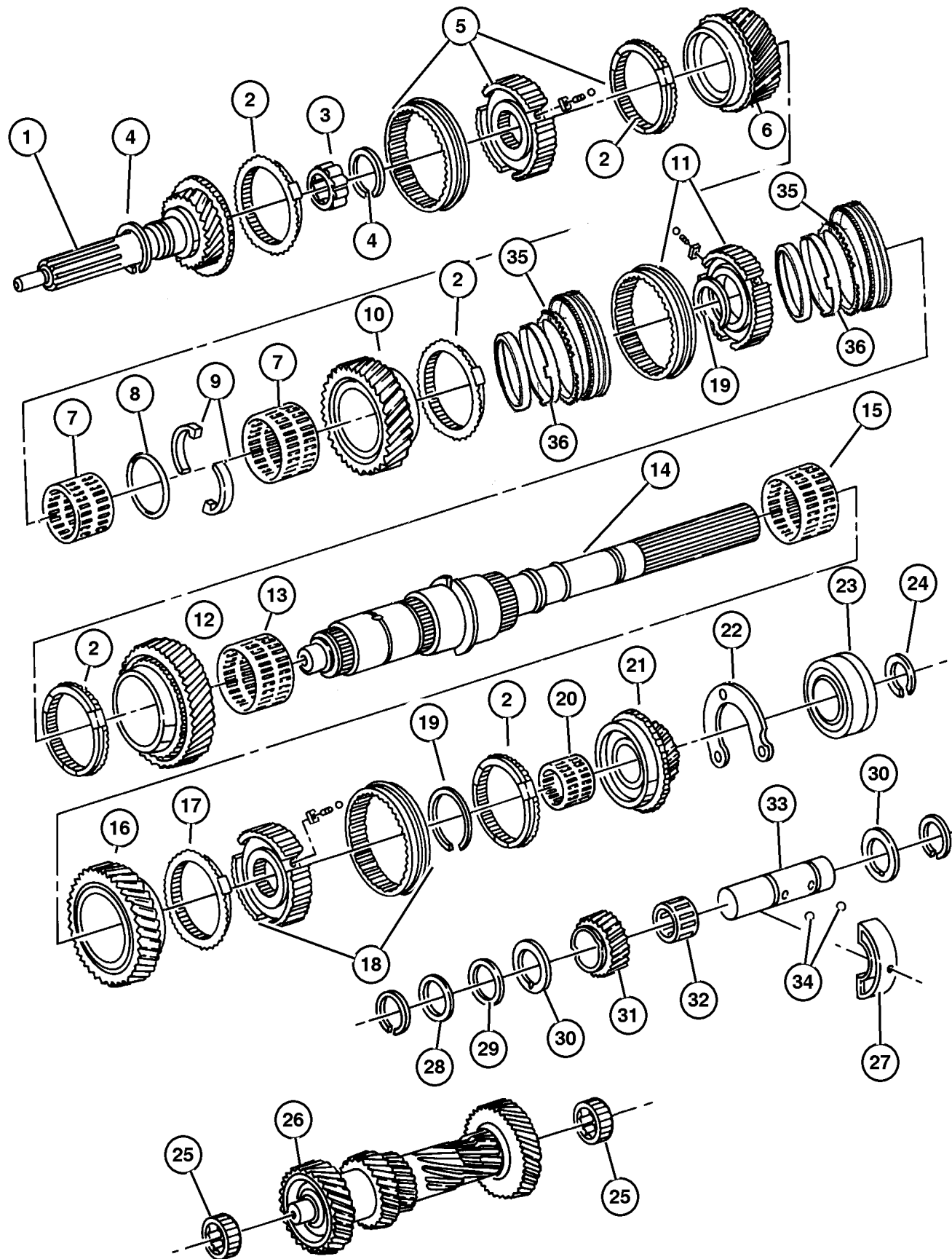
JEEP CHEROKEE (XJ)

SERIES	LINE	BODY	ENGINE	TRANSMISSION
P=Classic	J=LHD (4WD)	74=4 Dr.(101.4WB)	ENC,EN0=2.5L 4 cyl. Turbo Die	DDD, DDQ=5 spd. Man.
S=Limited	U=RHD (4WD)	72=2 Dr.(101.4WB)	ERH,ER0=4.0L Power Tech I-6	DGS=4 spd. Auto. AISIN
H=Sport	T=LHD (2WD)		EPE,EP0=Magnum 2.5L SMPI	DG0=All Auto/Trans.
L=SE	B=RHD (2WD)			DBB=All Manual Trans.

AR = Use as required - = Non illustrated part # = New this model year

December 7, 2002

**Gear Train (DDD)
Figure 3550-410**



ITEM	PART NUMBER	QTY	LINE	SERIES	BODY	ENGINE	TRANS	TRIM	DESCRIPTION
	#5015 956AA	1	B, T			ER0	DDD		
		1	J, U			ENC	DDD		
22		1	J, U			ER0	DDD		RETAINER, Transmission Output Shaft Bearing
	4741 114	1	J, U			ENC	DDD		
	4741 116	1	B, T			ER0	DDD		
23									BEARING, Output Shaft
	4741 866	1	B, T			ER0	DDD		
		1	J, U			ENC	DDD		
		1	J, U			ER0	DDD		
24									SNAP RING, Output Shaft Bearing
	4741 266	2	J, U			ENC	DDD		
		2	B, T			ER0	DDD		
		2	J, U			ER0	DDD		
25									BEARING, Countershaft
	#5012 971AA	2	J, U			ENC			
		2	B, T			ER0	DDD		
		2	J, U			ER0	DDD		
26									SHAFT, Counter
	#5015 957AA	1	B, T			ER0	DDD		
		1	J, U			ENC	DDD		
		1	J, U			ER0	DDD		
27									SUPPORT, Segment Idler Shaft
	4741 312	1	J, U			ENC	DDD		
		1	B, T			ER0	DDD		
		1	J, U			ER0	DDD		
28									WASHER, Flat
	4741 310	1	B, T			ER0	DDD		
		1	J, U			ENC	DDD		
		1	J, U			ER0	DDD		
29									WASHER, Idler Gear
	4741 309	1	J, U			ENC	DDD		
		1	B, T			ER0	DDD		
		1	J, U			ER0	DDD		
30									THRUST WASHER, Reverse Idler
	4741 307	2	J, U			ER0	DDD		
		2	J, U			ENC	DDD		
		2	B, T			ER0	DDD		
31									GEAR, Reverse Idler
	#5013 199AA	1	B, T			ER0	DDD		

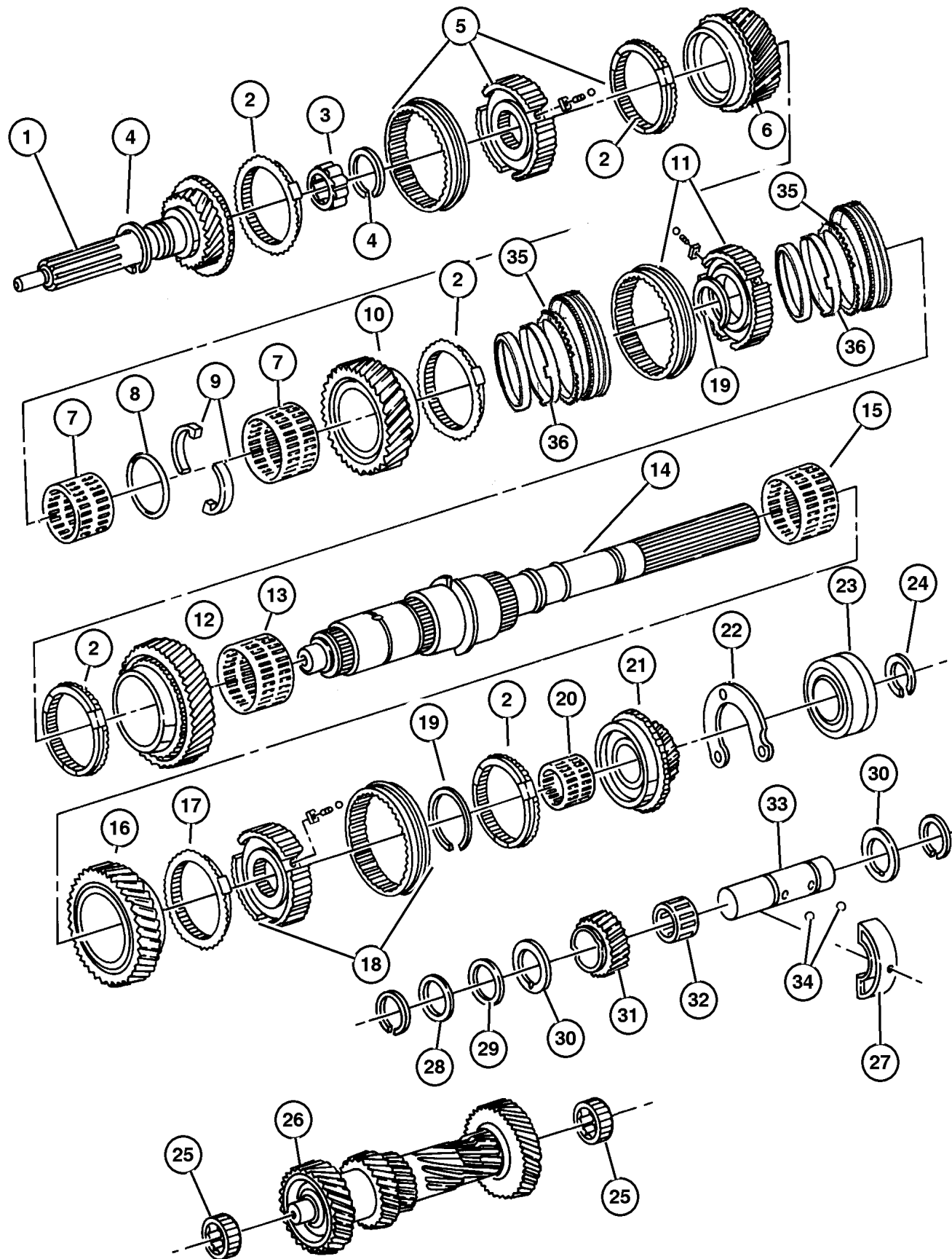
JEEP CHEROKEE (XJ)

SERIES	LINE	BODY	ENGINE	TRANSMISSION
P=Classic	J=LHD (4WD)	74=4 Dr.(101.4WB)	ENC,EN0=2.5L 4 cyl. Turbo Die	DDD, DDQ=5 spd. Man.
S=Limited	U=RHD (4WD)	72=2 Dr.(101.4WB)	ERH,ER0=4.0L Power Tech I-6	DGS=4 spd. Auto. AISIN
H=Sport	T=LHD (2WD)		EPE,EP0=Magnum 2.5L SMPI	DG0=All Auto/Trans.
L=SE	B=RHD (2WD)			DBB=All Manual Trans.

AR = Use as required - = Non illustrated part # = New this model year

December 7, 2002

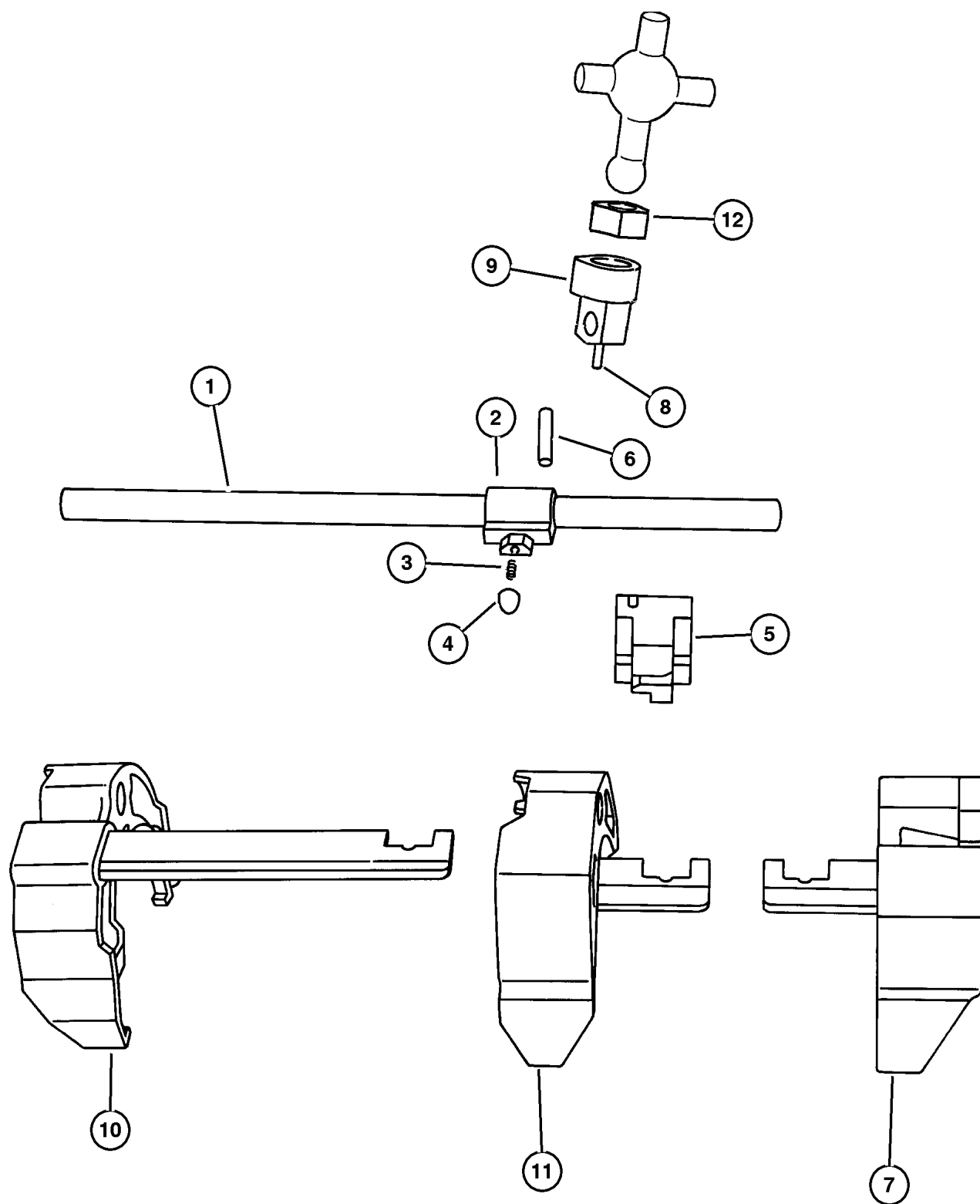
Gear Train (DDD)
Figure 3550-410



ITEM	PART NUMBER	QTY	LINE	SERIES	BODY	ENGINE	TRANS	TRIM	DESCRIPTION
		1	J, U			ENC	DDD		
		1	J, U			ER0	DDD		
32	4874 359	1	J, U			ENC	DDD		BEARING, Idler
		1	B, T			ER0	DDD		
33	4741 303	1	J, U			ER0	DDD		IDLER SHAFT, Transmission
		1	J, U			ENC	DDD		
		1	B, T			ER0	DDD		
34	4741 891	2	J, U			ENC			BALL, Check, 4 mm
		2	B, T			ER0	DDD		
		2	J, U			ER0	DDD		
35	4874 363	2	J, U			ENC			RING, Synchronizer Blocker
		2	B, T			ER0	DDD		
		2	J, U			ER0	DDD		
36	4874 405	2	J, U			ENC			CONE, Synchronizer
		2	B, T			ER0	DDD		
		2	J, U			ER0	DDD		

JEEP CHEROKEE (XJ)
 SERIES LINE BODY ENGINE TRANSMISSION
 P=Classic J=LHD (4WD) 74=4 Dr.(101.4WB) ENC,EN0=2.5L 4 cyl. Turbo Die DDD, DDQ=5 spd. Man.
 S=Limited U=RHD (4WD) 72=2 Dr.(101.4WB) ERH,ER0=4.0L Power Tech I-6 DGS=4 spd. Auto. AISIN
 H=Sport T=LHD (2WD) EPE,EP0=Magnum 2.5L SMPI DG0=All Auto/Trans.
 L=SE B=RHD (2WD) DBB=All Manual Trans.

Fork and Rails (DDD)
Figure 3550-910



ITEM	PART NUMBER	QTY	LINE	SERIES	BODY	ENGINE	TRANS	TRIM	DESCRIPTION
Notes:									
ERO = All 4.0L 6 Cylinder Gas Engine									
ENC = 2.5L 4 Cylinder Turbo Diesel Engines									
DDD = 5 Speed Manual Transmission									
1									SHAFT, Selector
	#5015 951AA	1	J, U			ENC	DDD		
		1	B, T			ERO	DDD		
		1	J, U			ERO	DDD		
2									LEVER, Shift Shaft
	5014 109AA	1	J, U			ENC	DDD		
		1	B, T			ERO	DDD		
		1	J, U			ERO	DDD		
3									SPRING, Lever
	4741 137	AR	J, U			ENC			
		AR	B, T			ERO	DDD		
		AR	J, U			ERO	DDD		
4									PLUNGER
	5015 949AA	1	J, U			ENC	DDD		
		1	B, T			ERO	DDD		
		1	J, U			ERO	DDD		
5									BUSHING, Transmission
	5012 337AA	1	B, T			ERO	DDD		
		1	J, U			ENC	DDD		
		1	J, U			ERO	DDD		
6									PIN, Shift Shaft
	4741 138	1	B, T			ERO	DDD		
		1	J, U			ENC	DDD		
		1	J, U			ERO	DDD		
7									FORK, Third and Fourth
	#5015 950AA	1	J, U			ENC	DDD		
		1	B, T			ERO	DDD		
		1	J, U			ERO	DDD		
8									PIN, Shift Shaft
	4741 139	1	B, T			ERO	DDD		
		1	J, U			ENC	DDD		
		1	J, U			ERO	DDD		
9									SOCKET, Shift Shaft
	4874 352	1	J, U			ENC	DDD		
		1	B, T			ERO	DDD		
		1	J, U			ERO	DDD		
10									FORK, Transmission
	#4773 563AB	1	J, U			ENC	DDD		

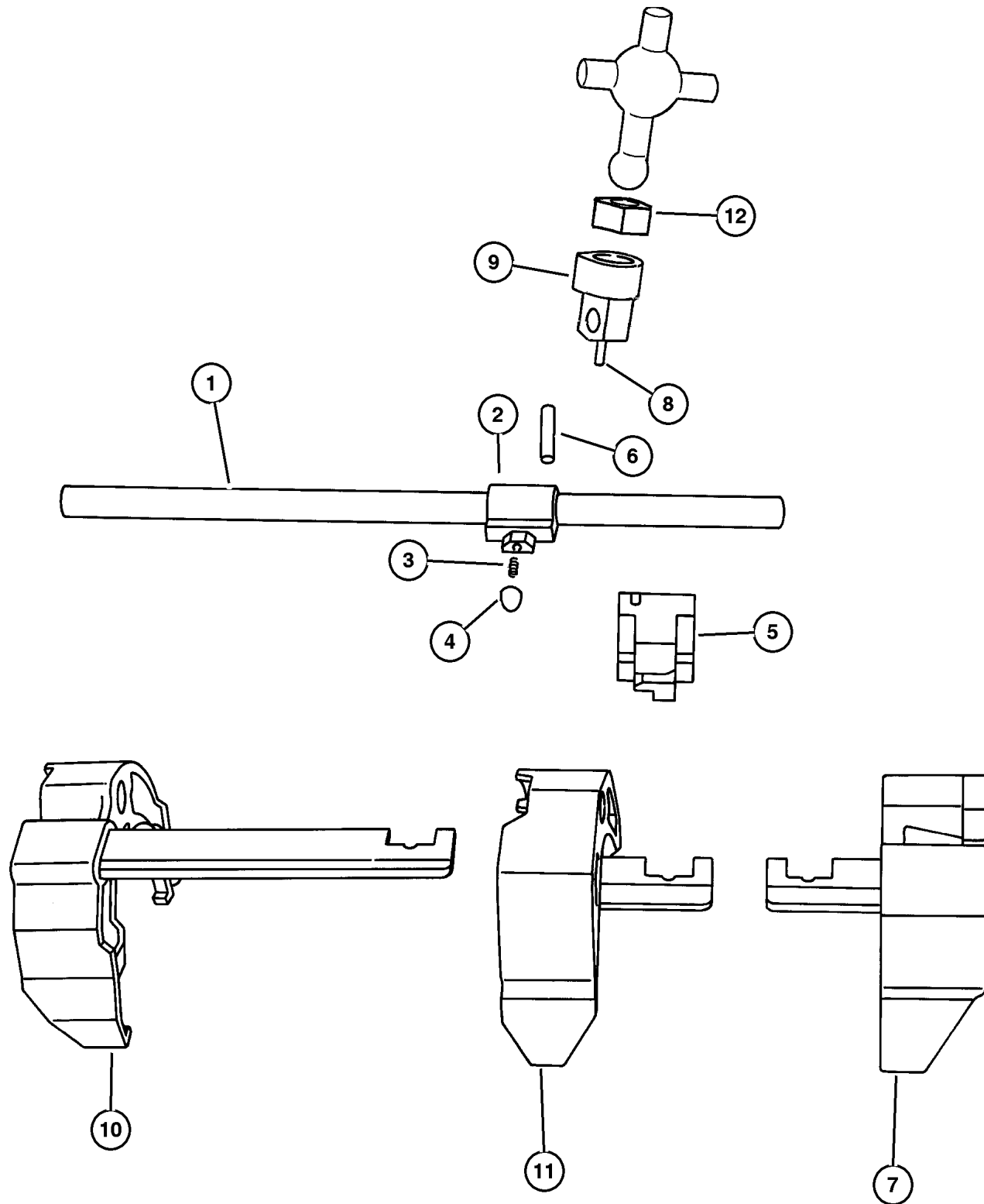
JEEP CHEROKEE (XJ)

SERIES	LINE	BODY	ENGINE	TRANSMISSION
P=Classic	J=LHD (4WD)	74=4 Dr.(101.4WB)	ENC,EN0=2.5L 4 cyl. Turbo Die	DDD, DDQ=5 spd. Man.
S=Limited	U=RHD (4WD)	72=2 Dr.(101.4WB)	ERH,ER0=4.0L Power Tech I-6	DGS=4 spd. Auto. AISIN
H=Sport	T=LHD (2WD)		EPE,EP0=Magnum 2.5L SMPI	DG0=All Auto/Trans.
L=SE	B=RHD (2WD)			DBB=All Manual Trans.

AR = Use as required - = Non illustrated part # = New this model year

December 7, 2002

Fork and Rails (DDD)
Figure 3550-910



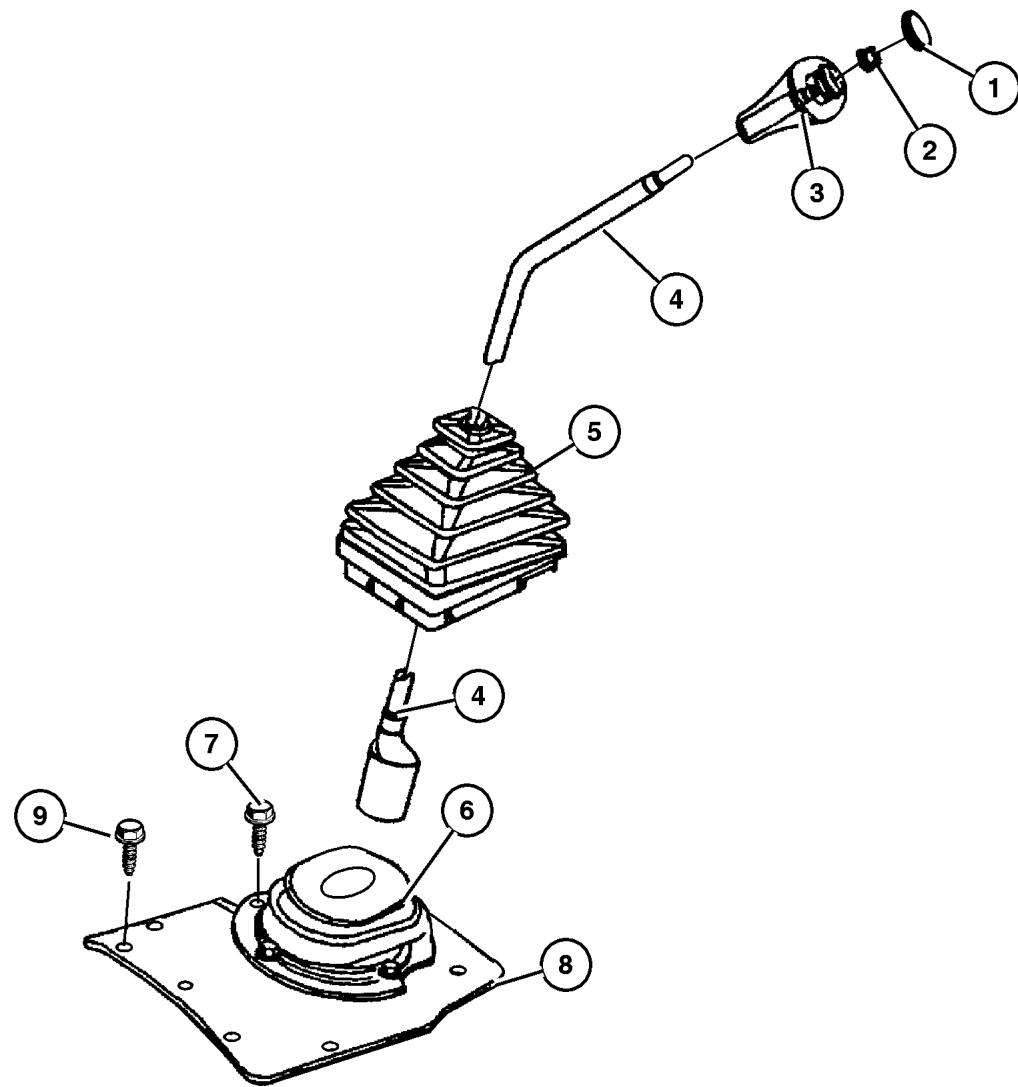
ITEM	PART NUMBER	QTY	LINE	SERIES	BODY	ENGINE	TRANS	TRIM	DESCRIPTION
		1	B, T			ER0	DDD		
		1	J, U			ER0	DDD		
11	#5013 178AA	1	J, U			ENC	DDD		FORK, First and Second
		1	B, T			ER0	DDD		
12	5012 020AA	1	J, U			ER0	DDD		ISOLATOR, Shift Lever
		1	J, U			ENC	DDD		
		1	B, T			ER0	DDD		
		1	J, U			ER0	DDD		

JEEP CHEROKEE (XJ)				
SERIES	LINE	BODY	ENGINE	TRANSMISSION
P=Classic	J=LHD (4WD)	74=4 Dr.(101.4WB)	ENC,EN0=2.5L 4 cyl. Turbo Die	DDD, DDQ=5 spd. Man.
S=Limited	U=RHD (4WD)	72=2 Dr.(101.4WB)	ERH,ER0=4.0L Power Tech I-6	DGS=4 spd. Auto. AISIN
H=Sport	T=LHD (2WD)		EPE,EP0=Magnum 2.5L SMPI	DG0=All Auto/Trans.
L=SE	B=RHD (2WD)			DBB=All Manual Trans.

AR = Use as required - = Non illustrated part # = New this model year

December 7, 2002

**Gearshift Controls (DDD)
Figure 3550-1210**



ITEM	PART NUMBER	QTY	LINE	SERIES	BODY	ENGINE	TRANS	TRIM	DESCRIPTION
Notes:									
DD0 = All 5 Speed Manual Transmission									
DBB = All Manual Transmissions									
1	4446 921	1					DD0		INSERT, Transmission Shift Knob
2	6502 556	1					DBB		NUT, Hex, M10-1.5
3	5210 4174	1					DD0		KNOB, Gearshift
4									LEVER, Gearshift
	#52104 163AB	1	B, U				DBB		
	#52104 166AB	1	J, T				DBB		
5	#52104 079AC	1					DBB		BOOT, Gear Shift Lever
6	#5210 4170	1					DDD		BOOT, Gear Shift Lever
7	1150 2843	7					DDD		SCREW, Hex Flange Head, M4.2x1.41x13.00
8	#5210 4169	1					DDD		COVER, Floor Pan
9									SCREW, Hex Self Tapping, .19-16x.50, (NOT SERVICED) (Not Serviced)

JEEP CHEROKEE (XJ)

SERIES	LINE	BODY	ENGINE	TRANSMISSION
P=Classic	J=LHD (4WD)	74=4 Dr.(101.4WB)	ENC,EN0=2.5L 4 cyl. Turbo Die	DDD, DDQ=5 spd. Man.
S=Limited	U=RHD (4WD)	72=2 Dr.(101.4WB)	ERH,ER0=4.0L Power Tech I-6	DGS=4 spd. Auto. AISIN
H=Sport	T=LHD (2WD)		EPE,EP0=Magnum 2.5L SMPI	DG0=All Auto/Trans.
L=SE	B=RHD (2WD)			DBB=All Manual Trans.

AR = Use as required - = Non illustrated part # = New this model year

December 7, 2002

Group – AX

Manual Transmission 5 Speed

GROUP AX - Manual Transmission 5 Speed

Illustration Title

Group-Fig. No.

Transmission Assembly

Transmission (DDQ) Fig. AX-110

Case and Extension

Case and Extension AX5 (DDQ) Fig. AX-210

Gear Train

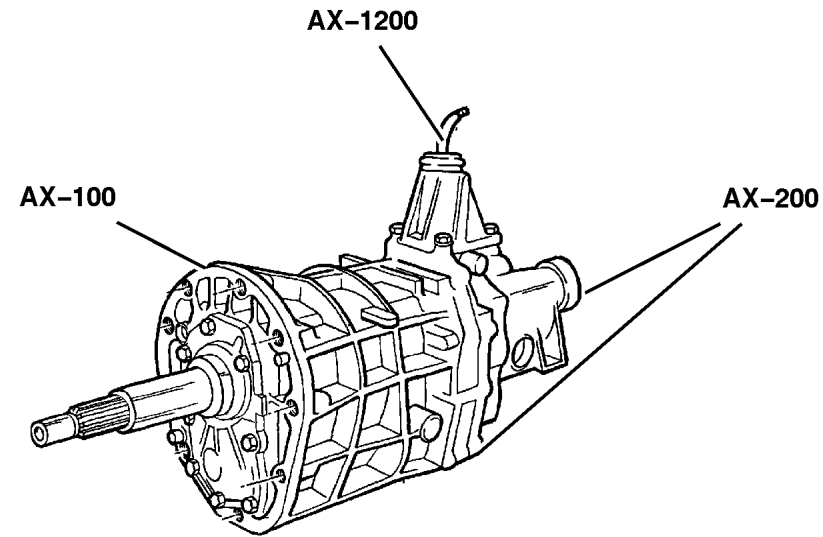
Gear Train AX 5 (DDQ) Fig. AX-410

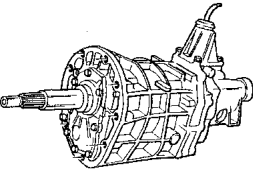
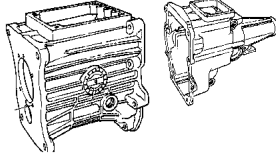
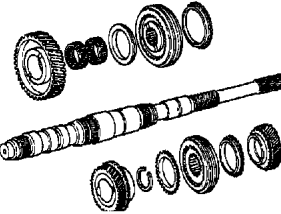
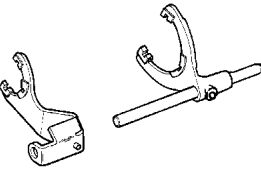
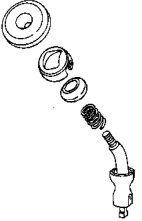
Fork and Rails

Forks AX 5 (DDQ) Fig. AX-910

Gearshift Controls

Gearshift Controls (DDQ) Fig. AX-1215



<p>AX-100 Transmission Assembly</p> 	<p>AX-200 Case and Extension</p> 	<p>AX-400 Gear Train</p> 	<p>AX-900 Fork and Rails</p> 
<p>AX-1200 Gearshift Controls</p> 			

**Transmission (DDQ)
Figure AX-110**

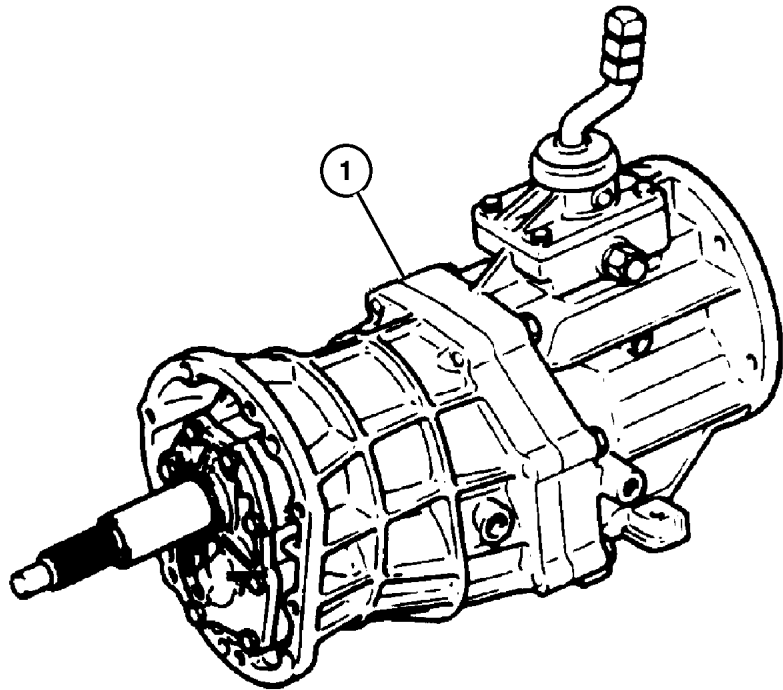
ITEM	PART NUMBER	QTY	LINE	SERIES	BODY	ENGINE	TRANS	TRIM	DESCRIPTION
------	-------------	-----	------	--------	------	--------	-------	------	-------------

Notes:

DDQ = 5 Speed Manual Transmission

EP0 = All 2.5L Gas Engines

1									TRANSMISSION, 5 Speed
	5210 4546	1	B, T			EP0	DDQ		
	5210 4547	1	J, U			EP0	DDQ		

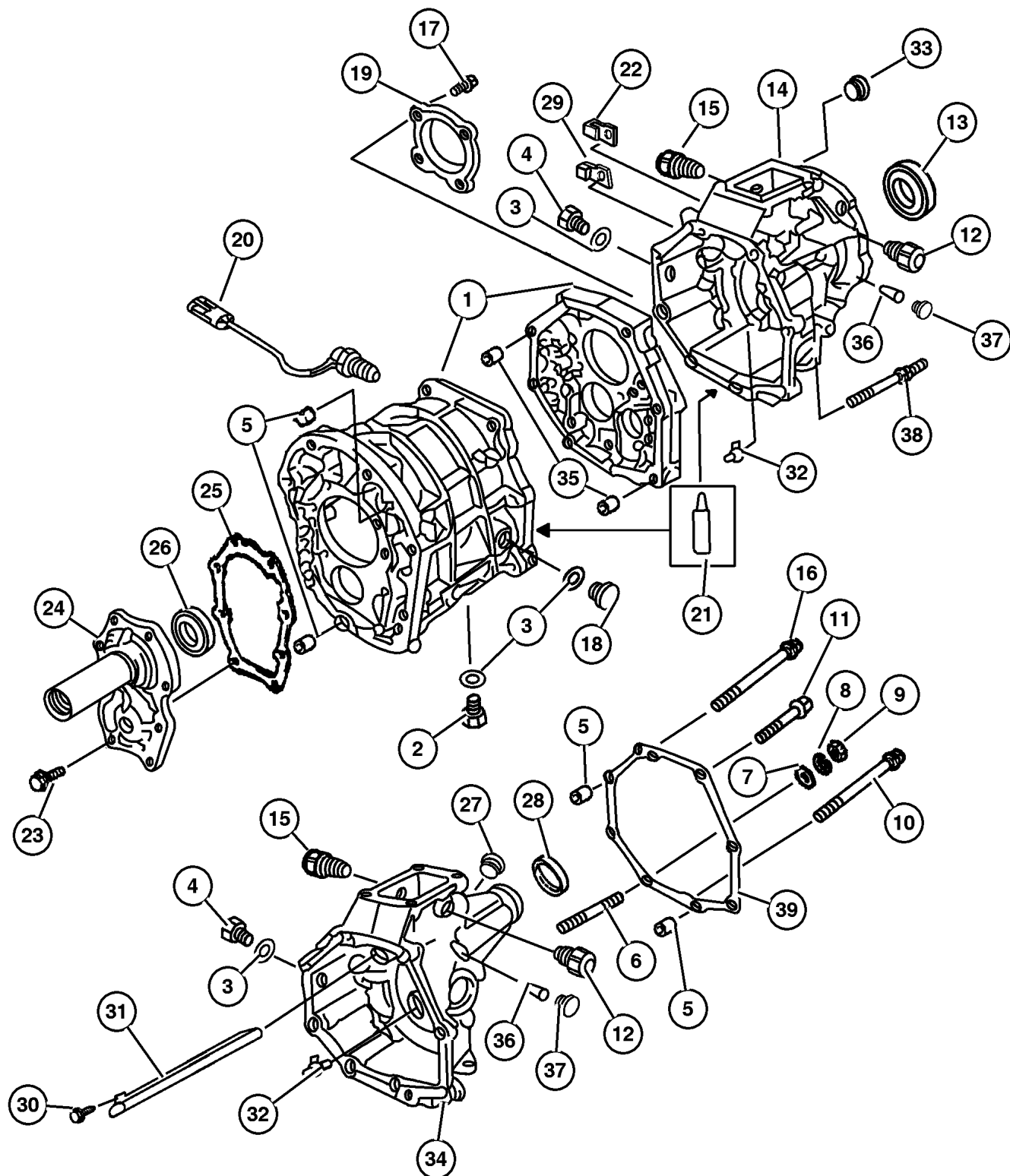


JEEP CHEROKEE (XJ)				
SERIES	LINE	BODY	ENGINE	TRANSMISSION
P=Classic	J=LHD (4WD)	74=4 Dr.(101.4WB)	ENC,EN0=2.5L 4 cyl. Turbo Die	DDD, DDQ=5 spd. Man.
S=Limited	U=RHD (4WD)	72=2 Dr.(101.4WB)	ERH,ER0=4.0L Power Tech I-6	DGS=4 spd. Auto. AISIN
H=Sport	T=LHD (2WD)		EPE,EP0=Magnum 2.5L SMPI	DG0=All Auto/Trans.
L=SE	B=RHD (2WD)			DBB=All Manual Trans.

AR = Use as required - = Non illustrated part # = New this model year

December 7, 2002

Case and Extension AX5 (DDQ)
Figure AX-210



ITEM	PART NUMBER	QTY	LINE	SERIES	BODY	ENGINE	TRANS	TRIM	DESCRIPTION
Notes:									
DDQ = 5 Speed Manual Transmission									
EP0 = All 2.5L Gas Engines									
1	4897 581AA	1	B, T			EP0	DDQ		CASE, Transmission
		1	J, U			EP0	DDQ		
2	4543 303	1	B, T			EP0	DDQ		PLUG, Differential Drain
		1	J, U			EP0	DDQ		52104546
									52104547
3	8350 0513	3	B, T			EP0	DDQ		GASKET, Drain Plug
		3	J, U			EP0	DDQ		52107746
									52104547
4									BOLT
	8350 3548	1	B, T			EP0	DDQ		52104546
		1	J, U			EP0	DDQ		52104547
5									PIN, Locating
	8350 0504	4	B, T			EP0	DDQ		52104546
		4	J, U			EP0	DDQ		52104547
6	8350 0618	1	J, U			EP0	DDQ		STUD, Double Ended, M10x1.25x98,
									52104547
7									WASHER, Flat
	8350 0627	1	B, T			EP0	DDQ		52104546
		1	J, U			EP0	DDQ		52104547
8									WASHER, Lock
	8350 0626	1	B, T			EP0	DDQ		
		1	J, U			EP0	DDQ		
9									NUT, Transmission Case
	8350 0625	1	J, U			EP0	DDQ		52104547
		1	B, T			EP0	DDQ		52104546
10									BOLT
	8350 3547	1	B, T			EP0	DDQ		52104546
		1	J, U			EP0	DDQ		52104547
11									BOLT
	8350 3549	5	B, T			EP0	DDQ		
		5	J, U			EP0	DDQ		
12									PIN, Reverse Restrict
	8350 0516	1	B, T			EP0	DDQ		52104546
		1	J, U			EP0	DDQ		52104547
13	8350 3108	1	J, U			EP0	DDQ		SEAL, Adapter, 52104547
14	8350 6037	1	J, U			EP0	DDQ		ADAPTER, Transmission
15									PIN, Reverse
	8350 0515	1	B, T			EP0	DDQ		52104546

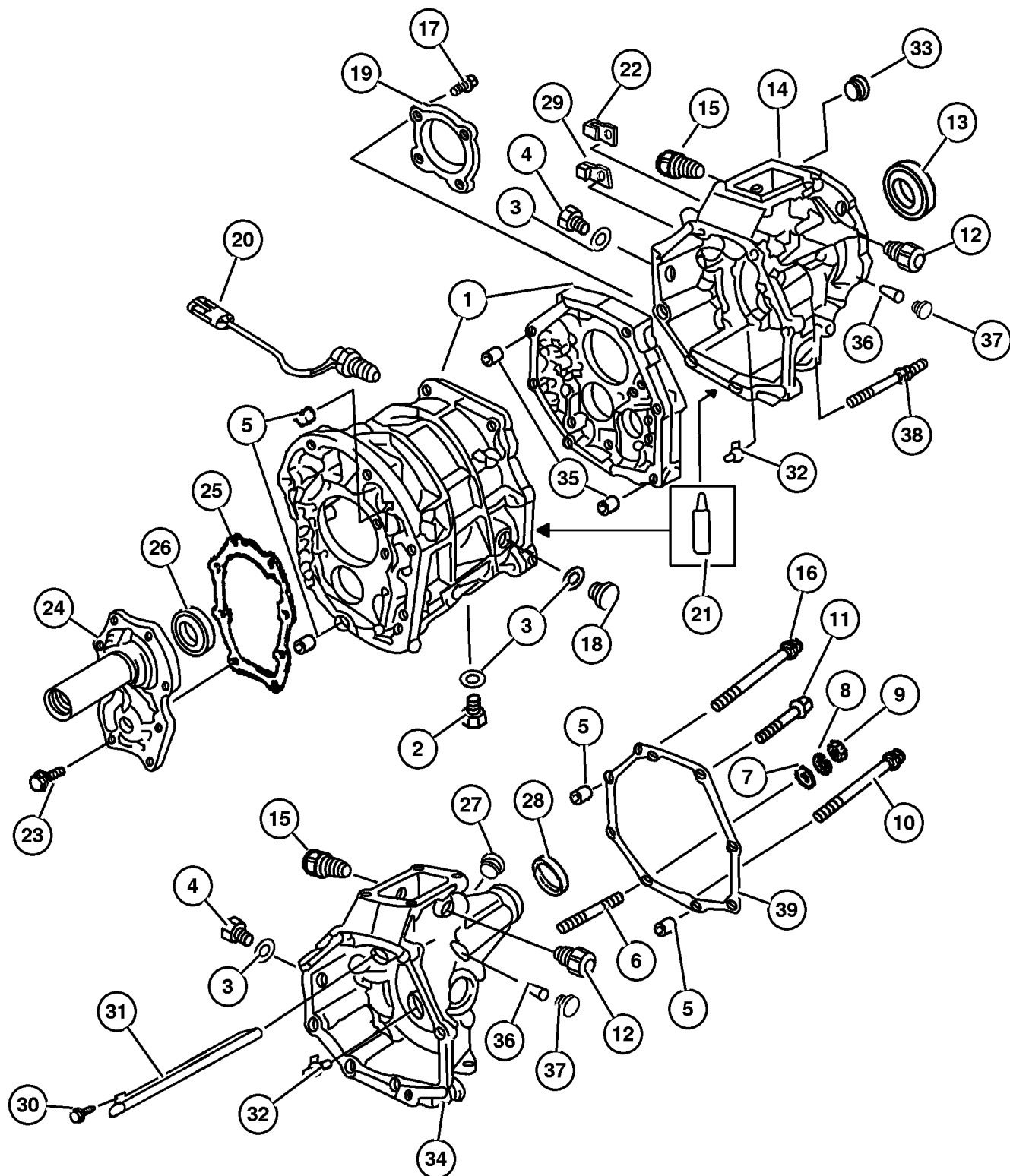
JEEP CHEROKEE (XJ)

SERIES	LINE	BODY	ENGINE	TRANSMISSION
P=Classic	J=LHD (4WD)	74=4 Dr.(101.4WB)	ENC,EN0=2.5L 4 cyl. Turbo Die	DDD, DDQ=5 spd. Man.
S=Limited	U=RHD (4WD)	72=2 Dr.(101.4WB)	ERH,ER0=4.0L Power Tech I-6	DGS=4 spd. Auto. AISIN
H=Sport	T=LHD (2WD)		EPE,EP0=Magnum 2.5L SMPI	DG0=All Auto/Trans.
L=SE	B=RHD (2WD)			DBB=All Manual Trans.

AR = Use as required - = Non illustrated part # = New this model year

December 7, 2002

Case and Extension AX5 (DDQ)
Figure AX-210



ITEM	PART NUMBER	QTY	LINE	SERIES	BODY	ENGINE	TRANS	TRIM	DESCRIPTION
		1	J, U			EP0	DDQ		52104547
16									BOLT
	8350 3547	1	B, T			EP0	DDQ		
		1	J, U			EP0	DDQ		
17									SCREW, Manual Transmission
	8350 0511	4	B, T			EP0	DDQ		52104546
		4	J, U			EP0	DDQ		52104547
18									PLUG, Oil Fill
	8350 0623	1	B, T			EP0	DDQ		52104546
		1	J, U			EP0	DDQ		52104547
19									RETAINER, Bearing
	8350 6034	1	B, T			EP0	DDQ		52104546
		1	J, U			EP0	DDQ		52104547
20									SWITCH, Back Up Lamp
	8350 0629	1	B, T			EP0	DDQ		52104546
		1	J, U			EP0	DDQ		52104547
21									SEALANT, RTV
	4318 025	1	B, T			EP0	DDQ		52104546
	5010 884AA	1	B, T			EP0	DDQ		
		1	J, U			EP0	DDQ		
22									CLAMP, Transmission
	8350 3551	1	B, T			EP0	DDQ		52104546
		1	J, U			EP0	DDQ		52104547
23									SCREW, Hex Head, M8x1.25x25
	3420 1818	8	B, T			EP0	DDQ		52104546
		8	J, U			EP0	DDQ		52104547
24									RETAINER, Bearing
	4746 025	1	J, U			EP0	DDQ		52104547
	8350 6034	1	B, T			EP0	DDQ		52104546
25									GASKET, Input Gear Retainer
	8350 0505	1	B, T			EP0	DDQ		52104546
		1	J, U			EP0	DDQ		52104547
26									SEAL, Main Shaft
	8350 6045	1	B, T			EP0	DDQ		52104546
		1	J, U			EP0	DDQ		52104547
27	8350 2124	1	B, T			EP0	DDQ		PLUG, Extension Housing, 52104546
28	8350 2118	1	B, T			EP0	DDQ		SEAL, Extension, 52104546
29									CLAMP, Transmission
	8350 0631	1	B, T			EP0	DDQ		52104546
		1	J, U			EP0	DDQ		52104547
30	8350 2126	1	B, T			EP0	DDQ		BOLT, Oil Receiver Pipe
31	8350 2122	1	B, T			EP0	DDQ		PIPE, Oil Receiver
32									PIPE, Oil Receiver

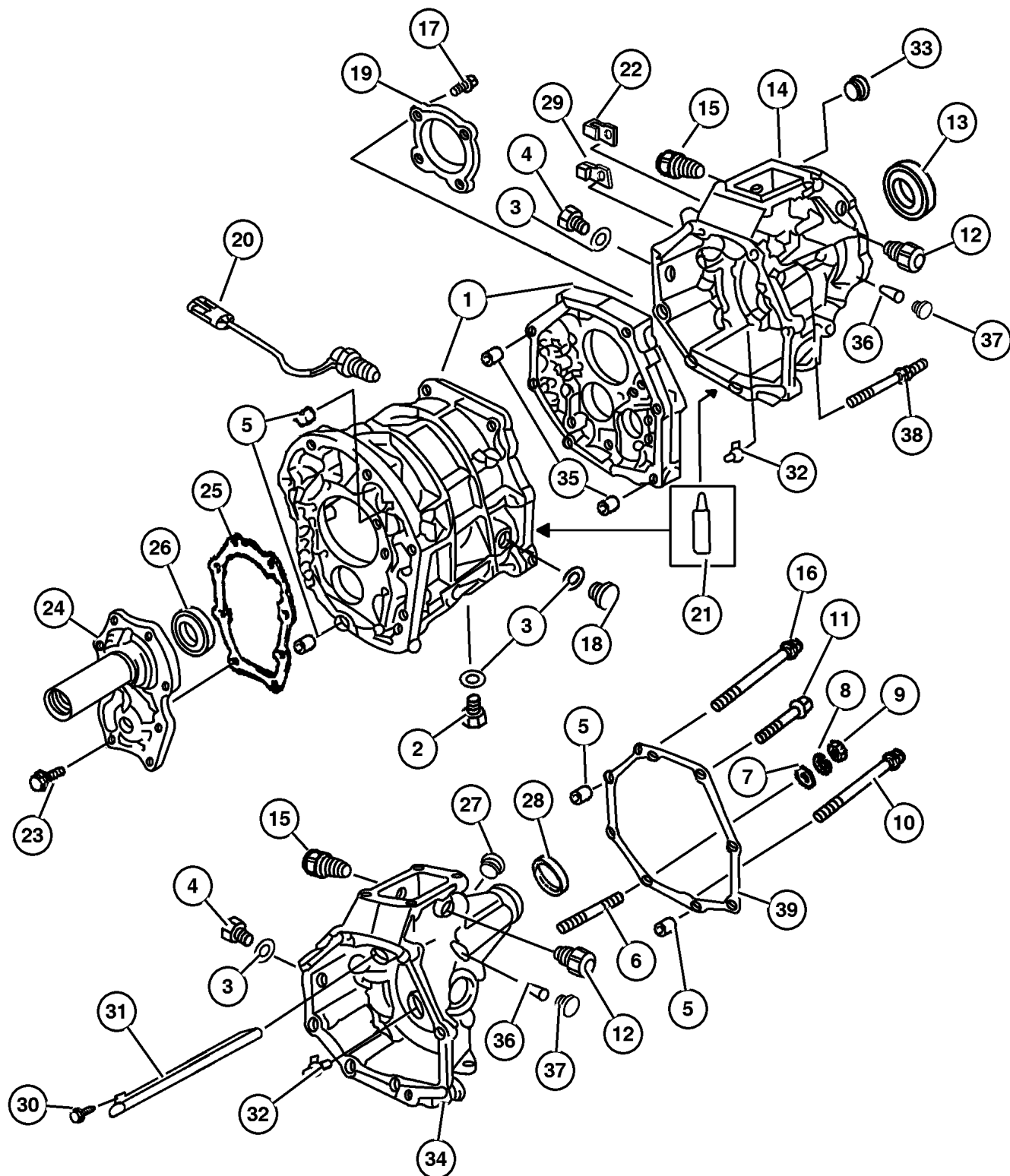
JEEP CHEROKEE (XJ)

SERIES	LINE	BODY	ENGINE	TRANSMISSION
P=Classic	J=LHD (4WD)	74=4 Dr.(101.4WB)	ENC,EN0=2.5L 4 cyl. Turbo Die	DDD, DDQ=5 spd. Man.
S=Limited	U=RHD (4WD)	72=2 Dr.(101.4WB)	ERH,ER0=4.0L Power Tech I-6	DGS=4 spd. Auto. AISIN
H=Sport	T=LHD (2WD)		EPE,EP0=Magnum 2.5L SMPI	DG0=All Auto/Trans.
L=SE	B=RHD (2WD)			DBB=All Manual Trans.

AR = Use as required - = Non illustrated part # = New this model year

December 7, 2002

Case and Extension AX5 (DDQ)
Figure AX-210



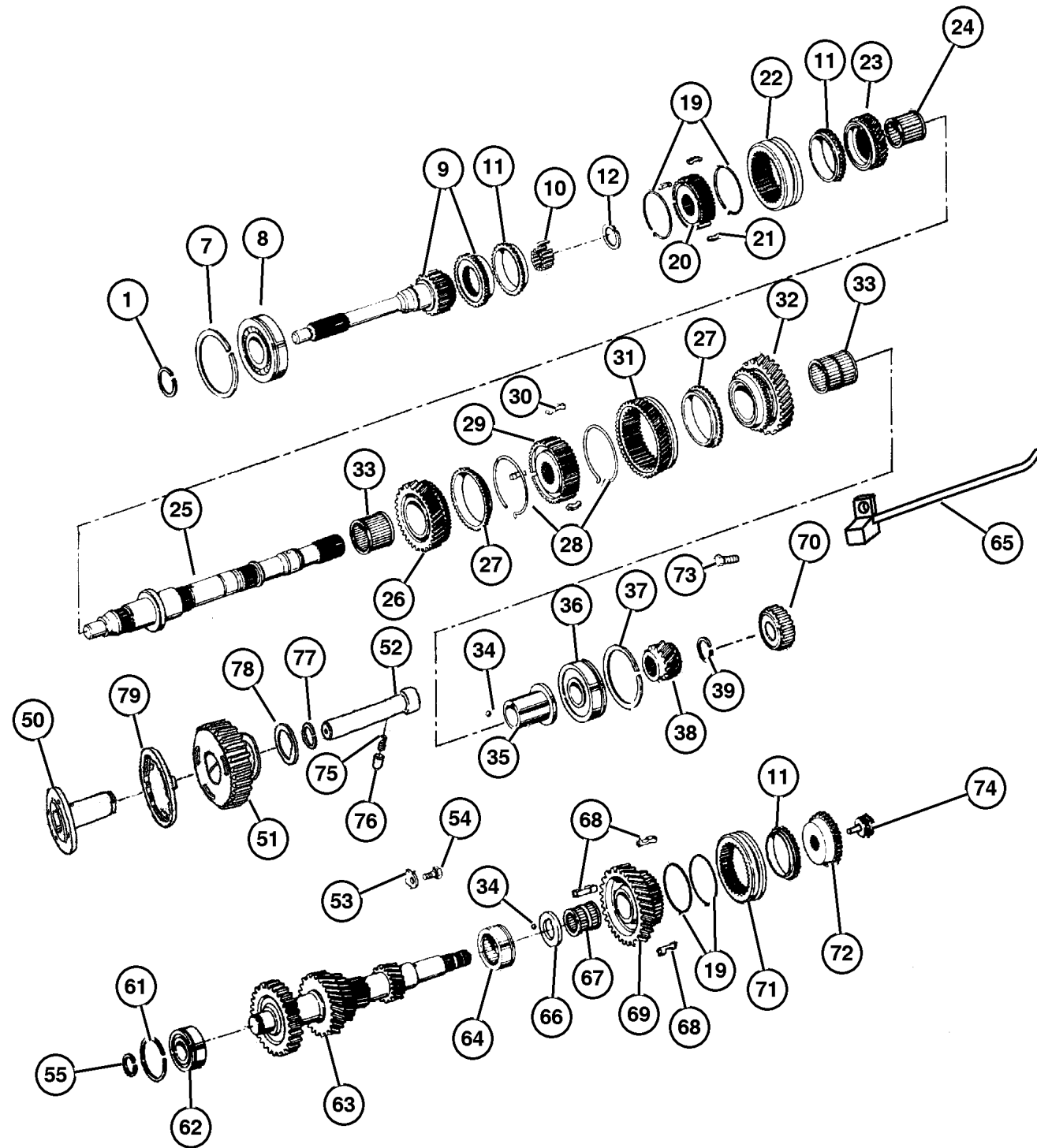
ITEM	PART NUMBER	QTY	LINE	SERIES	BODY	ENGINE	TRANS	TRIM	DESCRIPTION
	8350 0646	1	B, T			EP0	DDQ		
		1	J, U			EP0	DDQ		
33	8350 3109	AR	J, U			EP0	DDQ		CAP, Detent
34	8350 6013	1	B, T			EP0	DDQ		HOUSING, Transmission Rear Extension
35									PIN, Locating
	5003 663AA	2	B, T			EP0	DDQ		
		2	J, U			EP0	DDQ		
36									PIN, Shift Shaft
	8350 0540	3	B, T			EP0	DDQ		
		3	J, U			EP0	DDQ		
37									PLUG, Transmission
	8350 0524	6	B, T			EP0	DDQ		
		6	J, U			EP0	DDQ		
38	8350 0972	1	J, U			EP0	DDQ		STUD, Hex Shoulder, M10x1.25x105
39									GASKET, (NOT REQUIRED)

JEEP CHEROKEE (XJ)				
SERIES	LINE	BODY	ENGINE	TRANSMISSION
P=Classic	J=LHD (4WD)	74=4 Dr.(101.4WB)	ENC,EN0=2.5L 4 cyl. Turbo Die	DDD, DDQ=5 spd. Man.
S=Limited	U=RHD (4WD)	72=2 Dr.(101.4WB)	ERH,ER0=4.0L Power Tech I-6	DGS=4 spd. Auto. AISIN
H=Sport	T=LHD (2WD)		EPE,EP0=Magnum 2.5L SMPI	DG0=All Auto/Trans.
L=SE	B=RHD (2WD)			DBB=All Manual Trans.

AR = Use as required - = Non illustrated part # = New this model year

December 7, 2002

Gear Train AX 5 (DDQ) Figure AX-410



ITEM	PART NUMBER	QTY	LINE	SERIES	BODY	ENGINE	TRANS	TRIM	DESCRIPTION
Notes:									
DDQ = 5 Speed Manual Transmission									
EP0 = All 2.5L Gas Engines									
1	8350 0645	1	B, T			EP0	DDQ		SNAP RING 52104546
		1	J, U			EP0	DDQ		52104547
-2	8350 0607	1	B, T			EP0	DDQ		SNAP RING, Input Shaft, 2.10mm 52104546
		1	J, U			EP0	DDQ		52104547
-3	8350 0608	1	B, T			EP0	DDQ		SNAP RING, Input Shaft, 2.15mm 52104546
		1	J, U			EP0	DDQ		52104547
-4	8350 0609	1	B, T			EP0	DDQ		SNAP RING, Input Shaft, 2.20mm 52104546
		1	J, U			EP0	DDQ		52104547
-5	8350 0610	1	B, T			EP0	DDQ		SNAP RING, Input Shaft, 2.25mm 52104546
		1	J, U			EP0	DDQ		52104547
-6	8350 0611	1	B, T			EP0	DDQ		SNAP RING, Input Shaft, 2.30mm 52104546
		1	J, U			EP0	DDQ		52104547
7	8350 0614	1	B, T			EP0	DDQ		SNAP RING 52104546
		1	J, U			EP0	DDQ		52104547
8	8350 2681	1	B, T			EP0	DDQ		BEARING, Input Shaft 52104546
		1	J, U			EP0	DDQ		52107747
9	8350 6020	1	B, T			EP0	DDQ		SHAFT, Input 52104546
		1	J, U			EP0	DDQ		52104547
10	8350 2680	13	B, T			EP0	DDQ		ROLLER, Input Gear 52104546
		13	J, U			EP0	DDQ		52104547
11	8350 0566	3	B, T			EP0	DDQ		STOP RING, Synchronizer
		3	J, U			EP0	DDQ		52104546
		2	B, T			EP0	DDQ		52104547
		2	J, U			EP0	DDQ		52104547
12	8350 0598	1	B, T			EP0	DDQ		SNAP RING, Mainshaft, 1.75mm 52104546
		1	J, U			EP0	DDQ		52104547
-13									SNAP RING, Mainshaft, 1.80mm

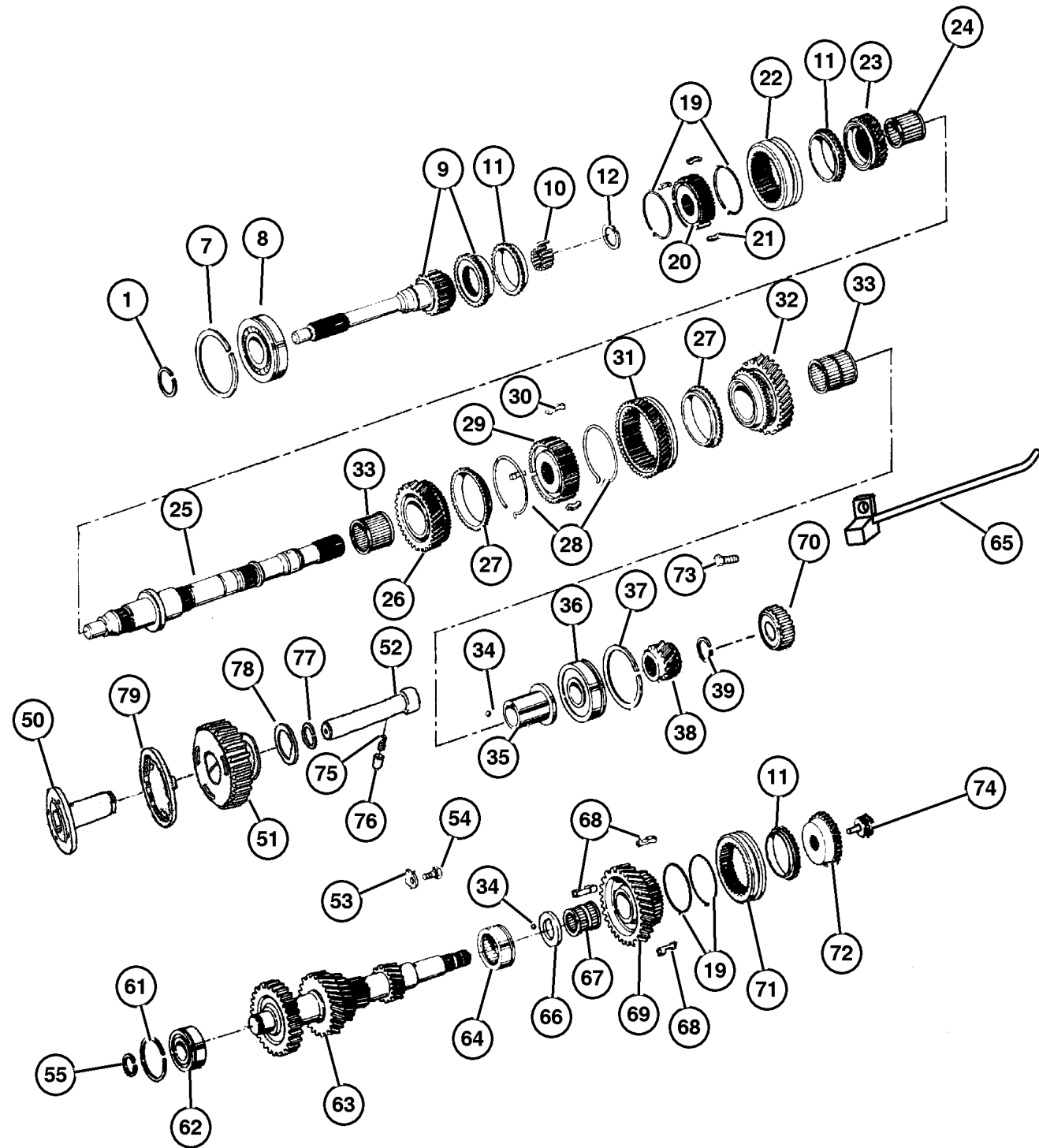
JEEP CHEROKEE (XJ)

SERIES	LINE	BODY	ENGINE	TRANSMISSION
P=Classic	J=LHD (4WD)	74=4 Dr.(101.4WB)	ENC,EN0=2.5L 4 cyl. Turbo Die	DDD, DDQ=5 spd. Man.
S=Limited	U=RHD (4WD)	72=2 Dr.(101.4WB)	ERH,ER0=4.0L Power Tech I-6	DGS=4 spd. Auto. AISIN
H=Sport	T=LHD (2WD)		EPE,EP0=Magnum 2.5L SMPI	DG0=All Auto/Trans.
L=SE	B=RHD (2WD)			DBB=All Manual Trans.

AR = Use as required - = Non illustrated part # = New this model year

December 7, 2002

**Gear Train AX 5 (DDQ)
Figure AX-410**



ITEM	PART NUMBER	QTY	LINE	SERIES	BODY	ENGINE	TRANS	TRIM	DESCRIPTION
	8350 0599	1	B, T			EP0	DDQ		52104546
		1	J, U			EP0	DDQ		52104547
-14	8350 0602	1	B, T			EP0	DDQ		SNAP RING, Mainshaft, 1.85mm
		1	J, U			EP0	DDQ		52104547
-15	8350 0603	1	B, T			EP0	DDQ		SNAP RING, Mainshaft, 1.90mm
		1	J, U			EP0	DDQ		52104547
-16	8350 0604	1	B, T			EP0	DDQ		SNAP RING, Mainshaft, 1.95mm
		1	J, U			EP0	DDQ		52104547
-17	8350 0605	1	B, T			EP0	DDQ		SNAP RING, Mainshaft, 2.00mm
		1	J, U			EP0	DDQ		52104547
-18	8350 0606	1	B, T			EP0	DDQ		SNAP RING, Mainshaft, 2.05mm
		1	J, U			EP0	DDQ		52104547
19	8350 0568	4	B, T			EP0	DDQ		SPRING, Synchronizer Key
		4	J, U			EP0	DDQ		52104547
20									SYNCHRONIZER, Third and Fourth
	8350 6027	1	B, T			EP0	DDQ		52104546
		1	J, U			EP0	DDQ		52104547
21	8350 6029	3	B, T			EP0	DDQ		KEY, Synchronizer
		3	J, U			EP0	DDQ		52104546
									52107747
22	4740 235	1	B, T			EP0	DDQ		SLEEVE, Synchronmesh Clutch Gear
		1	J, U			EP0	DDQ		52104546
									52104547
23	8350 6019	1	B, T			EP0	DDQ		GEAR, Third
		1	J, U			EP0	DDQ		52104546
									52104547
24	8350 0576	1	B, T			EP0	DDQ		BEARING, Third Gear
		1	J, U			EP0	DDQ		52104546
									52104547
25	8350 2117	1	B, T			EP0	DDQ		MAINSHAFT, Transmission
	8350 3105	1	J, U			EP0	DDQ		52104546
									52104547
26	8350 6018	1	B, T			EP0	DDQ		GEAR, Second
		1	J, U			EP0	DDQ		52104546
									52104547
27									STOP RING, Synchronizer

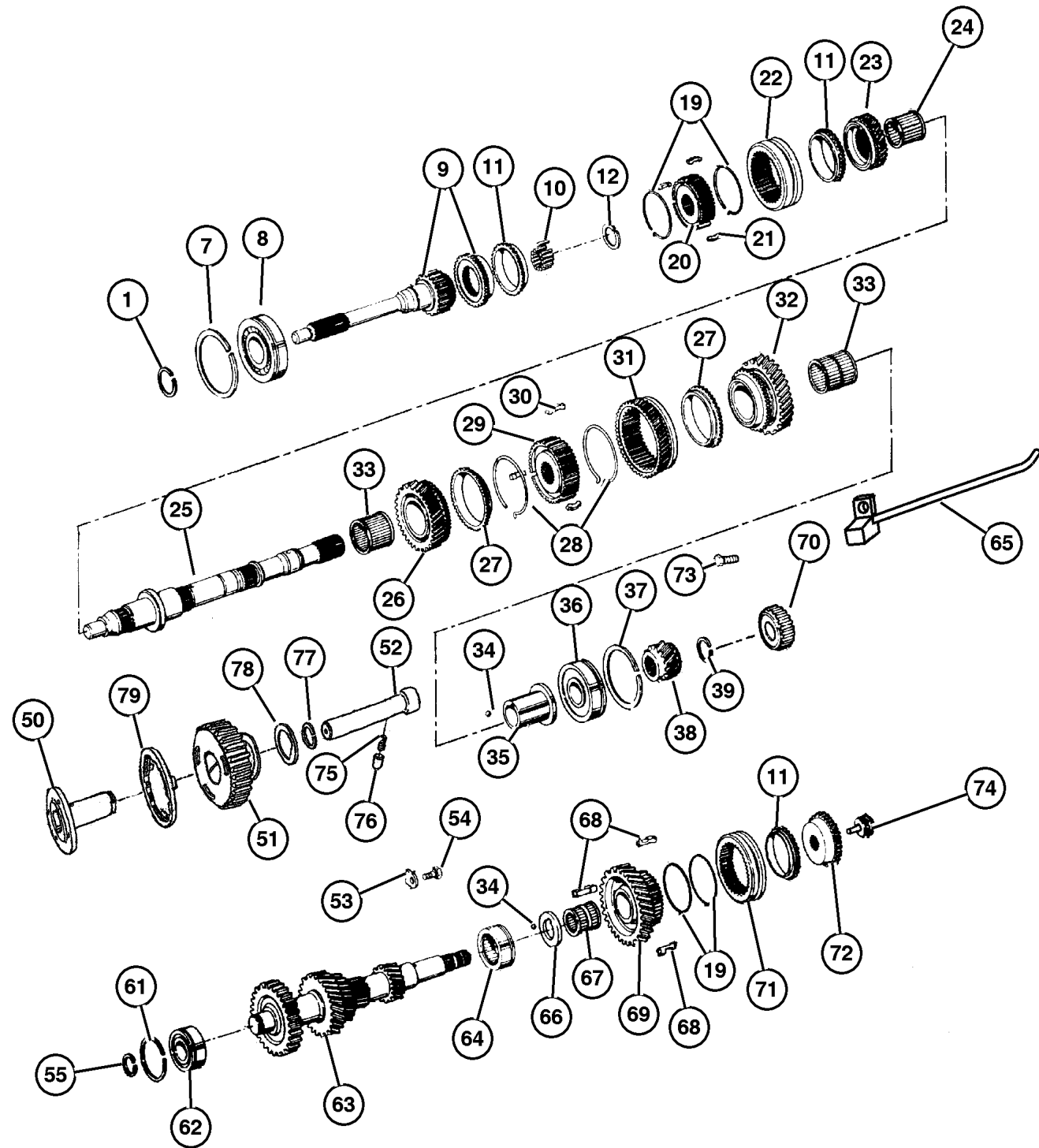
JEEP CHEROKEE (XJ)

SERIES	LINE	BODY	ENGINE	TRANSMISSION
P=Classic	J=LHD (4WD)	74=4 Dr.(101.4WB)	ENC,EN0=2.5L 4 cyl. Turbo Die	DDD, DDQ=5 spd. Man.
S=Limited	U=RHD (4WD)	72=2 Dr.(101.4WB)	ERH,ER0=4.0L Power Tech I-6	DGS=4 spd. Auto. AISIN
H=Sport	T=LHD (2WD)		EPE,EP0=Magnum 2.5L SMPI	DG0=All Auto/Trans.
L=SE	B=RHD (2WD)			DBB=All Manual Trans.

AR = Use as required - = Non illustrated part # = New this model year

December 7, 2002

**Gear Train AX 5 (DDQ)
Figure AX-410**



ITEM	PART NUMBER	QTY	LINE	SERIES	BODY	ENGINE	TRANS	TRIM	DESCRIPTION
	8350 0567	2	B, T			EP0	DDQ		52104546
		2	J, U			EP0	DDQ		52104547
28									SPRING, Synchronizer Key
	8350 0569	2	B, T			EP0	DDQ		52104546
		2	J, U			EP0	DDQ		52104547
29									SYNCHRONIZER, First and Second
	8350 0561	1	B, T			EP0	DDQ		52104546
		1	J, U			EP0	DDQ		52104547
30									KEY, Synchronizer
	8350 0564	3	B, T			EP0	DDQ		52104546
		3	J, U			EP0	DDQ		52104547
31									GEAR, Reverse
	4897 101AA	1	B, T			EP0	DDQ		52104546
		1	J, U			EP0	DDQ		52104547
32									GEAR, First
	8350 6017	1	B, T			EP0	DDQ		52104546
		1	J, U			EP0	DDQ		52104547
33									BEARING, First Gear
	8350 6031	1	B, T			EP0	DDQ		52104546
		2	J, U			EP0	DDQ		52104547
34	8350 0573	2	B, T			EP0	DDQ		BALL, Reverse, 52104546
35									RACE, First Gear
	8350 6026	1	B, T			EP0	DDQ		52104546
		1	J, U			EP0	DDQ		52104547
36									BEARING, Mainshaft
	8350 6030	1	B, T			EP0	DDQ		52104546
		1	J, U			EP0	DDQ		52104547
37									SNAP RING
	8350 0613	1	B, T			EP0	DDQ		52104546
		1	J, U			EP0	DDQ		52104547
38									GEAR, Fifth
	8350 0971	1	B, T			EP0	DDQ		52104546
		1	J, U			EP0	DDQ		52104547
39									SNAP RING, Mainshaft, 2.67-2.72mm
	8350 0587	1	B, T			EP0	DDQ		52104546
		1	J, U			EP0	DDQ		52104547
-40									SNAP RING, Mainshaft, 2.73-2.78mm
	8350 0588	1	B, T			EP0	DDQ		52104546
		1	J, U			EP0	DDQ		52104547
-41									SNAP RING, Mainshaft, 2.79-2.84mm

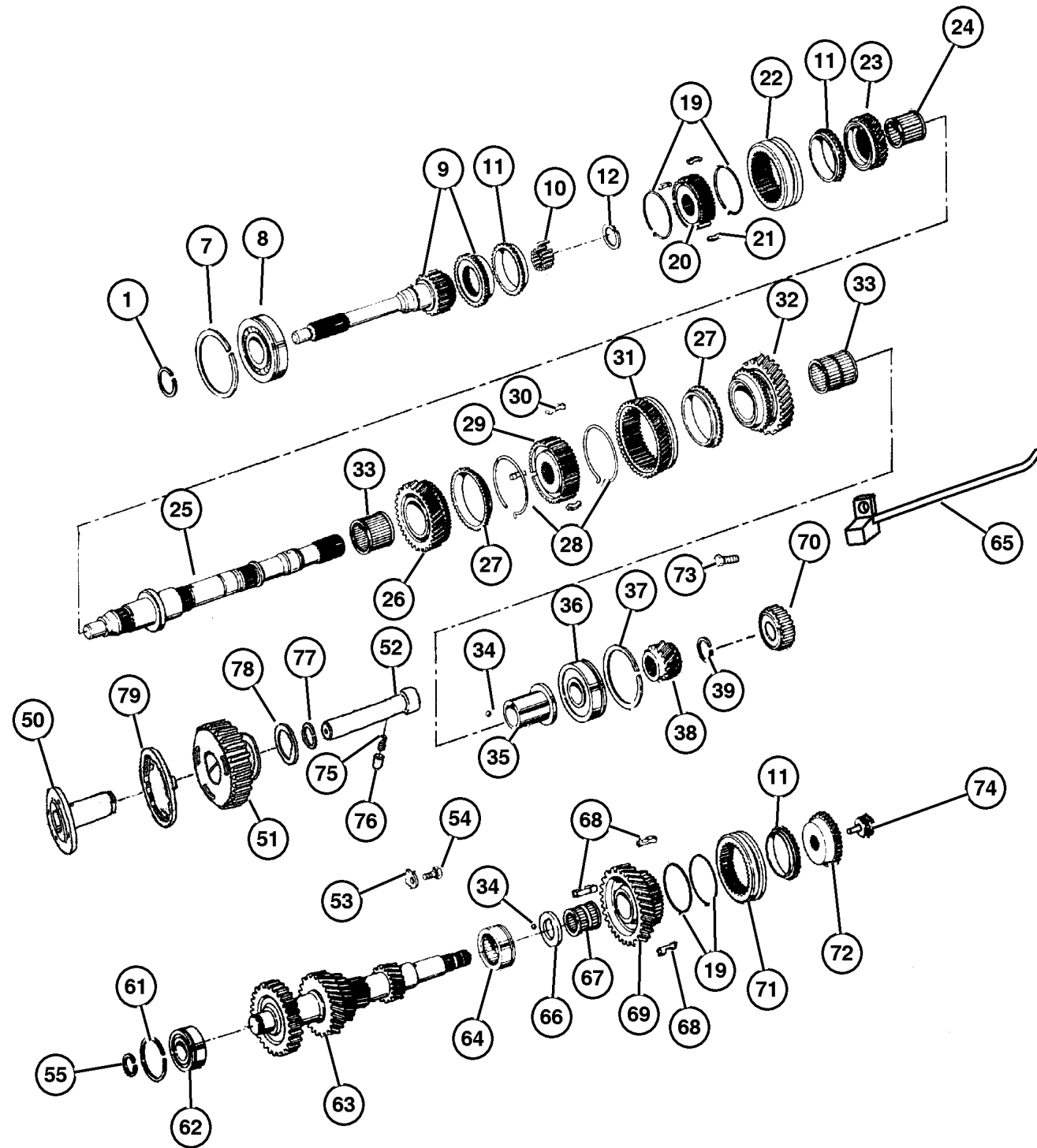
JEEP CHEROKEE (XJ)

SERIES	LINE	BODY	ENGINE	TRANSMISSION
P=Classic	J=LHD (4WD)	74=4 Dr.(101.4WB)	ENC,EN0=2.5L 4 cyl. Turbo Die	DDD, DDQ=5 spd. Man.
S=Limited	U=RHD (4WD)	72=2 Dr.(101.4WB)	ERH,ER0=4.0L Power Tech I-6	DGS=4 spd. Auto. AISIN
H=Sport	T=LHD (2WD)		EPE,EP0=Magnum 2.5L SMPI	DG0=All Auto/Trans.
L=SE	B=RHD (2WD)			DBB=All Manual Trans.

AR = Use as required - = Non illustrated part # = New this model year

December 7, 2002

Gear Train AX 5 (DDQ) Figure AX-410



ITEM	PART NUMBER	QTY	LINE	SERIES	BODY	ENGINE	TRANS	TRIM	DESCRIPTION
	8350 0589	1	B, T			EP0	DDQ		52104546
		1	J, U			EP0	DDQ		52104547
-42									SNAP RING, Mainshaft, 2.85-2.90mm
	8350 0590	1	B, T			EP0	DDQ		52104546
		1	J, U			EP0	DDQ		52104547
-43									SNAP RING, Mainshaft, 2.91-2.96mm
	8350 0591	1	B, T			EP0	DDQ		52104546
		1	J, U			EP0	DDQ		52104547
-44									SNAP RING, Mainshaft, 2.97-3.02mm
	8350 0592	1	B, T			EP0	DDQ		52104546
		1	J, U			EP0	DDQ		52104547
-45									SNAP RING, Mainshaft, 3.03-3.08mm
	8350 0593	1	B, T			EP0	DDQ		52104546
		1	J, U			EP0	DDQ		52104747
-46									SNAP RING, Mainshaft, 3.09-3.14mm
	8350 0594	1	B, T			EP0	DDQ		52104546
		1	J, U			EP0	DDQ		52104547
-47									SNAP RING, Mainshaft, 3.15-3.20mm
	8350 0595	1	B, T			EP0	DDQ		52104546
		1	J, U			EP0	DDQ		52104547
-48									SNAP RING, Mainshaft, 3.21-3.26mm
	8350 0596	1	B, T			EP0	DDQ		52104546
		1	J, U			EP0	DDQ		52104547
-49									SNAP RING, Mainshaft
	8350 0597	1	B, T			EP0	DDQ		3.27mm/3.32mm. 52104546
		1	J, U			EP0	DDQ		3.27mm/3.32mm. 52104547
50									RACE, Idler Gear
	4897 107AA	1	B, T			EP0	DDQ		52104546
		1	J, U			EP0	DDQ		52104547
51									GEAR, Reverse Idler
	4897 102AA	1	B, T			EP0	DDQ		52104546
		1	J, U			EP0	DDQ		52104547
52									IDLER SHAFT, Transmission
	4897 104AA	1	B, T			EP0	DDQ		52104546
		1	J, U			EP0	DDQ		52104547
53									STOPPER, Idler Shaft

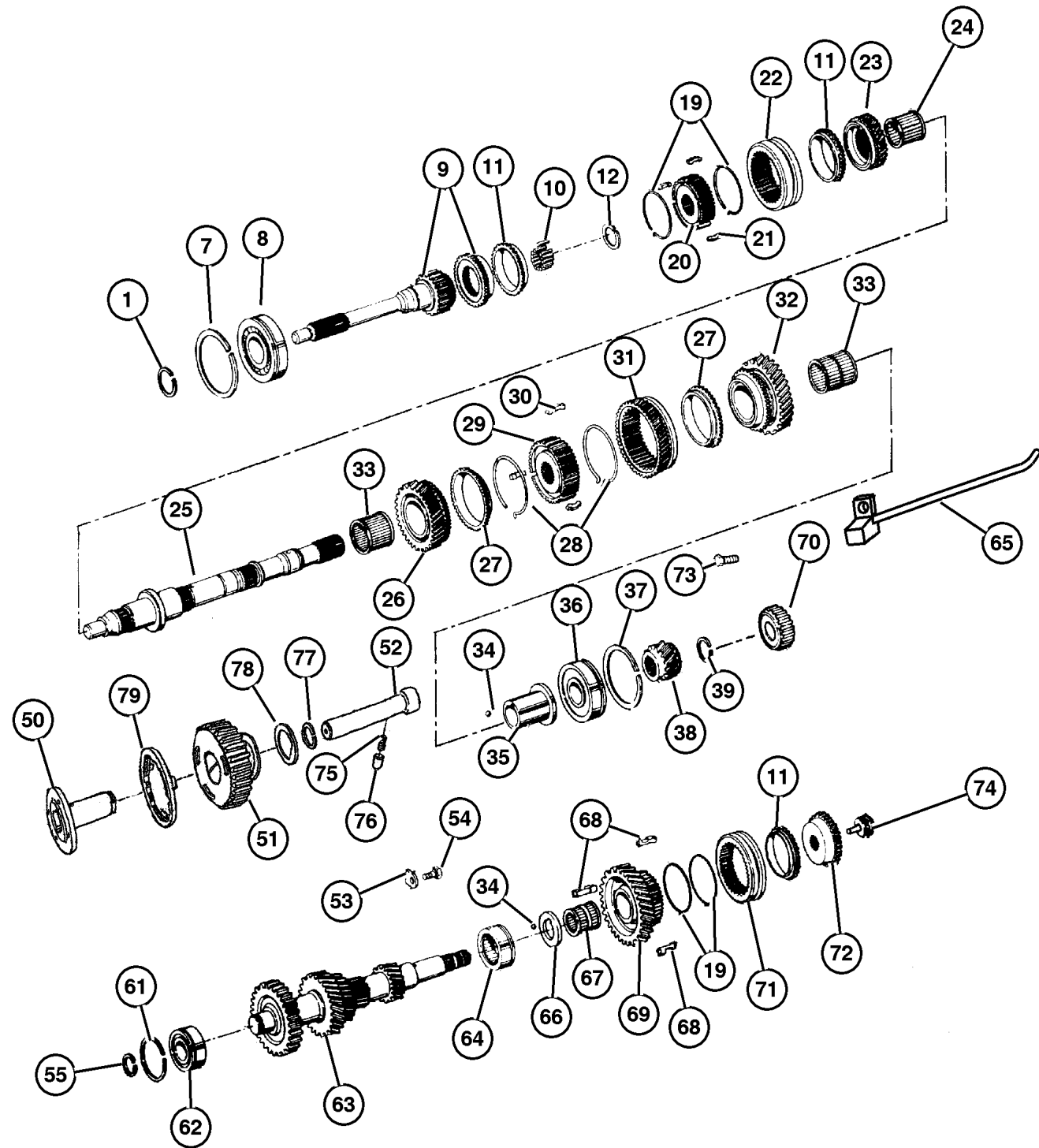
JEEP CHEROKEE (XJ)

SERIES	LINE	BODY	ENGINE	TRANSMISSION
P=Classic	J=LHD (4WD)	74=4 Dr.(101.4WB)	ENC,EN0=2.5L 4 cyl. Turbo Die	DDD, DDQ=5 spd. Man.
S=Limited	U=RHD (4WD)	72=2 Dr.(101.4WB)	ERH,ER0=4.0L Power Tech I-6	DGS=4 spd. Auto. AISIN
H=Sport	T=LHD (2WD)		EPE,EP0=Magnum 2.5L SMPI	DG0=All Auto/Trans.
L=SE	B=RHD (2WD)			DBB=All Manual Trans.

AR = Use as required - = Non illustrated part # = New this model year

December 7, 2002

**Gear Train AX 5 (DDQ)
Figure AX-410**



ITEM	PART NUMBER	QTY	LINE	SERIES	BODY	ENGINE	TRANS	TRIM	DESCRIPTION
	4883 380AA	1	B, T			EP0	DDQ		52104546
54		1	J, U			EP0	DDQ		52104547
	8350 0615	1	B, T			EP0	DDQ		52104546
		1	J, U			EP0	DDQ		52104547
55		1	B, T			EP0	DDQ		52104546
	8350 0581	1	J, U			EP0	DDQ		52104547
-56									SNAP RING, Cluster Gear, 2.10-2.15mm
	8350 0582	1	B, T			EP0	DDQ		52104546
		1	J, U			EP0	DDQ		52104547
-57									SNAP RING, Cluster Gear, 2.15mm
	8350 0583	1	B, T			EP0	DDQ		52104546
		1	J, U			EP0	DDQ		52104547
-58									SNAP RING, Cluster Gear, 2.20mm
	8350 0584	1	B, T			EP0	DDQ		52104546
		1	J, U			EP0	DDQ		52104547
-59									SNAP RING, Cluster Gear, 2.25mm
	8350 0585	1	B, T			EP0	DDQ		52104546
		1	J, U			EP0	DDQ		52104547
-60									SNAP RING, Cluster Gear, 2.30mm
	8350 0586	1	B, T			EP0	DDQ		52104546
		1	J, U			EP0	DDQ		52104547
61									SNAP RING
	8350 0612	1	J, U			EP0	DDQ		With Transmission (52107747)
		1	B, T			EP0	DDQ		With Transmission (52107746)
62									BEARING, Cluster Gear
	8350 6032	1	B, T			EP0	DDQ		52104546
		1	J, U			EP0	DDQ		52104547
63									GEAR, Countershaft
	4897 103AA	1	J, U			EP0	DDQ		
		1	B, T			EP0	DDQ		
64									BEARING, Cluster Gear
	8350 6033	1	B, T			EP0	DDQ		52104546
		1	J, U			EP0	DDQ		52104547
65	8350 2122	1	B, T			EP0	DDQ		PIPE, Oil Receiver, 52104546
66									THRUST WASHER, Fourth Gear
	8350 6025	1	B, T			EP0	DDQ		52104546
		1	J, U			EP0	DDQ		52104547
67									NEEDLE BEARING, Fifth Gear

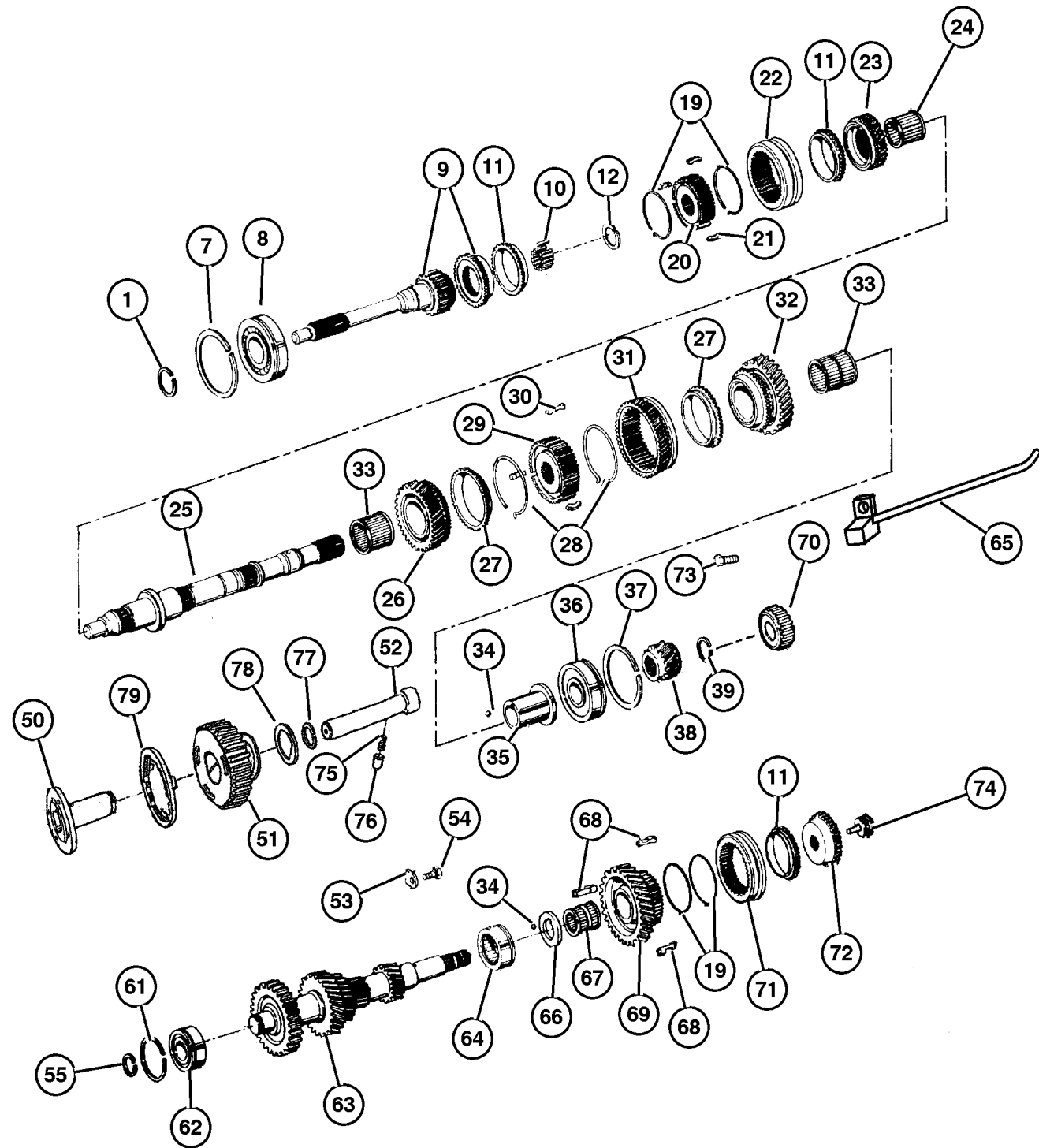
JEEP CHEROKEE (XJ)

SERIES	LINE	BODY	ENGINE	TRANSMISSION
P=Classic	J=LHD (4WD)	74=4 Dr.(101.4WB)	ENC,EN0=2.5L 4 cyl. Turbo Die	DDD, DDQ=5 spd. Man.
S=Limited	U=RHD (4WD)	72=2 Dr.(101.4WB)	ERH,ER0=4.0L Power Tech I-6	DGS=4 spd. Auto. AISIN
H=Sport	T=LHD (2WD)		EPE,EP0=Magnum 2.5L SMPI	DG0=All Auto/Trans.
L=SE	B=RHD (2WD)			DBB=All Manual Trans.

AR = Use as required - = Non illustrated part # = New this model year

December 7, 2002

**Gear Train AX 5 (DDQ)
Figure AX-410**



ITEM	PART NUMBER	QTY	LINE	SERIES	BODY	ENGINE	TRANS	TRIM	DESCRIPTION
	8350 0644	1	B, T			EP0	DDQ		52104546
		2	J, U			EP0	DDQ		52104547
68	8350 0641	3	B, T			EP0	DDQ		KEY, Synchronizer
		3	J, U			EP0	DDQ		52104546
									52104547
69	8350 6022	1	B, T			EP0	DDQ		GEAR, Countershaft Fifth
		1	J, U			EP0	DDQ		52104546
									52104547
70	8350 2121	1	B, T			EP0	DDQ		GEAR, Speedometer Drive,
									52104546
71	4746 657	1	B, T			EP0	DDQ		SLEEVE, Synchronizer
		1	J, U			EP0	DDQ		52104546
									52104547
72	8350 6024	1	B, T			EP0	DDQ		GEAR, Fifth Splined
		1	J, U			EP0	DDQ		52104546
									52104547
73	8350 2126	1	B, T			EP0	DDQ		BOLT, Oil Receiver Pipe, 52104546
74	8350 0646	1	B, T			EP0	DDQ		PIPE, Oil Receiver
		1	J, U			EP0	DDQ		52104546
									52104547
75									SPRING, Compression
	4897 110AA	1	B, T			EP0	DDQ		52104546
		1	J, U			EP0	DDQ		52104547
76	4897 109AA	1	B, T			EP0	DDQ		PIN
		1	J, U			EP0	DDQ		52104546
									52104547
77	4897 112AA	1	J, U			EP0	DDQ		RING, Snap
		1	B, T			EP0	DDQ		52104547
									52104546
78	4897 108AA	1	B, T			EP0	DDQ		PLATE, Transmission Idler Shaft
		1	J, U			EP0	DDQ		52104546
									52104547
79	4897 111AA	1	B, T			EP0	DDQ		RING, Transmission
		1	J, U			EP0	DDQ		52104546
									52104547

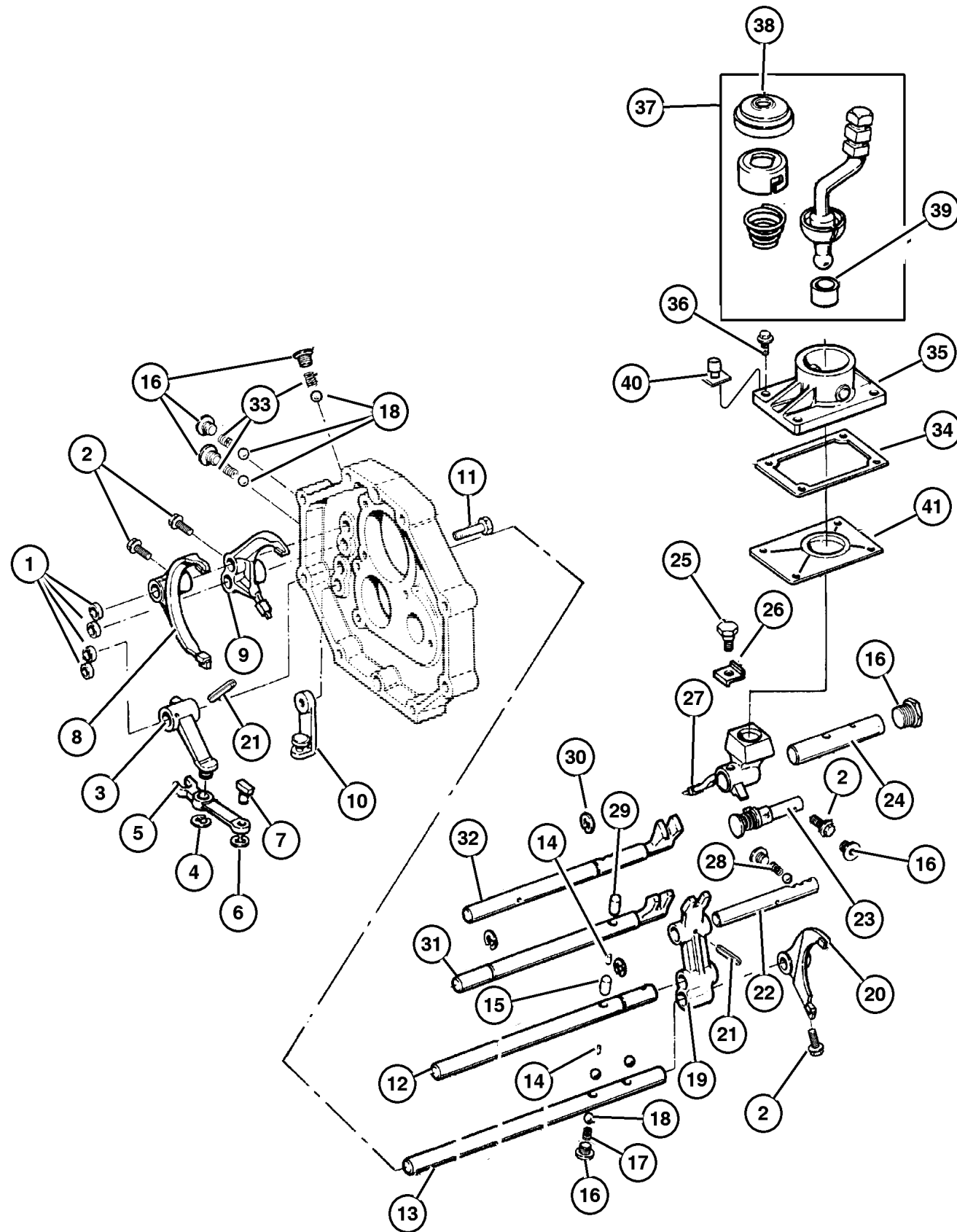
JEEP CHEROKEE (XJ)

SERIES	LINE	BODY	ENGINE	TRANSMISSION
P=Classic	J=LHD (4WD)	74=4 Dr.(101.4WB)	ENC,EN0=2.5L 4 cyl. Turbo Die	DDD, DDQ=5 spd. Man.
S=Limited	U=RHD (4WD)	72=2 Dr.(101.4WB)	ERH,ER0=4.0L Power Tech I-6	DGS=4 spd. Auto. AISIN
H=Sport	T=LHD (2WD)		EPE,EP0=Magnum 2.5L SMPI	DG0=All Auto/Trans.
L=SE	B=RHD (2WD)			DBB=All Manual Trans.

AR = Use as required - = Non illustrated part # = New this model year

December 7, 2002

Forks AX 5 (DDQ)
Figure AX-910



ITEM	PART NUMBER	QTY	LINE	SERIES	BODY	ENGINE	TRANS	TRIM	DESCRIPTION
------	-------------	-----	------	--------	------	--------	-------	------	-------------

Notes:

DDQ = 5 Speed Manual Transmission

EP0 = All 2.5L Gas Engines

1	8350 0503	4	B, T			EP0	DDQ		PLUG, Shift Rail
		4	J, U			EP0	DDQ		
2	8350 2664	3	B, T			EP0	DDQ		BOLT, Shift Fork
		3	J, U			EP0	DDQ		
3	8350 0526	1	B, T			EP0	DDQ		FORK, Transmission
		1	J, U			EP0	DDQ		
4									SNAP RING
	8350 0548	1	B, T			EP0	DDQ		
		1	J, U			EP0	DDQ		
5	4897 099AA	1	B, T			EP0	DDQ		ARM, Reverse Shift
		1	J, U			EP0	DDQ		
6	8350 0547	1	B, T			EP0	DDQ		SNAP RING
		1	J, U			EP0	DDQ		
7	4897 100AA	1	B, T			EP0	DDQ		SHOE, Shift Lever
		1	J, U			EP0	DDQ		
8	4740 236	1	B, T			EP0	DDQ		FORK PACKAGE, Shift
		1	J, U			EP0	DDQ		
9	8350 2662	1	B, T			EP0	DDQ		FORK, Transmission
		1	J, U			EP0	DDQ		
10	8350 0531	1	B, T			EP0	DDQ		BRACKET, Reverse Arm
		1	J, U			EP0	DDQ		
11	8350 0549	2	B, T			EP0	DDQ		BOLT, Bearing Retainer
		2	J, U			EP0	DDQ		
12	4746 659	1	B, T			EP0	DDQ		SHAFT, Gear Shift Fork, Number 3
		1	J, U			EP0	DDQ		
13	4746 660	1	B, T			EP0	DDQ		SHAFT, Gear Shift Fork, Number 4
		1	J, U			EP0	DDQ		
14									PIN, Shift Shaft

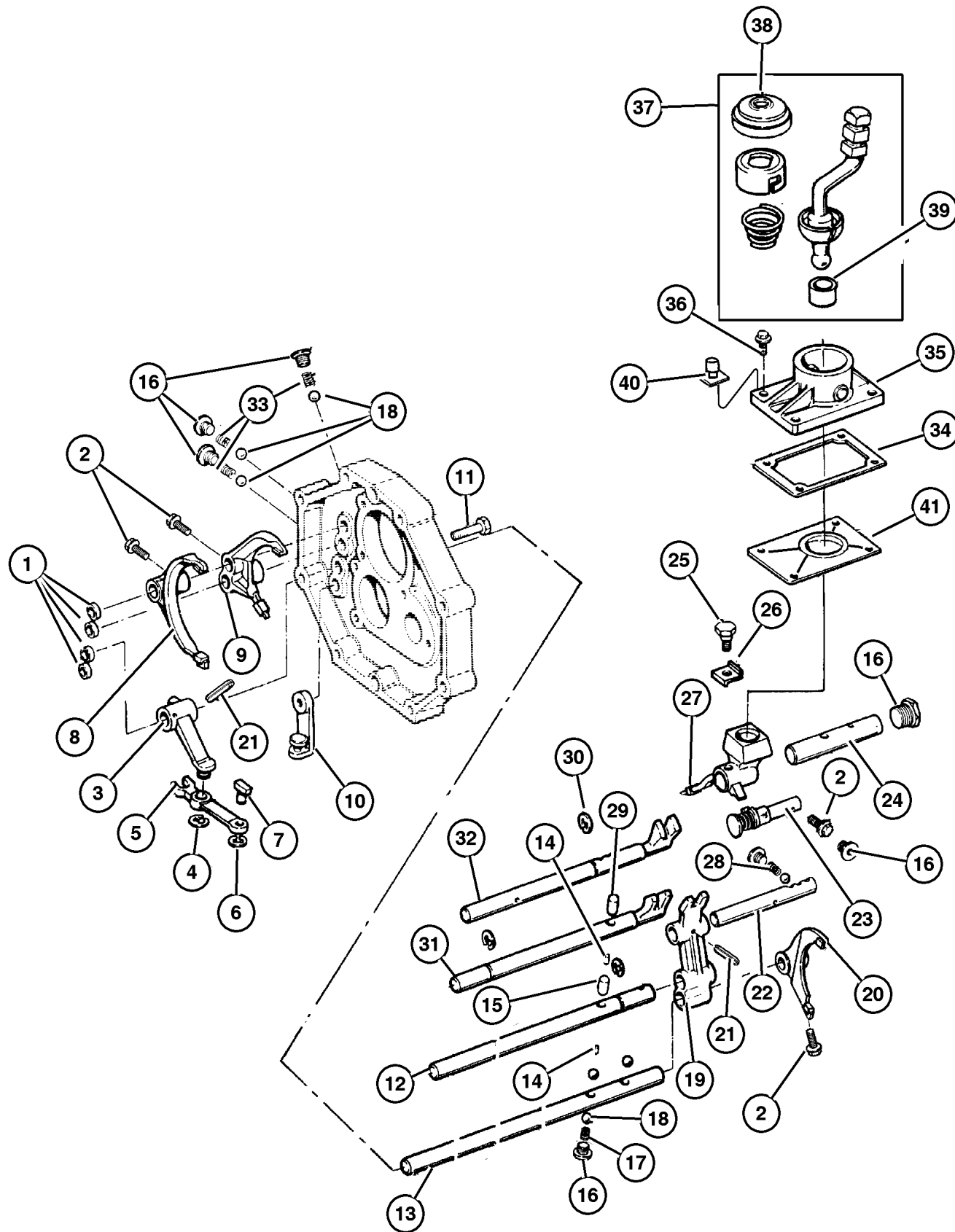
JEEP CHEROKEE (XJ)

SERIES	LINE	BODY	ENGINE	TRANSMISSION
P=Classic	J=LHD (4WD)	74=4 Dr.(101.4WB)	ENC,EN0=2.5L 4 cyl. Turbo Die	DDD, DDQ=5 spd. Man.
S=Limited	U=RHD (4WD)	72=2 Dr.(101.4WB)	ERH,ER0=4.0L Power Tech I-6	DGS=4 spd. Auto. AISIN
H=Sport	T=LHD (2WD)		EPE,EP0=Magnum 2.5L SMPI	DG0=All Auto/Trans.
L=SE	B=RHD (2WD)			DBB=All Manual Trans.

AR = Use as required - = Non illustrated part # = New this model year

December 7, 2002

Forks AX 5 (DDQ)
Figure AX-910



ITEM	PART NUMBER	QTY	LINE	SERIES	BODY	ENGINE	TRANS	TRIM	DESCRIPTION
	8350 0537	2	B, T			EP0	DDQ		
		2	J, U			EP0	DDQ		
15	8350 0541	1	B, T			EP0	DDQ		PIN, Interlock, 21.6mm
		1	J, U			EP0	DDQ		
16	8350 0524	6	B, T			EP0	DDQ		PLUG, Transmission
		6	J, U			EP0	DDQ		
17	8350 0638	1	B, T			EP0	DDQ		SPRING, Compression Shift
		1	J, U			EP0	DDQ		
18	8350 0542	7	B, T			EP0	DDQ		BALL, Gearshift Fork Lock
		7	J, U			EP0	DDQ		
19	4746 658	1	B, T			EP0	DDQ		HEAD, Shifter Shaft
		1	J, U			EP0	DDQ		
20	4746 656	1	B, T			EP0	DDQ		FORK, Transmission
		1	J, U			EP0	DDQ		
21	8350 0540	3	B, T			EP0	DDQ		PIN, Shift Shaft
		3	J, U			EP0	DDQ		
22	8350 0536	1	B, T			EP0	DDQ		SHAFT, Selector
		1	J, U			EP0	DDQ		
23	8350 0635	1	B, T			EP0	DDQ		PIN, Reverse
		1	J, U			EP0	DDQ		
24	8350 0514	1	B, T			EP0	DDQ		SHAFT, Shift Lever
		1	J, U			EP0	DDQ		
25	8350 6036	1	B, T			EP0	DDQ		BOLT
		1	J, U			EP0	DDQ		
26	8350 0626	1	B, T			EP0	DDQ		WASHER, Lock
		1	J, U			EP0	DDQ		
27	8350 0636	1	B, T			EP0	DDQ		HOUSING, Shift Lever
		1	J, U			EP0	DDQ		
28									SPRING, Compression

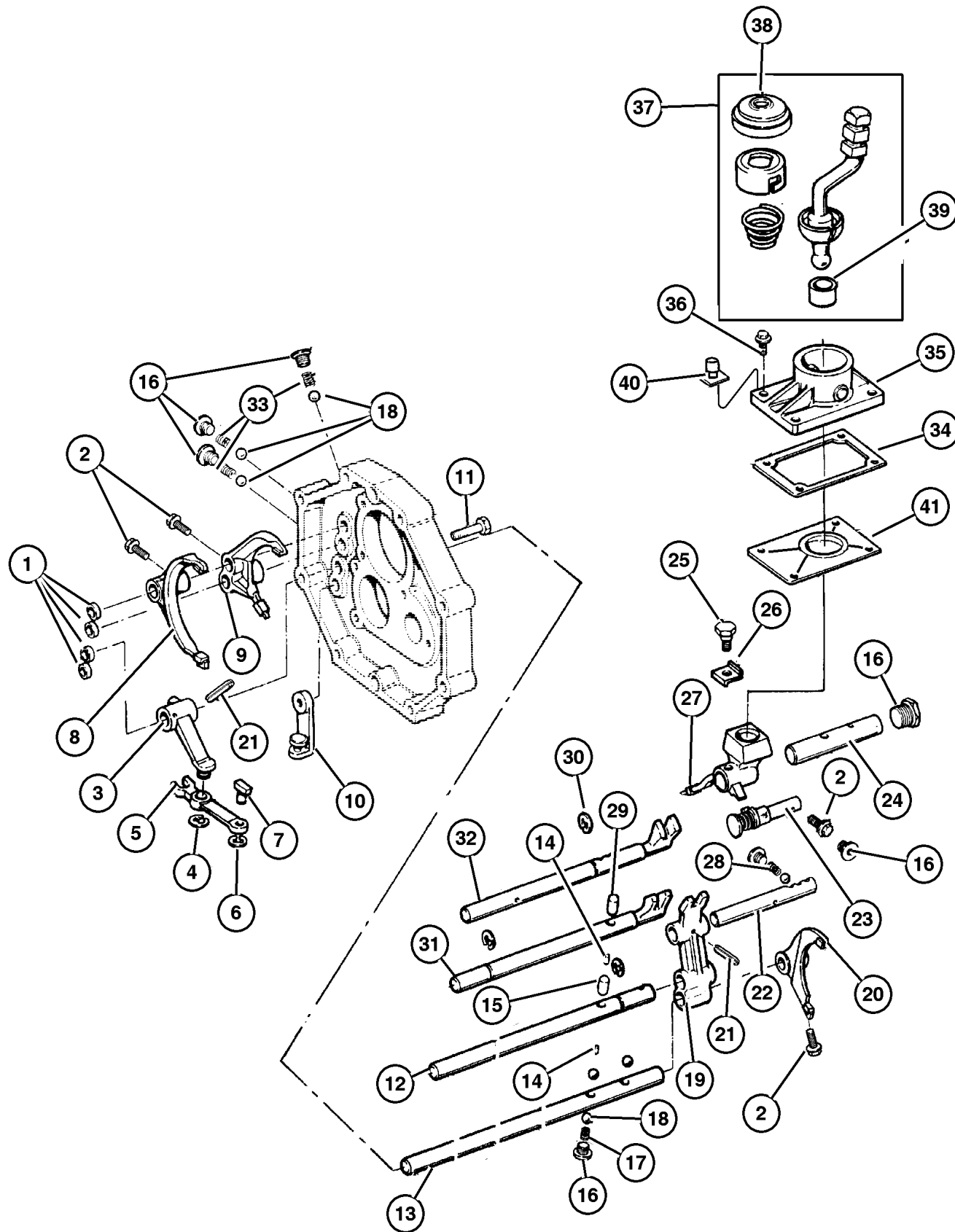
JEEP CHEROKEE (XJ)

SERIES	LINE	BODY	ENGINE	TRANSMISSION
P=Classic	J=LHD (4WD)	74=4 Dr.(101.4WB)	ENC,EN0=2.5L 4 cyl. Turbo Die	DDD, DDQ=5 spd. Man.
S=Limited	U=RHD (4WD)	72=2 Dr.(101.4WB)	ERH,ER0=4.0L Power Tech I-6	DGS=4 spd. Auto. AISIN
H=Sport	T=LHD (2WD)		EPE,EP0=Magnum 2.5L SMPI	DG0=All Auto/Trans.
L=SE	B=RHD (2WD)			DBB=All Manual Trans.

AR = Use as required - = Non illustrated part # = New this model year

December 7, 2002

Forks AX 5 (DDQ)
Figure AX-910



ITEM	PART NUMBER	QTY	LINE	SERIES	BODY	ENGINE	TRANS	TRIM	DESCRIPTION
	8350 0544	1	B, T			EP0	DDQ		
		1	J, U			EP0	DDQ		
29	8350 0543	1	B, T			EP0	DDQ		PIN, Interlock, 30.3mm
		1	J, U			EP0	DDQ		
30	8350 6054	3	B, T			EP0	DDQ		SNAP RING
		3	J, U			EP0	DDQ		
31	4874 510	1	B, T			EP0	DDQ		SHAFT, Gear Shift Fork, Number 1
		1	J, U			EP0	DDQ		
32	8350 6047	1	B, T			EP0	DDQ		SHAFT, Selector
		1	J, U			EP0	DDQ		
33	8350 0545	3	B, T			EP0	DDQ		SPRING, Compression Detent
		3	J, U			EP0	DDQ		
34	8350 0521	1	B, T			EP0	DDQ		GASKET, Shift Lever Housing
		1	J, U			EP0	DDQ		
35	4864 219	1	B, T			EP0	DDQ		RETAINER, Control Shift Lever
		1	J, U			EP0	DDQ		
36	8350 0525	4	B, T			EP0	DDQ		BOLT AND LOCK WASHER, Hex Head, M8x1.25x30
		4	J, U			EP0	DDQ		
37	4874 289	1	B, T			EP0	DDQ		LEVER, Gearshift
		1	J, U			EP0	DDQ		
38	8350 0520	1	B, T			EP0	DDQ		BOOT, Gearshift
		1	J, U			EP0	DDQ		
39	8350 0519	1	B, T			EP0	DDQ		BUSHING, Shift Lever
		1	J, U			EP0	DDQ		
40	4864 215	AR	B, T			EP0	DDQ		CAP, Vent
		AR	J, U			EP0	DDQ		
41	4864 216	AR	B, T			EP0	DDQ		SHIELD, Transmission
		AR	J, U			EP0	DDQ		

JEEP CHEROKEE (XJ)

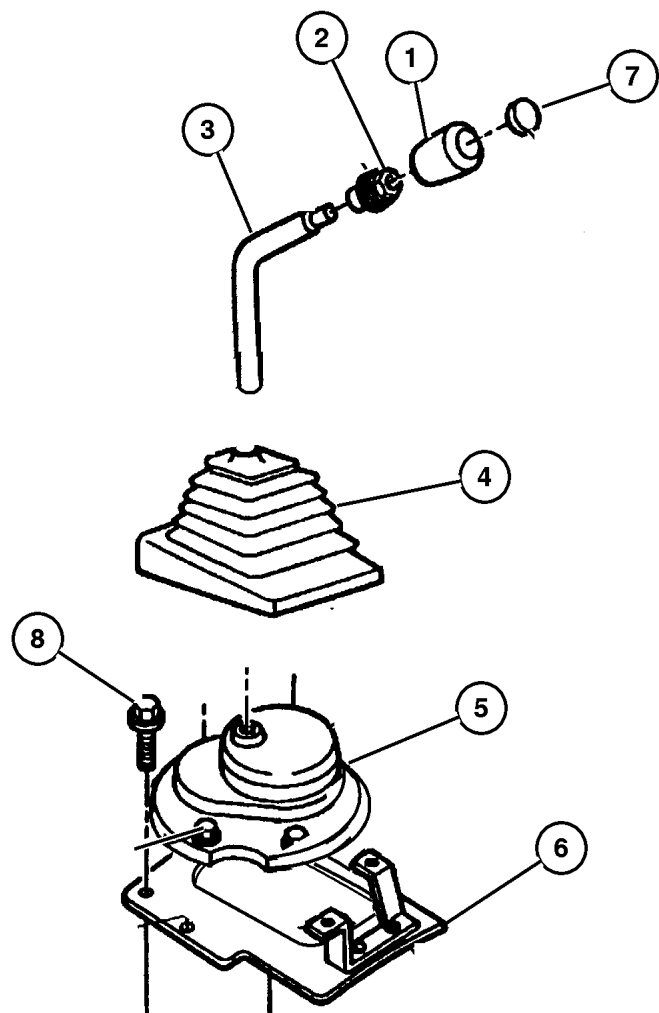
SERIES	LINE	BODY	ENGINE	TRANSMISSION
P=Classic	J=LHD (4WD)	74=4 Dr.(101.4WB)	ENC,EN0=2.5L 4 cyl. Turbo Die	DDD, DDQ=5 spd. Man.
S=Limited	U=RHD (4WD)	72=2 Dr.(101.4WB)	ERH,ER0=4.0L Power Tech I-6	DGS=4 spd. Auto. AISIN
H=Sport	T=LHD (2WD)		EPE,EP0=Magnum 2.5L SMPI	DG0=All Auto/Trans.
L=SE	B=RHD (2WD)			DBB=All Manual Trans.

AR = Use as required - = Non illustrated part # = New this model year

December 7, 2002

Gearshift Controls (DDQ) Figure AX-1215

ITEM	PART NUMBER	QTY	LINE	SERIES	BODY	ENGINE	TRANS	TRIM	DESCRIPTION
Notes:									
DBB = All Manual Transmissions									
DD0 = All 5 Speed Manual Transmissions									
DDQ = 5 Speed Manual Transmission									
EP0 = All 2.5L Gas Engines									
1	5210 4174	1					DD0		KNOB, Gearshift
2	6502 556	1					DBB		NUT, Hex, M10-1.5
3	4874 289	1	B, T			EP0	DDQ		LEVER, Gearshift
4	#52104 079AC	1	J, U			EP0	DDQ		BOOT, Gear Shift Lever
5	#5210 4170	1					DBB		BOOT, Gear Shift Lever
6	#5210 4169	1					DDD		COVER, Floor Pan
7	4446 921	1					DD0		INSERT, Transmission Shift Knob
8	J400 1701	AR							SCREW, Hex Self Tapping, .19-16x.50



JEEP CHEROKEE (XJ)

SERIES	LINE	BODY	ENGINE	TRANSMISSION
P=Classic	J=LHD (4WD)	74=4 Dr.(101.4WB)	ENC,EN0=2.5L 4 cyl. Turbo Die	DDD, DDQ=5 spd. Man.
S=Limited	U=RHD (4WD)	72=2 Dr.(101.4WB)	ERH,ER0=4.0L Power Tech I-6	DGS=4 spd. Auto. AISIN
H=Sport	T=LHD (2WD)		EPE,EP0=Magnum 2.5L SMPI	DG0=All Auto/Trans.
L=SE	B=RHD (2WD)			DBB=All Manual Trans.

AR = Use as required - = Non illustrated part # = New this model year

December 7, 2002

Group – 231

Transfer Case Model 231

GROUP 231 - Transfer Case Model 231

Illustration Title

Group-Fig. No.

Transfer Case Assembly

Transfer Case Command Trac (DHN) Fig. 231-110

Case and Related Parts

Case and Related Parts Command Trac (DHN) Fig. 231-210

Gear Train

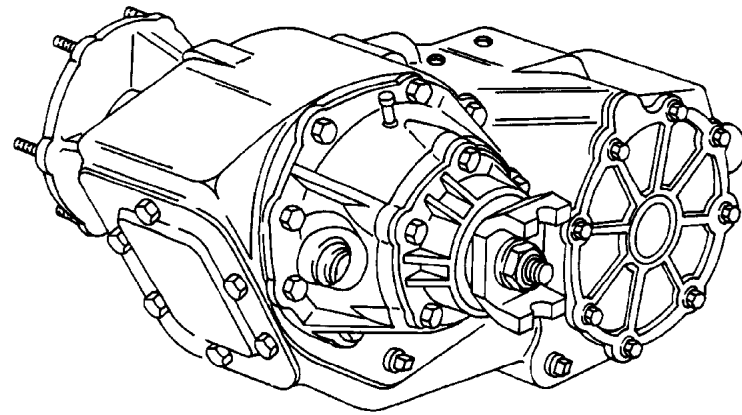
Gear Train Command Trac (DHN) Fig. 231-410

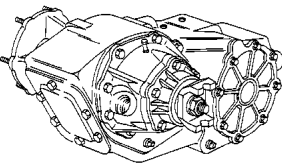
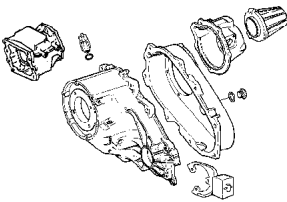
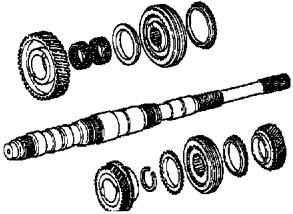
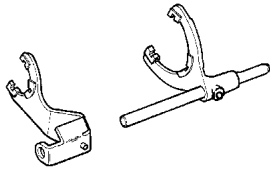
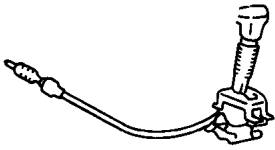
Fork and Rails

Fork and Rails Command Trac (DHN) Fig. 231-910

Gearshift Controls

Gearshift Controls Command Trac (DHN) Fig. 231-1220



<p>231-100 Transfer Case Assembly</p> 	<p>231-200 Case and Related Parts</p> 	<p>231-400 Gear Train</p> 	<p>231-900 Fork and Rails</p> 
<p>231-1200 Gearshift Controls</p> 			

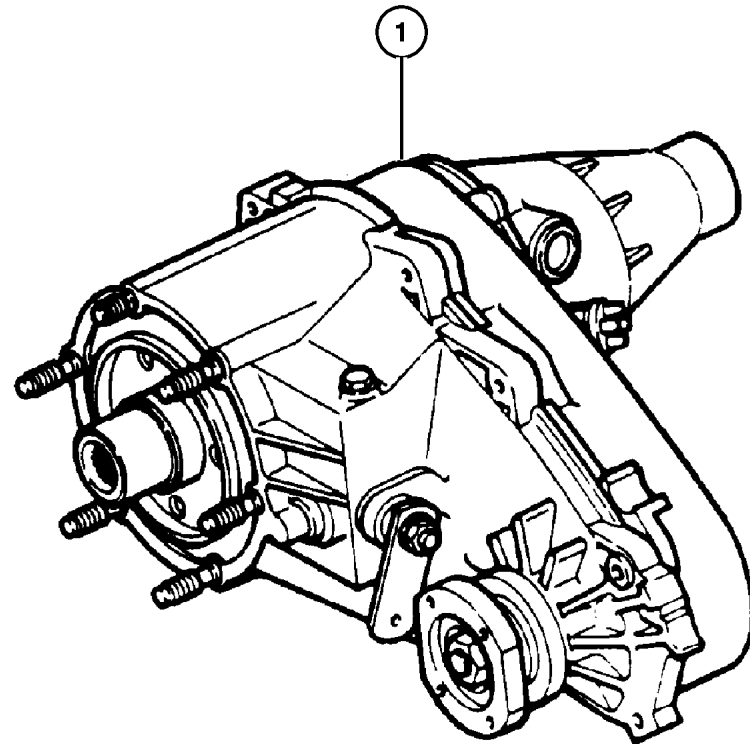
**Transfer Case Command Trac (DHN)
Figure 231-110**

ITEM	PART NUMBER	QTY	LINE	SERIES	BODY	ENGINE	TRANS	TRIM	DESCRIPTION
------	-------------	-----	------	--------	------	--------	-------	------	-------------

Notes:

EPO= All 2.5L, 4 Cylinder, Gas Engine
 ER0= All 4.0L., 6 Cylinder, Gas Engine
 EN0= All 4/5 Cylinder, Turbo Diesel Engine
 DDQ = 5 Speed Manual Transmission
 DG0 = All Automatic Transmissions

1									TRANSFER CASE, NV231
	5209 8913	1	J, U			EN0	DDQ		
	#52099 212AB	1	J, U			ER0	DG0		
	#52099 310AB	1	J, U			EPO	DDQ		



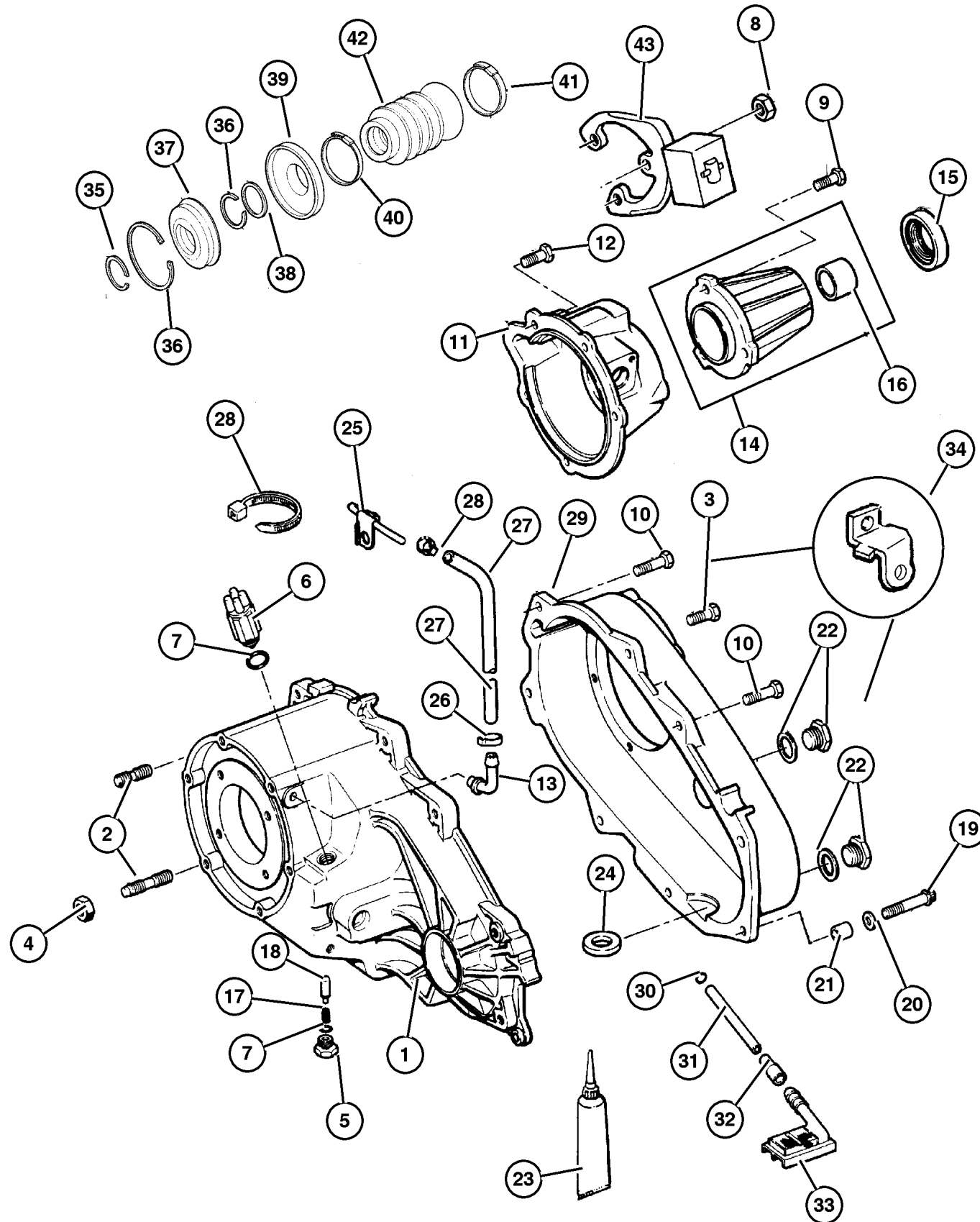
JEEP CHEROKEE (XJ)

SERIES	LINE	BODY	ENGINE	TRANSMISSION
P=Classic	J=LHD (4WD)	74=4 Dr.(101.4WB)	ENC,EN0=2.5L 4 cyl. Turbo Die	DDD, DDQ=5 spd. Man.
S=Limited	U=RHD (4WD)	72=2 Dr.(101.4WB)	ERH,ER0=4.0L Power Tech I-6	DGS=4 spd. Auto. AISIN
H=Sport	T=LHD (2WD)		EPE,EPO=Magnum 2.5L SMPI	DG0=All Auto/Trans.
L=SE	B=RHD (2WD)			DBB=All Manual Trans.

AR = Use as required - = Non illustrated part # = New this model year

December 7, 2002

**Case and Related Parts Command Trac (DHN)
Figure 231-210**



ITEM	PART NUMBER	QTY	LINE	SERIES	BODY	ENGINE	TRANS	TRIM	DESCRIPTION
Notes:									
EPO= All 2.5L, 4 Cylinder, Gas Engine									
ER0= All 4.0L., 6 Cylinder, Gas Engine									
EN0= All 4/5 Cylinder, Turbo Diesel Engine									
DD0 = All 5 Speed Manual Transmissions									
DDQ = 5 Speed Manual Transmission									
DG0 = All Automatic Transmissions									
1									CASE, Transfer Front
	4796 949	1	J, U			EN0	DD0		
	4798 111	1	J, U			EP0	DDQ		
		1	J, U			ER0	DDD		
		1	J, U			ER0	DG0		
2									STUD
	4505 365	6	J, U			EN0	DD0		
		6	J, U			EP0	DDQ		
		6	J, U			ER0	DDD		
		6	J, U			ER0	DG0		
3									BOLT, Twelve Point Head, M10x1.5x48
	J813 0979	1	J, U			EN0	DD0		
		1	J, U			EP0	DDQ		
		1	J, U			ER0	DDD		
		1	J, U			ER0	DG0		
4									NUT AND CONED WASHER, Hex, .375-24
	J400 6681	5	J, U			EP0	DD0		
		6	J, U			EN0, ER0			
5									SCREW
	4886 473AA	1	J, U			EN0	DD0		
		1	J, U			ER0	DDD		
		1	J, U			EP0	DDQ		
		1	J, U			ER0	DG0		
6									SWITCH, Transfer Case Mode
	J813 4473	1	J, U			EN0	DD0		
		1	J, U			EP0	DDQ		
		1	J, U			ER0	DDD		
		1	J, U			ER0	DG0		
7									SEAL, Vacuum Switch
	4338 956	2	J, U			EN0	DD0		
		2	J, U			EN0	DDQ		
		1	J, U			ER0	DDD		

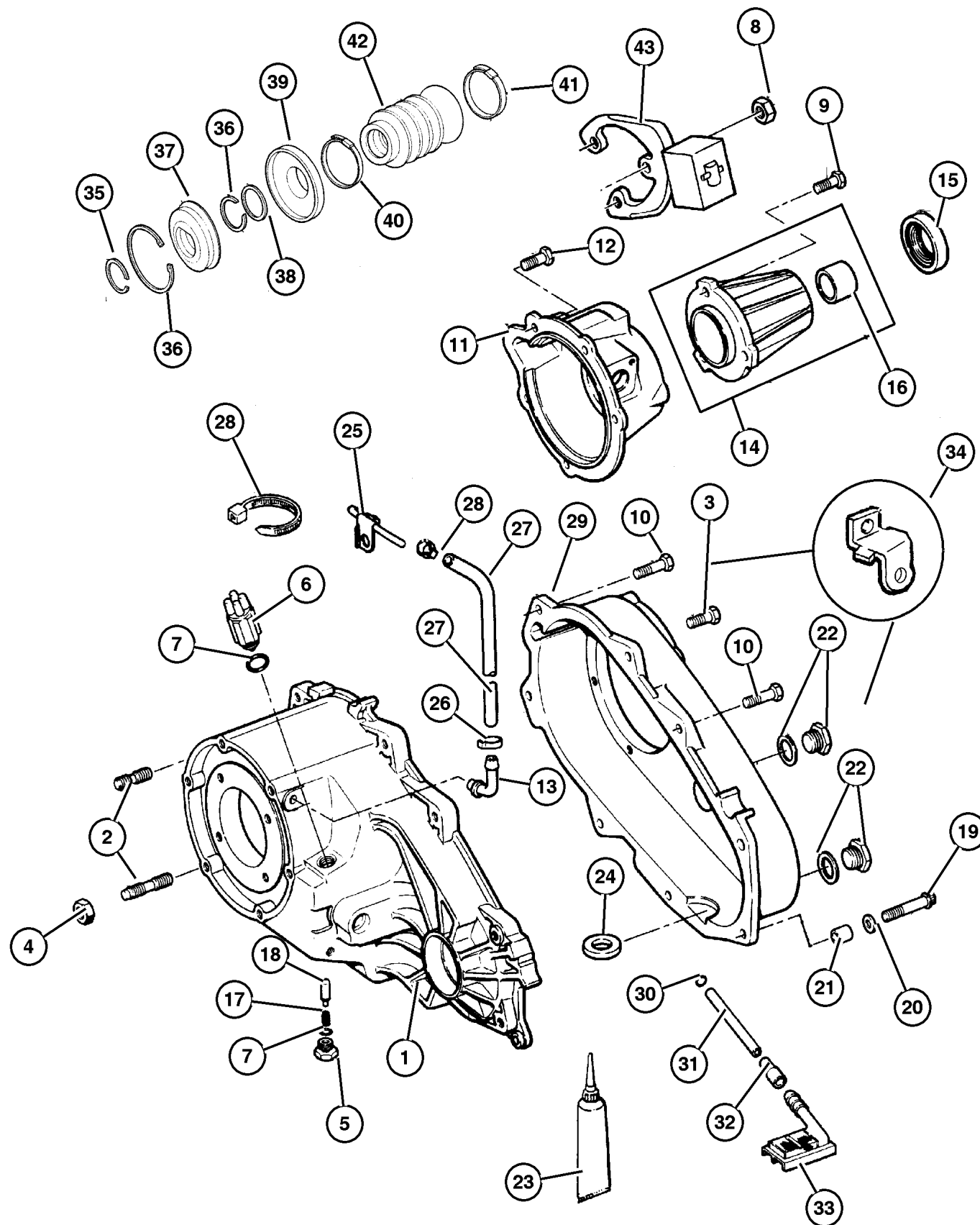
JEEP CHEROKEE (XJ)

SERIES	LINE	BODY	ENGINE	TRANSMISSION
P=Classic	J=LHD (4WD)	74=4 Dr.(101.4WB)	ENC,EN0=2.5L 4 cyl. Turbo Die	DDD, DDQ=5 spd. Man.
S=Limited	U=RHD (4WD)	72=2 Dr.(101.4WB)	ERH,ER0=4.0L Power Tech I-6	DGS=4 spd. Auto. AISIN
H=Sport	T=LHD (2WD)		EPE,EP0=Magnum 2.5L SMP1	DG0=All Auto/Trans.
L=SE	B=RHD (2WD)			DBB=All Manual Trans.

AR = Use as required - = Non illustrated part # = New this model year

December 7, 2002

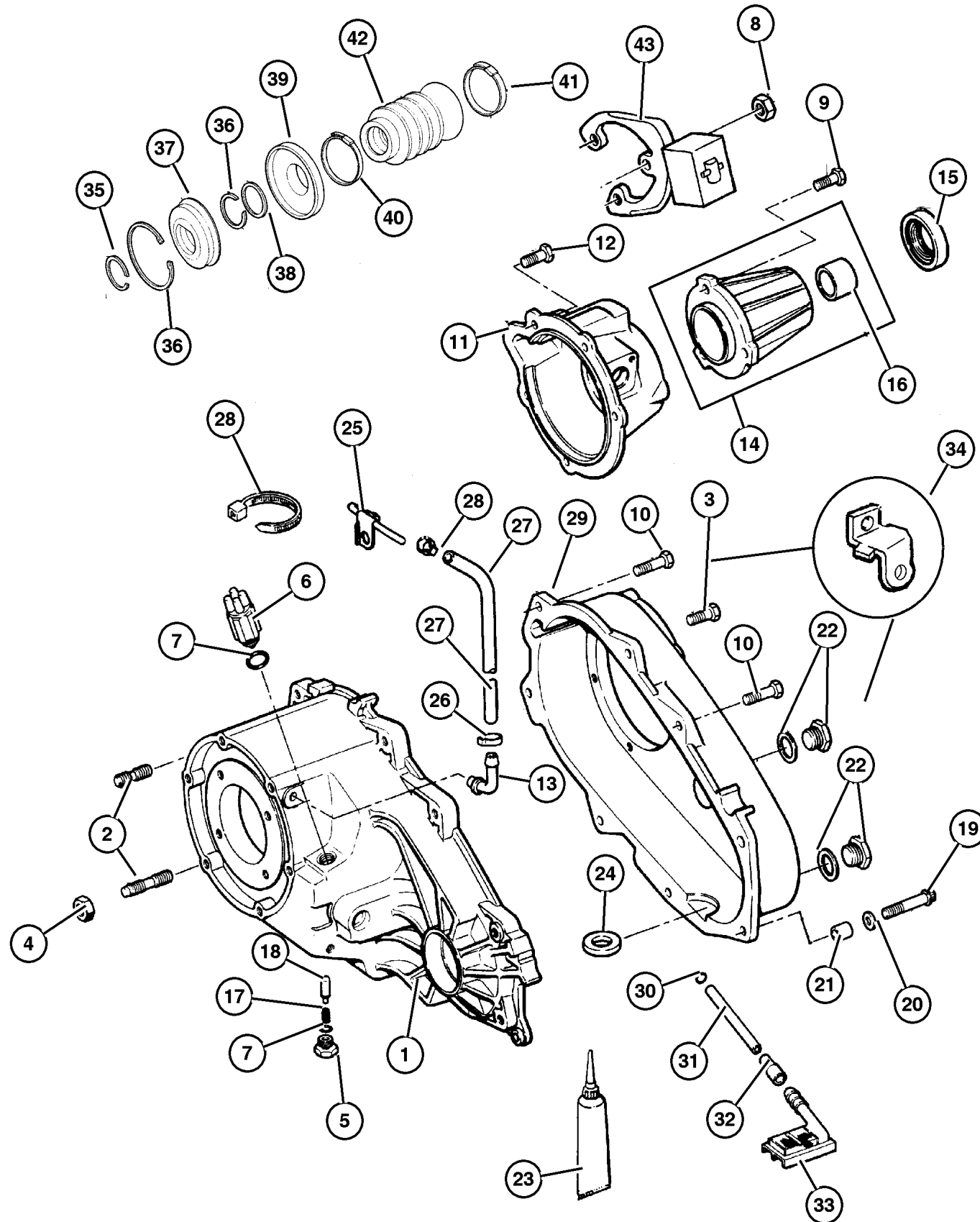
Case and Related Parts Command Trac (DHN)
Figure 231-210



ITEM	PART NUMBER	QTY	LINE	SERIES	BODY	ENGINE	TRANS	TRIM	DESCRIPTION
		2	J, U			EP0	DDQ		
8	6502 337	3	J, U			EN0	DDQ		NUT, M10x1.5
		3	J, U				DGD		
9	4720 708	3	J, U			EN0	DDQ		STUD
10	4210 617	5	J, U			EN0	DD0		BOLT, Transfer Case
		5	J, U			EP0	DDQ		
		5	J, U			ER0	DDD		
		5	J, U			ER0	DG0		
11	4741 243	1	J, U			EN0	DDQ		RETAINER, Transfer Case Rear
	#5017 477AA	1	J, U			EP0	DDQ		
		1	J, U			ER0	DDD		
		1	J, U			ER0	DG0		
12	6500 318	9	J, U			EN0	DDQ		BOLT
		9	J, U			EP0	DDQ		
		9	J, U			ER0	DDD		
		9	J, U			ER0	DG0		
13	4796 910	1	J, U			EN0	DDQ		VENT, Transfer Case
		1	J, U			EP0	DDQ		
		1	J, U			ER0	DDD		
		1	J, U			ER0	DG0		
14	8350 3156	1	J, U			EN0	DD0		EXTENSION, Transfer Case
		1	J, U			EN0	DDQ		
15	4798 117	1	J, U			EP0	DDQ		SEAL, Output
		1	J, U			ER0	DDD		
		1	J, U			ER0	DG0		
	4638 904	1	J, U			EN0	DD0		
16	J813 4490	1	J, U			EN0	DDQ		BUSHING, Extension Housing
17	4638 497	1	J, U			EN0	DDQ		SPRING, Shift Detent
		1	J, U			EP0	DDQ		
		1	J, U			ER0	DDD		
		1	J, U			ER0	DG0		
18	5300 8217	1	J, U			EN0	DDQ		PLUNGER
		1	J, U			EP0	DDQ		

JEEP CHEROKEE (XJ)
 SERIES LINE BODY ENGINE TRANSMISSION
 P=Classic J=LHD (4WD) 74=4 Dr.(101.4WB) ENC,EN0=2.5L 4 cyl. Turbo Die DDD, DDQ=5 spd. Man.
 S=Limited U=RHD (4WD) 72=2 Dr.(101.4WB) ERH,ER0=4.0L Power Tech I-6 DGS=4 spd. Auto. AISIN
 H=Sport T=LHD (2WD) EPE,EP0=Magnum 2.5L SMP1 DG0=All Auto/Trans.
 L=SE B=RHD (2WD) DBB=All Manual Trans.

Case and Related Parts Command Trac (DHN)
Figure 231-210



ITEM	PART NUMBER	QTY	LINE	SERIES	BODY	ENGINE	TRANS	TRIM	DESCRIPTION
		1	J, U			ER0	DDD		
19	4210 614	2	J, U			EN0	DD0		BOLT, Hex Flange Head
		2	J, U			EN0	DDQ		
		2	J, U			EP0	DDQ		
		2	J, U			ER0	DDD		
		2	J, U			ER0	DG0		
20	4210 983	2	J, U			EN0	DDQ		WASHER, Flat
		2	J, U			EP0	DDQ		
		2	J, U			ER0	DDD		
		2	J, U			ER0	DG0		
	4446 487	1	J, U			EP0	DDQ		
		1	J, U			ER0	DDD		
		1	J, U			ER0	DG0		
	S243 6163	1	J, U			EN0	DDQ		
21	4116 310	2	J, U			EN0	DD0		DOWEL, Transfer Case
		2	J, U			EN0	DDQ		
		2	J, U			EP0	DDQ		
		2	J, U			ER0	DDD		
		2	J, U			ER0	DG0		
22	4856 641	2	J, U			EN0	DDQ		PLUG, Oil Fill
		2	J, U			EP0	DDQ		
		2	J, U			ER0	DDD		
		2	J, U			ER0	DG0		
23	5010 884AA	1	J, U			EN0	DD0		SEALANT, RTV
24	3681 601	1	J, U			EN0	DDQ		MAGNET, Transmission
		1	J, U			EP0	DDQ		
		1	J, U			ER0	DDD		
		1	J, U			ER0	DG0		
25	4796 910	1	J, U			EN0	DDQ		VENT, Transfer Case
		1	J, U			EP0	DDQ		
		1	J, U			ER0	DDD		
		1	J, U			ER0	DG0		
26	6502 081	2	J, U						CLAMP, Oil Cooler Line
27	4443 176	1							HOSE, Fuel, .31 I.D. 50 Foot Roll
28	4641 780	1							STRAP, Tie
29									CASE, Transfer Rear

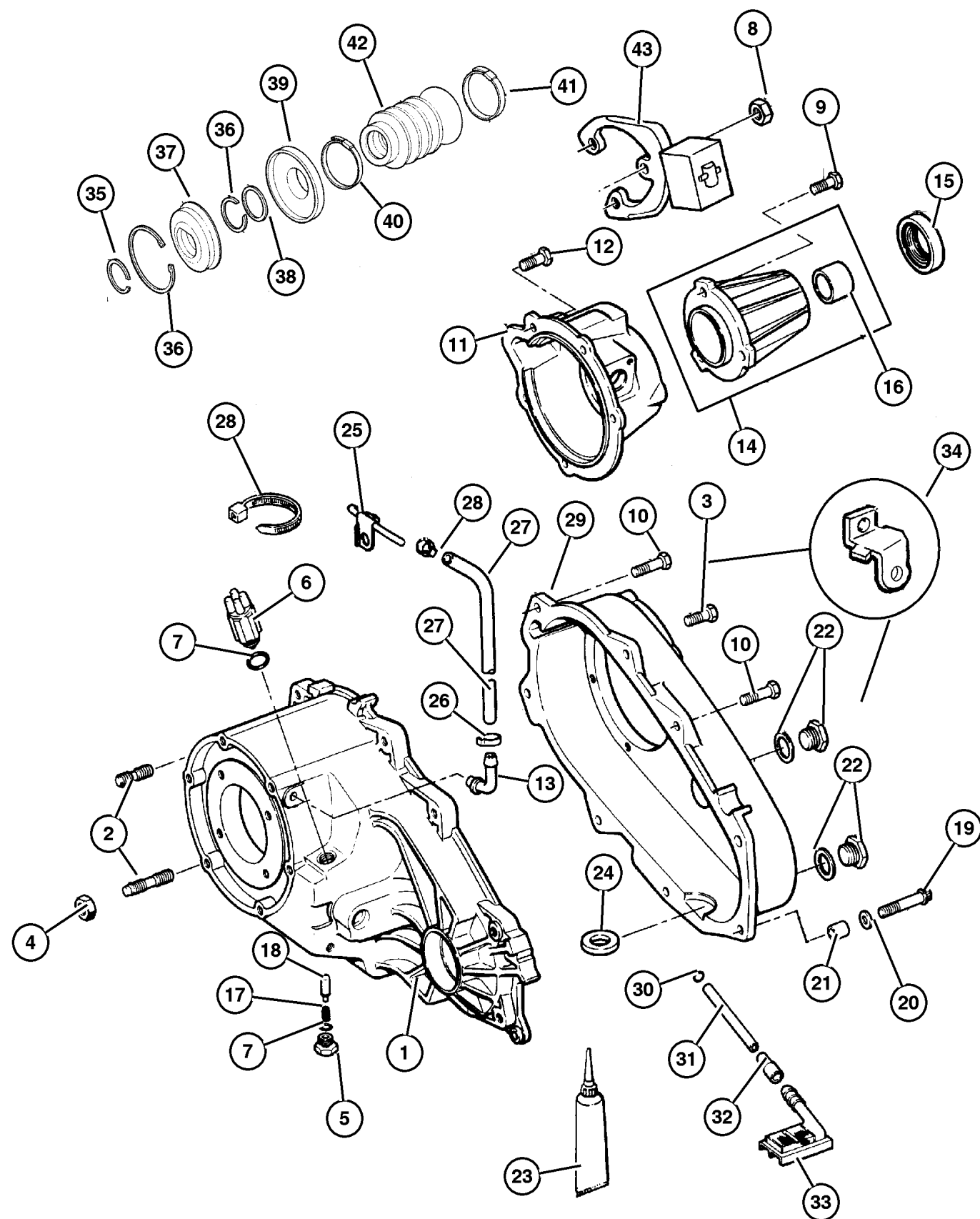
JEEP CHEROKEE (XJ)

SERIES	LINE	BODY	ENGINE	TRANSMISSION
P=Classic	J=LHD (4WD)	74=4 Dr.(101.4WB)	ENC,EN0=2.5L 4 cyl. Turbo Die	DDD, DDQ=5 spd. Man.
S=Limited	U=RHD (4WD)	72=2 Dr.(101.4WB)	ERH,ER0=4.0L Power Tech I-6	DGS=4 spd. Auto. AISIN
H=Sport	T=LHD (2WD)		EPE,EP0=Magnum 2.5L SMP1	DG0=All Auto/Trans.
L=SE	B=RHD (2WD)			DBB=All Manual Trans.

AR = Use as required - = Non illustrated part # = New this model year

December 7, 2002

Case and Related Parts Command Trac (DHN)
Figure 231-210



ITEM	PART NUMBER	QTY	LINE	SERIES	BODY	ENGINE	TRANS	TRIM	DESCRIPTION
	4886 222AA	1	J, U			EN0	DDQ		
		1	J, U			EP0	DDQ		
		1	J, U			ER0	DDD		
		1	J, U			ER0	DG0		
30									SEAL, Oil
	4338 942	1	J, U			EN0	DDQ		
		1	J, U			EP0	DDQ		
		1	J, U			ER0	DDD		
		1	J, U			ER0	DG0		
31									TUBE, Oil Pickup
	4338 941	1	J, U			EN0	DDQ		
		1	J, U			EP0	DDQ		
		1	J, U			ER0	DDD		
		1	J, U			ER0	DG0		
32									CONNECTOR, Oil Tube Pickup
	4338 944	1	J, U			EN0	DDQ		
		1	J, U			EP0	DDQ		
		1	J, U			ER0	DDD		
		1	J, U			ER0	DG0		
33									FILTER, Transfer Case Oil
	4338 943	1	J, U			EN0	DDQ		
		1	J, U			EP0	DDQ		
		1	J, U			ER0	DDD		
		1	J, U			ER0	DG0		
34	5209 8522	1	J, U			EP0,			BRACKET, Tube
						ER0			
35									SNAP RING
	4338 933	1	J, U			EN0	DDQ		
		1	J, U			EP0	DDQ		
		1	J, U			ER0	DDD		
		1	J, U			ER0	DG0		
36									SNAP RING
	J813 4488	1	J, U			EN0	DDQ		
		1	J, U			EP0	DDQ		
		1	J, U			ER0	DDD		
		1	J, U			ER0	DG0		
37									SEAL, Output
	4338 893	1	J, U			EN0	DDQ		
	4798 117	1	J, U			EP0	DDQ		
		1	J, U			ER0	DDD		
		1	J, U			ER0	DG0		
38	S243 6163	1	J, U			EN0	DD0		WASHER, Flat
39									SLINGER, Oil

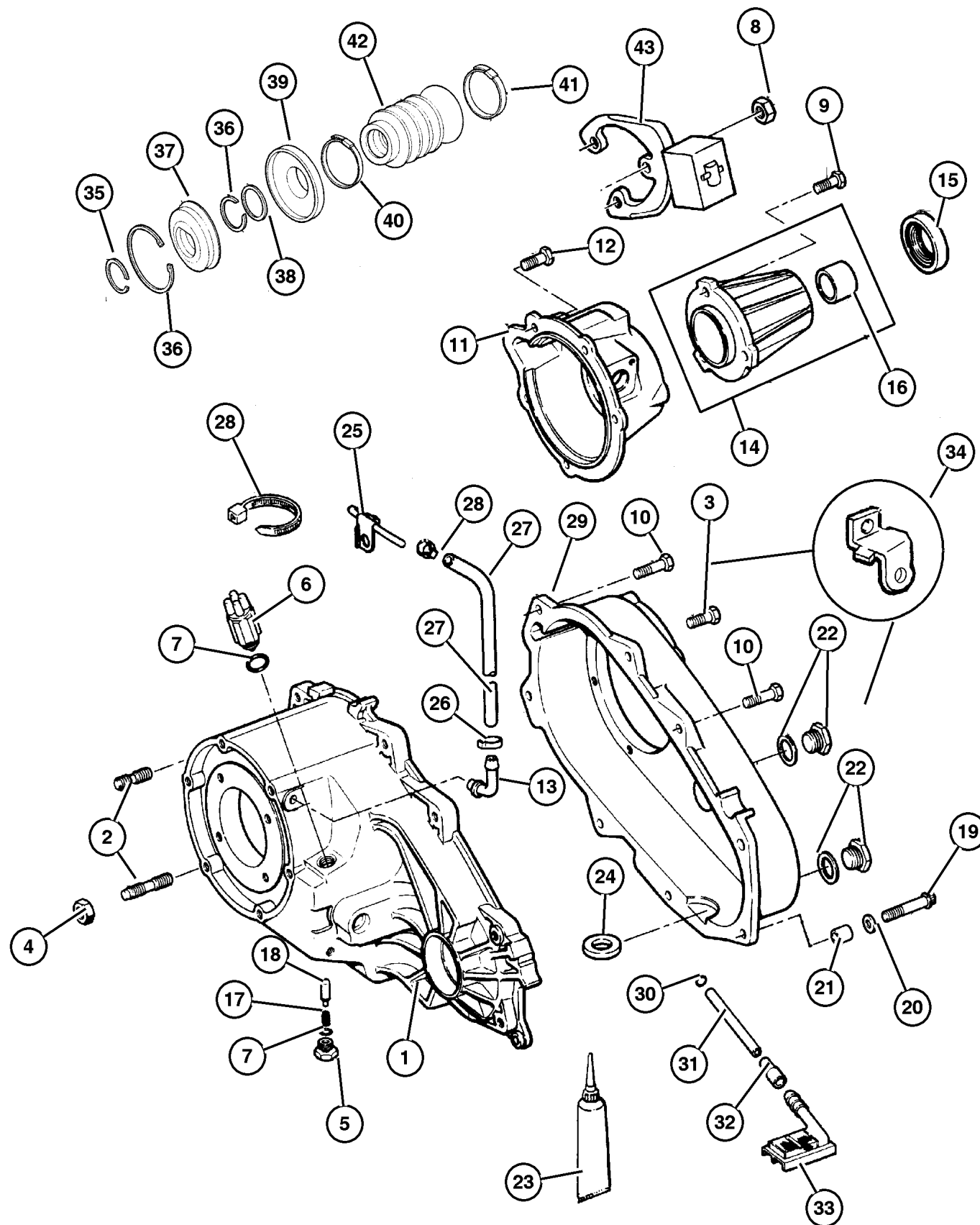
JEEP CHEROKEE (XJ)

SERIES	LINE	BODY	ENGINE	TRANSMISSION
P=Classic	J=LHD (4WD)	74=4 Dr.(101.4WB)	ENC,EN0=2.5L 4 cyl. Turbo Die	DDD, DDQ=5 spd. Man.
S=Limited	U=RHD (4WD)	72=2 Dr.(101.4WB)	ERH,ER0=4.0L Power Tech I-6	DGS=4 spd. Auto. AISIN
H=Sport	T=LHD (2WD)		EPE,EP0=Magnum 2.5L SMP1	DG0=All Auto/Trans.
L=SE	B=RHD (2WD)			DBB=All Manual Trans.

AR = Use as required - = Non illustrated part # = New this model year

December 7, 2002

Case and Related Parts Command Trac (DHN)
Figure 231-210



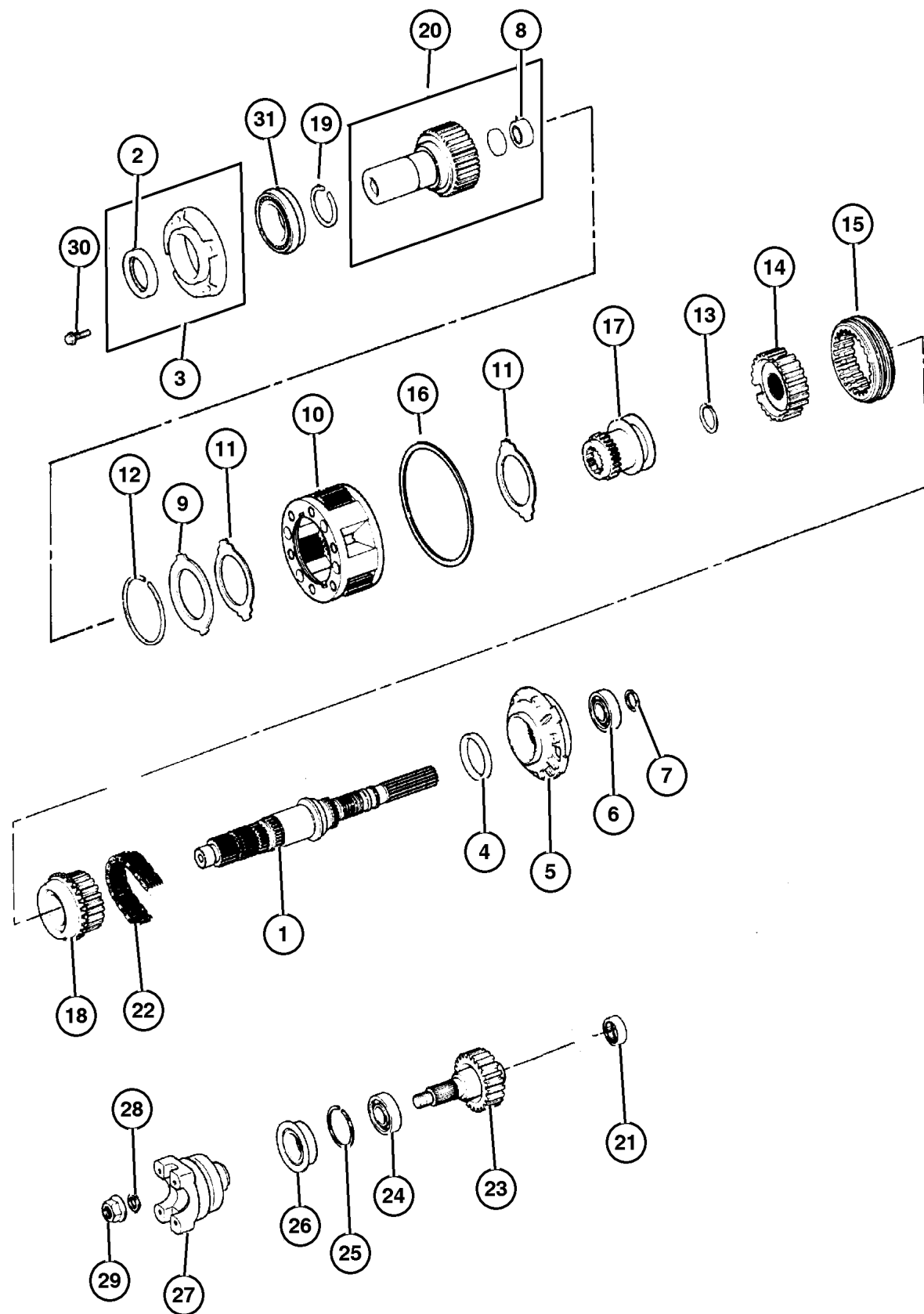
ITEM	PART NUMBER	QTY	LINE	SERIES	BODY	ENGINE	TRANS	TRIM	DESCRIPTION
	#5016 615AA	1	J, U			EP0	DDQ		
		1	J, U			ER0	DDD		
		1	J, U			ER0	DG0		CLAMP, Boot
40	4798 121	1	J, U			EP0	DDQ		
		1	J, U			ER0	DDD		
		1	J, U			ER0	DG0		CLAMP, Boot
41	4798 122	1	J, U			EP0	DDQ		
		1	J, U			ER0	DDD		
		1	J, U			ER0	DG0		BOOT, Driveshaft
42	4798 123	1	J, U			EP0	DDQ		
		1	J, U			ER0	DDD		
		1	J, U			ER0	DG0		DAMPER, Transfer Case
43	5209 8509	1	J, U			ENC			
	5209 8545	1	J, U				DGD		

JEEP CHEROKEE (XJ)
 SERIES LINE BODY ENGINE TRANSMISSION
 P=Classic J=LHD (4WD) 74=4 Dr.(101.4WB) ENC,EN0=2.5L 4 cyl. Turbo Die DDD, DDQ=5 spd. Man.
 S=Limited U=RHD (4WD) 72=2 Dr.(101.4WB) ERH,ER0=4.0L Power Tech I-6 DGS=4 spd. Auto. AISIN
 H=Sport T=LHD (2WD) EPE,EP0=Magnum 2.5L SMPI DG0=All Auto/Trans.
 L=SE B=RHD (2WD) DBB=All Manual Trans.

AR = Use as required - = Non illustrated part # = New this model year

December 7, 2002

**Gear Train Command Trac (DHN)
Figure 231-410**



ITEM	PART NUMBER	QTY	LINE	SERIES	BODY	ENGINE	TRANS	TRIM	DESCRIPTION
Notes:									
EPO= All 2.5L, 4 Cylinder, Gas Engine									
ER0= All 4.0L., 6 Cylinder, Gas Engine									
ENO= All 4/5 Cylinder, Turbo Diesel Engine									
DD0 = All 5 Speed Manual Transmissions									
DDD = 5 Speed Heavy Duty Manual Transmission									
DDQ = 5 Speed Manual Transmission									
DG0 = All Automatic Transmissions									
1									MAINSHAFT, Transfer Case
	4796 907	1	J, U			ENO	DDQ		
	#5016 630AA	1	J, U			EPO	DDQ		
		1	J, U			ER0	DDD		
2									SEAL, Input Gear
	4167 929	1	J, U			ENO	DDQ		
		1	J, U			EPO	DDQ		
		1	J, U			ER0	DDD		
		1	J, U			ER0	DG0		
3									EXTENSION, Transfer Case
	4338 973	1	J, U			ENO	DDQ		
		1	J, U			EPO	DDQ		
		1	J, U			ER0	DDD		
		1	J, U			ER0	DG0		
4									SEAL, Main Shaft
	4210 603	1	J, U			ENO	DDQ		
		1	J, U			EPO	DDQ		
		1	J, U			ER0	DDD		
		1	J, U			ER0	DG0		
5									PUMP, Transfer Case Oil
	4338 936	1	J, U			ENO	DDQ		
		1	J, U			EPO	DDQ		
		1	J, U			ER0	DDD		
		1	J, U			ER0	DG0		
6									BEARING
	4338 892	2	J, U			ENO	DDQ		
		1	J, U			EPO	DDQ		
		1	J, U			ER0	DDD		
		1	J, U			ER0	DG0		
7									SNAP RING
	J813 4488	1	J, U			ENO	DDQ		
		1	J, U			EPO	DDQ		
		1	J, U			ER0	DDD		
		1	J, U			ER0	DG0		
8									BEARING, Input Shaft

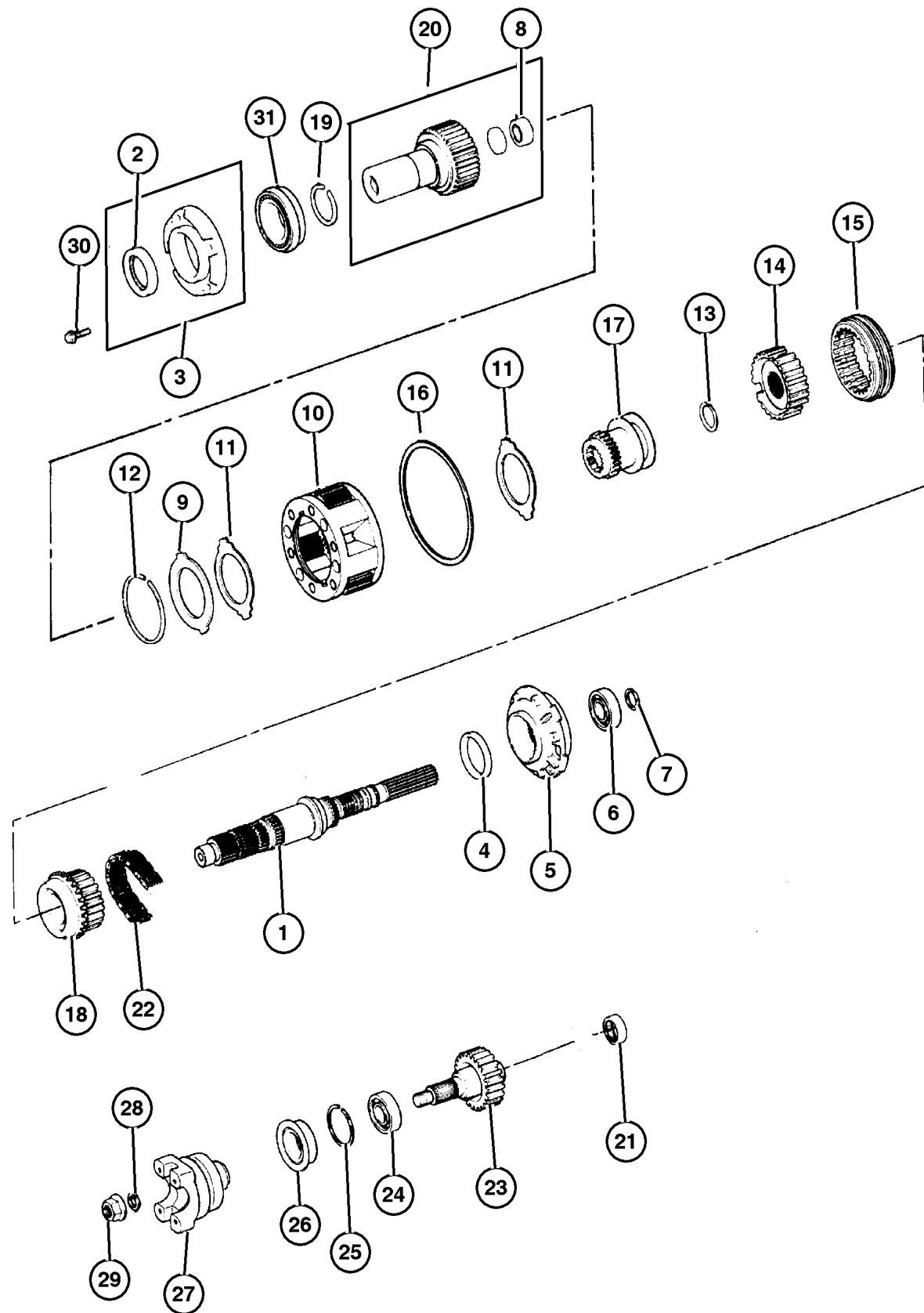
JEEP CHEROKEE (XJ)

SERIES	LINE	BODY	ENGINE	TRANSMISSION
P=Classic	J=LHD (4WD)	74=4 Dr.(101.4WB)	ENC,ENO=2.5L 4 cyl. Turbo Die	DDD, DDQ=5 spd. Man.
S=Limited	U=RHD (4WD)	72=2 Dr.(101.4WB)	ERH,ER0=4.0L Power Tech I-6	DGS=4 spd. Auto. AISIN
H=Sport	T=LHD (2WD)		EPE,EPO=Magnum 2.5L SMPI	DG0=All Auto/Trans.
L=SE	B=RHD (2WD)			DBB=All Manual Trans.

AR = Use as required - = Non illustrated part # = New this model year

December 7, 2002

**Gear Train Command Trac (DHN)
Figure 231-410**



ITEM	PART NUMBER	QTY	LINE	SERIES	BODY	ENGINE	TRANS	TRIM	DESCRIPTION
	8350 3507	1	J, U			EN0	DDQ		
		1	J, U			EP0	DDQ		
		1	J, U			ER0	DDD		
		1	J, U			ER0	DG0		
9									RING
	4338 909	1	J, U			EN0	DDQ		
		1	J, U			EP0	DDQ		
		1	J, U			ER0	DDD		
		1	J, U			ER0	DG0		
10									PLANETARY, Transfer Case
	4796 903	1	J, U			EN0	DDQ		
		1	J, U			EP0	DDQ		
		1	J, U			ER0	DDD		
		1	J, U			ER0	DG0		
11									THRUST WASHER, Planetary Carrier
	4338 908	2	J, U			EN0	DDQ		
		2	J, U			EP0	DDQ		
		2	J, U			ER0	DDD		
		2	J, U			ER0	DG0		
12									SNAP RING
	4338 910	1	J, U			EN0	DDQ		
		1	J, U			EP0	DDQ		
		1	J, U			ER0	DDD		
		1	J, U			ER0	DG0		
13									SNAP RING
	4338 933	1	J, U			EN0	DDQ		
		1	J, U			EP0	DDQ		
		1	J, U			ER0	DDD		
		1	J, U			ER0	DG0		
14									HUB, Synchronizer Mode
	4741 240	1	J, U			EN0	DDQ		
		1	J, U			EP0	DDQ		
		1	J, U			ER0	DDD		
		1	J, U			ER0	DG0		
15									SLEEVE, Mode Synchronizer
	4796 909	1	J, U			EN0	DDQ		
		1	J, U			EP0	DDQ		
		1	J, U			ER0	DDD		
		1	J, U			ER0	DG0		
16									SNAP RING, Annulus Gear
	4219 065	1	J, U			EN0	DDQ		

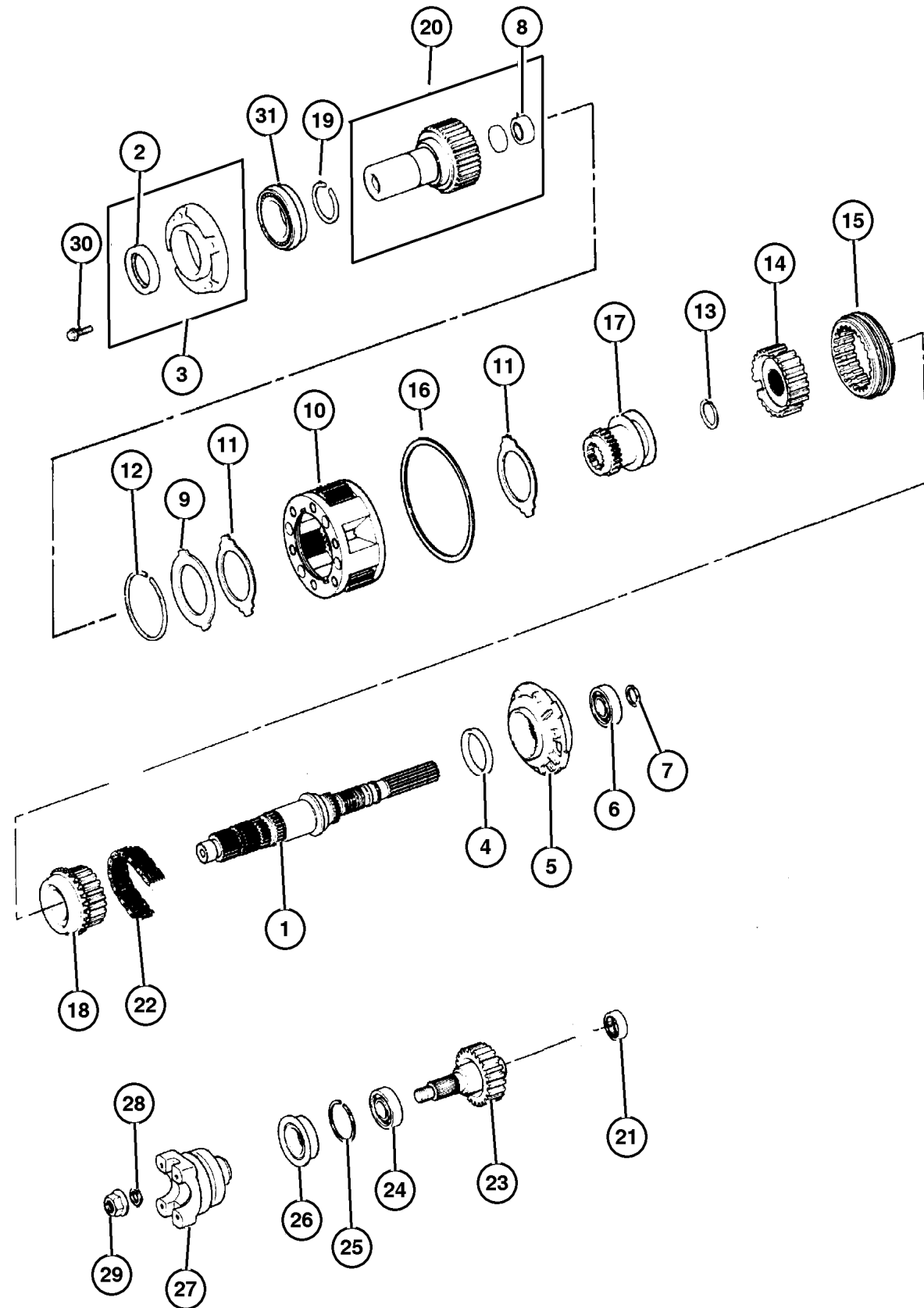
JEEP CHEROKEE (XJ)

SERIES	LINE	BODY	ENGINE	TRANSMISSION
P=Classic	J=LHD (4WD)	74=4 Dr.(101.4WB)	ENC,EN0=2.5L 4 cyl. Turbo Die	DDD, DDQ=5 spd. Man.
S=Limited	U=RHD (4WD)	72=2 Dr.(101.4WB)	ERH,ER0=4.0L Power Tech I-6	DGS=4 spd. Auto. AISIN
H=Sport	T=LHD (2WD)		EPE,EP0=Magnum 2.5L SMPI	DG0=All Auto/Trans.
L=SE	B=RHD (2WD)			DBB=All Manual Trans.

AR = Use as required - = Non illustrated part # = New this model year

December 7, 2002

**Gear Train Command Trac (DHN)
Figure 231-410**



ITEM	PART NUMBER	QTY	LINE	SERIES	BODY	ENGINE	TRANS	TRIM	DESCRIPTION
		1	J, U			EP0	DDQ		
		1	J, U			ER0	DDD		
		1	J, U			ER0	DG0		
17	4796 906	1	J, U			EN0	DDQ		SLEEVE, Shift Range
18									SPROCKET, Transfer Case
	4796 908	1	J, U			EN0	DDQ		
		1	J, U			EP0	DDQ		
		1	J, U			ER0	DDD		
		1	J, U			ER0	DG0		
19									SNAP RING
	3821 558	1	J, U			EN0	DDQ		
		1	J, U			EP0	DDQ		
		1	J, U			ER0	DDD		
		1	J, U			ER0	DG0		
20									GEAR, Input
	4796 904	1	J, U			EN0	DDQ		
	4796 956	1	J, U			EP0	DDQ		
	4798 113	1	J, U			ER0	DDD		
		1	J, U			ER0	DG0		
21									BEARING, Output Shaft
	4269 189	1	J, U			EN0	DDQ		
		1	J, U			EP0	DDQ		
		1	J, U			ER0	DDD		
		1	J, U			ER0	DG0		
22									CHAIN, Transfer Case
	4338 935	1	J, U			EN0	DDQ		
		1	J, U			EP0	DDQ		
		1	J, U			ER0	DDD		
		1	J, U			ER0	DG0		
23									OUTPUT SHAFT, Transfer Case
	4338 934	1	J, U			EN0	DDQ		
		1	J, U			EP0	DDQ		
		1	J, U			ER0	DDD		
		1	J, U			ER0	DG0		
24									BEARING
	4338 892	1	J, U			EP0	DDQ		
		1	J, U			ER0	DDD		
		1	J, U			ER0	DG0		
25									SNAP RING, Bearing
	4338 894	1	J, U			EN0	DDQ		
		1	J, U			EP0	DDQ		
		1	J, U			ER0	DDD		

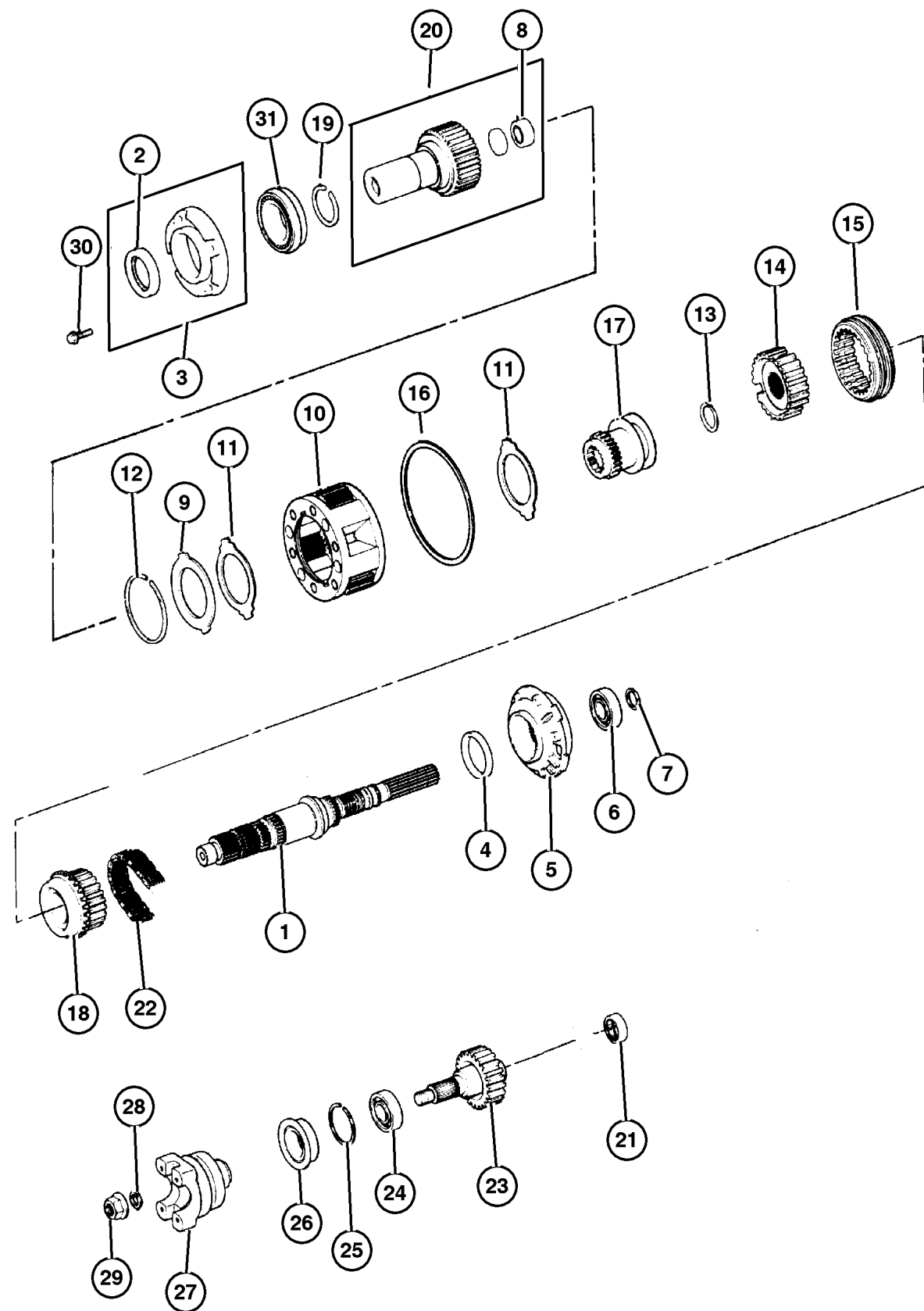
JEEP CHEROKEE (XJ)

SERIES	LINE	BODY	ENGINE	TRANSMISSION
P=Classic	J=LHD (4WD)	74=4 Dr.(101.4WB)	ENC,EN0=2.5L 4 cyl. Turbo Die	DDD, DDQ=5 spd. Man.
S=Limited	U=RHD (4WD)	72=2 Dr.(101.4WB)	ERH,ER0=4.0L Power Tech I-6	DGS=4 spd. Auto. AISIN
H=Sport	T=LHD (2WD)		EPE,EP0=Magnum 2.5L SMPI	DG0=All Auto/Trans.
L=SE	B=RHD (2WD)			DBB=All Manual Trans.

AR = Use as required - = Non illustrated part # = New this model year

December 7, 2002

**Gear Train Command Trac (DHN)
Figure 231-410**



ITEM	PART NUMBER	QTY	LINE	SERIES	BODY	ENGINE	TRANS	TRIM	DESCRIPTION
		1	J, U			ER0	DG0		
26	4338 893	1	J, U			EN0	DDQ		SEAL, Output
27	4446 494	1	J, U			EN0	DDQ		YOKE, Transfer Case Output
	4798 120	1	J, U			EP0	DDQ		
		1	J, U			ER0	DDD		
28		1	J, U			ER0	DG0		WASHER, Flat
	4446 487	1	J, U			EN0	DD0		
		1	J, U			EP0	DDQ		
29		1	J, U			ER0	DDD		NUT, Hex Flange
	4446 488	1	J, U			EN0	DDQ		
		1	J, U			EP0	DDQ		
		1	J, U			ER0	DDD		
		1	J, U			ER0	DG0		
30									BOLT
	6500 318	9	J, U			EN0	DDQ		
		9	J, U			EP0	DDQ		
		9	J, U			ER0	DDD		
		9	J, U			ER0	DG0		
31									BEARING, Input Gear
	4746 155	1	J, U			EN0	DDQ		
		1	J, U			EP0	DDQ		
		1	J, U			ER0	DDD		
		1	J, U			ER0	DG0		

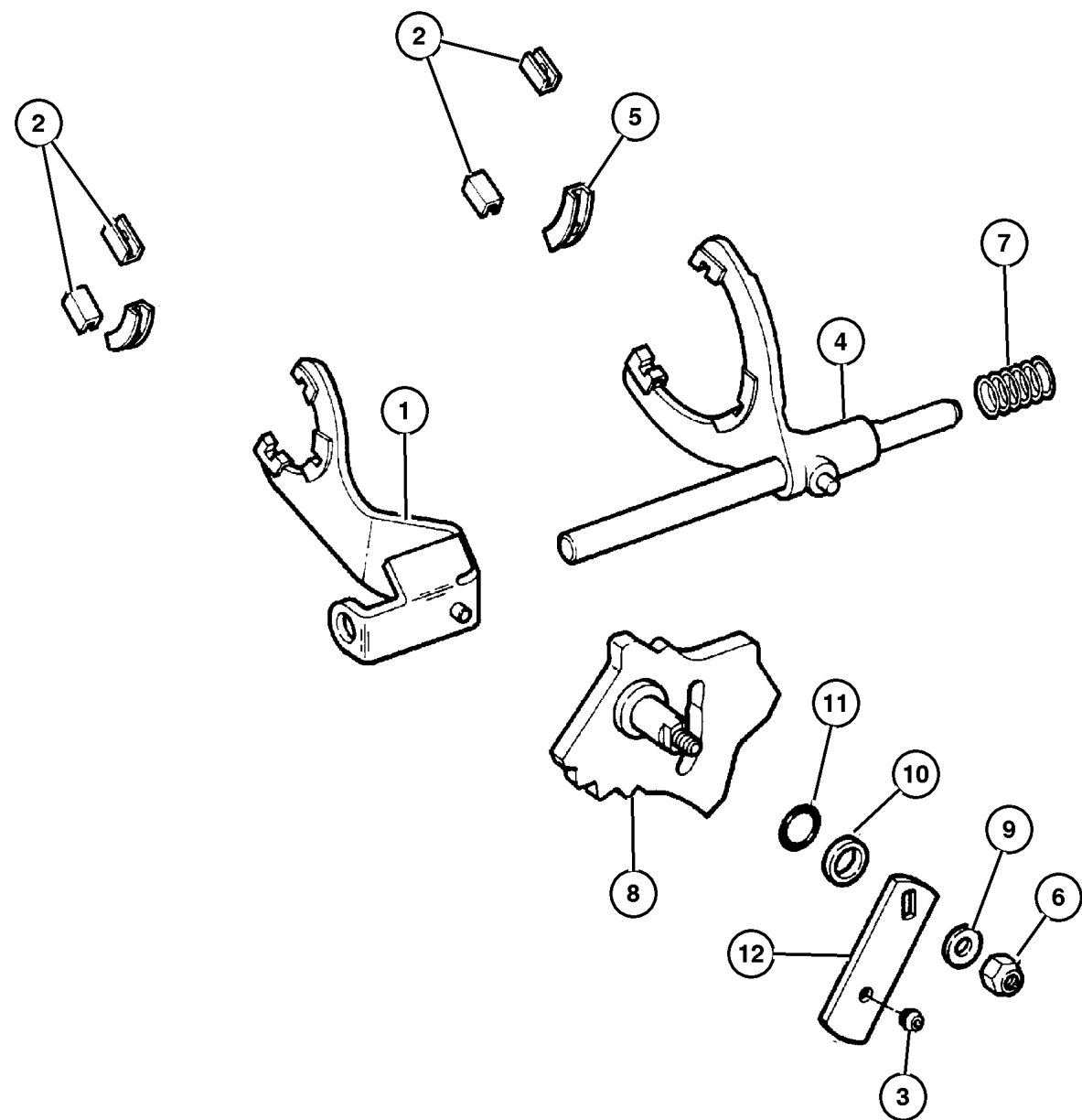
JEEP CHEROKEE (XJ)

SERIES	LINE	BODY	ENGINE	TRANSMISSION
P=Classic	J=LHD (4WD)	74=4 Dr.(101.4WB)	ENC,EN0=2.5L 4 cyl. Turbo Die	DDD, DDQ=5 spd. Man.
S=Limited	U=RHD (4WD)	72=2 Dr.(101.4WB)	ERH,ER0=4.0L Power Tech I-6	DGS=4 spd. Auto. AISIN
H=Sport	T=LHD (2WD)		EPE,EP0=Magnum 2.5L SMPI	DG0=All Auto/Trans.
L=SE	B=RHD (2WD)			DBB=All Manual Trans.

AR = Use as required - = Non illustrated part # = New this model year

December 7, 2002

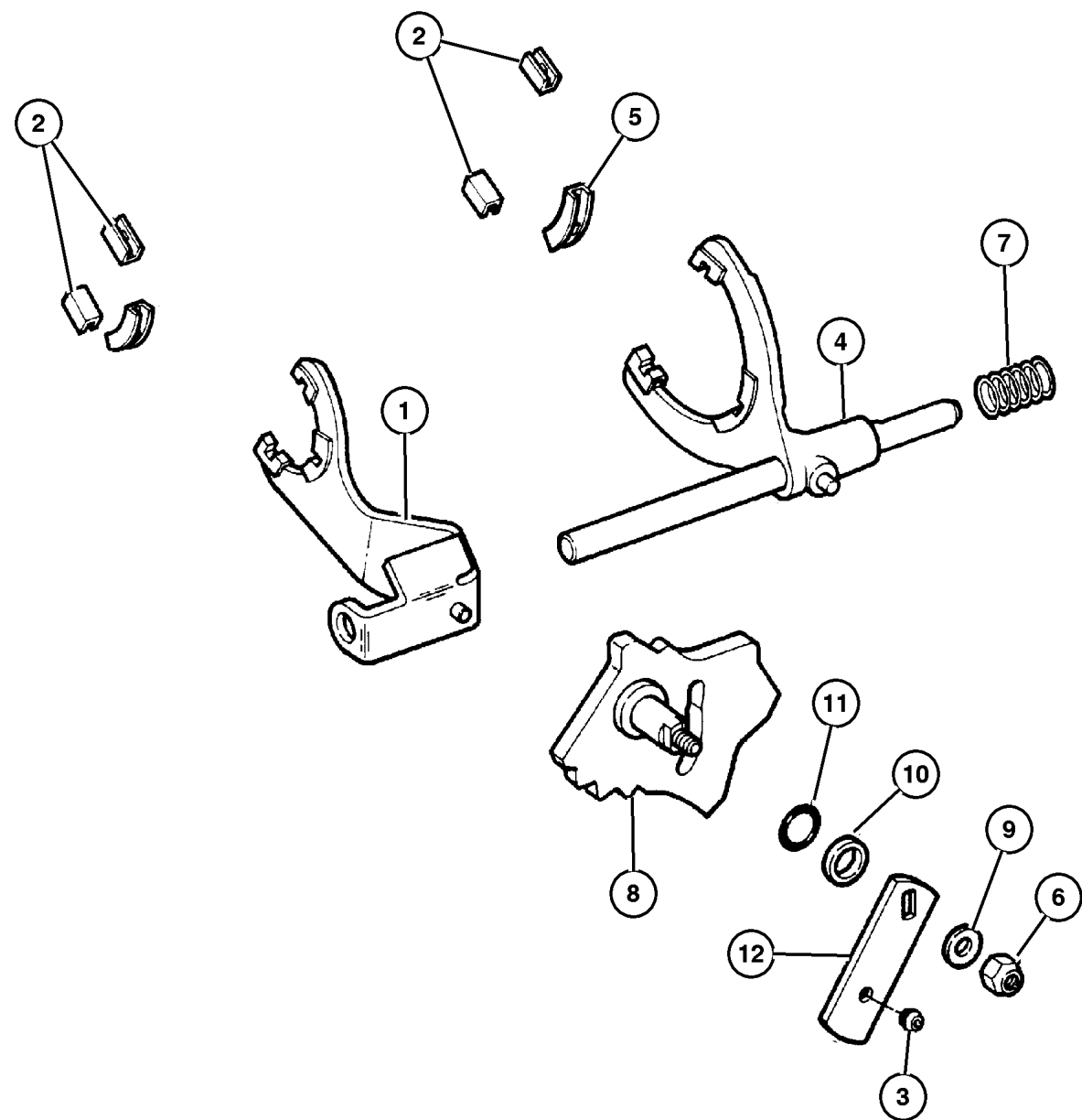
Fork and Rails Command Trac (DHN)
Figure 231-910



ITEM	PART NUMBER	QTY	LINE	SERIES	BODY	ENGINE	TRANS	TRIM	DESCRIPTION
Notes:									
EPO= All 2.5L, 4 Cylinder, Gas Engine									
ER0= All 4.0L., 6 Cylinder, Gas Engine									
EN0= All 4/5 Cylinder, Turbo Diesel Engine									
DD0 = All 5 Speed Manual Transmissions									
DDD = 5 Speed Heavy Duty Manual Transmission									
DDQ = 5 Speed Manual Transmission									
DG0 = All Automatic Transmissions									
1									FORK, Range
	4638 913	1	J, U			EPO	DDQ		
		1	J, U			ER0	DG0		
2									PAD, Shift Fork
	4167 969	2	J, U			EN0	DDQ		
		2	J, U			EPO	DDQ		
		2	J, U			ER0	DDD		
		2	J, U			ER0	DG0		
3									BUSHING, Shift Lever
	5300 4810	1	J, U			EN0	DDQ		
		1	J, U			EPO	DDQ		
		1	J, U			ER0	DDD		
		1	J, U			ER0	DG0		
4									FORK, Transfer Case Mode Shift
	4741 237	1	J, U			EN0	DDQ		
		1	J, U			EPO	DDQ		
		1	J, U			ER0	DDD		
		1	J, U			ER0	DG0		
5									PAD, Shift Fork 52098913
	4219 073	1	J, U			EN0	DDQ		
		1	J, U			EPO	DDQ		
		1	J, U			ER0	DDD		
		1	J, U			ER0	DG0		
6									NUT, Hex Flange Lock
	0152 345	1	J, U			EN0	DDQ		
		1	J, U			EPO	DDQ		
		1	J, U			ER0	DDD		
		1	J, U			ER0	DG0		
7									SPRING, Mode Shift Rail
	4338 925	1	J, U			EN0	DDQ		
		1	J, U			EPO	DDQ		
		1	J, U			ER0	DDD		
		1	J, U			ER0	DG0		
8									SECTOR, Transfer Case

JEEP CHEROKEE (XJ)				
SERIES	LINE	BODY	ENGINE	TRANSMISSION
P=Classic	J=LHD (4WD)	74=4 Dr.(101.4WB)	ENC,EN0=2.5L 4 cyl. Turbo Die	DDD, DDQ=5 spd. Man.
S=Limited	U=RHD (4WD)	72=2 Dr.(101.4WB)	ERH,ER0=4.0L Power Tech I-6	DGS=4 spd. Auto. AISIN
H=Sport	T=LHD (2WD)		EPE,EP0=Magnum 2.5L SMPI	DG0=All Auto/Trans.
L=SE	B=RHD (2WD)			DBB=All Manual Trans.

Fork and Rails Command Trac (DHN)
Figure 231-910



ITEM	PART NUMBER	QTY	LINE	SERIES	BODY	ENGINE	TRANS	TRIM	DESCRIPTION
	4638 845	1	J, U			EN0	DDQ		
		1	J, U			EP0	DDQ		
		1	J, U			ER0	DDD		
		1	J, U			ER0	DG0		
9									WASHER, Flat
	S243 6163	1	J, U			ER0			
		1	J, U			EP0	DDQ		
		1	J, U			EN0	DDQ		
10									RETAINER, Rear Clutch
	4167 964	1	J, U			EN0	DDQ		52098913
		1	J, U			EP0	DDQ		
		1	J, U			ER0	DDD		
		1	J, U			ER0	DG0		
11									SEAL, O-Ring
	4167 963	1	J, U			EN0	DDQ		
		1	J, U			EP0	DDQ		
		1	J, U			ER0	DDD		
		1	J, U			ER0	DG0		
12									LEVER, Selector
	4897 185AA	1	J, U			EN0	DDQ		52098913
		1	J, U			EP0	DDQ		
		1	J, U			ER0	DDD		
		1	J, U			ER0	DG0		

JEEP CHEROKEE (XJ)

SERIES	LINE	BODY	ENGINE	TRANSMISSION
P=Classic	J=LHD (4WD)	74=4 Dr.(101.4WB)	ENC,EN0=2.5L 4 cyl. Turbo Die	DDD, DDQ=5 spd. Man.
S=Limited	U=RHD (4WD)	72=2 Dr.(101.4WB)	ERH,ER0=4.0L Power Tech I-6	DGS=4 spd. Auto. AISIN
H=Sport	T=LHD (2WD)		EPE,EP0=Magnum 2.5L SMPI	DG0=All Auto/Trans.
L=SE	B=RHD (2WD)			DBB=All Manual Trans.

**Gearshift Controls Command Trac (DHN)
Figure 231-1220**

ITEM	PART NUMBER	QTY	LINE	SERIES	BODY	ENGINE	TRANS	TRIM	DESCRIPTION
------	-------------	-----	------	--------	------	--------	-------	------	-------------

Notes:

EPO= All 2.5L, 4 Cylinder, Gas Engine

ER0= All 4.0L., 6 Cylinder, Gas Engine

ENC= 2.5L 4 Cylinder Turbo Diesel Engine

DD0 = All 5 Speed Manual Transmissions

DDD = 5 Speed Heavy Duty Manual Transmission

DDQ = 5 Speed Manual Transmission

DG0 = All Automatic Transmissions

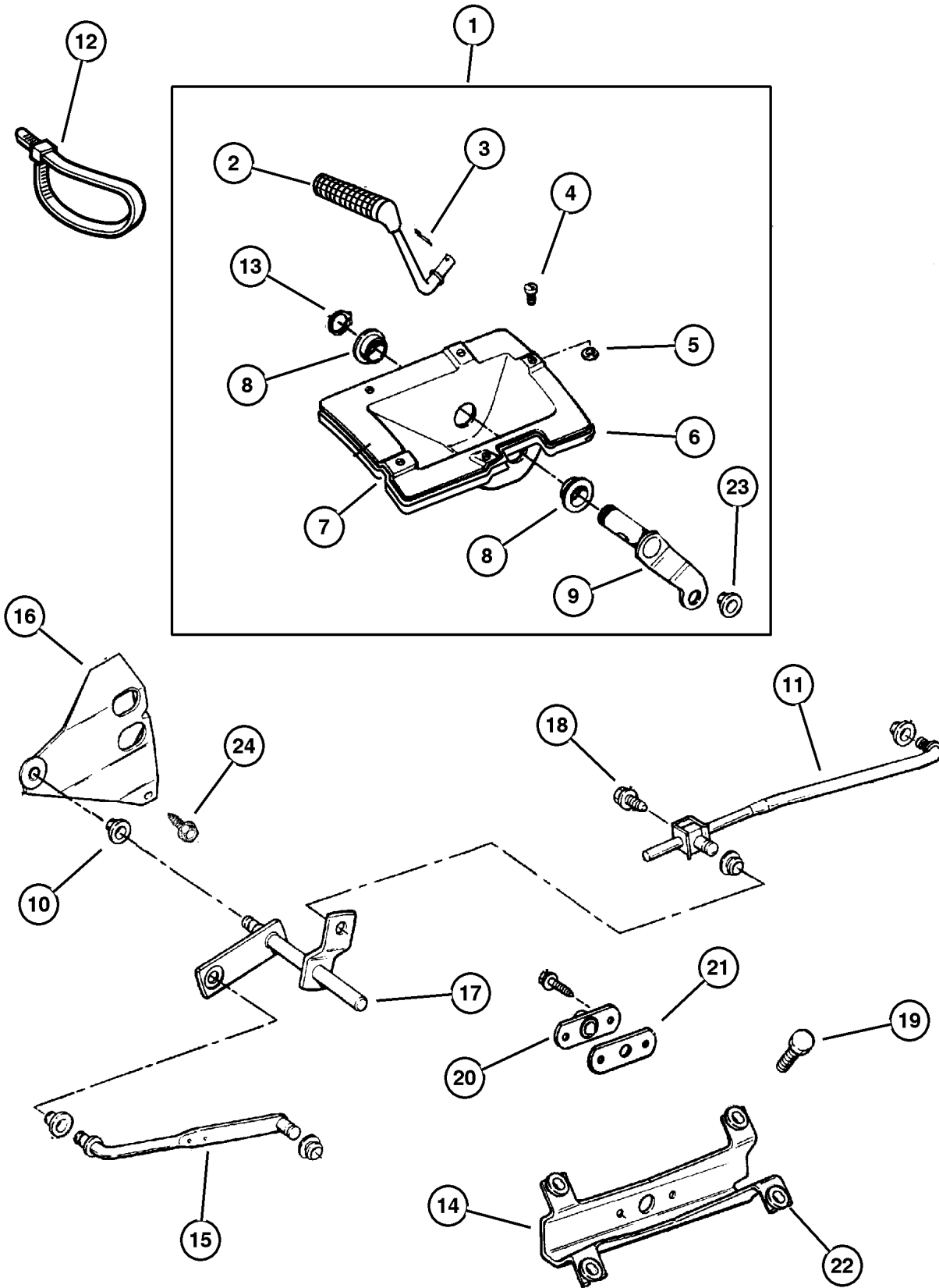
1									SHIFTER, Transfer Case
	52104 100AC	1	J						
	52104 101AC	1	U						
2									LEVER, Transfer Case Shifter
	5207 9256	1	J						
		1	U						
3									PIN, Cotter
	J400 6723	1	U						
		1	J						
4									FASTENER, Push On
	5207 7671	1	J						
		1	U						
5									NUT, Push, M5
	6100 839	2	U						
		2	J						
6									BOOT, Transfer Case Lever
	5210 4019	1	U						
		1	J						
7									HOUSING, Shift Lever
	5300 1284	1	U						
		1	J						
8									BUSHING, Shift Control
	5300 0639	2	U						
		2	J						
9									LEVER, Transfer Case
	53005 150AC	1	U						
		1	J						
10									BUSHING, Shift Lever
	5300 4810	1	J, U			ENC	DBB		
		1	J, U			ER0	DDQ		
		1	J, U			EPO			
11									ROD, Gear Shift Control, Transfer Case
	5210 4073	1	J, U			EPO			

JEEP CHEROKEE (XJ)

SERIES	LINE	BODY	ENGINE	TRANSMISSION
P=Classic	J=LHD (4WD)	74=4 Dr.(101.4WB)	ENC,EN0=2.5L 4 cyl. Turbo Die	DDD, DDQ=5 spd. Man.
S=Limited	U=RHD (4WD)	72=2 Dr.(101.4WB)	ERH,ER0=4.0L Power Tech I-6	DGS=4 spd. Auto. AISIN
H=Sport	T=LHD (2WD)		EPE,EPO=Magnum 2.5L SMPI	DG0=All Auto/Trans.
L=SE	B=RHD (2WD)			DBB=All Manual Trans.

AR = Use as required - = Non illustrated part # = New this model year

December 7, 2002



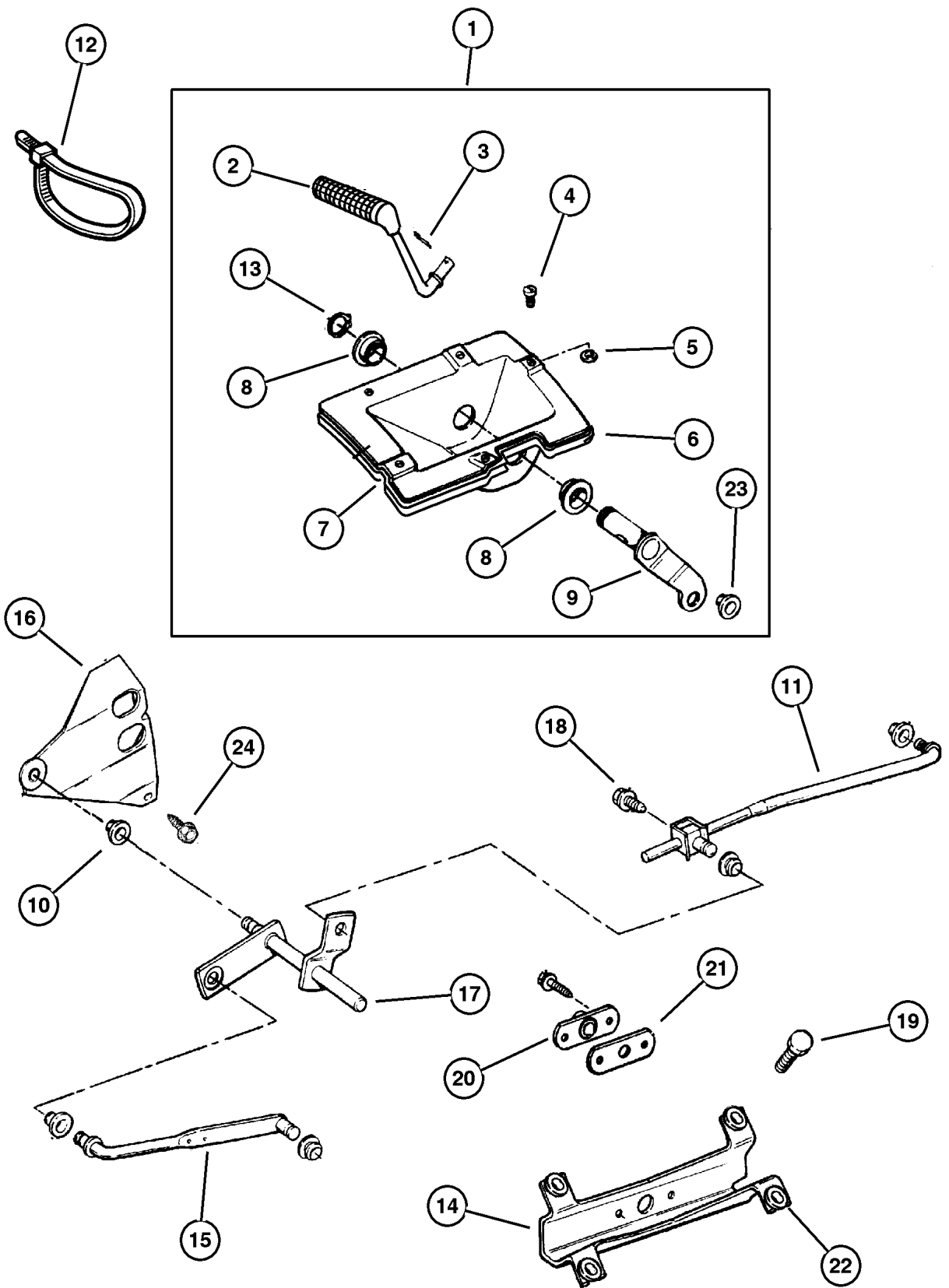
**Gearshift Controls Command Trac (DHN)
Figure 231-1220**

ITEM	PART NUMBER	QTY	LINE	SERIES	BODY	ENGINE	TRANS	TRIM	DESCRIPTION
		1	J, U			ER0	DG0		
12	J369 3058	1	U						STRAP, Retaining
13	1150 5389	1	J						SNAP RING
		1	U						
14	52104 017AB	1	J, U			EP0			BRACKET, Torque Shaft
		1	J, U			ER0	DG0		
	52104 018AB	1	J, U			ENC, ER0	DDQ		
15									ROD, Gear Shift Control, Transfer Case
	5300 4941	1	J, U			EP0			
	5300 4942	1	J, U			ER0	DG0		
	5300 5448	1	J, U			ER0	DDQ		
16									BRACKET, Torque Shaft
	5207 8605	1	J, U			ENC	DBB		
	5300 5069	1	J, U			EP0			
	53005 071AB	1	J, U			ER0	DG0		
17									TORQUE SHAFT, Transfer Case
	5207 8541	1	J, U			ENC	DBB		
	5300 5151	1	J, U			EP0			
	5300 5552	1	J, U			ER0	DBB		
18	J400 6036	1	J, U						BOLT, Hex Head, .312-18x.50
19	6503 811	4	J, U						BOLT, Hex Head, M6x1.00x20.00
20									BEARING, Transfer Case Shift
	5207 8134	1	J, U			ENC, ER0	DDQ		
		1	J, U			EP0			
		1	J, U			ER0	DG0		
21									GASKET, Gearshift Control Rod
	5300 5154	1	J, U			ENC, ER0	DDQ		
		1	J, U			EP0			
		1	J, U			ER0	DG0		
22									GROMMET
	5210 4014	4	J, U			ENC, ER0	DDQ		
		4	J, U			EP0			
		4	J, U			ER0	DG0		

JEEP CHEROKEE (XJ)
 SERIES LINE BODY ENGINE TRANSMISSION
 P=Classic J=LHD (4WD) 74=4 Dr.(101.4WB) ENC,EN0=2.5L 4 cyl. Turbo Die DDD, DDQ=5 spd. Man.
 S=Limited U=RHD (4WD) 72=2 Dr.(101.4WB) ERH,ER0=4.0L Power Tech I-6 DGS=4 spd. Auto. AISIN
 H=Sport T=LHD (2WD) EPE,EP0=Magnum 2.5L SMPI DG0=All Auto/Trans.
 L=SE B=RHD (2WD) DBB=All Manual Trans.

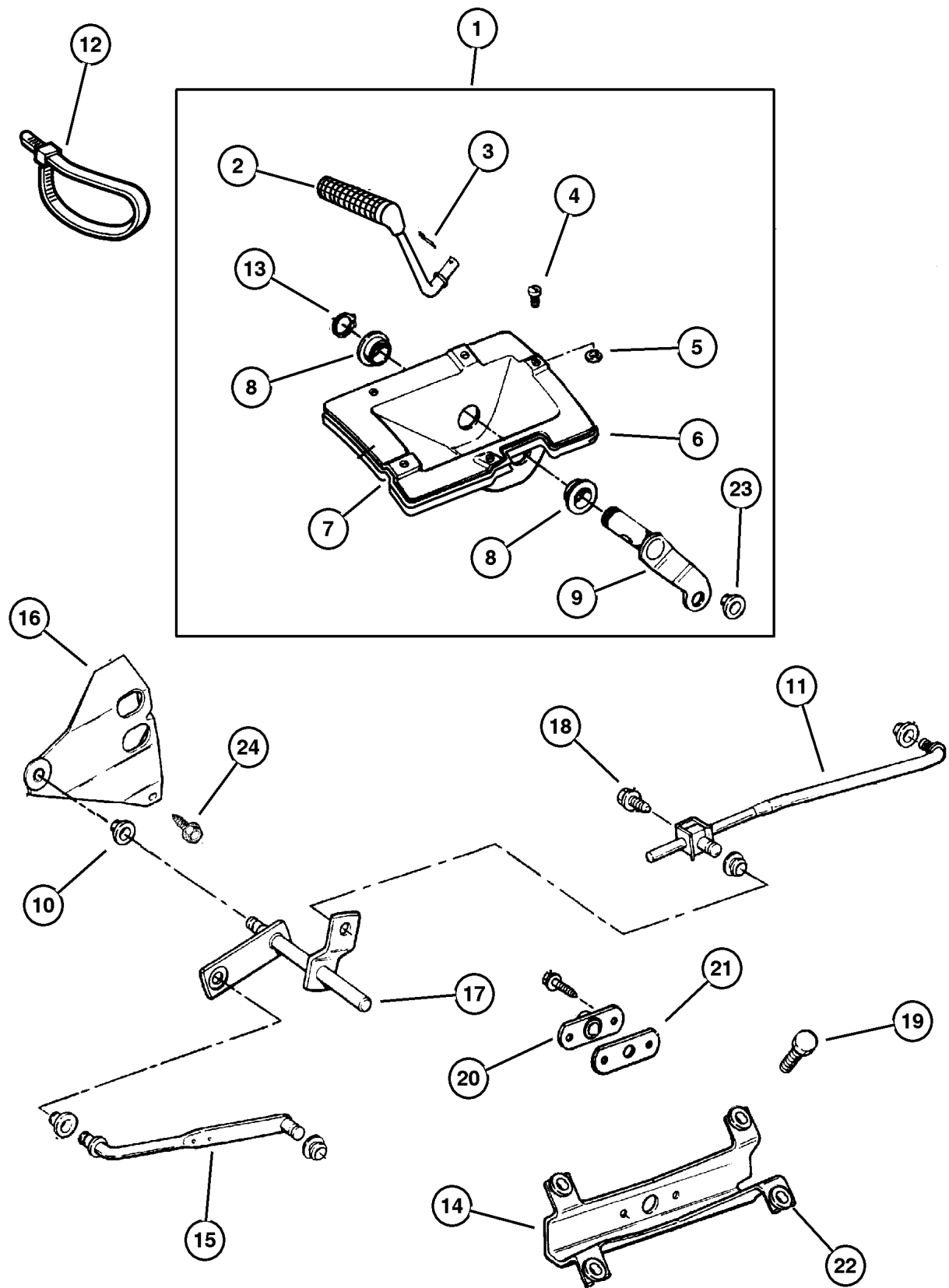
AR = Use as required - = Non illustrated part # = New this model year

December 7, 2002



**Gearshift Controls Command Trac (DHN)
Figure 231-1220**

ITEM	PART NUMBER	QTY	LINE	SERIES	BODY	ENGINE	TRANS	TRIM	DESCRIPTION
		4	J, U			ENC, ER0	DDD		
23	3575 333	1	U						GROMMET, Control Rod Front
		1	J						
24	1150 4336	1	J, U			ER0	DG0		BOLT, Hex Head, M8x1.25x16



JEEP CHEROKEE (XJ)				
SERIES	LINE	BODY	ENGINE	TRANSMISSION
P=Classic	J=LHD (4WD)	74=4 Dr.(101.4WB)	ENC,EN0=2.5L 4 cyl. Turbo Die	DDD, DDQ=5 spd. Man.
S=Limited	U=RHD (4WD)	72=2 Dr.(101.4WB)	ERH,ER0=4.0L Power Tech I-6	DGS=4 spd. Auto. AISIN
H=Sport	T=LHD (2WD)		EPE,EP0=Magnum 2.5L SMPI	DG0=All Auto/Trans.
L=SE	B=RHD (2WD)			DBB=All Manual Trans.

AR = Use as required - = Non illustrated part # = New this model year

December 7, 2002

Group – 242

Transfer Case Model 242

GROUP 242 - Transfer Case Model 242

Illustration Title

Group-Fig. No.

Transfer Case Assembly

Transfer Case Select Trac (DHP) Fig. 242-110

Case and Related Parts

Case & Related Parts Select Trac (DHP) Fig. 242-210

Gear Train

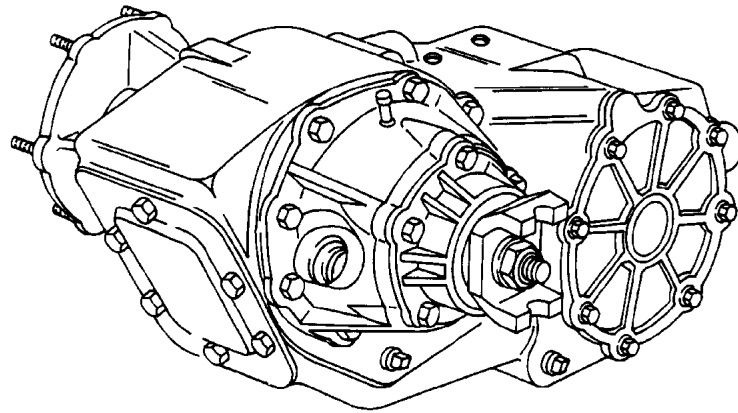
Gear Train Select Trac (DHP) Fig. 242-410

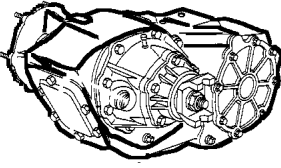
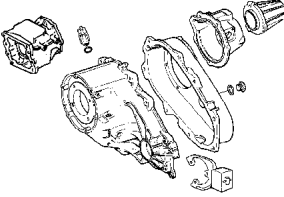
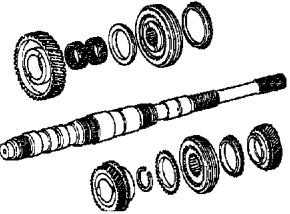
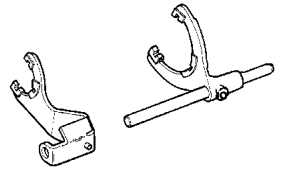
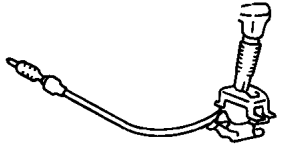
Fork and Rails

Fork and Rails Select Trac (DHP) Fig. 242-910

Gearshift Controls

Gearshift Controls Select Trac (DHP) Fig. 242-1210



<p>242-100 Transfer Case Assembly</p> 	<p>242-200 Case and Related Parts</p> 	<p>242-400 Gear Train</p> 	<p>242-900 Fork and Rails</p> 
<p>242-1200 Gearshift Controls</p> 			

**Transfer Case Select Trac (DHP)
Figure 242-110**

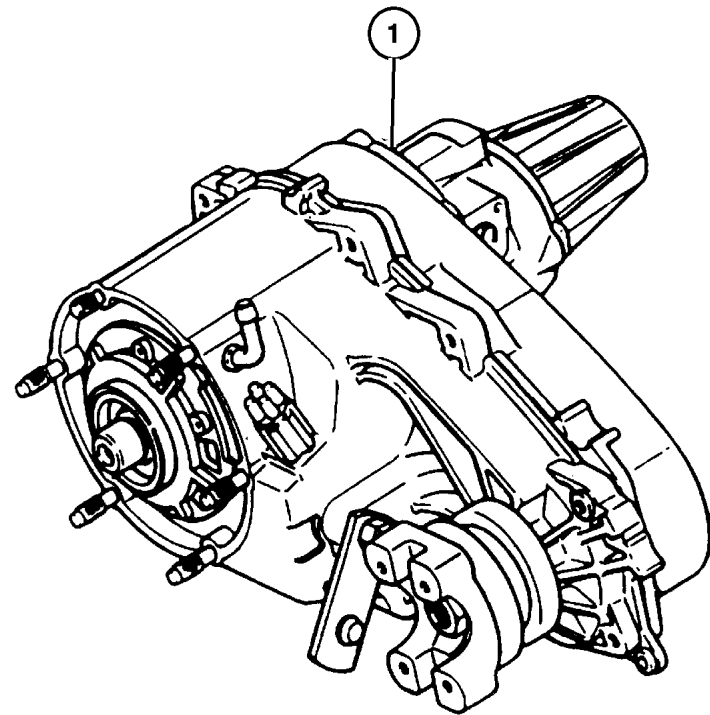
ITEM	PART NUMBER	QTY	LINE	SERIES	BODY	ENGINE	TRANS	TRIM	DESCRIPTION
------	-------------	-----	------	--------	------	--------	-------	------	-------------

Notes:

ER0 = All 4.0L 6 Cylinder Gas Engine

DG0 = All Automatic Transmissions

1									TRANSFER CASE, NP242
	#52098 899AC	1	J, U			ER0	DG0		Without police Group
	#52111 083AC	1	J, U			ER0	DG0		With Police Group



JEEP CHEROKEE (XJ)

SERIES	LINE	BODY	ENGINE	TRANSMISSION
P=Classic	J=LHD (4WD)	74=4 Dr.(101.4WB)	ENC,EN0=2.5L 4 cyl. Turbo Die	DDD, DDQ=5 spd. Man.
S=Limited	U=RHD (4WD)	72=2 Dr.(101.4WB)	ERH,ER0=4.0L Power Tech I-6	DGS=4 spd. Auto. AISIN
H=Sport	T=LHD (2WD)		EPE,EP0=Magnum 2.5L SMPI	DG0=All Auto/Trans.
L=SE	B=RHD (2WD)			DBB=All Manual Trans.

AR = Use as required - = Non illustrated part # = New this model year

December 7, 2002

**Case & Related Parts Select Trac (DHP)
Figure 242-210**

ITEM	PART NUMBER	QTY	LINE	SERIES	BODY	ENGINE	TRANS	TRIM	DESCRIPTION
------	-------------	-----	------	--------	------	--------	-------	------	-------------

Notes:

EPO= All 2.5L, 4 Cylinder, Gas Engine

ER0= All 4L., 6 Cylinder, Gas Engine

EN0= All 4/5 Cylinder, Turbo Diesel Engine

DDQ = 5 Speed Manual Transmission

DG0 = All Automatic Transmissions

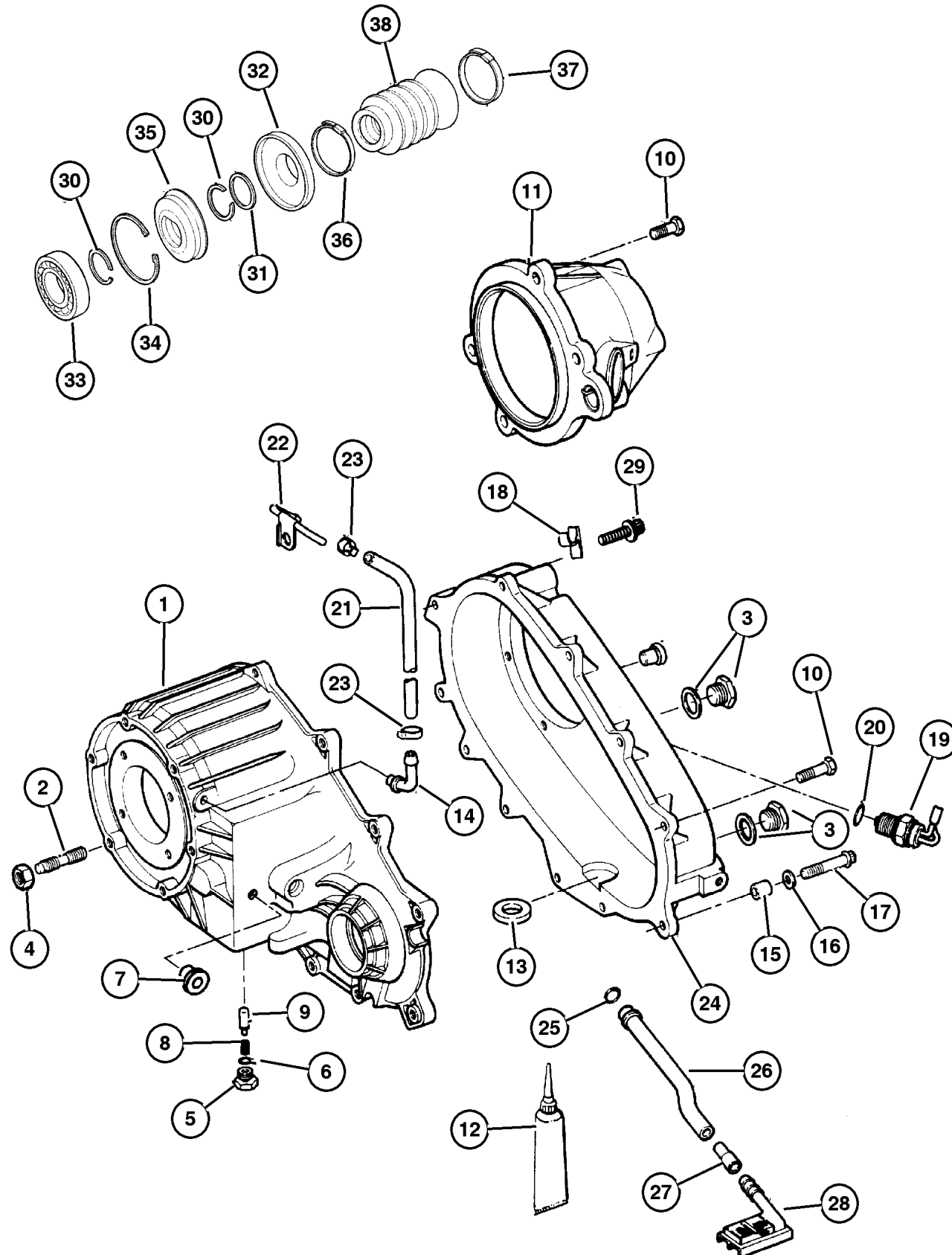
1	4856 389	1	J, U			ER0	DG0		CASE, Transfer Front
2	4505 365	6	J, U			ER0	DG0		STUD
3	4856 641	2	J, U			ER0	DG0		PLUG, Oil Fill
4									NUT AND CONED WASHER, Hex, .375-24
	J400 6681	5	J, U			EPO	DD0		
		6	J, U			EN0,			
						ER0			
5	4886 473AA	1	J, U			ER0	DG0		SCREW
6	4338 956	2	J, U			ER0	DG0		SEAL, Vacuum Switch
7	0015 105	1	J, U			ER0	DG0		PLUG, Transmission Case
8	4638 497	1	J, U			ER0	DG0		SPRING, Shift Detent
9	5300 8217	1	J, U			ER0	DG0		PLUNGER
10	4210 617	15	J, U			ER0	DG0		BOLT, Transfer Case
11	4856 391	1	J, U			ER0	DG0		RETAINER, Transfer Case Rear
12	5010 884AA	1	J, U			EPO	DDQ		SEALANT, RTV
13	3681 601	1	J, U			ER0	DG0		MAGNET, Transmission
14	4796 910	1	J, U			ER0	DG0		VENT, Transfer Case
15	4116 310	2	J, U			ER0	DG0		DOWEL, Transfer Case
16	8350 3512	1	J, U			ER0	DG0		WASHER, Flat
17	4210 614	2	J, U			ER0	DG0		BOLT, Hex Flange Head
18	5211 8181	1	J, U			EN0	DDQ		CLIP
19	5600 6755	1	J, U			ER0	DG0		SWITCH, Transfer Case Mode
20	4338 956	2	J, U			ER0	DG0		SEAL, Vacuum Switch
21	4443 176	1	J, U						HOSE, Fuel, .31 I.D. 50 Foot Roll
22	5300 7494	1	J, U						VENT, Transfer Case
23	6502 081	2	J, U						CLAMP, Oil Cooler Line
24	4886 373AA	1	J, U			ER0	DG0		CASE, Transfer Case Rear
25	4338 942	1	J, U			ER0	DG0		SEAL, Oil
26	8350 3523	1	J, U			ER0	DG0		TUBE, Oil Pickup
27	4338 944	1	J, U			ER0	DG0		CONNECTOR, Oil Tube Pickup
28	4338 943	1	J, U			ER0	DG0		FILTER, Transfer Case Oil
29	J813 0979	1	J, U			ER0	DG0		BOLT, Twelve Point Head, M10x1.5x48
30	J813 4488	1	J, U			ER0	DG0		SNAP RING
31	4798 118	1	J, U			ER0	DG0		WASHER

JEEP CHEROKEE (XJ)

SERIES	LINE	BODY	ENGINE	TRANSMISSION
P=Classic	J=LHD (4WD)	74=4 Dr.(101.4WB)	ENC,EN0=2.5L 4 cyl. Turbo Die	DDD, DDQ=5 spd. Man.
S=Limited	U=RHD (4WD)	72=2 Dr.(101.4WB)	ERH,ER0=4.0L Power Tech I-6	DGS=4 spd. Auto. AISIN
H=Sport	T=LHD (2WD)		EPE,EP0=Magnum 2.5L SMPI	DG0=All Auto/Trans.
L=SE	B=RHD (2WD)			DBB=All Manual Trans.

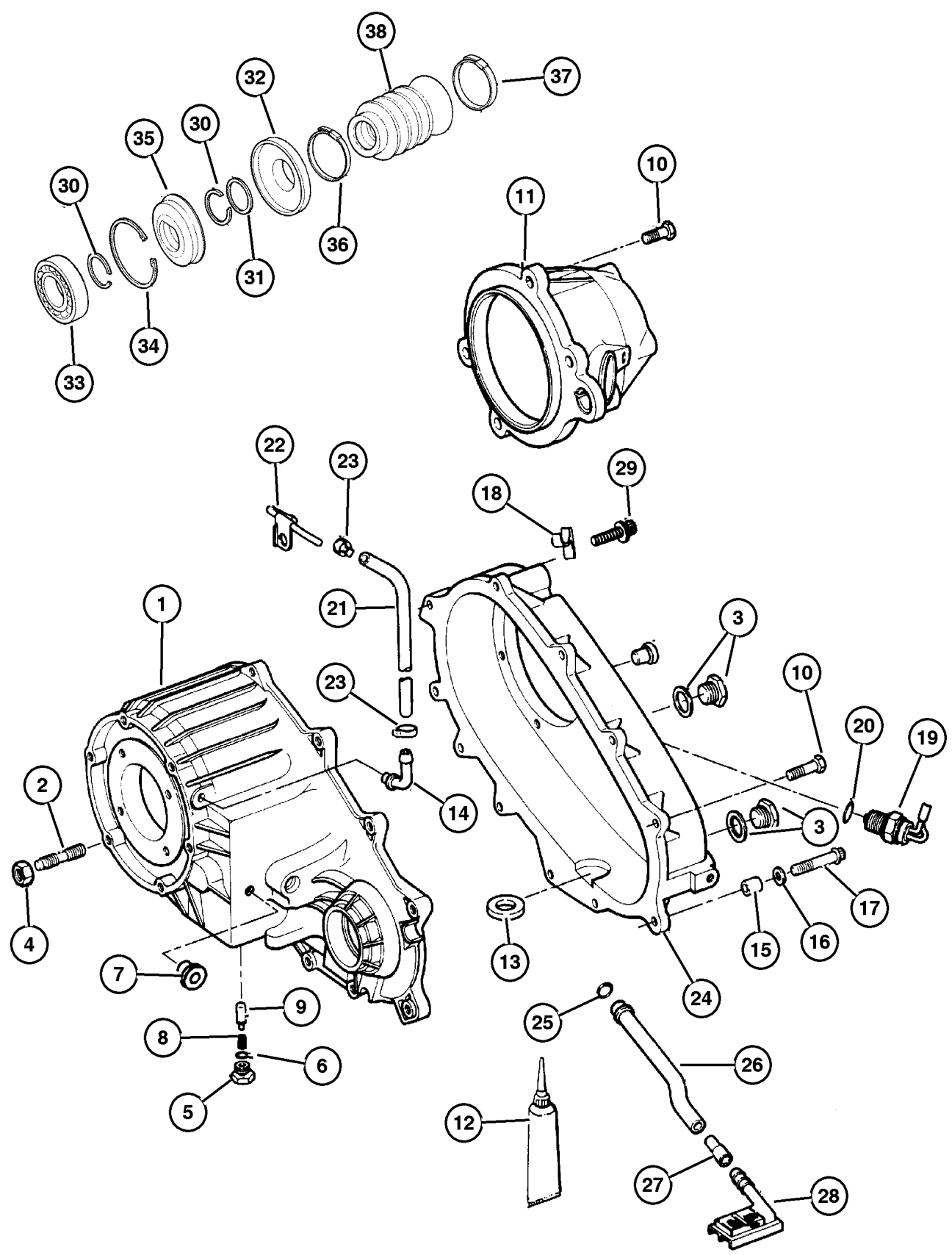
AR = Use as required - = Non illustrated part # = New this model year

December 7, 2002



Case & Related Parts Select Trac (DHP)
Figure 242-210

ITEM	PART NUMBER	QTY	LINE	SERIES	BODY	ENGINE	TRANS	TRIM	DESCRIPTION
32	#5016 615AA	1	J, U			ER0	DG0		SLINGER, Oil
33	4338 892	1	J, U			ER0	DG0		BEARING
34	J813 4488	1	J, U			ER0	DG0		SNAP RING
35	4798 117	1	J, U			ER0			SEAL, Output Shaft
36	4798 121	1	J, U			ER0	DG0		CLAMP, Boot
37	4798 122	1	J, U			ER0	DG0		CLAMP, Boot
38	4798 123	1	J, U			ER0	DG0		BOOT, Driveshaft

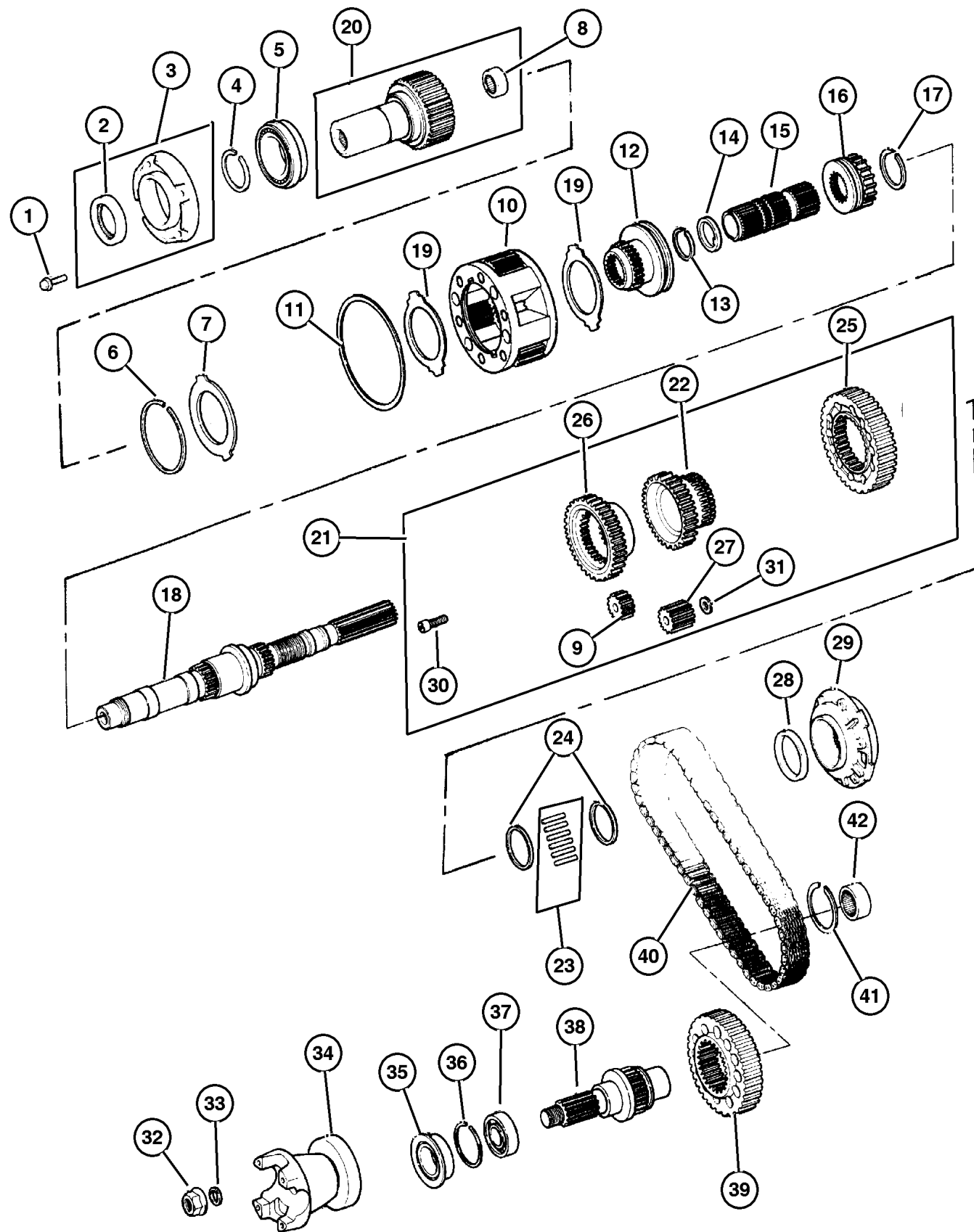


JEEP CHEROKEE (XJ)				
SERIES	LINE	BODY	ENGINE	TRANSMISSION
P=Classic	J=LHD (4WD)	74=4 Dr.(101.4WB)	ENC,EN0=2.5L 4 cyl. Turbo Die	DDD, DDQ=5 spd. Man.
S=Limited	U=RHD (4WD)	72=2 Dr.(101.4WB)	ERH,ER0=4.0L Power Tech I-6	DGS=4 spd. Auto. AISIN
H=Sport	T=LHD (2WD)		EPE,EP0=Magnum 2.5L SMPI	DG0=All Auto/Trans.
L=SE	B=RHD (2WD)			DBB=All Manual Trans.

AR = Use as required - = Non illustrated part # = New this model year

December 7, 2002

**Gear Train Select Trac (DHP)
Figure 242-410**



ITEM	PART NUMBER	QTY	LINE	SERIES	BODY	ENGINE	TRANS	TRIM	DESCRIPTION
Notes:									
ERO= All 4L., 6 Cylinder, Gas Engine									
DG0 = All Automatic Transmissions									
1	6500 318	4	J, U			ERO	DG0		BOLT
2	4167 929	1	J, U			ERO	DG0		SEAL, Input Gear
3	4338 973	1	J, U			ERO	DG0		EXTENSION, Transfer Case
4	3821 558	1	J, U			ERO	DG0		SNAP RING
5	4746 155	1	J, U			ERO	DG0		BEARING, Input Gear
6	4338 910	1	J, U			ERO	DG0		SNAP RING
7	4338 909	1	J, U			ERO	DG0		RING
8	8350 3507	1	J, U			ERO	DG0		BEARING, Input Shaft
9	8350 4170	3	J, U			ERO	DG0		GEAR, Planetary
10	4796 903	1	J, U			ERO	DG0		GEAR, Low Range Planetary
11	4219 065	1	J, U			ERO	DG0		SNAP RING, Annulus Gear
									Without Police
									With Police
12	4798 279	1	J, U			ERO	DG0		SLEEVE, Shift Range
13	8350 3540	1	J, U			ERO	DG0		SNAP RING
14	8350 3539	1	J, U			ERO	DG0		WASHER, Intermediate Sleeve
15	4798 277	1	J, U			ERO	DG0		SHAFT, Intermediate
16	8350 3542	1	J, U			ERO	DG0		SLEEVE, Mode Synchronizer
17	8350 3537	1	J, U			ERO	DG0		SNAP RING
18	4798 145	1	J, U			ERO	DG0		MAINSHAFT, Transfer Case
19	4338 908	2	J, U			ERO	DG0		THRUST WASHER, Planetary Carrier
20	4798 126	1	J, U			ERO	DG0		GEAR, Input
21	8350 3529	1	J, U			ERO	DG0		CARRIER, Differential
22	8350 3530	1	J, U			ERO	DG0		SPROCKET, Transfer Case
									Without Police
									With Police
23	8350 3543	1	J, U			ERO	DG0		BEARING PACKAGE, Transfer Case
24	8350 3533	2	J, U			ERO	DG0		SPACER, Sprocket
25	8350 3531	1	J, U			ERO	DG0		SPROCKET, Transfer Case
									Without Police
									With Police
26	8350 3536	1	J, U			ERO	DG0		SPROCKET, Differential
27	8350 4169	3	J, U			ERO	DG0		GEAR, Planetary
28	4210 603	1	J, U			ERO	DG0		SEAL, Main Shaft
29	4338 936	1	J, U			ERO	DG0		PUMP, Transfer Case Oil
30	3820 898	6	J, U			ERO	DG0		SCREW
31	8350 4168	12	J, U			ERO	DG0		WASHER, Differential Gear
32	4167 924	1	J, U			ERO	DG0		NUT, Transfer Case Yoke

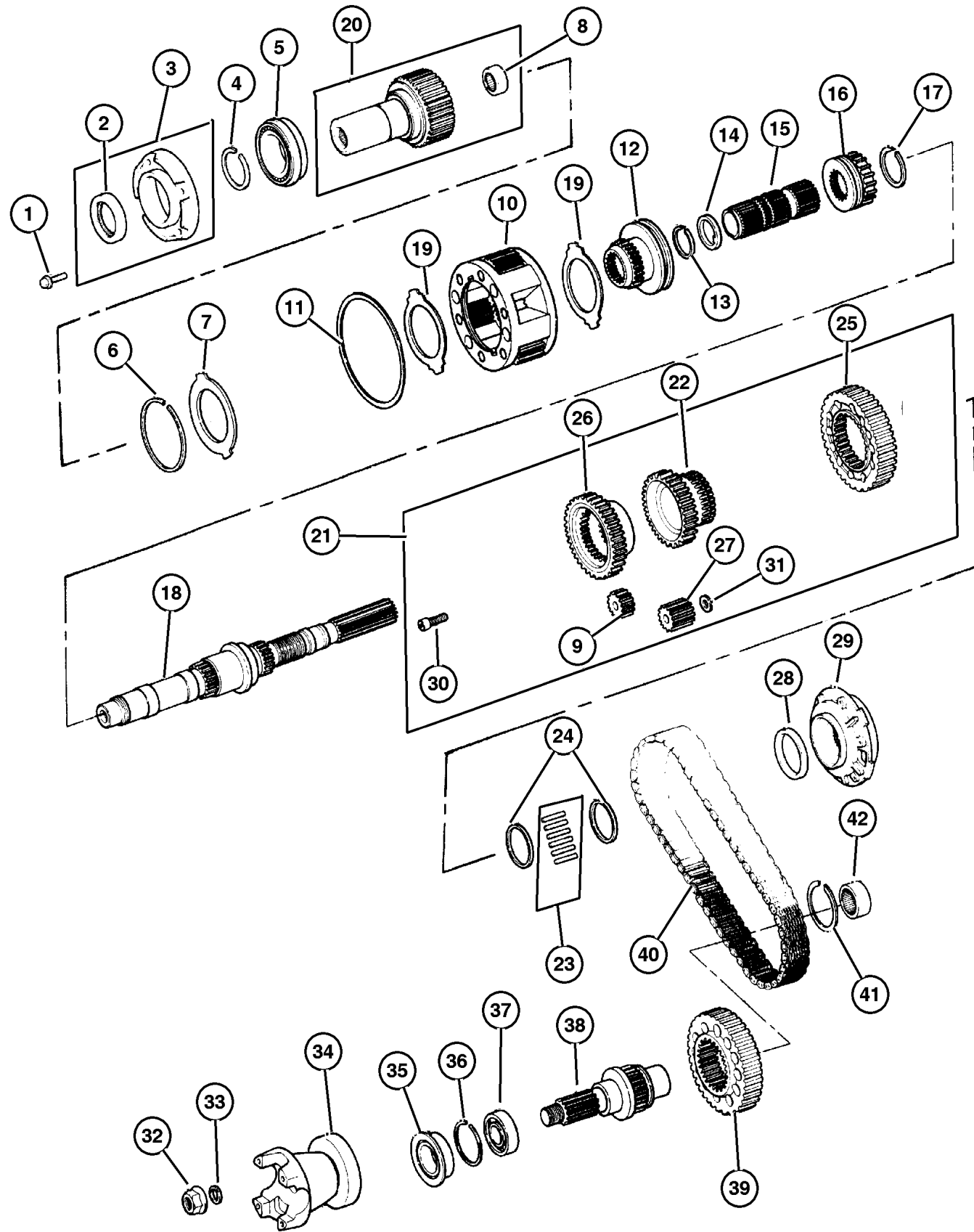
JEEP CHEROKEE (XJ)

SERIES	LINE	BODY	ENGINE	TRANSMISSION
P=Classic	J=LHD (4WD)	74=4 Dr.(101.4WB)	ENC,EN0=2.5L 4 cyl. Turbo Die	DDD, DDQ=5 spd. Man.
S=Limited	U=RHD (4WD)	72=2 Dr.(101.4WB)	ERH,ER0=4.0L Power Tech I-6	DGS=4 spd. Auto. AISIN
H=Sport	T=LHD (2WD)		EPE,EP0=Magnum 2.5L SMPI	DG0=All Auto/Trans.
L=SE	B=RHD (2WD)			DBB=All Manual Trans.

AR = Use as required - = Non illustrated part # = New this model year

December 7, 2002

**Gear Train Select Trac (DHP)
Figure 242-410**



ITEM	PART NUMBER	QTY	LINE	SERIES	BODY	ENGINE	TRANS	TRIM	DESCRIPTION
33	4210 973	1	J, U			ER0	DG0		WASHER, Transfer Case Yoke
34	4798 138	1	J, U			ER0	DG0		YOKE, Transfer Case
35	4798 125	1	J, U			ER0	DG0		SEAL, Output Shaft
36	0893 31A	1	J, U			ER0	DG0		SNAP RING
37	4269 189	1	J, U			ER0	DG0		BEARING, Output Shaft
38	8350 3517	1	J, U			ER0	DG0		OUTPUT SHAFT, Transfer Case
39	8350 3518	1	J, U			ER0	DG0		SPROCKET, Transfer Case
40	4638 890	1	J, U			ER0	DG0		CHAIN, Transfer Case
41	4167 991	1	J, U			ER0	DG0		SNAP RING, Bearing
42	4269 189	1	J, U			ER0	DG0		BEARING, Output Shaft

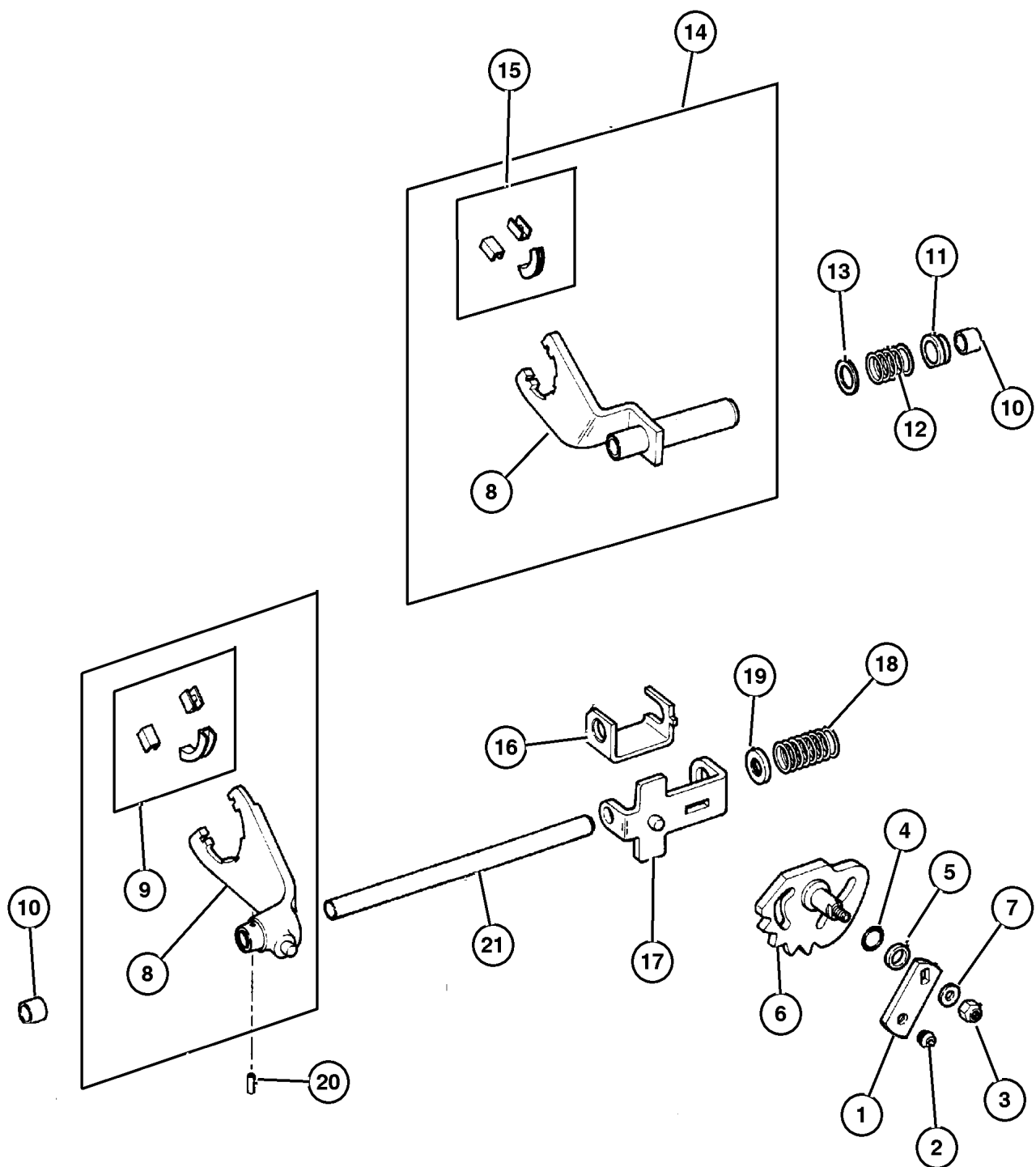
JEEP CHEROKEE (XJ)				
SERIES	LINE	BODY	ENGINE	TRANSMISSION
P=Classic	J=LHD (4WD)	74=4 Dr.(101.4WB)	ENC,EN0=2.5L 4 cyl. Turbo Die	DDD, DDQ=5 spd. Man.
S=Limited	U=RHD (4WD)	72=2 Dr.(101.4WB)	ERH,ER0=4.0L Power Tech I-6	DGS=4 spd. Auto. AISIN
H=Sport	T=LHD (2WD)		EPE,EP0=Magnum 2.5L SMPI	DG0=All Auto/Trans.
L=SE	B=RHD (2WD)			DBB=All Manual Trans.

AR = Use as required - = Non illustrated part # = New this model year

December 7, 2002

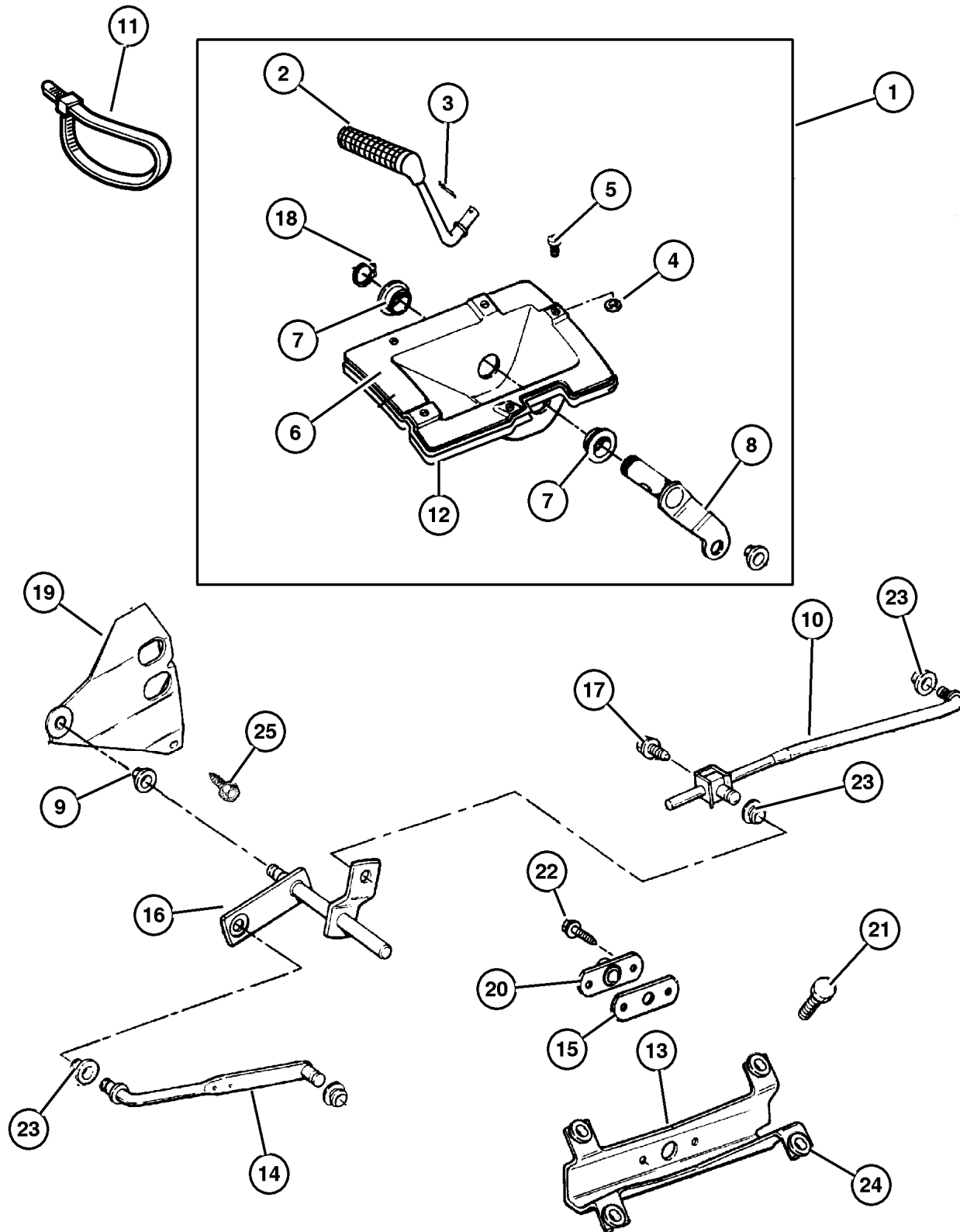
Fork and Rails Select Trac (DHP) Figure 242-910

ITEM	PART NUMBER	QTY	LINE	SERIES	BODY	ENGINE	TRANS	TRIM	DESCRIPTION
Notes:									
ER0= All 4L., 6 Cylinder, Gas Engine									
DG0 = All Automatic Transmissions									
1	5300 4227	1	J, U			ER0	DG0		LEVER, Transfer Case
2	5300 4810	1	J, U			ER0	DG0		BUSHING, Shift Lever
3	0152 345	1	J, U			ER0	DG0		NUT, Hex Flange Lock
4	4167 963	1	J, U			ER0	DG0		SEAL, O-Ring
5	4167 964	1	J, U			ER0	DG0		RETAINER, Rear Clutch
6	4638 949	1	J, U			ER0	DG0		SECTOR, Transfer Case
7									WASHER, (NOT SERVICED) (Not Serviced)
8	8350 3508	1	J, U			ER0	DG0		FORK, Range
9	4167 970	1	J, U			ER0	DG0		PAD, Shift Fork
10	J813 4291	2	J, U			ER0	DG0		BUSHING, Shift Fork
11	8350 3514	1	J, U			ER0	DG0		BUSHING, Shift Rail
12	8350 3513	1	J, U			ER0	DG0		SPRING, Mode Shift Fork
13	8350 3512	1	J, U			ER0	DG0		WASHER, Flat
14	4638 950	1	J, U			ER0	DG0		FORK, Transfer Case Mode Shift
15	4167 969	2	J, U			ER0	DG0		PAD, Shift Fork
16	8350 3510	1	J, U			ER0	DG0		BRACKET, Shift Mode
17	8350 3511	1	J, U			ER0	DG0		BRACKET, Shift Mode
18	8350 3516	1	J, U			ER0	DG0		SPRING, Mode Shift Fork
19	8350 3515	1	J, U			ER0	DG0		CUP, Shift Fork Spring
20	1664 355	1	J, U			ER0	DG0		PIN, Shift Fork
21	8350 4469	1	J, U			ER0	DG0		RAIL, Transfer Case



JEEP CHEROKEE (XJ)				
SERIES	LINE	BODY	ENGINE	TRANSMISSION
P=Classic	J=LHD (4WD)	74=4 Dr.(101.4WB)	ENC,EN0=2.5L 4 cyl. Turbo Die	DDD, DDQ=5 spd. Man.
S=Limited	U=RHD (4WD)	72=2 Dr.(101.4WB)	ERH,ER0=4.0L Power Tech I-6	DGS=4 spd. Auto. AISIN
H=Sport	T=LHD (2WD)		EPE,EP0=Magnum 2.5L SMPI	DG0=All Auto/Trans.
L=SE	B=RHD (2WD)			DBB=All Manual Trans.

**Gearshift Controls Select Trac (DHP)
Figure 242-1210**



ITEM	PART NUMBER	QTY	LINE	SERIES	BODY	ENGINE	TRANS	TRIM	DESCRIPTION
Notes:									
ERO= All 4L., 6 Cylinder, Gas Engine									
DBB = All Manual Transmissions									
DG0 = All Automatic Transmissions									
1									SHIFTER, Transfer Case
	52104 102AB	1	J				DG0		
	52104 103AB	1	U				DG0		
2									LEVER, Transfer Case Shifter
	5207 9256	1	J				DG0		
		1	U				DG0		
3									PIN, Cotter
	J400 6723	1	J				DG0		
		1	U				DG0		
4									NUT, Push, M5
	6100 839	2	J				DG0		
		2	U				DG0		
5									FASTENER, Push On
	5207 7671	1	J				DG0		
		1	U				DG0		
6									HOUSING, Shift Lever
	5300 1284	1	J				DG0		
		1	U				DG0		
7									BUSHING, Shift Control
	5300 0639	2	J				DG0		
		2	U				DG0		
8									LEVER, Transfer Case
	5300 5150	1	J				DG0		
		1	U				DG0		
9	5300 4810	1	J, U			ERO	DG0		BUSHING, Shift Lever
10	5210 4073	1	J, U			ERO	DG0		ROD, Gear Shift Control, Transfer Case
11									STRAP, Retaining
	J369 3058	1	J				DG0		
		1	U				DG0		
12									BOOT, Transfer Case Lever
	5210 4019	1	J				DG0		
		1	U				DG0		
13	52104 017AB	1	J, U			ERO	DG0		BRACKET, Torque Shaft
14									ROD, Gear Shift Control, Transfer Case
	5300 4943	1	J, U			ERO	DG0		
	5210 4122	1	J, U			ERO	DBB		

JEEP CHEROKEE (XJ)

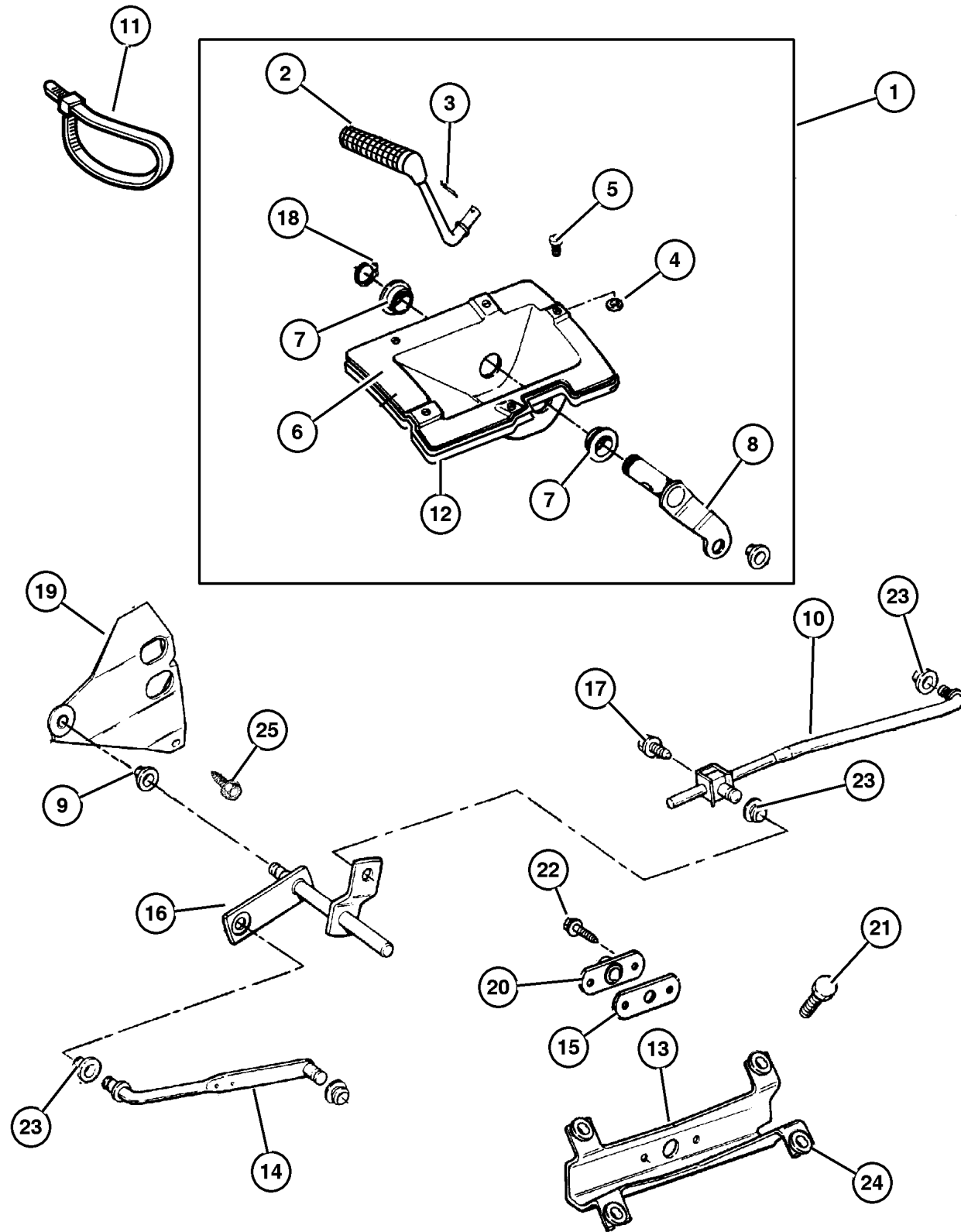
SERIES	LINE	BODY	ENGINE	TRANSMISSION
P=Classic	J=LHD (4WD)	74=4 Dr.(101.4WB)	ENC,EN0=2.5L 4 cyl. Turbo Die	DDD, DDQ=5 spd. Man.
S=Limited	U=RHD (4WD)	72=2 Dr.(101.4WB)	ERH,ER0=4.0L Power Tech I-6	DGS=4 spd. Auto. AISIN
H=Sport	T=LHD (2WD)		EPE,EP0=Magnum 2.5L SMPI	DG0=All Auto/Trans.
L=SE	B=RHD (2WD)			DBB=All Manual Trans.

AR = Use as required - = Non illustrated part # = New this model year

December 7, 2002

**Gearshift Controls Select Trac (DHP)
Figure 242-1210**

ITEM	PART NUMBER	QTY	LINE	SERIES	BODY	ENGINE	TRANS	TRIM	DESCRIPTION
15	5300 5154	1	J, U			ER0	DG0		GASKET, Gearshift Control Rod
16	5300 5151	1	J, U			ER0	DG0		TORQUE SHAFT, Transfer Case
17	J400 6036	1	J, U						BOLT, Hex Head, .312-18x.50
18	1150 5389	1	J				DG0		SNAP RING
		1	U				DG0		
19	53005 071AB	1	J, U			ER0	DG0		BRACKET, Torque Shaft
20	5207 8134	1	J, U			ER0	DG0		BEARING, Transfer Case Shift
21	6503 811	4	J, U						BOLT, Hex Head, M6x1.00x20.00
22	3420 1381	2	J, U			ER0	DG0		SCREW, Hex Flange Head Tapping, M6x1.00x20.00
23	3575 333	2	J, U			ER0	DG0		GROMMET, Control Rod Front
24	5210 4014	4	J, U			ER0	DG0		GROMMET
25	1150 4336	1	J, U			ER0	DG0		BOLT, Hex Head, M8x1.25x16



JEEP CHEROKEE (XJ)
 SERIES LINE BODY ENGINE TRANSMISSION
 P=Classic J=LHD (4WD) 74=4 Dr.(101.4WB) ENC,EN0=2.5L 4 cyl. Turbo Die DDD, DDQ=5 spd. Man.
 S=Limited U=RHD (4WD) 72=2 Dr.(101.4WB) ERH,ER0=4.0L Power Tech I-6 DGS=4 spd. Auto. AISIN
 H=Sport T=LHD (2WD) EPE,EP0=Magnum 2.5L SMPI DG0=All Auto/Trans.
 L=SE B=RHD (2WD) DBB=All Manual Trans.

AR = Use as required - = Non illustrated part # = New this model year

December 7, 2002

Group – 21P

Speedometer Pinions

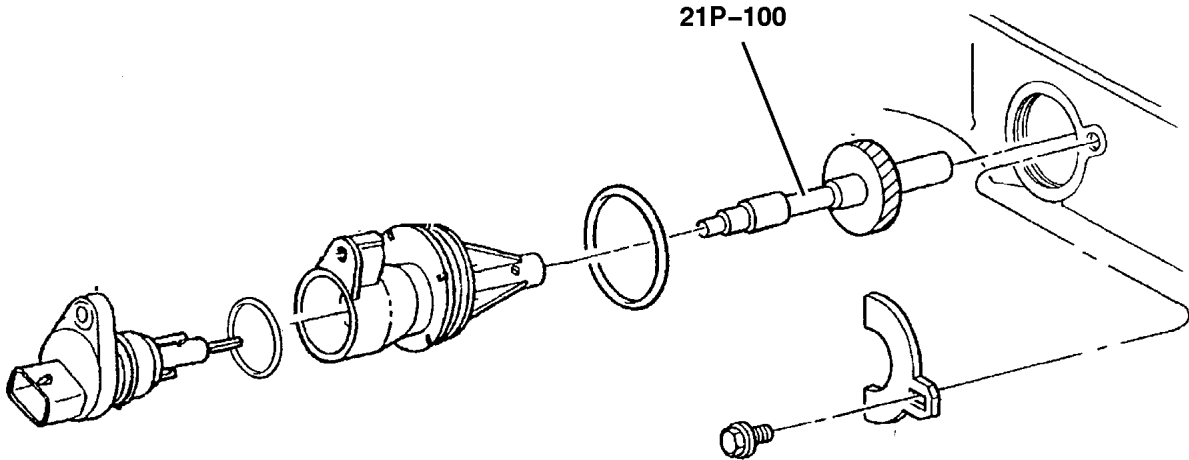
GROUP 21P - Speedometer Pinions

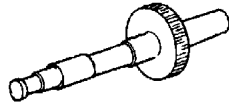
Illustration Title

Group-Fig. No.

Speedometer Pinions

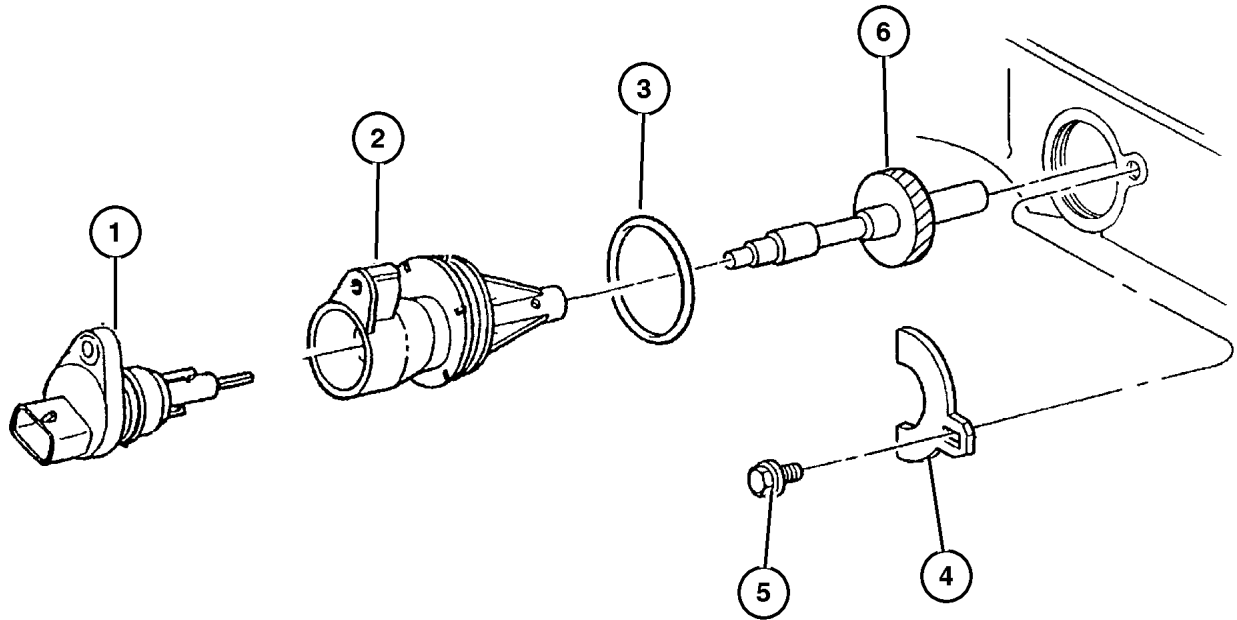
Speedometer Pinion Fig. 21P-110



<p>21P-100 Speedometer Pinions</p> 			
---	--	--	--

**Speedometer Pinion
Figure 21P-110**

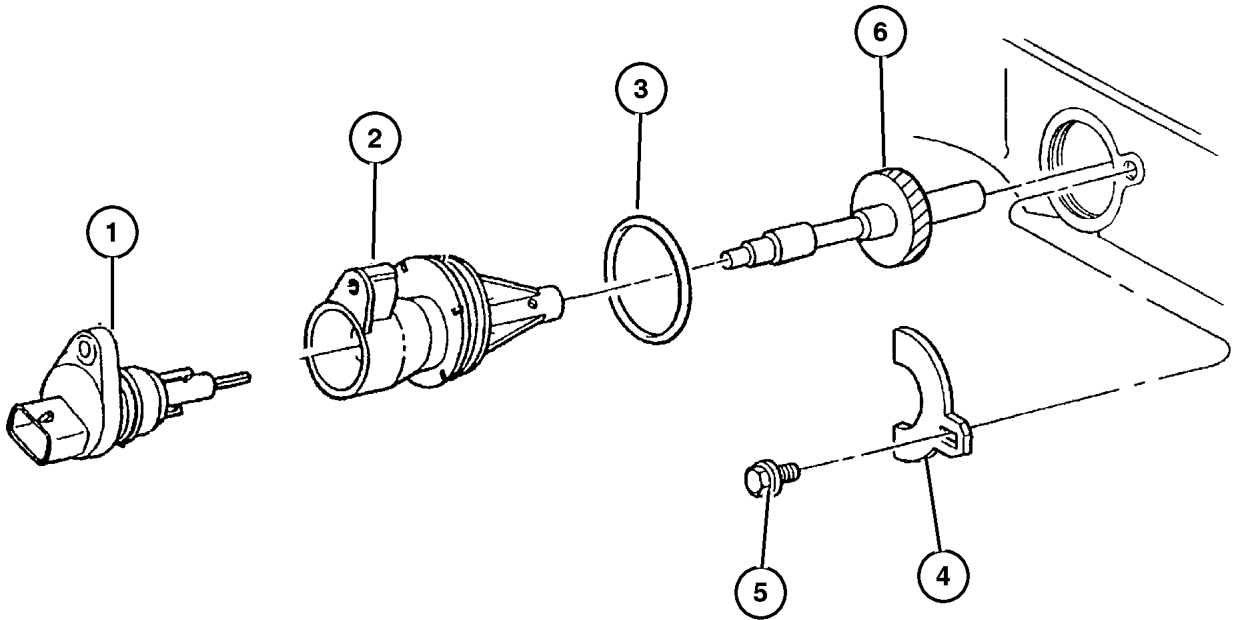
ITEM	PART NUMBER	QTY	LINE	SERIES	BODY	ENGINE	TRANS	TRIM	DESCRIPTION
1	5602 7905	1							SENSOR, Vehicle Speed
2	5206 9315	1							HOUSING, Speedometer Drive Gear
3	6035 709	1							O RING, Trans Speedo Adapter
4	2892 399	1							CLAMP, Speedometer
5	0180 077	1							BOLT, Hex Head, 5/16x18x3/4
6									PINION, Speedometer Drive
	5206 7629	1							3.07 AXLE RATIO, 29 Teeth, P225/75R15 Wrangler RT/S AT
	5206 7636	1							3.70 AXLE RATIO, 36 Teeth, P225/75R15 Wrangler RT/S AT, P225/75R15 (OWL) A/S Goodyear Tires P225/70R16 BSW AT
	5206 7637	1							3.70 AXLE RATIO, 37 Teeth, All P215R15/R16/R17 Tires,P225/ 70R15 (OWL) Eagle GA A/S Tires
	5206 7639	1							4.11 AXLE RATIO, 39 Teeth, P215/75R15 Wrangler RT/S AT
	5206 7640	1							4.11 AXLE RATIO, 40 Teeth, All P215R15/R16/R17 Tires
	5206 7641	1							4.11 AXLE RATIO, 41 Teeth, P225/70R15 (OWL) A/S
	5206 7630	1							3.07 AXLE RATIO, 30 Teeth, All P215/75R15/R16/R17, P225/ 70R15 (OWL) Eagle GA A/S
	5206 7633	1							3.50 AXLE RATIO, 33 Teeth, P225/75R15 Wrangler RT/S AT Michelin
	5206 7634	1							3.50 AXLE RATIO, 34 Teeth, P225/75R15 Wrangler RT/S AT Goodyear
		1							3.50 AXLE RATIO, 34 Teeth, P225/75R15 Wrangler RT/S AT Goodyear P225/70R16 BSW Wrangler
	5206 7635	1							3.50 AXLE RATIO, 35 Teeth P215/ 75R15 BSW A/S Wrangler AP
		1							3.70 AXLE RATIO, 35 Teeth, P225/75R15 Wrangler RT/S AT Michelin



JEEP CHEROKEE (XJ)				
SERIES	LINE	BODY	ENGINE	TRANSMISSION
P=Classic	J=LHD (4WD)	74=4 Dr.(101.4WB)	ENC,EN0=2.5L 4 cyl. Turbo Die	DDD, DDQ=5 spd. Man.
S=Limited	U=RHD (4WD)	72=2 Dr.(101.4WB)	ERH,ER0=4.0L Power Tech I-6	DGS=4 spd. Auto. AISIN
H=Sport	T=LHD (2WD)		EPE,EP0=Magnum 2.5L SMPI	DG0=All Auto/Trans.
L=SE	B=RHD (2WD)			DBB=All Manual Trans.

**Speedometer Pinion
Figure 21P-110**

ITEM	PART NUMBER	QTY	LINE	SERIES	BODY	ENGINE	TRANS	TRIM	DESCRIPTION
		1							3.50 AXLE RATIO, 35 Teeth, P225/70R15 High Speed Rated Eagle GA,P225/70R15 (OWL) Eagle GA A/S
	5206 7636	1							3.70 AXLE RATIO, 36 Teeth, P225/75R15 Wrangler RT/S AT, P225/75R15 (OWL) A/S Goodyear Tires



JEEP CHEROKEE (XJ)				
SERIES	LINE	BODY	ENGINE	TRANSMISSION
P=Classic	J=LHD (4WD)	74=4 Dr.(101.4WB)	ENC,EN0=2.5L 4 cyl. Turbo Die	DDD, DDQ=5 spd. Man.
S=Limited	U=RHD (4WD)	72=2 Dr.(101.4WB)	ERH,ER0=4.0L Power Tech I-6	DGS=4 spd. Auto. AISIN
H=Sport	T=LHD (2WD)		EPE,EP0=Magnum 2.5L SMPI	DG0=All Auto/Trans.
L=SE	B=RHD (2WD)			DBB=All Manual Trans.

AR = Use as required - = Non illustrated part # = New this model year

December 7, 2002

Group – 022

Wheels, Covers and Jacks

GROUP 22 - Wheels, Covers and Jacks

Illustration Title

Group-Fig. No.

Wheels and Hardware

Wheels and Hardware Fig. 022-120

Wheel Covers and Center Caps

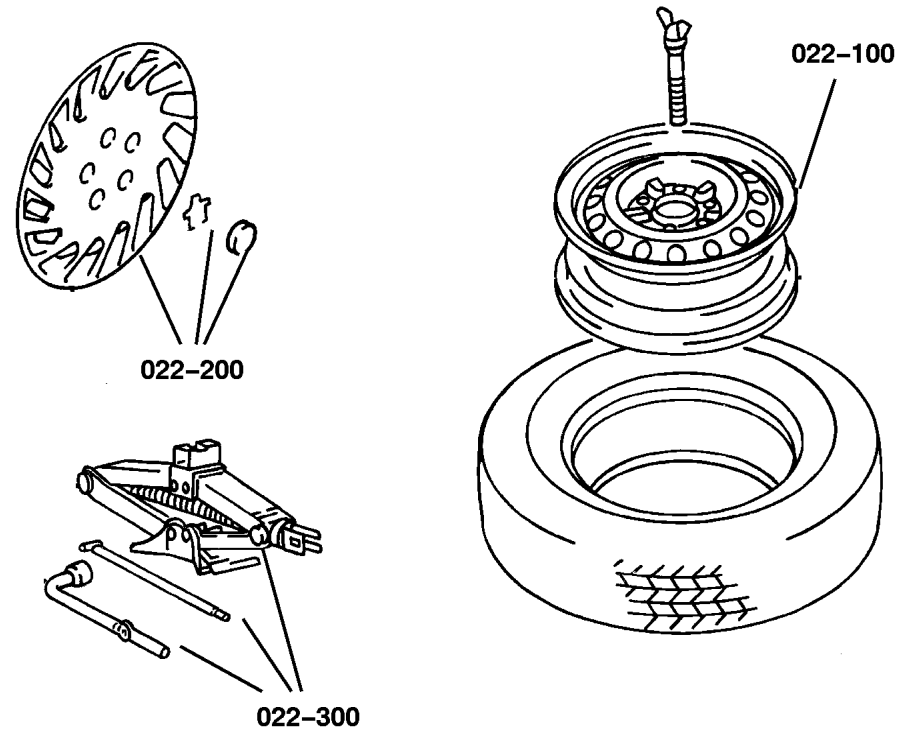
Wheel Cap Fig. 022-220


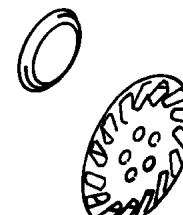
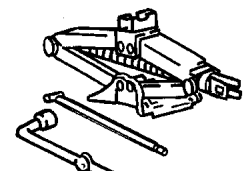
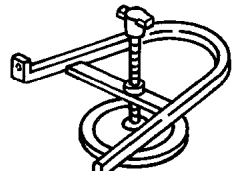
Jack Stowage

Jack Stowage Fig. 022-310

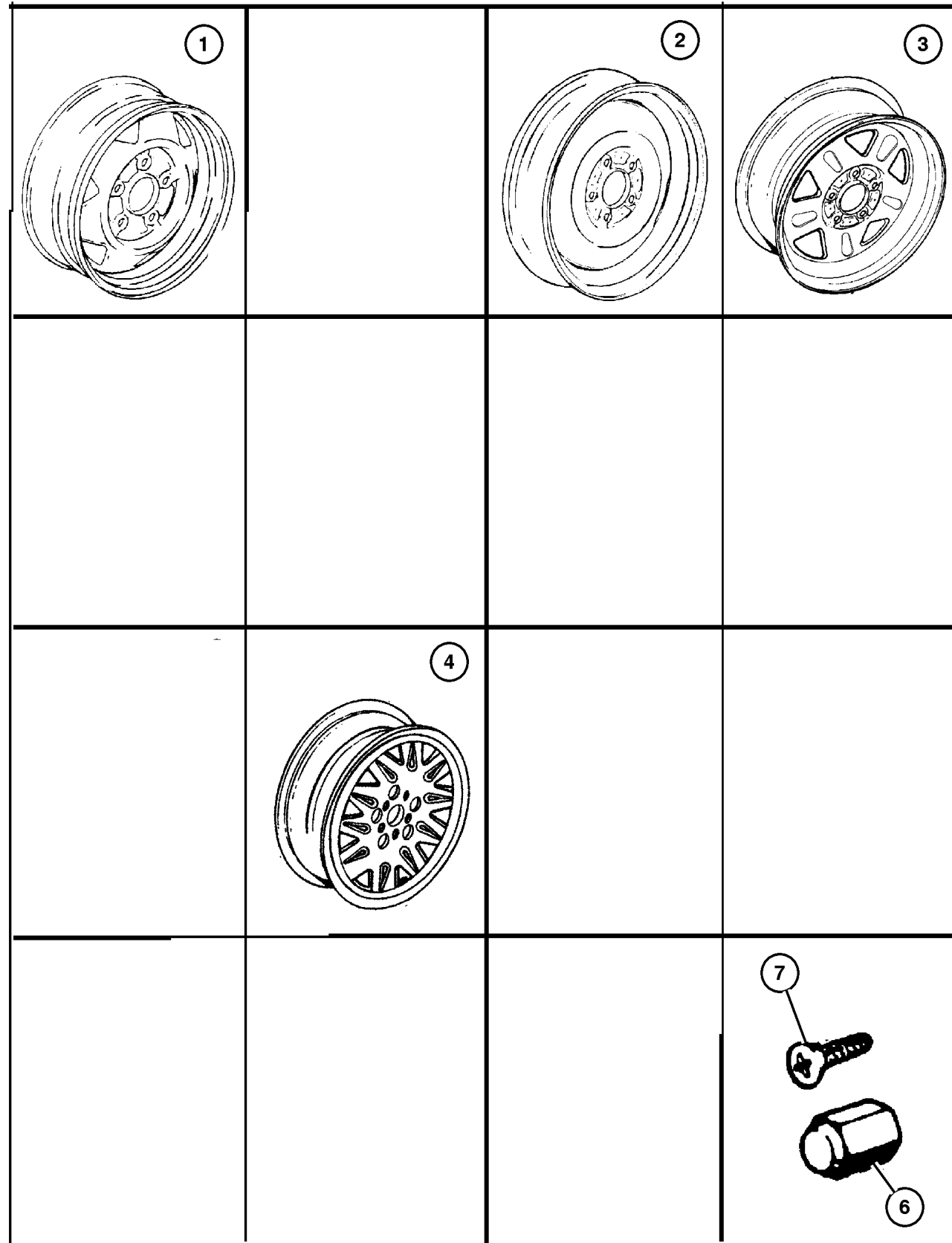
Spare Tire Stowage

Wheel, Spare Fig. 022-430



<p>022-100 Wheels and Hardware</p> 	<p>022-200 Wheel Covers and Center Caps</p> 	<p>022-300 Jack Stowage</p> 	<p>022-400 Spare Tire Stowage</p> 
---	--	---	--

Wheels and Hardware
Figure 022-120

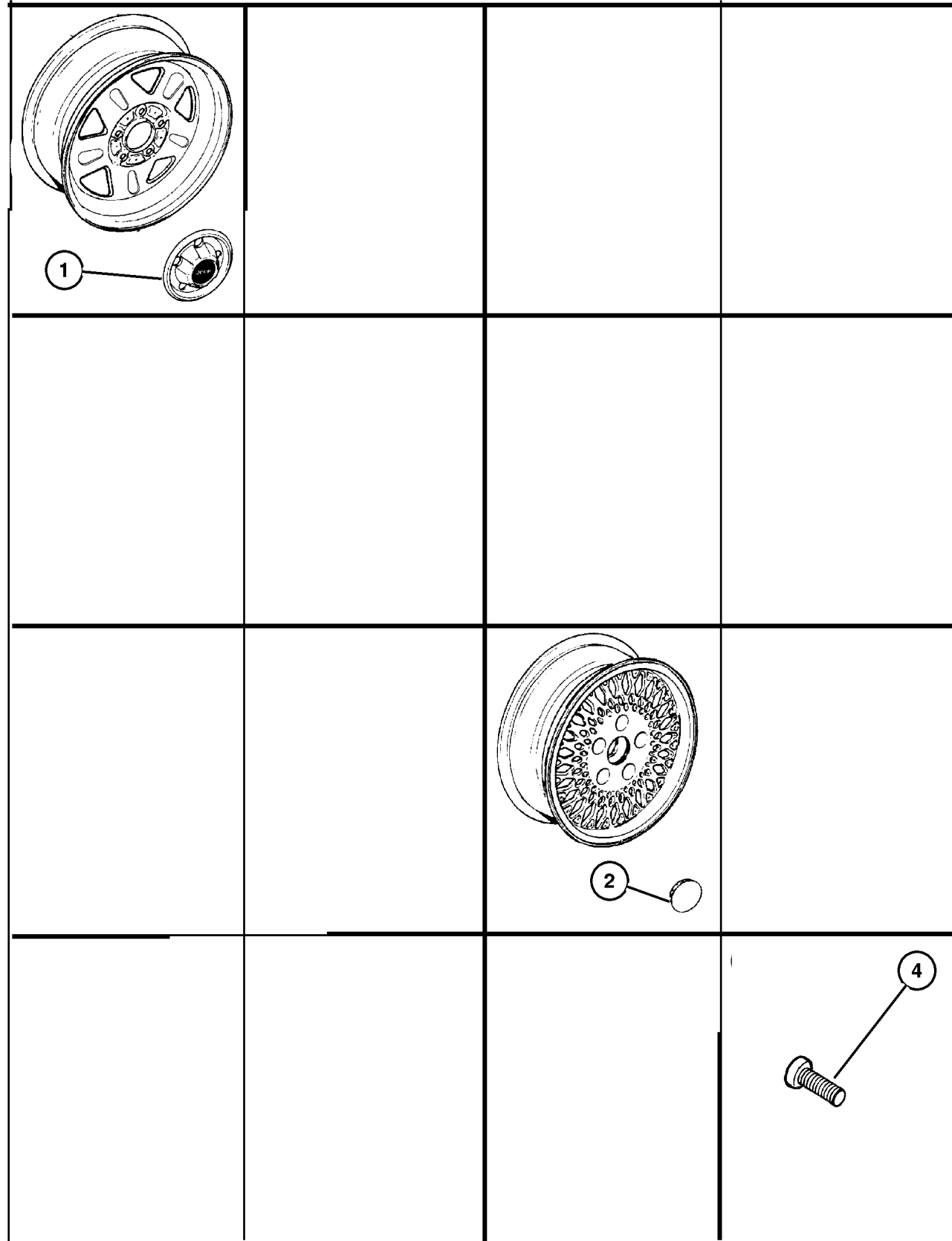


ITEM	PART NUMBER	QTY	LINE	SERIES	BODY	ENGINE	TRANS	TRIM	DESCRIPTION
Note: Sales Code WJW,WJ1 = 15x7.0 Aluminum Wheel									
Note: Sales Code WNL,WDF,WDU = 16x7.0 Aluminum Wheel									
1	5EW0 3T4A	4							WHEEL, Steel, [WJD]
2	5200 0019	1							WHEEL, Spare
3									WHEEL, Steel
	5FV6 3S4A	4							Up-To 5-1-99 [WJ5]
	5FV63 S4AAB	4							After 5-1-99 [WJ5]
4									WHEEL, Aluminum
	5EE8 0TAE	4							15 x 7.0 WJW
	5EE8 0WTD	4							15 x 7.0 WJU
-5									WHEEL, Aluminum
	#5GR08 MA8AA	4							16 x 7.0 WNL
	#5GK75 PAKAA	4							16 x 7.0 WDF
	5FG56 PAKAB	4							16 x 7.0 WDU
6	J400 6956	20							NUT, Wheel, .50x20
7	3420 2523	12							SCREW, Hex Flange Head, M4.8x1.59x11.00

JEEP CHEROKEE (XJ)				
SERIES	LINE	BODY	ENGINE	TRANSMISSION
P=Classic	J=LHD (4WD)	74=4 Dr.(101.4WB)	ENC,EN0=2.5L 4 cyl. Turbo Die	DDD, DDQ=5 spd. Man.
S=Limited	U=RHD (4WD)	72=2 Dr.(101.4WB)	ERH,ER0=4.0L Power Tech I-6	DGS=4 spd. Auto. AISIN
H=Sport	T=LHD (2WD)		EPE,EP0=Magnum 2.5L SMPI	DG0=All Auto/Trans.
L=SE	B=RHD (2WD)			DBB=All Manual Trans.

AR = Use as required - = Non illustrated part # = New this model year

Wheel Cap Figure 022-220



ITEM	PART NUMBER	QTY	LINE	SERIES	BODY	ENGINE	TRANS	TRIM	DESCRIPTION
Note: Sales Code WJW,WJ1,WJ7 = 15x7.0 Aluminum Wheel									
Note: Sales Code WNL,WDF,WDU = 16x7.0 Aluminum Wheel									
1	5208 9008	4							CAP, Wheel Center
2									CAP, Wheel Center
	5DY0 7TA8	4							WNL
	5DY0 7TAK	4							WDF
	5DY0 7WTD	4							WJU
	5CF3 4L4A	4							WJ5
	5DY0 7TAK	4							WDU
-3	5DY0 7TAE	4							CAP, Wheel Center, WJW
4	3420 2523	12							SCREW, Hex Flange Head, M4.8x1.59x11.00

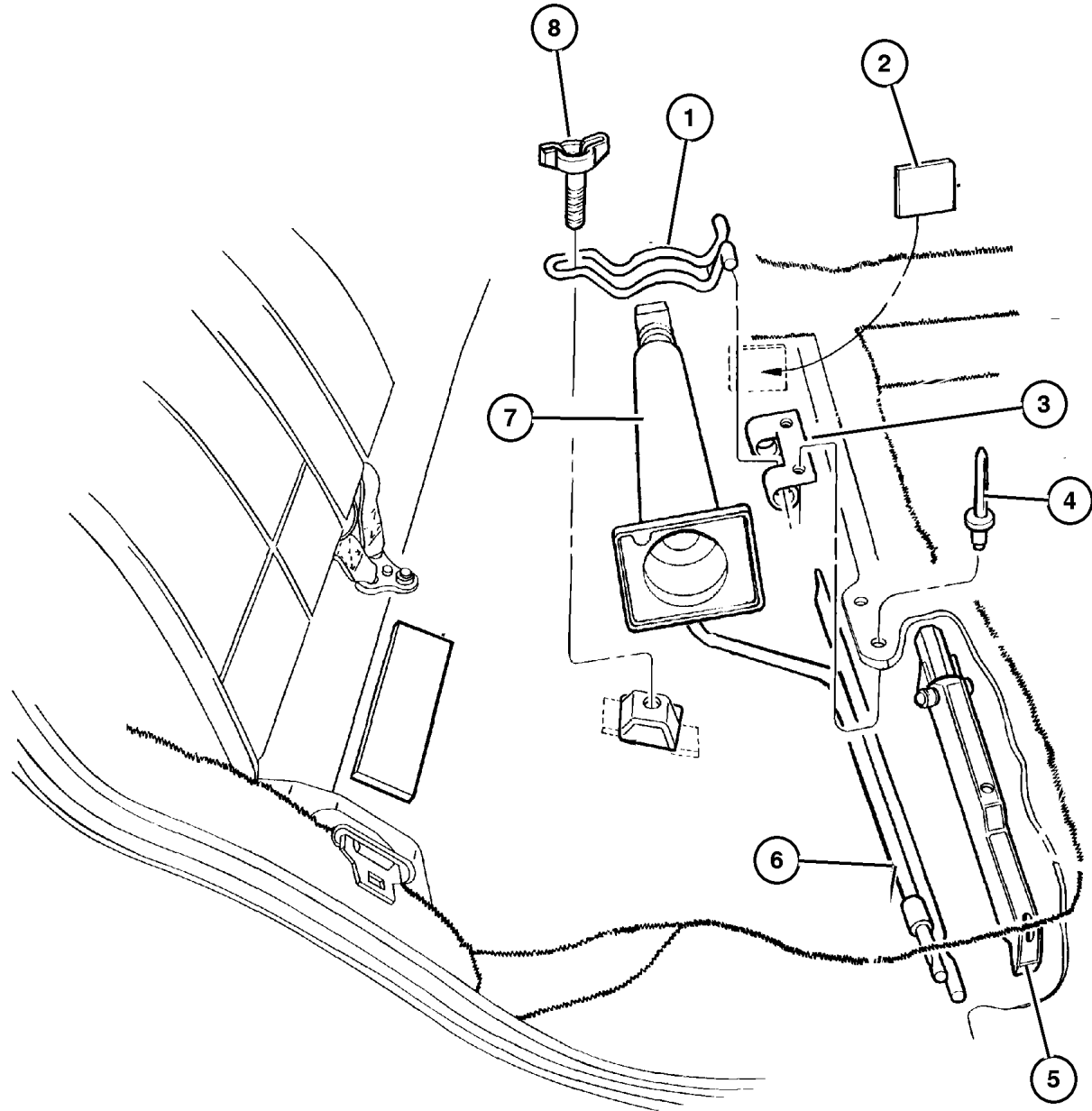
JEEP CHEROKEE (XJ)				
SERIES	LINE	BODY	ENGINE	TRANSMISSION
P=Classic	J=LHD (4WD)	74=4 Dr.(101.4WB)	ENC,EN0=2.5L 4 cyl. Turbo Die	DDD, DDQ=5 spd. Man.
S=Limited	U=RHD (4WD)	72=2 Dr.(101.4WB)	ERH,ER0=4.0L Power Tech I-6	DGS=4 spd. Auto. AISIN
H=Sport	T=LHD (2WD)		EPE,EP0=Magnum 2.5L SMPI	DG0=All Auto/Trans.
L=SE	B=RHD (2WD)			DBB=All Manual Trans.

AR = Use as required - = Non illustrated part # = New this model year

December 7, 2002

Jack Stowage
Figure 022-310

ITEM	PART NUMBER	QTY	LINE	SERIES	BODY	ENGINE	TRANS	TRIM	DESCRIPTION
1	52003 474AB	1							RETAINER, Jack Hold Down
2									LABEL, Jack Ok, (NOT SERVICED) (Not Serviced)
3	5500 1903	1							BRACKET, Jack
4	3420 1684	2			74				RIVET, M3.18x2.37
5	5200 3583	1							WRENCH, Wheel Lug Nut
6	5200 0221	1							HANDLE, Jack
7	5205 9104	1							JACK
8	5200 0354	1							WINGSCREW



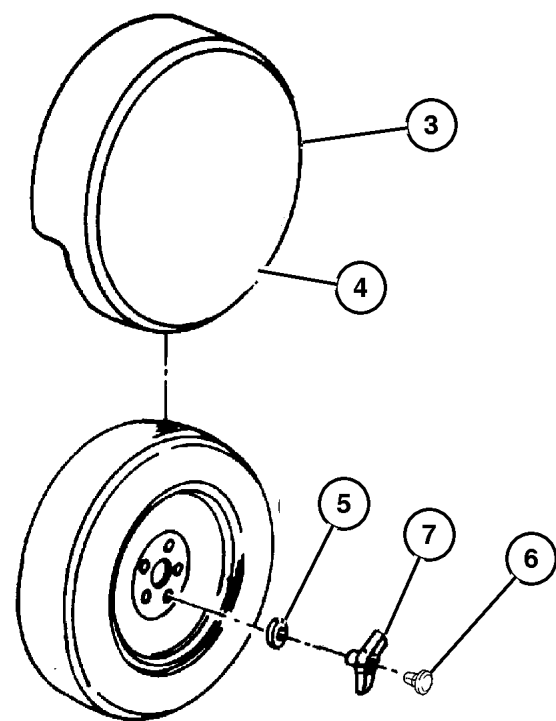
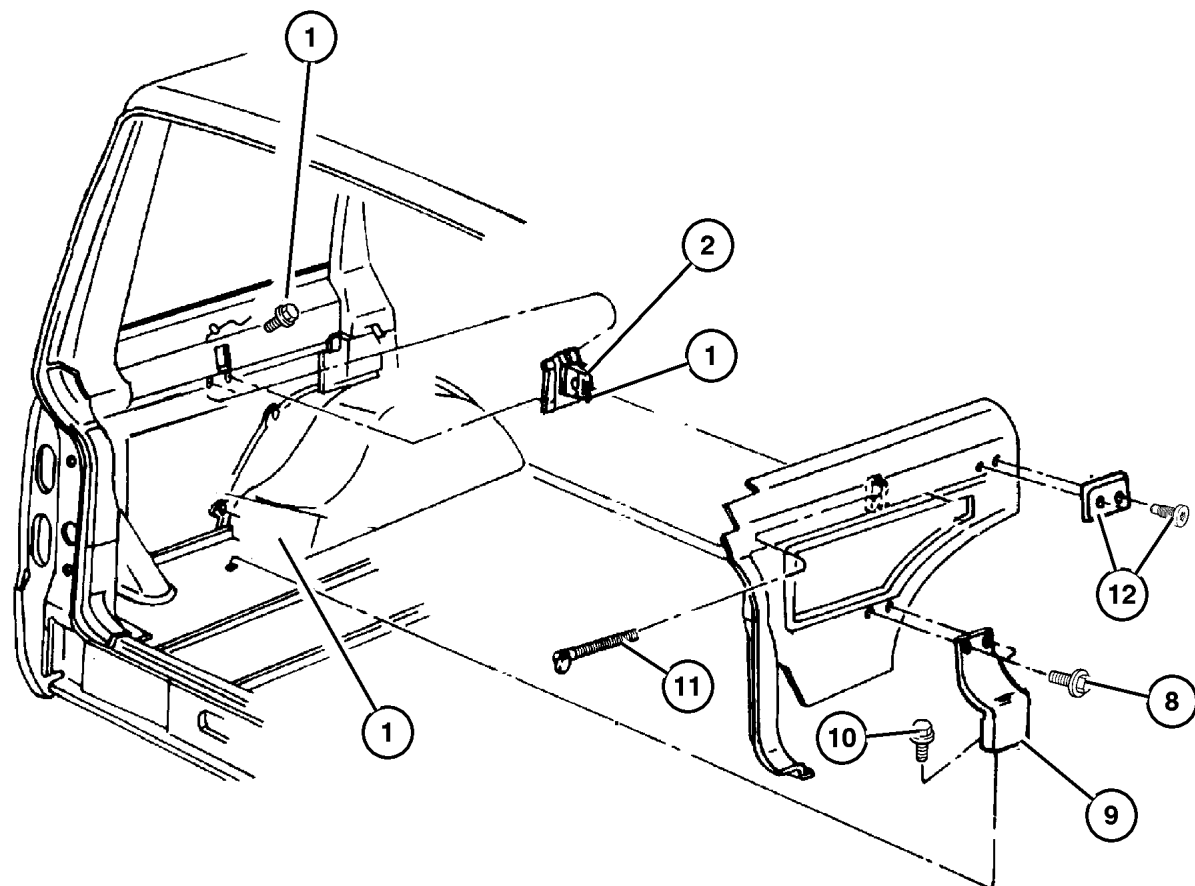
JEEP CHEROKEE (XJ)

SERIES	LINE	BODY	ENGINE	TRANSMISSION
P=Classic	J=LHD (4WD)	74=4 Dr.(101.4WB)	ENC,EN0=2.5L 4 cyl. Turbo Die	DDD, DDQ=5 spd. Man.
S=Limited	U=RHD (4WD)	72=2 Dr.(101.4WB)	ERH,ER0=4.0L Power Tech I-6	DGS=4 spd. Auto. AISIN
H=Sport	T=LHD (2WD)		EPE,EP0=Magnum 2.5L SMPI	DG0=All Auto/Trans.
L=SE	B=RHD (2WD)			DBB=All Manual Trans.

AR = Use as required - = Non illustrated part # = New this model year

December 7, 2002

Wheel, Spare Figure 022-430



ITEM	PART NUMBER	QTY	LINE	SERIES	BODY	ENGINE	TRANS	TRIM	DESCRIPTION
1	3420 1381	2	J, U						SCREW, Hex Flange Head Tapping, M6x1.00x20.00
2	55235 195AB	1							BRACKET, Swing Bolt Retainer
3									COVER, Inside Spare Tire
	5FM74 LAZAC	1							Gray, Compact Spare
	5FM74 VK9AC	1							Tan, Compact Spare
	5FM76 LAZAD	1							Gray, Standard
	5FM76 VK9AD	1							Tan, Standard
4									COVER, Spare Tire, Shade Assy., with Clips
	5FX79 1AZAF	1							Agate, with Compact Spare
	5FX79 1K9AF	1							Tan, with Compact Spare
	#5GW97 LAZAB	1							Agate, without Compact Spare
	#5GW97 VK9AA	1							Tan, without Compact Spare
	#5GX04 1AZAB	1							[AZ]
	#5GX04 1K9AB	1							[K5]
5	5208 7669	1							CUP, Spare Tire Retention
6	5200 0733	1							CAP, Spare Tire Wing Nut
7	6503 070	1							WINGNUT, Jack and Tire Hold Down
8	3420 1610	2							SCREW AND WASHER, Hex Head, M6x1x30
9	#55000 859AB	1							BRACKET, Spare Tire
10									SCREW, (NOT SERVICED) (Not Serviced)
11	55235 181AC	1							BOLT, Spare Wheel Hold Down
12									REST, Spare Tire, (NOT SERVICED) (Not Serviced)

JEEP CHEROKEE (XJ)

SERIES	LINE	BODY	ENGINE	TRANSMISSION
P=Classic	J=LHD (4WD)	74=4 Dr.(101.4WB)	ENC,EN0=2.5L 4 cyl. Turbo Die	DDD, DDQ=5 spd. Man.
S=Limited	U=RHD (4WD)	72=2 Dr.(101.4WB)	ERH,ER0=4.0L Power Tech I-6	DGS=4 spd. Auto. AISIN
H=Sport	T=LHD (2WD)		EPE,EP0=Magnum 2.5L SMPI	DG0=All Auto/Trans.
L=SE	B=RHD (2WD)			DBB=All Manual Trans.

AR = Use as required - = Non illustrated part # = New this model year

December 7, 2002

Group – 23D

Wiper/Lock Cylinder and Keys

GROUP 23D - Wiper/Lock Cylinder and Keys

Illustration Title

Group-Fig. No.

Lock Cylinders and Keys

Lock Cylinders & Keys Fig. 23D-120

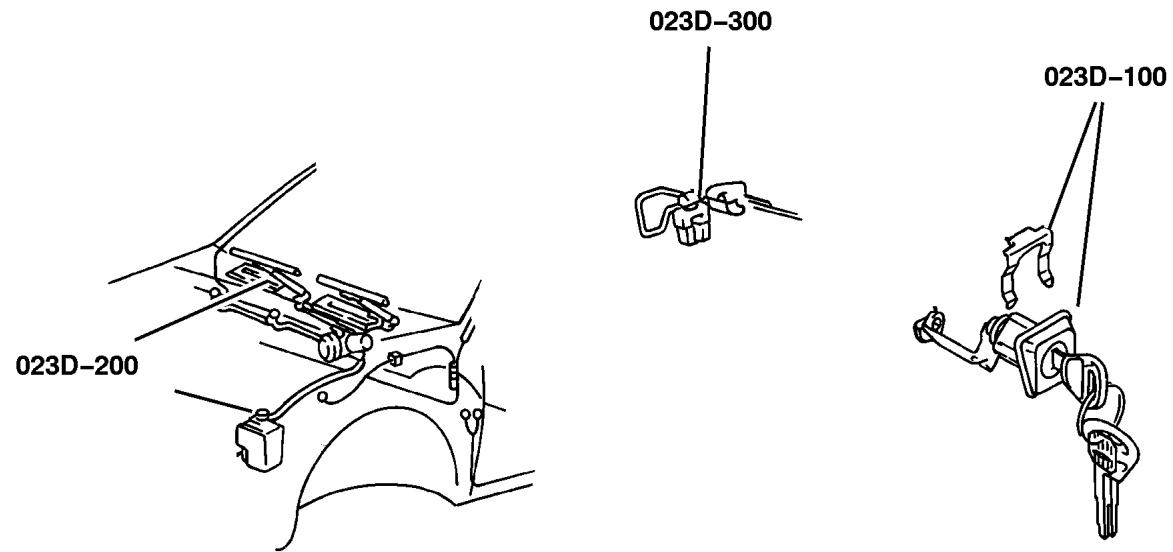
Windshield Wiper and Washer Systems

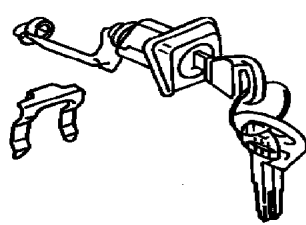
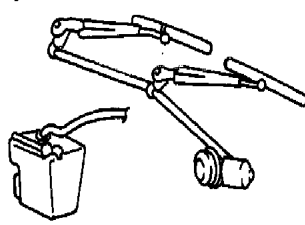
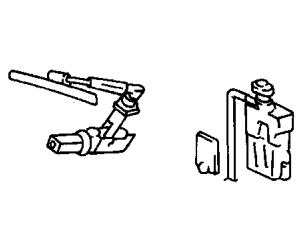
Windshield Wiper & Washer L.H.D. Fig. 23D-220

Windshield Wiper & Washer R.H.D. Fig. 23D-222

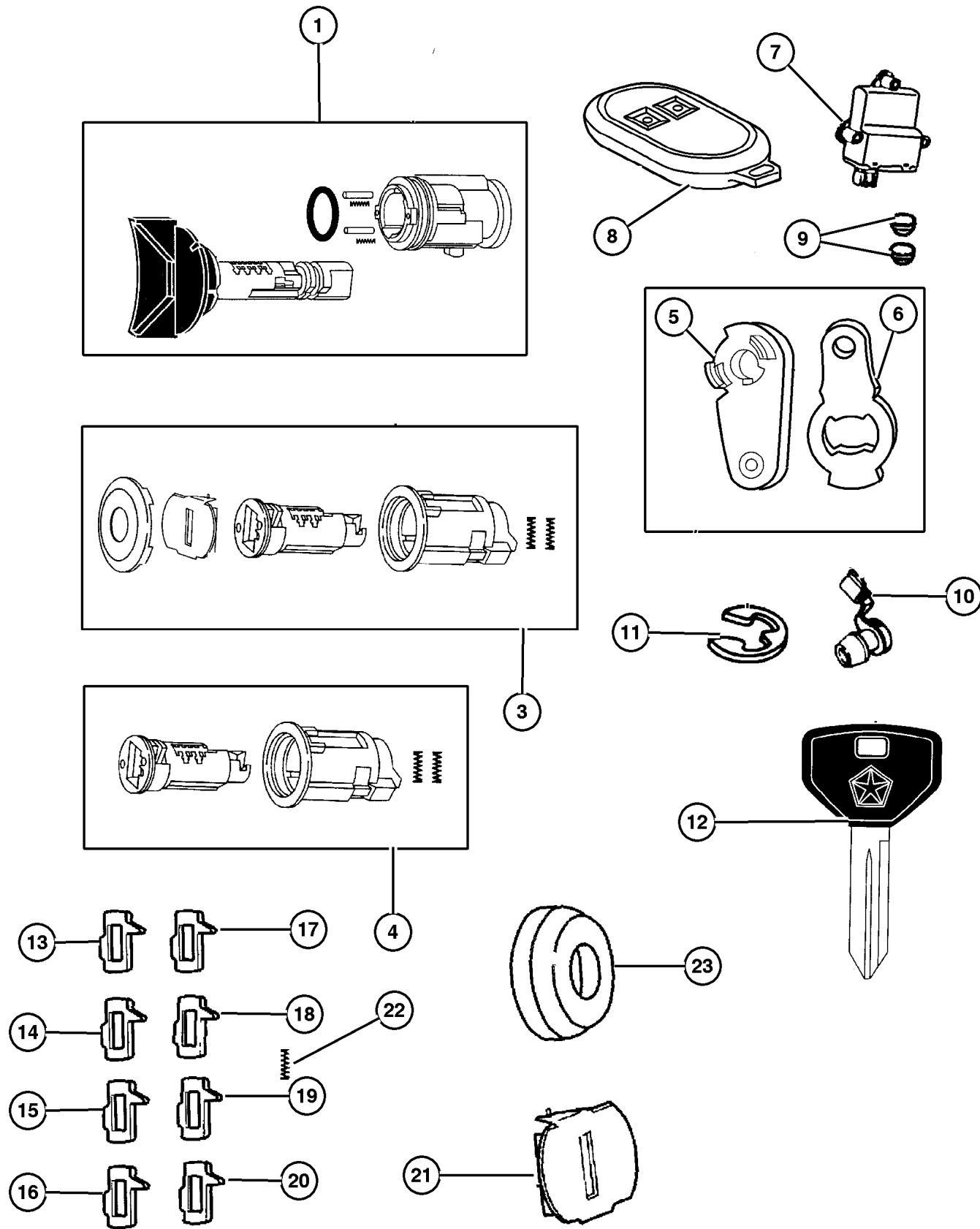
Rear Wiper and Washer System

Rear Wiper & Washer Fig. 23D-320



<p>23D-100 Lock Cylinders and Keys</p> 	<p>23D-200 Windshield Wiper and Washer Systems</p> 	<p>23D-300 Rear Wiper and Washer System</p> 	
---	---	---	--

Lock Cylinders & Keys Figure 23D-120



ITEM	PART NUMBER	QTY	LINE	SERIES	BODY	ENGINE	TRANS	TRIM	DESCRIPTION
1	5003 843AA	1							CYLINDER, Ignition Lock
-2	4864 651	1							CYLINDER, Door Lock
3	4778 125	AR							LOCK CYLINDER, [Liftgate Only]
4	4746 315	AR							CYLINDER, Glove Box Lock
5	5507 5824	1							LEVER, Door Lock Cylinder
6	5507 5838	1							LEVER, Liftgate Lock Cylinder
7									MODULE PACKAGE, Keyless Entry
	5003 378AC	1							EUROPE
	5003 382AB	1							EUROPE
8									TRANSMITTER, Keyless Entry
	56036 859AB	2							w/o Immobilizer
	56036 862AB	2							w/Immobilizer
9	8350 4802	2							BATTERY, Transmitter
10									CLIP, Latch
	4658 445	1							Orange
	4658 444	1							Purple
11	6026 125	1							CLIP, Retainer
12									KEY, Master
	5010 366AA	2							Century 'Jeep'
	5013 807AA	1							Oval Key
	5013 809AA	2							Oval Key
13	5010 879AA	1							TUMBLER, Ignition Number 1, Sidebar
14	5010 880AA	1							TUMBLER, Ignition Number 2, Sidebar
15	5010 881AA	1							TUMBLER, Ignition Number 3, Sidebar
16	5010 882AA	1							TUMBLER, Ignition Number 4, Sidebar
17	4778 117	1							TUMBLER, Door and Deck Number 1, Wide
18	4778 118	1							TUMBLER, Door and Deck Number 2, Wide
19	4778 119	1							TUMBLER, Door and Deck Number 3, Wide
20	4778 120	1							TUMBLER, Door and Deck Number 4, Wide
21	4778 150	1							SHUTTER, Door, Deck and Liftgate, Bright
22	4778 121	1							SPRING, Door and Deck Tumbler
23	4882 178	1							CAP, Door Lock Cylinder
-24	56042 844AA	1							LABEL, General Information
-25	55314 965AB	1							TRIM RING, Ignition Key Cylinder

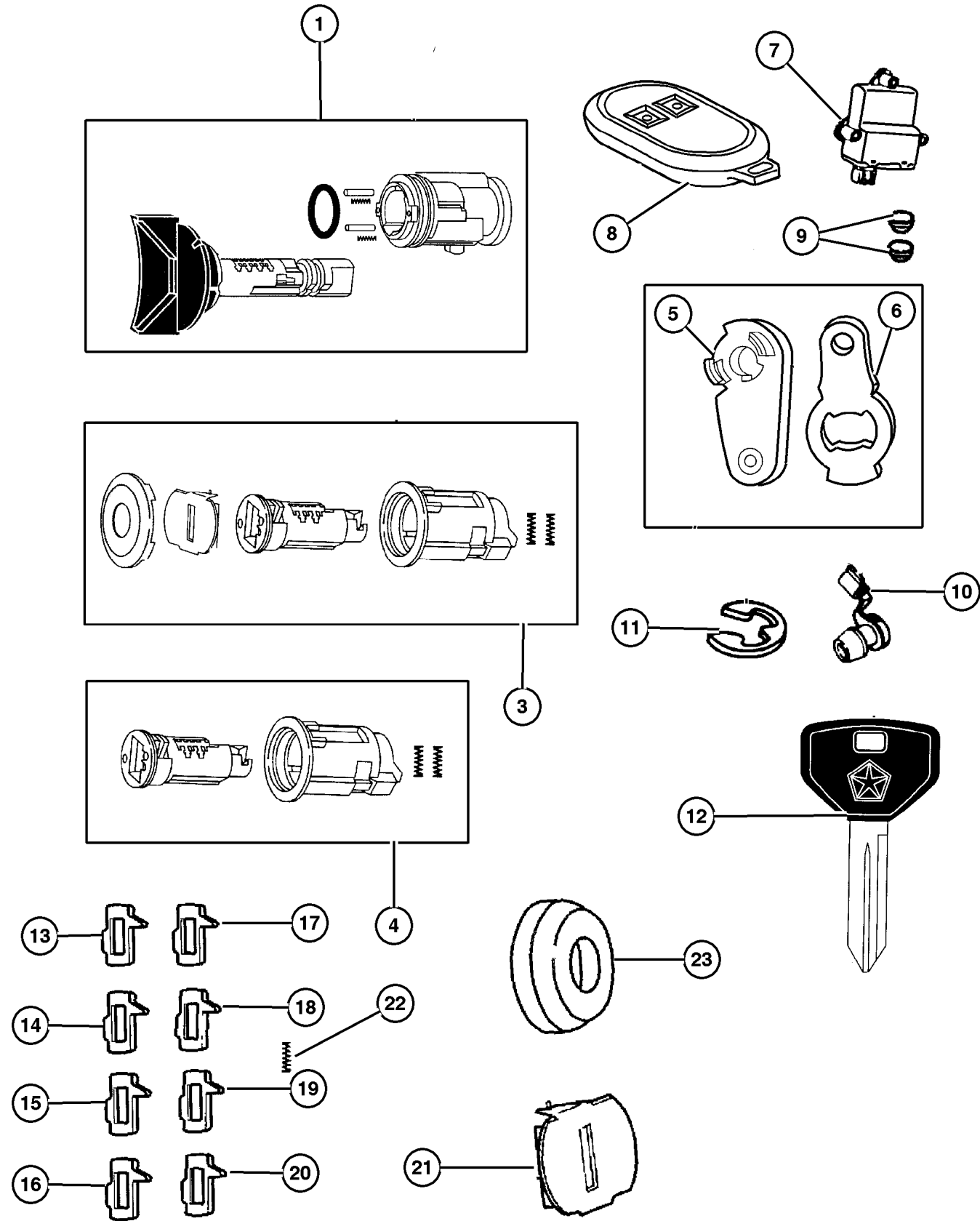
JEEP CHEROKEE (XJ)

SERIES	LINE	BODY	ENGINE	TRANSMISSION
P=Classic	J=LHD (4WD)	74=4 Dr.(101.4WB)	ENC,EN0=2.5L 4 cyl. Turbo Die	DDD, DDQ=5 spd. Man.
S=Limited	U=RHD (4WD)	72=2 Dr.(101.4WB)	ERH,ER0=4.0L Power Tech I-6	DGS=4 spd. Auto. AISIN
H=Sport	T=LHD (2WD)		EPE,EP0=Magnum 2.5L SMPI	DG0=All Auto/Trans.
L=SE	B=RHD (2WD)			DBB=All Manual Trans.

AR = Use as required - = Non illustrated part # = New this model year

December 7, 2002

Lock Cylinders & Keys Figure 23D-120



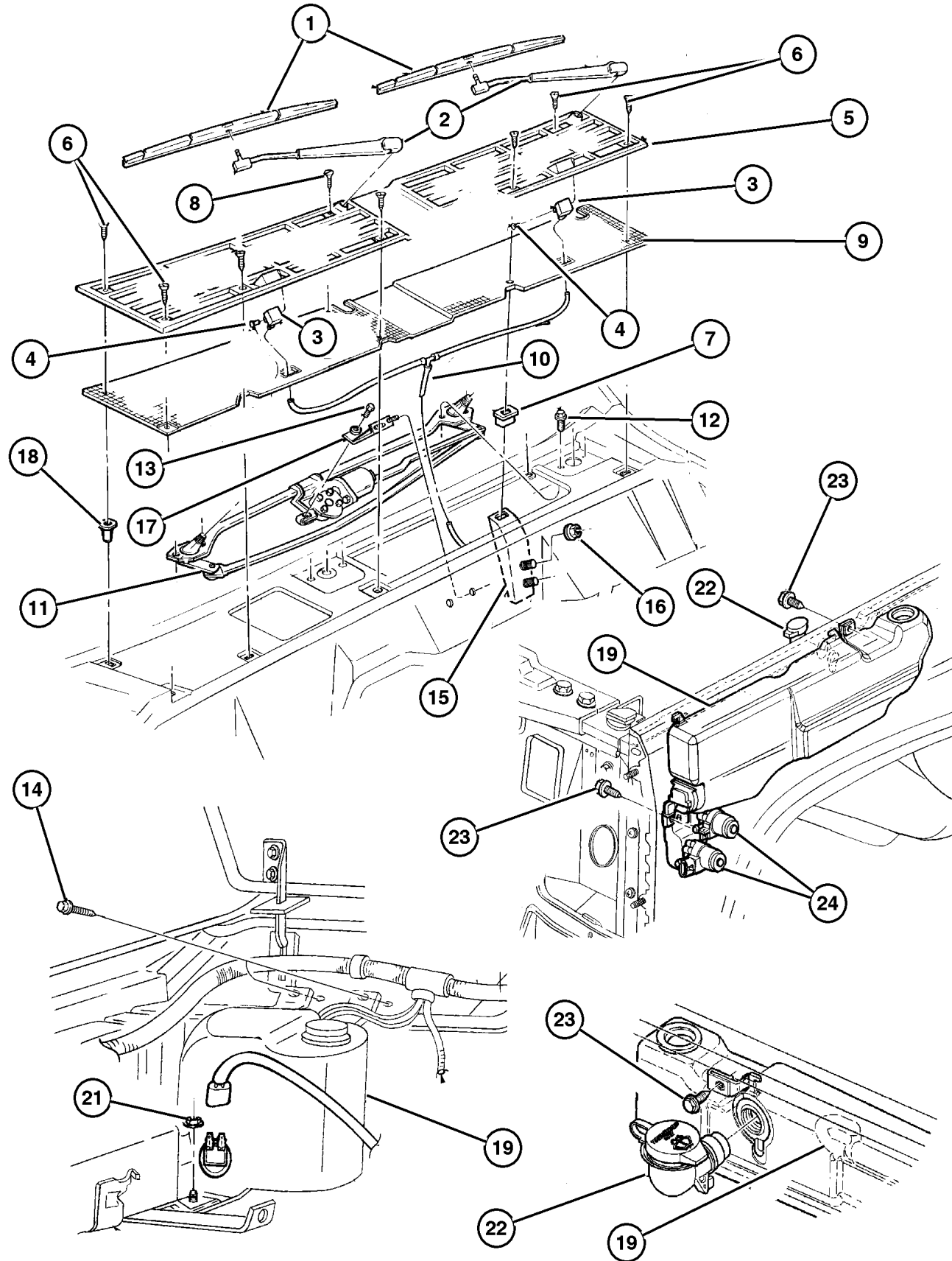
ITEM	PART NUMBER	QTY	LINE	SERIES	BODY	ENGINE	TRANS	TRIM	DESCRIPTION
-26	5003 378AD	1							MODULE PACKAGE, Keyless Entry
-27	5003 378AD	1							MODULE PACKAGE, Keyless Entry
-28	5523 5561	2							GASKET, Door Lock Cylinder, Black
-29	5529 5904	2							RETAINER, Door Cylinder To Handle
-30	5529 5904	2							RETAINER, Door Cylinder To Handle

JEEP CHEROKEE (XJ)				
SERIES	LINE	BODY	ENGINE	TRANSMISSION
P=Classic	J=LHD (4WD)	74=4 Dr.(101.4WB)	ENC,EN0=2.5L 4 cyl. Turbo Die	DDD, DDQ=5 spd. Man.
S=Limited	U=RHD (4WD)	72=2 Dr.(101.4WB)	ERH,ER0=4.0L Power Tech I-6	DGS=4 spd. Auto. AISIN
H=Sport	T=LHD (2WD)		EPE,EP0=Magnum 2.5L SMPI	DG0=All Auto/Trans.
L=SE	B=RHD (2WD)			DBB=All Manual Trans.

AR = Use as required - = Non illustrated part # = New this model year

December 7, 2002

**Windshield Wiper & Washer L.H.D.
Figure 23D-220**



ITEM	PART NUMBER	QTY	LINE	SERIES	BODY	ENGINE	TRANS	TRIM	DESCRIPTION
1									BLADE, Wiper
	5515 5650	2	J, T						
	5515 5652	2	B, U						
2	5515 5649	2	J, T						ARM, Wiper
3	5600 1601	2							NOZZLE, Washer, Windshield
4	J400 4262	2							PIN, Push, .15x.41
5	#55008 832AD	1	J, T						GRILLE, Cowl Panel
6	3420 1230	7							SCREW, Round Washer Head AB
7	3420 1872	AR							NUT, Snap In, M4.2 x 1.41
8									SCREW, .164-18x.625, (NOT SERVICED) (Not Serviced)
9	5500 8833	1	J, T						SCREEN, Cowl
10	55155 041AC	1							HOSE, Windshield Washer
11	#55155 297AB	1	J, T						MOTOR, Wiper
12	3420 1496	4							SCREW, Pan Plastite, M7.25x3.18x25.00
13	3420 1686	2							BOLT, Hex Flange Head, M12x1.18x35
14	6101 786	2							SCREW, Self Tapping, M6x1x15
15	55235 370AB	1	J, T						BRACKET, Grille To Cowl Extension
16	3420 1358	2							NUT AND WASHER, Hex Nut-Sealing Washer, M6 x 1.00
17	5500 3036	1	J, T						BRACKET, Wiper Motor, w/o Grommet
18	0441 263	2							NUT, Push
19									RESERVOIR, Washer w/Sensor
	4778 344	1							w/o Sensor
	4778 345	1							
-20	5515 4979	1							SENSOR, Washer Fluid Level
21	6100 047	1							NUT AND WASHER, Hex Nut-Coned Washer, M6 x 1.00
22	55154 812AB	1							FILLER NECK AND CAP, Washer Reservoir
23	6033 567	2							BOLT AND WASHER, Hex Head, .19-16x.75
24									PUMP, Washer, Windshield Front
	4778 347	1							
	4778 348	1							Rear
-25									GROMMET, Washer Reservoir Sensor/Pump
	4778 346	1							
	4778 350	1							Filler Neck

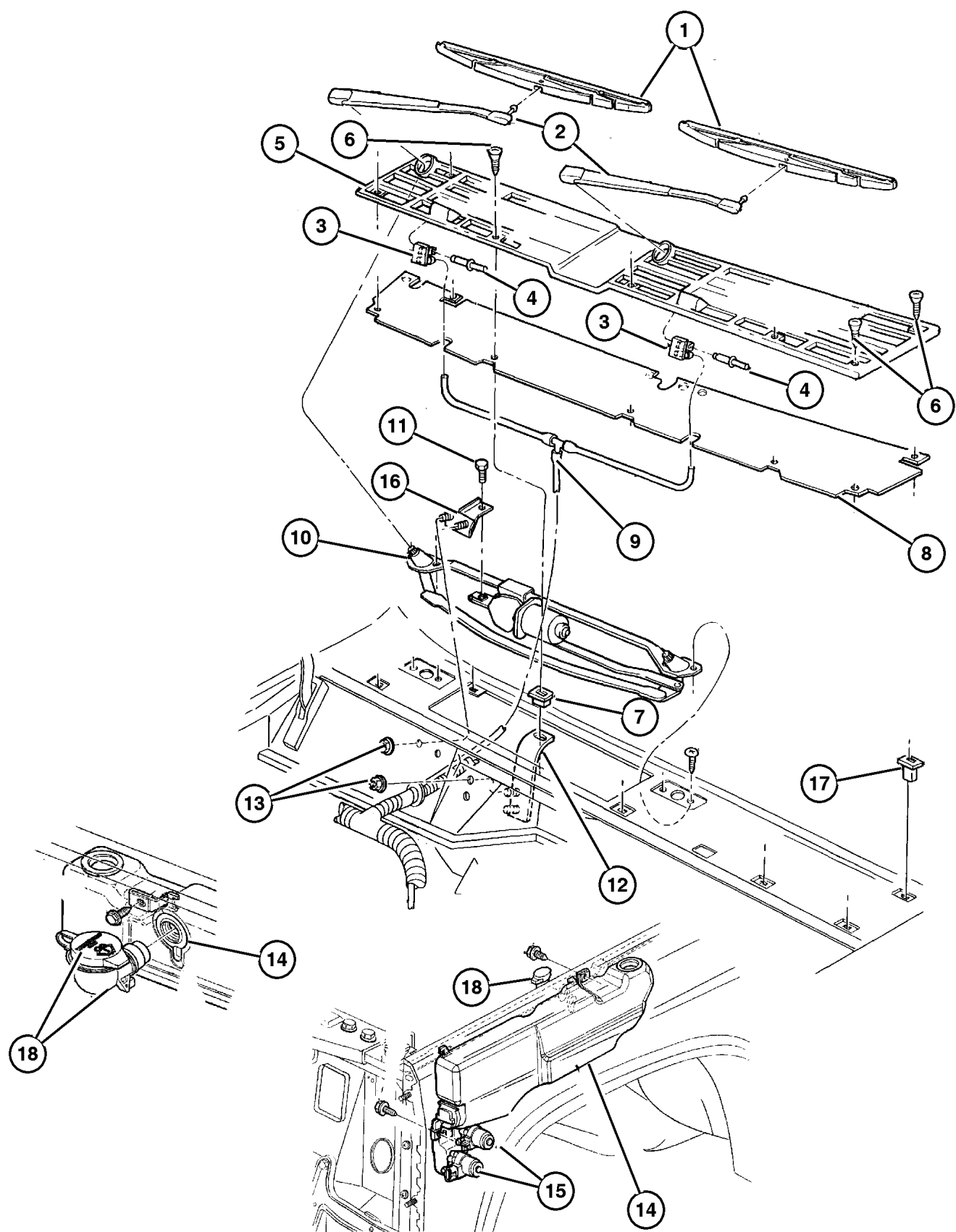
JEEP CHEROKEE (XJ)

SERIES	LINE	BODY	ENGINE	TRANSMISSION
P=Classic	J=LHD (4WD)	74=4 Dr.(101.4WB)	ENC,EN0=2.5L 4 cyl. Turbo Die	DDD, DDQ=5 spd. Man.
S=Limited	U=RHD (4WD)	72=2 Dr.(101.4WB)	ERH,ER0=4.0L Power Tech I-6	DGS=4 spd. Auto. AISIN
H=Sport	T=LHD (2WD)		EPE,EP0=Magnum 2.5L SMPI	DG0=All Auto/Trans.
L=SE	B=RHD (2WD)			DBB=All Manual Trans.

AR = Use as required - = Non illustrated part # = New this model year

December 7, 2002

**Windshield Wiper & Washer R.H.D.
Figure 23D-222**



ITEM	PART NUMBER	QTY	LINE	SERIES	BODY	ENGINE	TRANS	TRIM	DESCRIPTION
1	5515 5652	2	B, U						BLADE, Wiper
2	5515 5651	2	B, U						ARM, Wiper
3	5600 1601	2							NOZZLE, Washer, Windshield
4	J400 4262	2							PIN, Push, .15x.41
5	5502 7696	1	B, U						GRILLE, Cowl Panel
6	3420 1230	7							SCREW, Round Washer Head AB
7	3420 1872	AR							NUT, Snap In, M4.2 x 1.41
8	5502 7697	1	B, U						SCREEN, Cowl
9									HOSE, Windshield Washer, 0156 ID=4MM, (NOT SERVICED) (Not Serviced)
10	#55155 300AB	1	B, U						MOTOR, Wiper
11	3420 1686	2							BOLT, Hex Flange Head, M12x1.18x35
12	55235 371AB	1	B, U						BRACKET, Extension to Cowl Top
13	3420 1358	2							NUT AND WASHER, Hex Nut-Sealing Washer, M6 x 1.00
14	4778 344	1							RESERVOIR, Washer, w/Sensor
15	4778 347	1							PUMP, Washer, Windshield, w/o Sensor
16	5515 4763	1	B, U						BRACKET, Wiper Motor
17	J400 5242	5							NUT, Push
18	55154 812AB	1							FILLER NECK AND CAP, Washer Reservoir
-19	4778 346	1							GROMMET, Washer Reservoir, Sensor/Pump
-20	4778 350	1							GROMMET, Washer Reservoir, Filler Neck
-21	5515 4979	1							SENSOR, Washer Fluid Level

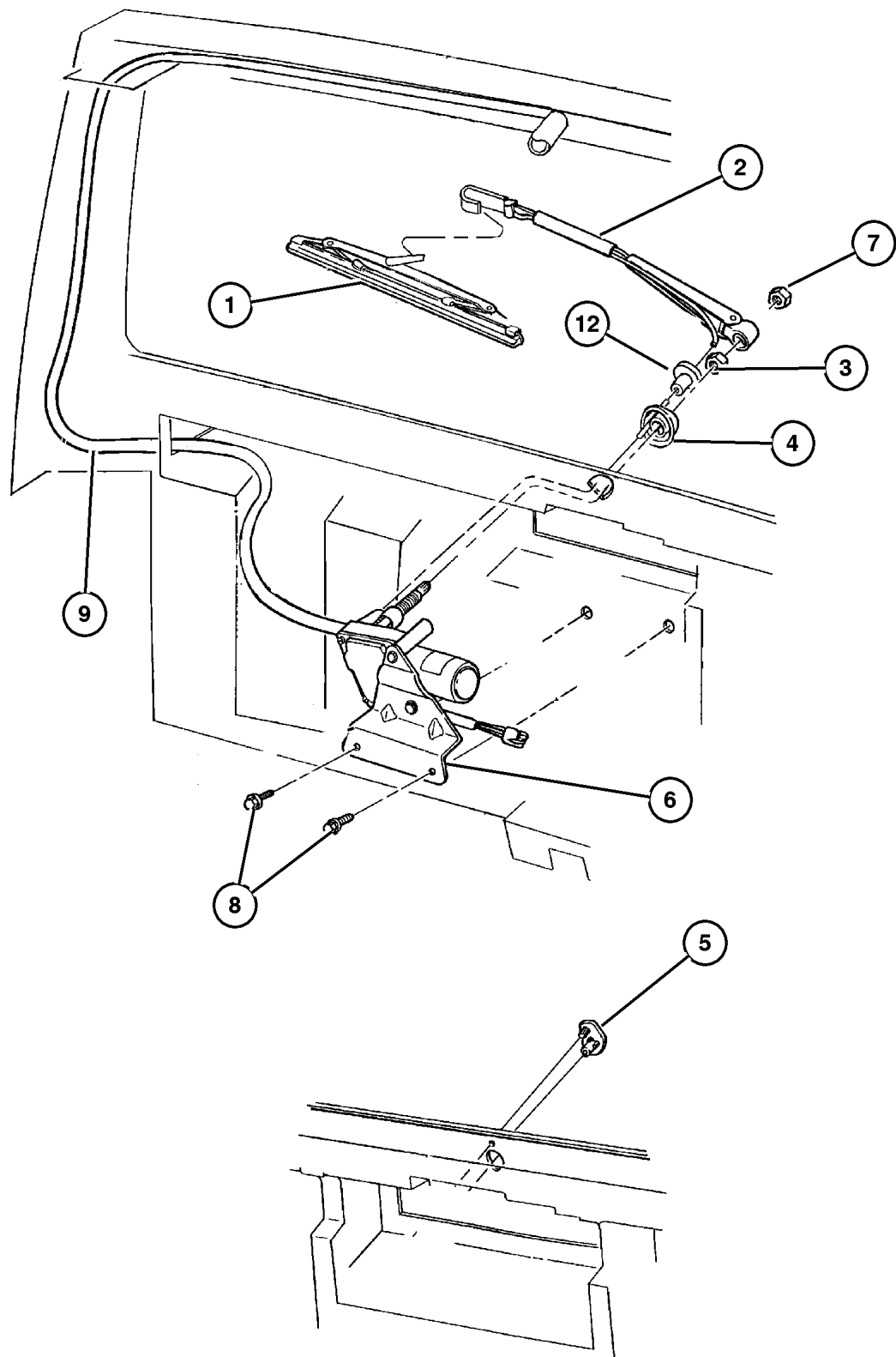
JEEP CHEROKEE (XJ)

SERIES	LINE	BODY	ENGINE	TRANSMISSION
P=Classic	J=LHD (4WD)	74=4 Dr.(101.4WB)	ENC,EN0=2.5L 4 cyl. Turbo Die	DDD, DDQ=5 spd. Man.
S=Limited	U=RHD (4WD)	72=2 Dr.(101.4WB)	ERH,ER0=4.0L Power Tech I-6	DGS=4 spd. Auto. AISIN
H=Sport	T=LHD (2WD)		EPE,EP0=Magnum 2.5L SMPI	DG0=All Auto/Trans.
L=SE	B=RHD (2WD)			DBB=All Manual Trans.

AR = Use as required - = Non illustrated part # = New this model year

December 7, 2002

Rear Wiper & Washer
Figure 23D-320



ITEM	PART NUMBER	QTY	LINE	SERIES	BODY	ENGINE	TRANS	TRIM	DESCRIPTION
1	55154 920AB	1							BLADE, Wiper
2	55154 919AB	1							ARM, Wiper
3	6502 299	1							CAPS, M16x1.00
4	55154 942AB	1							BEZEL, Liftgate Wiper Motor
5	55154 939AB	1							PLUG, Liftgate
6	55154 944AB	1							MOTOR, Wiper
7	6500 165	1							NUT, Wiper Arm
8	6101 780	3							SCREW, M6x1x25
9	55155 041AC	1							HOSE, Windshield Washer, Check Vavle & Grommet Included
-10	5515 5024	1							CHECK VALVE, Washer
-11	56009 766AB	1							GROMMET, Body Wiring, Liftgate to Body
12									CLIP, Tube
	3200 0404	1	B, U						
	3420 1633	1	J, T						
-13	4778 344	1							RESERVOIR, Washer
-14	4778 348	1							PUMP, Washer, Windshield

JEEP CHEROKEE (XJ)

SERIES	LINE	BODY	ENGINE	TRANSMISSION
P=Classic	J=LHD (4WD)	74=4 Dr.(101.4WB)	ENC,EN0=2.5L 4 cyl. Turbo Die	DDD, DDQ=5 spd. Man.
S=Limited	U=RHD (4WD)	72=2 Dr.(101.4WB)	ERH,ER0=4.0L Power Tech I-6	DGS=4 spd. Auto. AISIN
H=Sport	T=LHD (2WD)		EPE,EP0=Magnum 2.5L SMPI	DG0=All Auto/Trans.
L=SE	B=RHD (2WD)			DBB=All Manual Trans.

AR = Use as required - = Non illustrated part # = New this model year

December 7, 2002

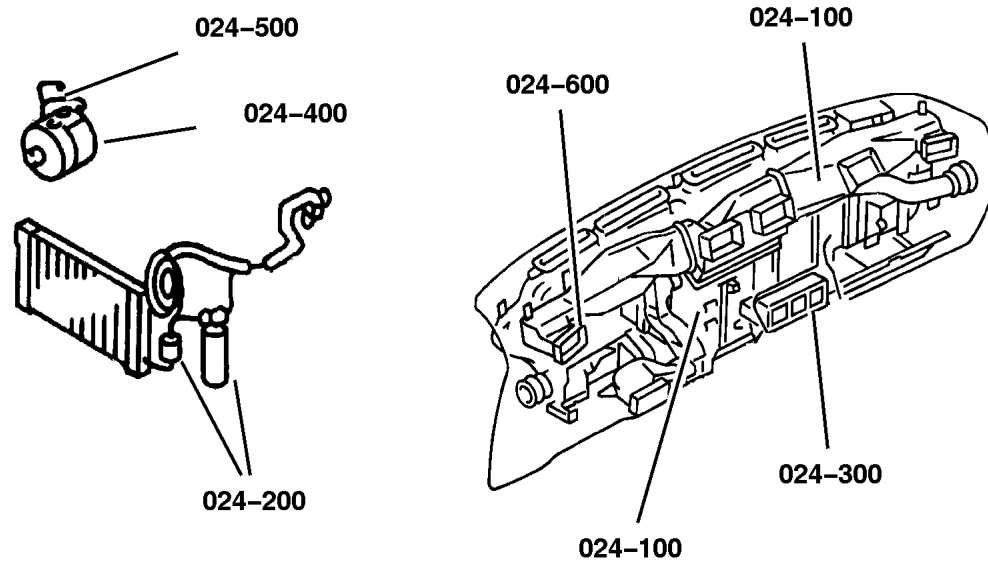
Group – 024

Air Conditioning & Heater

GROUP 24 - Air Conditioning & Heater

Illustration Title

Group-Fig. No.



Air Conditioner and Heater Units

Hevac Unit Fig. 024-110

Air Conditioner and Heater Plumbing

Plumbing, Heater 2.5,4.0L Engine,LHD Fig. 024-210

Plumbing, Heater 2.5,4.0L Engine, RHD Fig. 024-220

Plumbing, Heater 2.5L Diesel Engine, LHD Fig. 024-230

Plumbing, Heater 2.5L Diesel Engine, RHD Fig. 024-240

Plumbing, Air Conditioning 2.5,4.0L Engine, LHD Fig. 024-250

Plumbing, Air Conditioning 2.5L Gas Engine, RHD Fig. 024-260

Plumbing, Air Conditioning, 4.0L Engine, RHD Fig. 024-270

Plumbing, Air Conditioning, 2.5L Diesel Engine, LHD Fig. 024-280

Plumbing, Air Conditioning, 2.5L Diesel Engine, RHD Fig. 024-290

Air Conditioner and Heater Controls

Control, Heater and Air Conditioning Fig. 024-310

Air Conditioning Compressor

Compressor, Air Conditioning, 2.5,4.0L Gas Engines Fig. 024-410

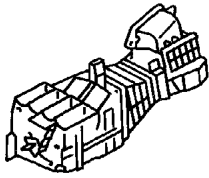
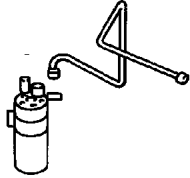
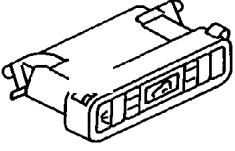
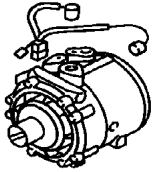
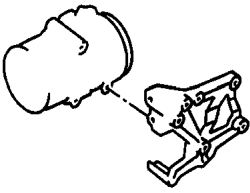
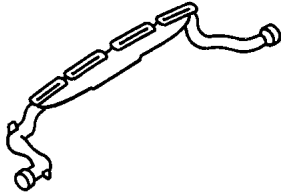
Compressor, Air Conditioning, 2.5L Diesel Engine Fig. 024-415

Air Conditioning Compressor Mounting

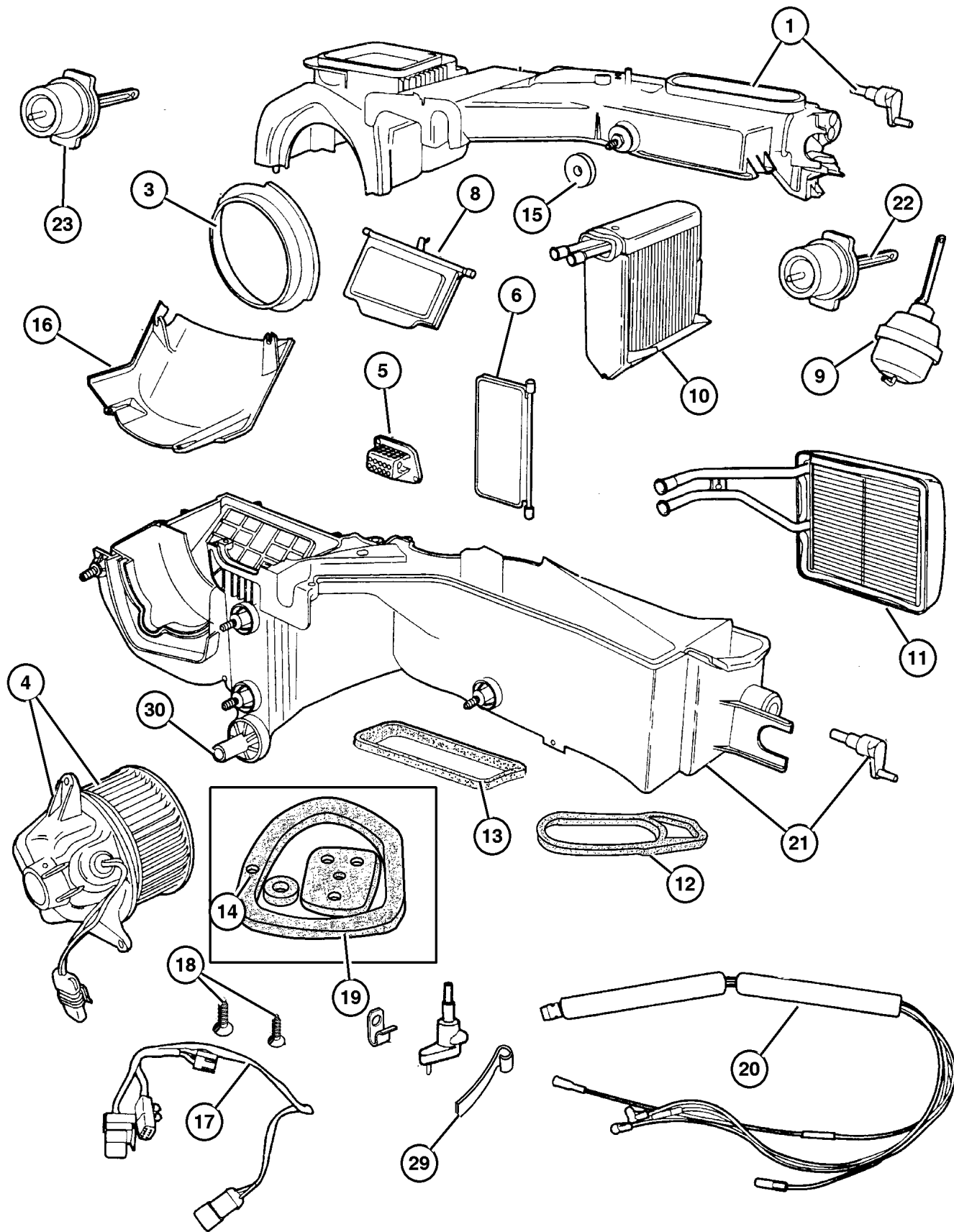
Compressor Mounting Fig. 024-510

Air Ducts and Outlets

Air Distribution Ducts Fig. 024-610

<p>024-100 Air Conditioner and Heater Units</p> 	<p>024-200 Air Conditioner and Heater Plumbing</p> 	<p>024-300 Air Conditioner and Heater Controls</p> 	<p>024-400 Air Conditioning Compressor</p> 
<p>024-500 Air Conditioning Compressor Mounting</p> 	<p>024-600 Air Ducts and Outlets</p> 		

Hevac Unit Figure 024-110



ITEM	PART NUMBER	QTY	LINE	SERIES	BODY	ENGINE	TRANS	TRIM	DESCRIPTION
1									HOUSING, A/C Upper
	4864 943	1	J, T						Upper
	4864 945	1	B, U						Upper
-2									HOUSING, Heater
	4864 944	1	J, T						
	5013 739AA	1	B, U						
3									RING
	4864 951	1	J, T						
		1	B, U						
4									BLOWER
	4864 956	1	B, U						
	4886 150AA	1	J, T						
5									RESISTOR, Blower Motor
	4864 957	1	B, U						
		1	J, T						
6									DOOR, Blend Air
	4897 610AA	1	J, T						Up to 11-15-99
	4897 611AA	1	B, U						
	#5073 553AA	1	J, T						After 11-15-99
-7	5013 742AA	1	J, T						ADAPTER, Blend Door, A/C and Heater, Use on Up to 11-15-99
8									Blend door
	4864 992	1	J, T						DOOR, Fresh Air
	4864 993	1	B, U						
9									ACTUATOR, Vacuum
	4864 994	1	J, T						Defrost Door
		1	B, U						Defrost Door
10									EVAPORATOR KIT, A/C
	4864 999AC	1	J, T						
	4874 044AC	1	B, U						
11									CORE, Heater
	4874 045	1	J, T						
	4874 046	1	B, U						
12									SEAL, Demister
	4874 063	1	J, T						
	4874 065	1	B, U						
13									SEAL, Vent
	4874 068	1	J, T						
		1	B, U						
14									SEAL KIT, A/C And Heater Unit
	4874 069AB	1	J, T						with Air Conditioning

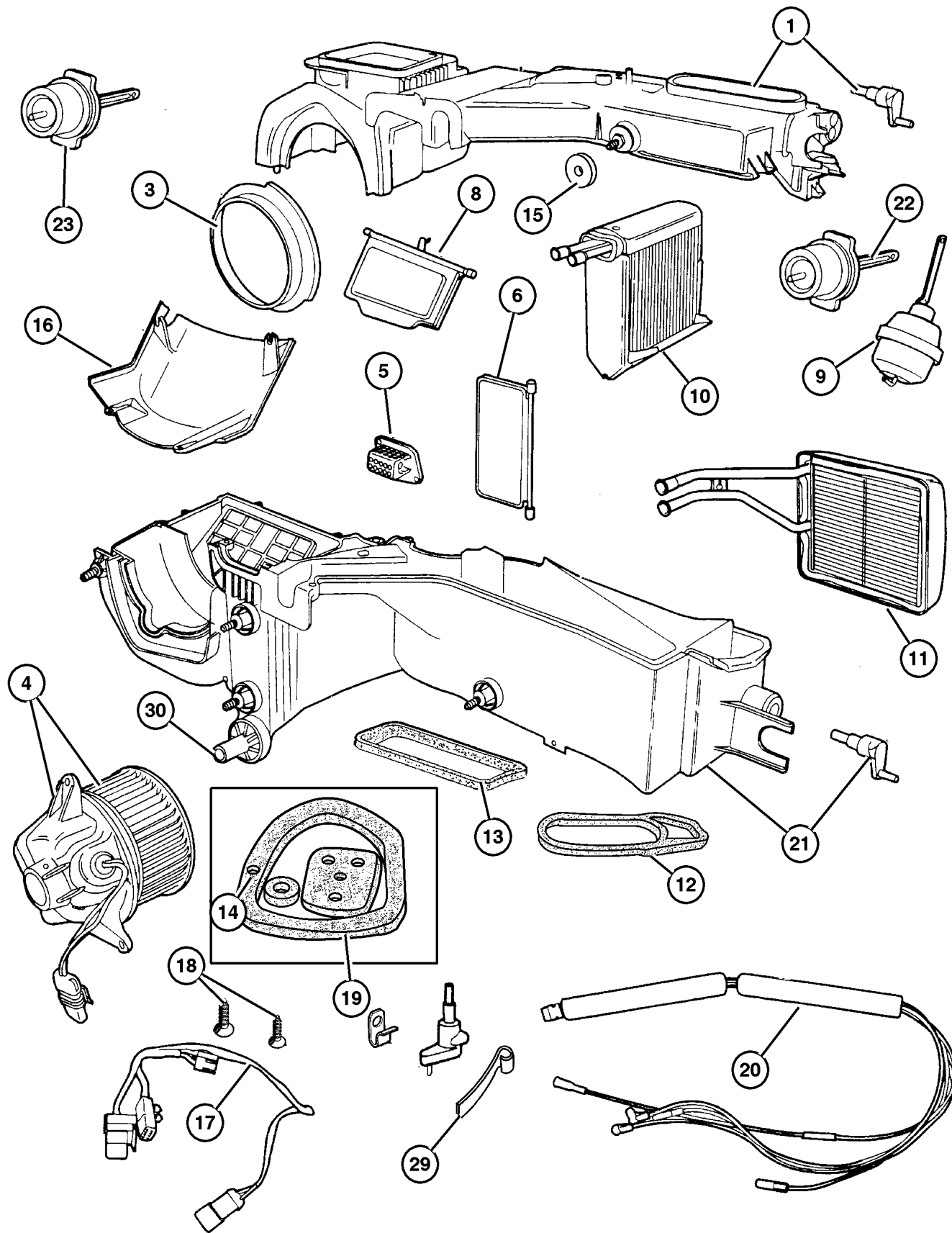
JEEP CHEROKEE (XJ)

SERIES	LINE	BODY	ENGINE	TRANSMISSION
P=Classic	J=LHD (4WD)	74=4 Dr.(101.4WB)	ENC,EN0=2.5L 4 cyl. Turbo Die	DDD, DDQ=5 spd. Man.
S=Limited	U=RHD (4WD)	72=2 Dr.(101.4WB)	ERH,ER0=4.0L Power Tech I-6	DGS=4 spd. Auto. AISIN
H=Sport	T=LHD (2WD)		EPE,EP0=Magnum 2.5L SMP1	DG0=All Auto/Trans.
L=SE	B=RHD (2WD)			DBB=All Manual Trans.

AR = Use as required - = Non illustrated part # = New this model year

December 7, 2002

Hevac Unit Figure 024-110



ITEM	PART NUMBER	QTY	LINE	SERIES	BODY	ENGINE	TRANS	TRIM	DESCRIPTION
	4874 070AB	1	B, U						with Air Conditioning
	4874 071AB	1	J, T						without Air Conditioning
	4874 072AB	1	B, U						without Air Conditioning
15	5500 5519	1							WASHER, Sealing
16									COVER, Recirculating Valve
	4874 078	1	J, T						
	4874 079	1	B, U						
17									WIRING, Air Conditioning Module
	5013 744AA	1	J, T						
		1	B, U						
18									SCREW, Hex Head, M4.8-1.59x19
	4734 227	15	J, T						
		15	B, U						
19									CLIP, A/C Heater Housing
	4644 388	4	J, T						
		4	B, U						
20									HARNESS, Heater Vacuum, (NOT REQUIRED)
21									HOUSING, A/C Lower
	5013 735AA	1	J, T						
	5013 738AA	1	B, U						
22									ACTUATOR, Vacuum
	4864 995	1	J, T						
		1	B, U						
23									ACTUATOR, Vacuum
	4864 996	1	J, T						Recirculating Door
		1	B, U						Recirculating Door
-24									ACTUATOR, Blend Door
	5013 741AA	1	J, T						
		1	B, U						
-25									ADAPTER, Blend Door, A/C and Heater
	5013 742AA	1	J, T						
	5013 743AA	1	B, U						
-26									WIRING, Air Conditioning Module
	5013 744AA	1	J, T						
		1	B, U						
-27	5013 745AA	1	J, T						BRACKET, Blend Door Adapter, A/C and Heater
-28	5014 108AA	1	J, T						LEVER, Defroster Door
29									SPRING, A/C Heater Mode Door, (NOT REQUIRED)
30	56000 724AB	1							TUBE, Evaporator Housing

JEEP CHEROKEE (XJ)

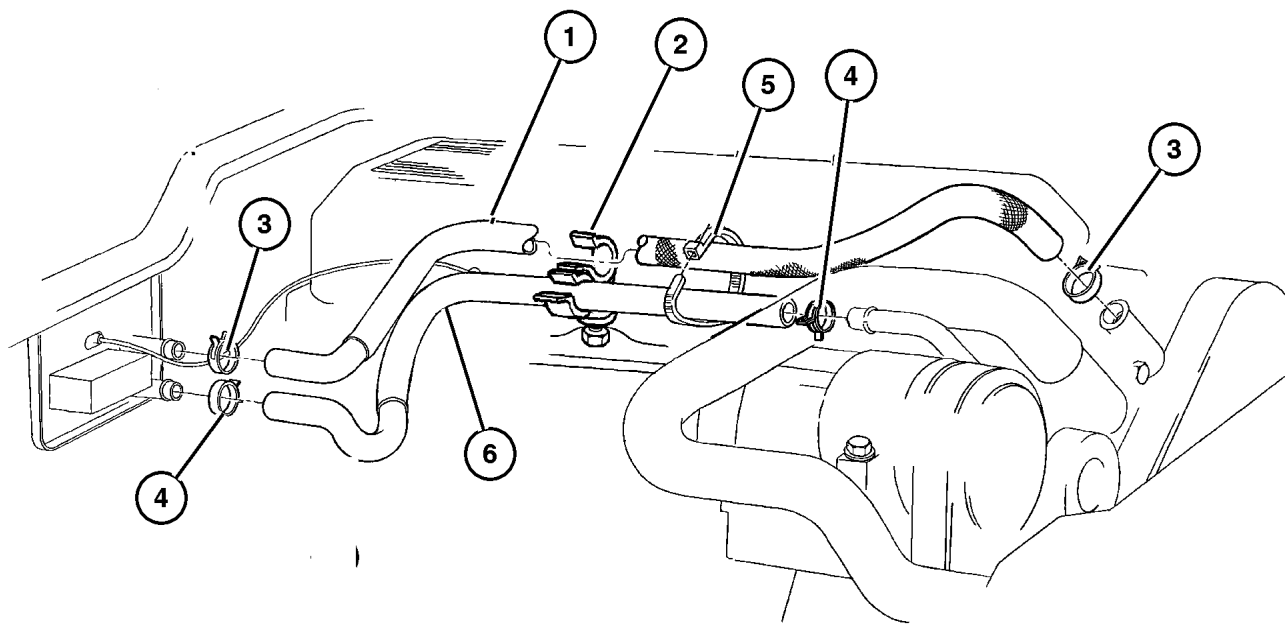
SERIES	LINE	BODY	ENGINE	TRANSMISSION
P=Classic	J=LHD (4WD)	74=4 Dr.(101.4WB)	ENC,EN0=2.5L 4 cyl. Turbo Die	DDD, DDQ=5 spd. Man.
S=Limited	U=RHD (4WD)	72=2 Dr.(101.4WB)	ERH,ER0=4.0L Power Tech I-6	DGS=4 spd. Auto. AISIN
H=Sport	T=LHD (2WD)		EPE,EP0=Magnum 2.5L SMPI	DG0=All Auto/Trans.
L=SE	B=RHD (2WD)			DBB=All Manual Trans.

AR = Use as required - = Non illustrated part # = New this model year

December 7, 2002

**Plumbing, Heater 2.5,4.0L Engine,LHD
Figure 024-210**

ITEM	PART NUMBER	QTY	LINE	SERIES	BODY	ENGINE	TRANS	TRIM	DESCRIPTION
Note: Sales Code EP0 = 2.5L Gas Engine									
Note: Sales Code ER0 = 4.0L Engine									
1									HOSE, Heater Supply
	55036 925AC	1	J, T			EP0			
	55037 326AC	1	J, T			ER0			
2	55035 933AB	1	J, T			EP0, ER0			BRACKET, Hose
3	6502 018	1				EN0			CLAMP, Hose, M28.9 x 1.60
4	6502 017	1	J, T			EP0			CLAMP, Heater Hose
5	4641 780	2							STRAP, Tie
6	55036 926AC	1	J, T			EP0			HOSE, Heater Return



JEEP CHEROKEE (XJ)				
SERIES	LINE	BODY	ENGINE	TRANSMISSION
P=Classic	J=LHD (4WD)	74=4 Dr.(101.4WB)	ENC,EN0=2.5L 4 cyl. Turbo Die	DDD, DDQ=5 spd. Man.
S=Limited	U=RHD (4WD)	72=2 Dr.(101.4WB)	ERH,ER0=4.0L Power Tech I-6	DGS=4 spd. Auto. AISIN
H=Sport	T=LHD (2WD)		EPE,EP0=Magnum 2.5L SMPI	DG0=All Auto/Trans.
L=SE	B=RHD (2WD)			DBB=All Manual Trans.

AR = Use as required - = Non illustrated part # = New this model year

December 7, 2002

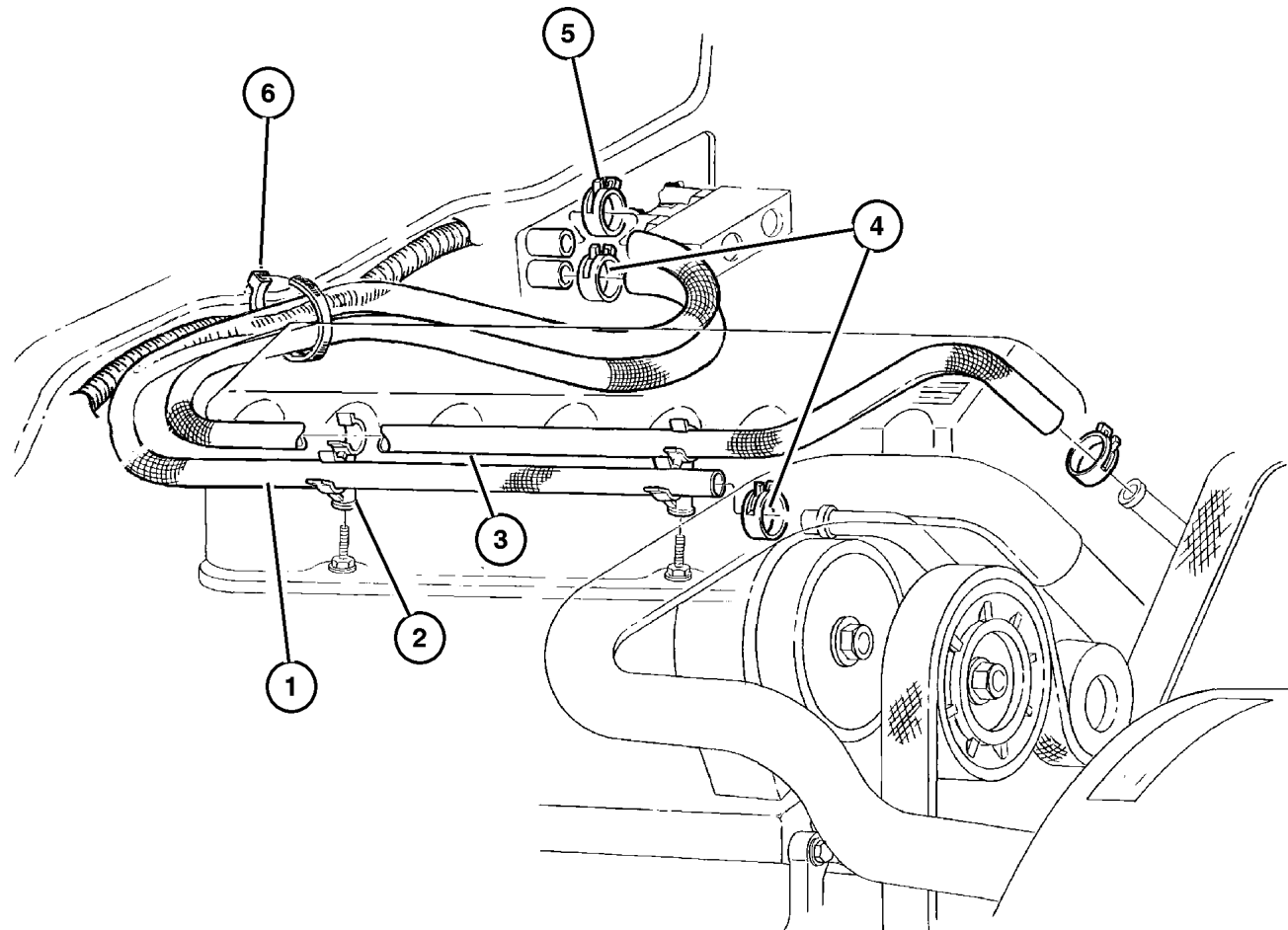
Plumbing, Heater 2.5,4.0L Engine, RHD
Figure 024-220

ITEM	PART NUMBER	QTY	LINE	SERIES	BODY	ENGINE	TRANS	TRIM	DESCRIPTION
------	-------------	-----	------	--------	------	--------	-------	------	-------------

Note: Sales Code EP0 = 2.5L Gas Engine

Note: Sales Code ER0 = 4.0L Engine

1									HOSE, Heater Return
	55037 333AC	1	B, U			ER0			
	55037 334AC	1	B, U			EP0			
2	55035 933AB	2	B, U			EP0, ER0			BRACKET, Hose
3									HOSE, Heater Supply
	55037 268AC	1	B, U			EP0			
	55037 269AC	1	B, U			ER0			
4									CLAMP, Heater Hose
	6502 017	2	B, U			EP0			
		2	B, U			ER0			
5	6502 018	1				EN0			CLAMP, Hose, M28.9 x 1.60
6	4641 780	1							STRAP, Tie



JEEP CHEROKEE (XJ)

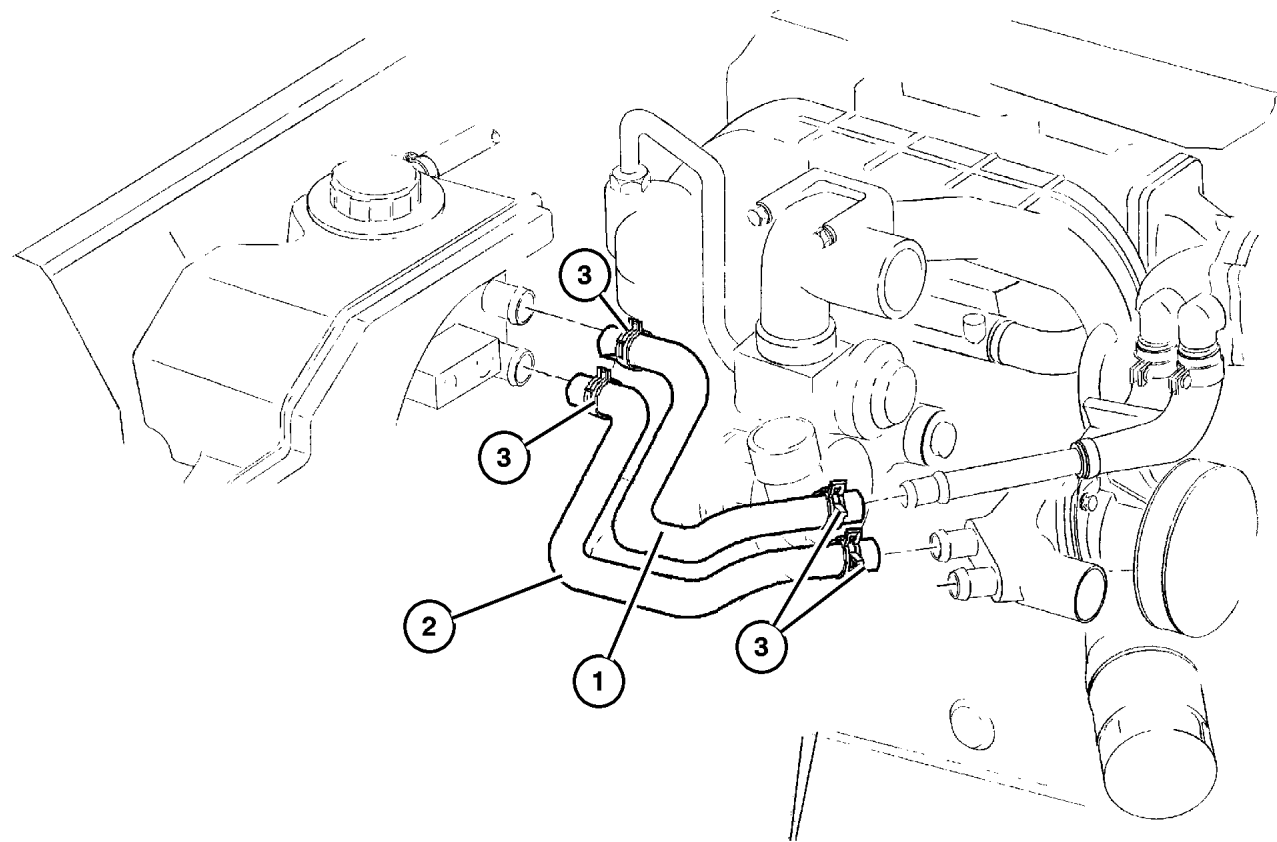
SERIES	LINE	BODY	ENGINE	TRANSMISSION
P=Classic	J=LHD (4WD)	74=4 Dr.(101.4WB)	ENC,EN0=2.5L 4 cyl. Turbo Die	DDD, DDQ=5 spd. Man.
S=Limited	U=RHD (4WD)	72=2 Dr.(101.4WB)	ERH,ER0=4.0L Power Tech I-6	DGS=4 spd. Auto. AISIN
H=Sport	T=LHD (2WD)		EPE,EP0=Magnum 2.5L SMPI	DG0=All Auto/Trans.
L=SE	B=RHD (2WD)			DBB=All Manual Trans.

AR = Use as required - = Non illustrated part # = New this model year

December 7, 2002

Plumbing, Heater 2.5L Diesel Engine, LHD
Figure 024-230

ITEM	PART NUMBER	QTY	LINE	SERIES	BODY	ENGINE	TRANS	TRIM	DESCRIPTION
Note: Sales Code EN0 = 2.5L Diesel Engine									
1	5503 7301	1	J, T			EN0			HOSE, Heater Supply
2	5503 7319	1	J, T			EN0			HOSE, Heater Return
3	6502 017	2	B, U			EN0			CLAMP, Heater Hose



JEEP CHEROKEE (XJ)				
SERIES	LINE	BODY	ENGINE	TRANSMISSION
P=Classic	J=LHD (4WD)	74=4 Dr.(101.4WB)	ENC,EN0=2.5L 4 cyl. Turbo Die	DDD, DDQ=5 spd. Man.
S=Limited	U=RHD (4WD)	72=2 Dr.(101.4WB)	ERH,ER0=4.0L Power Tech I-6	DGS=4 spd. Auto. AISIN
H=Sport	T=LHD (2WD)		EPE,EP0=Magnum 2.5L SMPI	DG0=All Auto/Trans.
L=SE	B=RHD (2WD)			DBB=All Manual Trans.

AR = Use as required - = Non illustrated part # = New this model year

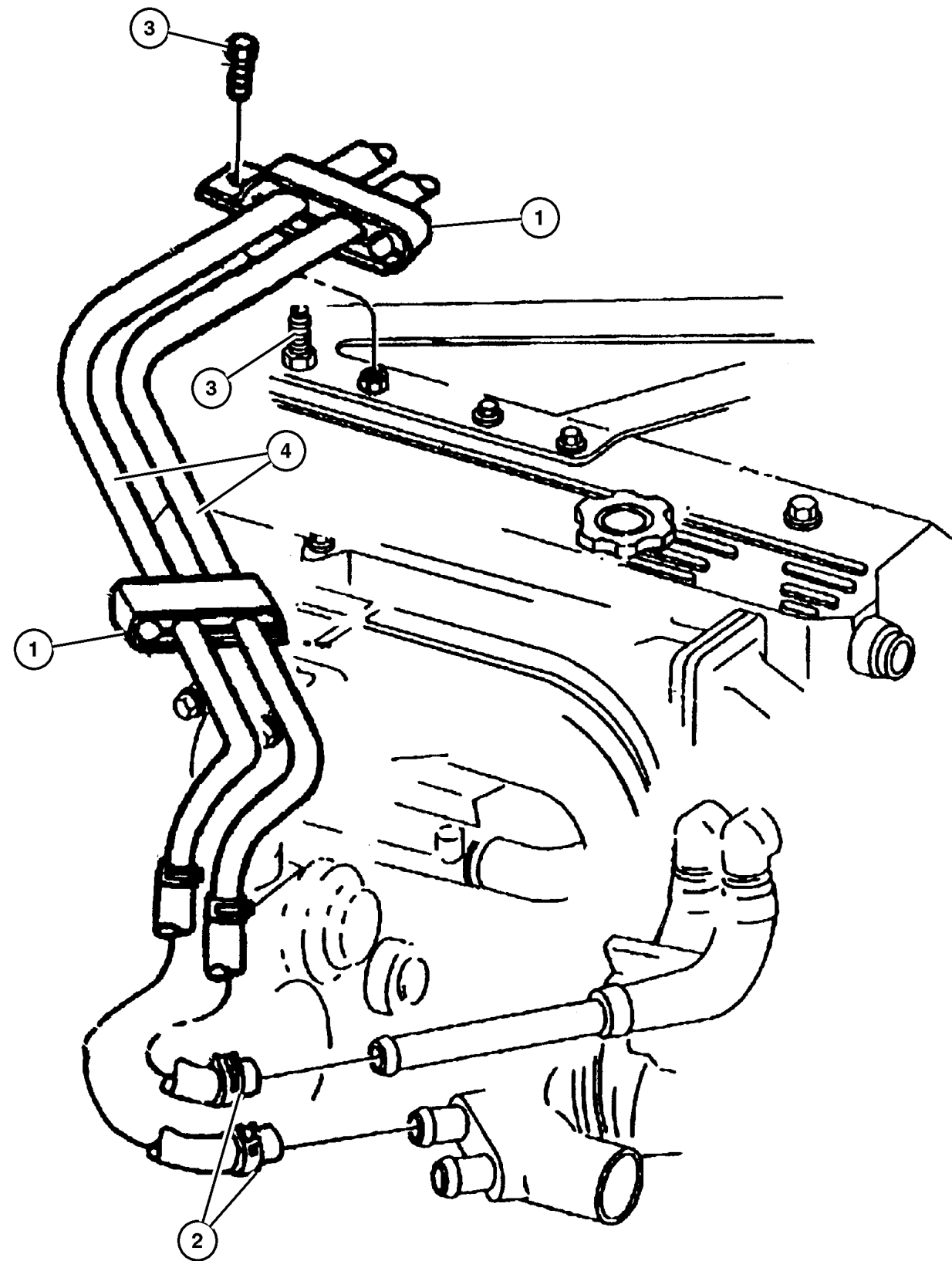
December 7, 2002

Plumbing, Heater 2.5L Diesel Engine, RHD
Figure 024-240

ITEM	PART NUMBER	QTY	LINE	SERIES	BODY	ENGINE	TRANS	TRIM	DESCRIPTION
------	-------------	-----	------	--------	------	--------	-------	------	-------------

Note: Sales Code EN0 = 2.5L Diesel Engine

1	5200 1603	1	J, T			ENC			CLIP, Heater Hose
2	4883 924AA	4				EN0			CLAMP, Heater Hose
3									SCREW, (NOT SERVICED) (Not Serviced)
4	52129 121AB	1	B, U			EN0			HOSE AND TUBE, Heater Supply And Return

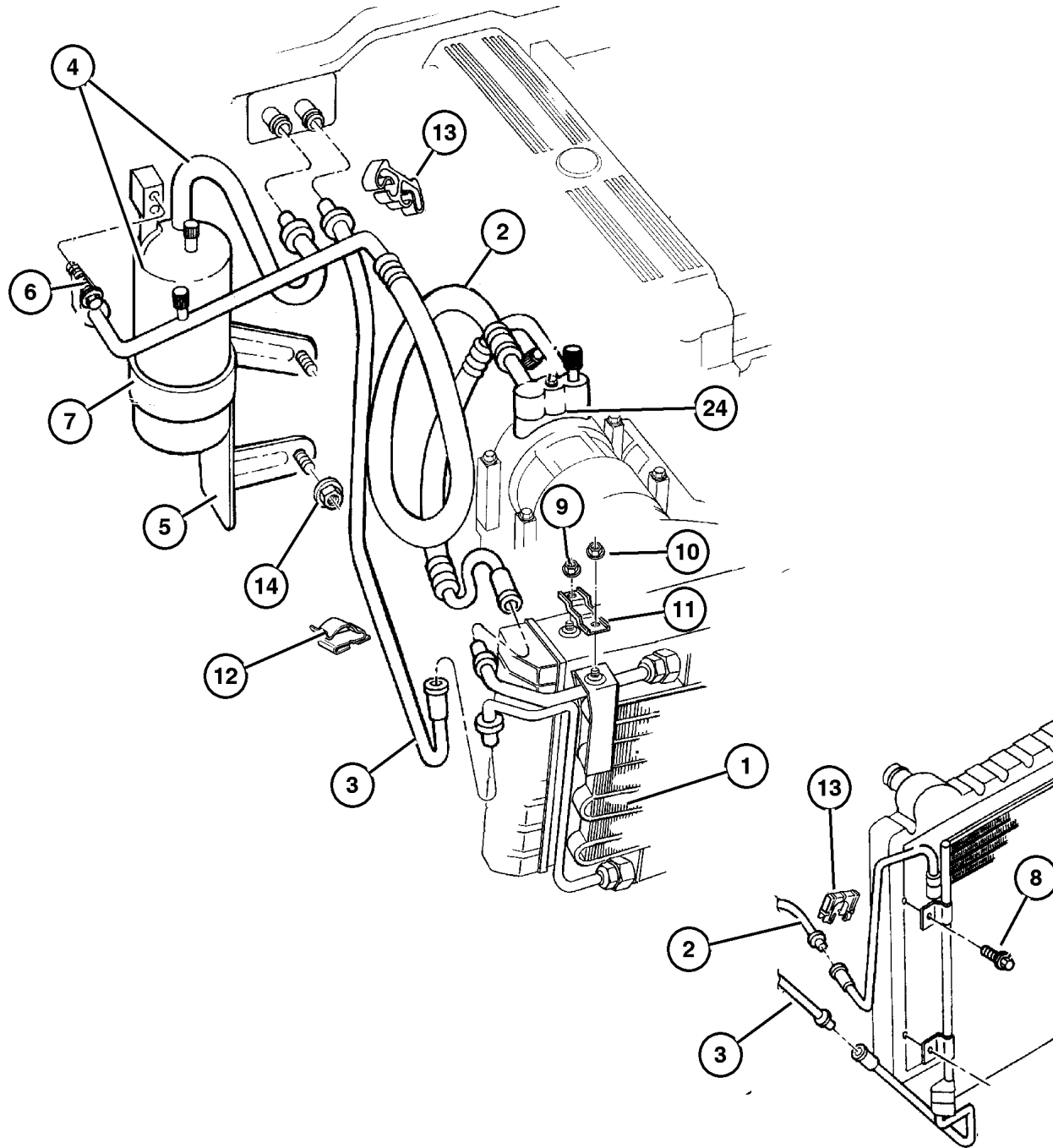


JEEP CHEROKEE (XJ)				
SERIES	LINE	BODY	ENGINE	TRANSMISSION
P=Classic	J=LHD (4WD)	74=4 Dr.(101.4WB)	ENC,EN0=2.5L 4 cyl. Turbo Die	DDD, DDQ=5 spd. Man.
S=Limited	U=RHD (4WD)	72=2 Dr.(101.4WB)	ERH,ER0=4.0L Power Tech I-6	DGS=4 spd. Auto. AISIN
H=Sport	T=LHD (2WD)		EPE,EP0=Magnum 2.5L SMPI	DG0=All Auto/Trans.
L=SE	B=RHD (2WD)			DBB=All Manual Trans.

AR = Use as required - = Non illustrated part # = New this model year

December 7, 2002

Plumbing, Air Conditioning 2.5,4.0L Engine, LHD
Figure 024-250



ITEM	PART NUMBER	QTY	LINE	SERIES	BODY	ENGINE	TRANS	TRIM	DESCRIPTION
Note: Sales Code EP0 = 2.5L Gas Engine									
Note: Sales Code ER0 = 4.0L Engine									
1	55036 595AD	1	J, T			EP0, ER0			CONDENSER, A/C
	55037 434AA	1	B, U			EP0, ER0			
2	55037 492AA	1	J, T			EP0			LINE, A/C Suction & Discharge
	#55037 570AA	1	J, T			ER0			
3	55036 632AC	1	J, T			ER0			LINE, A/C Liquid
	55037 218AC	1	B, U			ER0			
	55037 495AA	1	B, U			EP0			Evaporator Out
	55037 496AA	1	B, U			EP0			Evaporator In
	55037 554AA	1	J, T			EP0			
4	55036 630AD	1	J, T			EP0			ACCUMULATOR, Suction Line
	#55037 569AB	1	J, T			ER0			
	55036 649AC	1	B, U			EN0, ER0			
	55037 479AB	1	B, U			EP0			
5	5503 6619	1	J, T			EP0, ER0			BRACKET, Accumulator
6	1150 2628	8							BOLT, Hex Flange Head, M8x1.25x30
7	55037 431AB	1	J, T			EP0, ER0			BAND, Accumulator Retaining
8									BOLT AND CONED WASHER, Hex Head, M8x30x20, (NOT SERVICED) (Not Serviced)
9	6503 226	4							NUT, Hex Flange, M5x.8
10	6100 814	2							NUT, Hex, M6
11	5600 2231	2							BRACKET, Radiator to Condenser
12	5503 7289	1				ER0			CLIP, A/C Liquid Line
13									CLIP, A/C Quick Disconnect
	4596 152	2				EP0			Suction Liquid Line
	4596 153	1							Discharge Line
14	6504 997AA	3	J, T						SCREW
-15	4740 401	2	B, U			EP0			O RING, A/C Suction Line
-16									O RING, A/C Liquid Line
	4741 705	2	J, T			ER0			

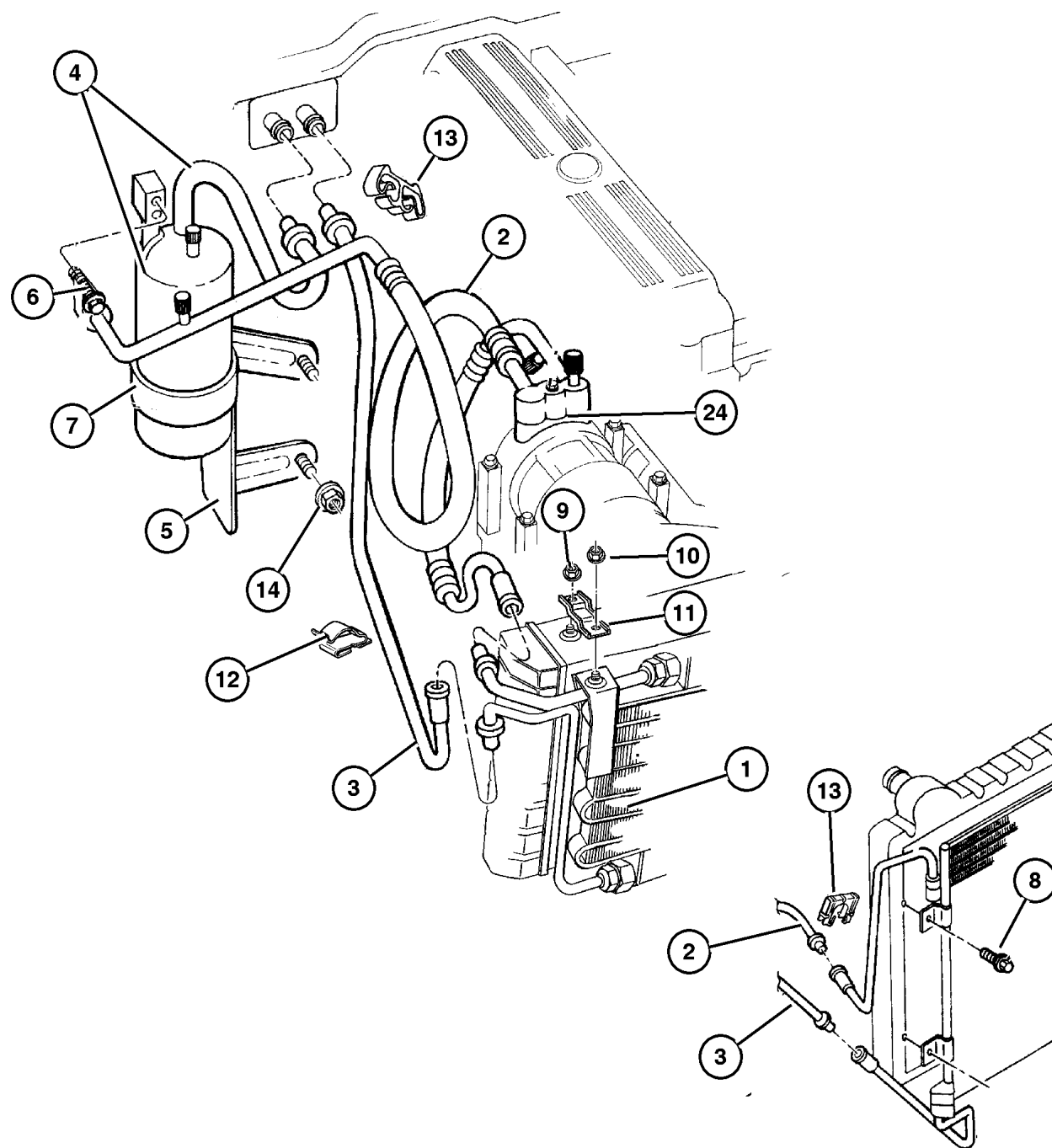
JEEP CHEROKEE (XJ)

SERIES	LINE	BODY	ENGINE	TRANSMISSION
P=Classic	J=LHD (4WD)	74=4 Dr.(101.4WB)	ENC,EN0=2.5L 4 cyl. Turbo Die	DDD, DDQ=5 spd. Man.
S=Limited	U=RHD (4WD)	72=2 Dr.(101.4WB)	ERH,ER0=4.0L Power Tech I-6	DGS=4 spd. Auto. AISIN
H=Sport	T=LHD (2WD)		EPE,EP0=Magnum 2.5L SMP1	DG0=All Auto/Trans.
L=SE	B=RHD (2WD)			DBB=All Manual Trans.

AR = Use as required - = Non illustrated part # = New this model year

December 7, 2002

Plumbing, Air Conditioning 2.5,4.0L Engine, LHD
Figure 024-250



ITEM	PART NUMBER	QTY	LINE	SERIES	BODY	ENGINE	TRANS	TRIM	DESCRIPTION
		2	J, T			EP0			
		4	B, U			EP0			
-17	4897 617AA	1	J, T			EP0			SWITCH, A/C High Pressure Cut Off
	#5015 792AA	1	J, T			ER0			
-18	5015 872AA	1	J, T			EP0,			SWITCH, A/C Low Pressure Cut Off
						ER0			
-19	4882 334	1	J, T			EP0			VALVE, A/C Discharge Line Check
-20	4882 335	1	J, T			EP0			CAP, A/C Check Valve
-21									VALVE CORE, Service Port, (NOT SERVICED) (Not Serviced)
-22	4728 856	1	J, T			EP0			SPRING, Quick Disconnect
-23									ORIFICE, Liquid Line
	5503 6182	1	B, U			ER0			
		1	J, T			EP0			
24	4761 737	2	J, T			ER0			O RING, A/C Suction Line
		2	J, T			EP0			

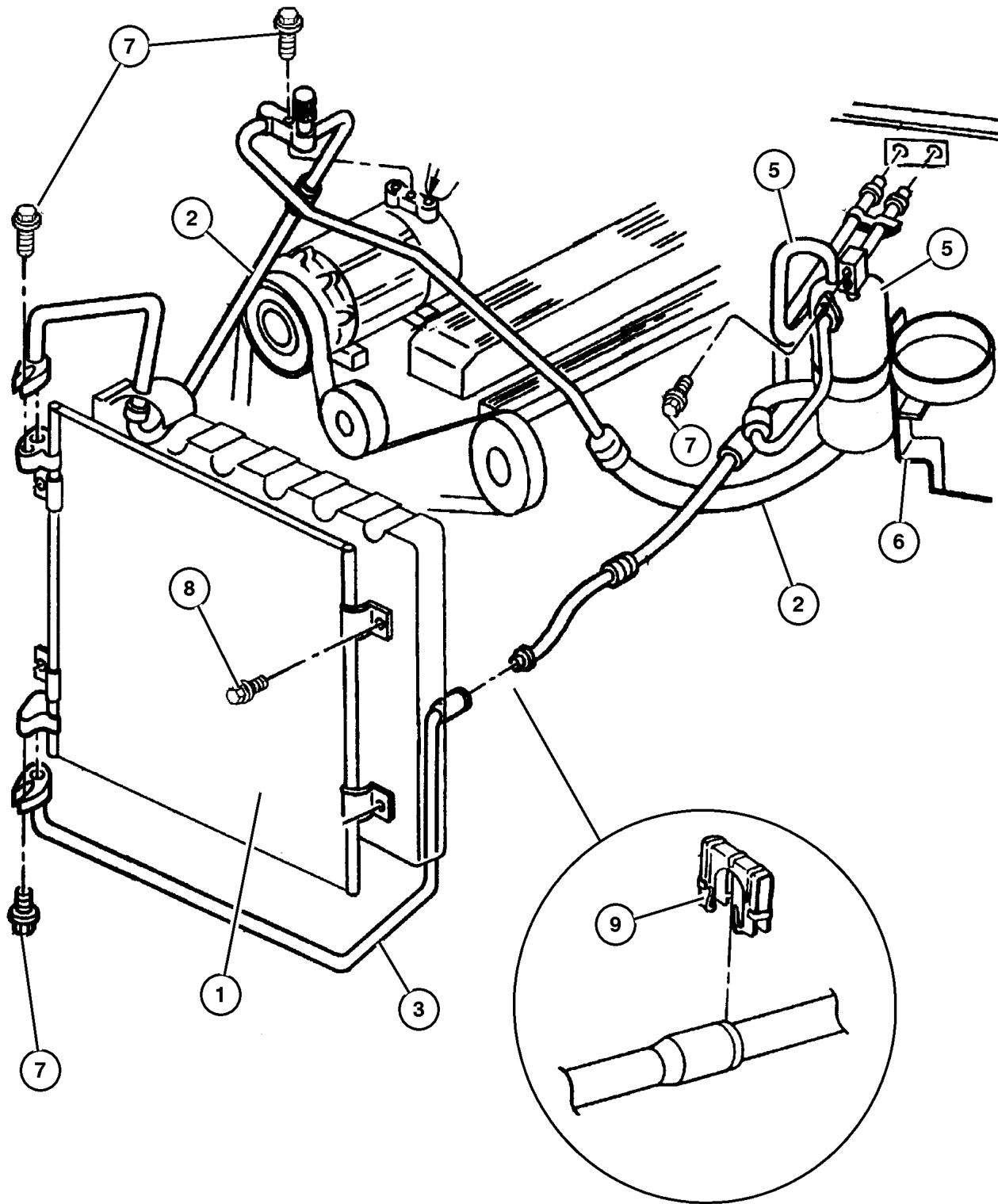
JEEP CHEROKEE (XJ)

SERIES	LINE	BODY	ENGINE	TRANSMISSION
P=Classic	J=LHD (4WD)	74=4 Dr.(101.4WB)	ENC,EN0=2.5L 4 cyl. Turbo Die	DDD, DDQ=5 spd. Man.
S=Limited	U=RHD (4WD)	72=2 Dr.(101.4WB)	ERH,ER0=4.0L Power Tech I-6	DGS=4 spd. Auto. AISIN
H=Sport	T=LHD (2WD)		EPE,EP0=Magnum 2.5L SMPI	DG0=All Auto/Trans.
L=SE	B=RHD (2WD)			DBB=All Manual Trans.

AR = Use as required - = Non illustrated part # = New this model year

December 7, 2002

Plumbing, Air Conditioning 2.5L Gas Engine, RHD
Figure 024-260



ITEM	PART NUMBER	QTY	LINE	SERIES	BODY	ENGINE	TRANS	TRIM	DESCRIPTION
Note: Sales Code EP0 = 2.5L Gas Engine									
1	55036 595AD	1	J, T			EP0, ER0			CONDENSER, A/C
2	55037 493AA	1	B, U			EP0			LINE, A/C Suction & Discharge
3	55037 495AA	1	B, U			EP0			LINE, A/C Liquid
-4	5003 563AA	1	B, U			EP0			BRACKET, A/C Line
5	55037 479AB	1	B, U			EP0			ACCUMULATOR, Suction Line
6	55036 620AD	1	B, U			EP0			BRACKET, Accumulator
7	1150 2628	2							BOLT, Hex Flange Head, M8x1.25x30
8									BOLT AND CONED WASHER, Hex Head, M8x30x20, (NOT SERVICED) (Not Serviced)
9	4596 152	2				EP0			CLIP, A/C Quick Disconnect Discharge Line
	4596 153	1							Suction Liquid Line
-10	4897 617AA	1	B, U			EP0			SWITCH, A/C High Pressure Cut Off
-11	4740 401	2	B, U			EP0			O RING, A/C Suction Line
-12	4882 334	1	B, U			EP0			VALVE, A/C Discharge Line Check
-13	4882 335	1	B, U			EP0			CAP, A/C Check Valve
-14	4761 737	2	B, U			EP0			O RING, A/C Suction Line
-15									VALVE CORE, Service Port, (NOT SERVICED) (Not Serviced)
-16	4728 856	1	B, U			EP0			SPRING, Quick Disconnect
-17	4741 705	2	B, U			EP0			O RING, A/C Liquid Line

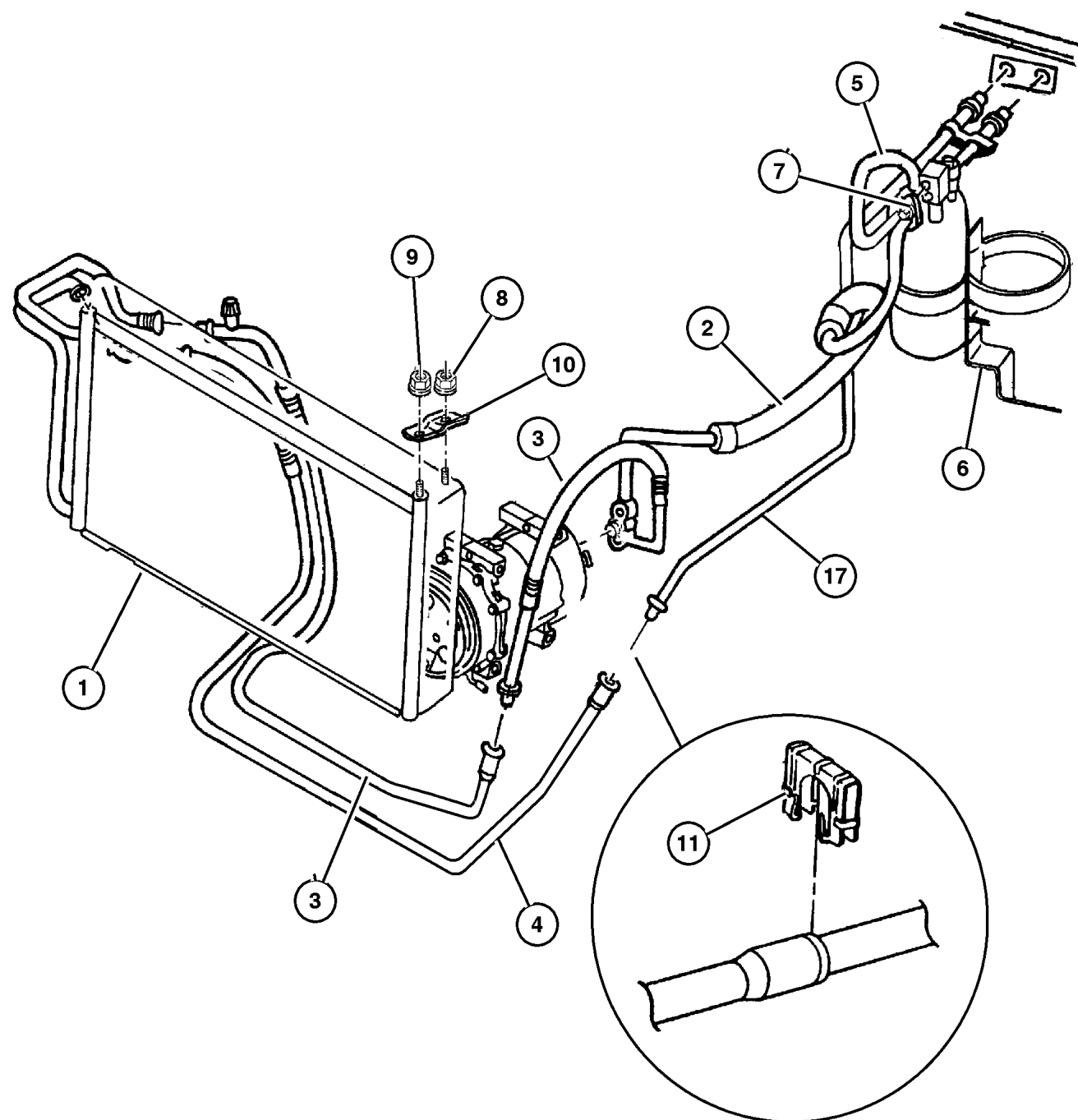
JEEP CHEROKEE (XJ)

SERIES	LINE	BODY	ENGINE	TRANSMISSION
P=Classic	J=LHD (4WD)	74=4 Dr.(101.4WB)	ENC,EN0=2.5L 4 cyl. Turbo Die	DDD, DDQ=5 spd. Man.
S=Limited	U=RHD (4WD)	72=2 Dr.(101.4WB)	ERH,ER0=4.0L Power Tech I-6	DGS=4 spd. Auto. AISIN
H=Sport	T=LHD (2WD)		EPE,EP0=Magnum 2.5L SMPI	DG0=All Auto/Trans.
L=SE	B=RHD (2WD)			DBB=All Manual Trans.

AR = Use as required - = Non illustrated part # = New this model year

December 7, 2002

Plumbing, Air Conditioning, 4.0L Engine, RHD
Figure 024-270



ITEM	PART NUMBER	QTY	LINE	SERIES	BODY	ENGINE	TRANS	TRIM	DESCRIPTION
Note: Sales Code ER0 = 4.0L Engine									
1	55037 434AA	1	B, U			EP0, ER0			CONDENSER, A/C
2	#55037 748AA	1	B, U			ER0			LINE, A/C Suction & Discharge
3	#55037 559AA	1	B, U			ER0			LINE, A/C Discharge
4	55036 633AC	1	B, U			ER0			LINE, A/C Liquid
5	55036 649AC	1	B, U			EN0, ER0			ACCUMULATOR, Suction Line
6	55036 620AD	1	B, U			ER0			BRACKET, Accumulator
7	1150 2628	2							BOLT, Hex Flange Head, M8x1.25x30
8	1150 2722	2				EN0, ER0			NUT, Hex Flange, M5x.8
9	6100 814	2							NUT, Hex, M6
10	5600 2231	2							BRACKET, Radiator to Condenser
11									CLIP, A/C Quick Disconnect
	4596 152	4	B, U			ER0			Discharge Line
	4596 153	1							Suction Liquid Line
-12	#5015 792AA	1	B, U			ER0			SWITCH, A/C High Pressure Cut Off
-13	4796 667	2	B, U			ER0			O RING, A/C Suction Line
-14	4723 029	2	B, U			ER0			VALVE, A/C Discharge Line Check
-15	5264 642	2	B, U			ER0			CAP, A/C Check Valve
-16									VALVE CORE, Service Port, (NOT SERVICED) (Not Serviced)
17	55036 632AC	1	J, T			ER0			LINE, A/C Liquid
-18	5503 7347	1	B, U			ER0			JUNCTION BLOCK, Air Conditioning Lines

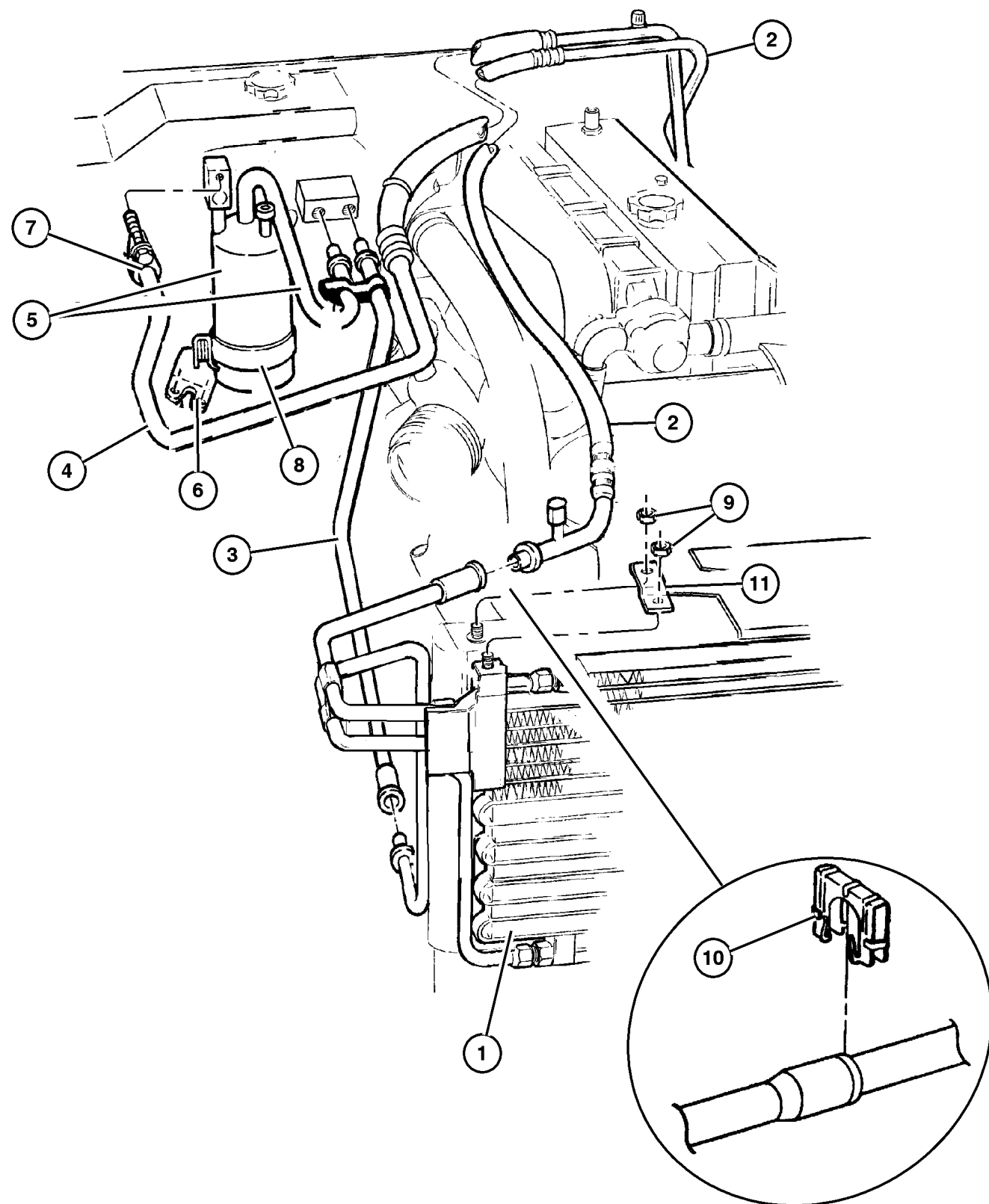
JEEP CHEROKEE (XJ)

SERIES	LINE	BODY	ENGINE	TRANSMISSION
P=Classic	J=LHD (4WD)	74=4 Dr.(101.4WB)	ENC,EN0=2.5L 4 cyl. Turbo Die	DDD, DDQ=5 spd. Man.
S=Limited	U=RHD (4WD)	72=2 Dr.(101.4WB)	ERH,ER0=4.0L Power Tech I-6	DGS=4 spd. Auto. AISIN
H=Sport	T=LHD (2WD)		EPE,EP0=Magnum 2.5L SMPI	DG0=All Auto/Trans.
L=SE	B=RHD (2WD)			DBB=All Manual Trans.

AR = Use as required - = Non illustrated part # = New this model year

December 7, 2002

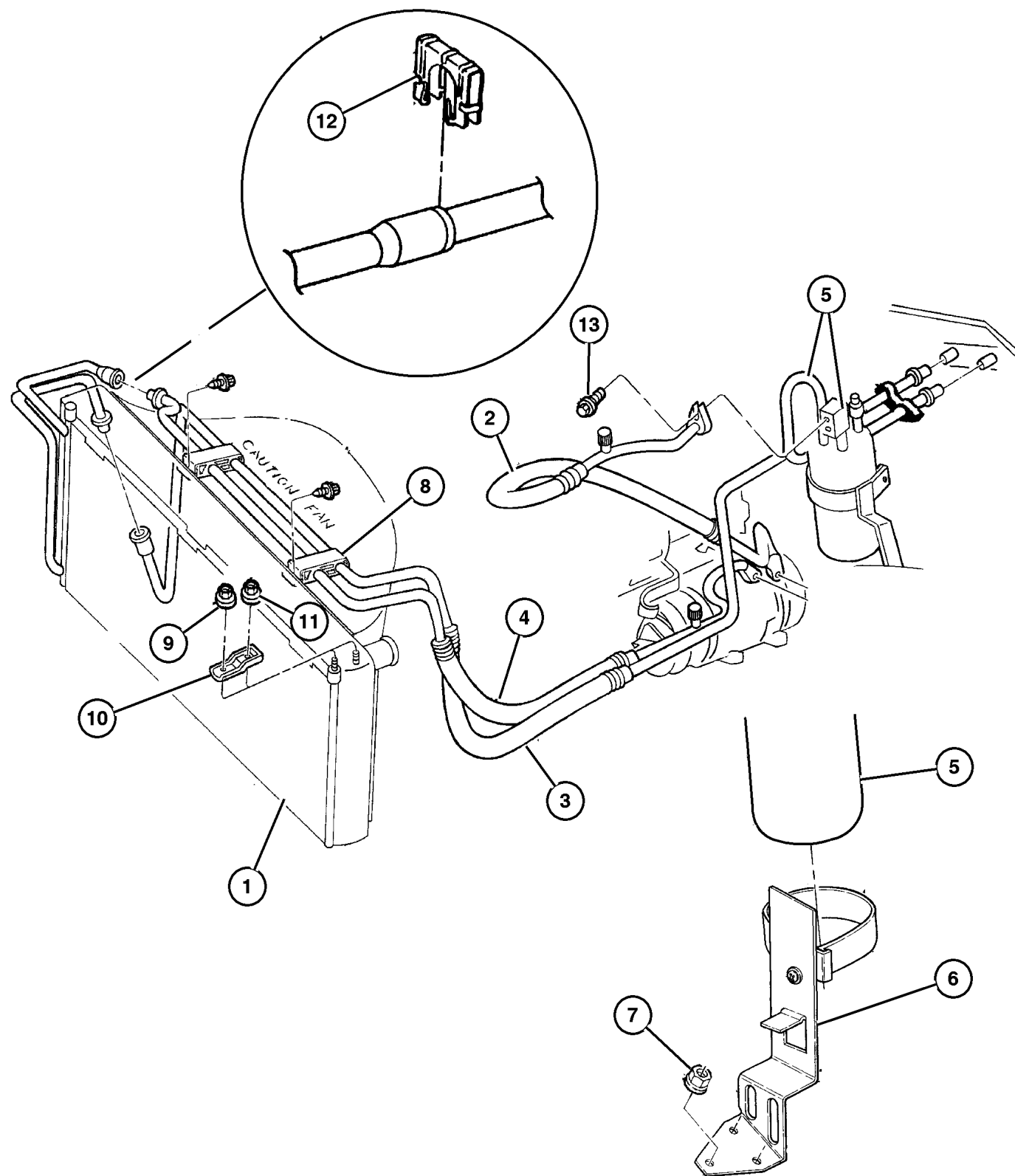
Plumbing, Air Conditioning, 2.5L Diesel Engine, LHD
Figure 024-280



ITEM	PART NUMBER	QTY	LINE	SERIES	BODY	ENGINE	TRANS	TRIM	DESCRIPTION
Note: Sales Code EN0 = 2.5L Diesel Engine									
1	55036 599AB	1				EN0			CONDENSER, A/C
2	55037 366AB	1	J, T			EN0			LINE, A/C Suction
3	5503 6650	1	J, T			EN0			LINE, A/C Liquid
4	#55037 557AA	1	J, T			EN0			LINE, A/C Discharge
5	55036 648AD	1	J, T			EN0			ACCUMULATOR, Suction Line
6	5503 6646	1	J, T			EN0			BRACKET, Accumulator
7	1150 2628	2							BOLT, Hex Flange Head, M8x1.25x30
8	55037 410AB	1	J, T			EN0			BAND, Accumulator Retaining
9	6100 814	2							NUT, Hex, M6
10	4596 152	3				EN0			CLIP, A/C Quick Disconnect
11	5600 2231	2							BRACKET, Radiator to Condenser
-12	4740 401	1	J, T			ER0			O RING, A/C Suction Line
-13	4723 029	2	J, T			EN0			VALVE, A/C Discharge Line Check
-14									VALVE CORE, Service Port, (NOT SERVICED) (Not Serviced)

JEEP CHEROKEE (XJ)				
SERIES	LINE	BODY	ENGINE	TRANSMISSION
P=Classic	J=LHD (4WD)	74=4 Dr.(101.4WB)	ENC,EN0=2.5L 4 cyl. Turbo Die	DDD, DDQ=5 spd. Man.
S=Limited	U=RHD (4WD)	72=2 Dr.(101.4WB)	ERH,ER0=4.0L Power Tech I-6	DGS=4 spd. Auto. AISIN
H=Sport	T=LHD (2WD)		EPE,EP0=Magnum 2.5L SMPI	DG0=All Auto/Trans.
L=SE	B=RHD (2WD)			DBB=All Manual Trans.

Plumbing, Air Conditioning, 2.5L Diesel Engine, RHD
Figure 024-290



ITEM	PART NUMBER	QTY	LINE	SERIES	BODY	ENGINE	TRANS	TRIM	DESCRIPTION
Note: Sales Code EN0 = 2.5L Diesel Engine									
1	55036 599AB	1				EN0			CONDENSER, A/C
2	55036 653AB	1	B, U			EN0			LINE, A/C Suction
3	55037 494AB	1	B, U			EN0			LINE, A/C Liquid
4	#55037 560AA	1	B, U			EN0			LINE, A/C Discharge
5	55036 649AC	1	B, U			EN0, ER0			ACCUMULATOR, Suction Line
6	55036 647AB	1	B, U			EN0			BRACKET, Accumulator
7	6033 560	1							NUT AND WASHER, Hex Nut-Coned Washer, .25-20
8	5503 7344	2	B, U			EN0			CLIP, Discharge Line
9	6100 814	2							NUT, Hex, M6
10	5600 2231	2							BRACKET, Radiator to Condenser
11	1150 2722	2				EN0, ER0			NUT, Hex Flange, M5x.8
12	4596 152	3				EN0			CLIP, A/C Quick Disconnect
13	1150 2628	2							BOLT, Hex Flange Head, M8x1.25x30
-14	4740 401	2	B, U			EP0			O RING, A/C Suction Line
-15	4882 334	1	B, U			EN0			VALVE, A/C Discharge Line Check
-16	4882 335	1	B, U			EN0			CAP, A/C Check Valve
-17									VALVE CORE, Service Port, (NOT SERVICED) (Not Serviced)
-18	4728 856	1	B, U			EN0			SPRING, Quick Disconnect
-19	4741 705	2	B, U			EN0			O RING, A/C Liquid Line

JEEP CHEROKEE (XJ)

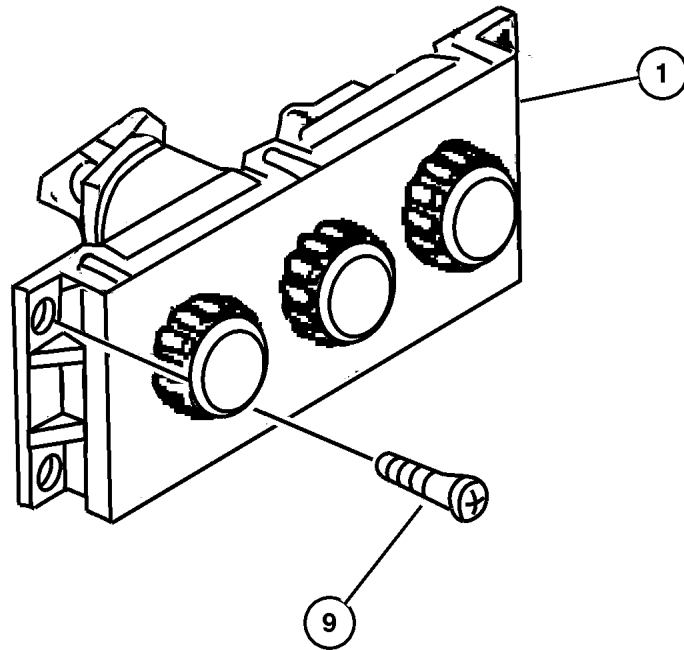
SERIES	LINE	BODY	ENGINE	TRANSMISSION
P=Classic	J=LHD (4WD)	74=4 Dr.(101.4WB)	ENC,EN0=2.5L 4 cyl. Turbo Die	DDD, DDQ=5 spd. Man.
S=Limited	U=RHD (4WD)	72=2 Dr.(101.4WB)	ERH,ER0=4.0L Power Tech I-6	DGS=4 spd. Auto. AISIN
H=Sport	T=LHD (2WD)		EPE,EP0=Magnum 2.5L SMPI	DG0=All Auto/Trans.
L=SE	B=RHD (2WD)			DBB=All Manual Trans.

AR = Use as required - = Non illustrated part # = New this model year

December 7, 2002

**Control, Heater and Air Conditioning
Figure 024-310**

ITEM	PART NUMBER	QTY	LINE	SERIES	BODY	ENGINE	TRANS	TRIM	DESCRIPTION
Note: Sales Code EP0 = 2.5L Gas Engine									
1	5011 343AB	1							CONTROL, A/C And Heater
-2	4882 861	3							KNOB, A/C And Heater Control - Slide
-3	55036 909AC	1	J, T			EP0			VACUUM HARNESS, Heater and A/C
-4	5003 281AA	1							BULB, Heater and A/C Control
-5	5011 342AB	1							CONTROL, Heater
-6	4882 861	3							KNOB, A/C And Heater Control - Slide
-7	5011 340AB	1							HARNESS, Heater Vacuum
-8	5003 281AA	1							BULB, Heater and A/C Control
9	6032 723	2							SCREW, Self Tapping, M4.2x1.69x19.05
-10	55036 909AC	1	J, T			EP0			VACUUM HARNESS, Heater and A/C



JEEP CHEROKEE (XJ)

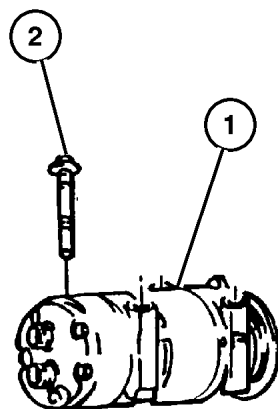
SERIES	LINE	BODY	ENGINE	TRANSMISSION
P=Classic	J=LHD (4WD)	74=4 Dr.(101.4WB)	ENC,EN0=2.5L 4 cyl. Turbo Die	DDD, DDQ=5 spd. Man.
S=Limited	U=RHD (4WD)	72=2 Dr.(101.4WB)	ERH,ER0=4.0L Power Tech I-6	DGS=4 spd. Auto. AISIN
H=Sport	T=LHD (2WD)		EPE,EP0=Magnum 2.5L SMPI	DG0=All Auto/Trans.
L=SE	B=RHD (2WD)			DBB=All Manual Trans.

AR = Use as required - = Non illustrated part # = New this model year

December 7, 2002

**Compressor, Air Conditioning, 2.5,4.0L Gas Engines
Figure 024-410**

ITEM	PART NUMBER	QTY	LINE	SERIES	BODY	ENGINE	TRANS	TRIM	DESCRIPTION
Note: Sales Code EP0 = 2.5L Gas Engine									
Note: Sales Code ER0 = 4.0L Engine									
1									COMPRESSOR, Air Conditioning
	55037 214AC	1	B, U			ER0			
	#55037 205AI	1				EP0			With Clutch
		1	J, T			ER0			
2									STUD, (NOT SERVICED) (Not Serviced)
-3									CLUTCH, A/C Compressor
	5015 314AA	1				EP0			
		1	J, T			ER0			
	5015 315AA	1	B, U			ER0			



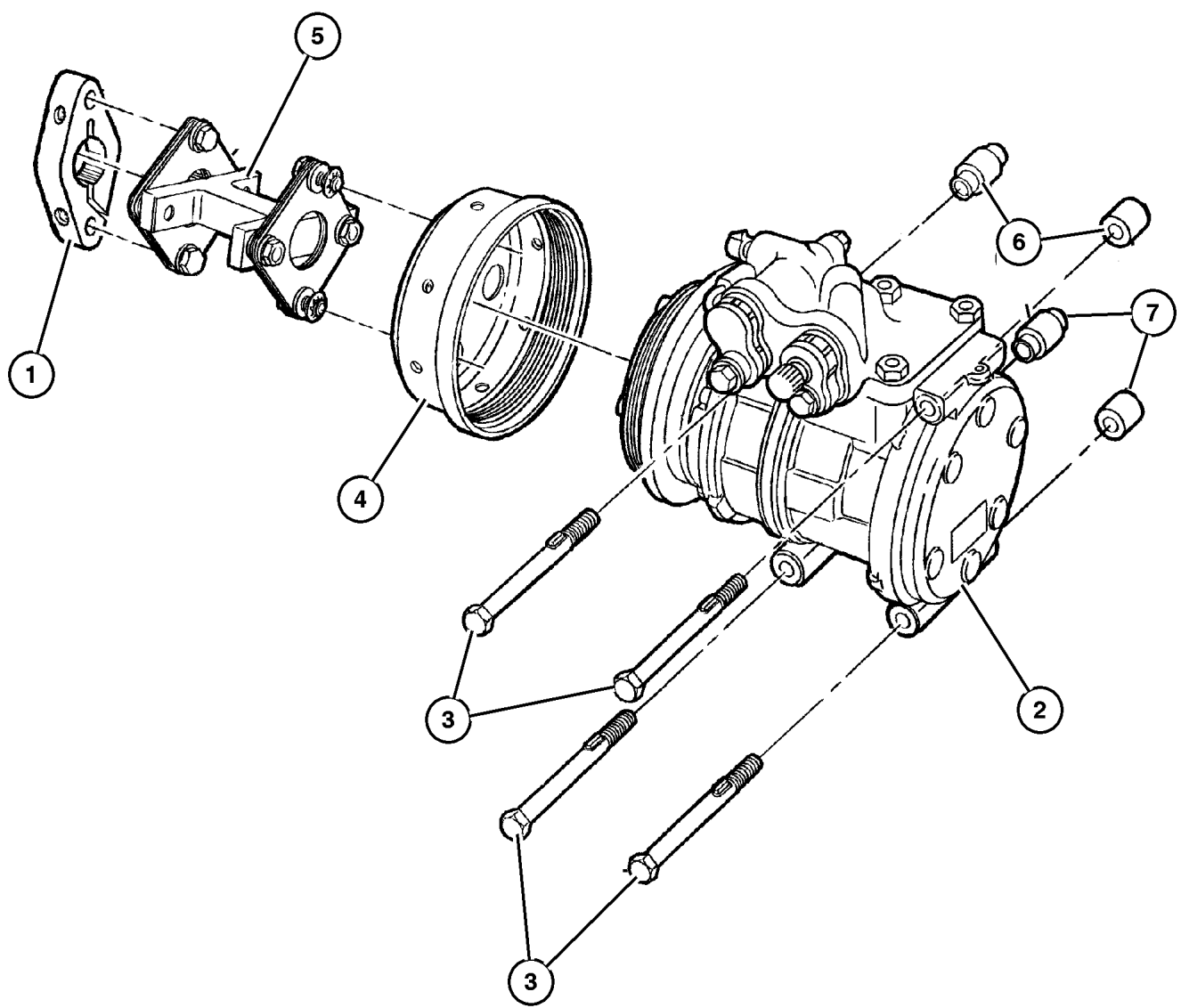
JEEP CHEROKEE (XJ)				
SERIES	LINE	BODY	ENGINE	TRANSMISSION
P=Classic	J=LHD (4WD)	74=4 Dr.(101.4WB)	ENC,EN0=2.5L 4 cyl. Turbo Die	DDD, DDQ=5 spd. Man.
S=Limited	U=RHD (4WD)	72=2 Dr.(101.4WB)	ERH,ER0=4.0L Power Tech I-6	DGS=4 spd. Auto. AISIN
H=Sport	T=LHD (2WD)		EPE,EP0=Magnum 2.5L SMPI	DG0=All Auto/Trans.
L=SE	B=RHD (2WD)			DBB=All Manual Trans.

AR = Use as required - = Non illustrated part # = New this model year

December 7, 2002

Compressor, Air Conditioning, 2.5L Diesel Engine
Figure 024-415

ITEM	PART NUMBER	QTY	LINE	SERIES	BODY	ENGINE	TRANS	TRIM	DESCRIPTION
Note: Sales Code EN0 = 2.5L Diesel Engine									
1	4864 600	1				EN0			FLANGE, Accessory Drive
2	#55037 556AA	1				EN0			COMPRESSOR, Air Conditioning
3	6503 802	4				EN0			SCREW, M8-1.25
4	4797 754	1				EN0			CUP, A/C DRIVE
5	4797 720AB	1				EN0			SHAFT, Power Steering Pump
6	5503 6677	2				EN0			SPACER, A/C Compressor
7	5503 6678	2				EN0			SPACER, A/C Compressor



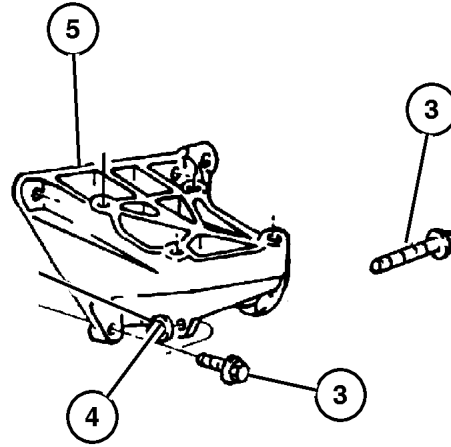
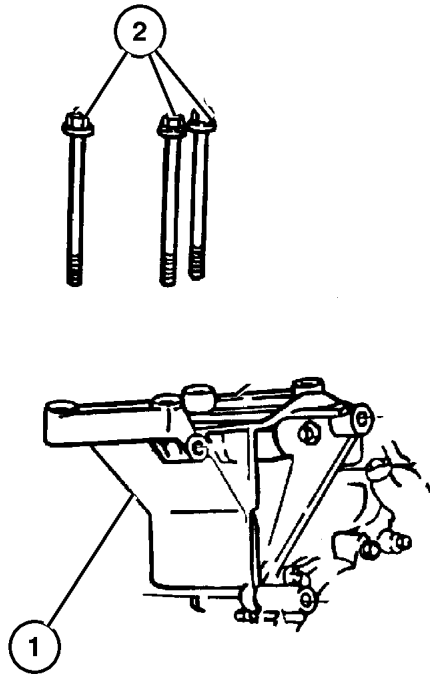
JEEP CHEROKEE (XJ)				
SERIES	LINE	BODY	ENGINE	TRANSMISSION
P=Classic	J=LHD (4WD)	74=4 Dr.(101.4WB)	ENC,EN0=2.5L 4 cyl. Turbo Die	DDD, DDQ=5 spd. Man.
S=Limited	U=RHD (4WD)	72=2 Dr.(101.4WB)	ERH,ER0=4.0L Power Tech I-6	DGS=4 spd. Auto. AISIN
H=Sport	T=LHD (2WD)		EPE,EP0=Magnum 2.5L SMPI	DG0=All Auto/Trans.
L=SE	B=RHD (2WD)			DBB=All Manual Trans.

AR = Use as required - = Non illustrated part # = New this model year

December 7, 2002

Compressor Mounting Figure 024-510

ITEM	PART NUMBER	QTY	LINE	SERIES	BODY	ENGINE	TRANS	TRIM	DESCRIPTION
Note: Sales Code EP0 = 2.5L Gas Engine									
Note: Sales Code ER0 = 4.0L Engine									
1	5301 0207	1	J, T			EP0			BRACKET, Alternator And Compressor
2	6502 957	1	J, T			ER0			BOLT, Hex Flange Head, M10-1.5x90.0
3	J400 7073	2							SCREW AND WASHER, .375-16x1.125
4									NUT, Hex Flange, M10x1.5
	6502 135	1	J, T			EP0			
		1	J, T			ER0			
5	5301 1002	1	J, T			ER0			BRACKET, A/C Compressor



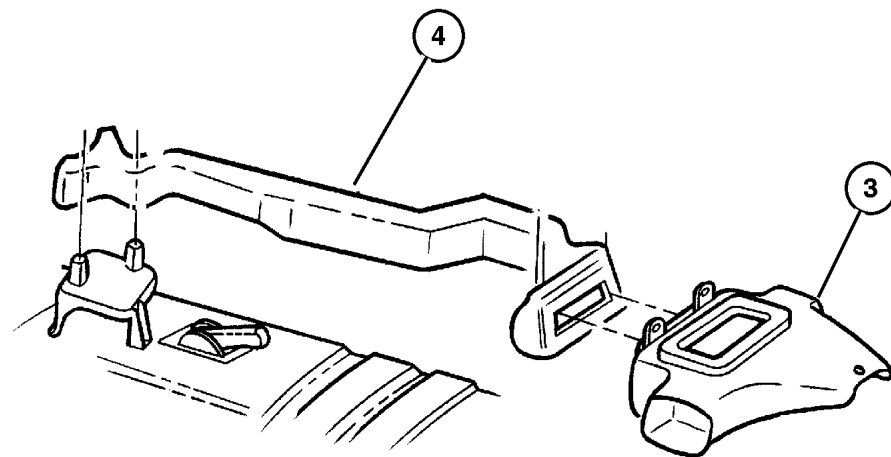
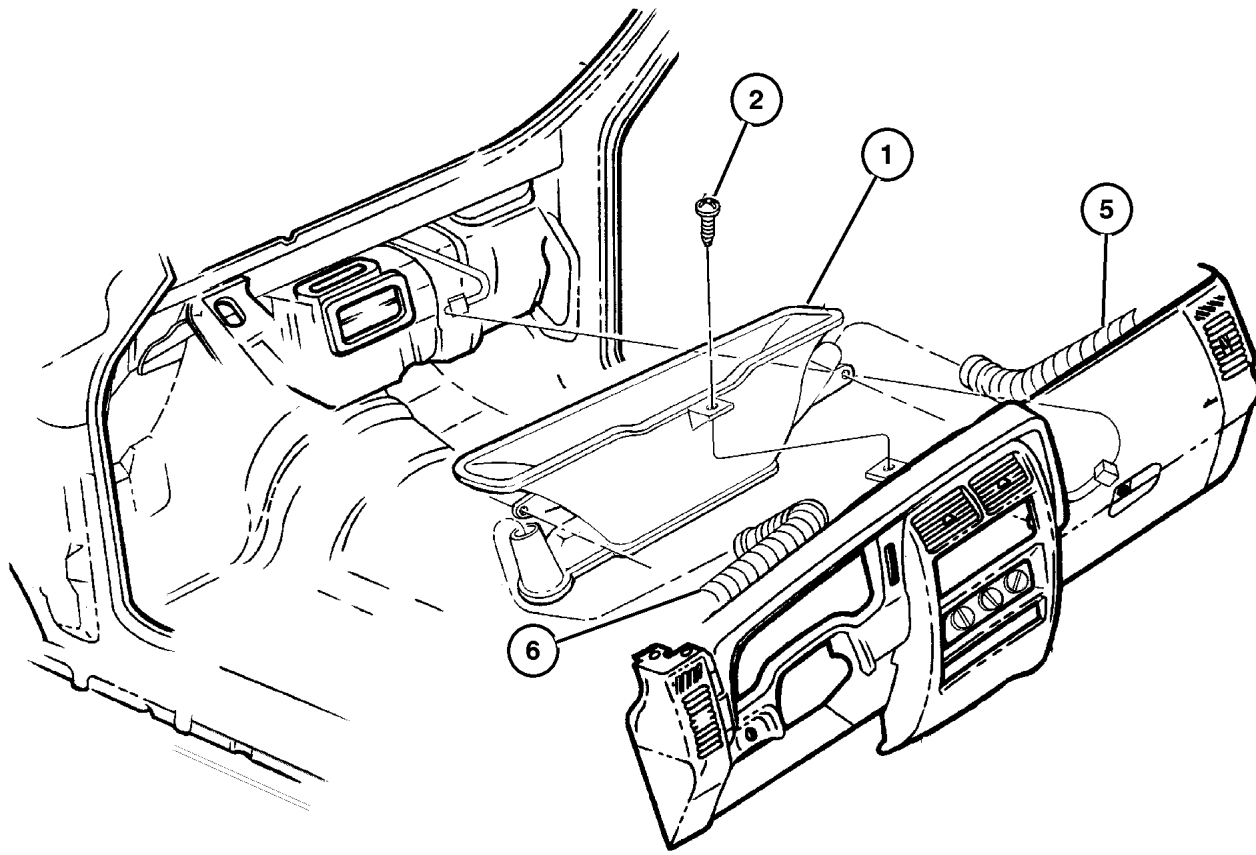
JEEP CHEROKEE (XJ)

SERIES	LINE	BODY	ENGINE	TRANSMISSION
P=Classic	J=LHD (4WD)	74=4 Dr.(101.4WB)	ENC,EN0=2.5L 4 cyl. Turbo Die	DDD, DDQ=5 spd. Man.
S=Limited	U=RHD (4WD)	72=2 Dr.(101.4WB)	ERH,ER0=4.0L Power Tech I-6	DGS=4 spd. Auto. AISIN
H=Sport	T=LHD (2WD)		EPE,EP0=Magnum 2.5L SMPI	DG0=All Auto/Trans.
L=SE	B=RHD (2WD)			DBB=All Manual Trans.

AR = Use as required - = Non illustrated part # = New this model year

December 7, 2002

Air Distribution Ducts Figure 024-610



ITEM	PART NUMBER	QTY	LINE	SERIES	BODY	ENGINE	TRANS	TRIM	DESCRIPTION
1									DUCT, Defroster
	5503 6682	1	J, T						
	5503 6683	1	B, U						
2	6032 723	3							SCREW, Self Tapping, M4.2x1.69x19.05
3									DUCT, Floor Console
	5503 6869	1	J, T						
	5503 6870	1	B, U						
4	55036 789AB	1							DUCT, Rear Floor Heat
5	5511 5494	1	B, U						HOSE, Demister, Right
6	5511 5495	1	B, U						HOSE, Demister, Left
-7	5503 7040	1	B, U						DUCT, Demister, Right

JEEP CHEROKEE (XJ)

SERIES	LINE	BODY	ENGINE	TRANSMISSION
P=Classic	J=LHD (4WD)	74=4 Dr.(101.4WB)	ENC,EN0=2.5L 4 cyl. Turbo Die	DDD, DDQ=5 spd. Man.
S=Limited	U=RHD (4WD)	72=2 Dr.(101.4WB)	ERH,ER0=4.0L Power Tech I-6	DGS=4 spd. Auto. AISIN
H=Sport	T=LHD (2WD)		EPE,EP0=Magnum 2.5L SMPI	DG0=All Auto/Trans.
L=SE	B=RHD (2WD)			DBB=All Manual Trans.

AR = Use as required - = Non illustrated part # = New this model year

December 7, 2002

Group – 025

Emission Systems

GROUP 25 - Emission Systems

Illustration Title

Group-Fig. No.

Emission Labels

Emission Labels 2.5L (EPE), 2.5L (ENC) Diesel, 4.0L (ERH) Engine Fig. 025-120

EGR System

EGR System 2.5L (ENC) Diesel Engine Fig. 025-220

Vacuum Canister

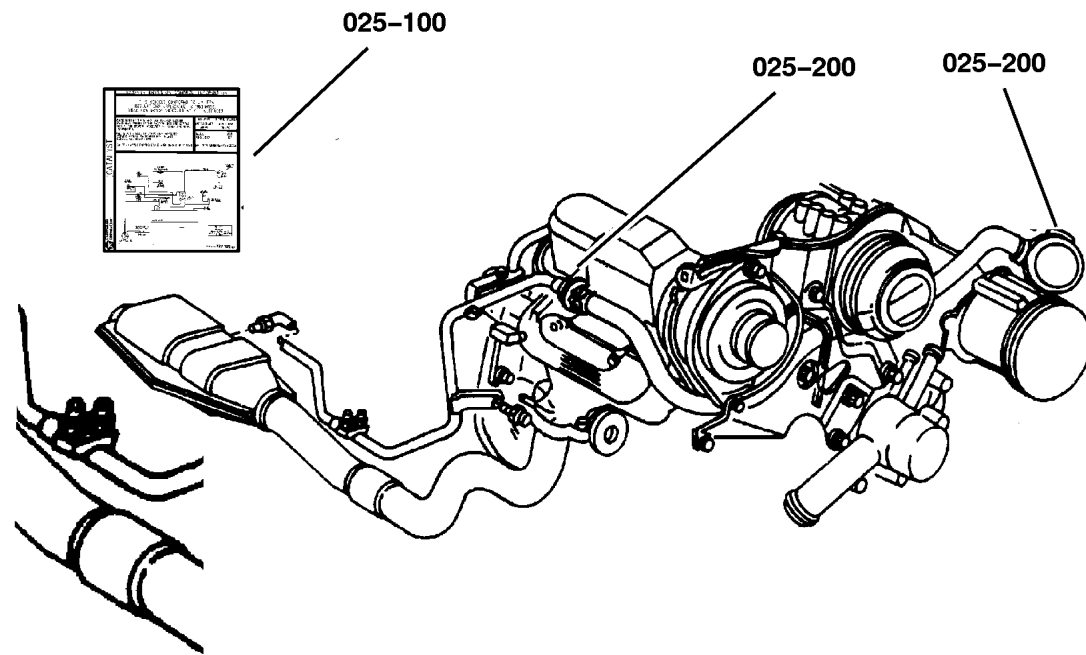
Vacuum Canister 2.5L, 4.0L Engine Fig. 025-335

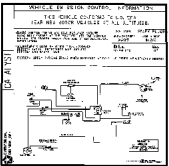
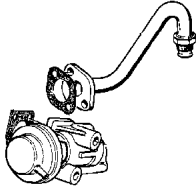
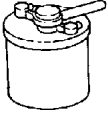
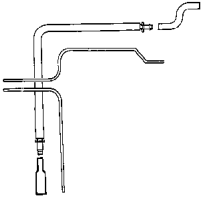
Emission Harness

Emission Control Vacuum Harness 2.5L (EPE), 4.0L (ERH) Engine Fig. 025-430

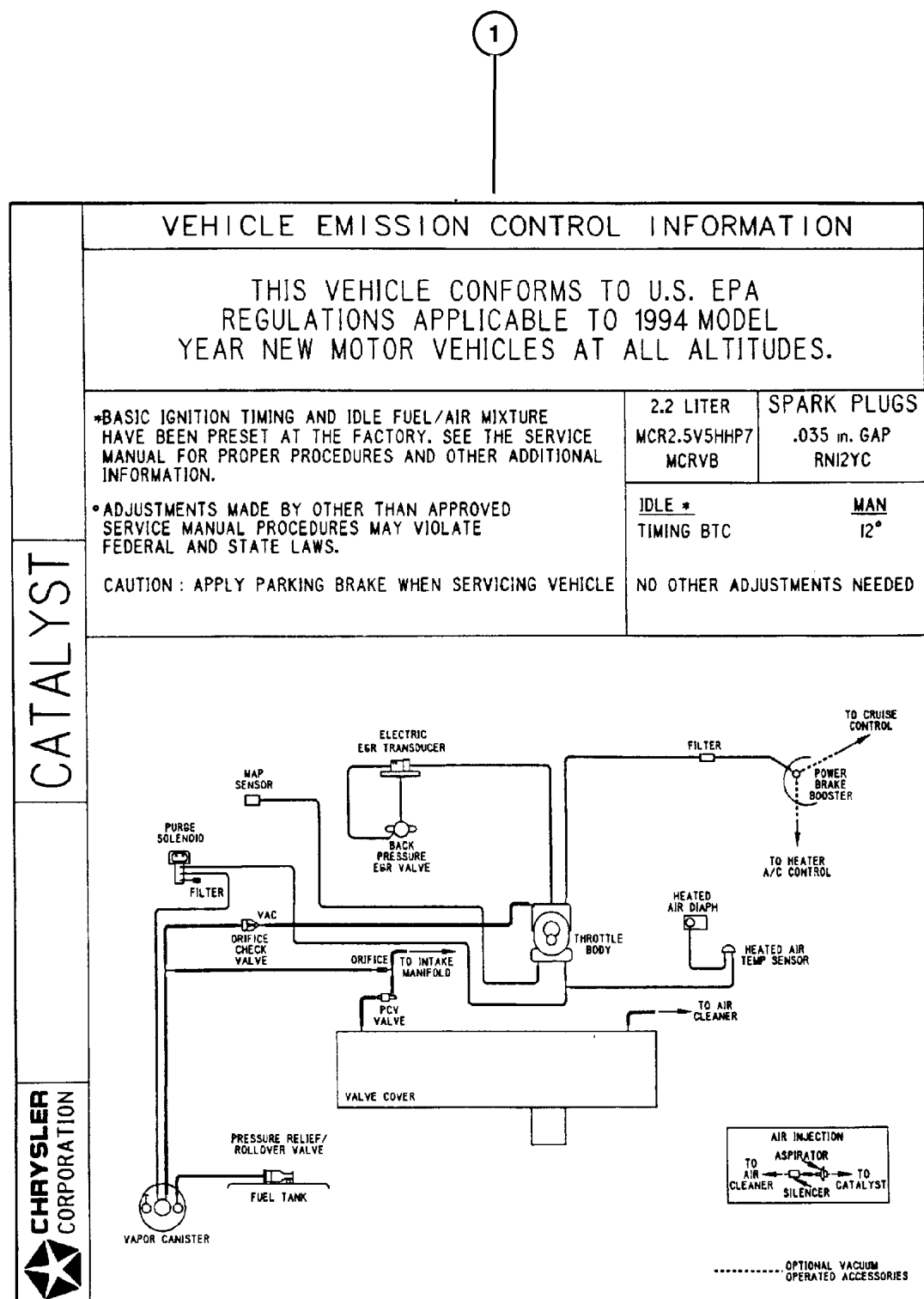
Emission Control Vacuum Harness 2.5L (ENC) Diesel Engine Fig. 025-450

Leak Detection Pump Fig. 025-460



<p>025-100 Emission Labels</p> 	<p>025-200 EGR System</p> 	<p>025-300 Vacuum Canister</p> 	<p>025-400 Emission Harness</p> 
---	--	---	--

**Emission Labels 2.5L (EPE), 2.5L (ENC) Diesel, 4.0L (ERH) Engine
Figure 025-120**



ITEM	PART NUMBER	QTY	LINE	SERIES	BODY	ENGINE	TRANS	TRIM	DESCRIPTION
------	-------------	-----	------	--------	------	--------	-------	------	-------------

NOTE: EN0=All 2.5L Diesel Engines, EPE= 2.5L Power Tech I-4, ERH= 4.0L Power Tech I-6,
DBB= Manual Transmissions, DGS= 4 Speed Automatic Transmissions

1									LABEL, Emission
	#53013 446AA	1	J		72	ERH	DGS		Federal
	#53013 450AA	1	B, T			ERH			Canada
		1	J		72	ERH	DBB		Canada, (H) Series
		1	J		72	ERH			Canada, (L) Series
	#53013 451AA	1	B, T			ERH			California
		1	J		72	ERH	DBB		California
		1	J		72	ERH	DGS		California, (L) Series
		1	B, T			ERH			Northeastern States
		1	J		72	ERH	DBB		Northeastern States
		1	J		72	ERH	DGS		Northeastern States, (L) Series
	#53013 452AA	1				ERH			Europe III
	#53013 446AA	1	J		74	ERH			Federal
	#53013 453AA	1	J		72	ERH	DGS		California, (H) Series
		1	J		74	ERH			California
		1	U			ERH			California
		1	J		72	ERH	DGS		Northeastern States, (H) Series
		1	J		74	ERH			Northeastern States
		1	U			ERH			Northeastern States
	53014 004AA	1	J, U			EN0			Australia
	#53032 266AA	1				EPE			Federal
	#53032 267AA	1				EPE			Canada
	#53032 271AA	1				EPE			Europe II
	#53013 446AA	1	U			ERH	DGS		Federal
	#53032 272AA	1				EPE			California
		1				EPE			Northeastern States
	#53013 447AA	1	J		72	ERH	DGS		Canada
		1	J		74	ERH			Canada
	#53013 448AA	1				ERH			Europe II
	#53013 449AA	1	B, T			ERH			Federal
		1	J		72	ERH	DBB		Federal, (H) Series
		1	J		72	ERH			Federal, (L) Series

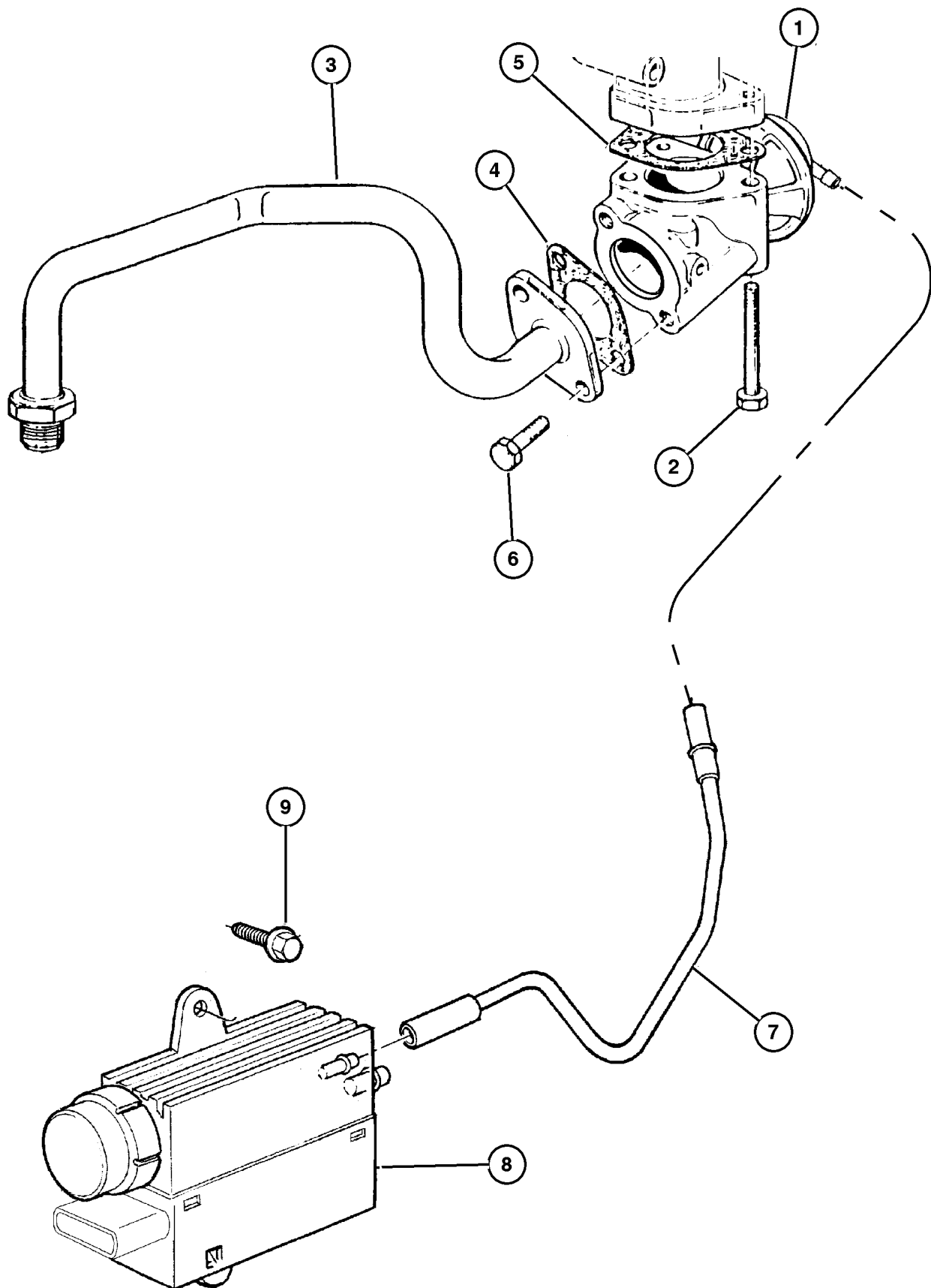
JEEP CHEROKEE (XJ)				
SERIES	LINE	BODY	ENGINE	TRANSMISSION
P=Classic	J=LHD (4WD)	74=4 Dr.(101.4WB)	ENC,EN0=2.5L 4 cyl. Turbo Die	DDD, DDQ=5 spd. Man.
S=Limited	U=RHD (4WD)	72=2 Dr.(101.4WB)	ERH,ER0=4.0L Power Tech I-6	DGS=4 spd. Auto. AISIN
H=Sport	T=LHD (2WD)		EPE,EP0=Magnum 2.5L SMPI	DG0=All Auto/Trans.
L=SE	B=RHD (2WD)			DBB=All Manual Trans.

AR = Use as required - = Non illustrated part # = New this model year

December 7, 2002

EGR System 2.5L (ENC) Diesel Engine
Figure 025-220

ITEM	PART NUMBER	QTY	LINE	SERIES	BODY	ENGINE	TRANS	TRIM	DESCRIPTION
NOTE: EN0=All 2.5L Diesel Engines									
1	4882 409	1				EN0			VALVE, EGR
2	5003 565AA	2				EN0			BOLT
3	4864 751	1				EN0			PIPE, EGR to Manifold
4	4720 208	1				EN0			GASKET, EGR Tube Flange
5	#5017 196AA	1				EN0			GASKET, EGR Tube
6	4864 537	1				EN0			BOLT, 8Mx20
7	5303 1542	1				EN0			TUBE, Exhaust Gas Recovery
8	5602 7094	1				EN0			MODULATOR, Vacuum Electric
9									SCREW/WASHER, Hex Head, .250-14x.500, (NOT SERVICED) (Not Serviced)

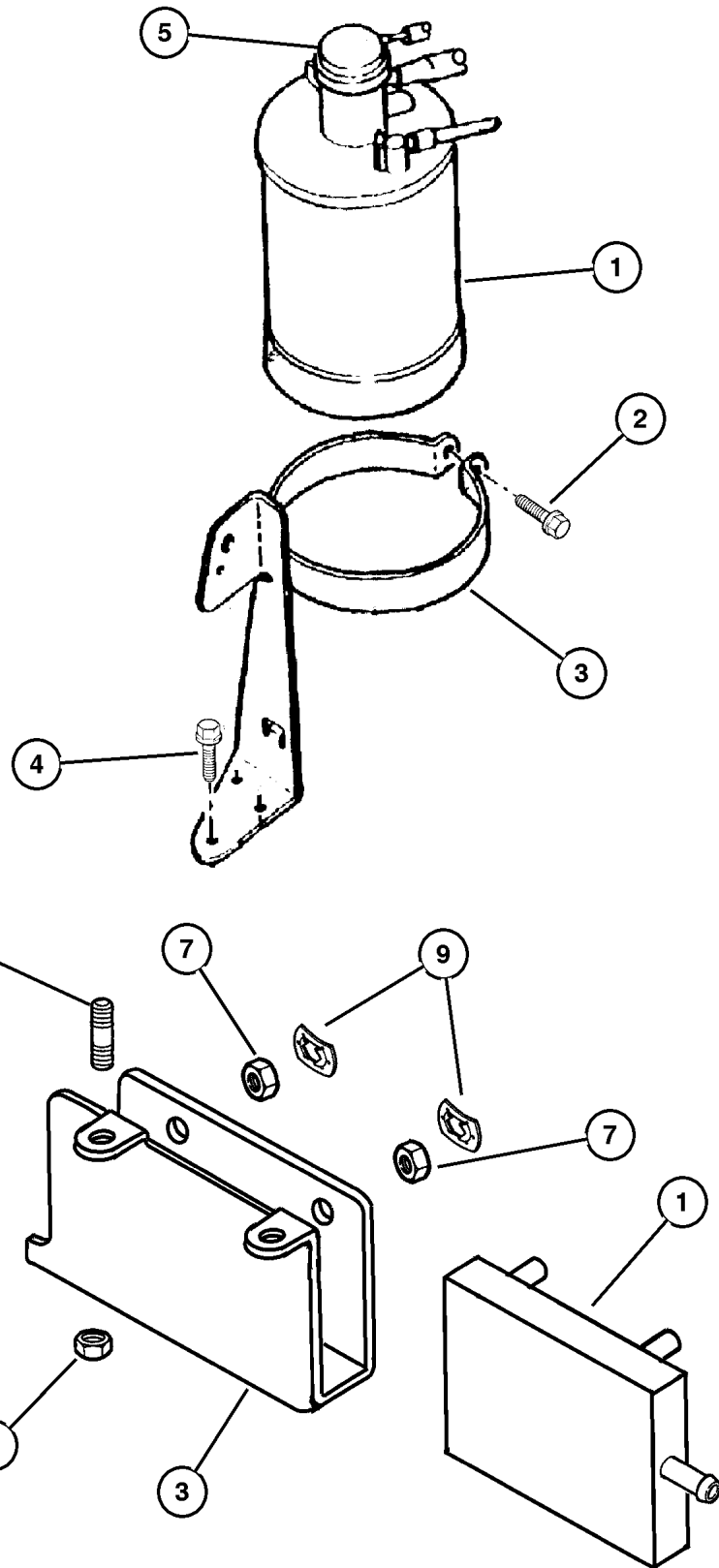


JEEP CHEROKEE (XJ)				
SERIES	LINE	BODY	ENGINE	TRANSMISSION
P=Classic	J=LHD (4WD)	74=4 Dr.(101.4WB)	ENC,EN0=2.5L 4 cyl. Turbo Die	DDD, DDQ=5 spd. Man.
S=Limited	U=RHD (4WD)	72=2 Dr.(101.4WB)	ERH,ER0=4.0L Power Tech I-6	DGS=4 spd. Auto. AISIN
H=Sport	T=LHD (2WD)		EPE,EP0=Magnum 2.5L SMPI	DG0=All Auto/Trans.
L=SE	B=RHD (2WD)			DBB=All Manual Trans.

AR = Use as required - = Non illustrated part # = New this model year

December 7, 2002

Vacuum Canister 2.5L, 4.0L Engine
Figure 025-335



ITEM	PART NUMBER	QTY	LINE	SERIES	BODY	ENGINE	TRANS	TRIM	DESCRIPTION
Note: EPO= All 2.5L Gas Engines, ERO= All 4.0L Gas Engines									
1	4854 112	1				EP0, ER0			CANISTER, Vapor Federal, California
	53031 904AB	1				EP0, ER0			Europe II, Leaded Fuel
2	J942 0882	1				EP0, ER0			SCREW, Hex Flange Head, .25- 14x1.50
3	53013 040AC	1				EP0, ER0			BRACKET, Vapor Canister Federal, California
	5300 7836	1	J, T			EP0, ER0			Europe II, Leaded Fuel
4	6035 058	3	J, T			EP0, ER0			SCREW, Hex Flange Head, .19-16x. 50
5	4192 074	1				EP0, ER0			CAP, Vapor Canister
6	6503 951	2				EP0, ER0			STUD, M6X1.00X.250-14X30.00
7	4669 177	2				EP0, ER0			GROMMET, Air Cleaner Bracket
8	6500 284	2				EP0, ER0			NUT, Hex, M6x1.00
9	0441 263	2				EP0, ER0			NUT, Push

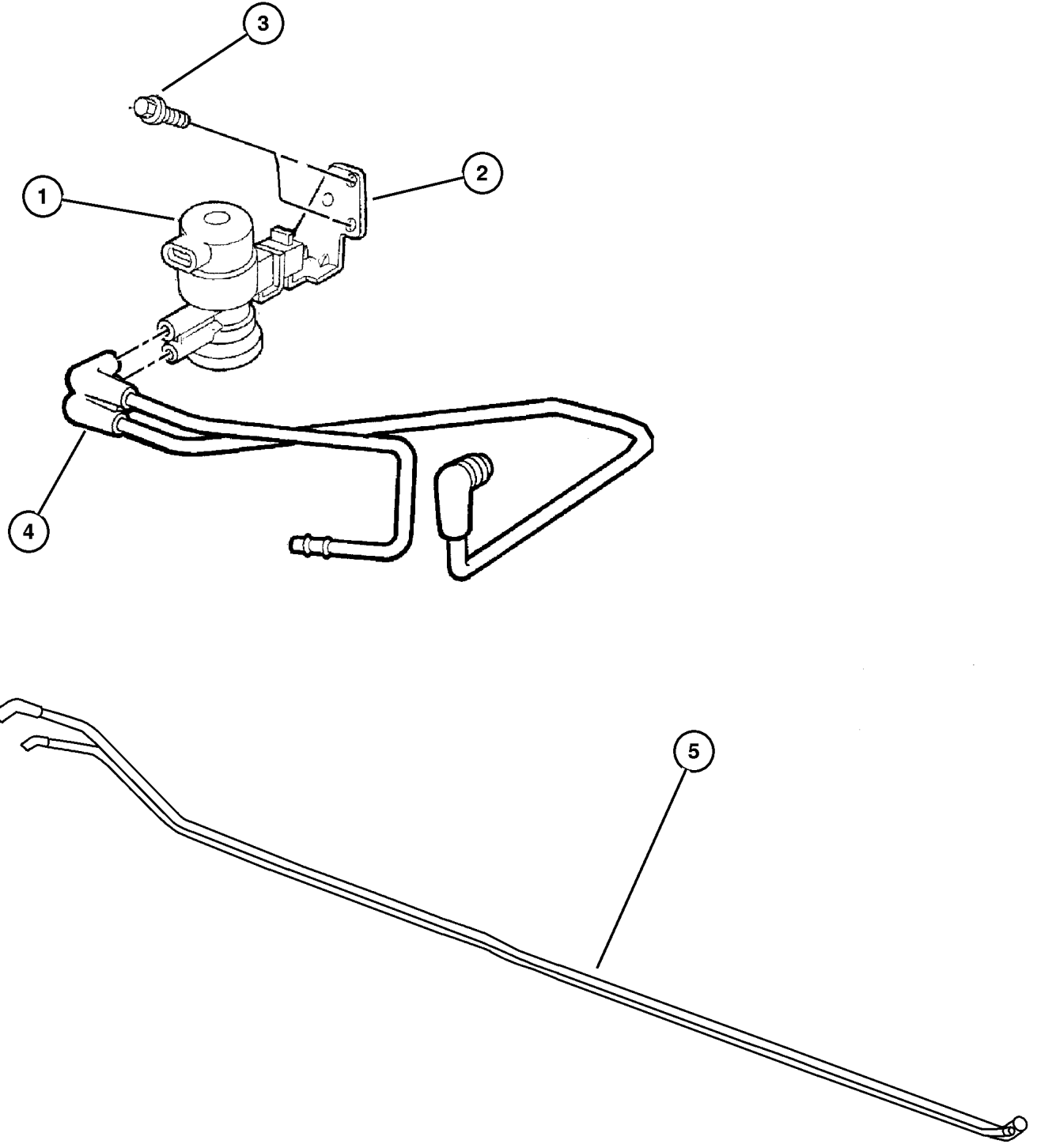
JEEP CHEROKEE (XJ)

SERIES	LINE	BODY	ENGINE	TRANSMISSION
P=Classic	J=LHD (4WD)	74=4 Dr.(101.4WB)	ENC,EN0=2.5L 4 cyl. Turbo Die	DDD, DDQ=5 spd. Man.
S=Limited	U=RHD (4WD)	72=2 Dr.(101.4WB)	ERH,ER0=4.0L Power Tech I-6	DGS=4 spd. Auto. AISIN
H=Sport	T=LHD (2WD)		EPE,EP0=Magnum 2.5L SMPI	DG0=All Auto/Trans.
L=SE	B=RHD (2WD)			DBB=All Manual Trans.

AR = Use as required - = Non illustrated part # = New this model year

December 7, 2002

**Emission Control Vacuum Harness 2.5L (EPE), 4.0L (ERH) Engine
Figure 025-430**

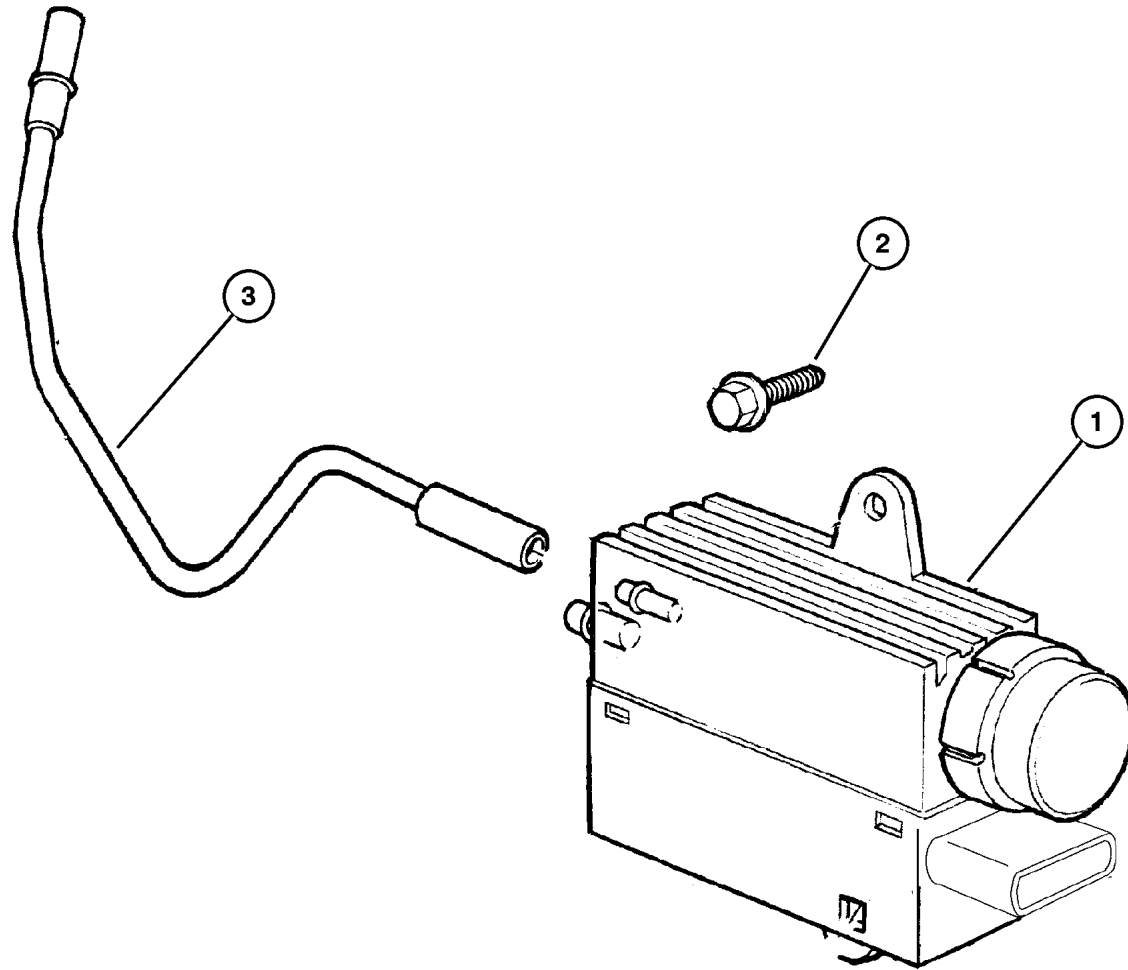


ITEM	PART NUMBER	QTY	LINE	SERIES	BODY	ENGINE	TRANS	TRIM	DESCRIPTION
NOTE: EP0=All 2.5L Gas Engines ER0=All 4.0L Engines									
1	4669 475AB	1				EP0, ER0			SOLENOID, Duty Cycle Purge
2	56027 773AB	1				EP0, ER0			BRACKET, Duty Cycle Purge Solenoid
3	6032 988	2							SCREW
4									HARNESS, Duty Cycle Purge Solenoid
	4854 896AB	1	J, T			ER0			
	4854 149	1	B, U			EP0			
	4854 151AC	1	B, U			ER0			
	4854 895	1	J, T			EP0			
5									HARNESS, Vacuum Body Side
	4854 207AC	1				ER0			
		1				EP0			
-6									PORT, Emission Testing
	4591 090	1	J, T			EP0			
		1	B, U			EP0			
		1	J, T			ER0			
		1	B, U			ER0			
-7	4854 138AE	1	J, T			ER0			HARNESS, Vapor Purge

JEEP CHEROKEE (XJ)				
SERIES	LINE	BODY	ENGINE	TRANSMISSION
P=Classic	J=LHD (4WD)	74=4 Dr.(101.4WB)	ENC,EN0=2.5L 4 cyl. Turbo Die	DDD, DDQ=5 spd. Man.
S=Limited	U=RHD (4WD)	72=2 Dr.(101.4WB)	ERH,ER0=4.0L Power Tech I-6	DGS=4 spd. Auto. AISIN
H=Sport	T=LHD (2WD)		EPE,EP0=Magnum 2.5L SMPI	DG0=All Auto/Trans.
L=SE	B=RHD (2WD)			DBB=All Manual Trans.

Emission Control Vacuum Harness 2.5L (ENC) Diesel Engine
Figure 025-450

ITEM	PART NUMBER	QTY	LINE	SERIES	BODY	ENGINE	TRANS	TRIM	DESCRIPTION
NOTE: ENO= All 2.5L Diesel Engines									
1	5602 7094	1				ENO			MODULATOR, Vacuum Electric
2	6034 959	2				ENO			SCREW, Hex Flange Head, .25-14x. 549
3	5303 1542	1				ENO			TUBE, Exhaust Gas Recovery

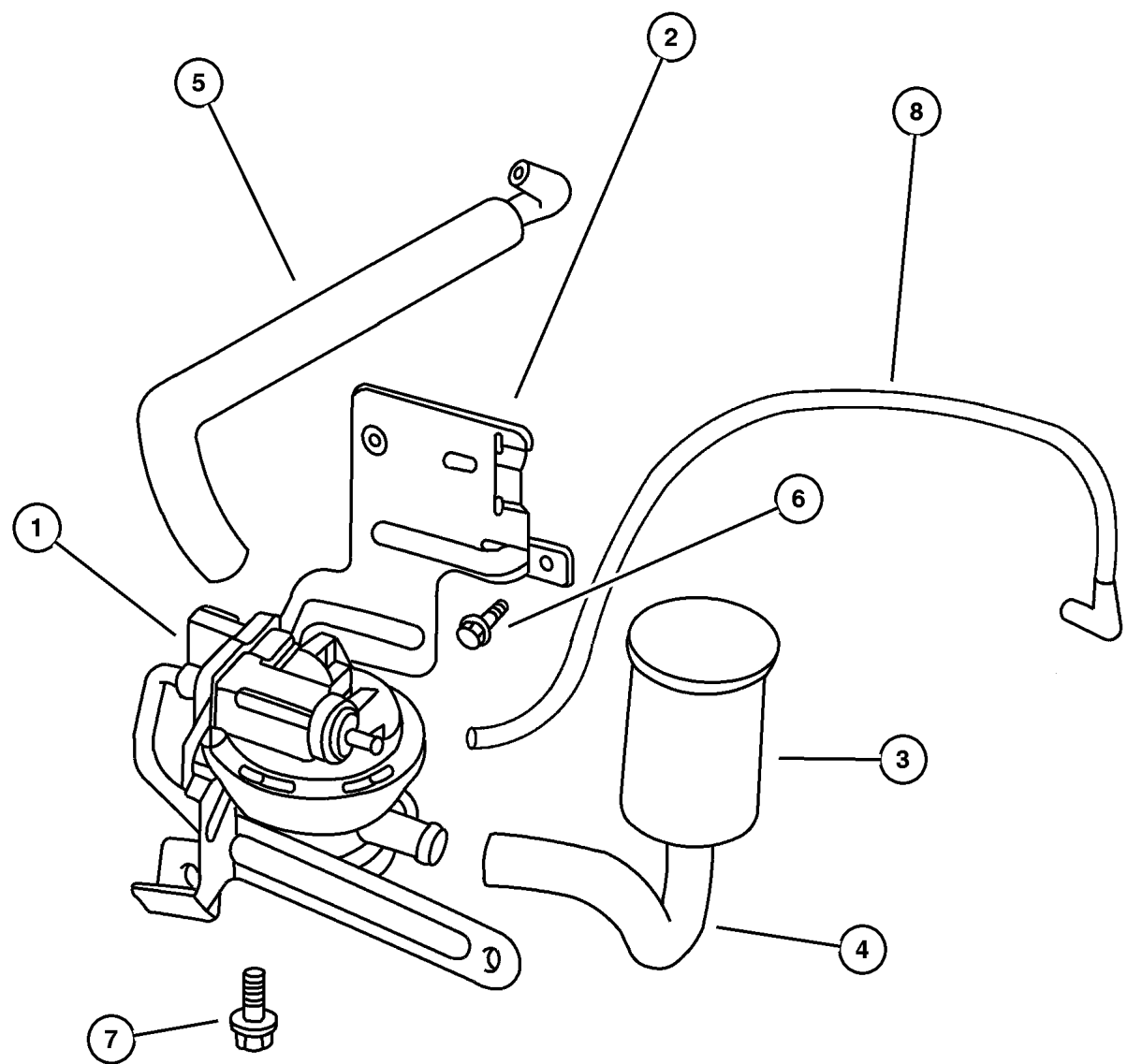


JEEP CHEROKEE (XJ)				
SERIES	LINE	BODY	ENGINE	TRANSMISSION
P=Classic	J=LHD (4WD)	74=4 Dr.(101.4WB)	ENC,ENO=2.5L 4 cyl. Turbo Die	DDD, DDQ=5 spd. Man.
S=Limited	U=RHD (4WD)	72=2 Dr.(101.4WB)	ERH,ER0=4.0L Power Tech I-6	DGS=4 spd. Auto. AISIN
H=Sport	T=LHD (2WD)		EPE,EP0=Magnum 2.5L SMPI	DG0=All Auto/Trans.
L=SE	B=RHD (2WD)			DBB=All Manual Trans.

AR = Use as required - = Non illustrated part # = New this model year

December 7, 2002

Leak Detection Pump Figure 025-460



ITEM	PART NUMBER	QTY	LINE	SERIES	BODY	ENGINE	TRANS	TRIM	DESCRIPTION
Note: EPO= All 2.5L Gas Engines, ERO= All 4.0L Gas Engines									
1	53013 113AA	1	J, T			EPO, ERO			PUMP, Leak Detection
2	4854 184	1	J, T			EPO, ERO			BRACKET, Leak Detection Pump
3	4612 901	1	J, T			EPO, ERO			FILTER, Fuel Vapor Vent
4	53013 001AA	1	J, T			EPO, ERO			HOSE, Leak Detection Pump
5	53013 030AB	1	J, T			EPO, ERO			HOSE, Leak Detection Pump
6									SCREW, M6x1.00x11.00, (NOT SERVICED) (Not Serviced)
7	6035 482	3	J, T			EPO, ERO			SCREW, Tapping, .19-16x.375
8	53013 042AB	1	J, T			EPO			TUBE, LDP to Intake Manifold
	53013 043AB	1	J, T			ERO			

JEEP CHEROKEE (XJ)				
SERIES	LINE	BODY	ENGINE	TRANSMISSION
P=Classic	J=LHD (4WD)	74=4 Dr.(101.4WB)	ENC,EN0=2.5L 4 cyl. Turbo Die	DDD, DDQ=5 spd. Man.
S=Limited	U=RHD (4WD)	72=2 Dr.(101.4WB)	ERH,ER0=4.0L Power Tech I-6	DGS=4 spd. Auto. AISIN
H=Sport	T=LHD (2WD)		EPE,EP0=Magnum 2.5L SMPI	DG0=All Auto/Trans.
L=SE	B=RHD (2WD)			DBB=All Manual Trans.

AR = Use as required - = Non illustrated part # = New this model year December 7, 2002

Group – DXJ

Doors and Related Parts

GROUP DXJ - Doors and Related Parts

Illustration Title

Group-Fig. No.

Front Door

Door, Front, Shell and Hinges	Fig. DXJ-110
Door, Front, Glass and Controls	Fig. DXJ-120
Door, Front, Lock and Controls	Fig. DXJ-130

Rear Door

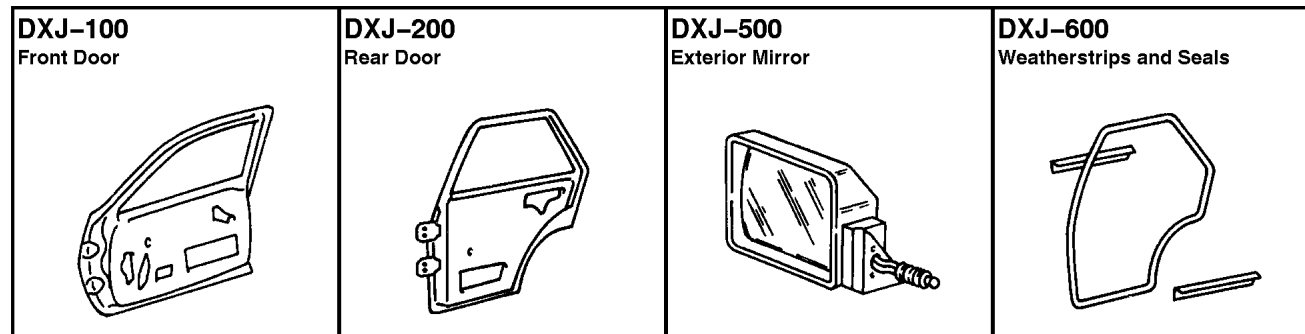
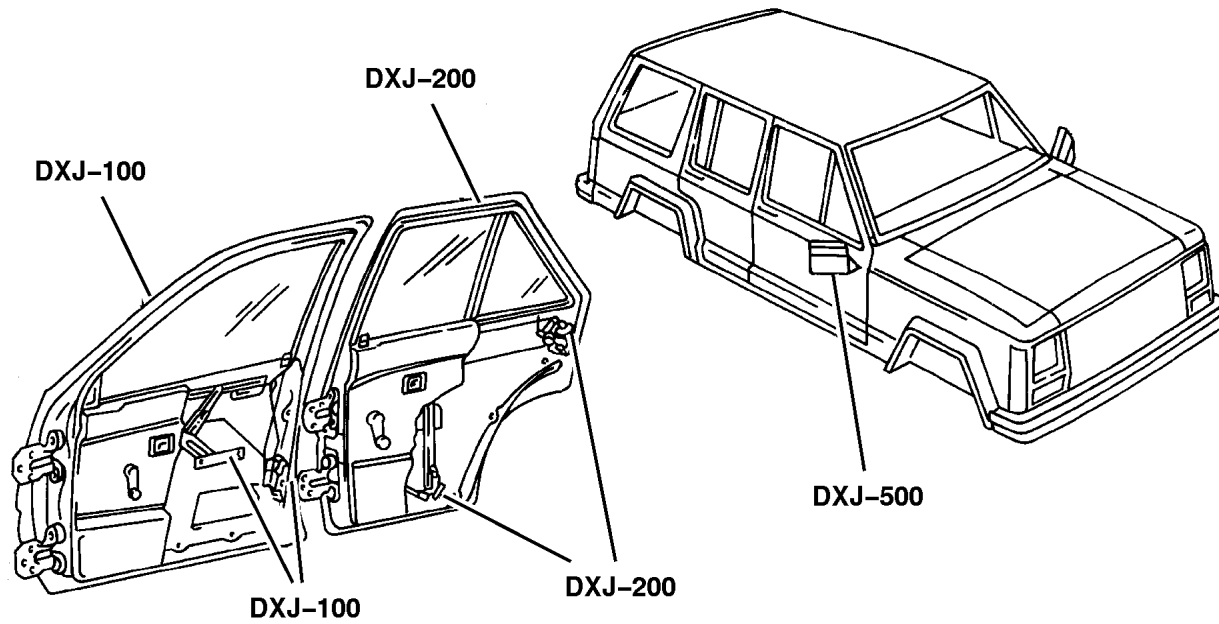
Door, Rear, Shell and Hinges	Fig. DXJ-210
Door, Rear, Glass and Regulator	Fig. DXJ-220
Door, Rear, Lock and Controls	Fig. DXJ-230

Exterior Mirror

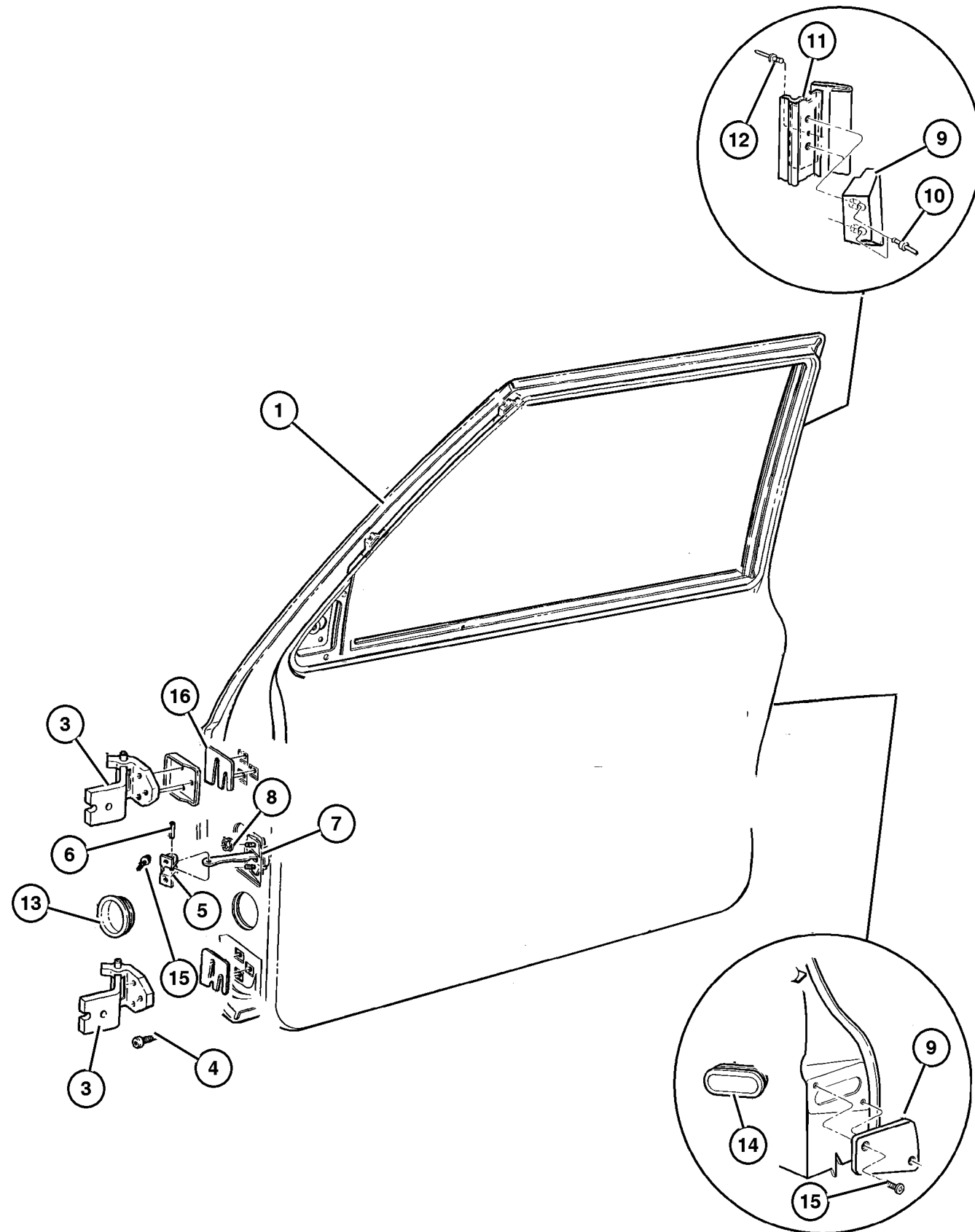
Mirrors, Exterior	Fig. DXJ-510
-------------------------	--------------

Weatherstrips and Seals

Door, Front	Fig. DXJ-610
Door, Rear	Fig. DXJ-620



Door, Front, Shell and Hinges Figure DXJ-110



ITEM	PART NUMBER	QTY	LINE	SERIES	BODY	ENGINE	TRANS	TRIM	DESCRIPTION
1									DOOR, Front
	55235 906AA	1			74				Right
	55235 907AA	1			74				Left
	55175 424AF	1	J, T, U		72				Right
	55175 425AF	1	J, T, U		72				Left
-2									PANEL, Door Outer Repair
	5003 402AB	1			74				Right
	5003 403AA	1			74				Left
	5003 400AA	1	J, T, U		72				Right
	5003 401AA	1	J, T, U		72				Left
3	55235 368AC	4							HINGE, Door
4	6505 434AA	12							SCREW, M8-1.25
5	5500 2361	2							BRACKET, Check Arm
6	5501 2900	2							PIN, Check Arm
7	55235 571AB	2							CHECK, Front Door
8									LOCK NUT, Hex Flange, M6-1.00, (NOT SERVICED) (Not Serviced)
9									SPACER, Door
	5507 4906	1	J, T, U		72				Lower Right
	5507 4907	1	J, T, U		72				Lower Left
	5507 4908	1	J, T, U		72				Upper Right
	5507 4909	1	J, T, U		72				Upper Left
10	J400 6990	2							RIVET, Blind Expansion (R-Lok)
11	5500 6216	2	J, T, U		72				REINFORCEMENT, Door Spacer
12	3420 1684	2							RIVET, M3.18x2.37
13	5500 2367	2							PLUG, Door Wiring Conduit
14	5500 2368	2							PLUG, Door Latch
15									SCREW, (NOT SERVICED) (Not Serviced)
16	5500 4920	AR							SHIM

JEEP CHEROKEE (XJ)

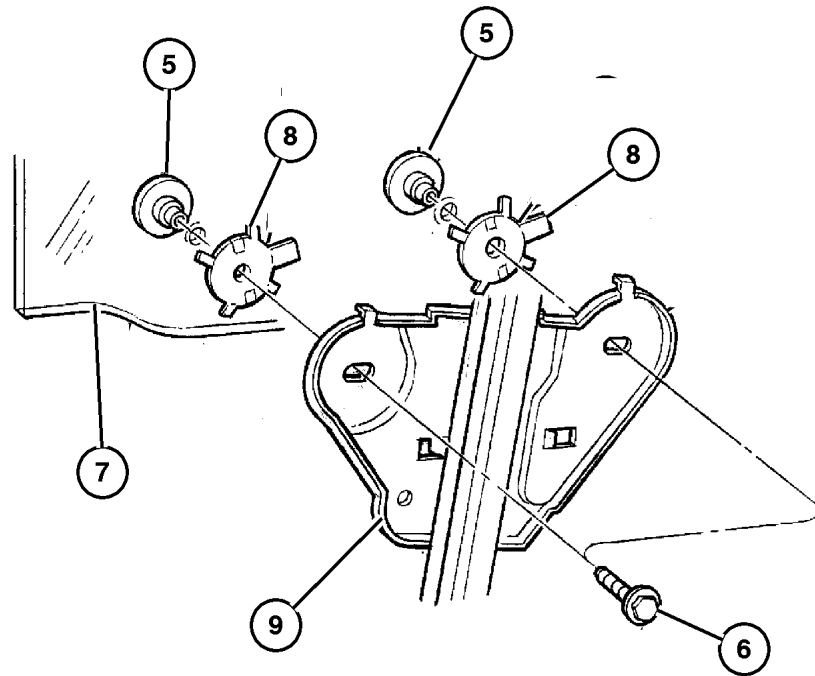
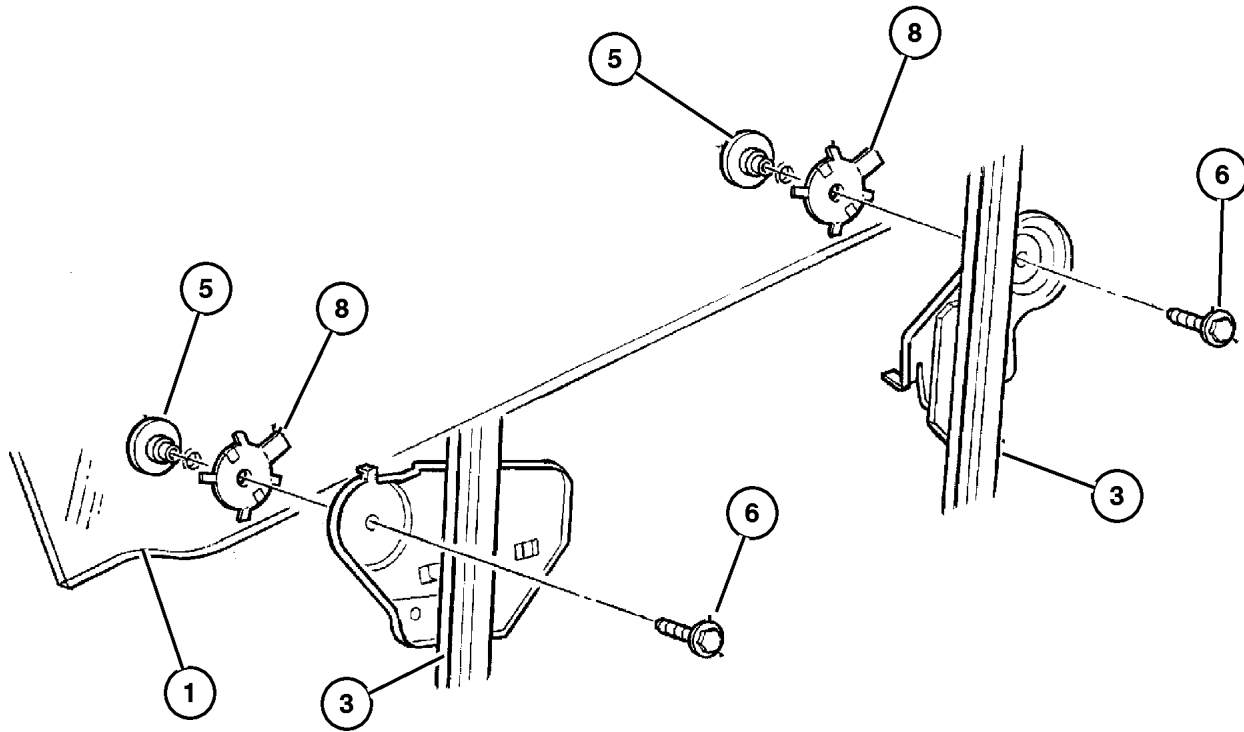
SERIES	LINE	BODY	ENGINE	TRANSMISSION
P=Classic	J=LHD (4WD)	74=4 Dr.(101.4WB)	ENC,EN0=2.5L 4 cyl. Turbo Die	DDD, DDQ=5 spd. Man.
S=Limited	U=RHD (4WD)	72=2 Dr.(101.4WB)	ERH,ER0=4.0L Power Tech I-6	DGS=4 spd. Auto. AISIN
H=Sport	T=LHD (2WD)		EPE,EP0=Magnum 2.5L SMPI	DG0=All Auto/Trans.
L=SE	B=RHD (2WD)			DBB=All Manual Trans.

AR = Use as required - = Non illustrated part # = New this model year

December 7, 2002

Door, Front, Glass and Controls
Figure DXJ-120

ITEM	PART NUMBER	QTY	LINE	SERIES	BODY	ENGINE	TRANS	TRIM	DESCRIPTION
1									GLASS, Door
	5517 5436	1	J, T, U		72				Right
	5517 5437	1	J, T, U		72				Left
-2									CHANNEL, Glass Run Lower
	55076 172AB	1			74				Right
	55076 173AB	1			74				Left
3									REGULATOR, Front Door Window
	55076 276AH	1	J, T, U		72				Without Power, Right
	55076 277AH	1	J, T, U		72				Without Power, Left
	55155 012AJ	1	J, T, U		72				With Power, Right
	55155 013AJ	1	J, T, U		72				With Power, Left
	55076 052AF	1			74				Without Power, Right
	55076 053AF	1			74				Without Power, Left
	55154 958AH	1			74				With Power, Right
	55154 959AH	1			74				With Power, Left
-4	FW80 TAZ	2	J, T, U						HANDLE, Window Regulator, Grey
5	4415 943	4							RETAINER, Glass to Liftplate
6	3420 1807	2							BOLT, Hex Flange Head, M6x1.00x16
7									GLASS, Front Door
	5517 5430	1			74				Right
	5517 5431	1			74				Left
8	3502 6818	4							RETAINER, Glass to Liftplate
9									REGULATOR, Front Door Window
	55076 052AF	1			74				Without Power, Right
	55076 053AF	1			74				Without Power, Left
	55154 958AH	1			74				With Power, Right
	55154 959AH	1			74				With Power, Left



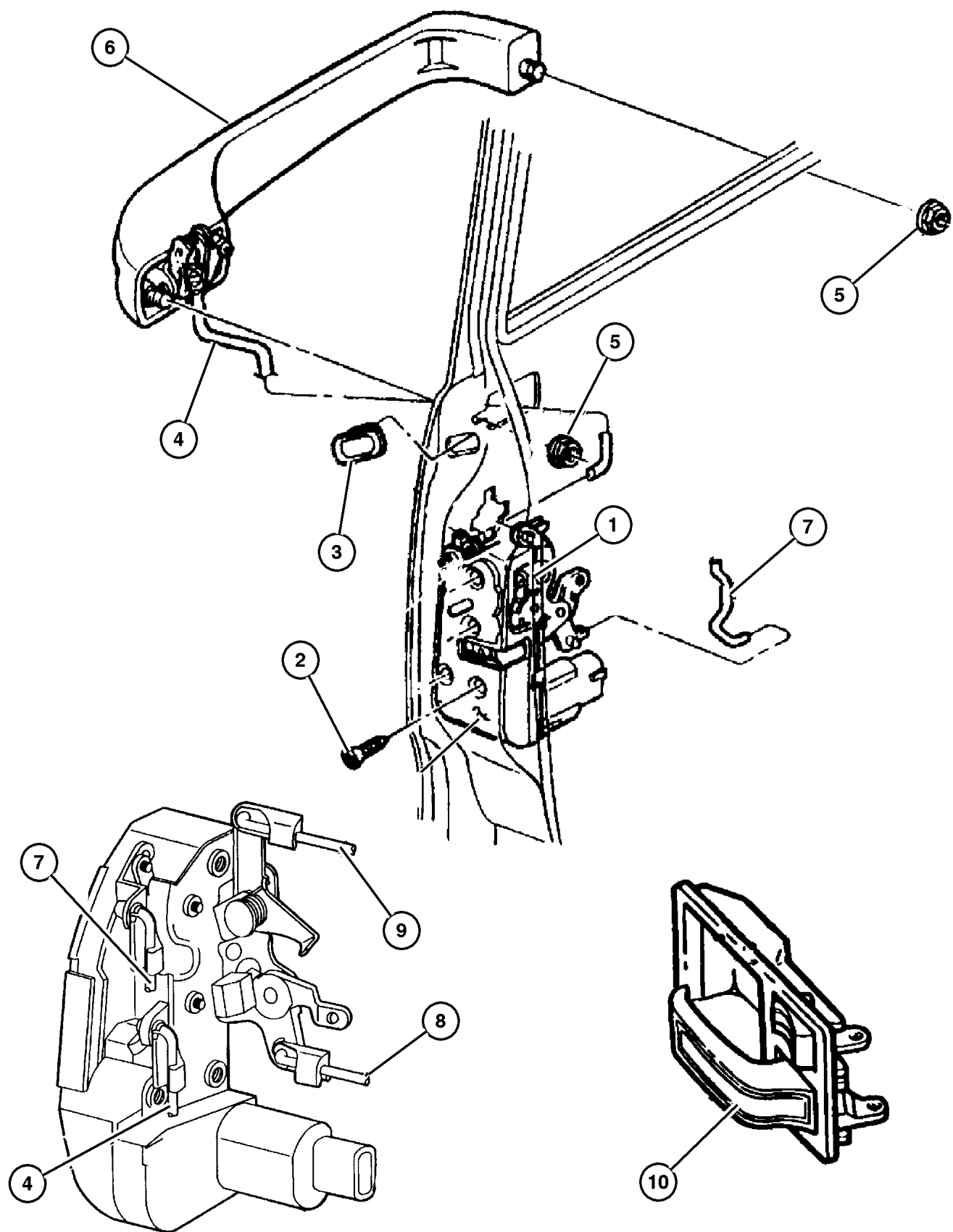
JEEP CHEROKEE (XJ)

SERIES	LINE	BODY	ENGINE	TRANSMISSION
P=Classic	J=LHD (4WD)	74=4 Dr.(101.4WB)	ENC,EN0=2.5L 4 cyl. Turbo Die	DDD, DDQ=5 spd. Man.
S=Limited	U=RHD (4WD)	72=2 Dr.(101.4WB)	ERH,ER0=4.0L Power Tech I-6	DGS=4 spd. Auto. AISIN
H=Sport	T=LHD (2WD)		EPE,EP0=Magnum 2.5L SMPI	DG0=All Auto/Trans.
L=SE	B=RHD (2WD)			DBB=All Manual Trans.

AR = Use as required - = Non illustrated part # = New this model year

December 7, 2002

Door, Front, Lock and Controls
Figure DXJ-130



ITEM	PART NUMBER	QTY	LINE	SERIES	BODY	ENGINE	TRANS	TRIM	DESCRIPTION
1									LATCH PKG, FRONT DOOR
	4798 914AC	1							Right
	4798 915AC	1							Left
2	6033 876	6							SCREW, Tapping, M6.3x1.8x38.1
3	5500 2368	2							PLUG, Door Latch
4									ROD, Outside Handle to Latch
	5507 6226	1	J, T, U		72				Right
	5507 6227	1	J, T, U		72				Left
	5523 5318	1			74				Right
	5523 5319	1			74				Left
5	6503 226	4							NUT, Hex Flange, M5x.8
6									HANDLE, Exterior Door
	55076 056AB	1			74				Right
	55076 057AB	1			74				Left
7									LINK, Key Cylinder To Latch
	5507 6046	1	J, T, U		72				Right
	5507 6047	1	J, T, U		72				Left
	5523 5326	1			74				Right
	5523 5327	1			74				Left
8									LINK, Latch Release
	55076 040AB	1			74				Right
	55076 041AB	1			74				Left
	55076 316AC	1	J, T, U		72				Right
	55076 317AC	1	J, T, U		72				Left
9									ROD, Inside Lock to Latch
	55076 272AC	1			74				Right
	55076 273AC	1			74				Left
	55076 320AB	1	J, T, U		72				Right
	55076 321AB	1	J, T, U		72				Left
10									HANDLE, Door Interior, 6505449AA
	5507 6054	1			74				Rivet Right
		1	J, T		72				Right
	5507 6055	1			74				Left
		1	J, T		72				Left

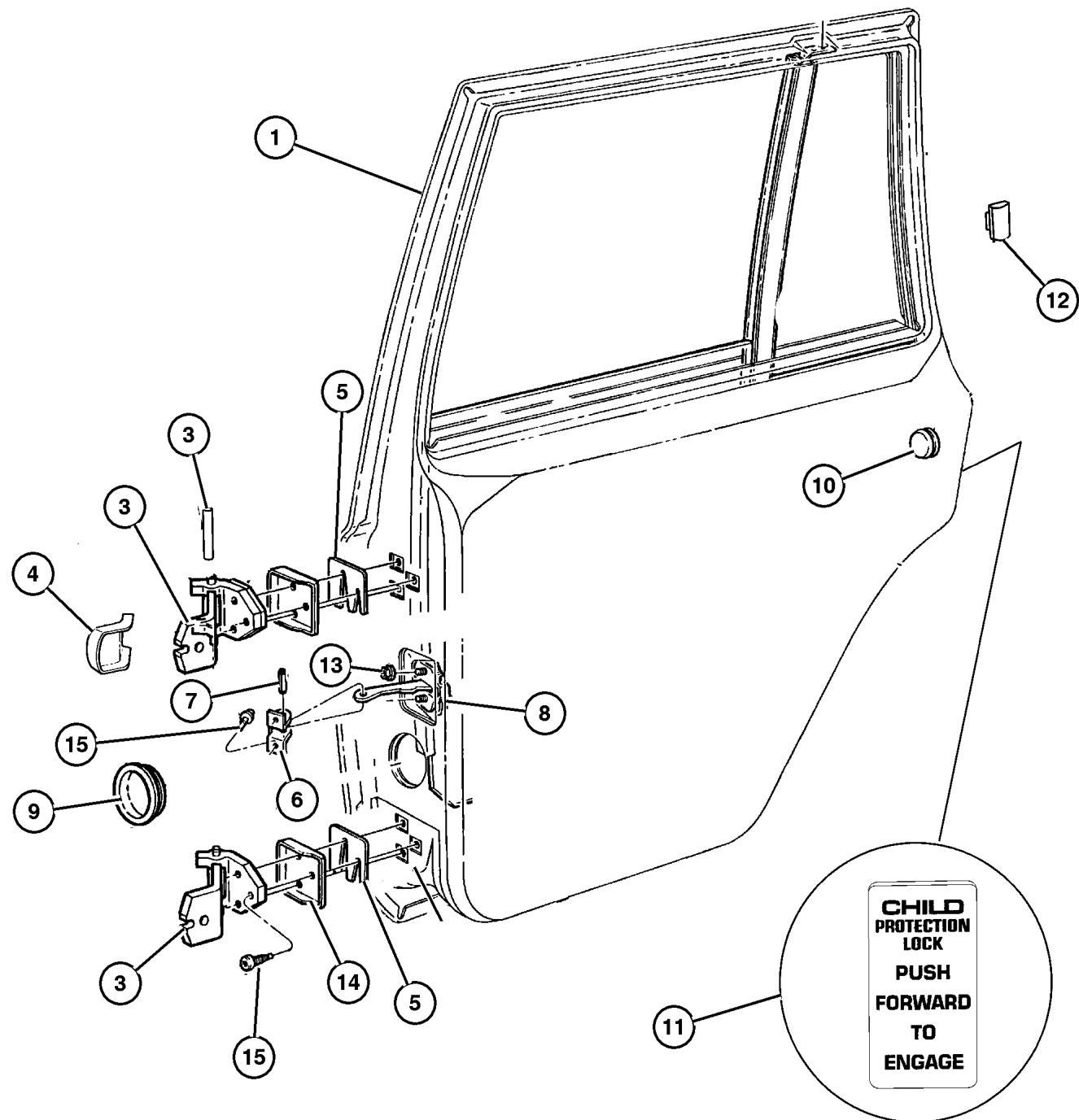
JEEP CHEROKEE (XJ)

SERIES	LINE	BODY	ENGINE	TRANSMISSION
P=Classic	J=LHD (4WD)	74=4 Dr.(101.4WB)	ENC,EN0=2.5L 4 cyl. Turbo Die	DDD, DDQ=5 spd. Man.
S=Limited	U=RHD (4WD)	72=2 Dr.(101.4WB)	ERH,ER0=4.0L Power Tech I-6	DGS=4 spd. Auto. AISIN
H=Sport	T=LHD (2WD)		EPE,EP0=Magnum 2.5L SMPI	DG0=All Auto/Trans.
L=SE	B=RHD (2WD)			DBB=All Manual Trans.

AR = Use as required - = Non illustrated part # = New this model year

December 7, 2002

**Door, Rear, Shell and Hinges
Figure DXJ-210**



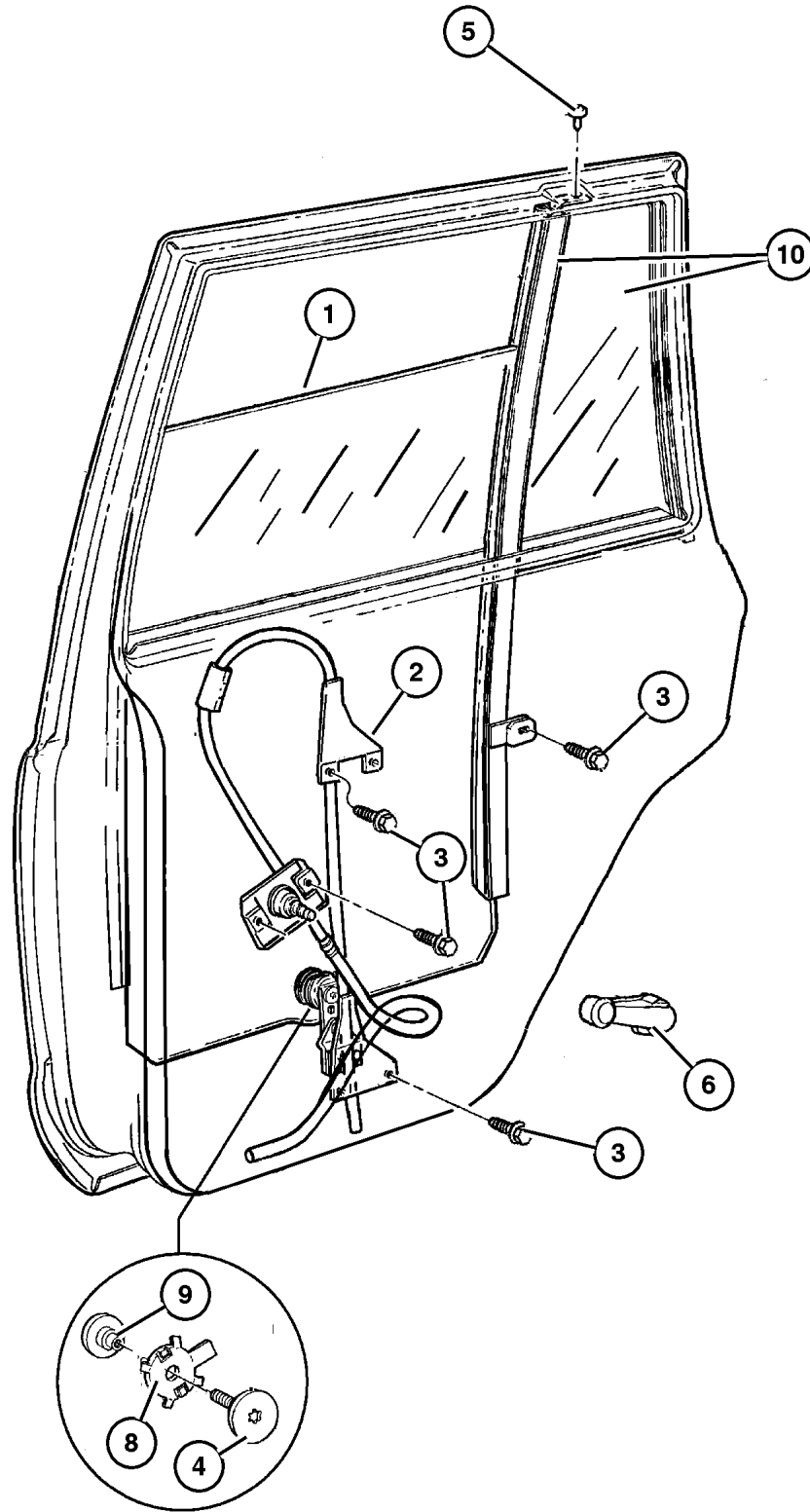
ITEM	PART NUMBER	QTY	LINE	SERIES	BODY	ENGINE	TRANS	TRIM	DESCRIPTION
1									DOOR, Rear
	55235 904AA	1			74				Right
	55235 905AA	1			74				Left
-2									PANEL, Door Outer Repair
	5013 888AA	1			74				Right
	5013 889AA	1			74				Left
3	55235 369AC	4			74				HINGE, Door
4	55235 822AA	4			74				COVER, Body Half Hinge
5									SHIM, Door Hinge Plate, (NOT REQUIRED)
6	5500 2361	2							BRACKET, Check Arm
7	5501 2900	2							PIN, Check Arm
8	55075 259AB	2			74				CHECK, Rear Door
9	5500 2367	2							PLUG, Door Wiring Conduit
10	4854 035	1							PLUG, Access Hole
11	4615 722AB	2			74				LABEL, Child Protection Lock, English
12	55235 957AA	4			74				SHIM, Door Hinge
13									NUT, (NOT SERVICED) (Not Serviced)
14									TAPPING PLATE, Door Hinge
	5500 0248	1			74				Right
	5500 0249	1			74				Left
15									SCREW, (NOT SERVICED) (Not Serviced)

JEEP CHEROKEE (XJ)				
SERIES	LINE	BODY	ENGINE	TRANSMISSION
P=Classic	J=LHD (4WD)	74=4 Dr.(101.4WB)	ENC,EN0=2.5L 4 cyl. Turbo Die	DDD, DDQ=5 spd. Man.
S=Limited	U=RHD (4WD)	72=2 Dr.(101.4WB)	ERH,ER0=4.0L Power Tech I-6	DGS=4 spd. Auto. AISIN
H=Sport	T=LHD (2WD)		EPE,EP0=Magnum 2.5L SMPI	DG0=All Auto/Trans.
L=SE	B=RHD (2WD)			DBB=All Manual Trans.

AR = Use as required - = Non illustrated part # = New this model year

December 7, 2002

**Door, Rear, Glass and Regulator
Figure DXJ-220**



ITEM	PART NUMBER	QTY	LINE	SERIES	BODY	ENGINE	TRANS	TRIM	DESCRIPTION
1									GLASS, Rear Door
	5500 0590	1			74				Tinted, Right
	5500 0591	1			74				Tinted, Left
	55175 066AB	1			74				Privacy, Right
	55175 067AB	1			74				Privacy, Left
2									REGULATOR, Rear Door Window
	55076 292AD	1			74				Manual, Right
	55076 293AD	1			74				Manual, Left
	55154 960AE	1			74				Electric, Right
	55154 961AE	1			74				Electric, Left
3	6504 357	4			74				SCREW AND WASHER, Hex Head, M6x1x12
4	5515 4752	2			74				SCREW FASTNER, Glass To Regulator, M6
5									SCREW, (NOT SERVICED) (Not Serviced)
6	FW80 SK5	2	J, T, U						HANDLE, Window Regulator, Tan
-7									NUT, U Multi Thread, M4 x .70 x 17.00, (NOT SERVICED) (Not Serviced)
8	4415 943	4							RETAINER, Glass to Liftplate
9	4415 943	4							RETAINER, Glass to Liftplate
10									GLASS, Rear Door
	55235 562AB	1			74				Privacy, Right
	55235 563AB	1			74				Privacy, Left
	5523 5564	1			74				Tinted, Right
	5523 5565	1			74				Tinted, Left
-11	4615 722AB	2			74				LABEL, Child Protection Lock, English

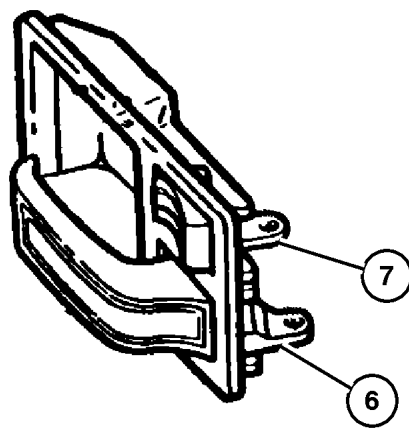
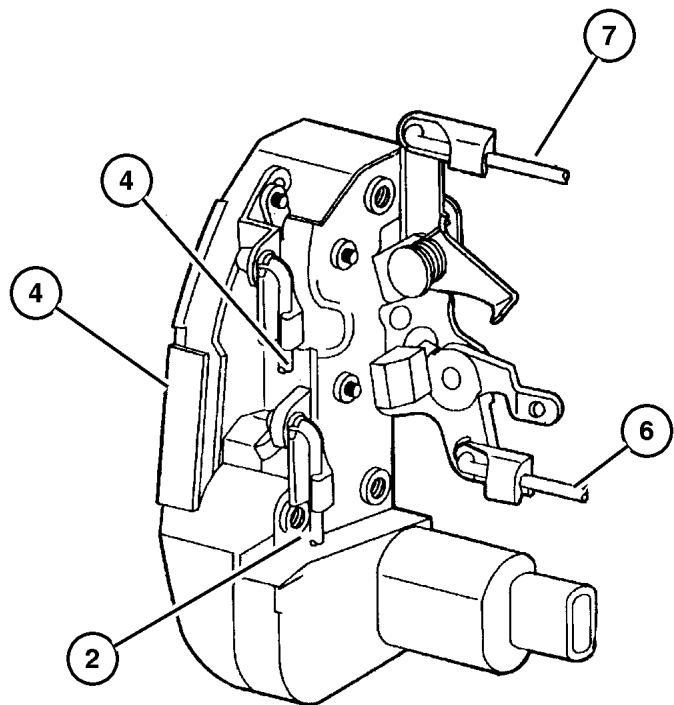
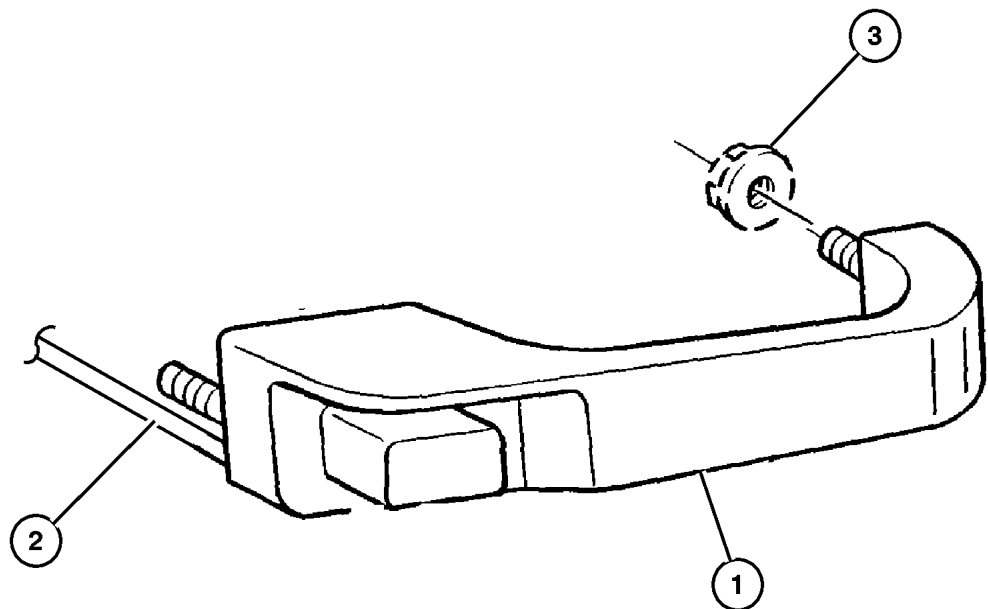
JEEP CHEROKEE (XJ)

SERIES	LINE	BODY	ENGINE	TRANSMISSION
P=Classic	J=LHD (4WD)	74=4 Dr.(101.4WB)	ENC,EN0=2.5L 4 cyl. Turbo Die	DDD, DDQ=5 spd. Man.
S=Limited	U=RHD (4WD)	72=2 Dr.(101.4WB)	ERH,ER0=4.0L Power Tech I-6	DGS=4 spd. Auto. AISIN
H=Sport	T=LHD (2WD)		EPE,EP0=Magnum 2.5L SMPI	DG0=All Auto/Trans.
L=SE	B=RHD (2WD)			DBB=All Manual Trans.

AR = Use as required - = Non illustrated part # = New this model year

December 7, 2002

**Door, Rear, Lock and Controls
Figure DXJ-230**



ITEM	PART NUMBER	QTY	LINE	SERIES	BODY	ENGINE	TRANS	TRIM	DESCRIPTION
1									HANDLE, Exterior Door
	55076 056AB	1			74				Right
	55076 057AB	1			74				Left
2									ROD, Outside Handle to Latch
	5507 6368	1			74				Right
	5507 6369	1			74				Left
3	6503 226	4							NUT, Hex Flange, M5x.8
4									LATCH, Door Manual with Child Guard
	55235 204AB	1			74				With Manual Locks, Right
	55235 205AB	1			74				With Manual Locks, Left
-5									LATCH, Rear Door
	55235 202AC	1			74				With Power Locks, Right
	55235 203AC	1			74				With Power Locks, Left
6									ROD, Inside Handle to Latch
	55076 070AC	1			74				Right
	55076 071AC	1			74				Left
7									ROD, Inside Handle to Latch
	55076 066AC	1			74				Right
	55076 067AC	1			74				Left

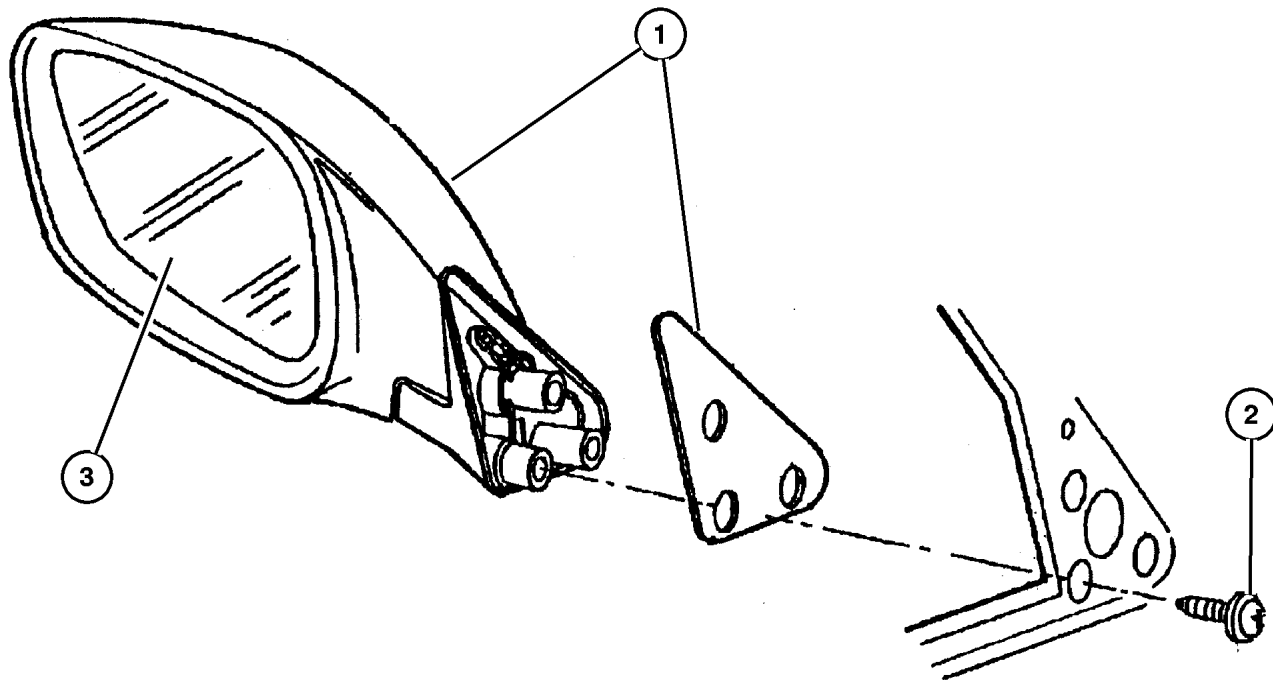
JEEP CHEROKEE (XJ)				
SERIES	LINE	BODY	ENGINE	TRANSMISSION
P=Classic	J=LHD (4WD)	74=4 Dr.(101.4WB)	ENC,EN0=2.5L 4 cyl. Turbo Die	DDD, DDQ=5 spd. Man.
S=Limited	U=RHD (4WD)	72=2 Dr.(101.4WB)	ERH,ER0=4.0L Power Tech I-6	DGS=4 spd. Auto. AISIN
H=Sport	T=LHD (2WD)		EPE,EP0=Magnum 2.5L SMPI	DG0=All Auto/Trans.
L=SE	B=RHD (2WD)			DBB=All Manual Trans.

AR = Use as required - = Non illustrated part # = New this model year

December 7, 2002

**Mirrors, Exterior
Figure DXJ-510**

ITEM	PART NUMBER	QTY	LINE	SERIES	BODY	ENGINE	TRANS	TRIM	DESCRIPTION
1									MIRROR, Outside Rearview
	55154 946AC	1	J, T						Black Manual Foldaway, Right
	55154 947AC	1	J, T						Black Manual Foldaway, Left
	55154 948AC	1							Black Electric Foldaway, Right
	55154 949AC	1							Black Electric Foldaway, Left
	55154 950AC	1							Electric Heated Foldaway, Right
	55154 951AC	1	J, T						Electric Heated Foldaway, Left
	55154 952AC	1	B, U						Electric Heated, Right
	55154 953AC	1	B, U						Electric Heated, Left
	55155 654AC	1	J, T						Manual Gulf Foldaway, Right
	55155 655AC	1	J, T						Manual Gulf Foldaway, Left
	55156 024AC	1	B, U						Black Manual Remote, Right
	55156 025AC	1	B, U						Black Manual Remote, Left
2									SCREW, Pan Head, .25-20x.620, (NOT SERVICED) (Not Serviced)
3									GLASS, Mirror Replacement
	5012 210AA	1							For 55154946AC, 55154948AC Mirror, Right
	5012 211AA	1							For 55154947AC, 55154949AC Mirror, Left
	5012 212AA	1							For 55154950AC Mirror, Right
	5012 213AA	1	J, T						For 55154951AC Mirror, Left
	5012 214AA	1	B, U						For 55156024AC Mirror, Right
	5012 215AA	1	B, U						For 55156025AC Mirror, Left
	5012 216AA	1	B, U						For 55154952AC Mirror, Right
	5012 217AA	1	B, U						For 55154953AC Mirror, Left
	5012 218AA	1	J, T						For 55155654AC Mirror, Right
	5012 220AA	1	J, T						For 55155655Ac Mirror, Right



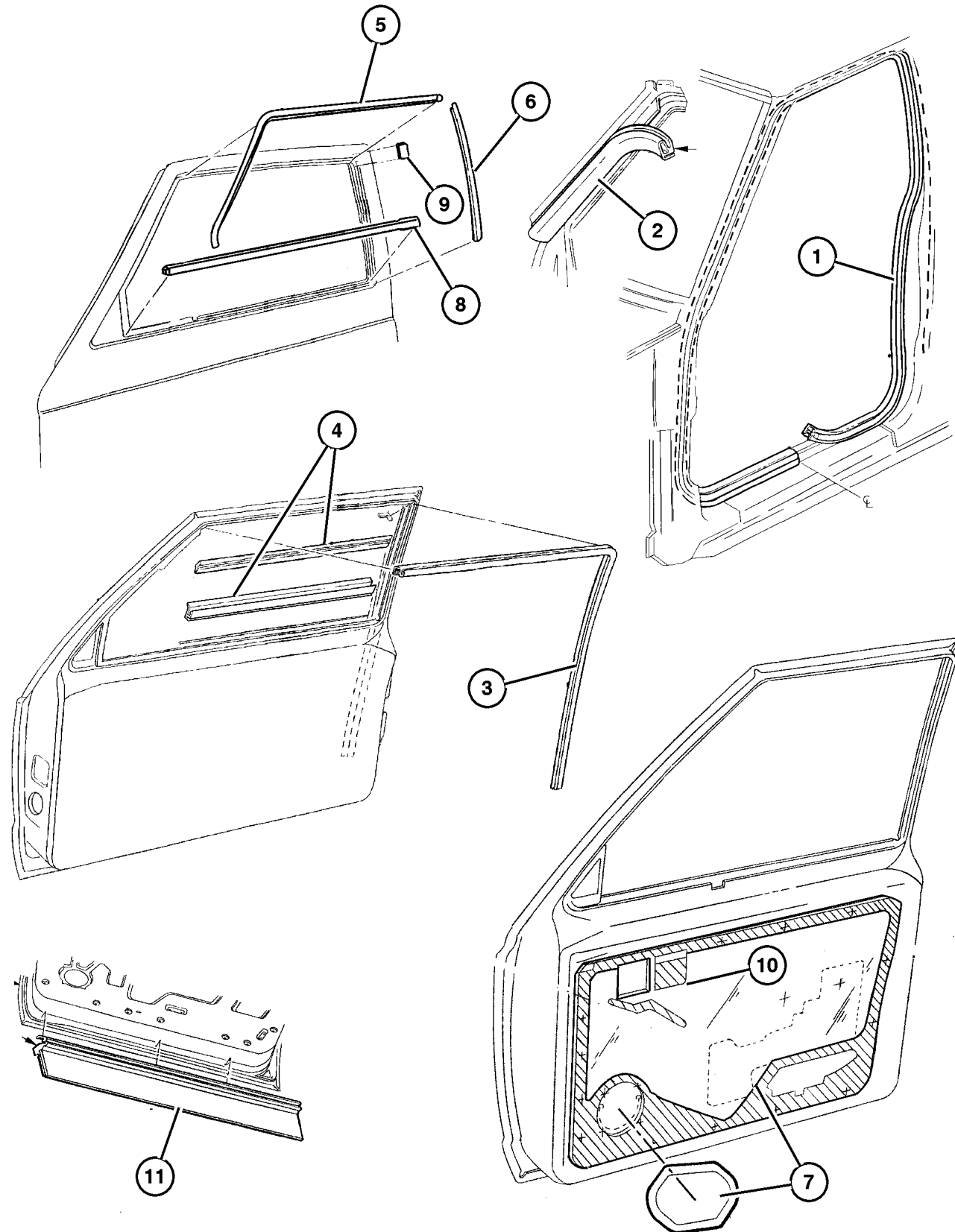
JEEP CHEROKEE (XJ)

SERIES	LINE	BODY	ENGINE	TRANSMISSION
P=Classic	J=LHD (4WD)	74=4 Dr.(101.4WB)	ENC,EN0=2.5L 4 cyl. Turbo Die	DDD, DDQ=5 spd. Man.
S=Limited	U=RHD (4WD)	72=2 Dr.(101.4WB)	ERH,ER0=4.0L Power Tech I-6	DGS=4 spd. Auto. AISIN
H=Sport	T=LHD (2WD)		EPE,EP0=Magnum 2.5L SMPI	DG0=All Auto/Trans.
L=SE	B=RHD (2WD)			DBB=All Manual Trans.

AR = Use as required - = Non illustrated part # = New this model year

December 7, 2002

Door, Front Figure DXJ-610



ITEM	PART NUMBER	QTY	LINE	SERIES	BODY	ENGINE	TRANS	TRIM	DESCRIPTION
1									WEATHERSEAL, Full Door To Body
	55176 148AC	2			74				Secondary
	55176 146AC	2	J, T, U		72				
2	55175 355AD	2							SEAL, Door
3									WEATHERSTRIP, Glass Channel
									Run
	55175 352AC	1			74				Right
	55175 353AC	1			74				Left
	55175 368AC	1	J, T, U		72				Right
	55175 369AC	1	J, T, U		72				Left
4									WEATHERSTRIP, Door Belt
	5517 5358	1			74				Inner, Right
	5517 5359	1			74				Inner, Left
	55175 372AB	1	J, T, U		72				Outer, Right
	55175 373AB	1	J, T, U		72				Outer, Left
5									MOLDING, Door
	55176 194AB	1			74				Right
	55176 195AB	1			74				Left
	55176 196AB	1	J, T, U		72				Right
	55176 197AB	1	J, T, U		72				Left
6									MOLDING, Front Door Frame
	5523 5778	1							Right
	5523 5779	1							Left
7									WATERDAM, Front Door
	#55235 982AC	1	J, T, U		72				Right
	#55235 983AC	1	J, T, U		72				Left
	#55235 984AC	1			74				Right
	#55235 985AC	1			74				Left
8									WEATHERSTRIP, Door Belt
	55175 360AB	1			74				Right
	55175 361AB	1			74				Left
	#55175 370AB	2	J, T, U		72				
9	5500 4920	AR							SHIM
10									WATERSHIELD, Front Door
	5502 7146	1			74				Right
	5502 7147	1			74				Left
11									SEAL, Door, (NOT REQUIRED)

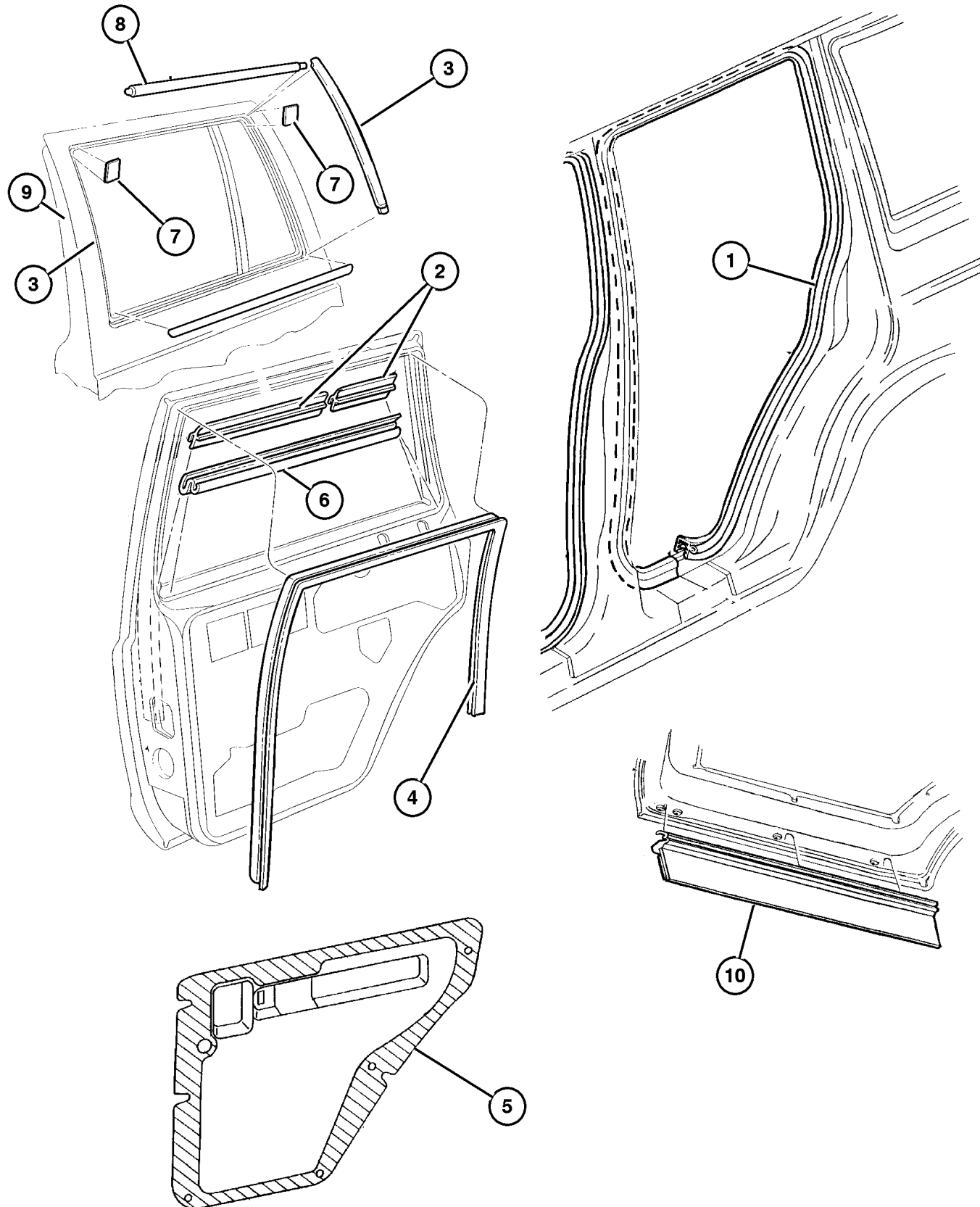
JEEP CHEROKEE (XJ)

SERIES	LINE	BODY	ENGINE	TRANSMISSION
P=Classic	J=LHD (4WD)	74=4 Dr.(101.4WB)	ENC,EN0=2.5L 4 cyl. Turbo Die	DDD, DDQ=5 spd. Man.
S=Limited	U=RHD (4WD)	72=2 Dr.(101.4WB)	ERH,ER0=4.0L Power Tech I-6	DGS=4 spd. Auto. AISIN
H=Sport	T=LHD (2WD)		EPE,EP0=Magnum 2.5L SMPI	DG0=All Auto/Trans.
L=SE	B=RHD (2WD)			DBB=All Manual Trans.

AR = Use as required - = Non illustrated part # = New this model year

December 7, 2002

Door, Rear Figure DXJ-620



ITEM	PART NUMBER	QTY	LINE	SERIES	BODY	ENGINE	TRANS	TRIM	DESCRIPTION
1	55175 351AC	2			74				WEATHERSEAL, Full Door To Body
2	55175 952AB	2			74				WEATHERSTRIP, Belt, Outer
3									MOLDING, Rear Door Frame
	5523 5780	2			74				Right
	5523 5781	2			74				Left
4									WEATHERSTRIP, Door Glass Run
	55175 356AC	1			74				Right
	55175 357AC	1			74				Left
5									WATERDAM, Rear Door
	55235 986AB	1			74				Right
	55235 987AB	1			74				Left
6	5517 5948	2			74				WEATHERSTRIP, Belt, Inner
7	5500 4920	AR							SHIM
8	55175 838AB	2			74				MOLDING, Rear Door Frame Upr, Upper
9	55235 791AB	2			74				WEATHERSTRIP, B Pillar Secondary
10									SEAL, Door, (NOT REQUIRED)

JEEP CHEROKEE (XJ)

SERIES	LINE	BODY	ENGINE	TRANSMISSION
P=Classic	J=LHD (4WD)	74=4 Dr.(101.4WB)	ENC,EN0=2.5L 4 cyl. Turbo Die	DDD, DDQ=5 spd. Man.
S=Limited	U=RHD (4WD)	72=2 Dr.(101.4WB)	ERH,ER0=4.0L Power Tech I-6	DGS=4 spd. Auto. AISIN
H=Sport	T=LHD (2WD)		EPE,EP0=Magnum 2.5L SMPI	DG0=All Auto/Trans.
L=SE	B=RHD (2WD)			DBB=All Manual Trans.

AR = Use as required - = Non illustrated part # = New this model year

December 7, 2002

Group – EXJ

Exterior Ornamentation

GROUP EXJ - Exterior Ornamentation

Illustration Title

Group-Fig. No.

Nameplates

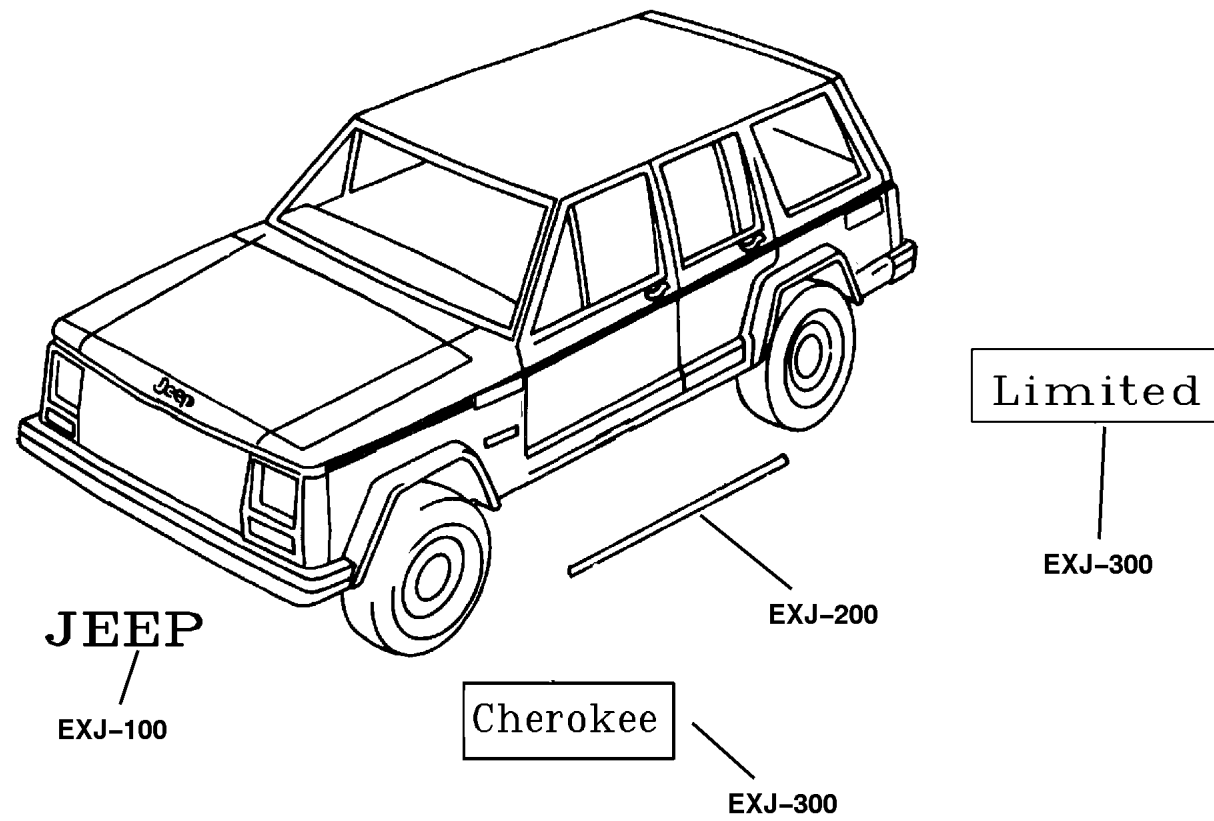
Nameplates Fig. EXJ-110




Moldings and Ornamentation

Moldings Body Side Fig. EXJ-215

Decals and Tapestripes

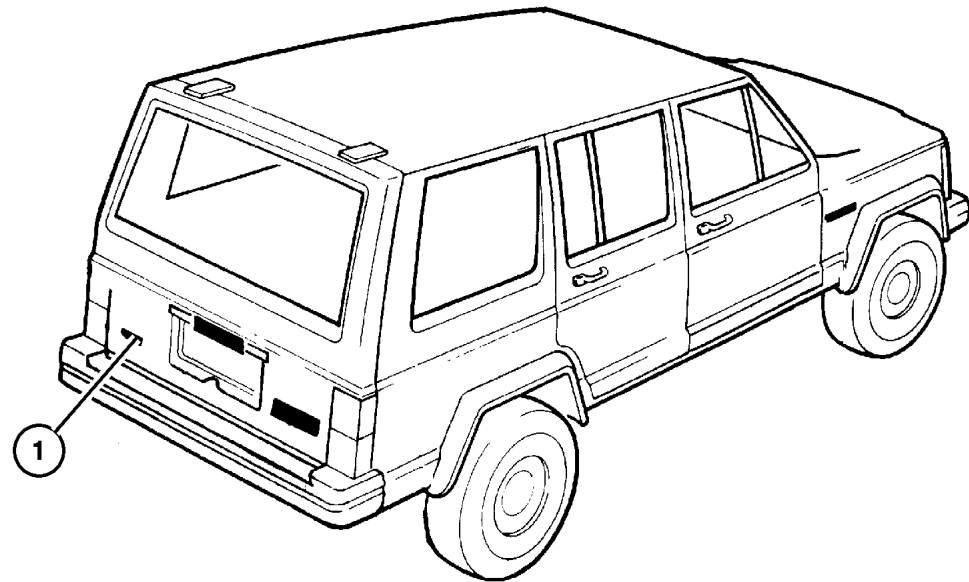
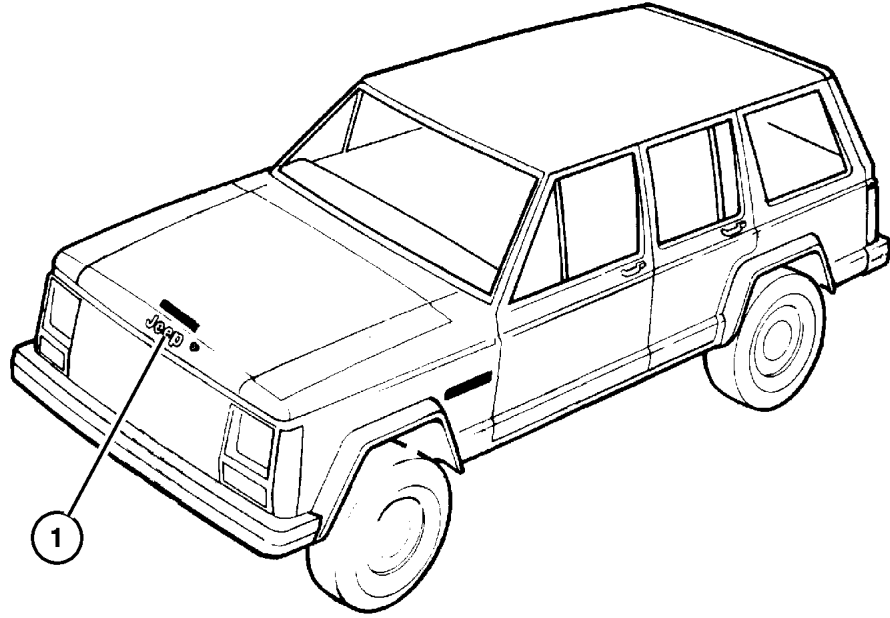
Decals Fig. EXJ-310



EXJ-100 Nameplates	EXJ-200 Moldings and Ornamentation	EXJ-300 Decals and Tapestripes	
			

Nameplates
Figure EXJ-110

ITEM	PART NUMBER	QTY	LINE	SERIES	BODY	ENGINE	TRANS	TRIM	DESCRIPTION
1									NAMEPLATE, Jeep
	5EM8 7SA1	1							Silver
	5515 5622	2	J, U						Chrome



JEEP CHEROKEE (XJ)				
SERIES	LINE	BODY	ENGINE	TRANSMISSION
P=Classic	J=LHD (4WD)	74=4 Dr.(101.4WB)	ENC,EN0=2.5L 4 cyl. Turbo Die	DDD, DDQ=5 spd. Man.
S=Limited	U=RHD (4WD)	72=2 Dr.(101.4WB)	ERH,ER0=4.0L Power Tech I-6	DGS=4 spd. Auto. AISIN
H=Sport	T=LHD (2WD)		EPE,EP0=Magnum 2.5L SMPI	DG0=All Auto/Trans.
L=SE	B=RHD (2WD)			DBB=All Manual Trans.

AR = Use as required - = Non illustrated part # = New this model year

December 7, 2002

**Moldings Body Side
Figure EXJ-215**

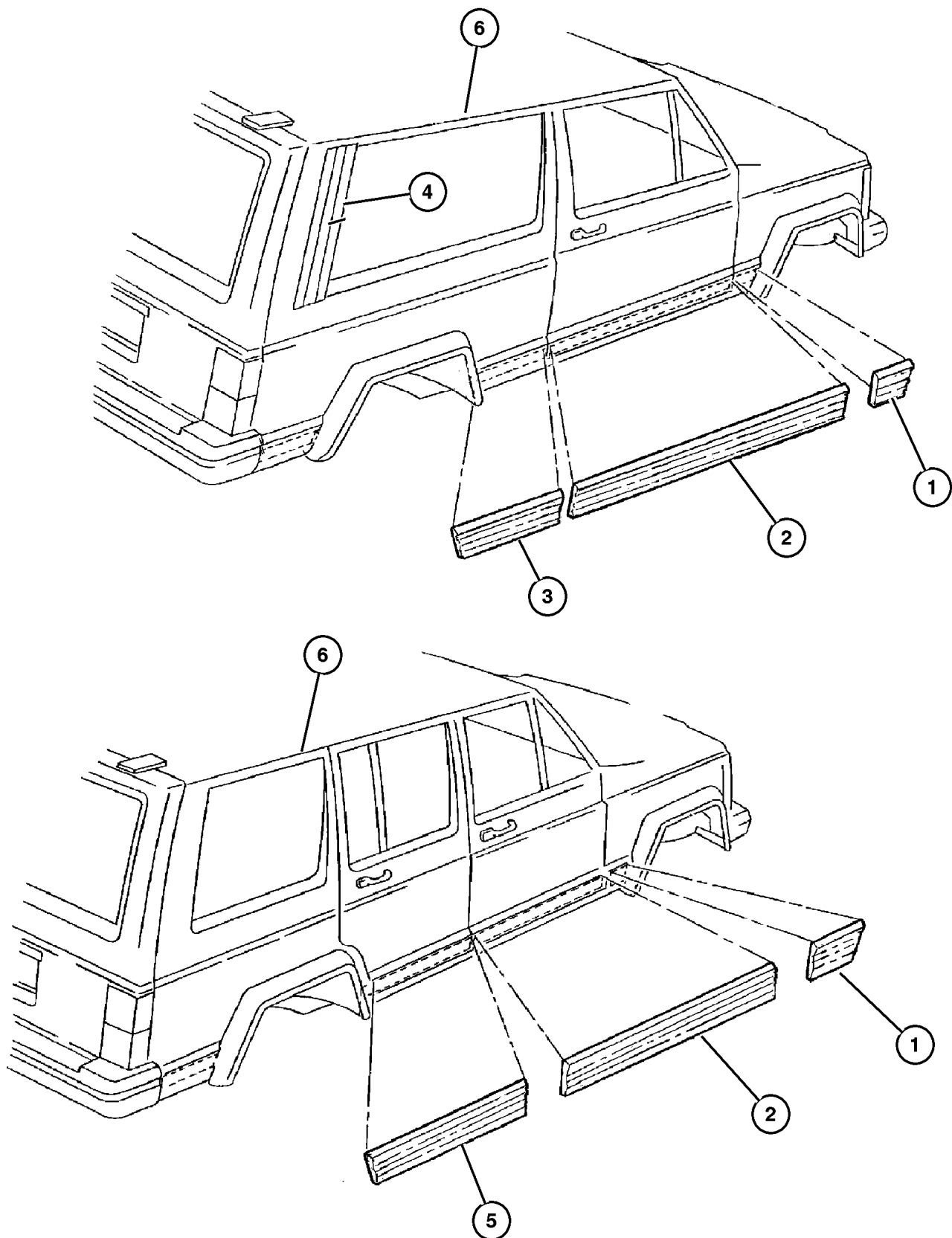
ITEM	PART NUMBER	QTY	LINE	SERIES	BODY	ENGINE	TRANS	TRIM	DESCRIPTION
1									MOLDING, Fender
	5DY12 DX9AB	1		H					Black w/o Country Package, Right
	5EM46 WU7AB	1		P					Black Pearl Coat w/Country Package, Right
	5EM46 XS5AB	1		P					Dark Gray w/Country Package, Right
	5EM47 DX8AB	1		P					Black w/Country Package, Left
	5EM47 PR4AB	1		P					Red w/Country Package, Left
	5EM47 RJPAB	1		P					Moss Green w/Country Package, Left
	5EM47 SG8AB	1		P					Green w/Country Package, Left
	5EM47 SW1AB	1		P					White w/Country Package, Left
	5EM47 WBTAB	1		P					Patriot Blue w/Country Package, Left
	5EM47 WTDAB	1		P					Desert Sand w/Country Package, Left
	5EM47 WU7AB	1		P					Black Pearl Coat w/Country Package, Left
	5DY13 DX9AB	1		H					Black w/o Country Package, Left
	5EM47 XS5AB	1		P					Dark Gray w/Country Package, Left
	5EM46 DX8AB	1		P					Black w/Country Package, Right
	5EM46 PR4AB	1		P					Red w/Country Package, Right
	5EM46 RJPAB	1		P					Moss Green w/Country Package, Right
	5EM46 SG8AB	1		P					Green w/Country Package, Right
	5EM46 SW1AB	1		P					White w/Country Package, Right
	5EM46 WBTAB	1		P					Patriot Blue w/Country Package, Right
	5EM46 WTDAB	1		P					Desert Sand w/Country Package, Right
2									MOLDING, Front Door
	5DY14 DX9AC	1	J, T, U	H	72				Black w/o Country Package, Right
	5EM56 WBTAC	1		P, S	74				Patriot Blue w/Country Package, Right
	5EM56 WTDAC	1		P, S	74				Desert Sand w/Country Package, Right
	5EM56 WU7AC	1		P, S	74				Black Pearl Coat w/Country Package, Right
	5EM56 XS5AC	1		P, S	74				Dark Gray w/Country Package, Right
	5EM57 DX8AC	1		P, S	74				Black w/Country Package, Left
	5EM57 PR4AC	1		P, S	74				Red w/Country Package, Left

JEEP CHEROKEE (XJ)

SERIES	LINE	BODY	ENGINE	TRANSMISSION
P=Classic	J=LHD (4WD)	74=4 Dr.(101.4WB)	ENC,EN0=2.5L 4 cyl. Turbo Die	DDD, DDQ=5 spd. Man.
S=Limited	U=RHD (4WD)	72=2 Dr.(101.4WB)	ERH,ER0=4.0L Power Tech I-6	DGS=4 spd. Auto. AISIN
H=Sport	T=LHD (2WD)		EPE,EP0=Magnum 2.5L SMPI	DG0=All Auto/Trans.
L=SE	B=RHD (2WD)			DBB=All Manual Trans.

AR = Use as required - = Non illustrated part # = New this model year

December 7, 2002



Moldings Body Side
Figure EXJ-215

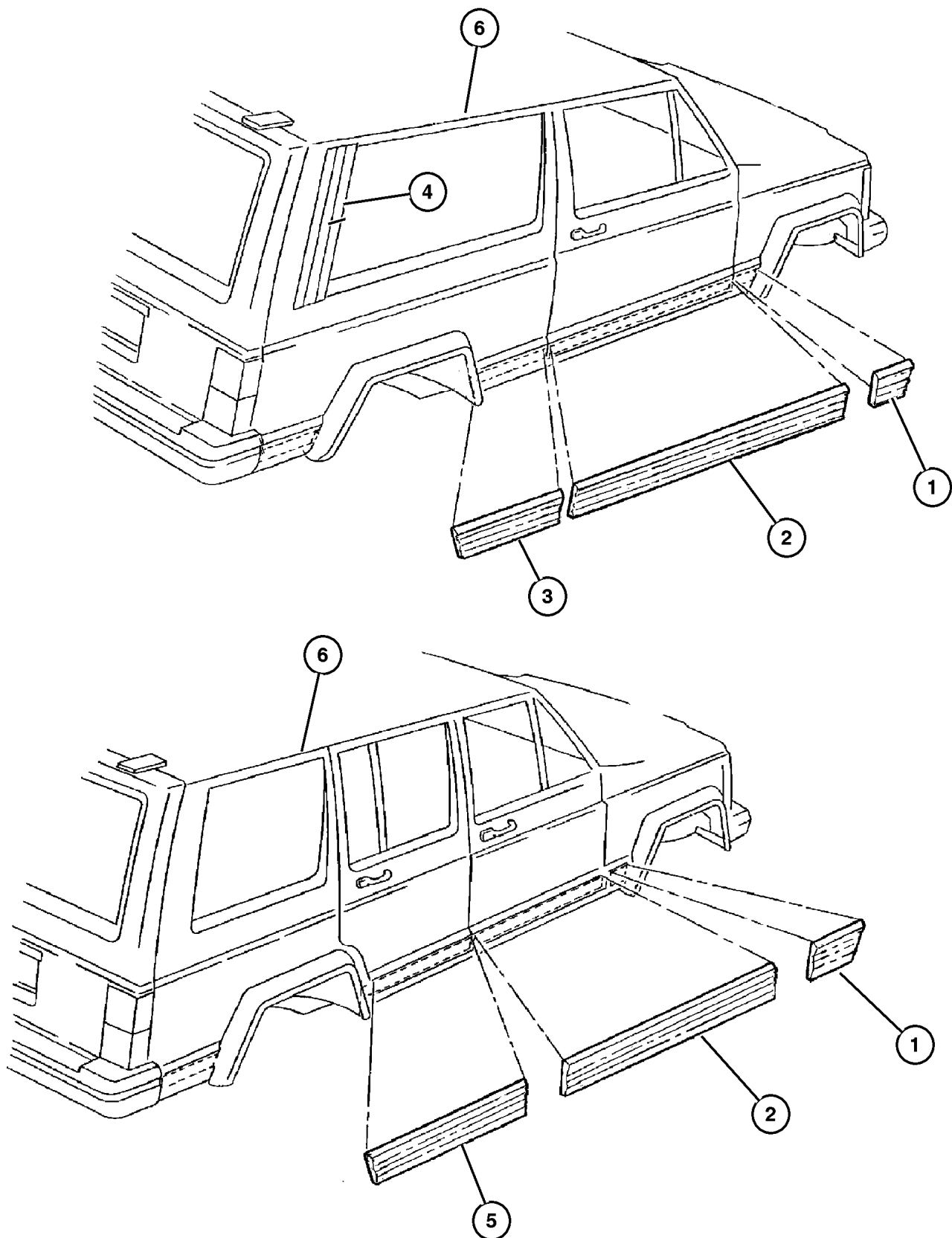
ITEM	PART NUMBER	QTY	LINE	SERIES	BODY	ENGINE	TRANS	TRIM	DESCRIPTION
	5EM57 RJPAC	1		P, S	74				Moss Green w/Country Package, Left
	5EM57 SG8AC	1		P, S	74				Green w/Country Package, Left
	5EM57 SW1AC	1		P, S	74				White w/Country Package, Left
	5EM57 WBTAC	1		P, S	74				Patriot Blue w/Country Package, Left
	5DY15 DX9AC	1	J, T, U	H	72				Black w/o Country Package, Left
	5EM57 WTDAC	1		P, S	74				Desert Sand w/Country Package, Left
	5EM57 WU7AC	1		P, S	74				Black Pearl Coat w/Country Package, Left
	5EM57 XS5AC	1		P, S	74				Dark Gray w/Country Package, Left
	5DY16 DX9AC	1		H	74				Black w/o Country Package, Right
	5DY17 DX9AC	1		H	74				Black w/o Country Package, Left
	5EM56 DX8AC	1		P, S	74				Black w/Country Package, Right
	5EM56 PR4AC	1		P, S	74				Red w/Country Package, Right
	5EM56 RJPAC	1		P, S	74				Moss Green w/Country Package, Right
	5EM56 SG8AC	1		P, S	74				Green w/Country Package, Right
	5EM56 SW1AC	1		P, S	74				White w/Country Package, Right
3									MOLDING, Quarter Panel
	5DY26 DX9AC	1	J, T, U	H	72				Right
	5DY27 DX9AC	1	J, T, U	H	72				Left
4									APPLIQUE, Quarter Window
	5502 5788	1	J, T, U		72				Right
	5502 5789	1	J, T, U		72				Left
5									MOLDING, Rear Door
	5DY18 DX9AC	1		H	74				Black w/o Country Package, Right
	5EM58 WU7AC	1		P, S	74				Black Pearl Coat w/Country Package, Right
	5EM58 XS5AC	1		P, S	74				Dark Gray w/Country Package, Right
	5EM59 DX8AC	1		P, S	74				Black w/Country Package, Left
	5EM59 PR4AC	1		P, S	74				Red w/Country Package, Left
	5EM59 RJPAC	1		P, S	74				Moss Green w/Country Package, Left
	5EM59 SG8AC	1		P, S	74				Green w/Country Package, Left
	5EM59 SW1AC	1		P, S	74				White w/Country Package, Left
	5EM59 WBTAC	1		P, S	74				Patriot Blue w/Country Package, Left
	5EM59 WTDAC	1		P, S	74				Desert Sand w/Country Package, Left

JEEP CHEROKEE (XJ)

SERIES	LINE	BODY	ENGINE	TRANSMISSION
P=Classic	J=LHD (4WD)	74=4 Dr.(101.4WB)	ENC,EN0=2.5L 4 cyl. Turbo Die	DDD, DDQ=5 spd. Man.
S=Limited	U=RHD (4WD)	72=2 Dr.(101.4WB)	ERH,ER0=4.0L Power Tech I-6	DGS=4 spd. Auto. AISIN
H=Sport	T=LHD (2WD)		EPE,EP0=Magnum 2.5L SMPI	DG0=All Auto/Trans.
L=SE	B=RHD (2WD)			DBB=All Manual Trans.

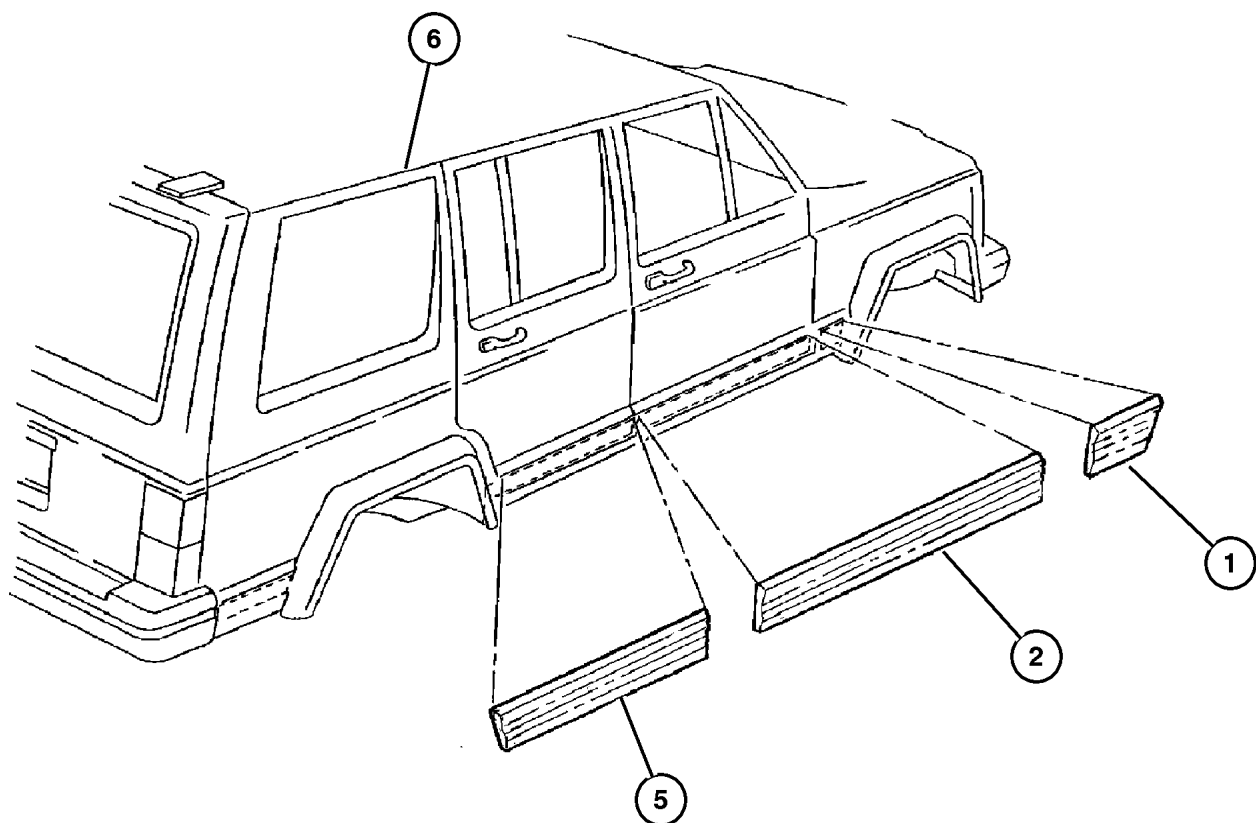
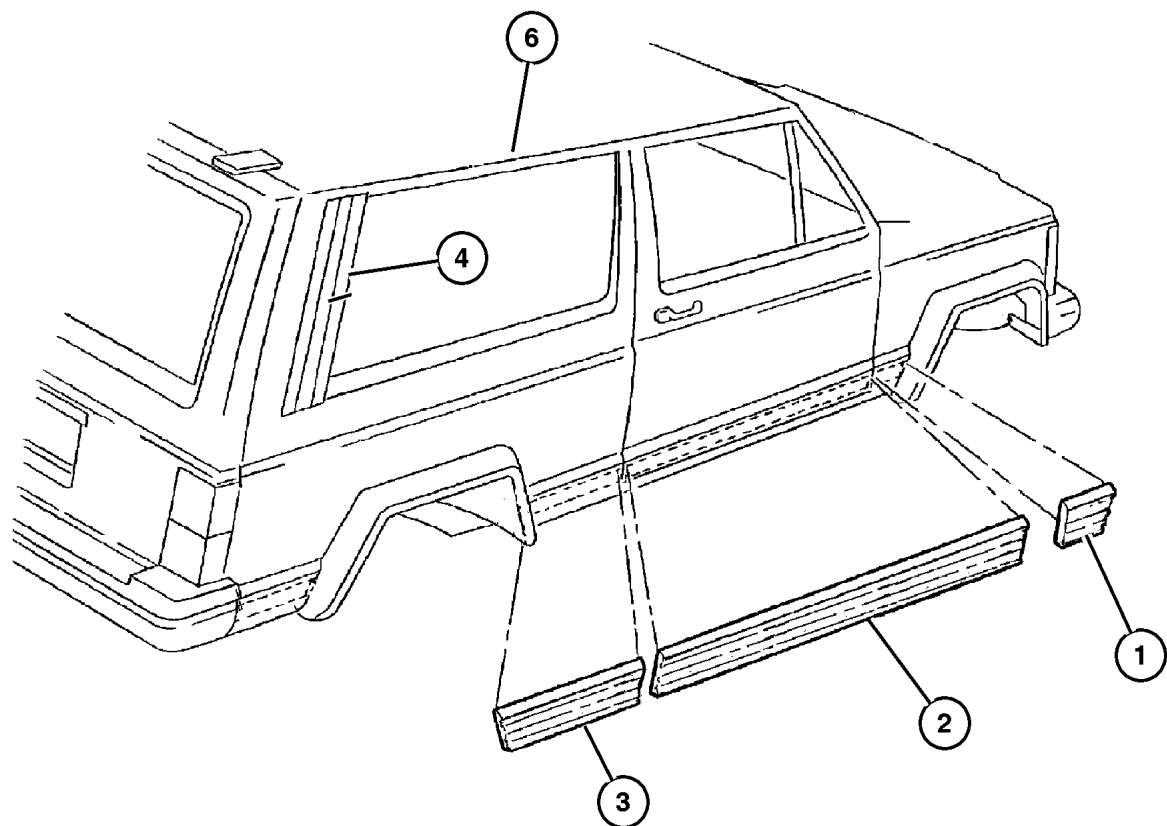
AR = Use as required - = Non illustrated part # = New this model year

December 7, 2002



Moldings Body Side
Figure EXJ-215

ITEM	PART NUMBER	QTY	LINE	SERIES	BODY	ENGINE	TRANS	TRIM	DESCRIPTION
	5EM59 WU7AC	1		P, S	74				Black Pearl Coat w/Country Package, Left
	5DY19 DX9AC	1		H	74				Black w/o Country Package, Left
	5EM59 XS5AC	1		P, S	74				Dark Gray w/Country Package, Left
	5EM58 DX8AC	1		P, S	74				Black w/Country Package, Right
	5EM58 PR4AC	1		P, S	74				Red w/Country Package, Right
	5EM58 RJPAC	1		P, S	74				Moss Green w/Country Package, Right
	5EM58 SG8AC	1		P, S	74				Green w/Country Package, Right
	5EM58 SW1AC	1		P, S	74				White w/Country Package, Right
	5EM58 WBTAC	1		P, S	74				Patriot Blue w/Country Package, Right
	5EM58 WTDAC	1		P, S	74				Desert Sand w/Country Package, Right
6									MOLDING, Drip Rail
	4856 714	1							Right
	4856 715	1							Left
-7	5523 5518	10							CLIP, Roof Drip Molding



JEEP CHEROKEE (XJ)

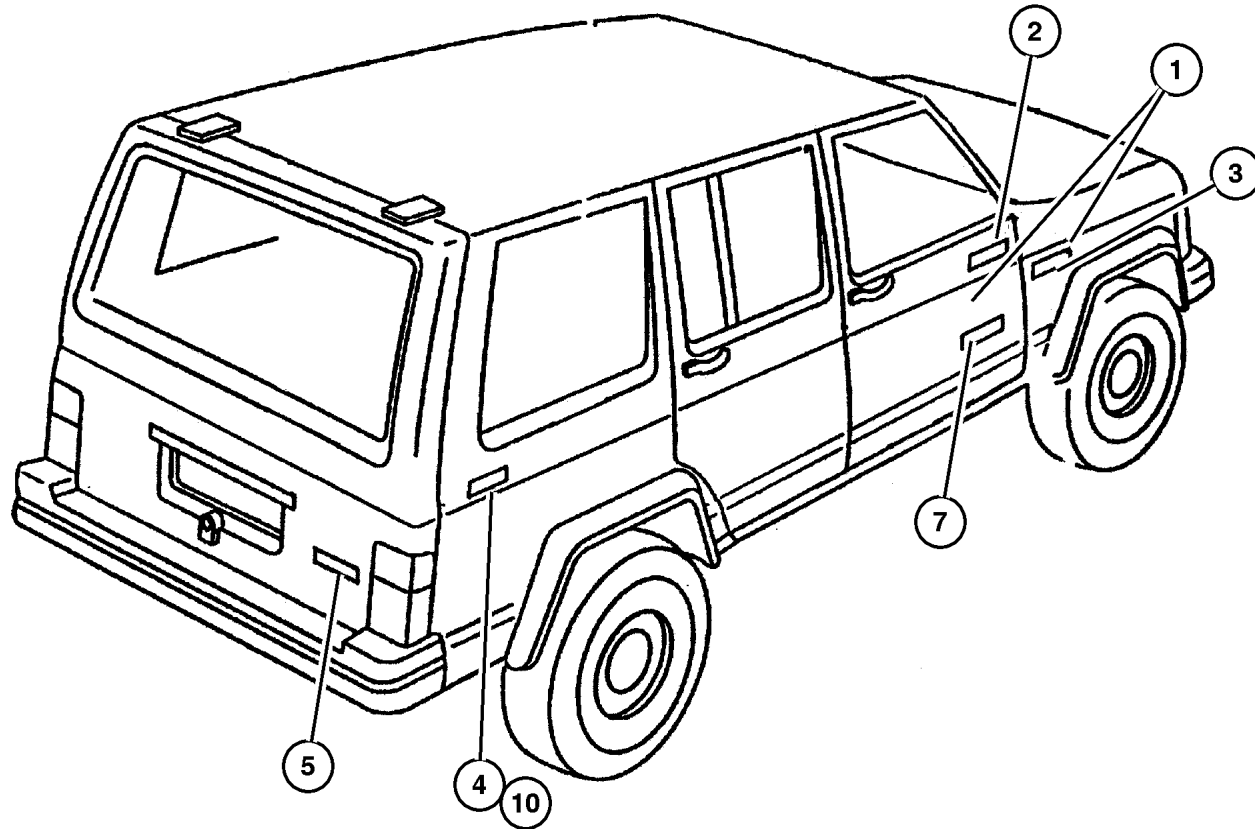
SERIES	LINE	BODY	ENGINE	TRANSMISSION
P=Classic	J=LHD (4WD)	74=4 Dr.(101.4WB)	ENC,EN0=2.5L 4 cyl. Turbo Die	DDD, DDQ=5 spd. Man.
S=Limited	U=RHD (4WD)	72=2 Dr.(101.4WB)	ERH,ER0=4.0L Power Tech I-6	DGS=4 spd. Auto. AISIN
H=Sport	T=LHD (2WD)		EPE,EP0=Magnum 2.5L SMPI	DG0=All Auto/Trans.
L=SE	B=RHD (2WD)			DBB=All Manual Trans.

AR = Use as required - = Non illustrated part # = New this model year

December 7, 2002

**Decals
Figure EXJ-310**

ITEM	PART NUMBER	QTY	LINE	SERIES	BODY	ENGINE	TRANS	TRIM	DESCRIPTION
1	5GN26 CA1AA	2							DECAL, Sport, Silver
2	5FY12 CA1AA	2		P	74				DECAL, Country, Silver
3									DIMENSIONAL GRAPHIC
	5GC82 CA1AA	2							Cherokee, Silver
	#55156 022AA	2							Cherokee, Chrome
	#55156 023AA	2							Limited, Chrome
	#55156 026AA	1							4.0 Litre
4									NAMEPLATE, Jeep
	5EM8 7SA1	1							Silver
	5515 5622	2	J, U						Chrome
5	#5HD22 CA1AA	1							DECAL, 4.0 Litre High Output
-6	5FJ6 5CA1	1							DECAL, Liftgate, Turbo Diesel
7	5GM60 CA1AA	2							DECAL, Front Door, Classic
-8	5515 5623	2	J, U						NAMEPLATE, Chrome, 4x4
-9	#5HK95 YB5AA	2							DECAL, Freedom
10	5EM8 9SA1	2	J, U						NAMEPLATE, Jeep, 4x4



JEEP CHEROKEE (XJ)

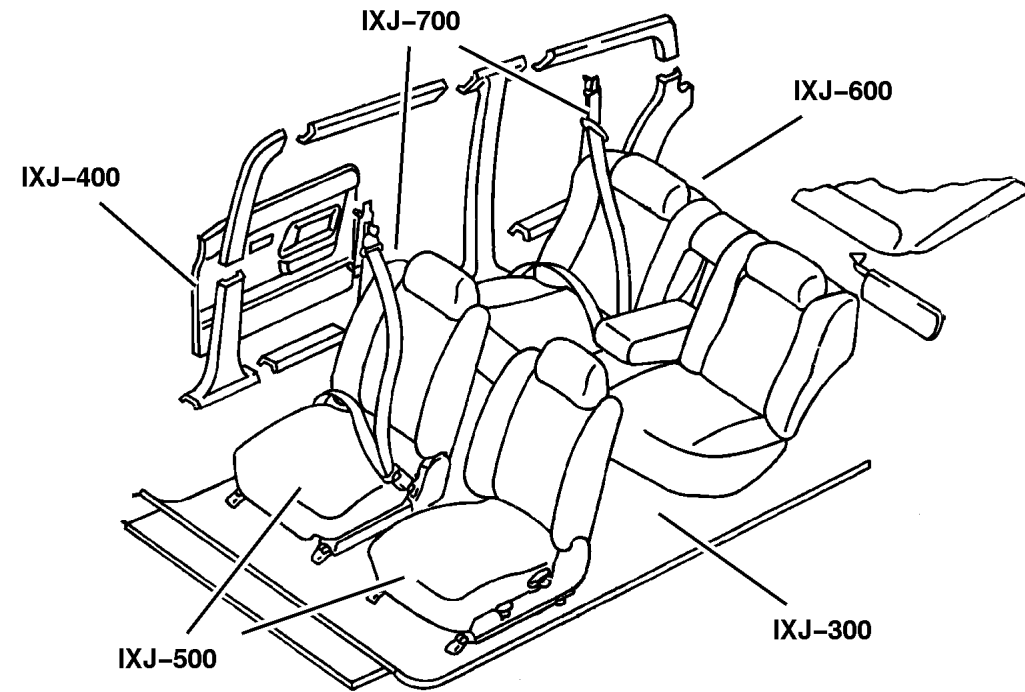
SERIES	LINE	BODY	ENGINE	TRANSMISSION
P=Classic	J=LHD (4WD)	74=4 Dr.(101.4WB)	ENC,EN0=2.5L 4 cyl. Turbo Die	DDD, DDQ=5 spd. Man.
S=Limited	U=RHD (4WD)	72=2 Dr.(101.4WB)	ERH,ER0=4.0L Power Tech I-6	DGS=4 spd. Auto. AISIN
H=Sport	T=LHD (2WD)		EPE,EP0=Magnum 2.5L SMPI	DG0=All Auto/Trans.
L=SE	B=RHD (2WD)			DBB=All Manual Trans.

AR = Use as required - = Non illustrated part # = New this model year

December 7, 2002

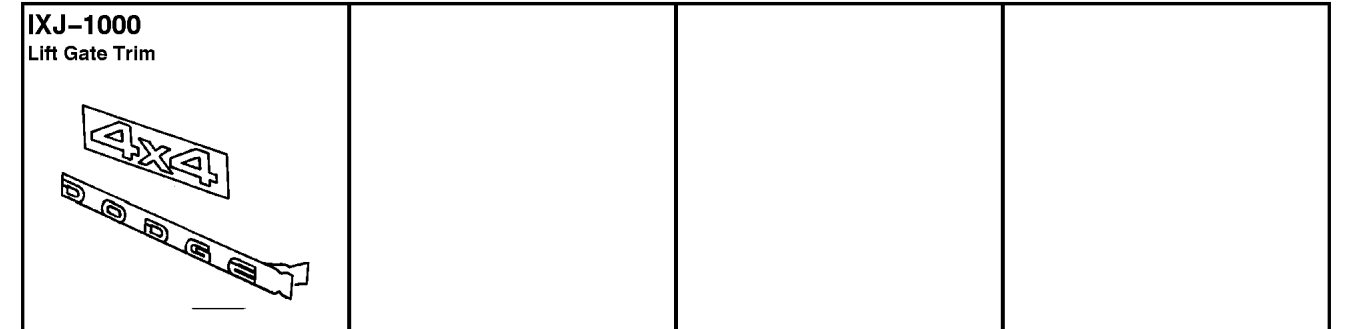
Group – IXJ

Interior Trim



Group – IXJ

Interior Trim



<p>IXJ-100 Headliner and Visor</p>	<p>IXJ-200 Moldings, Scuff Plates</p>	<p>IXJ-300 Carpet and Tonneau Cover</p>	<p>IXJ-400 Door Trim Panels—Front and Sliding</p>
<p>IXJ-500 Front Seats and Attaching Parts</p>	<p>IXJ-600 Rear Seats and Attaching Parts</p>	<p>IXJ-700 Seat Belts—Front and Rear</p>	<p>IXJ-800 Adjusters, Covers, Shields, and Risers</p>

GROUP IXJ - Interior Trim

Illustration Title	Group-Fig. No.
Headliner and Visor	
Headliner and Upper Trim Moldings	Fig. IXJ-110
Visors and Vanity Mirrors	Fig. IXJ-120
Moldings, Scuff Plates	
Panels, Interior Trim, Front, 2 Door 2 Door	Fig. IXJ-210
Panels, Interior Trim, Rear, 2 Door 2 Door	Fig. IXJ-215
Panels, Interior Trim, Front, 4 Door 4 Door	Fig. IXJ-220
Panels, Interior Trim, Rear, 4 Door 4 Door	Fig. IXJ-225
Carpet and Tonneau Cover	
Carpets and Mats	Fig. IXJ-310
Insulation	Fig. IXJ-320
Cover, Cargo	Fig. IXJ-330
Door Trim Panels-Front and Sliding	
Interior Trim Parts, 2 Door 2 Door	Fig. IXJ-410
Interior Trim Parts, 4 Door 4 Door	Fig. IXJ-420
Front Seats and Attaching Parts	
Seat Covers and Seat Assemblies	Fig. IXJ-510
Rear Seats and Attaching Parts	
Frame and Pad Rear Seat	Fig. IXJ-610
Covers, Seat Upholstery Rear Seat	Fig. IXJ-620
Seat Belts-Front and Rear	
Seat Belts, Front Seat 2 Door 2 Door	Fig. IXJ-710
Seat Belts, Front Seat 4 Door 4 Door	Fig. IXJ-720
Seat Belts, Rear Seats	Fig. IXJ-730
Adjusters, Covers, Shields, and Risers	
Recliner and Adjuster	Fig. IXJ-810
Lift Gate Trim	
Liftgate Trim Panel	Fig. IXJ-1010

Headliner and Upper Trim Moldings Figure IXJ-110

ITEM	PART NUMBER	QTY	LINE	SERIES	BODY	ENGINE	TRANS	TRIM	DESCRIPTION
------	-------------	-----	------	--------	------	--------	-------	------	-------------

Note: [P.A.R.] = Paint As Required.

Sales Codes:

[CF7] = Tether Ready

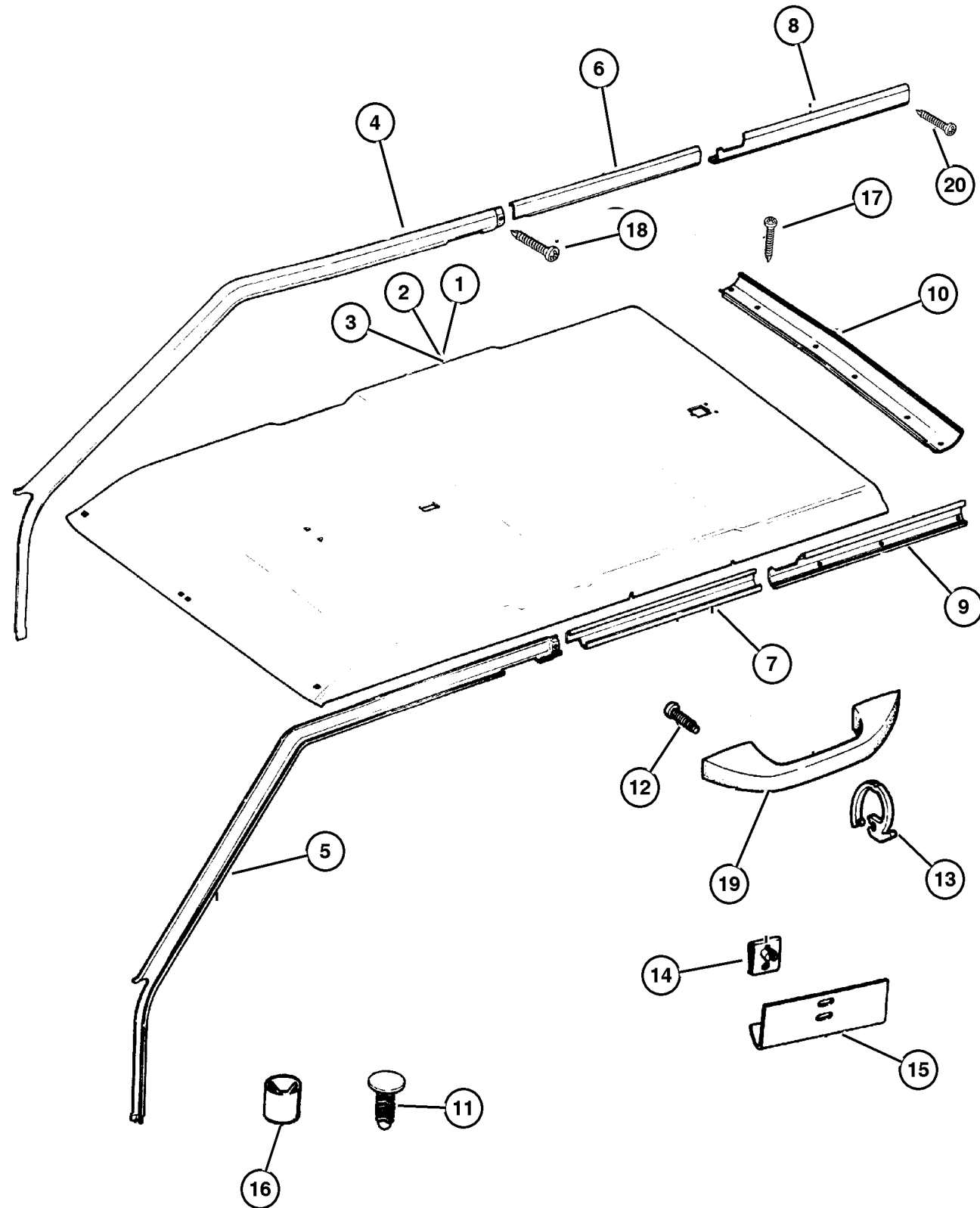
[CUN] = Console Overhead

[LCD] = Lamps Map/Dome Reading

[LCK] = Lamp Front Dome

[RCG] = 4 Speakers

[RCR] = 6 Speakers, Premium Infinity



1									HEADLINER, With Lamps Map/Dome Reading, [LCD]
	SX84 HW8AA	1							[AZ], With, 6 Speakers Infinity [RCG], 4 Speakers [RCR] With Child Tether Access Hole of 18mm
	SX84 RK5AA	1							[K5], 6 Speakers Infinity [RCG], 4 Speakers [RCR], With Child Tether Access Hole of 18mm
	#UA73 HW8AA	1							[AZ], [LCD], 6 Speakers Infinity [RCG], 4 Speakers [RCR], With Child Tether Access Hole of 10mm
	#UA73 RK5AA	1							[K5], [LCD], 6 Speakers Infinity [RCG], 4 Speakers [RCR], With Child Tether Access Hole of 10mm
	#5GG42 HW8AF	1							[AZ], Tether Ready [CF7], Without 6 Speakers Infinity [RCG], Without 4 Speakers [RCR]
	5GG42 HW8AH	1							[AZ], Without Tether Ready [CF7], Without 6 Speakers Infinity [RCG], Without 4 Speakers [RCR]
	#5GG42 RK5AF	1							[K5], Tether Ready [CF7], Without 6 Speakers Infinity [RCG], Without 4 Speakers [RCR]
	5GG42 RK5AH	1							[K5], Without Tether Ready [CF7], Without 6 Speakers Infinity [RCG], Without 4 Speakers [RCR]
2									HEADLINER, With Overhead Console, [CUN]
	SX86 HW8AA	1							[AZ], With Child Tether Access Hole of 18mm, [CF7]

JEEP CHEROKEE (XJ)

SERIES	LINE	BODY	ENGINE	TRANSMISSION
P=Classic	J=LHD (4WD)	74=4 Dr.(101.4WB)	ENC,EN0=2.5L 4 cyl. Turbo Die	DDD, DDQ=5 spd. Man.
S=Limited	U=RHD (4WD)	72=2 Dr.(101.4WB)	ERH,ER0=4.0L Power Tech I-6	DGS=4 spd. Auto. AISIN
H=Sport	T=LHD (2WD)		EPE,EP0=Magnum 2.5L SMPI	DG0=All Auto/Trans.
L=SE	B=RHD (2WD)			DBB=All Manual Trans.

AR = Use as required - = Non illustrated part # = New this model year

December 7, 2002

Headliner and Upper Trim Moldings Figure IXJ-110

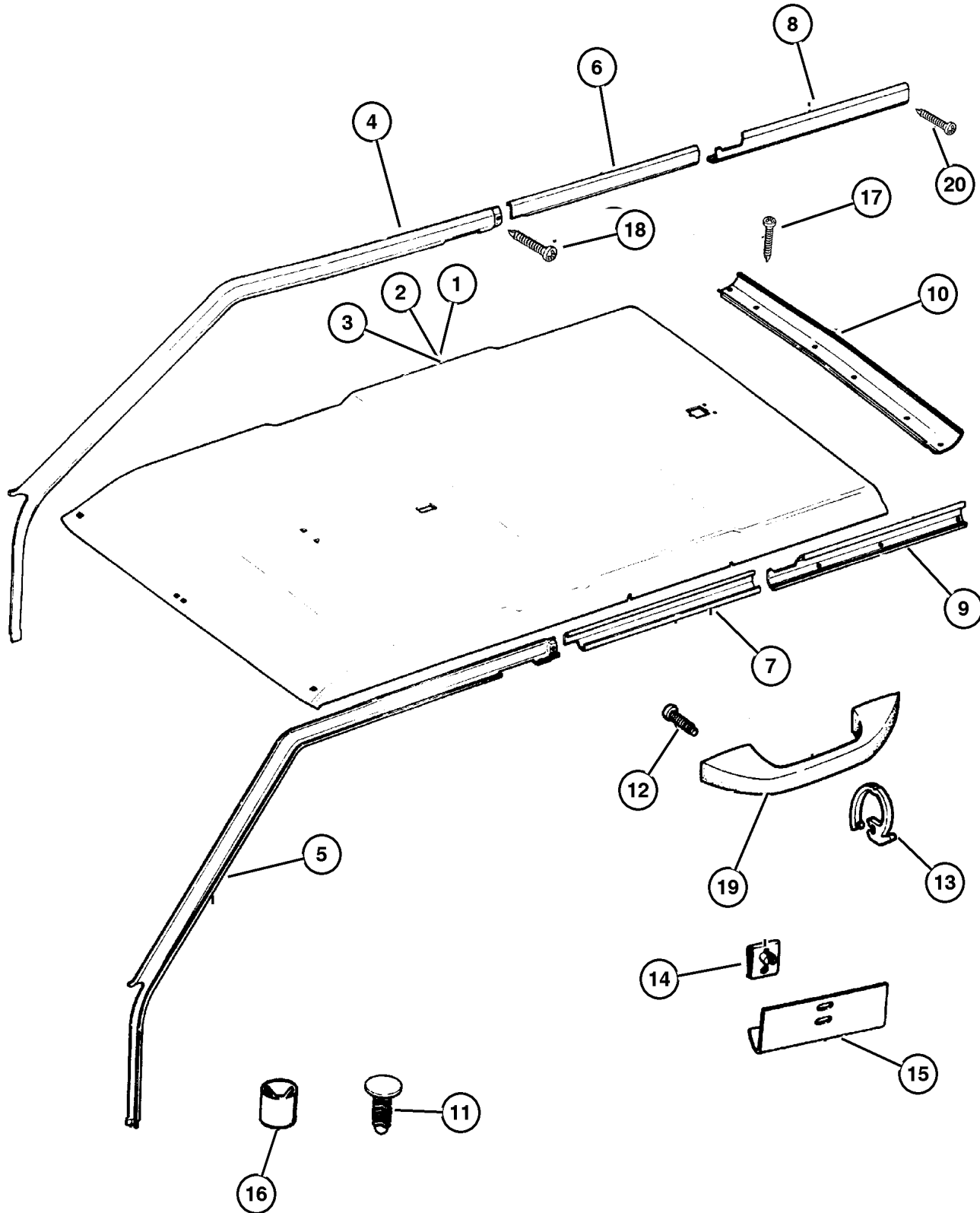
ITEM	PART NUMBER	QTY	LINE	SERIES	BODY	ENGINE	TRANS	TRIM	DESCRIPTION
	SX86 RK5AA	1							[K5], With Child Tether Access Hole of 18mm, [CF7]
	#UA74 HW8AA	1							[AZ], With Child Tether Access Hole of 10mm, [CF7]
	#UA74 RK5AA	1							[K5], With Child Tether Access Hole of 10mm, [CF7]
3									HEADLINER, With Lamp Front Dome,[LCK]
	SF83 HW8AA	1							[AZ], With 6 Speakers Infinity [RCG], 4 Speakers [RCR], With Child Tether Access Hole of 18mm, [CF7]
	SF83 RK5AA	1							[K5], With 6 Speakers Infinity [RCG], 4 Speakers [RCR], With Child Tether Access Hole of 18mm, [CF7]
	#UA72 HW8AA	1							[AZ], With 6 Speakers Infinity [RCG], 4 Speakers [RCR], With Child Tether Access Hole of 10mm, [CF7]
	#UA72 RK5AA	1							[K5], With 6 Speakers Infinity [RCG], 4 Speakers [RCR], With Child Tether Access Hole of 10mm, [CF7]
	#5FM41 HW8AE	1							[AZ], Without 6 Speakers Infinity [RCG], 4 Speakers [RCR], With Child Tether Access Hole, [CF7]
	#5FM41 RK5AE	1							[K5], Without 6 Speakers Infinity [RCG], 4 Speakers [RCR], With Child Tether Access Hole, [CF7]
4									MOLDING, Windshield Garnish
	5GG38 LAZAE	1			74				[AZ], Right
	5GG38 RK5AE	1			74				[K5], Right
	5GG48 LAZAE	1	J, T, U		72				[AZ], Right
	5GG48 RK5AE	1	J, T, U		72				[K5], Right
5									MOLDING, Windshield Garnish
	5GG49 LAZAD	1	J, T		72				[AZ], Without Holes, After 9-18-98, Left
	5GG49 RK5AD	1	J, T		72				[K5], Without Holes, After 9-18-98, Left
	5GG43 LAZAE	1	J, T		74				[AZ], Left
		1	B, U		74				[AZ], Left

JEEP CHEROKEE (XJ)

SERIES	LINE	BODY	ENGINE	TRANSMISSION
P=Classic	J=LHD (4WD)	74=4 Dr.(101.4WB)	ENC,EN0=2.5L 4 cyl. Turbo Die	DDD, DDQ=5 spd. Man.
S=Limited	U=RHD (4WD)	72=2 Dr.(101.4WB)	ERH,ER0=4.0L Power Tech I-6	DGS=4 spd. Auto. AISIN
H=Sport	T=LHD (2WD)		EPE,EP0=Magnum 2.5L SMP1	DG0=All Auto/Trans.
L=SE	B=RHD (2WD)			DBB=All Manual Trans.

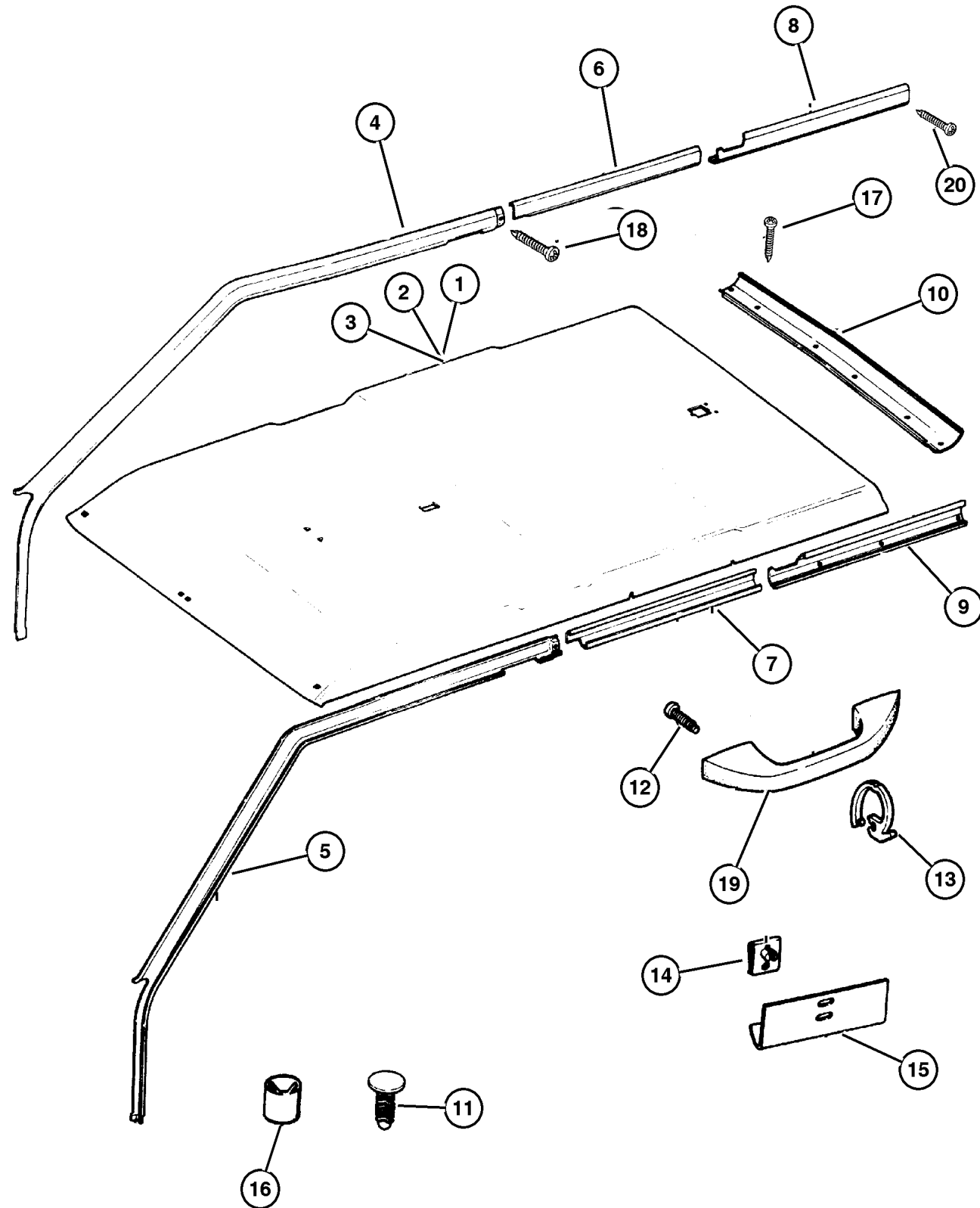
AR = Use as required - = Non illustrated part # = New this model year

December 7, 2002



Headliner and Upper Trim Moldings Figure IXJ-110

ITEM	PART NUMBER	QTY	LINE	SERIES	BODY	ENGINE	TRANS	TRIM	DESCRIPTION
	5GG43 RK5AE	1	B, U		74				[K5], Left
		1	J, T		74				[K5], Left
	5GG49 LAZAE	1	J, T		72				[AZ], Left
	5GG49 RK5AE	1	J, T		72				[K5], Left
6	5AC6 2LAZ	1			74				MOLDING, Headliner, [P.A.R.], Right
7	5AC6 3LAZ	1			74				MOLDING, Headliner, [P.A.R.], Left
8									MOLDING, Headliner
	5AC2 6LAZ	1			74				[P.A.R.], Right
	5AD7 4LAZ	1	J, T, U		72				[P.A.R.], Right
9									MOLDING, Headliner
	5AC2 7LAZ	1			74				[P.A.R.], Left
	5AD7 5LAZ	1	J, T, U		72				[P.A.R.], Left
10									MOLDING, Liftgate Upper
	5ER43 LAZAD	1							[AZ]
	5ER43 RK5AD	1							[K5]
11									PIN, Push, M6.3x19.84
	6504 995AA	4	J, T, U		72				
		4			74				
12									SCREW, Pan Head Torx, M5x0.8x30.00
	3420 2189	6	J, T						
		8	B, U						
13	5AD9 1LAZ	2							HOOK, Coat, [P.A.R.]
14	J400 0322	2							CLIP, U Type, .625x.719x.020
15	J368 1225	1							CLIP, Headliner Mounting
16	5500 2520	2	J, T, U		72				SPACER, Headliner Molding Rear
17									SCREW, .164-18x.75, (NOT SERVICED) (Not Serviced)
18									SCREW, Pan Head, .164-18x.75, (NOT SERVICED) (Not Serviced)
19									HANDLE, Roof Grab
	5CX1 0LAZ	3	J, T						[AZ]
		4	B, U						[AZ]
	5CX1 0RK5	3	J, T						[K5]
		4	B, U						[K5]
20	1150 1614	4			74				SCREW DRILL, Oval Truss Head, .164x18x1.378



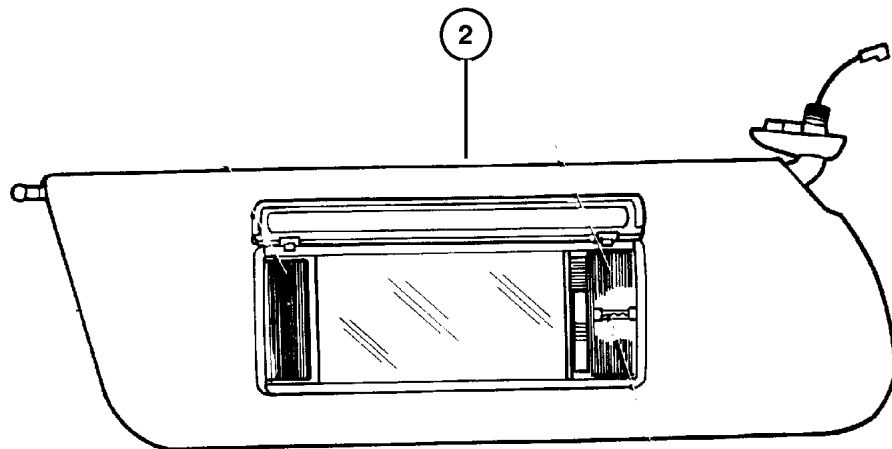
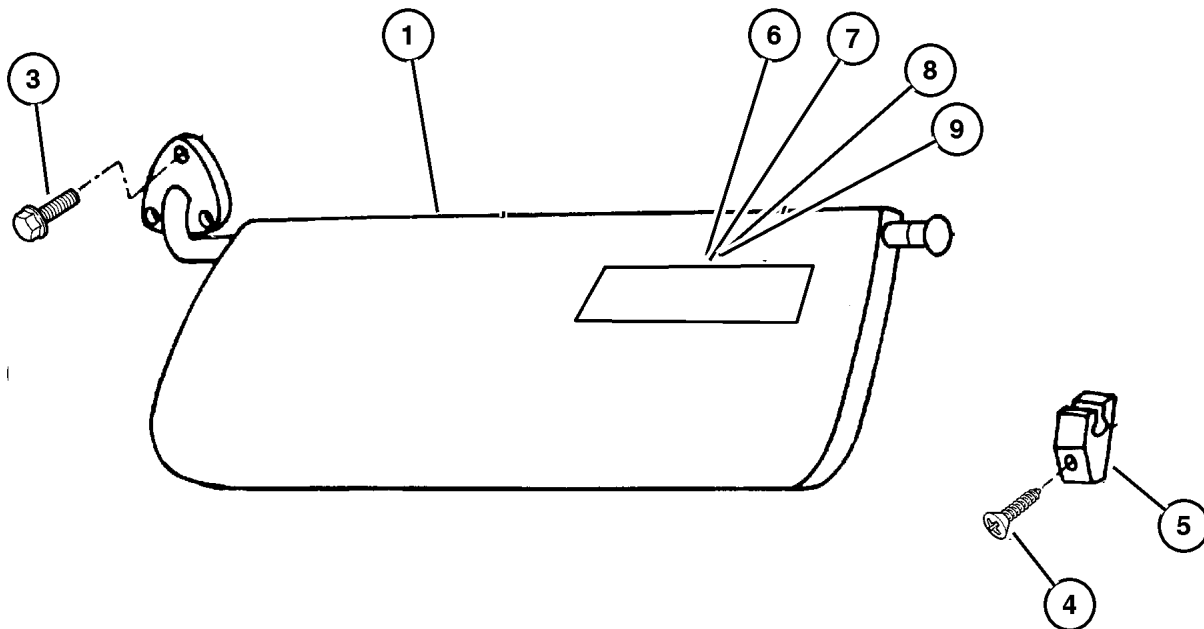
JEEP CHEROKEE (XJ)				
SERIES	LINE	BODY	ENGINE	TRANSMISSION
P=Classic	J=LHD (4WD)	74=4 Dr.(101.4WB)	ENC,EN0=2.5L 4 cyl. Turbo Die	DDD, DDQ=5 spd. Man.
S=Limited	U=RHD (4WD)	72=2 Dr.(101.4WB)	ERH,ER0=4.0L Power Tech I-6	DGS=4 spd. Auto. AISIN
H=Sport	T=LHD (2WD)		EPE,EP0=Magnum 2.5L SMPI	DG0=All Auto/Trans.
L=SE	B=RHD (2WD)			DBB=All Manual Trans.

AR = Use as required - = Non illustrated part # = New this model year

December 7, 2002

Visors and Vanity Mirrors Figure IXJ-120

ITEM	PART NUMBER	QTY	LINE	SERIES	BODY	ENGINE	TRANS	TRIM	DESCRIPTION
1									VISOR
	#5FX36 1K5AC	1							[K5], Right
	#5FX36 1W8AC	1							[AZ], Right
	#5FX37 1K5AC	1							[K5], Left
	#5FX37 1W8AC	1							[AZ], Left
2									VISOR, Illuminated
	#5FX34 1K5AC	1							[K5], Right
	#5FX34 1W8AC	1							[AZ], Right
	#5FX35 1K5AC	1							[K5], Left
	#5FX35 1W8AC	1							[AZ], Left
3	6036 201AA	6							SCREW, Oval Head Tapping, .164x18x.984
4	3420 1398	2							SCREW AND WASHER, Oval Truss Head, .164-18x.984
5									CLIP, Visor
	DF49 HW8AB	2							[AZ]
	DF49 RK5AB	2							[K5]
6									LABEL, Transfer Case Shift
	5300 9357	1	J, U						English, With 242
	5300 9358	1	J, U						Bilingual, With 242
7	52006 337AB	1							LABEL, Diesel Starting
8	4787 437AA	2	J, T						LABEL, Air Bag Warning, English and French, 5 Points
9									LABEL, Airbag
	4897 875AA	1							
	55196 783AA	2	J, T						CANADA



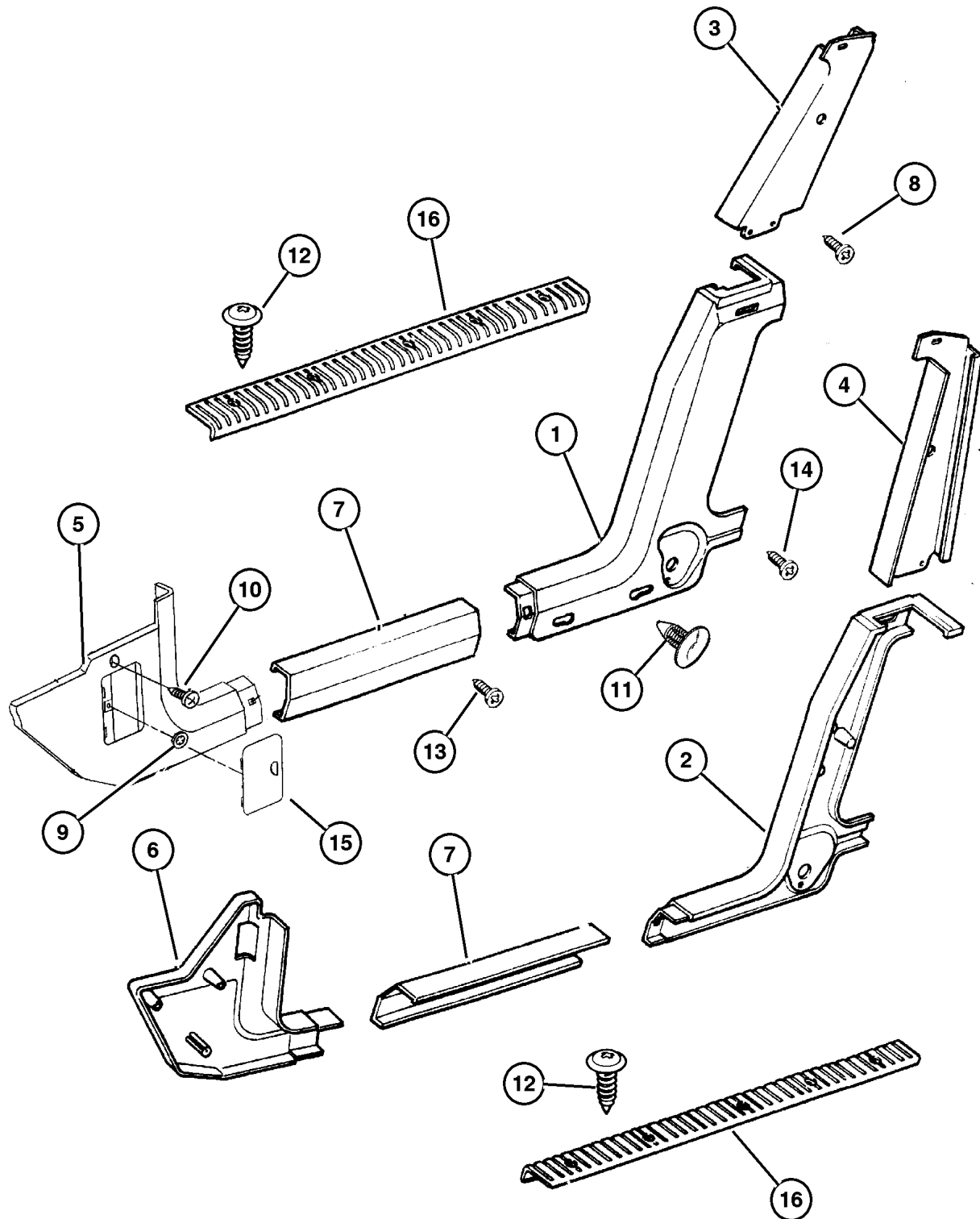
JEEP CHEROKEE (XJ)

SERIES	LINE	BODY	ENGINE	TRANSMISSION
P=Classic	J=LHD (4WD)	74=4 Dr.(101.4WB)	ENC,EN0=2.5L 4 cyl. Turbo Die	DDD, DDQ=5 spd. Man.
S=Limited	U=RHD (4WD)	72=2 Dr.(101.4WB)	ERH,ER0=4.0L Power Tech I-6	DGS=4 spd. Auto. AISIN
H=Sport	T=LHD (2WD)		EPE,EP0=Magnum 2.5L SMPI	DG0=All Auto/Trans.
L=SE	B=RHD (2WD)			DBB=All Manual Trans.

AR = Use as required - = Non illustrated part # = New this model year

December 7, 2002

Panels, Interior Trim, Front, 2 Door 2 Door
Figure IXJ-210



ITEM	PART NUMBER	QTY	LINE	SERIES	BODY	ENGINE	TRANS	TRIM	DESCRIPTION
[P.A.R.] = Paint As Required									
1	5EW90 LAZAD	1	J, T, U		72				EXTENSION, B Pillar, [P.A.R.], Right
2	5EW91 LAZAD	1	J, T, U		72				EXTENSION, B Pillar, [P.A.R.], Left
3	5ER16 LAZAF	1	J, T, U		72				COVER, Lock Pillar [AZ], Right
	5ER16 RK5AF	1	J, T, U		72				[K5], Right
4	5ER17 LAZAF	1	J, T, U		72				COVER, Lock Pillar [AZ], Left
	5ER17 RK5AF	1	J, T, U		72				[K5], Left
5	5EG14 LAZAE	1							PANEL, Cowl Side Trim [AZ], Right
	5EG14 RK5AE	1							[K5], Right
6	5EG17 LAZAD	1	J, T						PANEL, Cowl Side Trim [AZ], Left
	5EG17 RK5AD	1	J, T						[K5], Left
	5ES93 LAZAD	1	B, U						[AZ], Left
	5ES93 RK5AD	1	B, U						[K5], Left
7	5EW7 8LAZ	1	J, T, U		72				PLATE, Scuff [AZ], Right
	5EW7 8RK5	1	J, T, U		72				[K5], Right
	5EW7 9LAZ	1	J, T, U		72				[AZ], Left
	5EW7 9RK5	1	J, T, U		72				[K5], Left
8	3420 1314	4	J, T, U		72				SCREW, Tapping Round Head, .164x18x1.232
9	6033 560	1							NUT AND WASHER, Hex Nut-Coned Washer, .25-20
10									SCREW AND WASHER, Pan Head, .19-16x1, (NOT SERVICED) (Not Serviced)
11	6504 995AA	4	J, T, U		72				PIN, Push, M6.3x19.84
12									SCREW, .164-18x.500, (NOT SERVICED) (Not Serviced)
13	6034 863	8	J, T, U		72				SCREW, Pan Head, .164-18x1.25
14	3420 1400	2	J, T, U		72				SCREW AND FINISH WASHER, Oval Head TR, 40mm Long
15	5FU34 LAZAB	1							DOOR, Fuse Access [AZ]
	5FU34 RK5AB	1							[K5]
16	5500 3374	2	J, T, U		72				PLATE, Scuff

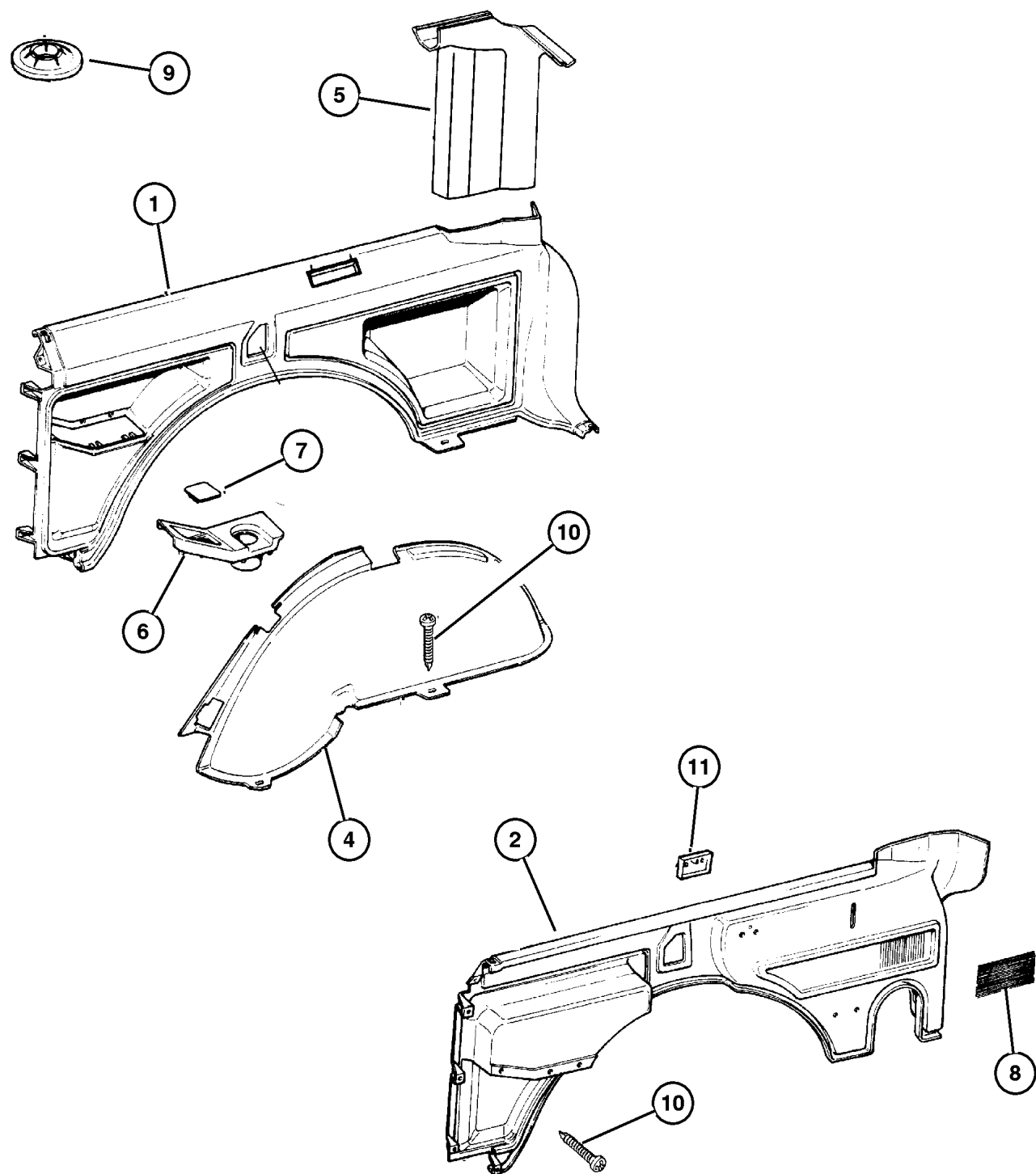
JEEP CHEROKEE (XJ)

SERIES	LINE	BODY	ENGINE	TRANSMISSION
P=Classic	J=LHD (4WD)	74=4 Dr.(101.4WB)	ENC,EN0=2.5L 4 cyl. Turbo Die	DDD, DDQ=5 spd. Man.
S=Limited	U=RHD (4WD)	72=2 Dr.(101.4WB)	ERH,ER0=4.0L Power Tech I-6	DGS=4 spd. Auto. AISIN
H=Sport	T=LHD (2WD)		EPE,EP0=Magnum 2.5L SMPI	DG0=All Auto/Trans.
L=SE	B=RHD (2WD)			DBB=All Manual Trans.

AR = Use as required - = Non illustrated part # = New this model year

December 7, 2002

Panels, Interior Trim, Rear, 2 Door 2 Door
Figure IXJ-215



ITEM	PART NUMBER	QTY	LINE	SERIES	BODY	ENGINE	TRANS	TRIM	DESCRIPTION
1									PANEL, Quarter Trim
	5EG04 LAZAE	1	J, T, U		72				[AZ], Right
	5EG04 RK5AE	1	J, T, U		72				[K5], Right
2									PANEL, Quarter Trim
	5EG05 LAZAF	1	J, T, U		72				[AZ], Left
	5EG05 RK5AF	1	J, T, U		72				[K5], Left
-3									PIN, Push .281, (NOT REQUIRED)
4									PANEL, Wheelhouse
	5AC58 LAZAB	1							[AZ], Right
	5AC58 RK5AB	1							[K5], Right
	5AC59 LAZAB	1							[AZ], Left
	5AC59 RK5AB	1							[K5], Left
5									COVER, Liftgate Pillar
	5ER40 LAZAD	1	J, T, U		72				[AZ], Right
	5ER40 RK5AD	1	J, T, U		72				[K5], Right
	5ER41 LAZAD	1	J, T, U		72				[AZ], Left
	5ER41 RK5AD	1	J, T, U		72				[K5], Left
6									COVER, Armrest, Serviced in Quarter Trim Panel, (NOT SERVICED) (Not Serviced)
7									COVER, Ash Receiver Opening
	5AC6 4LAZ	2	J, T, U		72				[AZ]
	5AC6 4RK5	2	J, T, U		72				[K5]
8	5500 4406	1	J, T, U		72				SCREEN, Louvre
9	3420 1481	6	J, T, U		72				NUT, Push On
10	3420 1468	4							SCREW, Round Washer Head, M4. 2x1.41x25.00
11									REST, Spare Tire, (NOT SERVICED) (Not Serviced)

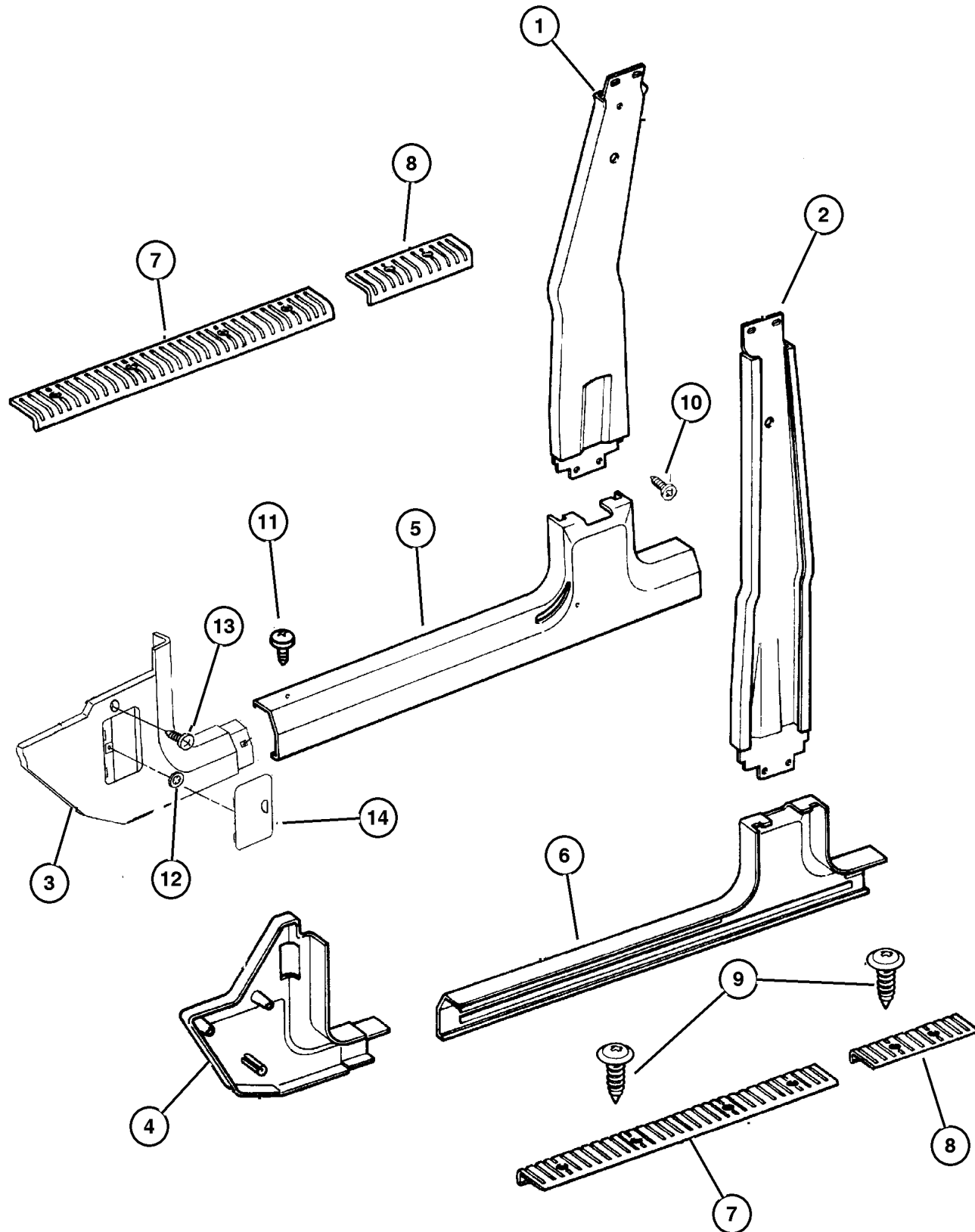
JEEP CHEROKEE (XJ)

SERIES	LINE	BODY	ENGINE	TRANSMISSION
P=Classic	J=LHD (4WD)	74=4 Dr.(101.4WB)	ENC,EN0=2.5L 4 cyl. Turbo Die	DDD, DDQ=5 spd. Man.
S=Limited	U=RHD (4WD)	72=2 Dr.(101.4WB)	ERH,ER0=4.0L Power Tech I-6	DGS=4 spd. Auto. AISIN
H=Sport	T=LHD (2WD)		EPE,EP0=Magnum 2.5L SMPI	DG0=All Auto/Trans.
L=SE	B=RHD (2WD)			DBB=All Manual Trans.

AR = Use as required - = Non illustrated part # = New this model year

December 7, 2002

Panels, Interior Trim, Front, 4 Door 4 Door
Figure IXJ-220



ITEM	PART NUMBER	QTY	LINE	SERIES	BODY	ENGINE	TRANS	TRIM	DESCRIPTION
[P.A.R.] = Paint As Required									
1	5ER20 RK5AE	1			74				COVER, B Pillar Trim Panel, [P. A.R.], Right
2	5ER21 RK5AE	1			74				COVER, B Pillar Trim Panel, [P. A.R.], Left
3	5EG14 LAZAE	1							PANEL, Cowl Side Trim [AZ], Right
	5EG14 RK5AE	1							[K5], Right
4	5EG17 LAZAD	1	J, T						PANEL, Cowl Side Trim [AZ], Left
	5EG17 RK5AD	1	J, T						[K5], Left
	5ES93 LAZAD	1	B, U						[AZ], Left
	5ES93 RK5AD	1	B, U						[K5], Left
5	5EW80 LAZAE	1			74				COVER, B Pillar Trim Panel [AZ], Right
	5EW80 RK5AE	1			74				[K5], Right
6	5EW81 LAZAE	1			74				COVER, B Pillar Trim Panel [AZ], Left
	5EW81 RK5AE	1			74				[K5], Left
7	5500 3370	2			74				PLATE, Scuff, Front
8	5500 3372	2			74				PLATE, Scuff, Rear
9									SCREW, .164-18x.500, (NOT SERVICED) (Not Serviced)
10	6504 995AA	2			74				PIN, Push, M6.3x19.84
11	3420 1400	10			74				SCREW AND FINISH WASHER, Oval Head TR, 40mm Long
12	6033 560	1							NUT AND WASHER, Hex Nut-Coned Washer, .25-20
13	3420 1468	2							SCREW, Round Washer Head, M4. 2x1.41x25.00
14	5FU34 LAZAB	1							DOOR, Fuse Access [AZ]
	5FU34 RK5AB	1							[K5]

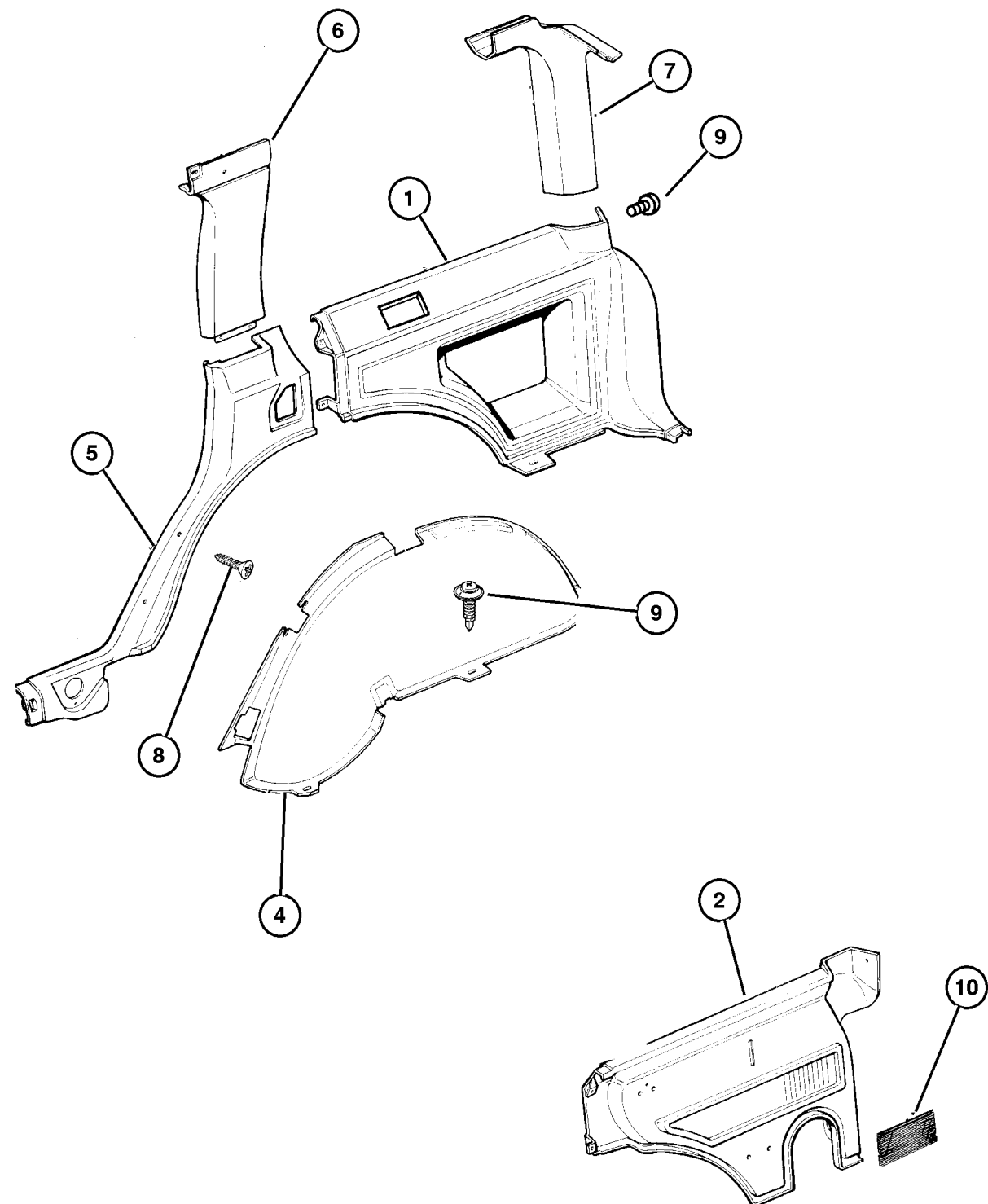
JEEP CHEROKEE (XJ)

SERIES	LINE	BODY	ENGINE	TRANSMISSION
P=Classic	J=LHD (4WD)	74=4 Dr.(101.4WB)	ENC,EN0=2.5L 4 cyl. Turbo Die	DDD, DDQ=5 spd. Man.
S=Limited	U=RHD (4WD)	72=2 Dr.(101.4WB)	ERH,ER0=4.0L Power Tech I-6	DGS=4 spd. Auto. AISIN
H=Sport	T=LHD (2WD)		EPE,EP0=Magnum 2.5L SMPI	DG0=All Auto/Trans.
L=SE	B=RHD (2WD)			DBB=All Manual Trans.

AR = Use as required - = Non illustrated part # = New this model year

December 7, 2002

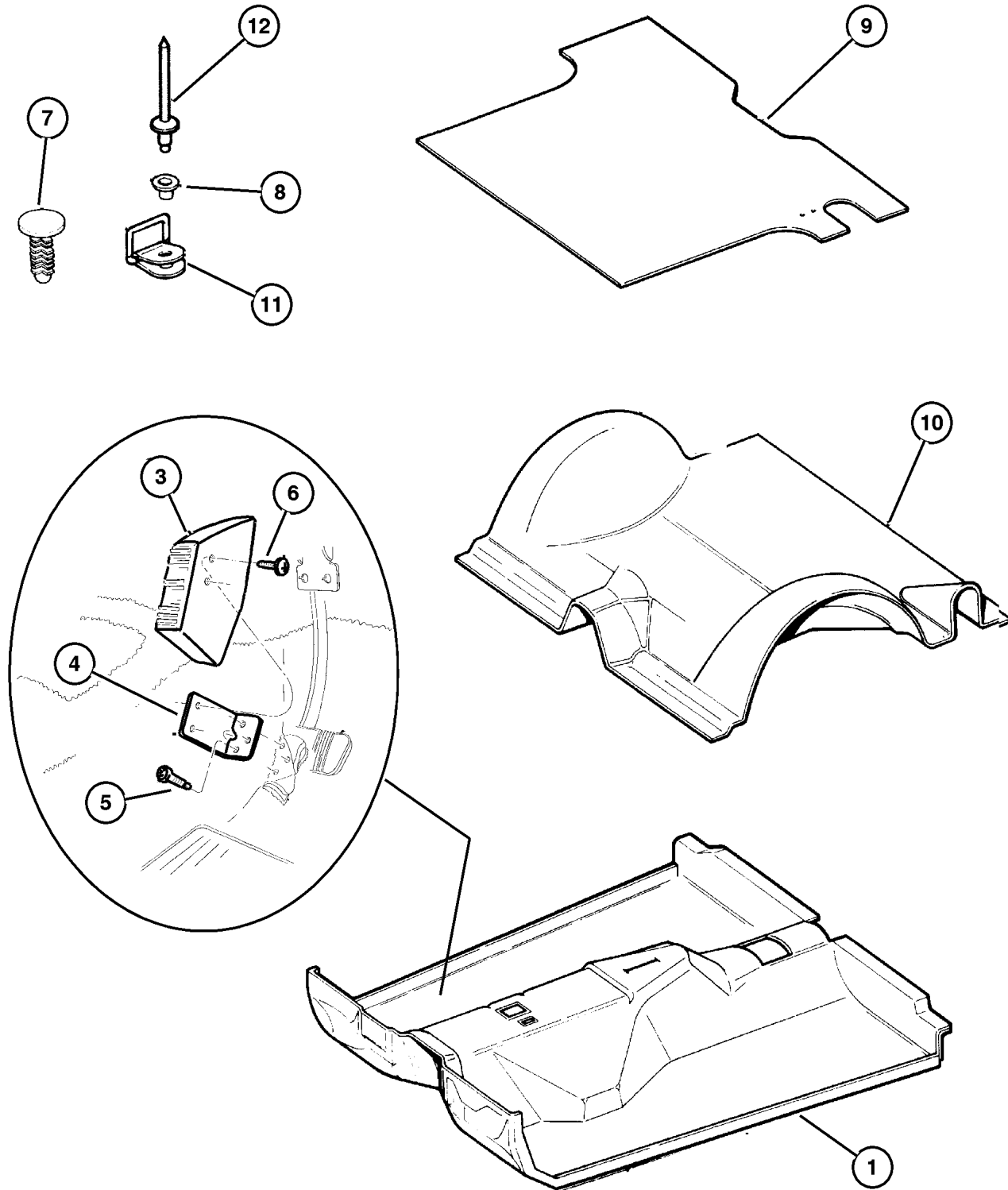
Panels, Interior Trim, Rear, 4 Door 4 Door
Figure IXJ-225



ITEM	PART NUMBER	QTY	LINE	SERIES	BODY	ENGINE	TRANS	TRIM	DESCRIPTION
[P.A.R.] = Paint As Required									
1	5EG02 LAZAE	1			74				PANEL, Quarter Trim [AZ], Right
	5EG02 RK5AE	1			74				[K5], Right
2	5EG03 LAZAG	1			74				PANEL, Quarter Trim [AZ], Left
	5EG03 RK5AG	1			74				[K5], Left
-3									PIN, Push .281, (NOT REQUIRED)
4	5AC58 LAZAB	1							PANEL, Wheelhouse [AZ], Right
	5AC58 RK5AB	1							[K5], Right
	5AC59 LAZAB	1							[AZ], Left
	5AC59 RK5AB	1							[K5], Left
5	5GM58 LAZAC	1			74				EXTENSION, C Pillar [AZ], Right
	5GM58 RK5AC	1			74				[K5], Right
	5GM59 LAZAC	1			74				[AZ], Left
	5GM59 RK5AC	1			74				[K5], Left
6	5EW86 LAZAC	1			74				COVER, C Pillar [P.A.R.], Right
	5EW87 LAZAC	1			74				[P.A.R.], Left
7	5FX18 LAZAC	1			74				COVER, Liftgate [AZ], Right
	5FX18 RK5AC	1			74				[K5], Right
	5FX19 LAZAD	1			74				[AZ], Left
	5FX19 RK5AD	1			74				[K5], Left
8	6504 995AA	4			74				PIN, Push, M6.3x19.84
9	3420 1468	4							SCREW, Round Washer Head, M4. 2x1.41x25.00
10	5500 4406	1			74				SCREEN, Louvre

JEEP CHEROKEE (XJ)				
SERIES	LINE	BODY	ENGINE	TRANSMISSION
P=Classic	J=LHD (4WD)	74=4 Dr.(101.4WB)	ENC,EN0=2.5L 4 cyl. Turbo Die	DDD, DDQ=5 spd. Man.
S=Limited	U=RHD (4WD)	72=2 Dr.(101.4WB)	ERH,ER0=4.0L Power Tech I-6	DGS=4 spd. Auto. AISIN
H=Sport	T=LHD (2WD)		EPE,EP0=Magnum 2.5L SMPI	DG0=All Auto/Trans.
L=SE	B=RHD (2WD)			DBB=All Manual Trans.

Carpets and Mats Figure IXJ-310



ITEM	PART NUMBER	QTY	LINE	SERIES	BODY	ENGINE	TRANS	TRIM	DESCRIPTION
1									CARPET, Floor
	5EY16 LAZAR	1	J, T						[AZ], Gas Only
	5EY16 VK9AR	1	J, T						[K5], Gas Only
	5FM05 LAZAO	1	B, U						[AZ]
	5FM05 VK9AO	1	B, U						[K5]
	5FY03 LAZAQ	1	J, T						[AZ], Diesel
	5FY03 VK9AQ	1	J, T						[K5], Diesel
-2									MAT, Full Floor, Rubber
	5FM11 DX9AJ	1	B, U						
	5FN10 DX9AM	1	J, T						
3	5511 5066	1	B, U						PAD, Foot Rest
4	5511 5067	1	B, U						BRACKET, Foot Rest
5									SCREW, [.190-16x.625], (NOT SERVICED) (Not Serviced)
6									SCREW, [.190-16x1.00], (NOT SERVICED) (Not Serviced)
7									PIN, Push .281, (NOT REQUIRED)
8	3420 2365	4							WASHER
9	5500 8727	1							MAT, Floor
10									CARPET, Cargo Floor
	5FX14 LAZAH	1							[AZ]
	5FX14 VK9AH	1							[K5]
11	#55215 609AB	4							LOOP, Cargo Tie Down
12	6035 122	4							RIVET, .187x.70 Black
-13	3420 2672	2							RIVET, .197 Grip-.187-.375, Carpet Attach
-14									MAT KIT, Floor
	5FJ35 LAZAB	1	B, U						[AZ]
	5FJ35 VK9AB	1	B, U						[K5]
-15									CLIP, Carpet
	55196 834AA	1	J, T						
		1	B, U						

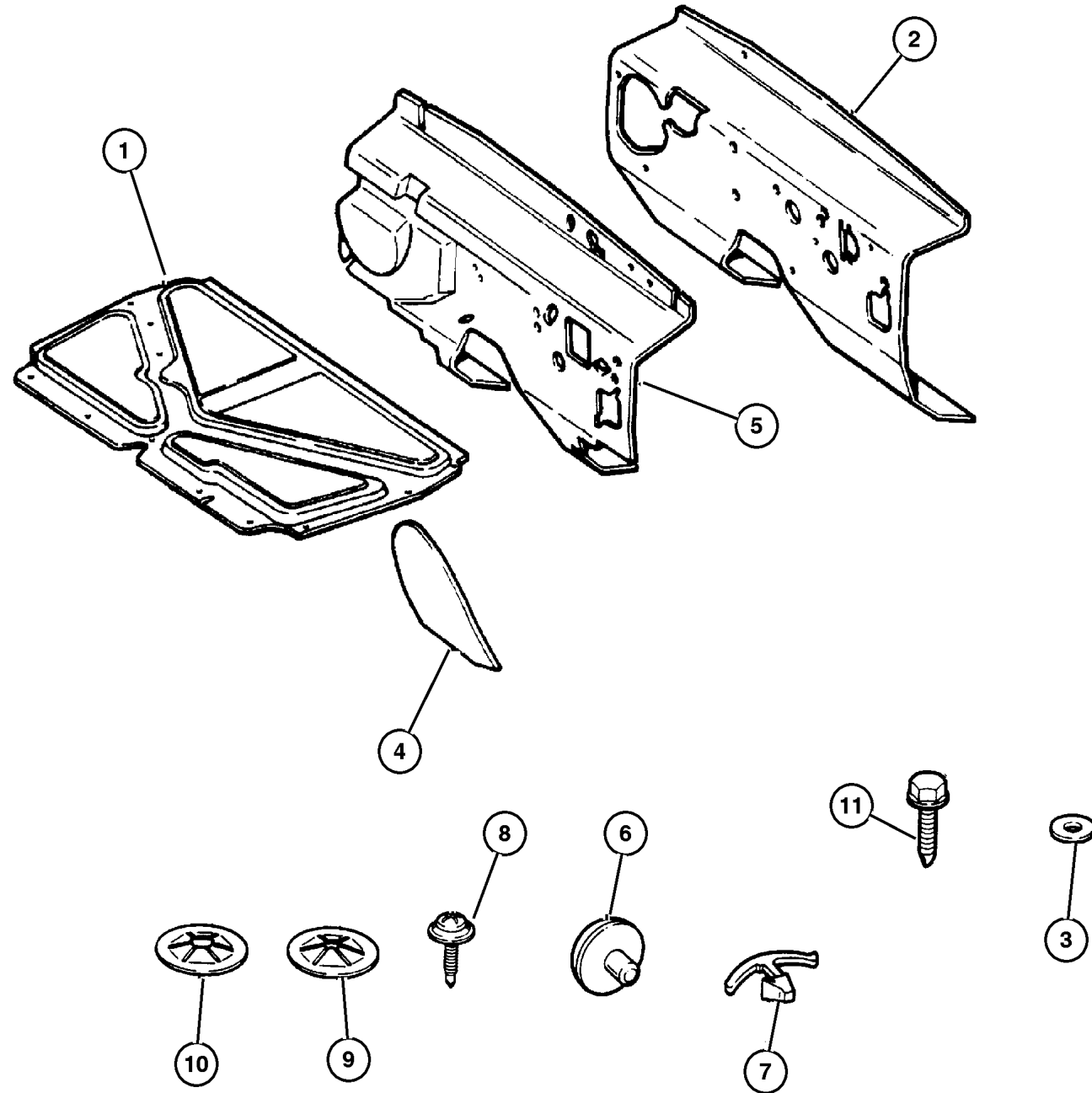
JEEP CHEROKEE (XJ)

SERIES	LINE	BODY	ENGINE	TRANSMISSION
P=Classic	J=LHD (4WD)	74=4 Dr.(101.4WB)	ENC,EN0=2.5L 4 cyl. Turbo Die	DDD, DDQ=5 spd. Man.
S=Limited	U=RHD (4WD)	72=2 Dr.(101.4WB)	ERH,ER0=4.0L Power Tech I-6	DGS=4 spd. Auto. AISIN
H=Sport	T=LHD (2WD)		EPE,EP0=Magnum 2.5L SMPI	DG0=All Auto/Trans.
L=SE	B=RHD (2WD)			DBB=All Manual Trans.

AR = Use as required - = Non illustrated part # = New this model year

December 7, 2002

Insulation
Figure IXJ-320



ITEM	PART NUMBER	QTY	LINE	SERIES	BODY	ENGINE	TRANS	TRIM	DESCRIPTION
1	55217 068AE	1							INSULATION, Hood
2	55217 409AL	1	J, T						INSULATION, Dash Panel, Inner
3									WASHER, Flat, (NOT REQUIRED)
4	5500 4230	1							INSULATION, Toe Board
5									INSULATION, Dash Panel, Outer, (NOT SERVICED) (Not Serviced)
6	6503 274	5	B, U						NUT, Push On Insulation to Dash
		6	J, T						Insulation to Dash
7	6003 351	13							RETAINER, Hood Insulation, .415x. 690
8									SCREW, Flat Head, .312-18x1.00, (NOT REQUIRED)
9	J400 5955	4	J, T						NUT, Hood Insulation , Diesel Engine
10	J400 0235	2							NUT, Push, .375, Insulation to Accelerator Stud
11	6035 156	2							SCREW, Flat Head, .312-18x1.00, Attach Insulation to Dash Panel

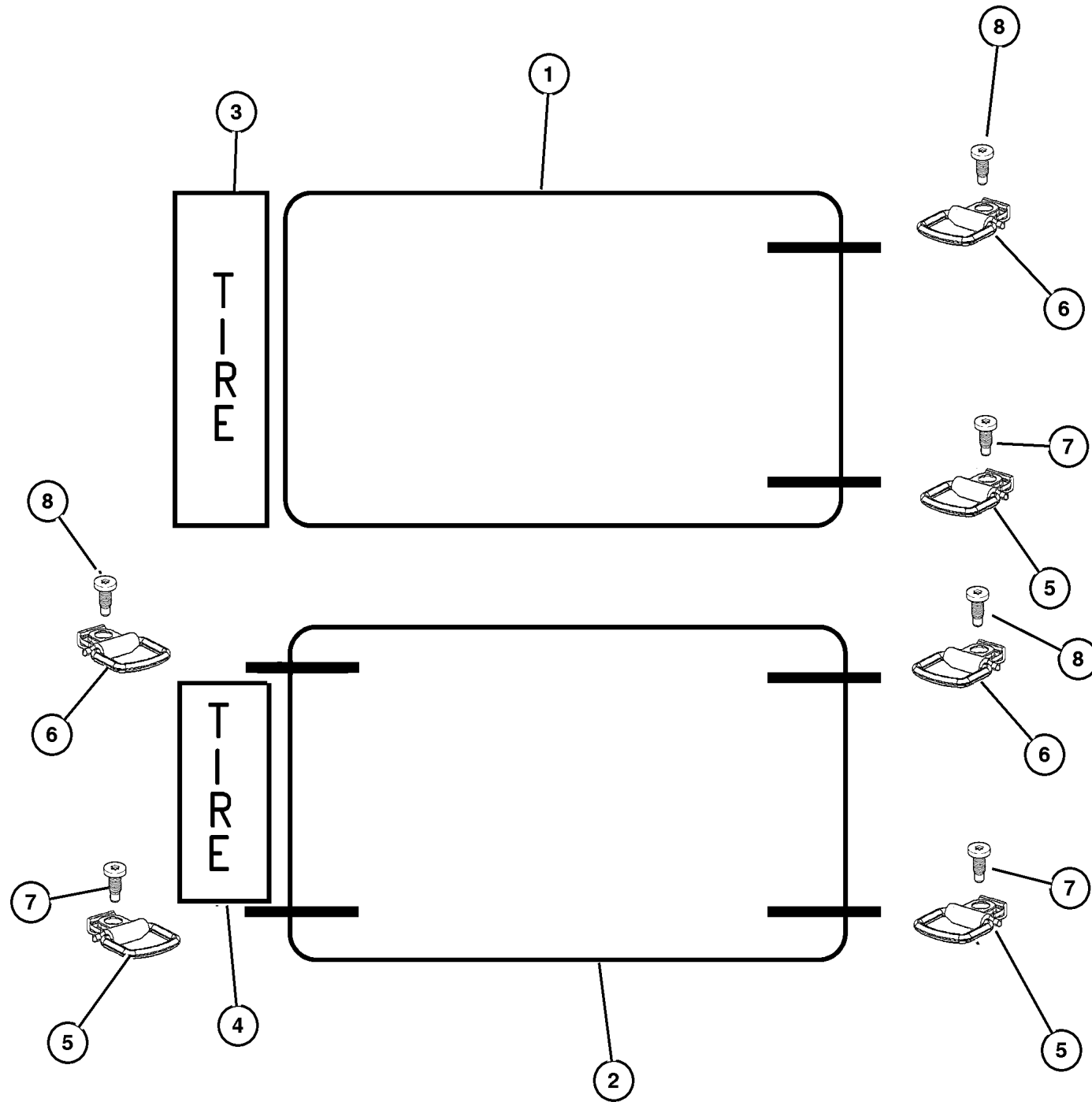
JEEP CHEROKEE (XJ)

SERIES	LINE	BODY	ENGINE	TRANSMISSION
P=Classic	J=LHD (4WD)	74=4 Dr.(101.4WB)	ENC,EN0=2.5L 4 cyl. Turbo Die	DDD, DDQ=5 spd. Man.
S=Limited	U=RHD (4WD)	72=2 Dr.(101.4WB)	ERH,ER0=4.0L Power Tech I-6	DGS=4 spd. Auto. AISIN
H=Sport	T=LHD (2WD)		EPE,EP0=Magnum 2.5L SMPI	DG0=All Auto/Trans.
L=SE	B=RHD (2WD)			DBB=All Manual Trans.

AR = Use as required - = Non illustrated part # = New this model year

December 7, 2002

**Cover, Cargo
Figure IXJ-330**



ITEM	PART NUMBER	QTY	LINE	SERIES	BODY	ENGINE	TRANS	TRIM	DESCRIPTION
1									COVER, Cargo Compartment
	5FX86 LAZAB	1							[AZ], With Full Spare
	5FX86 RK5AB	1							[K5], With Full Spare
	5FX87 LAZAB	1	J, U						[AZ], With Compact Spare T155/90D16-Full
	5FX87 RK5AB	1	J, U						[K5], With Compact Spare T155/90D16-Full
2									COVER, Cargo Compartment
	5FX84 LAZAA	1	J, T						[AZ], With Mini Spare
	5FX84 RK5AA	1	J, T						[K5], With Mini Spare
3									COVER, Spare Tire
	5FX76 1AZAD	1	J, U						[AZ], With Compact Spare T155/90D16-Full
	5FX76 1K9AD	1	J, U						[K5], With Compact Spare T155/90D16-Full
	5FX79 1AZAE	1							[AZ], With Full Spare, With Cargo Cover
	5FX79 1K9AE	1							[K5], With Full Spare, With Cargo Cover
	5FM76 LAZAD	1							[AZ], With Full Spare, Without Cargo Cover
	5FM76 VK9AD	1							[K5], With Full Spare, Without Cargo Cover
4									COVER, Inside Spare Tire
	5FM74 LAZAC	1	J, T						[AZ], With Mini Spare
	5FM74 VK9AC	1	J, T						[K5], With Mini Spare
5	55352 692AA	2							LOOP, Cargo Tie Down
6	55352 697AA	2							LOOP, Cargo Tie Down
7	3420 1400	2							SCREW AND FINISH WASHER, Oval Head TR, 40mm Long
8									SCREW DRILL, Oval Truss Head, .164x18x1.378, (NOT SERVICED) (Not Serviced)

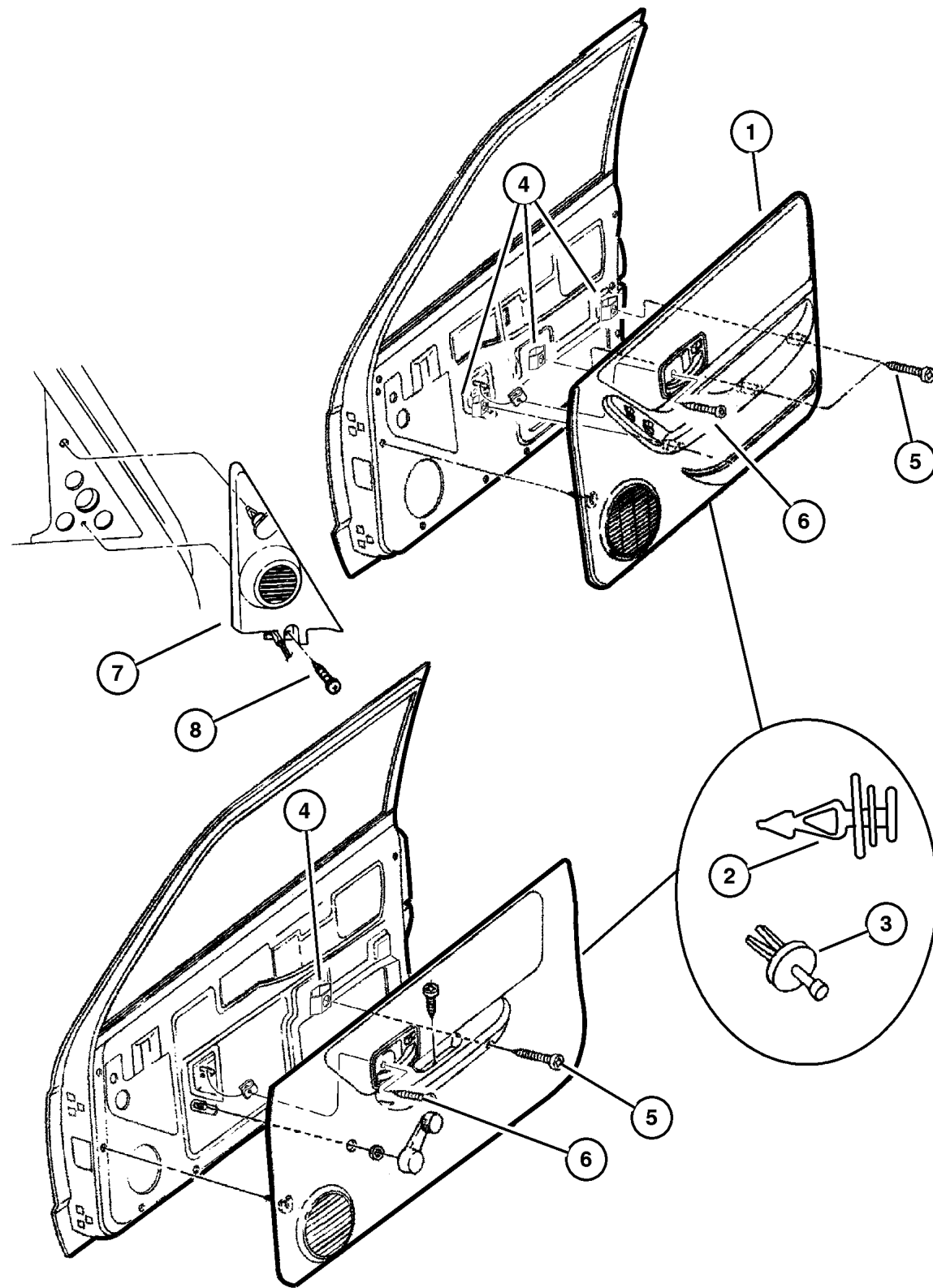
JEEP CHEROKEE (XJ)

SERIES	LINE	BODY	ENGINE	TRANSMISSION
P=Classic	J=LHD (4WD)	74=4 Dr.(101.4WB)	ENC,EN0=2.5L 4 cyl. Turbo Die	DDD, DDQ=5 spd. Man.
S=Limited	U=RHD (4WD)	72=2 Dr.(101.4WB)	ERH,ER0=4.0L Power Tech I-6	DGS=4 spd. Auto. AISIN
H=Sport	T=LHD (2WD)		EPE,EP0=Magnum 2.5L SMPI	DG0=All Auto/Trans.
L=SE	B=RHD (2WD)			DBB=All Manual Trans.

AR = Use as required - = Non illustrated part # = New this model year

December 7, 2002

**Interior Trim Parts, 2 Door 2 Door
Figure IXJ-410**



ITEM	PART NUMBER	QTY	LINE	SERIES	BODY	ENGINE	TRANS	TRIM	DESCRIPTION
1									PANEL, Front Door Trim
	SR12 1AZAA	1	J, T		72				[AZ], With Power Windows, Locks, Right
	5EH35 1K5AF	1	J, T		72				[K5], With Power Mirrors, Left
	SR12 1K5AA	1	J, T		72				[K5], With Power Windows, Locks, Right
	SR13 1AZAA	1	J, T		72				[AZ], With Power Windows, Locks Mirrors, Left
	SR13 1K5AA	1	J, T		72				[K5], With Power Windows, Locks Mirrors, Left
	5EH32 1AZAE	1	J, T		72				[AZ], Right
	5EH32 1K5AE	1	J, T		72				[K5], Right
	5EH33 1AZAE	1	J, T		72				[AZ], Left
	5EH33 1K5AE	1	J, T		72				[K5], Left
	5EH35 1AZAF	1	J, T		72				[AZ], With Power Mirrors, Left
2	6504 014	AR							FASTENER, Door Trim Panel, White
3	6505 009AC	AR							FASTENER, Door Trim Panel, Black
4	6029 509	2							U-NUT, .250-14
5	1150 0068	6			74				SCREW, Pan Head Tapping, .250x14x1.772
6									SCREW, M4x0.7-16, (NOT SERVICED) (Not Serviced)
7									COVER, Mirror Opening Without Tweeter, Right
	5FM02 LAZAB	1							Without Tweeter, Right
	5FM03 LAZAB	1							Without Tweeter, Left
	5FV14 LAZAB	1							With Tweeter, Right
	5FV15 LAZAB	1							With Tweeter, Left
8									SCREW, .164-18x.625, (NOT SERVICED) (Not Serviced)
-9	6032 723	2							SCREW, Self Tapping, M4.2x1.69x19.05, Used on Front Door Trim Panel Tab
-10	6505 387AA	6							U-NUT, M6.3X1.81~~

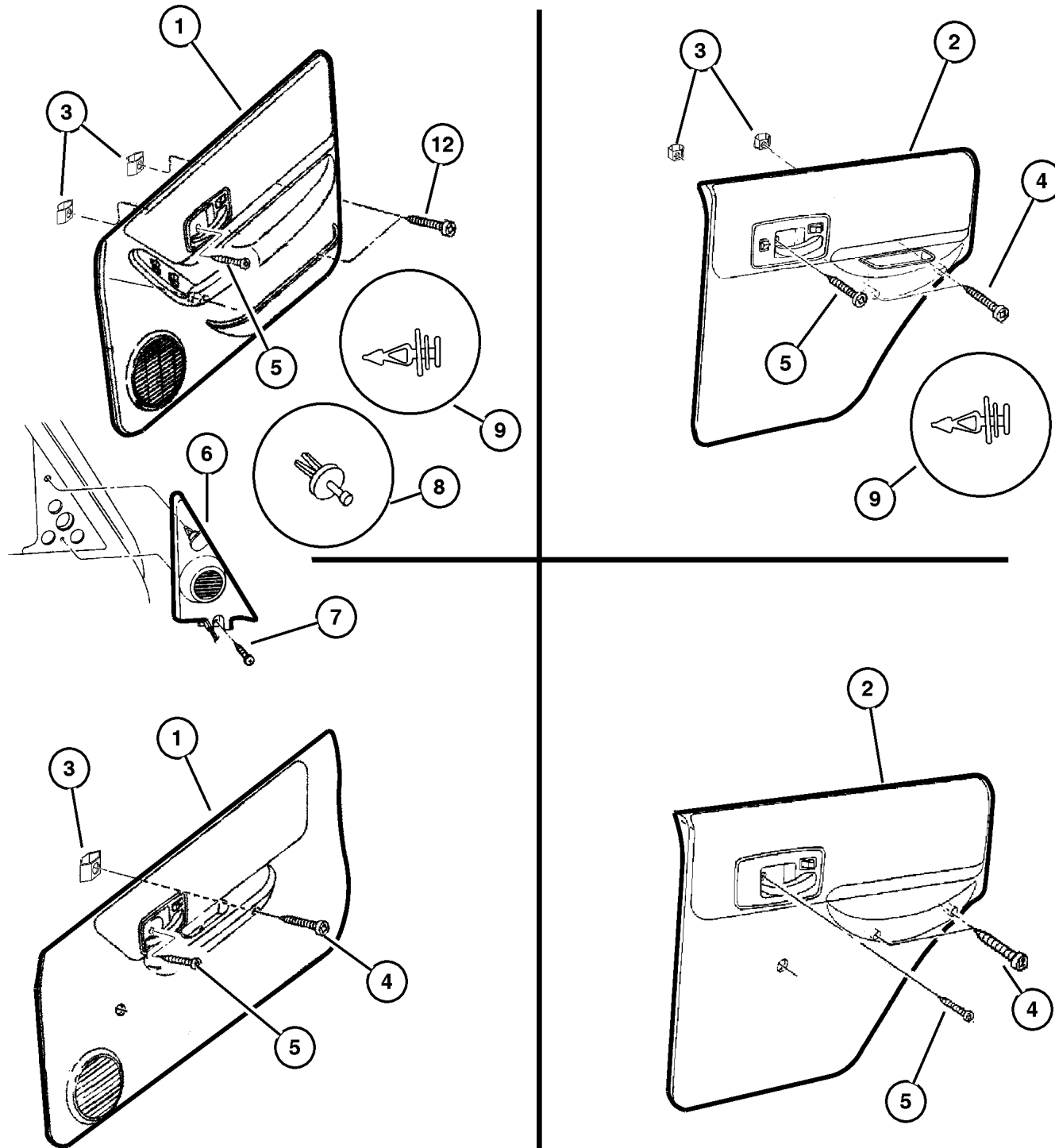
JEEP CHEROKEE (XJ)

SERIES	LINE	BODY	ENGINE	TRANSMISSION
P=Classic	J=LHD (4WD)	74=4 Dr.(101.4WB)	ENC,EN0=2.5L 4 cyl. Turbo Die	DDD, DDQ=5 spd. Man.
S=Limited	U=RHD (4WD)	72=2 Dr.(101.4WB)	ERH,ER0=4.0L Power Tech I-6	DGS=4 spd. Auto. AISIN
H=Sport	T=LHD (2WD)		EPE,EP0=Magnum 2.5L SMPI	DG0=All Auto/Trans.
L=SE	B=RHD (2WD)			DBB=All Manual Trans.

AR = Use as required - = Non illustrated part # = New this model year

December 7, 2002

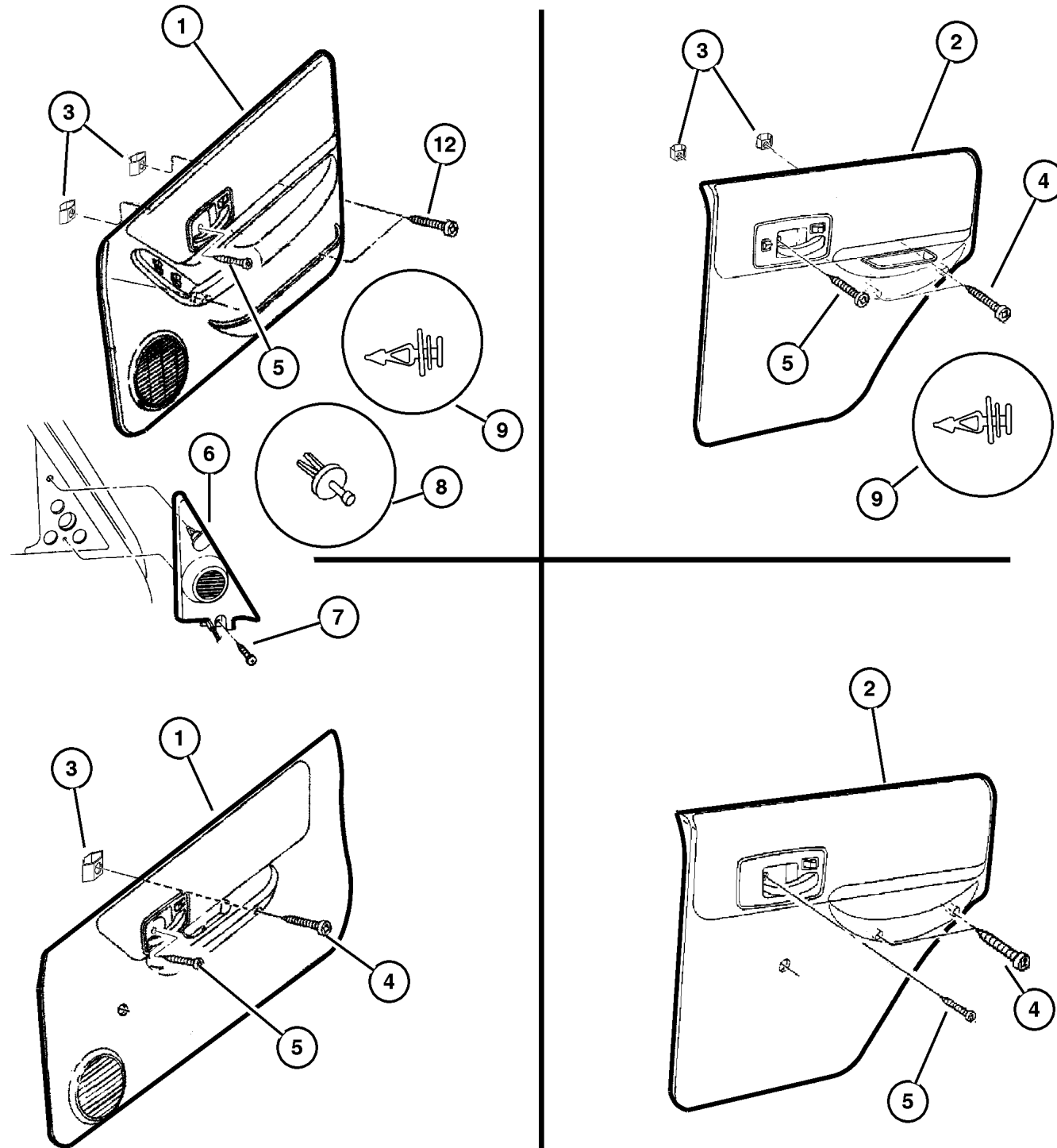
Interior Trim Parts, 4 Door 4 Door
Figure IXJ-420



ITEM	PART NUMBER	QTY	LINE	SERIES	BODY	ENGINE	TRANS	TRIM	DESCRIPTION
Sales Codes: [CBW]= Highland Vinyl [CBV]= Cloth With Map Pocket [CBZ]= Premium Vinyl With Map Pocket [GVB]= Power Mirrors [JPA]= Power Windows [JPB]= Power Doors									
1	QL56 1AZ	1	J, T		74				PANEL, Front Door Trim [AZ], Highland Vinyl With Sales Codes, [CBW, JPA, JPB], Right
	SR04 1K5AA	1	J, T		74				[K5], Cloth With Map Pocket, Sales Code [CBV], Right
	SR05 1AZAA	1	J, T		74				[AZ], Cloth With Map Pocket, Sales Code [CBV], Left
	SR05 1K5AA	1	J, T		74				[K5], Cloth With Map Pocket, Sales Code [CBV], Left
	SR06 1AZAA	1	B, U		74				[AZ], Cloth With Map Pocket, Sales Code [CBV], Right
	SR06 1K5AA	1	B, U		74				[K5], Cloth With Map Pocket, Sales Code [CBV], Right
	SR07 1AZAA	1	B, U		74				[AZ], Cloth With Map Pocket, Sales Code [CBV], Left
	SR07 1K5AA	1	B, U		74				[K5], Cloth With Map Pocket, Sales Code [CBV], Left
	SR08 1AZAA	1	J, T		74				[AZ], Premium Vinyl With Map Pocket, Sales Code [CBZ], Right
	SR08 1K5AA	1	J, T		74				[K5], Premium Vinyl With Map Pocket, Sales Code [CBZ], Right
	SR09 1AZAA	1	J, T		74				[AZ], Premium Vinyl With Map Pocket, Sales Code [CBZ], Left
	QL56 1K5	1	J, T		74				[K5], Highland Vinyl With Sales Codes, [CBW, JPA, JPB], Right
	SR09 1K5AA	1	J, T		74				[K5], Premium Vinyl With Map Pocket, Sales Code [CBZ], Left
	SR10 1AZAA	1	B, U		74				[AZ], Premium Vinyl With Map Pocket, Sales Code [CBZ], Right
	SR10 1K5AA	1	B, U		74				[K5], Premium Vinyl With Map Pocket, Sales Code [CBZ], Right
	SR11 1AZAA	1	B, U		74				[AZ], Premium Vinyl With Map Pocket, Sales Code [CBZ], Left
	SR11 1K5AA	1	B, U		74				[K5], Premium Vinyl With Map Pocket, Sales Code [CBZ], Left
	5EH24 1AZAE	1	J, T		74				[AZ], Highland Vinyl, Without Power, Sales Code [CBW], Right

JEEP CHEROKEE (XJ)
 SERIES LINE BODY ENGINE TRANSMISSION
 P=Classic J=LHD (4WD) 74=4 Dr.(101.4WB) ENC,EN0=2.5L 4 cyl. Turbo Die DDD, DDQ=5 spd. Man.
 S=Limited U=RHD (4WD) 72=2 Dr.(101.4WB) ERH,ER0=4.0L Power Tech I-6 DGS=4 spd. Auto. AISIN
 H=Sport T=LHD (2WD) EPE,EP0=Magnum 2.5L SMPI DG0=All Auto/Trans.
 L=SE B=RHD (2WD) DBB=All Manual Trans.

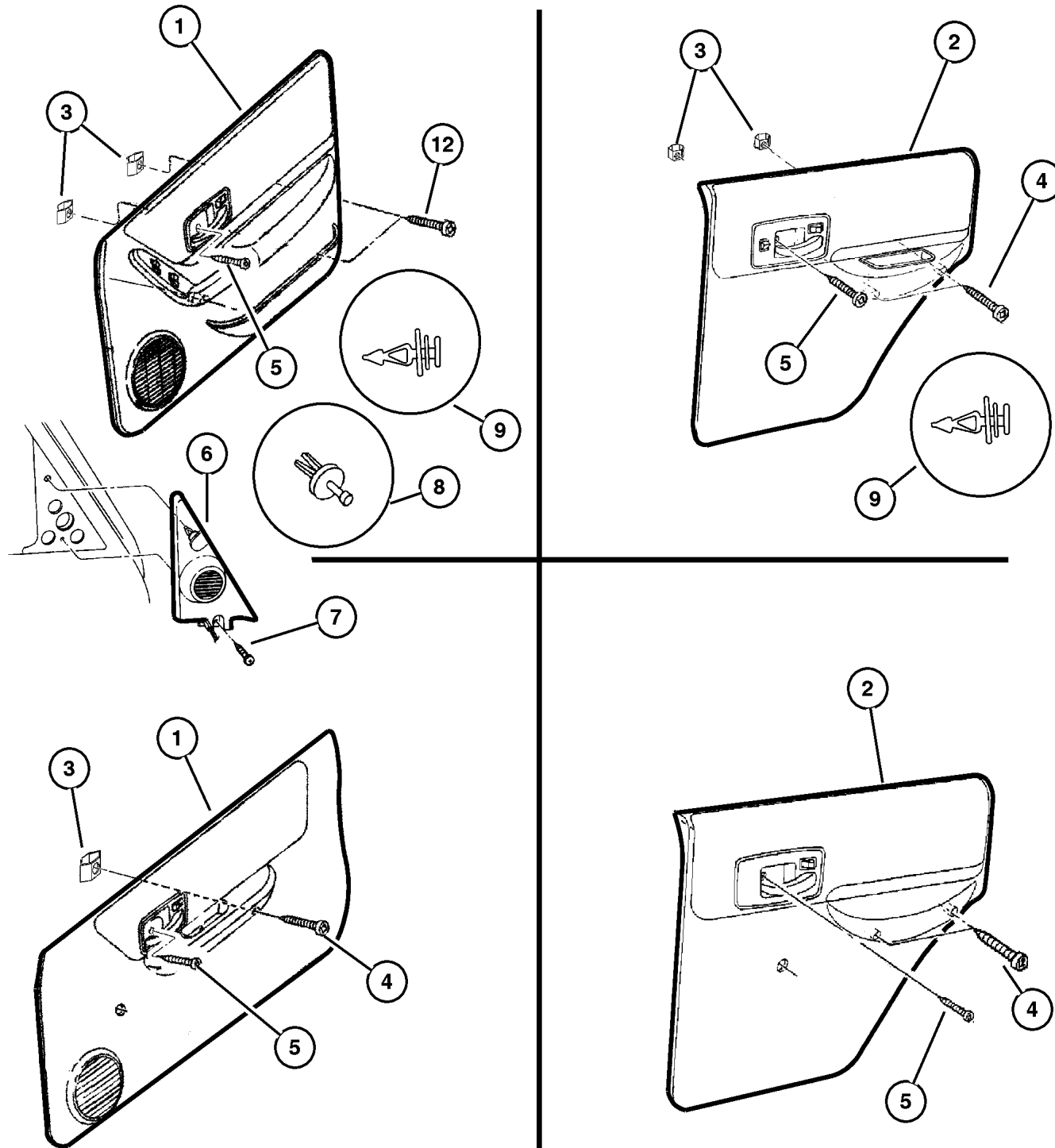
**Interior Trim Parts, 4 Door 4 Door
Figure IXJ-420**



ITEM	PART NUMBER	QTY	LINE	SERIES	BODY	ENGINE	TRANS	TRIM	DESCRIPTION
		1	B, U		74				[AZ], Highland Vinyl, Without Power, Sales Code [CBW], Right
	5EH24 1K5AE	1	J, T		74				[K5], Highland Vinyl, Without Power, Sales Code [CBW], Right
		1	B, U		74				[K5], Highland Vinyl, Without Power, Sales Code [CBW], Right
	5EH25 1AZAE	1	B, U		74				[AZ], Highland Vinyl, Without Power, Sales Code [CBW], Left
	QL57 1AZ	1	J, T		74				[AZ], Highland Vinyl With Sales Codes, [CBW, JPA, JPB, GVB], Left
	5EH25 1AZAE	1	J, T		74				[AZ], Highland Vinyl, Without Power, Sales Code [CBW], Left
	5EH25 1K5AE	1	B, U		74				[K5], Highland Vinyl, Without Power, Sales Code [CBW], Left
		1	J, T		74				[K5], Highland Vinyl, Without Power, Sales Code [CBW], Left
	5EH26 1AZAF	1	B, U		74				[AZ], Highland Vinyl, With Power Mirrors Only, Sales Codes [CBW, GVB], Right
	5EH26 1K5AF	1	B, U		74				[K5], Highland Vinyl, With Power Mirrors Only, Sales Codes [CBW, GVB], Right
	5EH27 1AZAF	1	J, T		74				[AZ], Highland Vinyl, With Power Mirrors Only, Sales Codes [CBW, GVB], Left
	5EH27 1K5AF	1	J, T		74				[K5], Highland Vinyl, With Power Mirrors Only, Sales Codes [CBW, GVB], Left
	QL57 1K5	1	J, T		74				[K5], Highland Vinyl With Sales Codes, [CBW, JPA, JPB, GVB], Left
	SR02 1AZAA	1	B, U		74				[AZ], Highland Vinyl With Sales Codes, [CBW, JPA, JPB], Right
	SR02 1K5AA	1	B, U		74				[K5], Highland Vinyl With Sales Codes, [CBW, JPA, JPB], Right
	SR03 1AZAA	1	B, U		74				[AZ], Highland Vinyl With Sales Codes, [CBW, JPA, JPB, GVB], Left
	SR03 1K5AA	1	B, U		74				[K5], Highland Vinyl With Sales Codes, [CBW, JPA, JPB, GVB], Left

JEEP CHEROKEE (XJ)
 SERIES LINE BODY ENGINE TRANSMISSION
 P=Classic J=LHD (4WD) 74=4 Dr.(101.4WB) ENC,EN0=2.5L 4 cyl. Turbo Die DDD, DDQ=5 spd. Man.
 S=Limited U=RHD (4WD) 72=2 Dr.(101.4WB) ERH,ER0=4.0L Power Tech I-6 DGS=4 spd. Auto. AISIN
 H=Sport T=LHD (2WD) EPE,EP0=Magnum 2.5L SMPI DG0=All Auto/Trans.
 L=SE B=RHD (2WD) DBB=All Manual Trans.

Interior Trim Parts, 4 Door 4 Door
Figure IXJ-420



ITEM	PART NUMBER	QTY	LINE	SERIES	BODY	ENGINE	TRANS	TRIM	DESCRIPTION
	SR04 1AZAA	1	J, T		74				[AZ], Cloth With Map Pocket, Sales Code [CBV], Right
2	QL78 1AZ	1			74				PANEL, Rear Door Trim [AZ], Highland Vinyl, With Sales Codes [CBW, JPA, JPB], Right
	QL82 1K5	1			74				[K5], Premium Vinyl With Map Pockets, Sales Code [CBZ], Right
	QL83 1AZ	1			74				[AZ], Premium Vinyl With Map Pockets, Sales Code [CBZ], Left
	QL83 1K5	1			74				[K5], Premium Vinyl With Map Pockets, Sales Code [CBZ], Left
	5EG82 1AZAC	1			74				[AZ], Highland Vinyl, Without Power, Sales Code [CBW], Right
	5EG82 1K5AC	1			74				[K5], Highland Vinyl, Without Power, Sales Code [CBW], Right
	5EG83 1AZAC	1			74				[AZ], Highland Vinyl, Without Power, Sales Code [CBW], Left
	5EG83 1K5AC	1			74				[K5], Highland Vinyl, Without Power, Sales Code [CBW], Left
	QL78 1K5	1			74				[K5], Highland Vinyl, With Sales Codes [CBW, JPA, JPB], Right
	QL79 1AZ	1			74				[AZ], Highland Vinyl, With Sales Codes [CBW, JPA, JPB], Left
	QL79 1K5	1			74				[K5], Highland Vinyl, With Sales Codes [CBW, JPA, JPB], Left
	QL80 1AZ	1			74				[AZ], Cloth With Map Pocket, Sales Code [CBV], Right
	QL80 1K5	1			74				[K5], Cloth With Map Pocket, Sales Code [CBV], Right
	QL81 1AZ	1			74				[AZ], Cloth With Map Pocket, Sales Code [CBV], Left
	QL81 1K5	1			74				[K5], Cloth With Map Pocket, Sales Code [CBV], Left
	QL82 1AZ	1			74				[AZ], Premium Vinyl With Map Pockets, Sales Code [CBZ], Right
3	6029 509	2							U-NUT, .250-14
4									SCREW, Pan Head Tapping, .250x14x1.772, (NOT SERVICED) (Not Serviced)
5									SCREW, Remote Control Handle, M4x.7x16, (NOT SERVICED) (Not Serviced)
6									COVER, Mirror Opening

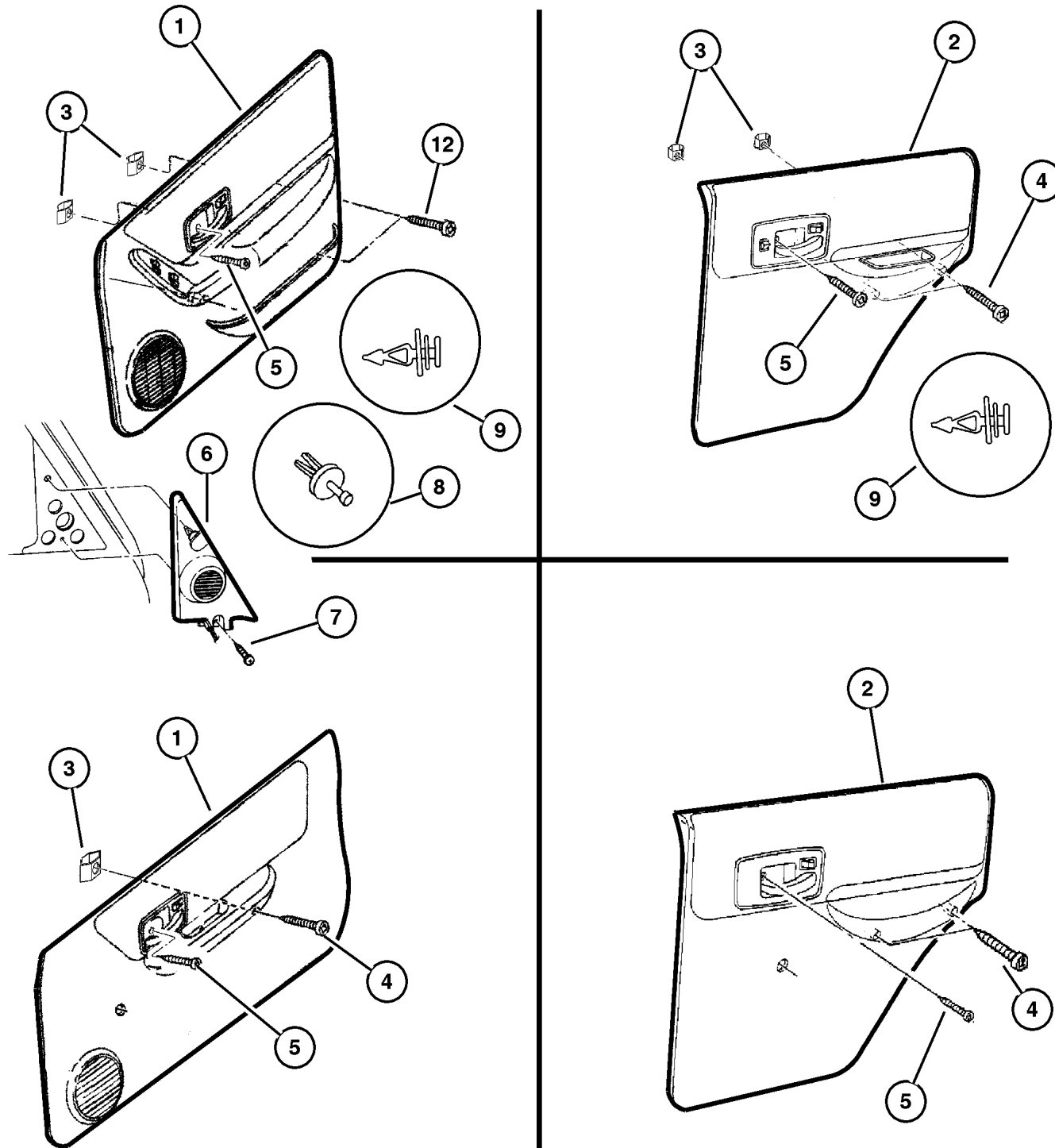
JEEP CHEROKEE (XJ)

SERIES	LINE	BODY	ENGINE	TRANSMISSION
P=Classic	J=LHD (4WD)	74=4 Dr.(101.4WB)	ENC,EN0=2.5L 4 cyl. Turbo Die	DDD, DDQ=5 spd. Man.
S=Limited	U=RHD (4WD)	72=2 Dr.(101.4WB)	ERH,ER0=4.0L Power Tech I-6	DGS=4 spd. Auto. AISIN
H=Sport	T=LHD (2WD)		EPE,EP0=Magnum 2.5L SMPI	DG0=All Auto/Trans.
L=SE	B=RHD (2WD)			DBB=All Manual Trans.

AR = Use as required - = Non illustrated part # = New this model year

December 7, 2002

Interior Trim Parts, 4 Door 4 Door
Figure IXJ-420



ITEM	PART NUMBER	QTY	LINE	SERIES	BODY	ENGINE	TRANS	TRIM	DESCRIPTION
	5FM02 LAZAB	1							[AZ], Without Tweeter, Right
	5FM03 LAZAB	1							[AZ], Without Tweeter, Left
	5FV14 LAZAB	1							[AZ], With Tweeter, Right
	5FV15 LAZAB	1							[AZ], With Tweeter, Left
7									SCREW, .164-18x.625, (NOT SERVICED) (Not Serviced)
8	6505 009AC	AR							FASTENER, Door Trim Panel, Black
9	6504 014	5							FASTENER, Door Trim Panel, White
-10	6032 723	2							SCREW, Self Tapping, M4.2x1.69x19.05, Used on Front Door Trim Panel Tab
-11	6505 387AA	6							U-NUT, M6.3X1.81--
12	1150 0068	6							SCREW, Pan Head Tapping, .250x14x1.772

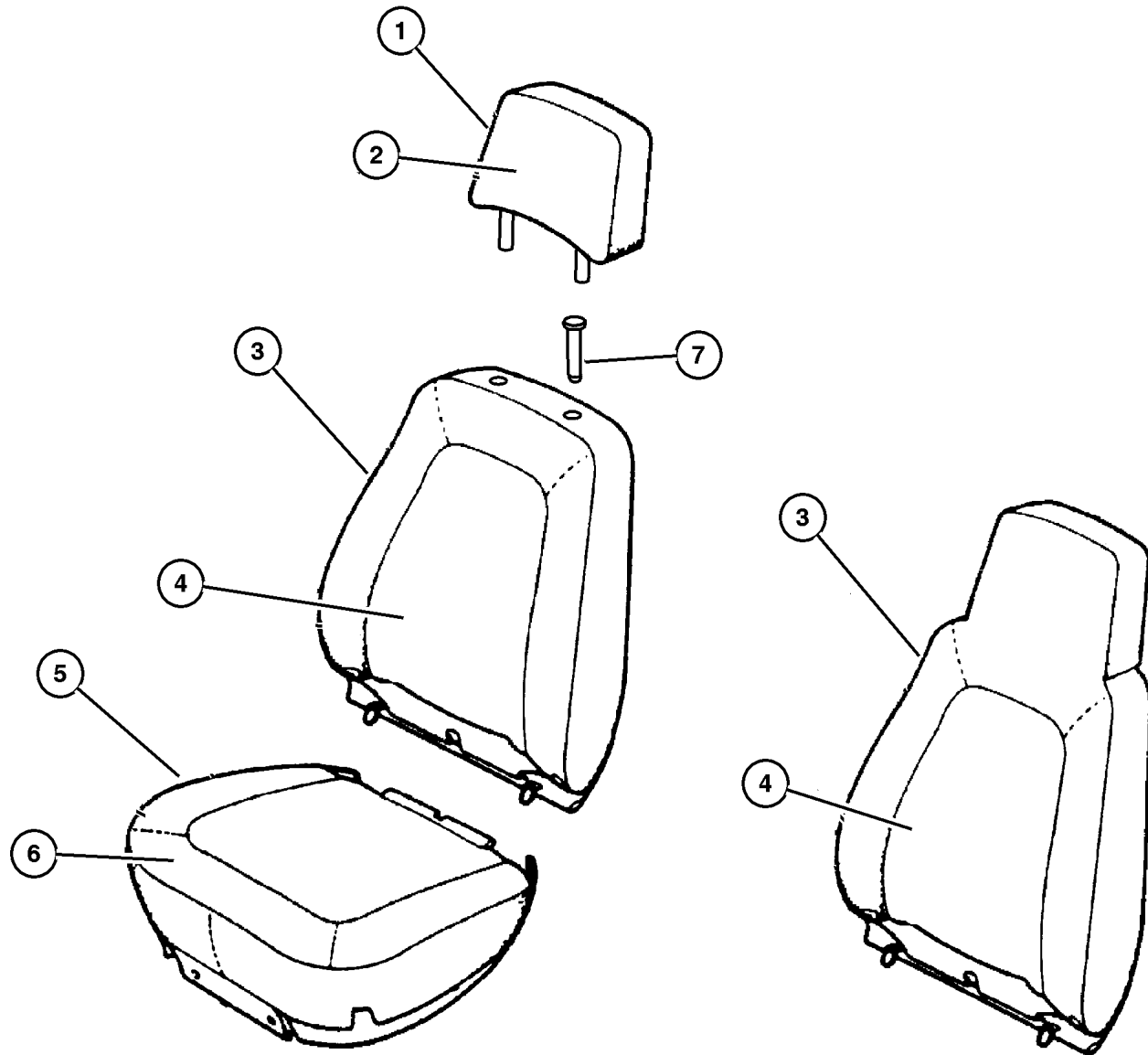
JEEP CHEROKEE (XJ)

SERIES	LINE	BODY	ENGINE	TRANSMISSION
P=Classic	J=LHD (4WD)	74=4 Dr.(101.4WB)	ENC,EN0=2.5L 4 cyl. Turbo Die	DDD, DDQ=5 spd. Man.
S=Limited	U=RHD (4WD)	72=2 Dr.(101.4WB)	ERH,ER0=4.0L Power Tech I-6	DGS=4 spd. Auto. AISIN
H=Sport	T=LHD (2WD)		EPE,EP0=Magnum 2.5L SMPI	DG0=All Auto/Trans.
L=SE	B=RHD (2WD)			DBB=All Manual Trans.

AR = Use as required - = Non illustrated part # = New this model year

December 7, 2002

Seat Covers and Seat Assemblies Figure IXJ-510



ITEM	PART NUMBER	QTY	LINE	SERIES	BODY	ENGINE	TRANS	TRIM	DESCRIPTION
1									HEADREST, Front
	TH67 1AZAA	2	J, T		74			DL	[AZ]
	TH65 1K5AA	2	J, T		72			XJ	[K5]
	TH67 1AZAA	2	B, U		74			DL	[AZ]
	TH67 1K5AA	2	J, T		74			DL	[K5]
		2	B, U		74			DL	[K5]
	TH65 1AZAA	2	B, U		74			XJ	[AZ]
		2	J, T		74			XJ	[AZ]
		2	J, T		72			XJ	[AZ]
	TH65 1K5AA	2	B, U		74			XJ	[K5]
		2	J, T		74			XJ	[K5]
2									COVER, Seat Headrest
	QW20 1AZAA	1	J, T		74			DL	[AZ]
	QW65 1K5AA	1	J, T		72			XJ	[K5]
	QW20 1AZAA	1	B, U		74			DL	[AZ]
	QW20 1K5AA	1	J, T		74			DL	[K5]
		1	B, U		74			DL	[K5]
	QW65 1AZAA	1	J, T		72			XJ	[AZ]
		1	B, U		74			XJ	[AZ]
		1	J, T		74			XJ	[AZ]
	QW65 1K5AA	1	B, U		74			XJ	[K5]
		1	J, T		74			XJ	[K5]
3									BACK, Front Seat
	QV90 1AZAA	1	J, T		74			B6	[AZ], Right
	QV91 1K5AA	1	J, T		74			B6	[K5], Left
		1	J, T, U		72			B6	[K5], Left
		1	B, U		74			B6	[K5], Left
	SN49 1K5AA	1	J, T		74			DL	[K5], Heated, Left
		1	B, U		74			DL	[K5], Heated, Left
	SN49 1AZAA	1	J, T		74			DL	[AZ], Heated, Left
		1	B, U		74			DL	[AZ], Heated, Left
	SN48 1K5AA	1	J, T		74			DL	[K5], Heated, Right
		1	B, U		74			DL	[K5], Heated, Right
	SN48 1AZAA	1	J, T		74			DL	[AZ], Heated, Right
	QV90 1AZAA	1	J, T, U		72			B6	[AZ], Right
	SN48 1AZAA	1	B, U		74			DL	[AZ], Heated, Right
	QW07 1K5AA	1	B, U		74			DL	[K5], Left
		1	J, T		74			DL	[K5], Left
	QW07 1AZAA	1	B, U		74			DL	[AZ], Left
		1	J, T		74			DL	[AZ], Left
	QW06 1K5AA	1	B, U		74			DL	[K5], Right
		1	J, T		74			DL	[K5], Right

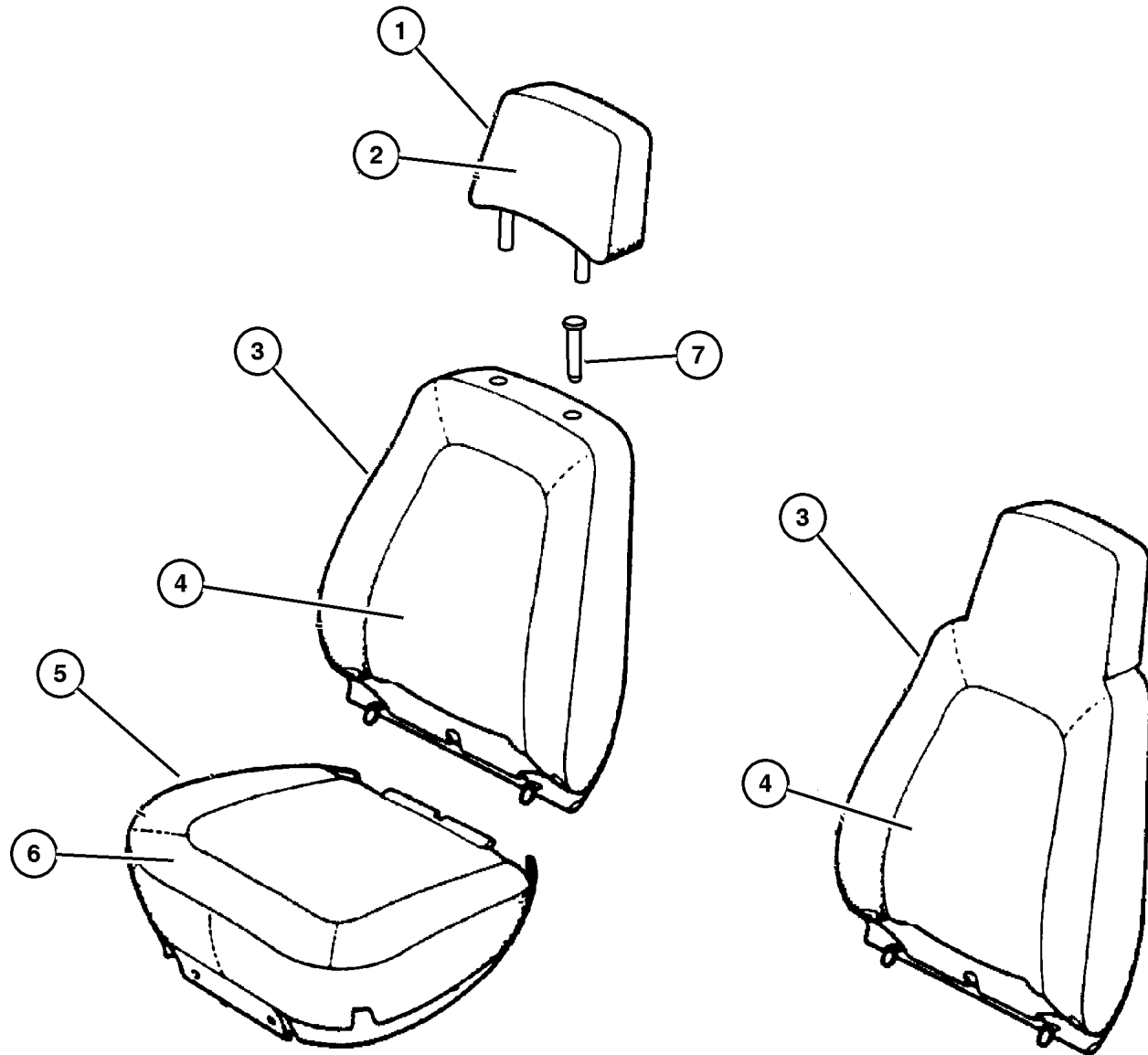
JEEP CHEROKEE (XJ)

SERIES	LINE	BODY	ENGINE	TRANSMISSION
P=Classic	J=LHD (4WD)	74=4 Dr.(101.4WB)	ENC,EN0=2.5L 4 cyl. Turbo Die	DDD, DDQ=5 spd. Man.
S=Limited	U=RHD (4WD)	72=2 Dr.(101.4WB)	ERH,ER0=4.0L Power Tech I-6	DGS=4 spd. Auto. AISIN
H=Sport	T=LHD (2WD)		EPE,EP0=Magnum 2.5L SMPI	DG0=All Auto/Trans.
L=SE	B=RHD (2WD)			DBB=All Manual Trans.

AR = Use as required - = Non illustrated part # = New this model year

December 7, 2002

Seat Covers and Seat Assemblies Figure IXJ-510



ITEM	PART NUMBER	QTY	LINE	SERIES	BODY	ENGINE	TRANS	TRIM	DESCRIPTION
	QW06 1AZAA	1	B, U		74			DL	[AZ], Right
		1	J, T		74			DL	[AZ], Right
	QW23 1AZAA	1	B, U		74			M5	[AZ], Left
	QV90 1AZAA	1	B, U		74			B6	[AZ], Right
	QW23 1K5AA	1	J, T		72			M5	[K5], Left
		1	J, T		74			M5	[K5], Left
		1	B, U		74			M5	[K5], Left
	QW23 1AZAA	1	J, T		74			M5	[AZ], Left
		1	J, T		72			M5	[AZ], Left
	QW22 1K5AA	1	B, U		74			M5	[K5], Right
		1	J, T		74			M5	[K5], Right
		1	J, T		72			M5	[K5], Right
	QW22 1AZAA	1	B, U		74			M5	[AZ], Right
		1	J, T		74			M5	[AZ], Right
	QV90 1K5AA	1	J, T		74			B6	[K5], Right
	QW22 1AZAA	1	J, T		72			M5	[AZ], Right
		1	J, T		74			X5	[AZ], Right
	QW22 1K5AA	1	J, T		74			X5	[K5], Right
	QW23 1AZAA	1	J, T		74			X5	[AZ], Left
	QW45 1K5AA	1	J, T		72			XJ	[K5], Left
		1	J, T		74			XJ	[K5], Left
		1	B, U		74			XJ	[K5], Left
	QW45 1AZAA	1	J, T		72			XJ	[AZ], Left
		1	J, T		74			XJ	[AZ], Left
		1	B, U		74			XJ	[AZ], Left
	QV90 1K5AA	1	J, T, U		72			B6	[K5], Right
	QW44 1K5AA	1	J, T		72			XJ	[K5], Right
		1	J, T		74			XJ	[K5], Right
		1	B, U		74			XJ	[K5], Right
	QW44 1AZAA	1	J, T		72			XJ	[AZ], Right
		1	J, T		74			XJ	[AZ], Right
		1	B, U		74			XJ	[AZ], Right
	QV90 1K5AA	1	B, U		74			B6	[K5], Right
	QV91 1AZAA	1	J, T		74			B6	[AZ], Left
		1	J, T, U		72			B6	[AZ], Left
		1	B, U		74			B6	[AZ], Left
4									COVER, Seat Back
	QV95 1AZAA	1	J, T		74			B6	[AZ]
	SN55 1AZAA	2	J, T		74			DL	[AZ], Heated
	QW04 1K5AA	2	B, U		74			DL	[K5]
		2	J, T		74			DL	[K5]
	QW04 1AZAA	2	B, U		74			DL	[AZ]

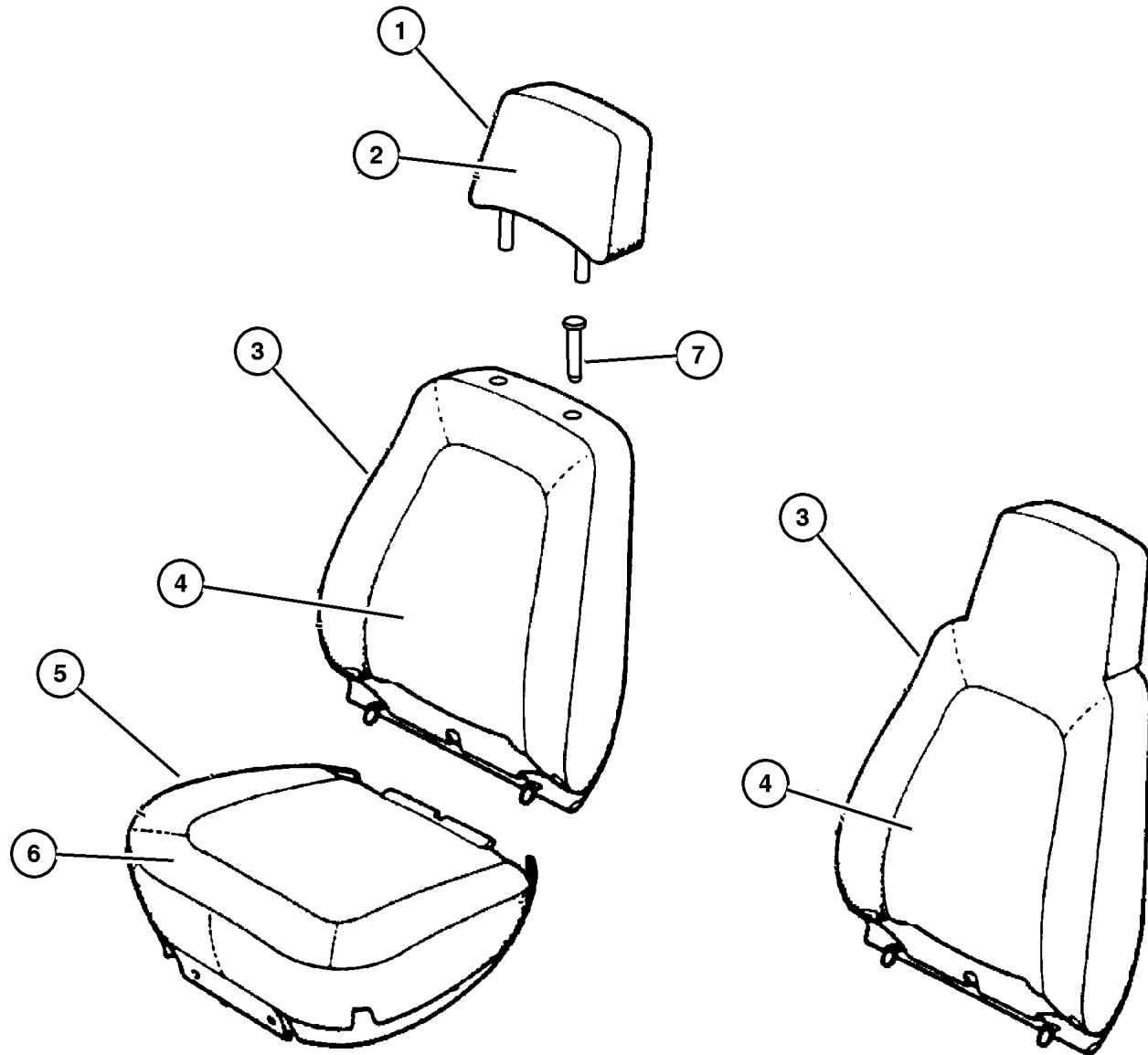
JEEP CHEROKEE (XJ)

SERIES	LINE	BODY	ENGINE	TRANSMISSION
P=Classic	J=LHD (4WD)	74=4 Dr.(101.4WB)	ENC,EN0=2.5L 4 cyl. Turbo Die	DDD, DDQ=5 spd. Man.
S=Limited	U=RHD (4WD)	72=2 Dr.(101.4WB)	ERH,ER0=4.0L Power Tech I-6	DGS=4 spd. Auto. AISIN
H=Sport	T=LHD (2WD)		EPE,EP0=Magnum 2.5L SMPI	DG0=All Auto/Trans.
L=SE	B=RHD (2WD)			DBB=All Manual Trans.

AR = Use as required - = Non illustrated part # = New this model year

December 7, 2002

Seat Covers and Seat Assemblies
Figure IXJ-510



ITEM	PART NUMBER	QTY	LINE	SERIES	BODY	ENGINE	TRANS	TRIM	DESCRIPTION
		2	J, T		74			DL	[AZ]
	QW24 1K5AA	1	J, T		74			M5	[K5]
		1	B, U		74			M5	[K5]
		1	J, T		72			M5	[K5]
	QW24 1AZAA	1	B, U		74			M5	[AZ]
		1	J, T		74			M5	[AZ]
	QV95 1AZAA	1	J, T, U		72			B6	[AZ]
	QW24 1AZAA	1	J, T		72			M5	[AZ]
	QW24 1K5AA	1	J, T		74			X5	[K5]
	QW24 1AZAA	1	J, T		74			X5	[AZ]
	QW46 1AZAA	2	B, U		74			XJ	[AZ]
		2	J, T		74			XJ	[AZ]
	QW46 1K5AA	2	J, T		72			XJ	[K5]
		2	J, T		74			XJ	[K5]
		2	B, U		74			XJ	[K5]
	QW46 1AZAA	2	J, T		72			XJ	[AZ]
	QV95 1AZAA	1	B, U		74			B6	[AZ]
	QV95 1K5AA	1	J, T		74			B6	[K5]
		1	J, T, U		72			B6	[K5]
		1	B, U		74			B6	[K5]
	SN55 1K5AA	2	J, T		74			DL	[K5], Heated
		2	B, U		74			DL	[K5], Heated
5	SN55 1AZAA	2	B, U		74			DL	[AZ], Heated
									FRAME, Front Seat
	4856 470	1	J, T		74			B6	Right
		1	B, U		74			DL	Right
	4856 471	1	B, U		74			M5	Left
		1	J, T		74			M5	Left
	4856 470	1	J, T		72			M5	Right
	4856 471	1	J, T		72			M5	Left
	4856 470	1	J, T		74			M5	Right
		1	B, U		74			M5	Right
	4856 471	1	J, T		74			X5	Left
	4856 470	1	J, T		74			X5	Right
		1	J, T		74			XJ	Right
		1	J, T, U		72			B6	Right
		1	J, T		72			XJ	Right
	4856 471	1	B, U		74			XJ	Left
		1	J, T		74			XJ	Left
		1	J, T		72			XJ	Left
	4856 470	1	B, U		74			XJ	Right
		1	B, U		74			B6	Right

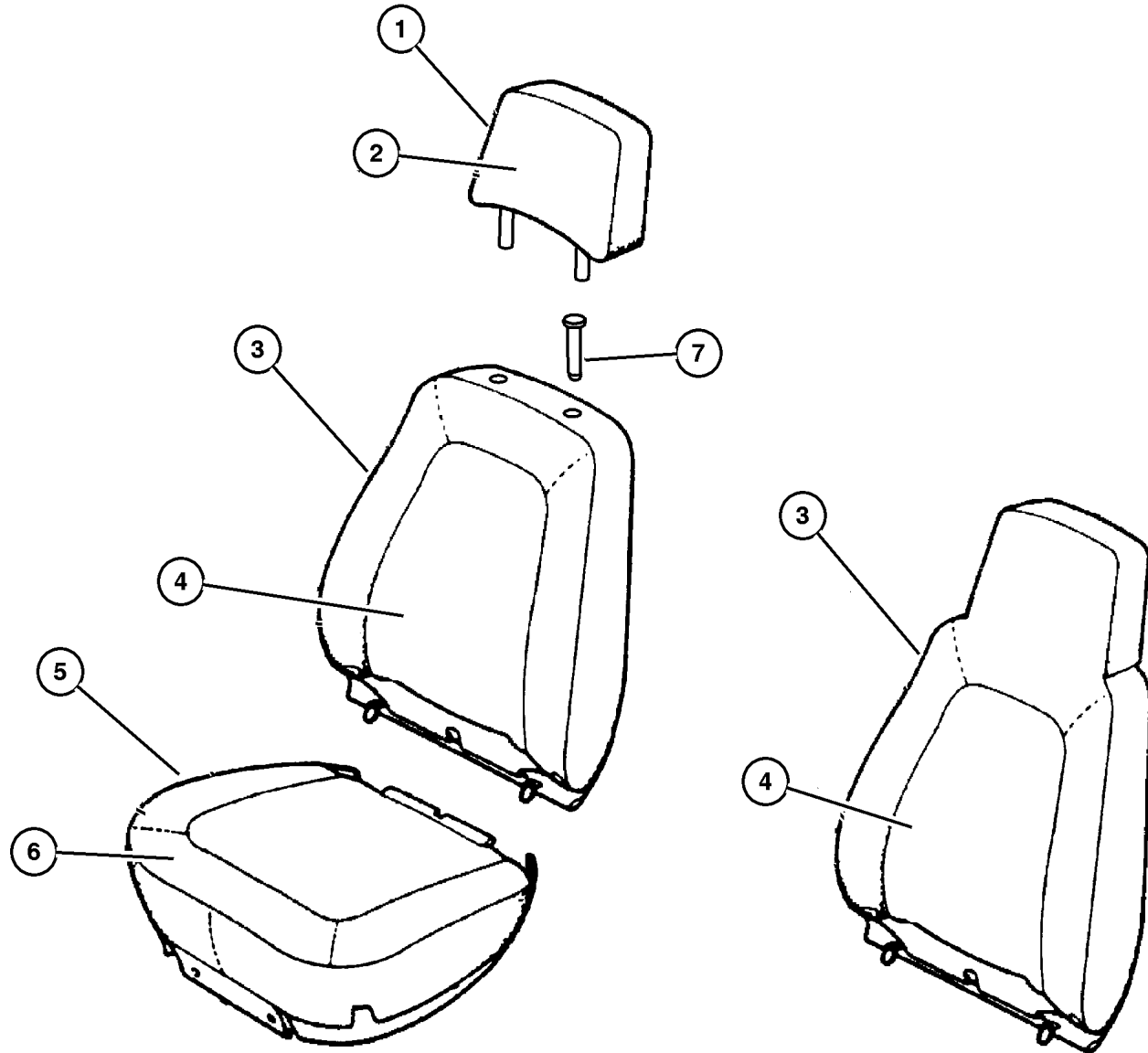
JEEP CHEROKEE (XJ)

SERIES	LINE	BODY	ENGINE	TRANSMISSION
P=Classic	J=LHD (4WD)	74=4 Dr.(101.4WB)	ENC,EN0=2.5L 4 cyl. Turbo Die	DDD, DDQ=5 spd. Man.
S=Limited	U=RHD (4WD)	72=2 Dr.(101.4WB)	ERH,ER0=4.0L Power Tech I-6	DGS=4 spd. Auto. AISIN
H=Sport	T=LHD (2WD)		EPE,EP0=Magnum 2.5L SMPI	DG0=All Auto/Trans.
L=SE	B=RHD (2WD)			DBB=All Manual Trans.

AR = Use as required - = Non illustrated part # = New this model year

December 7, 2002

Seat Covers and Seat Assemblies
Figure IXJ-510



ITEM	PART NUMBER	QTY	LINE	SERIES	BODY	ENGINE	TRANS	TRIM	DESCRIPTION
	4856 471	1	B, U		74			B6	Left
		1	J, T, U		72			B6	Left
		1	J, T		74			B6	Left
		1	J, T		74			DL	Left
		1	B, U		74			DL	Left
	4856 470	1	J, T		74			DL	Right
6									COVER AND PAD, Cushion
	RG62 1AZAA	1	J, T		74			B6	[AZ], Right
	RG63 1K5AA	1	J, T		74			B6	[K5], Left
		1	J, T, U		72			B6	[K5], Left
		1	B, U		74			B6	[K5], Left
	RG68 1AZAA	1	J, T		74			DL	[AZ], Right
		1	B, U		74			DL	[AZ], Right
	RG68 1K5AA	1	J, T		74			DL	[K5], Right
		1	B, U		74			DL	[K5], Right
	RG69 1AZAA	1	J, T		74			DL	[AZ], Left
		1	B, U		74			DL	[AZ], Left
	RG69 1K5AA	1	J, T		74			DL	[K5], Left
	RG62 1AZAA	1	J, T, U		72			B6	[AZ], Right
	RG69 1K5AA	1	B, U		74			DL	[K5], Left
	SN90 1AZAA	1	B, U		74			DL	[AZ], Heated, Right
		1	J, T		74			DL	[AZ], Heated, Right
	SN90 1K5AA	1	J, T		74			DL	[K5], Heated, Right
		1	B, U		74			DL	[K5], Heated, Right
	SN91 1AZAA	1	B, U		74			DL	[AZ], Heated, Left
		1	J, T		74			DL	[AZ], Heated, Left
	SN91 1K5AA	1	B, U		74			DL	[K5], Heated, Left
		1	J, T		74			DL	[K5], Heated, Left
	RG70 1AZAA	1	J, T		72			M5	[AZ], Right
	RG62 1AZAA	1	B, U		74			B6	[AZ], Right
	RG70 1AZAA	1	J, T		74			M5	[AZ], Right
		1	B, U		74			M5	[AZ], Right
	RG70 1K5AA	1	J, T		72			M5	[K5], Right
		1	J, T		74			M5	[K5], Right
		1	B, U		74			M5	[K5], Right
	RG71 1AZAA	1	J, T		72			M5	[AZ], Left
		1	J, T		74			M5	[AZ], Left
		1	B, U		74			M5	[AZ], Left
	RG71 1K5AA	1	J, T		72			M5	[K5], Left
		1	J, T		74			M5	[K5], Left
	RG62 1K5AA	1	J, T		74			B6	[K5], Right
	RG71 1K5AA	1	B, U		74			M5	[K5], Left

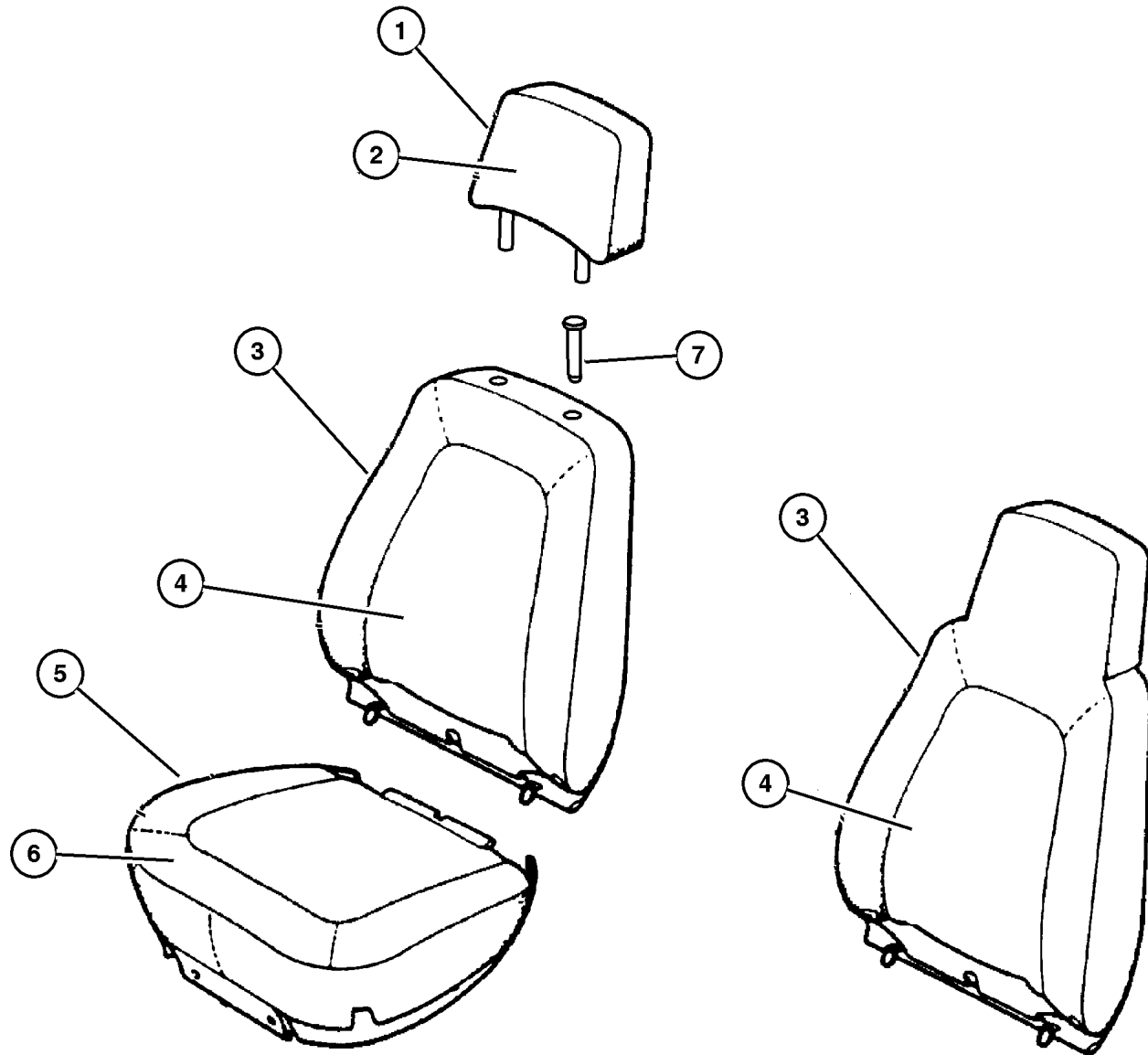
JEEP CHEROKEE (XJ)

SERIES	LINE	BODY	ENGINE	TRANSMISSION
P=Classic	J=LHD (4WD)	74=4 Dr.(101.4WB)	ENC,EN0=2.5L 4 cyl. Turbo Die	DDD, DDQ=5 spd. Man.
S=Limited	U=RHD (4WD)	72=2 Dr.(101.4WB)	ERH,ER0=4.0L Power Tech I-6	DGS=4 spd. Auto. AISIN
H=Sport	T=LHD (2WD)		EPE,EP0=Magnum 2.5L SMPI	DG0=All Auto/Trans.
L=SE	B=RHD (2WD)			DBB=All Manual Trans.

AR = Use as required - = Non illustrated part # = New this model year

December 7, 2002

Seat Covers and Seat Assemblies Figure IXJ-510



ITEM	PART NUMBER	QTY	LINE	SERIES	BODY	ENGINE	TRANS	TRIM	DESCRIPTION
	RG71 1AZAA	1	J, T		74			X5	[AZ], Left
	RG71 1K5AA	1	J, T		74			X5	[K5], Left
	RG70 1K5AA	1	J, T		74			X5	[K5], Right
	RG70 1AZAA	1	J, T		74			X5	[AZ], Right
	RG72 1K5AA	1	B, U		74			XJ	[K5], Right
		1	J, T		72			XJ	[K5], Right
	RG73 1AZAA	1	B, U		74			XJ	[AZ], Left
		1	J, T		74			XJ	[AZ], Left
		1	J, T		72			XJ	[AZ], Left
	RG62 1K5AA	1	J, T, U		72			B6	[K5], Right
	RG73 1K5AA	1	B, U		74			XJ	[K5], Left
		1	J, T		74			XJ	[K5], Left
		1	J, T		72			XJ	[K5], Left
	RG72 1K5AA	1	J, T		74			XJ	[K5], Right
	RG72 1AZAA	1	J, T		72			XJ	[AZ], Right
		1	J, T		74			XJ	[AZ], Right
		1	B, U		74			XJ	[AZ], Right
	RG62 1K5AA	1	B, U		74			B6	[K5], Right
	RG63 1AZAA	1	J, T		74			B6	[AZ], Left
		1	J, T, U		72			B6	[AZ], Left
		1	B, U		74			B6	[AZ], Left
7									CYLINDER, Headrest
	5013 152AA	1	B, U		74			DL	
		4	J, T		74			DL	
		4	J, T		72			XJ	
		4	J, T		74			XJ	
		4	B, U		74			XJ	

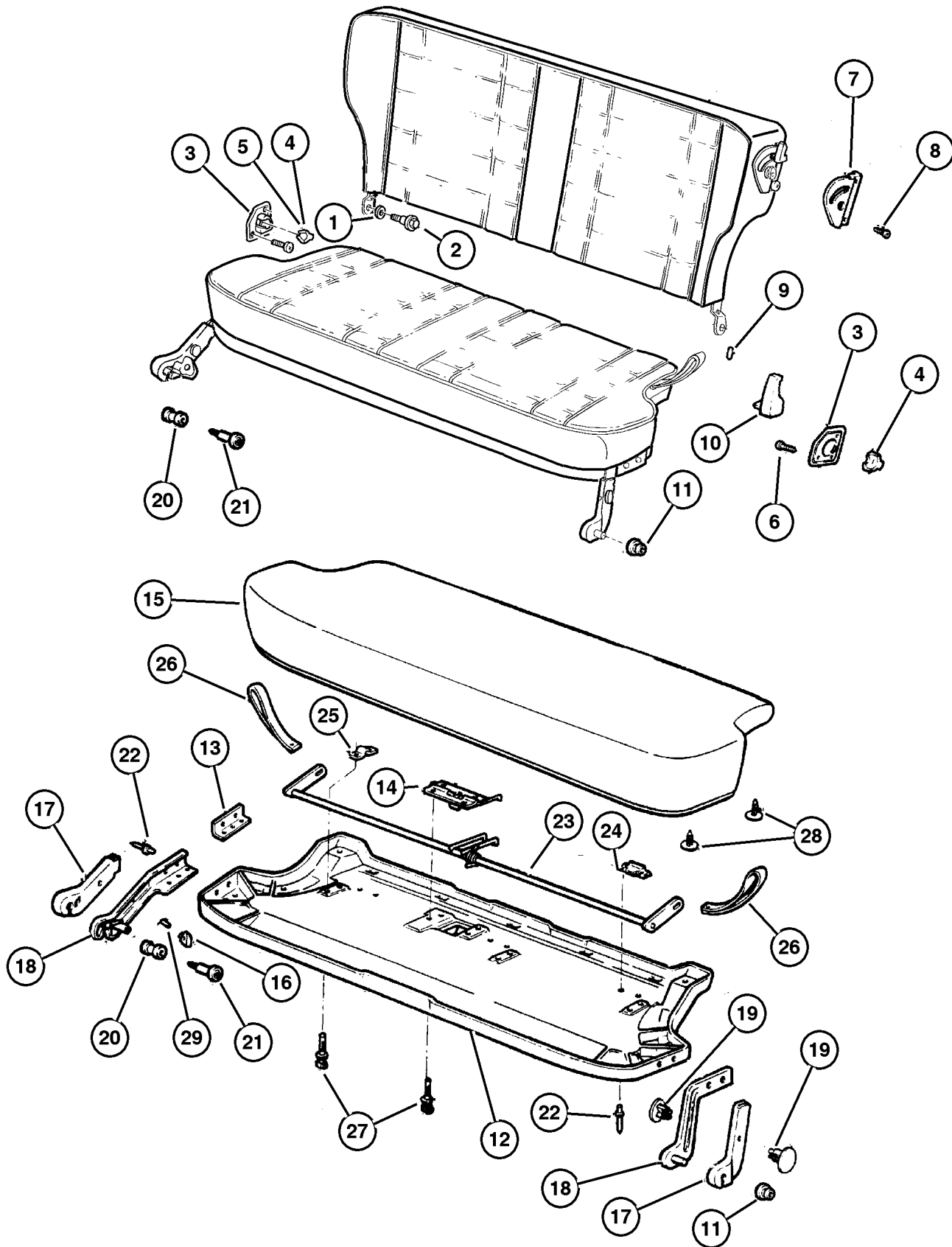
JEEP CHEROKEE (XJ)

SERIES	LINE	BODY	ENGINE	TRANSMISSION
P=Classic	J=LHD (4WD)	74=4 Dr.(101.4WB)	ENC,EN0=2.5L 4 cyl. Turbo Die	DDD, DDQ=5 spd. Man.
S=Limited	U=RHD (4WD)	72=2 Dr.(101.4WB)	ERH,ER0=4.0L Power Tech I-6	DGS=4 spd. Auto. AISIN
H=Sport	T=LHD (2WD)		EPE,EP0=Magnum 2.5L SMPI	DG0=All Auto/Trans.
L=SE	B=RHD (2WD)			DBB=All Manual Trans.

AR = Use as required - = Non illustrated part # = New this model year

December 7, 2002

**Frame and Pad Rear Seat
Figure IXJ-610**



ITEM	PART NUMBER	QTY	LINE	SERIES	BODY	ENGINE	TRANS	TRIM	DESCRIPTION
1	5500 5617	1							SPACER, Seat Back Pivot
2	6505 739AA	2							SCREW
3	55195 980AB	1							BRACKET, Seat Lock Striker Right
	55195 981AB	1							Left
4	5500 1212	1							BUMPER, Latch Striker
5	5500 1213	1							BUMPER, Seat Back
6									SCREW, Pan Head Torx, M5x0. 8x30.00
	3420 2189	6	J, T						
		8	B, U						
7									BEZEL, Seat Latch
	5AC6 61AZ	1	J, T		74			B6	[AZ], Right
		1	J, T		74			XJ	[AZ], Right
		1	B, U		74			XJ	[AZ], Right
		1	J, T		74			X5	[AZ], Right
	5AC6 61K5	1	B, U		74			B6	[K5], Right
		1	J, T		74			B6	[K5], Right
		1	J, T, U		72			B6	[K5], Right
		1	J, T		74			DL	[K5], Right
		1	B, U		74			DL	[K5], Right
		1	J, T		74			M5	[K5], Right
		1	B, U		74			M5	[K5], Right
	5AC6 61AZ	1	B, U		74			B6	[AZ], Right
	5AC6 61K5	1	J, T		72			M5	[K5], Right
		1	J, T		72			XJ	[K5], Right
		1	J, T		74			XJ	[K5], Right
		1	B, U		74			XJ	[K5], Right
		1	J, T		74			X5	[K5], Right
	5AC6 71AZ	1	J, T		74			B6	[AZ], Left
		1	J, T, U		72			B6	[AZ], Left
		1	B, U		74			B6	[AZ], Left
		1	J, T		74			DL	[AZ], Left
		1	B, U		74			DL	[AZ], Left
	5AC6 61AZ	1	J, T, U		72			B6	[AZ], Right
	5AC6 71AZ	1	J, T		72			M5	[AZ], Left
		1	J, T		74			M5	[AZ], Left
		1	B, U		74			M5	[AZ], Left
		1	J, T		72			XJ	[AZ], Left
		1	J, T		74			XJ	[AZ], Left
		1	B, U		74			XJ	[AZ], Left
		1	J, T		74			X5	[AZ], Left

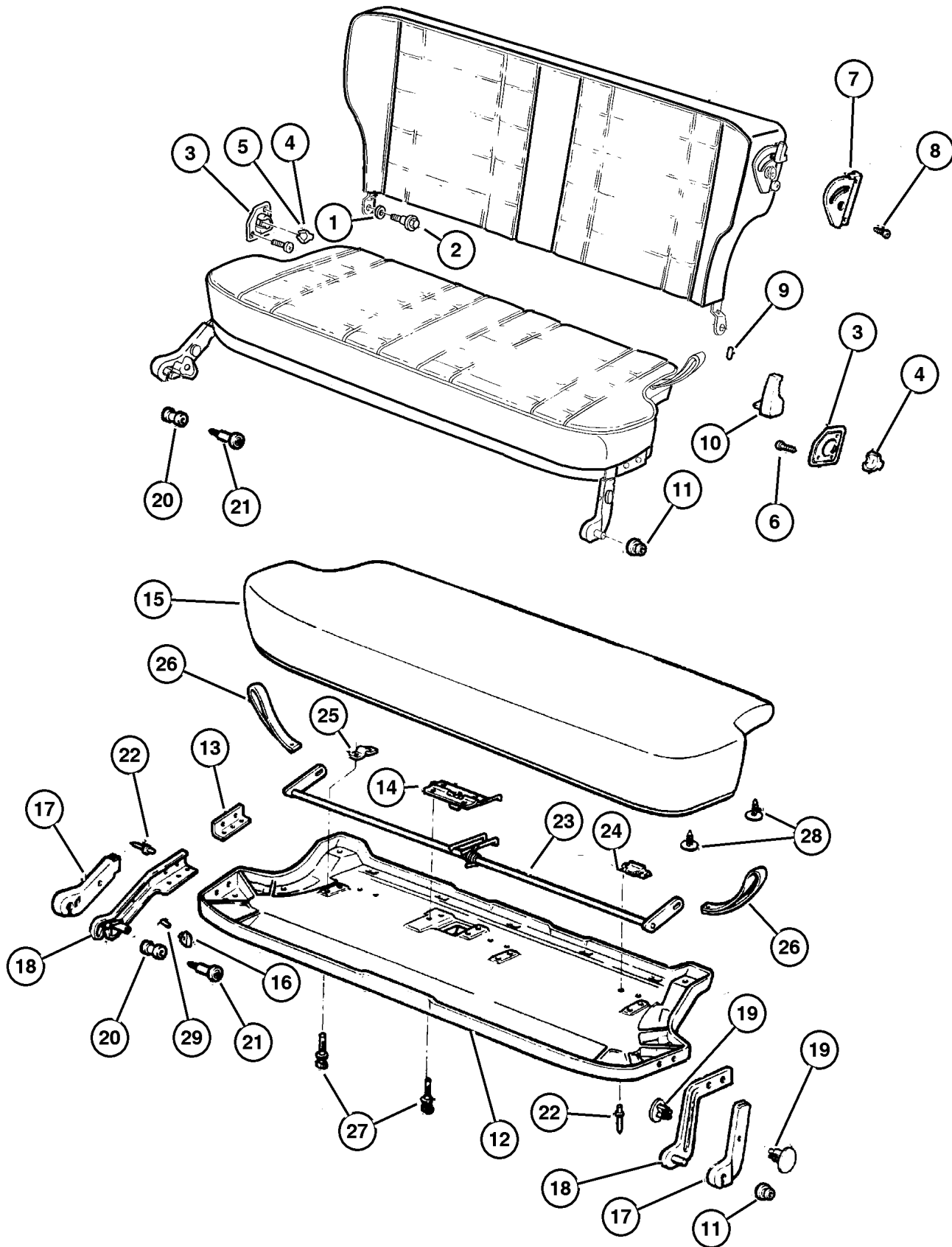
JEEP CHEROKEE (XJ)

SERIES	LINE	BODY	ENGINE	TRANSMISSION
P=Classic	J=LHD (4WD)	74=4 Dr.(101.4WB)	ENC,EN0=2.5L 4 cyl. Turbo Die	DDD, DDQ=5 spd. Man.
S=Limited	U=RHD (4WD)	72=2 Dr.(101.4WB)	ERH,ER0=4.0L Power Tech I-6	DGS=4 spd. Auto. AISIN
H=Sport	T=LHD (2WD)		EPE,EP0=Magnum 2.5L SMPI	DG0=All Auto/Trans.
L=SE	B=RHD (2WD)			DBB=All Manual Trans.

AR = Use as required - = Non illustrated part # = New this model year

December 7, 2002

**Frame and Pad Rear Seat
Figure IXJ-610**



ITEM	PART NUMBER	QTY	LINE	SERIES	BODY	ENGINE	TRANS	TRIM	DESCRIPTION
	5AC6 71K5	1	J, T		74			B6	[K5], Left
		1	B, U		74			B6	[K5], Left
		1	J, T, U		72			B6	[K5], Left
	5AC6 61AZ	1	J, T		74			DL	[AZ], Right
	5AC6 71K5	1	J, T		74			DL	[K5], Left
		1	B, U		74			DL	[K5], Left
		1	J, T		72			M5	[K5], Left
		1	J, T		74			M5	[K5], Left
		1	B, U		74			M5	[K5], Left
		1	J, T		72			XJ	[K5], Left
		1	B, U		74			XJ	[K5], Left
		1	J, T		74			XJ	[K5], Left
		1	J, T		74			X5	[K5], Left
	5AC6 61AZ	1	B, U		74			DL	[AZ], Right
		1	J, T		74			M5	[AZ], Right
		1	B, U		74			M5	[AZ], Right
		1	J, T		72			M5	[AZ], Right
		1	J, T		72			XJ	[AZ], Right
8									SCREW, Tapping Round Head, .164x18x1.232
	3420 1314	4	J, T, U		72				
		4			74				
9									SPRING, Pin
	J045 5735	1	J, T		74			B6	
		1	J, T		74			XJ	
		1	J, T		74			X5	
		1	B, U		74			B6	
		1	J, T		74			DL	
		1	B, U		74			DL	
		1	J, T		72			M5	
		1	J, T		74			M5	
		1	B, U		74			M5	
		1	J, T		72			XJ	
10									KNOB, Seat Back Latch
	QC04 1AZ	1	J, T		74			B6	[AZ], Right
		1	J, T		74			XJ	[AZ], Right
		1	J, T		72			XJ	[AZ], Right
		1	J, T		74			X5	[AZ], Right
	QC04 1K5	1	J, T		74			B6	[K5], Right
		1	J, T, U		72			B6	[K5], Right
		1	B, U		74			B6	[K5], Right

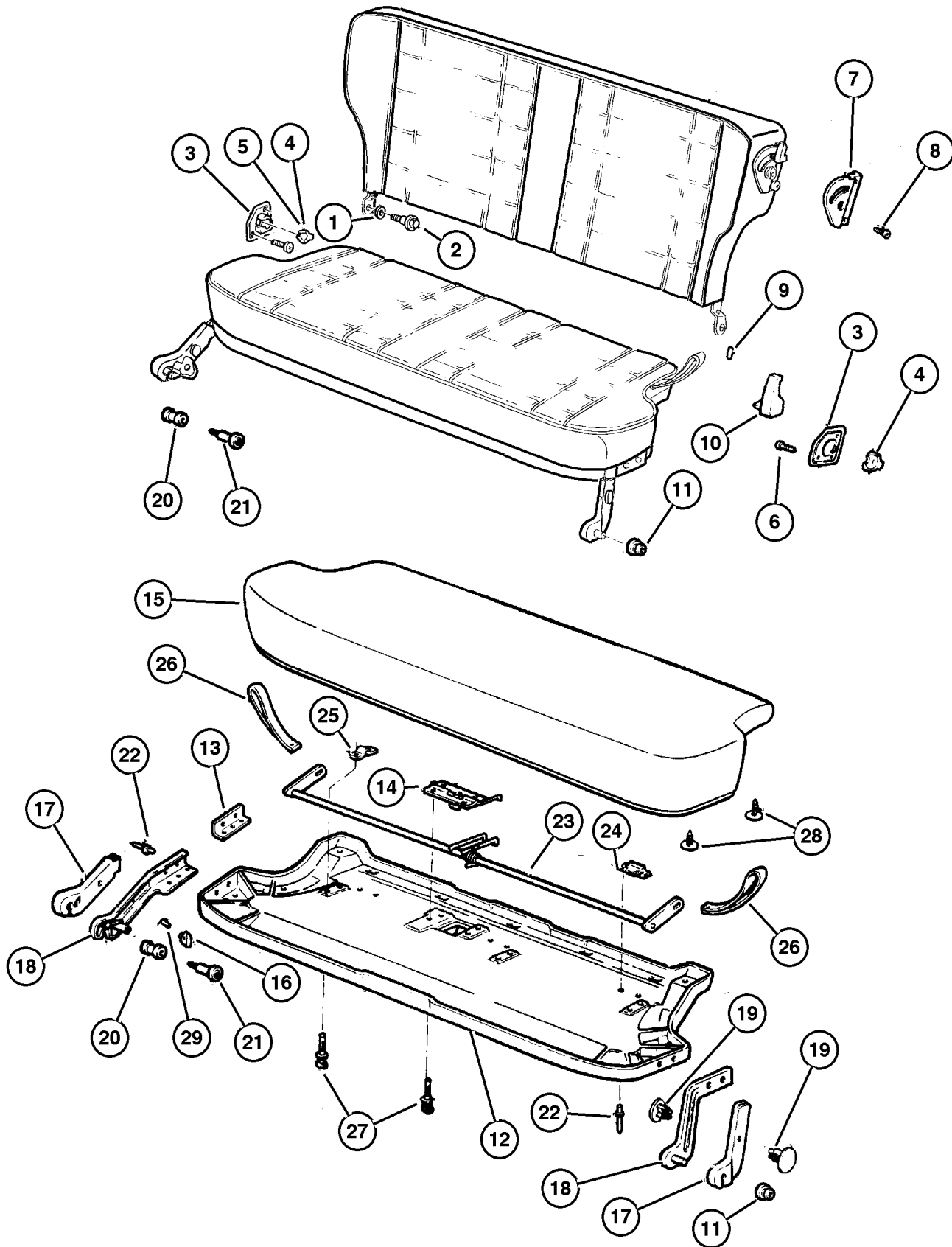
JEEP CHEROKEE (XJ)

SERIES	LINE	BODY	ENGINE	TRANSMISSION
P=Classic	J=LHD (4WD)	74=4 Dr.(101.4WB)	ENC,EN0=2.5L 4 cyl. Turbo Die	DDD, DDQ=5 spd. Man.
S=Limited	U=RHD (4WD)	72=2 Dr.(101.4WB)	ERH,ER0=4.0L Power Tech I-6	DGS=4 spd. Auto. AISIN
H=Sport	T=LHD (2WD)		EPE,EP0=Magnum 2.5L SMPI	DG0=All Auto/Trans.
L=SE	B=RHD (2WD)			DBB=All Manual Trans.

AR = Use as required - = Non illustrated part # = New this model year

December 7, 2002

**Frame and Pad Rear Seat
Figure IXJ-610**



ITEM	PART NUMBER	QTY	LINE	SERIES	BODY	ENGINE	TRANS	TRIM	DESCRIPTION
	QC04 1AZ	1	B, U		74			DL	[K5], Right
	QC04 1K5	1	J, T		74			DL	[K5], Right
		1	J, T		72			M5	[K5], Right
		1	J, T		74			M5	[K5], Right
	QC04 1AZ	1	J, T, U		72			B6	[AZ], Right
	QC04 1K5	1	B, U		74			M5	[K5], Right
		1	B, U		74			XJ	[K5], Right
		1	J, T		74			XJ	[K5], Right
		1	J, T		72			XJ	[K5], Right
	QC05 1AZ	1	J, T		74			X5	[K5], Right
		1	J, T		74			B6	[AZ], Left
		1	J, T, U		72			B6	[AZ], Left
		1	B, U		74			B6	[AZ], Left
		1	B, U		74			DL	[AZ], Left
		1	J, T		74			DL	[AZ], Left
	QC04 1AZ	1	B, U		74			B6	[AZ], Right
	QC05 1AZ	1	J, T		72			M5	[AZ], Left
		1	J, T		74			M5	[AZ], Left
		1	B, U		74			M5	[AZ], Left
		1	B, U		74			XJ	[AZ], Left
		1	J, T		74			XJ	[AZ], Left
		1	J, T		72			XJ	[AZ], Left
		1	J, T		74			X5	[AZ], Left
	QC05 1K5	1	J, T		74			B6	[K5], Left
		1	J, T, U		72			B6	[K5], Left
		1	B, U		74			B6	[K5], Left
	QC04 1AZ	1	J, T		74			DL	[AZ], Right
	QC05 1K5	1	J, T		74			DL	[K5], Left
		1	B, U		74			DL	[K5], Left
		1	J, T		72			M5	[K5], Left
		1	J, T		74			M5	[K5], Left
		1	B, U		74			M5	[K5], Left
		1	J, T		74			XJ	[K5], Left
		1	J, T		72			XJ	[K5], Left
		1	B, U		74			XJ	[K5], Left
		1	J, T		74			X5	[K5], Left
	QC04 1AZ	1	B, U		74			DL	[AZ], Right
		1	J, T		72			M5	[AZ], Right
		1	B, U		74			M5	[AZ], Right
		1	J, T		74			M5	[AZ], Right
		1	B, U		74			XJ	[AZ], Right
11	5500 1230	1							GROMMET, Rear Seat
12									PANEL, Seat Cushion

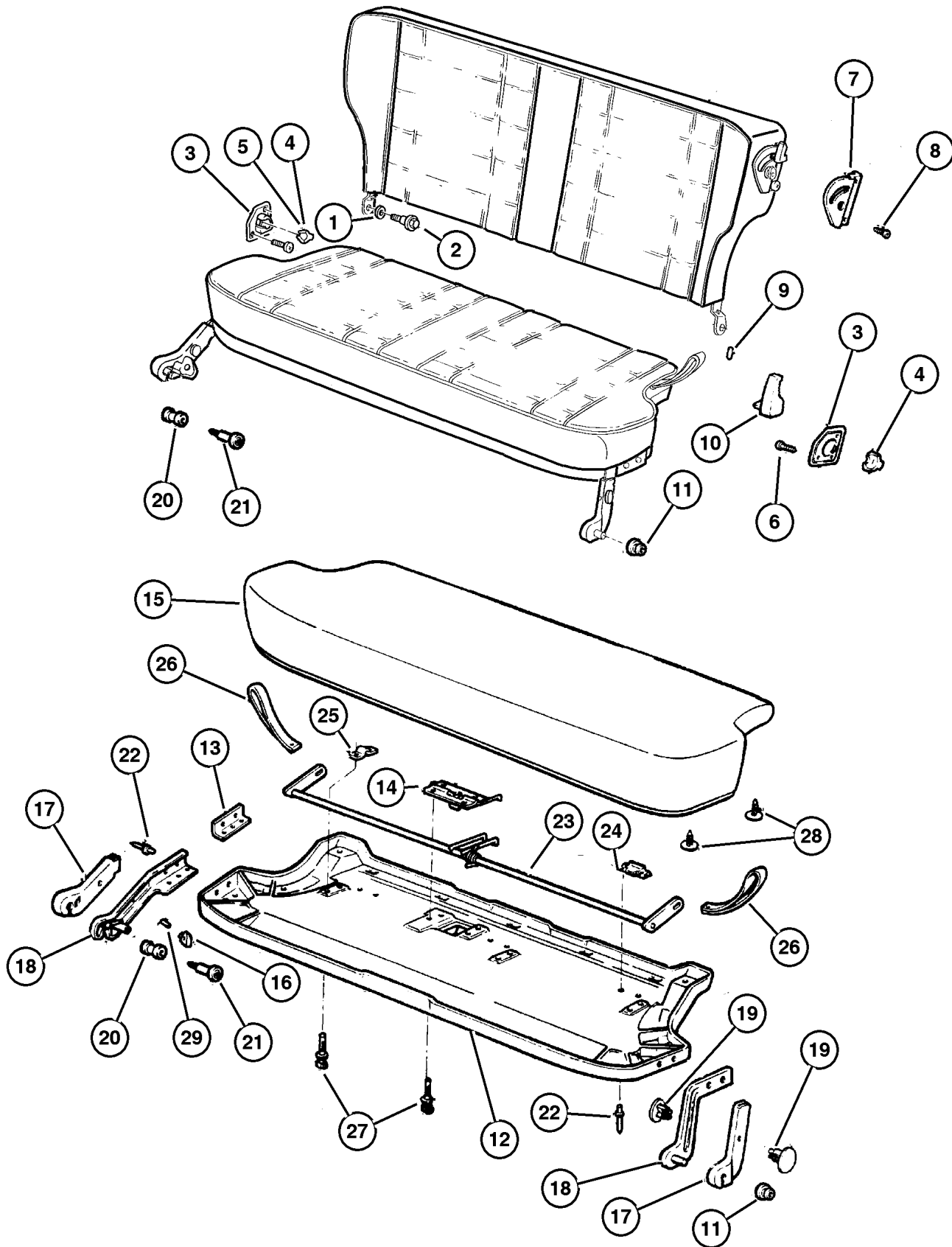
JEEP CHEROKEE (XJ)

SERIES	LINE	BODY	ENGINE	TRANSMISSION
P=Classic	J=LHD (4WD)	74=4 Dr.(101.4WB)	ENC,EN0=2.5L 4 cyl. Turbo Die	DDD, DDQ=5 spd. Man.
S=Limited	U=RHD (4WD)	72=2 Dr.(101.4WB)	ERH,ER0=4.0L Power Tech I-6	DGS=4 spd. Auto. AISIN
H=Sport	T=LHD (2WD)		EPE,EP0=Magnum 2.5L SMPI	DG0=All Auto/Trans.
L=SE	B=RHD (2WD)			DBB=All Manual Trans.

AR = Use as required - = Non illustrated part # = New this model year

December 7, 2002

Frame and Pad Rear Seat
Figure IXJ-610



ITEM	PART NUMBER	QTY	LINE	SERIES	BODY	ENGINE	TRANS	TRIM	DESCRIPTION
	#5015 244AA	1	J, T		74			B6	
		1	J, T		72			XJ	
		1	B, U		74			XJ	
		1	J, T		74			X5	
		1	J, T, U		72			B6	
		1	B, U		74			B6	
		1	J, T		74			DL	
		1	B, U		74			DL	
		1	J, T		72			M5	
		1	J, T		74			M5	
		1	B, U		74			M5	
		1	J, T		74			XJ	
13									REINFORCEMENT, Seat Cushion Hinge
	5500 2833	1	J, T		74			B6	
		2	J, T		72			XJ	
		1	B, U		74			XJ	
		1	J, T		74			X5	
		1	J, T, U		72			B6	
		1	B, U		74			B6	
		2	B, U		74			DL	
		1	J, T		74			DL	
		1	J, T		72			M5	
		1	J, T		74			M5	
		1	B, U		74			M5	
		1	J, T		74			XJ	
14									LATCH, Seat
	5519 5372	1	J, T		74			B6	
		1	J, T		74			XJ	
		1	B, U		74			XJ	
		1	J, T		74			X5	
		1	J, T, U		72			B6	
		1	B, U		74			B6	
		1	B, U		74			DL	
		1	J, T		74			DL	
		1	J, T		72			M5	
		1	J, T		74			M5	
		1	B, U		74			M5	
		1	J, T		72			XJ	
15									PAD, Rear Seat Cushion
	#5015 225AA	1	J, T		74			B6	
		1	J, T		72			XJ	

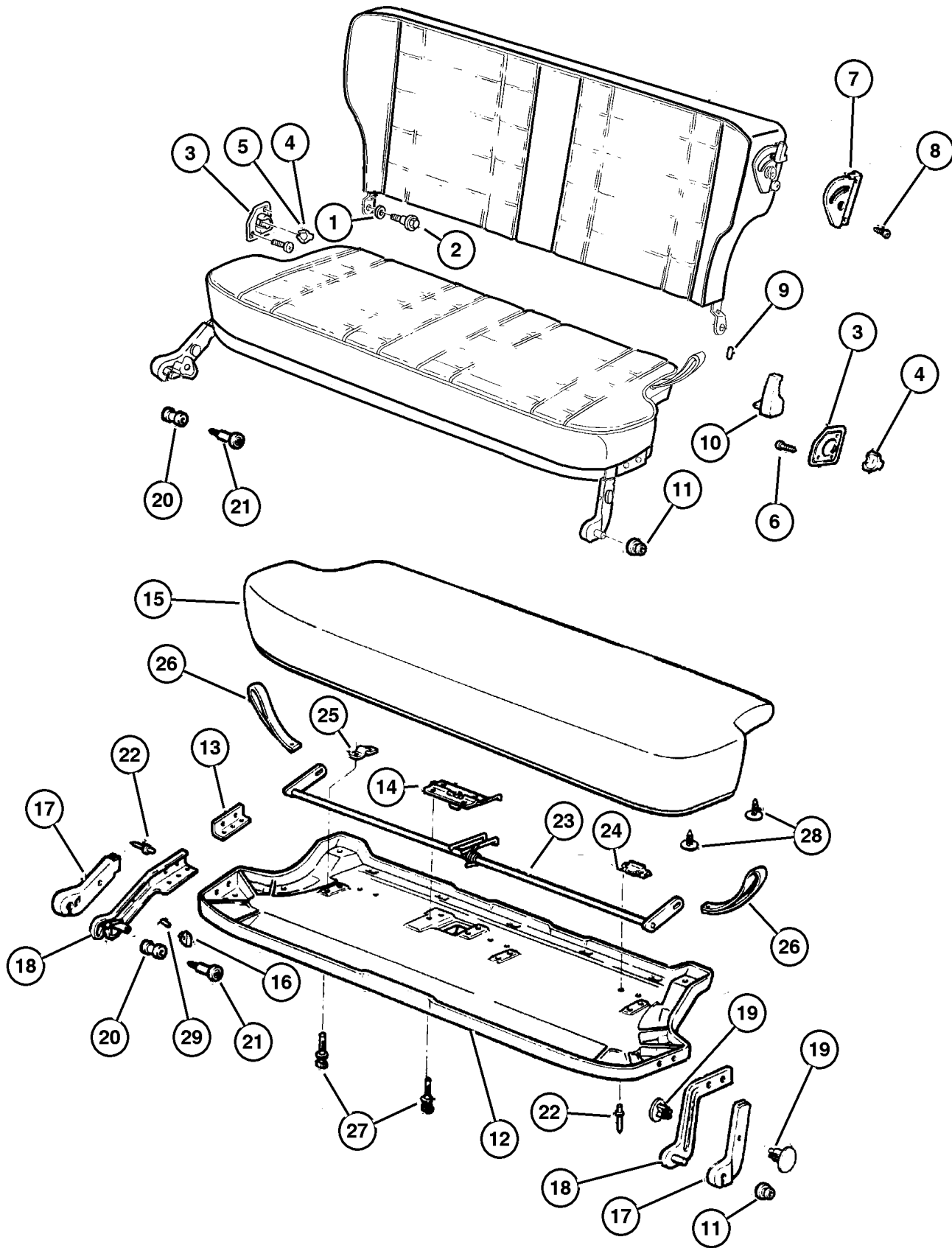
JEEP CHEROKEE (XJ)

SERIES	LINE	BODY	ENGINE	TRANSMISSION
P=Classic	J=LHD (4WD)	74=4 Dr.(101.4WB)	ENC,EN0=2.5L 4 cyl. Turbo Die	DDD, DDQ=5 spd. Man.
S=Limited	U=RHD (4WD)	72=2 Dr.(101.4WB)	ERH,ER0=4.0L Power Tech I-6	DGS=4 spd. Auto. AISIN
H=Sport	T=LHD (2WD)		EPE,EP0=Magnum 2.5L SMPI	DG0=All Auto/Trans.
L=SE	B=RHD (2WD)			DBB=All Manual Trans.

AR = Use as required - = Non illustrated part # = New this model year

December 7, 2002

Frame and Pad Rear Seat
Figure IXJ-610



ITEM	PART NUMBER	QTY	LINE	SERIES	BODY	ENGINE	TRANS	TRIM	DESCRIPTION
		1	B, U		74			XJ	
		1	J, T		74			X5	
		1	J, T, U		72			B6	
		1	B, U		74			B6	
		1	B, U		74			DL	
		1	J, T		74			DL	
		1	J, T		72			M5	
		1	B, U		74			M5	
		1	J, T		74			M5	
16		1	J, T		74			XJ	
	5AC6 81AZ	1	J, T		74			B6	KNOB, Seat Back Latch
		1	J, T		72			XJ	[AZ]
		1	B, U		74			XJ	[AZ]
	5AC6 81K5	1	J, T		74			X5	[AZ]
		1	J, T		74			B6	[K5]
		1	J, T, U		72			B6	[K5]
		1	B, U		74			B6	[K5]
		2	J, T		74			DL	[K5]
		1	B, U		74			DL	[K5]
		1	J, T		72			M5	[K5]
	5AC6 81AZ	1	J, T		74			M5	[K5]
	5AC6 81K5	1	J, T, U		72			B6	[AZ]
		1	B, U		74			M5	[K5]
		1	J, T		74			XJ	[K5]
		1	J, T		72			XJ	[K5]
		1	B, U		74			XJ	[K5]
		1	J, T		74			X5	[K5]
	5AC6 81AZ	1	B, U		74			B6	[AZ]
		1	B, U		74			DL	[AZ]
		1	J, T		74			DL	[AZ]
		1	J, T		72			M5	[AZ]
		1	J, T		74			M5	[AZ]
		1	B, U		74			M5	[AZ]
		1	J, T		74			XJ	[AZ]
17									COVER, Rear Seat Hinge
	5AC4 61AZ	1	J, T		74			B6	[AZ], Right
		1	J, T		72			XJ	[AZ], Right
		1	J, T		74			X5	[AZ], Right
	5AC4 61K5	1	J, T		74			B6	[K5], Right
		1	B, U		74			B6	[K5], Right
		1	B, U		74			DL	[K5], Right

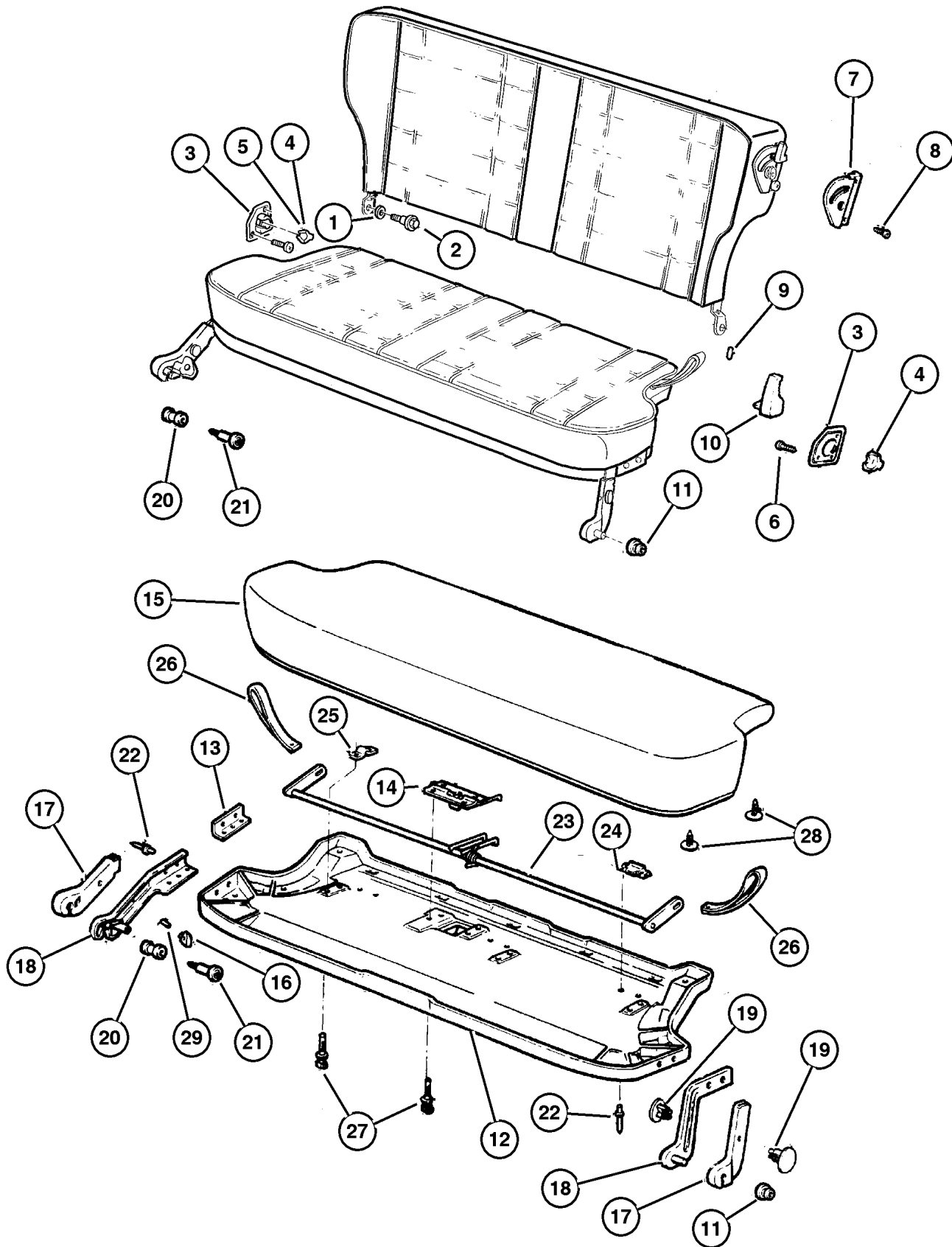
JEEP CHEROKEE (XJ)

SERIES	LINE	BODY	ENGINE	TRANSMISSION
P=Classic	J=LHD (4WD)	74=4 Dr.(101.4WB)	ENC,EN0=2.5L 4 cyl. Turbo Die	DDD, DDQ=5 spd. Man.
S=Limited	U=RHD (4WD)	72=2 Dr.(101.4WB)	ERH,ER0=4.0L Power Tech I-6	DGS=4 spd. Auto. AISIN
H=Sport	T=LHD (2WD)		EPE,EP0=Magnum 2.5L SMPI	DG0=All Auto/Trans.
L=SE	B=RHD (2WD)			DBB=All Manual Trans.

AR = Use as required - = Non illustrated part # = New this model year

December 7, 2002

**Frame and Pad Rear Seat
Figure IXJ-610**



ITEM	PART NUMBER	QTY	LINE	SERIES	BODY	ENGINE	TRANS	TRIM	DESCRIPTION
		1	J, T		74			DL	[K5], Right
		1	J, T		72			M5	[K5], Right
		1	J, T		74			M5	[K5], Right
		1	B, U		74			M5	[K5], Right
		1	J, T		74			XJ	[K5], Right
	5AC4 61AZ	1	B, U		74			B6	[AZ], Right
	5AC4 61K5	1	B, U		74			XJ	[K5], Right
		1	J, T		72			XJ	[K5], Right
		1	J, T		74			X5	[K5], Right
	5AC4 71AZ	1	J, T		74			B6	[AZ], Left
		1	J, T, U		72			B6	[AZ], Left
		1	B, U		74			B6	[AZ], Left
		1	B, U		74			DL	[AZ], Left
		1	J, T		74			DL	[AZ], Left
		1	J, T		72			M5	[AZ], Left
		1	J, T		74			M5	[AZ], Left
	5AC4 61AZ	1	B, U		74			DL	[AZ], Right
	5AC4 71AZ	1	B, U		74			M5	[AZ], Left
		1	J, T		74			XJ	[AZ], Left
		1	J, T		72			XJ	[AZ], Left
		1	B, U		74			XJ	[AZ], Left
		1	J, T		74			X5	[AZ], Left
	5AC4 71K5	1	J, T		74			B6	[K5], Left
		1	J, T, U		72			B6	[K5], Left
		1	B, U		74			B6	[K5], Left
		1	B, U		74			DL	[K5], Left
		1	J, T		74			DL	[K5], Left
	5AC4 61AZ	1	J, T		74			DL	[AZ], Right
	5AC4 71K5	1	J, T		72			M5	[K5], Left
		1	J, T		74			M5	[K5], Left
		1	B, U		74			M5	[K5], Left
		1	J, T		74			XJ	[K5], Left
		1	J, T		72			XJ	[K5], Left
		1	J, T		74			X5	[K5], Left
		1	B, U		74			XJ	[K5], Left
	5AC4 61AZ	1	J, T		72			M5	[AZ], Right
		1	B, U		74			M5	[AZ], Right
		1	J, T		74			M5	[AZ], Right
		1	B, U		74			XJ	[AZ], Right
		1	J, T		74			XJ	[AZ], Right
18									HINGE, Seat Cushion
	5500 1136	1	J, T		74			B6	Right

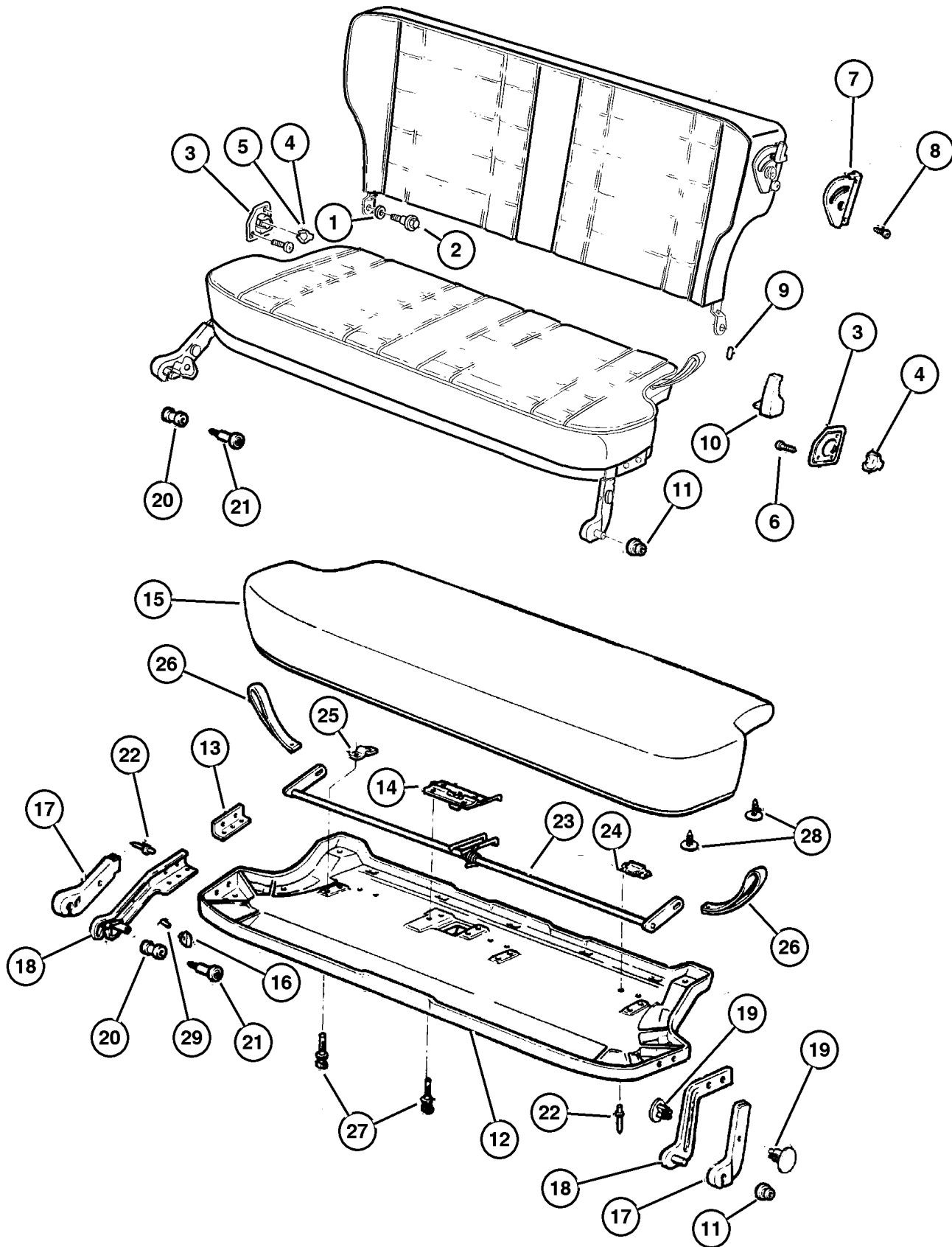
JEEP CHEROKEE (XJ)

SERIES	LINE	BODY	ENGINE	TRANSMISSION
P=Classic	J=LHD (4WD)	74=4 Dr.(101.4WB)	ENC,EN0=2.5L 4 cyl. Turbo Die	DDD, DDQ=5 spd. Man.
S=Limited	U=RHD (4WD)	72=2 Dr.(101.4WB)	ERH,ER0=4.0L Power Tech I-6	DGS=4 spd. Auto. AISIN
H=Sport	T=LHD (2WD)		EPE,EP0=Magnum 2.5L SMPI	DG0=All Auto/Trans.
L=SE	B=RHD (2WD)			DBB=All Manual Trans.

AR = Use as required - = Non illustrated part # = New this model year

December 7, 2002

Frame and Pad Rear Seat
Figure IXJ-610



ITEM	PART NUMBER	QTY	LINE	SERIES	BODY	ENGINE	TRANS	TRIM	DESCRIPTION
		1	J, T		72			XJ	Right
		1	B, U		74			XJ	Right
		1	J, T		74			X5	Right
	5500 1137	1	J, T		74			B6	Left
		1	J, T, U		72			B6	Left
		1	B, U		74			B6	Left
		1	J, T		74			DL	Left
		1	B, U		74			DL	Left
		1	J, T		72			M5	Left
	5500 1136	1	J, T		74			M5	Left
	5500 1137	1	J, T, U		72			B6	Right
		1	B, U		74			M5	Left
		1	B, U		74			XJ	Left
		1	J, T		74			XJ	Left
		1	J, T		72			XJ	Left
		1	J, T		74			X5	Left
	5500 1136	1	B, U		74			B6	Right
		1	J, T		74			DL	Right
		1	B, U		74			DL	Right
		1	J, T		72			M5	Right
		1	J, T		74			M5	Right
		1	B, U		74			M5	Right
		1	J, T		74			XJ	Right
19		1	J, T		74				RIVET, M8x12.40 Ratchet Type
	3420 1845	1	J, T		74			B6	
		1	J, T		74			XJ	
		1	J, T		72			XJ	
		1	J, T		74			X5	
		1	J, T, U		72			B6	
		1	B, U		74			B6	
		4	J, T		74			DL	
		1	B, U		74			DL	
		1	J, T		72			M5	
		1	J, T		74			M5	
		1	B, U		74			M5	
		1	B, U		74			XJ	
20	5500 2437	1							BUSHING, Seat Cushion
21	3420 1530	1							BOLT, Shoulder, M10x1.50x50.6
22									RIVET, M6.3x23.47
	3420 1557	1	J, T		74			B6	
		1	J, T		72			XJ	
		1	J, T		74			X5	

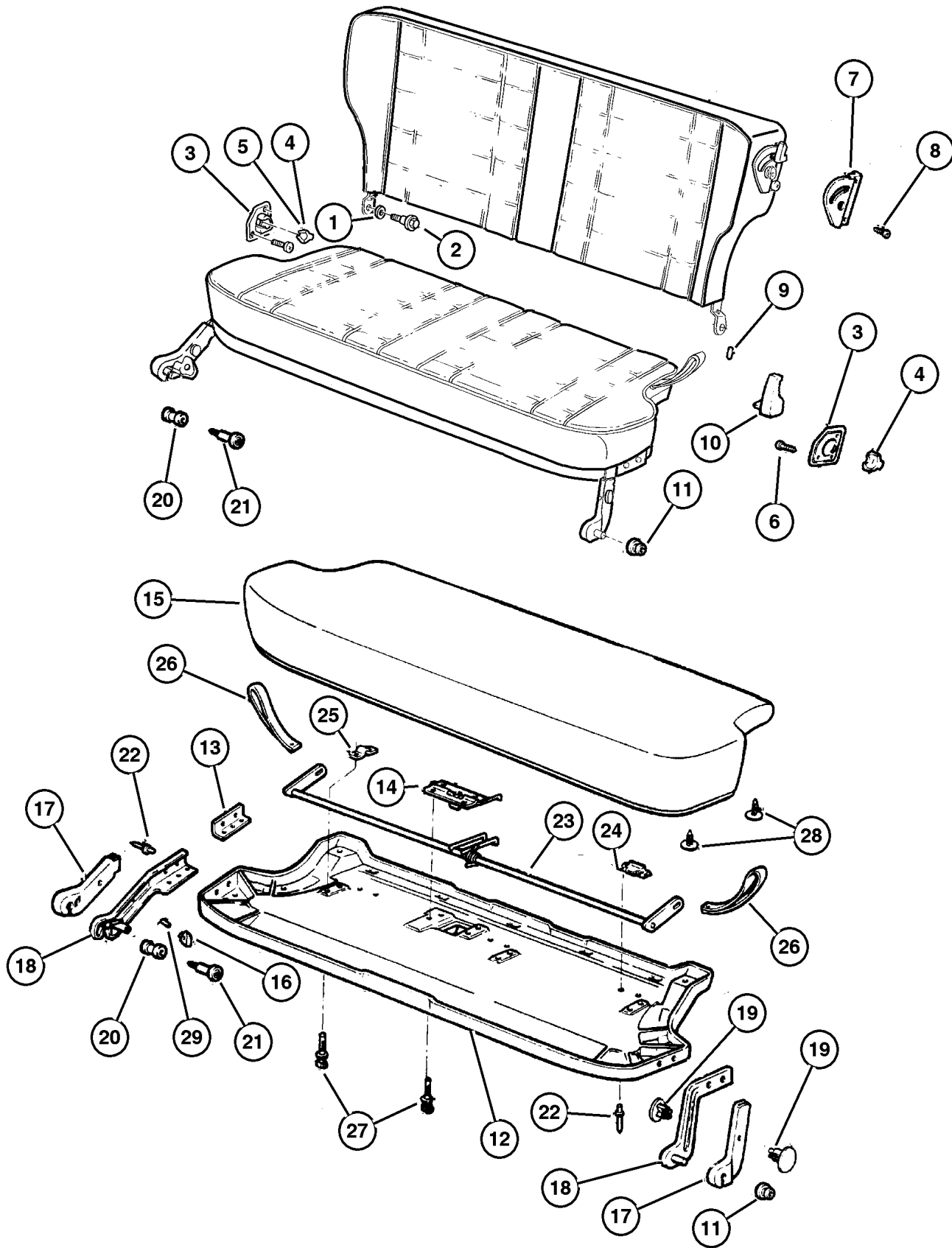
JEEP CHEROKEE (XJ)

SERIES	LINE	BODY	ENGINE	TRANSMISSION
P=Classic	J=LHD (4WD)	74=4 Dr.(101.4WB)	ENC,EN0=2.5L 4 cyl. Turbo Die	DDD, DDQ=5 spd. Man.
S=Limited	U=RHD (4WD)	72=2 Dr.(101.4WB)	ERH,ER0=4.0L Power Tech I-6	DGS=4 spd. Auto. AISIN
H=Sport	T=LHD (2WD)		EPE,EP0=Magnum 2.5L SMPI	DG0=All Auto/Trans.
L=SE	B=RHD (2WD)			DBB=All Manual Trans.

AR = Use as required - = Non illustrated part # = New this model year

December 7, 2002

Frame and Pad Rear Seat
Figure IXJ-610



ITEM	PART NUMBER	QTY	LINE	SERIES	BODY	ENGINE	TRANS	TRIM	DESCRIPTION
		1	B, U		74			B6	
		1	J, T		74			DL	
		1	B, U		74			DL	
		1	J, T		72			M5	
		1	J, T		74			M5	
		1	B, U		74			M5	
		1	J, T		74			XJ	
		1	B, U		74			XJ	
23									RELEASE, Seat Latch
	5500 4302	1	J, T		74			B6	
		1	J, T		74			XJ	
		1	J, T		72			XJ	
		1	J, T		74			X5	
		1	J, T, U		72			B6	
		1	B, U		74			B6	
		1	B, U		74			DL	
		1	J, T		74			DL	
		1	J, T		72			M5	
		1	B, U		74			M5	
		1	J, T		74			M5	
		1	B, U		74			XJ	
24									BRACKET, Seat Cushion
	5519 5937	1	J, T		74			B6	
		1	J, T		74			XJ	
		1	J, T		72			XJ	
		1	J, T		74			X5	
		1	J, T, U		72			B6	
		1	B, U		74			B6	
		1	J, T		74			DL	
		1	J, T		74			DL	
		1	J, T		72			M5	
		1	B, U		74			M5	
		1	J, T		74			M5	
		1	B, U		74			XJ	
25									BRACKET, Seat Latch
	5500 4301	1	J, T		74			B6	
		1	B, U		74			XJ	
		1	J, T		74			X5	
		1	B, U		74			B6	
		2	J, T		74			DL	
		1	B, U		74			DL	
		1	J, T		72			M5	

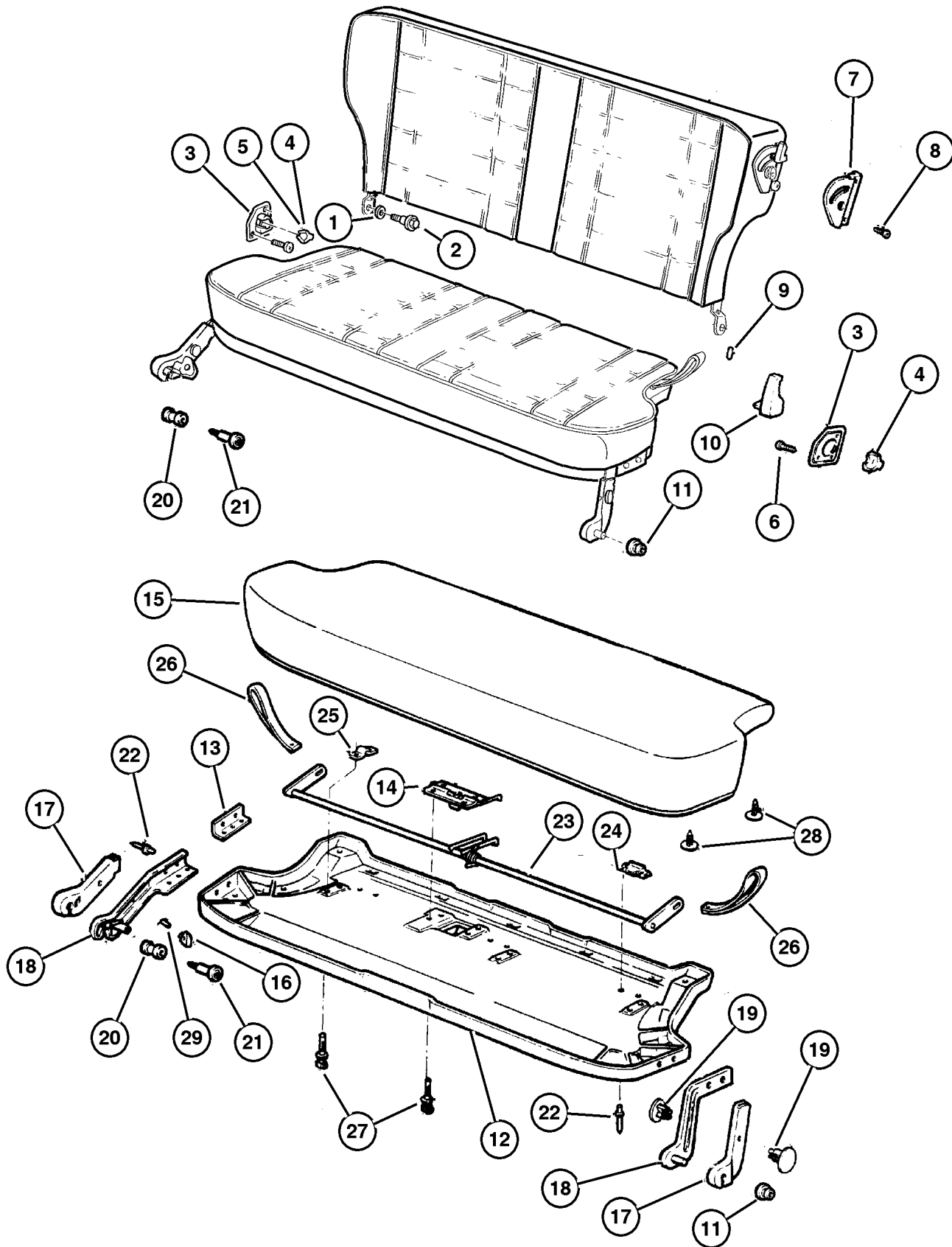
JEEP CHEROKEE (XJ)

SERIES	LINE	BODY	ENGINE	TRANSMISSION
P=Classic	J=LHD (4WD)	74=4 Dr.(101.4WB)	ENC,EN0=2.5L 4 cyl. Turbo Die	DDD, DDQ=5 spd. Man.
S=Limited	U=RHD (4WD)	72=2 Dr.(101.4WB)	ERH,ER0=4.0L Power Tech I-6	DGS=4 spd. Auto. AISIN
H=Sport	T=LHD (2WD)		EPE,EP0=Magnum 2.5L SMPI	DG0=All Auto/Trans.
L=SE	B=RHD (2WD)			DBB=All Manual Trans.

AR = Use as required - = Non illustrated part # = New this model year

December 7, 2002

Frame and Pad Rear Seat
Figure IXJ-610



ITEM	PART NUMBER	QTY	LINE	SERIES	BODY	ENGINE	TRANS	TRIM	DESCRIPTION
		1	J, T		74			M5	
		1	B, U		74			M5	
		1	J, T		72			XJ	
		1	J, T		74			XJ	
26									STRAP, Rear Seat Latch
	5AJ4 71AZ	1	J, T		74			B6	[AZ]
		1	J, T		74			XJ	[AZ]
		1	B, U		74			XJ	[AZ]
		1	J, T		74			X5	[AZ]
	5AJ4 71K5	1	J, T		74			B6	[K5]
		1	J, T, U		72			B6	[K5]
		1	B, U		74			B6	[K5]
		1	B, U		74			DL	[K5]
		2	J, T		74			DL	[K5]
		1	J, T		72			M5	[K5]
		1	J, T		74			M5	[K5]
	5AJ4 71AZ	1	B, U		74			B6	[AZ]
	5AJ4 71K5	1	B, U		74			M5	[K5]
		1	J, T		74			XJ	[K5]
		1	J, T		72			XJ	[K5]
		1	B, U		74			XJ	[K5]
	5AJ4 71AZ	1	J, T		74			X5	[K5]
		1	J, T, U		72			B6	[AZ]
		1	B, U		74			DL	[AZ]
		2	J, T		74			DL	[AZ]
		1	J, T		72			M5	[AZ]
		1	J, T		74			M5	[AZ]
		1	B, U		74			M5	[AZ]
		1	J, T		72			XJ	[AZ]
27									RIVET, Blind, M6.25x28
	3420 2078	1	J, T		74			B6	
		1	J, T		72			XJ	
		1	B, U		74			XJ	
		1	J, T		74			X5	
		1	J, T, U		72			B6	
		1	B, U		74			B6	
		1	B, U		74			DL	
		6	J, T		74			DL	
		1	J, T		72			M5	
		1	J, T		74			M5	
		1	B, U		74			M5	
		1	J, T		74			XJ	
28									FASTENER, .193 Hole

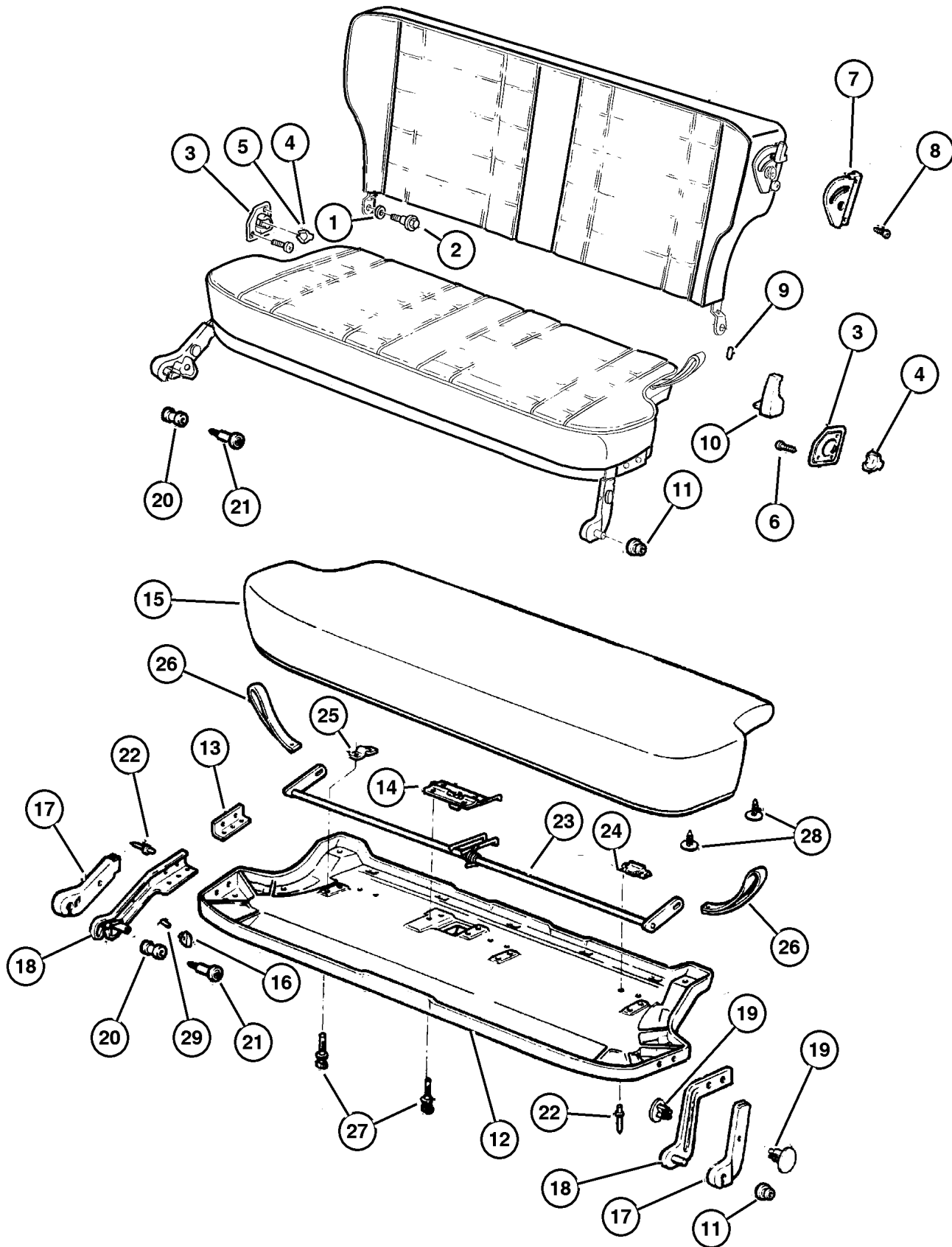
JEEP CHEROKEE (XJ)

SERIES	LINE	BODY	ENGINE	TRANSMISSION
P=Classic	J=LHD (4WD)	74=4 Dr.(101.4WB)	ENC,EN0=2.5L 4 cyl. Turbo Die	DDD, DDQ=5 spd. Man.
S=Limited	U=RHD (4WD)	72=2 Dr.(101.4WB)	ERH,ER0=4.0L Power Tech I-6	DGS=4 spd. Auto. AISIN
H=Sport	T=LHD (2WD)		EPE,EP0=Magnum 2.5L SMPI	DG0=All Auto/Trans.
L=SE	B=RHD (2WD)			DBB=All Manual Trans.

AR = Use as required - = Non illustrated part # = New this model year

December 7, 2002

Frame and Pad Rear Seat
Figure IXJ-610



ITEM	PART NUMBER	QTY	LINE	SERIES	BODY	ENGINE	TRANS	TRIM	DESCRIPTION
	5AA3 41AZ	1	J, T		74			B6	[AZ]
		1	J, T		74			XJ	[AZ]
		1	J, T		72			XJ	[AZ]
		1	J, T		74			X5	[AZ]
	5AA3 41K5	1	J, T		74			B6	[K5]
		1	J, T, U		72			B6	[K5]
		1	B, U		74			B6	[K5]
		1	B, U		74			DL	[K5]
		1	J, T		74			DL	[K5]
		1	J, T		72			M5	[K5]
	5AA3 41AZ	1	J, T		74			M5	[K5]
	5AA3 41K5	1	J, T, U		72			B6	[AZ]
		1	B, U		74			M5	[K5]
		1	J, T		74			XJ	[K5]
		1	J, T		72			XJ	[K5]
		1	B, U		74			XJ	[K5]
		1	J, T		74			X5	[K5]
	5AA3 41AZ	1	B, U		74			B6	[AZ]
		1	B, U		74			DL	[AZ]
		1	J, T		74			DL	[AZ]
		1	J, T		72			M5	[AZ]
		1	B, U		74			M5	[AZ]
		1	J, T		74			M5	[AZ]
		1	B, U		74			XJ	[AZ]
29									SPRING, Pin
	J045 5735	1	J, T		74			B6	
		1	B, U		74			XJ	
		1	J, T		74			X5	
		1	B, U		74			B6	
		1	B, U		74			DL	
		1	J, T		74			DL	
		1	J, T		72			M5	
		1	J, T		74			M5	
		1	B, U		74			M5	
		1	J, T		74			XJ	
		1	J, T		72			XJ	

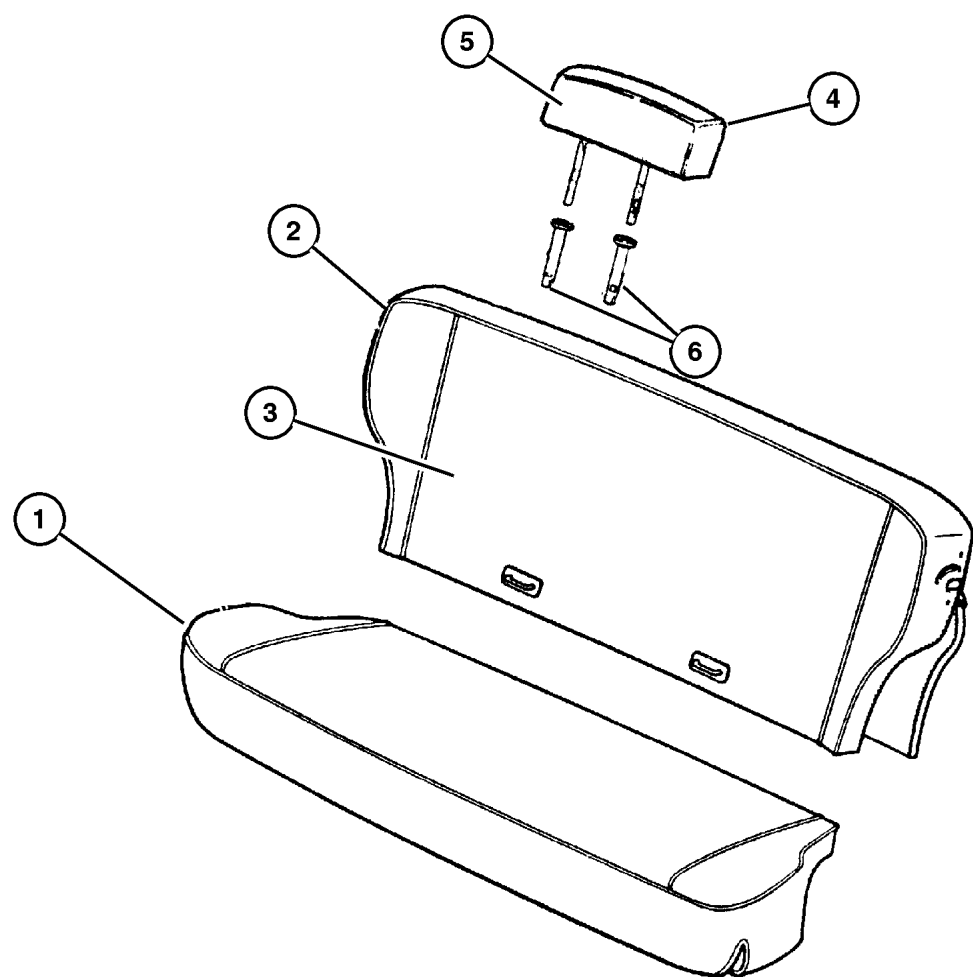
JEEP CHEROKEE (XJ)

SERIES	LINE	BODY	ENGINE	TRANSMISSION
P=Classic	J=LHD (4WD)	74=4 Dr.(101.4WB)	ENC,EN0=2.5L 4 cyl. Turbo Die	DDD, DDQ=5 spd. Man.
S=Limited	U=RHD (4WD)	72=2 Dr.(101.4WB)	ERH,ER0=4.0L Power Tech I-6	DGS=4 spd. Auto. AISIN
H=Sport	T=LHD (2WD)		EPE,EP0=Magnum 2.5L SMPI	DG0=All Auto/Trans.
L=SE	B=RHD (2WD)			DBB=All Manual Trans.

AR = Use as required - = Non illustrated part # = New this model year

December 7, 2002

**Covers, Seat Upholstery Rear Seat
Figure IXJ-620**



ITEM	PART NUMBER	QTY	LINE	SERIES	BODY	ENGINE	TRANS	TRIM	DESCRIPTION
1									COVER, Rear Seat Cushion
	#TD74 1AZAA	1	J, T, U		72			B6	[AZ]
	#TD75 1K5AA	1	B, U		74			DL	[K5]
	#TD76 1AZAA	1	J, T		72			M5	[AZ]
		1	J, T		74			M5	[AZ]
		1	B, U		74			M5	[AZ]
	#TD76 1K5AA	1	J, T		72			M5	[K5]
		1	J, T		74			M5	[K5]
		1	B, U		74			M5	[K5]
	#TD77 1AZAA	1	J, T		72			XJ	[AZ]
		1	J, T		74			XJ	[AZ]
		1	B, U		74			XJ	[AZ]
	#TD74 1AZAA	1	J, T		74			B6	[AZ]
	#TD77 1K5AA	1	J, T		72			XJ	[K5]
		1	J, T		74			XJ	[K5]
		1	B, U		74			XJ	[K5]
	#TD74 1AZAA	1	J, T		74			X5	[AZ]
		1	B, U		74			B6	[AZ]
	#TD74 1K5AA	1	J, T, U		72			B6	[K5]
		1	J, T		74			B6	[K5]
		1	B, U		74			B6	[K5]
	#TD75 1AZAA	1	J, T		74			DL	[AZ]
		1	B, U		74			DL	[AZ]
	#TD75 1K5AA	1	J, T		74			DL	[K5]
2									SEAT BACK, Rear
	#TD62 1AZAA	1	J, T, U		72			B6	[AZ]
	TN34 1AZAA	1	B, U		74			DL	[AZ], Export
	TN34 1K5AA	1	J, T		74			DL	[K5], Export
		1	B, U		74			DL	[K5], Export
	#TD68 1AZAA	1	J, T		72			M5	[AZ]
		1	J, T		74			M5	[AZ]
		1	B, U		74			M5	[AZ]
	#TD68 1K5AA	1	J, T		72			M5	[K5]
		1	J, T		74			M5	[K5]
		1	B, U		74			M5	[K5]
	#TD70 1AZAA	1	J, T		74			XJ	[AZ]
	#TD62 1AZAA	1	J, T		74			B6	[AZ]
	#TD70 1K5AA	1	J, T		74			XJ	[K5]
	TN35 1AZAA	1	J, T		72			XJ	[AZ], Export
		1	J, T		74			XJ	[AZ], Export
		1	B, U		74			XJ	[AZ], Export
	TN35 1K5AA	1	J, T		72			XJ	[K5], Export

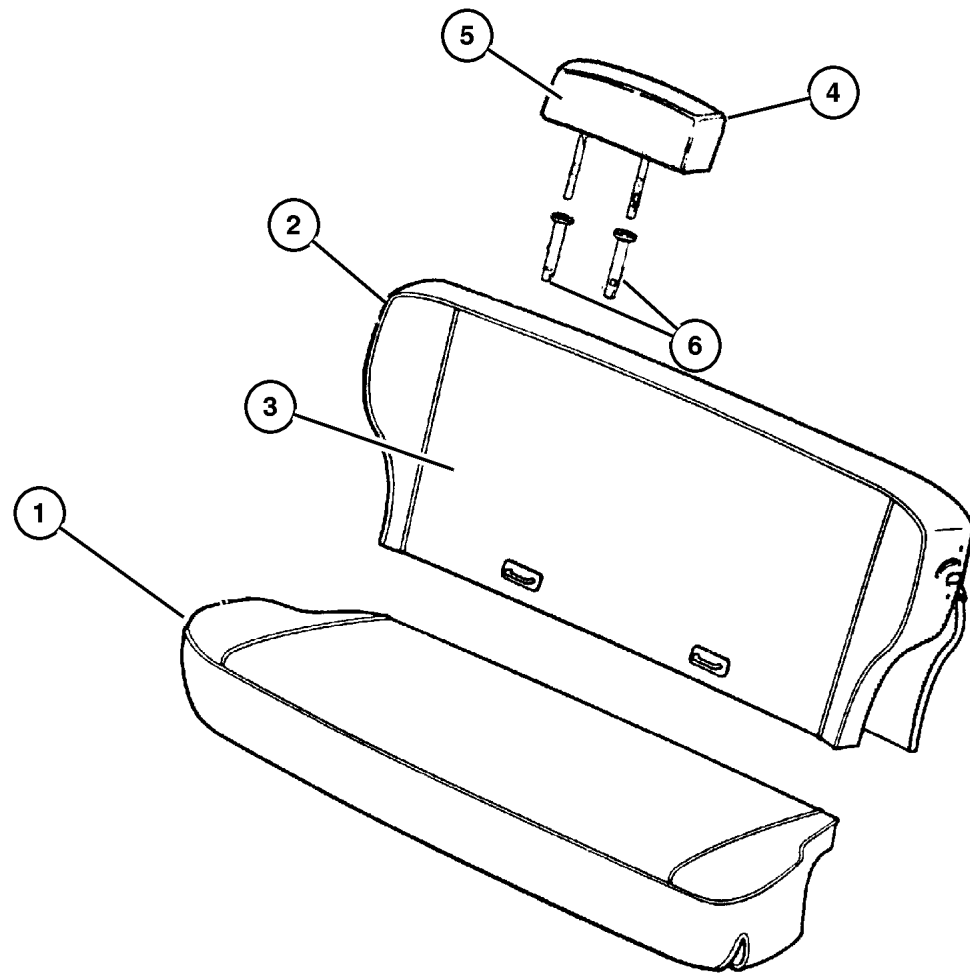
JEEP CHEROKEE (XJ)

SERIES	LINE	BODY	ENGINE	TRANSMISSION
P=Classic	J=LHD (4WD)	74=4 Dr.(101.4WB)	ENC,EN0=2.5L 4 cyl. Turbo Die	DDD, DDQ=5 spd. Man.
S=Limited	U=RHD (4WD)	72=2 Dr.(101.4WB)	ERH,ER0=4.0L Power Tech I-6	DGS=4 spd. Auto. AISIN
H=Sport	T=LHD (2WD)		EPE,EP0=Magnum 2.5L SMPI	DG0=All Auto/Trans.
L=SE	B=RHD (2WD)			DBB=All Manual Trans.

AR = Use as required - = Non illustrated part # = New this model year

December 7, 2002

**Covers, Seat Upholstery Rear Seat
Figure IXJ-620**



ITEM	PART NUMBER	QTY	LINE	SERIES	BODY	ENGINE	TRANS	TRIM	DESCRIPTION
		1	J, T		74			XJ	[K5], Export
		1	B, U		74			XJ	[K5], Export
	#TD62 1AZAA	1	J, T		74			X5	[AZ]
	#TD62 1K5AA	1	J, T		74			X5	[K5]
	#TD62 1AZAA	1	B, U		74			B6	[AZ]
	#TD62 1K5AA	1	J, T, U		72			B6	[K5]
		1	J, T		74			B6	[K5]
		1	B, U		74			B6	[K5]
	#TD64 1AZAA	1	J, T		74			DL	[AZ]
	#TD64 1K5AA	1	J, T		74			DL	[K5]
	TN34 1AZAA	1	J, T		74			DL	[AZ], Export
3									COVER, Rear Seat Back
	#TD63 1AZAA	1	J, T, U		72			B6	[AZ]
	#TD67 1AZAA	1	B, U		74			DL	[AZ], Export
	#TD67 1K5AA	1	J, T		74			DL	[K5], Export
		1	B, U		74			DL	[K5], Export
	#TD69 1AZAA	1	J, T		72			M5	[AZ]
		1	J, T		74			M5	[AZ]
		1	B, U		74			M5	[AZ]
	#TD69 1K5AA	1	J, T		72			M5	[K5]
		1	J, T		74			M5	[K5]
		1	B, U		74			M5	[K5]
	#TD71 1AZAA	1	J, T		74			XJ	[AZ]
	#TD63 1AZAA	1	J, T		74			B6	[AZ]
	#TD71 1K5AA	1	J, T		74			XJ	[K5]
	#TD73 1AZAA	1	J, T		72			XJ	[AZ], Export
		1	J, T		74			XJ	[AZ], Export
		1	B, U		74			XJ	[AZ], Export
	#TD73 1K5AA	1	J, T		72			XJ	[K5], Export
		1	J, T		74			XJ	[K5], Export
		1	B, U		74			XJ	[K5], Export
	#TD63 1AZAA	1	J, T		74			X5	[AZ]
	#TD63 1K5AA	1	J, T		74			X5	[K5]
	#TD63 1AZAA	1	B, U		74			B6	[AZ]
	#TD63 1K5AA	1	J, T, U		72			B6	[K5]
		1	J, T		74			B6	[K5]
		1	B, U		74			B6	[K5]
	#TD65 1AZAA	1	J, T		74			DL	[AZ]
	#TD65 1K5AA	1	J, T		74			DL	[K5]
	#TD67 1AZAA	1	J, T		74			DL	[AZ], Export
4									HEADREST, Rear
	QW19 1AZAA	1	J, T		74			DL	[AZ], Export

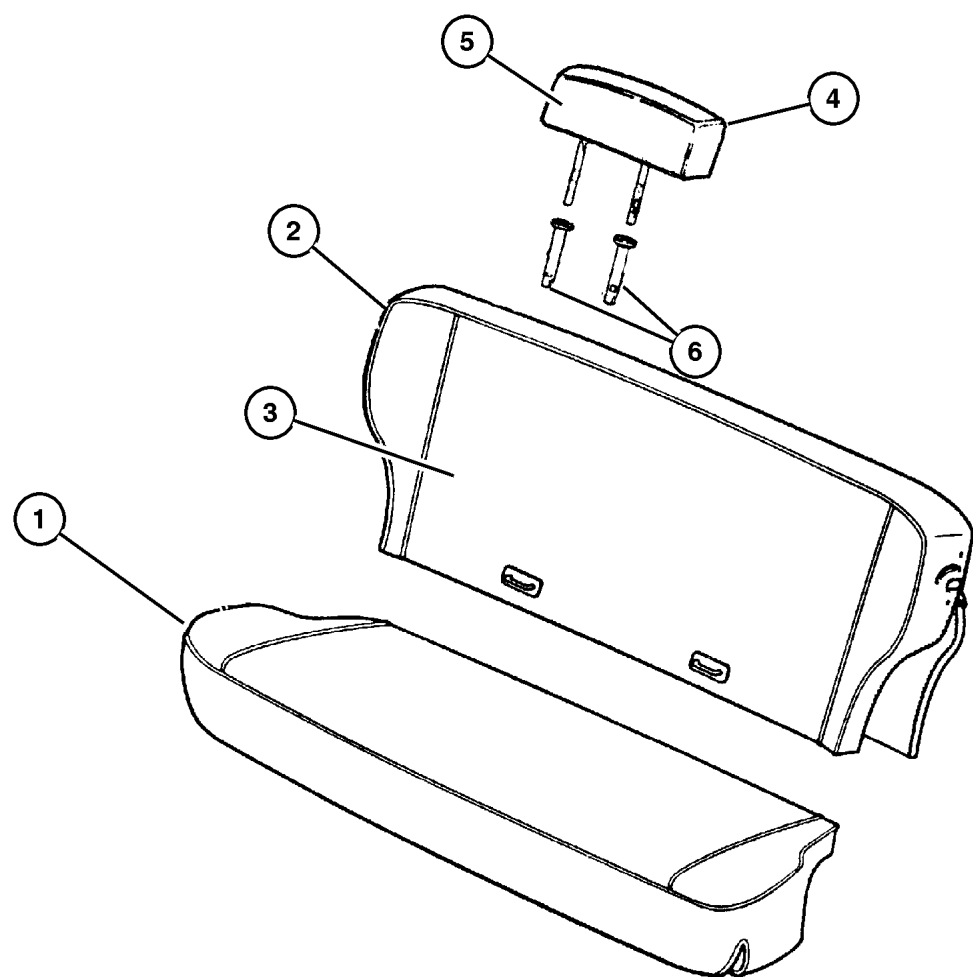
JEEP CHEROKEE (XJ)

SERIES	LINE	BODY	ENGINE	TRANSMISSION
P=Classic	J=LHD (4WD)	74=4 Dr.(101.4WB)	ENC,EN0=2.5L 4 cyl. Turbo Die	DDD, DDQ=5 spd. Man.
S=Limited	U=RHD (4WD)	72=2 Dr.(101.4WB)	ERH,ER0=4.0L Power Tech I-6	DGS=4 spd. Auto. AISIN
H=Sport	T=LHD (2WD)		EPE,EP0=Magnum 2.5L SMP1	DG0=All Auto/Trans.
L=SE	B=RHD (2WD)			DBB=All Manual Trans.

AR = Use as required - = Non illustrated part # = New this model year

December 7, 2002

**Covers, Seat Upholstery Rear Seat
Figure IXJ-620**



ITEM	PART NUMBER	QTY	LINE	SERIES	BODY	ENGINE	TRANS	TRIM	DESCRIPTION
	#TV71 1AZAA	2	B, U		74			XJ	[AZ]
		2	J, T		74			XJ	[AZ]
	#TV71 1K5AA	2	J, T		72			XJ	[K5]
		2	J, T		74			XJ	[K5]
		2	B, U		74			XJ	[K5]
	QW19 1AZAA	1	B, U		74			DL	[AZ], Export
	QW19 1K5AA	1	J, T		74			DL	[K5], Export
		1	B, U		74			DL	[K5], Export
	#TV69 1AZAA	2	B, U		74			DL	[AZ]
		2	J, T		74			DL	[AZ]
	#TV69 1K5AA	2	B, U		74			DL	[K5]
		2	J, T		74			DL	[K5]
	#TV71 1AZAA	2	J, T		72			XJ	[AZ]
5									COVER, Seat Headrest
	QW20 1AZAA	2	J, T		74			DL	[AZ]
	QW65 1K5AA	2	J, T		72			XJ	[K5]
	#TV70 1AZAA	2	B, U		74			DL	[AZ], Export
		2	J, T		74			DL	[AZ], Export
	#TV70 1K5AA	2	B, U		74			DL	[K5], Export
		2	J, T		74			DL	[K5], Export
	#TV72 1AZAA	2	B, U		74			XJ	[AZ], Export
		2	J, T		72			XJ	[AZ], Export
		2	J, T		74			XJ	[AZ], Export
	#TV72 1K5AA	2	B, U		74			XJ	[K5], Export
		2	J, T		72			XJ	[K5], Export
	QW20 1AZAA	2	B, U		74			DL	[AZ]
	#TV72 1K5AA	2	J, T		74			XJ	[K5], Export
	QW20 1K5AA	2	B, U		74			DL	[K5]
		2	J, T		74			DL	[K5]
	QW65 1AZAA	2	J, T		72			XJ	[AZ]
		2	J, T		74			XJ	[AZ]
		2	B, U		74			XJ	[AZ]
	QW65 1K5AA	1	B, U		74			XJ	[K5]
		1	J, T		74			XJ	[K5]
6									CYLINDER, Headrest
	5016 551AA	4	B, U		74			DL	
		4	J, T		74			DL	
		4	J, T		72			XJ	
		4	J, T		74			XJ	
		4	B, U		74			XJ	
-7	#55315 034AA	1							TETHER, Child Seat

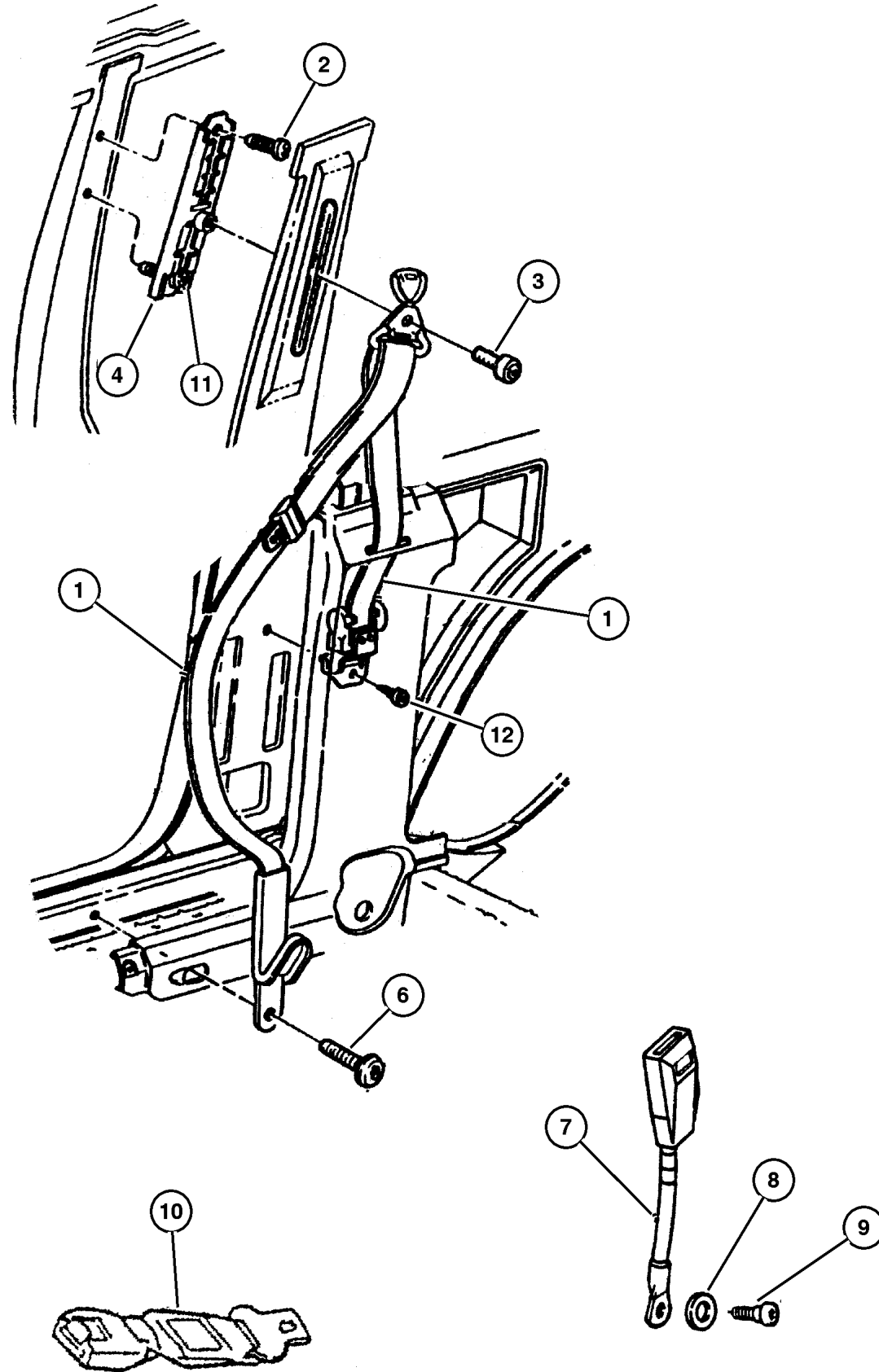
JEEP CHEROKEE (XJ)

SERIES	LINE	BODY	ENGINE	TRANSMISSION
P=Classic	J=LHD (4WD)	74=4 Dr.(101.4WB)	ENC,EN0=2.5L 4 cyl. Turbo Die	DDD, DDQ=5 spd. Man.
S=Limited	U=RHD (4WD)	72=2 Dr.(101.4WB)	ERH,ER0=4.0L Power Tech I-6	DGS=4 spd. Auto. AISIN
H=Sport	T=LHD (2WD)		EPE,EP0=Magnum 2.5L SMP1	DG0=All Auto/Trans.
L=SE	B=RHD (2WD)			DBB=All Manual Trans.

AR = Use as required - = Non illustrated part # = New this model year

December 7, 2002

Seat Belts, Front Seat 2 Door 2 Door
Figure IXJ-710



ITEM	PART NUMBER	QTY	LINE	SERIES	BODY	ENGINE	TRANS	TRIM	DESCRIPTION
1									SEAT BELT, Front Outer
	5EZ14 LAZAE	1	J, T, U		72				Right
	5EZ15 LAZAE	1	J, T, U		72				Left
	5GG66 LAZAB	2	J, U		72				Export
2	#6036 295AA	2							SCREW, Pan Head
3	6036 095AA	2	J, T, U		72				SCREW, Pan Head
4	55314 697AC	2							ADJUSTER, Seat Belt Turning Loop
-5	55352 693AA	2	J, T, U		72				SPACER
6	6036 294AA	1							BOLT, Shoulder
7									SEAT BELT, Front Inner
	5EE5 2LAZ	1	J, T		72			XJ	Right
		1	J, T		72			M5	Right
		1	J, T, U		72			B6	Right
	5EE5 3LAZ	1	J, T		72			M5	Left
		1	J, T, U		72			B6	Left
	5GA13 1AZAA	1	J, T		72			XJ	Left
8									WASHER, Seat Belt Attaching
	4798 898	1	J, T		72			XJ	
		1	J, T		72			M5	
9									SCREW, Button Head, .375-24x.62
	6035 115	2	J, T		72			M5	
		2	J, T, U		72			B6	
		1	J, T		72			XJ	
10	4740 415	1							EXTENDER, Seat Belt
11	6502 985	2							SCREW, Hex Head, M10x1.5x30
12	6034 384	2							SCREW, Pan Head, .437-20x1.15

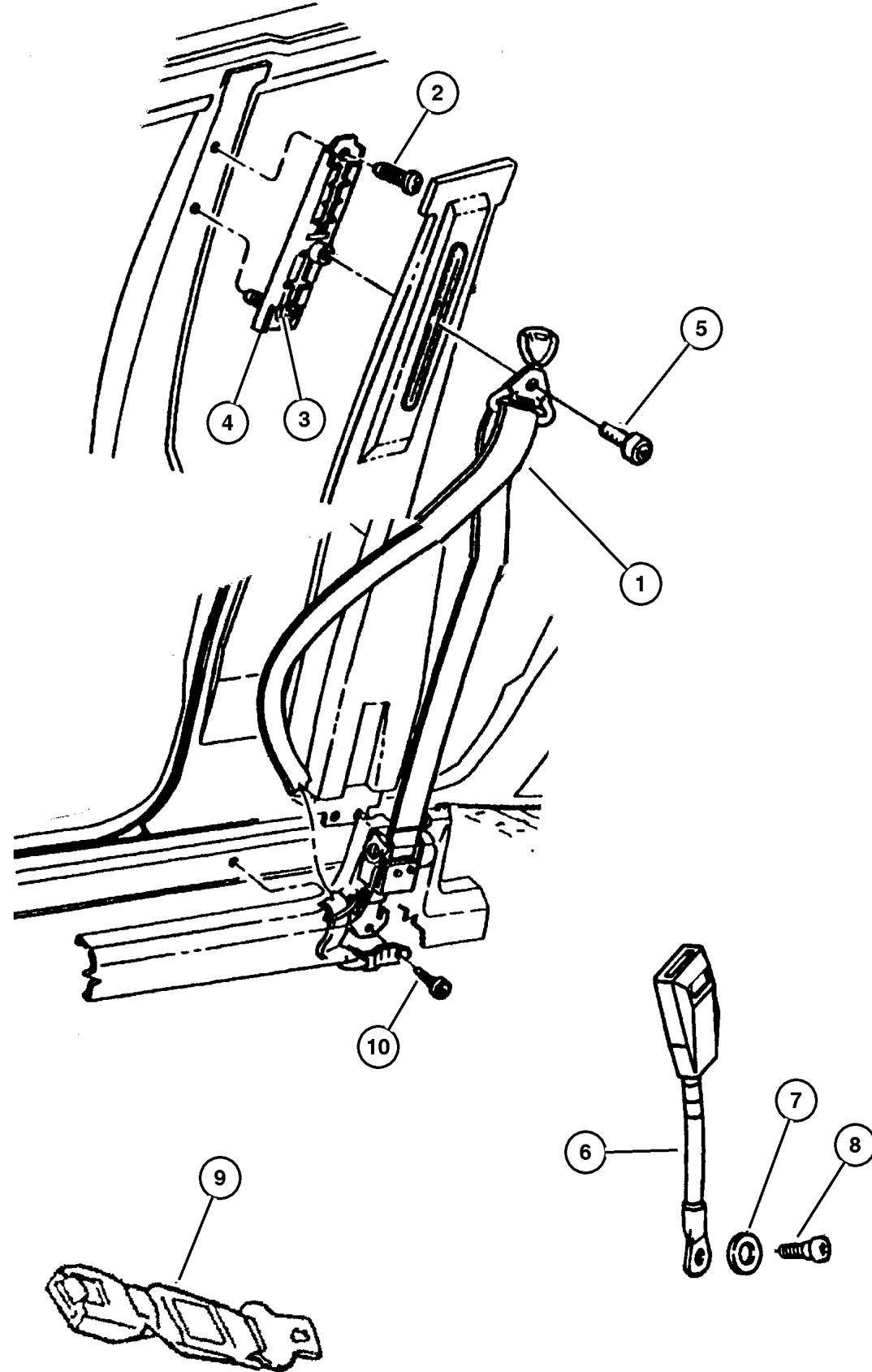
JEEP CHEROKEE (XJ)

SERIES	LINE	BODY	ENGINE	TRANSMISSION
P=Classic	J=LHD (4WD)	74=4 Dr.(101.4WB)	ENC,EN0=2.5L 4 cyl. Turbo Die	DDD, DDQ=5 spd. Man.
S=Limited	U=RHD (4WD)	72=2 Dr.(101.4WB)	ERH,ER0=4.0L Power Tech I-6	DGS=4 spd. Auto. AISIN
H=Sport	T=LHD (2WD)		EPE,EP0=Magnum 2.5L SMPI	DG0=All Auto/Trans.
L=SE	B=RHD (2WD)			DBB=All Manual Trans.

AR = Use as required - = Non illustrated part # = New this model year

December 7, 2002

Seat Belts, Front Seat 4 Door 4 Door
Figure IXJ-720



ITEM	PART NUMBER	QTY	LINE	SERIES	BODY	ENGINE	TRANS	TRIM	DESCRIPTION
1									SEAT BELT, Front Outer
	5FM30 LAZAF	1			74				Right
	5FM31 LAZAF	1			74				Left
	5GG68 LAZAC	1	J, U		74				Right,Export
	5GG69 LAZAC	1	J, U		74				Left,Export
2	#6036 295AA	2							SCREW, Pan Head
3	#6506 393AA	2							SCREW, Hex Head, M10x1.5x30
4	55314 697AC	2							ADJUSTER, Seat Belt Turning Loop
5									SCREW, Pan Head, .437-20x1.375, (NOT REQUIRED)
6									SEAT BELT, Front Inner
	5EE5 2LAZ	1	J, T		74			B6	Manual Seats, Right
	5EE5 3LAZ	1	J, T		74			M5	Manual Seats, Left
	5FS2 5LAZ	1	J, T		74			M5	Power Seats, Left
	5GA12 1AZAA	1	B, U		74			M5	Manual Seats, Right
	5EE5 2LAZ	1	J, T		74			XJ	Manual Seats, Right
	5FS2 4LAZ	1	J, T		74			XJ	Power Seats, Right
	5GA12 1AZAA	1	B, U		74			XJ	Manual Seats, Right
	5GH60 1AZAA	1	B, U		74			XJ	Power Seats, Right
	5EE5 3LAZ	1	J, T		74			XJ	Manual Seats, Left
	5GA13 1AZAA	1	B, U		74			XJ	Manual Seats, Left
	5FS2 5LAZ	1	J, T		74			XJ	Power Seats, Left
	5EE5 3LAZ	1	J, T		74			B6	Manual Seats, Left
	5GA13 1AZAA	1	J, T		74			XJ	Manual Seats, Left,Export
	5GH59 1AZAA	1	B, U		74			XJ	Power Seats, Left,Export
		1	J, T		74			XJ	Power Seats, Left,Export
	5EE5 3LAZ	1	J, T		74			X5	Manual Seats, Right
	5EE5 2LAZ	1	J, T		74			X5	Manual Seats, Left
		1	J, T		74			DL	Manual Seats, Right
	5FS2 4LAZ	1	J, T		74			DL	Power Seats, Right
	5FS2 5LAZ	1	J, T		74			DL	Power Seats, Left
	5GH59 1AZAA	1	B, U		74			DL	Power Seats, Left,Export
		1	J, T		74			DL	Power Seats, Left,Export
	5GH60 1AZAA	1	B, U		74			DL	Power Seats, Right,Export
	5EE5 2LAZ	1	J, T		74			M5	Manual Seats, Right
7									WASHER, Seat Belt Attaching
	4798 898	1	J, T		74			B6	
		1	B, U		74			B6	
		1	J, T		74			DL	
		1	B, U		74			DL	
		1	B, U		74			M5	
		1	J, T		74			M5	

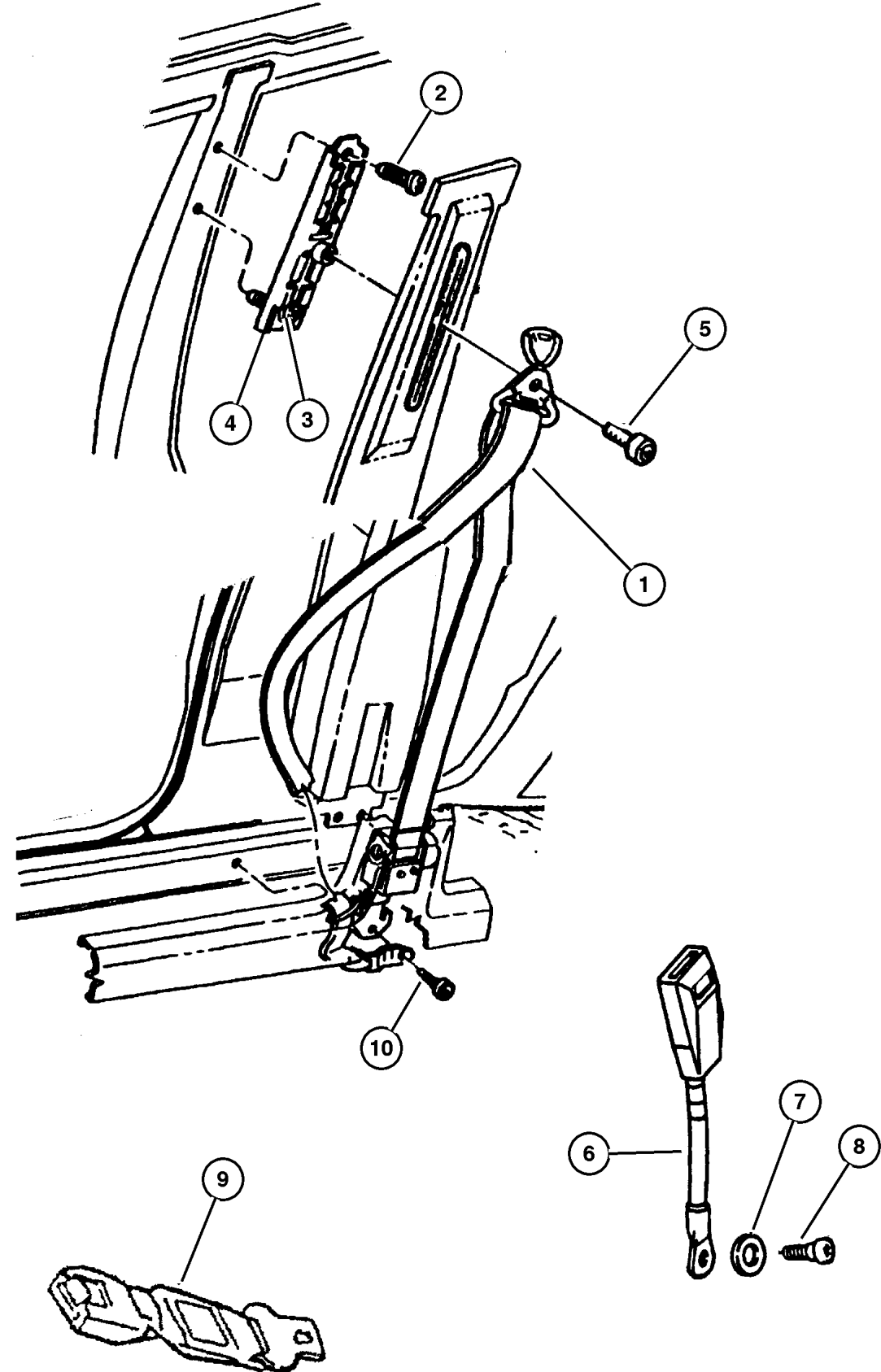
JEEP CHEROKEE (XJ)

SERIES	LINE	BODY	ENGINE	TRANSMISSION
P=Classic	J=LHD (4WD)	74=4 Dr.(101.4WB)	ENC,EN0=2.5L 4 cyl. Turbo Die	DDD, DDQ=5 spd. Man.
S=Limited	U=RHD (4WD)	72=2 Dr.(101.4WB)	ERH,ER0=4.0L Power Tech I-6	DGS=4 spd. Auto. AISIN
H=Sport	T=LHD (2WD)		EPE,EP0=Magnum 2.5L SMP1	DG0=All Auto/Trans.
L=SE	B=RHD (2WD)			DBB=All Manual Trans.

AR = Use as required - = Non illustrated part # = New this model year

December 7, 2002

Seat Belts, Front Seat 4 Door 4 Door
Figure IXJ-720



ITEM	PART NUMBER	QTY	LINE	SERIES	BODY	ENGINE	TRANS	TRIM	DESCRIPTION
		1	J, T		74			XJ	
		1	B, U		74			XJ	
		1	J, T		74			X5	
8	6035 115	2	J, T		74			B6	SCREW, Button Head, .375-24x.62
		2	B, U		74			B6	
		2	J, T		74			DL	
		2	B, U		74			DL	
		2	J, T		74			M5	
		2	B, U		74			M5	
		2	B, U		74			XJ	
		2	J, T		74			XJ	
		2	J, T		74			X5	
9	4740 415	1							EXTENDER, Seat Belt
10	6036 294AA	1							BOLT, Shoulder

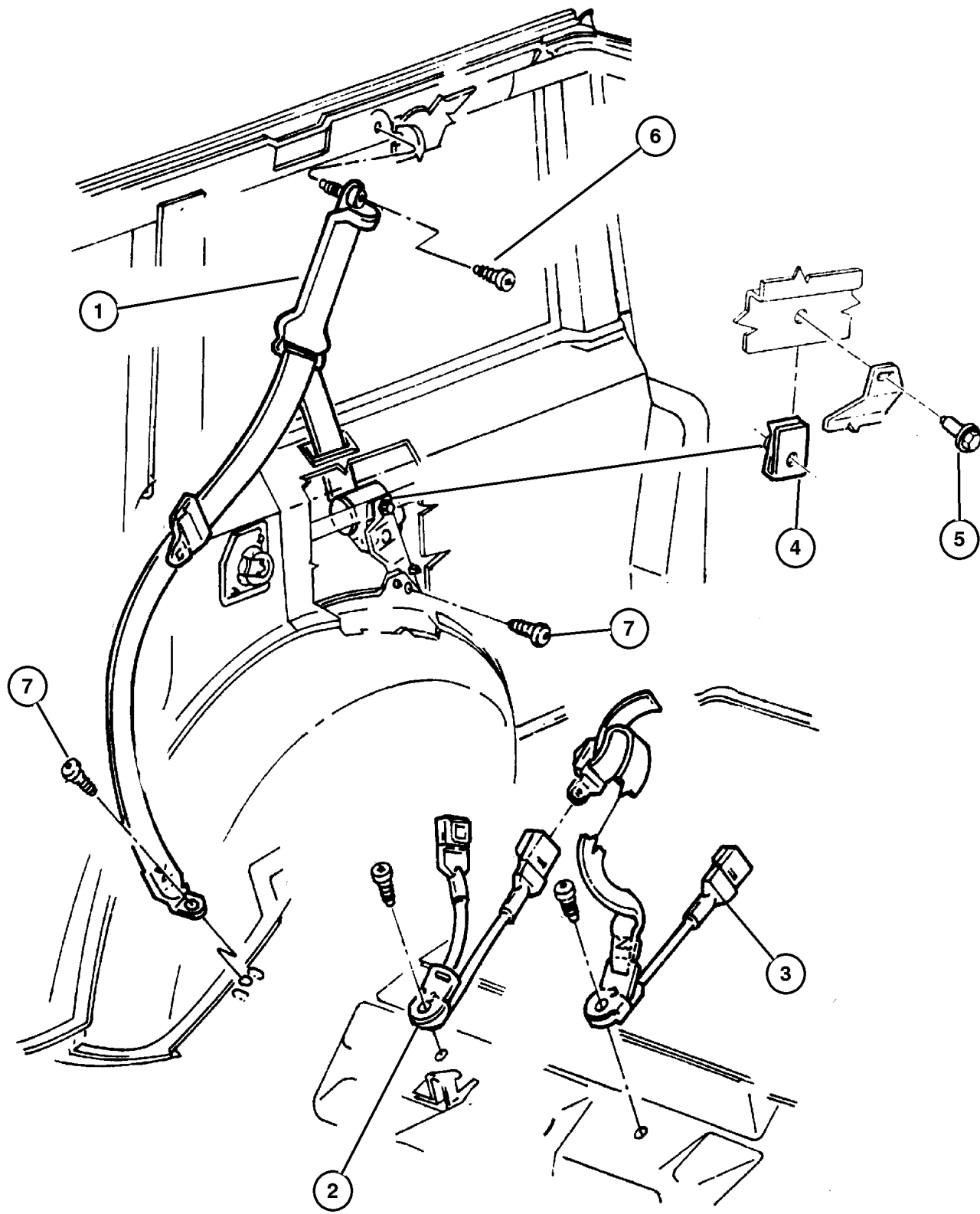
JEEP CHEROKEE (XJ)				
SERIES	LINE	BODY	ENGINE	TRANSMISSION
P=Classic	J=LHD (4WD)	74=4 Dr.(101.4WB)	ENC,EN0=2.5L 4 cyl. Turbo Die	DDD, DDQ=5 spd. Man.
S=Limited	U=RHD (4WD)	72=2 Dr.(101.4WB)	ERH,ER0=4.0L Power Tech I-6	DGS=4 spd. Auto. AISIN
H=Sport	T=LHD (2WD)		EPE,EP0=Magnum 2.5L SMPI	DG0=All Auto/Trans.
L=SE	B=RHD (2WD)			DBB=All Manual Trans.

AR = Use as required - = Non illustrated part # = New this model year

December 7, 2002

Seat Belts, Rear Seats Figure IXJ-730

ITEM	PART NUMBER	QTY	LINE	SERIES	BODY	ENGINE	TRANS	TRIM	DESCRIPTION
1									SEAT BELT, Outer
	5FG52 1K5AF	1							[K5], Right
	5FG52 LAZAF	1							[AZ], Right
	5FG53 1K5AG	1							[K5], Left
	5FG53 LAZAG	1							[AZ], Left
	5GG70 1K5AC	1							[K5], Right,Export
	5GG70 LAZAC	1							[AZ], Right,Export
	5GG71 1K5AC	1							[K5], Left,Export
	5GG71 LAZAC	1							[AZ], Left,Export
2	5FG50 LAZAB	1							SEAT BELT, Two Buckles, Right
3									SEAT BELT, Buckle And Tip
	5FG51 LAZAB	1							Left
	5FT53 LAZAC	1							Left,Export
4	6504 118	2							U-NUT, M6 x 1.00, M6x1.00
5	3420 1807	2							BOLT, Hex Flange Head, M6x1.00x16
6									SCREW, Pan Head Shoulder, .437-20x1.87, (NOT REQUIRED)
7	#6036 295AA	2							SCREW, Pan Head
-8	#55315 034AA	1							TETHER, Child Seat, CANADA

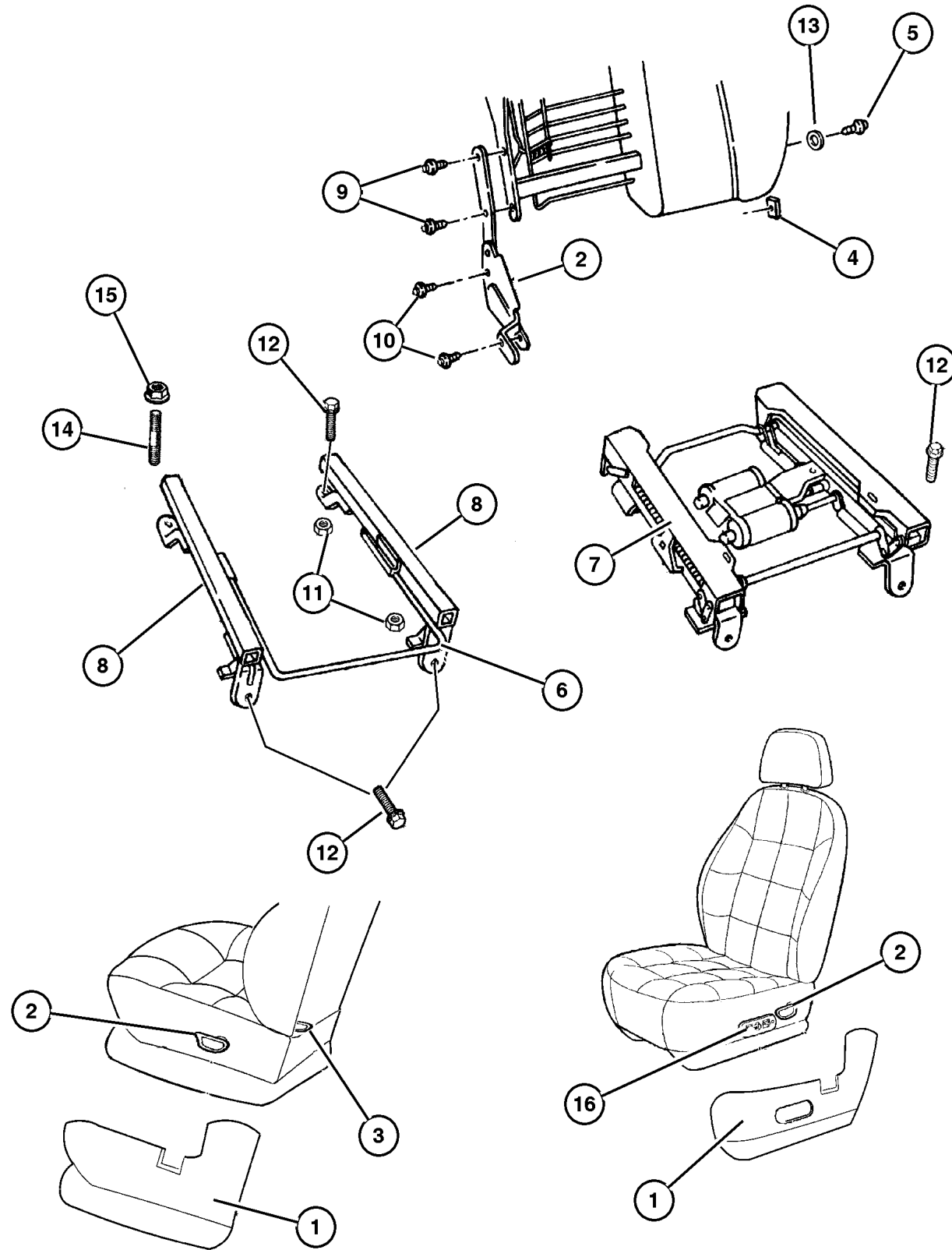


JEEP CHEROKEE (XJ)				
SERIES	LINE	BODY	ENGINE	TRANSMISSION
P=Classic	J=LHD (4WD)	74=4 Dr.(101.4WB)	ENC,EN0=2.5L 4 cyl. Turbo Die	DDD, DDQ=5 spd. Man.
S=Limited	U=RHD (4WD)	72=2 Dr.(101.4WB)	ERH,ER0=4.0L Power Tech I-6	DGS=4 spd. Auto. AISIN
H=Sport	T=LHD (2WD)		EPE,EP0=Magnum 2.5L SMPI	DG0=All Auto/Trans.
L=SE	B=RHD (2WD)			DBB=All Manual Trans.

AR = Use as required - = Non illustrated part # = New this model year

December 7, 2002

Recliner and Adjuster Figure IXJ-810



ITEM	PART NUMBER	QTY	LINE	SERIES	BODY	ENGINE	TRANS	TRIM	DESCRIPTION
1									SHIELD, Seat Cushion
	RA72 1AZAA	1	J, T		74			B6	[AZ], Manual, Right
	RA73 1K5AA	1	J, T		74			B6	[K5], Manual, Left
		1	J, T, U		72			B6	[K5], Manual, Left
		1	B, U		74			B6	[K5], Manual, Left
	RA70 1AZAA	1	B, U		74			DL	[AZ], With Power, Right
		1	J, T		74			DL	[AZ], With Power, Right
	RA70 1K5AA	1	B, U		74			DL	[K5], With Power, Right
		1	J, T		74			DL	[K5], With Power, Right
	RA71 1AZAA	1	J, T		74			DL	[AZ], With Power, Left
		1	B, U		74			DL	[AZ], With Power, Left
	RA71 1K5AA	1	J, T		74			DL	[K5], With Power, Left
	RA72 1AZAA	1	J, T, U		72			B6	[AZ], Manual, Right
	RA71 1K5AA	1	B, U		74			DL	[K5], With Power, Left
	RA72 1AZAA	1	J, T		74			DL	[AZ], Manual, Right
	RA72 1K5AA	1	J, T		74			DL	[K5], Manual, Right
	RA71 1AZAA	1	J, T		72			M5	[AZ], With Power, Left
		1	J, T		74			M5	[AZ], With Power, Left
	RA71 1K5AA	1	J, T		72			M5	[K5], With Power, Left
		1	J, T		74			M5	[K5], With Power, Left
	RA72 1AZAA	1	J, T		72			M5	[AZ], Manual, Right
		1	J, T		74			M5	[AZ], Manual, Right
		1	B, U		74			M5	[AZ], Manual, Right
		1	B, U		74			B6	[AZ], Manual, Right
	RA72 1K5AA	1	J, T		72			M5	[K5], Manual, Right
		1	J, T		74			M5	[K5], Manual, Right
		1	B, U		74			M5	[K5], Manual, Right
	RA73 1AZAA	1	J, T		72			M5	[AZ], Manual, Left
		1	J, T		74			M5	[AZ], Manual, Left
		1	B, U		74			M5	[AZ], Manual, Left
	RA73 1K5AA	1	J, T		72			M5	[K5], Manual, Left
		1	J, T		74			M5	[K5], Manual, Left
		1	B, U		74			M5	[K5], Manual, Left
	RA70 1AZAA	1	B, U		74			XJ	[AZ], With Power, Right
	RA72 1K5AA	1	J, T		74			B6	[K5], Manual, Right
	RA70 1AZAA	1	J, T		72			XJ	[AZ], With Power, Right
		1	J, T		74			XJ	[AZ], With Power, Right
	RA70 1K5AA	1	B, U		74			XJ	[K5], With Power, Right
		1	J, T		72			XJ	[K5], With Power, Right
		1	J, T		74			XJ	[K5], With Power, Right
	RA71 1AZAA	1	B, U		74			XJ	[AZ], With Power, Left
		1	J, T		74			XJ	[AZ], With Power, Left

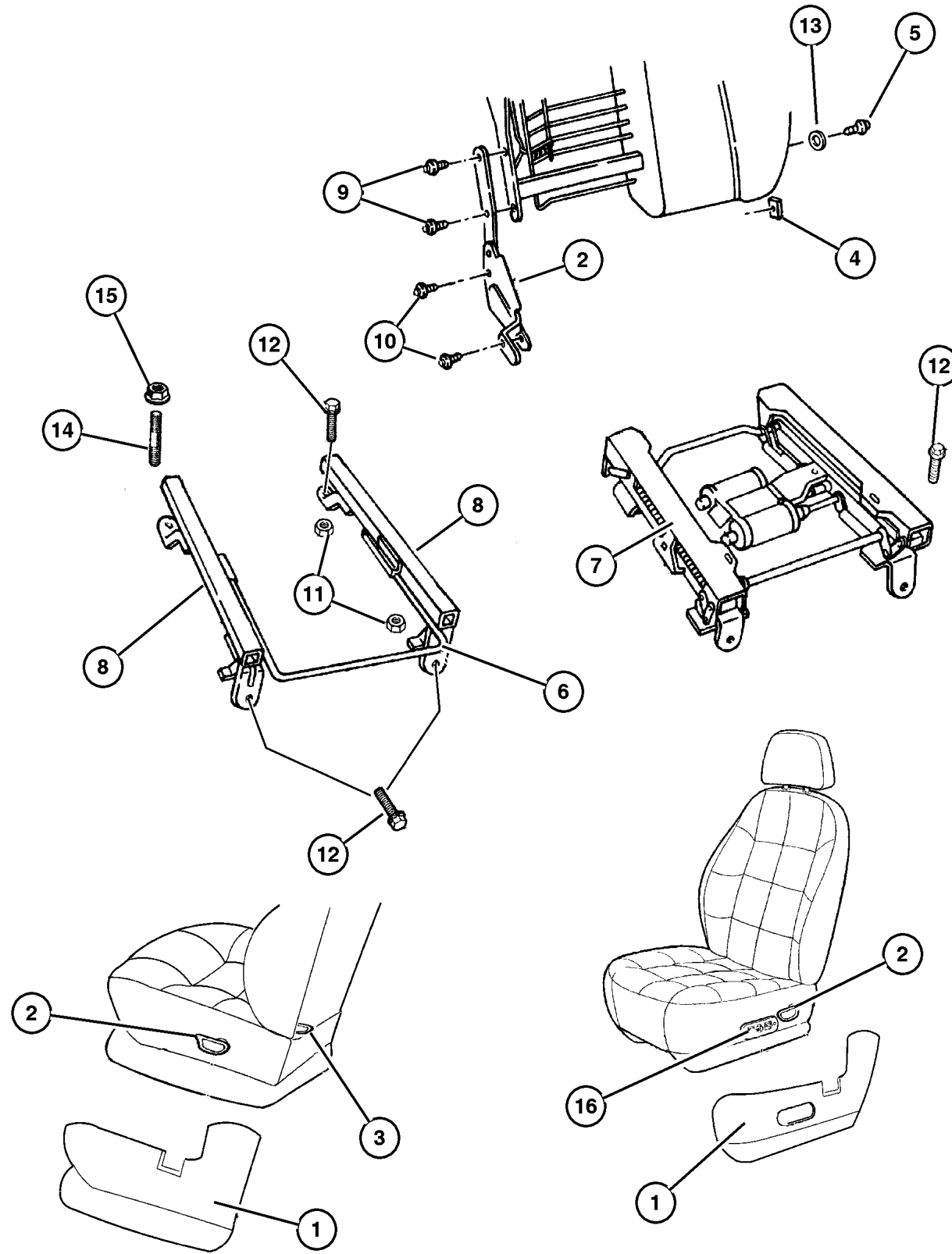
JEEP CHEROKEE (XJ)

SERIES	LINE	BODY	ENGINE	TRANSMISSION
P=Classic	J=LHD (4WD)	74=4 Dr.(101.4WB)	ENC,EN0=2.5L 4 cyl. Turbo Die	DDD, DDQ=5 spd. Man.
S=Limited	U=RHD (4WD)	72=2 Dr.(101.4WB)	ERH,ER0=4.0L Power Tech I-6	DGS=4 spd. Auto. AISIN
H=Sport	T=LHD (2WD)		EPE,EP0=Magnum 2.5L SMP1	DG0=All Auto/Trans.
L=SE	B=RHD (2WD)			DBB=All Manual Trans.

AR = Use as required - = Non illustrated part # = New this model year

December 7, 2002

**Recliner and Adjuster
Figure IXJ-810**



ITEM	PART NUMBER	QTY	LINE	SERIES	BODY	ENGINE	TRANS	TRIM	DESCRIPTION
		1	J, T		72			XJ	[AZ], With Power, Left
	RA71 1K5AA	1	B, U		74			XJ	[K5], With Power, Left
		1	J, T		74			XJ	[K5], With Power, Left
	RA72 1K5AA	1	J, T, U		72			B6	[K5], Manual, Right
	RA71 1K5AA	1	J, T		72			XJ	[K5], With Power, Left
	RA72 1AZAA	1	B, U		74			XJ	[AZ], Manual, Right
		1	J, T		74			XJ	[AZ], Manual, Right
		1	J, T		72			XJ	[AZ], Manual, Right
	RA72 1K5AA	1	B, U		74			XJ	[K5], Manual, Right
		1	J, T		74			XJ	[K5], Manual, Right
		1	J, T		72			XJ	[K5], Manual, Right
	RA73 1AZAA	1	B, U		74			XJ	[AZ], Manual, Left
		1	J, T		72			XJ	[AZ], Manual, Left
		1	J, T		74			XJ	[AZ], Manual, Left
	RA72 1K5AA	1	B, U		74			B6	[K5], Manual, Right
	RA73 1K5AA	1	B, U		74			XJ	[K5], Manual, Left
		1	J, T		72			XJ	[K5], Manual, Left
		1	J, T		74			XJ	[K5], Manual, Left
	RA72 1AZAA	1	J, T		74			X5	[AZ], Manual, Right
	RA72 1K5AA	1	J, T		74			X5	[K5], Manual, Right
	RA73 1AZAA	1	J, T		74			X5	[AZ], Manual, Left
	RA73 1K5AA	1	J, T		74			X5	[K5], Manual, Left
	RA73 1AZAA	1	J, T		74			B6	[AZ], Manual, Left
		1	J, T, U		72			B6	[AZ], Manual, Left
		1	B, U		74			B6	[AZ], Manual, Left
2									RECLINER, Seat Back
	4796 712	1	J, T, U		72			B6	Right
	4796 714	1	B, U		74			DL	Includes Handle, Right
		1	J, T		74			M5	Includes Handle, Right
		1	B, U		74			M5	Includes Handle, Right
		1	J, T		74			XJ	Includes Handle, Right
		1	B, U		74			XJ	Includes Handle, Right
		1	J, T		74			X5	Includes Handle, Right
	4796 715	1	J, T		74			B6	Includes Handle, Left
		1	B, U		74			B6	Includes Handle, Left
		1	J, T		74			DL	Includes Handle, Left
		1	B, U		74			DL	Includes Handle, Left
	4796 712	1	J, T		72			M5	Right
	4796 715	1	J, T		74			M5	Includes Handle, Left
		1	B, U		74			M5	Includes Handle, Left
		1	B, U		74			XJ	Includes Handle, Left
		1	J, T		74			XJ	Includes Handle, Left

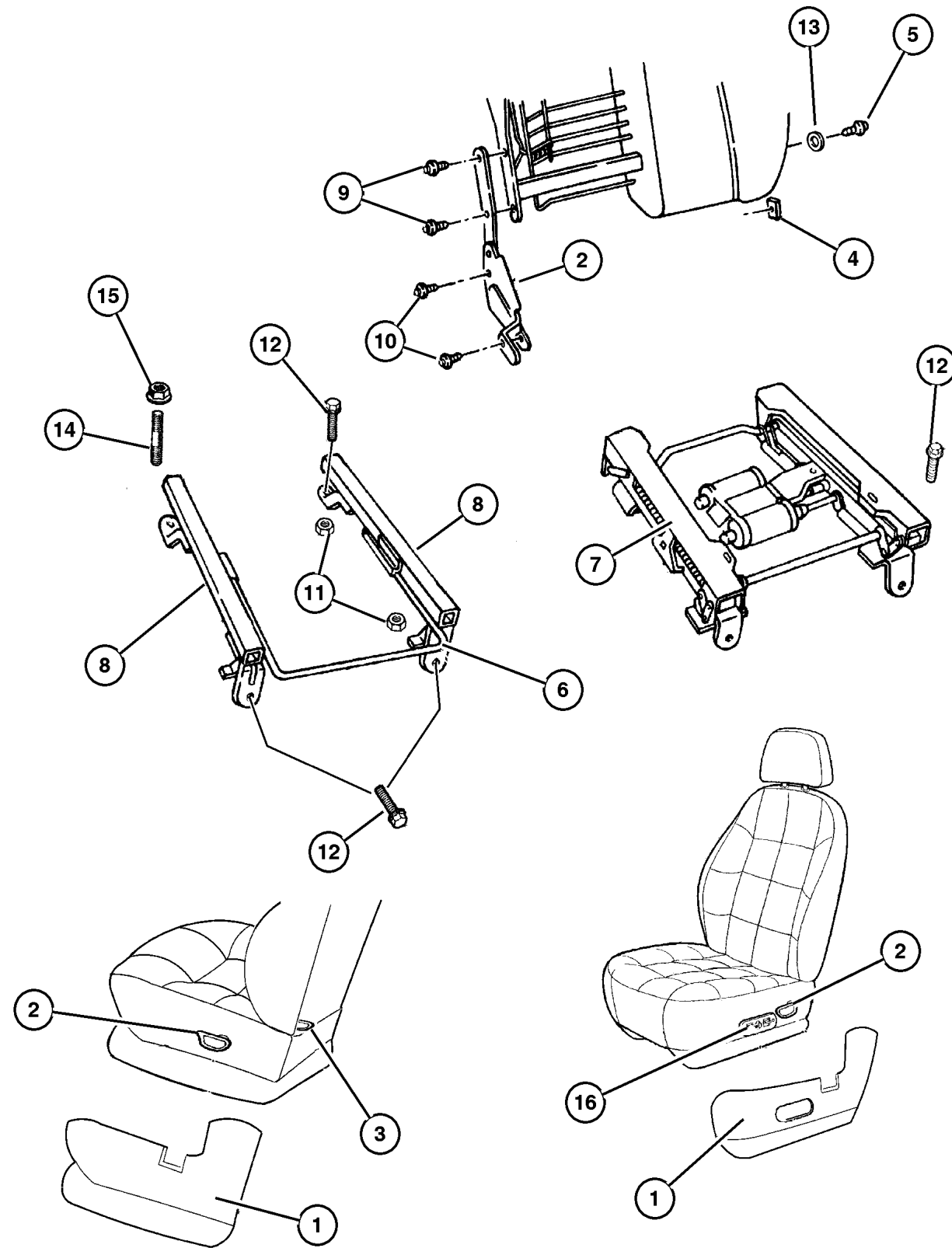
JEEP CHEROKEE (XJ)

SERIES	LINE	BODY	ENGINE	TRANSMISSION
P=Classic	J=LHD (4WD)	74=4 Dr.(101.4WB)	ENC,EN0=2.5L 4 cyl. Turbo Die	DDD, DDQ=5 spd. Man.
S=Limited	U=RHD (4WD)	72=2 Dr.(101.4WB)	ERH,ER0=4.0L Power Tech I-6	DGS=4 spd. Auto. AISIN
H=Sport	T=LHD (2WD)		EPE,EP0=Magnum 2.5L SMPI	DG0=All Auto/Trans.
L=SE	B=RHD (2WD)			DBB=All Manual Trans.

AR = Use as required - = Non illustrated part # = New this model year

December 7, 2002

Recliner and Adjuster Figure IXJ-810



ITEM	PART NUMBER	QTY	LINE	SERIES	BODY	ENGINE	TRANS	TRIM	DESCRIPTION
		1	J, T		74			X5	Includes Handle, Left
	4796 712	1	J, T		72			XJ	Right
	4796 713	1	J, T, U		72			B6	Left
		1	J, T		72			M5	Left
		1	J, T		72			XJ	Left
	4796 714	1	J, T		74			B6	Includes Handle, Right
		1	B, U		74			B6	Includes Handle, Right
		1	J, T		74			DL	Includes Handle, Right
3									KNOB, Seat Recliner
	4796 720	1	J, T, U		72			B6	
		1	J, T		72			M5	
		1	J, T		72			XJ	
4									U-NUT, Seat Back
	4713 982	1	J, T		74			B6	
		1	J, T		74			XJ	
		1	J, T		72			XJ	
		1	J, T		74			X5	
		1	J, T, U		72			B6	
		1	B, U		74			B6	
		1	J, T		74			DL	
		1	B, U		74			DL	
		1	J, T		72			M5	
		1	J, T		74			M5	
		1	B, U		74			M5	
		1	B, U		74			XJ	
5									BOLT, Shoulder, I.B.-Back To Cushion-Pivot
	4797 554	1	J, T		74			B6	
		1	J, T		74			XJ	
		1	J, T		72			XJ	
		1	J, T		74			X5	
		1	J, T, U		72			B6	
		1	B, U		74			B6	
		1	J, T		74			DL	
		1	B, U		74			DL	
		1	J, T		72			M5	
		1	J, T		74			M5	
		1	B, U		74			M5	
		1	B, U		74			XJ	
6									HANDLE, Seat Release
	4796 780	1	J, T		74			B6	
		1	J, T		74			X5	

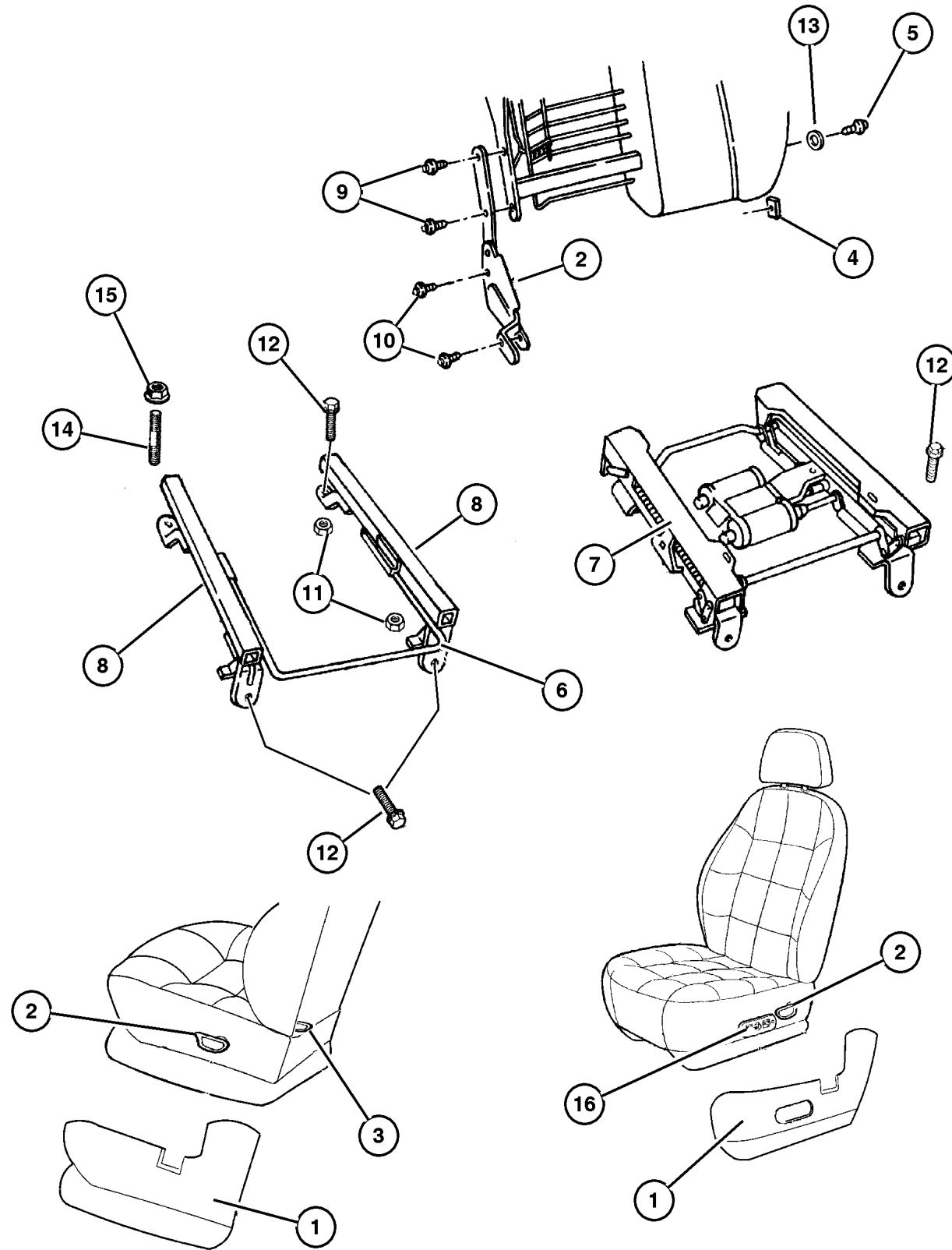
JEEP CHEROKEE (XJ)

SERIES	LINE	BODY	ENGINE	TRANSMISSION
P=Classic	J=LHD (4WD)	74=4 Dr.(101.4WB)	ENC,EN0=2.5L 4 cyl. Turbo Die	DDD, DDQ=5 spd. Man.
S=Limited	U=RHD (4WD)	72=2 Dr.(101.4WB)	ERH,ER0=4.0L Power Tech I-6	DGS=4 spd. Auto. AISIN
H=Sport	T=LHD (2WD)		EPE,EP0=Magnum 2.5L SMP1	DG0=All Auto/Trans.
L=SE	B=RHD (2WD)			DBB=All Manual Trans.

AR = Use as required - = Non illustrated part # = New this model year

December 7, 2002

Recliner and Adjuster Figure IXJ-810



ITEM	PART NUMBER	QTY	LINE	SERIES	BODY	ENGINE	TRANS	TRIM	DESCRIPTION
		1	J, T, U		72			B6	
		1	B, U		74			B6	
		1	J, T		74			DL	
		1	J, T		72			M5	
		1	J, T		74			M5	
		1	B, U		74			M5	
		1	B, U		74			XJ	
		1	J, T		74			XJ	
7									ADJUSTER, Power Seat, Includes Motor
	4886 375AA	1	J, T		74			DL	Right,Export
	4886 376AA	1	B, U		74			XJ	Left
		1	J, T		74			XJ	Left
	5013 658AA	1	J, T		72			XJ	Left
		1	B, U		74			DL	With Heated Seats, Right
		1	J, T		74			DL	With Heated Seats, Right
	5013 659AA	1	B, U		74			DL	With Heated Seats, Left
		1	J, T		74			DL	With Heated Seats, Left
	4886 375AA	1	B, U		74			DL	Right,Export
		1	J, T		74			XJ	Right,Export
		1	B, U		74			XJ	Right,Export
	4886 376AA	1	J, T		72			XJ	Right,Export
		1	J, T		74			DL	Left
		1	B, U		74			DL	Left
		1	J, T		72			M5	Left
		1	J, T		74			M5	Left
8									ADJUSTER, Manual Seat
	5014 595AA	1	J, T		74			B6	Driver,Outboard
		1	J, T		74			X5	Driver,Outboard
	5014 596AA	1	J, T		74			B6	Passenger,Outboard
		1	J, T, U		72			B6	Passenger,Outboard
		1	B, U		74			B6	Passenger,Outboard
		1	J, T		74			DL	Passenger,Outboard
		1	J, T		72			M5	Passenger,Outboard
		1	J, T		74			M5	Passenger,Outboard
		1	B, U		74			M5	Passenger,Outboard
		1	J, T		72			XJ	Passenger,Outboard
	5014 595AA	1	J, T		74			XJ	Passenger,Outboard
	5014 596AA	1	J, T, U		72			B6	Driver,Outboard
		1	B, U		74			XJ	Passenger,Outboard
		1	J, T		74			X5	Passenger,Outboard
	5014 655AA	1	J, T		74			B6	Passenger,Inboard

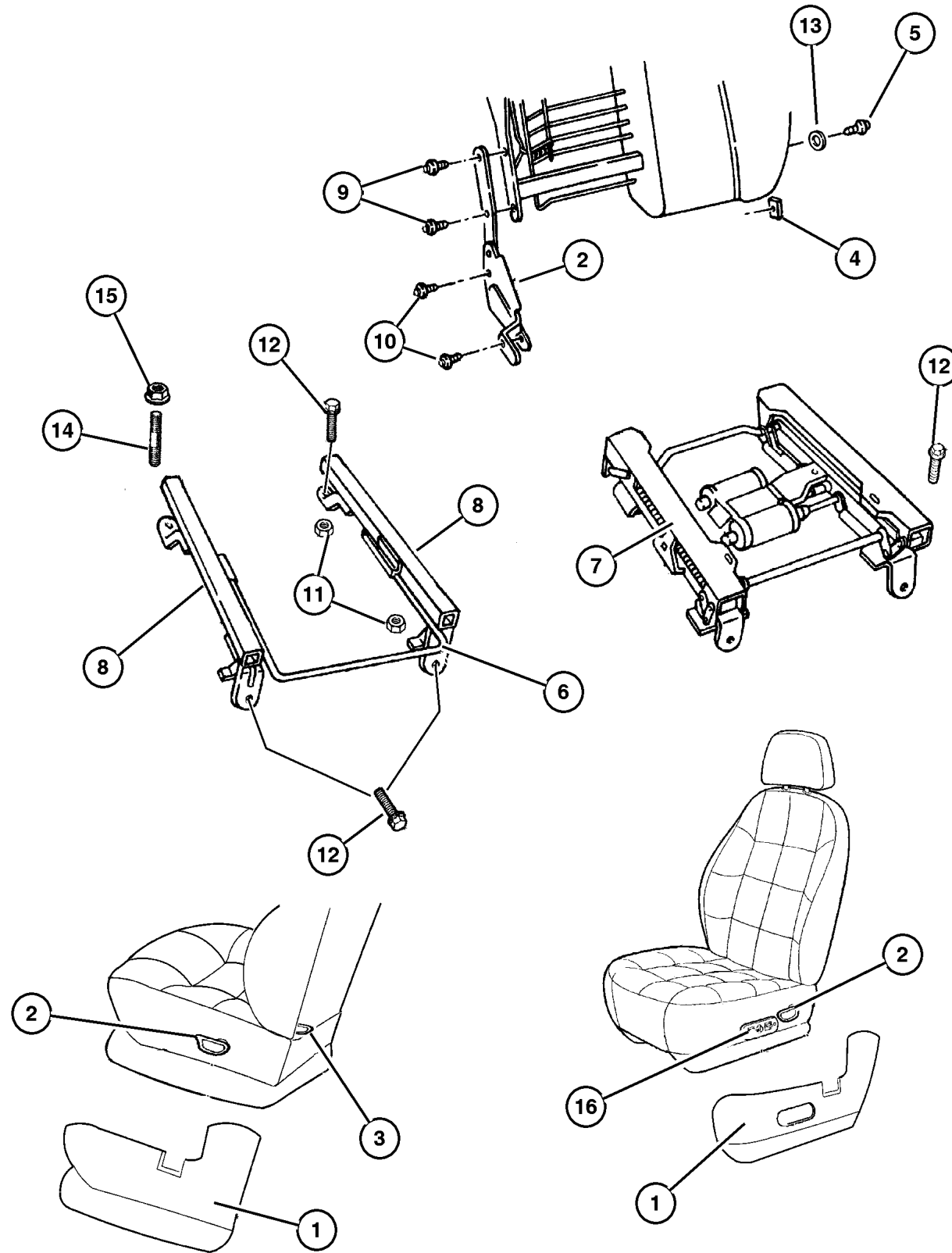
JEEP CHEROKEE (XJ)

SERIES	LINE	BODY	ENGINE	TRANSMISSION
P=Classic	J=LHD (4WD)	74=4 Dr.(101.4WB)	ENC,EN0=2.5L 4 cyl. Turbo Die	DDD, DDQ=5 spd. Man.
S=Limited	U=RHD (4WD)	72=2 Dr.(101.4WB)	ERH,ER0=4.0L Power Tech I-6	DGS=4 spd. Auto. AISIN
H=Sport	T=LHD (2WD)		EPE,EP0=Magnum 2.5L SMPI	DG0=All Auto/Trans.
L=SE	B=RHD (2WD)			DBB=All Manual Trans.

AR = Use as required - = Non illustrated part # = New this model year

December 7, 2002

Recliner and Adjuster Figure IXJ-810



ITEM	PART NUMBER	QTY	LINE	SERIES	BODY	ENGINE	TRANS	TRIM	DESCRIPTION
		1	J, T, U		72			B6	Passenger,Inboard
		1	B, U		74			B6	Passenger,Inboard
		1	J, T		74			DL	Passenger,Inboard
		1	J, T		72			M5	Passenger,Inboard
		1	J, T		74			M5	Passenger,Inboard
		1	B, U		74			M5	Passenger,Inboard
		1	J, T		72			XJ	Passenger,Inboard
	5014 595AA	1	B, U		74			B6	Driver,Outboard
	5014 655AA	1	J, T		74			XJ	Passenger,Inboard
		1	B, U		74			XJ	Passenger,Inboard
		1	J, T		74			X5	Passenger,Inboard
	5014 656AA	1	J, T		74			B6	Driver,Inboard
		1	J, T, U		72			B6	Driver,Inboard
		1	B, U		74			B6	Driver,Inboard
		1	J, T		72			M5	Driver,Inboard
		1	J, T		74			M5	Driver,Inboard
		1	B, U		74			M5	Driver,Inboard
		1	J, T		72			XJ	Driver,Inboard
	5014 595AA	1	J, T		72			M5	Driver,Outboard
	5014 656AA	1	J, T		74			XJ	Driver,Inboard
		1	B, U		74			XJ	Driver,Inboard
		1	J, T		74			X5	Driver,Inboard
	5014 595AA	1	J, T		74			M5	Driver,Outboard
		1	B, U		74			M5	Driver,Outboard
		1	J, T		72			XJ	Driver,Outboard
		1	J, T		74			XJ	Driver,Outboard
		1	B, U		74			XJ	Driver,Outboard
9									BOLT, Recliner to Seat Back
	4720 768	1	J, T		74			B6	
		1	J, T		74			XJ	
		1	B, U		74			XJ	
		1	J, T		74			X5	
		1	J, T, U		72			B6	
		1	B, U		74			B6	
		1	J, T		74			DL	
		1	B, U		74			DL	
		1	J, T		72			M5	
		1	J, T		74			M5	
		1	B, U		74			M5	
		1	J, T		72			XJ	
10									BOLT, Recliner To Cushion, Front Seat

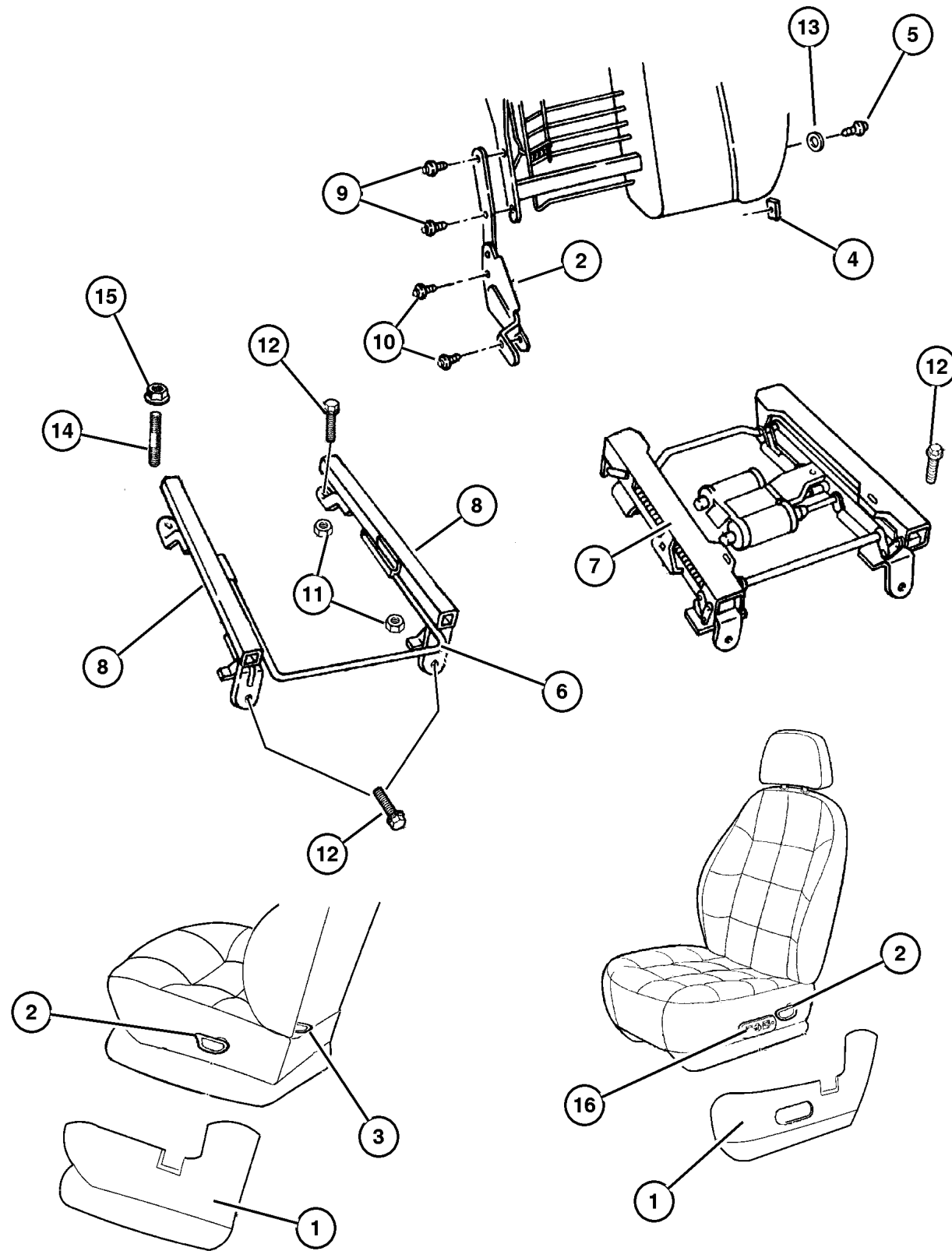
JEEP CHEROKEE (XJ)

SERIES	LINE	BODY	ENGINE	TRANSMISSION
P=Classic	J=LHD (4WD)	74=4 Dr.(101.4WB)	ENC,EN0=2.5L 4 cyl. Turbo Die	DDD, DDQ=5 spd. Man.
S=Limited	U=RHD (4WD)	72=2 Dr.(101.4WB)	ERH,ER0=4.0L Power Tech I-6	DGS=4 spd. Auto. AISIN
H=Sport	T=LHD (2WD)		EPE,EP0=Magnum 2.5L SMPI	DG0=All Auto/Trans.
L=SE	B=RHD (2WD)			DBB=All Manual Trans.

AR = Use as required - = Non illustrated part # = New this model year

December 7, 2002

Recliner and Adjuster Figure IXJ-810



ITEM	PART NUMBER	QTY	LINE	SERIES	BODY	ENGINE	TRANS	TRIM	DESCRIPTION
	4796 793	1	J, T, U		72			B6	
		4	J, T		74			XJ	
		4	B, U		74			XJ	
		1	J, T		74			X5	
		1	J, T		74			B6	
		1	B, U		74			B6	
		4	J, T		74			DL	
		4	B, U		74			DL	
		1	J, T		72			M5	
		1	J, T		74			M5	
		1	B, U		74			M5	
		4	J, T		72			XJ	
11									NUT, Hex Flange, M8x1.25
	6101 467	1	J, T		74			B6	
		8	J, T		74			XJ	
		8	B, U		74			XJ	
		1	J, T		74			X5	
		1	J, T, U		72			B6	
		1	B, U		74			B6	
		8	J, T		74			DL	
		8	B, U		74			DL	
		1	J, T		72			M5	
		1	J, T		74			M5	
		1	B, U		74			M5	
		8	J, T		72			XJ	
12	6505 227AA	6							SCREW AND WASHER, Hex Head Tap, M8x1.25x33.00
13									WASHER, (NOT SERVICED) (Not Serviced)
14									STUD, (NOT SERVICED) (Not Serviced)
15	0152 477	2							NUT, Hex Flange Lock, .437-20
16									SWITCH, Seat
	4373 666	2	J, T		74			DL	
		2	B, U		74			DL	
		1	J, T		72			M5	
		2	J, T		72			XJ	
		2	J, T		74			XJ	
		2	B, U		74			XJ	

JEEP CHEROKEE (XJ)

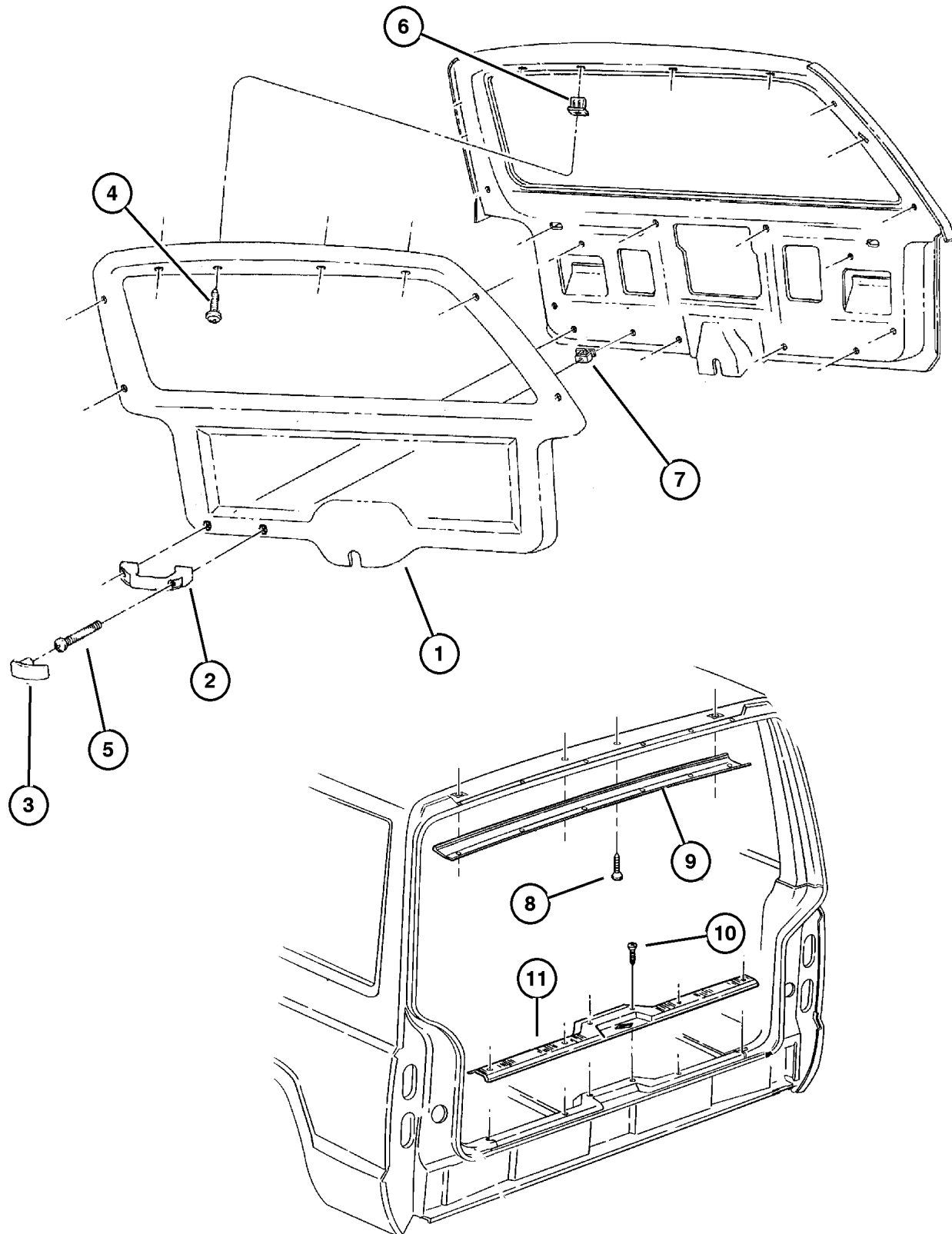
SERIES	LINE	BODY	ENGINE	TRANSMISSION
P=Classic	J=LHD (4WD)	74=4 Dr.(101.4WB)	ENC,EN0=2.5L 4 cyl. Turbo Die	DDD, DDQ=5 spd. Man.
S=Limited	U=RHD (4WD)	72=2 Dr.(101.4WB)	ERH,ER0=4.0L Power Tech I-6	DGS=4 spd. Auto. AISIN
H=Sport	T=LHD (2WD)		EPE,EP0=Magnum 2.5L SMPI	DG0=All Auto/Trans.
L=SE	B=RHD (2WD)			DBB=All Manual Trans.

AR = Use as required - = Non illustrated part # = New this model year

December 7, 2002

Liftgate Trim Panel Figure IXJ-1010

ITEM	PART NUMBER	QTY	LINE	SERIES	BODY	ENGINE	TRANS	TRIM	DESCRIPTION
1									PANEL, Liftgate
	5EG06 LAZAB	1							[AZ]
	5EG06 RK5AB	1							[K5]
2									HANDLE, Roof Grab
	5DX76 LAZAC	1							[AZ]
	5DX76 RK5AC	1							[K5]
3									PLUG, Assist and Grab Handle
	H526 TAZ	2							[AZ]
	H526 TK5	2							[K5]
4									SCREW, .164-18x1.00, (NOT SERVICED) (Not Serviced)
5									SCREW, .250-14x2.375, (NOT SERVICED) (Not Serviced)
6	6505 141AA	4							NUT, Snap In, M4.2 x 1.41
7	6029 509	2							U-NUT, .250-14
8									SCREW, .164-18x.625, (NOT SERVICED) (Not Serviced)
9									MOLDING, Liftgate Upper
	5ER43 LAZAD	1							[AZ]
	5ER43 RK5AD	1							[K5]
10	3420 1468	6							SCREW, Round Washer Head, M4.2x1.41x25.00
11									SILL COVER, Interior
	5EG09 LAZAB	1							[AZ]
	5EG09 RK5AB	1							[K5]
-12	6506 063AA	2							NUT, Snap In, Upper Liftgate Molding Mounting



JEEP CHEROKEE (XJ)

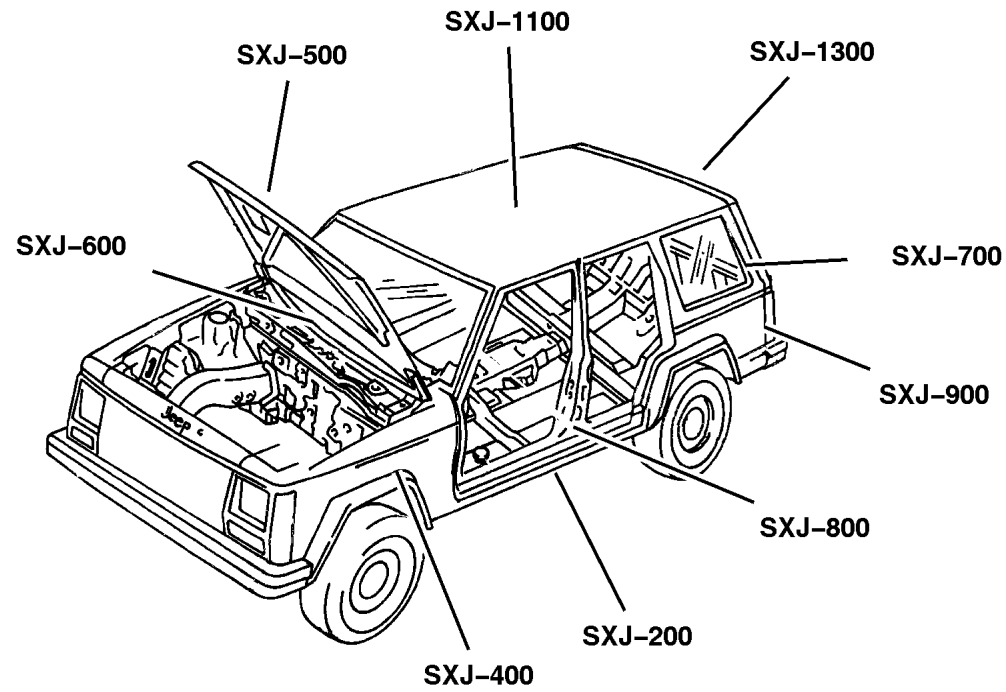
SERIES	LINE	BODY	ENGINE	TRANSMISSION
P=Classic	J=LHD (4WD)	74=4 Dr.(101.4WB)	ENC,EN0=2.5L 4 cyl. Turbo Die	DDD, DDQ=5 spd. Man.
S=Limited	U=RHD (4WD)	72=2 Dr.(101.4WB)	ERH,ER0=4.0L Power Tech I-6	DGS=4 spd. Auto. AISIN
H=Sport	T=LHD (2WD)		EPE,EP0=Magnum 2.5L SMPI	DG0=All Auto/Trans.
L=SE	B=RHD (2WD)			DBB=All Manual Trans.

AR = Use as required - = Non illustrated part # = New this model year

December 7, 2002

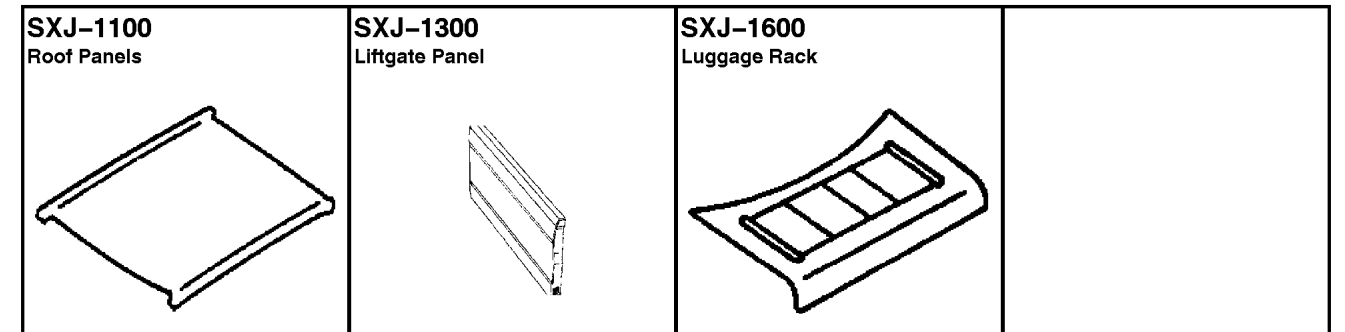
Group – SXJ

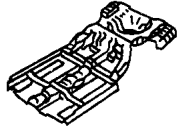

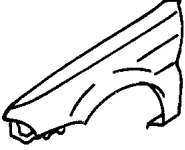
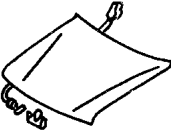
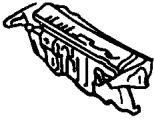

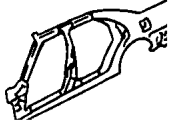
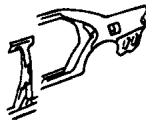
Body Sheet Metal Except Doors



Group – SXJ

Body Sheet Metal Except Doors



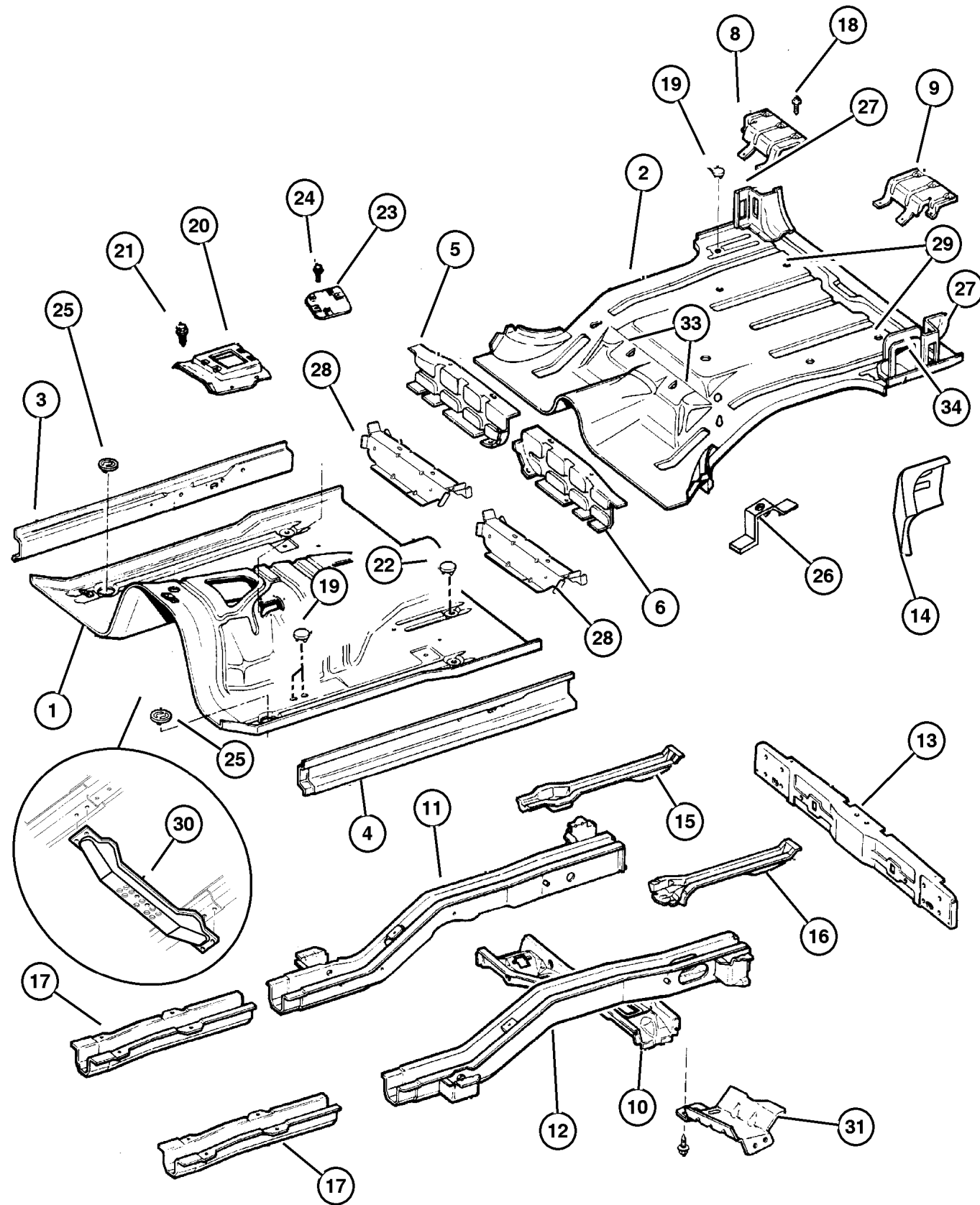
<p>SXJ-200 Floor Pans</p> 	<p>SXJ-300 Plugs</p> 	<p>SXJ-400 Front Fenders</p> 	<p>SXJ-500 Hood & Hood Release</p> 
<p>SXJ-600 Cowl and Dash Panel</p> 	<p>SXJ-700 Glass and Rear View Mirror</p> 	<p>SXJ-800 Aperture Panel</p> 	<p>SXJ-900 Quarter Panel and Pillar</p> 

GROUP SXJ - Body Sheet Metal Except Doors

Illustration Title	Group-Fig. No.
Floor Pans	
Pans, Floor	Fig. SXJ-210
Plates, Underbody Skid	Fig. SXJ-220
Plugs	
Plugs	Fig. SXJ-310
Front Fenders	
Panels, Front End Inner and Wheelhouse	Fig. SXJ-410
Fenders, Front	Fig. SXJ-420
Hood & Hood Release	
Hood, Latch and Hinges	Fig. SXJ-510
Cowl and Dash Panel	
Panels, Cowl And Dash, L.H.D.	Fig. SXJ-610
Cowl And Dash Panel, R.H.D.	Fig. SXJ-620
Glass and Rear View Mirror	
Glass, Windshield, Backlite and Mirror	Fig. SXJ-710
Windows, Quarter, 2 and 4 Doors	Fig. SXJ-720
Aperture Panel	
Panels, Body side, 2 Door	Fig. SXJ-810
Panels, Body Side, 4 Door	Fig. SXJ-820
Quarter Panel and Pillar	
Panels, Rear Quarter, 2 Door	Fig. SXJ-910
Fuel Filler Housing & Door	Fig. SXJ-920
Panels, Rear Quarter, 4 Door	Fig. SXJ-930
Appliques, Rear Quarter Panel	Fig. SXJ-940
Roof Panels	
Roof Panel	Fig. SXJ-1110
Liftgate Panel	
Lift Door, Latch and Hinges	Fig. SXJ-1310
Luggage Rack	
Rack, Roof Luggage	Fig. SXJ-1610



Pans, Floor
Figure SXJ-210



ITEM	PART NUMBER	QTY	LINE	SERIES	BODY	ENGINE	TRANS	TRIM	DESCRIPTION
1	5015 108AB	1							PAN, Front Floor
2	55175 177AD	1							PAN, Floor
3	5517 5088	1							SILL, Body Side, Right
4	5523 5527	1							SILL, Body Side, Left
5	55235 812AB	1							CROSSMEMBER, Floor Pan, Right
6	55235 813AA	1							CROSSMEMBER, Floor Pan, Left
-7	J400 7073	2							SCREW AND WASHER, .375-16x1.125
8	5500 2230	1							SUPPORT, Rear Floor, Right
9	5500 2231	1							SUPPORT, Rear Floor, Left
10	5517 5942	1							CROSSMEMBER, Rear Suspension
11	55235 696AD	1							SILL, Rear, Right
12	55235 697AD	1							SILL, Rear, Left
13	5517 5178	1							SILL, Rear Cross
14	5517 5228	1							REINFORCEMENT, Liftgate Opening
15	5700 0022	1							SUPPORT, Fuel Tank, Right
16	5500 2935	1							SUPPORT, Fuel Tank, Left
17	55235 554AC	2							SILL, Body Side, Center
18	J400 1701	7							SCREW, Hex Self Tapping, .19-16x.50
19	5523 5716	2							PLUG, Floor
20	5300 0704	1							COVER, Gearshift, Automatic Transmission
21	J400 1701	7							SCREW, Hex Self Tapping, .19-16x.50
22	5500 6579	3							PLUG, Body, 38.1mm Diameter
23	5501 0460	1	B, T						COVER, Floor Pan
24									SCREW, M5x0.8x25.00, (NOT SERVICED) (Not Serviced)
25	4586 052	2							PLUG
26	5500 1903	1							BRACKET, Jack
27									BRACE, Liftgate Opening Right
	55345 172AB	1							Left
	55345 173AB	1							REINFORCEMENT, Front Seat Right
28									Left
	55174 756AB	1							PLUG
	55174 759AB	1							CROSSMEMBER, Transmission 2.5L, All Manual
29	55257 380AA	6							4.0L, Manual 5 Speed
30									2.5L, All Manual Turbo, Diesel
	52002 328AC	1	B, U						
	52003 929AC	1							
	52058 643AD	1	J, T						
	52058 682AB	1							

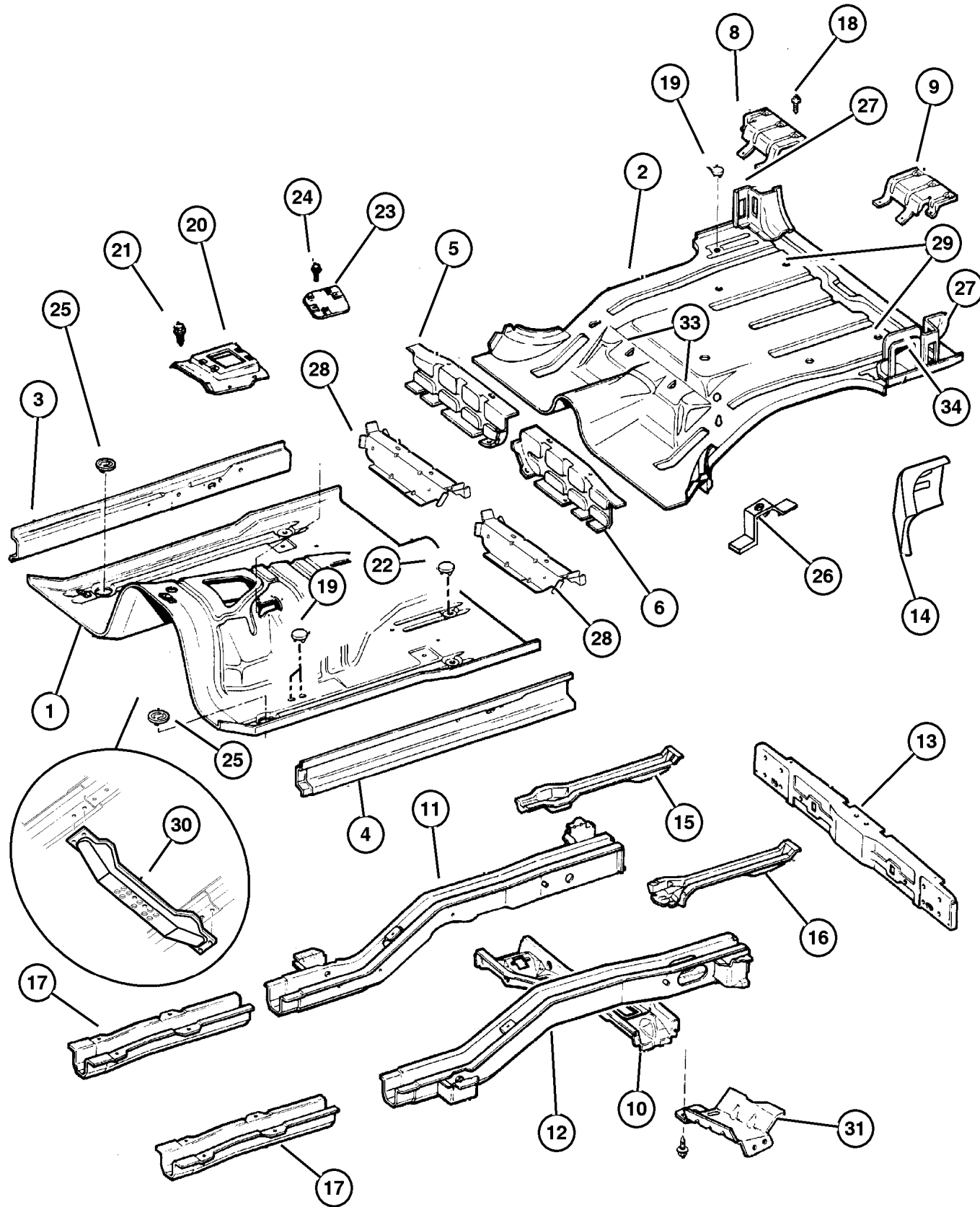
JEEP CHEROKEE (XJ)

SERIES	LINE	BODY	ENGINE	TRANSMISSION
P=Classic	J=LHD (4WD)	74=4 Dr.(101.4WB)	ENC,EN0=2.5L 4 cyl. Turbo Die	DDD, DDQ=5 spd. Man.
S=Limited	U=RHD (4WD)	72=2 Dr.(101.4WB)	ERH,ER0=4.0L Power Tech I-6	DGS=4 spd. Auto. AISIN
H=Sport	T=LHD (2WD)		EPE,EP0=Magnum 2.5L SMPI	DG0=All Auto/Trans.
L=SE	B=RHD (2WD)			DBB=All Manual Trans.

AR = Use as required - = Non illustrated part # = New this model year

December 7, 2002

Pans, Floor
Figure SXJ-210



ITEM	PART NUMBER	QTY	LINE	SERIES	BODY	ENGINE	TRANS	TRIM	DESCRIPTION
	52059 345AA	1							4.0L, Automatic
31	55003 285AB	1							SHIELD, Heat
-32	55235 831AB	1							REINFORCEMENT, Rear Floor Pan
33									REINFORCEMENT, Seat Belt Anchor
	5523 5028	1							Right
	55235 029AB	1							Left
34									EXTENSION, Rear Floor Pan
	5517 5960	1			74				Right
		1	J, T, U		72				Right
	5517 5961	1			74				Left
		1	J, T, U		72				Left

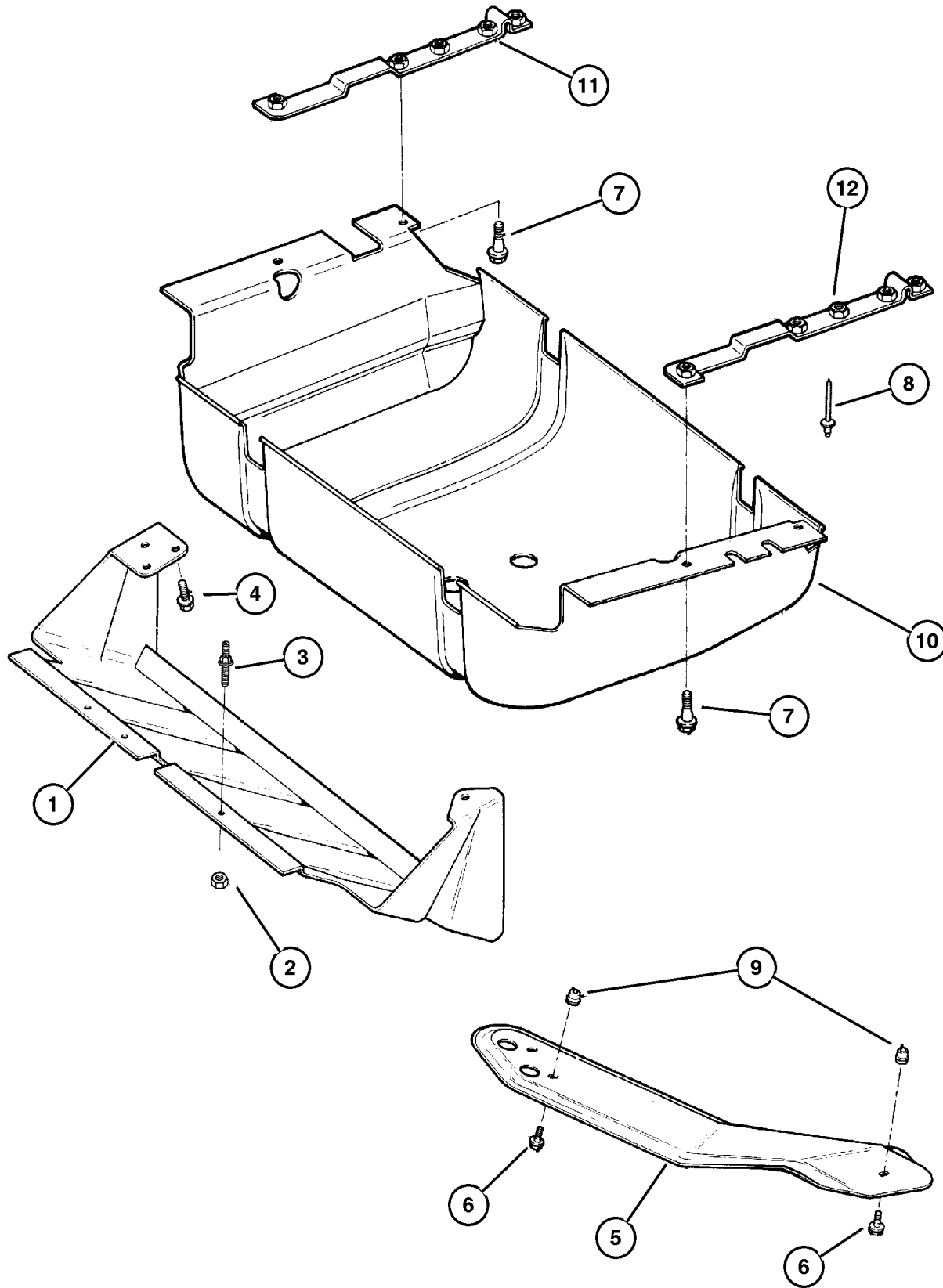
JEEP CHEROKEE (XJ)				
SERIES	LINE	BODY	ENGINE	TRANSMISSION
P=Classic	J=LHD (4WD)	74=4 Dr.(101.4WB)	ENC,EN0=2.5L 4 cyl. Turbo Die	DDD, DDQ=5 spd. Man.
S=Limited	U=RHD (4WD)	72=2 Dr.(101.4WB)	ERH,ER0=4.0L Power Tech I-6	DGS=4 spd. Auto. AISIN
H=Sport	T=LHD (2WD)		EPE,EP0=Magnum 2.5L SMPI	DG0=All Auto/Trans.
L=SE	B=RHD (2WD)			DBB=All Manual Trans.

AR = Use as required - = Non illustrated part # = New this model year

December 7, 2002

Plates, Underbody Skid
Figure SXJ-220

ITEM	PART NUMBER	QTY	LINE	SERIES	BODY	ENGINE	TRANS	TRIM	DESCRIPTION
1	8220 2851	1							PLATE PACKAGE, Skid - Front
2	J420 0046	3							NUT AND WASHER, Hex Flange, M8x1.25
3	6505 888AA	3							STUD
4	3420 1540	4							BOLT AND WASHER, Implement Attaching
5	8220 5147	1	J		72, 74				PLATE PACKAGE, Skid - Transfer Case
6	1150 2850	4							BOLT, Hex Flange Head, M8x1.25x20
7	3420 1964	4							BOLT, Hex Flange Head, M12x1.75x40
8									RIVET, .250x.475, (NOT SERVICED) (Not Serviced)
9	3420 1575	2	J, U						NUT, Insert, M8 x 1.25 x 18.29
10	52100 328AA	1							PLATE, Skid
11	5200 1174	1							REINFORCEMENT, Sill, Right
12	5200 1175	1							REINFORCEMENT, Sill, Left

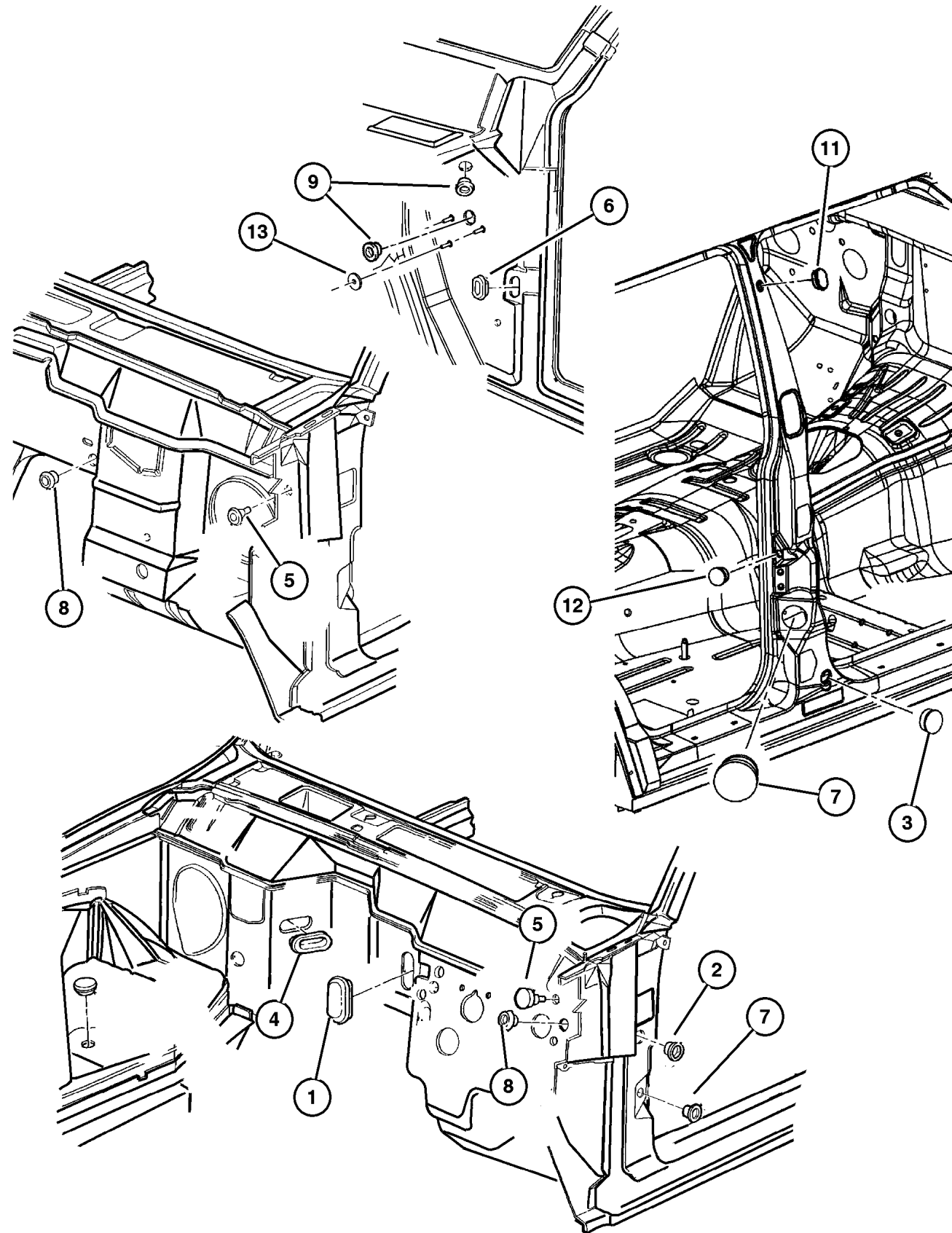


JEEP CHEROKEE (XJ)				
SERIES	LINE	BODY	ENGINE	TRANSMISSION
P=Classic	J=LHD (4WD)	74=4 Dr.(101.4WB)	ENC,EN0=2.5L 4 cyl. Turbo Die	DDD, DDQ=5 spd. Man.
S=Limited	U=RHD (4WD)	72=2 Dr.(101.4WB)	ERH,ER0=4.0L Power Tech I-6	DGS=4 spd. Auto. AISIN
H=Sport	T=LHD (2WD)		EPE,EP0=Magnum 2.5L SMPI	DG0=All Auto/Trans.
L=SE	B=RHD (2WD)			DBB=All Manual Trans.

AR = Use as required - = Non illustrated part # = New this model year

December 7, 2002

Plugs Figure SXJ-310



ITEM	PART NUMBER	QTY	LINE	SERIES	BODY	ENGINE	TRANS	TRIM	DESCRIPTION
1	3420 2215	1	B, J, U						PLUG, Dash Panel
2	J400 0377	2							PLUG, Floor Pan, 1.00 Diameter
3	J400 0377	2							PLUG, Floor Pan, 1.00 Diameter
4	6502 246	1							PLUG, Body, 4.0mm X 76.4mm
5									PLUG, (NOT SERVICED) (Not Serviced)
6									PLUG, Body, 25.4mm x 39mm, (NOT REQUIRED)
7	5500 2367	2							PLUG, Door Wiring Conduit
8	6034 362	1							PLUG, Body, 31.9mm Diameter
9	55275 493AA	2							PLUG, Body
-10	4586 055	2							PLUG, Floor Pan
11	1774 076	2			74				PLUG
12	4373 728	2							PLUG
13	55235 952AA	3							WASHER, Sealing

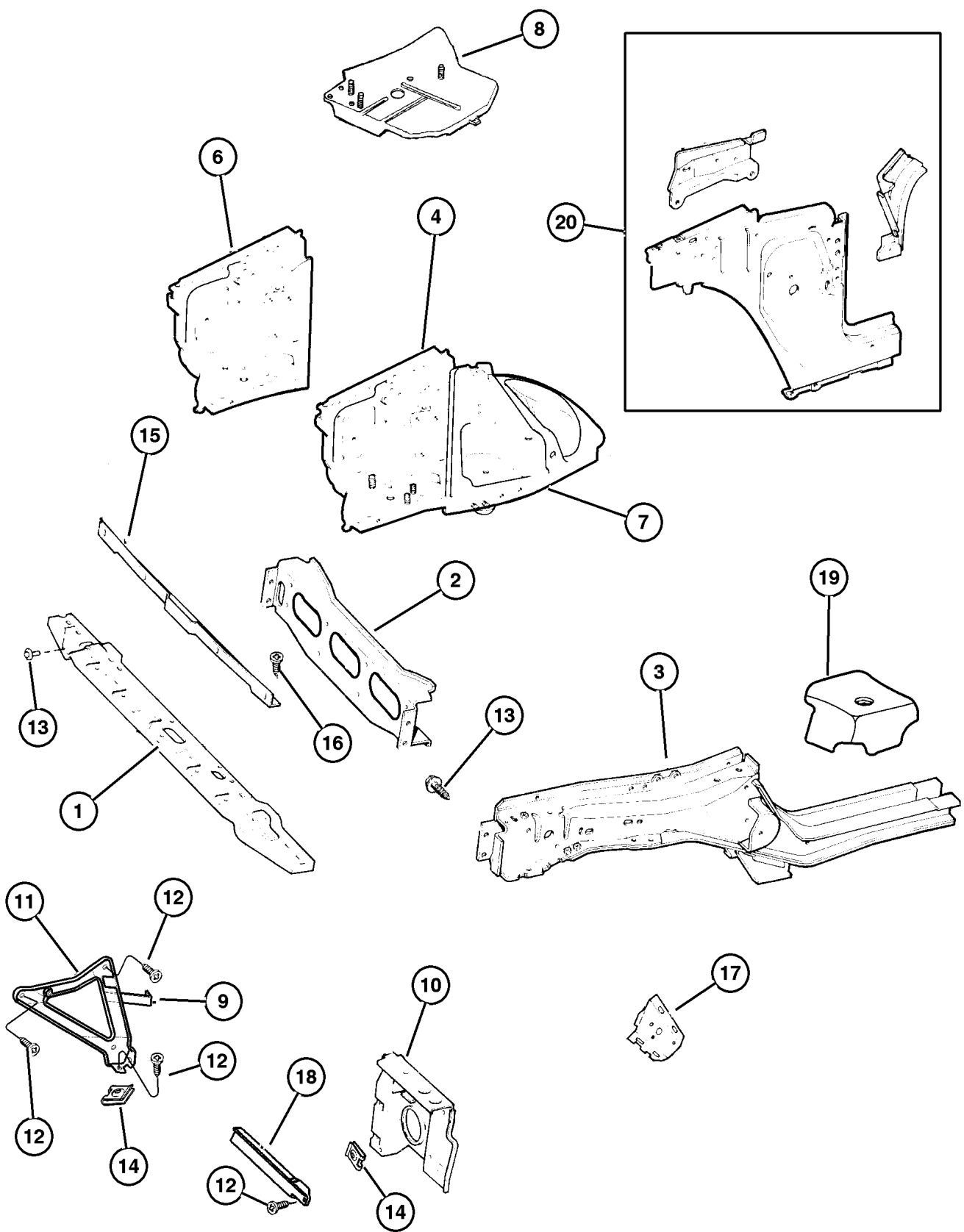
JEEP CHEROKEE (XJ)

SERIES	LINE	BODY	ENGINE	TRANSMISSION
P=Classic	J=LHD (4WD)	74=4 Dr.(101.4WB)	ENC,EN0=2.5L 4 cyl. Turbo Die	DDD, DDQ=5 spd. Man.
S=Limited	U=RHD (4WD)	72=2 Dr.(101.4WB)	ERH,ER0=4.0L Power Tech I-6	DGS=4 spd. Auto. AISIN
H=Sport	T=LHD (2WD)		EPE,EP0=Magnum 2.5L SMPi	DG0=All Auto/Trans.
L=SE	B=RHD (2WD)			DBB=All Manual Trans.

AR = Use as required - = Non illustrated part # = New this model year

December 7, 2002

Panels, Front End Inner and Wheelhouse
Figure SXJ-410



ITEM	PART NUMBER	QTY	LINE	SERIES	BODY	ENGINE	TRANS	TRIM	DESCRIPTION
1	55235 830AA	1							CROSSMEMBER, Radiator
2	5517 4978	1							CROSSMEMBER, Front Suspension
3	4798 084AB	1	J, T						PANEL, Sill Right
	4897 136AB	1	B, U						Right
	4897 137AB	1	B, U						Left
	4798 085AB	1	J, T						Left
4	5517 5636	1	B, U						WHEELHOUSE, Front Inner Right
	5517 5637	1	B, U						Left
	55175 640AB	1	J, T						Right
	55235 517AB	1	J, T						Left
-5	9428 962	3	B, U						SCREW, Internal Weld Stud, .250x20x.625
6	55235 624AB	1							PANEL, Front Wheelhouse Right
	55235 625AB	1							Left
7	5517 4992	1							SUPPORT, Shock Absorber Right
	5517 4993	1							Left
	5517 5003	1							Includes 55174993 & 6503267
8	5501 5210	1							Screw, Left REINFORCEMENT, Battery Tray
	5523 5293	1							Diesel, Left Side
9	5501 9221	2							REINFORCEMENT, Sill
10	55235 220AD	1							BAFFLE, Radiator Right
	55235 221AD	1							Left
11	55013 176AB	1							REINFORCEMENT, Sill Right
	55013 177AB	1							Left
12	3420 2575	2							SCREW AND WASHER, Hex Head
13	3420 1808	AR	J, U						SCREW AND CONED WASHER, Hex Head, M6x1.00x16.00
		AR	B, T						
14	6504 118	3							U-NUT, M6 x 1.00, M6x1.00
15	55010 074AC	1							BRACKET, Grille
16	6503 259	4							SCREW, Tapping, M6x1x20
17	5500 6948	1							REINFORCEMENT, Sill Right
	5500 6949	1							Left

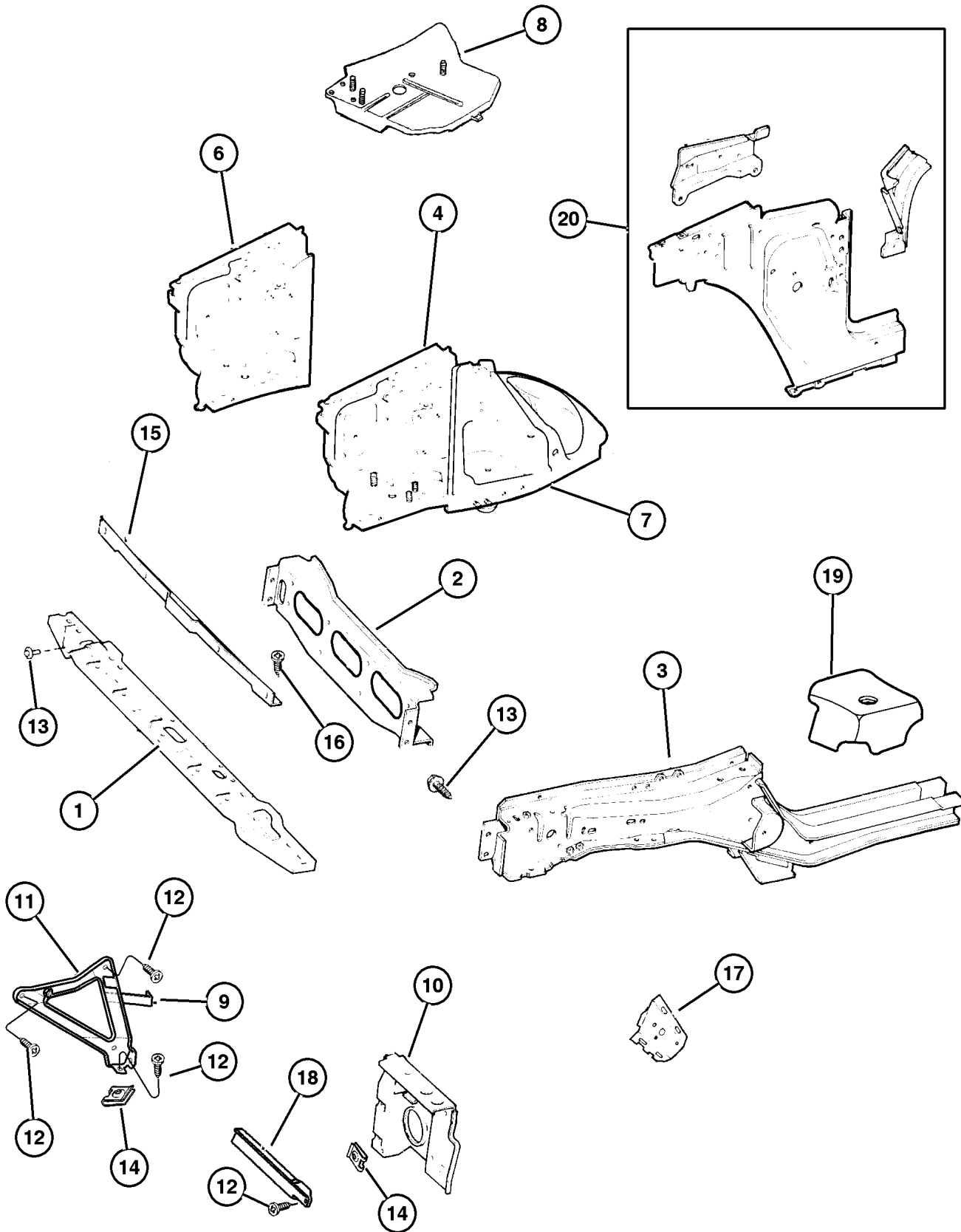
JEEP CHEROKEE (XJ)

SERIES	LINE	BODY	ENGINE	TRANSMISSION
P=Classic	J=LHD (4WD)	74=4 Dr.(101.4WB)	ENC,EN0=2.5L 4 cyl. Turbo Die	DDD, DDQ=5 spd. Man.
S=Limited	U=RHD (4WD)	72=2 Dr.(101.4WB)	ERH,ER0=4.0L Power Tech I-6	DGS=4 spd. Auto. AISIN
H=Sport	T=LHD (2WD)		EPE,EP0=Magnum 2.5L SMPI	DG0=All Auto/Trans.
L=SE	B=RHD (2WD)			DBB=All Manual Trans.

AR = Use as required - = Non illustrated part # = New this model year

December 7, 2002

Panels, Front End Inner and Wheelhouse
Figure SXJ-410



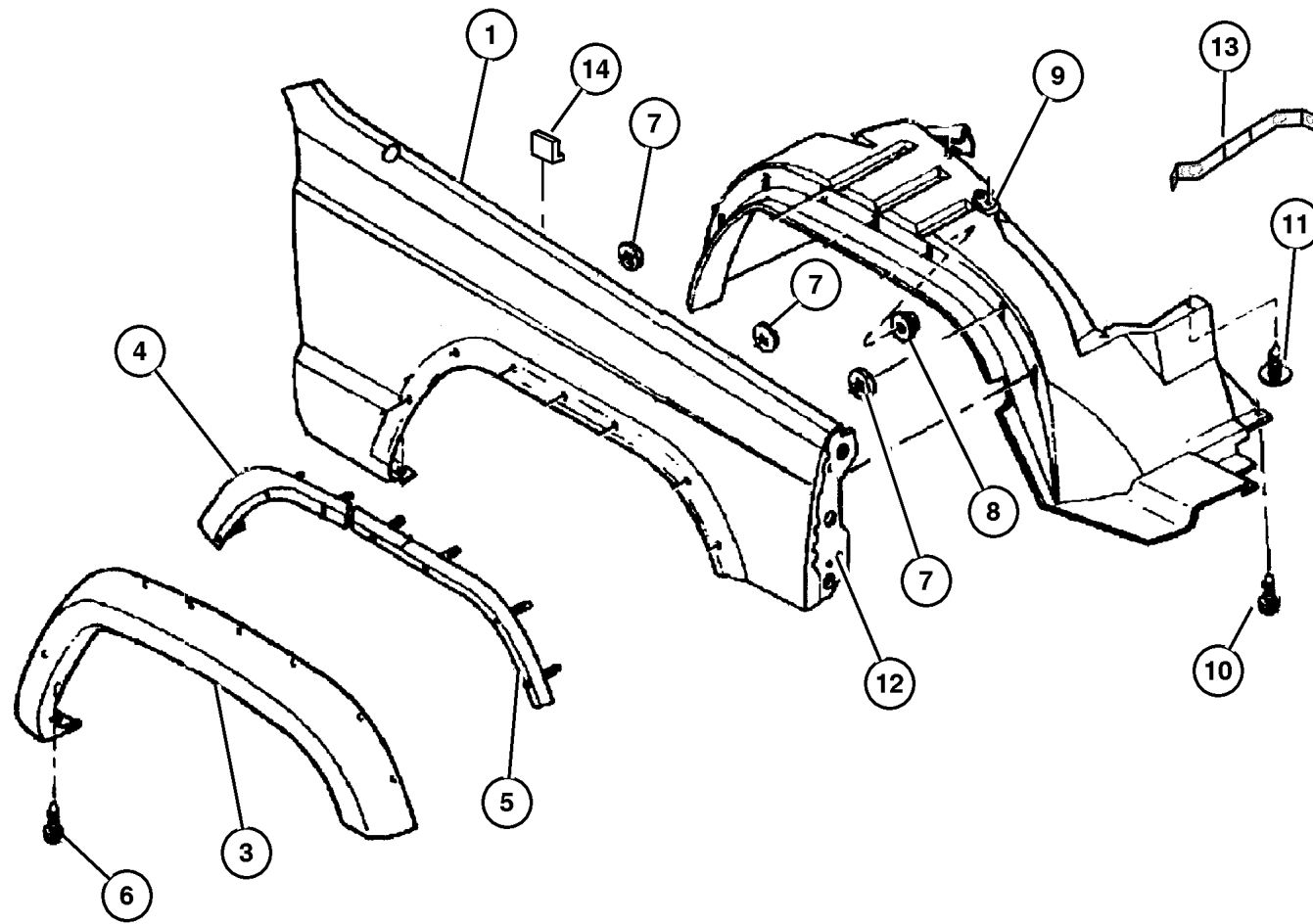
ITEM	PART NUMBER	QTY	LINE	SERIES	BODY	ENGINE	TRANS	TRIM	DESCRIPTION
18									REINFORCEMENT, Radiator Baffle, Serviced With BAFFLE, Radiator, (NOT SERVICED) (Not Serviced)
19									REINFORCEMENT, Spring and Shock
	5534 6022	1							Right
	5534 6023	1							Left
20									REINFORCEMENT, Pillar And Cowl
	5517 5194	1							Right
	5517 5195	1							Left

JEEP CHEROKEE (XJ)				
SERIES	LINE	BODY	ENGINE	TRANSMISSION
P=Classic	J=LHD (4WD)	74=4 Dr.(101.4WB)	ENC,EN0=2.5L 4 cyl. Turbo Die	DDD, DDQ=5 spd. Man.
S=Limited	U=RHD (4WD)	72=2 Dr.(101.4WB)	ERH,ER0=4.0L Power Tech I-6	DGS=4 spd. Auto. AISIN
H=Sport	T=LHD (2WD)		EPE,EP0=Magnum 2.5L SMPI	DG0=All Auto/Trans.
L=SE	B=RHD (2WD)			DBB=All Manual Trans.

AR = Use as required - = Non illustrated part # = New this model year

December 7, 2002

Fenders, Front Figure SXJ-420



ITEM	PART NUMBER	QTY	LINE	SERIES	BODY	ENGINE	TRANS	TRIM	DESCRIPTION
Sles Code : [ARU]= [SE] Decor									
1									FENDER, Front
	56022 320AA	1							Right
	56022 321AA	1							Left
	56022 322AA	1	J, U						Right,Export
	56022 323AA	1	J, U						Left,Export
-2	1150 3745	2							NUT, Hex, M6x1
3									APPLIQUE, Fender Wheel Opening
	5FW72 DX9AD	1							Flat Black, SE Decor, [ARU], [K3Z], Right
	5FW70 WU7AD	1							Sienna, [K3U], Right
	5FW70 XS5AD	1							Silvertone, [K3L], Right
	5FW71 DX8AD	1							Glossy Black, [K3X], Left
	5FW71 PR4AD	1							Flame Red, [K3R], Left
	5FW71 RJPAD	1							Medium Fern Green, [K3M], Left
	5FW71 SG8AD	1							Forest Green, [K3G], Left
	5FW71 SW1AD	1							Stone White, [K3N], Left
	5FW71 WBTAD	1							Patroit Blue, [K3B], Left
	5FW71 WTDAD	1							Dessert Sand, [K3S], Left
	5FW71 WU7AD	1							Sienna, [K3U], Left
	5FW73 DX9AD	1							Flat Black, SE Decor, [ARU], [K3Z], Left
	5FW71 XS5AD	1							Silvertone, [K3L], Left
	5FW70 DX8AD	1							Glossy Black, [K3X], Right
	5FW70 PR4AD	1							Flame Red, [K3R], Right
	5FW70 RJPAD	1							Medium Fern Green, [K3M], Right
	5FW70 SG8AD	1							Forest Green, [K3G], Right
	5FW70 SW1AD	1							Stone White, [K3N], Right
	5FW70 WBTAD	1							Patroit Blue, [K3B], Right
	5FW70 WTDAD	1							Dessert Sand, [K3S], Right
4									RETAINER, Applique, Center
	55155 674AB	1							Right
	55155 675AB	1							Left
5									RETAINER, Applique, Front
	55155 676AE	1							Right
	55155 677AE	1							Left
6	6035 322	2							SCREW
7	6505 049AA	6							NUT, M5
8	J420 0408	14							NUT AND WASHER, Hex Nut-Coned Washer, M5 x 0.80
9									WHEELHOUSE, Front Inner
	55175 896AD	1							Right
	55175 897AD	1							Left

JEEP CHEROKEE (XJ)

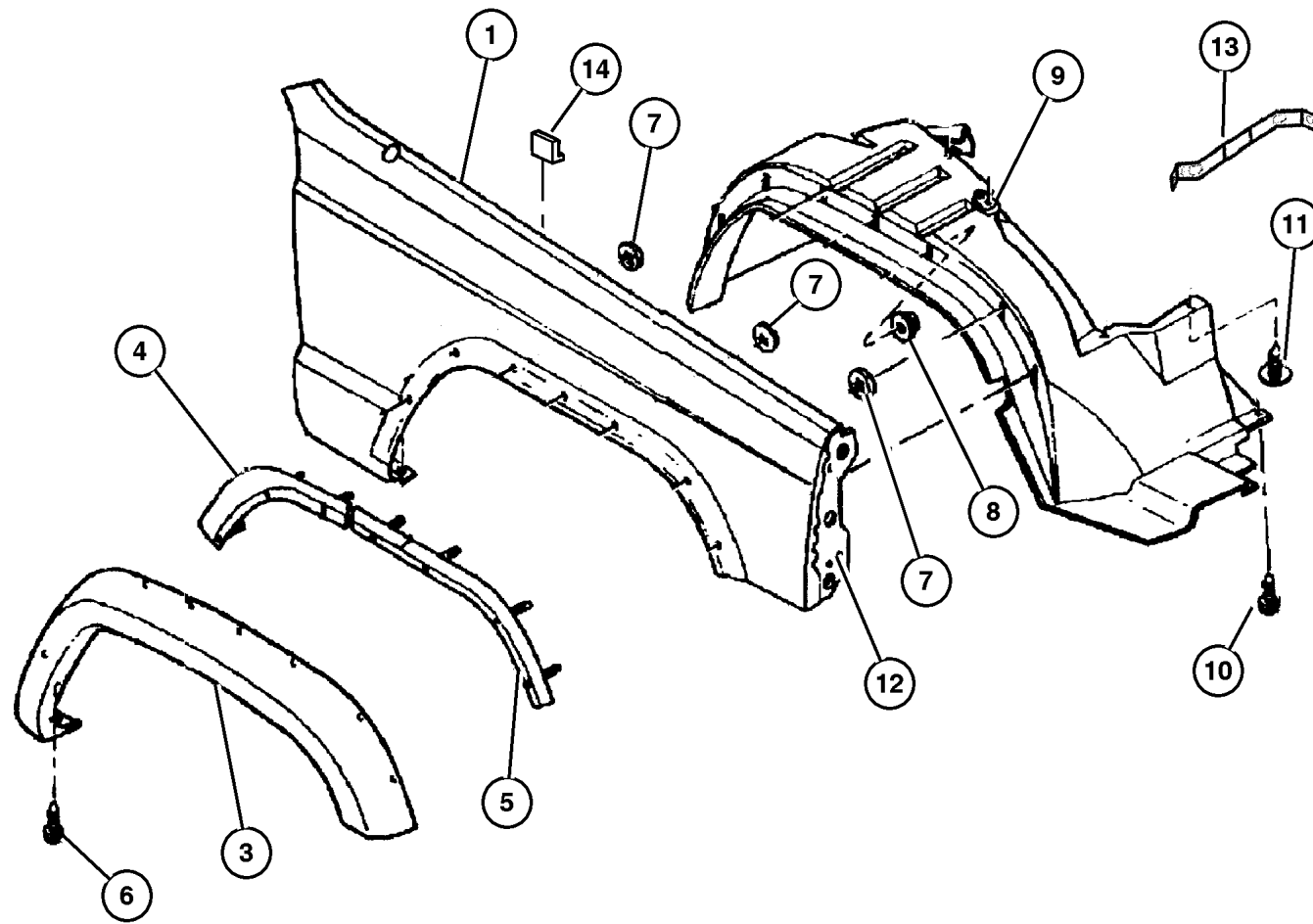
SERIES	LINE	BODY	ENGINE	TRANSMISSION
P=Classic	J=LHD (4WD)	74=4 Dr.(101.4WB)	ENC,EN0=2.5L 4 cyl. Turbo Die	DDD, DDQ=5 spd. Man.
S=Limited	U=RHD (4WD)	72=2 Dr.(101.4WB)	ERH,ER0=4.0L Power Tech I-6	DGS=4 spd. Auto. AISIN
H=Sport	T=LHD (2WD)		EPE,EP0=Magnum 2.5L SMPI	DG0=All Auto/Trans.
L=SE	B=RHD (2WD)			DBB=All Manual Trans.

AR = Use as required - = Non illustrated part # = New this model year

December 7, 2002

Fenders, Front Figure SXJ-420

ITEM	PART NUMBER	QTY	LINE	SERIES	BODY	ENGINE	TRANS	TRIM	DESCRIPTION
10	3420 2575	2							SCREW AND WASHER, Hex Head
11	6030 441	14							PIN, Retainer
12									BRACKET, Fender
	55175 586AB	1							Extension to Baffle, Right
	55175 587AB	1							Extension to Baffle, Left
13	5500 3652	2							BRACKET, Fender, Wheelhouse To Support Spring Shock
14	J368 9548	2							BUMPER, Hood, Fender to Hood



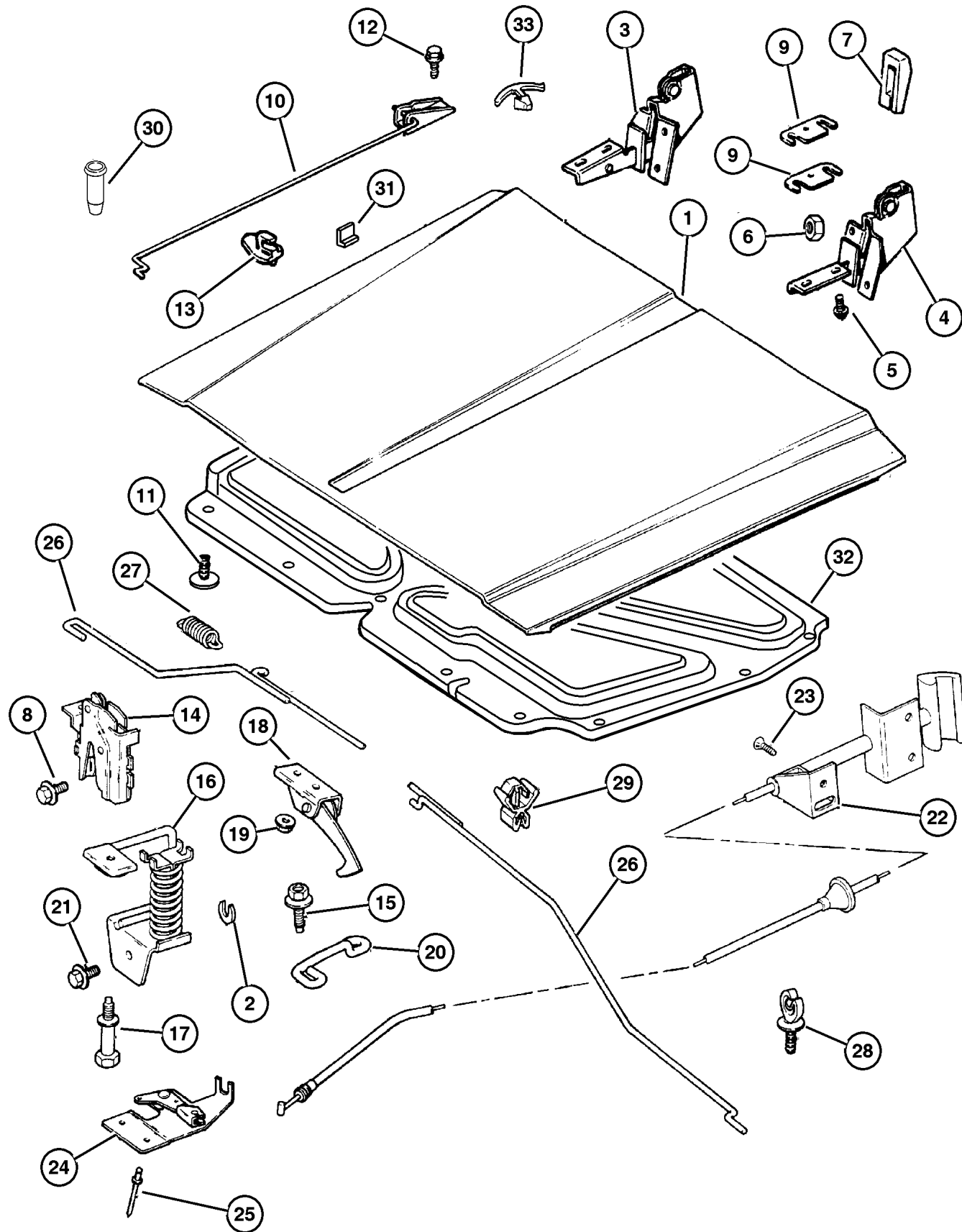
JEEP CHEROKEE (XJ)

SERIES	LINE	BODY	ENGINE	TRANSMISSION
P=Classic	J=LHD (4WD)	74=4 Dr.(101.4WB)	ENC,EN0=2.5L 4 cyl. Turbo Die	DDD, DDQ=5 spd. Man.
S=Limited	U=RHD (4WD)	72=2 Dr.(101.4WB)	ERH,ER0=4.0L Power Tech I-6	DGS=4 spd. Auto. AISIN
H=Sport	T=LHD (2WD)		EPE,EP0=Magnum 2.5L SMPI	DG0=All Auto/Trans.
L=SE	B=RHD (2WD)			DBB=All Manual Trans.

AR = Use as required - = Non illustrated part # = New this model year

December 7, 2002

Hood, Latch and Hinges Figure SXJ-510



ITEM	PART NUMBER	QTY	LINE	SERIES	BODY	ENGINE	TRANS	TRIM	DESCRIPTION
1	55235 439AB	1							HOOD
2	3420 2581	AR							SPACER, Hood Latch
3	55235 724AB	1							HINGE, Hood, Right
4	55235 725AB	1							HINGE, Hood, Left
5	6100 576	4							SCREW AND WASHER, Hex Head, M8-1.25x30
6	6100 048	6							NUT, Hex, M6x1.00
7	5500 1982	2							SEAL, Hood Hinge
8	3420 2005	2							SCREW, Pan Head Torx, M6x1x14
9	J068 0435	AR							SHIM, Hood Hinge
10	5501 7480	1							ROD, Hood Prop
11									BUMPER, Hood
	4103 165	1							Crossmember to Hood Adjust
	J368 9548	2							Hood Front Fender Side
12	3420 1807	2							BOLT, Hex Flange Head, M6x1. 00x16
13	5507 5480	1							CLIP, Prop Rod
14	55235 523AC	2							LATCH, Hood
15	6504 641	2							SCREW AND WASHER, Button Head Torx
16	5507 5884	2							STRIKER, Hood Latch
17	6503 963	2							BOLT AND CONED WASHER, Hex Head, M8x1.25x58.28
18	55009 998AE	1							HOOK, Hood Safety Catch
19	3420 1680	2							NUT, Hex Flange, M6x1
20	55009 999AB	1							STRIKER, Hood Safety Catch
21	6504 641	2							SCREW AND WASHER, Button Head Torx
22									CABLE, Hood Release
	55235 270AD	1	B, U						
	55235 483AB	1	J, T						
23	6504 997AA	3	J, T						SCREW
24	55074 526AC	1							BELLCRANK, Hood Release
25	3420 1208	2							RIVET, M4.8x13.23
26	5507 5442	1							ROD, Hood Latch
27	5502 9718	1							SPRING, Hood Latch
28									CLIP, Tube
	3200 0404	3	B, U						
		2	J, T						
29	3420 2688	2							CLIP, Latch&Line
30	6505 175AA	2							NUT, Rivet
31	J368 9548	2							BUMPER, Hood, Hood Front Fender Side

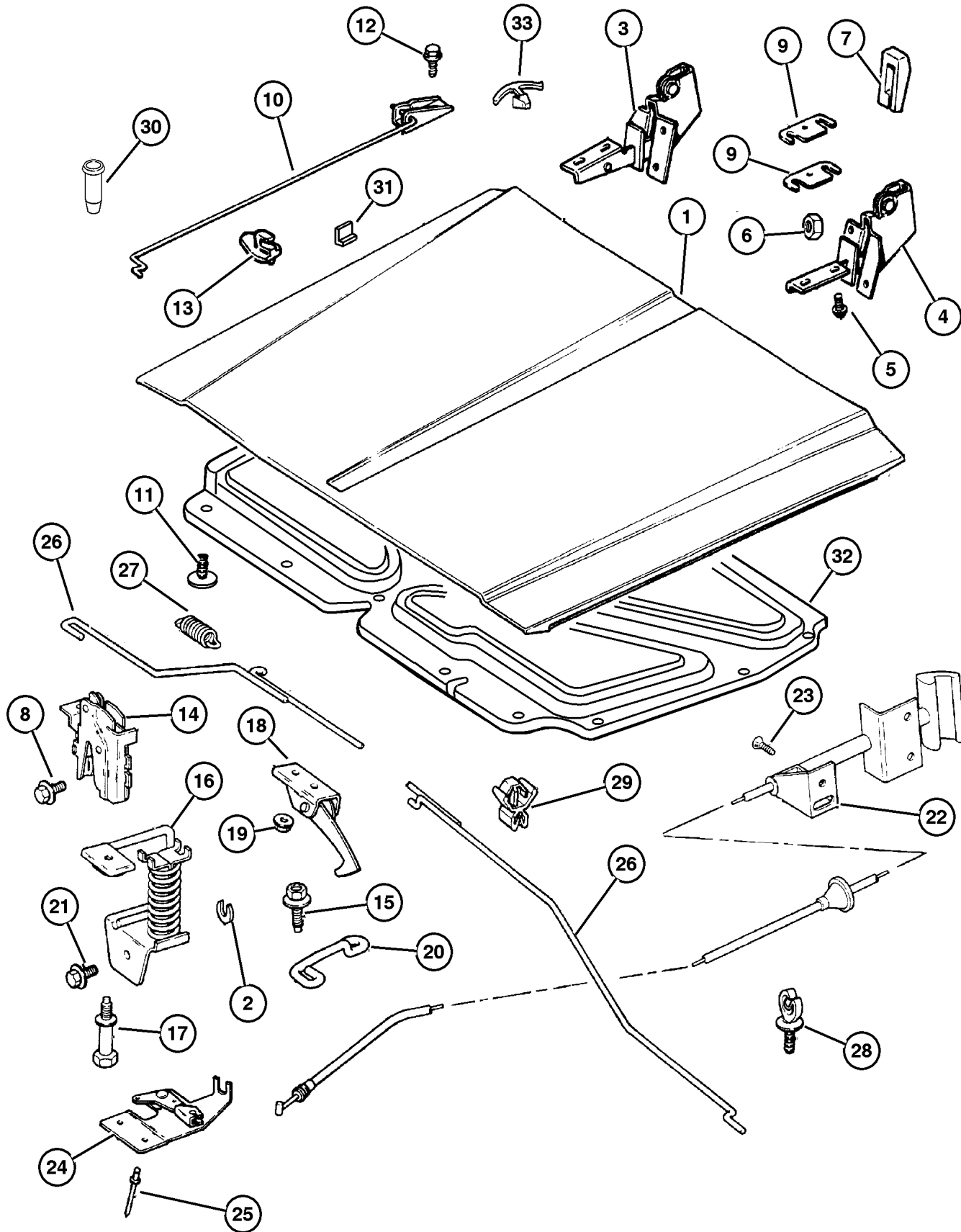
JEEP CHEROKEE (XJ)

SERIES	LINE	BODY	ENGINE	TRANSMISSION
P=Classic	J=LHD (4WD)	74=4 Dr.(101.4WB)	ENC,EN0=2.5L 4 cyl. Turbo Die	DDD, DDQ=5 spd. Man.
S=Limited	U=RHD (4WD)	72=2 Dr.(101.4WB)	ERH,ER0=4.0L Power Tech I-6	DGS=4 spd. Auto. AISIN
H=Sport	T=LHD (2WD)		EPE,EP0=Magnum 2.5L SMPI	DG0=All Auto/Trans.
L=SE	B=RHD (2WD)			DBB=All Manual Trans.

AR = Use as required - = Non illustrated part # = New this model year

December 7, 2002

Hood, Latch and Hinges Figure SXJ-510



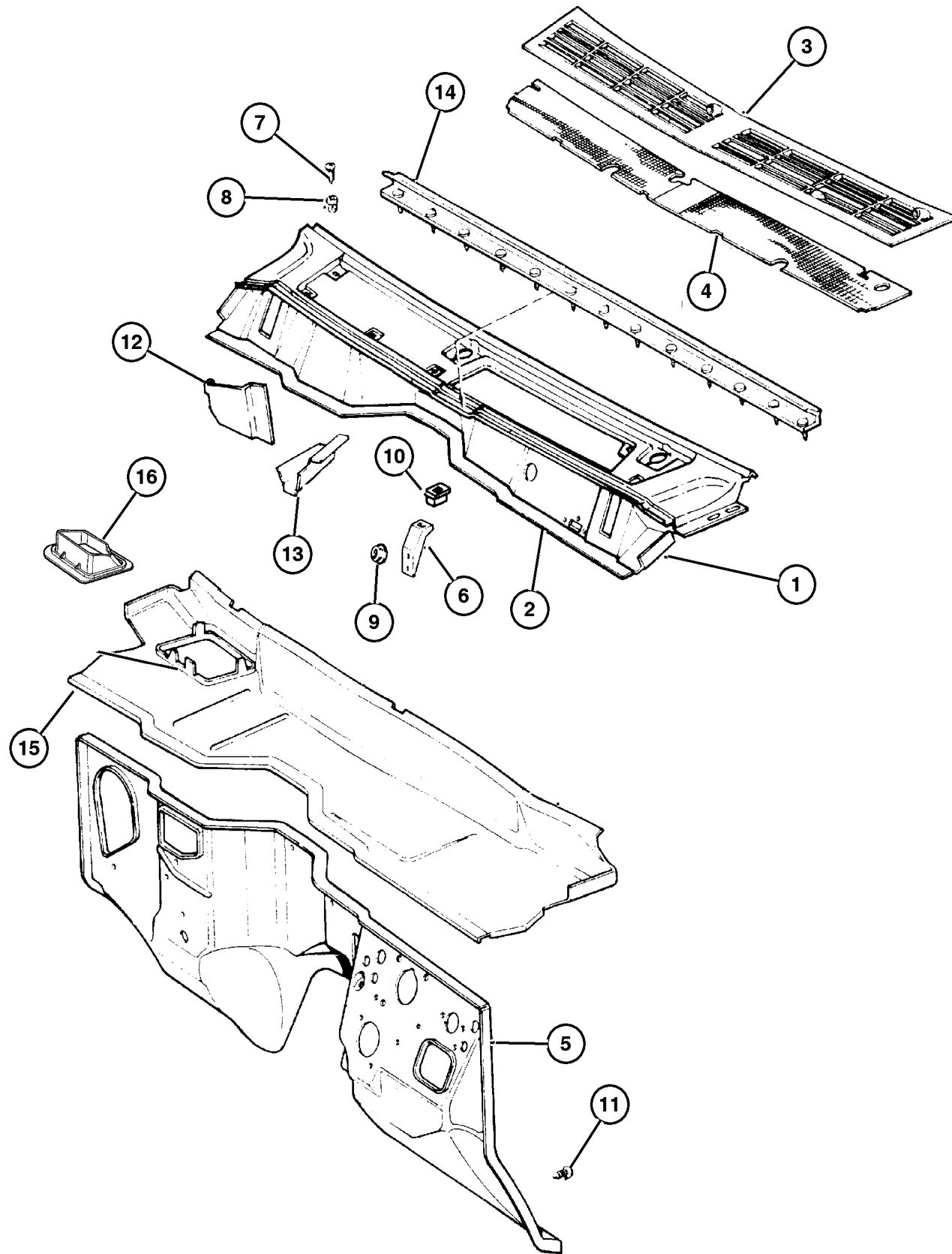
ITEM	PART NUMBER	QTY	LINE	SERIES	BODY	ENGINE	TRANS	TRIM	DESCRIPTION
32	55217 068AE	1							INSULATION, Hood
33	6003 351	13							RETAINER, Hood Insulation, .415x.690

JEEP CHEROKEE (XJ)				
SERIES	LINE	BODY	ENGINE	TRANSMISSION
P=Classic	J=LHD (4WD)	74=4 Dr.(101.4WB)	ENC,EN0=2.5L 4 cyl. Turbo Die	DDD, DDQ=5 spd. Man.
S=Limited	U=RHD (4WD)	72=2 Dr.(101.4WB)	ERH,ER0=4.0L Power Tech I-6	DGS=4 spd. Auto. AISIN
H=Sport	T=LHD (2WD)		EPE,EP0=Magnum 2.5L SMPI	DG0=All Auto/Trans.
L=SE	B=RHD (2WD)			DBB=All Manual Trans.

AR = Use as required - = Non illustrated part # = New this model year

December 7, 2002

**Panels, Cowl And Dash, L.H.D.
Figure SXJ-610**



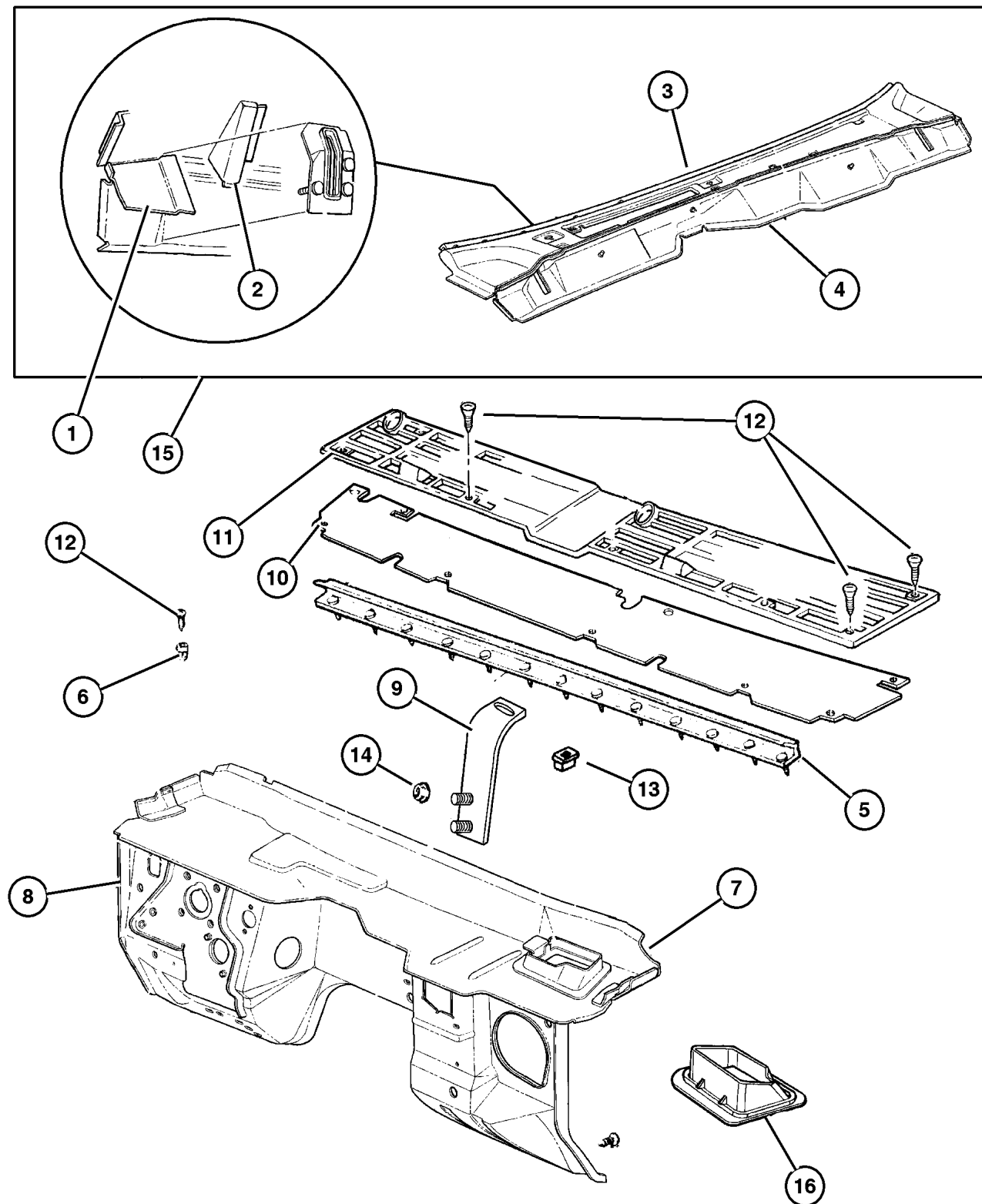
ITEM	PART NUMBER	QTY	LINE	SERIES	BODY	ENGINE	TRANS	TRIM	DESCRIPTION
1	#55175 386AC	1	J, T						PANEL, Cowl
2	#55175 638AB	1	J, T						EXTENSION, Cowl Top
3	55008 832AC	1	J, T						GRILLE, Cowl Panel
4	5500 8833	1	J, T						SCREEN, Cowl
5	55175 378AC	1	J, T						PANEL, Dash
6	55235 370AB	1	J, T						BRACKET, Grille To Cowl Extension
7	3420 1230	7							SCREW, Round Washer Head AB
8	J400 5242	5							NUT, Push
9	3420 1358	2							NUT AND WASHER, Hex Nut- Sealing Washer, M6 x 1.00
10	6505 366AA	1							NUT, Snap In
11									RIVET, Blind Expansion (R-Lok), (NOT SERVICED) (Not Serviced)
12	5500 6544	1	J, T						SHIELD, Plenum
13	55004 918AB	1	J, T						SHIELD, Cowl
14	55235 178AB	1							SEAL, Hood To Cowl
15	55175 964AB	1	J, T						PANEL, Cowl And Plenum
16	55037 128AB	1	J, T						BAFFLE, Air Inlet

JEEP CHEROKEE (XJ)				
SERIES	LINE	BODY	ENGINE	TRANSMISSION
P=Classic	J=LHD (4WD)	74=4 Dr.(101.4WB)	ENC,EN0=2.5L 4 cyl. Turbo Die	DDD, DDQ=5 spd. Man.
S=Limited	U=RHD (4WD)	72=2 Dr.(101.4WB)	ERH,ER0=4.0L Power Tech I-6	DGS=4 spd. Auto. AISIN
H=Sport	T=LHD (2WD)		EPE,EP0=Magnum 2.5L SMPI	DG0=All Auto/Trans.
L=SE	B=RHD (2WD)			DBB=All Manual Trans.

AR = Use as required - = Non illustrated part # = New this model year

December 7, 2002

**Cowl And Dash Panel, R.H.D.
Figure SXJ-620**



ITEM	PART NUMBER	QTY	LINE	SERIES	BODY	ENGINE	TRANS	TRIM	DESCRIPTION
1	5502 7542	1	B, U						SHIELD, Plenum
2	5502 7543	1	B, U						SHIELD, Cowl
3	#55175 387AC	1	B, U						PANEL, Cowl, Includes Item #4
4	#55175 639AB	1	B, U						EXTENSION, Cowl Top
5	55235 178AB	1							SEAL, Hood To Cowl
6	J400 5242	5							NUT, Push
7	55175 965AB	1	B, U						PANEL, Cowl And Plenum
8	55175 379AC	1	B, U						PANEL, Dash
9	55235 371AB	1	B, U						BRACKET, Extension to Cowl Top
10	5502 7697	1	B, U						SCREEN, Cowl
11	5502 7696	1	B, U						GRILLE, Cowl Panel
12	3420 1230	7							SCREW, Round Washer Head AB
13	6505 366AA	1							NUT, Snap In
14	3420 1358	2							NUT AND WASHER, Hex Nut- Sealing Washer, M6 x 1.00
15	#55175 387AC	1	B, U						PANEL, Cowl
16	55037 127AB	1	B, U						BAFFLE, Air Inlet

JEEP CHEROKEE (XJ)

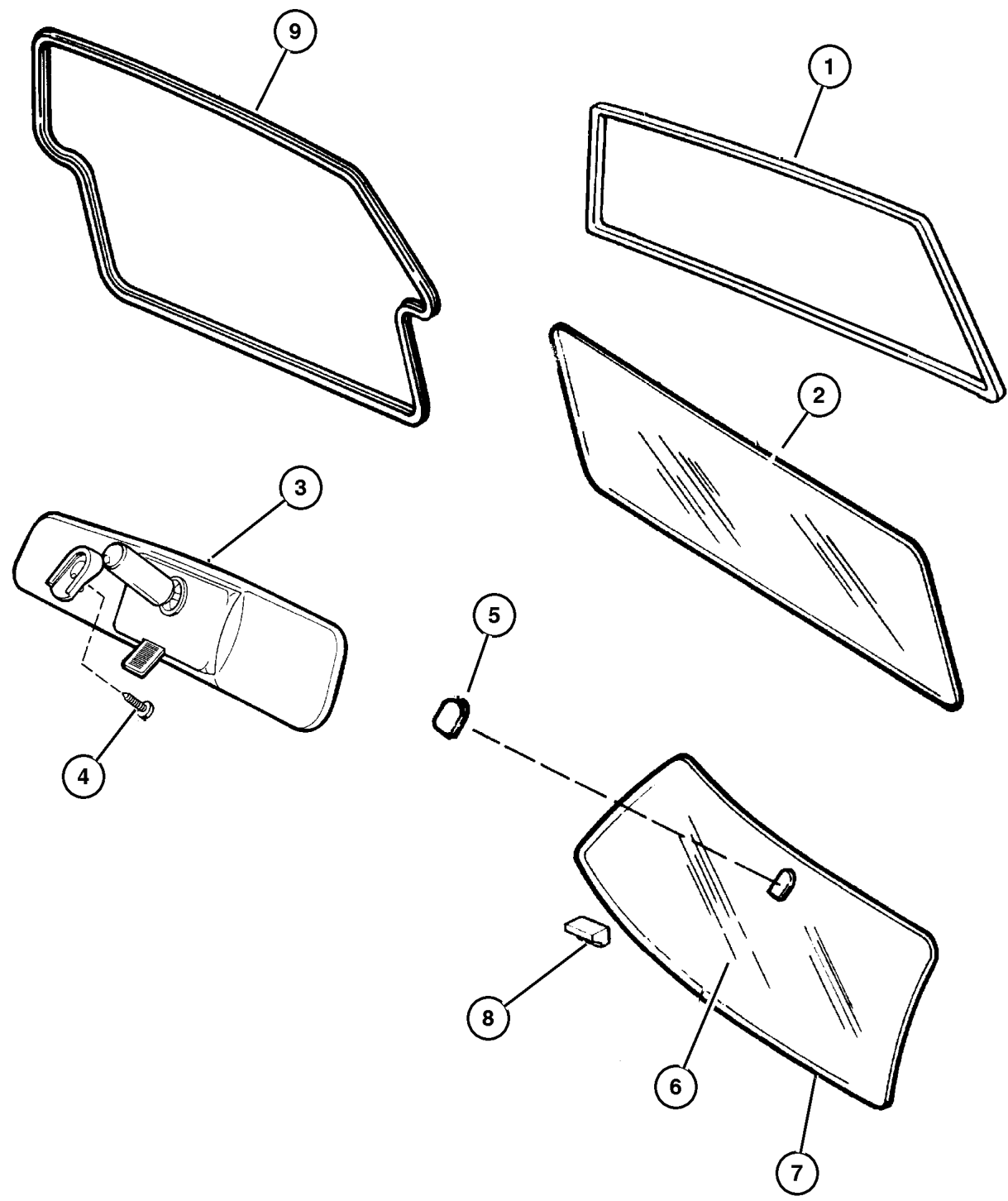
SERIES	LINE	BODY	ENGINE	TRANSMISSION
P=Classic	J=LHD (4WD)	74=4 Dr.(101.4WB)	ENC,EN0=2.5L 4 cyl. Turbo Die	DDD, DDQ=5 spd. Man.
S=Limited	U=RHD (4WD)	72=2 Dr.(101.4WB)	ERH,ER0=4.0L Power Tech I-6	DGS=4 spd. Auto. AISIN
H=Sport	T=LHD (2WD)		EPE,EP0=Magnum 2.5L SMPI	DG0=All Auto/Trans.
L=SE	B=RHD (2WD)			DBB=All Manual Trans.

AR = Use as required - = Non illustrated part # = New this model year

December 7, 2002

**Glass, Windshield, Backlite and Mirror
Figure SXJ-710**

ITEM	PART NUMBER	QTY	LINE	SERIES	BODY	ENGINE	TRANS	TRIM	DESCRIPTION
1	55175 366AD	1							MOLDING, Liftgate
2	5517 4950	1							BACKLITE Tinted
	55174 951AB	1							Tint Heated
	55174 952AC	1							Privacy Heated
3	4299 325	1							MIRROR, Inside Rear View
4	6031 094	1							SCREW, Pan Head Tapping, .19-16x.375
5	5507 6401	1							BUTTON, Rear View Mirror
6	55154 994AB	1							WINDSHIELD
7	#55235 391AC	1							MOLDING, Windshield
8	55235 796AA	2							SPACER, Windshield
9	55175 354AE	1							WEATHERSEAL, Full Door To Body



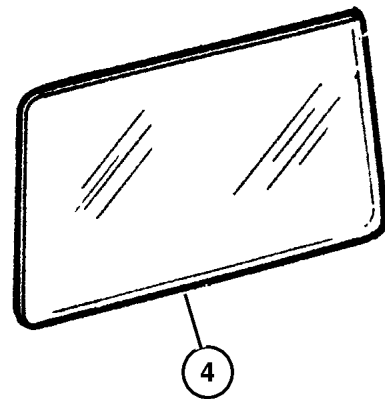
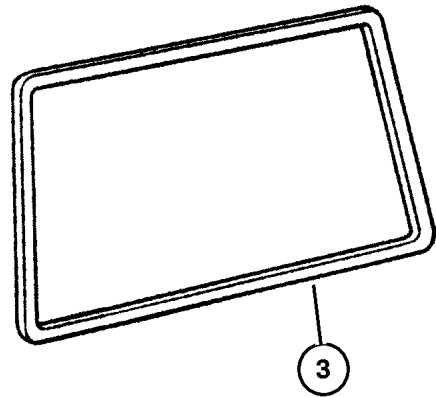
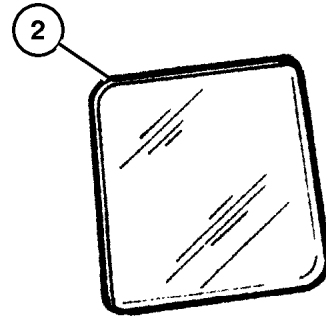
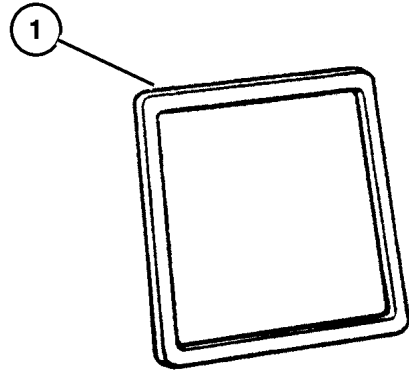
JEEP CHEROKEE (XJ)				
SERIES	LINE	BODY	ENGINE	TRANSMISSION
P=Classic	J=LHD (4WD)	74=4 Dr.(101.4WB)	ENC,EN0=2.5L 4 cyl. Turbo Die	DDD, DDQ=5 spd. Man.
S=Limited	U=RHD (4WD)	72=2 Dr.(101.4WB)	ERH,ER0=4.0L Power Tech I-6	DGS=4 spd. Auto. AISIN
H=Sport	T=LHD (2WD)		EPE,EP0=Magnum 2.5L SMPI	DG0=All Auto/Trans.
L=SE	B=RHD (2WD)			DBB=All Manual Trans.

AR = Use as required - = Non illustrated part # = New this model year

December 7, 2002

**Windows, Quarter, 2 and 4 Doors
Figure SXJ-720**

ITEM	PART NUMBER	QTY	LINE	SERIES	BODY	ENGINE	TRANS	TRIM	DESCRIPTION
1									SEAL, Quarter Window
	5500 7128	1			74				Right
	5500 7129	1			74				Left
2									GLASS, Quarter Window
	5500 0700	1			74				Tinted, Right
	5500 0701	1			74				Tinted, Left
	55174 998AB	1			74				Privacy, Right
	55174 999AB	1			74				Privacy, Left
3									SEAL, Quarter Window
	55235 296AB	1	J, T, U		72				Right
	55235 297AB	1	J, T, U		72				Left
4									GLASS, Quarter Window
	5500 0186	1	J, T, U		72				Without Vents, Right
	5500 0187	1	J, T, U		72				Without Vents, Left
	55235 990AA	1	J, T, U		72				Privacy, Right
	55235 991AA	1	J, T, U		72				Privacy, Left



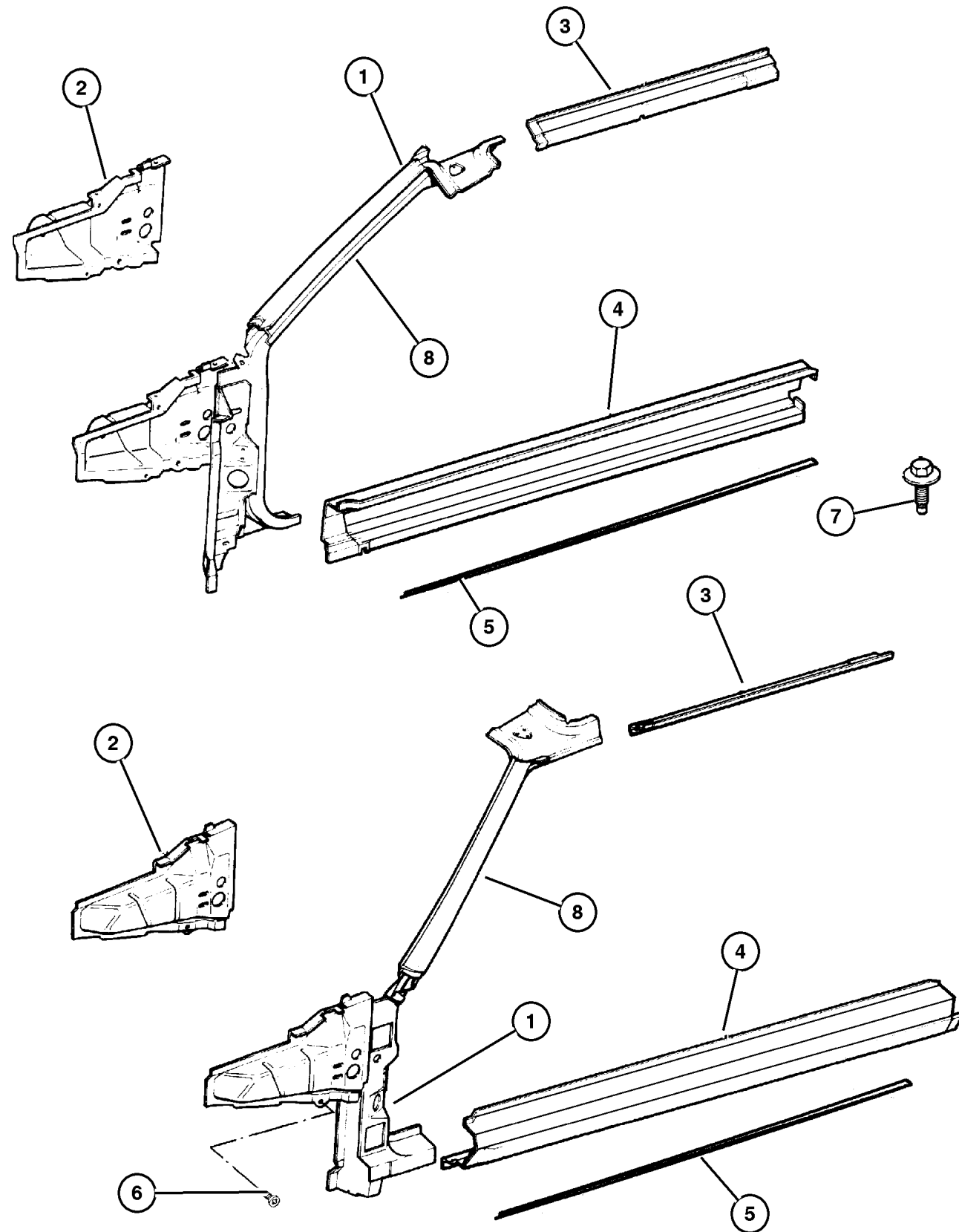
JEEP CHEROKEE (XJ)

SERIES	LINE	BODY	ENGINE	TRANSMISSION
P=Classic	J=LHD (4WD)	74=4 Dr.(101.4WB)	ENC,EN0=2.5L 4 cyl. Turbo Die	DDD, DDQ=5 spd. Man.
S=Limited	U=RHD (4WD)	72=2 Dr.(101.4WB)	ERH,ER0=4.0L Power Tech I-6	DGS=4 spd. Auto. AISIN
H=Sport	T=LHD (2WD)		EPE,EP0=Magnum 2.5L SMPI	DG0=All Auto/Trans.
L=SE	B=RHD (2WD)			DBB=All Manual Trans.

AR = Use as required - = Non illustrated part # = New this model year

December 7, 2002

**Panels, Body side, 2 Door
Figure SXJ-810**



ITEM	PART NUMBER	QTY	LINE	SERIES	BODY	ENGINE	TRANS	TRIM	DESCRIPTION
1	#55235 620AC	1	J, T, U		72				PILLAR, Front Right
	#55235 621AC	1	J, T, U		72				Left
2	55175 506AB	1	J, T, U		72				PANEL, Cowl Side Right
	55175 507AB	1	J, T, U		72				Left
3	5534 5844	1	J, T, U		72				RAIL, Roof Side Right
	5534 5845	1	J, T, U		72				Left
4	5523 5088	1	J, T, U		72				PANEL, Rocker Extension Right
	5523 5089	1	J, T, U		72				Left
5									SEAL, Rocker Panel, (NOT REQUIRED)
6									RIVET, Blind Expansion (R-Lok), (NOT SERVICED) (Not Serviced)
7	6101 455	2							SCREW AND WASHER, Hex Head, M6x1x20
8	55235 640AB	1	J, T, U		72				REINFORCEMENT, Front Pillar Right
	55235 641AB	1	J, T, U		72				Left
-9	#55363 274AA	1							LABEL, Mercury Warning, B Pillar Below The Striker

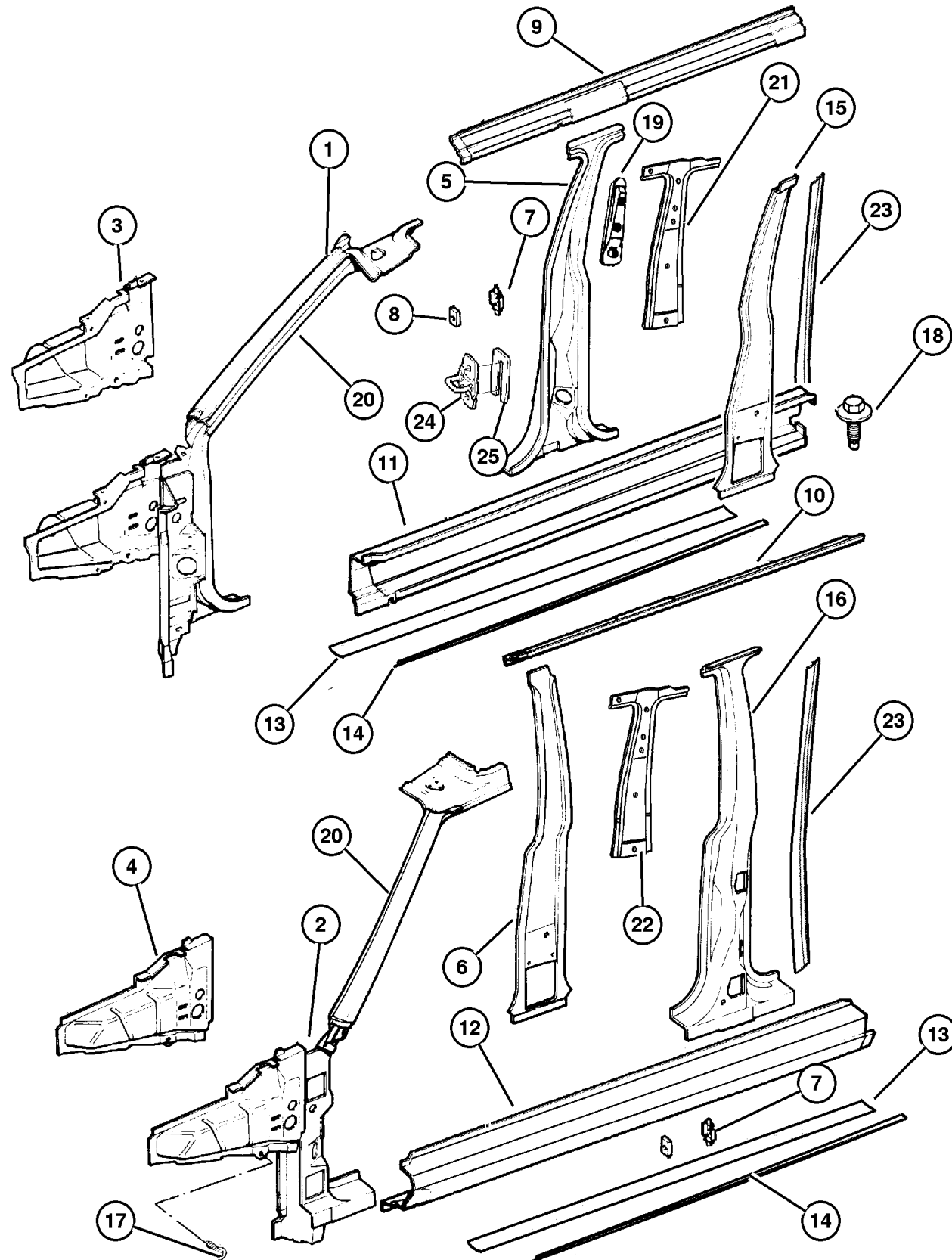
JEEP CHEROKEE (XJ)

SERIES	LINE	BODY	ENGINE	TRANSMISSION
P=Classic	J=LHD (4WD)	74=4 Dr.(101.4WB)	ENC,EN0=2.5L 4 cyl. Turbo Die	DDD, DDQ=5 spd. Man.
S=Limited	U=RHD (4WD)	72=2 Dr.(101.4WB)	ERH,ER0=4.0L Power Tech I-6	DGS=4 spd. Auto. AISIN
H=Sport	T=LHD (2WD)		EPE,EP0=Magnum 2.5L SMPI	DG0=All Auto/Trans.
L=SE	B=RHD (2WD)			DBB=All Manual Trans.

AR = Use as required - = Non illustrated part # = New this model year

December 7, 2002

**Panels, Body Side, 4 Door
Figure SXJ-820**



ITEM	PART NUMBER	QTY	LINE	SERIES	BODY	ENGINE	TRANS	TRIM	DESCRIPTION
1	#55235 620AC	1			74				PILLAR, Front, Right
2	#55235 621AC	1			74				PILLAR, Front, Left
3	55175 506AB	1			74				PANEL, Cowl Side, Right
4	55175 507AB	1			74				PANEL, Cowl Side, Left
5	5523 5466	1			74				PILLAR, Center
6	55235 695AB	1			74				REINFORCEMENT, Center Pillar
7	5525 6174	1			74				RETAINER, Door Lock Striker
8	4674 669	2			74				PLATE, Liftgate Striker
9	55235 328AB	1			74				RAIL, Roof Side, Right
10	55235 329AB	1			74				RAIL, Roof Side, Left
11	5523 5090	1			74				PANEL, Rocker Extension, Right
12	5523 5091	1			74				PANEL, Rocker Extension, Left
13									TAPE, Anti Chip, (NOT REQUIRED)
14									SEAL, Rocker Panel, (NOT REQUIRED)
15	55235 694AB	1			74				REINFORCEMENT, Center Pillar, Right
16	5523 5467	1			74				PILLAR, Center
17									RIVET, Blind Expansion (R-Lok), (NOT SERVICED) (Not Serviced)
18	6101 455	4							SCREW AND WASHER, Hex Head, M6x1x20
19	5523 5692	1			74				TAPPING PLATE, Shoulder Belt
20	55235 640AB	1			74				REINFORCEMENT, Front Pillar Right
	55235 641AB	1			74				Left
21	55235 288AB	1			74				REINFORCEMENT, Seat Belt, Right
22	55235 289AB	1			74				REINFORCEMENT, Seat Belt, Left
23	55235 791AB	2			74				WEATHERSTRIP, B Pillar
									Secondary
24	4520 288	2			74				STRIKER, Door Latch
25	4520 289	AR							SPACER, Door Latch Striker
	5507 5483	AR			74				2.0/2.5 Thick
-26	#55363 274AA	1							LABEL, Mercury Warning, B Pillar Below The Striker

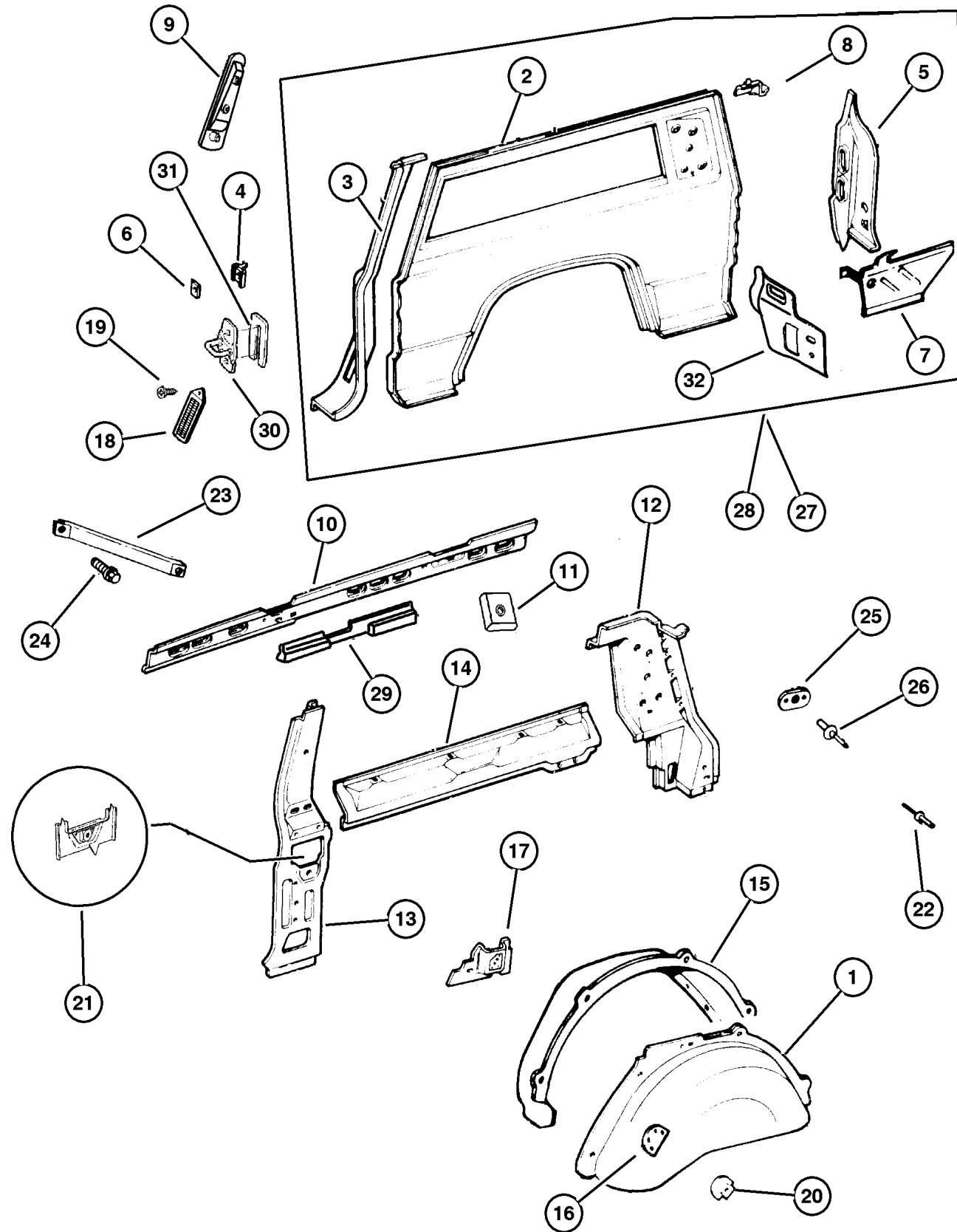
JEEP CHEROKEE (XJ)

SERIES	LINE	BODY	ENGINE	TRANSMISSION
P=Classic	J=LHD (4WD)	74=4 Dr.(101.4WB)	ENC,EN0=2.5L 4 cyl. Turbo Die	DDD, DDQ=5 spd. Man.
S=Limited	U=RHD (4WD)	72=2 Dr.(101.4WB)	ERH,ER0=4.0L Power Tech I-6	DGS=4 spd. Auto. AISIN
H=Sport	T=LHD (2WD)		EPE,EP0=Magnum 2.5L SMPI	DG0=All Auto/Trans.
L=SE	B=RHD (2WD)			DBB=All Manual Trans.

AR = Use as required - = Non illustrated part # = New this model year

December 7, 2002

**Panels, Rear Quarter, 2 Door
Figure SXJ-910**



ITEM	PART NUMBER	QTY	LINE	SERIES	BODY	ENGINE	TRANS	TRIM	DESCRIPTION
1									WHEELHOUSE, Rear Inner
	5500 0147	1	J, T, U		72				Left
	5502 7694	1	J, T, U		72				Right
2									PANEL, Quarter
	5523 5426	1	J, T, U		72				Right
	5523 5427	1	J, T, U		72				Left
3									PILLAR, Rear Cargo Door Lock
	5517 5674	1	J, T, U		72				Right
	5517 5675	1	J, T, U		72				Left
4	4674 669	1	J, T, U		72				PLATE, Liftgate Striker
5									PANEL, Taillamp Mounting
	5523 5510	1	J, T, U		72				Right
	5523 5511	1	J, T, U		72				Left
6	4520 288	2							STRIKER, Door Latch
7									EXTENSION, Rear Floor Pan
	5517 5960	1	J, T, U		72				Right
	5517 5961	1	J, T, U		72				Left
8									EXTENSION, Quarter Panel
	5517 6082	1	J, T, U		72				Right
	5517 6083	1	J, T, U		72				Left
9	5523 5692	1	J, T, U		72				TAPPING PLATE, Shoulder Belt
10									RAIL, Roof Side
	55235 846AA	1	J, T, U		72				Right
	55235 847AA	1	J, T, U		72				Left
11	#4490 111	1	J, T, U		72				TAPPING PLATE
12									PILLAR, Liftgate Opening
	5517 6094	1	J, T, U		72				Right
	5517 6095	1	J, T, U		72				Left
13									REINFORCEMENT, Body Lock Pillar
	55345 808AB	1	J, T, U		72				Right
	55345 809AB	1	J, T, U		72				Left
14									RAIL, Rear Quarter Belt
	55235 382AB	1	J, T, U		72				Right
	55344 583AB	1	J, T, U		72				Left
15									WHEELHOUSE, Rear Outer
	5523 5346	1	J, T, U		72				Right
	5523 5347	1	J, T, U		72				Left
16	5502 6758	1	J, T, U		72				DOUBLER, Wheelhouse
17									BRACKET, Seat
	5500 1270	1	J, T, U		72				Right
	5500 1271	1	J, T, U		72				Left
18	5500 1980	2							EXHAUSTER, Quarter Panel

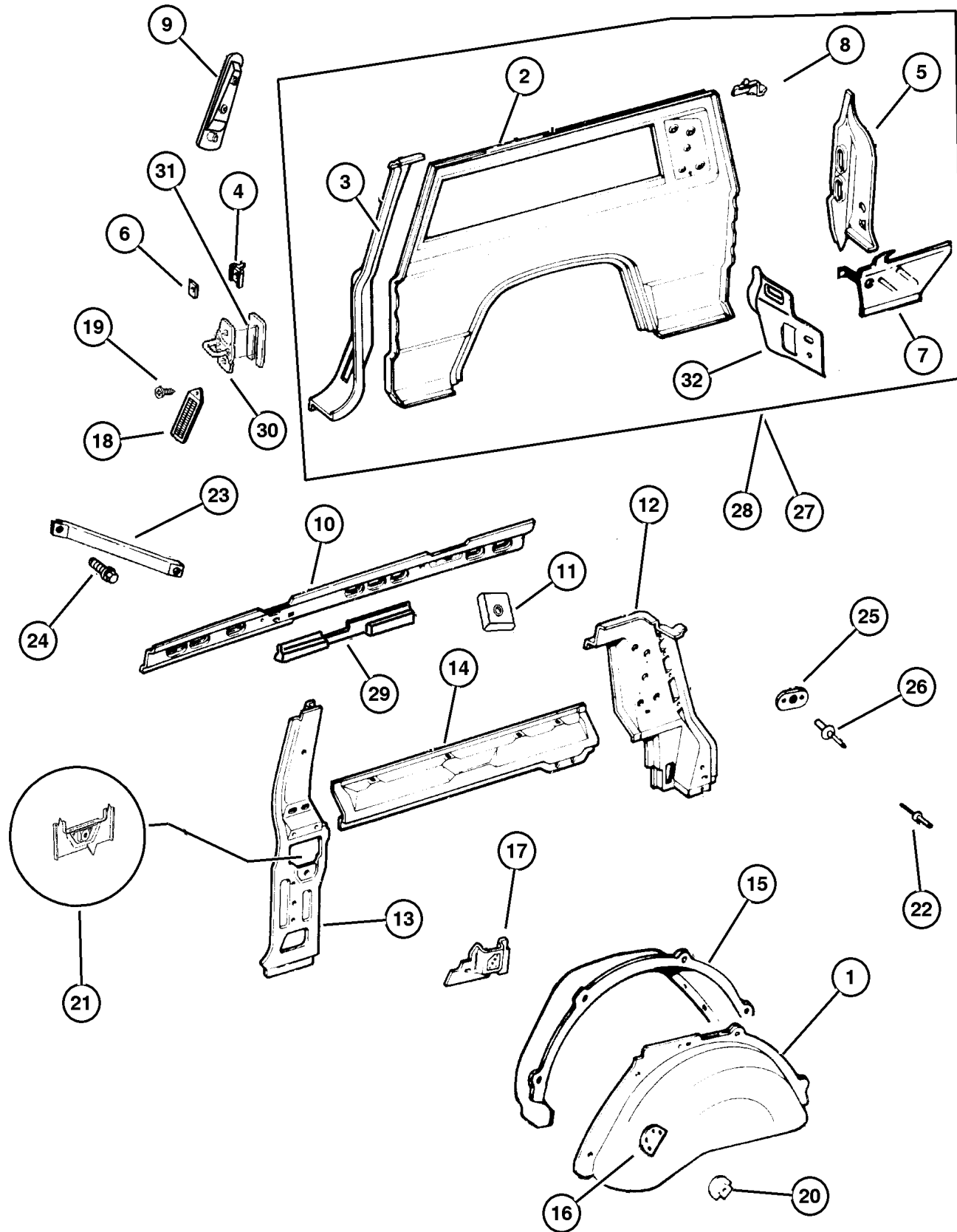
JEEP CHEROKEE (XJ)

SERIES	LINE	BODY	ENGINE	TRANSMISSION
P=Classic	J=LHD (4WD)	74=4 Dr.(101.4WB)	ENC,EN0=2.5L 4 cyl. Turbo Die	DDD, DDQ=5 spd. Man.
S=Limited	U=RHD (4WD)	72=2 Dr.(101.4WB)	ERH,ER0=4.0L Power Tech I-6	DGS=4 spd. Auto. AISIN
H=Sport	T=LHD (2WD)		EPE,EP0=Magnum 2.5L SMPI	DG0=All Auto/Trans.
L=SE	B=RHD (2WD)			DBB=All Manual Trans.

AR = Use as required - = Non illustrated part # = New this model year

December 7, 2002

**Panels, Rear Quarter, 2 Door
Figure SXJ-910**



ITEM	PART NUMBER	QTY	LINE	SERIES	BODY	ENGINE	TRANS	TRIM	DESCRIPTION
19									SCREW, .164-18x.437, (NOT SERVICED) (Not Serviced)
20	5500 1231	1	J, T, U		72				BRACKET, Seat
21	5534 5291	1	J, T, U		72				BRACKET, Seat Belt Retractor
22									RIVET, M4x12 Aluminum, (NOT REQUIRED)
23	5500 6218	2	J, T, U		72				BRACE, Door Lock
24	3420 2036	4	J, T, U		72				SCREW, Hex Head, M8x1.25x25
25	#4490 111	1	J, T, U		72				TAPPING PLATE
26	3420 1197	2							RIVET, Blind, M3.17x10.00
27	5523 5606	1	J, T, U		72				PANEL, Rear Body, Right
28	5523 5607	1	J, T, U		72				PANEL, Body Side, Left
29	55006 988AC	2	J, T, U		72				REINFORCEMENT
30	4520 288	2							STRIKER, Door Latch
31	4520 289	AR							SPACER, Door Latch Striker
	5507 5483	AR							2.0/2.5 Thick
32									REINFORCEMENT, Rear Corner Panel
	5523 5600	1	J, T, U		72				Right
	5523 5601	1	J, T, U		72				Left

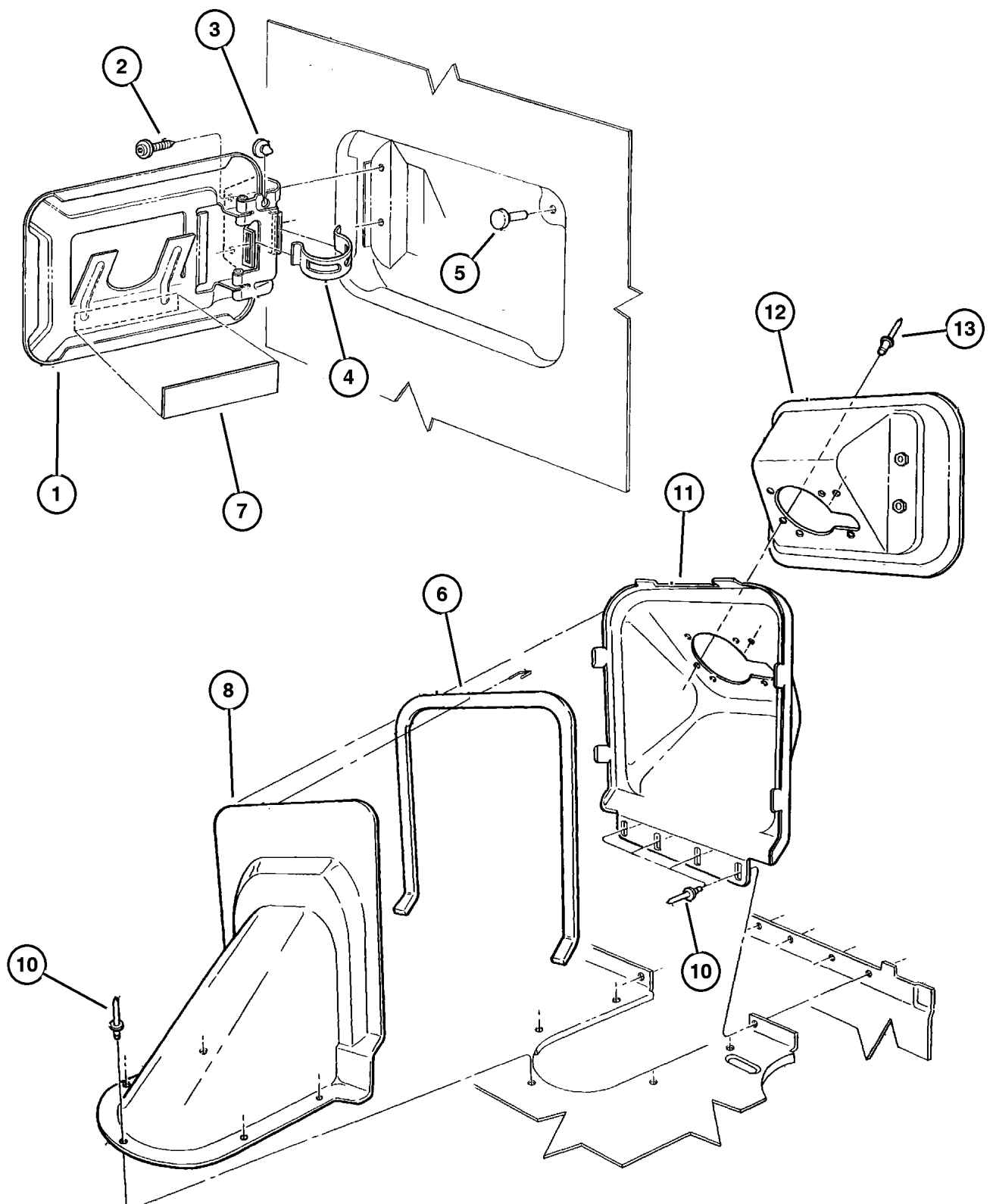
JEEP CHEROKEE (XJ)

SERIES	LINE	BODY	ENGINE	TRANSMISSION
P=Classic	J=LHD (4WD)	74=4 Dr.(101.4WB)	ENC,EN0=2.5L 4 cyl. Turbo Die	DDD, DDQ=5 spd. Man.
S=Limited	U=RHD (4WD)	72=2 Dr.(101.4WB)	ERH,ER0=4.0L Power Tech I-6	DGS=4 spd. Auto. AISIN
H=Sport	T=LHD (2WD)		EPE,EP0=Magnum 2.5L SMPI	DG0=All Auto/Trans.
L=SE	B=RHD (2WD)			DBB=All Manual Trans.

AR = Use as required - = Non illustrated part # = New this model year

December 7, 2002

Fuel Filler Housing & Door Figure SXJ-920

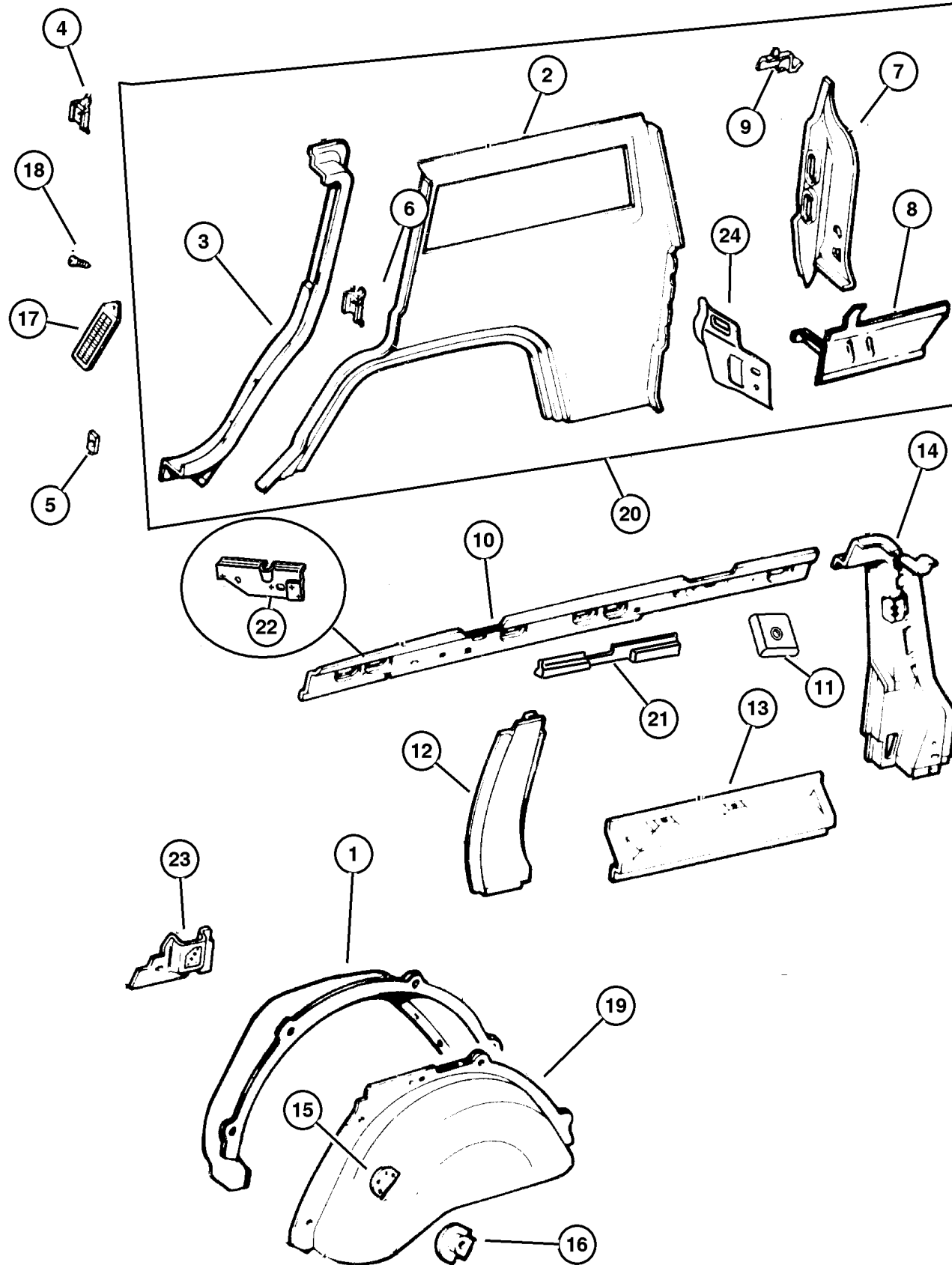


ITEM	PART NUMBER	QTY	LINE	SERIES	BODY	ENGINE	TRANS	TRIM	DESCRIPTION
1	55000 819AD	1							DOOR, Fuel Fill
2	3420 1661	2							SCREW AND WASHER, Button Head
3	55235 953AA	1							BUMPER, Fuel Door
4	5500 4206	1							SPRING, Fuel Filler Door
5	55235 953AA	1							BUMPER, Fuel Door
6	5534 5178	1							SEAL, Fuel Filler Flange
7	J546 4900	1							LABEL, Fuel
8	5534 5623	1							HOUSING, Fuel Filler
-9	5534 5178	1							SEAL, Fuel Filler Flange
10	3420 1208	5							RIVET, M4.8x13.23
11	55235 533AC	1							EXTENSION, Fuel Filler Housing
12	52100 230AC	1	J, T, U		72				
		1			74				
13	3420 1684	2							RIVET, M3.18x2.37

JEEP CHEROKEE (XJ)				
SERIES	LINE	BODY	ENGINE	TRANSMISSION
P=Classic	J=LHD (4WD)	74=4 Dr.(101.4WB)	ENC,EN0=2.5L 4 cyl. Turbo Die	DDD, DDQ=5 spd. Man.
S=Limited	U=RHD (4WD)	72=2 Dr.(101.4WB)	ERH,ER0=4.0L Power Tech I-6	DGS=4 spd. Auto. AISIN
H=Sport	T=LHD (2WD)		EPE,EP0=Magnum 2.5L SMPI	DG0=All Auto/Trans.
L=SE	B=RHD (2WD)			DBB=All Manual Trans.

AR = Use as required - = Non illustrated part # = New this model year December 7, 2002

**Panels, Rear Quarter, 4 Door
Figure SXJ-930**



ITEM	PART NUMBER	QTY	LINE	SERIES	BODY	ENGINE	TRANS	TRIM	DESCRIPTION
1									WHEELHOUSE, Rear Outer
	5523 5346	1			74				Right
	5523 5347	1			74				Left
2									PANEL, Quarter
	5523 5424	1			74				Right
	5523 5425	1			74				Left
3									PILLAR, Front Door Lock
	5517 5672	1			74				Right
	5517 5673	1			74				Left
4	4674 669	2			74				PLATE, Liftgate Striker
5	4520 288	2							STRIKER, Door Latch
6	5525 6174	1			74				RETAINER, Door Lock Striker
7									PANEL, Taillamp Mounting
	5523 5510	1			74				Right
	5523 5511	1			74				Left
8									EXTENSION, Rear Floor Pan
	5517 5960	1			74				Right
	5517 5961	1			74				Left
9	5517 6084	1			74				EXTENSION, Quarter Panel, Right
10									RAIL, Roof Side
	55235 332AB	1			74				Right
	55235 333AB	1			74				Left
11	#4490 111	1			74				TAPPING PLATE
12									REINFORCEMENT, Body Lock Pillar
	55235 792AA	1			74				Right
	55235 793AA	1			74				Left
13									RAIL, Rear Quarter Belt
	55235 794AA	1			74				Right
	55235 795AA	1			74				Left
14									PILLAR, Liftgate Opening
	5517 6096	1			74				Right
	5517 6097	1			74				Left
15	5502 6758	1			74				DOUBLER, Wheelhouse
16	5500 1231	1			74				BRACKET, Seat
17	5500 1980	2							EXHAUSTER, Quarter Panel
18									SCREW, .164-18x.437, (NOT SERVICED) (Not Serviced)
19									WHEELHOUSE, Rear Inner
	5500 0147	1			74				Left
	5502 7694	1			74				Right
20									PANEL, Quarter
	5523 5604	1			74				Right

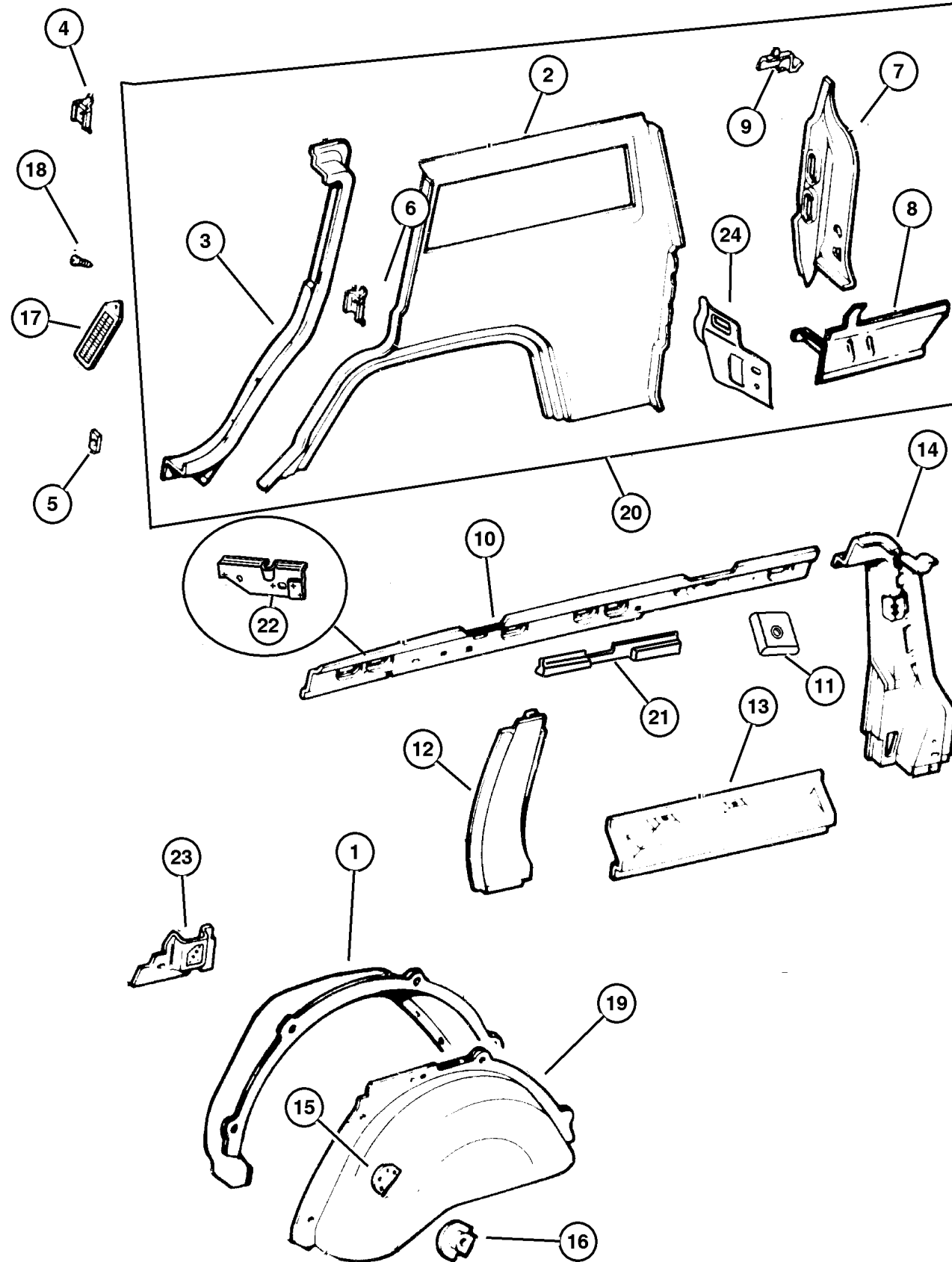
JEEP CHEROKEE (XJ)

SERIES	LINE	BODY	ENGINE	TRANSMISSION
P=Classic	J=LHD (4WD)	74=4 Dr.(101.4WB)	ENC,EN0=2.5L 4 cyl. Turbo Die	DDD, DDQ=5 spd. Man.
S=Limited	U=RHD (4WD)	72=2 Dr.(101.4WB)	ERH,ER0=4.0L Power Tech I-6	DGS=4 spd. Auto. AISIN
H=Sport	T=LHD (2WD)		EPE,EP0=Magnum 2.5L SMPI	DG0=All Auto/Trans.
L=SE	B=RHD (2WD)			DBB=All Manual Trans.

AR = Use as required - = Non illustrated part # = New this model year

December 7, 2002

**Panels, Rear Quarter, 4 Door
Figure SXJ-930**



ITEM	PART NUMBER	QTY	LINE	SERIES	BODY	ENGINE	TRANS	TRIM	DESCRIPTION
	5523 5605	1			74				Left
21	55006 988AC	2			74				REINFORCEMENT
22									REINFORCEMENT
	5523 5602	1			74				Right
	5523 5603	1			74				Left
23									BRACKET, Seat
	5500 1270	1			74				Right
	5500 1271	1			74				Left
24									REINFORCEMENT, Rear Corner
									Panel
	5523 5600	1			74				Right
	5523 5601	1			74				Left

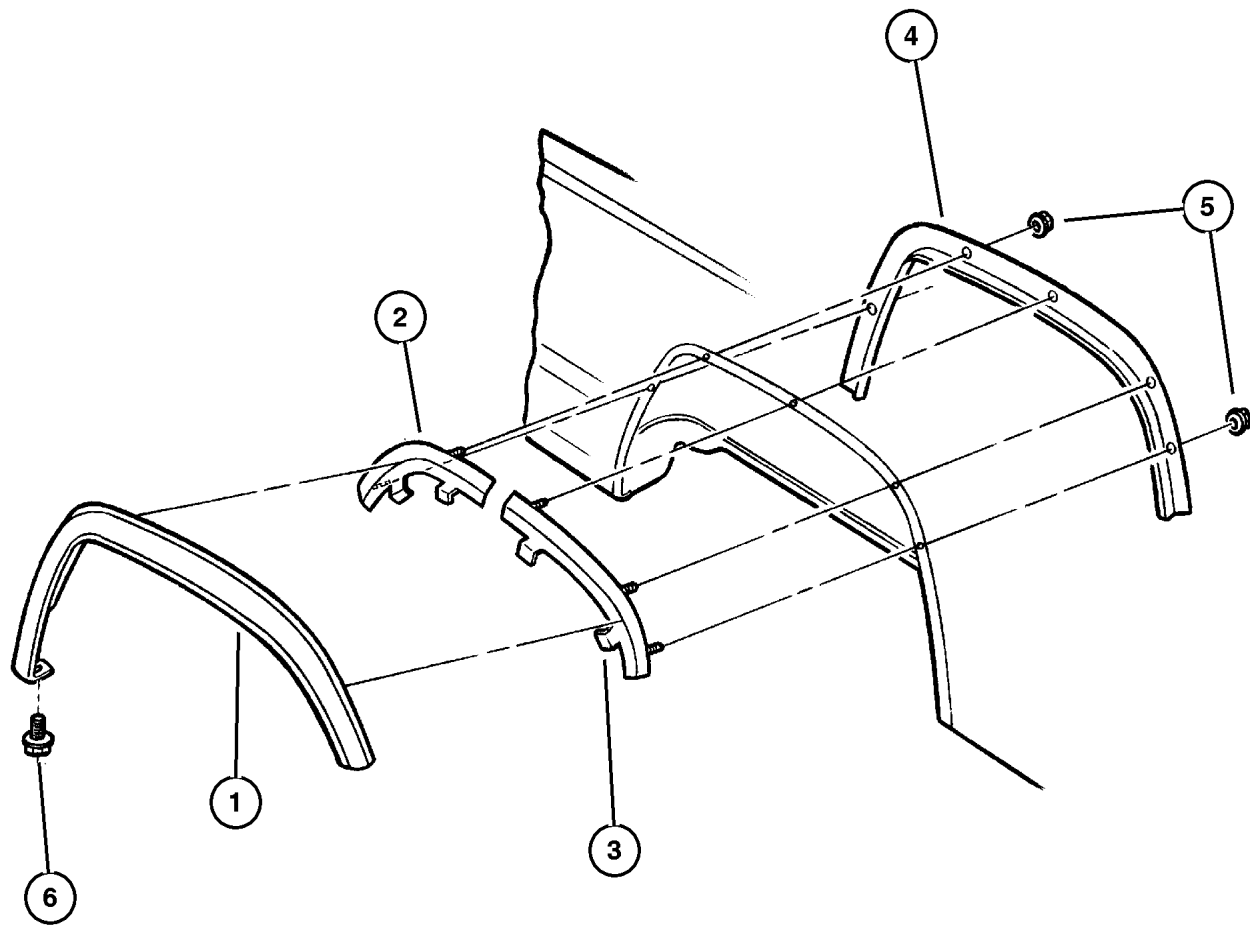
JEEP CHEROKEE (XJ)				
SERIES	LINE	BODY	ENGINE	TRANSMISSION
P=Classic	J=LHD (4WD)	74=4 Dr.(101.4WB)	ENC,EN0=2.5L 4 cyl. Turbo Die	DDD, DDQ=5 spd. Man.
S=Limited	U=RHD (4WD)	72=2 Dr.(101.4WB)	ERH,ER0=4.0L Power Tech I-6	DGS=4 spd. Auto. AISIN
H=Sport	T=LHD (2WD)		EPE,EP0=Magnum 2.5L SMPI	DG0=All Auto/Trans.
L=SE	B=RHD (2WD)			DBB=All Manual Trans.

AR = Use as required - = Non illustrated part # = New this model year

December 7, 2002

**Appliques, Rear Quarter Panel
Figure SXJ-940**

ITEM	PART NUMBER	QTY	LINE	SERIES	BODY	ENGINE	TRANS	TRIM	DESCRIPTION
1									APPLIQUE, Fender Wheel Opening
	5FW76 DX9AC	1							Flat Black, [K3Z], Right
	5FW74 WU7AC	1							Sienna, [K3U], Right
	5FW74 XS5AC	1							Silvertone, [K3L], Right
	5FW75 DX8AC	1							Glossy Black, [K3X], Left
	5FW75 PR4AC	1							Flame Red, [K3R], Left
	5FW75 RJPAC	1							Medium Fern Green, [K3M], Left
	5FW75 SG8AC	1							Forest Green, [K3G], Left
	5FW75 SW1AC	1							Stone White, [K3N], Left
	5FW75 WBTAC	1							Patroit Blue, [K3B], Left
	5FW75 WTDAC	1							Dessert Sand, [K3S], Left
	5FW75 WU7AC	1							Sienna, [K3U], Left
	5FW77 DX9AC	1							Flat Black, [K3Z], Left
	5FW75 XS5AC	1							Silvertone, [K3L], Left
	5FW74 DX8AC	1							Glossy Black, [K3X], Right
	5FW74 PR4AC	1							Flame Red, [K3R], Right
	5FW74 RJPAC	1							Medium Fern Green, [K3M], Right
	5FW74 SG8AC	1							Forest Green, [K3G], Right
	5FW74 SW1AC	1							Stone White, [K3N], Right
	5FW74 WBTAC	1							Patroit Blue, [K3B], Right
	5FW74 WTDAC	1							Dessert Sand, [K3S], Right
2									RETAINER, Applique
	55155 678AC	1							Right
	55155 679AC	1							Left
3									RETAINER, Applique
	55155 680AC	1							Right
	55155 681AC	1							Left
4									LINER, Fender Side
	5517 5898	1							Right
	5517 5899	1							Left
5	J420 0408	10							NUT AND WASHER, Hex Nut-Coned Washer, M5 x 0.80
6	0153 185	2							SCREW, .164-18x.500



JEEP CHEROKEE (XJ)

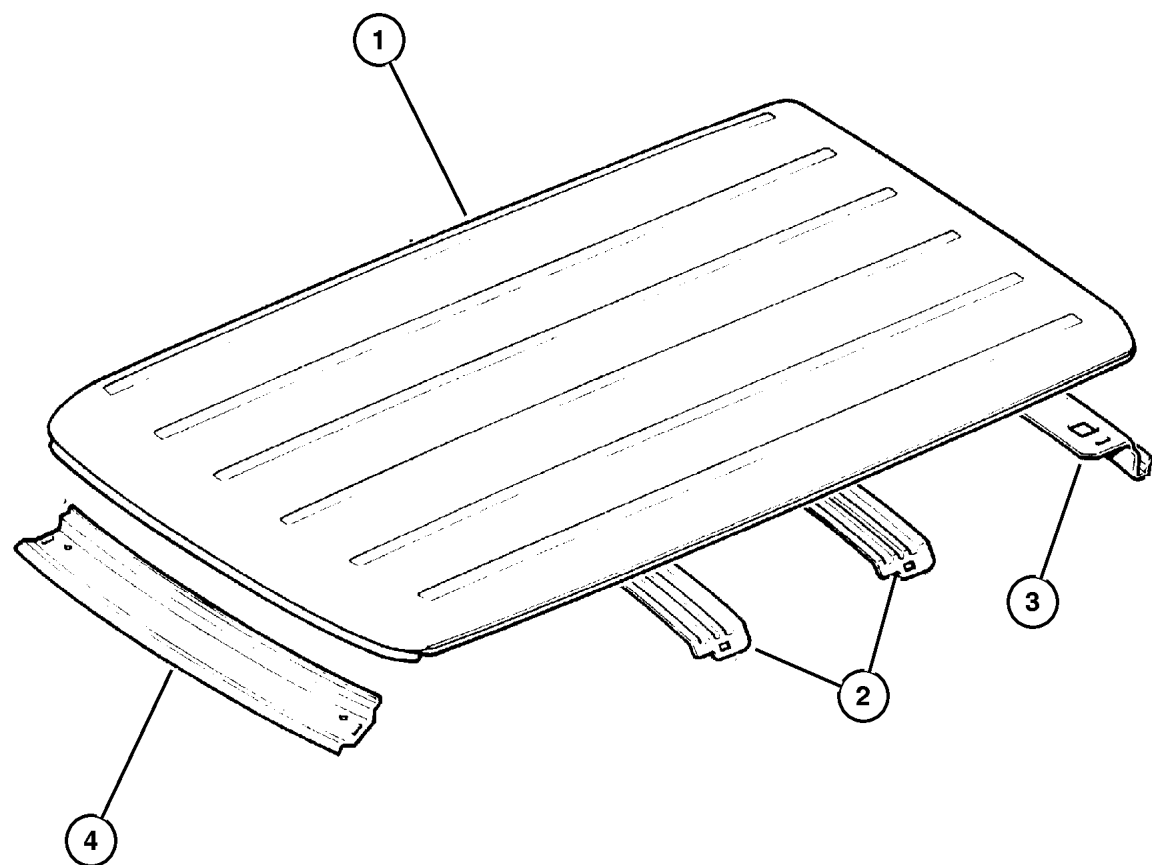
SERIES	LINE	BODY	ENGINE	TRANSMISSION
P=Classic	J=LHD (4WD)	74=4 Dr.(101.4WB)	ENC,EN0=2.5L 4 cyl. Turbo Die	DDD, DDQ=5 spd. Man.
S=Limited	U=RHD (4WD)	72=2 Dr.(101.4WB)	ERH,ER0=4.0L Power Tech I-6	DGS=4 spd. Auto. AISIN
H=Sport	T=LHD (2WD)		EPE,EP0=Magnum 2.5L SMPI	DG0=All Auto/Trans.
L=SE	B=RHD (2WD)			DBB=All Manual Trans.

AR = Use as required - = Non illustrated part # = New this model year

December 7, 2002

**Roof Panel
Figure SXJ-1110**

ITEM	PART NUMBER	QTY	LINE	SERIES	BODY	ENGINE	TRANS	TRIM	DESCRIPTION
1	5517 5156	1							PANEL, Roof, With or Without Luggage Rack. Only One Roof Used In Production.
2	55000 138AB	2							SUPPORT, Roof
3	#55176 169AE	1							PANEL, Liftgate
4	5523 5339	1							HEADER, Windshield

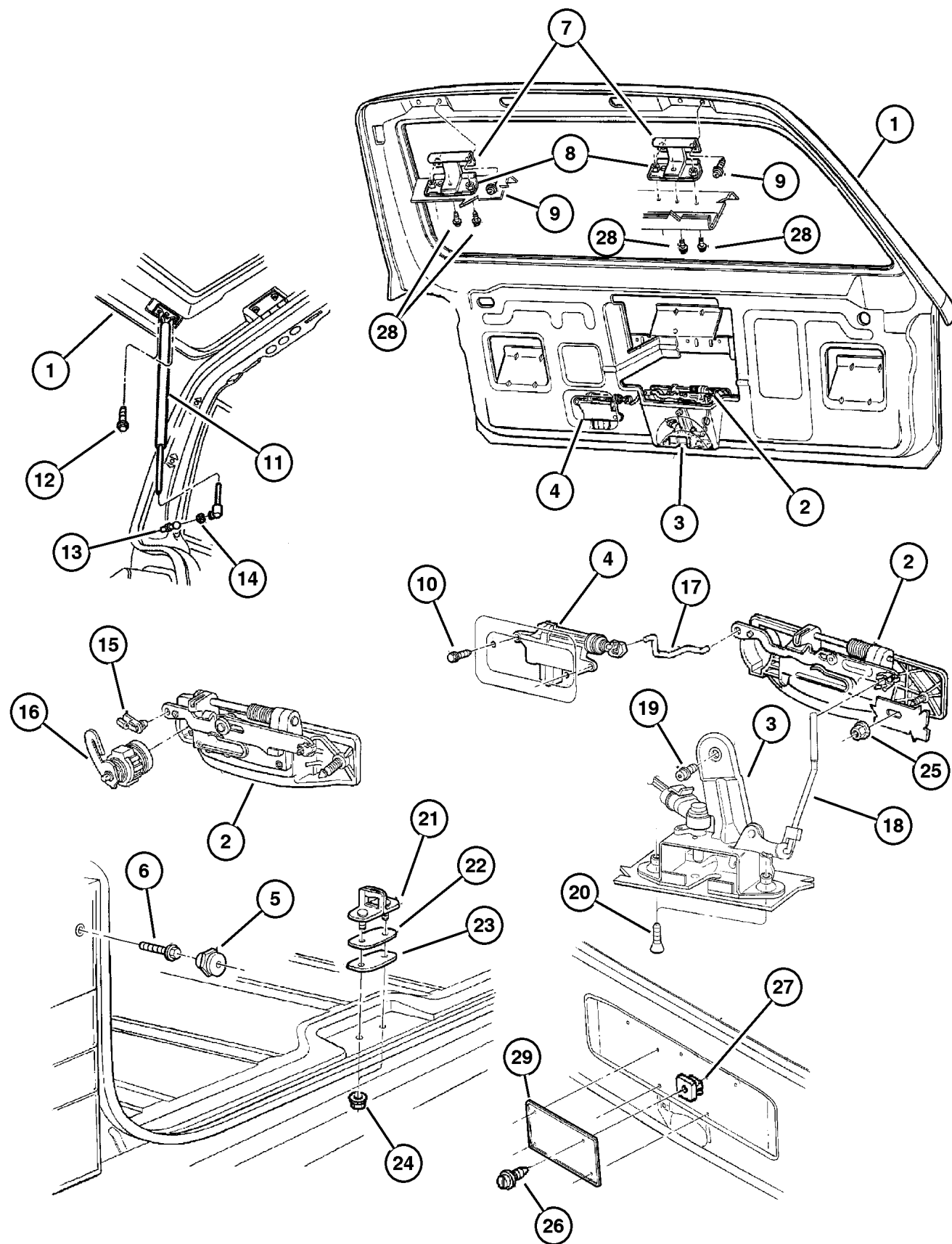


JEEP CHEROKEE (XJ)				
SERIES	LINE	BODY	ENGINE	TRANSMISSION
P=Classic	J=LHD (4WD)	74=4 Dr.(101.4WB)	ENC,EN0=2.5L 4 cyl. Turbo Die	DDD, DDQ=5 spd. Man.
S=Limited	U=RHD (4WD)	72=2 Dr.(101.4WB)	ERH,ER0=4.0L Power Tech I-6	DGS=4 spd. Auto. AISIN
H=Sport	T=LHD (2WD)		EPE,EP0=Magnum 2.5L SMPI	DG0=All Auto/Trans.
L=SE	B=RHD (2WD)			DBB=All Manual Trans.

AR = Use as required - = Non illustrated part # = New this model year

December 7, 2002

Lift Door, Latch and Hinges
Figure SXJ-1310



ITEM	PART NUMBER	QTY	LINE	SERIES	BODY	ENGINE	TRANS	TRIM	DESCRIPTION
1	55174 895AF	1							LIFTGATE
2	55076 016AE	1							HANDLE, Liftgate
3	55235 643AB	1							LATCH, Liftgate
4	55295 716AB	1							ACTUATOR, Liftgate Lock
5	5525 4847	2							BUMPER, Liftgate
6	6035 646	2							BOLT, Hex Head, .312-18
7	55076 225AC	2							HINGE, Liftgate
8	5523 5699	2							SEAL, Hinge
9	6503 757	4							SCREW AND WASHER, Hex Head, M8-1.25x22.00
10									SCREW, [.250-14x.750], (NOT SERVICED) (Not Serviced)
11	5507 6208	2							PROP, Liftgate
12									SCREW, M6x1.00x20, (NOT SERVICED) (Not Serviced)
13	55075 205AB	2							BALL STUD, Liftgate Glass
14									WASHER, (NOT SERVICED) (Not Serviced)
15	4658 677	1							CLIP, Latch Link
16									LOCK CYLINDER, Decklid, See Group 23c, (NOT SERVICED) (Not Serviced)
17	5507 6377	1							LINK, Latch Locking
18	5507 5860	1							ROD, Liftgate Handle to Latch
19	6503 154	1							SCREW AND WASHER, Round Head, M8x1.25x20
20	6502 623	2							SCREW, Flat Head, M8x1.25x23
21	5529 6077	1							STRIKER, Door Latch
22	55235 844AA	AR							STRIKER, Seal Plate
23	55235 842AA	1							STRIKER, Seal Plate
24	6101 761	2							NUT, Coned Washer, M10 x 1.50
25	6501 730	1							NUT, Retainer, M6 x 1.00
26	6502 407	4							SCREW AND WASHER, Hex Head, M6x1x20
27									NUT, (NOT SERVICED) (Not Serviced)
28	6506 458AA	4							SCREW AND WASHER, Hex Head, M8x1.25x25
29									LICENSE PLATE KIT, (NOT SERVICED) (Not Serviced)

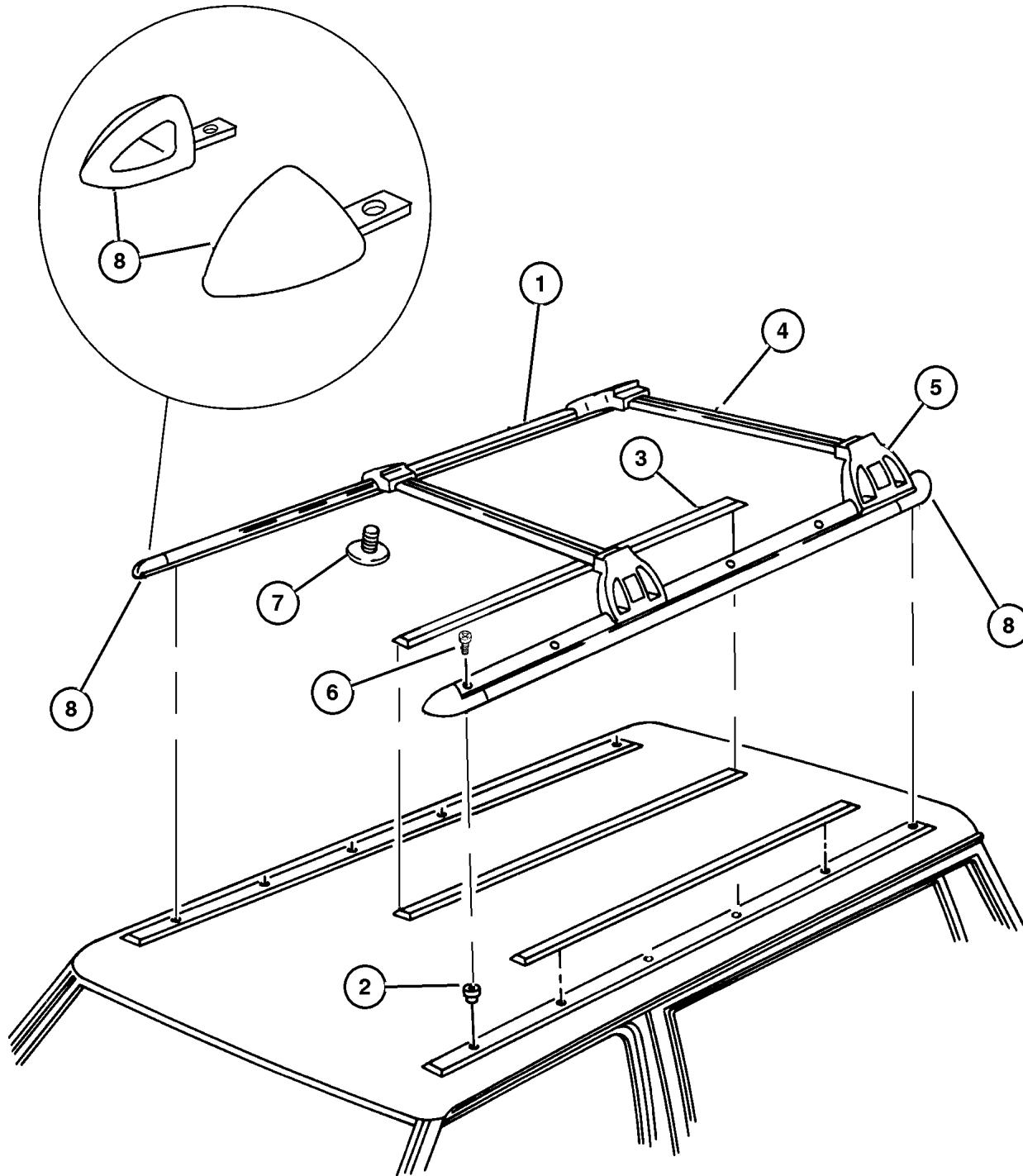
JEEP CHEROKEE (XJ)

SERIES	LINE	BODY	ENGINE	TRANSMISSION
P=Classic	J=LHD (4WD)	74=4 Dr.(101.4WB)	ENC,EN0=2.5L 4 cyl. Turbo Die	DDD, DDQ=5 spd. Man.
S=Limited	U=RHD (4WD)	72=2 Dr.(101.4WB)	ERH,ER0=4.0L Power Tech I-6	DGS=4 spd. Auto. AISIN
H=Sport	T=LHD (2WD)		EPE,EP0=Magnum 2.5L SMPI	DG0=All Auto/Trans.
L=SE	B=RHD (2WD)			DBB=All Manual Trans.

AR = Use as required - = Non illustrated part # = New this model year

December 7, 2002

Rack, Roof Luggage
Figure SXJ-1610



ITEM	PART NUMBER	QTY	LINE	SERIES	BODY	ENGINE	TRANS	TRIM	DESCRIPTION
1	55235 979AA	2							RAIL, Luggage Rack Side
2	6503 910	12							NUT
3	55075 106AB	4							SKID STRIP, Roof Rack
4	55235 978AA	2							CROSS BAR, Roof Rack
5									STANCHION, LUGG RACK CROSS RAIL
	55076 028AB	2							Right
	55076 029AB	2							Left
6	6505 937AA	10							SCREW, Pan Head
7	6035 499	4							SCREW, Pan Head Tapping, .242-10x.625
8									CAP, Side Rail
	55236 002AA	2							Right
	55236 003AA	2							Left

JEEP CHEROKEE (XJ)

SERIES	LINE	BODY	ENGINE	TRANSMISSION
P=Classic	J=LHD (4WD)	74=4 Dr.(101.4WB)	ENC,EN0=2.5L 4 cyl. Turbo Die	DDD, DDQ=5 spd. Man.
S=Limited	U=RHD (4WD)	72=2 Dr.(101.4WB)	ERH,ER0=4.0L Power Tech I-6	DGS=4 spd. Auto. AISIN
H=Sport	T=LHD (2WD)		EPE,EP0=Magnum 2.5L SMPI	DG0=All Auto/Trans.
L=SE	B=RHD (2WD)			DBB=All Manual Trans.

AR = Use as required - = Non illustrated part # = New this model year

December 7, 2002