

INSTRUMENT PANEL - STANDARD

1988 Jeep Cherokee

1988 Switches & Instrument Panels
JEEP

DESCRIPTION & OPERATION

Instrument panel is composed of speedometer housing, tachometer and instrument cluster gauges.

FUEL GAUGE

System consists of a fuel gauge, an in-tank sending unit, and appropriate wiring. Fuel gauge is grounded through variable resistor of sending unit. A float attached to a slide rheostat follows fuel level and varying resistance increases or decreases indicator reading.

TEMPERATURE GAUGE

System consists of gauge and sending unit and appropriate wiring. The gauge is grounded through variable resistor of sending unit. Changes in coolant temperature vary resistance in sending unit, increasing or decreasing indication on gauge.

VOLTMETER

The voltmeter indicates regulated voltage to provide an indication of charging system's ability to maintain battery charge.

OIL PRESSURE GAUGE

The oil pressure gauge system consists of gauge and a variable resistance sending unit. Gauge needle, attached to bi-metallic strip, responds to temperature changes.

REMOVAL & INSTALLATION

INSTRUMENT CLUSTER

Removal & Installation

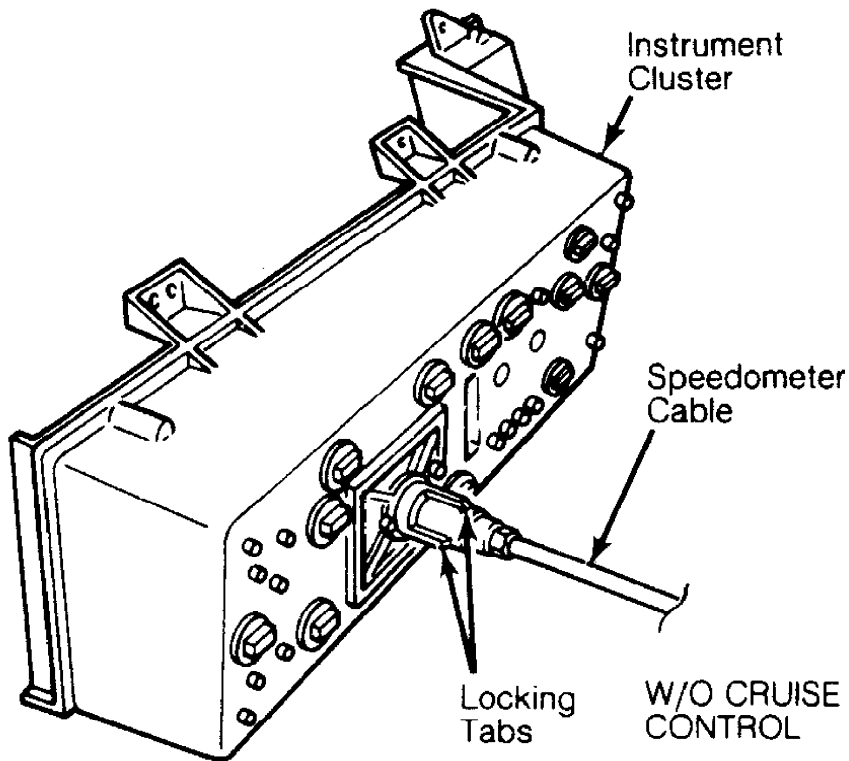
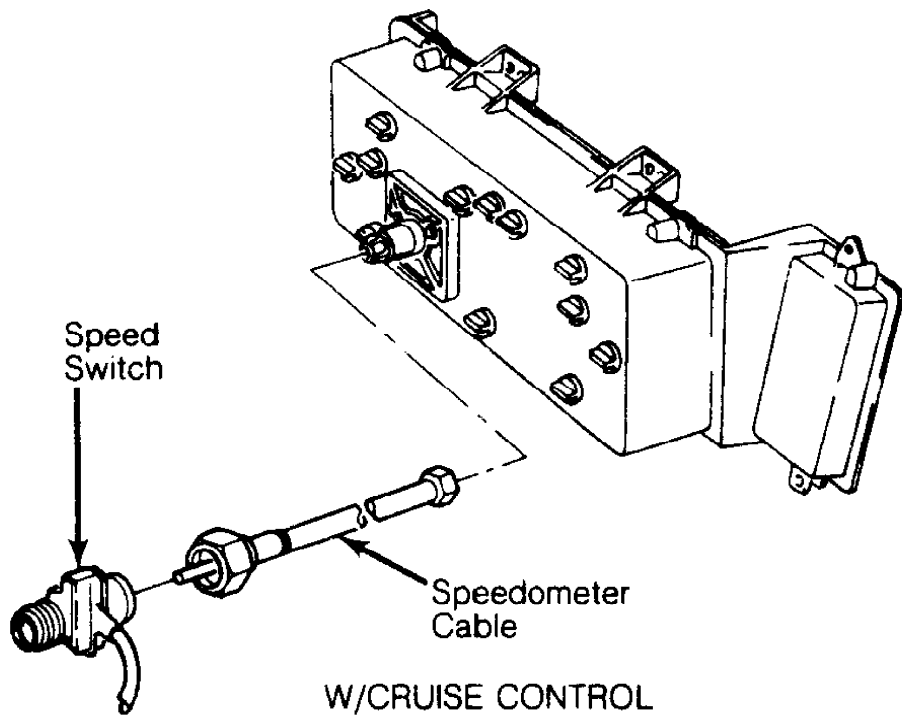
1) Disconnect negative battery cable. On models with cruise control, reach behind instrument cluster and disconnect speedometer cable from speed switch. See Fig. 1.

2) On models without cruise control, raise vehicle on hoist. Disconnect speedometer cable from transfer case (or transmission) and at frame rail bracket. Move speedometer cable forward and upward to provide slack. Lower vehicle.

3) On all models, remove instrument panel bezel screws and bezel. Remove screws attaching cigarette lighter and switch housings to instrument panel. Move housings aside.

4) Remove screws attaching cluster to instrument panel and carefully pull cluster and speedometer toward rear of vehicle. Disconnect wiring harness connectors.

5) Squeeze speedometer cable locking tabs and disconnect cable from speedometer. See Fig. 1. Remove instrument cluster. To install, reverse removal procedure.



17116
 Fig. 1: Speedometer Cable Disconnect Points
 Courtesy of Chrysler Motors.

SPEEDOMETER & TACHOMETER

Removal & Installation

Remove and disassemble instrument cluster. Remove speedometer, tachometer, or gauge being serviced. To install, reverse removal procedure.