

SERVICE INDICATOR & WARNING LIGHTS

1988 Jeep Cherokee

1984-92 MAINTENANCE
AMC/Jeep/Eagle Service Indicator & Warning Lights
Jeep; Cherokee, Wagoneer

SERVICE INDICATOR & WARNING LIGHTS

BRAKE WARNING LIGHT

If the light stays on when the parking brake is off, it indicates a possible brake system fluid leak or low pressure level.

LOCK INDICATOR LIGHT (1984-87)

Indicates that Selec-Trac transfer case is in part time 4WD (high or low range).

FULL TIME 4WD INDICATOR LIGHT

Indicates that Selec-Trac transfer case is in full-time 4WD (4x4 FULL TIME).

PART TIME 4WD INDICATOR LIGHT

Indicates that Selec-Trac transfer case is in part time 4WD (4x4 PART TIME or 4 LO) or that Command-Trac transfer case is in 4WD (4H or 4L).

WATER IN FUEL LIGHT (TURBO DIESEL)

Indicates water has collected in the fuel filter and should be drained immediately.

DIESEL WAIT LIGHT (TURBO DIESEL)

Illuminates during glow plugs warm-up cycle.

LOW FUEL WARNING LIGHT

Glows when approximately 2 gals. (7.6L) remain in fuel tank.

EMISSION MAINTENANCE INDICATOR LIGHT

Illuminates at approximately 82,500 miles to indicate scheduled maintenance (or recommended maintenance on California vehicles). Light will remain on until system is serviced and light is reset.

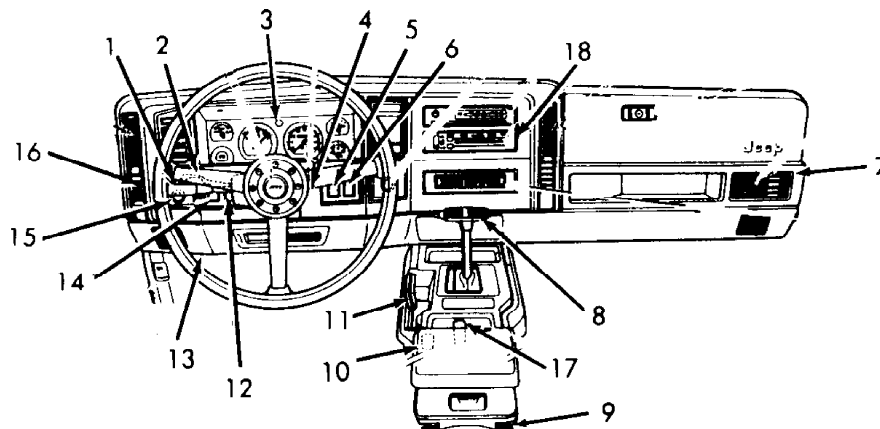
CHECK ENGINE LIGHT

If this light illuminates and remains on while driving, it indicates a potential engine control problem that needs service.

CHECK ANTI-LOCK LIGHT

Illuminates to indicate a self-check is in process at vehicle start up. If light remains on after start-up or comes on and stays on

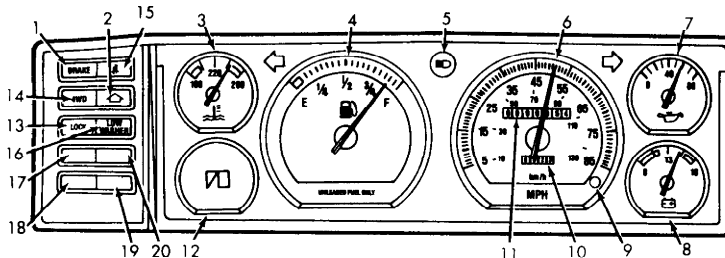
at road speeds, it may indicate that the ABS system has detected a malfunction or has become inoperative. The system reverts to standard non-anti-lock brakes. If both Red BRAKE light and Amber CHECK ANTI-LOCK light are on, have vehicle serviced immediately.



- | | |
|---|---|
| 1. Multifunction Stalk: Turn Signals, Wiper/Washer, High Beam, Cruise Control | 10. Power Remote Outside Mirror Control |
| 2. Tilt Steering Column Control | 11. Transfer Case Shift Lever |
| 3. Instrument Cluster | 12. Rear Window Defogger/Defroster Switch |
| 4. Hazard Warning Flasher Switch | 13. Fuse Panel |
| 5. Automatic Transmission Mode Selection Switch | 14. Fog Lamp Switch |
| 6. Rear Window Wiper/Washer Control | 15. Headlight Switch |
| 7. Side Window Defogger | 16. Side Window Defogger |
| 8. Gear Shift Lever | 17. Parking Brake |
| 9. Rear Seat Heater Outlet | 18. Climate Controls |

90C06574

Fig. 1: Instrument Panel Interior Controls
Courtesy of Chrysler Motors.



- | | | |
|---|---------------------------------------|---|
| 1. BRAKE & Brake Fluid Pressure Warning Light | 8. Alternator Warning Light/Voltmeter | 15. Security (1991-92) |
| 2. Upshift Indicator Light (1984-90) | 9. Trip Odometer Reset Knob | 16. Seat Belt Warning Light (1991-92) |
| 3. Engine Coolant Temperature Gauge/Warning Light | 10. Trip Odometer | 17. CHECK ENGINE Warning Light (1991-92) |
| 4. Fuel Gauge | 11. Speedometer | 18. Upshift Indicator Light (1991-92) |
| 5. Headlights High Beam Indicator | 12. Low Fuel Warning Light | 19. CHECK ANTI-LOCK (1991-92) |
| 6. Speedometer | 13. Lock Indicator Light (1984-90) | 20. Low Windshield Washer Fluid Warning Light |
| 7. Oil Pressure Gauge/Warning Light | 14. Full Time 4WD Indicator Light | |

90506577

Fig. 2: Dash Gauges & Warning Lights (Gasoline Engines)
Courtesy of Chrysler Motors.

- 1. Turbo Boost
- 2. Water in Fuel
- 3. Diesel Wait
- 4. Alternator Warning Light
- 5. Engine Oil Pressure Gauge

90B06578

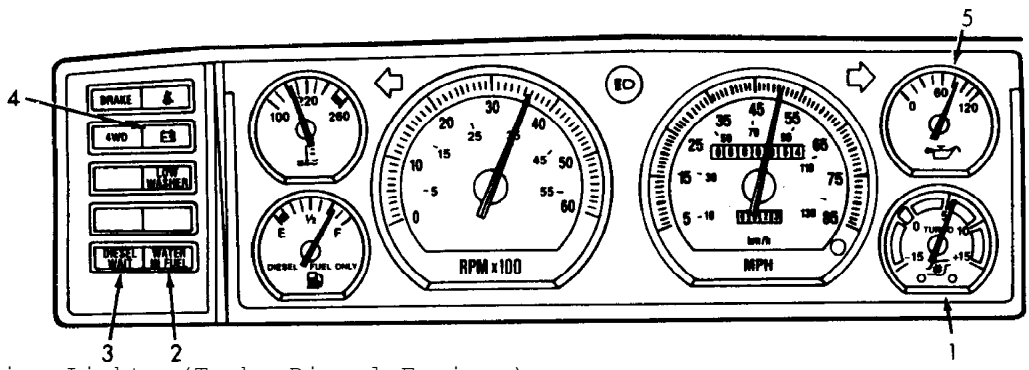


Fig. 3: Dash Gauges & Warning Lights (Turbo-Diesel Engines)
 Courtesy of Chrysler Motors.