

VACUUM DIAGRAMS

1988 Jeep Cherokee

1988 Exhaust Emission Systems
JEEP VACUUM DIAGRAMS

DIAGRAM ABBREVIATIONS

JEEP VACUUM DIAGRAM ABBREVIATIONS

CTO	Coolant Temperature Override
EGR	Exhaust Gas Recirculation
HDC CTO	Heavy Duty Cooling, Coolant Temperature Override
PCV	Positive Crankcase Ventilation
TAC	Thermostatic Air Cleaner
VSD	Vacuum Signal Dump

VACUUM DIAGRAMS

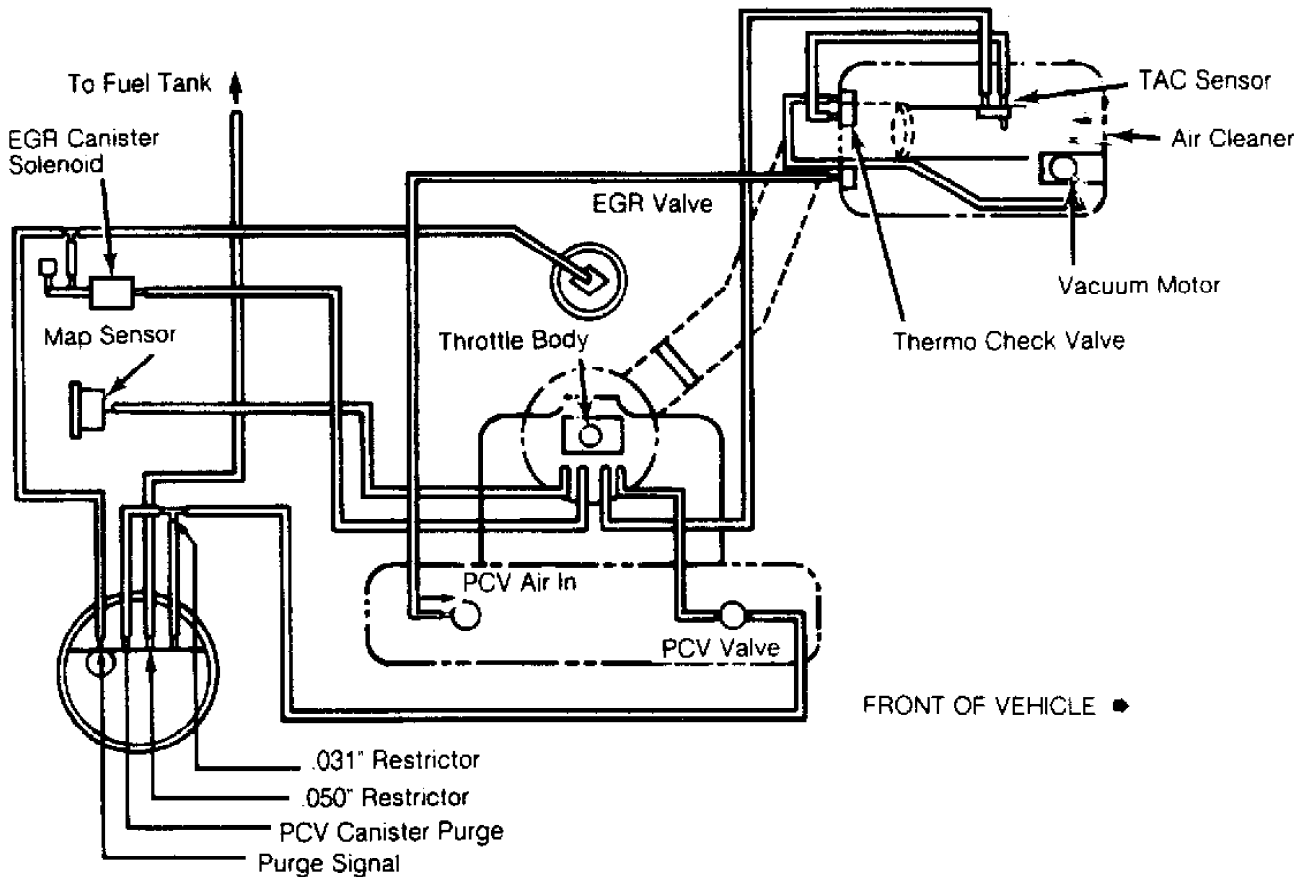


Fig. 1: 2.5L 4-Cylinder
Courtesy of Chrysler Motors.

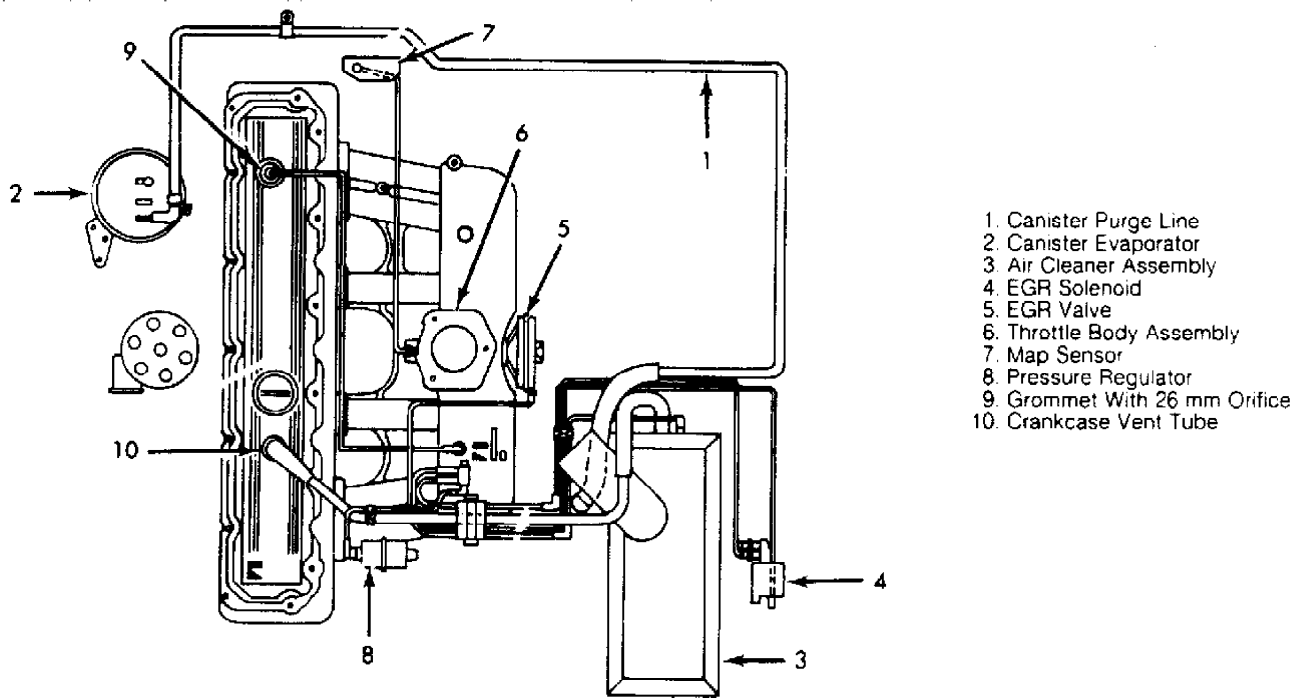


Fig. 2: 4.0L 6-Cylinder
 Courtesy of Chrysler Motors.

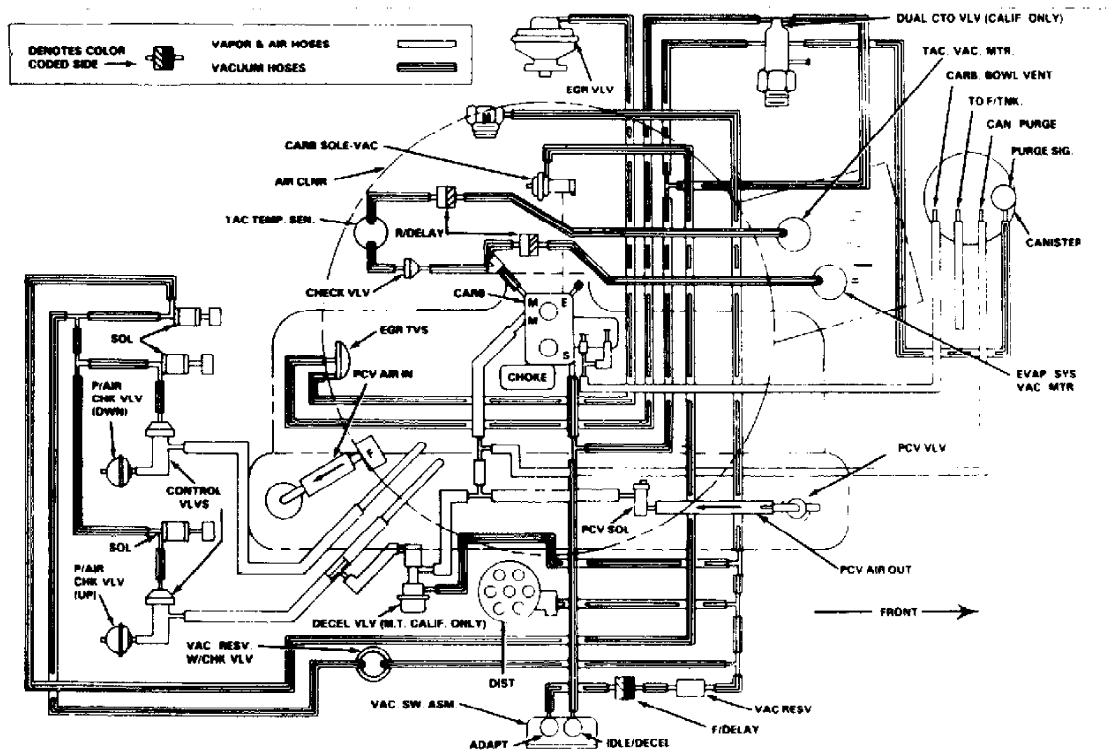


Fig. 3: 4.2L 6-Cylinder
 Courtesy of Chrysler Motors.

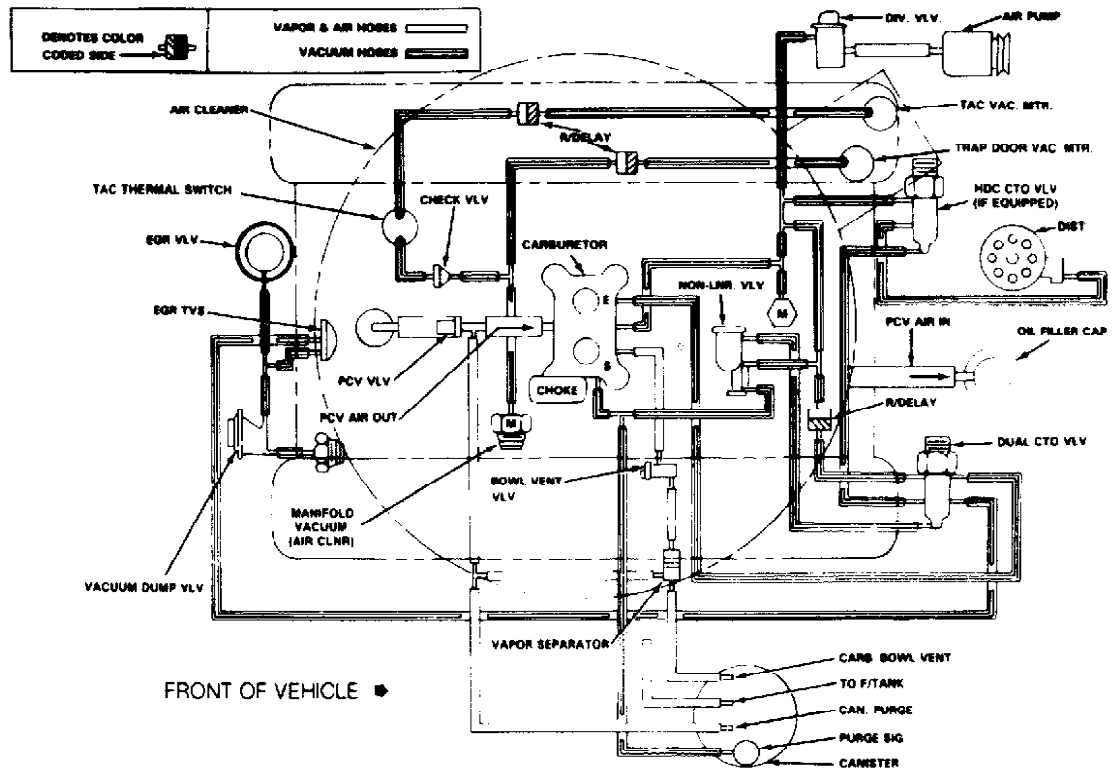


Fig. 4: 6.0L V8
 Courtesy of Chrysler Motors.