

# WIRING DIAGRAMS

## 1988 Jeep Cherokee

1988 Wiring Diagrams  
Jeep

Cherokee & Wagoneer

### IDENTIFICATION

#### COMPONENT LOCATION MENU

##### COMPONENT LOCATIONS TABLE

Component	Figure No. (Location)
A/C & Htr Systems	5 (A-D 16-19)
Alternator	1 (C 3)
Audio Alarm Module	7 (D 27)
Back-Up Lt Sw (M/T)	4 (D 12)
Battery	1 (A 2)
Beam Sel Sw	6 (E 23)
Brake Warning Sw	6 (C 20)
Clock	7 (E 27)
Clutch Switch	4 (E 15)
Courtesy Lights	7 (C 24-26)
Cruise Ctrl Sys	4 (E 12-15)
Diag Conn D1 (2.5L)	3 (B 9)
Diag Conn D1 (4.0L)	2 (B 4)
Diag Conn D2 (2.5L)	3 (B 11)
Diag Conn D2 (4.0L)	2 (B 7)
DIR Hazard Sw	6 (D-E 20-21)
Door Switches	7 (C 27)
Elect Ctrl Unit (2.5L)	3 (A 9-10)
Elect Ctrl Unit (4.0L)	2 (A 4-7)
Engine Compartment Lt	1 (C 1)
Fog Light Relay	1 (D 2)
Fog Light Sw	6 (E 21-22)
Fuel Pump Rly (2.5L)	3 (C 9)
Fuel Pump Rly (4.0L)	2 (E 5-6)
Fuel Tank Unit	6 (B 20)
Fus Links	1 (B 2-3)
Fuse Block	4 (B-D 12-15)
4WD Switch	6 (C 20, D 21)
Gear Sel Sw	5 (C 16)
Glove Box Light	7 (C 25)
Headlight Delay Module	6 (E 23)
Headlight Switch	6 (D 22-23)
Horn Relay	1 (C 2)
Ignition Ctrl Mod (2.5L)	3 (B-C 8)
Ignition Ctrl Module (4.0L)	2 (E 4)
Ignition Key Warn Sw	7 (D 26)
Ignition Switch	4 (A 12-15)
Illum Lights	7 (C-D 24-25)
Instrument Cluster	6 (A-C 22-23)
Keyless Entry Module	7 (B 24-25)
Latch Rly (B+) (4.0L)	2 (B-C 4)
Power Antenna Rly	7 (D-E 27)
Power/Comfort Sw	5 (D 19)
Power Door Lock Sys	7 (A-C 24-27)
Power Mirror Sw	7 (D-E 24-25)
Power Seat Sw	8 (A-B 28-29)

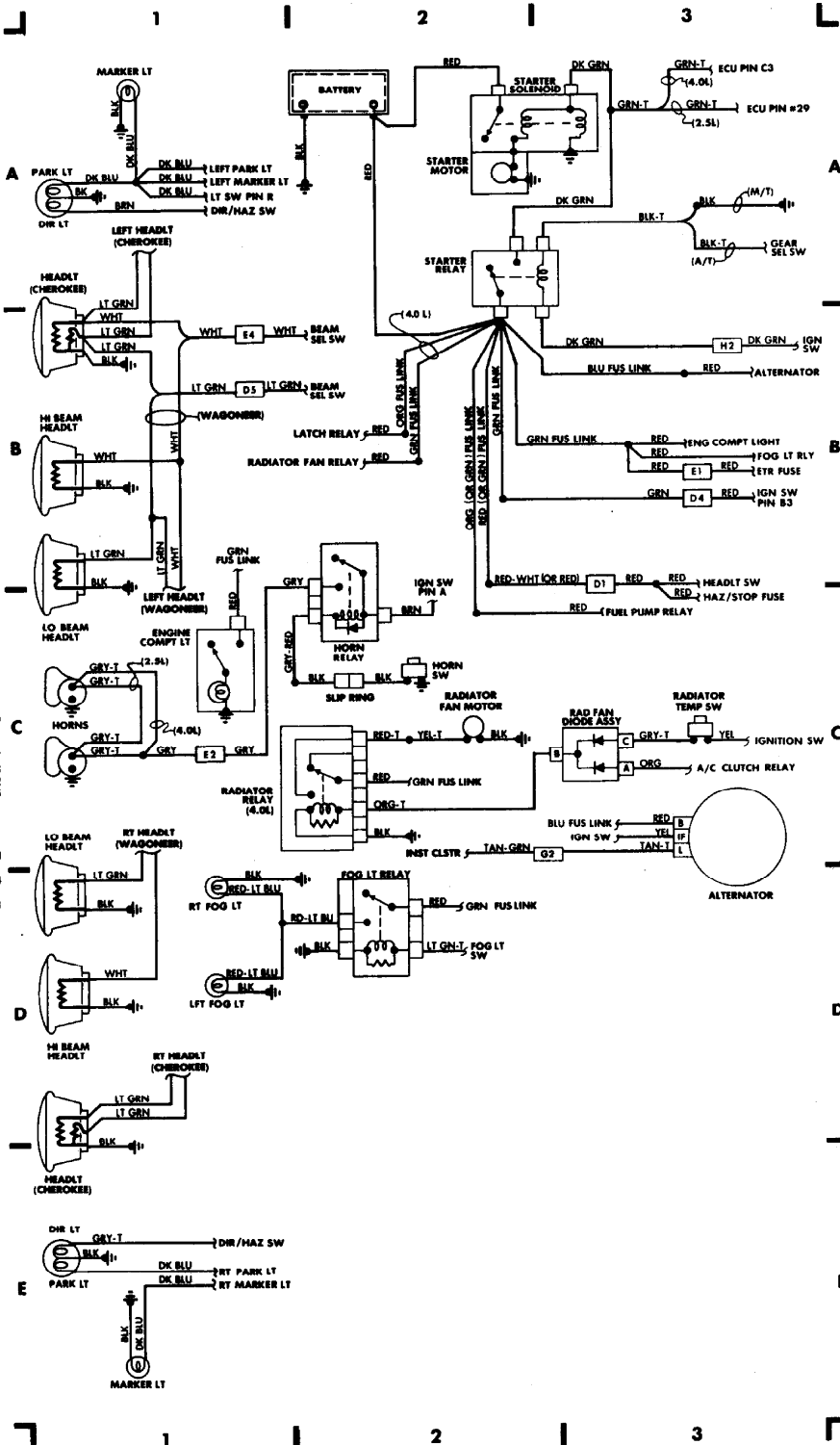
Power Window Sys .....	7 (A-C 24-27)
Radiator Fan Rly (4.0L) .....	1 (C 1-2)
Radiator Fan Diode Assy .....	1 (C 3)
Radiator Temp Switch .....	1 (C 3)
Rear Defogger Unit .....	8 (D 28-29)
Rear Wiper/Washer Unit .....	8 (B-C 29-30)
Resistor Pack .....	6 (E 21)
Rt Fnt Door Lock/Window Switch .....	7 (B 26-27)
Starter Solenoid .....	1 (A 2-3)
Starter Solenoid Relay .....	1 (A 2)
Stop Light Switch .....	4 (E 15)
Trailer Towing Harness (Cherokee) .....	8 (E 28-31)
Trailer Towing Harness (Wagoneer) .....	8 (A 28-31)
Trans Ctrl Unit .....	5 (D-E 16-19)
Upshift Sw (2.5L) .....	6 (C 21)
Vanity Lights .....	7 (C 24)
Washer Fluid Level Sw .....	3 (D 11)
Wiper/Washer System .....	3 (D-E 8-11)

---

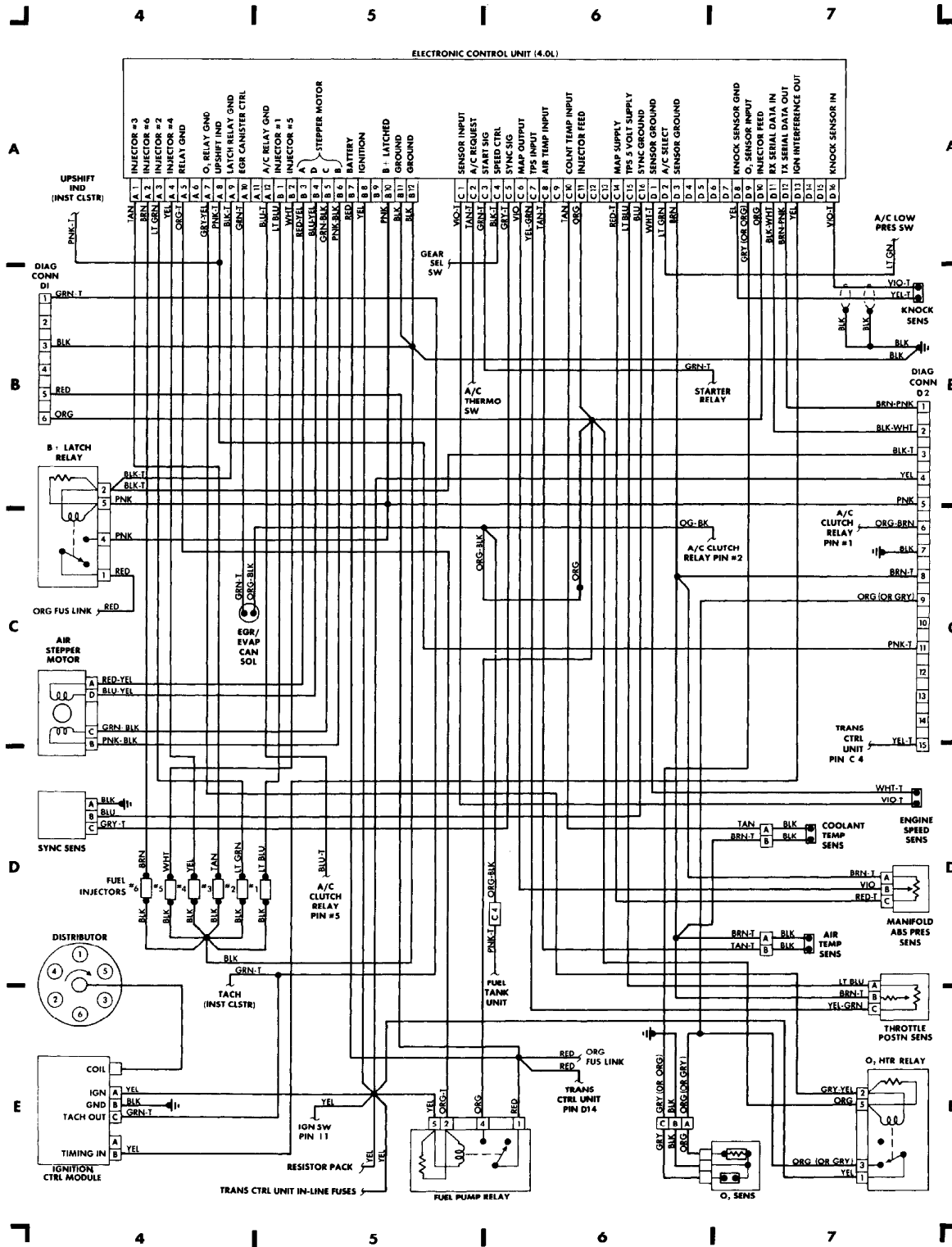
## WIRING DIAGRAMS

**COMPONENT LOCATOR:**

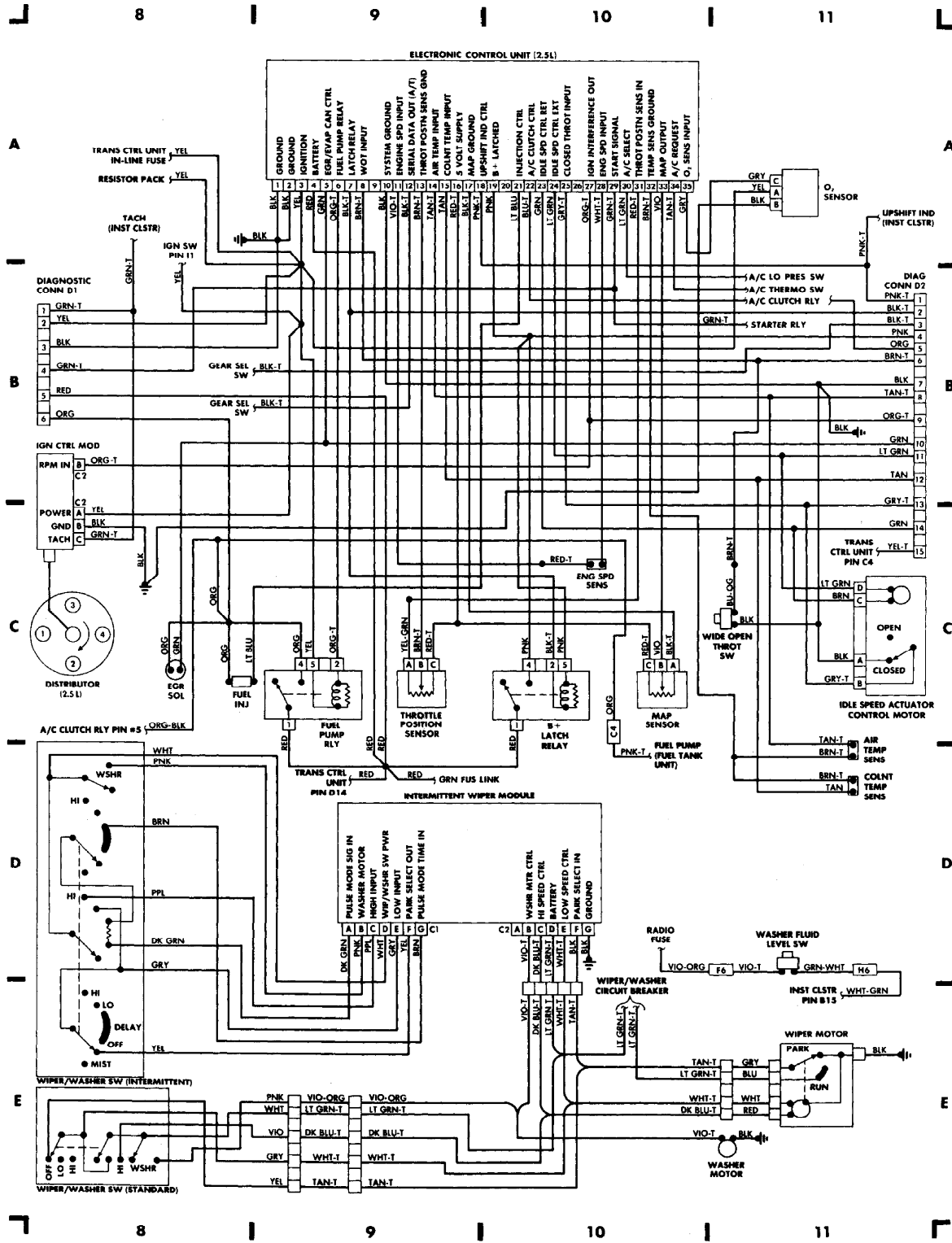
A/C & HTR SYSTEMS	.....	A-D 16-19
ALTERNATOR	.....	C 3
AUDIO ALARM MODULE	.....	D 27
BACK-UP LT SW (M/T)	.....	D 12
BATTERY	.....	A 2
BEAM SEL SW	.....	E 23
BRAKE WARNING SW	.....	C 20
CLOCK	.....	E 27
CLUTCH SWITCH	.....	E 15
COURTESY LIGHTS	.....	C 24-26
CRUISE CTRL SYS	.....	E 12-15
DIAG CONN D1 (2.5L)	.....	B 9
DIAG CONN D1 (4.0L)	.....	B 4
DIAG CONN D2 (2.5L)	.....	B 11
DIAG CONN D2 (4.0L)	.....	B 7
DIR HAZARD SW	.....	D-E 20-21
DOOR SWITCHES	.....	C 27
ELECT CTRL UNIT (2.5L)	.....	A 9-10
ELECT CTRL UNIT (4.0L)	.....	A 4-7
ENGINE COMPARTMENT LT	.....	C 1
FOG LIGHT RELAY	.....	D 2
FOG LIGHT SW	.....	E 21-22
FUEL PUMP RLY (2.5L)	.....	C 9
FUEL PUMP RLY (4.0L)	.....	E 5-6
FUEL TANK UNIT	.....	B 20
FUS LINKS	.....	B 2-3
FUSE BLOCK (2.5L)	.....	B 4-15
4WD SWITCH	.....	C 20, D 21
GEAR SEL SW	.....	C 16
GLOVE BOX LIGHT	.....	C 25
HEADLIGHT DELAY MODULE	.....	E 23
HEADLIGHT SWITCH	.....	D 22-23
HORN RELAY	.....	C 2
IGNITION CTRL MOD (2.5L)	.....	B-C 8
IGNITION CTRL MODULE (4.0L)	.....	E 4
IGNITION SWITCH	.....	A 12-15
ILLUM LIGHTS	.....	C-D 24-25
INSTRUMENT CLUSTER	.....	A-C 22-23
KEYLESS ENTRY MODULE	.....	B 24-25
LATCH RLY (B-1) (4.0L)	.....	B-C 4
POWER ANTENNA RLY	.....	D-E 27
POWER/COMFORT SW	.....	D 19
POWER MIRROR SW	.....	D-E 24-25
POWER SEAT SW	.....	A-B 28-29
POWER WINDOW SYS	.....	A-C 24-27
RADIATOR FAN RLY (4.0L)	.....	C 1-2
RADIATOR TEMP SWITCH	.....	C 3
REAR DEFOGGER UNIT	.....	D 28-29
REAR WIPER/WASHER UNIT	.....	B-C 29-30
RESISTOR PACK	.....	E 21
RT FNT DOOR LOCK/WINDOW SWITCH	.....	B 26-27
STARTER SOLENOID	.....	A 2-3
STARTER SOLENOID RELAY	.....	A 2
STOP LIGHT SWITCH	.....	E 15
TRAILER TOWING HARNESS (CHEROKEE)	.....	E 28-31
TRAILER TOWING HARNESS (WAGONER)	.....	A 28-31
TRANS CTRL UNIT	.....	D-E 16-19
UPSHIFT SW (2.5L)	.....	C 21
VANITY LIGHTS	.....	C 24
WASHER FLUID LEVEL SW	.....	D 11
WIPER/WASHER SYSTEM	.....	D-E 8-11



96607  
Fig. 1: Engine Compartment & Headlights



96608  
 Fig. 2: Computer Engine Control (6-Cyl)



96609  
 Fig. 3: Computer Engine Control (4-Cyl)

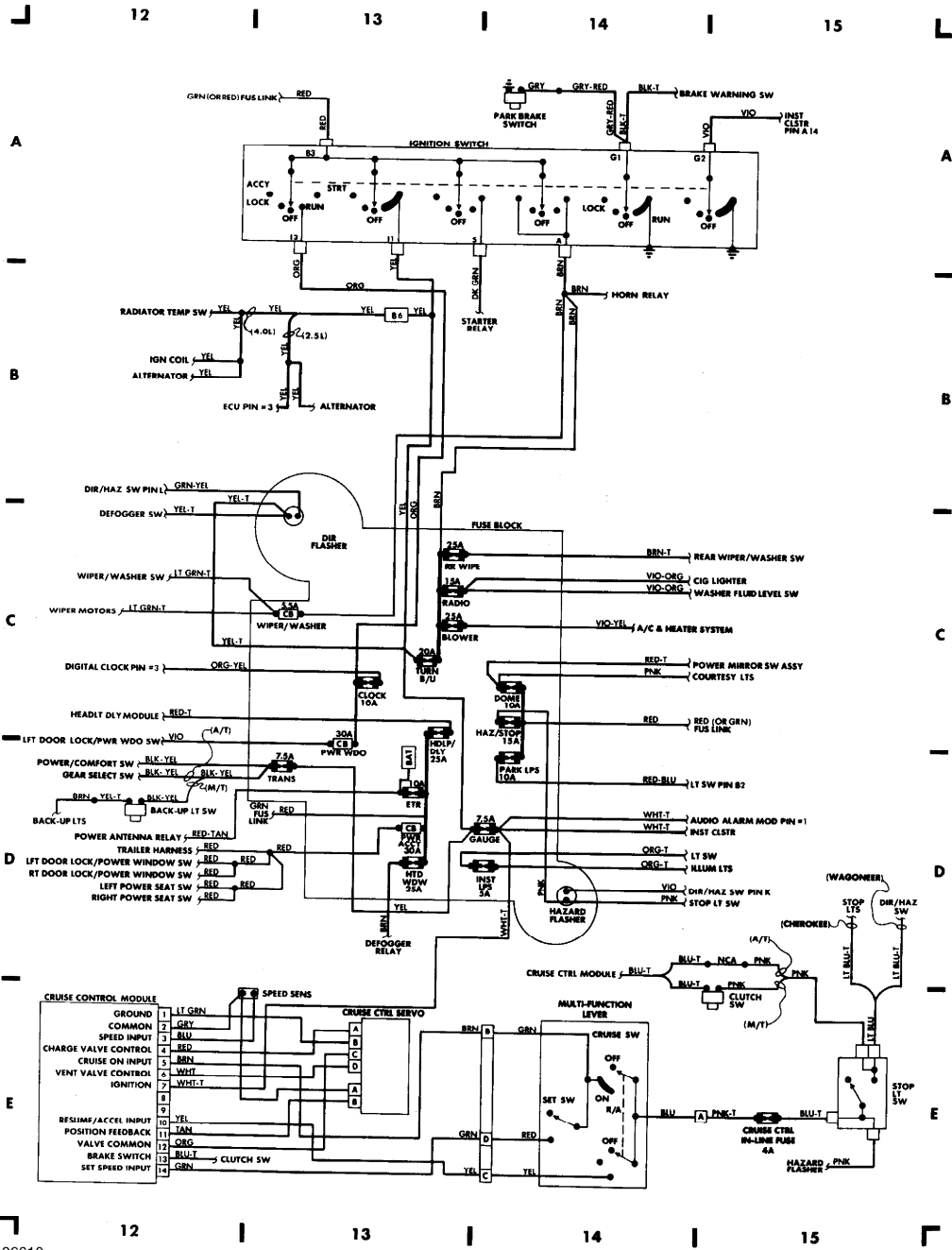
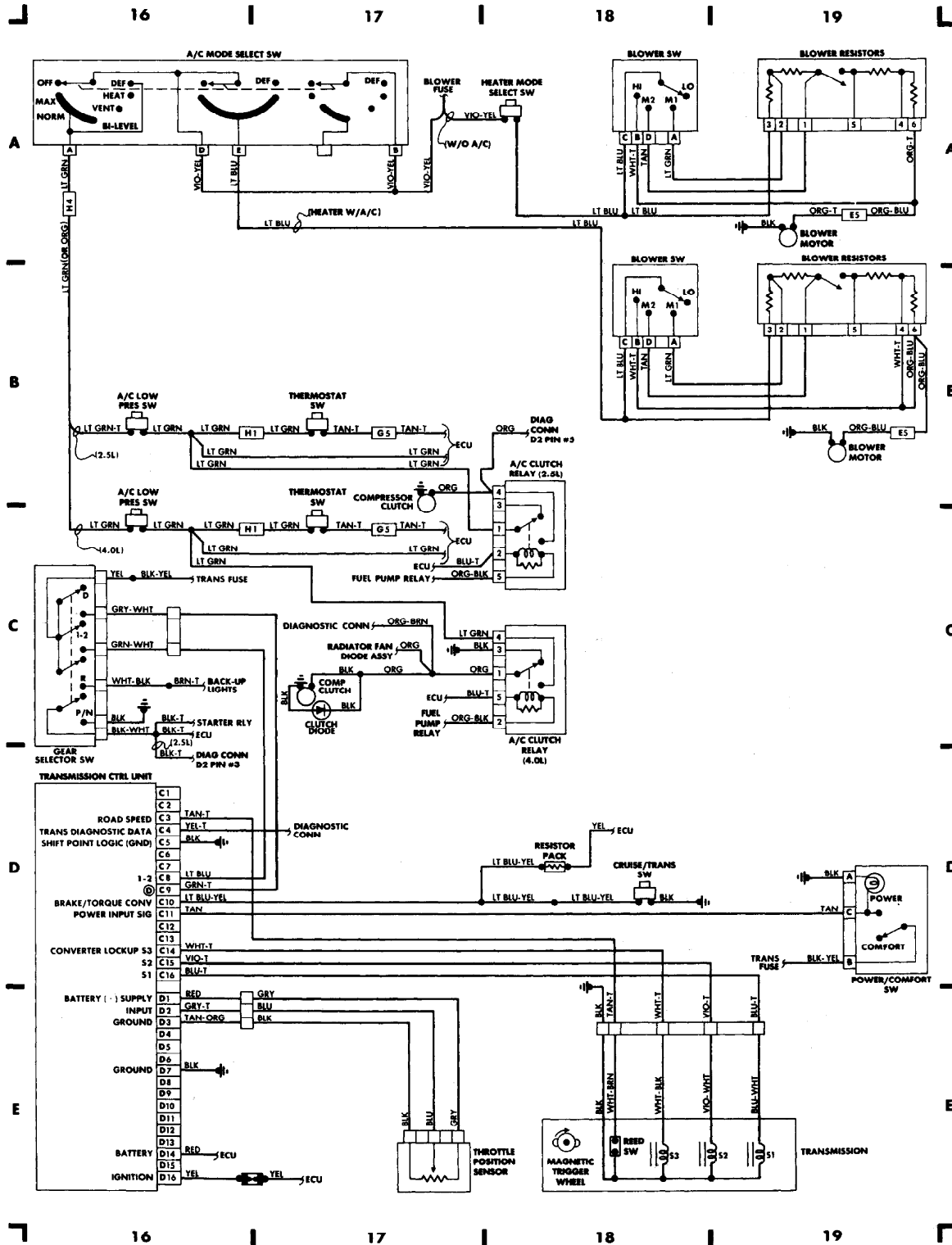
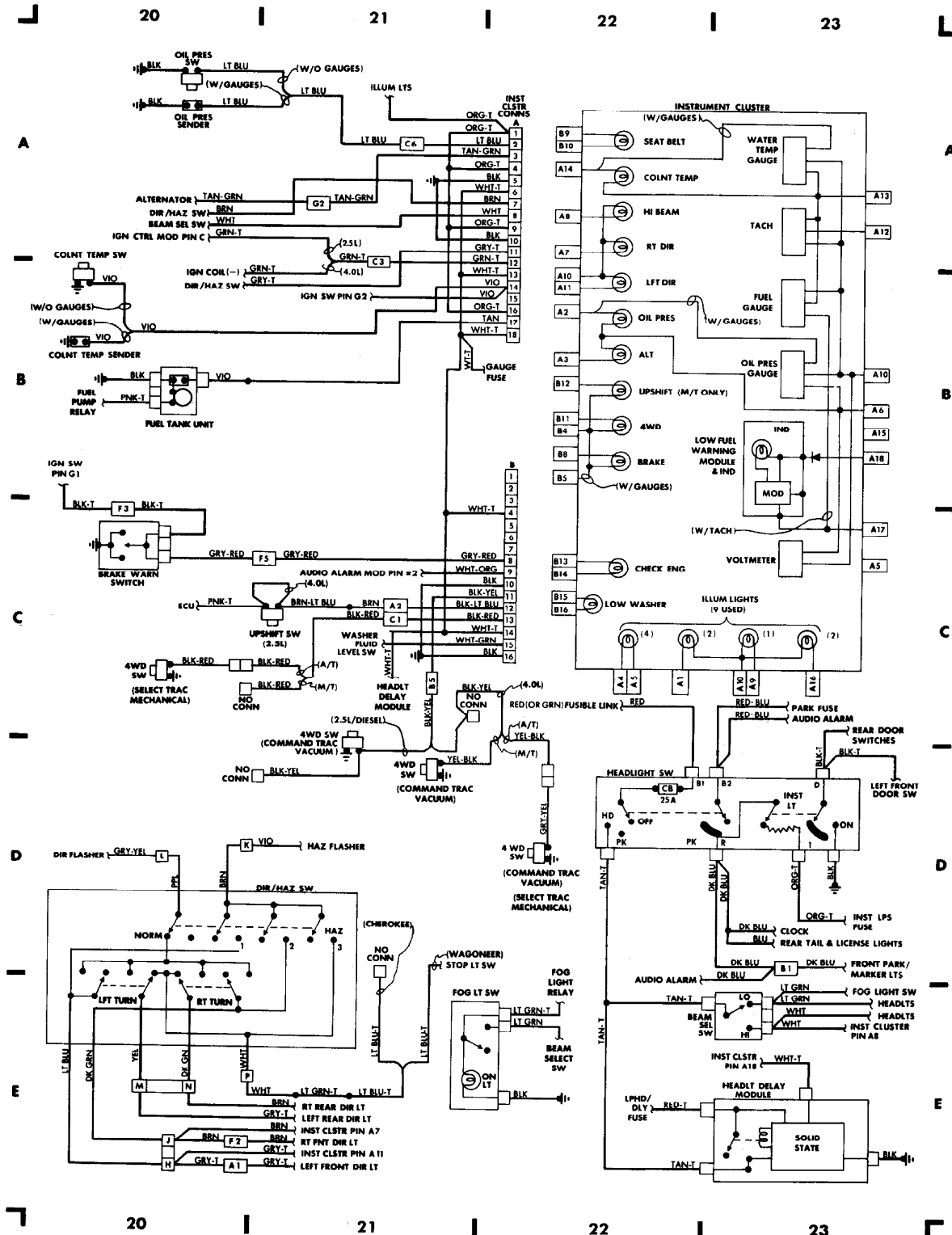


Fig. 4: Fuse Block

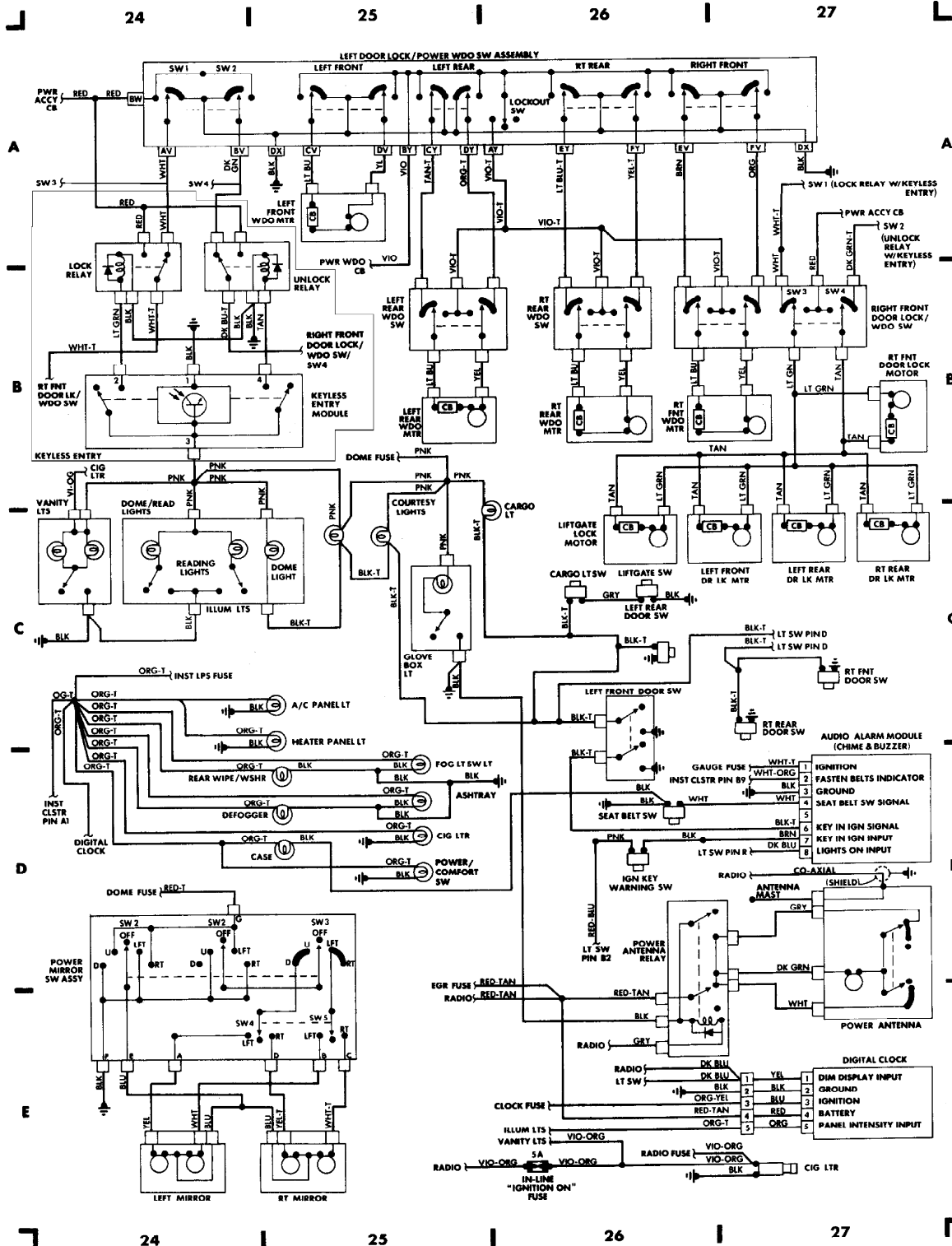


96611  
 Fig. 5: A/C Heating System

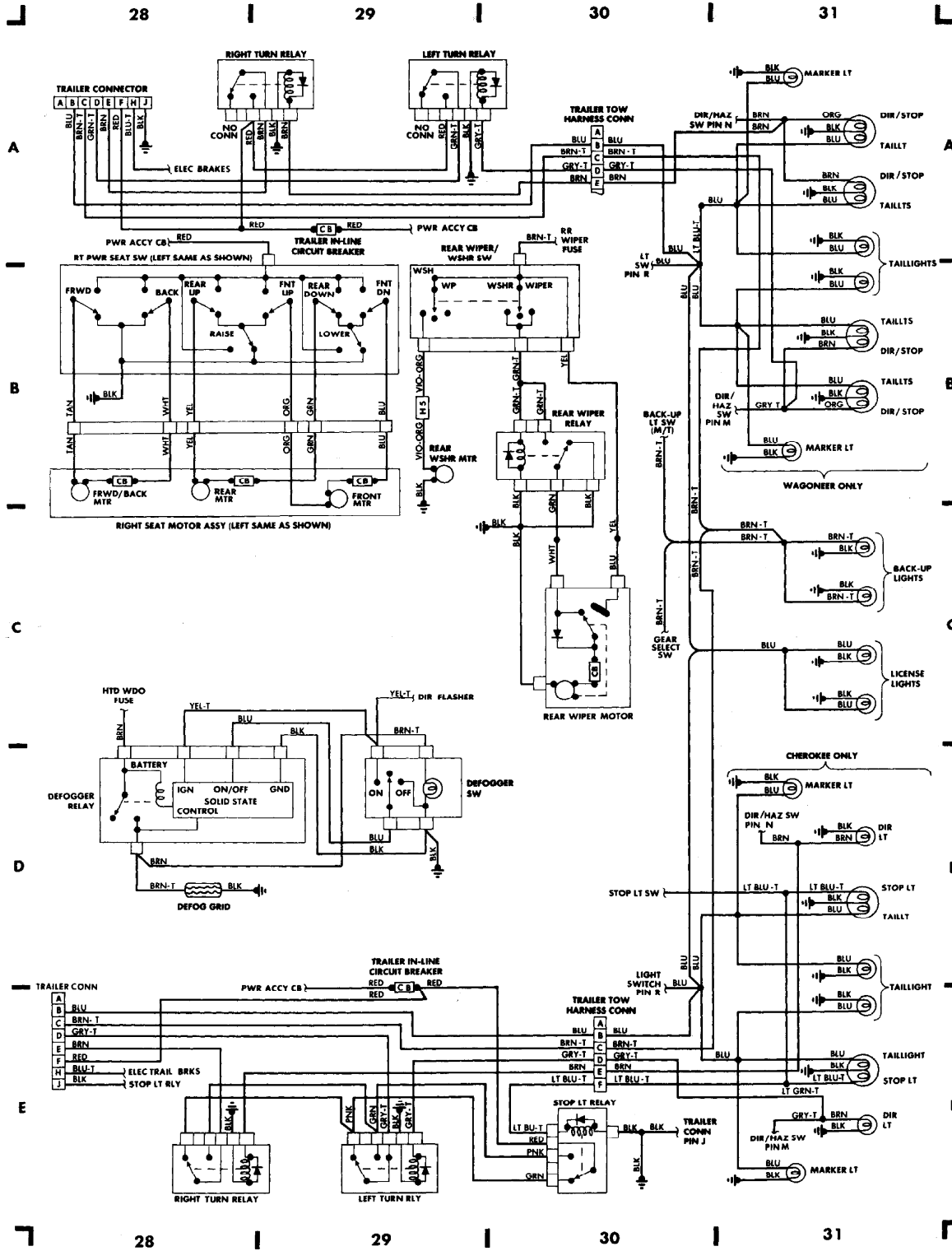


96612  
 Fig. 6: Instrument Panel (1 of 2)





96613  
 Fig. 7: Instrument Panel (2 of 2)



96614  
 Fig. 8: Passenger Compartment & Tail Lights