

ELECTRICAL COMPONENT LOCATOR

1993 Jeep Cherokee

1993 ELECTRICAL COMPONENT LOCATIONS
Jeep Electrical Components

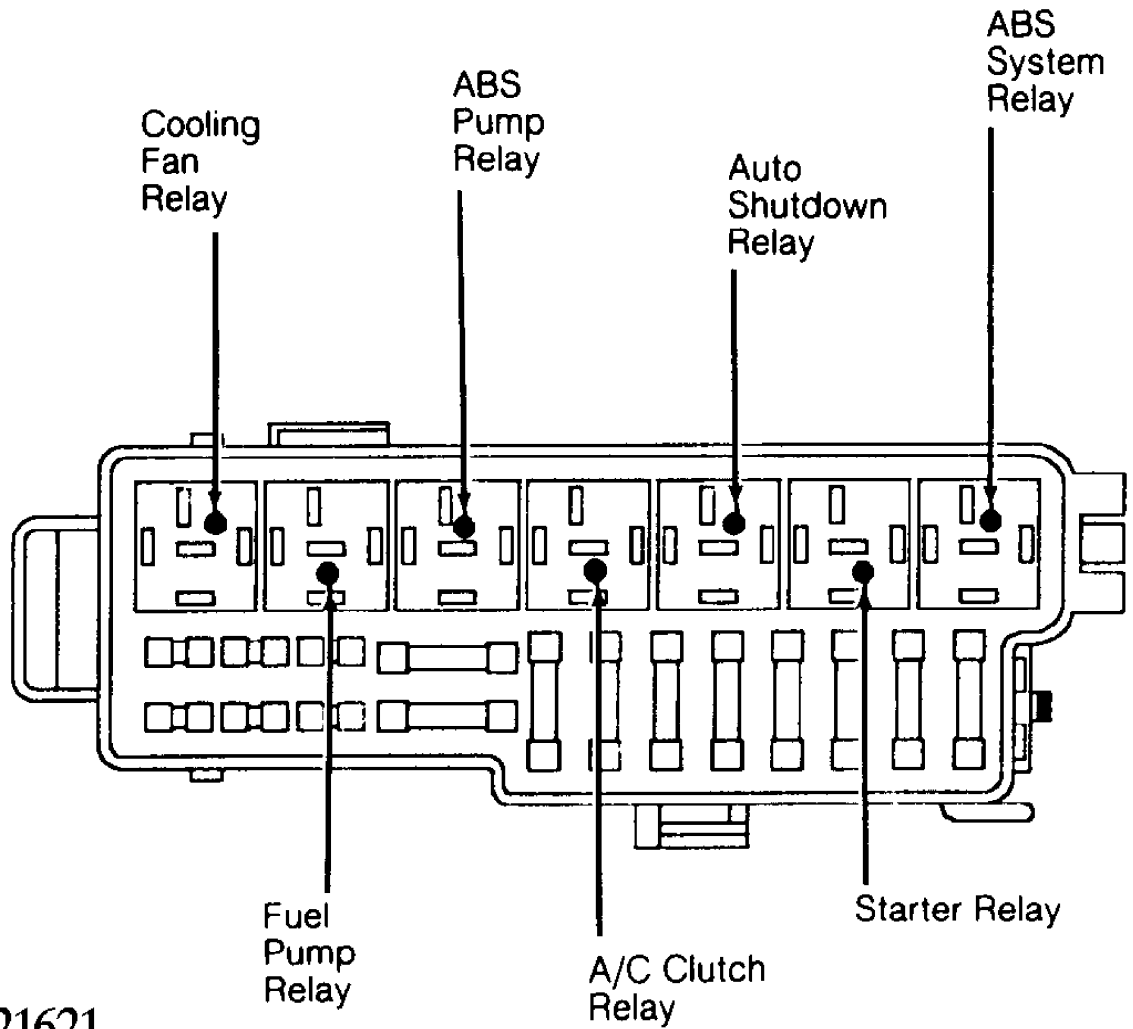
Cherokee

BUZZERS, RELAYS & TIMERS

Component

Component Location

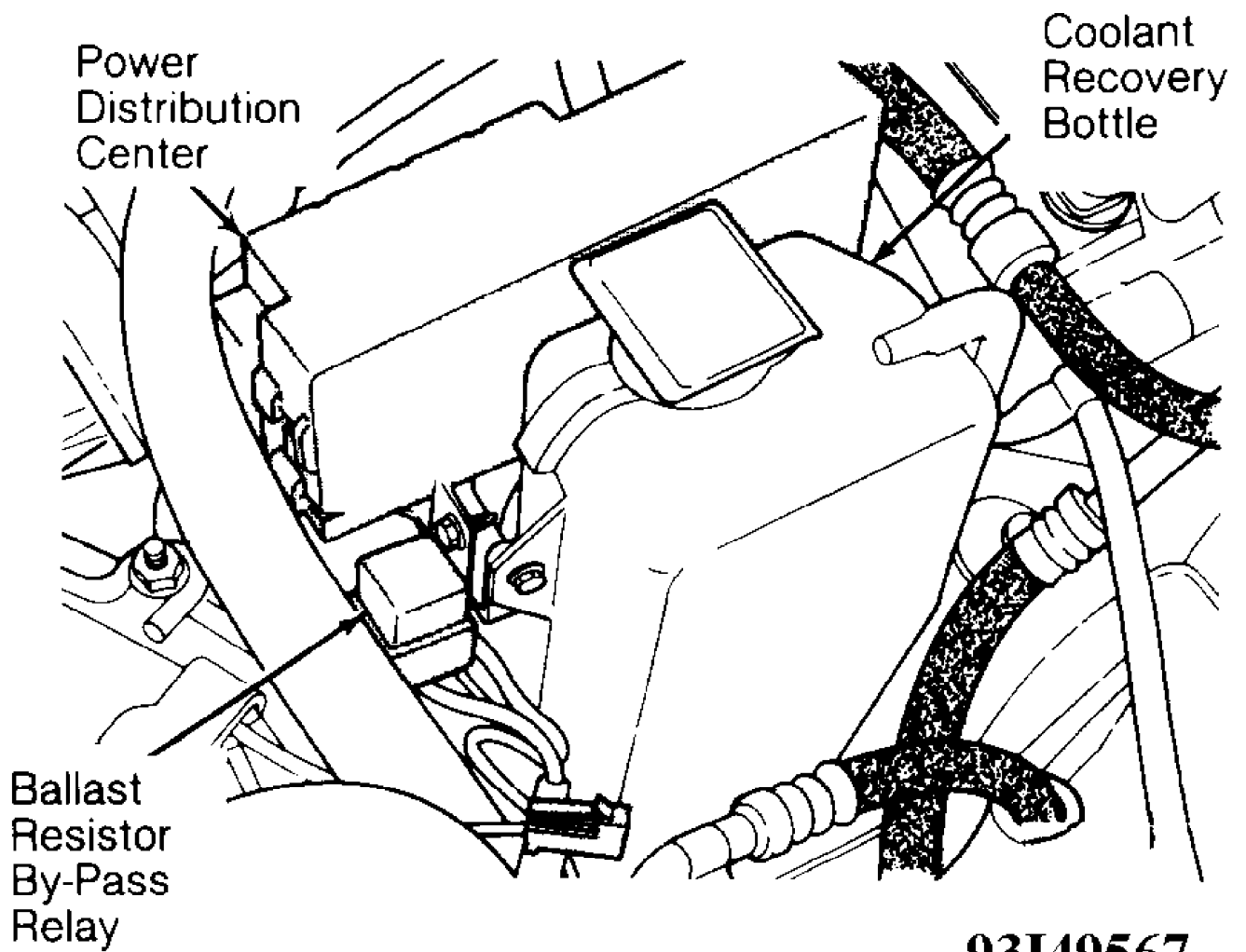
ABS Pump Relay



POWER DISTRIBUTION CENTER

In power distribution center.

Graphic No. 1

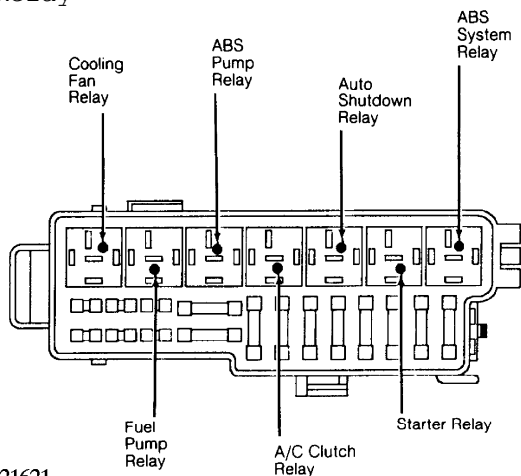


93I49567

Graphic No. 2

In power distribution center.

ABS System Relay

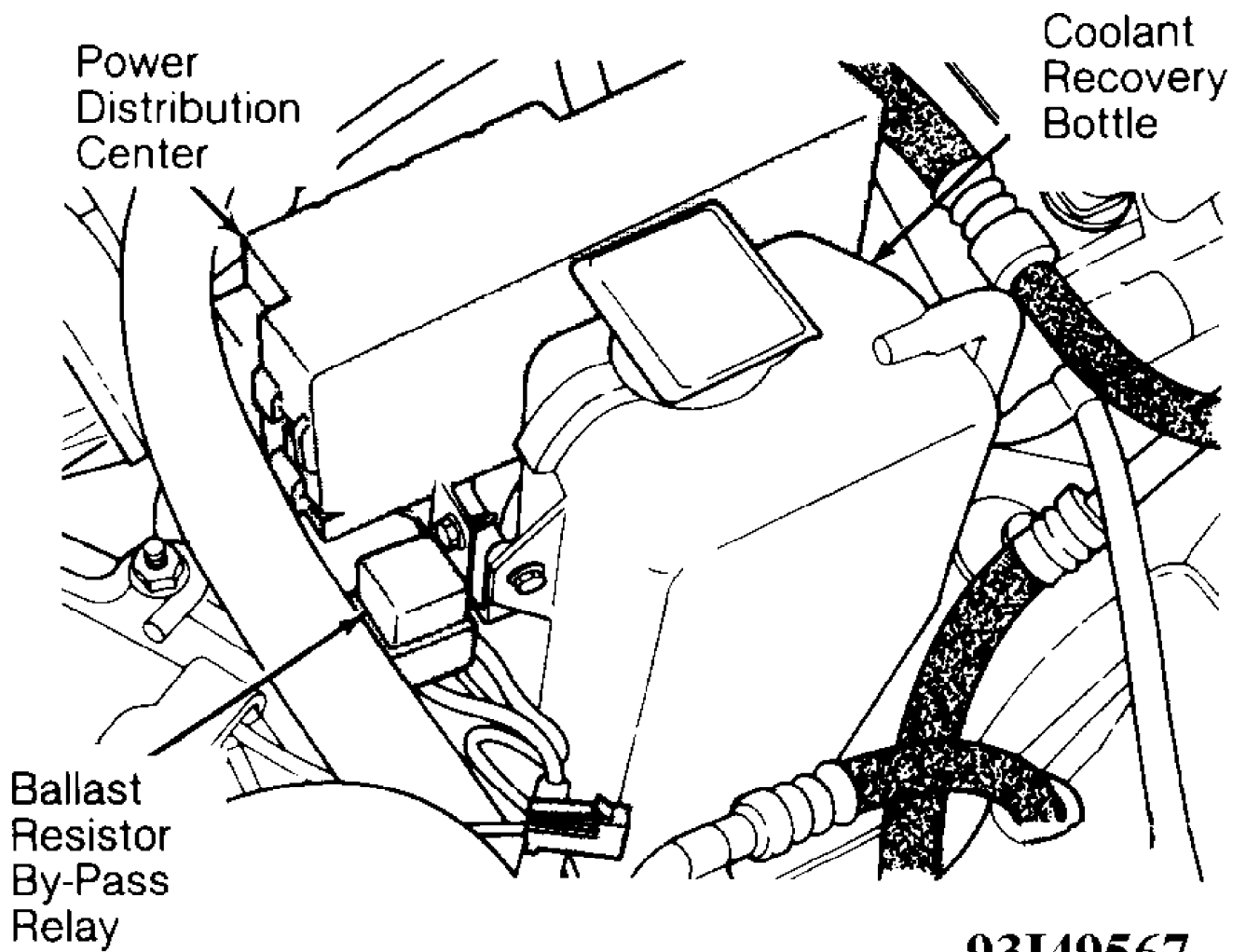


92F21621

POWER DISTRIBUTION CENTER

Graphic No. 1

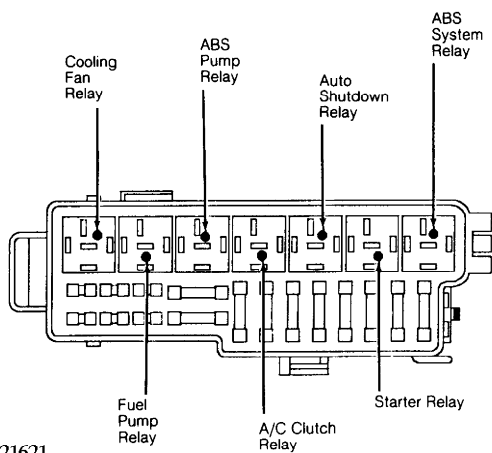
In power distribution center.



93I49567

Graphic No. 2

In power distribution center.

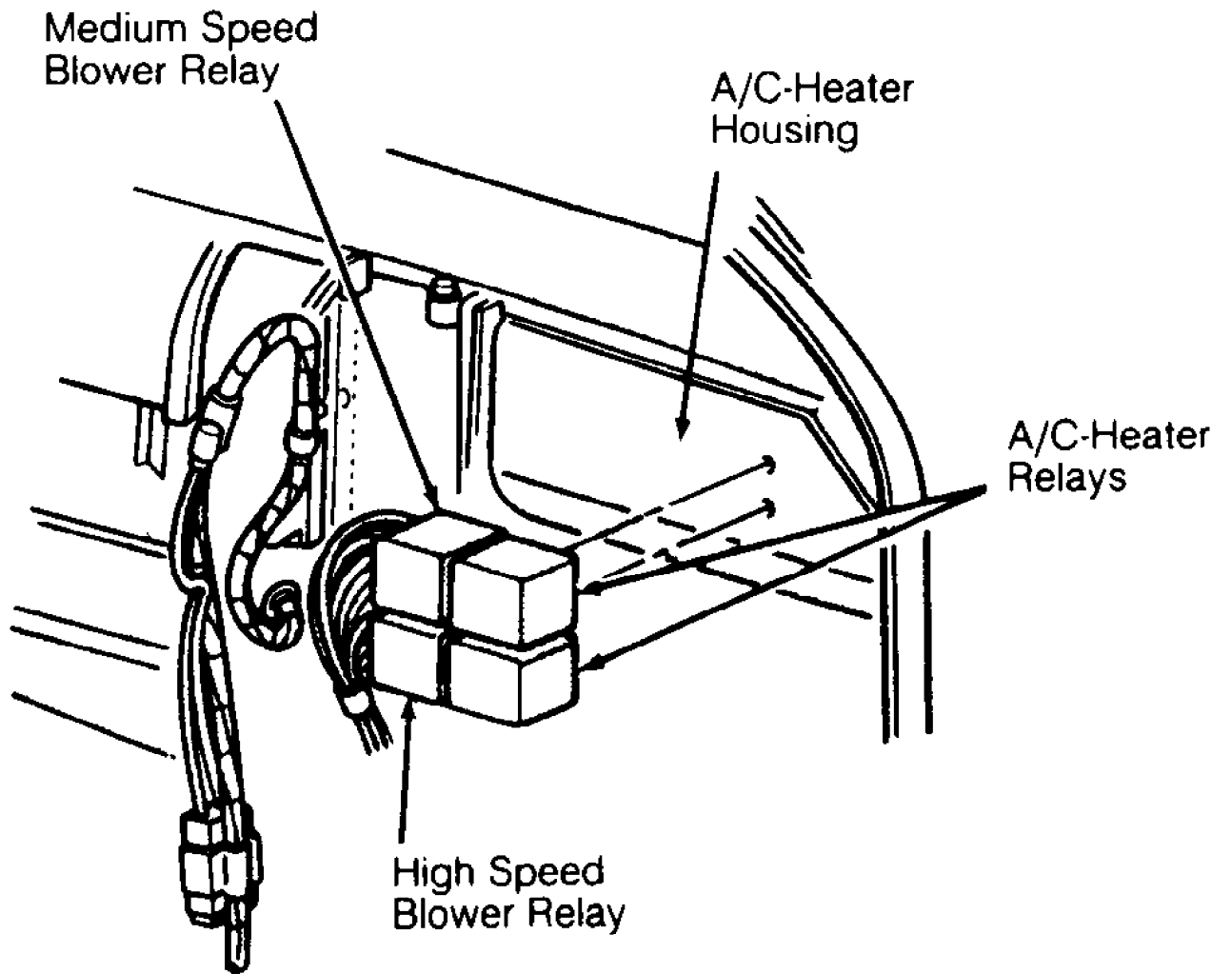


92F21621

POWER DISTRIBUTION CENTER

A/C Clutch Relay

In power distribution center,
on right fender apron.

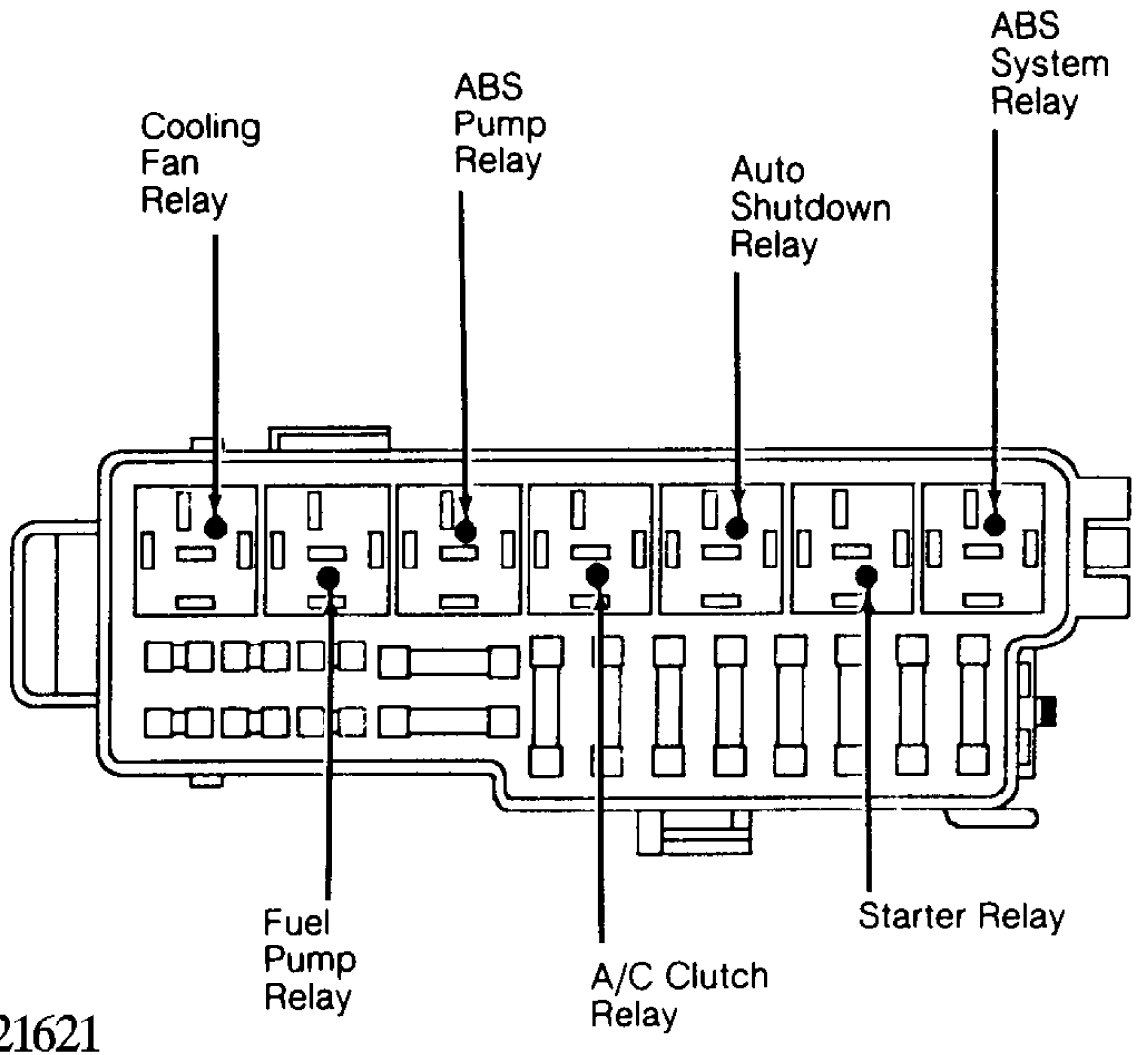


92E21620

A/C-Heater Relays

Behind right side of dash, on evaporator housing.

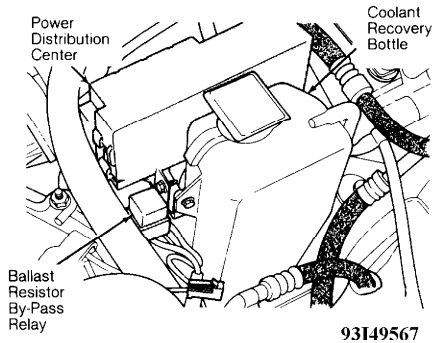
Auto Shutdown Relay



POWER DISTRIBUTION CENTER

Graphic No. 1

In power distribution center.

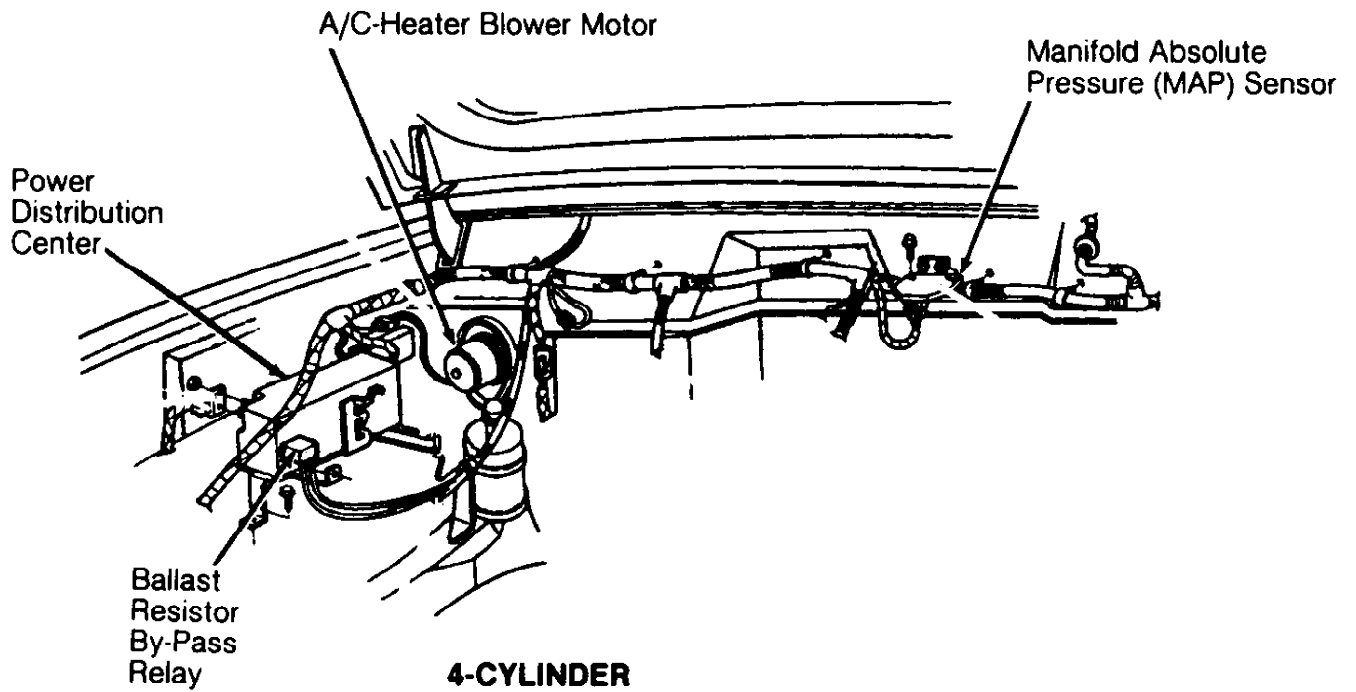


Graphic No. 2

In power distribution center.

Auxiliary Cooling Fan Relay

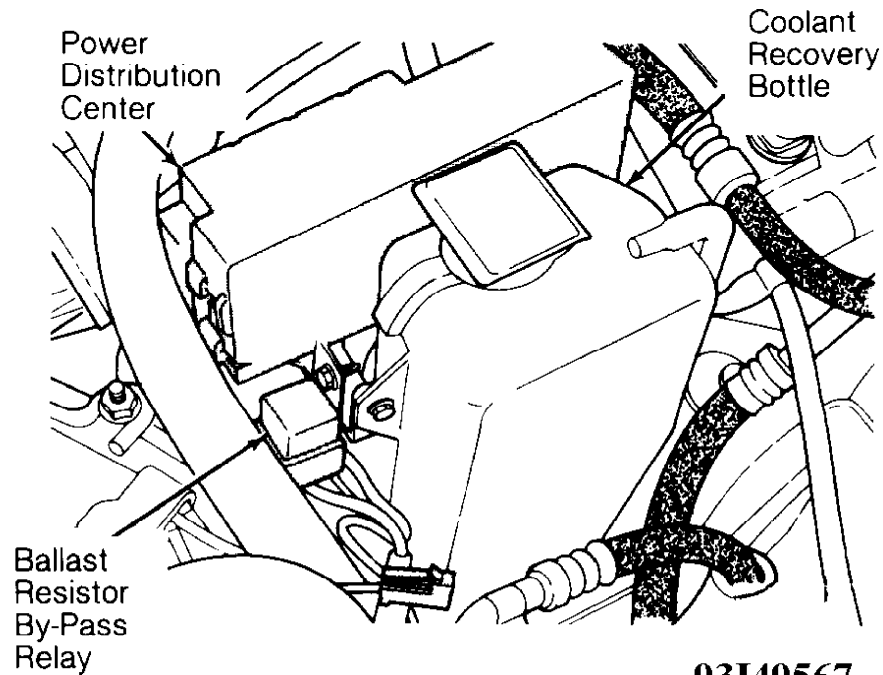
In power distribution center.



92C21610

Ballast Resistor By-Pass Relay
4-Cylinder

On right fender apron, near
power distribution center.

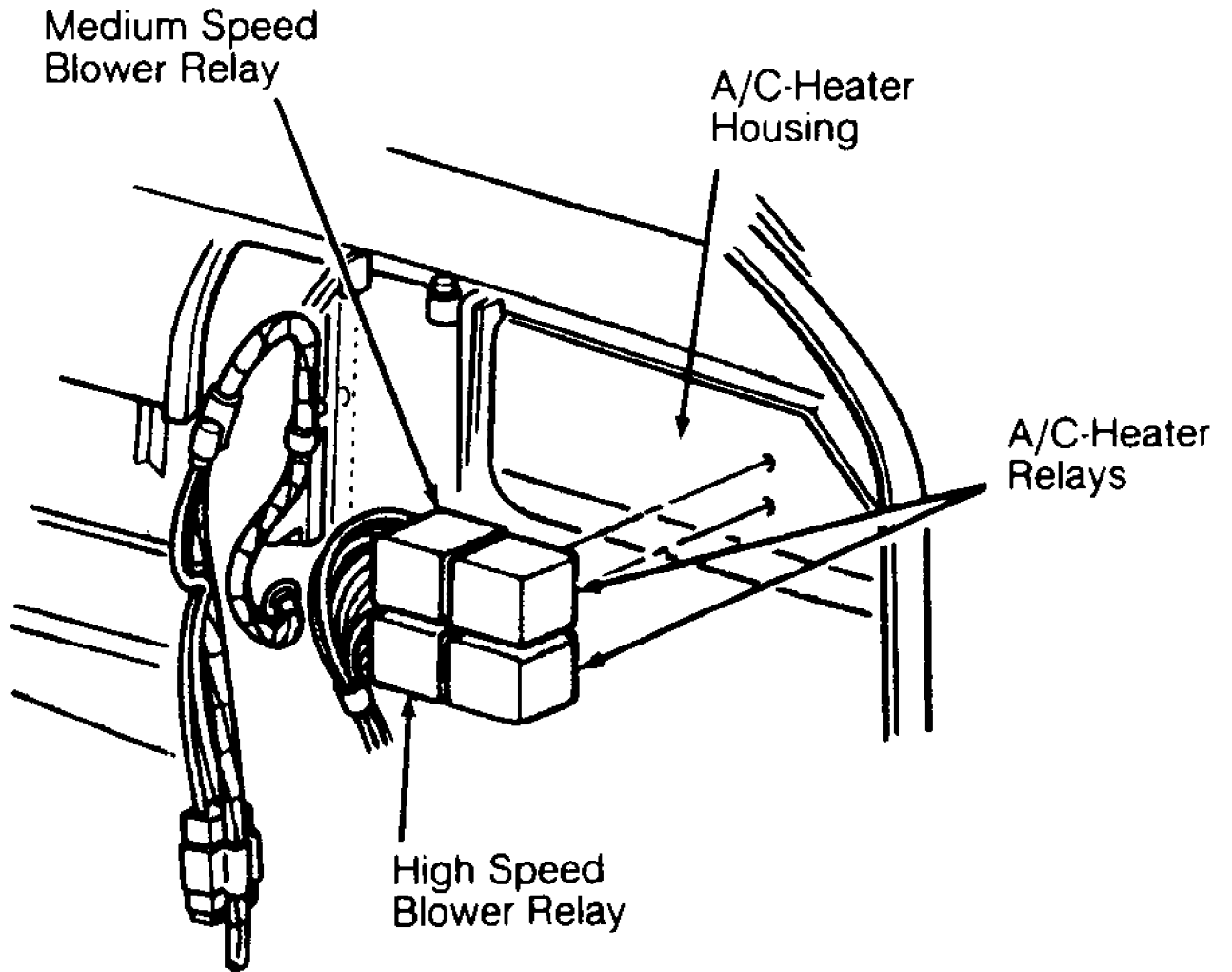


93I49567

On right fender apron, near
power distribution center.

Graphic No. 2

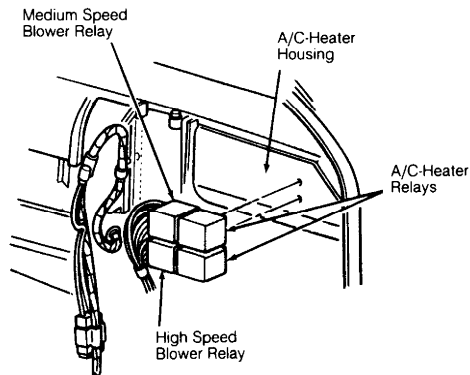
Blower Relays



92E21620

High Speed

Behind right side of dash, on evaporator housing.

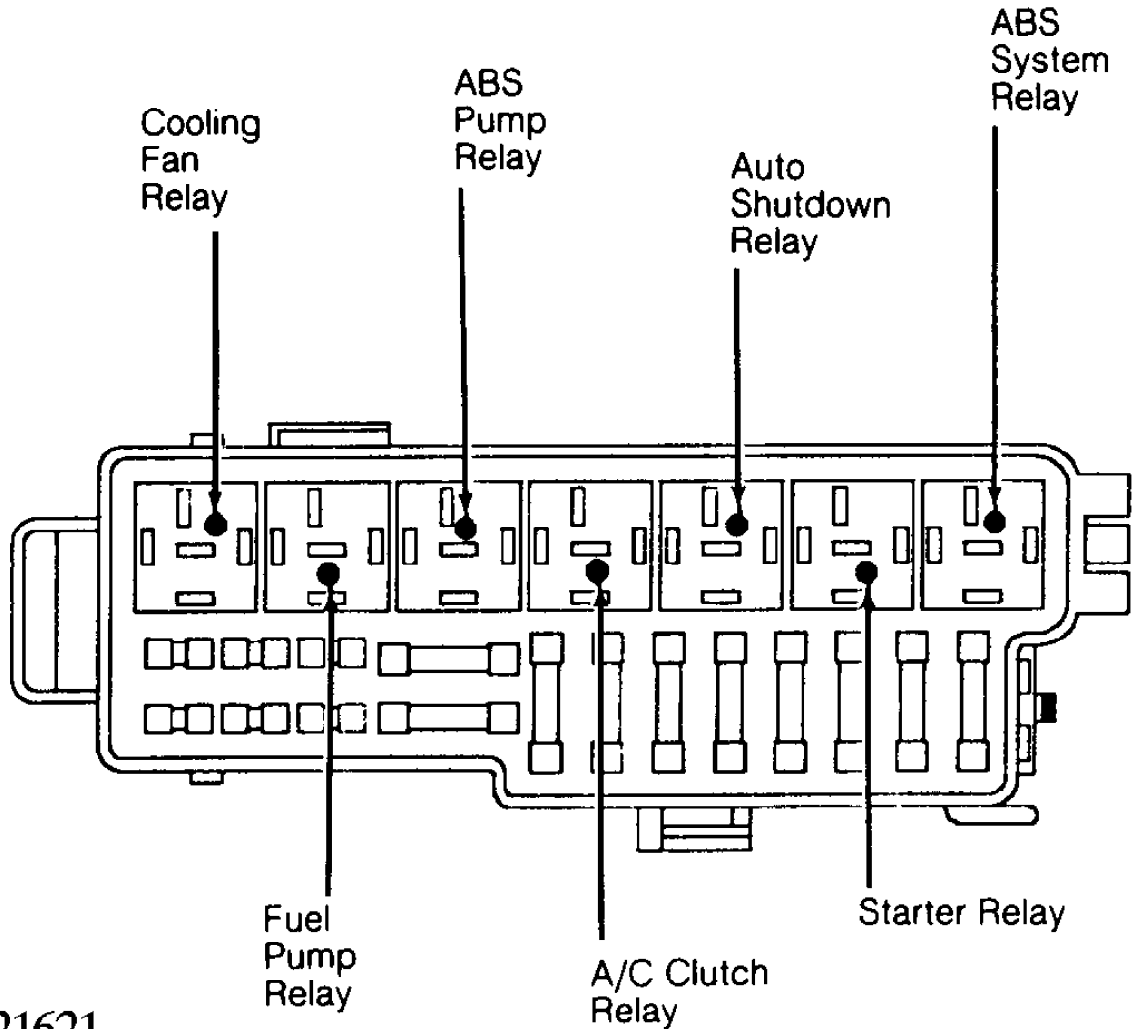


92E21620

Medium Speed

Behind right side of dash, on evaporator housing.

Cooling Fan Relay

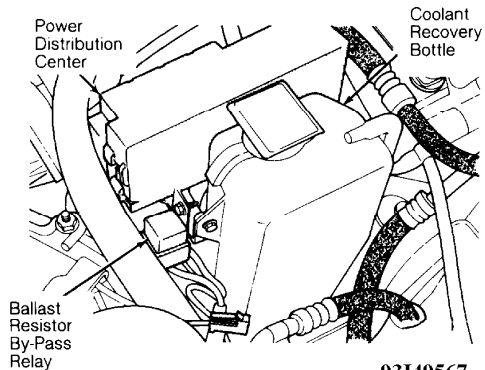


92F21621

POWER DISTRIBUTION CENTER

Graphic No. 1

In power distribution center, on right fender apron.



93I49567

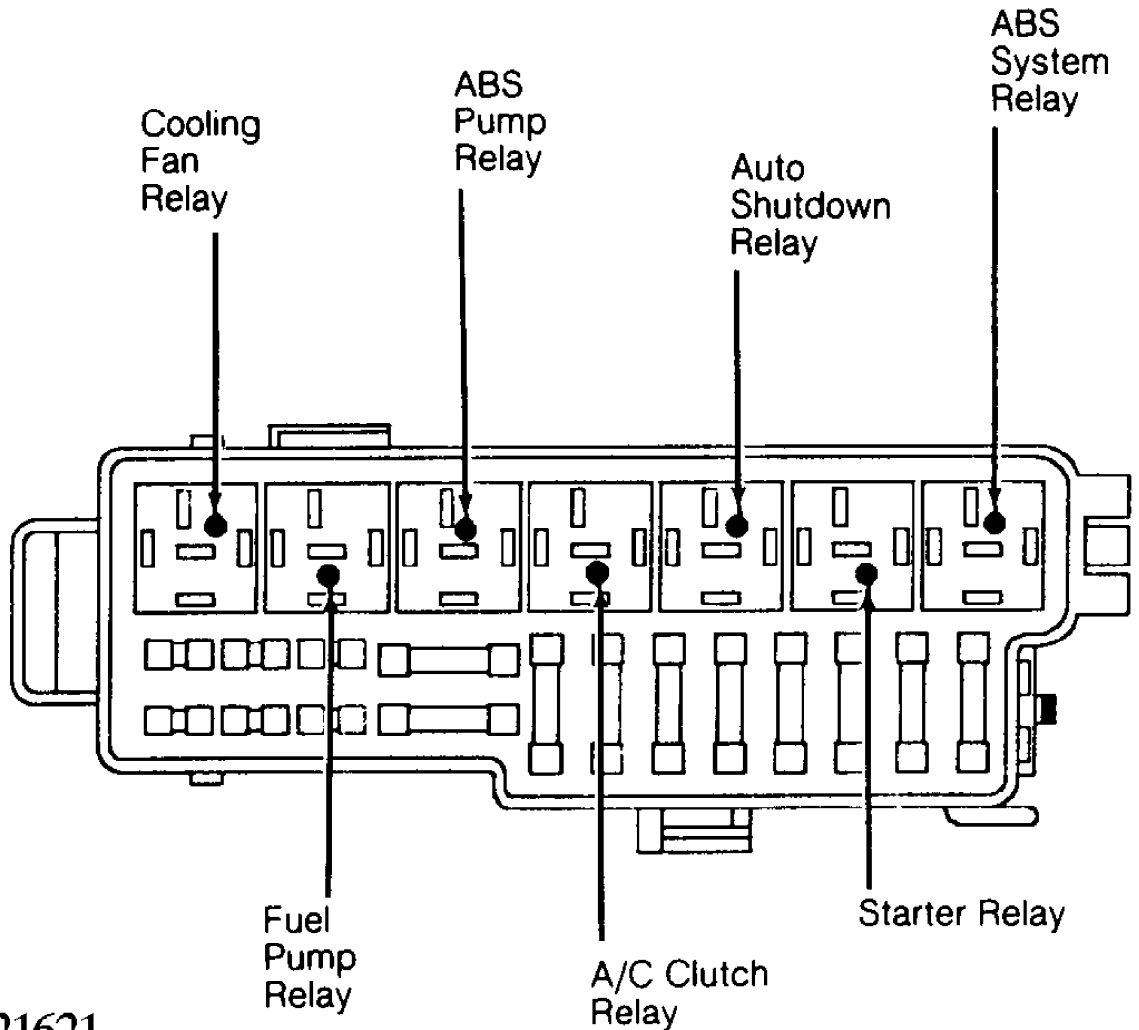
Graphic No. 2

In power distribution center, on right fender apron.

Foglight Relay

Behind left head light, on wheelwell.

Fuel Pump Relay

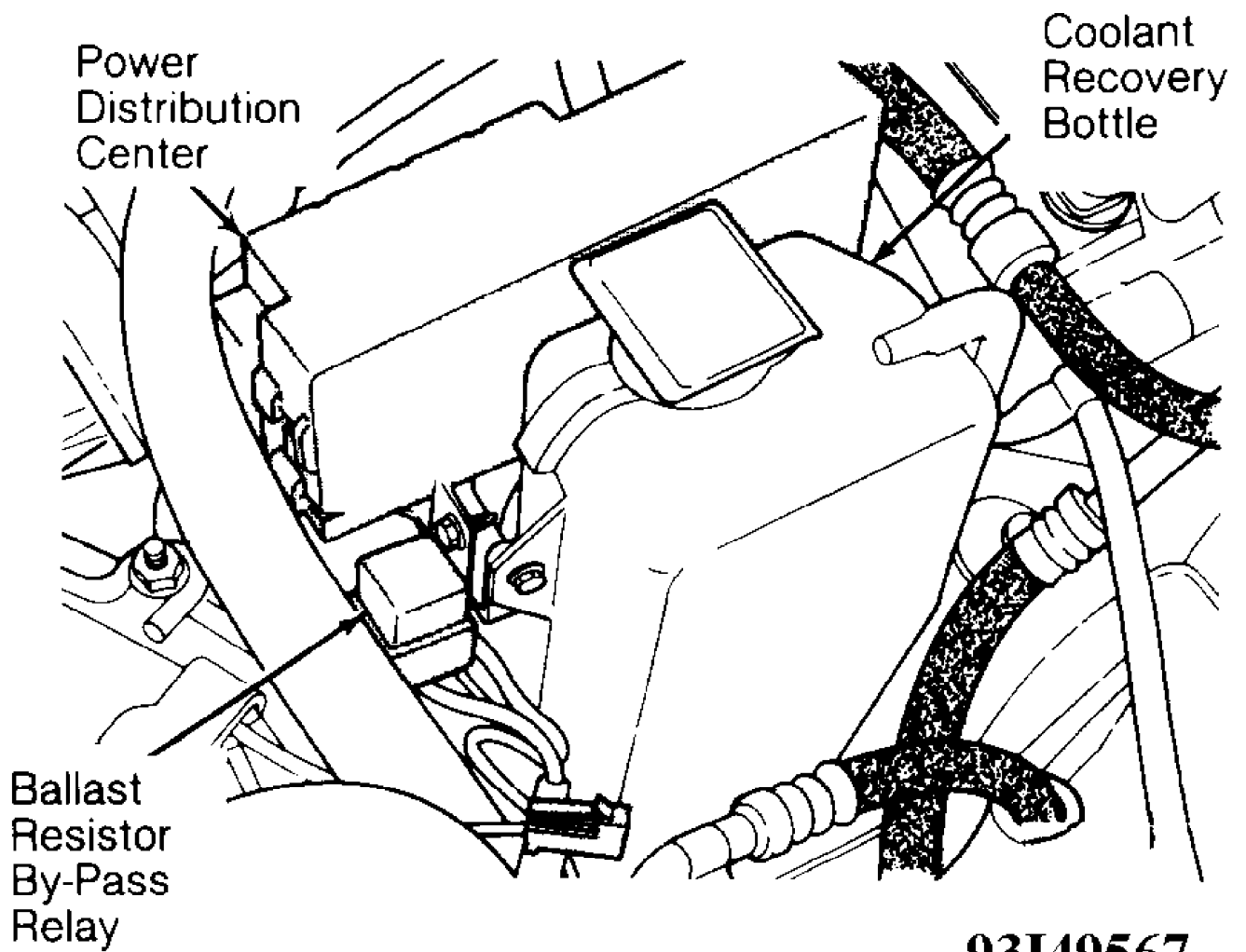


92F21621

POWER DISTRIBUTION CENTER

Graphic No. 1

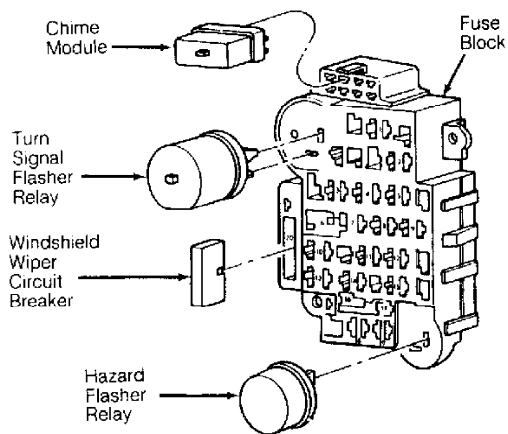
In power distribution center,
on right fender apron.



93I49567

Graphic No. 2

In power distribution center,
on right fender apron.



Hazard Flasher Relay

In fuse block.

Horn Relay

On relay center.

Power Antenna Relay

Under right side of dash,

behind glove box.

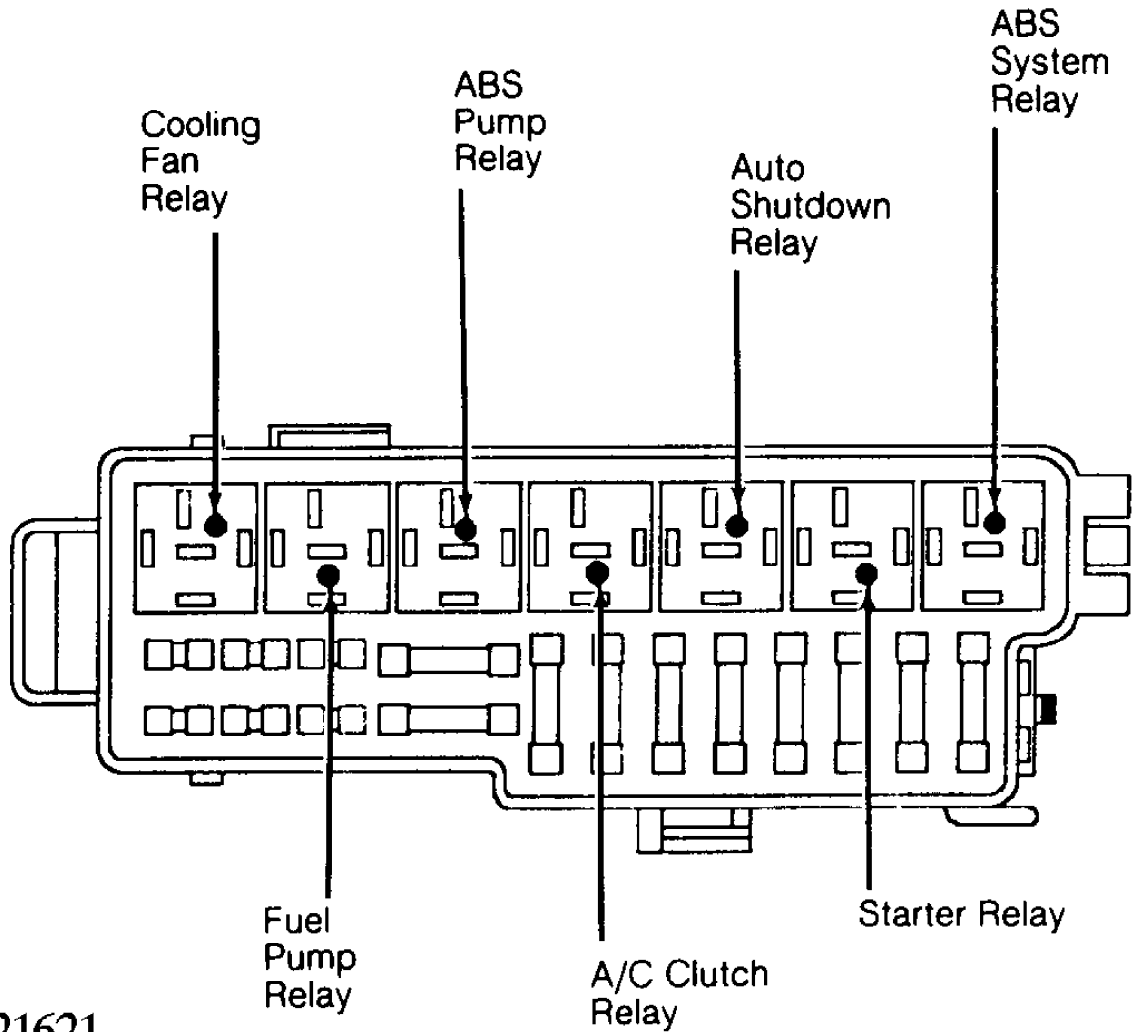
Radio/Clock Illumination Relay

On relay center.

Rear Window Defogger Relay

On relay center.

Starter Relay

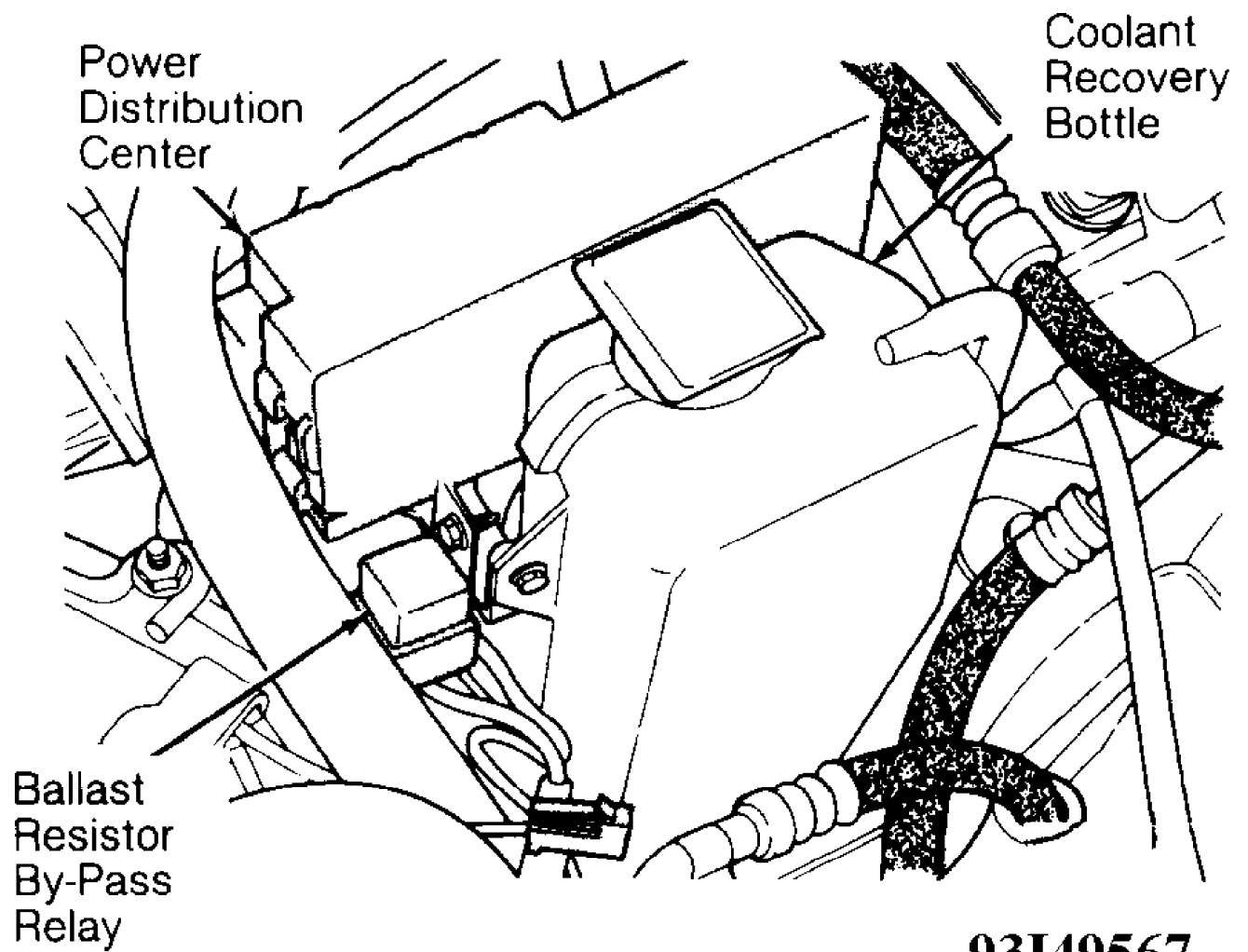


92F21621

POWER DISTRIBUTION CENTER

Graphic No. 1

In power distribution center,
on right fender apron.



93I49567

Graphic No. 2

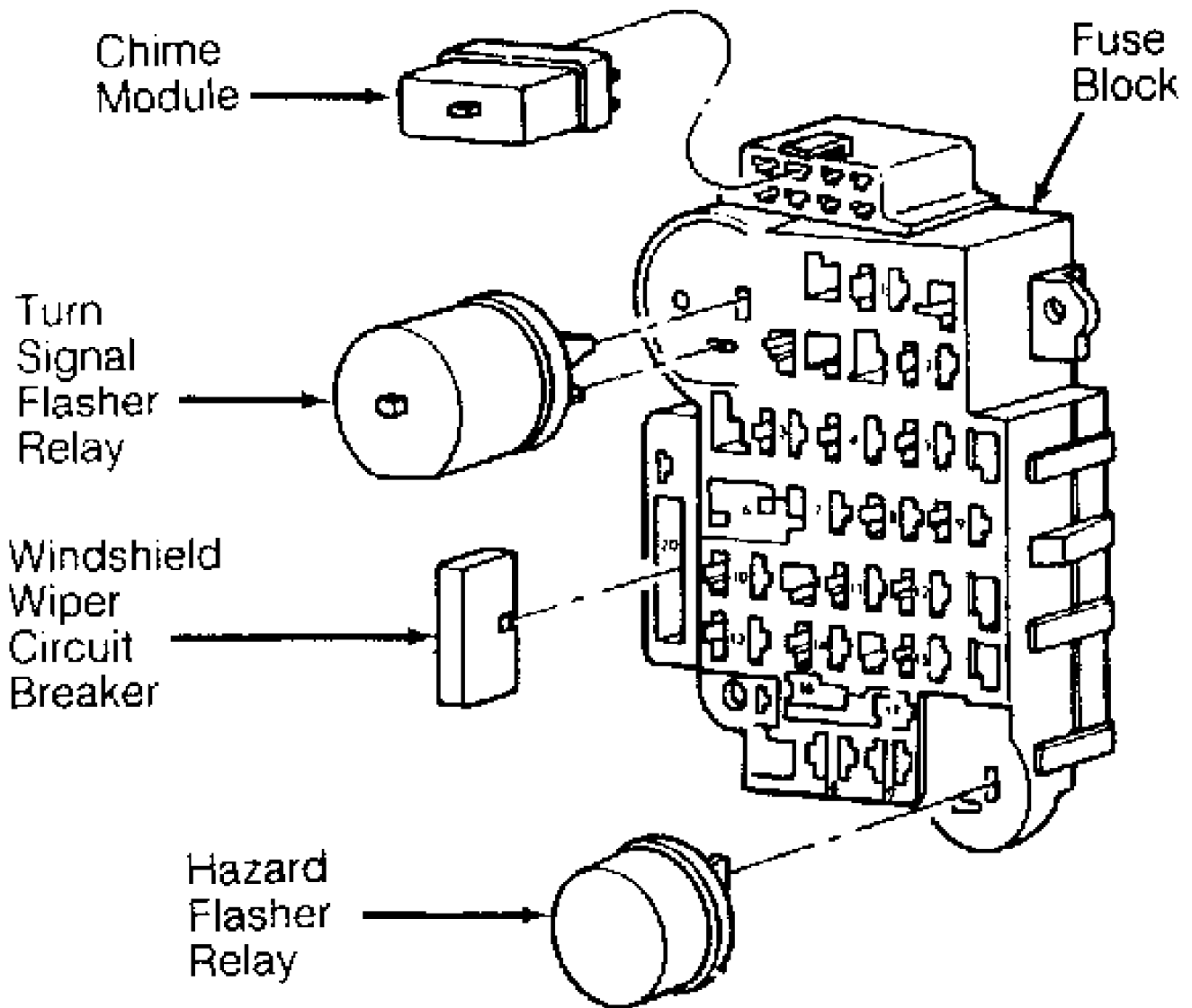
In power distribution center,
on right fender apron.

Trailer Towing Relays
Brake Lights

Behind left rear quarter trim
panel.

Left & Right Turn Signals

Behind left rear quarter trim
panel.

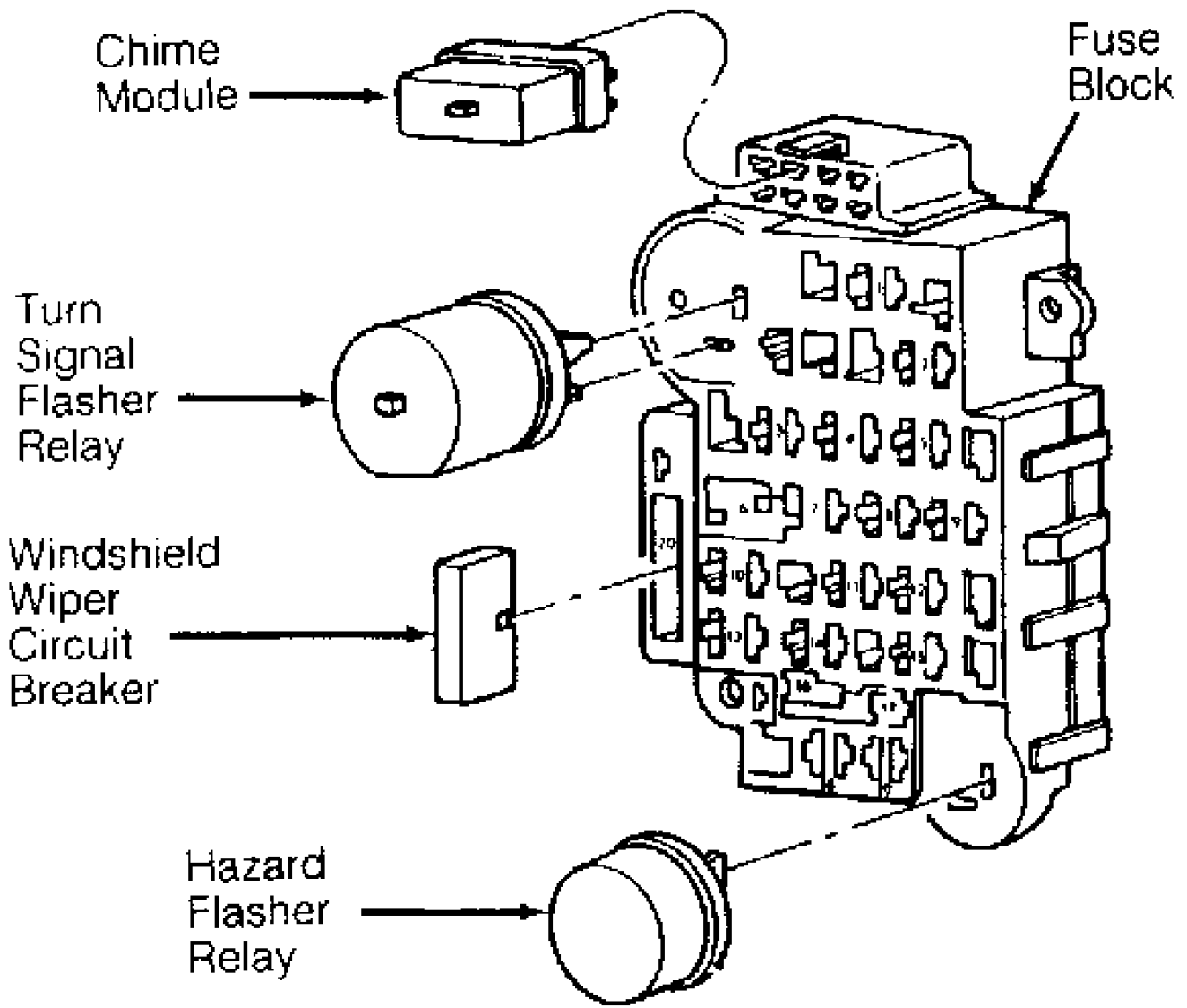


Turn Signal Flasher Relay

In fuse block.

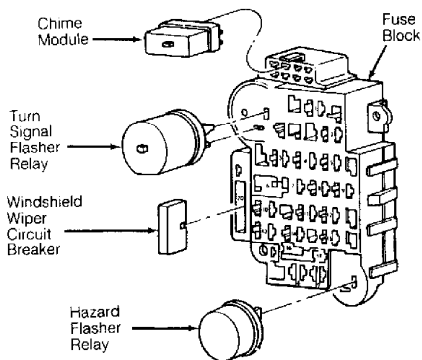
CIRCUIT PROTECTION DEVICES

Component	Component Location
Circuit Breakers Power Windows	In fuse block.
Trailer Tow	Taped to harness, left rear quarter panel.



Windshield Washer/Wiper

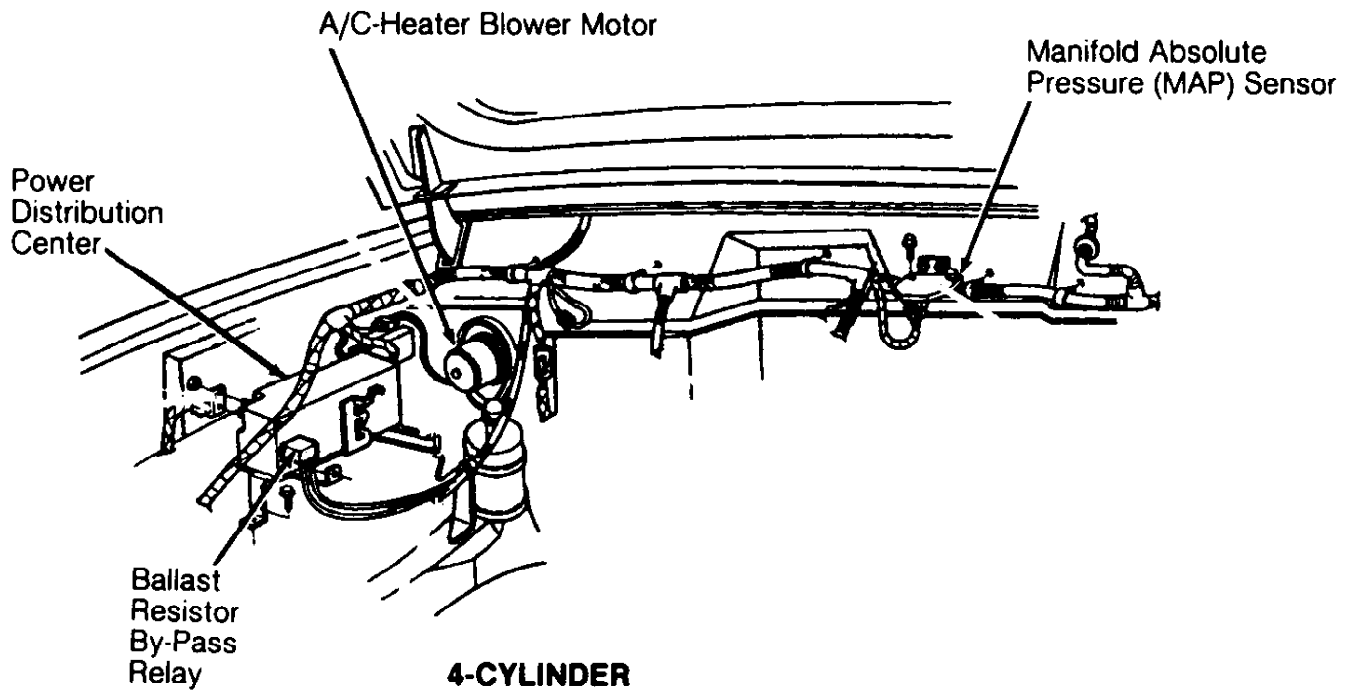
In fuse block.



Fuse Block

Under left side of dash.

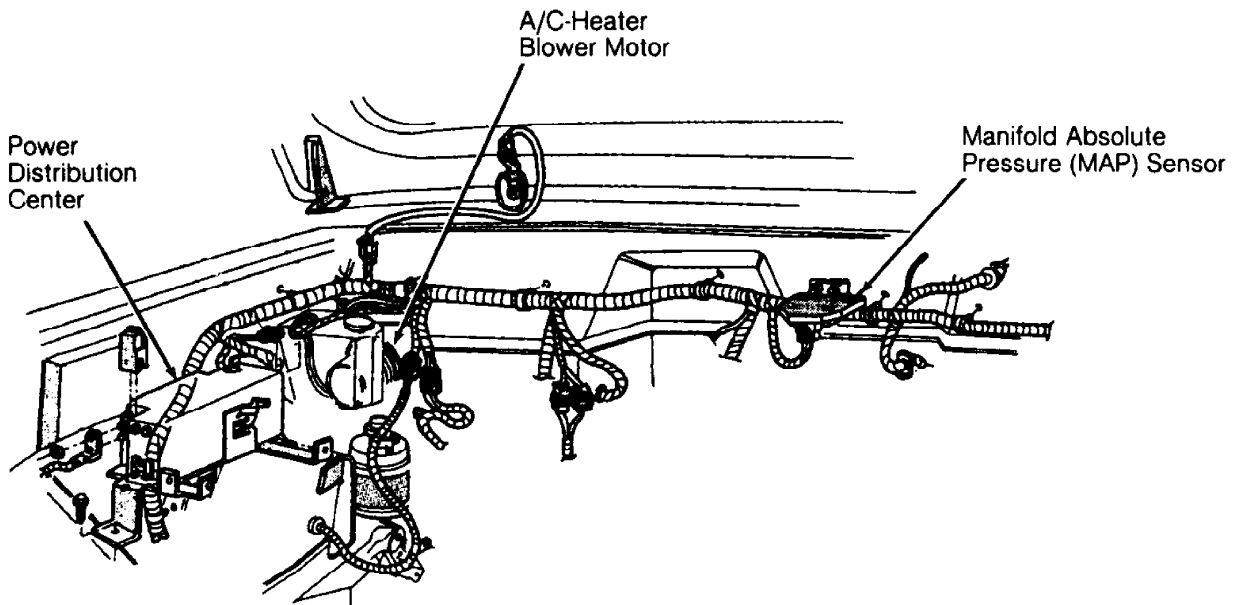
Power Distribution Center



92C21610

(4-Cylinder)

On right fender apron.

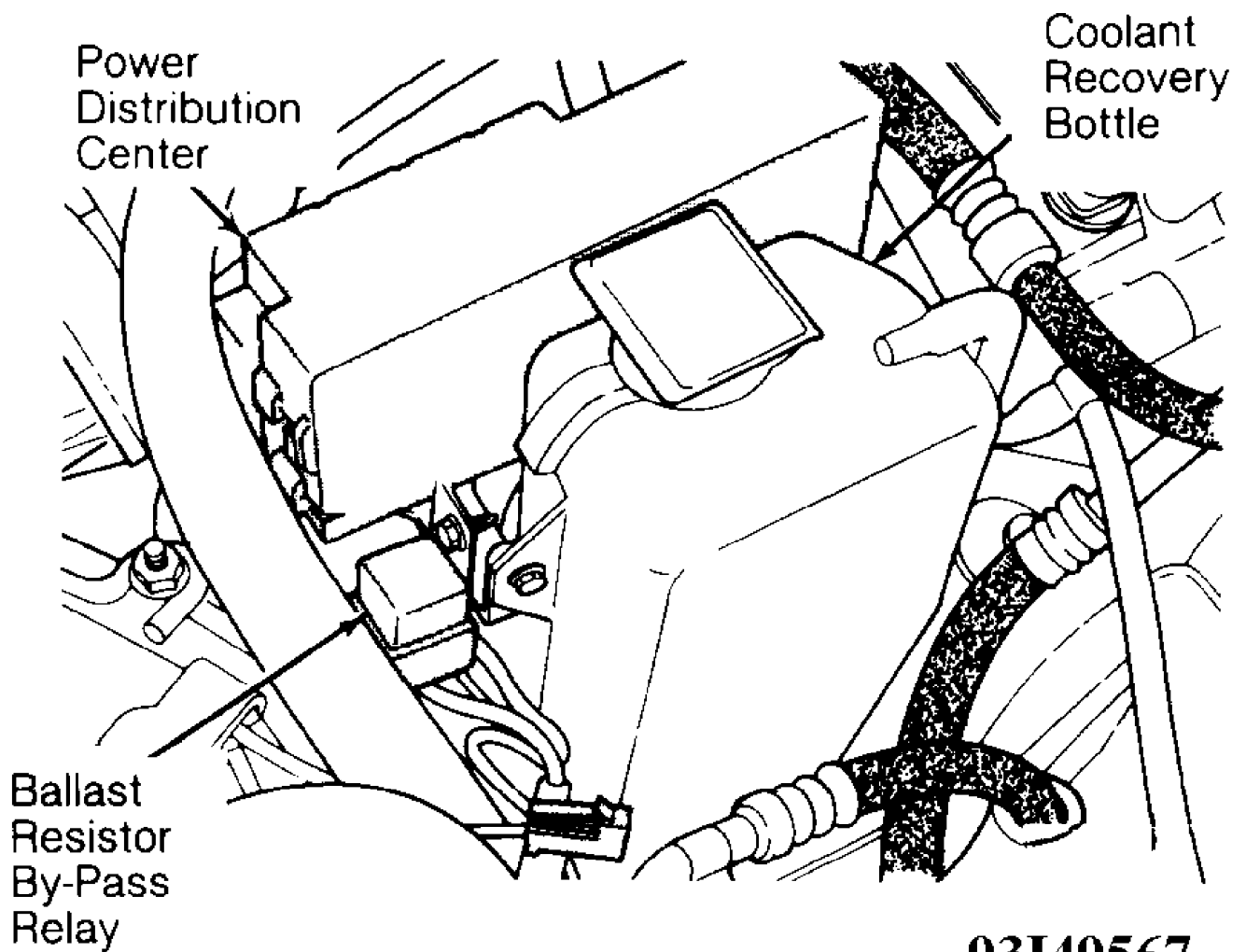


92G21614

6-CYLINDER

(6-Cylinder)

On right fender apron.



93I49567

Graphic No. 3

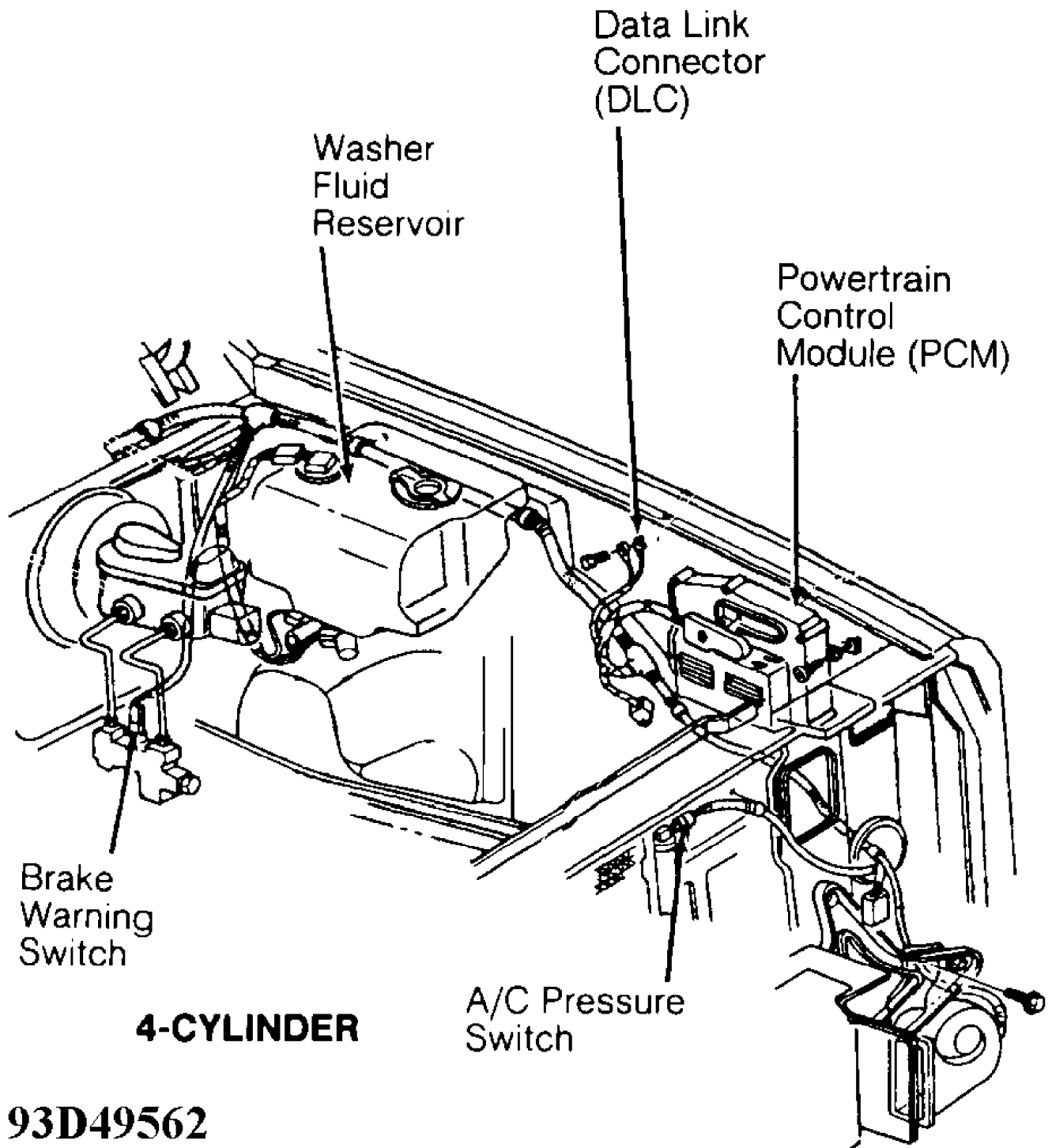
On right fender apron.

Relay Center

On lower dash trim panel,
right of steering column.

CONTROL UNITS

Component	Component Location
ABS Module	Under left rear seat.
Daytime Running Lights (DRL) Module	On right rear of engine compartment, near firewall.
ECAT Module	Behind right side of dash.
Headlight Delay Module	Under dash, next to headlight switch.
Intermittent Wiper Module	Under left side of dash, left of steering column.
Keyless Entry Module	Between sun visors.



93D49562

Powertrain Control Module (PCM)
4-Cylinder

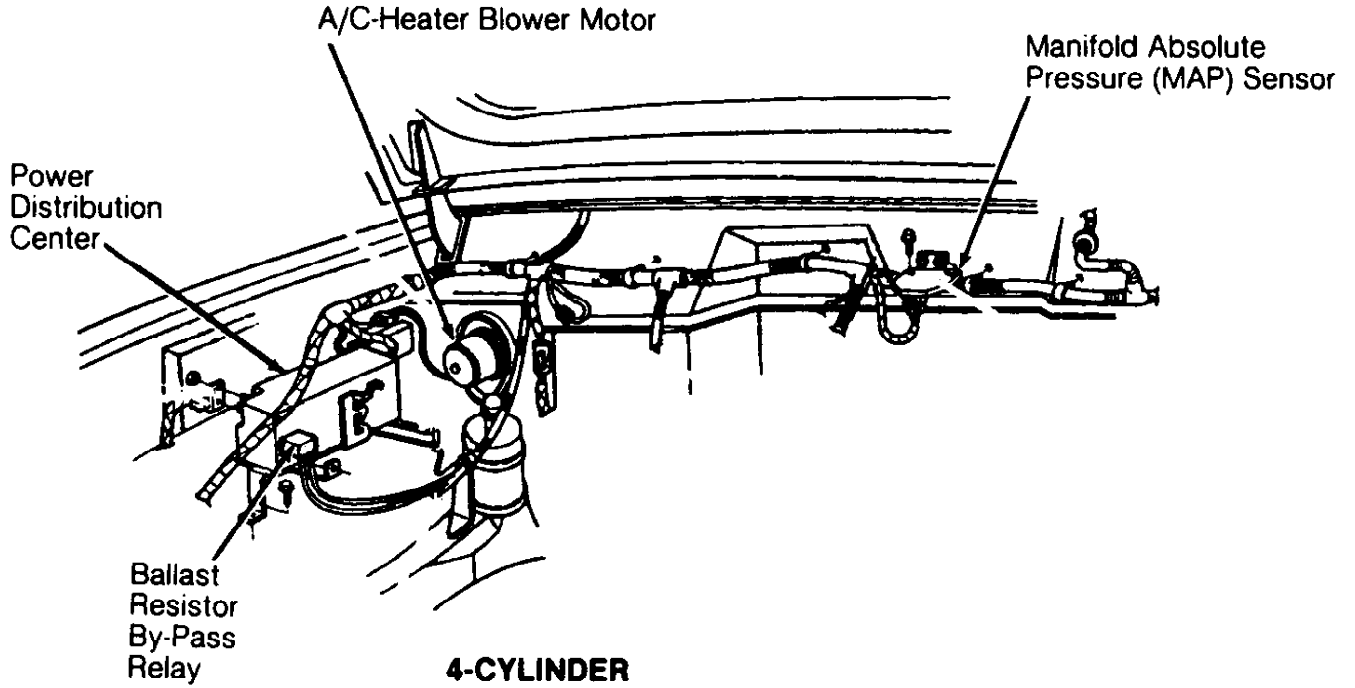
On left front fender apron,
behind air cleaner.

Security System Module

On bracket, left side of
A/C-heater housing.

MOTORS

Component	Component Location
ABS Pump Motor	At right rear of engine compartment, near shock tower.
A/C-Heater Blower Motor	

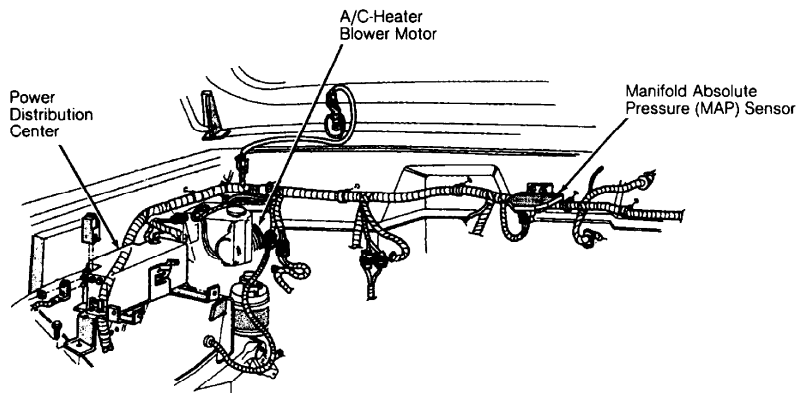


4-CYLINDER

92C21610

(4-Cylinder)

On right engine compartment firewall.



92G21614

6-CYLINDER

(6-Cylinder)

On right engine compartment firewall.

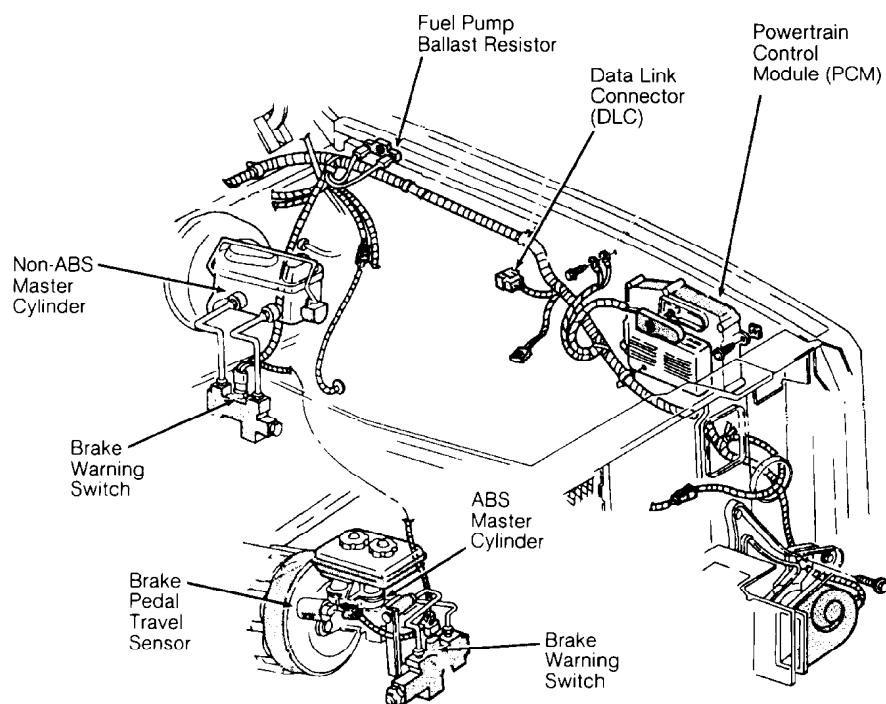
Fuel Pump

Inside fuel tank.

Idle Air Control Motor	On throttle body assembly.
Washer Motor Front	On bottom of washer fluid reservoir, in engine compartment.
Rear	On bottom of washer fluid reservoir, in engine compartment.
Windshield Wiper Motor	Behind left side of firewall, under cowl trim panel.

SENDING UNITS & SENSORS

Component	Component Location
ABS Accumulator Sensor	On master cylinder, to right of reservoir.
ABS Wheel Sensors	At each wheel.
Brake Fluid Level Sensor	In master cylinder reservoir.
Brake Pad Wear Sensors	In both inner front brake pads.



93F49564

Brake Pedal Travel Sensor	6-CYLINDER	On brake master cylinder.
---------------------------	-------------------	---------------------------

Camshaft
Position
Sensor

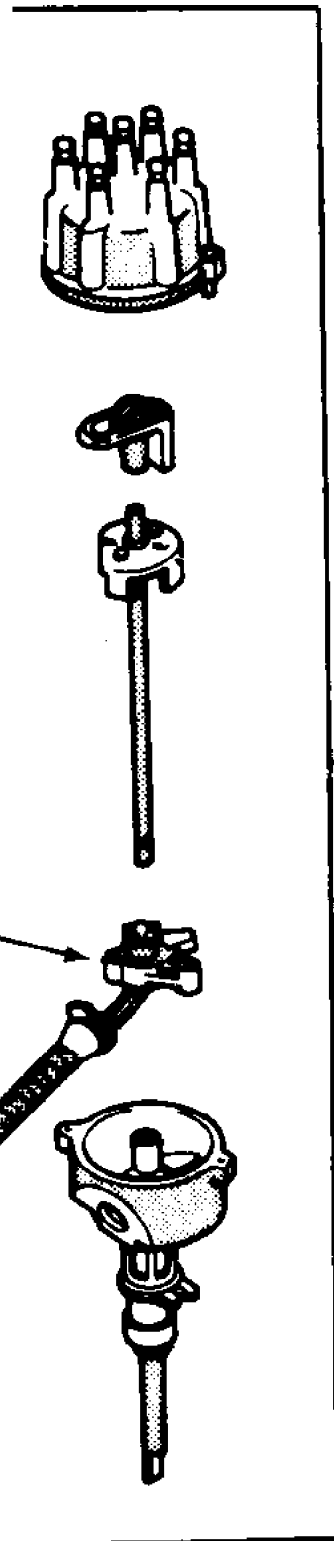
Distributo
Assembly

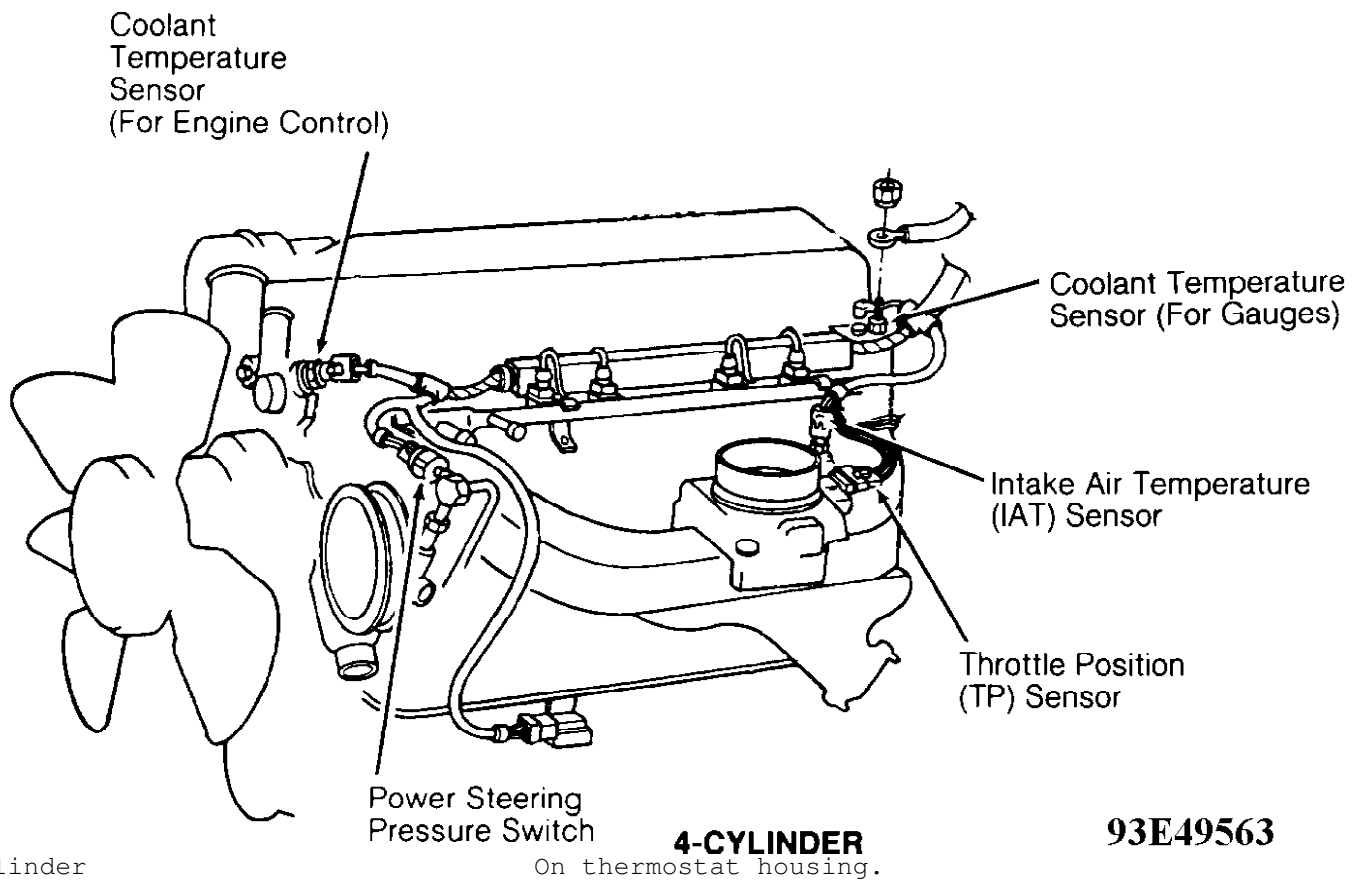
93J49568

Camshaft Position Sensor

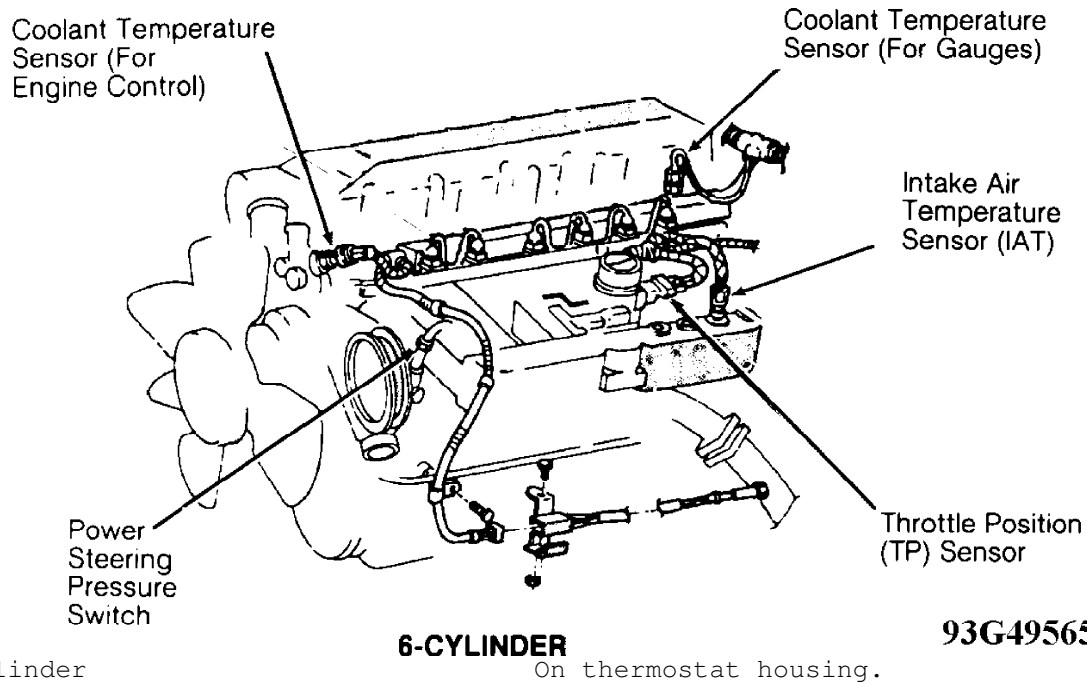
Inside ignition distributor
assembly.

Coolant Temperature Sensor
For Engine Control



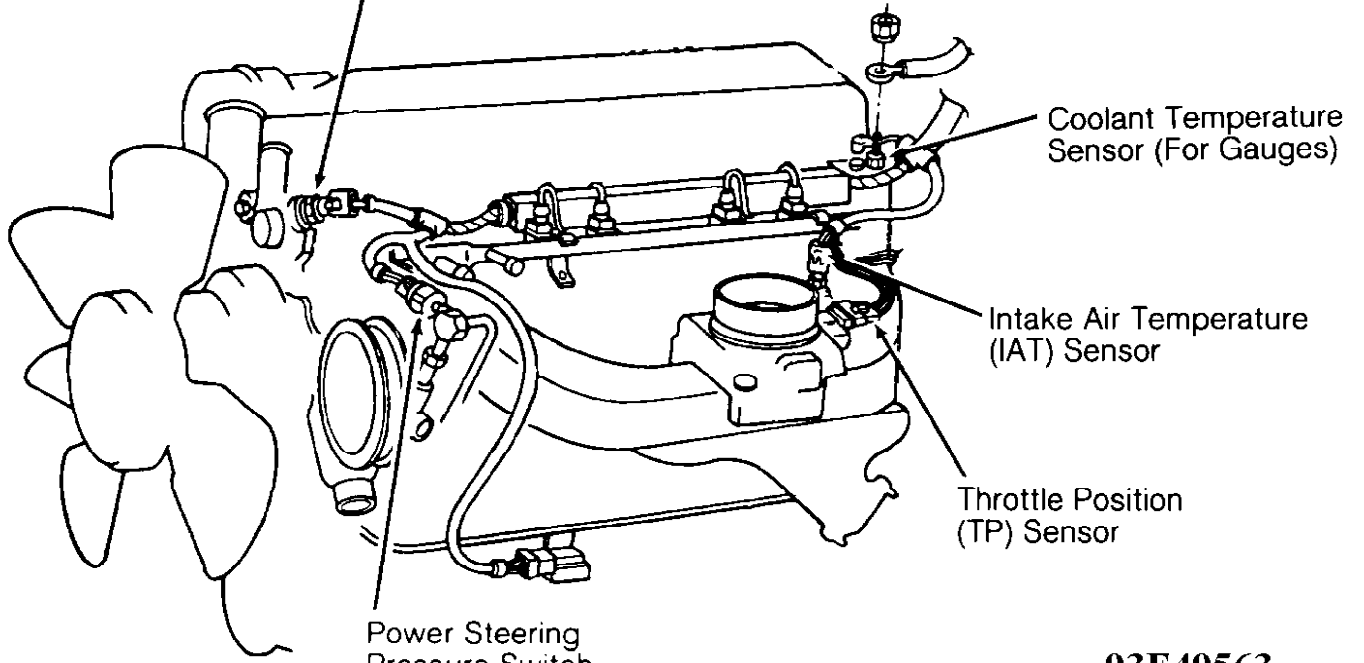


4-Cylinder



6-Cylinder
For Gauges

Coolant Temperature Sensor (For Engine Control)



4-Cylinder

Power Steering Pressure Switch

4-CYLINDER

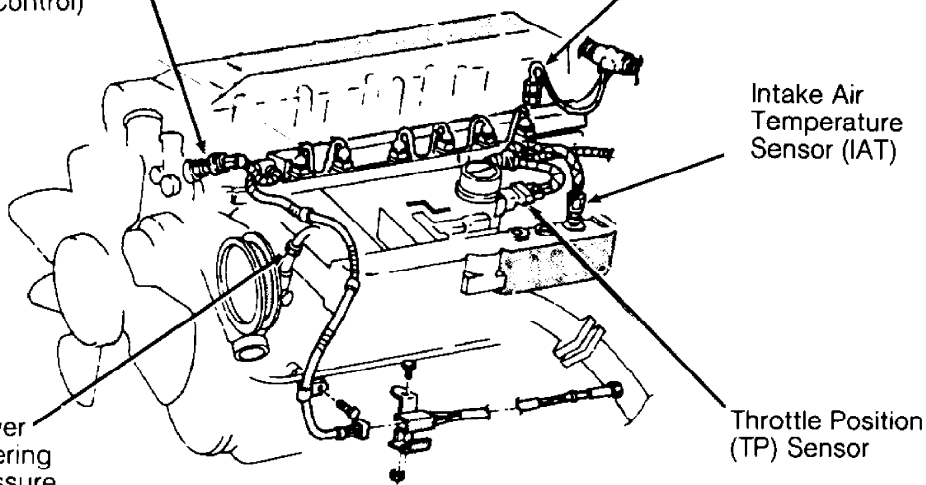
At left rear of cylinder head.

93E49563

Coolant Temperature Sensor (For Engine Control)

Coolant Temperature Sensor (For Gauges)

Power Steering Pressure Switch

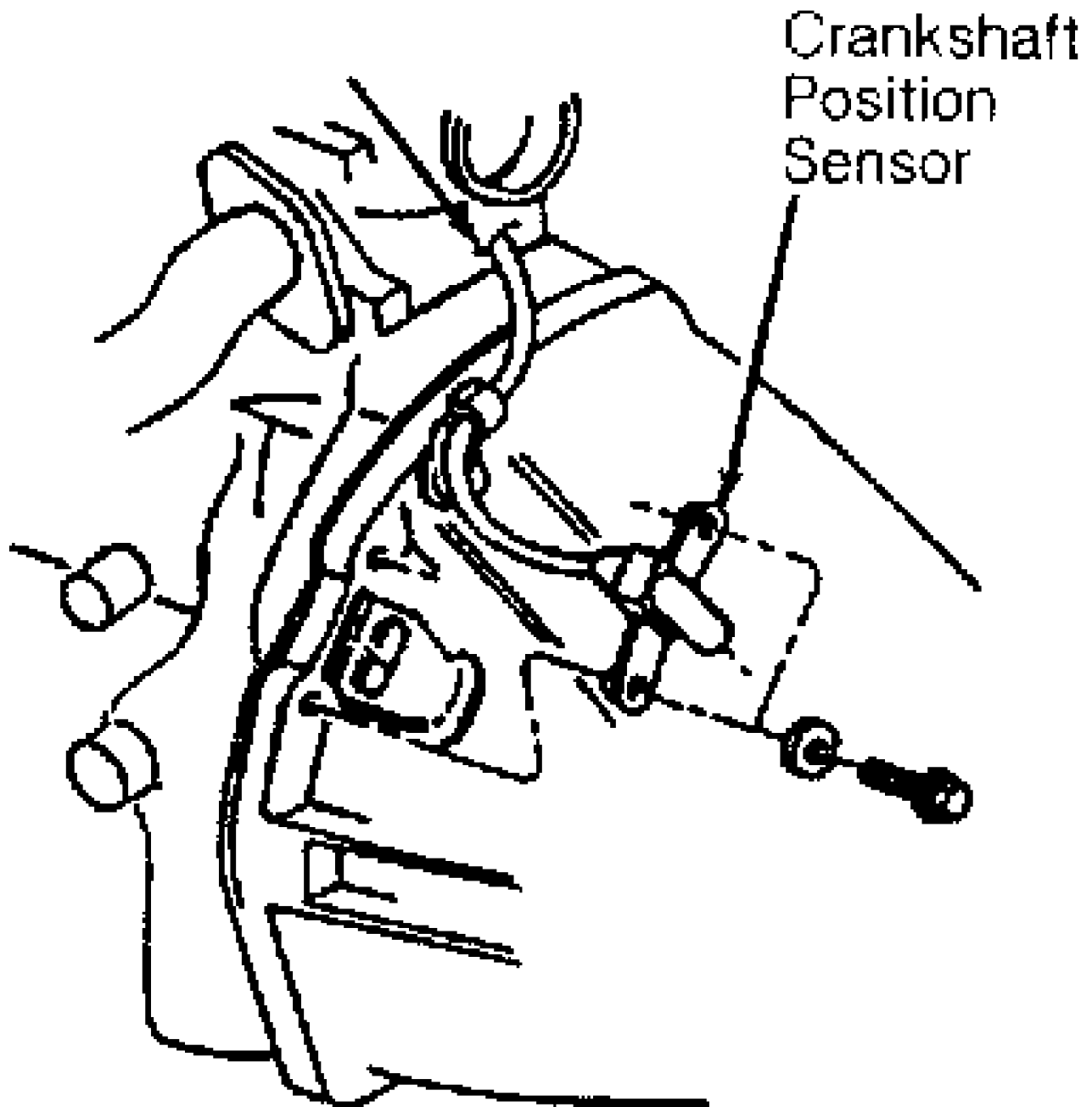


6-Cylinder

6-CYLINDER

At left rear of cylinder head.

93G49562



Crankshaft Position Sensor

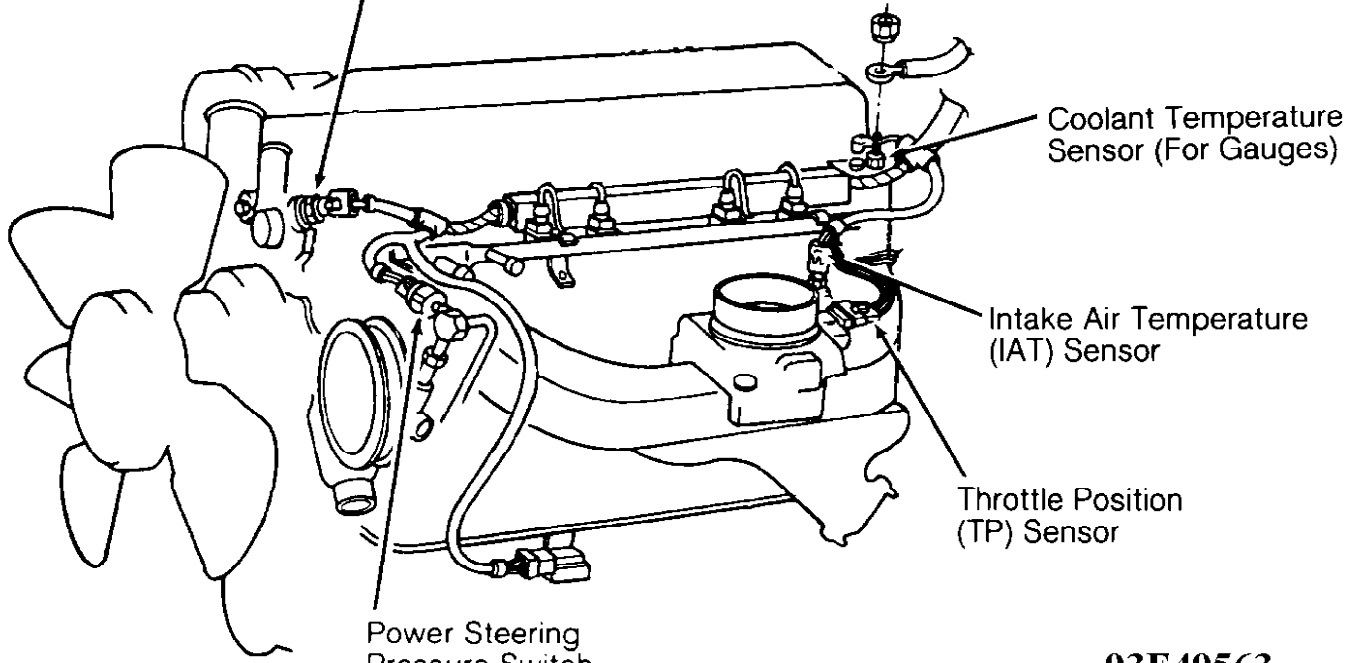
On left side of transmission bellhousing.

Fuel Gauge Sending Unit

In fuel tank, part of fuel pump assembly.

Intake Air Temperature Sensor (IAT)

Coolant Temperature Sensor (For Engine Control)



4-Cylinder

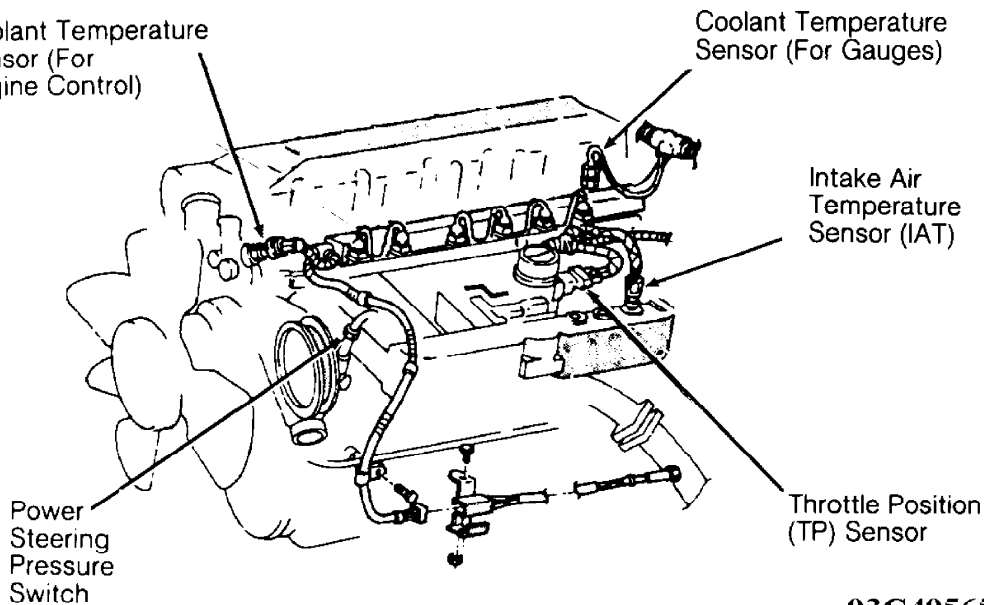
Power Steering Pressure Switch

4-CYLINDER

93E49563

On intake air plenum, near throttle body.

Coolant Temperature Sensor (For Engine Control)



6-Cylinder

6-CYLINDER

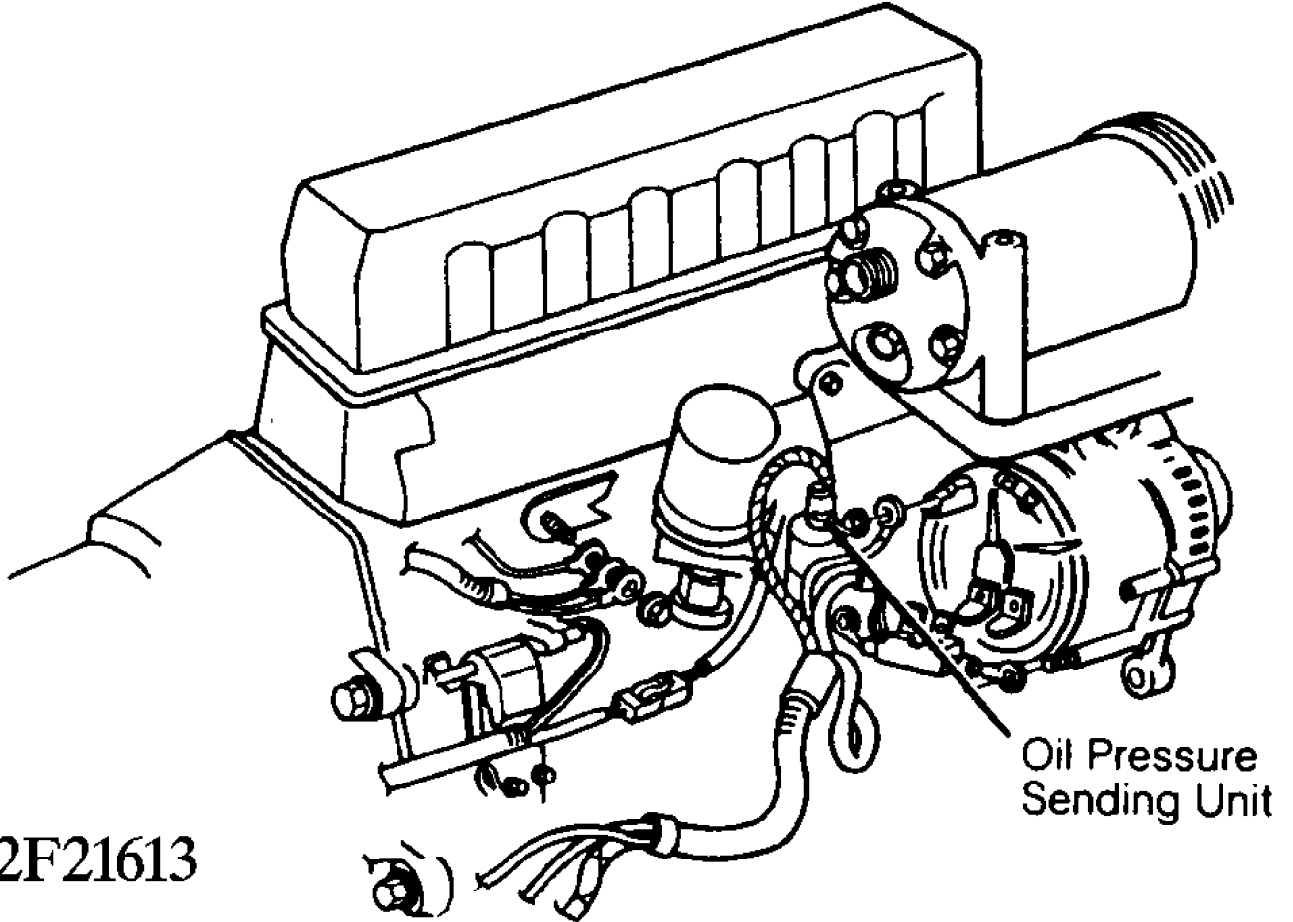
93G49562

On intake air plenum, near throttle body.

Manifold Absolute Pressure Sensor (MAP)

On center of firewall.

Oil Pressure Sending Unit

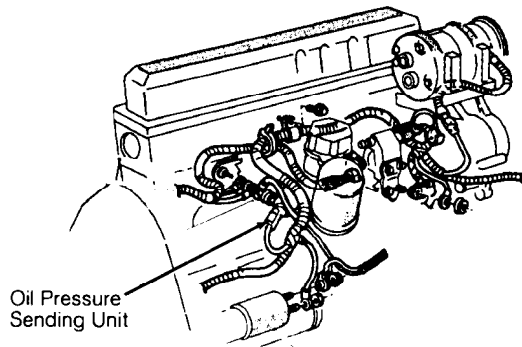


92F21613

4-CYLINDER

(4-Cylinder)

On right side of engine block.

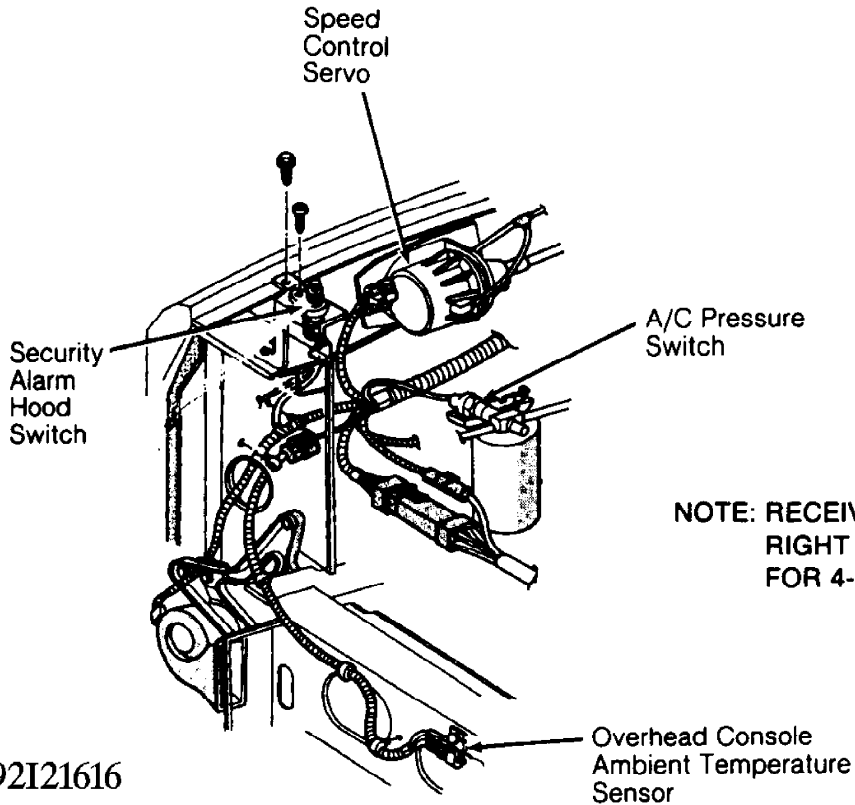


92A21618

6-CYLINDER

(6-Cylinder)

On right side of engine block.



NOTE: RECEIVER/DRYER IS LOCATED IN RIGHT FRONT ENGINE COMPARTMENT FOR 4-CYLINDER.

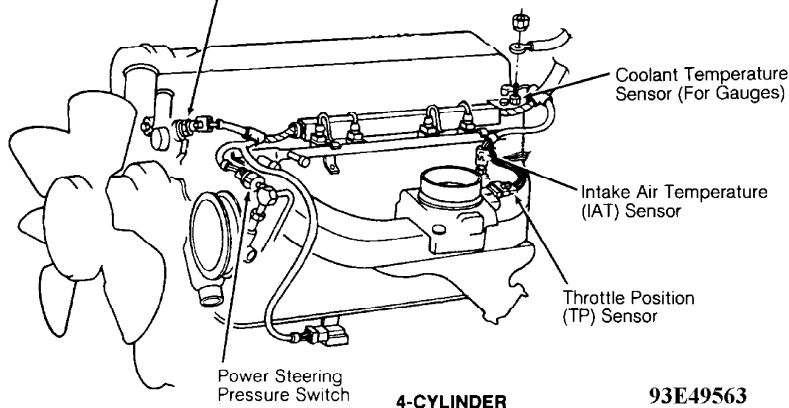
4 & 6-CYLINDER

Overhead Console Ambient Temperature Sensor

On right side of lower radiator support.

Throttle Position Sensor (TPS)

Coolant Temperature Sensor (For Engine Control)



4-Cylinder

4-CYLINDER

On throttle body assembly.

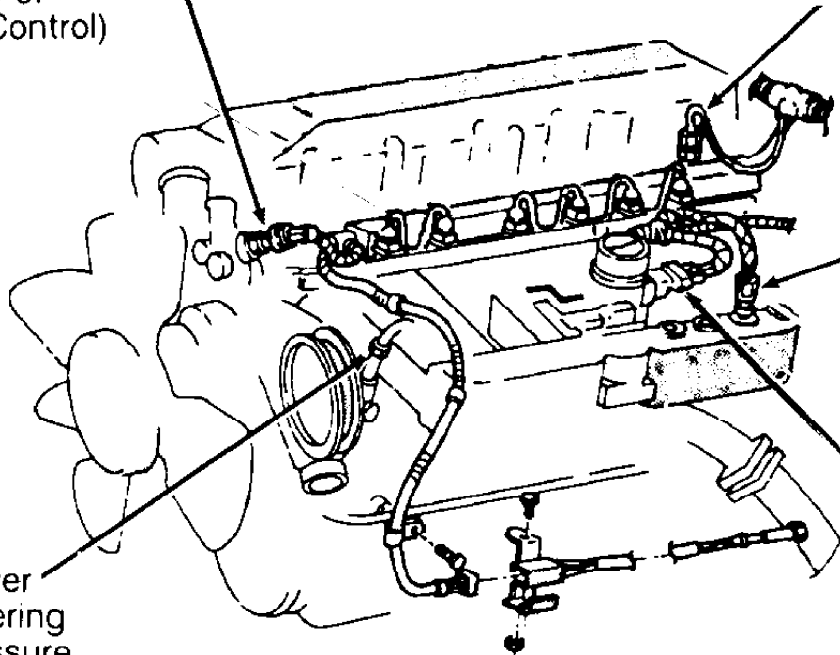
Coolant Temperature
Sensor (For
Engine Control)

Coolant Temperature
Sensor (For Gauges)

Intake Air
Temperature
Sensor (IAT)

Power
Steering
Pressure
Switch

Throttle Position
(TP) Sensor

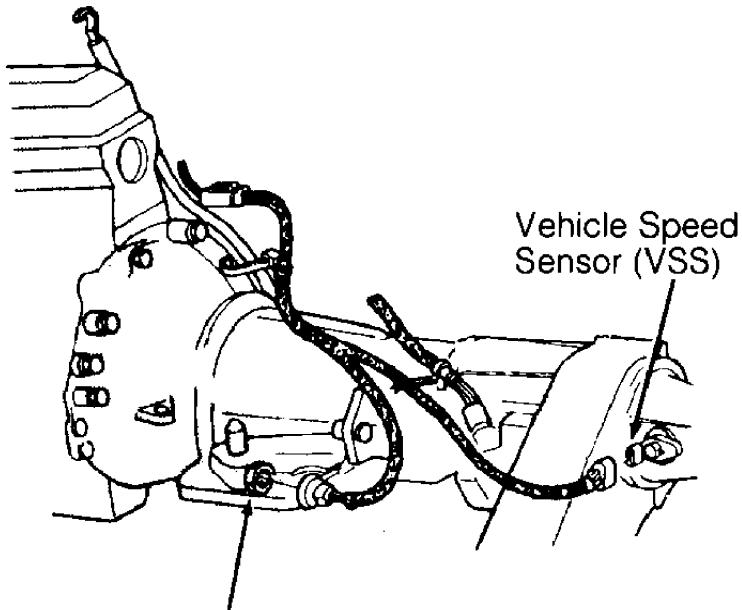


6-CYLINDER

93G4956

On throttle body assembly.

6-Cylinder



Vehicle Speed
Sensor (VSS)

Back-Up Light
Switch

93H49566

On transmission extension
housing.

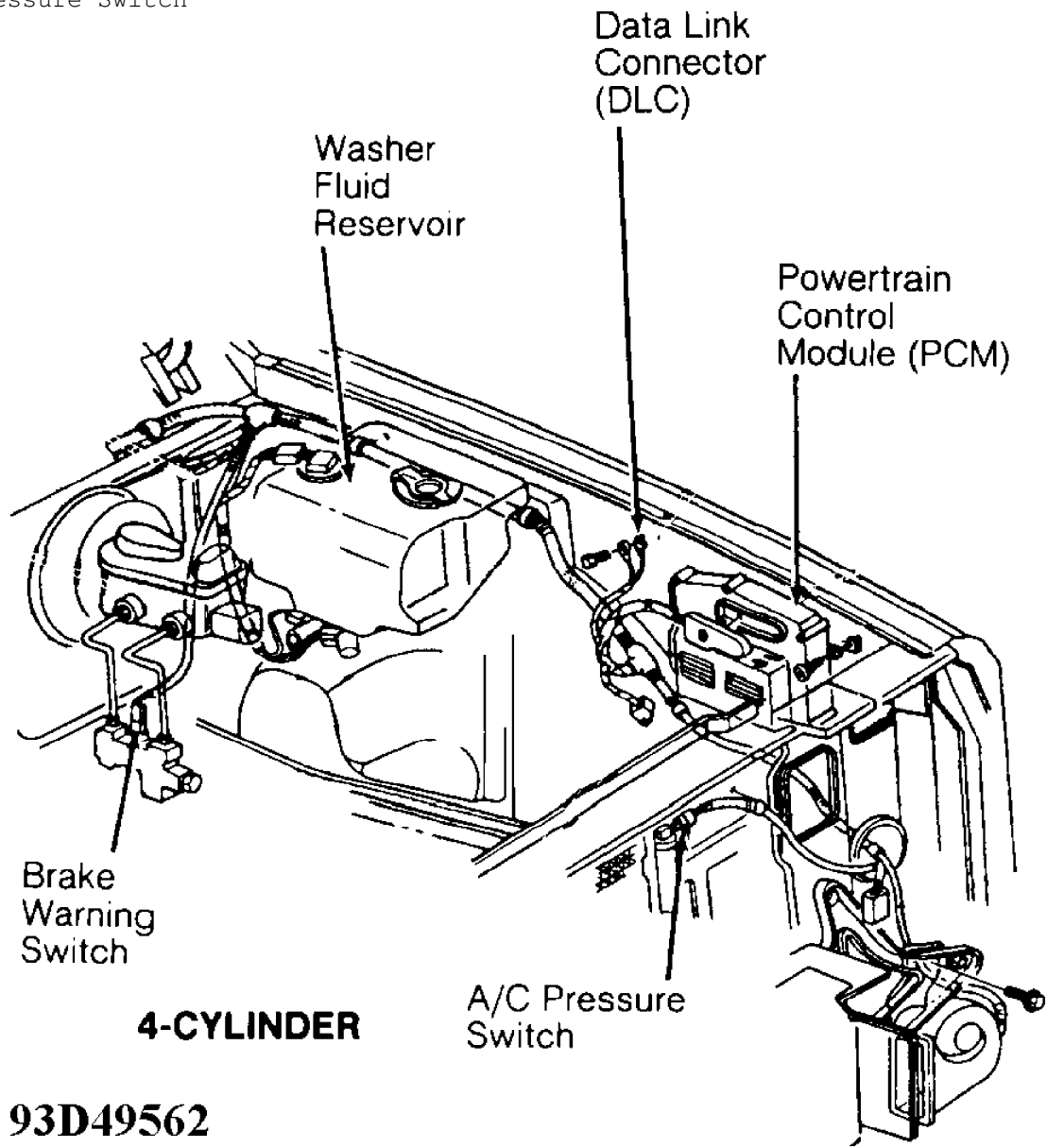
Vehicle Speed Sensor

SOLENOIDS & SOLENOID VALVES

Component	Component Location
ECAT Solenoids	On valve body, in transmission.

SWITCHES

Component	Component Location
A/C Pressure Switch	

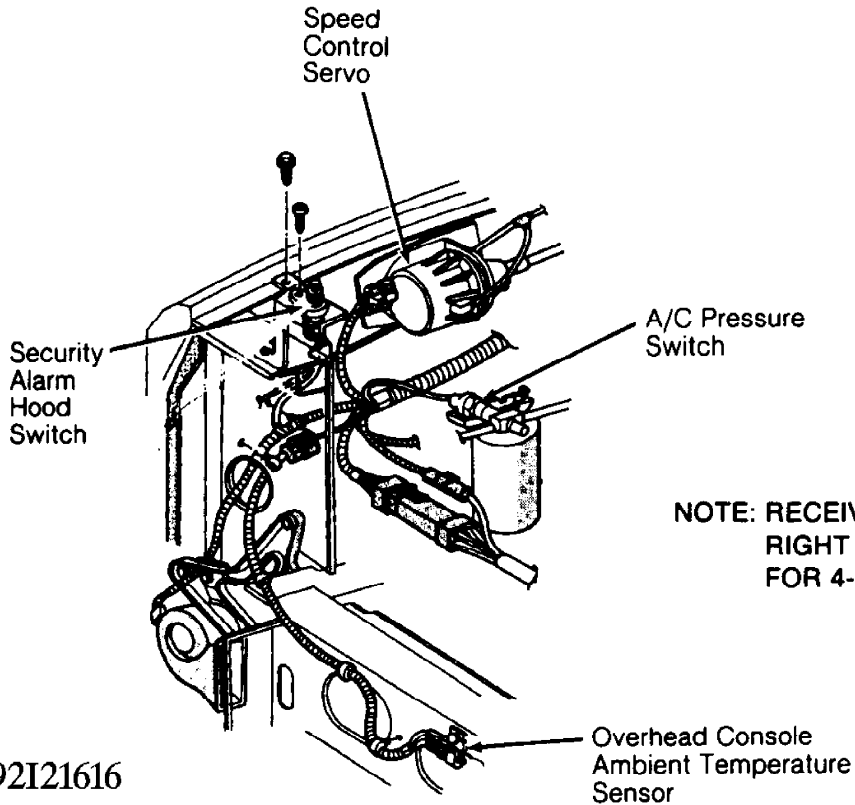


4-CYLINDER

93D49562

(4-Cylinder)

On A/C receiver-drier.



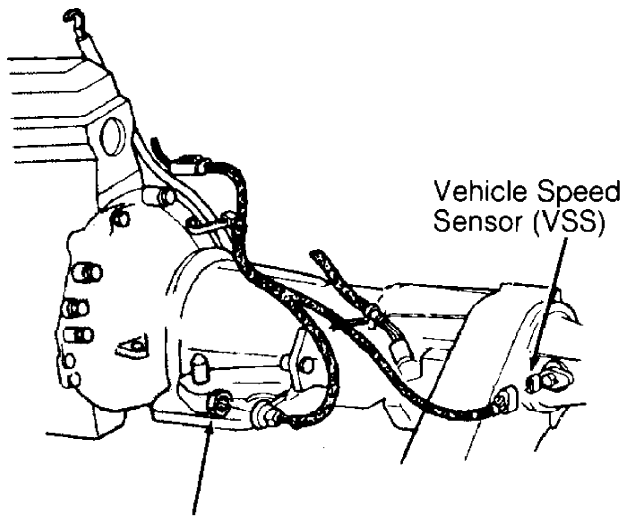
NOTE: RECEIVER/DRYER IS LOCATED IN RIGHT FRONT ENGINE COMPARTMENT FOR 4-CYLINDER.

92I21616

4 & 6-CYLINDER

(4 & 6 Cylinder)

On A/C receiver-drier.

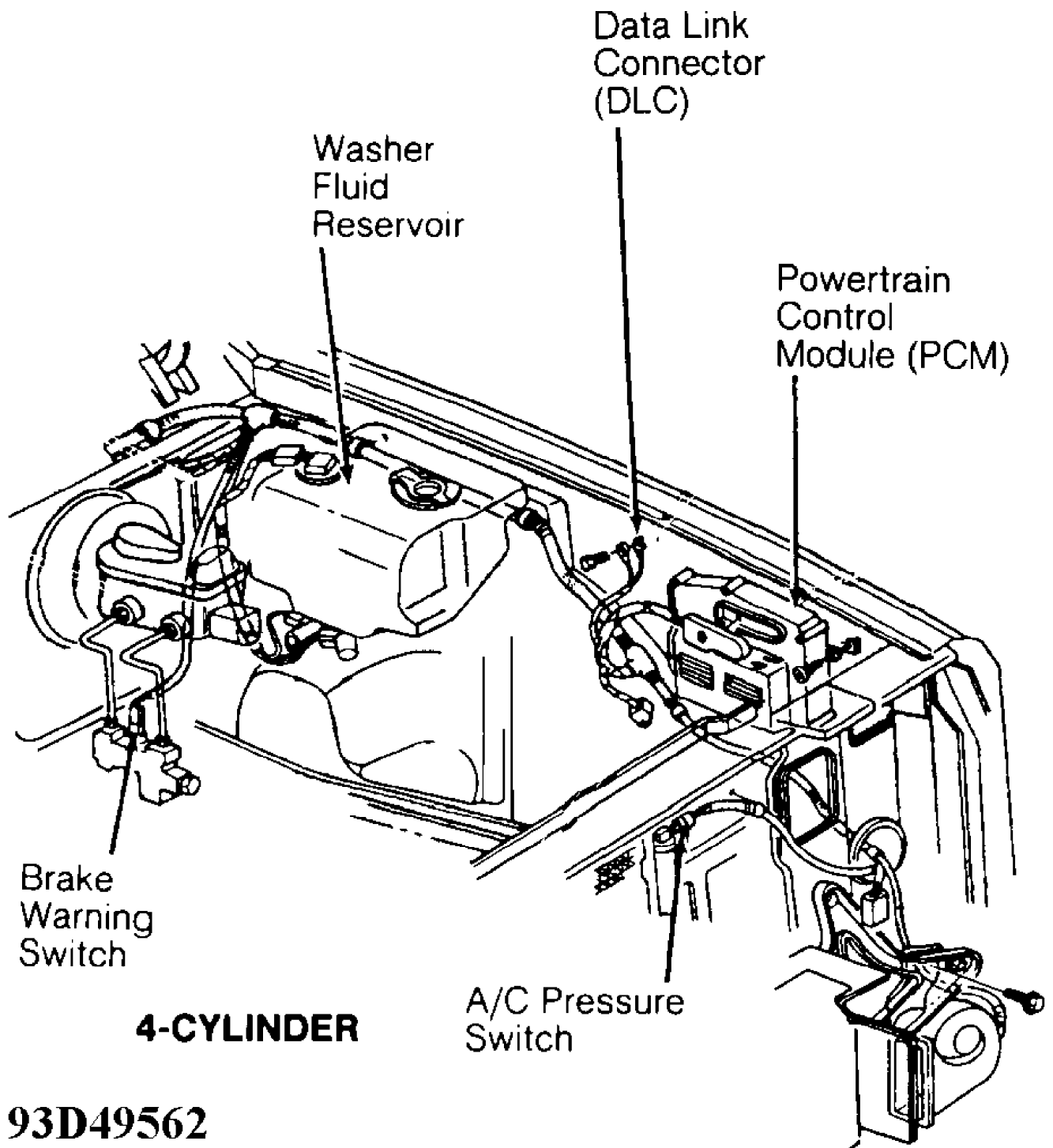


93H49566

Back-Up Light Switch

On left side of transmission case.

Brake Warning Switch

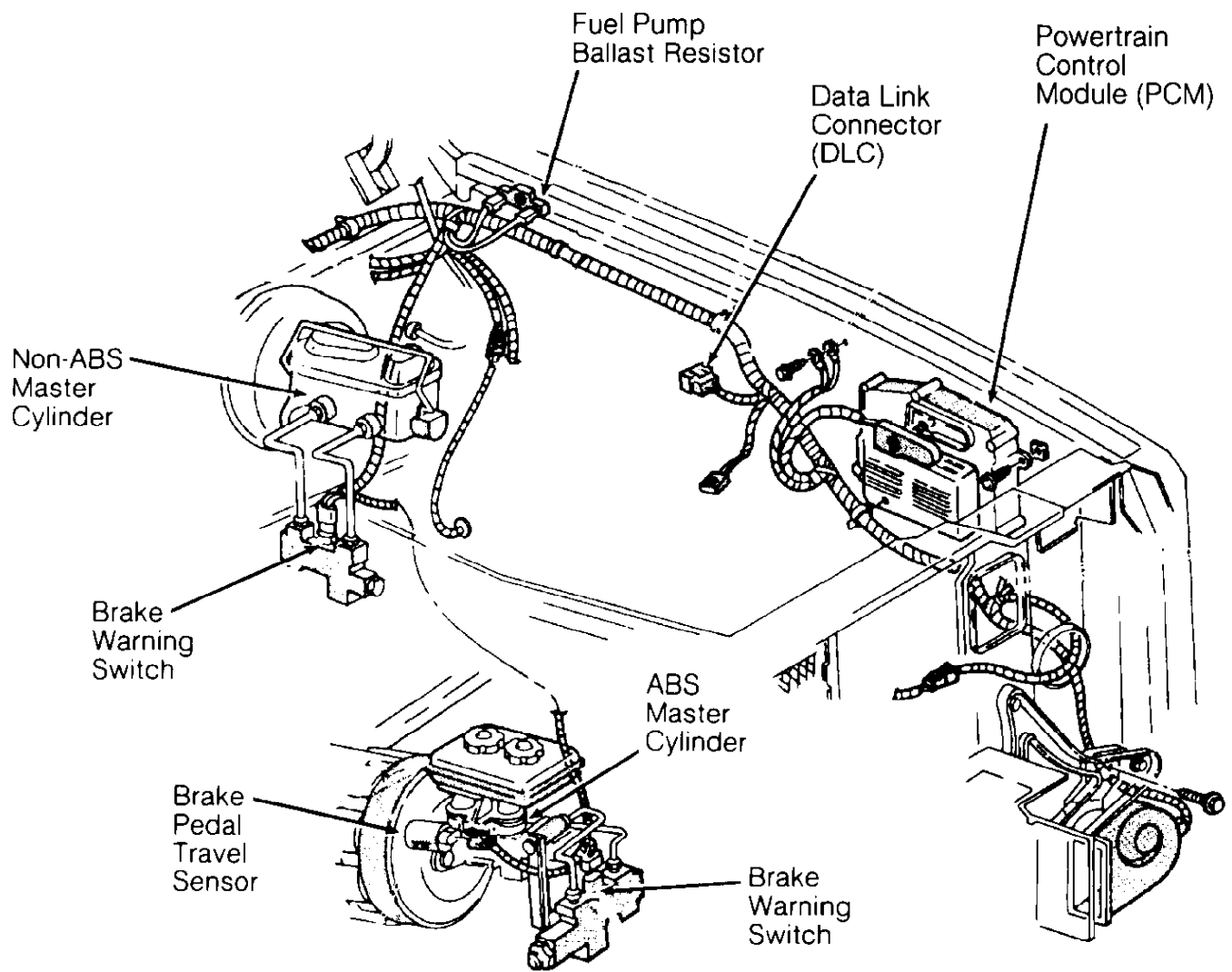


4-CYLINDER

93D49562

(4-Cylinder)

On brake pressure differential valve, below master cylinder.



93F49564

(6-Cylinder)

6-CYLINDER

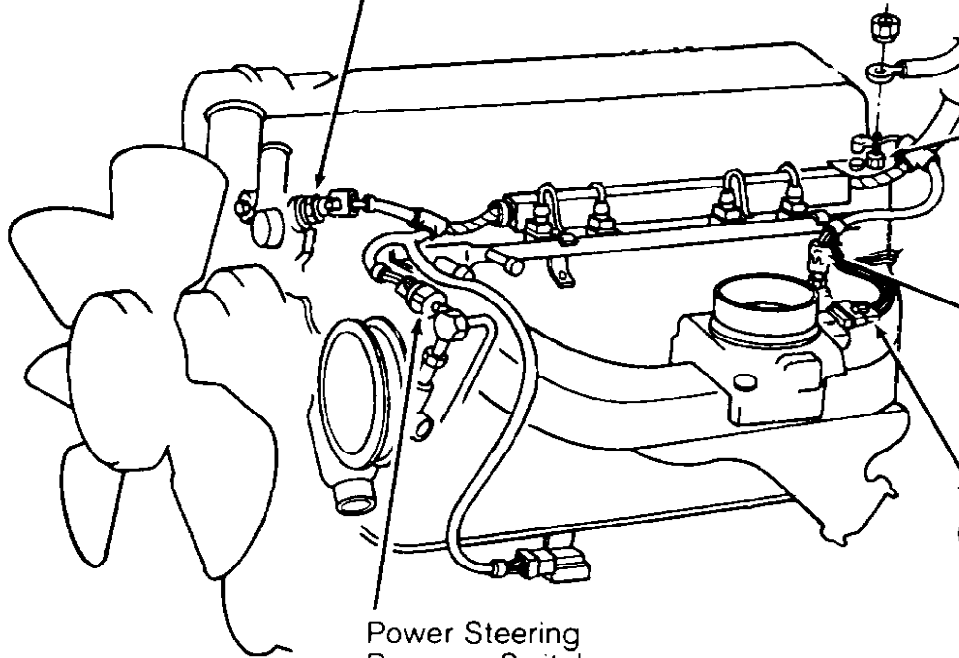
On brake pressure differential valve, below master cylinder.

Parking Brake Switch

Under center console, at base of parking brake lever.

Power Steering Pressure Switch

Coolant Temperature Sensor (For Engine Control)



Coolant Temperature Sensor (For Gauges)

Intake Air Temperature (IAT) Sensor

Throttle Position (TP) Sensor

Power Steering Pressure Switch

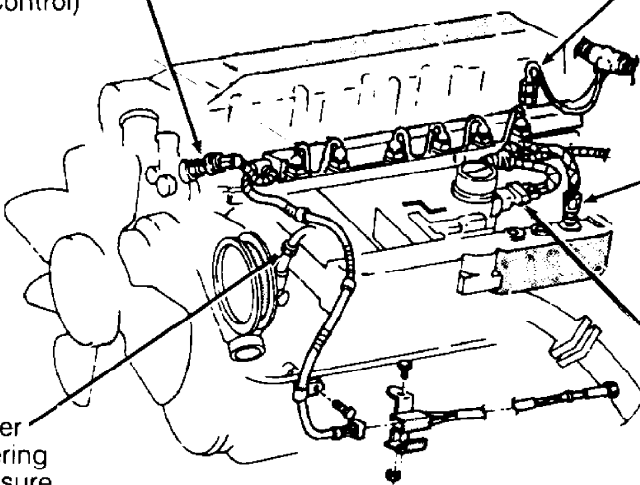
4-CYLINDER

93E49563

4-Cyl

Near power steering pump, on high pressure hose.

Coolant Temperature Sensor (For Engine Control)



Coolant Temperature Sensor (For Gauges)

Intake Air Temperature (IAT) Sensor

Throttle Position (TP) Sensor

Power Steering Pressure Switch

6-CYLINDER

93G49562

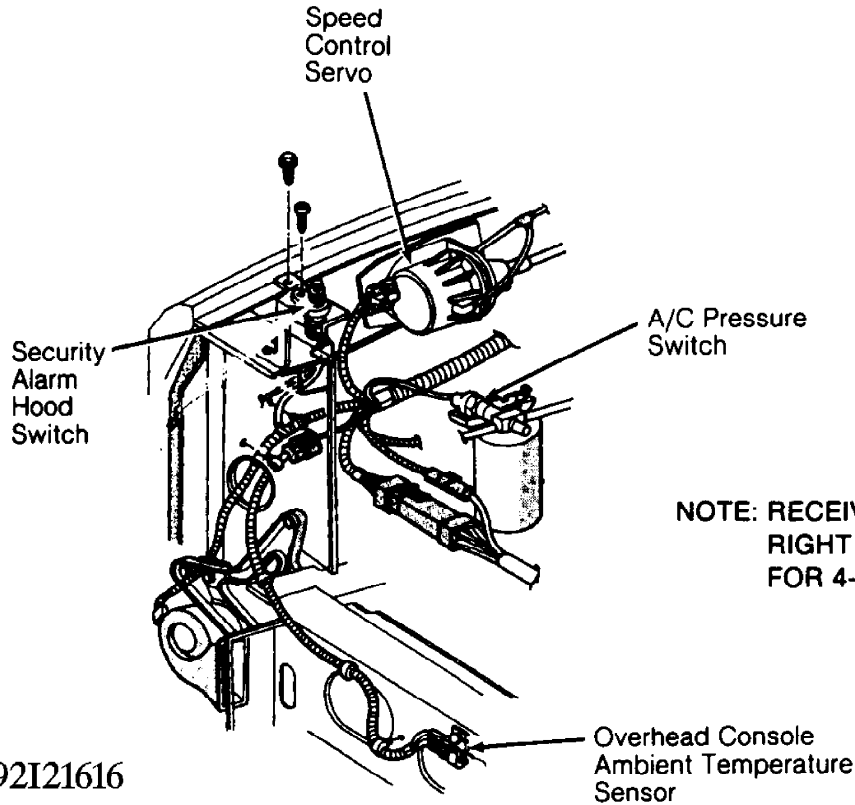
6-Cyl.

Near power steering pump, on high pressure hose.

Seat Belt Switch

In driver's seat belt buckle.

Security Alarm Hood Switch



92I21616

4 & 6-CYLINDER

(4 & 6 Cylinder)

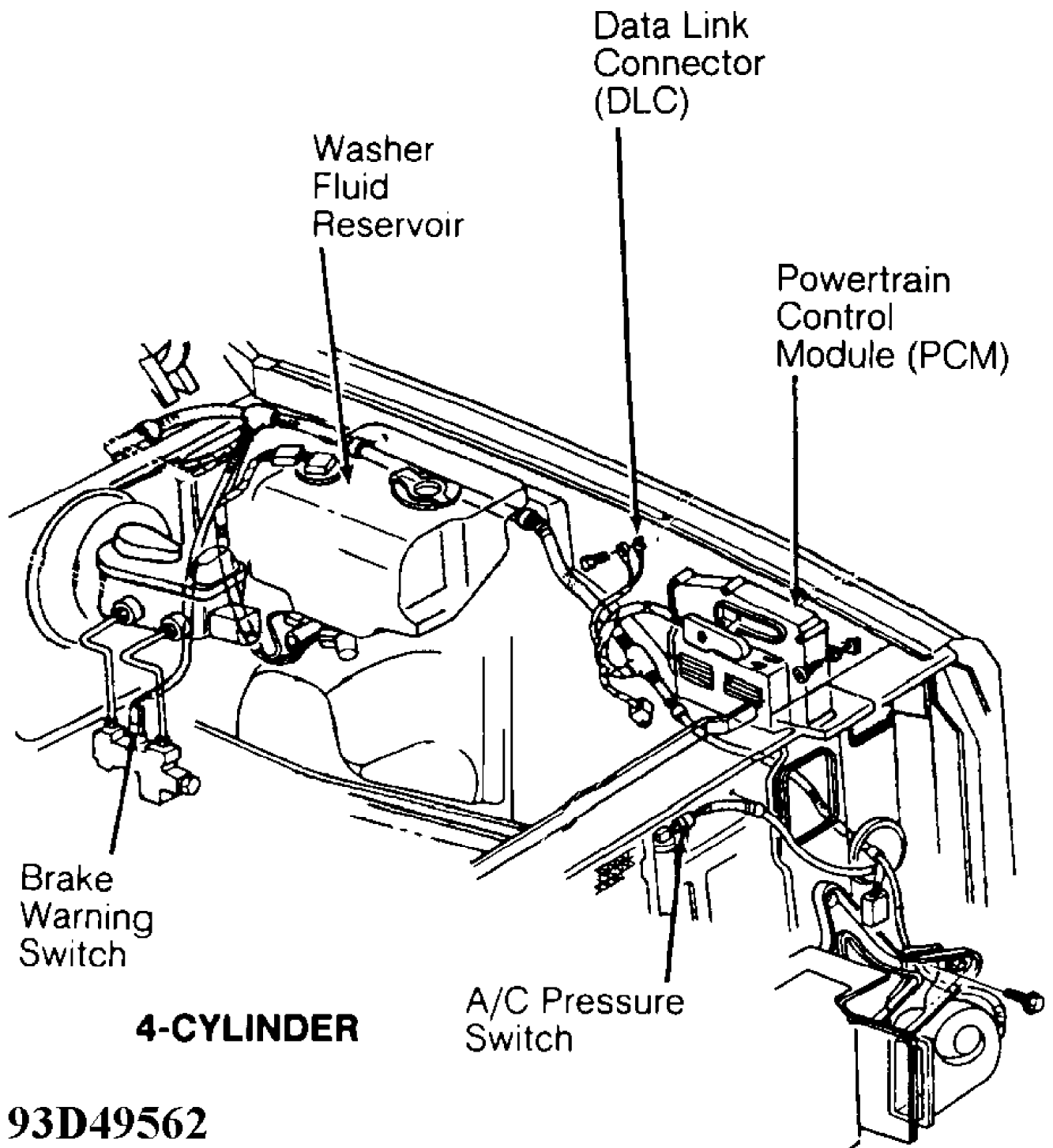
On right front corner of engine compartment.

4WD Switch

On top center of transfer case.

MISCELLANEOUS

Component	Component Location
ABS Diagnostic Connector	On right front fender, behind power distribution center.
ABS Modulator	Under brake master cylinder.
A/C Clutch Diode	On A/C compressor.
A/C-Heater Blower Motor Resistor	Under right side of dash, on evaporator housing.
A/C Thermostat	Under right side of dash, on evaporator housing.
Data Link Connector (DLC)	



Data Link Connector (DLC)

Washer Fluid Reservoir

Powertrain Control Module (PCM)

Brake Warning Switch

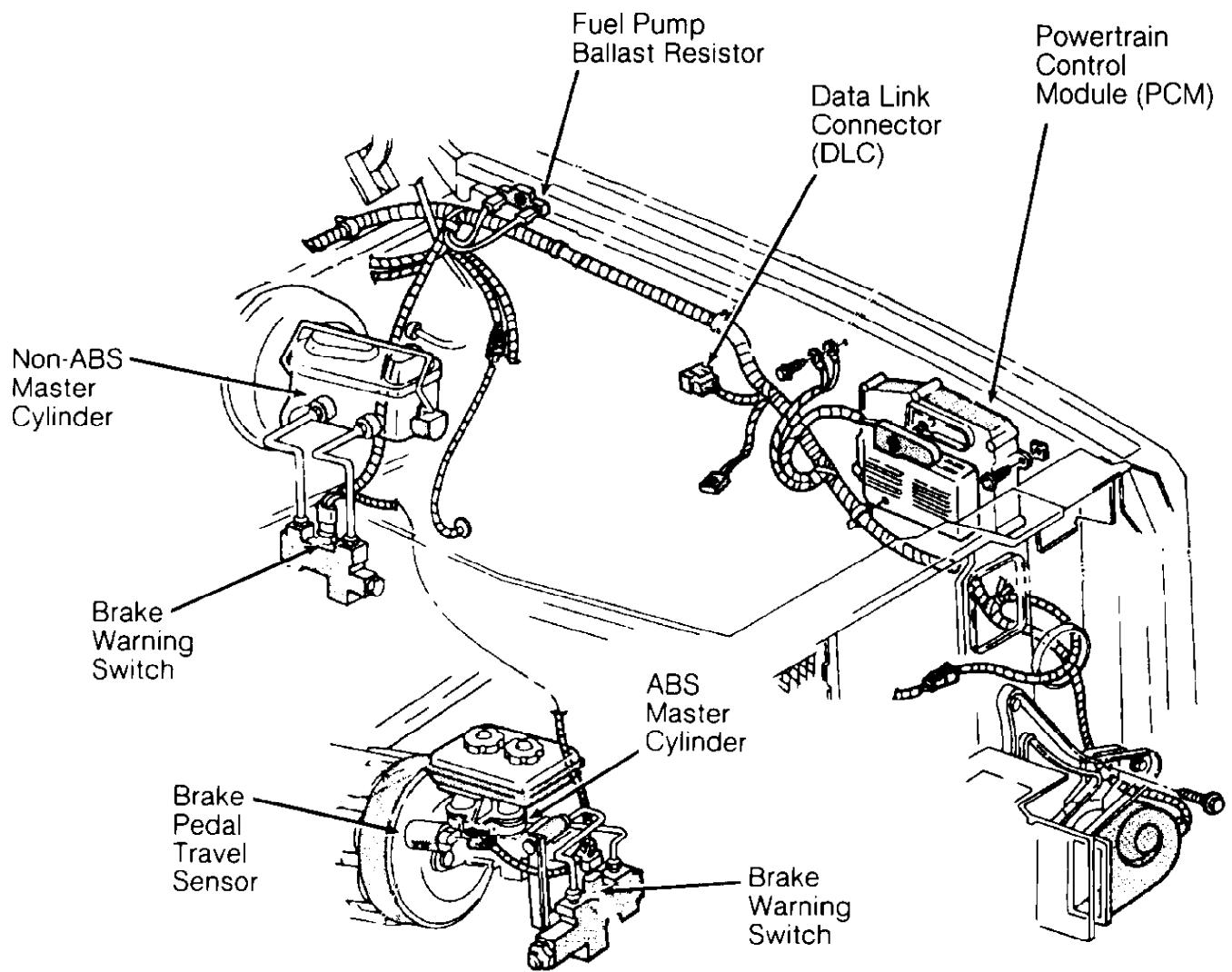
4-CYLINDER

A/C Pressure Switch

93D49562

4-Cylinder

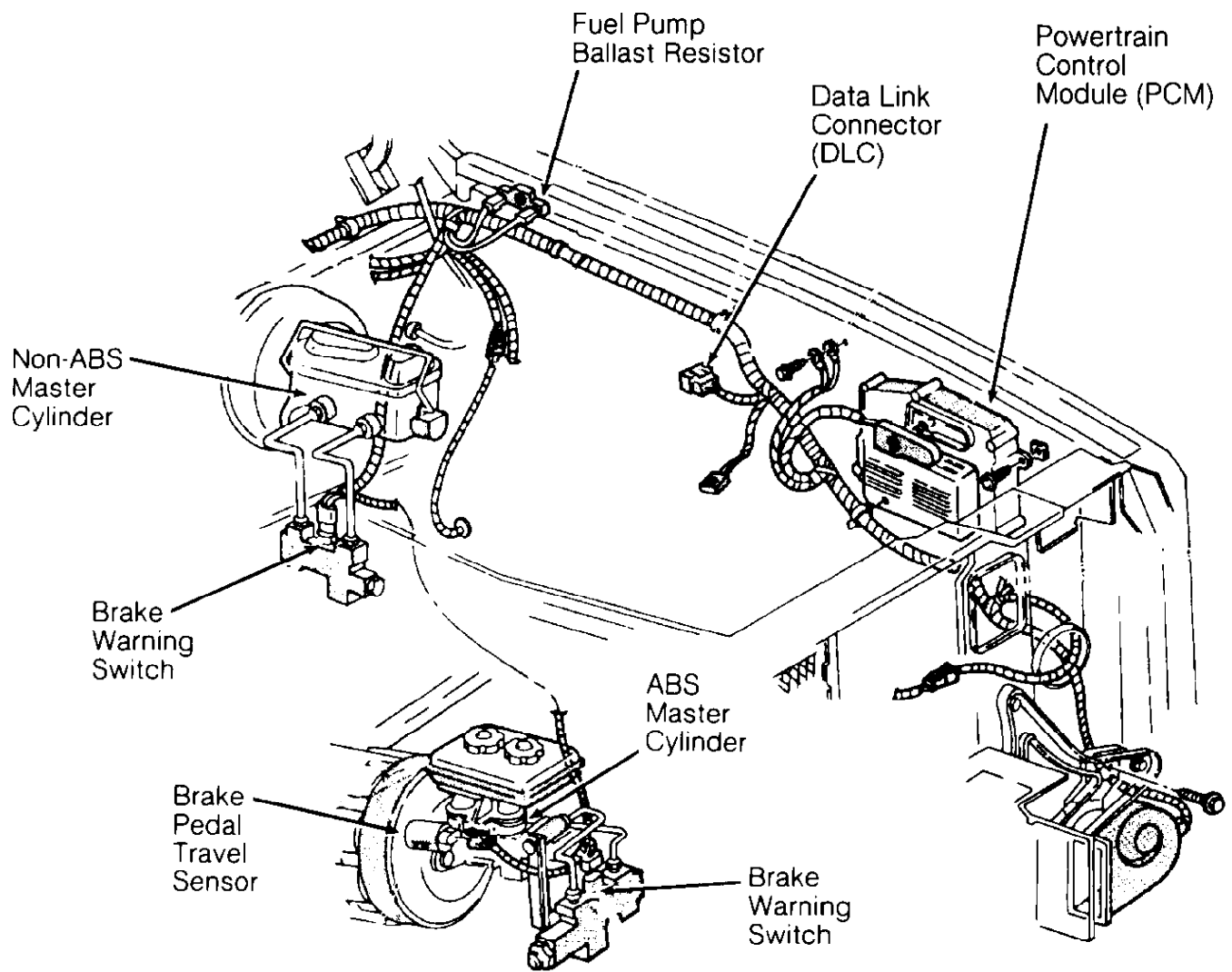
On left front fender apron, behind air cleaner.



93F49564

6-Cylinder

6-CYLINDER
 On left front fender apron,
 behind air cleaner.



93F49564

Fuel Pump Ballast Resistor

6-CYLINDER

In left rear engine compartment, on inner fender panel.