

POWER MIRRORS

CONTENTS

	page		page
DIAGNOSIS	1	POWER MIRROR SWITCH REPLACEMENT ...	4
GENERAL	1	POWER MIRROR SWITCH TESTING	2
POWER MIRROR REPLACEMENT	4		

GENERAL

For information concerning wiring or connectors, refer to Group 8W - Wiring Diagrams.

The mirror control switch contains two separate switches, the operating switch and the selector switch.

Each mirror has two reversible motors: one to adjust the mirror view up and down, the other to adjust the mirror view right and left. The driver operates three switches that control the polarity of the voltage to the motors. The mirror select switch directs these control voltages to either the right or left mirror.

The mirror select switch must be set to L or R to direct current flow. If the mirror select switch is set on R and the up-down switch is moved to the UP position, the voltage path is:

- through the U contact of switch 1
- to pin E
- to the up-down motor in the right mirror.

The ground path is:

- through pin D
- through the mirror select switch contacts
- to the U contacts of switch 3 and switch 2
- to pin F
- to ground.

The right motor runs and tilts the mirror up.

If the switch is pushed to the DOWN position, the

same motor receives voltage. Now the polarity is reversed, with pin E grounded. The motor runs in the opposite direction.

The right mirror left-right motor operates in a similar manner when the control switch is moved to the L or R positions.

The left mirror works the same way as the right mirror when mirror select switch is moved to L position and control switch is operated.

DIAGNOSIS

For information concerning wiring or connectors, refer to Group 8W - Wiring Diagrams.

- Open door. Dome lamps should light. If not, check dome fuse.

Remove switch, unplug switch connector

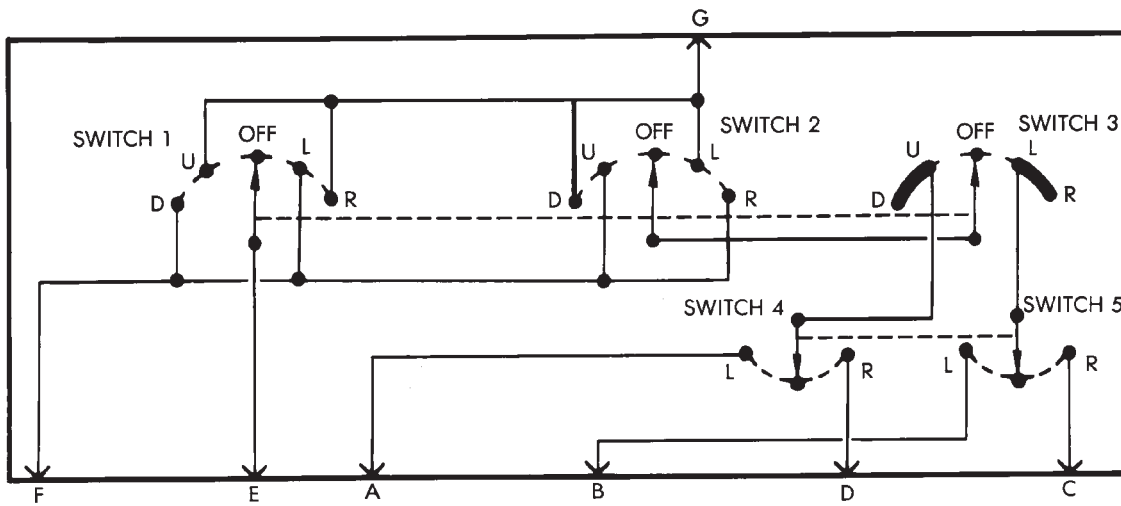
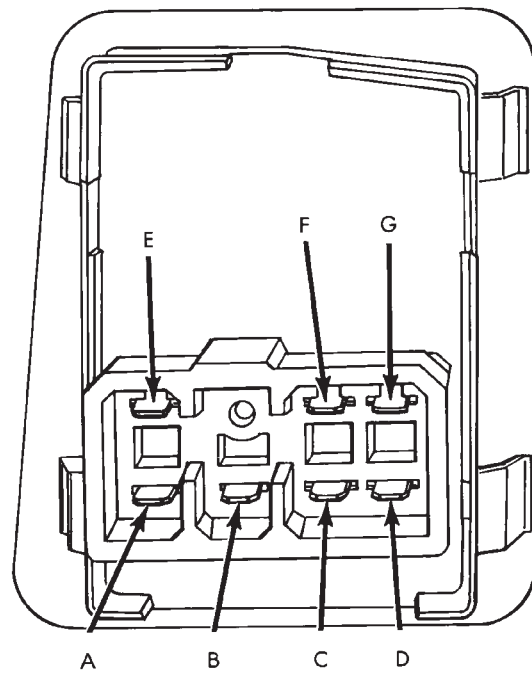
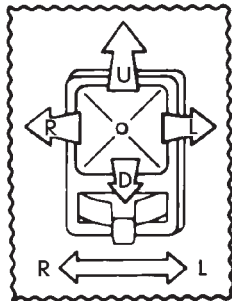
- Measure resistance at mirror switch connector pin F. Meter should read zero ohms, If not, repair open to ground.
- Measure voltage at mirror switch connector pin G. Meter should read battery voltage. If not, repair open to dome fuse.

Install a jumper lead from pin E to pin F.

- Connect a jumper lead from pin G to: pin A; pin B; pin C and then pin D. If the mirror moves, replace switch. If not, repair open to motor and/or replace motor.

POWER MIRROR SWITCH TESTING

POWER MIRROR SWITCH



SWITCH TEST WITH SWITCH IN LEFT (L) POSITION

SWITCH POSITION	TERMINALS	ZERO OHMS
Push Down (D)	A and G	Yes
	E and F	Yes
	All Others	No
Push Up (U)	A and F	Yes
	E and G	Yes
	All Others	No
Off (Normal)	All Others	No
Push Left (L)	B and G	Yes
	E and F	Yes
	All Others	No
Push Right (R)	B and F	Yes
	E and G	Yes
	All Others	No

J918T-1

SWITCH TEST WITH SWITCH IN RIGHT (R) POSITION

SWITCH POSITION	TERMINALS	ZERO OHMS
Push Down (D)	D and G	Yes
	E and F	Yes
	All Others	No
Push Up (U)	D and F	Yes
	E and G	Yes
	All Others	No
Off (Normal)	All Others	No
Push Left (L)	C and G	Yes
	E and F	Yes
	All Others	No
Push Right (R)	C and F	Yes
	E and G	Yes
	All Others	No

J918T-2

POWER MIRROR SWITCH REPLACEMENT

(1) Using a wide flat blade tool, pry the switch housing away from the center console (Fig. 1).

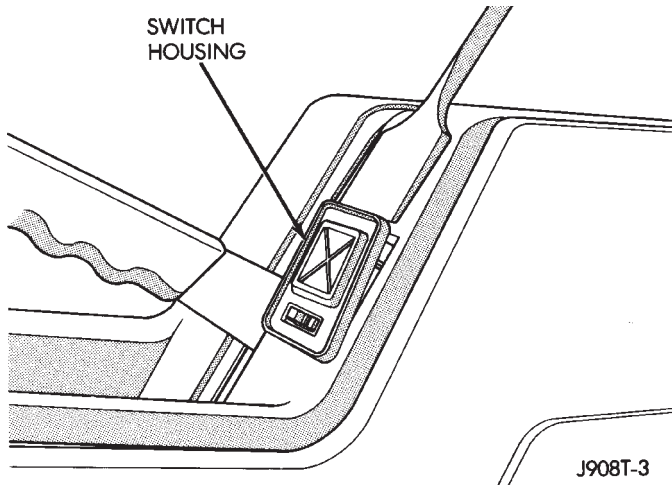


Fig. 1 Power Mirror Switch Removal/Installation—XJ

(2) Disconnect switch connector and remove switch.

(3) To install a new switch, reverse the removal procedure.

POWER MIRROR REPLACEMENT

(1) Remove interior door latch release assembly and control panel retaining screws (Fig. 2).

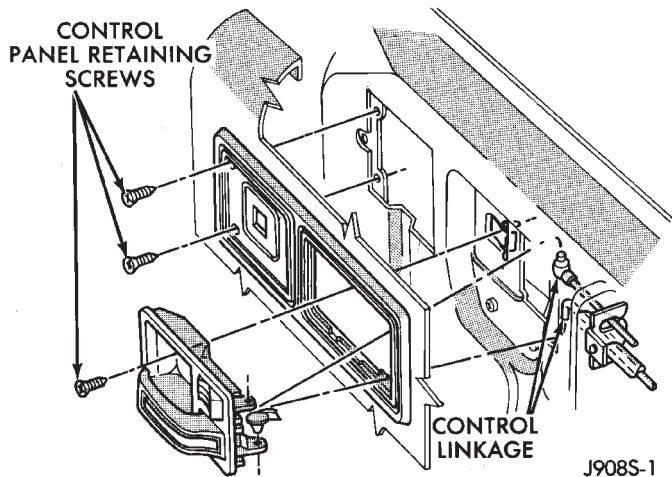


Fig. 2 Power Window Control Panel Removal/Installation

(2) Disconnect control linkage and wire harness connector.

(3) Remove latch release and control panel assembly.

(4) Remove armrest lower retaining screws.

(5) Swing armrest downward to a vertical position. This is necessary to disconnect the armrest from the upper retainer clip (Fig. 3).

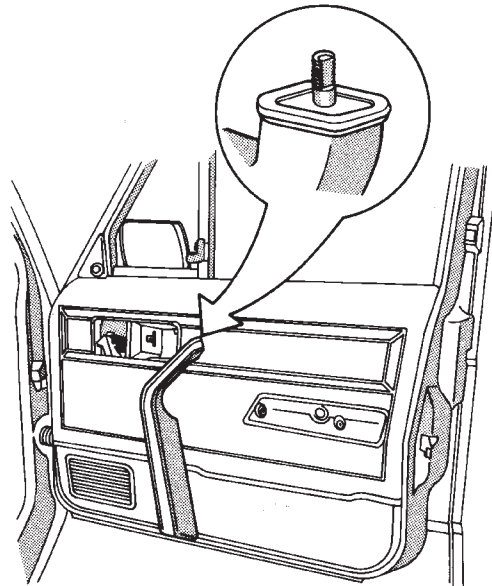


Fig. 3 Armrest Retainer Clip

(6) Pull the armrest straight out from the trim panel.

(7) Remove the trim panel with a wide flat blade tool (Fig. 4).

To aid in removal of the trim panel, start at the bottom of the panel.

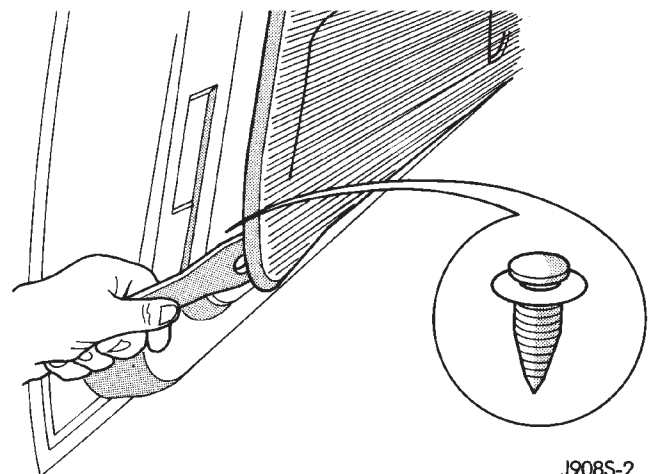


Fig. 4 Trim Panel Removal

(8) Remove screw holding mirror trim cover (Fig. 5).

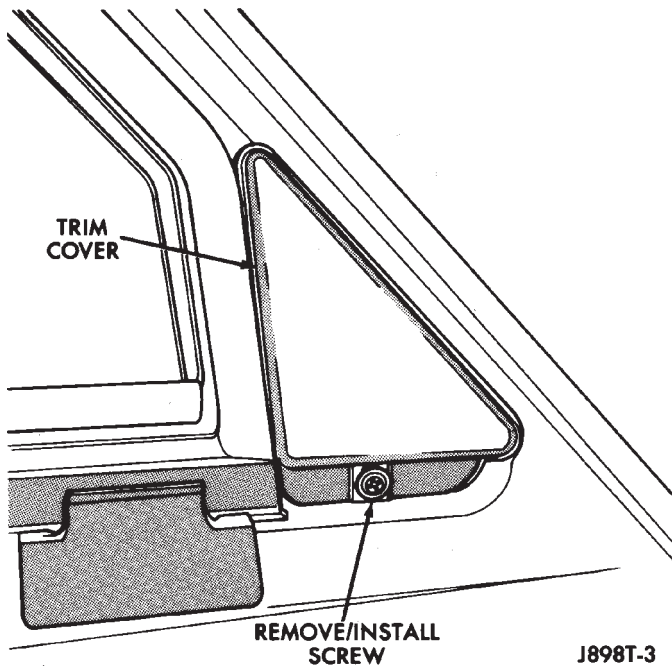


Fig. 5 Power Mirror Trim Cover—XJ

(9) Disconnect power mirror wire harness at connector in door.

(10) Pull harness up through door.
(11) Remove 3 screws holding mirror to door (Fig. 6).
(12) To install a power mirror, reverse the removal procedure.

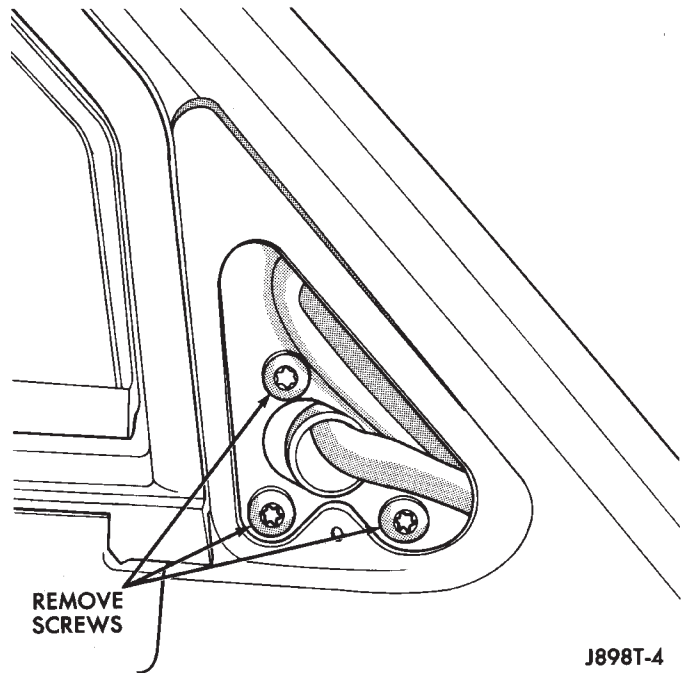


Fig. 6 Power Mirror Removal/Installation—XJ

