

WIRING DIAGRAMS

CONTENTS

	page		page
FUSE CHARTS AND RELAY BANKS	8	WIRING DIAGRAMS XJ	149
GENERAL INFORMATION	1	WIRING DIAGRAMS XJ RHD	271
SPLICE LOCATIONS	53	WIRING DIAGRAMS YJ	73
WIRING AND COMPONENT IDENTIFICATION .	13		

GENERAL INFORMATION

INDEX

	page		page
Circuit Identification	2	Secondary Ignition Wiring	1
Component Identification	2	Splice Locations	2
Connector and Terminal Assembly Replacement ..	5	Symbols, Fuses and Abbreviations	6
Connector Replacement	4	Terminal Replacement	5
Connectors	3	Troubleshooting Wiring Problems	3
Fusible Link Replacement	4	Wire Code Identification	2
Fusible Links	3	Wiring Diagram Sheets and Indexes	1
Locating A System	2	Wiring Repair	4

The wiring diagrams contain the latest information at the time of publication.

Throughout this group references may be made to a particular vehicle by letter or number designation. A chart showing the breakdown of these designations is included in the Introduction Section at the front of this service manual.

SECONDARY IGNITION WIRING

Secondary ignition wiring is shown in Figures 1 and 2. For additional information on ignition systems or distributor operation refer to Group 8D Ignition Systems.

WIRING DIAGRAM SHEETS AND INDEXES

The diagrams are organized to show the basic vehicle and all of its options. Add-on or non-factory options are not covered. The diagram pages are identified by a sheet number which is located at the lower right or left hand corner of each sheet. **Page numbers at the top of each page do not apply to diagram sheets.**

Diagram sheets show all information relating to the system. This includes feeds, grounds, switch internal circuitry, connectors, splices, and pin identification for controllers and modules. All components,

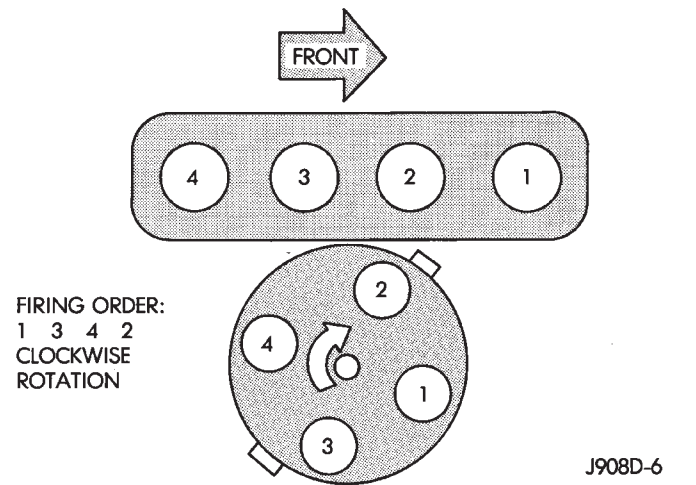


Fig. 1 Secondary Ignition Wiring 2.5L

switches, and relays are shown in the at rest position with the key removed from the ignition and the doors closed.

In certain instances a wire may be referenced to another sheet. When this happens, the wire will be identified as to where it is going.

The index used for the diagrams is located at the beginning of the section. The main system and all related components are covered.

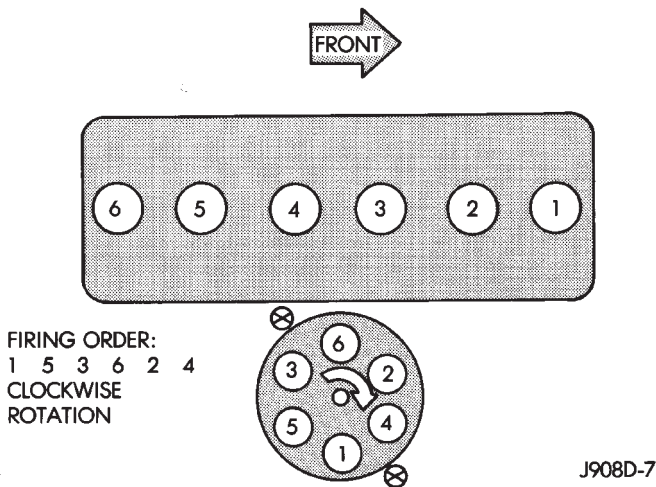


Fig. 2 Secondary Ignition Wiring 4.0L

WIRE CODE IDENTIFICATION

Each wire shown in the diagrams contains a code (Fig. 3) which identifies the main circuit, part of the main circuit, gauge of wire, and color. The color is shown as a two letter code which can be identified by referring to the Wire Color Code Chart (Fig. 4). If the wire has a tracer and it is a standard color an asterisk will follow the main wire color. If the tracer is non-standard the main wire color will have a slash (/) after it followed by the tracer color.

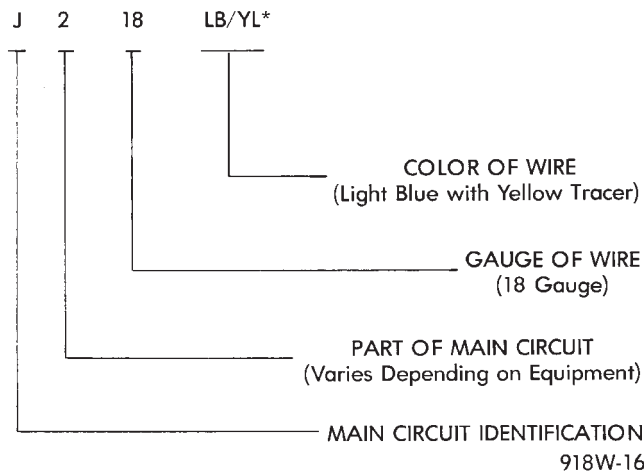


Fig. 3 Wire Color Code Identification

CIRCUIT IDENTIFICATION

All circuits in the diagrams use an alpha/numeric code to identify the wire and its function. To identify which circuit code applies to a system, refer to the Circuit Identification Code Chart. This chart shows the main circuits only and does not show the secondary codes that may apply to some models.

LOCATING A SYSTEM

To locate a system or component in the diagrams, refer to the alphabetical index at the front of the diagrams. Determine the diagram sheet number. Sheet numbers are located at the lower right or left hand

COLOR CODE	COLOR	STANDARD TRACER COLOR	COLOR CODE	COLOR	STANDARD TRACER CODE
BL	BLUE	WT	OR	ORANGE	BK
BK	BLACK	WT	PK	PINK	BK OR WT
BR	BROWN	WT	RD	RED	WT
DB	DARK BLUE	WT	TN	TAN	WT
DG	DARK GREEN	WT	VT	VIOLET	WT
GY	GRAY	BK	WT	WHITE	BK
LB	LIGHT BLUE	BK	YL	YELLOW	BK
LG	LIGHT GREEN	BK	*	WITH TRACER	

918W-136

Fig. 4 Wire Color Code Chart

corner of each sheet. **Page numbers at the top of the page do not apply to diagram sheets.**

The index identifies the main system and all components that relate to that system. There are also sections of the index that identify specific components only (for example modules, lamps, etc.). Refer to a components name in the index if you are unclear as to what a system may be called.

Diagram sheets are arranged starting with the battery and fuses. Then working into charging, starting, and ignition systems. After this they start at the front of the vehicle and work to rear. The diagrams end with connector identification pages.

COMPONENT IDENTIFICATION

When looking for a components location in the vehicle refer to the Component Identification section index. This section shows the wire harness routing and the components location in the vehicle. When using this section refer to the wiring diagrams for the general location of the component. Then use the component identification index to locate the proper figure number.

SPLICE LOCATIONS

Splice locations are indicated in the diagrams by a diamond with a splice circuit code within it (Fig. 5 example 1). If there is more than one splice per circuit a small box will be connected to it with the splice number in it (Fig. 5 example 2).

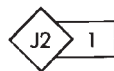
To locate a splice in the wiring harness determine the splice number from the wiring diagrams then refer to the splice location index. This section shows the general location of the splice in the harness.

MAIN CIRCUIT IDENTIFICATION			
<u>CIRCUIT</u>	<u>DESCRIPTION</u>	<u>CIRCUIT</u>	<u>DESCRIPTION</u>
A	Battery Feed: Fused and Unfused	P	Power Assist System: Locks, Mirrors
B	ABS System	Q	Power Assist System: Windows
C	Air Conditioning System	R	Airbag System
D	CCD (+), CCD (-)	S	Air Suspension, Automatic Load Leveling
E	Interior Lamp Illumination	T	Electronic Automatic Transaxle
F	Battery Feed: Fused and Unfused	V	Windshield Wipers and Washers, Vehicle Speed Control System
G	Sensors, Sending Units, Switches	W	Power Assist System: Windows
K	Powertrain Central Module	X	Horn, Radio, Radio Speakers, Power Locks
L	Exterior Lighting, Stop Lamp Switch	Z	Ground Circuits: Includes power and signal grounds for PCM
M	Interior Lamps		

938W-17



EXAMPLE 1



EXAMPLE 2

918W-18

Fig. 5 Wiring Splice Examples

CONNECTORS

The connectors shown in the diagram sheets are viewed from the terminal end unless otherwise specified. For viewing bulkhead, powertrain control module, and transmission control module connectors refer to the rear of the wiring diagrams. This area shows major connectors and identifies pin and cavity information.

The connectors shown in the diagrams are identified in two ways. The first is an actual view of the connector. This view shows the connector and which cavity the wire is in.

The second way is with the use of arrows to indicate the connector. This is done when the connector is too large to be shown on the diagram page. A box placed next to the connector identifies the connector and the cavity the wire is in. In certain instances there may be more than one connector in the same location. When this happens the connector identification box will have a number placed in it. Refer to the rear of the diagrams for a complete pin out of the connector.

TROUBLESHOOTING WIRING PROBLEMS

When troubleshooting wiring problems there are six steps which can aid in the procedure. The steps are listed and explained below.

- (1) Verify the problem.
- (2) Verify any related symptoms. Do this by performing operational checks on components that are in the same circuit as the problem area. Refer to the wiring diagrams fuse application chart for circuit identification.
- (3) Analyze the symptoms. Use the wiring diagrams to determine what the circuit is doing, where the problem most likely is occurring and where the diagnosis will continue.
- (4) Isolate the problem area.
- (5) Repair the problem.
- (6) Verify proper operation. For this step check for proper operation of all items on the circuit repaired. Refer to the wiring diagram fuse application chart for circuit identification.

FUSIBLE LINKS

Vehicle wiring harnesses are equipped with fusible links to protect against harness damage in the event of a short in the system. Fusible links are color coded to indicate wire gauge and size. Refer to the fusible link chart for color and gauge identification (Fig. 6).

Wire and Gauge	Color Code	Color
12 Ga.	BK	Black
14 Ga.	RD	Red
16 Ga.	DB	Dark Blue
18 Ga.	GY	Gray
20 Ga.	OR	Orange
22 Ga.	WT	White

Fig. 6 Fusible Link Chart

918W-19

FUSIBLE LINK REPLACEMENT

CAUTION: Do not replace blown fusible links with a standard wire. Only use fusible type wire with hypalon insulation or damage to the electrical system could occur. Also make sure correct gauge of wiring is used. Refer to the wiring diagrams for proper gauge and color.

When a fusible link blows it is important to find out what the problem is. They are placed in the electrical system for protection against shorts to ground. This can be caused by a component failure or various wiring failures. **Do not just replace the fusible link to correct the problem.**

When diagnosing a faulty fusible link it is important to check the wire carefully. In some instances the link may be blown and it will not show through the insulation, the wire should be checked over its entire length for internal breaks.

- (1) Disconnect battery negative cable.
- (2) Cut out the blown portion of the fusible link.
- (3) Strip 1 inch of insulation from each end of the existing fusible link.
- (4) Place a piece of heat shrink tubing over one side of the fusible link. Make sure the tubing will be long enough to cover and seal the entire repair area.
- (5) Cut a replacement piece of fusible link approximately two inches longer than the piece removed.
- (6) Remove one inch of insulation from each end of the replacement fusible link.
- (7) Spread the strands of wire apart on each of the exposed wires (Fig. 7 example 1).
- (8) Push the two ends of the wire together until the strands of wire are close to the insulation (Fig. 7 example 2).
- (9) Twist the wires together (Fig. 7 example 3).
- (10) Solder the wires together using rosin core type solder only. **Do not use acid core type solder.**
- (11) Center the heat shrink tubing over the joint and heat using a heat gun. Heat the joint until the tubing is tightly sealed and sealant comes out of both ends of the tubing.
- (12) Secure the fusible link to the existing ones to prevent chafing or damage to the insulation.
- (13) Connect battery and test affected systems.

WIRING REPAIR

When replacing or repairing a wire, it is important that the correct gauge be used as shown in the wiring diagrams. The wires must also be held securely in place to prevent damage to the insulation.

- (1) Disconnect battery negative cable.
- (2) Remove 1 inch of insulation from each end of the wire.
- (3) Place a piece of heat shrink tubing over one side of the wire. Make sure the tubing will be long enough to cover and seal the entire repair area.

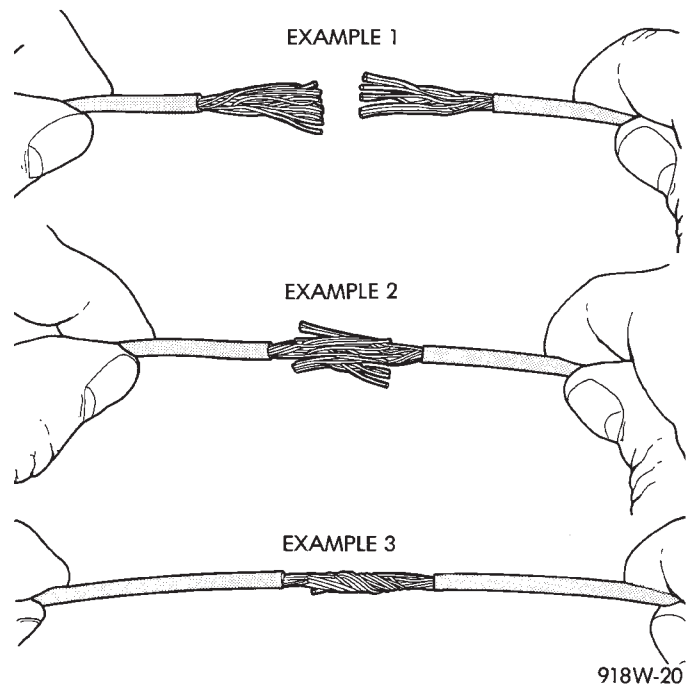


Fig. 7 Wire Repair

- (4) Spread the strands of the wire apart on each of the exposed wires (Fig. 7 example 1).
- (5) Push the two ends of wire together until the strands of wire are close to the insulation (Fig. 7 example 2).
- (6) Twist the wires together (Fig. 7 example 3).
- (7) Solder the connection together using rosin core type solder only. **Do not use acid core solder.**
- (8) Center the heat shrink tubing over the joint and heat using a heat gun. Heat the joint until the tubing is tightly sealed and sealant comes out of both ends of the tubing.
- (9) Secure the wire to the existing ones to prevent chafing or damage to the insulation.
- (10) Connect battery and test affected systems.

CONNECTOR REPLACEMENT

- (1) Disconnect battery.
- (2) Disconnect the connector to be repaired from its mating half.
- (3) Remove connector locking wedge (Fig. 8).
- (4) Position the connector locking finger away from the terminal while pulling on the wire to remove the terminal from the connector (Fig. 9).
- (5) Reset the terminal locking tang, if it has one.
- (6) Insert the removed wire in the same cavity on the repair connector.
- (7) Repeat steps four through six for each wire in the connector, being sure that all wires are inserted into the proper cavities. For additional connector pin out identification refer to the wiring diagrams.
- (8) Insert the connector locking wedge into the repaired connector.
- (9) Connect connector to its mating half.

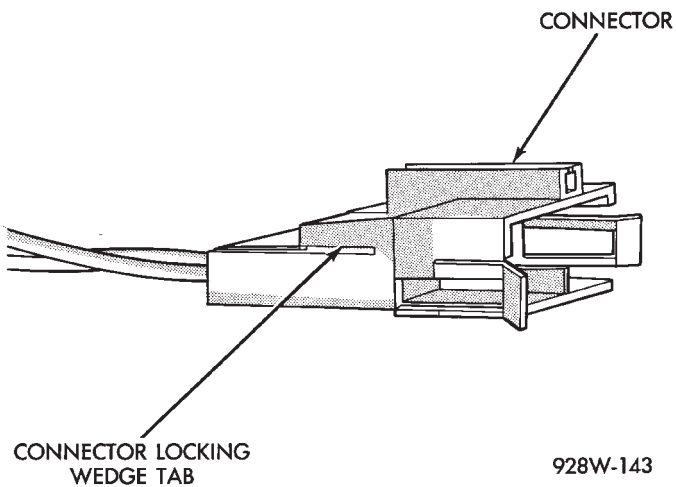


Fig. 8 Connector Locking Wedge Tab (Typical)

(10) Connect battery and test affected systems.

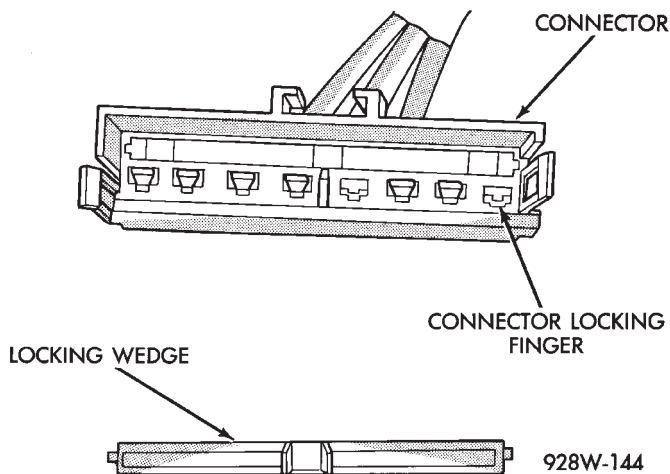


Fig. 9 Connector Locking Finger and Locking Wedge (Typical)

CONNECTOR AND TERMINAL ASSEMBLY REPLACEMENT

- (1) Disconnect Battery.
- (2) Disconnect the connector being repaired from its mating half.
- (3) Cut off the existing wire connector directly behind the insulator and remove six inches of tape from the harness.
- (4) Stagger cut all wires on the harness side about 1/2 inch apart (Fig. 10).
- (5) Remove 1 inch of insulation from each wire on the harness side.
- (6) Stagger cut the matching wires on the repair connector assembly in the opposite order as was done on the harness side of the repair (allow extra length for soldered connections). Check that the overall length is the same as the original (Fig. 10).
- (7) Remove 1 inch of insulation from each wire.

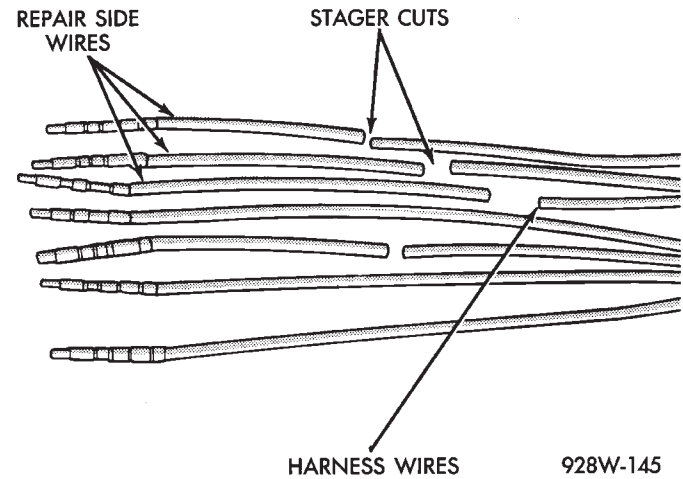


Fig. 10 Stagger Cutting Wires

(8) Place a piece of heat shrink tubing over one side of the wire. Make sure the tubing will be long enough to cover and seal the entire repair area.

(9) Spread the strands of the wire apart on each of the exposed wires (Fig. 7 example 1).

(10) Push the two ends of wire together until the strands of wire are close to the insulation (Fig. 7 example 2).

(11) Twist the wires together (Fig. 7 example 3).

(12) Solder the connection together using rosin core type solder only. **Do not use acid core solder.**

(13) Center the heat shrink tubing over the joint and heat using a heat gun. Heat the joint until the tubing is tightly sealed and sealant comes out of both ends of the tubing.

(14) Repeat steps 8 through 13 for each wire.

(15) Re-tape the wire harness starting 1-1/2 inches behind the connector and 2 inches past the repair.

(16) Reconnect the repaired connector.

(17) Connect battery and test affected systems.

TERMINAL REPLACEMENT

- (1) Disconnect battery.
- (2) Disconnect the connector being repaired from its mating half.
- (3) Remove connector locking wedge (Fig. 8).
- (4) Position the connector locking finger away from the terminal while pulling on the wire to remove the terminal from the connector (Fig. 9).
- (5) Cut the wire 6 inches from the back of the connector.
- (6) Remove 1 inch of insulation from the wire on the harness side.
- (7) Select a wire from the terminal repair assembly that best matches the color wire being repaired.
- (8) Cut the repair wire to the proper length and remove 1 inch of insulation.
- (9) Place a piece of heat shrink tubing over one side of the wire. Make sure the tubing will be long enough to cover and seal the entire repair area.

(10) Spread the strands of the wire apart on each of the exposed wires (Fig. 7 example 1).

(11) Push the two ends of wire together until the strands of wire are close to the insulation (Fig. 7 example 2).

(12) Twist the wires together (Fig. 7 example 3).

(13) Solder the connection together using rosin core type solder only. **Do not use acid core solder.**

(14) Center the heat shrink tubing over the joint and heat using a heat gun. Heat the joint until the tubing is tightly sealed and sealant comes out of both ends of the tubing.

(15) Insert the repaired wire into the connector.

(16) Install the connector locking wedge and reconnect the connector to its mating half.

(17) Re-tape the wire harness starting 1-1/2 inches behind the connector and 2 inches past the repair.

(18) Connect battery and test affected systems.

SYMBOLS, FUSES AND ABBREVIATIONS

Various symbols are used throughout the wiring diagrams. These symbols can be identified by referring to the symbol identification chart (Fig. 11).

Certain abbreviations are also used in the diagrams. These have been developed in such a way that their meaning should be clear. For fuse block, relay bank, and power distribution center information refer to the fuse charts and relay bank index.

CAUTION: When replacing a blown fuse it is important to replace it with a fuse having the correct amperage rating. The use of a fuse with a rating other than indicated may result in an electrical overload. If a proper rated fuse continues to blow, it indicates a problem that should be corrected.

LEGEND OF SYMBOLS USED ON WIRING DIAGRAMS			
	POSITIVE		CONNECTOR
	NEGATIVE		MALE CONNECTOR
	GROUND		FEMALE CONNECTOR
	FUSE		DENOTES WIRE CONTINUES ELSEWHERE
	GANG FUSES WITH BUSS BAR		DENOTES WIRE GOES TO ONE OF TWO CIRCUITS
	CIRCUIT BREAKER		SPLICE
	CAPACITOR		SPLICE IDENTIFICATION
	OHMS		THERMAL ELEMENT
	RESISTOR		TIMER
	VARIABLE RESISTOR		MULTIPLE CONNECTOR
	SERIES RESISTOR		OPTIONAL WIRING WITH WIRING WITHOUT
	COIL		"Y" WINDINGS
	STEP UP COIL		DIGITAL READOUT
	OPEN CONTACT		SINGLE FILAMENT LAMP
	CLOSED CONTACT		DUAL FILAMENT LAMP
	CLOSED SWITCH		L.E.D. — LIGHT EMITTING DIODE
	OPEN SWITCH		THERMISTOR
	CLOSED GANGED SWITCH		GAUGE
	OPEN GANGED SWITCH		SENSOR
	TWO POLE SINGLE THROW SWITCH		FUEL INJECTOR
	PRESSURE SWITCH		DENOTES WIRE GOES THROUGH BULKHEAD DISCONNECT
	SOLENOID SWITCH		DENOTES WIRE GOES THROUGH STEERING COLUMN CONNECTOR
	MERCURY SWITCH		DENOTES WIRE GOES THROUGH INSTRUMENT PANEL CONNECTOR
	DIODE OR RECTIFIER		DENOTES WIRE GOES THROUGH GROMMET TO ENGINE COMPARTMENT
	BY-DIRECTIONAL ZENER DIODE		DENOTES WIRE GOES THROUGH GROMMET
	MOTOR		HEATED GRID ELEMENTS
	ARMATURE AND BRUSHES		

Fig. 11 Symbol Identification

FUSE CHARTS AND RELAY BANKS

INDEX

	Fig.		Fig.
Fuse Panel XJ	2	Power Distribution Center YJ	3
Fuse Panel YJ	1	Power Distribution Center XJ	4

J948W-28

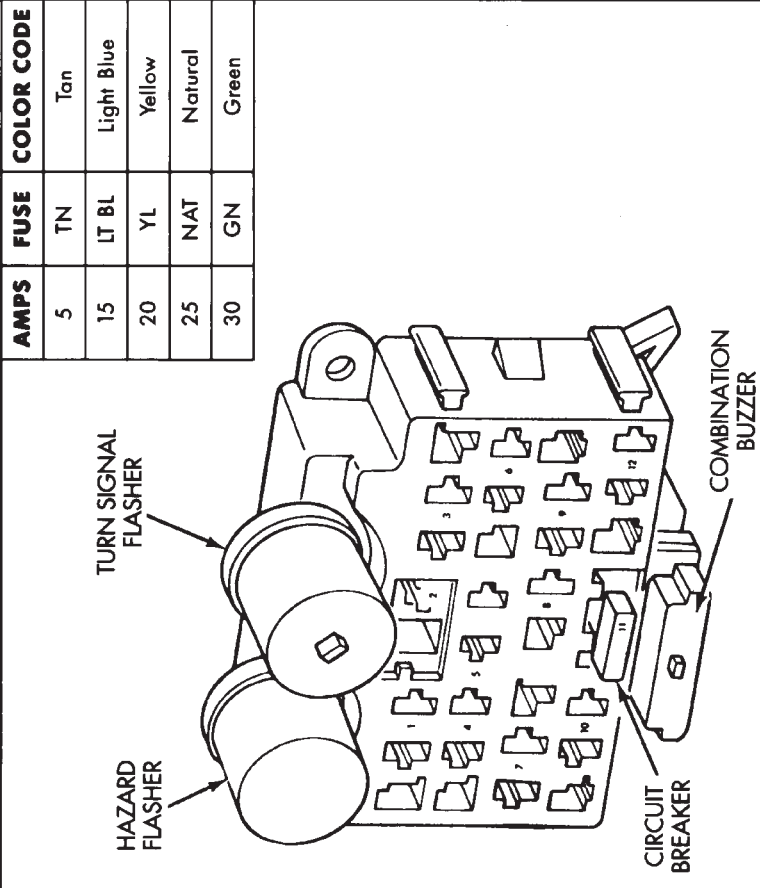
CAVITY	AMP/COLOR	ITEMS FUSED	CAVITY	AMP/COLOR	ITEMS FUSED																		
1	20 AMP YL	Rear Window Wiper	13		Not Used																		
2		Not Used	14		Not Used																		
3	15 Amp LT BL	Stop Lamps	15		Not Used																		
4	15 Amp LT BL	Turn Signals	16		Not Used																		
5	10 Amp RD	Automatic Shut-Down Relay, Fuel Pump Relay, P.C.M.	 <table border="1" data-bbox="544 168 795 525"> <thead> <tr> <th>AMPS</th> <th>FUSE</th> <th>COLOR CODE</th> </tr> </thead> <tbody> <tr> <td>5</td> <td>TN</td> <td>Tan</td> </tr> <tr> <td>15</td> <td>LT BL</td> <td>Light Blue</td> </tr> <tr> <td>20</td> <td>YL</td> <td>Yellow</td> </tr> <tr> <td>25</td> <td>NAT</td> <td>Natural</td> </tr> <tr> <td>30</td> <td>GN</td> <td>Green</td> </tr> </tbody> </table>			AMPS	FUSE	COLOR CODE	5	TN	Tan	15	LT BL	Light Blue	20	YL	Yellow	25	NAT	Natural	30	GN	Green
AMPS	FUSE	COLOR CODE																					
5	TN	Tan																					
15	LT BL	Light Blue																					
20	YL	Yellow																					
25	NAT	Natural																					
30	GN	Green																					
6	25 Amp NAT	Heated Rear Window																					
7	20 Amp YL	Cigar Lighter, Radio, Illumination Lamps																					
8	20 Amp YL	Headlamp Switch, Side Marker Lamps																					
9	15 Amp LT BL	Combination Buzzer, Warning Lamps, Gauges, Heated Rear Window Relay, Back-Up Lamps, A/C Compressor Clutch Relay																					
10	5 Amp TN	Instrument Panel Illumination Lamps																					
11	5.3 Amp C/BRKR	Windshield Wipers/Windshield Washer																					
12	25 Amp NAT	Blower Motor, A/C Compressor Clutch																					

Fig. 1 Fuse Panel YJ

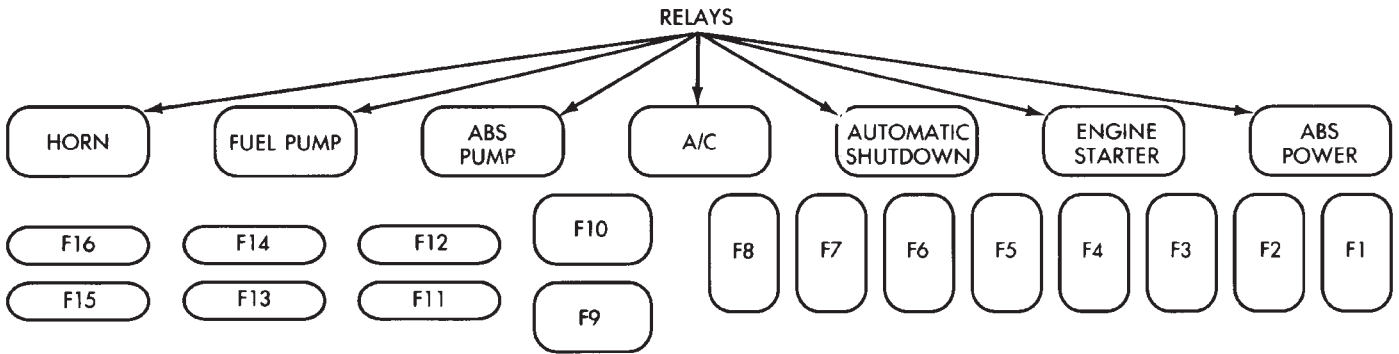
CAVITY	AMP/COLOR	ITEMS FUSED	CAVITY	AMP/COLOR	ITEMS FUSED																											
1	25 AMP NAT	REAR WIPER, REAR WASHER	18	25 AMP NAT	HEATED REAR WINDOW																											
2	15 AMP LT BL	RADIO, RADIO CLOCK, ILLUMINATION, CIGAR LIGHTER, DOME LAMP	19	5 AMP TN	INSTRUMENT PANEL LAMPS																											
3	10 AMP RD	IGNITION 3-RUN	20		NOT USED																											
4	15 AMP LT BL	FLASH TO PASS																														
5	30 AMP NAT	BLOWER MOTOR																														
6	30 AMP C/BRKR	POWER WINDOWS																														
7	2 AMP PK	ANTILOCK BRAKES																														
8	20 AMP YL	TURN SIGNAL FLASHER																														
9	10 AMP RD	ILLUMINATED ENTRY, RADIO, COURTESY LIGHTS, GLOVE BOX; CARGO; DOME LAMPS																														
10		NOT USED																														
11	25 AMP NAT	HEADLAMP DELAY MODULE, HORNS																														
12		NOT USED																														
13	20 AMP YL	POWER DOOR LOCKS																														
14	10 AMP RD	POWER ANTENNA																														
15	15 AMP LT BL	I.P. LAMPS, CLOCK, RADIO/CLOCK ILLUMINATION; REAR LAMPS; FRONT LAMPS	<table border="1"> <thead> <tr> <th>AMPS</th> <th>FUSE</th> <th>COLOR CODE</th> </tr> </thead> <tbody> <tr> <td>2</td> <td>PK</td> <td>PINK</td> </tr> <tr> <td>5</td> <td>TN</td> <td>TAN</td> </tr> <tr> <td>7.5</td> <td>VT</td> <td>VIOLET</td> </tr> <tr> <td>10</td> <td>RD</td> <td>RED</td> </tr> <tr> <td>15</td> <td>LT BL</td> <td>LIGHT BLUE</td> </tr> <tr> <td>20</td> <td>YL</td> <td>YELLOW</td> </tr> <tr> <td>25</td> <td>NAT</td> <td>NATURAL</td> </tr> <tr> <td>30</td> <td></td> <td></td> </tr> </tbody> </table>			AMPS	FUSE	COLOR CODE	2	PK	PINK	5	TN	TAN	7.5	VT	VIOLET	10	RD	RED	15	LT BL	LIGHT BLUE	20	YL	YELLOW	25	NAT	NATURAL	30		
AMPS	FUSE	COLOR CODE																														
2	PK	PINK																														
5	TN	TAN																														
7.5	VT	VIOLET																														
10	RD	RED																														
15	LT BL	LIGHT BLUE																														
20	YL	YELLOW																														
25	NAT	NATURAL																														
30																																
16	30 AMP C/BRKR	POWER SEATS, TRAILER TOW																														
17	7.5 AMP VT	INSTRUMENT CLUSTER GAUGES, HEADLAMP DELAY MODULE, CHIME MODULE																														

J948W-76

Fig. 2 Fuse Panel XJ

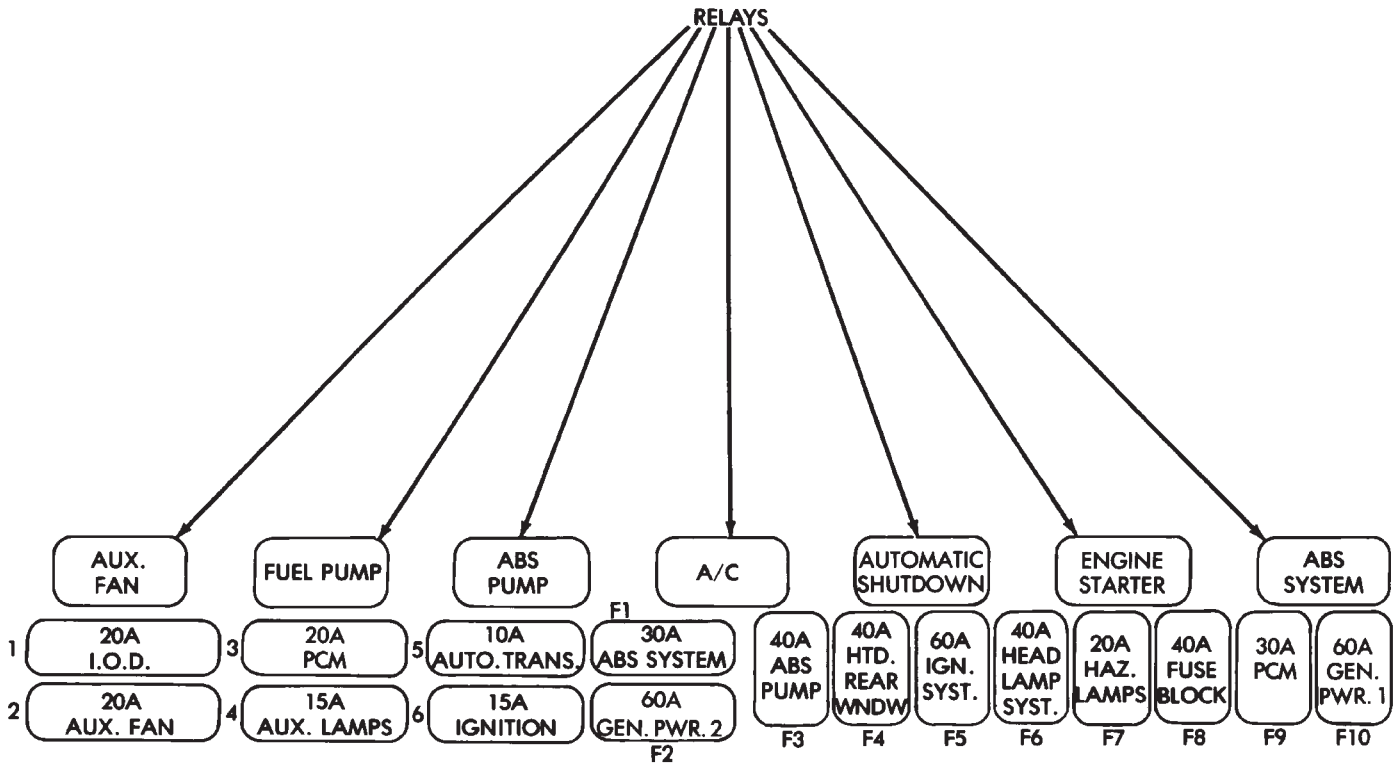
FUSE	AMPS	COLOR	DESCRIPTION	TYPE
F1	30	Green	Fuel Pump/Automatic Shutdown	Maxi
F2	50	Red	Charging	Maxi
F3	50	Red	Battery Acc. Feed	Maxi
F4	40	Amber	Ignition/Engine Starter Feed	Maxi
F5	20	Yellow	Hazard Flasher Feed	Maxi
F6	50	Red	Charging	Maxi
F7	30	Green	Headlamp Feed	Maxi
F8	20	Yellow	I.O.D./Horn Feed	Maxi

FUSE	AMPS	COLOR	DESCRIPTION	TYPE
F9	40	Amber	ABS Pump Relay	Maxi
F10	30	Green	ABS Power Relay	Maxi
F11				
F12				
F13	2	Gray	ABS Control Module	Mini
F14				
F15	10	Red	Horn/Horn Relay	Mini
F16	10	Red	I.O.D.	



J938W-144

Fig. 3 Power Distribution Center YJ



J948W-77

Fig. 4 Power Distribution Center XJ

WIRING AND COMPONENT IDENTIFICATION

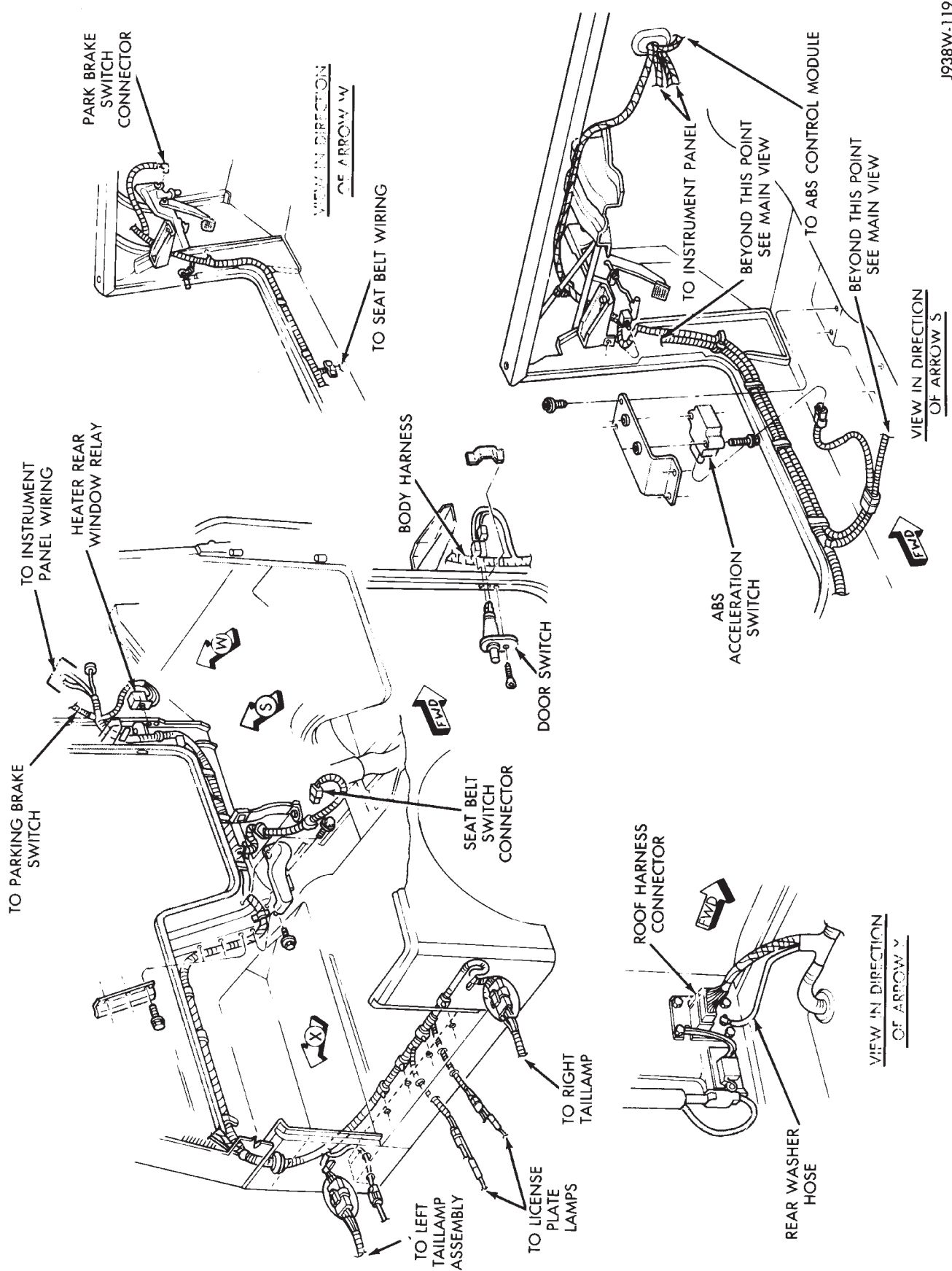
CONTENTS

	page		page
XJ	25	YJ	13
XJ RHD	43		

The wiring and components shown in this section are divided into sections by vehicle line. When locating a specific wire routing or component, first turn to the appropriate index, then look up the **figure number** that refers to the component. **Page numbers at the top of the page do not refer to figure numbers.**

YJ

<u>Caption</u>	<u>Fig.</u>	<u>Caption</u>	<u>Fig.</u>
Battery and Starter Wiring8	Engine Wiring 4.0L11
Body Wiring1, 2	Front End Wiring12
Chassis Wiring3	Instrument Panel Wiring5, 6
Engine Compartment Wiring7	Steering Column Wiring4
Engine Wiring 2.5L10	Transmission Wiring9



J938W-119

Fig. 1 Body Wiring YJ

J928W-39

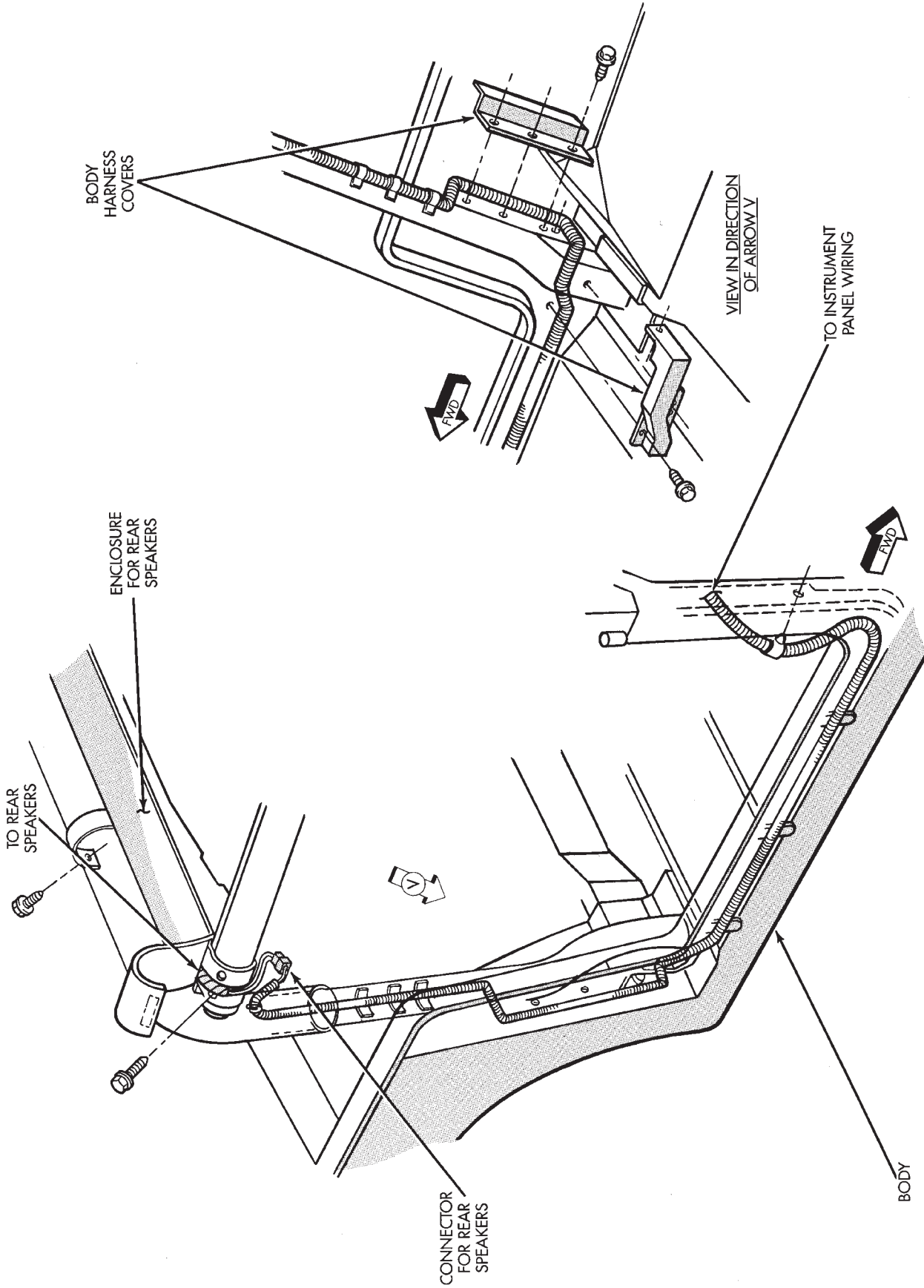
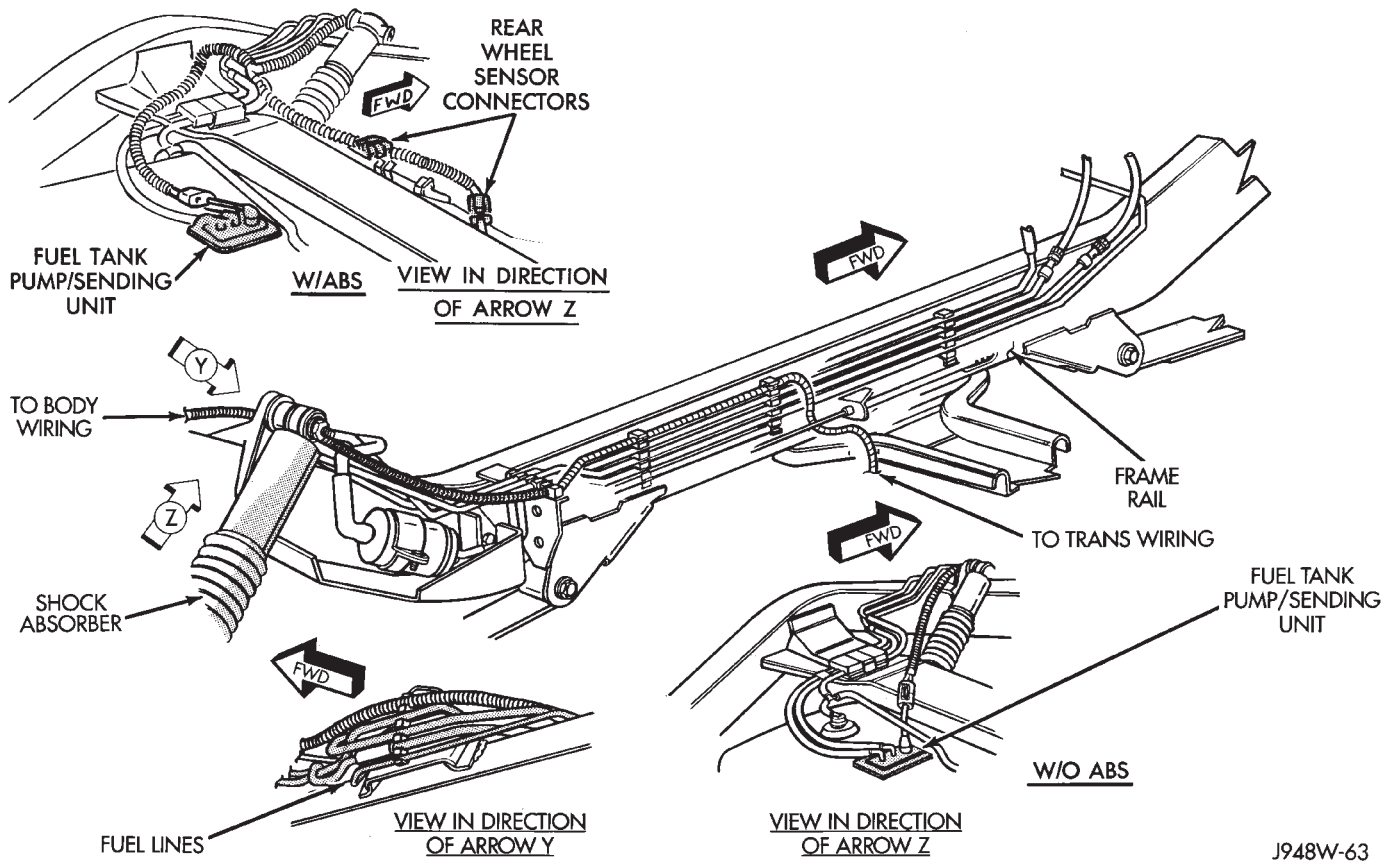
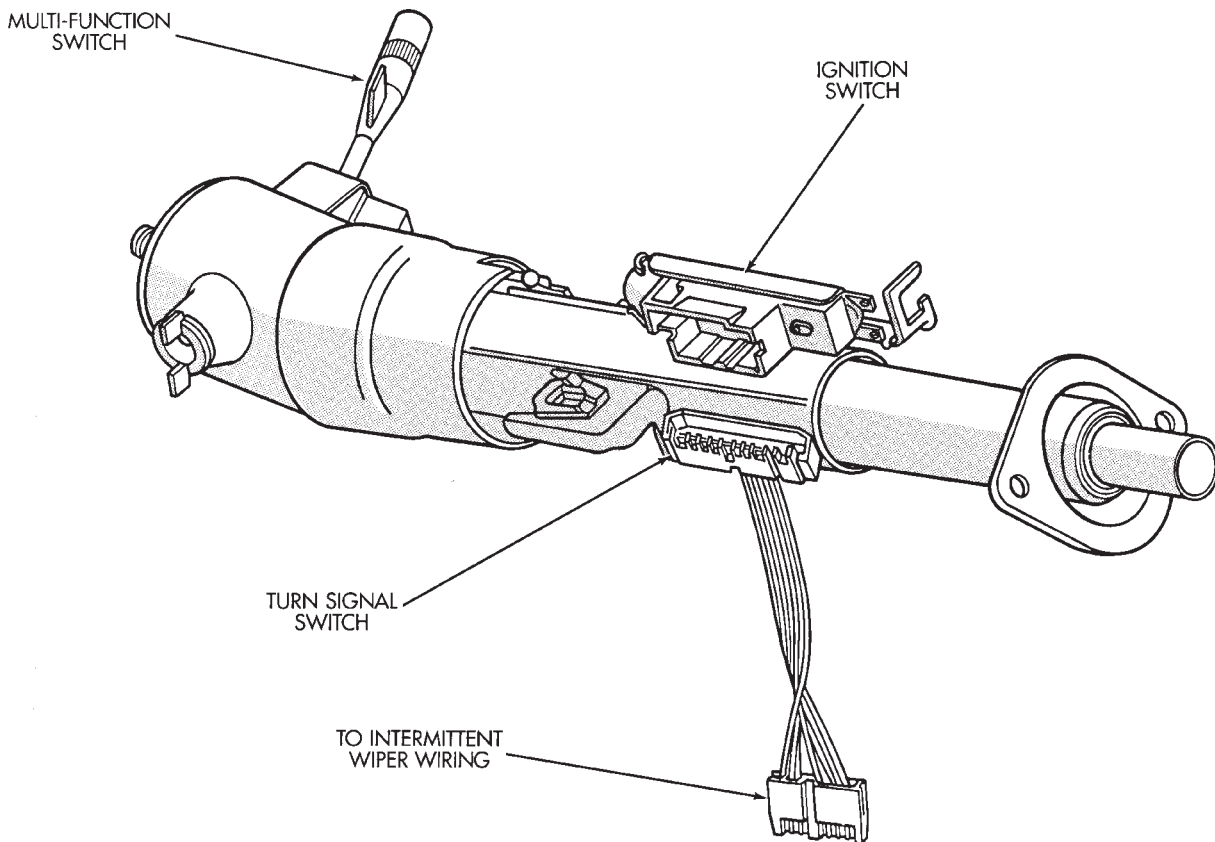


Fig. 2 Body Wiring YJ



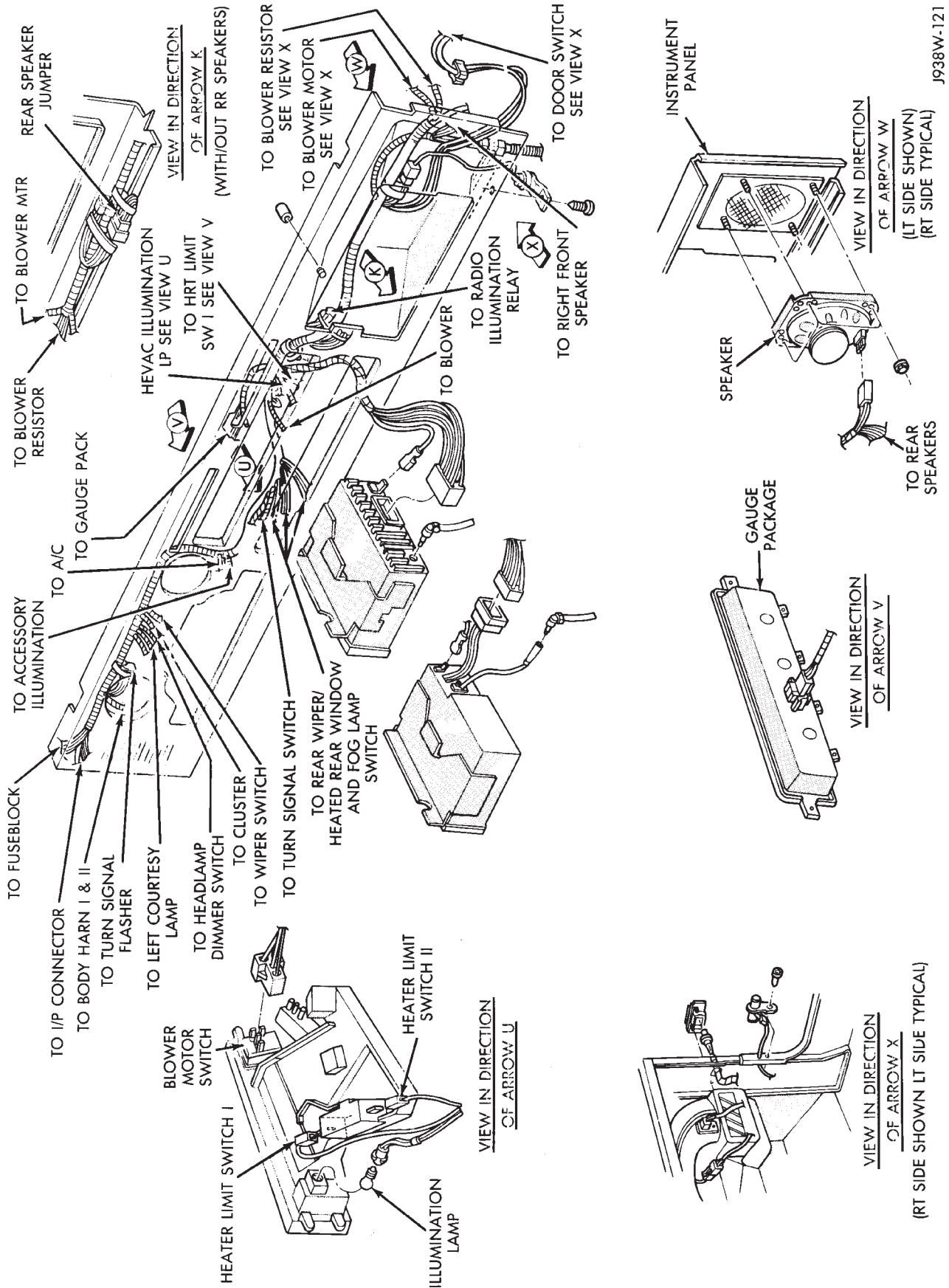
J948W-63

Fig. 3 Chassis Wiring YJ



J918W-54

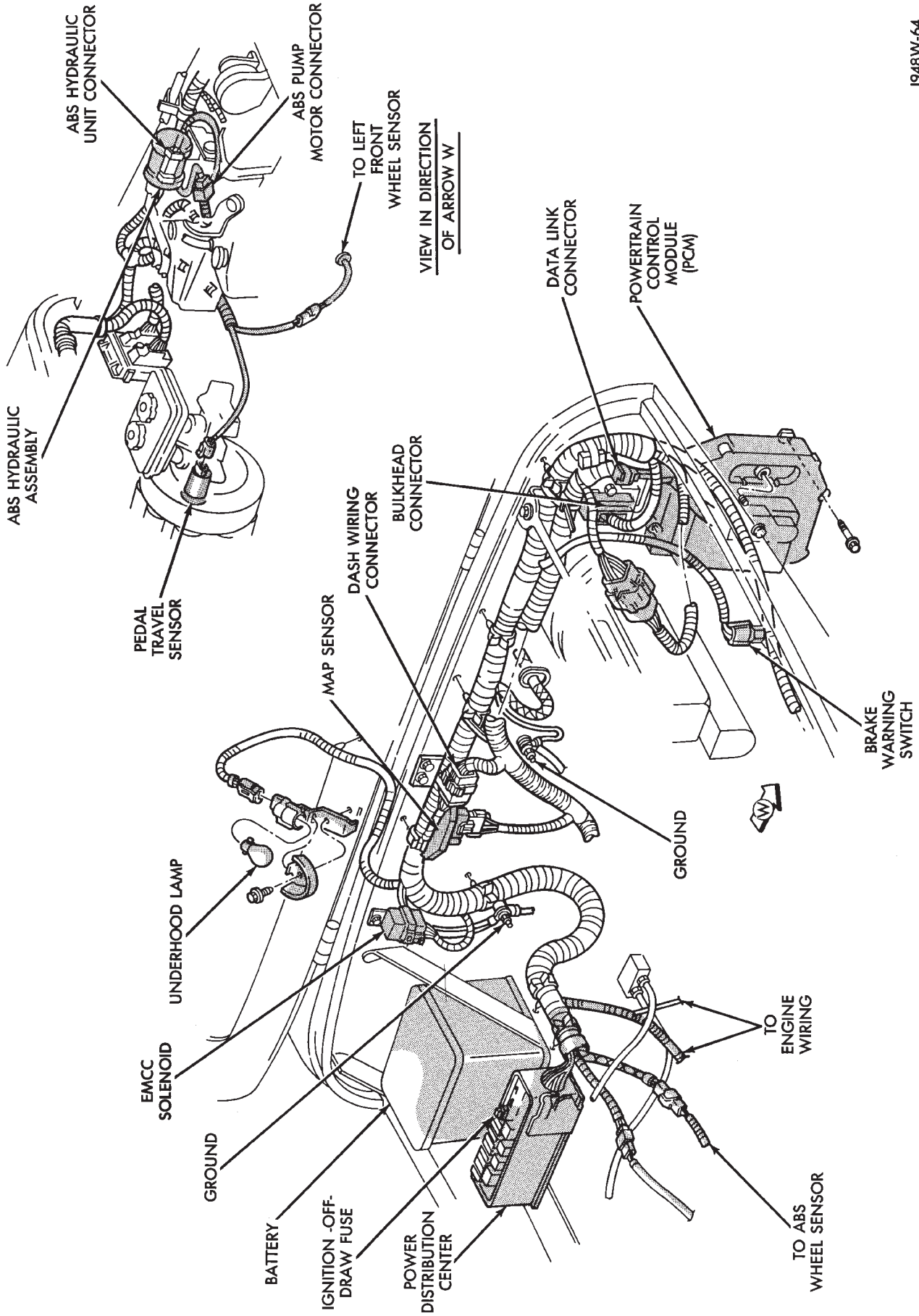
Fig. 4 Steering Column Wiring YJ



J938W-121

Fig. 5 Instrument Panel Wiring YJ

(RT SIDE SHOWN LT SIDE TYPICAL)



J948W-64

Fig. 7 Engine Compartment Wiring YJ

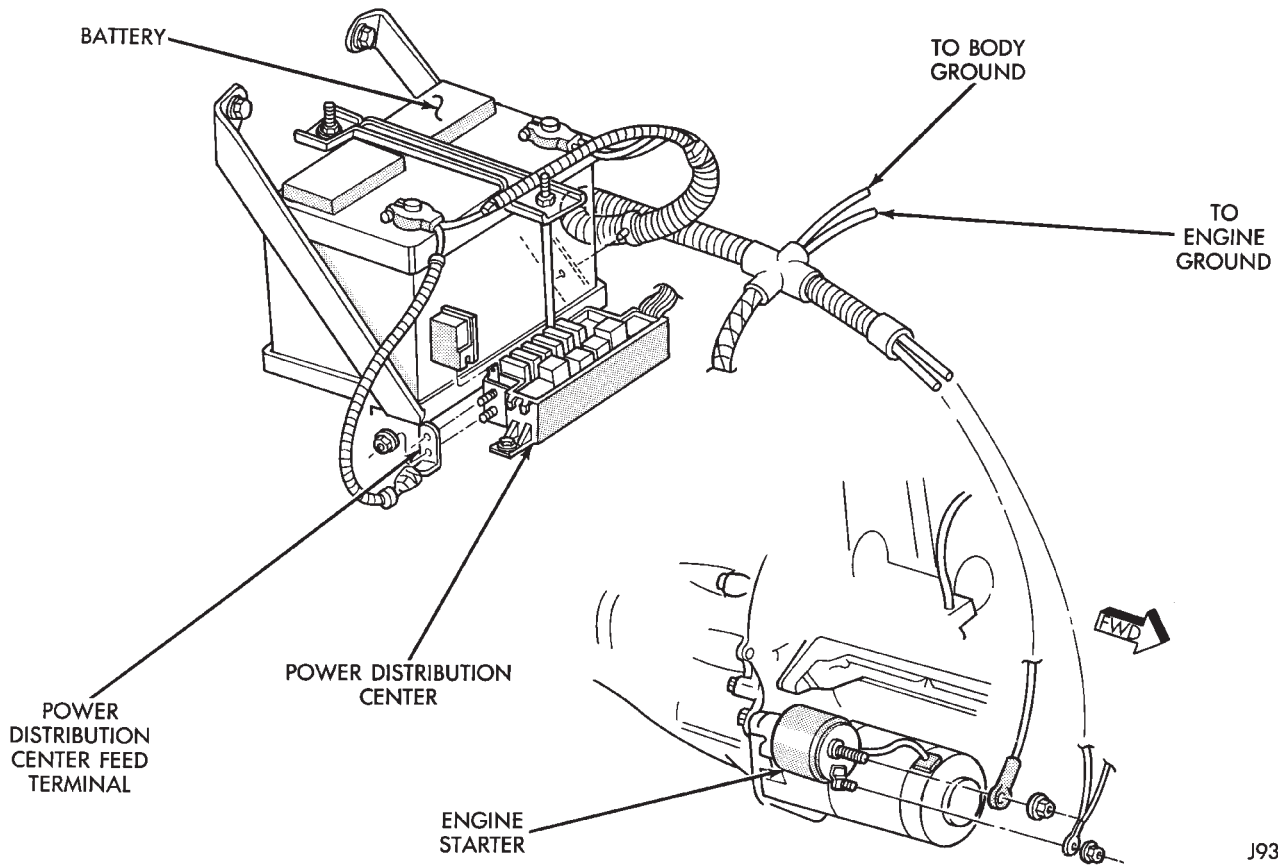


Fig. 8 Battery and Starter Wiring YJ

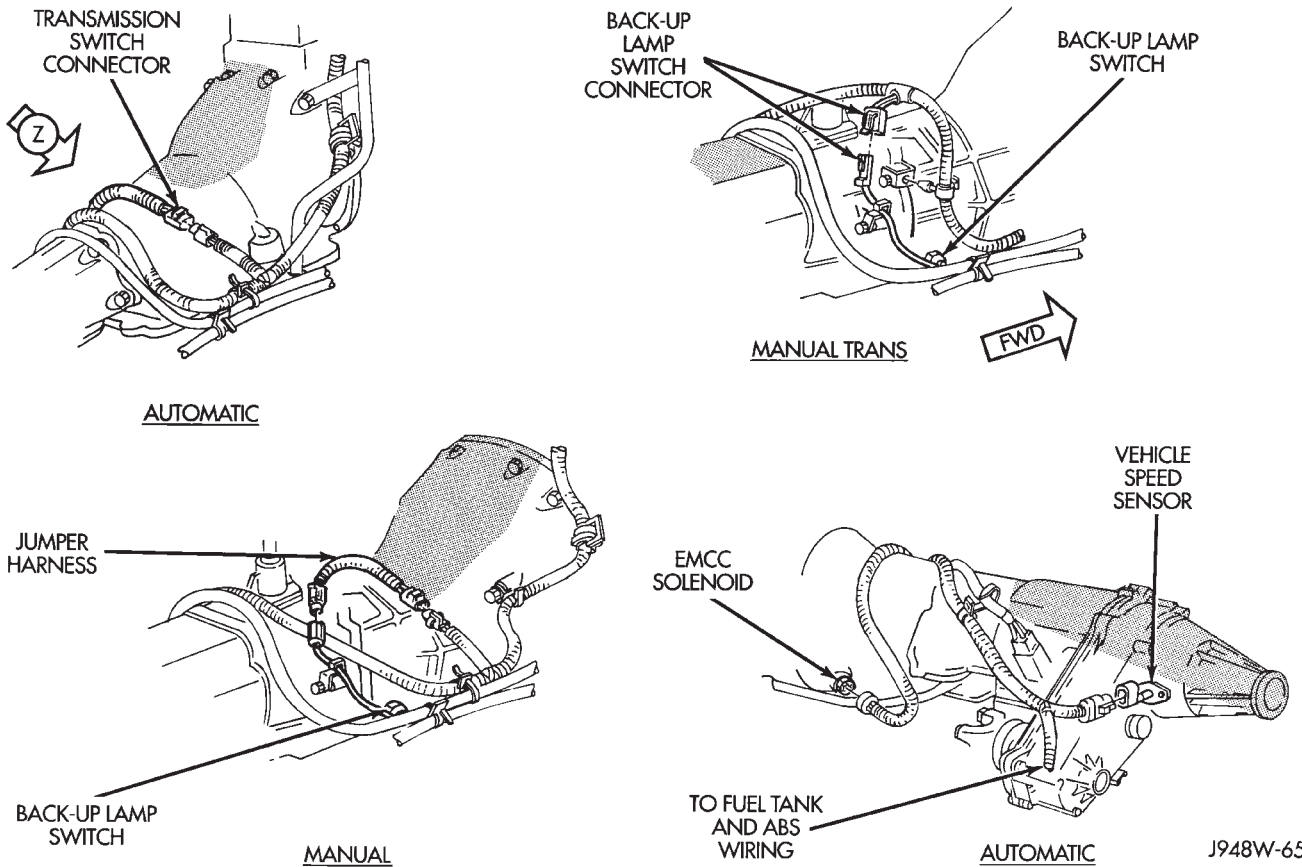


Fig. 9 Transmission Wiring YJ

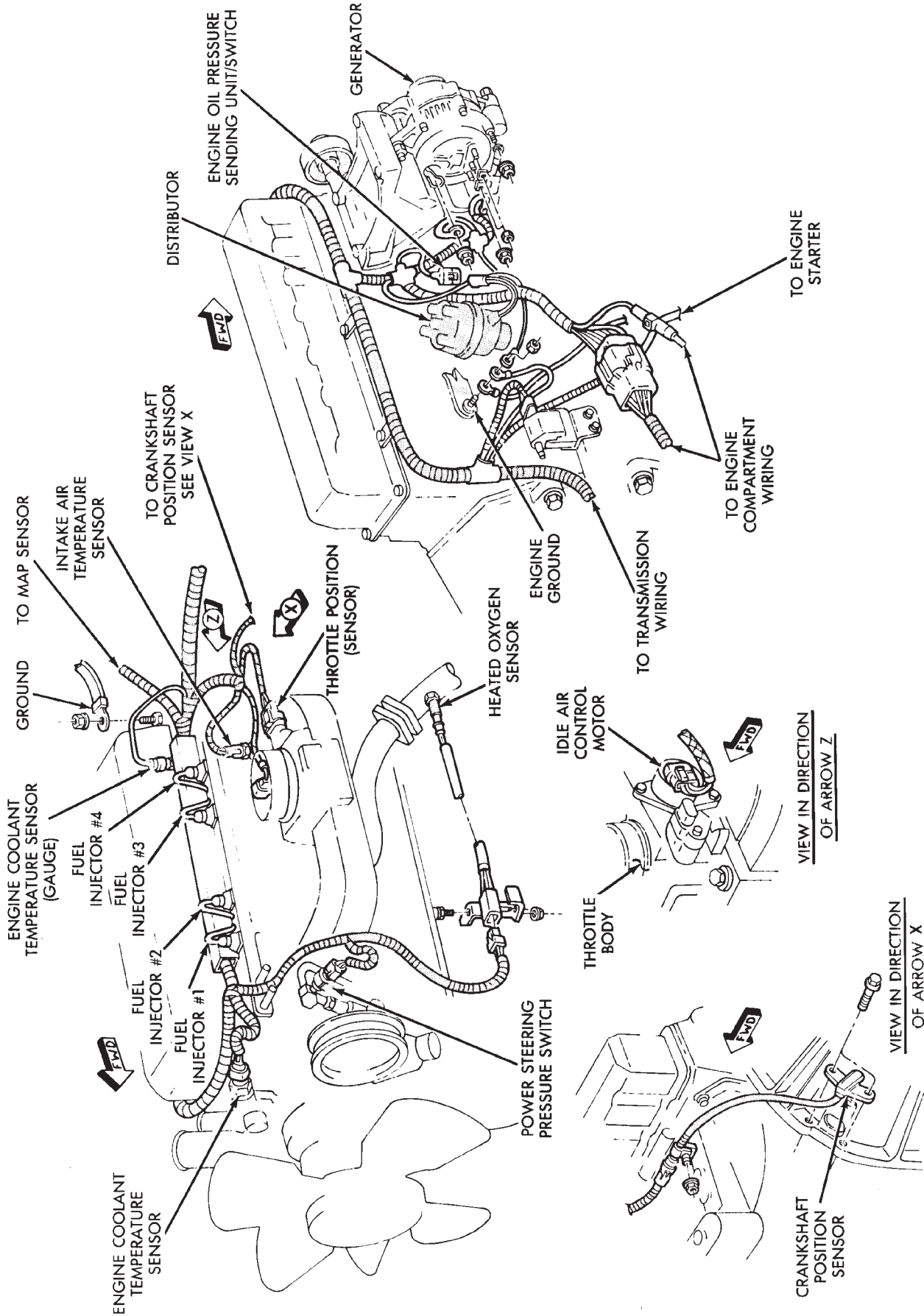


Fig. 10 Engine Wiring 2.5L YJ

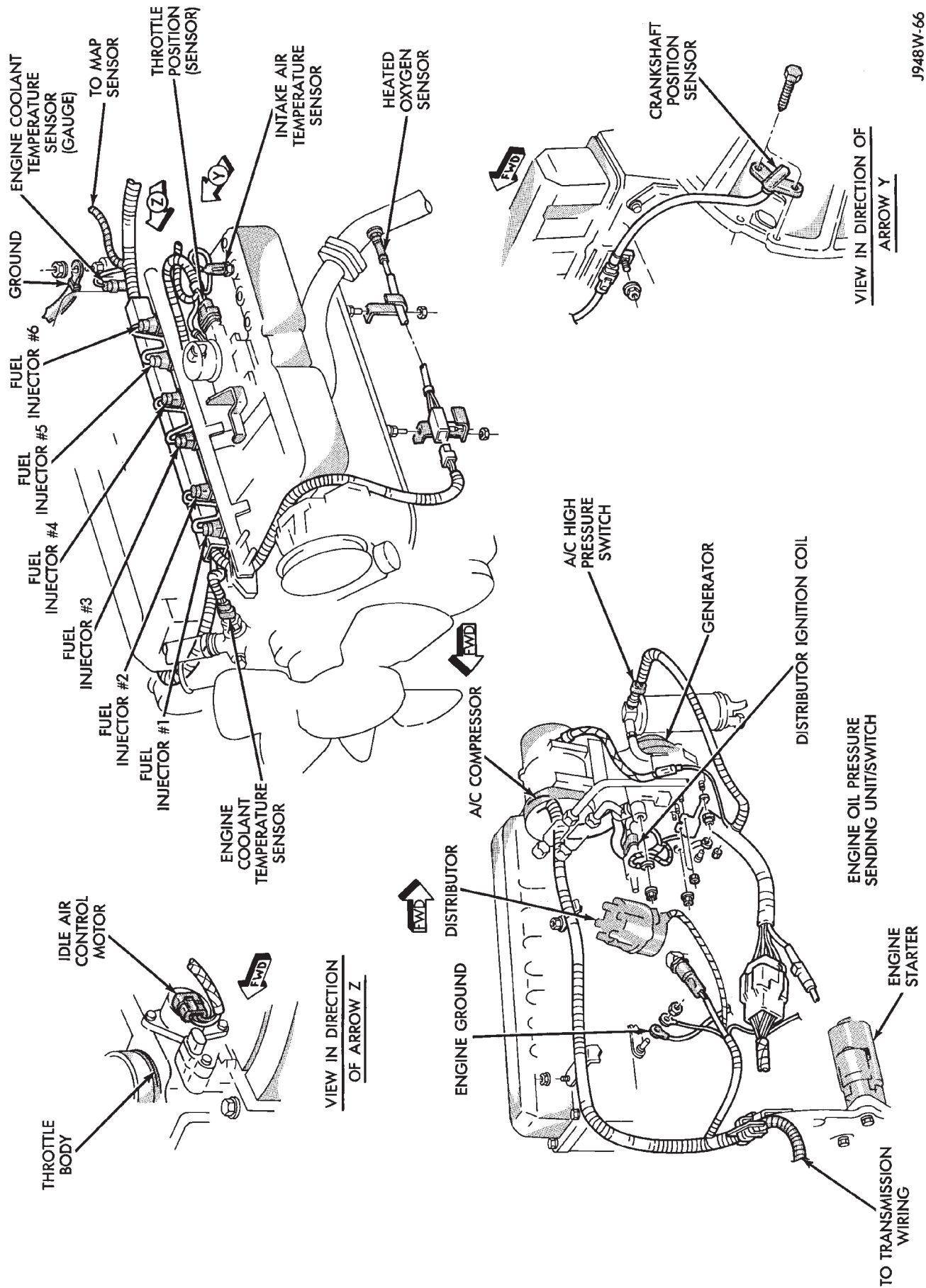
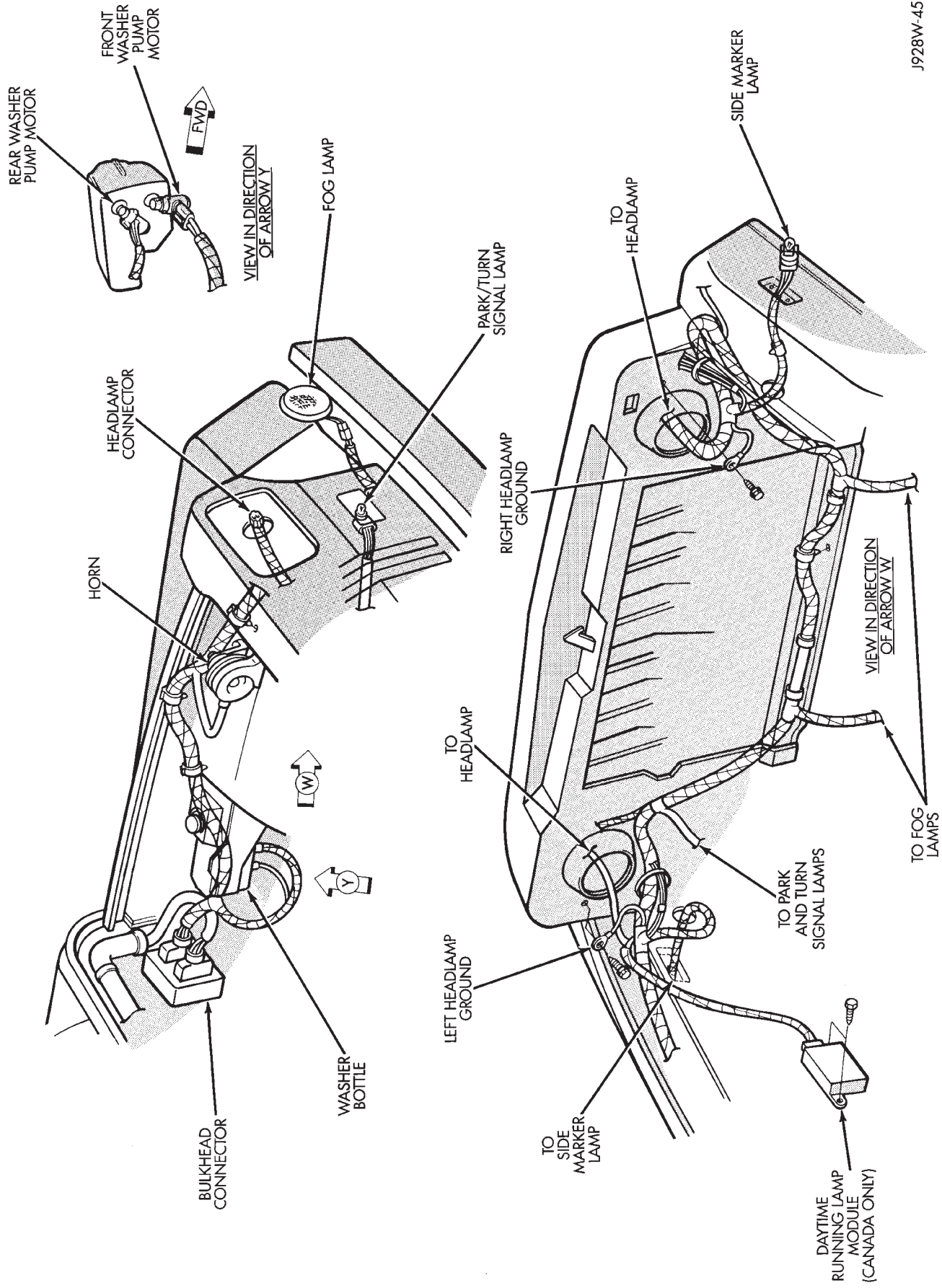


Fig. 11 Engine Wiring 4.0L YJ

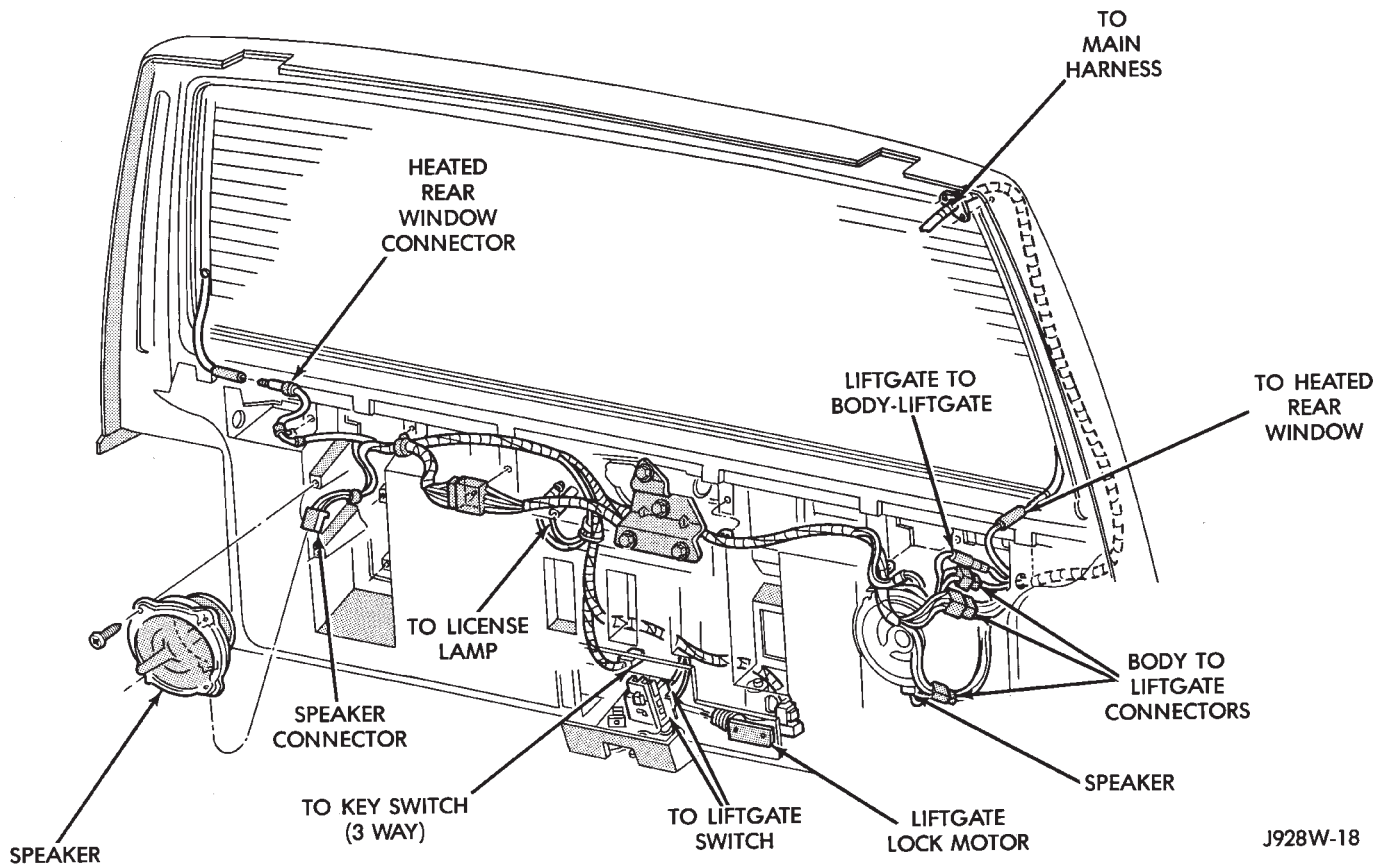


J928W-45

Fig. 12 Front End Wiring YJ

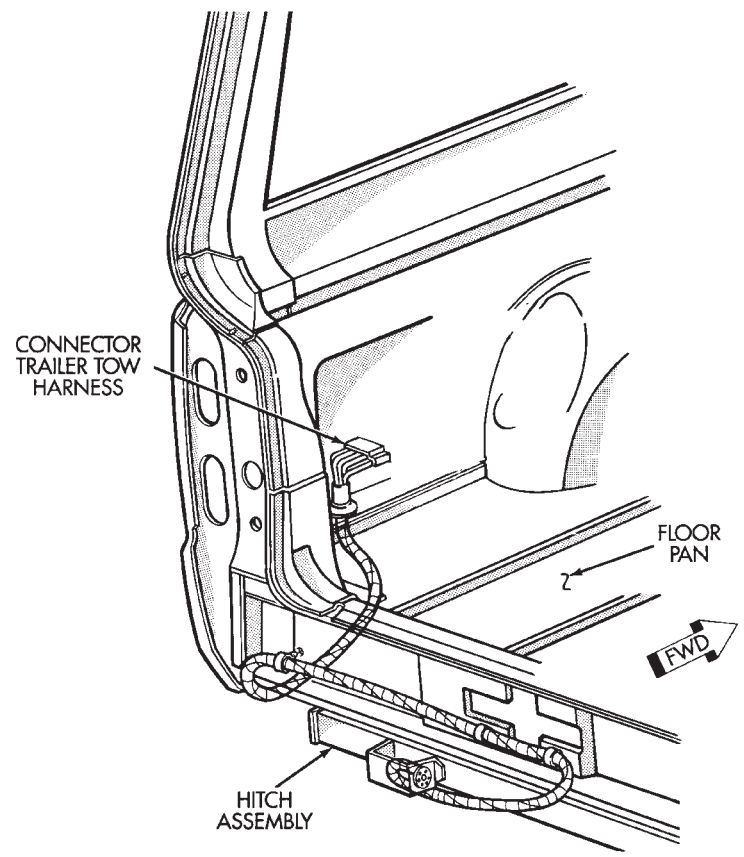
XJ

<u>Caption</u>	<u>Fig.</u>	<u>Caption</u>	<u>Fig.</u>
Anti-Lock Brake System Wiring XJ3	Instrument Panel Wiring XJ12, 13
Body Wiring XJ7, 8	Liftgate Wiring XJ1
Door Wiring (Front) XJ11	Power Seat Wiring XJ15
Engine Compartment Wiring 2.5L XJ17	Rear Door Wiring XJ6
Engine Compartment Wiring 4.0L XJ18, 19	Roof Wiring (Rear) XJ9
Engine Wiring 2.5L XJ21	Roof Wiring XJ5
Engine Wiring 4.0L XJ22	Steering Column Wiring XJ10
Front Cross-body Wiring XJ4	Trailer Tow Wiring XJ2
Front End Wiring XJ16	Transmission Wiring XJ20
Instrument Panel to Body Wiring XJ14		



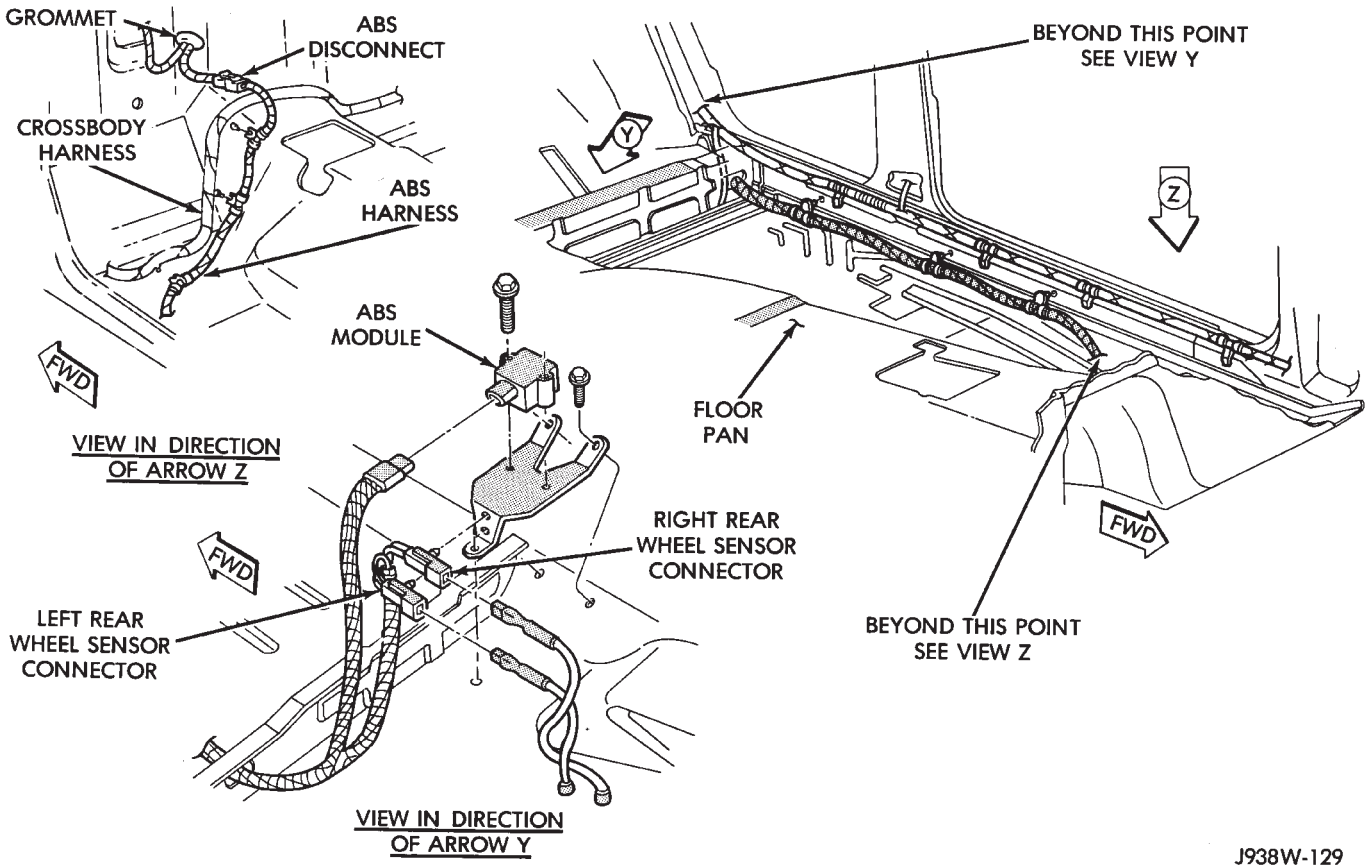
J928W-18

Fig. 1 Liftgate Wiring XJ



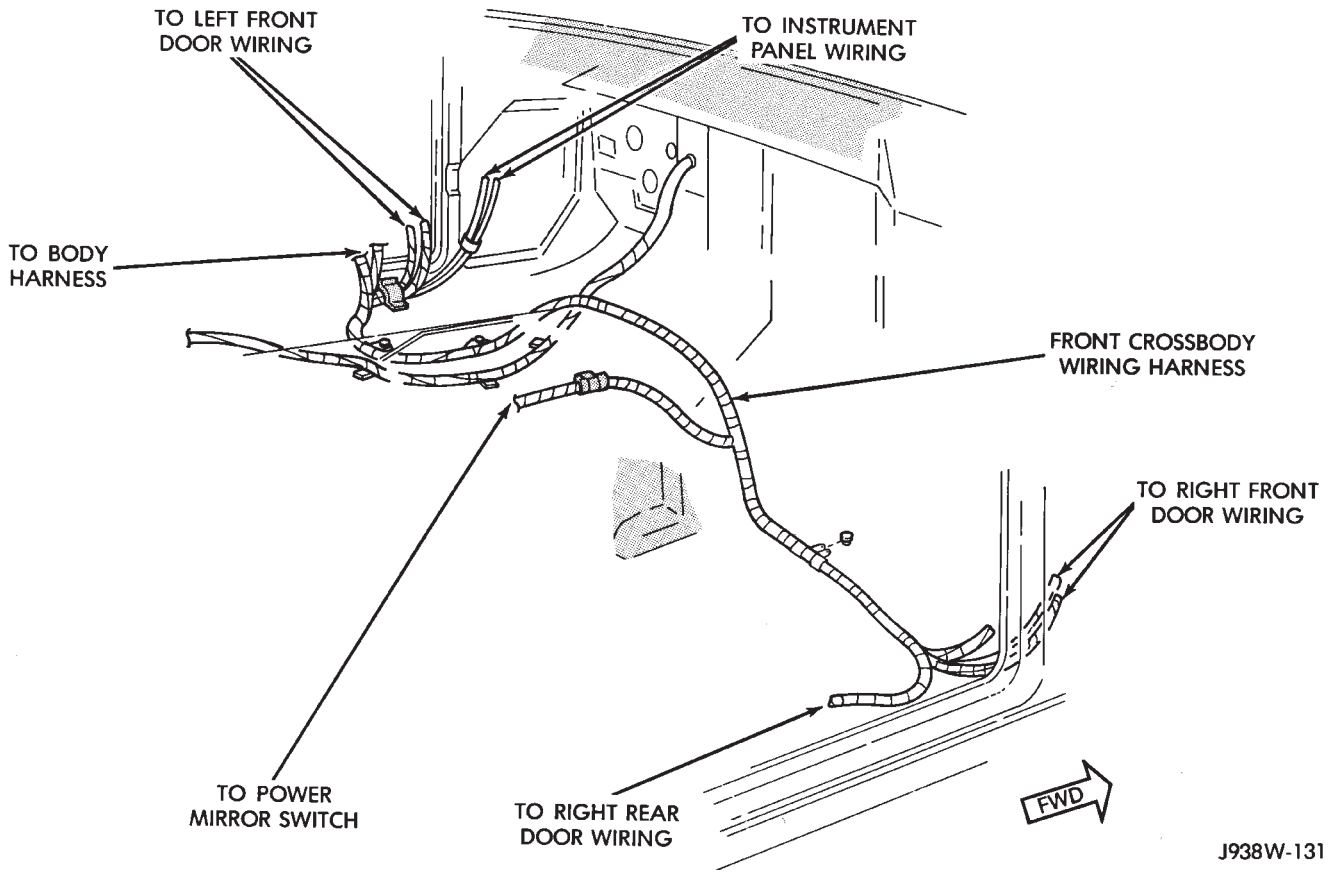
J938W-128

Fig. 2 Trailer Tow Wiring XJ



J938W-129

Fig. 3 Anti-Lock Brake System Wiring XJ



J938W-131

Fig. 4 Front Cross-body Wiring XJ

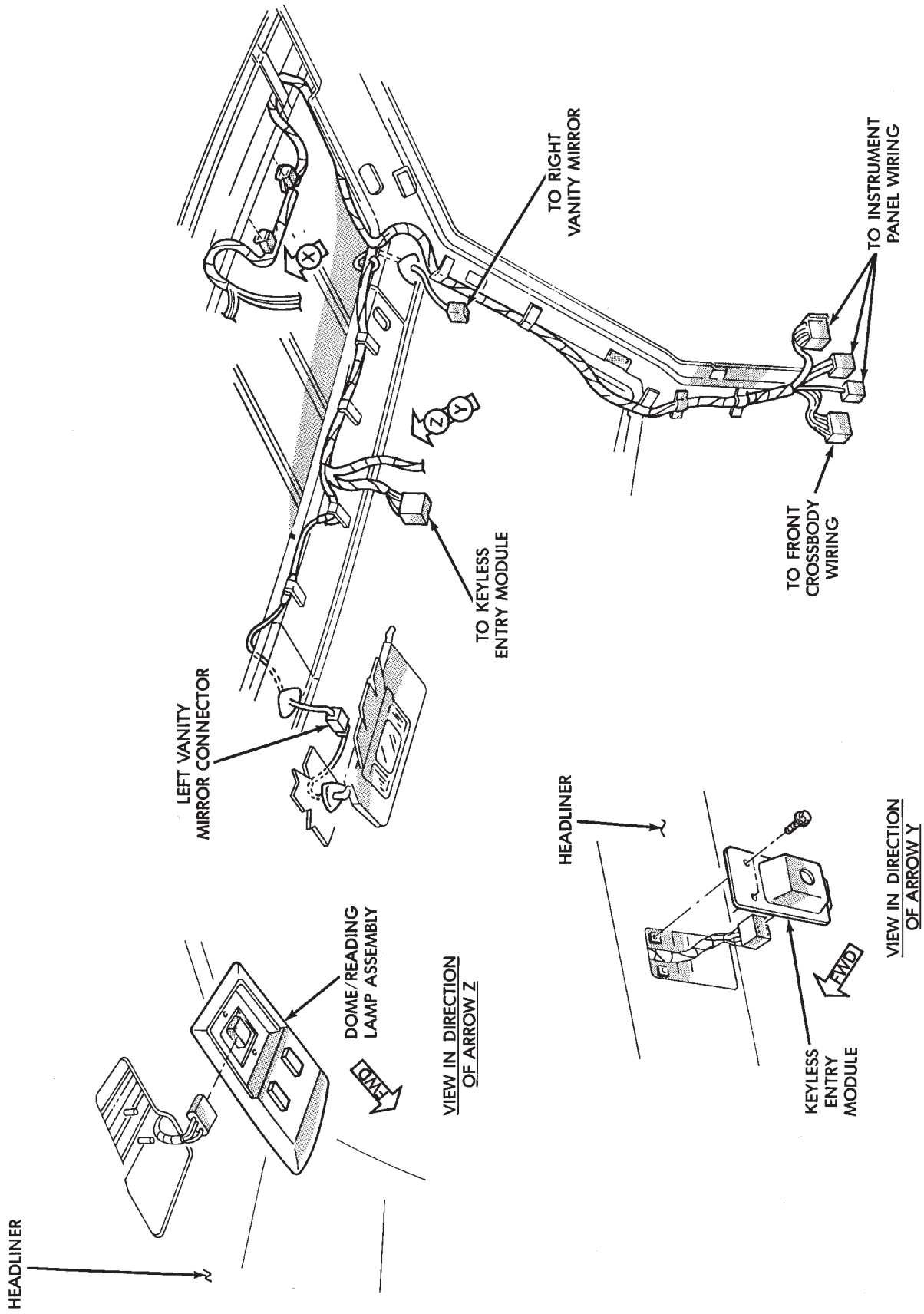


Fig. 5 Roof Wiring XJ

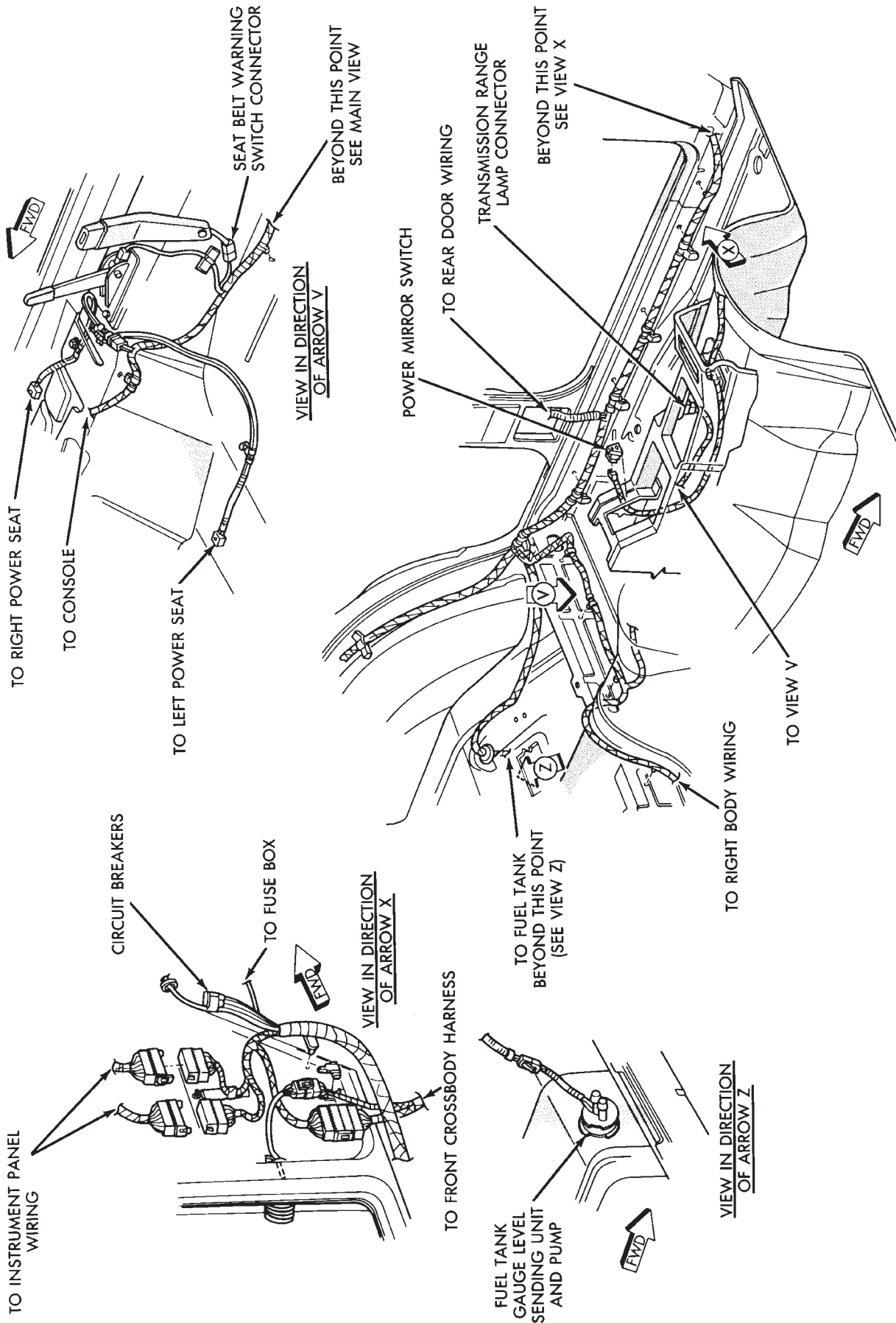


Fig. 7 Body Wiring XJ

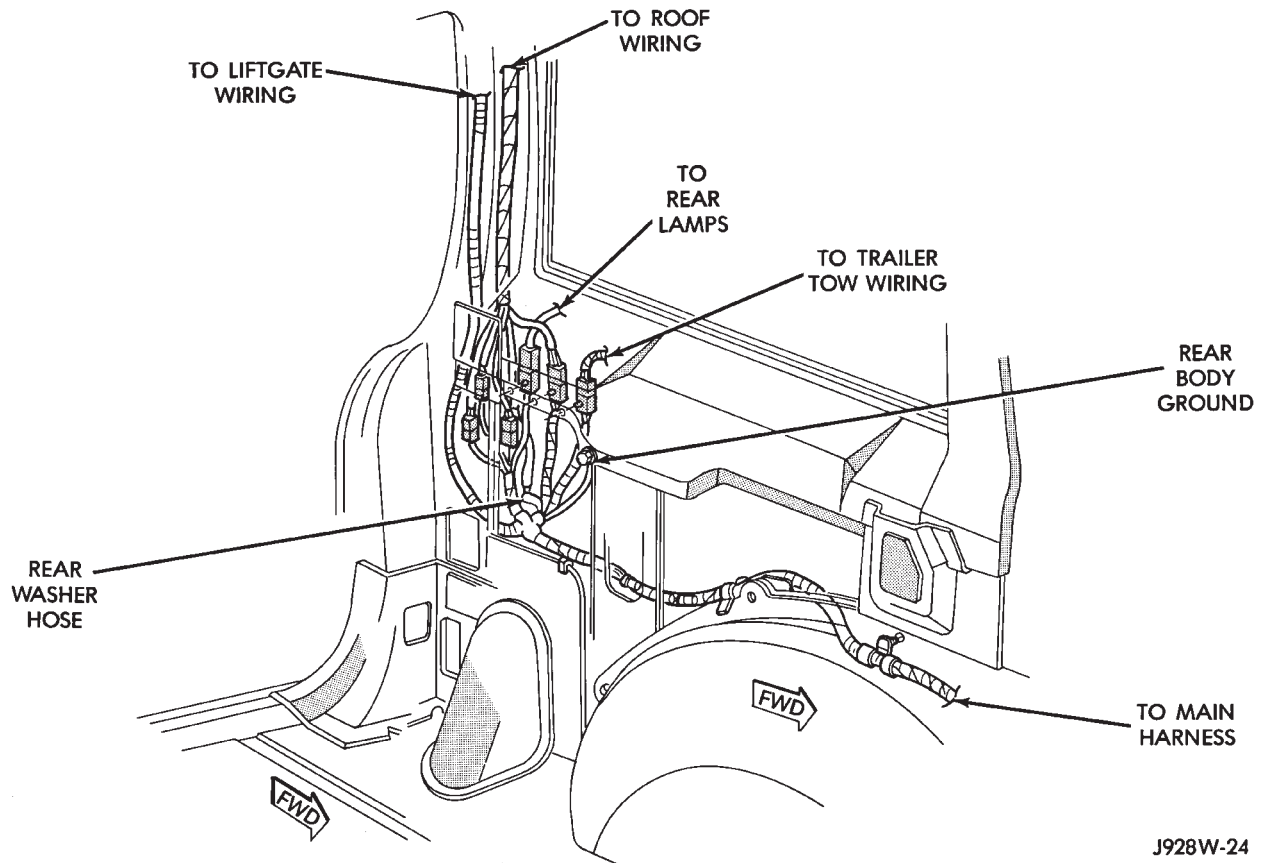


Fig. 8 Body Wiring XJ

J928W-24

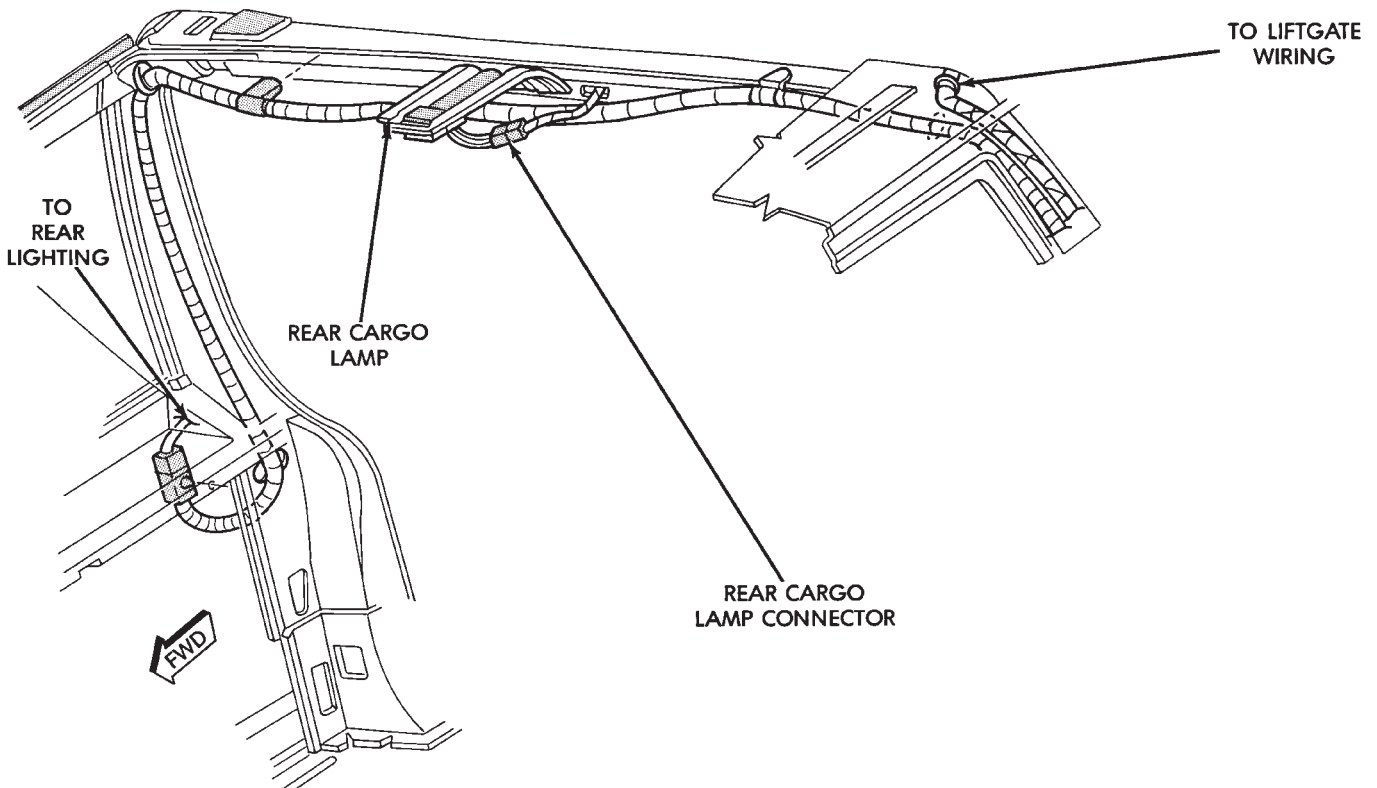
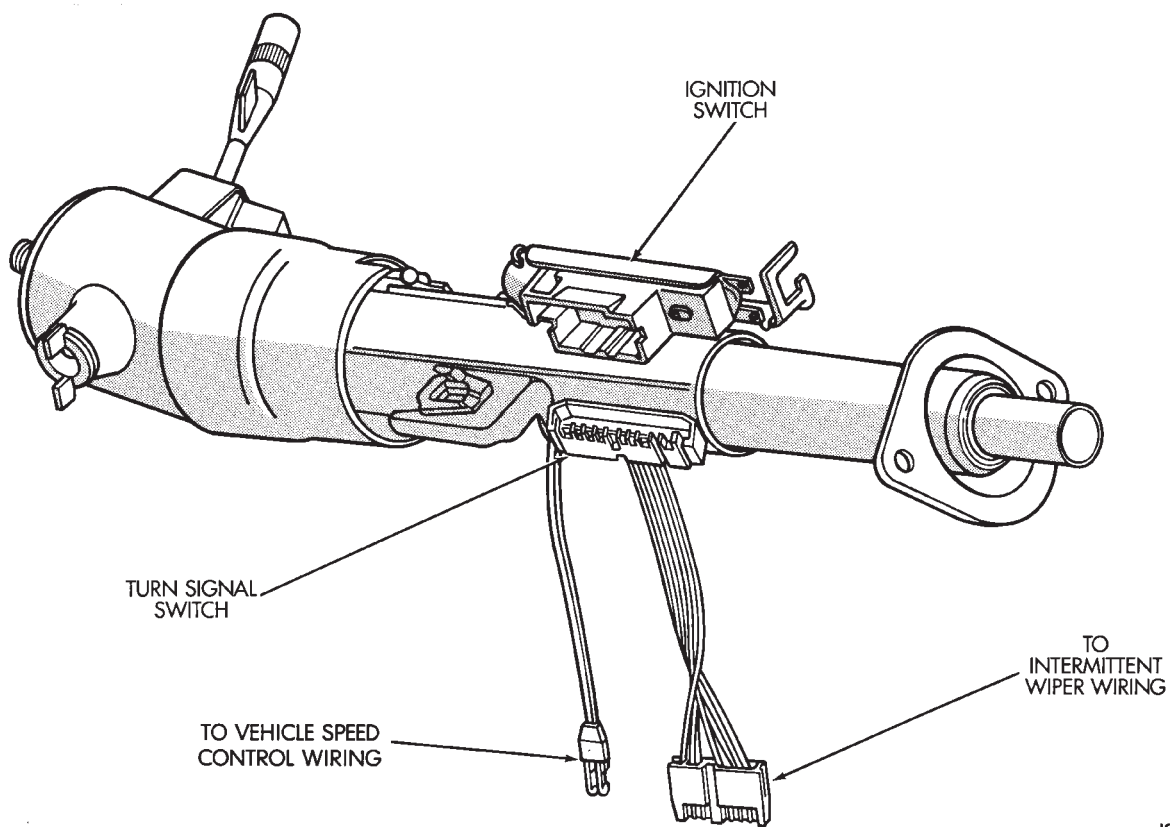


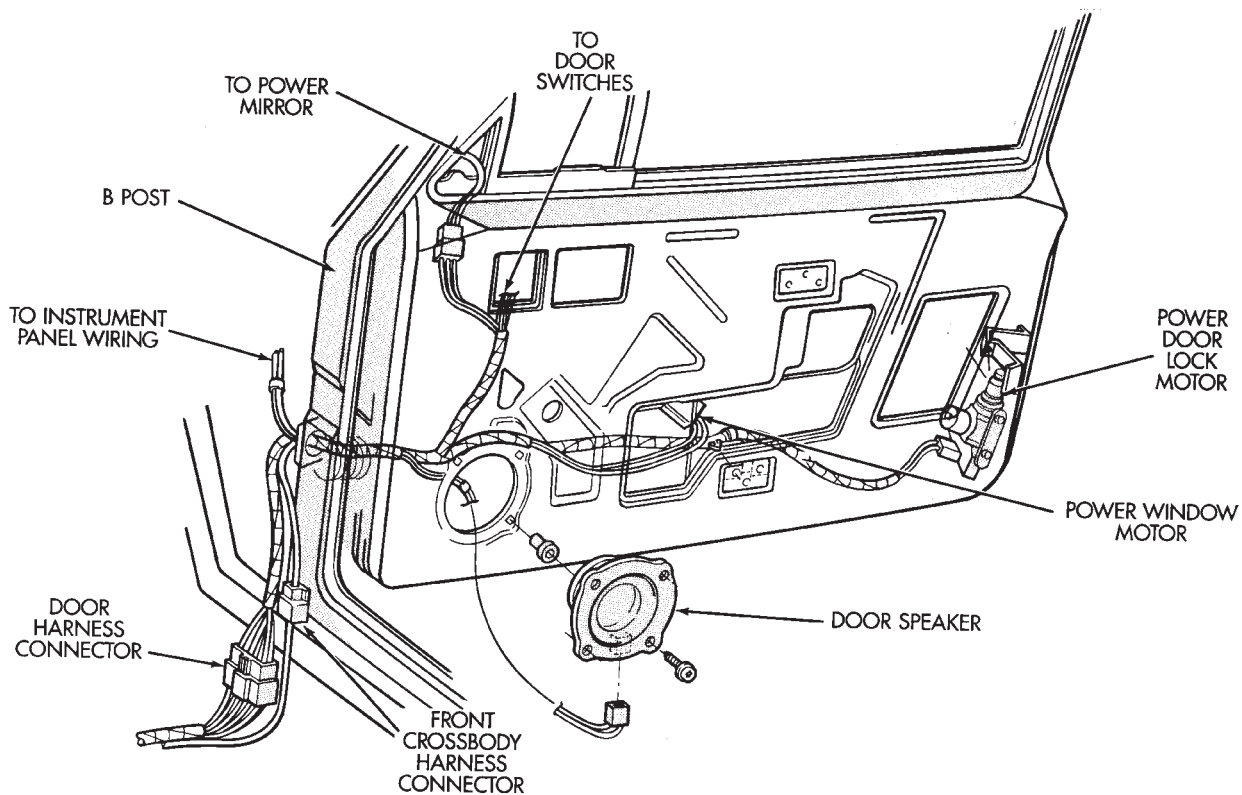
Fig. 9 Roof Wiring (Rear) XJ

J928W-25



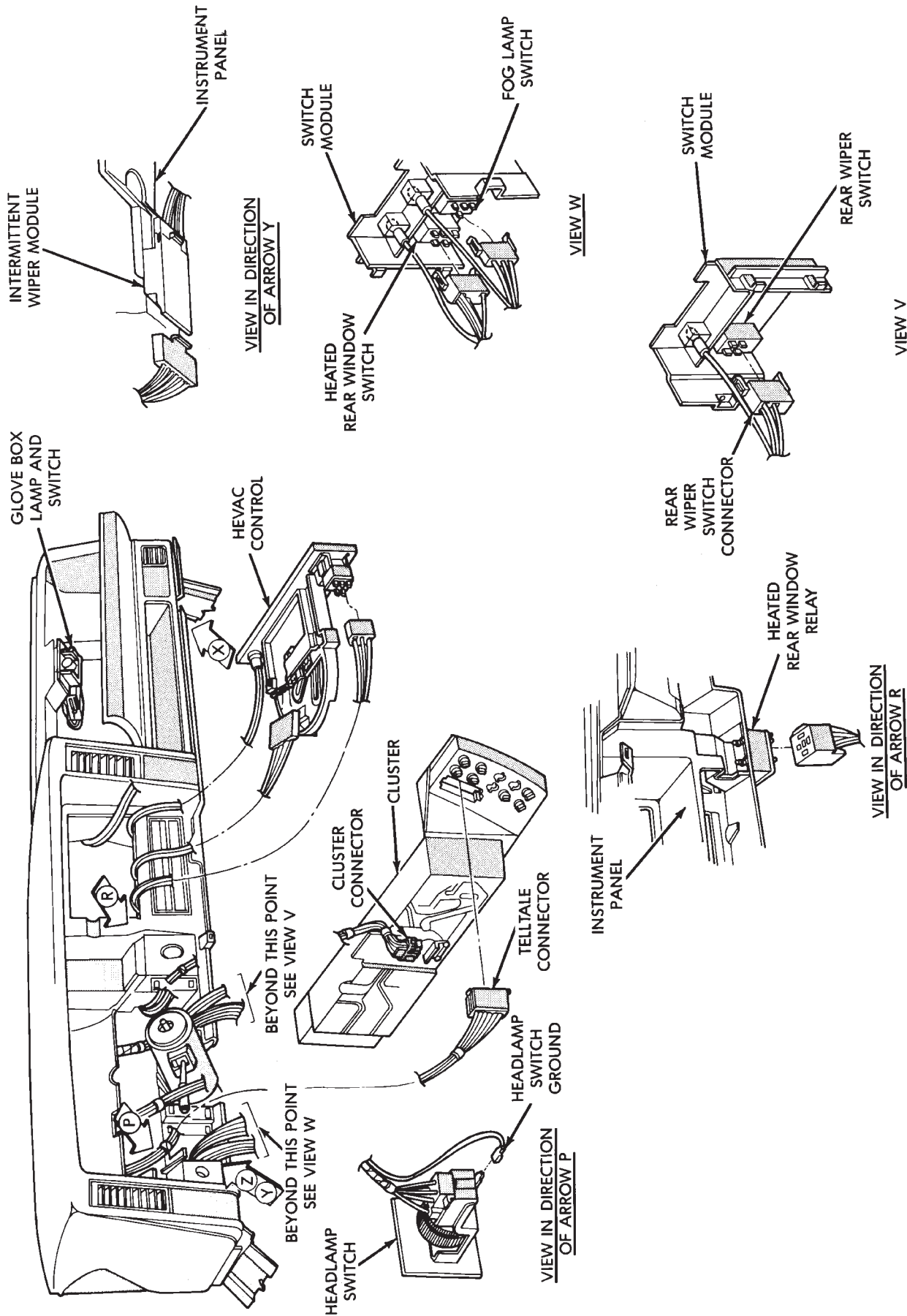
J938W-134

Fig. 10 Steering Column Wiring XJ



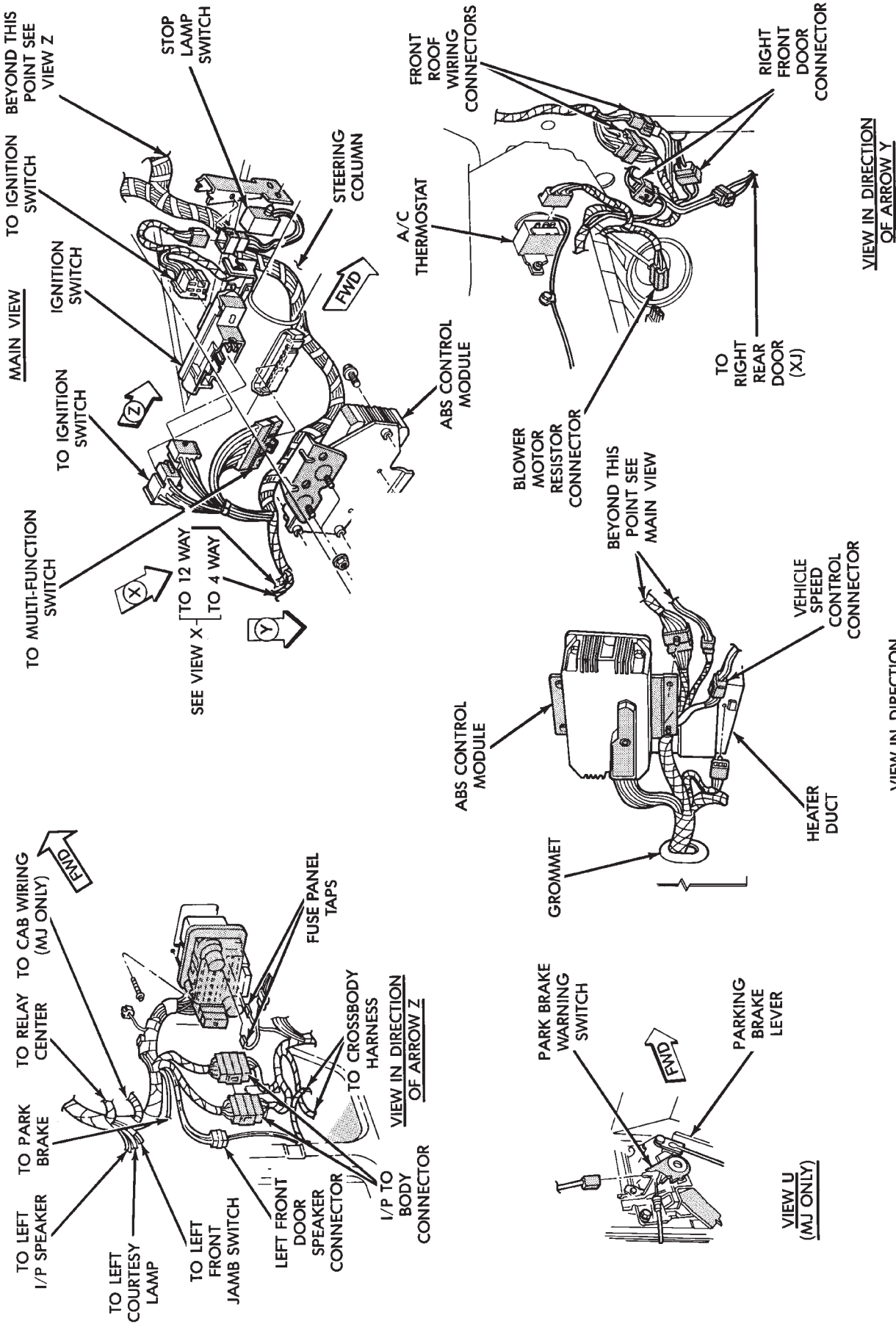
J938W-135

Fig. 11 Door Wiring (Front) XJ



J948W-80

Fig. 13 Instrument Panel Wiring XJ



J938W-137

Fig. 14 Instrument Panel to Body Wiring XJ

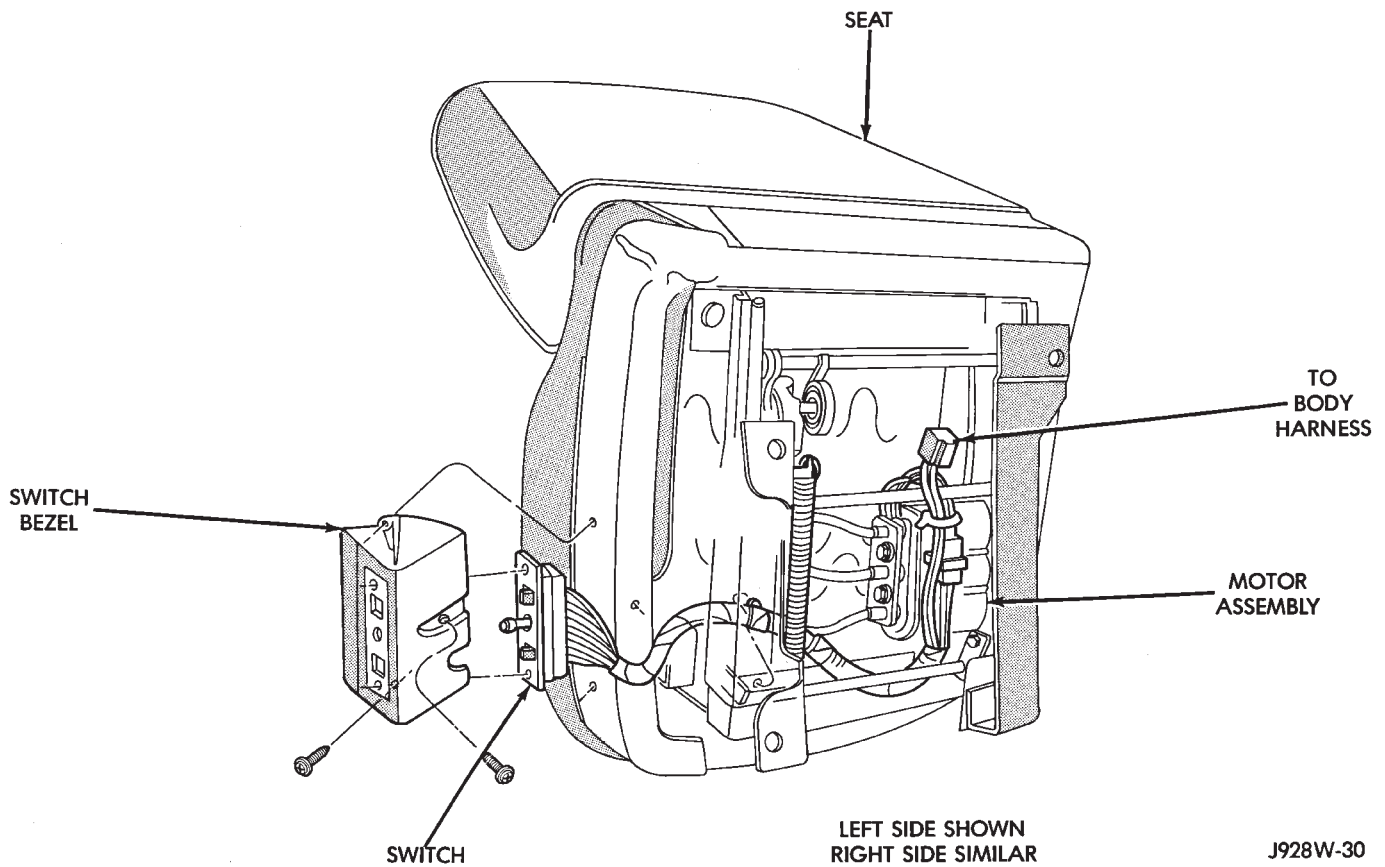


Fig. 15 Power Seat Wiring XJ

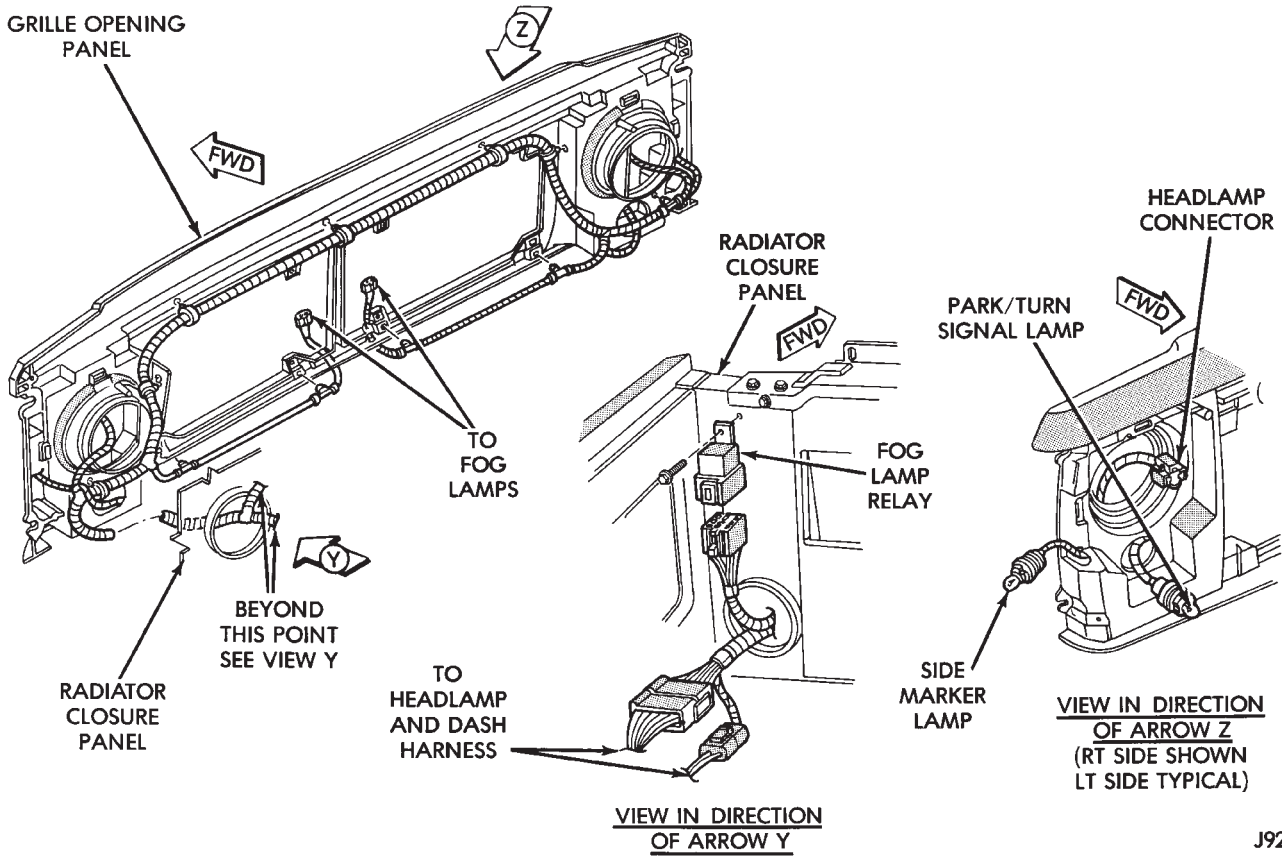
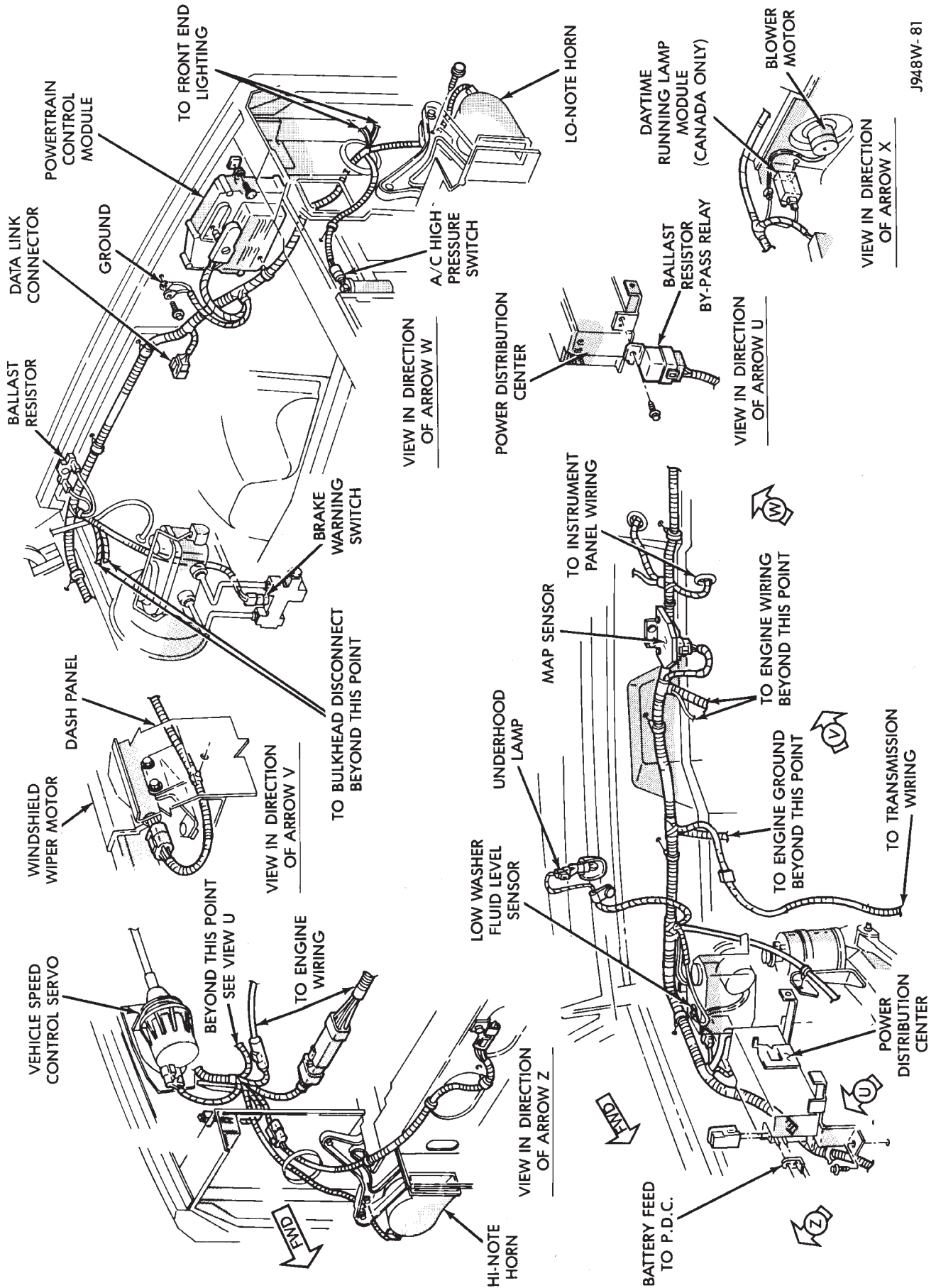


Fig. 16 Front End Wiring XJ



J948W- 81

Fig. 17 Engine Compartment Wiring 2.5L XJ

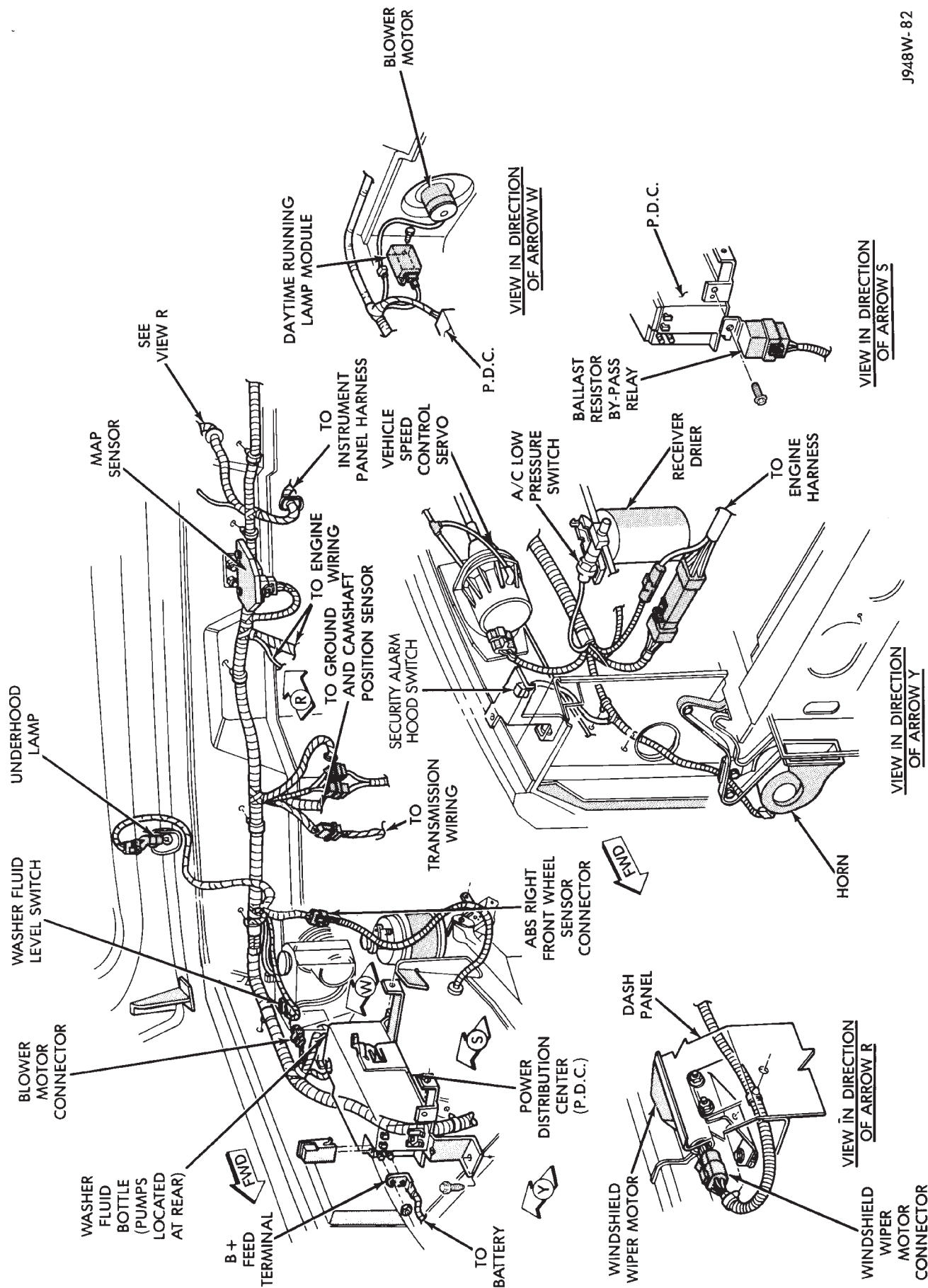
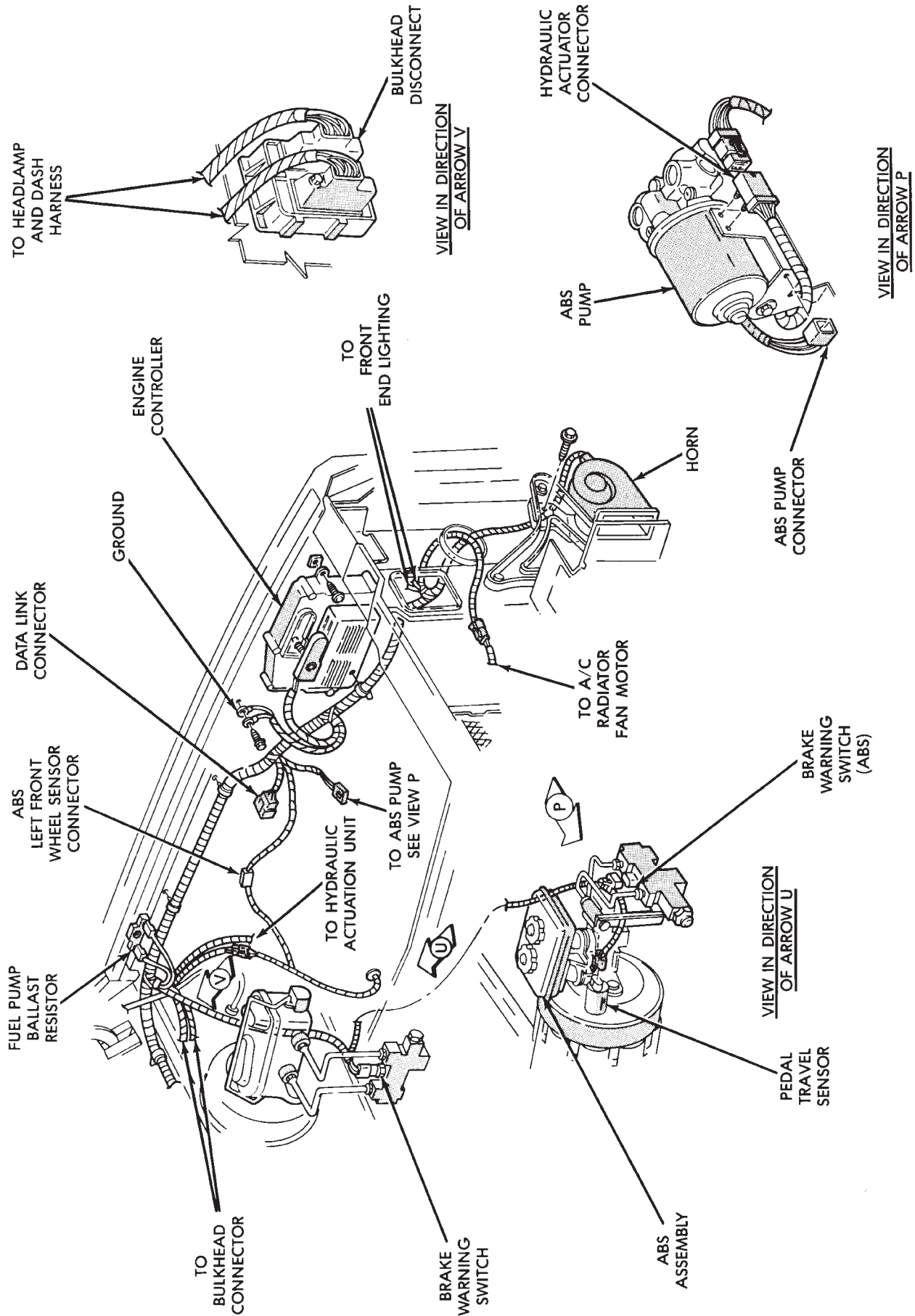
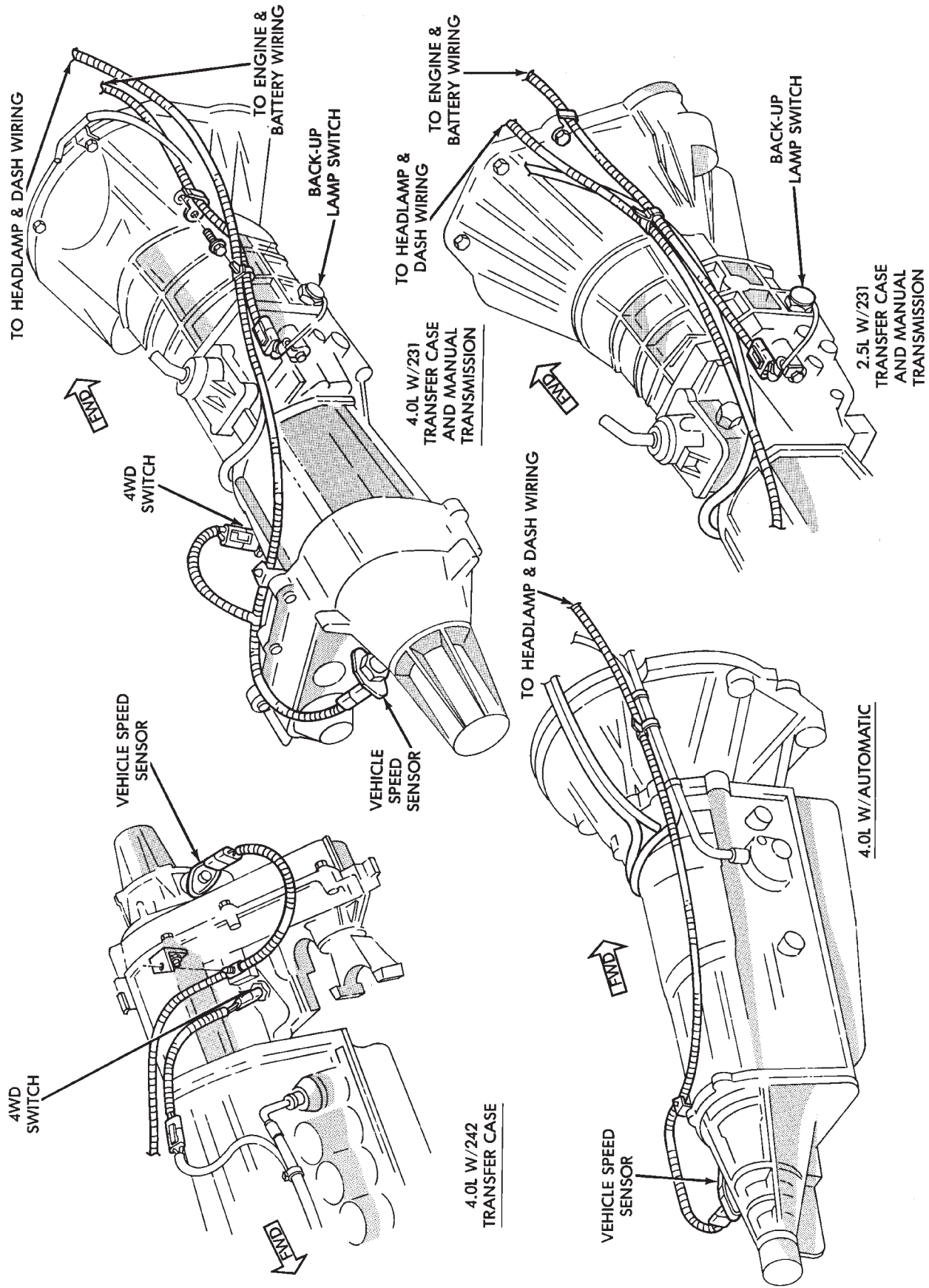


Fig. 18 Engine Compartment Wiring 4.0L XJ



J948W-83

Fig. 19 Engine Compartment Wiring 4.0L XJ



J938W-141

Fig. 20 Transmission Wiring XJ

J938W-125

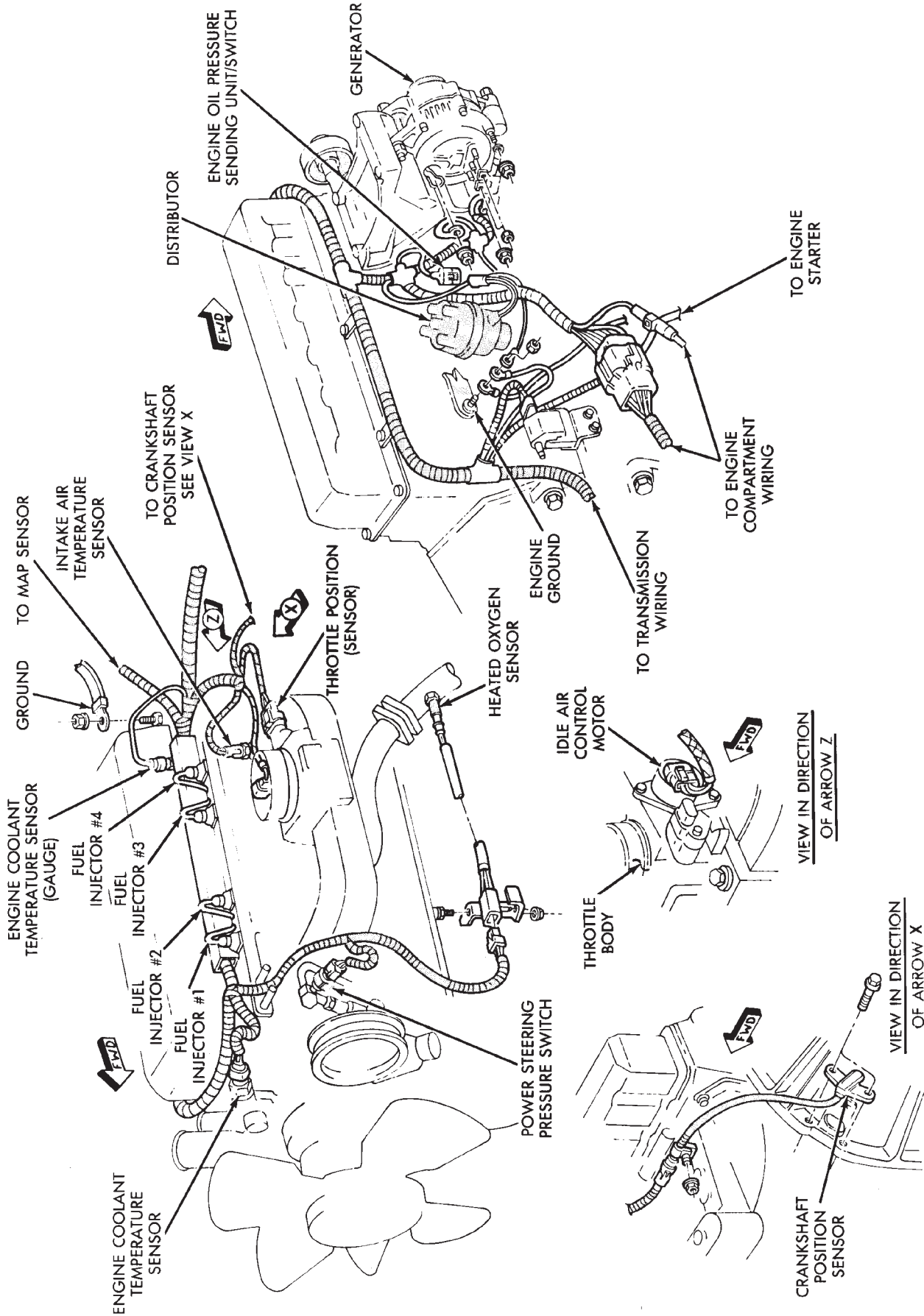


Fig. 21 Engine Wiring 2.5L XJ

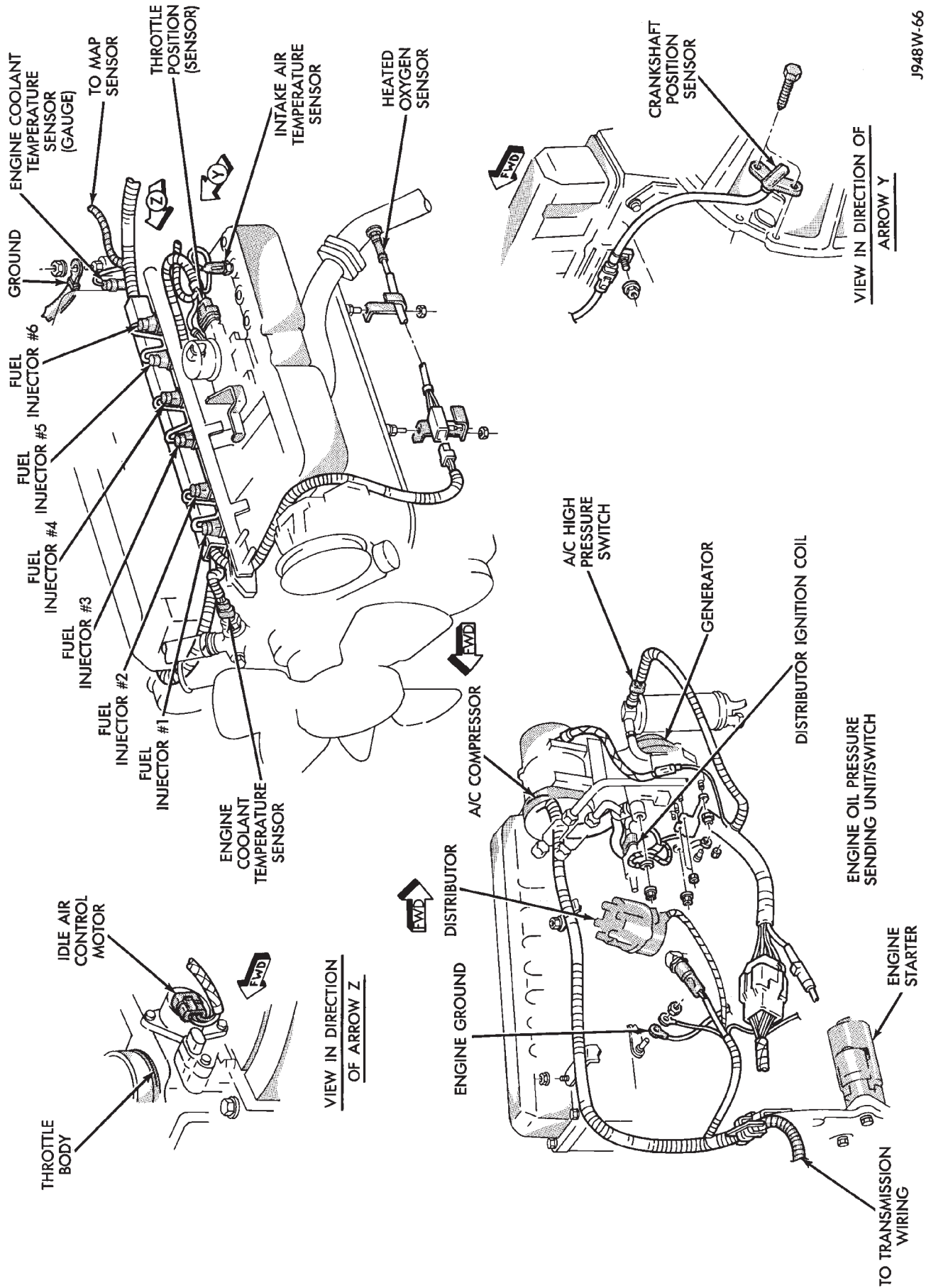


Fig. 22 Engine Wiring 4.0L XJ

XJ RHD

<u>Caption</u>	<u>Fig.</u>	<u>Caption</u>	<u>Fig.</u>
Body Wiring3	Instrument Panel Wiring-Connections7
Door Wiring5	Instrument Panel Wiring-Routing6
Engine Compartment Wiring9, 10	Liftgate Wiring1
Engine Wiring 4.0L11	Roof Wiring (Rear)2
Front End Wiring8	Steering Column Wiring4

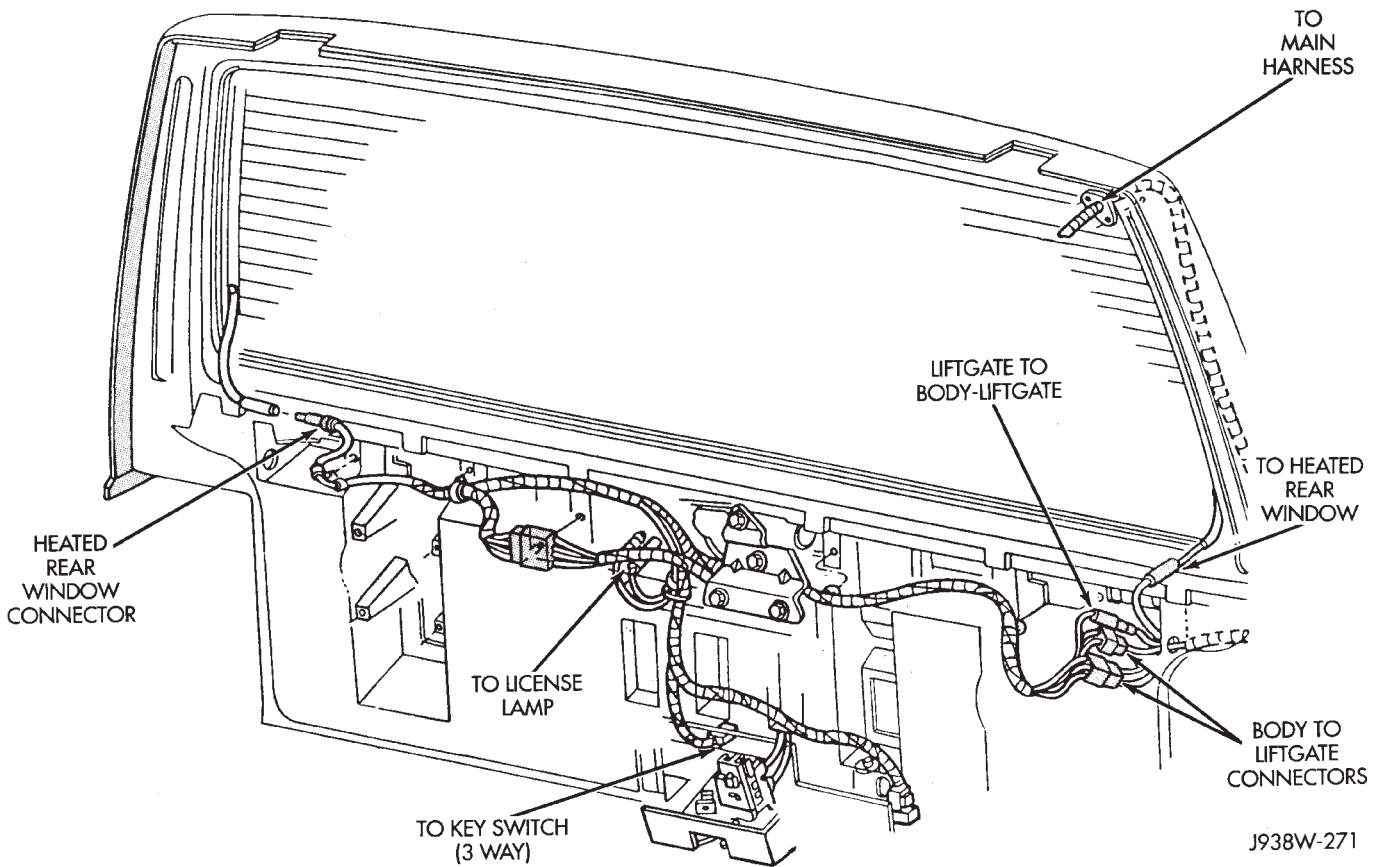
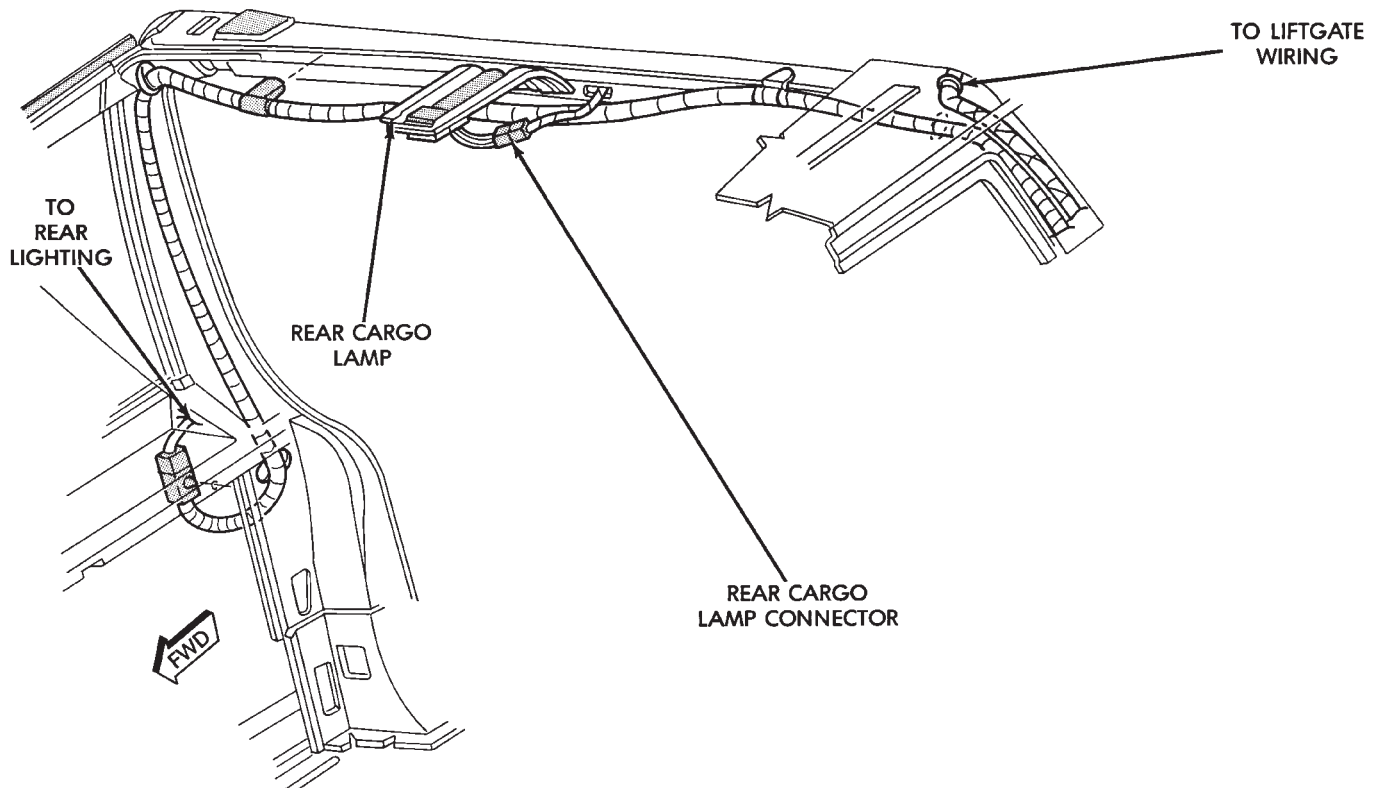


Fig. 1 Liftgate Wiring (RHD)



J928W-25

Fig. 2 Roof Wiring (Rear) (RHD)

J948W-84

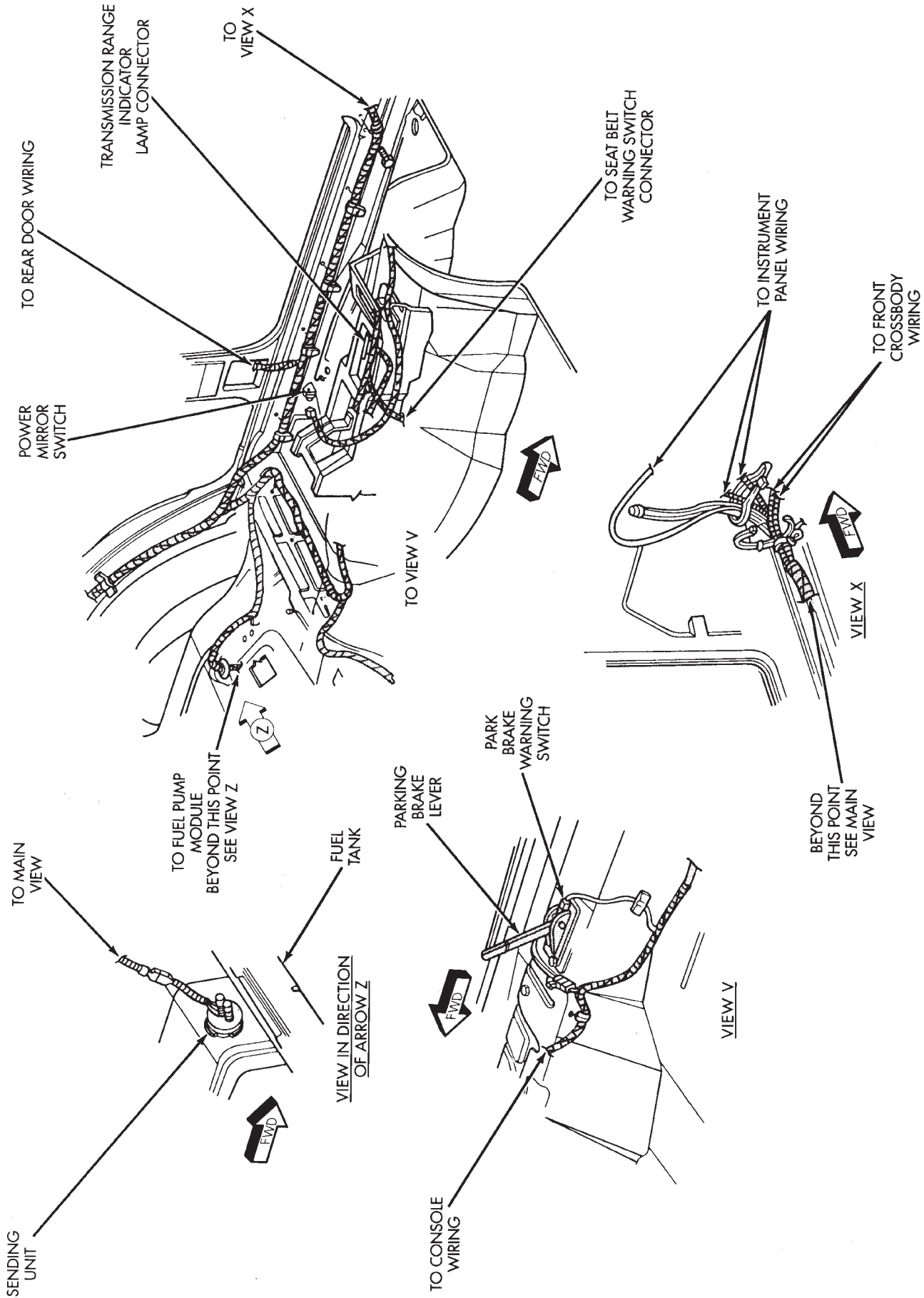


Fig. 3 Body Wiring (RHD)

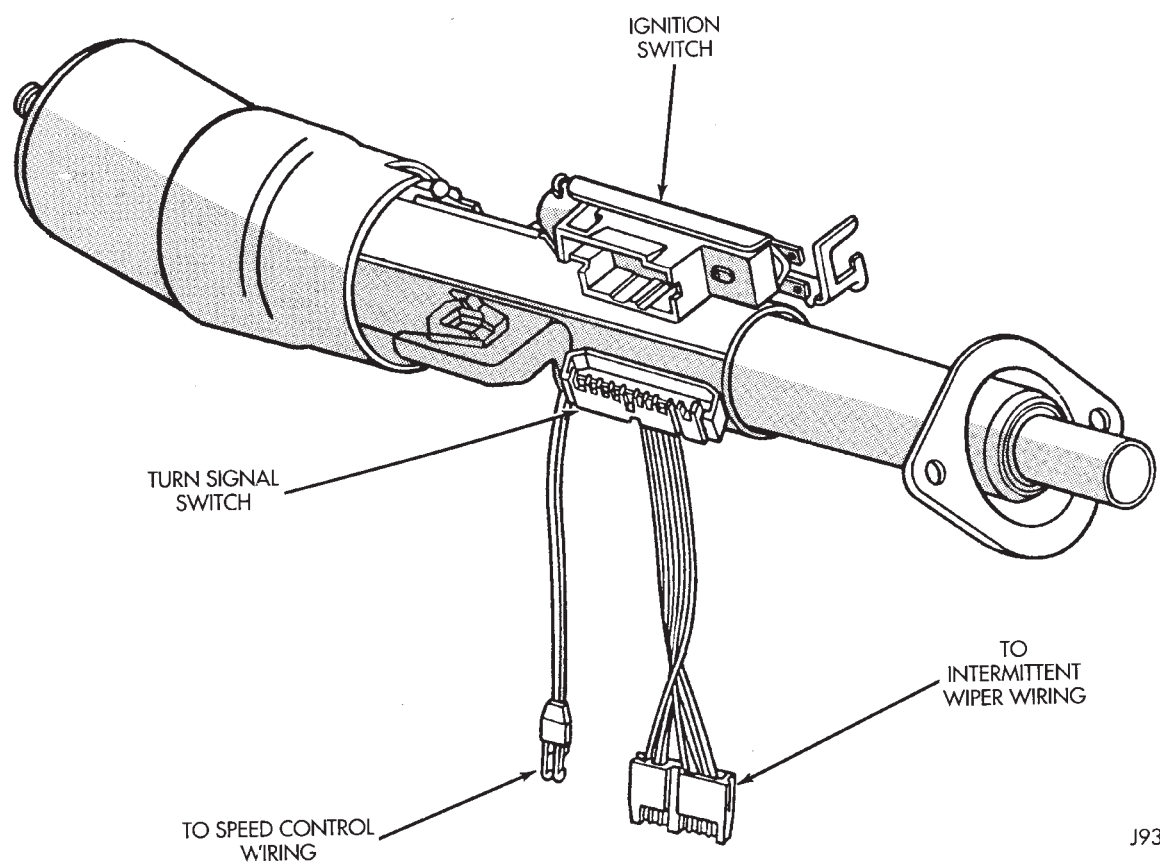


Fig. 4 Steering Column Wiring (RHD)

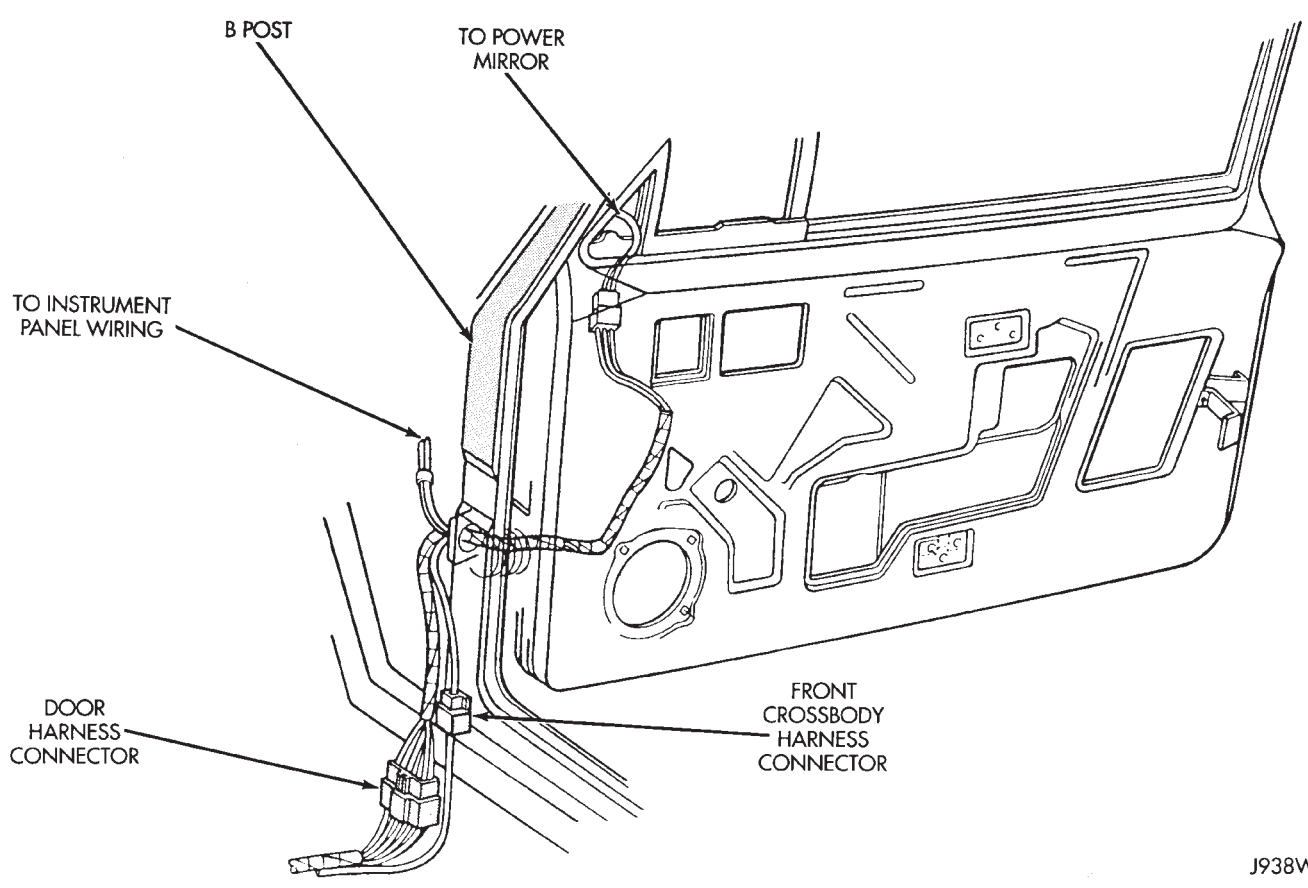
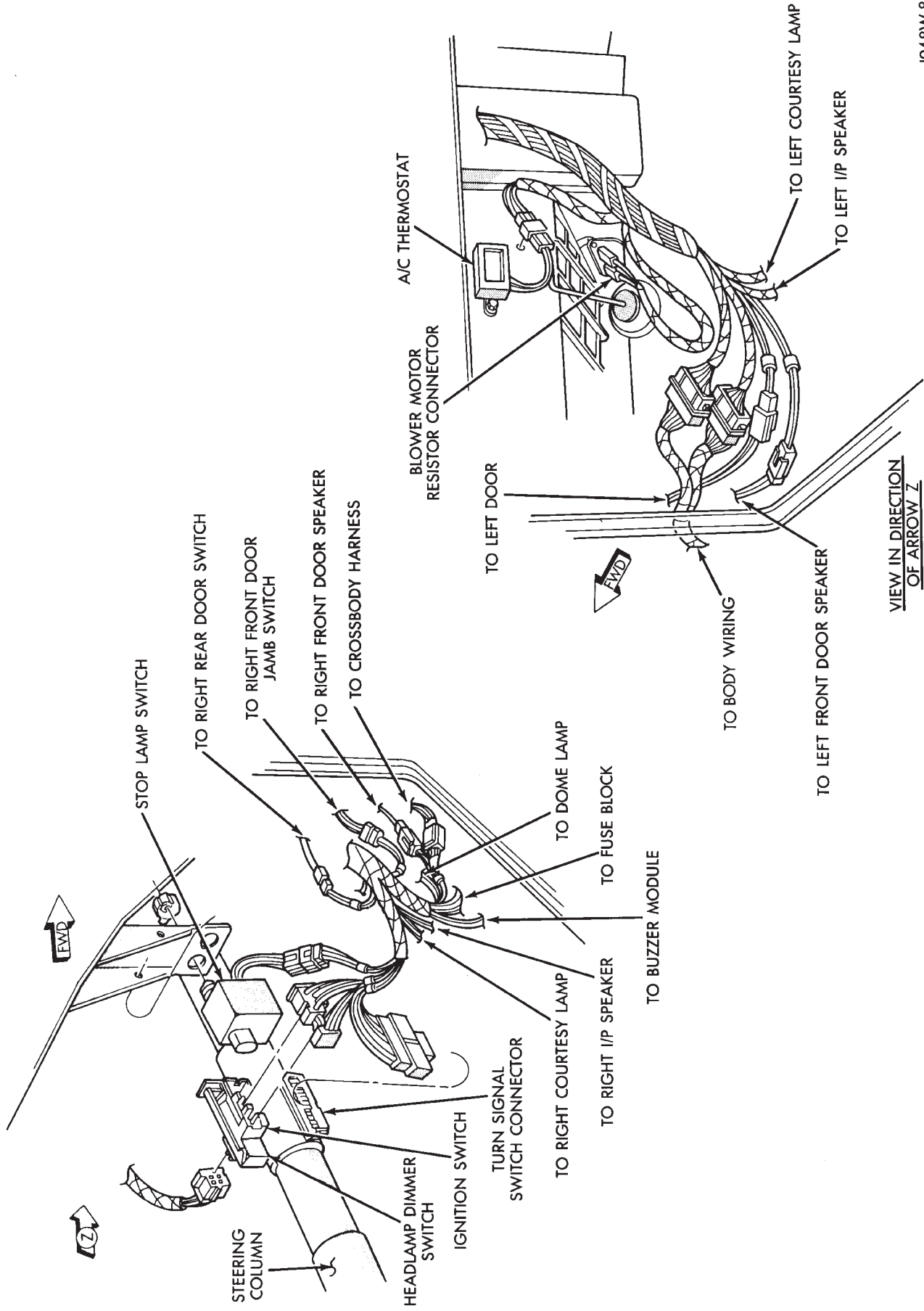
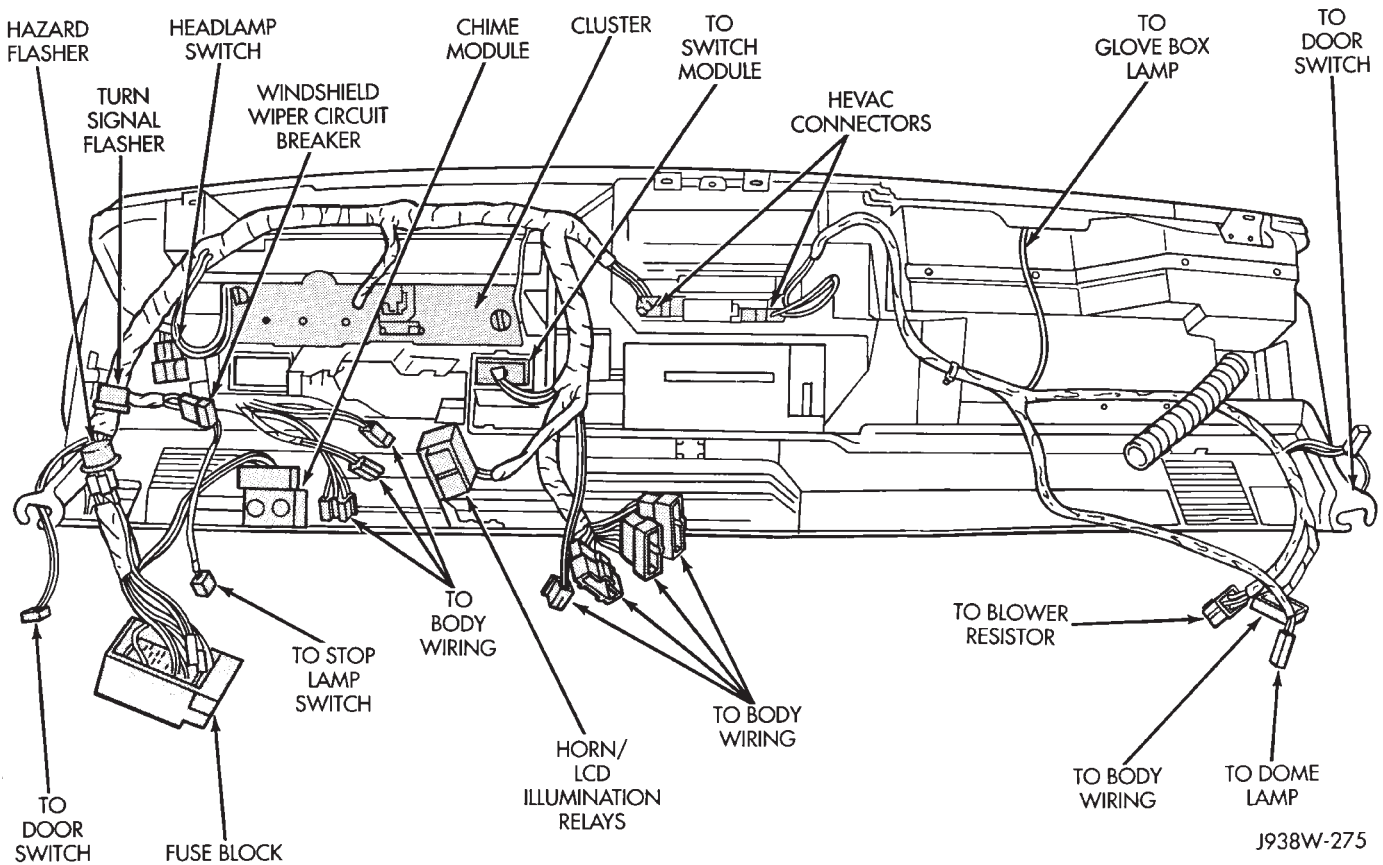


Fig. 5 Door Wiring (RHD)



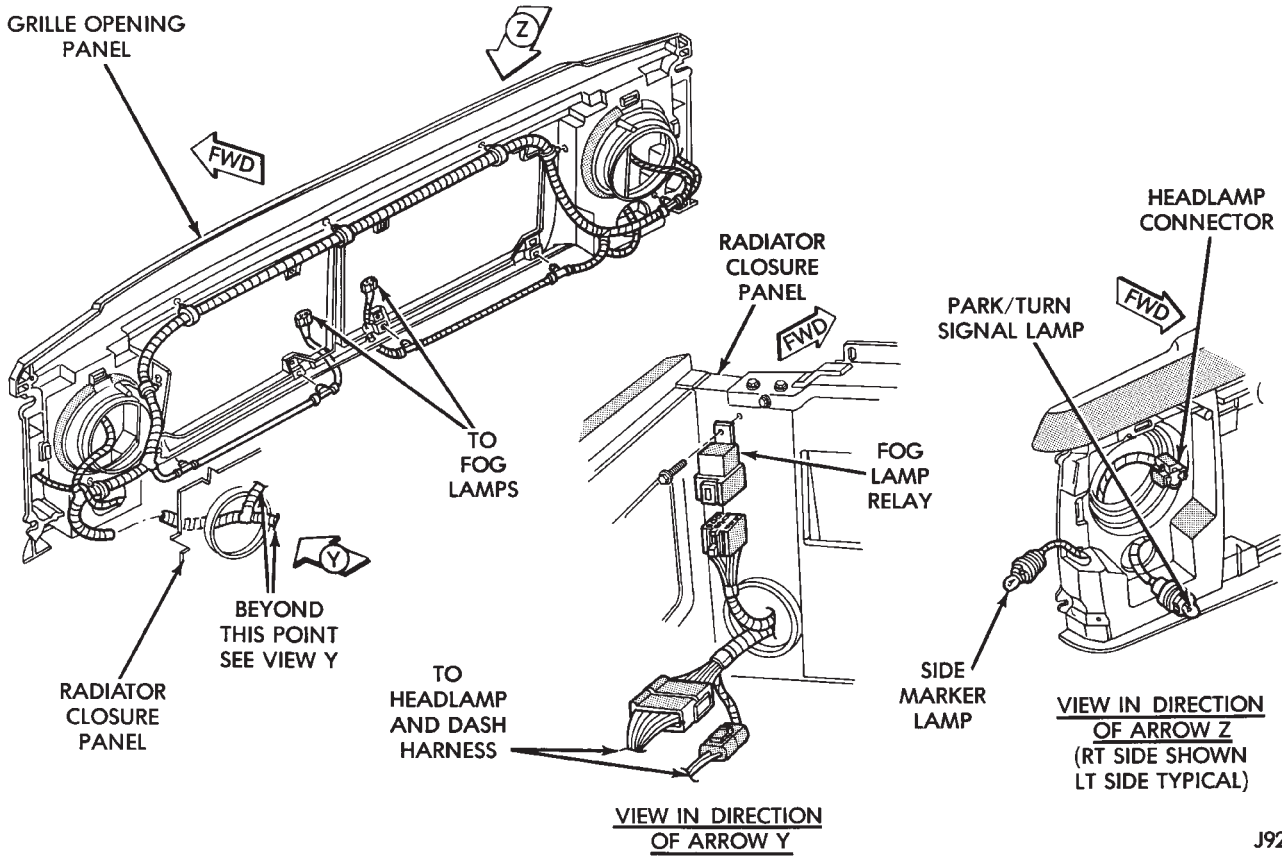
J948W-85

Fig. 6 Instrument Panel Wiring-Routing (RHD)



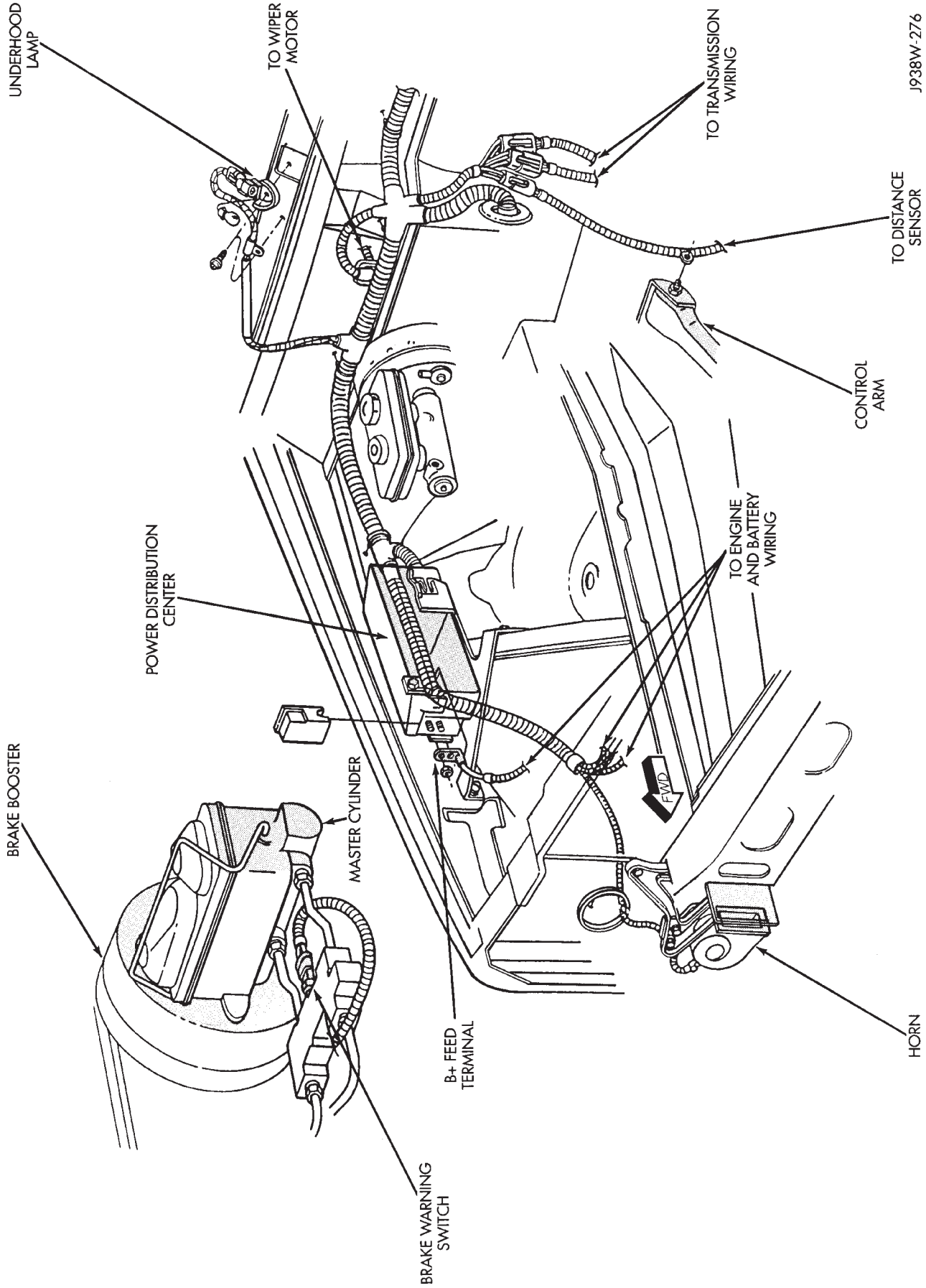
J938W-275

Fig. 7 Instrument Panel Wiring-Connections (RHD)



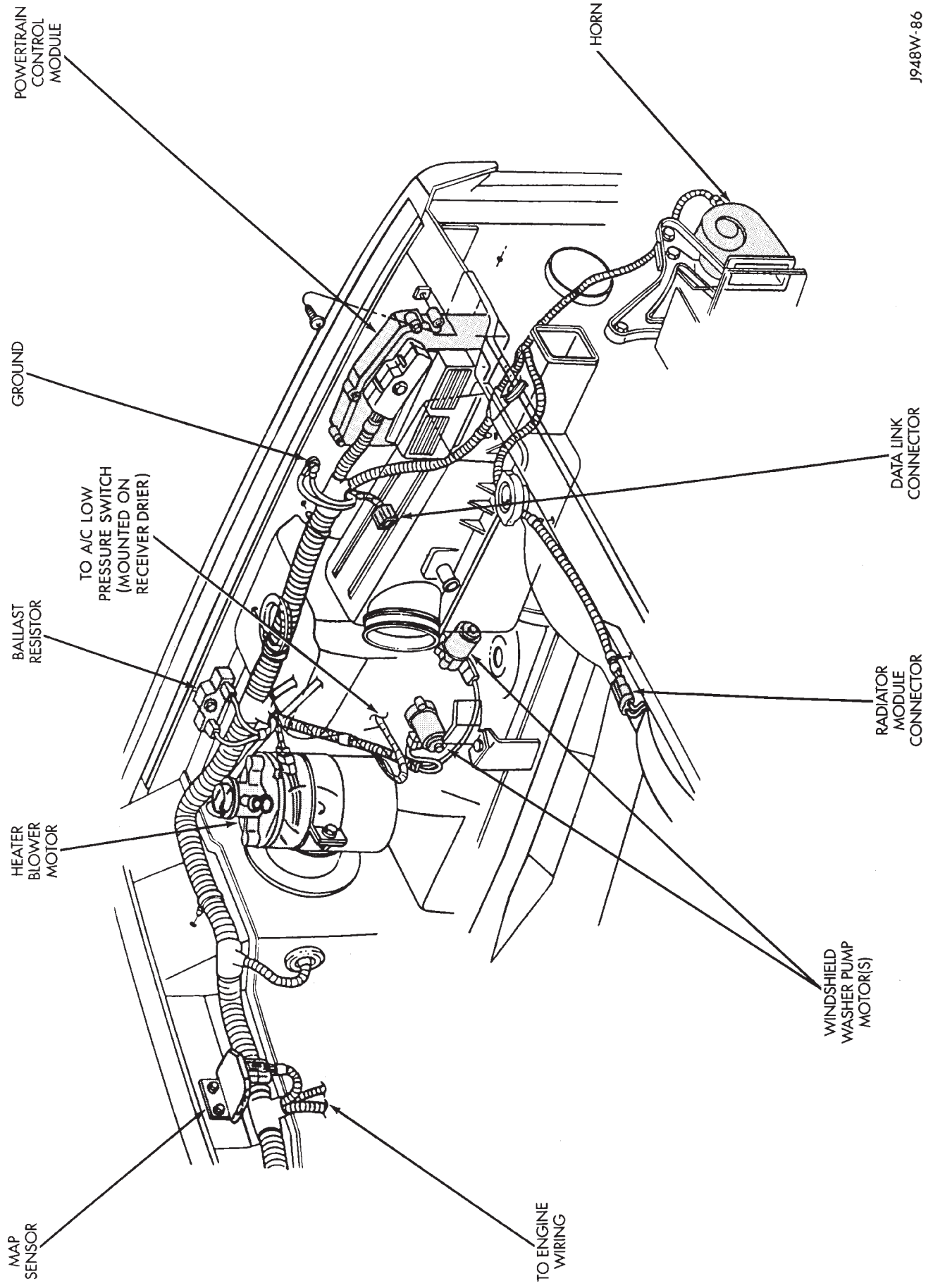
J928W-31

Fig. 8 Front End Wiring (RHD)



J938W-276

Fig. 9 Engine Compartment Wiring (RHD)



J948W-86

Fig. 10 Engine Compartment Wiring (RHD)

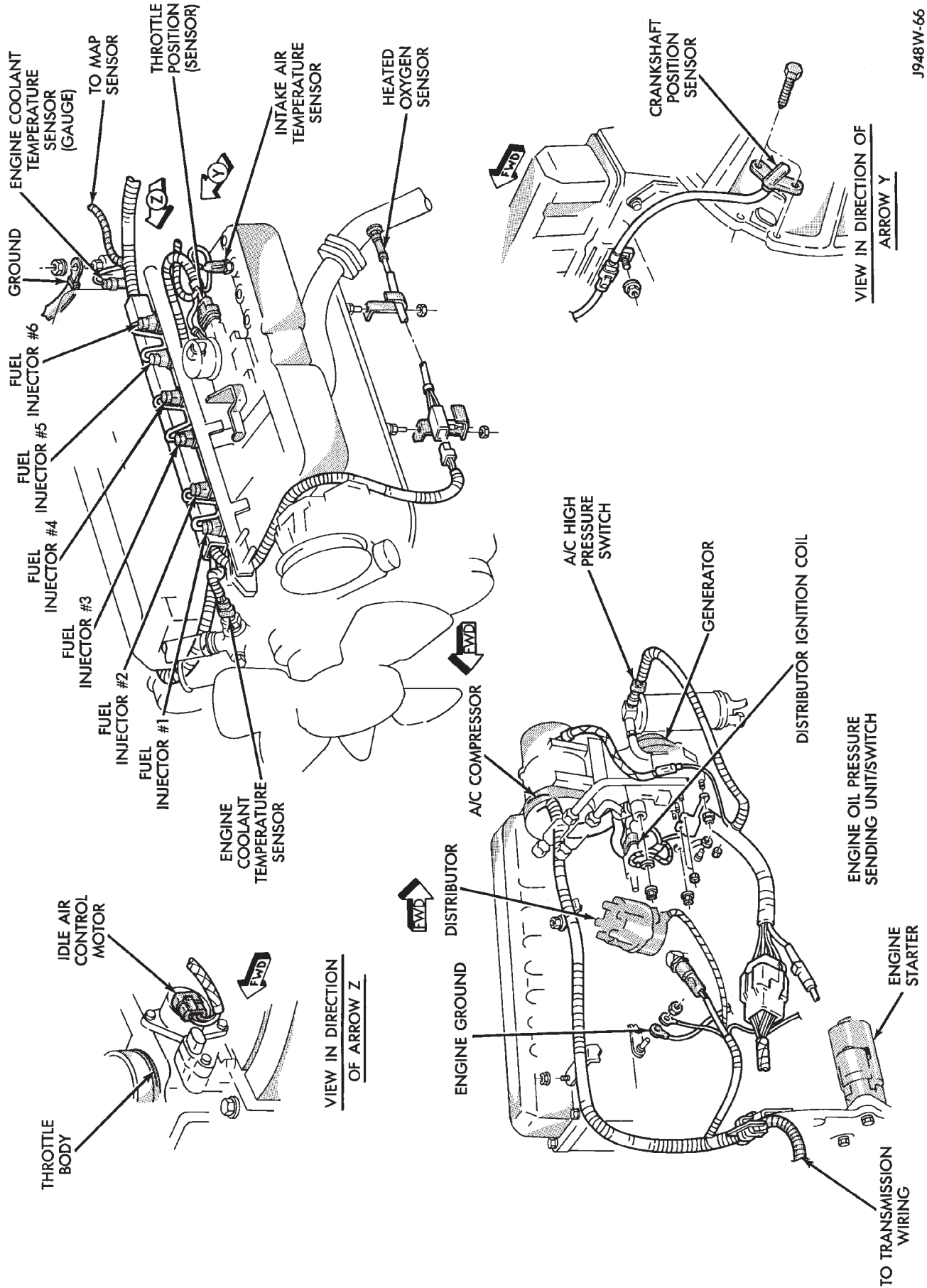


Fig. 11 Engine Wiring 4.0L (RHD)

SPLICE LOCATIONS

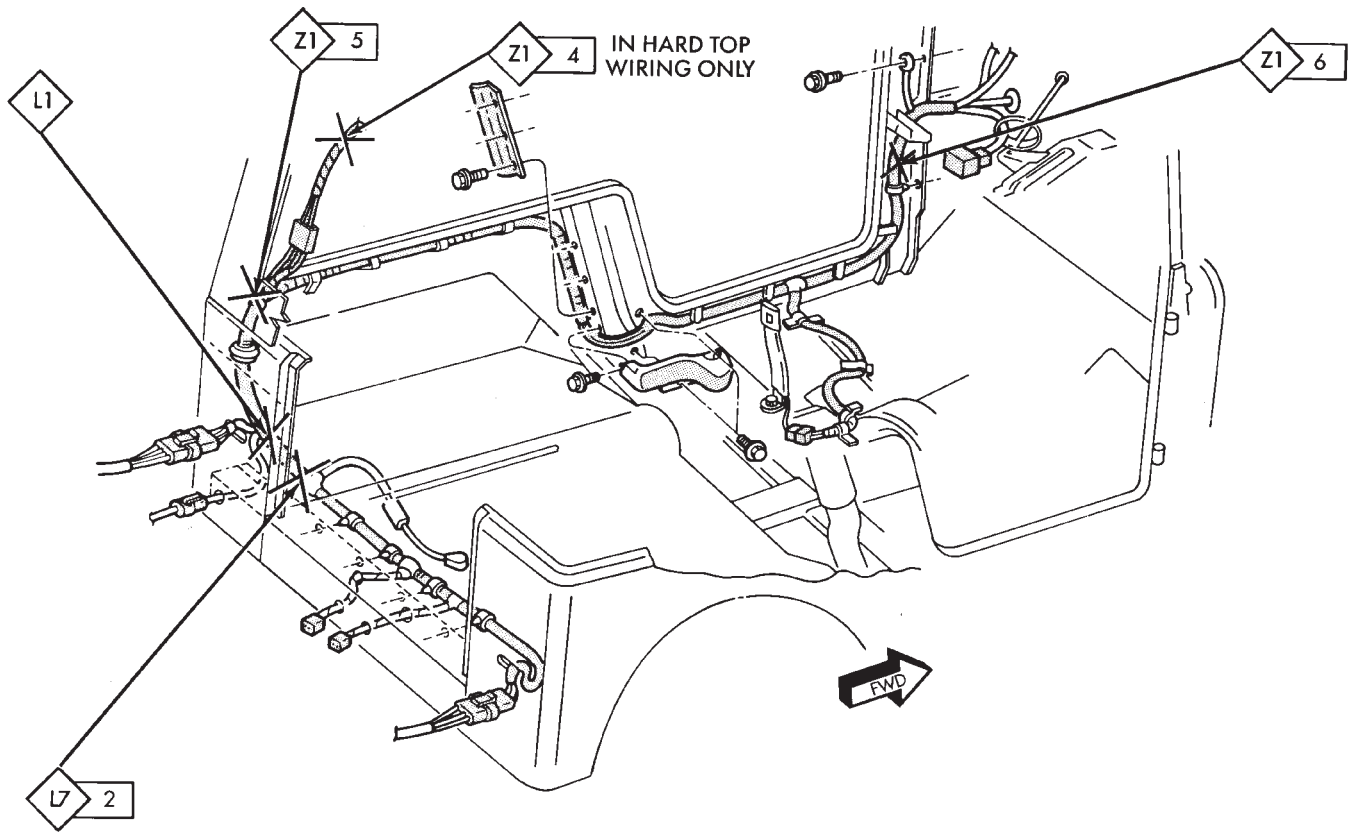
CONTENTS

	page		page
XJ SPLICE LOCATIONS	59	YJ SPLICE LOCATIONS	53
XJ RHD SPLICE LOCATIONS	67		

The splice locations shown in this section are divided into sections by vehicle line. When locating a specific splice first, turn to the appropriate index, then look up the **figure number** that refers to the splice. **Page numbers at the top of the page do not refer to figure numbers.**

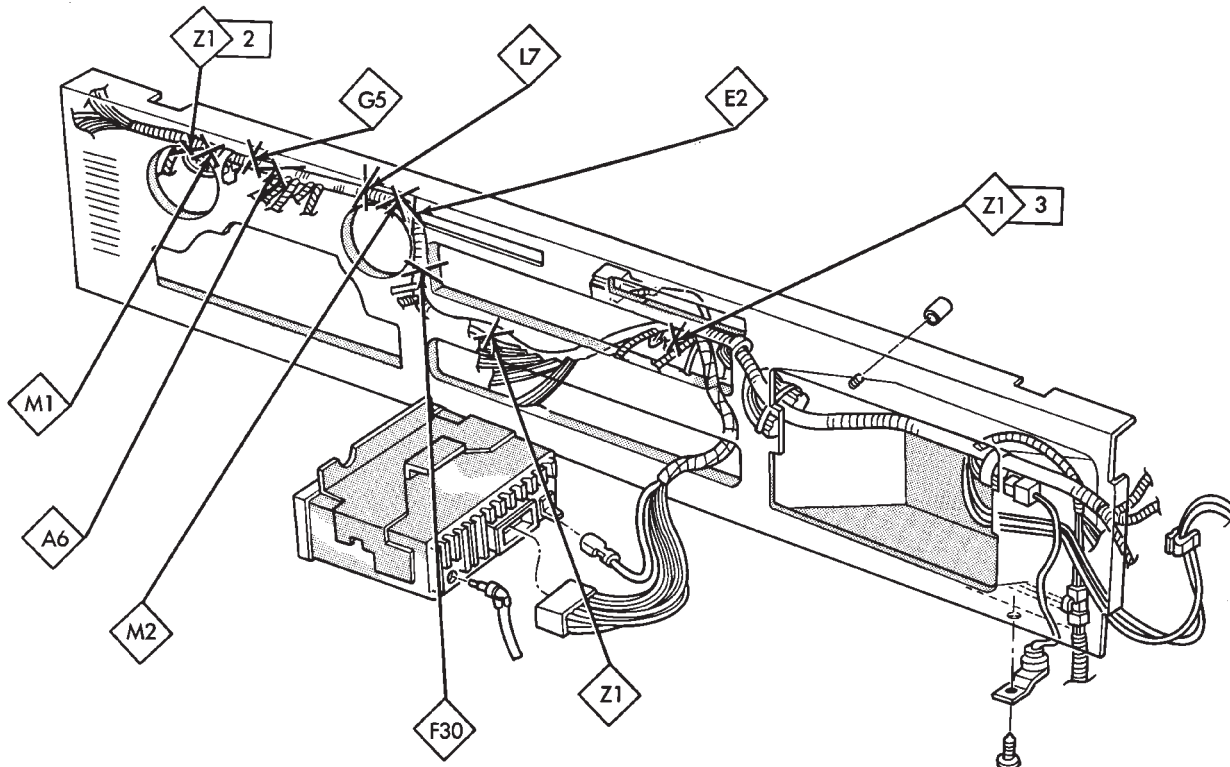
YJ SPLICE LOCATIONS

<u>Splice Number</u>	<u>Fig.</u>	<u>Splice Number</u>	<u>Fig.</u>
A62	L7-15
A114	L7-21
A1423	L396
A142-13	L39-12
B154	M12
E22	M1-14
F154	M22
F302	Z12
G52	Z1-22
G73	Z1-32
G194	Z1-41
G504	Z1-51
K43	Z1-61
K4-13	Z1-73
K63	Z1-84
K73	Z1-95
L11	Z1-105
L3 Canada Only5	Z23
L4 Canada Only6	Z124
L72		



J948W-29

Fig. 1 Body Splices YJ



J948W-30

Fig. 2 Instrument Panel Splices YJ

J948W-31

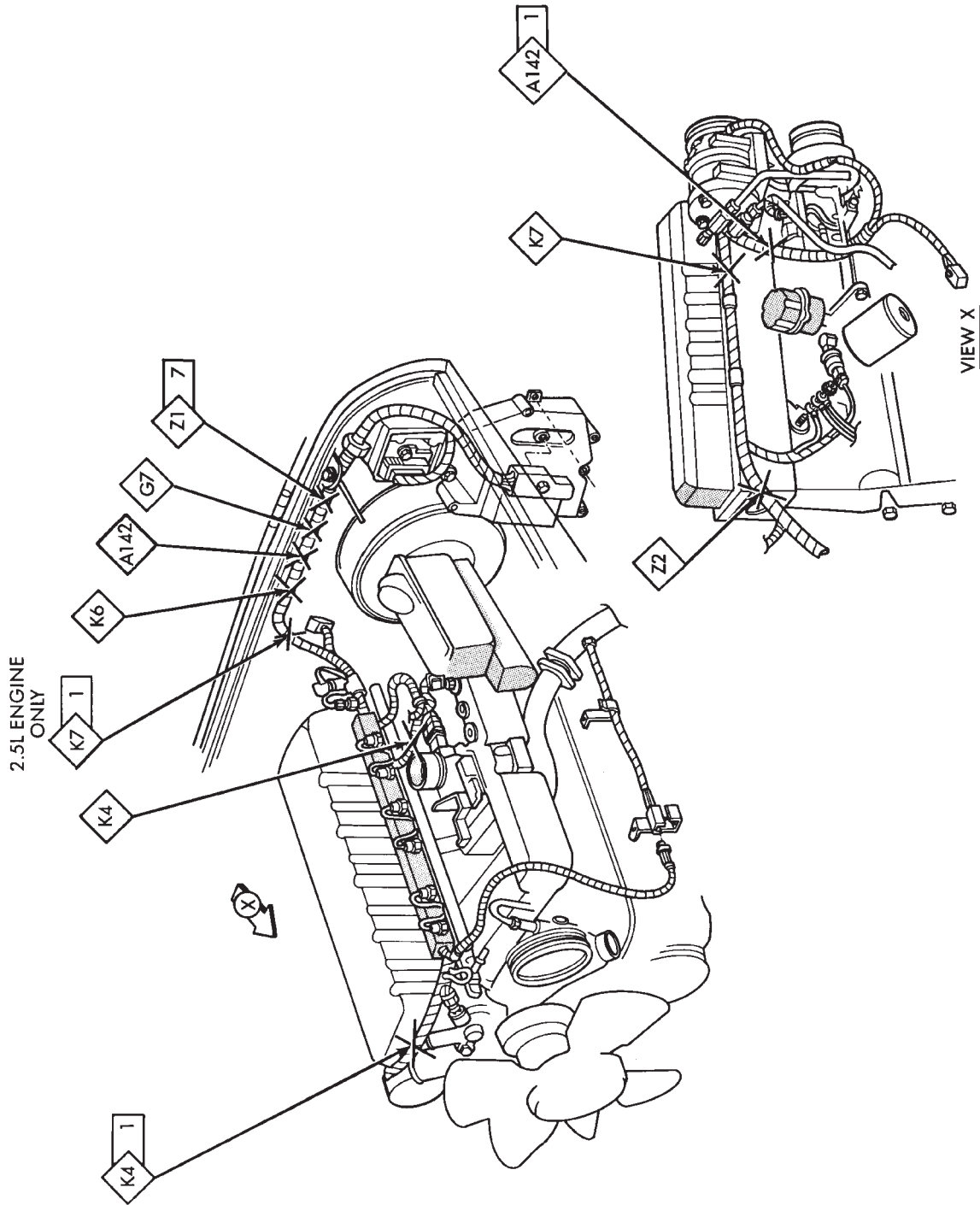


Fig. 3 Engine Wiring Splices YJ

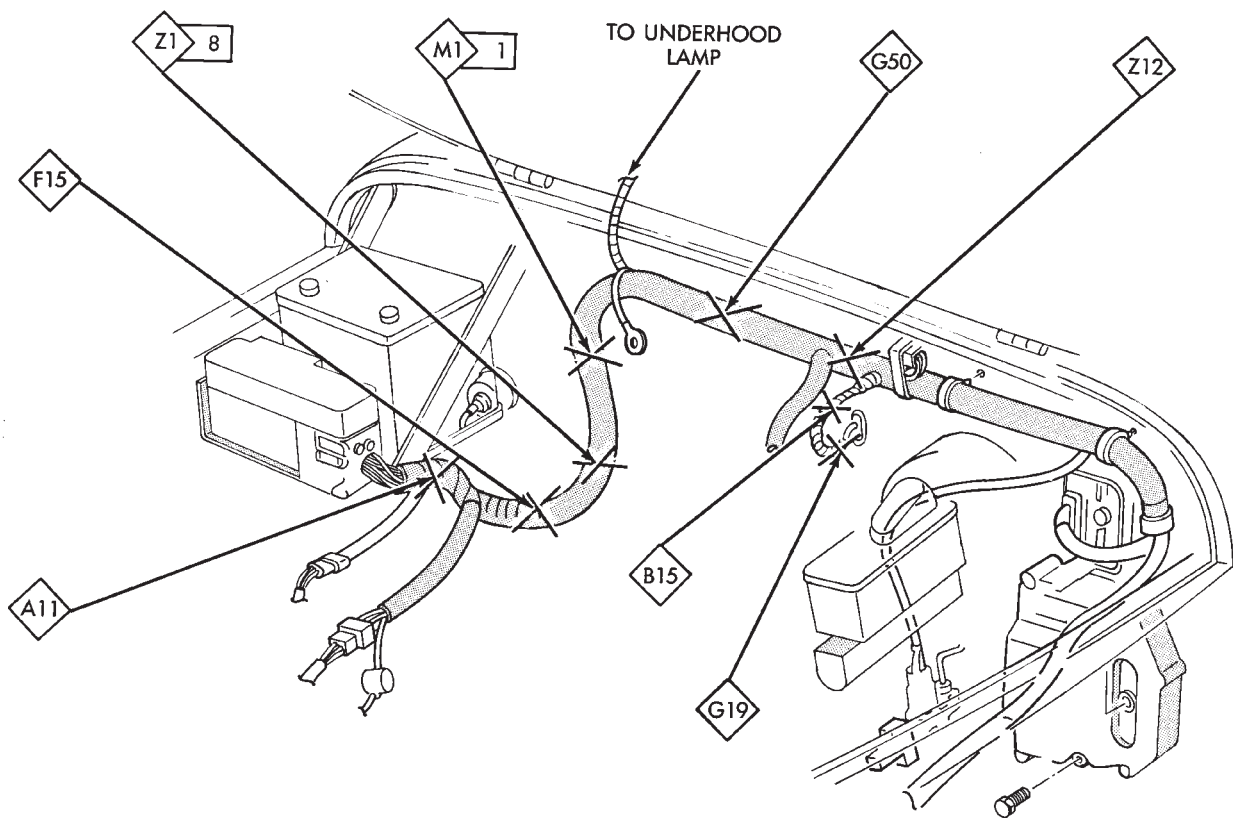


Fig. 4 Dash Panel Splices YJ

J938W-68

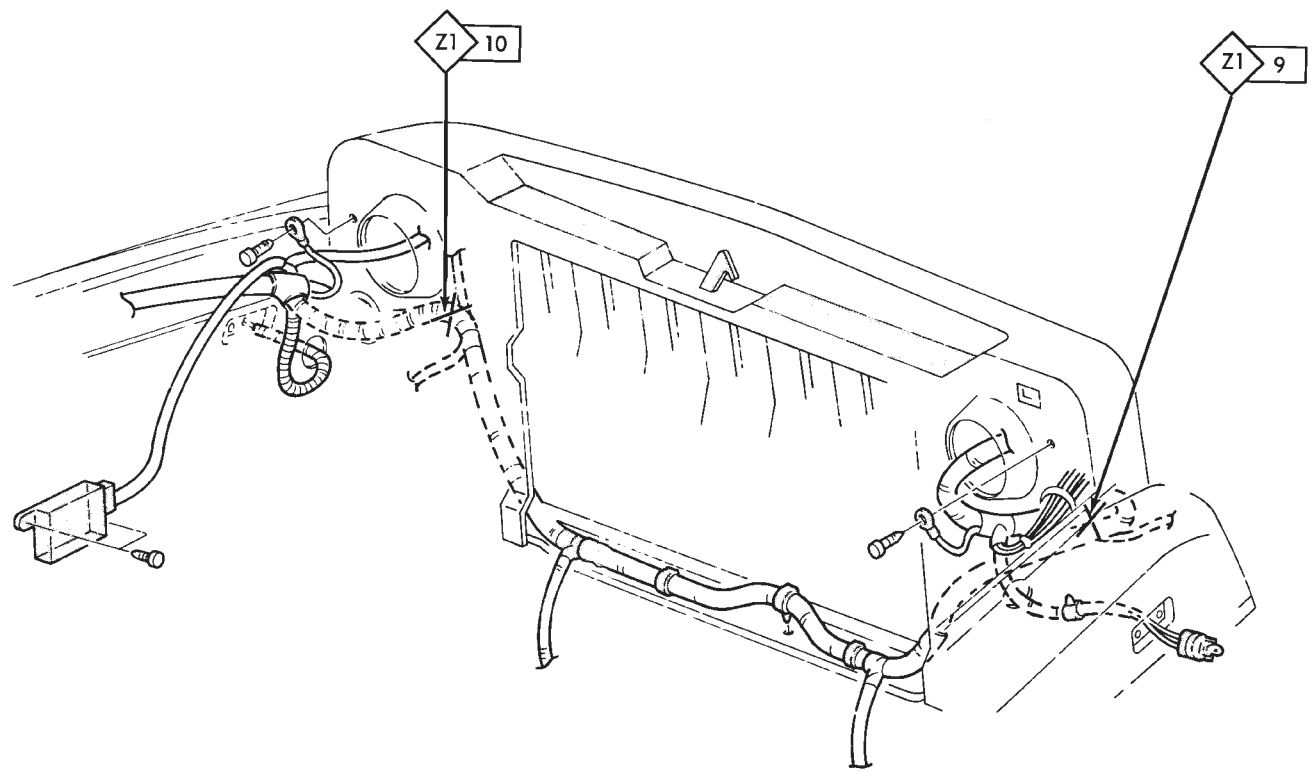
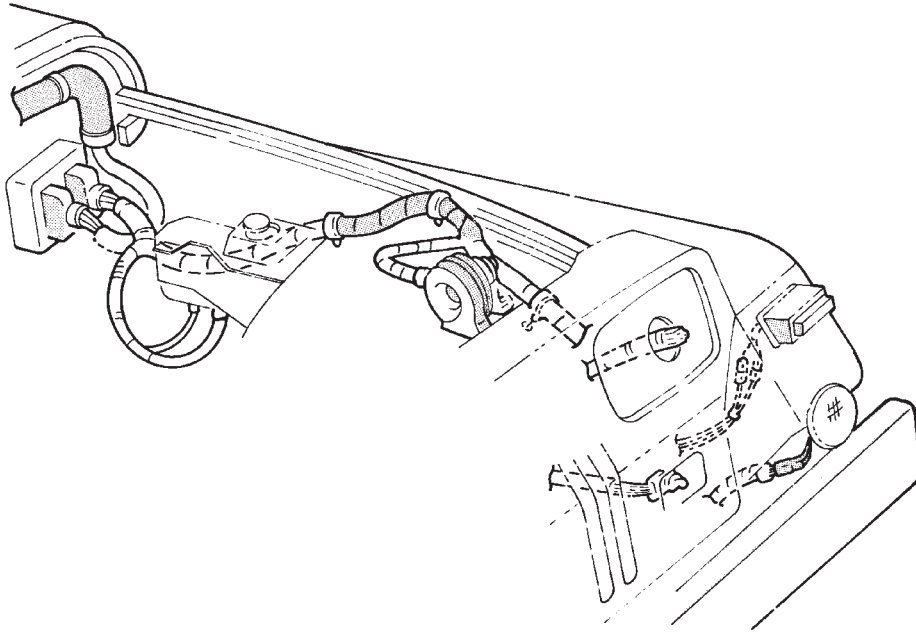


Fig. 5 Front End Splices YJ

J938W-69

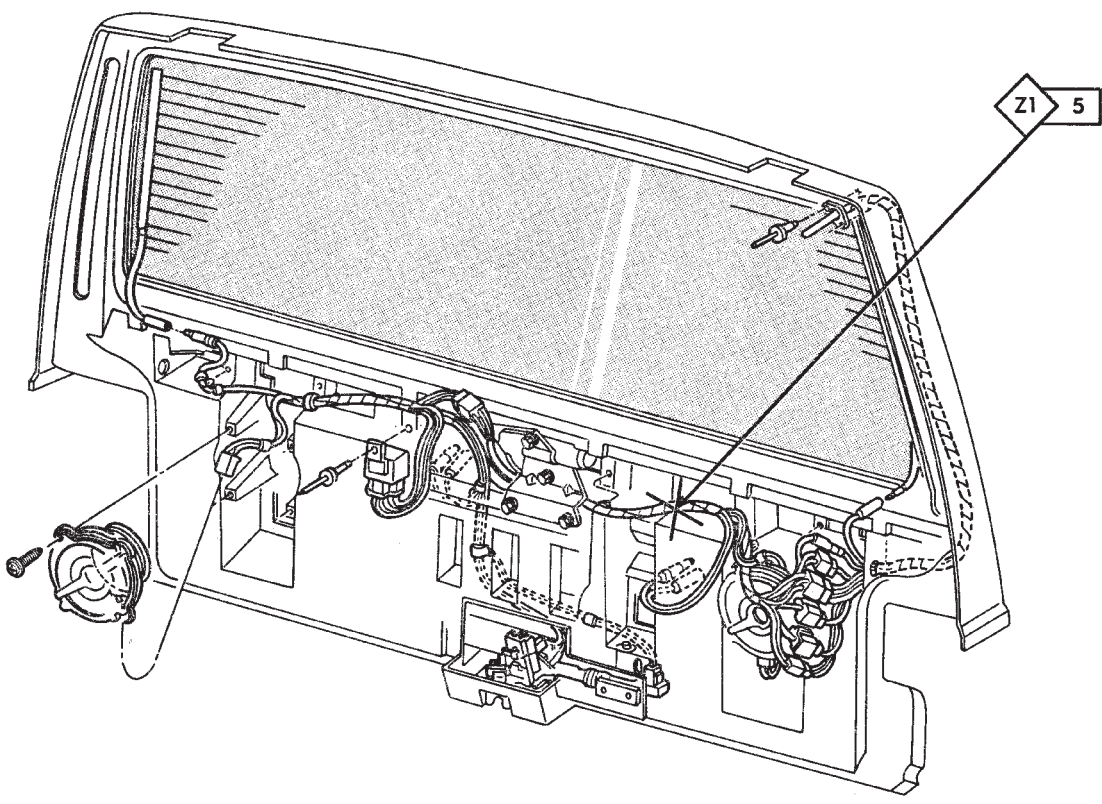


J938W-70

Fig. 6 Front End Splices YJ

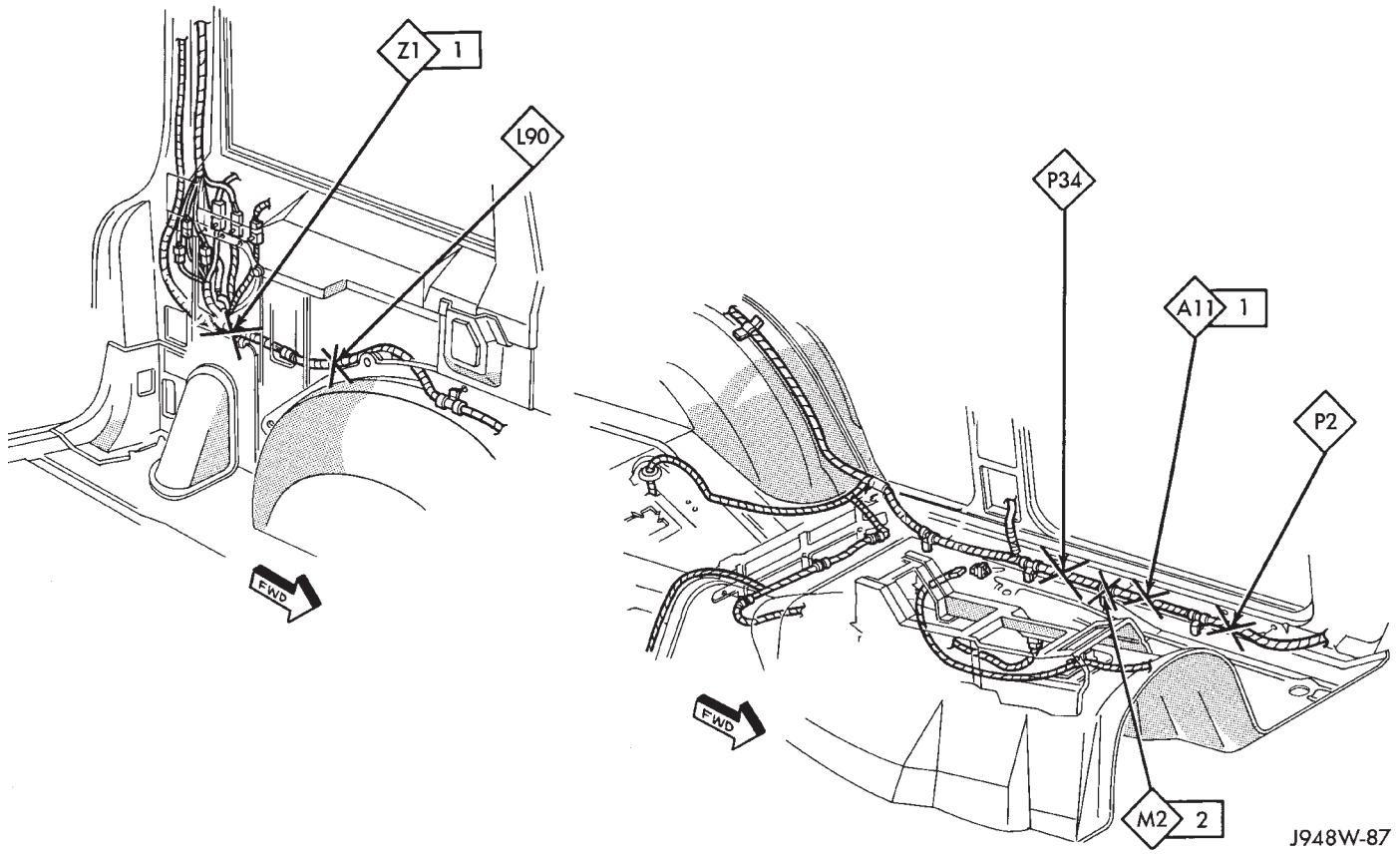
XJ SPLICE LOCATIONS

<u>Caption</u>	<u>Fig.</u>	<u>Caption</u>	<u>Fig.</u>
117	.7	K7 4.0L	.12
205	.9	K22	.8
235	.8	K29	.8
236	.9	L10	.2
A3	.6	L39	.7
A11	.8	L50	.2
A11-1	.2	L60	.2
A11-2	.2	L90	.2
A14	.8	L90-1	.7
A21	.8	M1	.4
A21-1	.6	M1-1	.5
A38	.6	M2	.5
A142 2.5L	.10	M2-1	.6
A142 4.0L	.12	M2-2	.2
A142-1	.8	M2-3	.4
A142-2 2.5L	.10	P2	.2
A142-2 4.0L	.11	P34	.2
C7	.5	P79	.3
C15	.6	Q1	.3
C43	.5	Z1	.4
C90	.6	Z1-1	.2
E2	.5	Z1-2	.5
F12	.8	Z1-3	.6
F34	.5	Z1-4	.9
F85	.5	Z1-5	.1
F87	.4	Z1-10	.7
G7	.8	Z1-11	.8
K4 2.5L	.10	Z1-12	.8
K4 4.0L	.12	Z1-13	.3
K4-1	.8	Z11	.9
K6	.8	Z12	.8
K7 2.5L	.10	Z12-1	.8



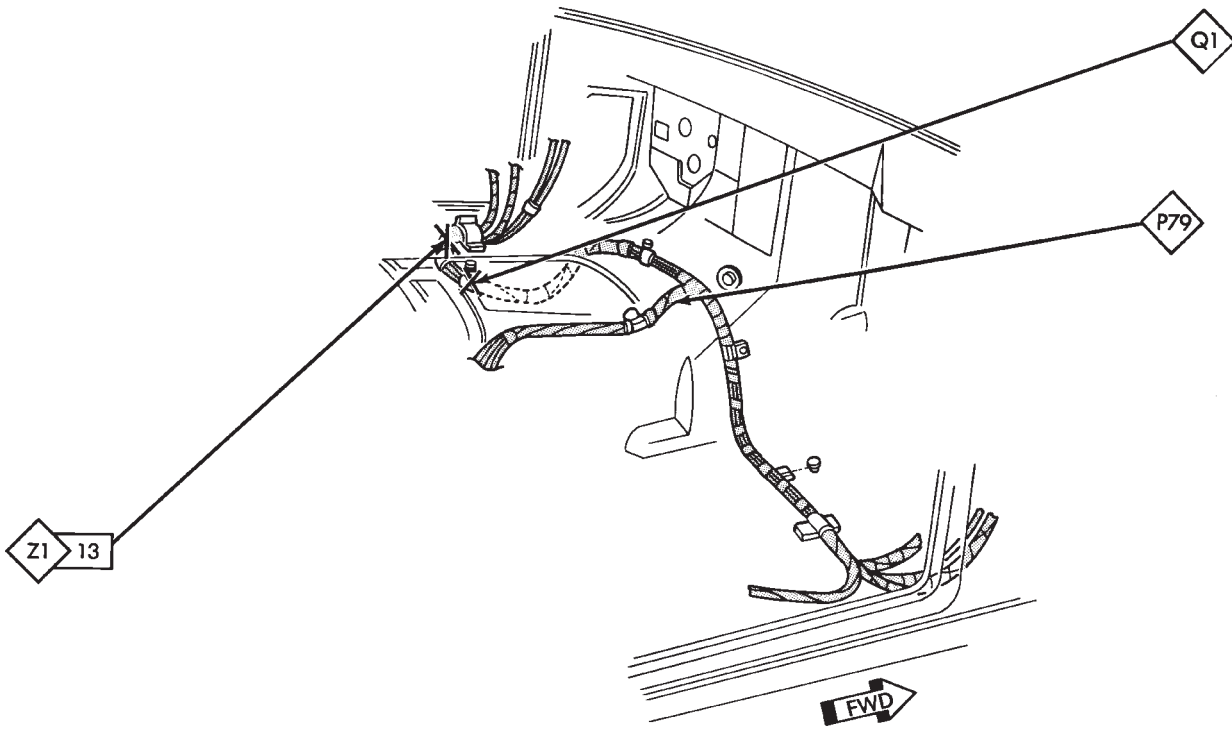
J918W-143

Fig. 1 Liftgate Splices XJ



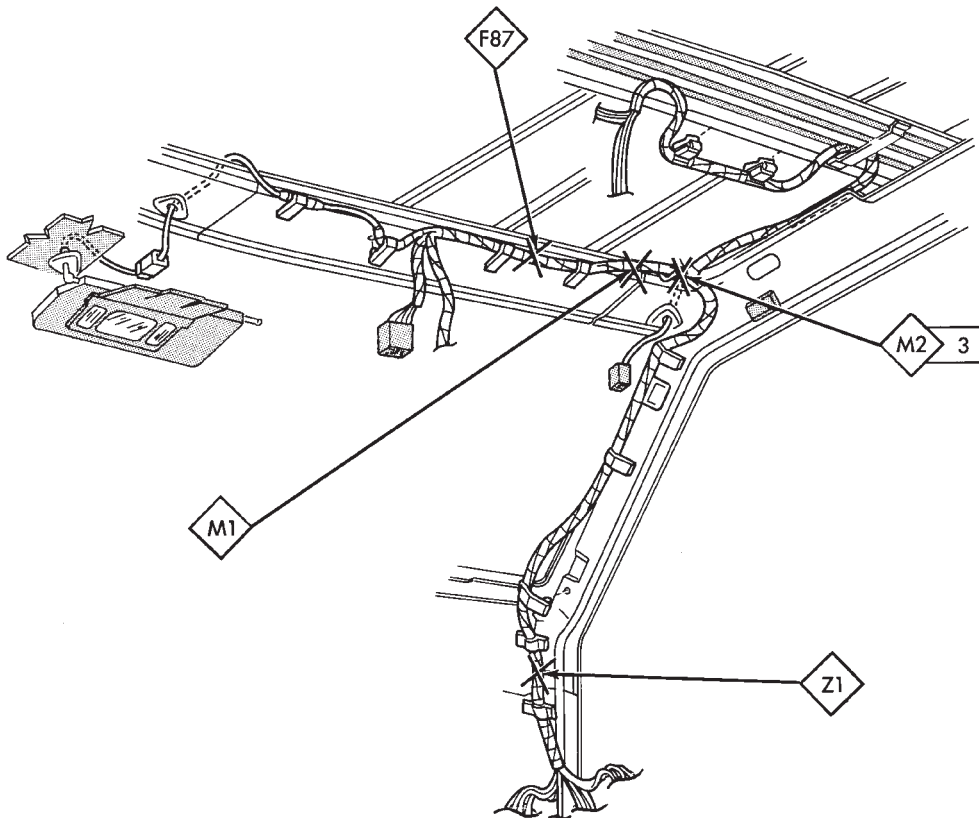
J948W-87

Fig. 2 Body Splices XJ



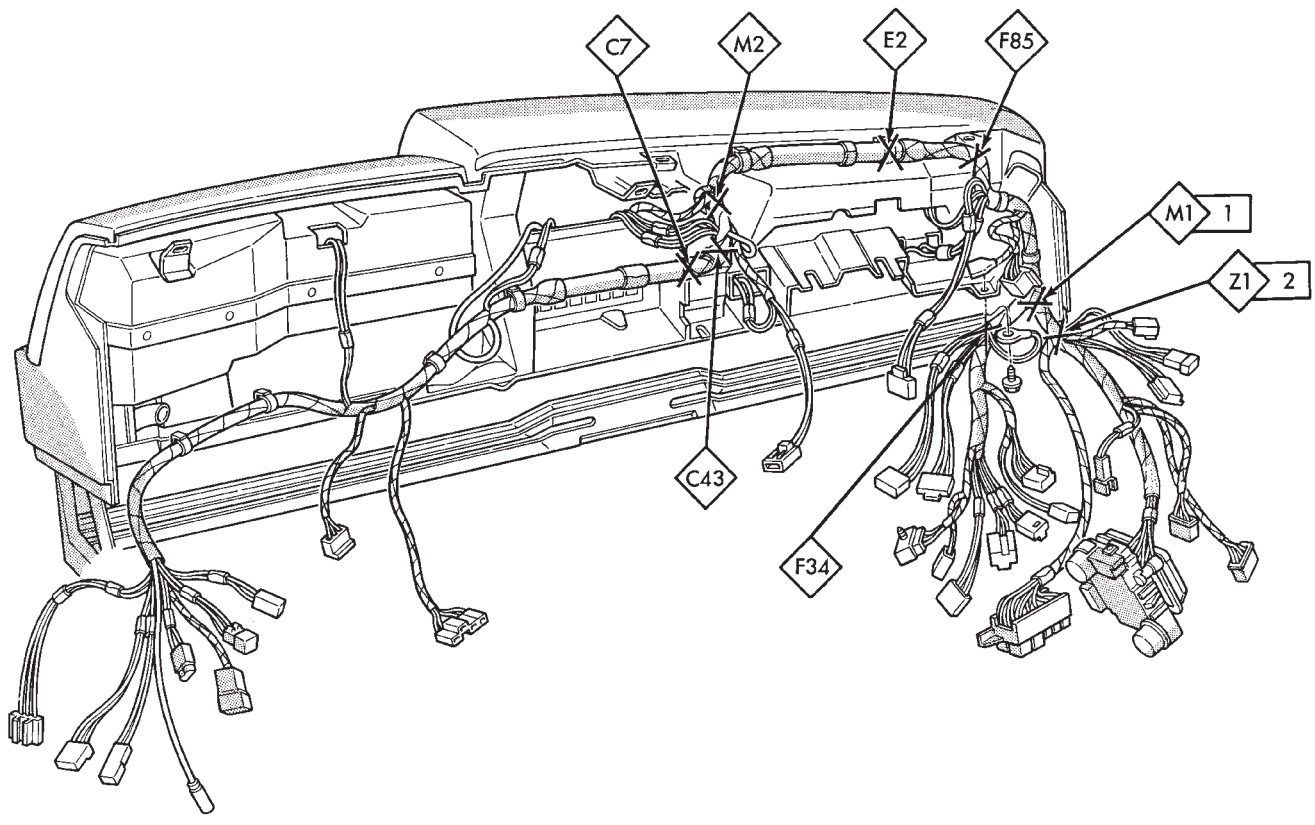
J938W-243

Fig. 3 Cross-body Splices XJ



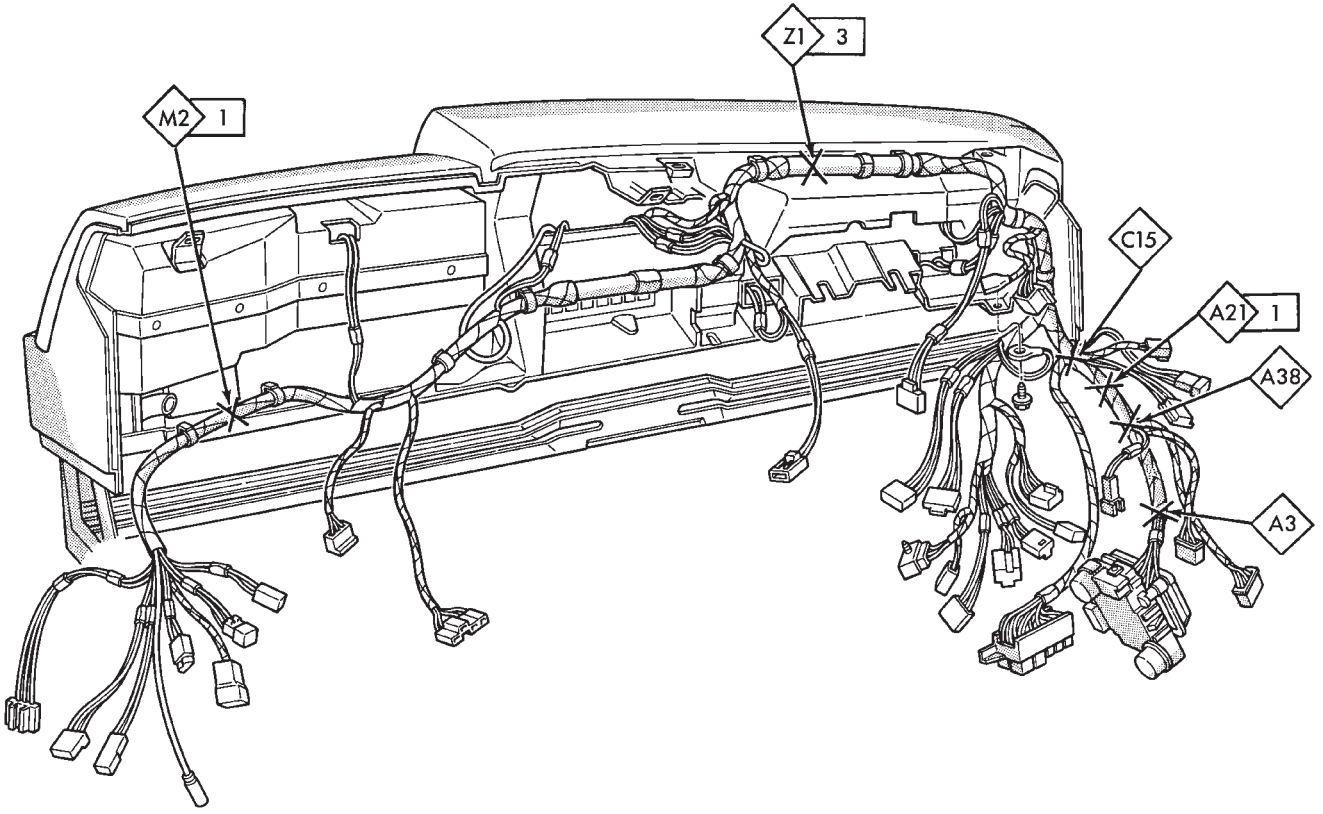
J948W-88

Fig. 4 Roof Splices XJ



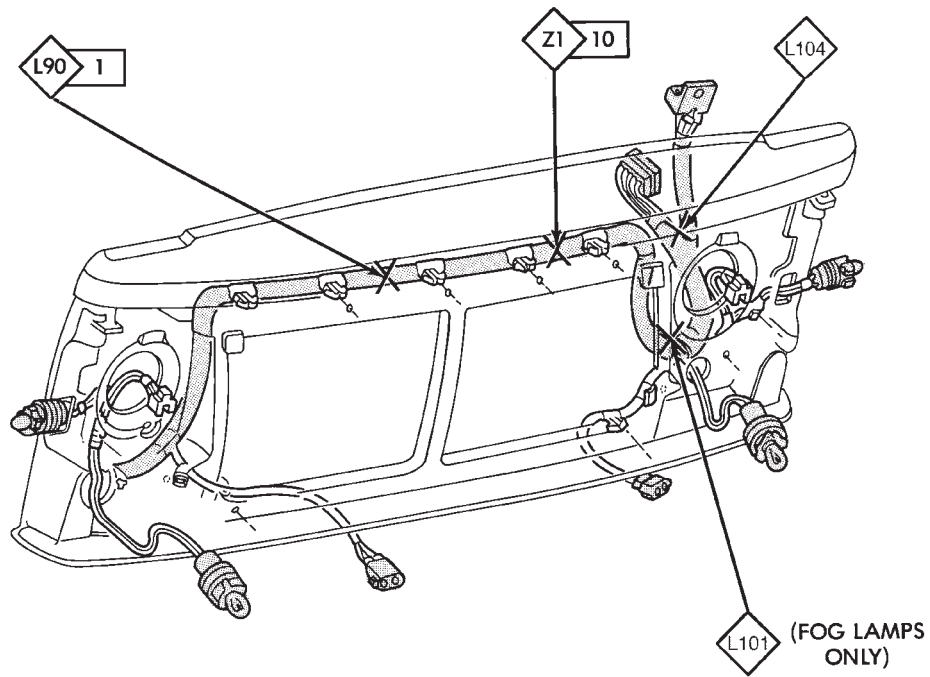
J948W-89

Fig. 5 Instrument Panel Splices XJ



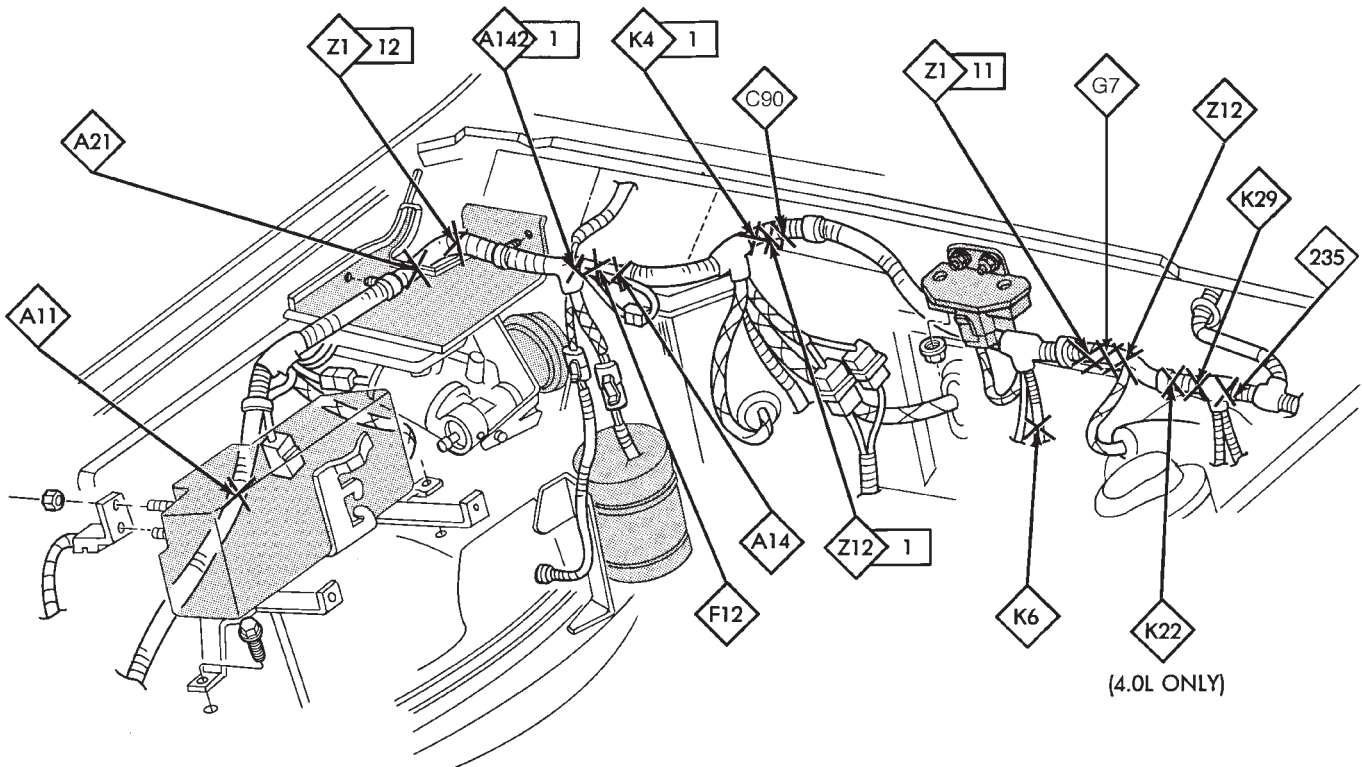
J948W-90

Fig. 6 Instrument Panel Splices XJ



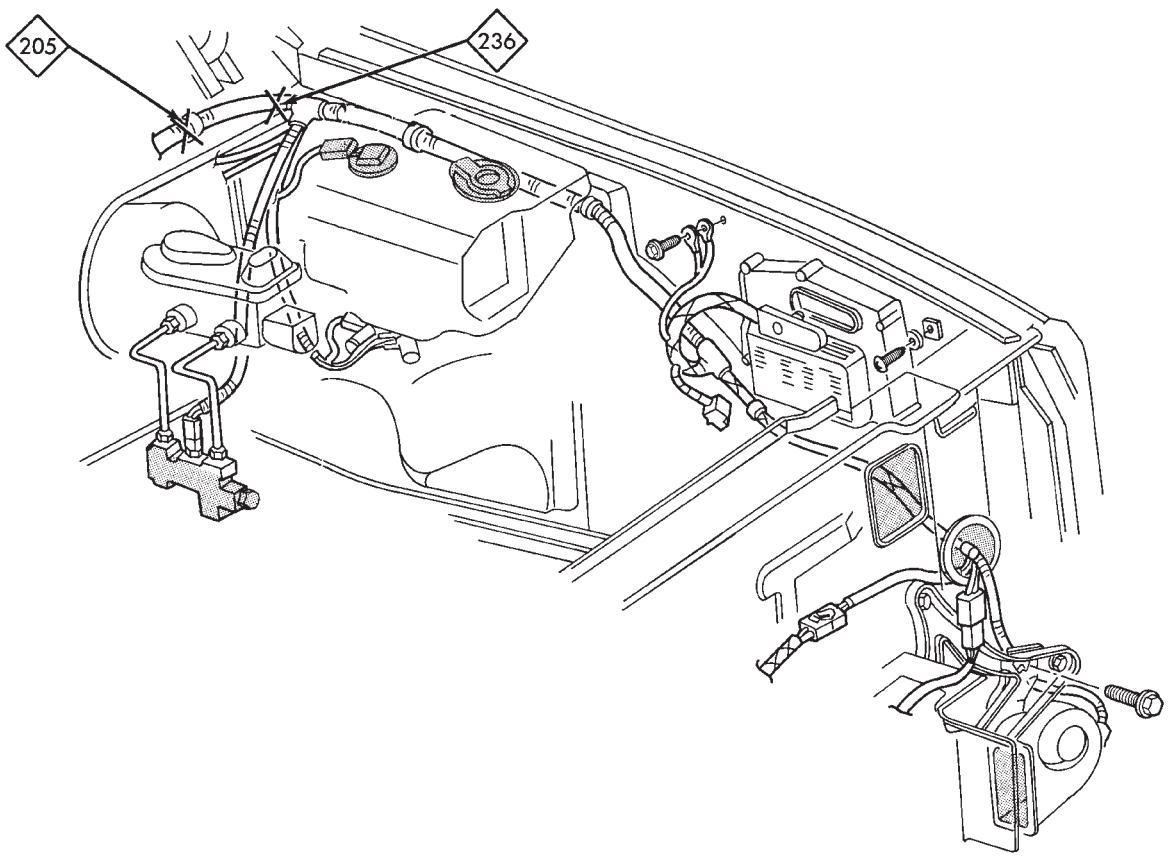
J948W-91

Fig. 7 Front End Splices XJ



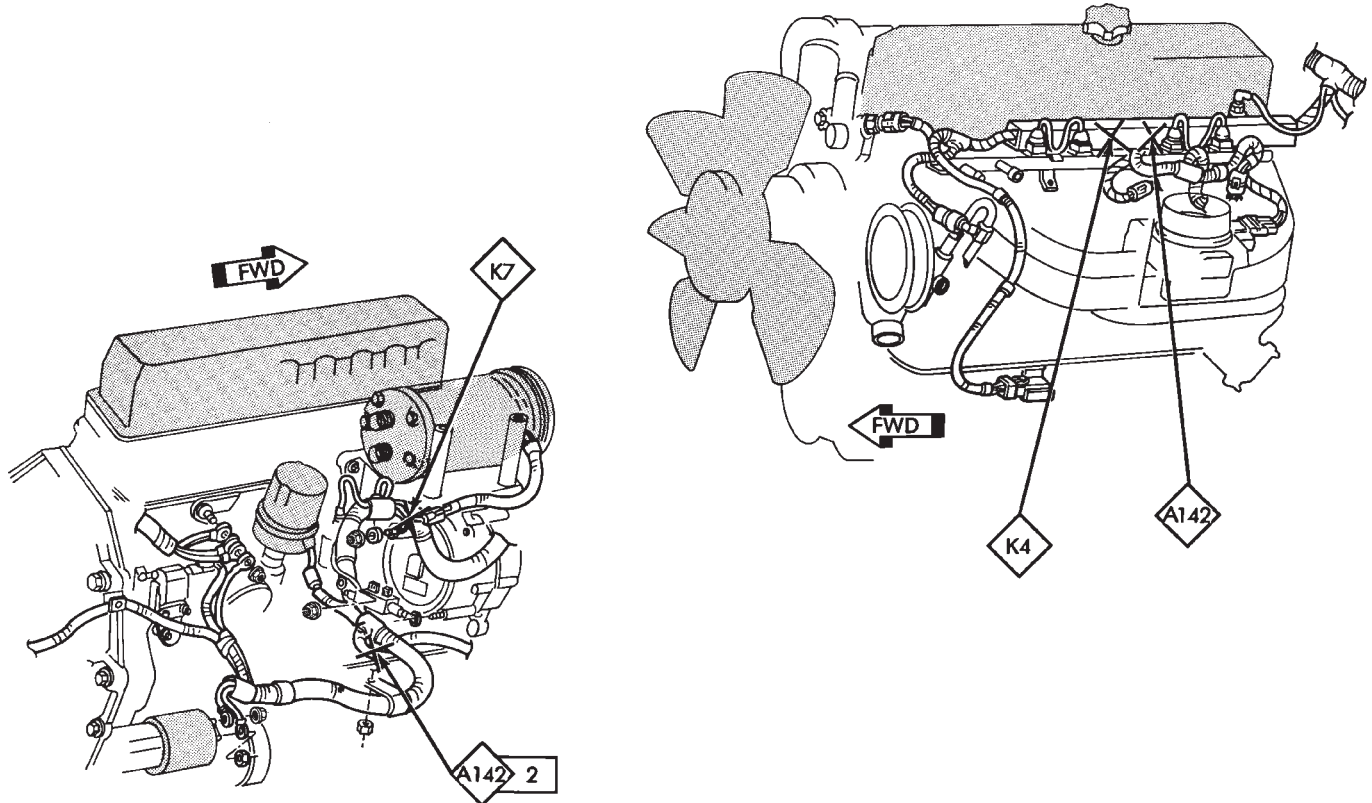
J948W-92

Fig. 8 Engine Compartment Splices XJ



J948W-93

Fig. 9 Engine Compartment Splices XJ



J938W-250

Fig. 10 Engine Splices 2.5L XJ

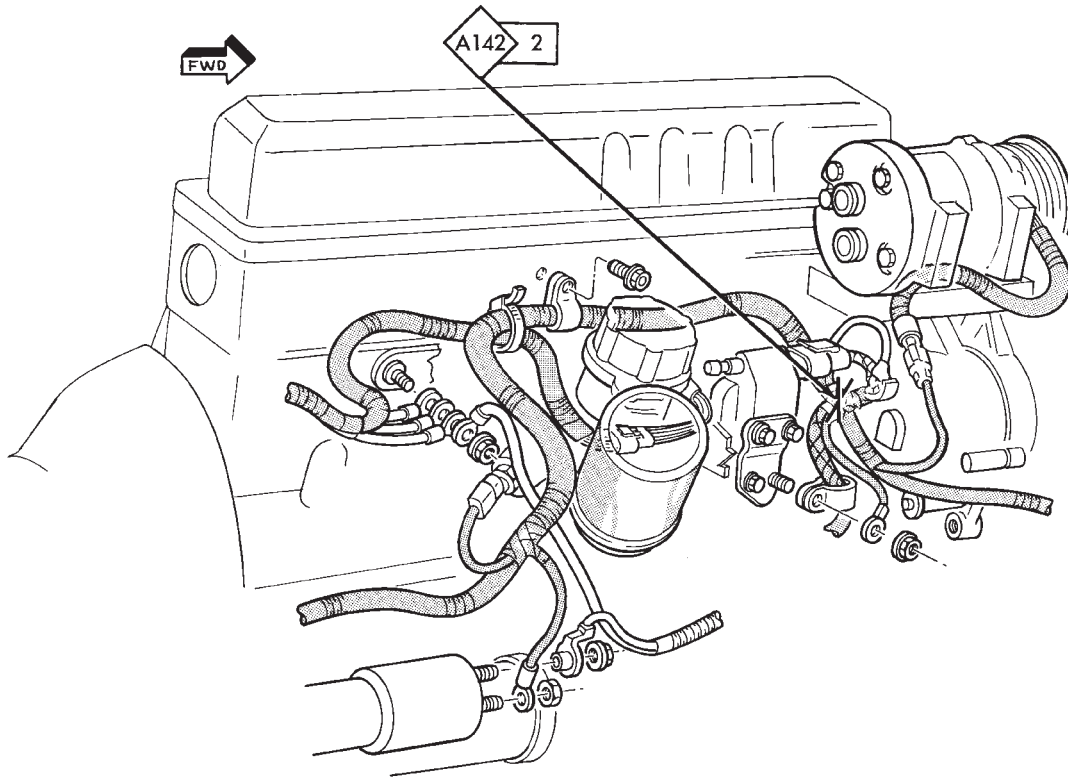


Fig. 11 Engine Splices 4.0L XJ

J938W-251

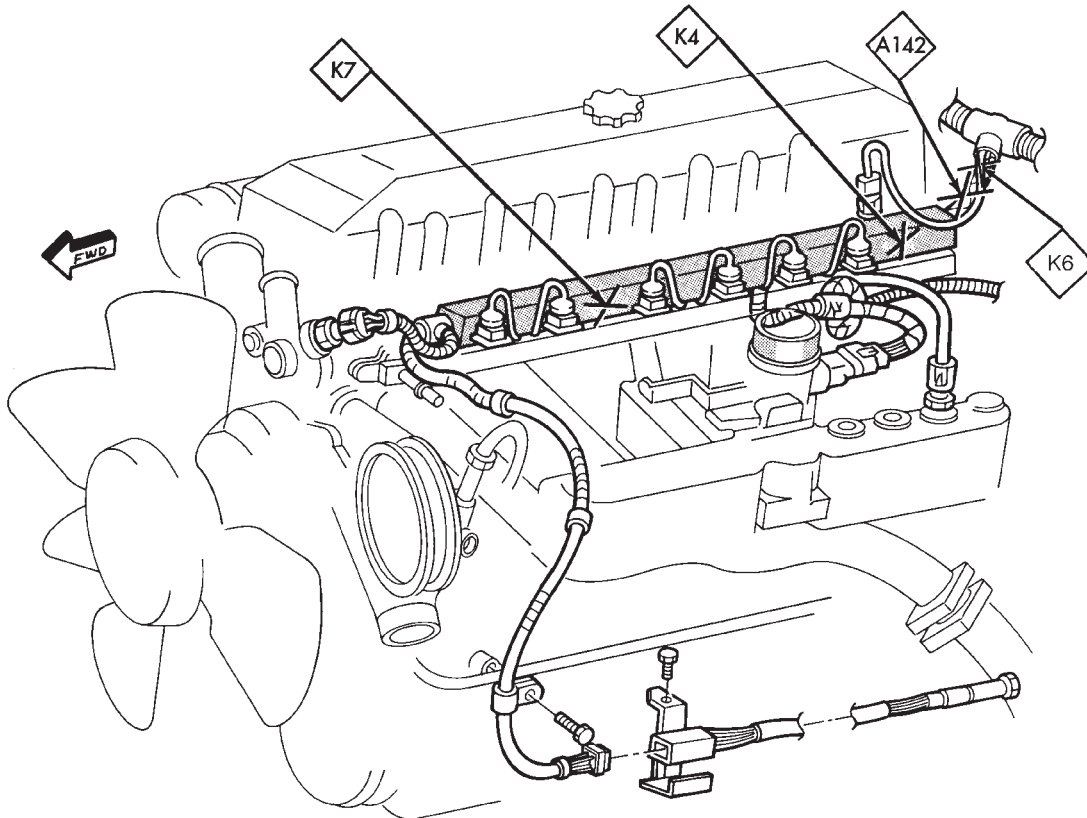


Fig. 12 Engine Splices 4.0L XJ

J938W-252

XJ RHD SPLICE LOCATIONS

<u>Splice Number</u>	<u>Fig.</u>	<u>Splice Number</u>	<u>Fig.</u>
117	.6	K22	.5
A3	.3	K29	.5
A11	.5	L3	.4
A14	.5	L60-1	.1
A21	.5	L90	.1
A21-1	.3	L90-1	.6
A48	.3	M1-1	.3
A142	.8	M2	.3
A142-1	.5	M2-1	.3
A142-2	.7	M2-2	.1
C7	.3	P79	.1
C15	.2	V32	.4
C15-1	.1	Z1-1	.1
C43	.3	Z1-2	.3
C90	.5	Z1-3	.3
E2	.3	Z1-4	.4
F12	.5	Z1-5	.1
F85	.3	Z1-10	.6
G7	.5	Z1-13	.1
K4	.8	Z1-14	.5
K4-1	.5	Z1-15	.1
K6	.5	Z11	.4
K7	.8		

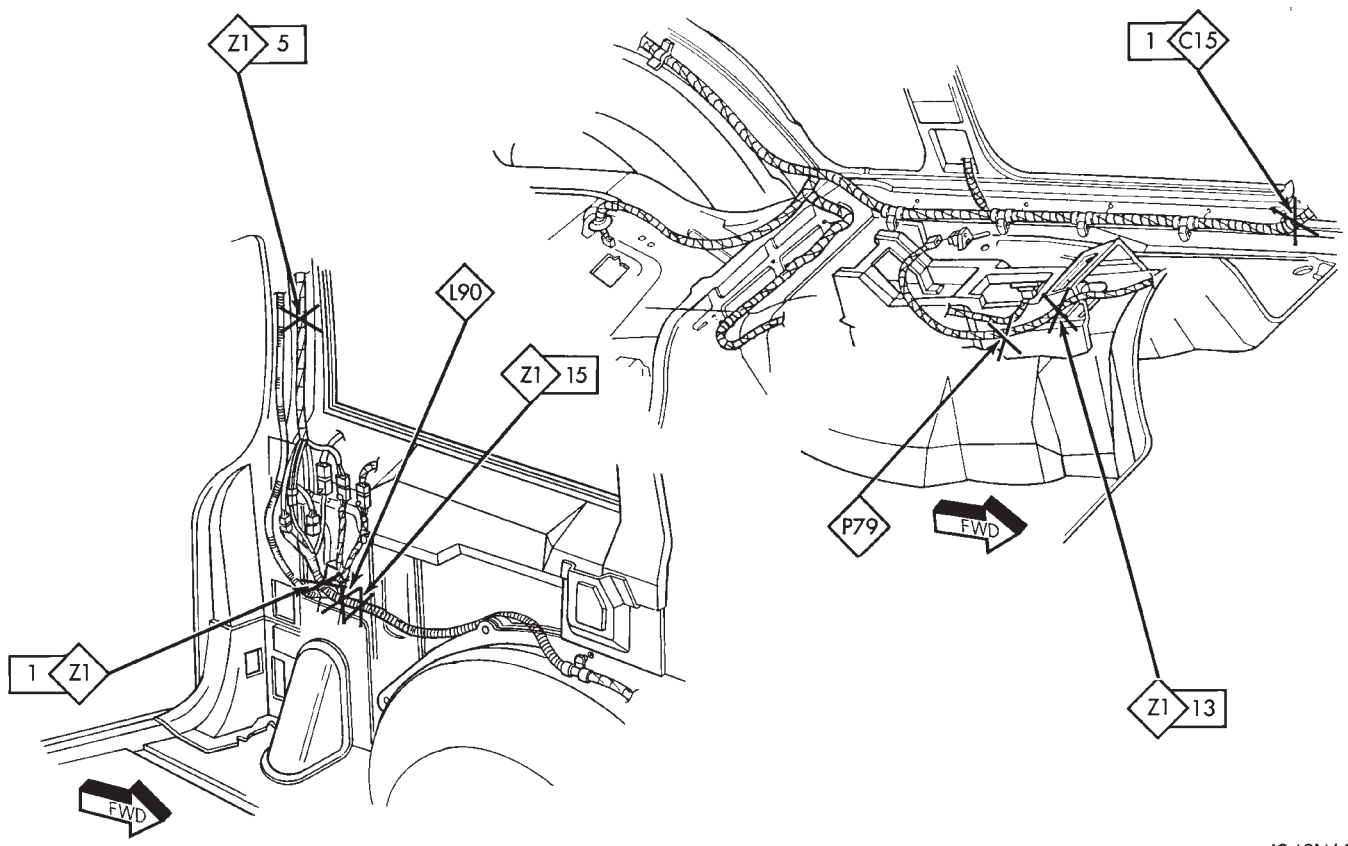


Fig. 1 Rear Body Splices

J948W-94

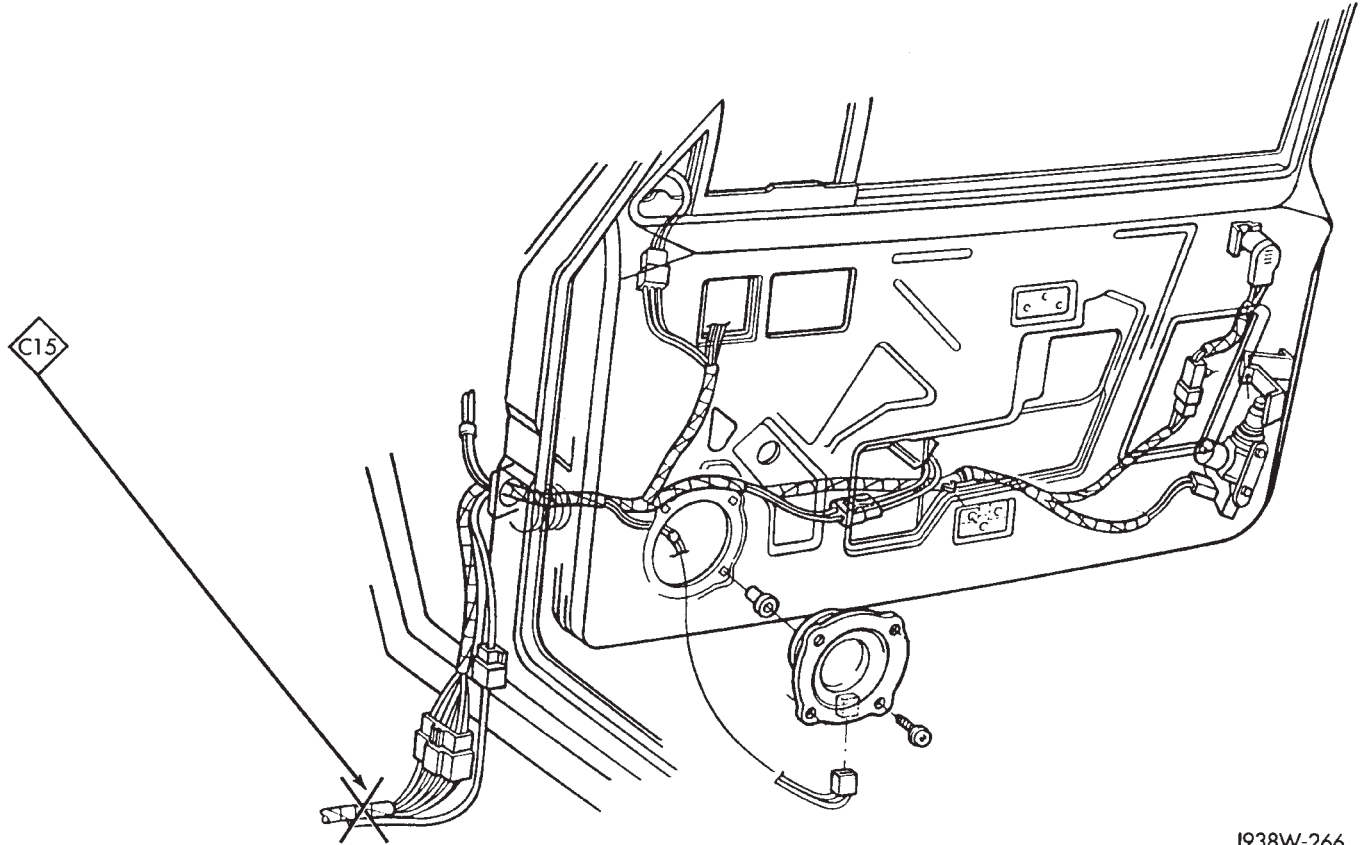
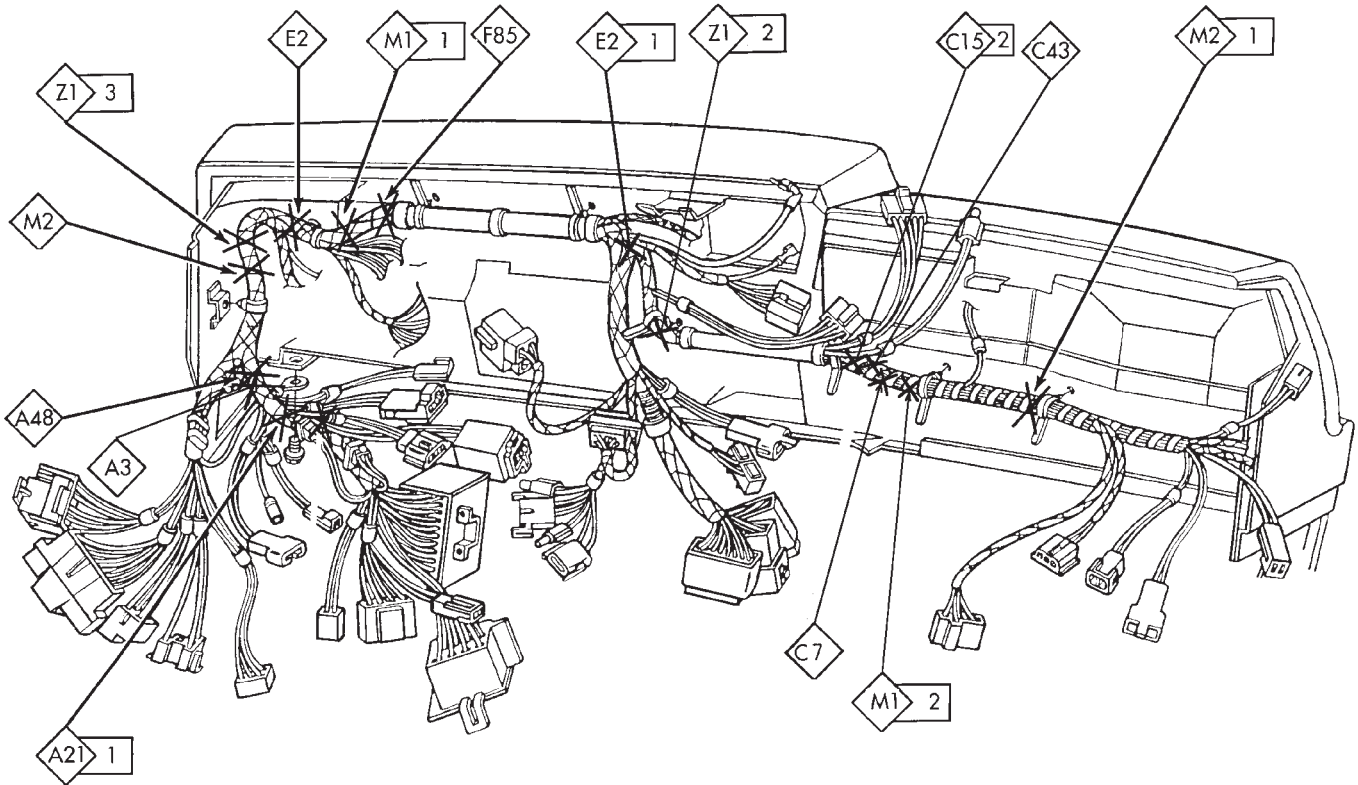


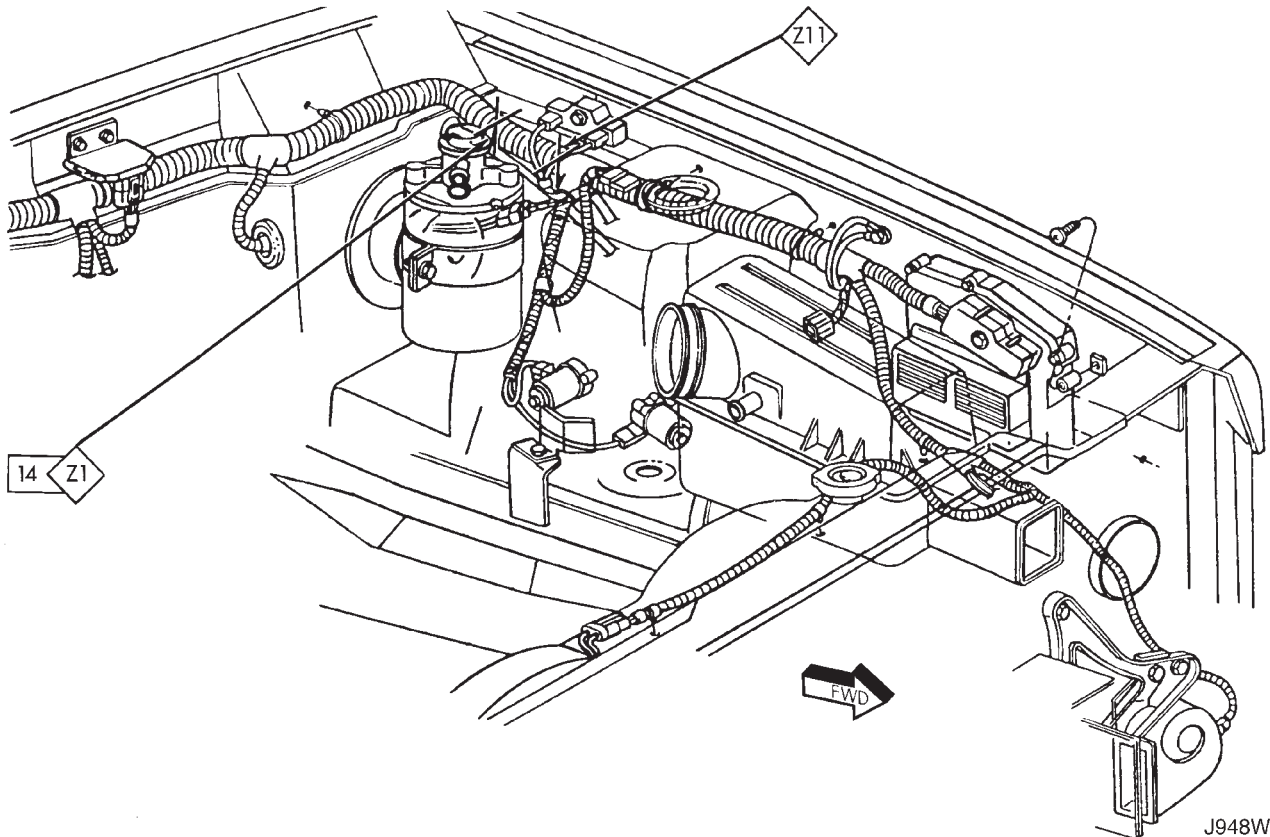
Fig. 2 Cross-body Splices

J938W-266



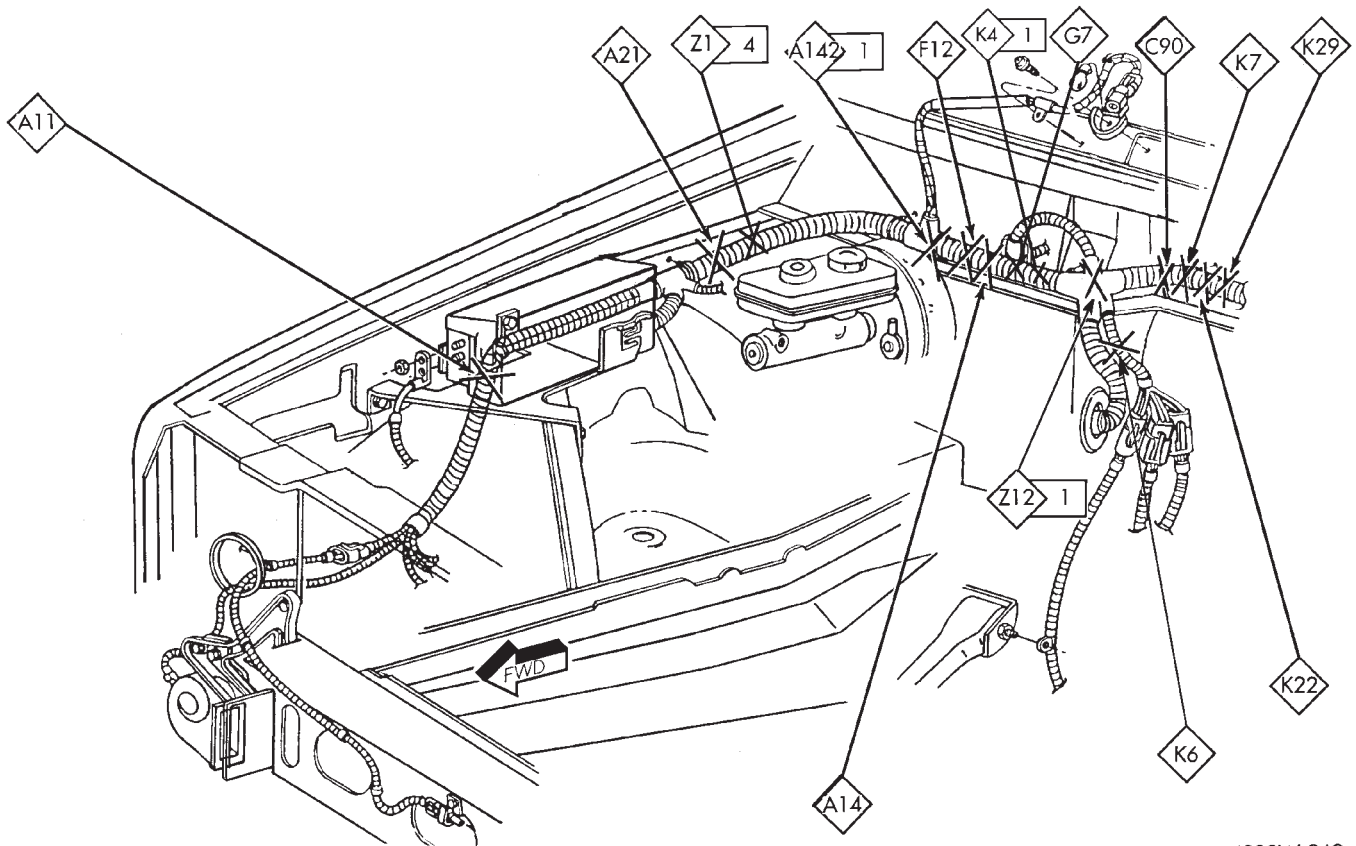
J948W-95

Fig. 3 Instrument Panel Splices



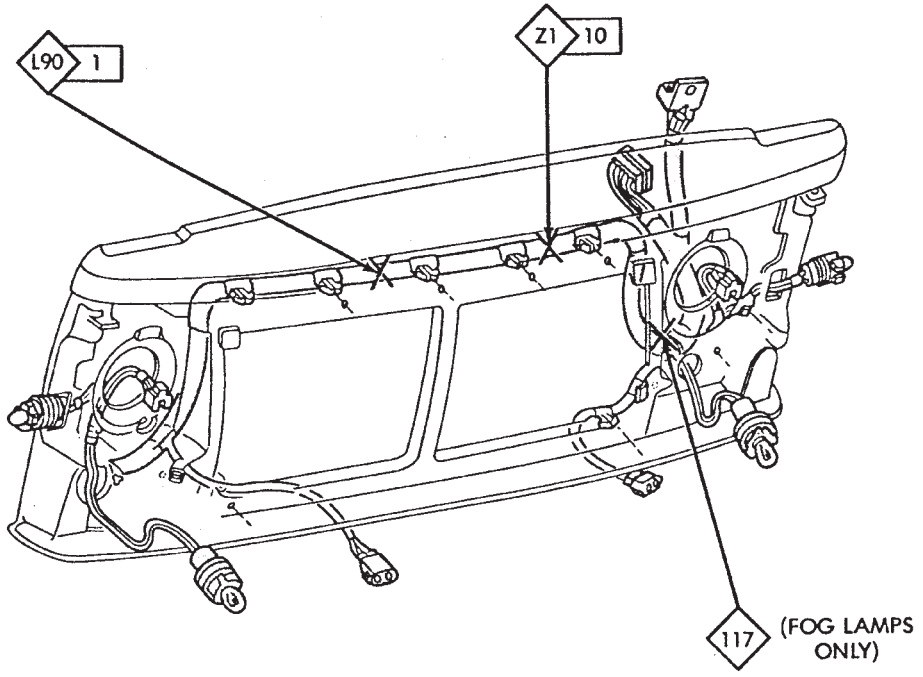
J948W-96

Fig. 4 Engine Compartment Splices



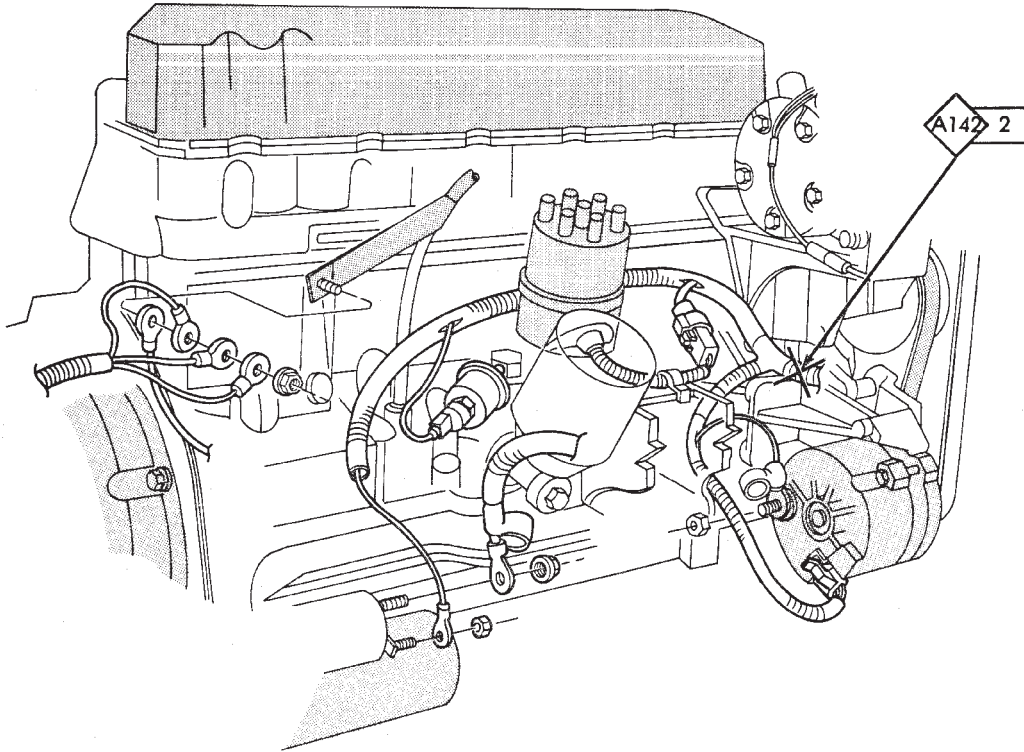
J938W-269

Fig. 5 Engine Compartment Splices



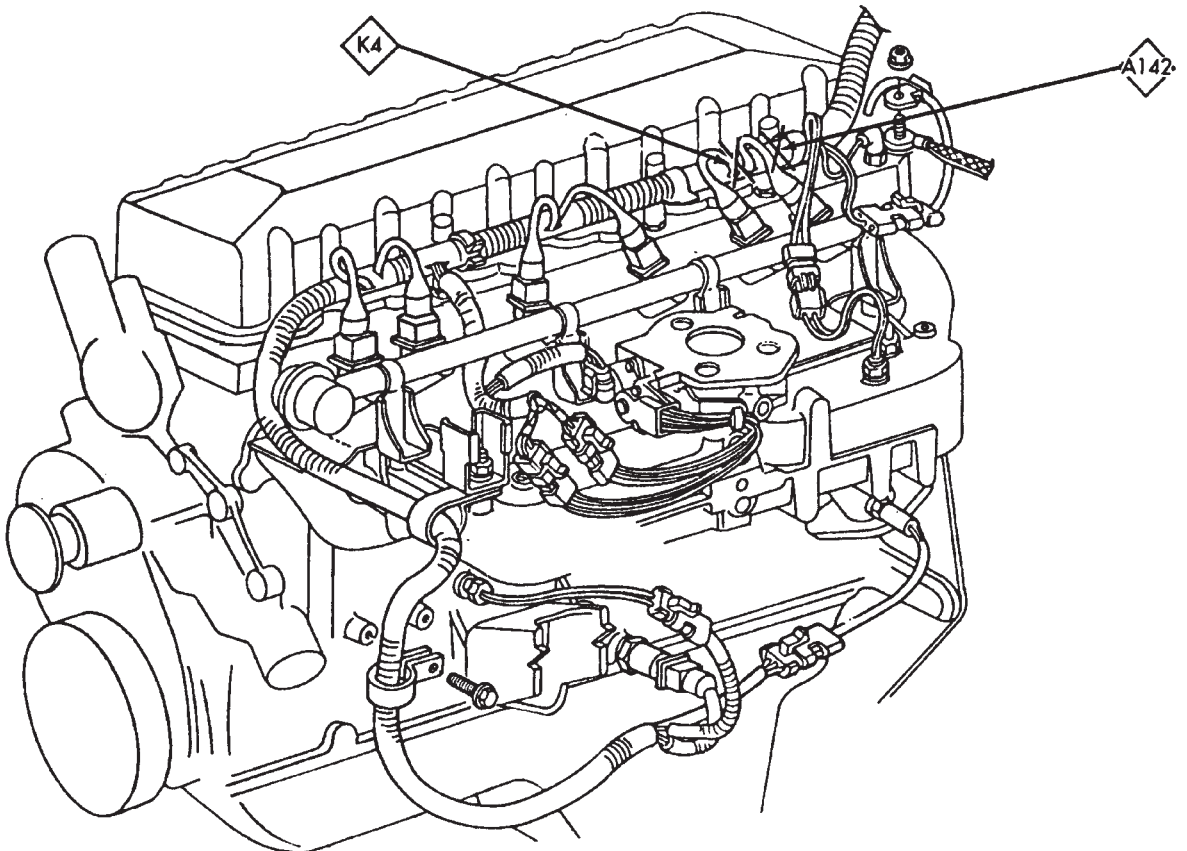
J928W-74

Fig. 6 Front End Splices



J918W-130

Fig. 7 Engine Splices 4.0L



J938W-270

Fig. 8 Engine Splices 4.0L

WIRING DIAGRAMS YJ

ALPHABETICAL INDEX

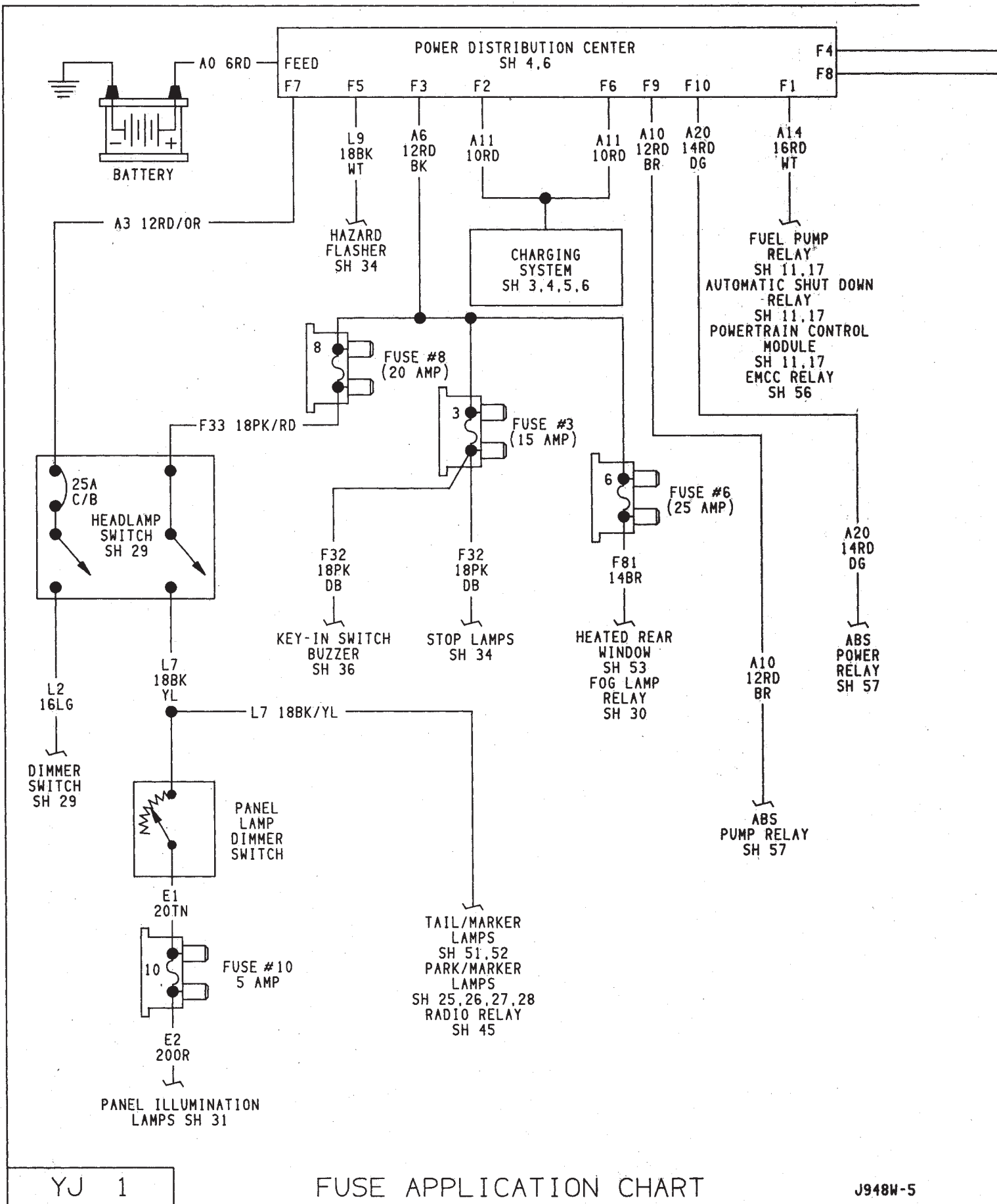
<u>Wiring Diagram Name</u>	<u>Sheet Number</u>	<u>Wiring Diagram Name</u>	<u>Sheet Number</u>
ABS Accelerator Sensor	.59	Charging System 4.0L Engine	.5, 6
ABS Control Module	.57, 58, 59	Battery	.5
ABS Control Module Connector	.60	Generator	.5
ABS Motor Pump Relay	.57	Power Distribution Center	.6
ABS Power Relay	.57	Cigar Lighter	.24
A/C Blower Switch	.50	Circuit Breakers	
A/C Compressor	.49	Headlamp Switch	.1, 29
A/C Low Pressure Switch	.49	#11 (W/Wiper)	.2, 10, 38, 39
A/C Relay	.49	Clock	.45
A/C Thermostat	.50	Cluster Connector	.41
Accessory Illumination	.32	Crankshaft Position Sensor	.12, 18
Air Conditioning System (4.0L)	.49, 50	Data Link Connector	.13, 19, 57
A/C Blower Switch	.50	Daytime Running Lamp Module	.28
A/C Compressor	.49	Dimmer Switch	.1, 29
A/C Low Pressure Switch	.49	Dome and Courtesy Lamps	.35
A/C Relay	.49	Dome Lamp	.35
A/C Thermostat	.50	Left Courtesy Lamp	.35
Field Jumper	.50	Left Front Door Jamb Switch	.35
Powertrain Control Module	.49	Right Courtesy Lamp	.35
Anti-Lock Brake System (TEVES)	.57, 58, 59	Right Front Door Jamb Switch	.35
ABS Accelerator Sensor	.59	Dome Lamp	.35
ABS Control Module	.57, 58, 59	Electrically Tuned Radio with Clock	.45
ABS Motor Pump Relay	.57	Electrical Schematic of Cluster	.42
ABS Power Relay	.57	Electrical Schematic of Gauge Package	.44
Brake Pedal Travel Sensor	.57	Electronic Speedometer	.42
Data Link Connector	.57	Electronic Tachometer	.42
Diode	.58	Engine Coolant Temp Gauge	.44
Hydraulic Actuation Unit	.58	Engine Coolant Temperature Sensor	.15, 21
Left Front Wheel Sensor	.59	Engine Oil Pressure and Temperature System	.23
Left Rear Wheel Sensor	.59	Engine Coolant Temperature Sending Unit	.23
Power Distribution Center	.57	Engine Oil Pressure Sending Unit	.23
Pump Motor	.57	Engine Oil Pressure Gauge	.44
Pump Motor Sensor	.57	Engine Starter System	.2, 7
Right Front Wheel Sensor	.59	Back-Up Lamp Switch	.7
Right Rear Wheel Sensor	.59	Engine Starter Motor	.7
Automatic Shut-Down Relay	.11, 17	Engine Starter Relay	.7
Back-Up Lamps	.51, 52	Park/Neutral Position Switch	.7
Back-Up Lamp Switch	.7	Engine Wiring Connector (16 Way)	.69
Battery	.1, 3, 5	4-WD Command Trac Switch	.8
Blower Motor	.47	Field Jumper	.50
Blower Resistor	.47	Fog Lamp Relays	.30
Blower Switch	.47	Fog Lamp Switch	.30
Body Harness Connector	.36	Front End Lighting	.25, 26
Brake Pedal Travel Sensor	.57	Left Fog Lamp	.25
Brake Warning Switch	.9	Left Headlamp	.25
Bulkhead Connector	.65, 66	Left Park and Turn Signal Lamp	.25
Buzzer Module	.36	Left Side Marker Lamp	.25
Camshaft Position Sensor	.12, 18	Right Fog Lamp	.26
Center High Mounted Stop Lamp	.52	Right Headlamp	.26
Charging System 2.5L Engine	.3, 4	Right Park and Turn Signal Lamp	.26
Battery	.3	Right Side Marker Lamp	.26
Generator	.3	Front End Lighting (Canada)	.27, 28
Power Distribution Center	.4	Daytime Running Lamp Module	.28

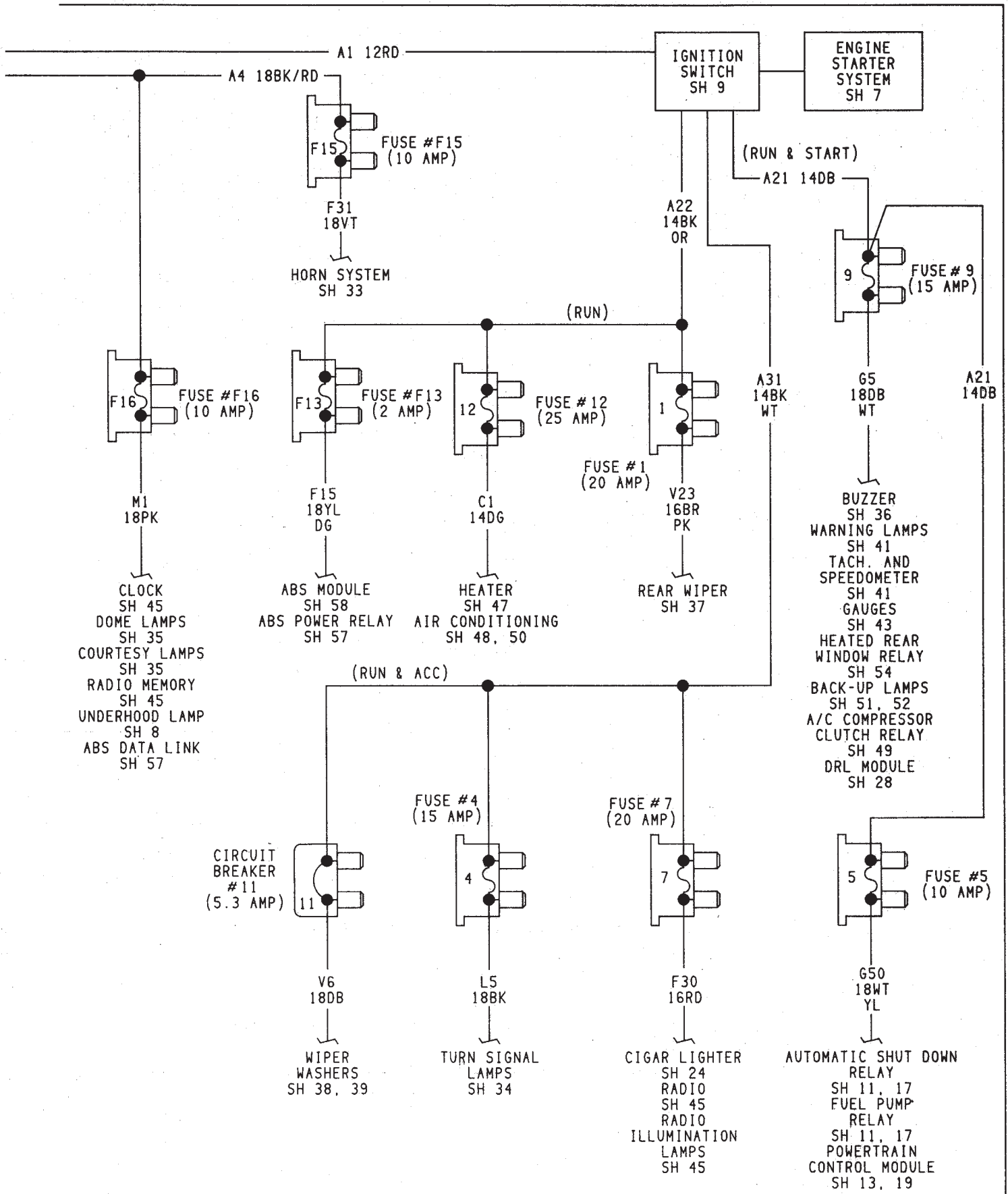
Wiring Diagram Name	Sheet Number	Wiring Diagram Name	Sheet Number
Left Fog Lamp	.27	10	.1, 31
Left Headlamp	.27	11	.2, 10, 38, 39
Left Park and Turn Signal Lamp	.27	12	.2, 10, 47, 48, 50
Left Side Marker Lamp	.27	F13	.2, 58
Right Fog Lamp	.28	F15	.2, 4, 6, 33
Right Headlamp	.28	F16	.2, 4, 6, 8, 35
Right Park and Turn Signal Lamp	.28	Fuse Panel	.61, 62
Right Side Marker Lamp	.28	Gauge Package Connector	.43
Fuel Gauge	.44	Gauges	
Fuel Injection Ignition System		Electronic Speedometer	.42
2.5L Engine	.11, 12, 13, 14, 15, 16	Electronic Tachometer	.42
Automatic Shut Down Relay	.11	Engine Coolant Temperature Gauge	.44
Camshaft Position Sensor	.12	Engine Oil Pressure Gauge	.44
Crankshaft Position Sensor	.12	Fuel Gauge	.44
Data Link Connector	.13	Voltmeter	.44
Engine Coolant Temperature Sensor	.15	Generator	.3, 5
Fuel Injectors	.14	Hazard Signal Flasher	.34
Fuel Pump Relay	.11	Headlamps	.25, 26, 27, 28
Heated Oxygen Sensor	.11	Headlamp Switch	.1, 29, 30
Idle Air Control Motor	.14	Dimmer Switch	.29
Ignition Coil	.13	Headlamp Switch	.29
Intake Air Temperature Sensor	.15	Heated Oxygen Sensor	.11, 17
MAP Sensor	.15	Heated Rear Window Relay	.54
Power Steering Switch	.14	Heated Rear Window Switch	.53
Powertrain Control Module (PCM)	.11, 12, 13, 14, 15, 16	Heated Rear Window System	.53, 54
Throttle Position (Sensor)	.15	Heated Rear Window Grid	.53
Vehicle Speed Sensor	.12	Heated Rear Window Relay	.54
Fuel Injection Ignition System		Heated Rear Window Switch	.53
4.0L Engine	.17, 18, 19, 20, 21, 22	Timer	.54
Automatic Shut Down Relay	.17	Heater Control Panel Illumination	.32
Camshaft Position Sensor	.18	Heater System	.47
Crankshaft Position Sensor	.18	Blower Motor	.47
Data Link Connector	.19	Blower Resistor	.47
Engine Coolant Temperature Sensor	.21	Blower Switch	.47
Fuel Injectors	.20	Heater/Off Switch	.47
Fuel Pump Relay	.17	Horn	.33
Heated Oxygen Sensor	.17	Horn Brush/Slip Ring	.33
Idle Air Control Motor	.20	Horn Relay	.33
Ignition Coil	.19	Horn Switch	.33
Intake Air Temperature Sensor	.21	Hydraulic Actuation Unit	.58
MAP Sensor	.21	Idle Air Control Motor	.14, 20
Powertrain Control Module (PCM)	.17, 18, 19, 20, 21, 22	Ignition Coil	.13, 19
Throttle Position (Sensor)	.21	Ignition Key Warning Switch	.36
Vehicle Speed Sensor	.18	Ignition Switch	.2, 9, 10
Fuel Injectors	.14, 20	Instrument Panel Illumination Lamps	.32
Fuel Pump Relay	.11, 17	Intake Air Temperature Sensor	.15, 21
Fuel Tank System	.55	Intermittent Wiper Module	.40
Fuel Tank Sending Unit	.55	Intermittent Wiper System	.39, 40
Fuse Application Chart	.1, 2	Intermittent Wiper Module	.40
Fuses		Park Switch	.39
1	.2, 10, 37	Washer Pump	.39
3	.1, 30, 34, 36	Wiper Motor	.39
4	.2, 10, 34	Wiper/Washer Switch	.40
5	.2, 10, 13, 19	W/Wiper Circuit Breaker (5.3 Amp)	.39
6	.1, 30, 53	Lamps	
7	.2, 10, 24, 46	Center High Mounted Stop Lamps	.52
8	.1, 29	Dome Lamp	.35
9	.2, 10, 36	Instrument Panel Illumination Lamp	.32

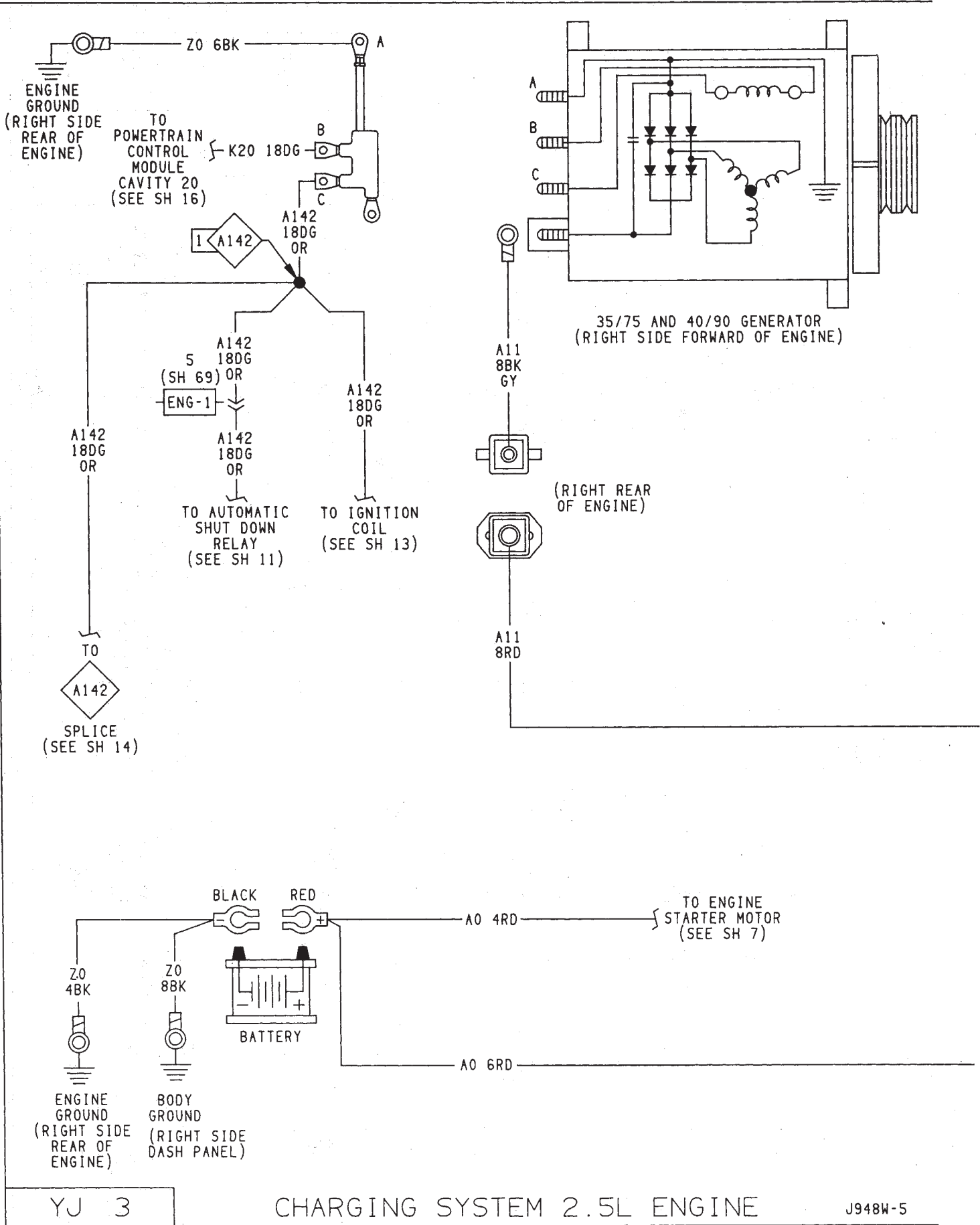
Wiring Diagram Name	Sheet Number
Left Back-Up Lamp	.51
Left Courtesy Lamp	.35
Left Fog Lamp	.25, 27
Left Headlamp	.25, 27
Left Park and Turn Signal Lamp	.25, 27
Left Side Marker Lamp	.25, 27
Left Tail, Stop and Turn Signal Lamp	.51
Right Back-Up Lamp	.52
Right Courtesy Lamp	.35
Right Fog Lamp	.26, 28
Right Headlamp	.26, 28
Right Park and Turn Signal Lamp	.26, 28
Right Side Marker Lamp	.26, 28
Right Tail, Stop and Turn Signal Lamp	.52
Underhood Lamp	.8
Left Back-Up Lamps	.51
Left Courtesy Lamp	.35
Left Fog Lamp	.25, 27
Left Front Door Jamb Switch	.35
Left Front Speaker	.46
Left Halo Speaker	.46
Left Headlamp	.25, 27
Left Park and Turn Signal Lamp	.25, 27
Left Side Marker Lamp	.25, 27
Left Tail, Stop and Turn Signal Lamp	.51
MAP Sensor	.15, 21
Mercury Switch	.8
Modules	
ABS Control Module	.57, 58, 59
Buzzer Module	.36
Daytime Running Lamp Module	.28
Intermittent Wiper Module	.40
Motors	
Blower Motor	.47
Engine Starter Motor	.7
Idle Air Control Motor	.14, 20
Rear Wiper Motor	.37
Wiper Motor	.38, 39
Oil Pressure and Temp System	.23
Panel Lamp Dimmer Switch	.1
Panel Lamps	.31, 32
Accessory Illumination	.32
Heater Control Panel Illumination	.32
Panel Lamp Dimmer Switch	.31
Transmission Range Illumination	.32
Park Brake Switch	.9
Park/Neutral Position Switch	.7
Part Throttle EMCC 3-Speed Automatic Transmission	.56
Part Throttle EMCC Relay	.56
Part Throttle EMCC Solenoid	.56
Power Distribution Center	.1, 4, 6, 57
Power Distribution Center Identification Cover	.67
Power Distribution Center Relays	.68
Power Steering Switch	.14
Powertrain Control Module	.11-22, 48, 49, 56
Powertrain Control Module Connector (2.5L Engine)	.63
Powertrain Control Module Connector (4.0L Engine)	.64
Provisions for A/C (2.5L)	.48

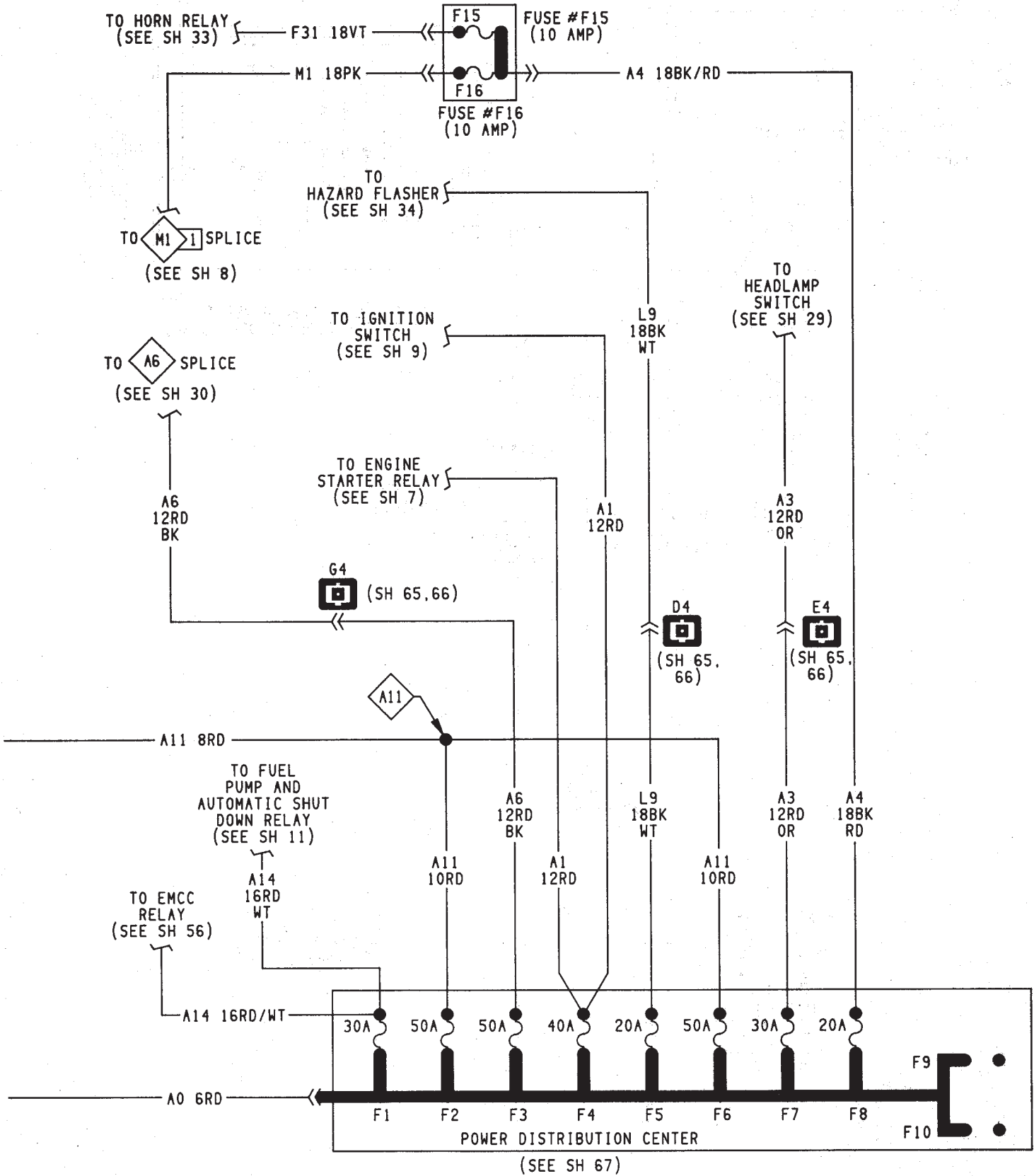
Wiring Diagram Name	Sheet Number
Radio Illumination Relay	.45
Radio System	.45, 46
Electrically Tuned Radio with Clock	.45
Left Front Speaker	.46
Left Halo Speaker	.46
Radio Illumination Relay	.45
Right Front Speaker	.46
Right Halo Speaker	.46
Rear Lighting	.51, 52
Center High Mounted Stop Lamp	.52
Left Back-Up Lamp	.51
Left Tail, Stop & Turn Signal Lamp & License Lamp	.51
Right Back-Up Lamp	.52
Right Tail, Stop & Turn Signal Lamp	.52
Rear Wiper/Washer System	.37
Rear Wiper Motor	.37
Rear Wiper Switch	.37
Washer Pump	.37
Relays	
A/C	.49
ABS Motor Pump Relay	.57
ABS Power Relay	.57
Automatic Shut Down Relay	.11, 17
EMCC	.56
Engine Starter Relay	.7
Fog Lamp Relays	.30
Fuel Pump Relay	.11, 17
Heated Rear Window Relay	.54
Horn Relay	.33
Radio Illumination Relay	.45
Right Back-Up Lamp	.52
Right Courtesy Lamp	.35
Right Fog Lamp	.26, 28
Right Front Door Jamb Switch	.35
Right Front Speaker	.46
Right Halo Speaker	.46
Right Headlamp	.26, 28
Right Park and Turn Signal	.26, 28
Right Side Marker Lamp	.26, 28
Right Tail, Stop and Turn Signal Lamp	.52
Seat Belt/Ignition Key Warning Buzzer	.36
Seat Belt Switch	.36
Sensors	
ABS Accelerator Sensor	.59
Brake Pedal Travel Sensor	.57
Camshaft Position Sensor	.12, 18
Crankshaft Position Sensor	.12, 18
Engine Coolant Temperature Sensor	.15, 21
Heated Oxygen Sensor	.11, 17
Intake Air Temperature Sensor	.15, 21
MAP Sensor	.15, 21
Pump Motor Sensor	.57
Throttle Position (Sensor)	.15, 21
Vehicle Speed Sensor	.12, 18
Wheel Sensors	.59
Speakers	.46
Speedometer	.42

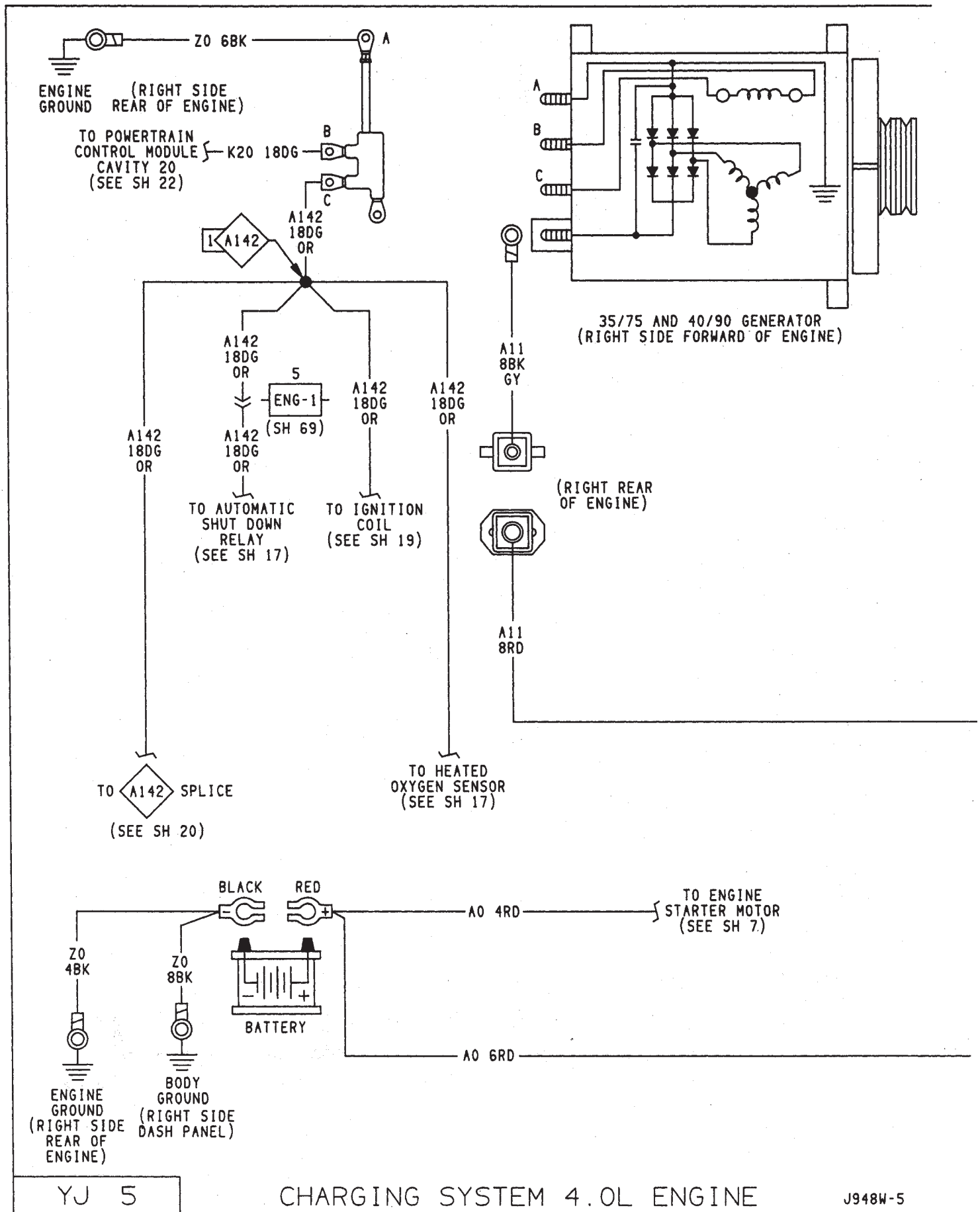
Wiring Diagram Name	Sheet Number	Wiring Diagram Name	Sheet Number
Splices			
Splice A6	.30	Turn/Hazard Switch Assembly	.34
Splice A11	.4, 6	Turn Signal Flasher	.34
Splice A142	.14, 20	Switches	
Splice A142-1	.3, 5	A/C Blower Switch	.50
Splice B15	.58	A/C Low Pressure Switch	.49
Splice E2	.31, 45	Back-Up Lamp Switch	.7
Splice F15	.58	Blower Switch	.47
Splice F30	.24, 45	Brake Warning Switch	.9
Splice G5	.10	Dimmer Switch	.1, 29
Splice G7	.12, 18	Door Jamb Switch	.35
Splice G19	.58	4-WD Drive Switch	.8
Splice G50	.13, 19	Fog Lamp Switch	.30
Splice K4	.15, 21	Headlamp Switch	.1, 29
Splice K4-1	.12, 18	Heated Rear Window Switch	.53
Splice K6	.15, 21	Heater/Off Switch	.47
Splice K7	.12, 18	Horn Switch	.33
Splice K7-1	.12	Ignition Key Warning Switch	.36
Splice L1	.51	Ignition Switch	.2, 9
Splice L3	.28	Mercury Switch	.8
Splice L4	.28	Panel/Lamp Dimmer Switch	.1, 31
Splice L7	.29	Park Brake Switch	.9
Splice L7-1	.26, 28	Park/Neutral Position Switch	.7
Splice L7-2	.51	Power Steering Switch	.14
Splice L39	.26, 28	Rear Wiper Switch	.37
Splice L39-1	.30	Seat Belt Switch	.36
Splice M1	.35	Stop Lamp Switch	.34
Splice M1-1	.8, 35	Washer Switch	.38, 40
Splice M2	.35	Wiper/Washer Switch	.38, 40
Splice Z1	.32	Tachometer	.42
Splice Z1-2	.31	Throttle Position (Sensor)	.15, 21
Splice Z1-3	.32	Timer	.54
Splice Z1-4	.54	Transmission Range Illumination	.32
Splice Z1-5	.51, 54	Turn/Hazard Switch Assembly	.34
Splice Z1-6	.36, 51, 54	Turn Signal Flasher	.34
Splice Z1-7	.11, 17	Underhood Light	.8
Splice Z1-8	.8	Vehicle Speed Sensor	.12, 18
Splice Z1-9	.26, 28	Voltmeter	.44
Splice Z1-10	.25, 27, 37	Washer Pump	.37, 38, 39
Splice Z2	.55	Washer Switch	.38, 40
Splice Z12	.57	Wheel Sensors	.59
Starter Relay	.7	Windshield Wiper System	.38
Starter System, Engine	.7	Washer Pump	.38
Steering Column Connector	.70	Washer Switch	.38
Stop Lamp Switch	.34	Wiper Motor	.38
Stop/Turn and Hazard Flasher Systems	.34	Wiper/Washer Switch	.38
Hazard Signal Flasher	.34	W/Wiper Circuit Breaker	.38
Stop Lamp Switch	.34	Wiper Switch	.38

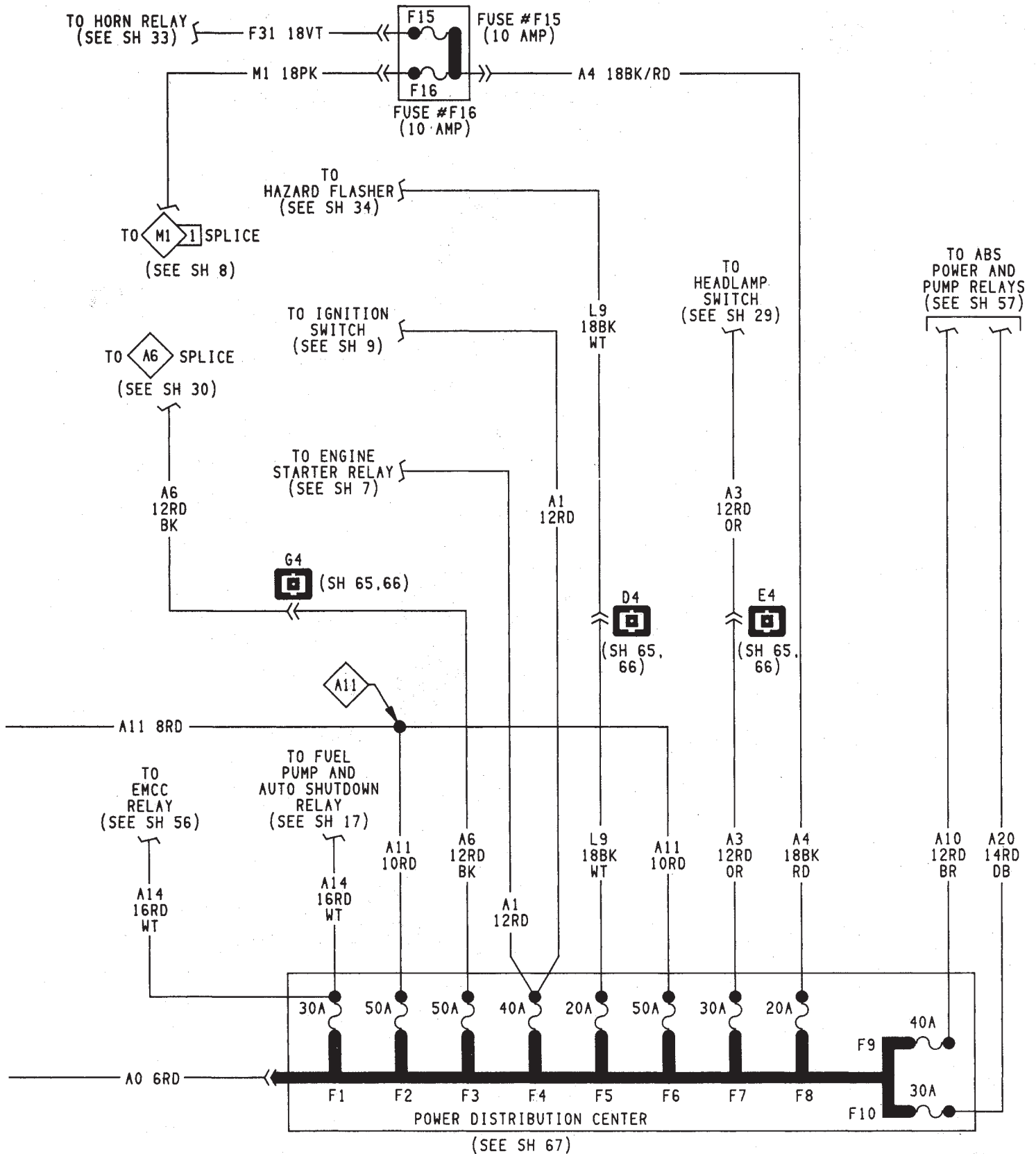


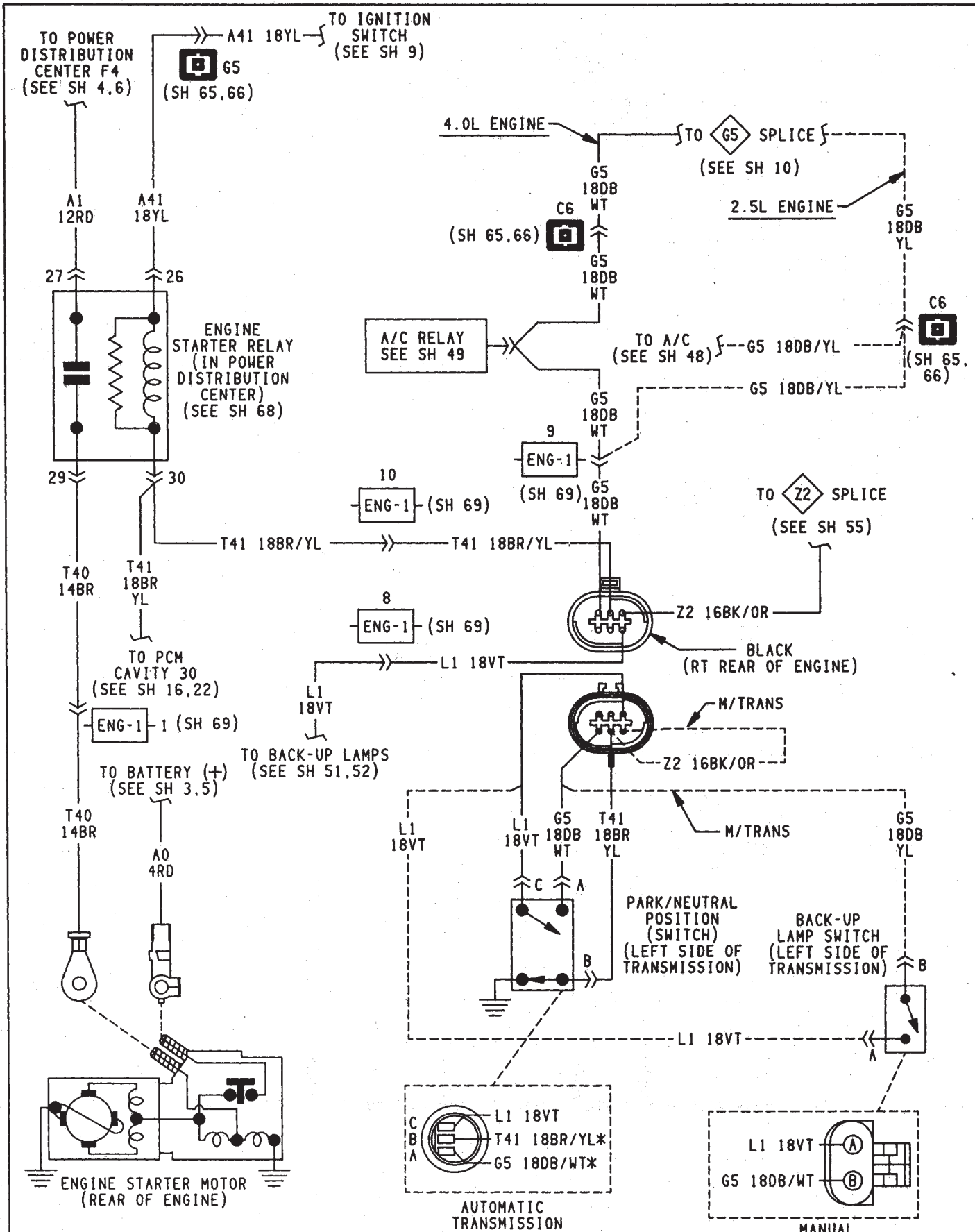








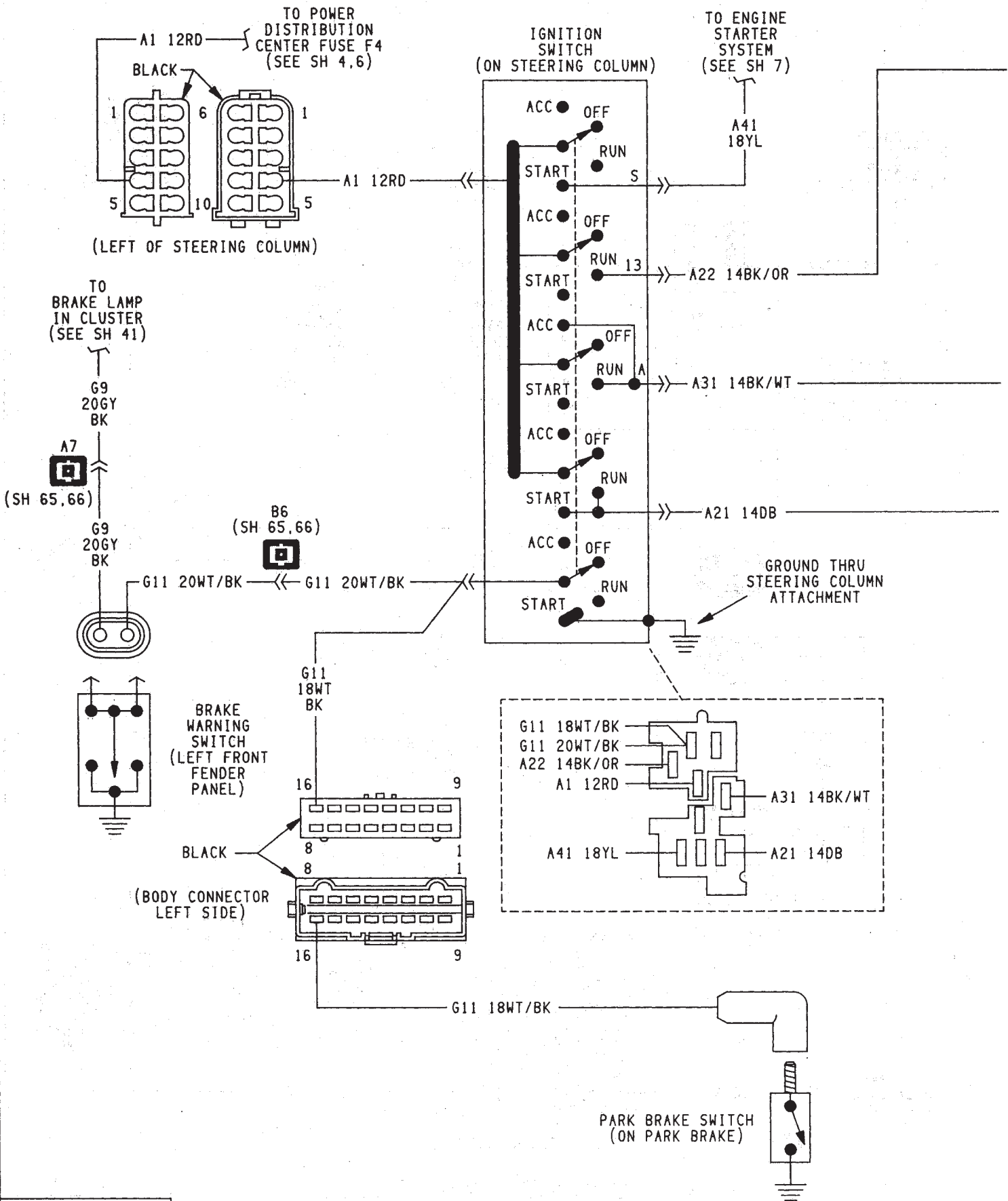


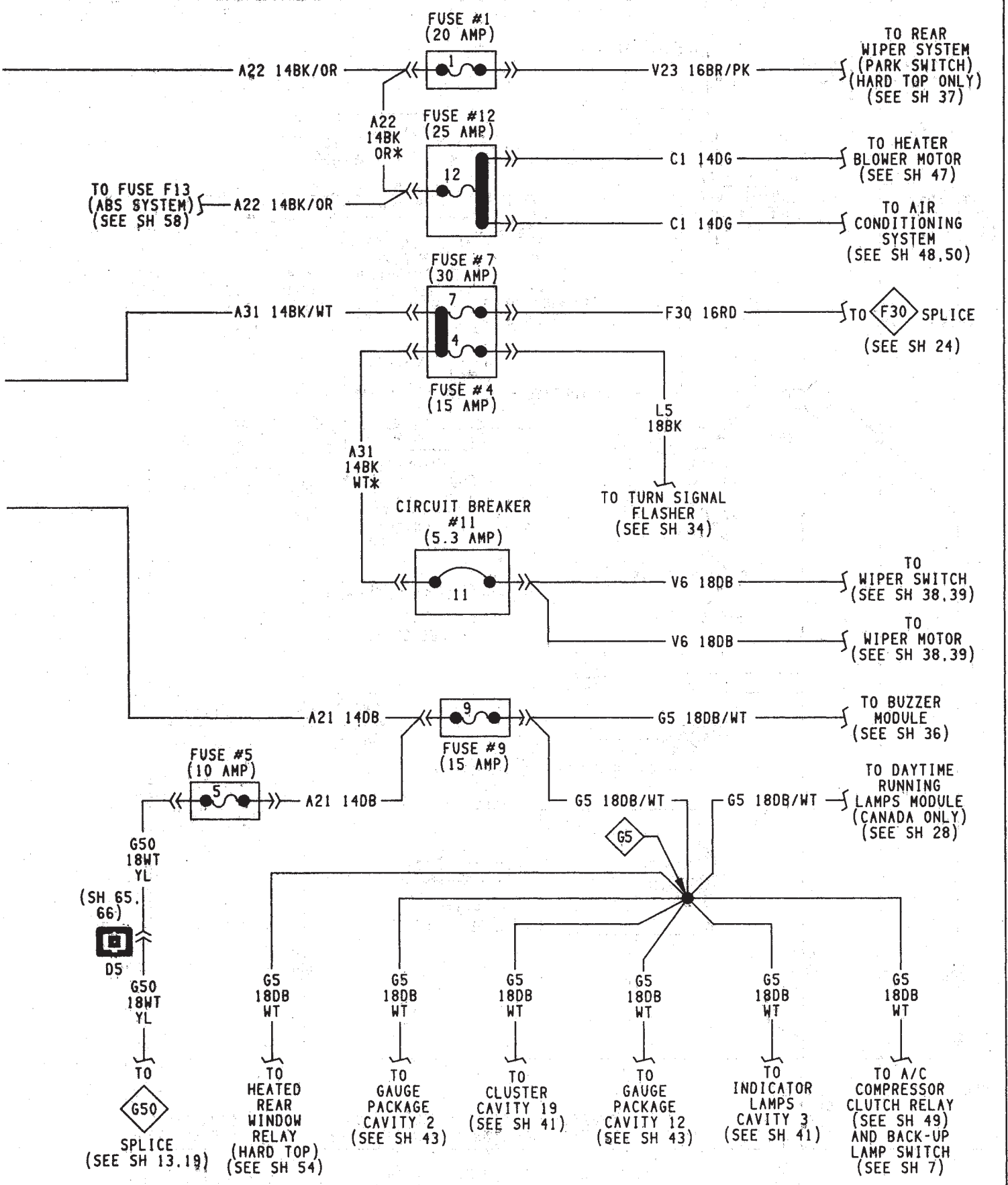


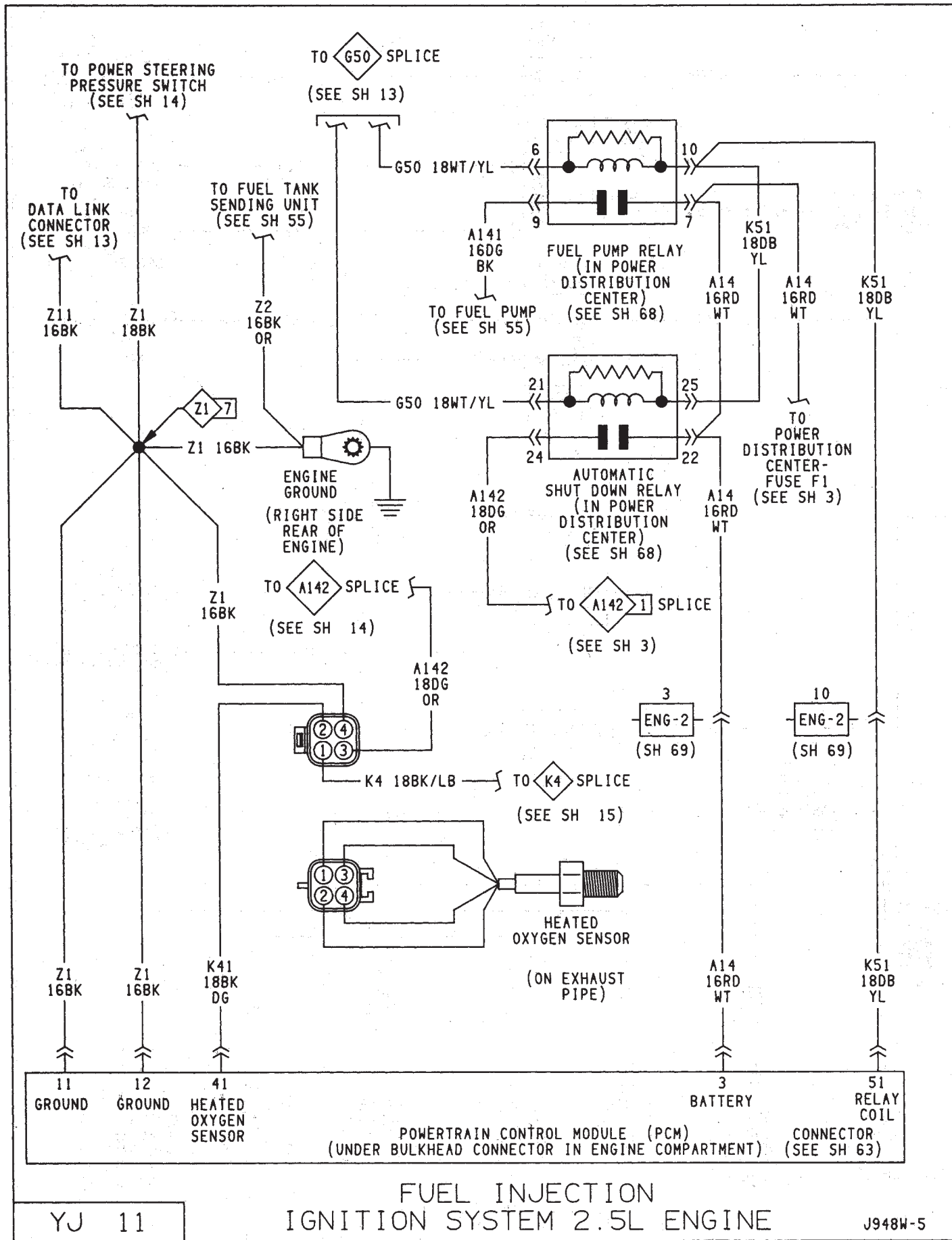
YJ 7

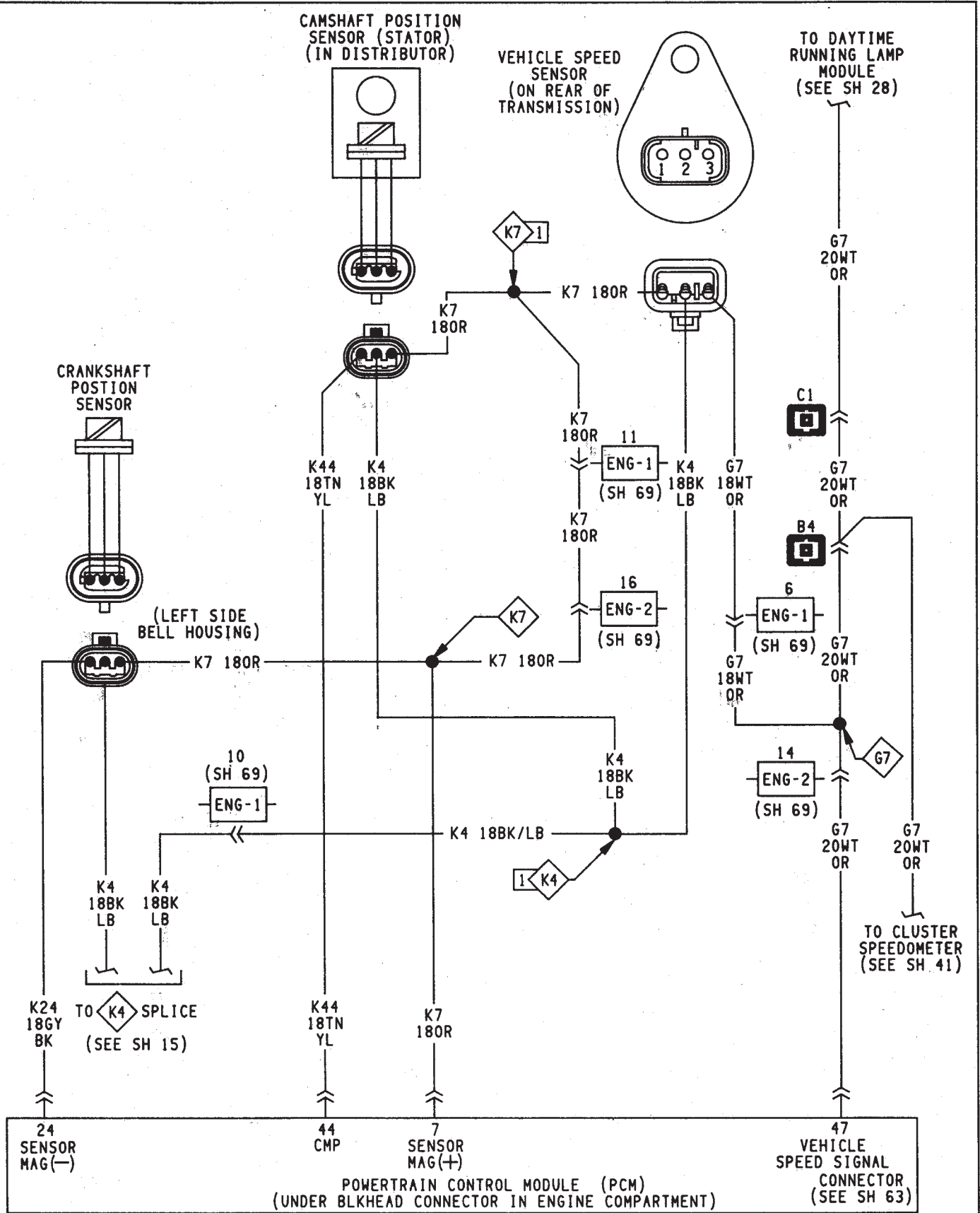
ENGINE STARTER SYSTEM

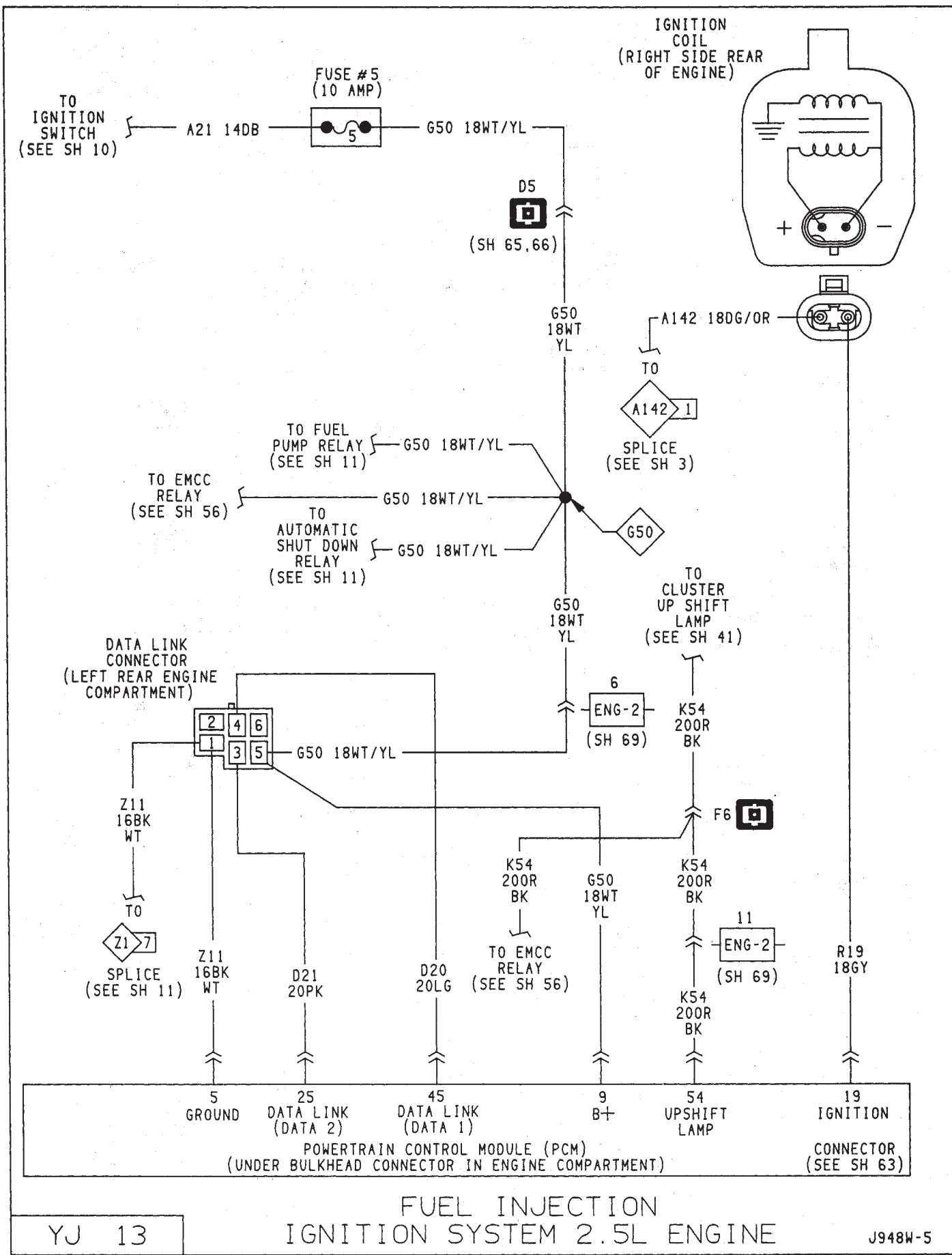
J948W-5

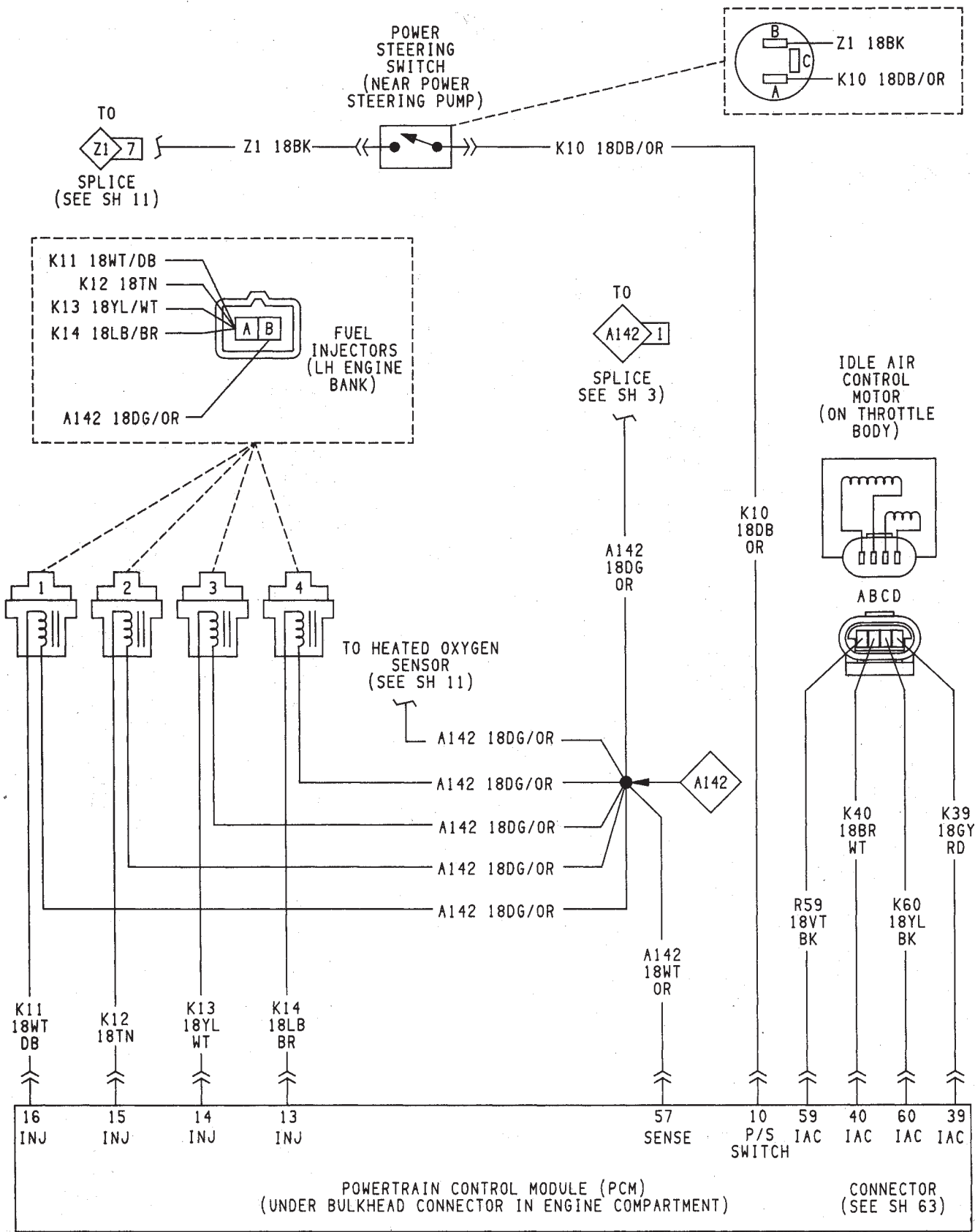




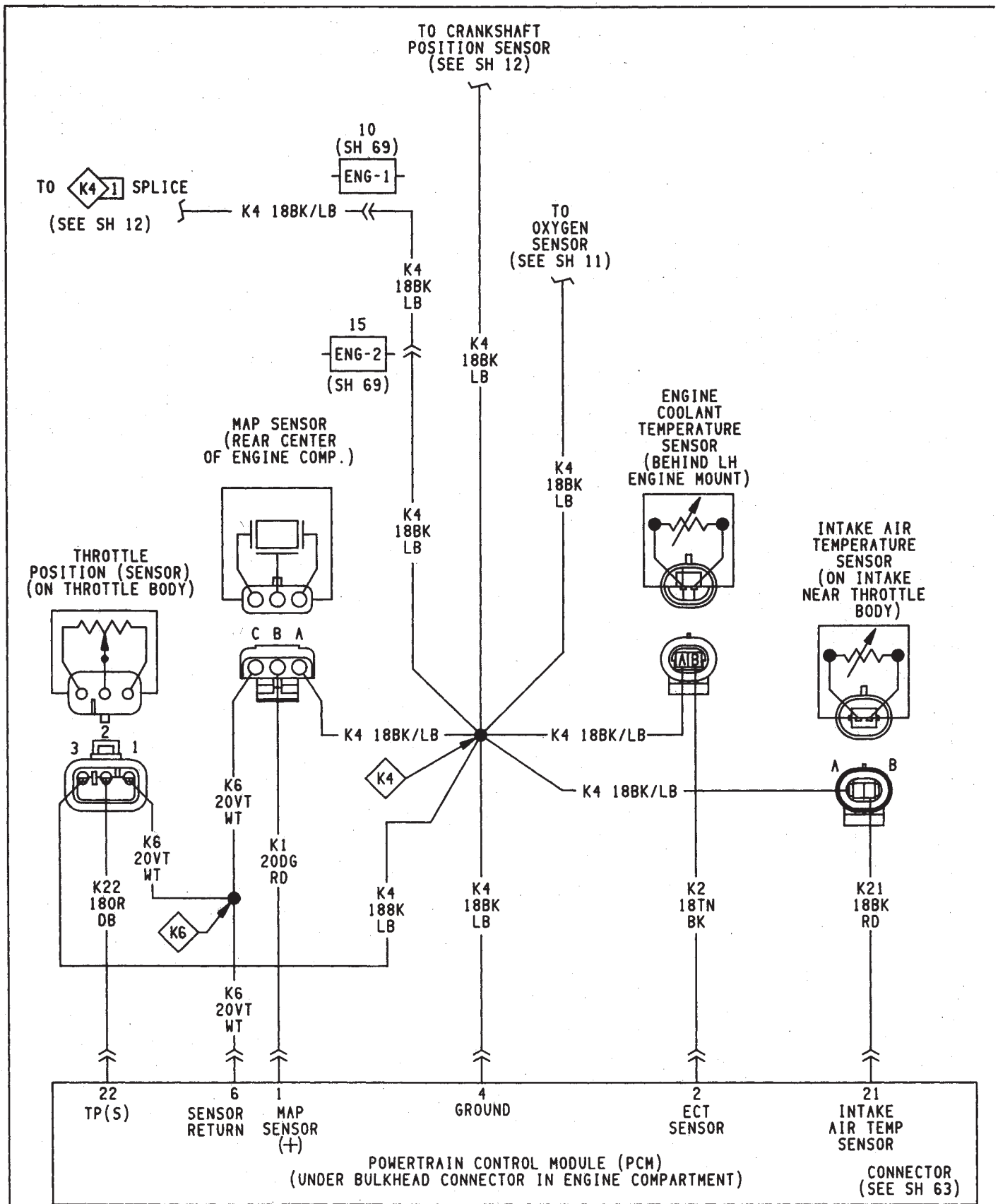








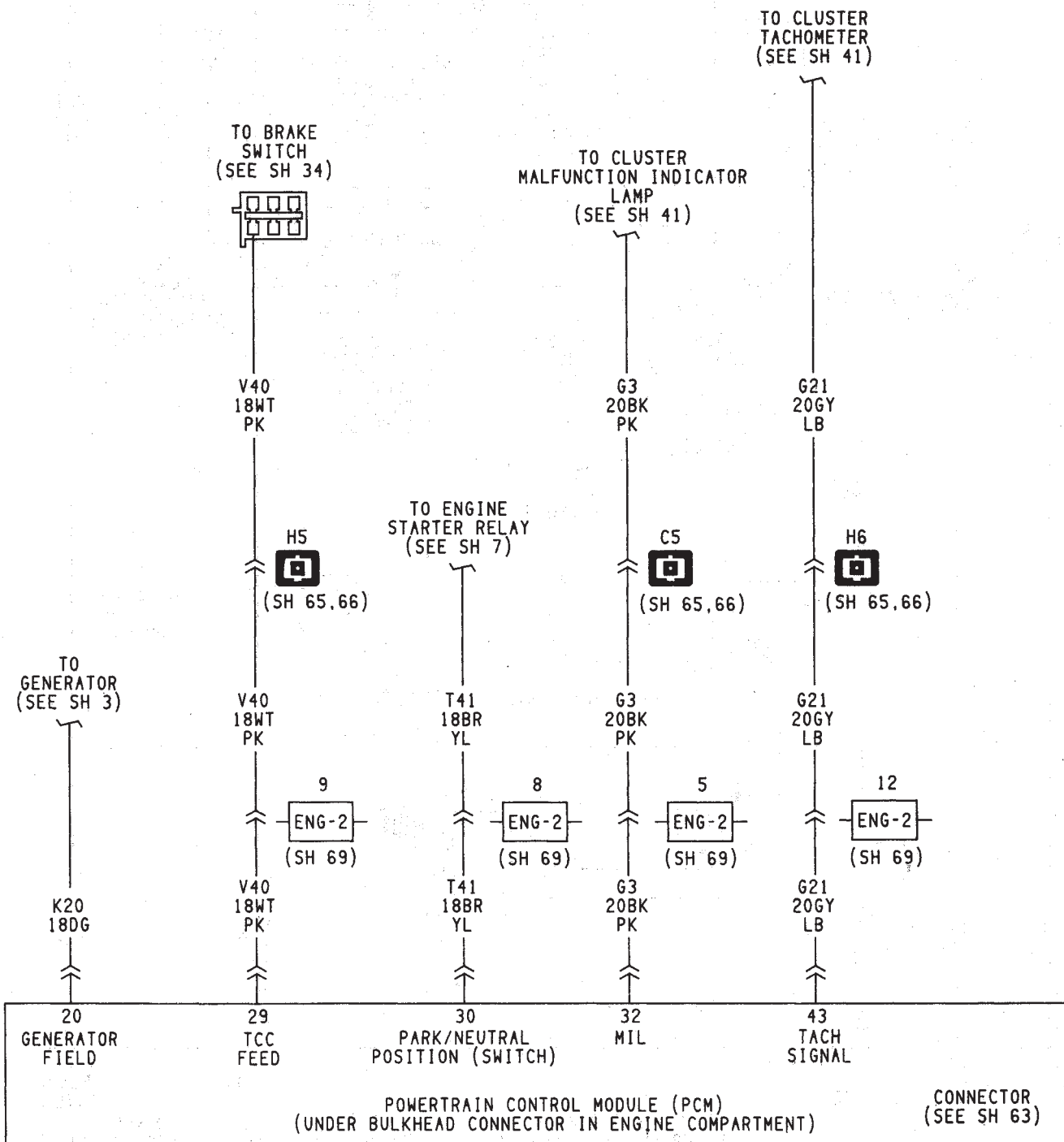
FUEL INJECTION
IGNITION SYSTEM 2.5L ENGINE



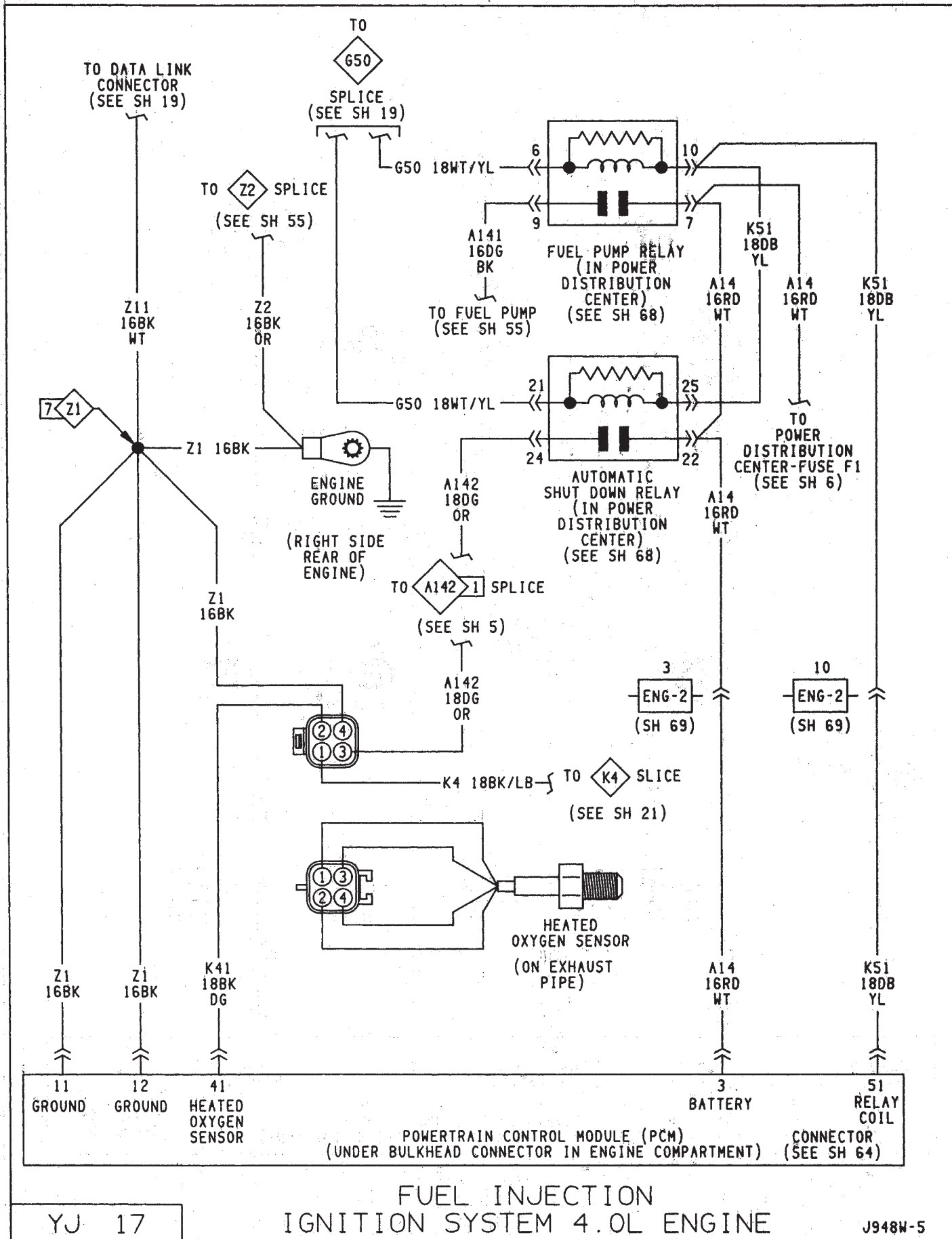
FUEL INJECTION
IGNITION SYSTEM 2.5L ENGINE

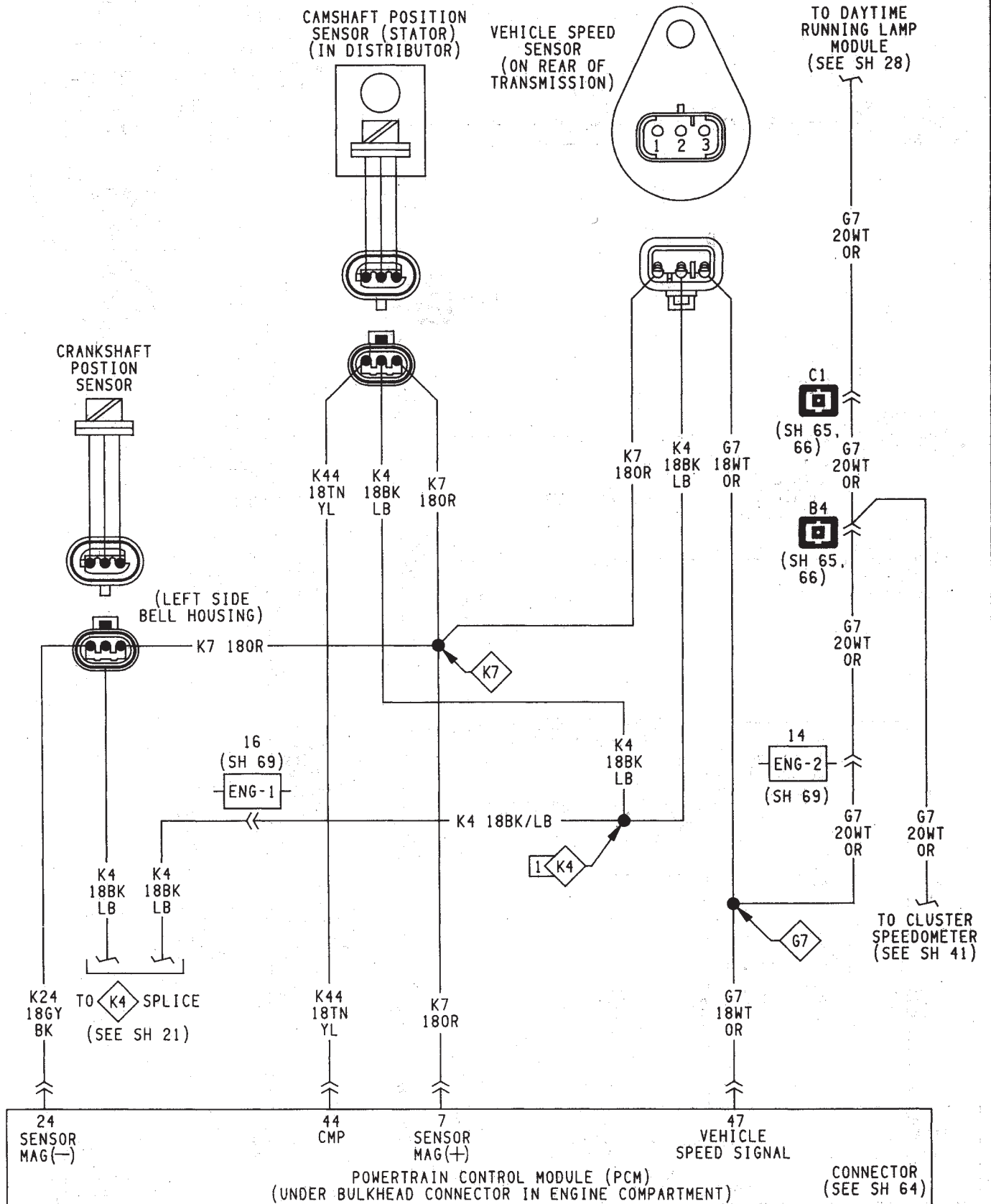
YJ 15

J948W-5

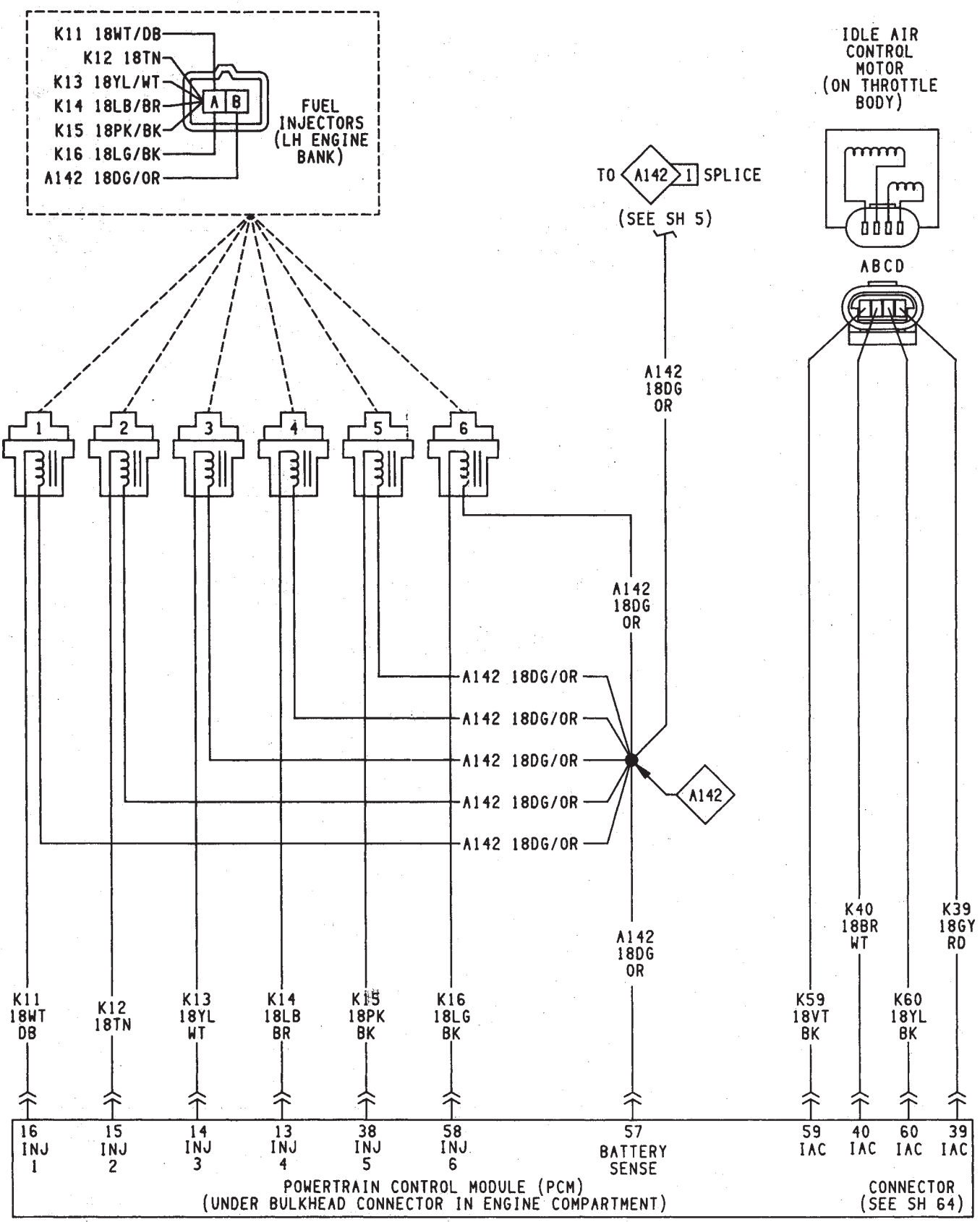


FUEL INJECTION
IGNITION SYSTEM 2.5L ENGINE

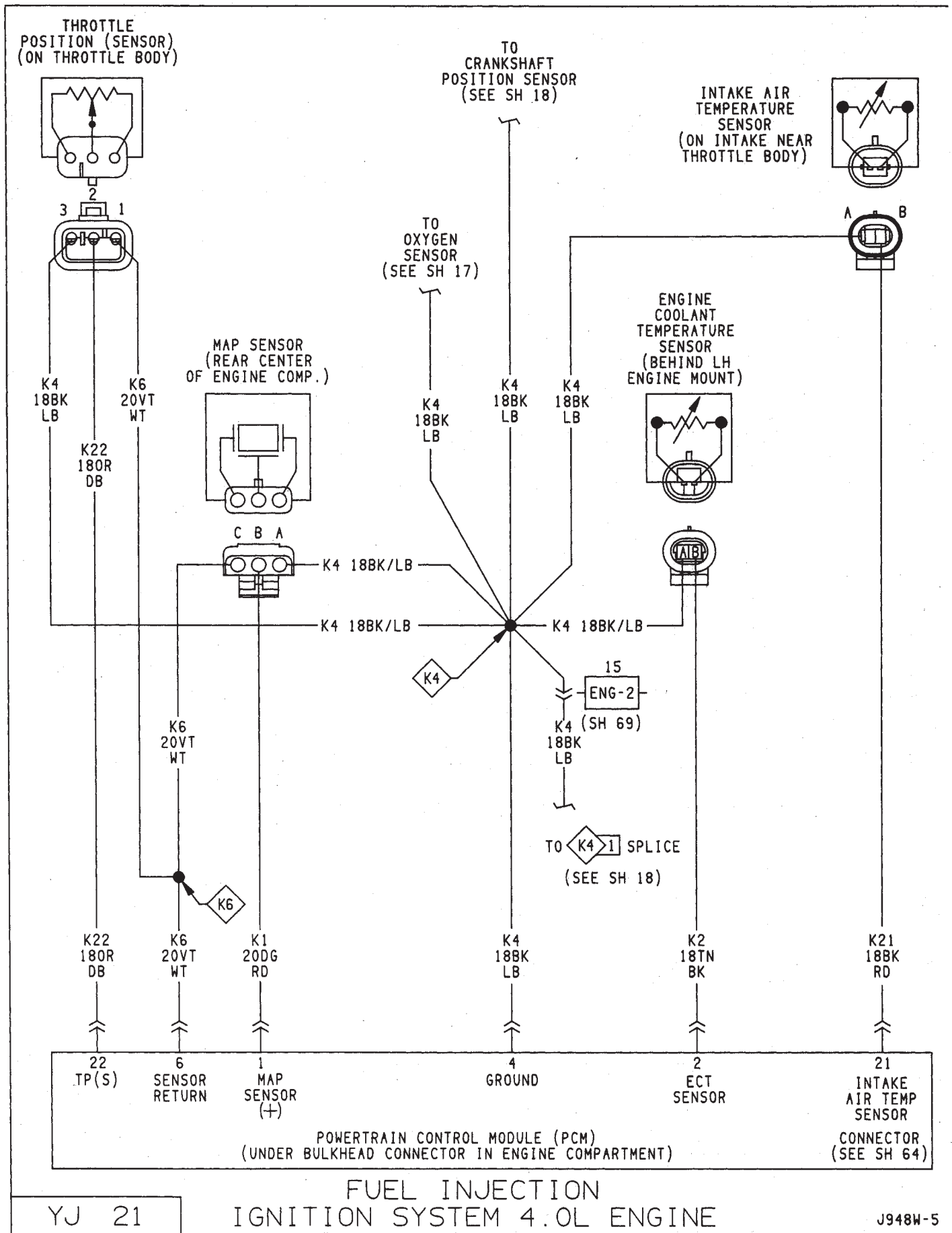


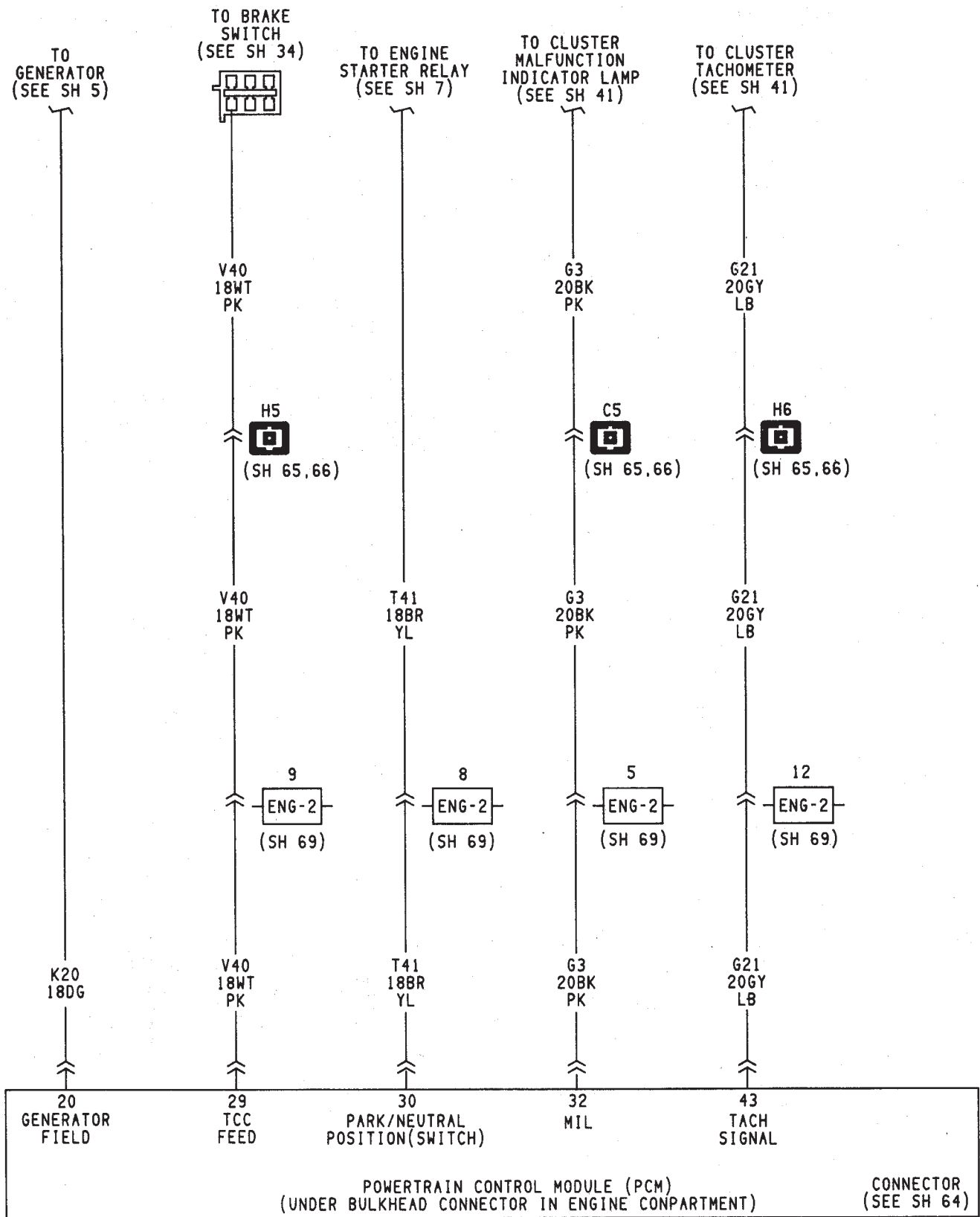


FUEL INJECTION
IGNITION SYSTEM 4.0L ENGINE



FUEL INJECTION
IGNITION SYSTEM 4.0L ENGINE





FUEL INJECTION

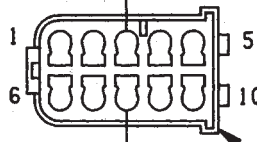
IGNITION SYSTEM 4.0L ENGINE

TO
GAUGE PACKAGE
ENGINE OIL
PRESSURE GAUGE
(SEE SH 43)

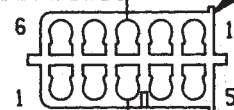
TO
GAUGE PACKAGE
ENGINE COOLANT
TEMPERATURE GAUGE
(SEE SH 43)

G60
18GY
YL

G20
18VT
YL

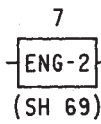
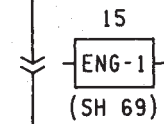


BLACK
(LEFT SIDE OF
STEERING COLUMN)



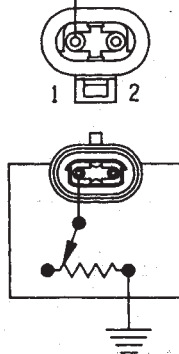
G60
18GY
YL

G20
18VT
YL



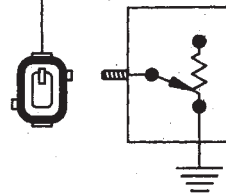
G60
18GY
YL

G20
18VT
YL



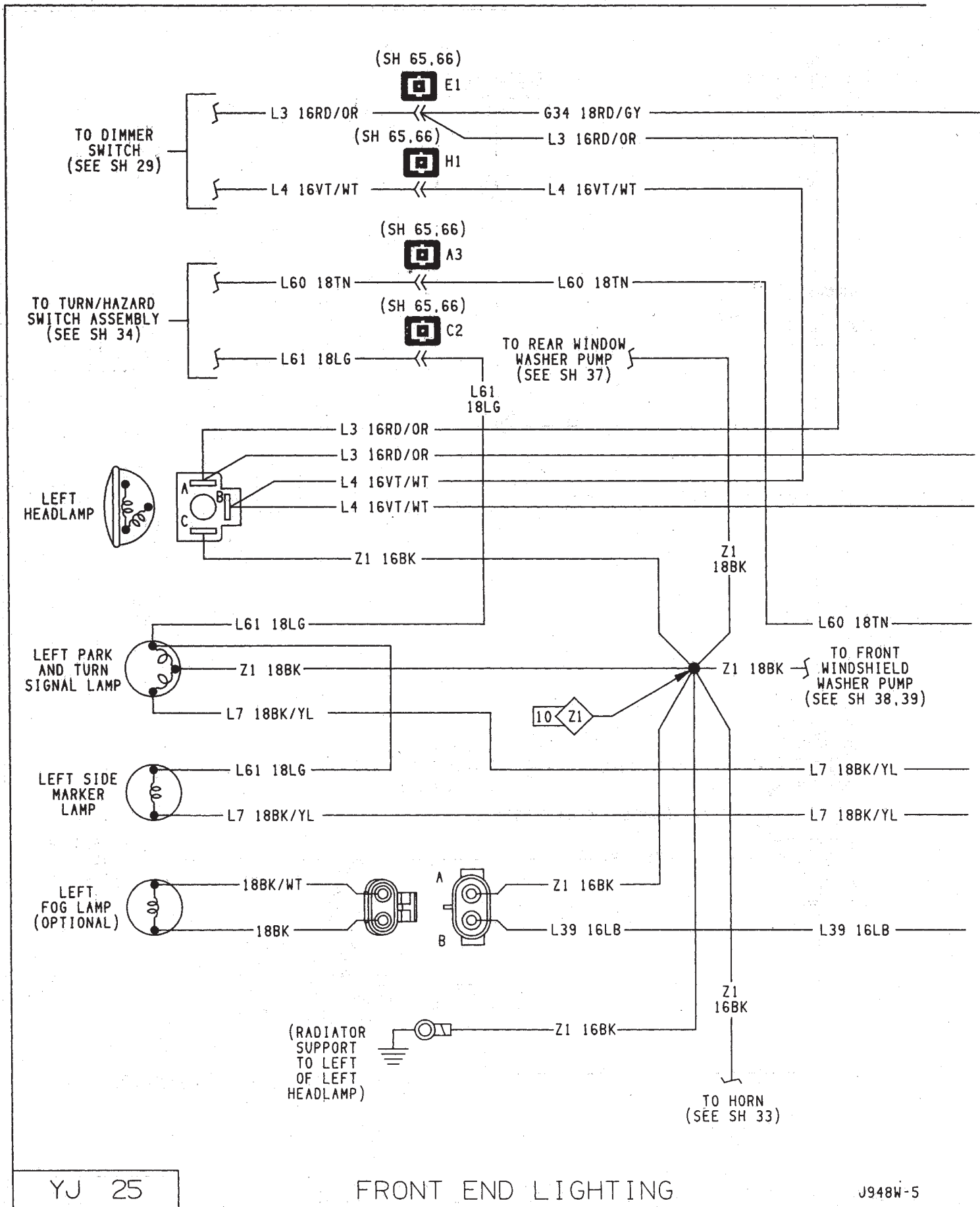
ENGINE OIL
PRESSURE
SENDING UNIT

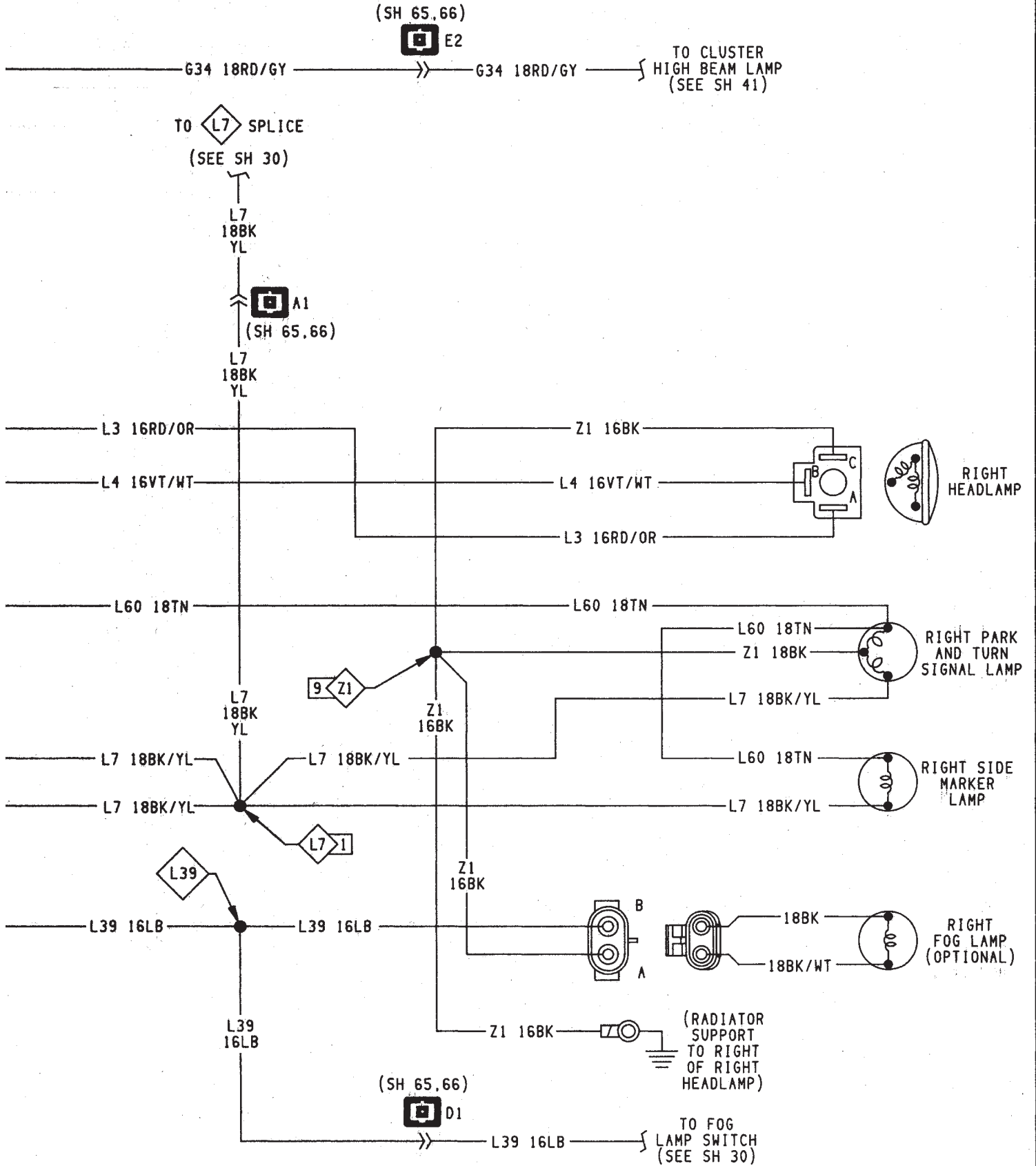
(RIGHT REAR
CORNER OF
CYLINDER
BLOCK)

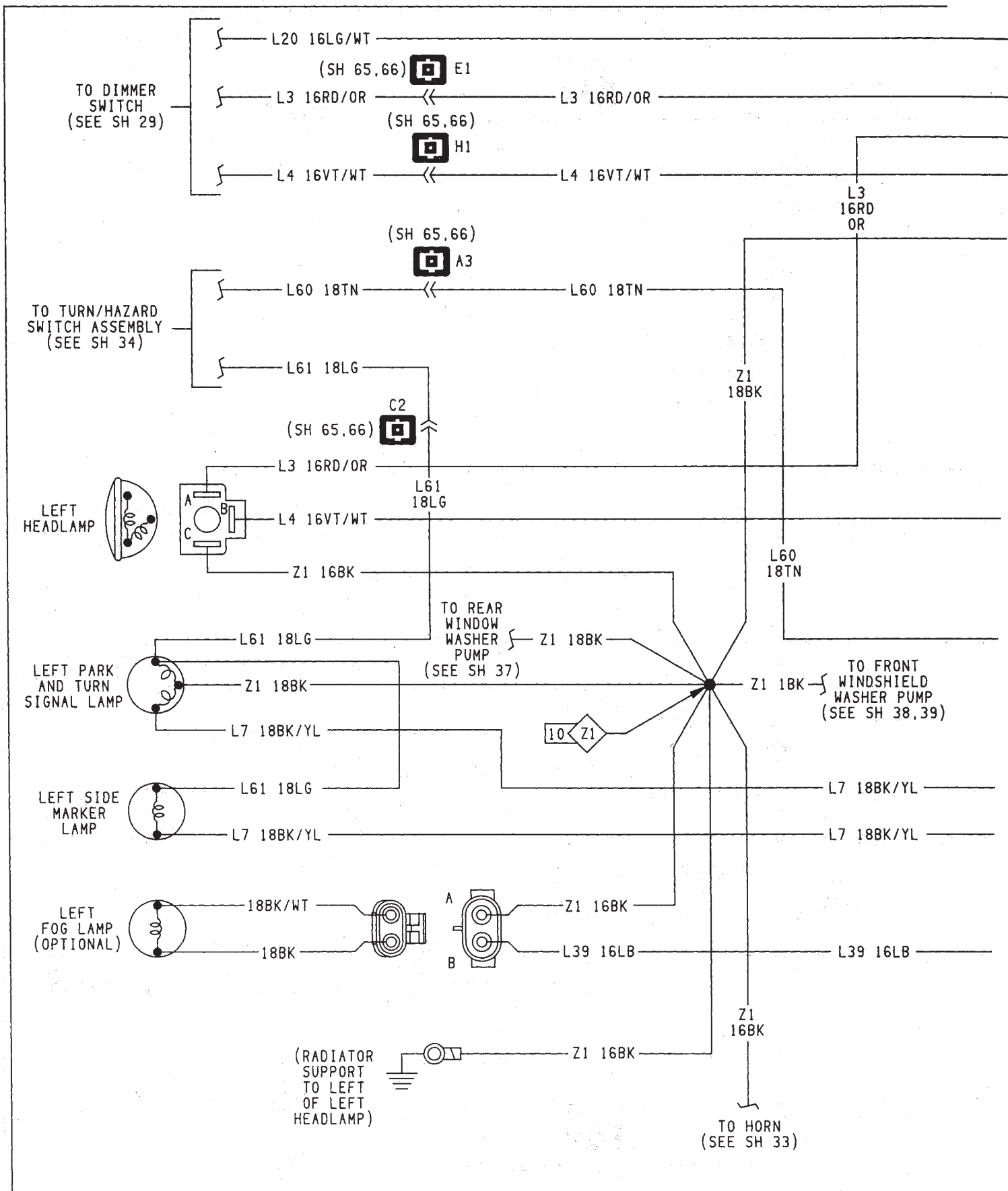


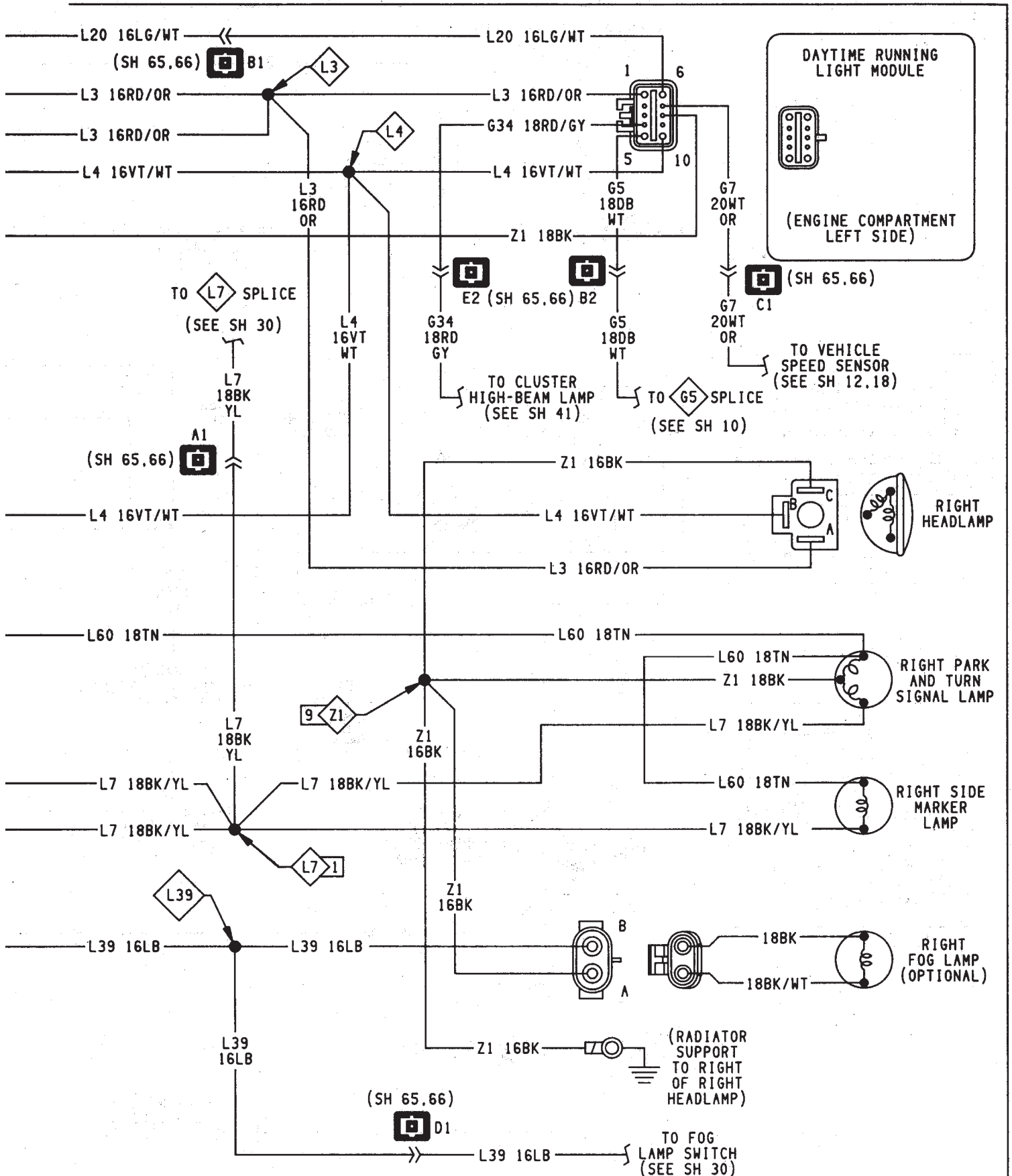
ENGINE
COOLANT
TEMPERATURE
SENDING
UNIT
(FRONT OF
ENGINE)

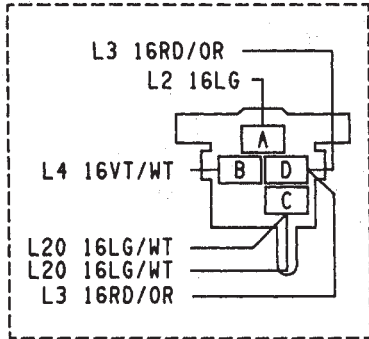
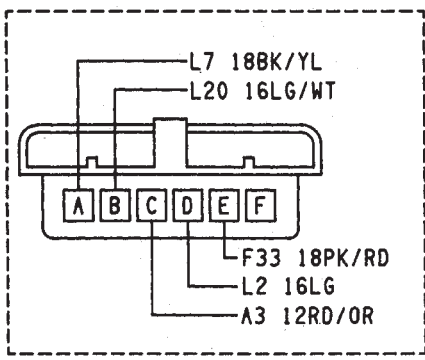
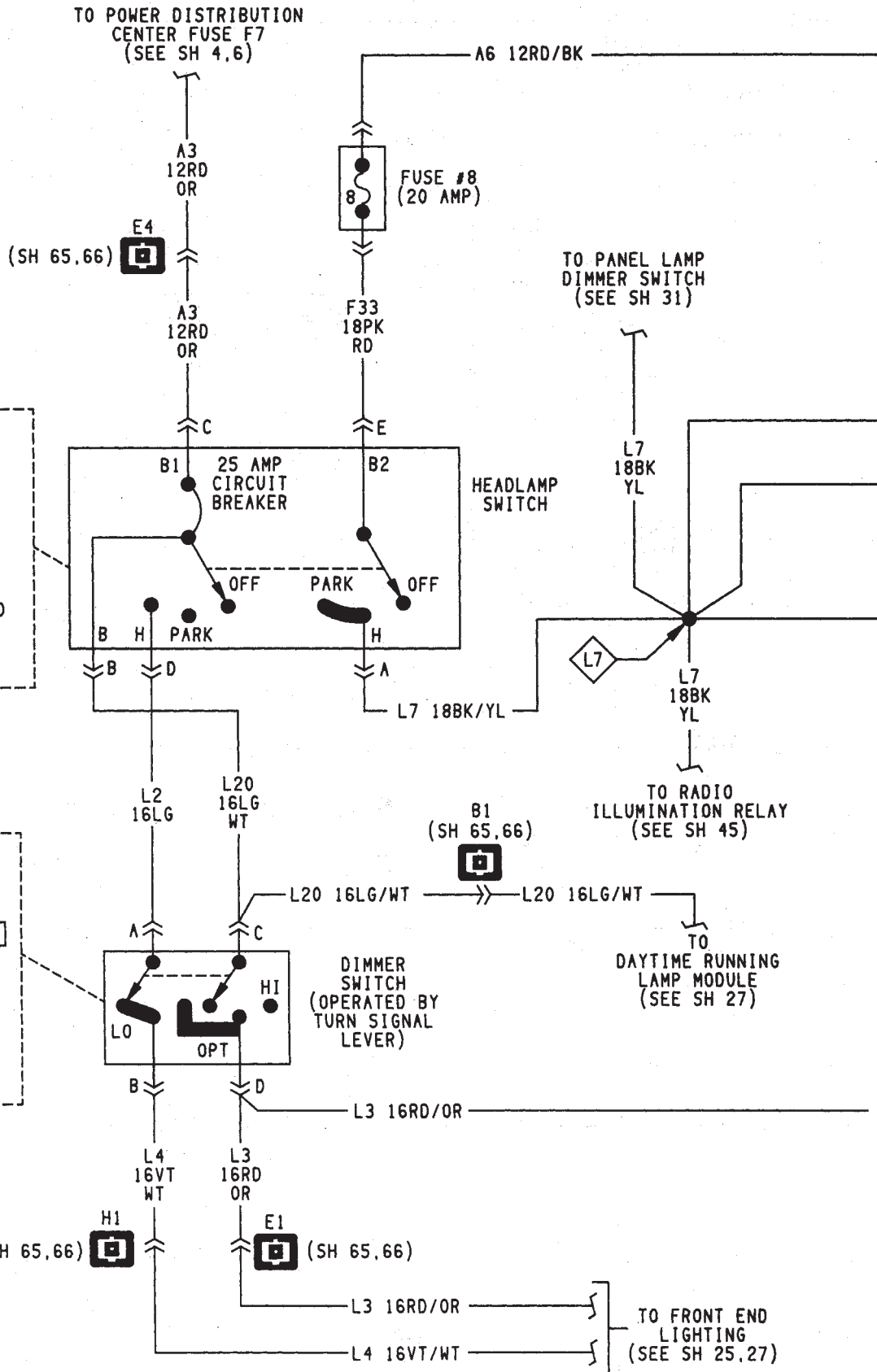
ENGINE OIL PRESSURE
AND TEMPERATURE SYSTEM

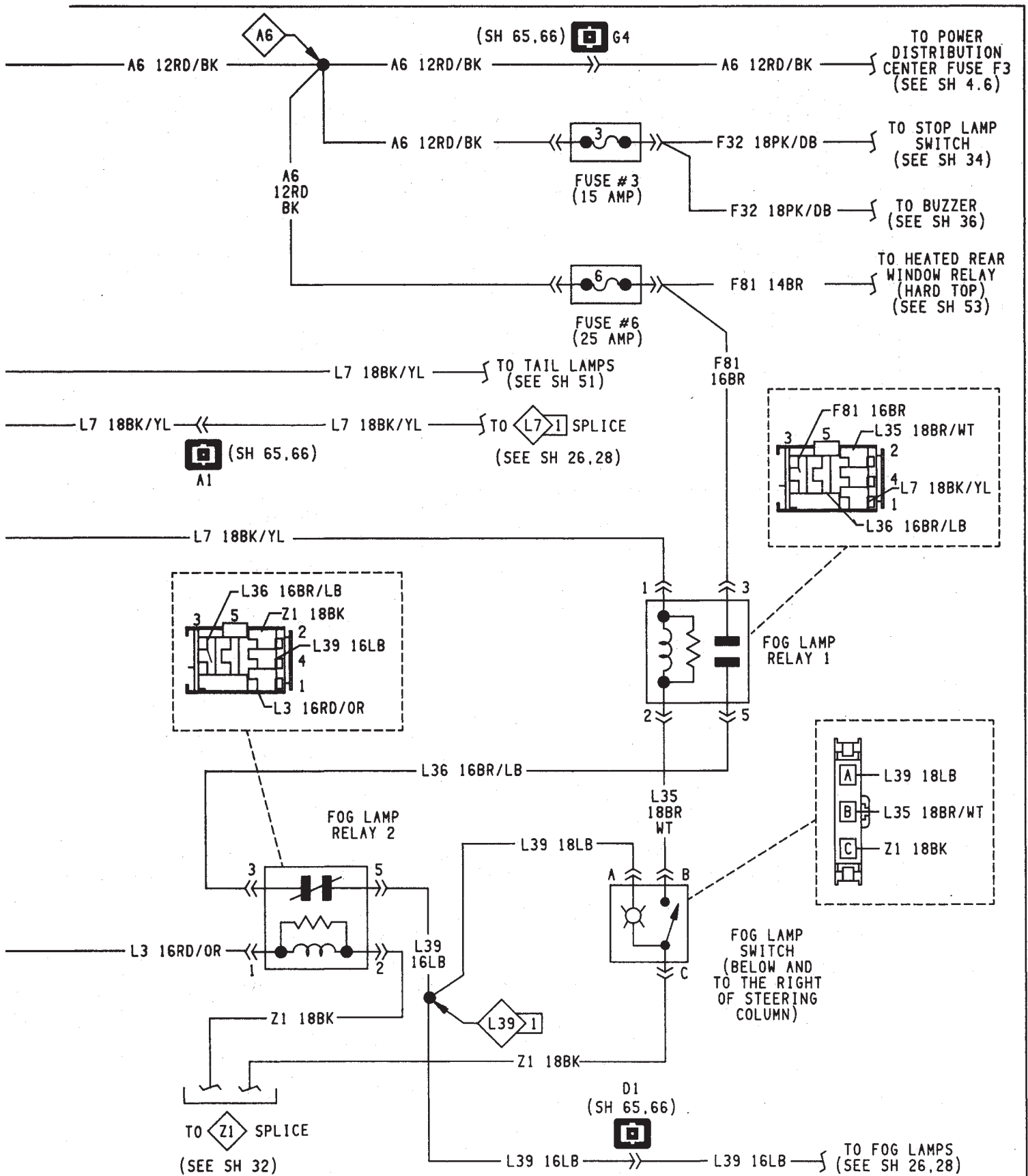


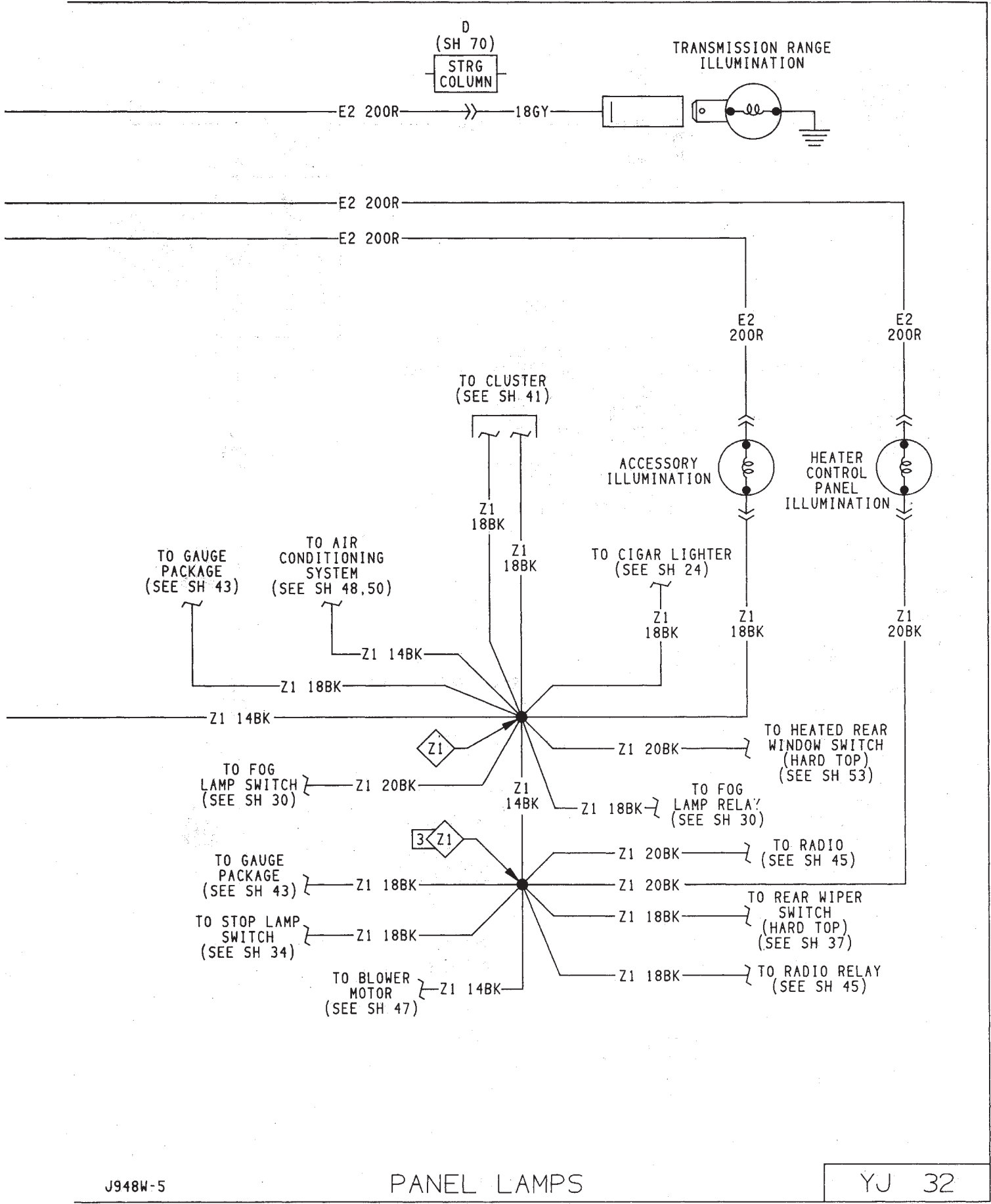


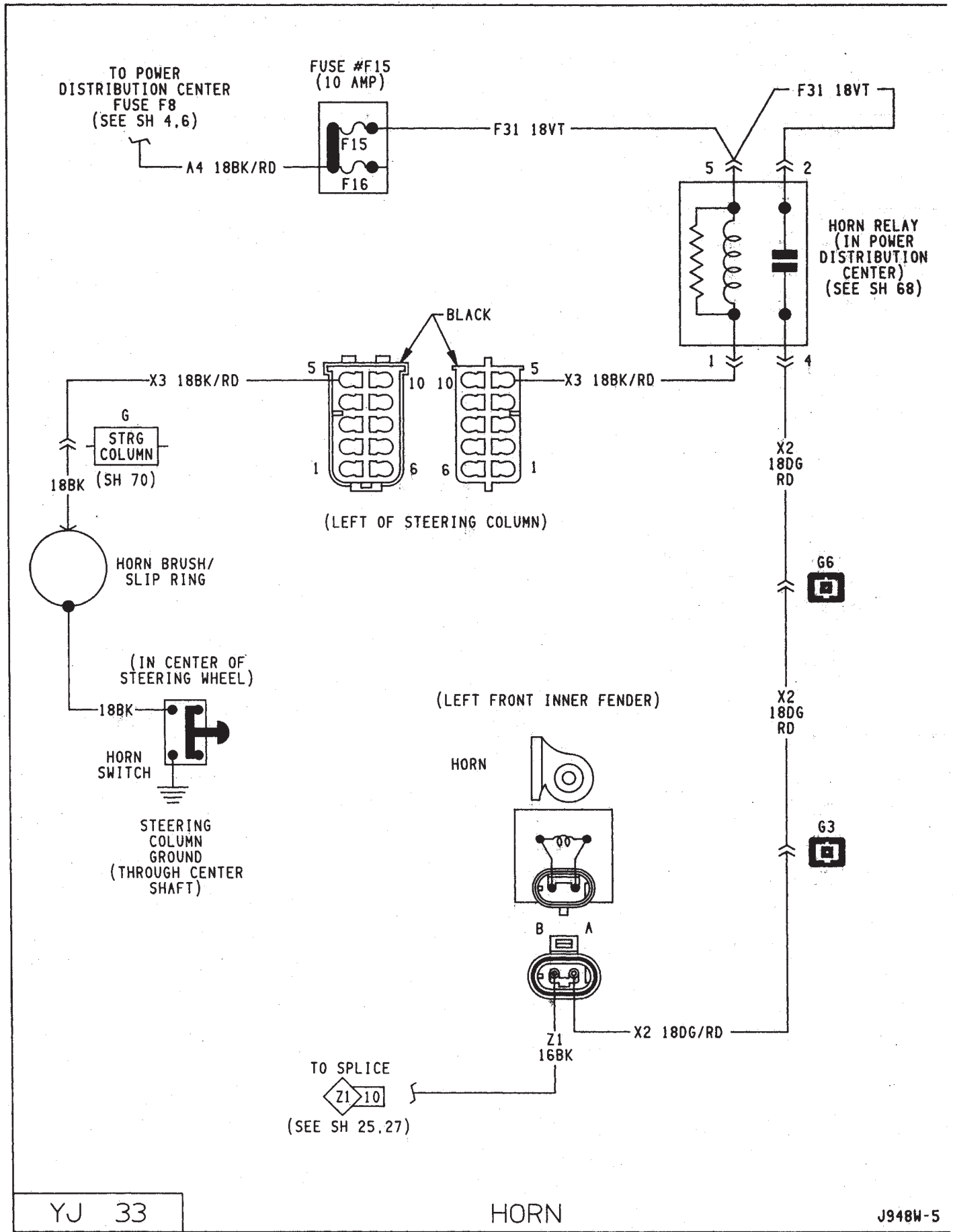




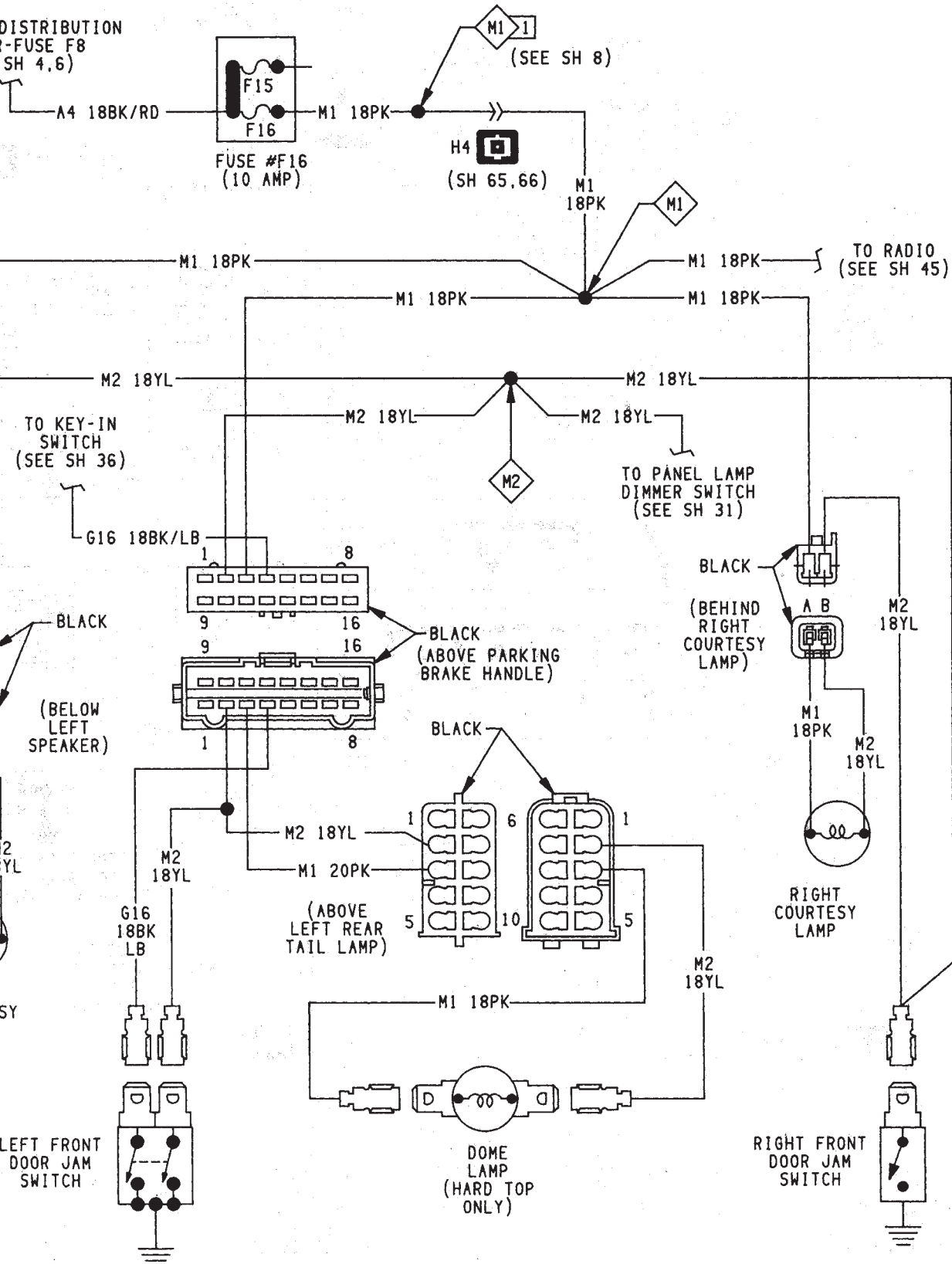








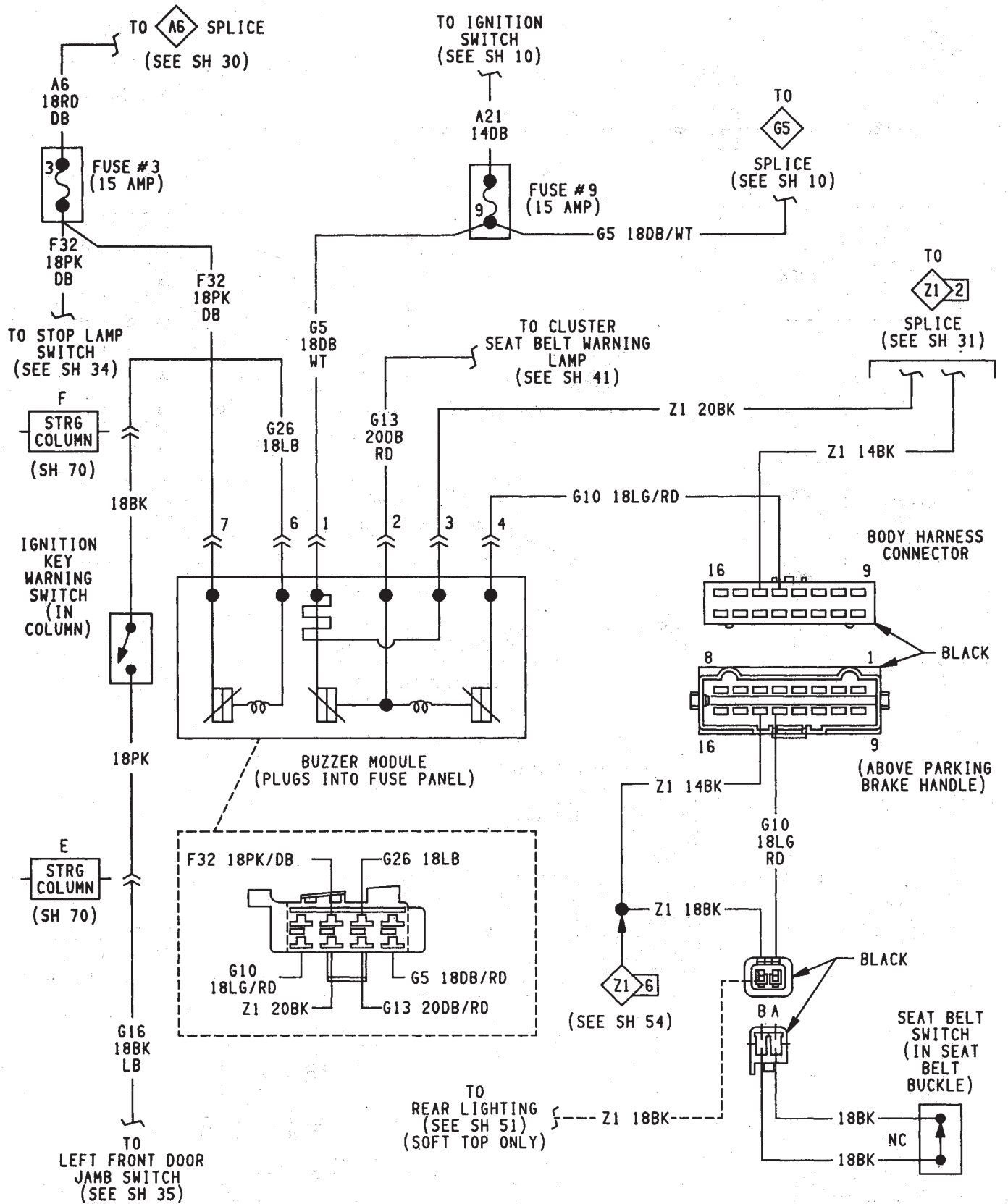
TO POWER DISTRIBUTION CENTER-FUSE F8 (SEE SH 4.6)



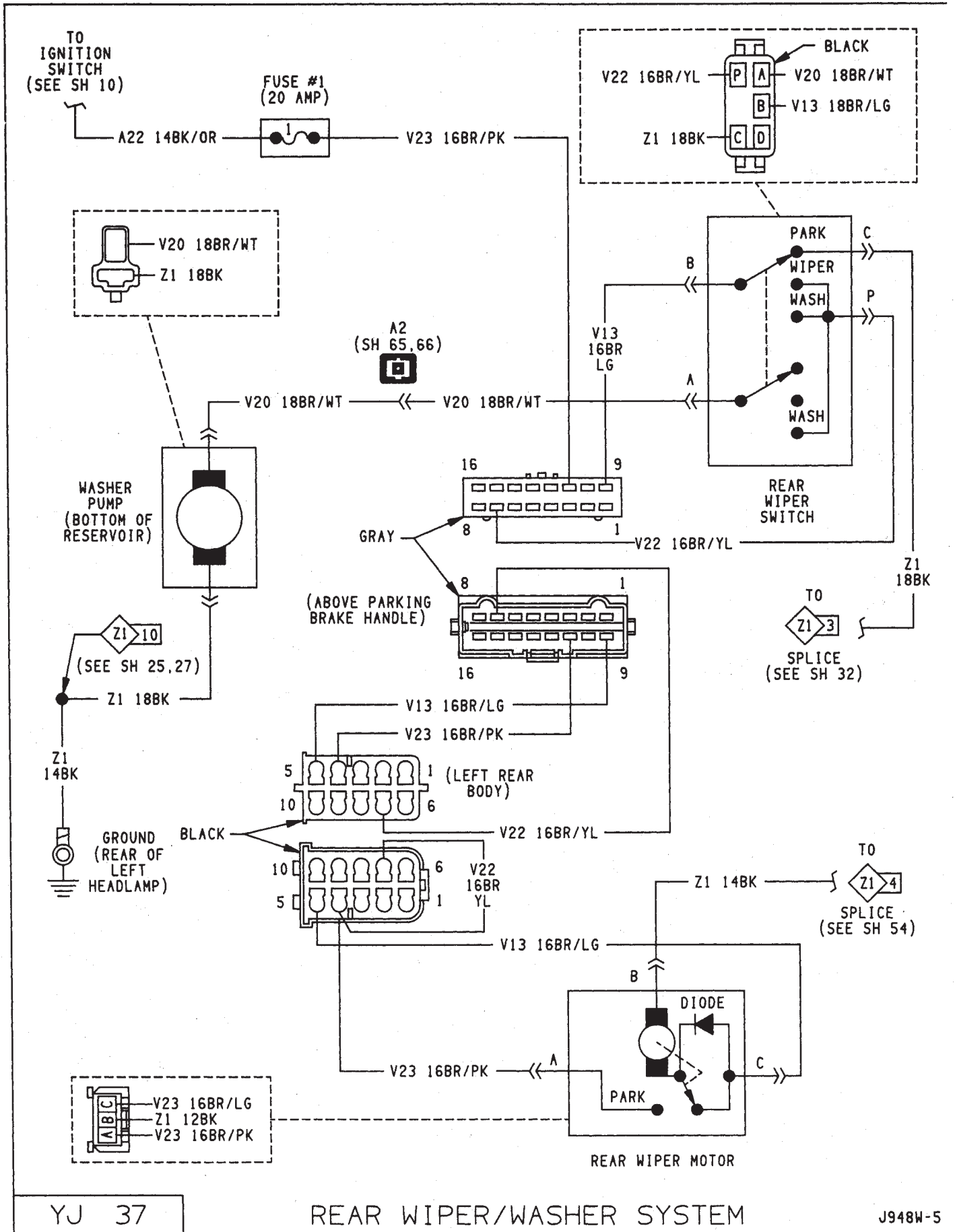
YJ 35

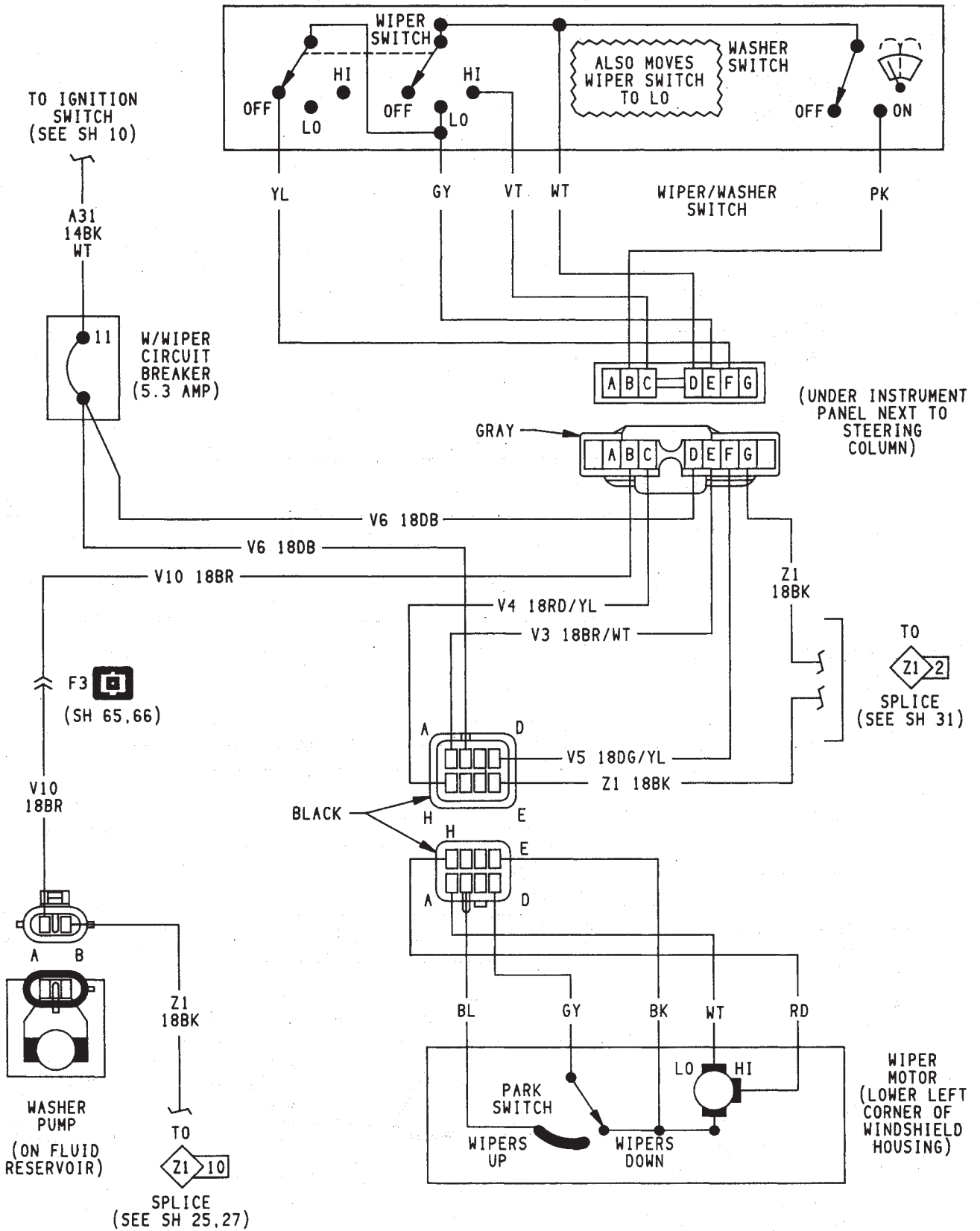
DOMES AND COURTESY LAMPS

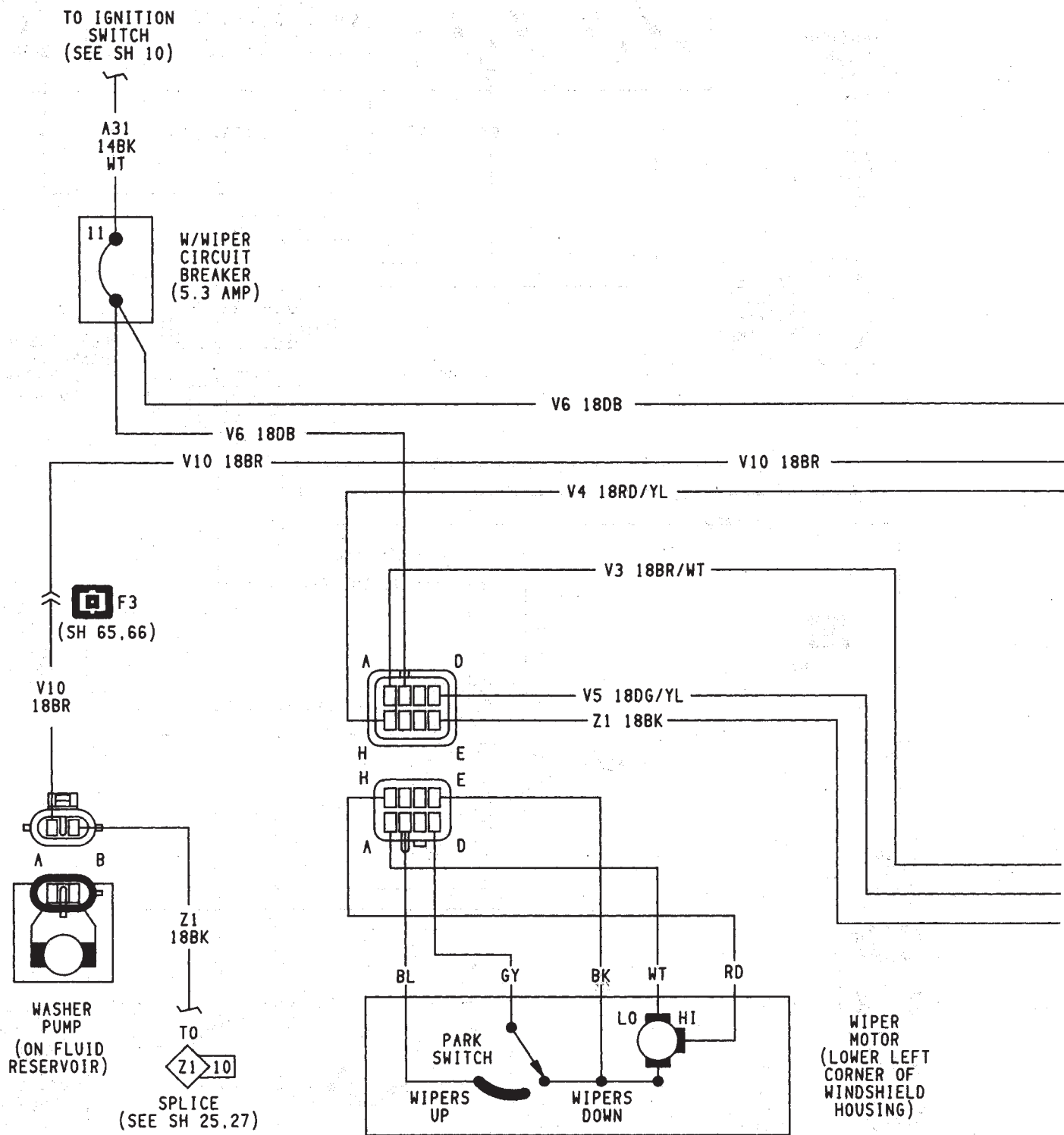
J948W-5

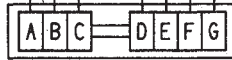
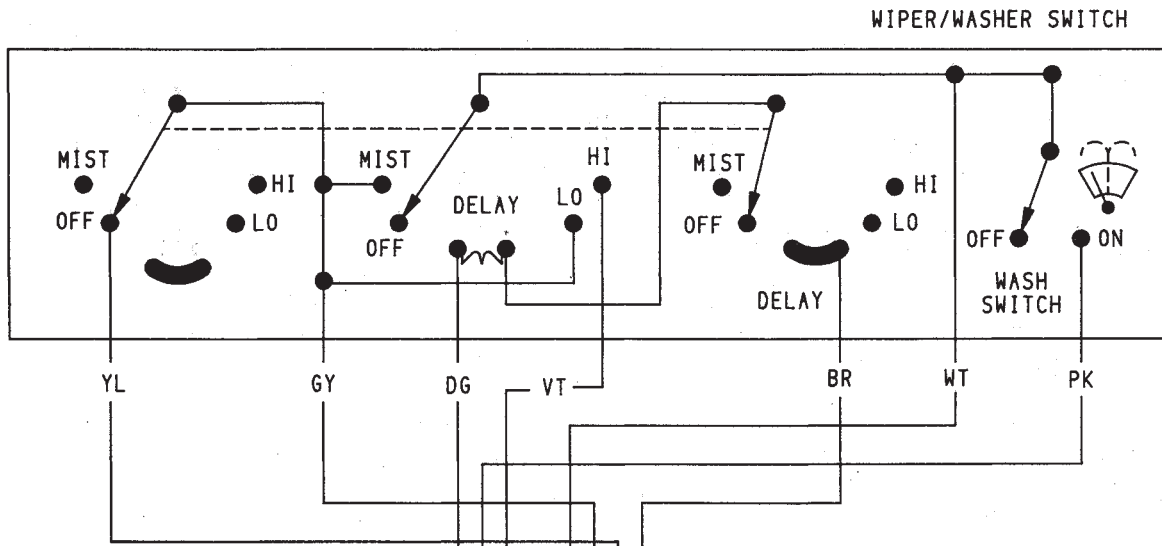


SEATBELT/IGNITION KEY WARNING BUZZER







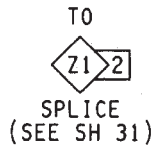
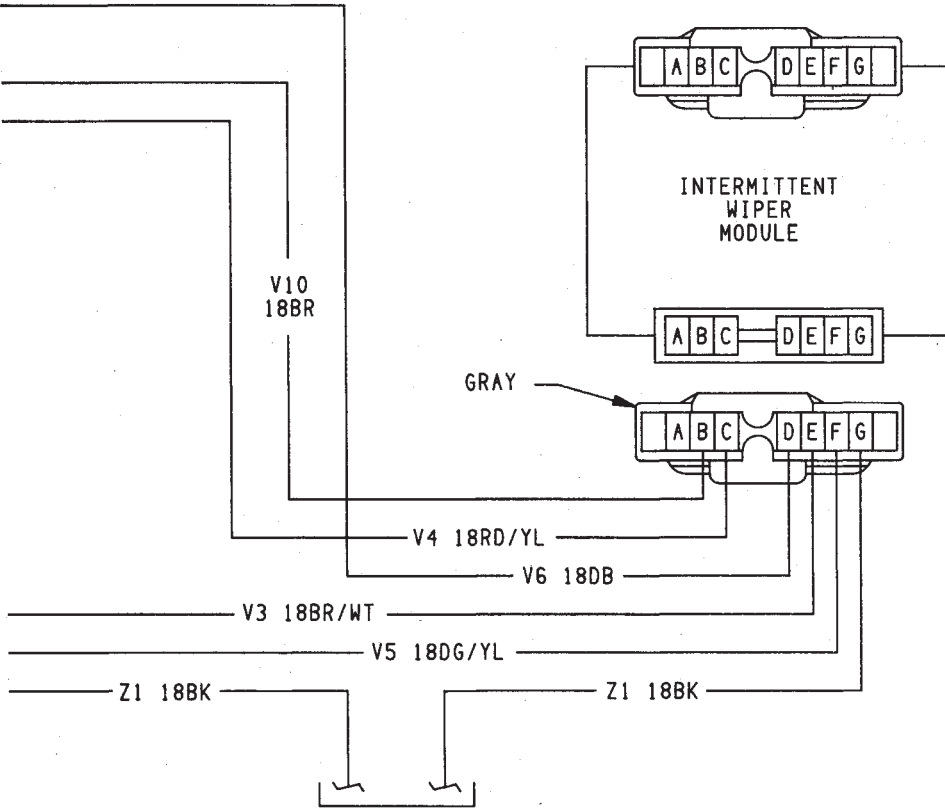
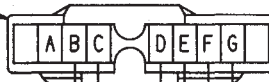


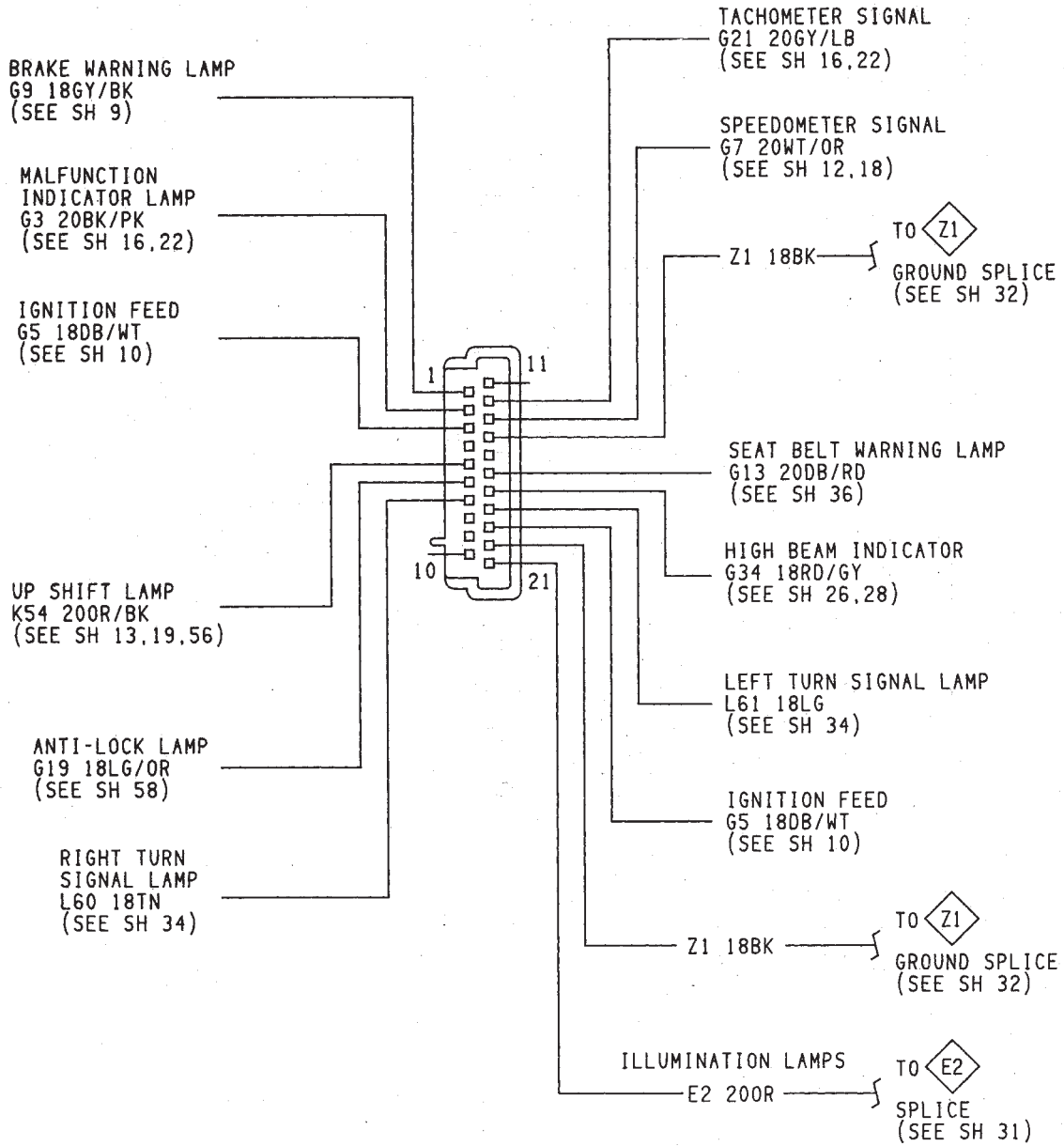
INTERMITTENT
WIPER
MODULE

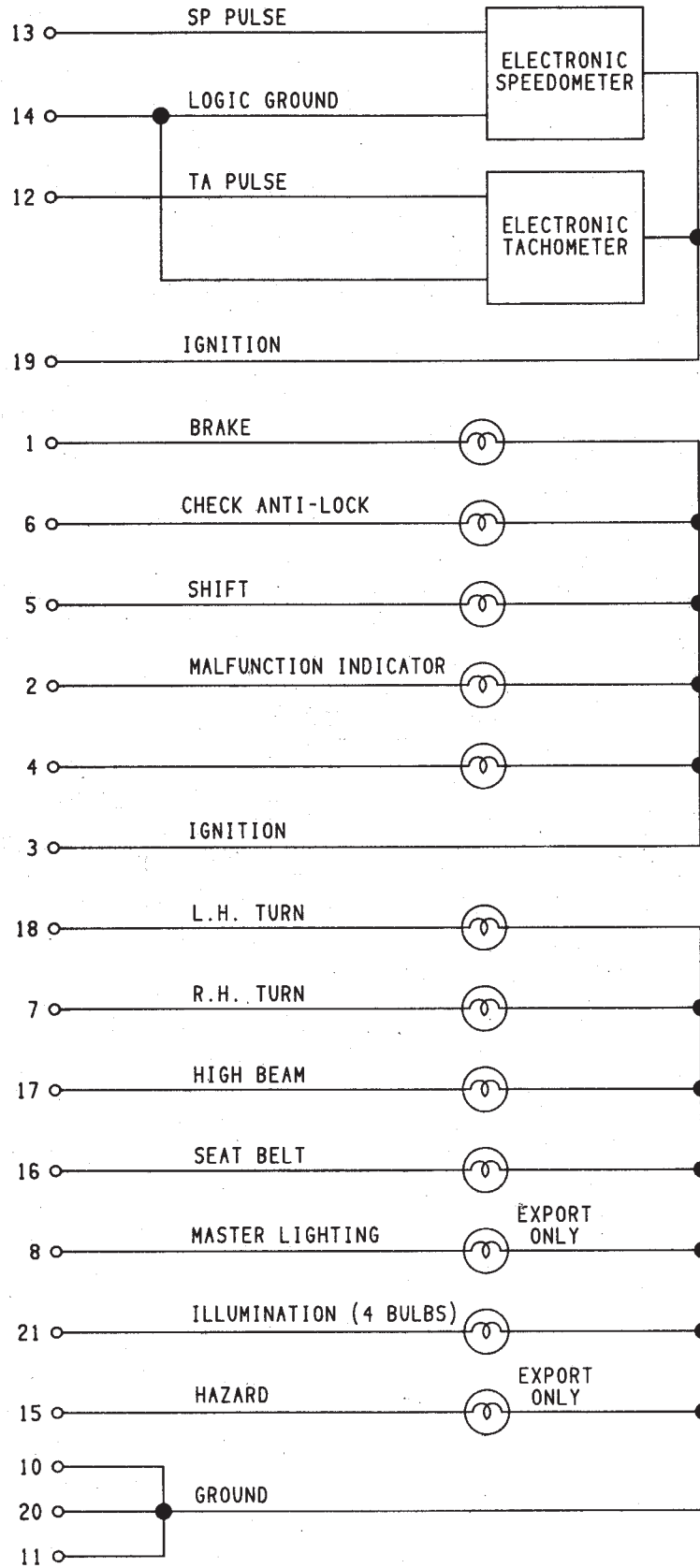
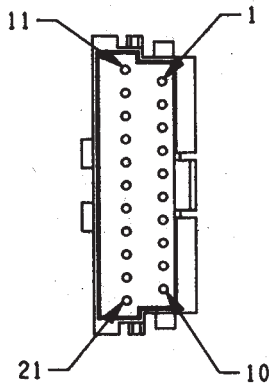
(UNDER
INSTRUMENT
PANEL NEXT
TO STEERING
COLUMN)

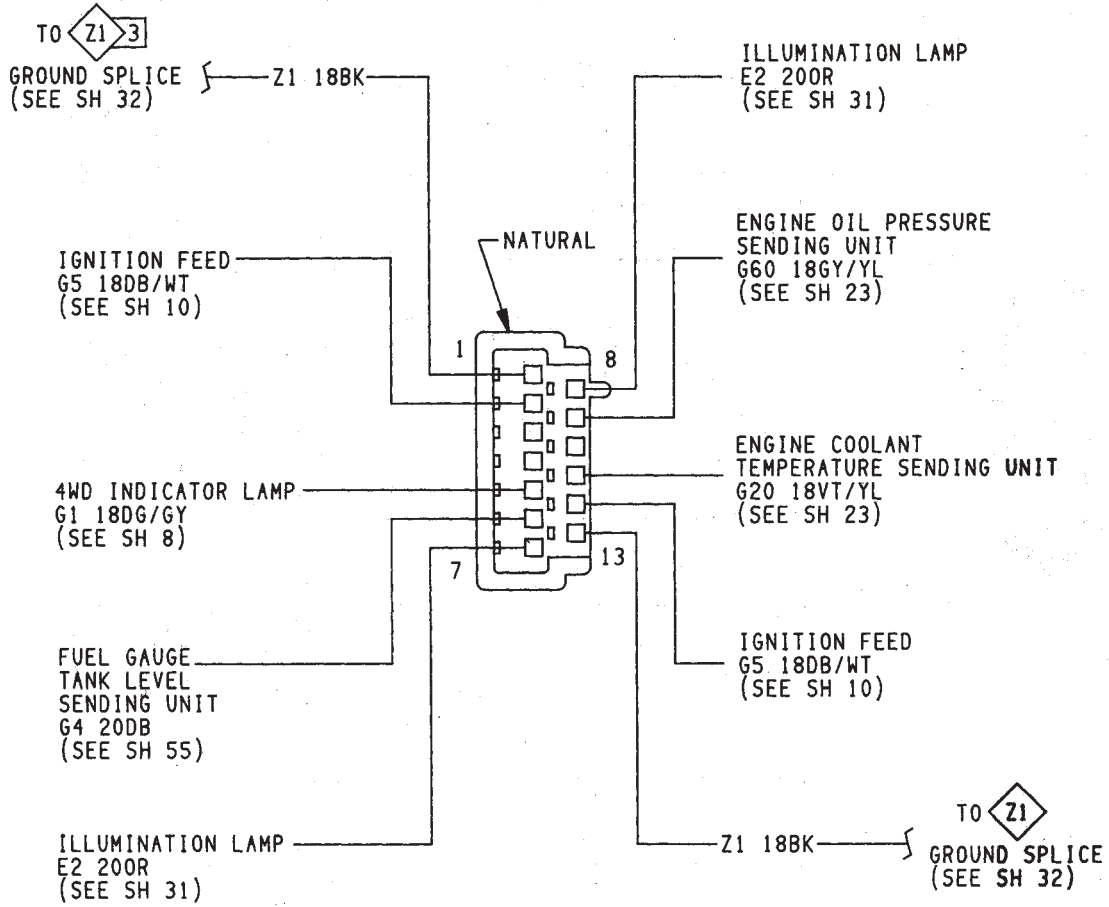


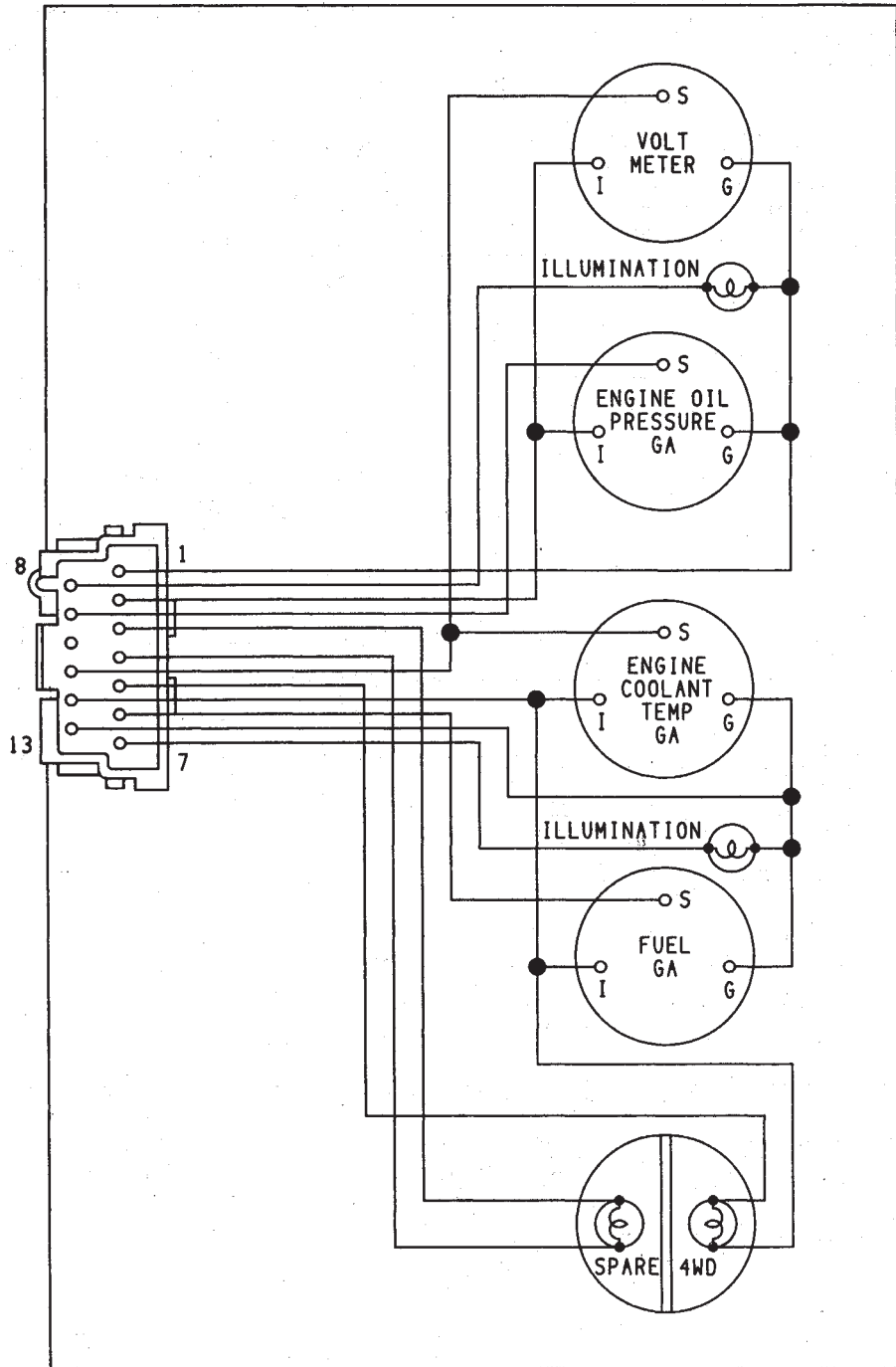
GRAY



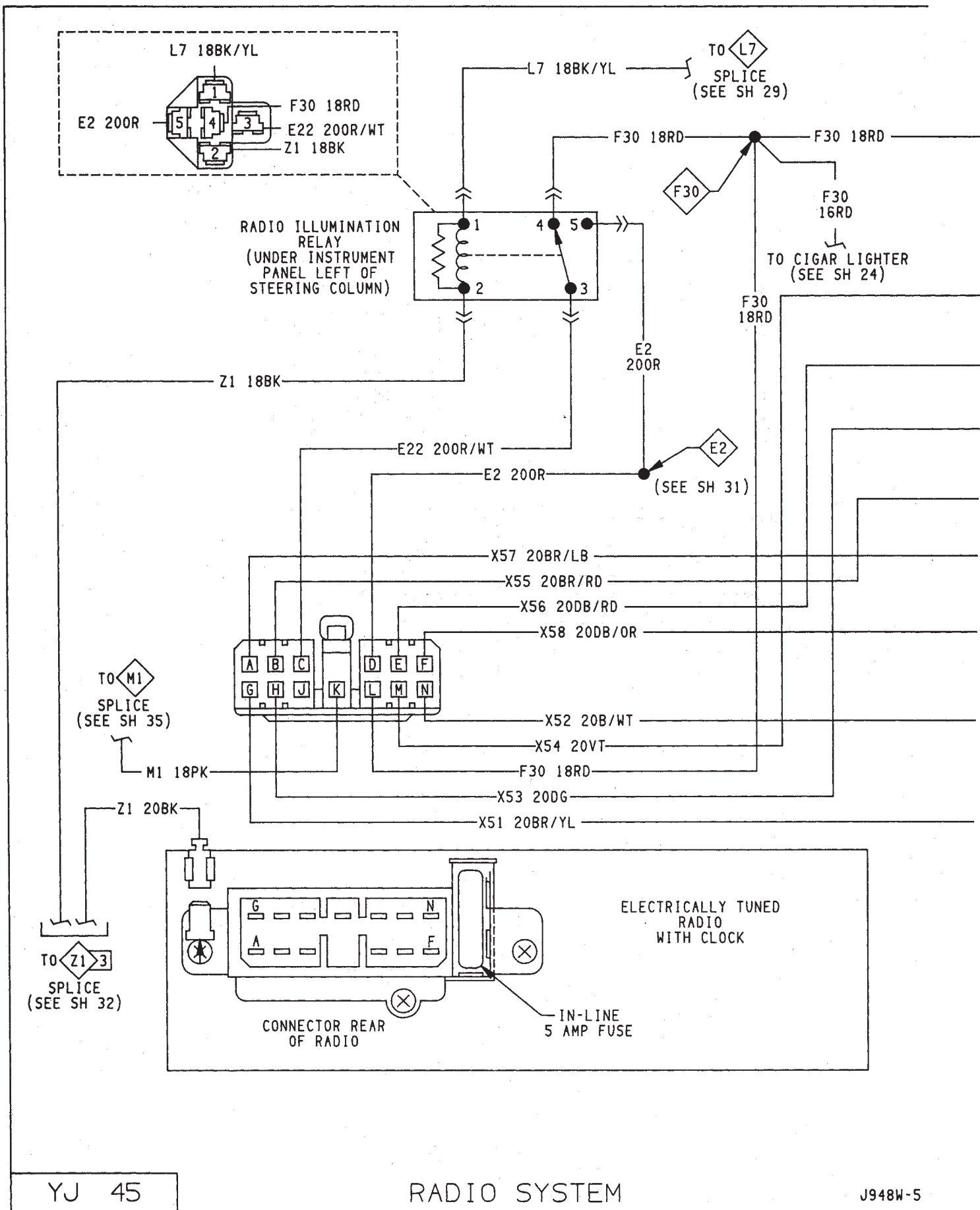


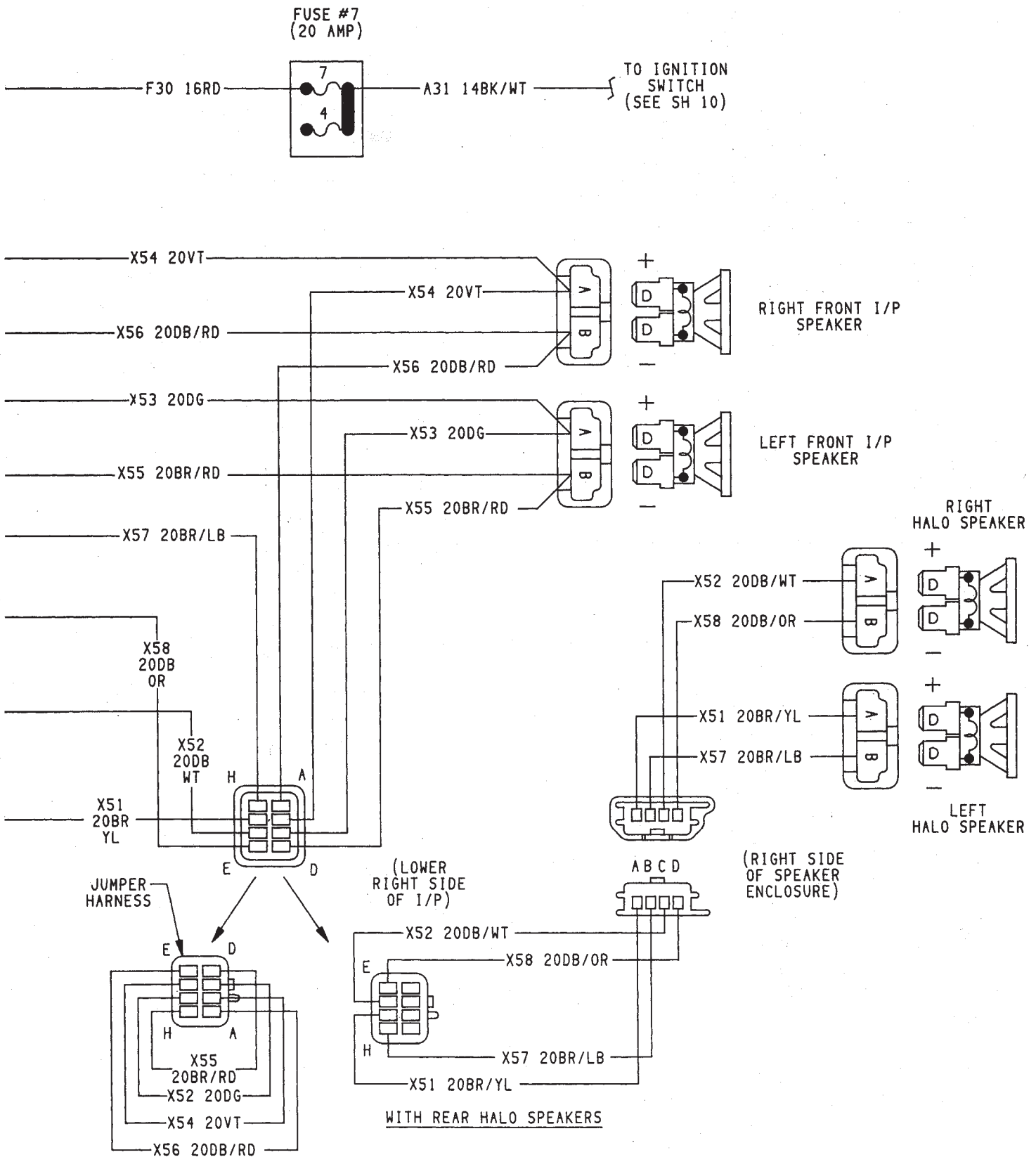






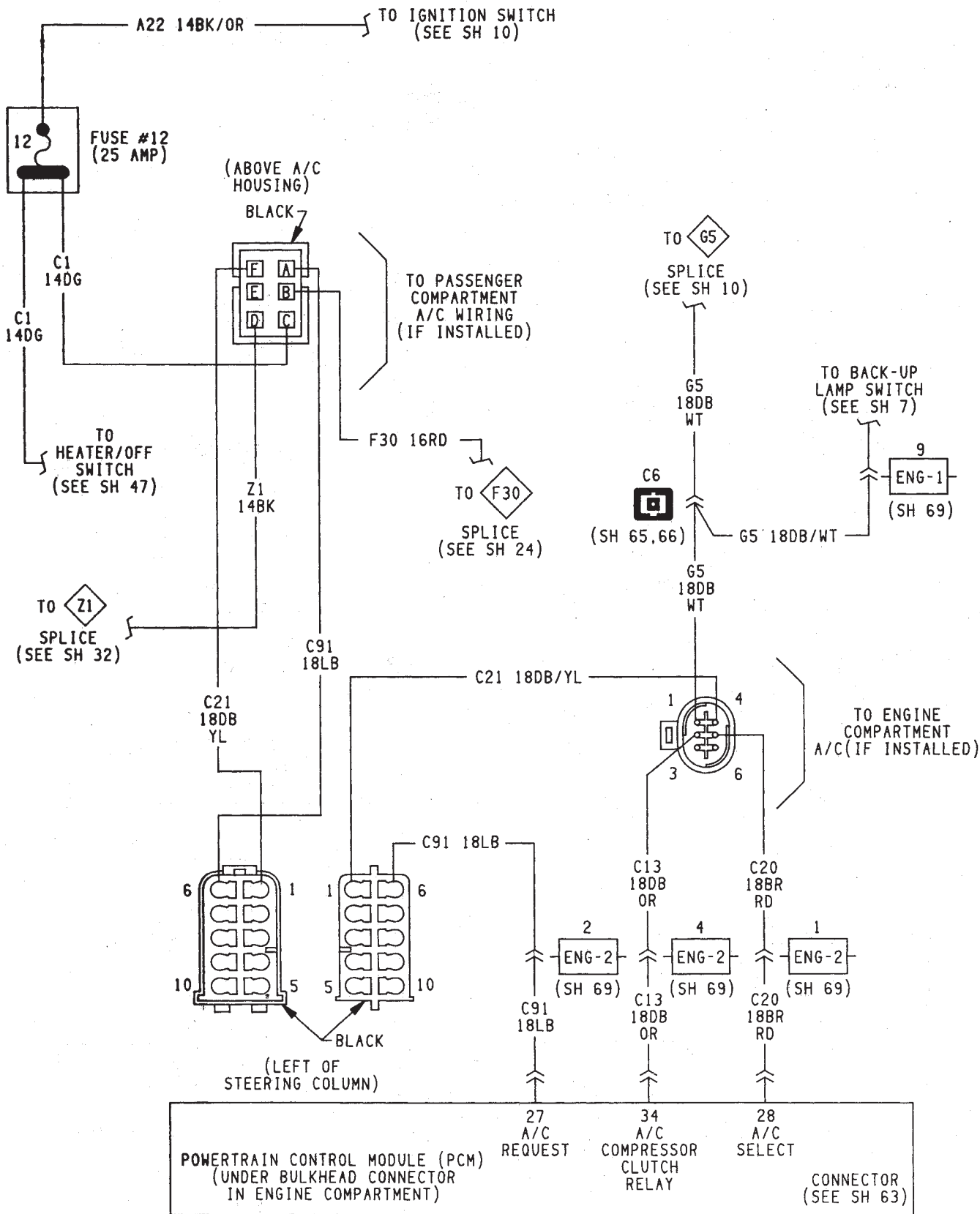
ELECTRICAL SCHEMATIC
OF GAUGE PACKAGE

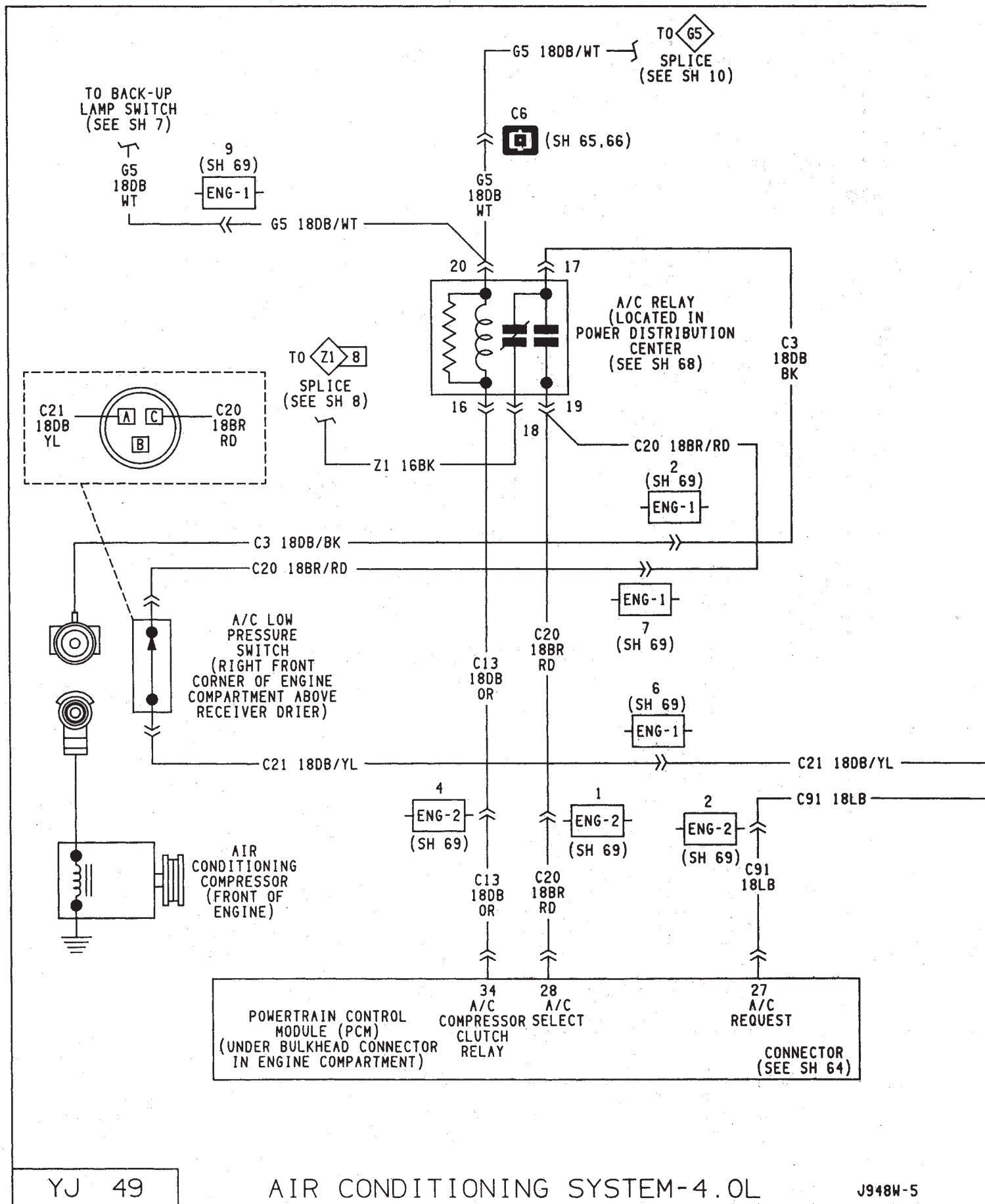


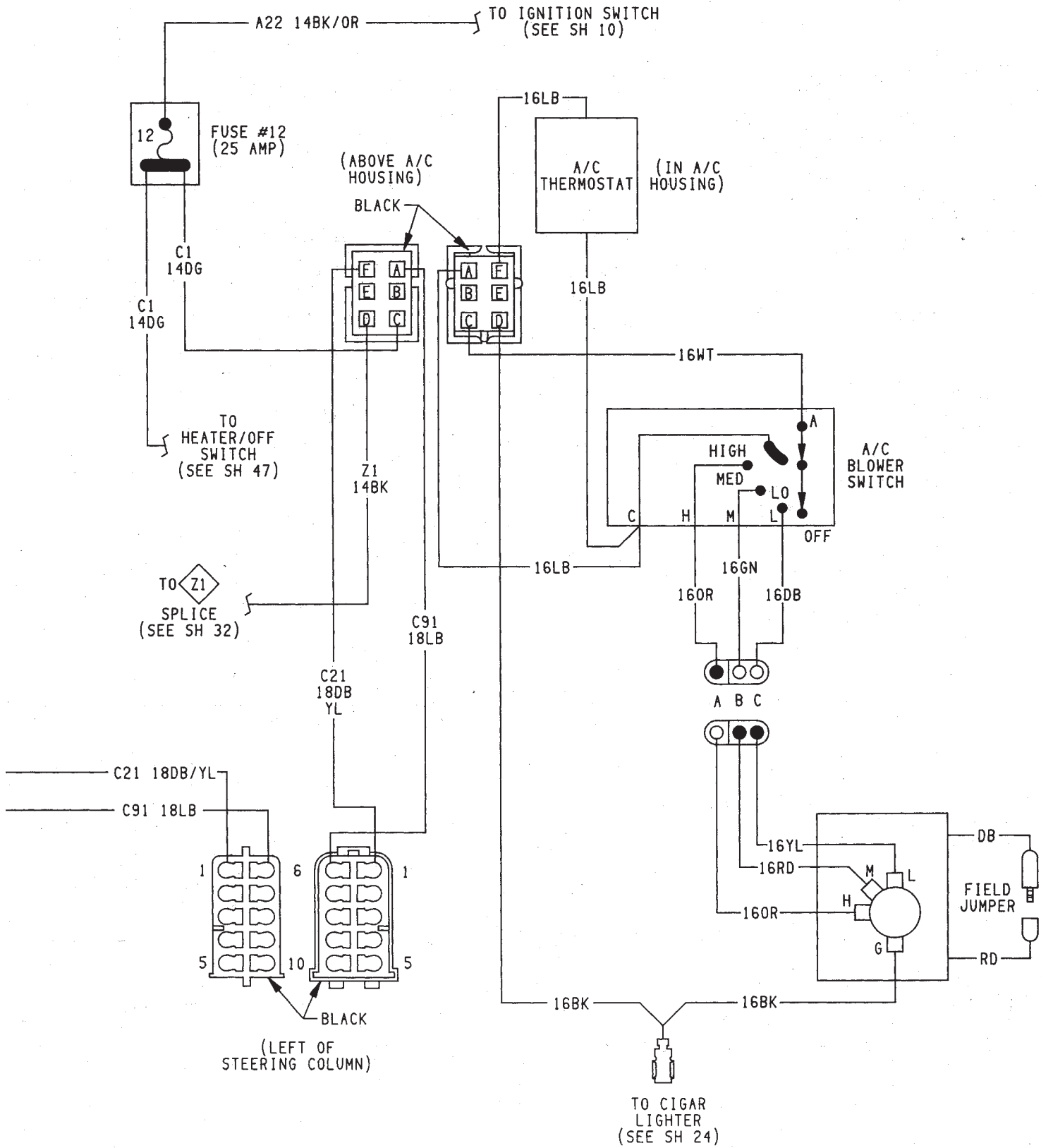


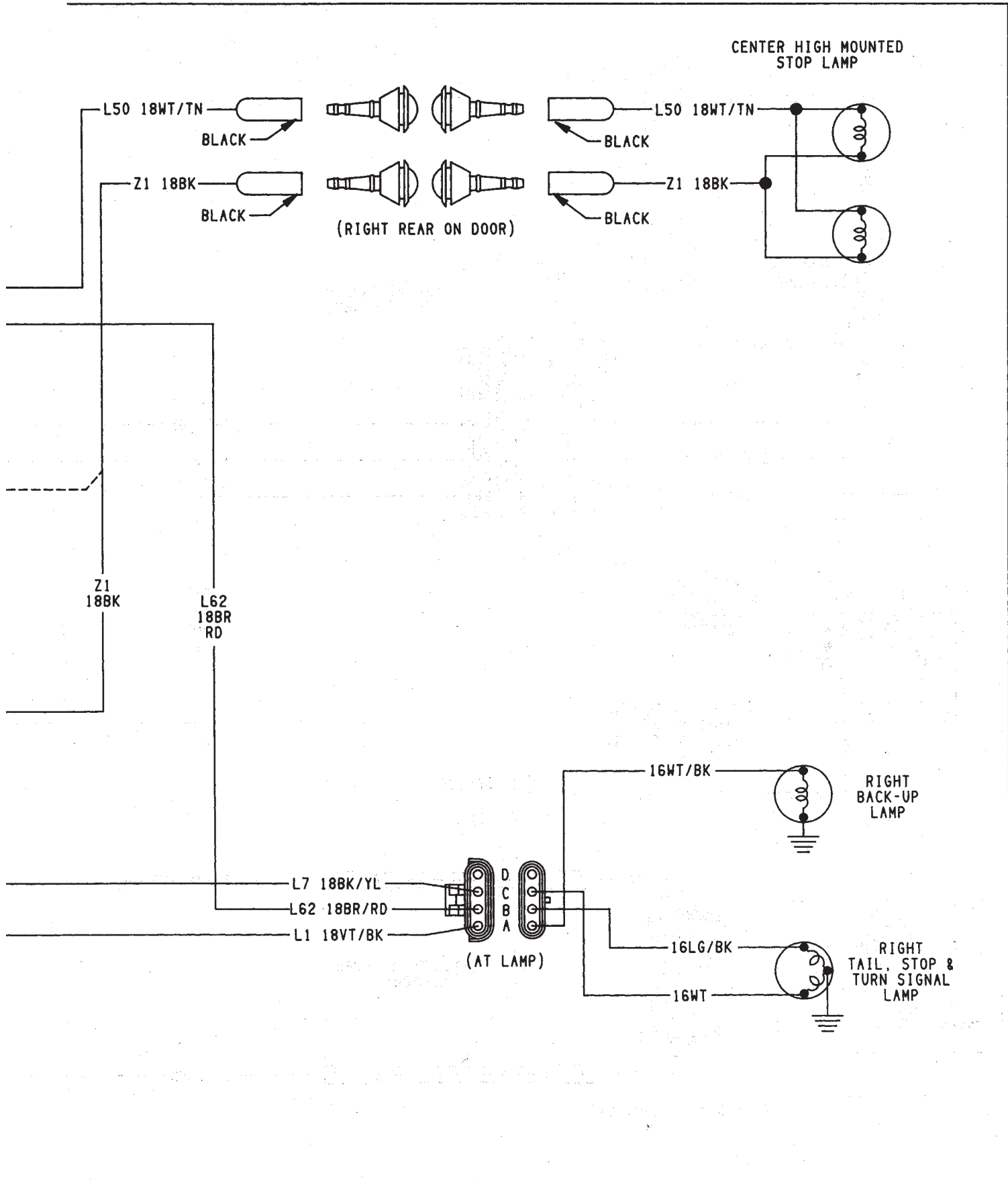
WITHOUT REAR HALO SPEAKERS

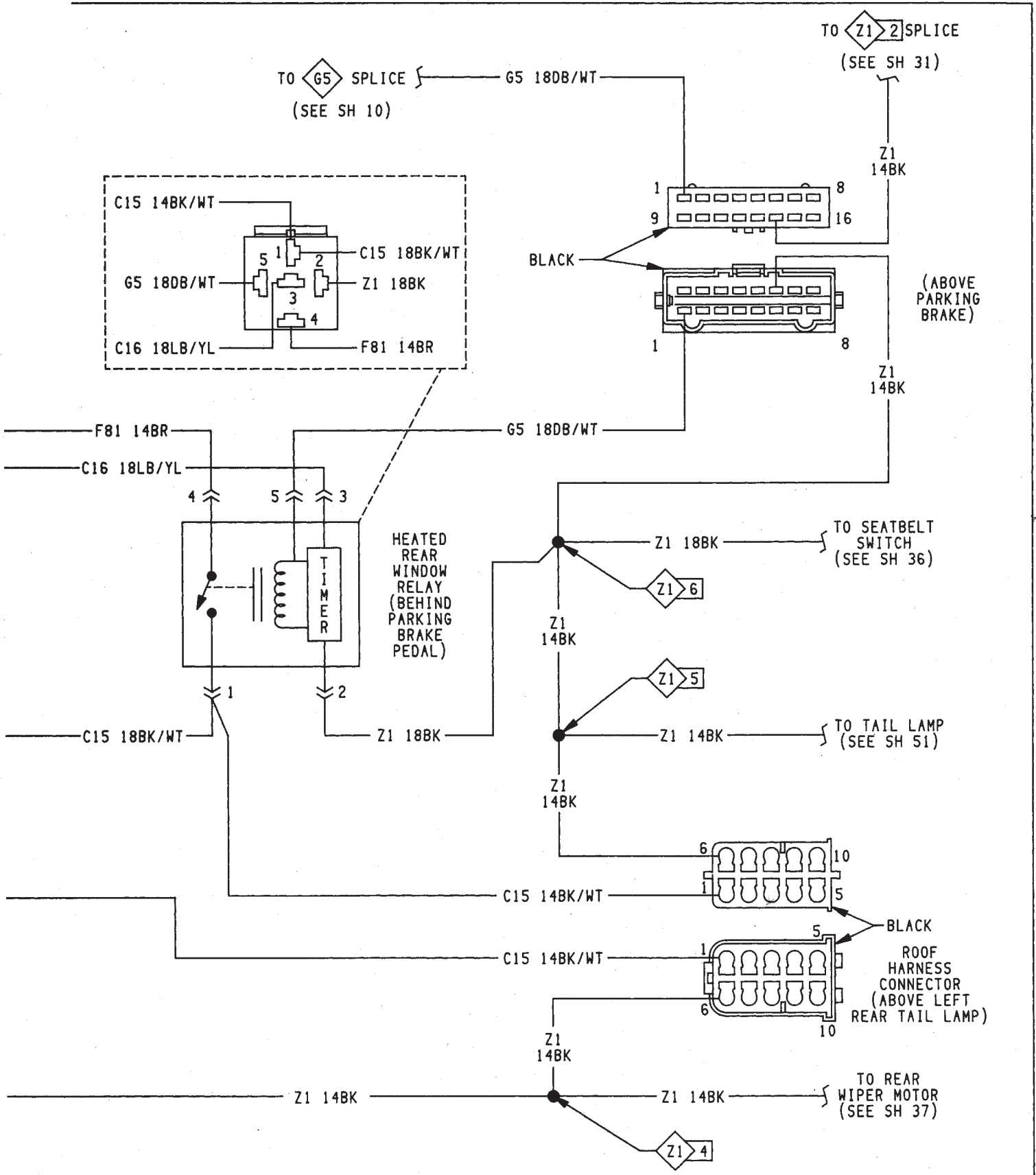
WITH REAR HALO SPEAKERS











TO Z1 7 SPLICE
(SEE SH 11.17)

Z1 16BK

ENGINE GROUND
(RIGHT REAR DASH PANEL)

TO TRANSMISSION WIRING
(SEE SH 7)

Z2 16BK OR

Z2 16BK/OR

Z2

4.0L ENGINE ONLY

Z2 16BK OR

4 ENG-1 (SH 69)

1

G4 18DB

G4 18DB

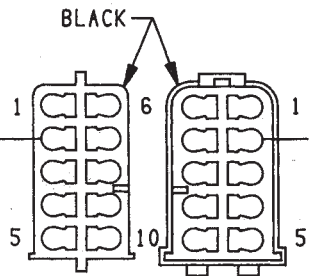
(LEFT SIDE OF STEERING COLUMN)

A141 16DG BK

3 ENG-1 (SH 69)

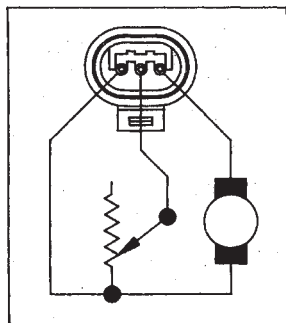
A141 16DG/BK

TO FUEL PUMP RELAY (SEE SH 11.17)

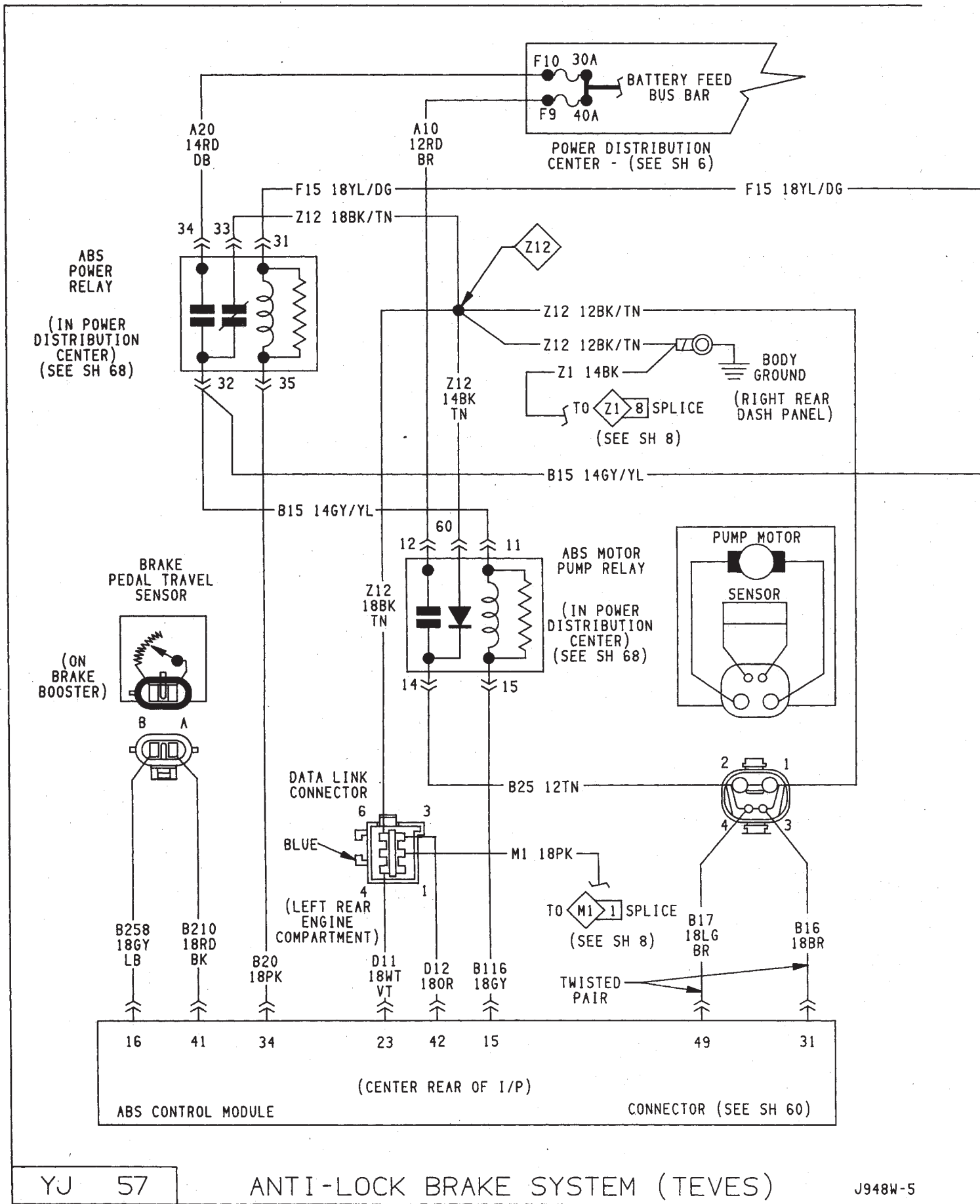


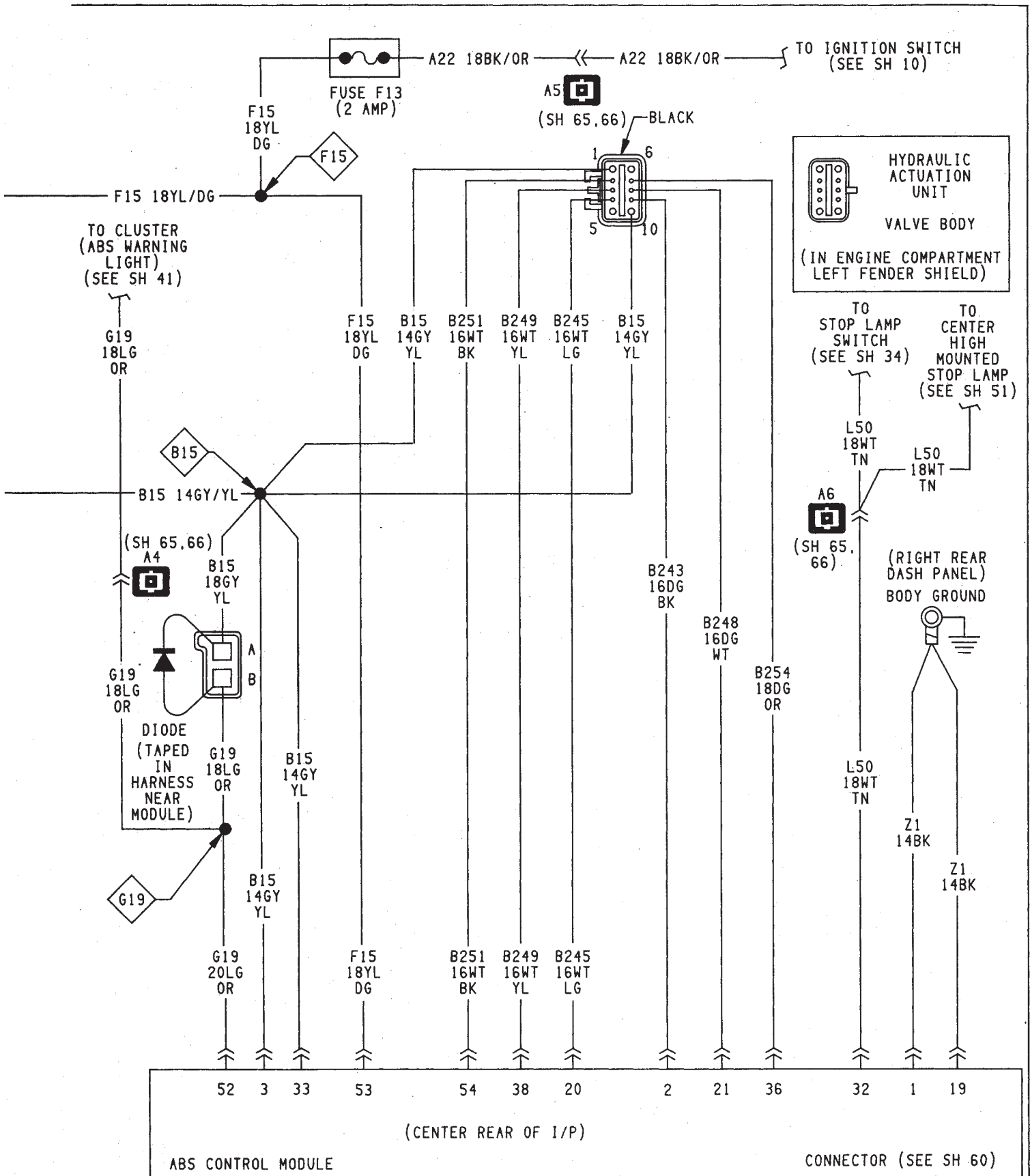
TO GAUGE PACKAGE FUEL GAUGE (SEE SH 43)

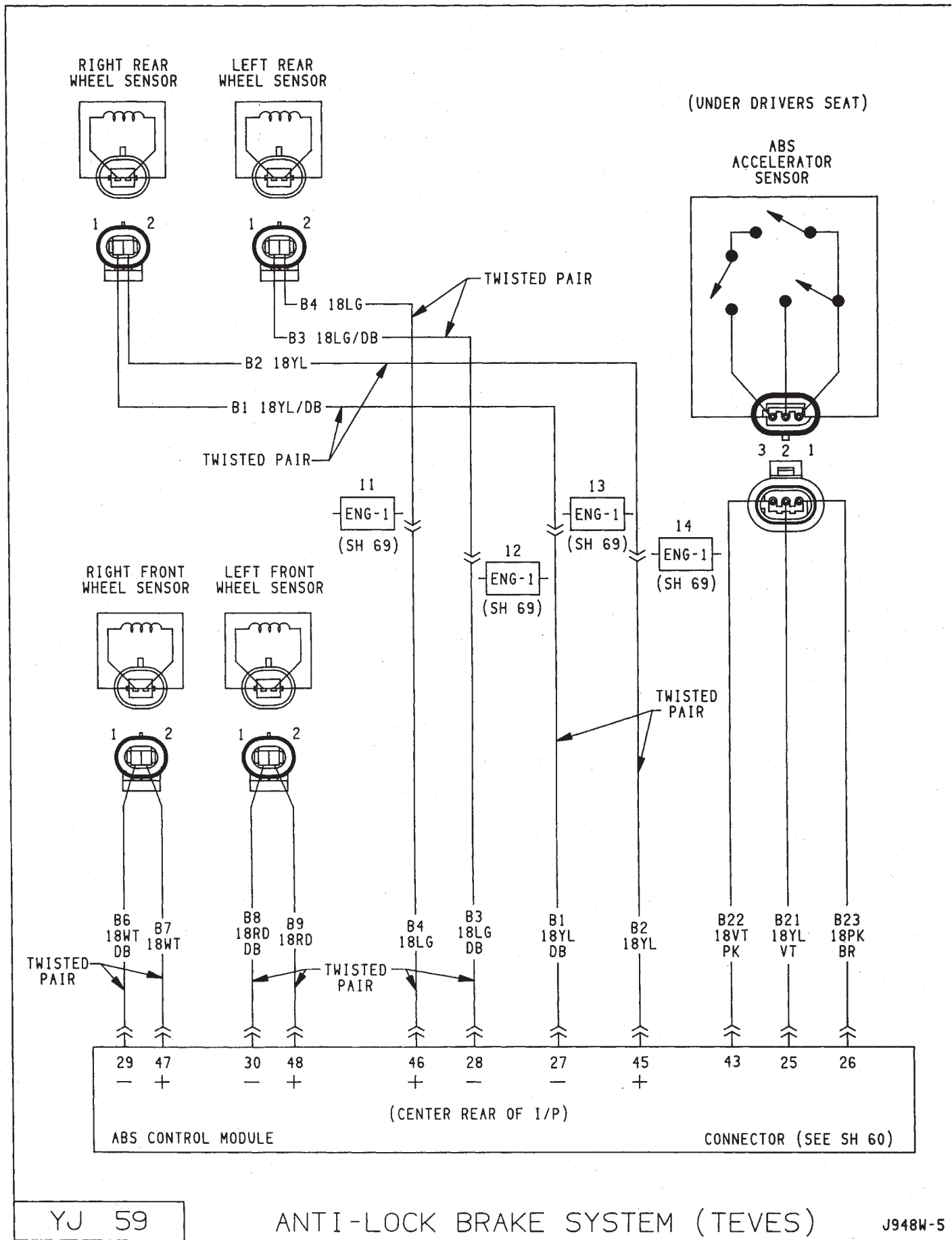
G4 20DB

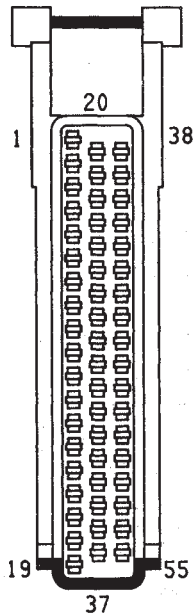


FUEL TANK SENDING UNIT AND FUEL PUMP (IN FUEL TANK)





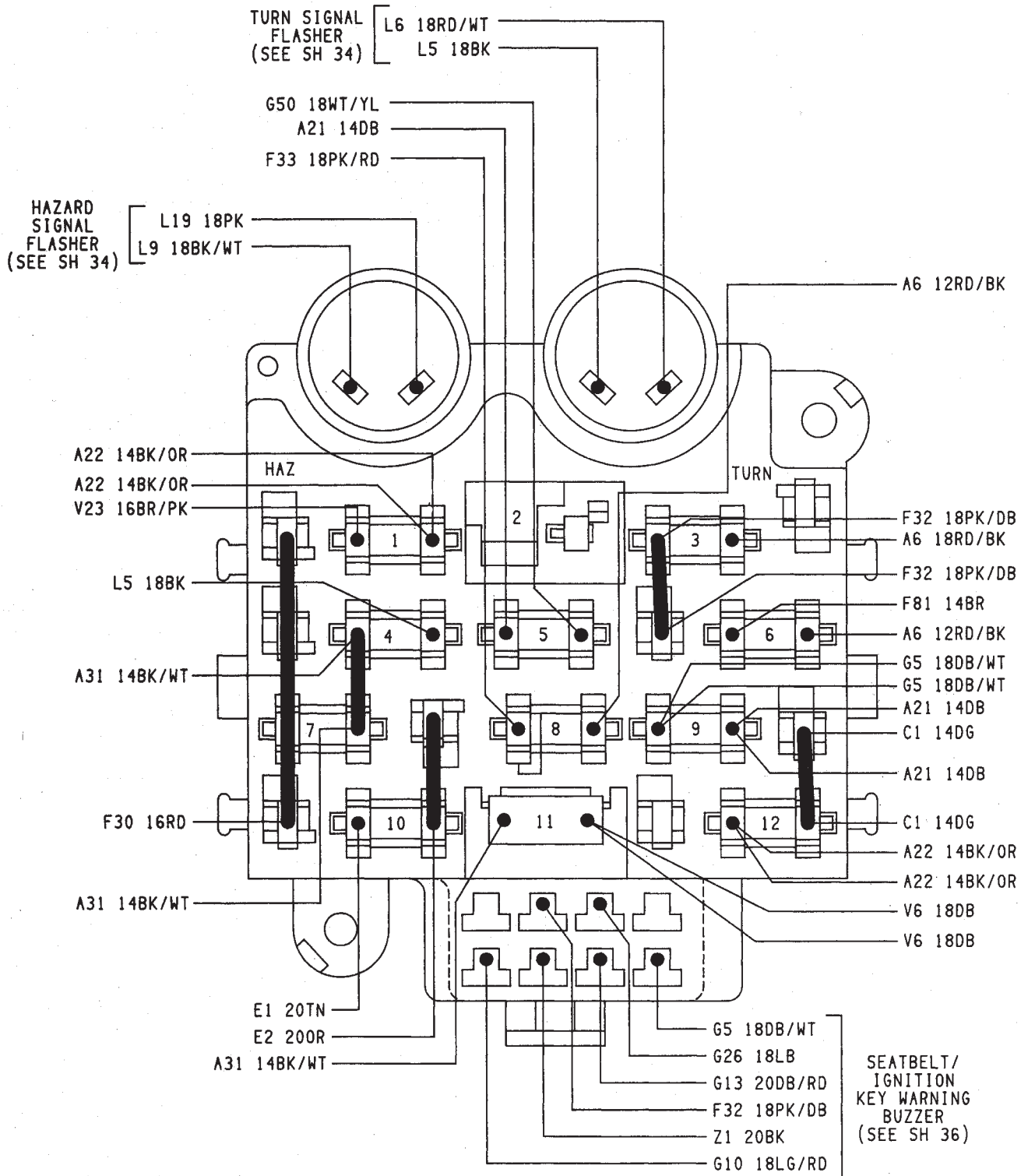


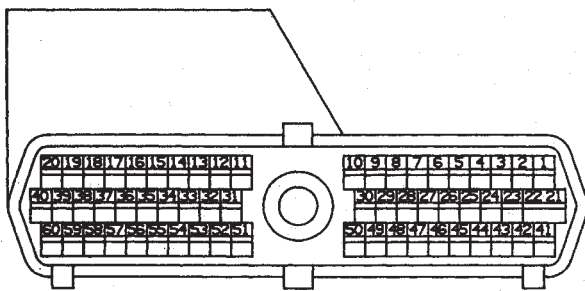


VIEWED FROM
TERMINAL END

CAV	IGNITION SYSTEM CIRCUITS	
1	Z1 14BK	GROUND
2	B243 16DG/BK	LEFT FRONT DECAY VALVE
3	B15 14GY/YL	POWER REFERENCE
4	—	—
5	—	—
6	—	—
7	—	—
8	—	—
9	—	—
10	—	—
11	—	—
12	—	—
13	—	—
14	—	—
15	B116 18GY	PUMP CONTROL
16	B258 18GY/LB	PEDAL TRAVEL SENSOR
17	—	—
18	—	—
19	Z1 14BK	GROUND
20	B245 16WT/LG	LEFT FRONT ISOLATE VALVE
21	B248 16DG/WT	RIGHT FRONT DECAY VALVE
22	—	—
23	D11 18WT/VT	DATA LINK - CCD BUS (+)
24	—	—
25	B21 18YL/VT	G SWITCH - 1 (ACCEL SENSOR)
26	B23 18PK/BR	SWITCH TEST SIGNAL
27	B1 18YL/DB	RIGHT REAR SENSOR (-)
28	B3 18LG/DB	LEFT REAR SENSOR (-)
29	B6 18WT/DB	RIGHT FRONT SENSOR (-)
30	B8 18RD/DB	LEFT FRONT SENSOR (-)
31	B16 18BR	MOTOR SENSOR (-)
32	L50 18WT/TN	BRAKE SIGNAL
33	B15 14GY/YL	SYSTEM POWER
34	B20 18PK	POWER CONTROL RELAY
35	—	—
36	B254 16DG/OR	REAR DECAY VALVE
37	—	—
38	B249 16WT/YL	RIGHT FRONT ISOLATE VALVE
39	—	—
40	—	—
41	B210 18RD/BK	PEDAL TRAVEL SENSOR GROUND
42	D12 18OR	DATA LINK - CCD BUS (-)
43	B22 18VT/PK	G SWITCH - 2 (ACCEL SENSOR)
44	—	—
45	B2 18YL	RIGHT REAR SENSOR (+)
46	B4 18LG	LEFT REAR SENSOR (+)
47	B7 18WT	RIGHT FRONT SENSOR (+)
48	B9 18RD	LEFT FRONT SENSOR (+)
49	B17 18LG/BR	MOTOR SENSOR (+)
50	—	—
51	—	—
52	G19 20LG/OR	WARNING LIGHT (YELLOW)
53	F15 18YL/OG	IGNITION 12V
54	B251 16WT/BK	REAR ISOLATE VALVE
55	—	—

FUSE NUMBER	AMPS	COLOR	DESCRIPTIONS	SHEET
1	20	YELLOW	REAR WIPERS	2,10,37
2	—	—	—	—
3	15	LT BLUE	STOP LAMPS & BUZZER	1,30,34,36
4	15	LT BLUE	TURN SIGNAL LAMPS	2,10,34
5	10	RED	A.S.D. & FUEL PUMP RELAYS	2,10,13,19
6	25	NATURAL	HEATED REAR WINDOW	1,30,53
7	20	YELLOW	CIGAR LIGHTER & ACC	2,10,24,46
8	20	YELLOW	RUNNING LIGHTS	1,29
9	15	LT BLUE	BUZZER, GAUGES & WARNING LIGHTS & RELAYS & BACKUP LAMPS	2,10,36
10	5	TAN	PANEL ILLUM. LAMPS	1,31
11	5.3 C/B	GOLD	FRONT WIPERS & WASHERS	2,10,38,39
12	25	NATURAL	HEATER & A/C	2,10,47,48,50

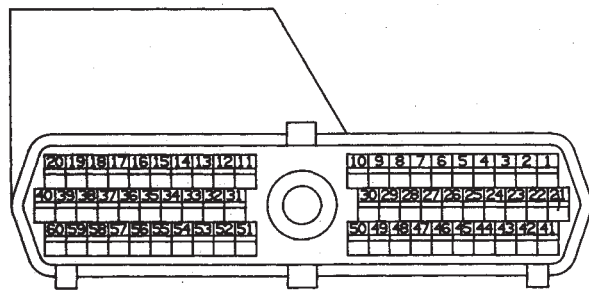




VIEWED FROM WIRE
END OF CONNECTOR

CAV	ECM SYSTEM CIRCUITS	
1	K1 20DG/RD	MAP SENSOR (+)
2	K2 18TN/BK	ENGINE COOLANT TEMP.SENSOR
3	A14 16RD/WT	BATTERY
4	K4 18BK/LB	SENSOR GROUND
5	Z11 16BK/WT	GROUND SENSOR FOR FUEL
6	K6 20VT/WT	SENSOR RETURN
7	K7 180R	VEHICLE SPEED SENSOR MAG(+)
8	—	—
9	G5 18DB/WT	IGNITION I-START AND RUN
10	K10 18DB/OR	POWER STEERING SENSOR FEED
11	Z1 16BK	GROUND
12	Z1 16BK	GROUND
13	K14 18LB/BR	INJECTOR NO.4
14	K13 18YL/WT	INJECTOR NO.3
15	K12 18TN	INJECTOR NO.2
16	K11 18WT/DB	INJECTOR NO.1
17	—	—
18	—	—
19	K19 18GY	IGNITION
20	K20 18DG	GENERATOR FIELD
21	K21 18BK/RD	INTAKE AIR TEMPERATURE SENSOR
22	K22 180R/DB	THROTTLE POSITION (SENSOR)
23	—	—
24	K24 18GY/BK	VEHICLE SPEED SENSOR MAG(-)
25	D21 20PK	DATA LINK (DATA-2)
26	—	—
27	C91 18LB	A/C REQUEST
28	C20 18BR	A/C SELECT
29	V40 18WT/PK	TCC FEED (BRAKE)
30	T41 18BR/YL	PARK/NEUTRAL POSITION(SWITCH)
31	—	—
32	G3 20BK/PK	MALFUNCTION INDICATOR LAMP
33	—	—
34	C13 18DB/OR	A/C COMPRESSOR CLUTCH RELAY
35	—	—
36	—	—
37	—	—
38	—	—
39	K39 18GY/RD	IDLE AIR CONTROL STEPPER
40	K40 18BR/WT	IDLE AIR CONTROL STEPPER
41	K41 18BK/DG	HEATED OXYGEN SENSOR
42	—	—
43	G21 20GY/LB	BUFFERED TACH SIGNAL
44	K44 18TN/YL	CAMSHAFT POSITION SENSOR SIGNAL
45	D20 20LG	DATA LINK (DATA-1)
46	—	—
47	G7 20WT/OR	VEHICLE SPEED SIGNAL
48	—	—
49	—	—
50	—	—
51	K51 18DB/YL	FUEL PUMP RELAY COIL
52	—	—
53	—	—
54	K54 200R/BK	UPSHIFT LAMP
55	—	—
56	—	—
57	A142 18VT/BK	ASD BATTERY SENSE
58	—	—
59	K59 18VT/BK	IDLE AIR CONTROL STEPPER
60	K60 18YL/BK	IDLE AIR CONTROL STEPPER

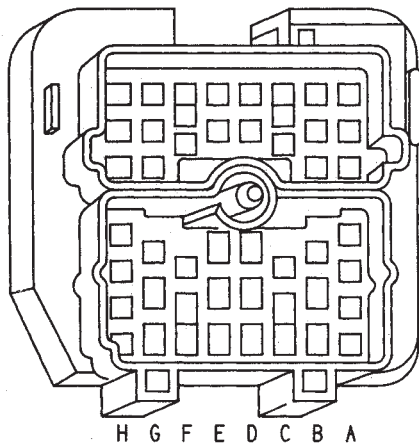
POWERTRAIN CONTROL MODULE CONNECTOR
(2.5L ENGINE)



VIEWED FROM WIRE
END OF CONNECTOR

CAV	ECM SYSTEM CIRCUITS	
1	K1 20DG/RD	MAP SENSOR (+)
2	K2 18TN/BK	ENGINE COOLANT TEMP.SENSOR
3	A14 16RD/WT	BATTERY
4	K4 18BK/LB	SENSOR GROUND
5	Z11 16BK/WT	GROUND SENSOR FOR FUEL
6	K6 20VT/WT	SENSOR RETURN
7	K7 18OR	VEHICLE SPEED SENSOR·MAG(+)
8	—	—
9	G5 18DB/WT	IGNITION I·START AND RUN
10	—	—
11	Z1 16BK	GROUND
12	Z1 16BK	GROUND
13	K14 18LB/BR	INJECTOR NO.4
14	K13 18YL/WT	INJECTOR NO.3
15	K12 18TN	INJECTOR NO.2
16	K11 18WT/DB	INJECTOR NO.1
17	—	—
18	—	—
19	K19 18GY	IGNITION
20	K20 18DG	GENERATOR FIELD
21	K21 18BK/RD	INTAKE AIR TEMPERATURE SENSOR
22	K22 18OR/DB	THROTTLE POSITION (SENSOR)
23	—	—
24	K24 18GY/BK	VEHICLE SPEED SENSOR MAG(—)
25	D21 20BK	DATA LINK (DATA·2)
26	—	—
27	C91 18LB	A/C REQUEST
28	C20 18BR	A/C SELECT
29	V40 18WT/PK	TCC FEED (BRAKE)
30	T41 18BR/YL	PARK/NEUTRAL POSITION(SWITCH)
31	—	—
32	G3 20BK/PK	MALFUNCTION INDICATOR LAMP
33	—	—
34	C13 18DB/OR	A/C COMPRESSOR CLUTCH RELAY
35	—	—
36	—	—
37	—	—
38	K15 18PK/BK	INJECTOR NO.5
39	K39 18GY/RD	IDLE AIR CONTROL STEPPER
40	K40 18BR/WT	IDLE AIR CONTROL STEPPER
41	K41 18BK/DG	HEATED OXYGEN SENSOR
42	—	—
43	G21 20GY/LB	BUFFERED TACH SIGNAL
44	K44 18TN/YL	CAMSHAFT POSITION SENSOR SIGNAL
45	D20 20LG	DATA LINK (DATA·1)
46	—	—
47	G7 20WT/OR	VEHICLE SPEED SIGNAL
48	—	—
49	—	—
50	—	—
51	K51 18DB/YL	FUEL PUMP RELAY COIL
52	—	—
53	—	—
54	K54 20OR/BK	UPSHIFT LAMP
55	—	—
56	—	—
57	A142 18DG/OR	ASD BATTERY SENSE
58	K16 18LG/BK	INJECTOR NO.6
59	K59 18VT/BK	IDLE AIR CONTROL STEPPER
60	K60 18YL/BK	IDLE AIR CONTROL STEPPER

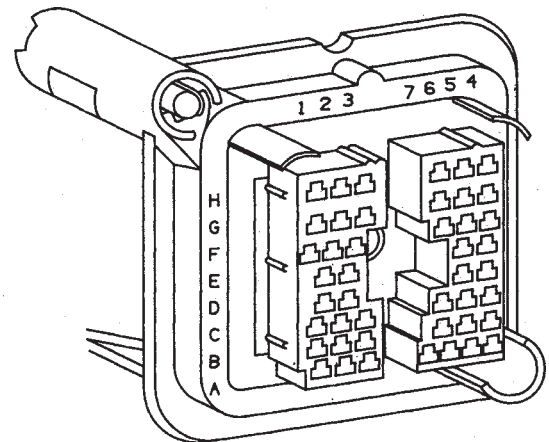
POWERTRAIN CONTROL MODULE CONNECTOR
(4.0L ENGINE)



ENGINE COMPARTMENT

CAV	ENGINE COMPARTMENT CIRCUITS		SHEET
A1	L7 18BK/YL	PARKING LAMPS	26,28,30
A2	V20 18BR/WT	REAR WASHER PUMP	37
A3	L60 18TN	RIGHT TURN SIGNAL LAMPS	25,27,34
A4	G19 20LG/BR	ABS WARNING LIGHT	58
A5	A22 18BK/OR	IGNITION FEED (RUN ONLY)	58
A6	L50 18WT/TN	STOP LAMP	51,58
A7	G9 20GY/BK	BRAKE WARNING SWITCH	9
B1	L20 16LG/WT	DAYTIME RUNNING LAMPS	28,29
B2	G5 18DB/WT	DAYTIME RUNNING LAMPS	28
B3	—	—	—
B4	G7 18WT/OR	VEHICLE SPEED SIGNAL	12,18
B5	Z1 14BK	GROUND	8,31
B6	G11 20WT/BK	BRAKE BULB CHECK	9
C1	G7 18WT/OR	VEHICLE SPEED SENSOR	12,18,28
C2	L61 18LG	LEFT TURN SIGNAL LAMPS	25,27,34
C3	—	—	—
C4	—	—	—
C5	G3 20BK/PK	MALFUNCTION INDICATOR LAMP GROUND	16,22
C6	G5 18DB/WT	BACKUP LAMP SWITCH & A/C RELAY	7,48,49
D1	L39 16LB	FOG LAMP FEED	26,28,30
D2	—	—	—
D4	L9 18BK/WT	HAZARD FLASHER FEED	4,6
D5	G50 18WT/YL	IGNITION I-START AND RUN	10,13,19
E1	L3 16RD/OR	HIGH BEAM HEADLAMPS	25,27,29
E1	G34 18RD/GY	HIGH BEAM INDIC LP W/O DRL	25
E2	G34 18RD/GY	HIGH BEAM INDIC LP W/O DRL	26
E2	G34 18RD/GY	HIGH BEAM INDIC LP WITH DRL	28
E4	A3 12RD/OR	HEADLAMP SWITCH FEED	4,6,29
E5	—	—	—
F1	—	—	—
F2	—	—	—
F3	V10 18BR	WINDSHIELD WASHER PUMP FEED	38,39
F4	—	—	—
F5	—	—	—
(2) F6	K54 200R/BK	UPSHIFT SWITCH AND EMCC RELAY	13,19,56
G1	—	—	—
G2	—	—	—
G3	X2 18DG/RD	HORN	33
G4	A6 12RD/BK	FUSEBLOCK FEED	4,6,30
G5	A41 18YL	STARTER RELAY-CRANK	7
G6	X2 18DG/RD	HORN RELAY	33
H1	L4 16VT/WT	LOW BEAM HEADLAMPS	25,27,29
H2	—	—	—
H3	—	—	—
H4	M1 18PK	I.O.D. BATTERY FEED	8,35
H5	V40 18WT/PK	STOP LAMP SWITCH	16,22,34
H6	G21 20GY/LB	TACHOMETER SIGNAL	16,22

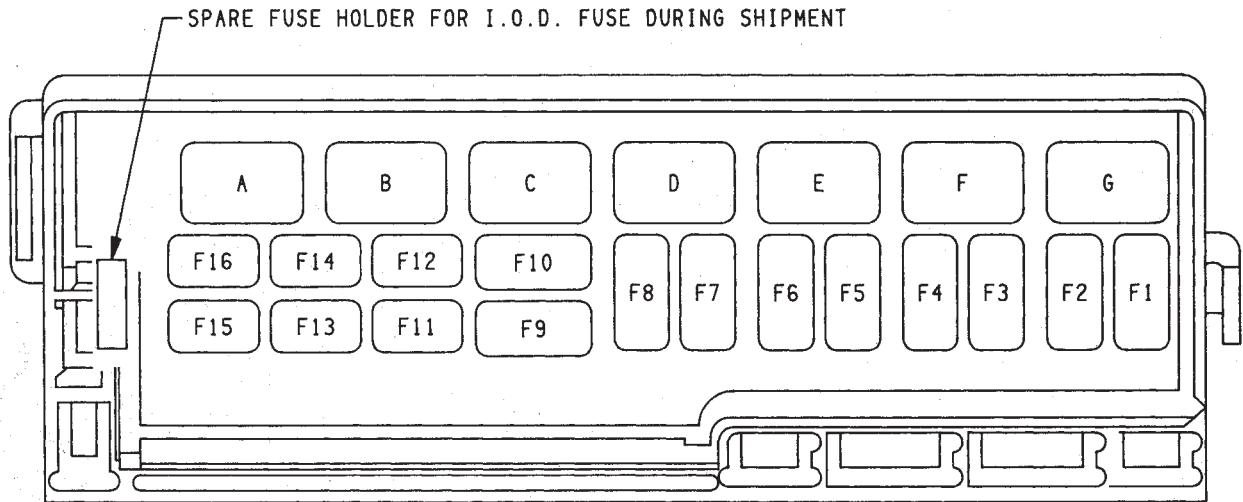
CAV	INSTRUMENT PANEL CIRCUITS	
A1	L7 18BK/YL	PARKING LAMPS FEED
A2	V20 18BR/WT	REAR WASHER PUMP (HARD TOP)
A3	L60 18TN	RIGHT TURN SIGNAL LAMPS
A4	G19 20LG/OR	ABS WARNING LIGHT
A5	A22 14BK/OR	IGNITION FEED (RUN ONLY)
A6	L50 18WT/TN	STOP LAMP FEED
A7	G9 20GY/BK	BRAKE WARNING INDICATOR LAMP
B1	L20 16LG/WT	HEADLAMP DIMMER SWITCH
B2	G5 18DB/WT	SPLICE (FUSE BLOCK)
B3	—	—
(2) B4	G7 20WT/OR	VEHICLE SPEED SENSOR SIGNAL
B5	Z1 14BK	GROUND
B6	G11 20WT/BK	BRAKE WARNING SWITCH
(2) C1	G7 20WT/OR	VEHICLE SPEED SENSOR SIGNAL
C2	L61 18LG	LEFT TURN SIGNAL LAMPS
C3	—	—
C4	—	—
C5	G3 20BK/PK	MALFUNCTION INDICATOR LAMP GROUND
C6	G5 18DB/WT	BACK-UP LAMP SWITCH & A/C RELAY
D1	L39 16LB	FOG LAMPS
D2	—	—
D4	L9 18BK/WT	HAZARD FLASHER FEED
D5	G50 18WT/YL	IGNITION I-START AND RUN
E1	L3 16RD/OR	DIMMER SWITCH-HIGH BEAM
E2	G34 18RD/GY	HIGH BEAM INDICATOR LAMP
E4	A3 12RD/OR	HEADLAMP SWITCH
E5	—	—
F1	—	—
F2	—	—
F3	V10 18BR	WINDSHIELD WASHER PUMP FEED
F4	—	—
F5	—	—
F6	K54 20OR/BK	UPSHIFT INDICATOR
G1	—	—
G2	—	—
G3	X2 18DG/RD	HORN
G4	A6 12RD/BK	FUSEBLOCK FEED
G5	A41 18YL	IGNITION SWITCH-START
G6	X2 18DG/RD	HORN RELAY
H1	L4 16VT/WT	DIMMER SWITCH-LOW BEAM
H2	—	—
H3	—	—
H4	M1 18PK	I.O.D. BATTERY FEED
H5	V40 18WT/PK	STOP LAMP SWITCH
H6	G21 20GY/LB	TACHOMETER SIGNAL



INSTRUMENT PANEL

(2) INDICATES-2 WIRES IN CAVITY

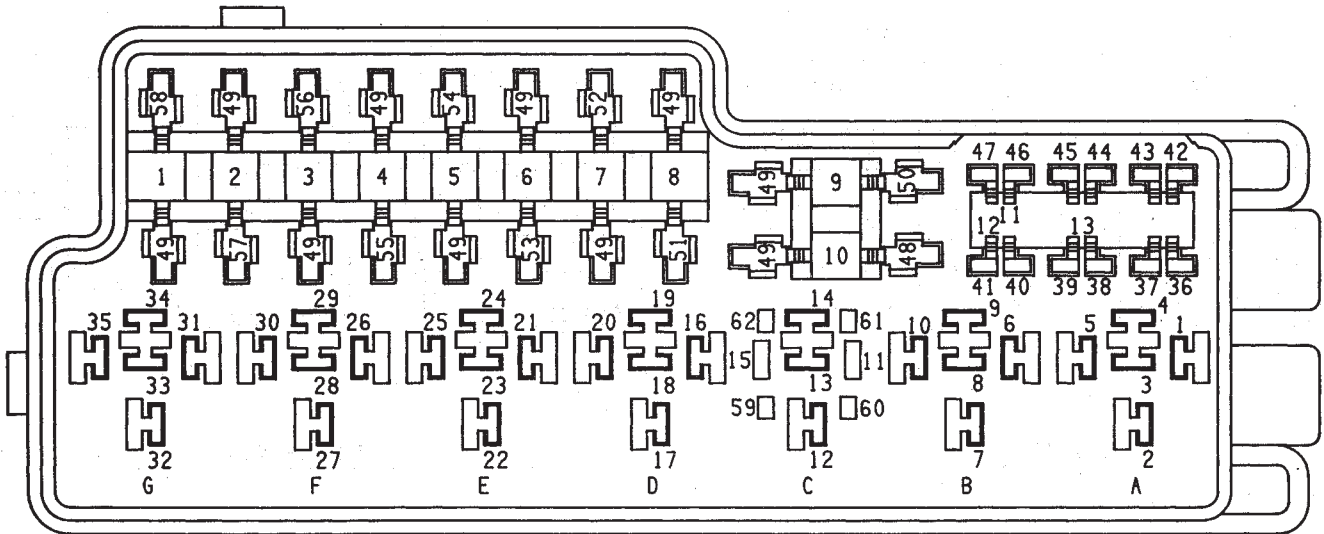
RELAY	DESCRIPTION
A	HORN RELAY
B	FUEL PUMP RELAY
C	ABS PUMP RELAY
D	A/C COMPRESSOR CLUTCH RELAY
E	AUTOMATIC SHUT DOWN RELAY
F	ENGINE STARTER RELAY
G	ABS POWER RELAY



FUSE	AMPS	COLOR	DESCRIPTION	TYPE
F1	30A	GREEN	FUEL PUMP & AUTOMATIC SHUT DOWN	MAXI FUSE
F2	50A	RED	CHARGING CIRCUIT	
F3	50A	RED	BATTERY ACC FEED	
F4	40A	AMBER	IGNITION & ENGINE STARTER FEED	
F5	20A	YELLOW	HAZARD FLASHER FEED	
F6	50A	RED	CHARGING CIRCUIT	
F7	30A	GREEN	HEADLAMP FEED	
F8	20A	YELLOW	I.O.D. & HORN FEED	
F9	40A	AMBER	ABS PUMP RELAY	
F10	30A	GREEN	ABS POWER RELAY	
F11				MINI FUSE
F12				
F13	2A	GRAY	ABS CONTROL MODULE	
F14				
F15	10A	RED	HORN / HORN RELAY	
F16	10A	RED	I.O.D. CIRCUITS	

YJ 67

POWER DISTRIBUTION CENTER IDENTIFICATION COVER



VIEWED FROM TERMINAL SIDE
(LOCATED ON RIGHT SIDE OF ENGINE COMPARTMENT)

A	HORN RELAY	
CAV	CIRCUIT	
1	X3	18BK/RD
2	F31	18VT
4	X2	18DG/RD
5	F31	18VT
	F31	18VT

(SEE SH 33)

B	FUEL PUMP RELAY	
CAV	CIRCUIT	
6	G50	18WT/YL
7	A14	16RD/WT
	A14	16RD/WT
9	A141	16DG/BK
10	K51	18DB/YL
	K51	18DB/YL

(SEE SH 11,17)

C	ABS PUMP RELAY	
CAV	CIRCUIT	
11	B15	18GY/YL
12	A10	12RD/BR
14	B25	12TN
15	B116	18GY
60	Z12	18BK/TN

(SEE SH 57)

D	A/C COMPRESSOR CLUTCH RELAY	
CAV	CIRCUIT	
16	C13	18DB/OR
17	C3	16DB/BK
18	Z1	16BK
19	C20	18BR/RD
	C20	18BR/RD
20	G5	18DB/WT
	G5	18DB/WT

(SEE SH 49)

E	AUTOMATIC SHUT DOWN	
CAV	CIRCUIT	
21	G50	18WT/YL
22	A14	16RD/WT
	A14	16RD/WT
24	A142	18DG/OR
25	K51	18DB/YL

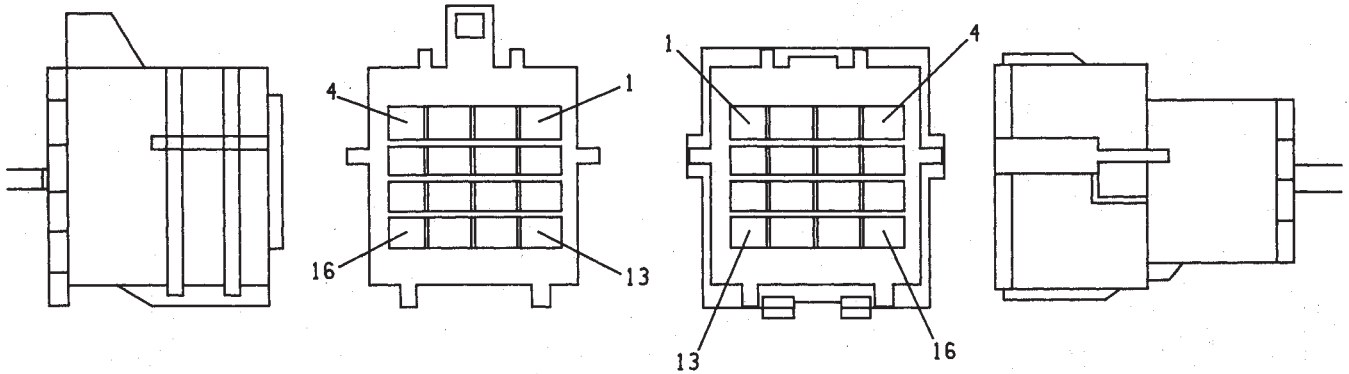
(SEE SH 11,17)

F	ENGINE STARTER RELAY	
CAV	CIRCUIT	
26	A41	18YL
27	A1	12RD
29	T40	14BR
30	T41	18BR/YL
	T41	18BR/YL

(SEE SH 7)

G	ABS POWER RELAY	
CAV	CIRCUIT	
31	F15	18YL/DG
32	B15	14GY/YL
	B15	18GY/YL
33	Z12	18BK/TN
34	A20	14RD/DB
35	B20	18PK

(SEE SH 57)



ENGINE WIRING

HEADLAMP & DASH WIRING

	4.0L ENGINE	2.5L ENGINE
CAV	CIRCUIT INFO	CIRCUIT INFO
1	C20 18BR/RD	C20 18BR/RD
2	C91 18LB	C91 18LB
3	A14 16RD/WT	A14 16RD/WT
4	C13 18DB/OR	C13 18DB/OR
5	G3 20BK/PK	G3 20BK/PK
6	G50 18WT/YL	G50 18WT/YL
7	G20 18VT/YL	G20 18VT/YL
8	T41 18BR/YL	T41 18BR/YL
9	V40 18WT/PK	V40 18WT/PK
10	K51 18DB/YL	K51 18DB/YL
11	K54 200R/BK	K54 200R/BK
12	G21 20GY/LB	G21 20GY/LB
13	T22 16DB/TN	T22 16DB/TN
14	G7 18WT/OR	G7 18WT/OR
15	K4 18BK/LB	K4 18BK/LB
16		K7 180R

	4.0L ENGINE	2.5L ENGINE
CAV	CIRCUIT INFO	CIRCUIT INFO
1	T40 14BR	T40 14BR
2	C3 18DB/BK	
3	A141 16DG/BK	A141 16DG/BK
4	G4 18DB	G4 18DB
5	A142 18DG/OR	A142 18DG/OR
6	C21 18DB/YL	G7 18WT/OR
7	C20 18BR/RD	
8	L1 18VT	L1 18VT
9	G5 18DB/WT	G5 18DB/WT
10	T41 18BR/YL	T41 18BR/YL
11	B4 18LG	K7 180R
12	B3 18LG/DB	
13	B1 18YL/DB	
14	B2 18YL	
15	G60 18GY/YL	G60 18GY/YL
16	K4 18BK/LB	K4 18BK/LB

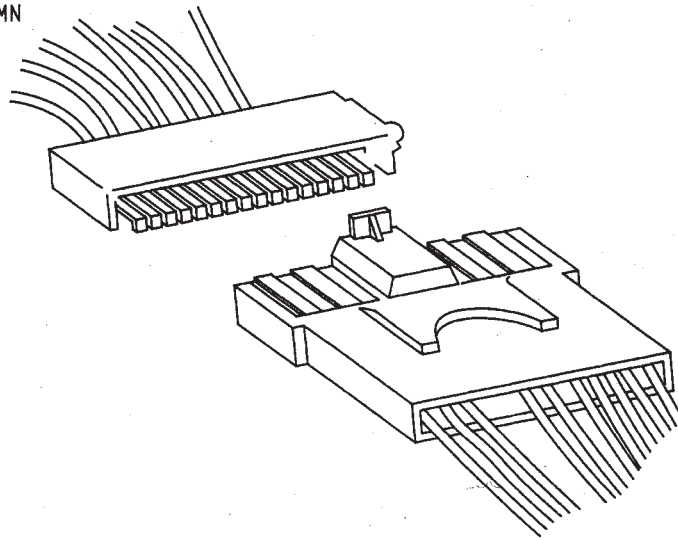
ENG-2

CONNECTOR LOCATED LEFT SIDE - NEAR BULKHEAD

ENG-1

CONNECTOR LOCATED RIGHT SIDE - NEAR ALTERNATOR

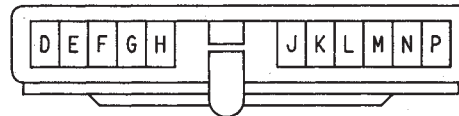
STEERING COLUMN
WIRING



INSTRUMENT PANEL
WIRING



STRG
COLUMN



CAV	TURN SIGNAL SWITCH CIRCUITS		SHEET
P	L50 18WT/TN	STOP LAMPS	34
N	L62 18BR/RD	RIGHT TURN-REAR	34
M	L63 18DG/RD	LEFT TURN-REAR	34
L	L6 18RD/WT	TURN SIGNAL FLASHER	34
K	L19 18PK	HAZARD FLASHER	34
J	L60 18TN	RIGHT TURN-FRONT/INDICATOR	34
J	L60 18TN	RIGHT TURN-FRONT/INDICATOR	34
H	L61 18LG	LEFT TURN-FRONT/INDICATOR	34
H	L61 18LG	LEFT TURN-FRONT/INDICATOR	34
G	X3 18BK/RD	HORN SWITCH	33
F	G26 18LB	IGNITION KEY WARNING SWITCH	36
E	G16 18BK/LB	IGNITION KEY WARNING SWITCH	36
D	E2 200R	TRANSMISSION RANGE ILLUMINATION	32

WIRING DIAGRAMS XJ

INDEX

<u>Wiring Diagram Name</u>	<u>Sheet Number</u>	<u>Wiring Diagram Name</u>	<u>Sheet Number</u>
A/C Compressor Clutch Relay	.3,69	Charging System 4.0L	.6
A/C Compressor Clutch	.69	Generator	.6
A/C Heater Blower Motor	.70	Chime Module	.74
A/C Low Pressure Switch	.69	Ignition Key Warning Switch	.74
A/C Mode Select Switch	.70	Seat Belt Switch	.74
A/C Thermostat	.69	Cigar Lighter	.37
ABS Diode	.33	Cigar Lighter Lamp	.48
ABS Green Indicator Lamp	.57	Circuit Breakers	
ABS Hydraulic Actuation Unit	.33	In Line Circuit Breaker	.2
ABS #1 Relay	.3,31	Trailer Tow In-Line Circuit Breaker	.97
ABS #2 Relay	.3,31	Windshield Wiper Circuit Breaker	.63,64
ABS Pump Motor	.30	Connectors	
ABS Red Indicator Lamp	.57	Anti-Lock Brake Control Module Connector	.109
Ambient Temperature Sensor	.53	Data Link Connector	.16,18,25,32
Antenna	.71	Instrument Cluster Connector	.55,108
Antenna Mast	.71	Main Body Connectors	.112
Anti-Lock Brake Control Module Connector	.109	Power Mirror Connector	.110
Anti-Lock Braking System	.29,30,31,32,33	Powertrain Control Module Connector	.111
ABS Diode	.33	Remote Keyless Entry Module Connector	.114
ABS Relays	.31	Steering Column Connector	.106
Anti-Lock Pump Motor	.30	Telltale Connector	.56,107
Anti-Lock Brake System Module	.29,30,31,32,33	Trailer Tow Connector	.93
Data Link Connector	.32	Transmission Control Module Connector	.105
G Sensor	.30	Cooling Fan Relay	.3,23
Hydraulic Actuation Unit	.33	Courtesy Lamp	.49
Left Front Wheel Sensor	.29	Crankshaft Position Sensor	.11,20
Left Rear Wheel Sensor	.29	Data Link Connector	.16,18,25,32
Pedal Travel Sensor	.30	Daytime Running Lamp Module (DRL)	.38
Right Front Wheel Sensor	.29	Daytime Running Lamp System	.38
Right Rear Wheel Sensor	.29	Diode,ABS	.33
Anti-Lock Brake System Module	.29,30,31,32,33	Distributor Ignition Coil	.16,18
Anti-Lock Pump Motor	.30	Dome Lamp	.51
Anti-Lock Relay	.31	Dome And Courtesy Lamps	.49,50,51
Ashtray Lamp	.48	Cargo Lamp	.50
Automatic Shut Down Relay	.3,12,17	Dome Lamp	.51
Automatic Transmission Control System (2.5L)	.27	Dome/Reading Lamp	.51
Front Axle Lock-Up Switch	.27	Glove Box Lamp	.49
EMCC Relay	.27	Left Courtesy Lamp	.49
EMCC Solenoid	.27	Reading Lamp	.51
Back-Up Lamp Switch	.25	Right Courtesy Lamp	.49
Ballast Resistor	.89	Vanity Lamps	.51
Battery	.1,7,8	Dome Reading Lamp	.51
Blower Motor	.68,70	Door Jamb Switch System	.75,76
Blower Resistors	.68,70	Left Front Door Jamb Switch	.75
Blower Switch	.68,70	Left Rear Door Jamb Switch	.75
Body Ground	.44	Liftgate Switch	.76
Brake Warning Switch	.67	Right Front Door Jamb Switch	.76
Bulkhead Disconnect	.101,102,103,104	Right Rear Door Jamb Switch	.76
Camshaft Position Sensor	.11,20	EMCC Relay	.3,27
Cargo Lamp	.50	EMCC Solenoid	.27
Center High Mounted Stop Lamp	.98	Engine Block Coolant Heater/Cigar Lighter	.37
Charging System 2.5L	.5	Cigar Lighter	.37
Generator	.5	Engine Block Coolant Heater	.37

Wiring Diagram Name	Sheet Number
Engine Block Heater	.37
Wall Plug	.37
Engine Coolant Temperature Sending Unit	.24
Engine Coolant Temperature Sensor	.14,19
Engine Coolant Temperature Switch	.24
Engine Oil Pressure and Temperature System	.24
Engine Coolant Temperature Switch	.24
Engine Oil Pressure Sending Unit	.24
Engine Oil Pressure Switch	.24
Engine Starter Motor	.7,8
Engine Starter Relay	.3,7,8
Engine Starter System (2.5L)	.7
Battery	.7
Engine Starter Motor	.7
Engine Starter Relay	.7
Park/Neutral Position Switch	.7
Engine Starter System (4.0L)	.8
Battery	.8
Engine Starter Motor	.8
Engine Starter Relay	.8
Fan Control Relay	.23
Fog Lamp Illumination	.42,47
Fog Lamps	.39,40
Fog Lamp Switch	.42
Front Axle Switch	.26,27
Front Door Lock and Window Switch Functions	.87
Front End Lighting	.39,40
High Beam Relay	.40
Left Fog Lamp	.39
Left Headlamp	.39
Left Park/Turn Signal Lamp	.39
Left Side Marker Lamp	.39
Park Lamp Relay	.39
Right Fog Lamp	.40
Right Headlamp	.40
Right Park/Turn Signal Lamp	.40
Right Side Marker Lamp	.40
Front Washer Pump	.63,64
Front Wiper Motor	.63,64
Front Wipers/Washer (Intermittent)	.64
Front Washer Pump	.64
Front Wiper Motor	.64
Wiper/Washer Switch	.64
Intermittent Wiper Module	.64
Front Wiper/Washer (Standard)	.63
Front Washer Pump	.63
Front Wiper Motor	.63
Wiper/Washer Switch	.63
Fuel Injection Ignition System (2.5L)	.11,12,13,14,15,16
Automatic Shut Down Relay	.12
Camshaft Position Sensor	.11
Crankshaft Position Sensor	.11
Data Link Connector	.16
Distributor Ignition Coil	.16
Engine Coolant Temperature Sensor	.14
Fuel Pump Relay	.12
Heated Oxygen Sensor	.13
Idle Air Control Motor	.15

Wiring Diagram Name	Sheet Number
Injectors	.15
Intake Air Temperature Sensor	.14
MAP Sensor	.14
Power Steering Pressure Switch	.15
Powertrain Control Module	.11,12,13,14,15,16
Throttle Position Sensor	.14
Vehicle Speed Sensor	.11
Fuel Injection Ignition System (4.0L)	.17,18,19,20,21,22
Automatic Shut Down Relay	.17
Camshaft Position Sensor	.20
Crankshaft Position Sensor	.20
Data Link Connector	.18
Distributor Ignition Coil	.18
Engine Coolant Temperature Sensor	.19
Fuel Pump Relay	.17
Heated Oxygen Sensor	.21
Idle Air Control Motor	.22
Intake Air Temperature Sensor	.19
Injectors	.22
MAP Sensor	.19
Powertrain Control Module	.17,18,19,20,21,22
Throttle Position Sensor	.19
Vehicle Speed Sensor	.20
Fuel Injector(s)	.15,22
Fuel Pump Relay	.3,12,17
Fuel Tank Level Gauge Sending Unit	.90
Fuel Tank System	.89,90
Ballast Resistor	.89
Fuel Tank Level Gauge Sending Unit	.90
Full Time Indicator Lamp	.57,58
Fuse Application Chart	.1,2
Fuse Panel	.99,100
Fuses	
F1	.3,4
F2	.3,4,12,17
F3	.3,4
F4	.3,4
F5	.3,4
F6	.3,4
F7	.3,4
F8	.3,4
F9	.3,4
F10	.3,4
F11	.3,4
F12	.3,4
F13	.3,4
F14	.3,4
F15	.3,4
F16	.3,4
Fuse #1	.2,10,65
Fuse #2	.2,9,37,71
Fuse #4	.1,41
Fuse #5	.2,63,64,68,70
Fuse #7	.2,10,32
Fuse #8	.2,45,66
Fuse #9	.1,4,49
Fuse #11	.1,43,83
Fuse #13	.1,43,83

Wiring Diagram Name	Sheet Number	Wiring Diagram Name	Sheet Number
Fuse #15	1,41	Idle Air Control Motor	15,22
Fuse #17	2,10,55,74	Ignition Key Warning Switch	74
Fuse #18	1,66	Ignition Switch	2,9
Fuse #19	1,41,47	Ignition System	9,10
Gauges		Injectors	15,22
Engine Coolant Temperature Gauge	59,60,61	In Line Circuit Breaker	2
Engine Oil Pressure Gauge	59,60,61	Instrument Cluster	55
Fuel Gauge	59,60,61	Powertrain Control Module	55
G Sensor	30	Washer Fluid Level Switch	55
Generator	5,6	Instrument Cluster (Hi-Line)	61
Glove Box Lamp	49	Instrument Cluster (Lo-Line)	60
Hazard Flasher	35,46	Instrument Cluster (Standard)	59
Headlamp Delay Module	43	Instrument Cluster Connector	55,108
Headlamp Dimmer Switch	41	Instrument Cluster Printed Circuit Board (W/ABS)	57
Headlamp Switch	41,42	Instrument Cluster Printed Circuit Board (W/O ABS)	58
Fog Lamp Illumination	42	Instrument Cluster Indicators	56
Fog Lamp Switch	42	Instrument Panel Ground	62
Headlamp Dimmer Switch	41	Instrument Panel Illumination	47,48
Headlamp Switch	41	Ashtray Lamp	48
Headlamps	39,40	Cigar Lighter Lamp	48
Heat Mode Select Switch	68	Fog Lamp Illumination	47
Heated Oxygen Sensor	13,21	Heater A/C Panel Lamp	47
Heated Rear Window	66	Heater Rear Window Switch Lamp	47
Relay	66	Rear Wiper Wash Switch Lamp	47
Grid	66	Transfer Case Lamp	48
Switch	66	Transmission Range Switch Lamp	48
Heated Rear Window Switch Lamp	47	Intake Air Temperature Sensor	14,19
Heater A/C Panel Lamp	47	Intermittent Front Wipers/Washers	64
Heater and A/C System	69,70	Intermittent Wiper Module	64
A/C Mode Selector Switch	70	Lamps	
A/C Compressor Clutch	69	ABS Green Indicator Lamp	57
A/C Compressor Clutch Relay	69	ABS Red Indicator Lamp	57
A/C Heater Blower Motor	70	Ashtray Lamp	48
A/C Thermostat	69	Cargo Lamp	50
A/C Low Pressure Switch	69	Center High Mounted Stop Lamps	98
Blower Resistor	70	Cigar Lighter Lamp	48
Blower Switch	70	Dome Lamp	51
Powertrain Control Module	69	Dome/Reading Lamp	51
Heat Mode Select Switch	68	Fog Lamp Illumination	47
Heater Blower Motor	68	4WD Indicator Lamp	26,57,58
Heater, Engine Block	37	Full Time Indicator Lamp	57,58
Heater System	68	Glove Box Lamp	49
Blower Resistor	68	Heated Rear Window Switch Lamp	47
Blower Switch	68	Heater A/C Panel Lamp	47
Heater Blower Motor	68	High Beam Indicator Lamp	59,60,61
Heater Mode Select Switch	68	Indicator Lamp 4WD	57,58
Heavy Duty Cooling 4.0L	23	Instrument Cluster Illumination Lamps	59,60,61
Fan Control Relay	23	Left Back-Up Lamp	91,93
Powertrain Control Module	23	Left Courtesy Lamp	49
Radiator Fan Motor	23	Left Fog Lamp	39
High Beam Indicator Lamp	59,60,61	Left Headlamp	39
High Beam Relay	40	Left Park/Turn Signal Lamp	39
Hi-Line Instrument Cluster	61	Left Side Marker Lamp (Front)	39
Horn Brush/Slip Ring	34	Left Side Marker Lamp (Rear)	91,93
Horn Relay	34	Left Tail/Stop Lamp	91,93
Horn Switch	34	Left Turn Indicator Lamp	59,60,61
Horns	34	Left Turn Lamp (Amber)	91,93
Hydraulic Actuation Unit, ABS	33	Left Vanity Lamp	51

Wiring Diagram Name	Sheet Number
License Lamp	.91,95
Low Washer Indicator Lamp	.57,58
Malfunction Indicator Lamp	.57,58
Maintenance Required Indicator Lamp	.57,58
Park Brake Indicator Lamp	.58
Reading Lamp	.51
Rear Wiper/Wash Switch Lamp	.47
Right Back-Up Lamp	.92,96
Right Courtesy Lamp	.49
Right Fog Lamp	.40
Right Headlamp	.40
Right Park/Turn Signal Lamp	.40
Right Side Marker Lamp (Front)	.40
Right Side Marker (Rear)	.92,96
Right Tail/Stop Lamp	.92,96
Right Turn Indicator Lamp	.59,60,61
Right Turn Lamp (Amber)	.92,96
Right Vanity Lamp	.51
Seat Belt Warning Indicator Lamp	.57,58
Transfer Case Lamp	.48
Transmission Range Switch Lamp	.48
Underhood Lamp	.34
Upshift Indicator Lamp	.57,58
Vanity Lamps	.51,53
L.C.D. Illumination Relay	.52
Left Front Door Connector And Door Lock Switch Function Chart	.87
Left Front Door Connector and Window Lift Switch Function Chart	.87
Left Front Door Jamb Switch	.75
Left Front Door Lock Motor	.86
Left Front Door Speaker	.71
Left Front Wheel Sensor	.29
Left Instrument Panel Speaker	.71
Left Liftgate Speaker	.72
Left Power Seat Motor Assembly	.77
Left Power Seat Switch	.77
Left Rear Door Connector and Window Lift Switch Function Chart	.88
Left Rear Door Jamb Switch	.75
Left Rear Door Window Switch	.82
Left Rear Wheel Sensor	.29
Left Turn Relay	.97
Liftgate Switch	.76
Liftgate Lock motor	.86
Lo-Line Instrument Cluster Printed Circuit Board	.60
Low Fuel Warning Module	.59,60,61
Low Washer Indicator Lamp	.57,58
Main Body Connectors	.112
Maintenance Required Indicator Lamp	.57,58
Malfunction Indicator Lamp	.57,58
Map Sensor	.14,19
Modules	
Anti-Lock Brake System Module	.29,30,31,32,33
Chime Module	.74
Daytime Running Lamp Module	.38
Headlamp Delay Module	.43
Intermittent Wiper Module	.64

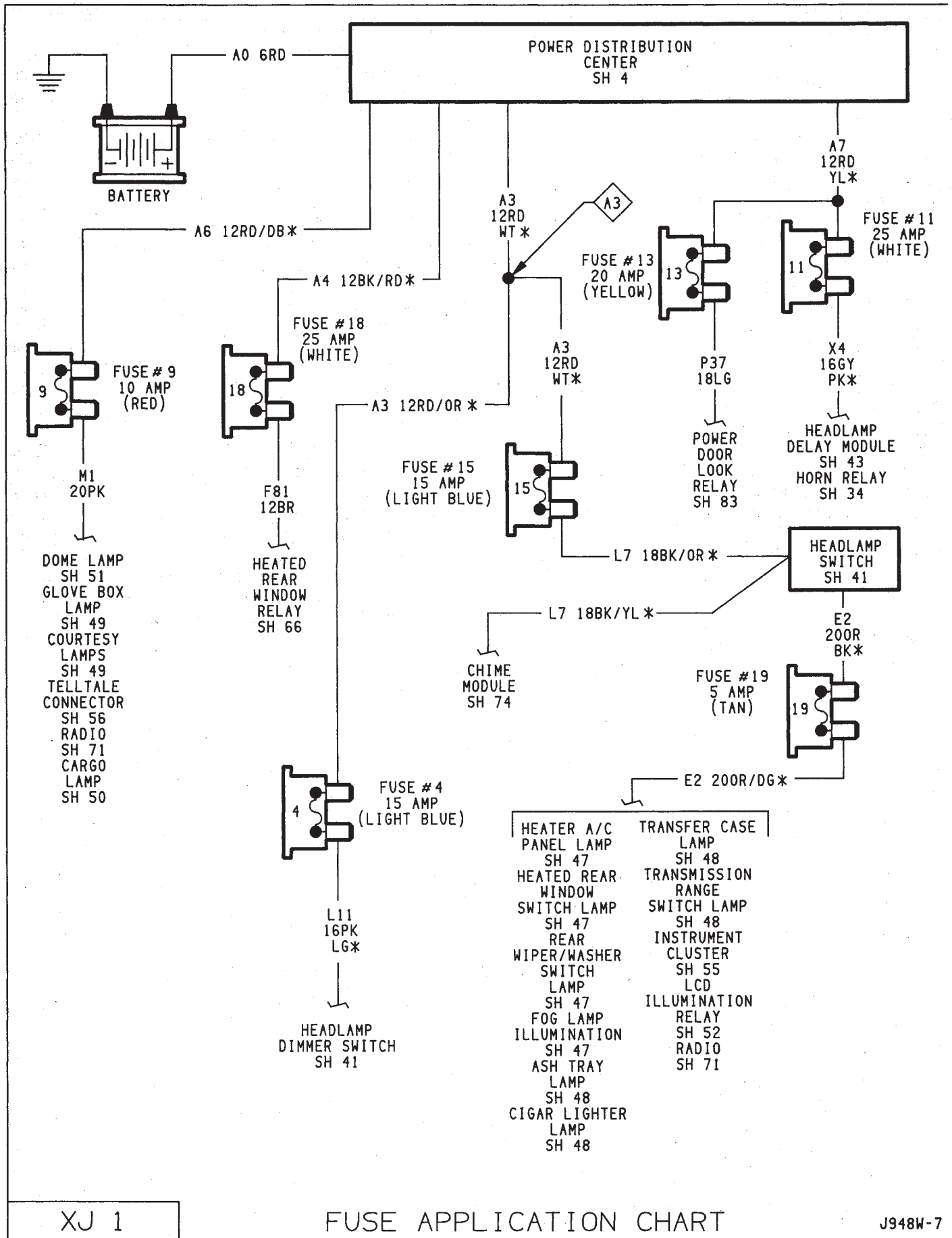
Wiring Diagram Name	Sheet Number
Low Fuel Warning Module	.59,60,61
Powertrain Control Module	.11,12,13,14,15,16,17, 18,19, 20,21,22,23,35,36,45,55,69
Remote Keyless Entry Module	.28
Transmission Control Module	.25,26
Motors	
ABS Pump Motor	.30
A/C Heater Blower Motor	.70
Engine Starter Motor	.7,8
Front Wiper Motor	.63,64
Heater Blower Motor	.68
Idle Air Control Motor	.15,22
Left Front Door Lock Motor	.86
Left Front Door Window Motor	.81
Left Power Mirror	.73
Left Power Seat Motor Assembly	.77
Left Rear Door Lock Motor	.86
Left Rear Door Window Motor	.82
Liftgate Lock Motor	.86
Radiator Fan Motor	.23
Rear Wiper Motor	.65
Right Front Door Lock Motor	.86
Right Front Door Window Motor	.81
Right Power Mirror	.73
Right Rear Door Lock Motor	.86
Right Rear Door Window Motor	.82
Oil Pressure Switch	.24
Overhead Console System	.53,54
Ambient Temperature Sensor	.53
Overhead Console	.53
Vanity Lamps	.53
Park Brake Switch	.67
Park Brake Indicator Lamp	.58
Parking Brake Switch	.67
Park Lamp Relay	.39
Park/Neutral Position Switch	.7
Pedal Travel Sensor	.30
Power Distribution Center	.1,2,3,4
Power Distribution Center Application Chart	.4
Power Distribution Center Identification	.3
Power Door Locks	.83,84,85,86
Left Door Lock Switch	.85
Left Front Door Lock Motor	.86
Left Rear Door Lock Motor	.86
Liftgate Lock Motor	.86
Power Door Lock Relay	.83
Power Door Unlock Relay	.83
Right Door Lock Switch	.85
Right Front Door Lock Motor	.86
Right Rear Door Lock Motor	.86
Power Door Lock Relay	.83
Power Door Unlock Relay	.83
Power Mirror Connector	.110
Power Mirror Connector and Switch Function Chart	.88
Power Mirror Switch Assembly	.73
Power Mirror System	.73
Left Power Mirror	.73
Power Mirror Switch Assembly	.73

Wiring Diagram Name	Sheet Number	Wiring Diagram Name	Sheet Number
Right Power Mirror	.73	Relays	
Power Mirrors	.73	ABS #1 Relay	.3,31
Power Seat	.77,78	ABS #2 Relay	.3,31
Left Power Seat Motor Assembly	.77	A/C Compressor Clutch Relay	.3,69
Left Power Seat Switch	.78	Automatic Shut Down Relay	.3,12,17
Power Steering Pressure Switch	.15	Cooling Fan Relay	.3
Powertrain Control Module	.11,12,13,14,15,16,17,18,19, 20,21,22,23,35,36,45,55,69	EMCC Relay	.3,27
Powertrain Control Module (PCM) Connector	.111	Engine Starter Relay	.3,7,8
Power Windows	.79,80,81,82	Fan Control Relay	.23
Left Front Door Window Motor	.81	Fuel Pump Relay	.3,12,17
Left Rear Door Window Motor	.82	Heated Rear Window Relay	.66
Left Rear Door Window Switch	.82	High Beam Relay	.40
Power Window Switch	.79	Horn Relay	.34
Right Front Door Window Switch	.81	L.C.D. Illumination Relay	.52
Right Front Door Window Motor	.81	Left Turn Relay	.97
Right Rear Door Window Motor	.82	Park Lamp Relay	.39
Right Rear Door Window Switch	.82	Power Door Lock Relay	.83
Power Window Switch	.79	Power Door Unlock Relay	.83
Printed Circuit Boards	.57,58,59,60,61	Right Turn Relay	.97
Pumps		Stop Lamp Relay	.97
Front Washer	.63,64	Relay Center Identification	.113
Rear Washer	.65	Remote Keyless Entry System	.28
Radiator Fan Motor	.23	Remote Keyless Entry Module	.28
Radio	.71	Remote Keyless Entry Module Connector	.114
Antenna Mast	.71	Resistor,Ballast	.39
Left Front Door Speaker	.71	Resistor,Blower	.68
Left Instrument Panel Speaker	.71	Right Front Door Jamb Switch	.76
Left Liftgate Speaker	.72	Right Front Door Speaker	.72
Right Front Door Speaker	.72	Right Front Door Window Switch	.81
Right Instrument Panel Speaker	.72	Right Front Wheel Sensor	.29
Right Liftgate Speaker	.72	Right Front Door Connector and Door Lock Switch Function Chart	.87
Reading Lamps	.51	Right Front Door Lock Motor	.86
Rear Lighting	.91,92,93,94,95,96,97	Right Instrument Panel Speaker	.72
Left Back-Up Lamp	.91,93	Right Liftgate Speaker	.72
Left Side Marker Lamp (Rear)	.91,93	Right Front Door Window Connector and Window Lift Switch Function Chart	.87
Left Tail/Stop Lamp	.91,93	Right Rear Door Jamb Switch	.76
Left Turn Lamp (Amber)	.91,93	Right Rear Door Window Connector and Window Lift Function Chart	.88
Left Turn Relay	.97	Right Rear Wheel Sensor	.29
License Lamp	.91,95	Right Turn Relay	.97
Right Back-Up Lamp	.92,96	Seat Belt Switch	.74
Right Side Marker Lamp (Rear)	.92,96	Seat Belt Warning Indicator Lamp	.57,58
Right Tail/Stop Lamp	.92,96	Sensors	
Right Turn Lamp (Amber)	.92,96	Ambient Temperature Sensor	.53
Right Turn Relay	.97	Camshaft Position Sensor	.11,20
Stop Lamp Relay	.97	Crankshaft Position Sensor	.11,20
Trailer Tow Connector	.93	Engine Coolant Temperature Sensor	.14,19
Trailer Tow In-Line Circuit Breaker	.97	G Sensor	.30
Rear Lighting With Trailer Tow	.93,94,95,96,97	Heated Oxygen Sensor	.13,21
Rear Lighting Without Trailer Tow	.91,92	Intake Air Temperature Sensor	.14,19
Rear Washer Pump	.65	Left Front Wheel Sensor	.29
Rear Wiper Motor	.65	Left Rear Wheel Sensor	.29
Rear Wiper/Washer Motor	.65	MAP Sensor	.14,19
Rear Washer Pump	.65	Pedal Travel Sensor	.30
Rear Wiper Motor	.65	Right Front Wheel Sensor	.29
Rear Wiper/Washer Switch	.65	Right Rear Wheel Sensor	.29
Rear Wiper/Washer Switch Lamp	.47		
Reed Switch	.26		

Wiring Diagram Name	Sheet Number	Wiring Diagram Name	Sheet Number
Throttle Position Sensor	.14,19	Splice Z1-1	.44
Vehicle Speed Sensor	.11,20	Splice Z1-2	.42
Speakers	.71,72	Splice Z1-3	.62
Left Front Door Speaker	.71	Splice Z1-4	.63,64
Left Instrument Panel Speaker	.71	Splice Z1-5	.44,66
Left Liftgate Speaker	.72	Splice Z1-6	.91,93
Right Front Door Speaker	.72	Splice Z1-7	.92,96
Right Instrument Panel Speaker	.72	Splice Z1-10	.40
Right Liftgate Speaker	.72	Splice Z1-11	.33
Speedometer	.59,60,61	Splice Z1-12	.34
Splices		Splice Z1-13	.73
Splice A3	.1,41	Splice Z1-14	.97
Splice A11	.5,6	Splice Z11	.16,18
Splice A11-1	.78	Splice Z12	.31
Splice A11-2	.97	Splice Z12-1	.13,21
Splice A14	.12,17	Splice 117	.92,96
Splice A21	.2,12,17	Splice 205	.32
Splice A21-1	.2,10	Splice 235	.33
Splice A38	.2,10	Splice 236	.32
Splice A142	.15,22	Splice 465	.38
Splice A142-1	.15,22	Standard Instrument Cluster Printed Circuit Board	.59
Splice A142-2	.5,6,15,16,18,22	Steering Column Connector	.106
Splice C7	.70	Stop Lamp Relay	.97
Splice C15	.66	Stop/Turn Hazard Systems	.45,46
Splice C43	.68,70	Hazard Flasher	.46
Splice C90	.69	Hazard Switch	.46
Splice E2	.47	Powertrain Control Module	.45
Splice F12	.16,18,69	Stop Lamp Switch	.46
Splice F34	.41	Turn and Hazard Flasher Switch	.46
Splice F85	.37,71	Turn Signal Flasher	.45
Splice F87	.54	Switches	
Splice G7	.11,20	A/C Low Pressure Switch	.69
Splice K4	.14,19	A/C Mode Select Switch	.70
Splice K4-1	.14,19	Back-Up Lamp Switch	.25
Splice K6	.14,19	Blower Switch	.68,70
Splice K7	.11,20	Brake Warning Switch	.67
Splice K22	.19	Engine Cooling Temperature Switch	.24
Splice K29	.46	Engine Oil Pressure Switch	.24
Splice L10	.92,96	Fog Lamp Switch	.42
Splice L39	.40	Front Axle Switch	.26,27
Splice L50	.91,95	Hazard Switch	.46
Splice L60	.92,96	Headlamp Dimmer Switch	.41
Splice L90	.91,95	Headlamp Switch	.1,41
Splice L90-1	.40	Heat Mode Select Switch	.68
Splice L90-2	.92,96	Heated Rear Window Switch	.66
Splice L90-3	.91,93	Horn Switch	.34
Splice M1	.51,53	Ignition Key Warning Switch	.74
Splice M1-1	.49	Ignition Switch	.2,9
Splice M2	.50	Left Door Lock Switch	.85
Splice M2-1	.49	Left Front Door Jamb Switch	.75
Splice M2-2	.50,75	Left Front Door Window Switch	.87
Splice M2-3	.51,54	Left Power Seat Switch	.77
Splice Q1	.80	Left Rear Door Jamb Switch	.75
Splice P2	.86	Left Rear Door Window Switch	.82
Splice P34	.86	Liftgate Switch	.76
Splice P79	.73	Park Brake Switch	.67
Splice Z0	.5	Park/Neutral Position Switch	.7
Splice Z1	.51,54	Power Mirror Switch Assembly	.73

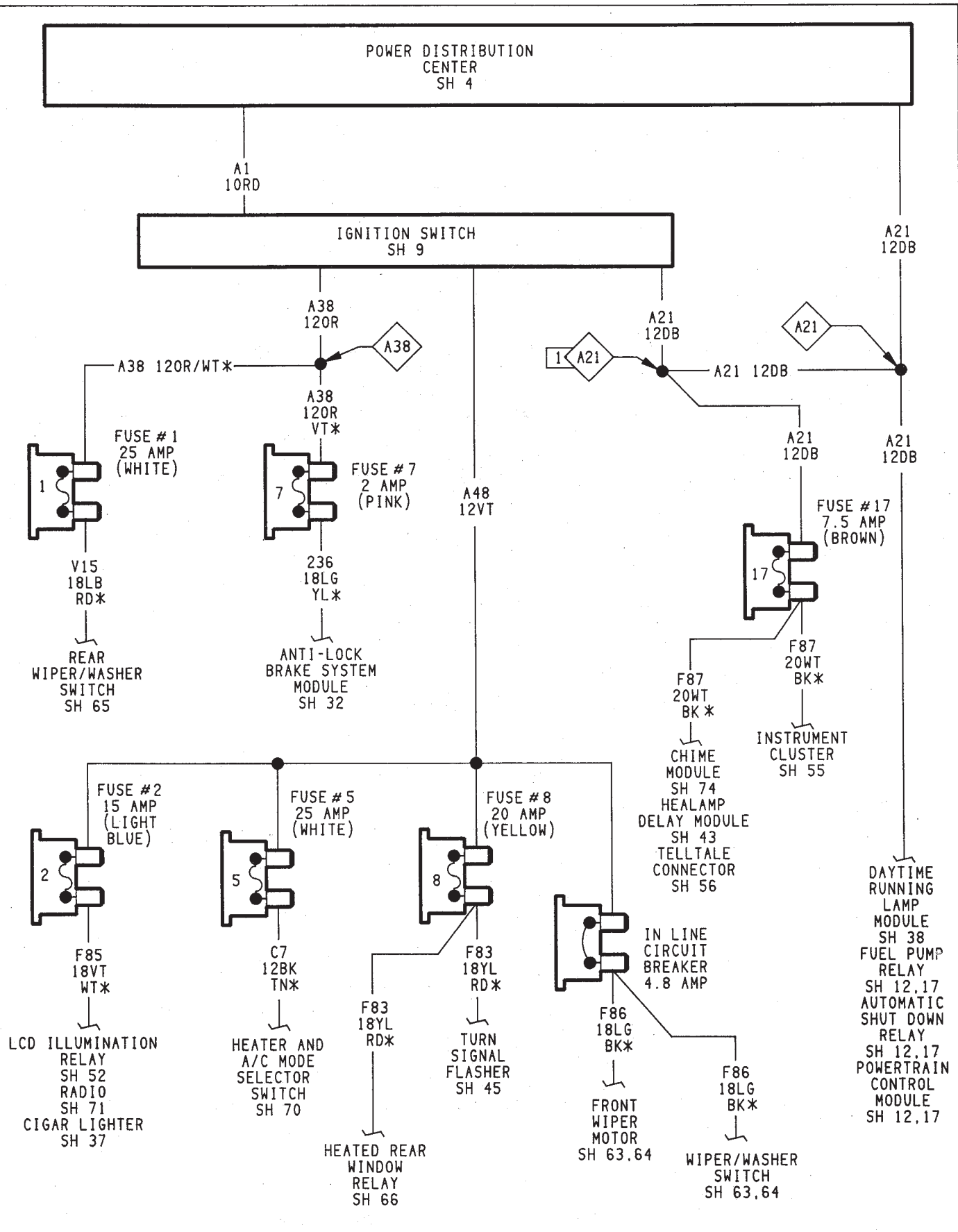
<u>Wiring Diagram Name</u>	<u>Sheet Number</u>
Power Steering Pressure Switch	15
Power Window Switch	79
Rear Wiper/Washer Switch	65
Reed Switch	26
Right Door Lock Switch	85
Right Front Door Jamb Switch	76
Right Front Door Window Switch	81
Right Rear Door Jamb Switch	76
Right Rear Door Window Switch	82
Seat Belt Switch	74
Stop Lamp Switch	46
Transmission Range Switch	25
Turn/Hazard Flasher Switch	46
Vehicle Speed Control Switch	35
Washer Fluid Level Switch	55
Wiper/Washer Switch	63,64
Tachometer	59,60,61
Telltale Connector	56,107
Thermostat,A/C	69
Throttle Position Sensor	14,19
Trailer Tow Connector	93
Trailer Tow In-Line Circuit Breaker	97
Transmission Range Switch	25
Transmission Range Switch Lamp	48
Transfer Case Lamp	48
Transmission Control Magnetic Trigger Wheel	26
Transmission Control System	25,26
Back-Up Lamp Switch	25
Front Axle Switch	26
Data Link Connector	25
Indicator Lamp 4WD	26

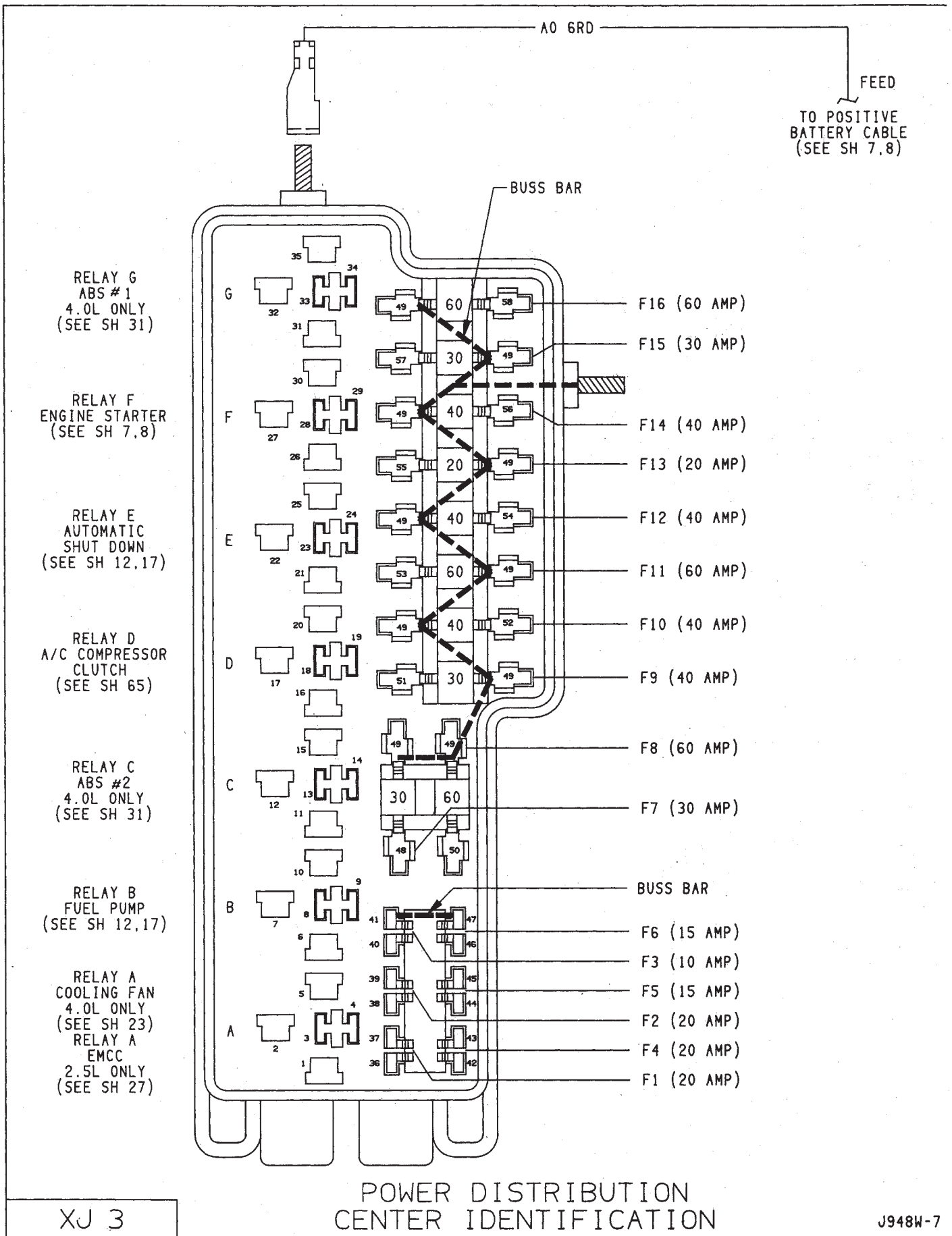
<u>Wiring Diagram Name</u>	<u>Sheet Number</u>
Transmission Control Magnetic Trigger Wheel	26
Transmission Control Module	25,26
Transmission Range Switch	25
Turn Signal Flasher	45
Turn/Hazard Flasher Switch Assembly	46
Transmission Control Module (TCM) Connector	105
Underhood Lamp	34
Underhood Lamp/Horn System	34
Horn Relay	34
Horn Brush/Slip Ring	34
Horn Switch	34
Horn Left Side	34
Horn Right Side	34
Underhood Lamp	34
Upshift Indicator Lamp	57,58
Vanity Lamps	51,53
Vehicle Speed Control Sensor	11,20
Vehicle Speed Control Servo	36
Vehicle Speed Control System	35,36
Hazard Flasher	35
Powertrain Control Module	35,36
Vehicle Speed Control Switch	35
Voltmeter	59,60,61
Wall Plug,Engine Block Heater	37
Washer Fluid Level Switch	55
Wheel Sensors	29
Windshield Wiper Circuit Breaker	63,64
Windshield Wiper System (Standard)	63
Windshield Wiper System (Intermittent)	64
Wiper/Washer Switch	63,64



XU 1

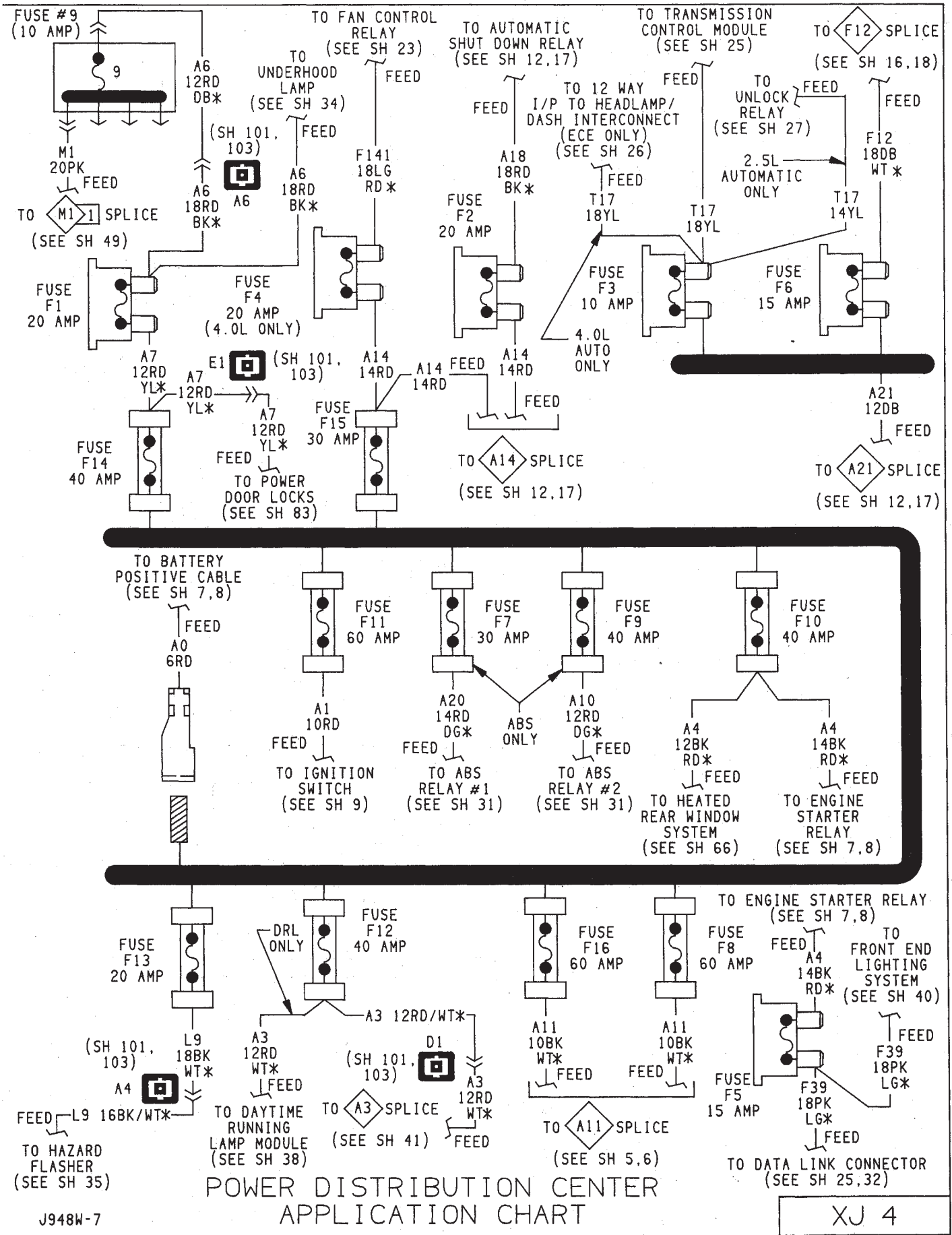
FUSE APPLICATION CHART

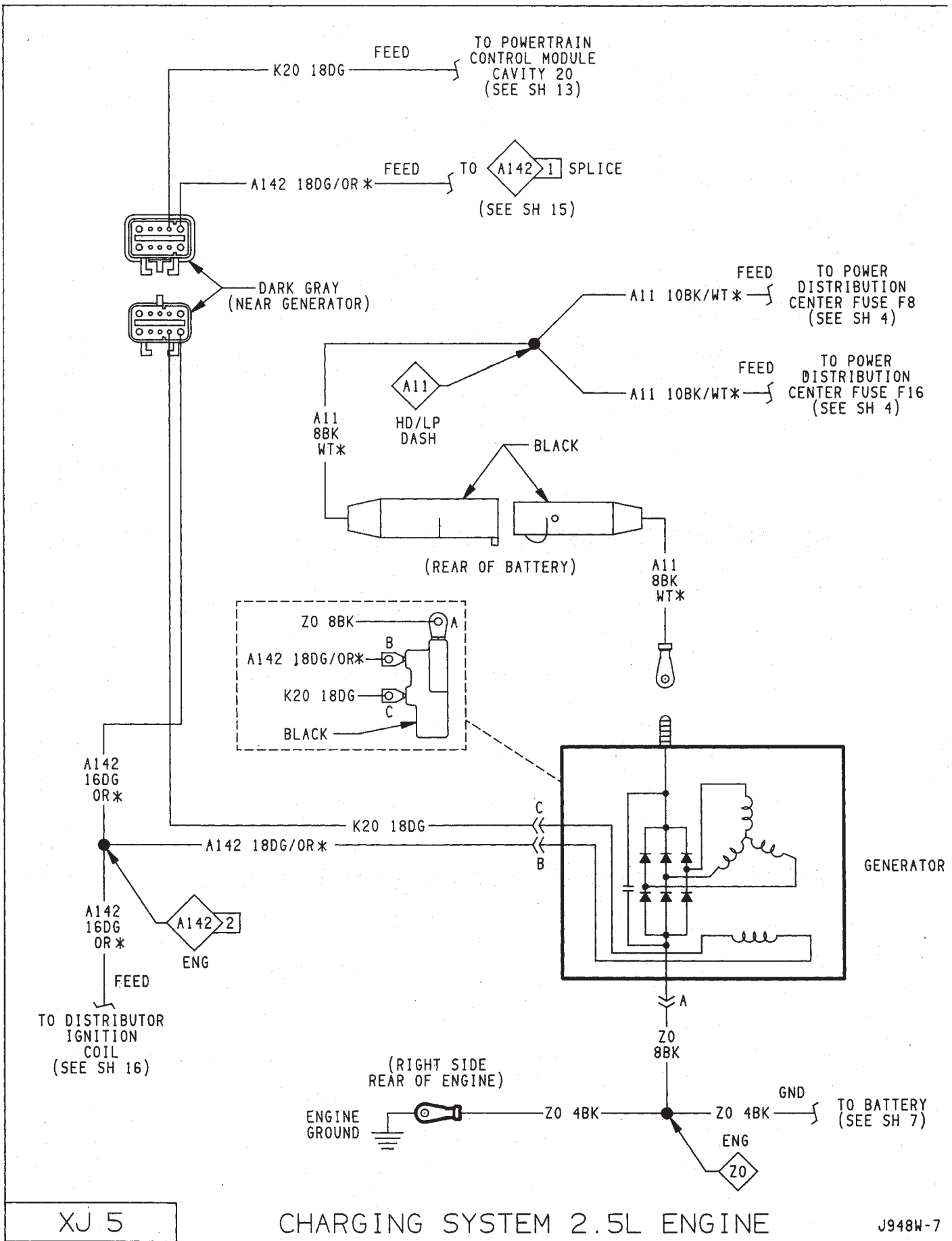


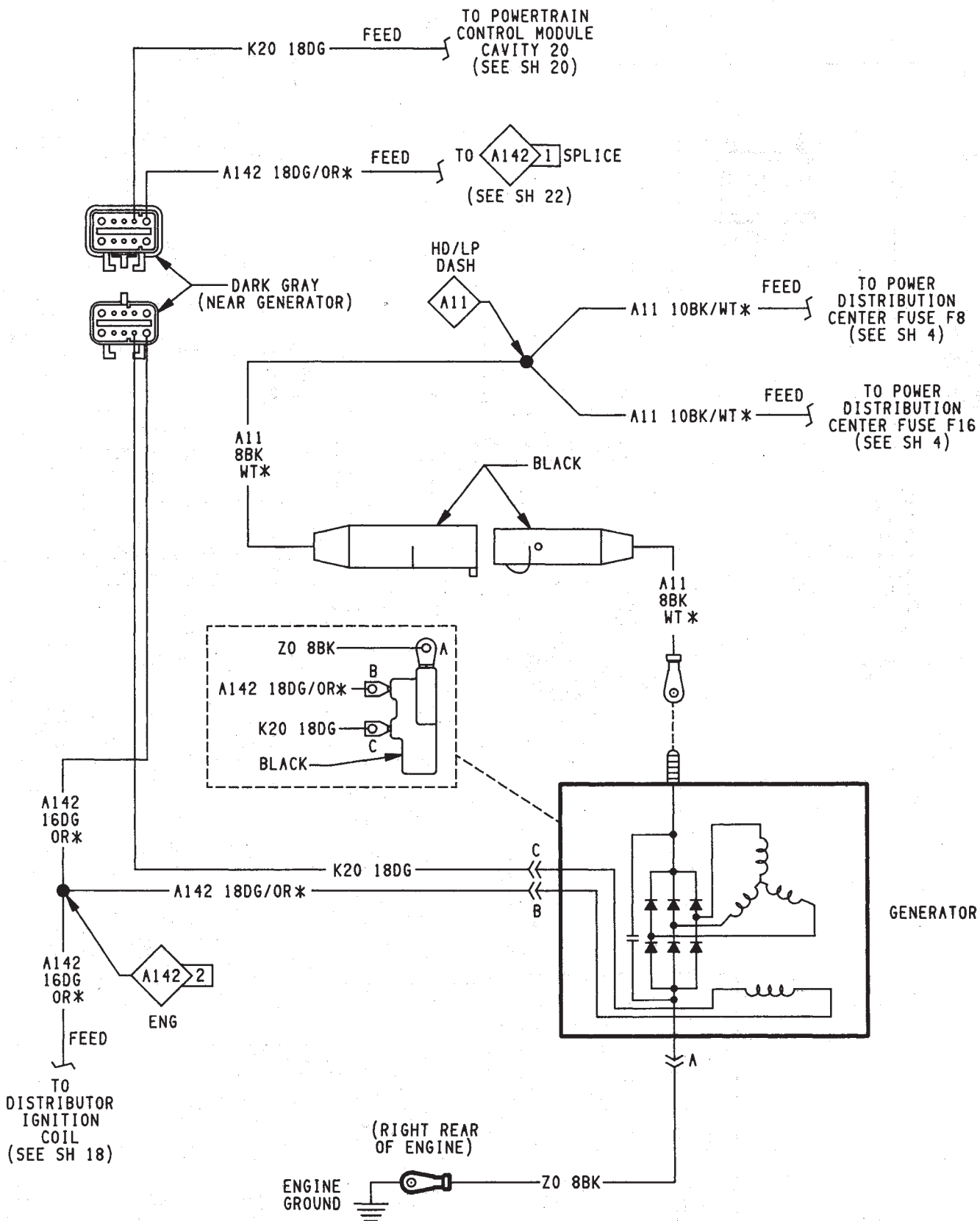


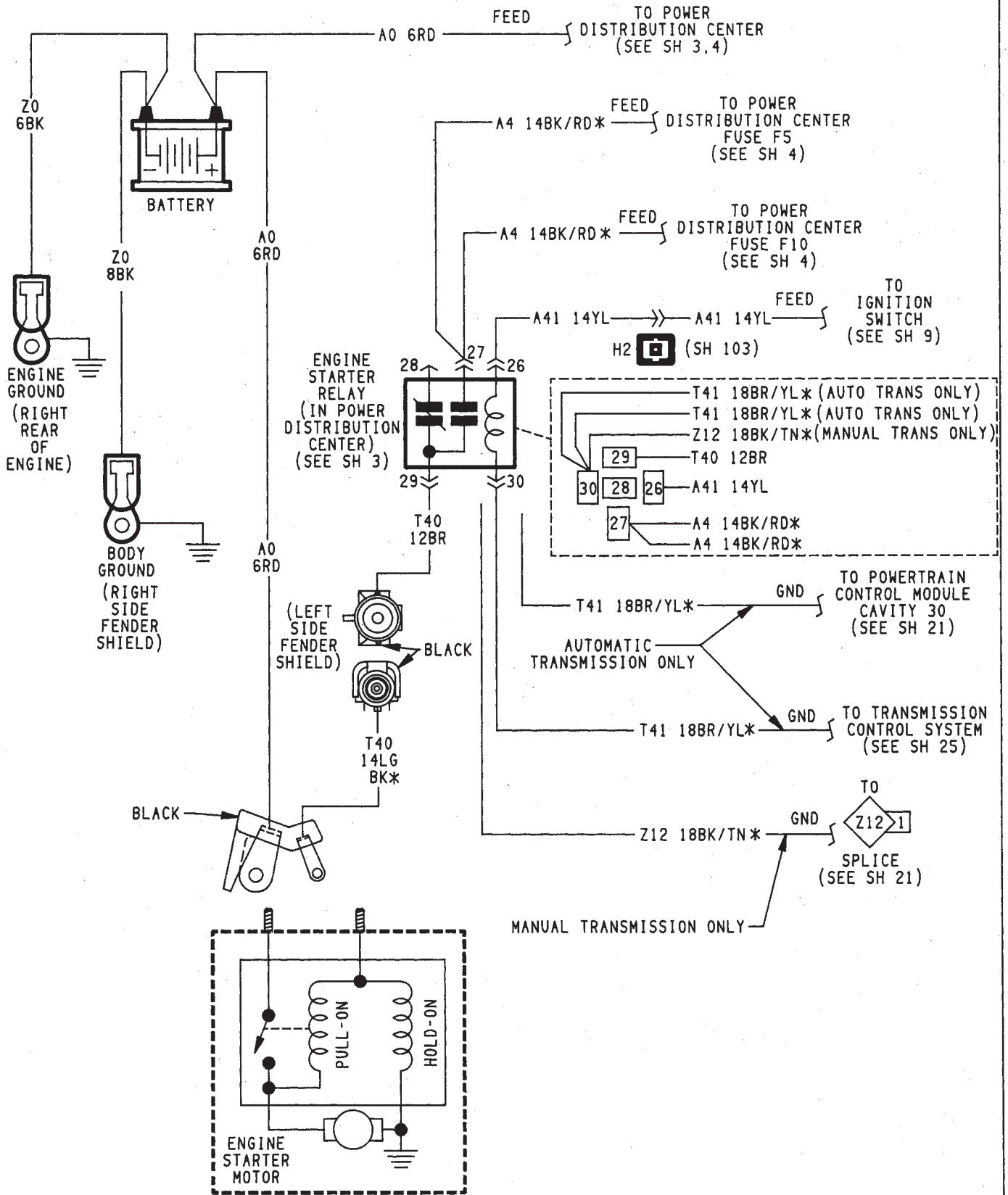
XJ 3

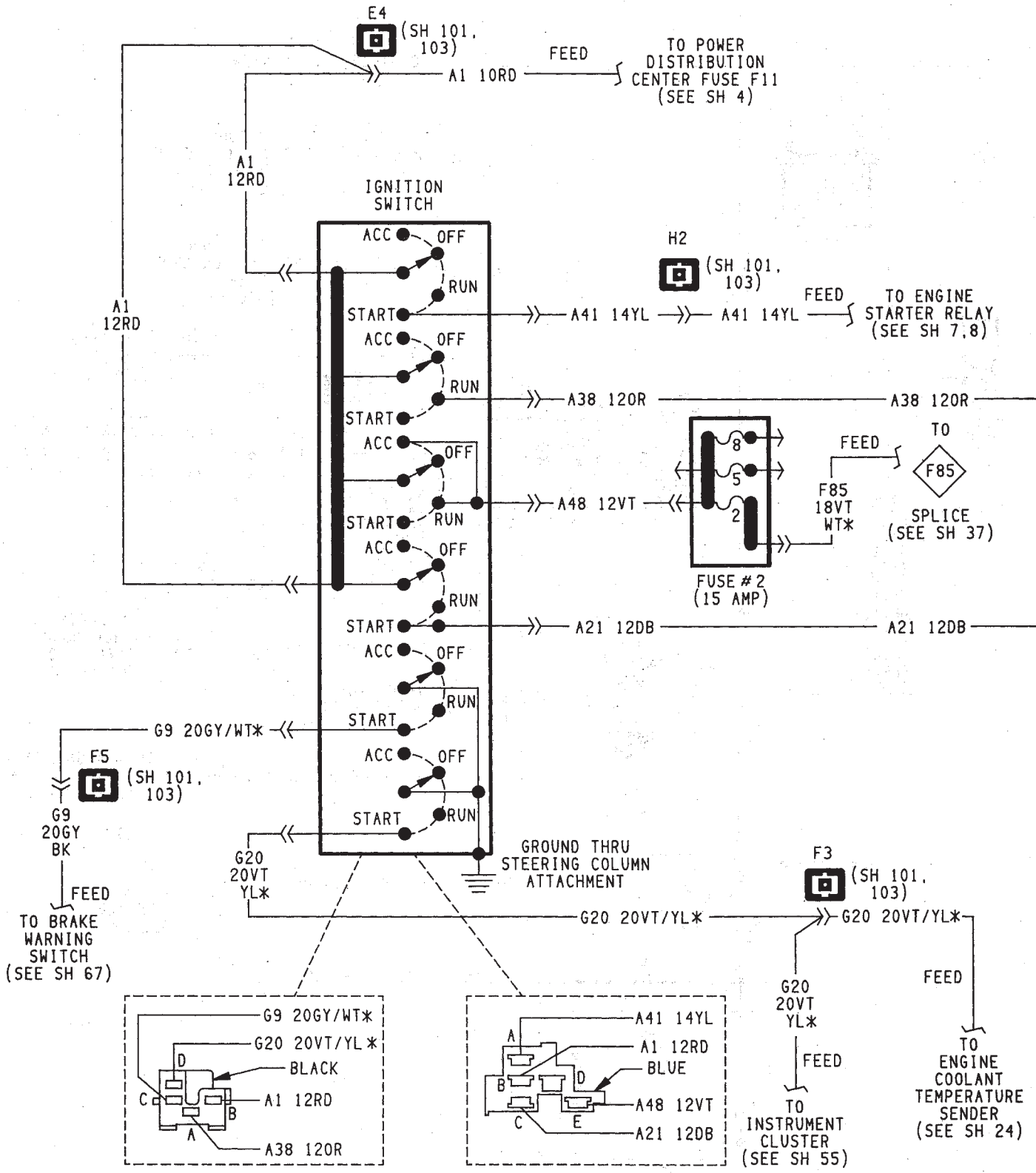
POWER DISTRIBUTION CENTER IDENTIFICATION



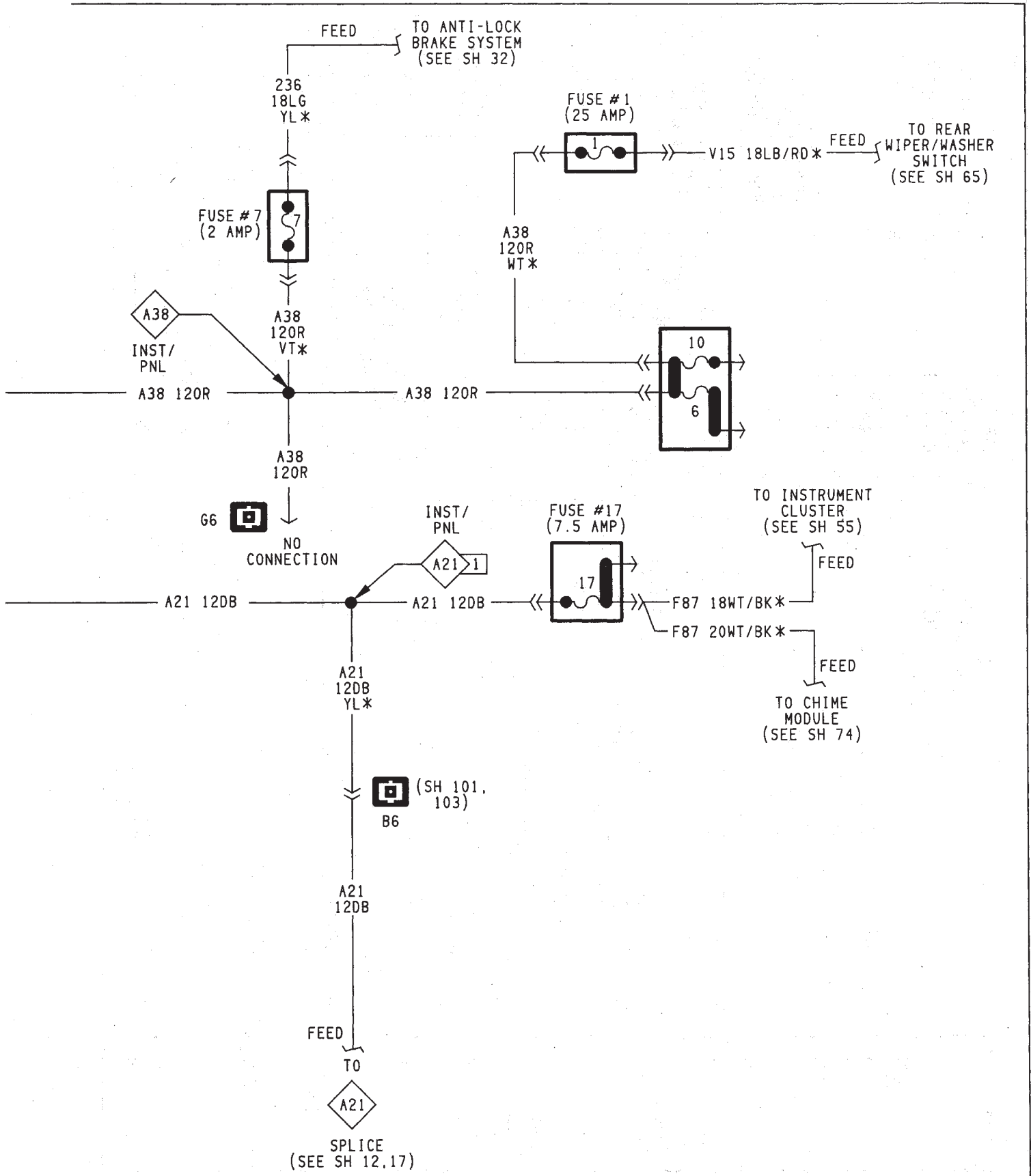


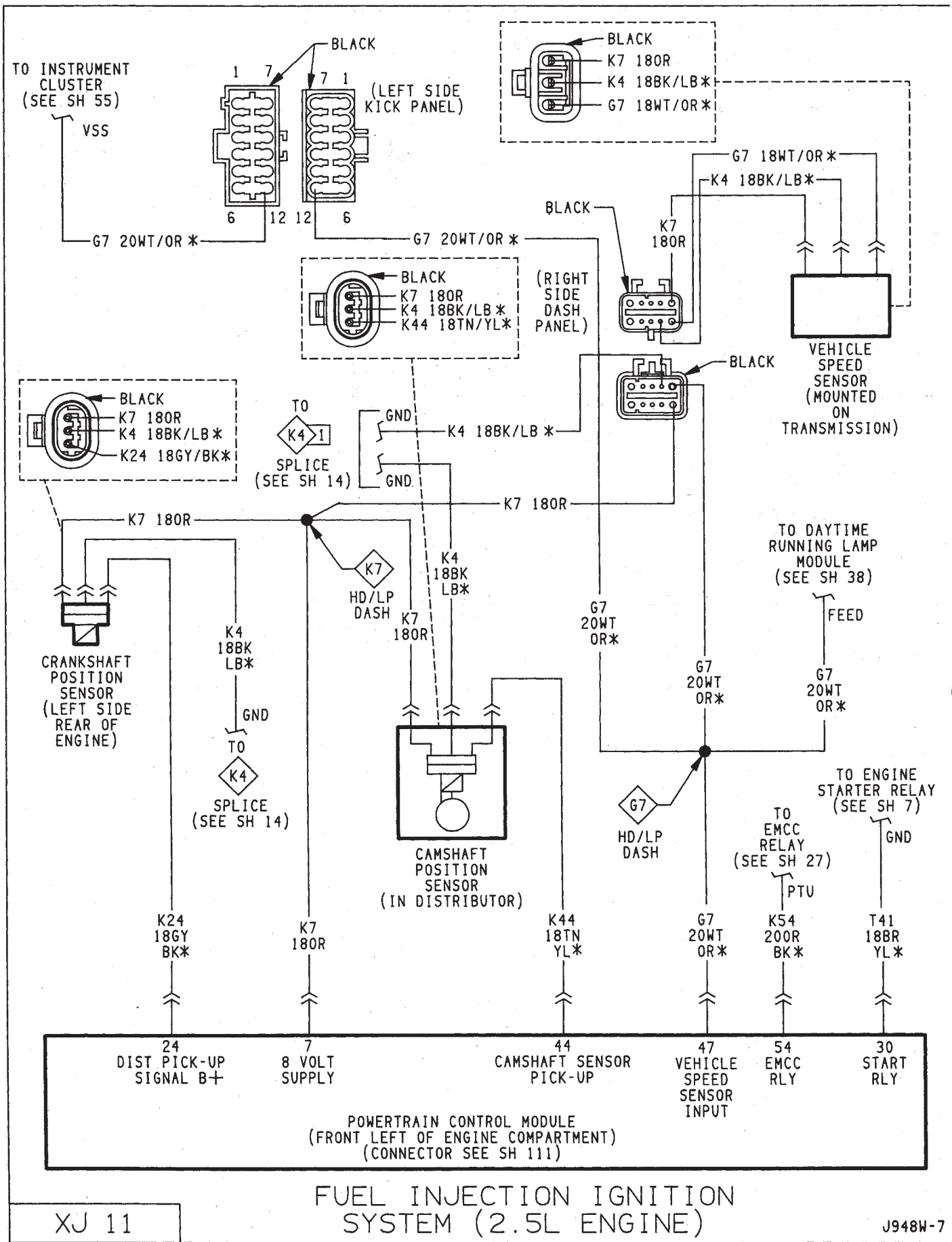






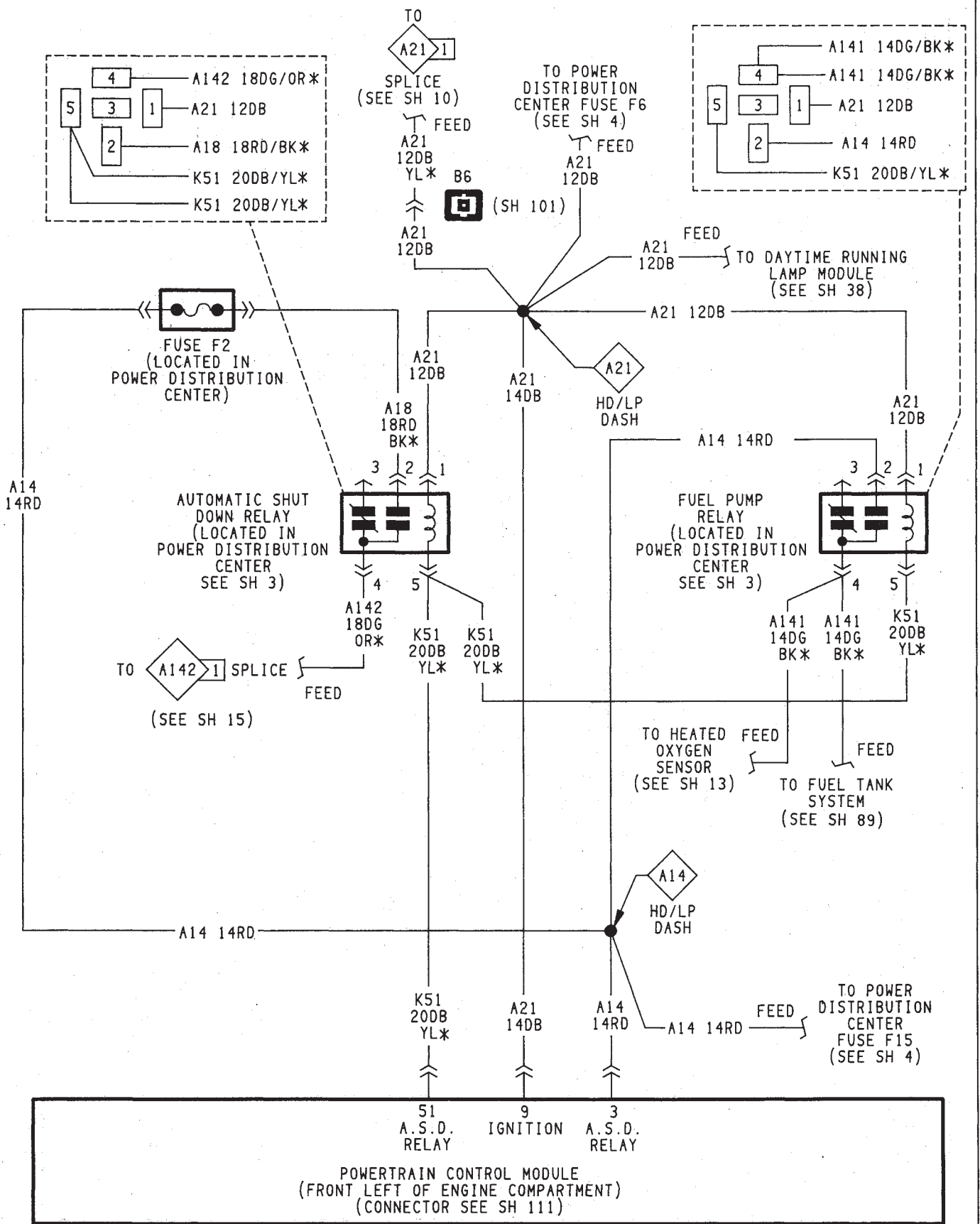
(CONNECTORS LOCATED AT BASE OF STEERING COLUMN)



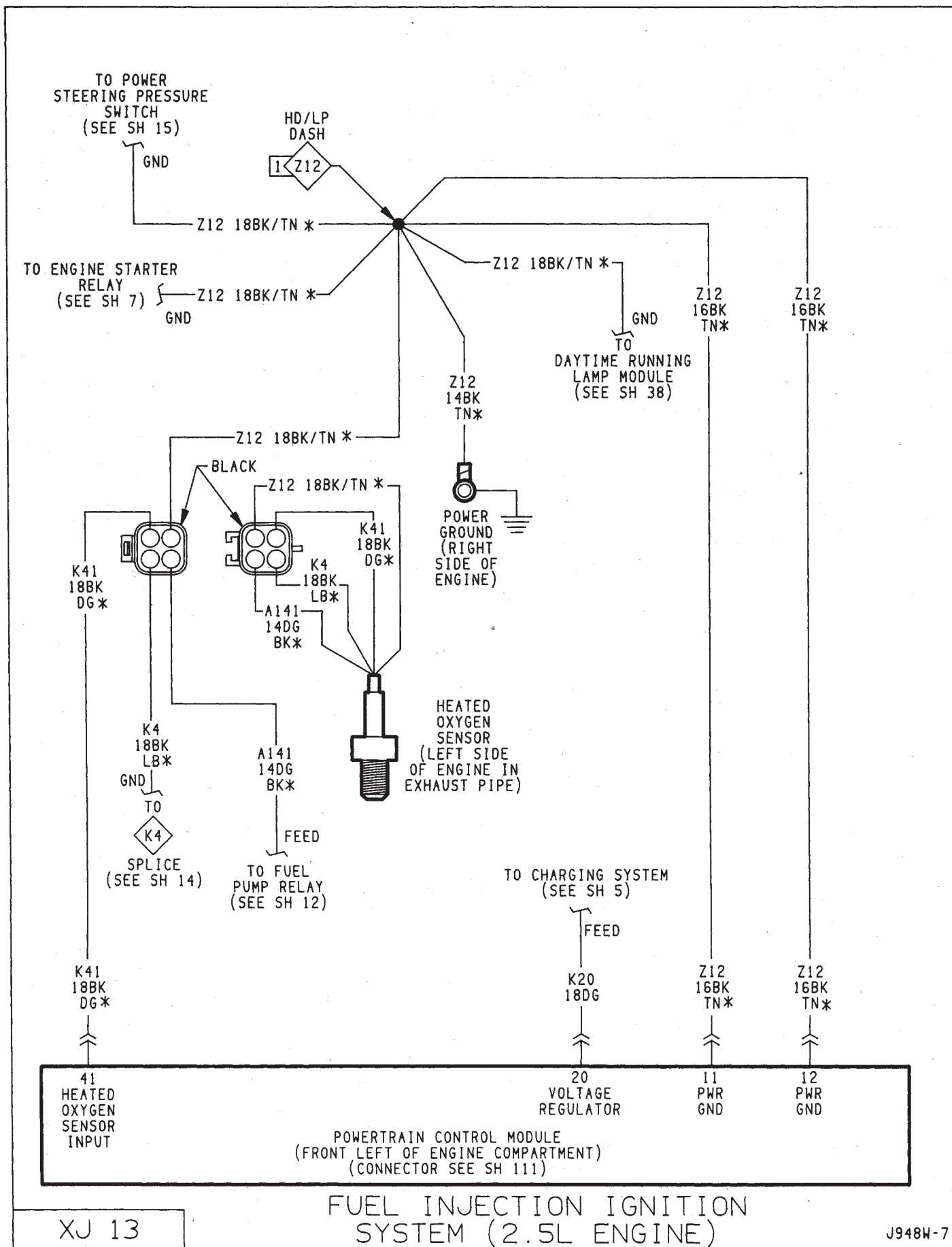


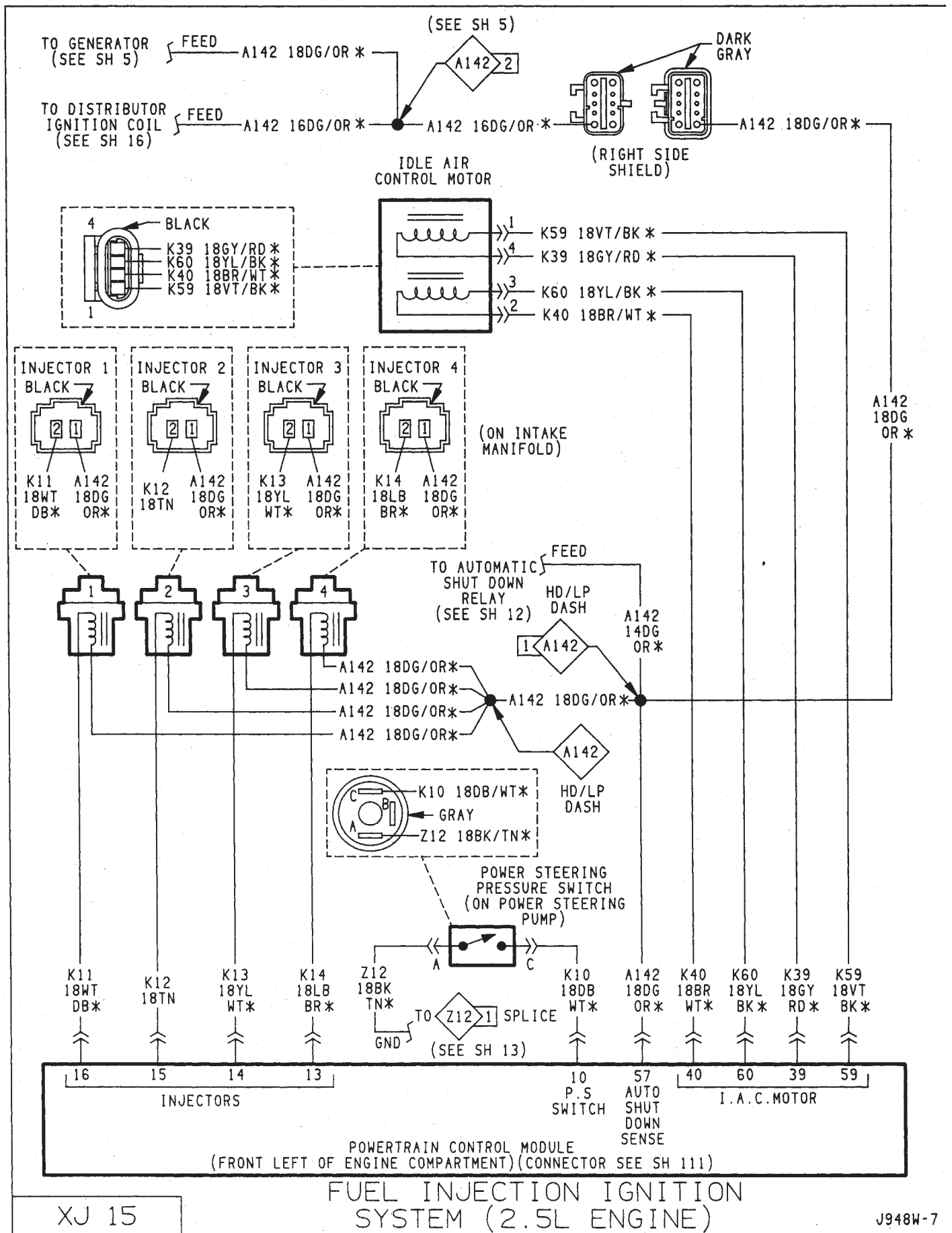
XU 11

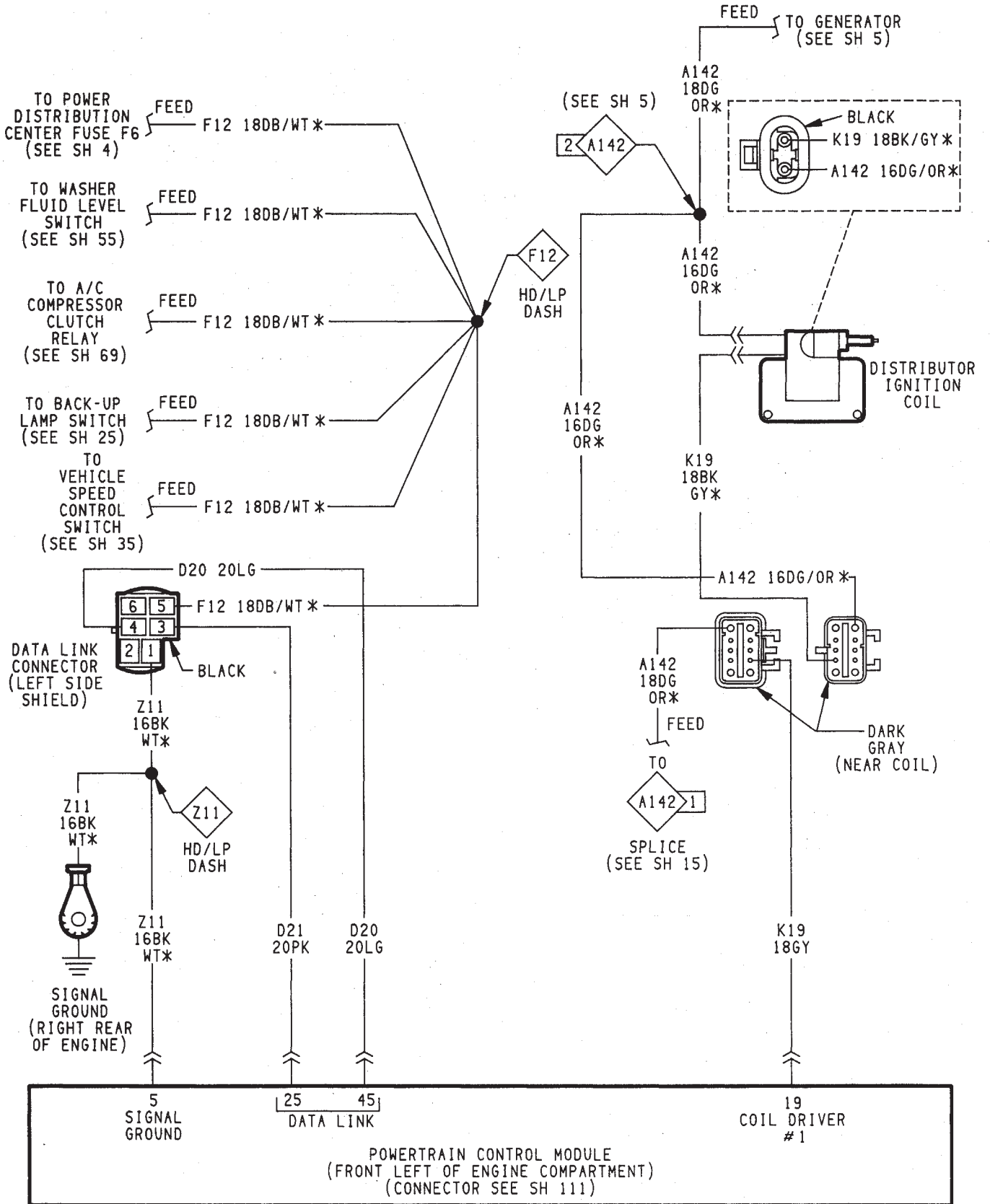
J948W-7



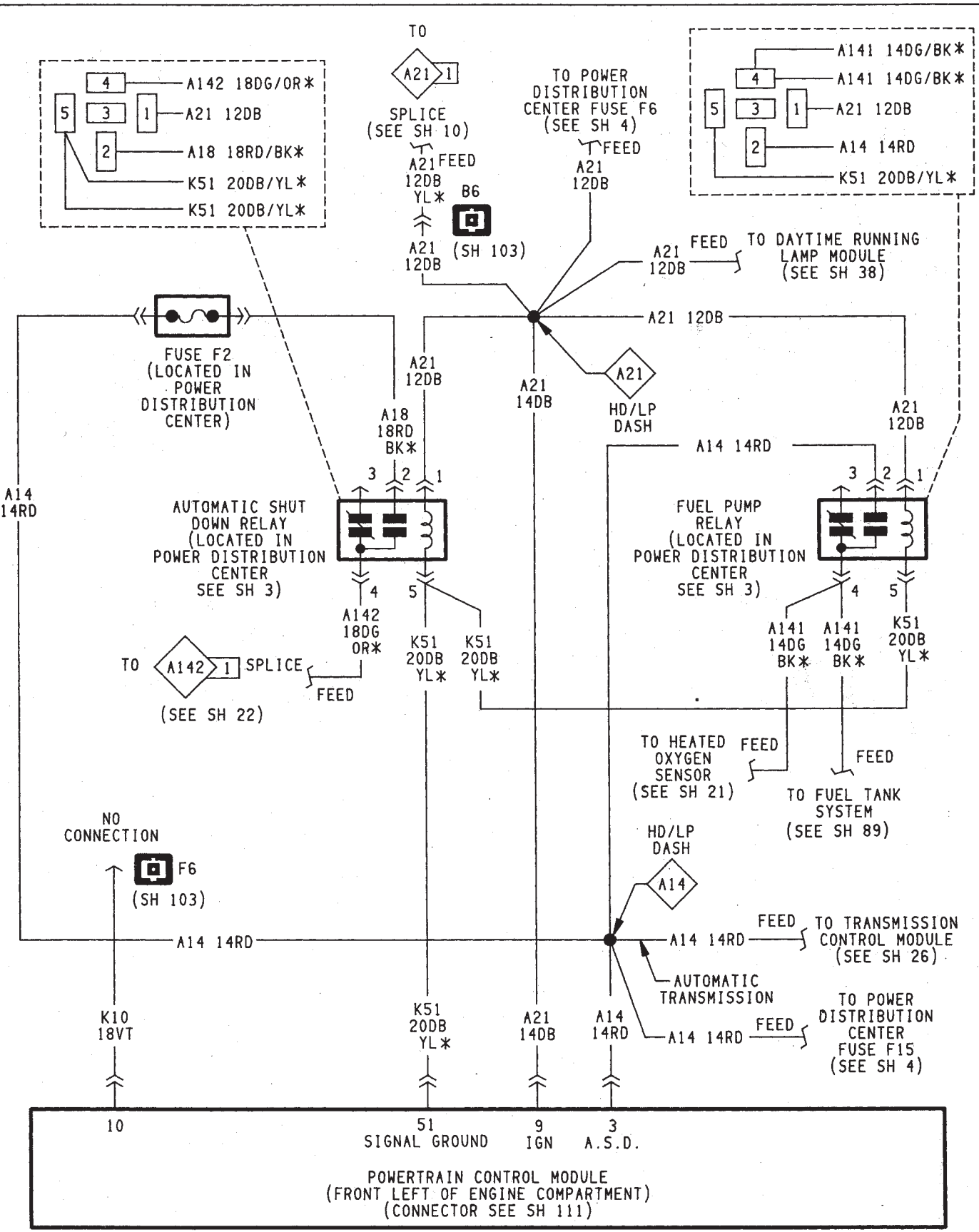
FUEL INJECTION IGNITION SYSTEM (2.5L ENGINE)





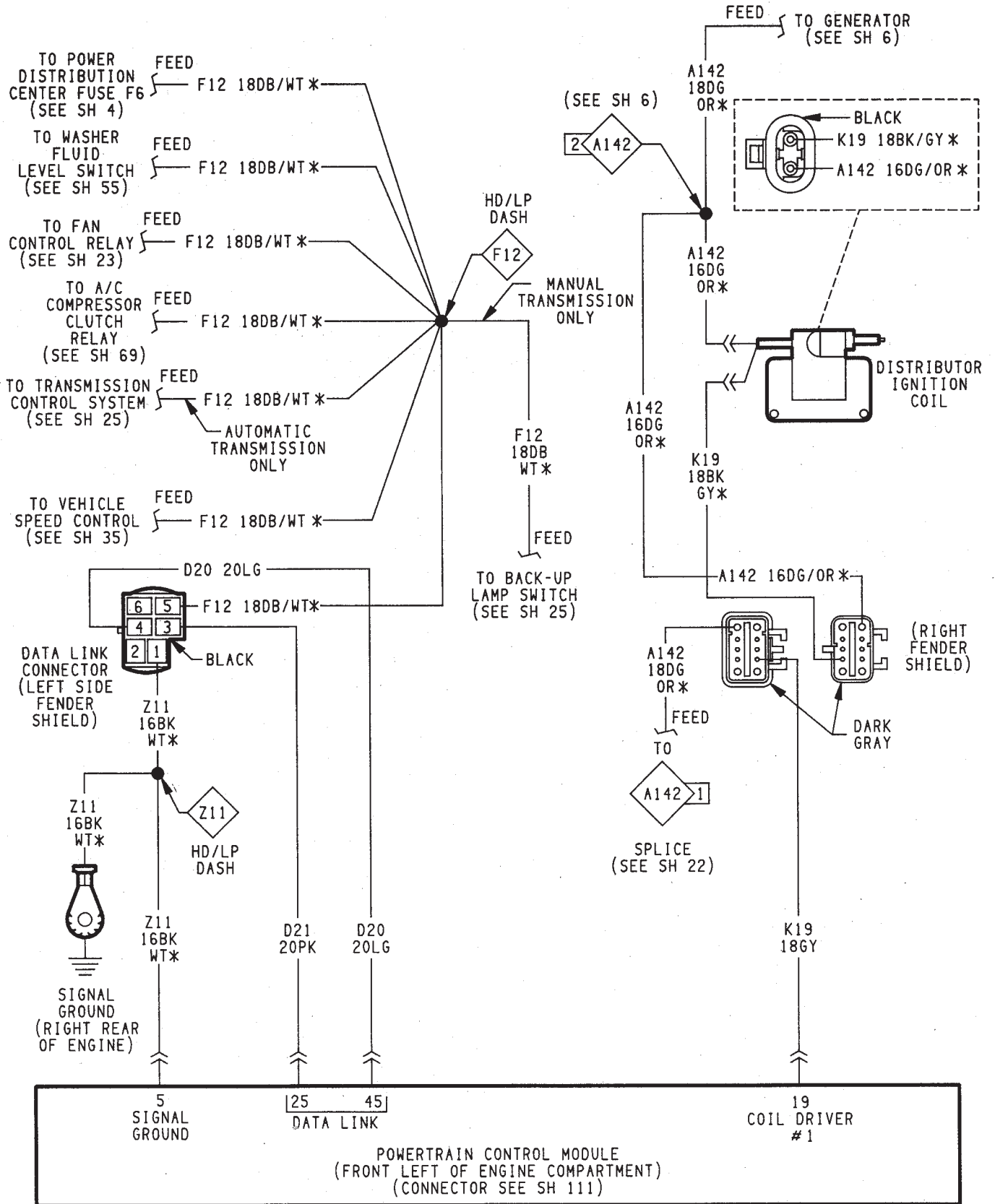


FUEL INJECTION IGNITION SYSTEM (2.5L ENGINE)

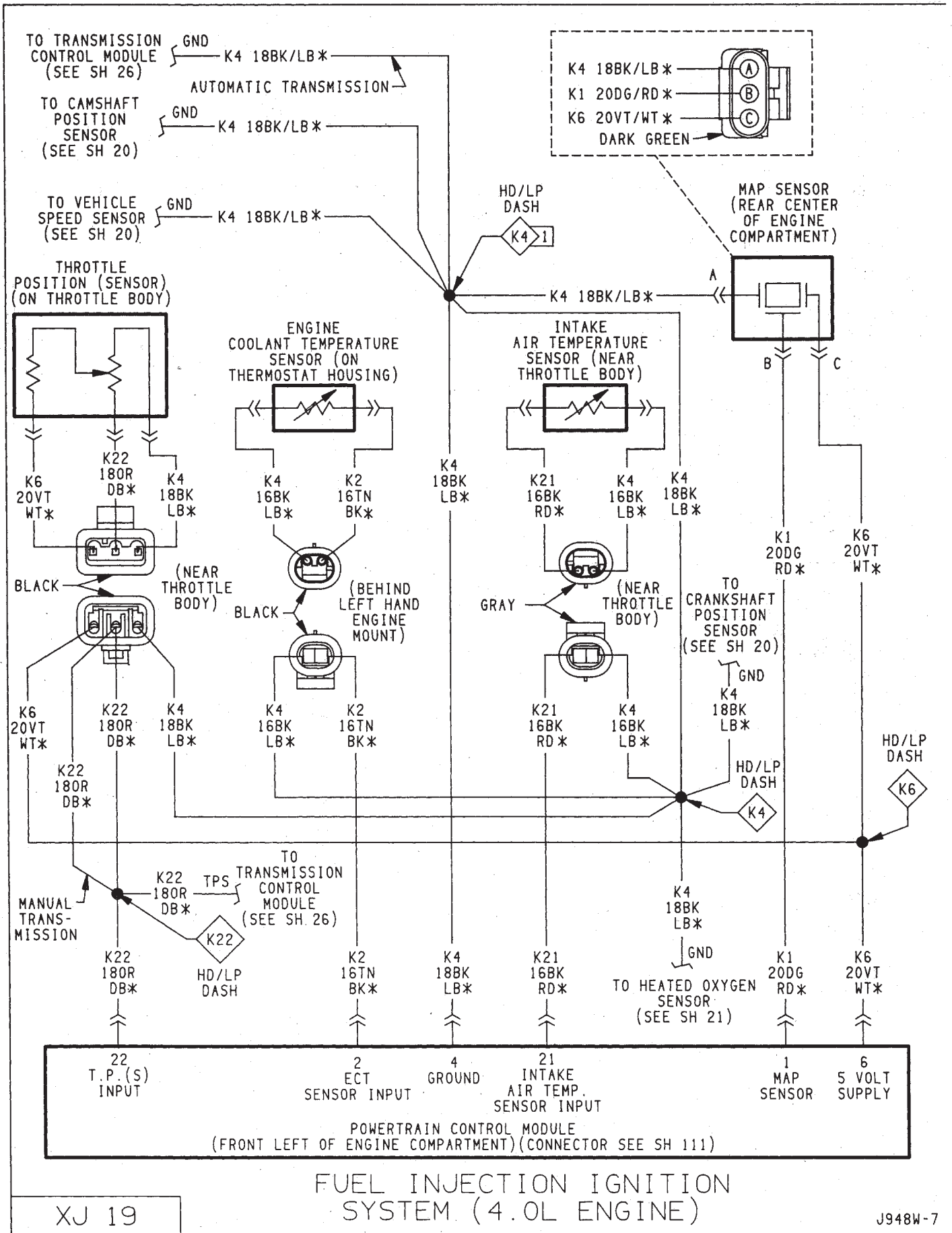


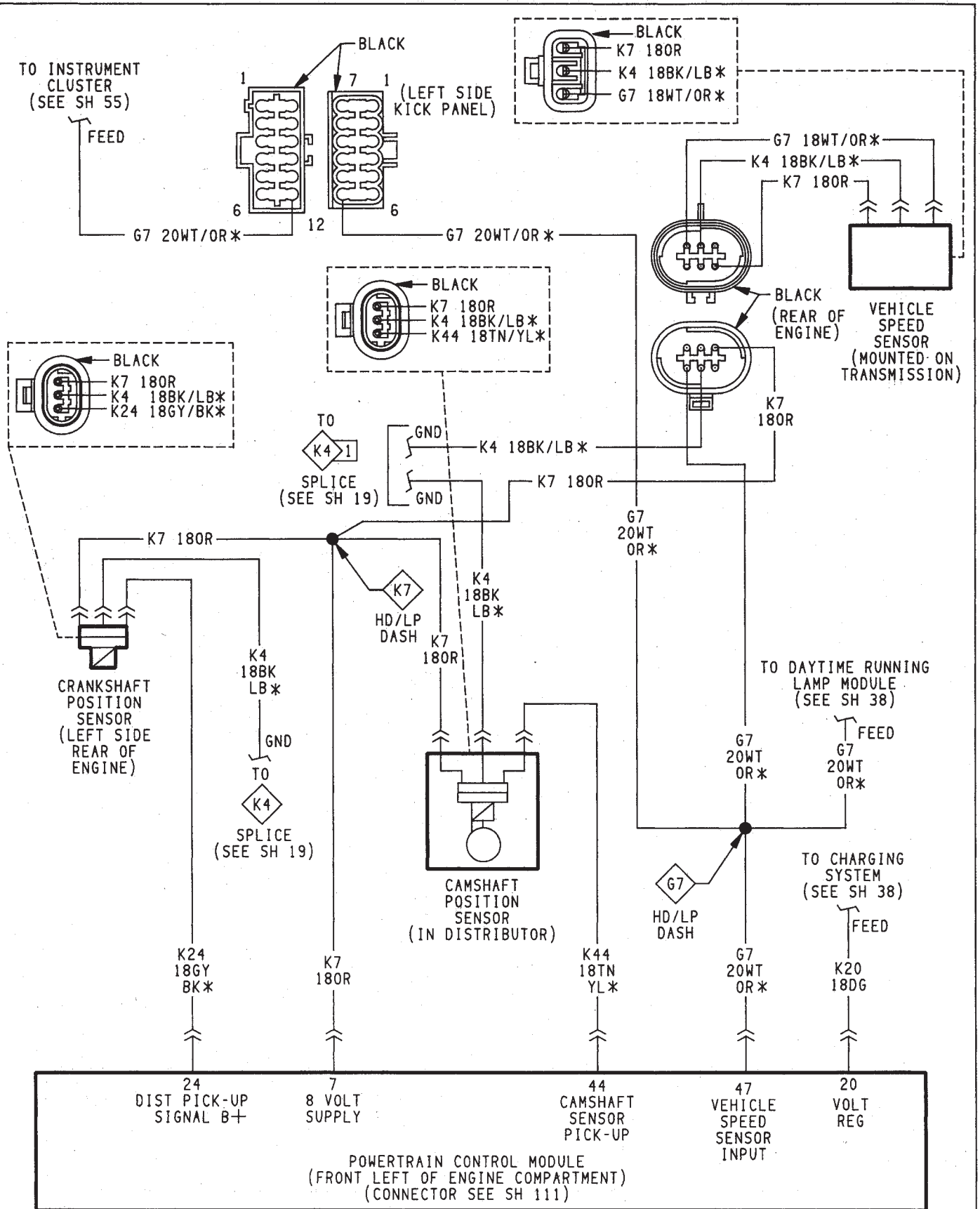
FUEL INJECTION IGNITION SYSTEM (4.0L ENGINE)

XJ 17

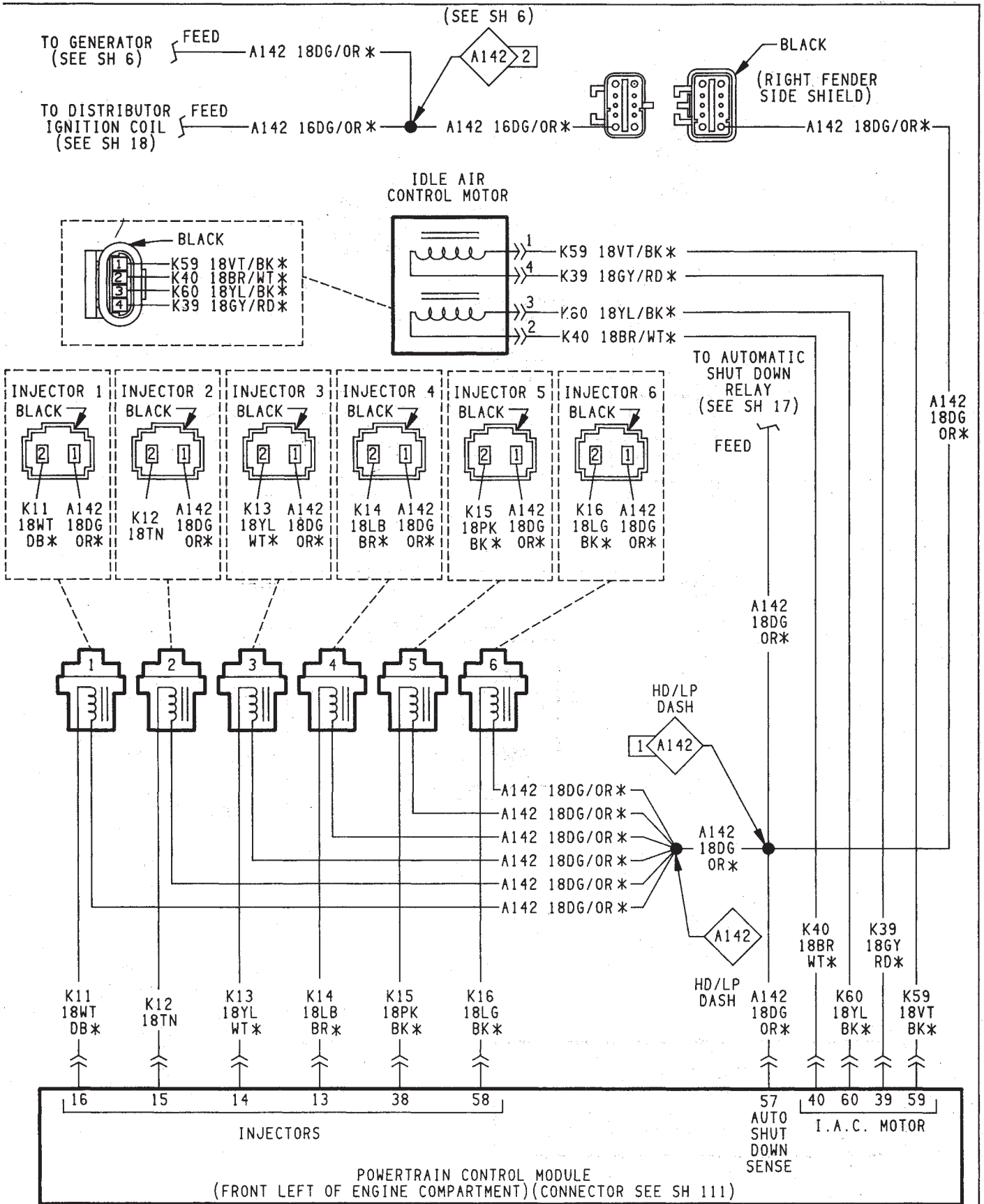


FUEL INJECTION IGNITION SYSTEM (4.0L ENGINE)

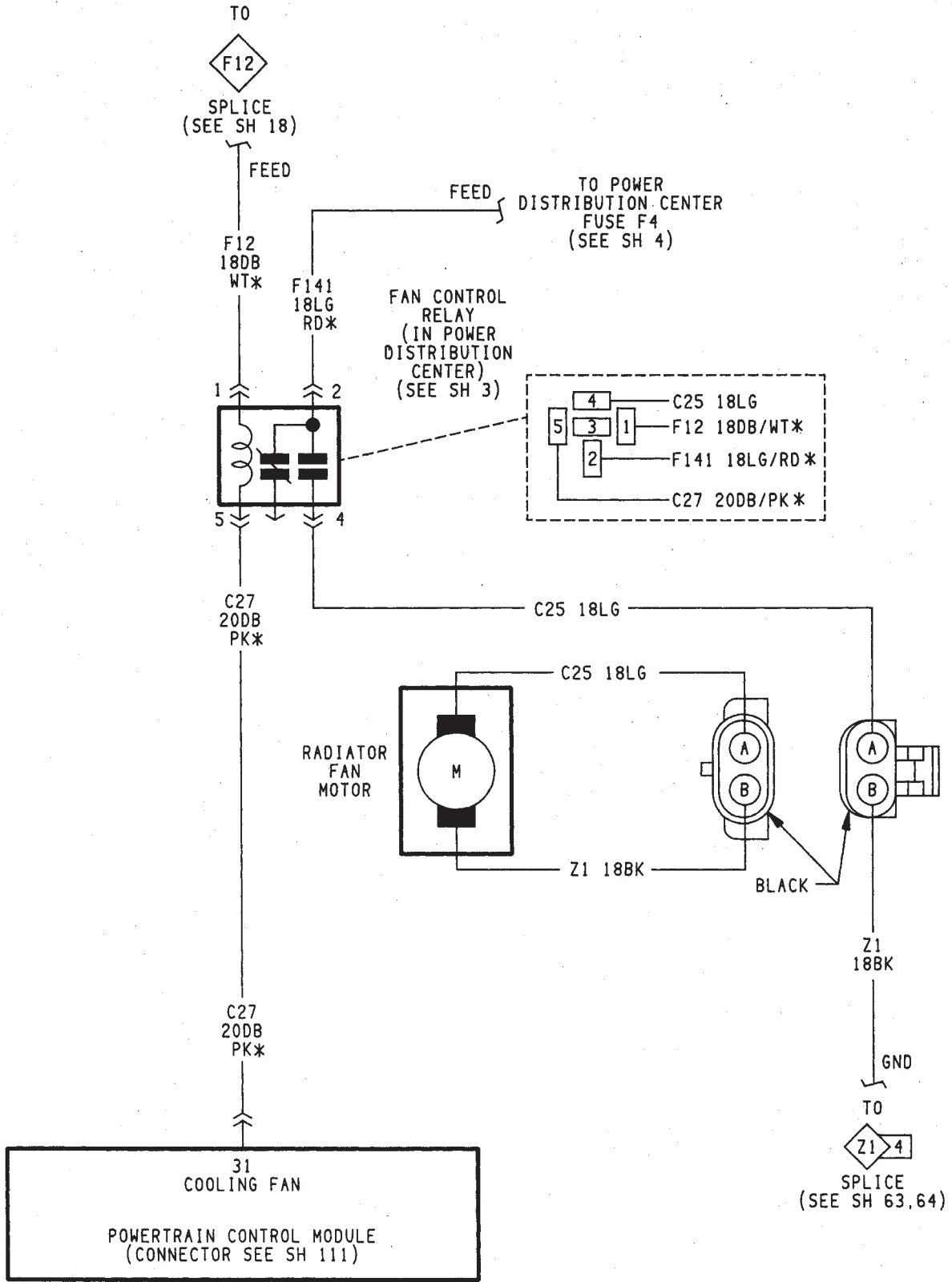


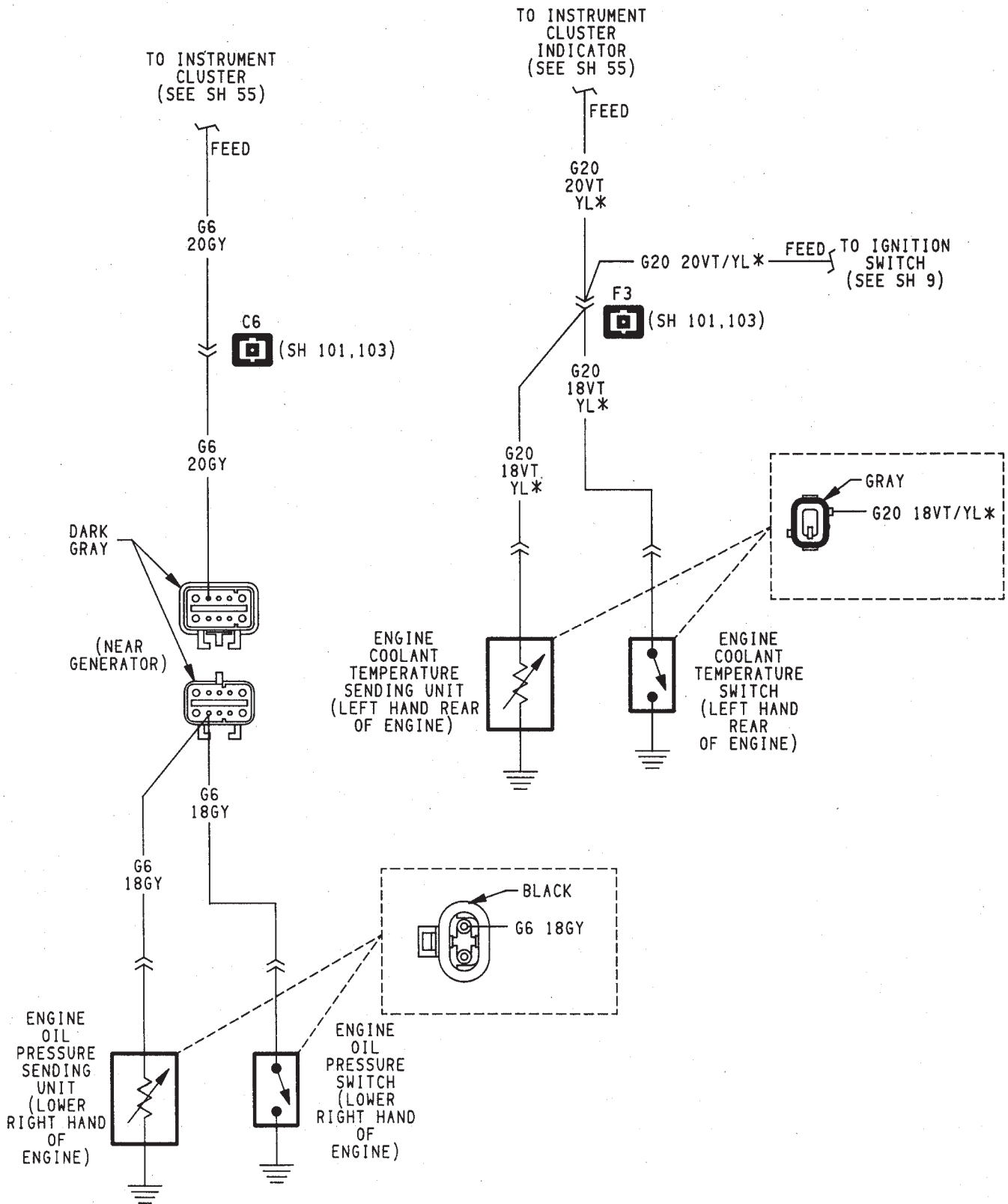


FUEL INJECTION IGNITION SYSTEM (4.0L ENGINE)

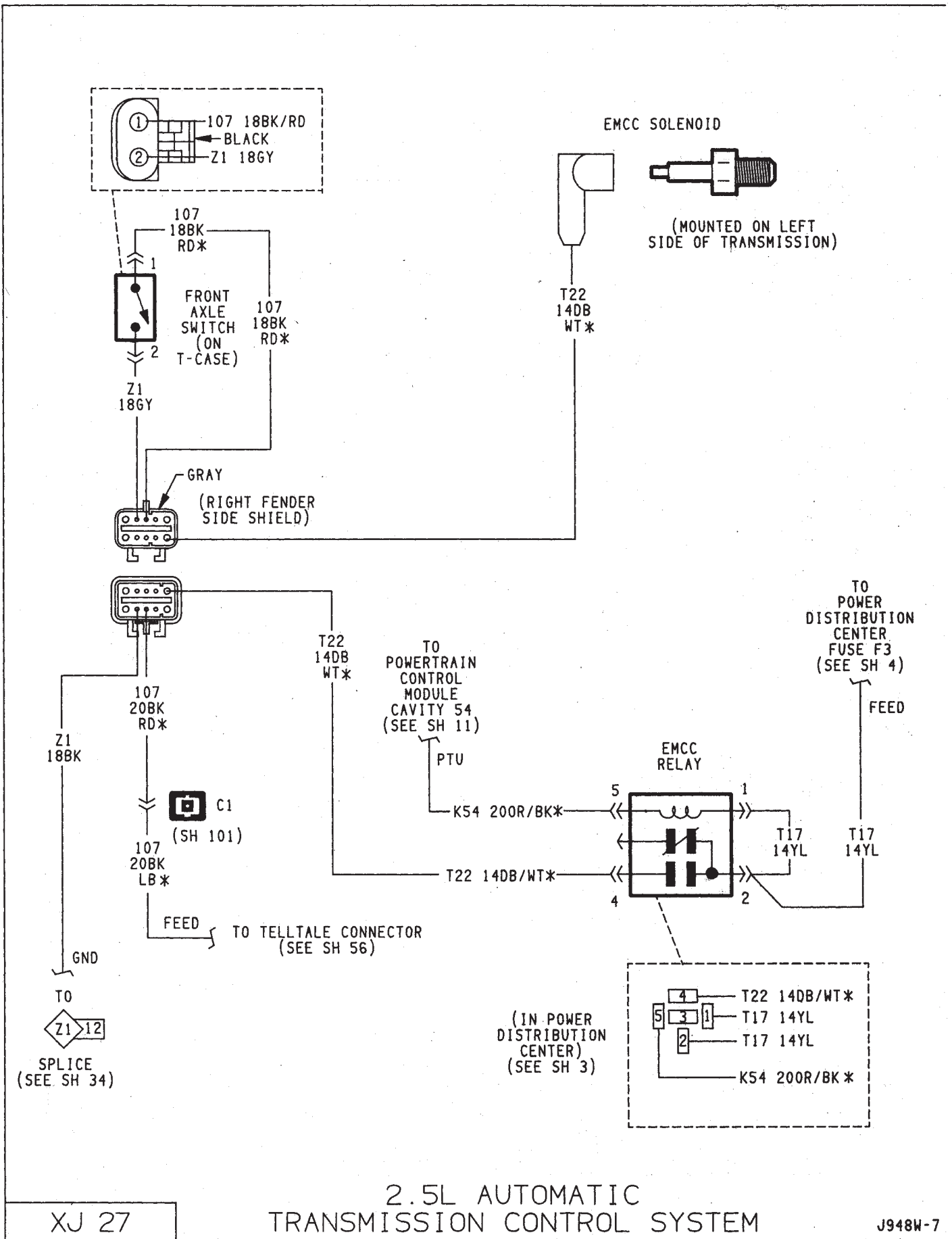


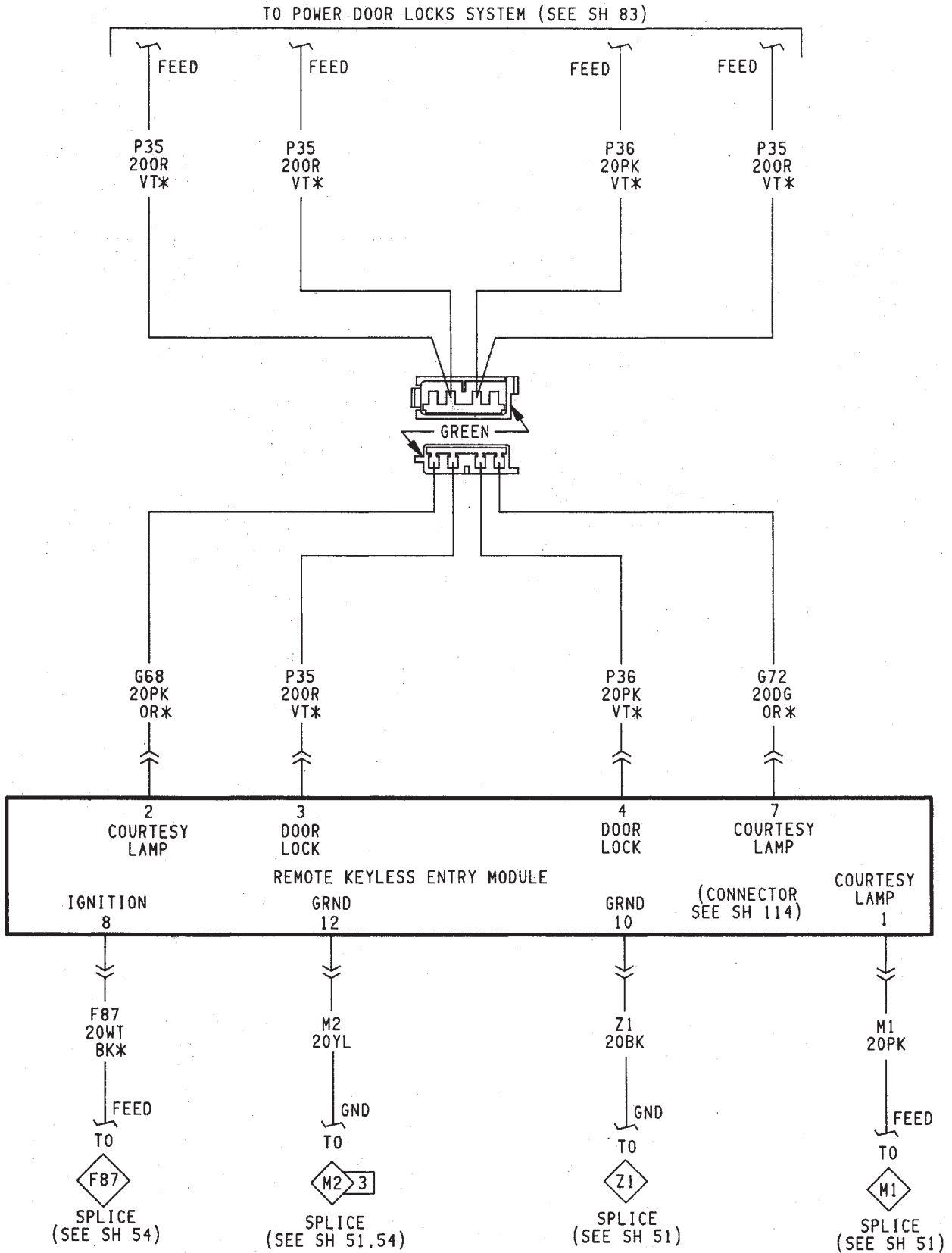
FUEL INJECTION IGNITION SYSTEM (4.0L ENGINE)

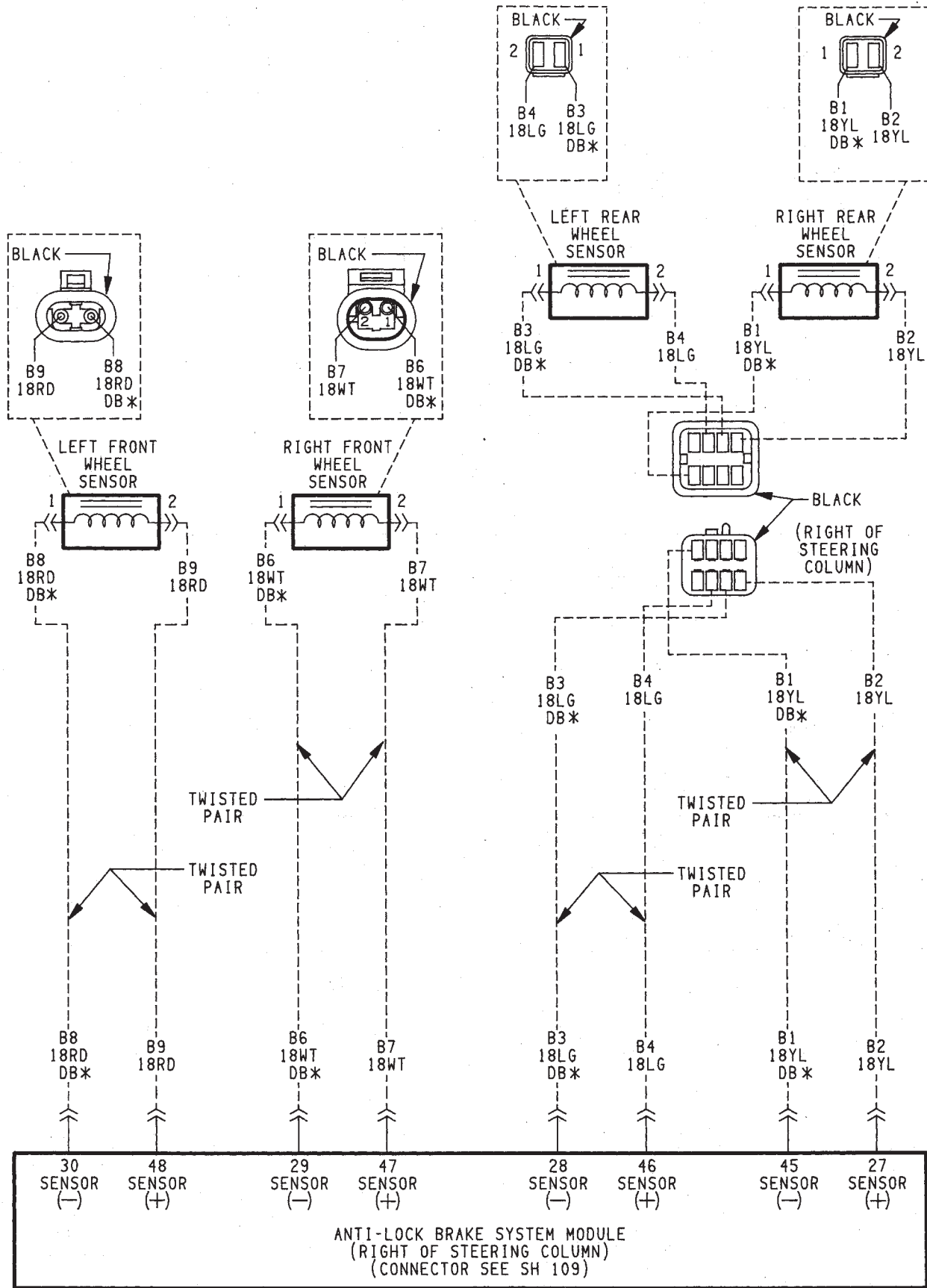


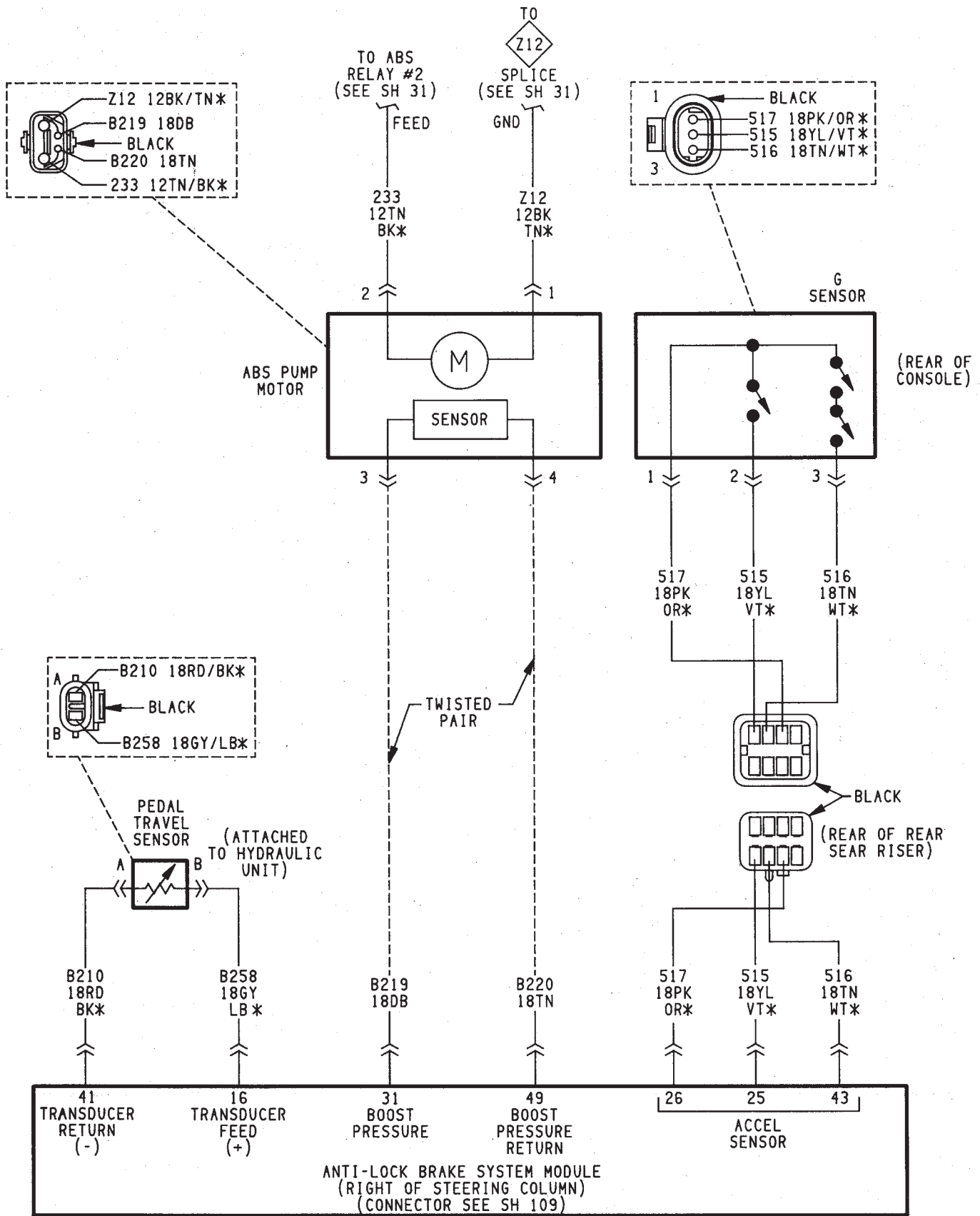


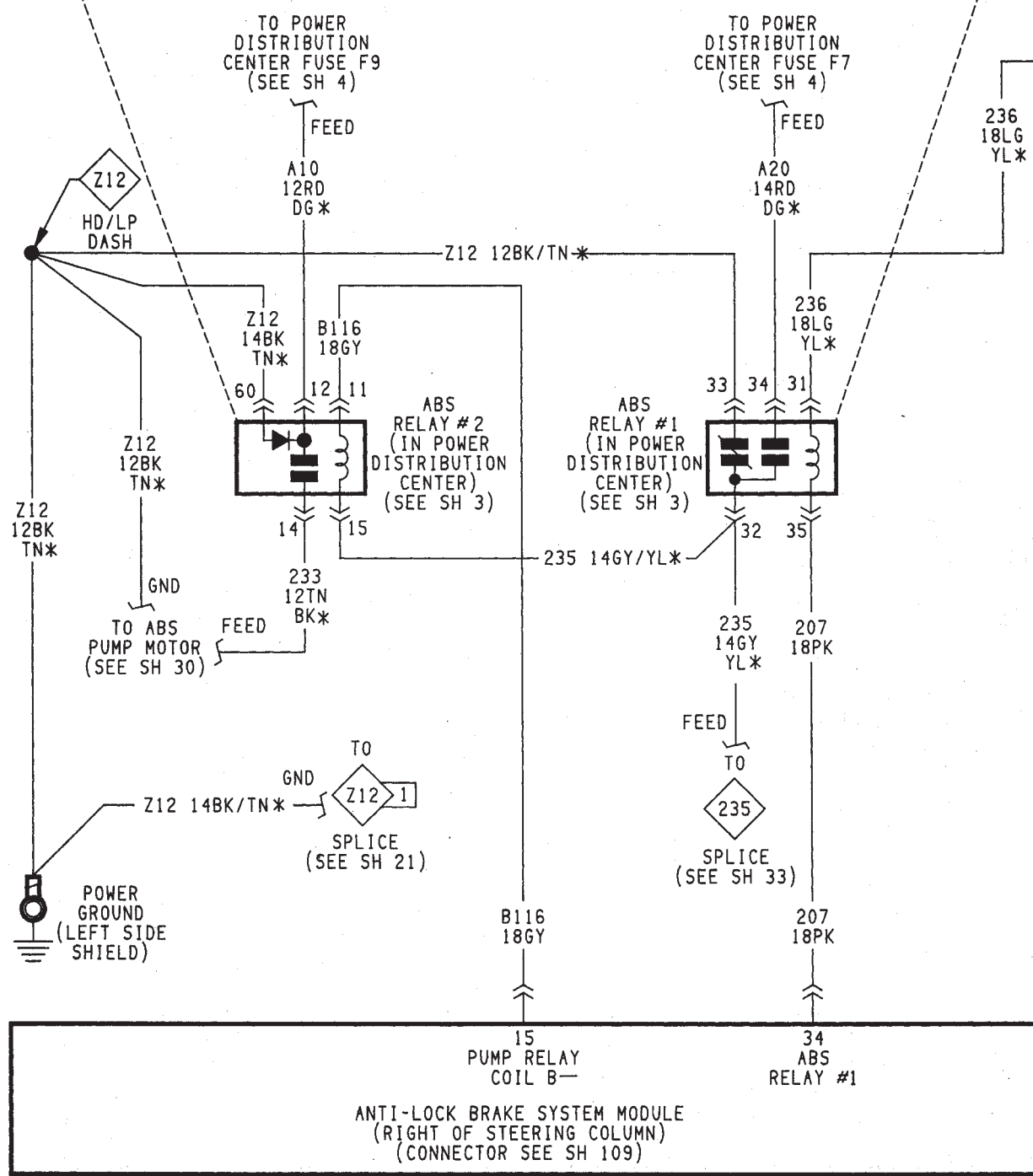
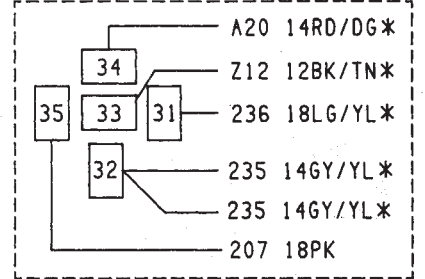
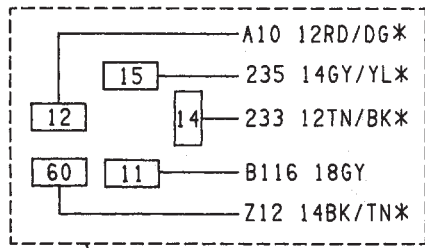
ENGINE OIL PRESSURE AND TEMPERATURE SYSTEM

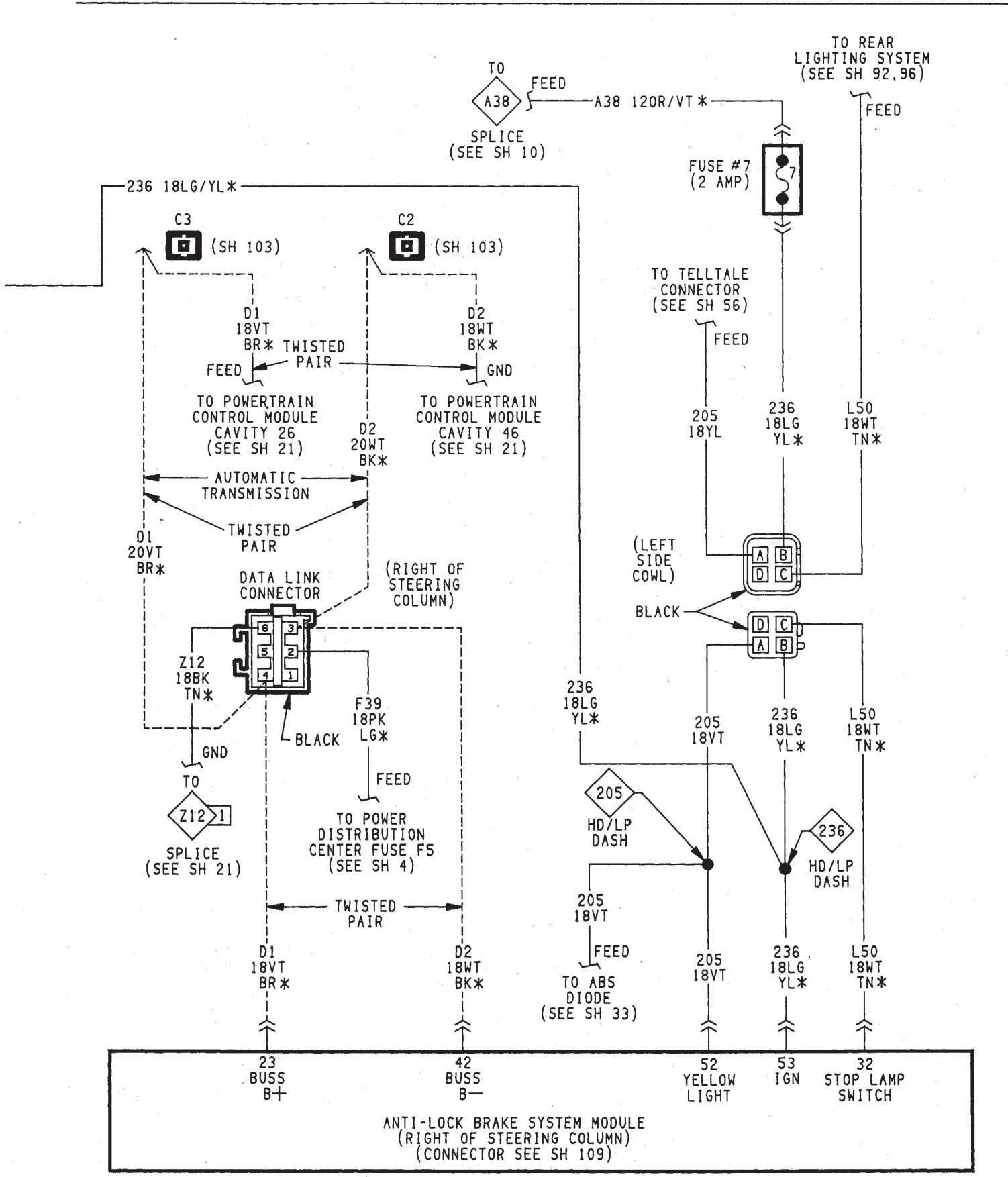


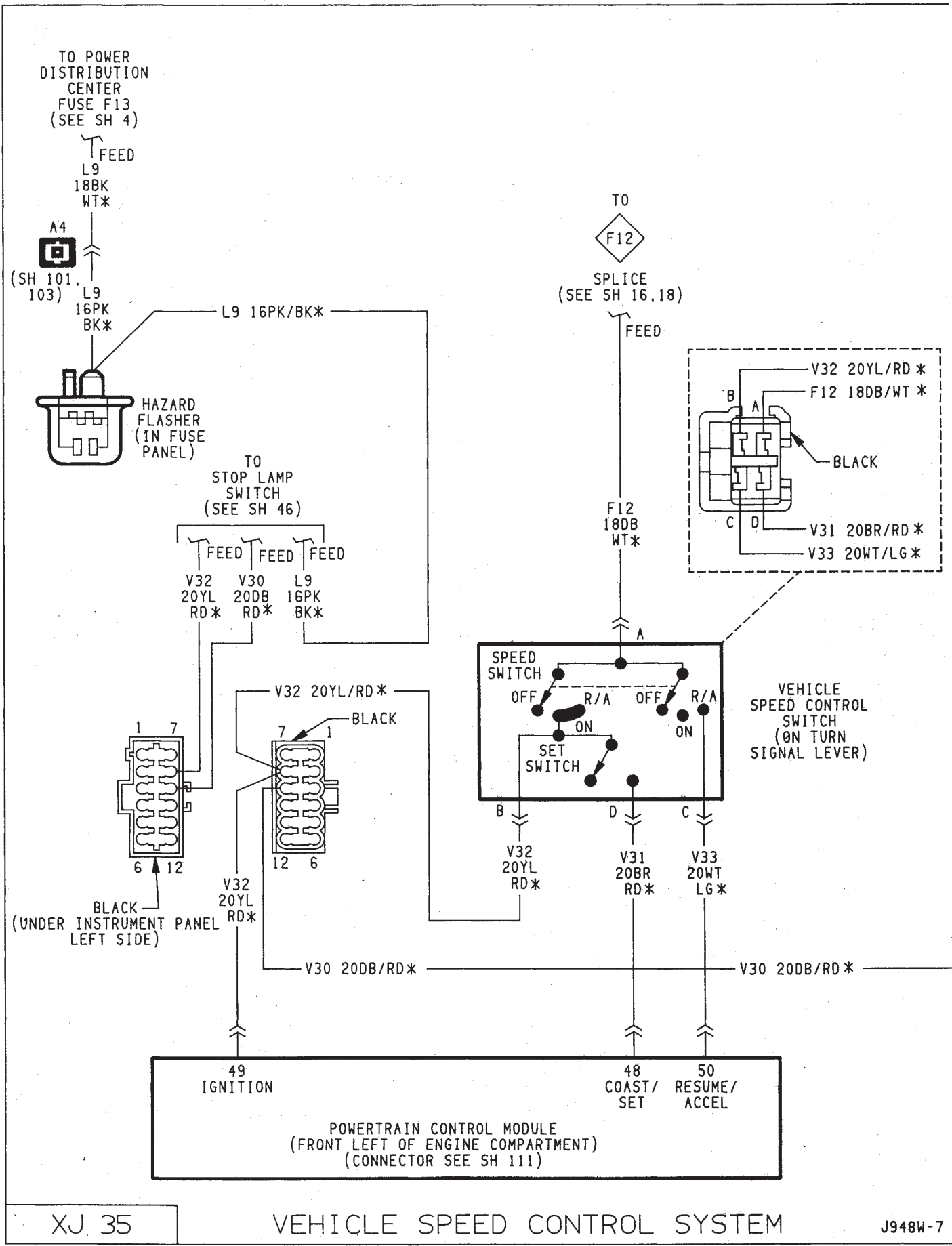


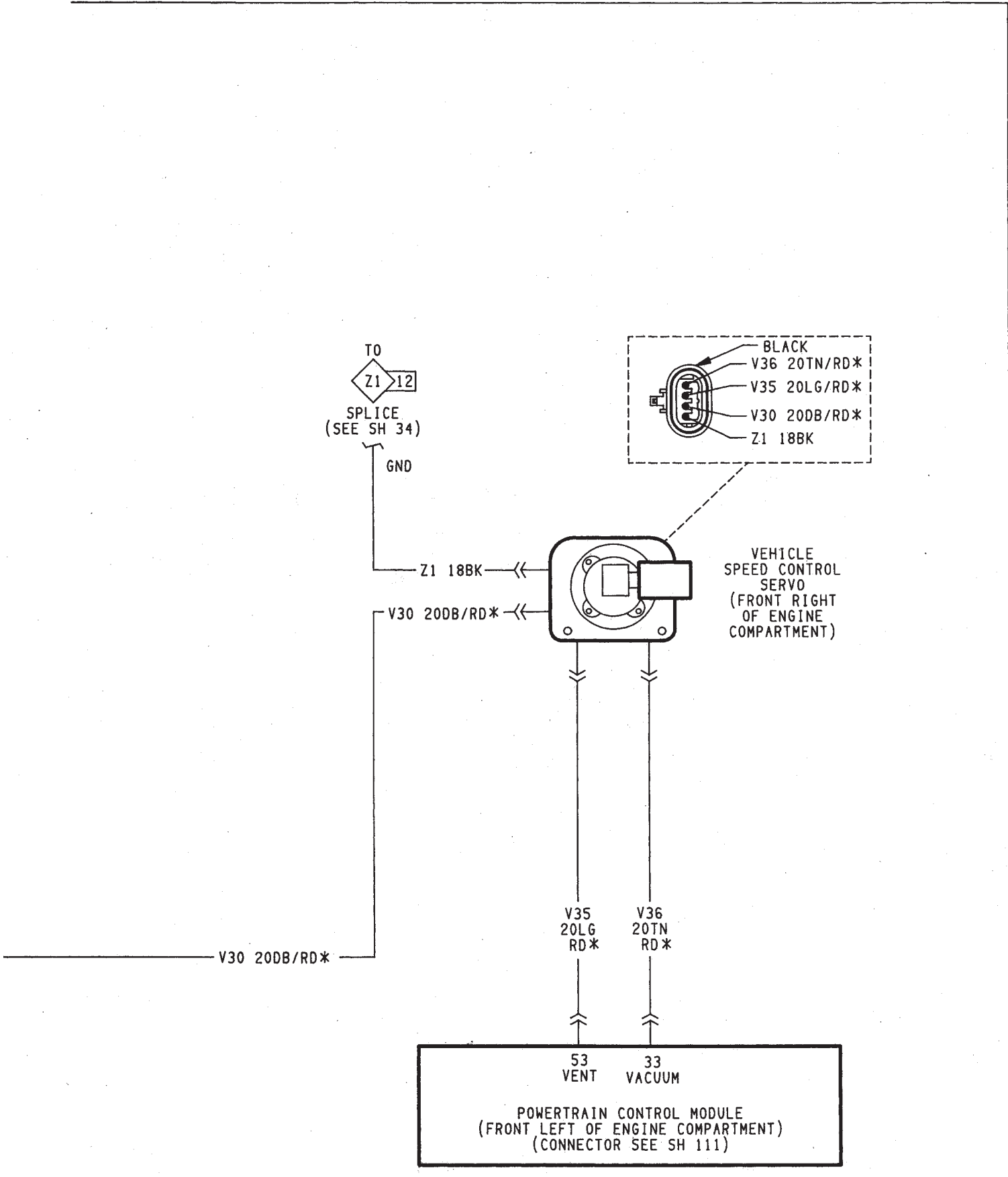


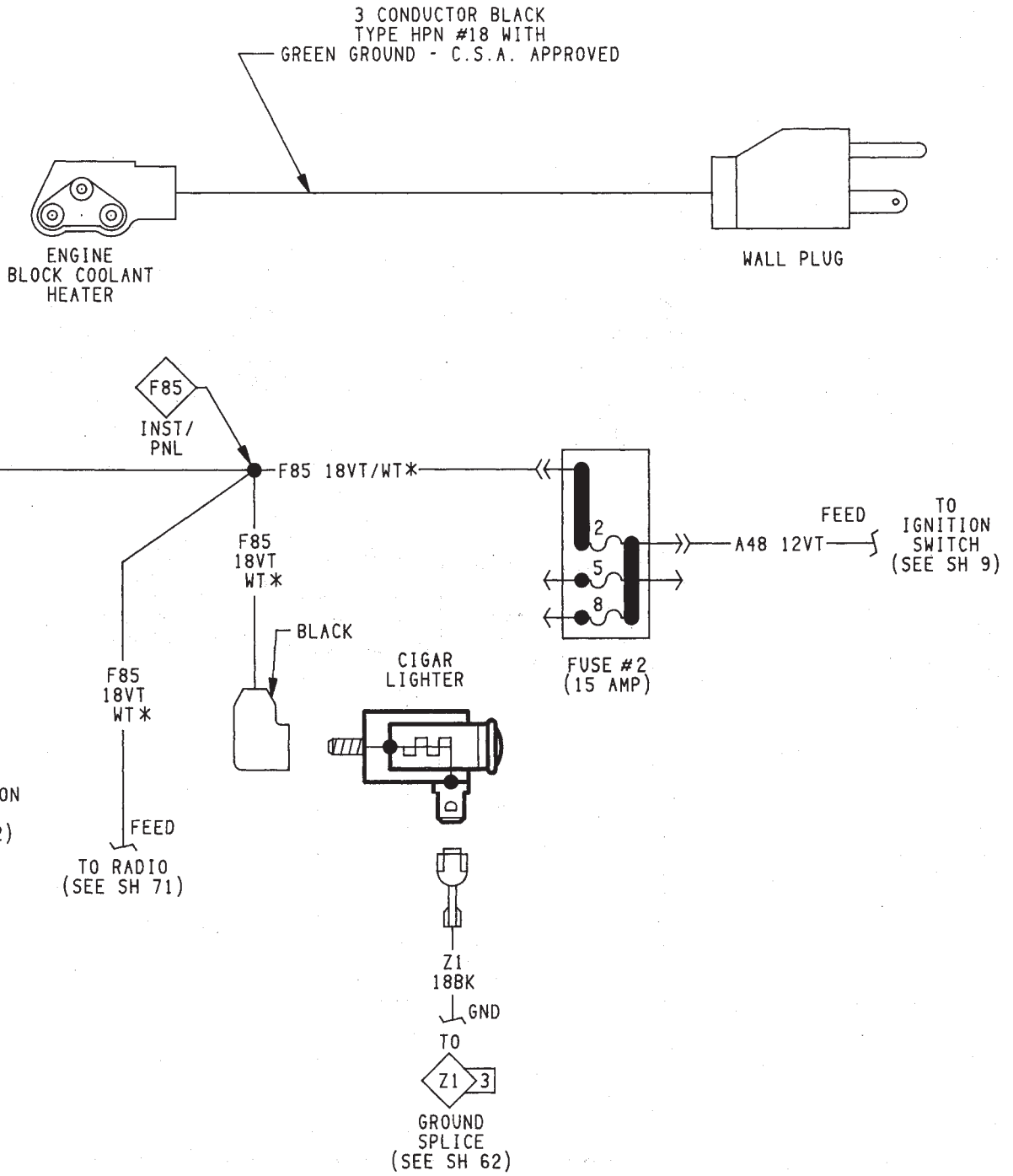








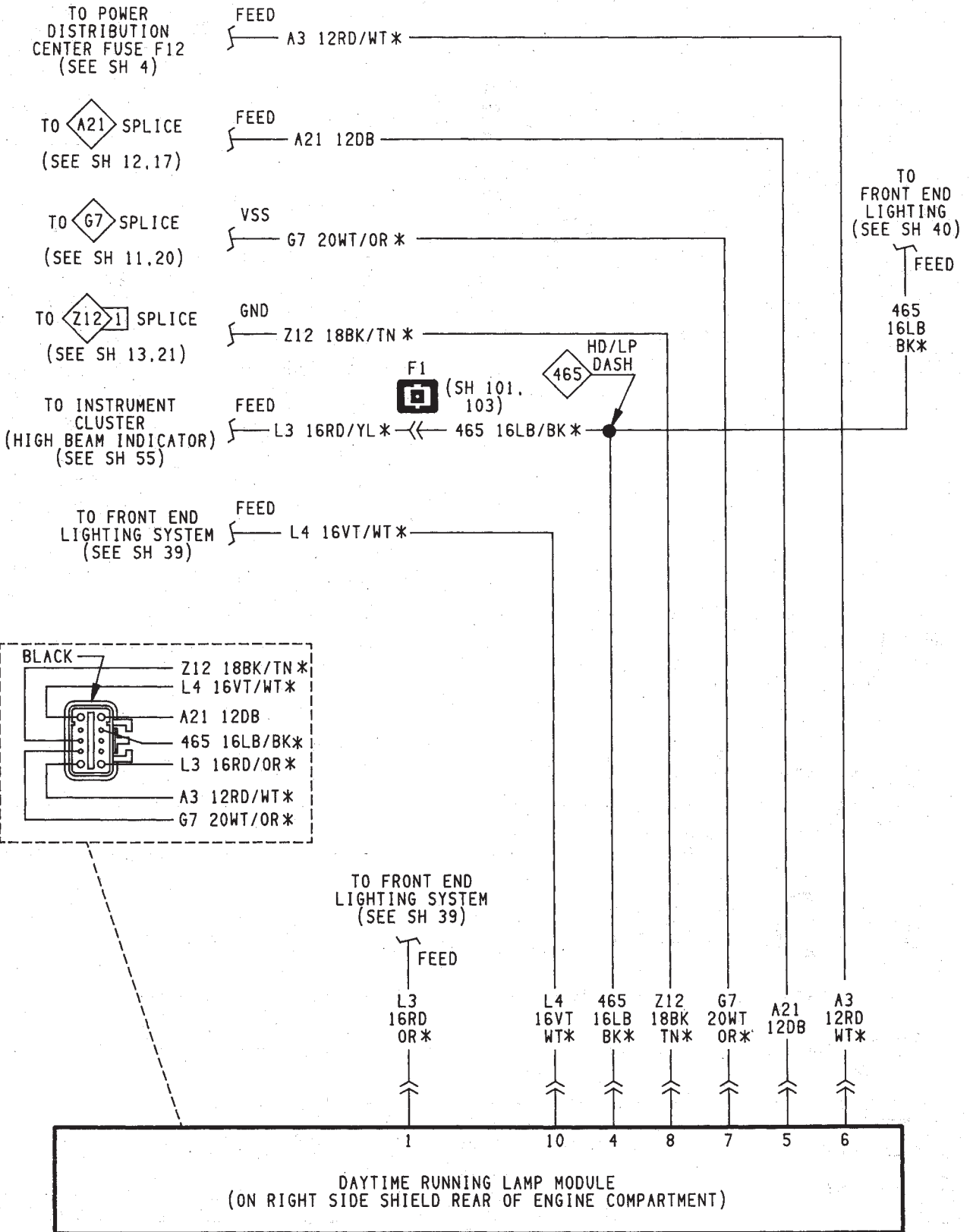


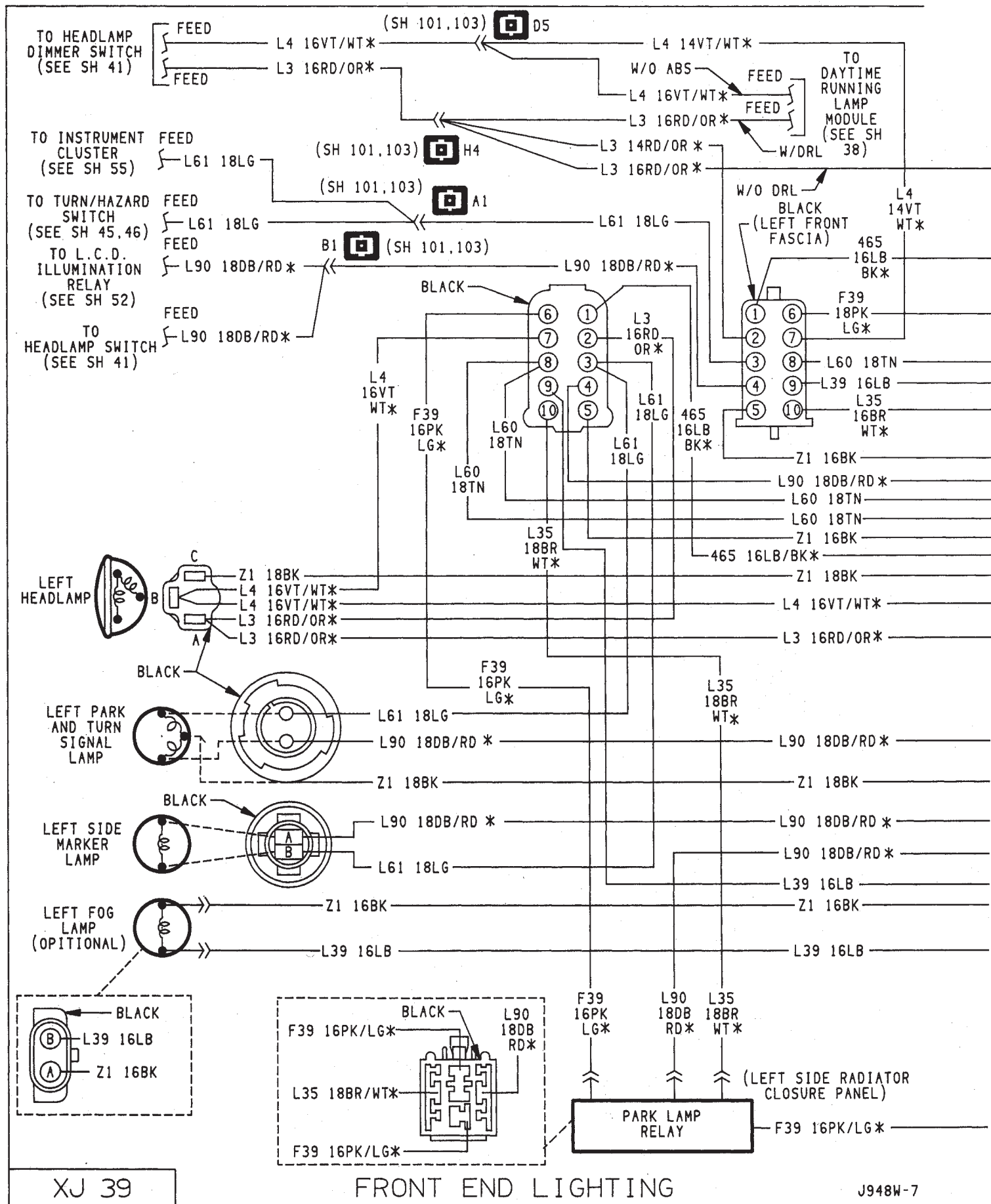


XJ 37

ENGINE BLOCK COOLANT HEATER/CIGAR LIGHTER

J948W-7

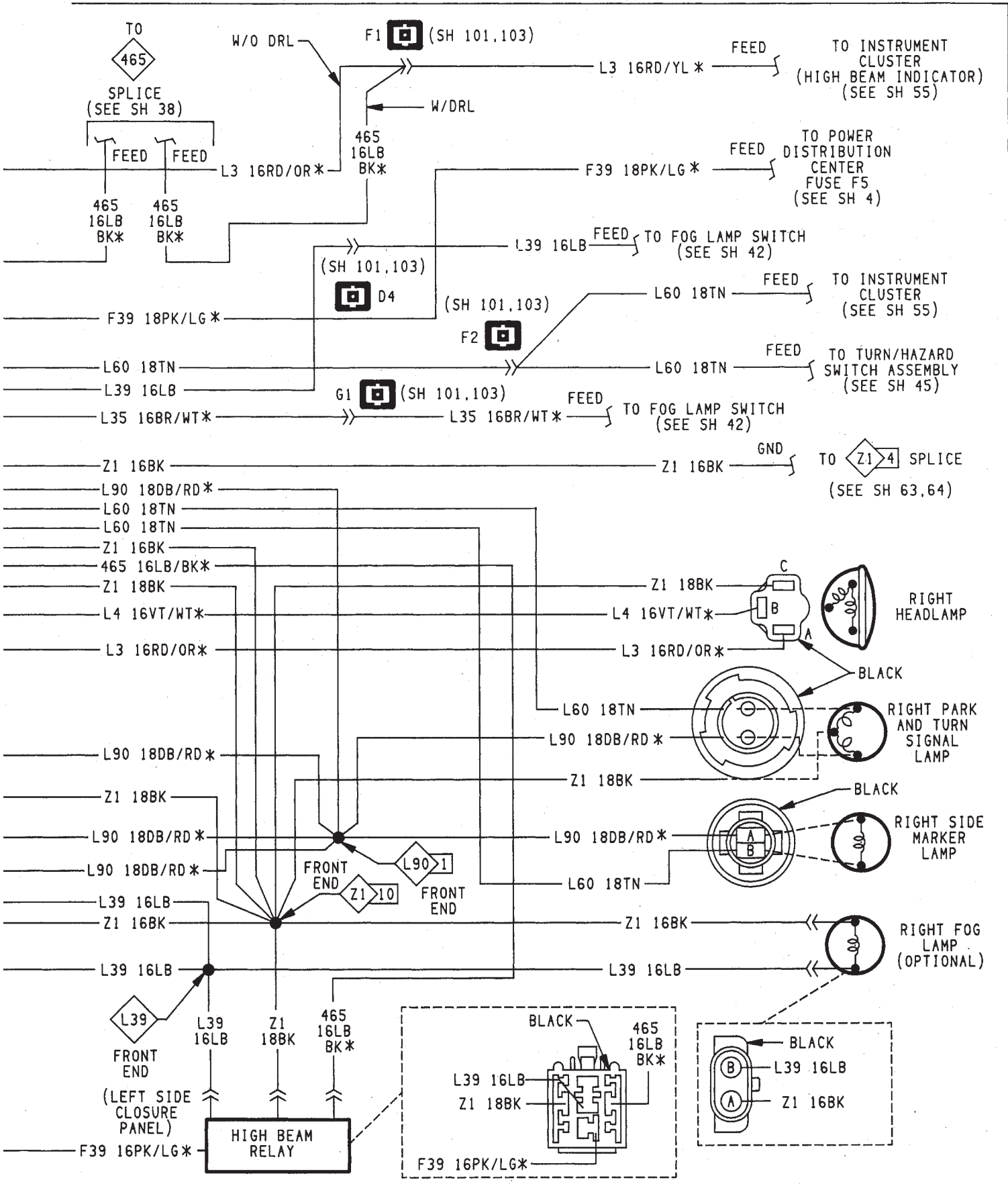


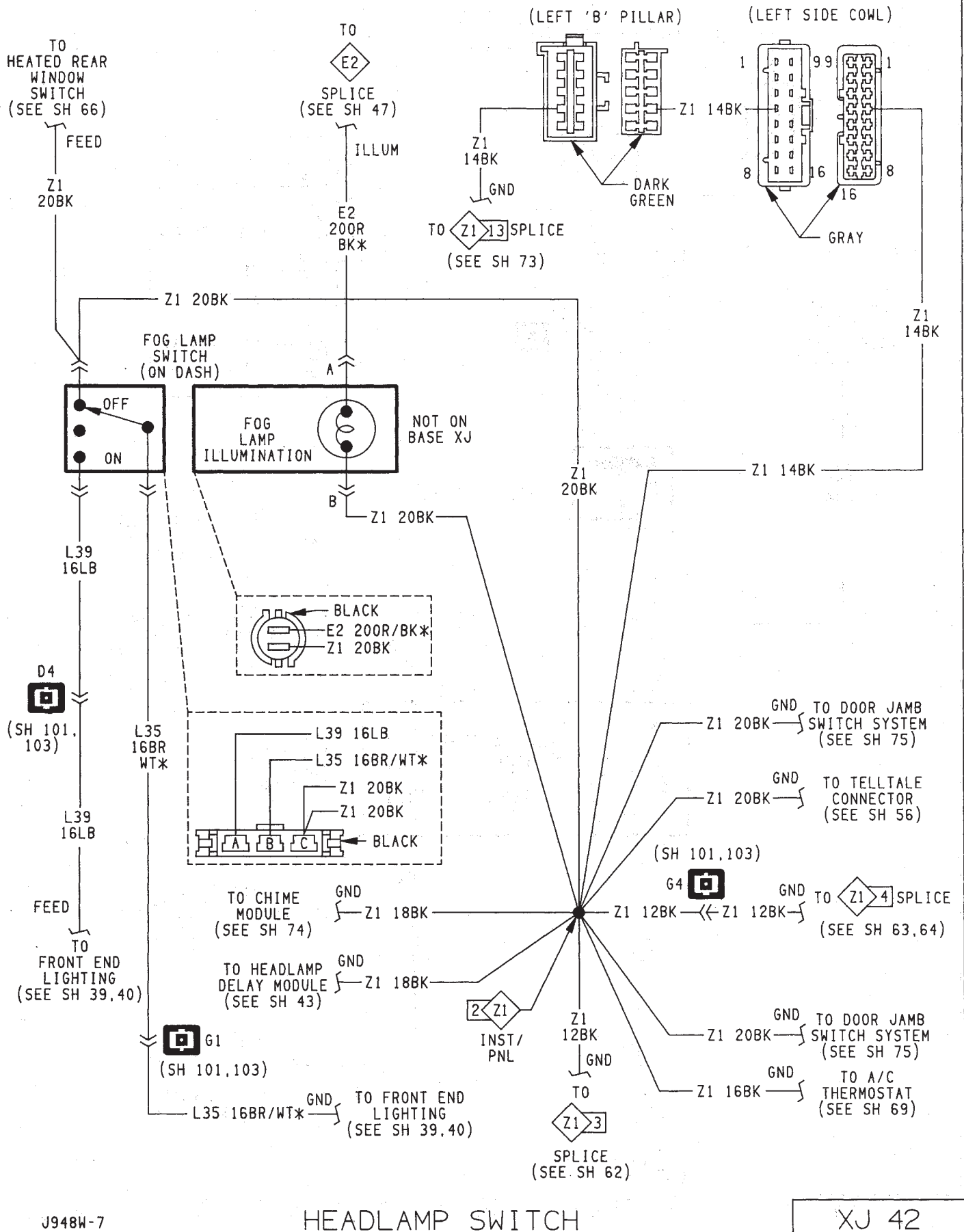


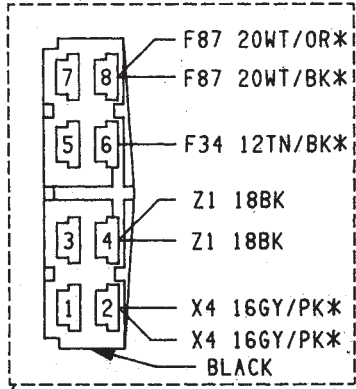
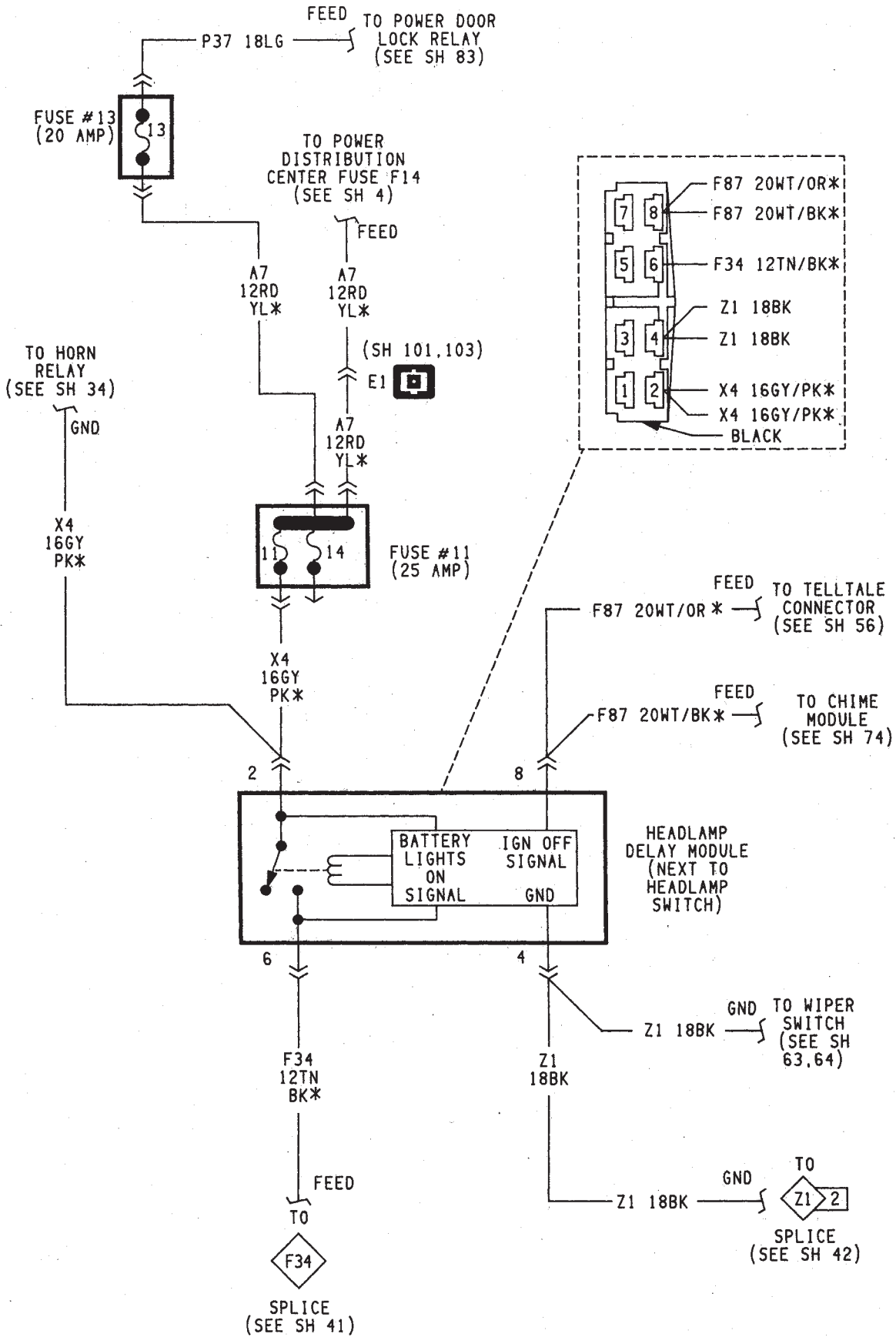
XJ 39

FRONT END LIGHTING

J948W-7



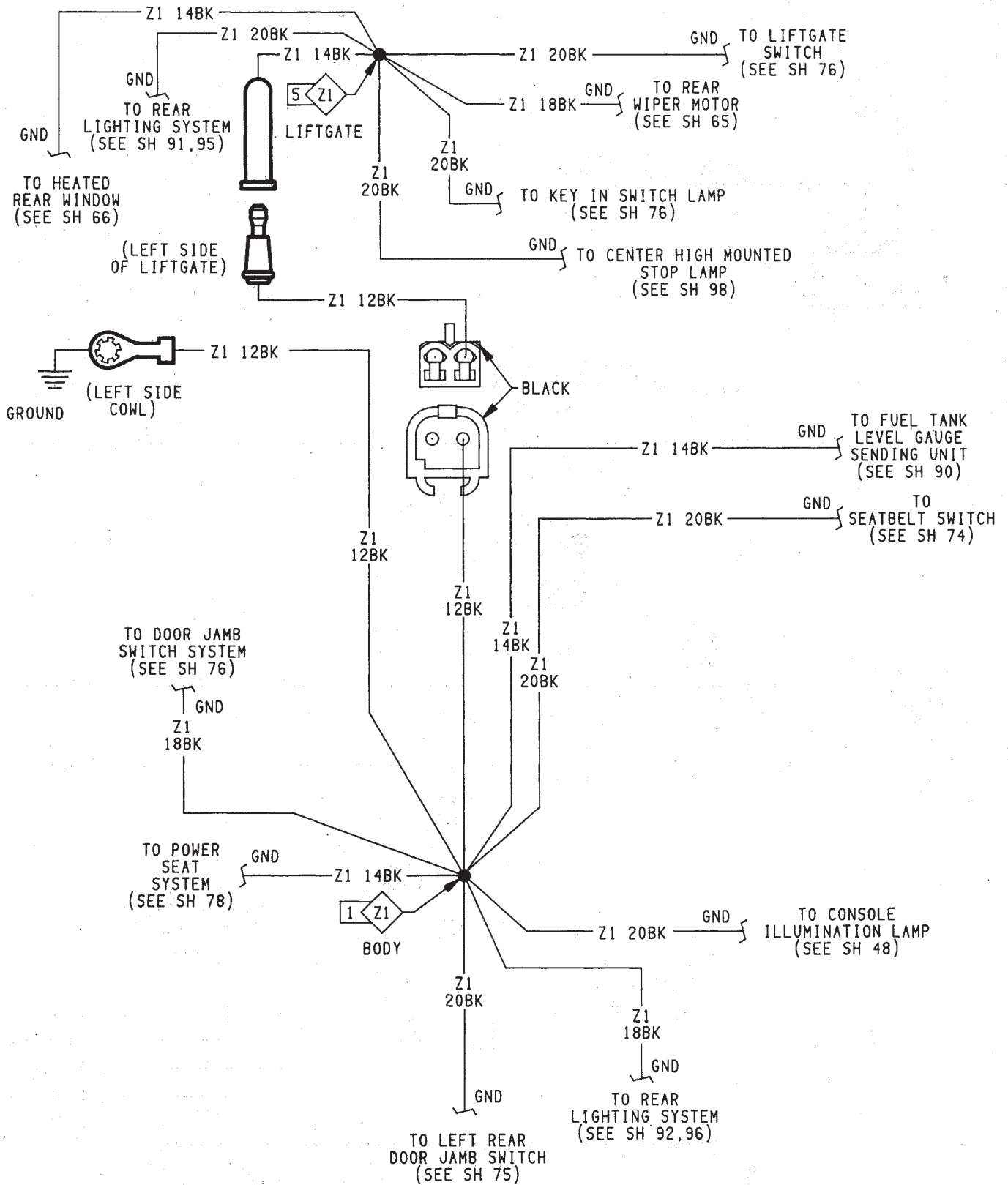


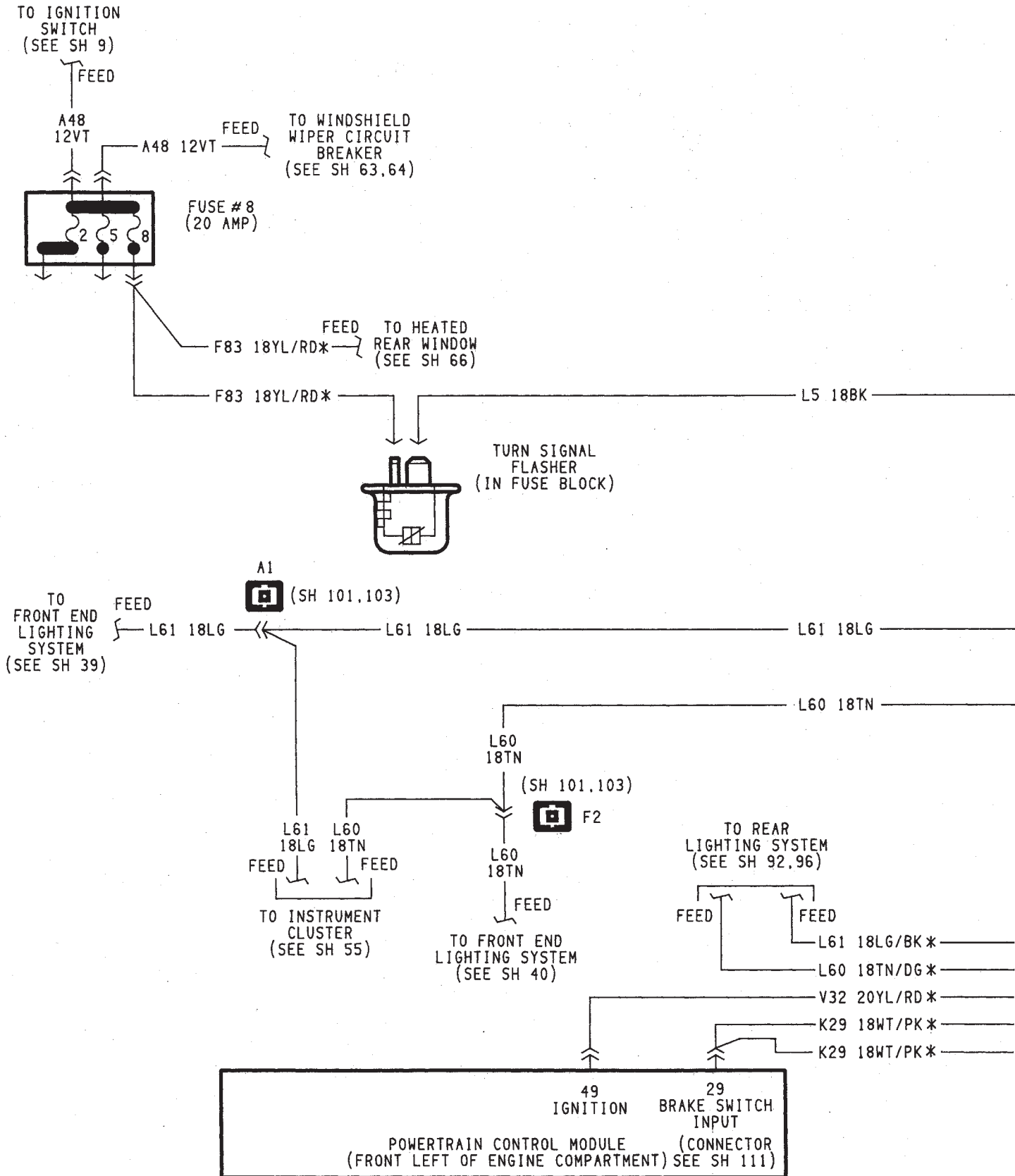


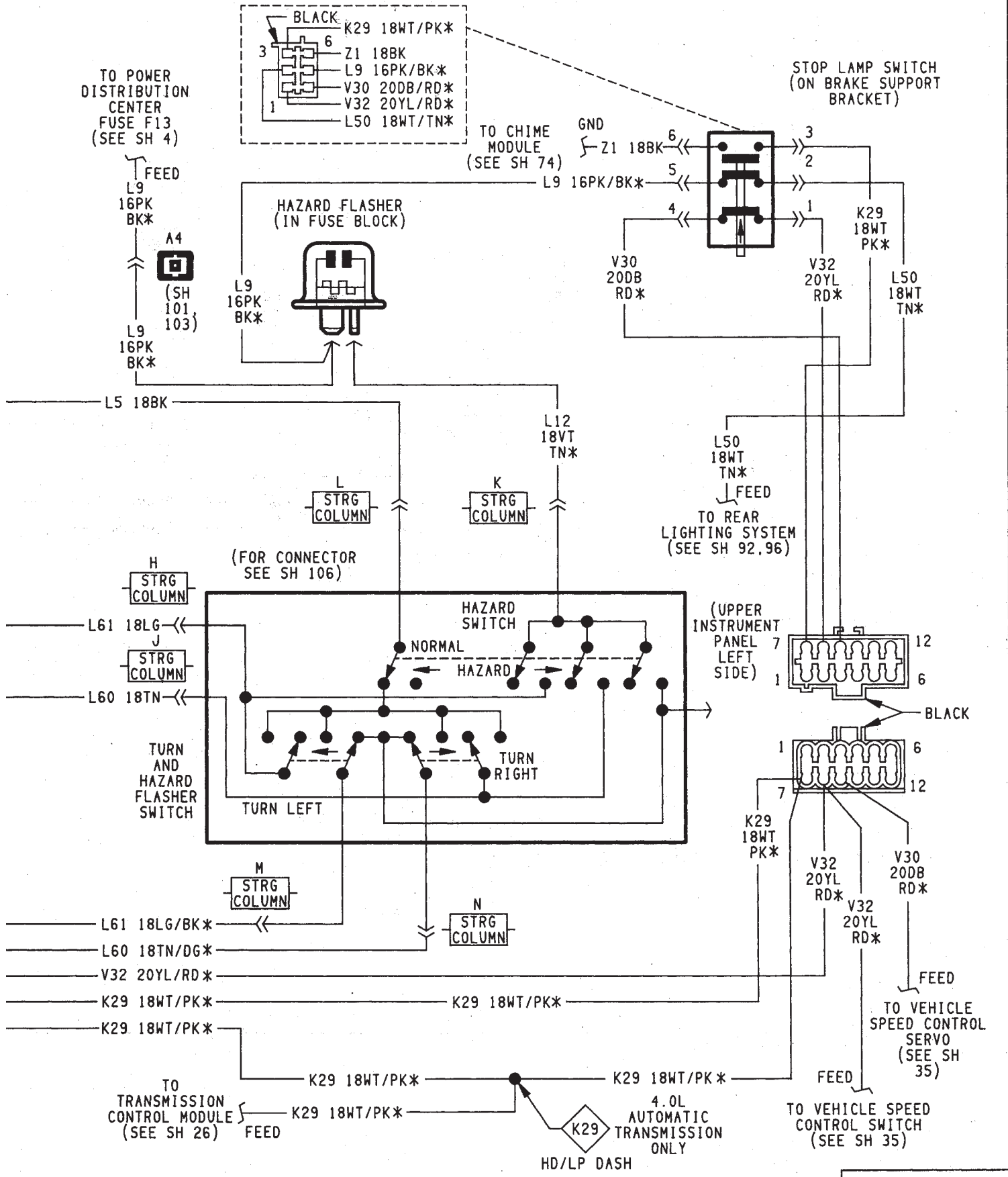
XJ 43

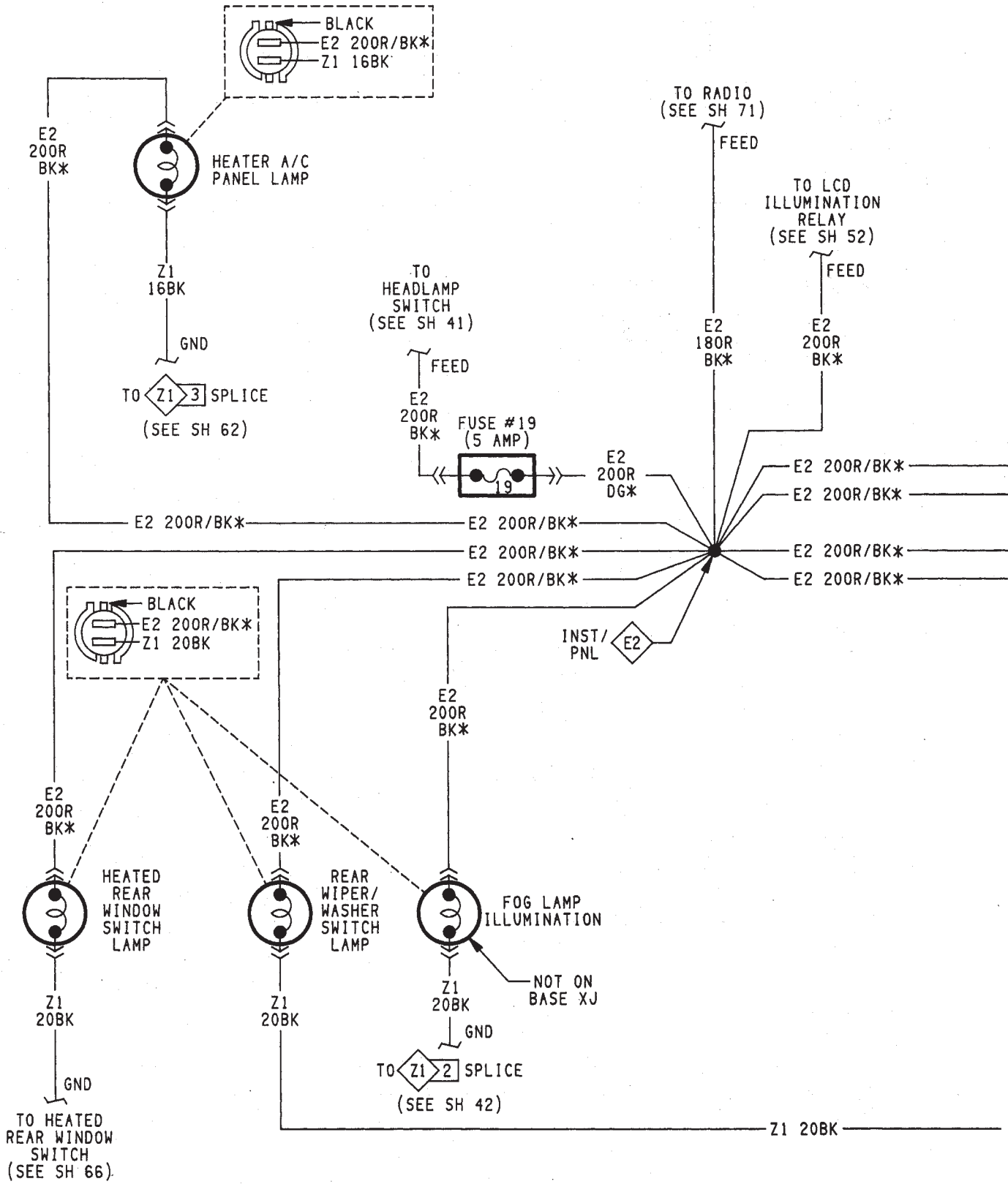
HEADLAMP DELAY MODULE

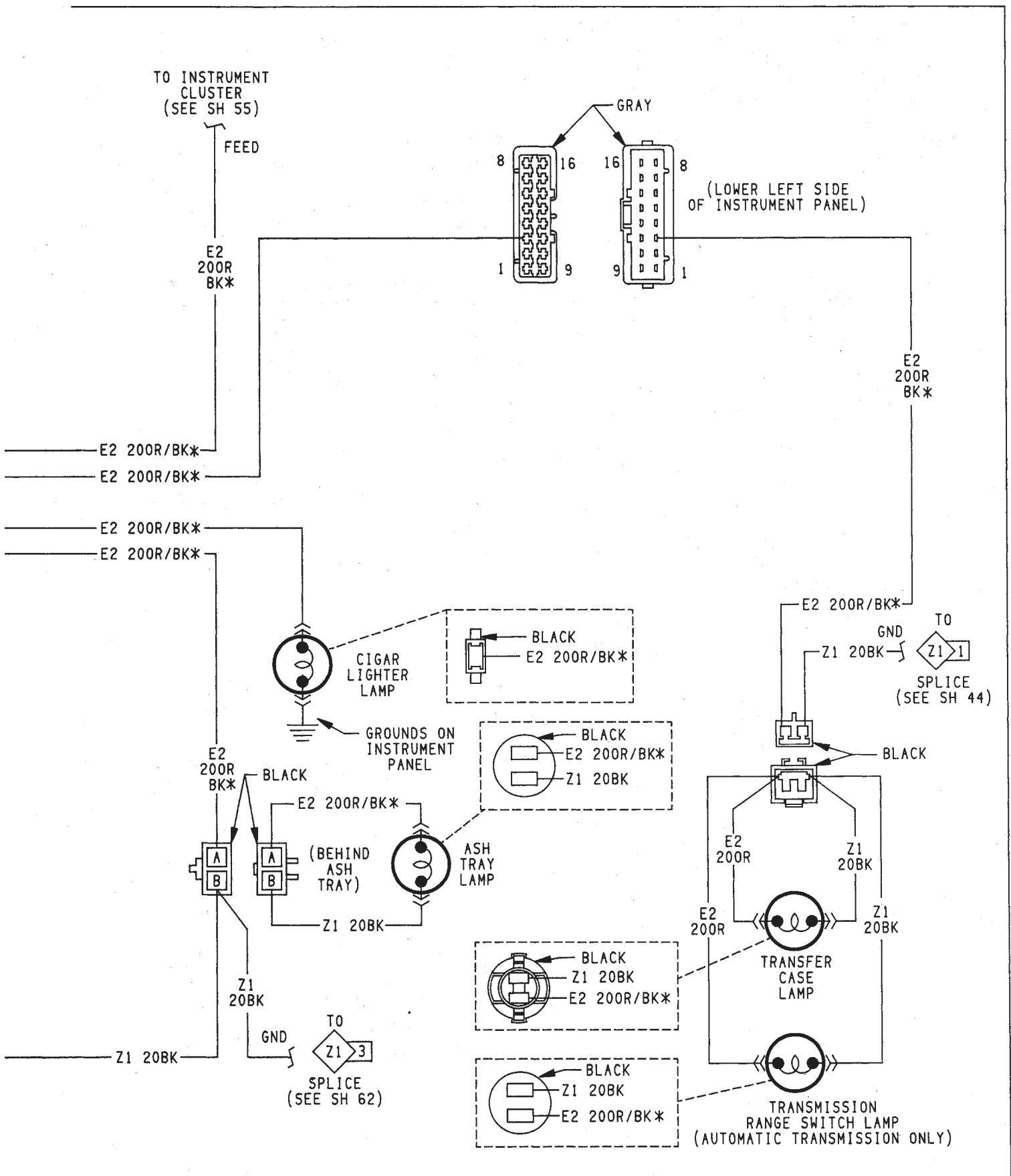
J948W-7

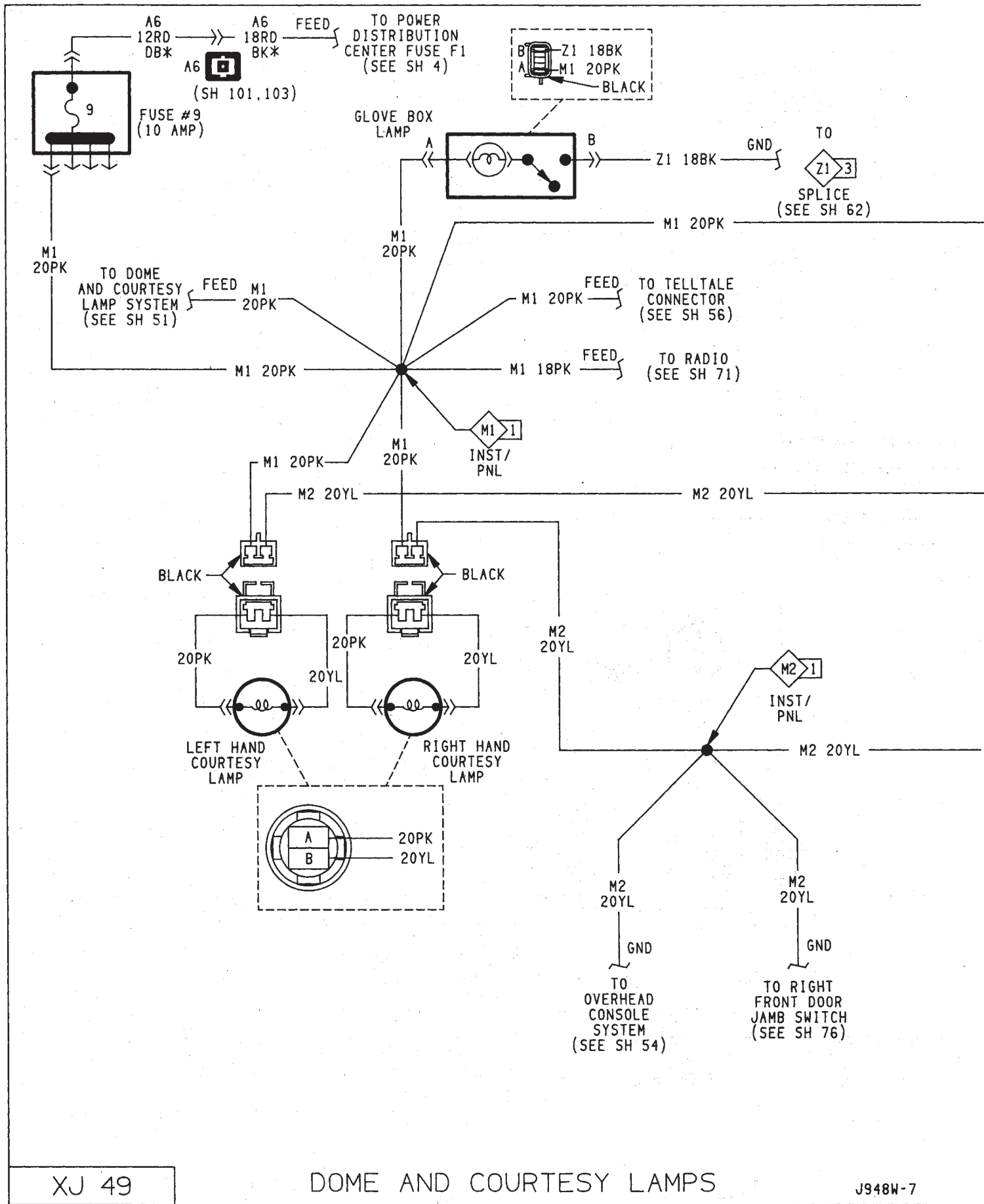


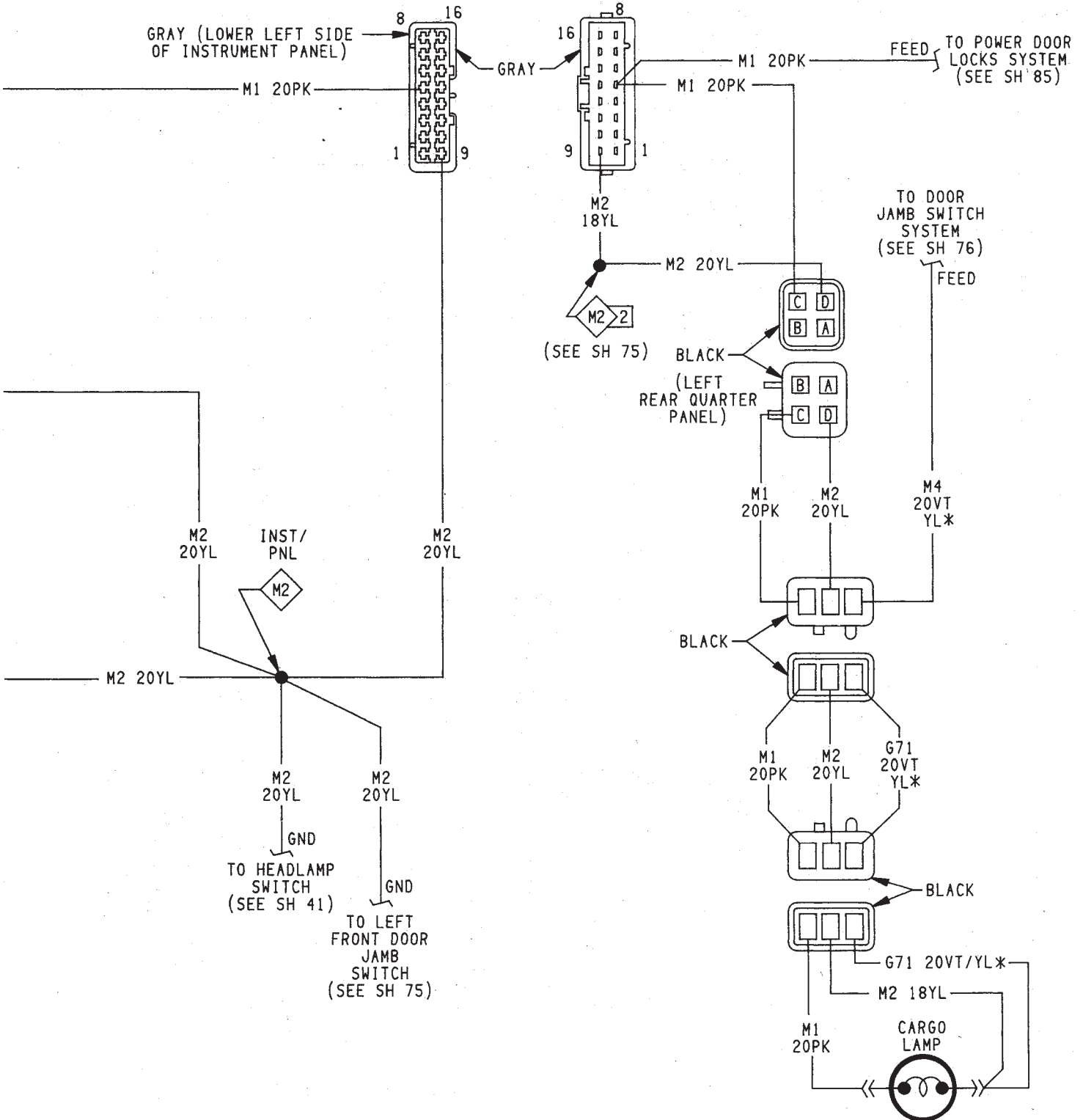


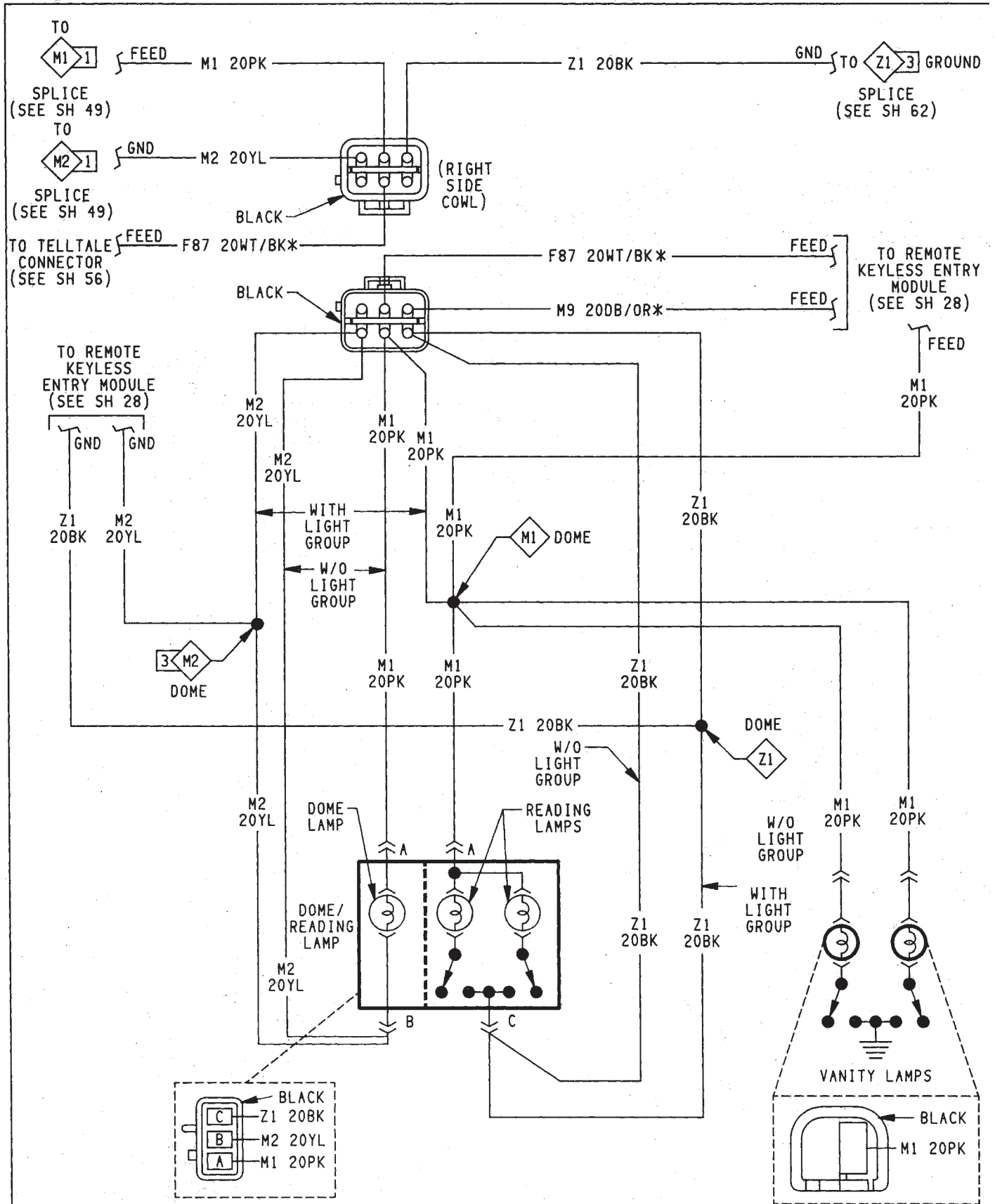




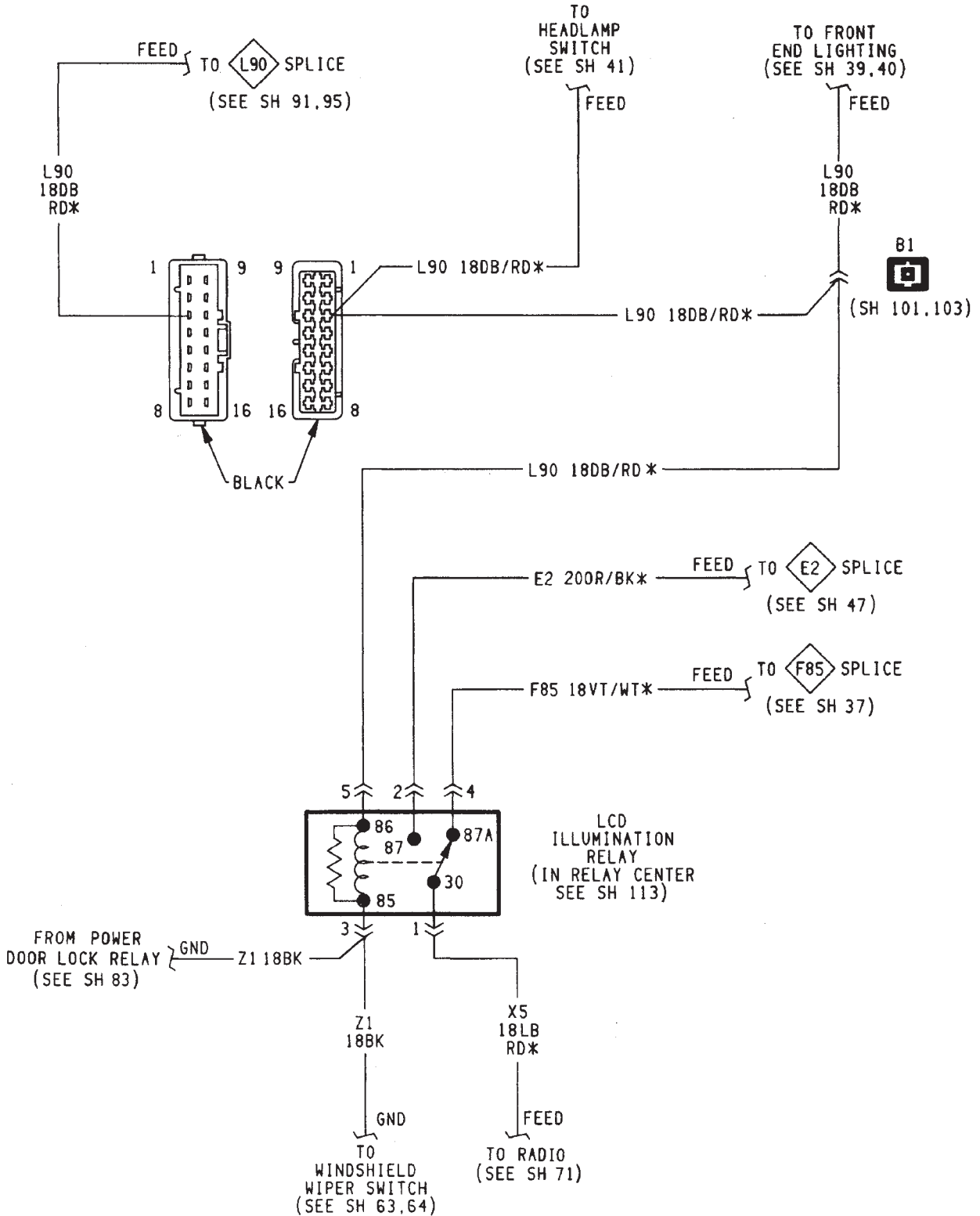


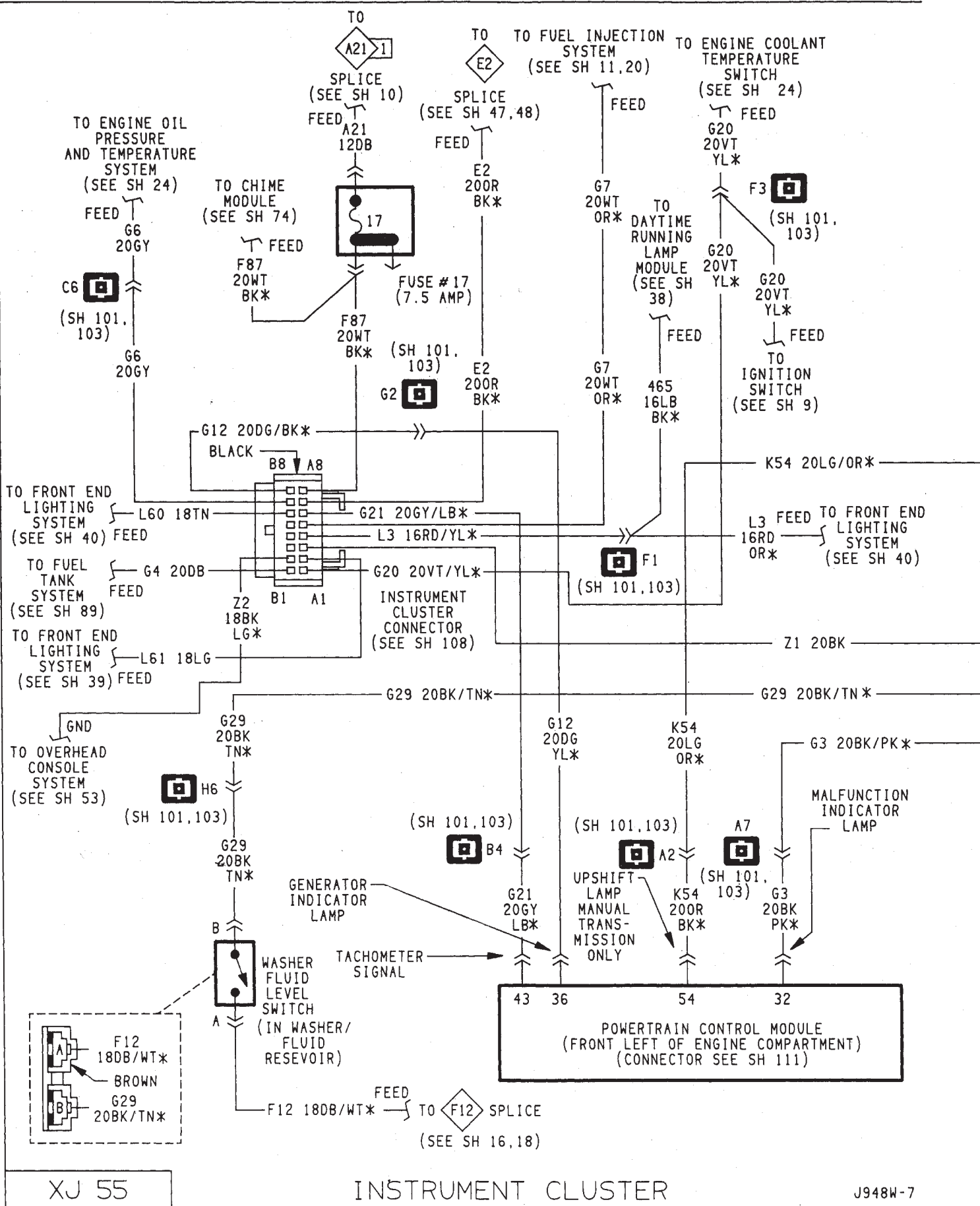






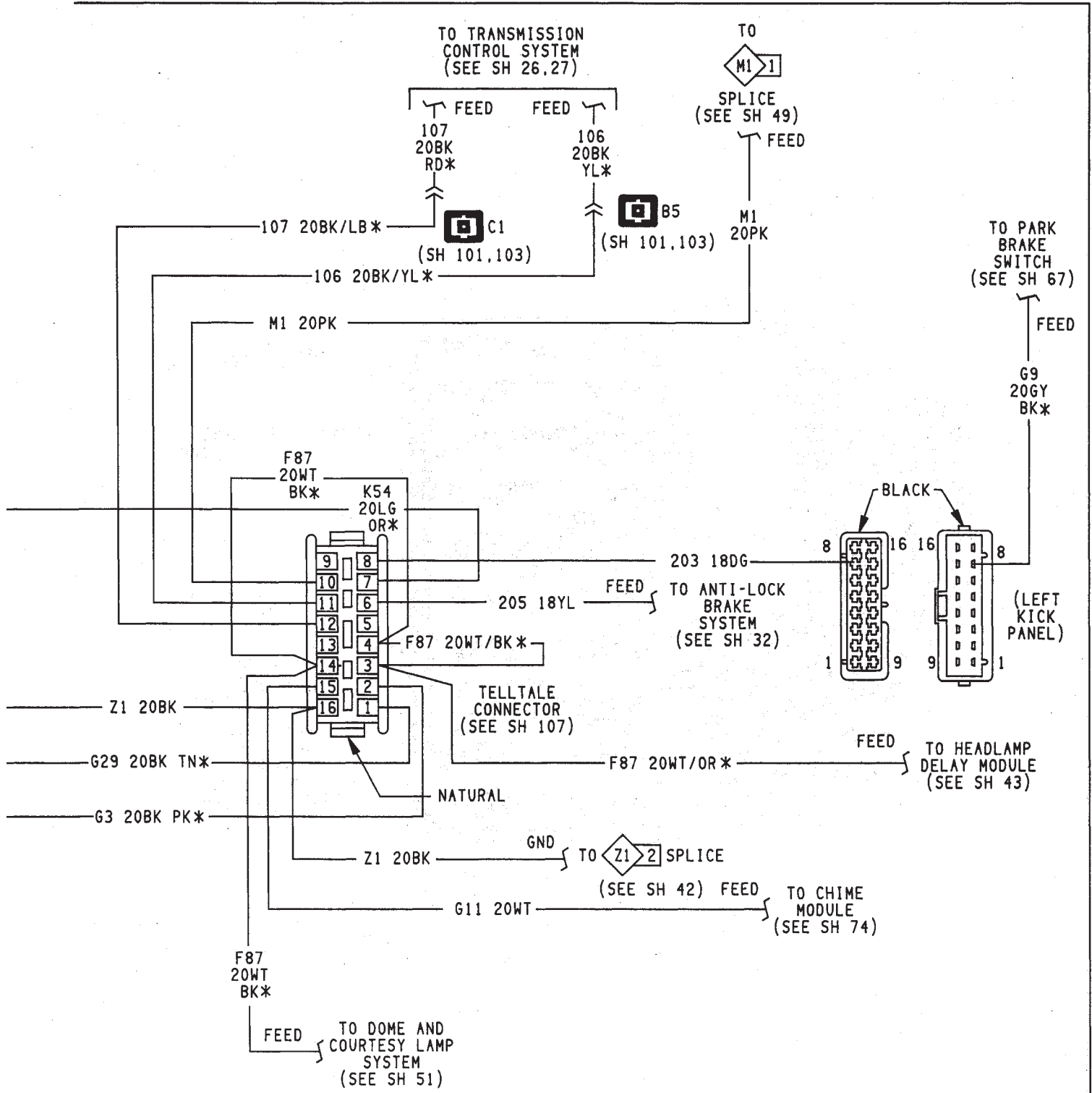
1994 Jeep
Publication No. 81-370-4146
TSB 08-09-94 February 18, 1994

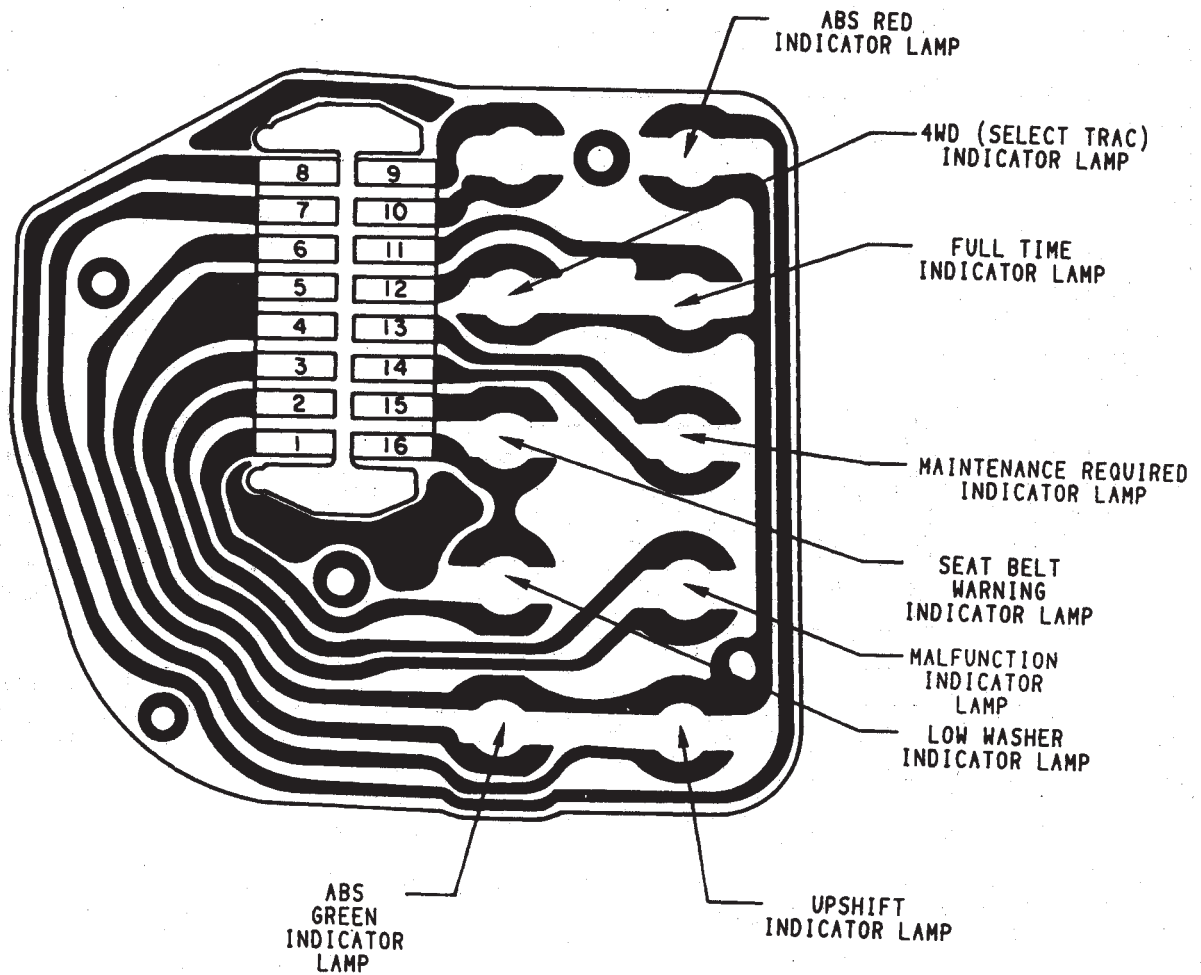




JX 55

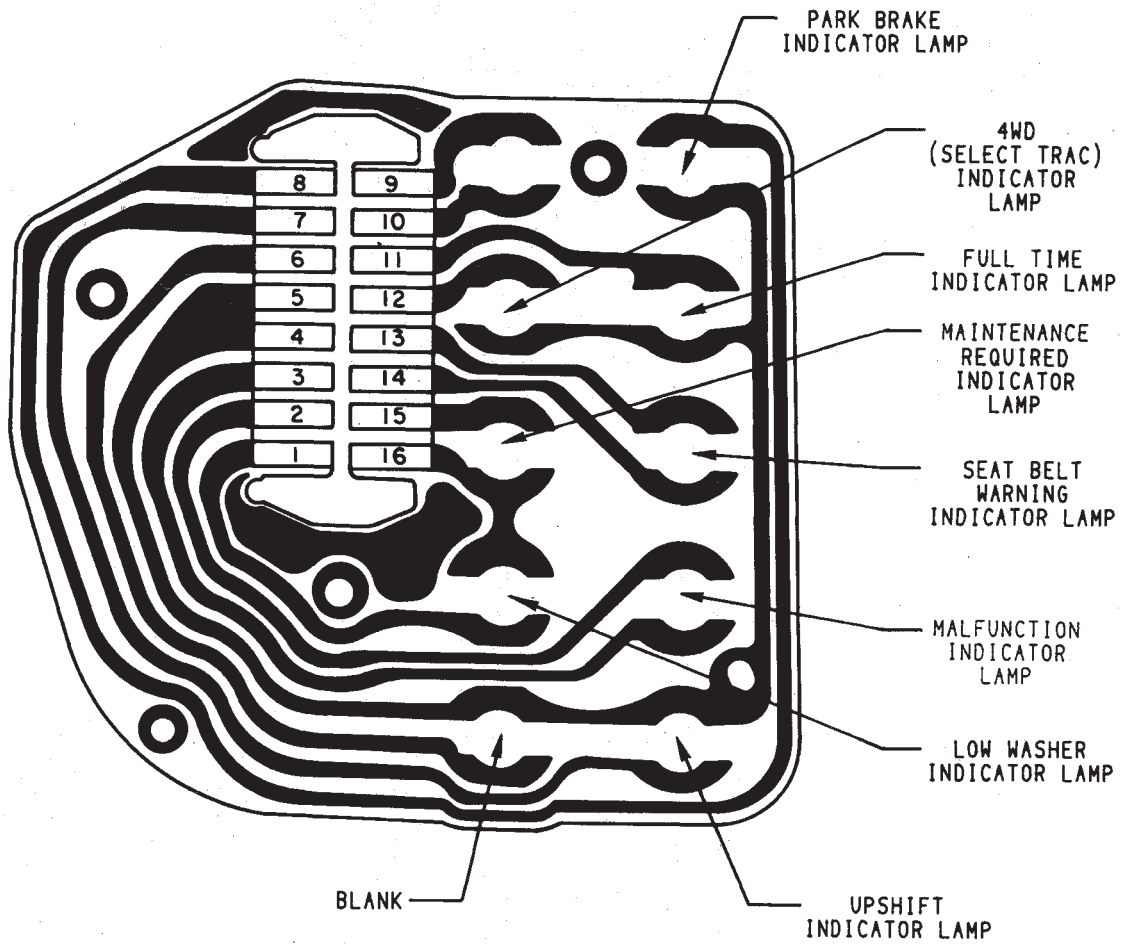
INSTRUMENT CLUSTER



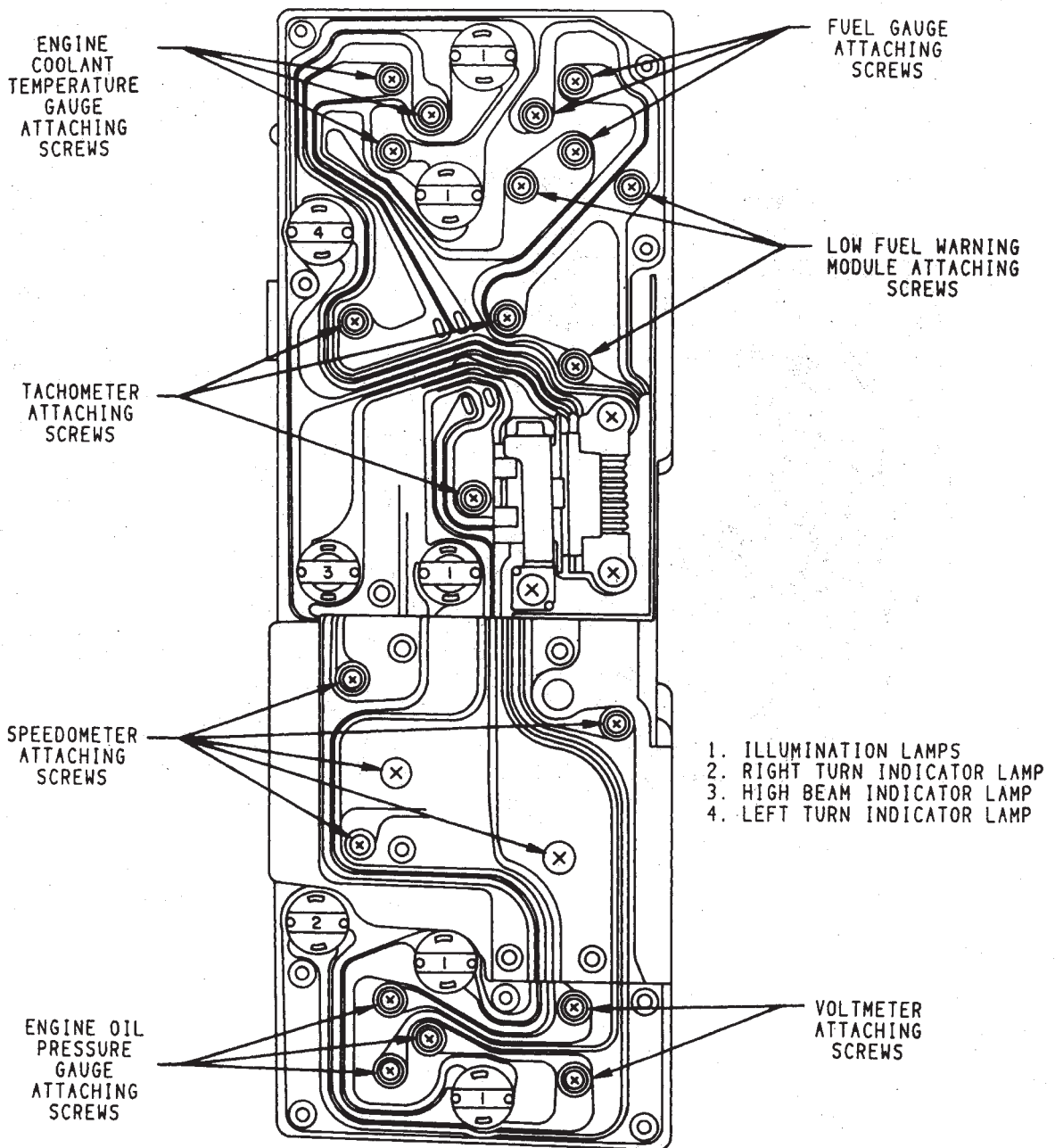


INSTRUMENT CLUSTER
INDICATOR PRINTED
CIRCUIT BOARD
(WITH ABS)

XJ 57

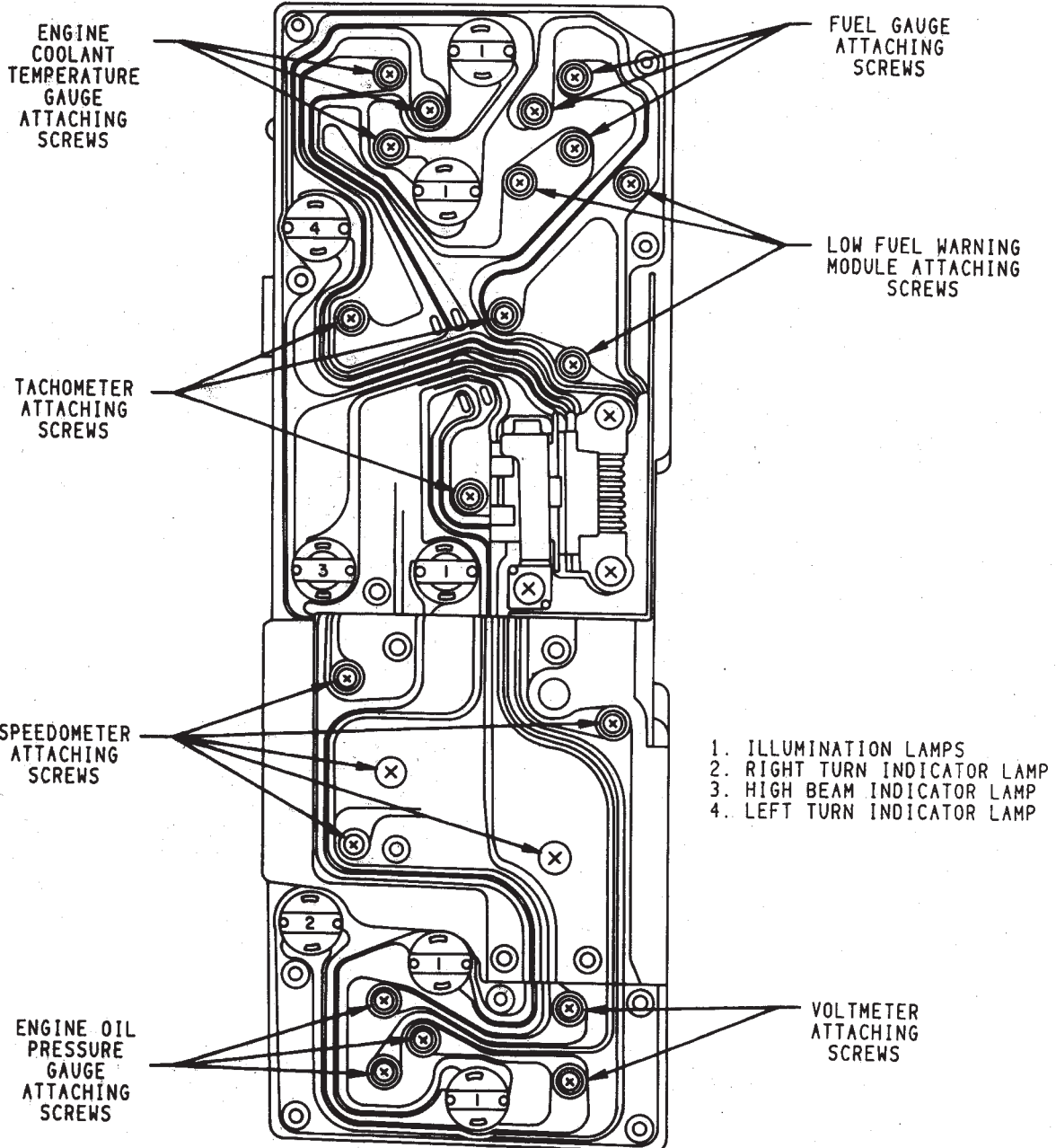


INSTRUMENT CLUSTER
INDICATOR PRINTED
CIRCUIT BOARD
(WITHOUT ABS)

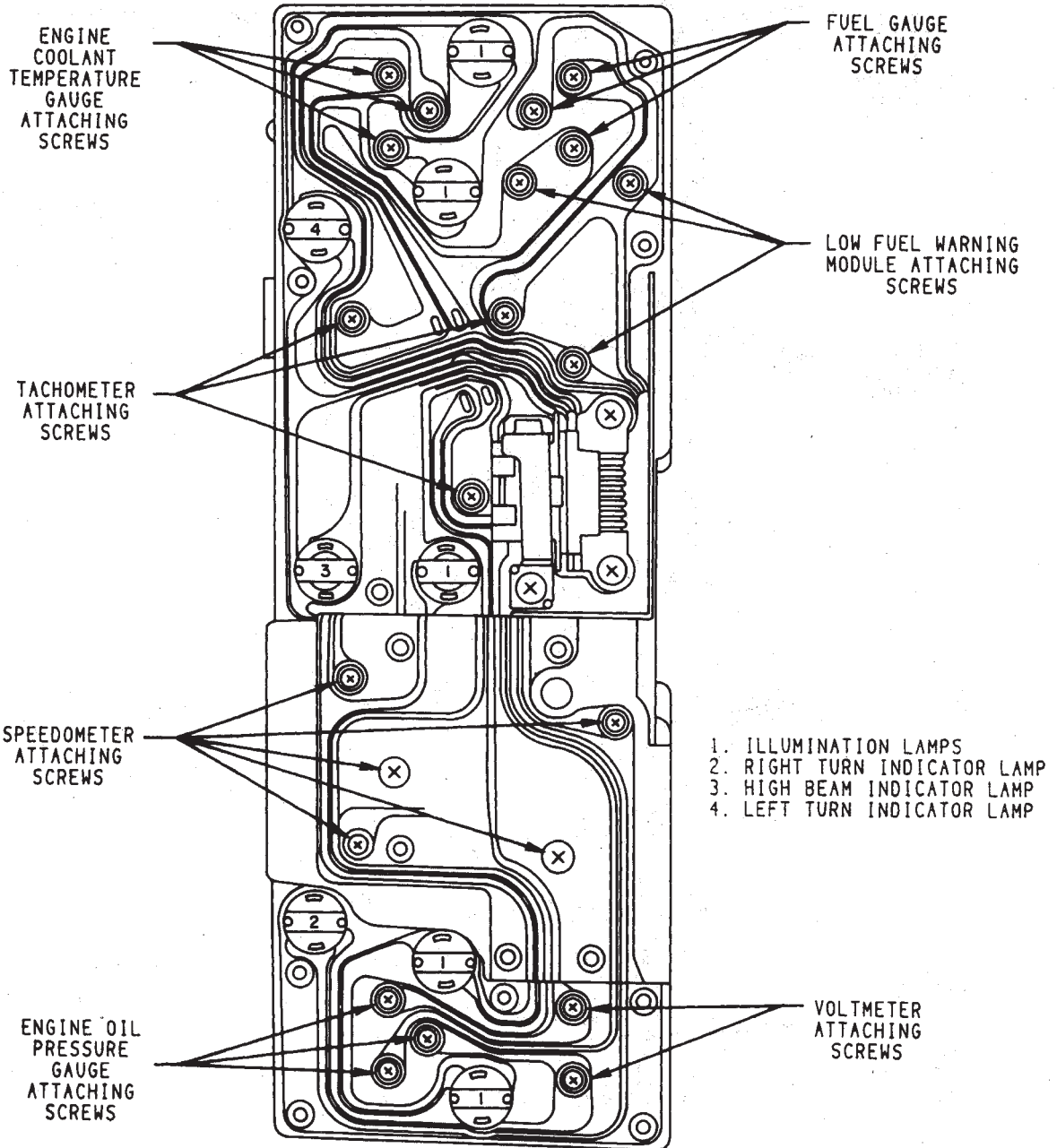


STANDARD INSTRUMENT CLUSTER
PRINTED CIRCUIT BOARD

XJ 59



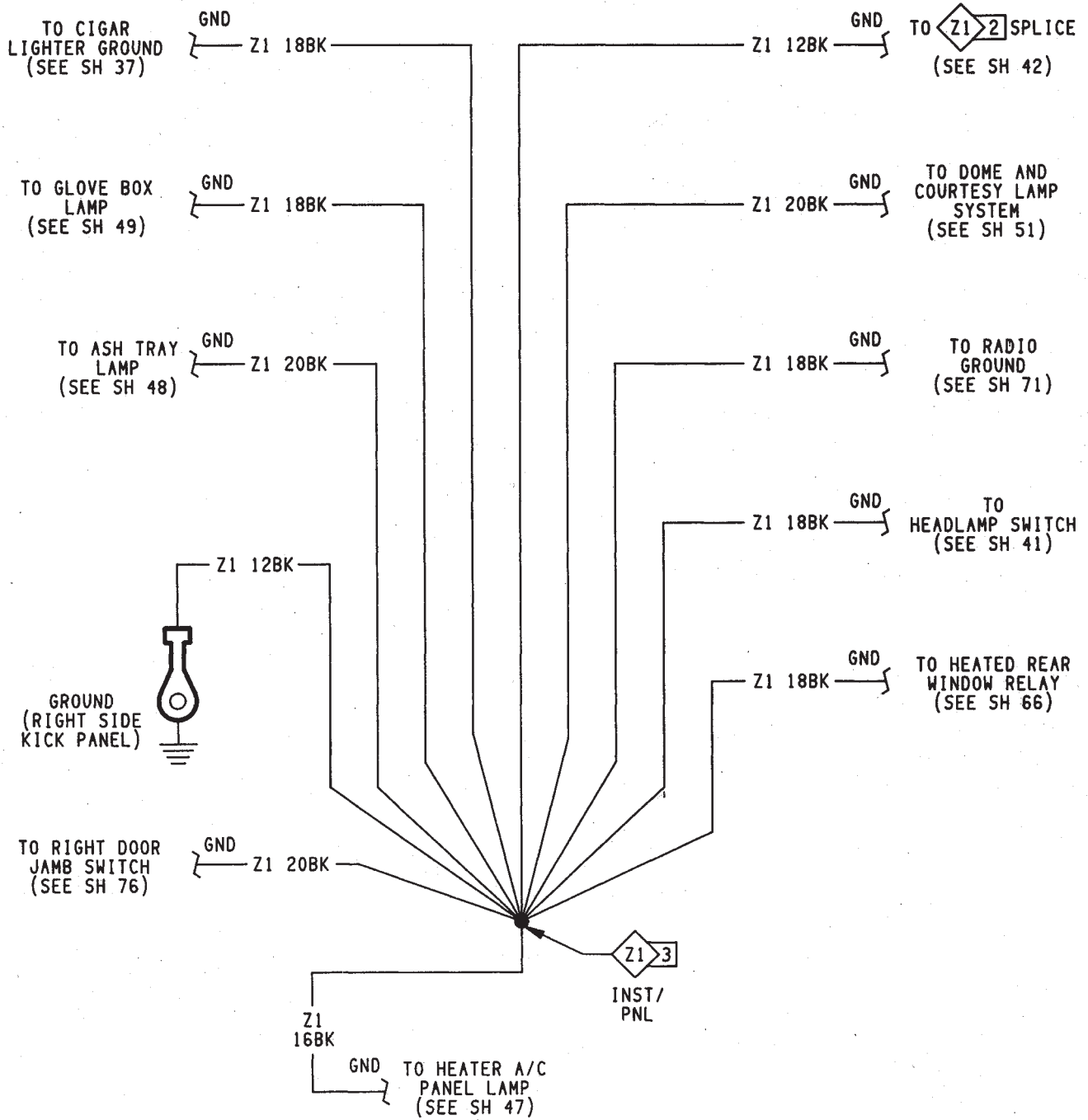
LO-LINE INSTRUMENT CLUSTER
PRINTED CIRCUIT BOARD

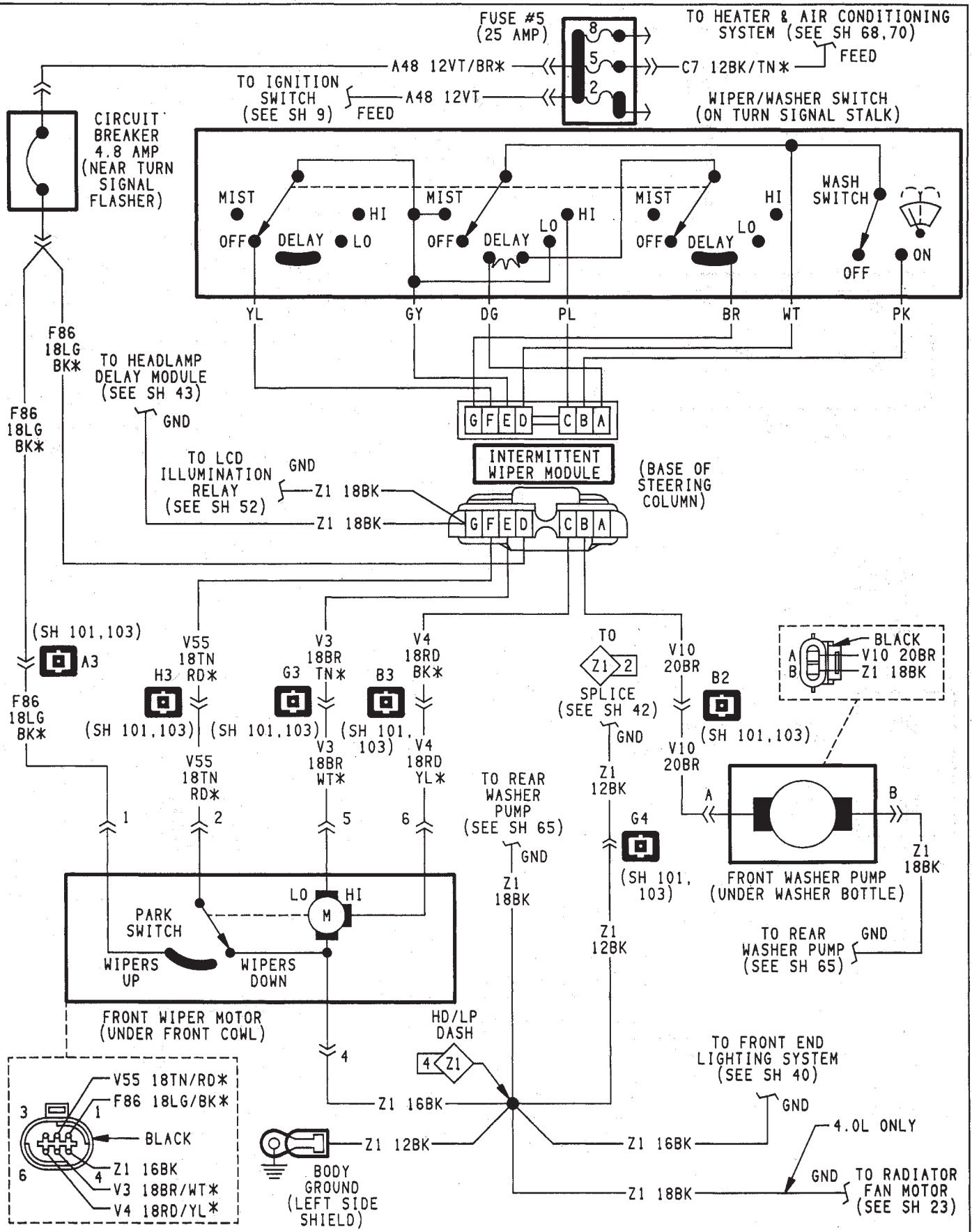


HI-LINE INSTRUMENT CLUSTER
PRINTED CIRCUIT BOARD

XJ 61

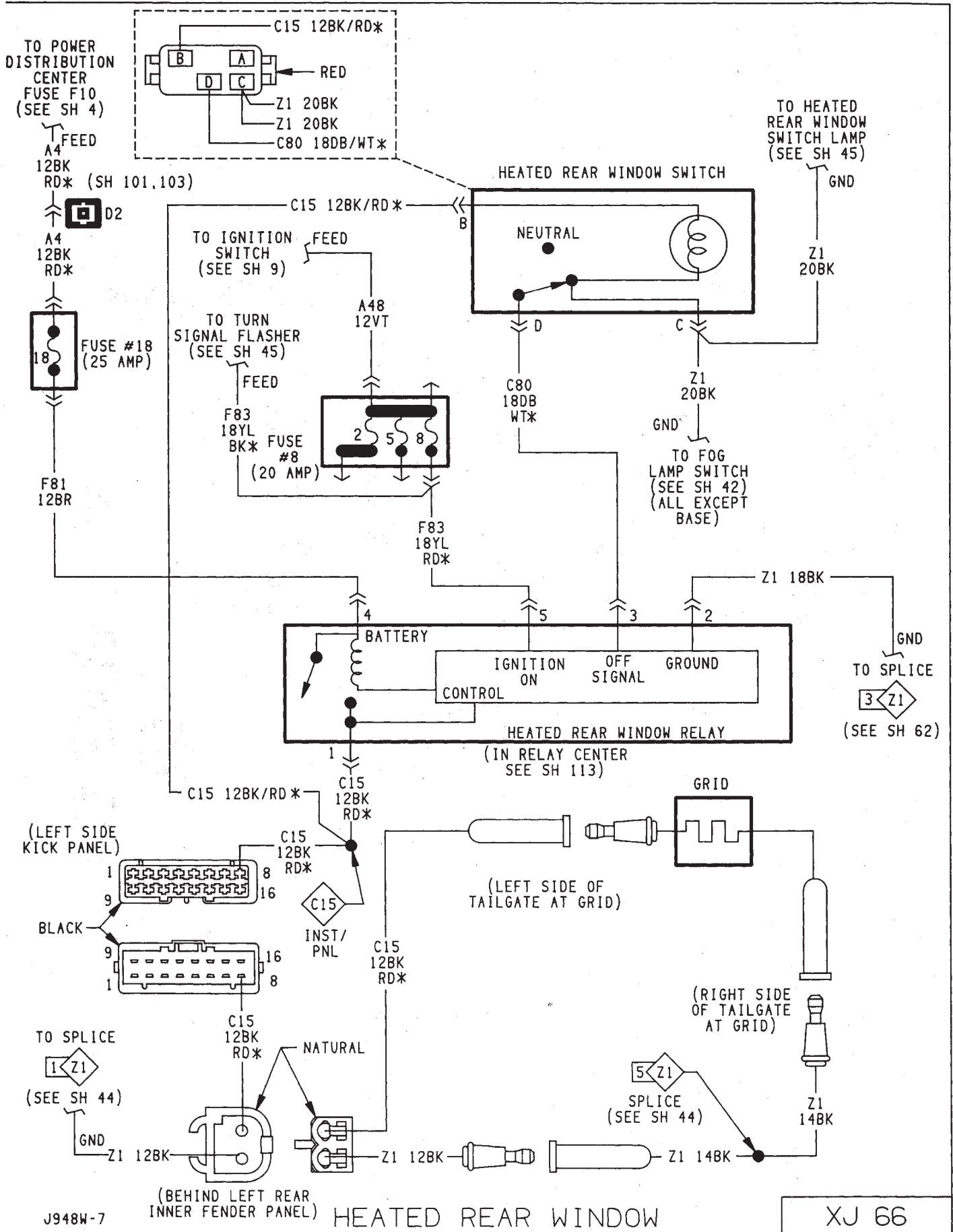
J948W-7

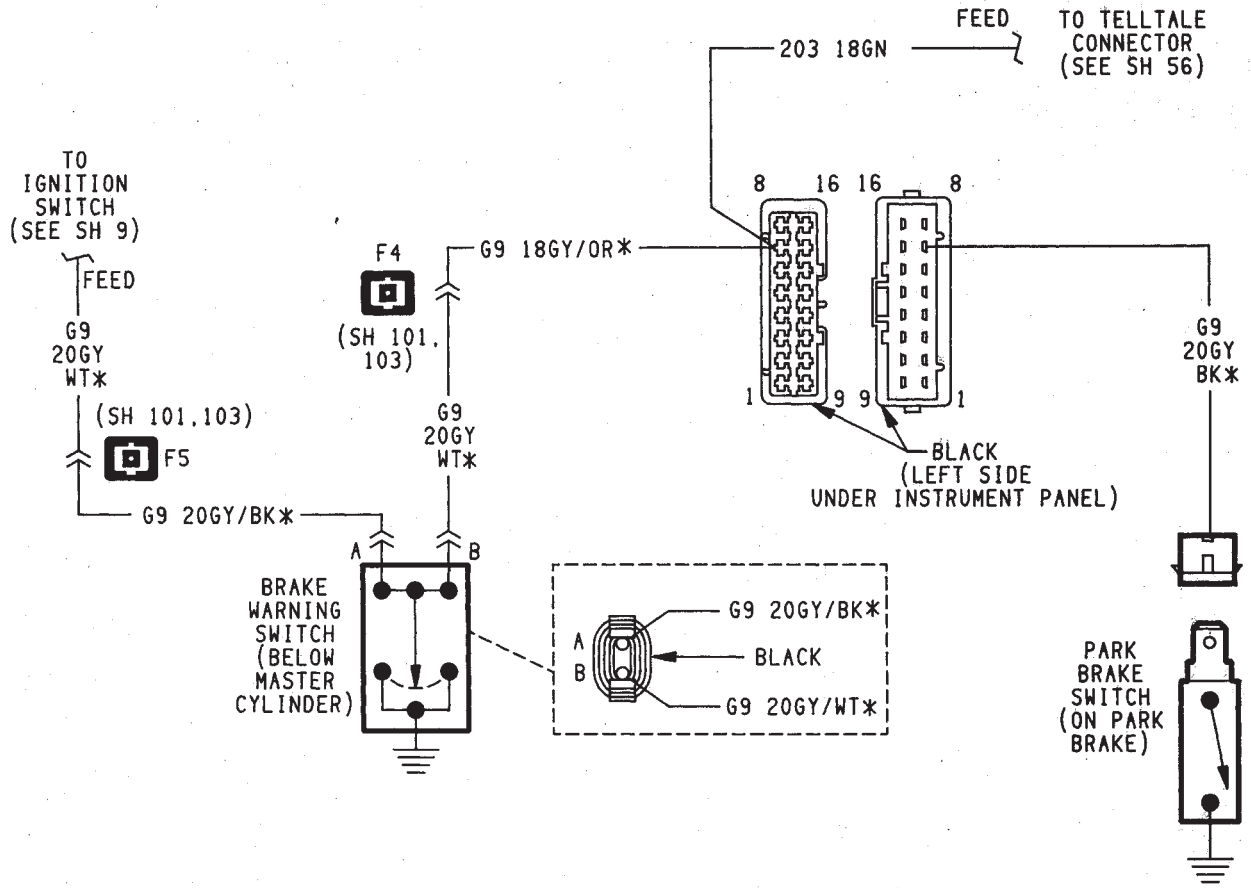


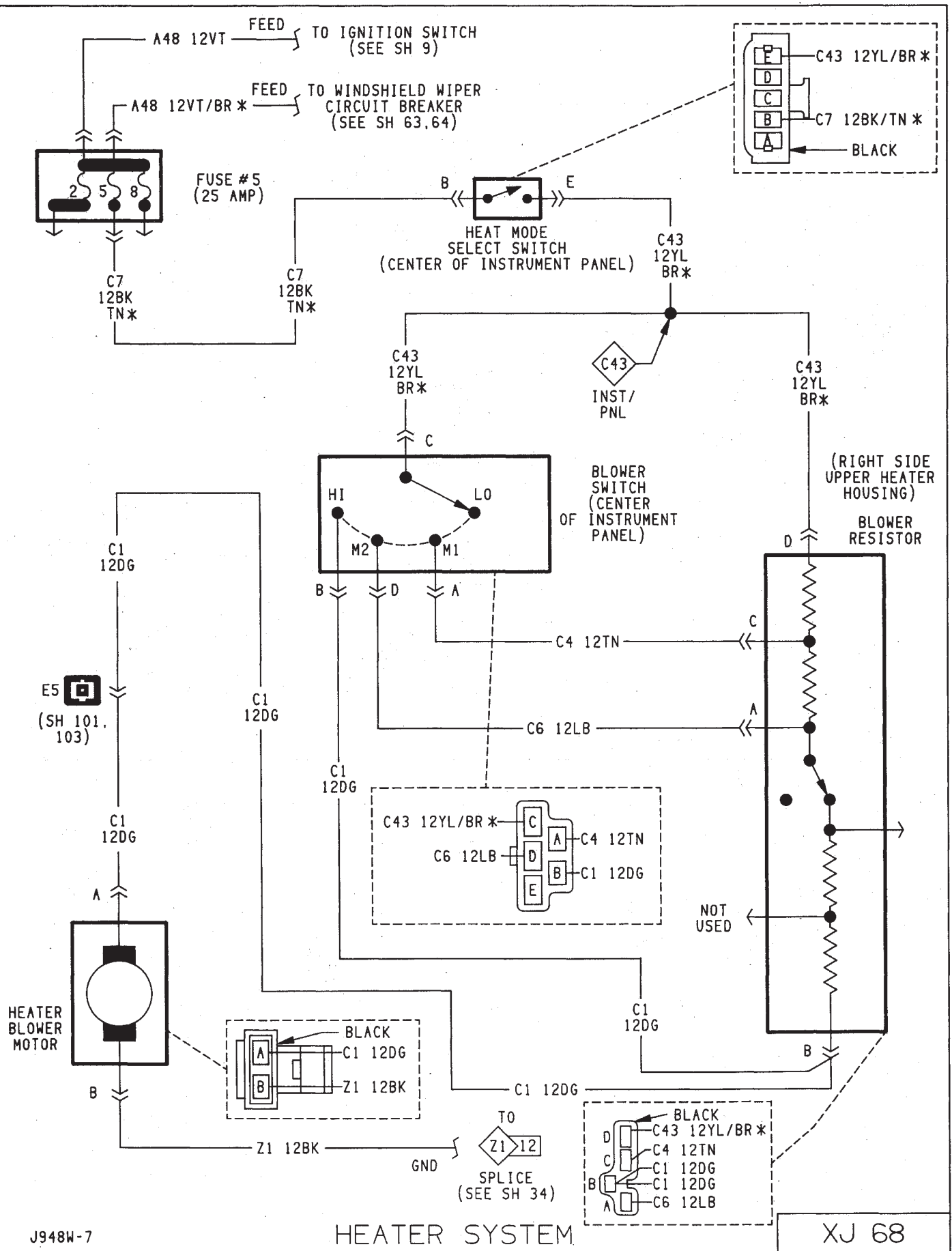


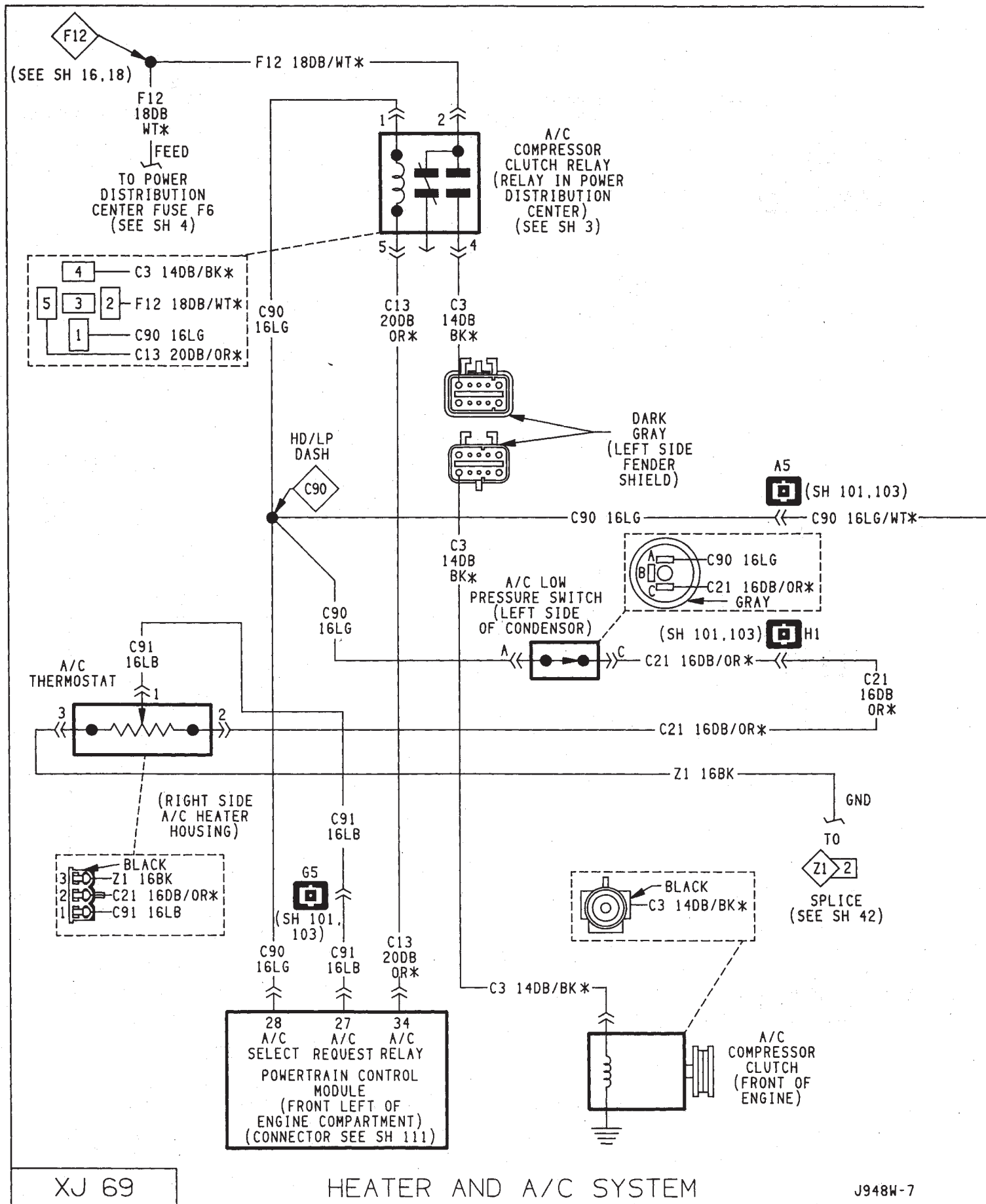
J948W-7 FRONT WIPERS/WASHER (INTERMITTENT)

XJ 64





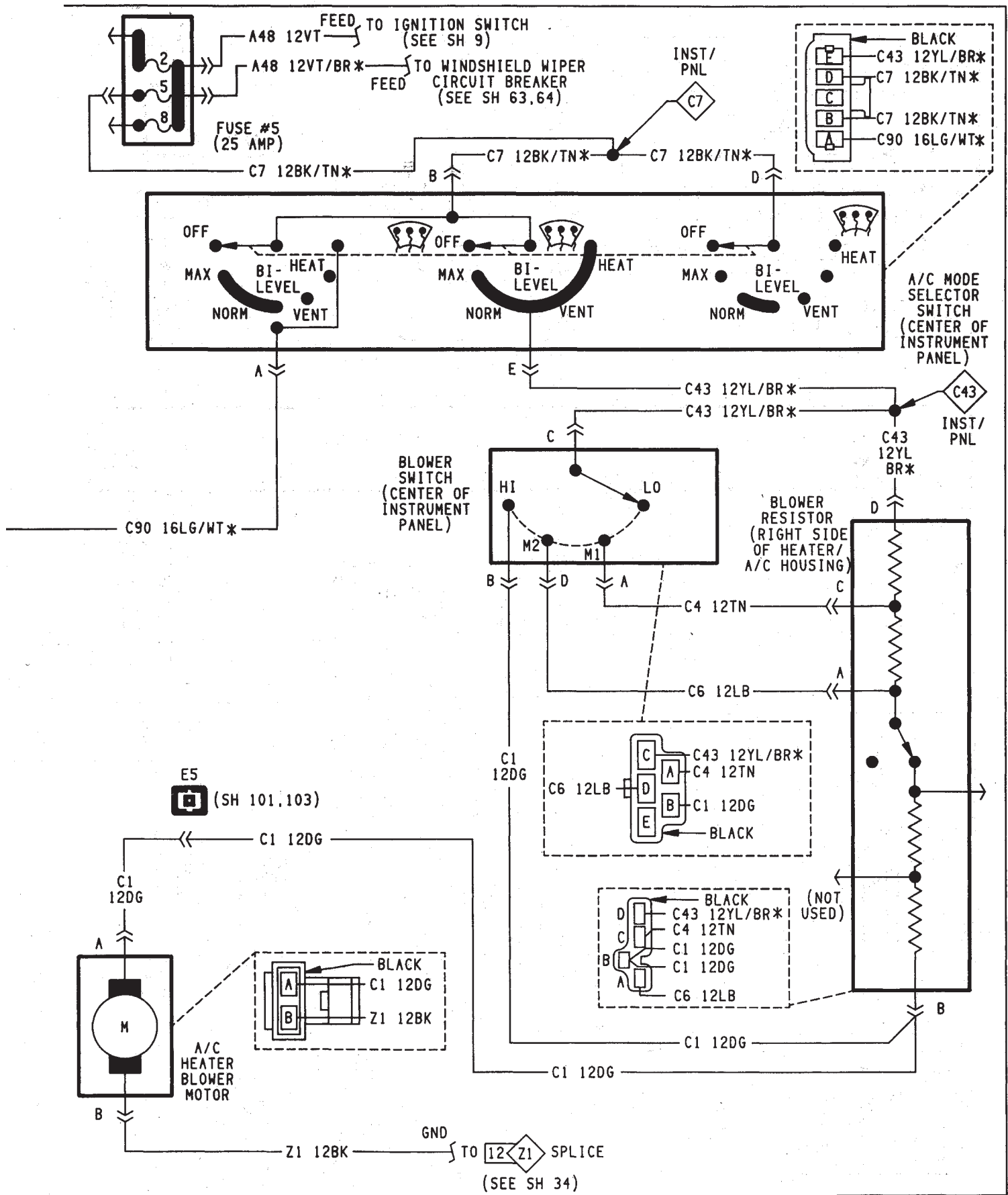


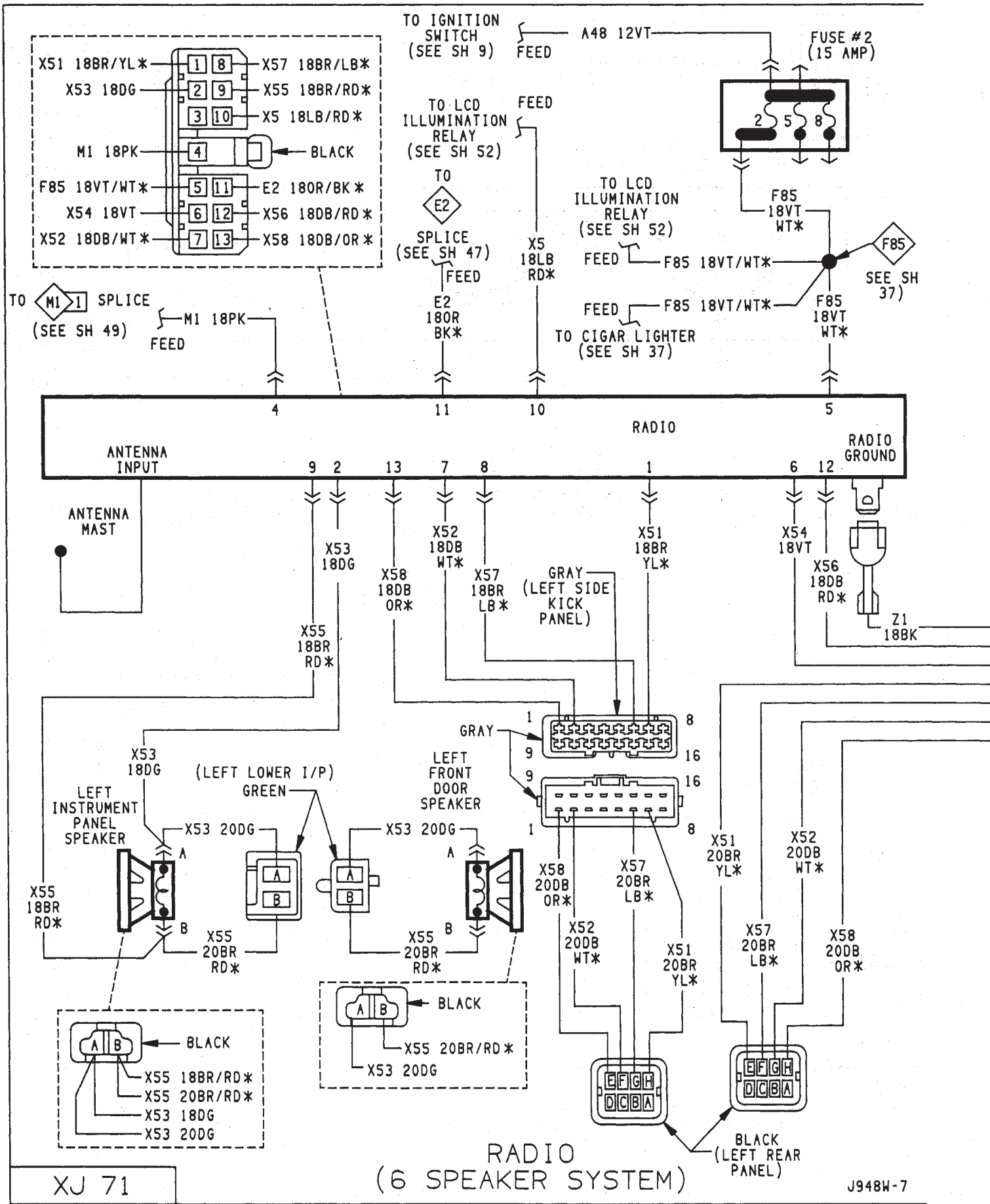


XJ 69

HEATER AND A/C SYSTEM

J948W-7

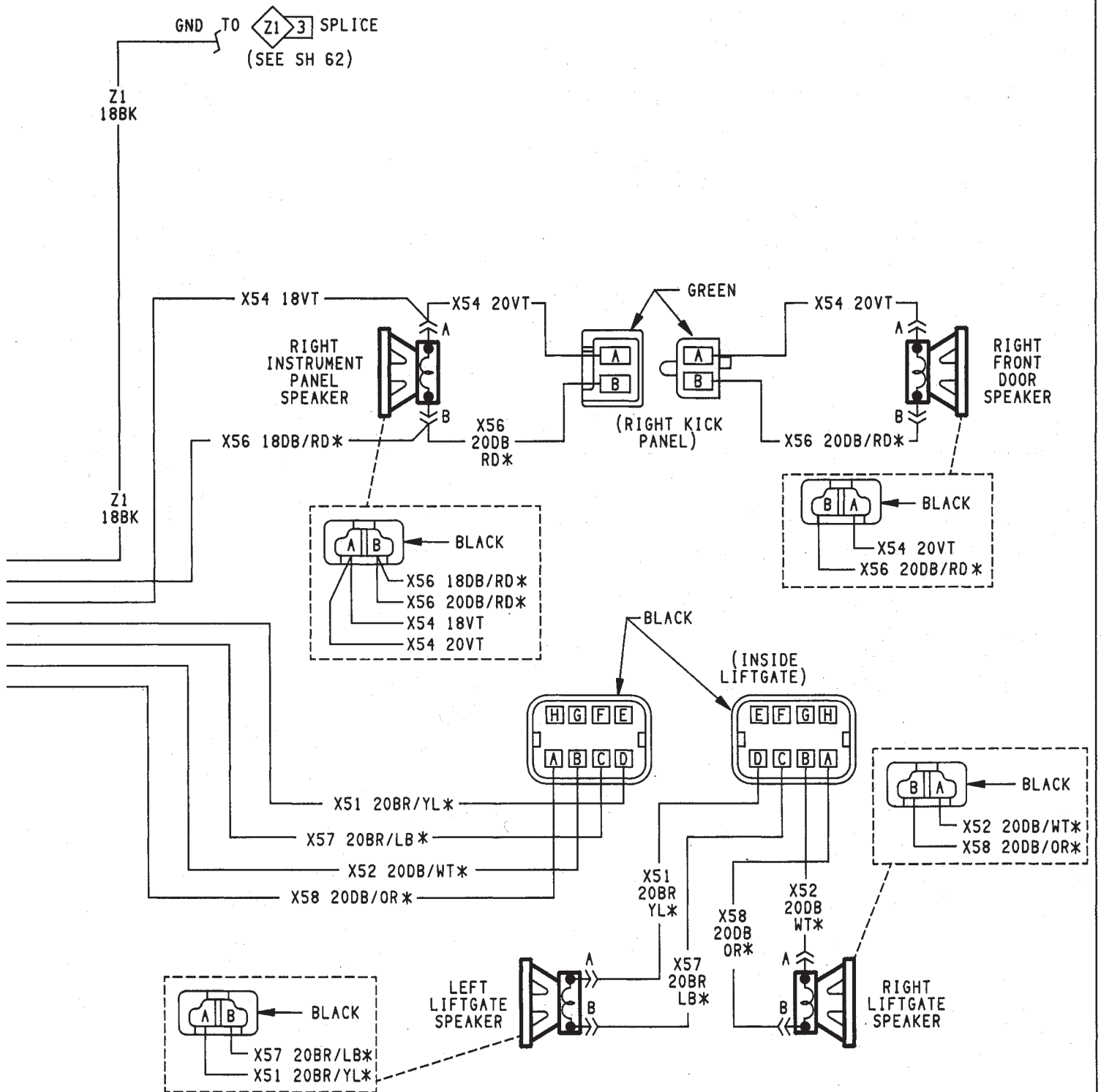




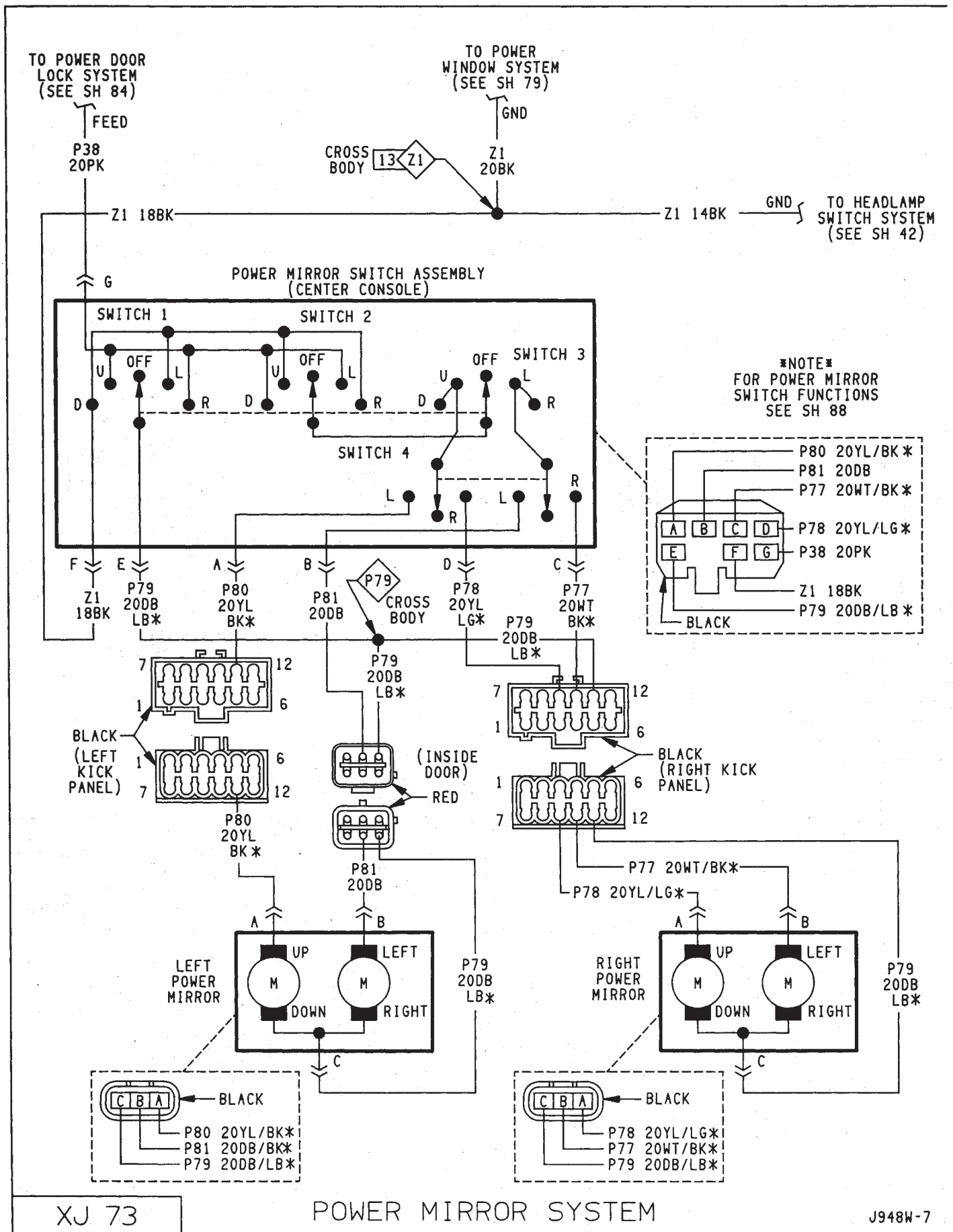
XJ 71

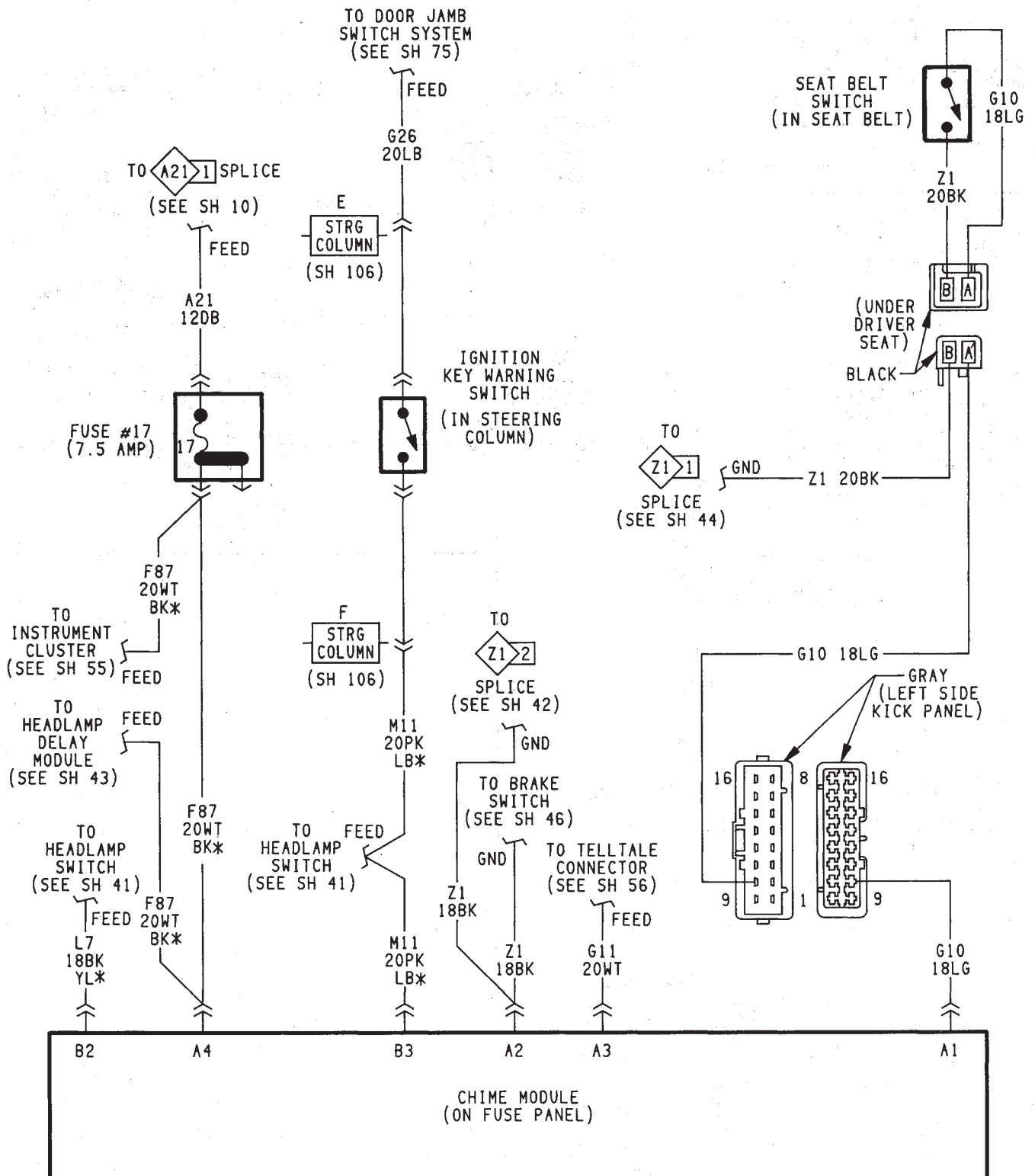
RADIO (6 SPEAKER SYSTEM)

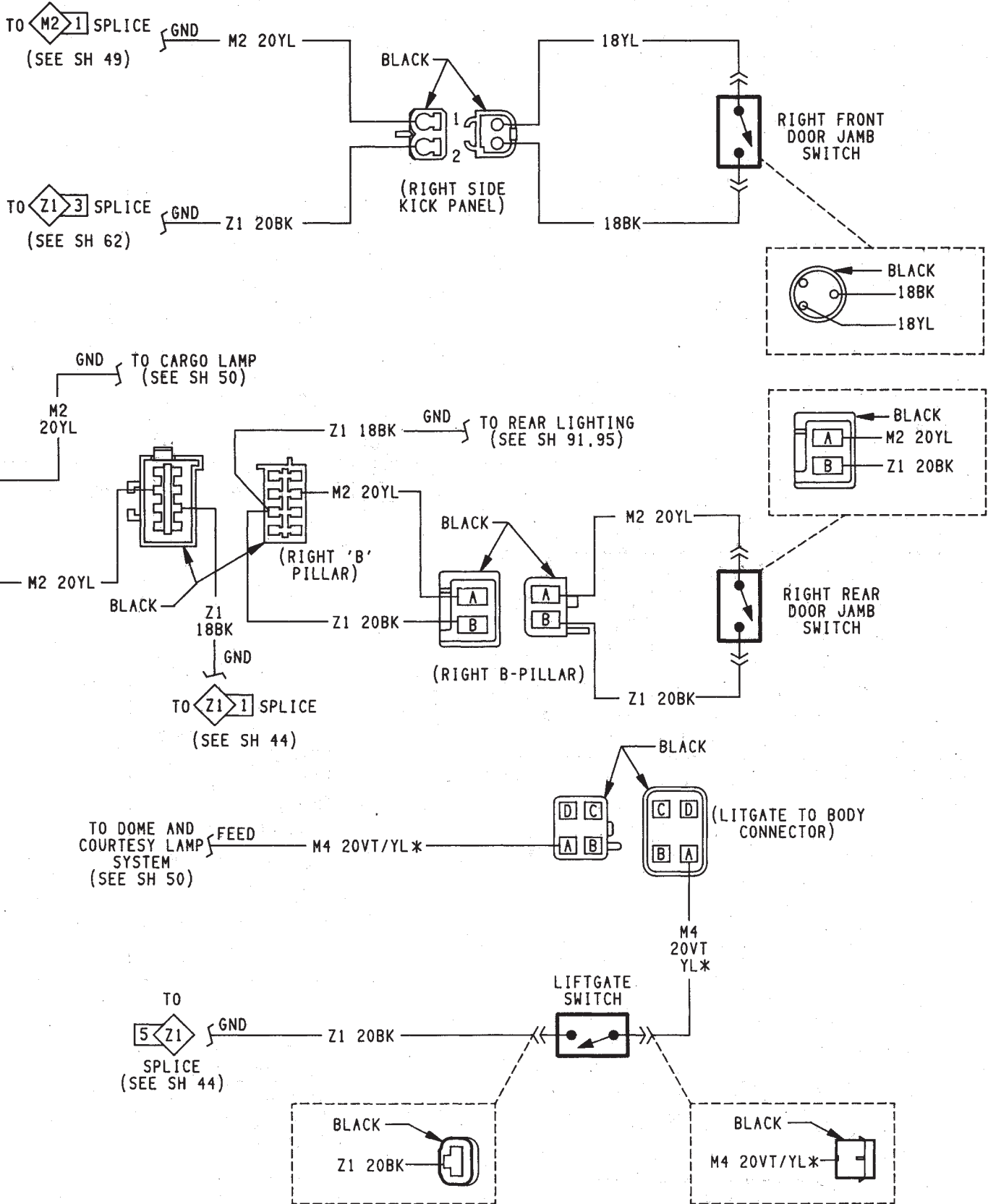
J948W-7



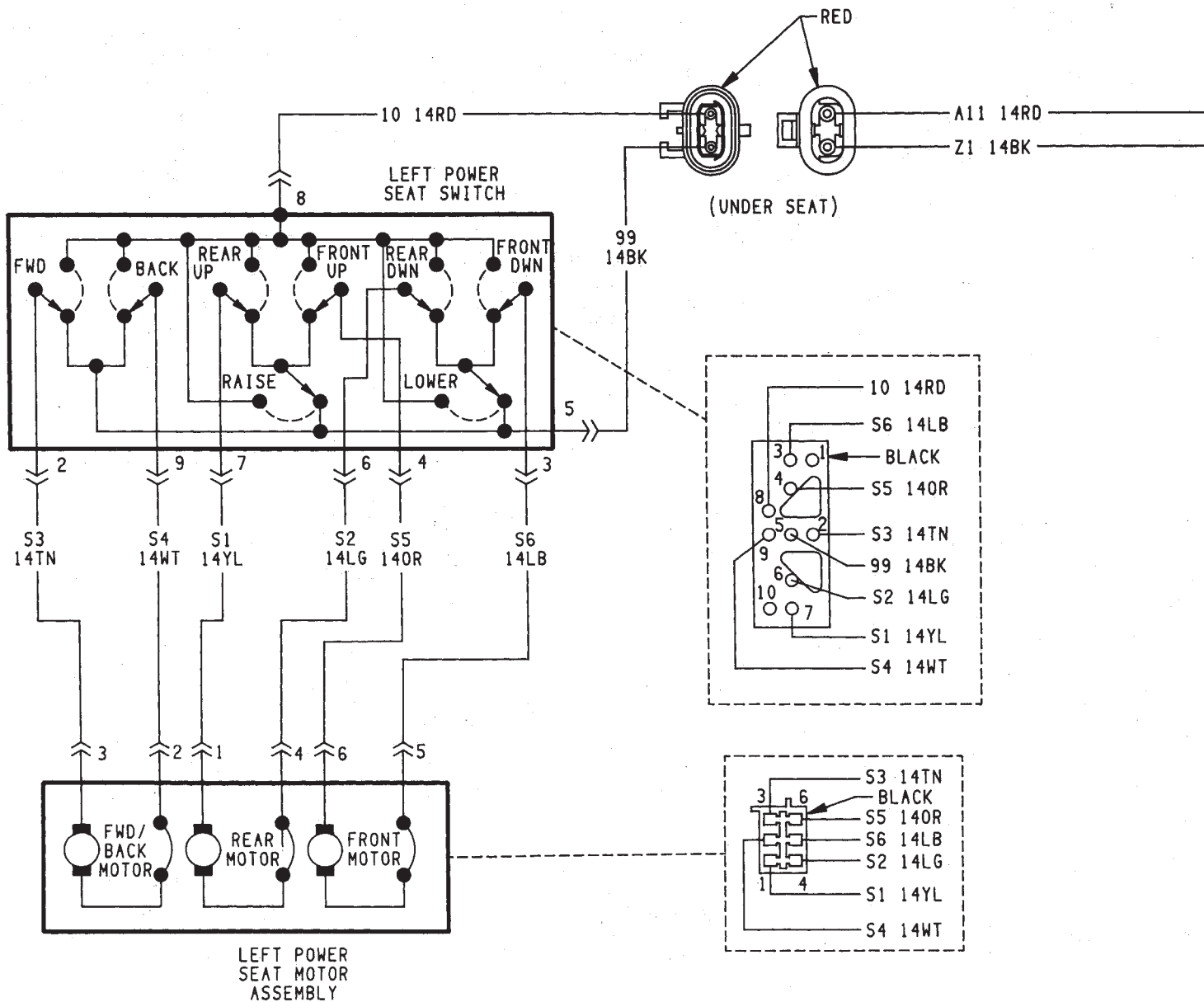
RADIO
(6 SPEAKER SYSTEM)





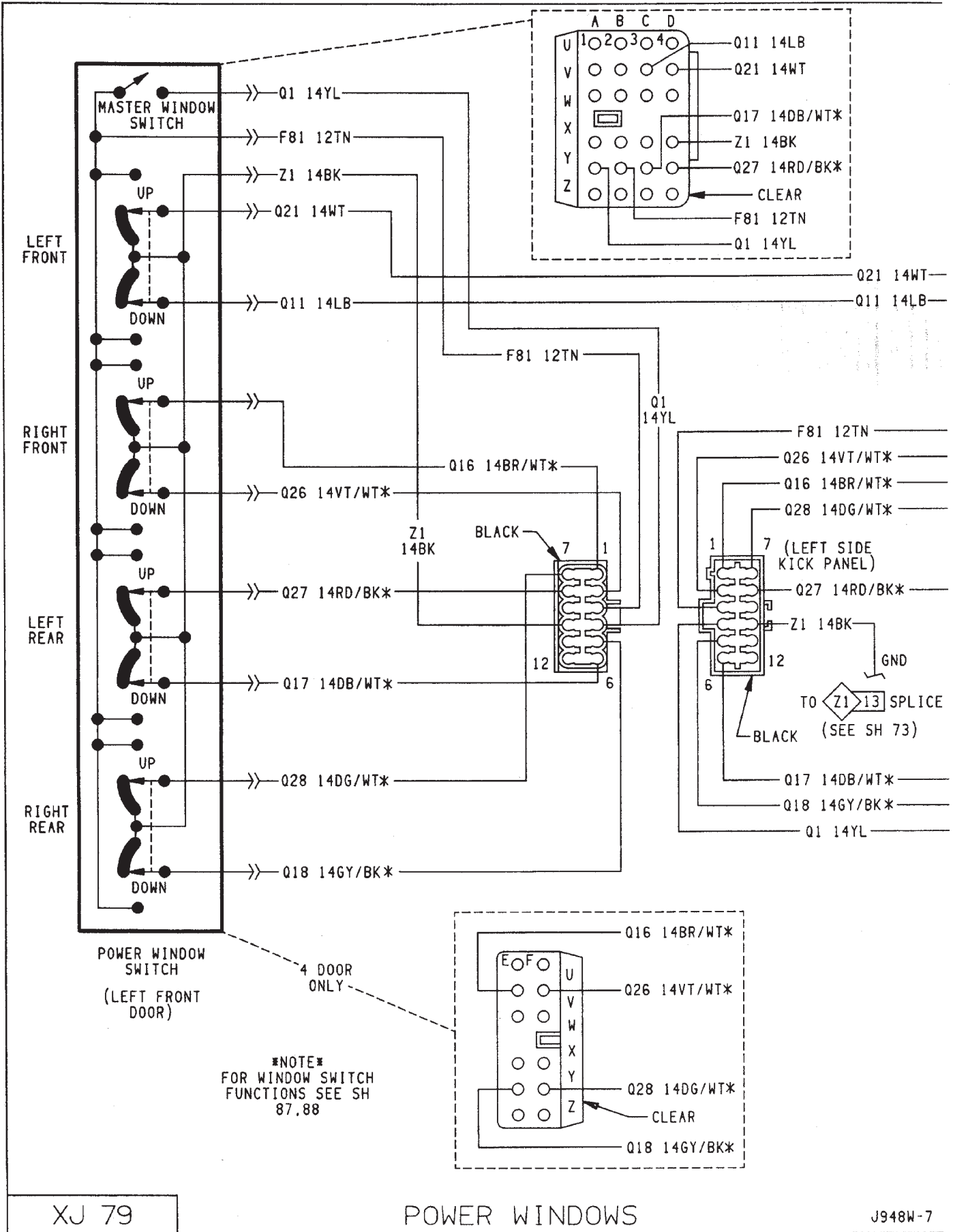


POWER SEAT MOTOR INSULATOR POLARITY		
B+ POLARITY	B- POLARITY	SEAT MOVEMENT
TN	WT	FORWARD
WT	TN	REARWARD
YL	LG	REAR UP
LG	YL	REAR DOWN
OR	LB	FRONT UP
LB	OR	FRONT DOWN
RD	—	FEED
—	BK	GROUND



XJ 77

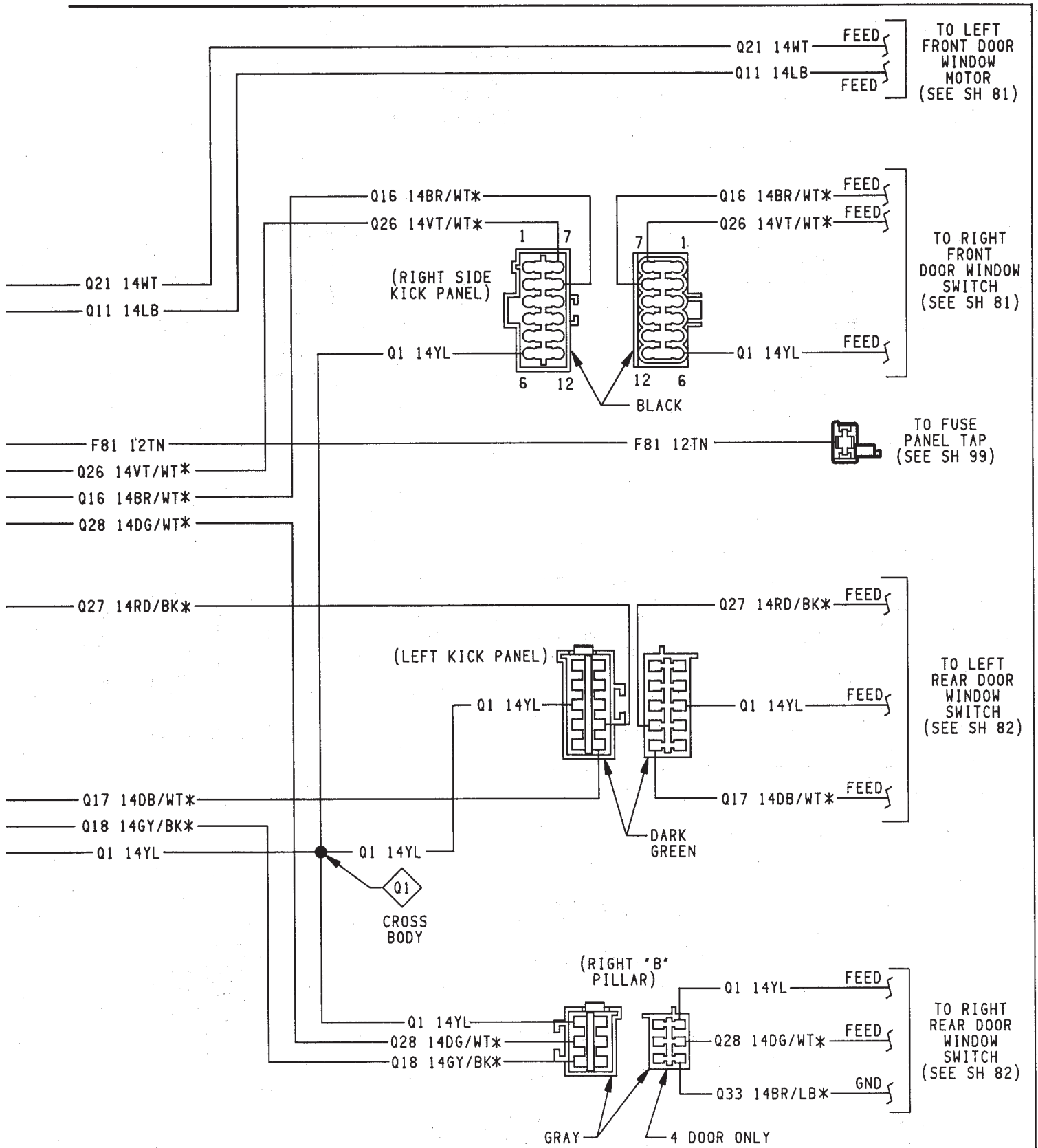
POWER SEAT

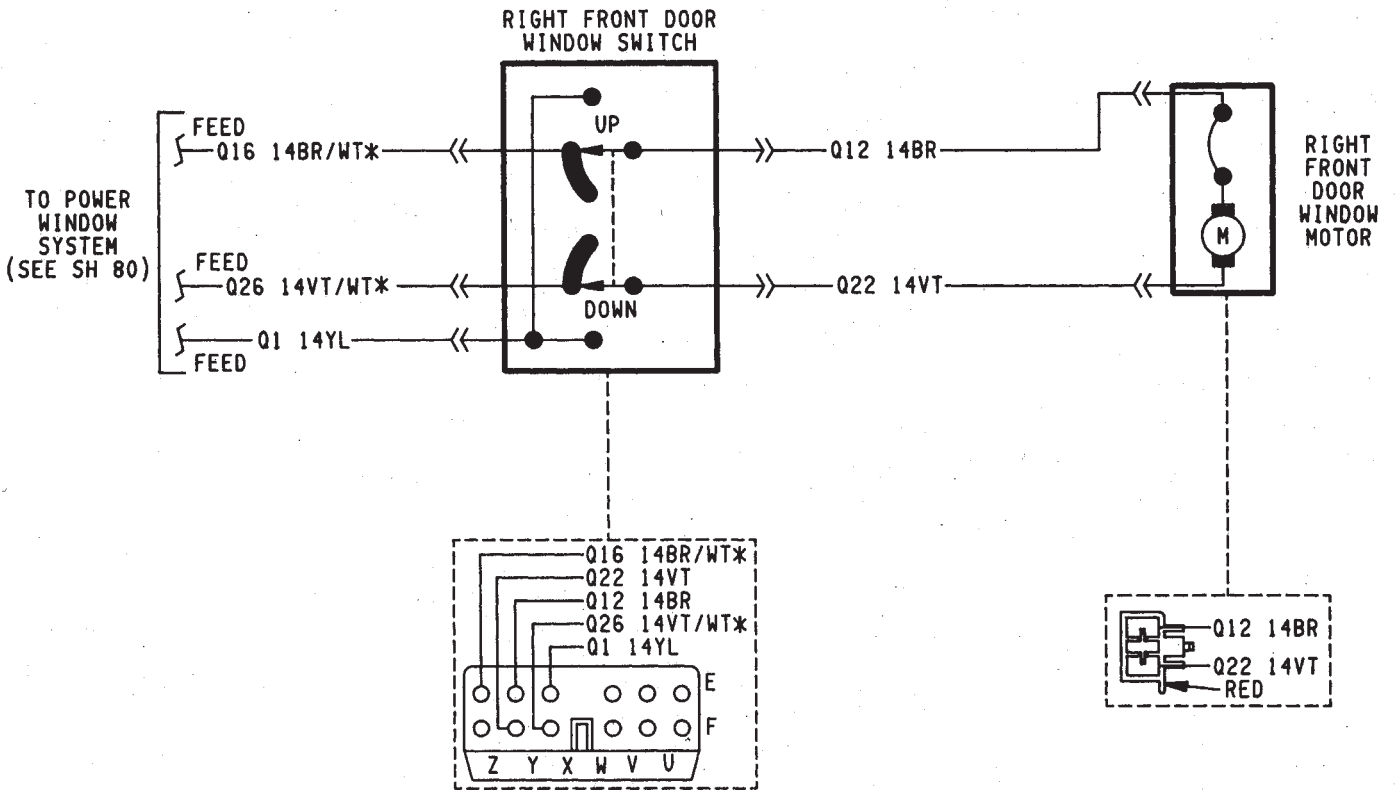
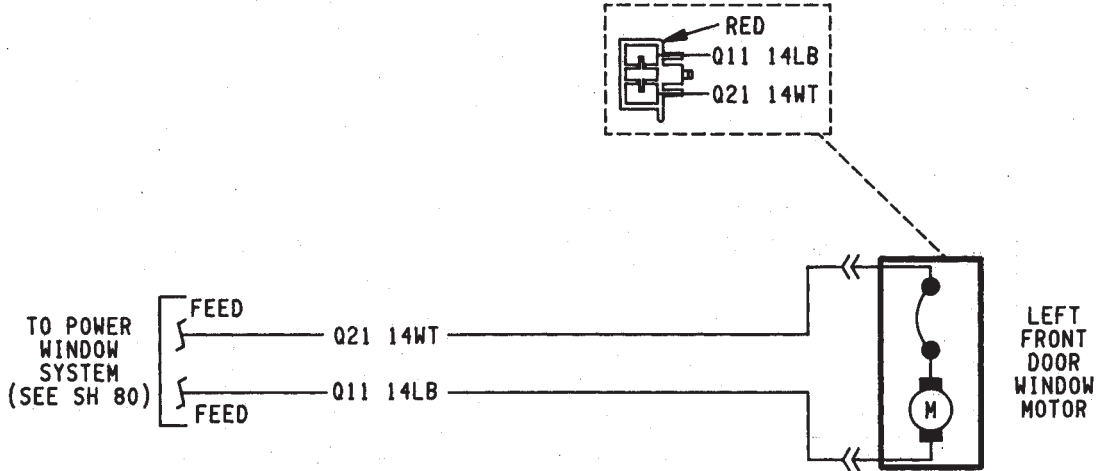


XJ 79

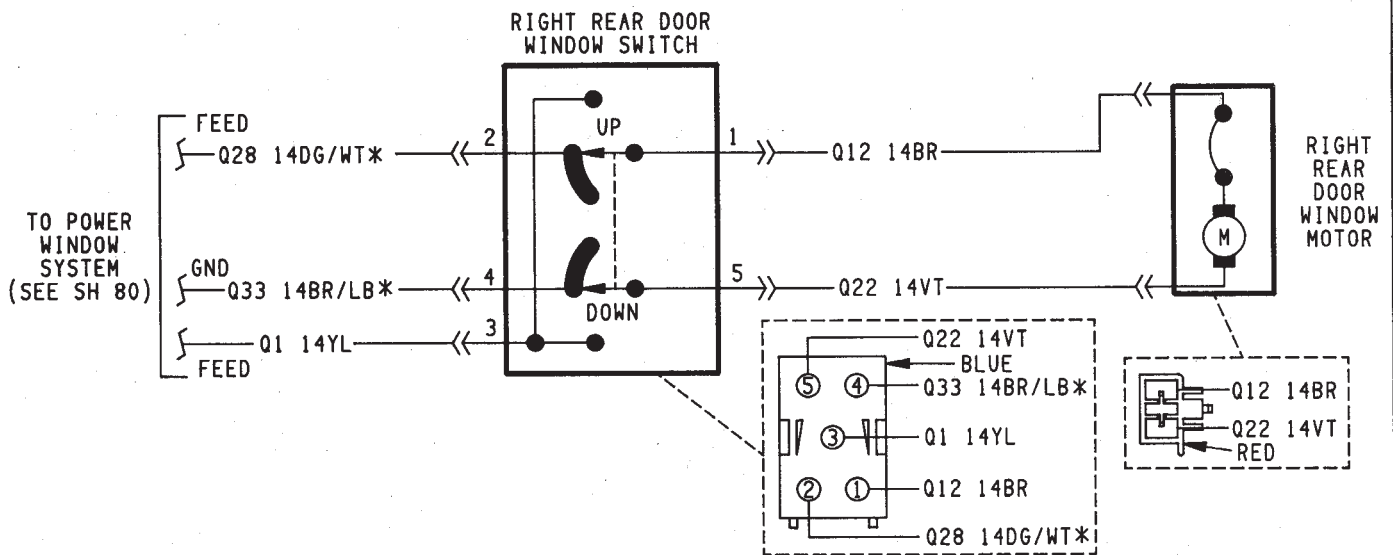
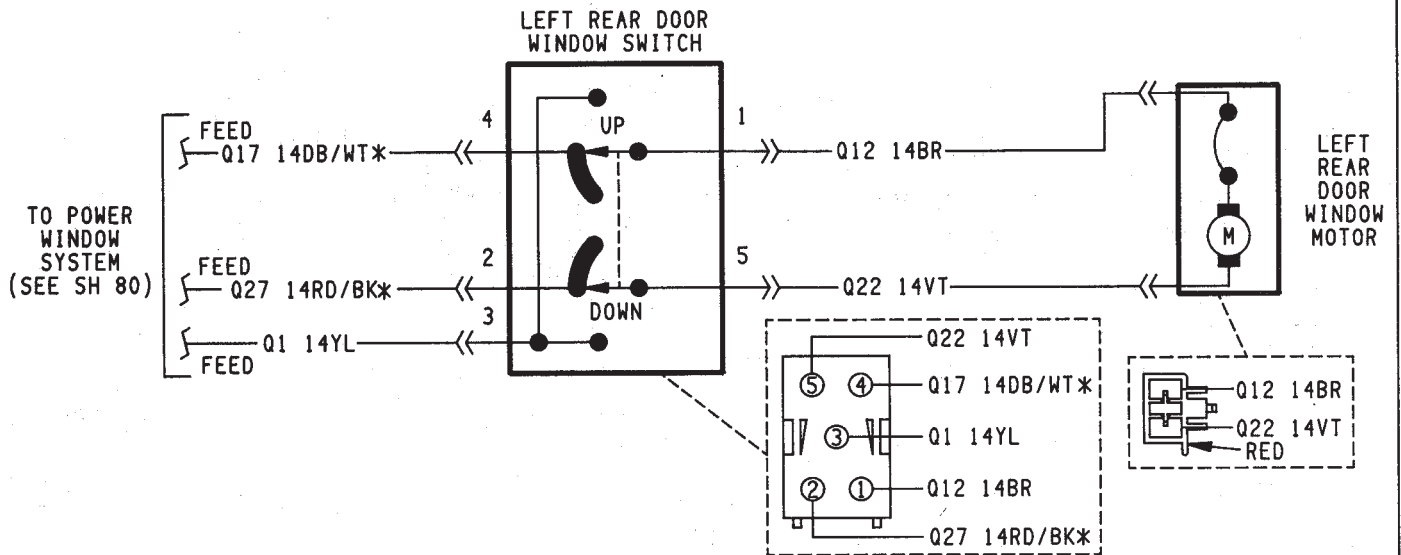
POWER WINDOWS

J948W-7

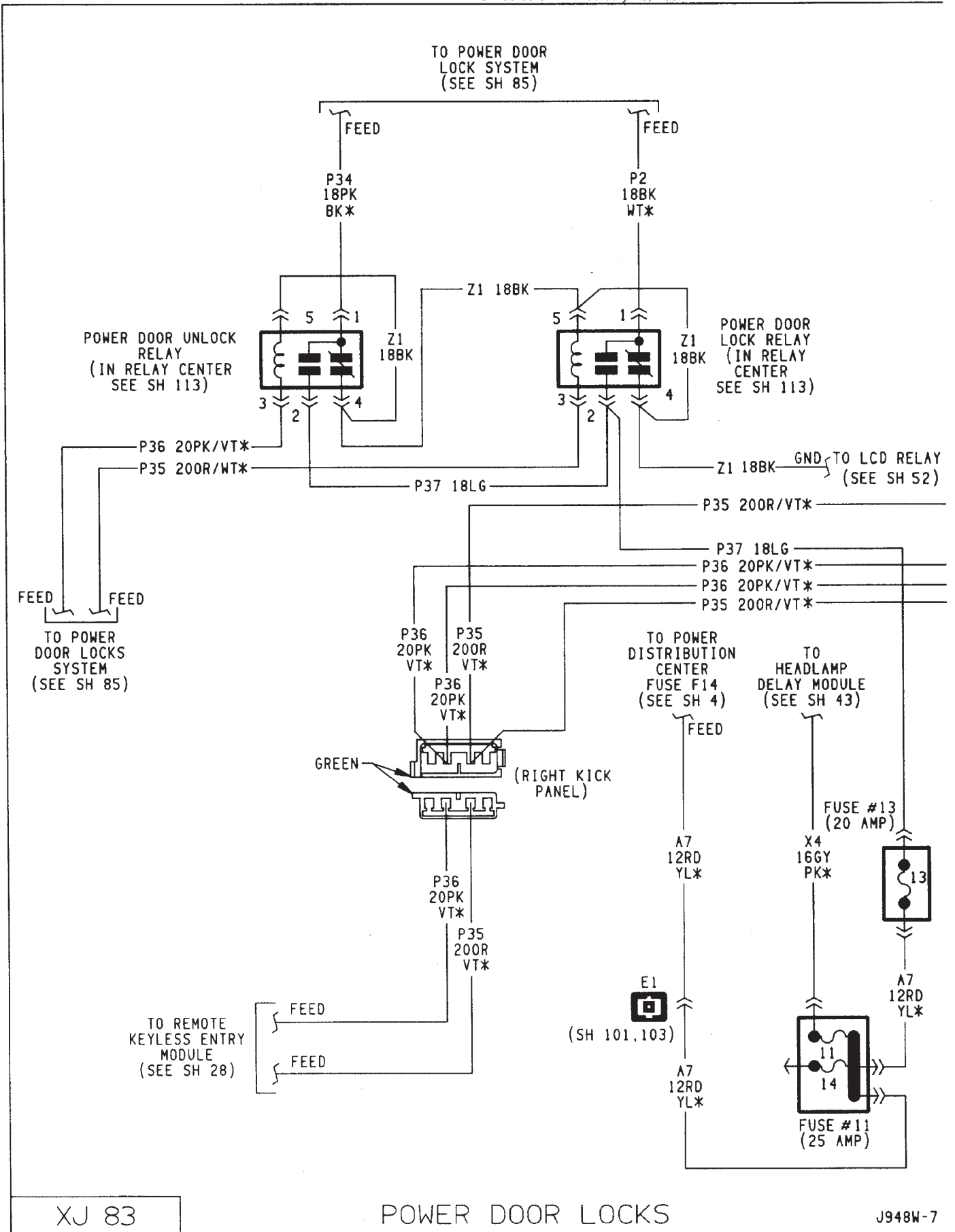


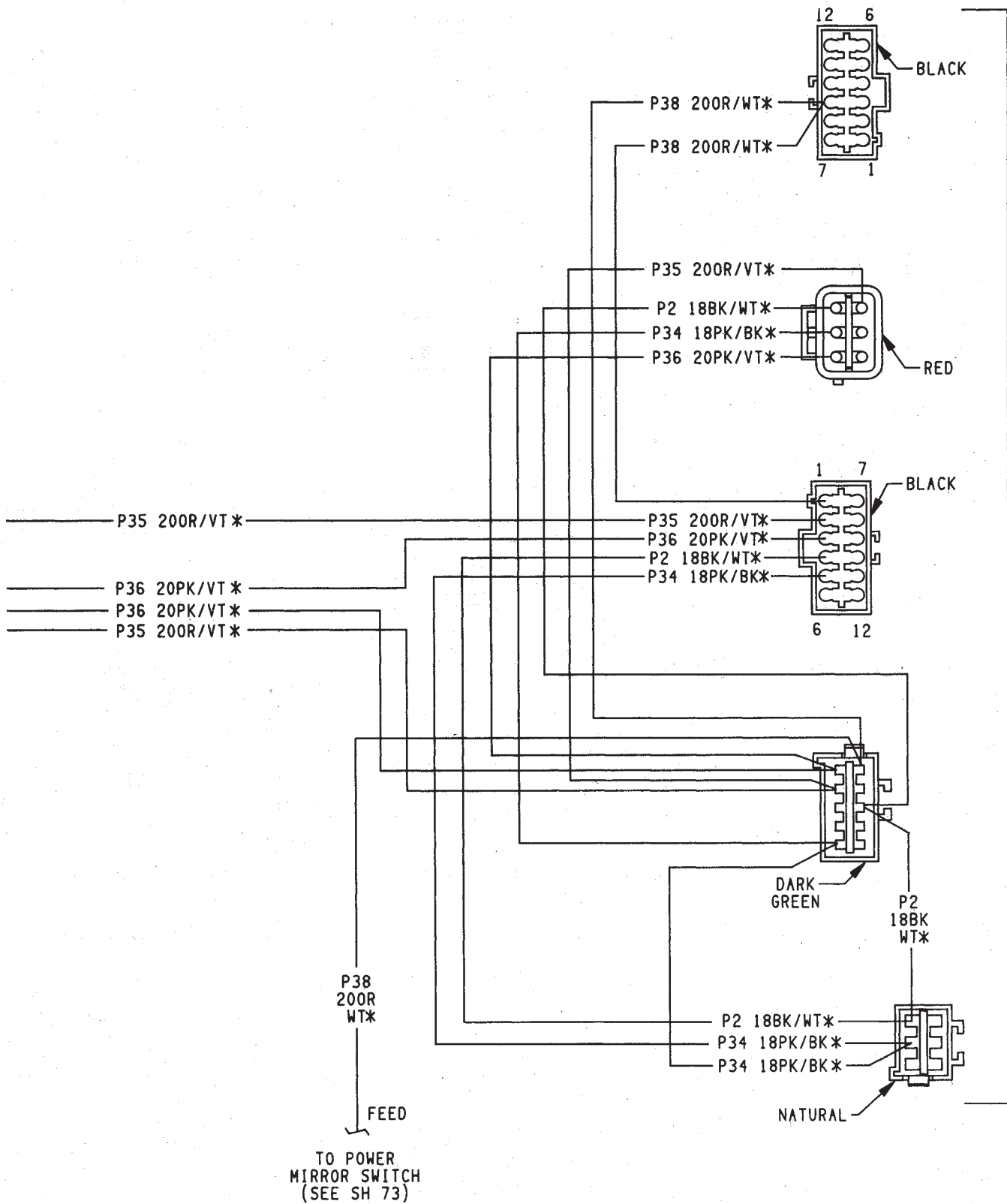


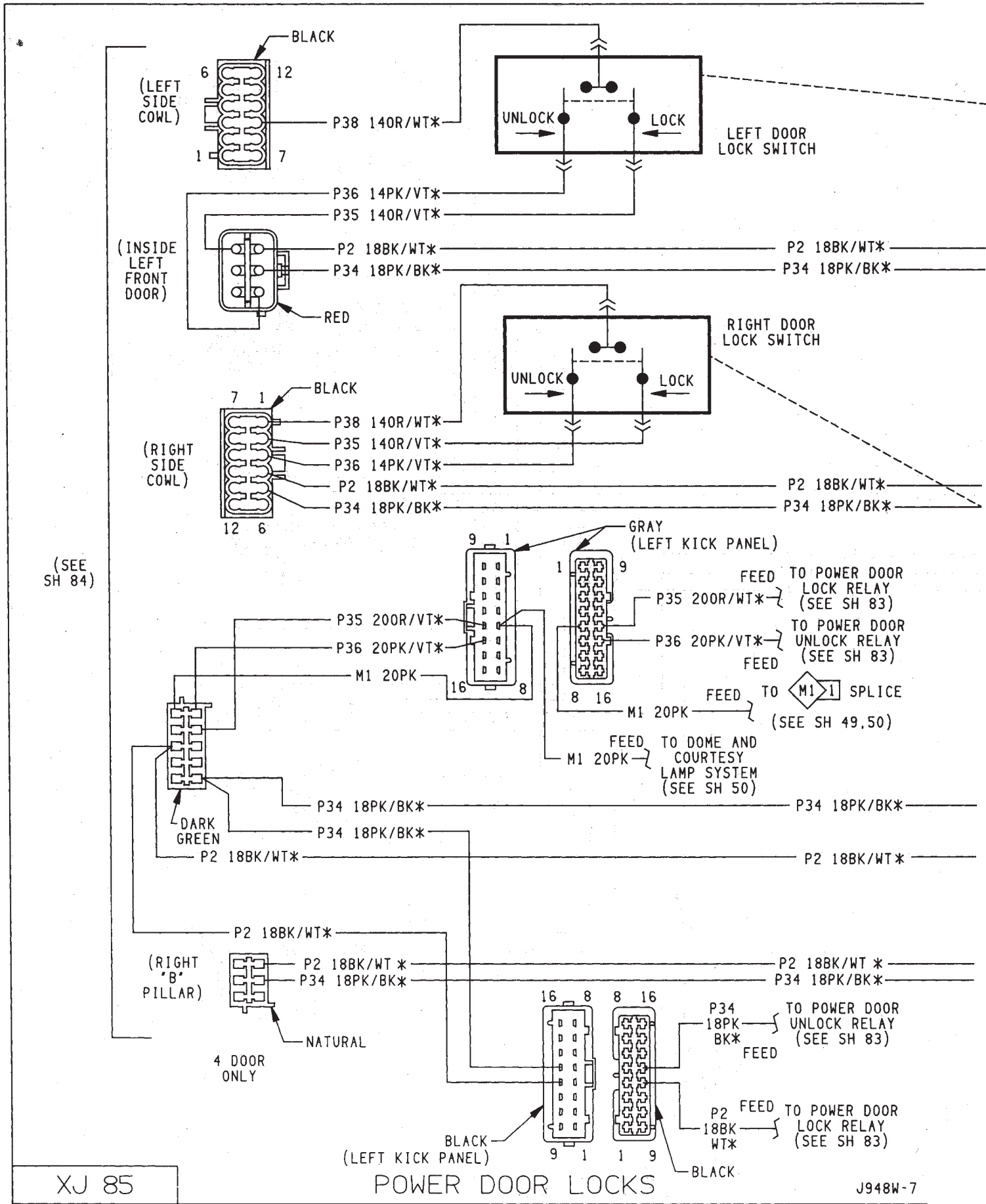
NOTE
FOR WINDOW SWITCH
FUNCTIONS SEE SH
87.88



NOTE
FOR WINDOW SWITCH
FUNCTIONS SEE SH
87.88

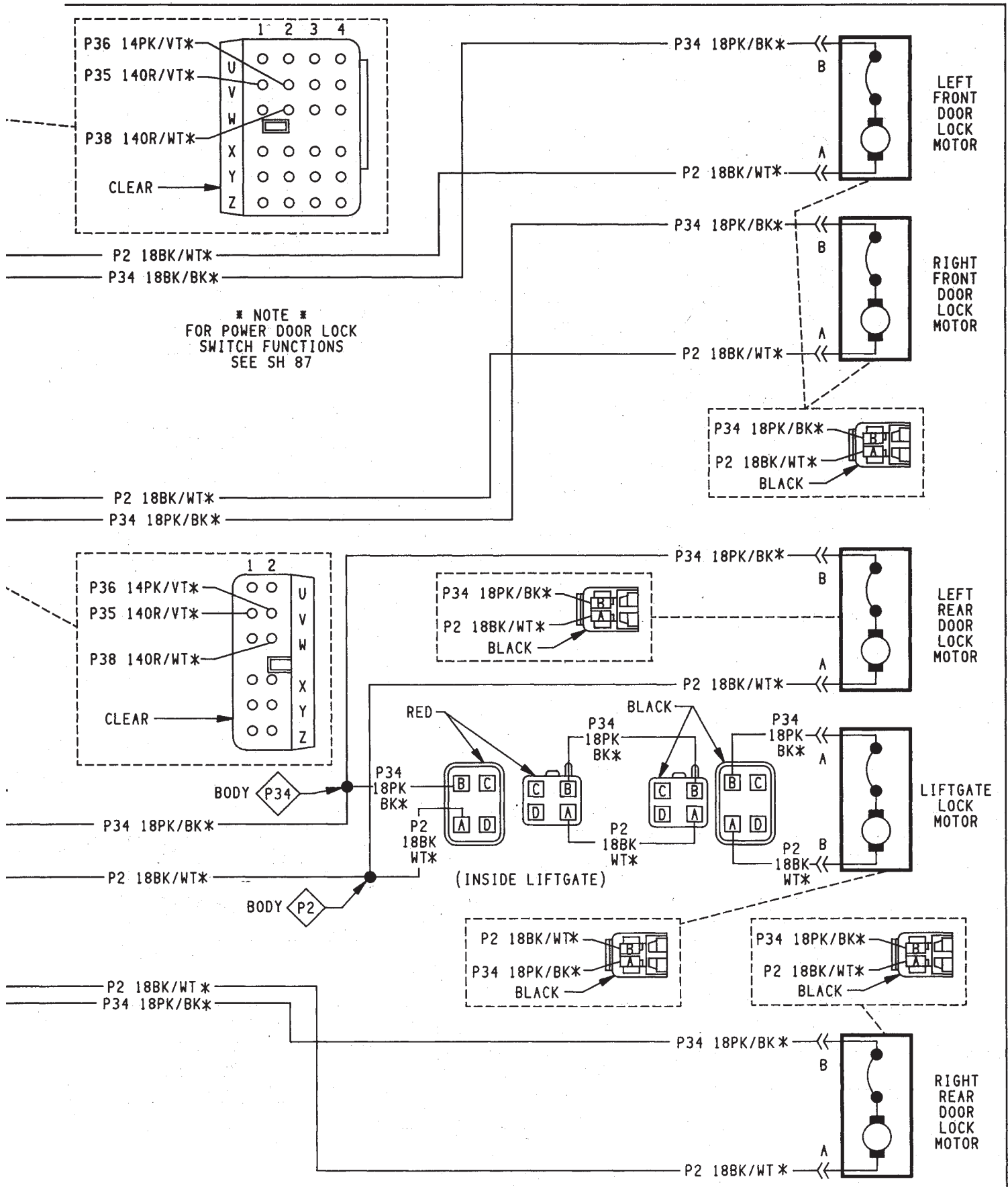




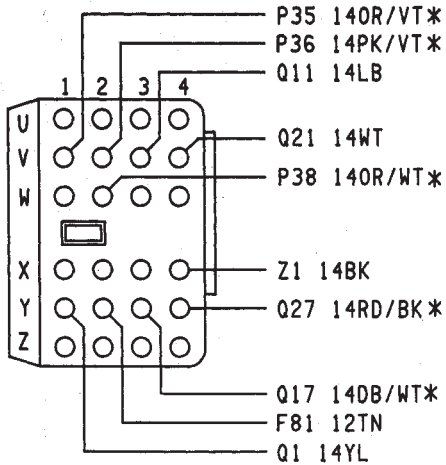


XJ 85

J948W-7

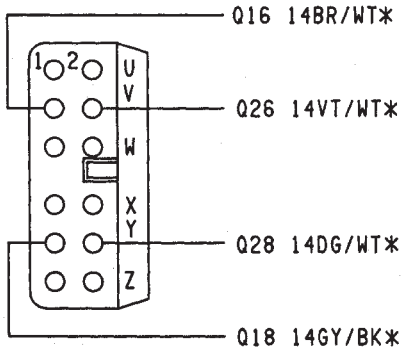


* NOTE *
FOR POWER DOOR LOCK
SWITCH FUNCTIONS
SEE SH 87



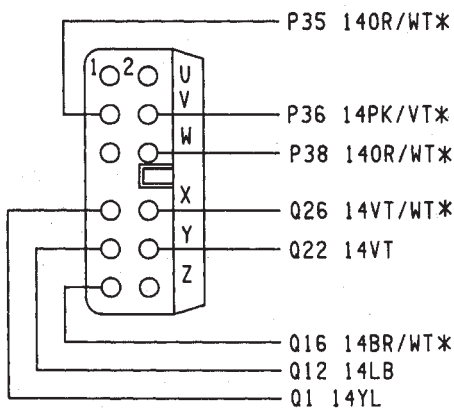
LEFT FRONT DOOR CONNECTORS
WINDOW LIFT SWITCH FUNCTION
AND DOOR LOCK SWITCH FUNCTION

B + POLARITY	B - POLARITY	WINDOW MOVEMENT
WT	LB	LT FRONT UP
LB	WT	LT FRONT DOWN
BR/WT*	VT/WT*	RT FRONT UP
VT/WT*	BR/WT*	RT FRONT DOWN
TN	BK	FEED AND GROUND
RD/BK*	DB/WT*	LT REAR UP (4 DOOR ONLY)
DB/WT*	RD/BK*	LT REAR DOWN (4 DOOR ONLY)
DG/WT*	GY/BK*	RT REAR UP (4 DOOR ONLY)
GY/BK*	DG/WT*	RT REAR DOWN (4 DOOR ONLY)



B + POLARITY	B - POLARITY	DOOR LOCK FUNCTION ALL DOORS
OR/VT*	—	LOCK
PK/VT*	—	UNLOCK
OR/WT*	—	FEED B +

RIGHT FRONT DOOR LOCK AND SWITCH
CONNECTOR WINDOW LIFT SWITCH FUNCTION
AND DOOR LOCK SWITCH FUNCTION



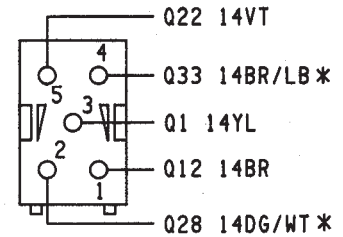
B + POLARITY	B - POLARITY	WINDOW MOVEMENT
BR	VT	RT FRONT UP(DOOR SWITCH)
VT	BR	RT FRONT DOWN(DOOR SWITCH)
BR/WT*	VT/WT*	RT FRONT UP(MASTER SWITCH)
VT/WT*	BR/WT*	RT FRONT DOWN(MASTER SWITCH)
YL	—	FEED

B + POLARITY	B - POLARITY	DOOR LOCK FUNCTION ALL DOORS
OR/VT*	—	LOCK FROM DOOR SWITCH
PK/VT*	—	UNLOCK FROM DOOR SWITCH
OR/WT*	—	FEED B +

FRONT DOOR LOCK
AND WINDOW SWITCH FUNCTIONS

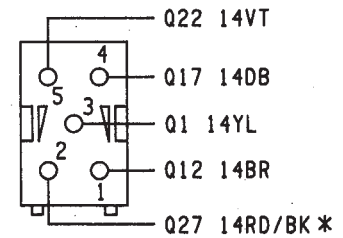
LEFT REAR DOOR WINDOW CONNECTOR
AN WINDOW LIFT SWITCH FUNCTION

B+ POLARITY	B- POLARITY	WINDOW MOVEMENT
BR	VT	LT REAR UP (DOOR SWITCH)
VT	BR	LT REAR DOWN (DOOR SWITCH)
RD/BK*	DB	LT REAR UP (MASTER SWITCH)
DB	RD/BK*	LT REAR DOWN (MASTER SWITCH)
YL	—	FEED



RIGHT REAR DOOR WINDOW CONNECTOR
AN WINDOW LIFT SWITCH FUNCTION

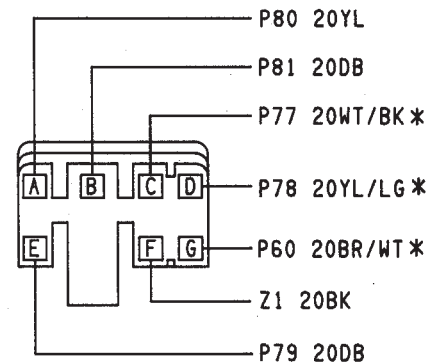
B+ POLARITY	B- POLARITY	WINDOW MOVEMENT
BR	VT	RT REAR UP (DOOR SWITCH)
VT	BR	RT REAR DOWN (DOOR SWITCH)
DG/WT*	BR/LB*	RT REAR UP (MASTER SWITCH)
BR/LB*	DG/WT*	RT REAR DOWN (MASTER SWITCH)
YL	—	FEED

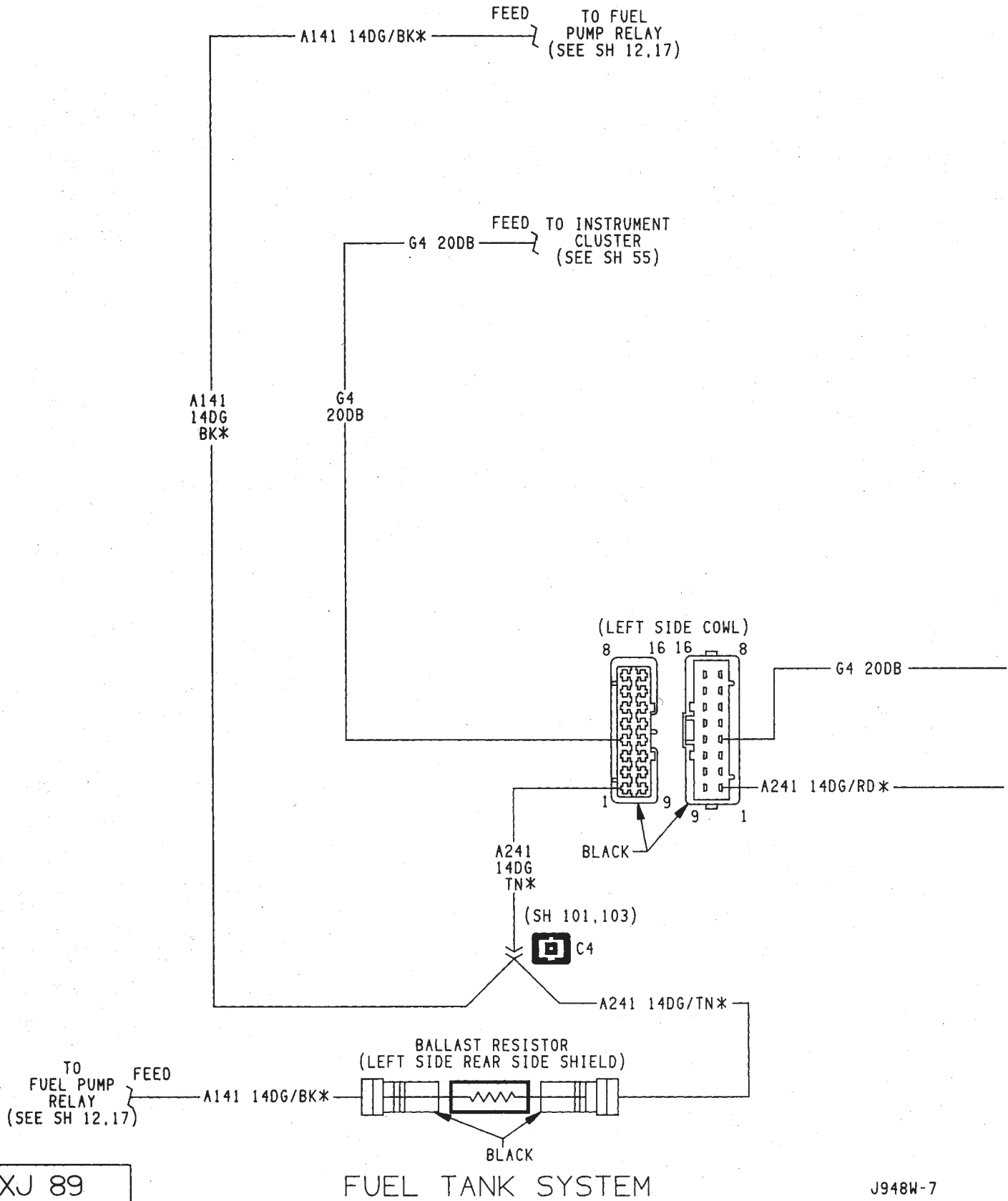


REAR DOOR WINDOW SWITCH FUNCTIONS

POWER MIRROR CONNECTOR
AND SWITCH FUNCTION

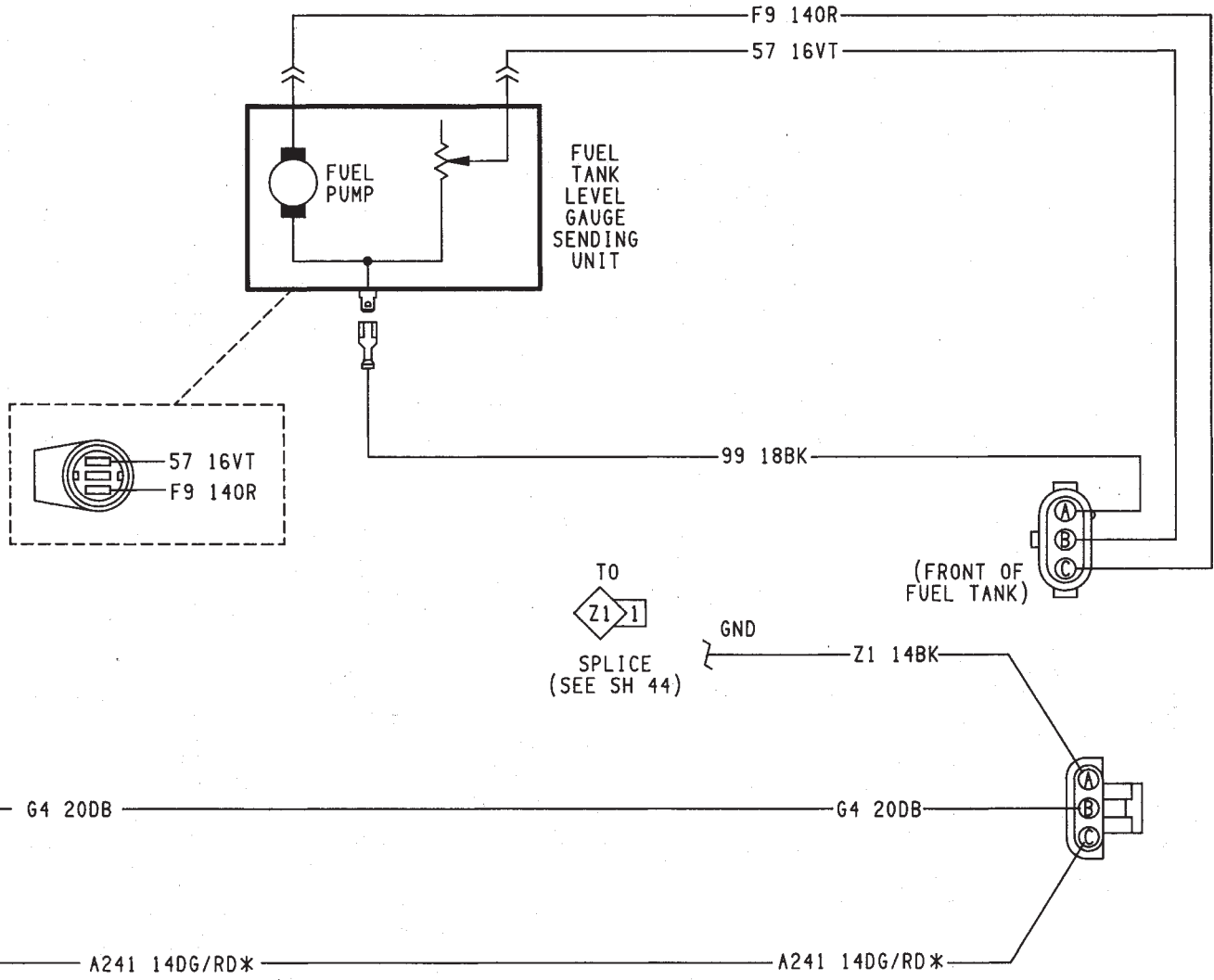
B+ POLARITY	B- POLARITY	WINDOW MOVEMENT
P79 20DB	P80 20YL	LEFT MIRROR - UP
P80 20YL	P79 20DB	LEFT MIRROR - DOWN
P79 20DB	P78 20YL/LG*	RIGHT MIRROR - UP
P78 20YL/LG*	P79 20DB	RIGHT MIRROR - DOWN
P79 20DB	P81 20DB	LEFT MIRROR - RIGHT
P81 20DB	P79 20DB	LEFT MIRROR - LEFT
P79 20DB	P77 20WT/BK*	RIGHT MIRROR - RIGHT
P77 20WT/BK*	P79 20DB	RIGHT MIRROR - LEFT
P60 20BR/WT*	—	FEED
—	Z1 20BK	GROUND

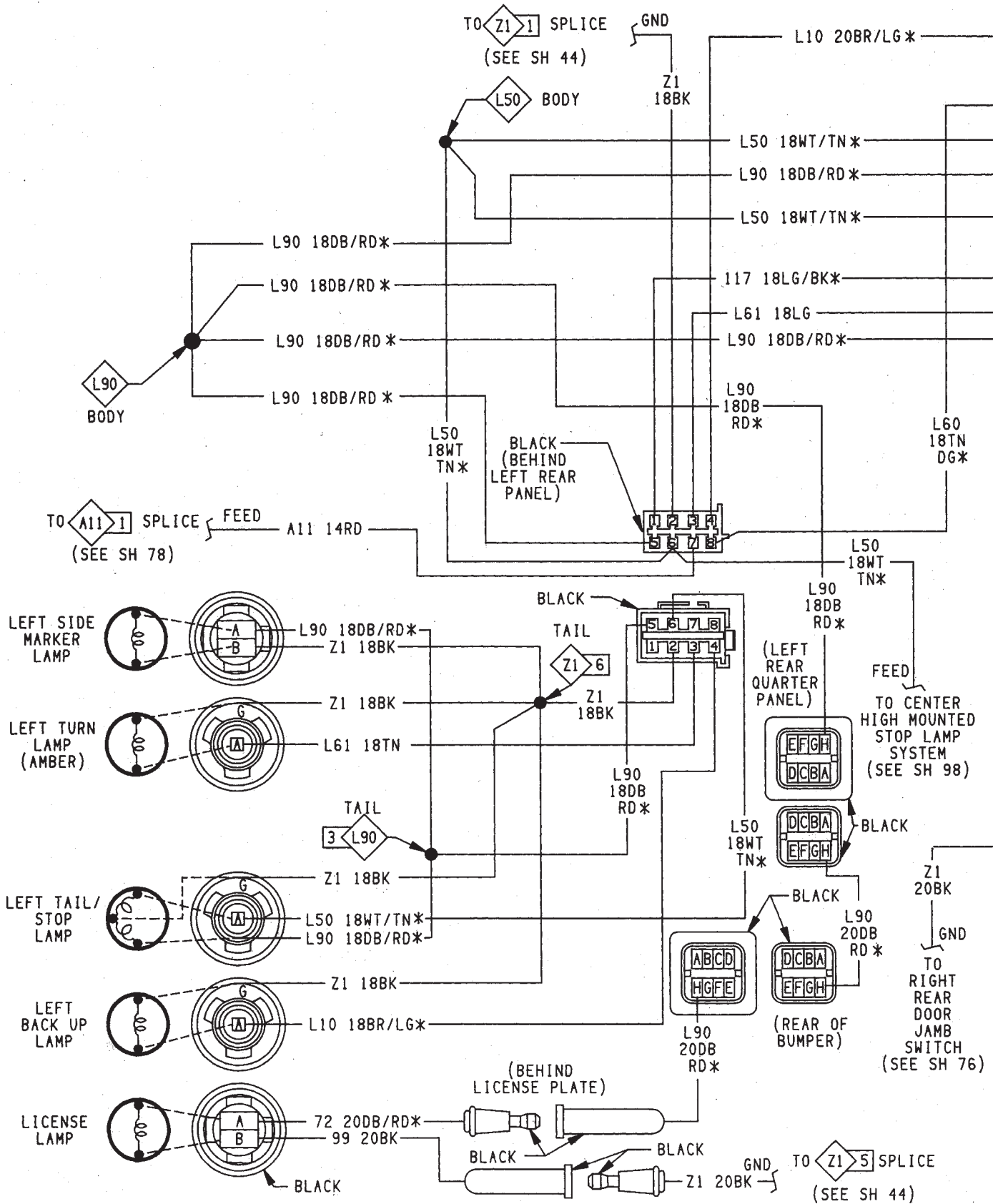


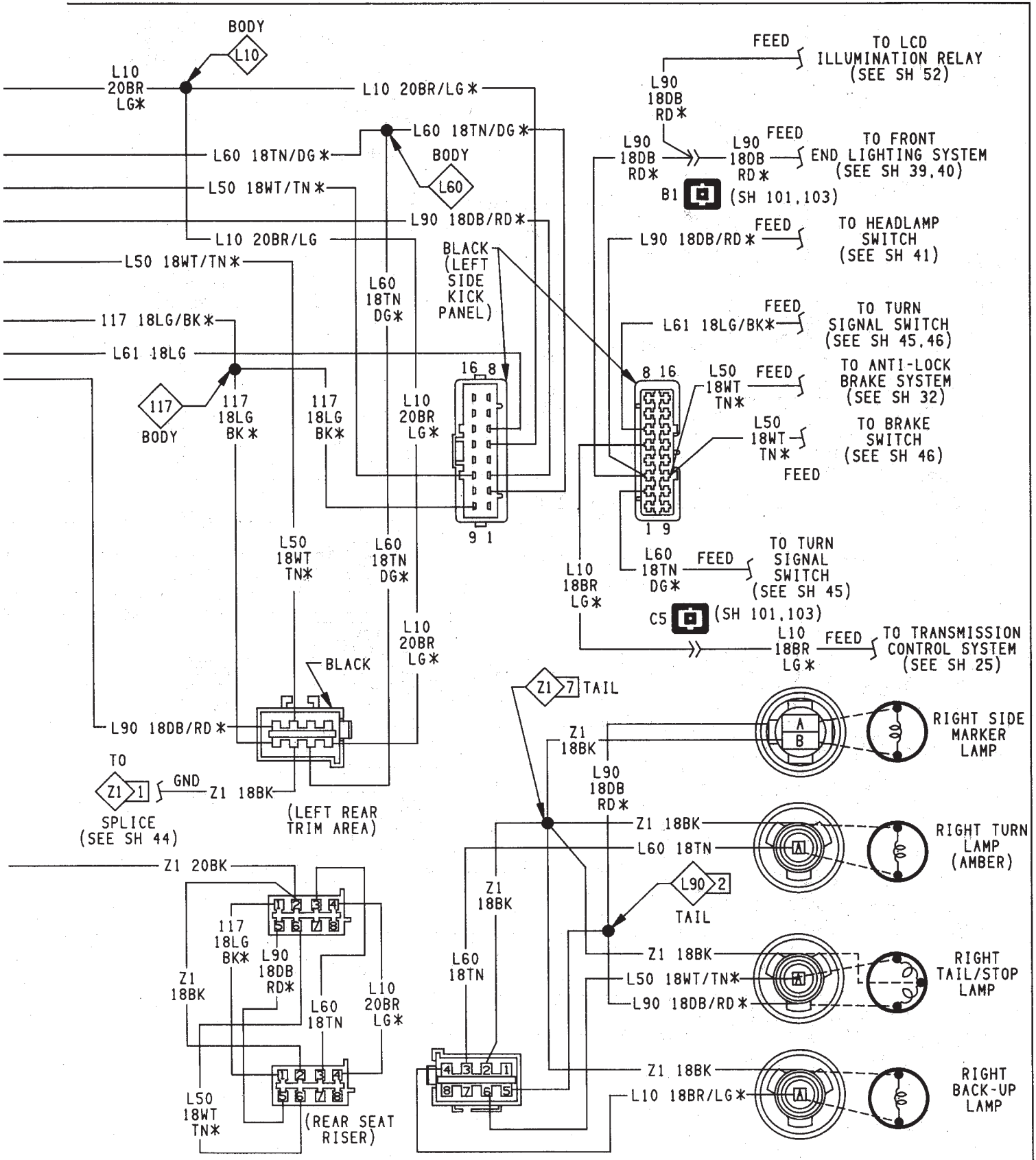


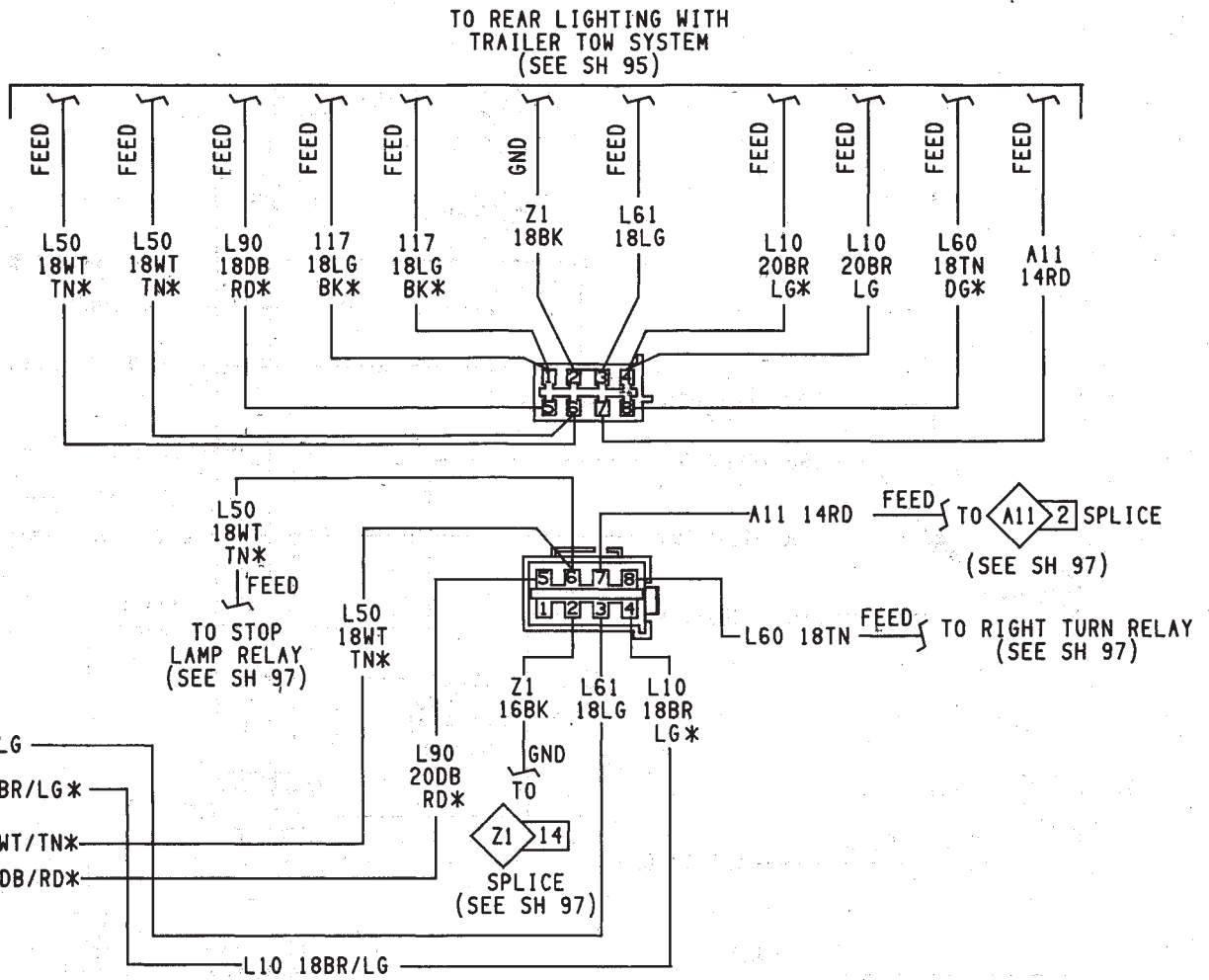
XJ 89

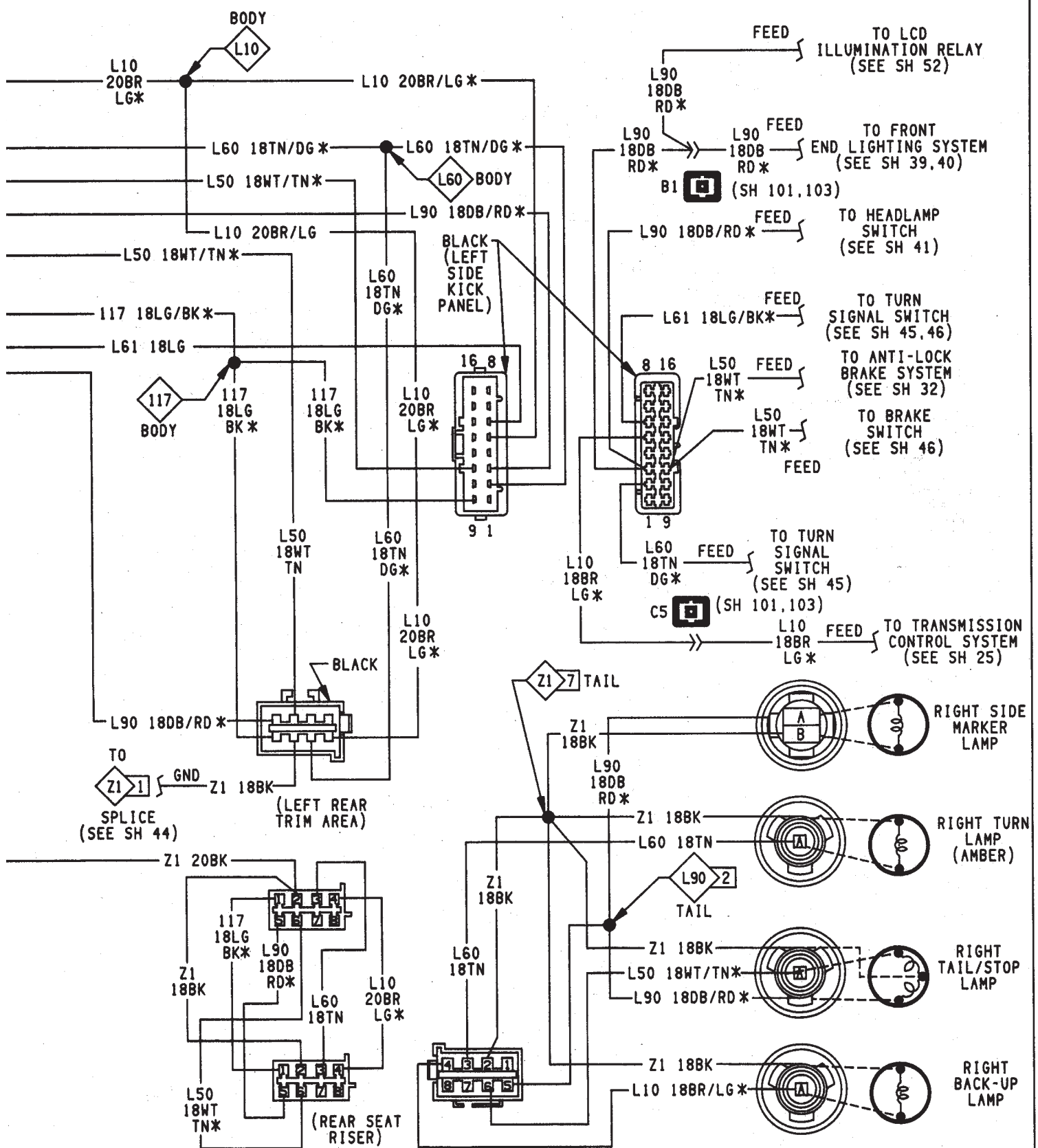
J948W-7

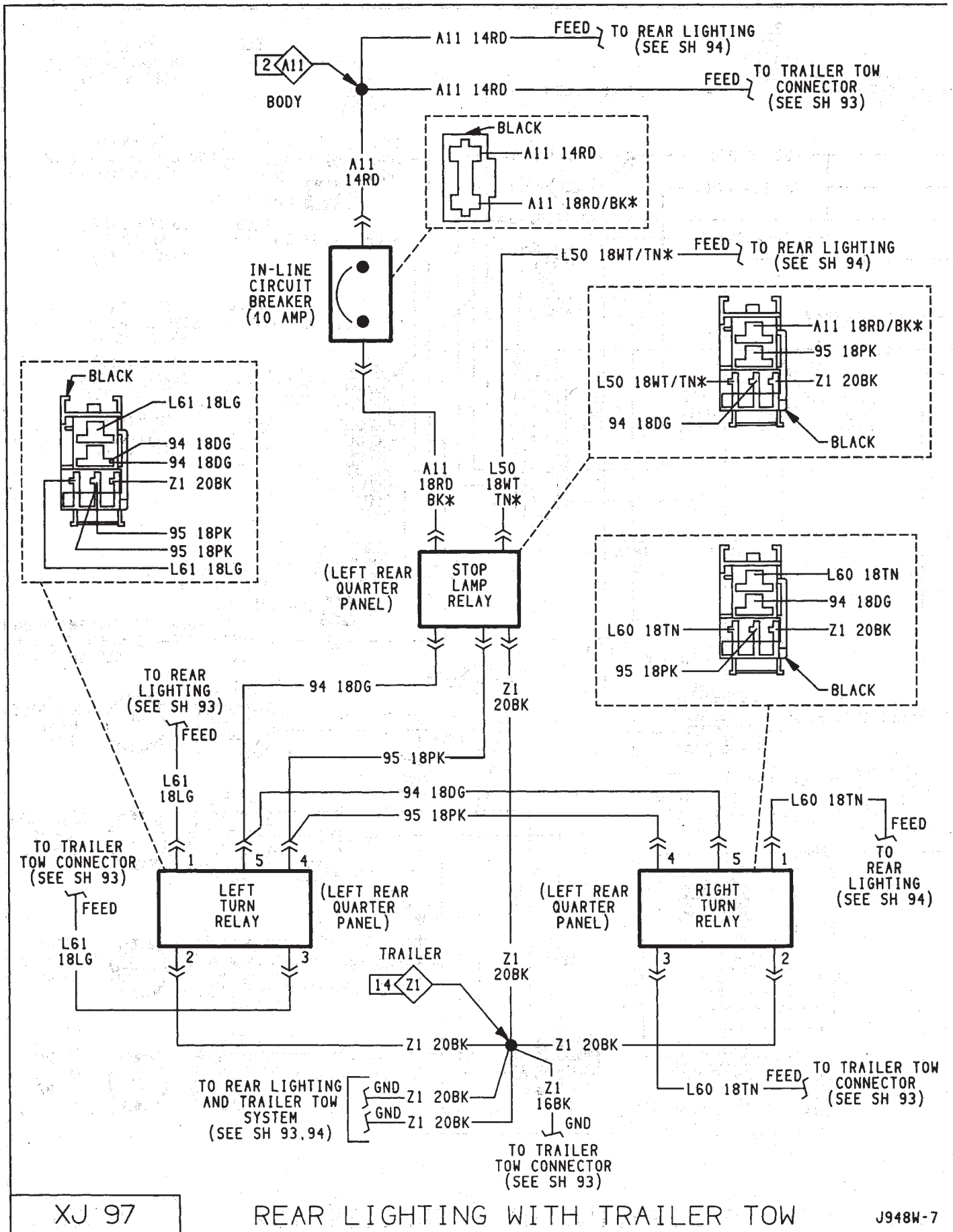








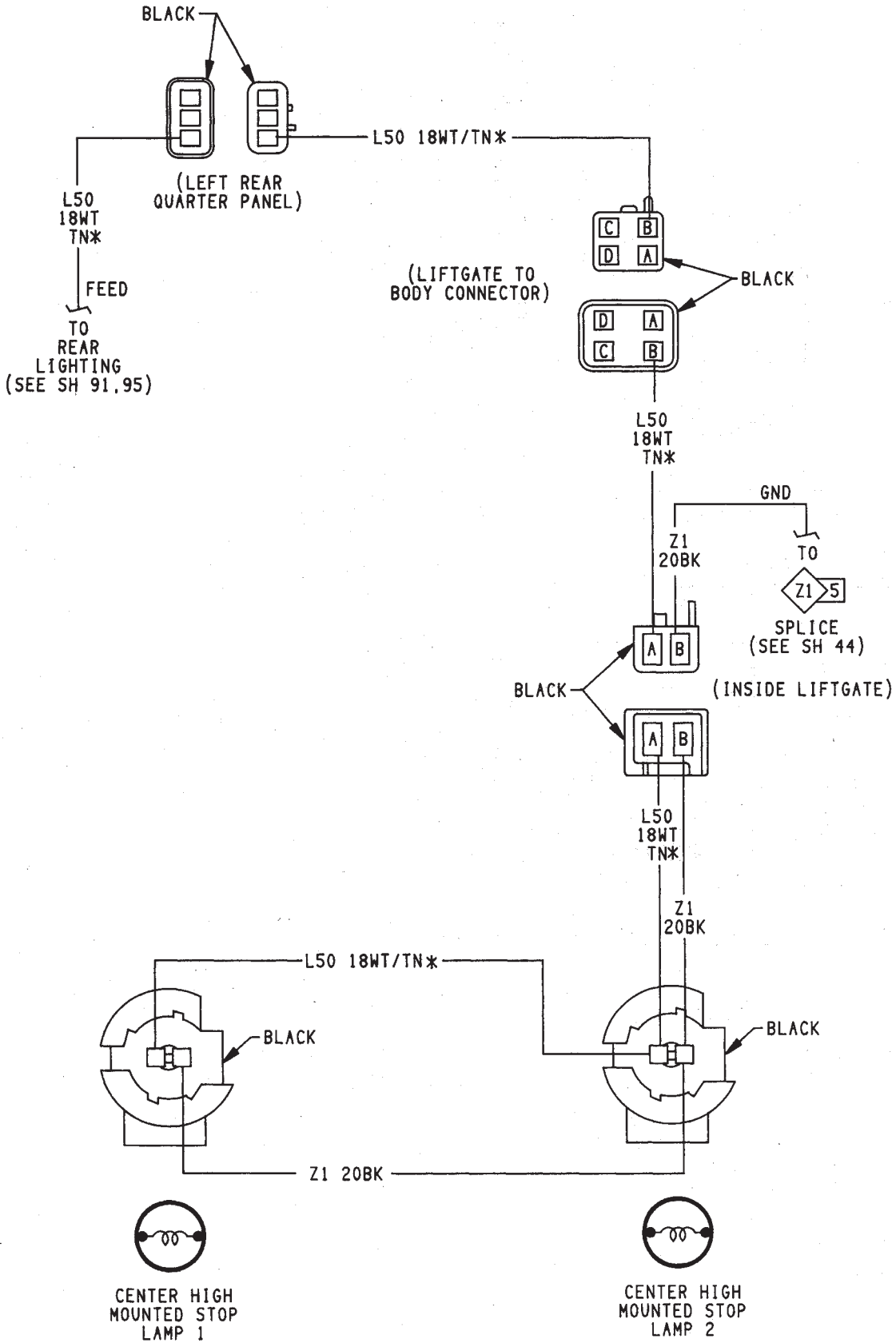


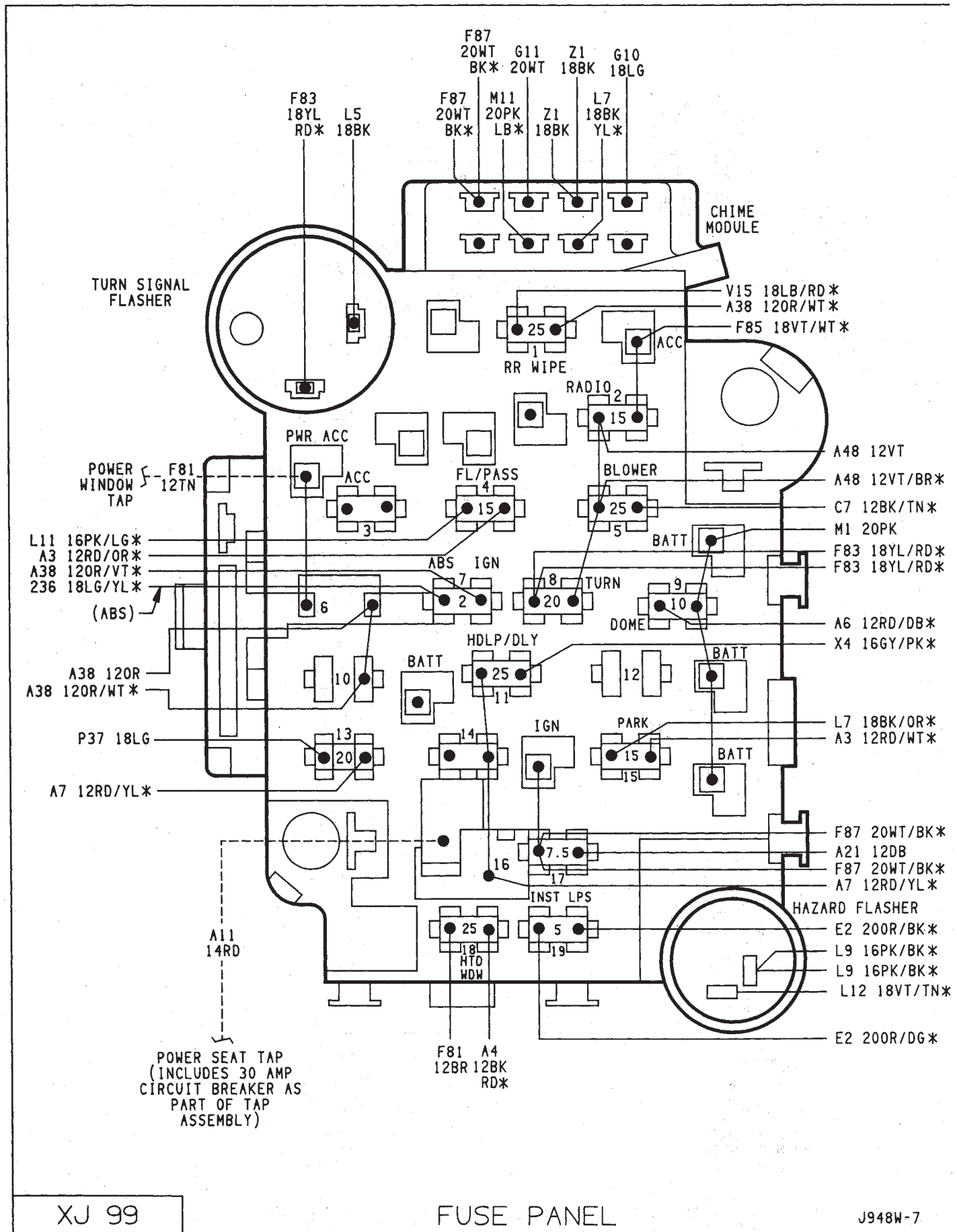


XJ 97

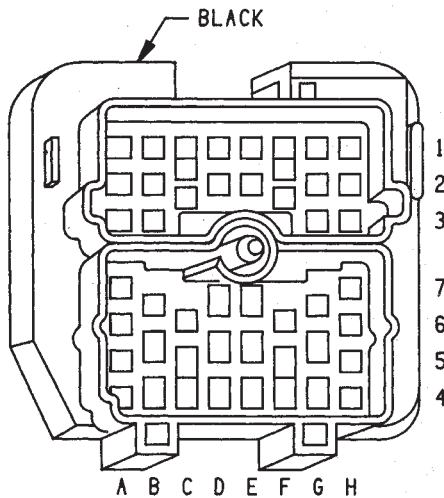
REAR LIGHTING WITH TRAILER TOW

J948W-7





FUSE NUMBER	AMPS	COLOR	SHEET
1	25	WHITE	2,10,65
2	15	LIGHT BLUE	2,9,37,71
3	—	—	—
4	15	LIGHT BLUE	1,41
5	25	WHITE	2,63,64,68,70
6	—	—	—
7	2	PINK	2,10,32
8	20	YELLOW	2,45,66
9	10	RED	1,4,49
10	—	—	—
11	25	WHITE	1,43,83
12	—	—	—
13	20	YELLOW	1,43,83
14	—	—	—
15	15	LIGHT BLUE	1,41
16	—	—	—
17	7.5	BROWN	2,10,55,74
18	25	WHITE	1,66
19	5	TAN	1,41,47

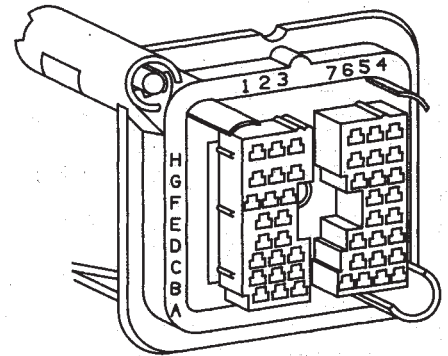


VIEWED FROM TERMINAL END

CAV	CIRCUIT	FUNCTION	SHEET
A1	L61 18LG	LEFT FRONT TURN SIGNAL	39,45
A2	K54 200R/BK*	UPSHIFT INDICATOR LAMP	55
A3	F86 18LG/BK*	FUSED IGNITION 'C'	63,64
A4	L9 18BK/WT*	HAZARD FLASHER FEED	4,35,46
A5	C90 16LG	A/C SELECT SIGNAL	69
A6	A6 18RD/BK*	BATTERY FEED	4,49
A7	G3 20BK/PK*	MALFUNCTION INDICATOR LAMP	55
B1	L90 18DB/RD*	PARK LAMP FEED	39,41,52,92,96
B2	V10 20BR	WINDSHIELD WASHER PUMP FEED	63,64
B3	V4 18RD/YL*	WINDSHIELD WIPER (HIGH SPEED)	63,64
B4	G21 20GY/LB*	TACHOMETER SIGNAL	55
B5	106 20BK/YL*	4-WHEEL DRIVE SYSTEM	26,56
B6	A21 12DB	IGNITION START/RUN	10,12
C1	107 20BK/RD*	4 WHEEL LOCK LAMP	27,56
C2	—	—	—
C3	—	—	—
C4	A241 14DG/TN*	BALLAST RESISTOR	89
C4			
C5	L10 18BR/LG*	BACK-UP LAMP FEED	7,25,92,96
C6	G6 20GY	ENGINE OIL PRESSURE INDICATOR	24,55
D1	A3 12RD/WT*	HEADLAMP SWITCH FEED	4,41
D2	A4 12BK/RD*	HEATED REAR WINDOW FEED	66
D4	L39 16LB	FOG LAMPS FEED	40,42
D5	L4 16VT/WT*	HEADLAMP (LOW BEAM)	39
D5	L4 14VT/WT*	HEADLAMP (LOW BEAM)	39
E1	A7 12RD/YL*	BATTERY FEED	4,43,83
E2	X2 18DG/RD*	HORN FEED	34
E2	X2 18DG/RD*	HORN FEED	34
E4	A1 10RD	IGNITION SWITCH FEED	9
E5	C1 12DG	BLOWER MOTOR FEED	68,70
F1	465 16LB/BK*	HIGH BEAM INDICATOR W/DRL	38,40,55
F1	L3 16RD/OR*	HIGH BEAM INDICATOR W/O DRL	38,40,55
F2	L60 18TN	RIGHT FRONT TURN SIGNAL	40,45
F3	G20 18VT/YL*	ENGINE COOLANT TEMPERATURE	9,24,55
F4	G9 20GY/WT*	BRAKE WARNING LAMP SWITCH	67
F5	G9 20GY/BK*	BRAKE WARNING LAMP SWITCH	9,67
G1	L35 16BR/WT*	FOG LAMP RELAY	40,42
G2	G12 20DG/YL*	CHECK GAUGE LAMP	55
G3	V3 18BR/WT*	WINDSHIELD WIPER (LOW SPEED)	63,64
G4	Z1 12BK	GROUND	42,63,64
G5	C91 16LB	A/C REQUEST	69
H1	C21 16DB/OR*	A/C PRESSURE SWITCH	69
H2	A41 14YL	ENGINE STARTER RELAY	7,9
H3	V55 18TN/RD*	WINDSHIELD WIPER (PARK SIGNAL)	63,64
H4	L3 16RD/OR*	HEADLAMP (HIGH BEAM)	39,41
H4	L3 14RD/OR*	HEADLAMP (HIGH BEAM)	39
H5	V20 18BK/WT*	REAR WASHER FEED	65
H6	G29 20BK/TN*	LOW WASHER FLUID LEVEL INDICATOR	55

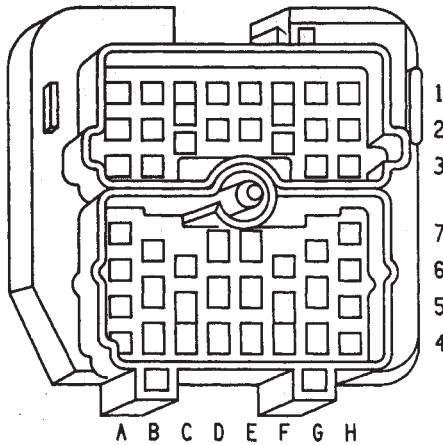
45-WAY BULKHEAD DISCONNECT
(2.5L ENGINE)

CAV	CIRCUIT	FUNCTION	SHEET
A1	L61 18LG	LEFT FRONT TURN SIGNAL	39,45
A1	L61 18LG	LEFT FRONT TURN SIGNAL	39,45
A2	K54 20LG/OR*	UPSHIFT INDICATOR LAMP	55
A3	F86 18LG/BK*	FUSED IGNITION 'C'	63,64
A4	L9 16PK/BK*	HAZARD FLASHER FEED	4,35,46
A5	C90 16LG/WT*	A/C SELECT SIGNAL	69
A6	A6 12RD/DB*	BATTERY FEED	4,49
A7	G3 20BK/PK*	MALFUNCTION INDICATOR LAMP	55
B1	L90 18DB/RD*	PARK LAMP FEED	39,41,52,
B1	L90 18DB/RD*	PARK LAMP FEED	92,96
B2	V10 20BR	WINDSHIELD WASHER PUMP FEED	63,64
B3	V4 18RD/BK*	WINDSHIELD WIPER (HIGH SPEED)	63,64
B4	G21 20GY/LB*	TACHOMETER SIGNAL	55
B5	106 20BK/YL*	4 WHEEL DRIVE INDICATOR LAMP	26,56
B6	A21 12DB/YL*	IGNITION START/RUN	10,12
C1	107 20BK/LB*	4 WHEEL LOCK LAMP	27,56
C2	—	—	—
C3	—	—	—
C4	A241 14DG/TN*	BALLAST RESISTOR	89
C5	L10 18BR/LG*	BACK-UP LAMP FEED	7,25,92,96
C6	G6 20GY	ENGINE OIL PRESSURE INDICATOR	24,55
D1	A3 12RD/WT*	HEADLAMP SWITCH FEED	4,41
D2	A4 12BK/RD*	HEATED REAR WINDOW FEED	66
D4	L39 16LB	FOG LAMPS FEED	40
D5	L4 16VT/WT*	HEADLAMP (LOW BEAM)	39
E1	A7 12RD/YL*	BATTERY FEED	4,43,83
E2	X2 16DG/RD*	HORN FEED	34
E4	A1 12RD	IGNITION SWITCH FEED	9
E4	A1 12RD	IGNITION SWITCH FEED	9
E5	C1 12DG	BLOWER MOTOR FEED	68,70
F1	L3 16RD/YL*	HEADLAMP (HIGH BEAM)	38,40,55
F2	L60 18TN	RIGHT FRONT TURN SIGNAL	40,45
F2	L60 18TN	RIGHT FRONT TURN SIGNAL	40,45
F3	G20 20VT/YL*	ENGINE COOLANT TEMPERATURE	9,24,55
F3	G20 20VT/YL*	ENGINE COOLANT TEMPERATURE	9,24,55
F4	G9 18GY/OR*	BRAKE WARNING LAMP SWITCH	67
F5	G9 20GY/WT*	BRAKE WARNING LAMP SWITCH	67
G1	L35 16BR/WT*	FOG LAMP RELAY	40,42
G2	G12 20DG/BK*	CHECK GAUGE LAMP	55
G3	V3 18BR/TN*	WINDSHIELD WIPER (LOW SPEED)	63,64
G4	Z1 12BK	GROUND	42,63,64
G5	C91 16LB	A/C REQUEST	69
G6	A38 12OR	IGNITION RUN	10
H1	C21 16DB/OR*	A/C PRESSURE SWITCH	69
H2	A41 14YL	ENGINE STARTER RELAY	7,9
H3	V55 18TN/RD*	WINDSHIELD WIPER (PARK SIGNAL)	63,64
H4	L3 16RD/OR*	HEADLAMP (HIGH BEAM)	39,41
H5	V20 18BK/WT*	REAR WASHER PUMP MOTOR FEED	65
H5	V20 18BK/WT*	REAR WASHER FEED	65
H6	G29 20BK/TN*	LOW WASHER FLUID LEVEL INDICATOR	55



VIEWED FROM TERMINAL END

45-WAY BULKHEAD DISCONNECT
(2.5L ENGINE)



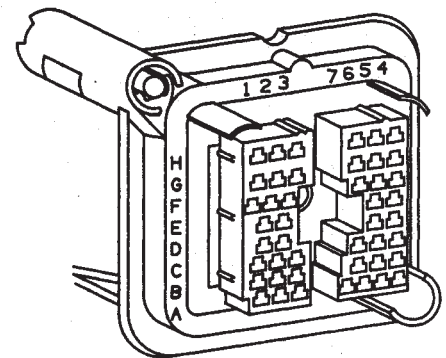
VIEWED FROM TERMINAL END

CAV	CIRCUIT	FUNCTION	SHEET
A1	L61 18LG	LEFT FRONT TURN SIGNAL	39,45
A2	K54 20LG/OR*	UPSHIFT INDICATOR LAMP	55
A3	F86 18LG/BK*	FUSED IGNITION 'C'	63,64
A4	L9 18BK/WT*	HAZARD FLASHER FEED	4,35,46
A5	C90 16LG	A/C SELECT SIGNAL	69
A6	A6 18RD/BK*	BATTERY FEED	4,49
A7	G3 20BK/PK*	MALFUNCTION INDICATOR LAMP	55
B1	L90 18DB/RD*	PARK LAMP FEED	39,41,52,92,96
B2	V10 20BR	WINDSHIELD WASHER PUMP FEED	63,64
B3	V4 18RD/YL*	WINDSHIELD WIPER (HIGH SPEED)	63,64
B4	G21 20GY/LB*	TACHOMETER SIGNAL	55
B5	106 20BK/YL*	4 WHEEL DRIVE SWITCH	26,56
B6	A21 12DB	IGNITION START/RUN	10,17
C1	107 20BK/RD*	4 WHEEL LOCK LAMP	26,56
C1	107 20BK/RD*	4 WHEEL LOCK LAMP	26
C2	D2 20WT/BK*	SERIAL BUSS (B-)	21,25,32
C2	D2 18WT/BK*	SERIAL BUSS (B-)	21,25,32
C3	D1 20VT/BR*	SERIAL BUSS (B+)	21,25,32
C3	D1 18VT/BR*	SERIAL BUSS (B+)	21,25,32
C4	A241 14DG/TN*	BALLAST RESISTOR	89
C4	—	—	—
C5	L10 18BR/LG*	BACK-UP LAMP FEED	7,25,92,96
C6	G6 20GY	ENGINE OIL PRESSURE INDICATOR	24,55
D1	A3 12RD/WT*	HEADLAMP SWITCH FEED	4,41
D2	A4 12BK/RD*	HEATED REAR WINDOW FEED	66
D4	L39 16LB	FOG LAMPS FEED	40,42
D5	L4 16VT/WT*	HEADLAMP (LOW BEAM)	39
D5	L4 14VT/WT*	HEADLAMP (LOW BEAM)	39
E1	A7 12RD/YL*	BATTERY FEED	4,43,83
E2	X2 18DG/RD*	HORN FEED	34
E2	X2 18DG/RD*	HORN FEED	34
E4	A1 10RD	IGNITION SWITCH FEED	9
E5	C1 12DG	BLOWER MOTOR FEED	68,70
F1	465 16LB/BK*	HIGH BEAM INDICATOR W/DRL	38,40,55
F1	L3 16RD/OR*	HIGH BEAM INDICATOR W/O DRL	40,55
F2	L60 18TN	RIGHT FRONT TURN SIGNAL	40,45
F3	G20 18VT/YL*	ENGINE COOLANT TEMPERATURE	9,24,55
F4	G9 20GY/WT*	BRAKE WARNING LAMP SWITCH	67
F5	G9 20GY/BK*	BRAKE WARNING LAMP SWITCH	9,67
F6	K10 18VT	IDLE INCREASE (POLICE)	17
G1	L35 16BR/WT*	FOG LAMP RELAY	40,42
G2	G12 20DG/YL*	CHECK GAUGE LAMP	55
G3	V3 18BR/WT*	WINDSHIELD WIPER (LOW SPEED)	63,64
G4	Z1 12BK	GROUND	42,63,64
G5	C91 16LB	A/C REQUEST	69
H1	C21 16DB/OR*	A/C PRESSURE SWITCH	69
H2	A41 14YL	ENGINE STARTER RELAY	8,9
H3	V55 18TN/RD*	WINDSHIELD WIPER (PARK SIGNAL)	63,64
H4	L3 16RD/OR*	HEADLAMP (HIGH BEAM)	39,41
H4	L3 14RD/OR*	HEADLAMP (HIGH BEAM)	39
H5	V20 18BK/WT*	REAR WASHER FEED	65
H6	G29 20BK/TN*	LOW WASHER FLUID LEVEL INDICATOR	55

45-WAY BULKHEAD DISCONNECT
(4.0L ENGINE)

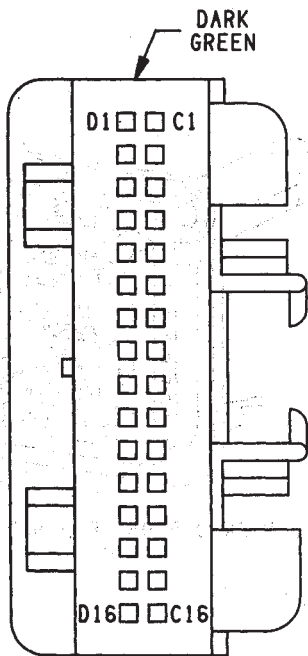
XU 103

CAV	CIRCUIT	FUNCTION	SHEET
A1	L61 18LG	LEFT FRONT TURN SIGNAL	39,45
A1	L61 18LG	LEFT FRONT TURN SIGNAL	39,45
A2	K54 20LG/OR*	UPSHIFT INDICATOR LAMP	55
A3	F86 18LG/BK*	FUSED IGNITION 'C'	63,64
A4	L9 16PK/BK*	FLASHER FEED	4,35,46
A5	C90 16LG/WT*	A/C SELECT SIGNAL	69
A6	A6 12RD/DB*	BATTERY FEED	4,49
A7	G3 20BK/PK*	MAFUNCTION INDICATOR LAMP	55
B1	L90 18DB/RD*	PARK LAMP FEED	39,41,52
B1	L90 18DB/RD*	PARK LAMP FEED	92,96
B2	V10 20BR	WINDSHIELD WASHER PUMP FEED	63,64
B3	V4 18RD/BK*	WINDSHIELD WIPER (HIGH SPEED)	63,64
B4	G21 20GY/LB*	TACHOMETER SIGNAL	55
B5	106 20BK/YL*	FULL TIME INDICATOR LAMP	26,56
B6	A21 12DB/YL*	IGNITION START/RUN	10,17
C1	107 20BK/LB*	4 WHEEL LOCK LAMP	26,56
C2	—	—	—
C3	—	—	—
C4	A241 14DG/TN*	BALLAST RESISTOR	89
C5	L10 18BR/LG*	BACK-UP LAMP FEED	7,25,92,96
C6	G6 20GY	ENGINE OIL PRESSURE INDICATOR	24,55
D1	A3 12RD/WT*	HEADLAMP SWITCH FEED	4,41
D2	A4 12BK/RD*	HEATED REAR WINDOW FEED	66
D4	L39 16LB	FOG LAMPS FEED	40
D5	L4 16VT/WT*	HEADLAMP (LOW BEAM)	39
E1	A7 12RD/YL*	BATTERY FEED	4,43,83
E2	X2 16DG/RD*	HORN FEED	34
E4	A1 12RD	IGNITION SWITCH FEED	9
E4	A1 12RD	IGNITION SWITCH FEED	9
E5	C1 12DG	BLOWER MOTOR FEED	68,70
F1	L3 16RD/YL*	HEADLAMP (HIGH BEAM)	38,40,55
F2	L60 18TN	RIGHT FRONT TURN SIGNAL	40,45
F2	L60 18TN	RIGHT FRONT TURN SIGNAL	40,45
F3	G20 20VT/YL*	ENGINE COOLANT TEMPERATURE	9,24,55
F3	G20 20VT/YL*	ENGINE COOLANT TEMPERATURE	9,24,55
F4	G9 18GY/OR*	BRAKE WARNING LAMP SWITCH	67
F5	G9 20GY/WT*	BRAKE WARNING LAMP SWITCH	67
G1	L35 16BR/WT*	FOG LAMP RELAY	40,42
G2	G12 20DG/BK*	CHECK GAUGE LAMP	55
G3	V3 18BR/TN*	WINDSHIELD WIPER (LOW SPEED)	63,64
G4	Z1 12BK	GROUND	42,63,64
G5	C91 16LB	A/C REQUEST	69
G6	A38 12OR	IGNITION RUN	10
H1	C21 16DB/OR*	A/C PRESSURE SWITCH	69
H2	A41 14YL	ENGINE STARTER RELAY	8,9
H3	V55 18TN/RD*	WINDSHIELD WIPER (PARK SIGNAL)	63,64
H4	L3 16RD/OR*	HEADLAMP (HIGH BEAM)	39,41
H5	V20 18BK/WT*	REAR WASHER PUMP MOTOR FEED	65
H5	V20 18BK/WT*	REAR WASHER FEED	65
H6	G29 20BK/TN*	LOW WASHER FLUID LEVEL INDICATOR	55



VIEWED FROM TERMINAL END

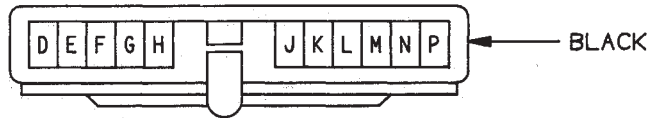
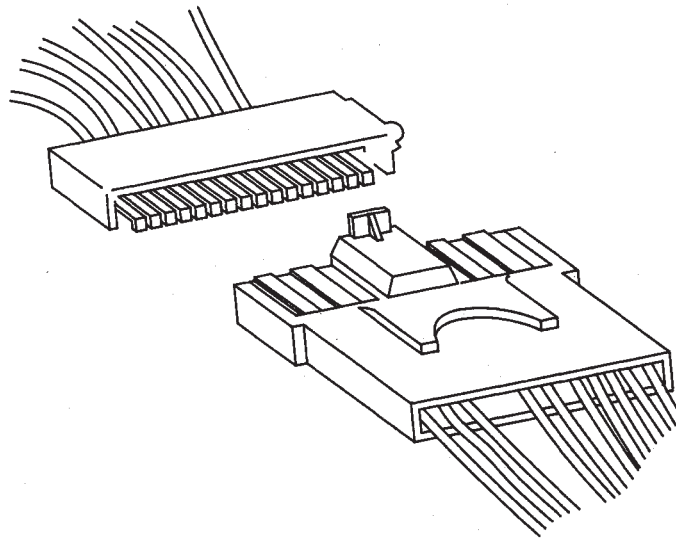
45-WAY BULKHEAD DISCONNECT
(4.0L ENGINE)



VIED FROM TERMINAL END

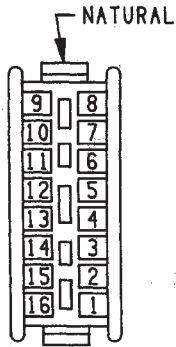
CAV	CIRCUIT	FUNCTION	SHEET
C1	—	—	—
C2	—	—	—
C3	505 18TN/BK *	TRANSMISSION OUTPUT SPEED SENSOR	26
C4	137 16YL/BK *	TRANSMISSION DATA LINK CONNECTOR	25
C5	—	—	—
C6	—	—	—
C7	—	—	—
C8	506 18LG/BK *	1-2 GEAR INPUT	25
C9	507 18GY/BK *	DRIVE GEAR INPUT	25
C10	K29 18WT/PK *	BRAKE SENSE SIGNAL	26
C11	177 20TN	TRANSMISSION SWITCH POWER MODE	26
C12	—	—	—
C13	—	—	—
C14	508 18WT/BK *	TRANSMISSION SOLENOID	26
C15	509 18VT/WT *	SOLENOID S2	26
C16	510 18DB/WT *	SOLENOID S1	26
D1	—	—	—
D2	K22 18OR/DB *	THROTTLE POSITION (SENSOR)	26
D3	K4 18BK/LB *	SENSOR GROUND	26
D4	—	—	—
D5	—	—	—
D6	—	—	—
D7	Z12 18BK/TN *	POWER GROUND	26
D8	—	—	—
D9	—	—	—
D10	—	—	—
D11	—	—	—
D12	—	—	—
D13	—	—	—
D14	A14 14RD	AUTOMATIC SHUT DOWN RELAY	26
D15	—	—	—
D16	T17 18YL	MODULE FEED (IGNITION)	25

TRANSMISSION CONTROL MODULE (TCM)
CONNECTOR



VIEWED FROM TERMINAL END

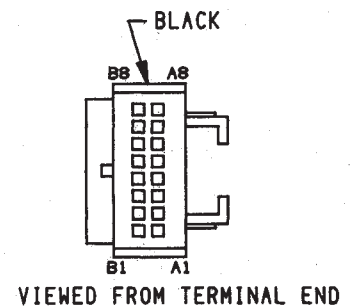
CAV	CIRCUIT	FUNCTION	SHEET
P	—	—	—
N	L60 18TN/DG *	RIGHT REAR TURN SIGNAL	46
M	L61 18LG/BK *	LEFT REAR TURN SIGNAL	46
L	L5 18BK	TURN SIGNAL FLASHER	46
K	L12 18VT/TN *	HAZARD FLASHER	46
J	L60 18TN	RIGHT FRONT TURN SIGNAL	46
H	L61 18LG	LEFT FRONT TURN SIGNAL	46
G	X3 20BK/RD *	HORN SWITCH	34
F	M11 20PK/LB *	SWITCHED COURTESY LAMP FEED	74
E	G26 20LB	IGNITION KEY WARNING SWITCH	74
D	—	—	—

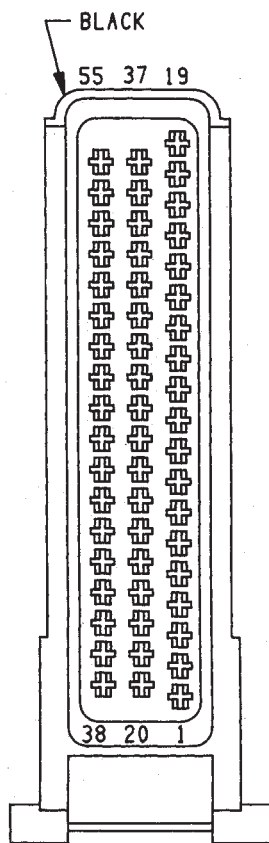


VIEWED FROM TERMINAL END

CAV	CIRCUIT	FUNCTION	SHEET
1	G29 20BK/TN*	LOW WASHER FLUID LEVEL INDICATOR	56
2	G3 20BK/PK*	MALFUNCTION INDICATOR LAMP	56
3	F87 20WT/OR*	FUSE IGNITION 'D'	56
3	F87 20WT/BK*	FUSE IGNITION 'D'	56
4	F87 20WT/BK*	FUSE IGNITION 'D'	56
4	F87 20WT/BK*	FUSE IGNITION 'D'	56
5	—	—	—
6	205 18YL	ABS YELLOW LAMP	56
7	K54 20LG/OR*	UPSHIFT INDICATOR LAMP	56
8	203 18DG	BRAKE PRESSURE/PARK BRAKE LAMP	56
9	—	—	—
10	M1 20PK	COURTESY LAMP	56
11	106 20BK/YL*	4WD SWITCH	56
12	107 20BK/LB*	4WD LAMP	56
13	—	—	—
14	F87 20WT/BK*	FUSE IGNITION 'D'	56
14	F87 20WT/BK*	FUSE IGNITION 'D'	56
15	G11 20WT	SEAT BELT LAMP	56
16	Z1 20BK	GROUND	56
16	Z1 20BK	GROUND	56

CAV	CIRCUIT	FUNCTION	SHEET
A1	G20 20VT/YL*	ENGINE COOLANT TEMPERATURE	55
A2	L61 18LG	LEFT TURN INDICATOR LAMP	55
A3	Z1 20BK	GROUND	55
A4	L3 16RD/YL*	HEADLAMP (HIGH BEAM)	55
A5	G7 20WT/OR*	VEHICLE SPEED SIGNAL	55
A6	G21 20GY/LB*	TACHOMETER SIGNAL	55
A7	E2 20OR/BK*	PANEL ILLUMINATION	55
A8	F87 20WT/BK*	FUSED IGNITION 'D'	55
B1	G4 20DB	FUEL GAUGE	55
B2	Z2 18BK/LG	LOGIC GROUND	55
B3	—	—	—
B4	—	—	—
B5	—	—	—
B6	L60 18TN	RIGHT TURN INDICATOR LAMP	55
B7	G6 20GY	ENGINE OIL PRESSURE INDICATOR	55
B8	G12 20DG/BK*	CHECK GAUGE LAMP	55





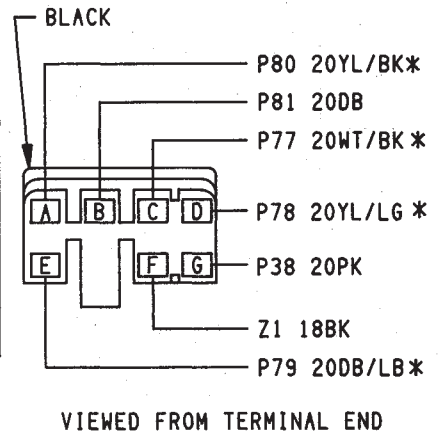
VIEWED FROM TERMINAL END *

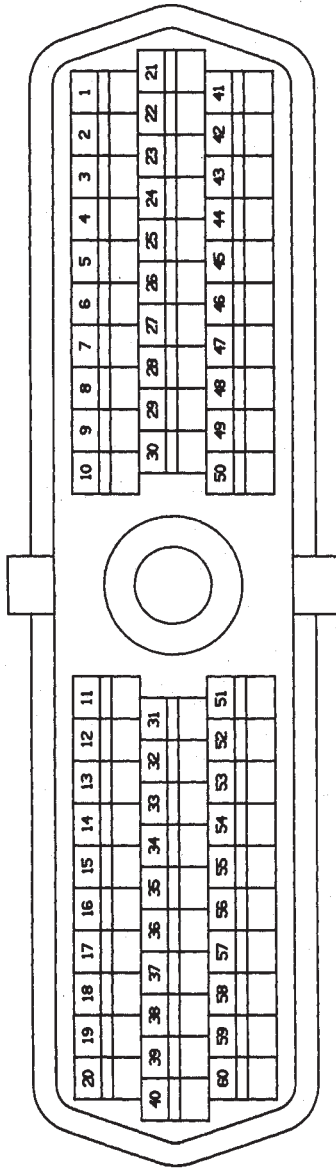
CAV	CIRCUIT	FUNCTION	SHEET
1	Z1 14BK	GROUND	33
2	B243 16DG/BK*	LEFT FRONT DELAY VALVE	33
3	235 14GY/YL*	SOLENOID (12 VOLTS)	33
15	B116 18GY	PUMP RELAY COIL (B-)	31
16	B258 18GY/LB*	TRANSDUCER FEED (+)	30
19	Z1 14BK	GROUND	33
20	B245 16WT/LG*	LEFT FRONT ISOLATE VALVE	33
21	B248 16DG/WT*	RIGHT FRONT DELAY VALVE	33
* 23	D1 18VT/BR*	SERIAL BUSS (B+)	32
25	515 18YL/VT*	ACCEL SENSOR	30
26	517 18PK/OR*	ACCEL SENSOR	30
* 27	B2 18YL	RIGHT REAR WHEEL SENSOR (+)	29
* 28	B3 18LG/DB*	LEFT REAR WHEEL SENSOR (-)	29
* 29	B6 18WT/DB*	RIGHT FRONT WHEEL SENSOR (-)	29
* 30	B8 18RD/DB*	LEFT FRONT WHEEL SENSOR (-)	29
* 31	B219 18DB	BOOST PRESSURE	30
32	L50 18WT/TN*	STOP LAMP FEED	32
33	235 14GY/YL*	SOLENOID (12 VOLTS)	33
34	207 18PK	ABS RELAY #1	31
36	B254 16DG/OR*	RIGHT AND LEFT REAR DELAY VALVE	33
38	B249 16WT/TN*	RIGHT FRONT ISOLATE VALVE	33
41	B210 18RD/BK*	TRANSDUCER RETURN (-)	30
* 42	D2 18WT/BK*	SERIAL BUSS (B-)	32
43	516 18TN/WT*	ACCEL SENSOR	30
* 45	B1 18YL/DB*	RIGHT REAR WHEEL SENSOR (-)	29
* 46	B4 18LG	LEFT REAR WHEEL SENSOR (+)	29
* 47	B7 18WT	RIGHT FRONT WHEEL SENSOR (+)	29
* 48	B9 18RD	LEFT FRONT WHEEL SENSOR (+)	29
* 49	B220 18TN	BOOST PRESSURE RETURN	30
52	205 18VT	YELLOW LAMP	32
53	236 18LG/YL*	IGNITION (12 VOLTS)	32
54	B251 16WT/BK*	LEFT REAR ISOLATE VALVE	33

* INDICATES TWISTED PAIRS D1+D2, B1+B2, B3+B4, B6+B7, B8+B9, B219+B220

ANTI-LOCK BRAKE
CONTROL MODULE CONNECTOR

CAV	CIRCUIT	FUNCTION	SHEET
A	P80 20YL/BK*	UP/DOWN MOTOR (LEFT)	73
B	P81 20DB	RIGHT/LEFT MOTOR (LEFT)	73
C	P77 20WT/BK*	RIGHT/LEFT MOTOR (RIGHT)	73
D	P78 20YL/LG*	UP/DOWN MOTOR (RIGHT)	73
E	P79 20DB/LB*	MIRROR RETURN	73
F	Z1 18BK	GROUND	73
G	P38 20PK	MIRROR FEED (B+)	73

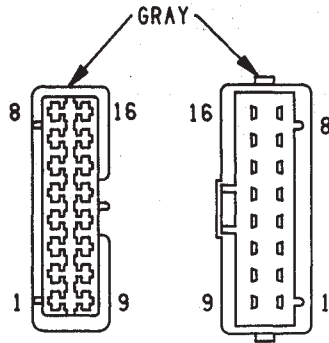




VIEWED FROM WIRE END

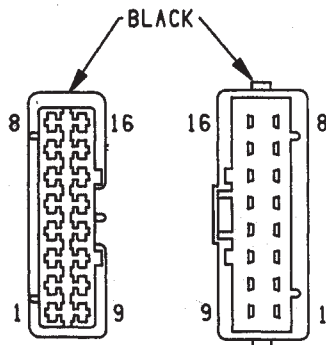
* INDICATES TWISTED PAIR

CAV	CIRCUIT	FUNCTION	SHEET
1	K1 20DG/RD*	MAP SENSOR	14,19
2	K2 16TN/BK*	ENGINE COOLANT TEMPERATURE SENSOR	14,19
3	A14 14RD	AUTOMATIC SHUT DOWN RELAY	12,17
4	K4 18BK/LB*	SENSOR GROUND	14,19
5	Z11 16BK/WT*	SIGNAL GROUND	16,18
6	K6 20VT/WT*	5 VOLT SUPPLY	14,19
7	K7 18OR	8 VOLT SUPPLY	11,20
8	—	—	—
9	A21 14DB	IGNITION START/RUN	12,17
10	K10 18VT	POWER STEERING SWITCH (2.5L)	15,17
11	Z12 16BK/TN*	POWER GROUND	13,21
12	Z12 16BK/TN*	POWER GROUND	13,21
13	K14 18LB/BR*	INJECTOR 4	15,22
14	K13 18YL/WT*	INJECTOR 3	15,22
15	K12 18TN	INJECTOR 2	15,22
16	K11 18WT/DB*	INJECTOR 1	15,22
17	—	—	—
18	—	—	—
19	K19 18GY	IGNITION COIL DRIVER #1	16,18
20	K20 18DG	VOLTAGE REGULATOR	13,20
21	K21 16BK/RD*	INTAKE AIR TEMPERATURE SENSOR	14,19
22	K22 18OR/DB*	THROTTLE POSITION (SENSOR)	14,19
23	—	—	—
24	K24 18GY/BK*	DISTRIBUTOR IGNITION SENSOR	11,20
25	D21 20PK	SERIAL COMMUNICATION INTERFACE	16,18
26	D1 18VT/BR*	SERIAL BUSS B+ (4.0L AUTO ONLY)	21
27	C91 16LB	A/C REQUEST	69
28	C90 16LG	A/C SELECT	69
29	K29 18WT/PK*	BRAKE SENSE SIGNAL	45
30	T41 18BR/YL*	NEUTRAL SENSE (A/TRANS ONLY)	11,21
31	C27 20DB/PK*	COOLING FAN (4.0L ONLY)	23
32	G3 20BK/PK*	MALFUNCTION INDICATOR LAMP	55
33	V36 20TN/RD*	VEHICLE SPEED CONTROL (VACUUM)	36
34	C13 20DB/OR*	A/C COMPRESSOR CLUTCH RELAY COIL GROUND	69
35	—	—	—
36	G12 20DG/YL*	CHECK GAUGE LAMP	55
37	—	—	—
38	K15 18PK/BK*	INJECTOR 5 (4.0L ONLY)	22
39	K39 18GY/RD*	IDLE AIR CONTROL (OPEN)	15,22
40	K40 18BR/WT*	IDLE AIR CONTROL (CLOSE)	15,22
41	K41 18BK/DG*	HEATED OXYGEN SENSOR INPUT	13,21
42	—	—	—
43	G21 20GY/LB*	TACHOMETER SIGNAL	55
44	K44 18TN/YL*	CAMSHAFT POSITION SENSOR	11,20
45	D20 20LG	SERIAL COMMUNICATION INTERFACE	16,18
46	D2 18WT/BK*	SERIAL BUSS B- (4.0L AUTO ONLY)	21
47	G7 20WT/OR*	VEHICLE SPEED SENSOR SIGNAL	11,20
48	V31 20BR/RD*	VEHICLE SPEED CONTROL (SET)	35
49	V32 20YL/RD*	VEHICLE SPEED CONTROL (IGNITION)	35,45
50	V33 20WT/LG*	VEHICLE SPEED CONTROL (RESUME)	35
51	K51 20DB/YL*	AUTOMATIC SHUT DOWN RELAY	12,17
52	—	—	—
53	V35 20LG/RD*	VEHICLE SPEED CONTROL (VENT)	36
54	K54 20OR/BK*	UPSHIFT INDICATOR LAMP	11,55
55	—	—	—
56	—	—	—
57	A142 18DG/OR*	INJ/SENSE/GENERATOR FEED	15,22
58	K16 18LG/BK*	INJECTOR 6 (4.0L ONLY)	22
59	K59 18VT/BK*	IDLE AIR CONTROL (CLOSE)	15,22
60	K60 18YL/BK*	IDLE AIR CONTROL (CLOSE)	15,22



VIEWED FROM TERMINAL END

CAV	CIRCUIT	FUNCTION	SHEET
1	X58 18DB/OR*	RIGHT REAR SPEAKER (B-)	71
2	X52 18DB/WT*	RIGHT REAR SPEAKER (B+)	71
3	E2 200R/BK*	PANEL ILLUMINATION	48
4	Z1 14BK	GROUND	42
5	M1 20PK	COURTESY LAMP	50,85
6	X57 18BR/LB*	LEFT REAR SPEAKER (B-)	71
7	X51 18BR/YL*	LEFT REAR SPEAKER (B+)	71
8	---	---	---
9	M2 20YL	SWITCHED GROUND	50,75
10	G10 18LG	SEAT BELT SWITCH	74
11	V13 18BR/RD*	REAR WIPER RUN	65
12	F20 18WT	REAR WIPER PARK	65
13	P35 200R/WT*	RELAY (LOCK)	85
14	P36 20PK/VT*	RELAY (UNLOCK)	85
15	---	---	---
16	---	---	---



VIEWED FROM TERMINAL END

CAV	CIRCUIT	FUNCTION	SHEET
1	A241 14DG/TN*	FUEL PUMP	89
2	L60 18TN/DG*	RIGHT REAR TURN SIGNAL	92,96
3	L90 18DB/RD*	PARK LAMP FEED	41,52,92,96
3	L90 18DB/RD*	PARK LAMP FEED	41,52,92,96
4	G4 20DB	FUEL GAUGE	89
5	L10 18BR/LG*	BACK-UP LAMP FEED	92,96
6	L61 18LG/BK*	LEFT REAR TURN SIGNAL	92,96
7	G9 18GY/OR*	BRAKE WARNING LAMP SWITCH	67
7	203 18DG	BRAKE PRESSURE/PARK BRAKE LAMP	67
8	C15 12BK/RD*	HEATED REAR WINDOW FEED	66
9	---	---	---
10	V20 18BK/WT*	REAR WASHER FEED	65
11	L50 18WT/TN*	STOP LAMP FEED	92,96
11	L50 18WT/TN*	STOP LAMP FEED	92,96
12	P2 18BK/WT*	RELAY TO POWER LOCK MOTOR	85
13	P34 18PK/BK*	DOOR LOCK MOTOR B+ UNLOCK	85
14	---	---	---
15	---	---	---
16	---	---	---

1994 Jeep
 Publication No. 81-370-4146
 TSB 08-09-94 February 18, 1994

POWER DOOR
 LOCK RELAY

CAV	CIRCUIT INFORMATION
A1	P2 18BK/WT*
A2	P37 18LG
A2	P37 18LG
A3	P35 200R/WT*
A4	Z1 18BK
A4	Z1 18BK
A5	Z1 18BK
A5	Z1 18BK

LOCATION A

POWER DOOR
 UNLOCK RELAY

CAV	CIRCUIT INFORMATION
B1	P34 18PK/BK*
B2	P37 18LG
B3	P36 20PK/VT*
B4	Z1 18BK
B4	Z1 18BK
B5	Z1 18BK

LOCATION B

LCD RELAY

CAV	CIRCUIT INFORMATION
C1	X5 18LB/RDK*
C2	E2 200R/BK*
C3	Z1 18BK
C3	Z1 18BK
C4	F85 18VT/WT*
C5	L90 18DB/RD*

LOCATION C

HEATED REAR
 WINDOW RELAY

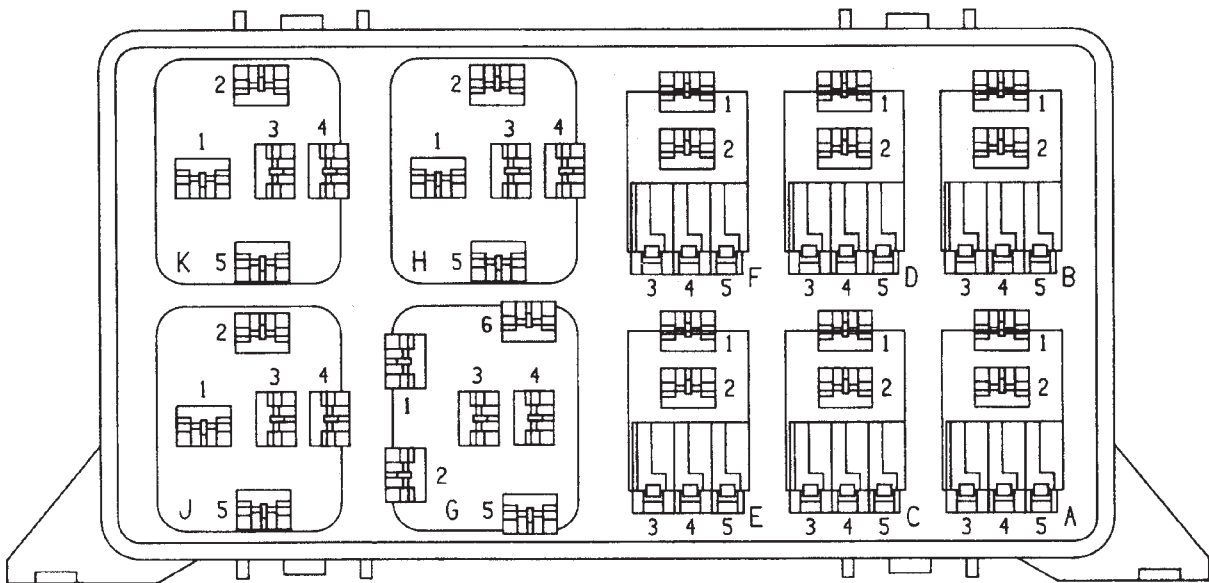
CAV	CIRCUIT INFORMATION
H1	C15 12BK/RD*
H2	Z1 18BK
H3	C80 18DB/RD*
H4	F81 12BR
H5	F83 18YL/RD*

LOCATION H

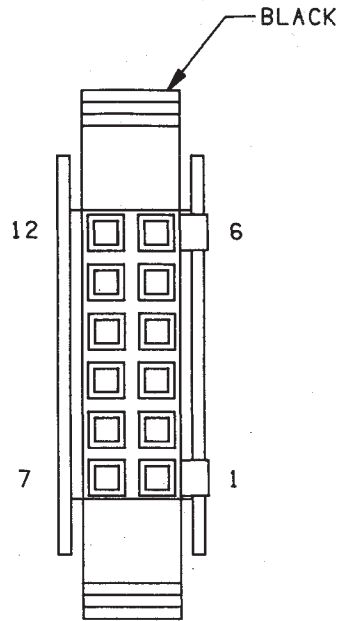
HORN RELAY

CAV	CIRCUIT INFORMATION
J1	X4 16GY/PK*
J2	X3 20BK/RD*
J4	X2 16DG/RD*
J5	X4 16GY/PK*
J5	X4 16GY/PK*

LOCATION J



VIEWED FROM TERMINAL END



VIEWED FROM TERMINAL END

CAV	CIRCUIT	FUNCTION	SHEET
1	M1 20PK	COURTESY LAMP	28
2	G68 20PK/OR*	COURTESY LAMP	28
3	P35 200R/VT*	RELAY (LOCK)	28
4	P36 20PK/VT*	RELAY (UNLOCK)	28
5	---	---	---
6	---	---	---
7	G72 20DG/OR*	COURTESY LAMP	28
8	F87 20WT/BK*	FUSE IGNITION 'D'	28
9	---	---	---
10	Z1 20BK	GROUND	28
11	---	---	---
12	M2 20YL	SWITCHED GROUND	28

REMOTE KEYLESS ENTRY
MODULE CONNECTOR

WIRING DIAGRAMS XJ-RHD

INDEX

Wiring Diagram Name	Sheet Number	Wiring Diagram Name	Sheet Number
A/C Compressor Clutch	.45	Dome/Reading Lamp	.31
A/C Compressor Clutch Relay	.45	Glove Box Lamp	.29
A/C Heater Blower Motor	.46	Reading Lamp	.31
A/C Low Pressure Switch	.45	Vanity Lamps	.31
A/C Mode Selector Switch	.46	Dome/Reading Lamp	.31
A/C System	.45, 46	Door Jamb Switch System	.49, 50
A/C Thermostat	.45	Left Front Door Jamb Switch	.50
Antenna Mast	.47	Left Rear Door Jamb Switch	.50
Ashtray Illumination Lamp	.26	Liftgate Switch	.46
Automatic Shut Down Relay	.9	Right Front Door Jamb Switch	.49
Back-up Lamp Switch	.16	Right Rear Door Jamb Switch	.49
Battery	.6	Electronic Fuel Injection	
Blower Motor	.44, 46	Ignition System	.9, 10, 11, 12, 13, 14
Blower Resistor	.44, 46	Automatic Shut Down Relay	.9
Blower Switch	.44, 46	Camshaft Position Sensor	.12
Body Ground	.59	Crankshaft Position Sensor	.12
Brake Warning Switch	.42	Data Link Connector	.10
Camshaft Position Sensor	.12	Distributor Ignition Coil	.10
Cargo Lamp	.30	Engine Coolant Temperature Sensor	.11
Charging System	.5	Fuel Injectors	.14
Generator	.5	Fuel Pump Relay	.9
Check Engine Indicator Lamp	.39, 40	Heated Oxygen Sensor	.13
Chime Module	.43	Idle Air Control Motor	.14
Chime Module Connector	.71	Intake Air Temp Sensor	.11
Cigar Lighter	.58	Map Sensor	.11
Circuit Breakers		Powertrain Control Module	.9, 10, 11, 12, 13, 14
Windshield Wiper Circuit Breaker	.2, 33	Throttle Position (Sensor)	.11
Connectors		Engine Block Heater	.58
Chime Module Connector	.71	Engine Coolant Temperature Sensor	.11
Dash to Instrument Panel Connector A	.64	Engine Coolant Temperature Switch	.15
Dash to Instrument Panel Connector B	.65	Engine Oil Pressure and Temperature System	.15
Dash to Instrument Panel Connector C	.66	Engine Oil Pressure Switch	.15
Data Link Connector	.10	Engine Starter System	.6
Instrument Cluster Connector 16 Way	.37, 69	Battery	.6
Main Body Connector 1	.70	Engine Starter Motor	.6
Power Mirror Connector	.61	Engine Starter Relay	.6
Powertrain Control Module Connector	.73	Fan Control Relay	.3, 7
Steering Column Connector 11 Way	.67	Fog Lamp Illumination Lamp	.20
Telltale Connector	.38, 68	Fog Lamp Relay	.21
Transmission Control Module Connector	.72	Fog Lamp Switch	.20
Transmission Data Link Connector	.17	4WD Select Trac Indicator Lamp	.39, 40
Coolant Temperature Switch	.16	Front Axle Switch	.16
Crankshaft Position Sensor	.12	Front End Lighting	.21, 22
Dash to Instrument Panel Connector A	.64	Fog Lamp Relay	.21
Dash to Instrument Panel Connector B	.65	Left Fog Lamp	.21
Dash to Instrument Panel Connector C	.66	Left Headlamp	.21
Data Link Connector	.10	Left Park/Turn Signal Lamp	.21
Distributor Ignition Coil	.10	Left Side Marker Lamp	.21
Dome Lamp	.31	Right Fog Lamp	.22
Dome and Courtesy Lamps	.29, 30, 31	Right Headlamp	.22
Cargo Lamp	.30	Right Park/Turn Signal Lamp	.22
Dome Lamp	.31	Right Side Marker Lamp	.22
		Front Wipers/Washer - Intermittent	.33, 34

Wiring Diagram Name	Sheet Number	Wiring Diagram Name	Sheet Number
Front Washer Pump	.34	Relay	.60
Front Wiper Motor	.34	Switch	.60
Intermittent Wiper Module	.33	Switch Illumination	.25
Park Switch	.34	Heater A/C Panel Lamp	.25
Washer Fluid Level Switch	.33	Heater and A/C System	.45, 46
Washer Switch	.33	A/C Compressor Clutch	.45
Windshield Wiper/Washer Circuit Breaker	.33	A/C Compressor Clutch Relay	.45
Wiper/Washer Switch	.33	A/C Heater Blower Motor	.46
Fuel Gauge Sensor	.54	A/C Low Pressure Switch	.45
Fuel Injectors	.14	A/C Mode Selector Switch	.46
Fuel Pump	.54	A/C Thermostat	.45
Fuel Pump Module	.54	Blower Resistor	.46
Fuel Pump Relay	.3, 9	Blower Switch	.46
Fuel Tank System	.54	Powertrain Control Module	.45
Full Time Indicator Lamp	.39, 40	Heater System	.44
Fuse Application Chart	.1, 2	Blower Resistor	.44
Fuse Panel	.62, 63	Blower Switch	.44
Fuses		Heater Blower Motor	.44
Fuse #2	.2, 4, 60	Heat Mode Select Switch	.44
Fuse #4	.2, 33, 44, 46	Heater Blower Motor	.44
Fuse #5	.1, 4, 27	Heater Element	.52
Fuse #6	.1, 4, 51	Heavy Duty Cooling (4.0L)	.7
Fuse #9	.1, 19	Fan Control Relay	.7
Fuse #10	.1, 19	Powertrain Control Module	.7
Fuse #13	.2, 47, 58	Radiator Fan Motor	.7
Fuse #14	.2, 23, 33, 60	High-Beam Indicator Lamp	.41
Fuse #19	.2, 33, 35	Horn System	.27
Fuse #25	.1, 19, 25	Horn Brush/Slip Ring	.27
Fuse #26	.1, 8, 37, 43	Horn Relay	.27
F1	.3, 4	Horn Switch	.27
F2	.3, 9	Left Side Horn	.27
F3	.3, 17	Right Side Horn	.27
F4	.3, 4	Idle Air Control Motor	.14
F5	.3, 6, 17	Ignition Key Warning Switch	.43
F6	.3, 9, 10	Ignition Switch	.8
F7	.3	Ignition System	.8
F8	.3, 4	Instrument Cluster	.37
F9	.3	Instrument Cluster Connector	.37
F10	.3, 4	Instrument Cluster Connector 16 Way	.69
F11	.3, 4	Instrument Cluster Indicator Printed Circuit Board	.40
F12	.3, 4	Instrument Cluster Printed Circuit Board (Standard)	.41
F13	.3, 4	Instrument Panel Ground	.32
F14	.3, 4	Instrument Panel Illumination	.25, 26
F15	.3, 4	Heated Rear Window Switch Illumination	.25
F16	.3, 4	Heater A/C Panel Lamp	.25
Generator	.5	Rear Wiper/Wash Switch Lamp	.26
Glove Box Lamp	.29	Transfer Case Lamp	.26
Hazard Flasher	.32	Transmission Range Lamp	.26
Headlamp Dimmer Switch	.19	Intake Air Temp Sensor	.11
Headlamp Switch	.1, 19	Intermittent Front Wipers/Washers	.33, 34
Headlamp Switch System	.19, 20	Intermittent Wiper Module	.33
Fog Lamp Illumination	.20	Lamps	
Fog Lamp Switch	.20	Ashtray Illumination Lamp	.26
Headlamp Dimmer Switch	.19	Back-Up Lamp	.55, 56
Headlamp Switch	.19	Cargo Lamp	.30
Headlamps	.21, 22	Check Engine Indicator Lamp	.39, 40
Heated Oxygen Sensor	.13	Cigar Lighter Illumination	.58
Heated Rear Window	.60	Dome Lamp	.31

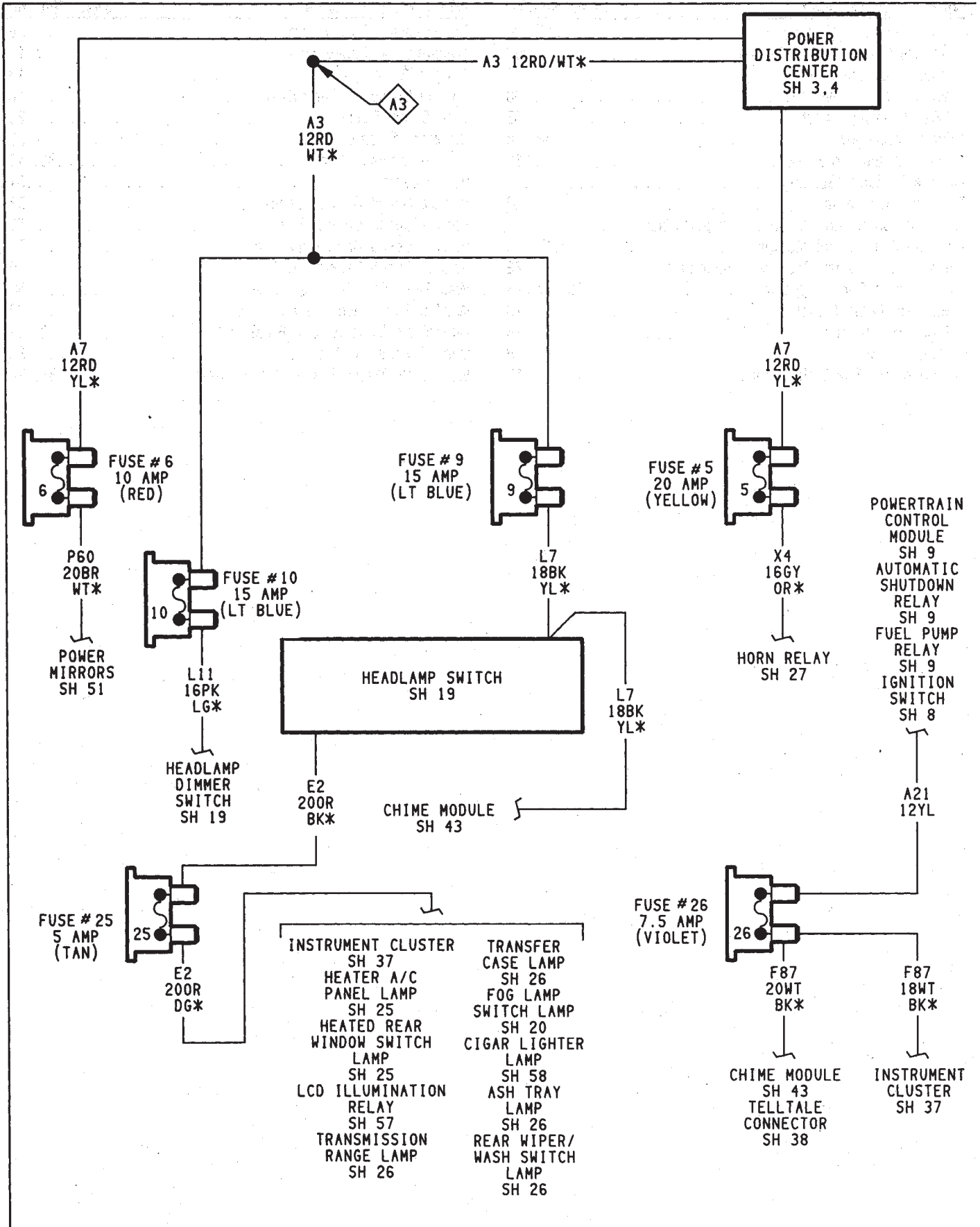
Wiring Diagram Name	Sheet Number	Wiring Diagram Name	Sheet Number
Dome/Reading Lamp	.31	Transmission Control Module	.17, 18
Fog Lamps	.21, 22	Motors	
Fog Lamp Illumination Lamp	.20	A/C Heater Blower Motor	.46
4WD Select Trac Indicator Lamp	.39, 40	Engine Starter Motor	.6
Front Headlamps	.21, 22	Front Wiper Motor	.34
Full Time Indicator Lamp	.39, 40	Heater Blower Motor	.44
Glove Box Lamp	.29	Idle Air Control Motor	.14
Heated Rear Window Lamp	.25	Radiator Fan Motor	.7
Heater A/C Panel Lamp	.25	Rear Wiper Motor	.36
High-Beam Indicator Lamp	.41	Oil Pressure and Temperature System	.15
Instrument Cluster Illumination Lamps	.41	Coolant Temperature Switch	.15
Left Backup Lamp	.55	Oil Pressure Switch	.15
Left Fog Lamp	.21	Park Brake Indicator Lamp	.40
Left Headlamp	.21	Park Brake Switch	.42
Left Park/Turn Signal Lamp	.21	Power Distribution Center	.1
Left Side Marker	.55	Power Distribution Center Application Chart	.4
Left Side Marker Lamp (Front)	.21	Power Distribution Center Identification	.3
Left Tail/Stop Lamp	.55	Power Mirror Connector	.61
Left Turn Indicator Lamp	.41	Power Mirror Switch Assembly	.51
Left Turn Lamp (Amber)	.55	Power Mirrors	.51, 52
License Lamp	.55	Heater Element	.52
Low Washer Indicator Lamp	.39, 40	Left Power Mirror	.52
Maintenance Required Indicator Lamp	.39, 40	Right Power Mirror	.52
Malfunction Indicator Lamp	.39, 40	Powertrain Control Module	.7, 9, 10, 11, 12, 13, 14, 45, 53
Park Brake Indicator Lamp	.40	Powertrain Control Module Connector	.73
Park/Turn Signal Lamps	.21, 22	Pumps	
Reading Lamp	.31	Front Washer	.34
Rear Wiper/Wash Switch Lamp	.26	Rear Washer	.35
Right Back-up Lamp	.56	Fuel	.54
Right Fog Lamp	.22	Radiator Fan Motor	.7
Right Headlamp	.22	Radio	.47, 48
Right Park/Turn Signal Lamp	.22	Antenna Mast	.47
Right Side Marker	.56	Left Instrument Panel Speaker	.47
Right Side Marker Lamp (Front)	.22	Left Liftgate Speaker	.48
Right Tail/Stop Lamp	.56	Radio	.47
Right Turn Indicator Lamp	.41	Right Instrument Panel Speaker	.48
Right Turn Lamp (Amber)	.56	Right Liftgate Speaker	.48
Seat Belt Indicator Lamp	.39, 40	Rear Lighting	.55, 56
Side Marker Lamps (Front)	.21, 22	Left Back-Up Lamp	.55
Transfer Case Lamp	.26	Left Side Marker	.55
Transmission Range Lamp	.26	Left Tail/Stop Lamp	.55
Underhood Lamp	.28	Left Turn Lamp (Amber)	.55
Upshift Indicator Lamp	.39, 40	License Lamp	.55
Vanity Lamps	.31	Right Back-Up Lamp	.56
LCD Illumination Relay	.57	Right Side Marker	.56
Left Front Door Jamb Switch	.50	Right Tail/Stop Lamp	.56
Left Rear Door Jamb Switch	.50	Right Turn Lamp (Amber)	.56
Left Speakers	.47, 48	Rear Wiper/Washer	.35, 36
Liftgate Switch	.50	Rear Washer Pump	.35
Low Washer Indicator Lamp	.39, 40	Rear Wiper Motor	.36
Main Body Connector 1	.70	Rear Wiper/Washer Switch	.35
Maintenance Required Indicator Lamp	.39, 40	Reading Lamps	.31
Map Sensor	.11	Relays	
Modules		A/C Compressor Clutch Relay	.3, 45
Chime Module	.43	Automatic Shut Down Relay	.3, 9
Fuel Pump Module	.54	Engine Starter Relay	.3, 6
Intermittent Wiper Module	.33	Fan Control Relay	.3, 7
Powertrain Control Module	.7, 9, 10, 11, 12, 13, 14, 45, 53	Fog Lamp Relay	.21

Wiring Diagram Name	Sheet Number
Fuel Pump Relay	3, 9
Heated Rear Window Relay	.60
Horn Relay	.27
LCD Illumination Relay	.57
Right Front Door Jamb Switch	.49
Right Rear Door Jamb Switch	.49
Right Speaker	.48
Seat Belt Switch	.43
Seat Belt Indicator Lamp	.39, 40
Sensors	
Camshaft Position Sensor	.12
Crankshaft Position Sensor	.12
Engine Coolant Temperature Sensor	.11
Fuel Gauge Sensor	.54
Heated Oxygen Sensor	.13
Intake Air Temperature Sensor	.11
Map Sensor	.11
Throttle Position Sensor	.11
Vehicle Speed Sensor	.16
Speakers, Radio	.47, 48
Splices	
Splice A3	.1, 19
Splice A11	.5
Splice A14	.9
Splice A21	.9
Splice A21-1	.8, 43
Splice A48	.2, 33
Splice A142	.14
Splice A142-1	.14
Splice A142-2	.5, 10, 14
Splice C7	.46
Splice C15	.52
Splice C15-1	.52
Splice C43	.44, 46
Splice C90	.45
Splice E2	.25
Splice F12	.10
Splice F85	.47, 58
Splice G7	.12, 16
Splice K4	.11
Splice K4-1	.11
Splice K6	.11
Splice K7	.12
Splice K22	.11
Splice K29	.9
Splice L3	.21
Splice L90	.55
Splice L90-1	.22
Splice L90-2	.56
Splice L90-3	.55
Splice M1	.31
Splice M1-1	.29
Splice M2	.30
Splice M2-1	.29
Splice M2-2	.30
Splice P79	.51
Splice V32	.53
Splice Z1-1	.59

Wiring Diagram Name	Sheet Number
Splice Z1-2	.20
Splice Z1-3	.32
Splice Z1-4	.28
Splice Z1-5	.59, 60
Splice Z1-6	.55
Splice Z1-7	.56
Splice Z1-10	.22
Splice Z1-13	.51
Splice Z1-14	.7
Splice Z1-15	.59
Splice Z1-16	.16
Splice Z11	.10
Splice Z12-1	.13
Splice 117	.21
Starter System	
Battery	.6
Engine Starter Motor	.6
Engine Starter Relay	.6
Steering Column Connector 11 Way	.67
Stop Lamp Switch	.24
Stop/Turn and Hazard System	.23, 24
Hazard Flasher	.24
Hazard Switch	.24
Stop Lamp Switch	.24
Turn and Hazard Flasher Switch	.24
Turn Signal Flasher	.23
Switches	
A/C Low Pressure Switch	.45
A/C Mode Selector Switch	.46
Back-Up Lamp Switch	.16
Blower Switch	.44, 46
Brake Warning Switch	.42
Engine Coolant Temperature Switch	.15
Engine Oil Pressure Switch	.15
Fog Lamp Switch	.20
Front Axle Switch	.16
Hazard Switch	.24
Headlamp Dimmer Switch	.19
Headlamp Switch	.1, 19
Heated Rear Window Switch	.60
Heat Mode Select Switch	.44
Horn Switch	.27
Ignition Key Warning Switch	.43
Ignition Switch	.8
Left Front Door Jamb Switch	.50
Left Rear Door Jamb Switch	.50
Liftgate Switch	.50
Oil Pressure Switch	.15
Park Brake Switch	.42
Park Switch (Wiper)	.34
Power Mirror Switch	.51
Rear Wiper/Washer Switch	.35
Reed Switch	.18
Right Front Door Jamb Switch	.49
Right Rear Door Jamb Switch	.49
Seat Belt Switch	.43
Stop Lamp Switch	.24
Transmission Range Switch	.17

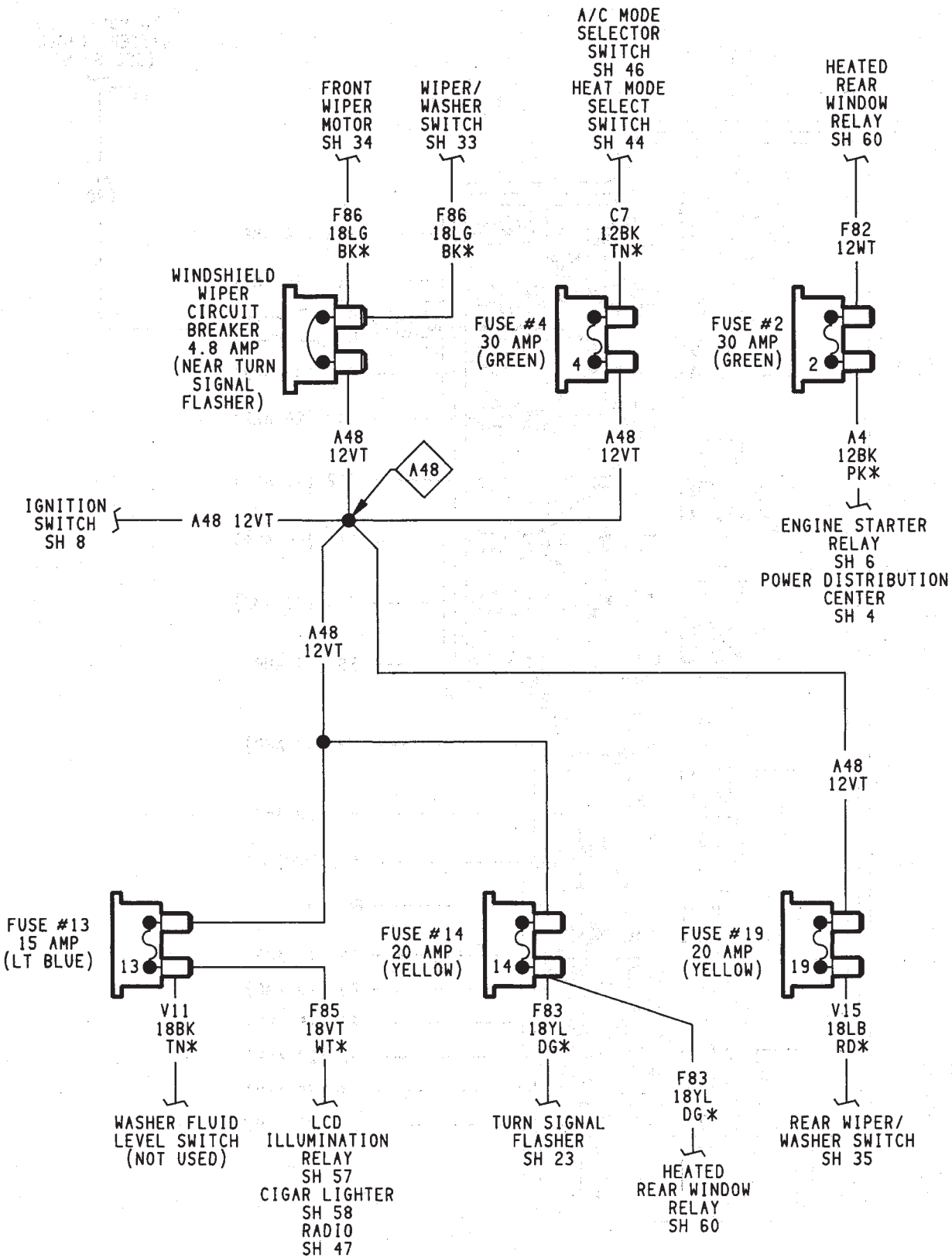
<u>Wiring Diagram Name</u>	<u>Sheet Number</u>
Turn/Hazard Flasher Switch24
Vehicle Speed Control Switch53
Washer Switch33
Washer Fluid Level Switch33
Wiper/Washer Switch33
Telltale Connector38, 68
Telltale Printed Circuit Board38
Throttle Position (Sensor)11
Transfer Case Lamp26
Transmission Control Magnetic Trigger Wheel17
Transmission Control Module17, 18
Transmission Control Module Connector72
Transmission Control System16, 17, 18
Back-Up Lamp Switch16
Front Axle Switch16
Reed Switch18
Transmission Data Link Connector17

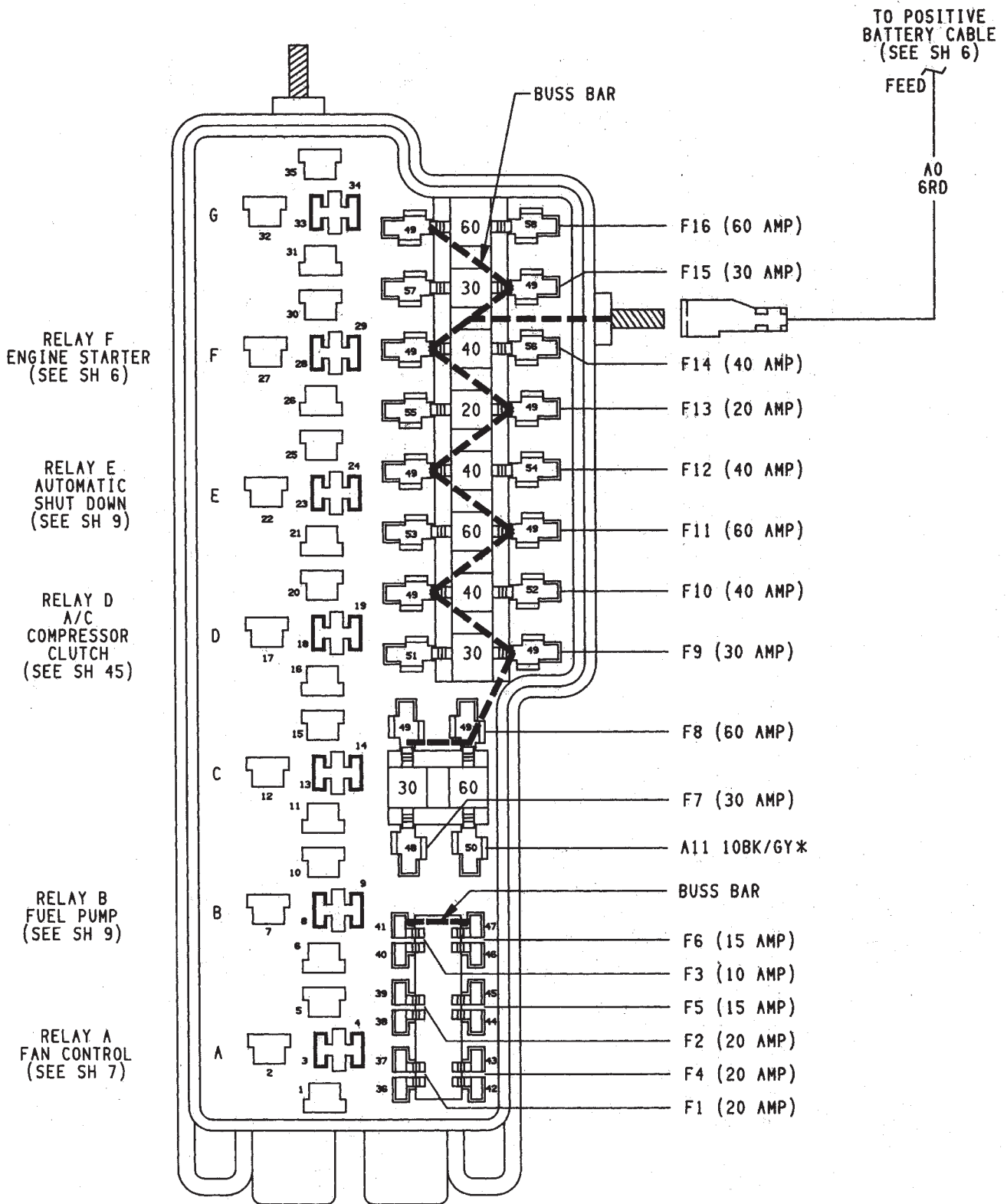
<u>Wiring Diagram Name</u>	<u>Sheet Number</u>
Transmission Range Lamp26
Transmission Range Switch17
Trigger Wheel18
Vehicle Speed Sensor (VSS)16
Turn Signal Flasher23
Underhood Lamp28
Upshift Indicator Lamp39, 40
Vanity Lamps31
Vehicle Speed Control Servo53
Vehicle Speed Control Switch53
Vehicle Speed Control System53
Vehicle Speed Sensor (VSS)16
Wall Plug, Engine Block Heater58
Washer Fluid Level Switch33
Windshield Wiper Circuit Breaker2, 33
Wiper/Washer Switch33
Windshield Wiper System (Intermittent)33, 34



XJ-RHD 1

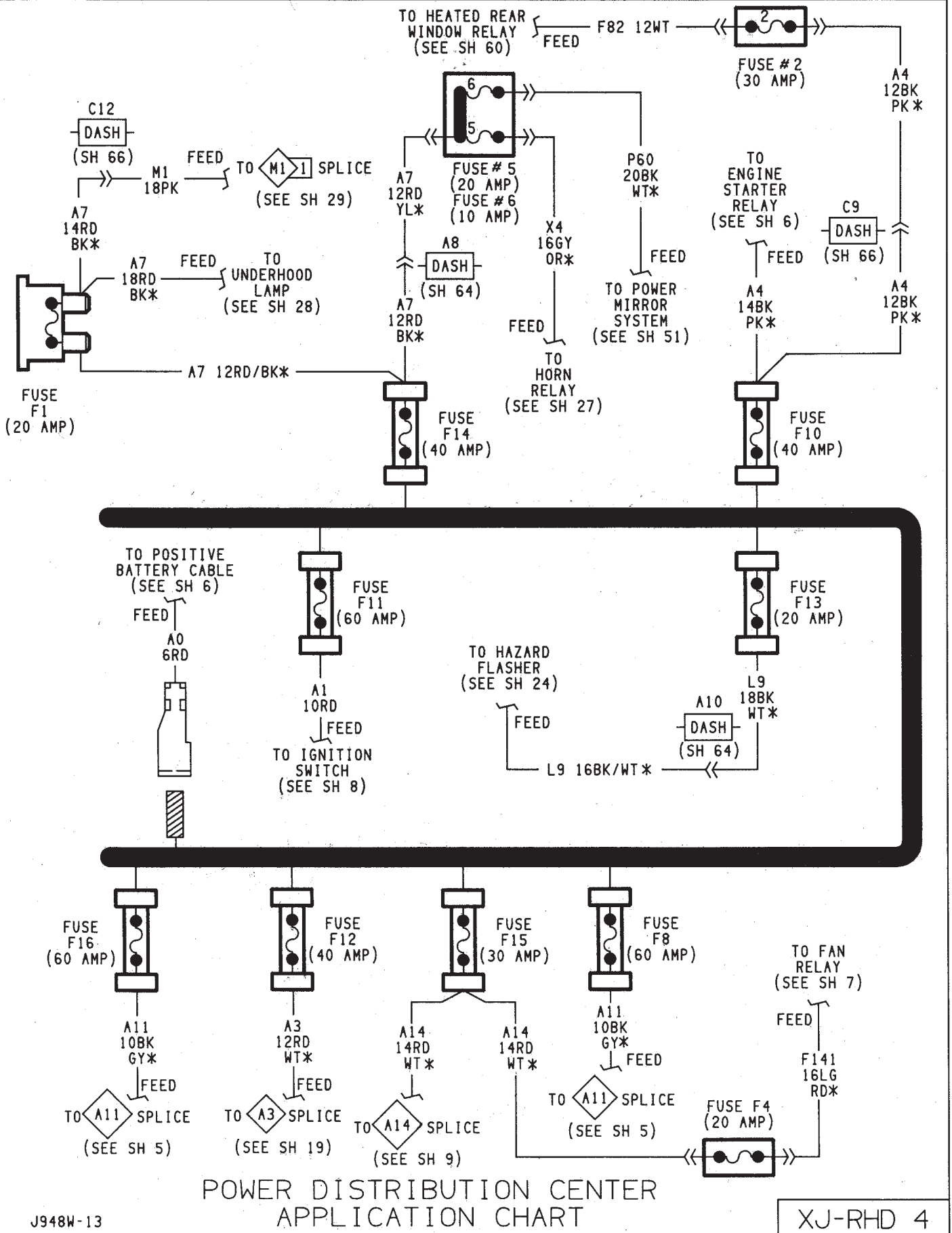
FUSE APPLICATION CHART

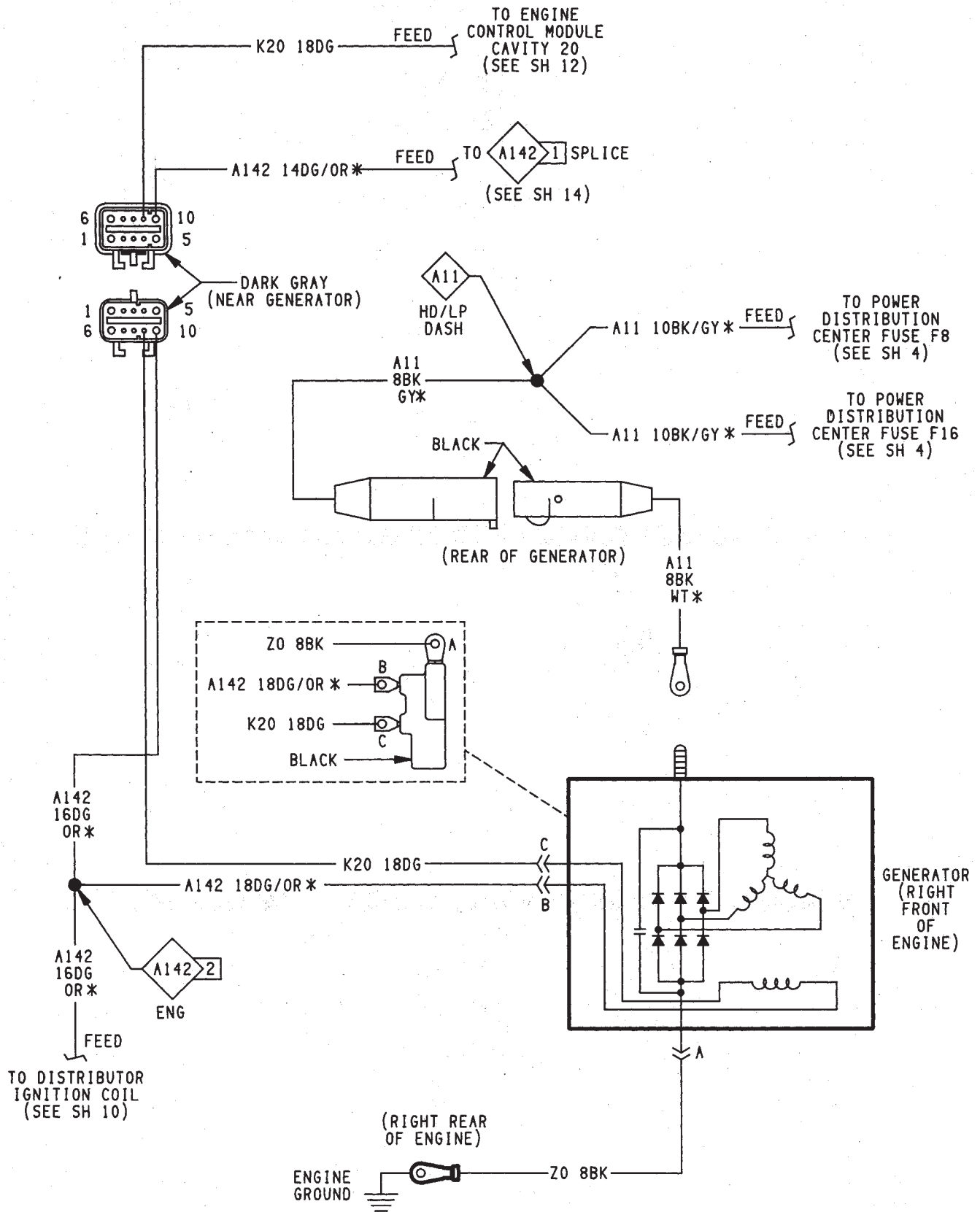


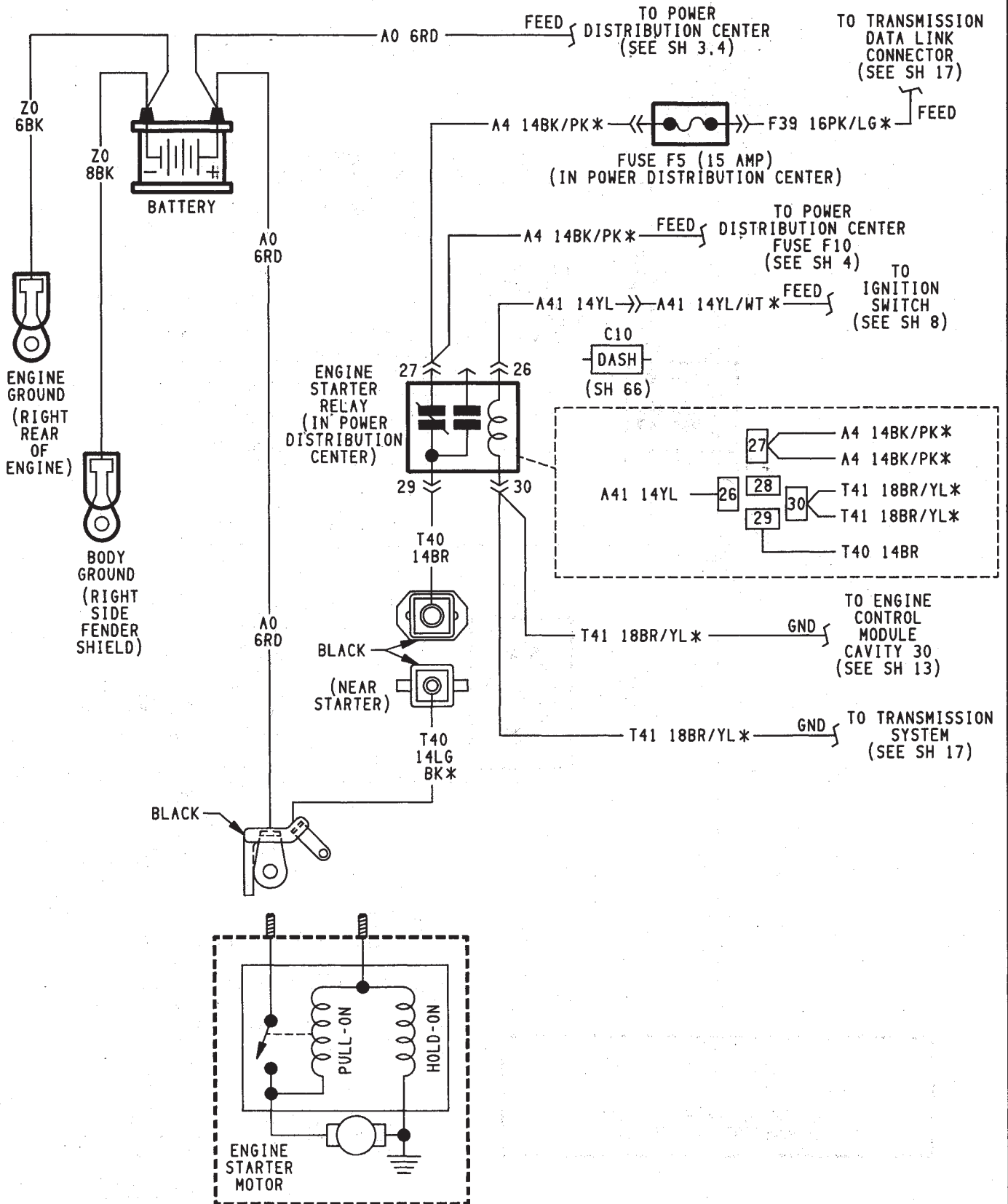


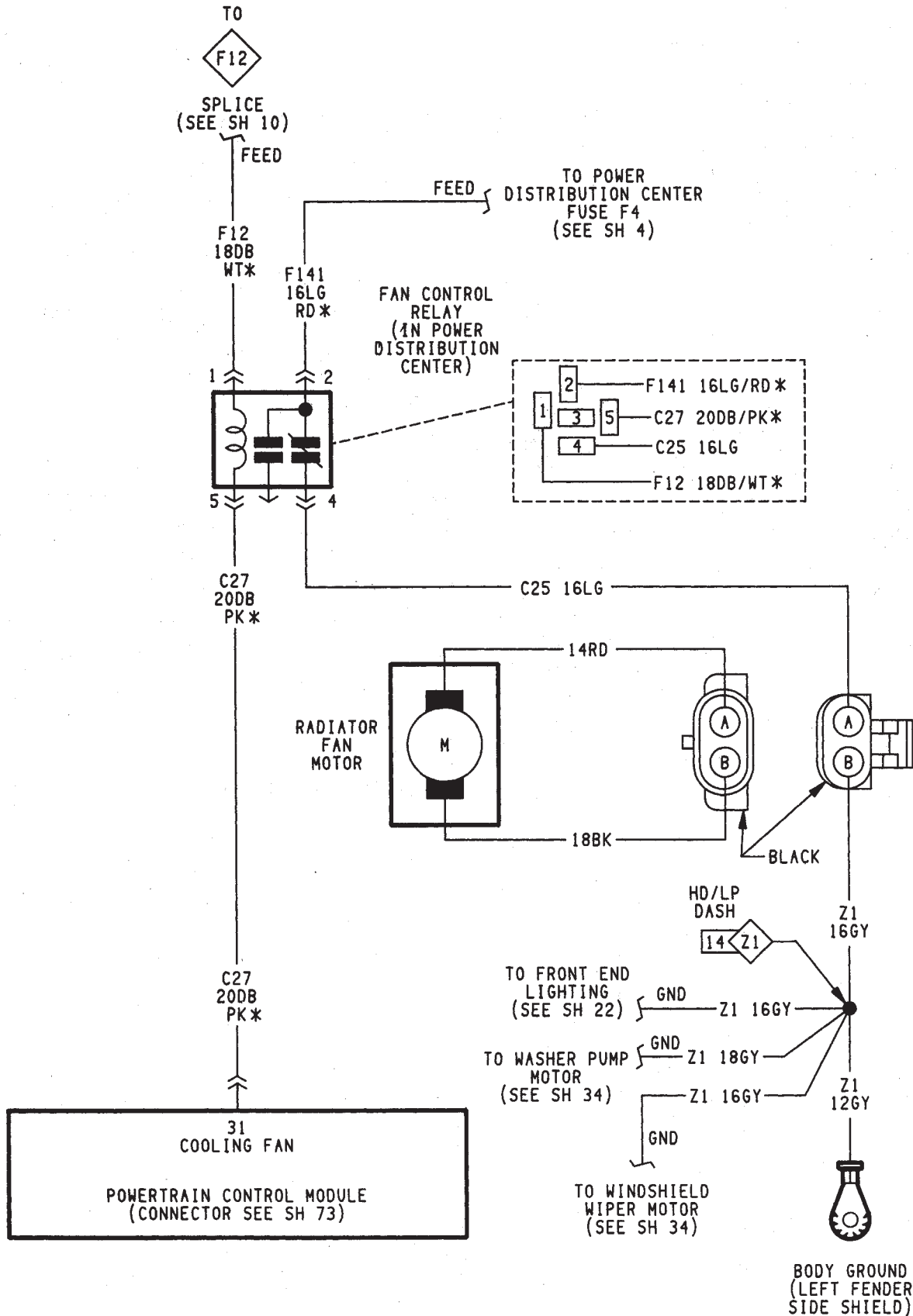
POWER DISTRIBUTION
CENTER IDENTIFICATION

XJ-RHD 3



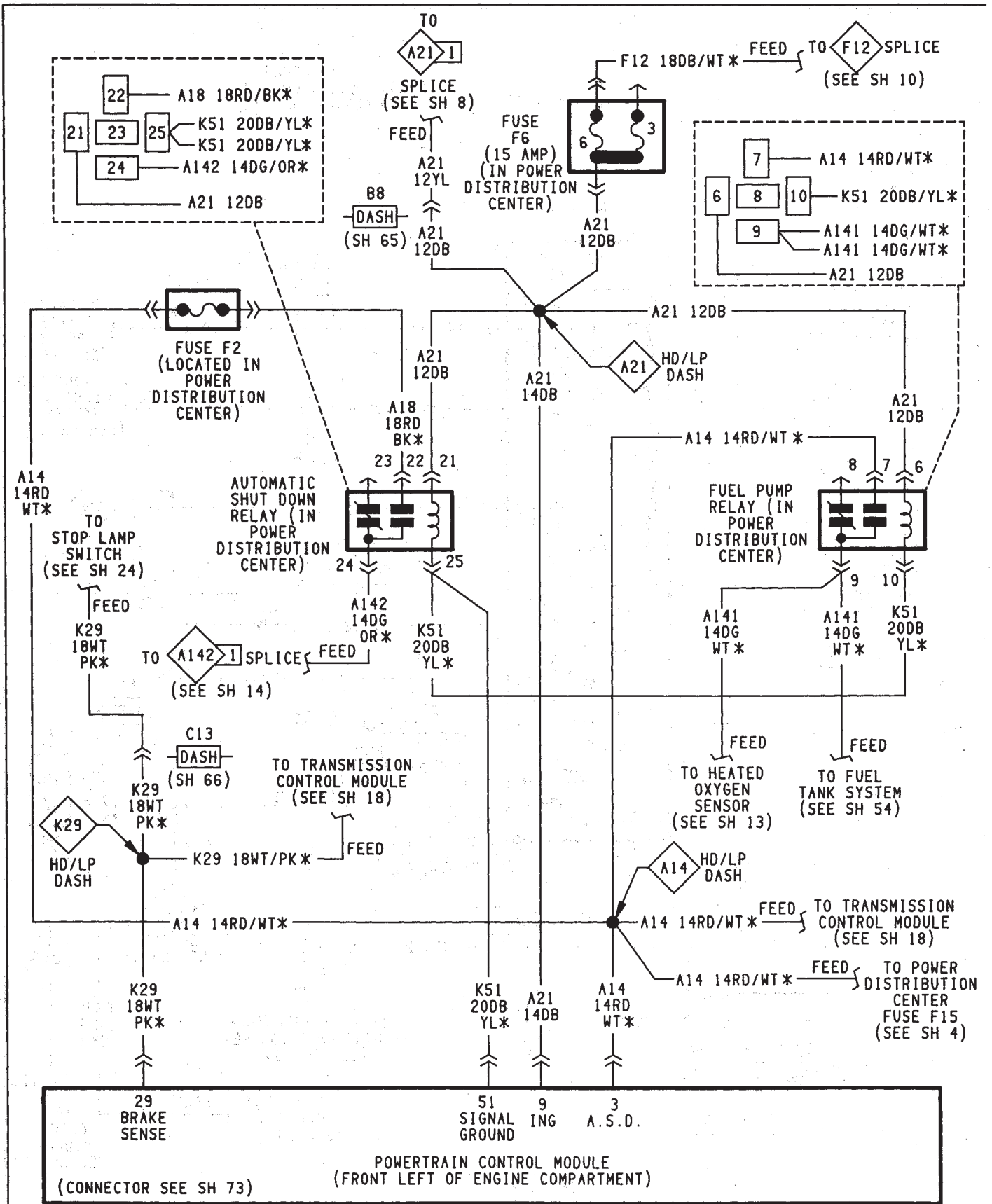






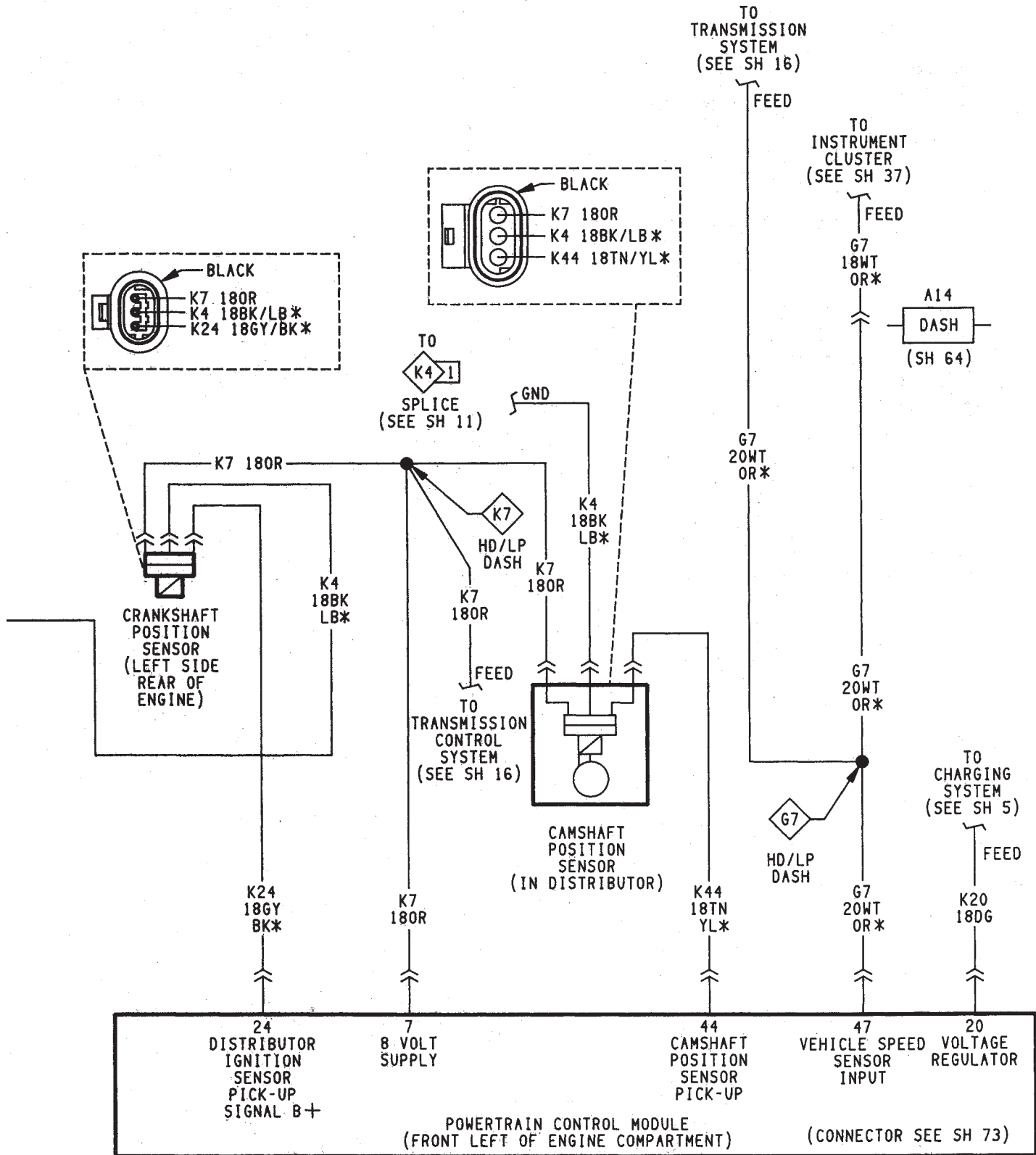
XJ-RHD 7

4.0L HEAVY DUTY COOLING



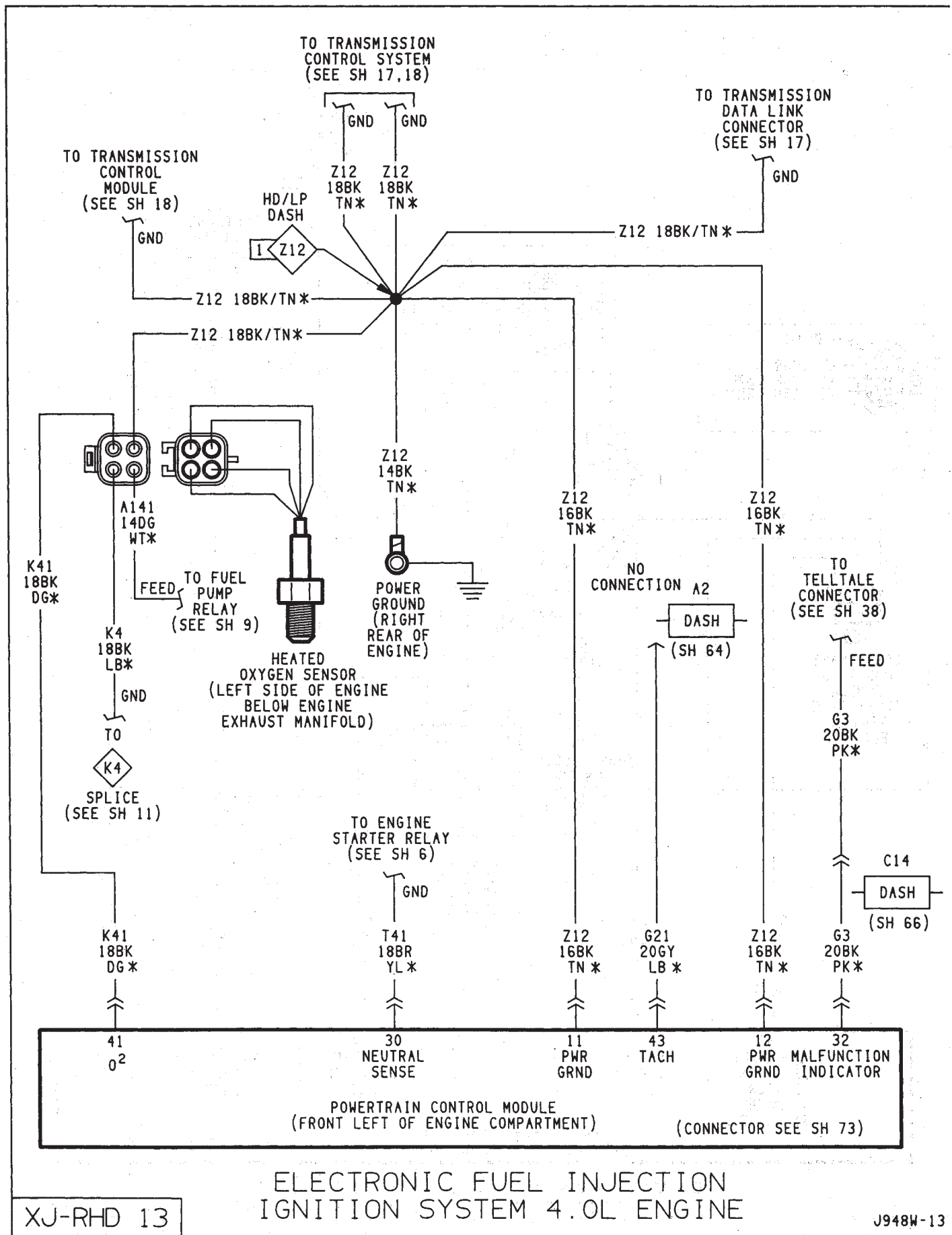
ELECTRONIC FUEL INJECTION
IGNITION SYSTEM 4.0L ENGINE

XJ-RHD 9

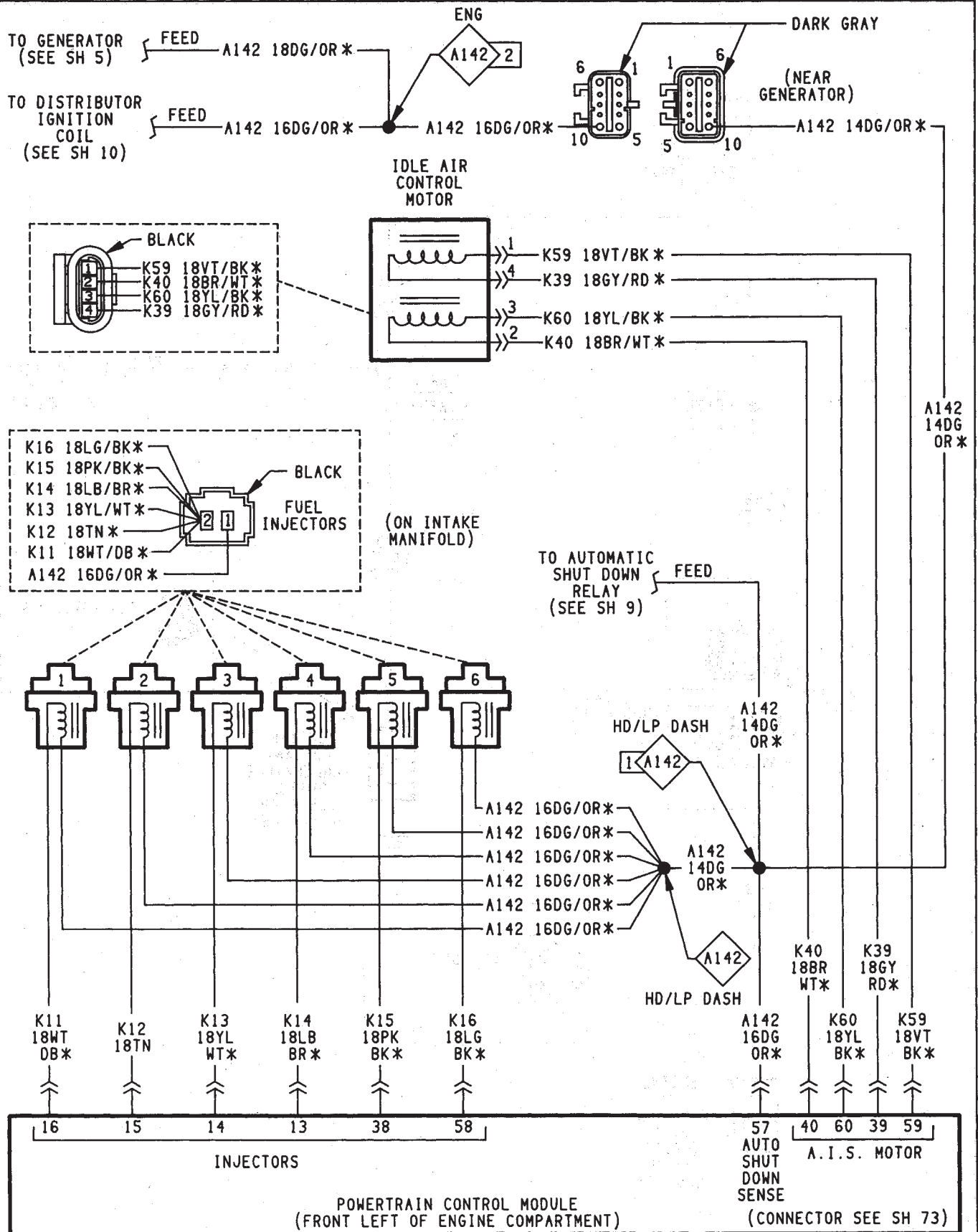


ELECTRONIC FUEL INJECTION
IGNITION SYSTEM 4.0L ENGINE

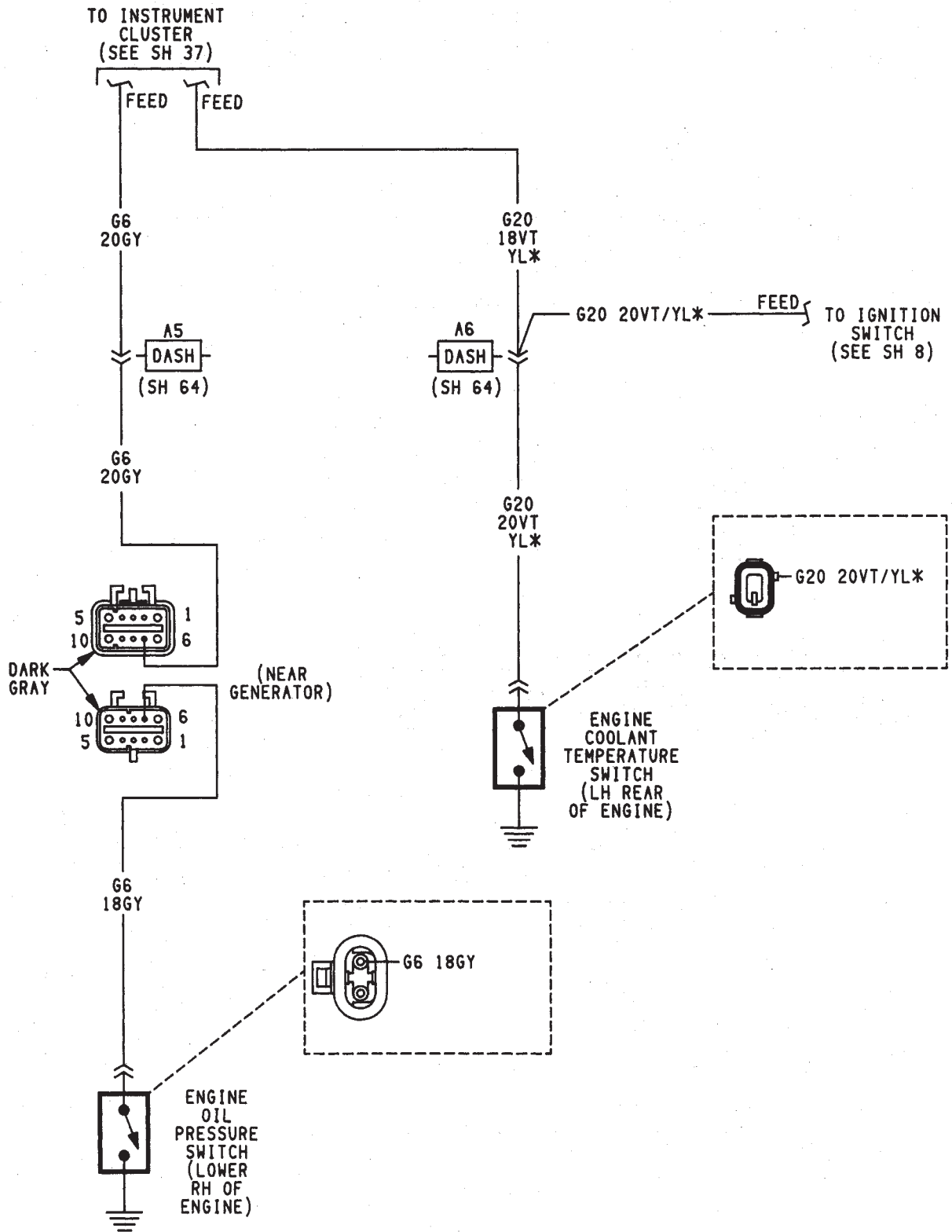
XJ-RHD 12



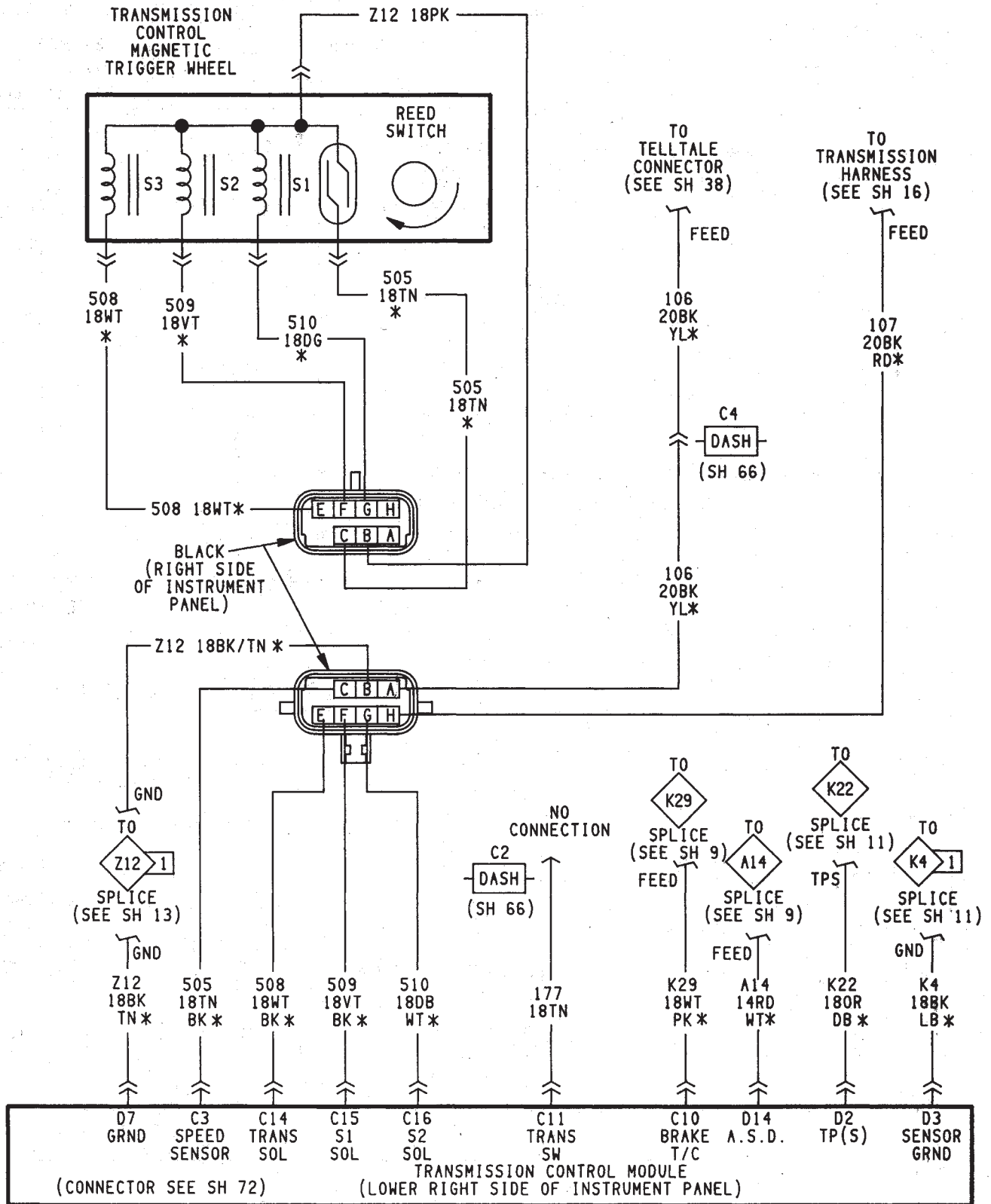
ELECTRONIC FUEL INJECTION
IGNITION SYSTEM 4.0L ENGINE

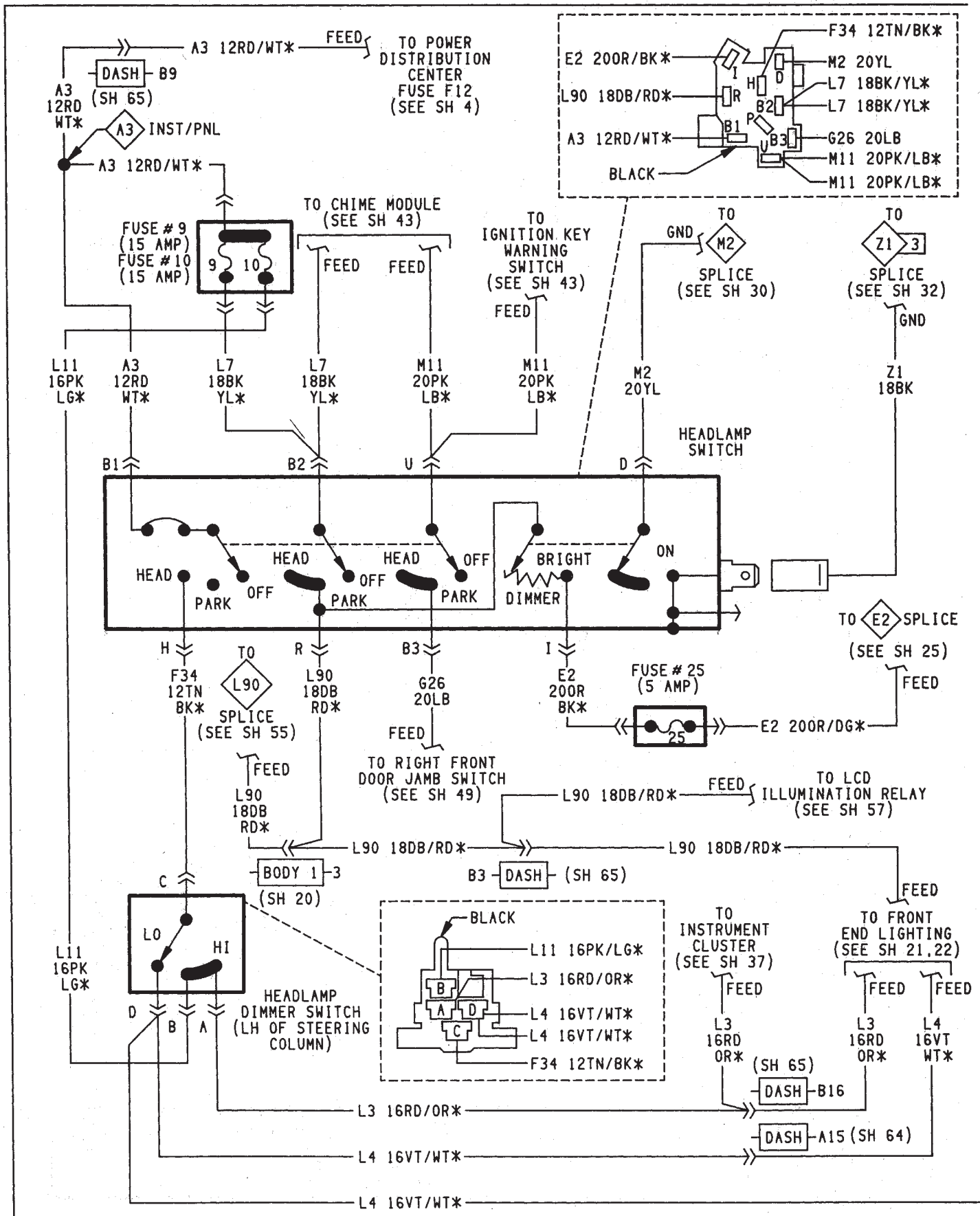


ELECTRONIC FUEL INJECTION
IGNITION SYSTEM 4.0L ENGINE



ENGINE OIL PRESSURE AND TEMPERATURE SYSTEM

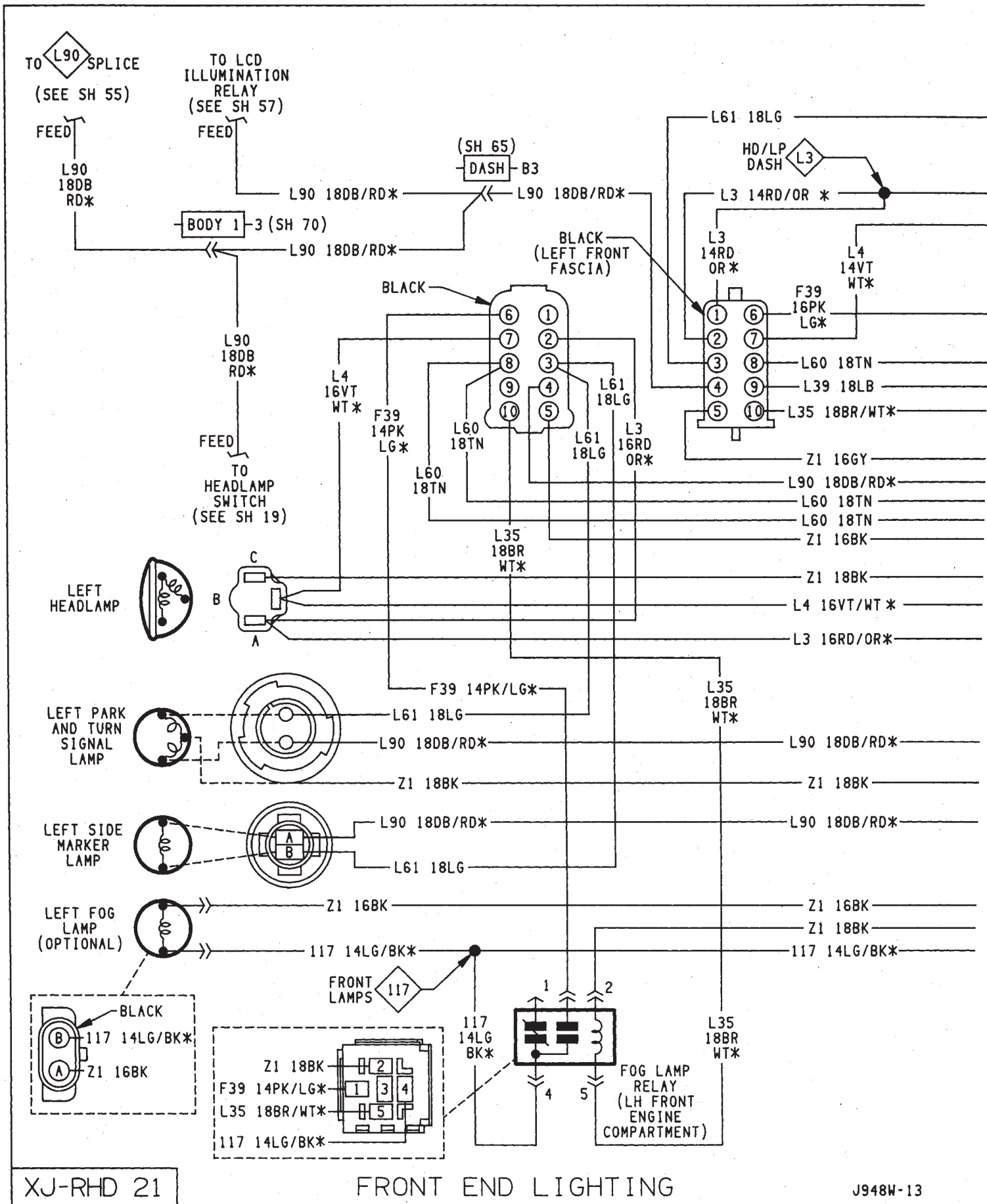


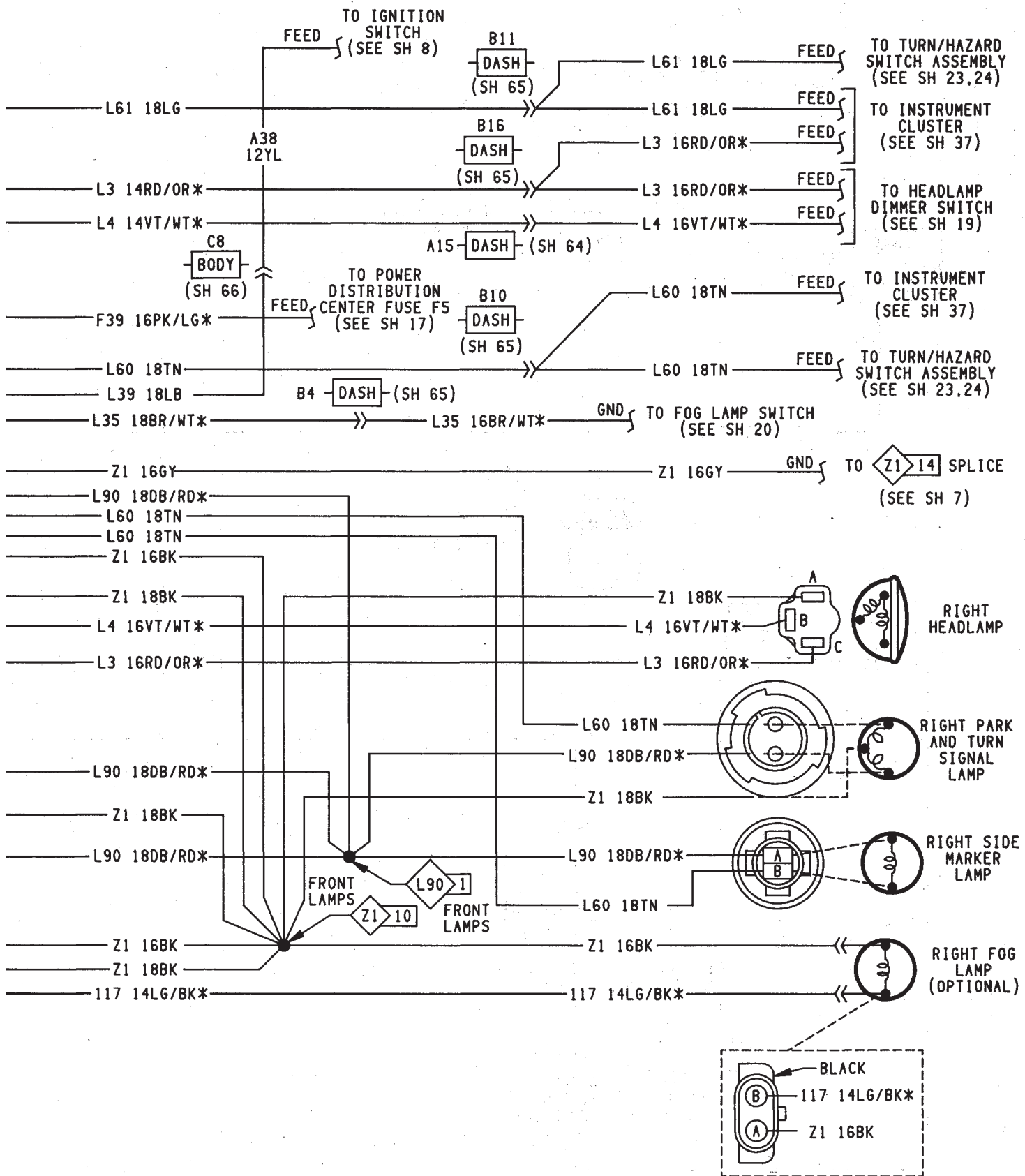


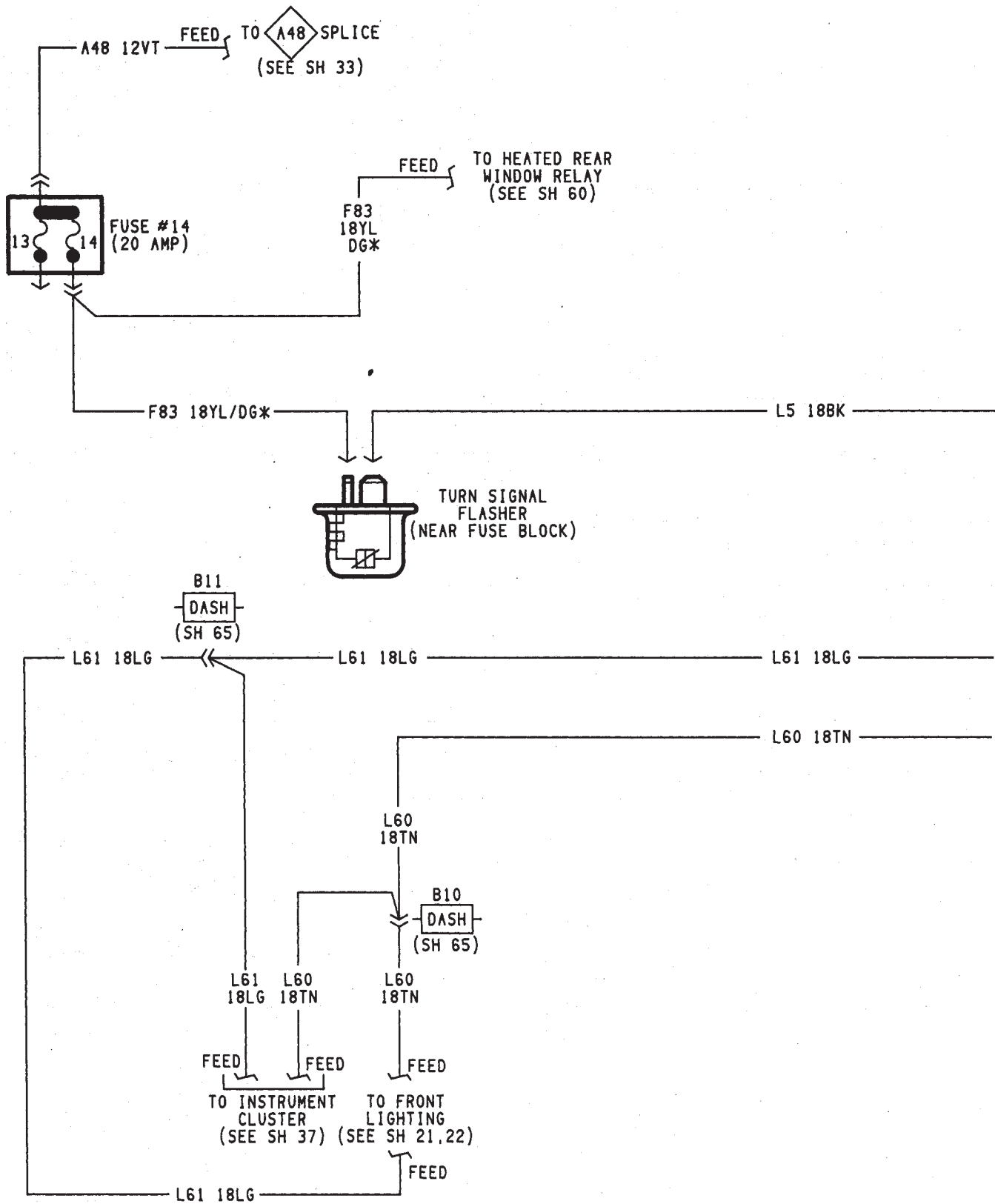
XJ-RHD 19

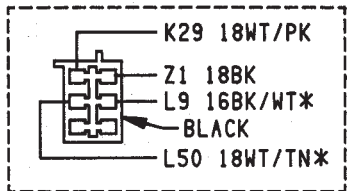
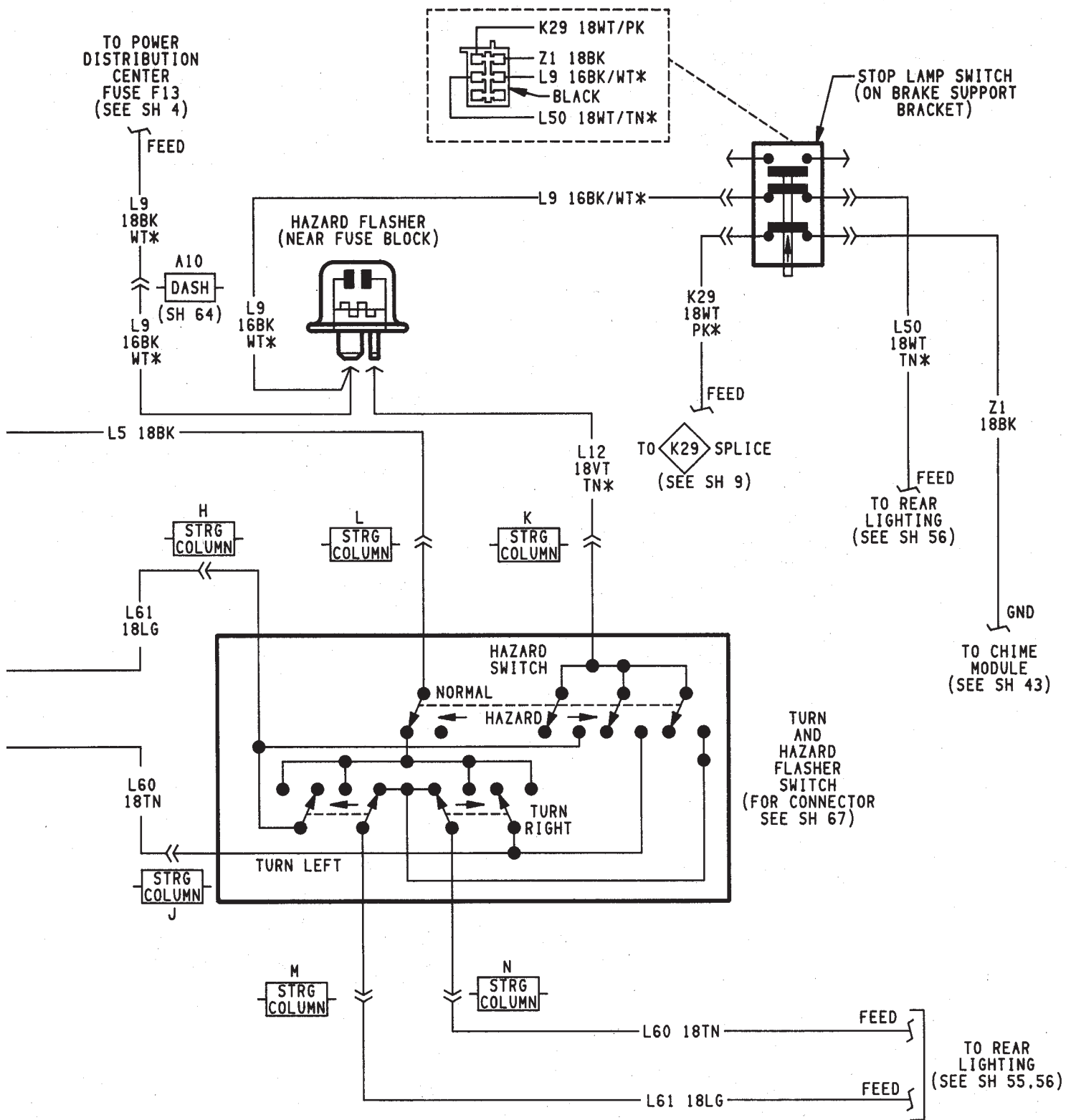
HEADLAMP SWITCH

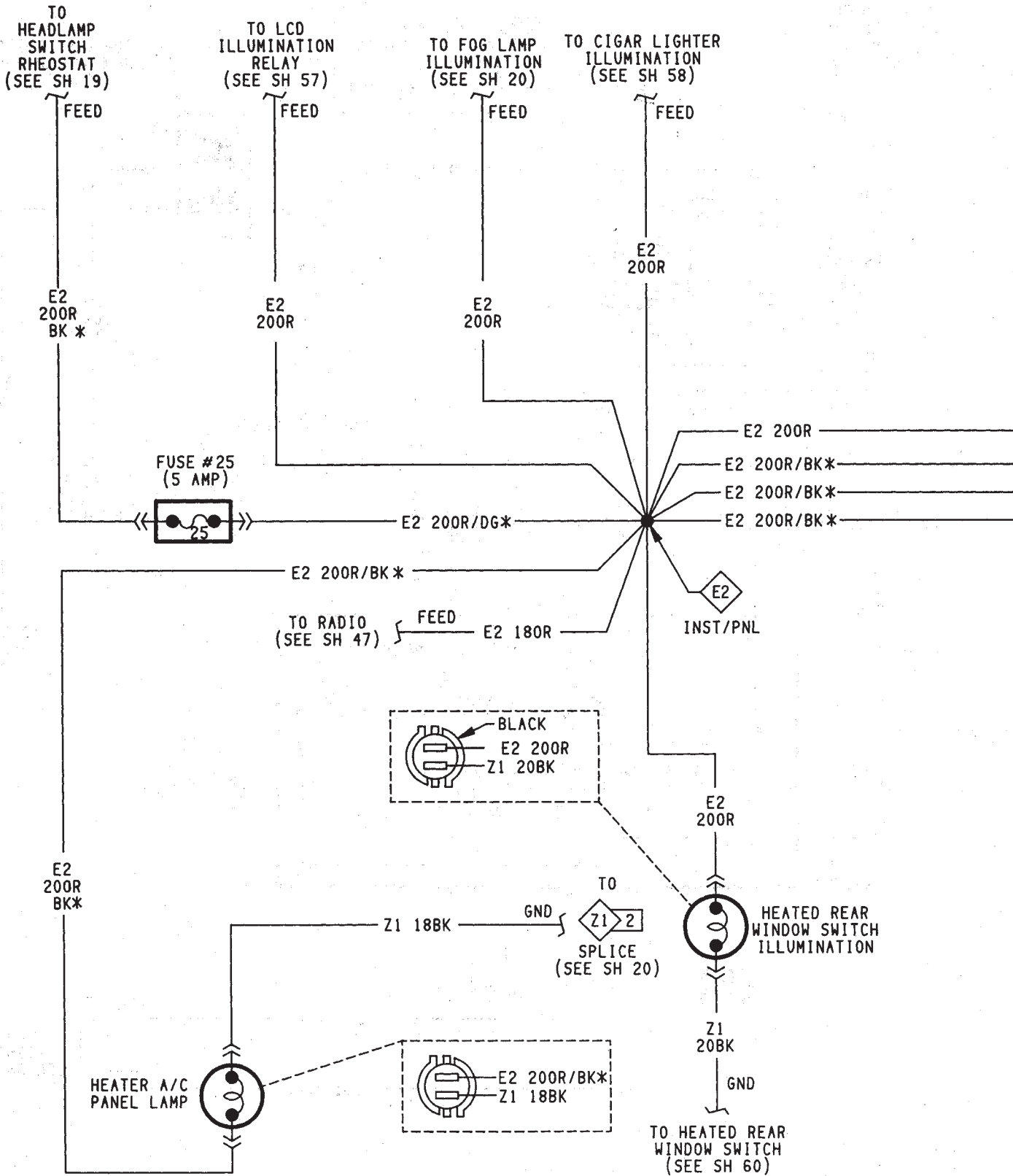
J948W-13

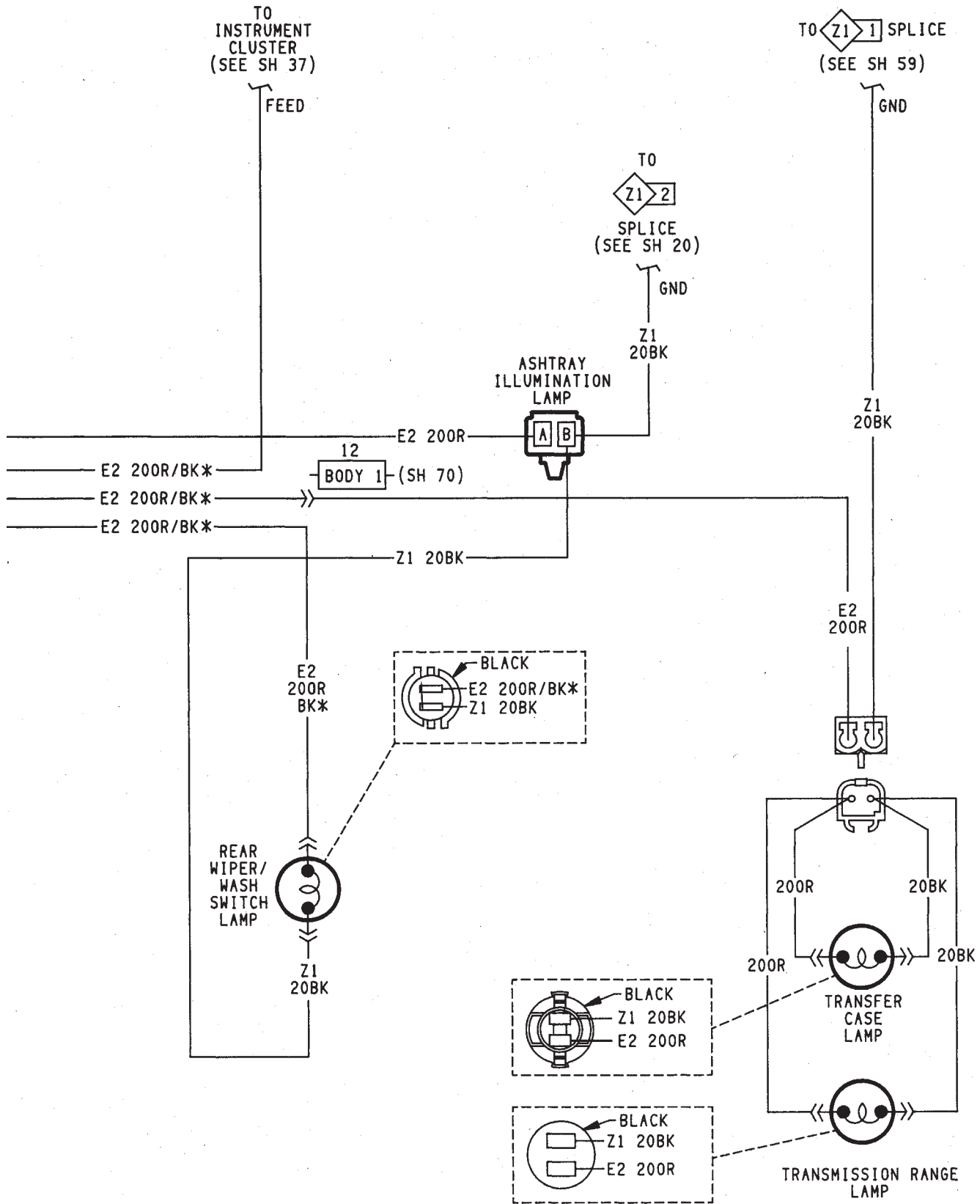


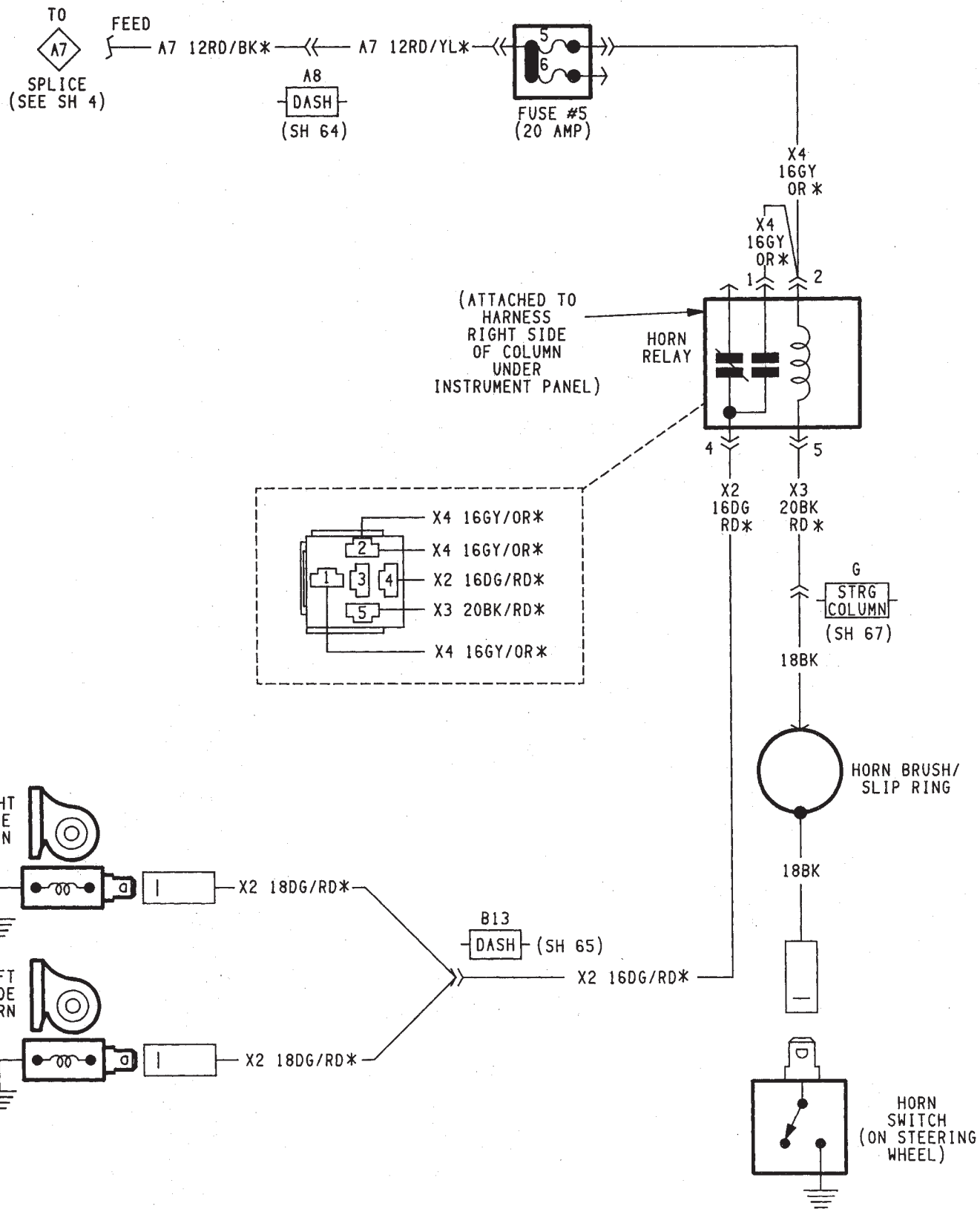


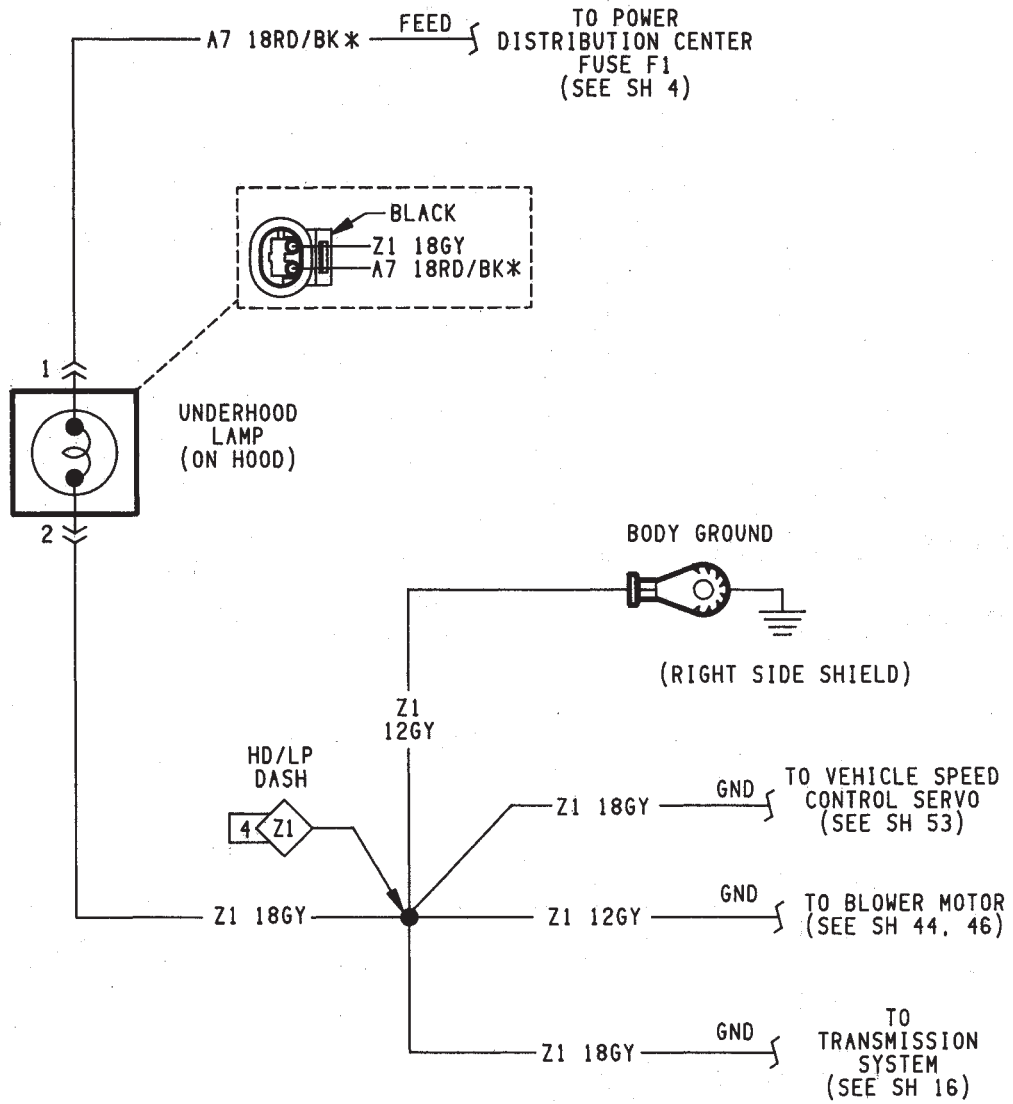


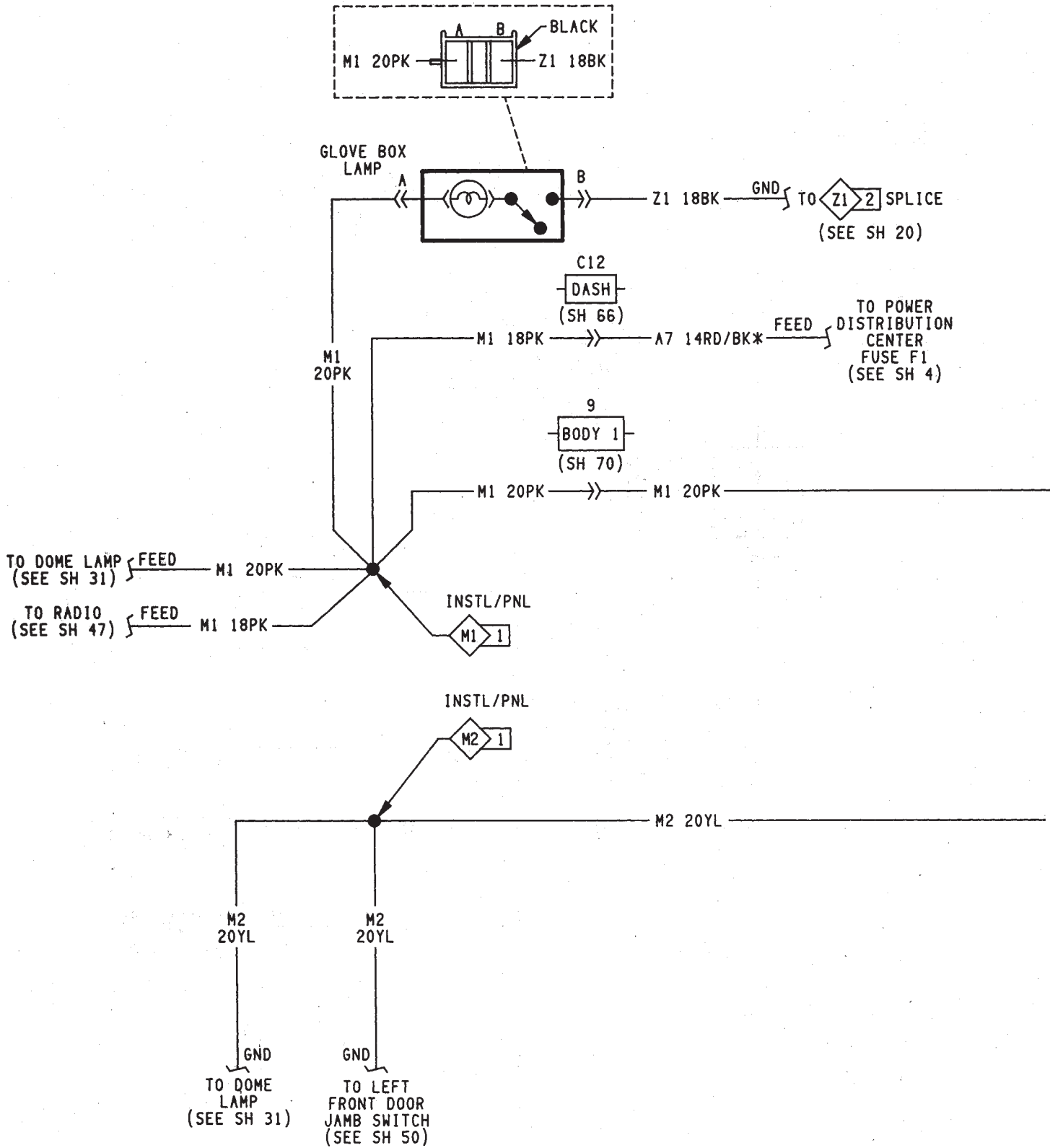


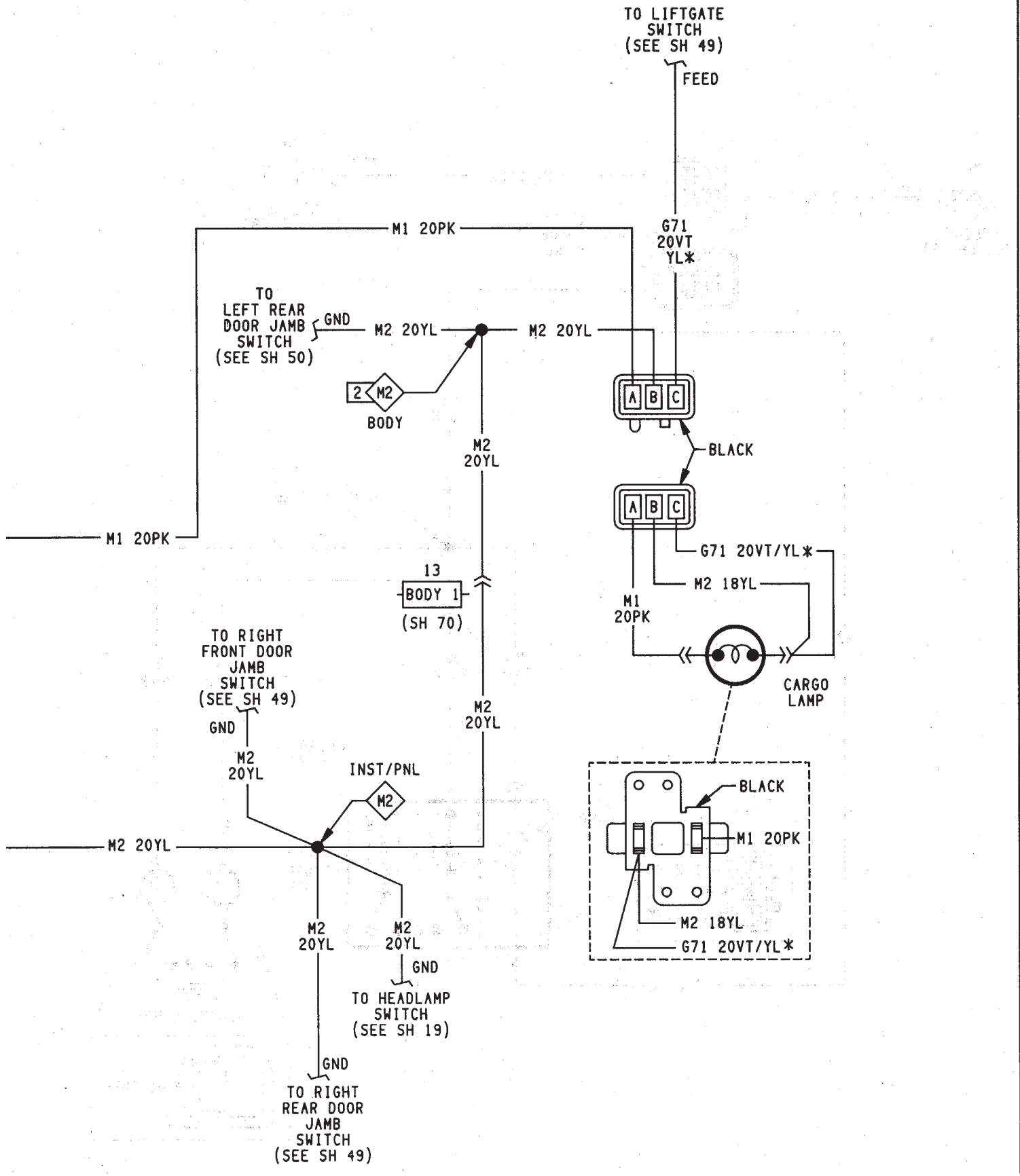


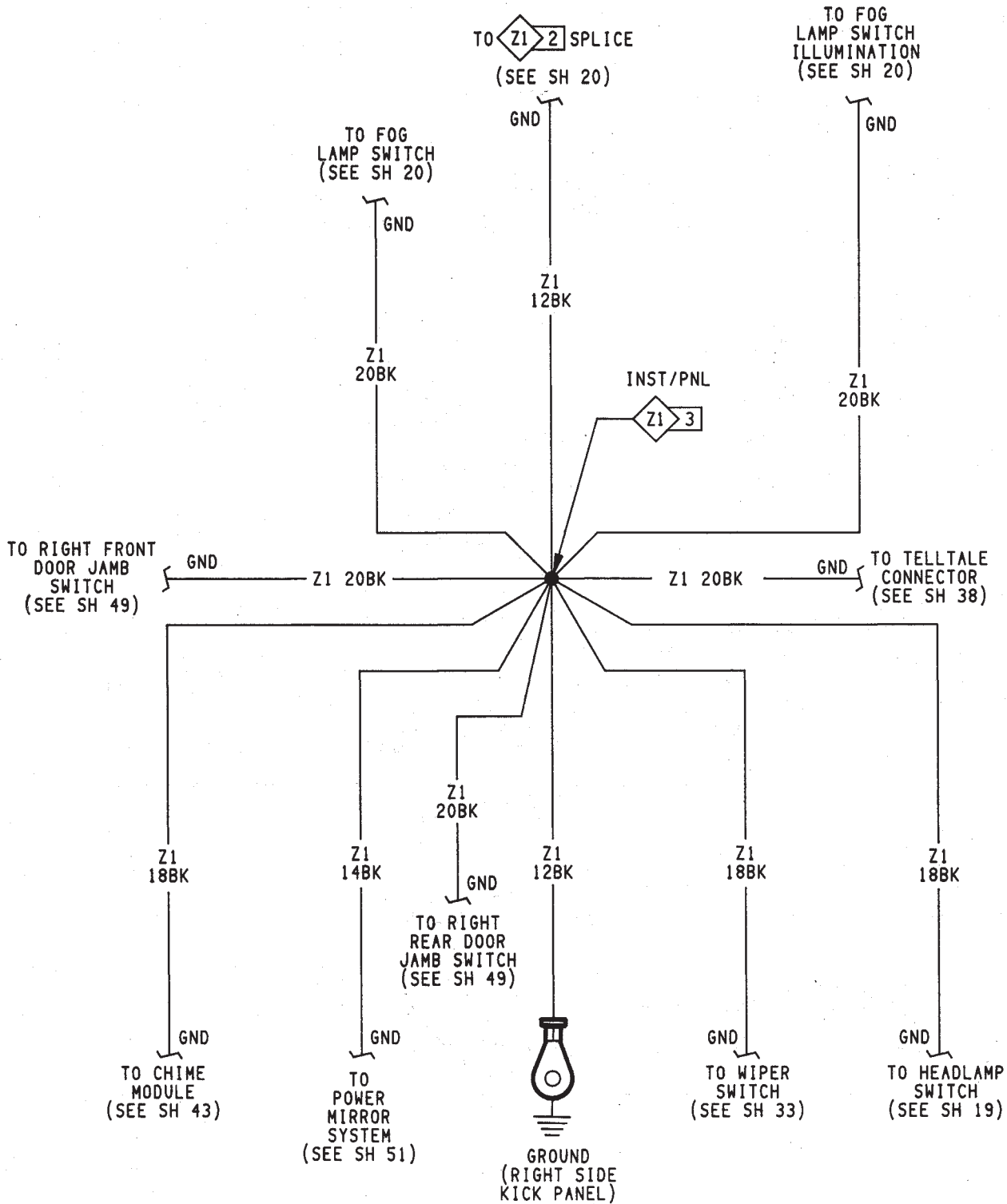


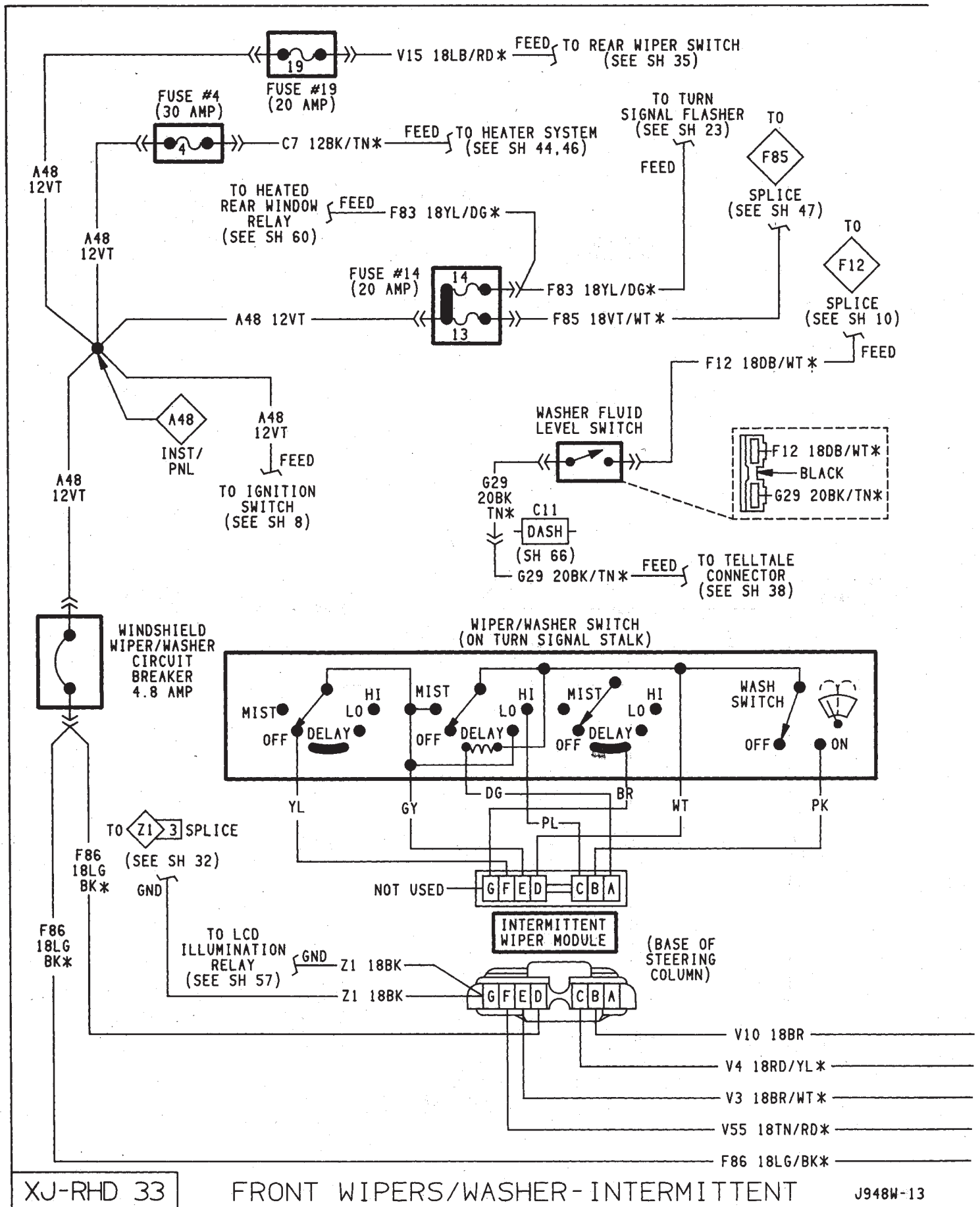








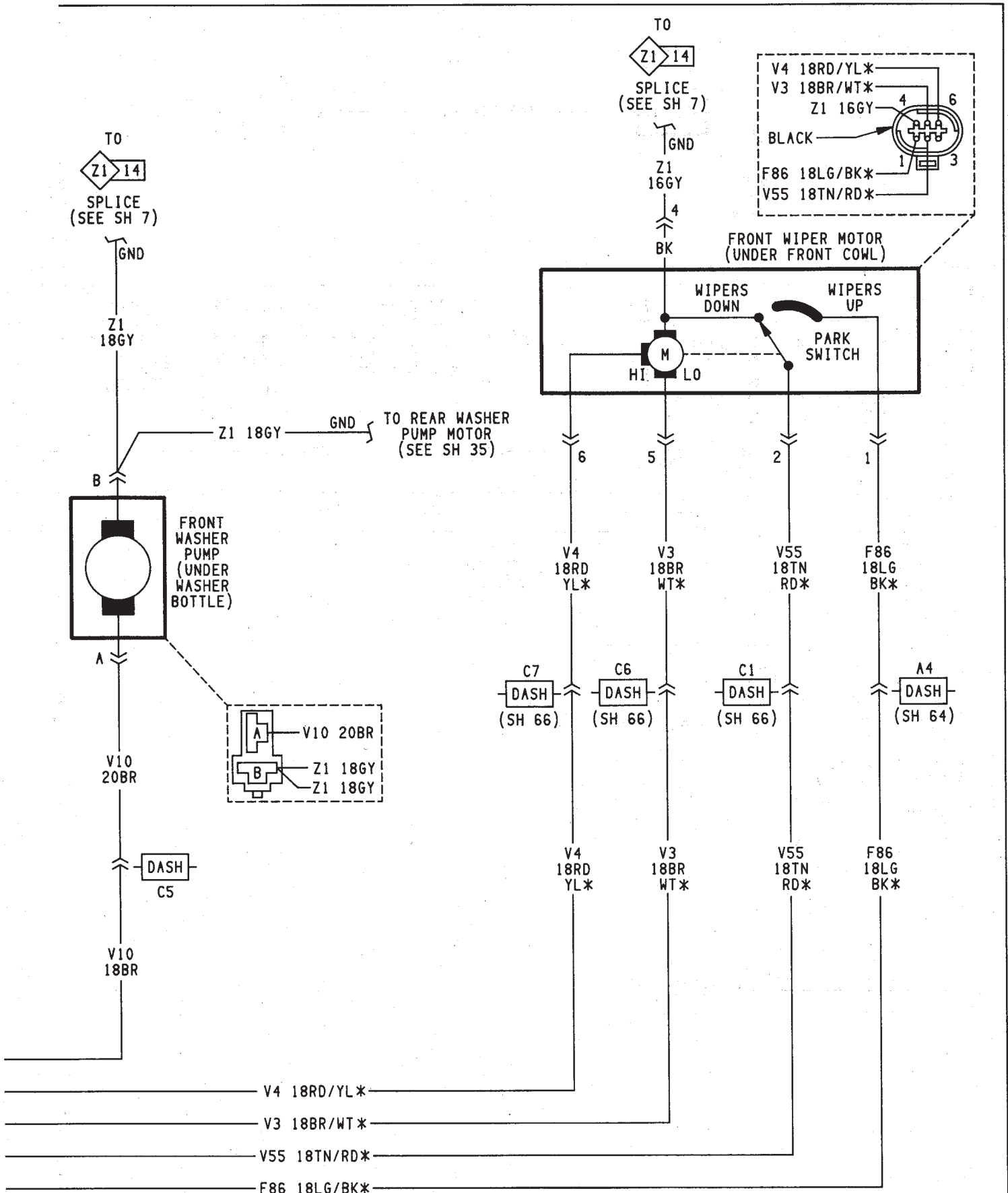


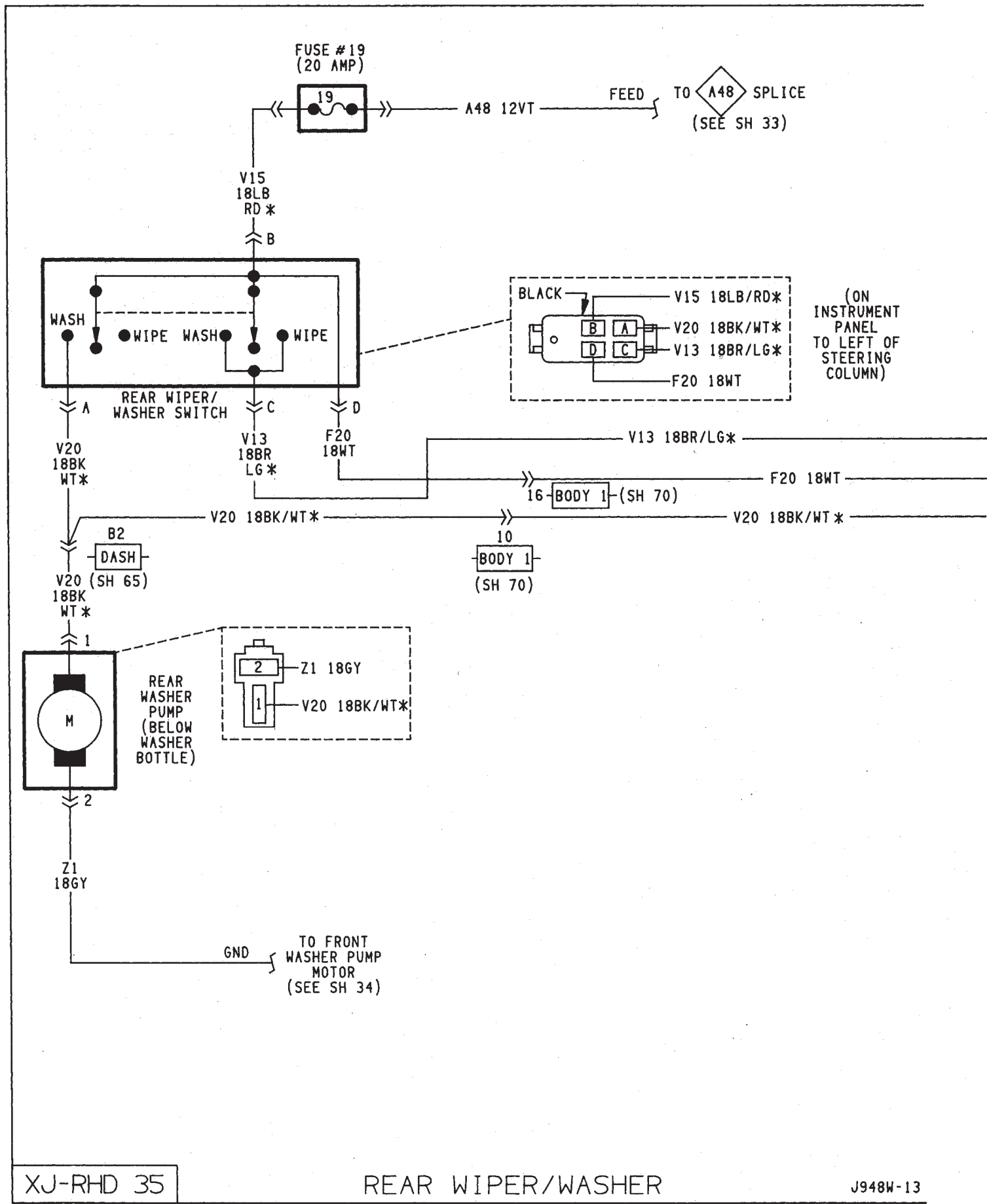


XJ-RHD 33

FRONT WIPERS/WASHER-INTERMITTENT

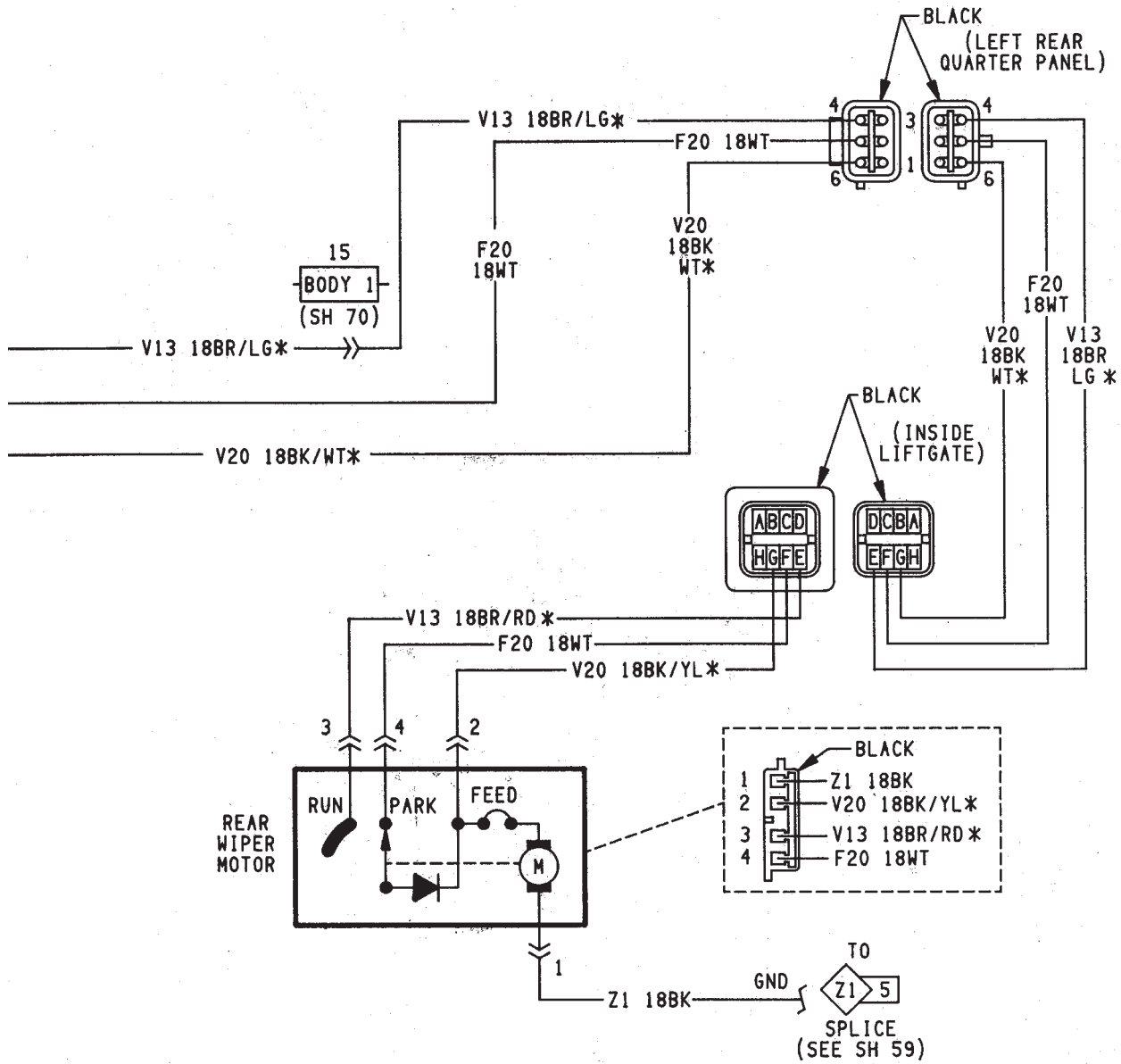
J948W-13

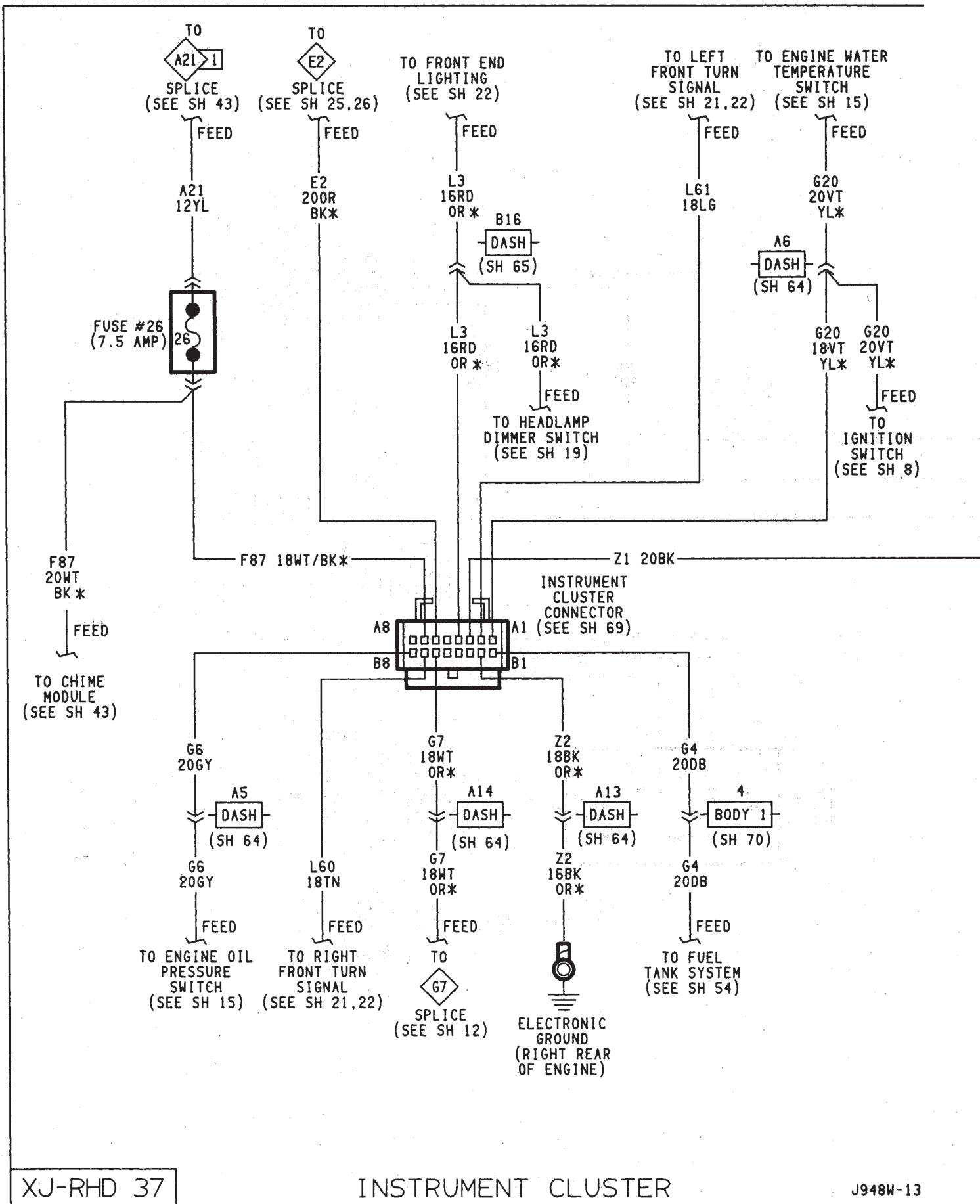




XJ-RHD 35

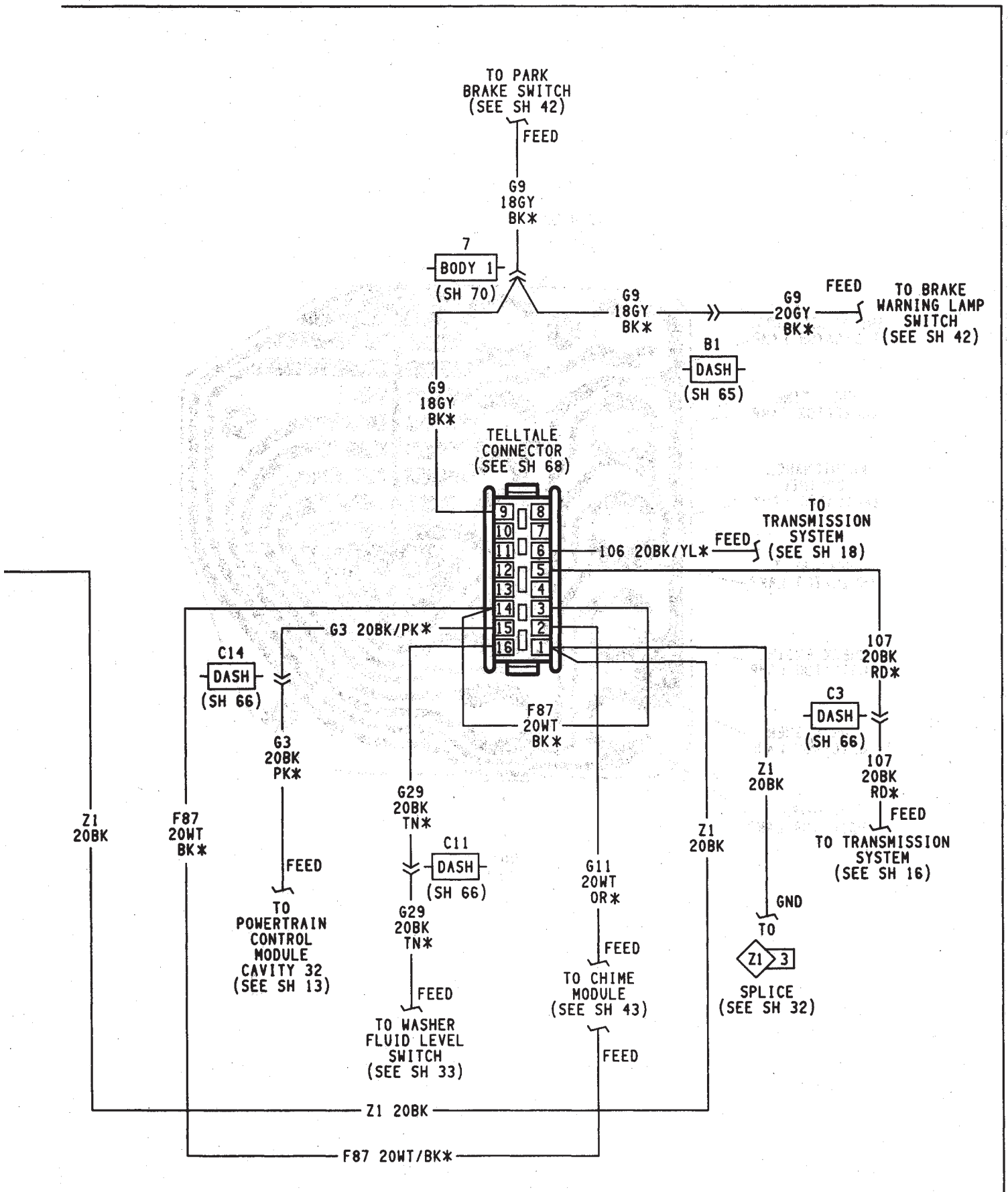
REAR WIPER/WASHER

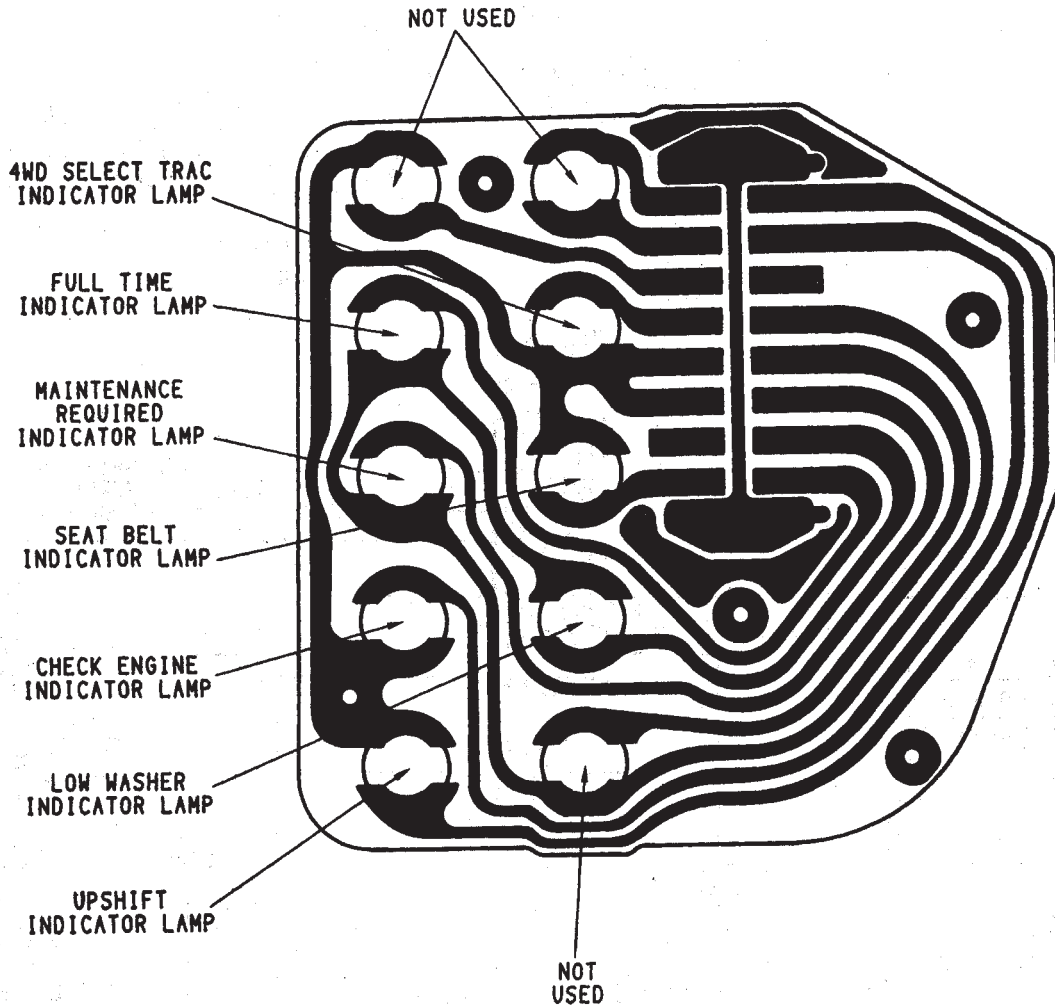


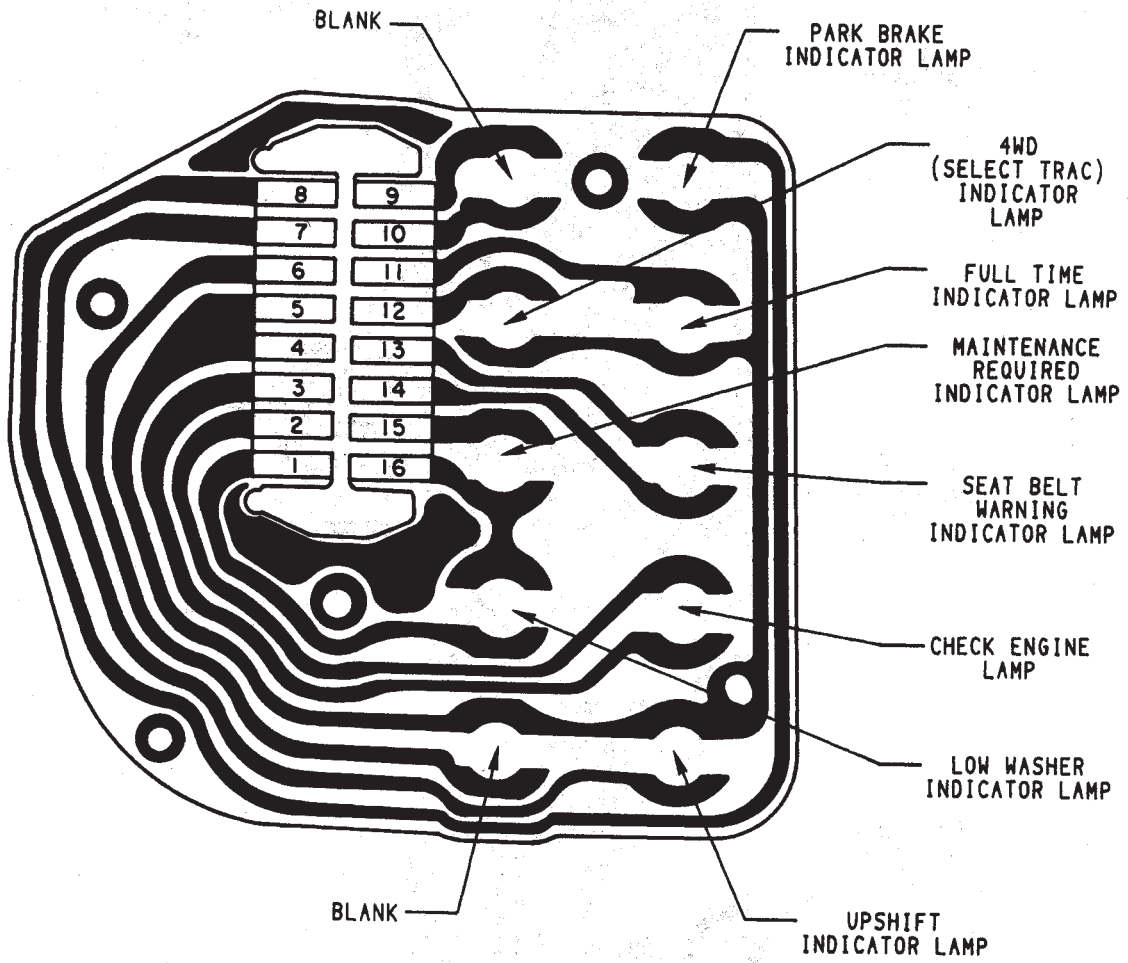


XJ-RHD 37

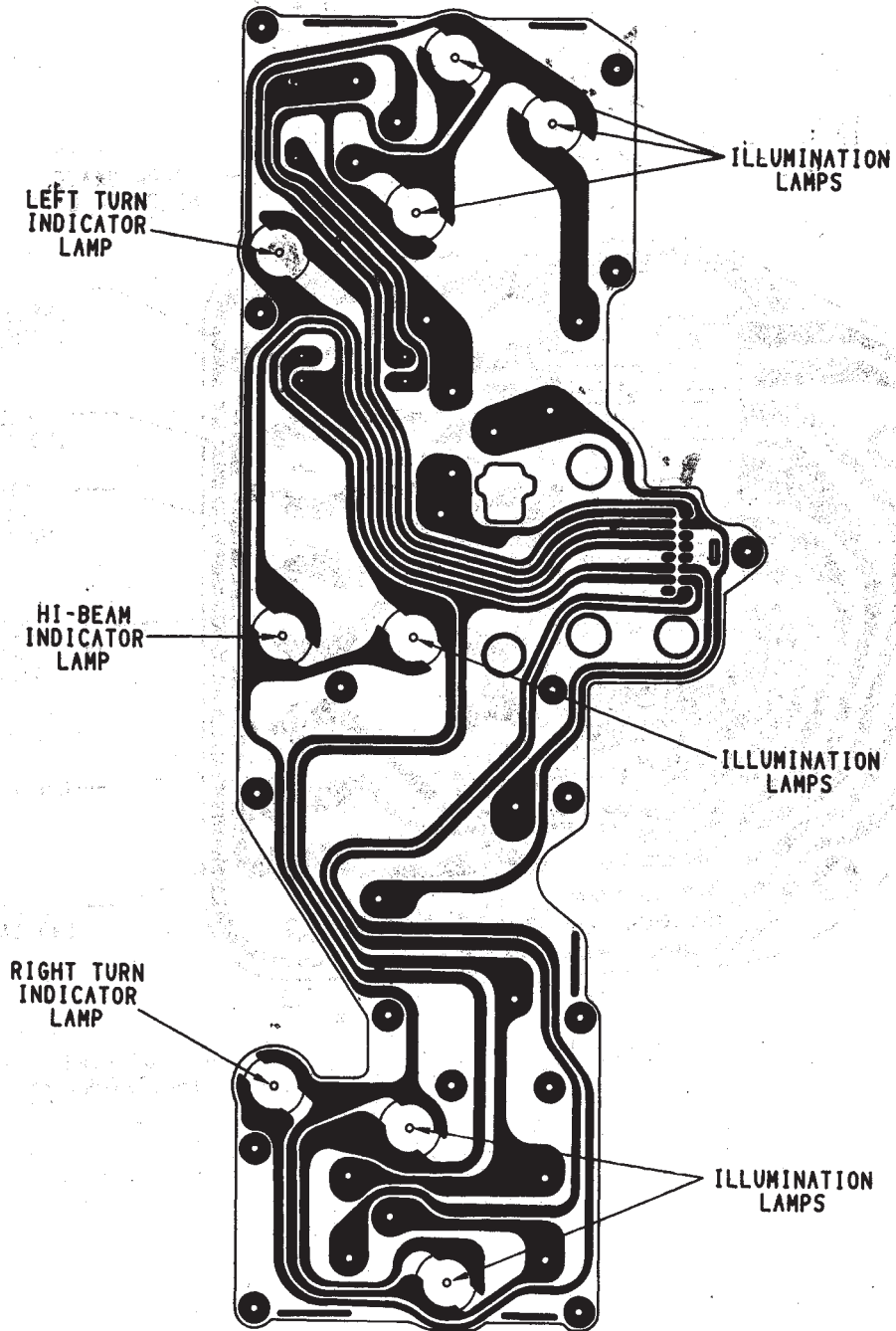
INSTRUMENT CLUSTER







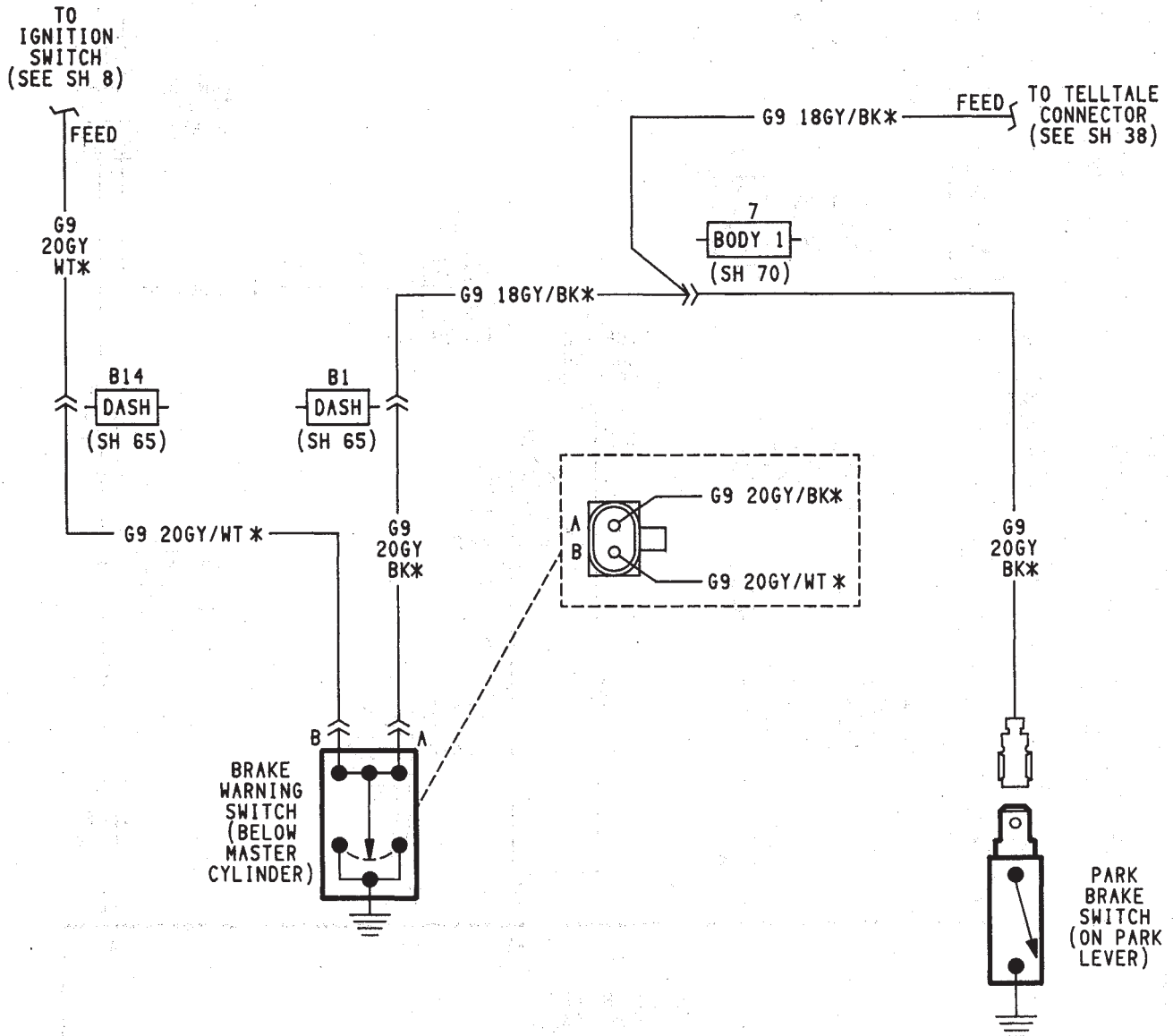
INSTRUMENT CLUSTER INDICATOR
PRINTED CIRCUIT BOARD

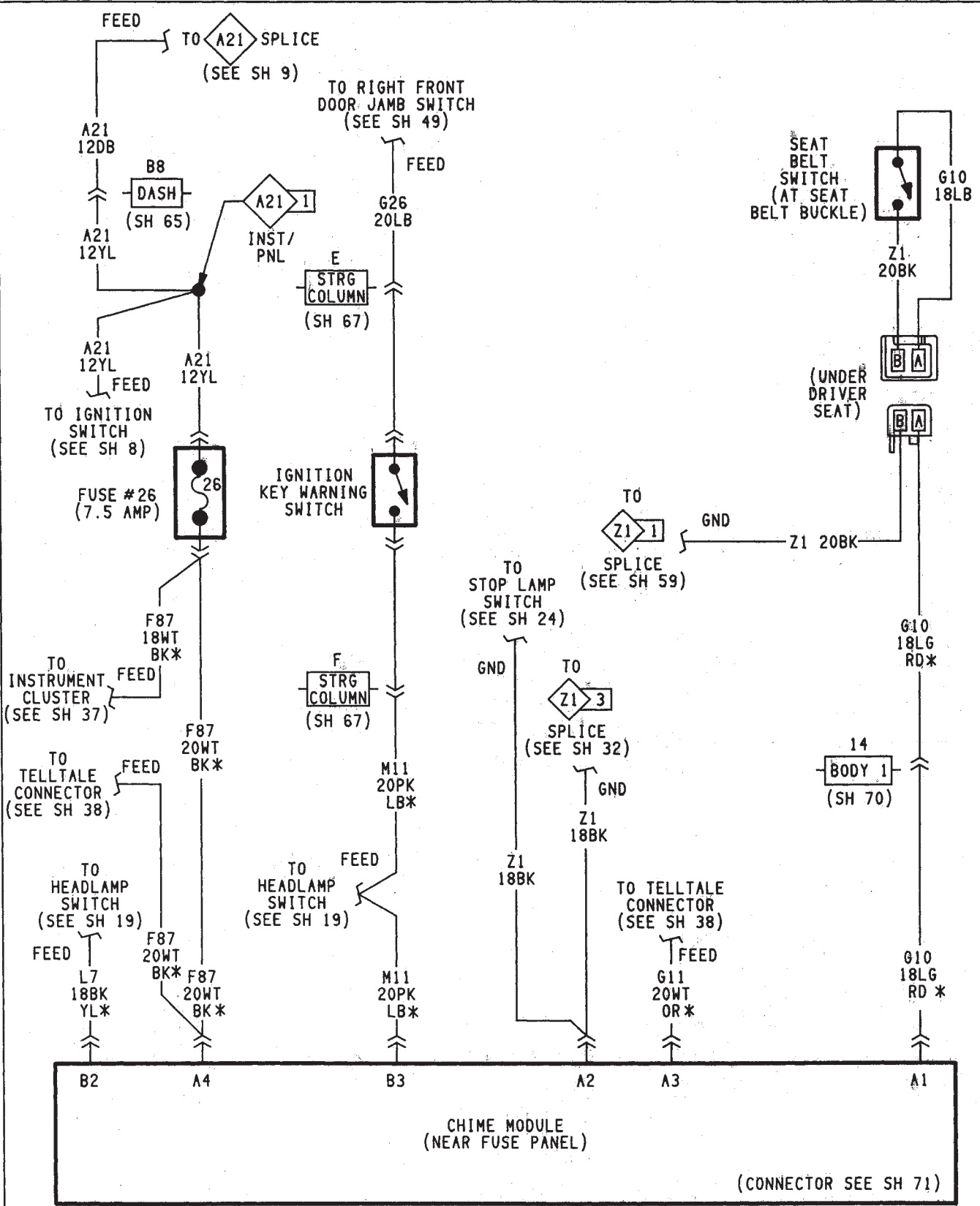


STANDARD INSTRUMENT CLUSTER
PRINTED CIRCUIT BOARD

XJ-RHD 41

J948W-13

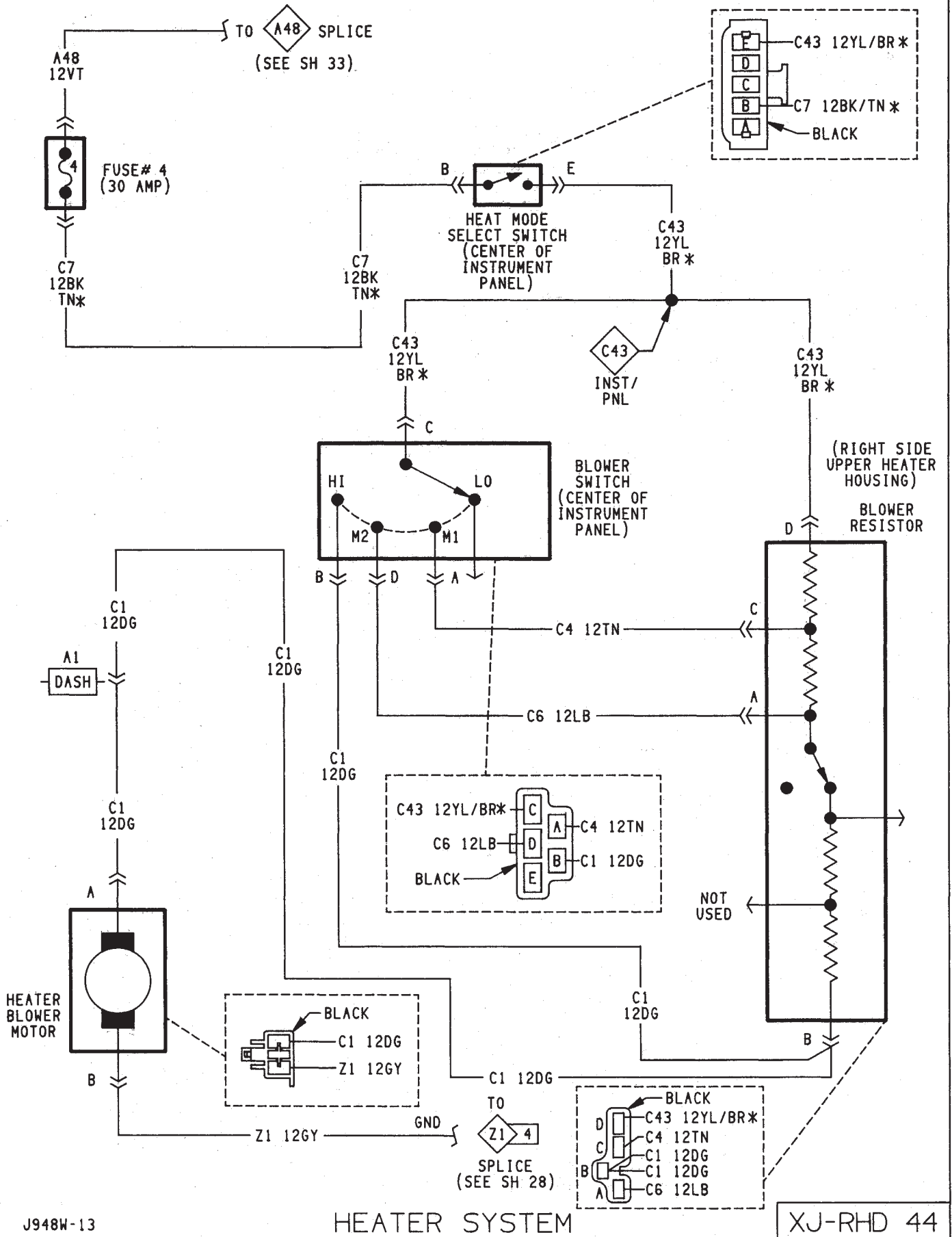


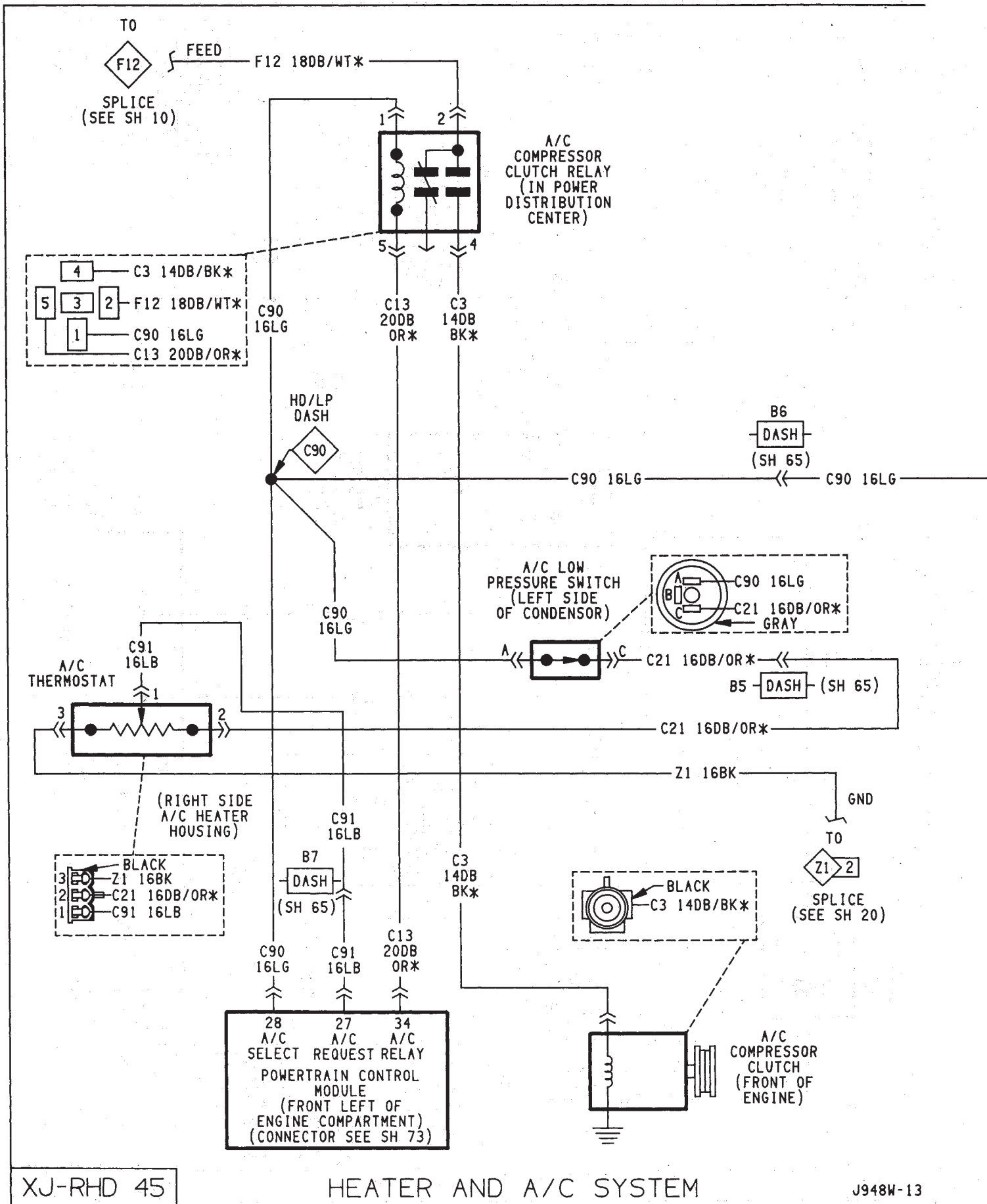


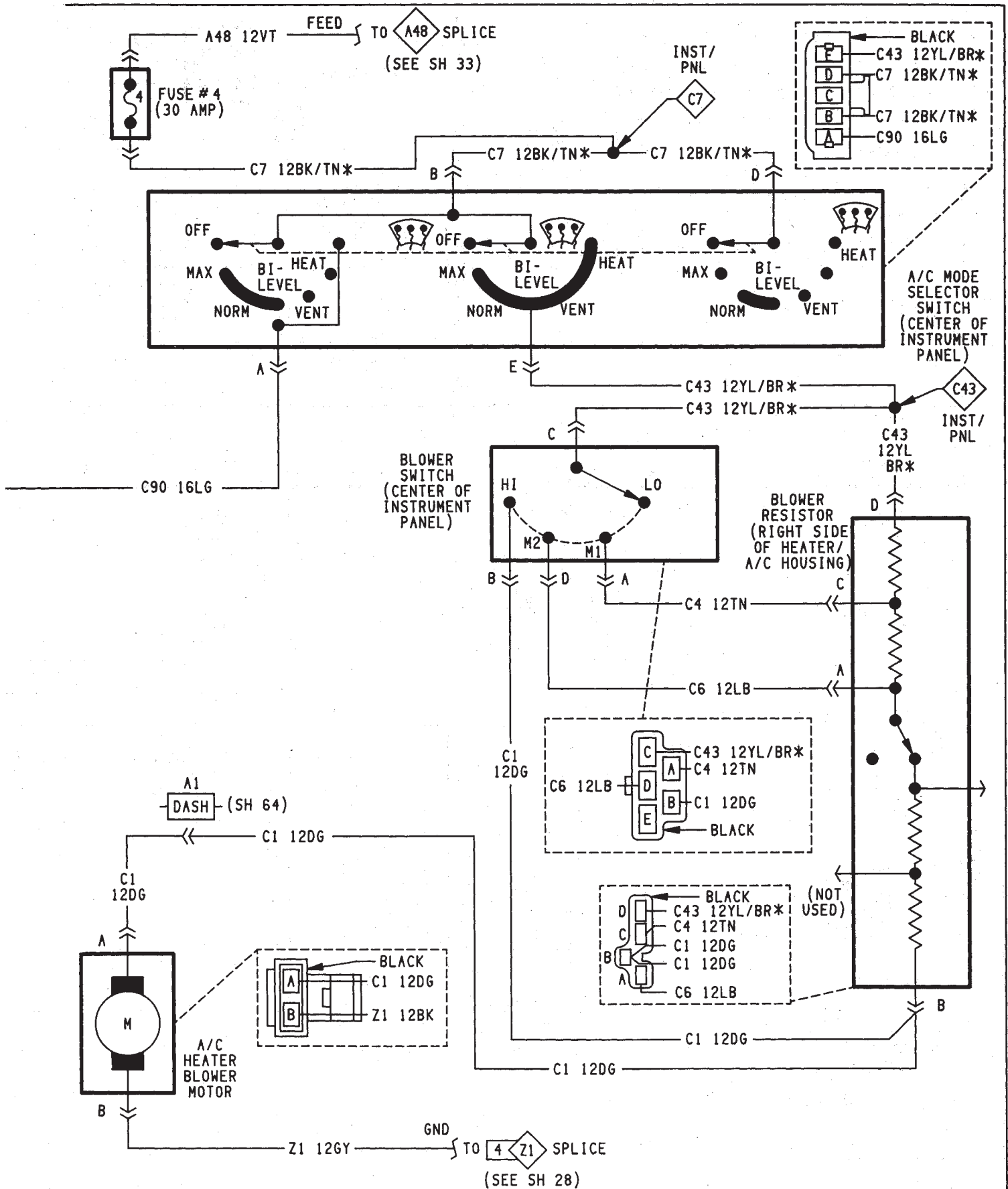
XJ-RHD 43

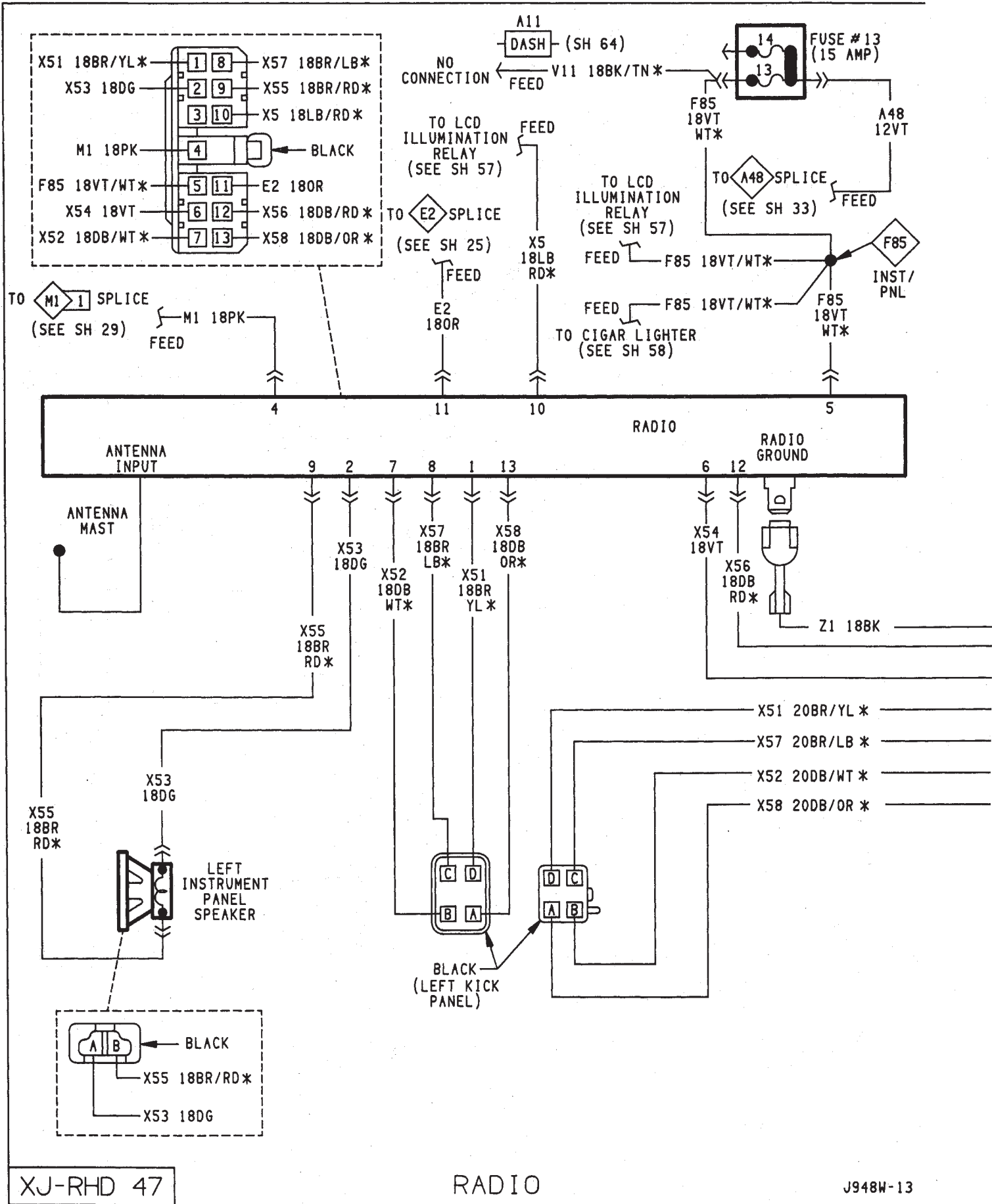
CHIME MODULE

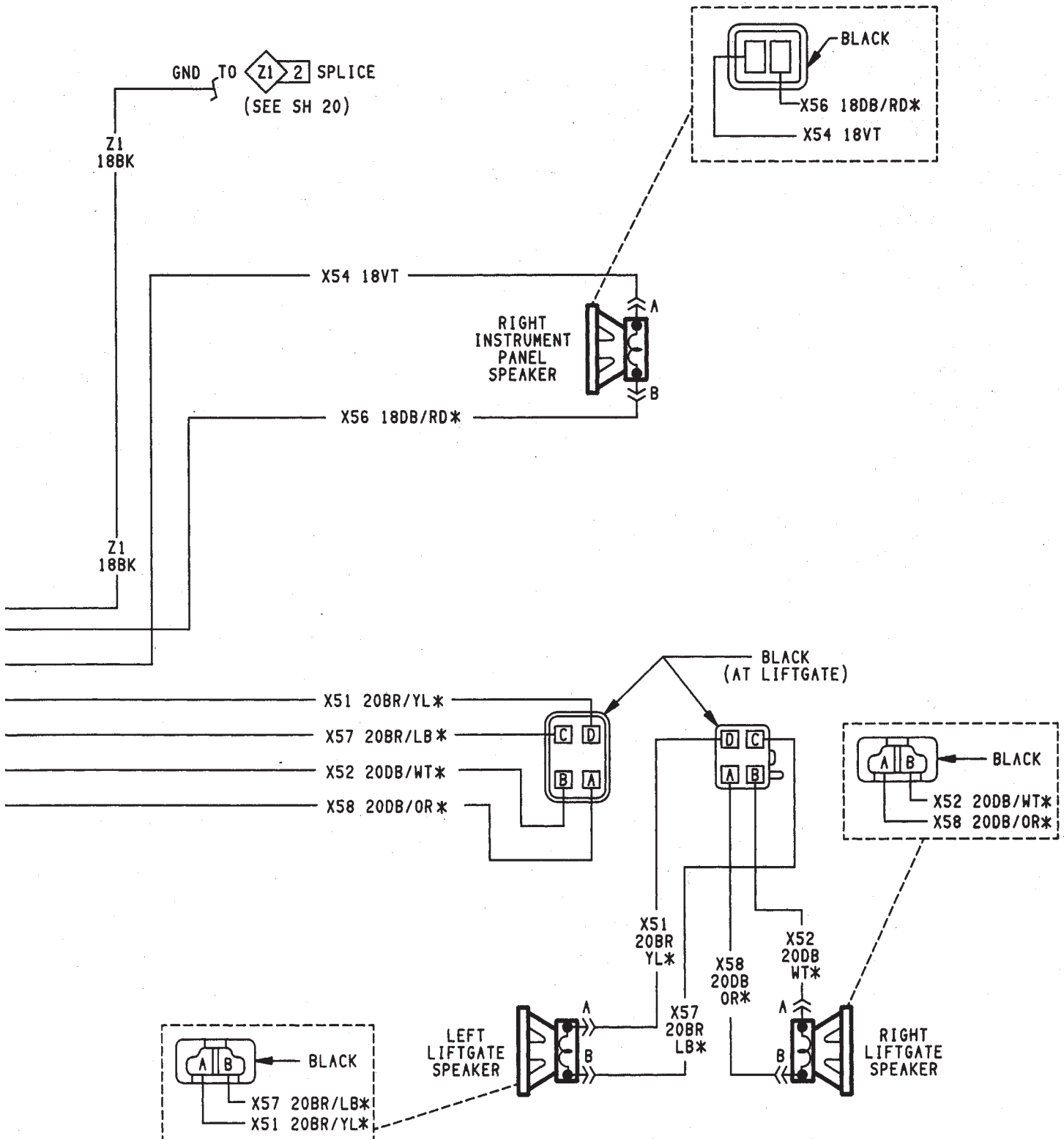
J948W-13

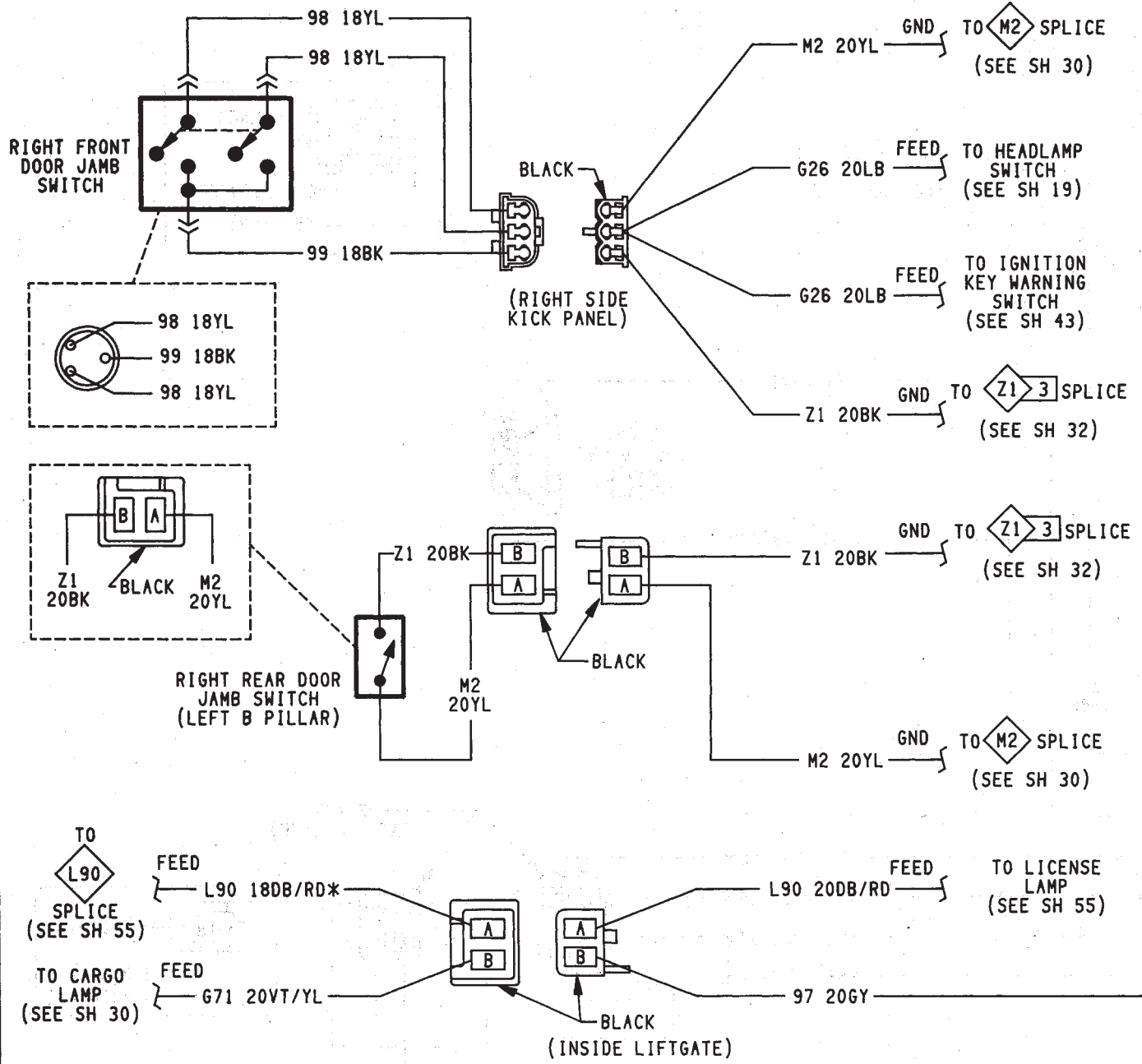


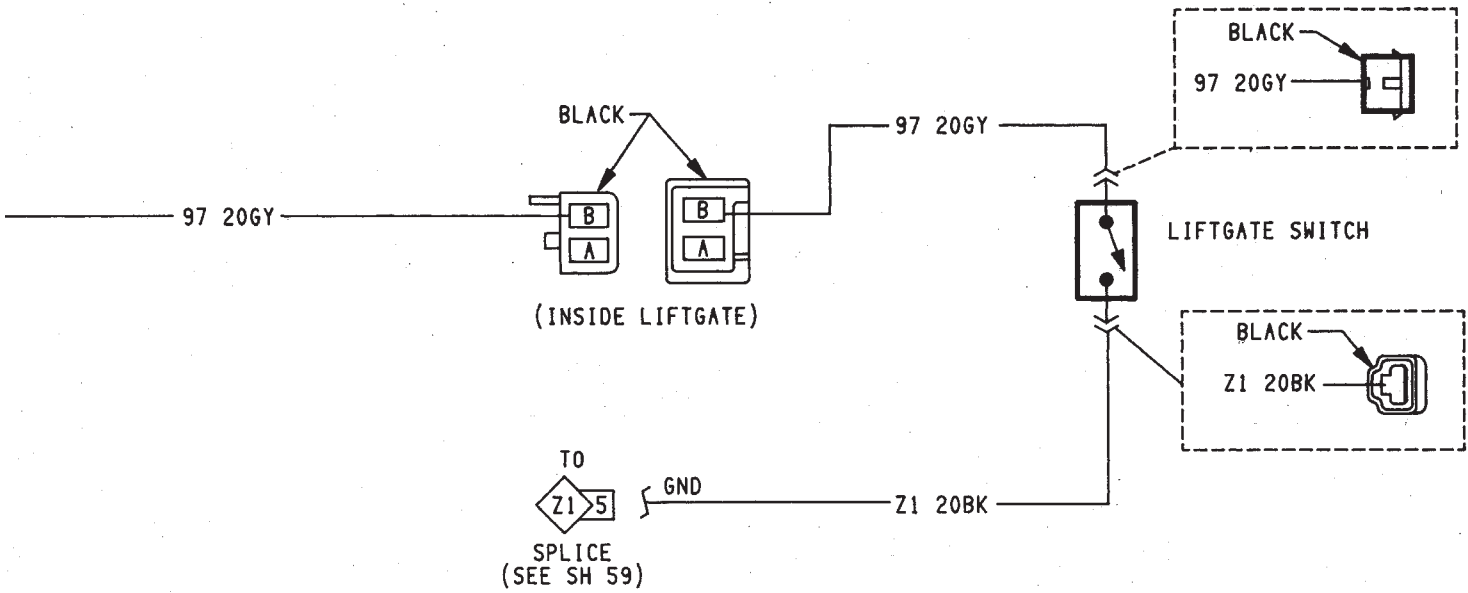
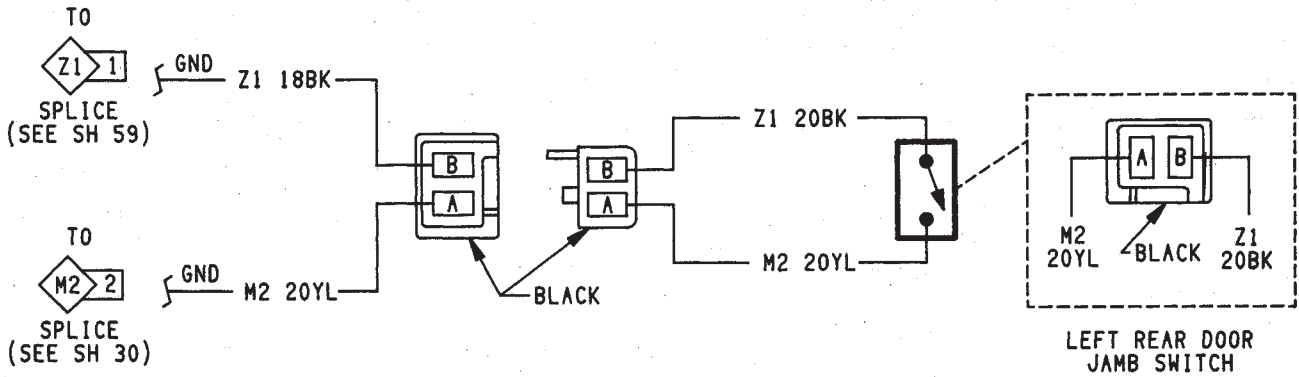
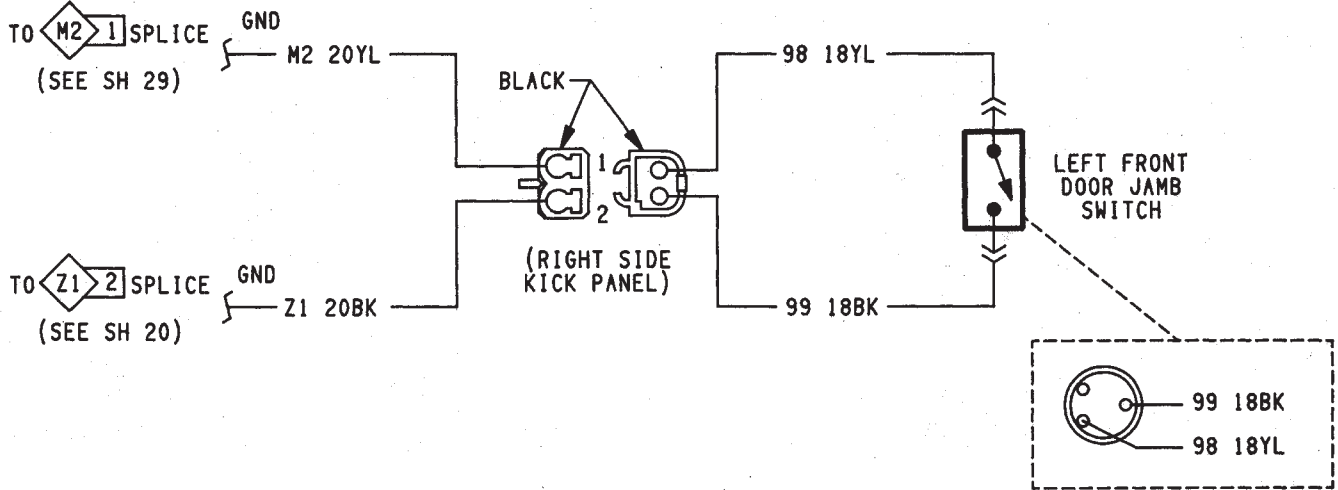


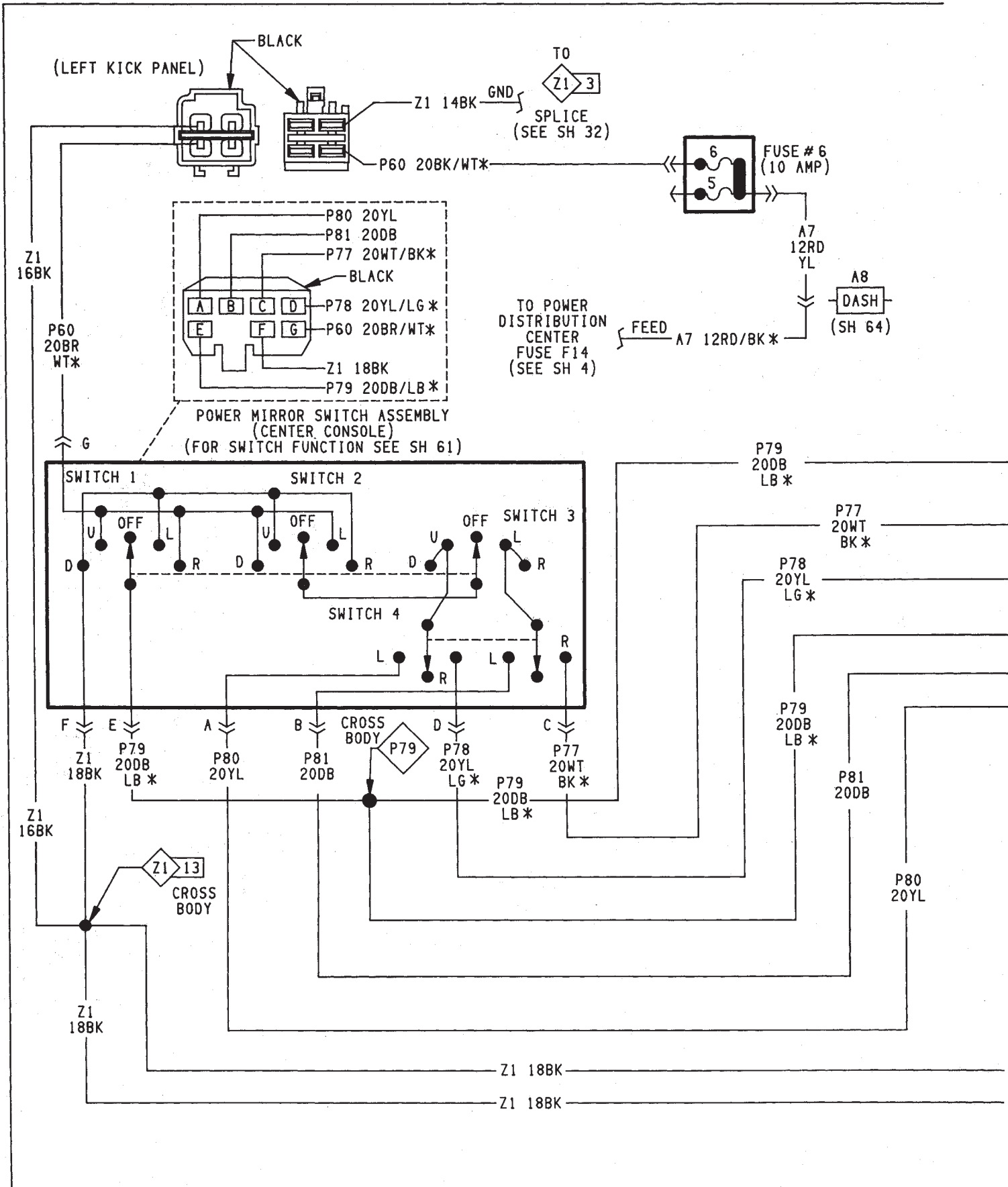






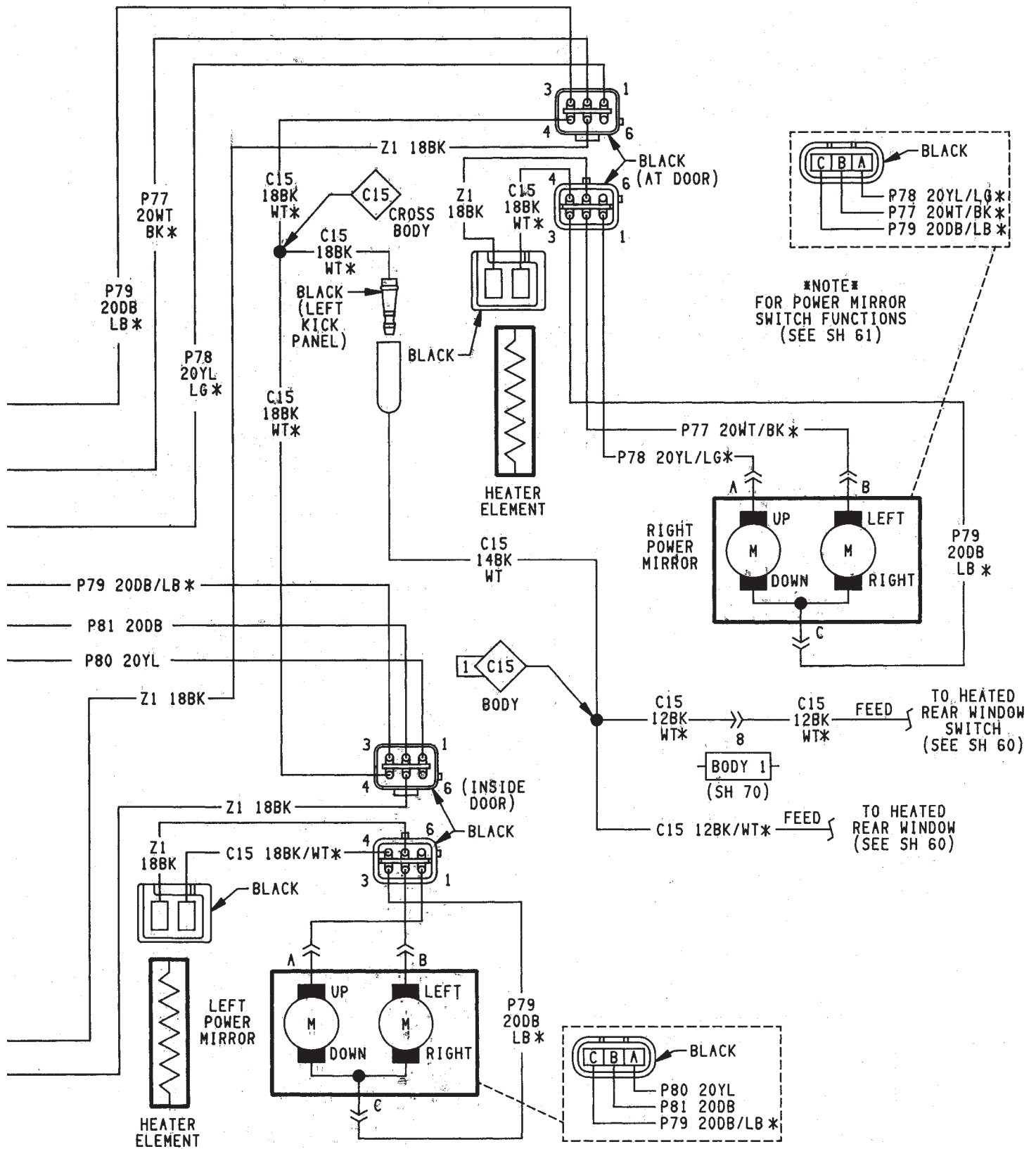




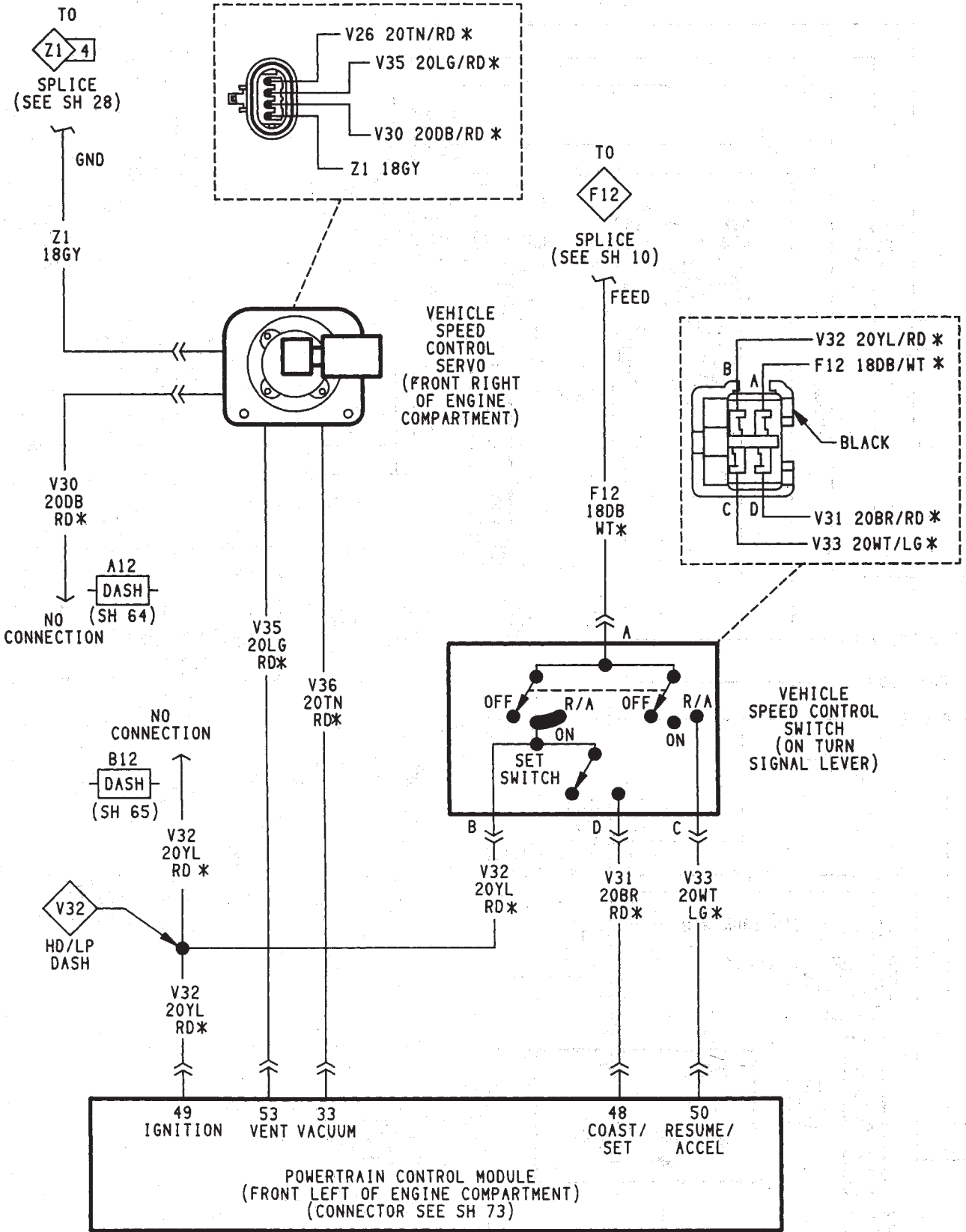


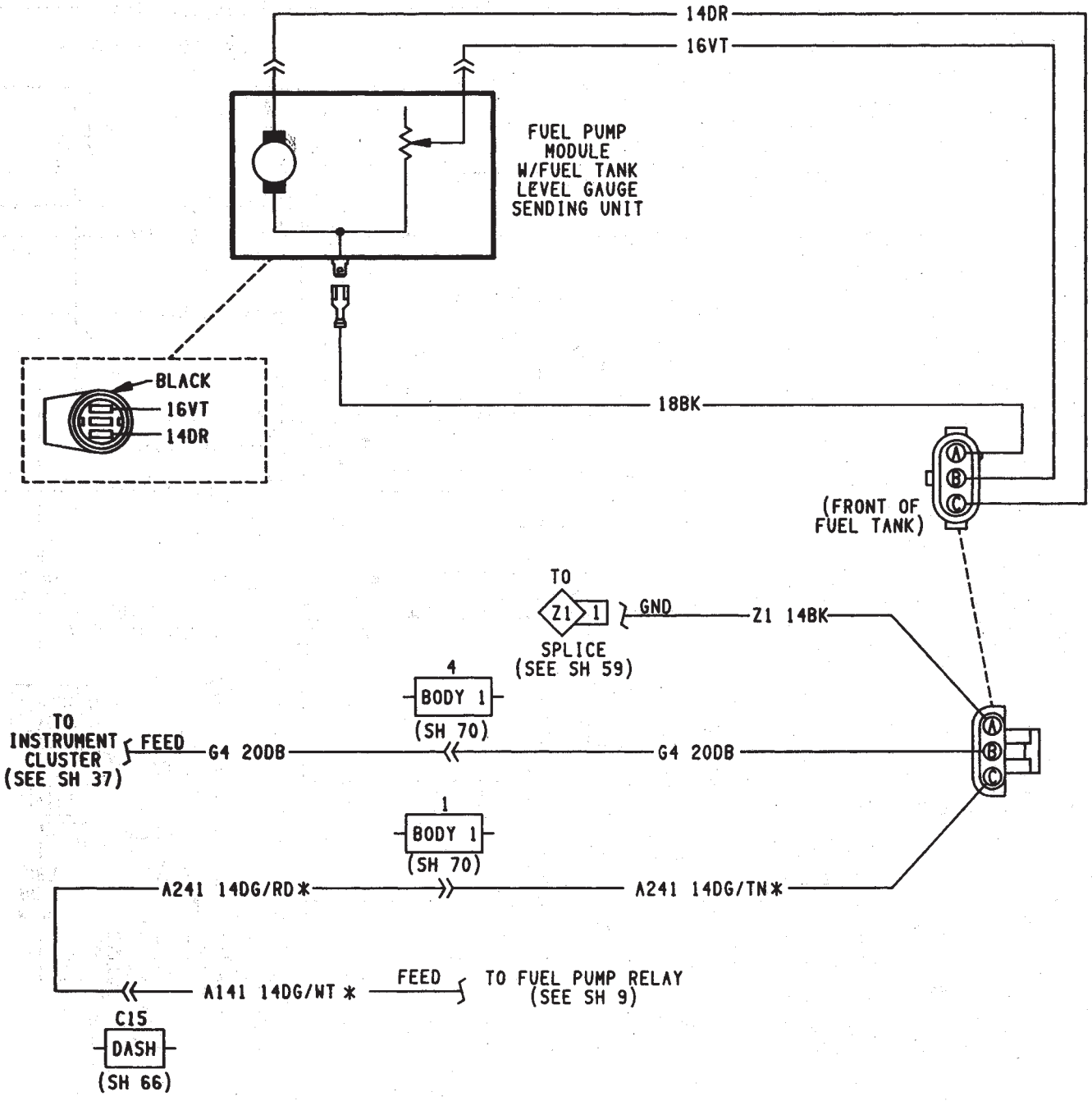
XJ-RHD 51

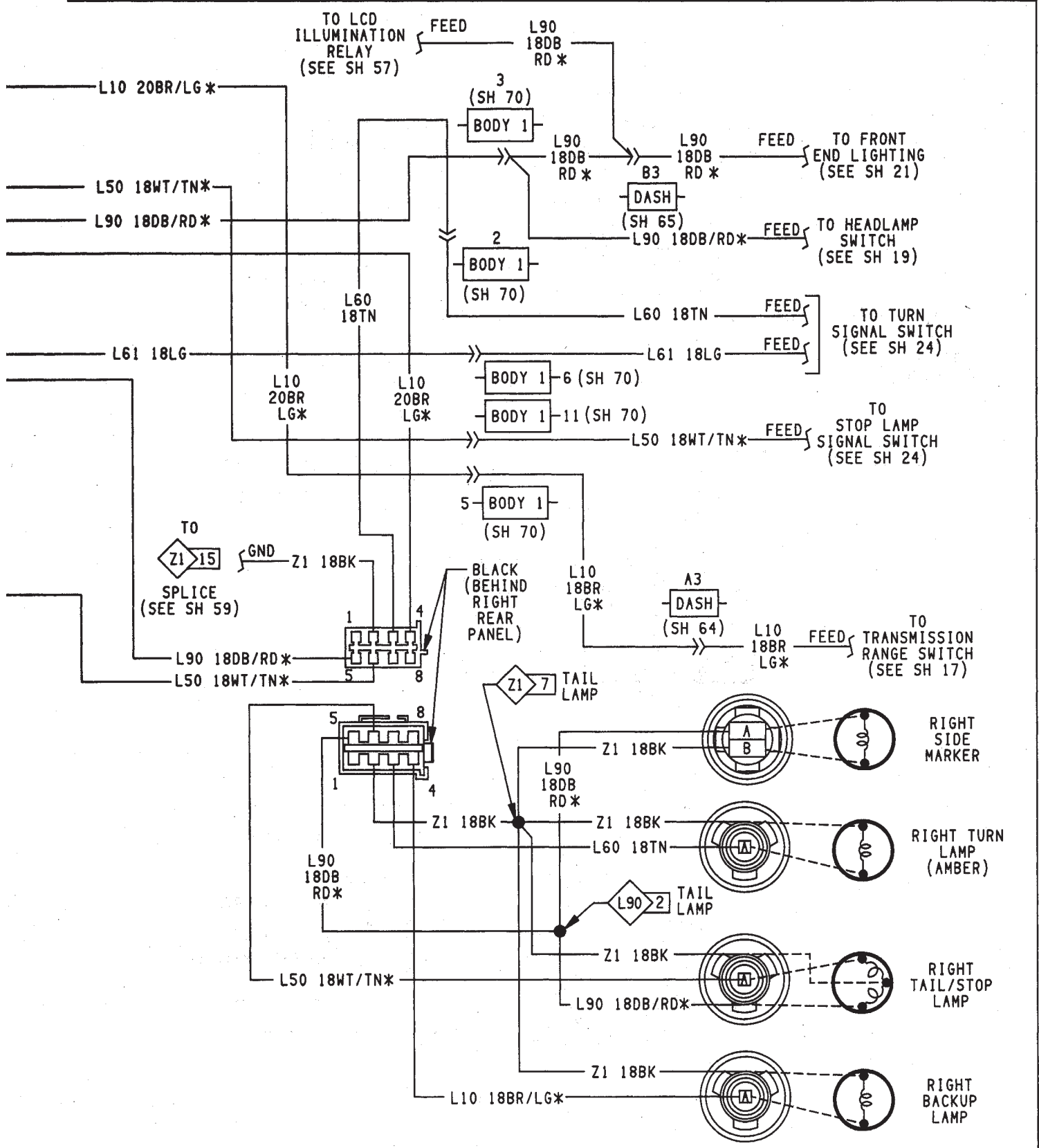
POWER MIRRORS

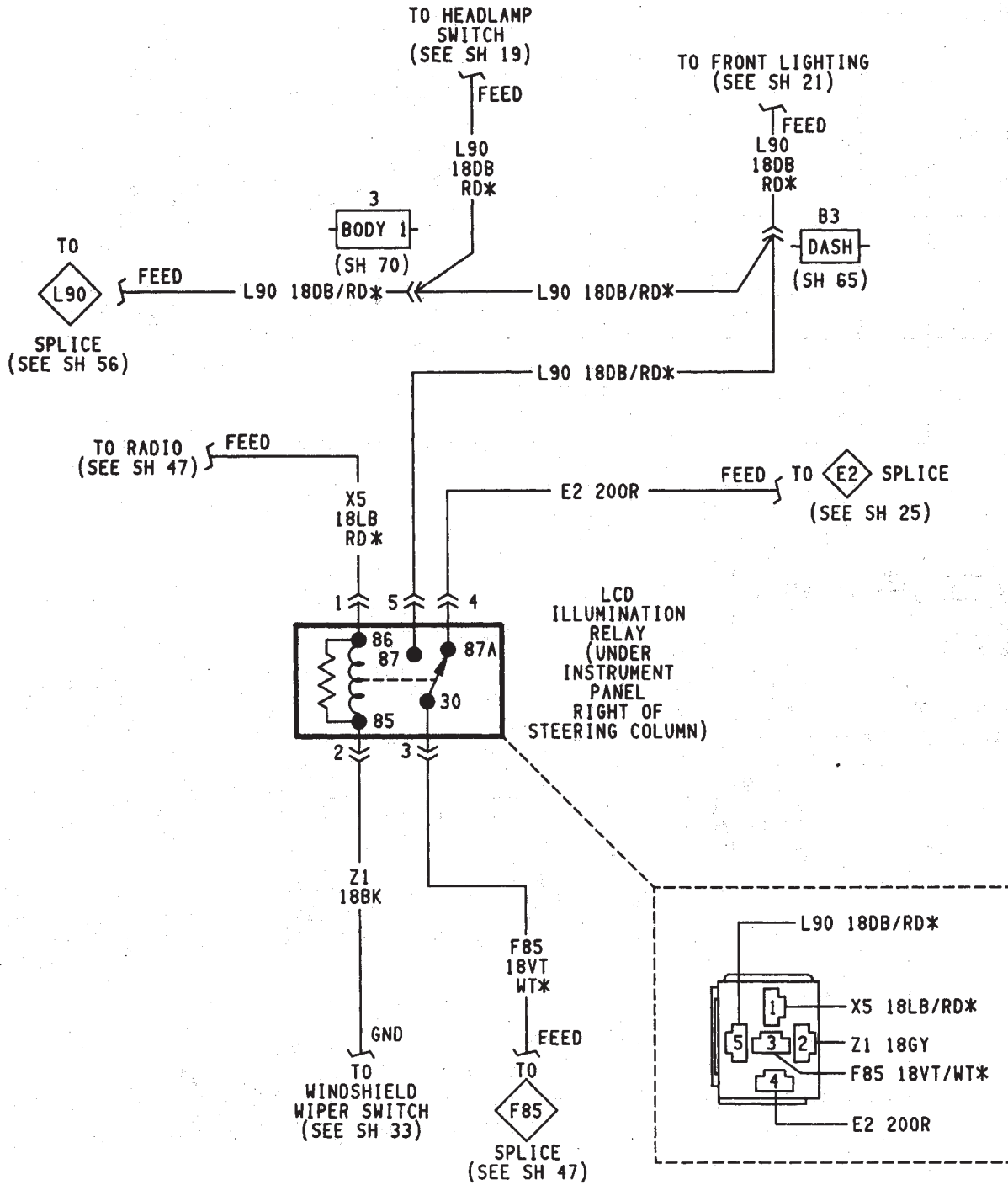


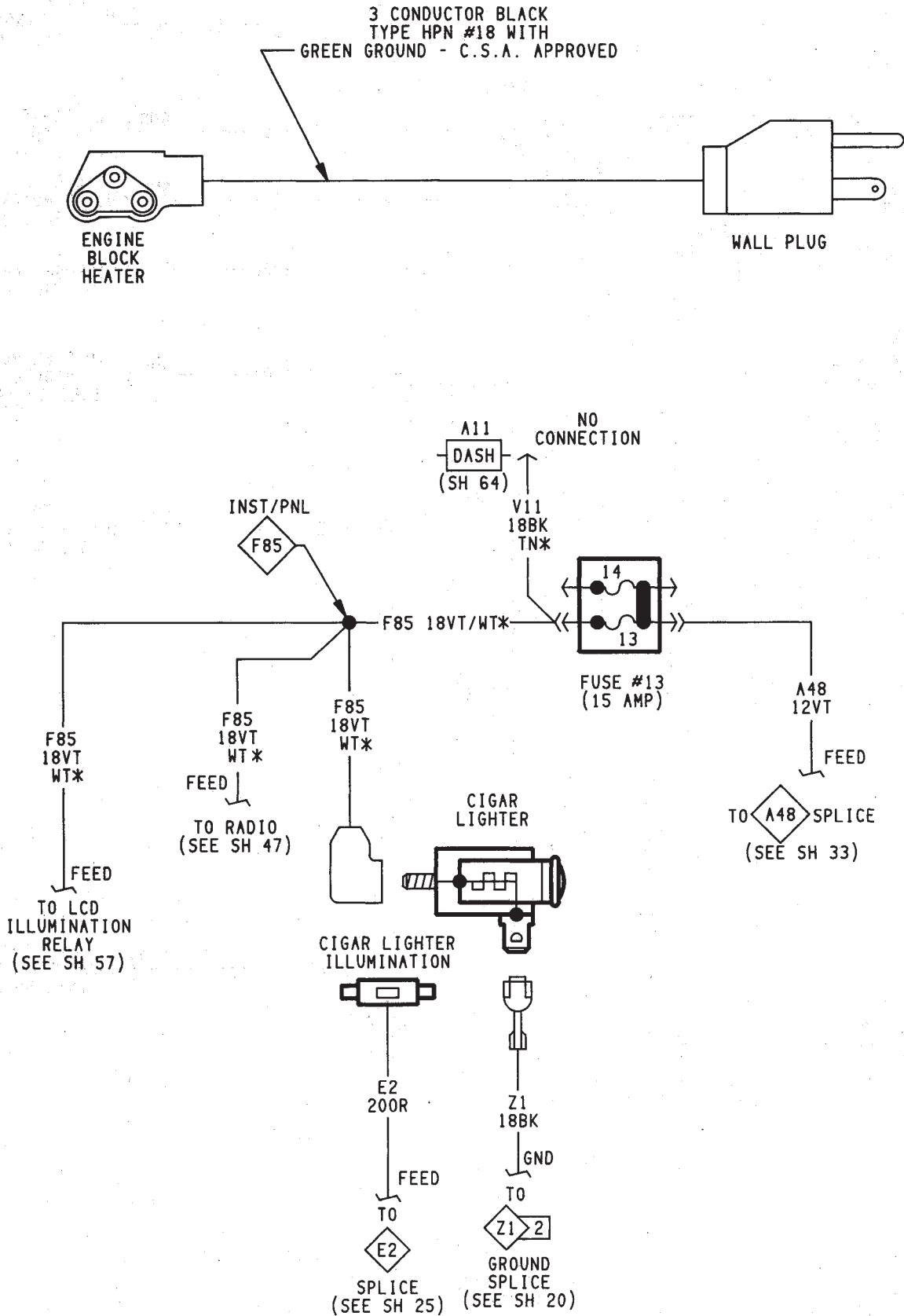
NOTE
 FOR POWER MIRROR
 SWITCH FUNCTIONS
 (SEE SH 61)

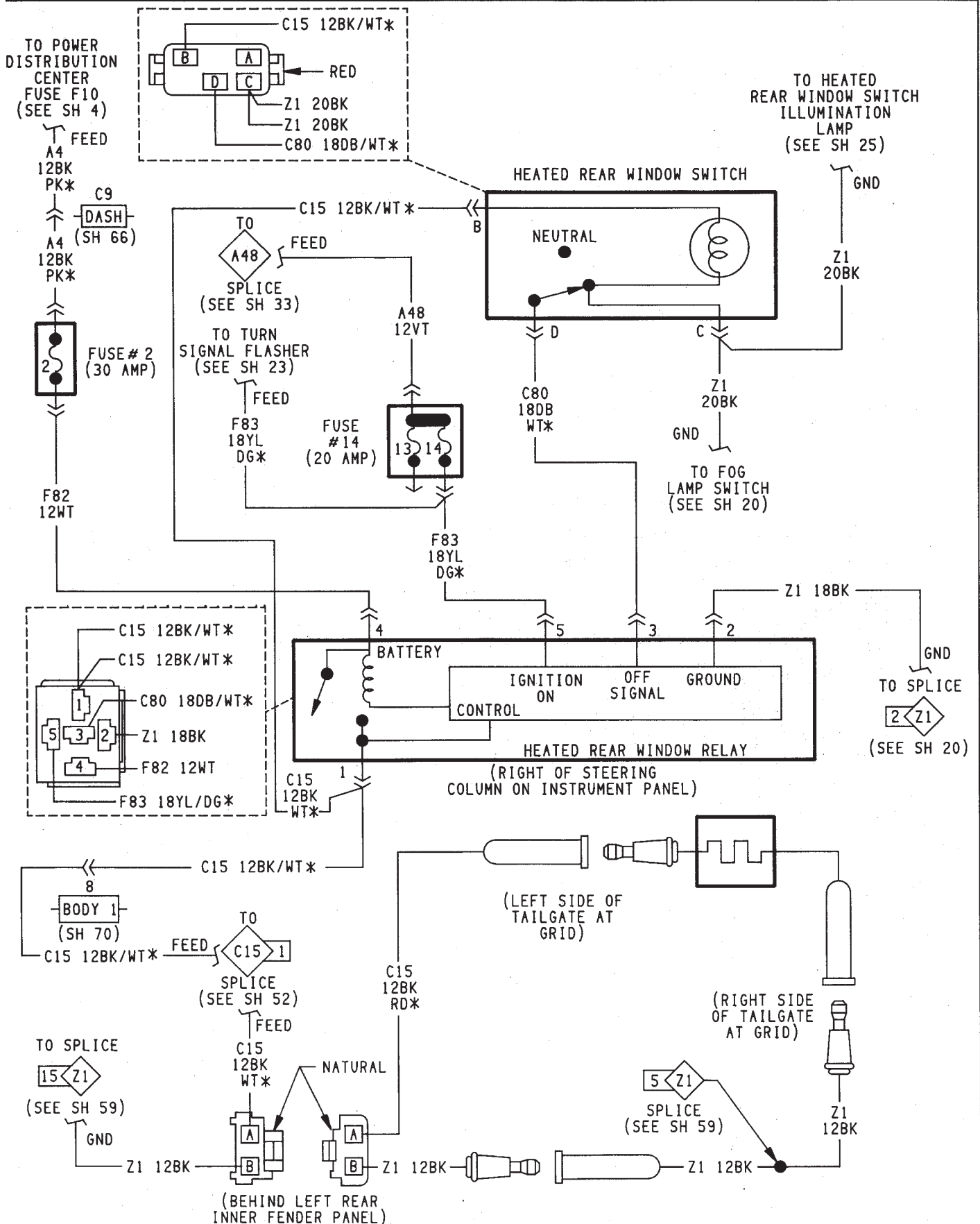






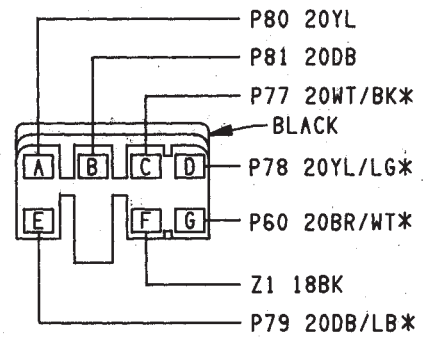




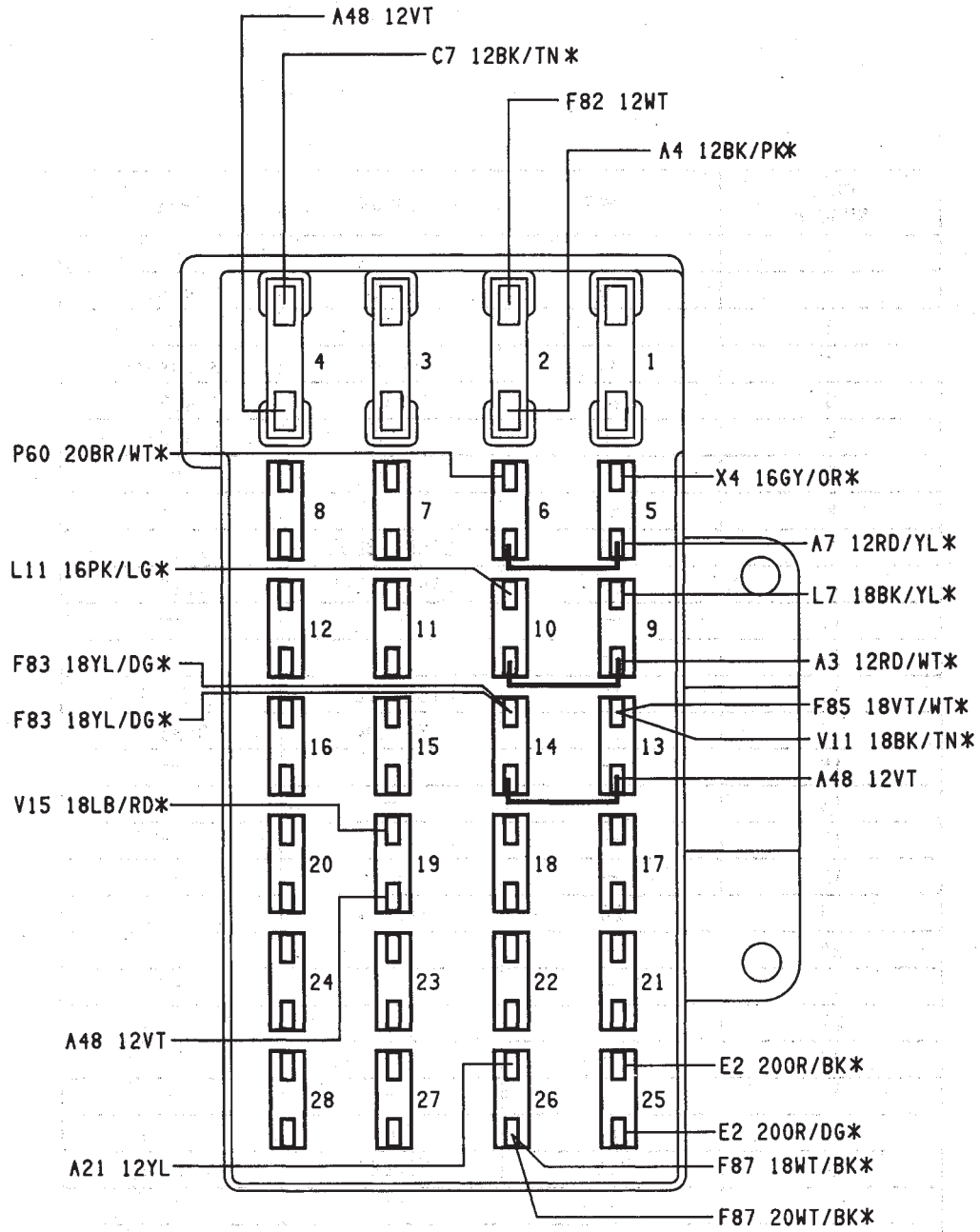


POWER MIRROR CONNECTOR
AND SWITCH FUNCTION

B+ POLARITY	B- POLARITY	MIRROR MOVEMENT
P79 20DB/LB*	P80 20YL	LEFT MIRROR — UP
P80 20YL	P79 20DB/LB*	LEFT MIRROR — DOWN
P79 20DB/LB*	P78 20YL/LG*	RIGHT MIRROR — UP
P78 20YL/LG*	P79 20DB/LB*	RIGHT MIRROR — DOWN
P79 20DB/LB*	P81 20DB	LEFT MIRROR — RIGHT
P81 20DB	P79 20DB/LB*	LEFT MIRROR — LEFT
P79 20DB/LB*	P77 20WT/BK*	RIGHT MIRROR — RIGHT
P77 20WT/BK*	P79 20DB/LB*	RIGHT MIRROR — LEFT
P60 20BR/WT*	—	FEED
—	Z1 18BK	GROUND

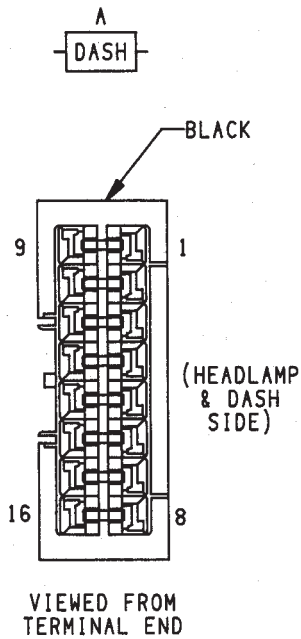


POWER MIRROR CONNECTOR
AND FUNCTIONS

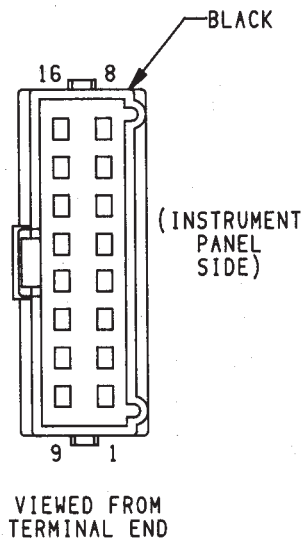


VIED FROM TERMINAL END

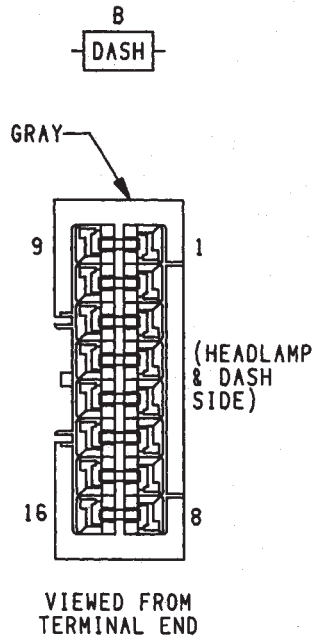
FUSE NUMBER	AMPS	COLOR	SHEET
1	—	—	—
2	30	GREEN	2, 4, 60
3	—	—	—
4	30	GREEN	2, 33, 44, 46
5	20	YELLOW	1, 4, 27
6	10	RED	1, 4, 51
7	—	—	—
8	—	—	—
9	15	LIGHT BLUE	1, 19
10	15	LIGHT BLUE	1, 19
11	—	—	—
12	—	—	—
13	15	LIGHT BLUE	2, 47, 58
14	20	YELLOW	2, 23, 33, 60
15	—	—	—
16	—	—	—
17	—	—	—
18	—	—	—
19	20	YELLOW	2, 33, 35
20	—	—	—
21	—	—	—
22	—	—	—
23	—	—	—
24	—	—	—
25	5	TAN	1, 19, 25
26	7.5	VIOLET	1, 8, 37, 43
27	—	—	—
28	—	—	—



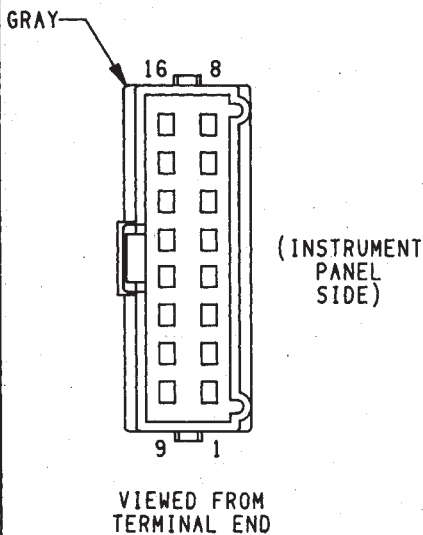
CAV	CIRCUIT	FUNCTION	SHEET
1	C1 12DG	BLOWER MOTOR FEED	44,46
2	G21 20GY/LB*	TACHOMETER SIGNAL	13
3	L10 18BR/LG*	REVERSE LAMP SIGNAL	17,56
4	F86 18LG/BK*	FUSED IGNITION	34
5	G6 20GY	OIL GAUGE SENDING UNIT	15,37
6	G20 20VT/YL*	ENGINE TEMPERATURE	8,15,37
7	—	—	—
8	A7 12RD/BK*	FUSEBLOCK FEED	4,27,51
9	A1 10RD	BATTERY FEED IGNITION	8
10	L9 18BK/WT*	HAZARD FLASHER FEED	4,24
11	—	—	—
12	V30 20DB/RD*	STOP LAMP SWITCH	53
13	Z2 16BK/OR*	LOGIC GROUND	37
14	G7 20WT/OR*	VEHICLE SPEED SIGNAL	12,16,37
15	L4 14VT/WT*	HEADLAMP (LOW-BEAM)	19,22
16	—	—	—



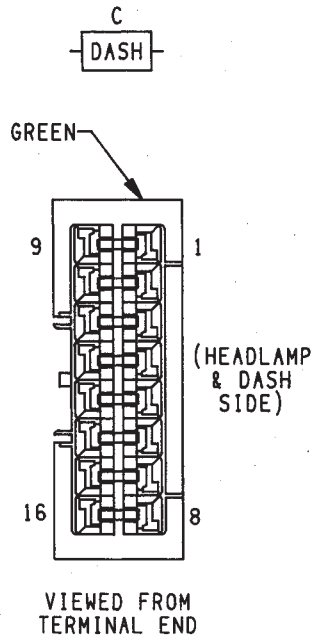
CAV	CIRCUIT	FUNCTION	SHEET
1	C1 12DG	BLOWER MOTOR FEED	44,46
2	—	—	—
3	L10 18BR/LG*	REVERSE LAMP SIGNAL	17,56
4	F86 18LG/BK*	FUSED IGNITION	34
5	G6 20GY	OIL GAUGE SENDING UNIT	15,37
6	G20 20VT/YL*	ENGINE TEMPERATURE	8,15,37
6	G20 18VT/YL*	ENGINE TEMPERATURE	8,15,37
7	—	—	—
8	A7 12RD/YL*	FUSEBLOCK FEED	4,27,51
9	A1 12RD	BATTERY FEED IGNITION	8
10	L9 16BK/WT*	HAZARD FLASHER FEED	4,24
11	V11 18BK/TN*	WASHER FLUID SWITCH	47,58
12	—	—	—
13	Z2 18BK/OR*	LOGIC GROUND	37
14	G7 18WT/OR*	VEHICLE SPEED SIGNAL	12,16,37
15	L4 16VT/WT*	HEADLAMP (LOW-BEAM)	19,22
16	—	—	—



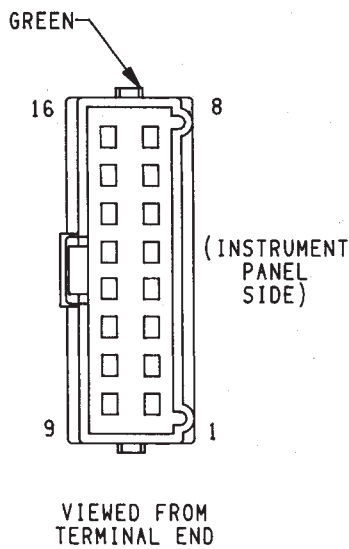
CAV	CIRCUIT	FUNCTION	SHEET
1	G9 20GY/BK*	BRAKE WARNING LAMP SWITCH	38,42
2	V20 18BK/WT*	REAR WASHER PUMP GROUND	35
3	L90 18DB/RD*	PARK LAMPS	19,21,56,57
4	L35 18BR/WT*	FOG LAMP RELAY	20,22
5	C21 16DB/OR*	A/C DAMPED PRESSURE SWITCH	45
6	C90 16LG	A/C SELECT SIGNAL	45
7	C91 16LG	A/C LOAD SIGNAL	45
8	A21 12DB	IGNITION START/RUN	8,9,43
9	A3 12RD/WT*	BATTERY FEED TO HEADLAMP	19
10	L60 18TN	RIGHT FRONT TURN SIGNAL	22,23
11	L61 18LG	LEFT REAR TURN SIGNAL	22,23
12	V32 20YL/RD*	VEHICLE SPEED CONTROL (IGNITION)	53
13	X2 18DG/RD*	HORN FEED	27
13	X2 18DG/RD*	HORN FEED	27
14	G9 20GY/WT*	BRAKE BULB CHECK	8,42
15	—	—	—
16	L3 14RD/OR*	HEADLAMP (HIGH-BEAM)	19,22,37



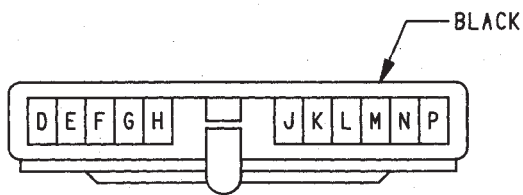
CAV	CIRCUIT	FUNCTION	SHEET
1	G9 18GY/BK*	BRAKE WARNING LAMP SWITCH	38,42
2	V20 18BK/WT*	REAR WASHER PUMP GROUND	35
2	V20 18BK/WT*	REAR WASHER PUMP GROUND	35
3	L90 18DB/RD*	PARK LAMPS	19,21,56,57
3	L90 18DB/RD*	PARK LAMPS	19,21,56,57
4	L35 16BR/WT*	FOG LAMP RELAY	20,22
5	C21 16DB/OR*	A/C DAMPED PRESSURE SWITCH	45
6	C90 16LG	A/C SELECT SIGNAL	45
7	C91 16LG	A/C LOAD SIGNAL	45
8	A21 12YL	IGNITION START/RUN DIAGNOSTIC	8,9,43
9	A3 12RD/WT*	BATTERY FEED TO HEADLAMP	19
10	L60 18TN	RIGHT FRONT TURN SIGNAL	22,23
10	L60 18TN	RIGHT FRONT TURN SIGNAL	22,23
11	L61 18LG	LEFT REAR TURN SIGNAL	22,23
11	L61 18LG	LEFT REAR TURN SIGNAL	22,23
12	—	—	—
13	X2 16DG/RD*	HORN FEED	27
14	G9 20GY/WT*	BRAKE BULB CHECK	8,42
15	—	—	—
16	L3 16RD/OR*	HEADLAMP (HIGH-BEAM)	19,22,37
16	L3 16RD/OR*	HEADLAMP (HIGH-BEAM)	19,22,37



CAV	CIRCUIT	FUNCTION	SHEET
1	V55 18TN/RD*	PARK SIGNAL RETURN	34
2	177 18TN	TRANSMISSION SWITCH	18
3	107 20BK/RD*	FOUR WHEEL LAMP	16,38
3	107 20BK/RD*	FOUR WHEEL LAMP	16
4	106 20BK/YL*	FOUR WHEEL LAMP	18
5	V10 20BR	WINDSHIELD WASHER	34
6	V3 18BR/WT*	WINDSHIELD WIPER-LOW	34
7	V4 18RD/YL*	WINDSHIELD WIPER-HIGH	34
8	L39 18LB	FOG LAMPS FEED	8,22
9	A4 12BK/PK*	HEATED REAR WINDOW	4,60
10	A41 14YL	ENGINE STARTER RELAY	6,8
11	G29 20BK/TN*	LOW WASHER FLUID	33,38
12	A7 14RD/BK*	INTERIOR LAMPS	4,29
13	K29 18WT/PK*	BRAKE SENSE SIGNAL	9
14	G3 20BK/PK*	MALFUNCTION INDICATOR LAMP	13,38
15	A141 14DG/WT*	FUEL PUMP FEED	54
16	T17 18YL	FUSED IGNITION	17

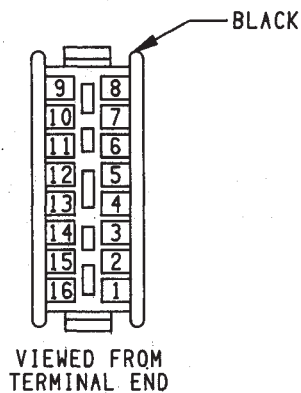


CAV	CIRCUIT	FUNCTION	SHEET
1	V55 18TN/RD*	PARK SIGNAL RETURN	34
2	—	—	—
3	107 20BK/RD*	FOUR WHEEL LAMP	16,38
4	106 20BK/YL*	FOUR WHEEL LAMP	18
5	V10 18BR	WINDSHIELD WASHER	34
6	V3 18BR/WT*	WINDSHIELD WIPER-LOW	34
7	V4 18RD/YL*	WINDSHIELD WIPER-HIGH	34
8	A38 12YL	IGNITION RUN	8,22
9	A4 12BK/PK*	HEATED REAR WINDOW	4,60
10	A41 14YL/WT*	ENGINE STARTER RELAY	6,8
11	G29 20BK/TN*	LOW WASHER FLUID	33,38
12	M1 18PK	INTERIOR LAMPS SWITCH	4,29
13	K29 18WT/PK*	BRAKE SENSE SIGNAL	9
14	G3 20BK/PK*	MALFUNCTION INDICATOR LAMP	13,38
15	A241 14DG/TN*	FUEL PUMP FEED	54
16	—	—	—

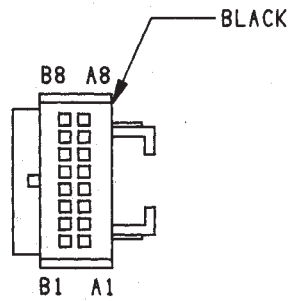


VIEWED FROM
TERMINAL END

CAV	CIRCUIT	FUNCTION	SHEET
P	—	—	—
N	L60 18TN	RIGHT TURN-REAR INDICATOR	24
M	L61 18LG	LEFT TURN-REAR INDICATOR	24
L	L5 18BK	TURN SIGNAL FLASHER	24
K	L12 18VT/TN*	HAZARD FLASHER	24
J	L60 18TN	RIGHT TURN-FRONT INDICATOR	24
H	L61 18LG	LEFT TURN-FRONT INDICATOR	24
G	X3 20BK/RD*	HORN SWITCH	27
F	M11 20PK/LB*	SWITCHED COURTESY LAMP FEED	43
E	G26 20LB	IGNITION KEY WARNING SWITCH	43
D	—	—	—



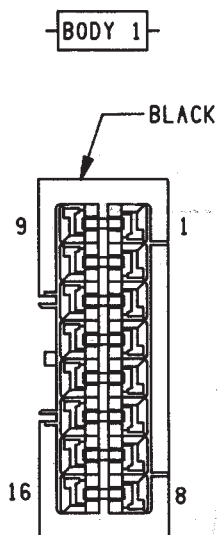
CAV	CIRCUIT	FUNCTION	SHEET
1	Z1 20BK	GROUND	38
1	Z1 20BK	GROUND	38
2	G11 20WT/OR*	CHIME	38
3	F87 20WT/BK*	FUSED IGNITION	38
4	—	—	—
5	I07 20BK/RD*	FOUR WHEEL LAMP	38
6	I06 20BK/YL*	FOUR WHEEL LAMP	38
7	—	—	—
8	—	—	—
9	G9 18GY/BK*	BRAKE SWITCH	38
10	—	—	—
11	—	—	—
12	—	—	—
13	—	—	—
14	F87 20WT/BK*	FUSED IGNITION	38
14	F87 20WT/BK*	FUSED IGNITION	38
15	G3 20BK/PK*	ENGINE OIL PRESSURE	38
16	G29 20BK/TN*	WASHER FLUID SWITCH	38



VIEWED FROM
TERMINAL END

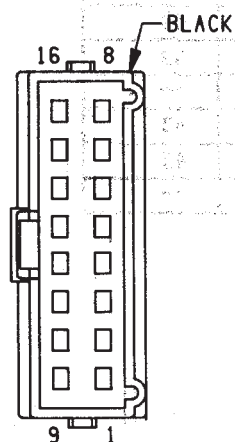
CAV	CIRCUIT	FUNCTION	SHEET
A1	G20 18VT/YL*	ENGINE TEMPERATURE	37
A2	L61 18LG	LEFT TURN INDICATOR LAMP	37
A3	Z1 20BK	GROUND	37
A4	L3 16RD/OR*	HEADLAMP (HIGH-BEAM)	37
A5	—	—	—
A6	E2 200R/BK*	PANEL ILLUMINATION	37
A7	F87 18WT/BK*	FUSED IGNITION	37
A8	—	—	—
B1	G4 20DB	FUEL GAUGE	37
B2	Z2 18BK/OR*	LOGIC GROUND	37
B3	—	—	—
B4	—	—	—
B5	—	—	—
B6	G7 18WT/OR*	VEHICLE SPEED SIGNAL	37
B7	L60 18TN	RIGHT TURN INDICATOR LAMP	37
B8	G6 20GY	ENGINE OIL PRESSURE	37

INSTRUMENT CLUSTER CONNECTOR
16 WAY



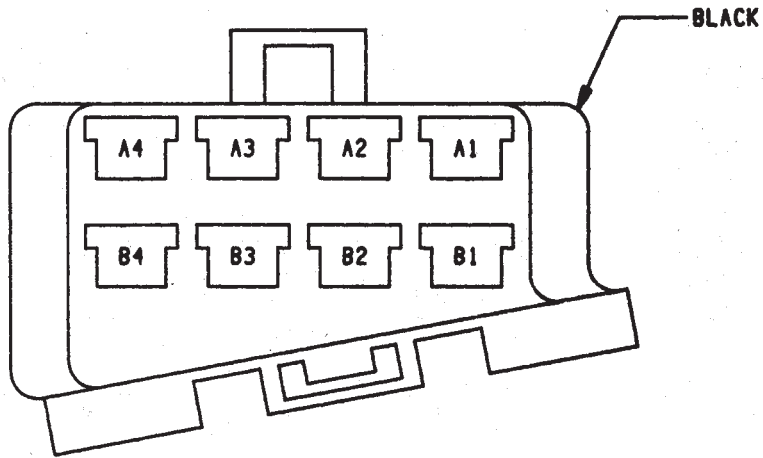
VIEWED FROM
TERMINAL END

CAV	CIRCUIT	FUNCTION	SHEET
1	A241 14DG/TN*	FUEL PUMP FEED	54
2	L60 18TN	RIGHT REAR SIGNAL AND IND	56
3	L90 18DB/RD*	PARK LAMPS	19,21,56,57
3	L90 18DB/RD*	PARK LAMPS	19,21,56,57
4	G4 20DB	FUEL GAUGE FROM TANK	37,54
5	L10 18BR/LG*	REVERSE LAMP SIGNAL	56
6	L61 18LG	LEFT REAR SIGNAL AND IND	56
7	G9 18GY/BK*	BRAKE WARNING LAMP SWITCH	38,42
7	G9 18GY/BK*	BRAKE PRESSURE LIGHT/PARK	38,42
8	C15 12BK/WT*	HEATED REAR WINDOW	52,60
9	M1 20PK	DOOR SWITCH	29
10	V20 18BK/WT*	REAR WASHER FEED RETURN	35
11	L50 18WT/TN*	STOP LAMP SIGNAL	56
12	E2 200R/BK*	I/P ILLUMINATION	26
13	M2 20YL	DOOR SWITCH GROUND	30
14	G10 18LG/RD*	SEAT BELT SWITCH	43
15	V13 18BR/LG*	REAR WIPE SWITCH	36
16	F20 18WT	REAR WIPE SWITCH	35



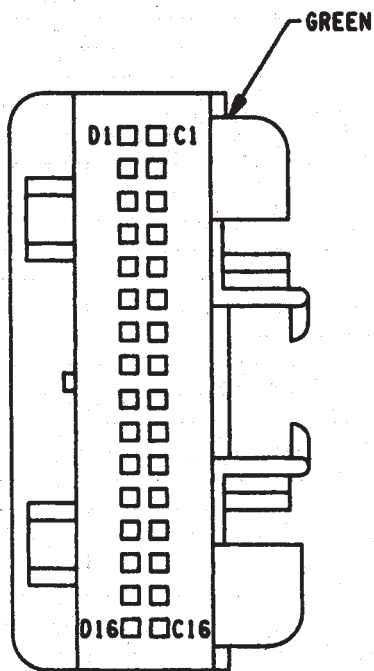
VIEWED FROM
TERMINAL END

CAV	CIRCUIT	FUNCTION	SHEET
1	A241 14DG/TN*	FUEL PUMP FEED	54
2	L60 18TN	RIGHT REAR SIGNAL AND IND	56
3	L90 18DB/RD*	PARK LAMPS	19,21,56,57
4	G4 20DB	FUEL GAUGE FROM TANK	37,54
5	L10 20BR/LG*	REVERSE LAMP SIGNAL	56
6	L61 18LG	LEFT REAR SIGNAL AND IND	56
7	G9 20GY/BK*	BRAKE WARNING LAMP SWITCH	38,42
8	C15 12BK/WT*	HEATED REAR WINDOW	52,60
9	M1 20PK	DOOR SWITCH	29
10	V20 18BK/WT*	REAR WASHER FEED RETURN	35
11	L50 18WT/TN*	STOP LAMP SIGNAL	56
12	E2 200R	I/P ILLUMINATION	26
13	M2 20YL	DOOR SWITCH GROUND	30
14	G10 18LG/RD*	SEAT BELT SWITCH	43
15	V13 18BR/LG*	REAR WIPE SWITCH	36
16	F20 18WT	REAR WIPE SWITCH	35



VIED FROM TERMINAL END

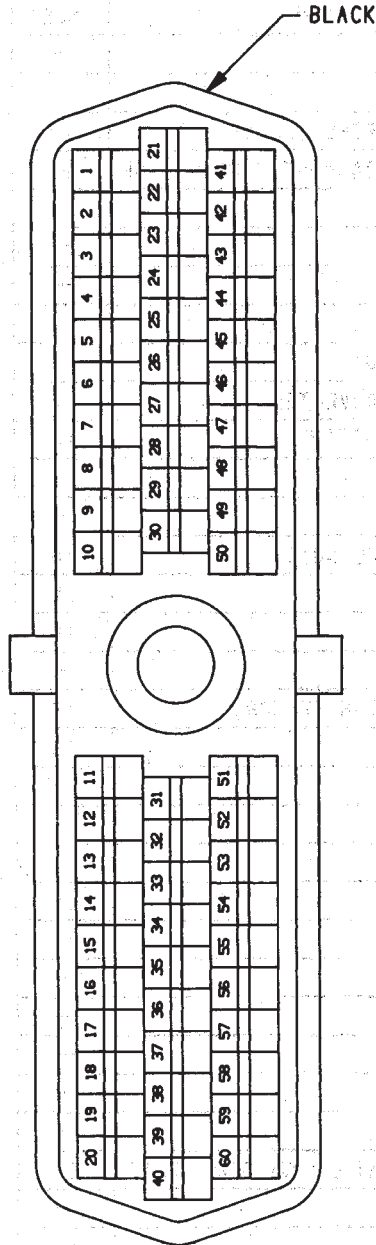
CAV	CIRCUIT	FUNCTION	SHEET
A1	G10 18LG/RD*	SEATBELT WARNING SWITCH	43
A2	Z1 18BK	GROUND	43
A2	Z1 18BK	GROUND	43
A3	G11 20WT/OR*	SEATBELT	43
A4	F87 20WT/BK*	FUSED IGNITION	43
A4	F87 20WT/BK*	FUSED IGNITION	43
B1	—	—	—
B2	L7 18BK/YL*	TAIL,LICENSE,SIDE MARKER LAMPS	43
B3	M11 20PK/LB*	SWITCHED COURTESY LAMP FEED	43
B4	—	—	—



VIEWED FROM TERMINAL END

CAV	CIRCUIT	FUNCTION	SHEET
C1	—	—	—
C2	—	—	—
C3	505 18TN/BK*	TRANSMISSION SPEED SENSOR	18
C4	137 16YL/BK*	TRANSMISSION DIAGNOSTIC CONNECTOR	17
C5	—	—	—
C6	—	—	—
C7	—	—	—
C8	506 18LG/BK*	1-2 GEAR INPUT	17
C9	507 18GY/BK*	DRIVE GEAR INPUT	17
C10	K29 18WT/PK*	BRAKE/TORQUE CONVERTER	18
C11	177 18TN	TRANSMISSION SWITCH	18
C12	—	—	—
C13	—	—	—
C14	508 18WT/BK*	TRANSMISSION SOLENOID	18
C15	509 18VT/BK*	S2 SOLENOID	18
C16	510 18DB/WT*	S1 SOLENOID	18
D1	—	—	—
D2	K22 180R/DB*	THROTTLE POSITION(SENSOR)	18
D3	K4 18BK/LB*	SENSOR GROUND	18
D4	—	—	—
D5	—	—	—
D6	—	—	—
D7	Z12 18BK/TN*	GROUND	18
D8	—	—	—
D9	—	—	—
D10	—	—	—
D11	—	—	—
D12	—	—	—
D13	—	—	—
D14	A14 14RD/WT*	FUEL PUMP AUTOMATIC SHUT DOWN RELAY	18
D15	—	—	—
D16	T17 18YL	FUSED IGNITION	17

TRANSMISSION CONTROL MODULE
(AUTOMATIC TRANSMISSION)
32 WAY CONNECTOR



VIEWED FROM WIRE END

CAV	CIRCUIT	FUNCTION	SHEET
1	K1 20DG/RD*	MAP SENSOR	11
2	K2 16TN/BK*	ECU INPUT	11
3	A14 14RD/WT*	AUTOMATIC SHUT DOWN RELAY	9
4	K4 18BK/LB*	SENSOR GROUND	11
5	Z11 16BK/WT*	SIGNAL GROUND	10
6	K6 20VT/WT*	SENSOR 5 VOLT SUPPLY	11
7	K7 18OR	8 VOLT SUPPLY	12
8	—	—	—
9	A21 14DB	IGNITION	9
10	—	—	—
11	Z12 16BK/TN*	POWER GROUND	13
12	Z12 16BK/TN*	POWER GROUND	13
13	K14 18LB/BR*	INJECTOR 4	14
14	K13 18YL/WT*	INJECTOR 3	14
15	K12 18TN	INJECTOR 2	14
16	K11 18WT/DB*	INJECTOR 1	14
17	—	—	—
18	—	—	—
19	K19 18GY	DRIVER #1	10
20	K20 18DG	VOLTAGE REGULATOR	12
21	K21 16BK/RD*	INTAKE AIR TEMPERATURE SENSOR INPUT	11
22	K22 18OR/DB*	THROTTLE POSITION (SENSOR) INPUT	11
23	—	—	—
24	K24 18GY/BK*	CRANKSHAFT POSITION SENSOR	12
25	D21 20PK	SERIAL COMMUNICATION INTERFACE	10
26	—	—	—
27	C91 16LB	A/C REQUEST	45
28	C90 16LG	A/C SELECT	45
29	K29 18WT/PK*	BRAKE SWITCH INPUT	9
30	T41 18BR/YL*	NEUTRAL SENSE (A/TRANS ONLY)	13
31	C27 20DB/PK*	ENGINE COOLING FAN	7
32	G3 20BK/PK*	MALFUNCTION INDICATOR LAMP	13
33	V36 20TN/RD*	VEHICLE SPEED CONTROL (VACUUM)	53
34	C13 20DB/OR*	A/C RELAY	45
35	—	—	—
36	—	—	—
37	—	—	—
38	K15 18PK/BK*	INJECTOR 5	14
39	K39 18GY/RD*	STEPPER IDLE AIR CONTROL #4	14
40	K40 18BR/WT*	STEPPER IDLE AIR CONTROL #2	14
41	K41 18BK/DG*	HEATED OXYGEN SENSOR	13
42	—	—	—
43	G21 20GY/LB*	TACHOMETER	13
44	K44 18TN/YL*	CAMSHAFT POSITION SENSOR	12
45	D20 20LG	SERIAL COMMUNICATION INTERFACE	10
46	—	—	—
47	G7 20WT/OR*	VEHICLE SPEED SENSOR INPUT	12
48	V31 20BR/RD*	VEHICLE SPEED CONTROL (SET)	53
49	V32 20YL/RD*	VEHICLE SPEED CONTROL (IGNITION)	53
50	V33 20WT/LG*	VEHICLE SPEED CONTROL (RESUME)	53
51	K51 20DB/YL*	AUTOMATIC SHUT DOWN RELAY	9
52	—	—	—
53	V35 20LG/RD*	VEHICLE SPEED CONTROL (VENT)	53
54	—	—	—
55	—	—	—
56	—	—	—
57	A142 16DG/OR*	AUTOMATIC SHUTDOWN SENSE	14
58	K16 18LG/BK*	INJECTOR 6	14
59	K59 18VT/BK*	STEPPER IDLE AIR CONTROL #1	14
60	K60 18YL/BK*	STEPPER IDLE AIR CONTROL #3	14