

POWER MIRRORS

CONTENTS

	page		page
DIAGNOSIS	1	SERVICE PROCEDURES	4
GENERAL INFORMATION	1		

GENERAL INFORMATION

Power outside rear view mirrors are an available option on XJ (Cherokee) models. Following are general descriptions of the major components in the power mirror system. Refer to Group 8W - Wiring Diagrams for complete circuit descriptions and diagrams.

POWER MIRROR

The power mirrors are connected to battery feed at all times. Each mirror head contains two electric motors, two drive mechanisms and the mirror glass. One motor and drive controls mirror up-and-down movement, and the other controls right-and-left movement.

The mirror glass is the only serviced replacement part for the power mirror assembly. If any other com-

ponent of the mirror unit is faulty or damaged, the entire assembly must be replaced.

POWER MIRROR SWITCH

Both the right and left mirror are controlled by a multi-function switch located on the front of the center console storage compartment, directly below the armrest. The selector switch is moved right (right mirror control), left (left mirror control), or center to turn power mirrors off. Then one of four directional control buttons is depressed to control movement of the selected mirror up, down, right, or left. The power mirror switch is serviced only as a complete unit.

DIAGNOSIS

POWER MIRROR SYSTEM

(1) Check fuse 16 in Power Distribution Center (PDC) and fuse 9 in fuseblock module. If OK, go to next step. If not OK, replace fuse.

(2) Check for battery voltage at fuse 9 in fuseblock module. If OK, go to next step. If not OK, repair circuit to fuse 16 in PDC.

(3) Remove power mirror switch from the center console. See Power Mirror Switch Remove/Install.

(4) Disconnect wiring harness connector from switch. Check for battery voltage at pink wire. If OK, go to next step. If not OK, repair circuit to fuse 9 in fuseblock module.

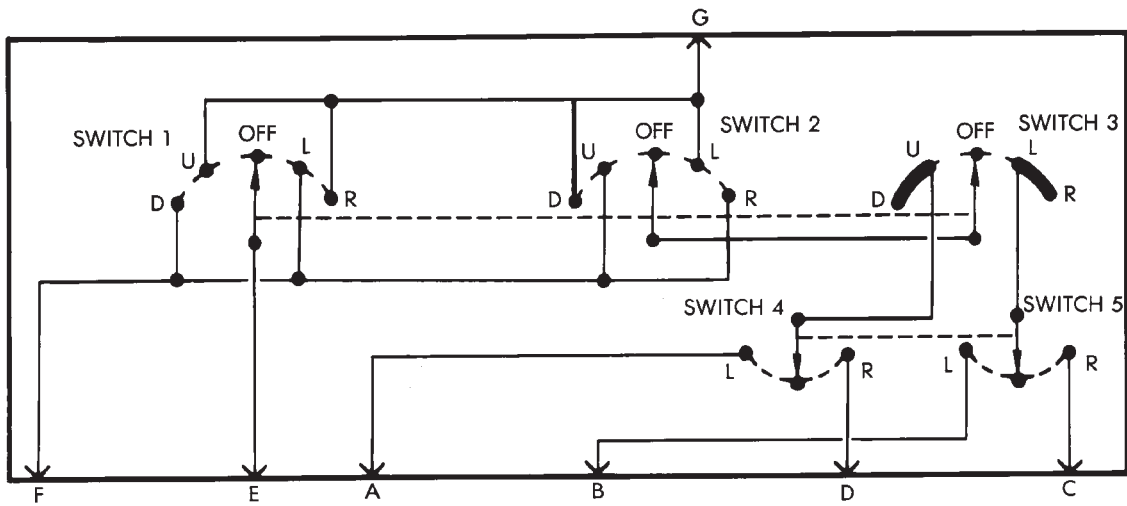
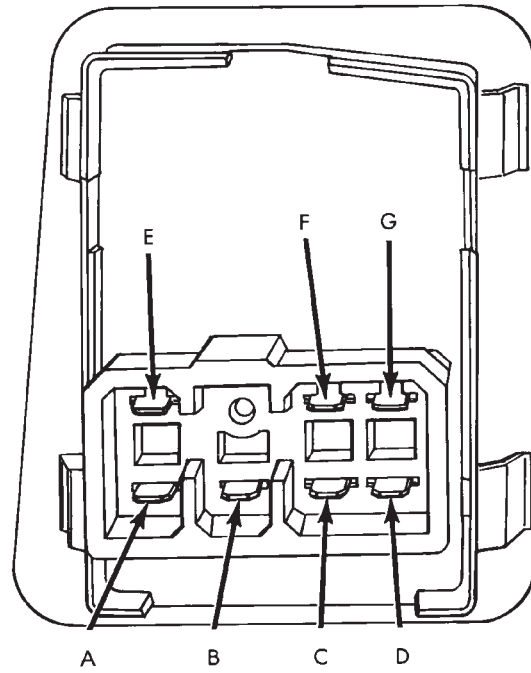
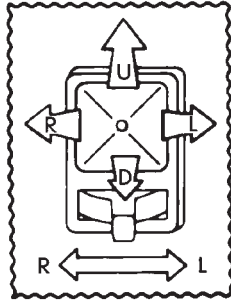
(5) Check for continuity between black wire in switch harness connector and a good ground. There should be continuity. If OK, go to next step. If not OK, repair circuit to ground.

(6) Check switch continuity as shown in the Mirror Switch Continuity charts. If OK, go to next step. If not OK, replace switch.

(7) See Power Mirror Switch illustration. Connect a jumper wire from mirror switch connector cavity for pin E to cavity for pin F. Now connect a second jumper from connector cavity for pin G to each of the following pin cavities: A, B, C, then D. In each case, the selected mirror head should move. If OK, replace switch. If not OK, go to next step.

(8) Remove door trim panel and unplug power mirror connector inside door. Connect one jumper wire to a good ground and a second jumper wire to a battery feed. Connect other ends of jumpers to the mirror side of connector in door (refer to Group 8W - Wiring Diagrams for connector cavity identification). Mirror head should move in each of the four directions. If OK, repair wiring between mirror switch and door connectors. If not OK, replace mirror.

POWER MIRROR SWITCH



POWER MIRROR SWITCH CONTINUITY (LEFT POSITION)

SWITCH POSITION	TERMINALS	ZERO OHMS
Push Down (D)	A and G	Yes
	E and F	Yes
	All Others	No
Push Up (U)	A and F	Yes
	E and G	Yes
	All Others	No
Off (Normal)	All Others	No
Push Left (L)	B and G	Yes
	E and F	Yes
	All Others	No
Push Right (R)	B and F	Yes
	E and G	Yes
	All Others	No

J918T-1

POWER MIRROR SWITCH CONTINUITY (RIGHT POSITION)

SWITCH POSITION	TERMINALS	ZERO OHMS
Push Down (D)	D and G	Yes
	E and F	Yes
	All Others	No
Push Up (U)	D and F	Yes
	E and G	Yes
	All Others	No
Off (Normal)	All Others	No
Push Left (L)	C and G	Yes
	E and F	Yes
	All Others	No
Push Right (R)	C and F	Yes
	E and G	Yes
	All Others	No

J918T-2

SERVICE PROCEDURES

POWER MIRROR SWITCH REMOVE/INSTALL

- (1) Disconnect battery negative cable.
- (2) Using a wide flat-bladed tool, pry the switch housing away from the center console (Fig. 1).

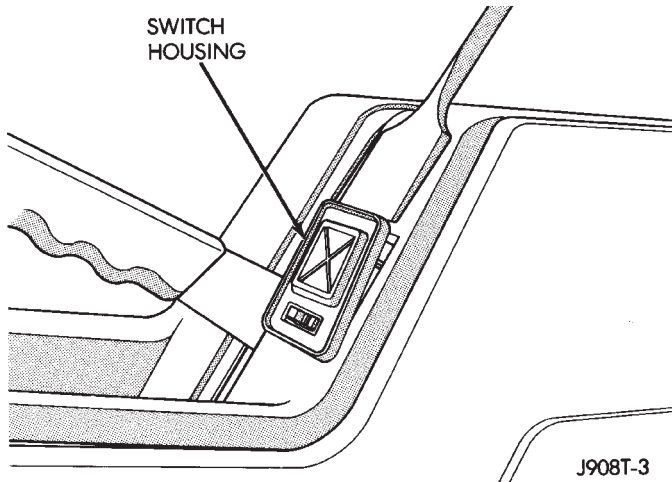


Fig. 1 Power Mirror Switch Remove/Install

- (3) Disconnect switch connector and remove switch.
- (4) Reverse removal procedures to install.

POWER MIRROR REMOVE/INSTALL

- (1) Remove interior door latch release assembly and control panel retaining screws (Fig. 2).

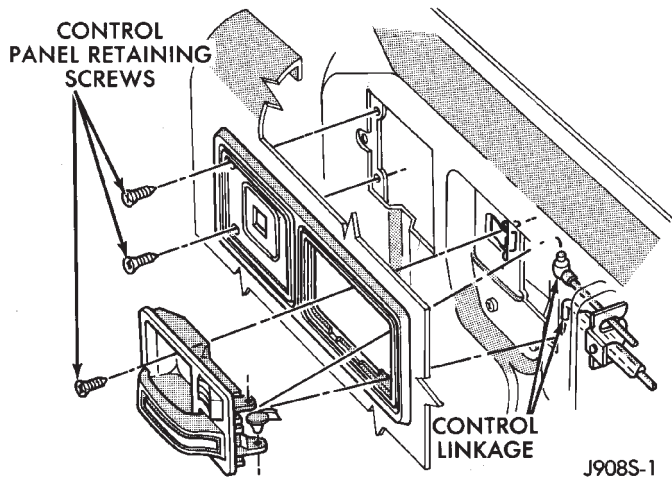


Fig. 2 Door Control Panel Remove/Install

- (2) Disconnect control linkage and wire harness connector.
- (3) Remove latch release and control panel assembly.
- (4) Remove armrest lower retaining screws.
- (5) Swing armrest downward to a vertical position. This is necessary to disconnect the armrest from the upper retainer clip (Fig. 3).

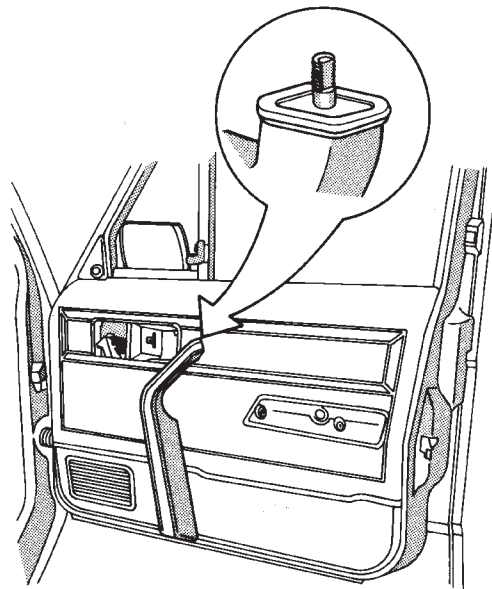


Fig. 3 Armrest Retainer Clip

- (6) Pull the armrest straight out from the trim panel.
- (7) Remove the trim panel with a wide flat-bladed tool (Fig. 4). To aid in removal of the trim panel, start at the bottom of the panel.

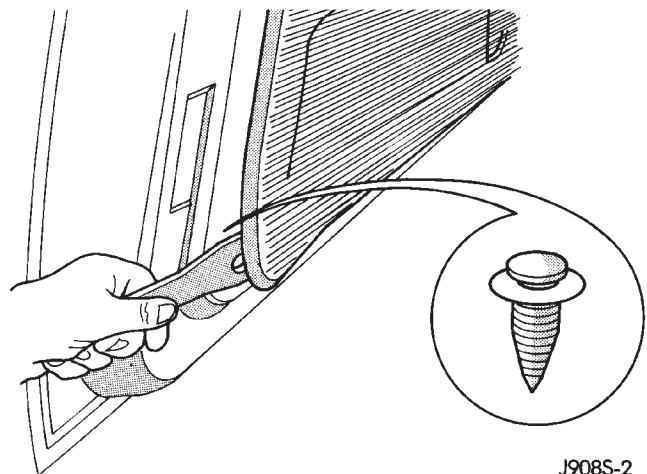


Fig. 4 Trim Panel Remove

(8) Remove screw holding mirror trim cover (Fig. 5).

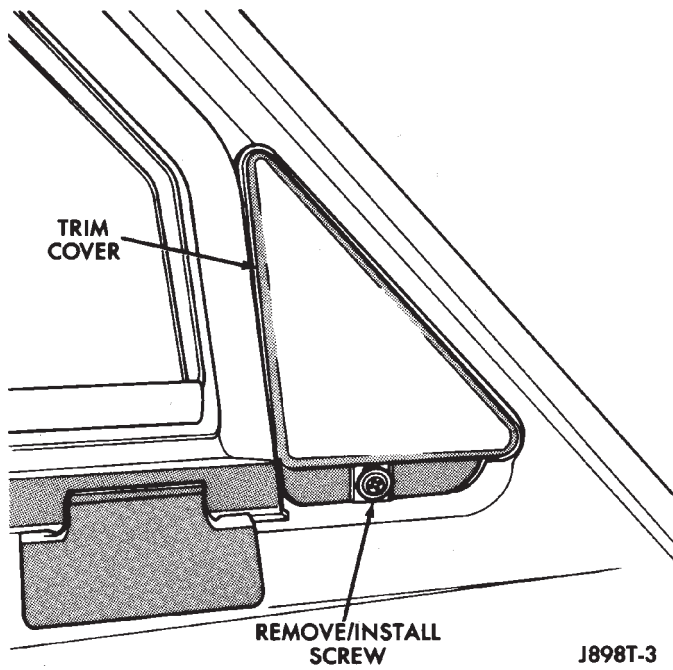


Fig. 5 Power Mirror Trim Cover

(9) Disconnect power mirror wire harness at connector in door.

(10) Pull harness up through door.

(11) Remove 3 screws holding mirror to door (Fig. 6).

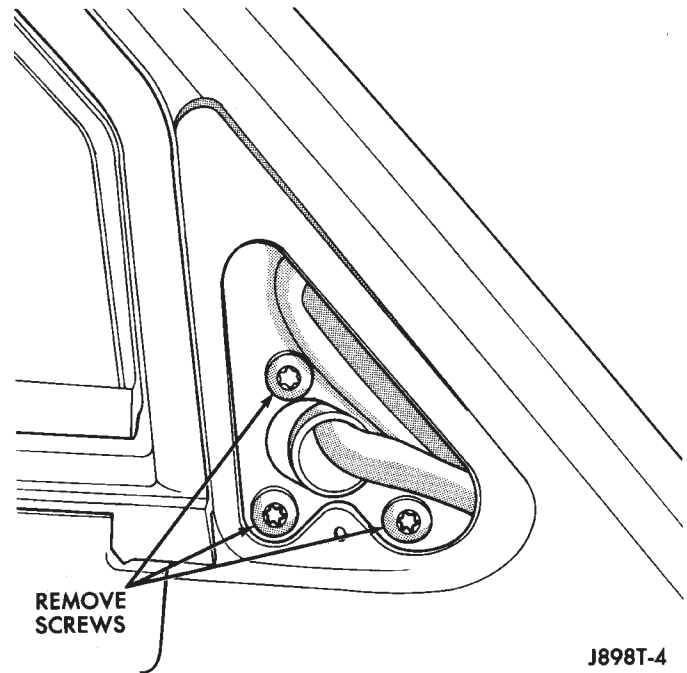


Fig. 6 Power Mirror Remove/Install

(12) Reverse removal procedures to install.

