

FRAME AND BUMPERS

CONTENTS

	page		page
FRAME	2	SWING AWAY SPARE TIRE CARRIER	1

SWING AWAY SPARE TIRE CARRIER

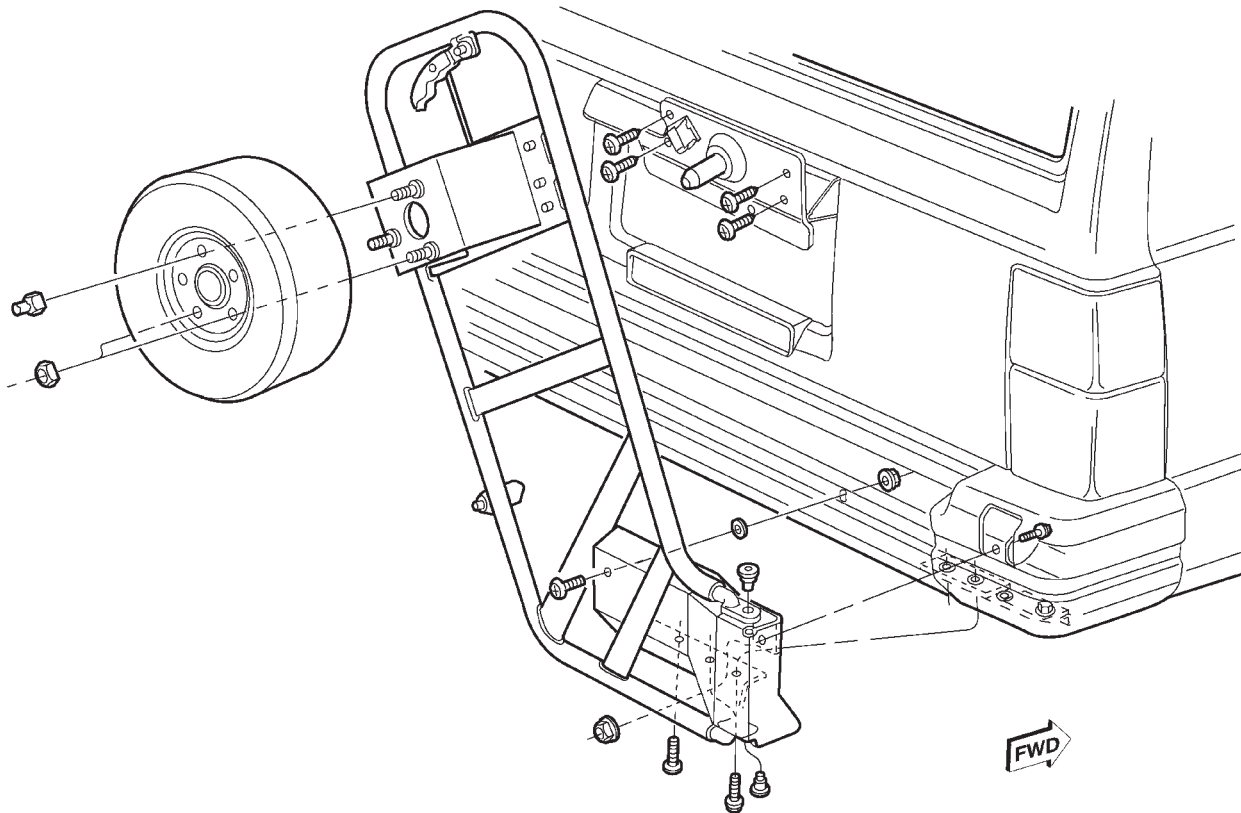
INDEX

page

DISASSEMBLY AND ASSEMBLY	
SWING AWAY SPARE TIRE CARRIER	
MOUNTING	1

DISASSEMBLY AND ASSEMBLY

SWING AWAY SPARE TIRE CARRIER MOUNTING



80aef29c

Fig. 1 Spare Tire Carrier Mounting

FRAME

INDEX

page

GENERAL INFORMATION

EMERGENCY TOW EYES 2

GENERAL INFORMATION

EMERGENCY TOW EYES

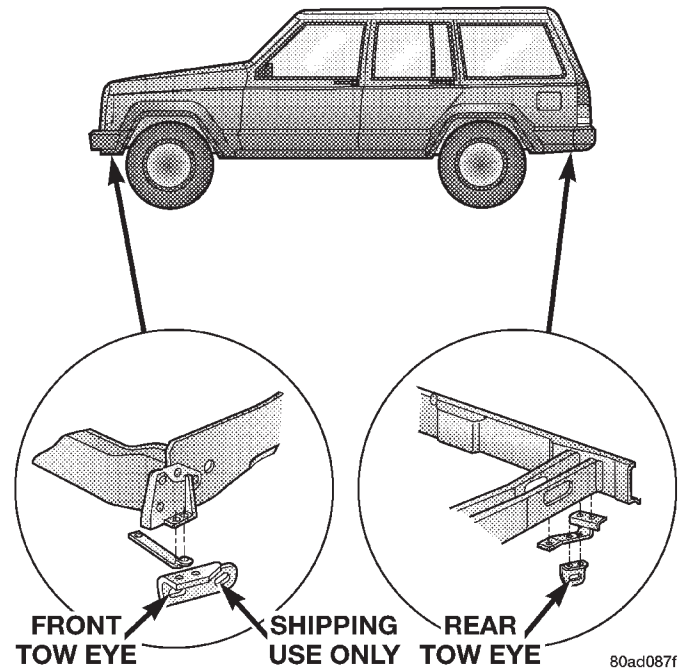
If your vehicle is equipped with emergency tow eyes, one is mounted in the front and one in the rear.

The front tow eye has two holes, the front hole is for towing use only and the rear angled hole is for shipping use only.

CAUTION: Do not use the angled hole for towing. You could damage your vehicle.

WARNING: Stand clear of vehicles when pulling with tow eyes. Tow straps and chains may break, causing serious injury.

CAUTION: Tow eyes are for emergency use only, to rescue a vehicle stranded off road. Do not use tow eyes for tow truck hookup or highway towing. You could damage your vehicle.



80ad087f

Fig. 1 Emergency Tow Eyes