

INSTRUMENT PANEL SYSTEMS

CONTENTS

	page	page
REMOVAL AND INSTALLATION		
HEADLAMP LEVELING SWITCH	1	
REMOVAL AND INSTALLATION		
HEADLAMP LEVELING SWITCH		
		REAR FOG LAMP SWITCH 1

REMOVAL AND INSTALLATION

HEADLAMP LEVELING SWITCH

WARNING: ON VEHICLES EQUIPPED WITH AIR-BAGS, REFER TO GROUP 8M - PASSIVE RESTRAINT SYSTEMS BEFORE ATTEMPTING ANY STEERING WHEEL, STEERING COLUMN, OR INSTRUMENT PANEL COMPONENT DIAGNOSIS OR SERVICE. FAILURE TO TAKE THE PROPER PRECAUTIONS COULD RESULT IN ACCIDENTAL AIR-BAG DEPLOYMENT AND POSSIBLE PERSONAL INJURY.

- (1) Disconnect and isolate the battery negative cable.
- (2) Using a trim stick or another suitable wide flat-bladed tool, gently pry the instrument panel center bezel away from the instrument panel to release the six snap clip retainers (Fig. 1).

INSTRUMENT PANEL

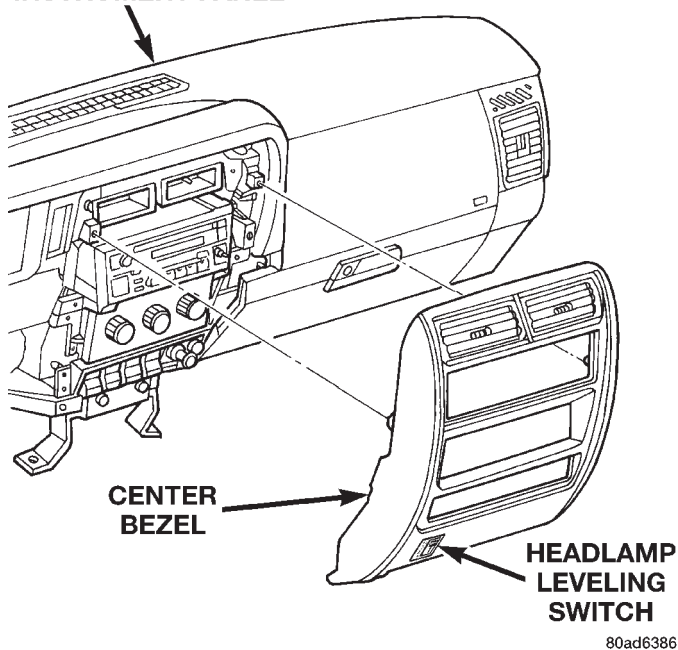


Fig. 1 Center Bezel Remove/Install

- (3) Disconnect the wiring harness from the switch.
- (4) Remove the center bezel from the vehicle.

- (5) Depress switch mounting tabs to remove switch from bezel.

REAR FOG LAMP SWITCH

WARNING: ON VEHICLES EQUIPPED WITH AIR-BAGS, REFER TO GROUP 8M - PASSIVE RESTRAINT SYSTEMS BEFORE ATTEMPTING ANY STEERING WHEEL, STEERING COLUMN, OR INSTRUMENT PANEL COMPONENT DIAGNOSIS OR SERVICE. FAILURE TO TAKE THE PROPER PRECAUTIONS COULD RESULT IN ACCIDENTAL AIR-BAG DEPLOYMENT AND POSSIBLE PERSONAL INJURY.

- (1) Disconnect and isolate the battery negative cable.
- (2) Using a trim stick or another suitable wide flat-bladed tool, gently pry the instrument panel center bezel away from the instrument panel to release the six snap clip retainers (Fig. 1).

- (3) Remove the center bezel from the vehicle.
- (4) Remove the three screws that secure the accessory switch bezel to the instrument panel
- (5) Pull the accessory switch bezel out from the instrument panel far enough to unplug the wire harness connectors (Fig. 2).

ACCESSORY SWITCH BEZEL

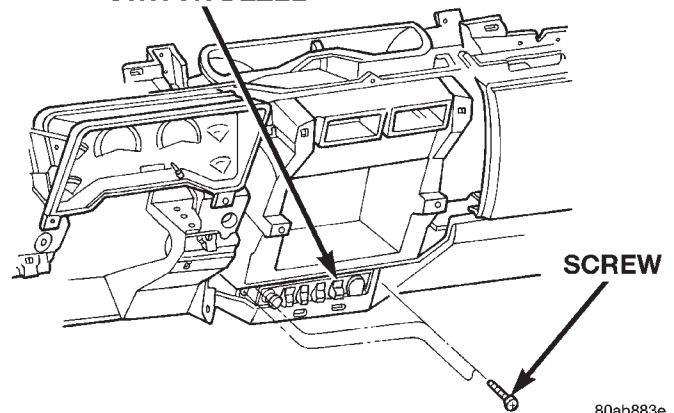


Fig. 2 Accessory Switch Bezel Remove/Install

REMOVAL AND INSTALLATION (Continued)

(6) Remove the accessory switch bezel from the instrument panel.

(7) Carefully pry the snap retainers at the top and bottom of the rear fog lamp switch receptacle on the back of the accessory switch bezel with a small thin-bladed screwdriver and pull the switch out of the receptacle.

(8) Reverse the removal procedures to install. Be certain that both of the switch snap retainers in the receptacle on the back of the accessory switch bezel are fully engaged. Tighten the mounting screws to 2.2 N-m (20 in. lbs.).