

LAMPS

CONTENTS

	page	page
REMOVAL AND INSTALLATION		
BACKUP, REAR TURN SIGNAL, TAILLIGHT AND REAR FOG LIGHT	2	
CENTER HIGH MOUNTED STOPLIGHT	2	
FRONT FOG LAMP	2	
FRONT POSITION LIGHT	1	
FRONT TURN SIGNAL	2	
HEADLIGHTS	1	
SIDE REPEATER LIGHT	1	
SPECIFICATIONS		
REPLACEMENT BULBS	3	

REMOVAL AND INSTALLATION

HEADLIGHTS

REMOVAL

1. Remove the 2 screws holding the bezel in place and remove bezel (Fig. 1).
2. Remove the 4 screws holding the headlight and replace the bulb from the front of the housing (Fig. 2).

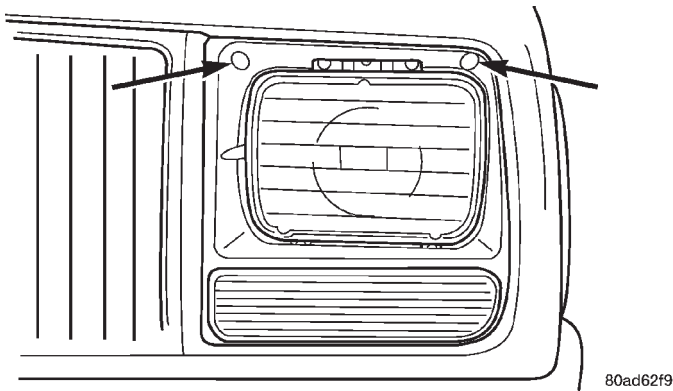


Fig. 1 Headlight Bezel

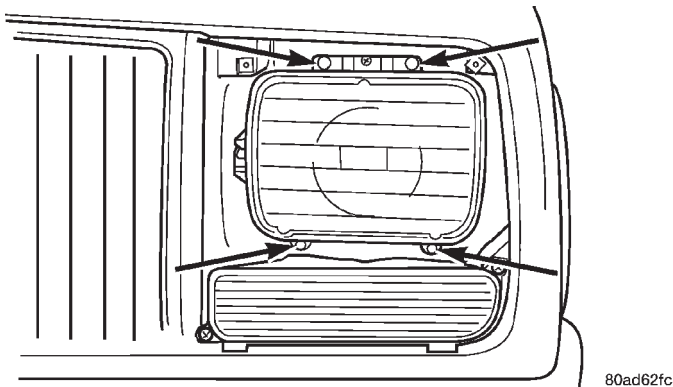


Fig. 2 Headlight Housing

INSTALLATION

1. Reverse the removal procedures to install.

SIDE REPEATER LIGHT

REMOVAL

1. Grip the side repeater lamp assembly with your hand and pull from the body to remove.
2. Rotate and pull the socket from the housing (Fig. 3).
3. Pull the bulb from the socket.

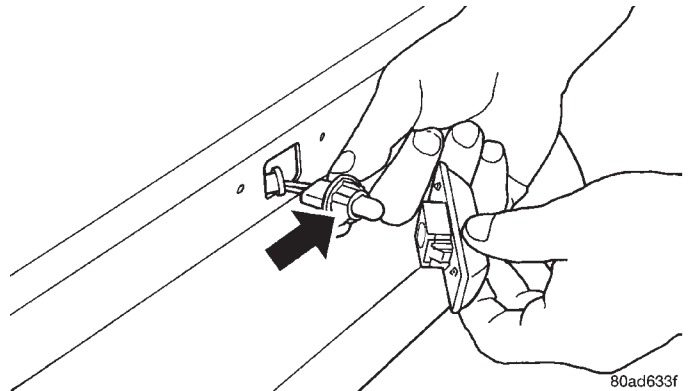


Fig. 3 Side Repeater Light

INSTALLATION

1. Align the side repeater lamp bulb to the socket (Fig. 3).
2. Push the bulb into the socket.
3. Push and rotate the socket into the housing.
4. Press the lamp assembly into the body mounting hole.
5. Verify lamp operation.

FRONT POSITION LIGHT

REMOVAL

1. Remove the 2 screws holding the headlight bezel in place and remove the bezel (Fig. 1).

REMOVAL AND INSTALLATION (Continued)

2. Remove the 4 screws holding the headlight housing (Fig. 2).

3. Pull the front position light socket from the rubber grommet and replace the bulb (Fig. 4).

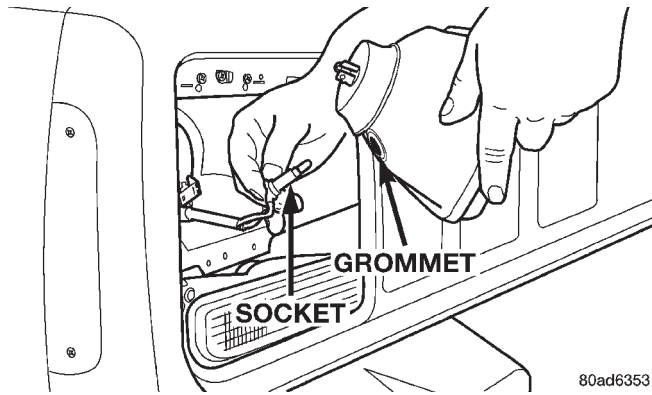


Fig. 4 Front Position Light

INSTALLATION

1. Reverse the removal procedure for installation.

FRONT TURN SIGNAL

REMOVAL

1. Remove the 2 screws holding the bezel in place and remove the bezel (Fig. 5).

2. Remove the screws holding the turn signal housing in place (Fig. 6).

3. Remove the turn signal housing.

4. Twist the socket from the back of the turn signal housing and then pull from the housing (Fig. 7).

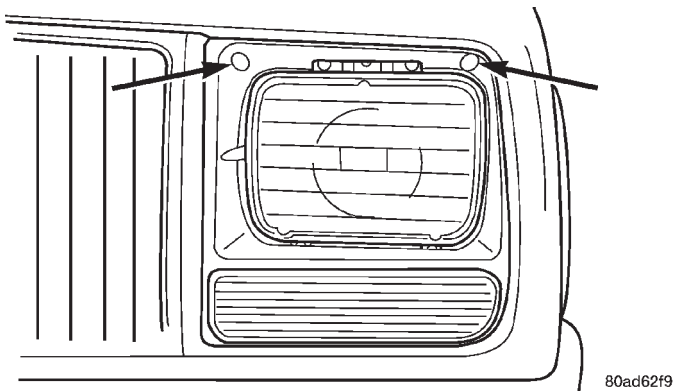


Fig. 5 Headlight Bezel

INSTALLATION

1. Reverse the removal procedure to install.

FRONT FOG LAMP

REMOVAL

1. Remove the 2 screws from the bottom cover of the lamp body.

2. Disconnect the 2 wires from the lamp element.

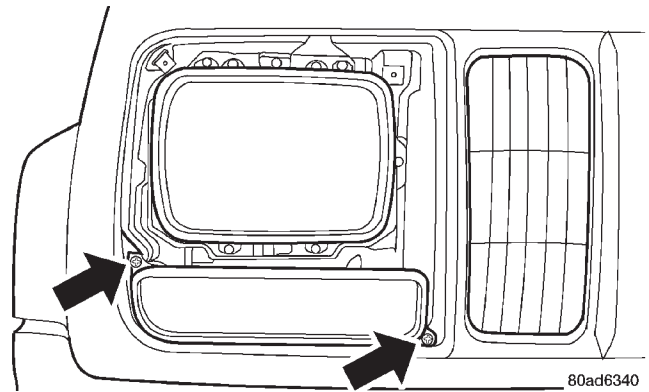


Fig. 6 Front Turn Signal Lamp

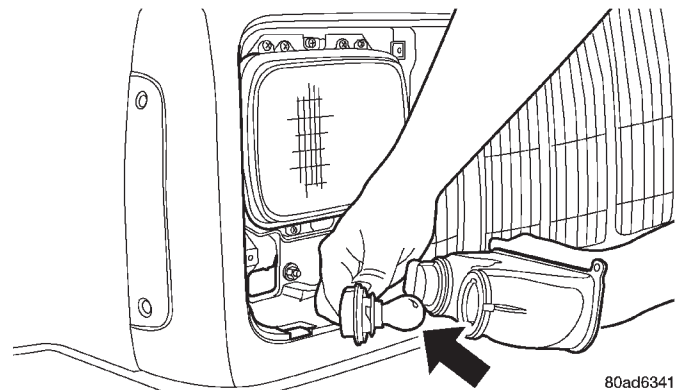


Fig. 7 Front Turn Signal Bulb

3. Remove the lamp element from the housing.

INSTALLATION

1. Install the new lamp element in the housing and reinstall the lower housing.

BACKUP, REAR TURN SIGNAL, TAILLIGHT AND REAR FOG LIGHT

REMOVAL

1. There are 3 mounting bolts attaching the tail-light assembly. When removing, unfasten the 3 bolts located on the top and side. Lift up and out to remove the assembly.

2. Turn the socket assembly 1/3 turn and pull the socket from the housing to replace the bulb (Fig. 8).

INSTALLATION

1. Reverse the removal procedure to install.

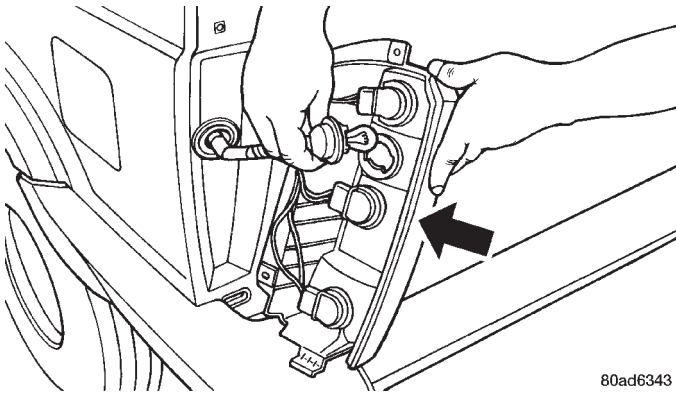
CENTER HIGH MOUNTED STOPLIGHT

REMOVAL

1. Remove the 2 screws (Fig. 9).

2. Remove the Center High Mount Stoptight Assembly.

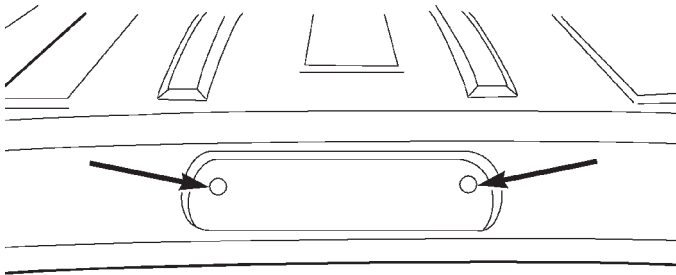
REMOVAL AND INSTALLATION (Continued)



80ad6343

Fig. 8 Rear Lamp Replacement

3. Twist and pull the socket from the back of the housing.



80ad6344

Fig. 9 Center High Mounted Stoplight

INSTALLATION

1. Reverse the removal procedure for installation.

SPECIFICATIONS

REPLACEMENT BULBS

Exterior Lamps	Bulb Type
Headlamp	H4
Front Position	T4W
Front Turn Signal	P27/7W
Side Turn Signal	W3W
License Lamp	W5W
Rear Position and Stop	P27/7W
Rear Turn Signal	P27/7W
Reversing	P27/7W
Rear Fog	P27/7W
Underhood Lamp	W5W
Underhood Retractable Lamp	105
Front Fog	H3
CHMSL	W16W

Interior Lamps	Bulb Type
Ashtray Lamp	1891
Cigarette Lighter Lamp	53
Auto. Trans. Floor Shift Lamp	658
Cargo Lamp	561
Climate Control Lamp (2)	74
Dome Lamp	561
Dome/Reading Lamp	(1) 561 and (2) 906
Glove Box Lamp	194
Lighted Vanity Mirror (2)	74
Map Reading Light in Overhead Console (4) ...	912
Rocker Switch	37
Transfer Case Lamp	658
Underpanel Courtesy lamps (2)	168

NOTE: Numbers refer to commercial bulb types that can be purchased from your local Jeep dealer.

