

# WIRING DIAGRAMS

## CONTENTS

	page		page
AIR CONDITIONING-HEATER .....	8W-42-1	POWER DISTRIBUTION .....	8W-10-1
AIRBAG SYSTEM .....	8W-43-1	POWER DOOR LOCKS .....	8W-61-1
ANTI-LOCK BRAKES .....	8W-35-1	POWER MIRRORS .....	8W-62-1
AUDIO SYSTEM .....	8W-47-1	POWER SEAT .....	8W-63-1
CHARGING SYSTEM .....	8W-20-1	POWER WINDOWS .....	8W-60-1
COMPONENT INDEX .....	8W-02-1	REAR LIGHTING .....	8W-51-1
CONNECTOR LOCATIONS .....	8W-90-1	REAR WINDOW DEFOGGER .....	8W-48-1
CONNECTOR PIN-OUTS .....	8W-80-1	SPLICE INFORMATION .....	8W-70-1
FRONT LIGHTING .....	8W-50-1	SPLICE LOCATIONS .....	8W-95-1
FUEL/IGNITION SYSTEM .....	8W-30-1	STARTING SYSTEM .....	8W-21-1
GENERAL INFORMATION .....	8W-01-1	TRAILER TOW .....	8W-54-1
GROUND DISTRIBUTION .....	8W-15-1	TRANSMISSION CONTROL SYSTEM ....	8W-31-1
HORN/CIGAR LIGHTER/POWER OUTLET .	8W-41-1	TURN SIGNALS .....	8W-52-1
INSTRUMENT CLUSTER .....	8W-40-1	VEHICLE SPEED CONTROL .....	8W-33-1
INTERIOR LIGHTING .....	8W-44-1	VEHICLE THEFT SECURITY SYSTEM ....	8W-39-1
JUNCTION BLOCK .....	8W-12-1	WIPERS .....	8W-53-1
OVERHEAD CONSOLE .....	8W-49-1		



## 8W-01 GENERAL INFORMATION

### INDEX

	page		page
<b>DESCRIPTION AND OPERATION</b>		<b>TROUBLESHOOTING TESTS</b> . . . . .	9
CIRCUIT FUNCTIONS . . . . .	4	<b>TROUBLESHOOTING TOOLS</b> . . . . .	8
CIRCUIT INFORMATION . . . . .	4	<b>TROUBLESHOOTING WIRING PROBLEMS</b> . . . . .	10
CONNECTOR INFORMATION . . . . .	7	<b>SERVICE PROCEDURES</b>	
ELECTROSTATIC DISCHARGE (ESD)		CONNECTOR AND TERMINAL REPLACEMENT . . . . .	12
SENSITIVE DEVICES . . . . .	8	CONNECTOR REPLACEMENT . . . . .	11
INTRODUCTION . . . . .	1	DIODE REPLACEMENT . . . . .	14
NOTES, CAUTIONS, and WARNINGS . . . . .	7	TERMINAL REPLACEMENT . . . . .	13
SECTION IDENTIFICATION . . . . .	5	TERMINAL/CONNECTOR REPAIR-MOLEX	
SPLICE LOCATIONS . . . . .	7	CONNECTORS . . . . .	10
SYMBOLS . . . . .	5	TERMINAL/CONNECTOR REPAIR—THOMAS	
TAKE OUTS . . . . .	8	AND BETTS CONNECTORS . . . . .	11
TERMINOLOGY . . . . .	7	WIRING REPAIR . . . . .	10
<b>DIAGNOSIS AND TESTING</b>		<b>SPECIAL TOOLS</b>	
INTERMITTENT AND POOR CONNECTIONS . . . . .	9	WIRING/TERMINAL . . . . .	15

## DESCRIPTION AND OPERATION

### INTRODUCTION

Chrysler wiring diagrams are designed to provide information regarding the vehicles wiring content. In order to effectively use Chrysler wiring diagrams to diagnose and repair a Chrysler vehicle, it is important to understand all of their features and characteristics.

Diagrams are arranged such that the power (B+) side of the circuit is placed near the top of the page, and the ground (B-) side of the circuit is placed near the bottom of the page.

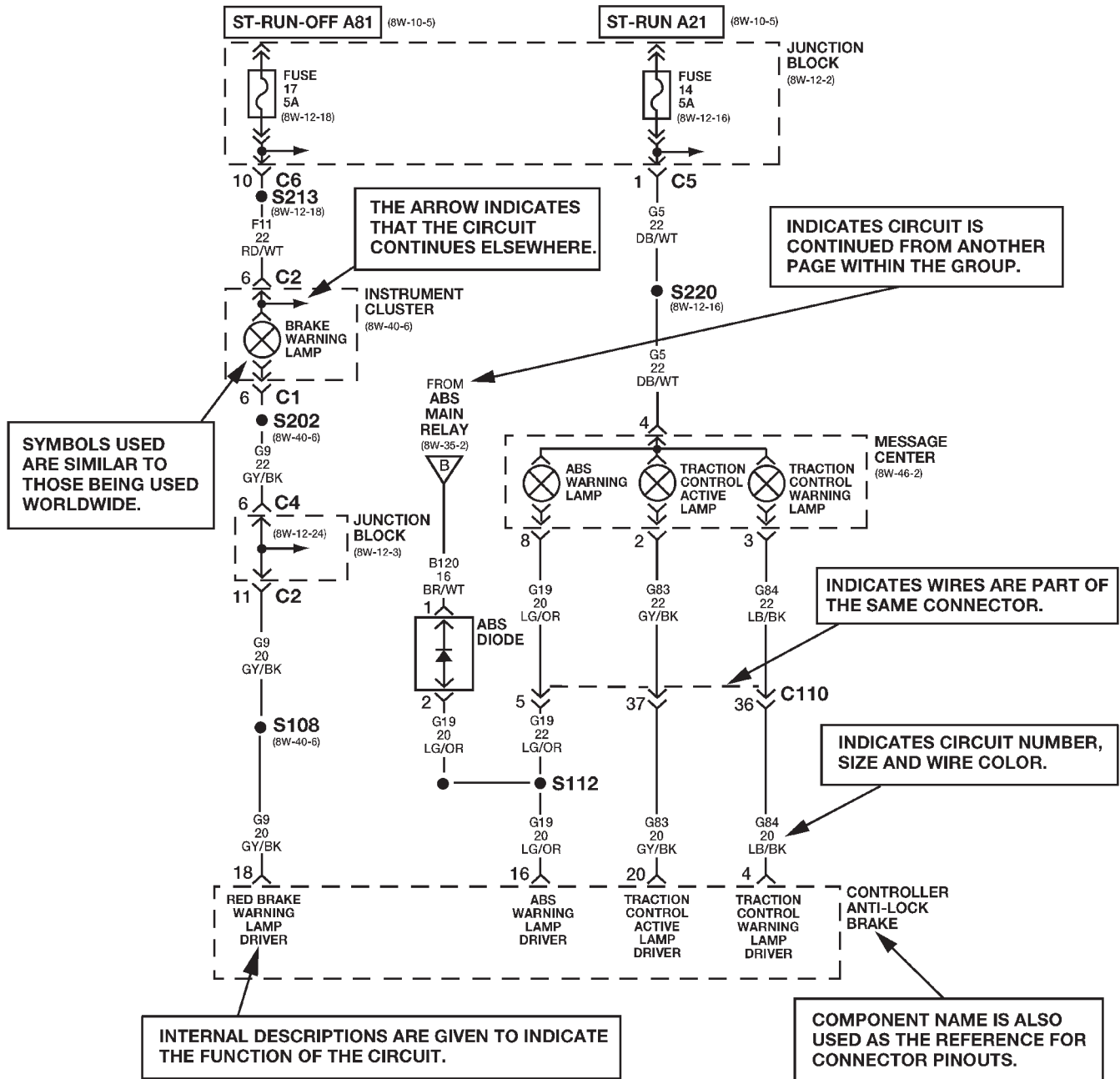
All switches, components, and modules are shown in the at rest position with the doors closed and the key removed from the ignition.

Components are shown two ways. A solid line around a component indicates that the component is complete. A dashed line around a component indicates that the component being shown is not complete. Incomplete components have a reference number to indicate the page where the component is shown complete.

It is important to realize that no attempt is made on the diagrams to represent components and wiring as they appear on the vehicle. For example, a short piece of wire is treated the same as a long one. In addition, switches and other components are shown as simply as possible, with regard to function only.

DESCRIPTION AND OPERATION (Continued)

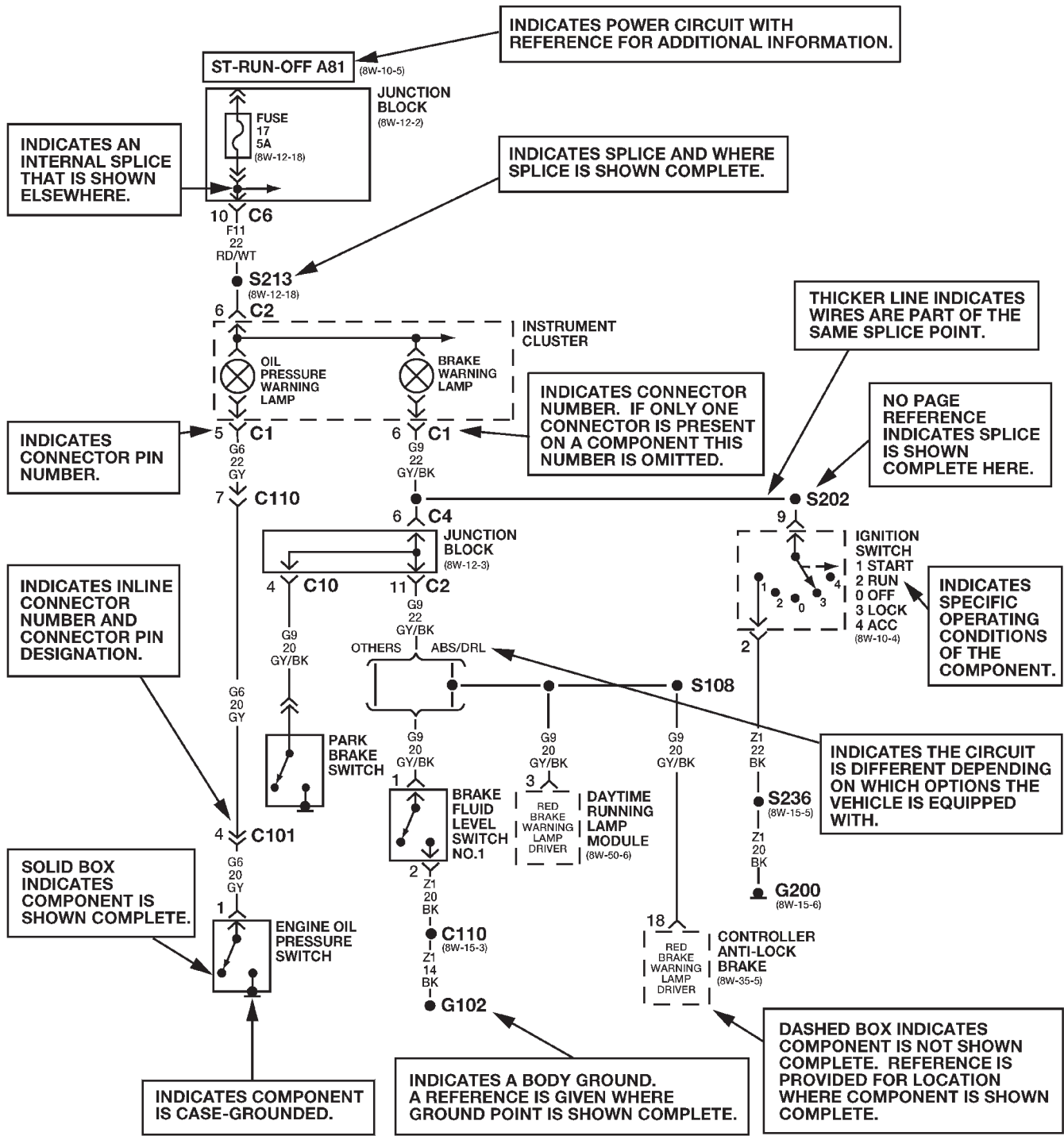
DIAGRAMS ARE ARRANGED WITH THE POWER B+ SIDE OF THE CIRCUIT NEAR THE TOP OF THE PAGE, AND THE GROUND SIDE OF THE CIRCUIT NEAR THE BOTTOM OF THE PAGE.



80b3b272

The System shown here is an EXAMPLE ONLY. It does not represent the actual circuit shown in the WIRING DIAGRAM SECTION.

DESCRIPTION AND OPERATION (Continued)



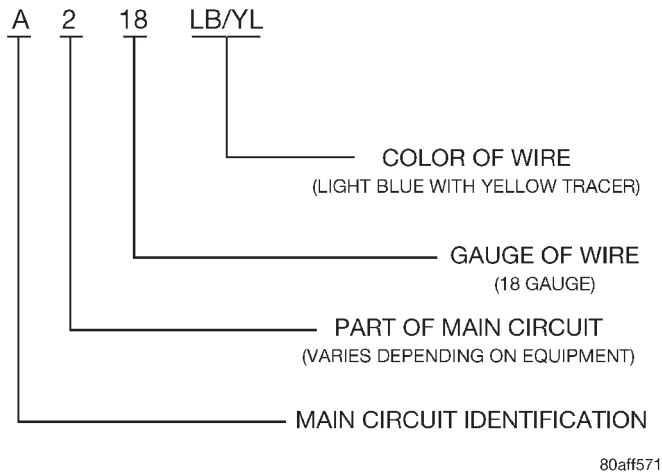
80b3b273

**The System shown here is an EXAMPLE ONLY. It does not represent the actual circuit shown in the WIRING DIAGRAM SECTION.**

DESCRIPTION AND OPERATION (Continued)

**CIRCUIT INFORMATION**

Each wire shown in the diagrams contains a code which identifies the main circuit, part of the main circuit, gage of wire, and color (Fig. 1).



80aff571

**Fig. 1 Wire Code Identification**  
WIRE COLOR CODE CHART

COLOR CODE	COLOR	STANDARD TRACER COLOR
BL	BLUE	WT
BK	BLACK	WT
BR	BROWN	WT
DB	DARK BLUE	WT
DG	DARK GREEN	WT
GY	GRAY	BK
LB	LIGHT BLUE	BK
LG	LIGHT GREEN	BK
OR	ORANGE	BK
PK	PINK	BK or WT
RD	RED	WT
TN	TAN	WT
VT	VIOLET	WT
WT	WHITE	BK
YL	YELLOW	BK
*	WITH TRACER	

**CIRCUIT FUNCTIONS**

All circuits in the diagrams use an alpha/numeric code to identify the wire and its function. To identify which circuit code applies to a system, refer to the Circuit Identification Code Chart. This chart shows the main circuits only and does not show the secondary codes that may apply to some models.

CIRCUIT IDENTIFICATION CODE CHART

CIRCUIT	FUNCTION
A	BATTERY FEED
B	BRAKE CONTROLS
C	CLIMATE CONTROLS
D	DIAGNOSTIC CIRCUITS
E	DIMMING ILLUMINATION CIRCUITS
F	FUSED CIRCUITS
G	MONITORING CIRCUITS (GAUGES)
H	OPEN
I	NOT USED
J	OPEN
K	POWERTRAIN CONTROL MODULE
L	EXTERIOR LIGHTING
M	INTERIOR LIGHTING
N	NOT USED
O	NOT USED
P	POWER OPTION (BATTERY FEED)
Q	POWER OPTIONS (IGNITION FEED)
R	PASSIVE RESTRAINT
S	SUSPENSION/STEERING
T	TRANSMISSION/TRANSAXLE/ TRANSFER CASE
U	OPEN
V	SPEED CONTROL, WIPER/WASHER
W	OPEN
X	AUDIO SYSTEMS
Y	OPEN
Z	GROUNDS

## DESCRIPTION AND OPERATION (Continued)

**SECTION IDENTIFICATION**












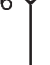











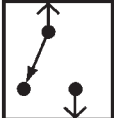


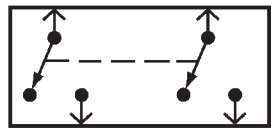


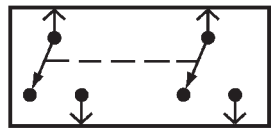


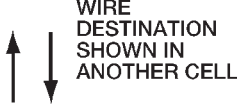

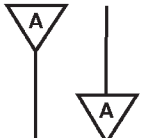






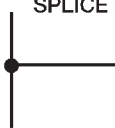










The wiring diagrams are grouped into individual sections. If a component is most likely found in a particular group, it will be shown complete (all wires, connectors, and pins) within that group. For example, the Auto Shutdown Relay is most likely to be found in Group 30, so it is shown there complete. It can, however, be shown partially in another group if it contains some associated wiring.

**SYMBOLS**

International symbols are used throughout the wiring diagrams. These symbols are consistent with those being used around the world

GROUP	TOPIC
8W-01 thru 8W-09	General Information and Diagram Overview
8W-10 thru 8W-19	Main Sources of Power and Vehicle Grounding
8W-20 thru 8W-29	Starting and Charging
8W-30 thru 8W-39	Powertrain/Drivetrain Systems
8W-40 thru 8W-49	Body Electrical items and A/C
8W-50 thru 8W-59	Exterior Lighting, Wipers, and Trailer Tow
8W-60 thru 8W-69	Power Accessories
8W-70	Splice Information
8W-80	Connector Pin Outs
8W-90	Connector Locations (including grounds)
8W-95	Splice Locations

DESCRIPTION AND OPERATION (Continued)

 BATTERY  GENERATOR STATOR COILS	 2 C123 IN-LINE CONNECTORS  2 C123
 FUSIBLE LINK  FUSE  CIRCUIT BREAKER	MULTIPLE CONNECTOR  8  5  2 C123 MALE CONNECTOR  4 C1 FEMALE CONNECTOR  6 C3
 BATT A0 HOT BAR  CHOICE BRACKET (8W-30-10) PAGE REFERENCE	 SINGLE FILAMENT LAMP  DUAL FILAMENT LAMP  ANTENNA
 CLOCKSPrING  GROUND G101  SCREW TERMINAL	NPN TRANSISTOR  PNP TRANSISTOR  TONE GENERATOR 
 OPEN SWITCH  CLOSED SWITCH	 LED  PHOTODIODE  DIODE  ZENER DIODE
 GANGED SWITCH  SLIDING DOOR CONTACT	 OXYGEN SENSOR  GAUGE  PIEZOELECTRIC CELL
 WIRE ORIGIN & DESTINATION SHOWN WITHIN CELL  WIRE DESTINATION SHOWN IN ANOTHER CELL	 RESISTOR  POTENTIOMETER  VARIABLE RESISTOR  HEATER ELEMENT
EXTERNAL SPLICE  S350 INTERNAL SPLICE  INCOMPLETE SPLICE (INTERNAL) 	NON-POLARIZED CAPACITOR  POLARIZED CAPACITOR  VARIABLE CAPACITOR 
 ONE SPEED MOTOR  TWO SPEED MOTOR  REVERSIBLE MOTOR	 COIL  SOLENOID  SOLENOID VALVE

Wiring Diagram Symbols



DESCRIPTION AND OPERATION (Continued)

**TERMINOLOGY**

This a list of terms with there definitions used in the wiring diagrams.

- Built-Up-Export . . . . . Vehicles Built For Sale In Markets Other Than North America
- Except-Built-Up-Export . . . . . Vehicles Built For Sale In North America
- LHD . . . . . Left Hand Drive Vehicles
- RHD . . . . . Right Hand Drive Vehicles
- ATX . . . . . Automatic Transmission-Front Wheel Drive
- MTX . . . . . Manual Transmission-Front Wheel Drive
- AT . . . . . Automatic Transmission-Rear Wheel Drive
- MT . . . . . Manual Transmission-Rear Wheel Drive
- SOHC . . . . . Single Over Head Cam Engine
- DOHC . . . . . Dual Over Head Cam Engine

**CONNECTOR INFORMATION**

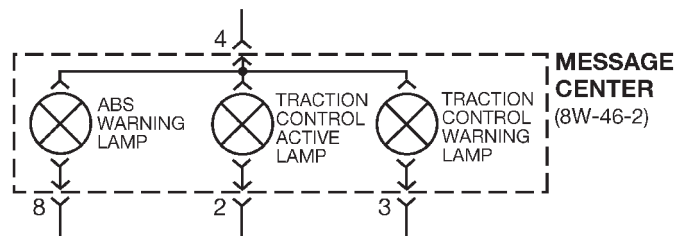
**CAUTION:** Not all connectors are serviced. Some connectors are serviced only with a harness. A typical example might be the Supplemental Restraint System connectors. Always check parts availability before attempting a repair.

**IDENTIFICATION**

In-line connectors are identified by a number, as follows:

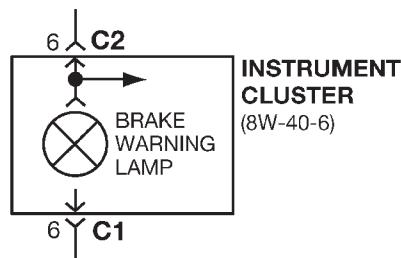
- In-line connectors located on the **engine compartment harness** are **C100** series numbers.
- Connectors located on the **instrument panel harness** are **C200** series numbers.
- Connectors located on the **body harness** are **C300** series numbers.
- **Jumper harness connectors** are **C400** series numbers.
- **Grounds and ground connectors** are identified with a “G” and follow the same series numbering as the in-line connector.

Component connectors are identified by the component name instead of a number (Fig. 2). Multiple connectors on a component use a C1, C2, etc. identifier (Fig. 3).



**Fig. 2 Component Identification**

80aff5a3



80aff5a4

**Fig. 3 Connector Identification**

**LOCATIONS**

Section 8W-90 contains connector/ground location illustrations. The illustrations contain the connector name (or number)/ground number and component identification. Connector/ground location charts in Section 8W-90 reference the illustration number for components and connectors.

Section 8W-80 shows each connector and the circuits involved with that connector. The connectors are identified using the name/number on the Diagram pages.

**SPLICE LOCATIONS**

Splice Location charts in Section 8W-70 show the entire splice, and provide references to other sections the splice serves.

Section 8W-95 contains illustrations that show the general location of the splices in each harness. The illustrations show the splice by number, and provide a written location.

**NOTES, CAUTIONS, and WARNINGS**

Throughout this group additional important information is presented in three ways; Notes, Cautions, and Warnings.

**NOTES** are used to help describe how switches or components operate to complete a particular circuit. They are also used to indicate different conditions that may appear on the vehicle. For example, an up-to and after condition.

**CAUTIONS** are used to indicate information that could prevent making an error that may damage the vehicle.

**WARNINGS** provide information to prevent personal injury and vehicle damage. Below is a list of general warnings that should be followed any time a vehicle is being serviced.

**WARNING: ALWAYS WEAR SAFETY GLASSES FOR EYE PROTECTION.**

**WARNING: USE SAFETY STANDS ANYTIME A PROCEDURE REQUIRES BEING UNDER A VEHICLE.**

## DESCRIPTION AND OPERATION (Continued)

**WARNING: BE SURE THAT THE IGNITION SWITCH ALWAYS IS IN THE OFF POSITION, UNLESS THE PROCEDURE REQUIRES IT TO BE ON.**

**WARNING: SET THE PARKING BRAKE WHEN WORKING ON ANY VEHICLE. AN AUTOMATIC TRANSMISSION SHOULD BE IN PARK. A MANUAL TRANSMISSION SHOULD BE IN NEUTRAL.**

**WARNING: OPERATE THE ENGINE ONLY IN A WELL-VENTILATED AREA.**

**WARNING: KEEP AWAY FROM MOVING PARTS WHEN THE ENGINE IS RUNNING, ESPECIALLY THE FAN AND BELTS.**

**WARNING: TO PREVENT SERIOUS BURNS, AVOID CONTACT WITH HOT PARTS SUCH AS THE RADIATOR, EXHAUST MANIFOLD(S), TAIL PIPE, CATALYTIC CONVERTER, AND MUFFLER.**

**WARNING: DO NOT ALLOW FLAME OR SPARKS NEAR THE BATTERY. GASES ARE ALWAYS PRESENT IN AND AROUND THE BATTERY.**

**WARNING: ALWAYS REMOVE RINGS, WATCHES, LOOSE HANGING JEWELRY, AND LOOSE CLOTHING.**

## TAKE OUTS

The abbreviation T/O is used in the component location section to indicate a point in which the wiring harness branches out to a component.

## ELECTROSTATIC DISCHARGE (ESD) SENSITIVE DEVICES

All ESD sensitive components are solid state and a symbol (Fig. 4) is used to indicate this. When handling any component with this symbol comply with the following procedures to reduce the possibility of electrostatic charge build up on the body and inadvertent discharge into the component. If it is not known whether the part is ESD sensitive, assume that it is.

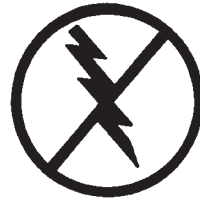
(1) Always touch a known good ground before handling the part. This should be repeated while handling the part and more frequently after sliding across a seat, sitting down from a standing position, or walking a distance.

(2) Avoid touching electrical terminals of the part, unless instructed to do so by a written procedure.

(3) When using a voltmeter, be sure to connect the ground lead first.

(4) Do not remove the part from its protective packing until it is time to install the part.

(5) Before removing the part from its package, ground the package to a known good ground on the vehicle.



948W-193

*Fig. 4 Electrostatic Discharge Symbol*

## DIAGNOSIS AND TESTING

### TROUBLESHOOTING TOOLS

When diagnosing a problem in an electrical circuit there are several common tools necessary. These tools are listed and explained below.

- Jumper Wire - This is a test wire used to connect two points of a circuit. It can be used to bypass an open in a circuit.

**WARNING: NEVER USE A JUMPER WIRE ACROSS A LOAD, SUCH AS A MOTOR, CONNECTED BETWEEN A BATTERY FEED AND GROUND.**

- Voltmeter - Used to check for voltage on a circuit. Always connect the black lead to a known good ground and the red lead to the positive side of the circuit.

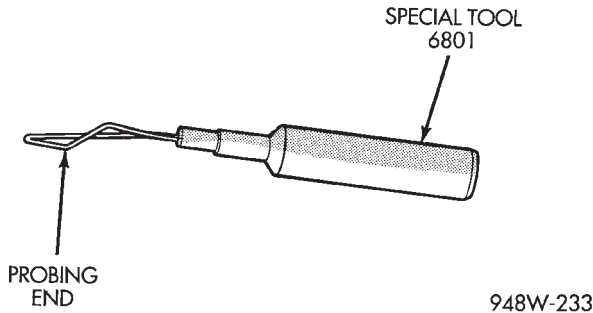
**CAUTION: Most of the electrical components used in today's vehicle are solid state. When checking voltages in these circuits use a meter with a 10-megohm or greater impedance rating.**

- Ohmmeter - Used to check the resistance between two points of a circuit. Low or no resistance in a circuit means good continuity.

**CAUTION: - Most of the electrical components used in today's vehicle are Solid State. When checking resistance in these circuits use a meter with a 10-megohm or greater impedance rating. In addition, make sure the power is disconnected from the circuit. Circuits that are powered up by the vehicle electrical system can cause damage to the equipment and provide false readings.**

DIAGNOSIS AND TESTING (Continued)

• **Probing Tools** - These tools are used for probing terminals in connectors (Fig. 5). Select the proper size tool from Special Tool Package 6807, and insert it into the terminal being tested. Use the other end of the tool to insert the meter probe.



**Fig. 5 Probing Tool**

**INTERMITTENT AND POOR CONNECTIONS**

Most intermittent electrical problems are caused by faulty electrical connections or wiring. It is also possible for a sticking component or relay to cause a problem. Before condemning a component or wiring assembly check the following items.

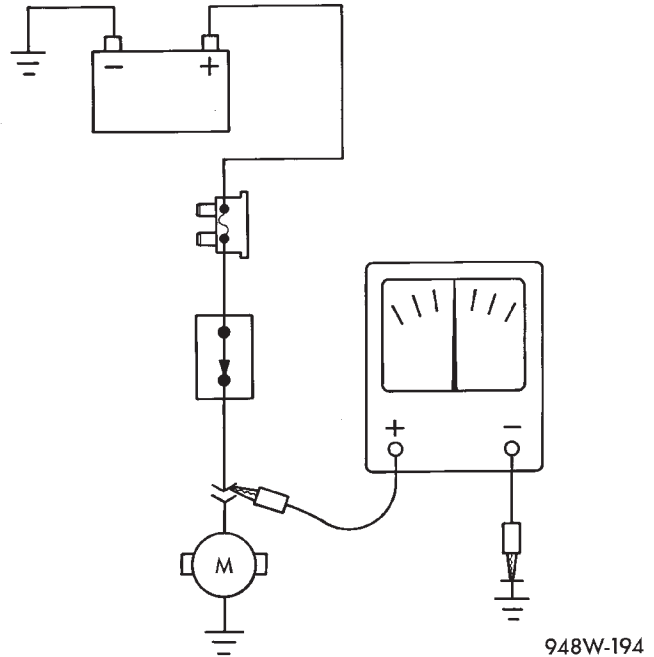
- Connectors are fully seated
- Spread terminals, or terminal push out
- Terminals in the wiring assembly are fully seated into the connector/component and locked in position
- Dirt or corrosion on the terminals. Any amount of corrosion or dirt could cause an intermittent problem
- Damaged connector/component casing exposing the item to dirt and moisture
- Wire insulation that has rubbed through causing a short to ground
- Some or all of the wiring strands broken inside of the insulation covering.
- Wiring broken inside of the insulation

**TROUBLESHOOTING TESTS**

Before beginning any tests on a vehicles electrical system use the Wiring Diagrams and study the circuit. Also refer to the Troubleshooting Wiring Problems in this section.

**TESTING FOR VOLTAGE POTENTIAL**

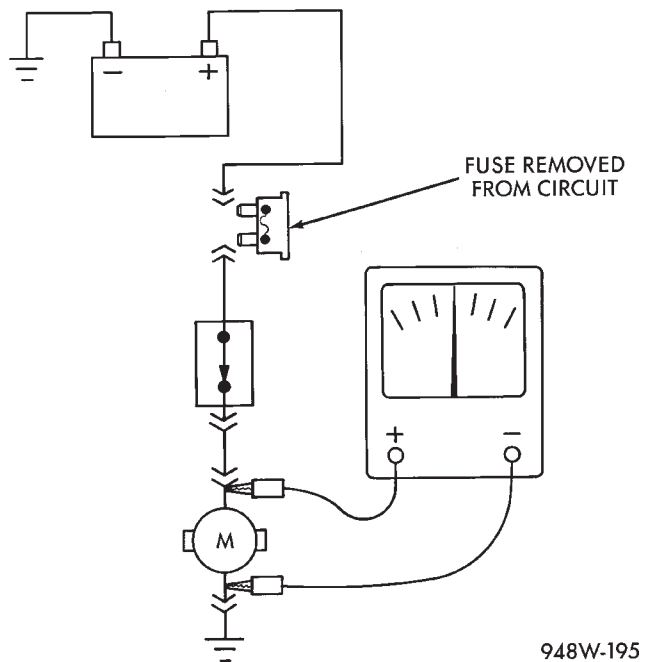
- (1) Connect the ground lead of a voltmeter to a known good ground (Fig. 6).
- (2) Connect the other lead of the voltmeter to the selected test point. The vehicle ignition may need to be turned ON to check voltage. Refer to the appropriate test procedure.



**Fig. 6 Testing for Voltage Potential**

**TESTING FOR CONTINUITY**

- (1) Remove the fuse for the circuit being checked or, disconnect the battery.
- (2) Connect one lead of the ohmmeter to one side of the circuit being tested (Fig. 7).
- (3) Connect the other lead to the other end of the circuit being tested. Low or no resistance means good continuity.



**Fig. 7 Testing for Continuity**

## DIAGNOSIS AND TESTING (Continued)

**TESTING FOR A SHORT TO GROUND**

(1) Remove the fuse and disconnect all items involved with the fuse.

(2) Connect a test light or a voltmeter across the terminals of the fuse.

(3) Starting at the fuse block, wiggle the wiring harness about six to eight inches apart and watch the voltmeter/test lamp.

(4) If the voltmeter registers voltage or the test lamp glows, there is a short to ground in that general area of the wiring harness.

**TESTING FOR A SHORT TO GROUND ON FUSES POWERING SEVERAL LOADS**

(1) Refer to the wiring diagrams and disconnect or isolate all items on the suspected fused circuits.

(2) Replace the blown fuse.

(3) Supply power to the fuse by turning ON the ignition switch or re-connecting the battery.

(4) Start connecting the items in the fuse circuit one at a time. When the fuse blows the circuit with the short to ground has been isolated.

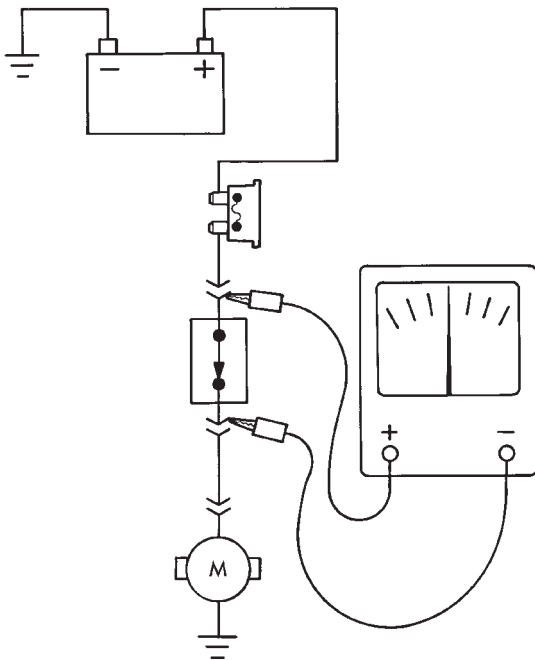
**TESTING FOR A VOLTAGE DROP**

(1) Connect the positive lead of the voltmeter to the side of the circuit closest to the battery (Fig. 8).

(2) Connect the other lead of the voltmeter to the other side of the switch or component.

(3) Operate the item.

(4) The voltmeter will show the difference in voltage between the two points.



948W-196

**Fig. 8 Testing for Voltage Drop**

**TROUBLESHOOTING WIRING PROBLEMS**

When troubleshooting wiring problems there are six steps which can aid in the procedure. The steps are listed and explained below. Always check for non-factory items added to the vehicle before doing any diagnosis. If the vehicle is equipped with these items, disconnect them to verify these add-on items are not the cause of the problem.

(1) Verify the problem.

(2) Verify any related symptoms. Do this by performing operational checks on components that are in the same circuit. Refer to the wiring diagrams.

(3) Analyze the symptoms. Use the wiring diagrams to determine what the circuit is doing, where the problem most likely is occurring and where the diagnosis will continue.

(4) Isolate the problem area.

(5) Repair the problem.

(6) Verify proper operation. For this step check for proper operation of all items on the repaired circuit. Refer to the wiring diagrams.

**SERVICE PROCEDURES****WIRING REPAIR**

When replacing or repairing a wire, it is important that the correct gage be used as shown in the wiring diagrams. The wires must also be held securely in place to prevent damage to the insulation.

(1) Disconnect battery negative cable

(2) Remove 1 inch of insulation from each end of the wire.

(3) Place a piece of heat shrink tubing over one side of the wire. Make sure the tubing will be long enough to cover and seal the entire repair area.

(4) Spread the strands of the wire apart on each part of the exposed wire (example 1). (Fig. 9)

(5) Push the two ends of wire together until the strands of wire are close to the insulation (example 2) (Fig. 9)

(6) Twist the wires together (example 3) (Fig. 9)

(7) Solder the connection together using rosin core type solder only. **Do not use acid core solder.**

(8) Center the heat shrink tubing over the joint, and heat using a heat gun. Heat the joint until the tubing is tightly sealed and sealant comes out of both ends of the tubing.

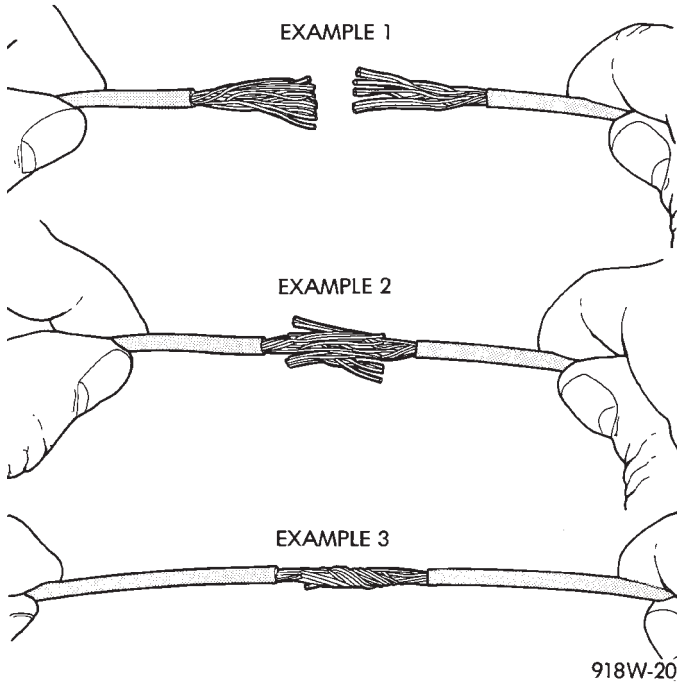
(9) Secure the wire to the existing ones to prevent chafing or damage to the insulation

(10) Connect battery and test all affected systems.

**TERMINAL/CONNECTOR REPAIR-MOLEX CONNECTORS**

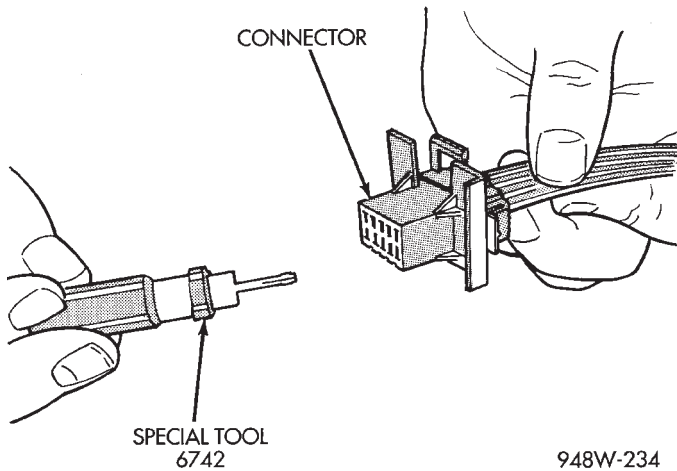
(1) Disconnect battery.

SERVICE PROCEDURES (Continued)



**Fig. 9 Wire Repair**

- (2) Disconnect the connector from its mating half/component.
- (3) Insert the terminal releasing special tool 6742 into the terminal end of the connector (Fig. 10).

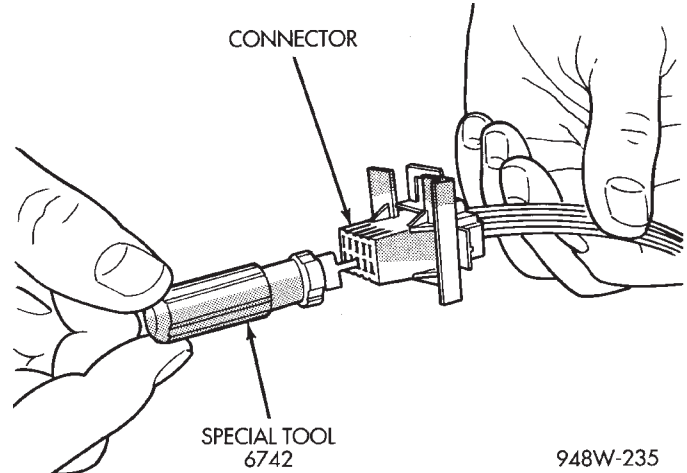


**Fig. 10 Molex Connector Repair**

- (4) Using special tool 6742 release the locking fingers on the terminal (Fig. 11).
- (5) Pull on the wire to remove it from the connector.
- (6) Repair or replace the connector or terminal, as necessary.

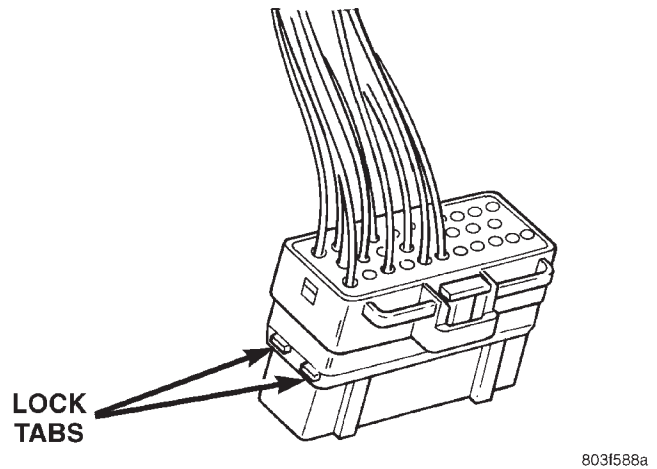
**TERMINAL/CONNECTOR REPAIR—THOMAS AND BETTS CONNECTORS**

- (1) Disconnect battery.



**Fig. 11 Using Special Tool 6742**

- (2) Disconnect the connector from its mating half/component.
- (3) Push in the two lock tabs on the side of the connector (Fig. 12).



**Fig. 12 Thomas and Betts Connector Lock Release Tabs**

- (4) Insert the probe end of special tool 6934 into the back of the connector cavity (Fig. 13).
- (5) Grasp the wire and tool 6934 and slowly remove the wire and terminal from the connector.
- (6) Repair or replace the terminal.
- (7) Install the wire and terminal in the connector. Fully seat the terminal in the connector.
- (8) Push in the single lock tab on the side of the connector (Fig. 14).

**CONNECTOR REPLACEMENT**

- (1) Disconnect battery.
- (2) Disconnect the connector that is to be repaired from its mating half/component
- (3) Remove the connector locking wedge, if required (Fig. 15)

SERVICE PROCEDURES (Continued)

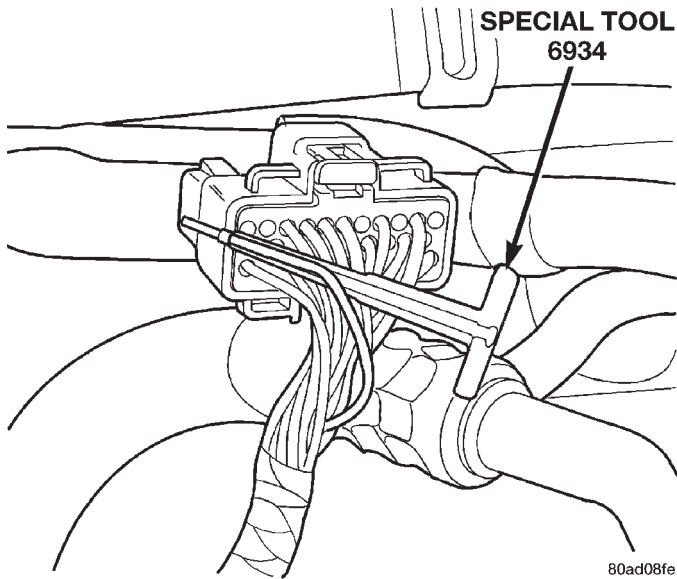


Fig. 13 Removing Wire Terminal

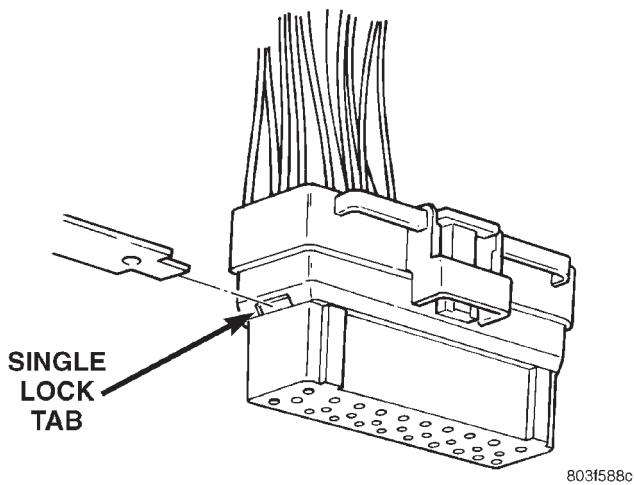


Fig. 14 Single Lock Tab

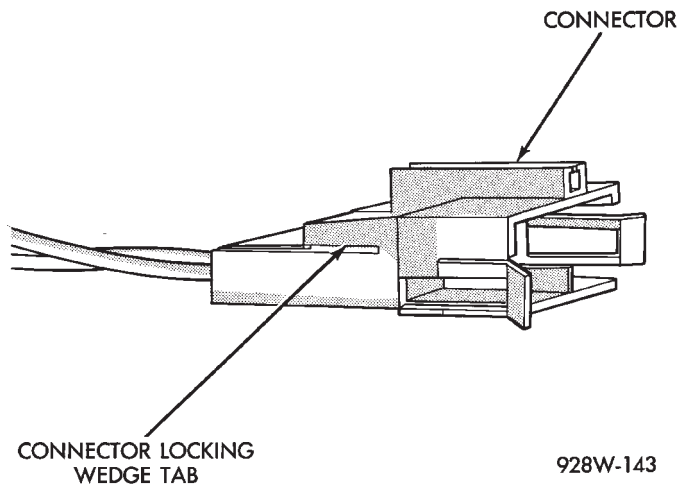


Fig. 15 Connector Locking Wedge

(4) Position the connector locking finger away from the terminal using the proper pick from special tool kit 6680. Pull on the wire to remove the terminal from the connector (Fig. 16) (Fig. 17).

(5) Reset the terminal locking tang, if it has one.

(6) Insert the removed wire in the same cavity on the repair connector.

(7) Repeat steps four through six for each wire in the connector, being sure that all wires are inserted into the proper cavities. For additional connector pin-out identification, refer to the wiring diagrams.

(8) Insert the connector locking wedge into the repaired connector, if required.

(9) Connect connector to its mating half/component.

(10) Connect battery and test all affected systems.

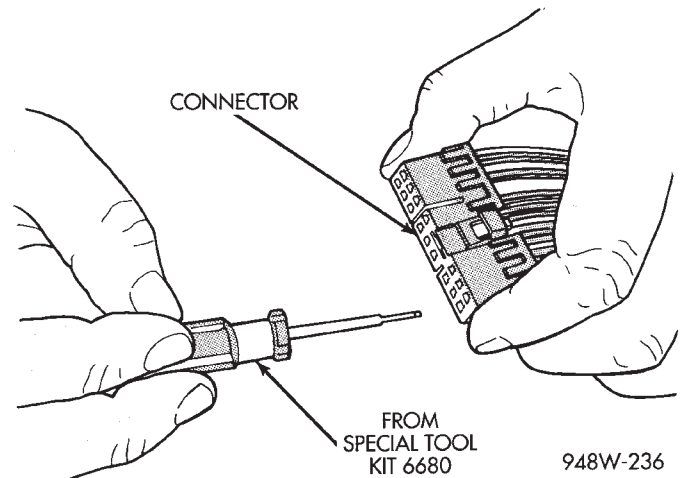


Fig. 16 Terminal Removal

CONNECTOR AND TERMINAL REPLACEMENT

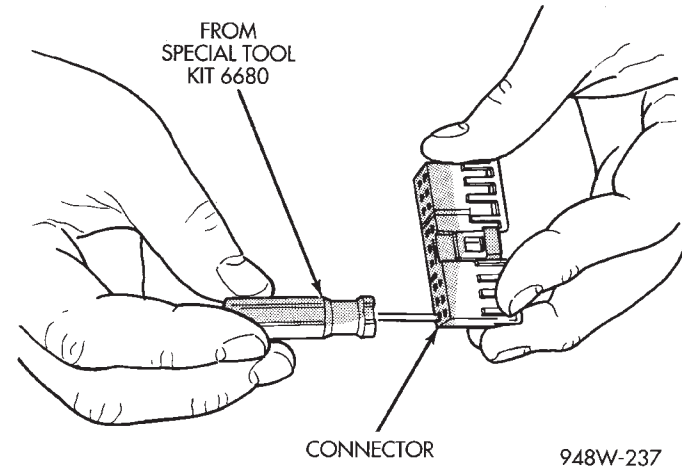


Fig. 17 Terminal Removal Using Special Tool

(1) Disconnect battery.

(2) Disconnect the connector (that is to be repaired) from its mating half/component.

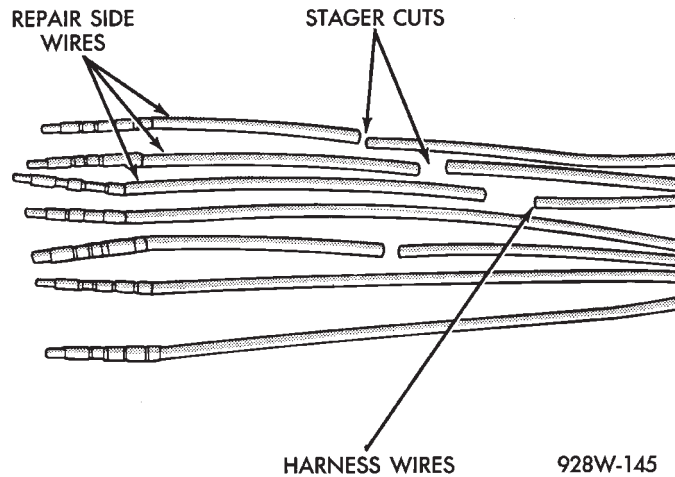
SERVICE PROCEDURES (Continued)

(3) Cut off the existing wire connector directly behind the insulator. Remove six inches of tape from the harness.

(4) Stagger cut all wires on the harness side at 1/2 inch intervals (Fig. 18).

(5) Remove 1 inch of insulation from each wire on the harness side.

(6) Stagger cut the matching wires on the repair connector assembly in the opposite order as was done on the harness side of the repair. Allow extra length for soldered connections. Check that the overall length is the same as the original (Fig. 18).



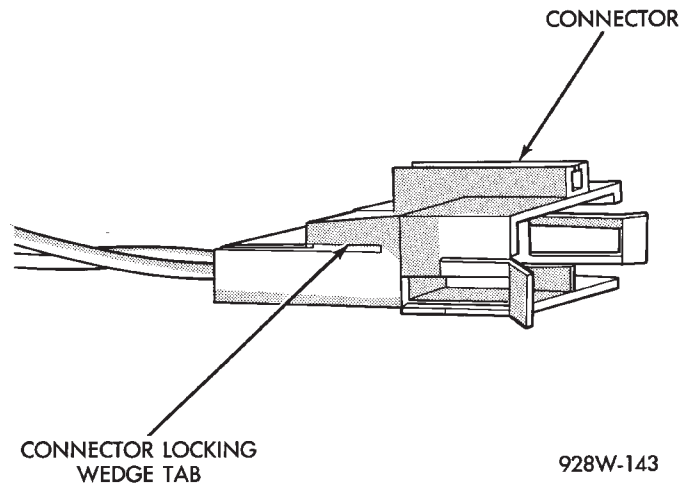
**Fig. 18 Stagger Cutting Wires**

- (7) Remove 1 inch of insulation from each wire.
- (8) Place a piece of heat shrink tubing over one side of the wire. Be sure the tubing will be long enough to cover and seal the entire repair area.
- (9) Spread the strands of the wire apart on each part of the exposed wires.
- (10) Push the two ends of wire together until the strands of wire are close to the insulation.
- (11) Twist the wires together.
- (12) Solder the connection together using rosin core type solder only. **Do not use acid core solder.**
- (13) Center the heat shrink tubing over the joint and heat using a heat gun. Heat the joint until the tubing is tightly sealed and sealant comes out of both ends of the tubing
- (14) Repeat steps 8 through 13 for each wire.
- (15) Re-tape the wire harness starting 1-1/2 inches behind the connector and 2 inches past the repair.
- (16) Re-connect the repaired connector.
- (17) Connect the battery, and test all affected systems.

**TERMINAL REPLACEMENT**

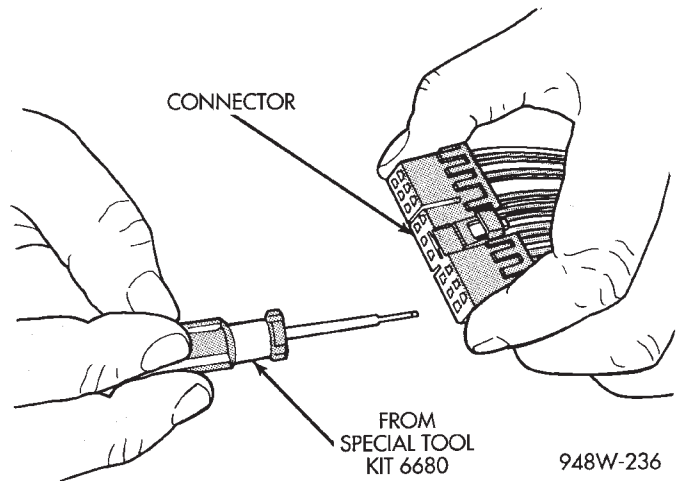
- (1) Disconnect battery.
- (2) Disconnect the connector being repaired from its mating half. Remove connector locking wedge, if required (Fig. 19).

(3) Remove connector locking wedge, if required (Fig. 19).



**Fig. 19 Connector Locking Wedge Tab (Typical)**

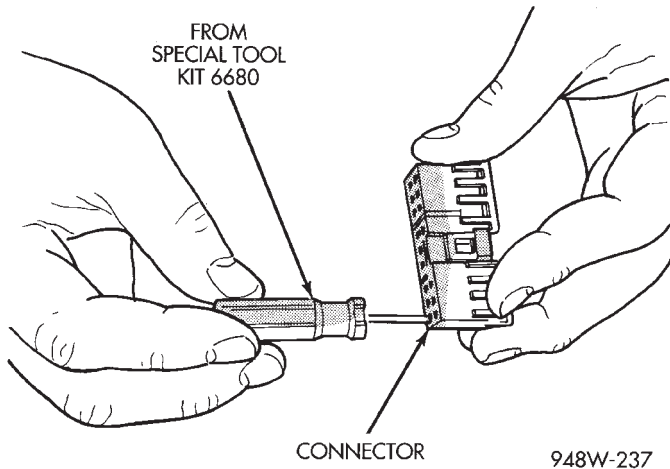
(4) Position the connector locking finger away from the terminal using the proper pick from special tool kit 6680. Pull on the wire to remove the terminal from the connector (Fig. 20) (Fig. 21).



**Fig. 20 Terminal Removal**

- (5) Cut the wire 6 inches from the back of the connector.
- (6) Remove 1 inch of insulation from the wire on the harness side.
- (7) Select a wire from the terminal repair assembly that best matches the color wire being repaired.
- (8) Cut the repair wire to the proper length and remove 1 inch of insulation.
- (9) Place a piece of heat shrink tubing over one side of the wire. Make sure the tubing will be long enough to cover and seal the entire repair area.
- (10) Spread the strands of the wire apart on each part of the exposed wires.
- (11) Push the two ends of wire together until the strands of wire are close to the insulation.

## SERVICE PROCEDURES (Continued)



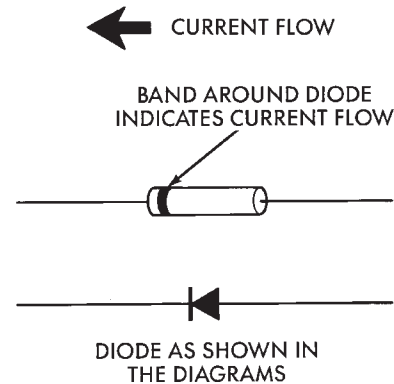
**Fig. 21 Terminal Removal Using Special Tool**

- (12) Twist the wires together.
- (13) Solder the connection together using rosin core type solder only. **Do not use acid core solder.**
- (14) Center the heat shrink tubing over the joint and heat using a heat gun. Heat the joint until the tubing is tightly sealed and sealant comes out of both ends of the tubing.
- (15) Insert the repaired wire into the connector.
- (16) Install the connector locking wedge, if required, and reconnect the connector to its mating half/component.
- (17) Re-tape the wire harness starting 1-1/2 inches behind the connector and 2 inches past the repair.
- (18) Connect battery, and test all affected systems.

## DIODE REPLACEMENT

- (1) Disconnect the battery.

- (2) Locate the diode in the harness, and remove the protective covering.
- (3) Remove the diode from the harness, pay attention to the current flow direction (Fig. 22).



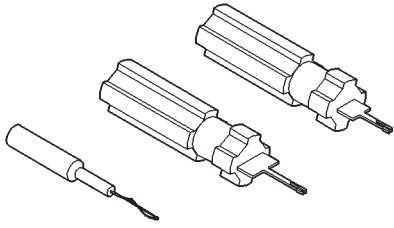
**Fig. 22 Diode Identification**

- (4) Remove the insulation from the wires in the harness. Only remove enough insulation to solder in the new diode.
- (5) Install the new diode in the harness, making sure current flow is correct. If necessary refer to the appropriate wiring diagram for current flow.
- (6) Solder the connection together using rosin core type solder only. **Do not use acid core solder.**
- (7) Tape the diode to the harness using electrical tape making, sure the diode is completely sealed from the elements.
- (8) Re-connect the battery, and test affected systems.

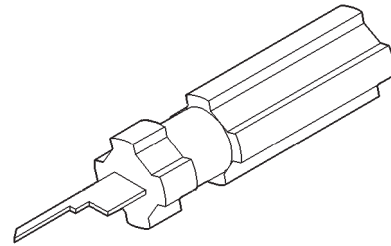


## SPECIAL TOOLS

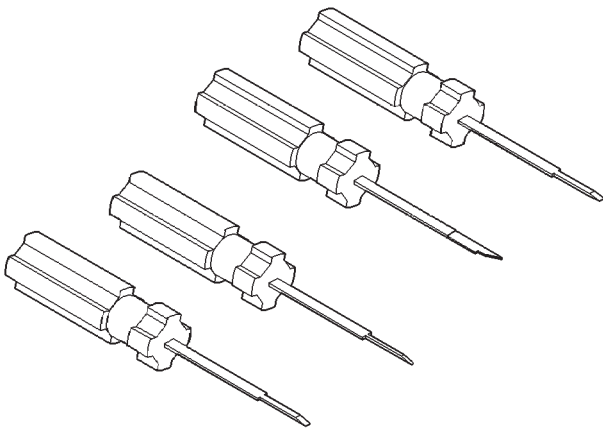
### WIRING/TERMINAL



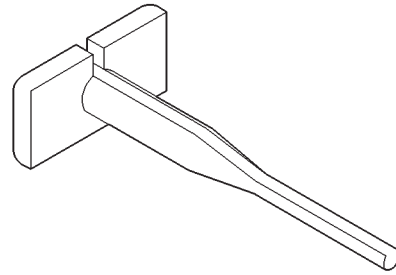
***Probing Tool Package 6807***



***Terminal Removing Tool 6932***



***Terminal Pick 6680***



***Terminal Removing Tool 6934***



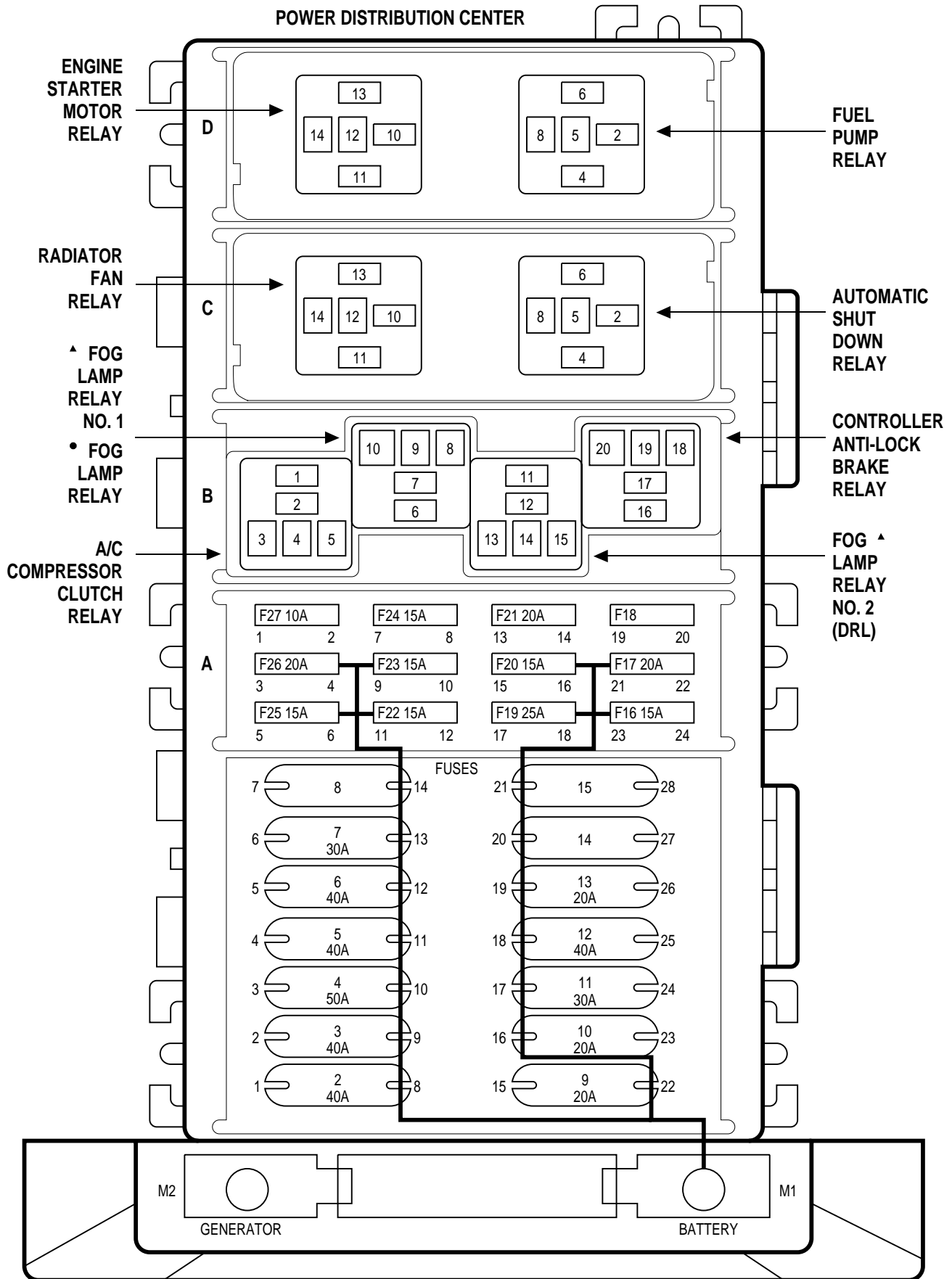
## 8W-02 COMPONENT INDEX

<b>Component</b>	<b>Page</b>	<b>Component</b>	<b>Page</b>
1-2 And 3-4 Solenoid . . . . .	8W-31	Engine Starter Motor . . . . .	8W-21
2-3 Solenoid . . . . .	8W-31	Evap Leak Detection Pump . . . . .	8W-30
A/C Compressor Clutch Relay . . . . .	8W-42	Extended Idle Switch . . . . .	8W-30
A/C Compressor Clutch . . . . .	8W-42	Fog Lamp Relays . . . . .	8W-50
A/C- Heater Control . . . . .	8W-42	Fog Lamps . . . . .	8W-50, 51
A/C Pressure Switches . . . . .	8W-42	Forward/Rearward Motor . . . . .	8W-63
Airbag Control Module . . . . .	8W-43	Front Fog Lamp Switch . . . . .	8W-44, 50
Airbags . . . . .	8W-43	Front Motor . . . . .	8W-63
Ambient Air Temperature Sensor . . . . .	8W-49	Front Wiper Motor . . . . .	8W-53
Antenna . . . . .	8W-47	Fuel Heater Relay . . . . .	8W-30
Automatic Shut Down Relay . . . . .	8W-30	Fuel Heater . . . . .	8W-30
Back-Up Lamp Switch . . . . .	8W-51	Fuel Injectors . . . . .	8W-30
Back-Up Lamps . . . . .	8W-51	Fuel Level Sensor . . . . .	8W-30
Back-Up Switch . . . . .	8W-51	Fuel Pump Module . . . . .	8W-30
Battery Temperature Sensor . . . . .	8W-30	Fuel Pump Relay . . . . .	8W-30
Battery . . . . .	8W-20	Fuel Quantity Actuator Ground . . . . .	8W-30
Blend Door Actuator . . . . .	8W-42	Fuel Temperature Sensor Signal . . . . .	8W-30
Blower Motor Relay . . . . .	8W-42	Fuses (JB) . . . . .	8W-12
Blower Motor . . . . .	8W-42	Fuses (PDC) . . . . .	8W-10
Brake Lamp Switch . . . . .	8W-33	Fusible Link A11 . . . . .	8W-10
Brake Pressure Switch . . . . .	8W-40	Fusible Link . . . . .	8W-20
Brake Warning Pressure Switch . . . . .	8W-40	G Switch . . . . .	8W-35
Camshaft Position Sensor . . . . .	8W-30	Gauges . . . . .	8W-40
Cargo Lamp/Switch . . . . .	8W-44	Generator . . . . .	8W-20
Center High Mounted Stop Lamp . . . . .	8W-51	Glow Plug Assembly . . . . .	8W-30
Cigar Lighter Relay . . . . .	8W-41	Glow Plug Relay . . . . .	8W-30
Cigar Lighter . . . . .	8W-41	Glow Plugs . . . . .	8W-30
Circuit Breakers (JB) . . . . .	8W-12	Grounds . . . . .	8W-15
City Lamps . . . . .	8W-50	Headlamp Beam Select Switch . . . . .	8W-50
Clockspring . . . . .	8W-30, 33, 41, 43	Headlamp Delay Module . . . . .	8W-50
Cluster Illumination Lamps . . . . .	8W-40	Headlamp Leveling Motors . . . . .	8W-50
Clutch Interlock Switch Jumper . . . . .	8W-12, 21	Headlamp Leveling Switch . . . . .	8W-50
Clutch Interlock Switch . . . . .	8W-12, 21	Headlamp Switch . . . . .	8W-50
Combination Flasher . . . . .	8W-52	Headlamps . . . . .	8W-50
Compass . . . . .	8W-49	Heated Seat Backs . . . . .	8W-63
Controller Anti-Lock Brake Relay . . . . .	8W-35	Heated Seat Cushions . . . . .	8W-63
Controller Anti-Lock Brake . . . . .	8W-35	Heated Seat Relay . . . . .	8W-63
Courtesy Lamps . . . . .	8W-44	Heated Seat Switches . . . . .	8W-63
Crankshaft Position Sensor . . . . .	8W-30	Heater Control . . . . .	8W-42
Data Link Connector . . . . .	8W-30	Horn Relay . . . . .	8W-41
Daytime Running Lamp Module . . . . .	8W-50	Horn Switch . . . . .	8W-41
Diode Module . . . . .	8W-51	Horns . . . . .	8W-41
Dome Lamp . . . . .	8W-44	HVAC Unit . . . . .	8W-42
Dome Lamps Switch . . . . .	8W-44	Idle Air Control Motor . . . . .	8W-30
Door Jamb Switches . . . . .	8W-39, 44	Ignition Coil . . . . .	8W-30
Door Lock Motors . . . . .	8W-61	Ignition Switch . . . . .	8W-10
Duty Cycle Evap/Purge Solenoid . . . . .	8W-12	Indicators . . . . .	8W-40
Electronic Vacuum Modulator . . . . .	8W-30	Input Speed Sensor . . . . .	8W-31
Engine Control Module . . . . .	8W-30	Instrument Cluster . . . . .	8W-40
Engine Coolant Temperature Sensors . . . . .	8W-30	Intake Air Temperature Sensor . . . . .	8W-30
Engine Oil Pressure Sensor . . . . .	8W-30	Junction Block . . . . .	8W-12
Engine Starter Motor Relay . . . . .	8W-21	License Lamp . . . . .	8W-51

<b>Component</b>	<b>Page</b>	<b>Component</b>	<b>Page</b>
Liftgate Lock Motor	8W-61	Repeater Lamps	8W-50, 52
Liftgate Switch	8W-44	Seat Belt Switch	8W-40
Lock-Up Solenoid	8W-31	Seat Heat Interface Module	8W-63
Low Coolant Switch	8W-30	Sentry Key Immobilizer Module	8W-39
Manifold Absolute Pressure Sensor	8W-30	Shift Lock Solenoid	8W-31
Needle Movement Sensor	8W-30	Side Marker Lamps	8W-50, 52
Odometer	8W-40	Speakers	8W-47
Output Speed Sensor	8W-31	Speed Control Switches	8W-33
Overhead Module	8W-49	Speedometer	8W-40
Oxygen Sensors	8W-30	Splice Information	8W-70
Park Brake Switch	8W-40	Tachometer	8W-40
Park/Neutral Position Switch	8W-31	Tail/Stop Lamps	8W-51
Park/Turn Signal Lamps	8W-50, 52	Tell Tale Module	8W-30
Pedal Position Sensor	8W-30	Throttle Position Sensor	8W-30
Power Amplifier	8W-47	Torque Converter Clutch Solenoid	8W-30, 31, 51
Power Antenna Relay	8W-47	Trailer Tow Connector	8W-54
Power Antenna	8W-47	Trailer Tow Electric Brake Provision	8W-54
Power Distribution Center	8W-10	Trailer Tow Relays	8W-54
Power Lock/Window Switches	8W-60, 61, 62	Transfer Case Switch Illumination	8W-44
Power Mirror Switch	8W-62	Transfer Case Switch	8W-40
Power Mirrors	8W-48, 62	Transmission Control Assembly	8W-31
Power Outlet	8W-41	Transmission Control Module	8W-31
Power Seat Motors	8W-63	Transmission Range Sensor	8W-31
Power Seat Switches	8W-63	Trip Reset Switch	8W-40
Power Steering Pressure Switch	8W-30	Turbo Boost Pressure Sensor	8W-30
Power Window Motors	8W-60	Turn Signal Lamps	8W-50, 52
Powertrain Control Module	8W-30	Turn Signal/Hazard Switch	8W-52
PRNDL Illumination	8W-44	Underhood Lamp/Mercury Switch	8W-44
Radiator Fan Motor	8W-42	Vehicle Speed Control Servo	8W-33
Radiator Fan Relay	8W-42	Vehicle Speed Sensor	8W-30
Radio	8W-47	Visor/Vanity Lamps	8W-44
Rear Fog Lamp Relay	8W-51	Washer Fluid Level Switch	8W-40
Rear Fog Lamp Switch	8W-51	Water In Fuel Sensor	8W-30
Rear Motor	8W-63	Wheel Speed Sensors	8W-35
Rear Washer Pump	8W-53	Window Motors	8W-60
Rear Window Defogger Relay	8W-48	Window Switches	8W-60
Rear Window Defogger Switch	8W-48	Windshield Washer Pump	8W-53
Rear Window Defogger	8W-48	Wipe/Wash Switch	8W-53
Rear Wiper Motor	8W-53	Wiper Motor Relay	8W-53
Rear Wiper/Washer Switch	8W-53		

## 8W-10 POWER DISTRIBUTION

<b>Component</b>	<b>Page</b>	<b>Component</b>	<b>Page</b>
A/C Compressor Clutch	8W-10-21, 32	Fuse 16 (PDC)	8W-10-11, 13, 25, 28
A/C Compressor Clutch Relay	8W-10-21, 32	Fuse 17 (JB)	8W-10-14, 15
Automatic Shut Down Relay	8W-10-18, 29, 34	Fuse 17 (PDC)	8W-10-11, 26, 27
Battery	8W-10-10, 12	Fuse 18 (JB)	8W-10-14, 15
Brake Lamp Switch	8W-10-32, 33	Fuse 19 (JB)	8W-10-17
Brake Warning Pressure Switch	8W-10-14, 15	Fuse 19 (PDC)	8W-10-11, 13, 29, 32
Cargo Lamp/Switch	8W-10-25, 28	Fuse 20 (JB)	8W-10-19, 24
Center High Mounted Stop Lamp	8W-10-32, 33	Fuse 20 (PDC)	8W-10-11, 13, 31, 32
Cigar Lighter	8W-10-19, 24	Fuse 21 (JB)	8W-10-19, 24
Cigar Lighter Relay	8W-10-14, 15, 19, 24	Fuse 21 (PDC)	8W-10-18, 29, 34
Circuit Breaker 28 (JB)	8W-10-14, 15	Fuse 22 (JB)	8W-10-17
Circuit Breaker 29 (JB)	8W-10-19, 24	Fuse 22 (PDC)	8W-10-11, 13, 31, 34
Circuit Breaker 30 (JB)	8W-10-14, 15	Fuse 23 (PDC)	8W-10-11, 13, 33, 35
Combination Flasher	8W-10-31, 35	Fuse 24 (JB)	8W-10-17
Compass	8W-10-26, 27, 28	Fuse 24 (PDC)	8W-10-18, 29
Controller Anti-Lock Brake	8W-10-23, 24, 32, 33	Fuse 25 (JB)	8W-10-17
Data Link Connector	8W-10-26, 27, 36	Fuse 25 (PDC)	8W-10-11, 13, 32, 33, 35
Daytime Running Lamp Module	8W-10-21	Fuse 26 (JB)	8W-10-17
Diode Module	8W-10-35	Fuse 26 (PDC)	8W-10-11, 13, 33, 36
Dome Lamp	8W-10-26, 27, 28	Fuse 27 (JB)	8W-10-16
Dome Lamps Switch	8W-10-26, 27, 28	Fuse 27 (PDC)	8W-10-21, 32
Driver Door Jamb Switch	8W-10-16	Fusible Link A11	8W-10-10, 12
Electronic Vacuum Modulator	8W-10-34	G108	8W-10-14, 15
Engine Control Module	8W-10-18, 32	Generator	8W-10-10, 12
Engine Starter Motor	8W-10-10, 12, 22, 23	Glow Plug Assembly	8W-10-18
Engine Starter Motor Relay	8W-10-22, 23	Glow Plug Relay	8W-10-18, 34
Fog Lamp Relay	8W-10-32, 33, 35	Headlamp Delay Module	8W-10-21, 22
Fog Lamp Relay No. 1	8W-10-33	Headlamp Switch	8W-10-16, 21, 22, 26, 27, 36
Fog Lamp Relay No. 2	8W-10-33	High Note Horn	8W-10-19, 24
Front Fog Lamp Switch	8W-10-32, 33, 35	Horn Relay	8W-10-19, 24
Fuel Heater	8W-10-22	HVAC Unit	8W-10-20, 24
Fuel Heater Relay	8W-10-22	Ignition Coil	8W-10-29
Fuel Injector No. 1	8W-10-30	Ignition Switch	8W-10-14, 15, 16, 17
Fuel Injector No. 2	8W-10-30	Instrument Cluster	8W-10-16, 25, 28
Fuel Injector No. 3	8W-10-30	Junction Block	8W-10-14, 15, 16, 17, 19, 22, 23, 24, 25, 28
Fuel Injector No. 4	8W-10-30	Left Courtesy Lamp	8W-10-25, 28
Fuel Injector No. 5	8W-10-30	Left Fog Lamp	8W-10-35
Fuel Injector No. 6	8W-10-30	Left Tail/Stop Lamp	8W-10-32, 33
Fuel Pump Module	8W-10-18, 31, 34	Left Visor/Vanity Lamp	8W-10-26, 27, 28
Fuel Pump Relay	8W-10-31	Low Note Horn	8W-10-19, 24
Fuse 1 (JB)	8W-10-19, 24	Overhead Module	8W-10-26, 27, 28
Fuse 2 (JB)	8W-10-19, 24	Oxygen Sensor 1/1 Upstream	8W-10-29
Fuse 2 (PDC)	8W-10-10, 12, 14, 18	Oxygen Sensor 1/2 Downstream	8W-10-29
Fuse 3 (PDC)	8W-10-10, 12, 14, 18	Park Brake Switch	8W-10-14, 15
Fuse 4 (PDC)	8W-10-10, 12, 18, 19	Passenger Power Lock/Window Switch	8W-10-16
Fuse 5 (PDC)	8W-10-10, 12, 15, 20	Power Amplifier	8W-10-33, 34
Fuse 6 (PDC)	8W-10-10, 12, 20, 22	Power Antenna Relay	8W-10-27, 36
Fuse 7 (PDC)	8W-10-10, 12, 21, 22	Power Distribution Center	8W-10-2, 6, 10, 11, 12, 13, 14, 15, 18, 19, 20, 21, 22, 23, 24, 25, 26, 27, 28, 29, 31, 32, 33, 34, 35, 36
Fuse 8 (JB)	8W-10-16	Powertrain Control Module	8W-10-18, 29, 31
Fuse 8 (PDC)	8W-10-12, 22	Radiator Fan Motor	8W-10-20, 24
Fuse 9 (JB)	8W-10-16	Radiator Fan Relay	8W-10-20, 24
Fuse 9 (PDC)	8W-10-10, 12, 21, 24	Radio	8W-10-25, 28
Fuse 10 (JB)	8W-10-16	Rear Window Defogger	8W-10-22, 23
Fuse 10 (PDC)	8W-10-10, 12, 15, 23	Rear Window Defogger Relay	8W-10-17, 22, 23
Fuse 11 (JB)	8W-10-16	Right Courtesy Lamp	8W-10-25, 28
Fuse 11 (PDC)	8W-10-10, 12, 23, 24	Right Fog Lamp	8W-10-35
Fuse 12 (JB)	8W-10-17	Right Tail/Stop Lamp	8W-10-32, 33
Fuse 12 (PDC)	8W-10-11, 12, 23, 24	Right Visor/Vanity Lamp	8W-10-26, 27, 28
Fuse 13 (JB)	8W-10-22, 23	Sentry Key Immobilizer Module	8W-10-21, 32
Fuse 13 (PDC)	8W-10-11, 13, 23, 24	Transmission Control Module	8W-10-25
Fuse 14 (JB)	8W-10-22, 23	Underhood Lamp/Mercury Switch	8W-10-25, 28
Fuse 14 (PDC)	8W-10-13, 24		
Fuse 15 (JB)	8W-10-19, 24		
Fuse 15 (PDC)	8W-10-13, 22		



**FUSES**

FUSE NO.	AMPS	FUSED CIRCUIT	FEED CIRCUIT
1	-	-	-
2	40A	A1 12RD	A0 6RD
3	40A	A2 12PK/BK	A0 6RD
4	50A	A7 10RD/BK	A0 6RD
5	40A	F141 12LG/RD	A0 6RD
6	40A	A111 12RD/LG	A0 6RD
7	30A	A3 14RD/WT	A0 6RD
		A3 14RD/WT ▲	
8	-	-	-
9	20A	A17 16RD/BK	A0 6RD
		A17 16RD/BK	
10	20A	A41 16YL	A0 6RD
11	30A	A4 12BK/PK	A0 6RD
12 ●	40A	A10 12RD/DG	A0 6RD
13 ●	20A	A20 12RD/DB	A0 6RD
14	-	-	-
15	-	-	-
16	15A	M1 20PK	A0 6RD
17	20A	F34 18TN/BK	A0 6RD
18	-	-	-
19	25A	A16 16RD/LG	A0 6RD
20	15A	L9 20BK/PK	A0 6RD
21	20A	A142 18DG/OR	A999 16RD
22	15A	A61 14DG/BK	A0 6RD
23	15A	F32 20PK/DB	A0 6RD
24	15A	F142 20DG/WT	A999 16RD
25	15A	F61 20WT/OR	A0 6RD
26	20A	F75 16VT	A0 6RD
27	10A	F1 20DB/GY	A17 16RD/BK

● ABS  
▲ DRL

A/C  
COMPRESSOR  
CLUTCH  
RELAY

CAVITY	CIRCUIT	FUNCTION
B1	A17 16RD/BK	FUSED B(+)
B2	C3 16DB/BK	A/C COMPRESSOR CLUTCH RELAY OUTPUT
B3	C13 18DB/OR	A/C COMPRESSOR CLUTCH RELAY CONTROL
B4	-	-
B5	F20 18WT	FUSED IGNITION SWITCH OUTPUT (ST-RUN)

AUTOMATIC  
SHUT  
DOWN  
RELAY

CAVITY	CIRCUIT	FUNCTION
C2	A16 16RD/LG	FUSED B(+)
C4	F12 18DB/WT	FUSED IGNITION SWITCH OUTPUT (ST-RUN)
C5	-	-
C6	K51 18DB/YL	AUTOMATIC SHUT DOWN RELAY CONTROL
C8	A999 16RD	AUTOMATIC SHUT DOWN RELAY OUTPUT
	A999 16RD	

CONTROLLER  
ANTI-LOCK  
BRAKE  
RELAY

CAVITY	CIRCUIT	FUNCTION
B16	G19 20LG/OR	ABS WARNING INDICATOR DRIVER
B17	-	-
B18	G83 18GY/BK	ABS RELAY CONTROL
B19	Z1 20BK	GROUND
B20	F15 20DB/WT	FUSED IGNITION SWITCH OUTPUT (RUN)

ENGINE  
STARTER  
MOTOR  
RELAY

CAVITY	CIRCUIT	FUNCTION
D10	A41 16YL	FUSED B(+)
D11	T41 20BK/WT	PARK/NEUTRAL POSITION SWITCH SENSE
	T41 20BK/WT	● PARK/NEUTRAL POSITION SWITCH SENSE
D11	Z1 20BK	■ GROUND
D12	-	-
D13	F45 20YL/RD	● FUSED B(+) ENGINE STARTER MOTOR RELAY
D13	T141 20YL	▲ IGNITION SWITCH OUTPUT (START)
D14	T40 16BR	STARTER RELAY OUTPUT

▲ 2.5L, 4.0L M/T, RHD 4.0L A/T

● LHD 4.0L A/T

■ 4.0L M/T



**FOG  
LAMP  
RELAY  
NO. 1**

CAVITY	CIRCUIT	FUNCTION
B6	F61 20WT/OR	FUSED B(+)
B7	L92 20PK ▲▲	FOG LAMP RELAY OUTPUT
B7	L139 20VT	FOG LAMP RELAY OUTPUT
B8	Z1 20BK ▲▲	GROUND
	Z1 20BK ▲▲	GROUND
B8	L35 20BR/WT	FOG LAMP RELAY CONTROL
B9	-	-
B10	L77 20BR/YL	FUSED LEFT INBOARD TAIL LAMP
	L77 20BR/YL	FUSED LEFT INBOARD TAIL LAMP

**FOG  
LAMP  
RELAY  
NO. 2  
(DRL)**

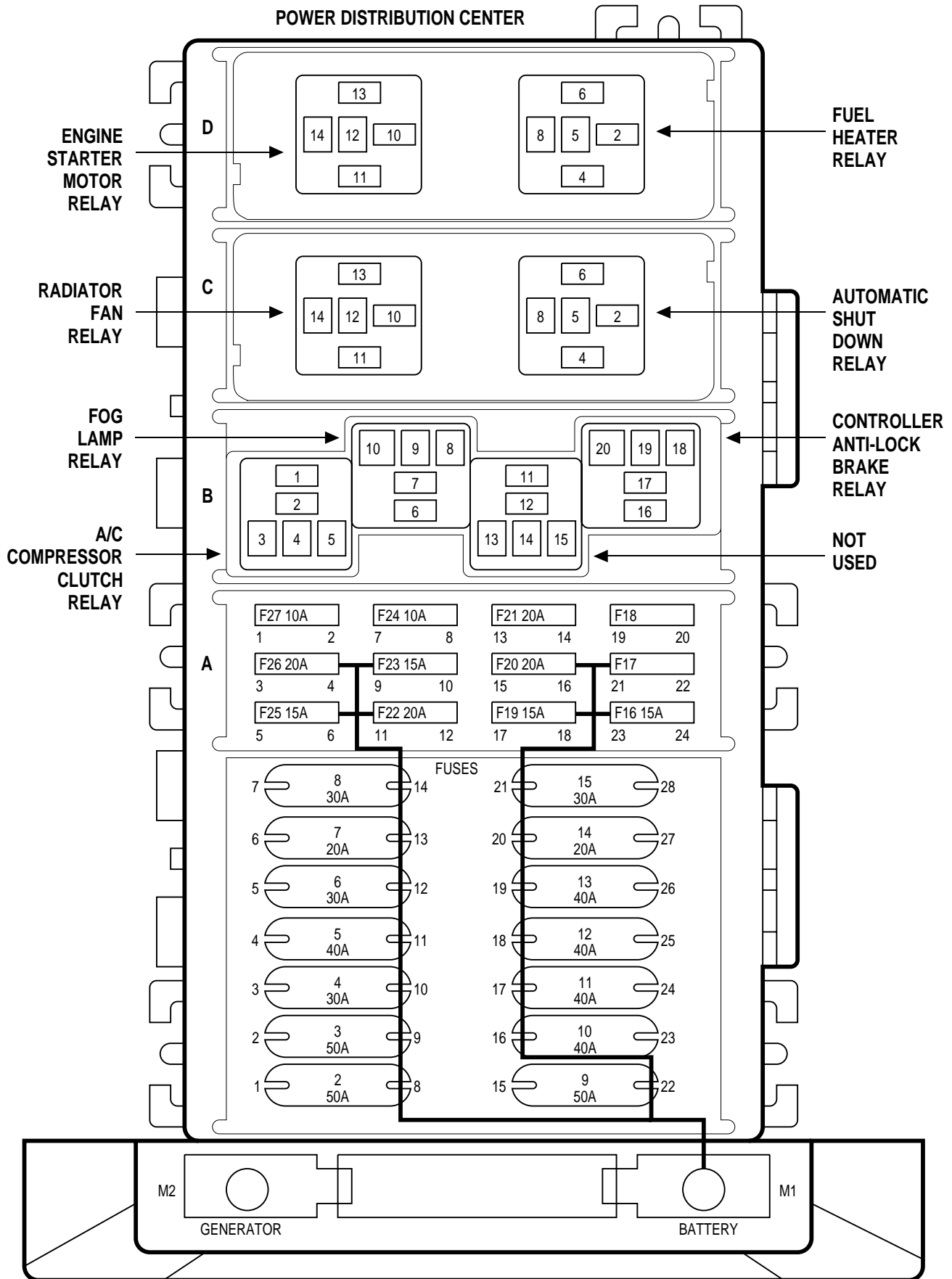
CAVITY	CIRCUIT	FUNCTION
B11	L92 20PK	FOG LAMP RELAY OUTPUT
B12	-	-
B13	Z1 20BK	GROUND
B14	L139 20VT	FOG LAMP RELAY OUTPUT
B15	G34 16RD/GY	HIGH BEAM INDICATOR DRIVER
	G34 16RD/GY	HIGH BEAM INDICATOR DRIVER

**FUEL  
PUMP  
RELAY**

CAVITY	CIRCUIT	FUNCTION
D2	A61 14DG/BK	FUSED B(+)
	A61 16DG/BK	FUSED B(+)
D4	F12 18DB/WT	FUSED IGNITION SWITCH OUTPUT (ST-RUN)
D6	K31 18BR	FUEL PUMP RELAY CONTROL
D8	A141 14DG/WT	FUEL PUMP RELAY OUTPUT

**RADIATOR  
FAN  
RELAY**

CAVITY	CIRCUIT	FUNCTION
C10	F141 12LG/RD	FUSED B(+)
C11	F20 18WT	FUSED IGNITION SWITCH OUTPUT (ST-RUN)
C12	-	-
C13	C27 18DB/PK	RADIATOR FAN RELAY CONTROL
C14	C25 12LB	RADIATOR FAN RELAY OUTPUT



**FUSES**

FUSE NO.	AMPS	FUSED CIRCUIT	FEED CIRCUIT
1	-	-	-
2	50A	A54 12RD/GY	A0 6RD
3	50A	A54 12RD/GY	A0 6RD
4	30A	A16 12RD/LG	A0 6RD
5	40A	A1 12RD	A0 6RD
6	30A	A61 14LG/RD	A0 6RD
7	20A	A41 16YL	A0 6RD
8	30A	A3 14RD/WT	A0 6RD
9	50A	A7 10RD/BK	A0 6RD
10	40A	A2 12PK/BK	A0 6RD
11	40A	A111 12RD/LG	A0 6RD
12	• 40A	A10 12RD/DG	A0 6RD
13	40A	F141 12LG/RD	A0 6RD
14	• 20A	A20 12RD/DB	A0 6RD
15	30A	A4 12BK/PK	A0 6RD
16	15A	M1 20PK	A0 6RD
		M1 20PK	
17	-	-	-
18	-	-	-
19	15A	F32 20PK/DB	A0 6RD
20	20A	A17 18RD/BK	A0 6RD
		A17 16RD/BK	
21	20A	F142 16DG/OR	A142 16DG/OR
22	20A	F75 16VT	A0 6RD
23	15A	L9 20BK/PK	A0 6RD
24	10A	F16 16RD/LG	A16 12RD/LG
25	15A	F61 20WT/OR	A0 6RD
26	20A	F34 18TN/BK	A0 6RD
27	10A	F1 20DB/GY	A17 18RD/BK

• ABS

A/C  
COMPRESSOR  
CLUTCH  
RELAY

CAVITY	CIRCUIT	FUNCTION
B1	A17 16RD/BK	FUSED B(+)
B2	C3 16DB/BK	A/C COMPRESSOR CLUTCH RELAY OUTPUT
B3	C13 20DB/OR	A/C COMPRESSOR CLUTCH RELAY CONTROL
B4	-	-
B5	F20 18WT	FUSED IGNITION SWITCH OUTPUT (ST-RUN)

AUTOMATIC  
SHUT  
DOWN  
RELAY

CAVITY	CIRCUIT	FUNCTION
C2	A16 12RD/LG	FUSED B(+)
C4	A16 12RD/LG	FUSED B(+)
C5	-	-
C6	K51 20DB/YL	AUTOMATIC SHUT DOWN RELAY CONTROL
C8	A142 16DG/OR	AUTOMATIC SHUT DOWN RELAY OUTPUT

CONTROLLER  
ANTI-LOCK  
BRAKE  
RELAY

CAVITY	CIRCUIT	FUNCTION
B16	G19 20LG/OR	ABS WARNING INDICATOR DRIVER
B17	-	-
B18	F15 20DB/WT	FUSED IGNITION SWITCH OUTPUT (RUN)
	F15 18DB/WT	FUSED IGNITION SWITCH OUTPUT (RUN)
B19	Z1 20BK/YL	GROUND
B20	G83 18GY/BK	ABS RELAY CONTROL

**ENGINE  
STARTER  
MOTOR  
RELAY**

CAVITY	CIRCUIT	FUNCTION
D10	A41 16YL	FUSED B(+)
D11	T141 20YL	IGNITION SWITCH OUTPUT (START)
D12	-	-
D13	Z1 20BK	GROUND
D14	T40 16BR	STARTER RELAY OUTPUT

**FOG  
LAMP  
RELAY**

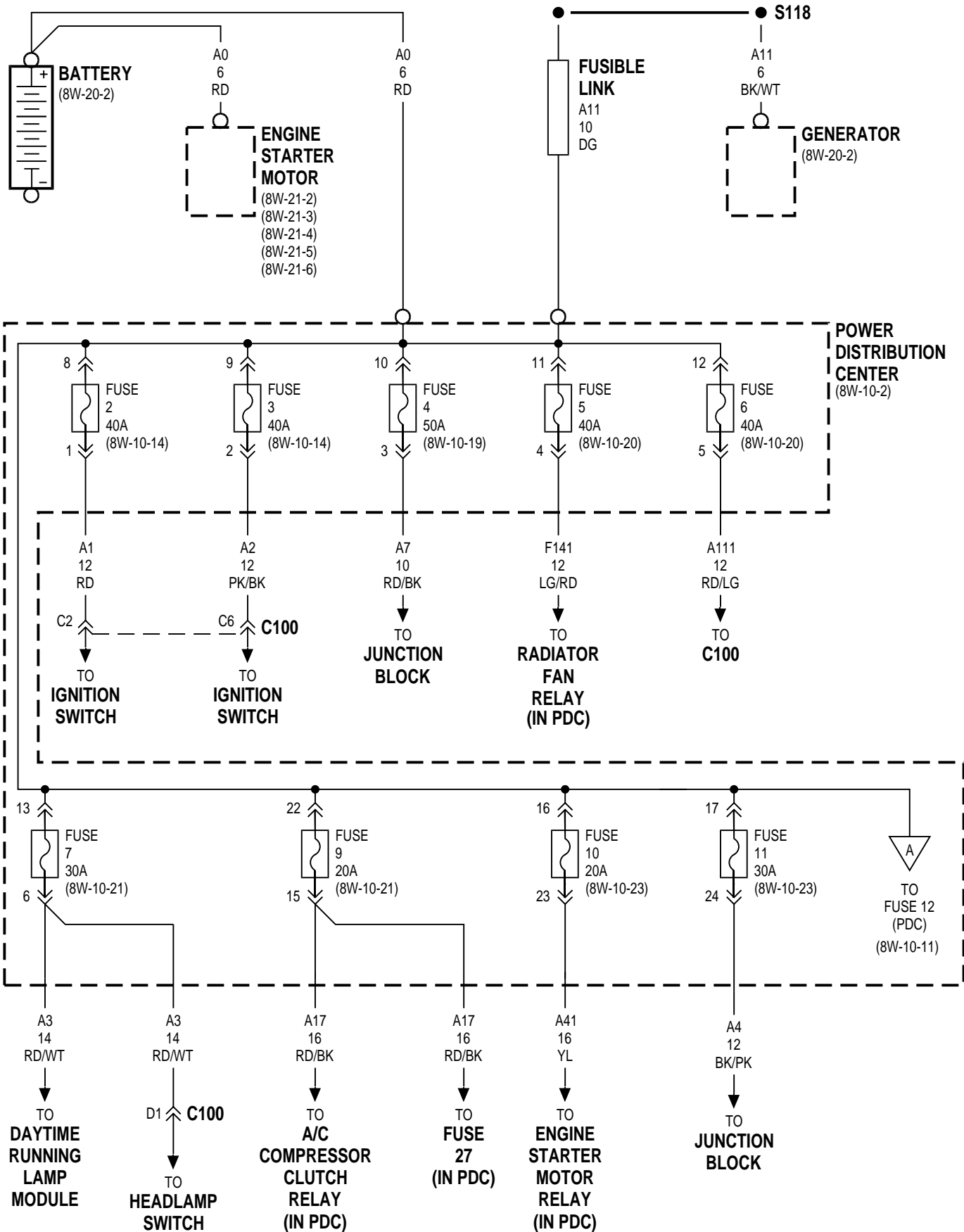
CAVITY	CIRCUIT	FUNCTION
B6	F61 20WT/OR	FUSED B(+)
B7	L139 20VT	FOG LAMP RELAY OUTPUT
B8	L77 18BR/YL	FUSED LEFT INBOARD TAIL LAMP
	L77 20BR/YL	FUSED LEFT INBOARD TAIL LAMP
B9	-	-
B10	Z1 20BK/YL	GROUND
	Z1 20BK/YL	GROUND

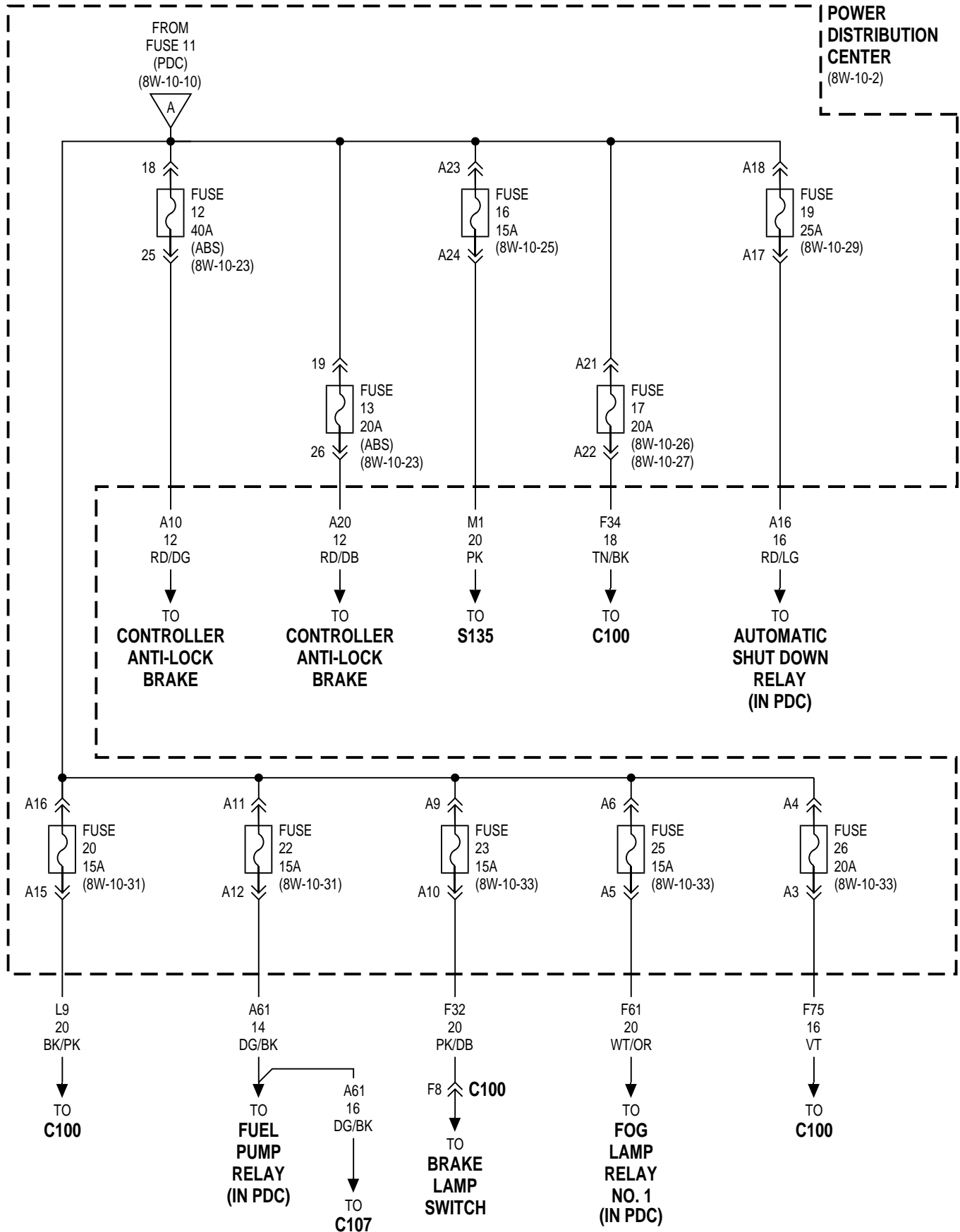
**FUEL  
HEATER  
RELAY**

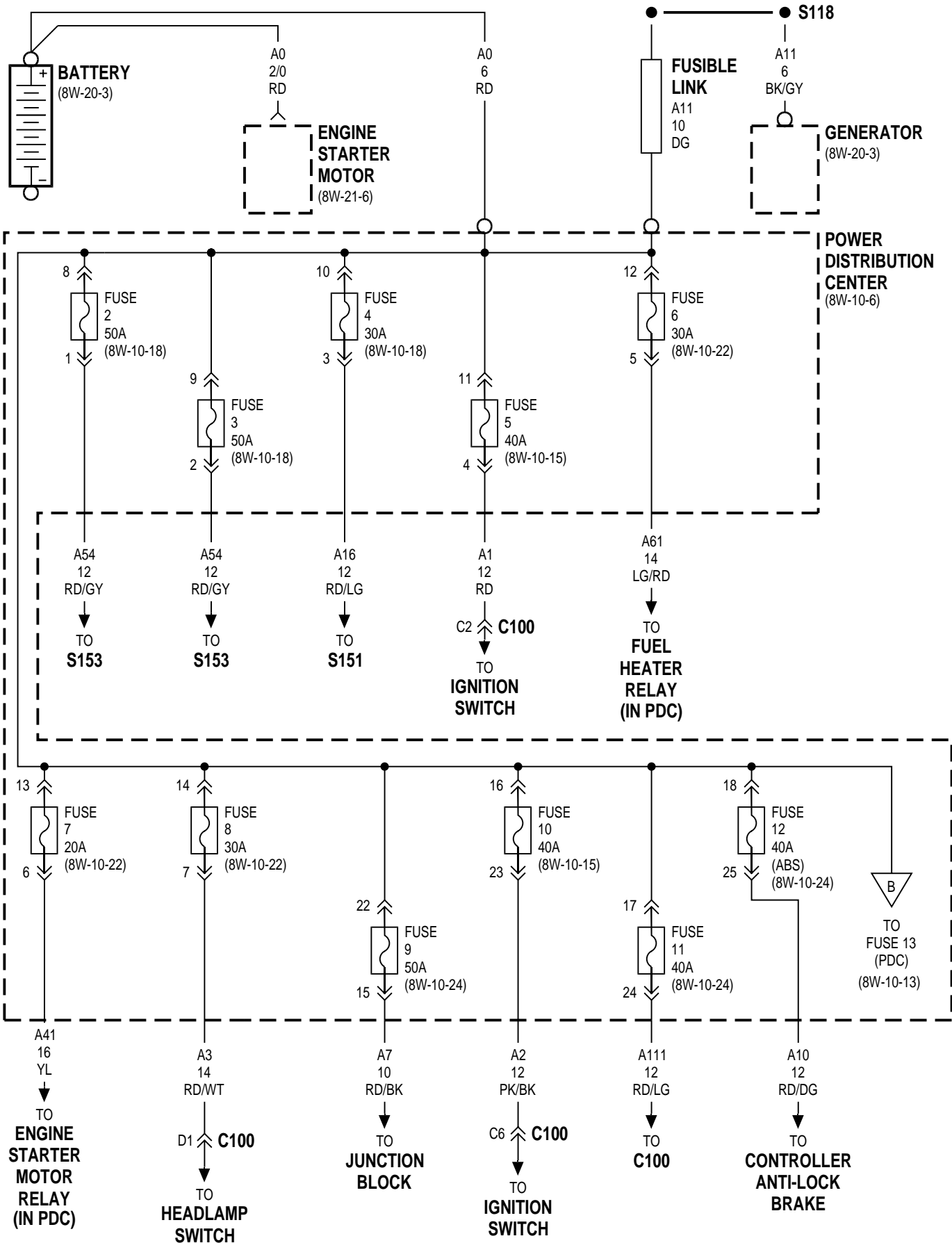
CAVITY	CIRCUIT	FUNCTION
D2	A61 14LG/RD	FUSED B(+)
D4	F12 18DB/WT	FUSED IGNITION SWITCH OUTPUT (ST-RUN)
D5	-	-
D6	Z1 18BK	GROUND
D8	A93 14RD/BK	FUEL HEATER RELAY OUTPUT

**RADIATOR  
FAN  
RELAY**

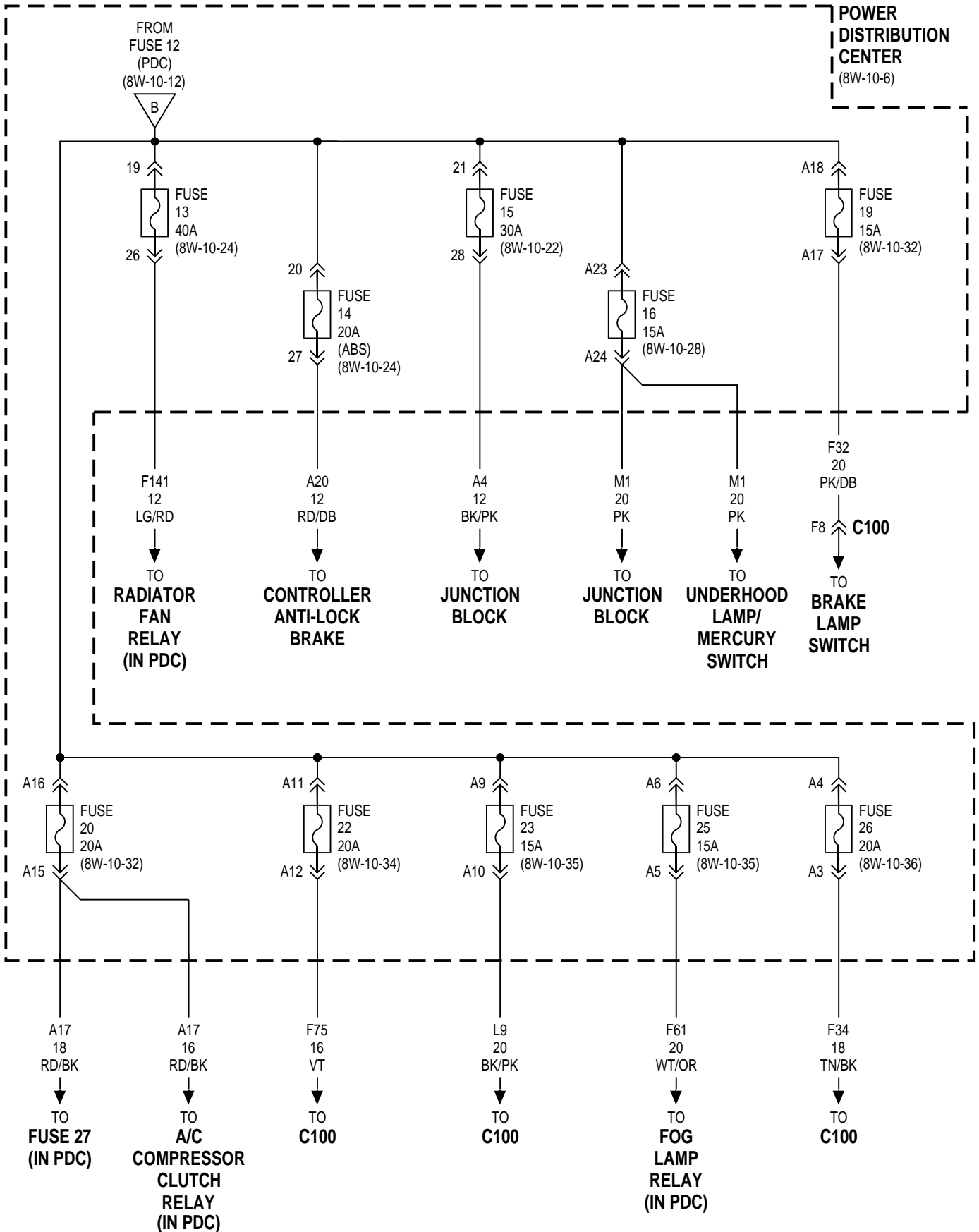
CAVITY	CIRCUIT	FUNCTION
C10	F141 12LG/RD	FUSED B(+)
C11	F20 18WT	FUSED IGNITION SWITCH OUTPUT (ST-RUN)
C12	-	-
C13	C27 20DB/PK	RADIATOR FAN RELAY CONTROL
C14	C25 12LB	RADIATOR FAN RELAY OUTPUT

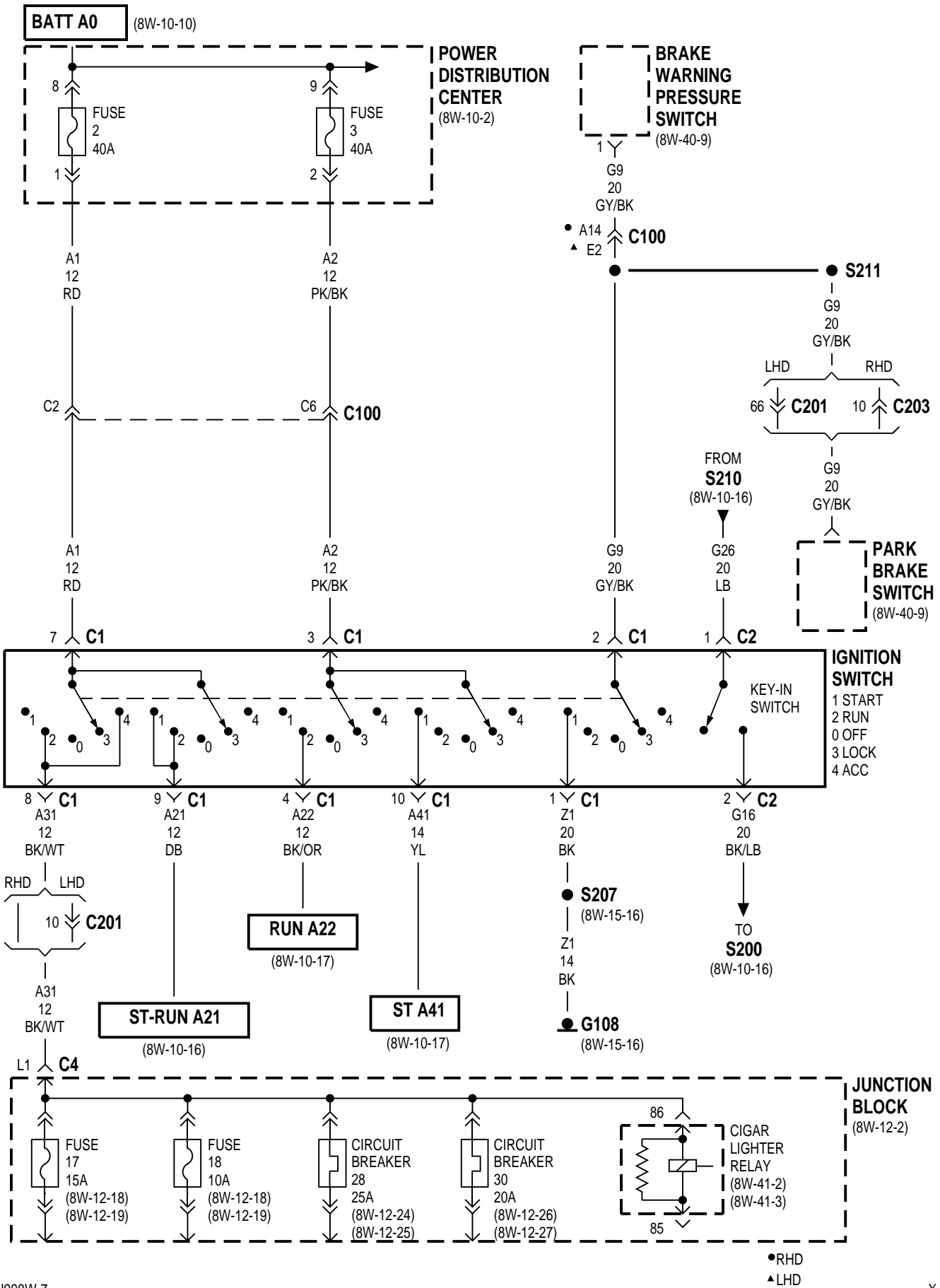


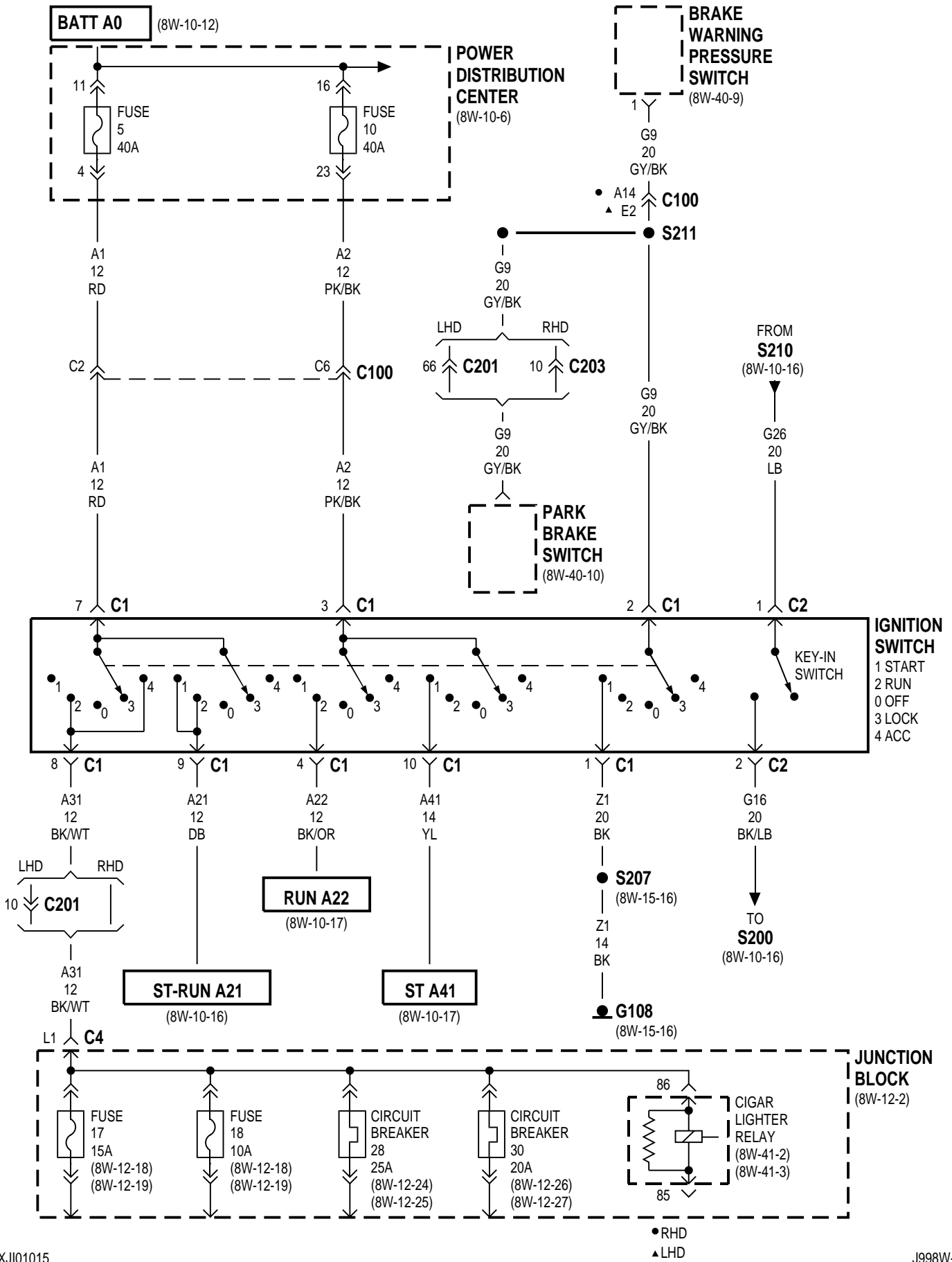


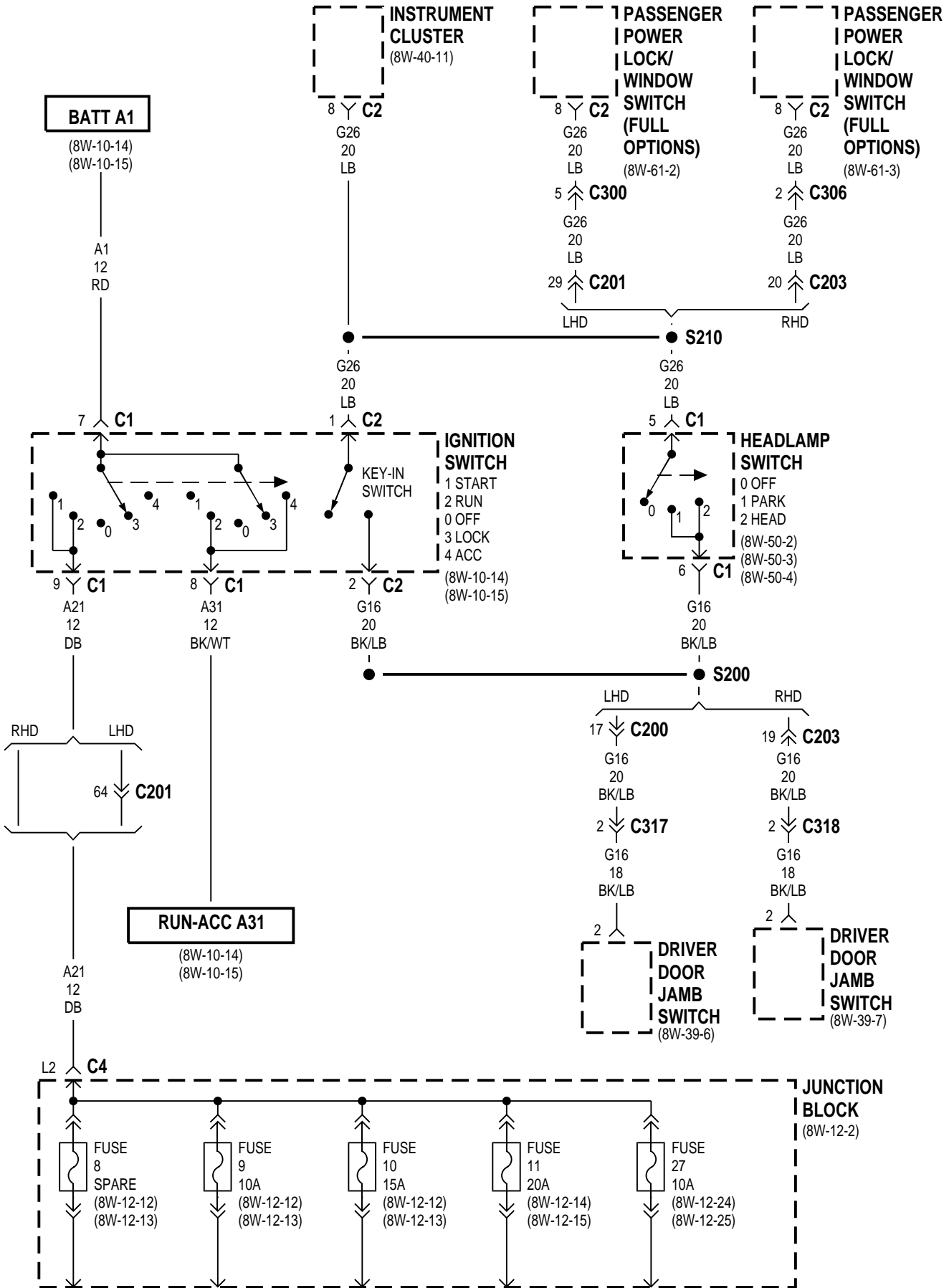


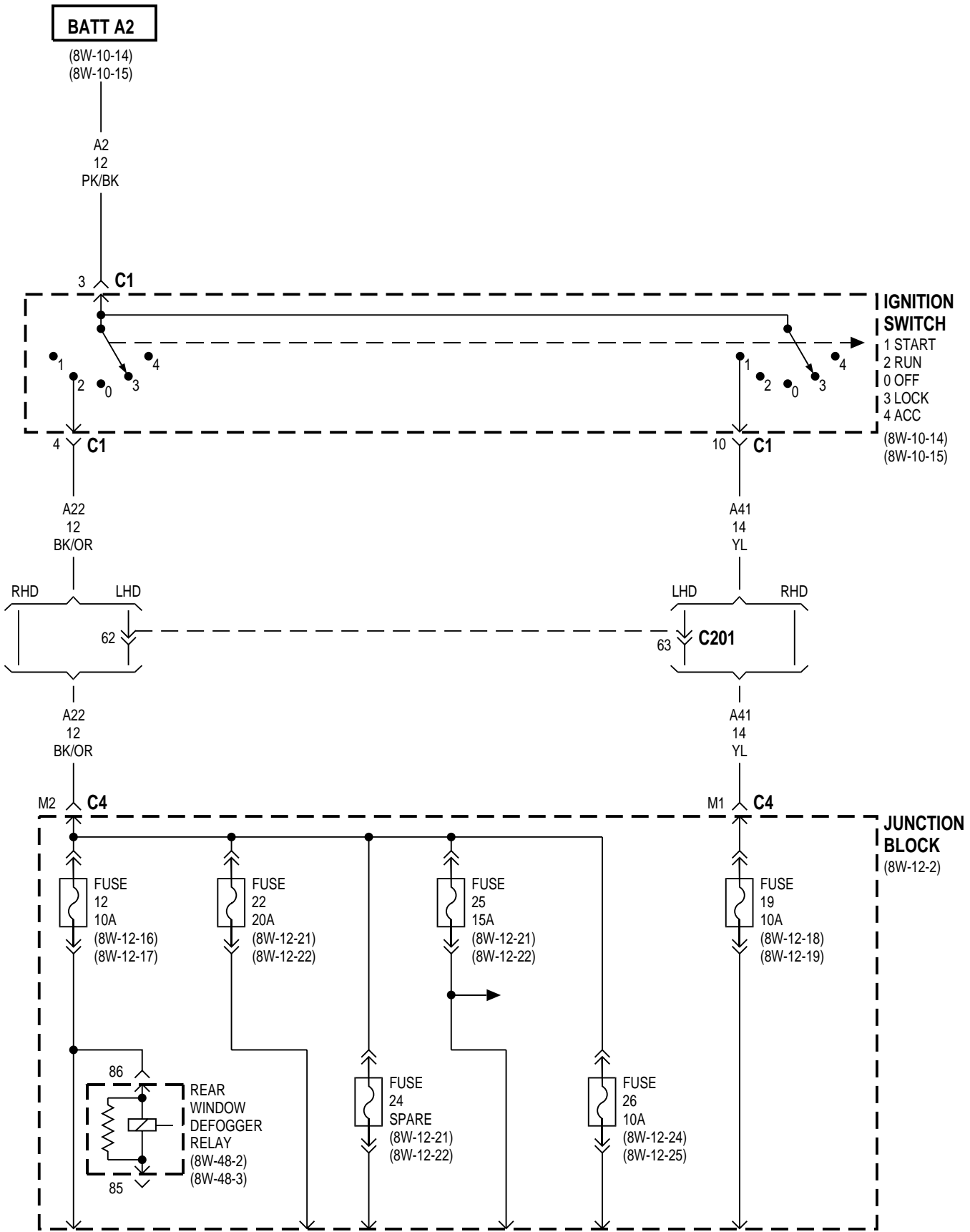




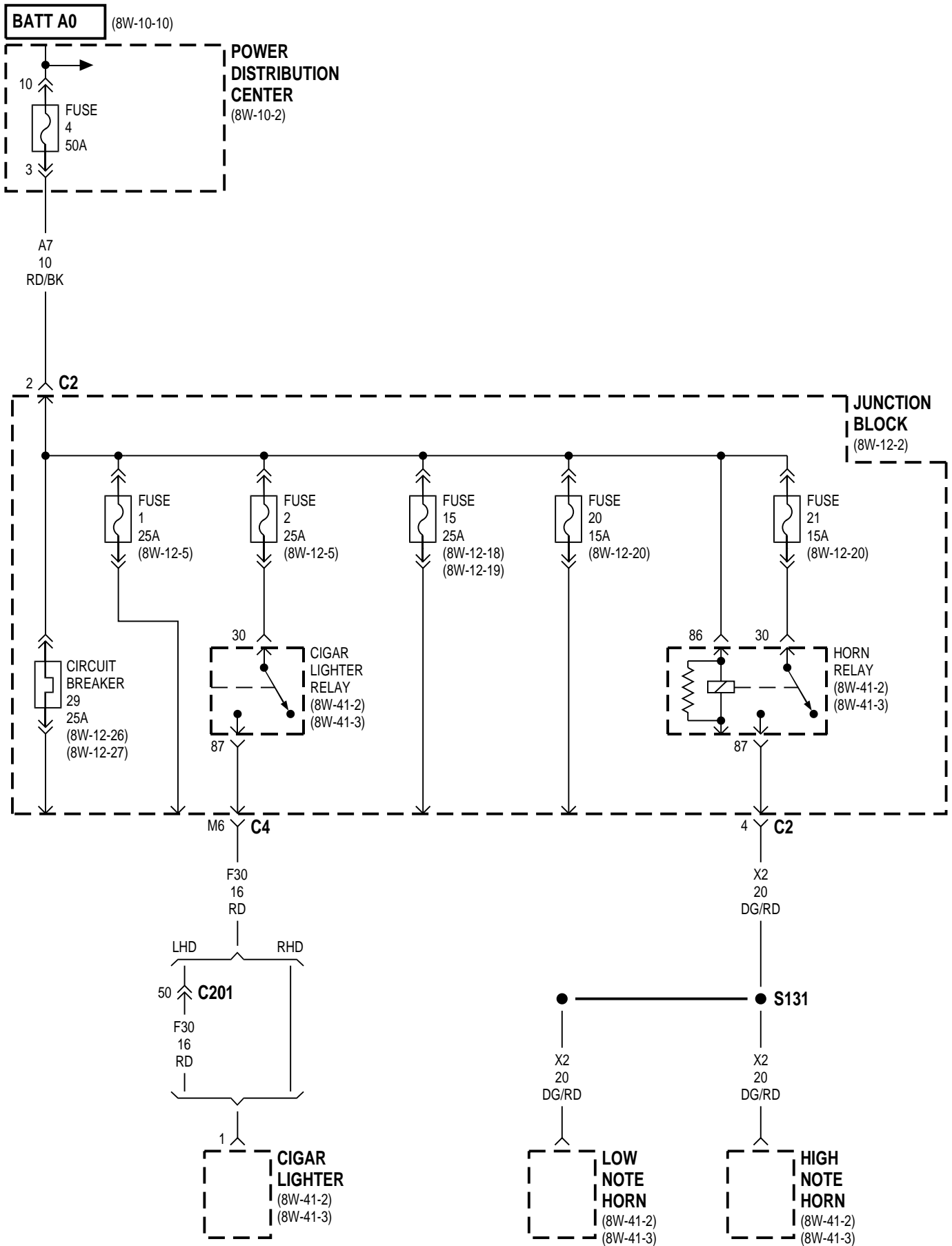


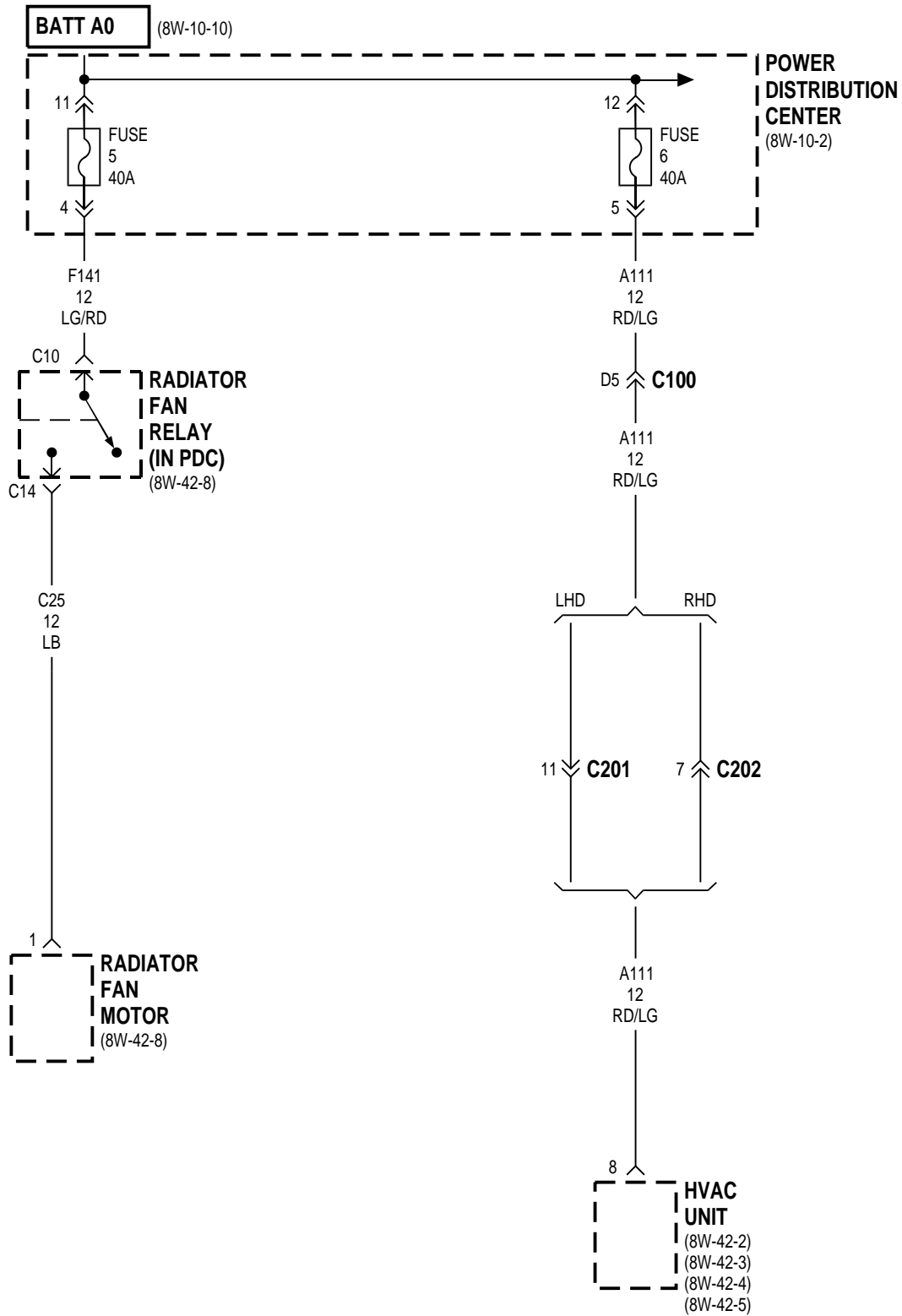




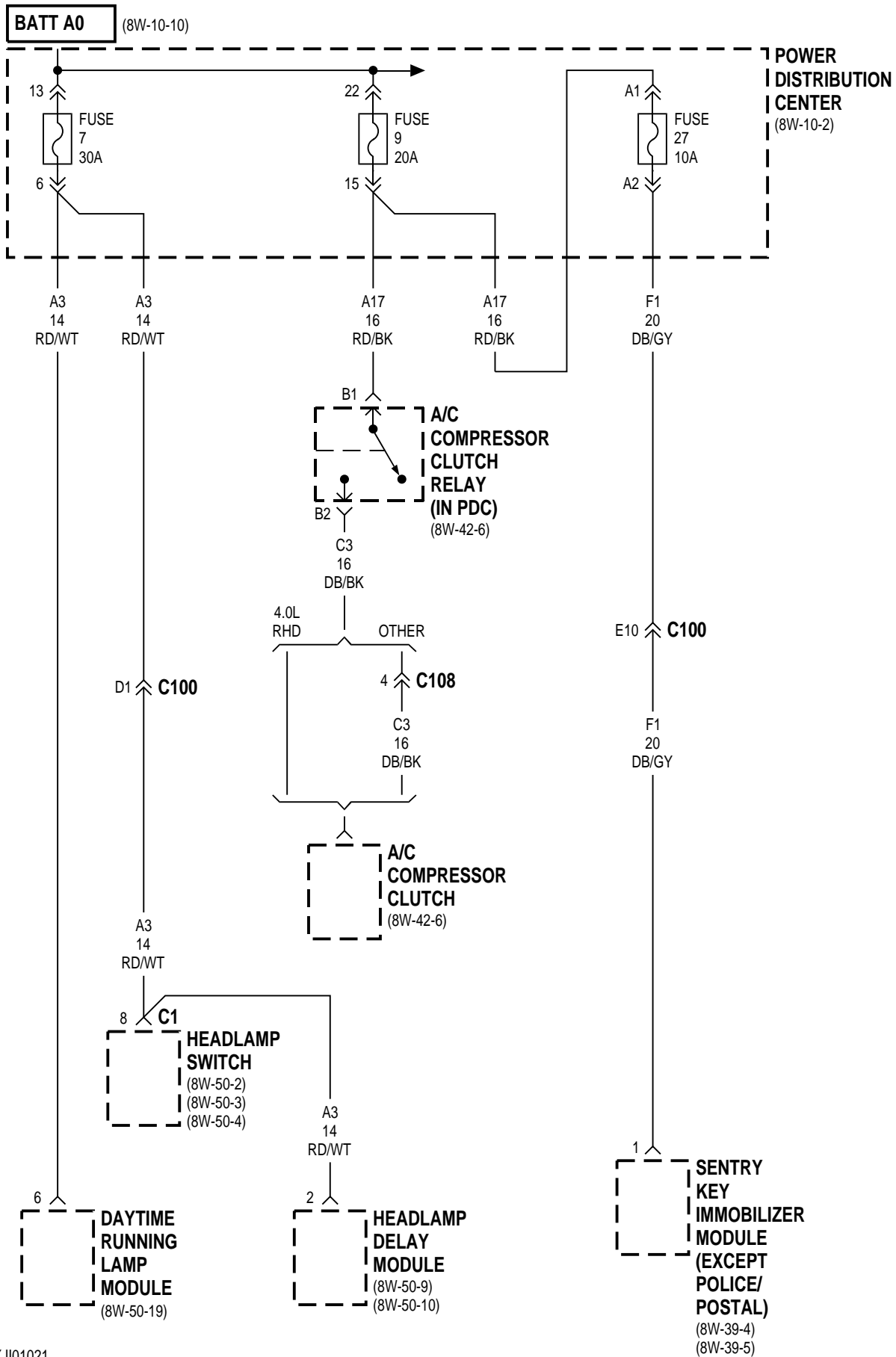


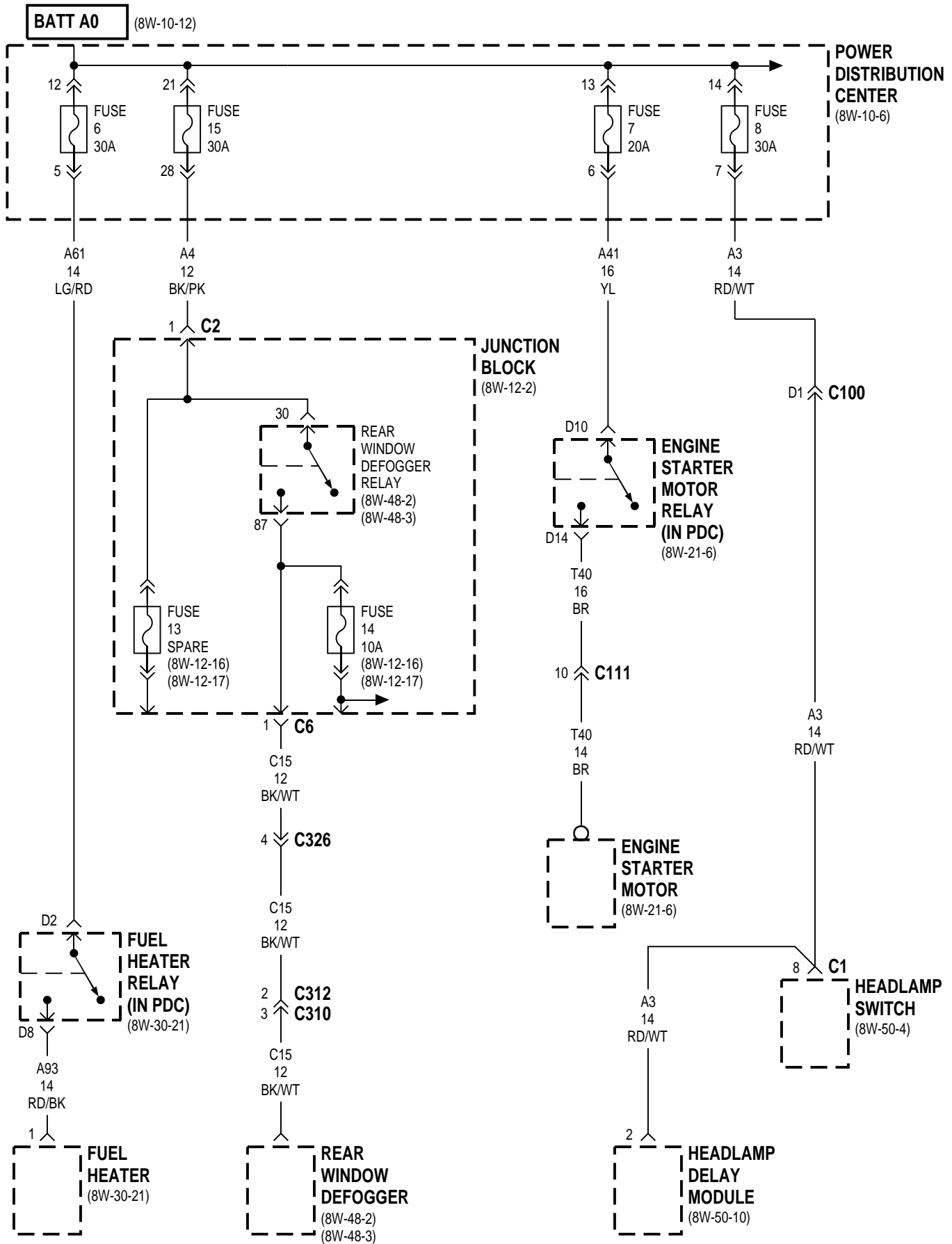


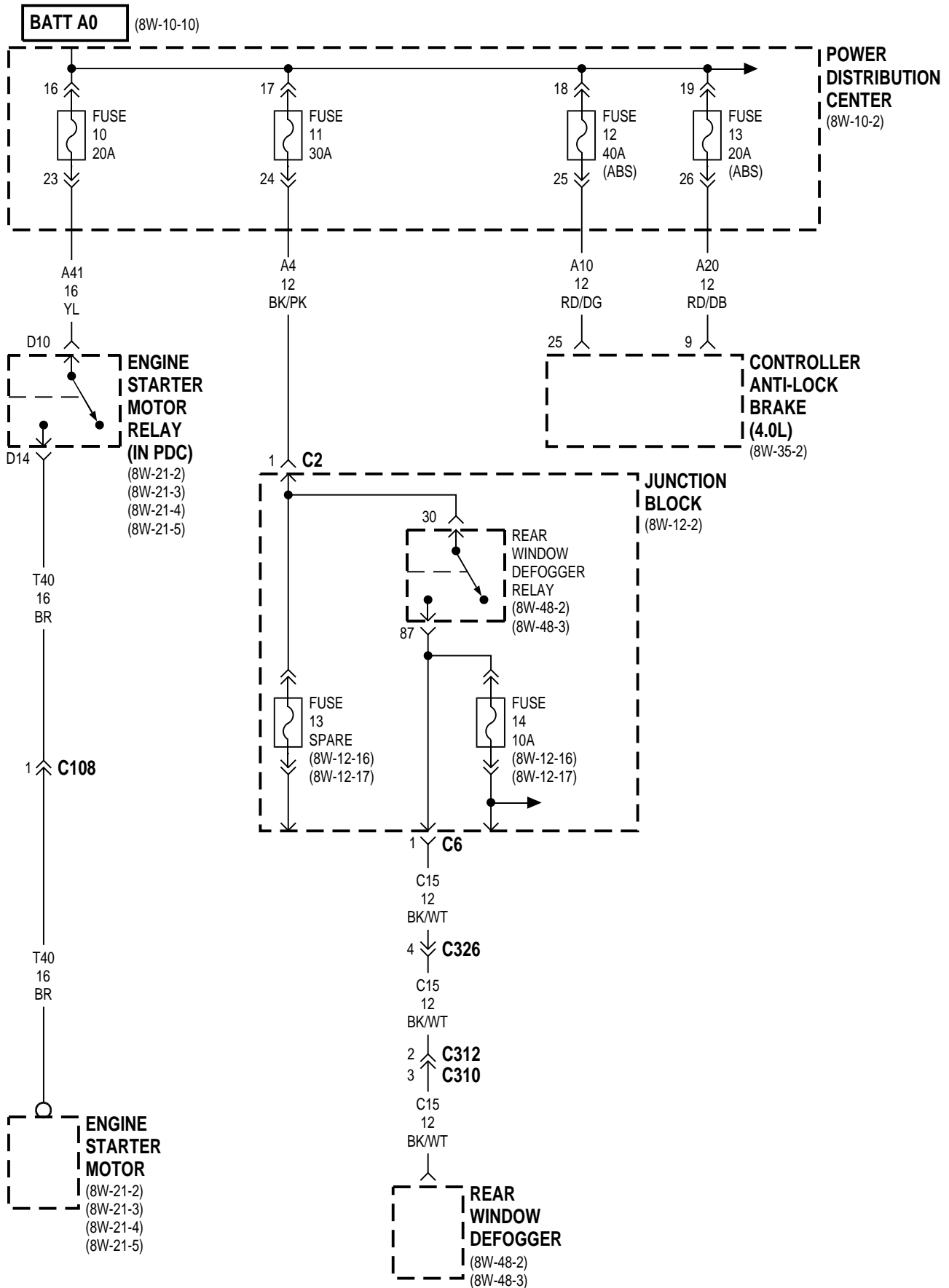


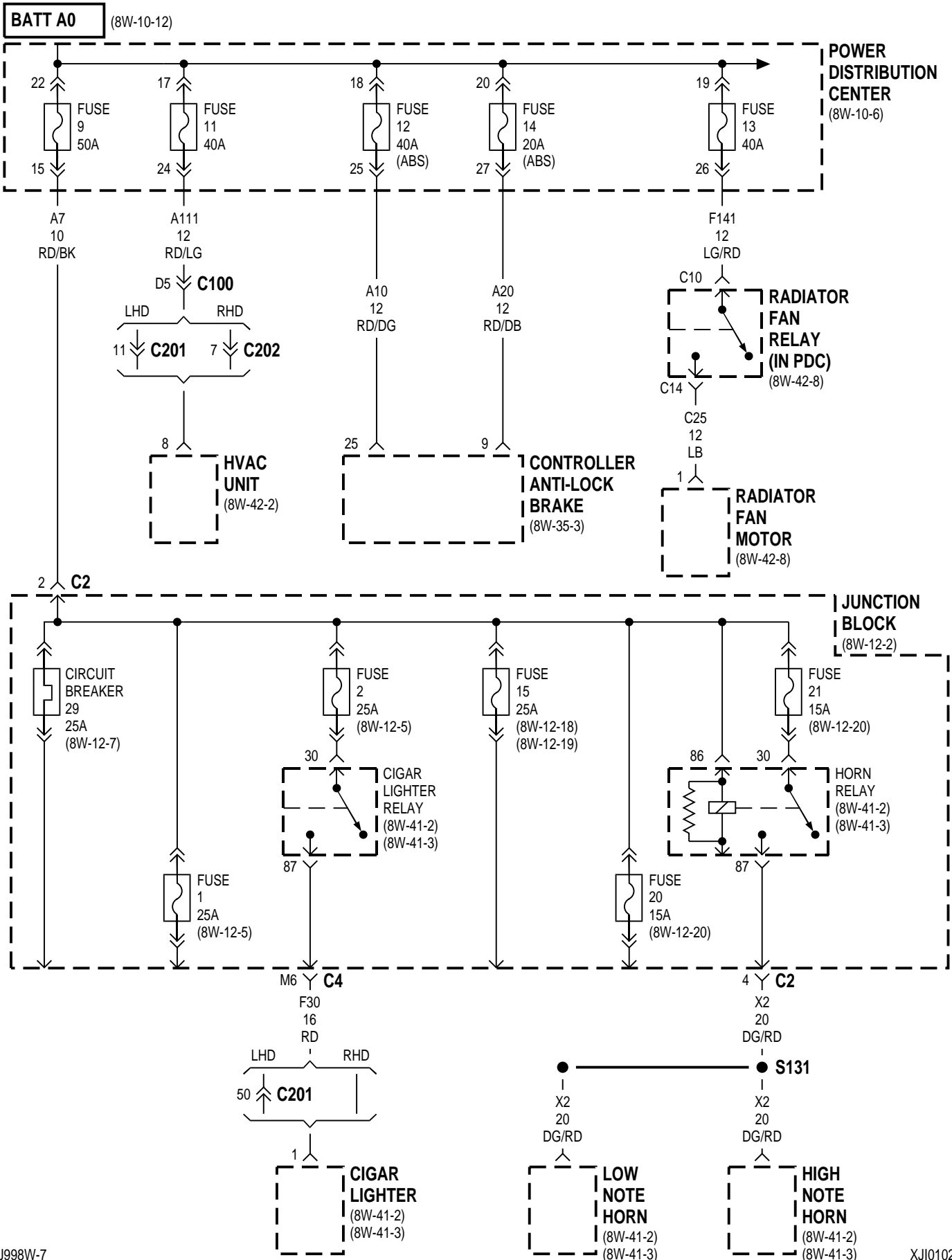


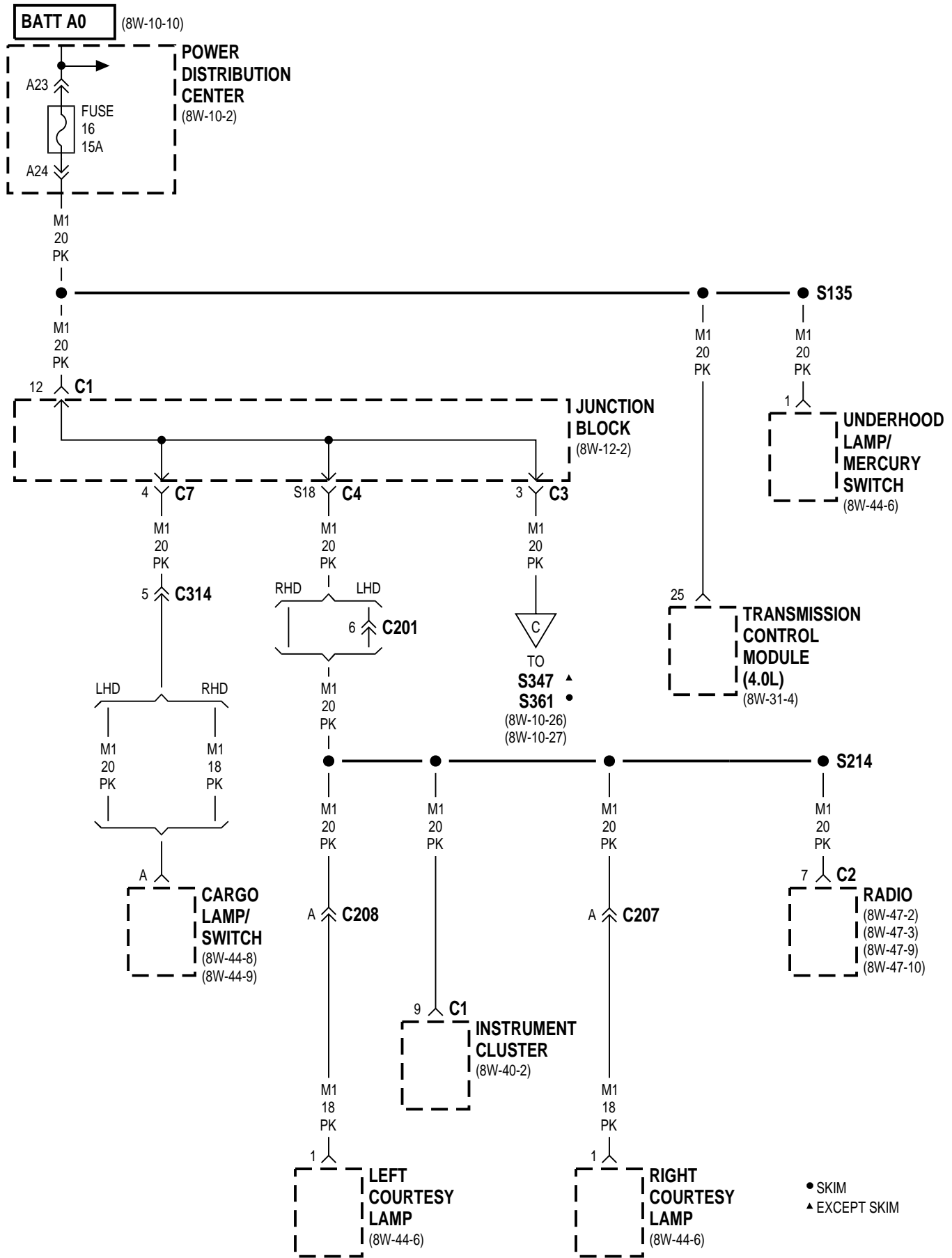


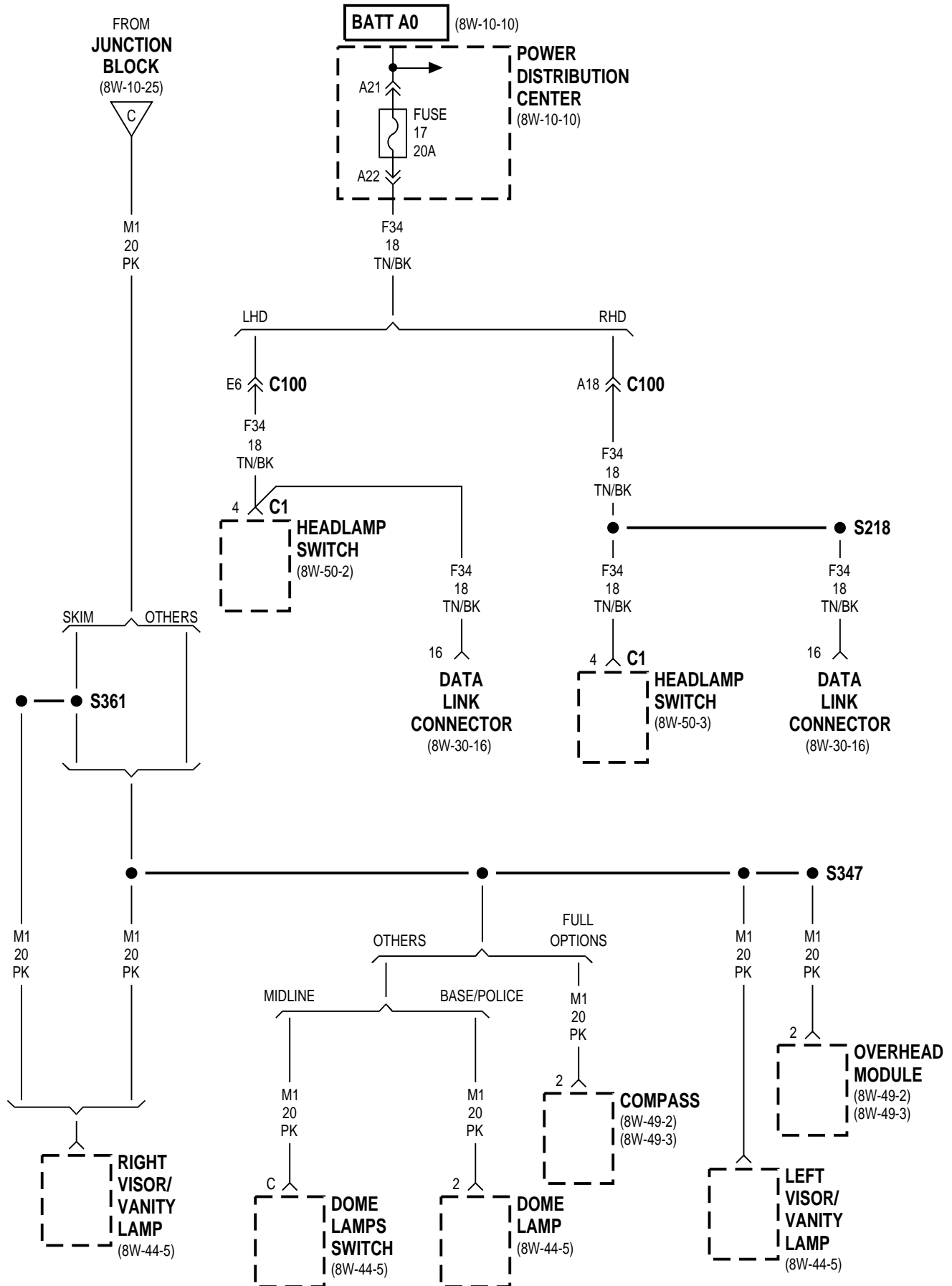


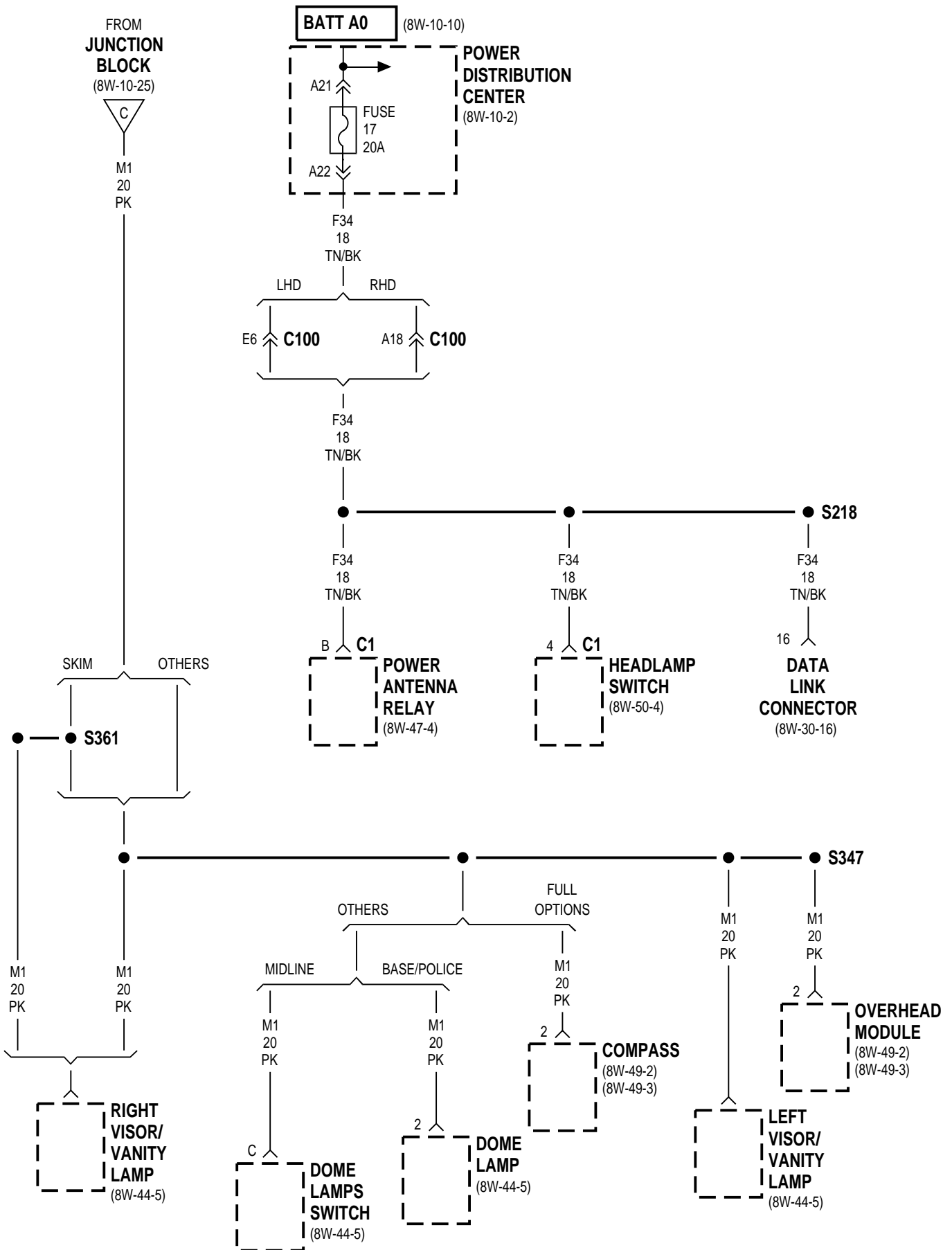


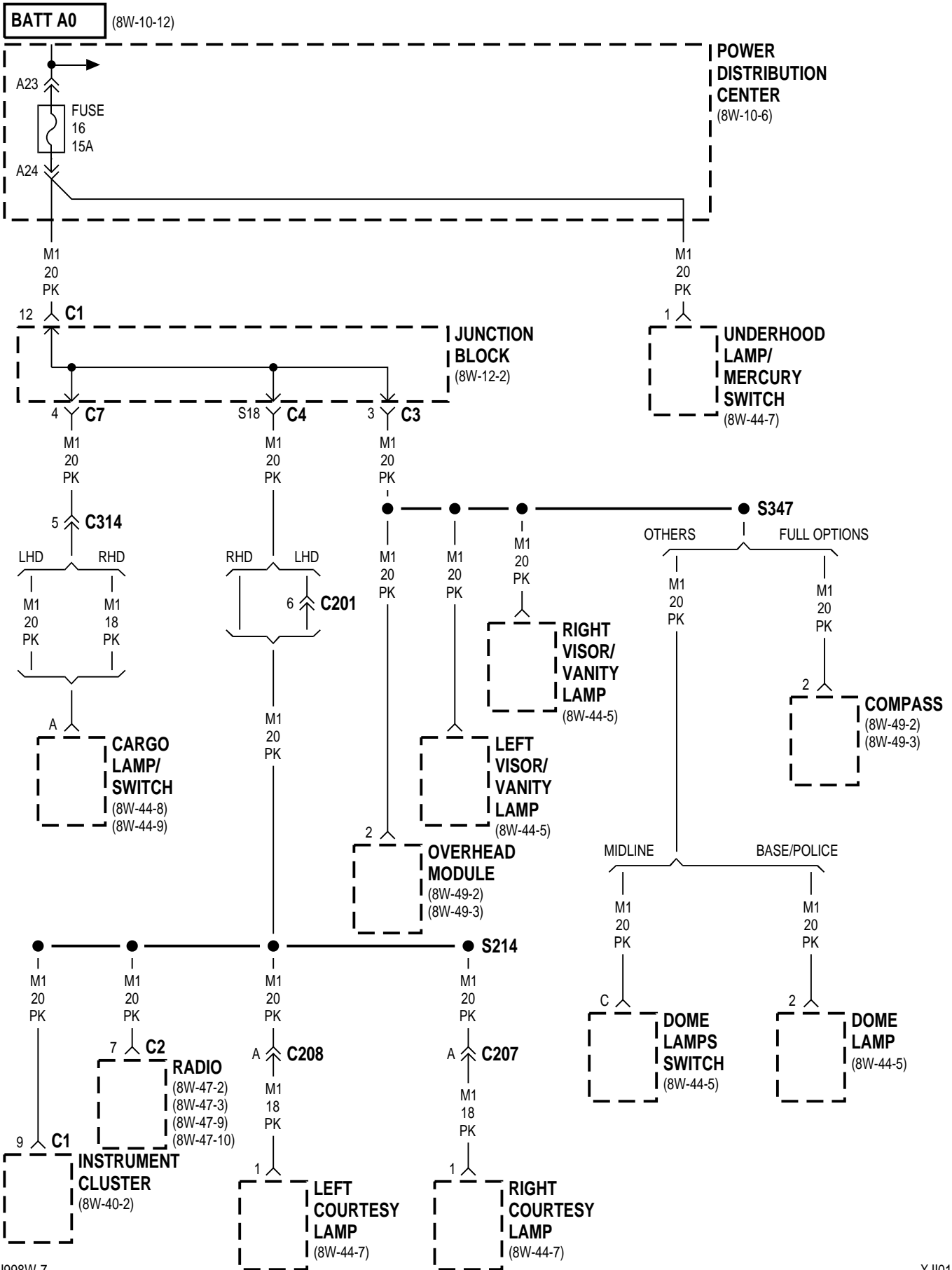




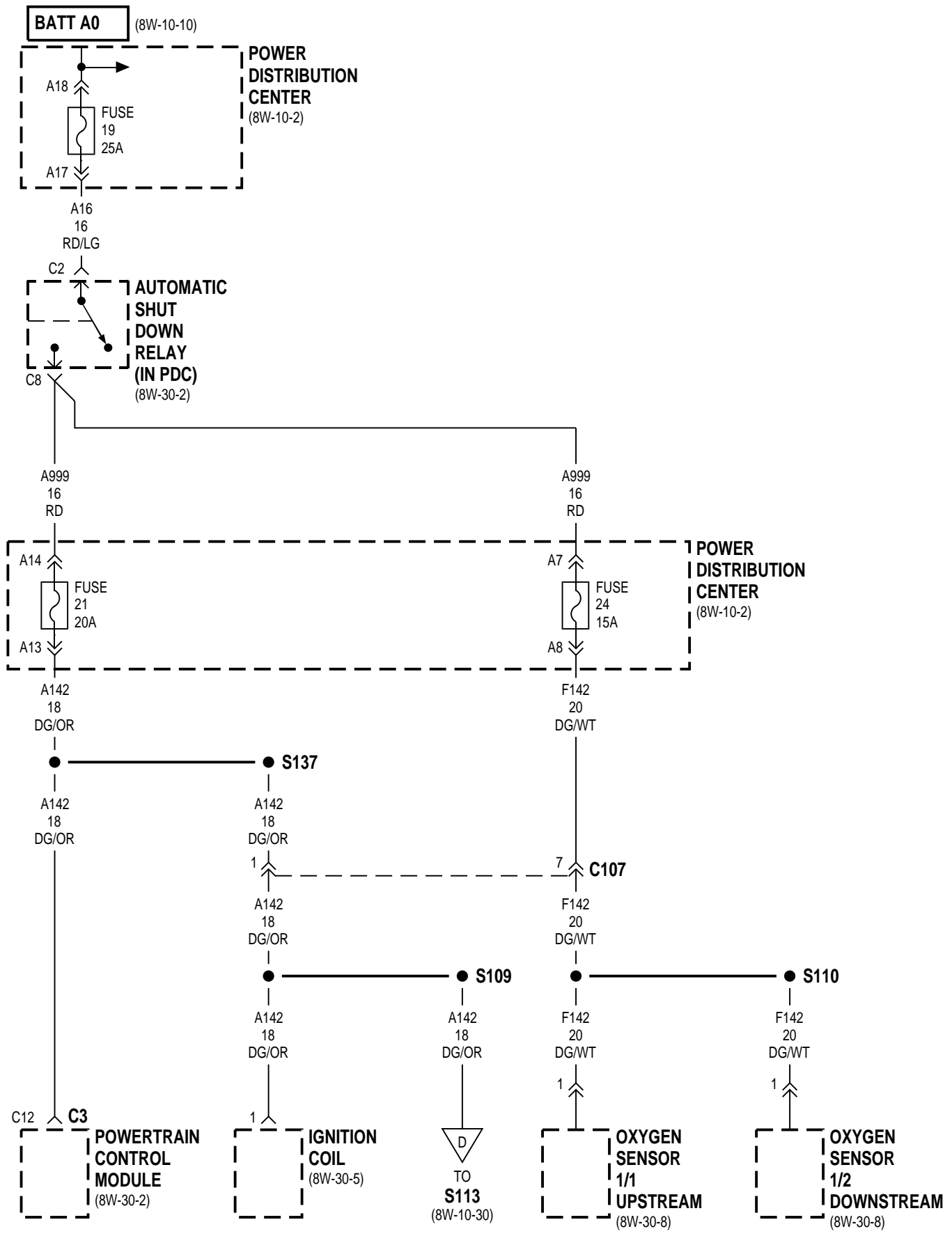


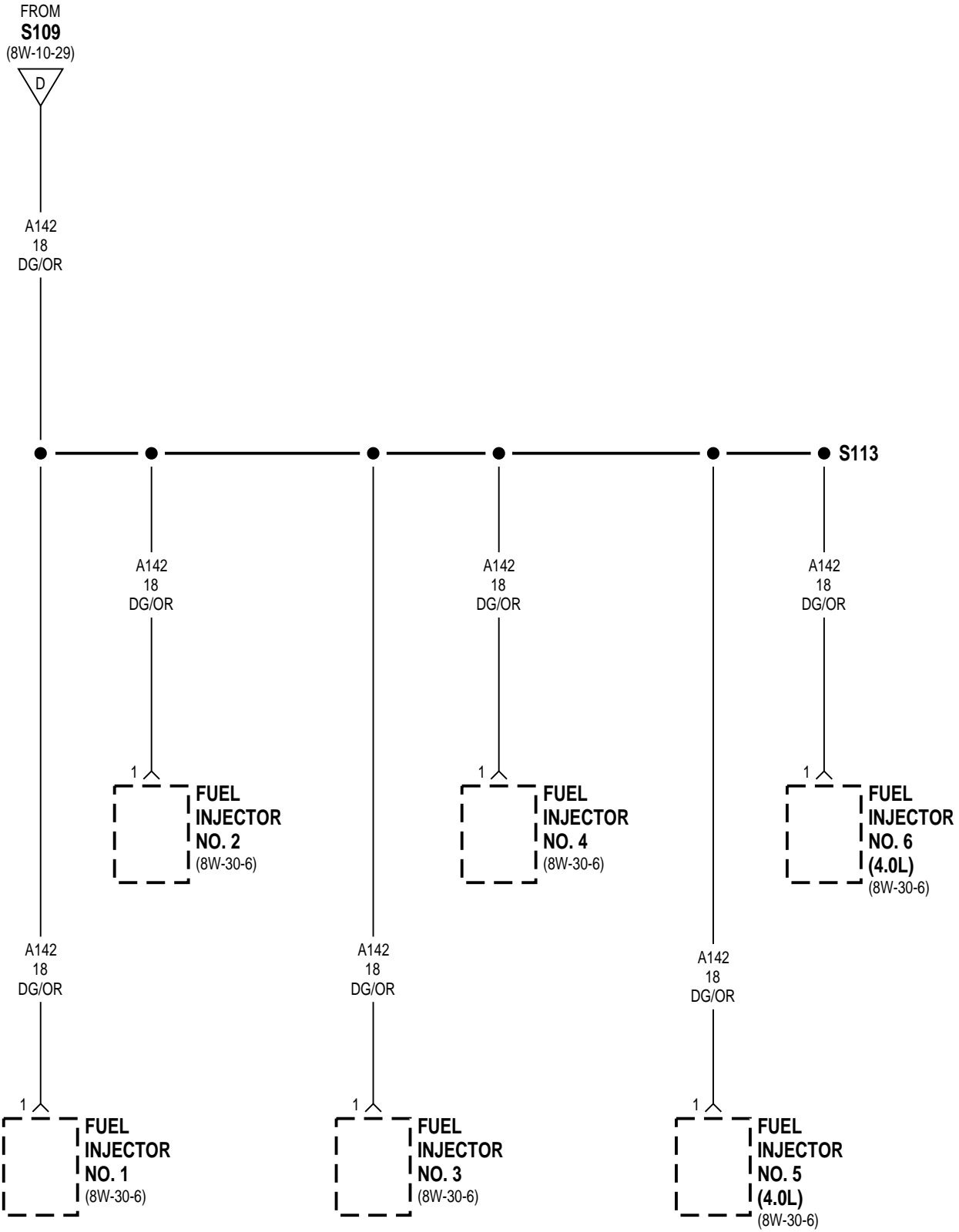


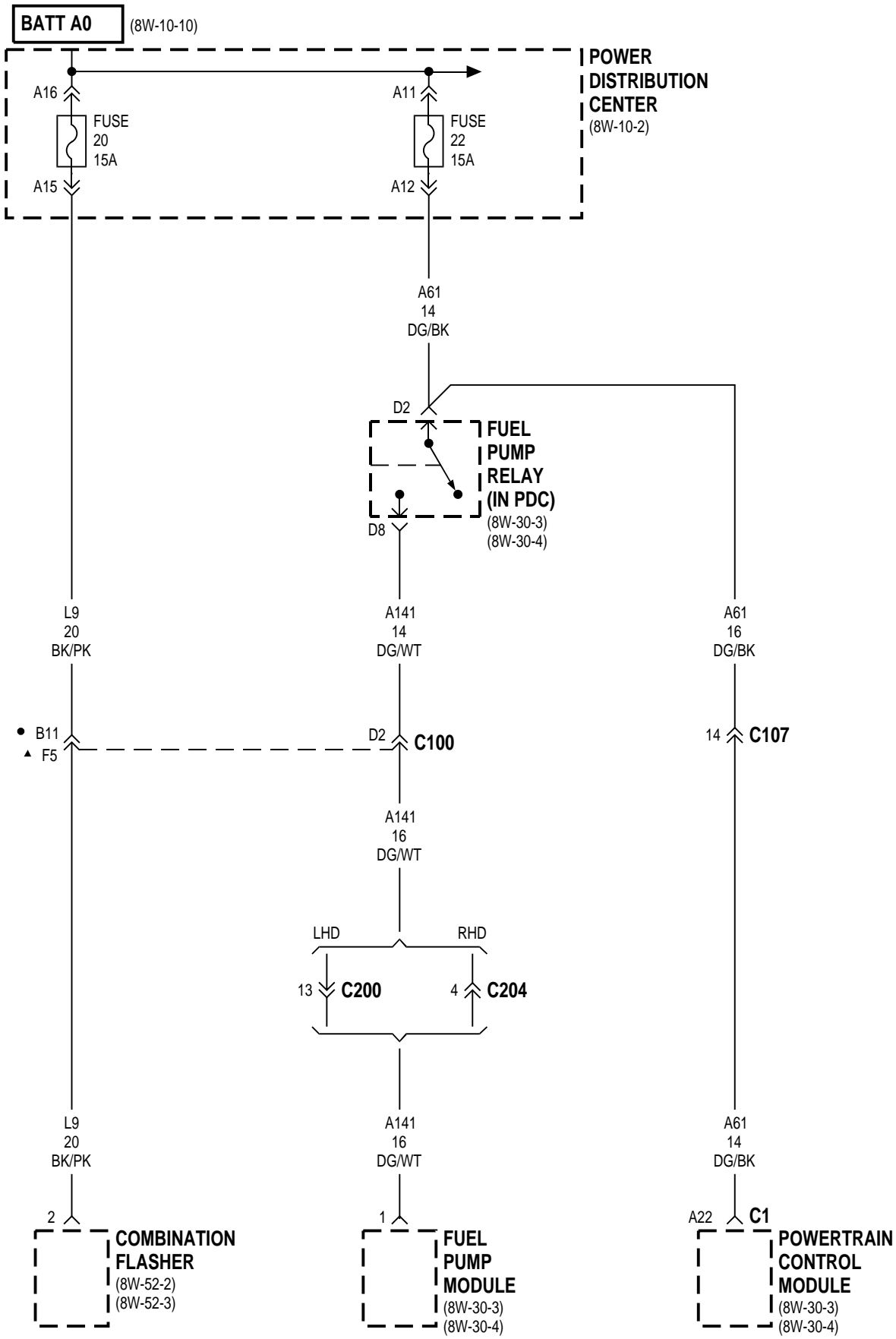




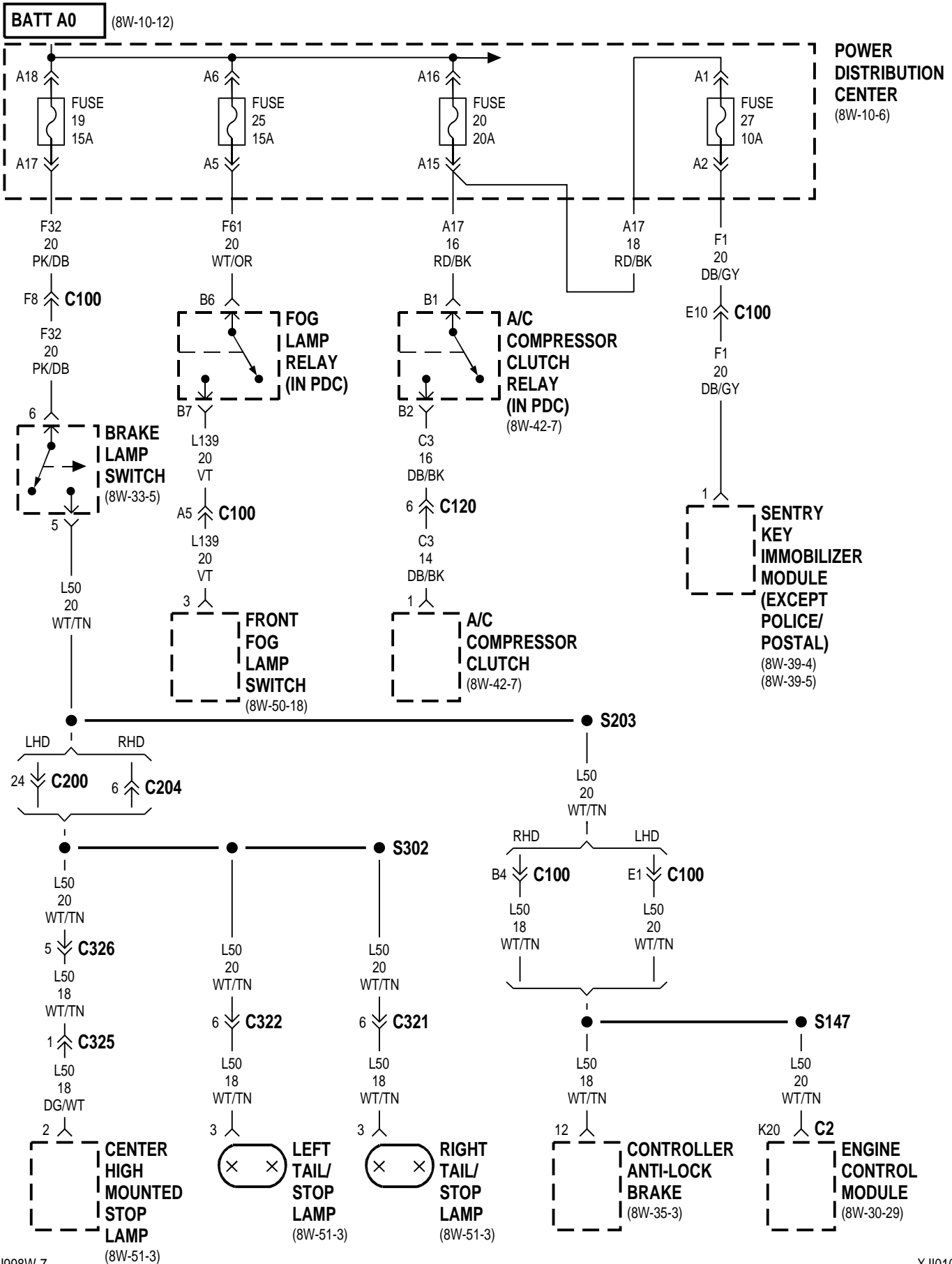




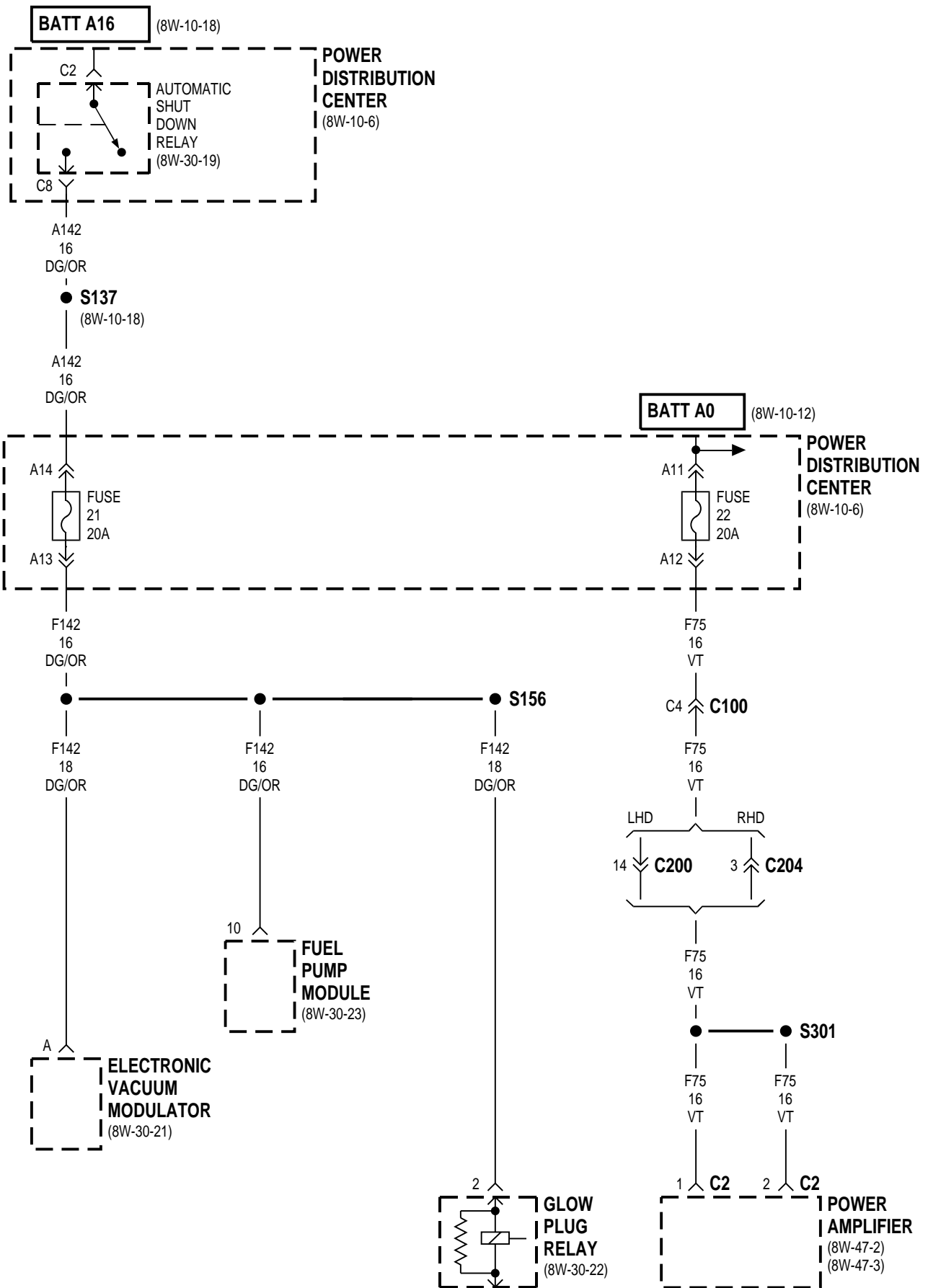


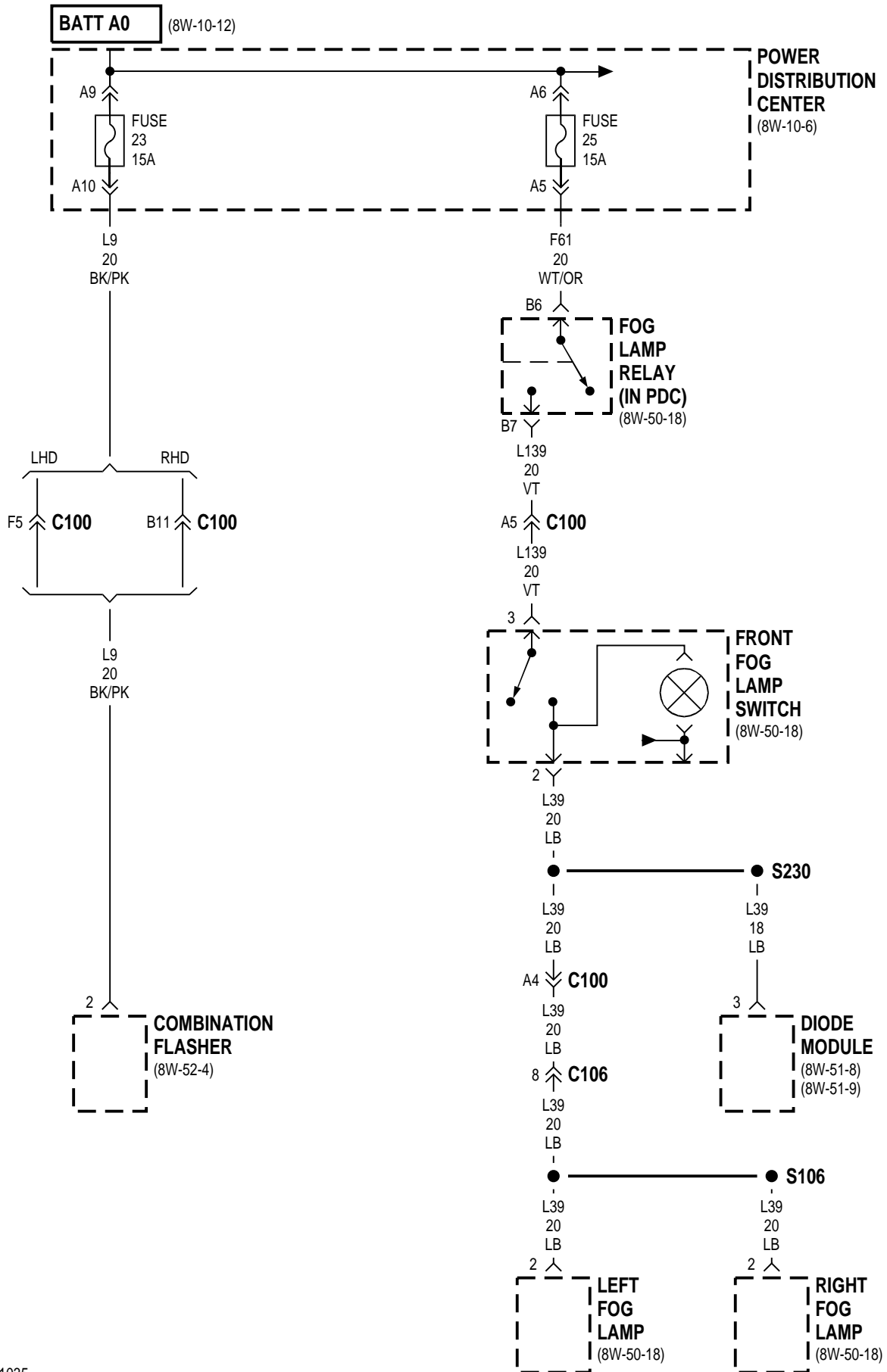


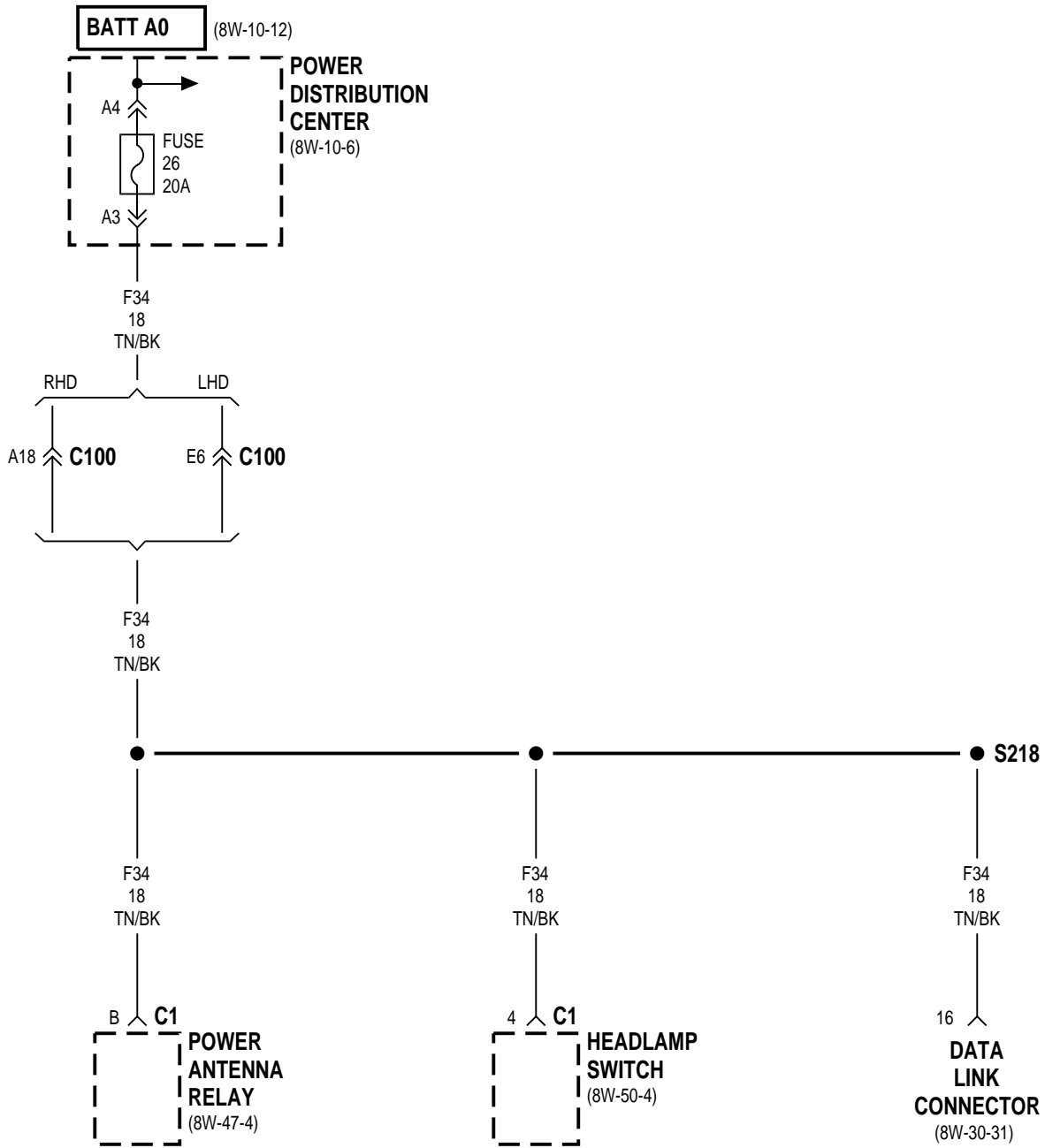
▲ LHD  
 ● RHD









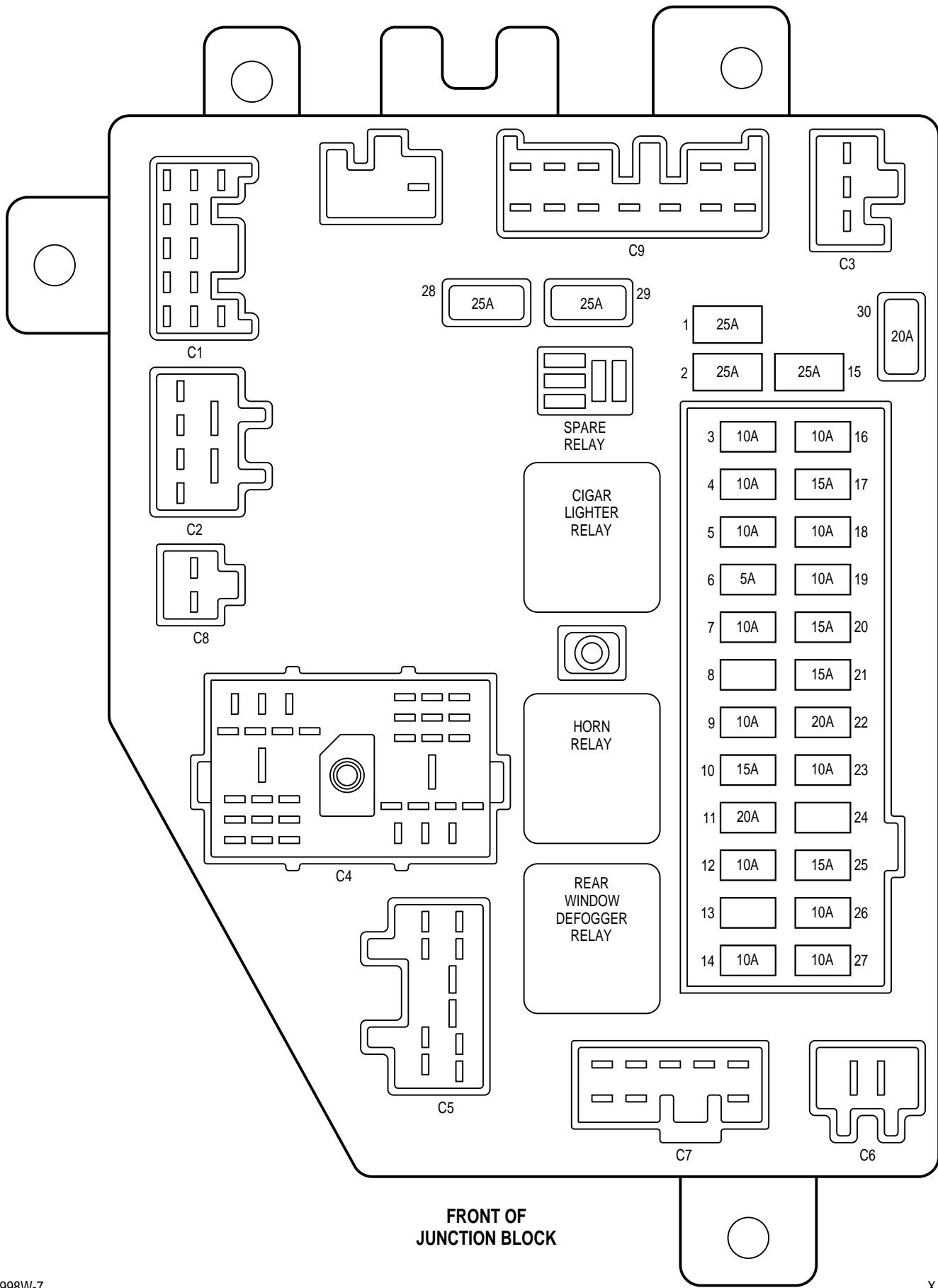




## 8W-12 JUNCTION BLOCK

<b>Component</b>	<b>Page</b>
A/C Compressor Clutch Relay	8W-12-12, 13
A/C Heater Control	8W-12-8, 9
Airbag Control Module	8W-12-24, 25
Automatic Shut Down Relay	8W-12-14, 15
Back-Up Lamp Switch	8W-12-12, 13
Blend Door Actuator	8W-12-21, 22
Cargo Lamp/Switch	8W-12-28, 29, 30
Cigar Lighter	8W-12-5
Cigar Lighter Relay	8W-12-5, 36
Circuit Breaker 28 (JB)	8W-12-24, 25
Circuit Breaker 29 (JB)	8W-12-26, 27
Circuit Breaker 30 (JB)	8W-12-26, 27
Clockspring	8W-12-20
Clutch Interlock Switch	8W-12-18, 19
Clutch Interlock Switch Jumper	8W-12-18, 19
Combination Flasher	8W-12-16, 17
Compass	8W-12-12, 13, 30, 36
Controller Anti-Lock Brake	8W-12-21, 22
Controller Anti-Lock Brake Relay	8W-12-21, 22
Daytime Running Lamp Module	8W-12-7, 12, 13
Dome Lamp	8W-12-30
Dome Lamps Switch	8W-12-30, 36
Driver Door Jamb Switch	8W-12-30
Driver Door Lock Motor	8W-12-31, 32
Driver Power Lock/Window Switch	8W-12-18, 19, 24, 25, 34, 35
Driver Power Mirror	8W-12-16, 17, 33, 34, 35, 36
Duty Cycle Evap/Purge Solenoid	8W-12-12, 13
Engine Control Module	8W-12-14
Engine Starter Motor Relay	8W-12-18, 19
Evap Leak Detection Pump	8W-12-12, 13
Extended Idle Switch	8W-12-8, 21
Fog Lamp Relay	8W-12-11
Fog Lamp Relay No. 1	8W-12-6, 10
Front Fog Lamp Switch	8W-12-8, 9
Front Wiper Motor	8W-12-26, 27
Fuel Heater Relay	8W-12-14
Fuel Pump Relay	8W-12-14, 15
Fuse 1 (JB)	8W-12-5
Fuse 2 (JB)	8W-12-5
Fuse 3 (JB)	8W-12-6
Fuse 4 (JB)	8W-12-7
Fuse 5 (JB)	8W-12-7
Fuse 6 (JB)	8W-12-8, 9
Fuse 7 (JB)	8W-12-10, 11
Fuse 8 (JB)	8W-12-12, 13
Fuse 9 (JB)	8W-12-12, 13
Fuse 10 (JB)	8W-12-12, 13
Fuse 11 (JB)	8W-12-14, 15
Fuse 12 (JB)	8W-12-16, 17
Fuse 13 (JB)	8W-12-16, 17
Fuse 14 (JB)	8W-12-16, 17
Fuse 15 (JB)	8W-12-18, 19
Fuse 16 (JB)	8W-12-6
Fuse 16 (PDC)	8W-12-28, 29
Fuse 17 (JB)	8W-12-18, 19
Fuse 18 (JB)	8W-12-18, 19
Fuse 19 (JB)	8W-12-18, 19
Fuse 20 (JB)	8W-12-20
Fuse 21 (JB)	8W-12-20
Fuse 22 (JB)	8W-12-21, 22
Fuse 23 (JB)	8W-12-23
Fuse 24 (JB)	8W-12-21, 22
Fuse 25 (JB)	8W-12-21, 22
Fuse 26 (JB)	8W-12-24, 25
Fuse 27 (JB)	8W-12-24, 25
G107	8W-12-36
Headlamp Beam Select Switch	8W-12-6, 7
Headlamp Delay Module	8W-12-12, 13
Headlamp Leveling Switch	8W-12-7

<b>Component</b>	<b>Page</b>
Headlamp Switch	8W-12-8, 9, 10, 11, 23, 30
Heated Seat Relay	8W-12-26, 27
Heater Control	8W-12-8, 9
High Note Horn	8W-12-20
Horn Relay	8W-12-20
Horn Switch	8W-12-20
HVAC Unit	8W-12-21, 22
Instrument Cluster	8W-12-8, 9, 12, 13, 16, 17, 28, 29
Junction Block	8W-12-2, 5, 6, 7, 8, 9, 10, 11, 12, 13, 14, 15, 16, 17, 18, 19, 20, 21, 22, 23, 24, 25, 26, 27, 28, 29, 30, 31, 32, 33, 34, 35, 36
Left City Lamp	8W-12-11
Left Courtesy Lamp	8W-12-28, 29, 30
Left Front Park/Turn Signal Lamp No. 1	8W-12-10
Left Front Park/Turn Signal Lamp No. 2	8W-12-10
Left Headlamp	8W-12-6, 7
Left Headlamp Leveling Motor	8W-12-7
Left Heated Seat Switch	8W-12-18, 19
Left Power Seat Switch	8W-12-26, 27
Left Rear Door Jamb Switch	8W-12-30
Left Rear Door Lock Motor	8W-12-31, 32
Left Side Marker Lamp	8W-12-10
Left Tail/Stop Lamp	8W-12-10, 11
License Lamp	8W-12-10, 11
Liftgate Lock Motor	8W-12-31, 32
Low Note Horn	8W-12-20
Overhead Module	8W-12-20, 30, 36
Passenger Door Jamb Switch	8W-12-30
Passenger Door Lock Motor	8W-12-31, 32
Passenger Power Lock/Window Switch	8W-12-18, 19, 24, 25, 31, 32, 36
Passenger Power Mirror	8W-12-16, 17, 33, 34, 35, 36
Power Distribution Center	8W-12-28, 29
Power Mirror Switch	8W-12-18, 19, 33, 36
Power Outlet	8W-12-5
Powertrain Control Module	8W-12-14, 15
PRNDL Illumination	8W-12-8, 9
Radiator Fan Relay	8W-12-12, 13
Radio	8W-12-8, 9, 10, 11, 18, 19, 28, 29
Rear Fog Lamp Relay	8W-12-18, 19
Rear Fog Lamp Switch	8W-12-8, 9
Rear Window Defogger	8W-12-16, 17
Rear Window Defogger Relay	8W-12-16, 17
Rear Window Defogger Switch	8W-12-8, 9, 16, 17
Rear Wiper Motor	8W-12-21, 22
Rear Wiper/Washer Switch	8W-12-8, 9, 21, 22
Right City Lamp	8W-12-23
Right Courtesy Lamp	8W-12-28, 29, 30
Right Front Park/Turn Signal Lamp No. 1	8W-12-23
Right Front Park/Turn Signal Lamp No. 2	8W-12-23
Right Headlamp	8W-12-6, 7
Right Headlamp Leveling Motor	8W-12-7
Right Heated Seat Switch	8W-12-18, 19
Right Power Seat Switch	8W-12-26, 27
Right Rear Door Jamb Switch	8W-12-30
Right Rear Door Lock Motor	8W-12-31, 32
Right Side Marker Lamp	8W-12-23
Right Tail/Stop Lamp	8W-12-23
Sentry Key Immobilizer Module	8W-12-12, 13
Shift Lock Solenoid	8W-12-21, 22
Tell Tale Module	8W-12-12, 13
Trailer Tow Connector	8W-12-10, 11, 20
Trailer Tow Left Turn Relay	8W-12-20
Trailer Tow Right Turn Relay	8W-12-20
Transfer Case Switch Illumination	8W-12-8, 9
Transmission Control Module	8W-12-15, 28
Transmission Range Sensor	8W-12-12, 13
Underhood Lamp/Mercury Switch	8W-12-28, 29
Wipe/Wash Switch	8W-12-26, 27



**FUSES**

FUSE NO.	AMPS	FUSED CIRCUIT	FEED CIRCUIT
1	25A	F38 16RD/LB	A7 10RD/BK
2	25A	INTERNAL	A7 10RD/BK
3	10A	L33 20RD	L3 16RD/OR
4	10A	L43 20VT	L4 16VT/WT
5	10A	L44 20VT/RD	L4 16VT/WT
6	5A	E2 20OR	E1 20TN
7	10A	INTERNAL	L7 18BK/YL
8	-	-	A21 12DB
9	10A	F87 20WT/BK	A21 12DB
10	15A	F20 18WT	A21 12DB
11	20A	F12 18DB/WT	A21 12DB
12	10A	L5 20BK	A22 12BK/OR
		INTERNAL	
13	-	-	A4 12BK/PK
14	10A	INTERNAL	INTERNAL
15	25A	F35 16RD	A7 10RD/BK
16	10A	L34 20RD/OR	L3 16RD/OR
17	15A	X12 16RD/WT	A31 12BK/WT
18	10A	F83 18YL/DG	A31 12BK/WT
19	10A	F45 20YL/RD	A41 14YL
20	15A	A6 20RD/OR	A7 10RD/BK
21	15A	INTERNAL	A7 10RD/BK
22	20A	V23 18BR/PK	A22 12BK/OR
23	10A	INTERNAL	L7 18BK/YL
24	-	-	A22 12BK/OR
25	15A	F15 20DB/WT	A22 12BK/OR
26	10A	F14 18LG/YL	A22 12BK/OR
27	10A	F23 18DB/YL	A21 12DB

## CIRCUIT BREAKERS

CB NO.	AMPS	FUSED CIRCUIT	FEED CIRCUIT
28	25A	INTERNAL	A31 12BK/WT
29	25A	F37 14RD/LB	A7 10RD/BK
30	20A	V6 16DB	A31 12BK/WT

CIGAR  
LIGHTER  
RELAY

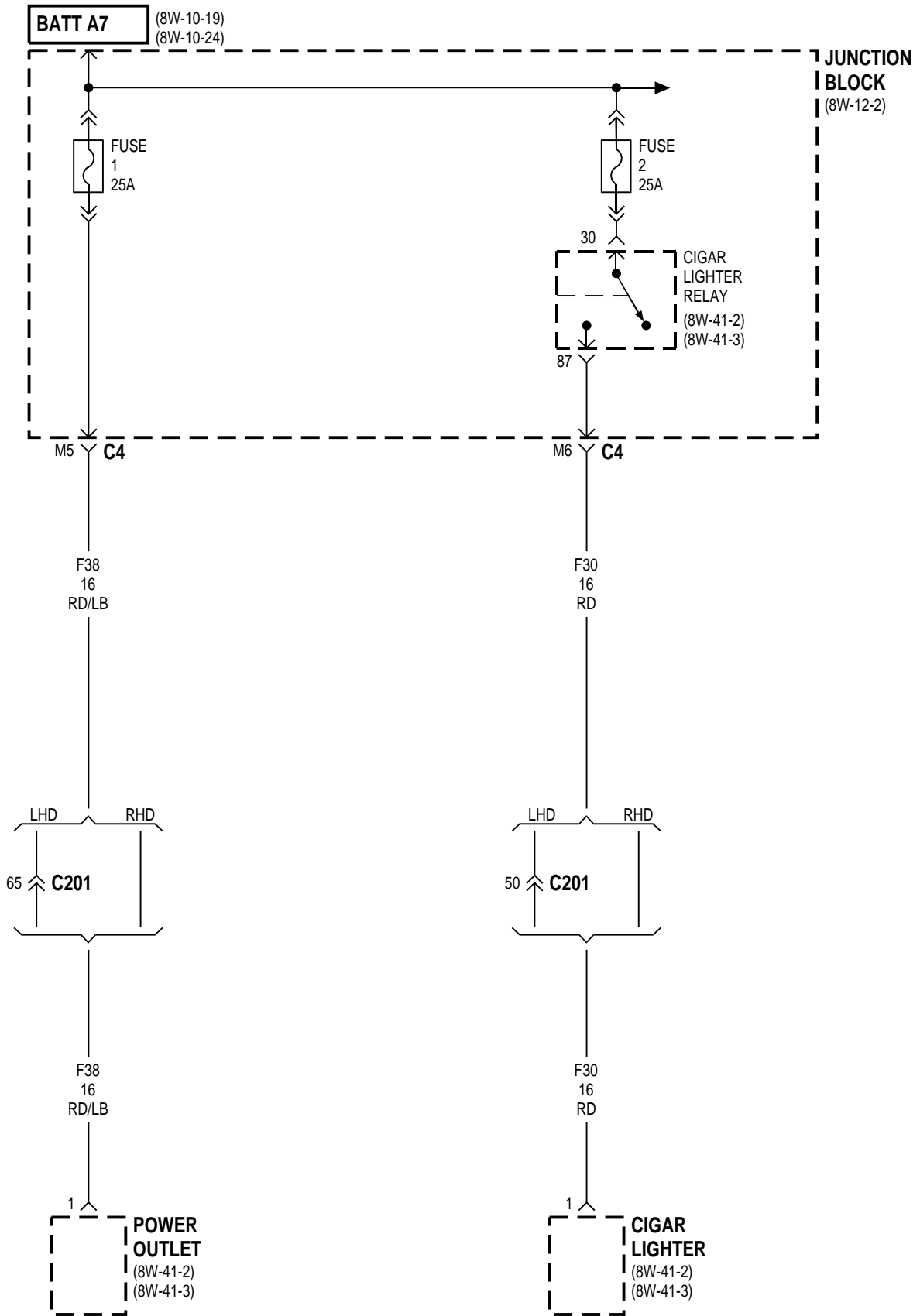
CAVITY	CIRCUIT	FUNCTION
30	INTERNAL	FUSED B (+)
85	Z1 14BK	GROUND
86	A31 12BK/WT	FUSED IGNITION SWITCH OUTPUT (RUN-ACC)
87	F30 16RD	CIGAR LIGHTER RELAY OUTPUT
87A	-	-

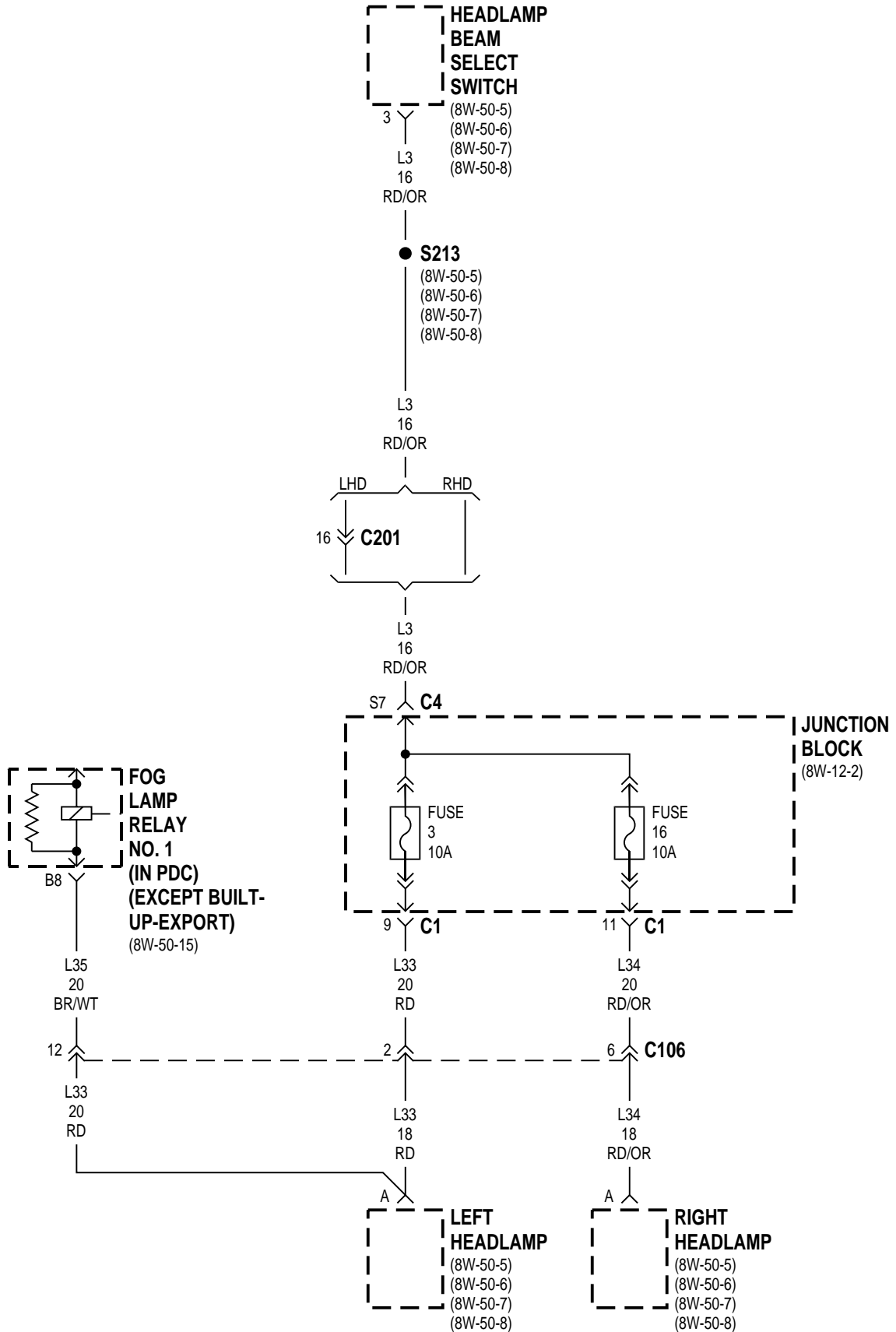
HORN  
RELAY

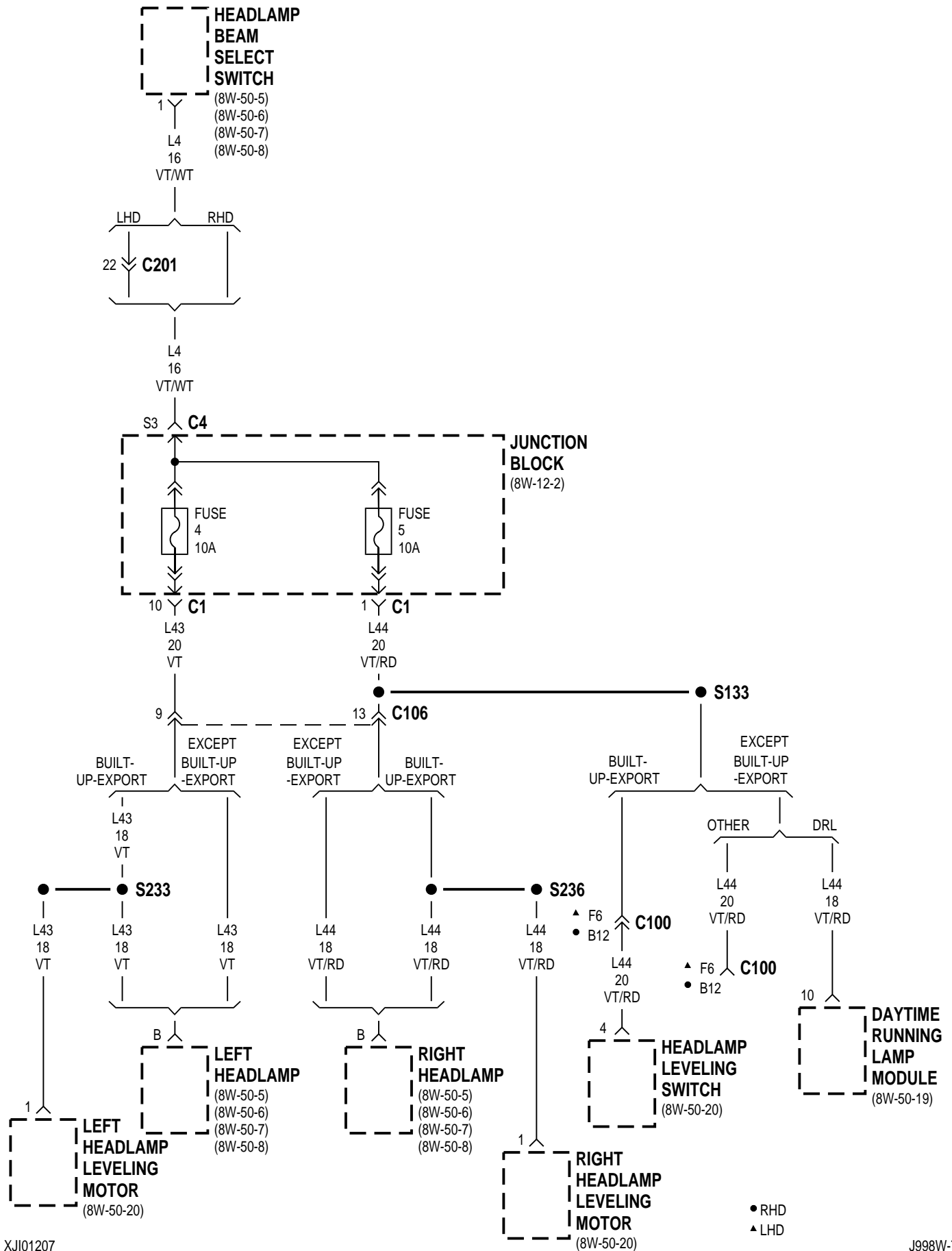
CAVITY	CIRCUIT	FUNCTION
30	INTERNAL	FUSED B (+)
85	X3 20BK/RD	HORN RELAY CONTROL
86	A7 10RD/BK	FUSED B (+)
87	X2 20DG/RD	HORN RELAY OUTPUT
87A	-	-

REAR  
WINDOW  
DEFOGGER  
RELAY

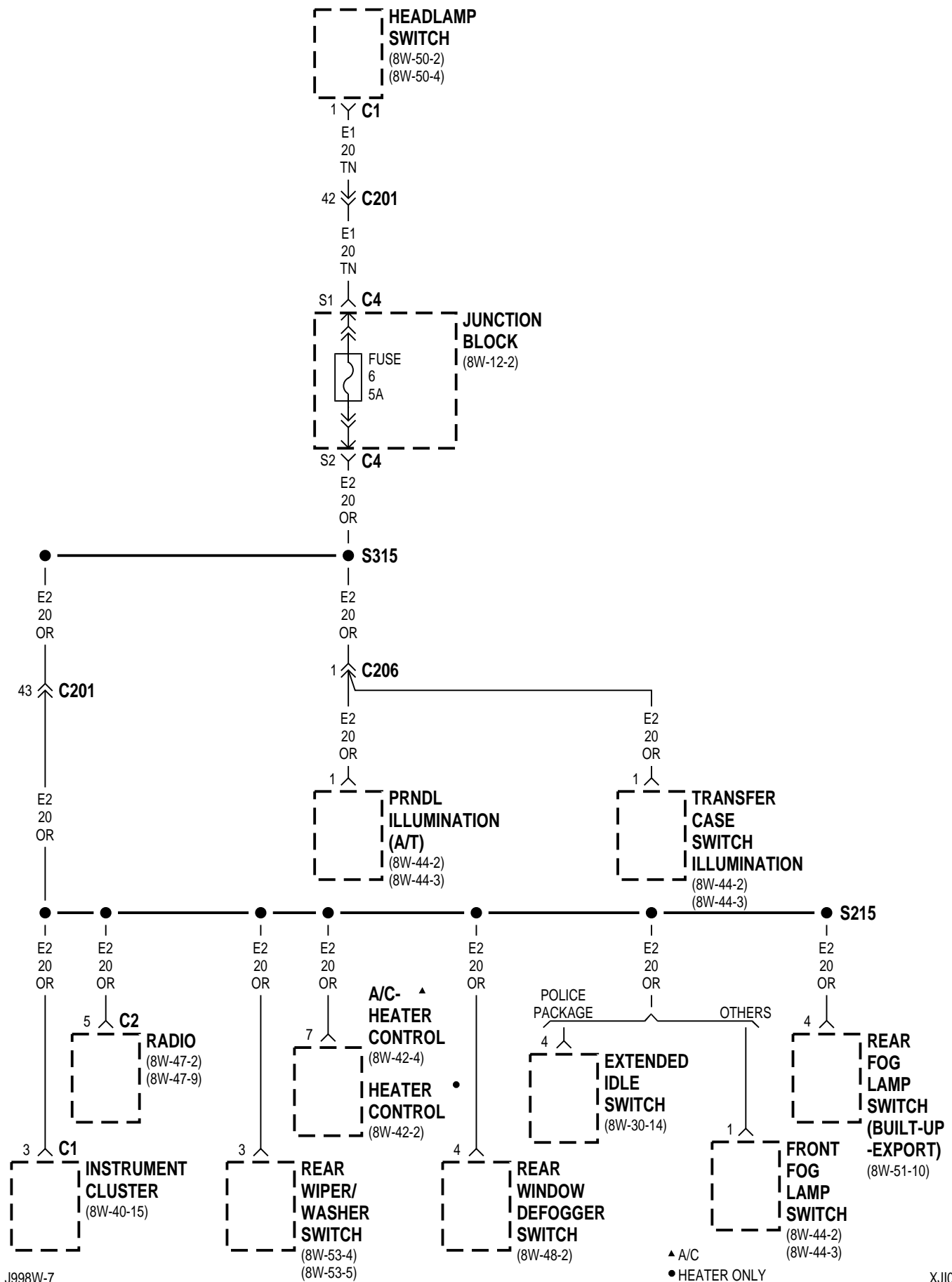
CAVITY	CIRCUIT	FUNCTION
30	A4 12BK/PK	FUSED B (+)
85	C81 20LB/WT	REAR WINDOW DEFOGGER RELAY CONTROL
86	INTERNAL	FUSED IGNITION SWITCH OUTPUT (RUN)
87	C15 12BK/WT	REAR WINDOW DEFOGGER RELAY OUTPUT
87A	-	-





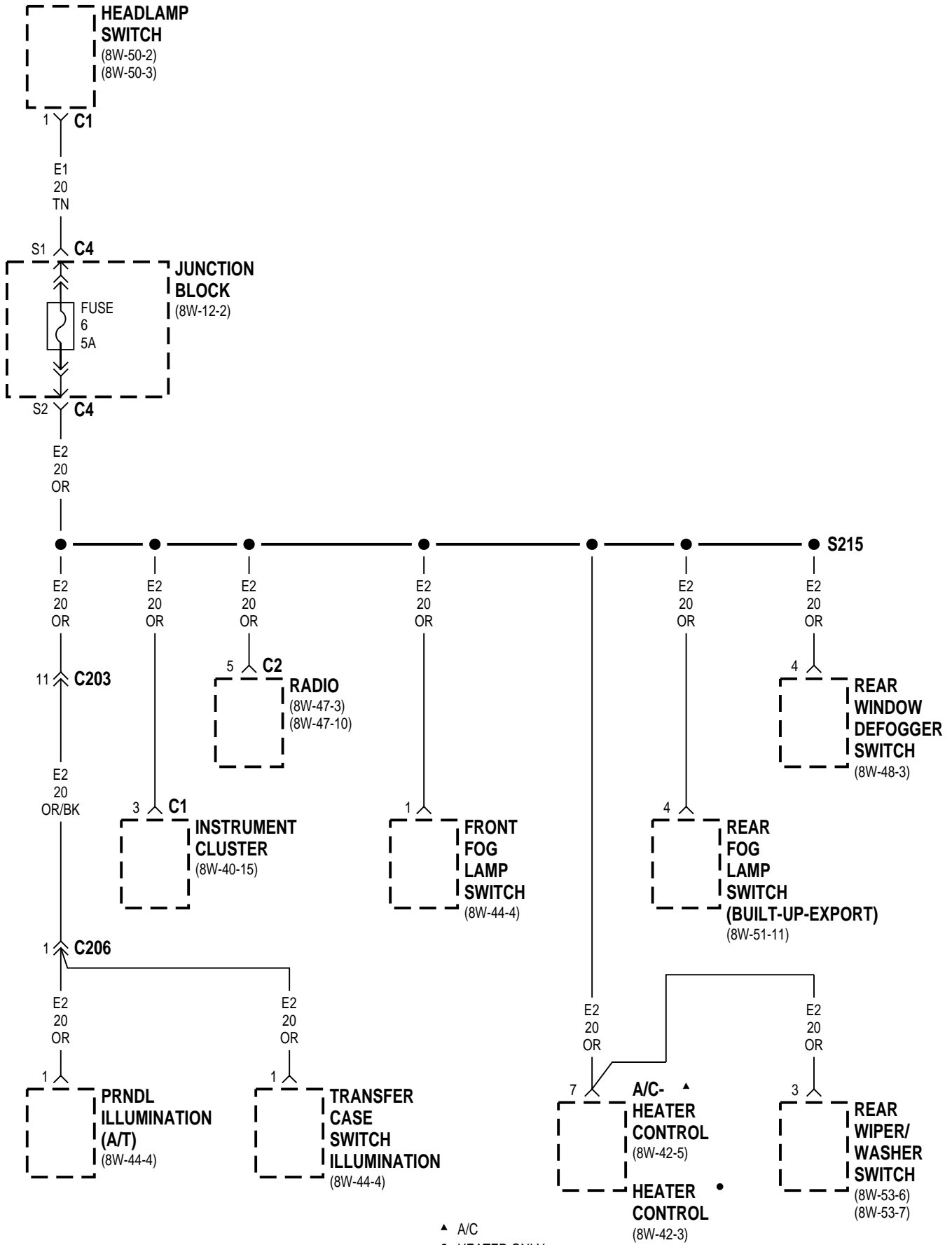


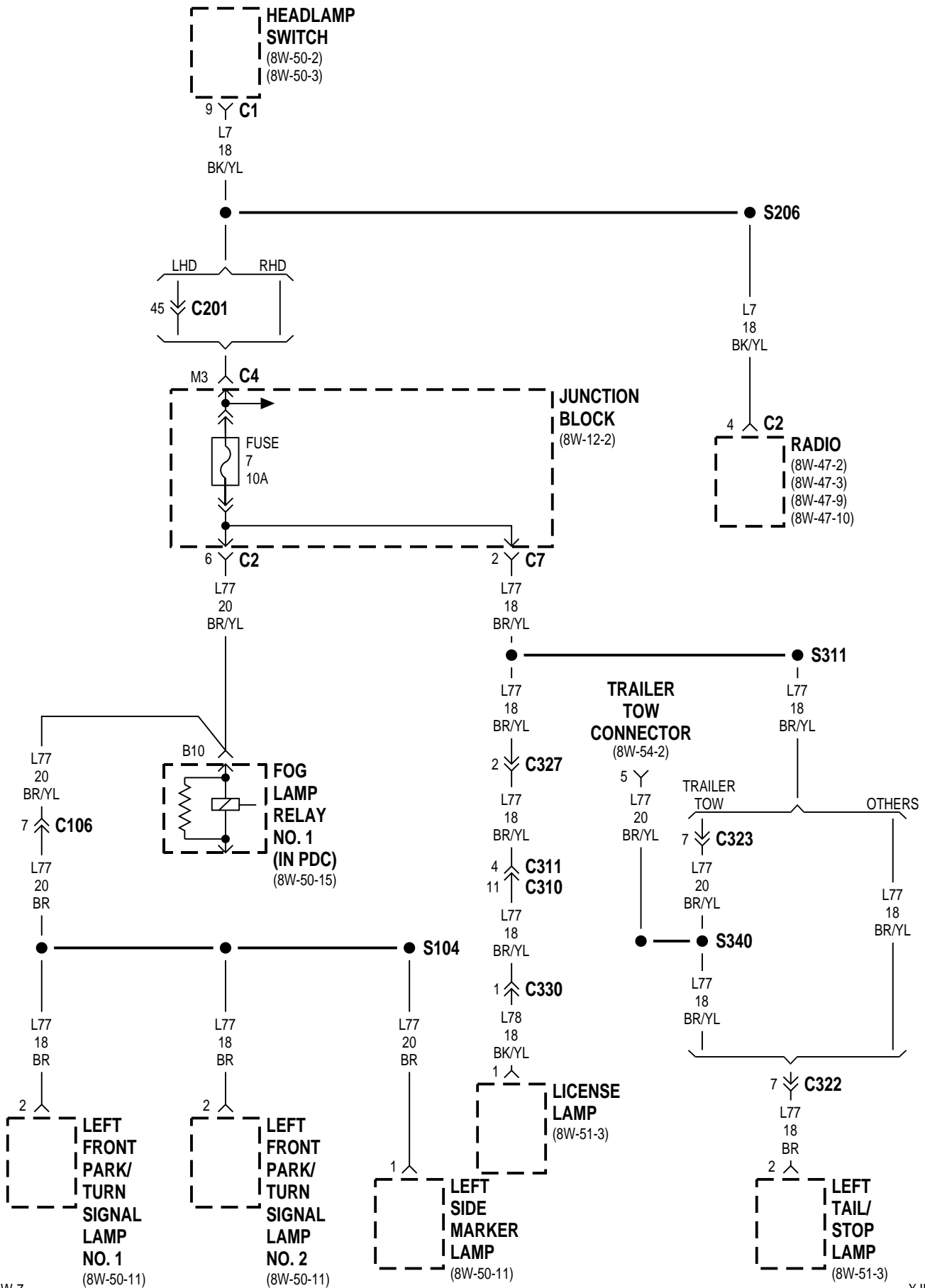
LHD

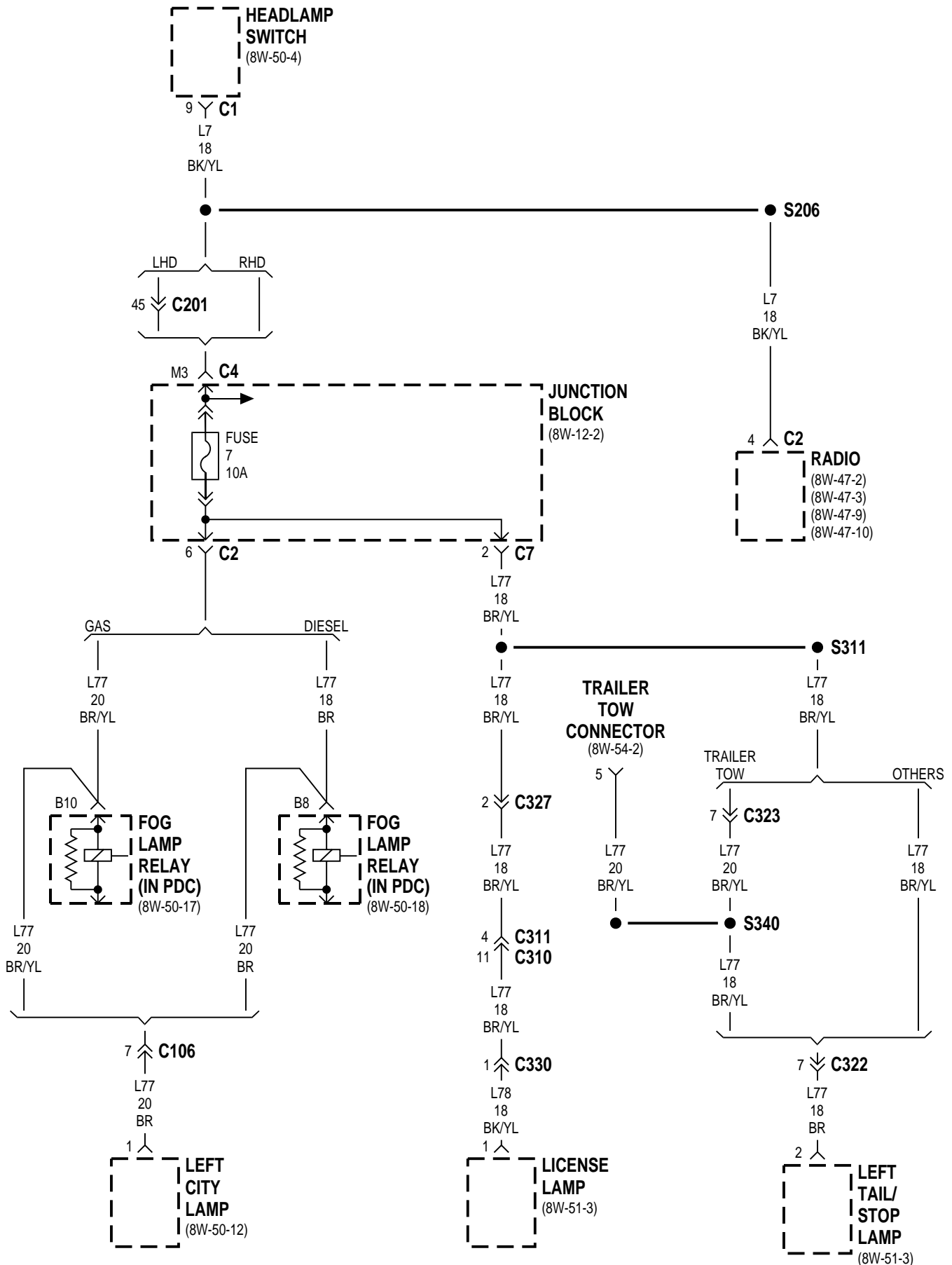




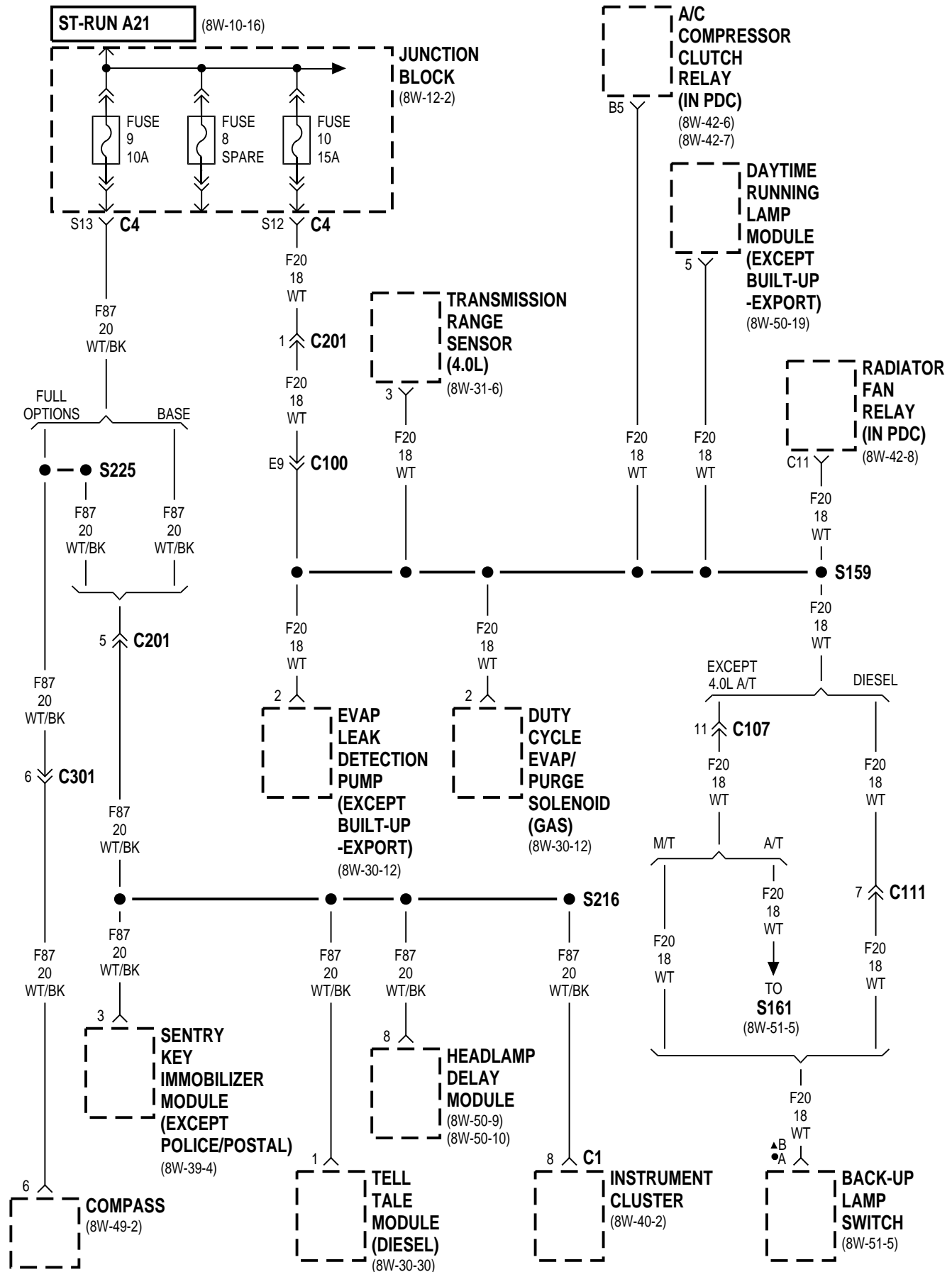
**XJ** ————— **8W-12 JUNCTION BLOCK** ————— **8W - 12 - 9**  
**RHD**

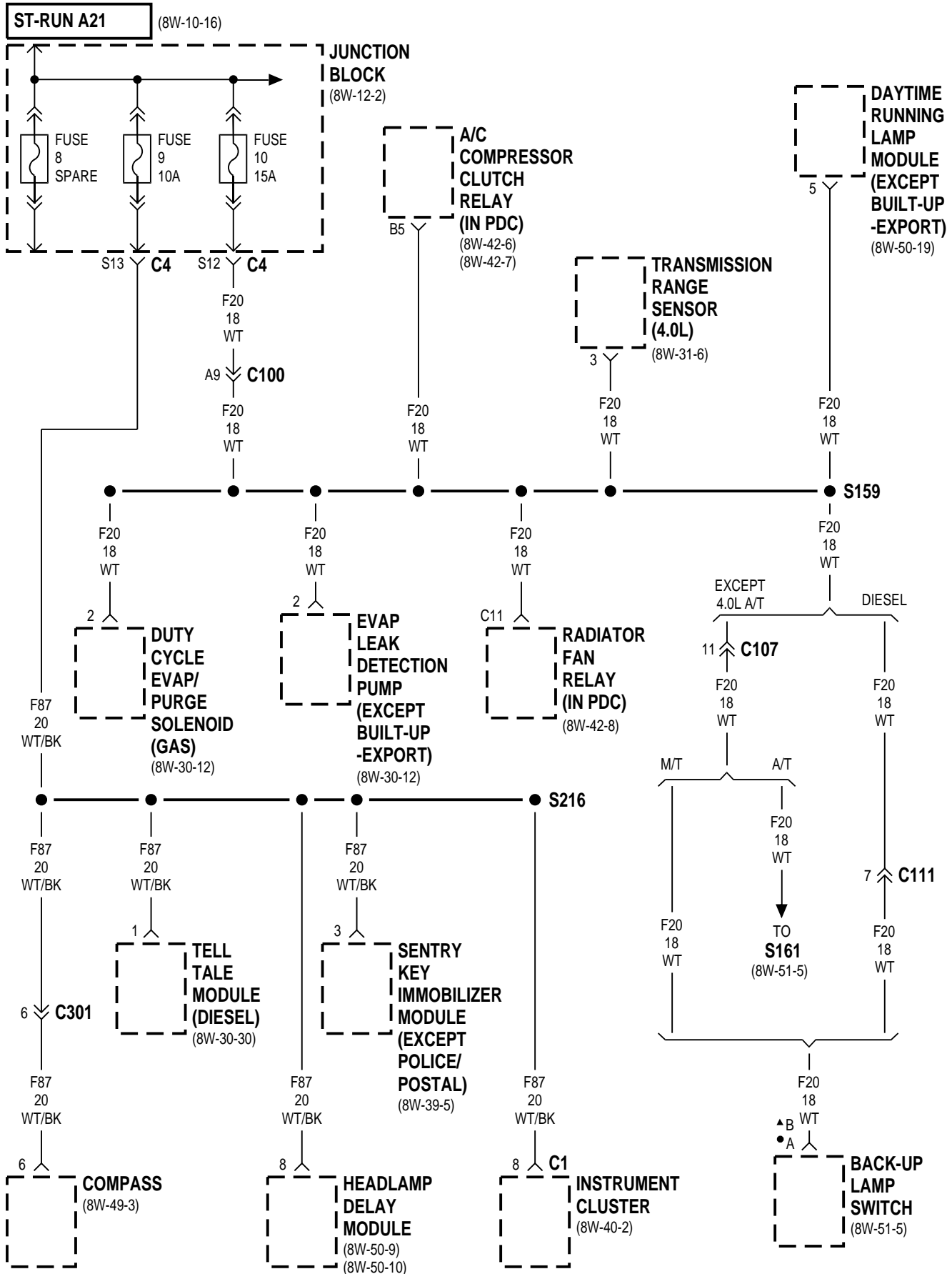


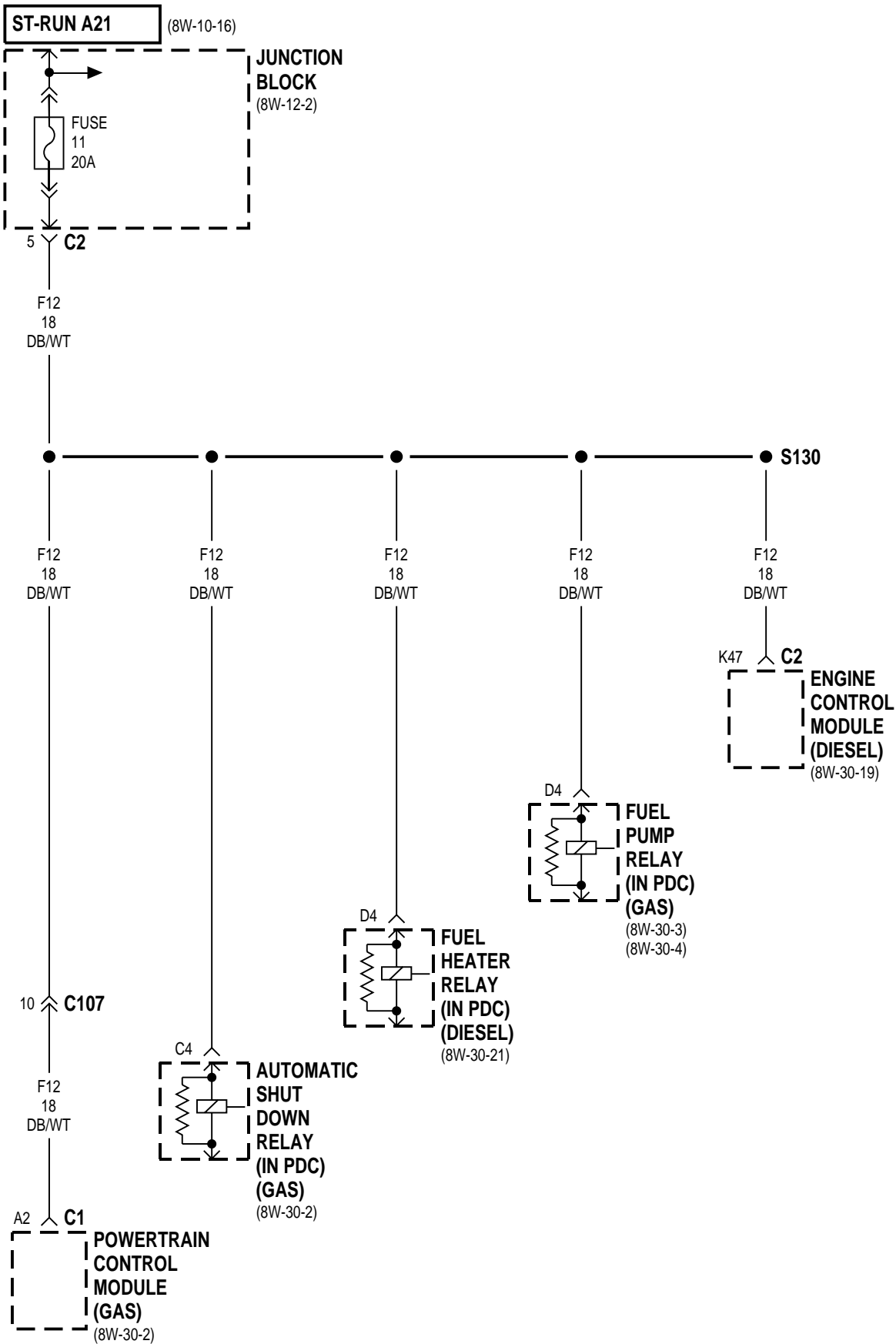


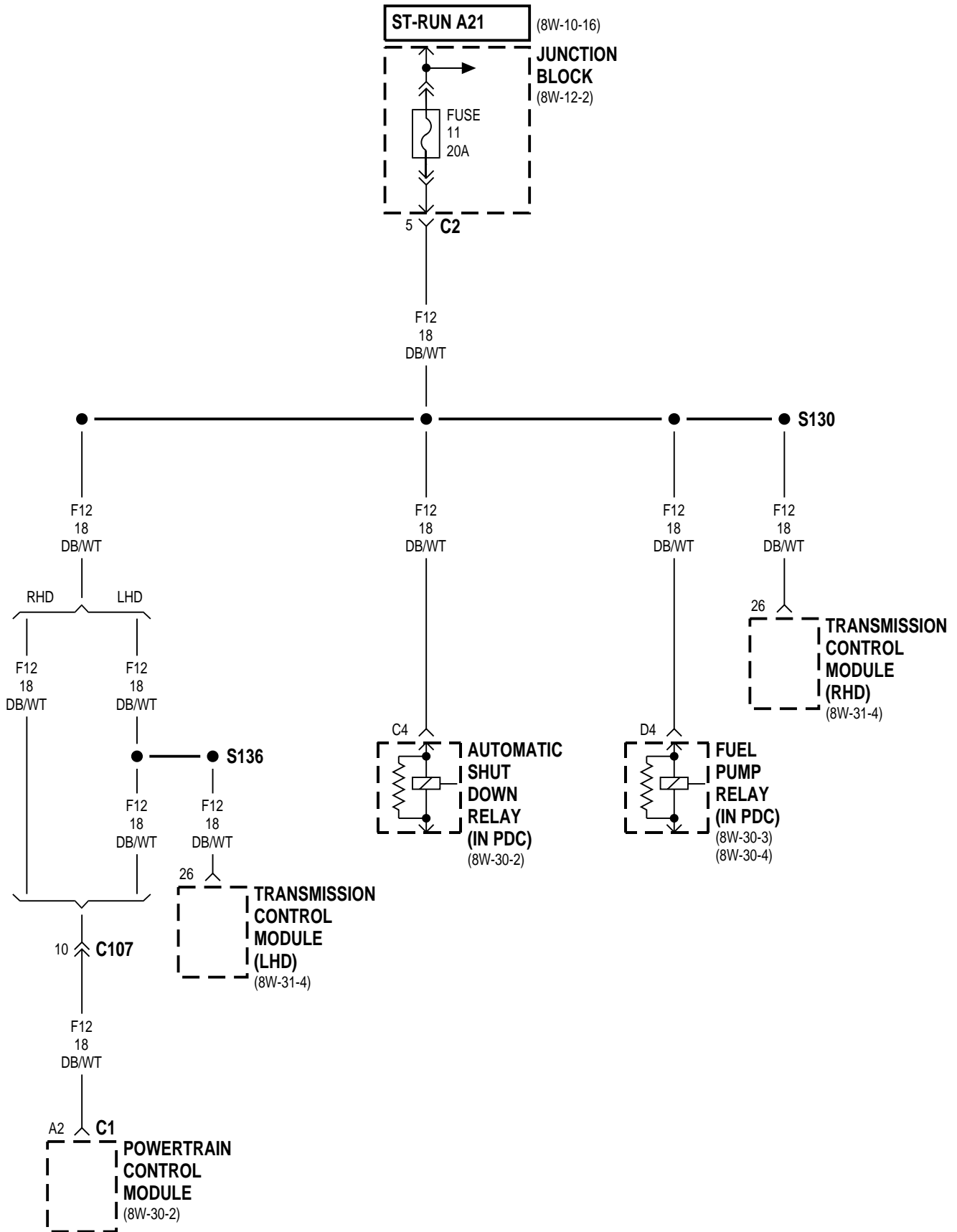


LHD

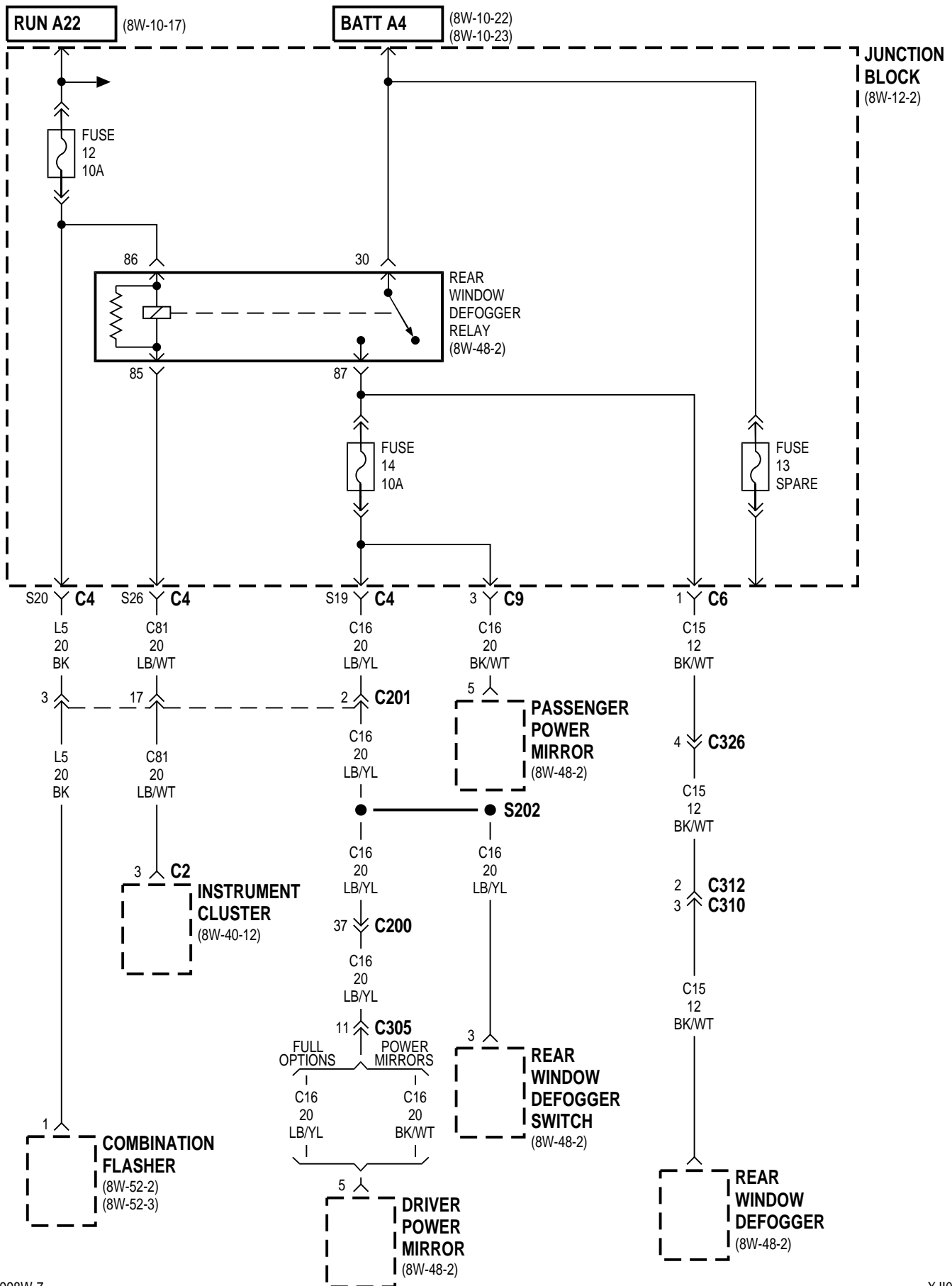




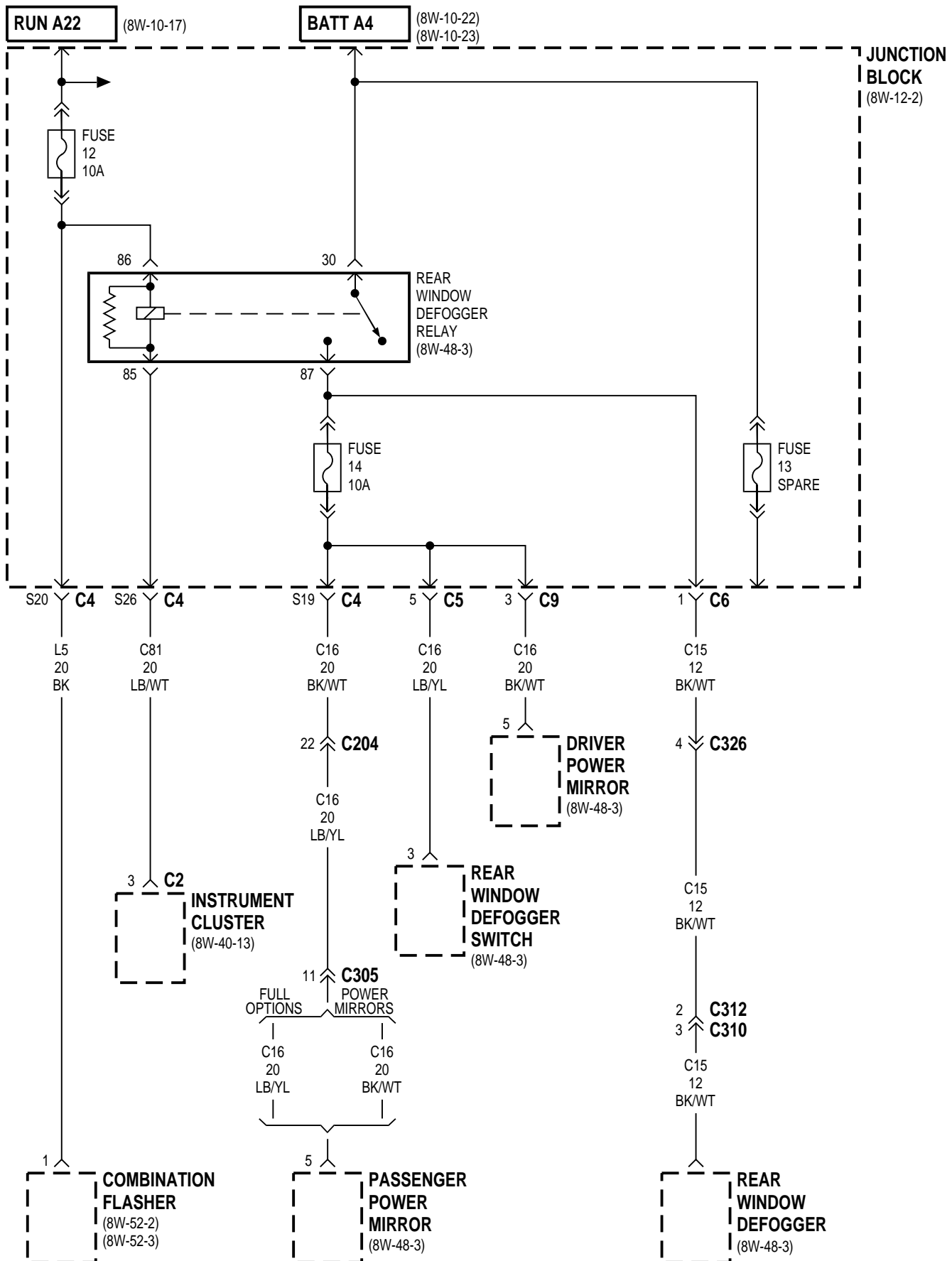




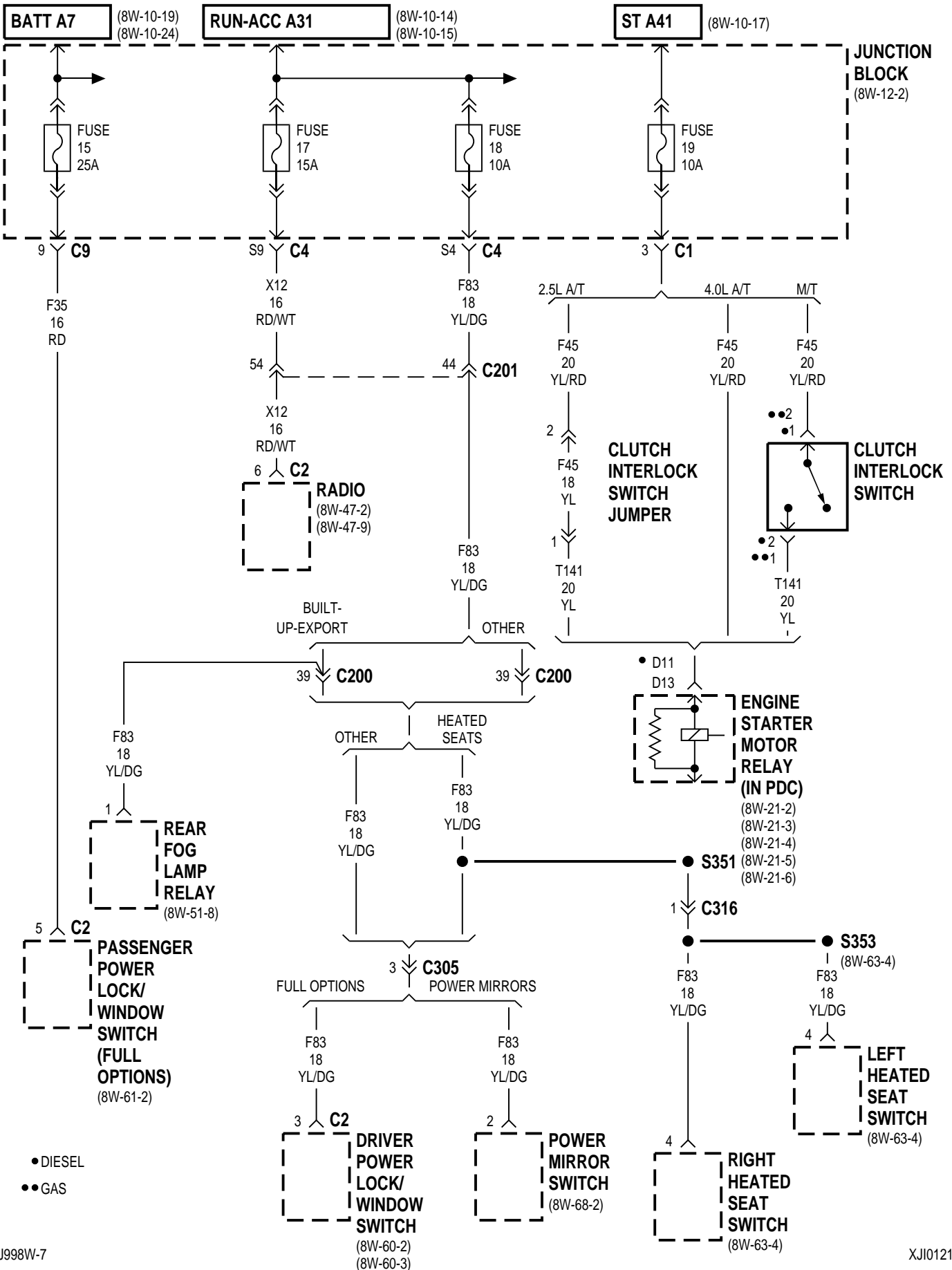
LHD

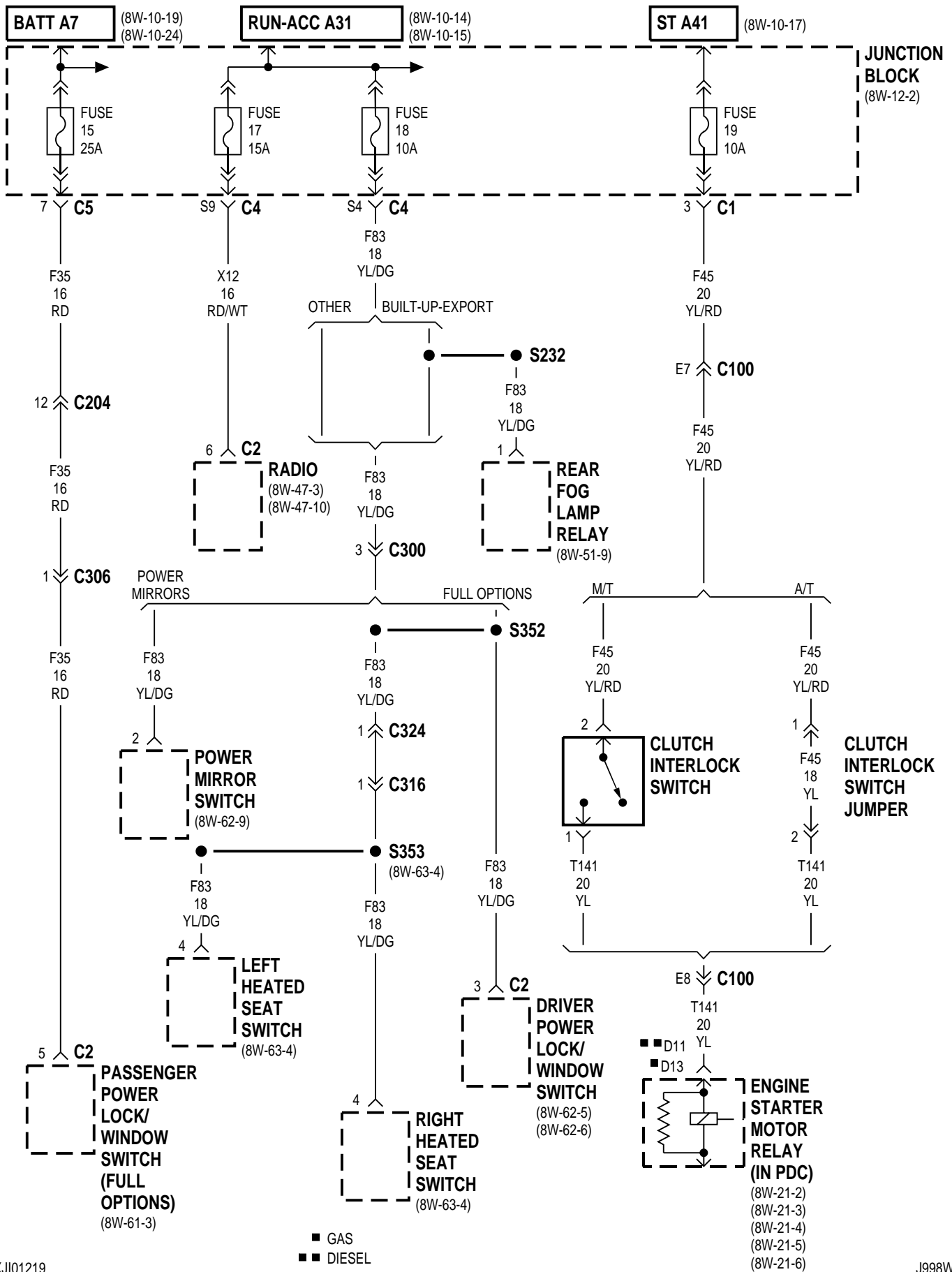


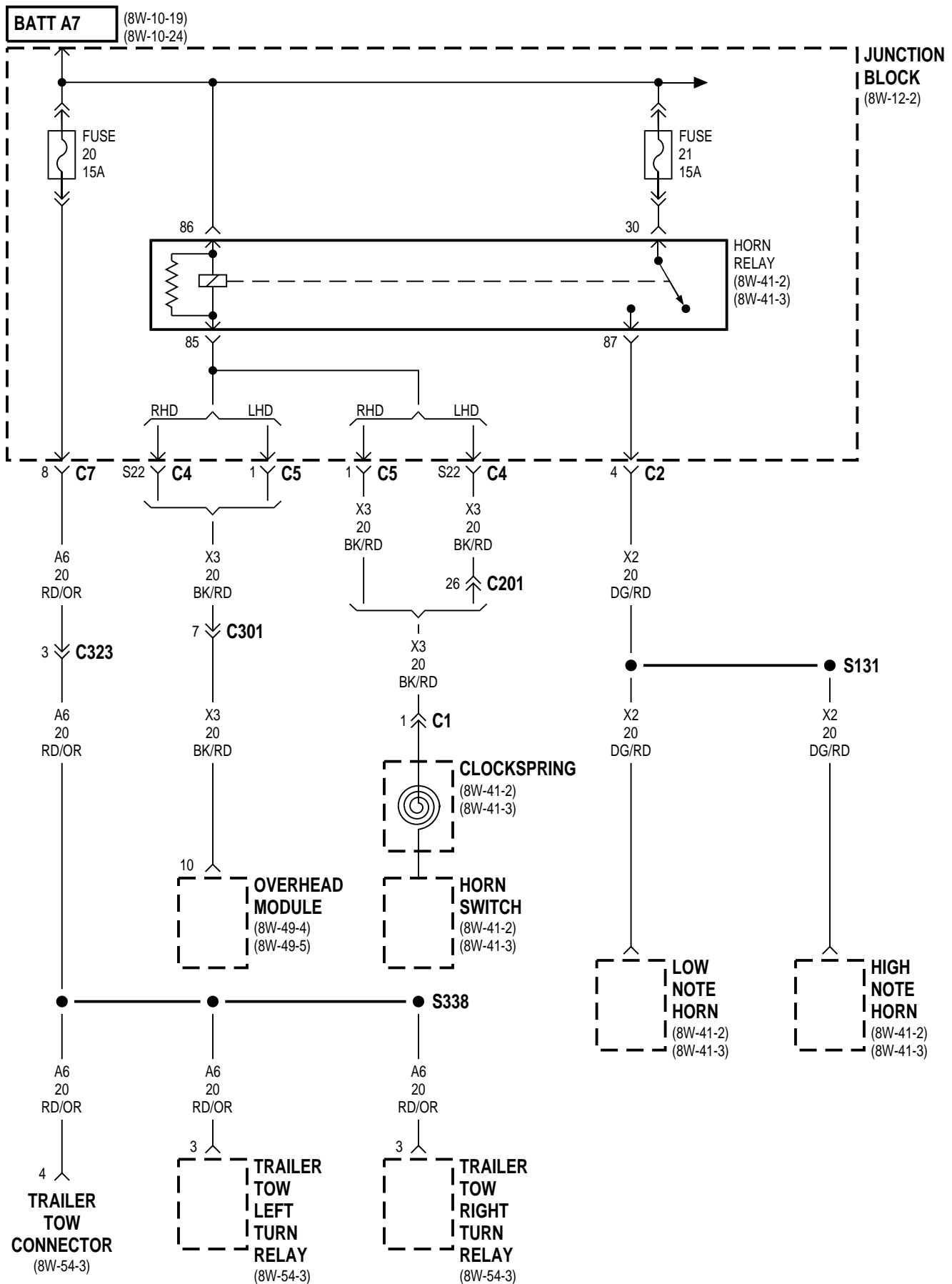




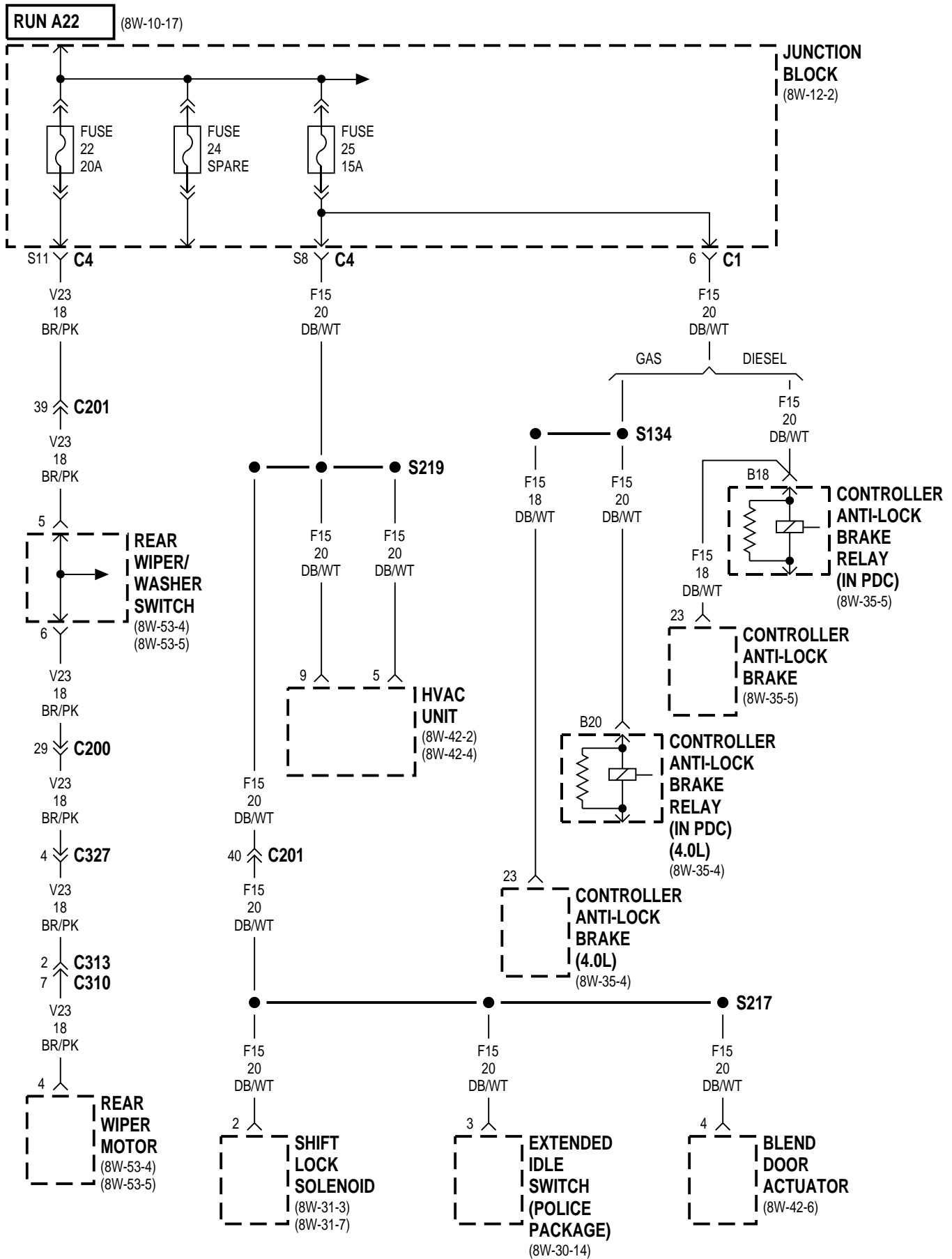
LHD

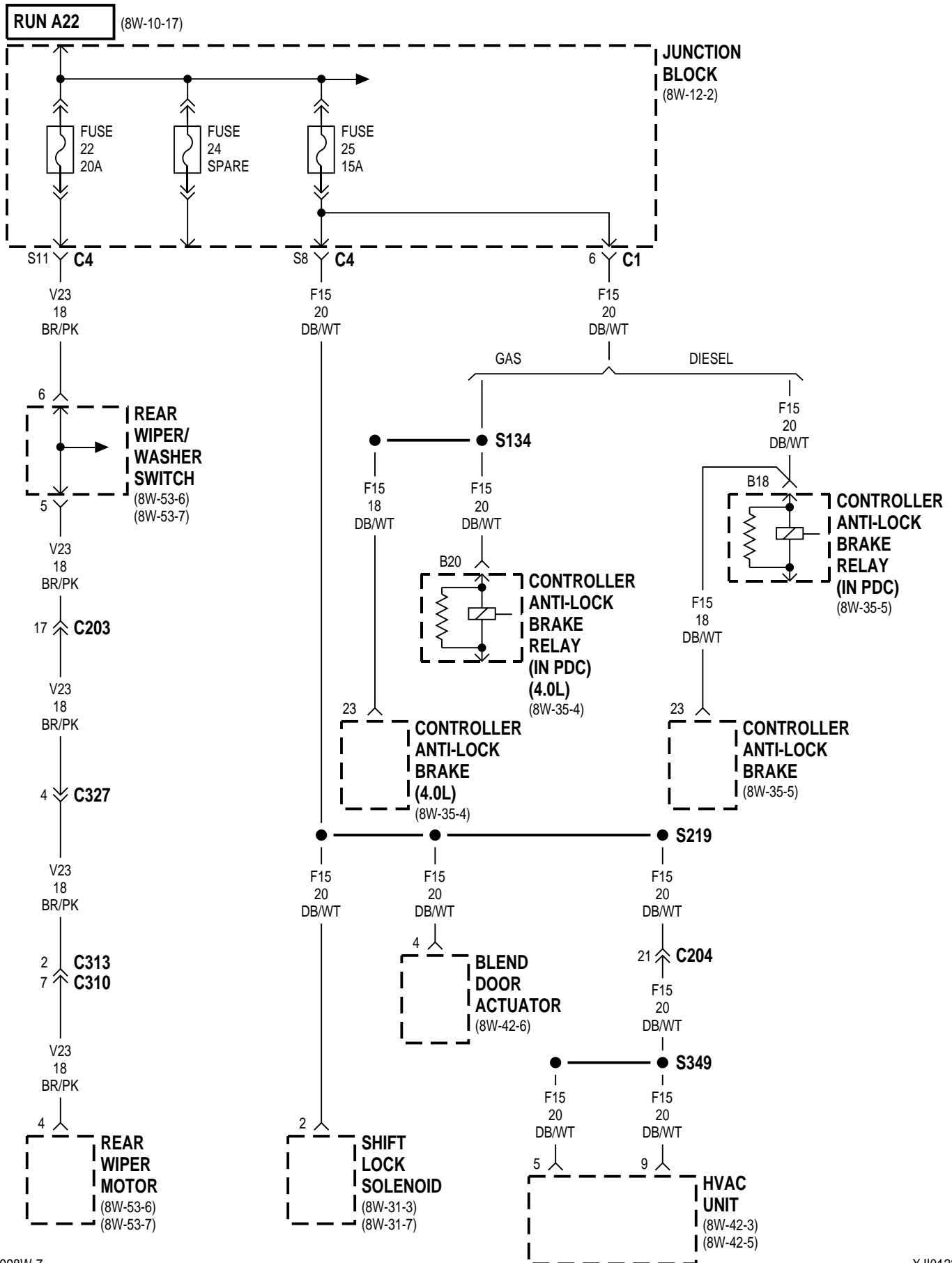


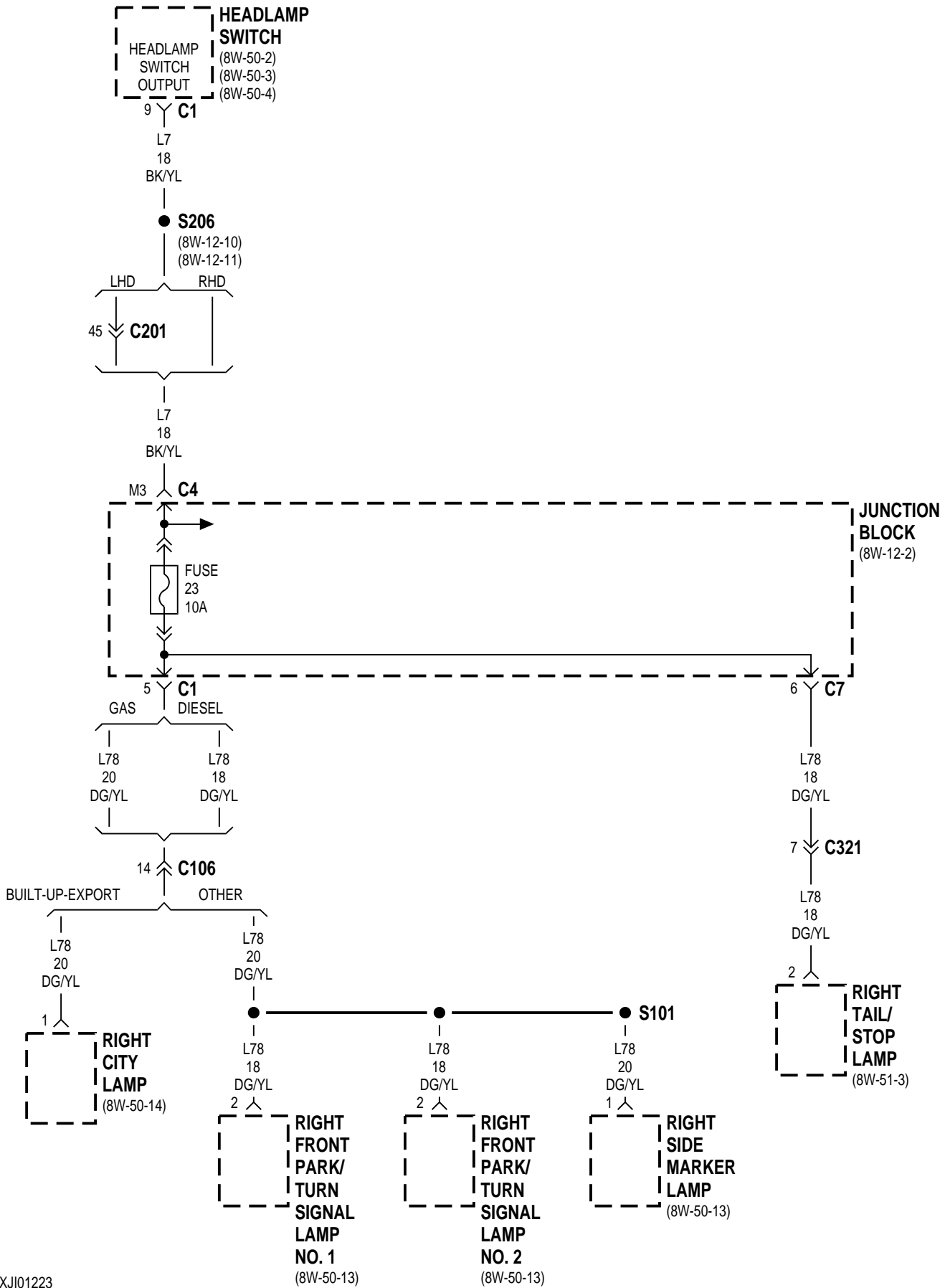


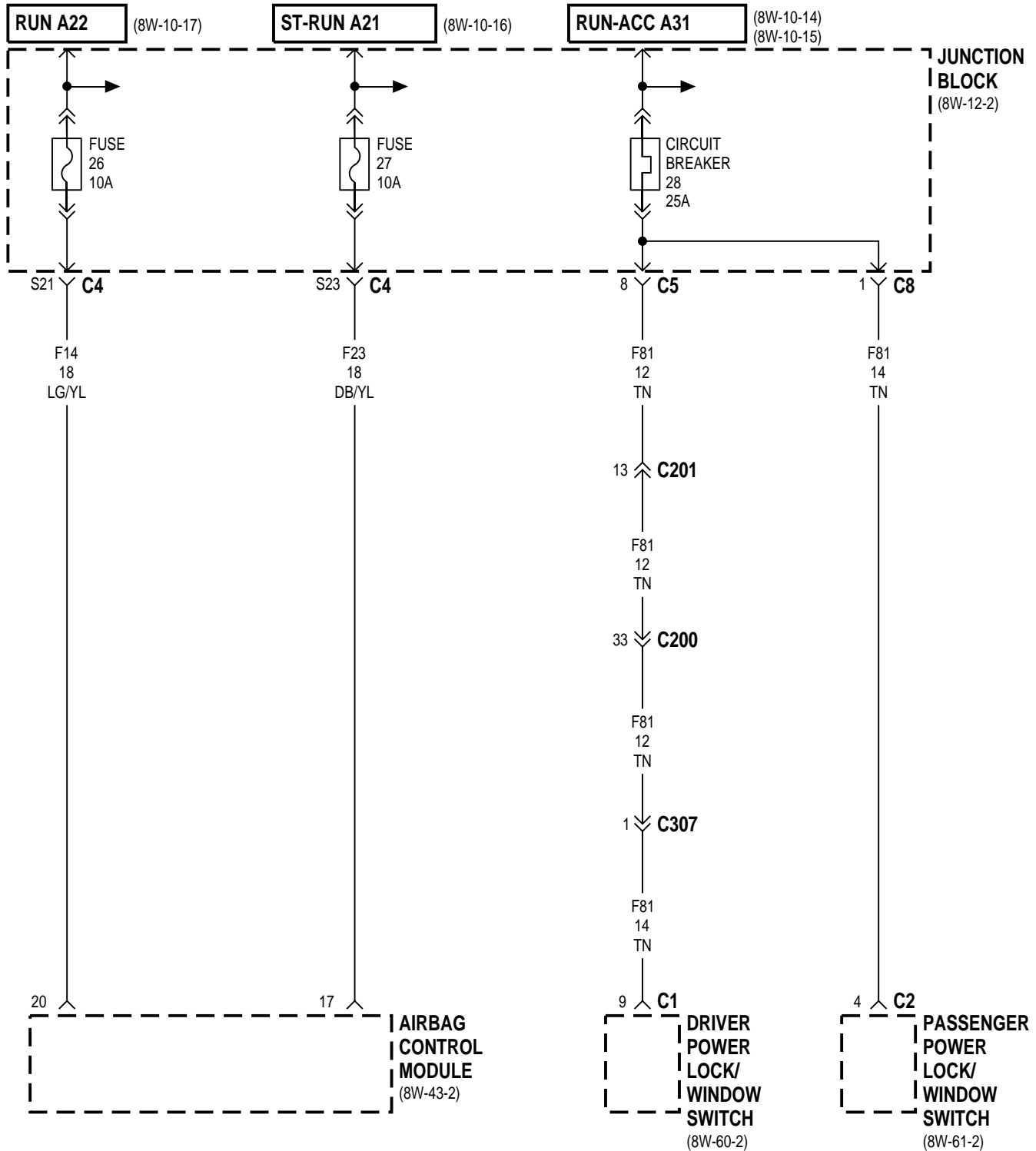


LHD



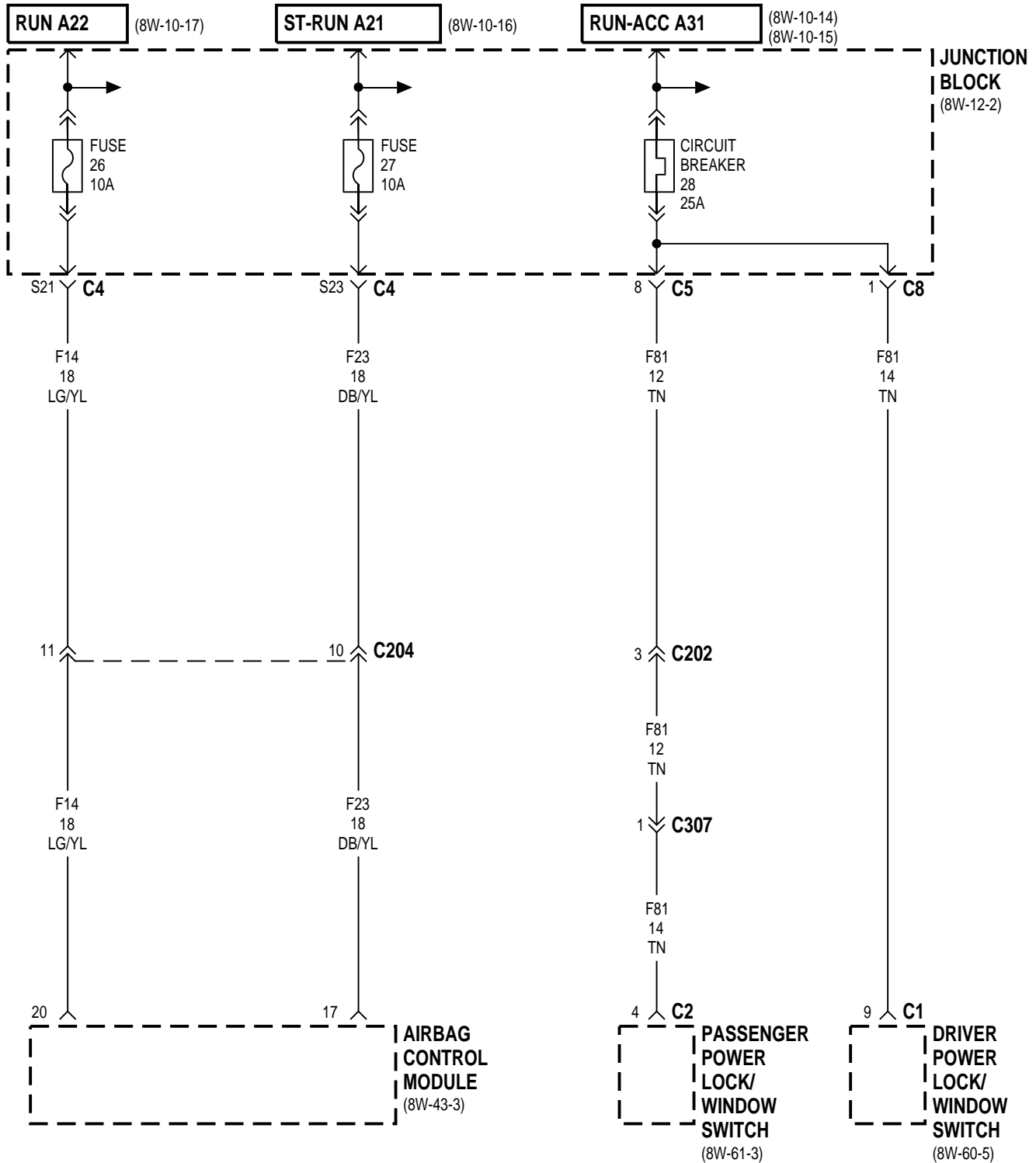


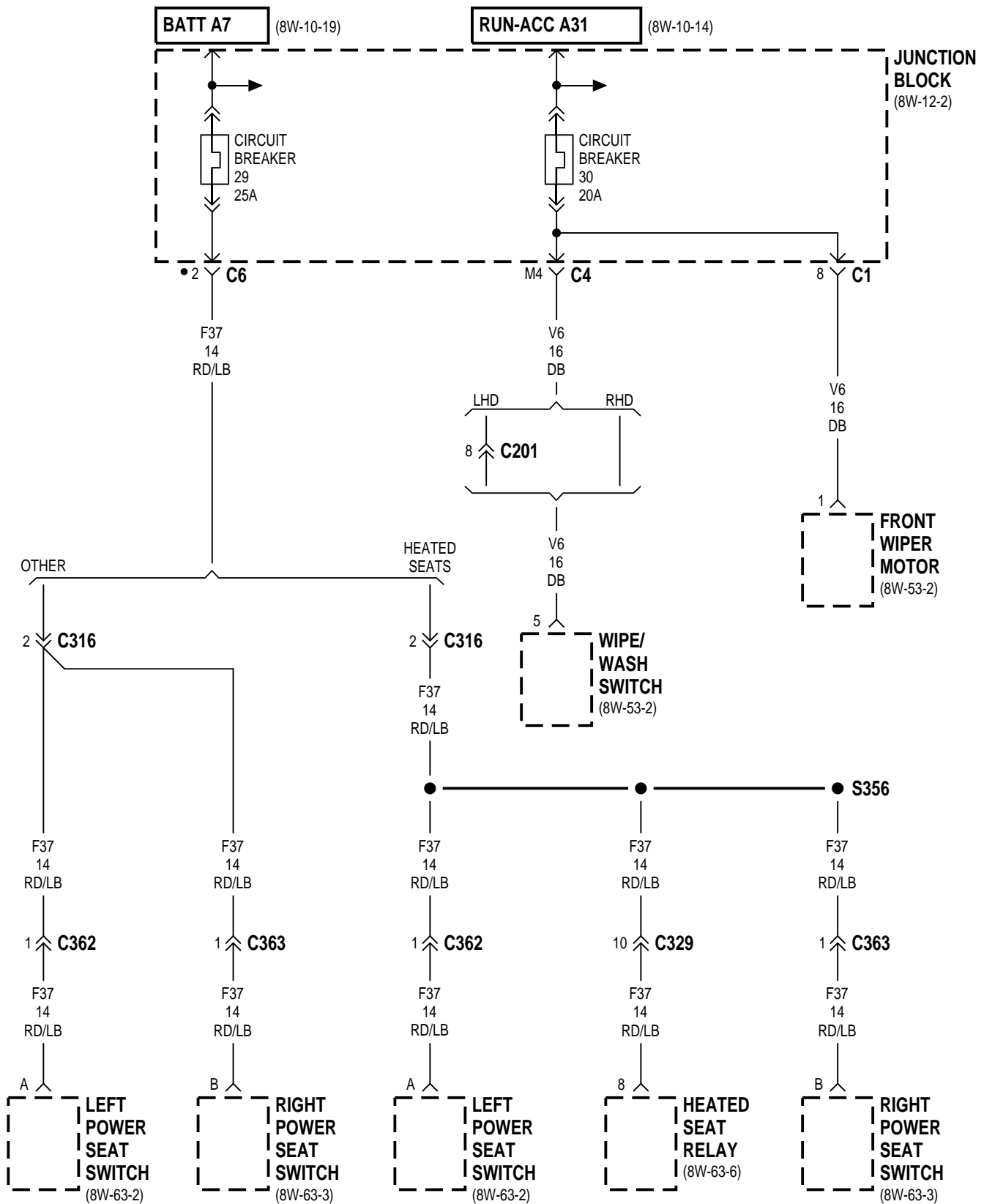


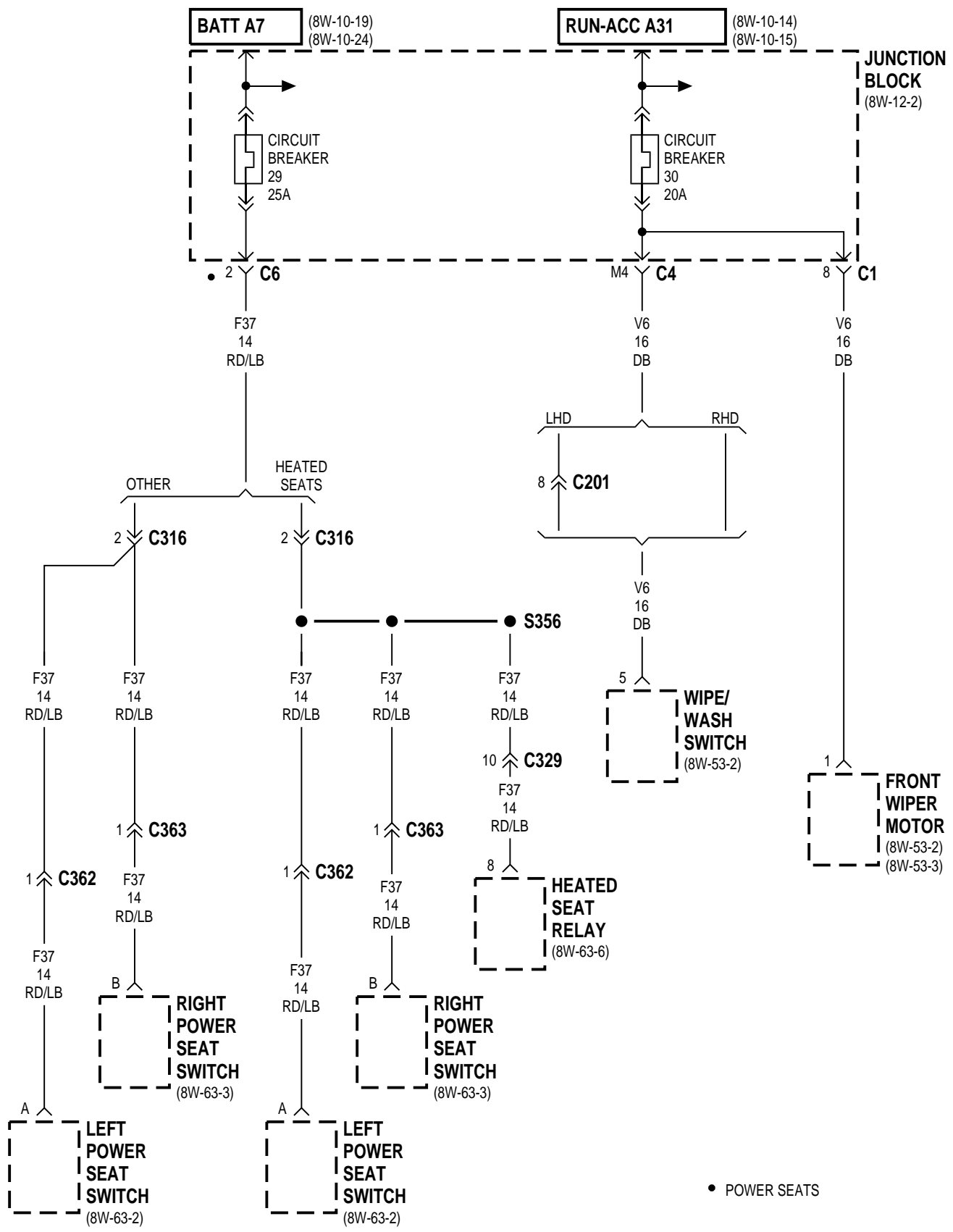


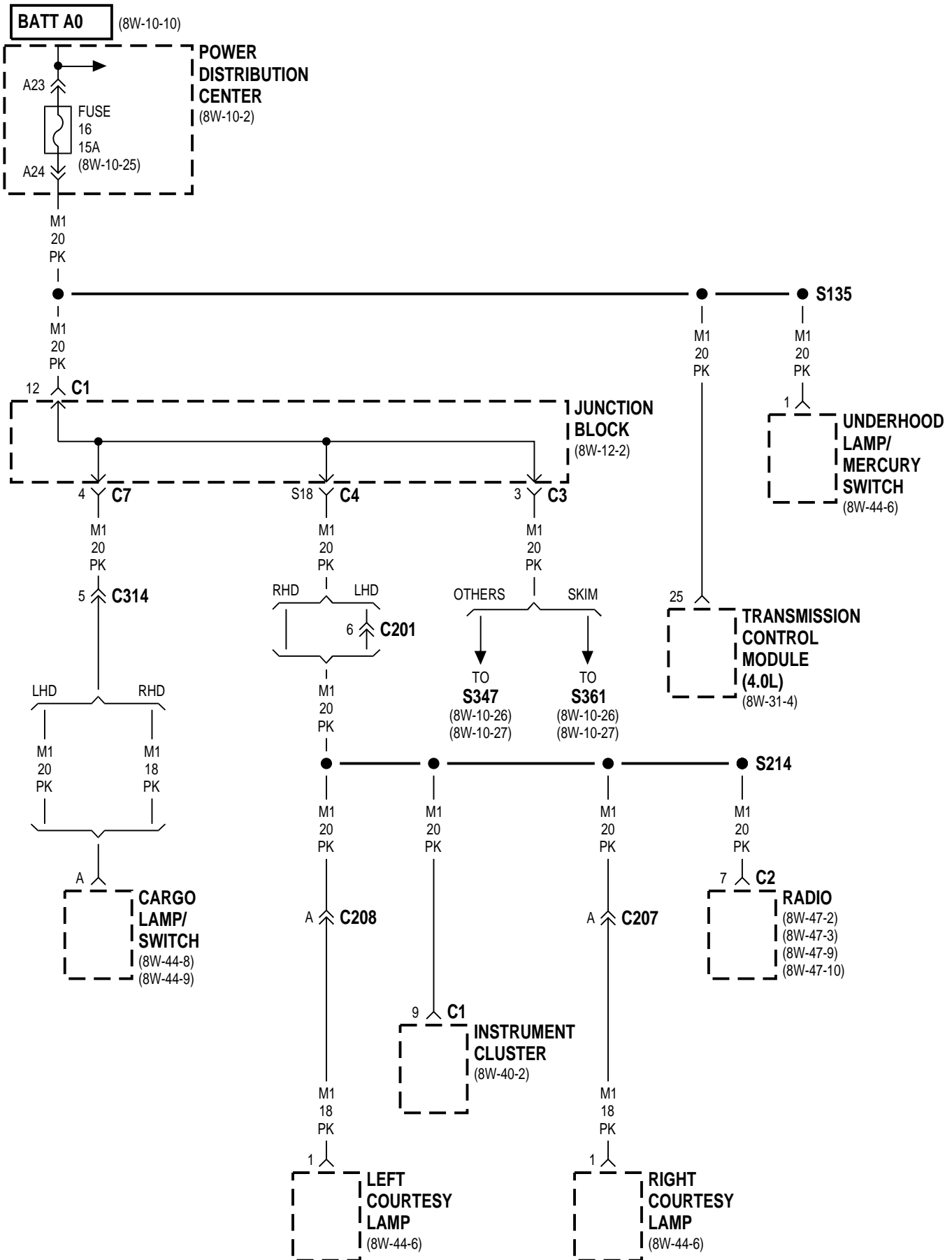


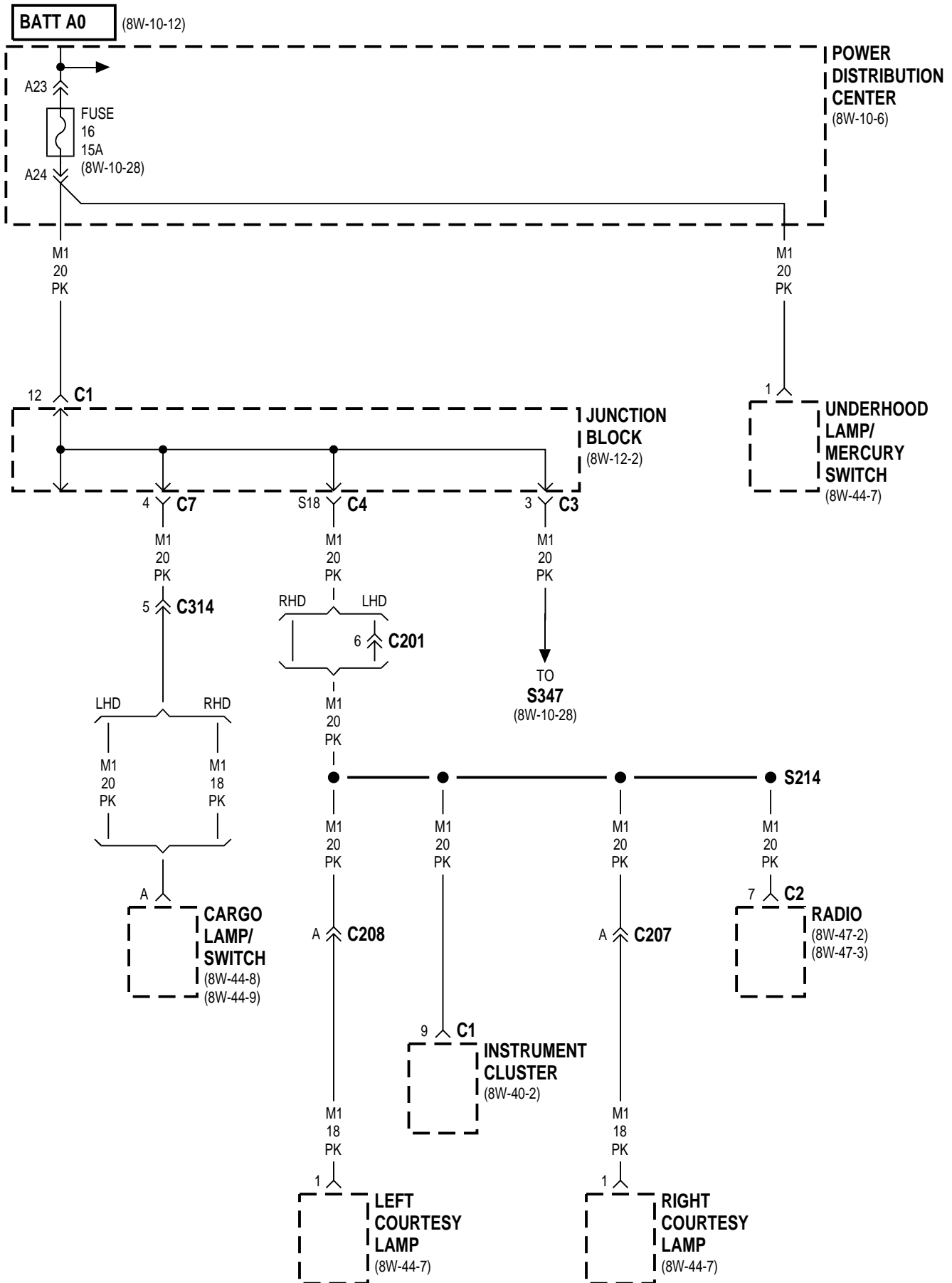
**XJ** ————— **8W-12 JUNCTION BLOCK** ————— **8W - 12 - 25**  
**RHD**

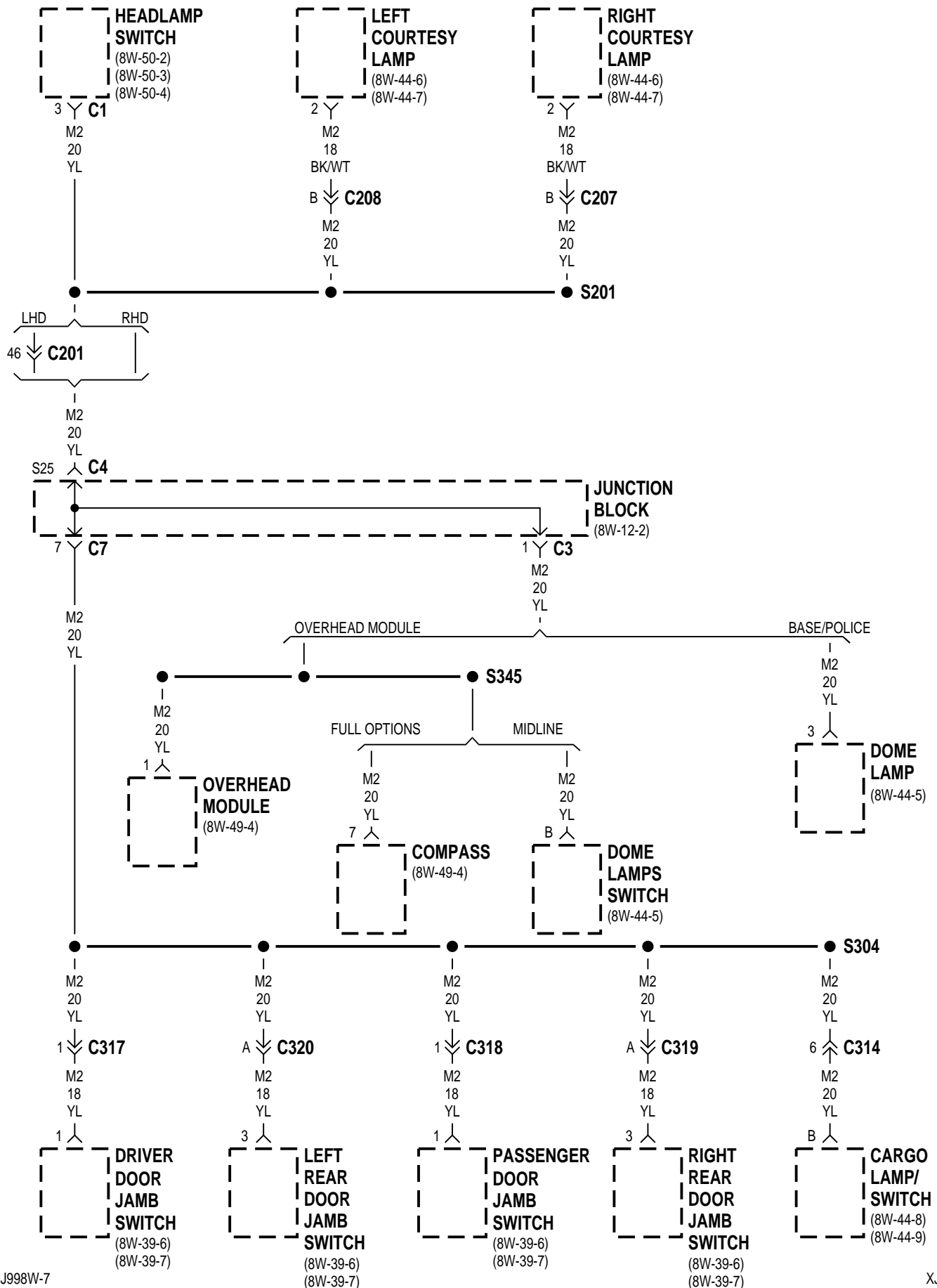


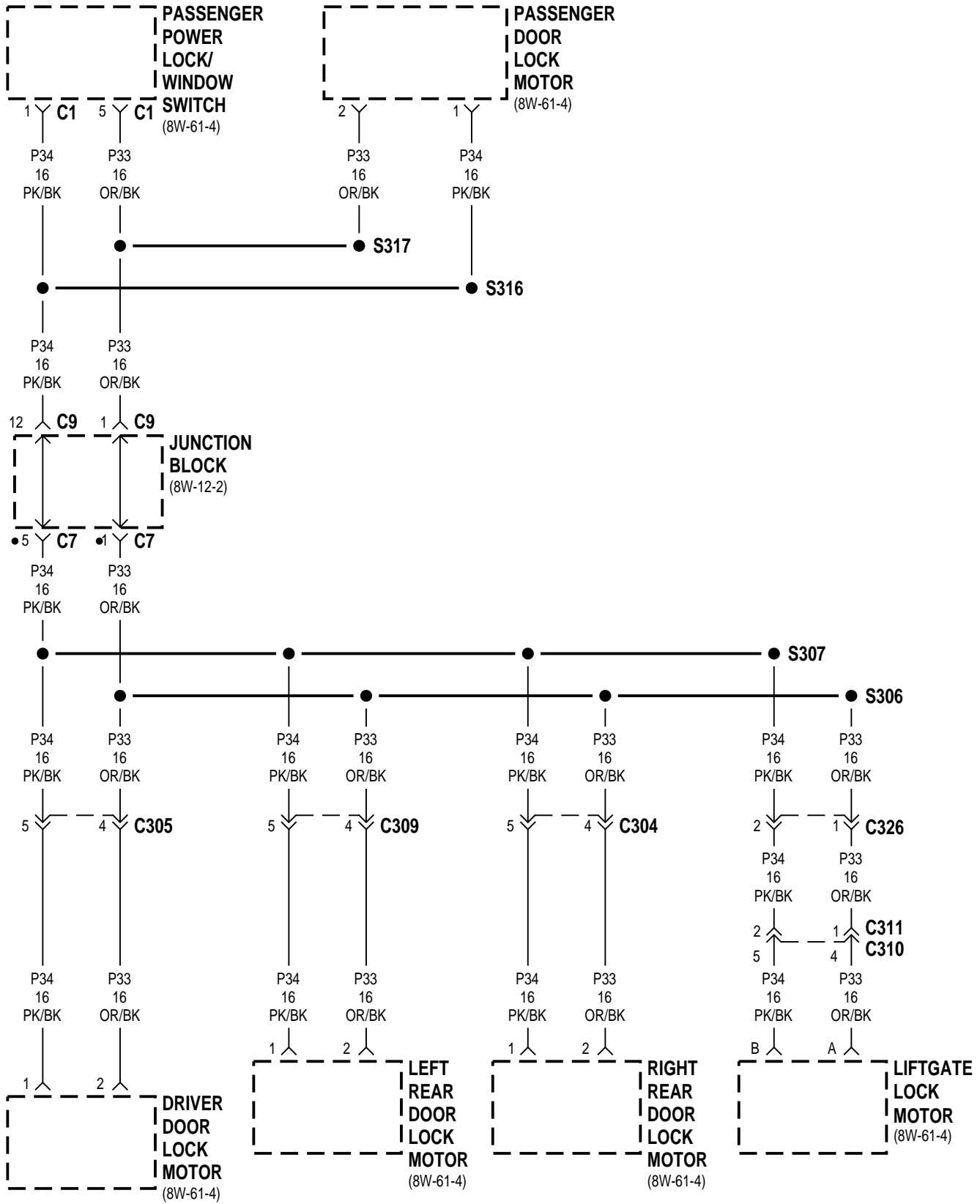


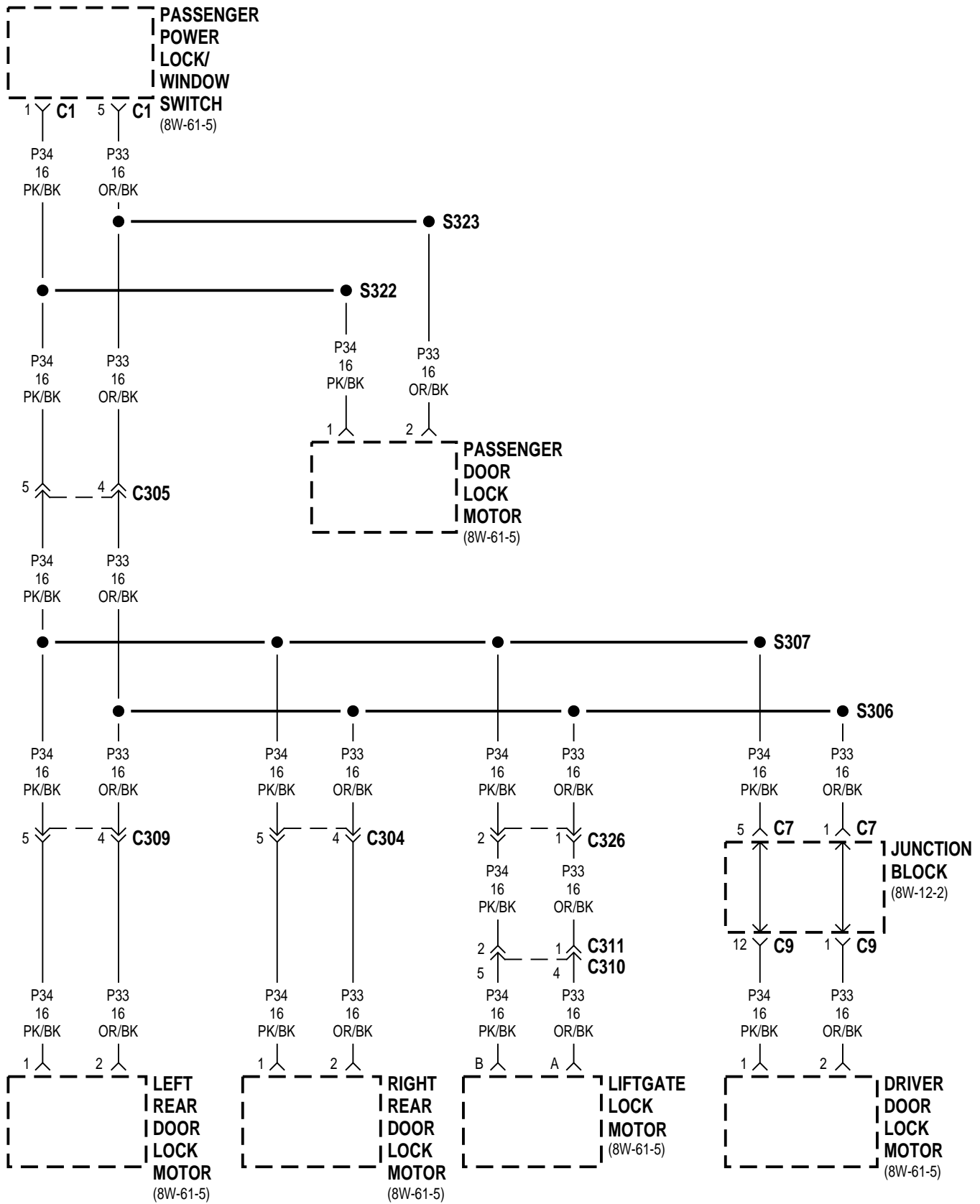






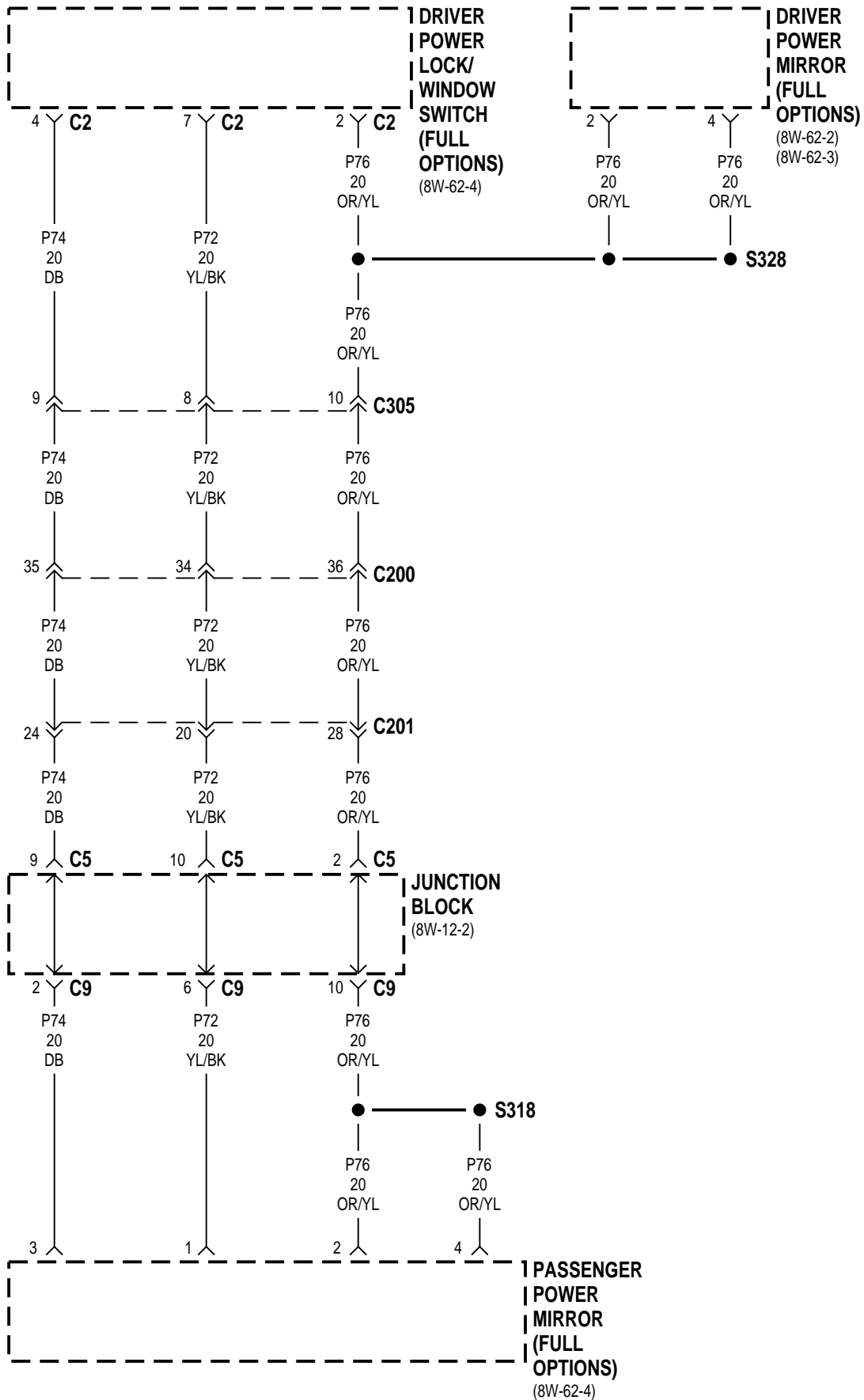


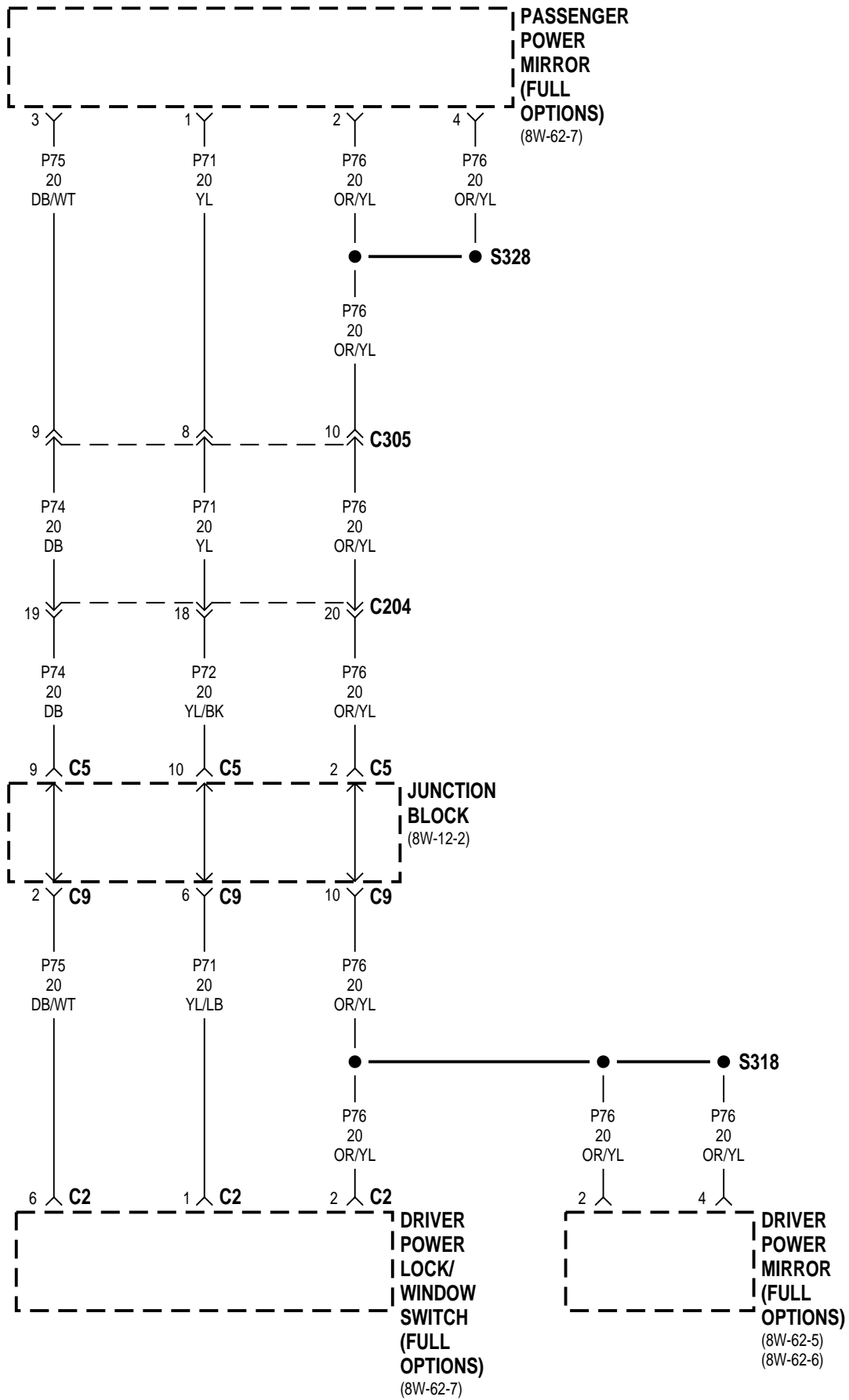


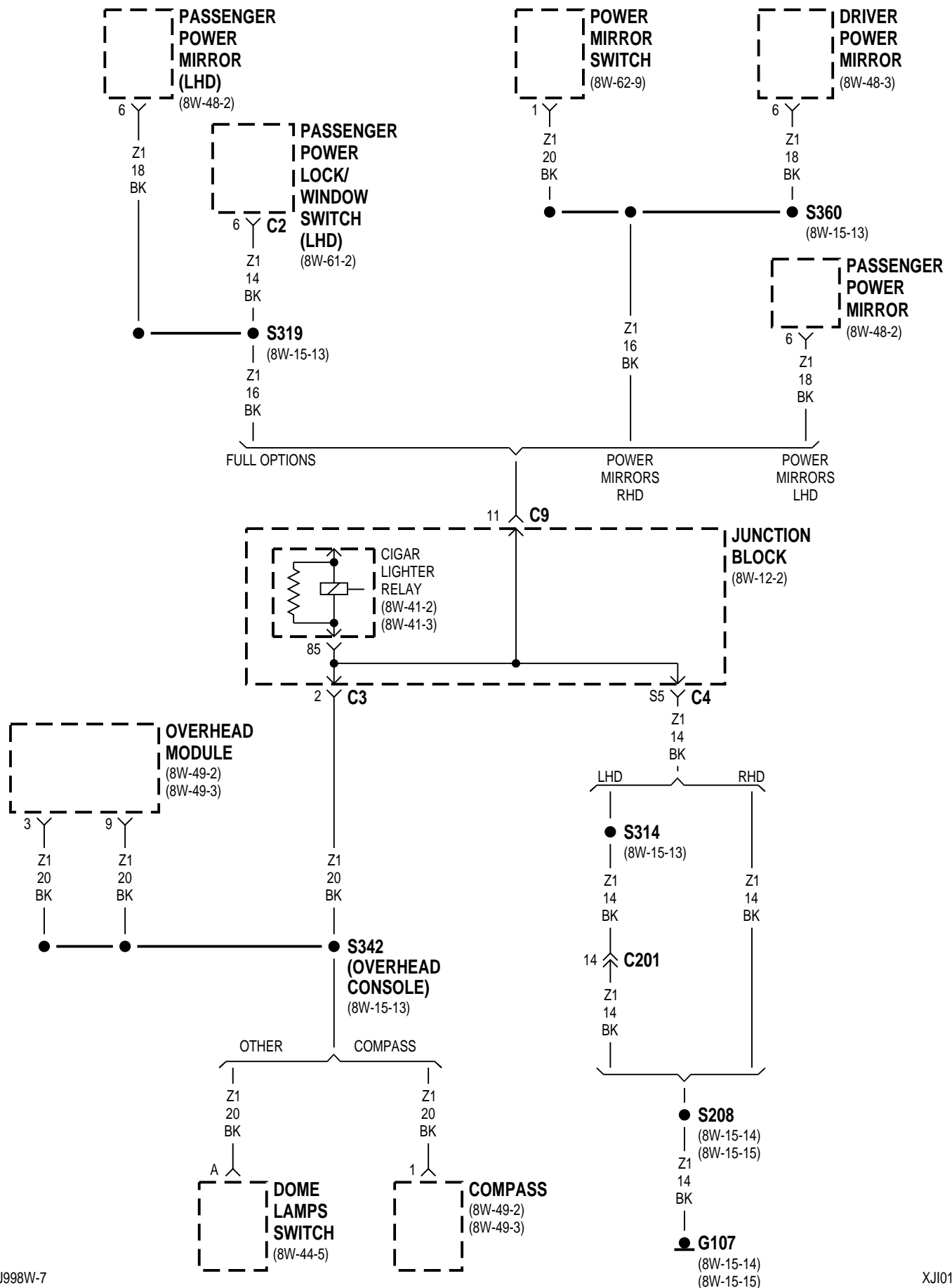






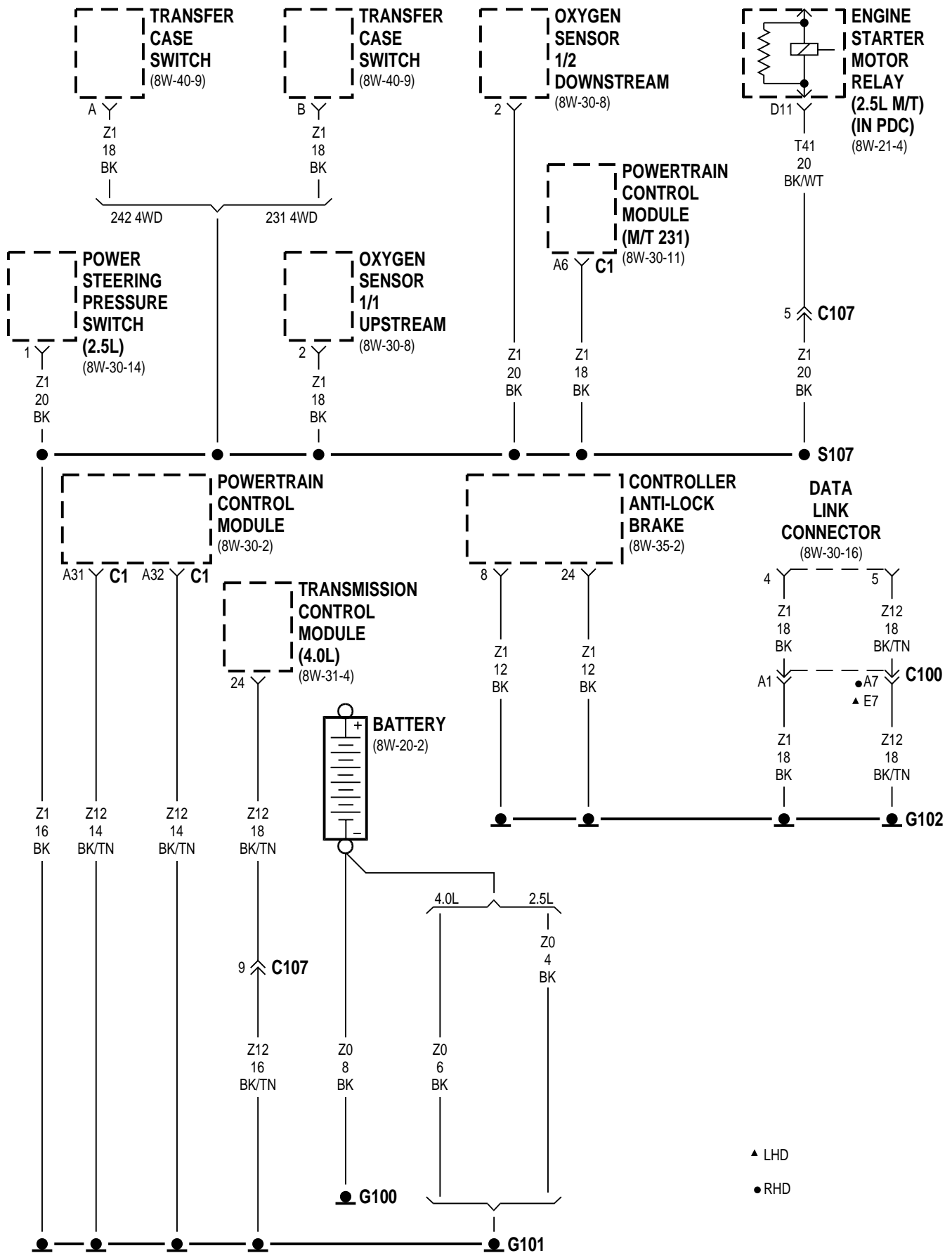




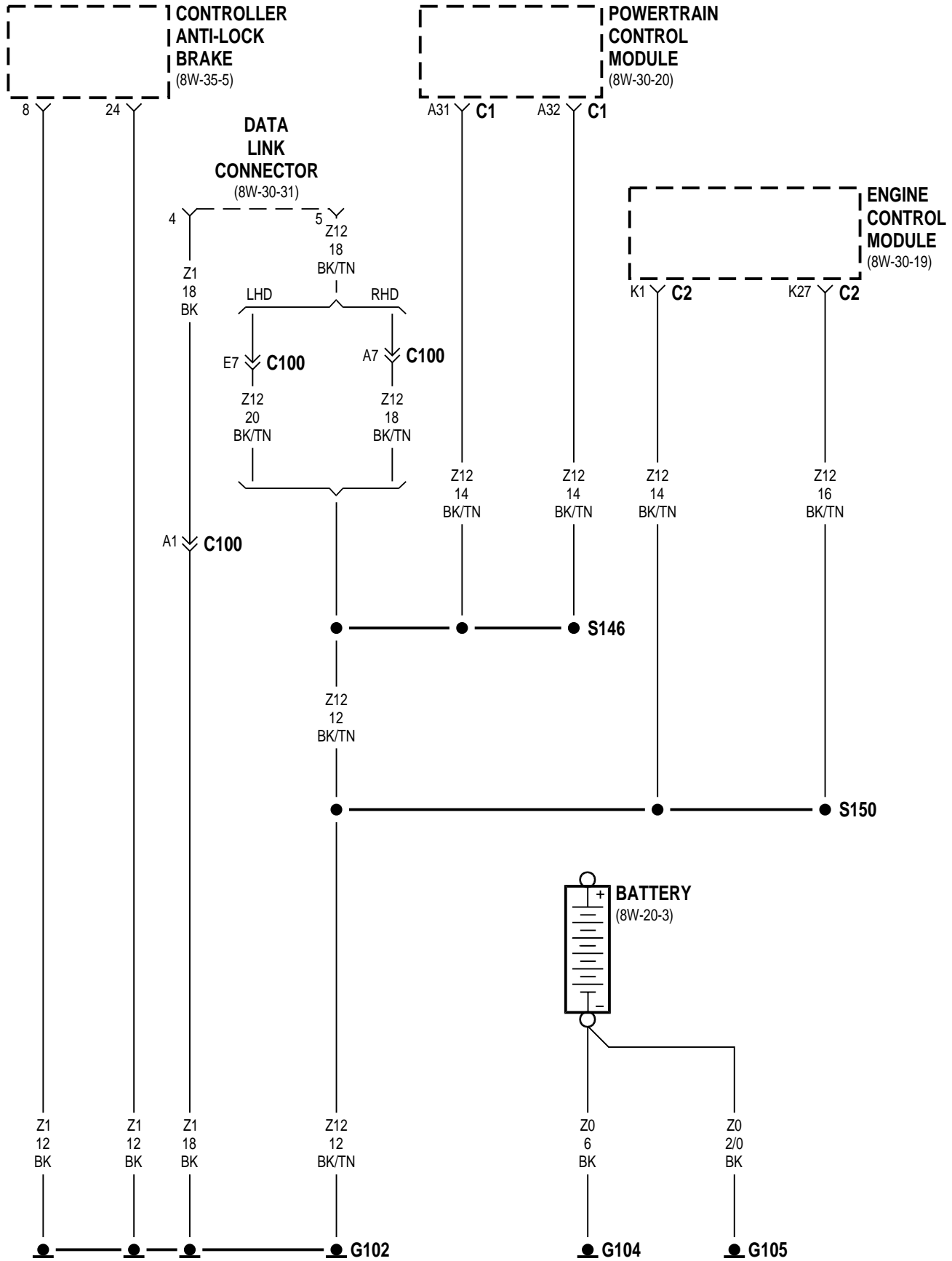


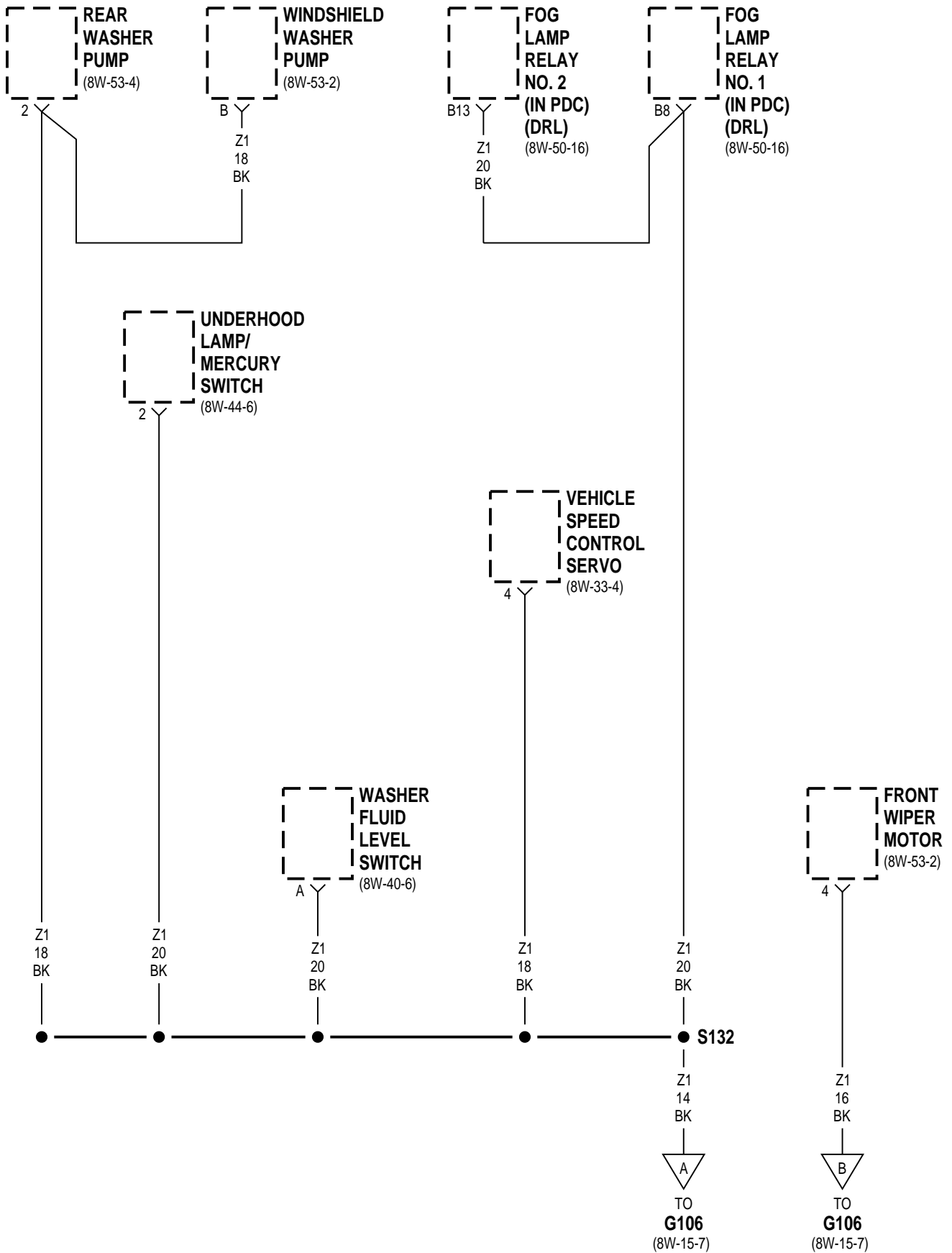
## 8W-15 GROUND DISTRIBUTION

<b>Component</b>	<b>Page</b>	<b>Component</b>	<b>Page</b>
A/C Compressor Clutch	8W-15-11	Left Headlamp Leveling Motor	8W-15-10, 12
A/C Low Pressure Switch	8W-15-11	Left Heated Seat Back	8W-15-22
A/C- Heater Control	8W-15-16	Left Heated Seat Switch	8W-15-22
Airbag Control Module	8W-15-17, 18	Left Power Seat Switch	8W-15-22
Battery	8W-15-2, 3	Left Rear Door Jamb Switch	8W-15-17, 18
Blend Door Actuator	8W-15-14, 15	Left Rear Fog Lamp	8W-15-17, 18
Brake Lamp Switch	8W-15-16	Left Repeater Lamp	8W-15-10, 12
Center High Mounted Stop Lamp	8W-15-21	Left Tail/Stop Lamp	8W-15-17, 18
Cigar Lighter	8W-15-14, 15	Left Turn Signal Lamp	8W-15-17, 18
Cigar Lighter Relay	8W-15-13	License Lamp	8W-15-21
Combination Flasher	8W-15-14, 15	Liftgate Switch	8W-15-21
Compass	8W-15-13, 16	Overhead Module	8W-15-13
Controller Anti-Lock Brake	8W-15-2, 3	Oxygen Sensor 1/1 Upstream	8W-15-2
Controller Anti-Lock Brake Relay	8W-15-5, 6, 8, 12	Oxygen Sensor 1/2 Downstream	8W-15-2
Data Link Connector	8W-15-2,	Passenger Door Jamb Switch	8W-15-18, 19
Daytime Running Lamp Module	8W-15-7	Passenger Power Lock/Window Switch	8W-15-13, 18
Dome Lamps Switch	8W-15-13	Passenger Power Mirror	8W-15-13, 18
Driver Door Jamb Switch	8W-15-17, 20	Power Amplifier	8W-15-17, 18
Driver Power Lock/Window Switch	8W-15-17, 20	Power Antenna Relay	8W-15-15
Driver Power Mirror	8W-15-13, 17, 20	Power Mirror Switch	8W-15-13, 17
Electronic Vacuum Modulator	8W-15-11	Power Outlet	8W-15-14, 15
Engine Control Module	8W-15-3	Power Steering Pressure Switch	8W-15-2
Engine Starter Motor Relay	8W-15-2, 5, 9, 11	Powertrain Control Module	8W-15-2, 3
Extended Idle Switch	8W-15-14	PRNDL Illumination	8W-15-13, 18
Fog Lamp Relay	8W-15-10, 12	Radiator Fan Motor	8W-15-7, 10, 12
Fog Lamp Relay No. 1	8W-15-4, 5	Radio	8W-15-16
Fog Lamp Relay No. 2	8W-15-4, 5	Rear Fog Lamp Relay	8W-15-15
Front Fog Lamp Switch	8W-15-14, 15	Rear Fog Lamp Switch	8W-15-15
Front Wiper Motor	8W-15-4, 5, 6, 7, 8, 9, 10, 11	Rear Washer Pump	8W-15-4, 5, 6, 8, 9, 11
Fuel Heater	8W-15-11	Rear Window Defogger	8W-15-21
Fuel Heater Relay	8W-15-11	Rear Window Defogger Switch	8W-15-14, 15
Fuel Pump Module	8W-15-17, 18	Rear Wiper Motor	8W-15-21
G100	8W-15-2	Rear Wiper/Washer Switch	8W-15-14, 15
G101	8W-15-2	Right Back-Up Lamp	8W-15-19, 20
G102	8W-15-2, 3	Right City Lamp	8W-15-10, 12
G104	8W-15-3	Right Fog Lamp	8W-15-7, 10, 12
G105	8W-15-3	Right Front Park/Turn Signal Lamp No. 1	8W-15-7
G106	8W-15-7, 10, 12	Right Front Park/Turn Signal Lamp No. 2	8W-15-7
G107	8W-15-14, 15	Right Front Turn Signal Lamp No. 1	8W-15-10, 12
G108	8W-15-16	Right Front Turn Signal Lamp No. 2	8W-15-10, 12
G200	8W-15-17	Right Headlamp	8W-15-7, 10, 12
G300	8W-15-18	Right Headlamp Leveling Motor	8W-15-10, 12
G301	8W-15-17, 18	Right Heated Seat Back	8W-15-22
G302	8W-15-17, 18	Right Heated Seat Switch	8W-15-22
G303	8W-15-19, 20	Right Power Seat Switch	8W-15-22
G304	8W-15-21	Right Rear Door Jamb Switch	8W-15-19, 20
G305	8W-15-22	Right Rear Fog Lamp	8W-15-19, 20
G306	8W-15-22	Right Repeater Lamp	8W-15-10, 12
Headlamp Delay Module	8W-15-16	Right Tail/Stop Lamp	8W-15-19, 20
Headlamp Leveling Switch	8W-15-15	Right Turn Signal Lamp	8W-15-19, 20
Headlamp Switch	8W-15-16	Seat Belt Switch	8W-15-13, 18
Heated Seat Relay	8W-15-22	Seat Heat Interface Module	8W-15-22
Heater Control	8W-15-16	Sentry Key Immobilizer Module	8W-15-16
HVAC Unit	8W-15-14, 15, 16	Trailer Tow Connector	8W-15-17, 18
Ignition Switch	8W-15-16	Transfer Case Switch	8W-15-2, 11
Instrument Cluster	8W-15-16	Transfer Case Switch Illumination	8W-15-13, 18
Junction Block	8W-15-13, 14, 15	Transmission Control Module	8W-15-2
Left Back-Up Lamp	8W-15-17, 18	Transmission Range Sensor	8W-15-5, 6, 8
Left City Lamp	8W-15-10, 12	Underhood Lamp/Mercury Switch	8W-15-4, 5, 6, 8, 9, 11
Left Fog Lamp	8W-15-7, 10, 12	Vehicle Speed Control Servo	8W-15-4, 5, 6, 8, 9
Left Front Park/Turn Signal Lamp No. 1	8W-15-7	Washer Fluid Level Switch	8W-15-4, 5, 6, 8, 9, 11
Left Front Park/Turn Signal Lamp No. 2	8W-15-7	Windshield Washer Pump	8W-15-4, 5, 6, 8, 9, 11
Left Front Turn Signal Lamp No. 1	8W-15-10, 12	Wipe/Wash Switch	8W-15-16
Left Front Turn Signal Lamp No. 2	8W-15-10, 12		
Left Headlamp	8W-15-7, 10, 12		

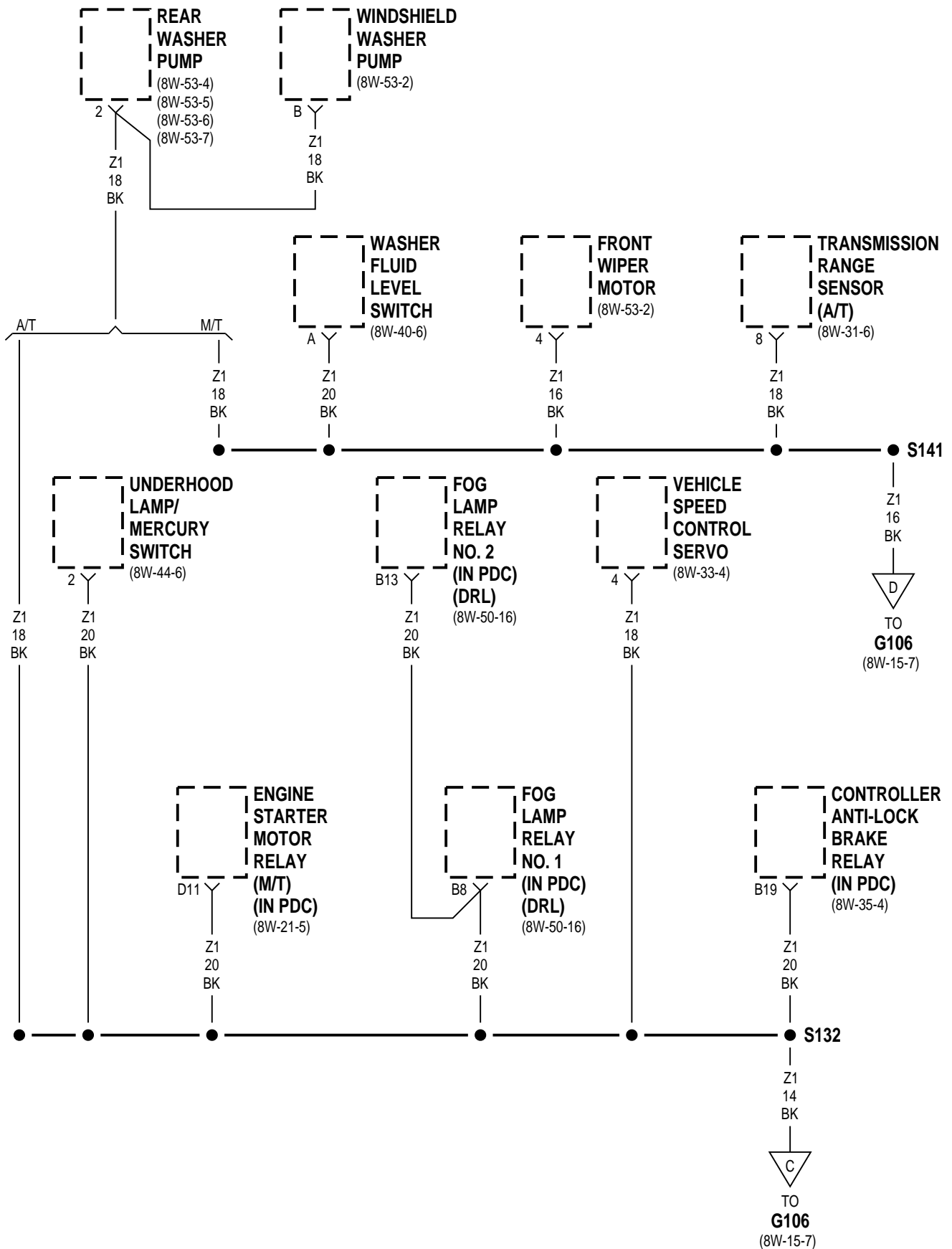


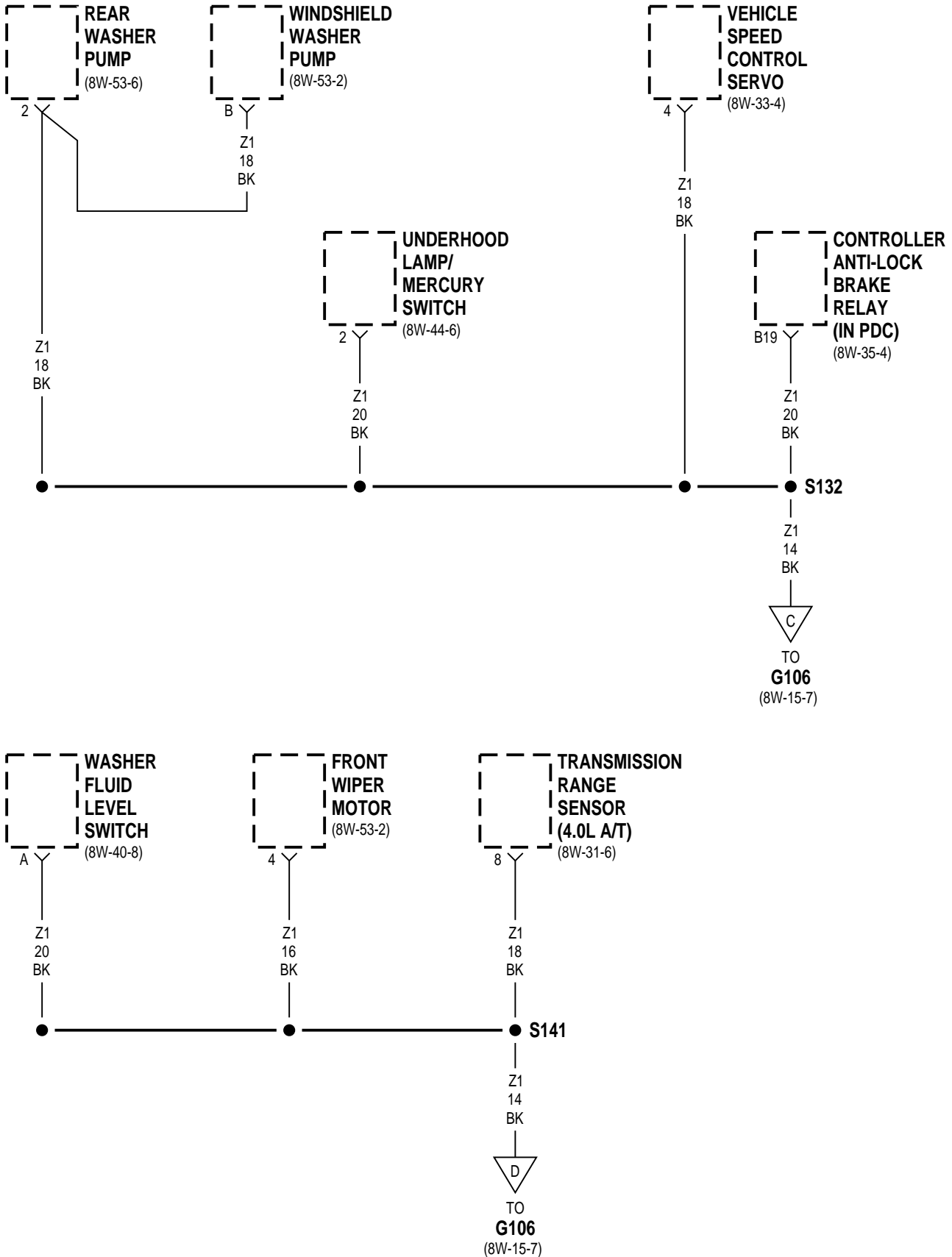
**XJ** ————— **8W-15 GROUND DISTRIBUTION** ————— **8W - 15 - 3**  
**DIESEL**



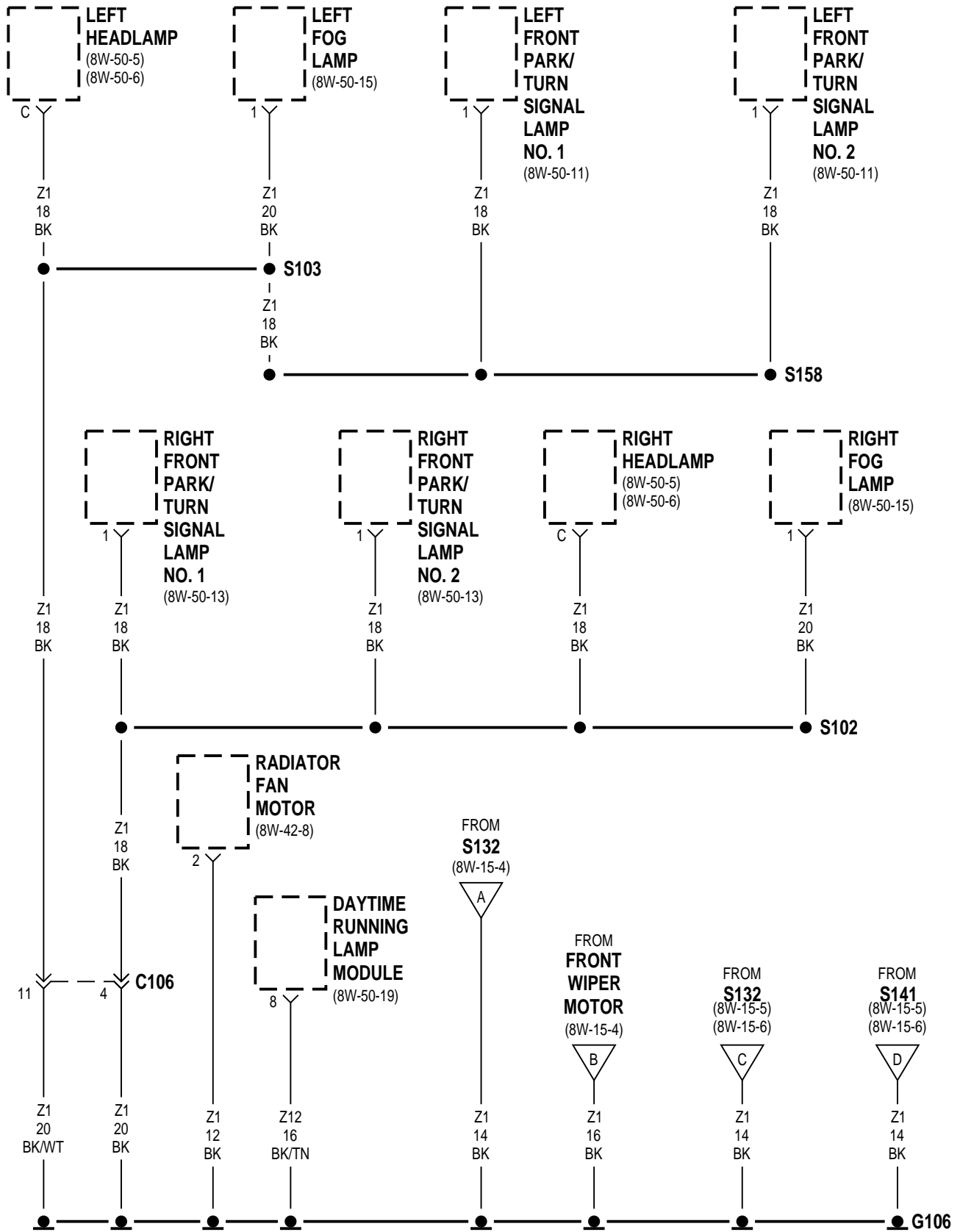


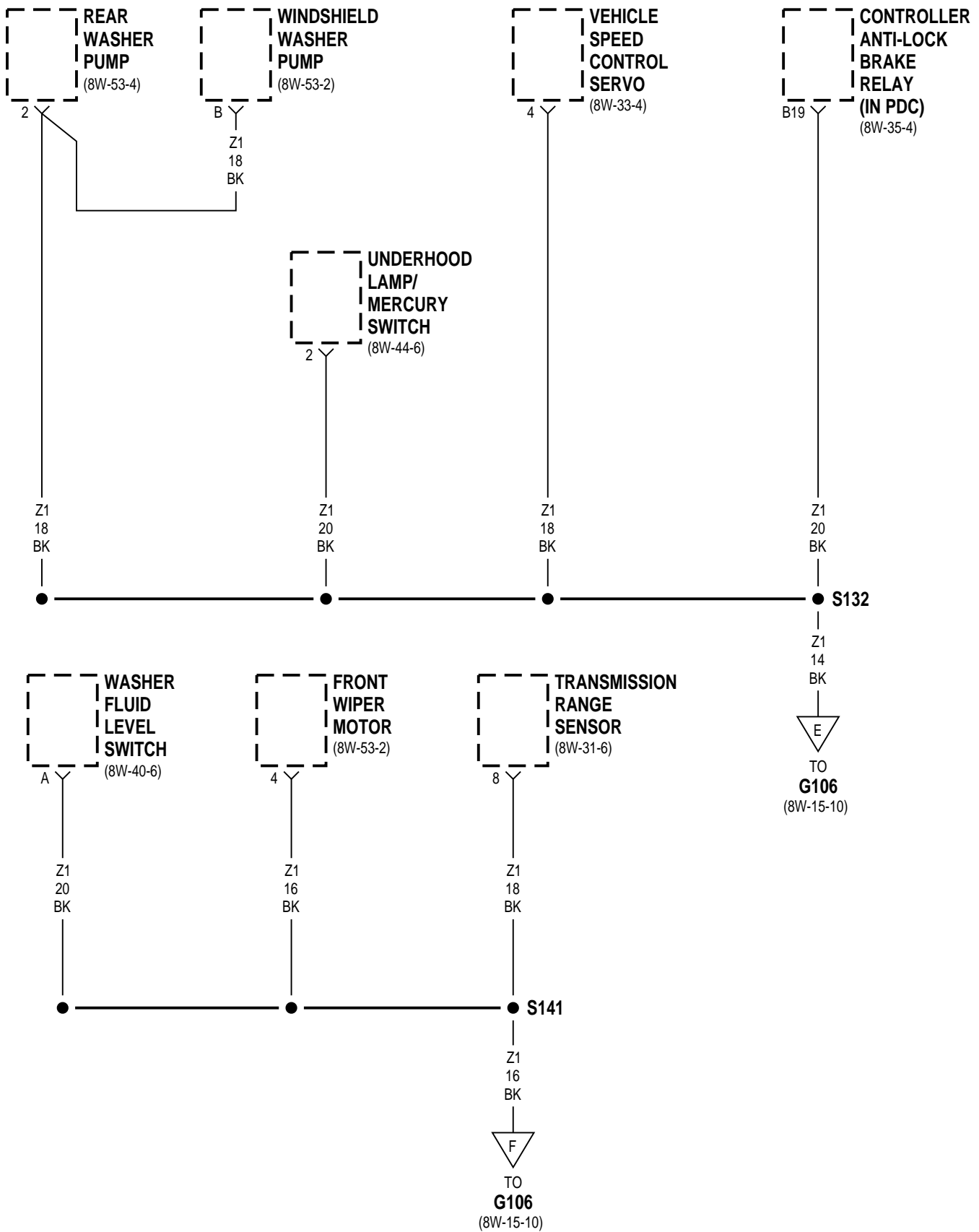




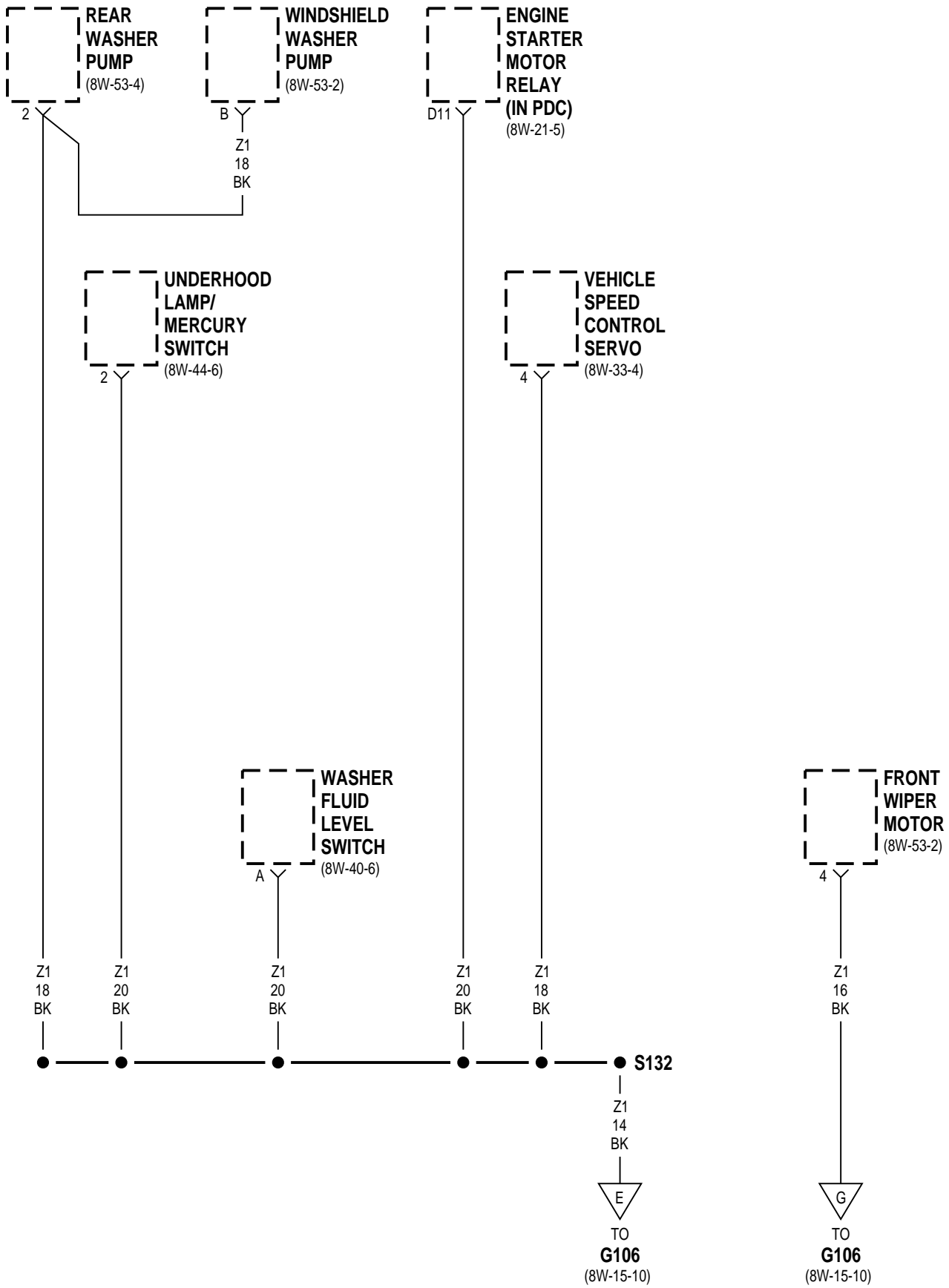


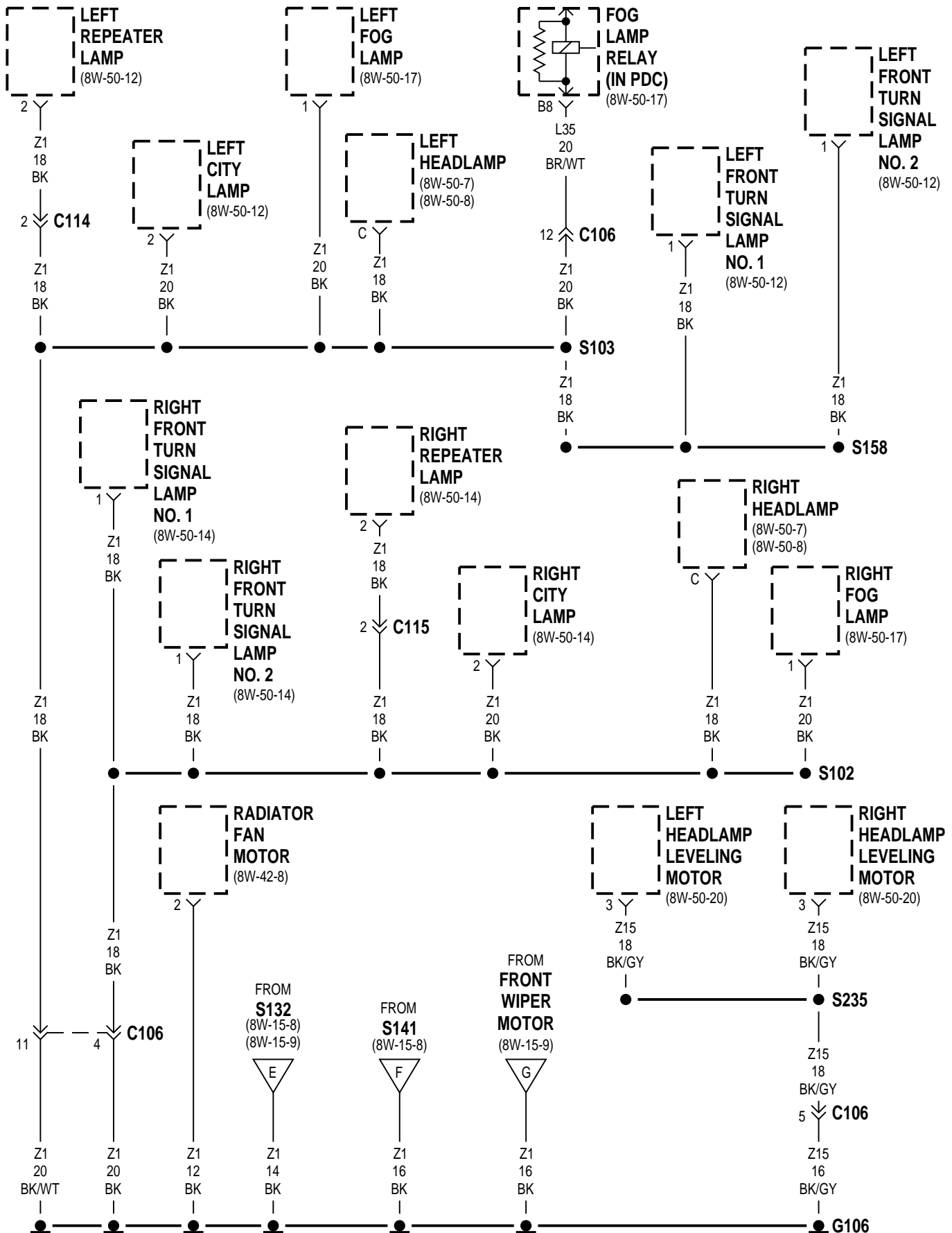
**XJ** ————— **8W-15 GROUND DISTRIBUTION** ————— **8W - 15 - 7**  
**EXCEPT BUILT-UP-EXPORT**



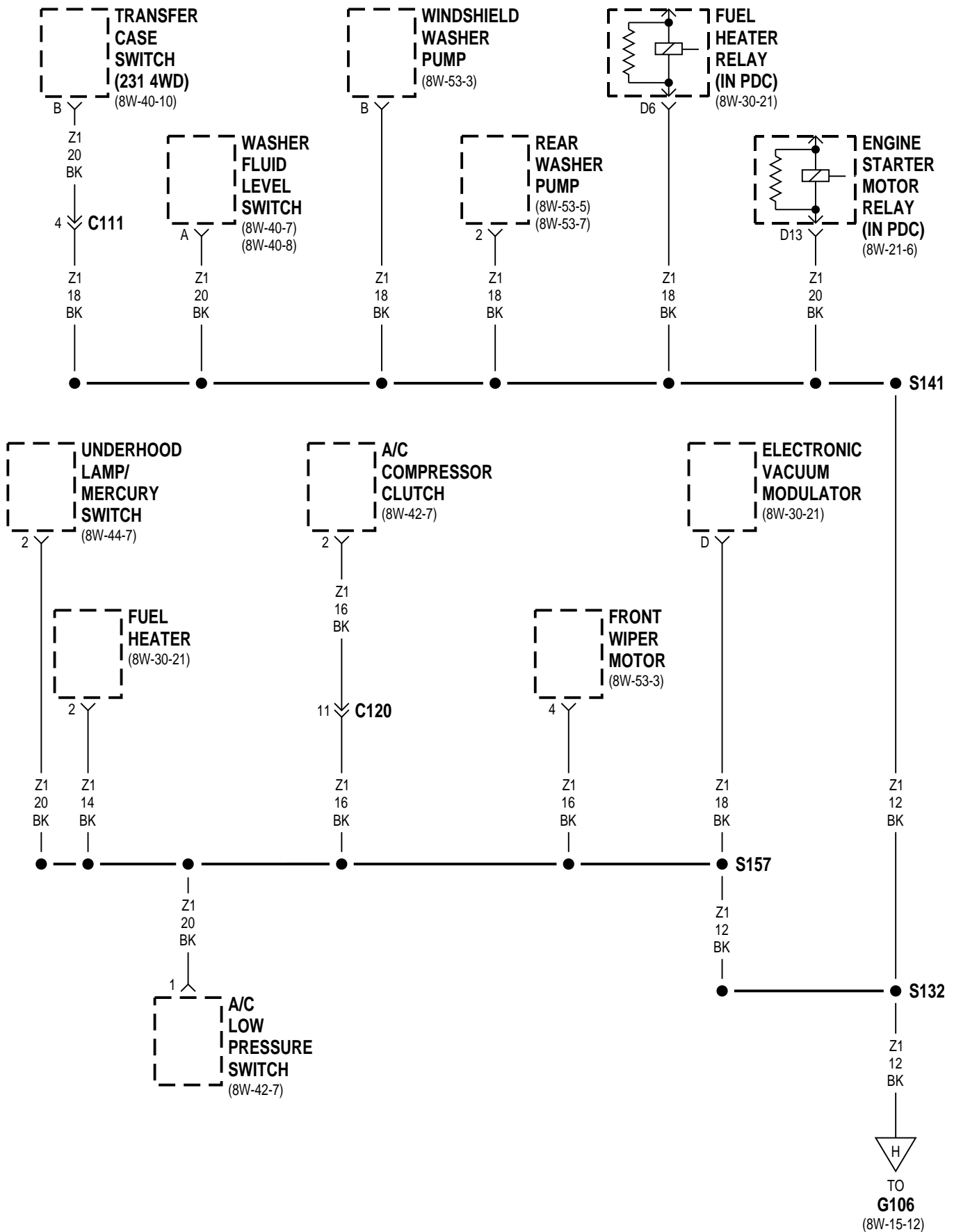


**XJ** **8W-15 GROUND DISTRIBUTION** **8W - 15 - 9**  
**BUILT-UP-EXPORT LHD 4.0L M/T**

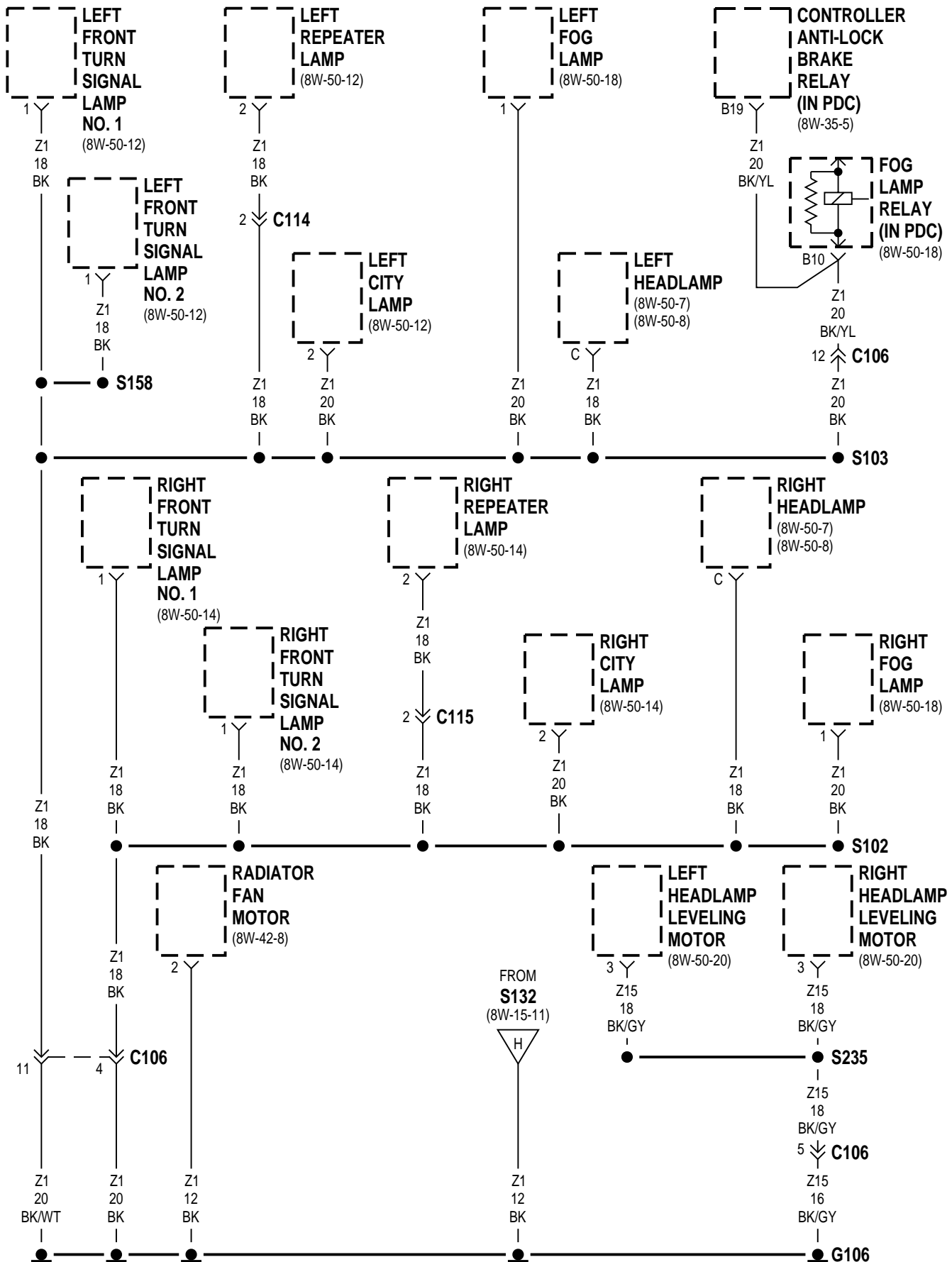




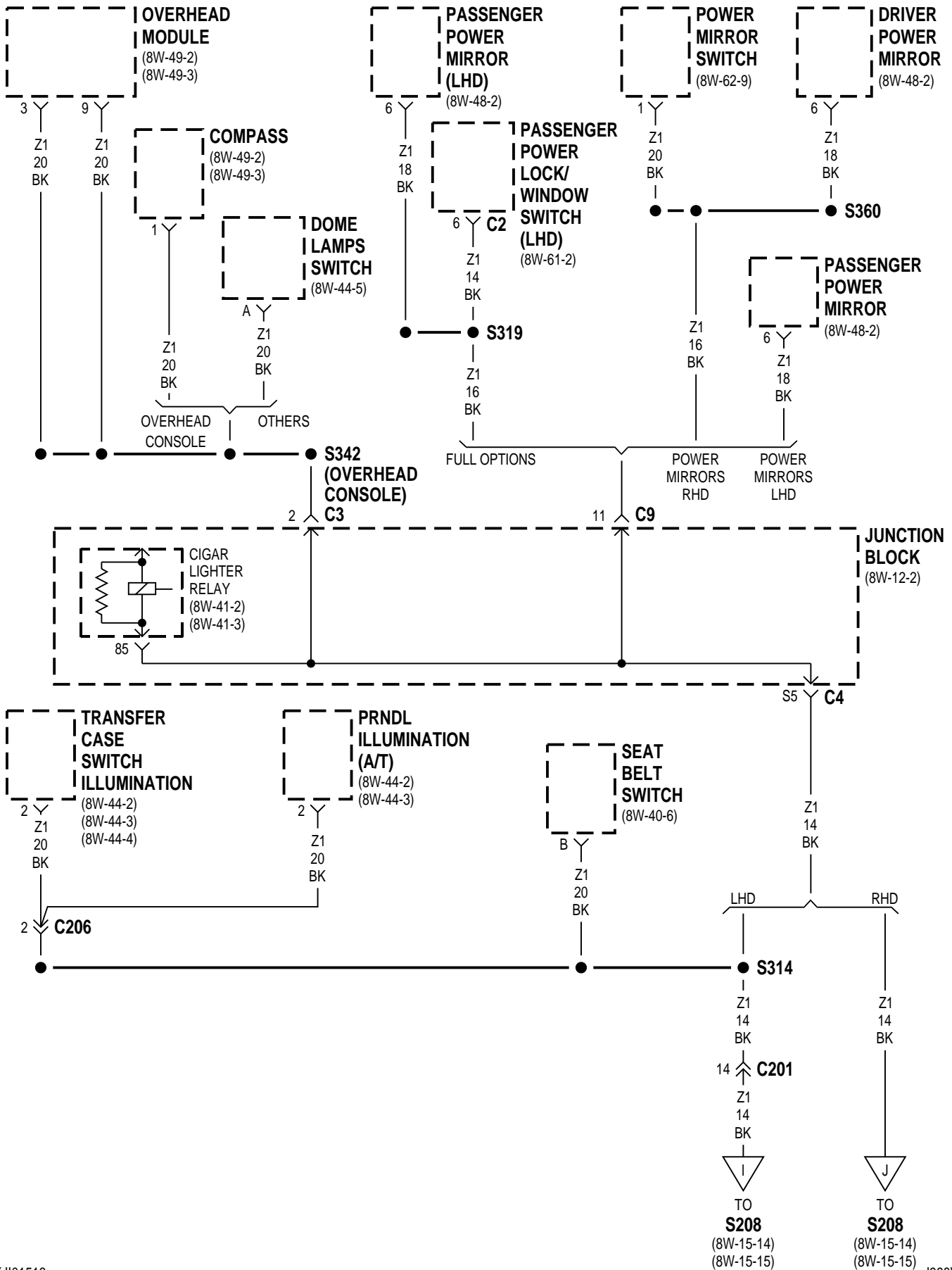
**XJ** **8W-15 GROUND DISTRIBUTION** **8W - 15 - 11**  
**DIESEL**

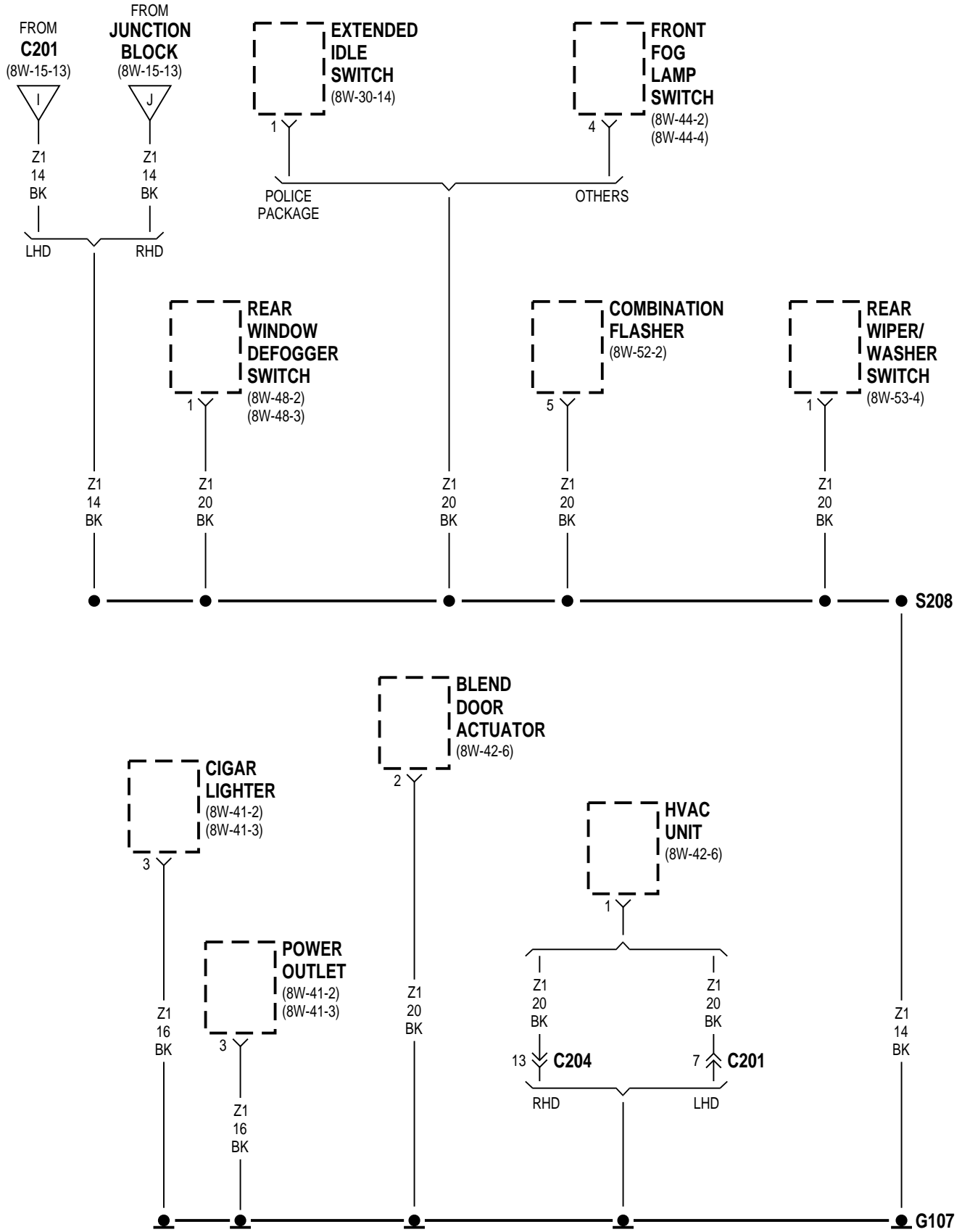


DIESEL

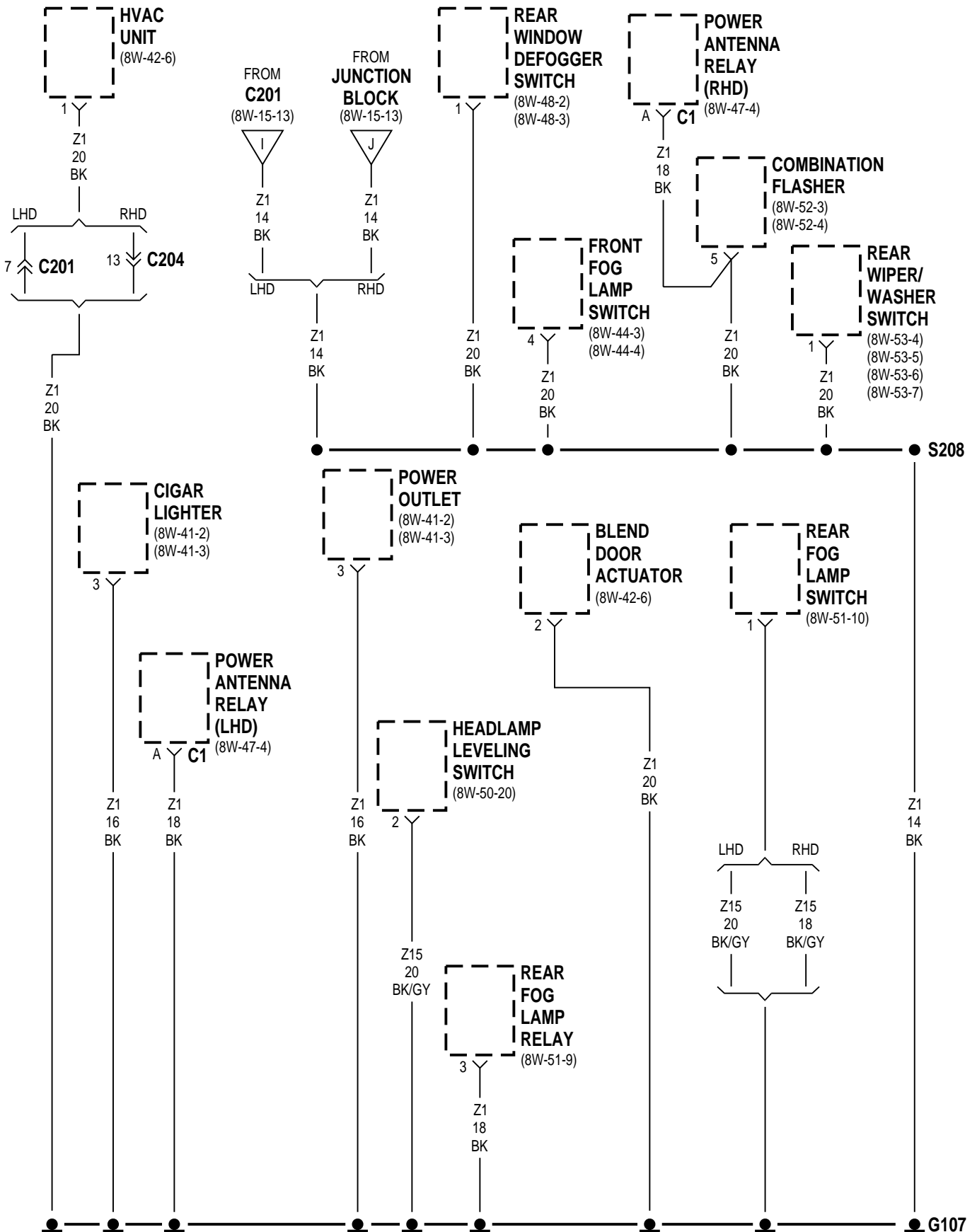


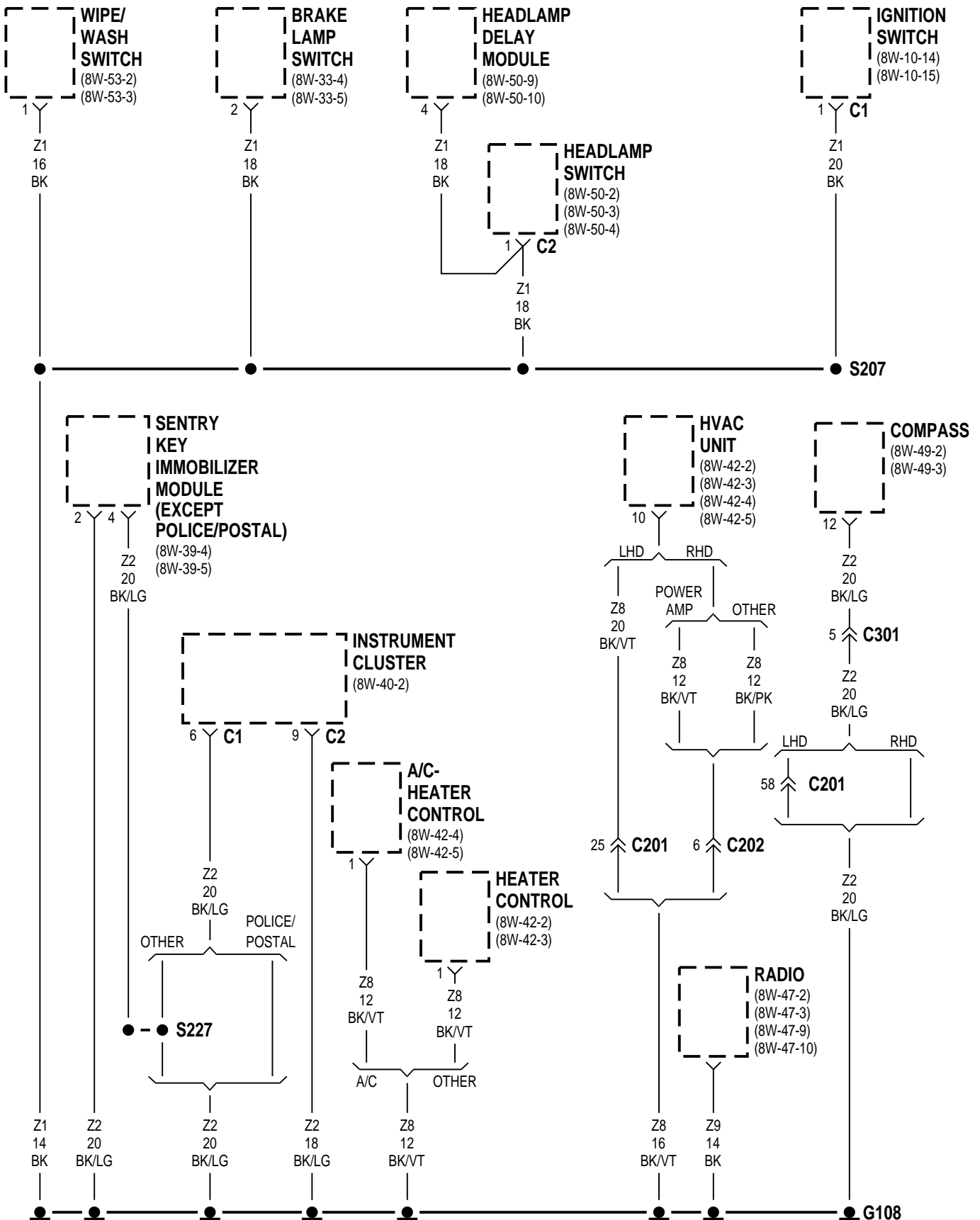




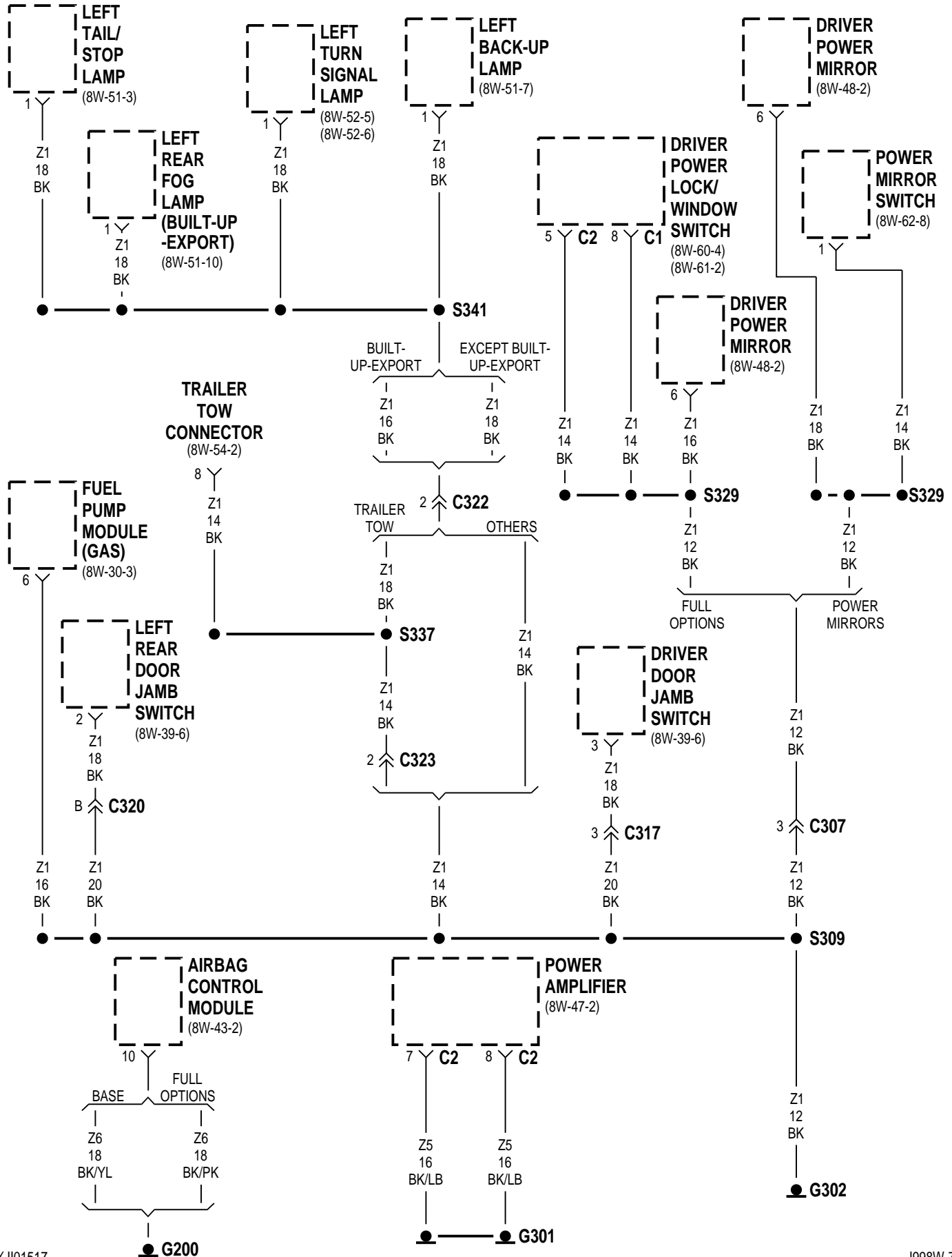


**XJ** **8W-15 GROUND DISTRIBUTION** **BUILT-UP-EXPORT** **8W - 15 - 15**

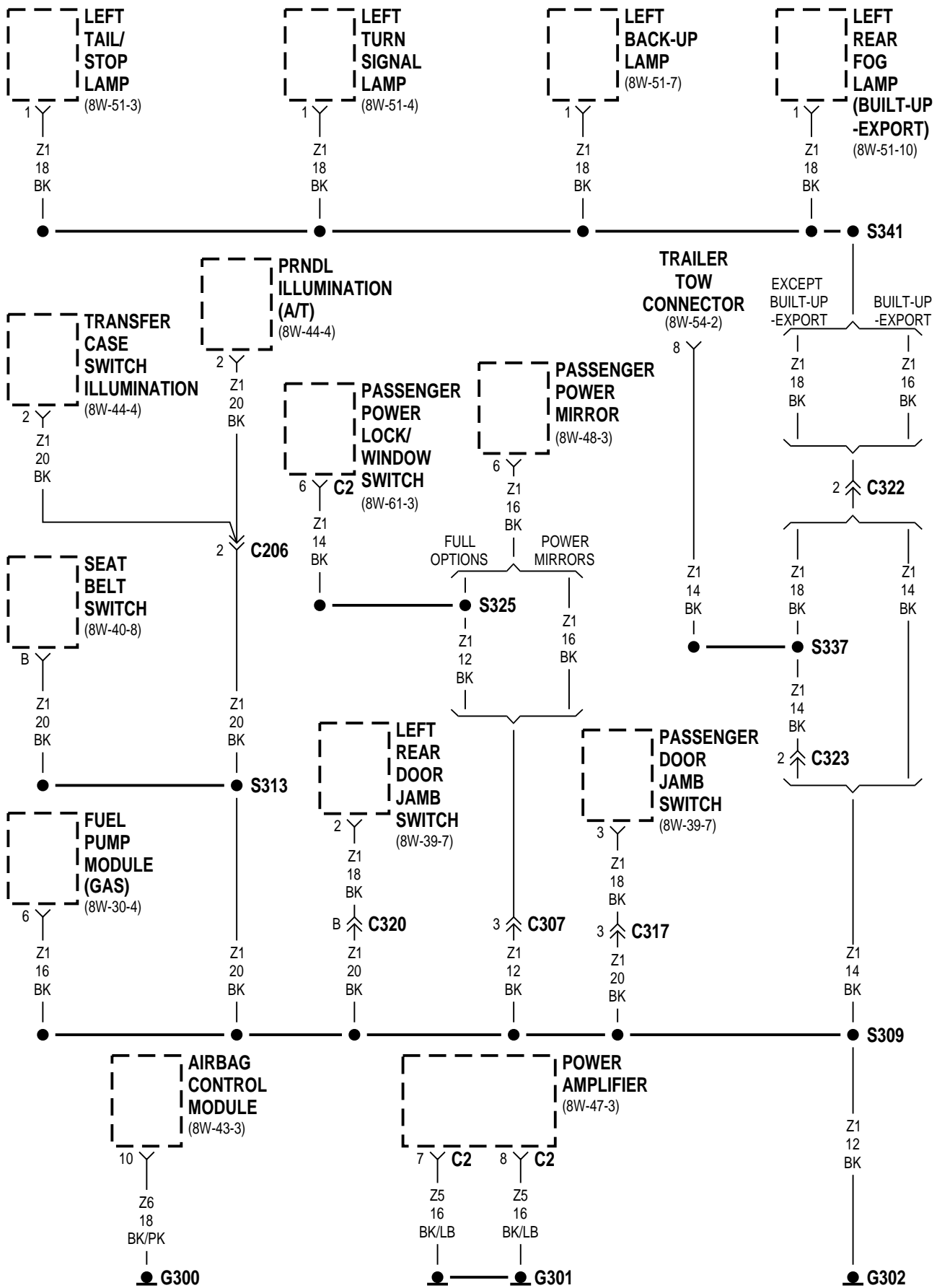




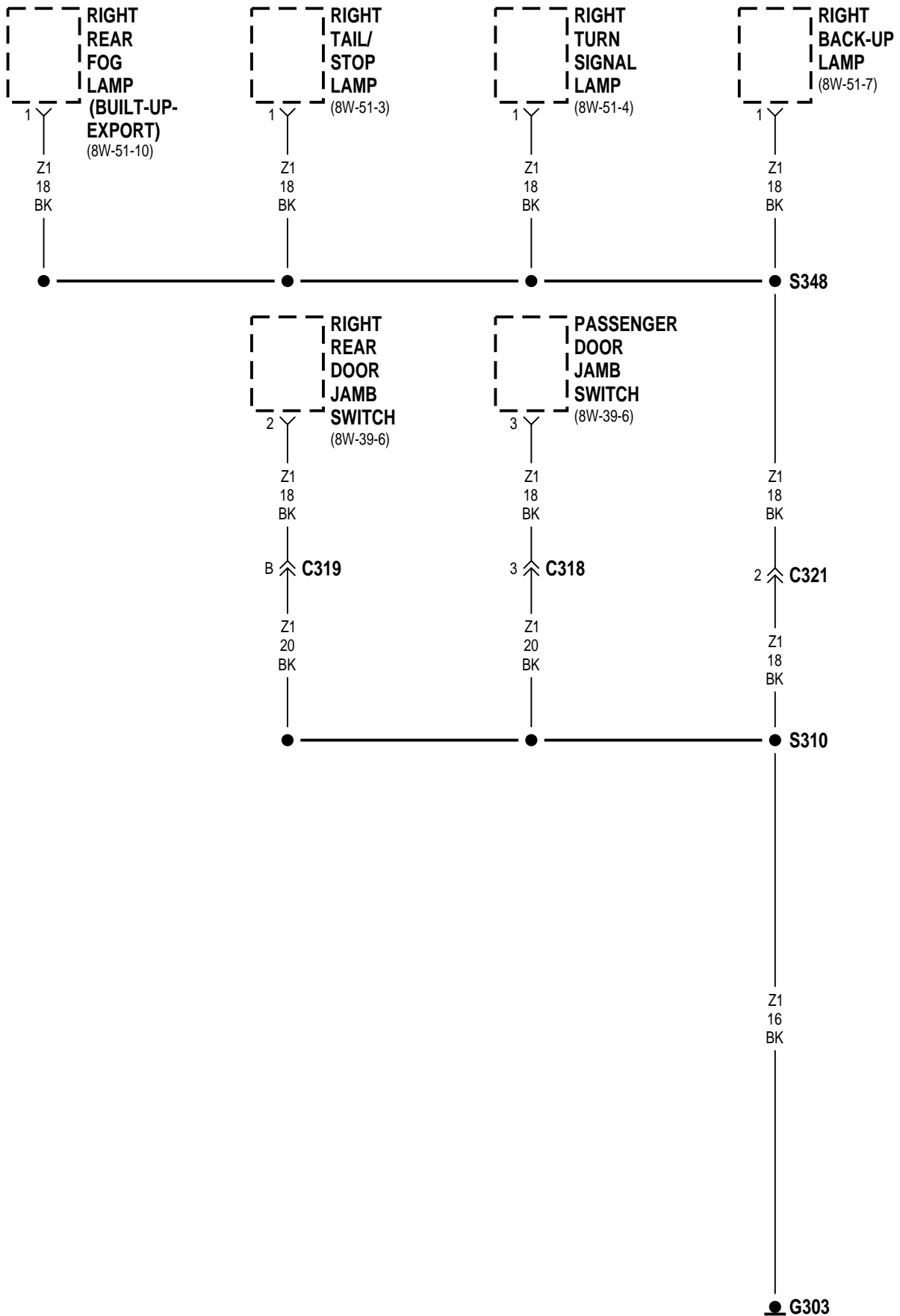
LHD

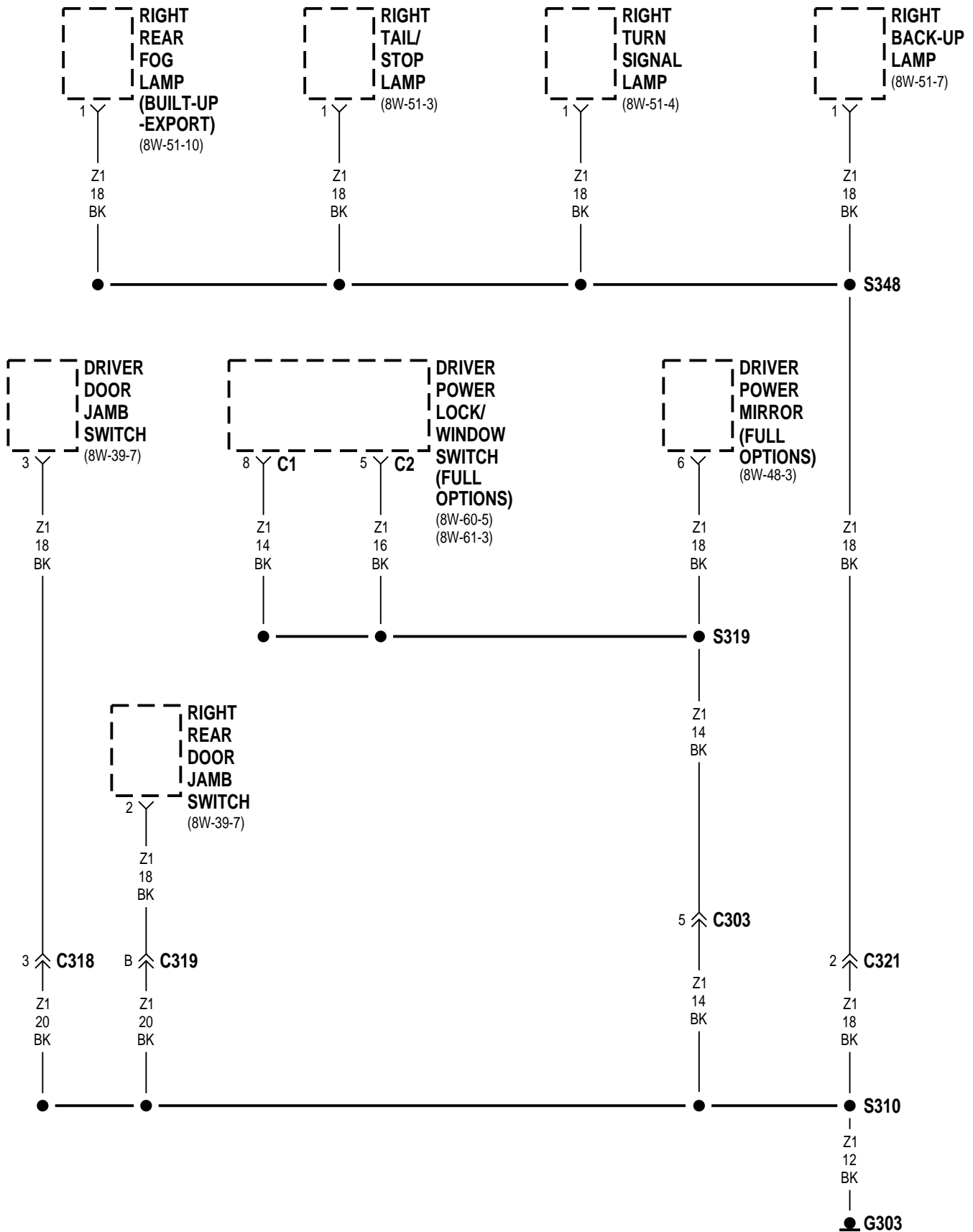


RHD

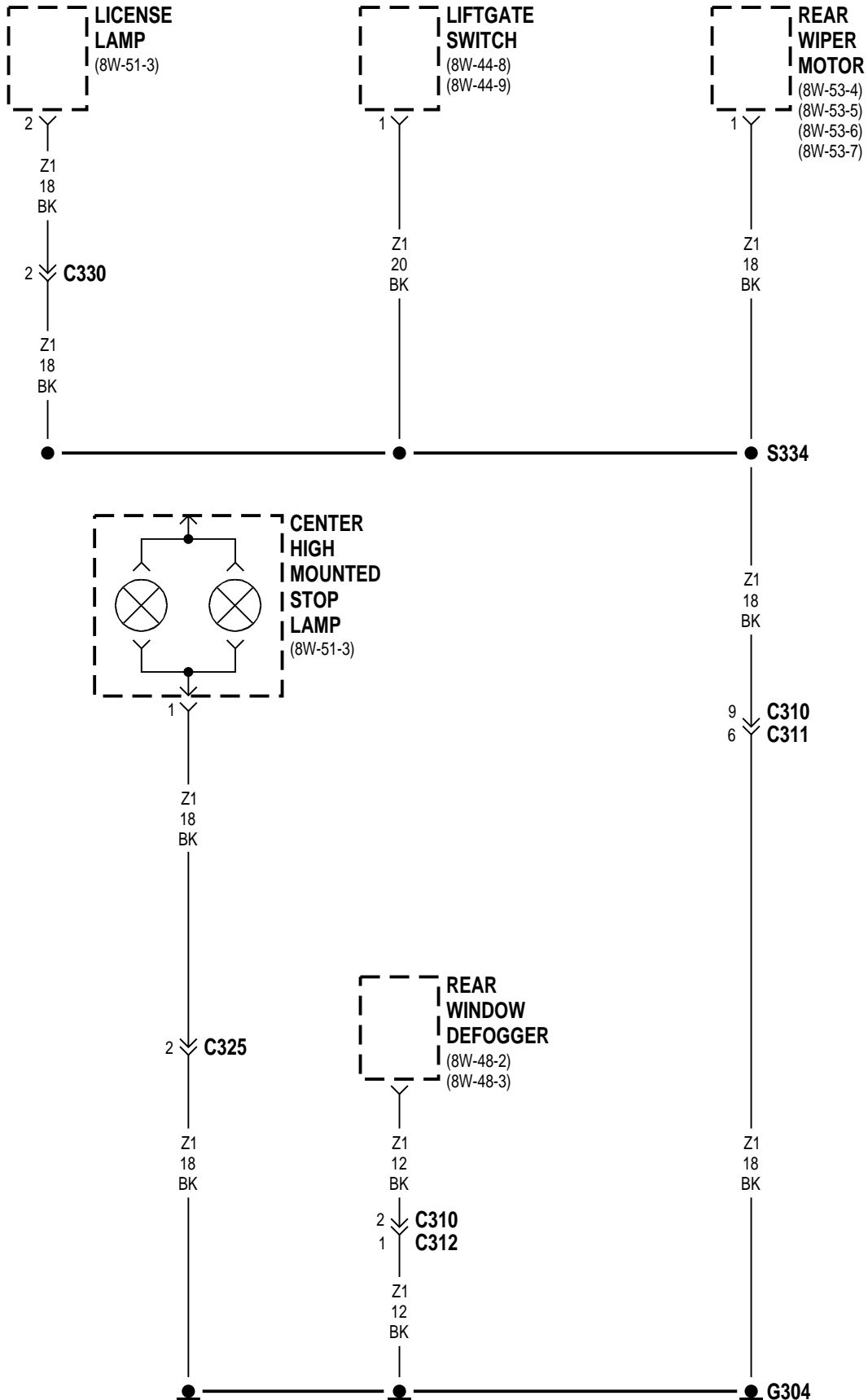


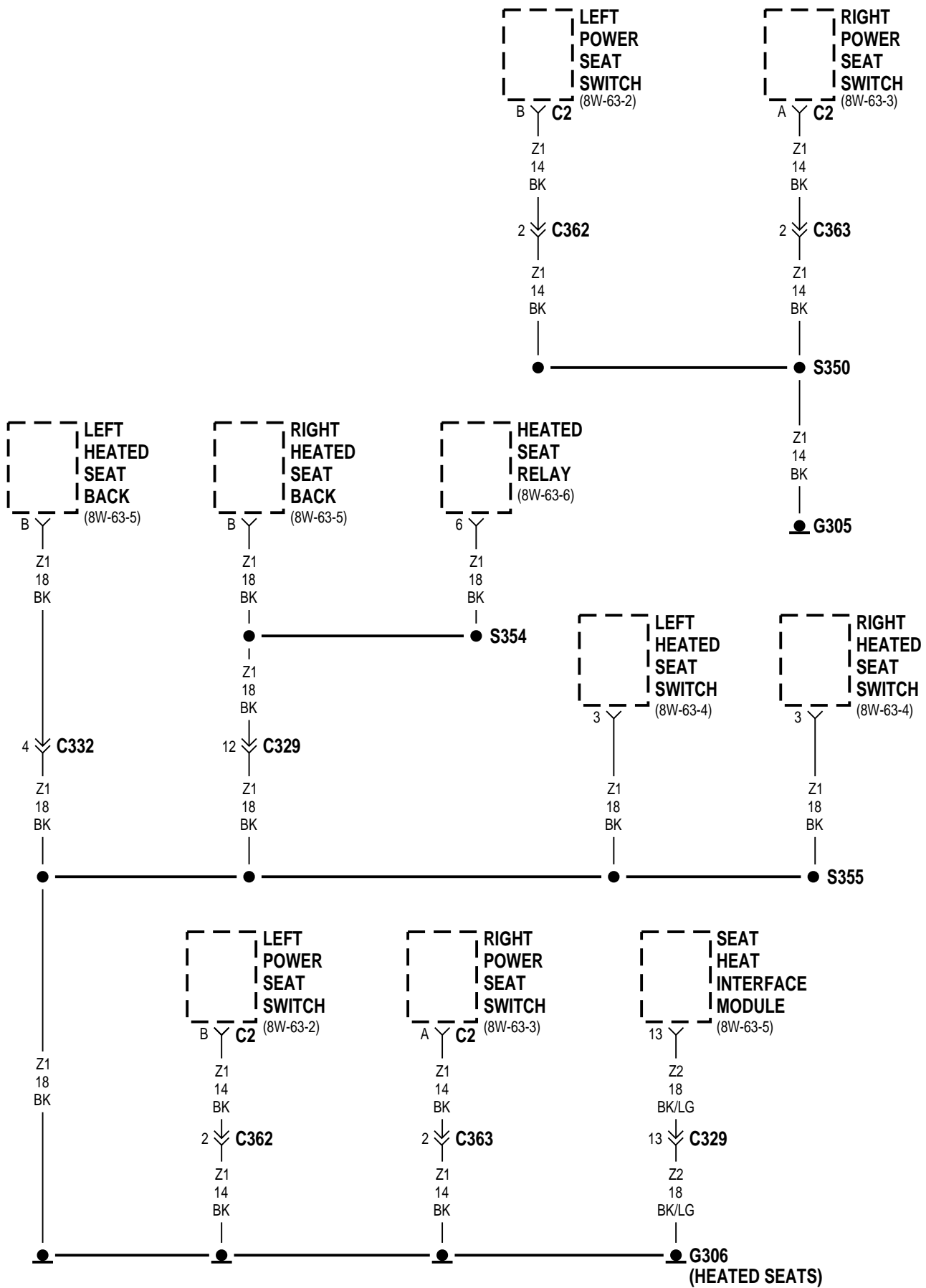
**XJ** ————— **8W-15 GROUND DISTRIBUTION** ————— **8W - 15 - 19**  
**LHD**





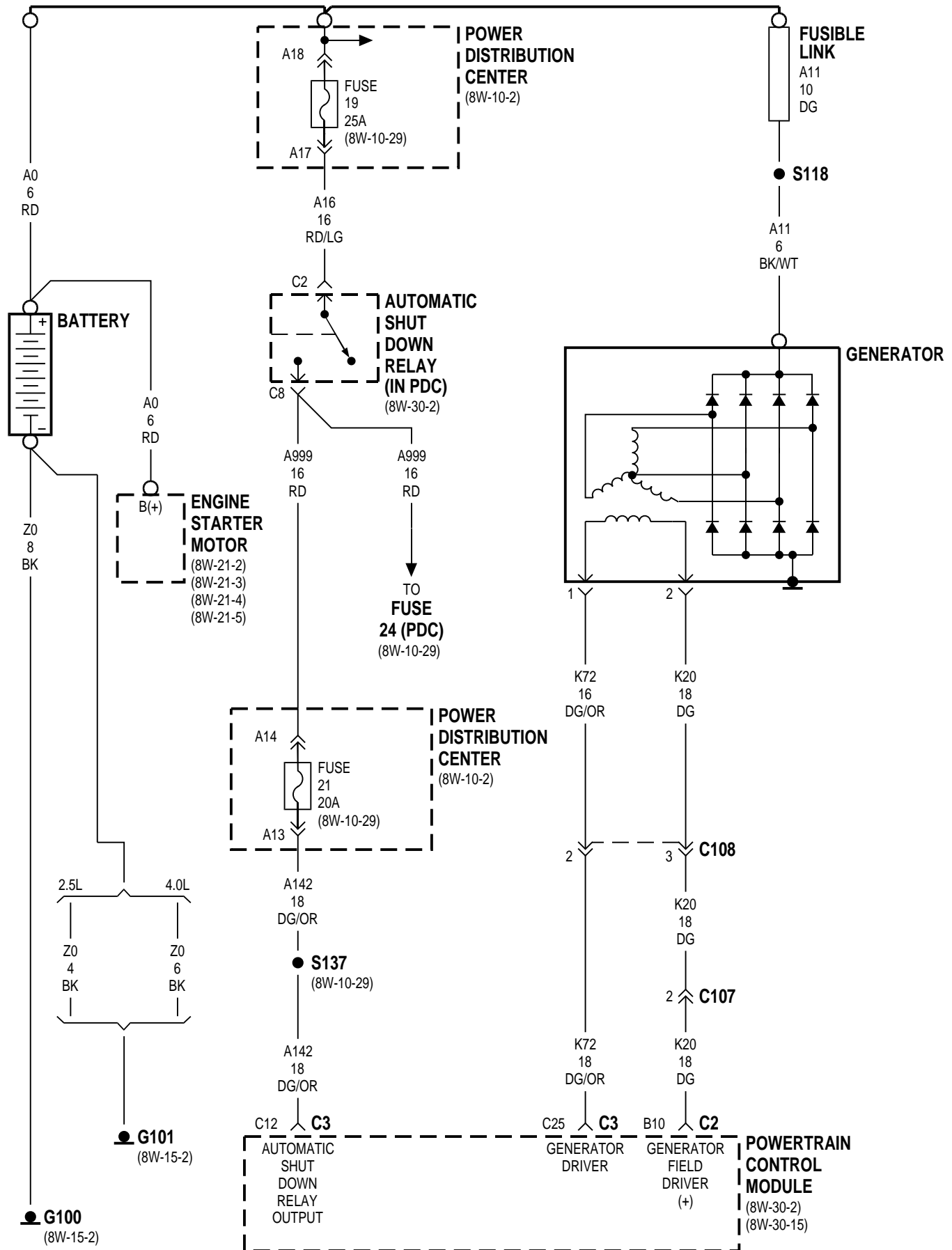


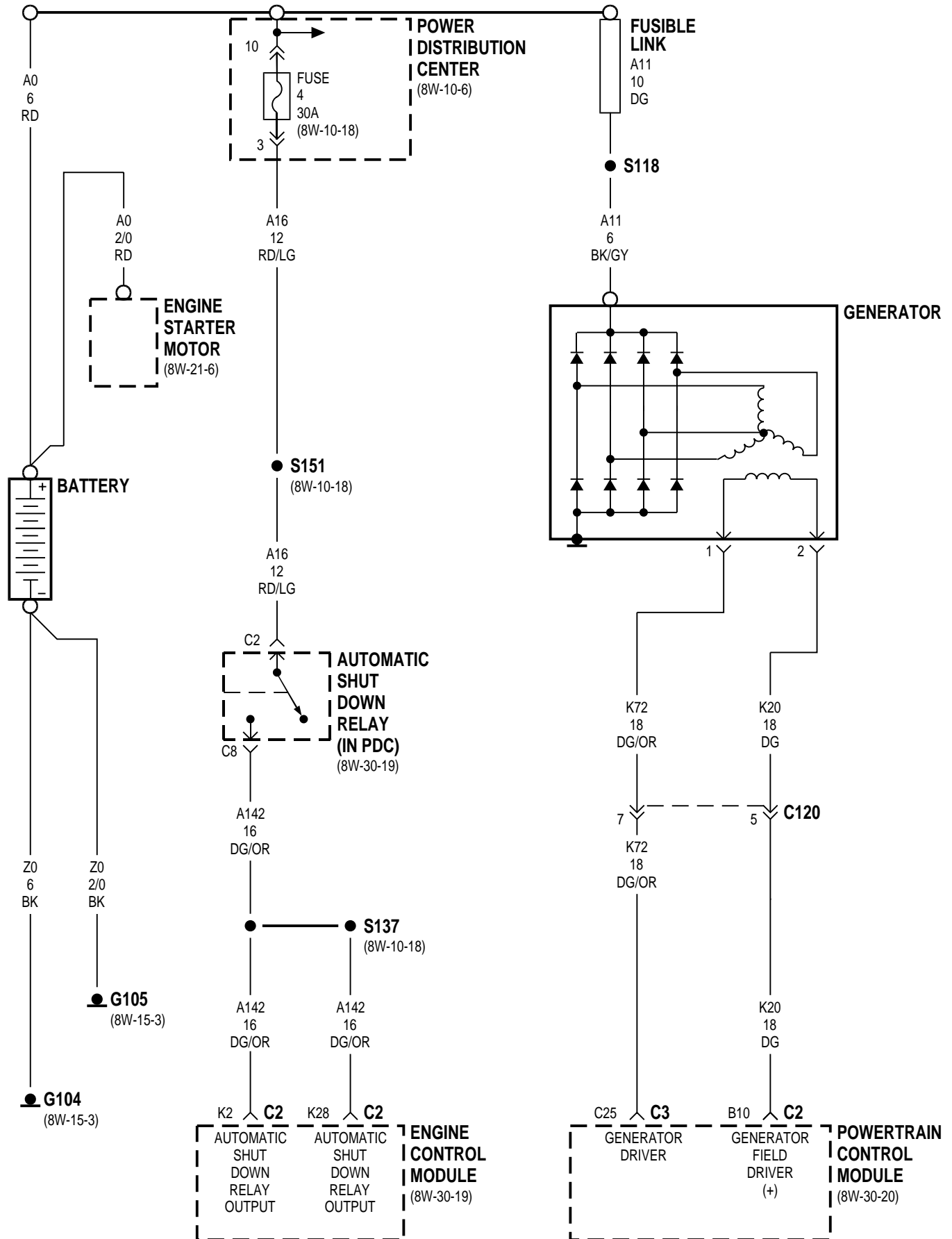




## 8W-20 CHARGING SYSTEM

<b>Component</b>	<b>Page</b>	<b>Component</b>	<b>Page</b>
Automatic Shut Down Relay . . . . .	8W-20-2, 3	Fusible Link . . . . .	8W-20-2, 3
Battery . . . . .	8W-20-2, 3	G100 . . . . .	8W-20-2
Engine Control Module . . . . .	8W-20-3	G101 . . . . .	8W-20-2
Engine Starter Motor . . . . .	8W-20-2, 3	G104 . . . . .	8W-20-3
Fuse 4 (PDC) . . . . .	8W-20-3	G105 . . . . .	8W-20-3
Fuse 19 (PDC) . . . . .	8W-20-2	Generator . . . . .	8W-20-2, 3
Fuse 21 (PDC) . . . . .	8W-20-2	Power Distribution Center . . . . .	8W-20-2, 3
Fuse 24 (PDC) . . . . .	8W-20-2	Powertrain Control Module . . . . .	8W-20-2, 3

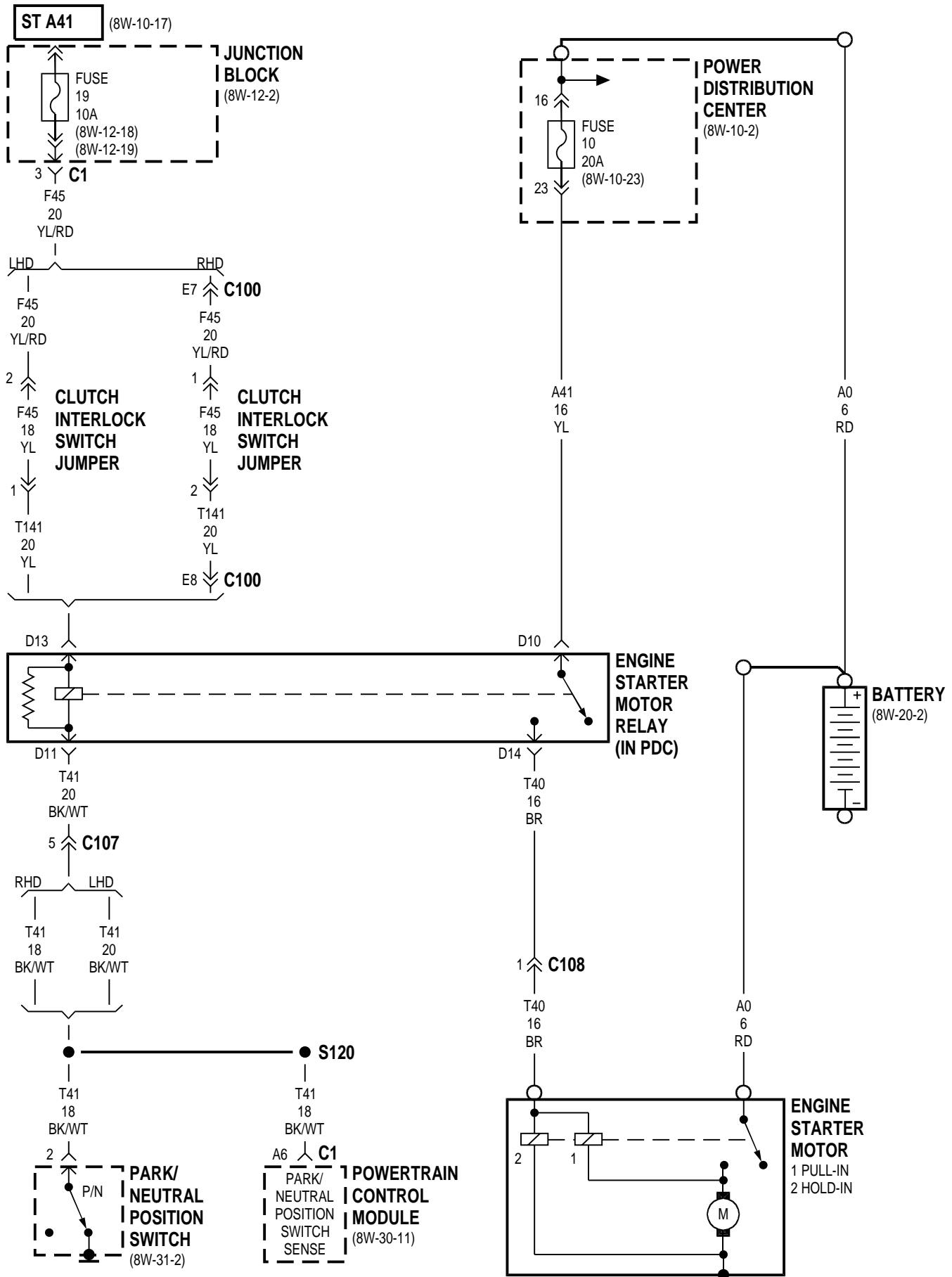




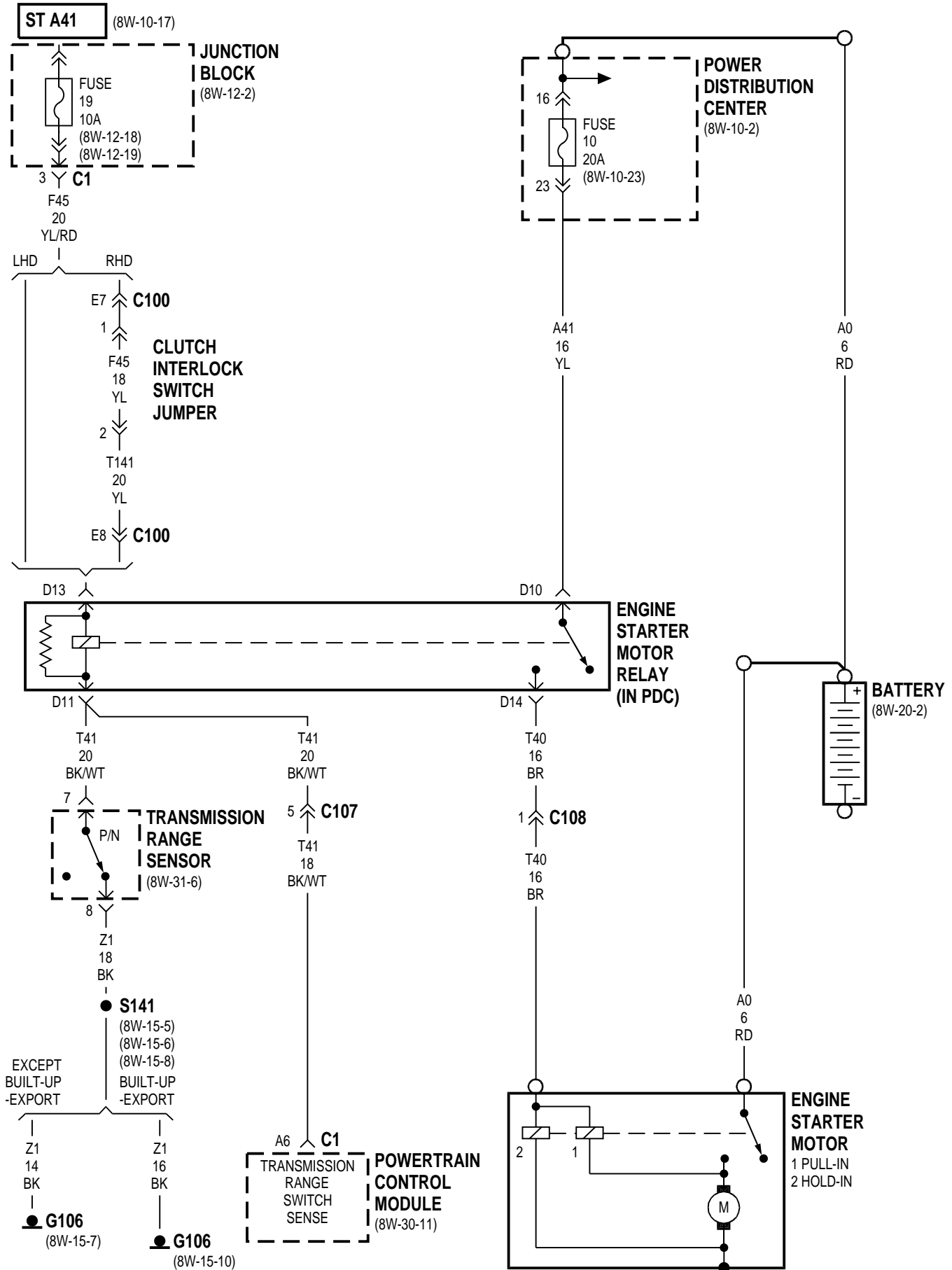


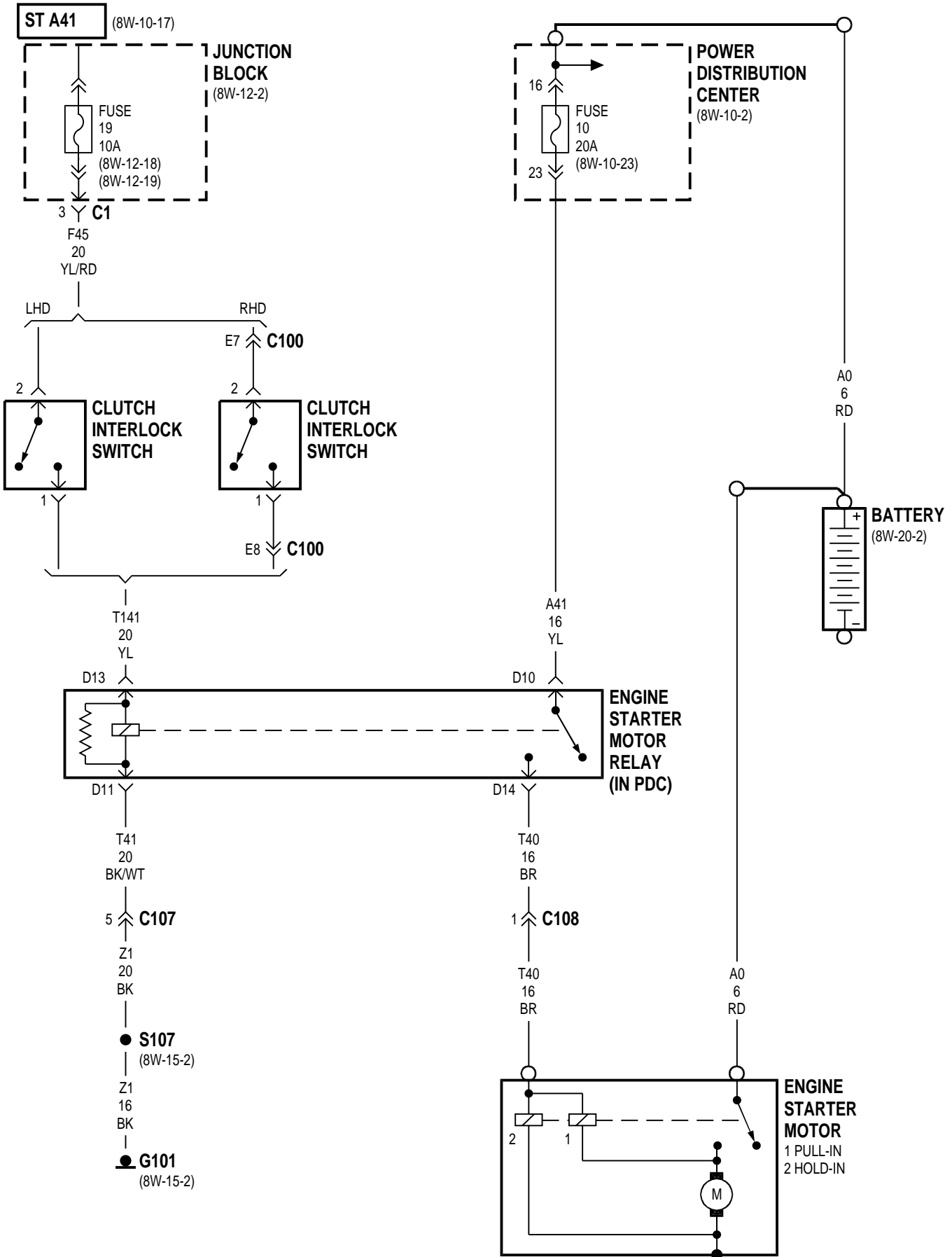
## 8W-21 STARTING SYSTEM

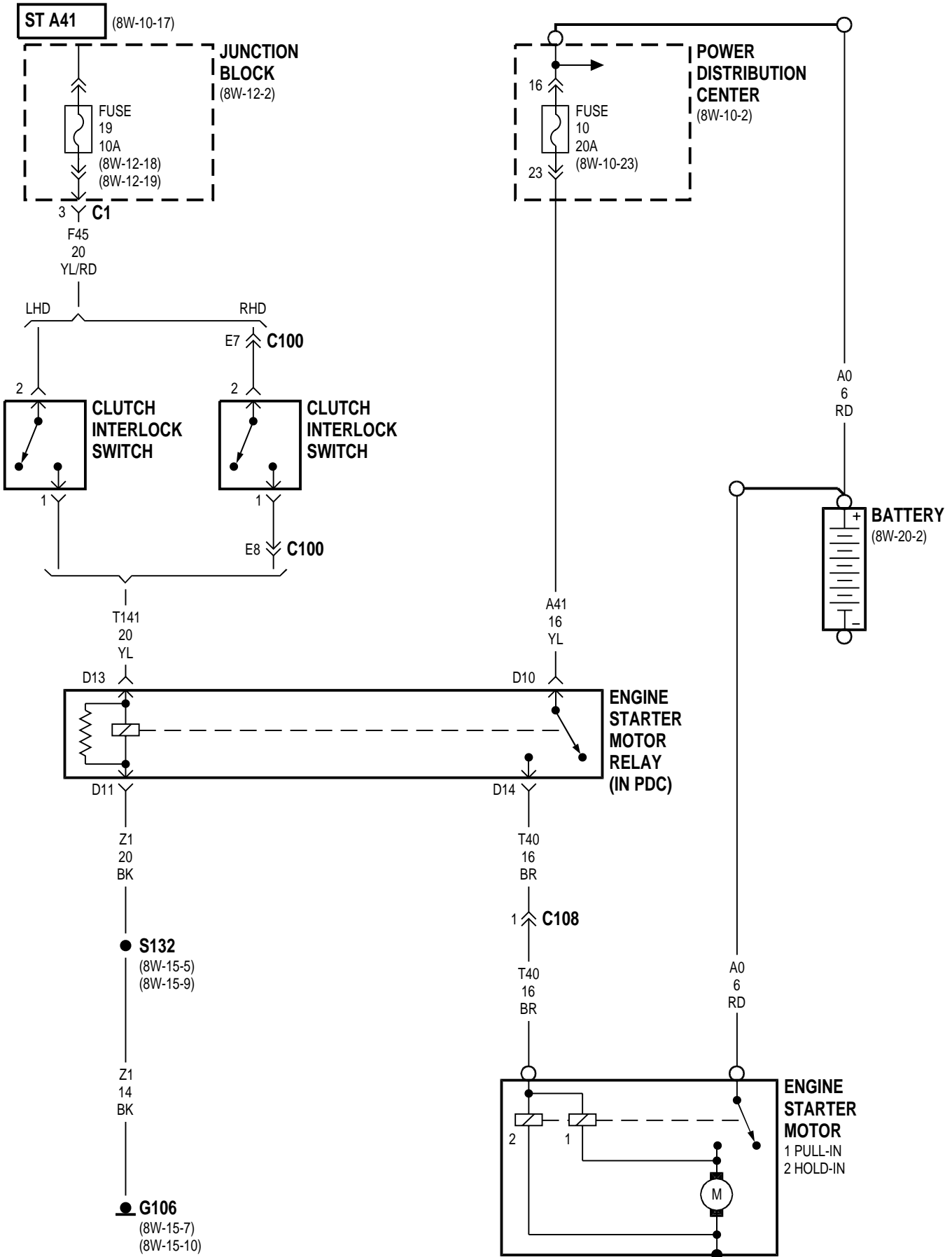
<b>Component</b>	<b>Page</b>	<b>Component</b>	<b>Page</b>
Battery .....	8W-21-2, 3, 4, 5, 6	G101 .....	8W-21-4
Clutch Interlock Switch .....	8W-21-4, 5, 6	G106 .....	8W-21-3, 5, 6
Clutch Interlock Switch Jumper .....	8W-21-2, 3	Junction Block .....	8W-21-2, 3, 4, 5, 6
Engine Starter Motor .....	8W-21-2, 3, 4, 5, 6	Park/Neutral Position Switch .....	8W-21-2
Engine Starter Motor Relay .....	8W-21-2, 3, 4, 5, 6	Power Distribution Center .....	8W-21-2, 3, 4, 5, 6
Fuse 7 (PDC) .....	8W-21-6	Powertrain Control Module .....	8W-21-2, 3
Fuse 10 (PDC) .....	8W-21-2, 3, 4, 5	Transmission Range Sensor .....	8W-21-3
Fuse 19 (JB) .....	8W-21-2, 3, 4, 5, 6		

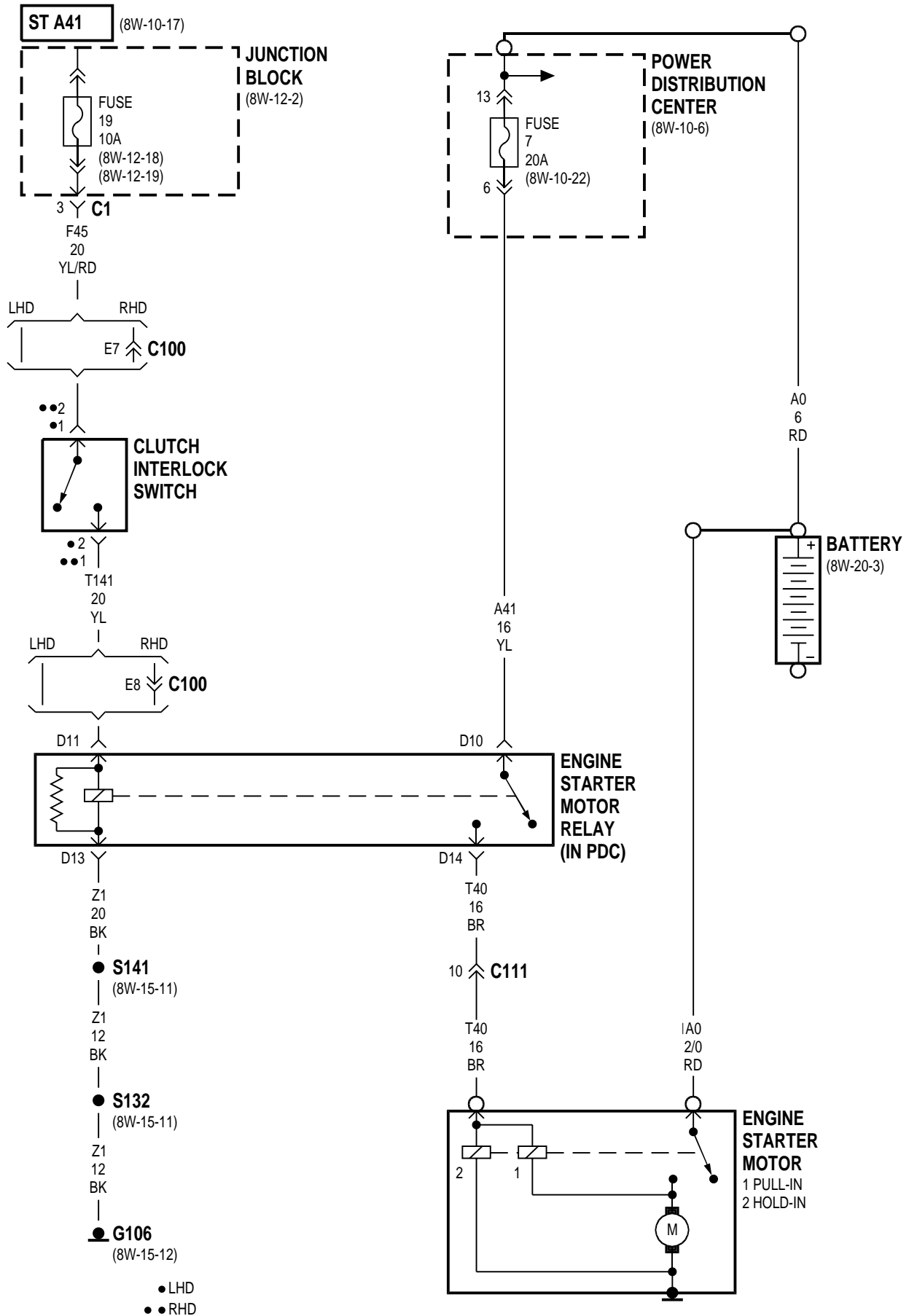






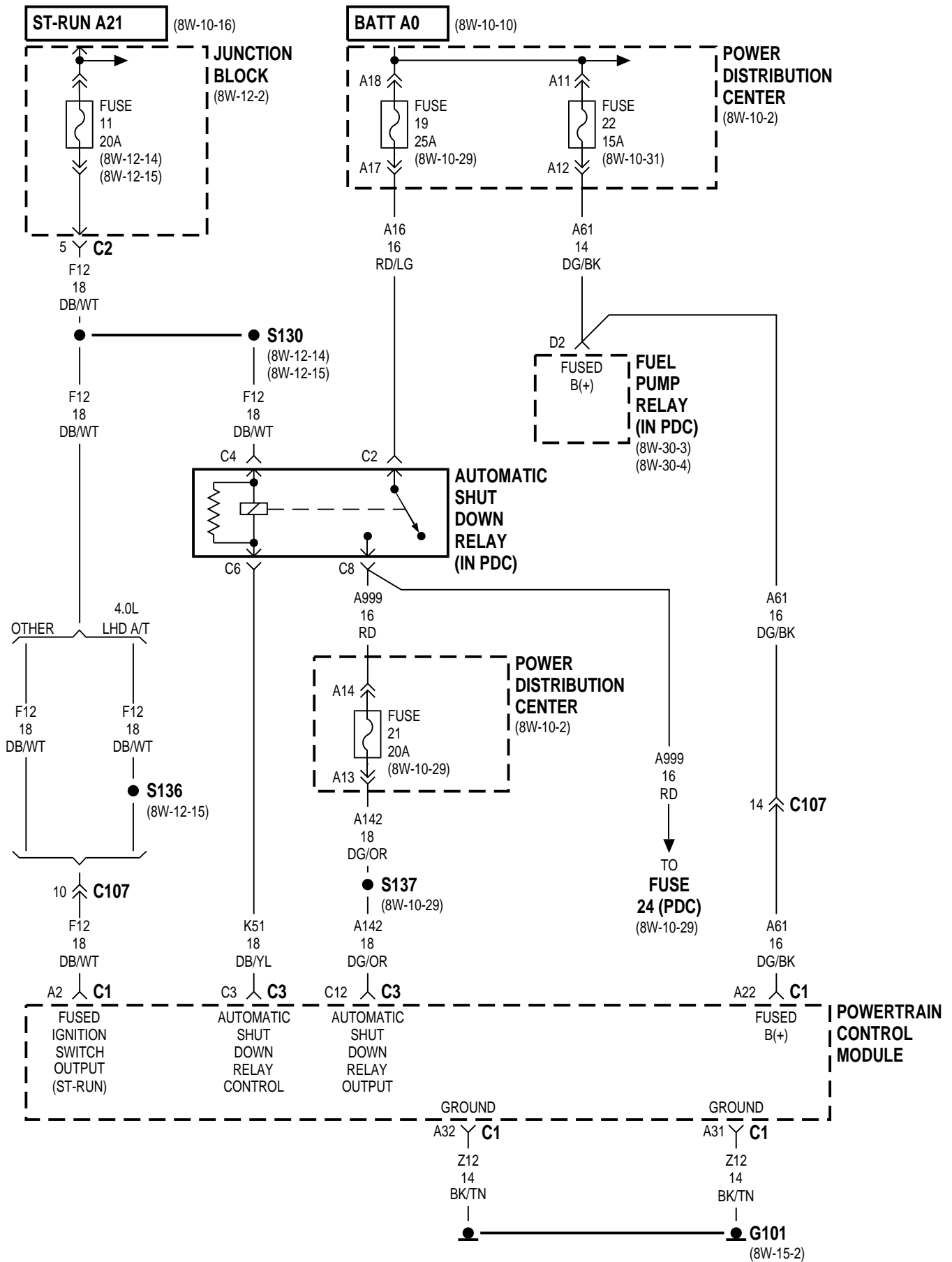


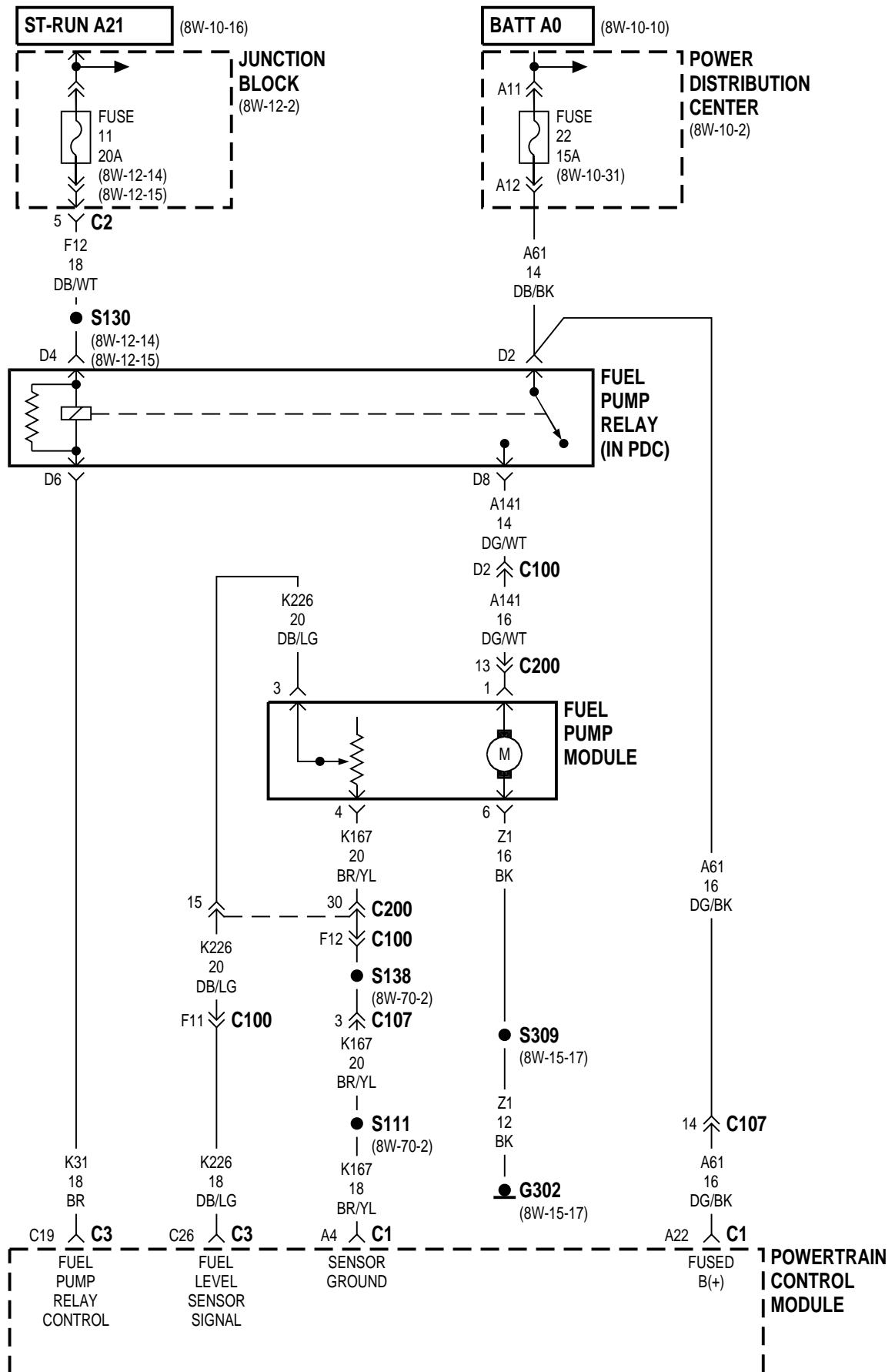


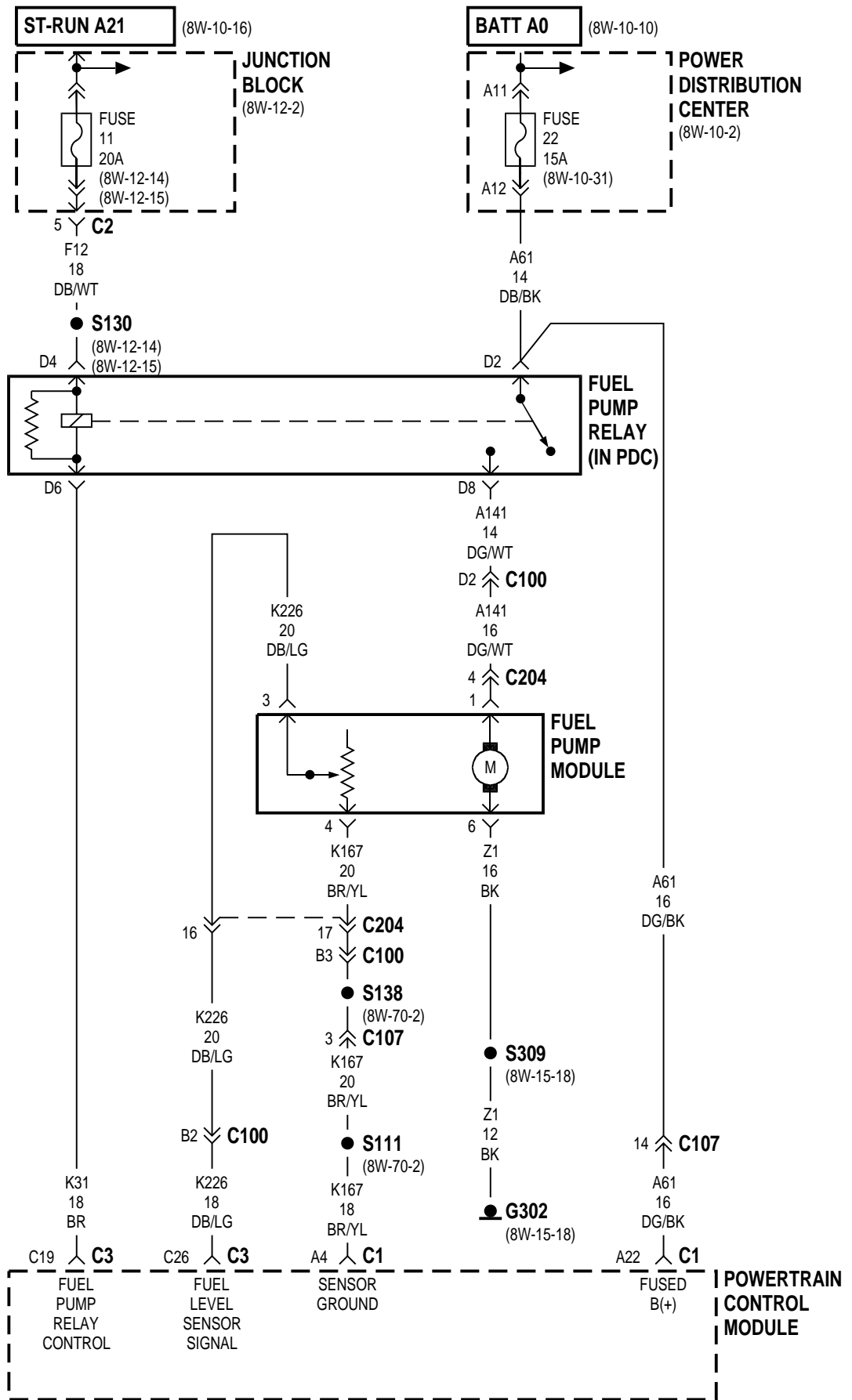


## 8W-30 FUEL/IGNITION SYSTEM

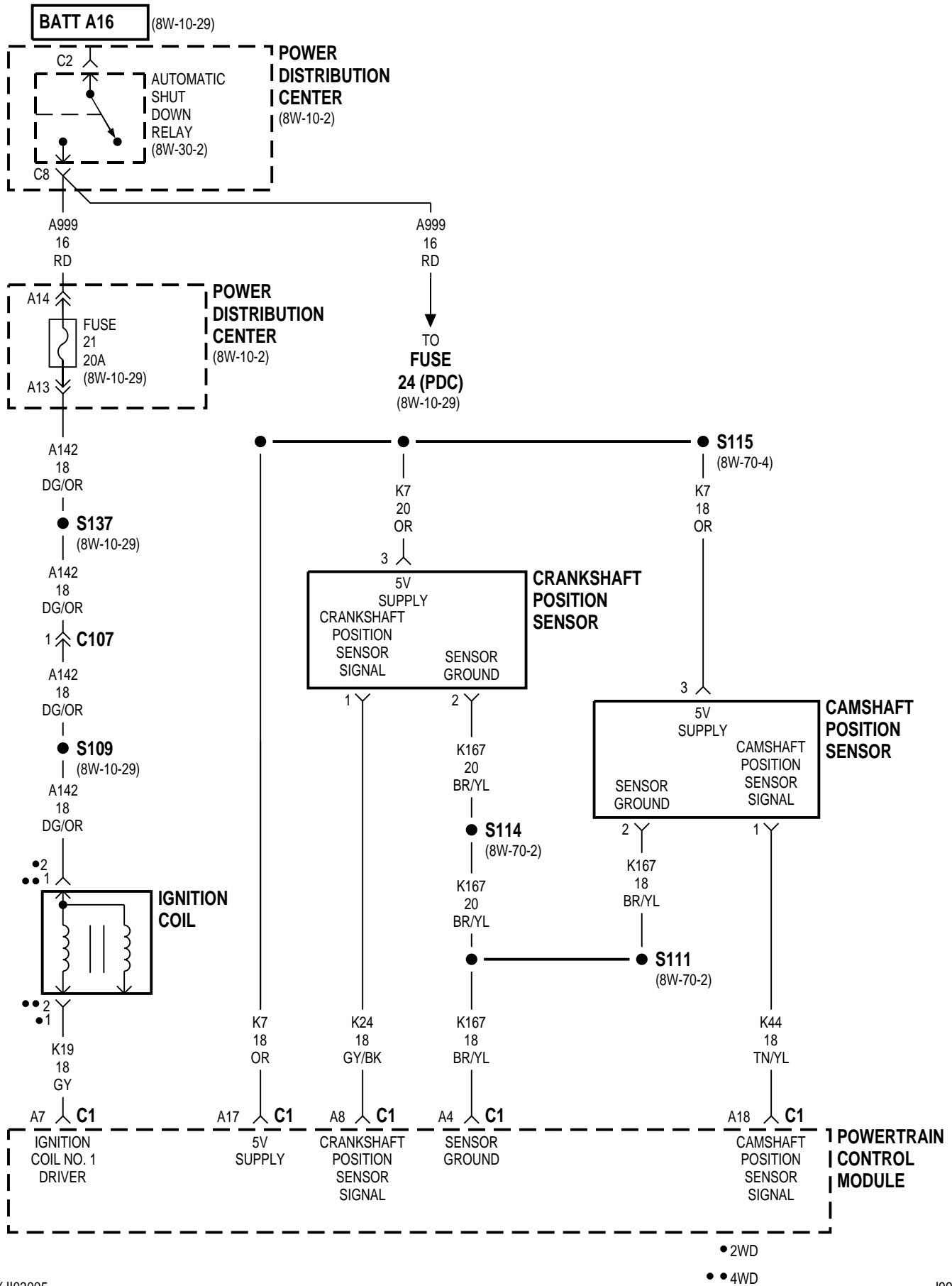
<b>Component</b>	<b>Page</b>	<b>Component</b>	<b>Page</b>
A/C Compressor Clutch Relay . . . . .	8W-30-15, 24	G101 . . . . .	8W-30-2, 8, 11, 14
A/C Heater Control . . . . .	8W-30-15, 27	G102 . . . . .	8W-30-16, 19, 20, 31
A/C High Pressure Switch . . . . .	8W-30-15, 27	G106 . . . . .	8W-30-11, 21
A/C Low Pressure Switch . . . . .	8W-30-15	G107 . . . . .	8W-30-14
Airbag Control Module . . . . .	8W-30-17, 18	G108 . . . . .	8W-30-13, 29
Automatic Shut Down Relay . . . . .	8W-30-2, 5, 6, 8, 19, 20, 21, 22, 23	G123 . . . . .	8W-30-28
Battery Temperature Sensor . . . . .	8W-30-10, 28	G154 . . . . .	8W-30-30
Brake Lamp Switch . . . . .	8W-30-11, 13, 29	G302 . . . . .	8W-30-3, 4
Camshaft Position Sensor . . . . .	8W-30-5	Generator . . . . .	8W-30-15, 20
Clockspring . . . . .	8W-30-10, 29	Glow Plug Assembly . . . . .	8W-30-22
Compass . . . . .	8W-30-17, 18	Glow Plug No.1 . . . . .	8W-30-22
Controller Anti-Lock Brake . . . . .	8W-30-16, 31	Glow Plug No.2 . . . . .	8W-30-22
Crankshaft Position Sensor . . . . .	8W-30-5, 27	Glow Plug No.3 . . . . .	8W-30-22
Data Link Connector . . . . .	8W-30-16, 17, 18, 31	Glow Plug No.4 . . . . .	8W-30-22
Daytime Running Lamp Module . . . . .	8W-30-9	Glow Plug Relay . . . . .	8W-30-22
Duty Cycle Evap/Purge Solenoid . . . . .	8W-30-12	Headlamp Switch . . . . .	8W-30-14, 16, 31
Electronic Vacuum Modulator . . . . .	8W-30-21	HVAC Unit . . . . .	8W-30-14
Engine Control Module . . . . .	8W-30-19, 21, 22, 23, 24, 25, 26, 27, 29, 30, 31	Idle Air Control Motor . . . . .	8W-30-13
Engine Coolant Temperature Sensor . . . . .	8W-30-7	Ignition Coil . . . . .	8W-30-5
Engine Coolant Temperature Sensor No. 1 . . . . .	8W-30-26	Instrument Cluster . . . . .	8W-30-17, 18
Engine Coolant Temperature Sensor No. 2 . . . . .	8W-30-26	Intake Air Temperature Sensor . . . . .	8W-30-7
Engine Oil Pressure Sensor . . . . .	8W-30-10, 26	Junction Block . . . . .	8W-30-2, 3, 4, 12, 14, 19, 21, 30
Engine Starter Motor Relay . . . . .	8W-30-11	Left Speed Control Switch . . . . .	8W-30-10, 29
Evap Leak Detection Pump . . . . .	8W-30-12	Low Coolant Level Warning Indicator . . . . .	8W-30-30
Extended Idle Switch . . . . .	8W-30-14	Low Coolant Switch . . . . .	8W-30-28
Fuel Heater . . . . .	8W-30-21	Manifold Absolute Pressure Sensor . . . . .	8W-30-9
Fuel Heater Relay . . . . .	8W-30-21	Needle Movement Sensor . . . . .	8W-30-25
Fuel Injector No. 1 . . . . .	8W-30-6	Overhead Module . . . . .	8W-30-17, 18
Fuel Injector No. 2 . . . . .	8W-30-6	Oxygen Sensor 1/1 Upstream . . . . .	8W-30-8
Fuel Injector No. 3 . . . . .	8W-30-6	Oxygen Sensor 1/2 Downstream . . . . .	8W-30-8
Fuel Injector No. 4 . . . . .	8W-30-6	Park/Neutral Position Switch . . . . .	8W-30-11
Fuel Injector No. 5 . . . . .	8W-30-6	Pedal Position Sensor . . . . .	8W-30-25
Fuel Injector No. 6 . . . . .	8W-30-6	Power Distribution Center . . . . .	8W-30-2, 3, 4, 5, 6, 8, 11, 15, 16, 19, 20, 21, 22, 23, 24, 29, 30, 31
Fuel Level Sensor . . . . .	8W-30-28	Power Steering Pressure Switch . . . . .	8W-30-14
Fuel Pump Module . . . . .	8W-30-3, 4, 23, 24	Powertrain Control Module . . . . .	8W-30-2, 3, 4, 5, 6, 7, 8, 9, 10, 11, 12, 13, 14, 15, 16, 17, 18, 20, 26, 27, 28, 30, 31
Fuel Pump Relay . . . . .	8W-30-2, 3, 4	Radiator Fan Relay . . . . .	8W-30-15, 30
Fuel Quantity Actuator Ground . . . . .	8W-30-23	Right Speed Control Switch . . . . .	8W-30-10, 29
Fuel Temperature Sensor Signal . . . . .	8W-30-23	Sentry Key Immobilizer Module . . . . .	8W-30-17, 18
Fuse 2 (PDC) . . . . .	8W-30-22	Tell Tale Module . . . . .	8W-30-30
Fuse 3 (PDC) . . . . .	8W-30-22	Throttle Position Sensor . . . . .	8W-30-7
Fuse 4 (PDC) . . . . .	8W-30-19	Torque Converter Clutch Solenoid . . . . .	8W-30-12
Fuse 6 (JB) . . . . .	8W-30-14	Transmission Control Module . . . . .	8W-30-7, 16, 17, 18
Fuse 6 (PDC) . . . . .	8W-30-21	Transmission Range Sensor . . . . .	8W-30-11
Fuse 9 (JB) . . . . .	8W-30-30	Turbo Boost Pressure Sensor . . . . .	8W-30-24
Fuse 10 (JB) . . . . .	8W-30-12	Vehicle Speed Control Servo . . . . .	8W-30-11
Fuse 11 (JB) . . . . .	8W-30-2, 3, 4, 12, 19, 21	Vehicle Speed Sensor . . . . .	8W-30-9, 26
Fuse 17 (PDC) . . . . .	8W-30-16	Wait To Start Warning Indicator . . . . .	8W-30-30
Fuse 19 (PDC) . . . . .	8W-30-2, 29	Water In Fuel Sensor . . . . .	8W-30-28
Fuse 21 (PDC) . . . . .	8W-30-2, 5, 6, 8, 21, 22, 23	Water In Fuel Warning Indicator . . . . .	8W-30-30
Fuse 22 (PDC) . . . . .	8W-30-2, 3, 4		
Fuse 24 (PDC) . . . . .	8W-30-2, 5, 6, 8, 20		
Fuse 25 (JB) . . . . .	8W-30-14		
Fuse 26 (PDC) . . . . .	8W-30-31		

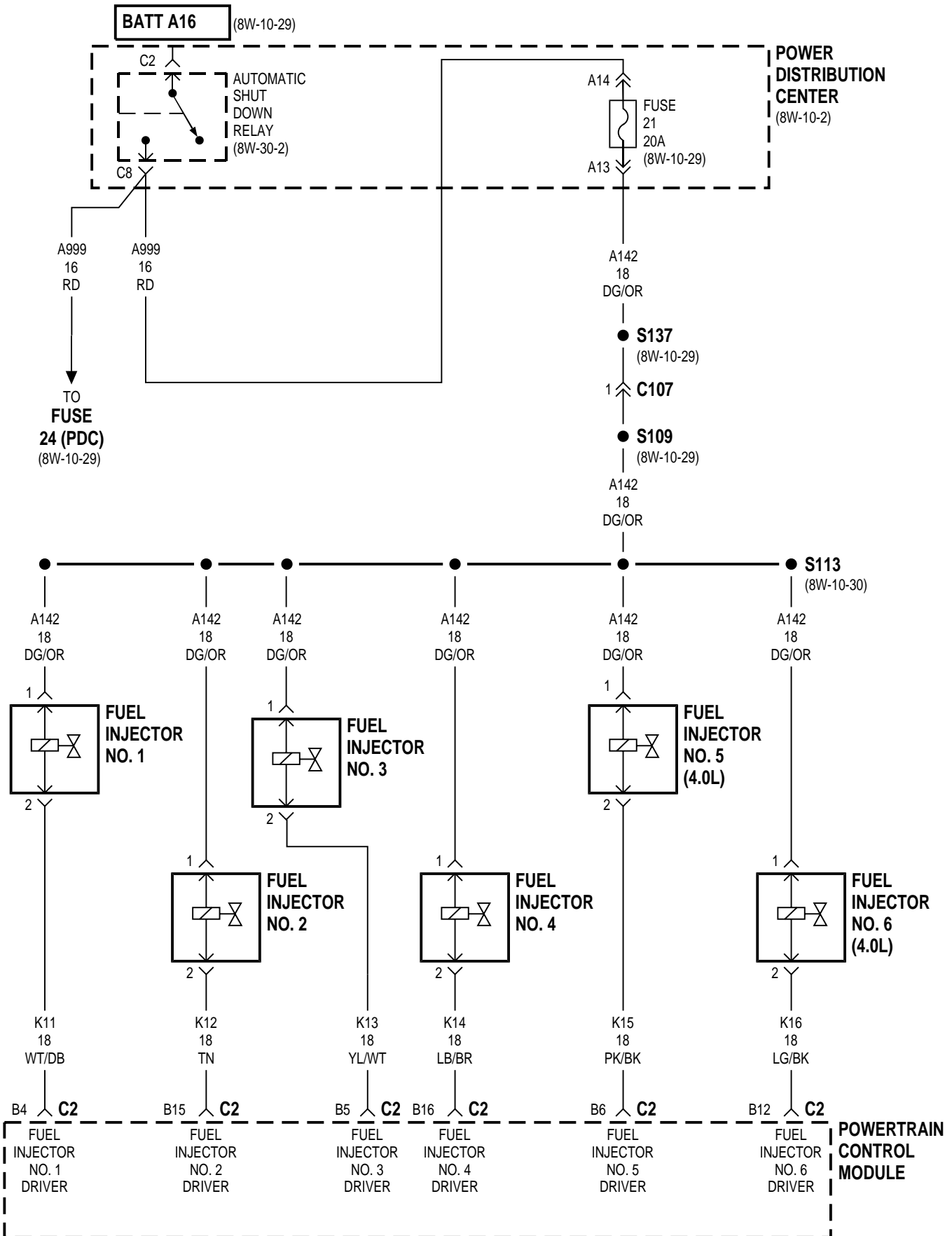




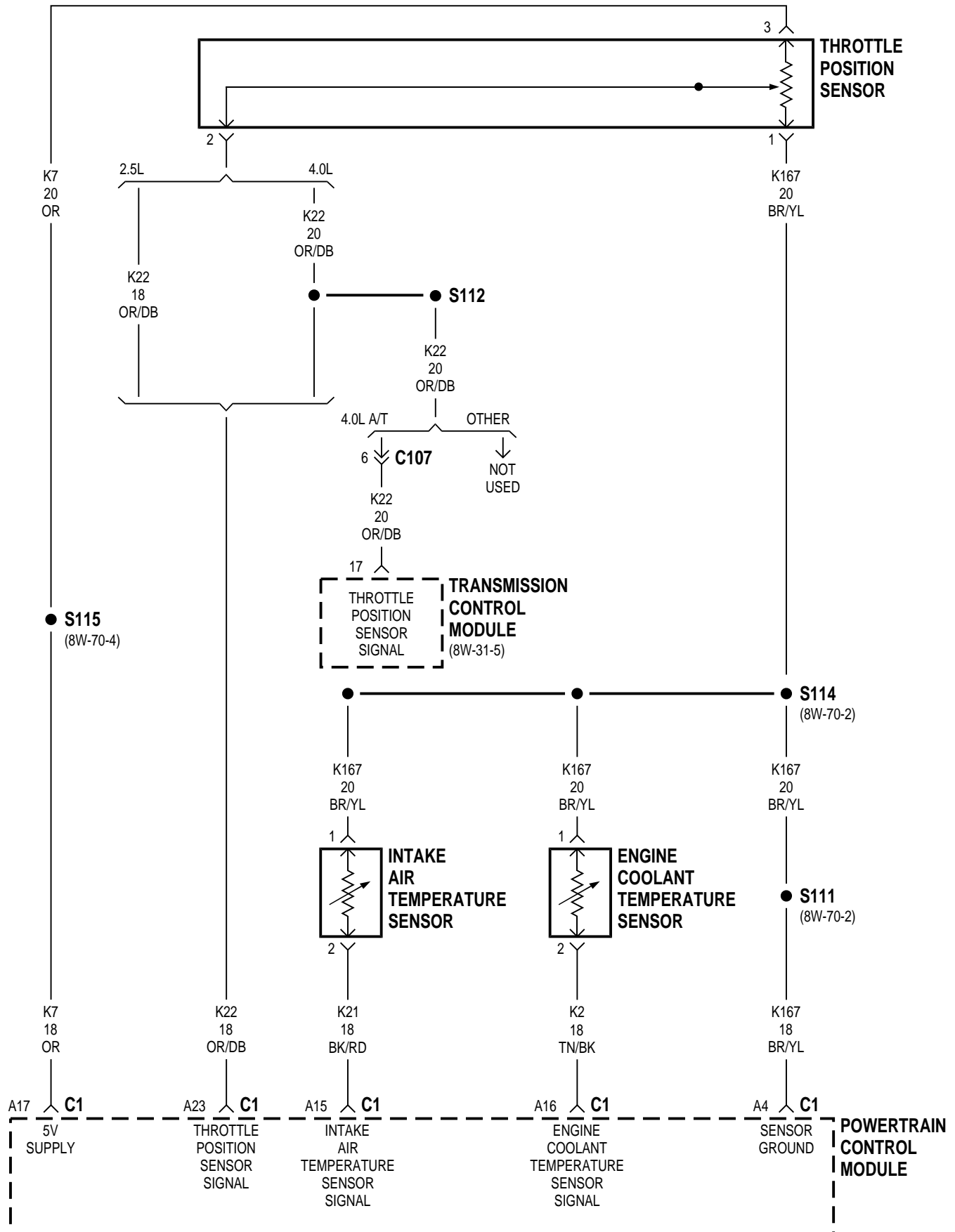


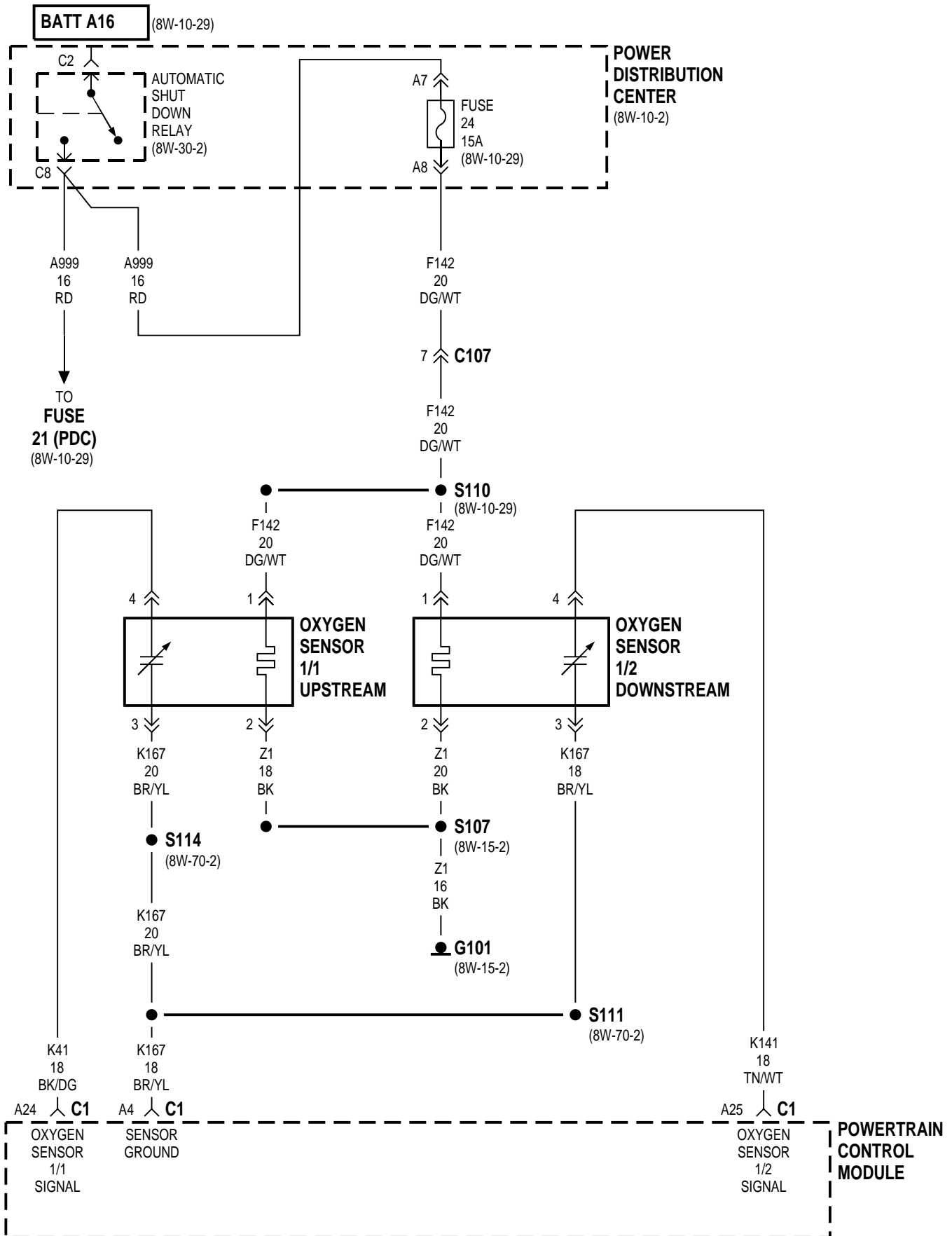


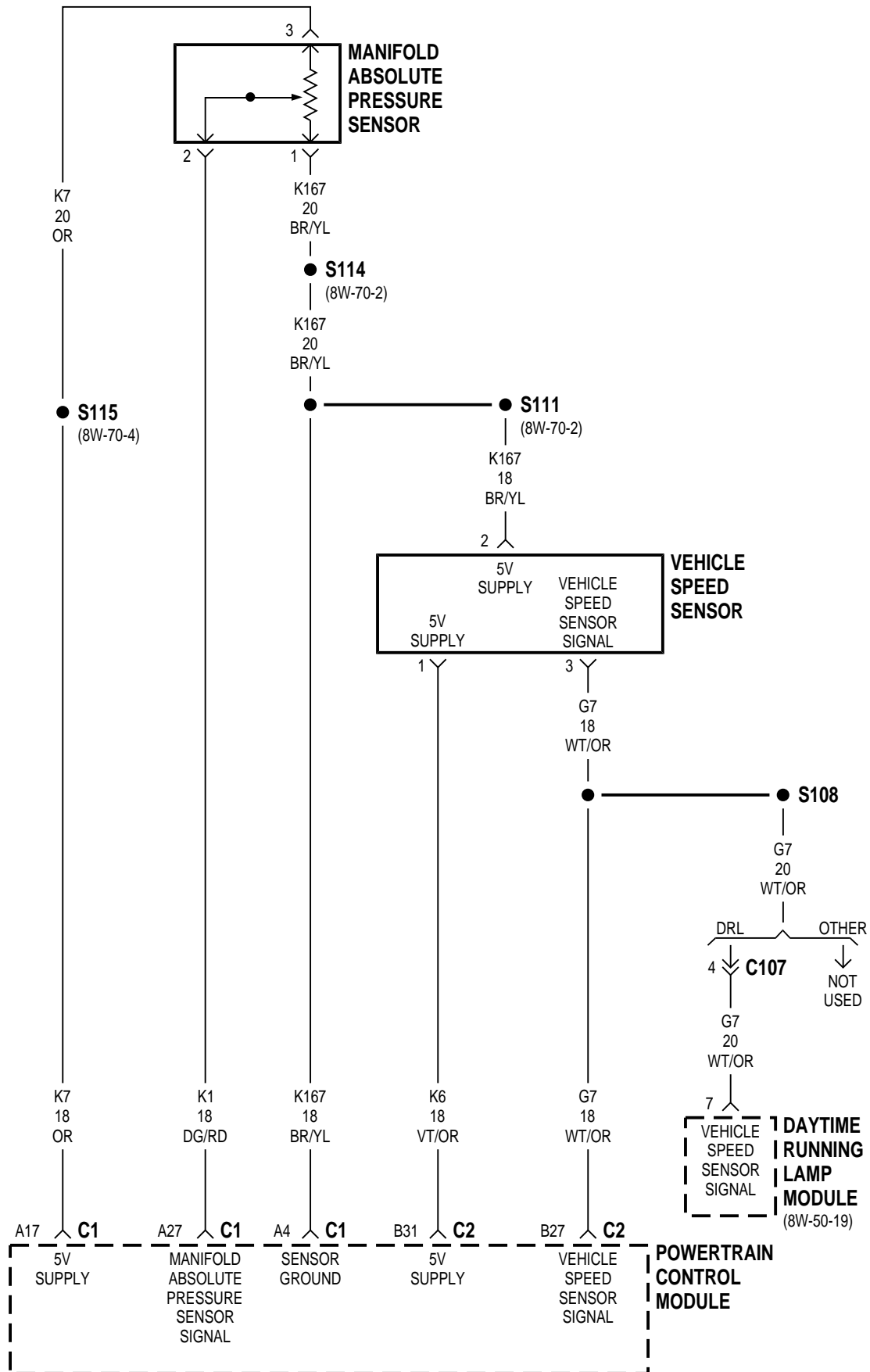




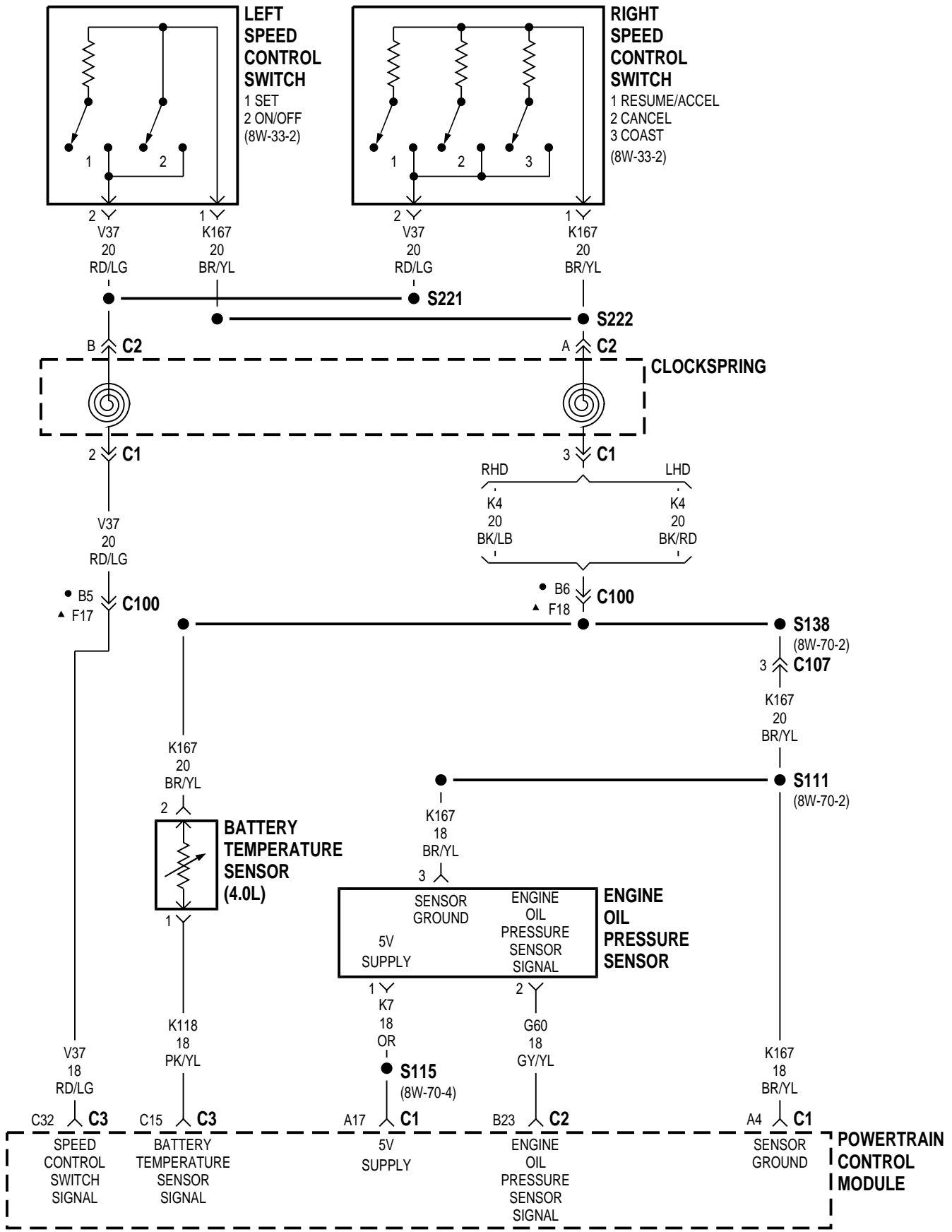
**XJ** ————— **8W-30 FUEL/IGNITION SYSTEM** ————— **8W - 30 - 7**  
**GAS**

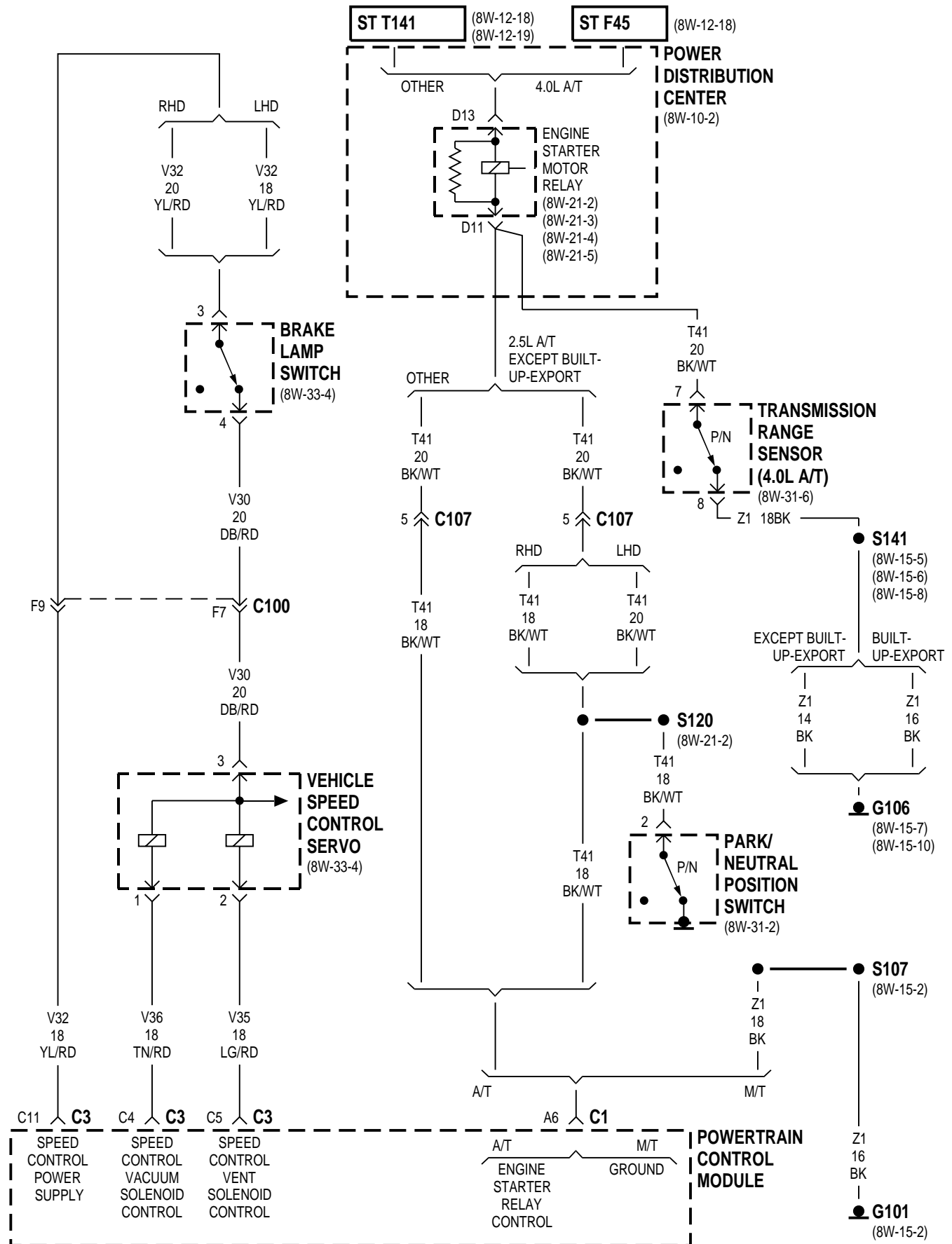


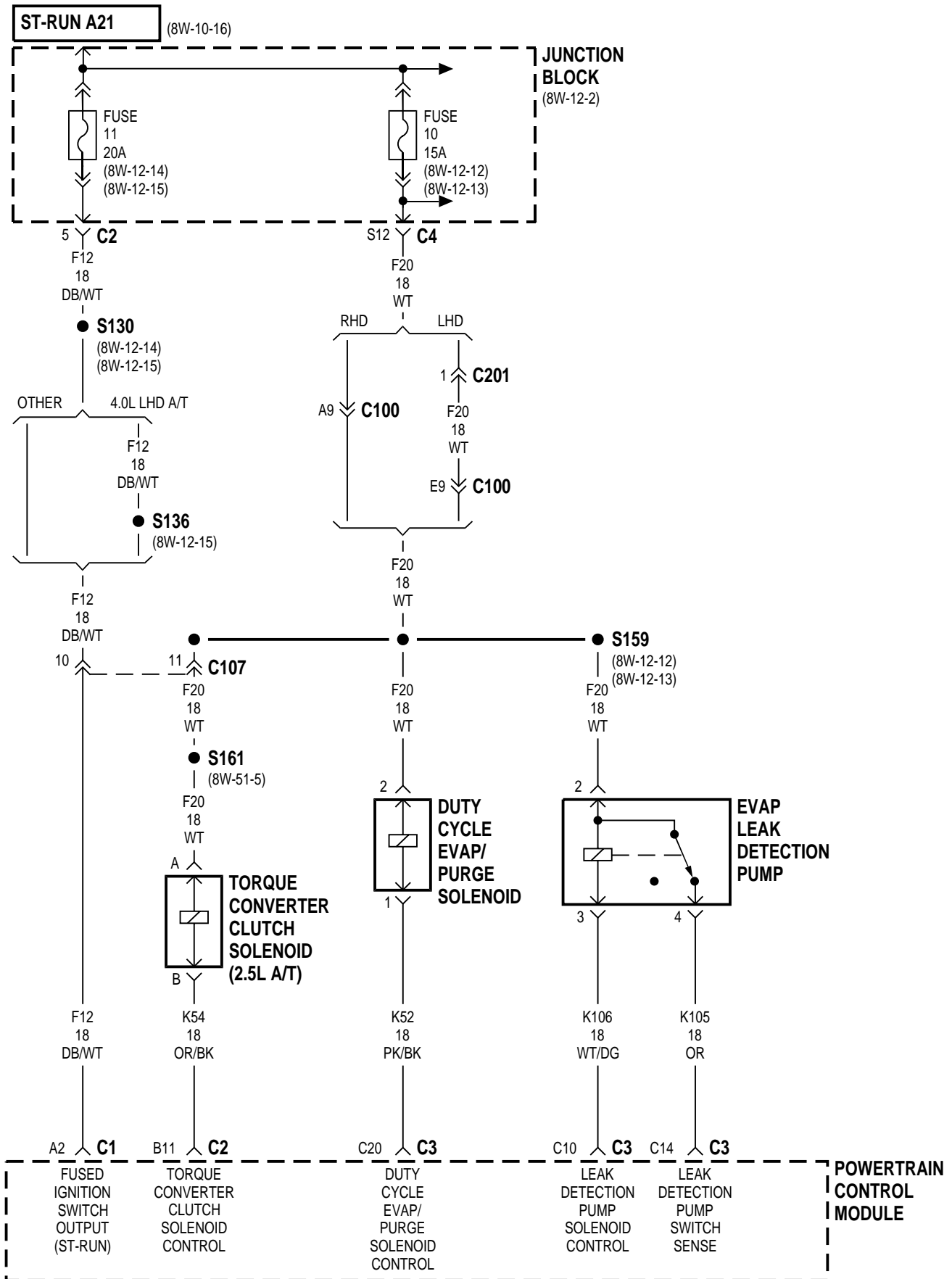




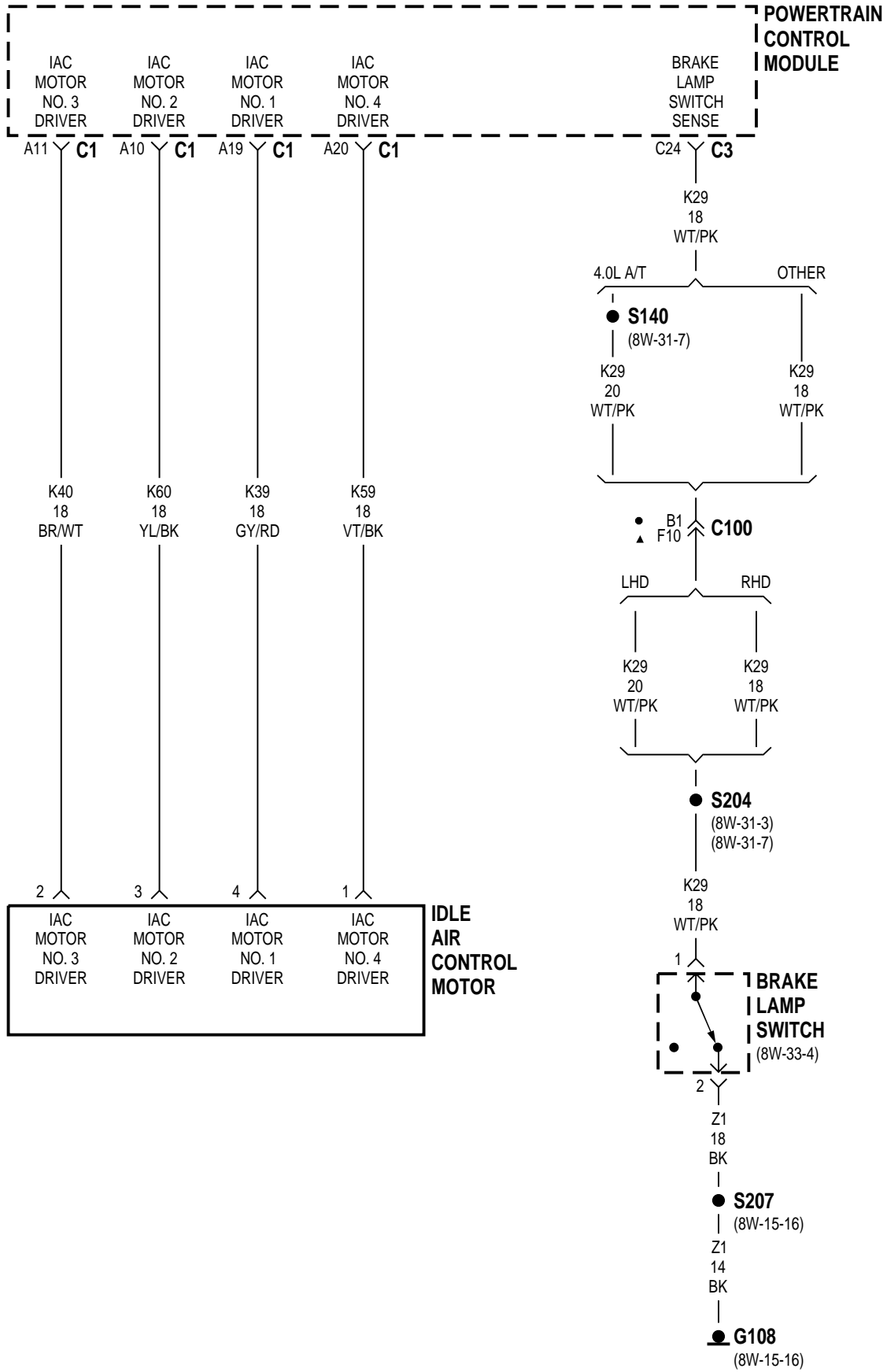
GAS



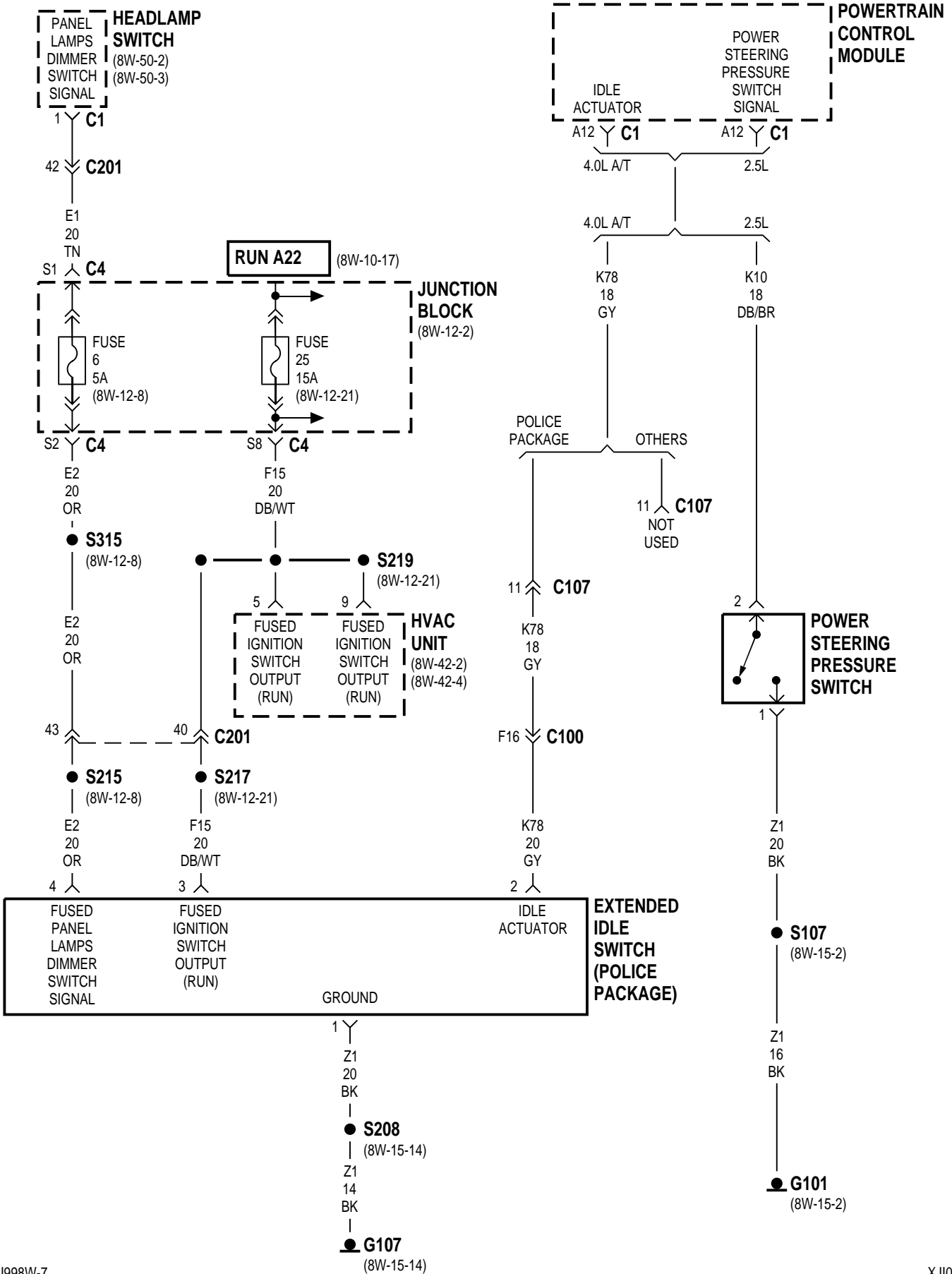


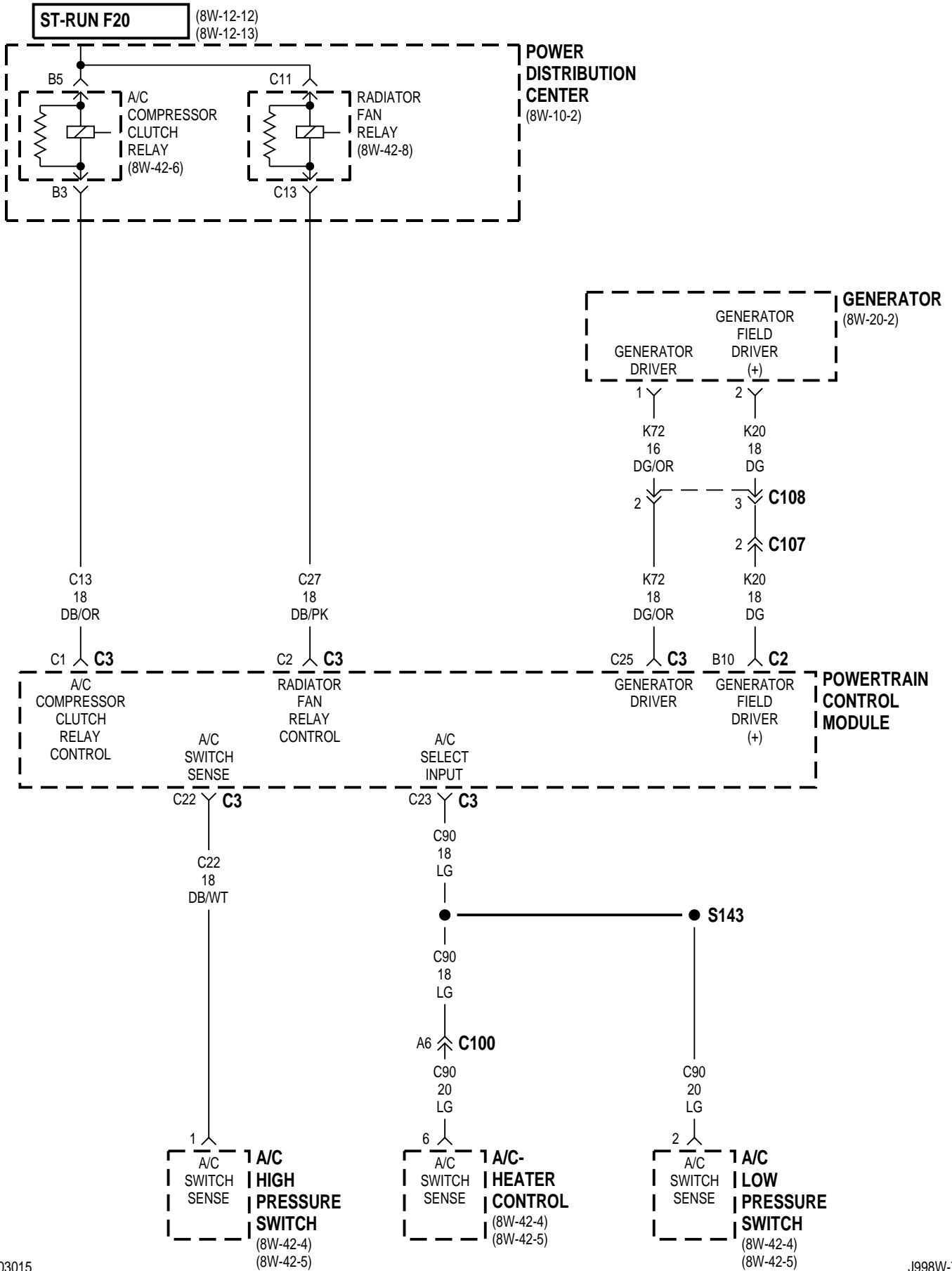




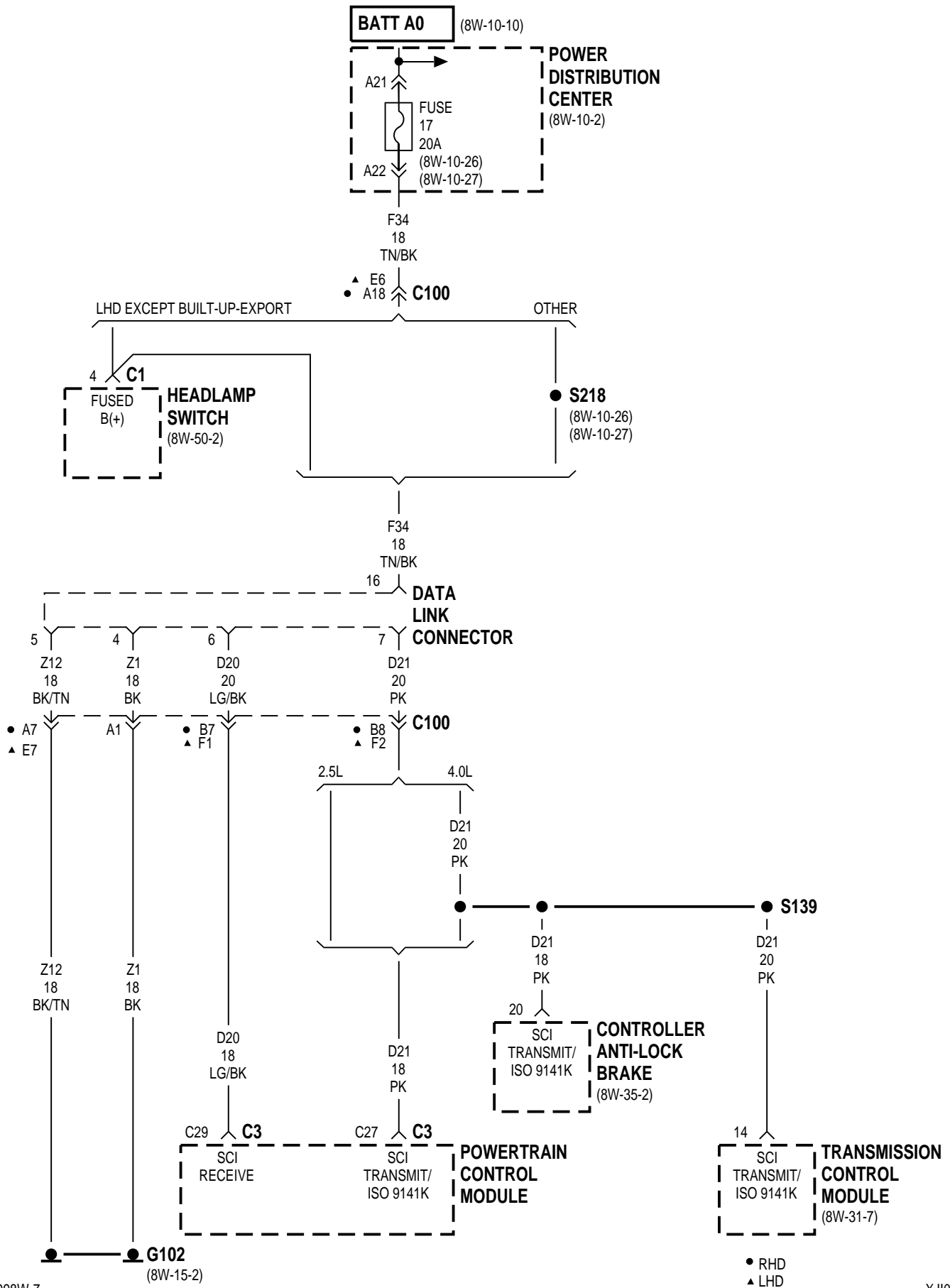


● RHD  
 ▲ LHD

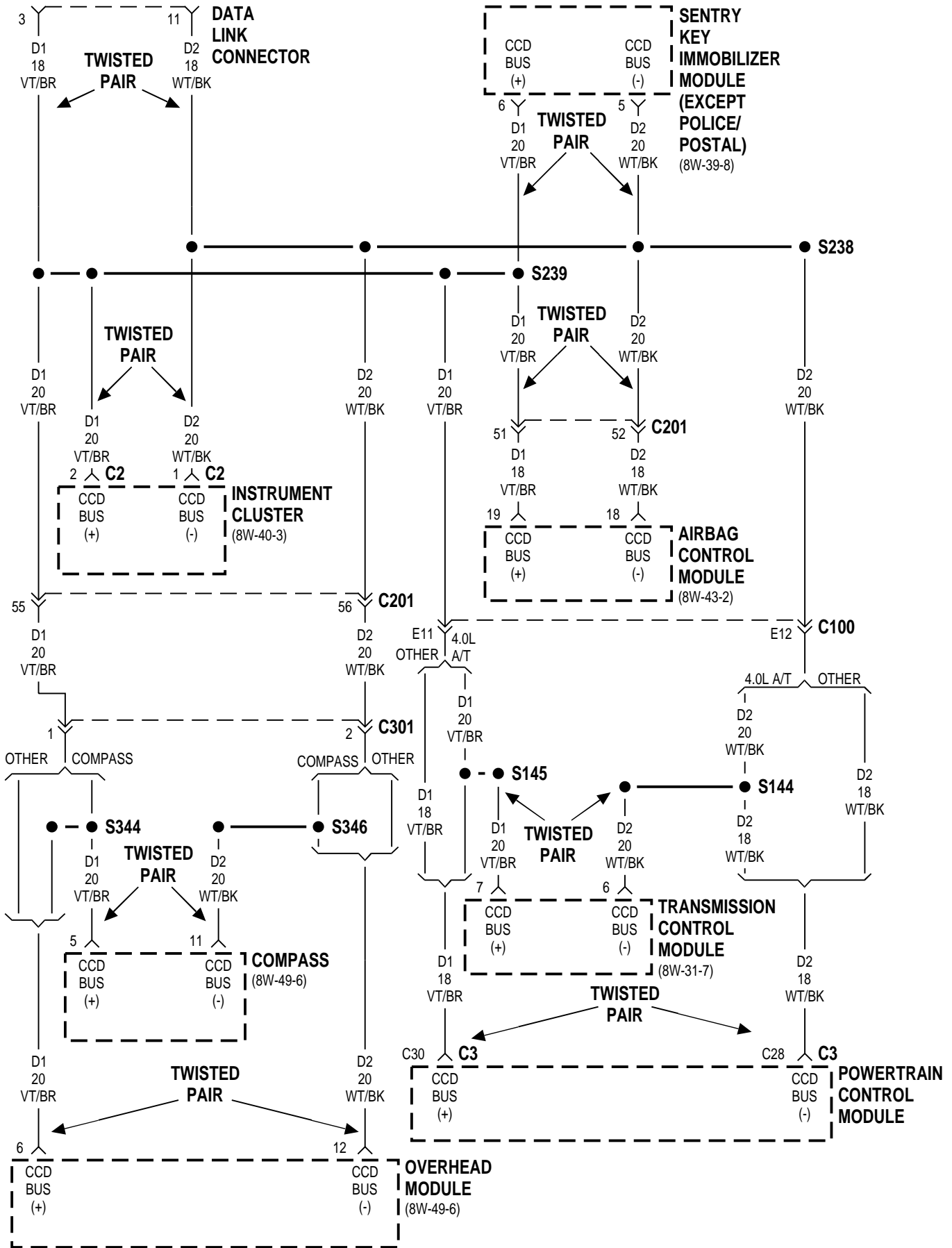




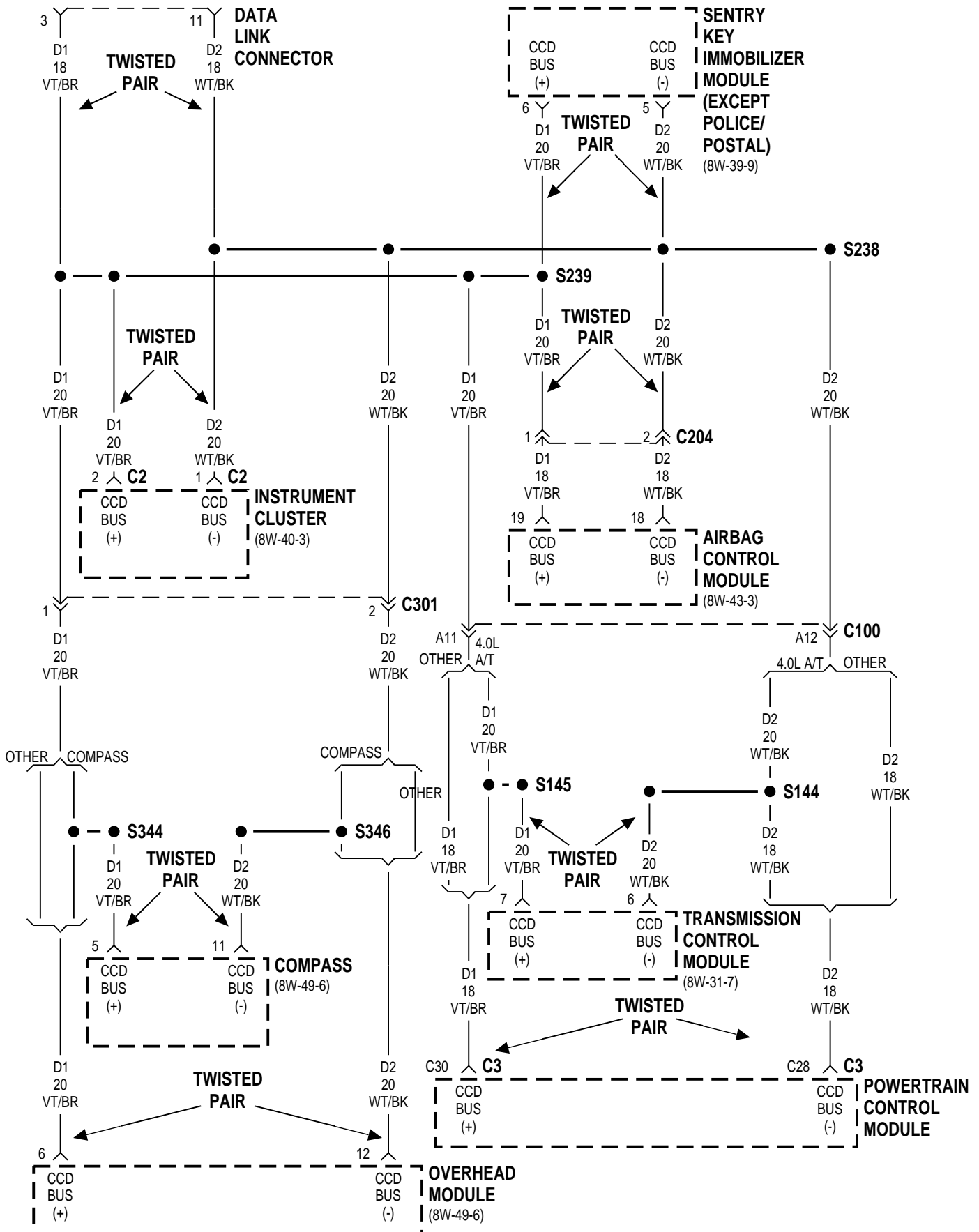
GAS

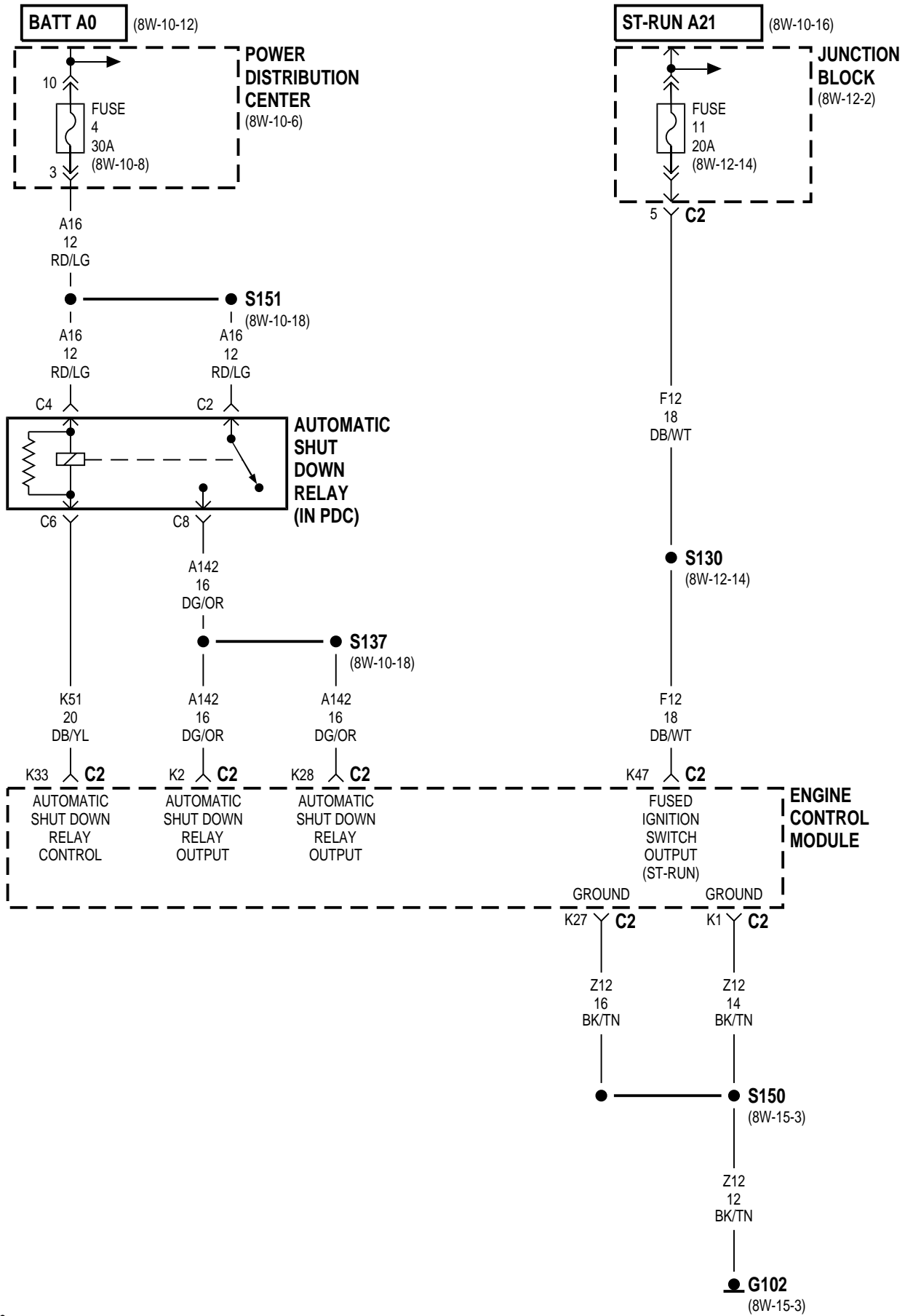


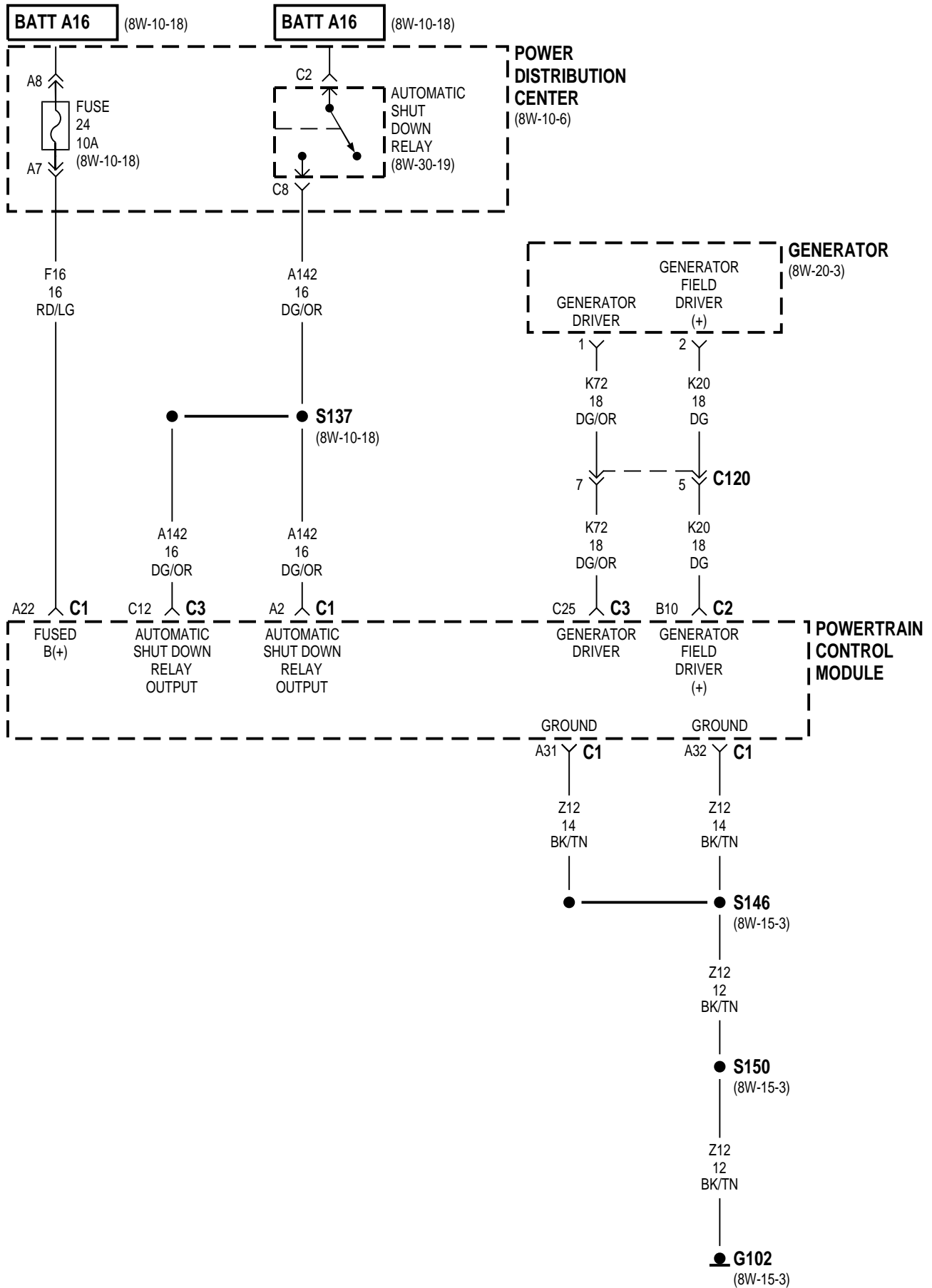
LHD



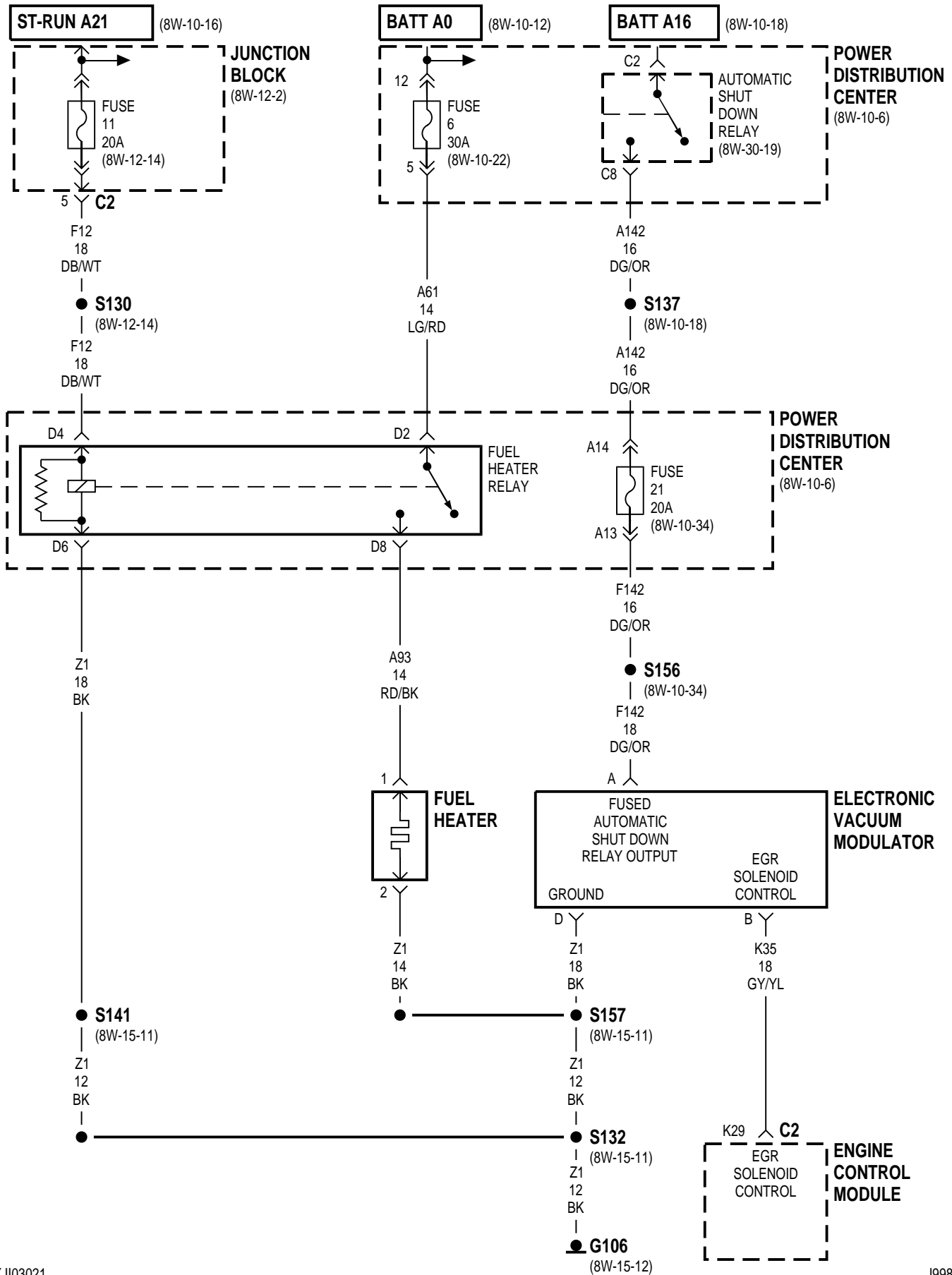
RHD

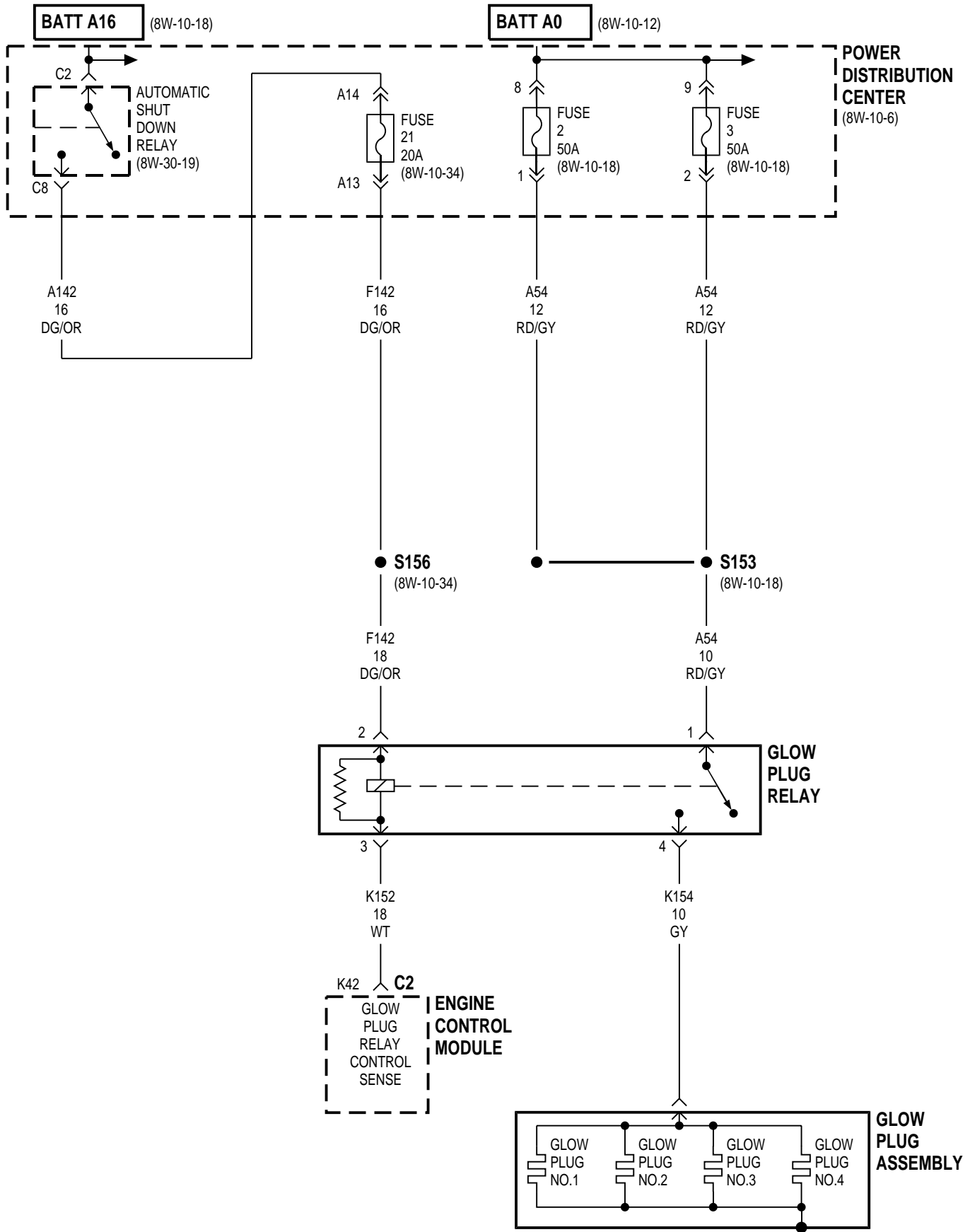


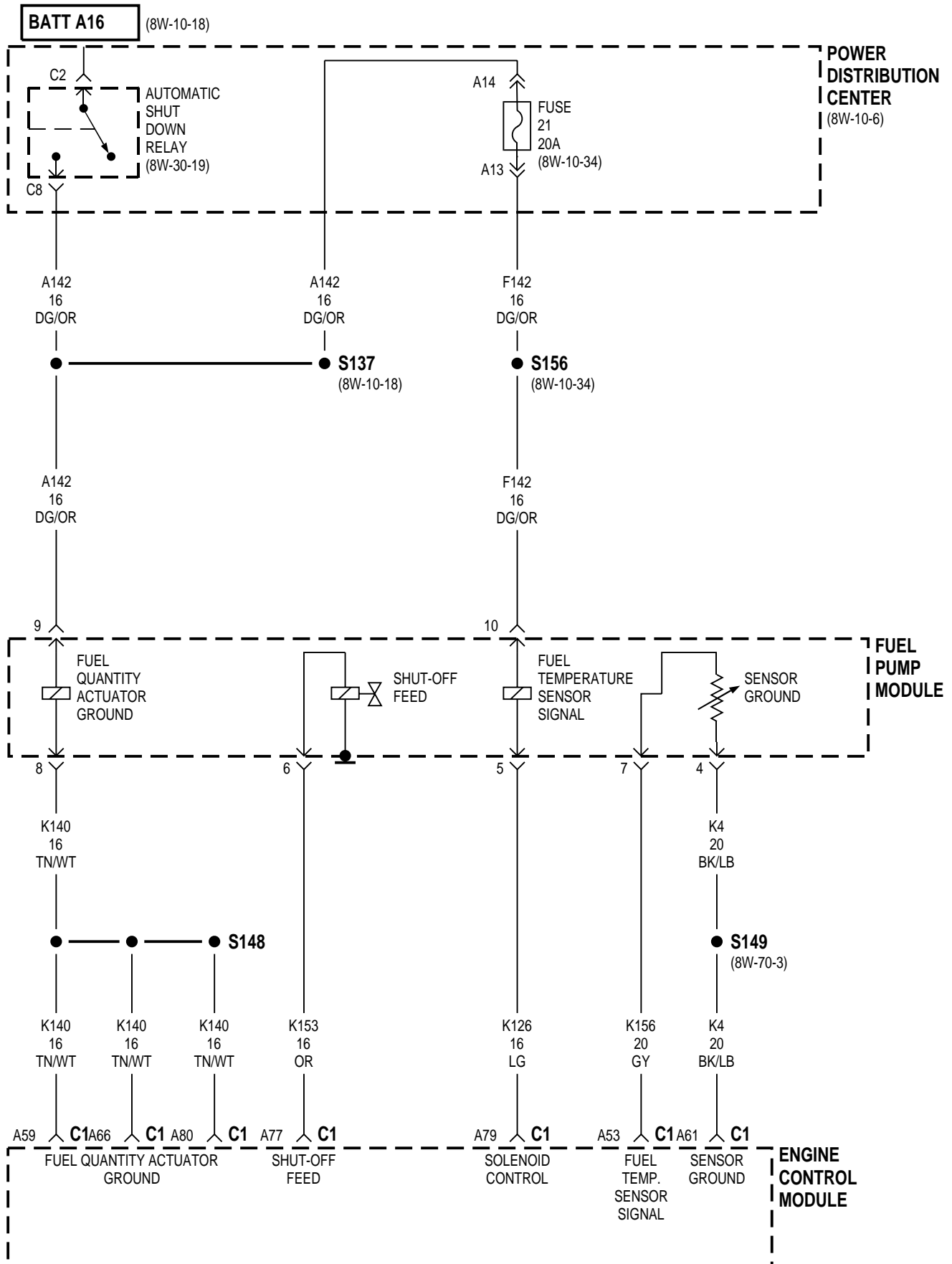


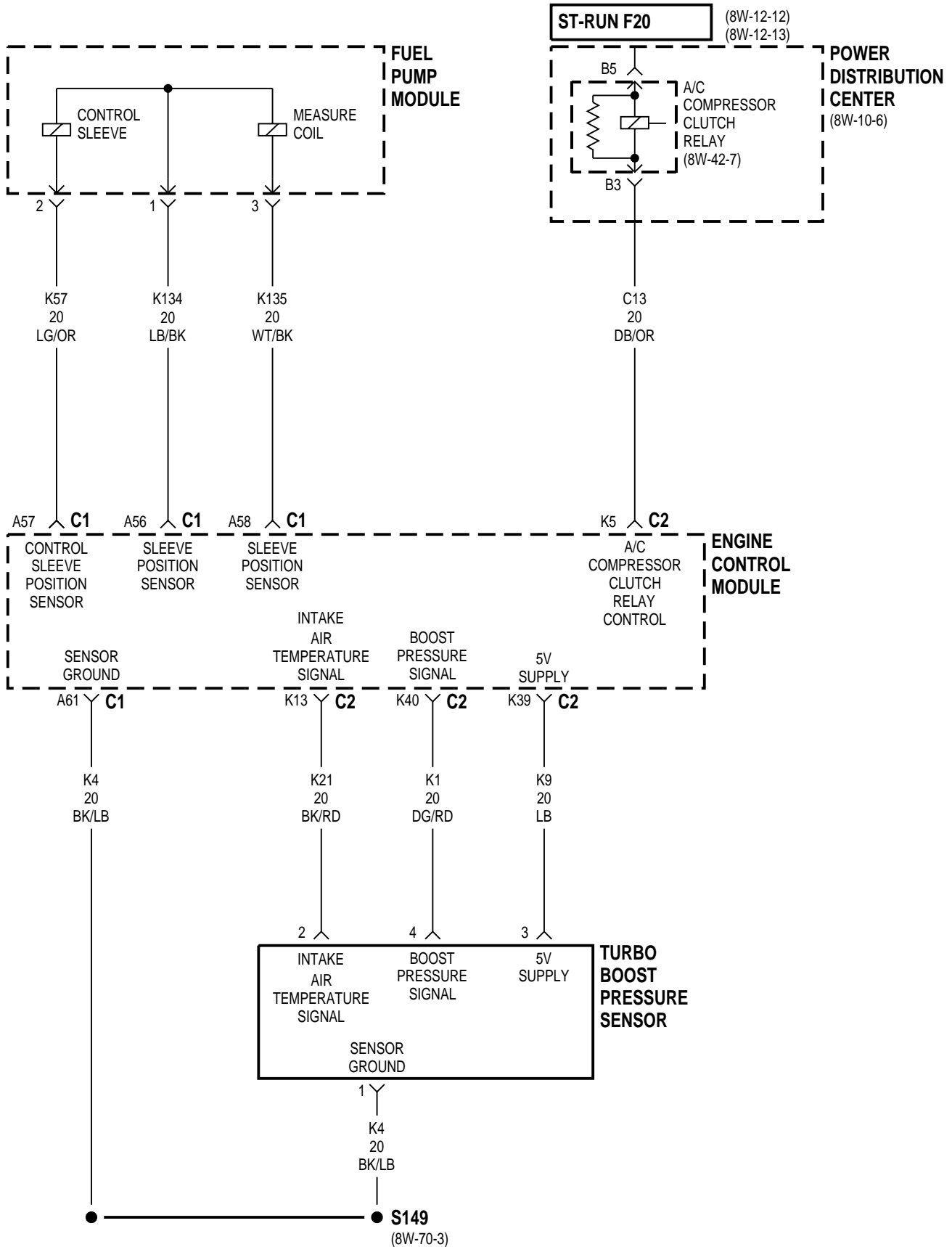


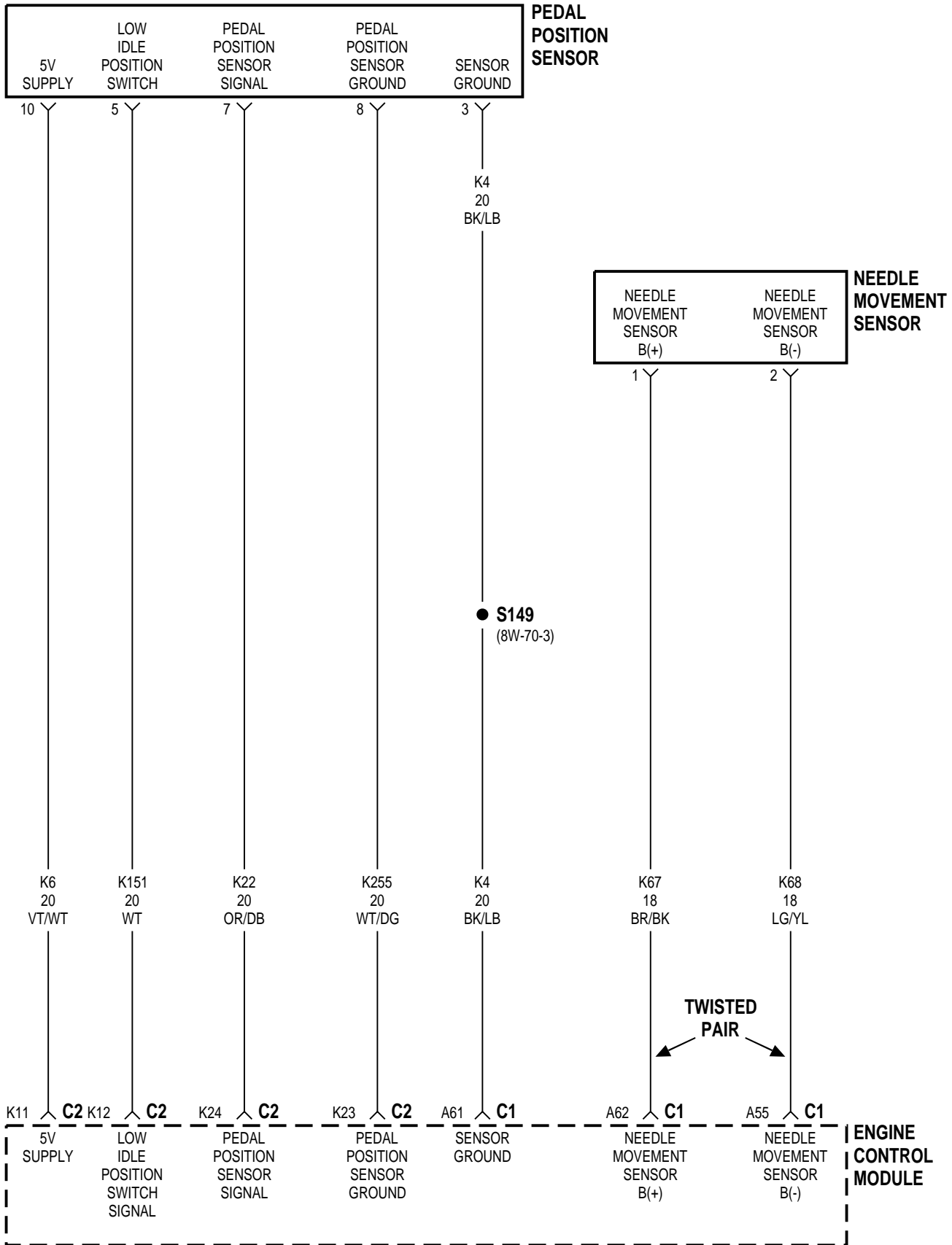


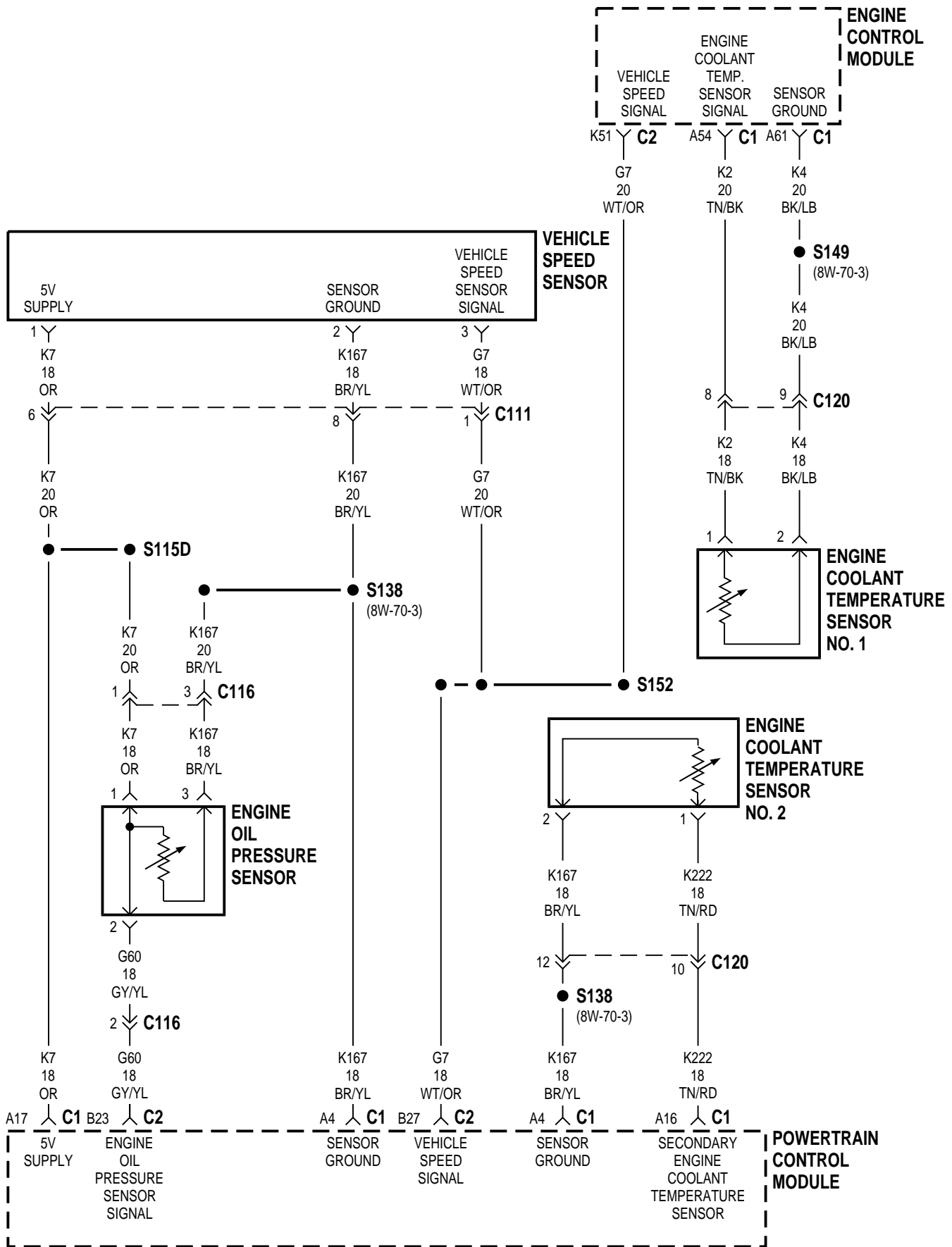


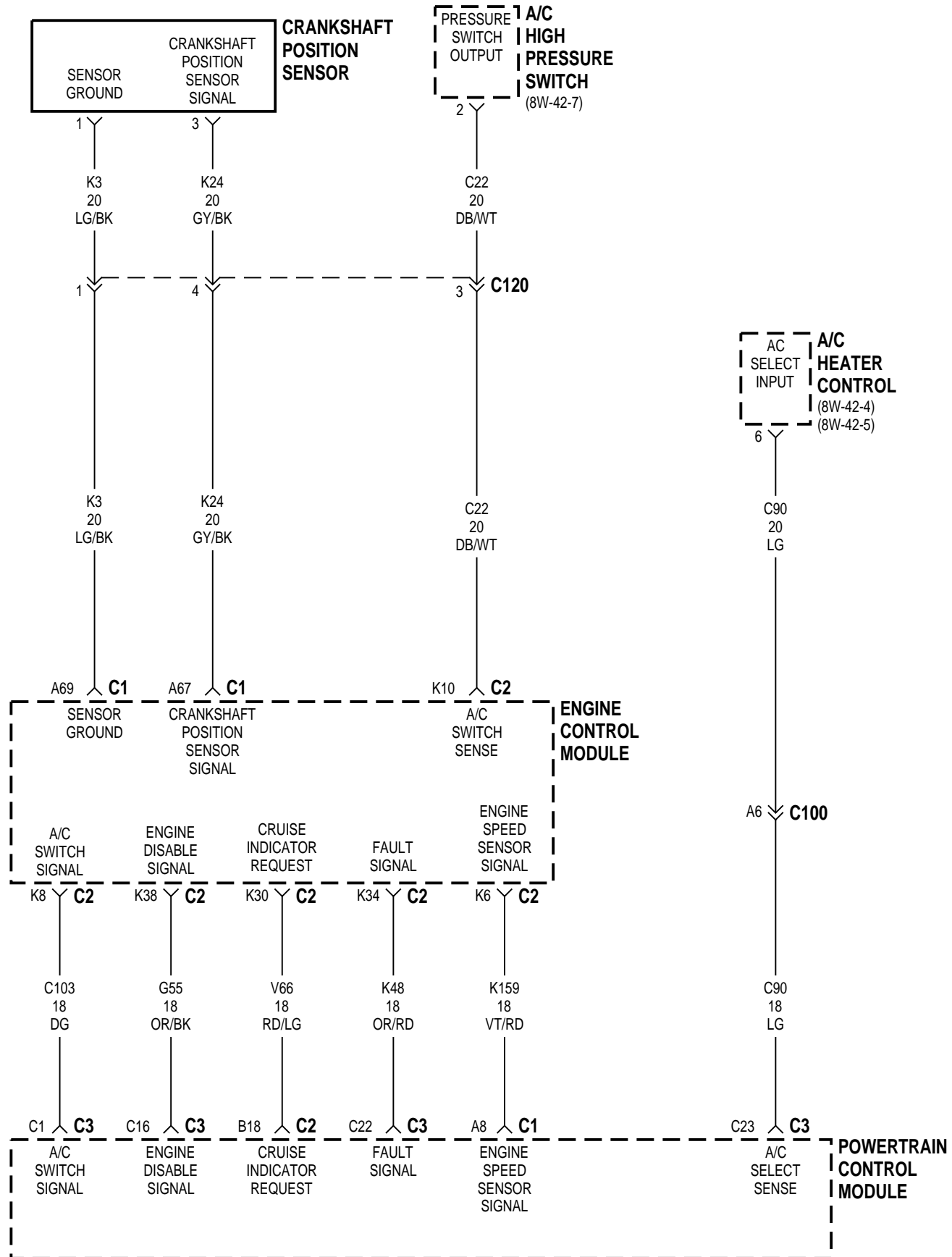


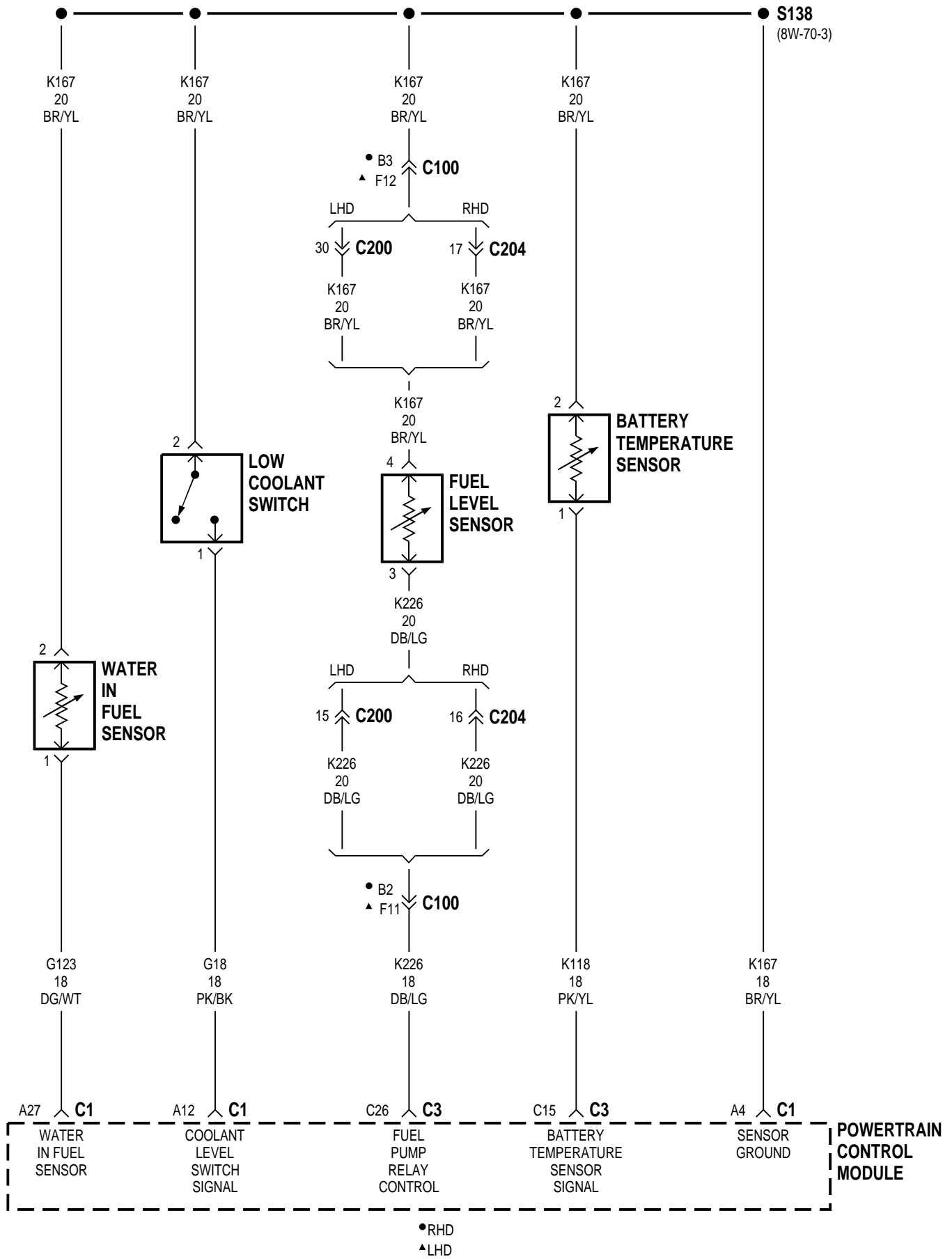








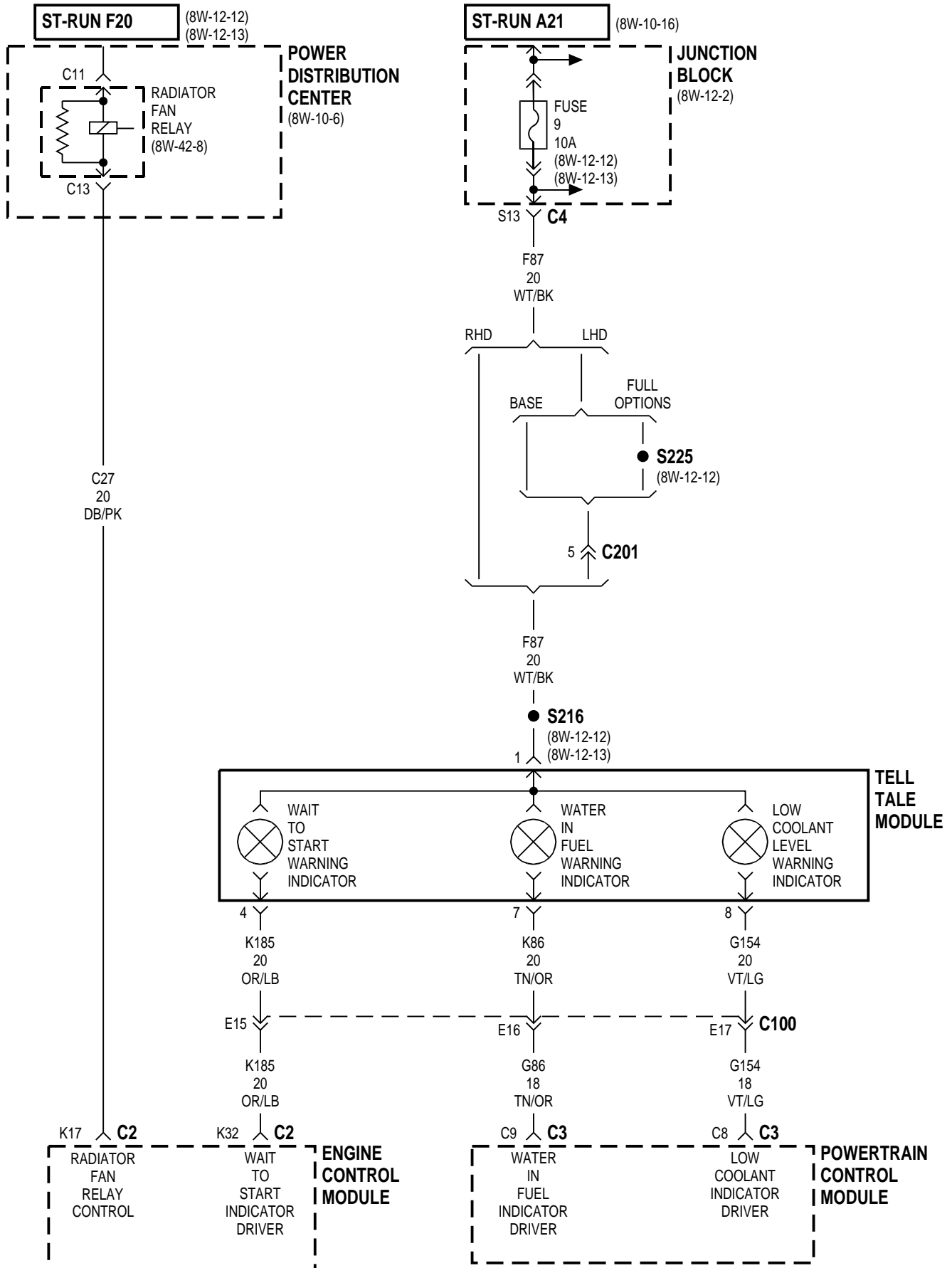


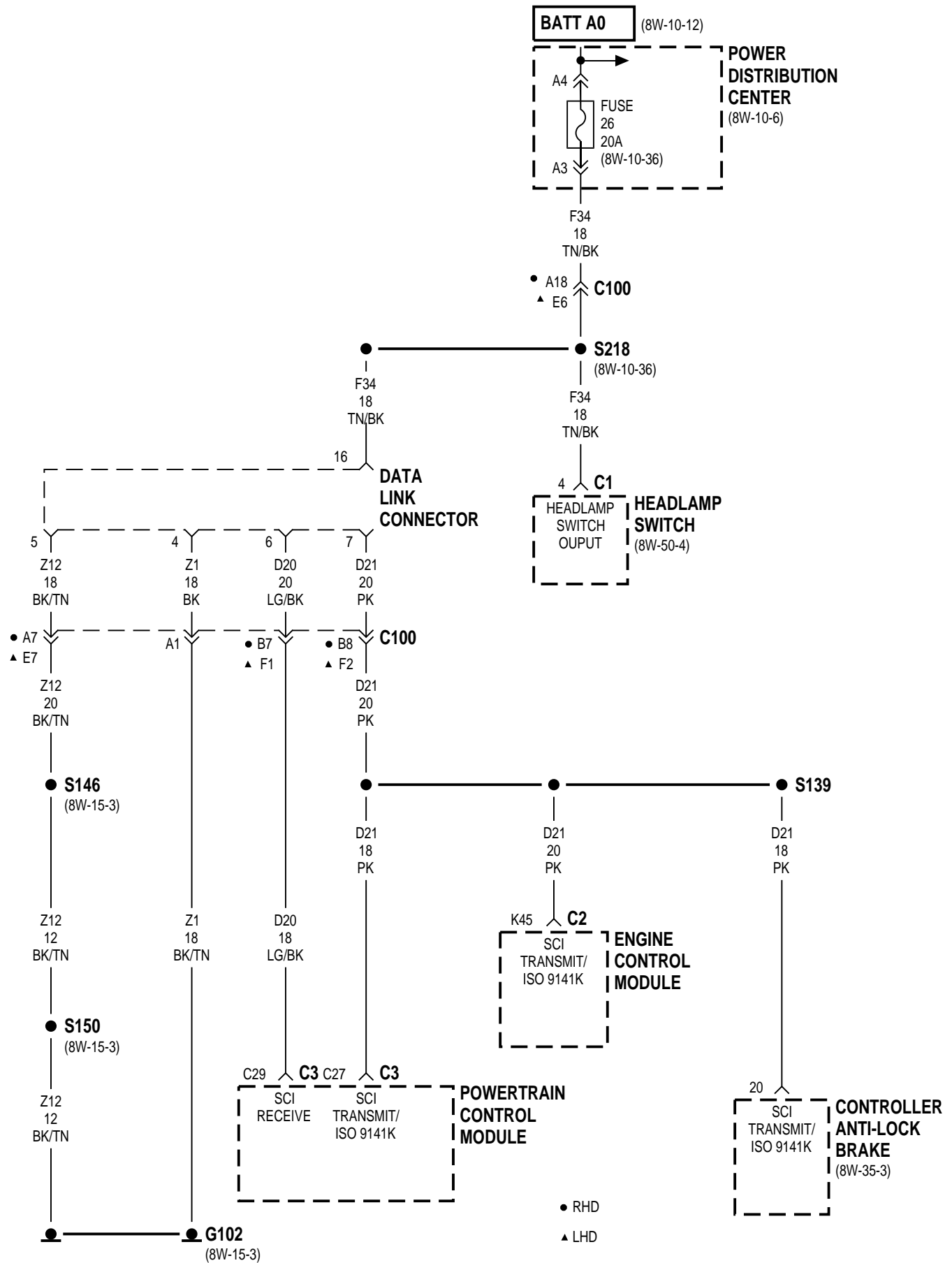






DIESEL

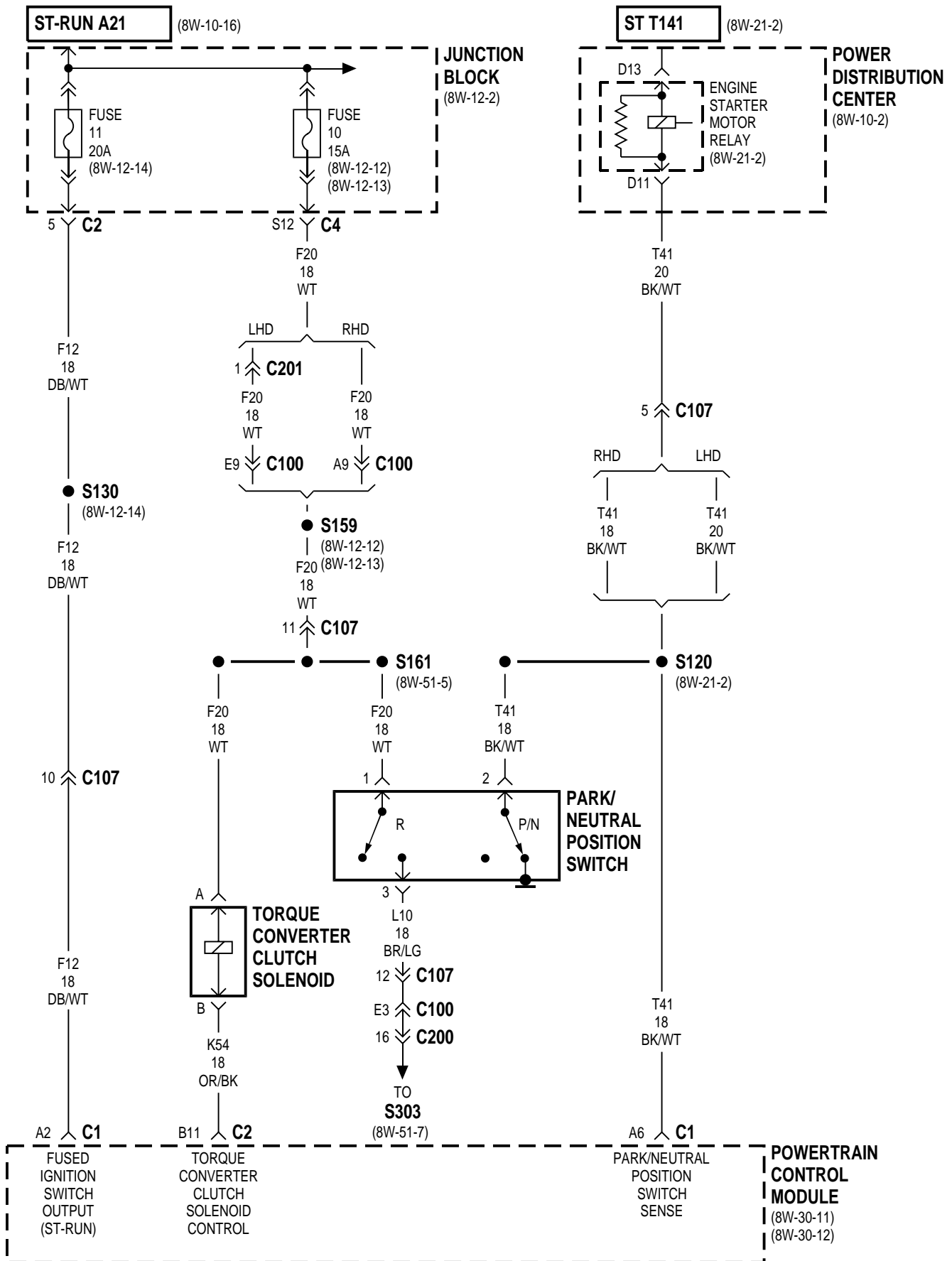


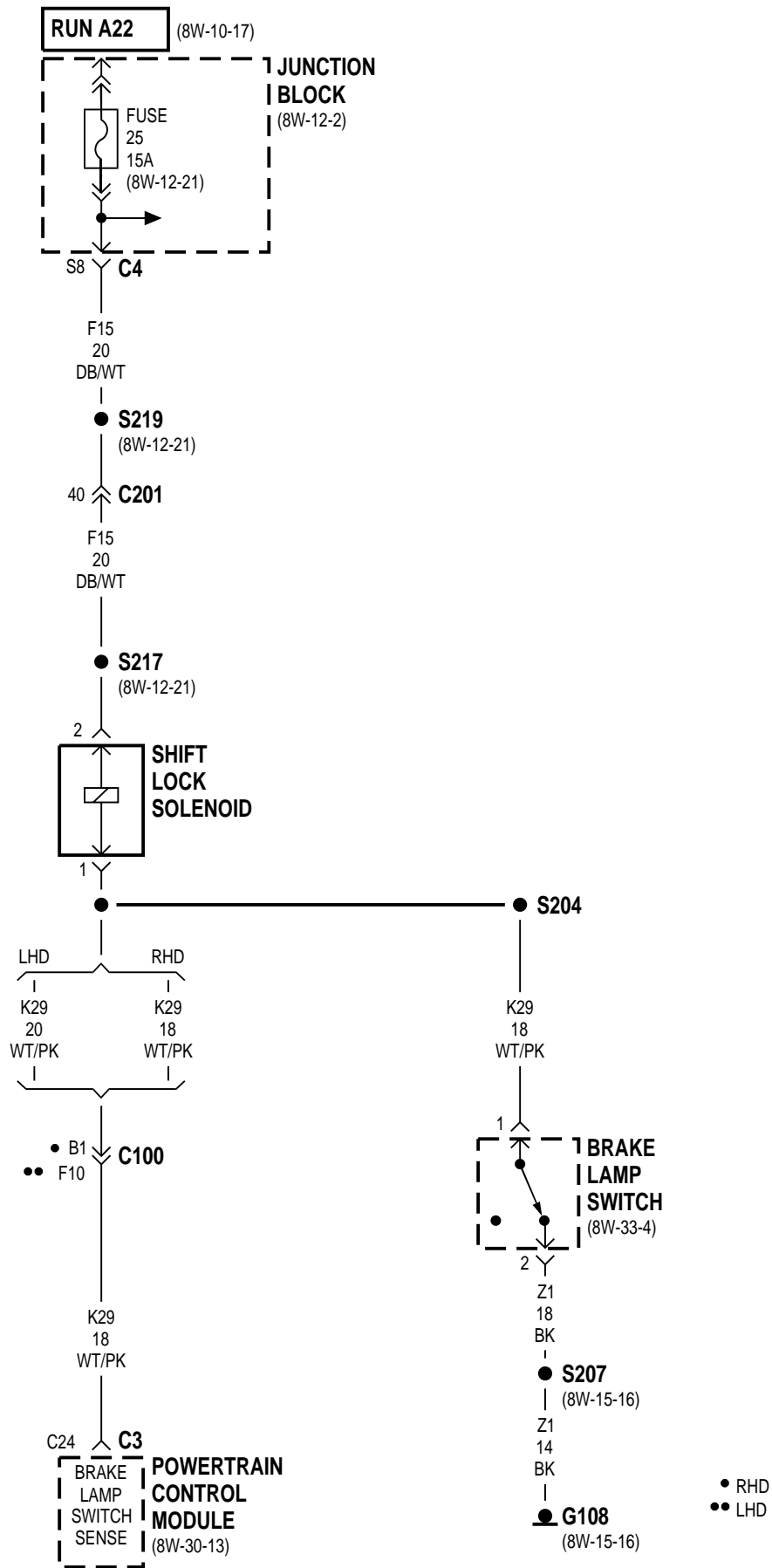




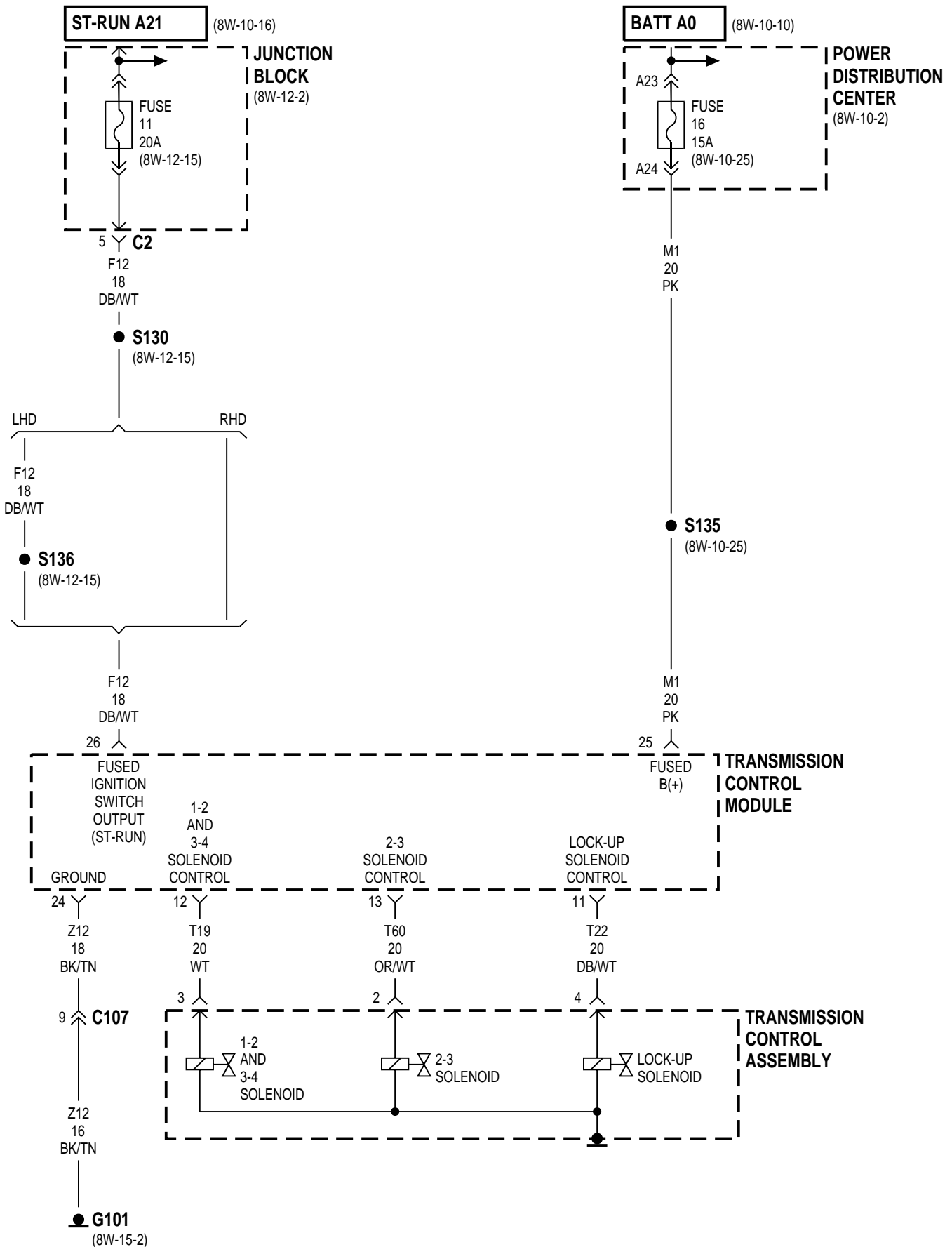
## 8W-31 TRANSMISSION CONTROL SYSTEM

<b>Component</b>	<b>Page</b>	<b>Component</b>	<b>Page</b>
Brake Lamp Switch . . . . .	8W-31-3, 7	Lock-Up Solenoid . . . . .	8W-31-4
Data Link Connector . . . . .	8W-31-7	Output Speed Sensor . . . . .	8W-31-5
Engine Starter Motor Relay . . . . .	8W-31-2, 6	Park/Neutral Position Switch . . . . .	8W-31-2
Fuse 10 (JB) . . . . .	8W-31-2, 6	Power Distribution Center . . . . .	8W-31-2, 4
Fuse 11 (JB) . . . . .	8W-31-2, 4	Powertrain Control Module . . . . .	8W-31-2, 3, 5, 7
Fuse 16 (PDC) . . . . .	8W-31-4	Shift Lock Solenoid . . . . .	8W-31-3, 7
Fuse 25 (JB) . . . . .	8W-31-3, 7	Throttle Position Sensor . . . . .	8W-31-5
G101 . . . . .	8W-31-4	Torque Converter Clutch Solenoid . . . . .	8W-31-2
G106 . . . . .	8W-31-6	Transmission Control Assembly . . . . .	8W-31-4, 5
G108 . . . . .	8W-31-3, 7	Transmission Control Module . . . . .	8W-31-4, 5, 6, 7
Input Speed Sensor . . . . .	8W-31-5	Transmission Range Sensor . . . . .	8W-31-6
Junction Block . . . . .	8W-31-2, 3, 4, 6, 7		

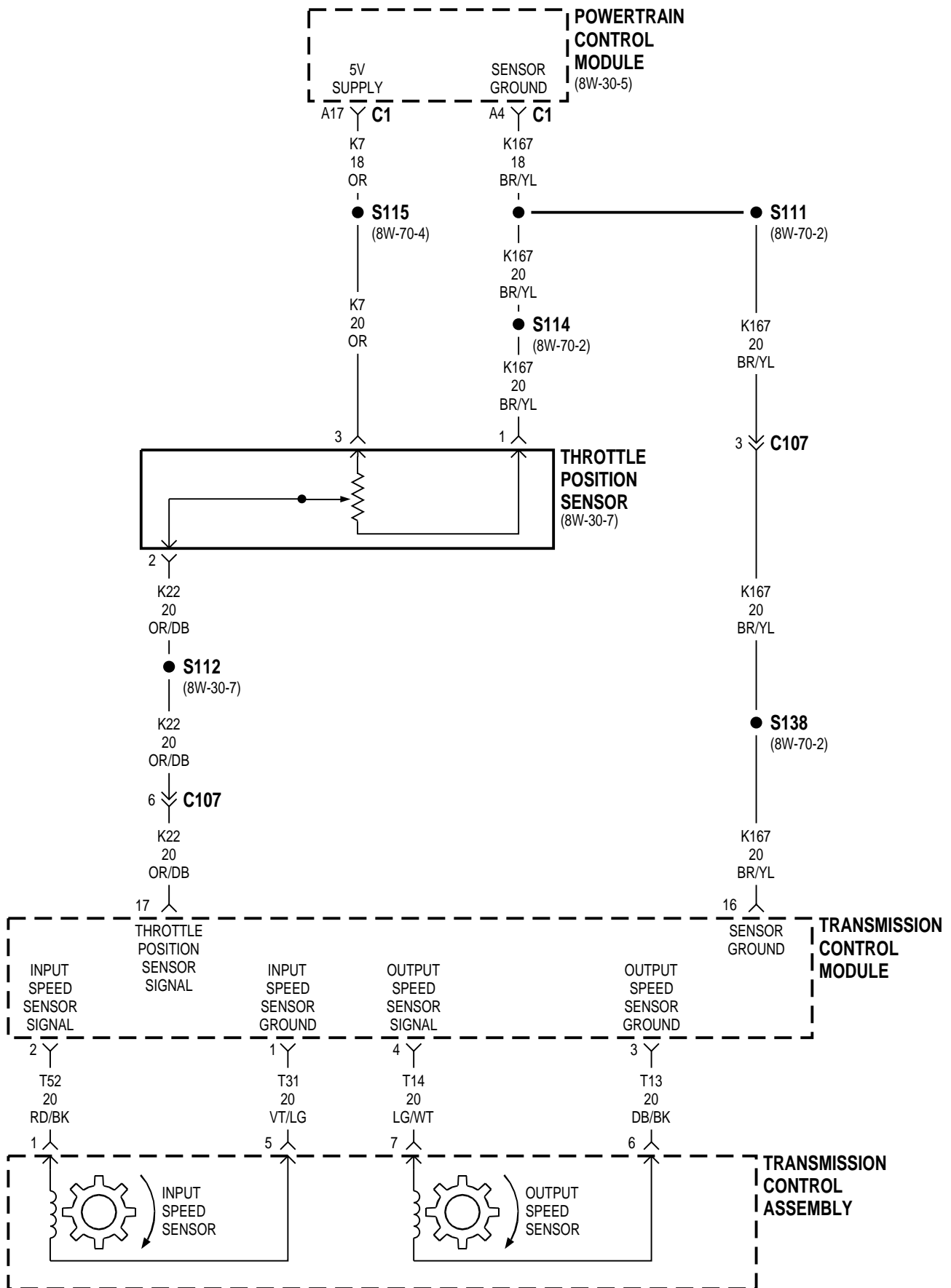




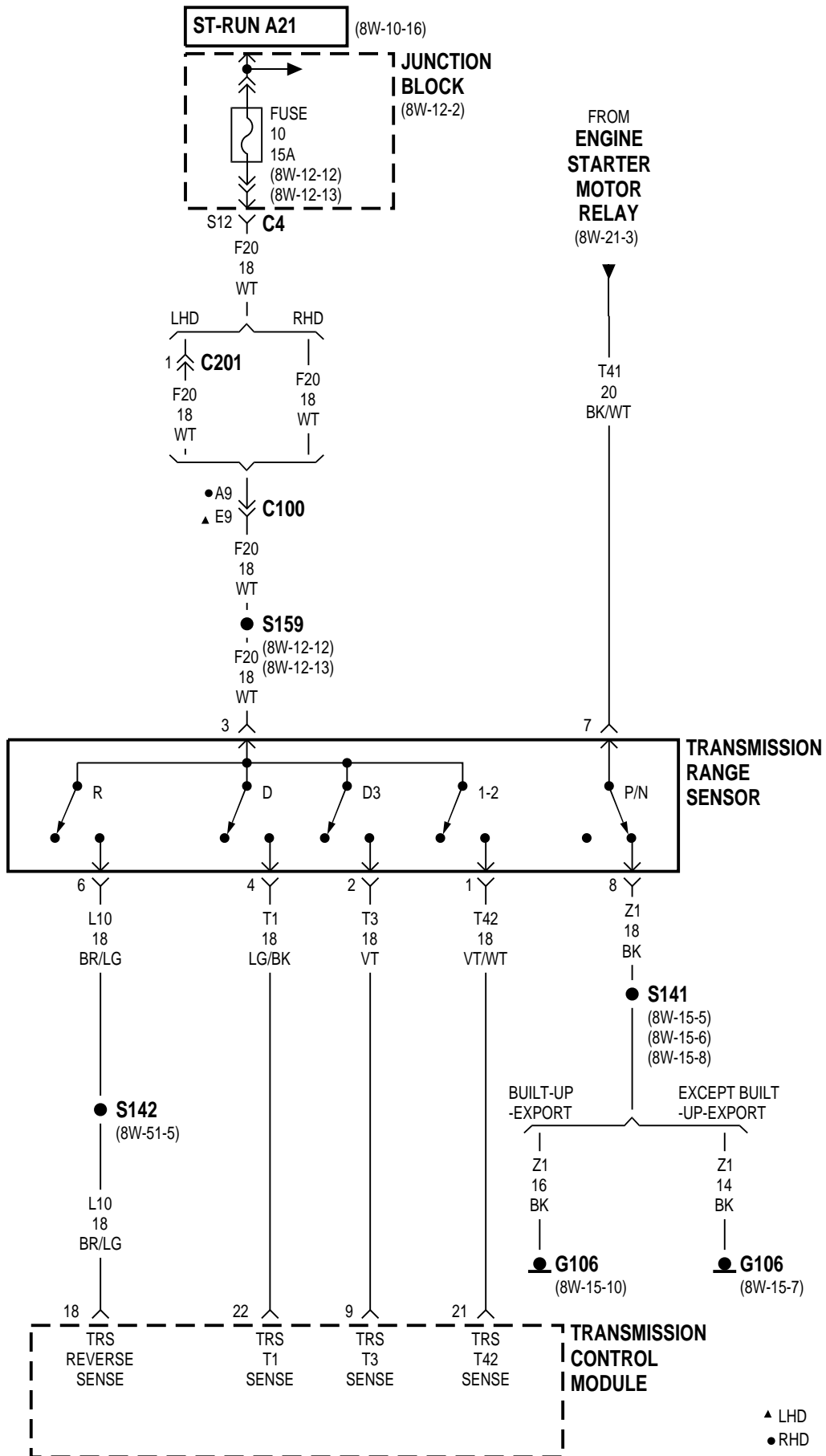
4.0L

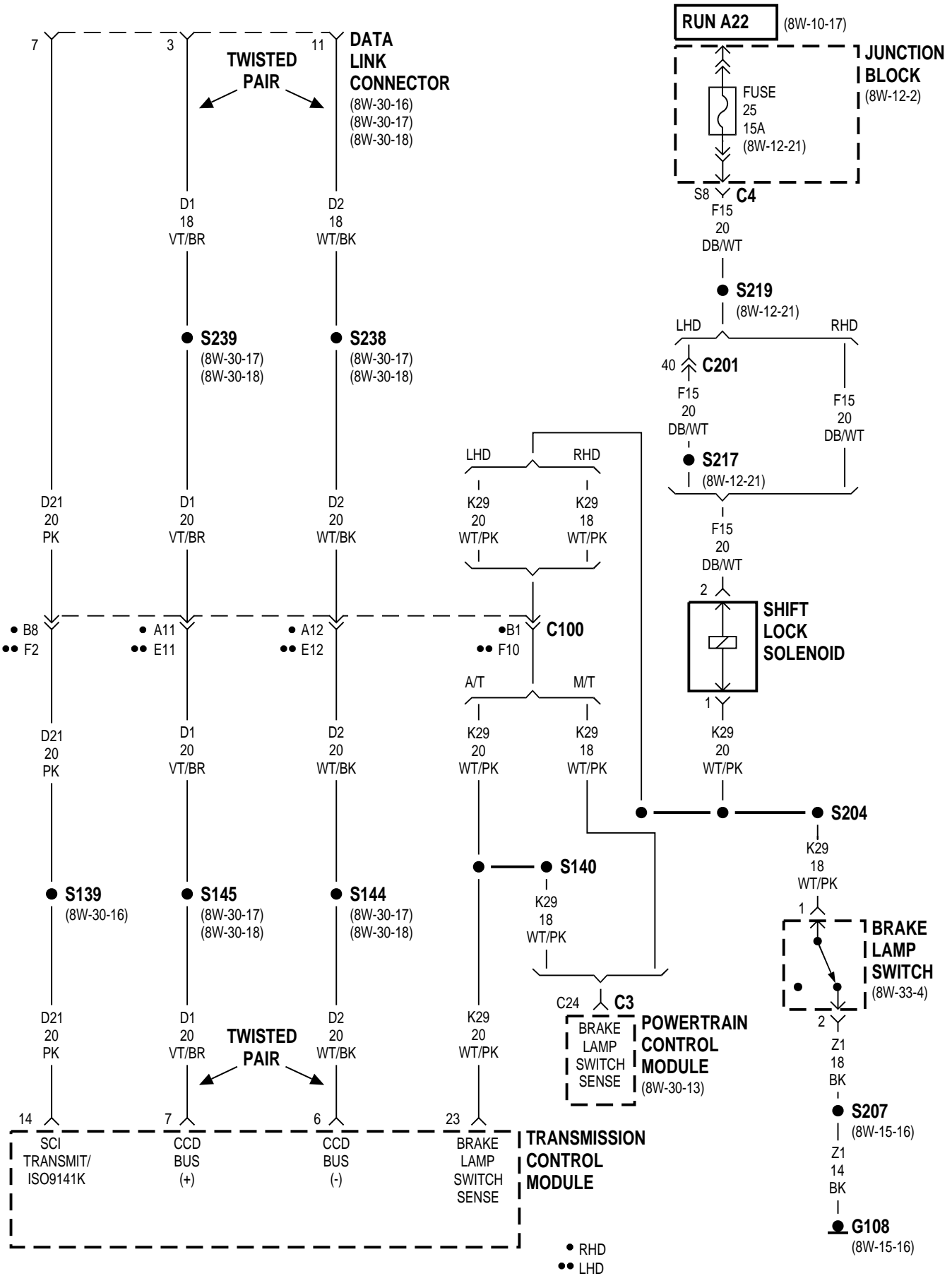






4.0L



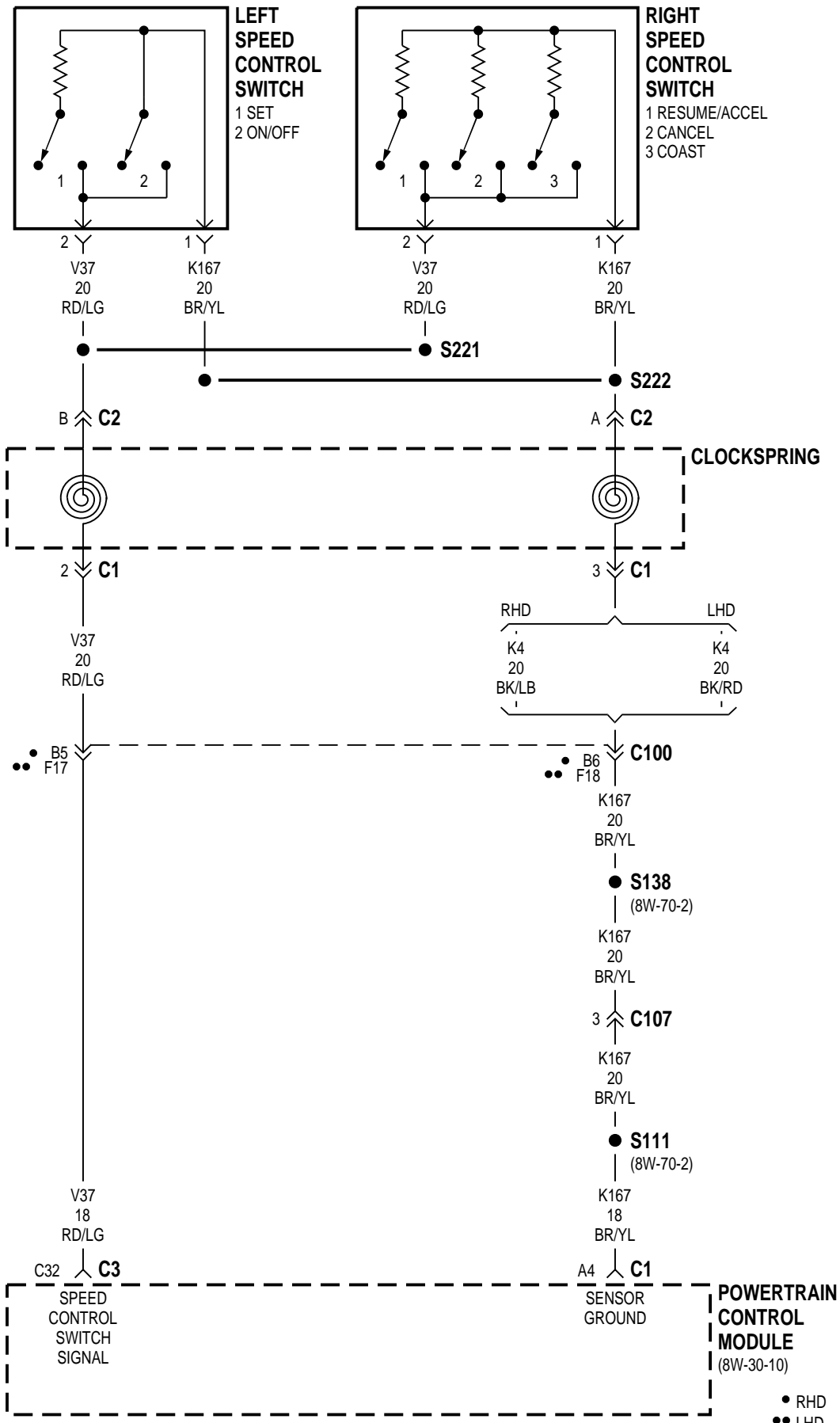


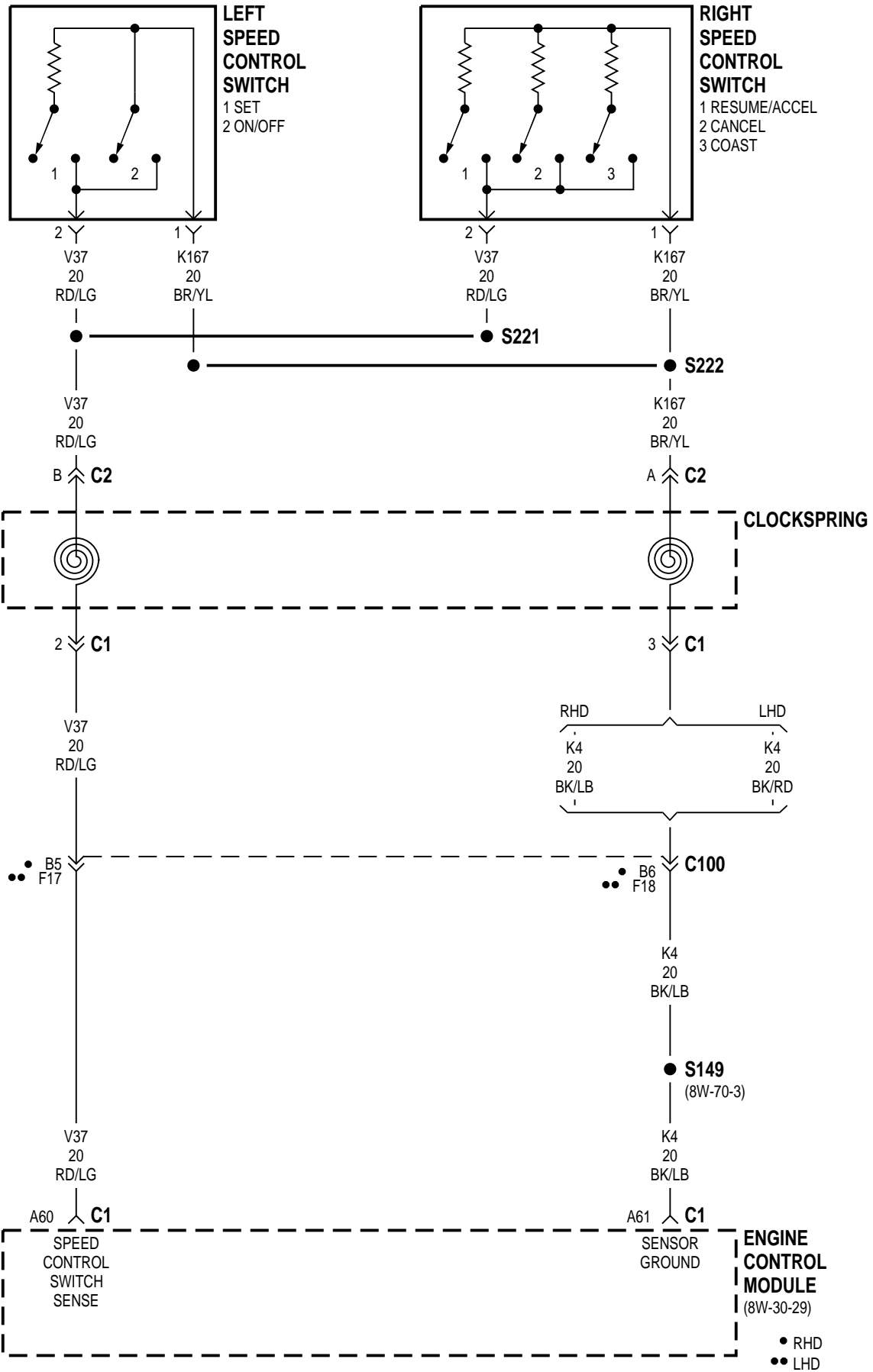


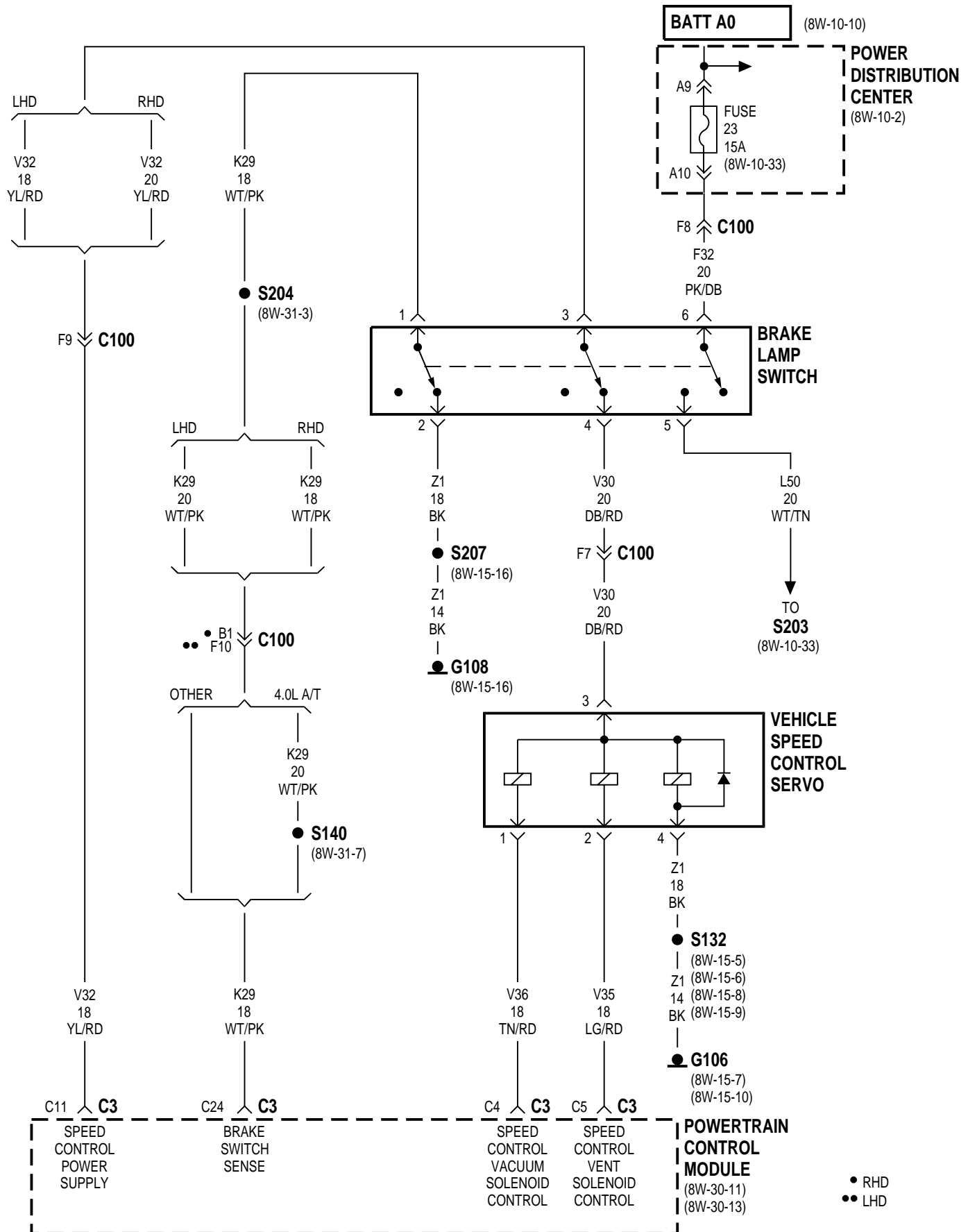
## 8W-33 VEHICLE SPEED CONTROL

<b>Component</b>	<b>Page</b>	<b>Component</b>	<b>Page</b>
Brake Lamp Switch . . . . .	8W-33-4, 5	Left Speed Control Switch . . . . .	8W-33-2, 3
Clockspring . . . . .	8W-33-2, 3	Pedal Position Sensor . . . . .	8W-33-5
Engine Control Module . . . . .	8W-33-3, 5	Power Distribution Center . . . . .	8W-33-4, 5
Fuel Pump Module . . . . .	8W-33-5	Powertrain Control Module . . . . .	8W-33-2, 4, 5
Fuse 19 (PDC) . . . . .	8W-33-5	Right Speed Control Switch . . . . .	8W-33-2, 3
Fuse 23 (PDC) . . . . .	8W-33-4	Vehicle Speed Control Servo . . . . .	8W-33-4
G106 . . . . .	8W-33-4		
G108 . . . . .	8W-33-4, 5		

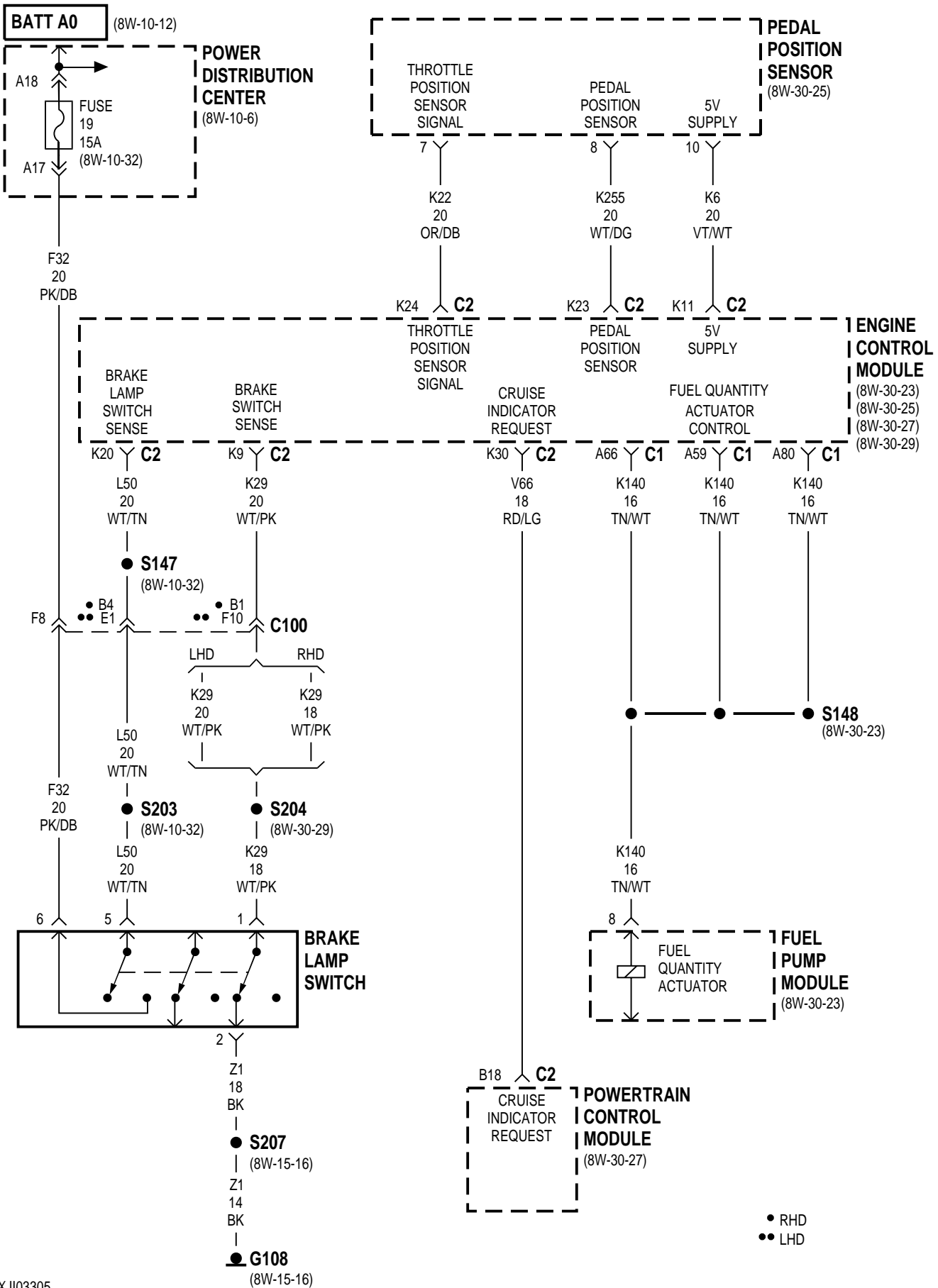
GAS







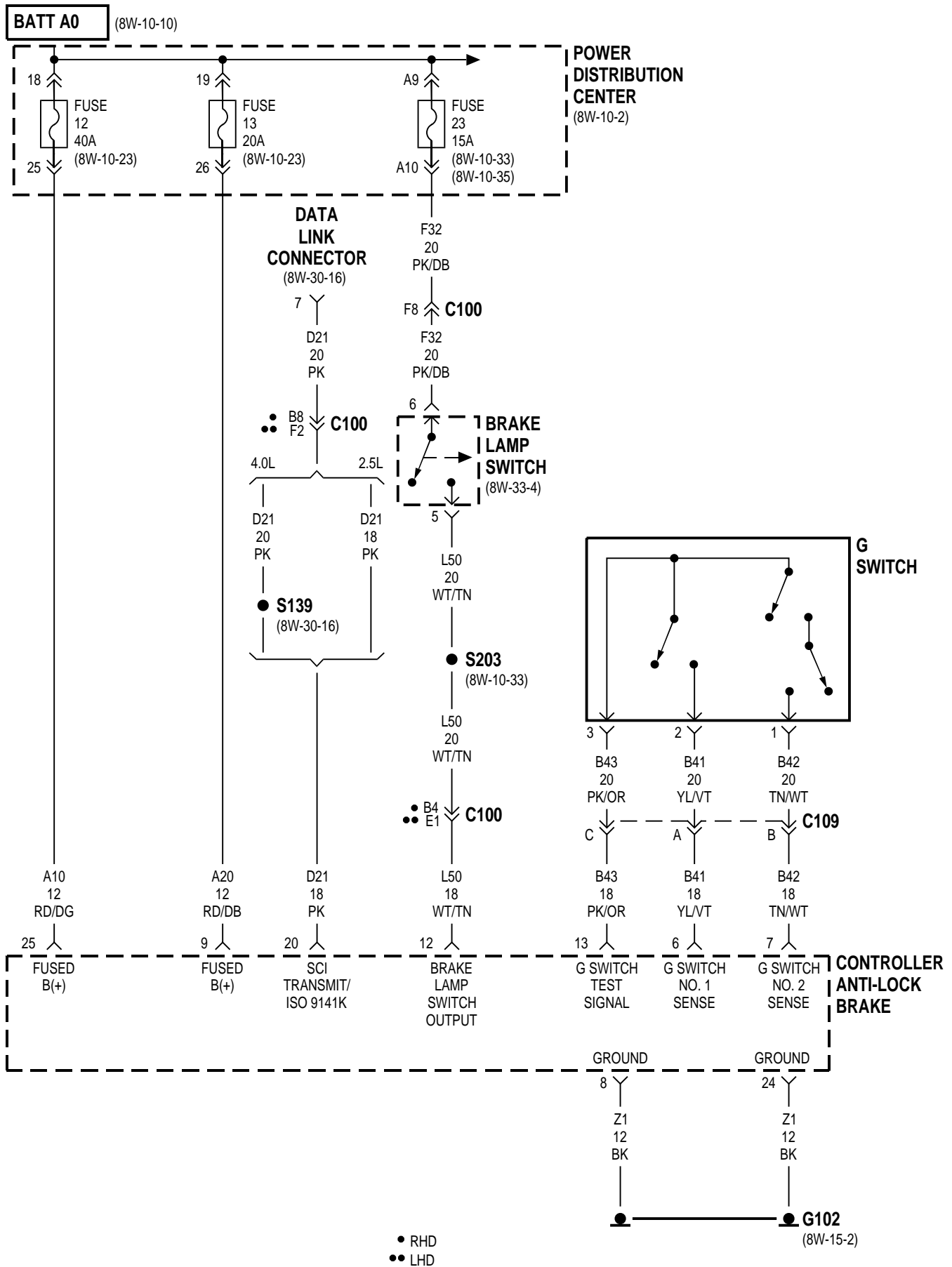


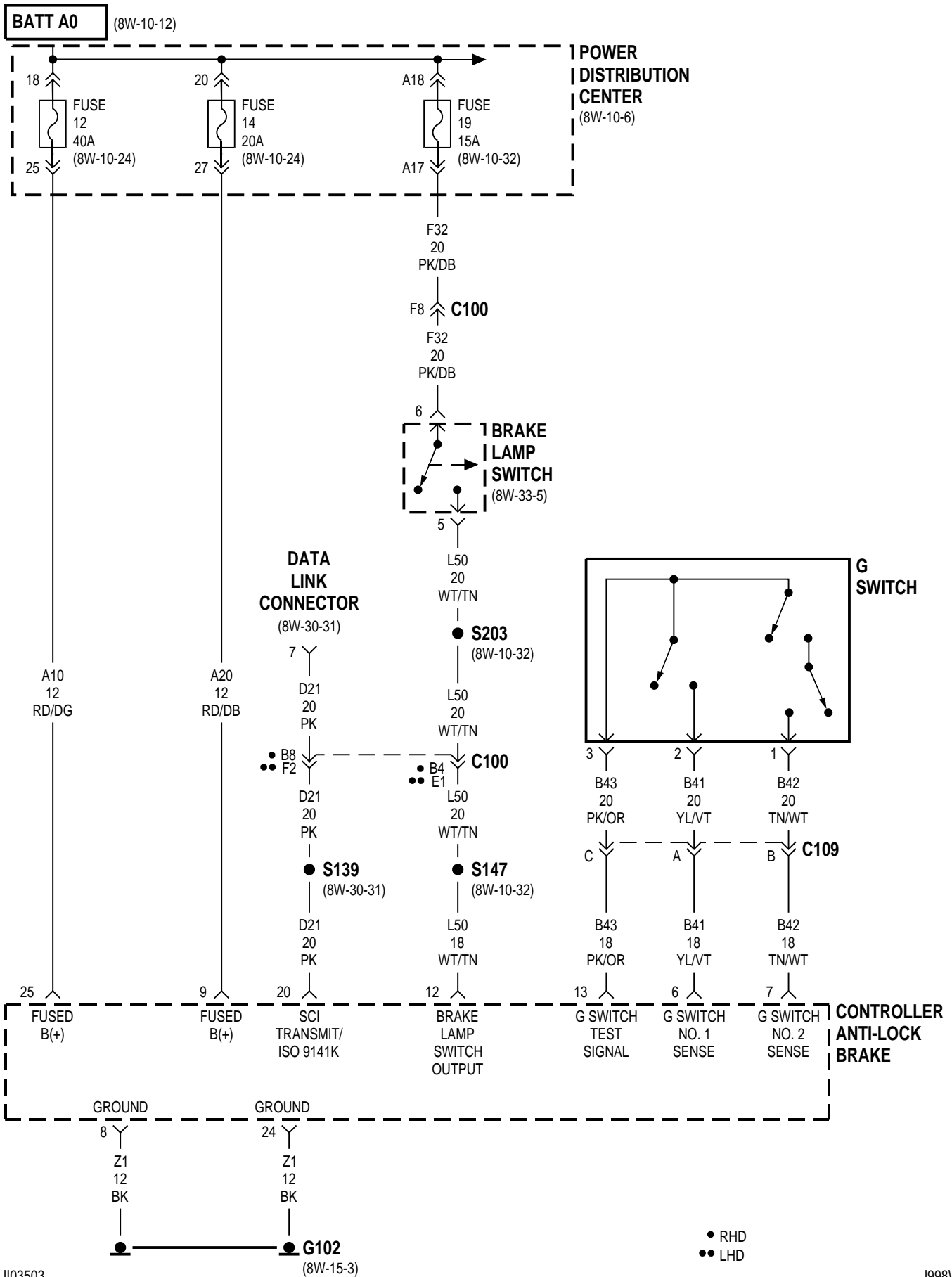


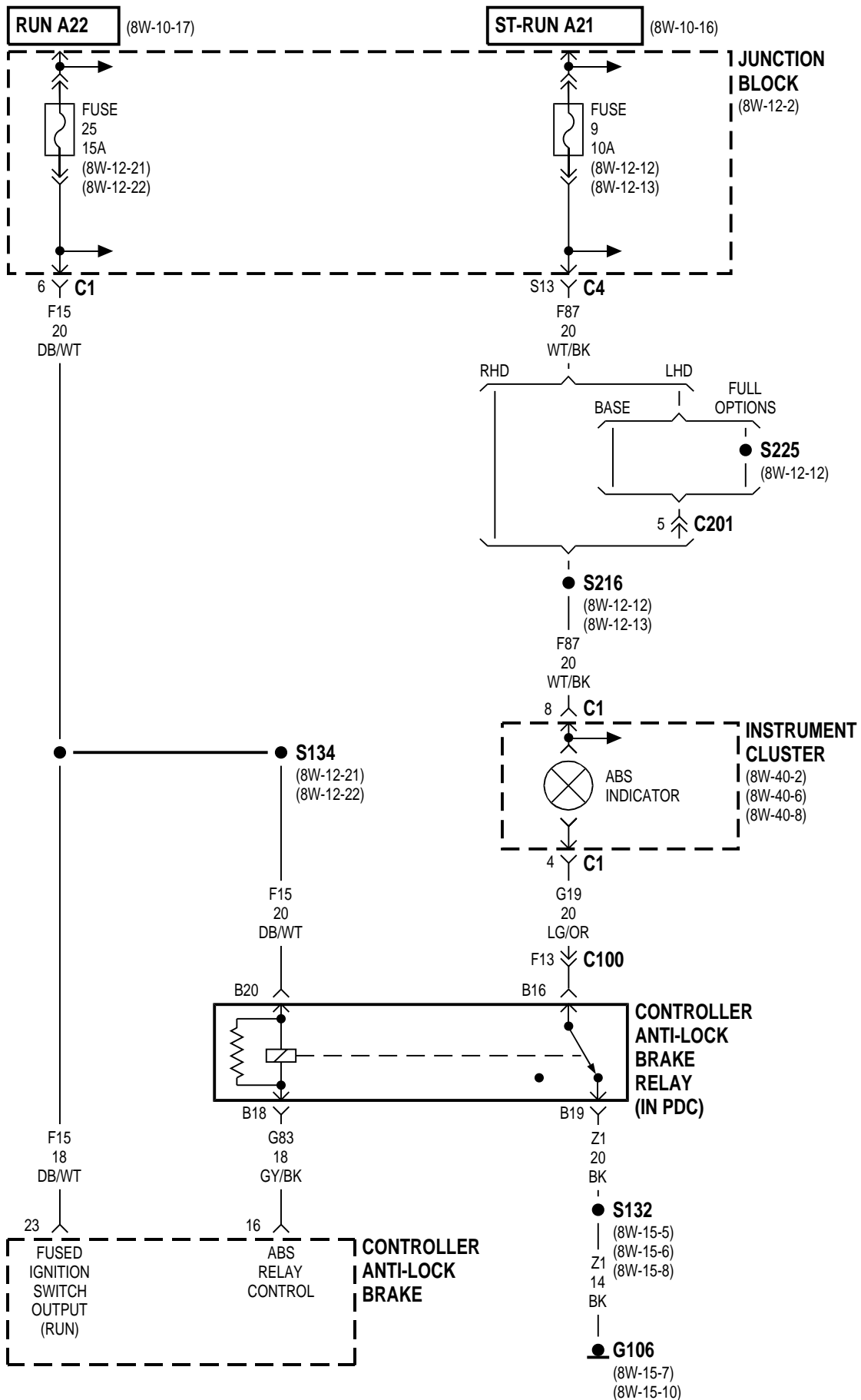


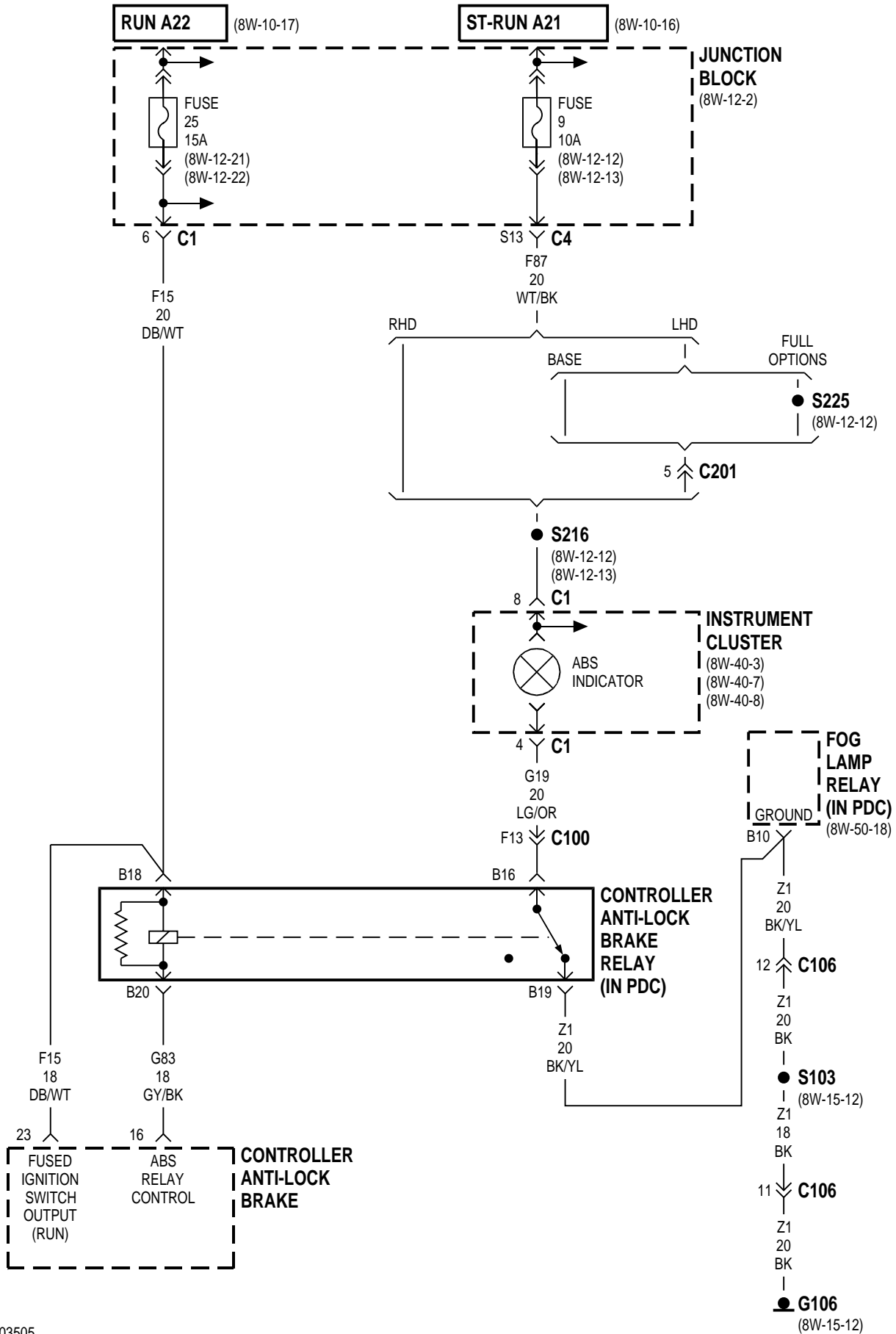
## 8W-35 ANTI-LOCK BRAKES

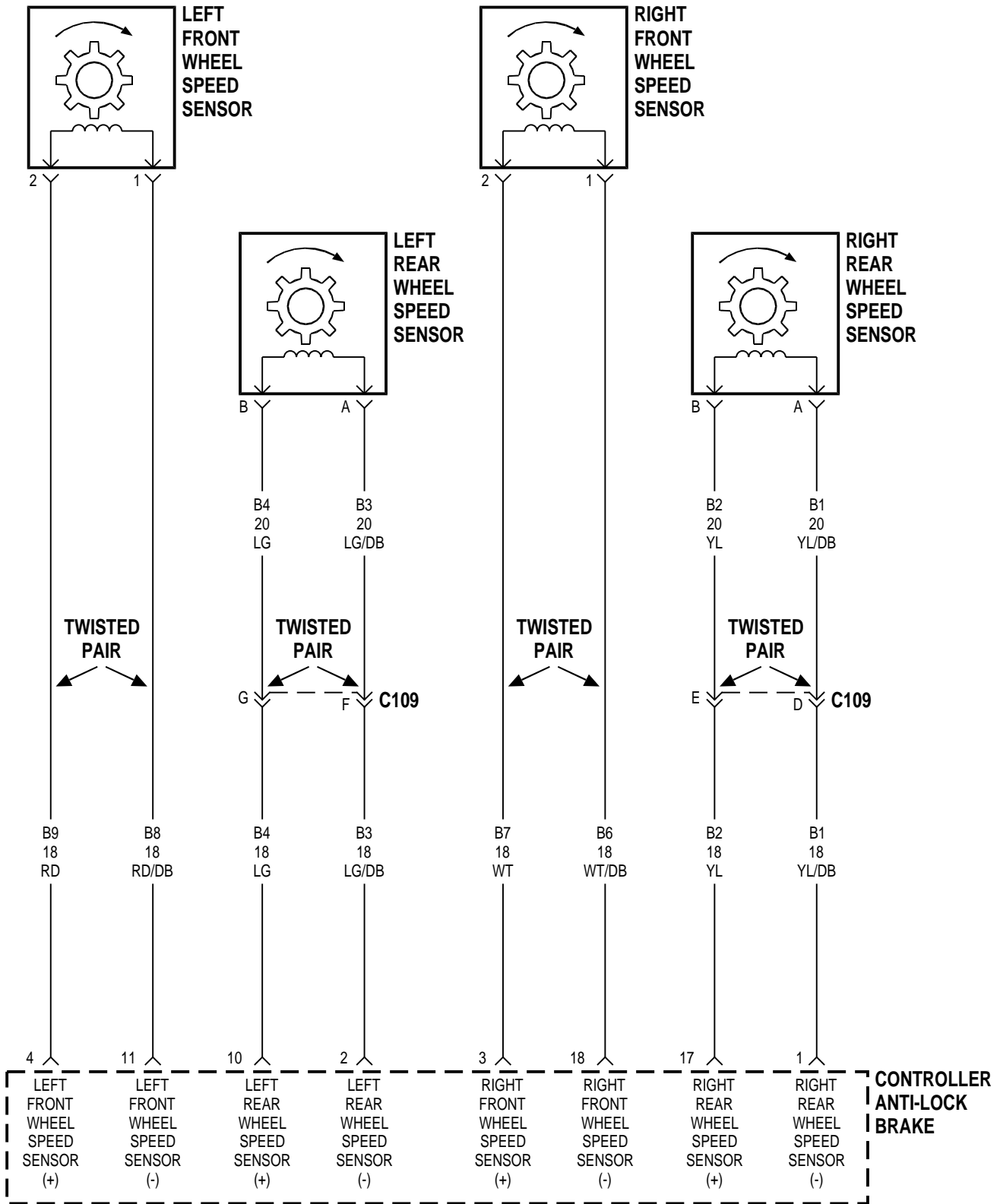
<b>Component</b>	<b>Page</b>	<b>Component</b>	<b>Page</b>
ABS Indicator . . . . .	8W-35-4, 5	Fuse 25 (JB) . . . . .	8W-35-4, 5
Brake Lamp Switch . . . . .	8W-35-2, 3	G Switch . . . . .	8W-35-2, 3
Controller Anti-Lock Brake . . . . .	8W-35-2, 3, 4, 5, 6	G102 . . . . .	8W-35-2, 3
Controller Anti-Lock Brake Relay . . . . .	8W-35-4, 5	G106 . . . . .	8W-35-4, 5
Data Link Connector . . . . .	8W-35-2, 3	Instrument Cluster . . . . .	8W-35-4, 5
Fog Lamp Relay . . . . .	8W-35-5	Junction Block . . . . .	8W-35-4, 5
Fuse 9 (JB) . . . . .	8W-35-4, 5	Left Front Wheel Speed Sensor . . . . .	8W-35-6
Fuse 12 (PDC) . . . . .	8W-35-2, 3	Left Rear Wheel Speed Sensor . . . . .	8W-35-6
Fuse 13 (PDC) . . . . .	8W-35-2	Power Distribution Center . . . . .	8W-35-2, 3
Fuse 14 (PDC) . . . . .	8W-35-3	Right Front Wheel Speed Sensor . . . . .	8W-35-6
Fuse 19 (PDC) . . . . .	8W-35-3	Right Rear Wheel Speed Sensor . . . . .	8W-35-6
Fuse 23 (PDC) . . . . .	8W-35-2		









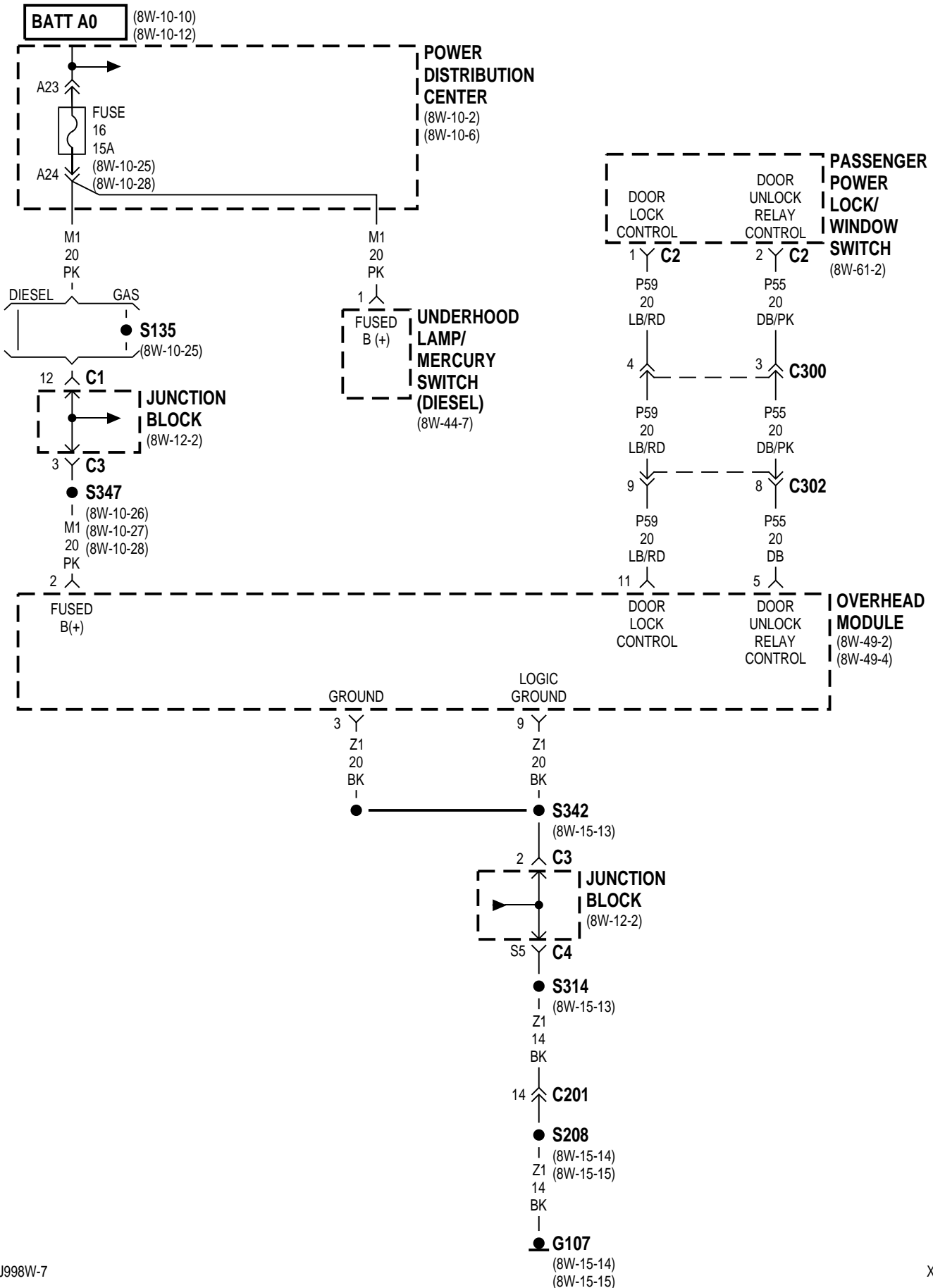




## 8W-39 VEHICLE THEFT SECURITY SYSTEM

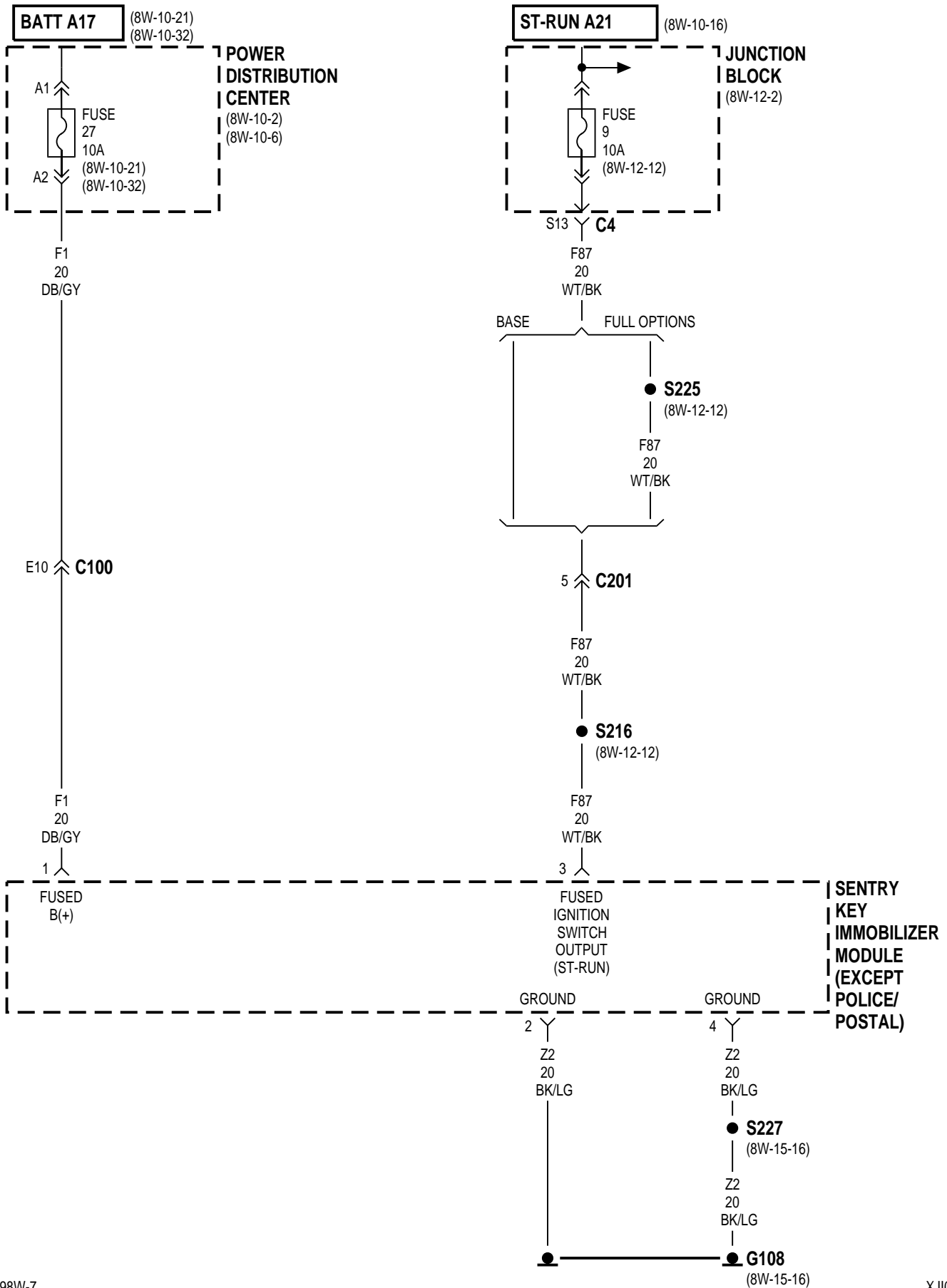
<b>Component</b>	<b>Page</b>	<b>Component</b>	<b>Page</b>
Cargo Lamp/Switch . . . . .	8W-39-6, 7	Ignition Switch . . . . .	8W-39-6, 7
Data Link Connector . . . . .	8W-39-8, 9	Instrument Cluster . . . . .	8W-39-8, 9
Driver Door Jamb Switch . . . . .	8W-39-6, 7	Junction Block . . . . .	8W-39-2, 3, 4, 5, 6, 7, 8, 9
Engine Control Module . . . . .	8W-39-8, 9	Left Rear Door Jamb Switch . . . . .	8W-39-6, 7
Fuse 9 (JB) . . . . .	8W-39-4, 5	Liftgate Switch . . . . .	8W-39-6, 7
Fuse 16 (PDC) . . . . .	8W-39-2, 3	Overhead Module . . . . .	8W-39-2, 3, 6, 7, 8, 9
Fuse 27 (PDC) . . . . .	8W-39-4, 5	Passenger Door Jamb Switch . . . . .	8W-39-6, 7
G107 . . . . .	8W-39-2, 3	Passenger Power Lock/Window Switch . .	8W-39-2, 3
G108 . . . . .	8W-39-4, 5	Power Distribution Center . . . . .	8W-39-2, 3, 4, 5
G302 . . . . .	8W-39-6, 7	Powertrain Control Module . . . . .	8W-39-8, 9
G303 . . . . .	8W-39-6, 7	Right Rear Door Jamb Switch . . . . .	8W-39-6, 7
G304 . . . . .	8W-39-6, 7	Sentry Key Immobilizer Module . . .	8W-39-4, 5, 8, 9
Headlamp Switch . . . . .	8W-39-6, 7	Underhood Lamp/Mercury Switch . . . . .	8W-39-2, 3
Horn Relay . . . . .	8W-39-8, 9		

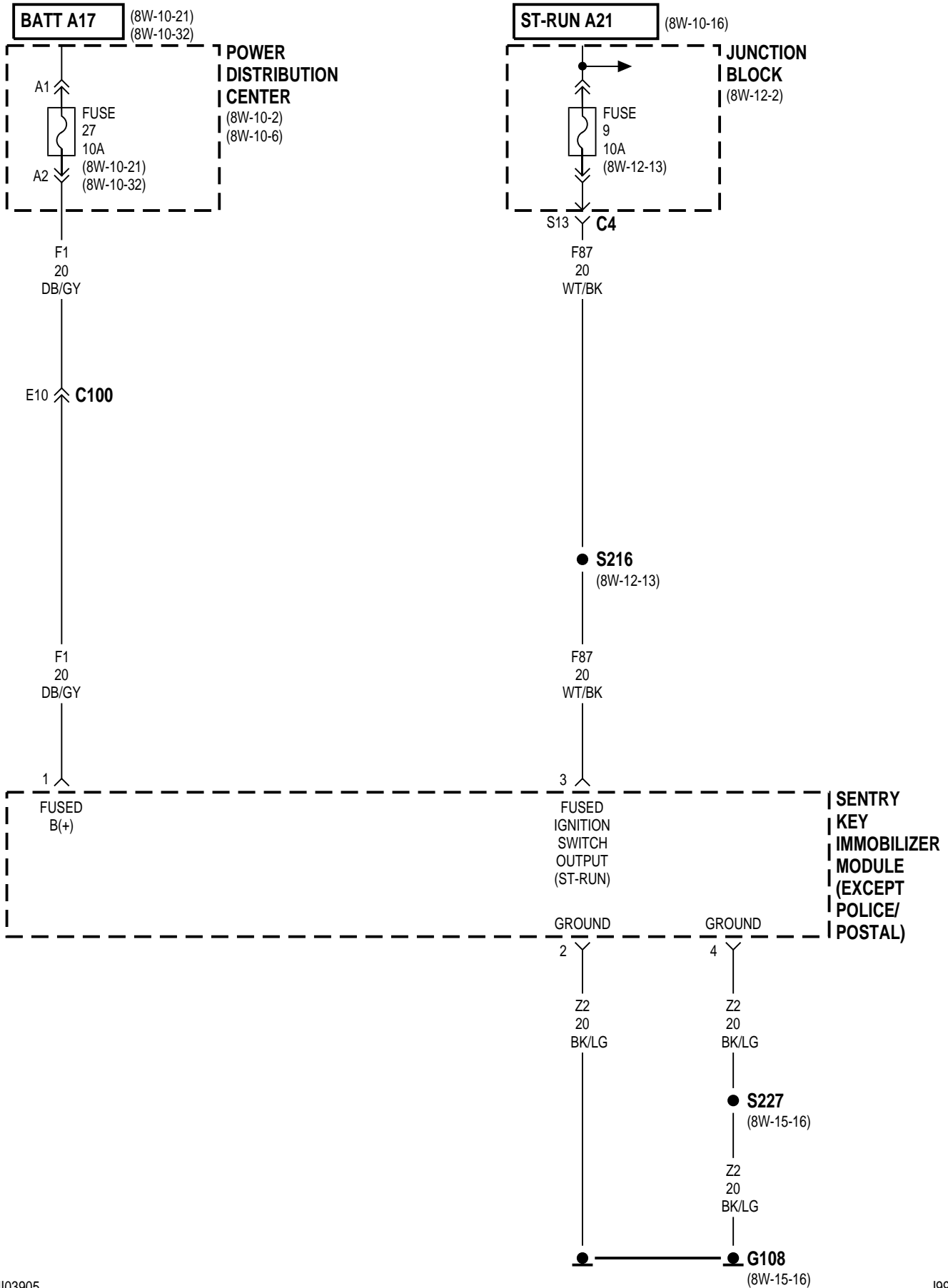
LHD



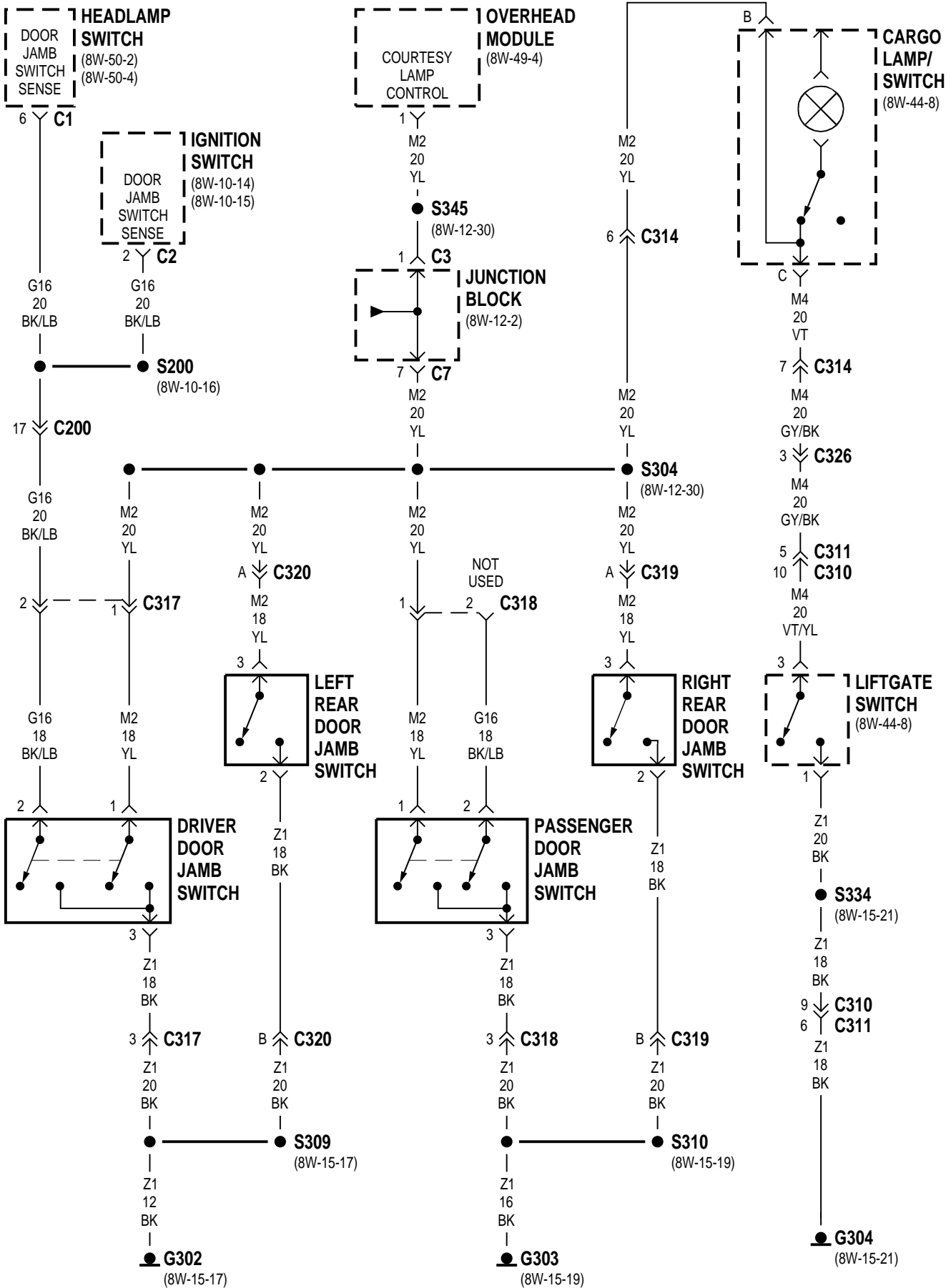


LHD

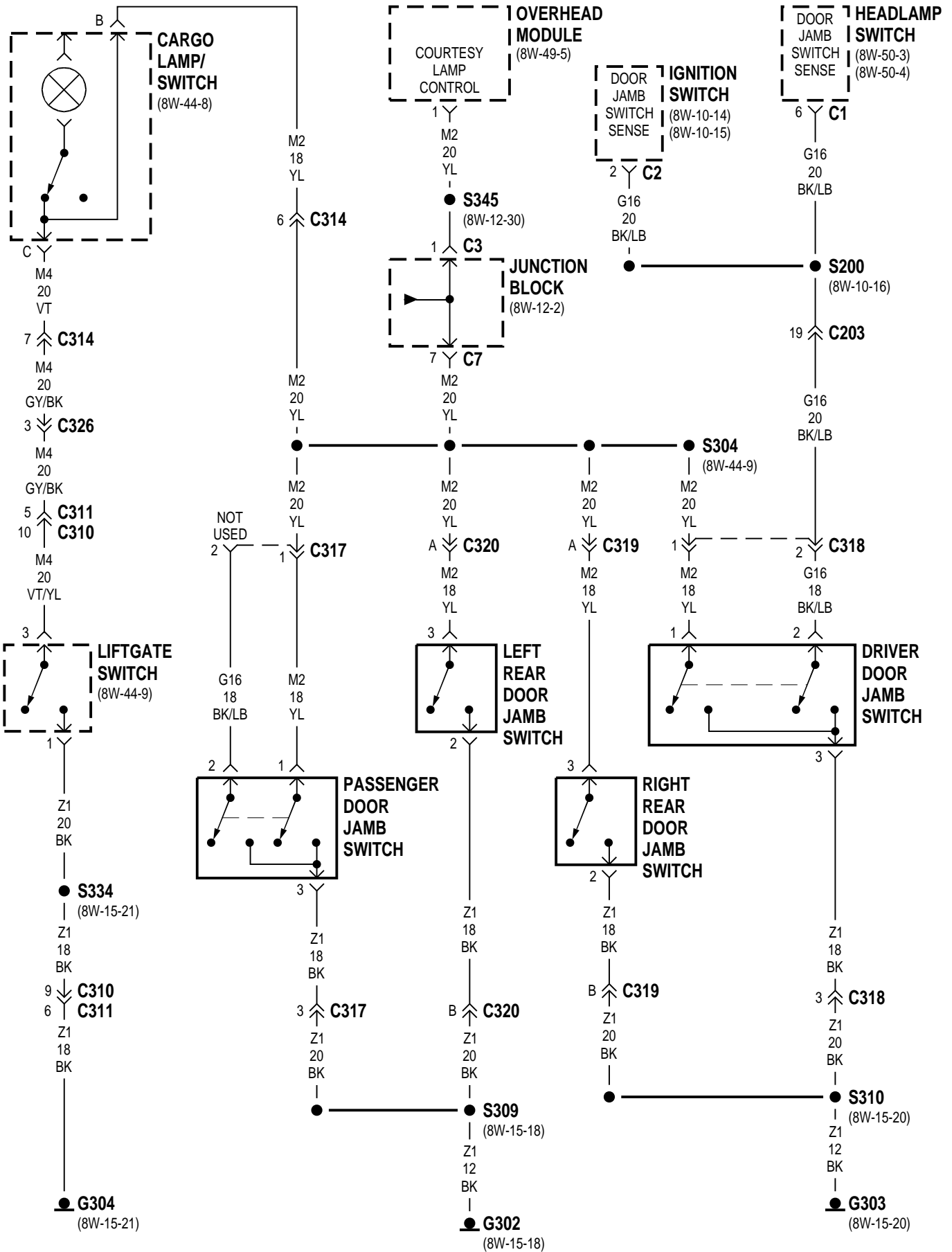




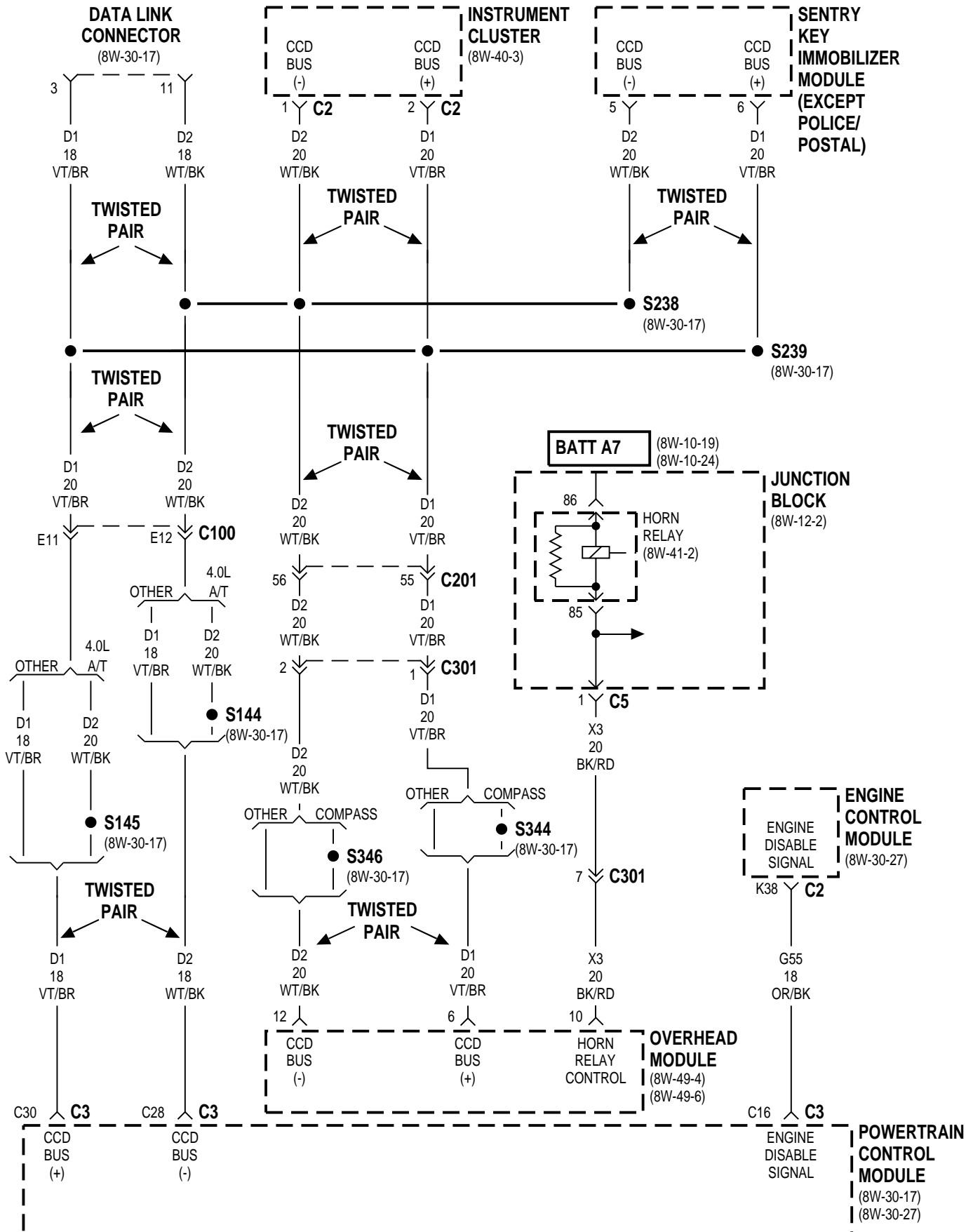
LHD



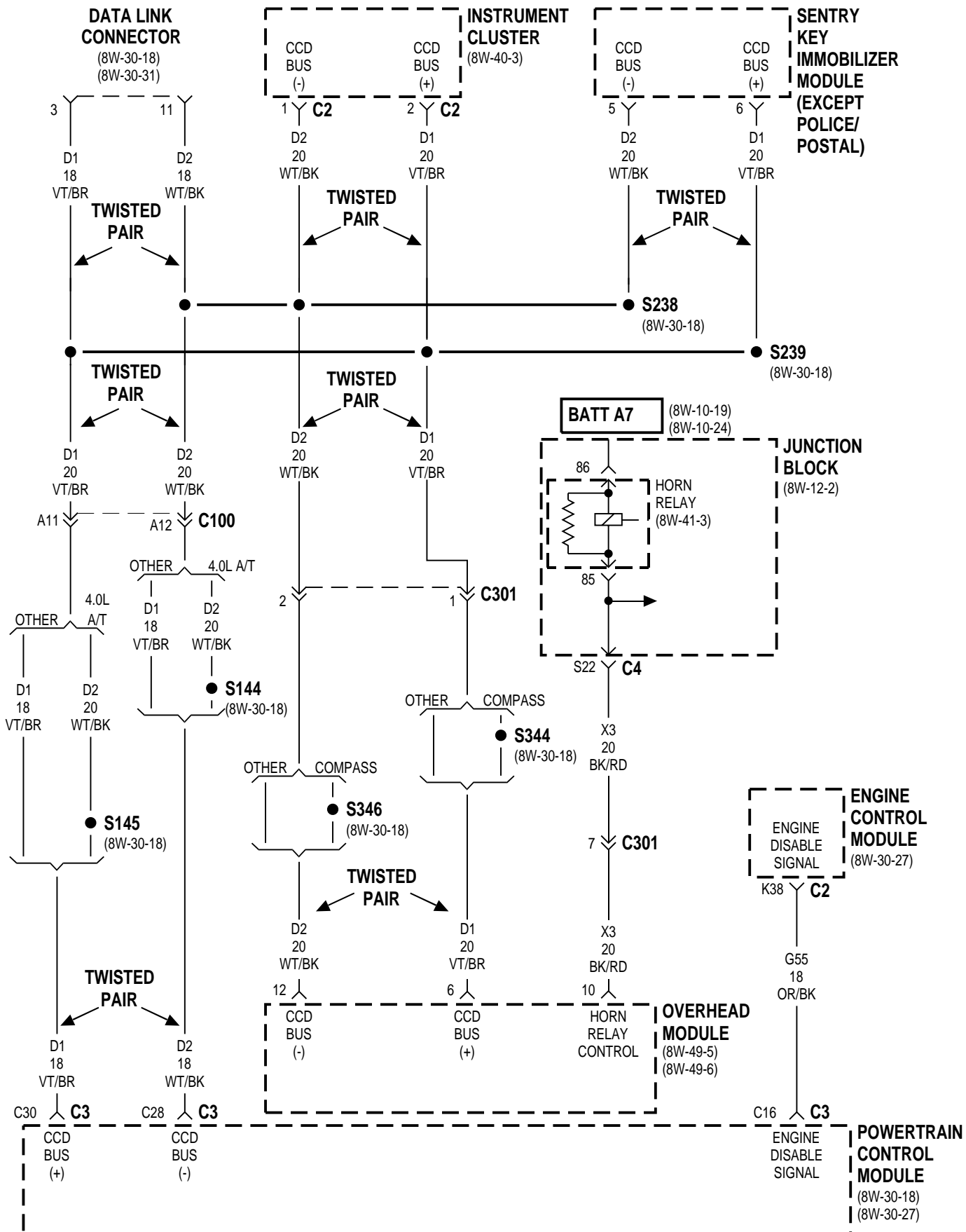
RHD



LHD



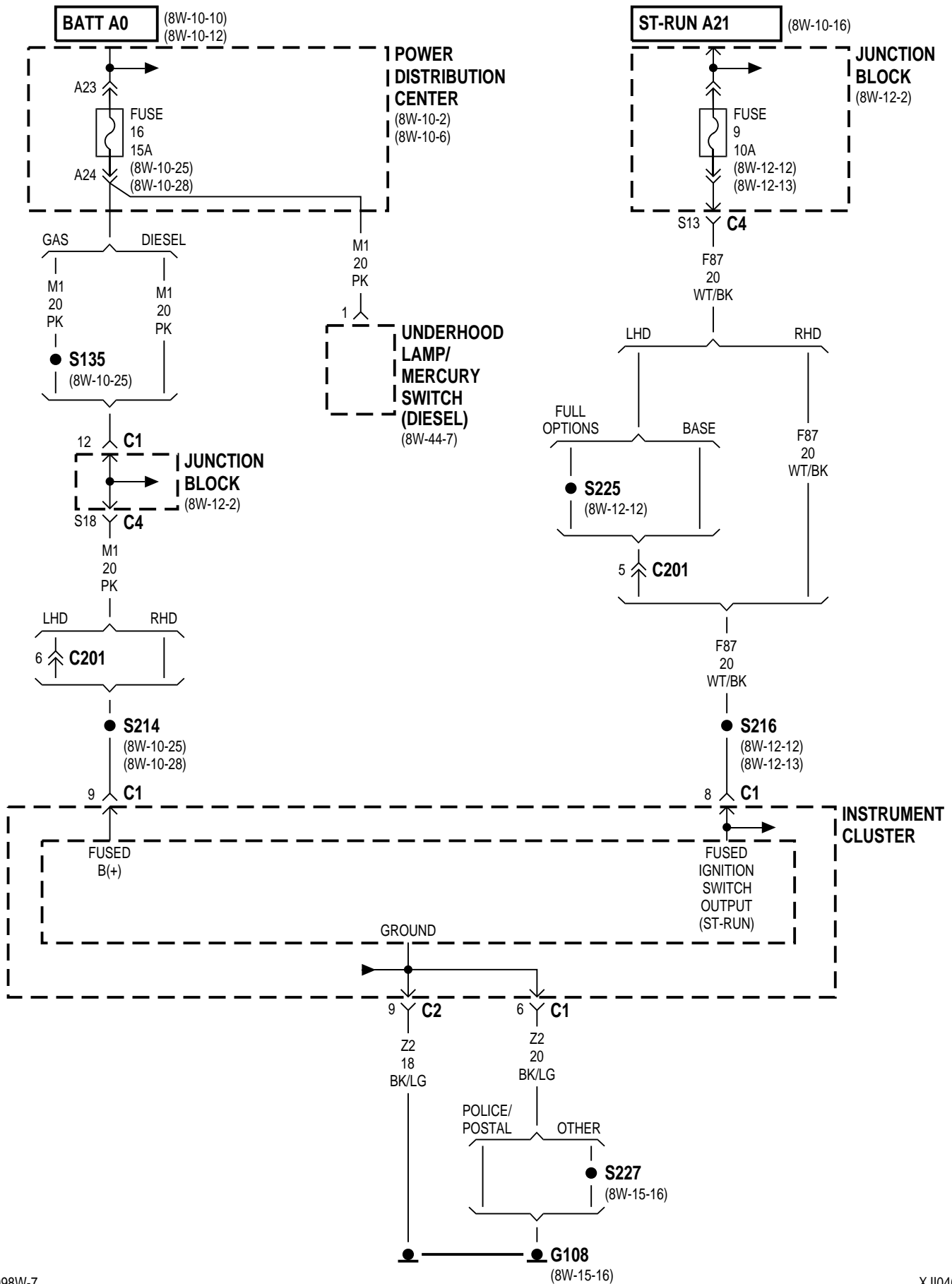


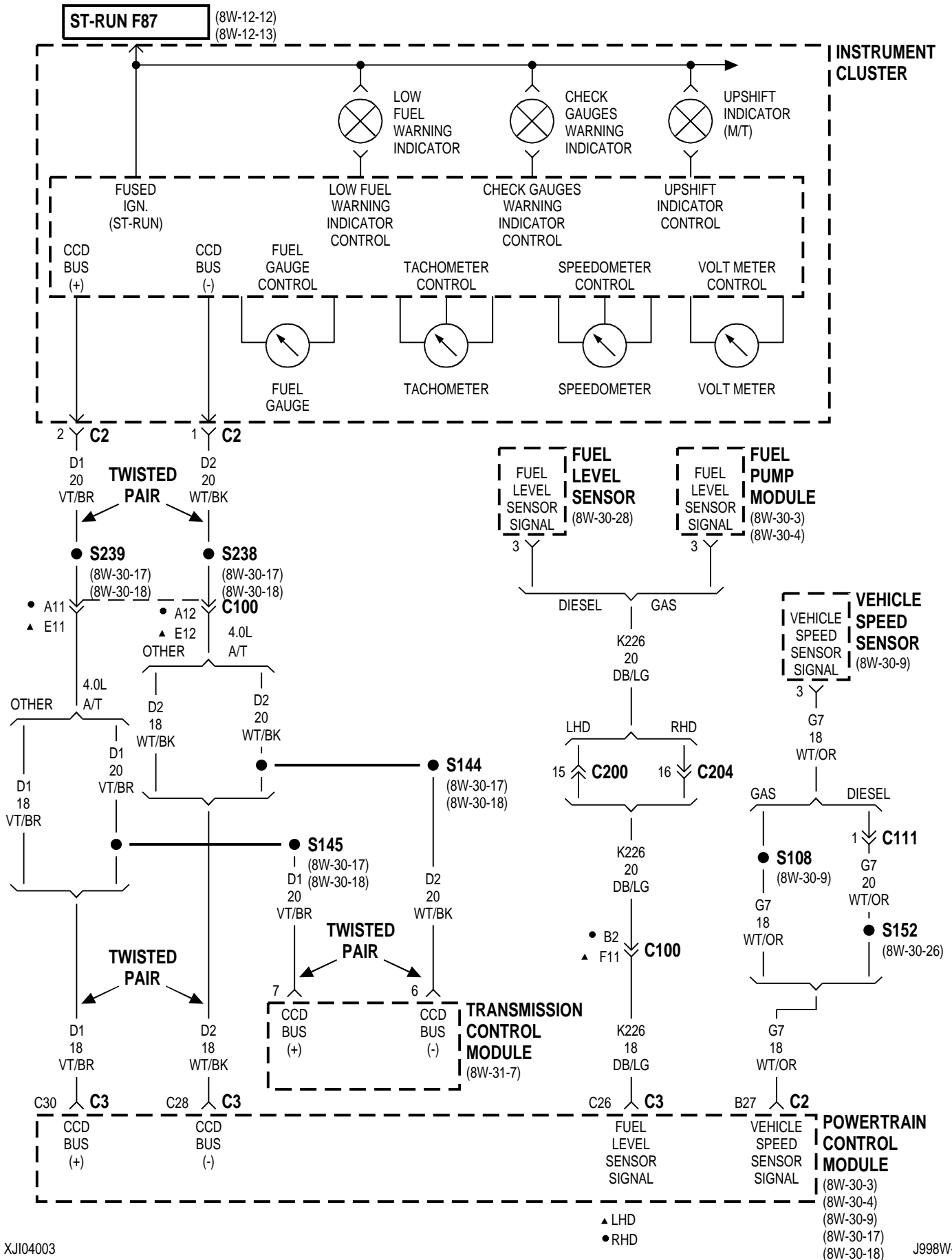


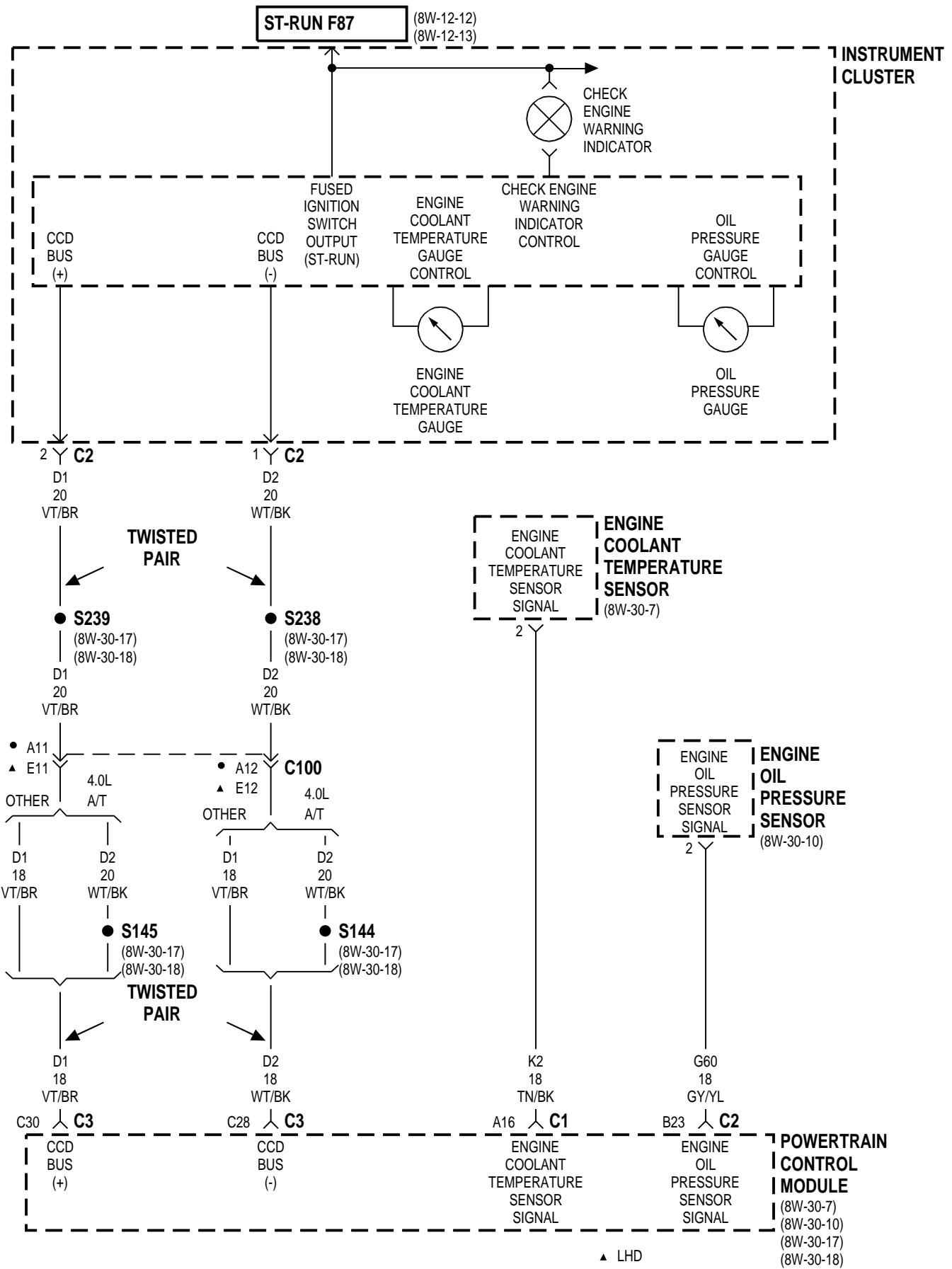


## 8W-40 INSTRUMENT CLUSTER

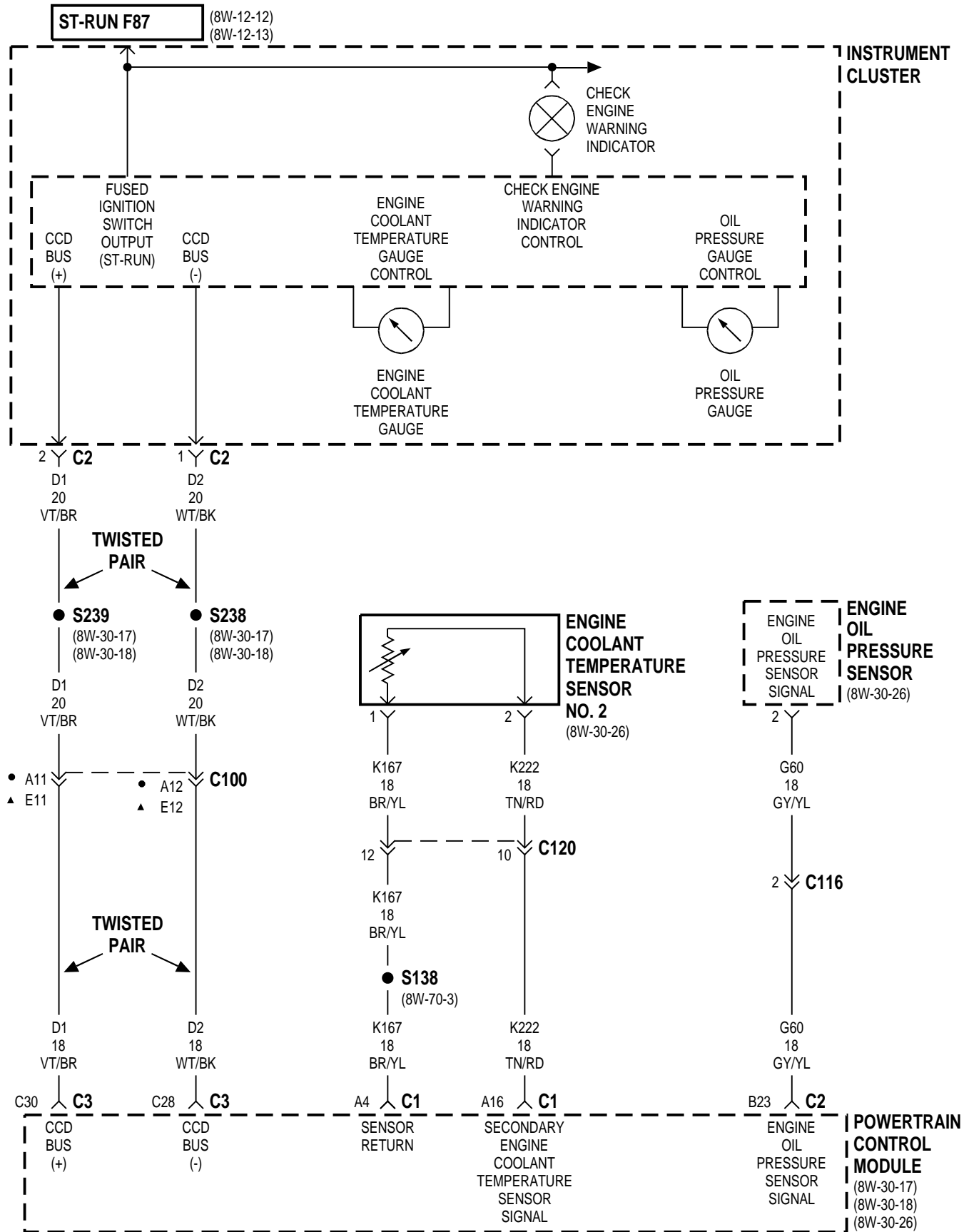
<b>Component</b>	<b>Page</b>	<b>Component</b>	<b>Page</b>
ABS Indicator . . . . .	8W-40-6, 7, 8	Ignition Switch . . . . .	8W-40-9, 10, 11
Airbag Control Module . . . . .	8W-40-6, 7, 8	Instrument Cluster . . . . .	8W-40-2, 3, 4, 5, 6, 7, 8, 9, 10, 11, 12, 13, 14, 15, 16
Airbag Warning Indicator . . . . .	8W-40-6, 7, 8	Junction Block . . . . .	8W-40-2, 12, 13, 15, 17
Brake Pressure Switch . . . . .	8W-40-10	Left Turn Signal Indicator . . . . .	8W-40-14
Brake Warning Indicator . . . . .	8W-40-9, 10	Liftgate Ajar Indicator . . . . .	8W-40-15
Brake Warning Pressure Switch . . . . .	8W-40-9	Liftgate Switch . . . . .	8W-40-15
Check Engine Warning Indicator . . . . .	8W-40-4, 5	Low Coolant Switch . . . . .	8W-40-17
Check Gauges Warning Indicator . . . . .	8W-40-3	Low Fuel Warning Indicator . . . . .	8W-40-3
Cluster Illumination Lamps . . . . .	8W-40-15	Low Washer Fluid Indicator . . . . .	8W-40-6, 7, 8
Controller Anti-Lock Brake Relay . . . . .	8W-40-6, 7, 8	Odometer . . . . .	8W-40-15
Cruise Engaged Indicator . . . . .	8W-40-16	Oil Pressure Gauge . . . . .	8W-40-4, 5
Driver Door Jamb Switch . . . . .	8W-40-11	Overhead Module . . . . .	8W-40-12, 13
Engine Control Module . . . . .	8W-40-16, 17	Park Brake Switch . . . . .	8W-40-9, 10
Engine Coolant Temperature Gauge . . . . .	8W-40-4, 5	Part Time 4WD Indicator . . . . .	8W-40-9, 10
Engine Coolant Temperature Sensor . . . . .	8W-40-4	Power Distribution Center . . . . .	8W-40-2
Engine Coolant Temperature Sensor No. 2 . . . . .	8W-40-5	Powertrain Control Module . . . . .	8W-40-3, 4, 5, 16, 17
Engine Oil Pressure Sensor . . . . .	8W-40-4, 5	Rear Window Defogger Relay . . . . .	8W-40-12, 13
Fog Lamp Relay . . . . .	8W-40-7, 8	Rear Window Defogger Switch . . . . .	8W-40-12, 13
Fog Lamp Relay No. 2 . . . . .	8W-40-14	Right Turn Signal Indicator . . . . .	8W-40-14
Fuel Gauge . . . . .	8W-40-3	Seat Belt Switch . . . . .	8W-40-6, 7, 8
Fuel Level Sensor . . . . .	8W-40-3	Seat Belt Warning Indicator . . . . .	8W-40-6, 7, 8
Fuel Pump Module . . . . .	8W-40-3	Sentry Key Immobilizer Module . . . . .	8W-40-12, 13
Full Time 4WD Indicator . . . . .	8W-40-9, 10	Speedometer . . . . .	8W-40-3
Fuse 6 (JB) . . . . .	8W-40-15	Tachometer . . . . .	8W-40-3
Fuse 9 (JB) . . . . .	8W-40-2, 17	Tell Tale Module . . . . .	8W-40-17
Fuse 12 (JB) . . . . .	8W-40-12, 13	Transfer Case Switch . . . . .	8W-40-9, 10
Fuse 16 (PDC) . . . . .	8W-40-2	Transmission Control Module . . . . .	8W-40-3
G101 . . . . .	8W-40-9	Trip Reset Switch . . . . .	8W-40-15
G106 . . . . .	8W-40-6, 7, 8, 10	Turn Signal/Hazard Switch . . . . .	8W-40-14
G107 . . . . .	8W-40-6, 7, 12, 13	Underhood Lamp/Mercury Switch . . . . .	8W-40-2
G108 . . . . .	8W-40-2, 9, 10, 14	Upshift Indicator . . . . .	8W-40-3
G123 . . . . .	8W-40-17	Vehicle Speed Sensor . . . . .	8W-40-3
G154 . . . . .	8W-40-17	Volt Meter . . . . .	8W-40-3
G302 . . . . .	8W-40-8, 11	VTSS Indicator . . . . .	8W-40-12, 13
G303 . . . . .	8W-40-11	Washer Fluid Level Switch . . . . .	8W-40-6, 7, 8
Headlamp Beam Select Switch . . . . .	8W-40-14	Water In Fuel Sensor . . . . .	8W-40-17
Headlamp Switch . . . . .	8W-40-11, 15		
High Beam Indicator . . . . .	8W-40-14		



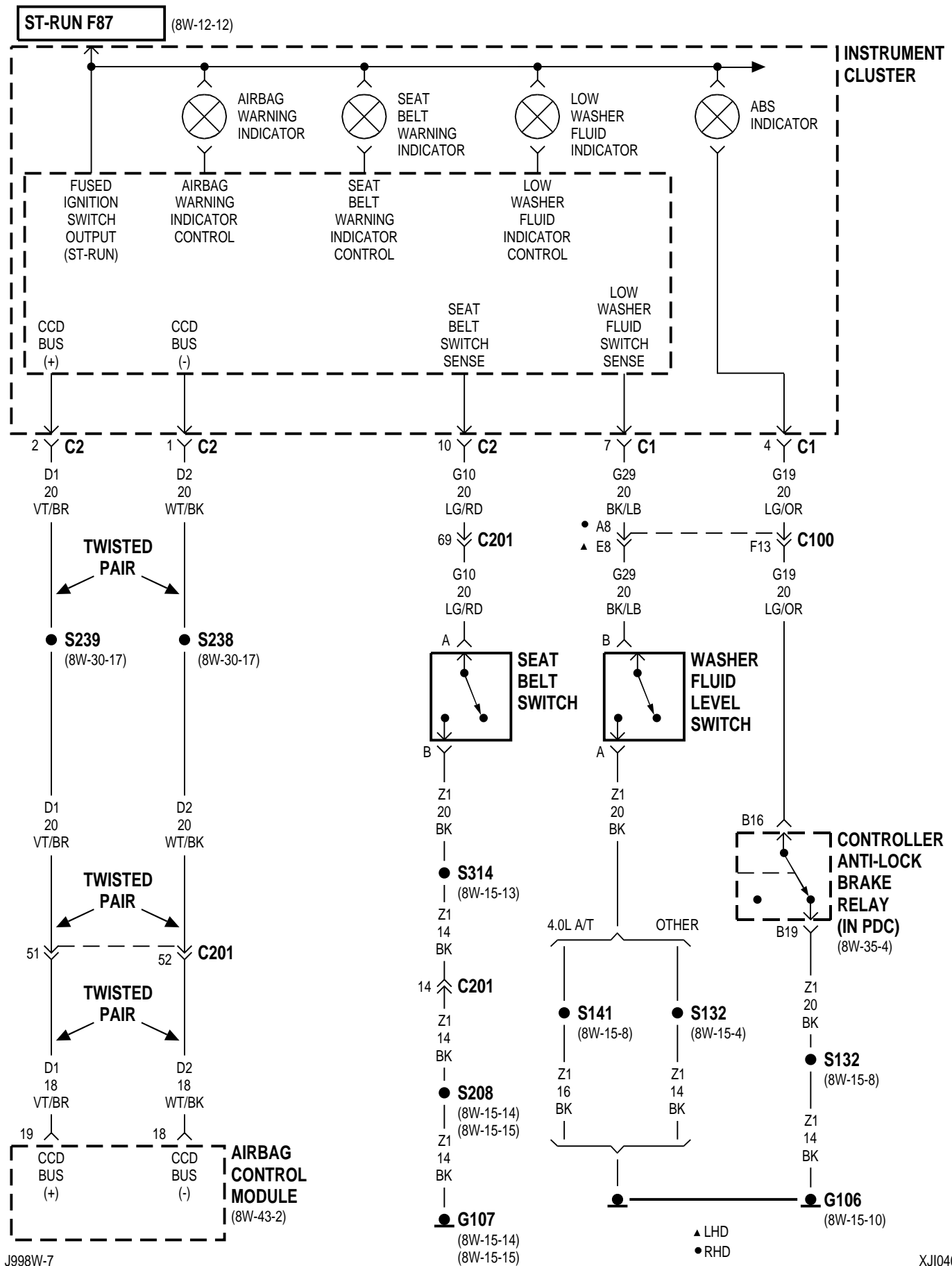




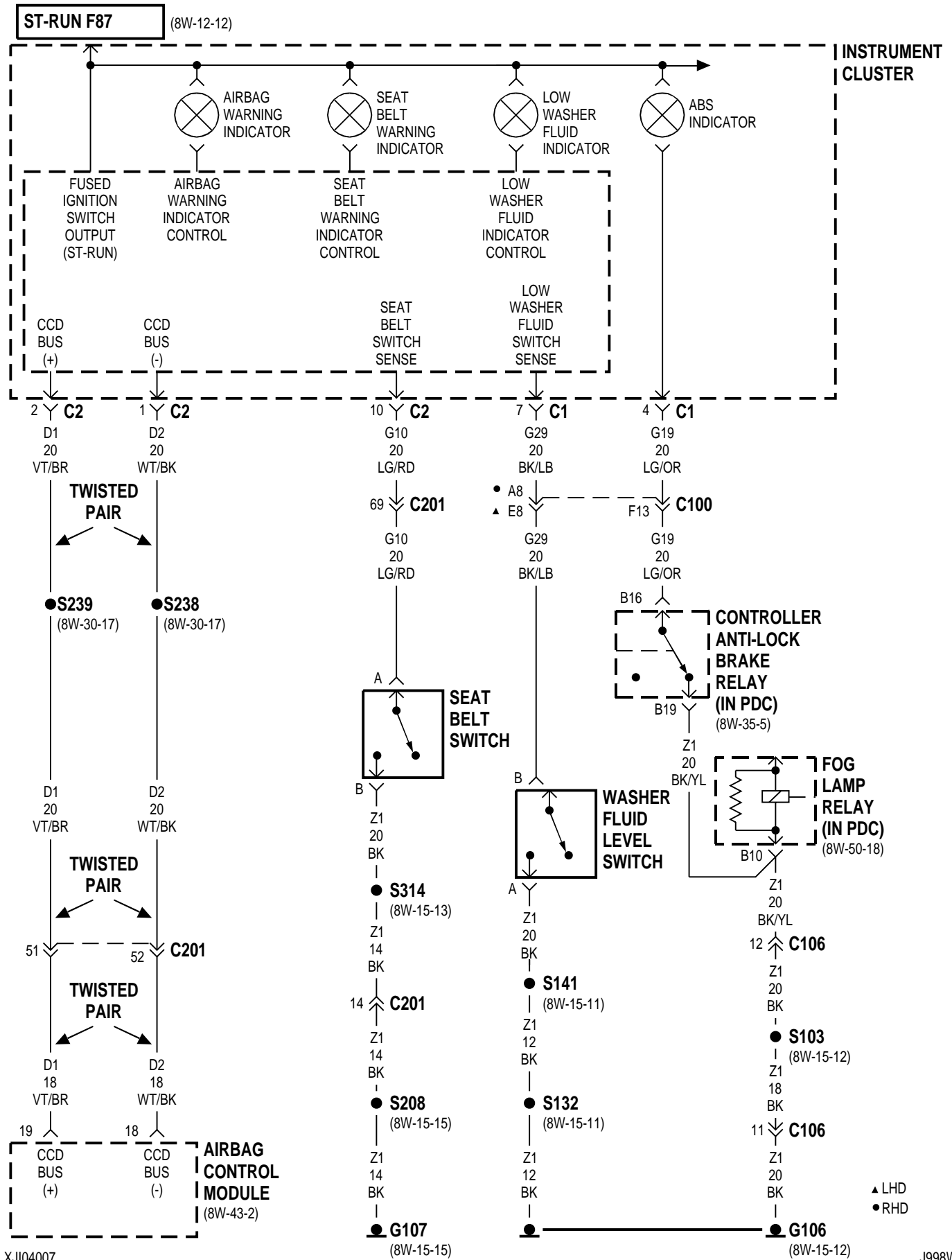
**XJ** **8W-40 INSTRUMENT CLUSTER** **8W - 40 - 5**  
**DIESEL**



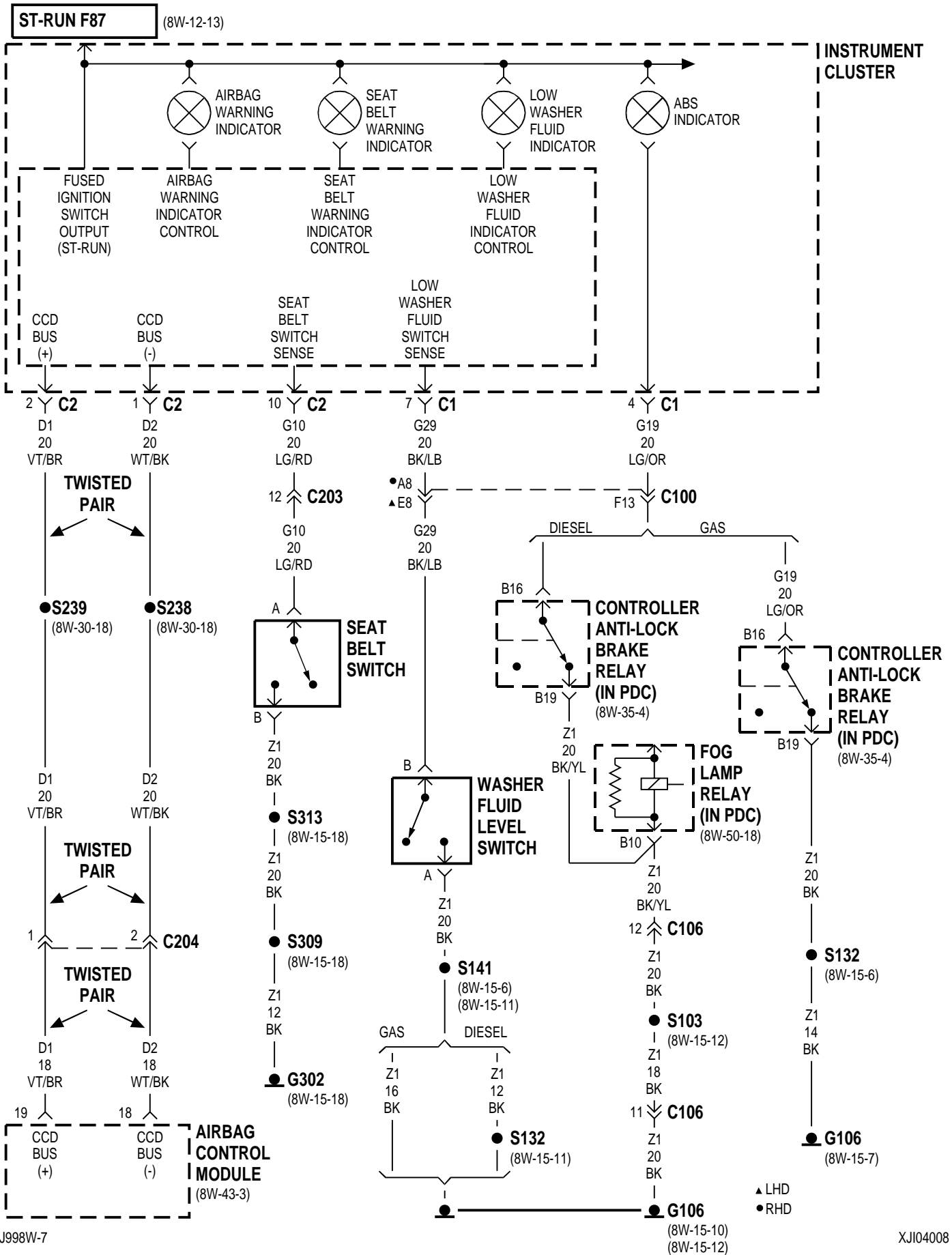
▲ LHD  
 ● RHD

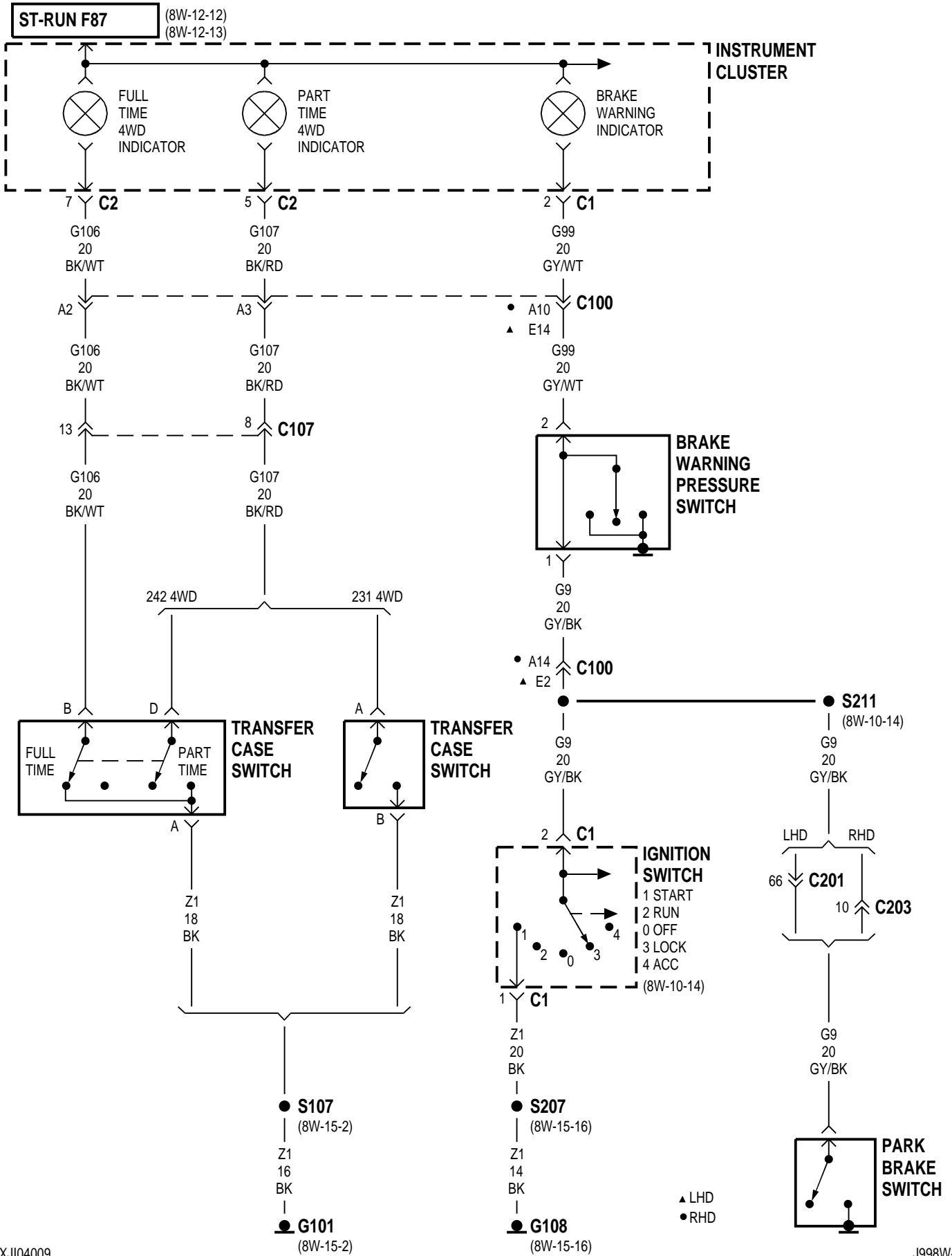


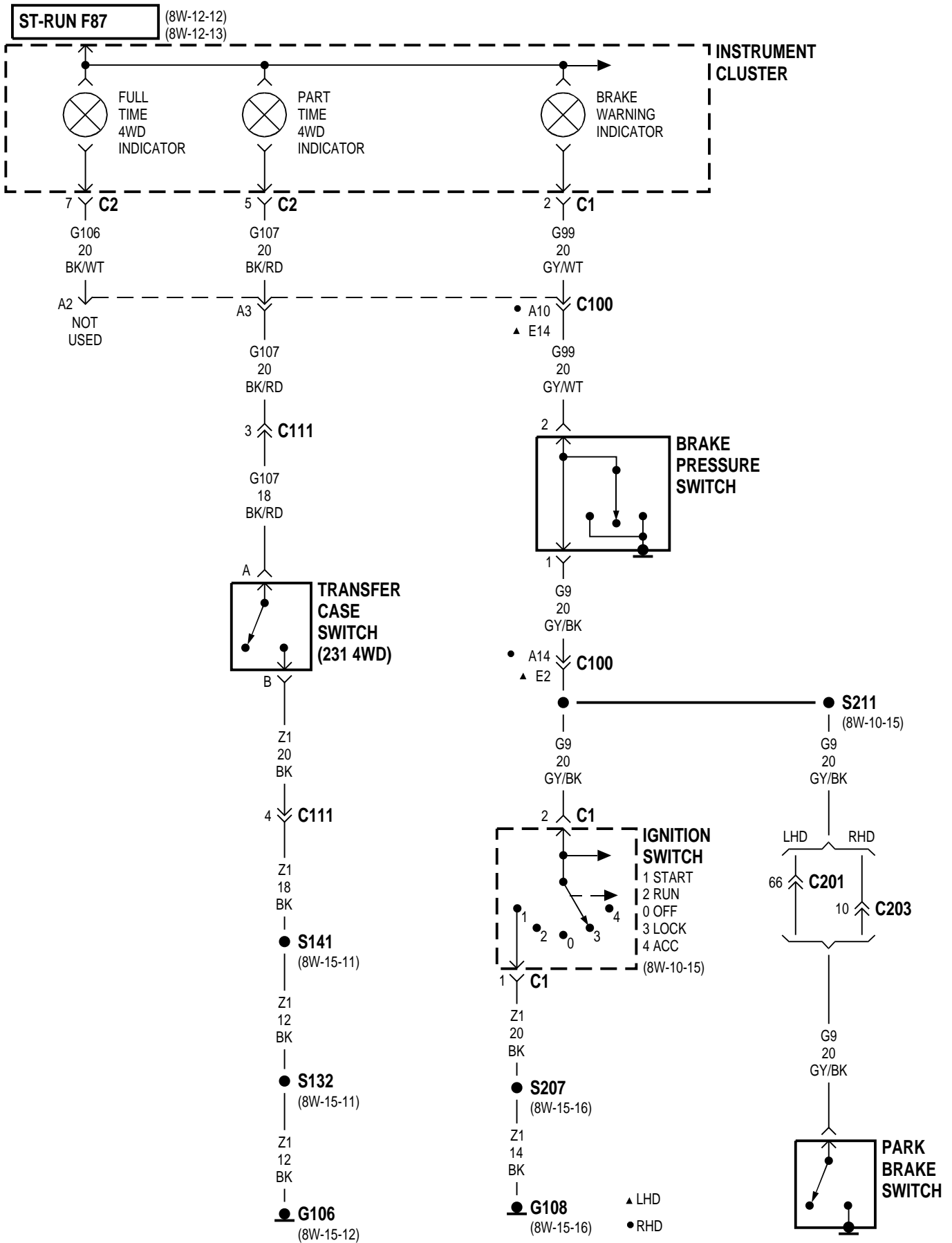


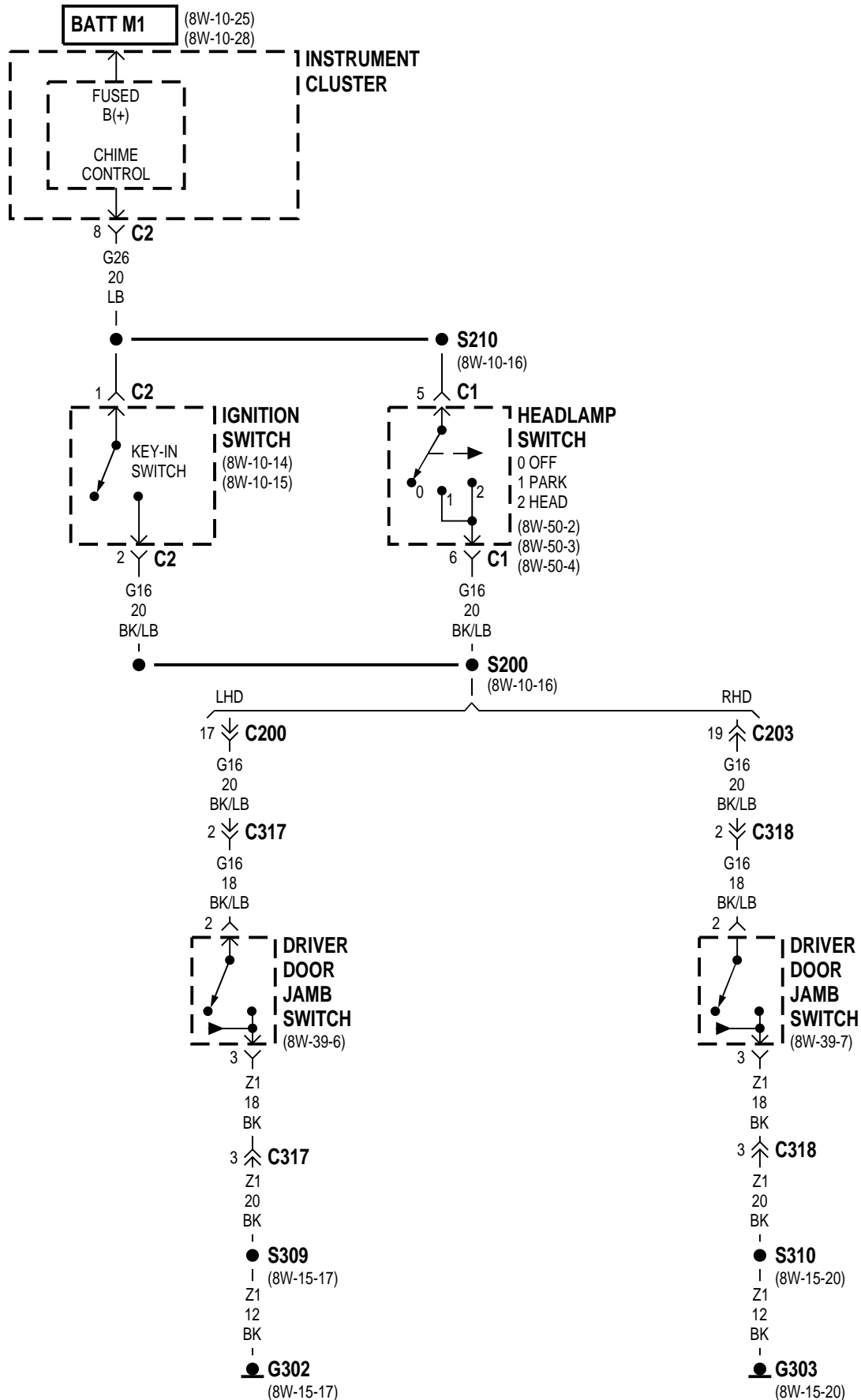


RHD

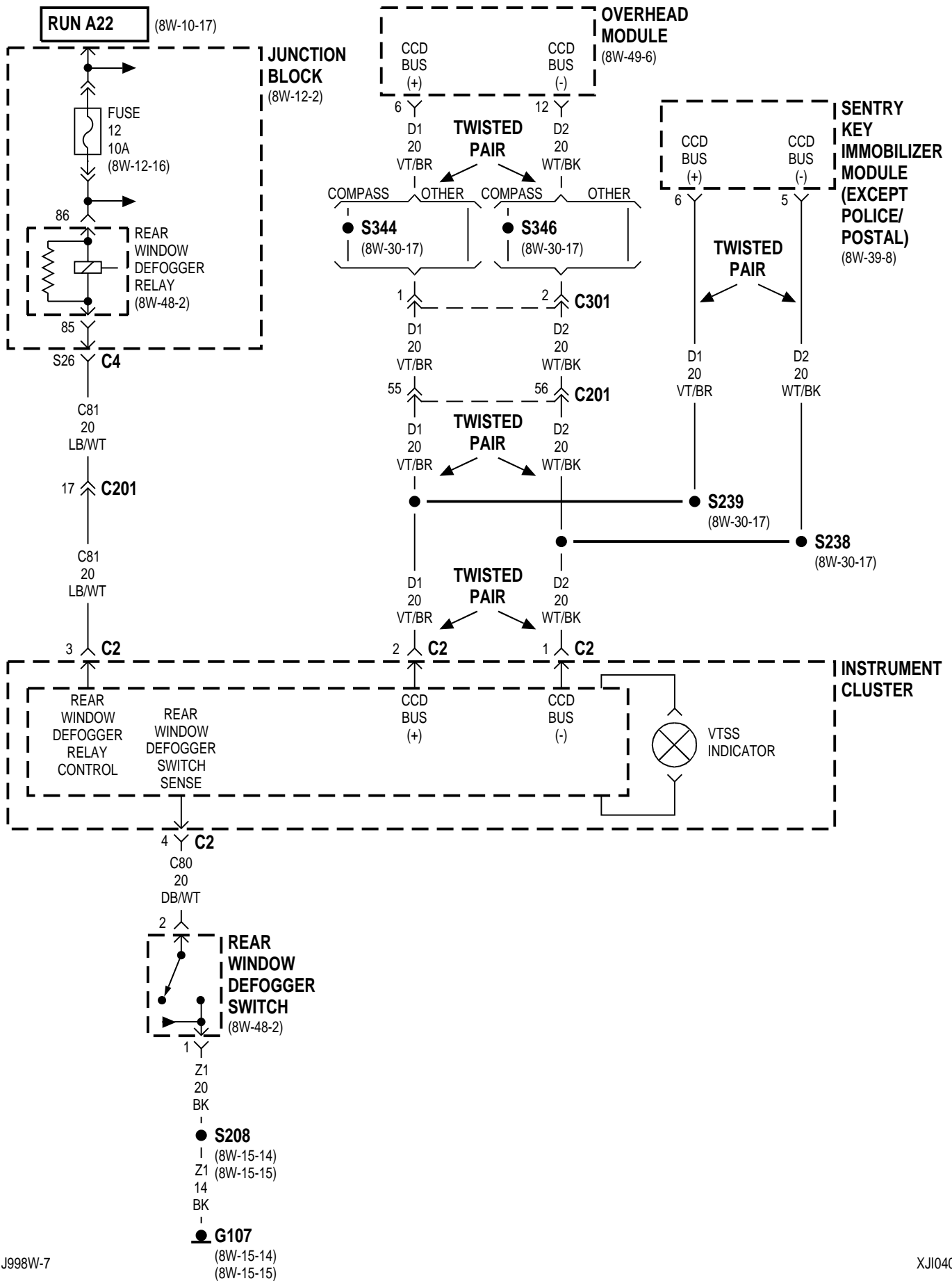


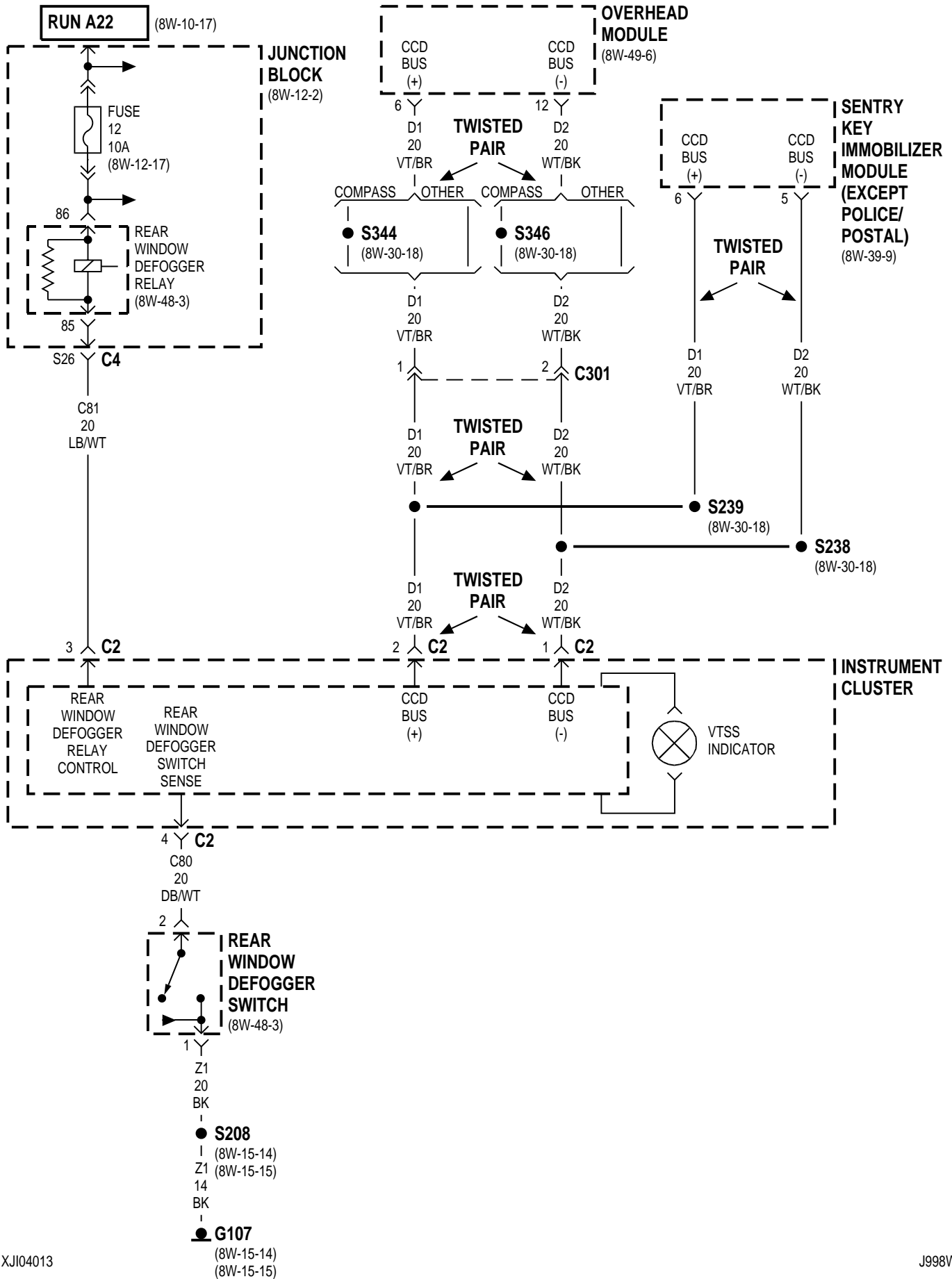


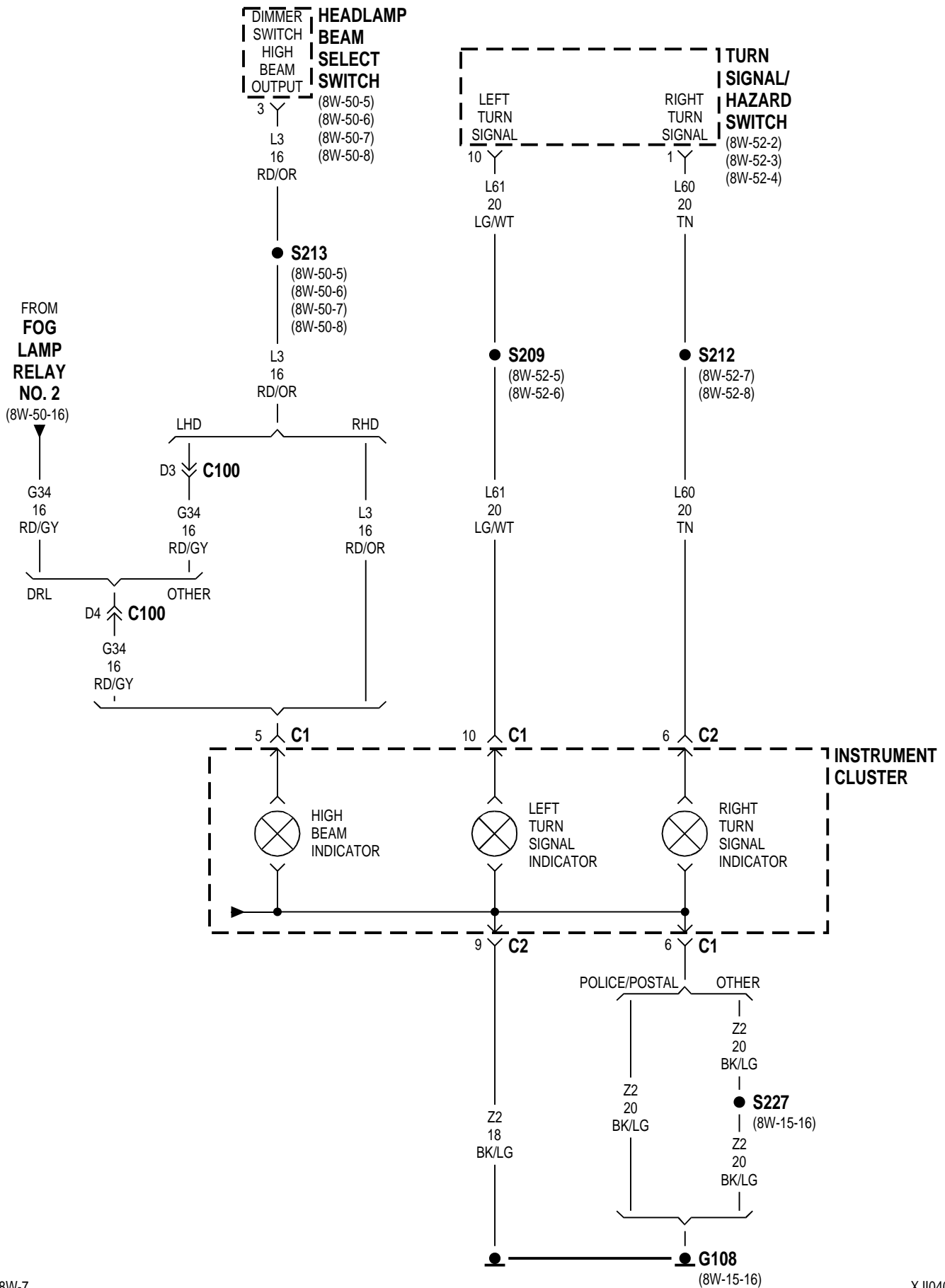




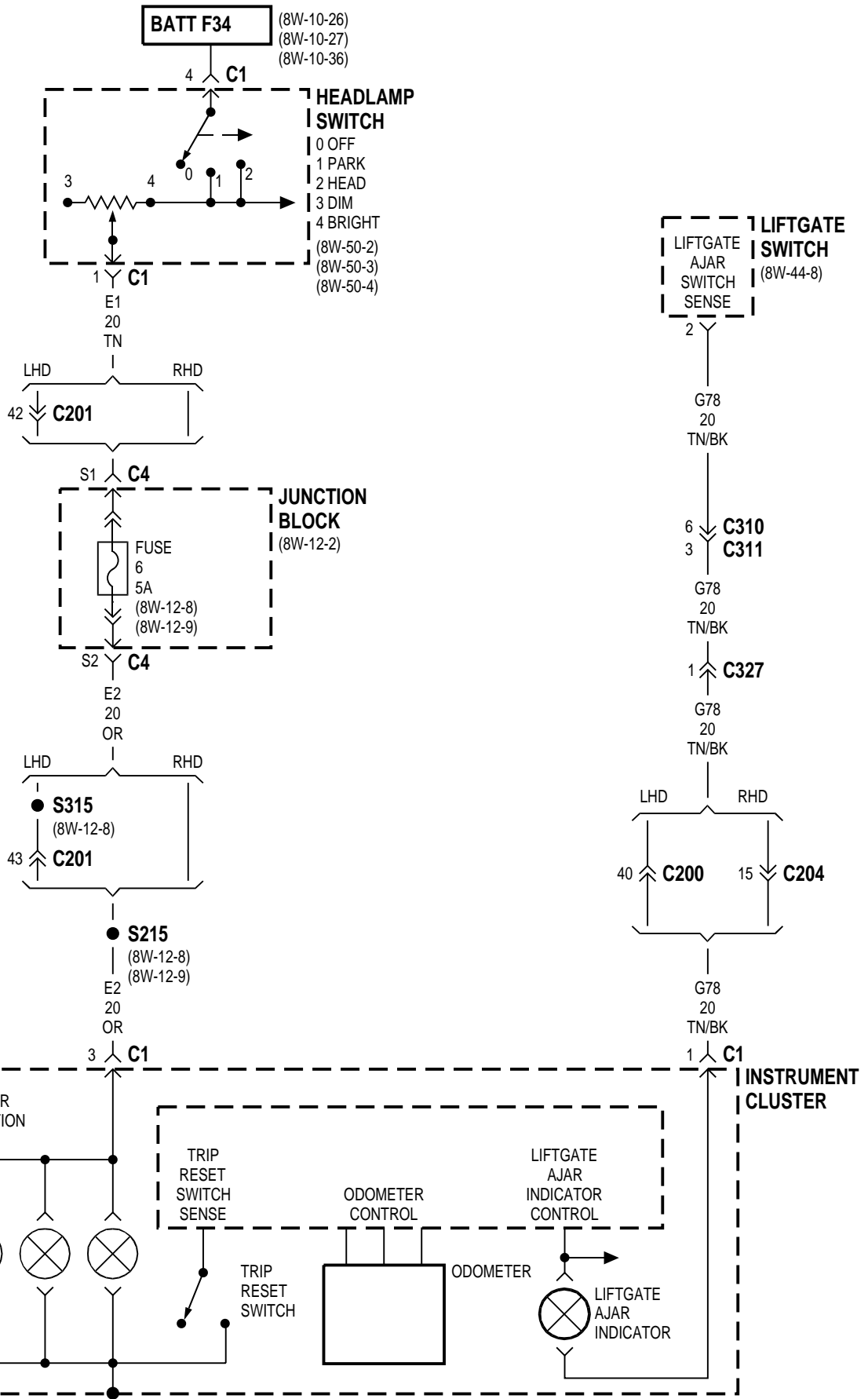
LHD

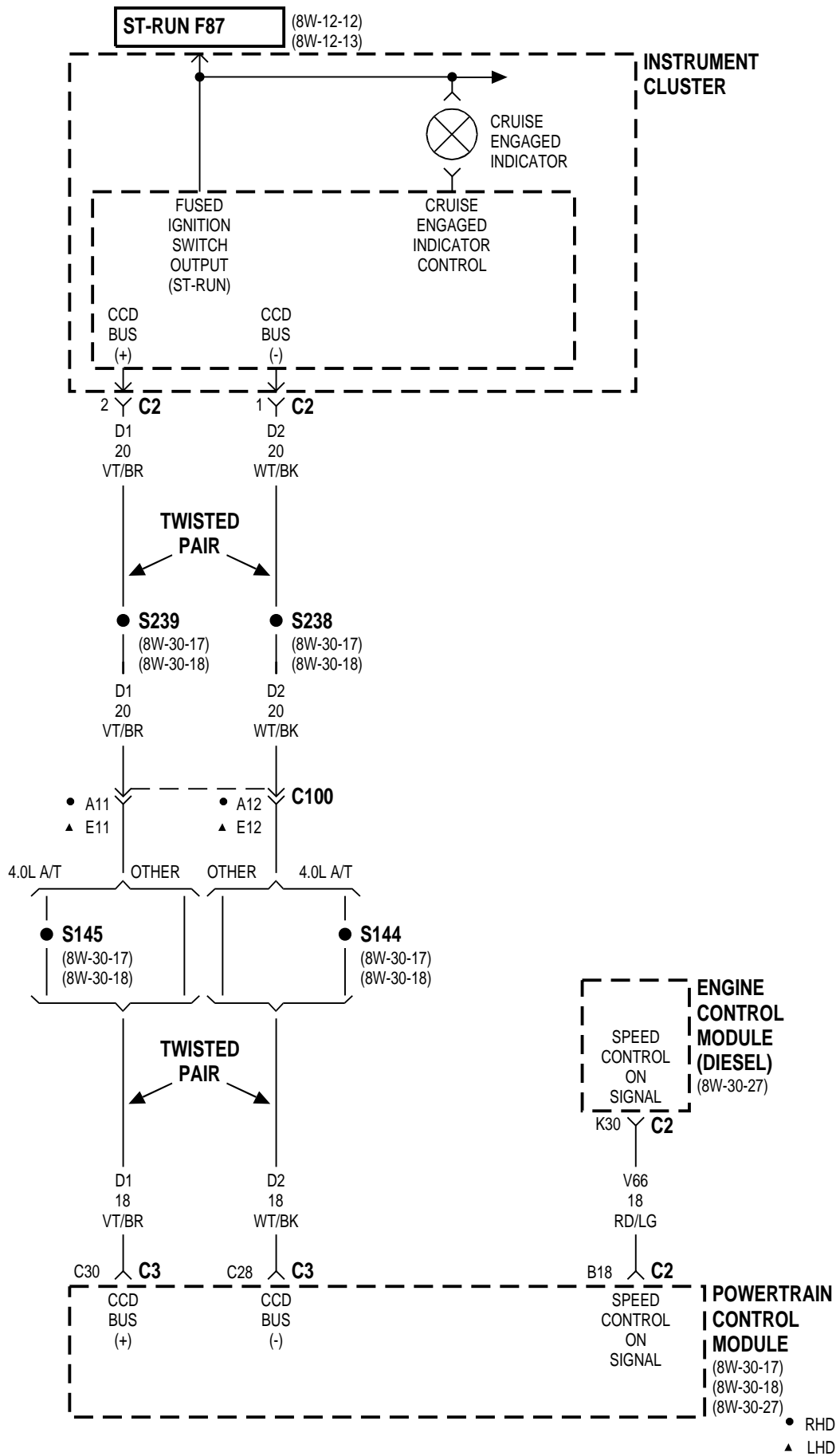


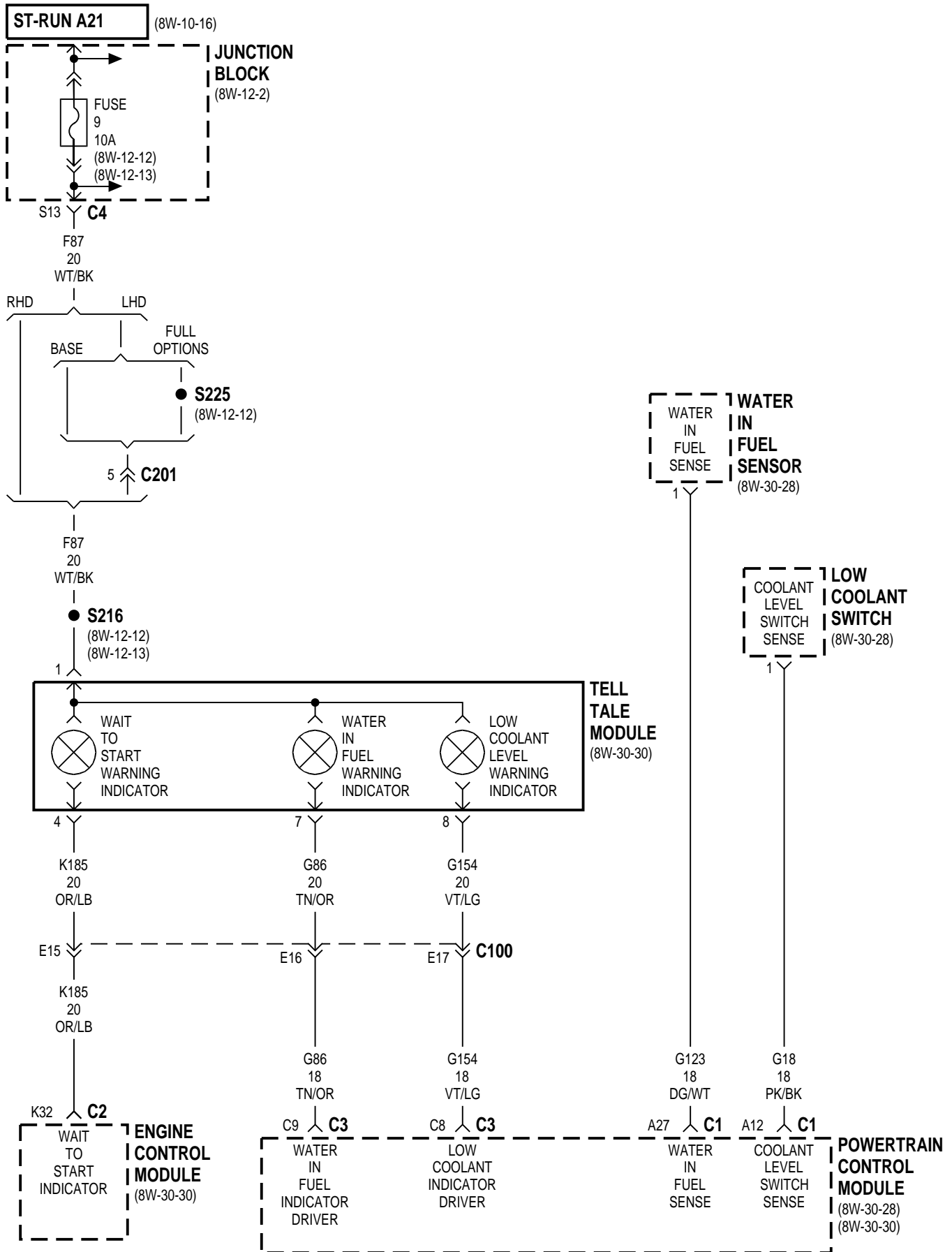










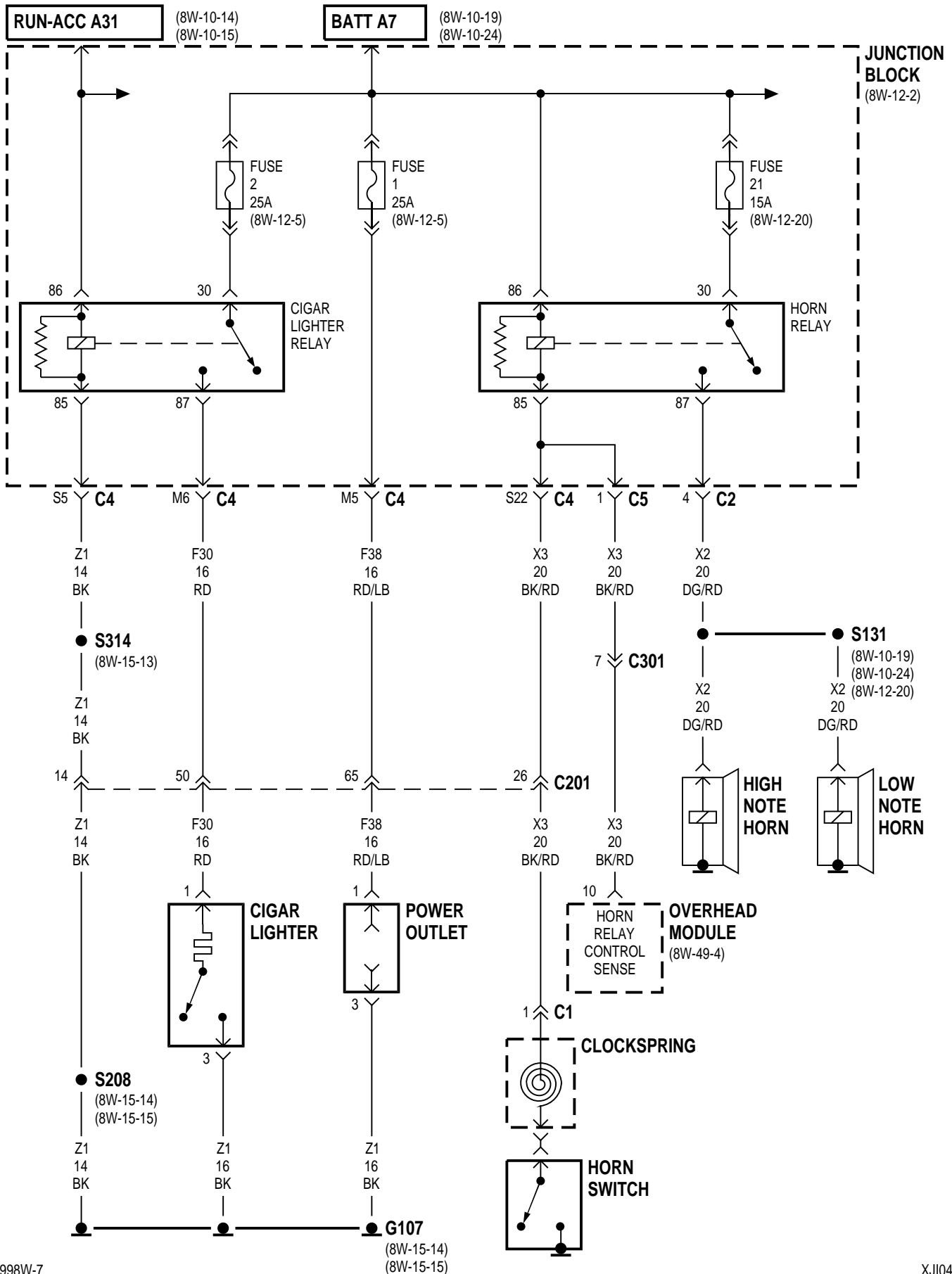


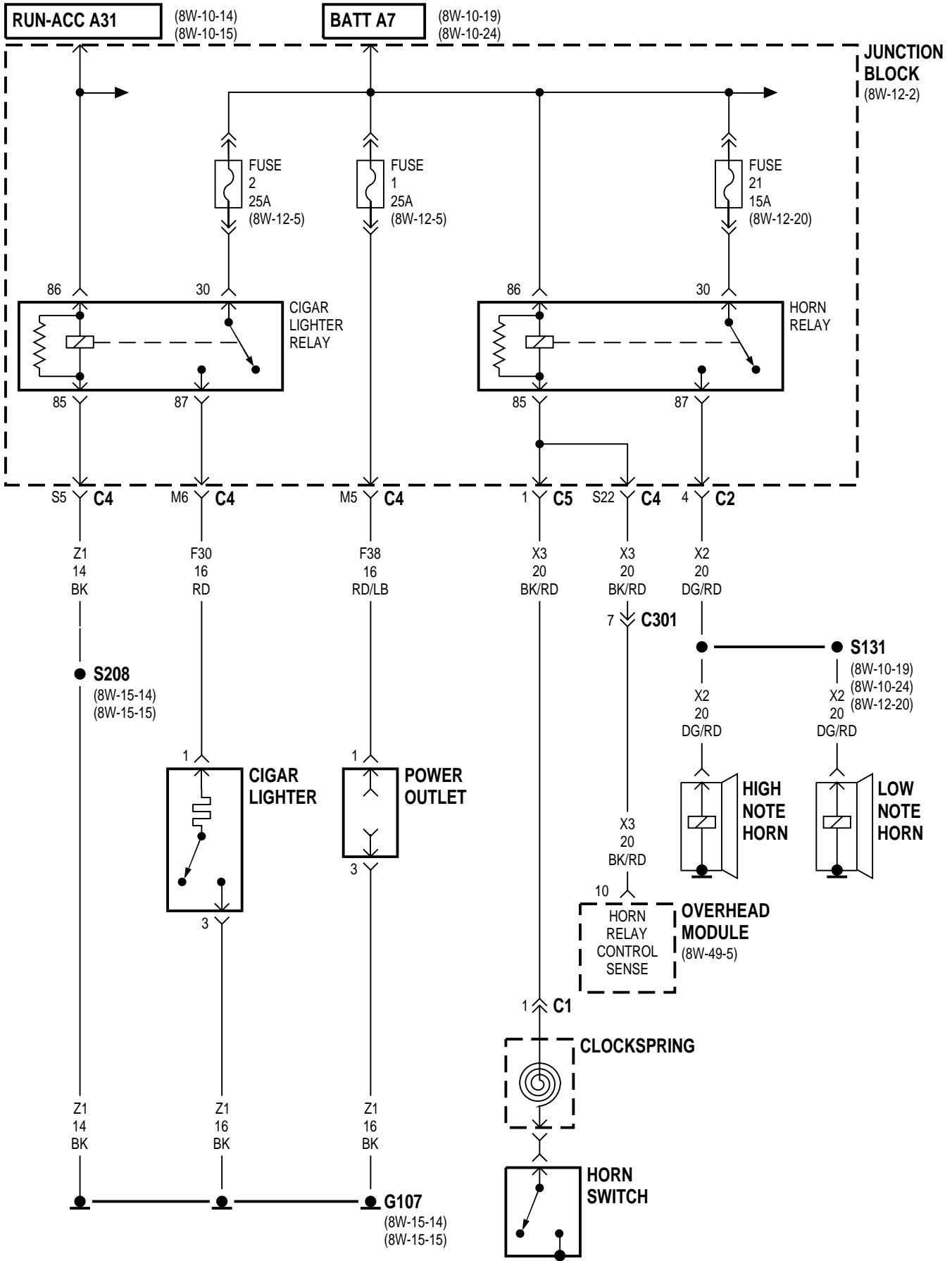


## 8W-41 HORN/CIGAR LIGHTER/POWER OUTLET

<b>Component</b>	<b>Page</b>	<b>Component</b>	<b>Page</b>
Cigar Lighter .....	8W-41-2, 3	High Note Horn .....	8W-41-2, 3
Cigar Lighter Relay .....	8W-41-2, 3	Horn Relay .....	8W-41-2, 3
Clockspring .....	8W-41-2, 3	Horn Switch .....	8W-41-2, 3
Fuse 1 (JB) .....	8W-41-2, 3	Junction Block .....	8W-41-2, 3
Fuse 2 (JB) .....	8W-41-2, 3	Low Note Horn .....	8W-41-2, 3
Fuse 21 (JB) .....	8W-41-2, 3	Overhead Module .....	8W-41-2, 3
G107 .....	8W-41-2, 3	Power Outlet .....	8W-41-2, 3

LHD



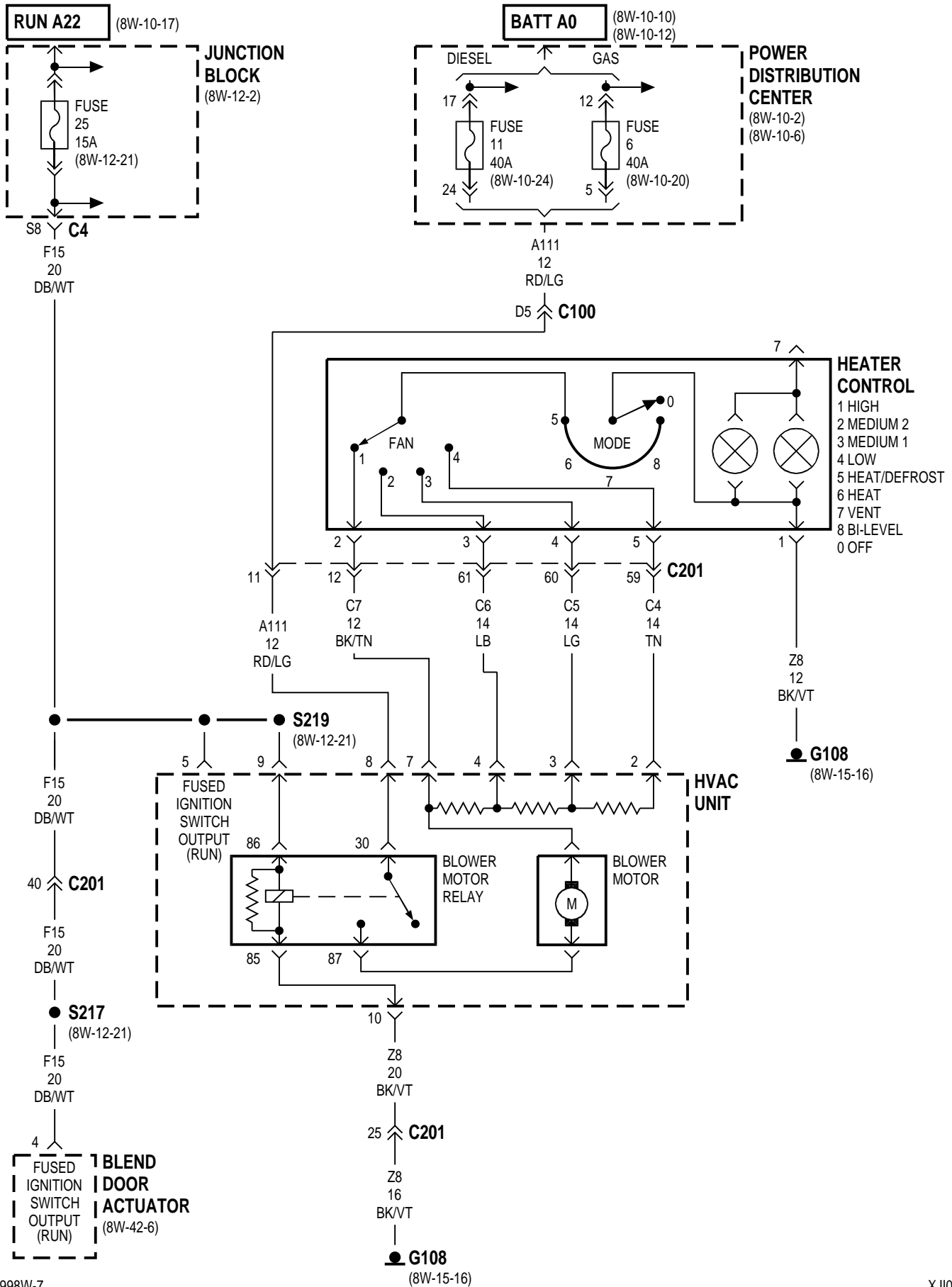


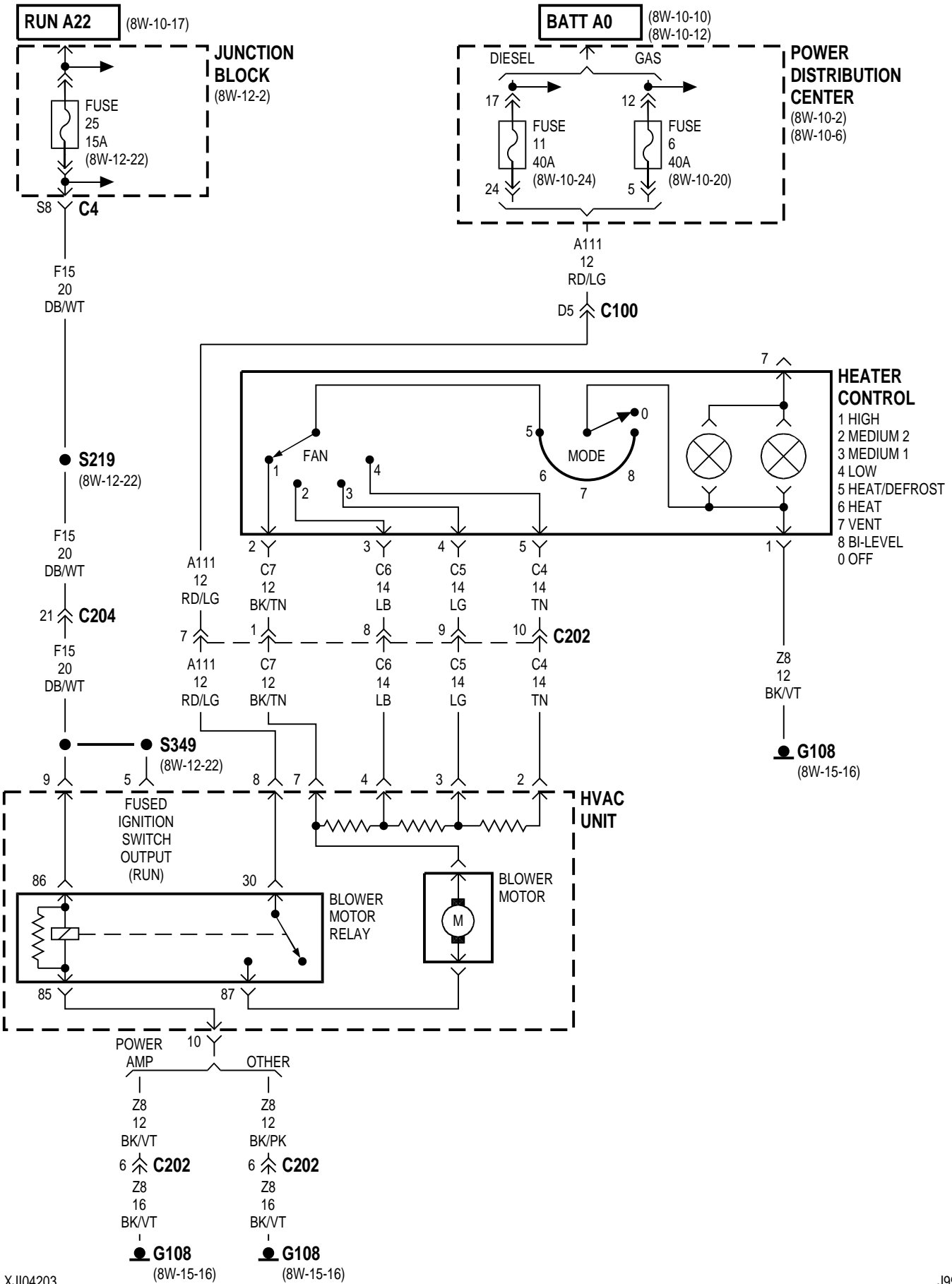




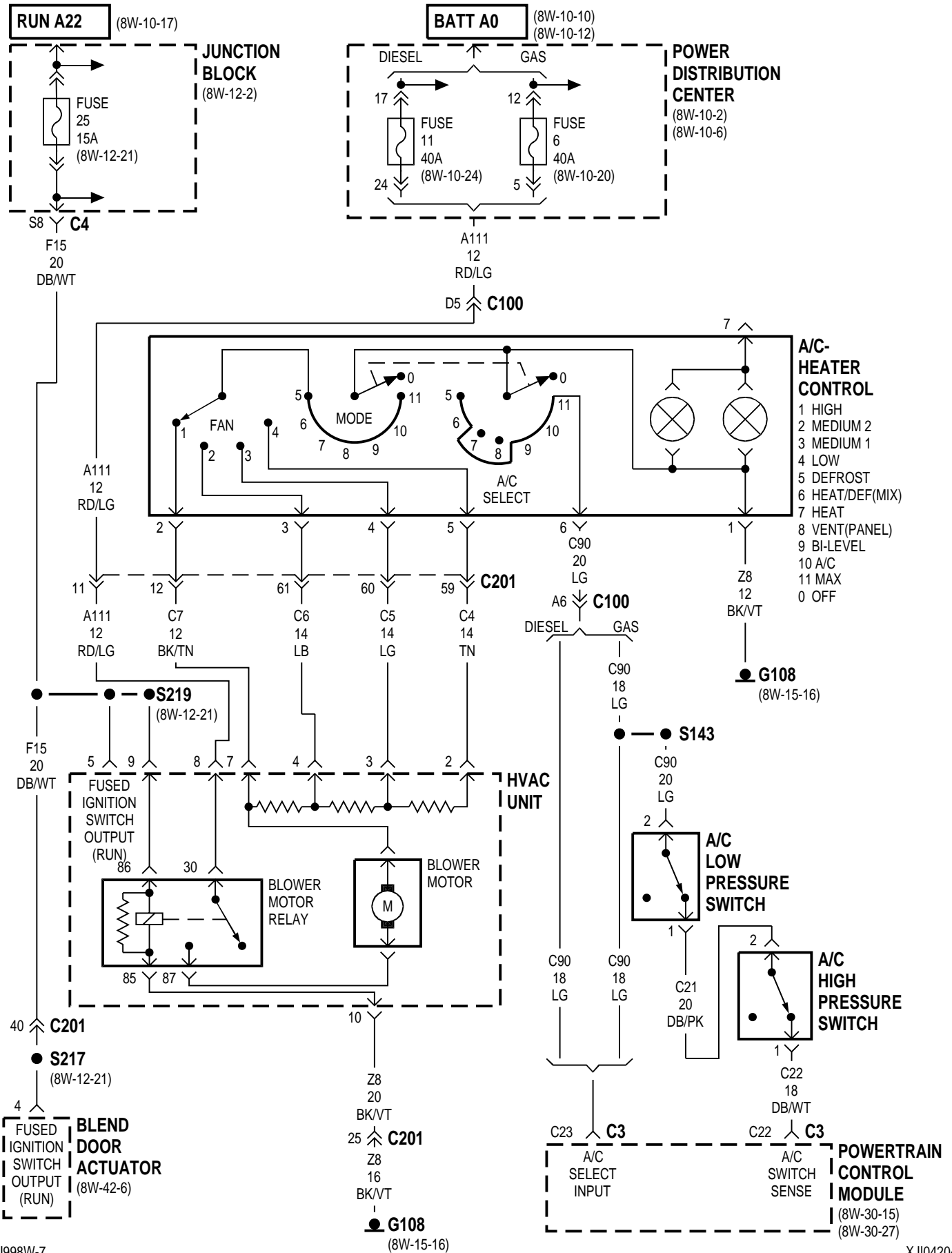
## 8W-42 AIR CONDITIONING-HEATER

<b>Component</b>	<b>Page</b>	<b>Component</b>	<b>Page</b>
A/C Compressor Clutch . . . . .	8W-42-6, 7	Fuse 25 (JB) . . . . .	8W-42-2, 3, 4, 5, 6
A/C Compressor Clutch Relay . . . . .	8W-42-6, 7	G106 . . . . .	8W-42-7, 8
A/C High Pressure Switch . . . . .	8W-42-4, 5, 7	G107 . . . . .	8W-42-6
A/C Low Pressure Switch . . . . .	8W-42-4, 5, 7	G108 . . . . .	8W-42-2, 3, 4, 5
A/C- Heater Control . . . . .	8W-42-4, 5	Heater Control . . . . .	8W-42-2, 3
Blend Door Actuator . . . . .	8W-42-2, 4, 6	HVAC Unit . . . . .	8W-42-2, 3, 4, 5, 6
Blower Motor . . . . .	8W-42-2, 3, 4, 5	Junction Block . . . . .	8W-42-2, 3, 4, 5, 6
Blower Motor Relay . . . . .	8W-42-2, 3, 4, 5	Power Distribution Center . .	8W-42-2, 3, 4, 5, 6, 7, 8
Engine Control Module . . . . .	8W-42-7, 8	Powertrain Control Module . . . . .	8W-42-4, 5, 6, 8
Fuse 6 (PDC) . . . . .	8W-42-2, 3, 4, 5	Radiator Fan Motor . . . . .	8W-42-8
Fuse 11 (PDC) . . . . .	8W-42-2, 3, 4, 5	Radiator Fan Relay . . . . .	8W-42-8

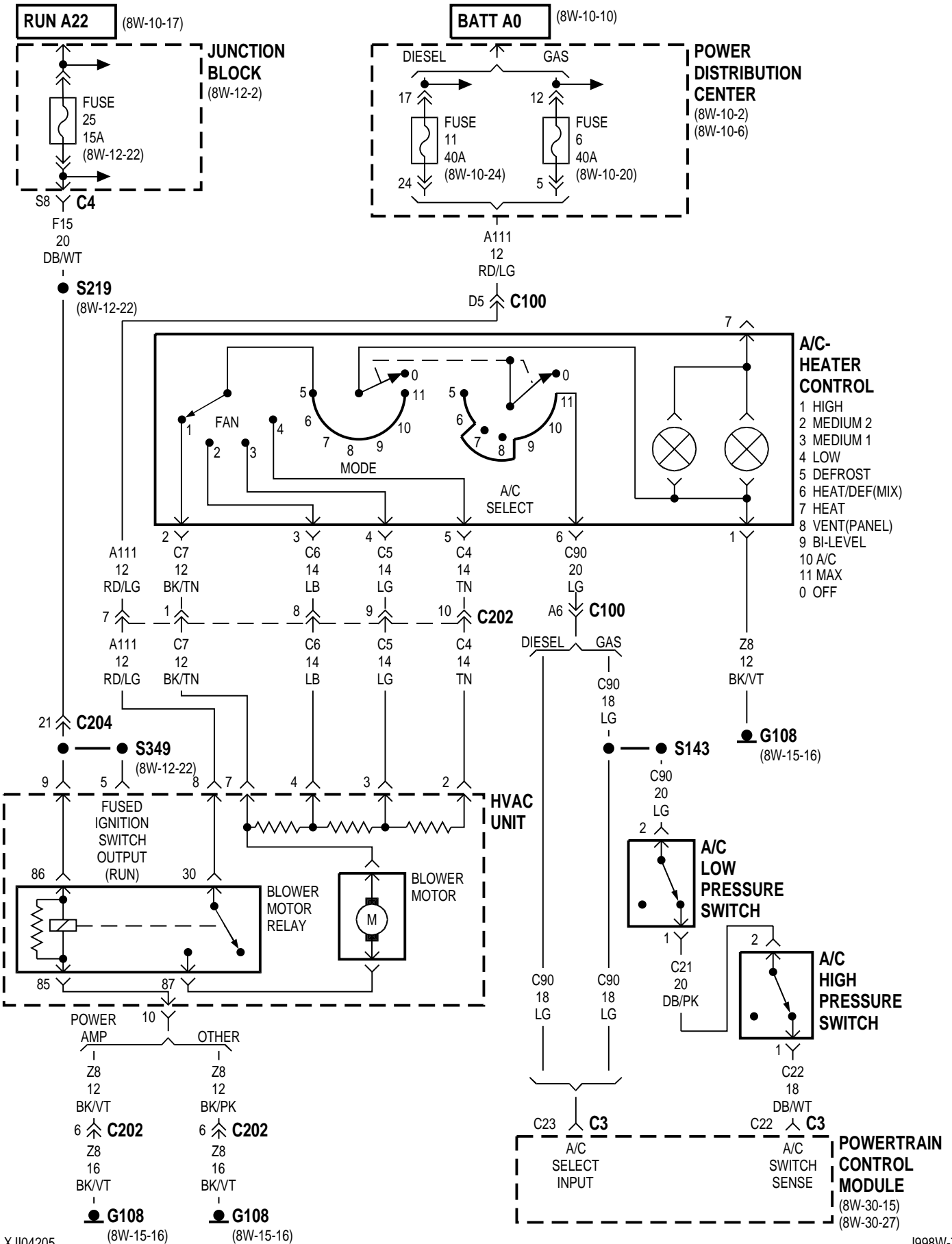


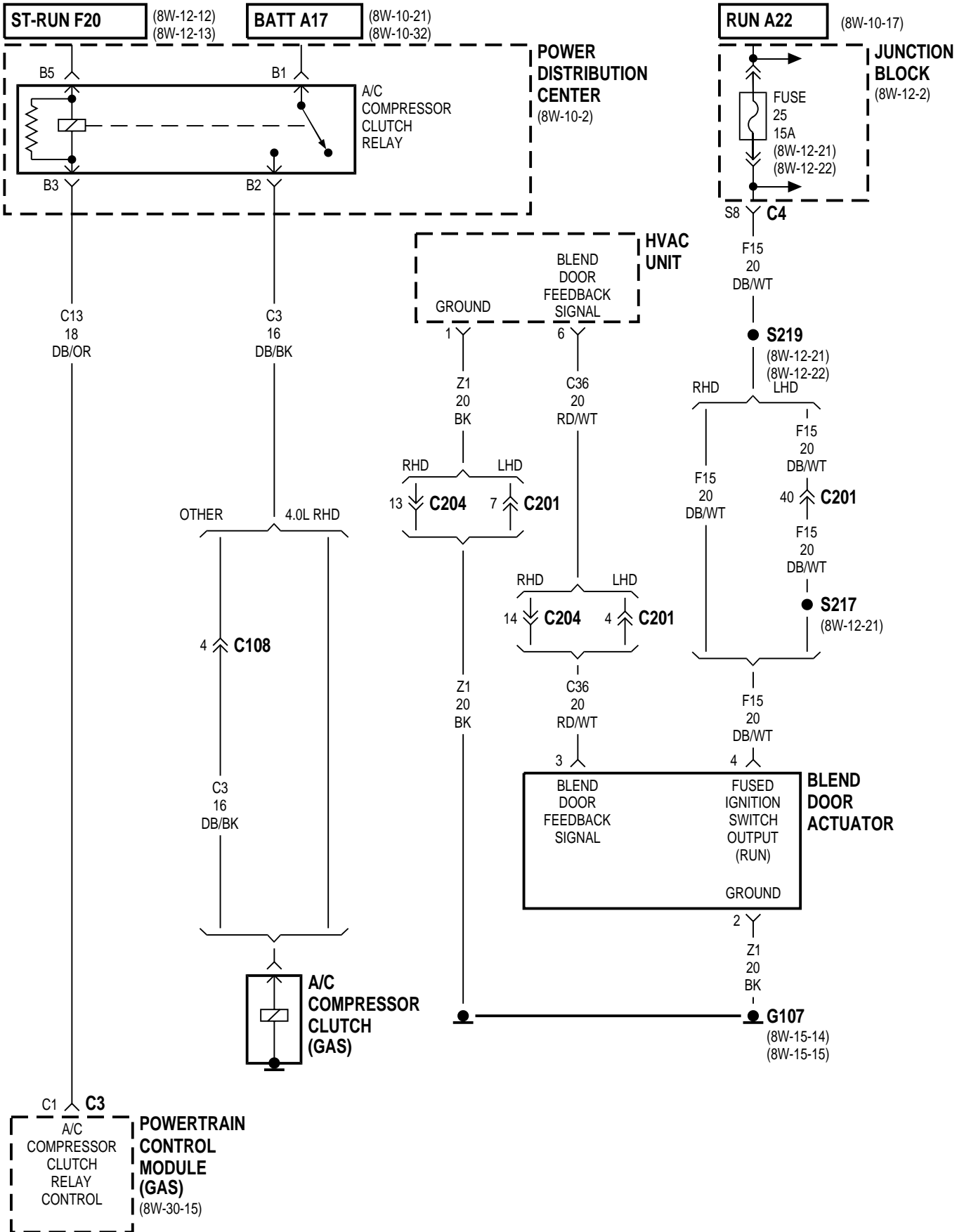


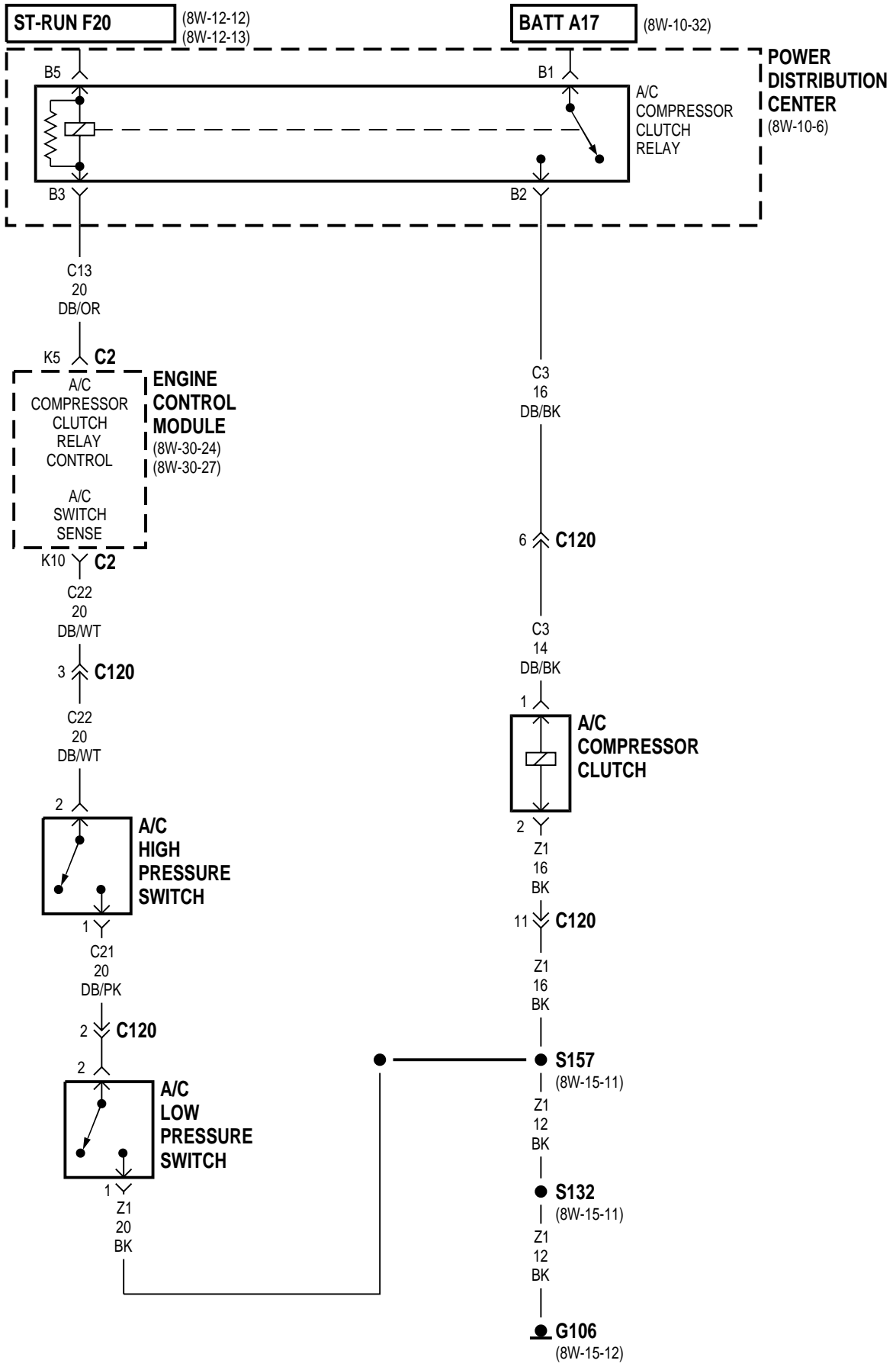
LHD

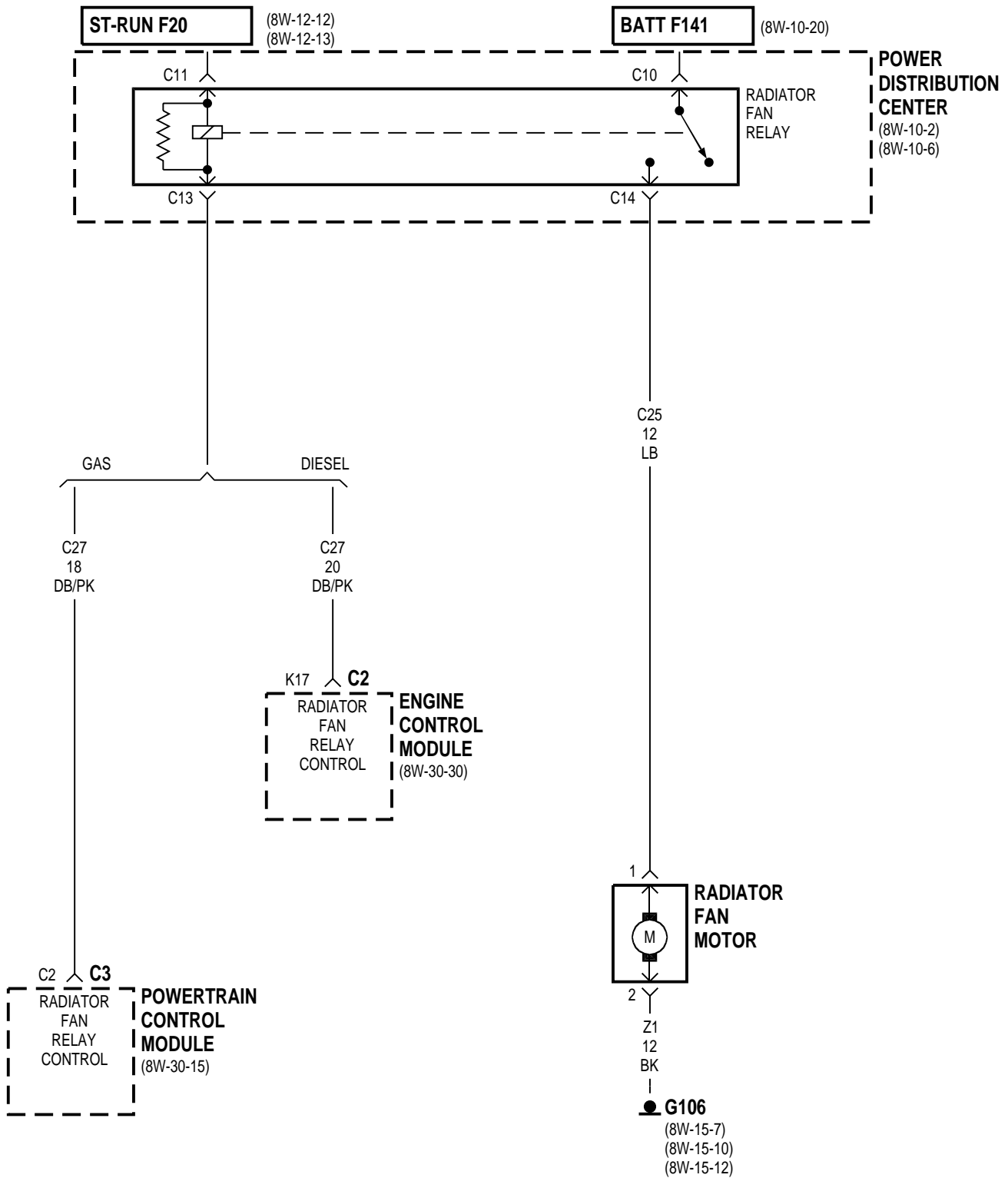


RHD





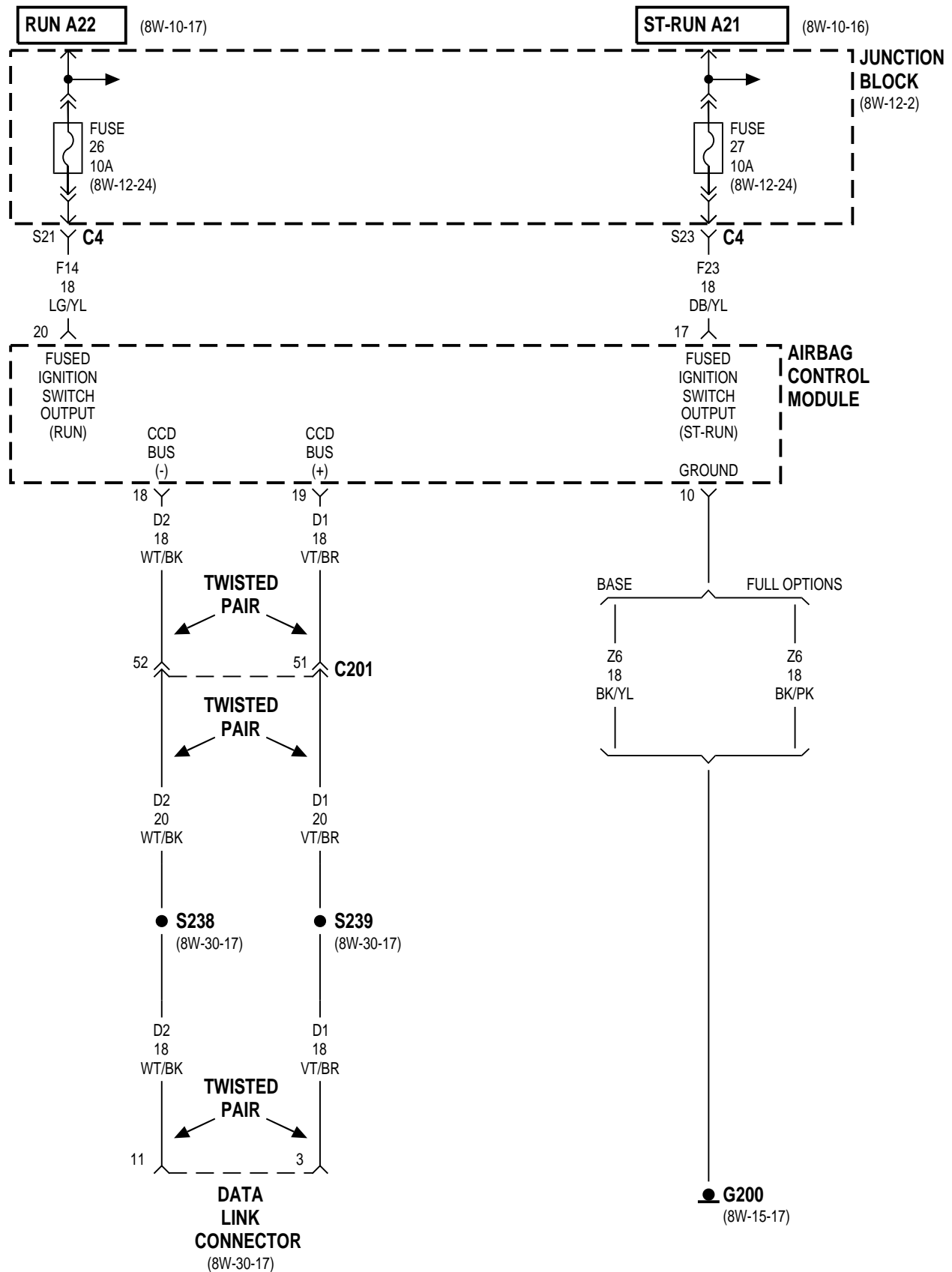


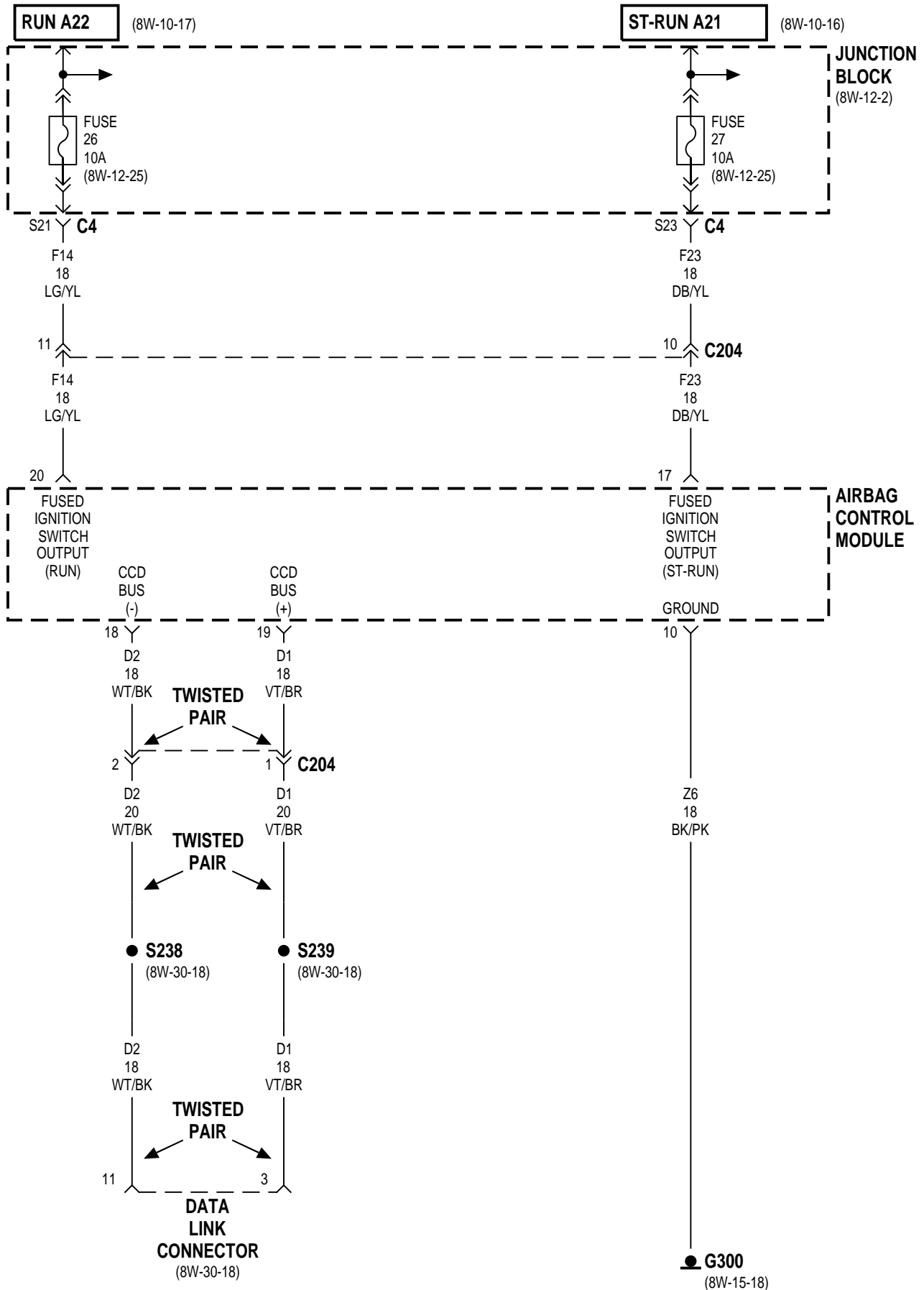


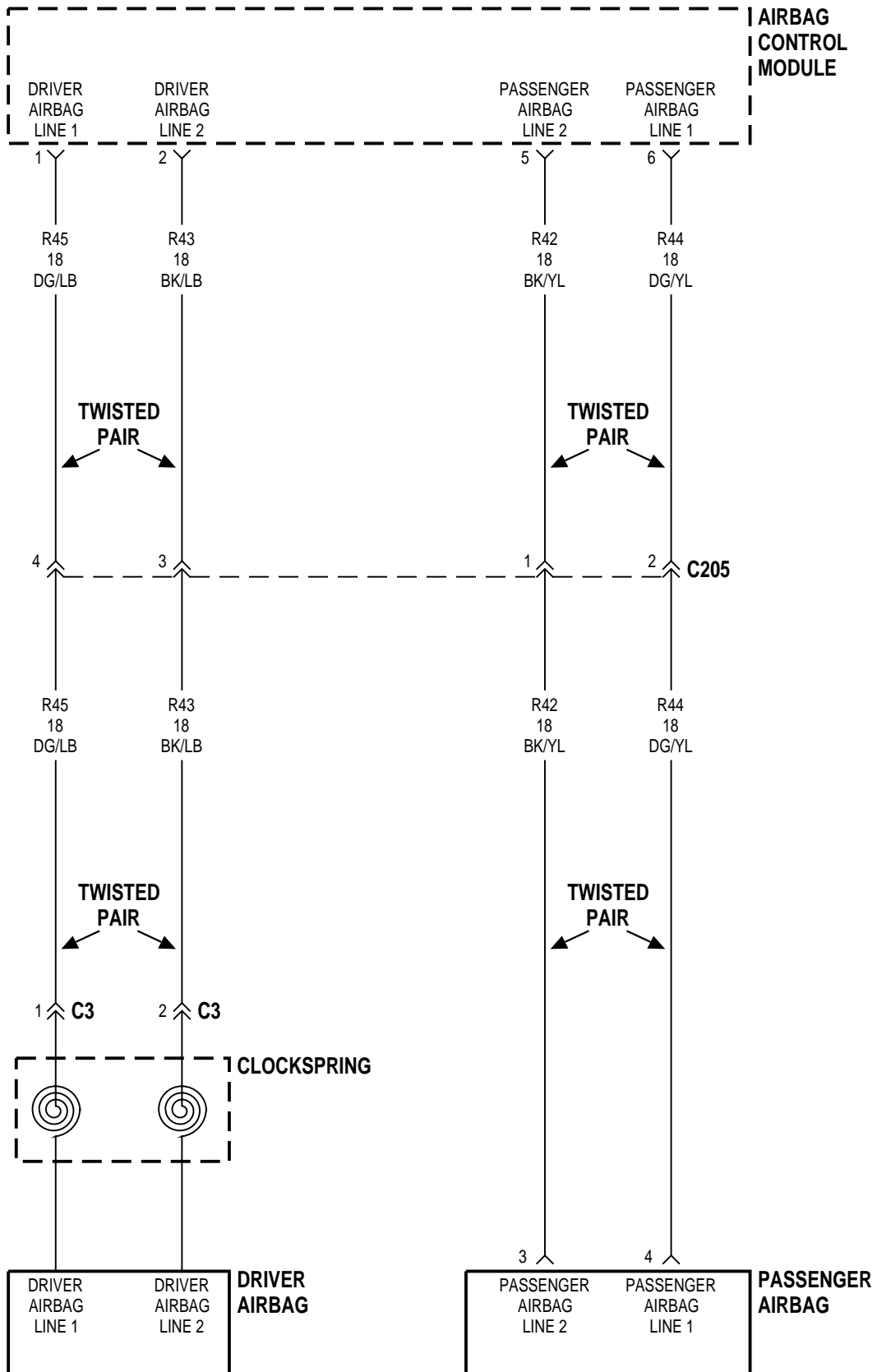


## 8W-43 AIRBAG SYSTEM

<b>Component</b>	<b>Page</b>	<b>Component</b>	<b>Page</b>
Airbag Control Module . . . . .	8W-43-2, 3, 4	Fuse 27 (JB) . . . . .	8W-43-2, 3
Clockspring . . . . .	8W-43-4	G200 . . . . .	8W-43-2
Data Link Connector . . . . .	8W-43-2, 3	G300 . . . . .	8W-43-3
Driver Airbag . . . . .	8W-43-4	Junction Block . . . . .	8W-43-2, 3
Fuse 26 (JB) . . . . .	8W-43-2, 3	Passenger Airbag . . . . .	8W-43-4

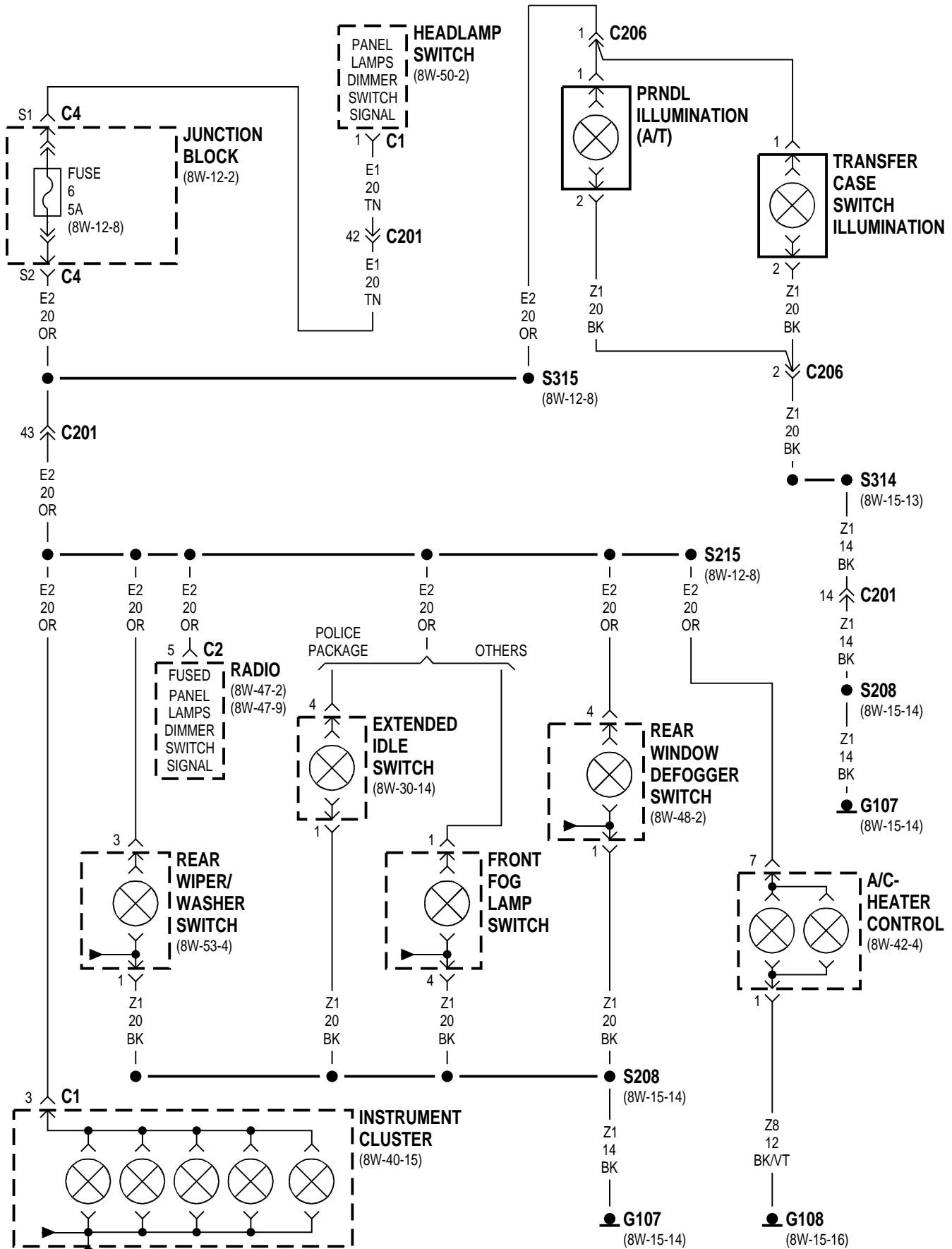


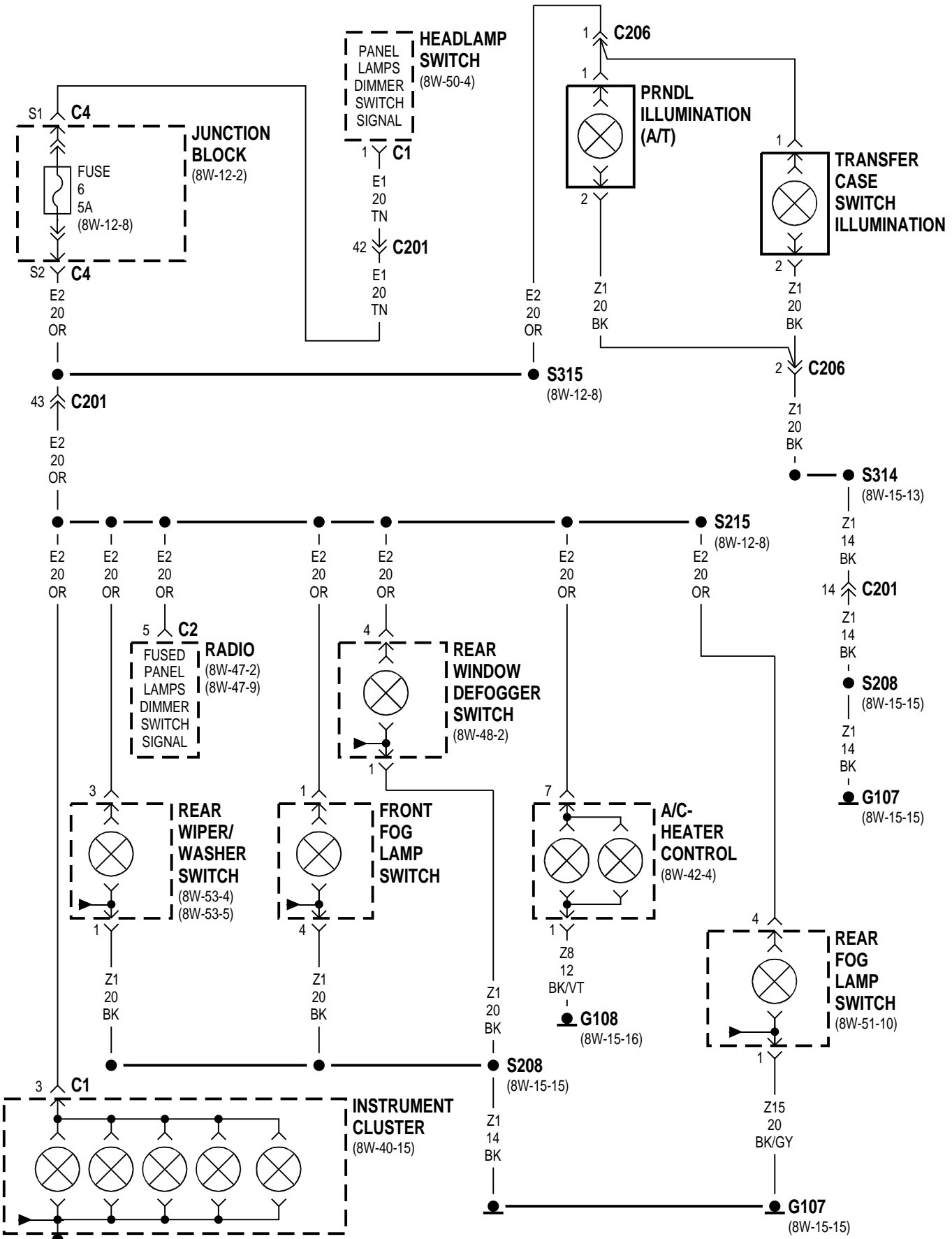




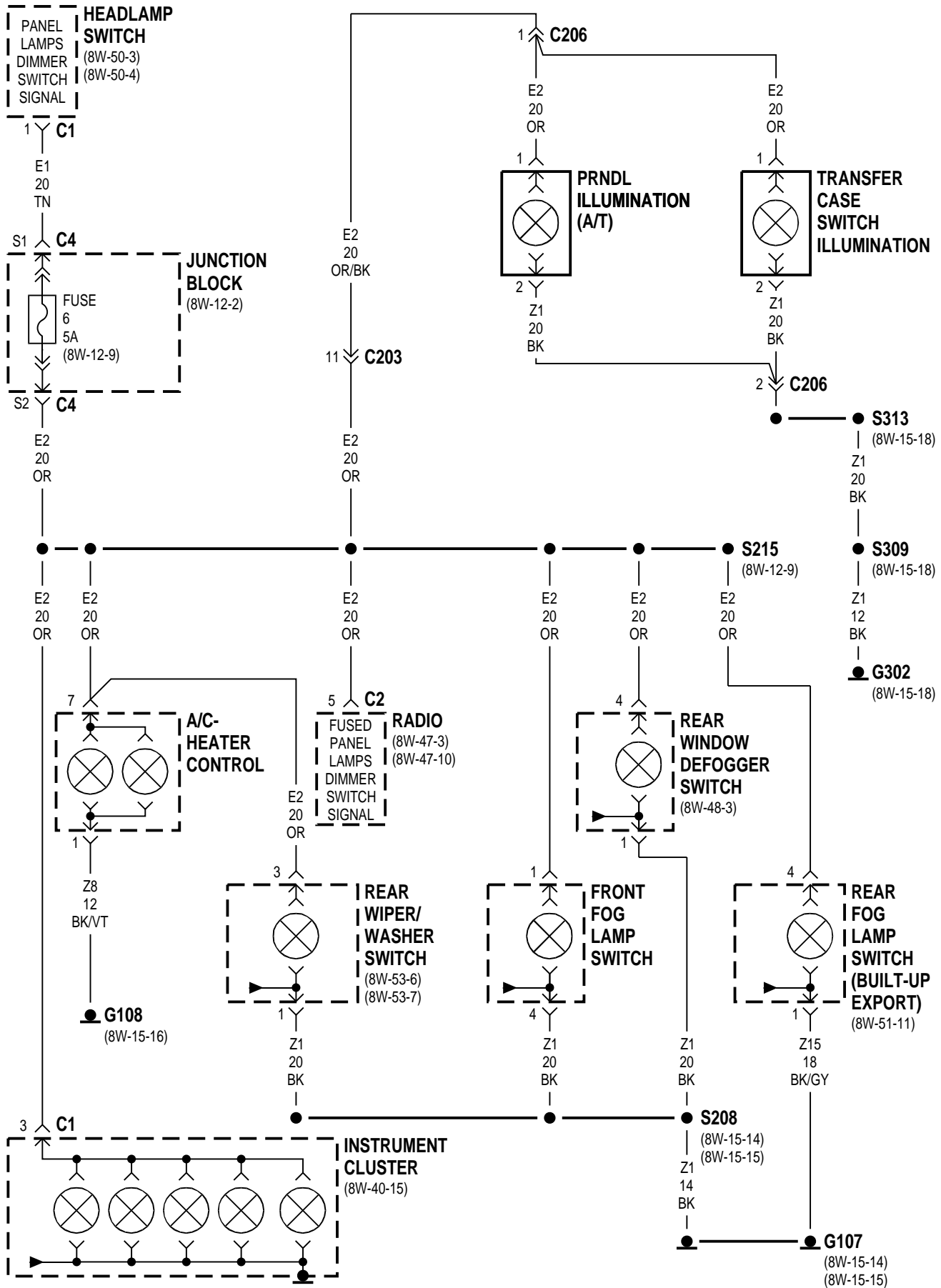
## 8W-44 INTERIOR LIGHTING

<b>Component</b>	<b>Page</b>	<b>Component</b>	<b>Page</b>
A/C- Heater Control . . . . .	8W-44-2, 3, 4	Instrument Cluster . . . . .	8W-44-2, 3, 4, 8, 9
Cargo Lamp/Switch . . . . .	8W-44-8, 9	Junction Block . . . . .	8W-44-2, 3, 4, 5, 6, 7
Compass . . . . .	8W-44-5, 6, 7	Left Courtesy Lamp . . . . .	8W-44-6, 7
Dome Lamp . . . . .	8W-44-5	Left Rear Door Jamb Switch . . . . .	8W-44-8, 9
Dome Lamps Switch . . . . .	8W-44-5, 6, 7	Left Visor/Vanity Lamp . . . . .	8W-44-5
Driver Door Jamb Switch . . . . .	8W-44-8, 9	Liftgate Switch . . . . .	8W-44-8, 9
Extended Idle Switch . . . . .	8W-44-2	Passenger Door Jamb Switch . . . . .	8W-44-8, 9
Front Fog Lamp Switch . . . . .	8W-44-2, 3, 4	Power Distribution Center . . . . .	8W-44-6, 7
Fuse 6 (JB) . . . . .	8W-44-2, 3, 4	PRNDL Illumination . . . . .	8W-44-2, 3, 4
Fuse 16 (PDC) . . . . .	8W-44-6, 7	Radio . . . . .	8W-44-2, 3, 4
G106 . . . . .	8W-44-6, 7	Rear Fog Lamp Switch . . . . .	8W-44-3, 4
G107 . . . . .	8W-44-2, 3, 4, 5	Rear Window Defogger Switch . . . . .	8W-44-2, 3, 4
G108 . . . . .	8W-44-2, 3, 4, 6, 7	Rear Wiper/Washer Switch . . . . .	8W-44-2, 3, 4
G302 . . . . .	8W-44-4, 8, 9	Right Courtesy Lamp . . . . .	8W-44-6, 7
G303 . . . . .	8W-44-8, 9	Right Rear Door Jamb Switch . . . . .	8W-44-8, 9
G304 . . . . .	8W-44-8, 9	Right Visor/Vanity Lamp . . . . .	8W-44-5
Headlamp Delay Module . . . . .	8W-44-6, 7	Transfer Case Switch Illumination . . .	8W-44-2, 3, 4
Headlamp Switch . . . . .	8W-44-2, 3, 4, 6, 7	Underhood Lamp/Mercury Switch . . . . .	8W-44-6, 7

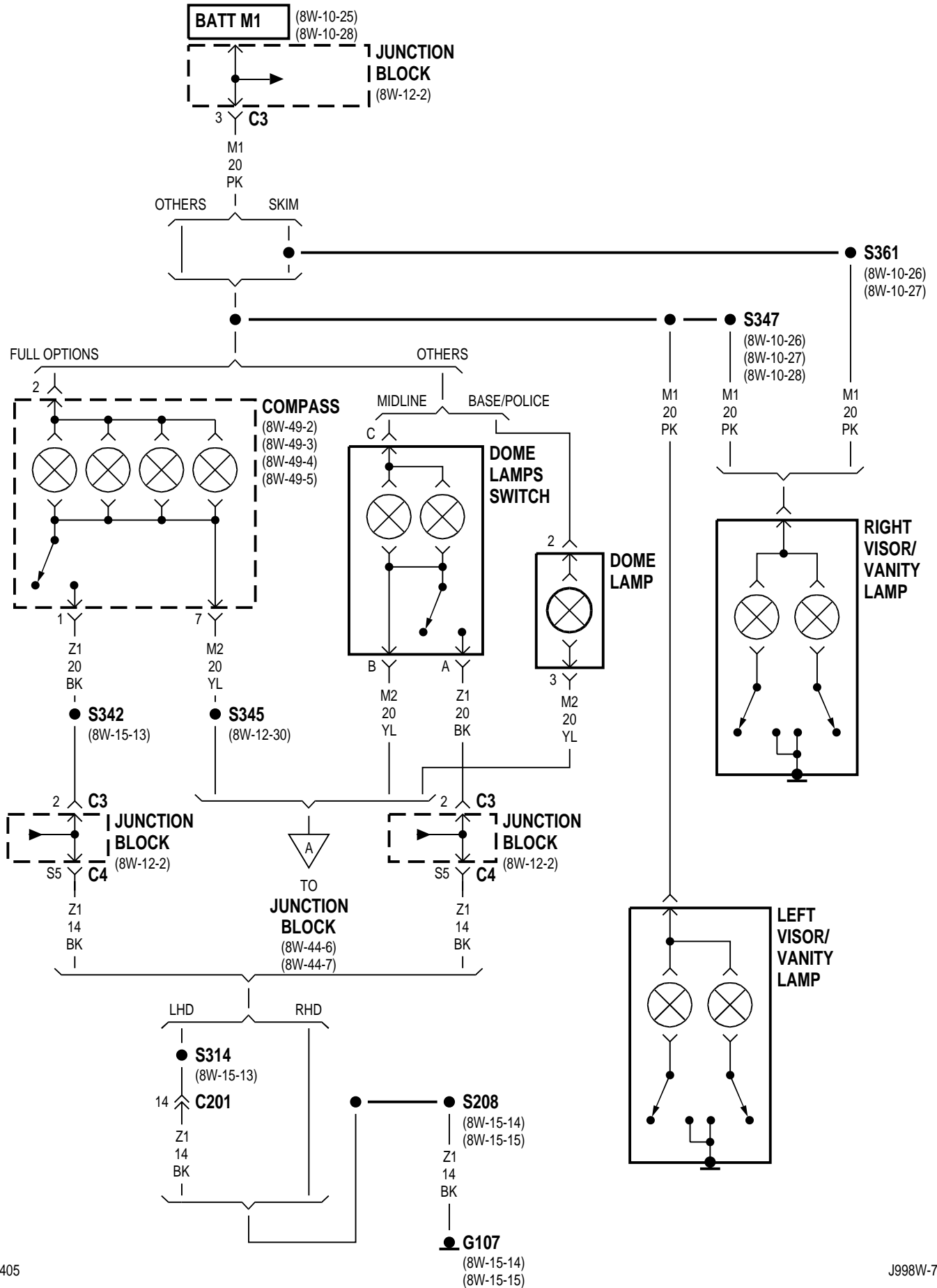


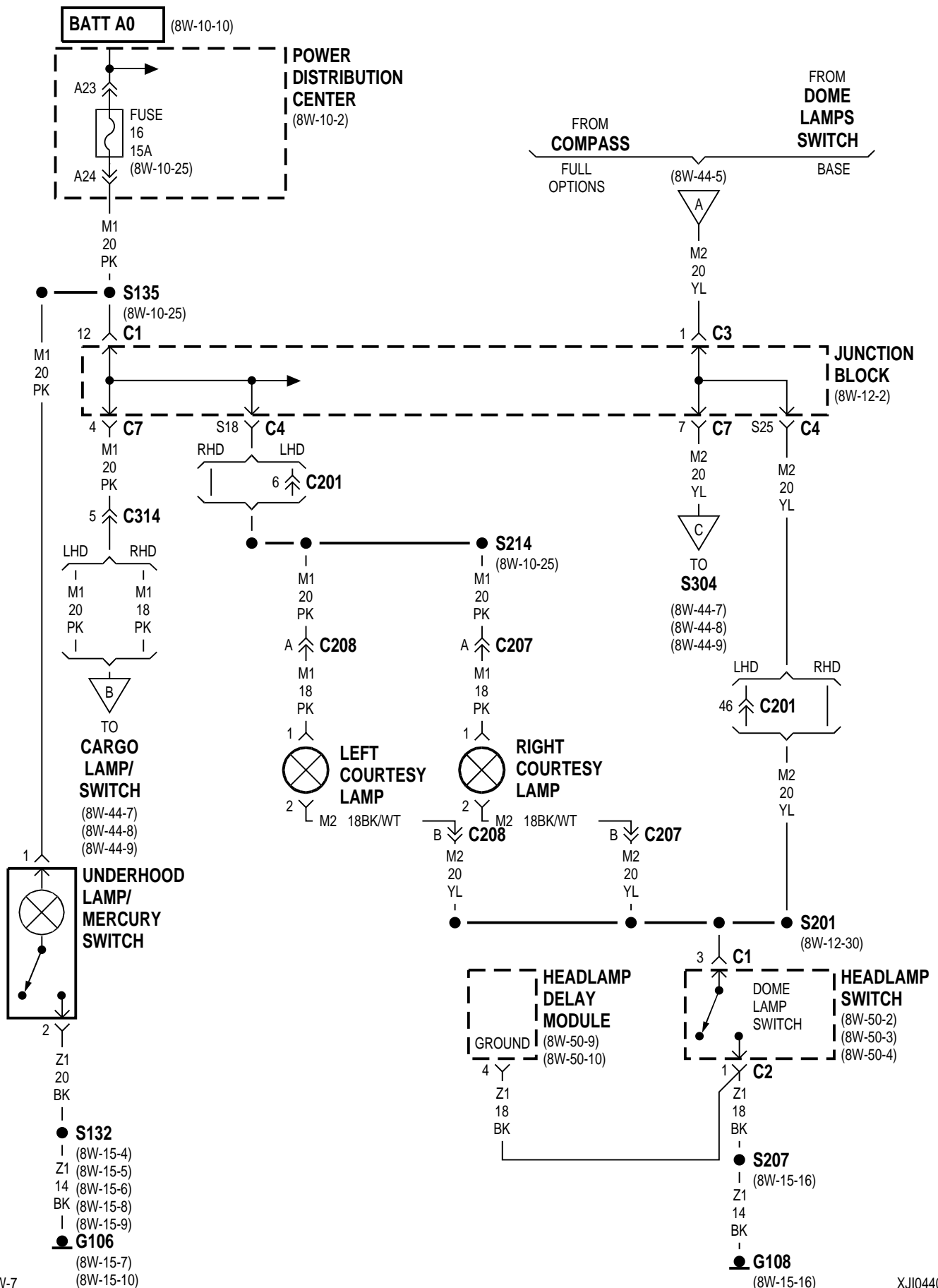


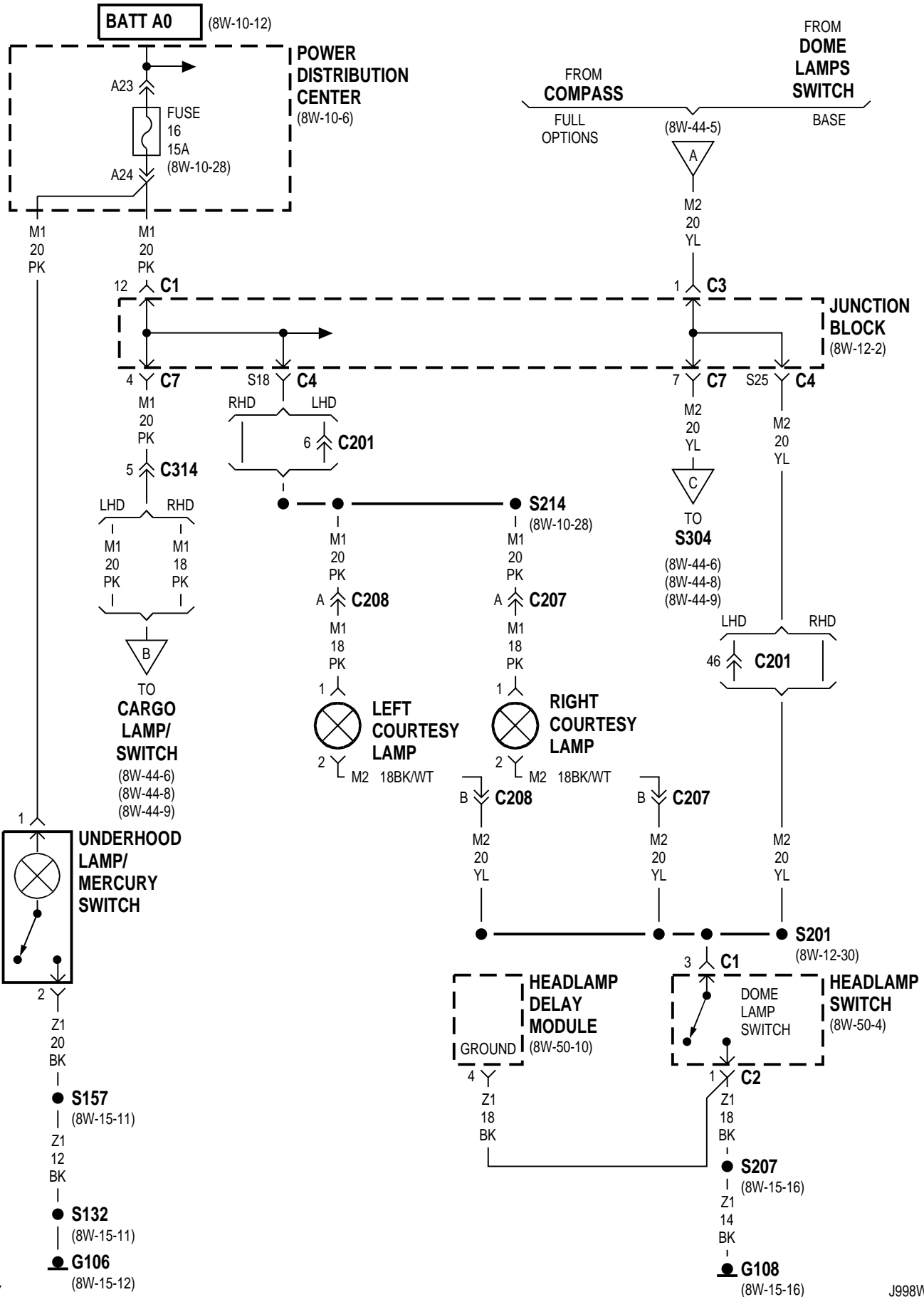
RHD

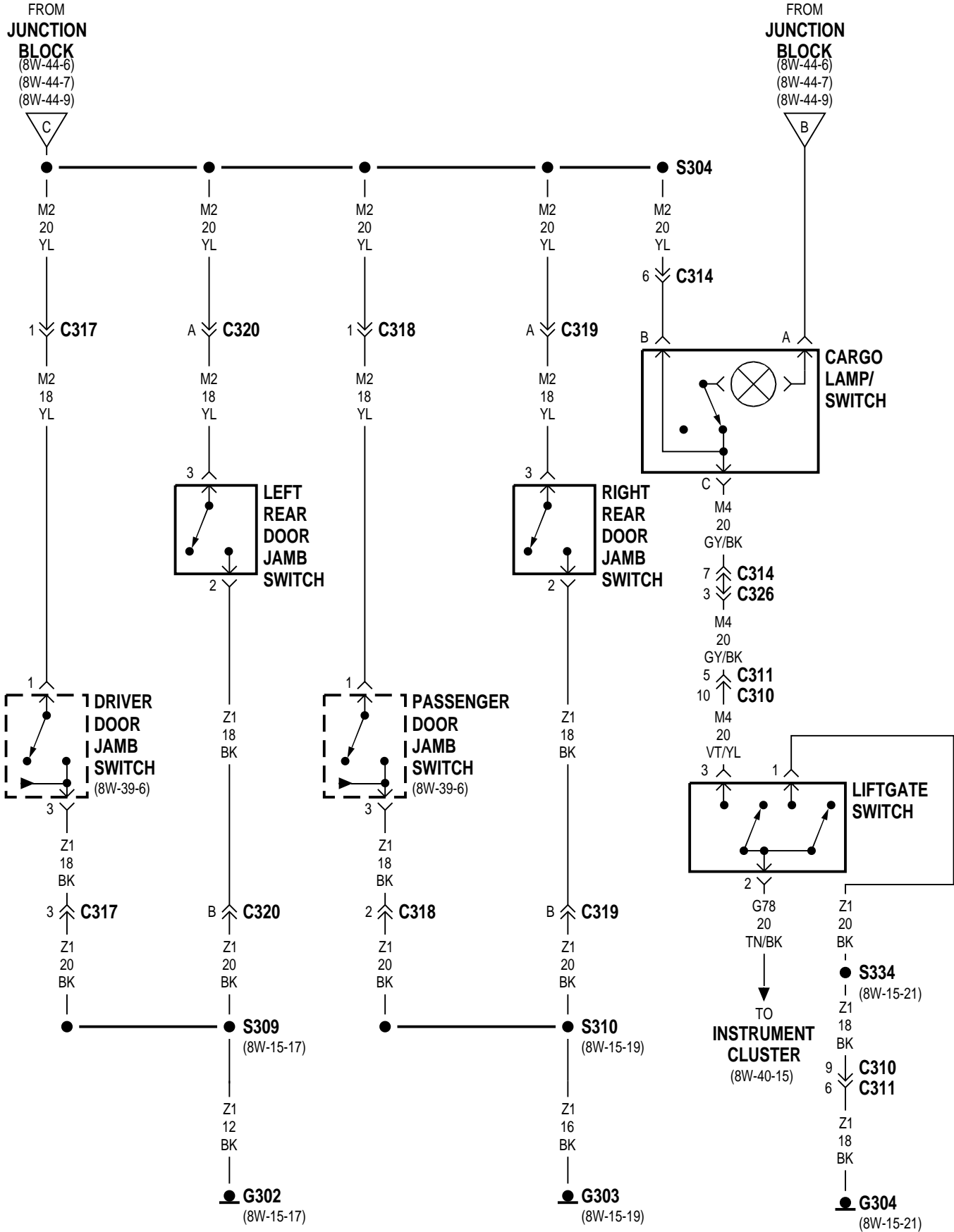




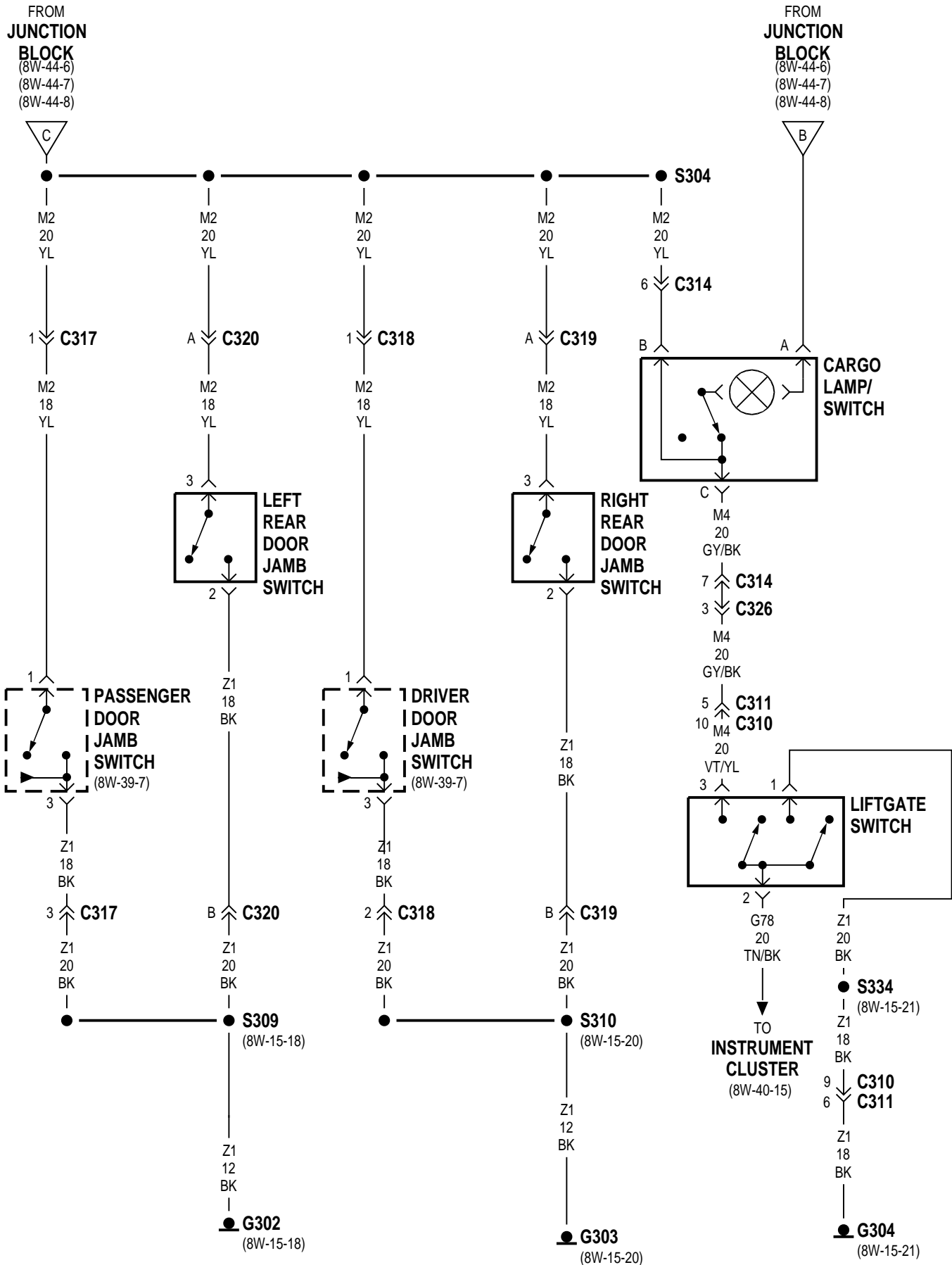








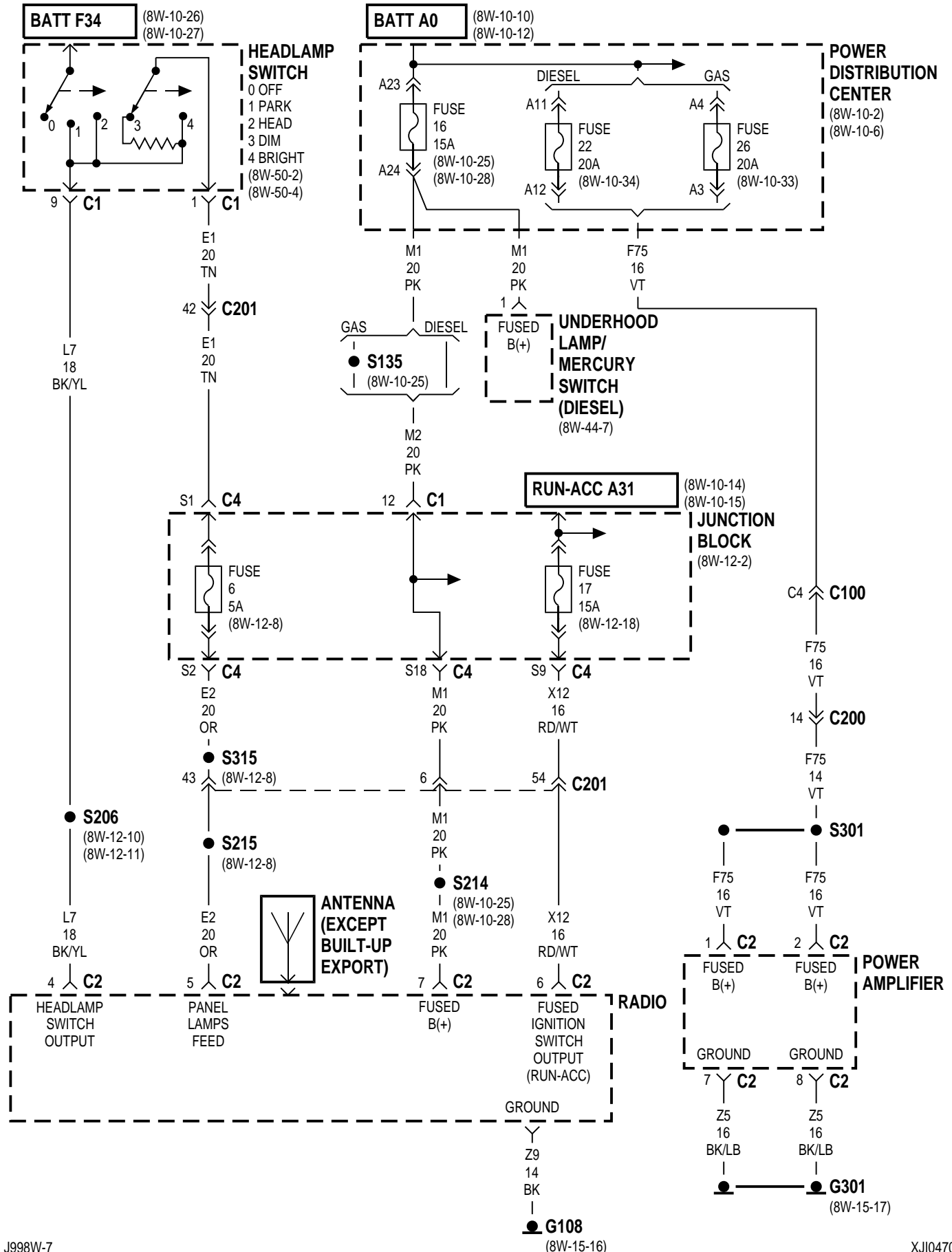
**XJ** ————— **8W-44 INTERIOR LIGHTING** ————— **8W - 44 - 9**  
**RHD**



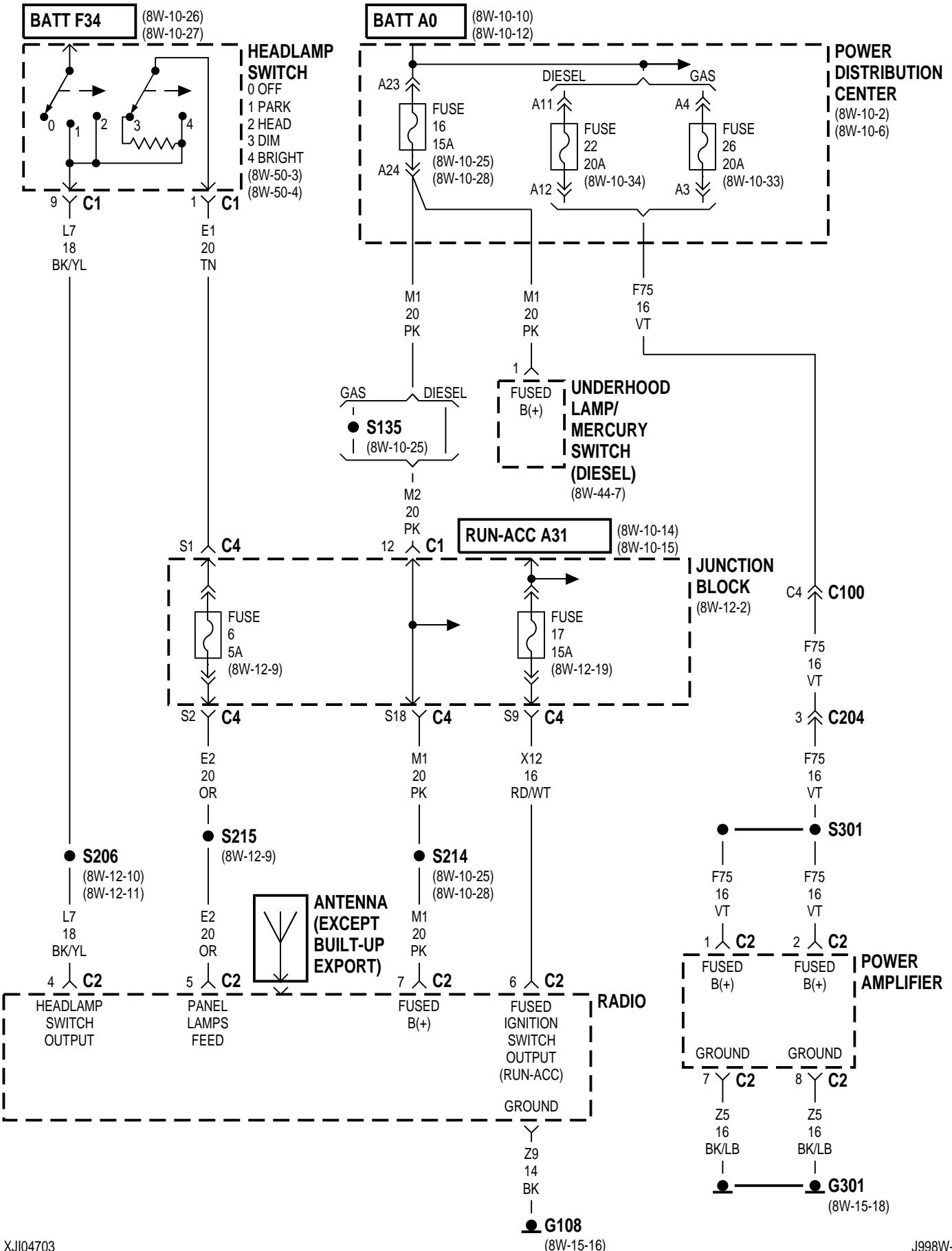


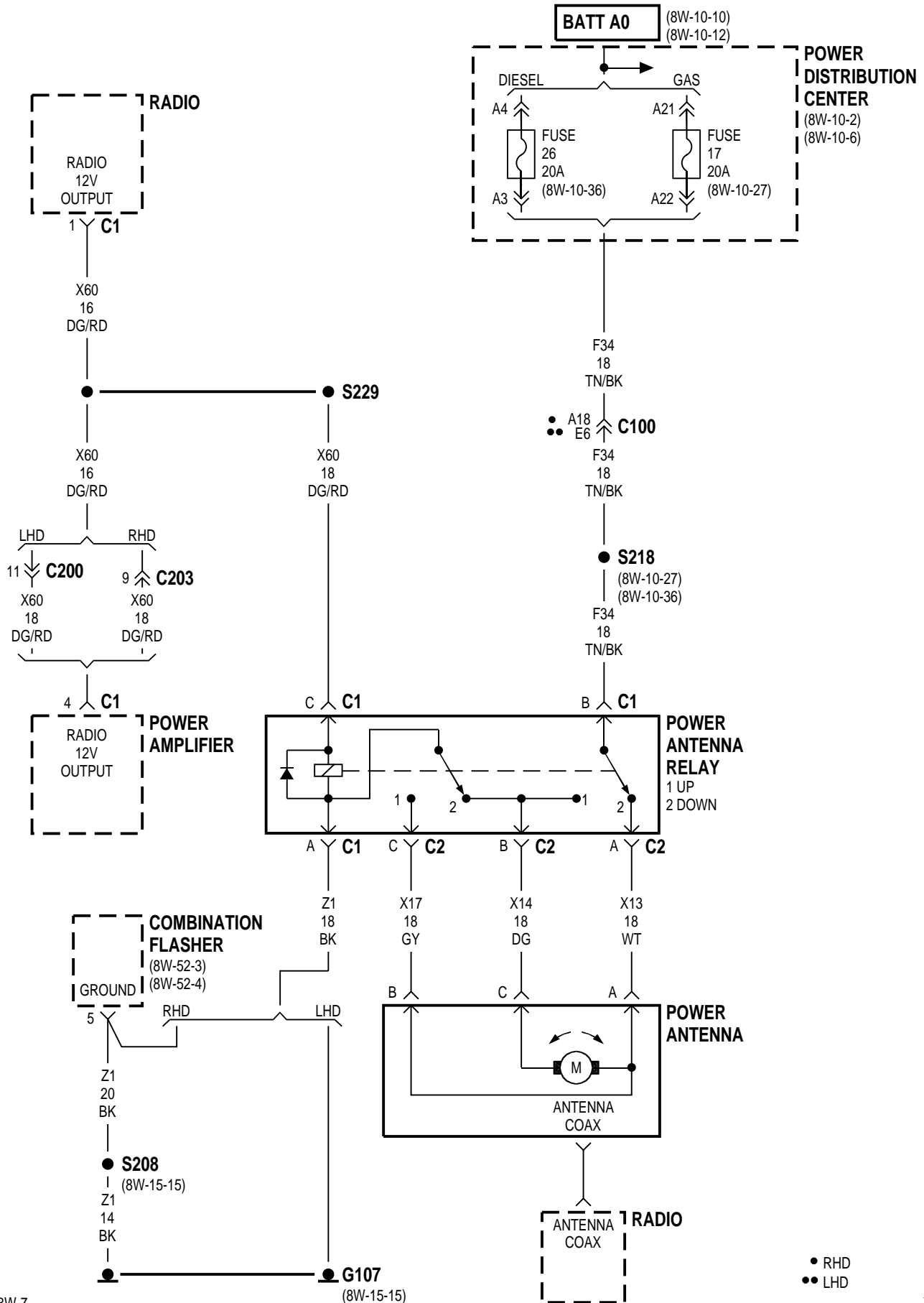
## 8W-47 AUDIO SYSTEM

<b>Component</b>	<b>Page</b>	<b>Component</b>	<b>Page</b>
Antenna . . . . .	8W-47-2, 3, 9, 10	Left Front Door Speaker . . . . .	8W-47-5, 6, 9, 10
Combination Flasher . . . . .	8W-47-4	Left Front Door Tweeter . . . . .	8W-47-5, 6
Fuse 6 (JB) . . . . .	8W-47-2, 3, 9, 10	Left Soundbar Speaker . . . . .	8W-47-5, 6, 11
Fuse 16 (PDC) . . . . .	8W-47-2, 3	Power Amplifier . . . . .	8W-47-2, 3, 4, 5, 6, 7, 8
Fuse 17 (JB) . . . . .	8W-47-2, 3, 9, 10	Power Antenna . . . . .	8W-47-4
Fuse 17 (PDC) . . . . .	8W-47-4	Power Antenna Relay . . . . .	8W-47-4
Fuse 22 (PDC) . . . . .	8W-47-2, 3	Power Distribution Center . . . . .	8W-47-2, 3, 4
Fuse 26 (PDC) . . . . .	8W-47-2, 3, 4	Radio . . . . .	8W-47-2, 3, 4, 5, 6, 7, 8, 9, 10, 11
G107 . . . . .	8W-47-4	Right Front Door Speaker . . . . .	8W-47-7, 8, 9, 10
G108 . . . . .	8W-47-2, 3, 9, 10	Right Front Door Tweeter . . . . .	8W-47-7, 8
G301 . . . . .	8W-47-2, 3	Right Soundbar Speaker . . . . .	8W-47-7, 8, 11
Headlamp Switch . . . . .	8W-47-2, 3, 9, 10	Underhood Lamp/Mercury Switch . . . . .	8W-47-2, 3
Junction Block . . . . .	8W-47-2, 3, 9, 10		

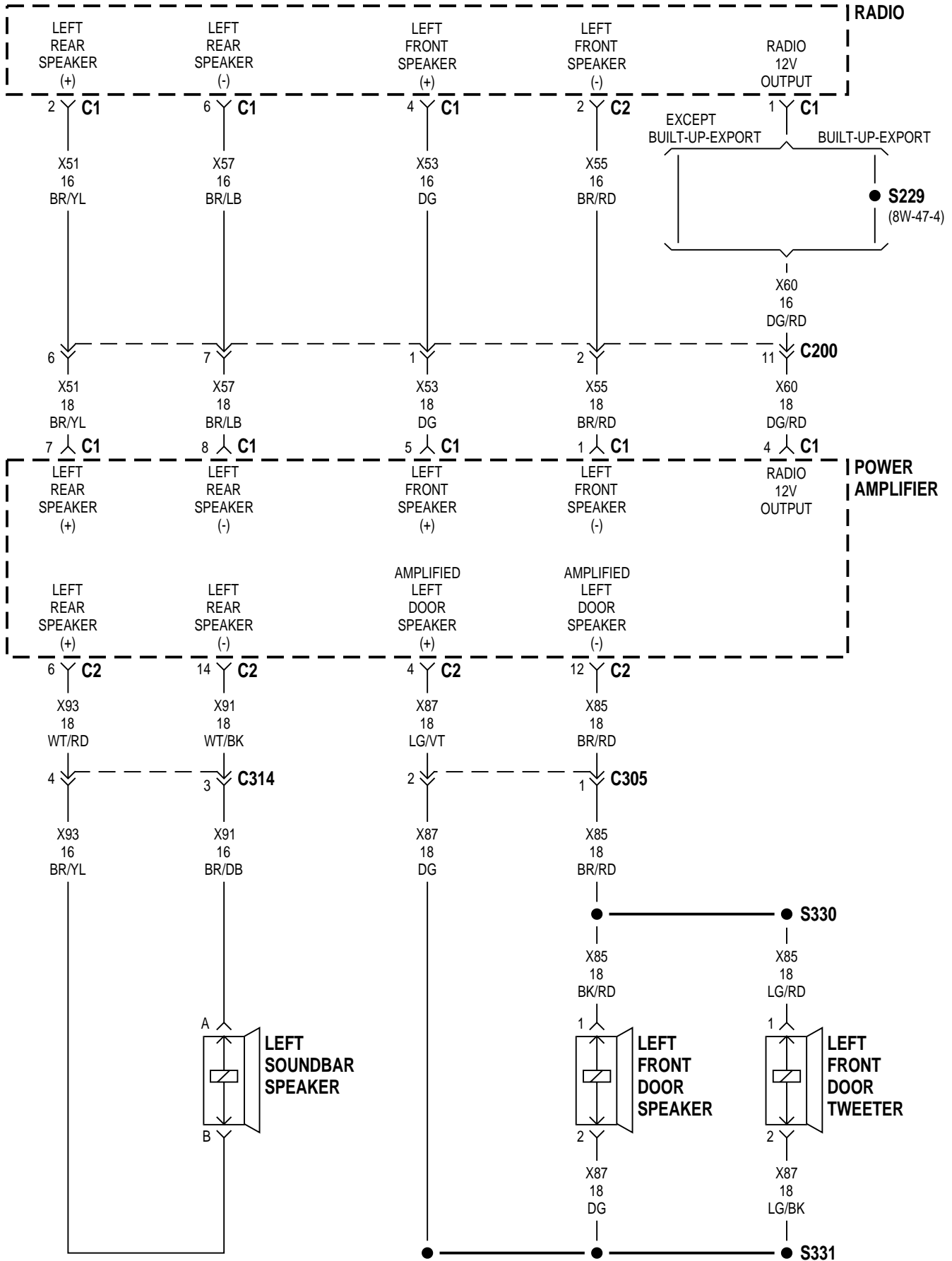


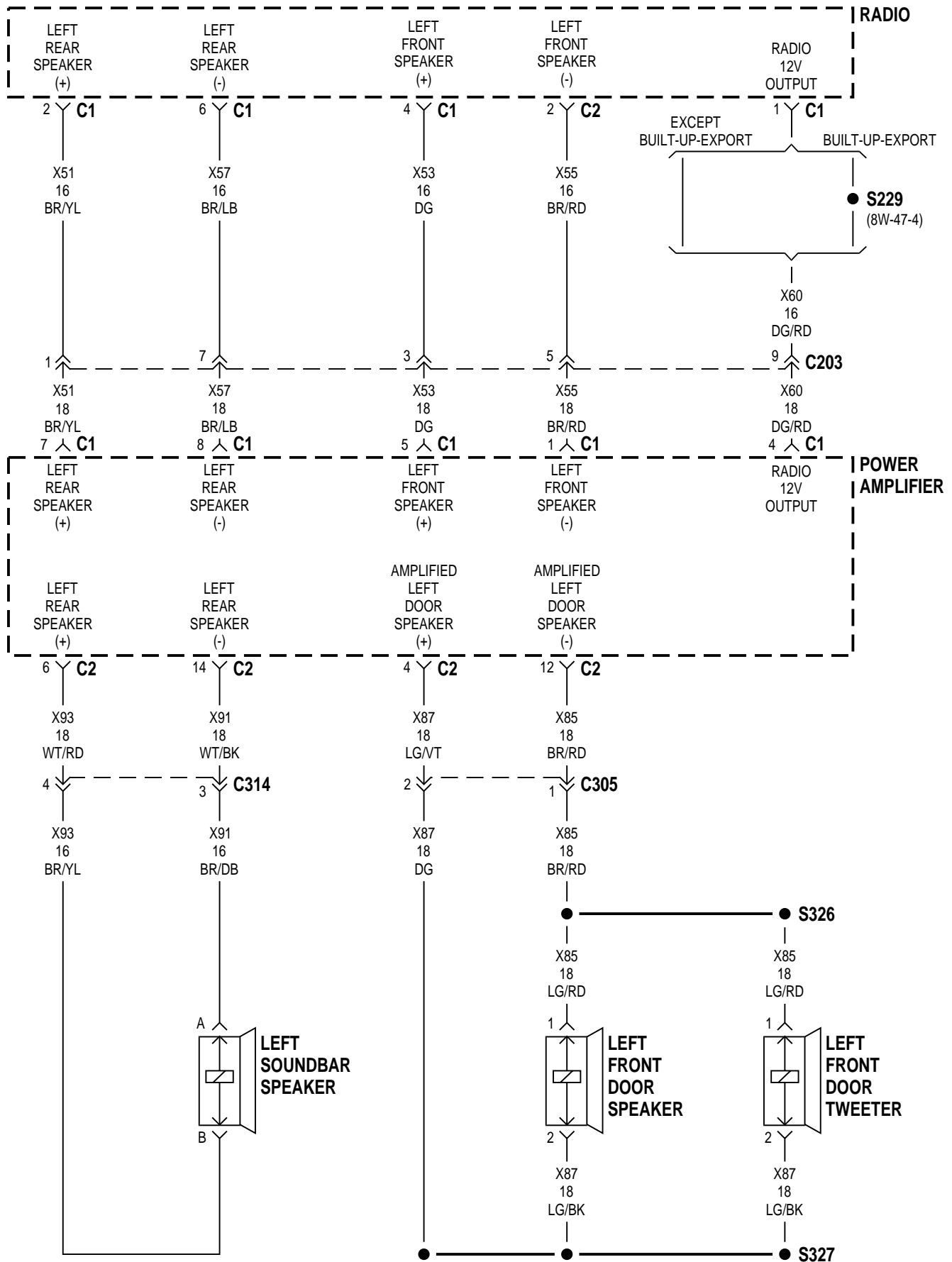


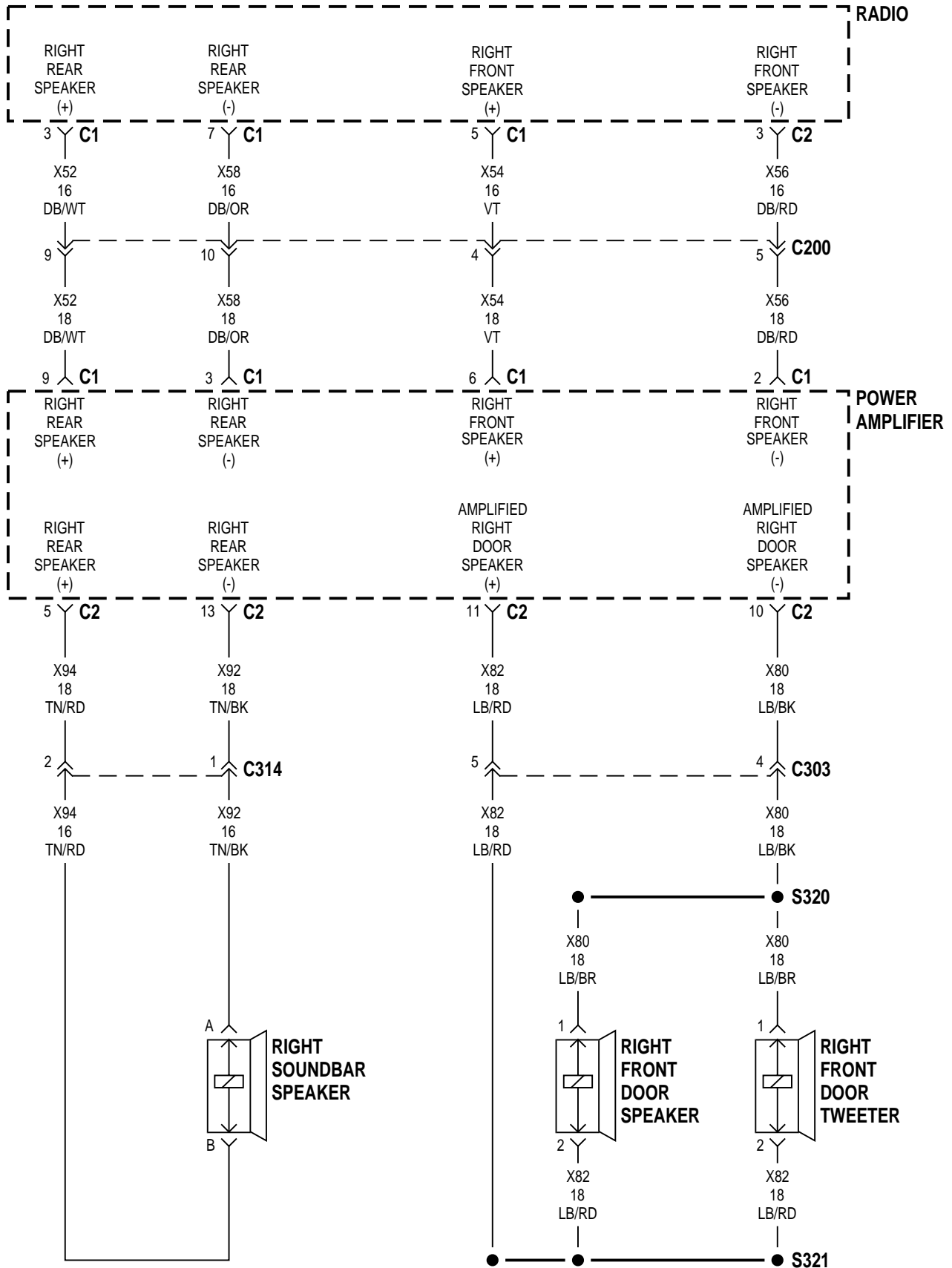


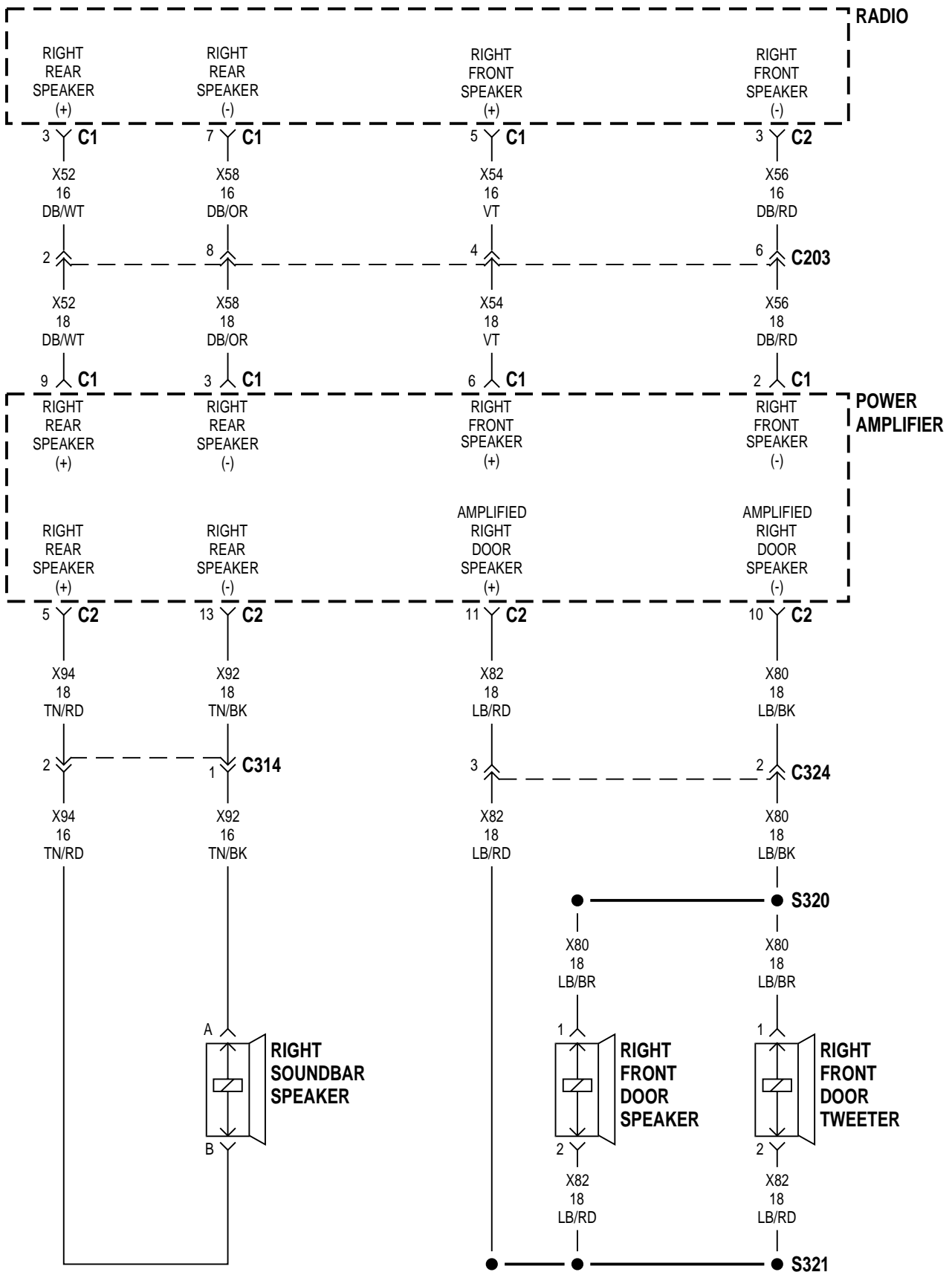


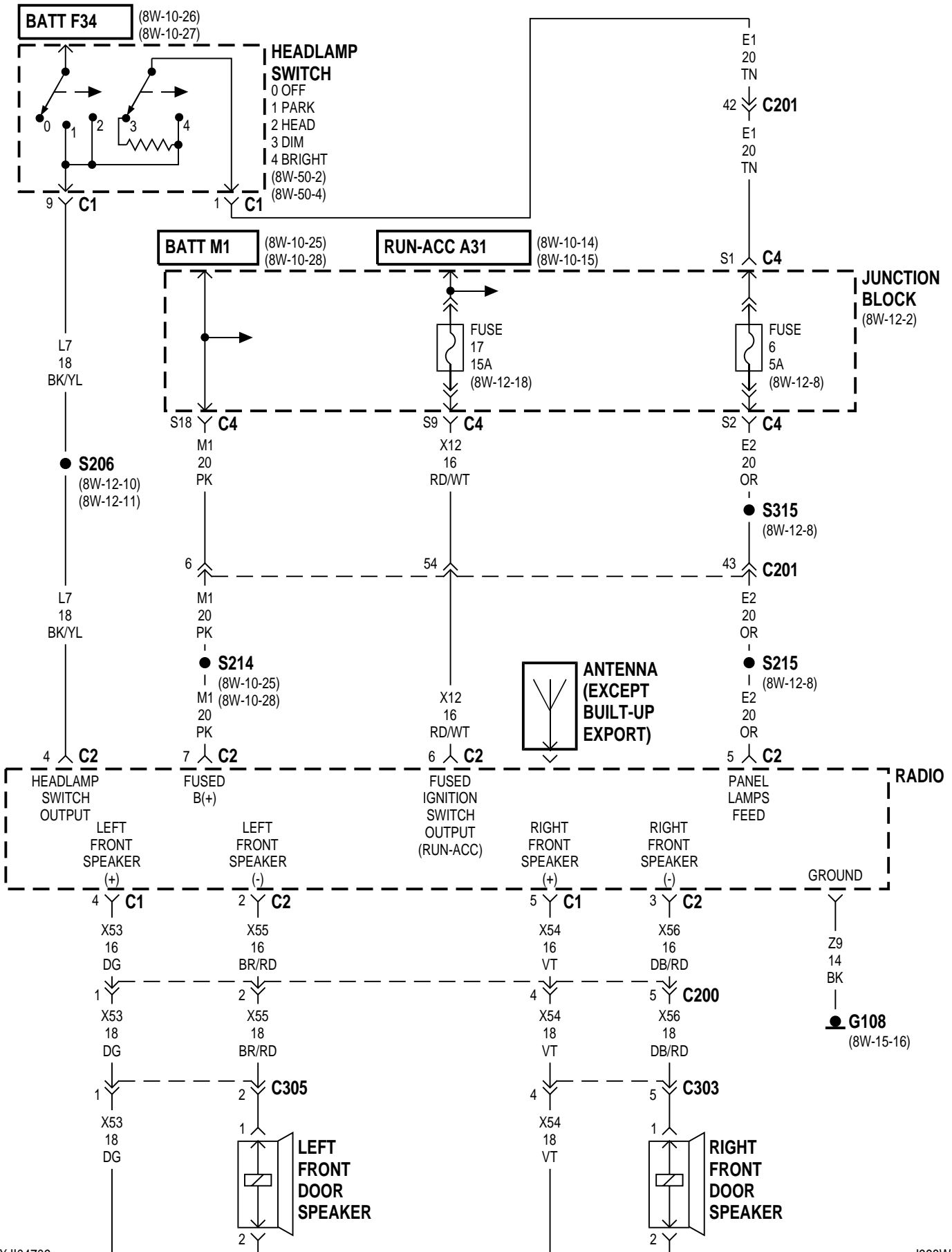
**XJ** **8W-47 AUDIO SYSTEM** **8W - 47 - 5**  
**LHD 6 SPEAKER SYSTEM**

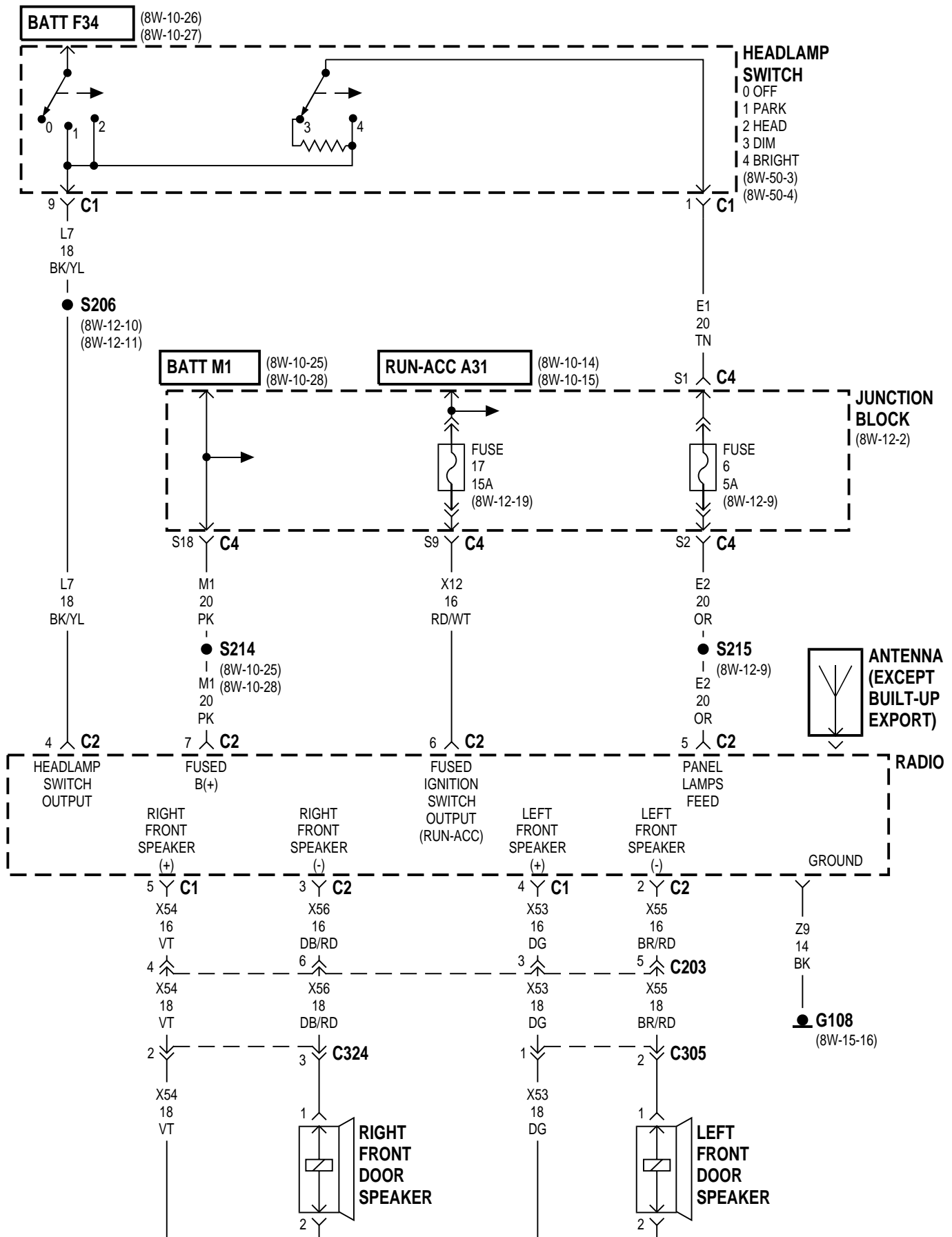




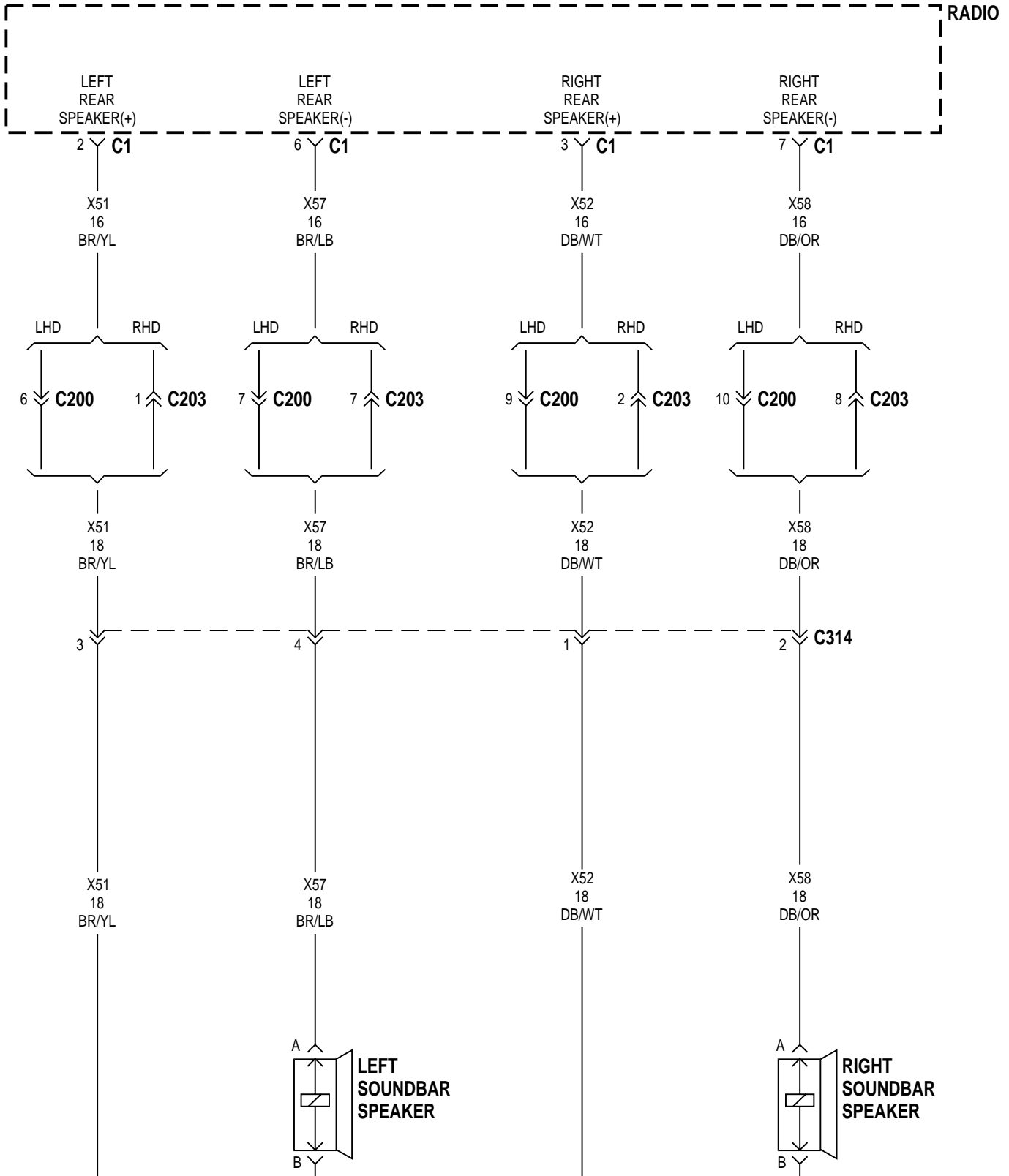










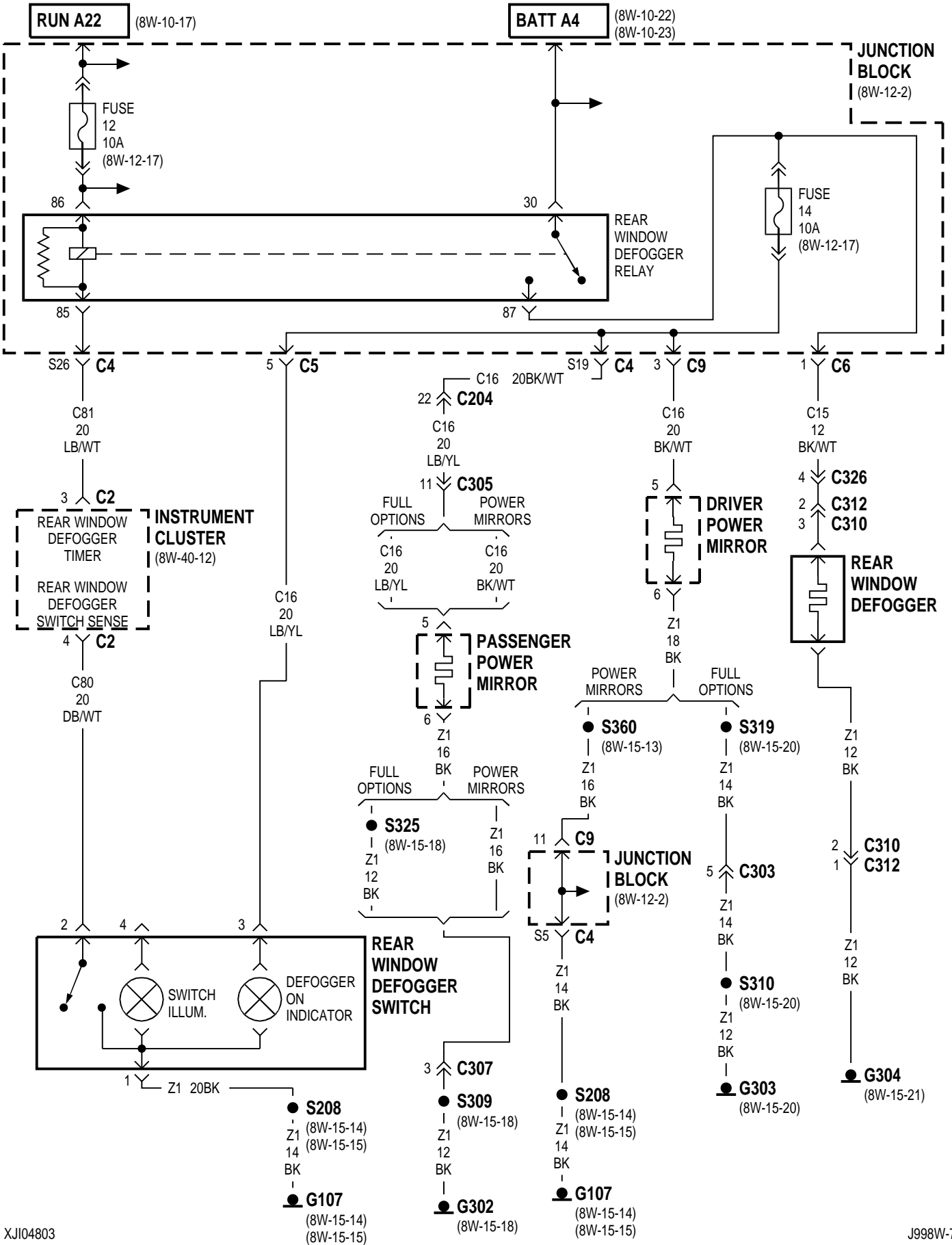




## 8W-48 REAR WINDOW DEFOGGER

<b>Component</b>	<b>Page</b>	<b>Component</b>	<b>Page</b>
Driver Power Mirror .....	8W-48-2, 3	Instrument Cluster .....	8W-48-2, 3
Fuse 12 (JB) .....	8W-48-2, 3	Junction Block .....	8W-48-2, 3
Fuse 14 (JB) .....	8W-48-2, 3	Passenger Power Mirror .....	8W-48-2, 3
G107 .....	8W-48-2, 3	Rear Window Defogger .....	8W-48-2, 3
G302 .....	8W-48-2, 3	Rear Window Defogger Relay .....	8W-48-2, 3
G303 .....	8W-48-3	Rear Window Defogger Switch .....	8W-48-2, 3
G304 .....	8W-48-2, 3		



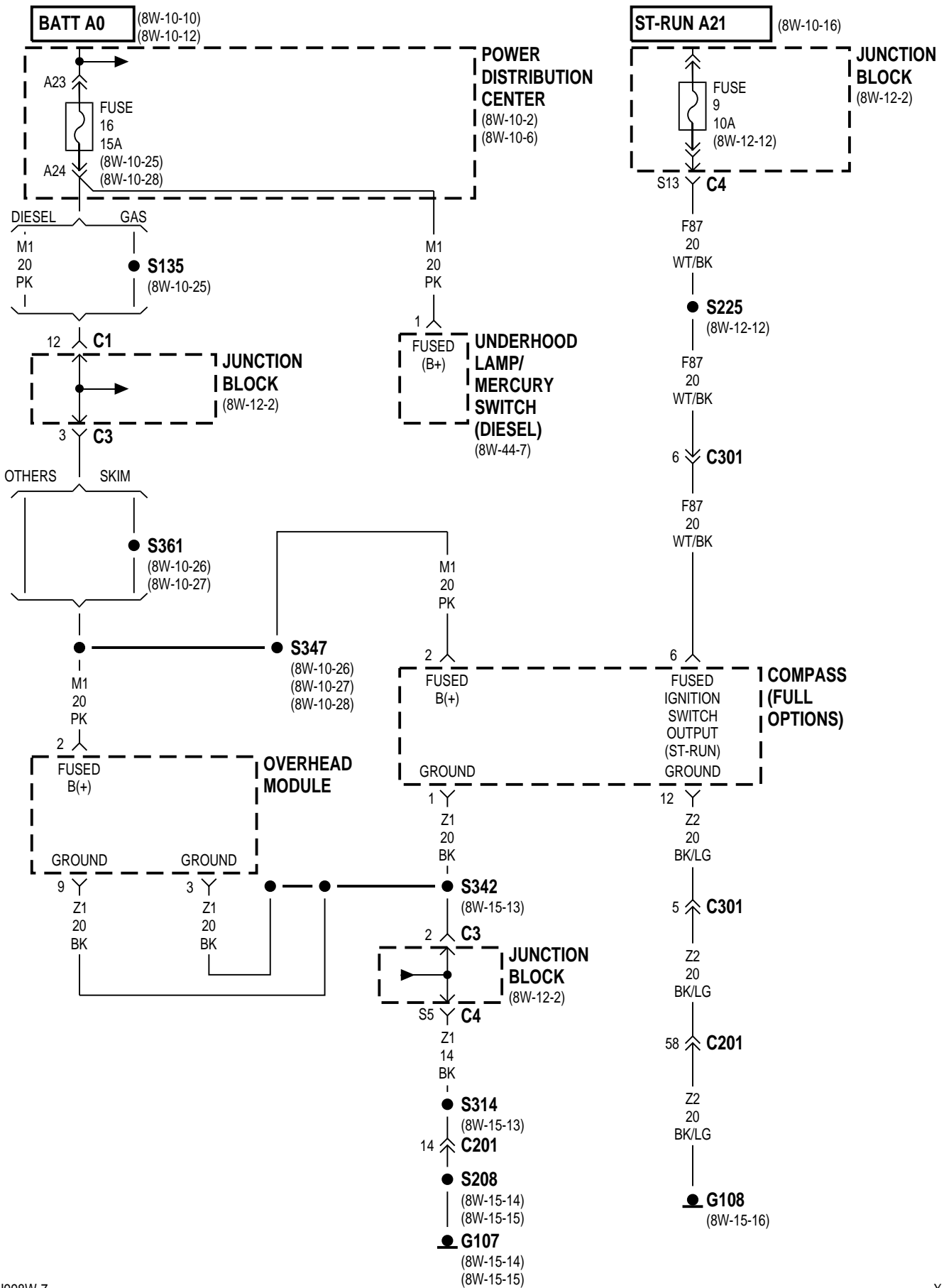




## 8W-49 OVERHEAD CONSOLE

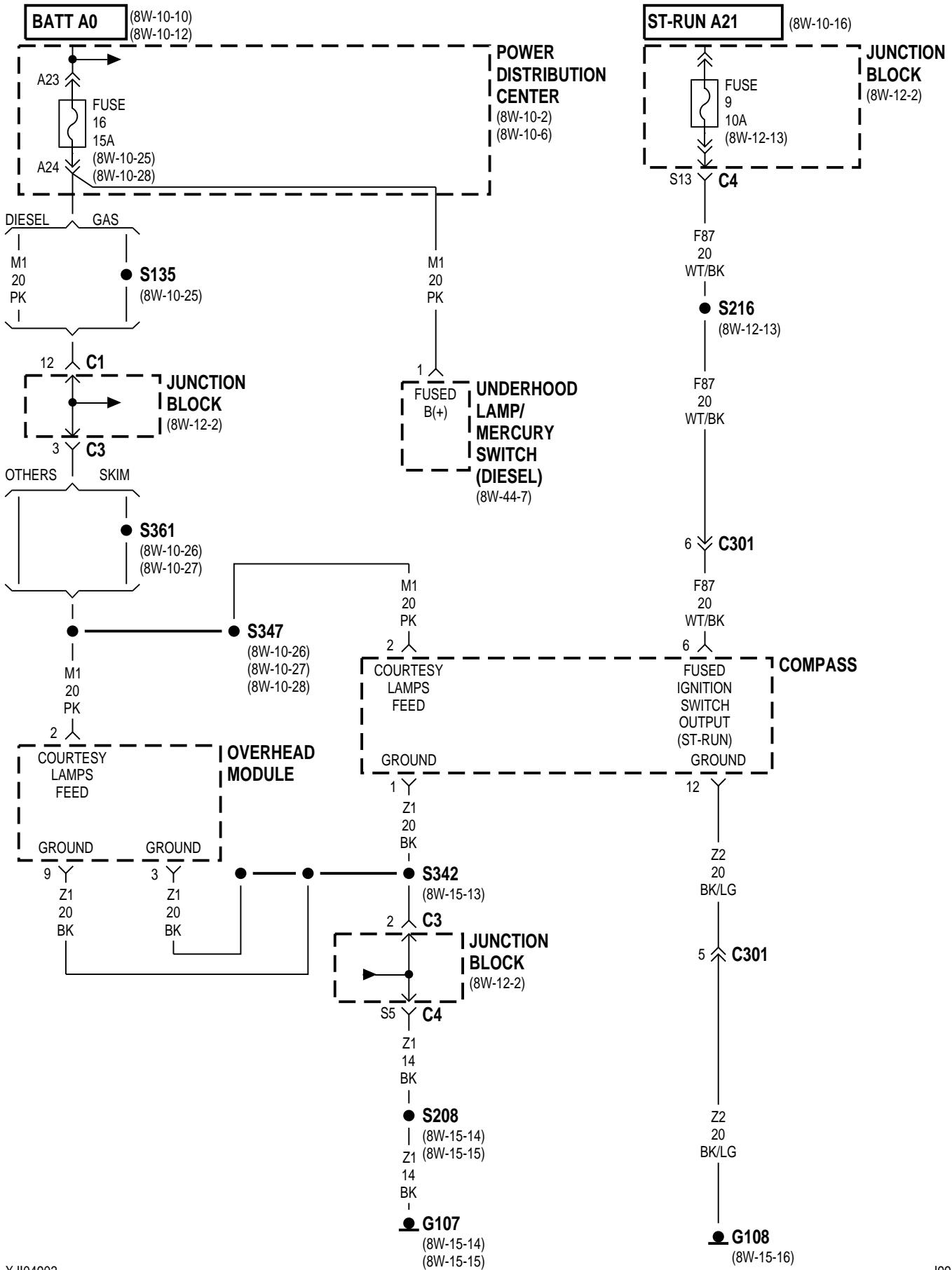
<b>Component</b>	<b>Page</b>	<b>Component</b>	<b>Page</b>
Ambient Air Temperature Sensor . . . . .	8W-49-4, 5	G108 . . . . .	8W-49-2, 3
Compass . . . . .	8W-49-2, 3, 4, 5, 6	Horn Relay . . . . .	8W-49-4, 5
Data Link Connector . . . . .	8W-49-6	Junction Block . . . . .	8W-49-2, 3, 4, 5
Driver Door Jamb Switch . . . . .	8W-49-4, 5	Overhead Module . . . . .	8W-49-2, 3, 4, 5, 6
Fuse 9 (JB) . . . . .	8W-49-2, 3	Passenger Power Lock/Window Switch . .	8W-49-4, 5
Fuse 16 (PDC) . . . . .	8W-49-2, 3	Power Distribution Center . . . . .	8W-49-2, 3
G107 . . . . .	8W-49-2, 3	Underhood Lamp/Mercury Switch . . . . .	8W-49-2, 3

LHD

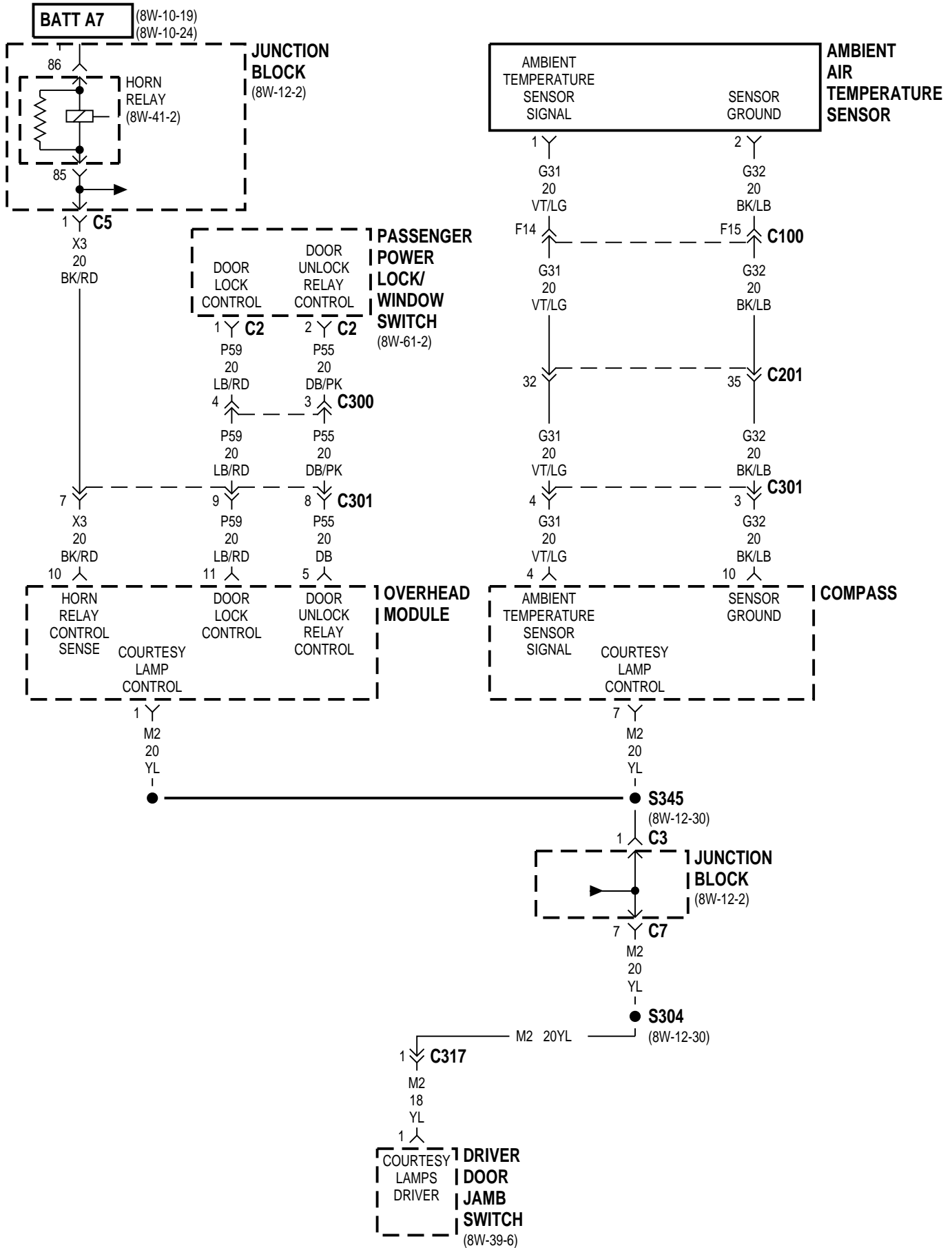


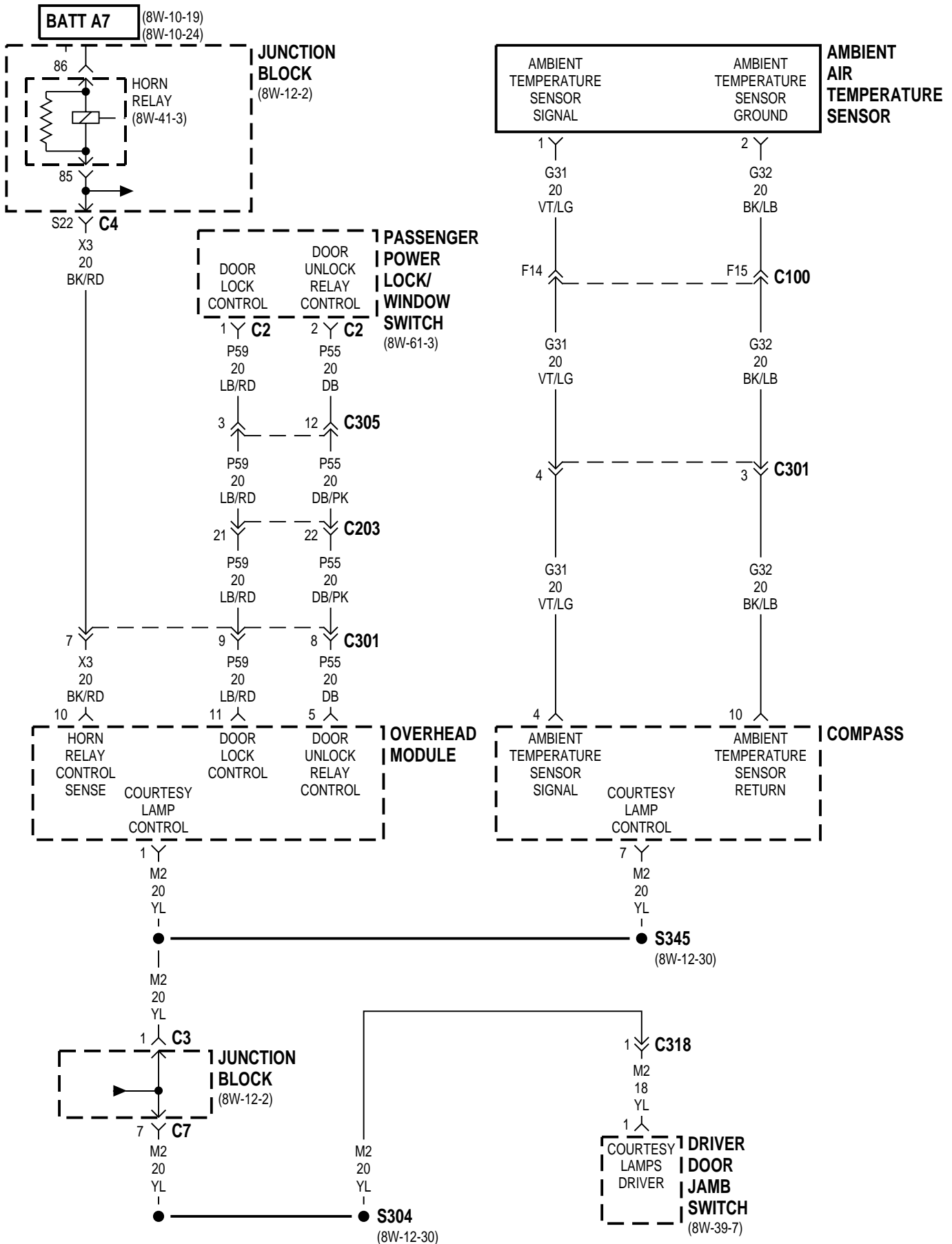


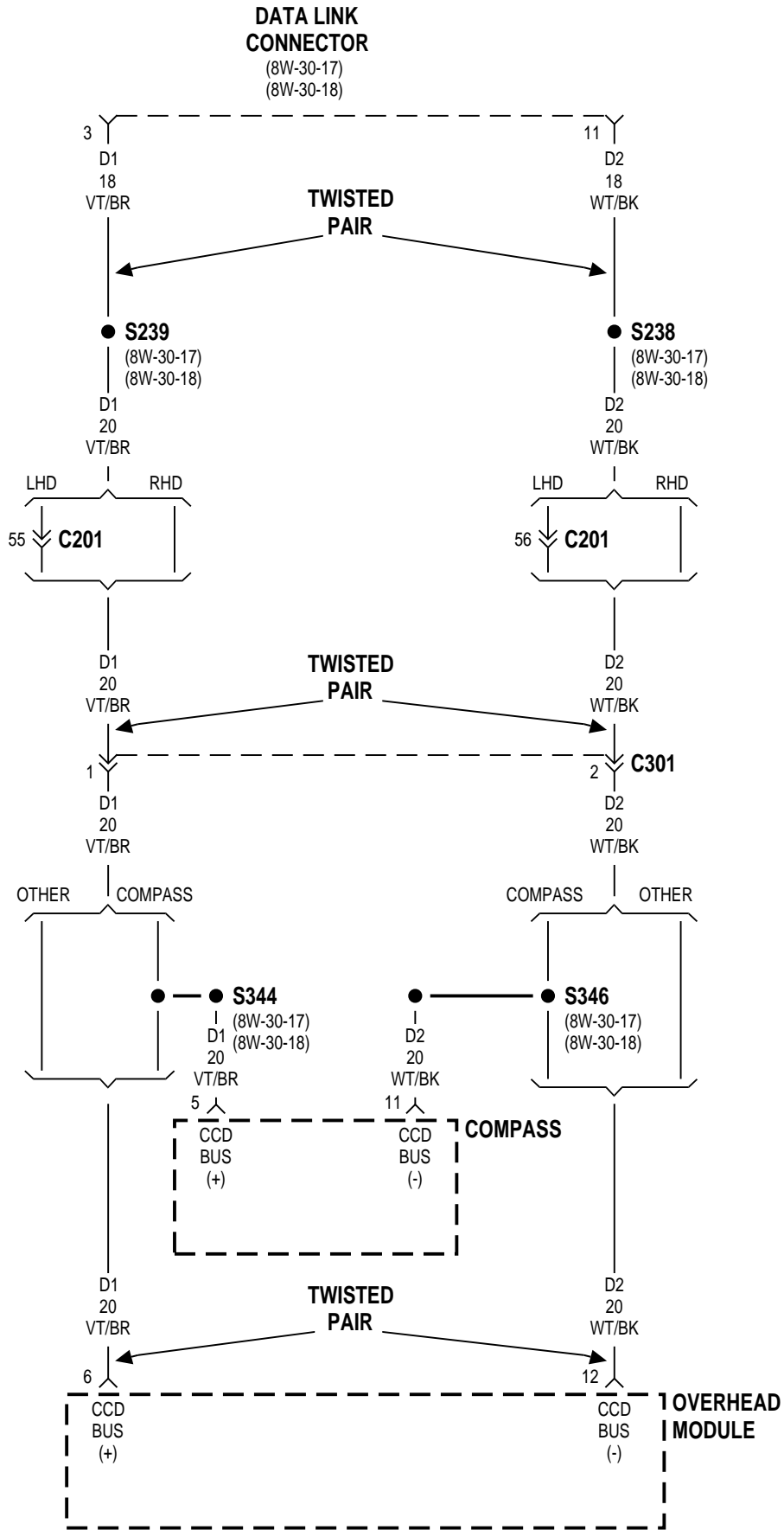
**XJ** **8W-49 OVERHEAD CONSOLE** **8W - 49 - 3**  
**RHD**



LHD





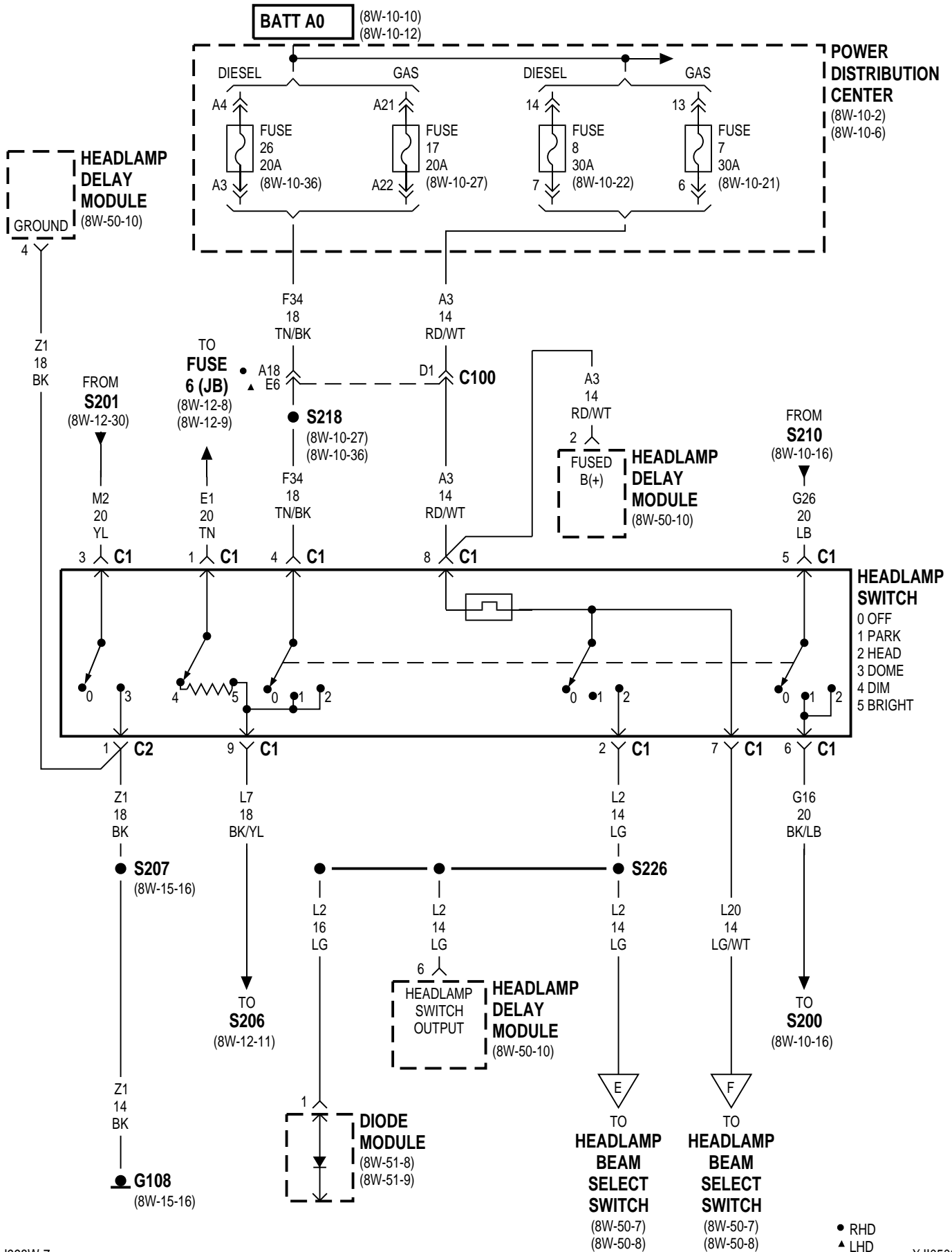


## 8W-50 FRONT LIGHTING

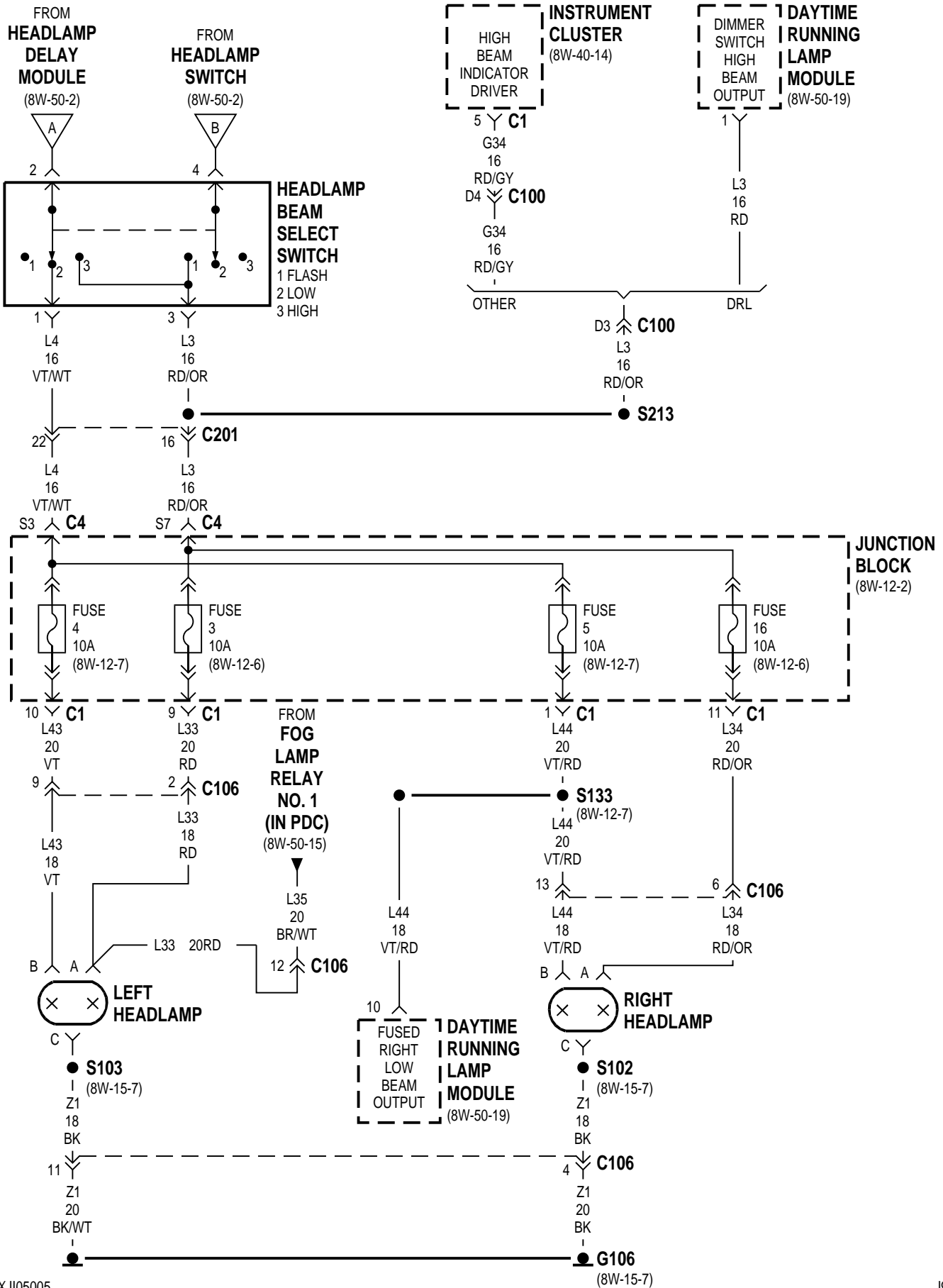
<b>Component</b>	<b>Page</b>	<b>Component</b>	<b>Page</b>
Controller Anti-Lock Brake Relay . . . . .	8W-50-18	Headlamp Switch . . . . .	8W-50-2, 3, 4, 9, 10, 11, 12, 13, 14, 15, 16, 17, 18
Data Link Connector . . . . .	8W-50-2	Instrument Cluster . . . . .	8W-50-5, 6, 7, 8, 16, 19
Daytime Running Lamp		Junction Block . . . . .	8W-50-5, 6, 7, 8, 9, 10, 11, 12, 13, 14, 15, 16, 17, 18, 19, 20
Module . . . . .	8W-50-2, 5, 9, 16, 19	Left City Lamp . . . . .	8W-50-12, 17, 18
Diode Module . . . . .	8W-50-4, 17	Left Fog Lamp . . . . .	8W-50-15, 16, 17, 18
Fog Lamp Relay . . . . .	8W-50-12, 17, 18	Left Front Park/Turn Signal Lamp No. 1 . . . . .	8W-50-11
Fog Lamp Relay No. 1 . . . . .	8W-50-5, 6, 11, 15, 16	Left Front Park/Turn Signal Lamp No. 2 . . . . .	8W-50-11
Fog Lamp Relay No. 2 . . . . .	8W-50-16, 19	Left Front Turn Signal Lamp No. 1 . . . . .	8W-50-12
Front Fog Lamp Switch . . . . .	8W-50-15, 16, 17, 18	Left Front Turn Signal Lamp No. 2 . . . . .	8W-50-12
Fuse 3 (JB) . . . . .	8W-50-5, 6, 7, 8, 15, 19	Left Headlamp . . . . .	8W-50-5, 6, 7, 8, 15, 20
Fuse 4 (JB) . . . . .	8W-50-5, 6, 7, 8, 20	Left Headlamp Leveling Motor . . . . .	8W-50-20
Fuse 5 (JB) . . . . .	8W-50-5, 6, 7, 8, 20	Left Repeater Lamp . . . . .	8W-50-12
Fuse 6 (JB) . . . . .	8W-50-2, 3, 4	Left Side Marker Lamp . . . . .	8W-50-11
Fuse 7 (JB) . . . . .	8W-50-11, 12, 15, 16, 17, 18	Power Distribution Center . . . . .	8W-50-2, 3, 4, 9, 10, 15, 16, 17, 18, 19
Fuse 7 (PDC) . . . . .	8W-50-2, 3, 4, 9, 10, 19	Right City Lamp . . . . .	8W-50-14
Fuse 8 (PDC) . . . . .	8W-50-4, 10	Right Fog Lamp . . . . .	8W-50-15, 16, 17, 18
Fuse 9 (JB) . . . . .	8W-50-9, 10	Right Front Park/Turn Signal Lamp No. 1 . . . . .	8W-50-13
Fuse 10 (JB) . . . . .	8W-50-19	Right Front Park/Turn Signal Lamp No. 2 . . . . .	8W-50-13
Fuse 16 (JB) . . . . .	8W-50-5, 6, 7, 8, 19	Right Front Turn Signal Lamp No. 1 . . . . .	8W-50-14
Fuse 17 (PDC) . . . . .	8W-50-2, 3, 4	Right Front Turn Signal Lamp No. 2 . . . . .	8W-50-14
Fuse 23 (JB) . . . . .	8W-50-13, 14	Right Headlamp . . . . .	8W-50-5, 6, 7, 8, 19, 20
Fuse 26 (PDC) . . . . .	8W-50-4	Right Headlamp Leveling Motor . . . . .	8W-50-20
G106 . . . . .	8W-50-5, 6, 7, 8, 11, 12, 13, 14, 15, 16, 17, 18, 19, 20	Right Repeater Lamp . . . . .	8W-50-14
G107 . . . . .	8W-50-16, 20	Right Side Marker Lamp . . . . .	8W-50-13
G108 . . . . .	8W-50-2, 3, 4, 9, 10	Turn Signal/Hazard Switch . . . . .	8W-50-11, 12, 13, 14
Headlamp Beam Select Switch . . . . .	8W-50-5, 6, 7, 8, 9, 10, 20	Vehicle Speed Sensor . . . . .	8W-50-19
Headlamp Delay Module . . . . .	8W-50-2, 3, 4, 9, 10		
Headlamp Leveling Switch . . . . .	8W-50-7, 8, 20		

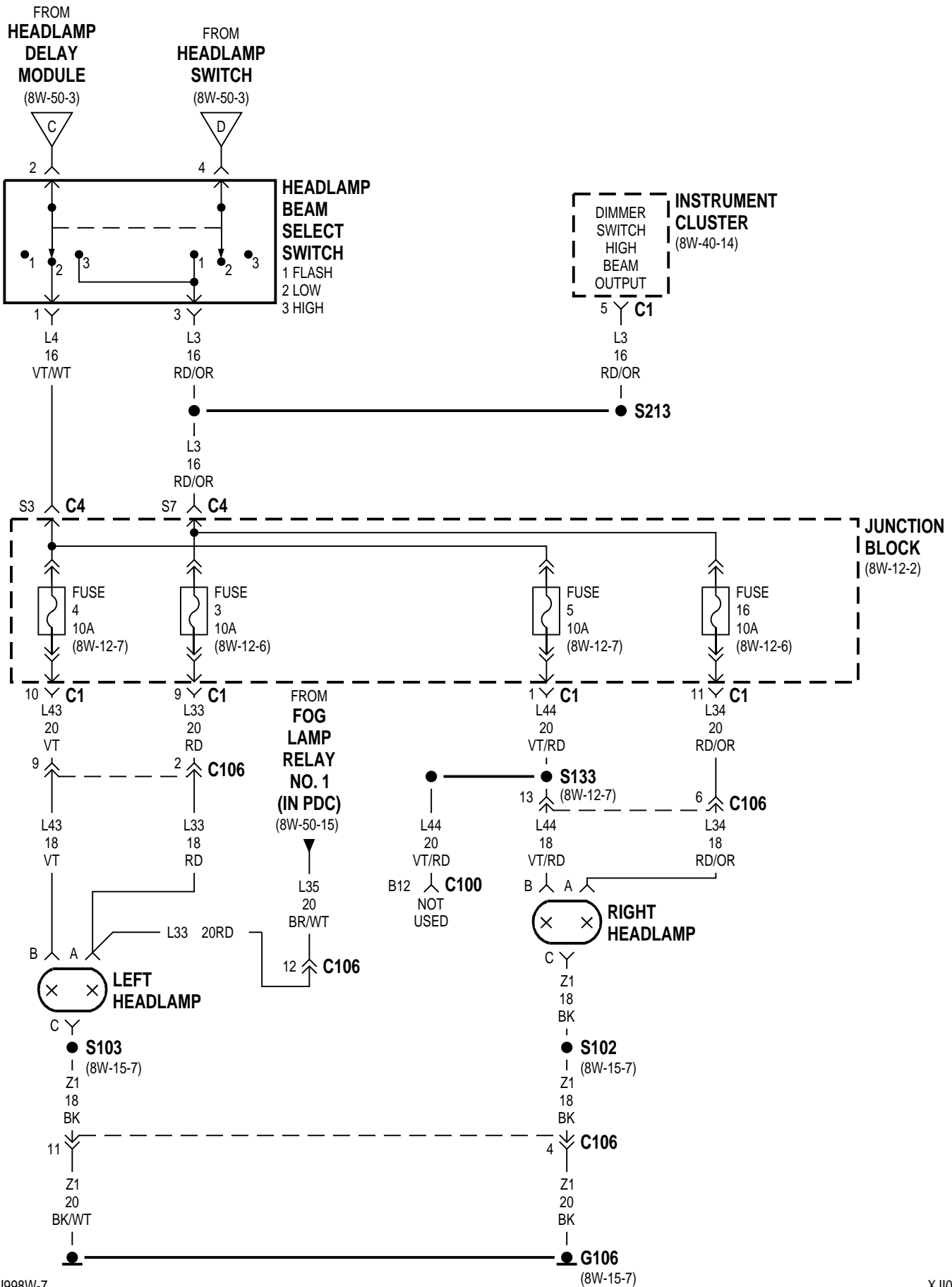


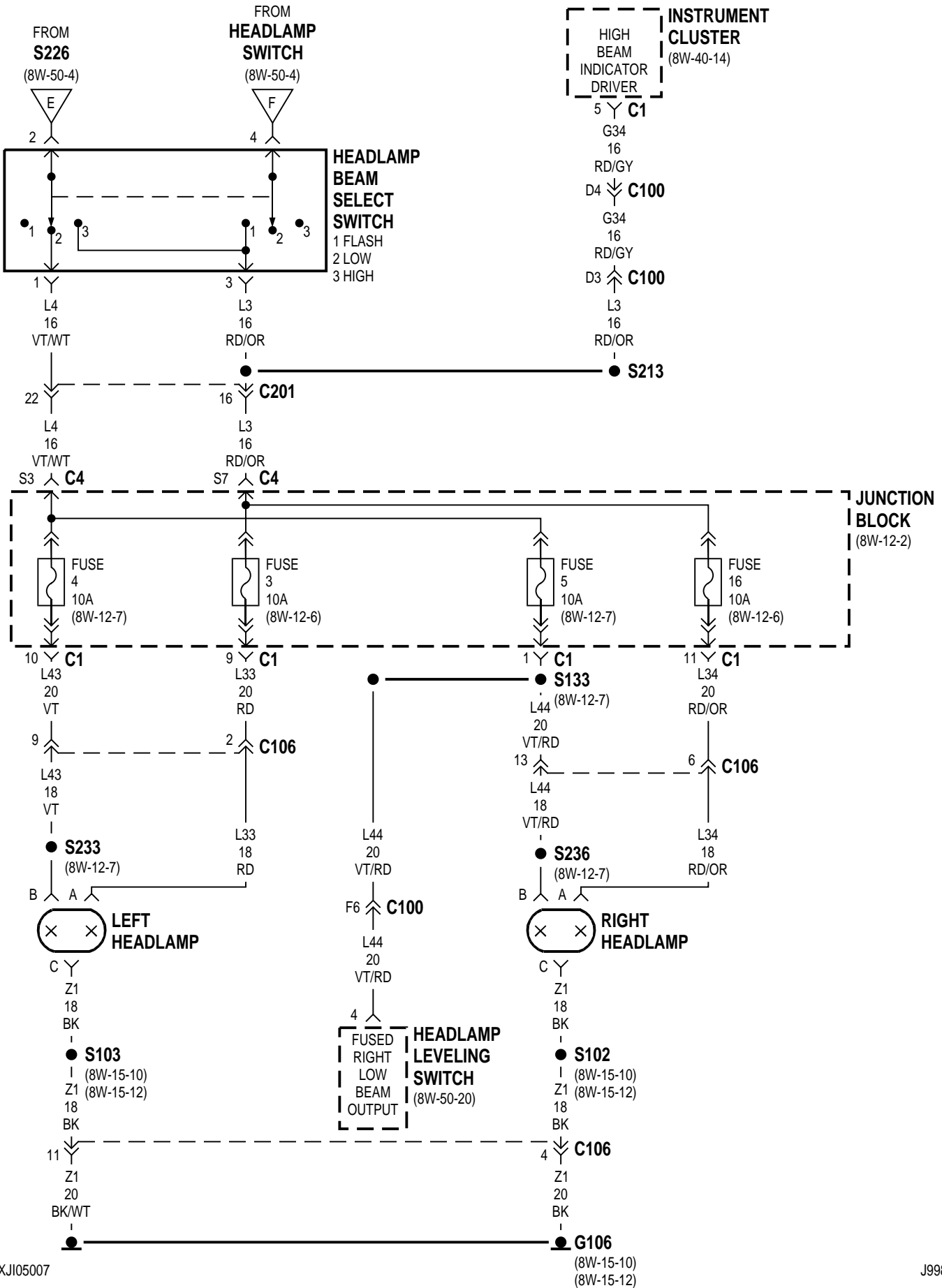


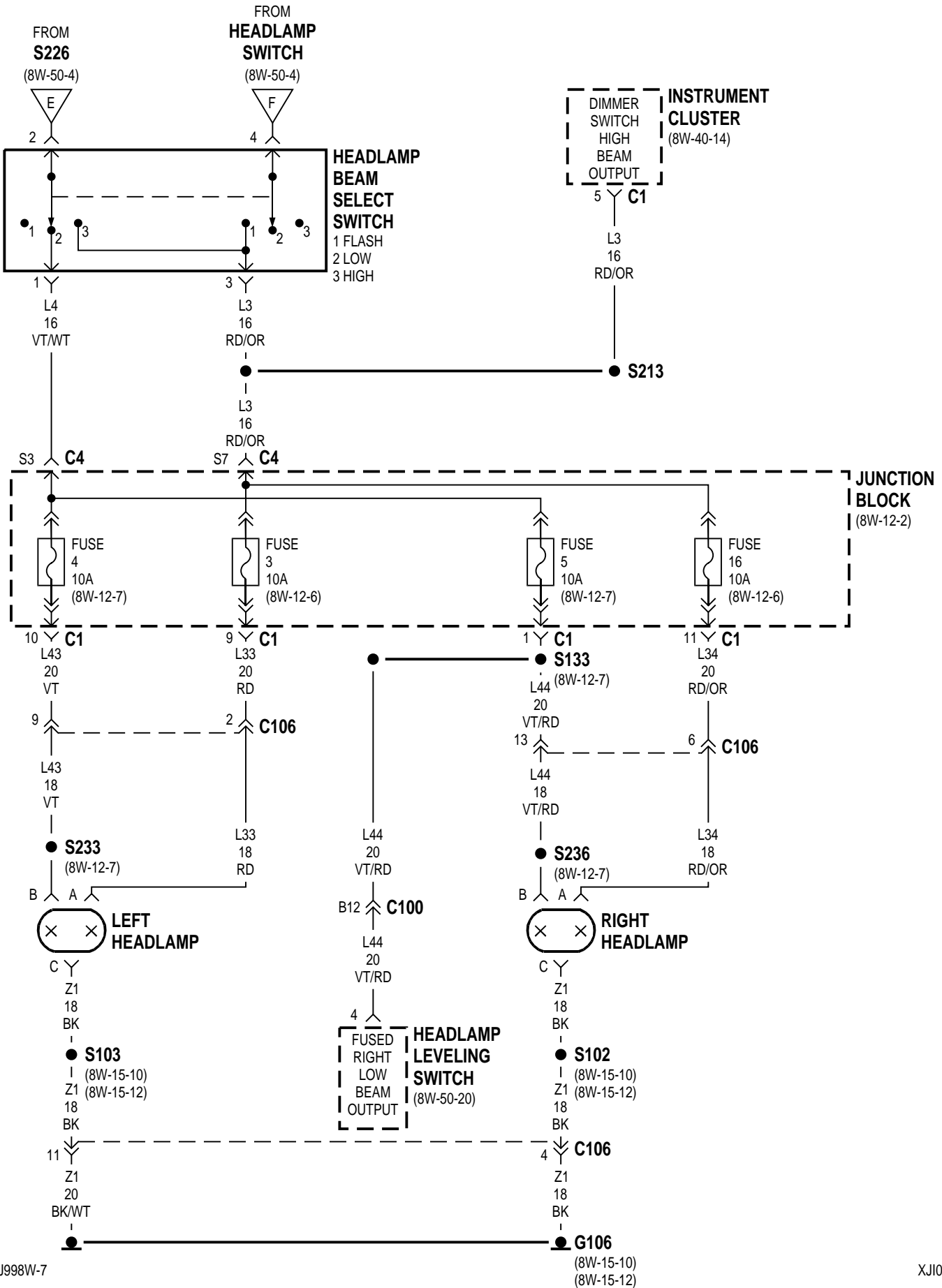




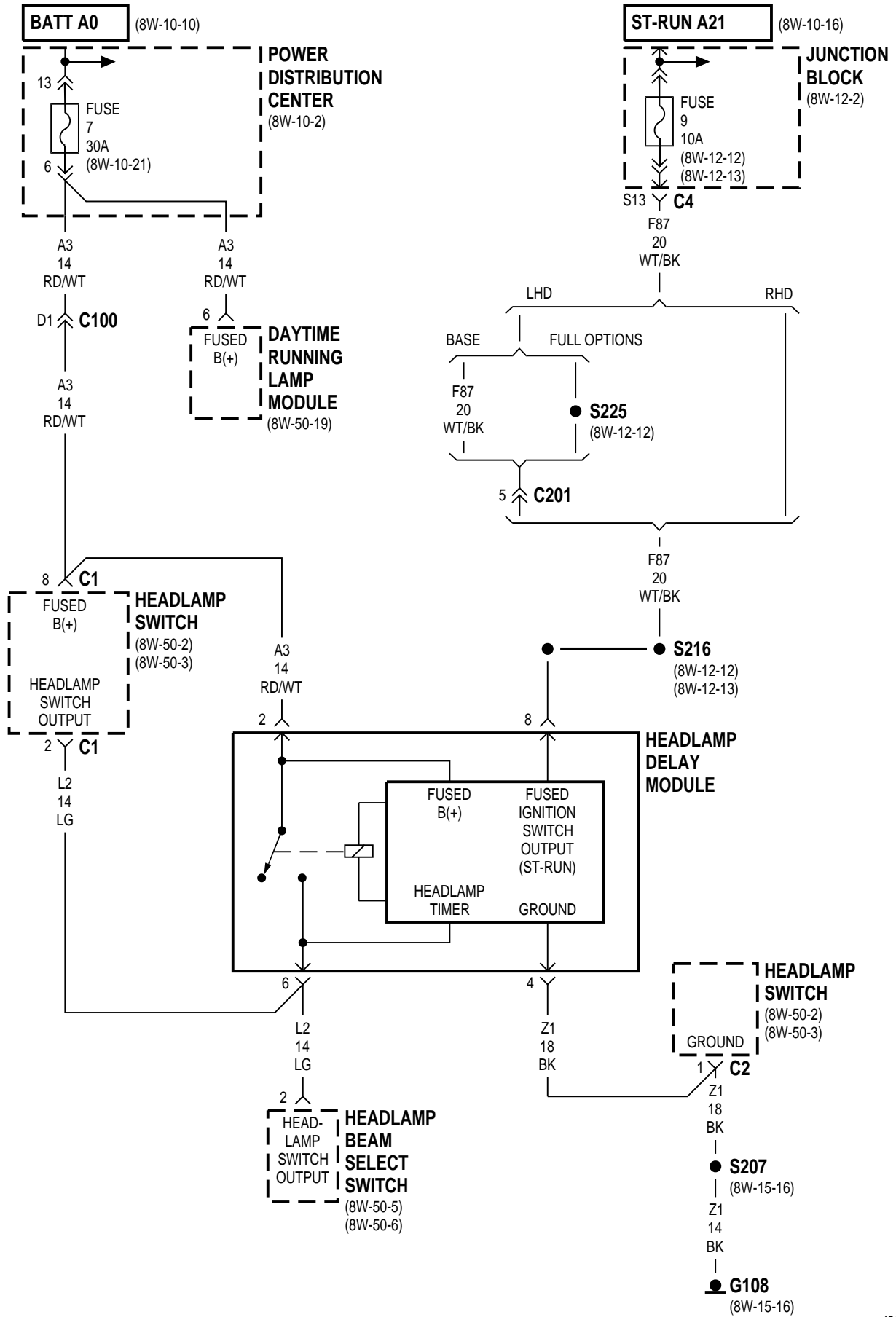


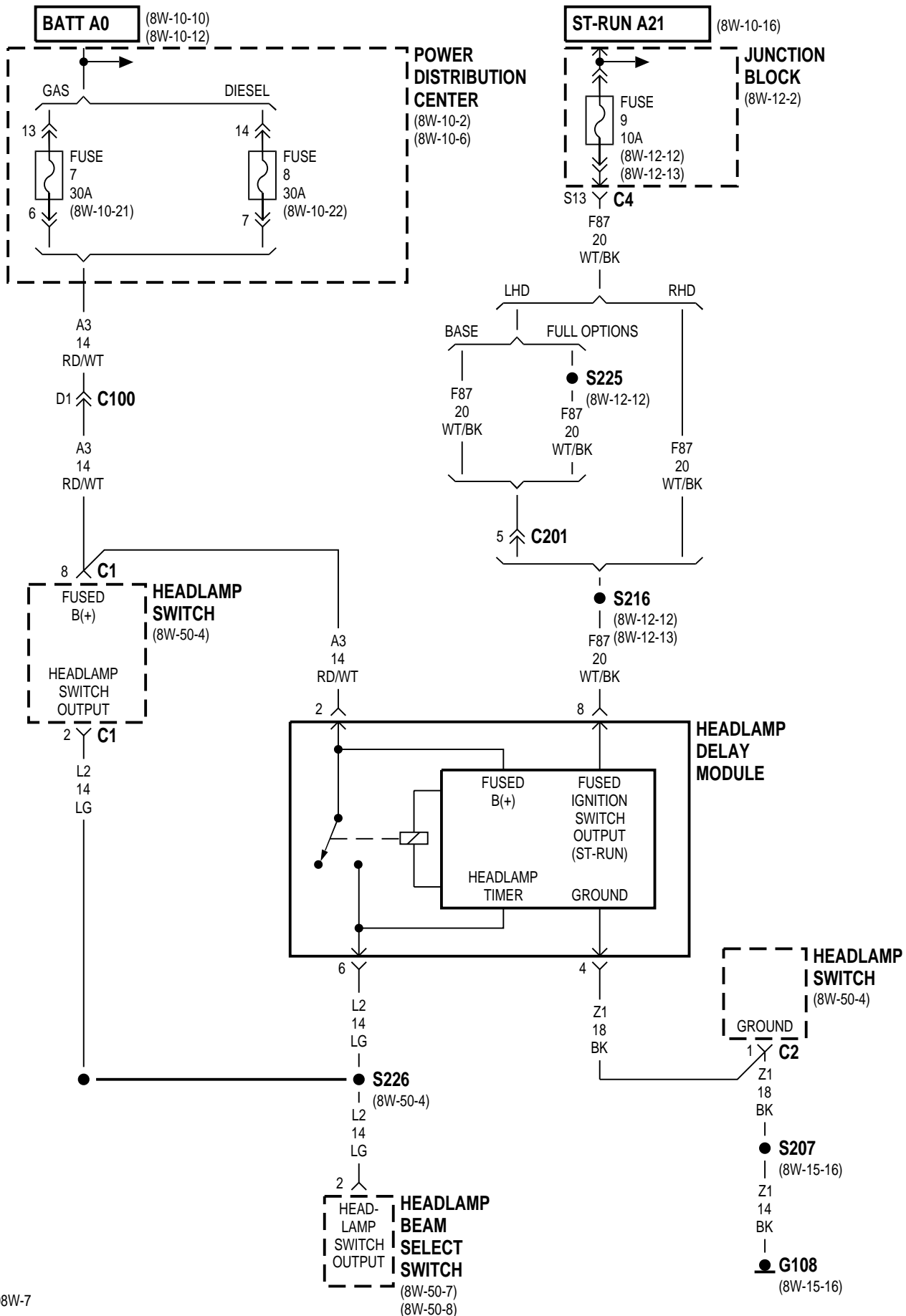


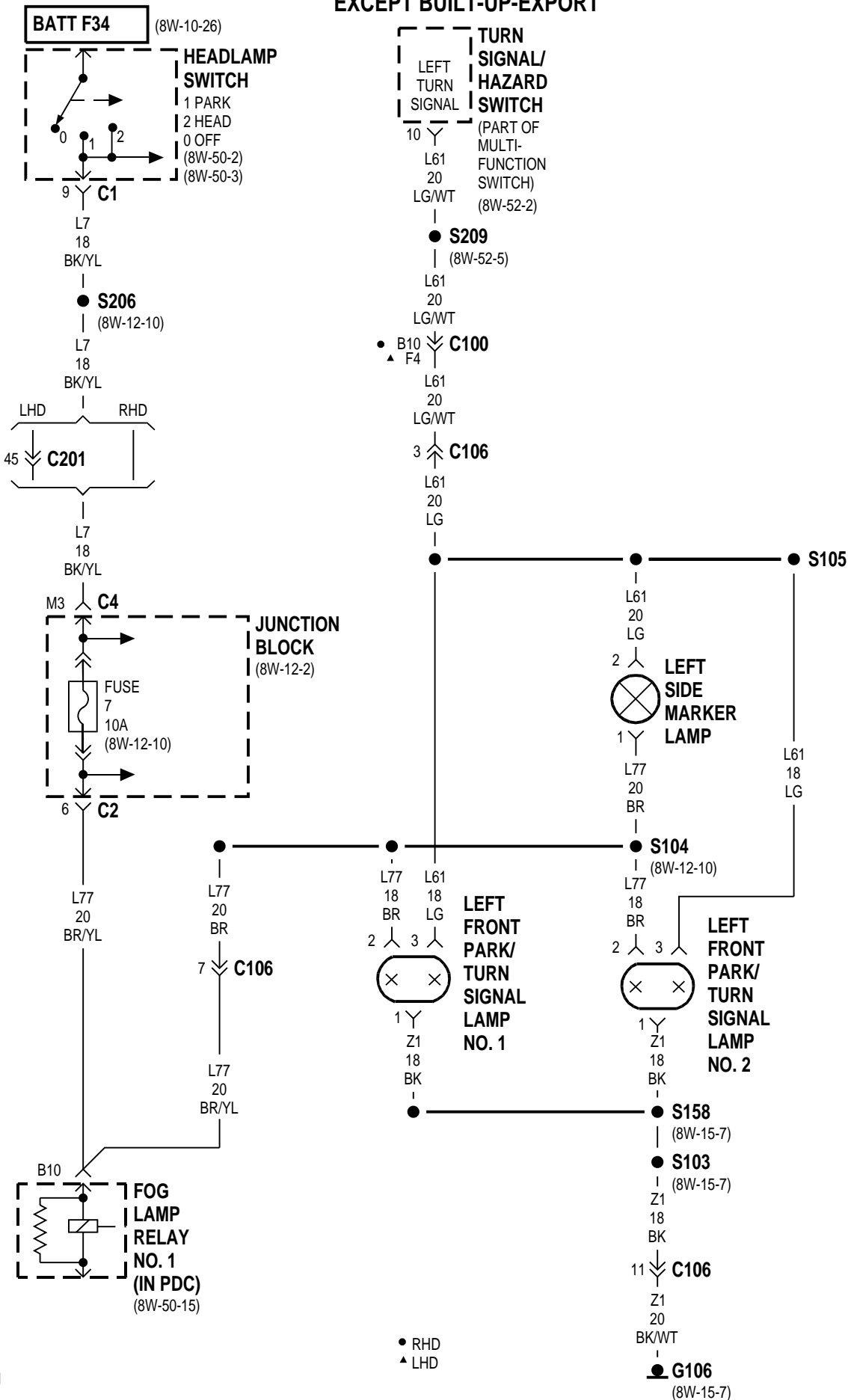




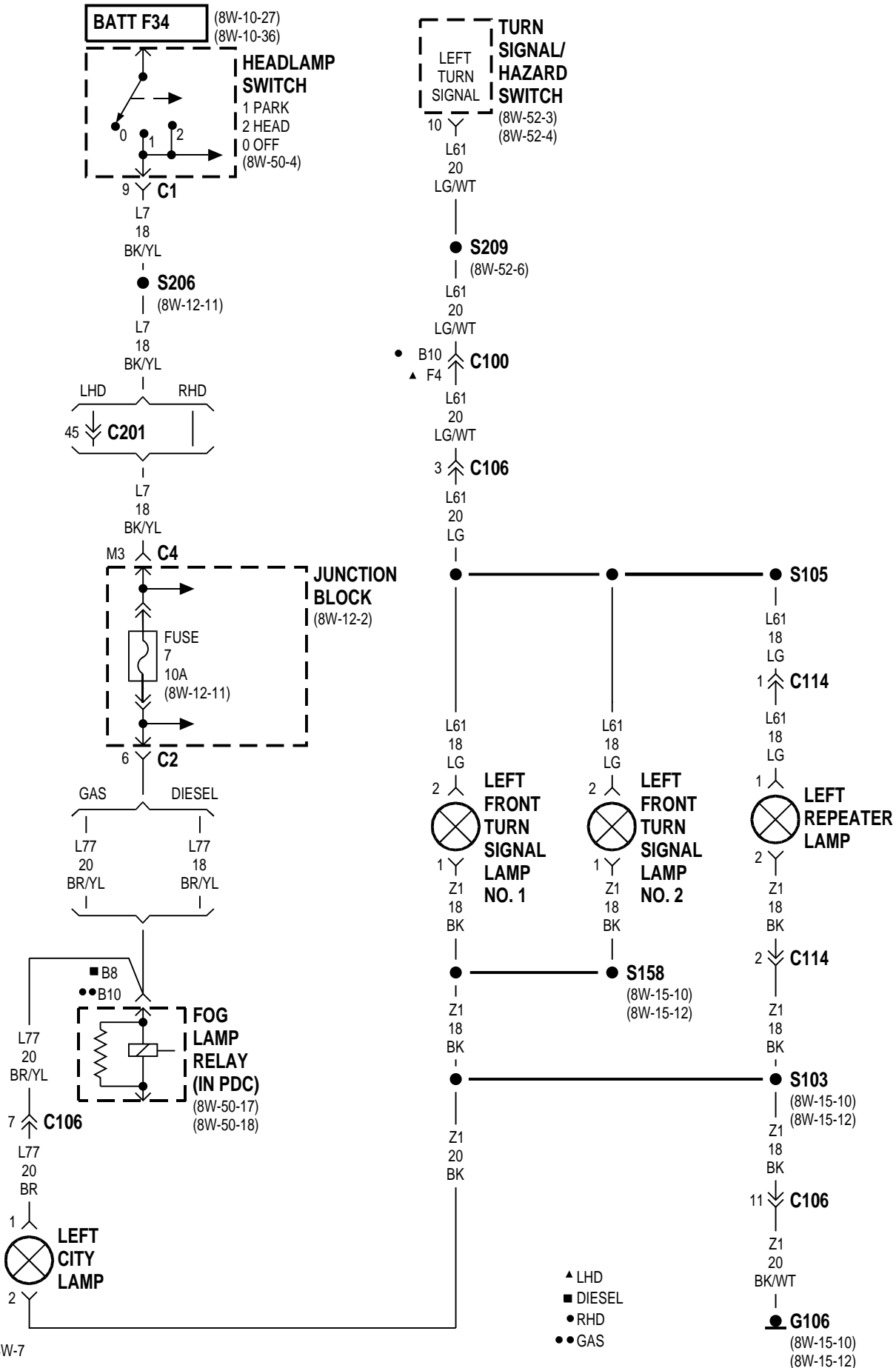
**XJ** **8W-50 FRONT LIGHTING** **8W - 50 - 9**  
**EXCEPT BUILT-UP-EXPORT**



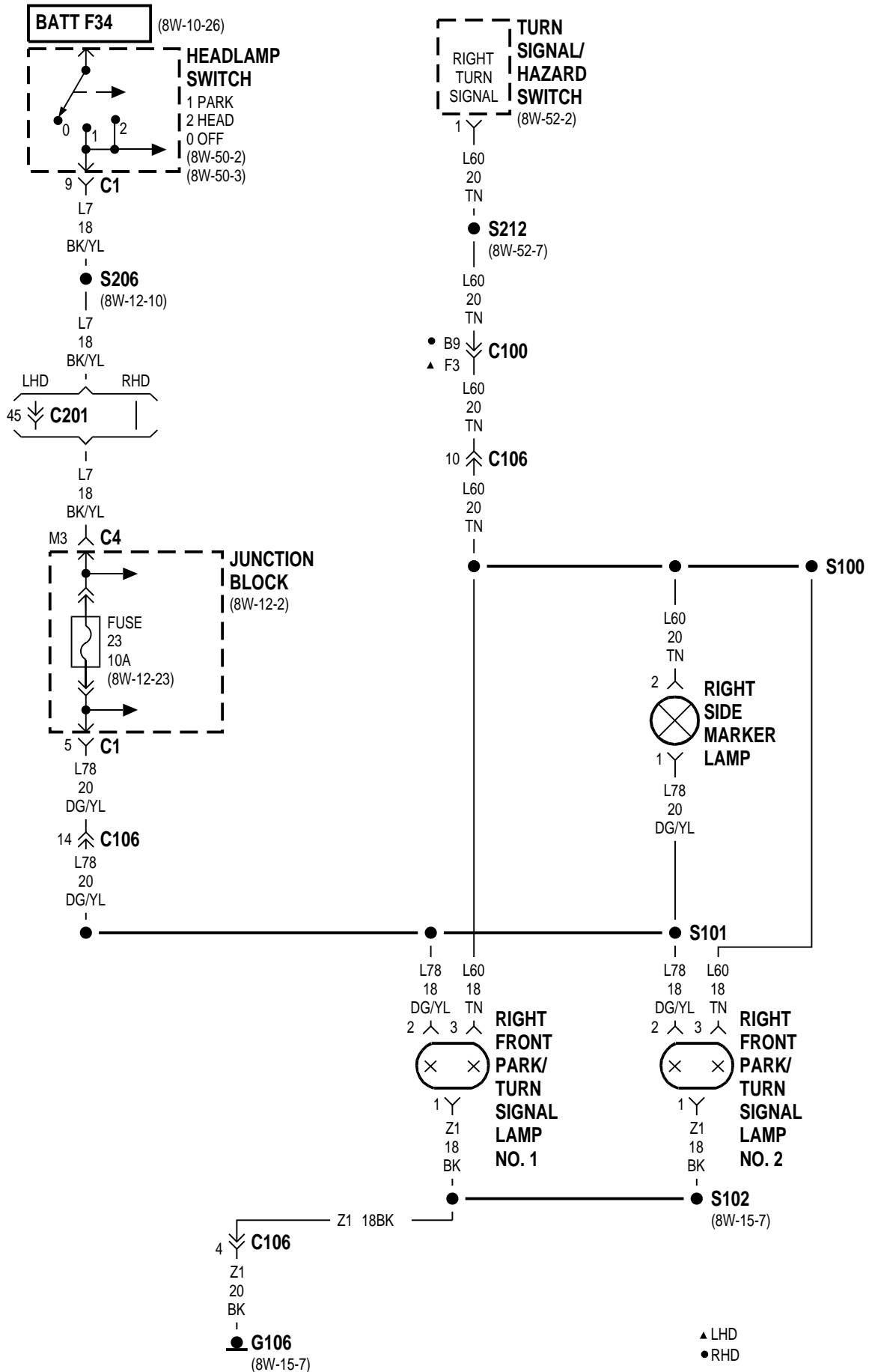


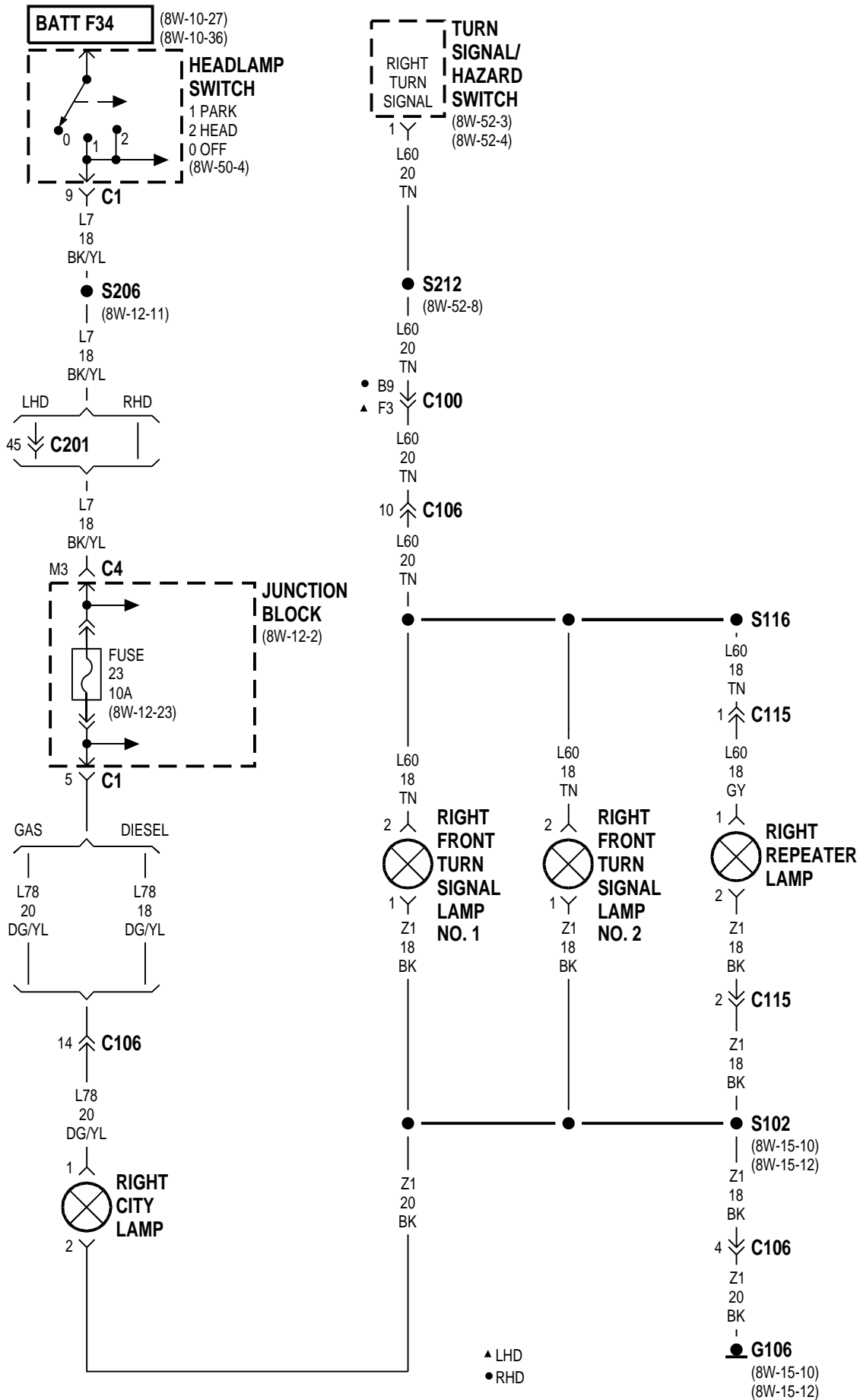


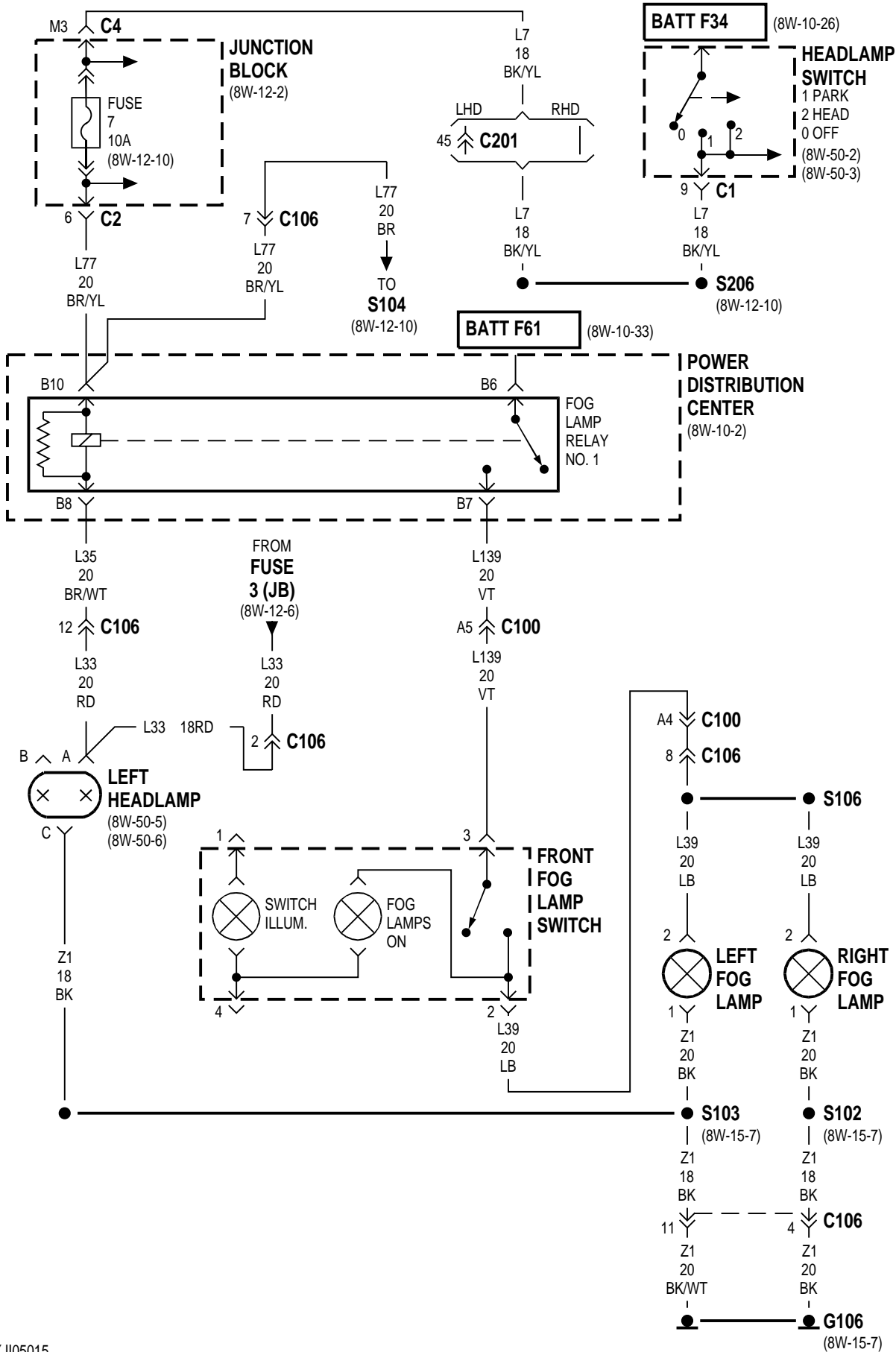
● RHD  
▲ LHD



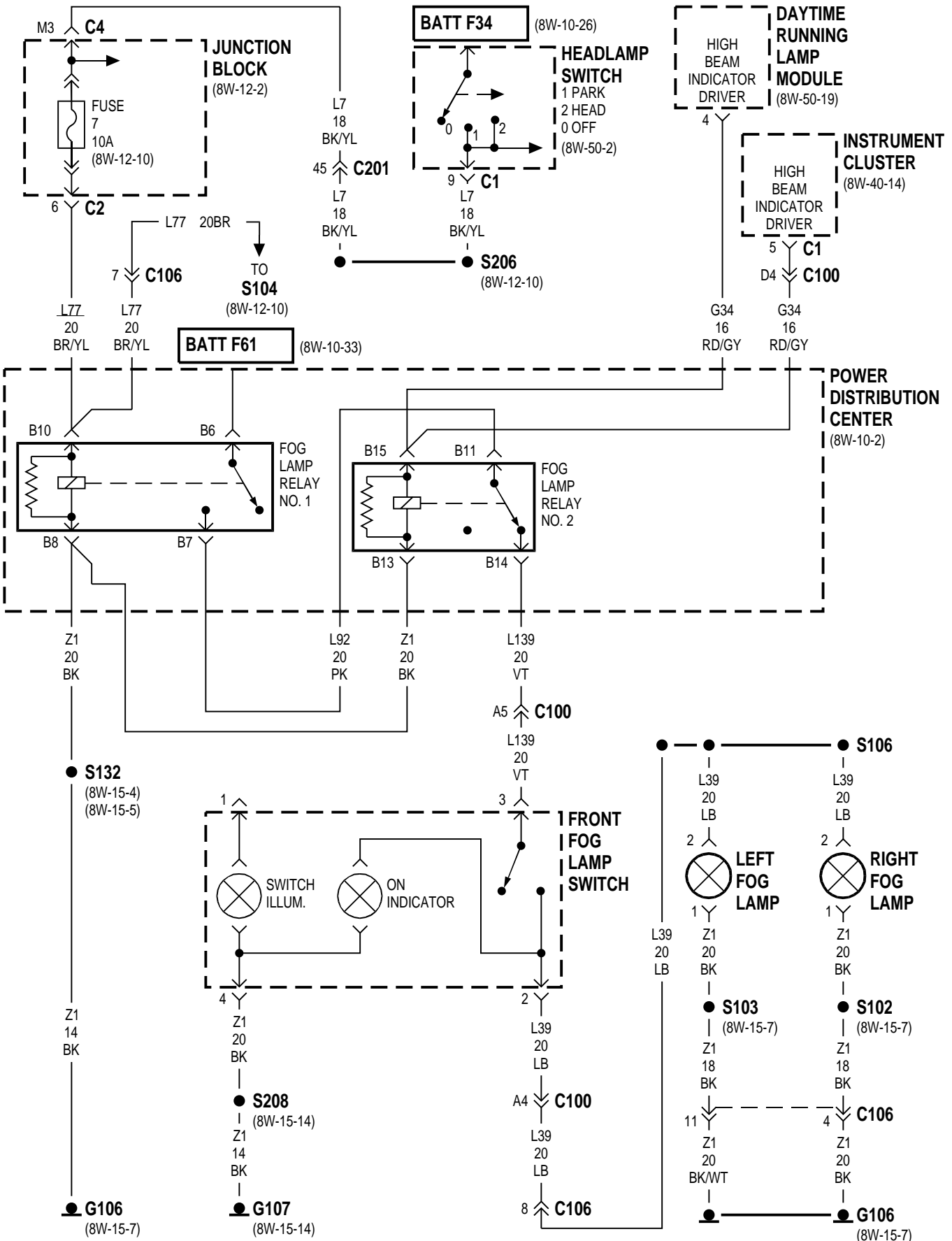


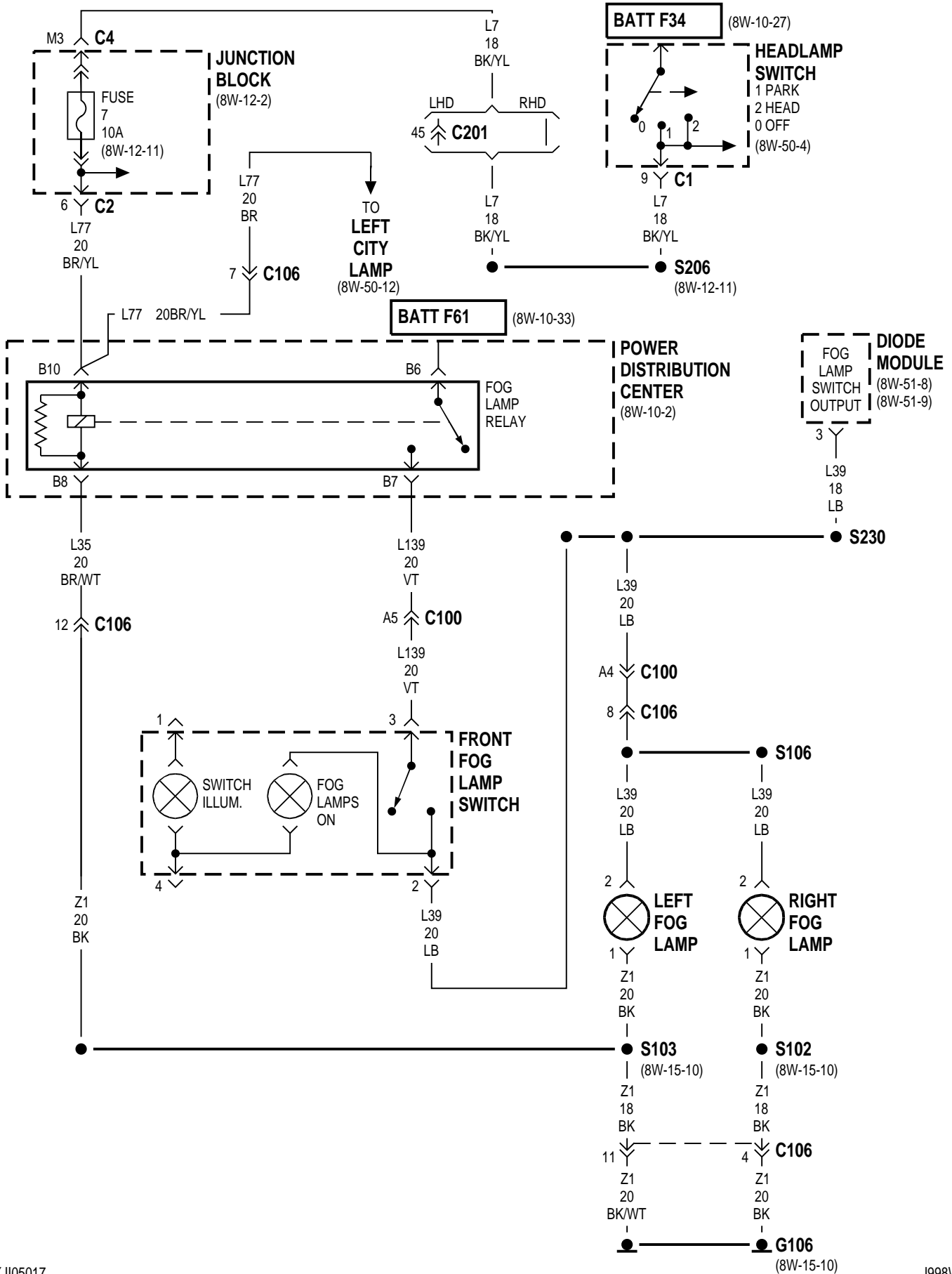


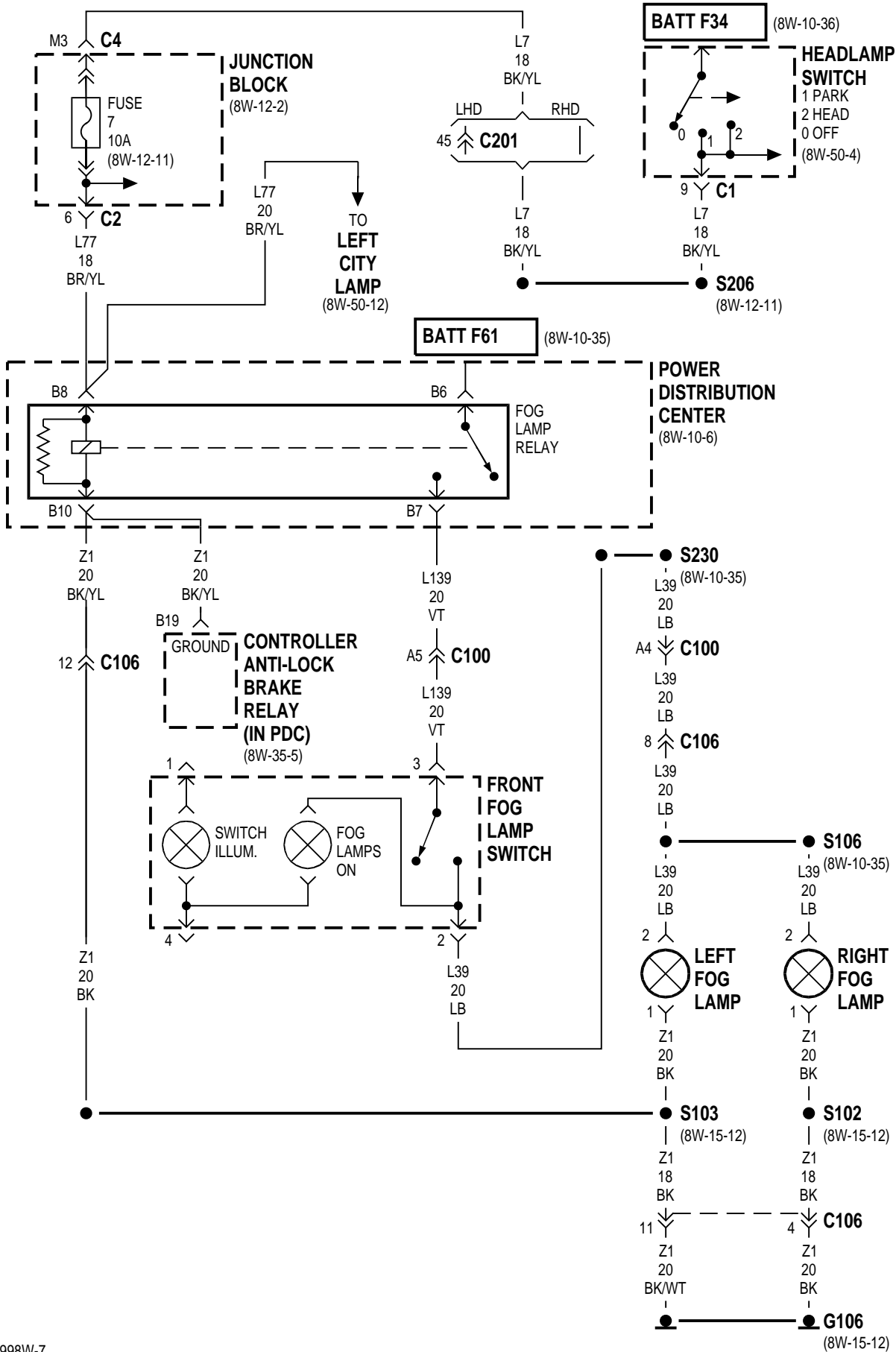


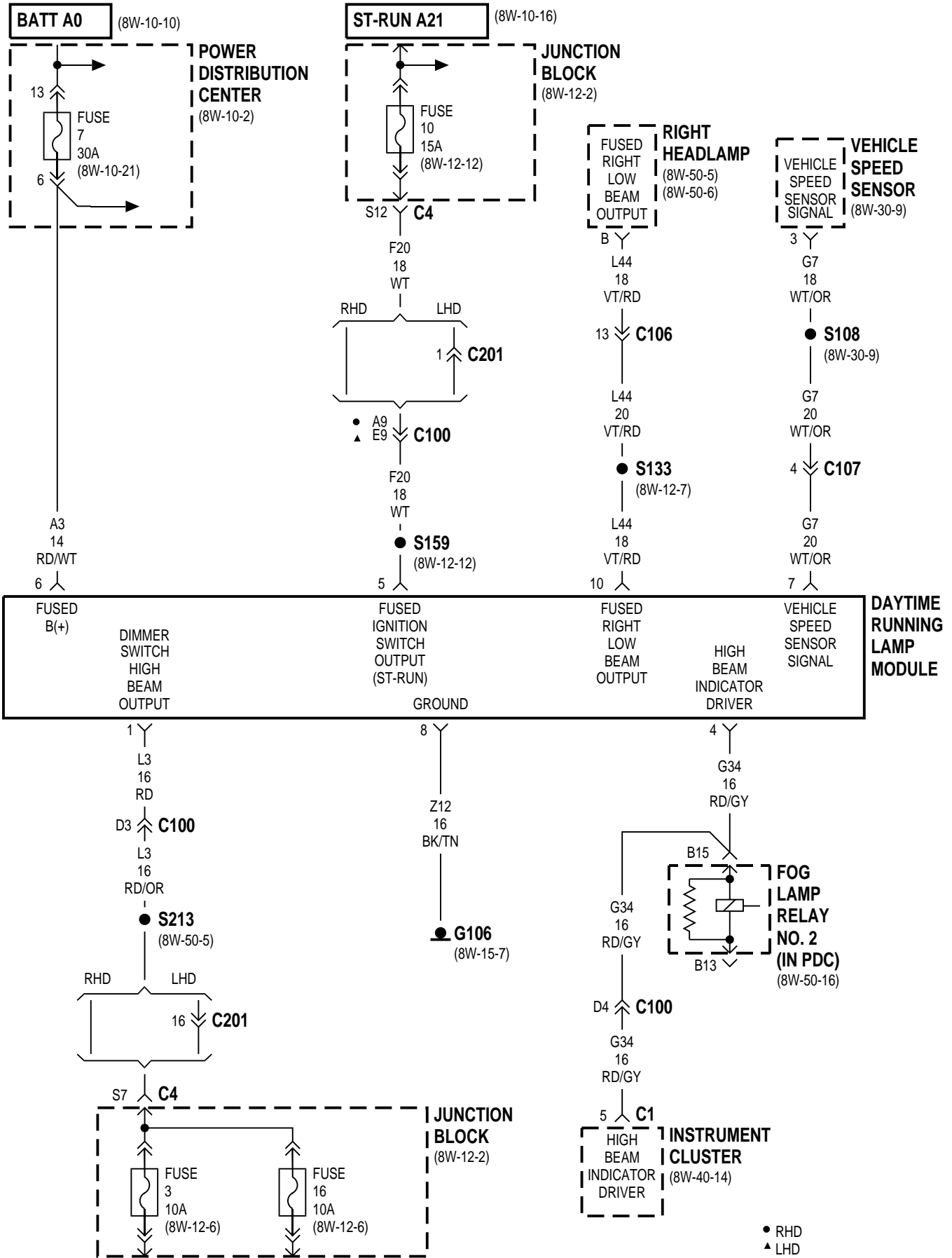


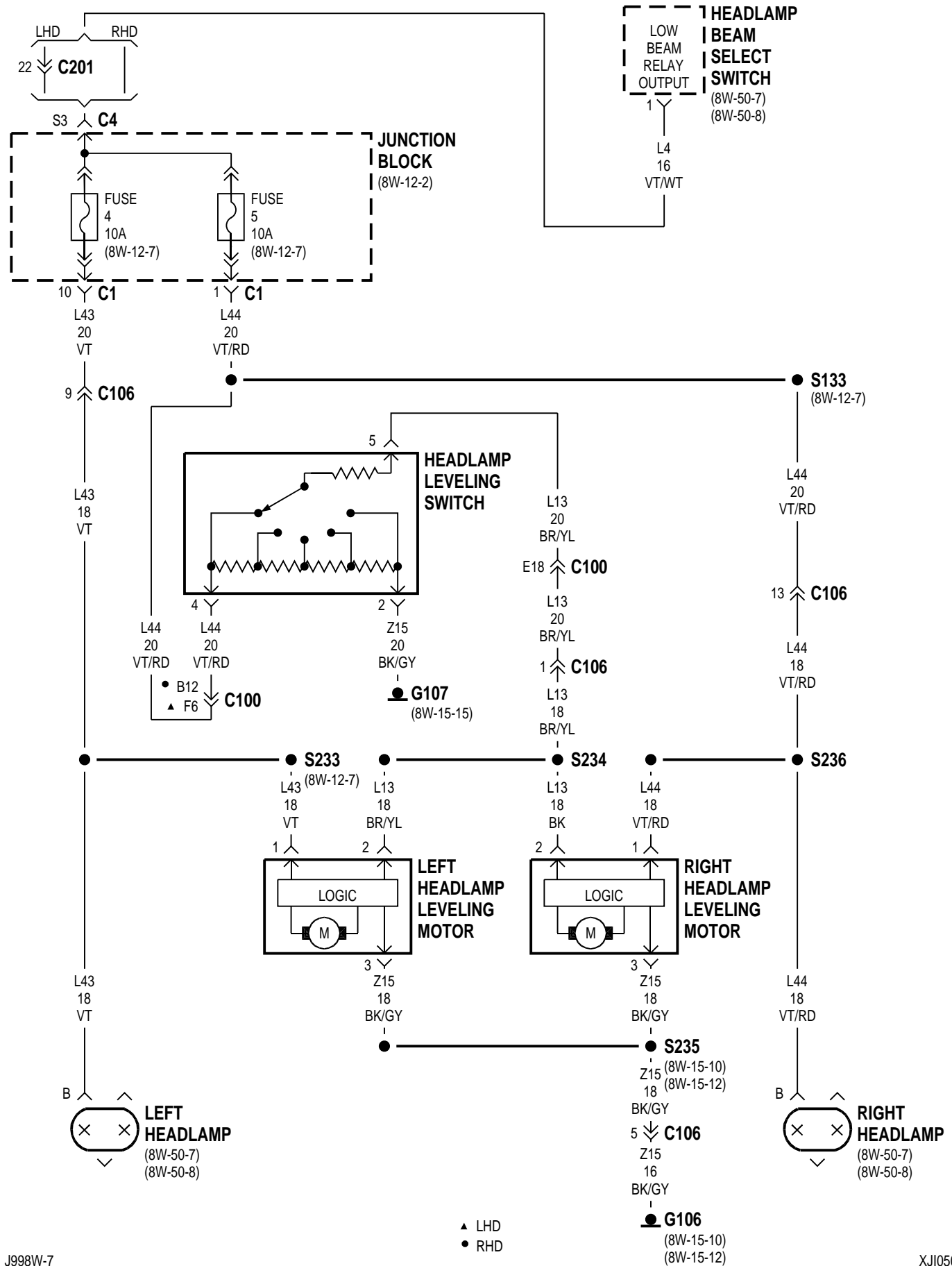
DRL









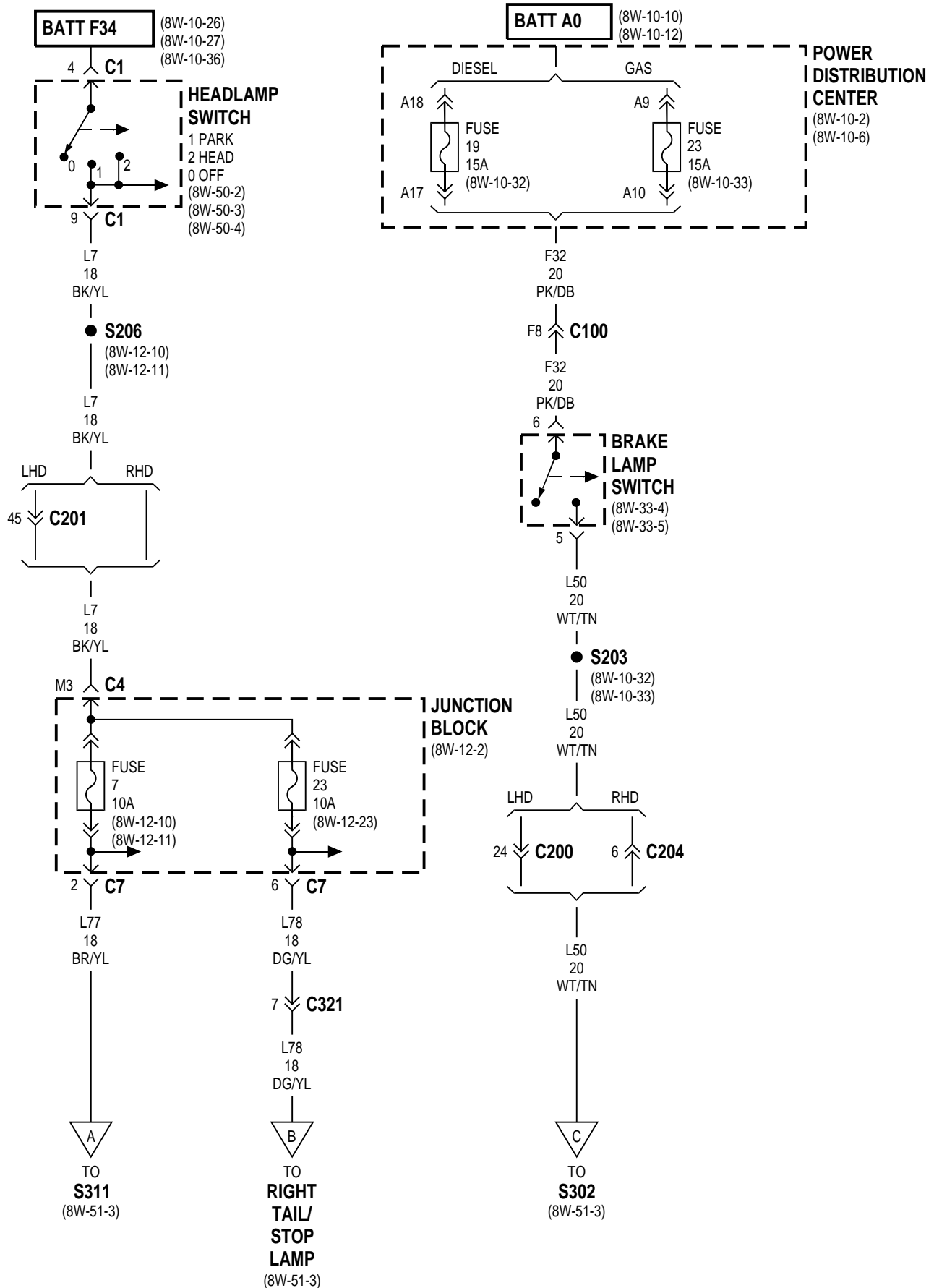


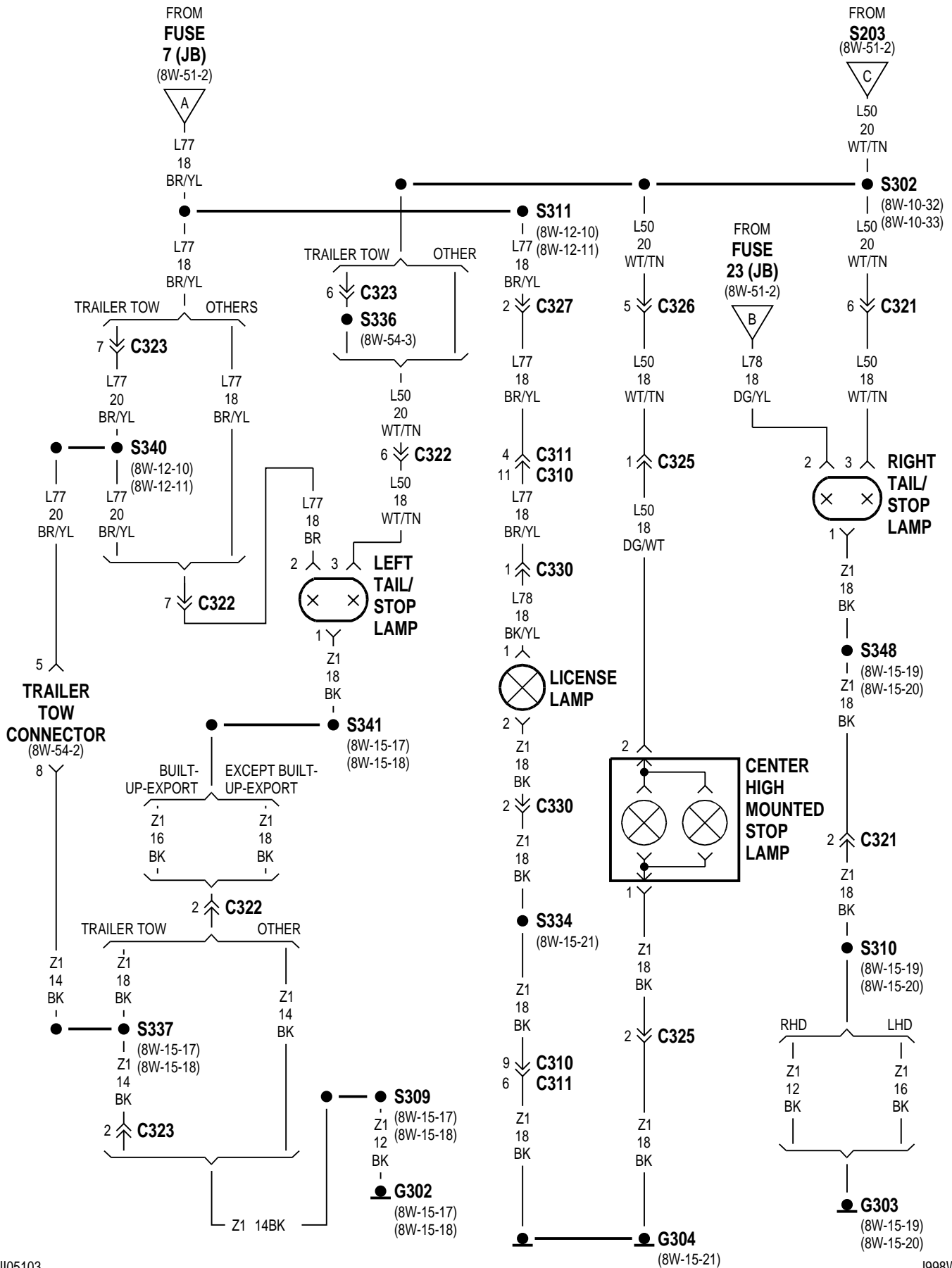
- ▲ LHD
- RHD

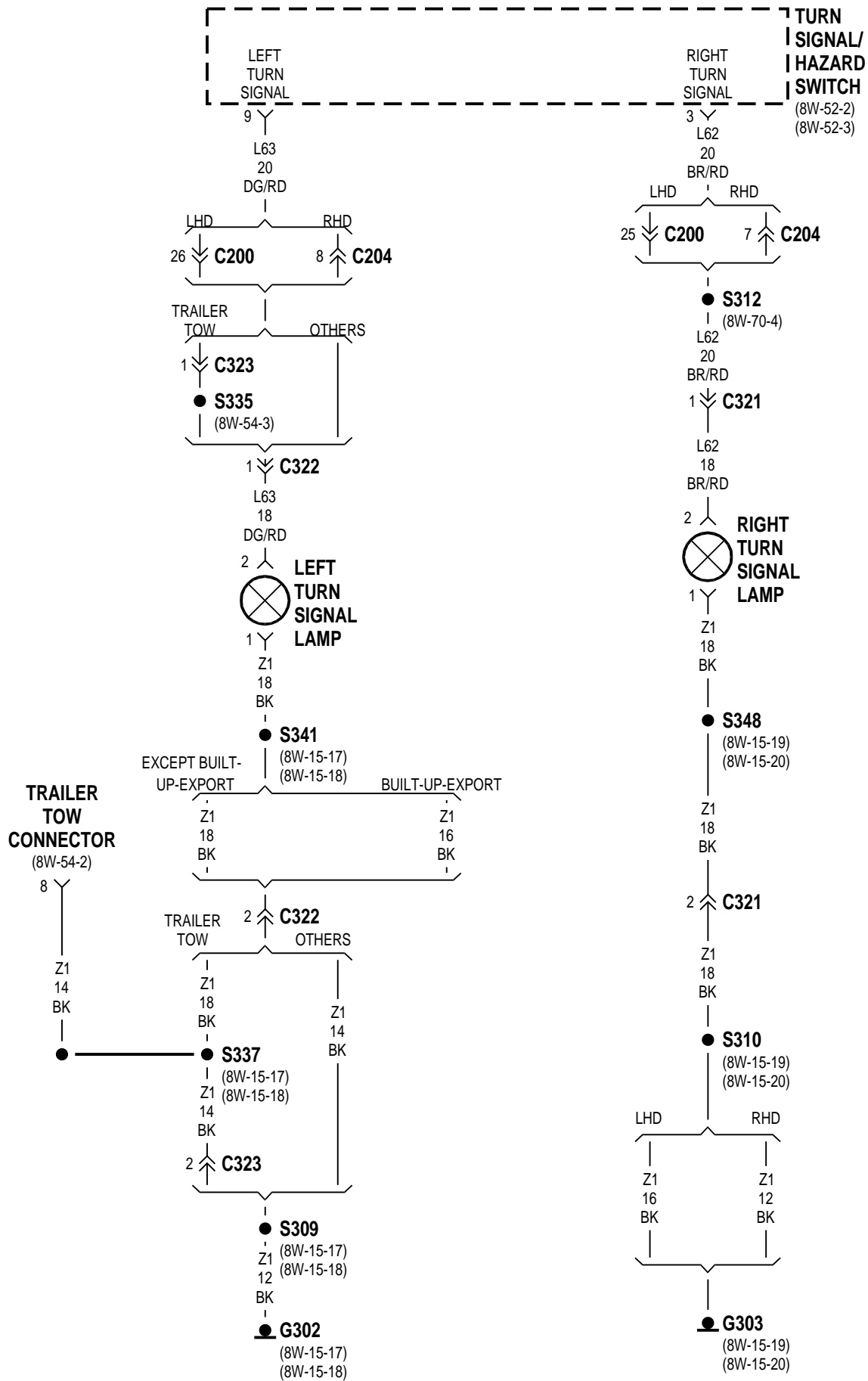


## 8W-51 REAR LIGHTING

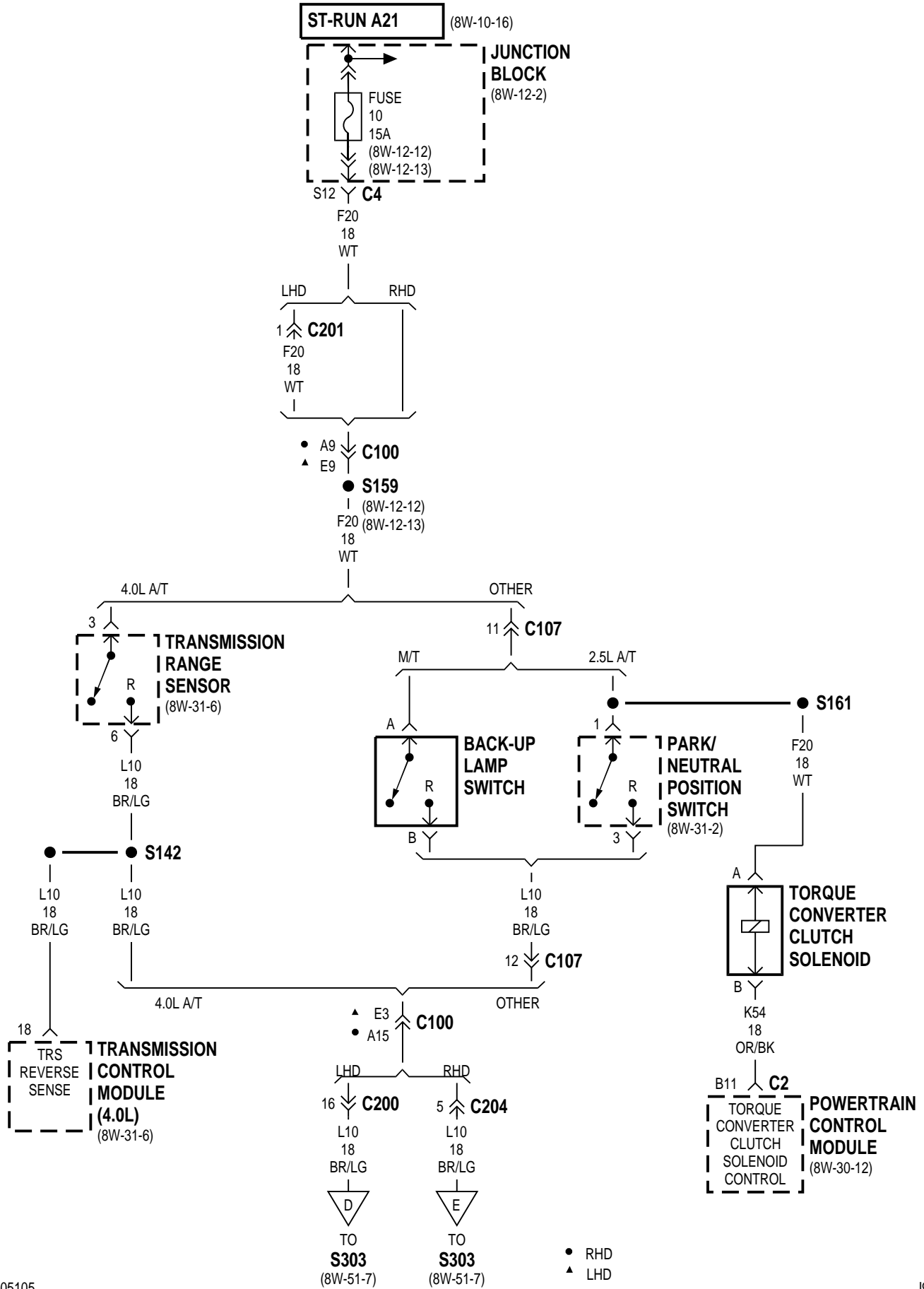
<b>Component</b>	<b>Page</b>	<b>Component</b>	<b>Page</b>
Back-Up Lamp Switch . . . . .	8W-51-5	Left Rear Fog Lamp . . . . .	8W-51-10, 11
Back-Up Switch . . . . .	8W-51-6	Left Tail/Stop Lamp . . . . .	8W-51-3
Brake Lamp Switch . . . . .	8W-51-2	Left Turn Signal Lamp . . . . .	8W-51-4
Center High Mounted Stop Lamp . . . . .	8W-51-3	License Lamp . . . . .	8W-51-3
Diode Module . . . . .	8W-51-8, 9	Park/Neutral Position Switch . . . . .	8W-51-5
Driver Power Lock/Window Switch . . . . .	8W-51-8, 9	Power Distribution Center . . . . .	8W-51-2
Front Fog Lamp Switch . . . . .	8W-51-8, 9	Powertrain Control Module . . . . .	8W-51-5
Fuse 7 (JB) . . . . .	8W-51-2	Rear Fog Lamp Indicator . . . . .	8W-51-10, 11
Fuse 10 (JB) . . . . .	8W-51-5, 6	Rear Fog Lamp Relay . . . . .	8W-51-8, 9
Fuse 18 (JB) . . . . .	8W-51-8, 9	Rear Fog Lamp Switch . . . . .	8W-51-10, 11
Fuse 19 (PDC) . . . . .	8W-51-2	Right Back-Up Lamp . . . . .	8W-51-7
Fuse 23 (JB) . . . . .	8W-51-2	Right Rear Fog Lamp . . . . .	8W-51-10, 11
Fuse 23 (PDC) . . . . .	8W-51-2	Right Tail/Stop Lamp . . . . .	8W-51-3
G107 . . . . .	8W-51-8, 9, 10, 11	Right Turn Signal Lamp . . . . .	8W-51-4
G302 . . . . .	8W-51-3, 4, 7, 10, 11	Torque Converter Clutch Solenoid . . . . .	8W-51-5
G303 . . . . .	8W-51-3, 4, 7, 10, 11	Trailer Tow Connector . . . . .	8W-51-3, 4, 7
G304 . . . . .	8W-51-3	Transmission Control Module . . . . .	8W-51-5
Headlamp Switch . . . . .	8W-51-2, 8, 9	Transmission Range Sensor . . . . .	8W-51-5
Junction Block . . . . .	8W-51-2, 5, 6, 8, 9	Turn Signal/Hazard Switch . . . . .	8W-51-4
Left Back-Up Lamp . . . . .	8W-51-7		

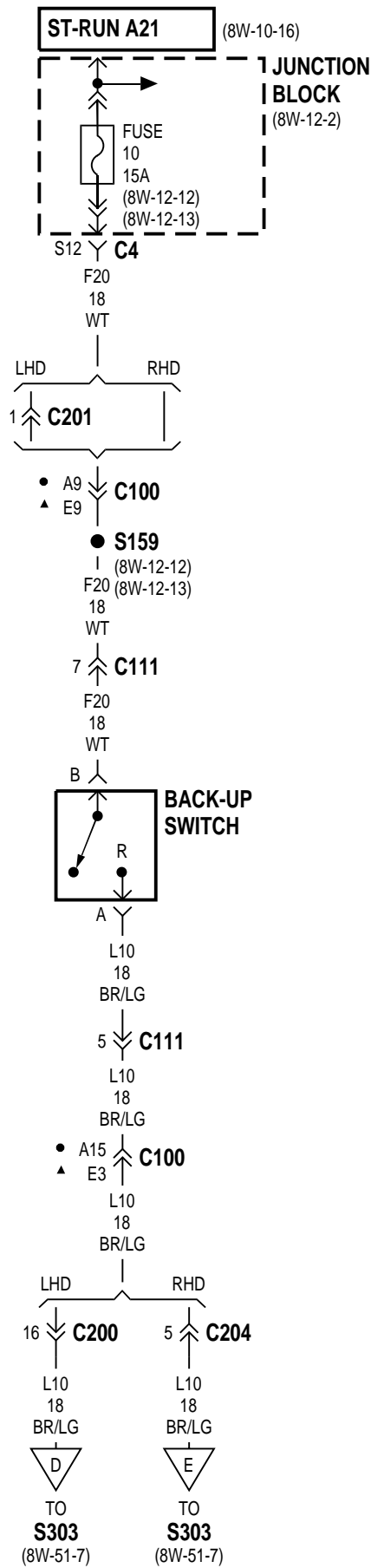


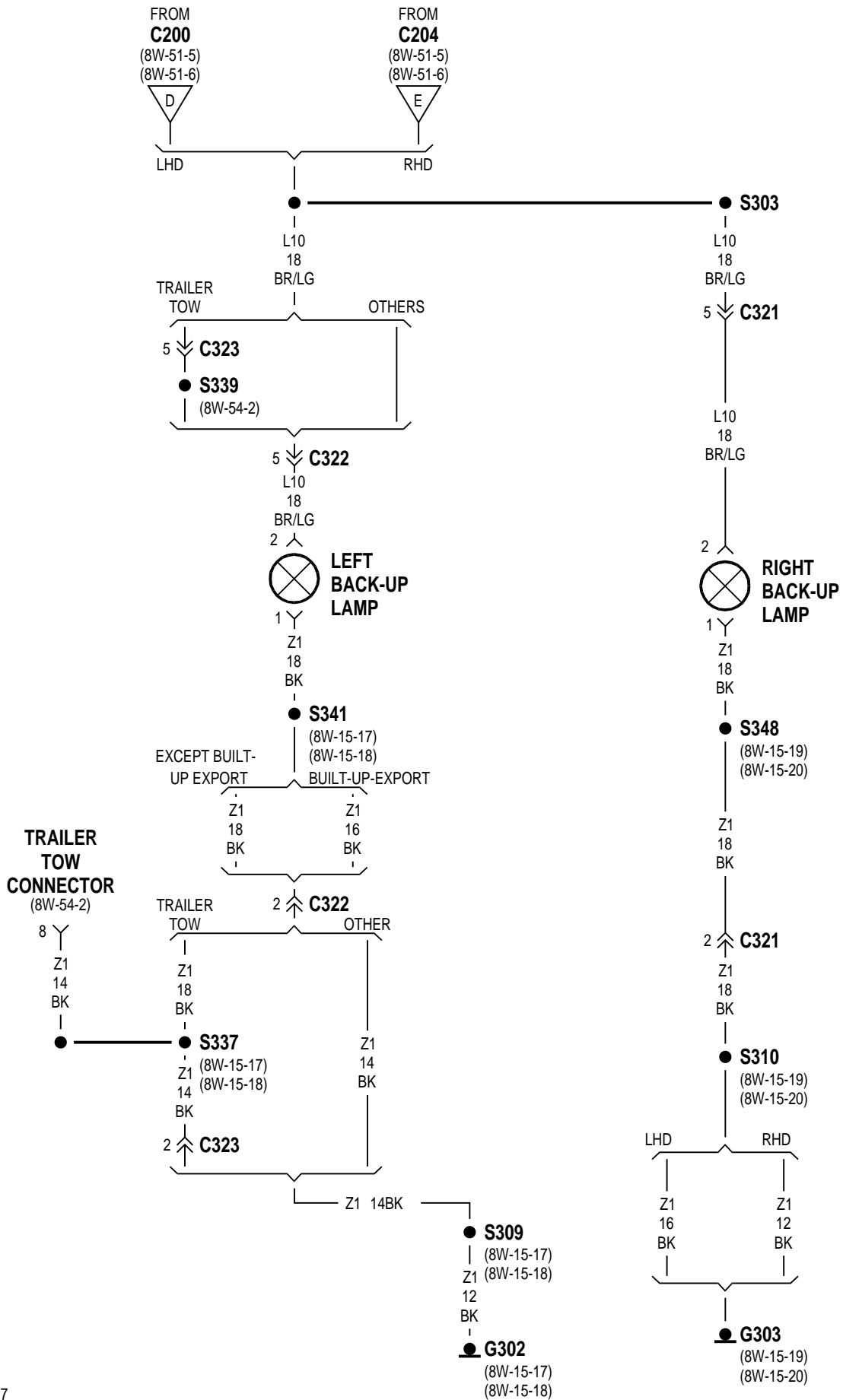


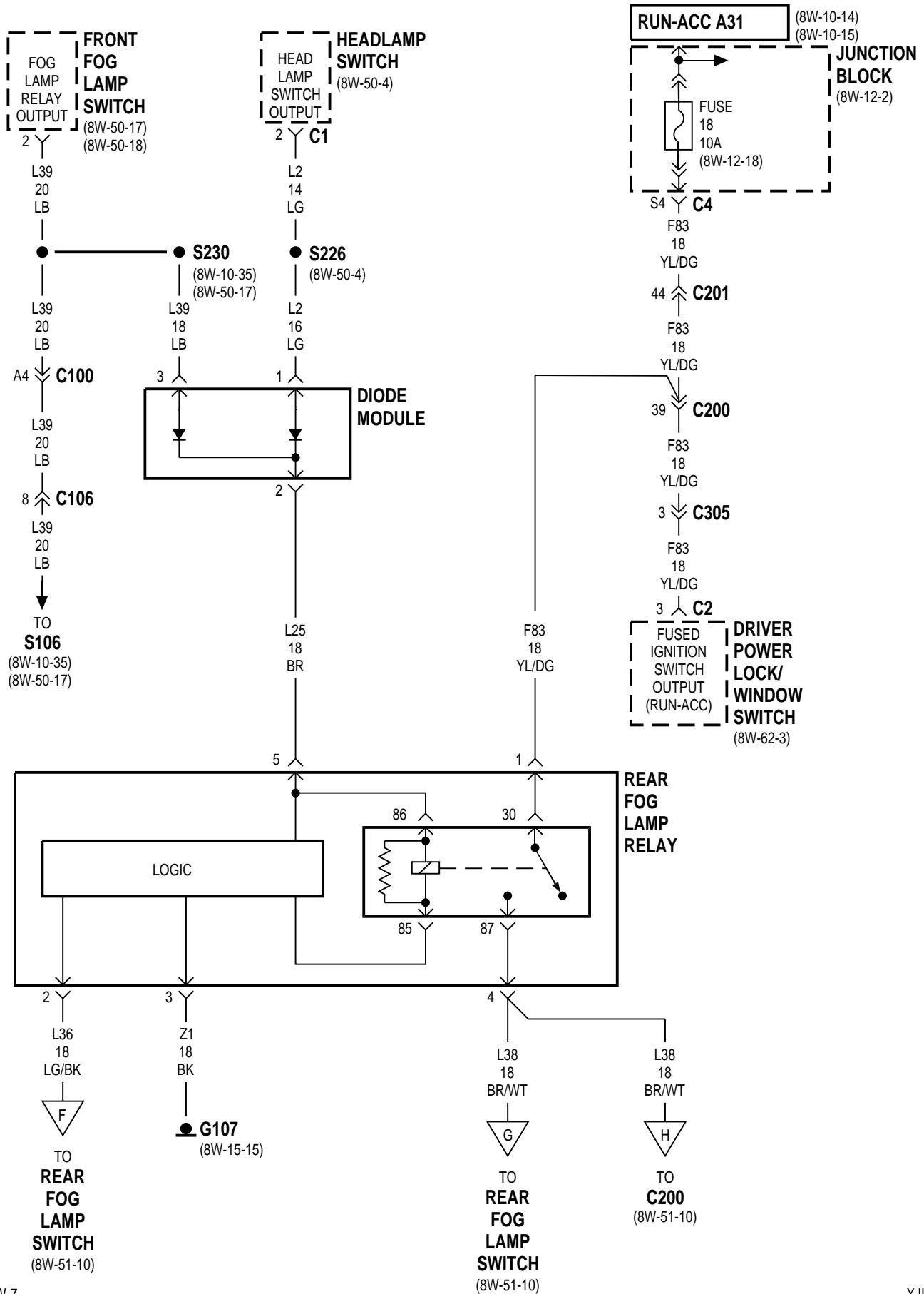


**GAS**

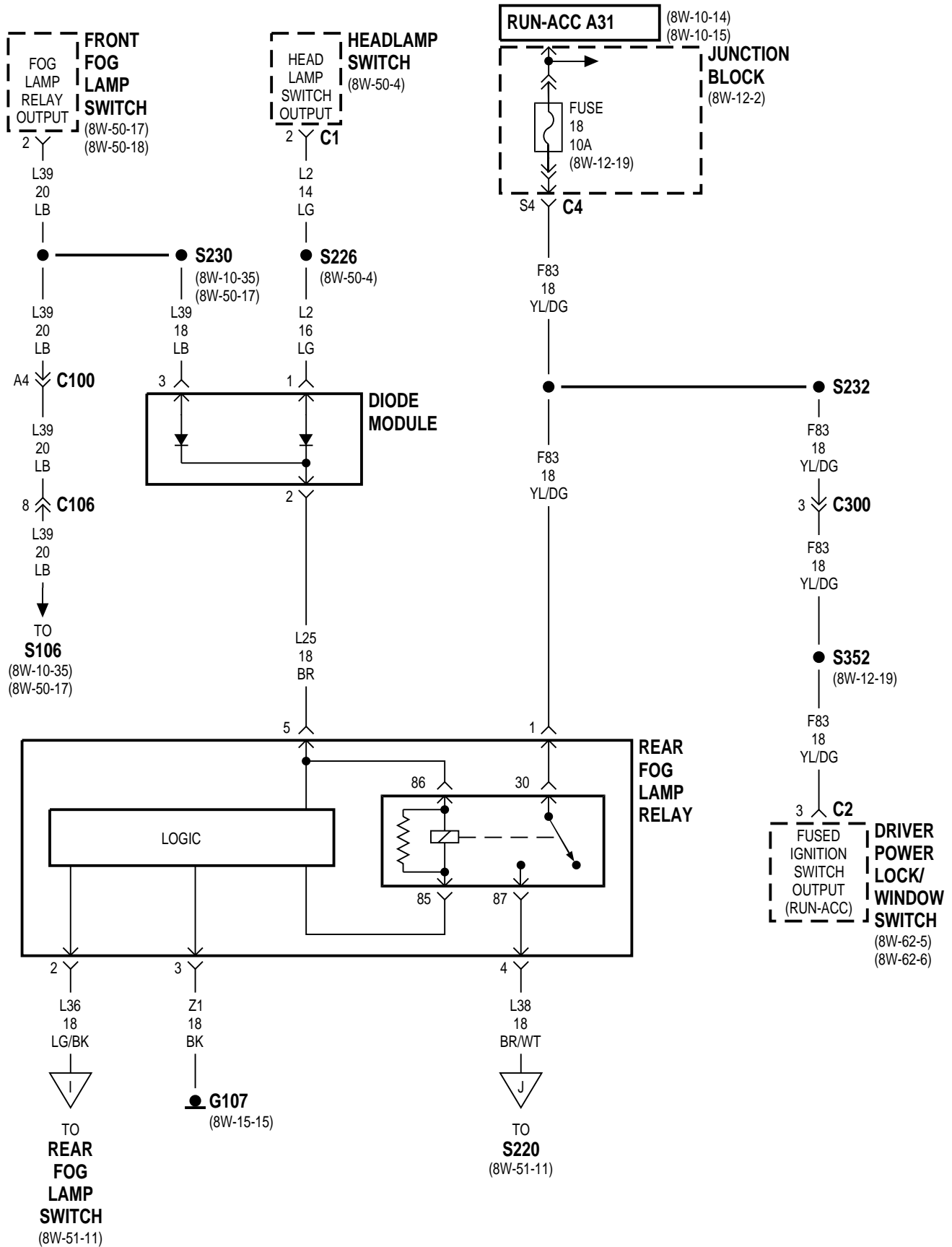


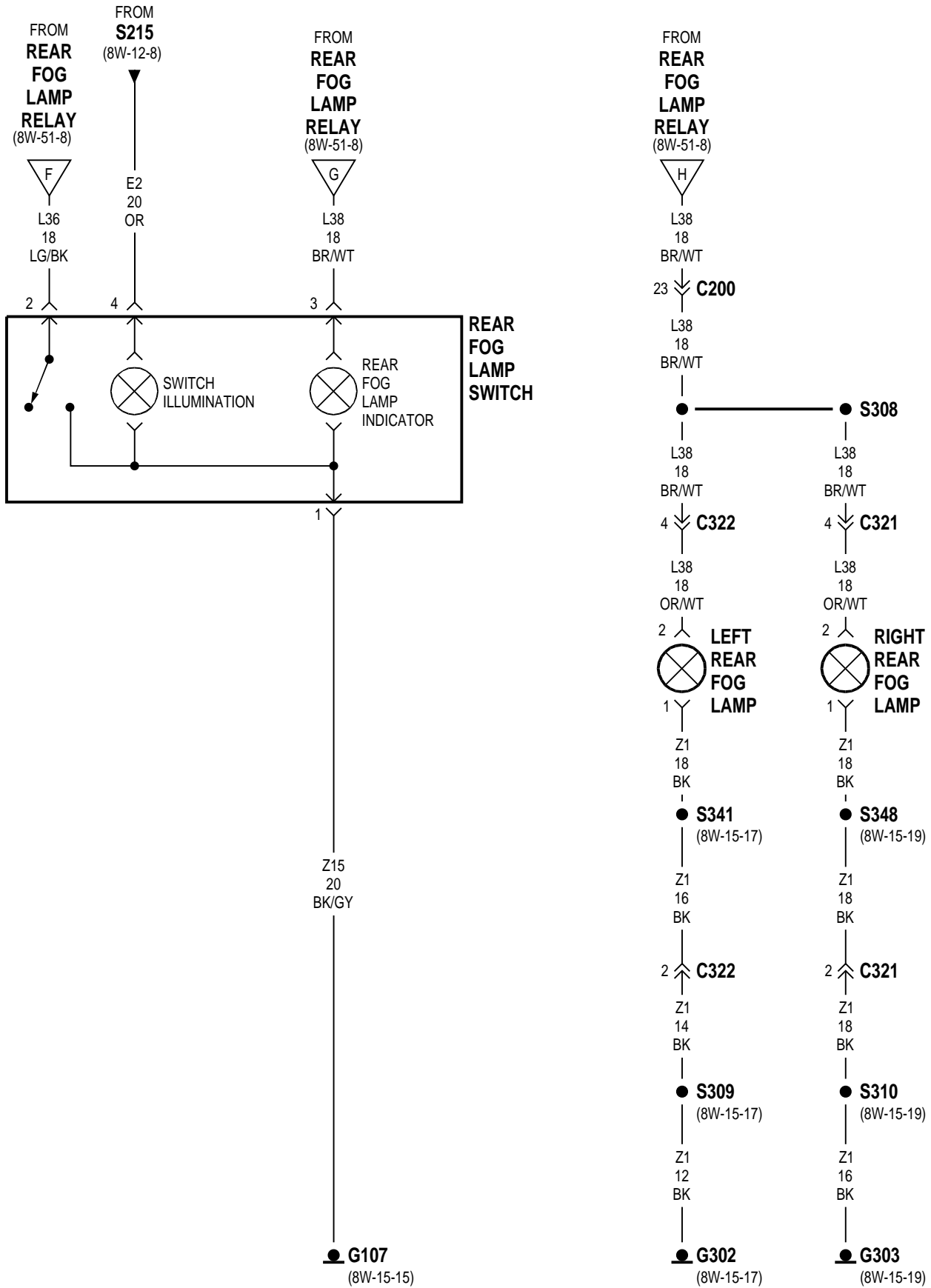


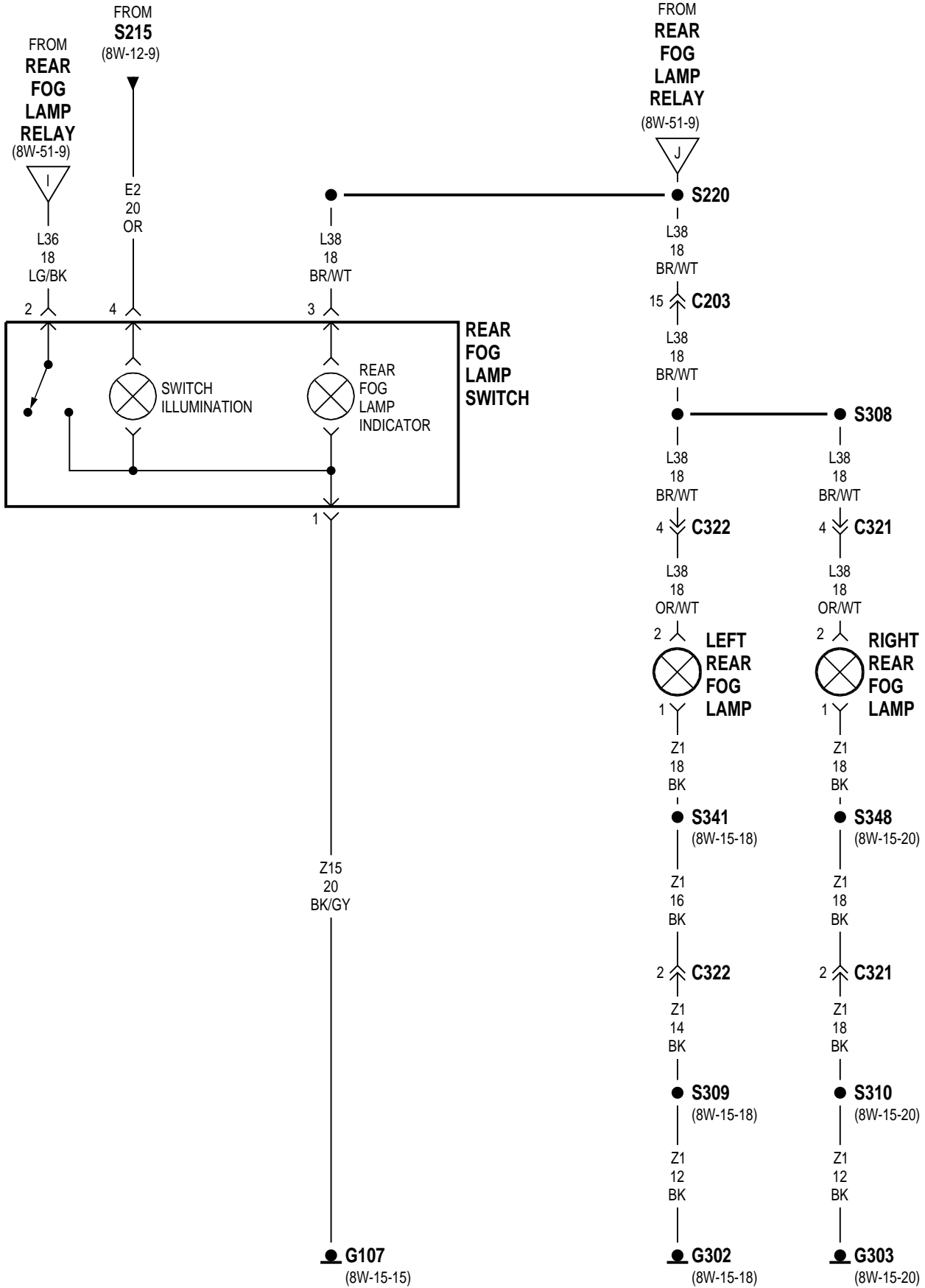








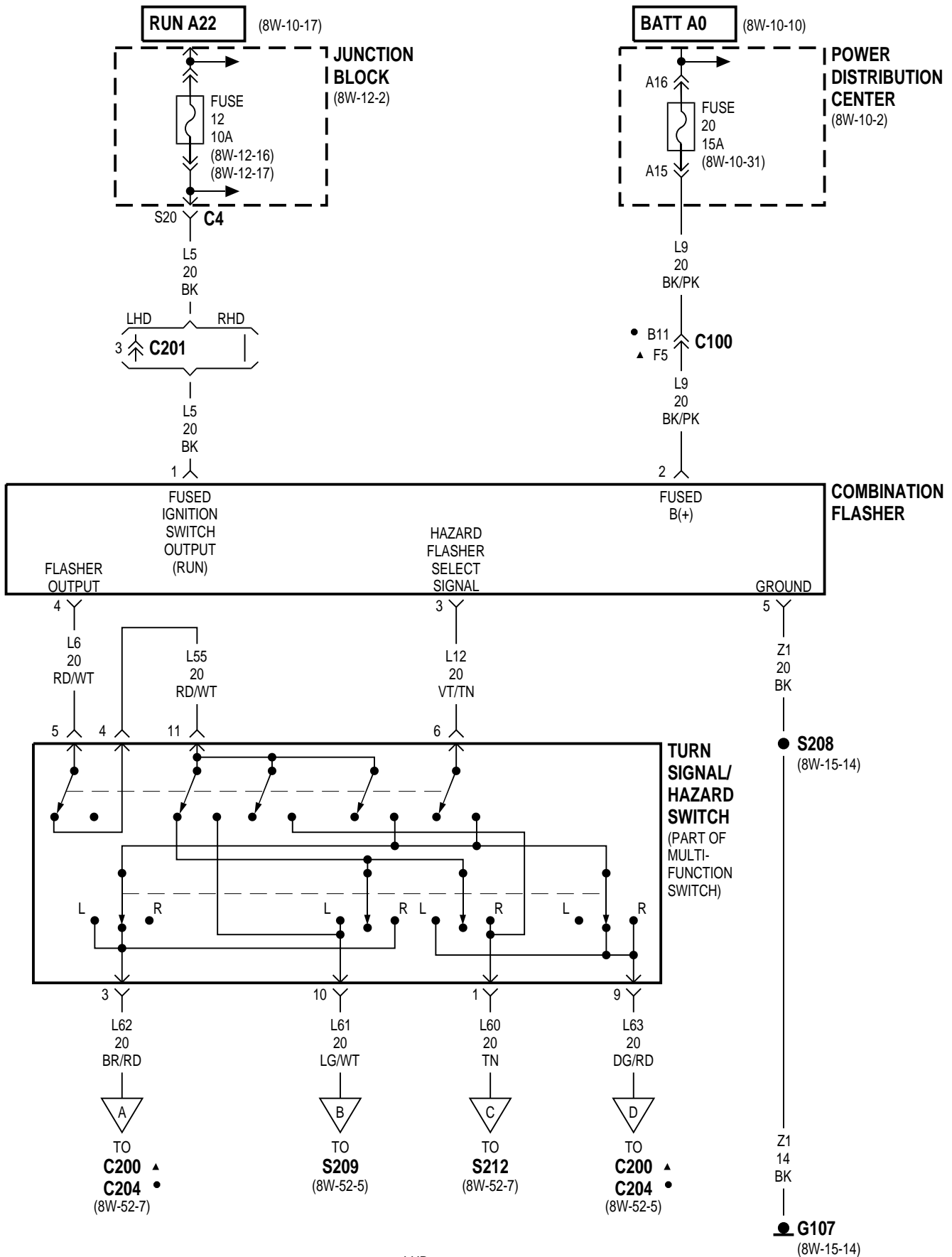


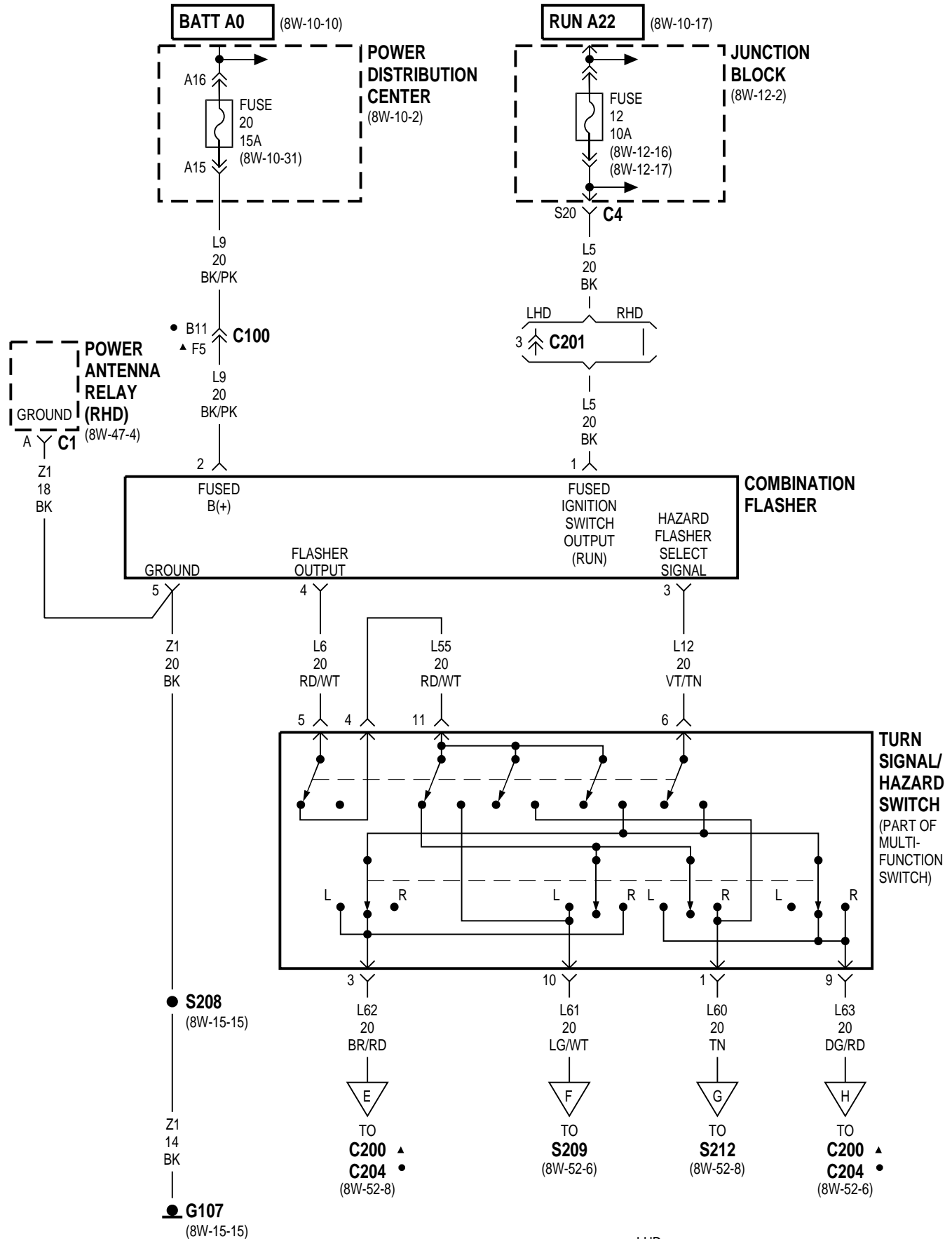


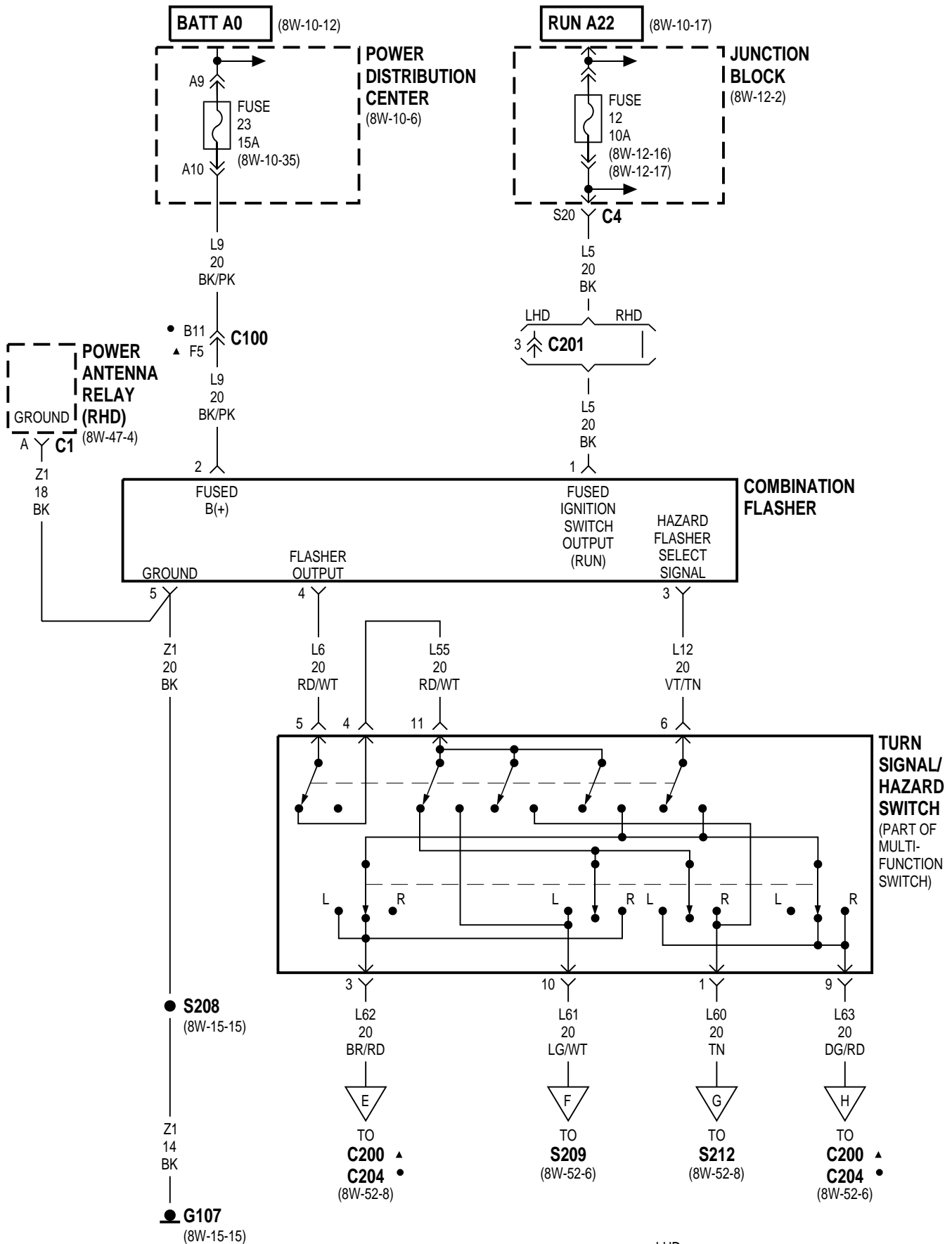


## 8W-52 TURN SIGNALS

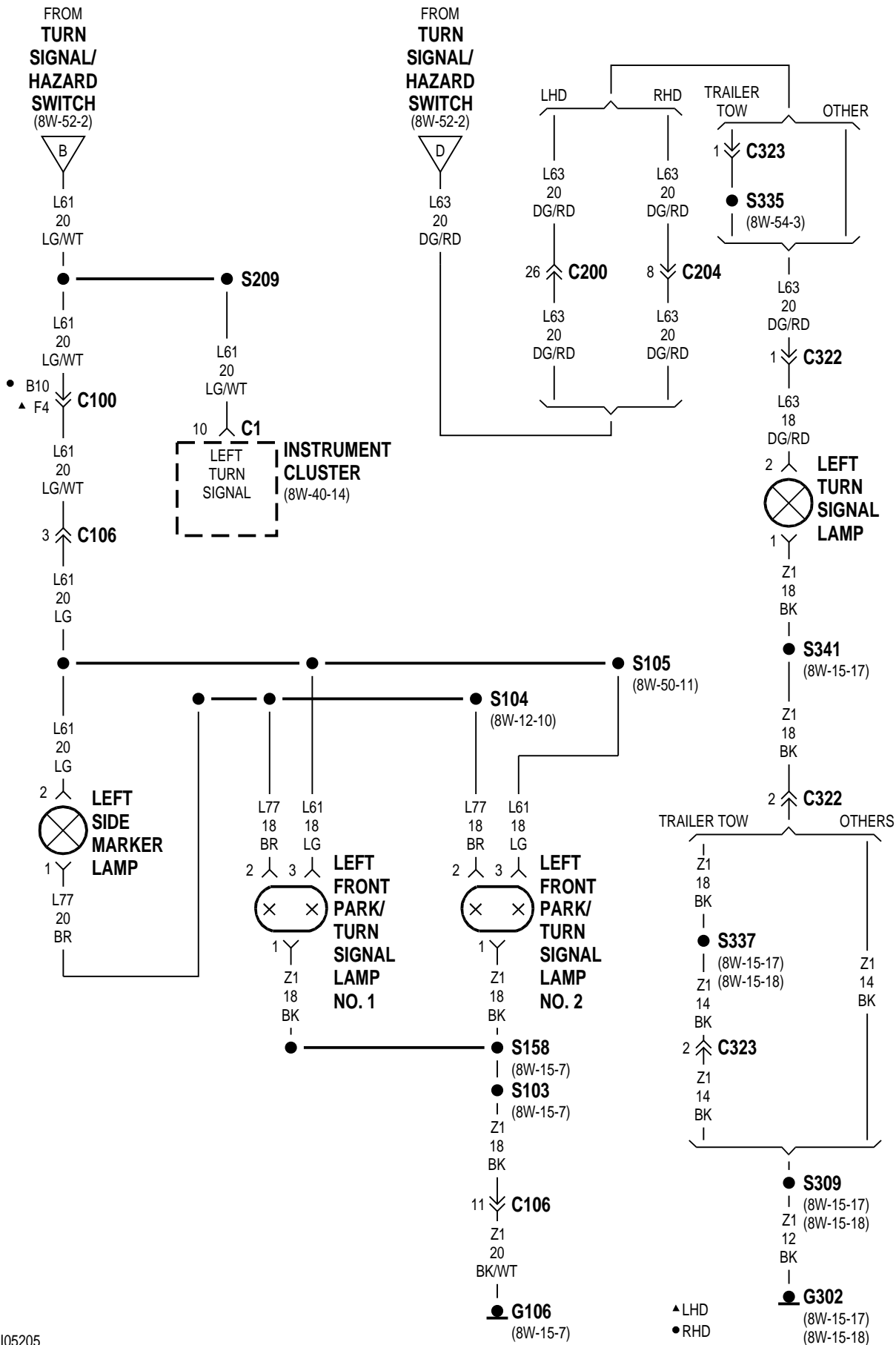
<b>Component</b>	<b>Page</b>	<b>Component</b>	<b>Page</b>
Combination Flasher . . . . .	8W-52-2, 3, 4	Left Repeater Lamp . . . . .	8W-52-6
Fuse 12 (JB) . . . . .	8W-52-2, 3, 4	Left Side Marker Lamp . . . . .	8W-52-5
Fuse 20 (PDC) . . . . .	8W-52-2, 3	Left Turn Signal Lamp . . . . .	8W-52-5, 6
Fuse 23 (PDC) . . . . .	8W-52-4	Power Antenna Relay . . . . .	8W-52-3, 4
G106 . . . . .	8W-52-5, 6, 7, 8	Power Distribution Center . . . . .	8W-52-2, 3, 4
G107 . . . . .	8W-52-2, 3, 4	Right Front Park/Turn Signal Lamp No. 1 .	8W-52-7
G302 . . . . .	8W-52-5, 6	Right Front Park/Turn Signal Lamp No. 2 .	8W-52-7
G303 . . . . .	8W-52-7, 8	Right Front Turn Signal Lamp No. 1 . . . . .	8W-52-8
Instrument Cluster . . . . .	8W-52-5, 6, 7, 8	Right Front Turn Signal Lamp No. 2 . . . . .	8W-52-8
Junction Block . . . . .	8W-52-2, 3, 4	Right Repeater Lamp . . . . .	8W-52-8
Left Front Park/Turn Signal Lamp No. 1 . .	8W-52-5	Right Side Marker Lamp . . . . .	8W-52-7
Left Front Park/Turn Signal Lamp No. 2 . .	8W-52-5	Right Turn Signal Lamp . . . . .	8W-52-7, 8
Left Front Turn Signal Lamp No. 1 . . . . .	8W-52-6	Turn Signal/Hazard Switch . . . . .	8W-52-2, 3, 4
Left Front Turn Signal Lamp No. 2 . . . . .	8W-52-6		

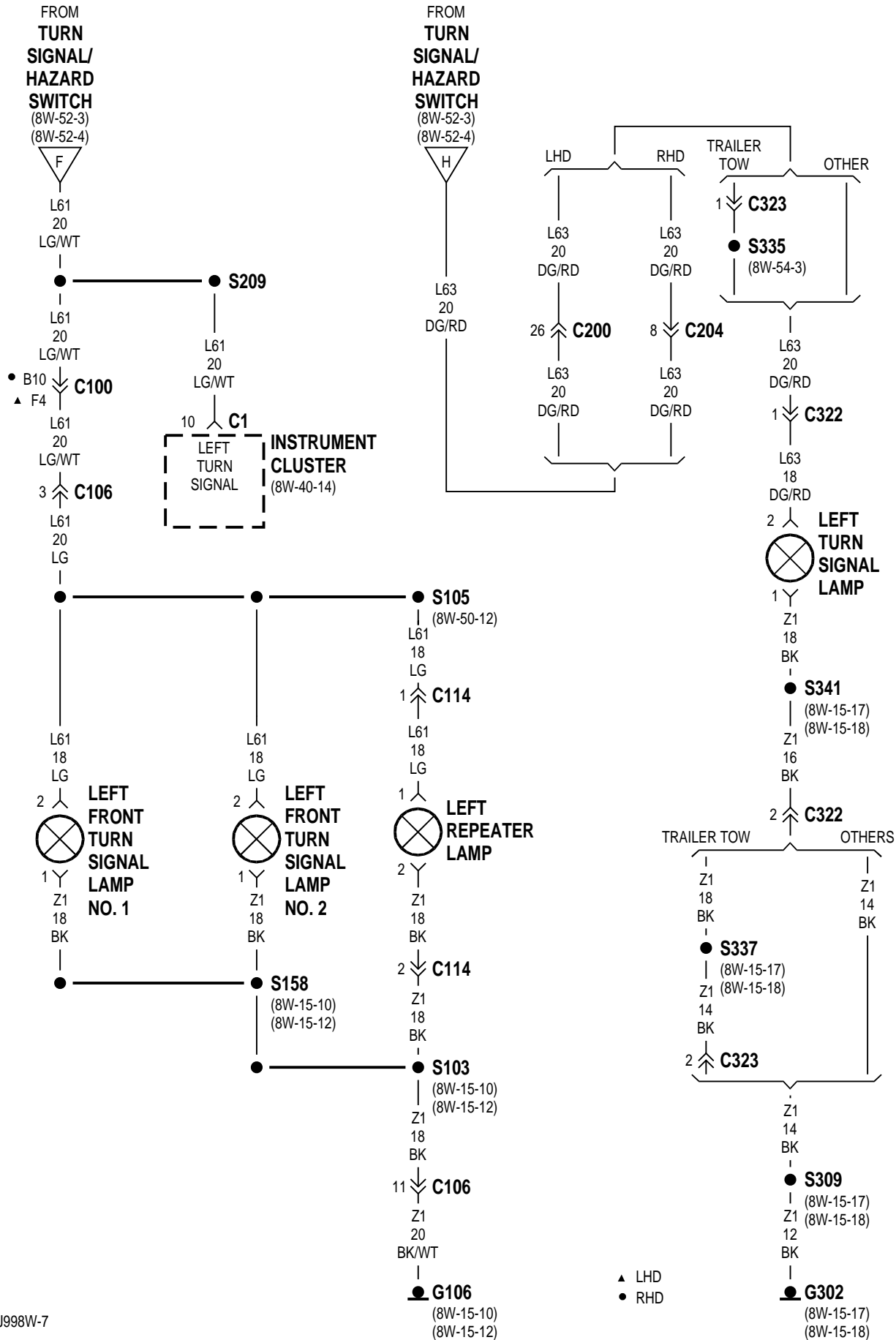


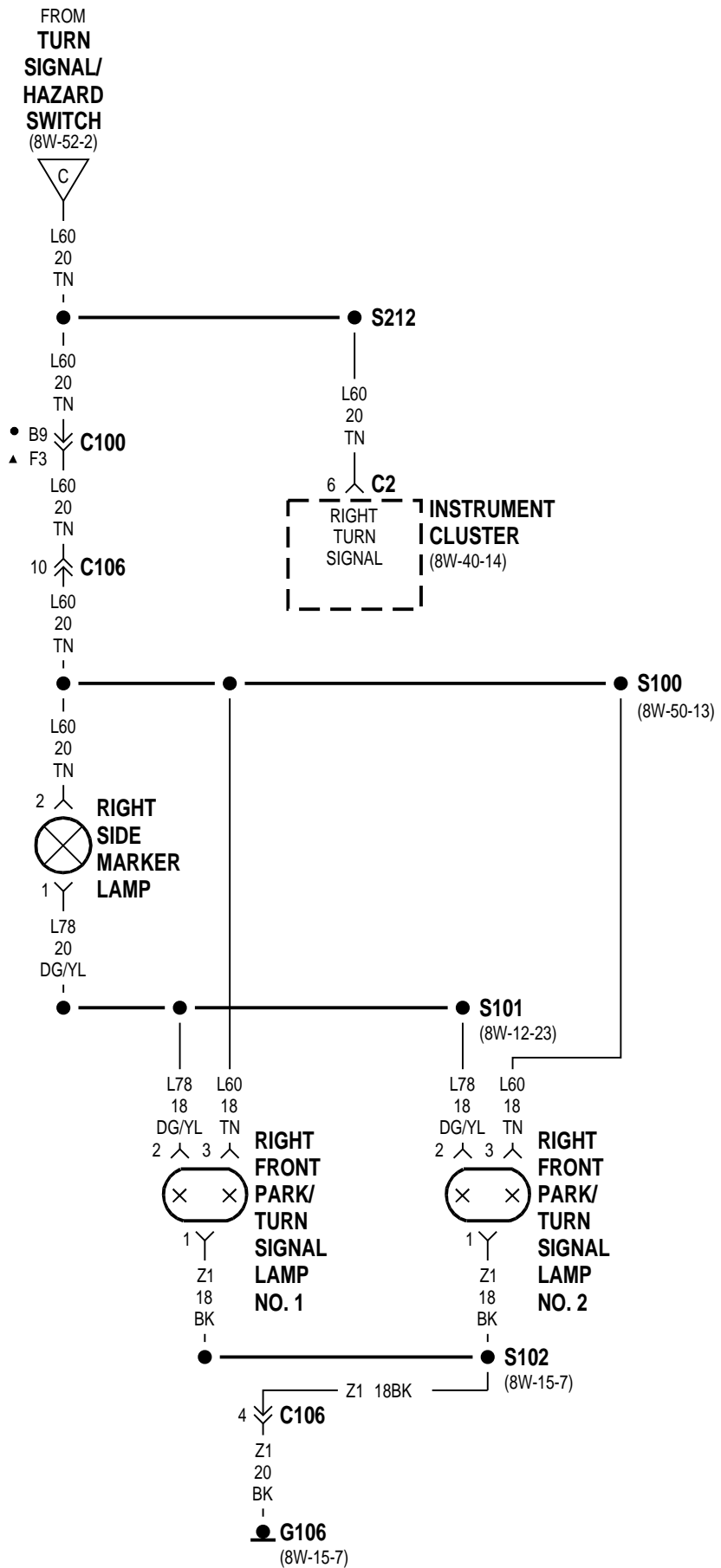
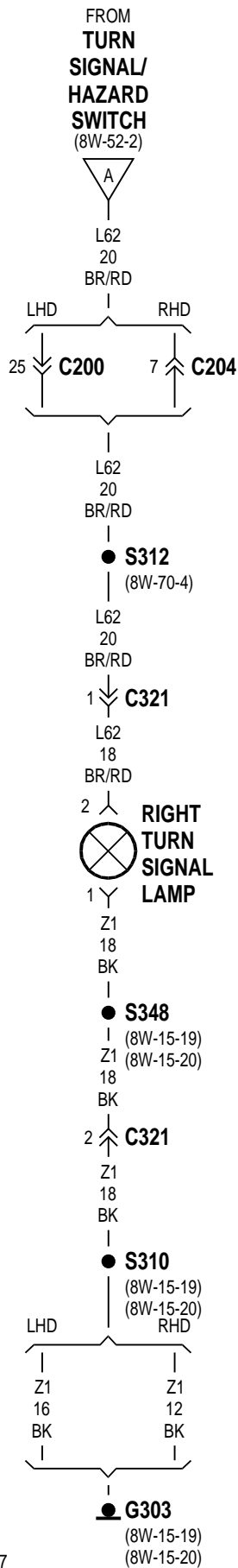


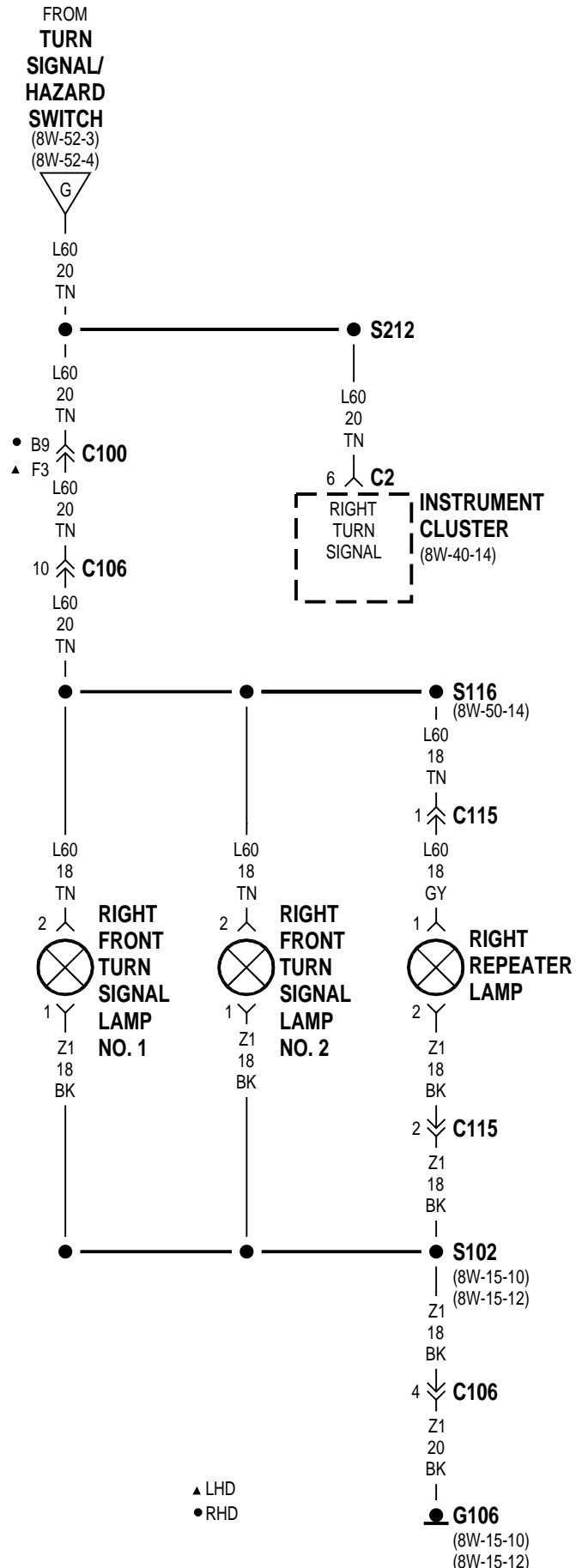
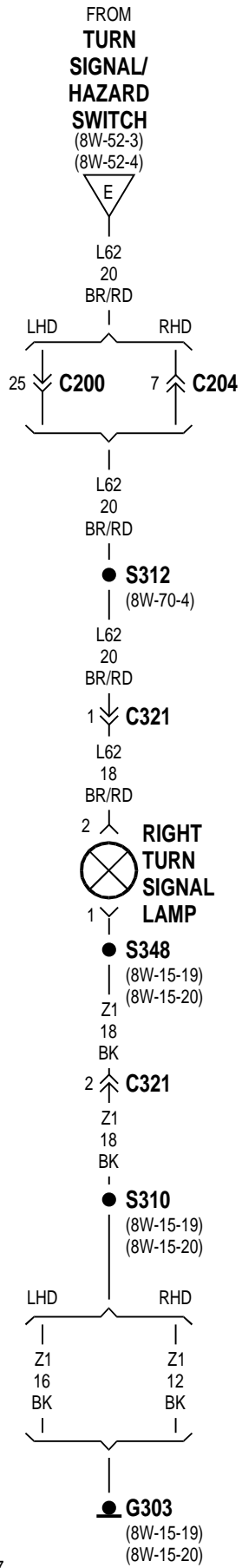






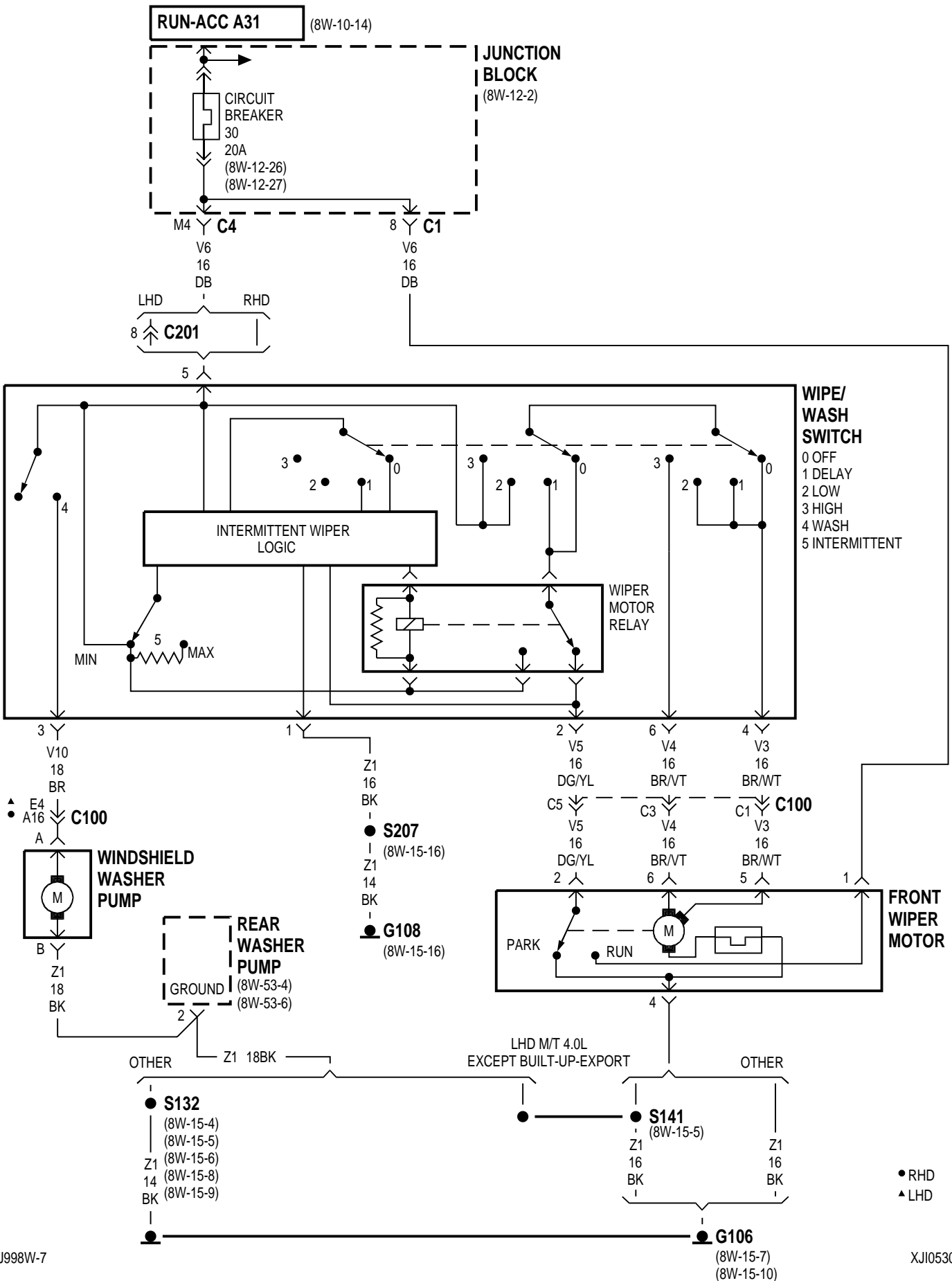


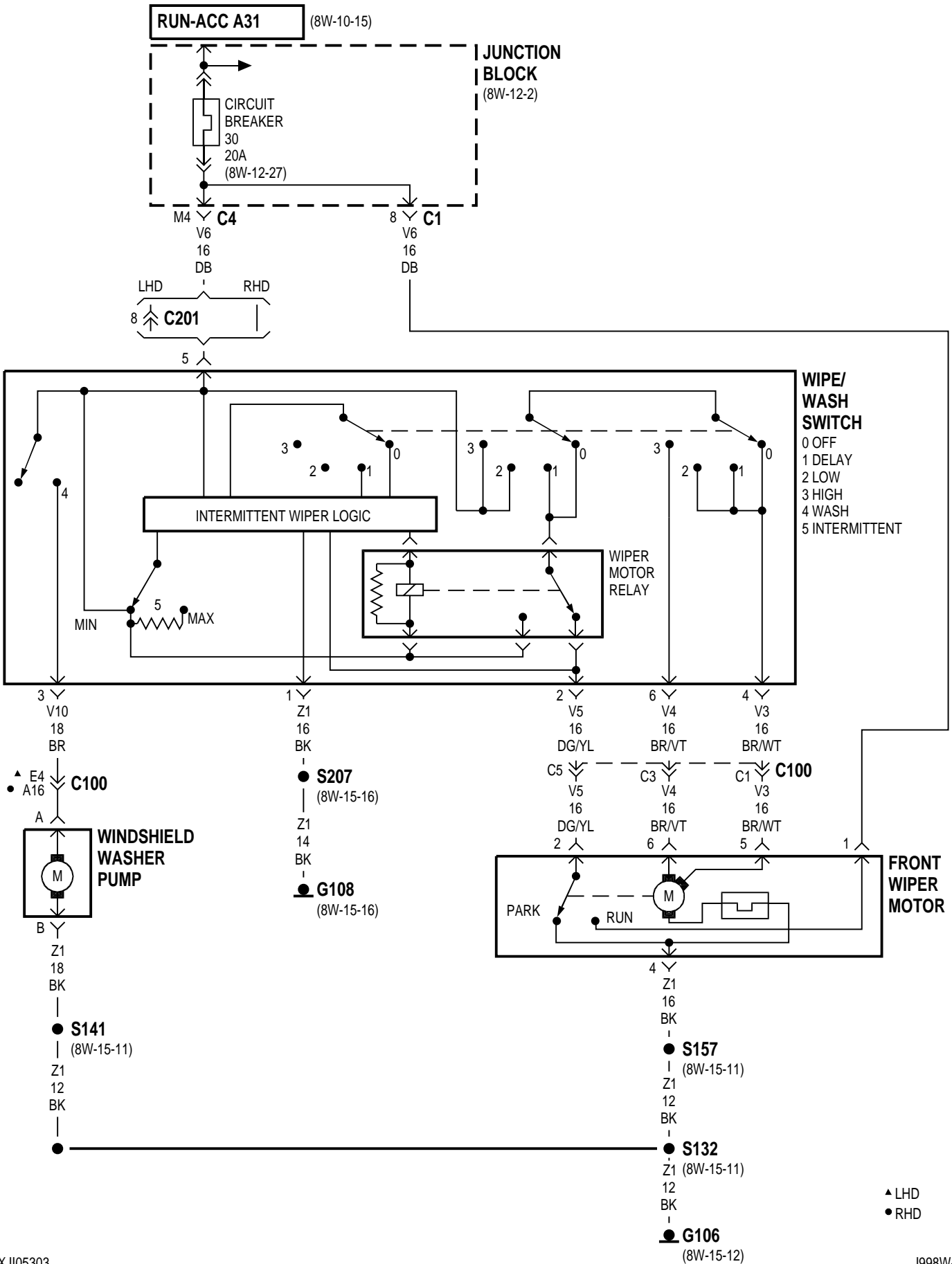


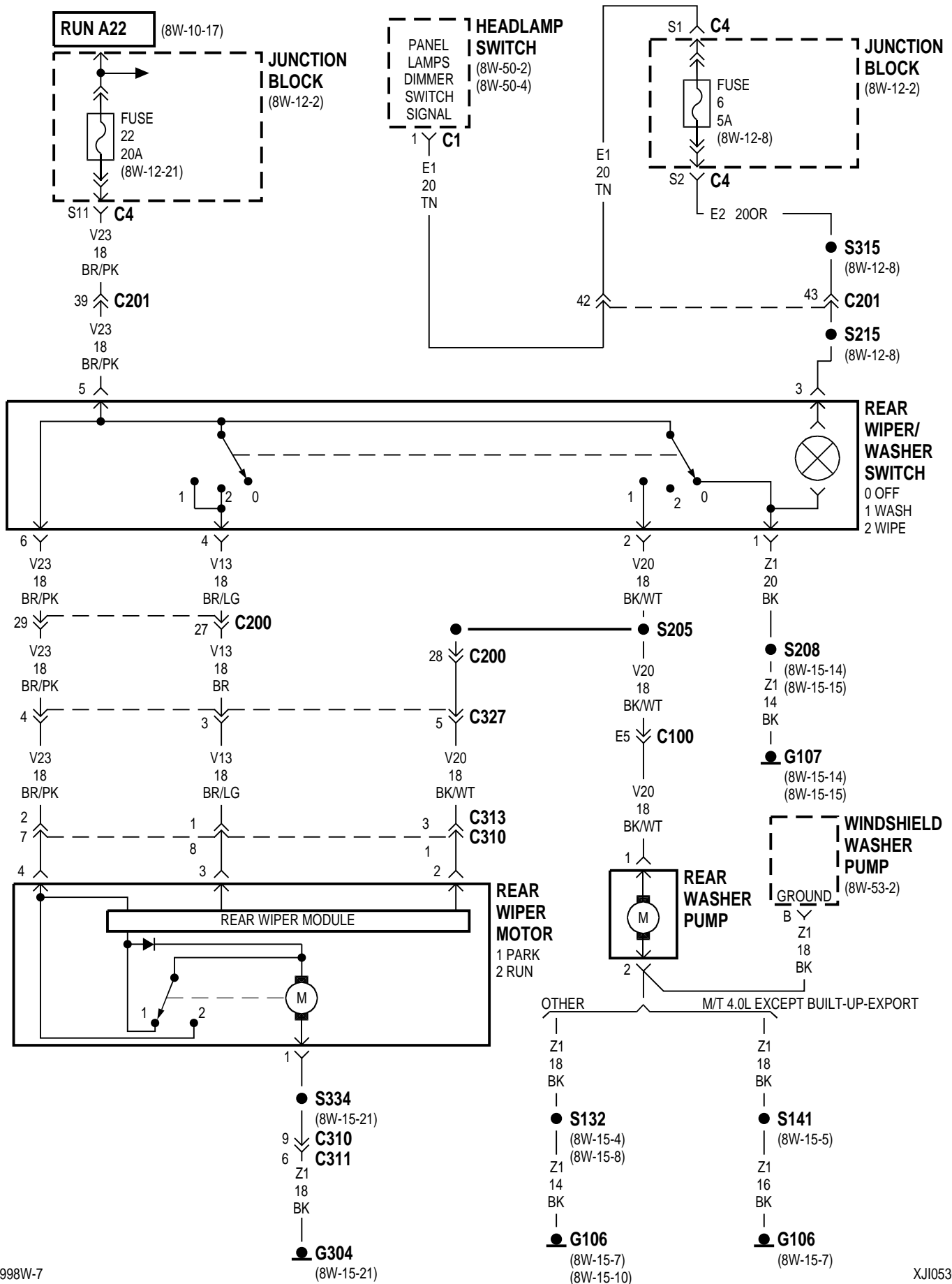


## 8W-53 WIPERS

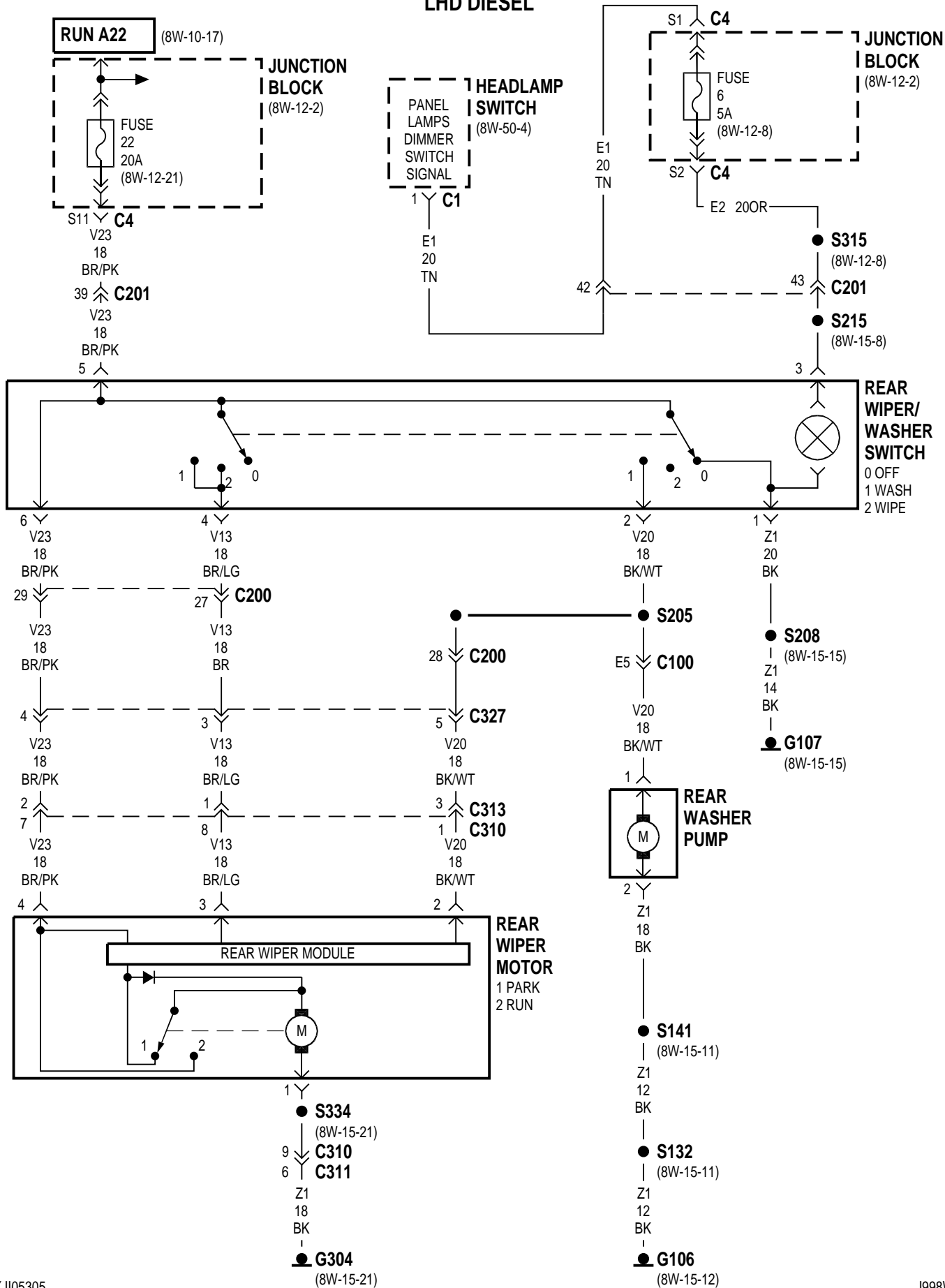
<b>Component</b>	<b>Page</b>	<b>Component</b>	<b>Page</b>
A/C- Heater Control . . . . .	8W-53-6, 7	Headlamp Switch . . . . .	8W-53-4, 5, 6, 7
Circuit Breaker 30 (JB) . . . . .	8W-53-2, 3	Junction Block . . . . .	8W-53-2, 3, 4, 5, 6, 7
Front Wiper Motor . . . . .	8W-53-2, 3	Rear Washer Pump . . . . .	8W-53-2, 4, 5, 6, 7
Fuse 6 (JB) . . . . .	8W-53-4, 5, 6, 7	Rear Wiper Motor . . . . .	8W-53-4, 5, 6, 7
Fuse 22 (JB) . . . . .	8W-53-4, 5, 6, 7	Rear Wiper/Washer Switch . . . . .	8W-53-4, 5, 6, 7
G106 . . . . .	8W-53-2, 3, 4, 5, 6, 7	Windshield Washer Pump . . . . .	8W-53-2, 3, 4, 6
G107 . . . . .	8W-53-4, 5, 6, 7	Wipe/Wash Switch . . . . .	8W-53-2, 3
G108 . . . . .	8W-53-2, 3	Wiper Motor Relay . . . . .	8W-53-2, 3
G304 . . . . .	8W-53-4, 5, 6, 7		

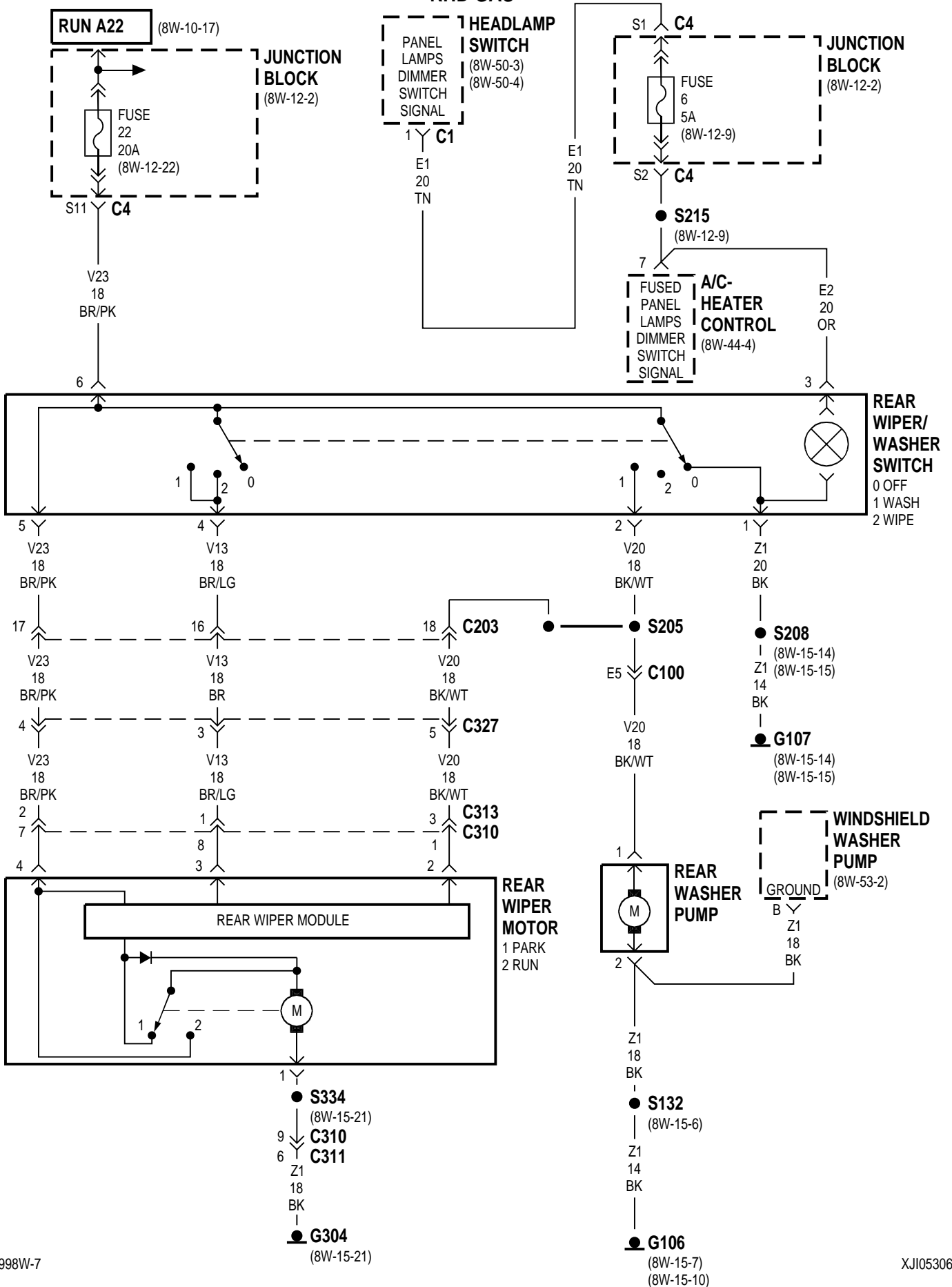










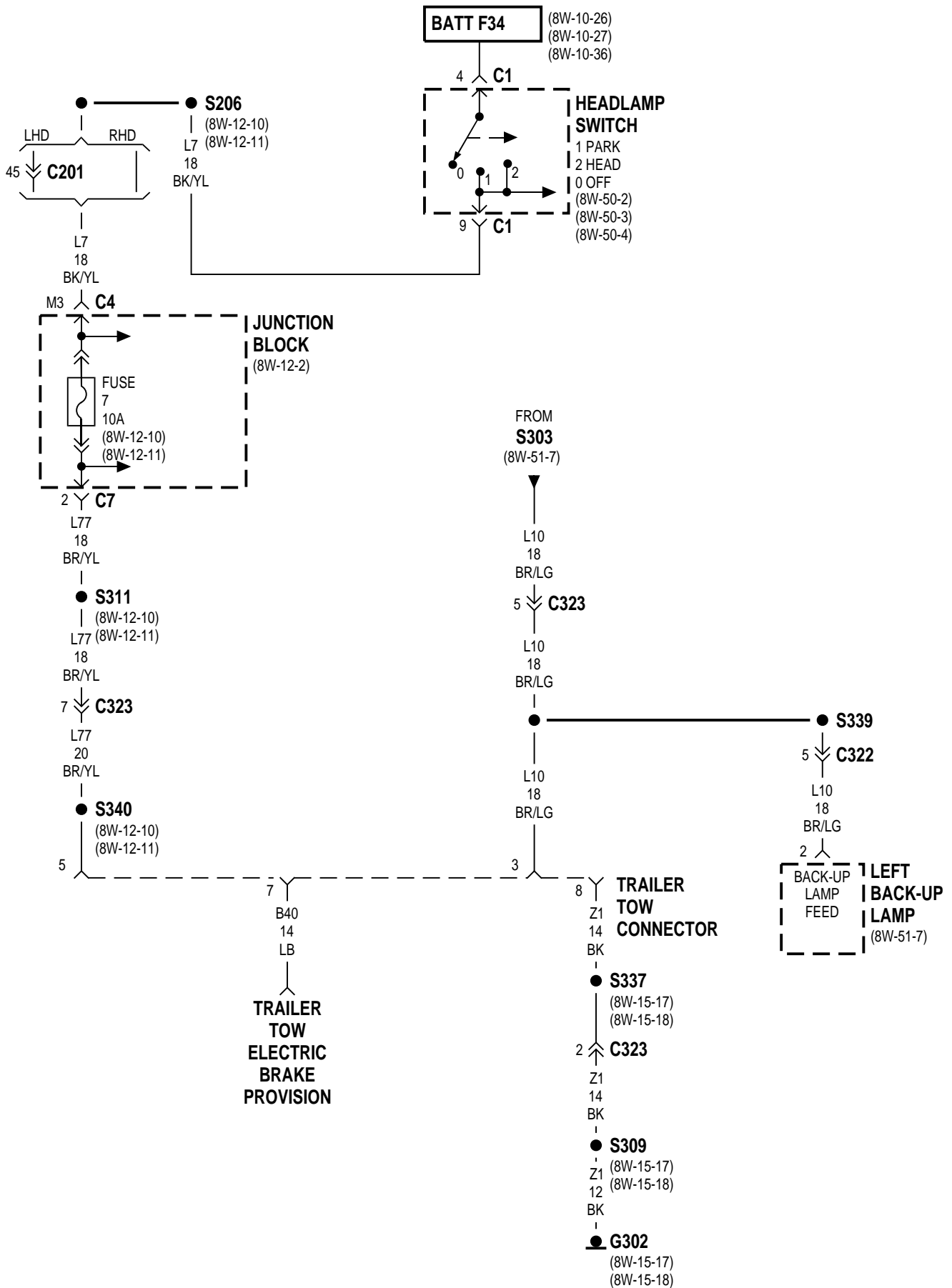


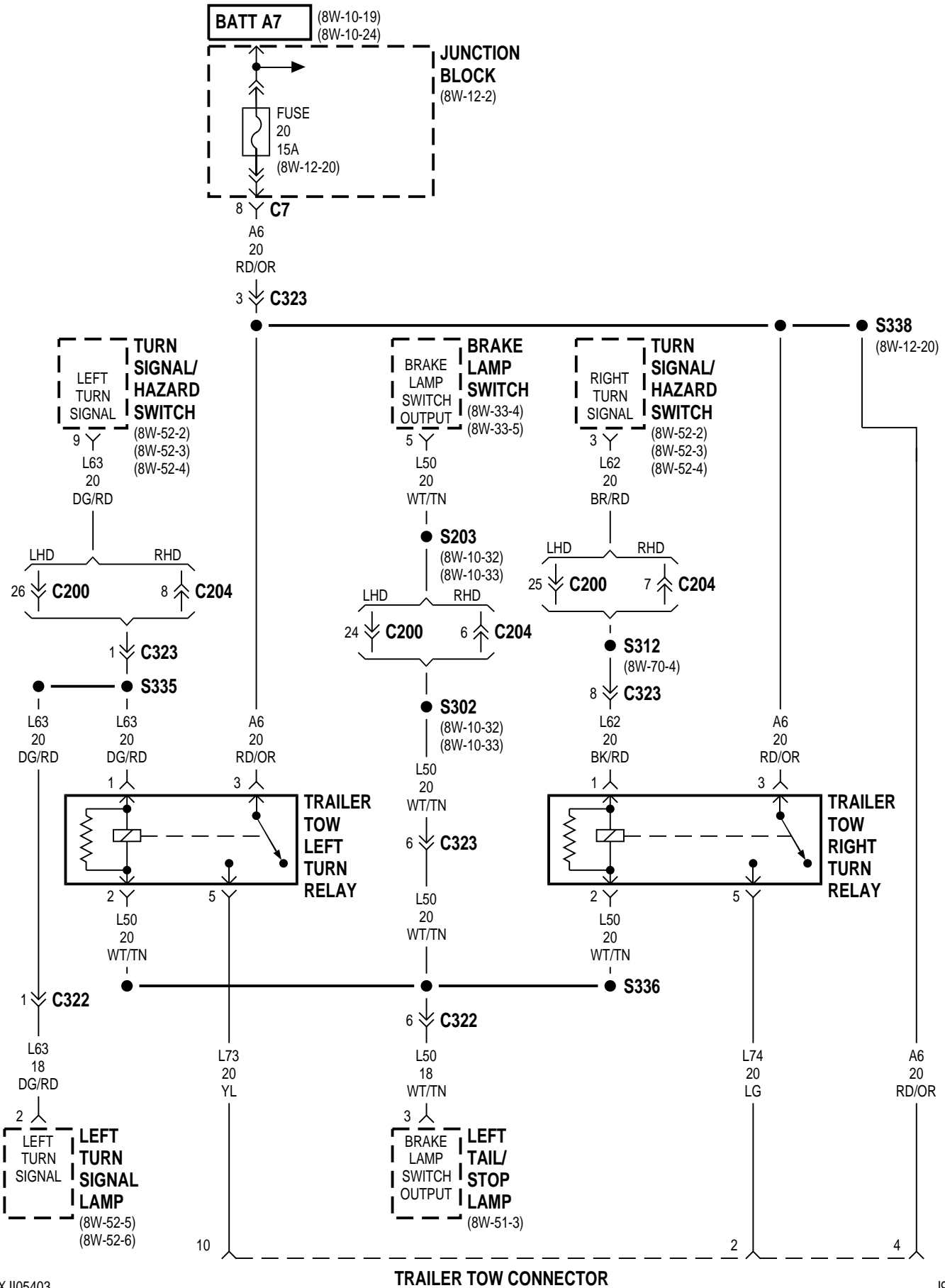




## 8W-54 TRAILER TOW

<b>Component</b>	<b>Page</b>	<b>Component</b>	<b>Page</b>
Brake Lamp Switch .....	8W-54-3	Left Tail/Stop Lamp .....	8W-54-3
Fuse 7 (JB) .....	8W-54-2	Left Turn Signal Lamp .....	8W-54-3
Fuse 20 (JB) .....	8W-54-3	Trailer Tow Connector .....	8W-54-2, 3
G302 .....	8W-54-2	Trailer Tow Electric Brake Provision .....	8W-54-2
Headlamp Switch .....	8W-54-2	Trailer Tow Left Turn Relay .....	8W-54-3
Junction Block .....	8W-54-2, 3	Trailer Tow Right Turn Relay .....	8W-54-3
Left Back-Up Lamp .....	8W-54-2	Turn Signal/Hazard Switch .....	8W-54-3



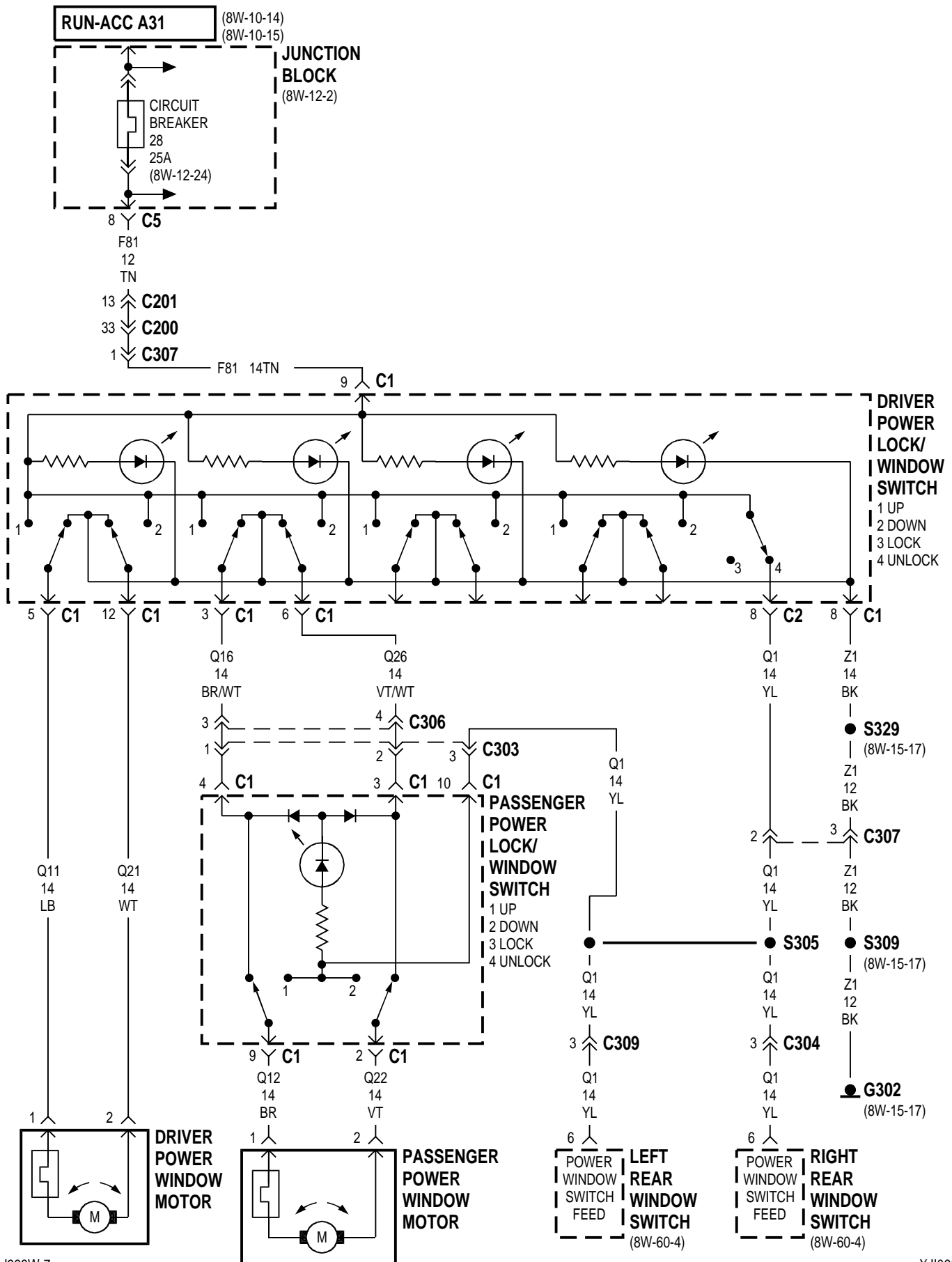




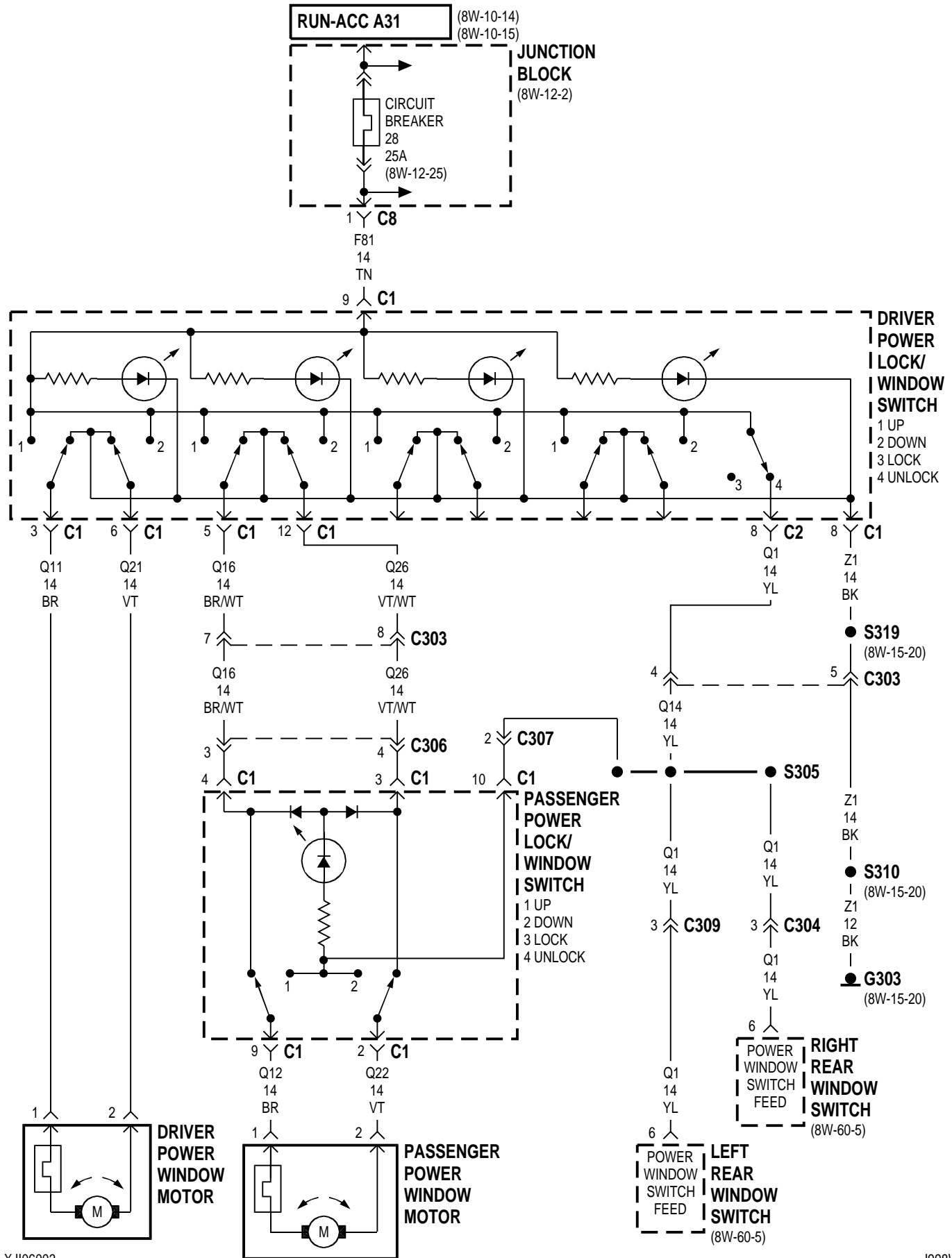


## 8W-60 POWER WINDOWS

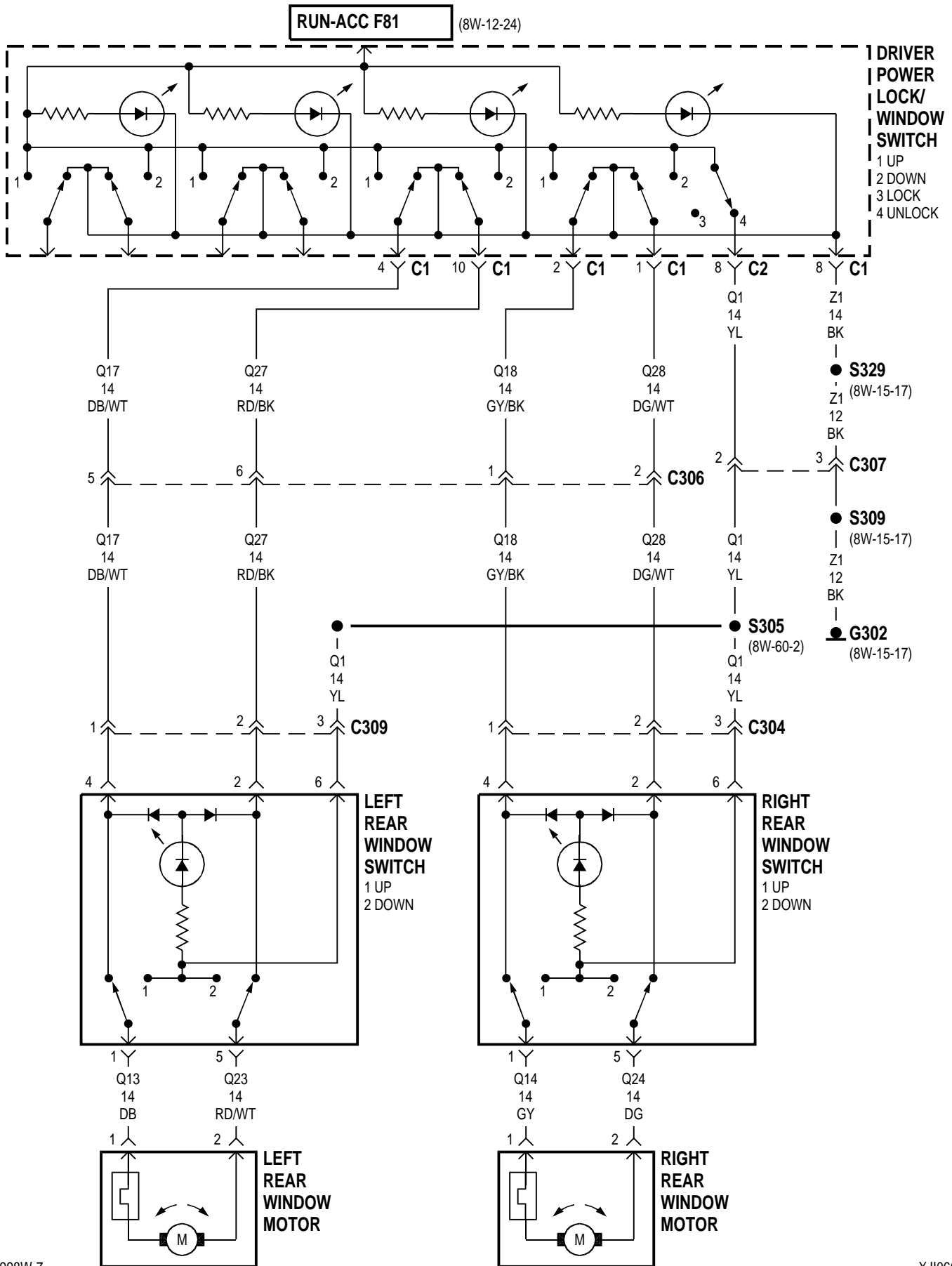
<b>Component</b>	<b>Page</b>	<b>Component</b>	<b>Page</b>
Circuit Breaker 28 (JB) . . . . .	8W-60-2, 3	Left Rear Window Motor . . . . .	8W-60-4, 5
Driver Power Lock/Window Switch . . . . .	8W-60-2, 3, 4, 5	Left Rear Window Switch . . . . .	8W-60-2, 3, 4, 5
Driver Power Window Motor . . . . .	8W-60-2, 3	Passenger Power Lock/Window Switch . .	8W-60-2, 3
G302 . . . . .	8W-60-2, 4	Passenger Power Window Motor . . . . .	8W-60-2, 3
G303 . . . . .	8W-60-3, 5	Right Rear Window Motor . . . . .	8W-60-4, 5
Junction Block . . . . .	8W-60-2, 3	Right Rear Window Switch . . . . .	8W-60-2, 3, 4, 5

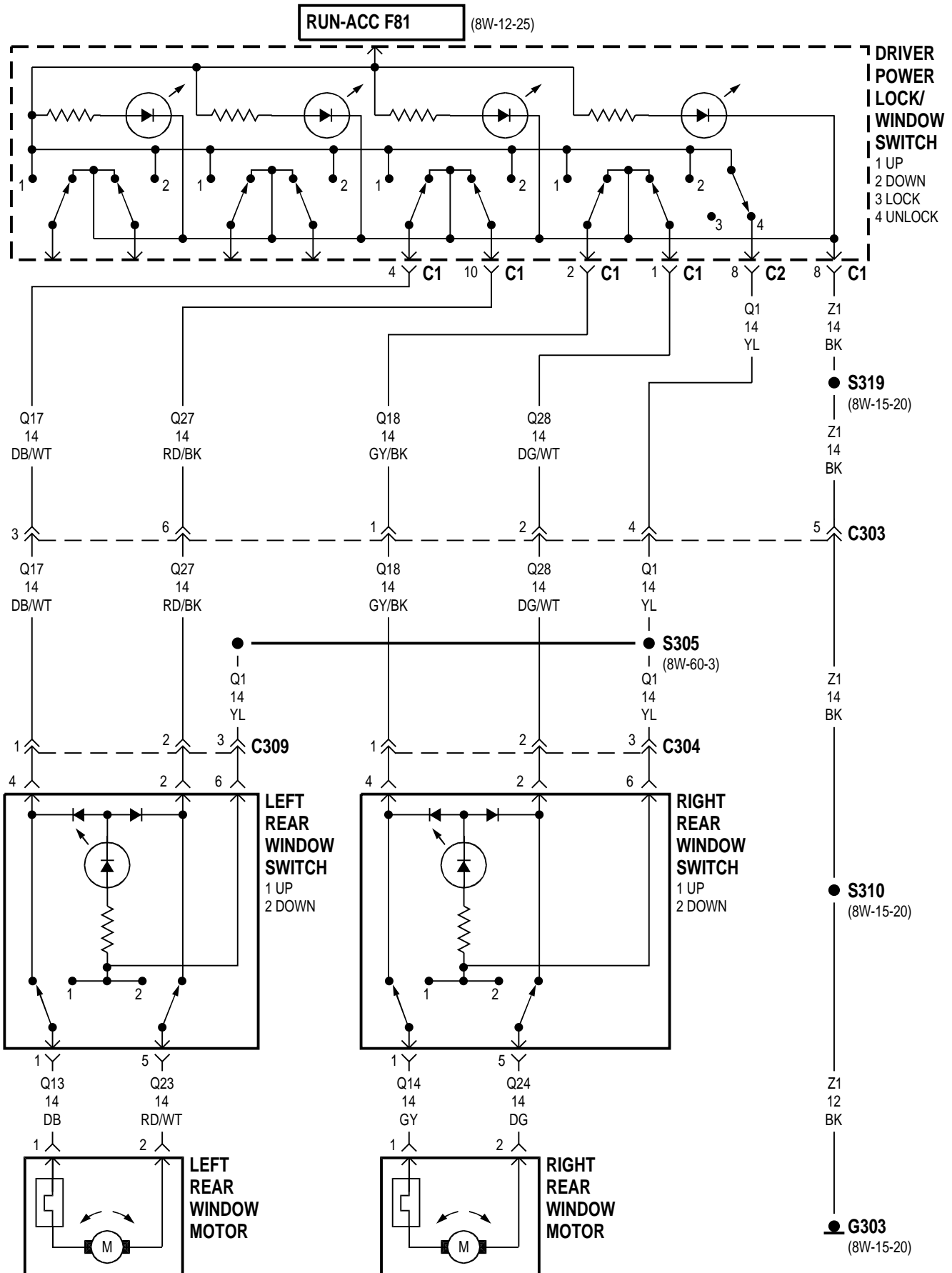


RHD



LHD



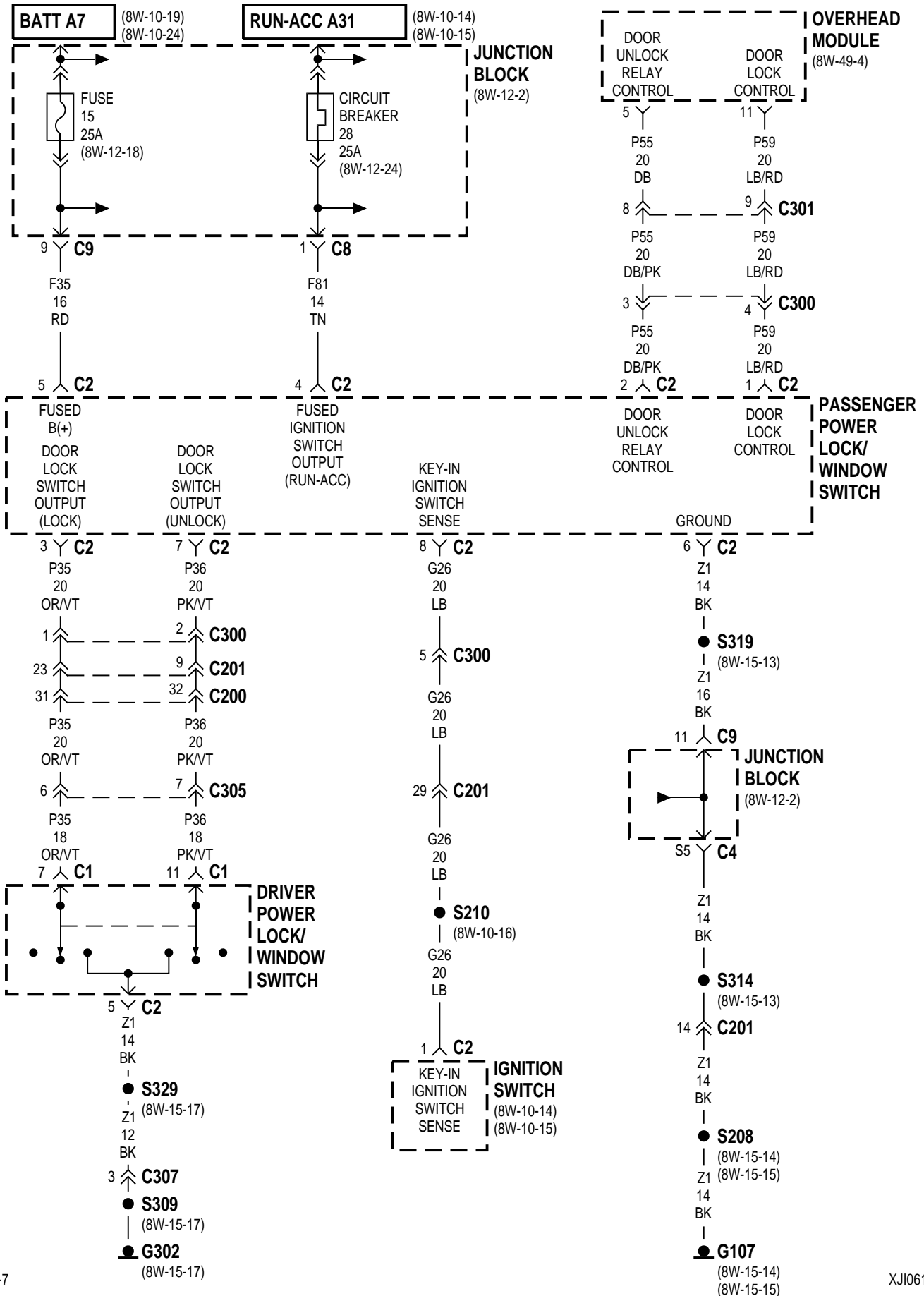




## 8W-61 POWER DOOR LOCKS

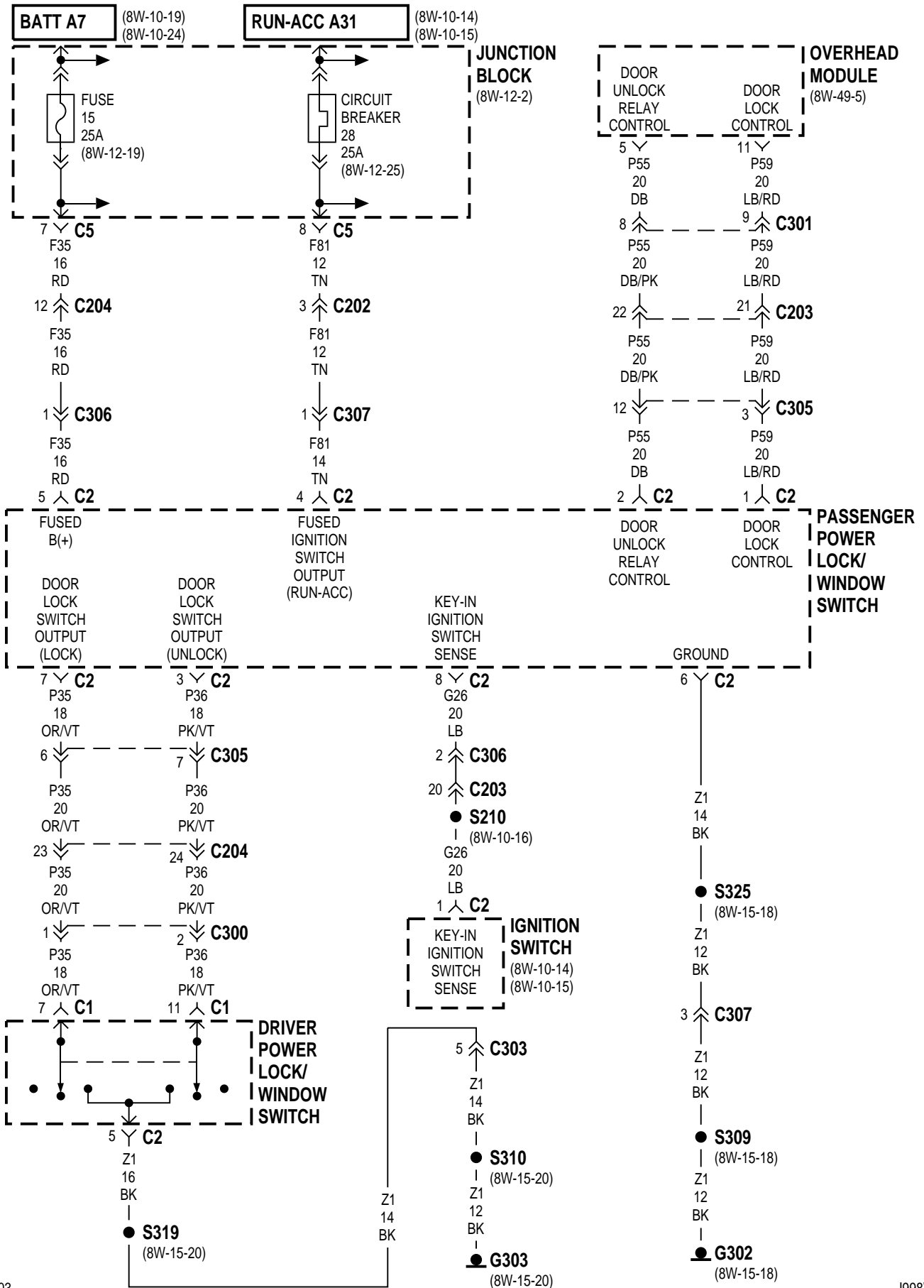
<b>Component</b>	<b>Page</b>	<b>Component</b>	<b>Page</b>
Circuit Breaker 28 (JB) . . . . .	8W-61-2, 3	Left Rear Door Lock Motor . . . . .	8W-61-4, 5
Driver Door Lock Motor . . . . .	8W-61-4, 5	Liftgate Lock Motor . . . . .	8W-61-4, 5
Driver Power Lock/Window Switch . . . . .	8W-61-2, 3	Overhead Module . . . . .	8W-61-2, 3
Fuse 15 (JB) . . . . .	8W-61-2, 3	Passenger Door Lock Motor . . . . .	8W-61-4, 5
G107 . . . . .	8W-61-2	Passenger Power Lock/Window Switch . . . . .	8W-61-2, 3, 4, 5
G302 . . . . .	8W-61-2, 3	Right Rear Door Lock Motor . . . . .	8W-61-4, 5
G303 . . . . .	8W-61-3		
Ignition Switch . . . . .	8W-61-2, 3		
Junction Block . . . . .	8W-61-2, 3, 4, 5		

LHD

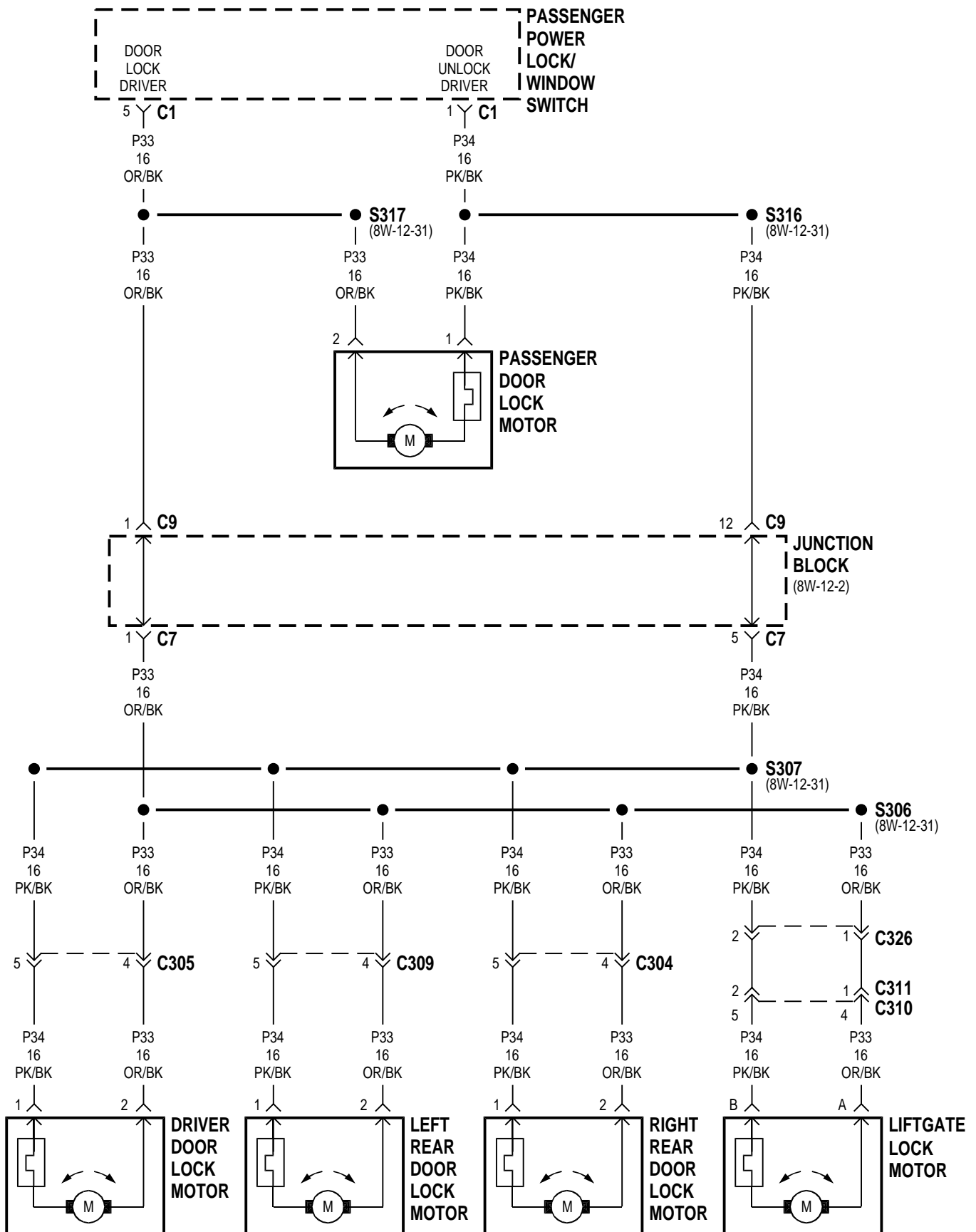


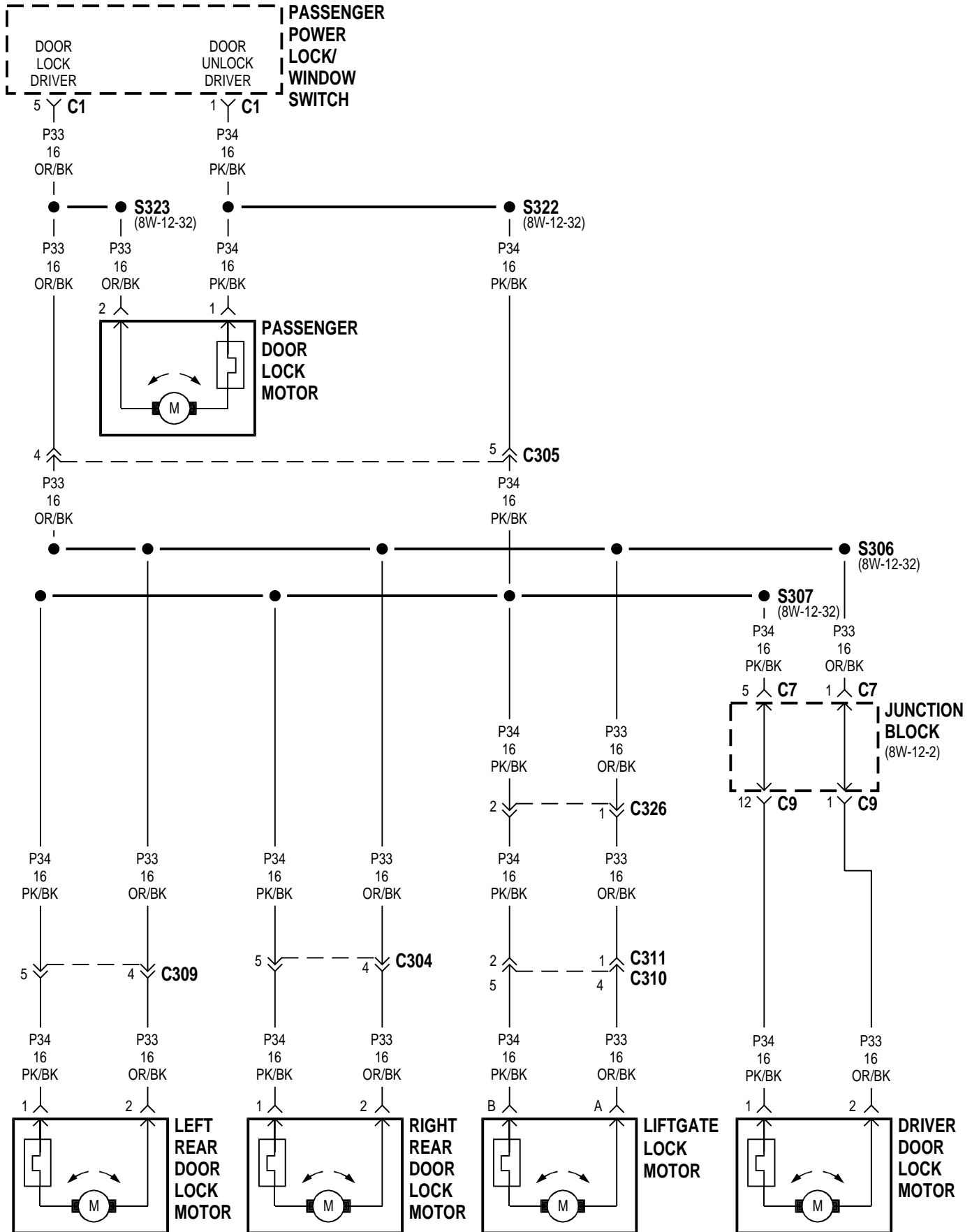


RHD



LHD



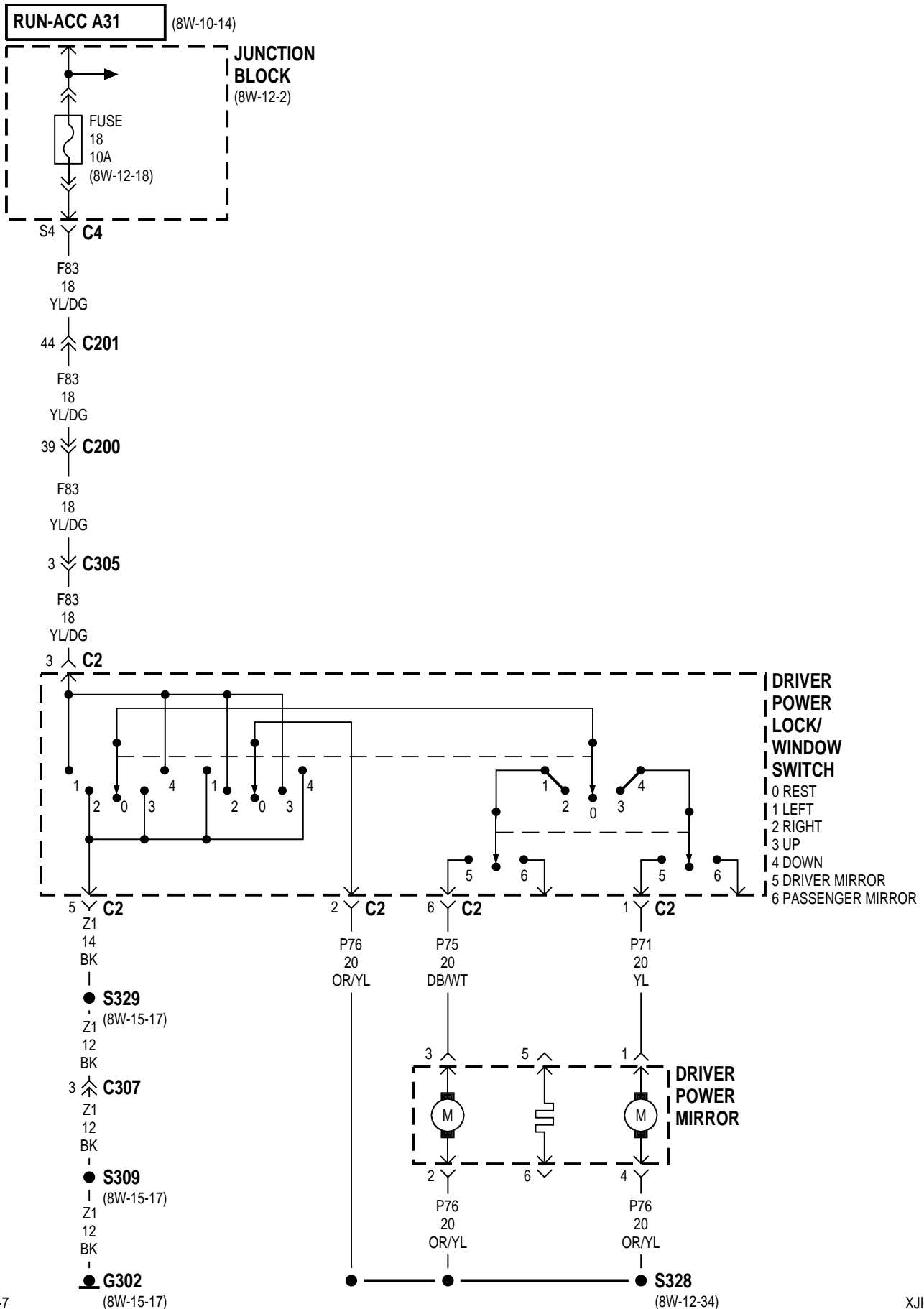


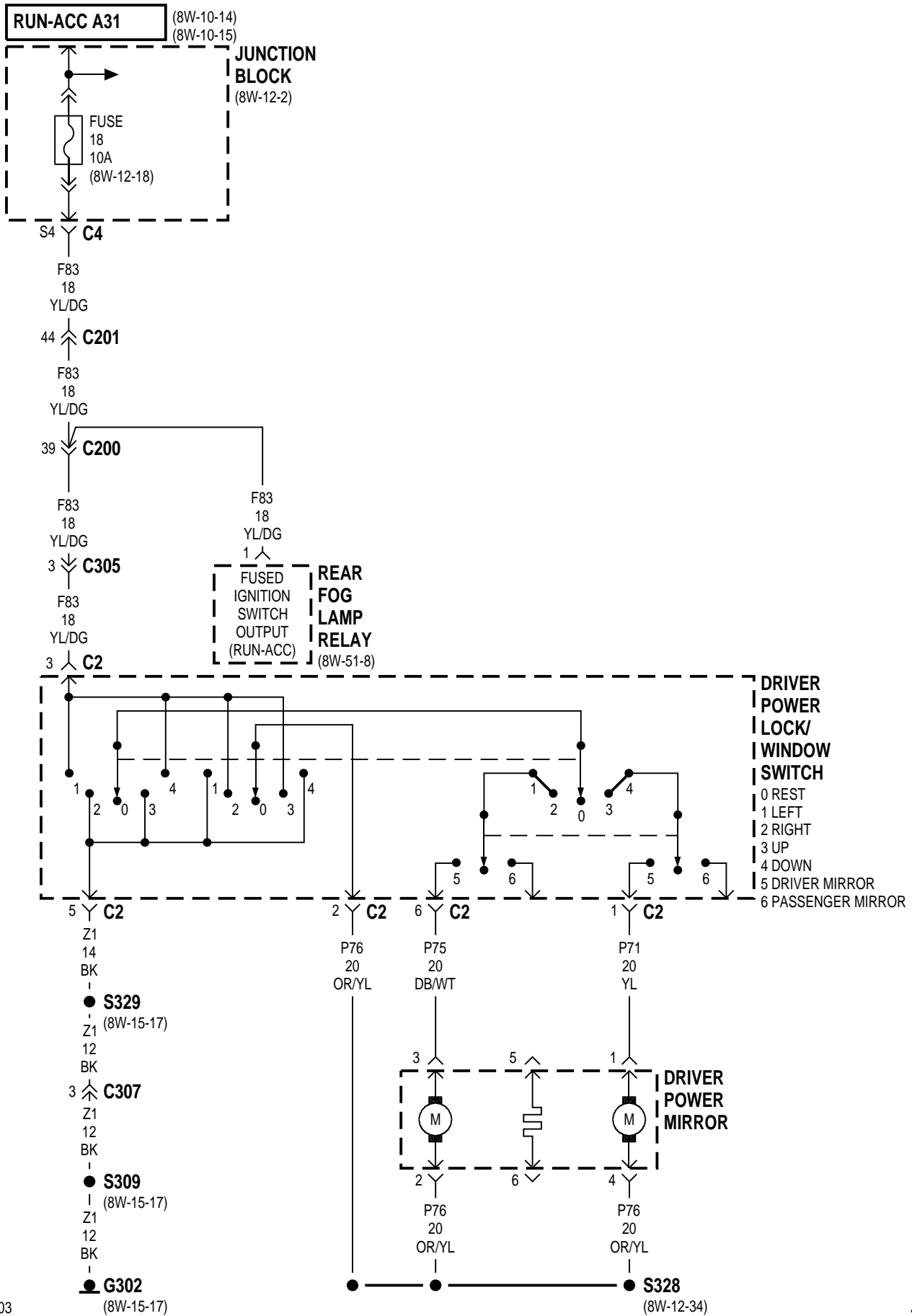


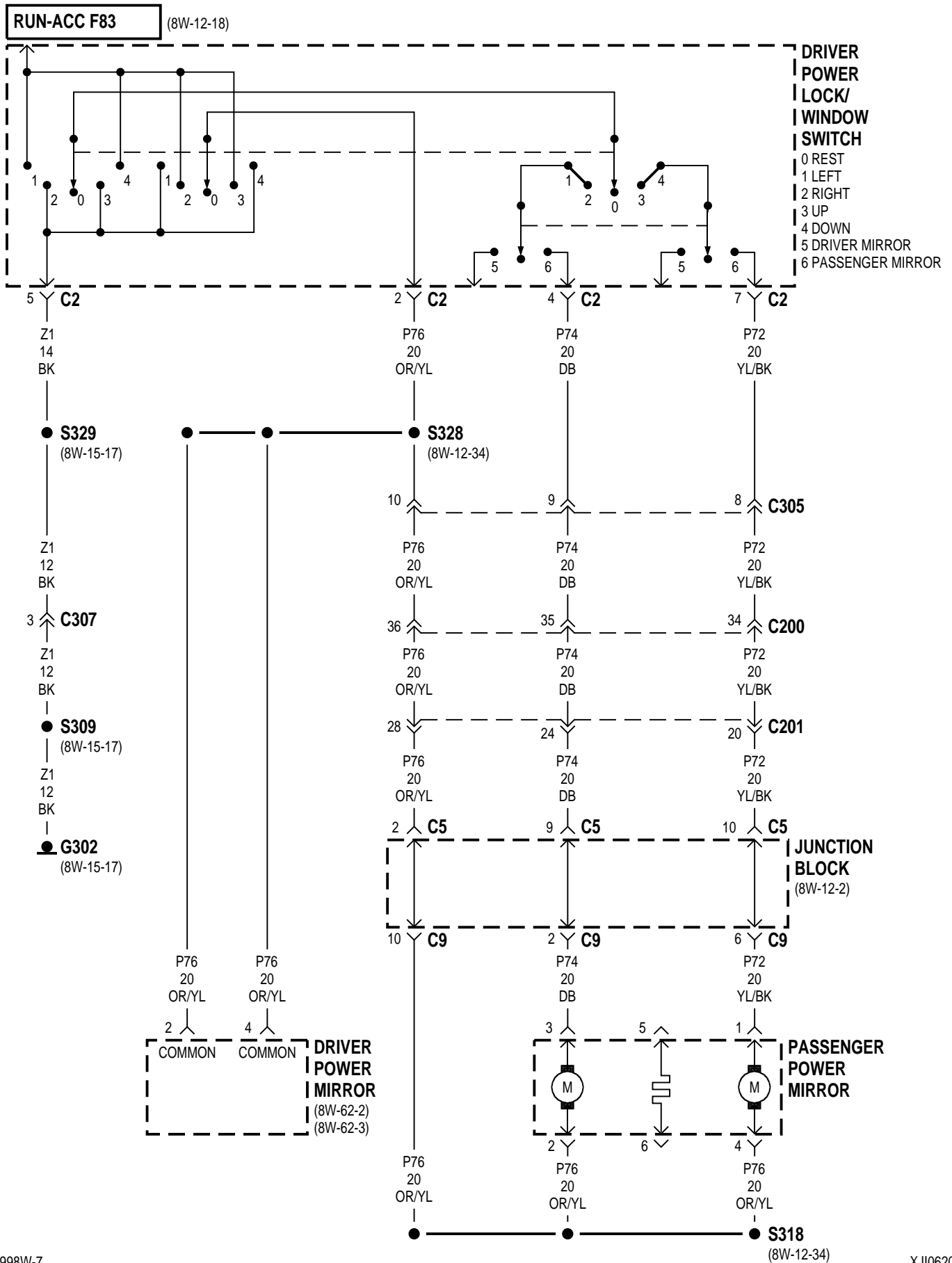
## 8W-62 POWER MIRRORS

<b>Component</b>	<b>Page</b>	<b>Component</b>	<b>Page</b>
Driver Power Lock/Window Switch . .	8W-62-2, 3, 4, 5, 6, 7	G303 . . . . .	8W-62-5, 6, 7
Driver Power Mirror . . . . .	8W-62-2, 3, 4, 5, 6, 7, 8, 9	Junction Block . . . . .	8W-62-2, 3, 4, 5, 6, 7, 8, 9
Fuse 18 (JB) . . . . .	8W-62-2, 3, 5, 6	Passenger Power Mirror . . . . .	8W-62-4, 7, 8, 9
G107 . . . . .	8W-62-9	Power Mirror Switch . . . . .	8W-62-8, 9
G302 . . . . .	8W-62-2, 3, 4, 8	Rear Fog Lamp Relay . . . . .	8W-62-3

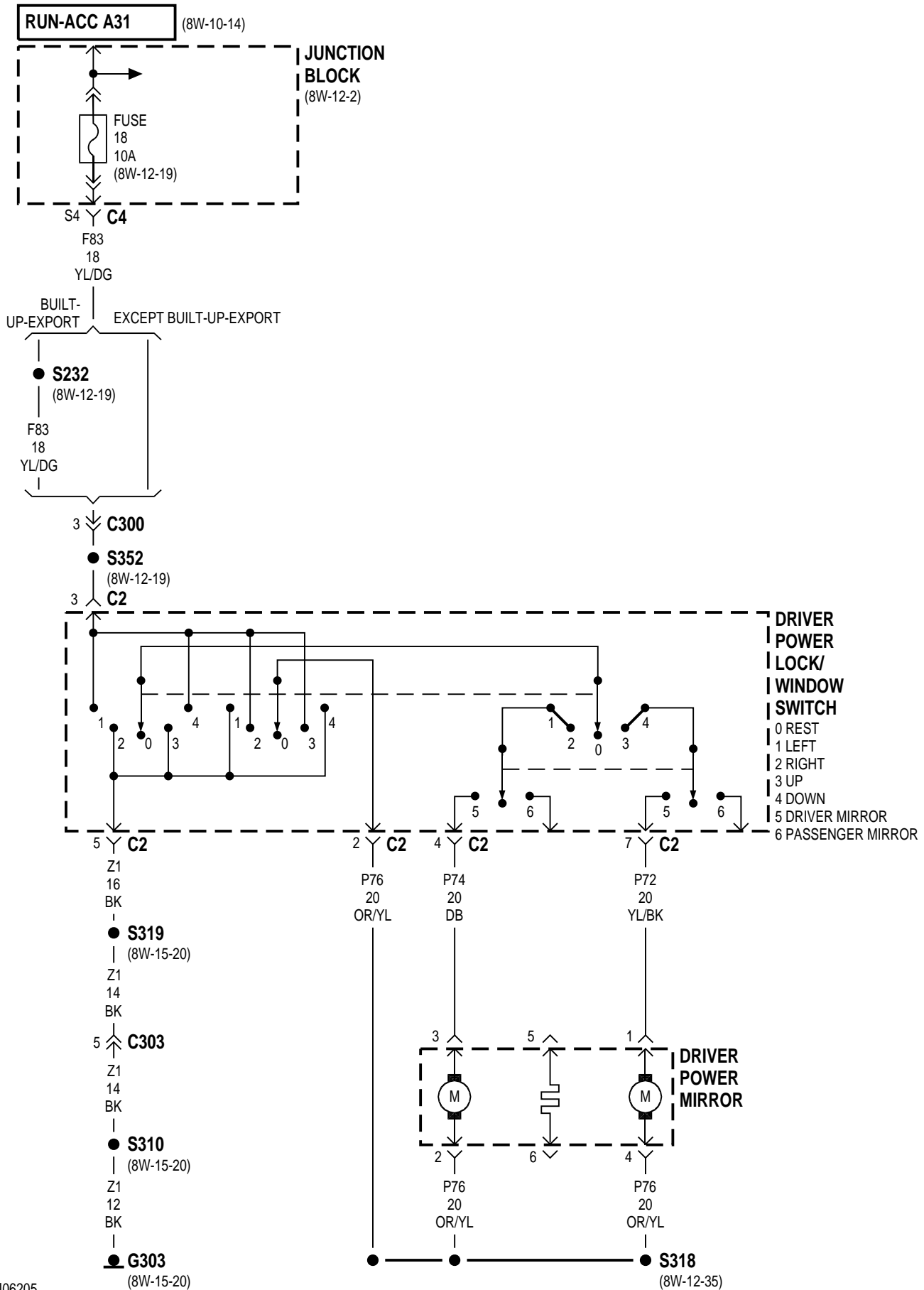
LHD EXCEPT BUILT-UP-EXPORT FULL OPTIONS

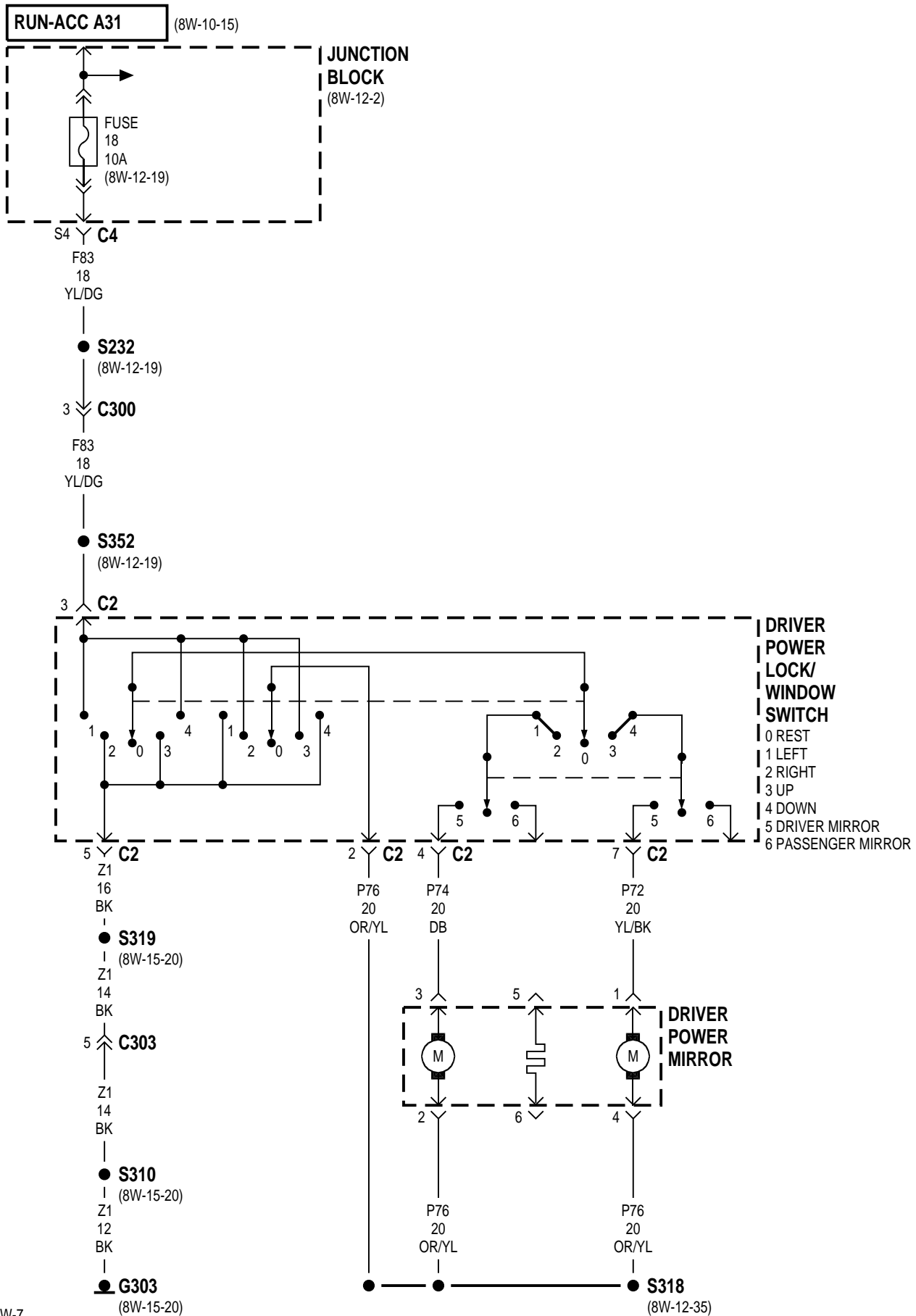




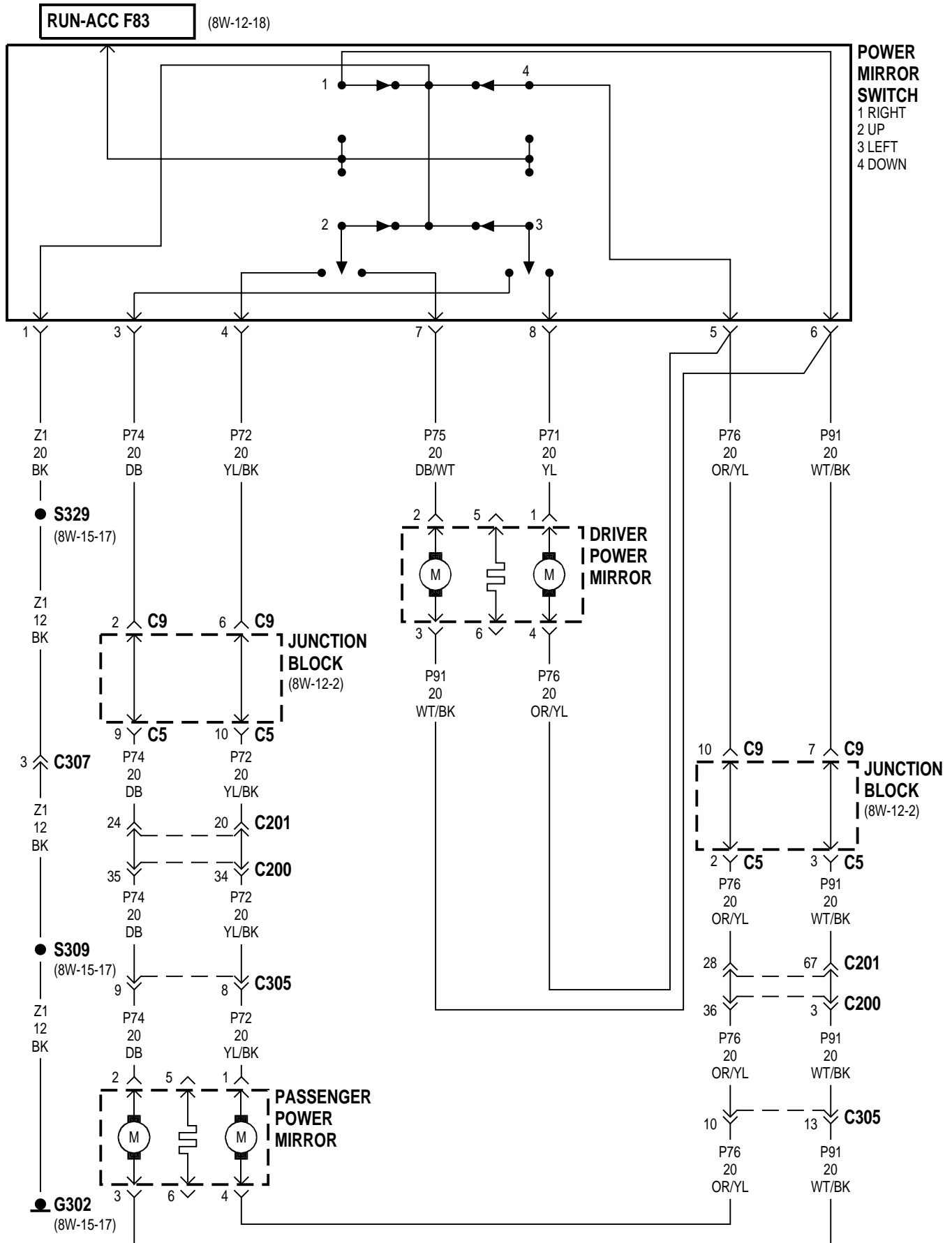


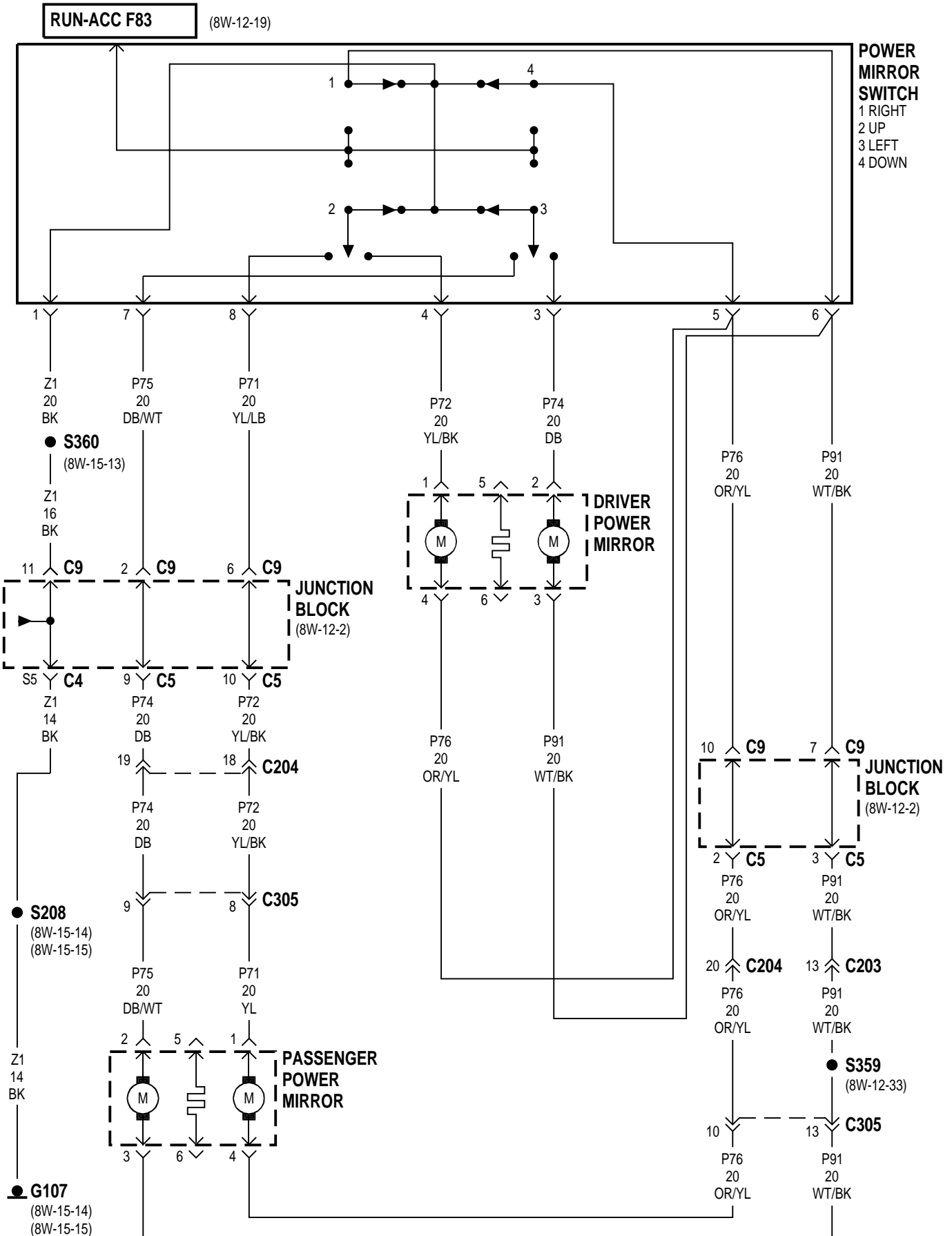








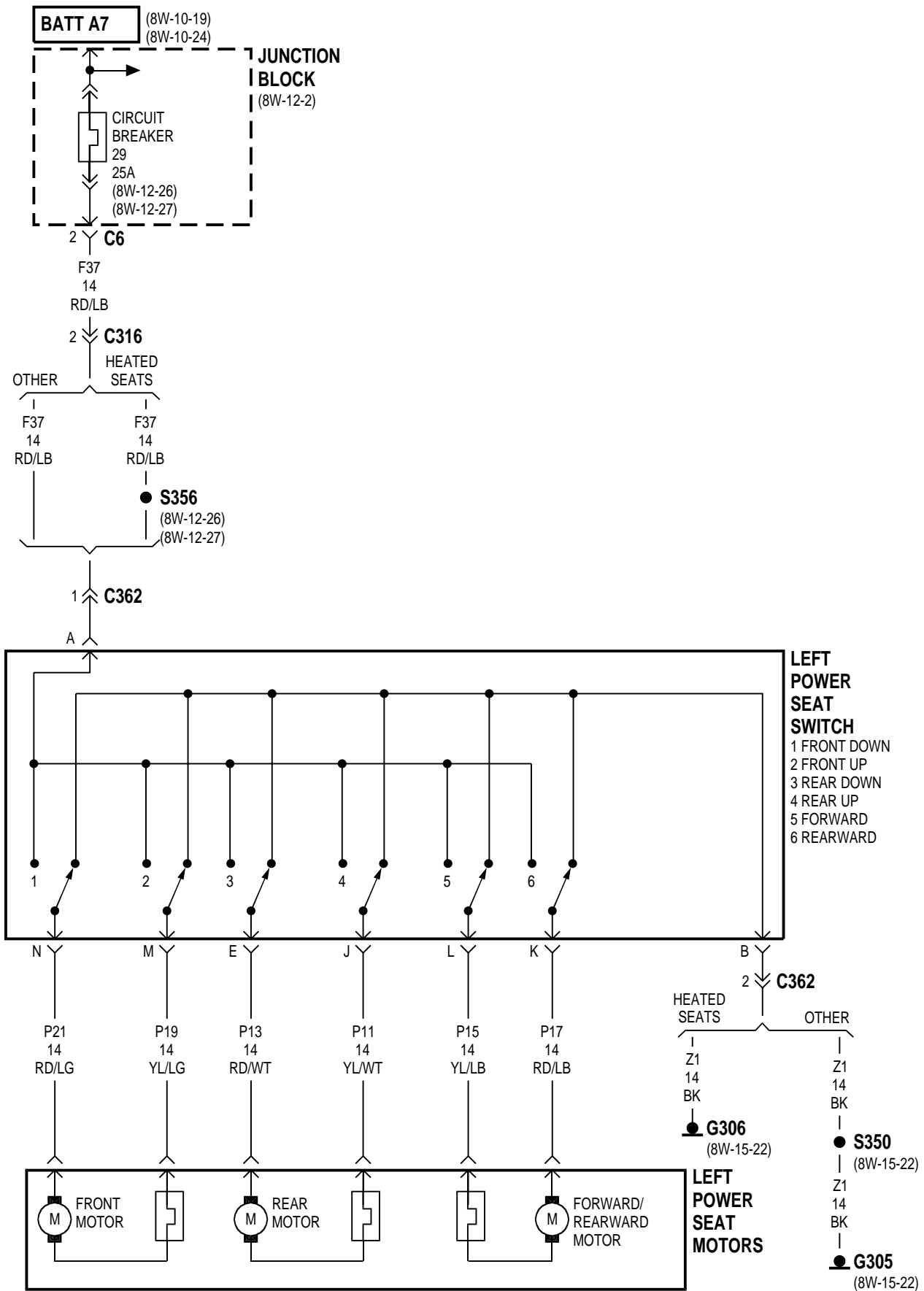




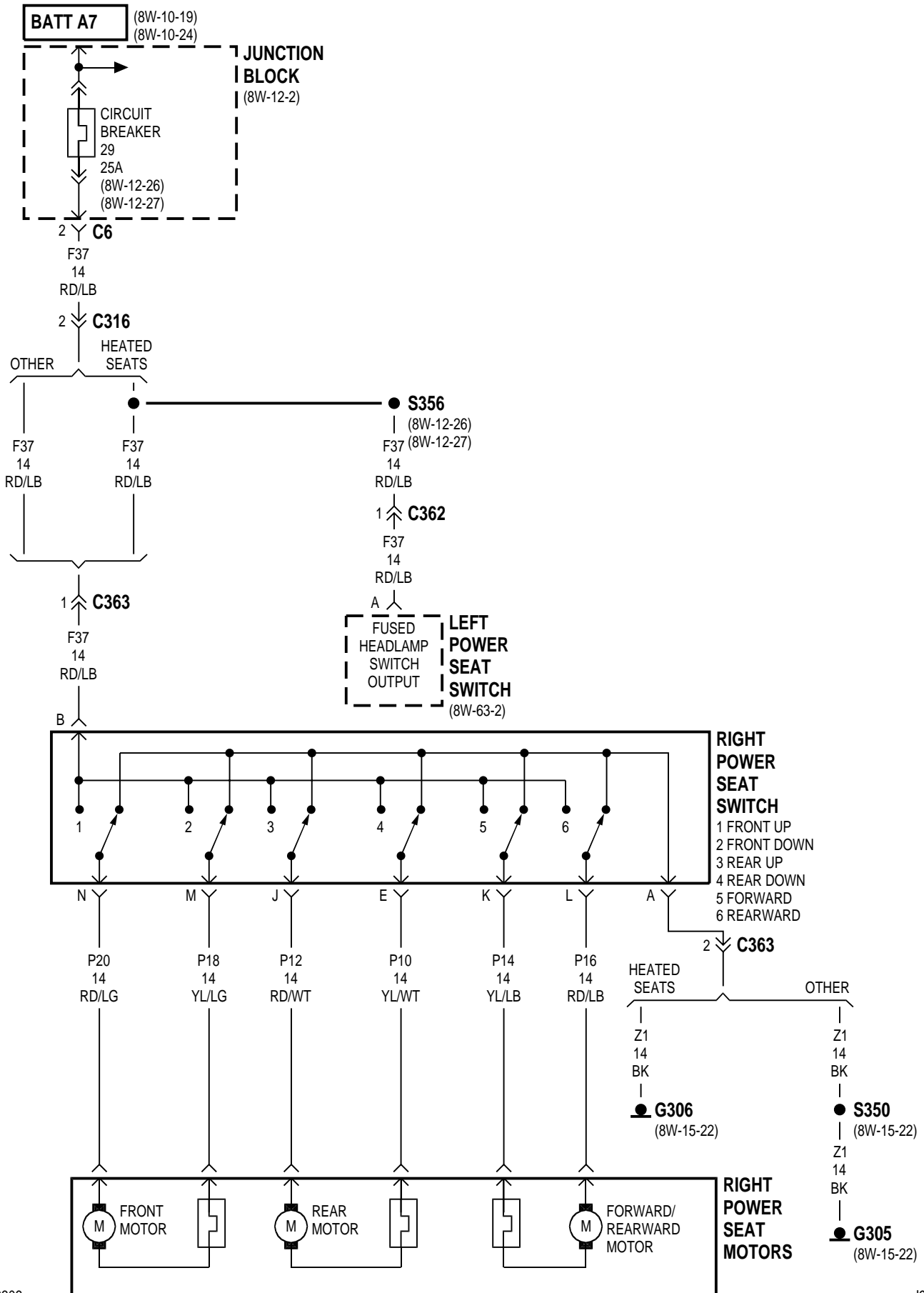


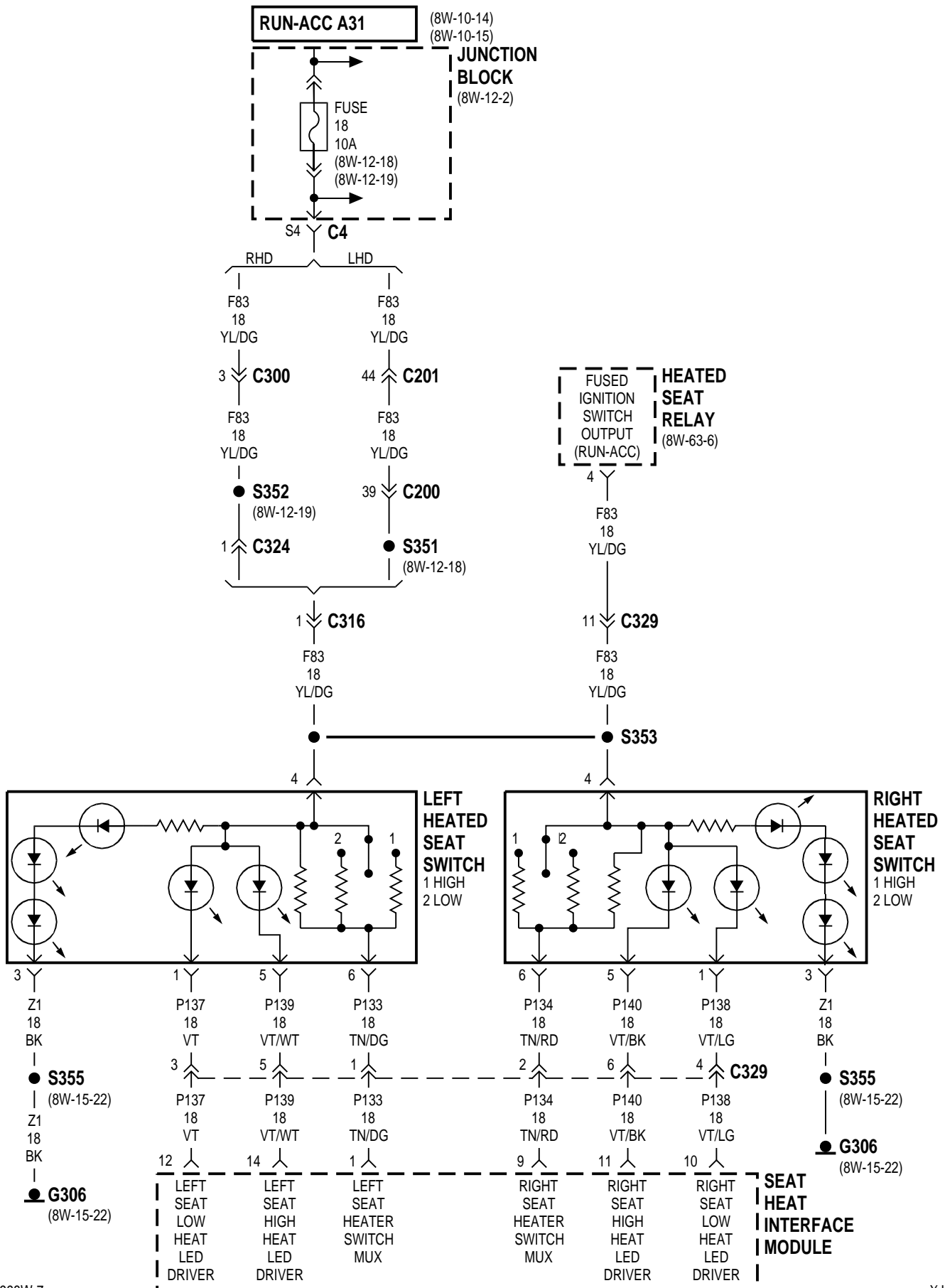
## 8W-63 POWER SEAT

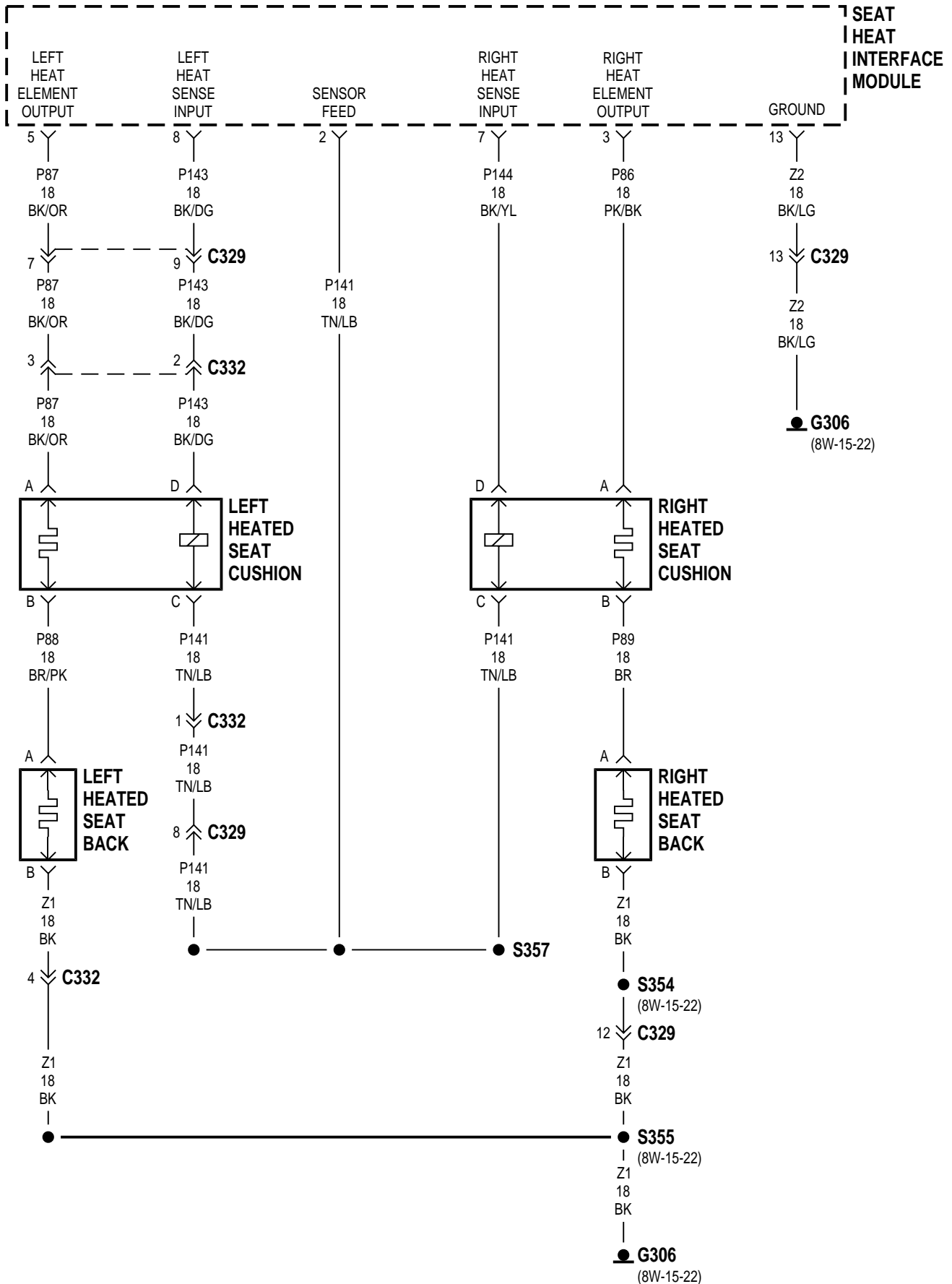
<b>Component</b>	<b>Page</b>	<b>Component</b>	<b>Page</b>
Circuit Breaker 29 (JB) . . . . .	8W-63-2, 3, 6	Left Heated Seat Switch . . . . .	8W-63-4
Forward/Rearward Motor . . . . .	8W-63-2, 3	Left Power Seat Motors . . . . .	8W-63-2
Front Motor . . . . .	8W-63-2, 3	Left Power Seat Switch . . . . .	8W-63-2, 3, 6
Fuse 18 (JB) . . . . .	8W-63-4, 6	Rear Motor . . . . .	8W-63-2, 3
G305 . . . . .	8W-63-2, 3	Right Heated Seat Back . . . . .	8W-63-5
G306 . . . . .	8W-63-2, 3, 4, 5, 6	Right Heated Seat Cushion . . . . .	8W-63-5
Heated Seat Relay . . . . .	8W-63-4, 6	Right Heated Seat Switch . . . . .	8W-63-4
Junction Block . . . . .	8W-63-2, 3, 4, 6	Right Power Seat Motors . . . . .	8W-63-3
Left Heated Seat Back . . . . .	8W-63-5	Right Power Seat Switch . . . . .	8W-63-3, 6
Left Heated Seat Cushion . . . . .	8W-63-5	Seat Heat Interface Module . . . . .	8W-63-4, 5, 6

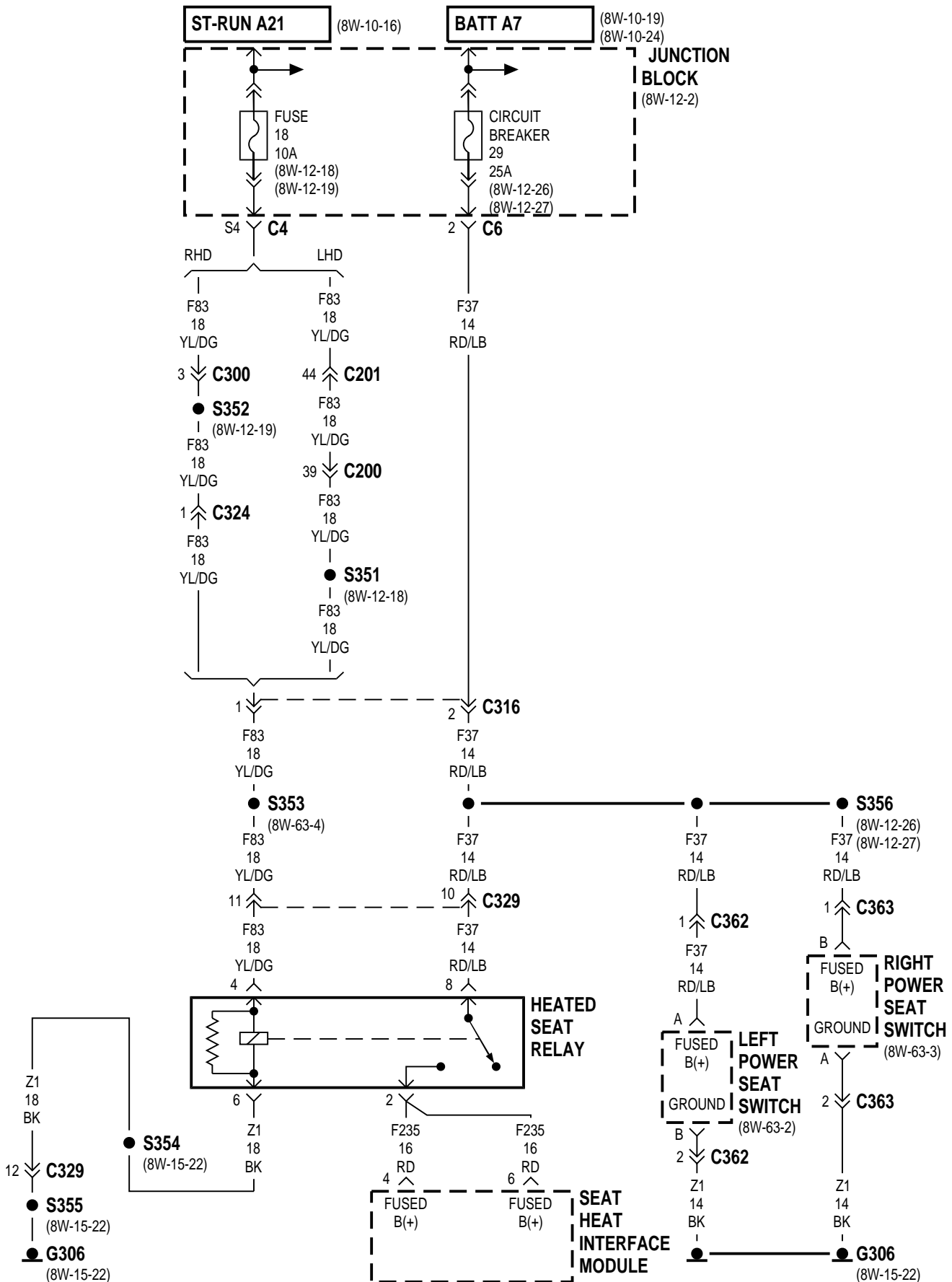








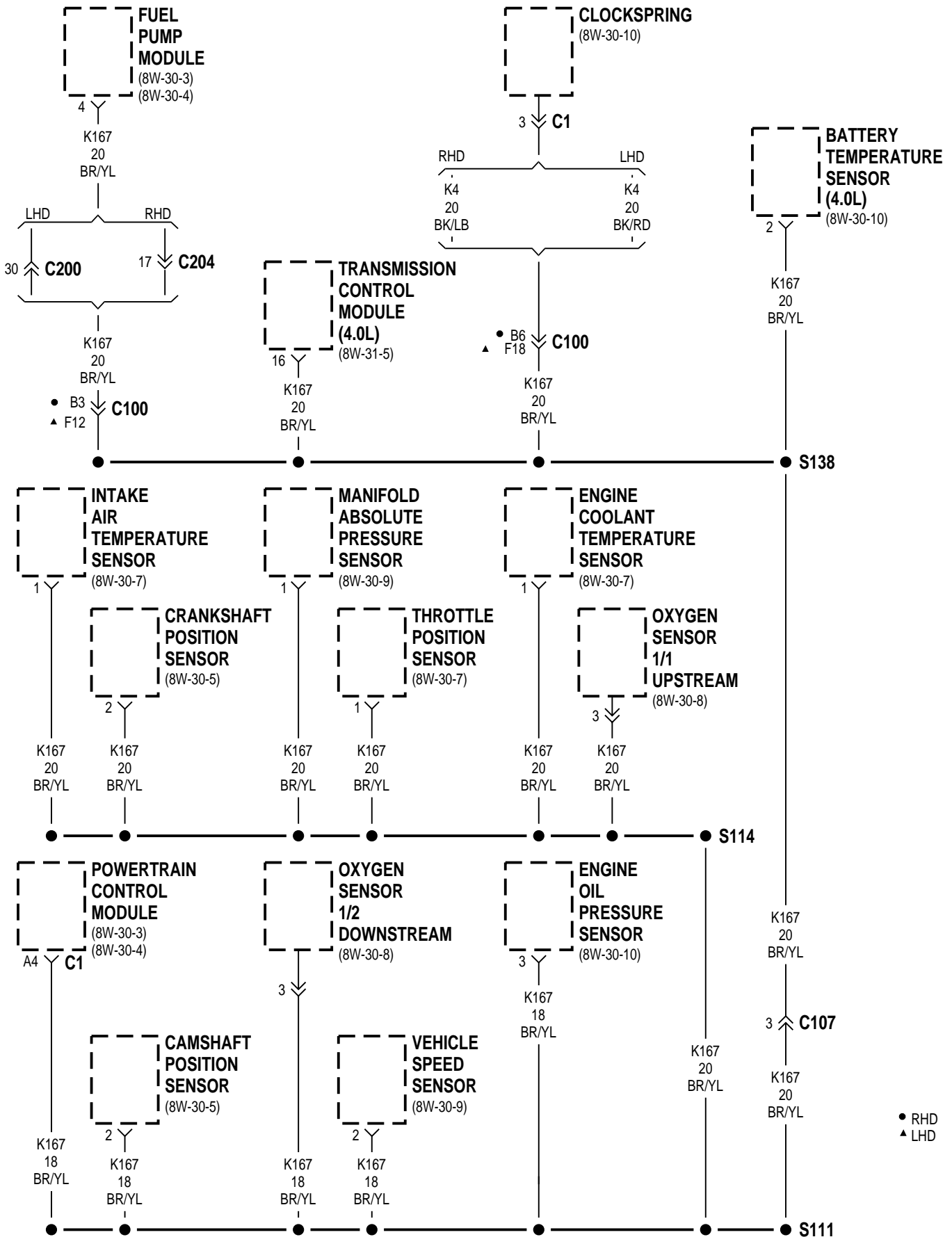




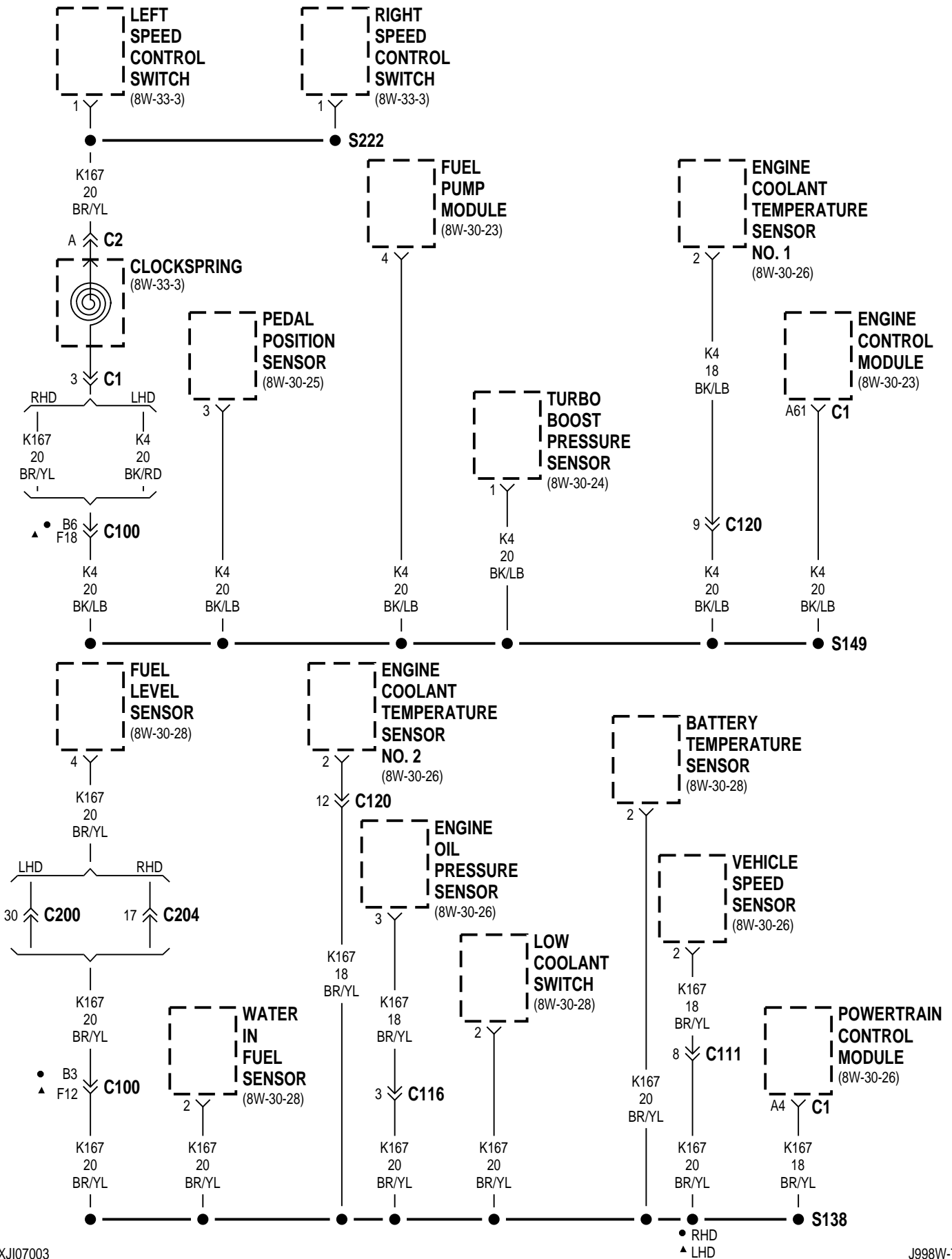
## 8W-70 SPLICE INFORMATION

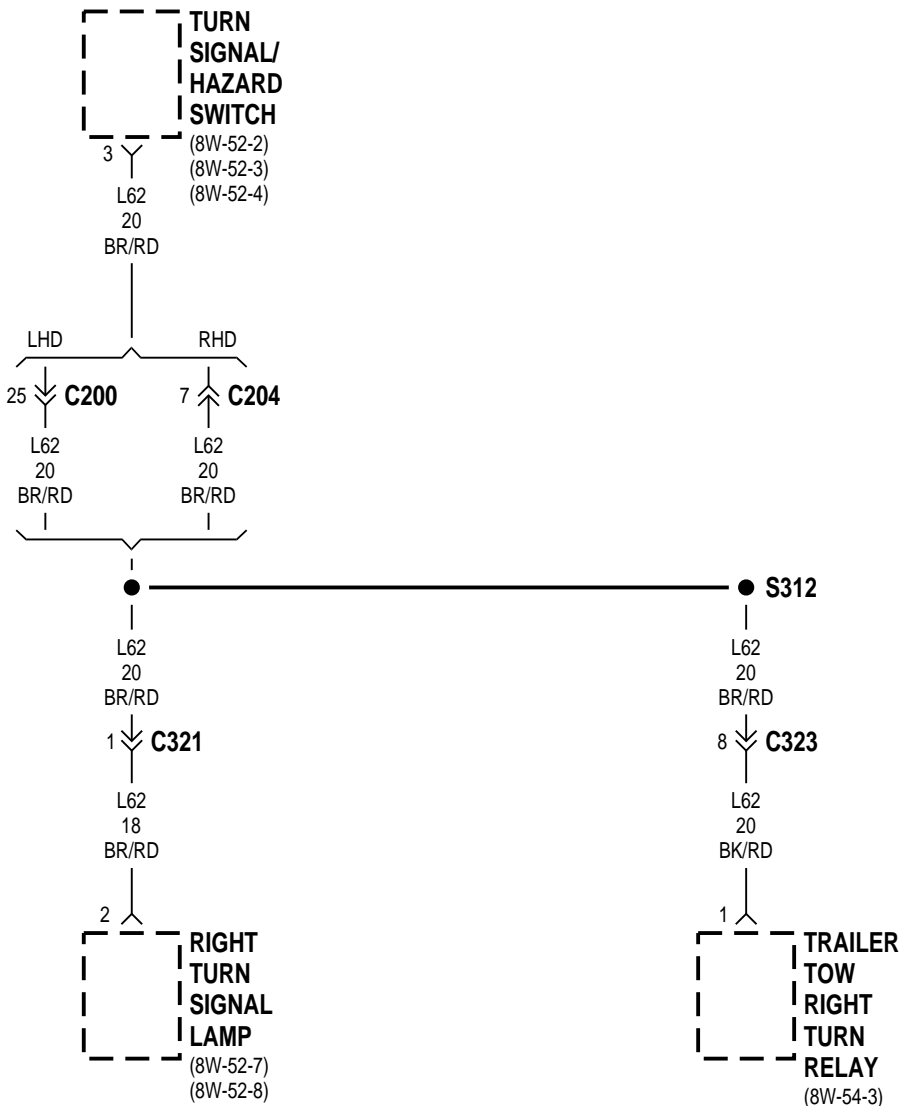
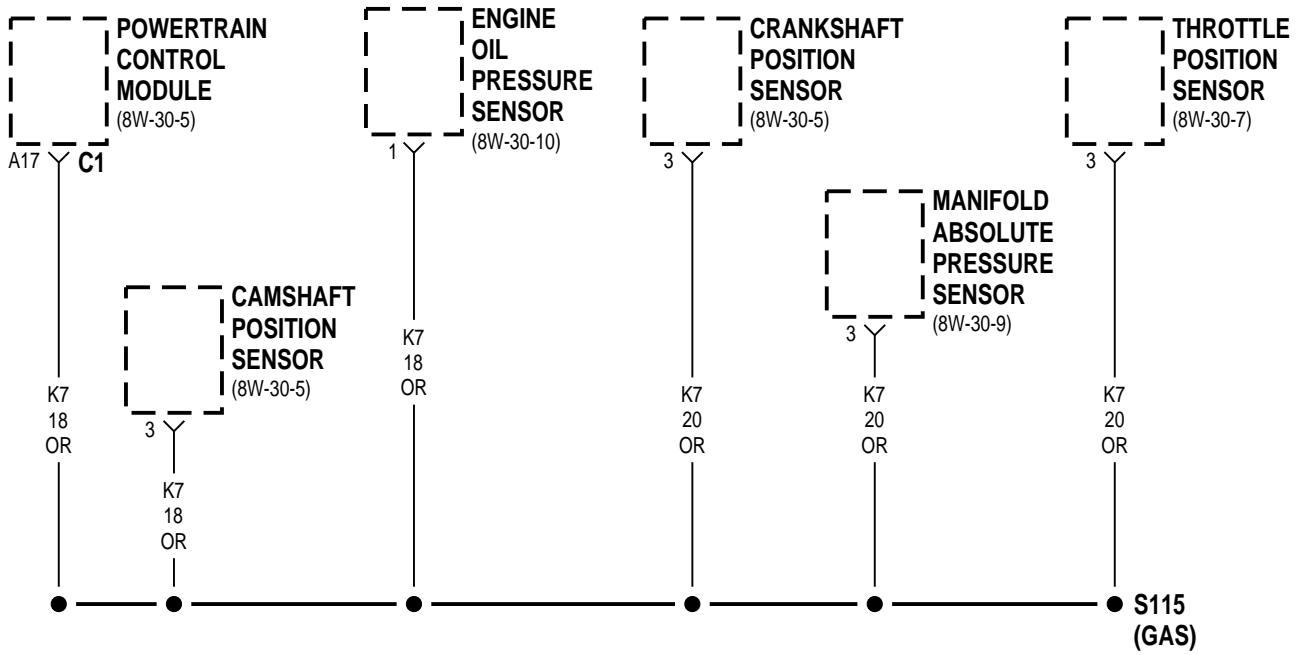
<b>Component</b>	<b>Page</b>	<b>Component</b>	<b>Page</b>
S100	8W-50-13	S221	8W-33-2, 3
S101	8W-12-23	S222	8W-33-2, 3
S102	8W-15-7, 10, 12	S225	8W-12-12
S103	8W-15-7, 10, 12	S226	8W-50-4
S104	8W-12-10	S227	8W-15-16
S105	8W-50-11, 12	S229	8W-47-4
S106	8W-10-35	S230	8W-10-35
S107	8W-15-2	S232	8W-12-19
S108	8W-30-9	S233	8W-12-7
S109	8W-10-29	S234	8W-50-20
S110	8W-10-29	S235	8W-15-10, 12
S111	8W-70-2	S236	8W-12-7
S112	8W-30-7	S238	8W-30-17, 18
S113	8W-10-30	S239	8W-30-17, 18
S114	8W-70-2	S301	8W-10-33, 34
S115	8W-70-4	S302	8W-10-32, 33
S116	8W-50-14	S304	8W-12-30
S118	8W-20-2, 3	S305	8W-60-2, 3
S120	8W-21-2	S306	8W-12-31, 32
S130	8W-12-14, 15	S307	8W-12-31, 32
S131	8W-12-20	S308	8W-51-10, 11
S132	8W-15-4, 5, 6, 8, 9, 11	S309	8W-15-17, 18
S133	8W-12-7	S310	8W-15-19, 20
S134	8W-12-21, 22	S311	8W-12-10, 11
S135	8W-10-25	S312	8W-70-4
S136	8W-12-15	S313	8W-15-18
S137	8W-10-18, 29	S314	8W-15-13
S138	8W-70-2, 3	S315	8W-12-8
S139	8W-30-16, 31	S316	8W-12-31
S140	8W-31-7	S317	8W-12-31
S141	8W-15-5, 6, 8, 11	S318	8W-12-34, 35
S142	8W-51-5	S319	8W-15-13, 20
S143	8W-30-15	S320	8W-47-7, 8
S144	8W-30-17, 18	S321	8W-47-7, 8
S145	8W-30-17, 18	S322	8W-12-32
S146	8W-15-3	S323	8W-12-32
S147	8W-10-32	S325	8W-15-18
S148	8W-30-23	S326	8W-47-6
S149	8W-70-3	S327	8W-47-6
S150	8W-15-3	S328	8W-12-34, 35
S151	8W-10-18	S329	8W-15-17
S152	8W-30-26	S330	8W-47-5
S153	8W-10-18	S331	8W-47-5
S156	8W-10-34	S334	8W-15-21
S157	8W-15-11	S335	8W-54-3
S158	8W-15-7, 10, 12	S336	8W-54-3
S159	8W-12-12, 13	S337	8W-15-17, 18
S161	8W-51-5	S338	8W-12-20
S200	8W-10-16	S339	8W-54-2
S201	8W-12-30	S340	8W-12-10, 11
S202	8W-12-16	S341	8W-15-17, 18
S203	8W-10-32, 33	S342	8W-15-13
S204	8W-30-29	S344	8W-30-17, 18
S205	8W-53-4, 5, 6, 7	S345	8W-12-30
S206	8W-12-10, 11	S346	8W-30-17, 18
S207	8W-15-16	S347	8W-10-26, 27, 28
S208	8W-15-14, 15	S348	8W-15-19, 20
S209	8W-52-5, 6	S349	8W-12-22
S210	8W-10-16	S350	8W-15-22
S211	8W-10-14, 15	S351	8W-12-18
S212	8W-52-7, 8	S352	8W-12-19
S213	8W-50-5, 6, 7, 8	S353	8W-63-4
S214	8W-10-25, 28	S354	8W-15-22
S215	8W-12-8, 9	S355	8W-15-22
S216	8W-12-12, 13	S356	8W-12-26, 27
S217	8W-12-21	S357	8W-63-5
S218	8W-10-26, 27, 36	S359	8W-12-33
S219	8W-12-21, 22	S360	8W-15-13
S220	8W-51-11	S361	8W-10-26, 27

GAS



- RHD
- ▲ LHD





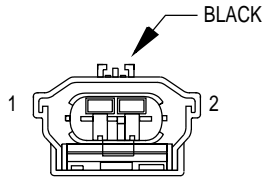


## 8W-80 CONNECTOR PIN-OUTS

<b>Component</b>	<b>Page</b>	<b>Component</b>	<b>Page</b>
A/C Compressor Clutch . . . . .	8W-80-4	C325 . . . . .	8W-80-29
A/C Heater Control . . . . .	8W-80-4	C326 . . . . .	8W-80-29
A/C High Pressure Switch . . . . .	8W-80-4	C327 . . . . .	8W-80-29
A/C Low Pressure Switch . . . . .	8W-80-4, 5	C329 . . . . .	8W-80-30
Airbag Control Module . . . . .	8W-80-5	C330 . . . . .	8W-80-30
Ambient Air Temperature Sensor . . . . .	8W-80-5	C331 . . . . .	8W-80-30
Back-Up Lamp Switch . . . . .	8W-80-5, 6	C332 . . . . .	8W-80-31
Battery Temperature Sensor . . . . .	8W-80-5	C362 . . . . .	8W-80-31
Blend Door Actuator . . . . .	8W-80-6	C363 . . . . .	8W-80-31
Brake Lamp Switch . . . . .	8W-80-6	Camshaft Position Sensor . . . . .	8W-80-31
Brake Warning Pressure Switch . . . . .	8W-80-6	Cargo Lamp/Switch . . . . .	8W-80-31
C100 . . . . .	8W-80-7, 8, 9, 10	Center High Mounted Stop Lamp . . . . .	8W-80-32
C106 . . . . .	8W-80-11	Cigar Lighter . . . . .	8W-80-32
C107 . . . . .	8W-80-12, 13	Clockspring-C1 . . . . .	8W-80-32
C108 . . . . .	8W-80-14	Clockspring-C2 . . . . .	8W-80-32
C109 . . . . .	8W-80-14	Clockspring-C3 . . . . .	8W-80-32
C111 . . . . .	8W-80-14	Clutch Interlock Switch . . . . .	8W-80-33
C114 . . . . .	8W-80-14	Clutch Interlock Switch Jumper . . . . .	8W-80-33
C115 . . . . .	8W-80-15	Combination Flasher . . . . .	8W-80-33
C116 . . . . .	8W-80-15	Compass . . . . .	8W-80-34
C120 . . . . .	8W-80-15	Controller Anti-Lock Brake . . . . .	8W-80-34
C200 . . . . .	8W-80-16	Crankshaft Position Sensor . . . . .	8W-80-35
C201 . . . . .	8W-80-17, 18	Data Link Connector . . . . .	8W-80-35
C202 . . . . .	8W-80-19	Daytime Running Lamp Module . . . . .	8W-80-36
C203 . . . . .	8W-80-19	Diode Module . . . . .	8W-80-36
C204 . . . . .	8W-80-20	Dome Lamp . . . . .	8W-80-36
C205 . . . . .	8W-80-20	Dome Lamps Switch . . . . .	8W-80-36
C206 . . . . .	8W-80-20, 21	Driver Door Jamb Switch . . . . .	8W-80-37
C207 . . . . .	8W-80-21	Driver Door Lock Motor . . . . .	8W-80-37
C208 . . . . .	8W-80-21	Driver Power Lock/Window Switch . . . . .	8W-80-37, 38
C300 . . . . .	8W-80-21	Driver Power Mirror . . . . .	8W-80-38
C301 . . . . .	8W-80-22	Driver Power Window Motor . . . . .	8W-80-39
C303 . . . . .	8W-80-22	Duty Cycle Evap/Purge Solenoid . . . . .	8W-80-39
C304 . . . . .	8W-80-23	Electronic Vacuum Modulator . . . . .	8W-80-39
C305 . . . . .	8W-80-23, 24	Engine Control Module . . . . .	8W-80-40, 41
C306 . . . . .	8W-80-24	Engine Coolant Temperature Sensor . . . . .	8W-80-42
C307 . . . . .	8W-80-25	Engine Oil Pressure Sensor . . . . .	8W-80-42
C309 . . . . .	8W-80-25	Evap Leak Detection Pump . . . . .	8W-80-43
C310 . . . . .	8W-80-25	Extended Idle Switch . . . . .	8W-80-43
C311 . . . . .	8W-80-25	Front Fog Lamp Switch . . . . .	8W-80-43
C312 . . . . .	8W-80-25	Front Wiper Motor . . . . .	8W-80-43
C313 . . . . .	8W-80-25	Fuel Heater . . . . .	8W-80-44
C314 . . . . .	8W-80-26	Fuel Injector No. 1 . . . . .	8W-80-44, 45
C316 . . . . .	8W-80-26	Fuel Injector No. 2 . . . . .	8W-80-44, 45
C317 . . . . .	8W-80-26	Fuel Injector No. 3 . . . . .	8W-80-44, 45
C318 . . . . .	8W-80-27	Fuel Injector No. 4 . . . . .	8W-80-44, 45
C319 . . . . .	8W-80-27	Fuel Injector No. 5 . . . . .	8W-80-45
C320 . . . . .	8W-80-27	Fuel Injector No. 6 . . . . .	8W-80-45
C321 . . . . .	8W-80-27	Fuel Level Sensor . . . . .	8W-80-46
C322 . . . . .	8W-80-27, 28	Fuel Pump Module . . . . .	8W-80-46
C323 . . . . .	8W-80-28	G Switch . . . . .	8W-80-46
C324 . . . . .	8W-80-28	Generator . . . . .	8W-80-46

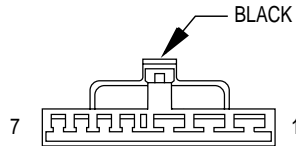
<b>Component</b>	<b>Page</b>	<b>Component</b>	<b>Page</b>
Glow Plug Relay . . . . .	8W-80-47	Passenger Door Jamb Switch . . . . .	8W-80-64
Headlamp Beam Select Switch . . . . .	8W-80-47	Passenger Door Lock Motor . . . . .	8W-80-64
Headlamp Delay Module . . . . .	8W-80-47	Passenger Power Lock/Window Switch . . .	8W-80-65
Headlamp Leveling Switch . . . . .	8W-80-48	Passenger Power Mirror . . . . .	8W-80-66
Headlamp Switch . . . . .	8W-80-48	Passenger Power Window Motor . . . . .	8W-80-67
Heated Seat Relay . . . . .	8W-80-49	Pedal Position Sensor . . . . .	8W-80-67
Heater Control . . . . .	8W-80-4	Power Amplifier . . . . .	8W-80-67, 68
HVAC Unit . . . . .	8W-80-49	Power Antenna . . . . .	8W-80-68
Idle Air Control Motor . . . . .	8W-80-49	Power Antenna Relay . . . . .	8W-80-68, 69
Ignition Coil . . . . .	8W-80-50	Power Mirror Switch . . . . .	8W-80-69
Ignition Switch . . . . .	8W-80-50	Power Outlet . . . . .	8W-80-69
Instrument Cluster . . . . .	8W-80-51	Power Steering Pressure Switch . . . . .	8W-80-69
Intake Air Temperature Sensor . . . . .	8W-80-52	Powertrain Control Module . . . . .	8W-80-70, 71, 72, 73, 74, 75
Junction Block . . . . .	8W-80-52, 53, 54, 55	PRNDL Illumination . . . . .	8W-80-76
Left Back-Up Lamp . . . . .	8W-80-55	Radiator Fan Motor . . . . .	8W-80-76
Left City Lamp . . . . .	8W-80-56	Radio . . . . .	8W-80-76
Left Courtesy Lamp . . . . .	8W-80-56	Rear Fog Lamp Relay . . . . .	8W-80-77
Left Fog Lamp . . . . .	8W-80-56	Rear Fog Lamp Switch . . . . .	8W-80-77
Left Front Door Speaker . . . . .	8W-80-56	Rear Washer Pump . . . . .	8W-80-77
Left Front Door Tweeter . . . . .	8W-80-56	Rear Window Defogger Switch . . . . .	8W-80-77
Left Front Park/Turn Signal Lamp No. 1 .	8W-80-57	Rear Wiper Motor . . . . .	8W-80-77
Left Front Park/Turn Signal Lamp No. 2 .	8W-80-57	Rear Wiper/Washer Switch . . . . .	8W-80-78
Left Front Turn Signal Lamp No. 1 . . . .	8W-80-57	Right Back-Up Lamp . . . . .	8W-80-78
Left Front Turn Signal Lamp No. 2 . . . .	8W-80-57	Right City Lamp . . . . .	8W-80-78
Left Front Wheel Speed Sensor . . . . .	8W-80-58	Right Courtesy Lamp . . . . .	8W-80-78
Left Headlamp . . . . .	8W-80-58	Right Fog Lamp . . . . .	8W-80-78
Left Headlamp Leveling Motor . . . . .	8W-80-58	Right Front Door Speaker . . . . .	8W-80-79
Left Heated Seat Back . . . . .	8W-80-58	Right Front Door Tweeter . . . . .	8W-80-79
Left Heated Seat Cushion . . . . .	8W-80-58	Right Front Park/Turn Signal Lamp No. 1	8W-80-79
Left Heated Seat Switch . . . . .	8W-80-59	Right Front Park/Turn Signal Lamp No. 2	8W-80-79
Left Power Seat Switch . . . . .	8W-80-59	Right Front Turn Signal Lamp No. 1 . . . .	8W-80-79
Left Rear Door Jamb Switch . . . . .	8W-80-59	Right Front Turn Signal Lamp No. 2 . . . .	8W-80-80
Left Rear Door Lock Motor . . . . .	8W-80-59	Right Front Wheel Speed Sensor . . . . .	8W-80-80
Left Rear Fog Lamp . . . . .	8W-80-59	Right Headlamp . . . . .	8W-80-80
Left Rear Wheel Speed Sensor . . . . .	8W-80-60	Right Headlamp Leveling Motor . . . . .	8W-80-80
Left Rear Window Motor . . . . .	8W-80-60	Right Heated Seat Back . . . . .	8W-80-80
Left Rear Window Switch . . . . .	8W-80-60	Right Heated Seat Cushion . . . . .	8W-80-80
Left Repeater Lamp . . . . .	8W-80-60	Right Heated Seat Switch . . . . .	8W-80-81
Left Side Marker Lamp . . . . .	8W-80-61	Right Power Seat Switch . . . . .	8W-80-81
Left Soundbar Speaker . . . . .	8W-80-61	Right Rear Door Jamb Switch . . . . .	8W-80-81
Left Speed Control Switch . . . . .	8W-80-61	Right Rear Door Lock Motor . . . . .	8W-80-81
Left Tail/Stop Lamp . . . . .	8W-80-61	Right Rear Fog Lamp . . . . .	8W-80-81
Left Turn Signal Lamp . . . . .	8W-80-62	Right Rear Wheel Speed Sensor . . . . .	8W-80-81
License Lamp . . . . .	8W-80-62	Right Rear Window Motor . . . . .	8W-80-81
Liftgate Lock Motor . . . . .	8W-80-62	Right Rear Window Switch . . . . .	8W-80-81
Liftgate Switch . . . . .	8W-80-62	Right Repeater Lamp . . . . .	8W-80-82
Low Coolant Switch . . . . .	8W-80-63	Right Side Marker Lamp . . . . .	8W-80-82
Manifold Absolute Pressure Sensor . . . .	8W-80-63	Right Soundbar Speaker . . . . .	8W-80-82
Needle Movement Sensor . . . . .	8W-80-63	Right Speed Control Switch . . . . .	8W-80-83
Overhead Module . . . . .	8W-80-63	Right Tail/Stop Lamp . . . . .	8W-80-83
Oxygen Sensor 1/1 Upstream . . . . .	8W-80-63	Right Turn Signal Lamp . . . . .	8W-80-83
Oxygen Sensor 1/2 Downstream . . . . .	8W-80-64	Seat Belt Switch . . . . .	8W-80-83
Park/Neutral Position Switch . . . . .	8W-80-64	Seat Heat Interface Module . . . . .	8W-80-84
Passenger Airbag . . . . .	8W-80-64		

<b>Component</b>	<b>Page</b>	<b>Component</b>	<b>Page</b>
Sentry Key Immobilizer Module . . . . .	8W-80-84	Transmission Control Module . . . . .	8W-80-87
Shift Lock Solenoid . . . . .	8W-80-84	Transmission Range Sensor . . . . .	8W-80-87
Tell Tale Module . . . . .	8W-80-84	Turbo Boost Pressure Sensor . . . . .	8W-80-87
Throttle Position Sensor . . . . .	8W-80-85	Turn Signal/Hazard Switch . . . . .	8W-80-88
Torque Converter Clutch Solenoid . . . . .	8W-80-85	Underhood Lamp/Mercury Switch . . . . .	8W-80-88
Trailer Tow Connector . . . . .	8W-80-85	Vehicle Speed Control Servo . . . . .	8W-80-88
Trailer Tow Left Turn Relay . . . . .	8W-80-85	Vehicle Speed Sensor . . . . .	8W-80-88, 89
Trailer Tow Right Turn Relay . . . . .	8W-80-85	Washer Fluid Level Switch . . . . .	8W-80-89
Transfer Case Switch . . . . .	8W-80-86	Water In Fuel Sensor . . . . .	8W-80-89
Transfer Case Switch Illumination . . . . .	8W-80-86	Windshield Washer Pump . . . . .	8W-80-89
Transmission Control Assembly . . . . .	8W-80-86	Wipe/Wash Switch . . . . .	8W-80-89



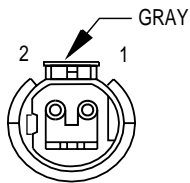
**A/C COMPRESSOR CLUTCH (DIESEL)**

CAV	CIRCUIT	FUNCTION
1	C3 14DB/BK	A/C COMPRESSOR CLUTCH RELAY OUTPUT
2	Z1 16BK	GROUND



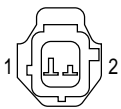
**A/C-HEATER CONTROL OR HEATER CONTROL**

CAV	CIRCUIT	FUNCTION
1	Z8 12BK/VT	GROUND
2	C7 12BK/TN	HIGH SPEED BLOWER MOTOR
3	C6 14LB	M2 BLOWER MOTOR DRIVER
4	C5 14LG	M1 BLOWER MOTOR DRIVER
5	C4 14TN	LOW SPEED BLOWER MOTOR DRIVER
6	C90 20LG ▲	A/C SWITCH SENSE
7	E2 20OR	FUSED PANEL LAMPS DIMMER SWITCH SIGNAL
	E2 20OR ●	FUSED PANEL LAMPS DIMMER SWITCH SIGNAL



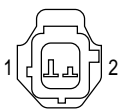
**A/C HIGH PRESSURE SWITCH (DIESEL)**

CAV	CIRCUIT	FUNCTION
1	C21 20DB/PK	A/C SWITCH SENSE
2	C22 20DB/WT	PRESSURE SWITCH OUTPUT



**A/C HIGH PRESSURE SWITCH (GAS)**

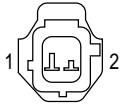
CAV	CIRCUIT	FUNCTION
1	C22 18DB/WT	A/C SWITCH SENSE
2	C21 20DB/PK	A/C SWITCH SENSE



**A/C LOW PRESSURE SWITCH (DIESEL)**

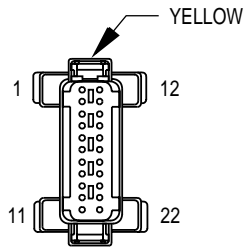
CAV	CIRCUIT	FUNCTION
1	Z1 20BK	GROUND
2	C21 20DB/PK	A/C SWITCH SENSE

▲ A/C ONLY  
● RHD



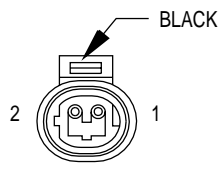
**A/C LOW PRESSURE SWITCH (GAS)**

CAV	CIRCUIT	FUNCTION
1	C21 20DB/PK	A/C SWITCH SENSE
2	C90 20LG	A/C SWITCH SENSE



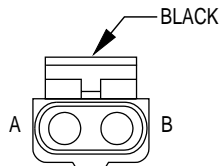
**AIRBAG CONTROL MODULE**

CAV	CIRCUIT	FUNCTION
1	R45 18DG/LB	DRIVER AIRBAG LINE 1
2	R43 18BK/LB	DRIVER AIRBAG LINE 2
3	-	-
4	-	-
5	R42 18BK/YL	PASSENGER AIRBAG LINE 2
6	R44 18DG/YL	PASSENGER AIRBAG LINE 1
7	-	-
8	-	-
9	-	-
10	Z6 18BK/PK ●	GROUND
10	Z6 18BK/YL ●●	GROUND
11	-	-
12	-	-
13	-	-
14	-	-
15	-	-
16	-	-
17	F23 18DB/YL	FUSED IGNITION SWITCH OUTPUT (ST-RUN)
18	D2 18WT/BK	CCD BUS(-)
19	D1 18VT/BR	CCD BUS(+)
20	F14 18LG/YL	FUSED IGNITION SWITCH OUTPUT (RUN)



**AMBIENT AIR TEMPERATURE SENSOR**

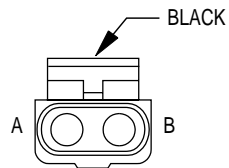
CAV	CIRCUIT	FUNCTION
1	G31 20VT/LG	AMBIENT TEMPERATURE SENSOR SIGNAL
2	G32 20BK/LB	SENSOR GROUND



**BACK-UP LAMP SWITCH (DIESEL)**

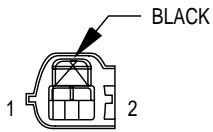
CAV	CIRCUIT	FUNCTION
A	L10 18BR/LG	BACK UP LAMP FEED
B	F20 18WT	FUSED IGNITION SWITCH OUTPUT (ST-RUN)

- FULL OPTIONS
- BASE



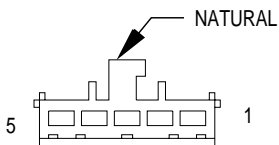
**BACK-UP LAMP SWITCH (GAS)**

CAV	CIRCUIT	FUNCTION
A	F20 18WT	FUSED IGNITION SWITCH OUTPUT (ST-RUN)
B	L10 18BR/LG	BACK-UP LAMP FEED



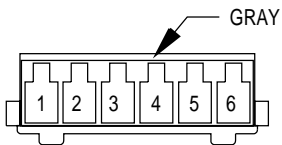
**BATTERY TEMPERATURE SENSOR (4.0L, GAS DIESEL)**

CAV	CIRCUIT	FUNCTION
1	K118 18PK/YL	BATTERY TEMPERATURE SENSOR SIGNAL
2	K167 20BR/YL	SENSOR GROUND



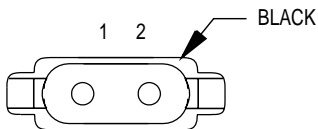
**BLEND DOOR ACTUATOR**

CAV	CIRCUIT	FUNCTION
1	-	-
2	Z1 20BK	GROUND
3	C36 20RD/WT ●	BLEND DOOR FEEDBACK SIGNAL
3	C36 18RD/WT ▲	BLEND DOOR FEEDBACK SIGNAL
4	F15 20DB/WT	FUSED IGNITION SWITCH OUTPUT (RUN)
5	-	-



**BRAKE LAMP SWITCH**

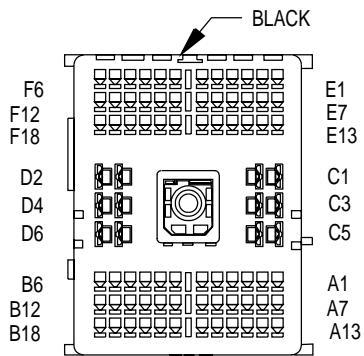
CAV	CIRCUIT	FUNCTION
1	K29 18WT/PK	BRAKE LAMP SWITCH SENSE
2	Z1 18BK	GROUND
3	V32 20YL/RD ▲	SPEED CONTROL POWER SUPPLY
3	V32 18YL/RD ●	SPEED CONTROL POWER SUPPLY
4	V30 20DB/RD	SPEED CONTROL BRAKE SWITCH OUTPUT
5	L50 20WT/TN	BRAKE LAMP SWITCH OUTPUT
6	F32 20PK/DB	FUSED B(+)



**BRAKE WARNING PRESSURE SWITCH**

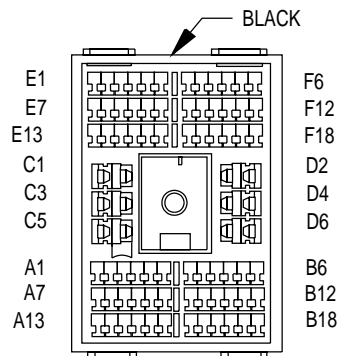
CAV	CIRCUIT	FUNCTION
1	G9 20GY/BK	RED BRAKE WARNING INDICATOR DRIVER
2	G99 20GY/WT	RED BRAKE WARNING INDICATOR DRIVER

● LHD  
▲ RHD



**C100  
(LHD)**

CAV	CIRCUIT
A1	Z1 18BK
A2	G106 20BK/WT ●
A3	G107 20BK/RD
A4	L39 20LB ▲▲
A5	L139 20VT ▲▲
A6	C90 20LG
A6	C90 18LG ■■
A7	-
A8	-
A9	-
A10	-
A11	-
A12	-
A13	-
A14	-
A15	-
A16	-
A17	-
A18	-
B1	-
B2	-
B3	-
B4	-
B5	-
B6	-
B7	-
B8	-
B9	-
B10	-
B11	-
B12	-
B13	-
B14	-
B15	-
B16	-
B17	-
B18	-
C1	V3 16BR/WT
C2	A1 12RD
C3	V4 16BR/VT
C4	F75 16VT ▲
C5	V5 16DG/YL
C6	A2 12PK/BK
D1	A3 14RD/WT
D2	A141 14DG/WT ●●
D3	L3 16RD ■
D3	G34 16RD/GY
D4	G34 16RD/GY
D5	A111 12RD/LG
D6	-



**C100  
(LHD)**

CAV	CIRCUIT
A1	Z1 18BK
A2	G106 20BK/WT ●
A3	G107 20BK/RD
A4	L39 20LB ▲▲
A5	L139 20VT ▲▲
A6	C90 20LG
A6	C90 18LG ■■
A7	-
A8	-
A9	-
A10	-
A11	-
A12	-
A13	-
A14	-
A15	-
A16	-
A17	-
A18	-
B1	-
B2	-
B3	-
B4	-
B5	-
B6	-
B7	-
B8	-
B9	-
B10	-
B11	-
B12	-
B13	-
B14	-
B15	-
B16	-
B17	-
B18	-
C1	V3 16BR/WT
C2	A1 12RD
C3	V4 16BR/VT
C4	F75 16VT ▲
C5	V5 16DG/YL
C6	A2 12PK/BK
D1	A3 14RD/WT
D2	A141 16DG/WT ●●
D3	L3 16RD/OR
D4	G34 16RD/GY
D5	A111 12RD/LG
D6	-

(CONTINUED ON NEXT PAGE)

- 4.0L A/T
- FUEL PUMP (GAS)
- ▲ POWER AMPLIFIER
- ▲▲ FOG LAMPS
- DRL
- DIESEL 2.5L

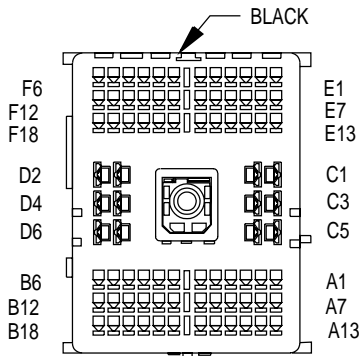
(CONTINUED)

CAV	CIRCUIT
E1	L50 20WT/TN ●●●
E1	L50 18WT/TN ●
E2	G9 20GY/BK
E3	L10 18BR/LG
E4	V10 18BR
E5	V20 18BK/WT
E6	F34 18TN/BK
E7	Z12 20BK/TN ●●●
E7	Z12 18BK/TN
E8	G29 20BK/LB
E9	F20 18WT
E10	F1 20DB/GY ■■■
E11	D1 20VT/BR ●●
E11	D1 18VT/BR ●●●
E12	D2 20WT/BK ●●
E12	D2 18WT/BK ●●●
E13	-
E14	G99 20GY/WT
E15	K185 20OR/LB
E16	G86 18TN/OR
E17	G154 18VT/LG
E18	L13 20BR/YL ■■
F1	D20 18LG/BK
F2	D21 20PK
F2	D21 18PK ■
F3	L60 20TN
F4	L61 20LG/WT
F5	L9 20BK/PK
F6	L44 20VT/RD ■■
F7	V30 20DB/RD
F8	F32 20PK/DB
F9	V32 18YL/RD
F10	K29 18WT/PK ▲
F10	K29 20WT/PK ●●
F11	K226 18DB/LG
F12	K167 20BR/YL
F13	G19 20LG/OR ●
F14	G31 20VT/LG
F15	G32 20BK/LB
F16	K78 20GY
F17	V37 20RD/LG ●●●
F17	V37 18RD/LG ▲▲▲
F18	K4 20BK/LB ●●●
F18	K167 20BR/YL ▲▲▲

CAV	CIRCUIT
E1	L50 20WT/TN ●●●
E1	L50 18WT/TN ●
E2	G9 20GY/BK
E3	L10 18BR/LG
E4	V10 18BR
E5	V20 18BK/WT
E6	F34 18TN/BK
E7	Z12 20BK/TN ●●●
E7	Z12 18BK/TN
E8	G29 20BK/LB
E9	F20 18WT
E10	F1 20DB/GY ■■■
E11	D1 20VT/BR
E12	D2 20WT/BK
E13	-
E14	G99 20GY/WT
E15	K185 20OR/LB
E16	G86 20TN/OR
E17	G154 20VT/LG
E18	L13 20BR/YL ■■
F1	D20 20LG/BK
F2	D21 20PK
F3	L60 20TN
F4	L61 20LG/WT
F5	L9 20BK/PK
F6	L44 20VT/RD ■■
F7	V30 20DB/RD
F8	F32 20PK/DB
F9	V32 18YL/RD
F10	K29 20WT/PK
F11	K226 20DB/LG
F12	K167 20BR/YL
F13	G19 20LG/OR ●
F14	G31 20VT/LG
F15	G32 20BK/LB
F16	K78 18GY
F17	V37 20RD/LG
F18	K4 20BK/RD

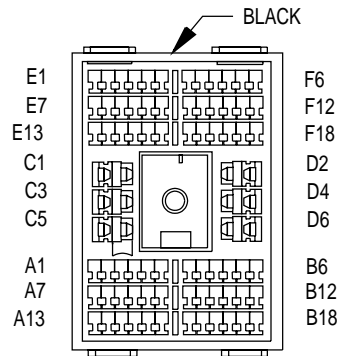
- ABS
- 4.0L A/T
- DIESEL
- ▲ EXCEPT 4.0L A/T
- ▲▲ SPEED CONTROL (GAS)
- ▲▲▲ GAS
- 2.5L GAS
- HEADLAMP LEVELING
- SENTRY KEY IMMOBILIZER MODULE





**C100  
(RHD)**

CAV	CIRCUIT
A1	Z1 18BK
A2	G106 20BK/WT ●●
A3	G107 20BK/RD
A4	L39 20LB ●●●
A5	L139 20VT ●●●
A6	C90 18LG
A7	Z12 18BK/TN
A8	G29 20BK/LB
A9	F20 18WT
A10	G99 20GY/WT
A11	D1 18VT/BR ▼▼
A11	D1 20VT/BR ●●
A12	D2 18WT/BK ▼▼
A12	D2 20WT/BK ●●
A13	-
A14	G9 20GY/BK
A15	L10 18BR/LG
A16	V10 18BR
A17	V20 18BK/WT
A18	F34 18TN/BK
B1	K29 20WT/PK ●●
B1	K29 18WT/PK ▼▼
B2	K226 18DB/LG
B3	K167 20BR/YL
B4	L50 18WT/TN ▲
B5	V37 18RD/LG
B6	K167 20BR/YL ■
B6	K4 20BK/LB ■■
B7	D20 18LG/BK
B8	D21 18PK ▲▲
B8	D21 20PK
B9	L60 20TN
B10	L61 20LG/WT
B11	L9 20BK/PK
B12	L44 20VT/RD ▼
B13	-
B14	-
B15	-
B16	-
B17	-
B18	-
C1	V3 16BR/WT
C2	A1 12RD
C3	V4 16BR/VT
C4	F75 16VT ▲▲▲
C5	V5 16DG/YL
C6	A2 12PK/BK
D1	A3 14RD/WT
D2	A141 14DG/WT
D3	-
D4	-
D5	A111 12RD/LG
D6	-



**C100  
(RHD)**

CAV	CIRCUIT
A1	Z1 18BK
A2	G106 20BK/WT ●●
A3	G107 20BK/RD
A4	L39 20LB ●●●
A5	L139 20VT ●●●
A6	C90 20LG
A7	Z12 18BK/TN
A8	G29 20BK/LB
A9	F20 18WT
A10	G99 20GY/WT
A11	D1 20VT/BR
A12	D2 20WT/BK
A13	-
A14	G9 20GY/BK
A15	L10 18BR/LG
A16	V10 18BR
A17	V20 18BK/WT
A18	F34 18TN/BK
B1	K29 18WT/PK
B2	K226 20DB/LG
B3	K167 20BR/YL
B4	L50 20WT/TN ▲
B5	V37 20RD/LG
B6	K4 20BK/LB ■
B6	K167 20BR/YL ■■
B7	D20 20LG/BK
B8	D21 20PK
B9	L60 20TN
B10	L61 20LG/WT
B11	L9 20BK/PK
B12	L44 20VT/RD ▼
B13	-
B14	-
B15	-
B16	-
B17	-
B18	-
C1	V3 16BR/WT
C2	A1 12RD
C3	V4 16BR/VT
C4	F75 16VT ▲▲▲
C5	V5 16DG/YL
C6	A2 12PK/BK
D1	A3 14RD/WT
D2	A141 16DG/WT
D3	-
D4	-
D5	A111 12RD/LG
D6	-

(CONTINUED ON NEXT PAGE)

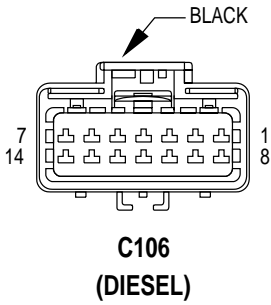
- GAS
- ■ DIESEL
- ▲ ABS
- ▲▲ 2.5L
- ▲▲▲ POWER AMP
- DRL
- 4.0L A/T
- FOG LAMPS
- ▼ HEADLAMP LEVELING
- ▼▼ EXCEPT 4.0L A/T

(CONTINUED)

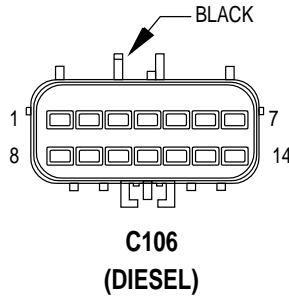
CAV	CIRCUIT
E1	-
E2	-
E3	-
E4	-
E5	-
E6	-
E7	F45 20YL/RD
E8	T141 20YL
E9	-
E10	F1 20DB/GY ●●
E11	-
E12	-
E13	-
E14	-
E15	K185 20OR/LB ■
E16	G86 18TN/OR ■
E17	G154 18VT/LG ■
E18	L13 20BR/YL ▲
F1	D20 18LG/BK
F2	-
F3	-
F4	-
F5	-
F6	-
F7	V30 20DB/RD
F8	F32 20PK/DB
F9	V32 18YL/RD
F10	-
F11	-
F12	-
F13	G19 20LG/OR ●
F14	G31 20VT/LG
F15	G32 20BK/LB
F16	-
F17	-
F18	-

CAV	CIRCUIT
E1	-
E2	-
E3	-
E4	-
E5	-
E6	-
E7	F45 20YL/RD
E8	T141 20YL
E9	-
E10	F1 20DB/GY ●●
E11	-
E12	-
E13	-
E14	-
E15	K185 20OR/LB ■
E16	G86 20TN/OR ■
E17	G154 20VT/LG ■
E18	L13 20BR/YL ▲
F1	-
F2	-
F3	-
F4	-
F5	-
F6	-
F7	V30 20DB/RD
F8	F32 20PK/DB
F9	V32 20YL/RD
F10	-
F11	-
F12	-
F13	G19 20LG/OR
F14	G31 20VT/LG
F15	G32 20BK/LB
F16	-
F17	-
F18	-

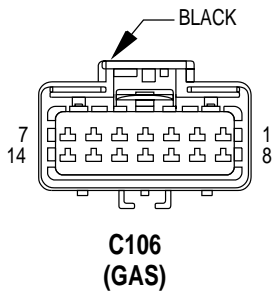
- ABS
- SENTRY KEY IMMOBILIZER MODULE
- TELL TALE MODULE
- ▲ HEADLAMP LEVELING



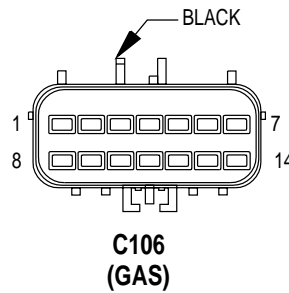
CAV	CIRCUIT
1	L13 18BR/YL ▲
2	L33 20RD
3	L61 20LG
4	Z1 20BK
5	Z15 16BK/GY ▲
6	L34 20RD/OR
7	L77 20BR
8	L39 20LB ●
9	L43 20VT
10	L60 20TN
11	Z1 20BK/WT
12	L33 20BK
12	Z1 20BK/YL ●
13	L44 20VT/RD
14	L78 18DG/YL



CAV	CIRCUIT
1	L13 18BR/YL ▲
2	L33 18RD
3	L61 20LG
4	Z1 18BK
5	Z15 18BK/GY ▲
6	L34 18RD/OR
7	L77 20BR
8	L39 20LB ●
9	L43 18VT
10	L60 20TN
11	Z1 18BK
12	L33 20BK
12	Z1 20BK ●
13	L44 18VT/RD
14	L78 20DG/YL

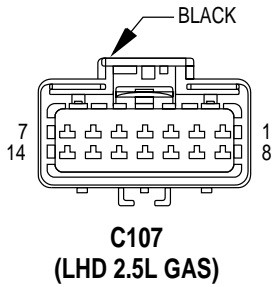


CAV	CIRCUIT
1	L13 20BR/YL ▲
2	L33 20RD
3	L61 20LG/WT
4	Z1 20BK
5	Z15 16BK/GY ▲
6	L34 20RD/OR
7	L77 20BR/YL
8	L39 20LB ▼
9	L43 20VT
10	L60 20TN
11	Z1 20BK/WT
12	L35 20BR/WT
13	L44 20VT/RD
14	L78 20DG/YL

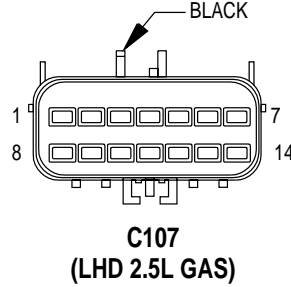


CAV	CIRCUIT
1	L13 18BR/YL ▲
2	L33 18RD
3	L61 20LG
4	Z1 18BK
5	Z15 18BK/GY ▲
6	L34 18RD/OR
7	L77 20BR
8	L39 20LB ▼
9	L43 18VT
10	L60 20TN
11	Z1 18BK
12	L33 20RD ■
12	Z1 20BK ●
13	L44 18VT/RD
14	L78 20DG/YL

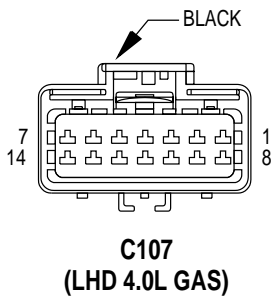
- ▼ FOG LAMPS
- FOG LAMPS EXCEPT BUILT-UP-EXPORT
- FOG LAMPS BUILT-UP-EXPORT
- ▲ HEADLAMP LEVELING



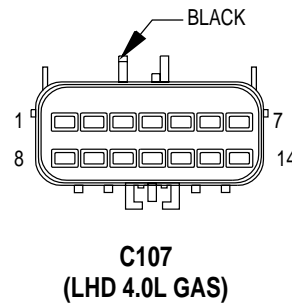
CAV	CIRCUIT
1	A142 18DG/OR
2	K20 18DG
3	K167 20BR/YL
4	G7 20WT/OR ■■
5	T41 20BK/WT
6	-
7	F142 20DG/WT
8	G107 20BK/RD
9	-
10	F12 18DB/WT
11	F20 18WT ●●
12	L10 18BR/LG ●●
13	-
14	A61 16DG/BK



CAV	CIRCUIT
1	A142 18DG/OR
2	K20 18DG
3	K167 20BR/YL
4	G7 20WT/OR ■■
5	Z1 20 BK ●●
5	T41 20BK/WT
6	-
7	F142 20DG/WT
8	G107 20BK/RD
9	-
10	F12 18DB/WT
11	F20 18WT ●●
12	L10 18BR/LG ●●
13	-
14	A61 16DG/BK

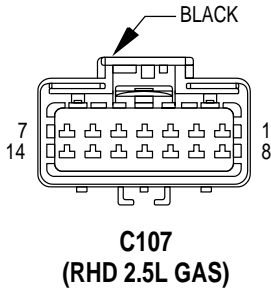


CAV	CIRCUIT
1	A142 18DG/OR
2	K20 18DG
3	K167 20BR/YL
4	G7 20WT/OR ■■
5	T41 20BK/WT ●
6	K22 20OR/DB ▲
7	F142 20DG/WT
8	G107 20BK/RD ◀▶
9	Z12 18BK/TN ▲
10	F12 18DB/WT
11	K78 18GY ▲▲
11	F20 18WT ●●
12	L10 18BR/LG
13	G106 20BK/WT ◀▶
14	A61 16DG/BK

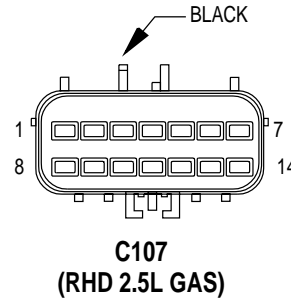


CAV	CIRCUIT
1	A142 18DG/OR
2	K20 18DG
3	K167 20BR/YL
4	G7 20WT/OR ■■
5	T41 18BK/WT ●
6	K22 20OR/DB
7	F142 20DG/WT
8	G107 20BK/RD ◀▶
9	Z12 16BK/TN
10	F12 18DB/WT
11	K78 18GY ▲▲
11	F20 18WT ●●
12	L10 18BR/LG
13	G106 20BK/WT ◀▶
14	A61 16DG/BK

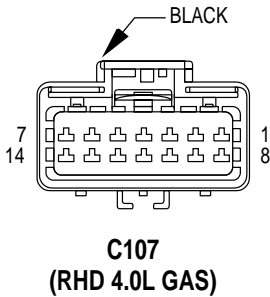
- ▲ 4.0L A/T
- ◀▶ 4WD
- A/T
- M/T
- ▲▲ EXTENDED IDLE
- EXCEPT 4.0L M/T 2WD
- DRL



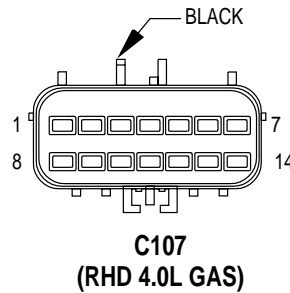
CAV	CIRCUIT
1	A142 18DG/OR
2	K20 18DG
3	K167 20BR/YL
4	G7 20WT/OR
5	T41 20BK/WT
6	-
7	F142 20DG/WT
8	G107 20BK/RD
9	-
10	F12 18DB/WT
11	F20 18WT ●●
12	L10 18BR/LG
13	-
14	A61 16DG/BK



CAV	CIRCUIT
1	A142 18DG/OR
2	K20 18DG
3	K167 20BR/YL
4	G7 20WT/OR ■■
5	Z1 20 BK ●●
5	T41 18BK/WT ●
6	-
7	F142 20DG/WT
8	G107 20BK/RD
9	-
10	F12 18DB/WT
11	F20 18WT ●●
12	L10 18BR/LG
13	-
14	A61 16DG/BK

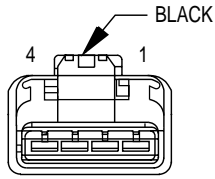


CAV	CIRCUIT
1	A142 18DG/OR
2	K20 18DG
3	K167 20BR/YL
4	G7 20WT/OR
5	T41 18BK/WT ●
6	K22 20OR/DB ■
7	F142 20DG/WT
8	G107 20BK/RD ■■
9	Z12 18BK/TN ■
10	F12 18DB/WT
11	K78 18GY ●
11	F20 18WT ●●
12	L10 18BR/LG ●●
13	G106 20BK/WT ■■
14	A61 16DG/BK



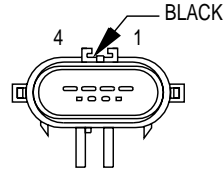
CAV	CIRCUIT
1	A142 18DG/OR
2	K20 18DG
3	K167 20BR/YL
4	G7 20WT/OR
5	T41 20BK/WT ●
6	K22 20OR/DB
7	F142 20DG/WT
8	G107 20BK/RD ■■
9	Z12 16BK/TN ■
10	F12 18DB/WT
11	K78 18GY ●
11	F20 18WT ●●
12	L10 18BR/LG ●●
13	G106 20BK/WT ■■
14	A61 16DG/BK

- A/T
- M/T
- 4WD
- 4.0L GAS (EXCEPT M/T 2WD)



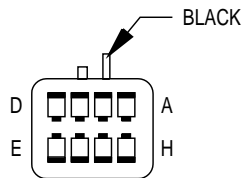
**C108**

CAV	CIRCUIT
1	T40 16BR
2	K72 18DG/OR
3	K20 18DG
4	C3 16DB/BK



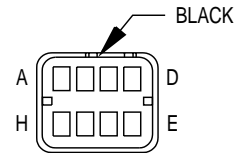
**C108**

CAV	CIRCUIT
1	T40 16BR
2	K72 16DG/OR
3	K20 18DG
4	C3 16DB/BK



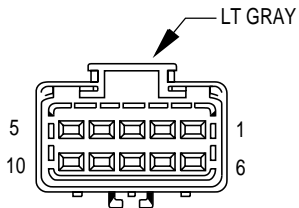
**C109**

CAV	CIRCUIT
A	B41 18YL/VT
B	B42 18TN/WT
C	B43 18PK/OR
D	B1 18YL/DB
E	B2 18YL
F	B3 18LG/DB
G	B4 18LG



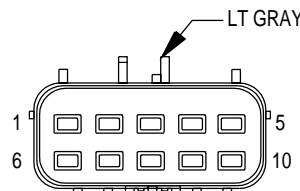
**C109**

CAV	CIRCUIT
A	B41 20YL/VT
B	B42 20TN/WT
C	B43 20PK/OR
D	B1 18YL/DB
E	B2 18YL
F	B3 18LG/DB
G	B4 18LG



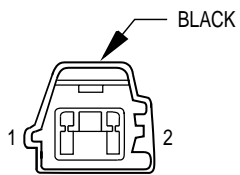
**C111  
(DIESEL)**

CAV	CIRCUIT
1	G7 20WT/OR
2	-
3	G107 20BK/RD
4	Z1 18BK
5	L10 18BR/LG
6	K7 20OR
7	F20 18WT
8	K167 20BR/YL
9	-
10	T40 16BR



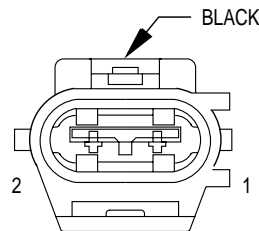
**C111  
(DIESEL)**

CAV	CIRCUIT
1	G7 18WT/OR
2	-
3	G107 20BK/RD
4	Z1 20BK
5	L10 18BR/LG
6	K7 18OR
7	F20 18WT
8	K167 18BR/YL
9	-
10	T40 14BR



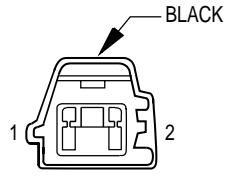
**C114  
(BUILT-UP-EXPORT)**

CAV	CIRCUIT
1	L61 18LG
2	Z1 18BK



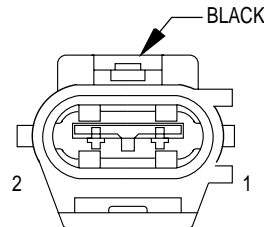
**C114  
(BUILT-UP-EXPORT)**

CAV	CIRCUIT
1	L61 18LG
2	Z1 18BK



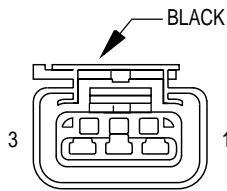
**C115  
(BUILT-UP-EXPORT)**

CAV	CIRCUIT
1	L60 18TN
2	Z1 18BK



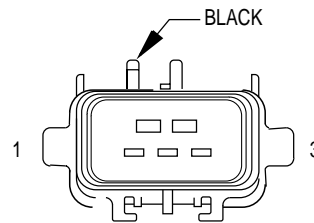
**C115  
(BUILT-UP-EXPORT)**

CAV	CIRCUIT
1	L60 18GY
2	Z1 18BK



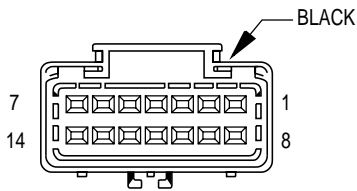
**C116  
(DIESEL)**

CAV	CIRCUIT
1	K7 20OR
2	G60 18GY/YL
3	K167 20BR/YL



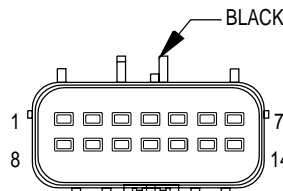
**C116  
(DIESEL)**

CAV	CIRCUIT
1	K7 18OR
2	G60 18GY/YL
3	K167 18BR/YL



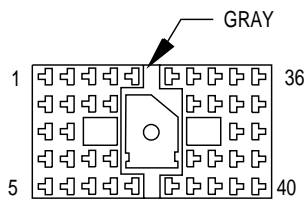
**C120  
(DIESEL)**

CAV	CIRCUIT
1	K3 20LG/BK
2	C21 20DB/PK
3	C22 20DB/WT
4	K24 20GY/BK
5	K20 18DG
6	C3 16DB/BK
7	K72 18DG/OR
8	K2 20TN/BK
9	K4 20BK/LB
10	K222 18TN/RD
11	Z1 16BK
12	K167 18BR/YL
13	-
14	-



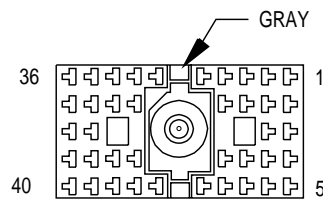
**C120  
(DIESEL)**

CAV	CIRCUIT
1	K3 20LG/BK
2	C21 20DB/PK
3	C22 20DB/WT
4	K24 20GY/BK
5	K20 18DG
6	C3 14DB/BK
7	K72 18DG/OR
8	K2 18TN/BK
9	K4 18BK/LB
10	K222 18TN/RD
11	Z1 16BK
12	K167 18BR/YL
13	-
14	-



**C200  
(LHD)**

CAV	CIRCUIT
1	X53 18DG
2	X55 18BR/RD
3	P91 20WT/BK
4	X54 18VT
5	X56 18DB/RD
6	X51 18BR/YL
7	X57 18BR/LB
8	-
9	X52 18DB/WT
10	X58 18DB/OR
11	X60 18DG/RD ●
12	-
13	A141 16DG/WT
14	F75 14VT ●
15	K226 20DB/LG
16	L10 18BR/LG
17	G16 20BK/LB
18	-
19	-
20	-
21	-
22	-
23	L38 18BR/WT
24	L50 20WT/TN
25	L62 20BR/RD
26	L63 20DG/RD
27	V13 18BR
28	V20 18BK/WT
29	V23 18BR/PK
30	K167 20BR/YL
31	P35 20OR/VT ●●
32	P36 20PK/VT ●●
33	F81 12TN ●●
34	P72 20YL/BK
35	P74 20DB
36	P76 20OR/YL
37	C16 20LB/YL
38	-
39	F83 18YL/DG
40	G78 20TN/BK

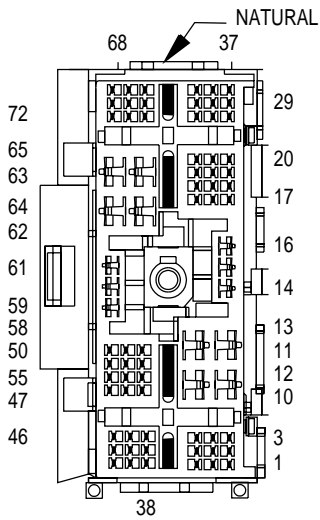


**C200  
(LHD)**

CAV	CIRCUIT
1	X53 16DG
2	X55 16BR/RD
3	P91 20WT/BK
4	X54 16VT
5	X56 16DB/RD
6	X51 16BR/YL
7	X57 16BR/LB
8	-
9	X52 16DB/WT
10	X58 16DB/OR
11	X60 16DG/RD ●
12	-
13	A141 16DG/WT
14	F75 16VT ●
15	K226 20DB/LG
16	L10 18BR/LG
17	G16 20BK/LB
18	-
19	-
20	-
21	-
22	-
23	L38 18BR/WT ▲
24	L50 20WT/TN
25	L62 20BR/RD
26	L63 20DG/RD
27	V13 18BR/LG
28	V20 18BK/WT
29	V23 18BR/PK
30	K167 20BR/YL
31	P35 20OR/VT ●●
32	P36 20PK/VT ●●
33	F81 12TN ●●
34	P72 20YL/BK
35	P74 20DB
36	P76 20OR/YL
37	C16 20LB/YL
38	-
39	F83 18YL/DG F83 18YL/DG ▲
40	G78 20TN/BK

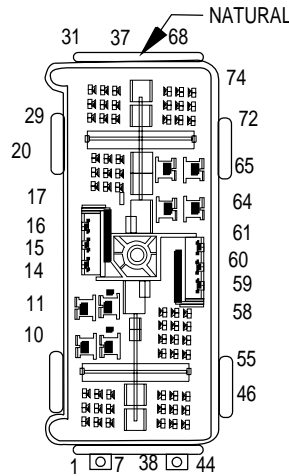
- FULL OPTIONS (WITH POWER AMPLIFIER)
- FULL OPTIONS
- ▲ BUILT-UP-EXPORT





**C201  
(LHD)**

CAV	CIRCUIT
1	F20 18WT
2	C16 20LB/YL
3	L5 20BK
4	C36 20RD/WT
5	F87 20WT/BK
6	M1 20PK
7	Z1 20BK
8	V6 16DB
9	P36 20PK/VT
10	A31 12BK/WT
11	A111 12RD/LG
12	C7 12BK/TN
13	F81 12TN
14	Z1 14BK
15	-
16	L3 16RD/OR
17	C81 20LB/WT
18	-
19	-
20	P72 20YL/BK
21	-
22	L4 16VT/WT
23	P35 20OR/VT
24	P74 20DB
25	Z8 20BK/VT
26	X3 20BK/RD
27	-
28	P76 20OR/YL
29	G26 20LB
30	-
31	-
32	G31 20VT/LG
33	-
34	-
35	G32 20BK/LB
36	-
37	-
38	-
39	V23 18BR/PK
40	F15 20DB/WT
41	-
42	E1 20TN
43	E2 20OR



**C201  
(LHD)**

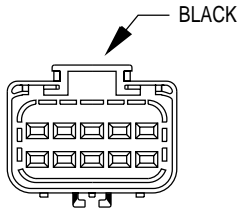
CAV	CIRCUIT
1	F20 18WT
2	C16 20LB/YL
3	L5 20BK
4	C36 20RD/WT
5	F87 20WT/BK
6	M1 20PK
7	Z1 20BK
8	V6 16DB
9	P36 20PK/VT
10	A31 12BK/WT
11	A111 12RD/LG
12	C7 12BK/TN
13	F81 12TN
14	Z1 14BK
15	-
16	L3 16RD/OR
17	C81 20LB/WT
18	-
19	-
20	P72 20YL/BK
21	-
22	L4 16VT/WT
23	P35 20OR/VT
24	P74 20DB
25	Z8 16BK/VT
26	X3 20BK/RD
27	-
28	P76 20OR/YL
29	G26 20LB
30	-
31	-
32	G31 20VT/LG
33	-
34	-
35	G32 20BK/LB
36	-
37	-
38	-
39	V23 18BR/PK
40	F15 20DB/WT
41	-
42	E1 20TN
43	E2 20OR

(CONTINUED)

(CONTINUED)

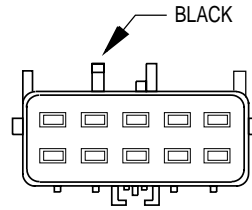
CAV	CIRCUIT
44	F83 18YL/DG
45	L7 18BK/YL
46	M2 20YL
47	-
48	-
49	-
50	F30 16RD
51	D1 18VT/BR
52	D2 18WT/BK
53	-
54	X12 16RD/WT
55	D1 20VT/BR
56	D2 20WT/BK
57	-
58	Z2 20BK/LG
59	C4 14TN
60	C5 14LG
61	C6 14LB
62	A22 12BK/OR
63	A41 14YL
64	A21 12DB
65	F38 16RD/LB
66	G9 20GY/BK
67	P91 20WT/BK
68	-
69	G10 20LG/RD
70	-
71	-
72	-
73	-
74	-

CAV	CIRCUIT
44	F83 18YL/DG
45	L7 18BK/YL
46	M2 20YL
47	-
48	-
49	-
50	F30 16RD
51	D1 20VT/BR
52	D2 20WT/BK
53	-
54	X12 16RD/WT
55	D1 20VT/BR
56	D2 20WT/BK
57	-
58	Z2 20BK/LG
59	C4 14TN
60	C5 14LG
61	C6 14LB
62	A22 12BK/OR
63	A41 14YL
64	A21 12DB
65	F38 16RD/LB
66	G9 20GY/BK
67	P91 20WT/BK
68	-
69	G10 20LG/RD
70	-
71	-
72	-
73	-
74	-



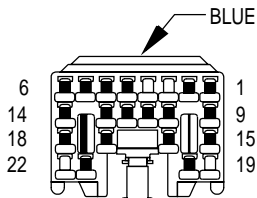
**C202  
(RHD)**

CAV	CIRCUIT
1	C7 12BK/TN
2	-
3	F81 12TN ●
4	-
5	-
6	Z8 12BK/VT ●
6	Z8 12BK/PK ●●
7	A111 12RD/LG
8	C6 14LB
9	C5 14LG
10	C4 14TN



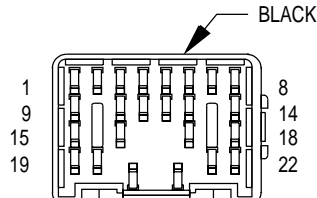
**C202  
(RHD)**

CAV	CIRCUIT
1	C7 12BK/TN
2	-
3	F81 12TN ●
4	-
5	-
6	Z8 16BK/VT
7	A111 12RD/LG
8	C6 14LB
9	C5 14LG
10	C4 14TN



**C203  
(RHD)**

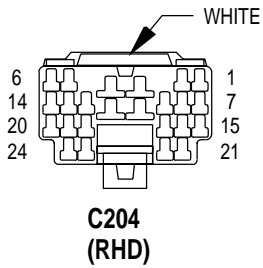
CAV	CIRCUIT
1	X51 16BR/YL
2	X52 16DB/WT
3	X53 16DG
4	X54 16VT
5	X55 16BR/RD
6	X56 16DB/RD
7	X57 16BR/LB
8	X58 16DB/OR
9	X60 16DG/RD ■
10	G9 20GY/BK
11	E2 20OR
12	G10 20LG/RD
13	P91 20WT/BK
14	-
15	L38 18BR/WT ■
16	V13 18BR/LG
17	V23 18BR/PK
18	V20 18BK/WT
19	G16 20BK/LB
20	G26 20LB ●
21	P59 20LB/RD ●
22	P55 20DB/PK ●



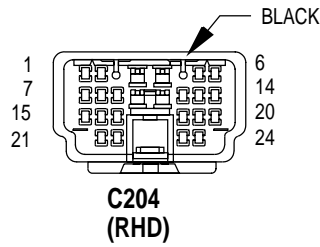
**C203  
(RHD)**

CAV	CIRCUIT
1	X51 18BR/YL
2	X52 18DB/WT
3	X53 18DG
4	X54 18VT
5	X55 18BR/RD
6	X56 18DB/RD
7	X57 18BR/LB
8	X58 18DB/OR
9	X60 18DG/RD ■
10	G9 20GY/BK
11	E2 20OR/BK
12	G10 20LG/RD
13	P91 20WT/BK
14	-
15	L38 18BR/WT
16	V13 18BR
17	V23 18BR/PK
18	V20 18BK/WT
19	G16 20BK/LB
20	G26 20LB ●
21	P59 20LB/RD ●
22	P55 20DB/PK ●

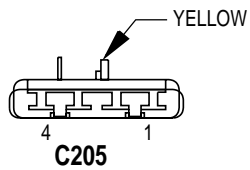
- BUILT UP EXPORT
- BASE AND FULL OPTIONS W/O POWER AMPLIFIER
- FULL OPTIONS



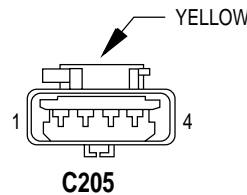
CAV	CIRCUIT
1	D1 20VT/BR
2	D2 20WT/BK
3	F75 16VT •
4	A141 16DG/WT
5	L10 18BR/LG
6	L50 20WT/TN
7	L62 20BR/RD
8	L63 20DG/RD
9	-
10	F23 18DB/YL
11	F14 18LG/YL
12	F35 16RD
13	Z1 20BK
14	C6 20RD/WT
15	G78 20TN/BK
16	K226 20DB/LG
17	K167 20BR/YL
18	P72 20YL/BK
19	P74 20DB
20	P76 20OR/YL
21	F15 20DB/WT
22	C16 20BK/WT
23	P35 20OR/VT
24	P36 20PK/VT



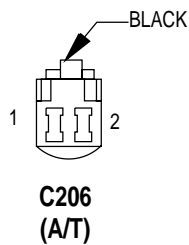
CAV	CIRCUIT
1	D1 18VT/BR
2	D2 18WT/BK
3	F75 16VT •
4	A141 16DG/WT
5	L10 18BR/LG
6	L50 20WT/TN
7	L62 20BR/RD
8	L63 20DG/RD
9	-
10	F23 18DB/YL
11	F14 18LG/YL
12	F35 16RD •
13	Z1 20BK
14	C36 20RD/WT
15	G78 20TN/BK
16	K226 20DB/LG
17	K167 20BR/YL
18	P71 20YL
19	P74 20DB
20	P76 20OR/YL
21	F15 20DB/WT
22	C16 20LB/YL
23	P35 20OR/VT •
24	P36 20PK/VT •



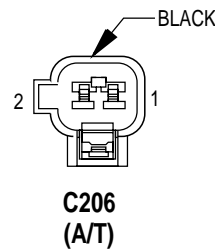
CAV	CIRCUIT
1	R42 18BK/YL
2	R44 18DG/YL
3	R43 18BK/LB
4	R45 18DG/LB



CAV	CIRCUIT
1	R42 18BK/YL
2	R44 18DG/YL
3	R43 18BK/LB
4	R45 18DG/LB

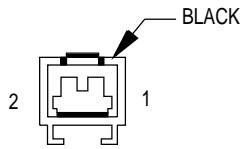


CAV	CIRCUIT
1	E2 20OR ■
1	E2 20OR/BK ▲
2	Z1 20BK



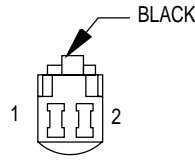
CAV	CIRCUIT
1	E2 20OR
	E2 20OR
2	Z1 20BK
	Z1 20BK

- FULL OPTIONS
- ▲ RHD
- LHD



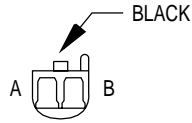
**C206  
(M/T)**

CAV	CIRCUIT
1	E2 20OR
2	Z1 20BK



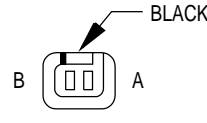
**C206  
(M/T)**

CAV	CIRCUIT
1	E2 20OR
2	Z1 20BK



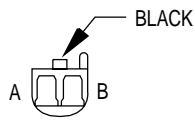
**C207**

CAV	CIRCUIT
A	M1 20PK
B	M2 20YL



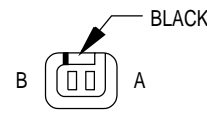
**C207**

CAV	CIRCUIT
A	M1 18PK
B	M2 18BK/WT



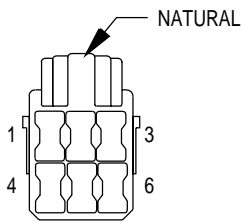
**C208**

CAV	CIRCUIT
A	M1 20PK
B	M2 20YL



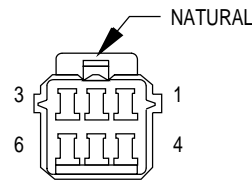
**C208**

CAV	CIRCUIT
A	M1 18PK
B	M2 18BK/WT



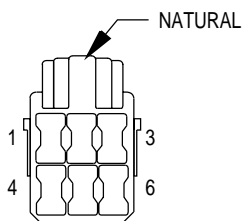
**C300  
(LHD)**

CAV	CIRCUIT
1	P35 20OR/VT
2	P36 20PK/VT
3	P55 20DB/PK
4	P59 20LB/RD
5	G26 20LB
6	-



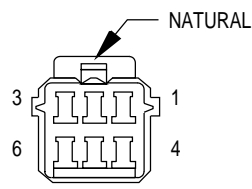
**C300  
(LHD)**

CAV	CIRCUIT
1	P35 20OR/VT
2	P36 20PK/VT
3	P55 20DB/PK
4	P59 20LB/RD
5	G26 20LB
6	-



**C300  
(RHD)**

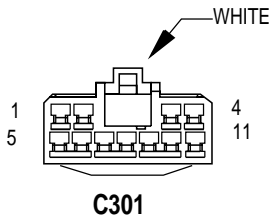
CAV	CIRCUIT
1	P35 18OR/VT
2	P36 18PK/VT
3	F83 18YL/DG •
4	-
5	-
6	-



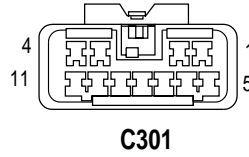
**C300  
(RHD)**

CAV	CIRCUIT
1	P35 20OR/VT
2	P36 20PK/VT
3	F83 18YL/DG •
4	-
5	-
6	-

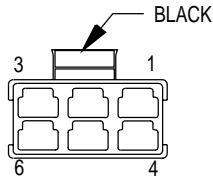
• FULL OPTIONS AND POWER MIRRORS



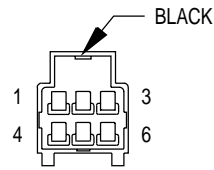
CAV	CIRCUIT
1	D1 20VT/BR
2	D2 20WT/BK
3	G32 20BK/LB
4	G31 20VT/LG
5	Z2 20BK/LG
6	F87 20WT/BK
7	X3 20BK/RD
8	P55 20DB
9	P59 20LB/RD
10	-
11	-



CAV	CIRCUIT
1	D1 20VT/BR
2	D2 20WT/BK
3	G32 20BK/LB
4	G31 20VT/LG
5	Z2 20BK/LG
6	F87 20WT/BK
7	X3 20BK/RD
8	P55 20DB/PK
9	P59 20LB/RD
10	-
11	-



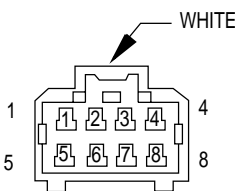
CAV	CIRCUIT
1	Q16 14BR/WT
1	V23 18BR/PK
2	Q26 14VT/WT
3	Q1 14YL
4	X80 18LB/BK ▲▲
4	X54 18VT ▲
5	X82 18LB/RD ▲▲
5	X56 18DB/RD ▲
6	-



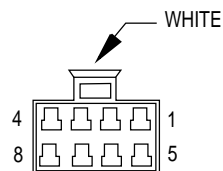
CAV	CIRCUIT
1	Q16 14BR/WT
1	V23 18BR/PK ●●
2	Q26 14VT/WT
3	Q1 14YL
4	X80 18LB/BK ▲▲
4	X54 18VT ▲
5	X82 18LB/RD ▲▲
5	X56 18DB/RD ▲
6	-

**C303 (LHD)**

**C303 (LHD)**



CAV	CIRCUIT
1	Q18 14GY/BK
2	Q28 14DG/WT
3	Q17 14DB/WT
4	Q1 14YL
5	Z1 14BK
6	Q27 14RD/BK
7	Q16 14BR/WT
8	Q26 14VT/WT

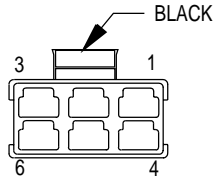


CAV	CIRCUIT
1	Q18 14GY/BK
2	Q28 14DG/WT
3	Q17 14DB/WT
4	Q1 14YL
5	Z1 14BK
6	Q27 14RD/BK
7	Q16 14BR/WT
8	Q26 14VT/WT

**C303 (RHD) (FULL OPTIONS)**

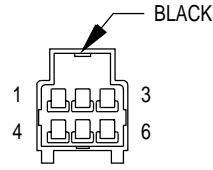
**C303 (RHD) (FULL OPTIONS)**

- BASE W/O POWER AMPLIFIER
- ▲ 4 SPEAKER SYSTEM
- ▲▲ 6 SPEAKER SYSTEM



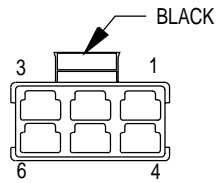
**C304  
(LHD)**

CAV	CIRCUIT
1	Q18 14GY/BK
2	Q28 14DG/WT
3	Q1 14YL
4	P33 16OR/BK
5	P34 16PK/BK
6	-



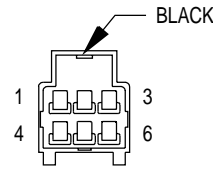
**C304  
(LHD)**

CAV	CIRCUIT
1	Q18 14GY/BK
2	Q28 14DG/WT
3	Q1 14YL
4	P33 16OR/BK
5	P34 16PK/BK
6	-



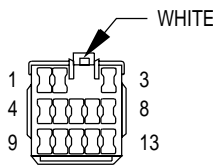
**C304  
(RHD)**

CAV	CIRCUIT
1	Q18 14GY/BK
2	Q28 14DG/WT
3	Q1 14YL
4	P33 16OR/BK
5	P34 16PK/BK
6	-



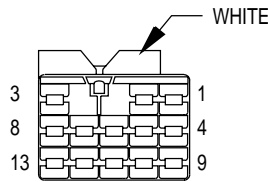
**C304  
(RHD)**

CAV	CIRCUIT
1	Q18 14GY/BK
2	Q28 14DG/WT
3	Q1 14YL
4	P33 16OR/BK
5	P34 16PK/BK
6	-



**C305  
(LHD)**

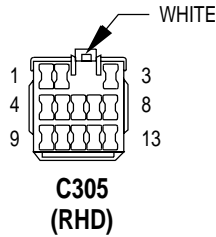
CAV	CIRCUIT
1	X85 18BR/RD ■■
1	X53 18DG ■
2	X87 18DG ■■
2	X55 18BR/RD ■
3	F83 18YL/DG ●
4	P33 16OR/BK ▲
5	P34 16PK/BK ▲
6	P35 20OR/VT ▲
7	P36 20PK/VT ▲
8	P72 20YL/BK ▲
9	P74 20DB ▲
10	P76 20OR/YL ▲
11	C16 20LB/YL ●●
11	C16 20BK/WT ▲▲
12	-
13	P91 20WT/BK ●



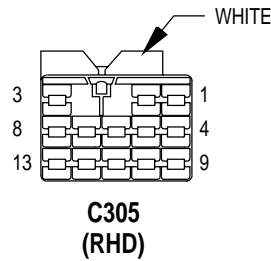
**C305  
(LHD)**

CAV	CIRCUIT
1	X85 18BR/RD ■■
1	X53 18DG ■
2	X87 18LG/VT ■■
2	X55 18BR/RD ■
3	F83 18YL/DG ●
4	P33 16OR/BK ▲
5	P34 16PK/BK ▲
6	P35 18OR/VT ▲
7	P36 18PK/VT ▲
8	P72 20YL/BK ▲
9	P74 20DB ▲
10	P76 20OR/YL ▲
11	C16 20LB/YL
12	-
13	P91 20WT/BK ●

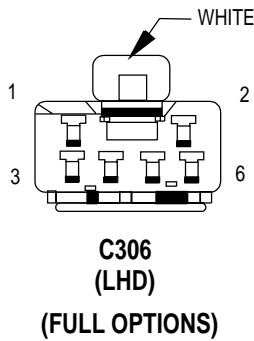
- ▲▲ POWER MIRRORS
- FULL OPTIONS
- ▲ POWER LOCK/WINDOWS
- 4 SPEAKERS
- 6 SPEAKERS



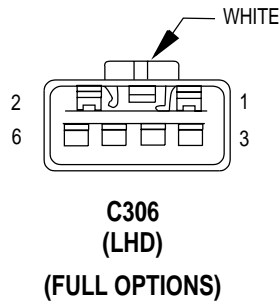
CAV	CIRCUIT
1	X85 18BR/RD ■■
1	X54 18VT ■
2	X87 18DG ■■
2	X56 18DB/RD ■
3	P59 20LB/RD
4	P33 16OR/BK ▲
5	P34 16PK/BK ▲
6	P35 20OR/VT ▲
7	P36 20PK/VT ▲
8	P71 20YL
9	P75 20DB/RD ●
9	P75 20DB/WT
10	P76 20OR/YL
11	C16 20LB/YL ●●
11	C16 20BK/WT ▲▲
12	P55 20DB
13	P91 20WT/BK ●●



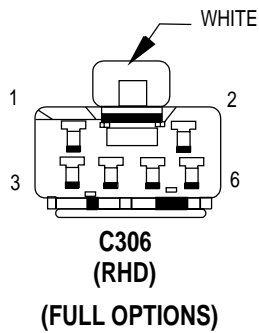
CAV	CIRCUIT
1	X85 18BR/RD ■■
1	X54 18VT ■
2	X87 18LG/VT ■■
2	X56 18DB/RD ■
3	P59 20LB/RD
4	P33 16OR/BK
5	P34 16PK/BK
6	P35 18OR/VT
7	P36 18PK/VT
8	P71 20YL
9	P75 20DB/RD ●
9	P75 20DB/WT
10	P76 20OR/YL
11	C16 20LB/YL
12	P55 20DB/PK
13	P91 20WT/BK ●●



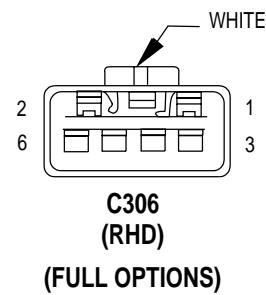
CAV	CIRCUIT
1	Q18 14GY/BK
2	Q28 14DG/WT
3	Q16 14BR/WT
4	Q26 14VT/WT
5	Q17 14DB/WT
6	Q27 14RD/BK



CAV	CIRCUIT
1	Q18 14GY/BK
2	Q28 14DG/WT
3	Q16 14BR/WT
4	Q26 14VT/WT
5	Q17 14DB/WT
6	Q27 14RD/BK



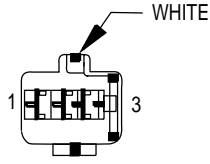
CAV	CIRCUIT
1	F35 16RD
2	G26 20LB
3	Q16 14BR/WT
4	Q26 14VT/WT
5	-
6	-



CAV	CIRCUIT
1	F35 16RD
2	G26 20LB
3	Q16 14BR/WT
4	Q26 14VT/WT
5	-
6	-

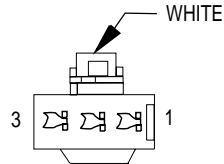
- ▲▲ POWER MIRRORS
- FULL OPTIONS
- FULL OPTIONS AND POWER MIRRORS
- ▲ POWER LOCK/WINDOW SWITCHES
- 4 SPEAKERS
- 6 SPEAKERS





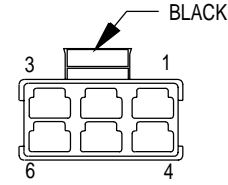
**C307**

CAV	CIRCUIT
1	F81 14TN
2	Q1 14YL
3	Z1 12BK
3	Z1 16BK ▲



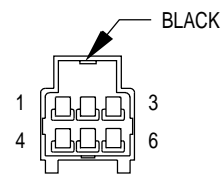
**C307**

CAV	CIRCUIT
1	F81 12TN
2	Q1 14YL
3	Z1 12BK



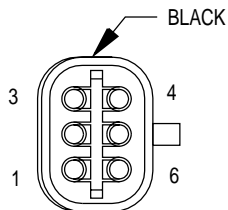
**C309  
(FULL OPTIONS)**

CAV	CIRCUIT
1	Q17 14DB/WT
2	Q27 14RD/BK
3	Q1 14YL
4	P33 16OR/BK
5	P34 16PK/BK
6	-



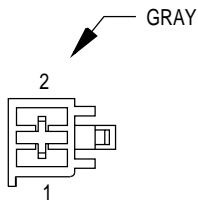
**C309  
(FULL OPTIONS)**

CAV	CIRCUIT
1	Q17 14DB/WT
2	Q27 14RD/BK
3	Q1 14YL
4	P33 16OR/BK
5	P34 16PK/BK
6	-



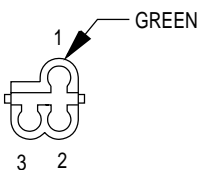
**C311**

CAV	CIRCUIT
1	P33 16OR/BK
2	P34 16PK/BK
3	G78 20TN/BK
4	L77 18BR/YL
5	M4 20GY/BK
6	Z1 18BK



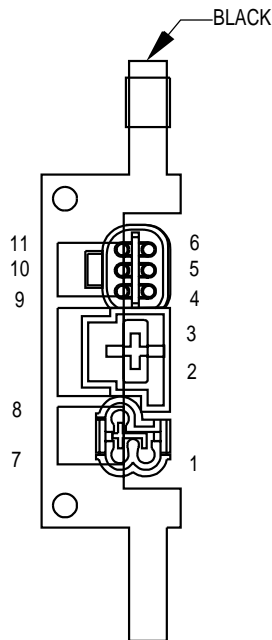
**C312**

CAV	CIRCUIT
1	Z1 12 BK
2	C15 12BK/WT



**C313**

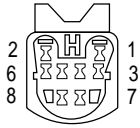
CAV	CIRCUIT
1	V13 18BR/LG
2	V23 18BR/PK
3	V20 18BK/WT



**C310**

CAV	CIRCUIT
1	V20 18BK/WT
2	Z1 12 BK
3	C15 12BK/WT
4	P33 16OR/BK
5	P34 16PK/BK
6	G78 20TN/BK
7	V23 18BR/PK
8	V13 18BR/LG
9	Z1 18BK
10	M4 20VT/YL
11	L77 18BR/YL

▲ POWER MIRRORS  
● FULL OPTIONS



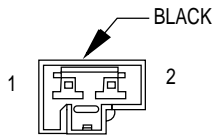
**C314**

CAV	CIRCUIT
1	X92 18TN/BK ▲
1	X52 18DB/WT ▲▲
2	X94 18TN/RD ▲
2	X58 18DB/OR ▲▲
3	X91 16BR/DB ▲
3	X51 18BR/YL ▲▲
4	X93 16BR/YL ▲
4	X57 18BR/LB ▲▲
5	M1 20PK
6	M2 20YL
7	M4 20GY/BK
8	-



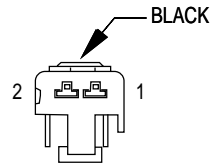
**C314**

CAV	CIRCUIT
1	X92 16TN/BK ▲
1	X52 18DB/WT ▲▲
2	X94 16TN/RD ▲
2	X58 18DB/OR ▲▲
3	X91 18WT/BK ▲
3	X51 18BR/YL ▲▲
4	X93 18WT/RD ▲
4	X57 18BR/LB ▲▲
5	M1 18PK ●
5	M1 20PK ●●
6	M2 20YL
7	M4 20GY/BK
8	-



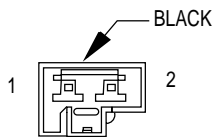
**C316  
(HEATED SEATS)**

CAV	CIRCUIT
1	F83 18YL/DG
2	F37 14RD/LB



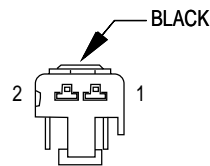
**C316  
(HEATED SEATS)**

CAV	CIRCUIT
1	F83 18YL/DG
2	F37 14RD/LB



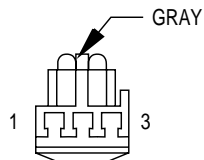
**C316  
(WITHOUT  
HEATED SEATS)**

CAV	CIRCUIT
1	-
2	F37 14RD/LB
	F37 14RD/LB



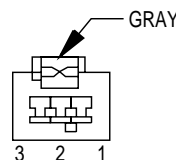
**C316  
(WITHOUT  
HEATED SEATS)**

CAV	CIRCUIT
1	-
2	F37 14RD/LB



**C317**

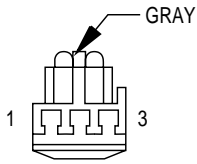
CAV	CIRCUIT
1	M2 18YL
2	G16 18BK/LB
3	Z1 18BK



**C317**

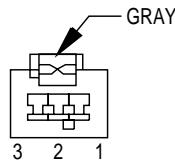
CAV	CIRCUIT
1	M2 20YL
2	G16 20BK/LB ●●
3	Z1 20BK

- ▲ 6 SPEAKER
- ▲▲ 4 SPEAKER
- LHD
- RHD



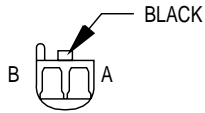
**C318**

CAV	CIRCUIT
1	M2 18YL
2	G16 18BK/LB ■
3	Z1 18BK



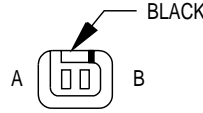
**C318**

CAV	CIRCUIT
1	M2 20YL
2	G16 20BK/LB
3	Z1 20BK



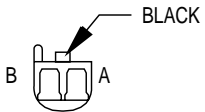
**C319**

CAV	CIRCUIT
A	M2 18YL
B	Z1 18BK



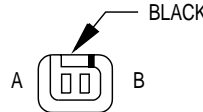
**C319**

CAV	CIRCUIT
A	M2 20YL
B	Z1 20BK



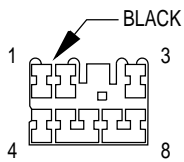
**C320**

CAV	CIRCUIT
A	M2 18YL
B	Z1 18BK



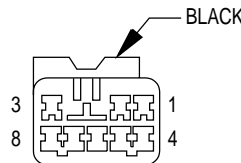
**C320**

CAV	CIRCUIT
A	M2 20YL
B	Z1 20BK



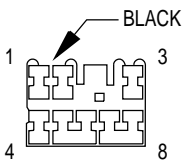
**C321**

CAV	CIRCUIT
1	L62 18BR/RD
2	Z1 18BK
3	-
4	L38 18OR/WT
5	L10 18BR/LG
6	L50 18WT/TN
7	L78 18DG/YL
8	-



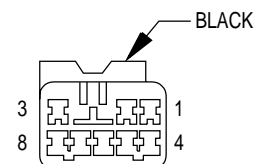
**C321**

CAV	CIRCUIT
1	L62 20BR/RD
2	Z1 18BK
3	-
4	L38 18BR/WT
5	L10 18BR/LG
6	L50 20WT/TN
7	L78 18DG/YL
8	-



**C322  
(W/O TRAILER TOW)**

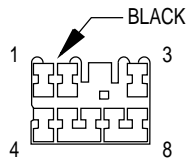
CAV	CIRCUIT
1	L63 18DG/RD
2	Z1 16BK ▲▲
2	Z1 18BK ●
3	-
4	L38 18OR/WT
5	L10 18BR/LG
6	L50 18WT/TN
7	L77 18BR
8	-



**C322  
(W/O TRAILER TOW)**

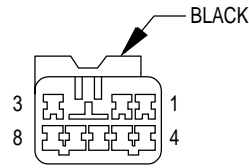
CAV	CIRCUIT
1	L63 20DG/RD
2	Z1 14BK
3	A6 20RD/OR
4	L38 18BR/WT
5	L10 18BR/LG
6	L50 20WT/TN
7	L77 18BR/YL
8	L62 20BR/RD

▲▲ BUILT-UP-EXPORT  
 ● EXCEPT BUILT-UP-EXPORT  
 ■ RHD



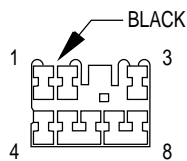
**C322  
(TRAILER TOW)**

CAV	CIRCUIT
1	L63 18DG/RD
2	Z1 16BK ▲
2	Z1 18BK ●
3	-
4	L38 18OR/WT
5	L10 18BR/LG
6	L50 18WT/TN
7	L77 18BR
8	-



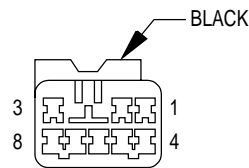
**C322  
(TRAILER TOW)**

CAV	CIRCUIT
1	L63 20DG/RD
2	Z1 18BK
3	-
4	L38 18BR/WT
5	L10 18BR/LG
6	L50 20WT/TN
7	L77 18BR/YL
8	-



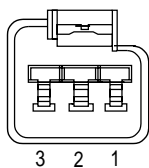
**C323  
(TRAILER TOW)**

CAV	CIRCUIT
1	L63 20DG/RD
2	Z1 14BK
3	A6 20RD/OR
4	L38 20OR/WT
5	L10 18BR/LG
6	L50 20WT/TN
7	L77 20BR/YL
8	L62 20BK/RD



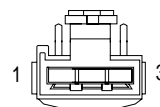
**C323  
(TRAILER TOW)**

CAV	CIRCUIT
1	L63 20DG/RD
2	Z1 14BK
3	A6 20RD/OR
4	L38 18BR/WT
5	L10 18BR/LG
6	L50 20WT/TN
7	L77 18BR/YL
8	L62 20BR/RD



**C324  
(RHD)**

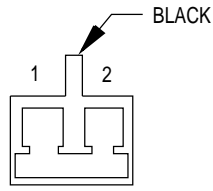
CAV	CIRCUIT
1	F83 18YL/DG
2	X54 18VT ●●
2	X80 18LB/BK
3	X56 18DB/RD ●●
3	X82 18LB/RD



**C324  
(RHD)**

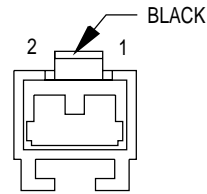
CAV	CIRCUIT
1	F83 18YL/DG
2	X54 18VT ●●
2	X80 18LB/BK
3	X56 18DB/RD ●●
3	X82 18LB/RD

- ▲ BUILT-UP-EXPORT
- EXCEPT BUILT-UP-EXPORT
- FULL OPTIONS W/O POWER AMPLIFIER



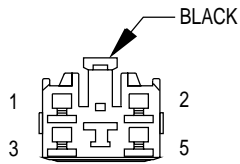
CAV	CIRCUIT
1	L50 18WT/TN
2	Z1 18BK

**C325**



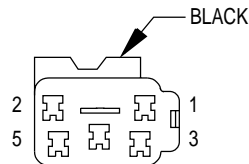
CAV	CIRCUIT
1	L50 18DG/WT
2	Z1 18BK

**C325**



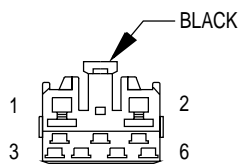
CAV	CIRCUIT
1	P33 16OR/BK
2	P34 16PK/BK
3	M4 20GY/BK
4	C15 12BK/WT
5	L50 18WT/TN

**C326**



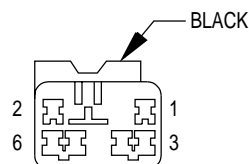
CAV	CIRCUIT
1	P33 16OR/BK ●
2	P34 16PK/BK ●
3	M4 20GY/BK
4	C15 12BK/WT
5	L50 20WT/TN

**C326**



CAV	CIRCUIT
1	G78 20TN/BK
2	L77 18BR/YL
3	V13 18BR/LG
4	V23 18BR/PK
5	V20 18BK/WT
6	-

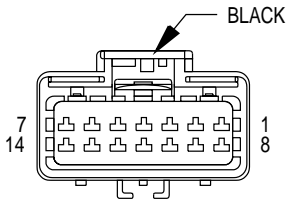
**C327**



CAV	CIRCUIT
1	G78 20TN/BK
2	L77 18BR/YL
3	V13 18BR
4	V23 18BR/PK
5	V20 18BK/WT
6	-

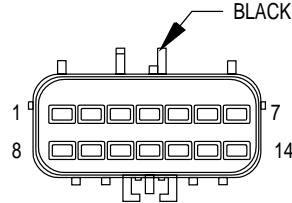
**C327**

● FULL OPTIONS



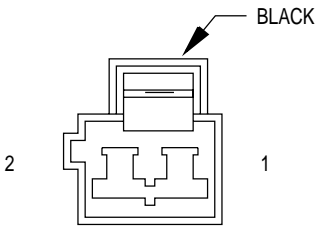
C329

CAV	CIRCUIT
1	P133 18TN/DG
2	P134 18TN/RD
3	P137 18VT
4	P138 18VT/LG
5	P139 18VT/WT
6	P140 18VT/BK
7	P87 18BK/OR
8	P141 18TN/LB
9	P143 18BK/DG
10	F37 14RD/LB
11	F83 18YL/DG
12	Z1 18BK
13	Z2 18BK/LG
14	-



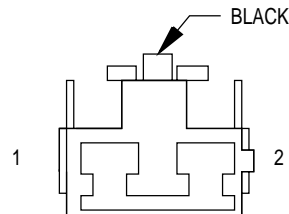
C329

CAV	CIRCUIT
1	P133 18TN/DG
2	P134 18TN/RD
3	P137 18VT
4	P138 18VT/LG
5	P139 18VT/WT
6	P140 18VT/BK
7	P87 18BK/OR
8	P141 18TN/LB
9	P143 18BK/DG
10	F37 14RD/LB
11	F83 18YL/DG
12	Z1 18BK
13	Z2 18BK/LG
14	-



C330

CAV	CIRCUIT
1	L77 18BR/YL
2	Z1 18BK



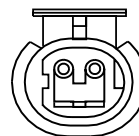
C330

CAV	CIRCUIT
1	L78 18BK/YL
2	Z1 18BK



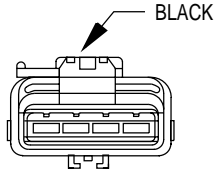
C331

CAV	CIRCUIT
1	G31 20VT/LG
2	G32 20BK/LG



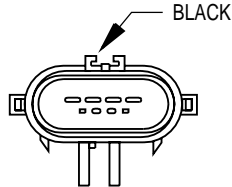
C331

CAV	CIRCUIT
1	G31 20VT/LG
2	G32 20BK/LG



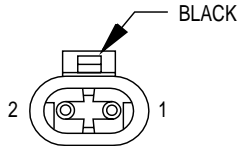
**C332**

CAV	CIRCUIT
1	P141 18TN/LB
2	P143 18BK/DG
3	P87 18BK/OR
4	Z1 18BK



**C332**

CAV	CIRCUIT
1	P141 18TN/LB
2	P143 18BK/DG
3	P87 18BK/OR
4	Z1 18BK

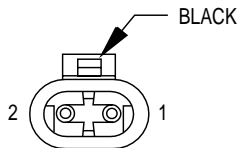


**C362**

CAV	CIRCUIT
1	F37 14RD/LB
2	Z1 14BK

**C362**

CAV	CIRCUIT
1	F37 14RD/LB
2	Z1 14BK

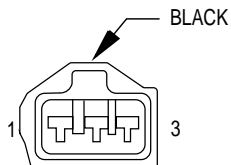


**C363**

CAV	CIRCUIT
1	F37 14RD/LB
2	Z1 14BK

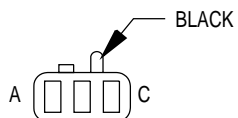
**C363**

CAV	CIRCUIT
1	F37 14RD/LB
2	Z1 14BK



**CAMSHAFT  
POSITION  
SENSOR  
(GAS)**

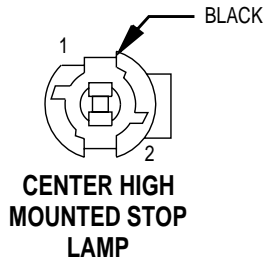
CAV	CIRCUIT	FUNCTION
1	K44 18TN/YL	CAMSHAFT POSITION SENSOR SIGNAL
2	K167 18BR/YL	SENSOR GROUND
3	K7 18OR	5 VOLT SUPPLY



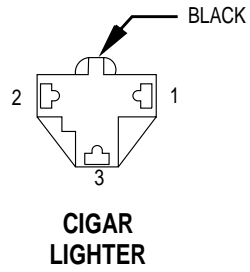
**CARGO  
LAMP/SWITCH**

CAV	CIRCUIT	FUNCTION
A	M1 18PK ●	FUSED B(+)
A	M1 20PK ●●	FUSED B(+)
B	M2 20YL	COURTESY LAMPS DRIVER
C	M4 20GY/BK	GATE GROUND

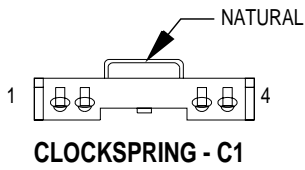
● RHD  
●● LHD



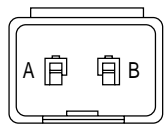
CAV	CIRCUIT	FUNCTION
1	Z1 18BK	GROUND
2	L50 18DG/WT	BRAKE LAMP SWITCH OUTPUT



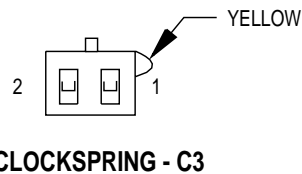
CAV	CIRCUIT	FUNCTION
1	F30 16RD	CIGAR LIGHTER RELAY OUTPUT
2	-	-
3	Z1 16BK	GROUND



CAV	CIRCUIT	FUNCTION
1	X3 20BK/RD	HORN RELAY CONTROL
2	V37 20RD/LG	SPEED CONTROL SWITCH SIGNAL
3	K4 20BK/RD ▲	SENSOR GROUND
3	K4 20BK/LB ●	SENSOR GROUND
4	-	-



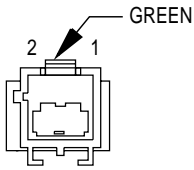
CAV	CIRCUIT	FUNCTION
A	K167 20BR/YL	SENSOR GROUND
B	V37 20RD/LG	SPEED CONTROL SWITCH SIGNAL



CAV	CIRCUIT	FUNCTION
1	R45 18DG/LB	DRIVER AIRBAG LINE 1
2	R43 18BK/LB	DRIVER AIRBAG LINE 2

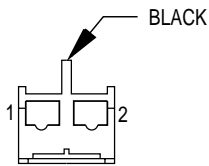
- ▲ LHD
- RHD





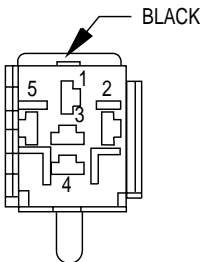
**CLUTCH INTERLOCK SWITCH**

CAV	CIRCUIT		FUNCTION
1	F45 20YL/RD	▲	FUSED B(+) ENGINE STARTER MOTOR RELAY
1	T141 20YL	▲▲	IGNITION SWITCH OUTPUT (START)
2	T141 20YL	▲	IGNITION SWITCH OUTPUT (START)
2	F45 20YL/RD	▲▲	FUSED B(+) ENGINE STARTER MOTOR RELAY



**CLUTCH INTERLOCK SWITCH JUMPER**

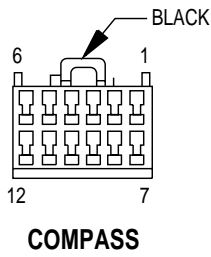
CAV	CIRCUIT		FUNCTION
1	F45 18YL		FUSED B(+) ENGINE STARTER MOTOR RELAY
2	F45 18YL		FUSED B(+) ENGINE STARTER MOTOR RELAY



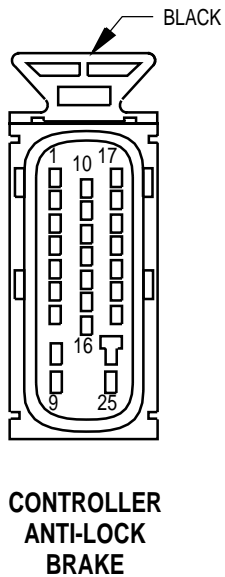
**COMBINATION FLASHER**

CAV	CIRCUIT		FUNCTION
1	L5 20BK		FUSED IGNITION SWITCH OUTPUT (RUN)
2	L9 20BK/PK		FUSED FLASHER FEED
3	L12 20VT/TN		HAZARD FLASHER SELECT SIGNAL
4	L6 20RD/WT		FLASHER OUTPUT
5	Z1 18BK	●	GROUND
	Z1 20BK		GROUND

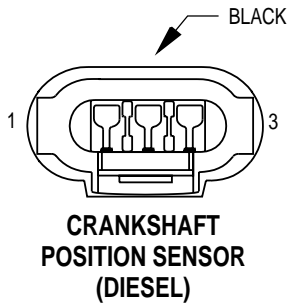
- RHD BUILT-UP-EXPORT
- ▲ LHD DIESEL
- ▲▲ EXCEPT LHD DIESEL



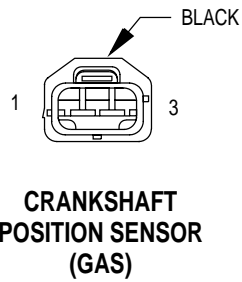
CAV	CIRCUIT	FUNCTION
1	Z1 20BK	GROUND
2	M1 20PK	FUSED B(+)
3	-	-
4	G31 20VT/LG	AMBIENT TEMPERATURE SENSOR SIGNAL
5	D1 20VT/BR	CCD BUS (+)
6	F87 20WT/BK	FUSED IGNITION SWITCH OUTPUT (ST-RUN)
7	M2 20YL	COURTESY LAMP DRIVER
8	-	-
9	-	-
10	G32 20BK/LB	AMBIENT TEMPERATURE SENSOR GROUND
11	D2 20WT/BK	CCD BUS (-)
12	Z2 20BK/LG	GROUND



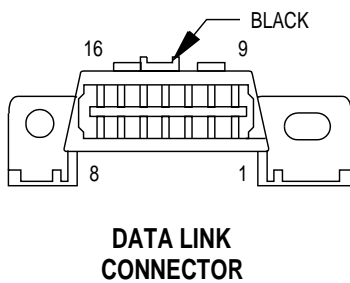
CAV	CIRCUIT	FUNCTION
1	B1 18YL/DB	RIGHT REAR WHEEL SPEED SENSOR (-)
2	B3 18LG/DB	LEFT REAR WHEEL SPEED SENSOR (-)
3	B7 18WT	RIGHT FRONT WHEEL SPEED SENSOR (+)
4	B9 18RD	LEFT FRONT WHEEL SPEED SENSOR (+)
5	-	-
6	B41 18YL/VT	G SWITCH NO. 1 SENSE
7	B42 18TN/WT	G SWITCH NO. 2 SENSE
8	Z1 12BK	GROUND
9	A20 12RD/DB	FUSED B(+)
10	B4 18LG	LEFT REAR WHEEL SPEED SENSOR (+)
11	B8 18RD/DB	LEFT FRONT WHEEL SPEED SENSOR (-)
12	L50 18WT/TN	BRAKE LAMP SWITCH OUTPUT
13	B43 18PK/OR	G SWITCH TEST SIGNAL
14	-	-
15	-	-
16	G83 18GY/BK	ABS RELAY CONTROL
17	B2 18YL	RIGHT
18	B6 18WT/DB	RIGHT
19	-	-
20	D21 18PK	SCI TRANSMIT/ ISO 9141K
21	-	-
22	-	-
23	F15 18DB/WT	FUSED IGNITION SWITCH OUTPUT (RUN)
24	Z1 12BK	GROUND
25	A10 12RD/DG	FUSED B(+)



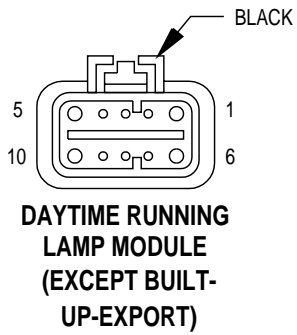
CAV	CIRCUIT	FUNCTION
1	K3 20LG/BK	SENSOR GROUND
2	-	-
3	K24 20GY/BK	CRANKSHAFT POSITION SENSOR SIGNAL



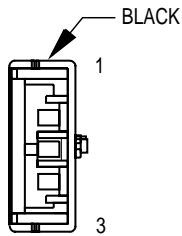
CAV	CIRCUIT	FUNCTION
1	K24 18GY/BK	CRANKSHAFT POSITION SENSOR SIGNAL
2	K167 20BR/YL	SENSOR GROUND
3	K7 20OR	5 VOLT SUPPLY



CAV	CIRCUIT	FUNCTION
1	-	-
2	-	-
3	D1 18VT/BR	CCD BUS (+)
4	Z1 18BK	GROUND
5	Z12 18BK/TN	GROUND
6	D20 20LG/BK	SCI RECEIVE
7	D21 20PK	SCI TRANSMIT/ ISO 9141K
8	-	-
9	-	-
10	-	-
11	D2 18WT/BK	CCD BUS (-)
12	-	-
13	-	-
14	-	-
15	-	-
16	F34 18TN/BK	FUSED B(+)

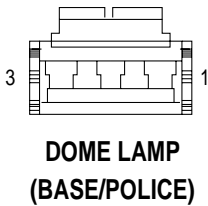


CAV	CIRCUIT	FUNCTION
1	L3 16RD	DIMMER SWITCH HIGH BEAM OUTPUT
2	-	-
3	-	-
4	G34 16RD/GY	HIGH BEAM INDICATOR DRIVER
5	F20 18WT	FUSED IGNITION SWITCH OUTPUT (ST-RUN)
6	A3 14RD/WT	FUSED B(+)
7	G7 20WT/OR	VEHICLE SPEED SENSOR SIGNAL
8	Z12 16BK/TN	GROUND
9	-	-
10	L44 18VT/RD	FUSED RIGHT LOW BEAM OUTPUT

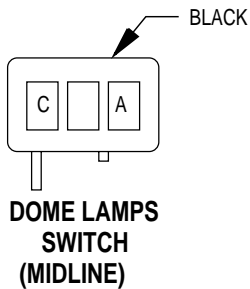


CAV	CIRCUIT	FUNCTION
1	L2 16LG	HEADLAMP RELAY OUTPUT
2	L25 18BR	REAR FOG LAMP FEED
3	L39 18LB	FOG LAMP SWITCH OUTPUT

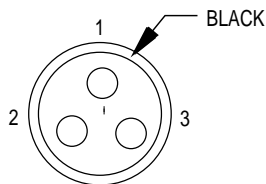
**DIODE MODULE (BUILT-UP-EXPORT)**



CAV	CIRCUIT	FUNCTION
1	-	-
2	M1 20PK	FUSED B(+)
3	M2 20YL	COURTESY LAMPS SWITCH OUTPUT

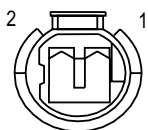


CAV	CIRCUIT	FUNCTION
A	Z1 20BK	GROUND
B	M2 20YL	COURTESY LAMPS SWITCH OUTPUT
C	M1 20PK	FUSED B(+)



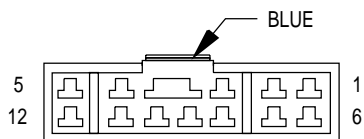
**DRIVER DOOR  
JAMB SWITCH**

CAV	CIRCUIT	FUNCTION
1	M2 18YL	COURTESY LAMPS DRIVER
2	G16 18BK/LB	DRIVER DOOR AJAR SWITCH SENSE
3	Z1 18BK	GROUND



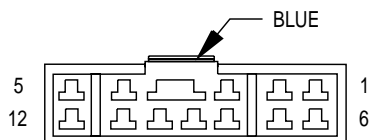
**DRIVER DOOR  
LOCK MOTOR**

CAV	CIRCUIT	FUNCTION
1	P34 16PK/BK	DOOR UNLOCK DRIVER
2	P33 16OR/BK	DOOR LOCK DRIVER



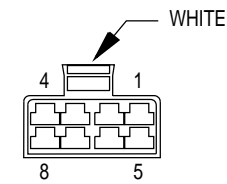
**DRIVER POWER  
LOCK/WINDOW  
SWITCH-C1  
(LHD)  
(FULL OPTIONS)**

CAV	CIRCUIT	FUNCTION
1	Q28 14DG/WT	MASTER WINDOW SWITCH RIGHT REAR DOWN
2	Q18 14GY/BK	RIGHT REAR WINDOW DRIVER UP
3	Q16 14BR/WT	MASTER WINDOW SWITCH RIGHT FRONT UP
4	Q17 14DB/WT	LEFT REAR WINDOW DRIVER UP
5	Q11 14LB	LEFT WINDOW DRIVER UP
6	Q26 14VT/WT	MASTER WINDOW SWITCH RIGHT FRONT DOOR
7	P35 18OR/VT	DOOR LOCK SWITCH OUTPUT (LOCK)
8	Z1 14BK	GROUND
9	F81 14TN	FUSED IGNITION SWITCH OUTPUT (RUN-ACC)
10	Q27 14RD/BK	LEFT REAR WINDOW DRIVER (DOWN)
11	P36 18PK/VT	DOOR LOCK SWITCH OUPUT (UNLOOK)
12	Q21 14WT	LEFT FRONT WINDOW DRIVER (DOWN)



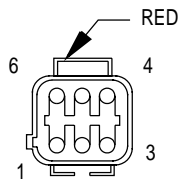
**DRIVER POWER  
LOCK/WINDOW  
SWITCH-C1  
(RHD)  
(FULL OPTIONS)**

CAV	CIRCUIT	FUNCTION
1	Q28 14DG/WT	MASTER WINDOW SWITCH RIGHT REAR DOWN
2	Q18 14GY/BK	RIGHT REAR WINDOW DRIVER UP
3	Q11 14BR	LEFT WINDOW DRIVER UP
4	Q17 14DB/WT	LEFT REAR DRIVER DOWN
5	Q16 14BR/WT	MASTER WINDOW SWITCH RIGHT FRONT UP
6	Q21 14VT	LEFT FRONT WINDOW DRIVER UP
7	P35 18OR/VT	DOOR LOCK SWITCH OUTPUT (LOCK)
8	Z1 14BK	GROUND
9	F81 14TN	FUSED IGNITION SWITCH OUTPUT (RUN-ACC)
10	Q27 14RD/BK	LEFT REAR WINDOW DRIVER (DOWN)
11	P36 18PK/VT	DOOR LOCK SWITCH OUTPUT (UNLOCK)
12	Q26 14VT/WT	MASTER WINDOW SWITCH RIGHT FRONT DOOR



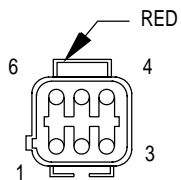
**DRIVER POWER  
LOCK/WINDOW  
SWITCH-C2  
(FULL OPTIONS)**

CAV	CIRCUIT	FUNCTION
1	P71 20YL ■	LEFT POWER MIRROR LEFT MOVEMENT
1	P71 20YL/LB ●●	LEFT POWER MIRROR LEFT MOVEMENT
2	P76 20OR/YL	COMMON
3	F83 18YL/DG	FUSED IGNITION SWITCH OUTPUT (RUN-ACC)
4	P74 20DB	RIGHT POWER MIRROR LEFT MOVEMENT
5	Z1 14BK ■	GROUND
5	Z1 16BK ●●	GROUND
6	P75 20DB/WT	LEFT POWER MIRROR UP MOVEMENT
7	P72 20YL/BK	RIGHT POWER MIRROR UP MOVEMENT
8	Q1 14YL	POWER WINDOW SWITCH FEED



**DRIVER POWER  
MIRROR  
(LHD)**

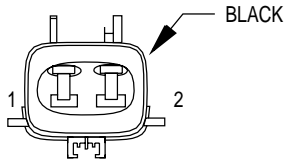
CAV	CIRCUIT	FUNCTION
1	P71 20YL	LEFT MIRROR UP DRIVER
2	P75 20DB/WT ●	LEFT POWER MIRROR UP MOVEMENT
2	P76 20OR/YL ▲	COMMON
3	P91 20WT/BK ●	LEFT/RIGHT POWER MIRROR HORIZONTAL SUPPLY
3	P75 20DB/WT ▲	LEFT MIRROR LEFT DRIVER
4	P76 20OR/YL	COMMON
5	C16 20BK/WT ●	FUSED REAR WINDOW DEFOGGER RELAY OUTPUT
5	C16 20LB/YL ▲	FUSED REAR WINDOW DEFOGGER RELAY OUTPUT
6	Z1 18BK ●	GROUND
6	Z1 16BK ▲	GROUND



**DRIVER POWER  
MIRROR  
(RHD)**

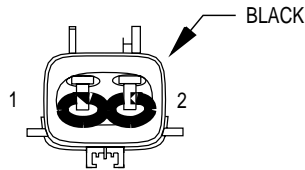
CAV	CIRCUIT	FUNCTION
1	P72 20YL/BK	RIGHT POWER MIRROR UP MOVEMENT
2	P74 20DB ●	RIGHT POWER MIRROR LEFT MOVEMENT
2	P76 20OR/YL ▲	COMMON
3	P91 20WT/BK ●	LEFT/RIGHT POWER MIRROR HORIZONTAL SUPPLY
3	P74 20DB ▲	RIGHT POWER MIRROR LEFT MOVEMENT
4	P76 20OR/YL	COMMON
5	C16 20BK/WT	FUSED REAR WINDOW DEFOGGER RELAY OUTPUT
6	Z1 18BK	GROUND

- POWER MIRRORS
- ▲ FULL OPTIONS
- LHD
- RHD



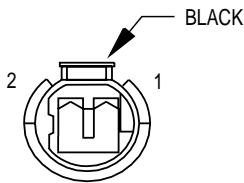
**DRIVER POWER  
WINDOW MOTOR  
(LHD)**

CAV	CIRCUIT	FUNCTION
1	Q11 14LB	LEFT WINDOW DRIVER (UP)
2	Q21 14WT	LEFT FRONT WINDOW DRIVER DOWN



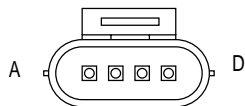
**DRIVER POWER  
WINDOW MOTOR  
(RHD)**

CAV	CIRCUIT	FUNCTION
1	Q11 14BR	LEFT WINDOW DRIVER (UP)
2	Q21 14VT	LEFT FRONT WINDOW DRIVER DOWN



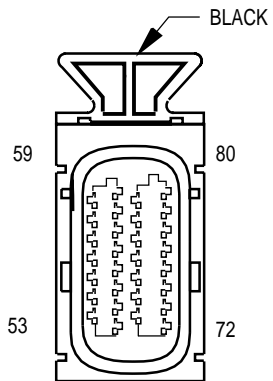
**DUTY CYCLE  
EVAP/PURGE  
SOLENOID  
(GAS)**

CAV	CIRCUIT	FUNCTION
1	K52 18PK/BK	DUTY CYCLE EVAP PURGE/SOLENOID CONTROL
2	F20 18WT	FUSED IGNITION SWITCH OUTPUT (ST-RUN)



**ELECTRONIC  
VACUUM  
MODULATOR  
(DIESEL)**

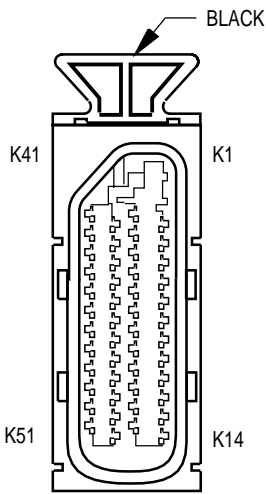
CAV	CIRCUIT	FUNCTION
A	F142 18DG/OR	FUSED AUTOMATIC SHUT DOWN RELAY OUTPUT
B	K35 18GY/YL	EGR SOLENOID CONTROL
C	-	-
D	Z1 18BK	GROUND



**ENGINE CONTROL  
MODULE - C1  
(DIESEL)**

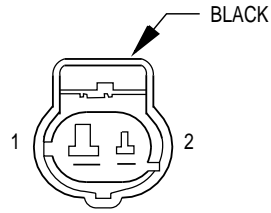
CAV	CIRCUIT	FUNCTION
A50	-	-
A51	-	-
A52	-	-
A53	K156 20GY	FUEL TEMPERATURE SENSOR SIGNAL
A54	K2 20TN/BK	ENGINE COOLANT TEMPERATURE SENSOR SIGNAL
A55	K68 18LG/YL	NEEDLE MOVEMENT SENSOR (-)
A56	K134 20LB/BK	SLEEVE POSITION SENSOR (-)
A57	K57 20LG/OR	CONTROL SLEEVE POSITION SENSOR
A58	K135 20WT/BK	SLEEVE POSITION SENSOR(+)
A59	K140 16TN/WT	FUEL QUANTITY ACTUATOR GROUND
A60	V37 20RD/LG	SPEED CONTROL SWITCH SIGNAL
A61	K4 20BK/LB	SENSOR GROUND
A62	K67 18BR/BK	NEEDLE MOVEMENT SENSOR (+)
A63	-	
A64	-	
A65	-	
A66	K140 16TN/WT	FUEL QUANTITY ACTUATOR GROUND
A67	K24 20GY/BK	CRANKSHAFT POSITION SENSOR SIGNAL
A68	-	
A69	K3 20LG/BK	SENSOR GROUND
A70	-	
A71	-	
A72	-	
A73	-	
A74	-	
A75	-	
A76	-	
A77	K153 16OR	SHUT-OFF FEED
A78	-	
A79	K126 16LG	SOLENOID CONTROL
A80	K140 16TN/WT	FUEL QUANTITY ACTUATOR GROUND





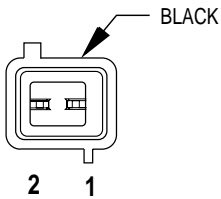
**ENGINE CONTROL  
MODULE - C2  
(DIESEL)**

CAV	CIRCUIT	FUNCTION
K1	Z12 14BK/TN	GROUND
K2	A142 16DG/OR	AUTOMATIC SHUT DOWN RELAY OUTPUT
K3	-	-
K4	-	-
K5	C13 20DB/OR	A/C COMPRESSOR CLUTCH RELAY CONTROL
K6	K159 18VT/RD	ENGINE SPEED SENSOR SIGNAL
K7		
K8	C103 18DG	A/C SWITCH SIGNAL
K9	K29 20WT/PK	BRAKE SWITCH SENSE
K10	C22 20DB/WT	A/C SWITCH SENSE
K11	K6 20VT/WT	5 VOLT SUPPLY
K12	K151 20WT	LOW IDLE POSITION SWITCH
K13	K21 20BK/RD	INTAKE AIR TEMPERATURE SIGNAL
K14	-	-
K15	-	-
K16	-	-
K17	C27 20DB/PK	RADIATOR FAN RELAY CONTROL
K18	G8 18LB/BK	FUEL MONITOR OUTPUT SIGNAL
K19	-	-
K20	L50 20WT/TN	BRAKE LAMP SWITCH OUTPUT
K21	-	-
K22	-	-
K23	K255 20WT/DG	PEDAL POSITION SENSOR
K24	K22 20OR/DB	THROTTLE POSITION SENSOR SIGNAL
K25	-	-
K26	-	-
K27	Z12 16BK/TN	GROUND
K28	A142 16DG/OR	AUTOMATIC SHUT DOWN RELAY OUTPUT
K29	K35 18GY/YL	EGR SOLENOID CONTROL
K30	V66 18RD/LG	WIPER PARK SWITCH SENSE
K31	-	-
K32	K185 20OR/LB	WAIT TO START INDICATOR
K33	K51 20DB/YL	AUTOMATIC SHUT DOWN RELAY CONTROL
K34	K48 18OR/RD	FAULT SIGNAL
K35	-	-
K36	-	-
K37	-	-
K38	G55 18OR/BK	ENGINE DISABLE SIGNAL
K39	K9 20LB	5V SUPPLY
K40	K1 20DG/RD	BOOST PRESSURE SIGNAL
K41	-	-
K42	K152 18WT	GLOW PLUG RELAY CONTROL SENSE
K43	-	-
K44	-	-
K45	D21 20PK	SCI TRANSMIT/ ISO 9141K
K46	-	-
K47	F12 18DB/WT	FUSED IGNITION SWITCH OUTPUT (ST-RUN)
K48	-	-
K49	-	-
K50	-	-
K51	G7 20WT/OR	VEHICLE SPEED SENSOR SIGNAL



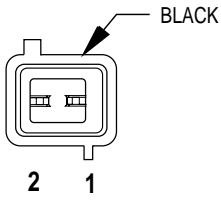
**ENGINE COOLANT TEMPERATURE SENSOR (GAS)**

CAV	CIRCUIT	FUNCTION
1	K167 20BR/YL	SENSOR GROUND
2	K2 18TN/BK	ENGINE COOLANT TEMPERATURE SENSOR SIGNAL



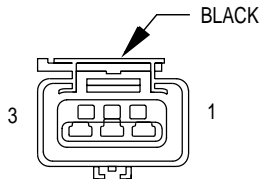
**ENGINE COOLANT TEMPERATURE SENSOR NO. 1 (DIESEL)**

CAV	CIRCUIT	FUNCTION
1	K2 18TN/BK	ENGINE COOLANT TEMPERATURE SENSOR SIGNAL
2	K4 18BK/LB	SENSOR GROUND



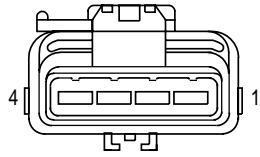
**ENGINE COOLANT TEMPERATURE SENSOR NO. 2 (DIESEL)**

CAV	CIRCUIT	FUNCTION
1	K222 18TN/RD	SECONDARY ENGINE COOLANT TEMPERATURE SENSOR
2	K167 18BR/YL	SENSOR RETURN



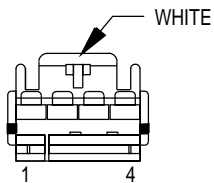
**ENGINE OIL PRESSURE SENSOR**

CAV	CIRCUIT	FUNCTION
1	K7 18OR	5 VOLT SUPPLY
2	G60 18GY/YL	ENGINE OIL PRESSURE SENSOR SIGNAL
3	K167 18BR/YL	SENSOR GROUND



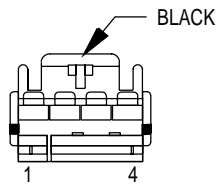
**EVAP LEAK  
DETECTION  
PUMP  
(EXCEPT BUILT-UP  
-EXPORT)**

CAV	CIRCUIT	FUNCTION
1	-	-
2	F20 18WT	FUSED IGNITION SWITCH OUTPUT (ST-RUN)
3	K106 18WT/DG	LEAK DETECTION PUMP SOLENOID CONTROL
4	K105 18OR	LEAK DETECTION PUMP SWITCH SENSE



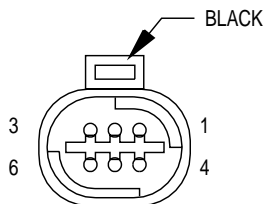
**EXTENDED IDLE  
SWITCH  
(POLICE PACKAGE)**

CAV	CIRCUIT	FUNCTION
1	Z1 20BK	GROUND
2	K78 20GY	IDLE ACTUATOR
3	F15 20DB/WT	FUSED IGNITION SWITCH OUTPUT (RUN)
4	E2 20OR	FUSED PANEL LAMPS DIMMER SWITCH SIGNAL



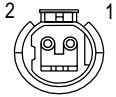
**FRONT FOG  
LAMP SWITCH**

CAV	CIRCUIT	FUNCTION
1	E2 20OR	FUSED PANEL LAMPS DIMMER SWITCH SIGNAL
2	L39 20LB	FOG LAMP SWITCH OUTPUT
3	L139 20VT	FOG LAMP RELAY OUTPUT
4	Z1 20BK	GROUND



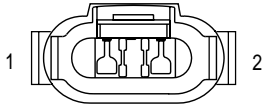
**FRONT WIPER  
MOTOR**

CAV	CIRCUIT	FUNCTION
1	V6 16DB	FUSED IGNITION SWITCH OUTPUT (RUN-ACC)
2	V5 16DG/YL	WIPER PARK SWITCH SENSE
3	-	-
4	Z1 16BK	GROUND
5	V3 16BR/WT	LOW SPEED WIPER SWITCH OUTPUT
6	V4 16BR/VT	WIPER HIGH SPEED OUTPUT



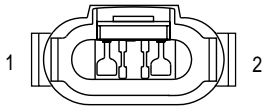
**FUEL HEATER  
(DIESEL)**

CAV	CIRCUIT	FUNCTION
1	A93 14RD/BK	FUEL HEATER RELAY OUTPUT
2	Z1 14BK	GROUND



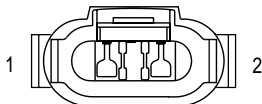
**FUEL INJECTOR NO. 1  
(2.5L GAS)**

CAV	CIRCUIT	FUNCTION
1	A142 18DG/OR	AUTOMATIC SHUT DOWN RELAY OUTPUT
2	K11 18WT/DB	FUEL INJECTOR NO. 1 DRIVER



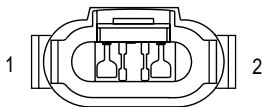
**FUEL INJECTOR NO. 2  
(2.5L GAS)**

CAV	CIRCUIT	FUNCTION
1	A142 18DG/OR	AUTOMATIC SHUT DOWN RELAY OUTPUT
2	K12 18TN	FUEL INJECTOR NO. 2 DRIVER



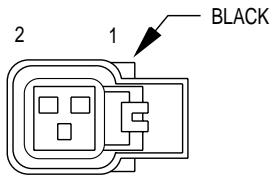
**FUEL INJECTOR NO. 3  
(2.5L GAS)**

CAV	CIRCUIT	FUNCTION
1	A142 18DG/OR	AUTOMATIC SHUT DOWN RELAY OUTPUT
2	K13 18YL/WT	FUEL INJECTOR NO. 3 DRIVER



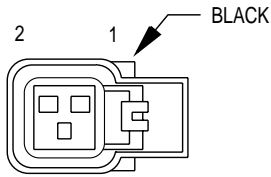
**FUEL INJECTOR NO. 4  
(2.5L GAS)**

CAV	CIRCUIT	FUNCTION
1	A142 18DG/OR	AUTOMATIC SHUT DOWN RELAY OUTPUT
2	K14 18LB/BR	FUEL INJECTOR NO. 4 DRIVER



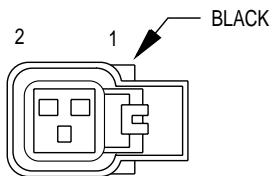
**FUEL INJECTOR NO. 1  
(4.0L GAS)**

CAV	CIRCUIT	FUNCTION
1	A142 18DG/OR	AUTOMATIC SHUT DOWN RELAY OUTPUT
2	K11 18WT/DB	FUEL INJECTOR NO. 1 DRIVER



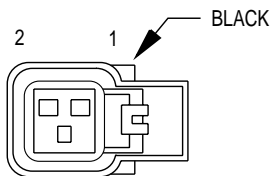
**FUEL INJECTOR NO. 2  
(4.0L GAS)**

CAV	CIRCUIT	FUNCTION
1	A142 18DG/OR	AUTOMATIC SHUT DOWN RELAY OUTPUT
2	K12 18TN	FUEL INJECTOR NO. 2 DRIVER



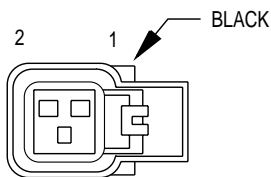
**FUEL INJECTOR NO. 3  
(4.0L GAS)**

CAV	CIRCUIT	FUNCTION
1	A142 18DG/OR	AUTOMATIC SHUT DOWN RELAY OUTPUT
2	K13 18YL/WT	FUEL INJECTOR NO. 3 DRIVER



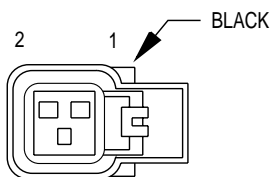
**FUEL INJECTOR NO. 4  
(4.0L GAS)**

CAV	CIRCUIT	FUNCTION
1	A142 18DG/OR	AUTOMATIC SHUT DOWN RELAY OUTPUT
2	K14 18LB/BR	FUEL INJECTOR NO. 4 DRIVER



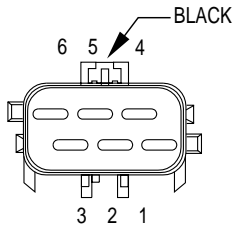
**FUEL INJECTOR NO. 5  
(4.0L GAS)**

CAV	CIRCUIT	FUNCTION
1	A142 18DG/OR	AUTOMATIC SHUT DOWN RELAY OUTPUT
2	K15 18PK/BK	FUEL INJECTOR NO. 5 DRIVER



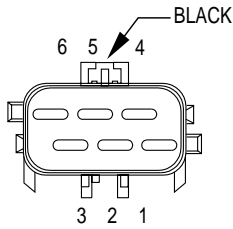
**FUEL INJECTOR NO. 6  
(4.0L GAS)**

CAV	CIRCUIT	FUNCTION
1	A142 18DG/OR	AUTOMATIC SHUT DOWN RELAY OUTPUT
2	K16 18LG/BK	FUEL INJECTOR NO. 6 DRIVER



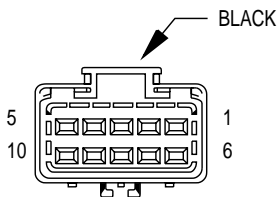
**FUEL LEVEL  
SENSOR  
(DIESEL)**

CAV	CIRCUIT	FUNCTION
1	-	-
2	-	-
3	K226 20DB/LG	FUEL LEVEL SENSOR SIGNAL
4	K167 20BR/YL	SENSOR RETURN
5	-	-
6	-	-



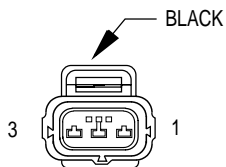
**FUEL PUMP  
MODULE  
(GAS)**

CAV	CIRCUIT	FUNCTION
1	A141 16DG/WT	FUEL PUMP RELAY OUTPUT
2	-	-
3	K226 20DB/LG	FUEL LEVEL SENSOR SIGNAL
4	K167 20BR/YL	SENSOR GROUND
5	-	-
6	Z1 16BK	GROUND



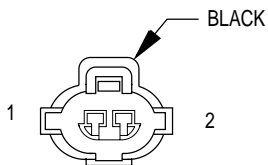
**FUEL PUMP  
MODULE  
(DIESEL)**

CAV	CIRCUIT	FUNCTION
1	K134 20LB/BK	SLEEVE POSITION SENSOR (-)
2	K57 20LG/OR	CONTROL SLEEVE POSITION SENSOR
3	K135 20WT/BK	SLEEVE POSITION SENSOR (-)
4	K4 20BK/LB	SENSOR GROUND
5	K126 16LG	SOLENOID CONTROL
6	K153 16OR	SHUTOFF FEED
7	K156 20GY	FUEL TEMPERATURE SENSOR SIGNAL
8	K140 16TN/WT	FUEL QUANTITY ACTUATOR GROUND
9	A142 16DG/OR	AUTOMATIC SHUT DOWN RELAY OUTPUT
10	F142 16DG/OR	FUSED AUTOMATIC SHUT DOWN RELAY OUTPUT



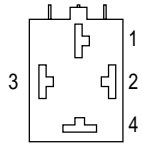
**G SWITCH**

CAV	CIRCUIT	FUNCTION
1	B42 20TN/WT	G SWITCH NO. 2 SENSE
2	B41 20YL/VT	G SWITCH NO.1 SENSE
3	B43 20PK/OR	G SWITCH TEST SIGNAL



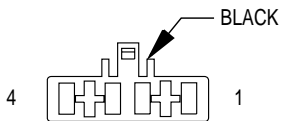
**GENERATOR**

CAV	CIRCUIT	FUNCTION
1	K72 18DG/OR	GENERATOR DRIVER
1	K72 16DG/OR	• GENERATOR DRIVER
2	K20 18DG	GENERATOR FIELD DRIVER (+)



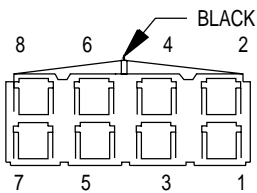
**GLOW PLUG RELAY (DIESEL)**

CAV	CIRCUIT	FUNCTION
1	A54 10RD/GY	FUSED B (+)
2	F142 18DG/OR	FUSED AUTOMATIC SHUT DOWN RELAY OUTPUT
3	K152 18WT	-
4	K154 10GY	GLOW PLUG RELAY OUTPUT



**HEADLAMP BEAM SELECT SWITCH**

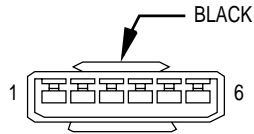
CAV	CIRCUIT	FUNCTION
1	L4 16VT/WT	LOW BEAM RELAY OUTPUT
2	L2 14LG	HEADLAMP SWITCH OUTPUT
3	L3 16RD/OR	HIGH BEAM INDICATOR DRIVER
4	L20 14LG/WT	FUSED B (+) OPTICAL HORN FEED



**HEADLAMP DELAY MODULE**

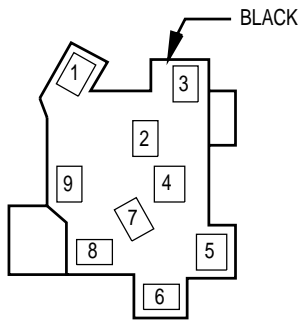
CAV	CIRCUIT	FUNCTION
1	-	-
2	A3 14RD/WT	FUSED B(+)
3	-	-
4	Z1 18BK	GROUND
5	-	-
6	L2 14LG	HEADLAMP SWITCH OUTPUT
	L2 14LG	● HEADLAMP SWITCH OUTPUT
7	-	-
8	F87 20WT/BK	FUSED IGNITION SWITCH OUTPUT (ST-RUN)

● EXCEPT BUILT-UP-EXPORT



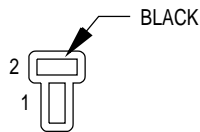
**HEADLAMP  
LEVELING SWITCH  
(BUILT-UP-EXPORT)**

CAV	CIRCUIT	FUNCTION
1	-	-
2	Z15 20BK/GY	GROUND
3	-	-
4	L44 20VT/RD	FUSED RIGHT LOW BEAM OUTPUT
5	L13 20BR/YL	HEADLAMP ADJUST SIGNAL
6	-	-



**HEADLAMP  
SWITCH - C1**

CAV	CIRCUIT	FUNCTION
1	E1 20TN	PANEL LAMPS DIMMER SWITCH SIGNAL
2	L2 14LG	HEADLAMP SWITCH OUTPUT
3	M2 20YL	COURTESY LAMPS DRIVER
4	F34 18TN/BK	FUSED B(+)
	F34 18TN/BK •	FUSED B(+)
5	G26 20LB	DOOR LOCK INHIBIT SENSE
6	G16 20BK/LB	DRIVER DOOR AJAR SWITCH SENSE
7	L20 14LG/WT	FUSED B (+)
8	A3 14RD/WT	FUSED B (+)
	A3 14RD/WT	FUSED B (+)
9	L7 18BK/YL	HEADLAMP SWITCH OUTPUT

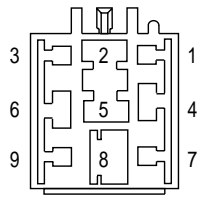


**HEADLAMP  
SWITCH - C2**

CAV	CIRCUIT	FUNCTION
1	Z1 18BK	GROUND
	Z1 18BK	GROUND
2	-	-

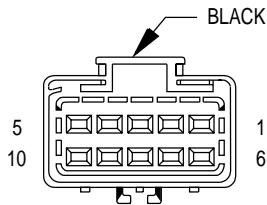
• LHD EXCEPT BUILT-UP-EXPORT





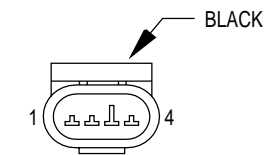
**HEATED SEAT RELAY**

CAV	CIRCUIT	FUNCTION
1	-	-
2	F235 16RD	B(+) TO HEATED SEAT MODULE
2	F235 16RD	B(+) TO HEATED SEAT MODULE
3	-	-
4	F83 18YL/DG	FUSED IGNITION SWITCH OUTPUT (RUN-ACC)
5	-	-
6	Z1 18BK	GROUND
7	-	-
8	F37 14RD/LB	FUSED B(+)



**HVAC UNIT**

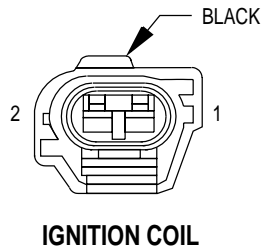
CAV	CIRCUIT	FUNCTION
1	Z1 20BK	GROUND
2	C4 14TN	LOW MOTOR BLOWER DRIVER
3	C5 14LG	M1 MOTOR BLOWER DRIVER
4	C6 14LB	M2 MOTOR BLOWER DRIVER
5	F15 20DB/WT	FUSED IGNITION SWITCH OUTPUT (RUN)
6	C36 20RD/WT	BLEND DOOR FEEDBACK SIGNAL
7	C7 12BK/TN	HIGH MOTOR BLOWER DRIVER
8	A111 12RD/LG	FUSED B (+)
9	F15 20DB/WT	FUSED IGNITION SWITCH OUTPUT (RUN)
10	Z8 12BK/VT	● GROUND
10	Z8 12BK/PK	■ GROUND
10	Z8 20BK/VT	▲ GROUND



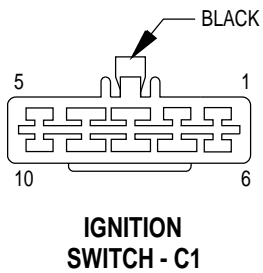
**IDLE AIR CONTROL MOTOR**

CAV	CIRCUIT	FUNCTION
1	K59 18VT/BK	IDLE AIR CONTROL NO. 4 DRIVER
2	K40 18BR/WT	IDLE AIR CONTROL NO. 3 DRIVER
3	K60 18YL/BK	IDLE AIR CONTROL NO. 2 DRIVER
4	K39 18GY/RD	IDLE AIR CONTROL NO. 1 DRIVER

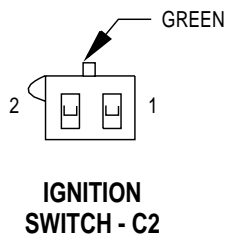
- ▲ LHD
- RHD W/O POWER AMPLIFIER
- RHD WITH POWER AMPLIFIER



CAV	CIRCUIT	FUNCTION
1	K19 18GY	• IGNITION COIL NO. 1 DRIVER
1	A142 18DG/OR	AUTOMATIC SHUT DOWN RELAY OUTPUT
2	A142 18DG/OR	• AUTOMATIC SHUT DOWN RELAY OUTPUT
2	K19 18GY	IGNITION COIL NO. 1 DRIVER

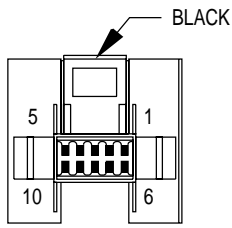


CAV	CIRCUIT	FUNCTION
1	Z1 20BK	GROUND
2	G9 20GY/BK	RED BRAKE INDICATOR WARNING DRIVER
3	A2 12PK/BK	FUSED B(+)
4	A22 12BK/OR	FUSED IGNITION SWITCH OUTPUT (RUN)
5	-	-
6	-	-
7	A1 12RD	FUSED B(+)
8	A31 12BK/WT	FUSED IGNITION SWITCH OUTPUT (RUN-ACC)
9	A21 12DB	FUSED IGNITION SWITCH OUTPUT (ST-RUN)
10	A41 14YL	FUSED IGNITION SWITCH OUTPUT (START)



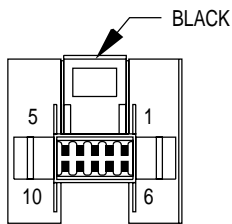
CAV	CIRCUIT	FUNCTION
1	G26 20LB	KEY-IN IGNITION SWITCH SENSE
2	G16 20BK/LB	DRIVER DOOR AJAR SWITCH SENSE

• 2WD



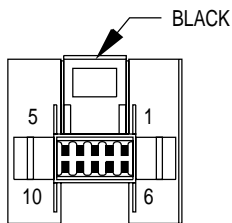
**INSTRUMENT CLUSTER - C1 (LHD)**

CAV	CIRCUIT	FUNCTION
1	G78 20TN/BK	LIFTGATE AJAR SWITCH SENSE
2	G99 20GY/WT	RED BRAKE WARNING INDICATOR DRIVER
3	E2 20OR	FUSED PANEL LAMPS DIMMER SWITCH SIGNAL
4	G19 20LG/OR	ABS INDICATOR DRIVER
5	G34 16RD/GY	HIGH BEAM INDICATOR DRIVER
6	Z2 20BK/LG	GROUND
7	G29 20BK/LB	LOW WASHER FLUID SENSE
8	F87 20WT/BK	FUSED IGNITION SWITCH OUTPUT (START-RUN)
9	M1 20PK	FUSED B(+)
10	L61 20LG/WT	LEFT TURN SIGNAL



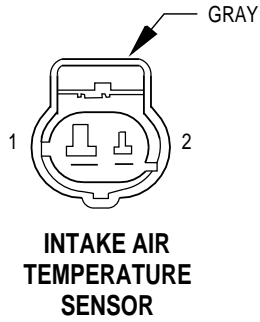
**INSTRUMENT CLUSTER - C1 (RHD)**

CAV	CIRCUIT	FUNCTION
1	G78 20TN/BK	LIFTGATE AJAR SWITCH SENSE
2	G99 20GY/WT	RED BRAKE WARNING INDICATOR DRIVER
3	E2 20OR	FUSED PANEL LAMPS SWITCH SIGNAL
4	G19 20LG/OR	ABS INDICATOR DRIVER
5	L3 16RD/OR	HIGH BEAM INDICATOR DRIVER
6	Z2 20BK/LG	GROUND
7	G29 20BK/LB	LOW WASHER FLUID SENSE
8	F87 20WT/BK	FUSED IGNITION SWITCH OUTPUT (START-RUN)
9	M1 20PK	FUSED B(+)
10	L61 20LG/WT	LEFT TURN SIGNAL

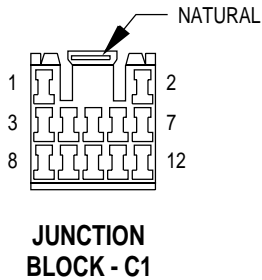


**INSTRUMENT CLUSTER - C2**

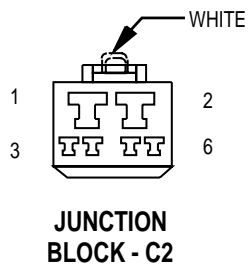
CAV	CIRCUIT	FUNCTION
1	D2 20WT/BK	CCD BUS (-)
2	D1 20VT/BR	CCD BUS (+)
3	C81 20LB/WT	REAR WINDOW DEFOGGER RELAY CONTROL
4	C80 20DB/WT	REAR WINDOW DEFOGGER SWITCH SENSE
5	G107 20BK/RD	4WD SWITCH SENSE
6	L60 20TN	RIGHT TURN SIGNAL
7	G106 20BK/WT	PART TIME 4WD INDICATOR LAMP
8	G26 20LB	DOOR LOCK INHIBIT SENSE
9	Z2 18BK/LG	GROUND
10	G10 20LG/RD	SEAT BELT SWITCH SENSE



CAV	CIRCUIT	FUNCTION
1	K167 20BR/YL	SENSOR GROUND
2	K21 18BK/RD	INTAKE AIR TEMPERATURE SENSOR SIGNAL

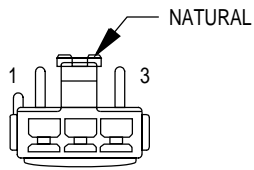


CAV	CIRCUIT	FUNCTION
1	L44 20VT/RD	FUSED RIGHT LOW BEAM OUTPUT
2	-	-
3	F45 20YL/RD	FUSED B(+) ENGINE STARTER MOTOR RELAY
4	-	-
5	L78 18DG/YL ●	FUSED HEADLAMP SWITCH OUTPUT
5	L78 20DG/YL ▲	FUSED HEADLAMP SWITCH OUTPUT
6	F15 20DB/WT ●●	FUSED IGNITION SWITCH OUTPUT (RUN)
7	-	-
8	V6 16DB	FUSED IGNITION SWITCH OUTPUT (RUN-ACC)
9	L33 20RD	FUSED LEFT HIGH BEAM OUTPUT
10	L43 20VT	FUSED LEFT LOW BEAM OUTPUT
11	L34 20RD/OR	FUSED RIGHT HIGH BEAM OUTPUT
12	M1 20PK	FUSED B(+)



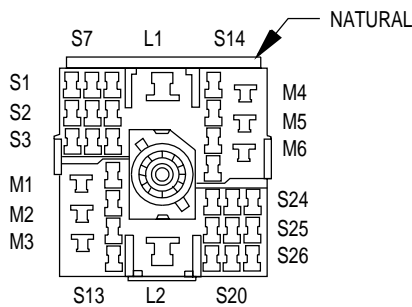
CAV	CIRCUIT	FUNCTION
1	A4 12BK/PK	FUSED B(+)
2	A7 10RD/BK	FUSED B(+)
3	-	-
4	X2 20DG/RD	HORN RELAY OUTPUT
5	F12 18DB/WT	FUSED IGNITION SWITCH OUTPUT (ST-RUN)
6	L77 20BR/YL ▲	FUSED LEFT INBOARD TAIL LAMP
6	L77 18BR/YL ●	FUSED LEFT INBOARD TAIL LAMP

- ▲ GAS
- DIESEL
- 4.0L AND DIESEL



**JUNCTION  
BLOCK - C3**

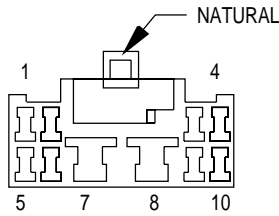
CAV	CIRCUIT	FUNCTION
1	M2 20YL	COURTESY LAMPS DRIVER
2	Z1 20BK •	GROUND
3	M1 20PK	FUSED B(+)



**JUNCTION  
BLOCK - C4**

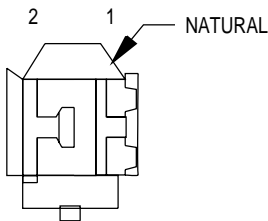
CAV	CIRCUIT	FUNCTION
L1	A31 12BK/WT	FUSED IGNITION SWITCH OUTPUT (RUN-ACC)
L2	A21 12DB	FUSED IGNITION SWITCH OUTPUT (ST-RUN)
M1	A41 14YL	FUSED IGNITION SWITCH OUTPUT (ST)
M2	A22 12BK/OR	FUSED IGNITION SWITCH OUTPUT (RUN)
M3	L7 18BK/YL	HEADLAMP SWITCH OUTPUT
M4	V6 16DB	FUSED IGNITION SWITCH OUTPUT (RUN-ACC)
M5	F38 16RD/LB	FUSED B(+)
M6	F30 16RD	CIGAR LIGHTER RELAY OUTPUT
S1	E1 20TN	PANEL LAMPS DIMMER SWITCH SIGNAL
S2	E2 20OR	FUSED PANEL LAMPS DIMMER SWITCH SIGNAL
S3	L4 16VT/WT	DIMMER SWITCH LOW BEAM OUTPUT
S4	F83 18YL/DG	FUSED IGNITION SWITCH OUTPUT (RUN-ACC)
S5	Z1 14BK	GROUND
S6	-	-
S7	L3 16RD/OR	HIGH BEAM INDICATOR DRIVER
S8	F15 20DB/WT	FUSED IGNITION SWITCH OUTPUT (RUN)
S9	X12 16RD/WT	FUSED IGNITION SWITCH OUTPUT (RUN-ACC)
S10	-	-
S11	V23 18BR/PK	FUSED IGNITION SWITCH OUTPUT (RUN)
S12	F20 18WT	FUSED IGNITION SWITCH OUTPUT (ST-RUN)
S13	F87 20WT/BK	FUSED IGNITION SWITCH OUTPUT (ST-RUN)
S14	-	-
S15	-	-
S16	-	-
S17	-	-
S18	M1 20PK	FUSED B(+)
S19	C16 20LB/YL ••	FUSED REAR WINDOW DEFFOGGER RELAY OUTPUT
S19	C16 20BK/WT •••	FUSED REAR WINDOW DEFFOGGER RELAY OUTPUT
S20	L5 20BK	FUSED IGNITION SWITCH OUTPUT (RUN)
S21	F14 18LG/YL	FUSED IGNITION SWITCH OUTPUT (RUN)
S22	X3 20BK/RD	HORN RELAY CONTROL
S23	F23 18DB/YL	FUSED IGNITION SWITCH OUTPUT (ST-RUN)
S24	-	-
S25	M2 20YL	COURTESY LAMPS DRIVER
S26	C81 20LB/WT	REAR WINDOW DEFOGGER RELAY CONTROL

- OVERHEAD CONSOLE
- LHD
- RHD



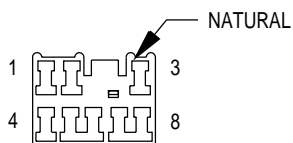
**JUNCTION  
BLOCK - C5**

CAV	CIRCUIT	FUNCTION
1	X3 20BK/RD	HORN RELAY CONTROL
2	P76 20OR/YL	COMMON
3	P91 20WT/BK	LEFT/RIGHT POWER MIRROR HORIZONTAL SUPPLY
4	-	-
5	C16 20LB/YL ▲▲	FUSED REAR WINDOW DEFOGGER RELAY OUTPUT
6	-	-
7	F35 16RD ▲▲	FUSED B(+)
8	F81 12TN	FUSED IGNITION SWITCH OUTPUT (RUN-ACC)
9	P74 20DB	RIGHT POWER MIRROR LEFT MOVEMENT
10	P72 20YL/BK	RIGHT POWER MIRROR UP MOVEMENT



**JUNCTION  
BLOCK - C6**

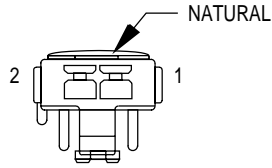
CAV	CIRCUIT	FUNCTION
1	C15 12BK/WT	REAR WINDOW DEFOGGER RELAY OUTPUT
2	F37 14RD/LB ■	FUSED B(+)



**JUNCTION  
BLOCK - C7**

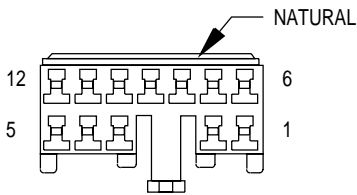
CAV	CIRCUIT	FUNCTION
1	P33 16OR/BK ●	DOOR LOCK DRIVER
2	L77 18BR/YL	FUSED LEFT INBOARD TAIL LAMP
3	P91 20WT/BK ●●	LEFT/RIGHT POWER MIRROR HORIZONTAL SUPPLY
4	M1 20PK	FUSED B(+)
5	P34 16PK/BK ●	DOOR UNLOCK DRIVER
6	L78 18DG/YL	FUSED HEADLAMP SWITCH OUTPUT
7	M2 20YL	COURTESY LAMPS DRIVER
8	A6 20RD/OR	FUSED B(+)

- FULL OPTIONS
- RHD FULL OPTIONS
- ▲ BASE
- ▲▲ RHD
- POWER SEATS



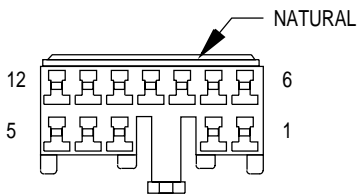
**JUNCTION  
BLOCK - C8**

CAV	CIRCUIT	FUNCTION
1	F81 14TN	FUSED IGNITION SWITCH OUTPUT (RUN-ACC)
2	-	-



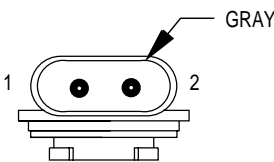
**JUNCTION  
BLOCK - C9  
(LHD)**

CAV	CIRCUIT	FUNCTION
1	P33 16OR/BK	DOOR LOCK DRIVER
2	P74 20DB	RIGHT POWER MIRROR LEFT MOVEMENT
3	C16 20BK/WT	FUSED REAR WINDOW DEFOGGER RELAY OUTPUT
4	-	-
5	-	-
6	P72 20YL/BK ●	RIGHT POWER MIRROR UP MOVEMENT
7	P91 20WT/BK ●	LEFT/RIGHT POWER MIRROR HORIZONTAL SUPPLY
8	-	-
9	F35 16RD	FUSED B(+)
10	P76 20OR/YL	COMMON
11	Z1 18BK ●	GROUND
11	Z1 16BK ▲	GROUND
12	P34 16PK/BK	DOOR UNLOCK DRIVER



**JUNCTION  
BLOCK - C9  
(RHD)**

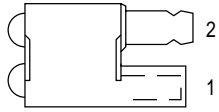
CAV	CIRCUIT	FUNCTION
1	P33 16OR/BK	DOOR LOCK DRIVER
2	P75 20DB/WT	LEFT POWER MIRROR UP MOVEMENT
3	C16 20BK/WT	FUSED REAR WINDOW DEFOGGER RELAY OUTPUT
4	-	-
5	-	-
6	P71 20YL/LB	LEFT POWER MIRROR LEFT MOVEMENT
7	P91 20WT/BK ●	LEFT/RIGHT POWER MIRROR HORIZONTAL SUPPLY
8	-	-
9	-	-
10	P76 20OR/YL	COMMON
11	Z1 16BK ●	GROUND
12	P34 16PK/BK	DOOR UNLOCK DRIVER



**LEFT BACK-UP  
LAMP**

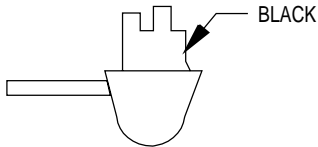
CAV	CIRCUIT	FUNCTION
1	Z1 18BK	GROUND
2	L10 18BR/LG	BACK-UP LAMP FEED

● POWER MIRROR  
▲ FULL OPTIONS



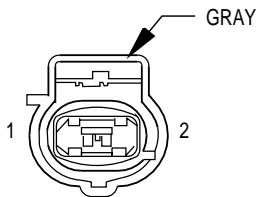
**LEFT CITY LAMP (BUILT-UP-EXPORT)**

CAV	CIRCUIT	FUNCTION
1	L77 20BR	FUSED LEFT INBOARD TAIL LAMP
2	Z1 20BK	GROUND



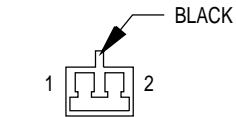
**LEFT COURTESY LAMP**

CAV	CIRCUIT	FUNCTION
1	M1 18PK	FUSED B(+)
2	M2 18BK/WT	COURTESY LAMPS DRIVER



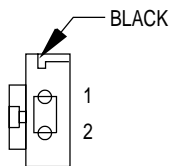
**LEFT FOG LAMP**

CAV	CIRCUIT	FUNCTION
1	Z1 20BK	GROUND
2	L39 20LB	FOG LAMP SWITCH OUTPUT



**LEFT FRONT DOOR SPEAKER**

CAV	CIRCUIT	FUNCTION
1	X85 18BK/RD ●	AMPLIFIED LEFT FRONT DOOR SPEAKER (-)
1	X55 18BR/RD ●●	LEFT FRONT SPEAKER (-)
1	X85 18LG/RD ▲	AMPLIFIED LEFT FRONT DOOR SPEAKER (-)
2	X87 18DG ●	AMPLIFIED LEFT DOOR SPEAKER (+)
2	X53 18DG ●●	LEFT FRONT SPEAKER (+)
2	X87 18LG/BK ▲	AMPLIFIED LEFT DOOR SPEAKER (+)

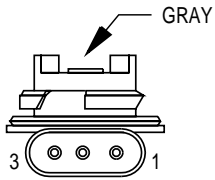


**LEFT FRONT DOOR TWEETER**

CAV	CIRCUIT	FUNCTION
1	X85 18LG/RD	AMPLIFIED LEFT FRONT DOOR SPEAKER (-)
2	X87 18LG/BK	AMPLIFIED LEFT DOOR SPEAKER (+)

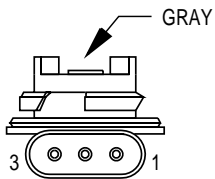
- 6 SPEAKER LHD
- ▲ 6 SPEAKER RHD
- 4 SPEAKER





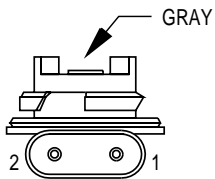
**LEFT FRONT  
PARK/TURN  
SIGNAL LAMP NO.1  
(EXCEPT BUILT-UP-  
EXPORT)**

CAV	CIRCUIT	FUNCTION
1	Z1 18BK	GROUND
2	L77 18BR	FUSED LEFT INBOARD TAIL LAMP
3	L61 18LG	LEFT TURN SIGNAL



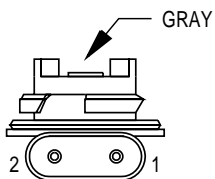
**LEFT FRONT  
PARK/TURN  
SIGNAL LAMP NO.2  
(EXCEPT BUILT-UP-  
EXPORT)**

CAV	CIRCUIT	FUNCTION
1	Z1 18BK	GROUND
2	L77 18BR	FUSED LEFT INBOARD TAIL LAMP
3	L61 18LG	LEFT TURN SIGNAL



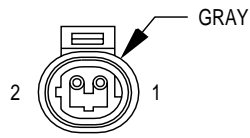
**LEFT FRONT  
TURN SIGNAL  
LAMP NO.1  
(BUILT-UP-EXPORT)**

CAV	CIRCUIT	FUNCTION
1	Z1 18BK	GROUND
2	L61 18LG	LEFT TURN SIGNAL



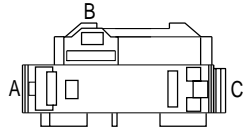
**LEFT FRONT  
TURN SIGNAL  
LAMP NO.2  
(BUILT-UP-EXPORT)**

CAV	CIRCUIT	FUNCTION
1	Z1 18BK	GROUND
2	L61 18LG	LEFT TURN SIGNAL



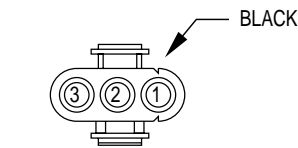
**LEFT FRONT WHEEL SPEED SENSOR**

CAV	CIRCUIT	FUNCTION
1	B8 18RD/DB	LEFT FRONT WHEEL SPEED SENSOR (-)
2	B9 18RD	LEFT FRONT WHEEL SPEED SENSOR (+)



**LEFT HEADLAMP**

CAV	CIRCUIT	FUNCTION
A	L33 18RD	FUSED LEFT HIGH BEAM OUTPUT
	L33 20RD	• FUSED LEFT HIGH BEAM OUTPUT
B	L43 18VT	FUSED LEFT LOW BEAM OUTPUT
C	Z1 18BK	GROUND



**LEFT HEADLAMP LEVELING MOTOR (BUILT-UP-EXPORT)**

CAV	CIRCUIT	FUNCTION
1	L43 18VT	FUSED LEFT LOW BEAM OUTPUT
2	L13 18BR/YL	HEADLAMP ADJUST SIGNAL
3	Z15 18BK/GY	GROUND



**LEFT HEATED SEAT BACK**

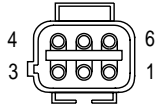
CAV	CIRCUIT	FUNCTION
A	P88 18BR/BK	HEATED SEAT DRIVER
B	Z1 18BK	GROUND



**LEFT HEATED SEAT CUSHION**

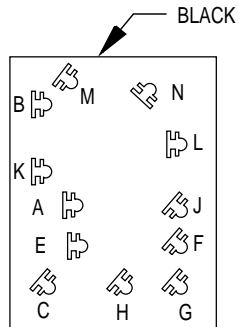
CAV	CIRCUIT	FUNCTION
A	P87 18BK/OR	HEATED SEAT DRIVER
B	P88 18BR/BK	HEATED SEAT DRIVER
C	P141 18TN/LB	LEFT SEAT TEMPERATURE SENSOR INPUT
D	P143 18BK/DG	LEFT SEAT TEMPERATURE SENSOR INPUT

• FOG LAMP



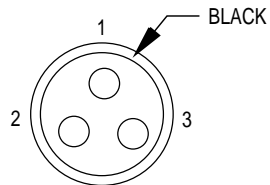
**LEFT HEATED SEAT SWITCH**

CAV	CIRCUIT	FUNCTION
1	P137 18VT	LEFT SEAT LOW HEAT LED DRIVER
2	-	-
3	Z1 18BK	GROUND
4	F83 18YL/DG	FUSED IGNITION SWITCH OUTPUT (RUN-ACC)
5	P139 18VT/WT	LEFT SEAT HIGH HEAT LED DRIVER
6	P133 18TN/DG	LEFT SEAT HEATER SWITCH MUX



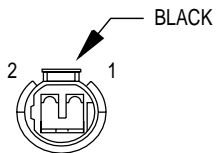
**LEFT POWER SEAT SWITCH**

CAV	CIRCUIT	FUNCTION
A	F37 14RD	FUSED B(+)
B	Z1 14BK	GROUND
C	-	-
E	P13 14RD/WT	RIGHT POWER SEAT HORIZONTAL FORWARD
F	-	-
G	-	-
H	-	-
J	P11 14YL/WT	LEFT POWER SEAT REAR UP
K	P17 14RD/LB	LEFT POWER SEAT HORIZONTAL FORWARD
L	P15 14YL/LB	LEFT POWER SEAT HORIZONTAL FORWARD
M	P19 14YL/LG	SEAT FRONT UP SWITCH SENSE
N	P21 14RD/LG	LEFT POWER SEAT FRONT DOWN



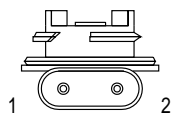
**LEFT REAR DOOR JAMB SWITCH**

CAV	CIRCUIT	FUNCTION
1	-	-
2	Z1 18BK	GROUND
3	M2 18YL	COURTESY LAMPS DRIVER



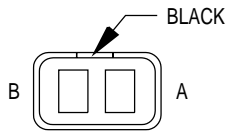
**LEFT REAR DOOR LOCK MOTOR**

CAV	CIRCUIT	FUNCTION
1	P34 16PK/BK	DOOR UNLOCK DRIVER
2	P33 16OR/BK	DOOR LOCK DRIVER



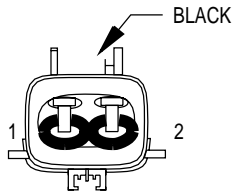
**LEFT REAR FOG LAMP (BUILT-UP-EXPORT)**

CAV	CIRCUIT	FUNCTION
1	Z1 18BK	GROUND
2	L38 18OR/WT	REAR FOG LAMP FEED



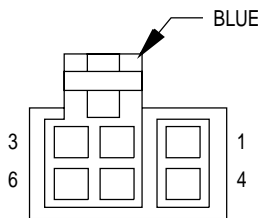
**LEFT REAR  
WHEEL SPEED  
SENSOR**

CAV	CIRCUIT	FUNCTION
A	B3 20LG/DB	LEFT REAR WHEEL SPEED SENSOR (-)
B	B4 20LG	LEFT REAR WHEEL SPEED SENSOR (+)



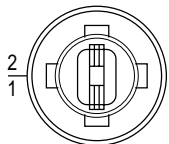
**LEFT REAR  
WINDOW MOTOR**

CAV	CIRCUIT	FUNCTION
1	Q13 14DB	POWER WINDOW LEFT REAR B(+) UP
2	Q23 14RD/WT	LEFT REAR WINDOW DRIVER DOWN



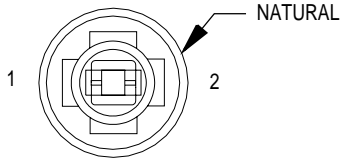
**LEFT REAR  
WINDOW SWITCH**

CAV	CIRCUIT	FUNCTION
1	Q13 14DB	POWER WINDOW LEFT REAR B(+) UP
2	Q27 14RD/BK	LEFT REAR WINDOW DRIVER (DOWN)
3	-	
4	Q17 14DB/WT	LEFT REAR WINDOW DRIVER (UP)
5	Q23 14RD/WT	LEFT REAR WINDOW DRIVER DOWN
6	Q1 14YL	POWER WINDOW SWITCH FEED



**LEFT  
REPEATER  
LAMP  
(BUILT-UP-EXPORT)**

CAV	CIRCUIT	FUNCTION
1	L61 18LG	LEFT TURN SIGNAL
2	Z1 18BK	GROUND

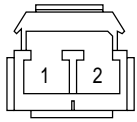


**LEFT SIDE  
MARKER LAMP  
(EXCEPT BUILT  
-UP-EXPORT)**

CAV	CIRCUIT	FUNCTION
1	L77 20BR	FUSED LEFT INBOARD TAIL LAMP
2	L61 20LG	LEFT TURN SIGNAL

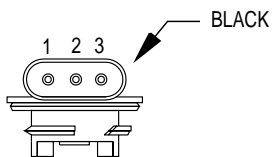
**LEFT  
SOUNDBAR  
SPEAKER**

CAV	CIRCUIT	FUNCTION
A	X57 18BR/LB ●	LEFT REAR SPEAKER (-)
A	X91 16BR/DB ▲	AMPLIFIED LEFT REAR SPEAKER (-)
B	X51 18BR/YL ●	LEFT REAR SPEAKER (+)
B	X93 16BR/YL ▲	AMPLIFIED LEFT REAR SPEAKER (+)



**LEFT SPEED  
CONTROL  
SWITCH**

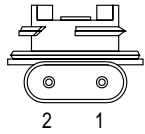
CAV	CIRCUIT	FUNCTION
1	K167 20BR/YL	SENSOR GROUND
2	V37 20RD/LG	SPEED CONTROL SWITCH SIGNAL



**LEFT TAIL/  
STOP LAMP**

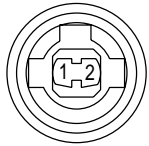
CAV	CIRCUIT	FUNCTION
1	Z1 18BK	GROUND
2	L77 18BR	FUSED LEFT INBOARD TAIL LAMP
3	L50 18WT/TN	BRAKE LAMP SWITCH OUTPUT

● 4 SPEAKER SYSTEM  
▲ 6 SPEAKER SYSTEM



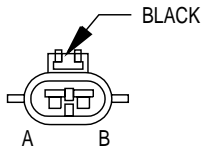
**LEFT TURN  
SIGNAL LAMP**

CAV	CIRCUIT	FUNCTION
1	Z1 18BK	GROUND
2	L63 18DG/RD	LEFT TURN SIGNAL



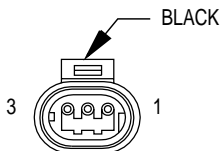
**LICENSE LAMP**

CAV	CIRCUIT	FUNCTION
1	L78 18BK/YL	FUSED B(+)
2	Z1 18BK	GROUND



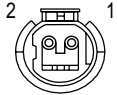
**LIFTGATE  
LOCK MOTOR**

CAV	CIRCUIT	FUNCTION
A	P33 16OR/BK	DOOR LOCK DRIVER
B	P34 16PK/BK	DOOR UNLOCK DRIVER



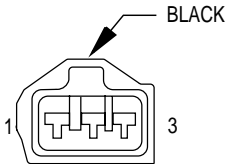
**LIFTGATE  
SWITCH**

CAV	CIRCUIT	FUNCTION
1	Z1 20BK	GROUND
2	G78 20TN/BK	LIFTGATE AJAR SWITCH SENSE
3	M4 20VT/YL	LIFTGATE COURTESY LAMPS DRIVER



**LOW COOLANT SWITCH (DIESEL)**

CAV	CIRCUIT	FUNCTION
1	G18 18PK/BK	COOLANT LEVEL SWITCH SENSE
2	K167 20BR/YL	SENSOR GROUND



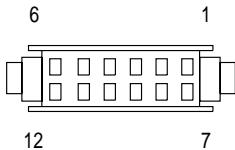
**MANIFOLD ABSOLUTE PRESSURE SENSOR**

CAV	CIRCUIT	FUNCTION
1	K167 20BR/YL	SENSOR GROUND
2	K1 18DG/RD	MANIFOLD ABSOLUTE PRESSURE SENSOR SIGNAL
3	K7 20OR	5V SUPPLY



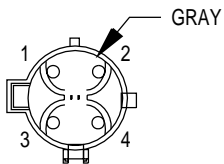
**NEEDLE MOVEMENT SENSOR (DIESEL)**

CAV	CIRCUIT	FUNCTION
1	K67 18BR/BK	NEEDLE MOVEMENT SENSOR B(+)
2	K68 18LG/YL	NEEDLE MOVEMENT SENSOR B(-)



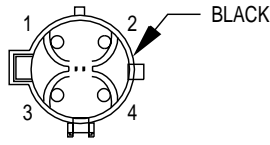
**OVERHEAD MODULE**

CAV	CIRCUIT	FUNCTION
1	M2 20YL	COURTESY LAMPS DRIVER
2	M1 20PK	FUSED B(+)
3	Z1 20BK	GROUND
4	-	-
5	P55 20DB	DOOR UNLOCK RELAY CONTROL
6	D1 20VT/BR	CCD BUS(+)
7	-	-
8	-	-
9	Z1 20BK	GROUND
10	X3 20BK/RD	HORN RELAY CONTROL
11	P59 20LB/RD	DOOR LOCK CONTROL
12	D2 20WT/BK	CCD BUS(-)



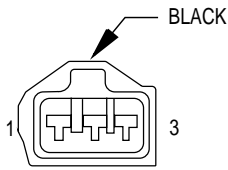
**OXYGEN SENSOR 1/1 UPSTREAM**

CAV	CIRCUIT	FUNCTION
1	F142 20DG/WT	FUSED AUTOMATIC SHUTDOWN RELAY OUTPUT
2	Z1 18BK	GROUND
3	K167 20BR/YL	SENSOR GROUND
4	K41 18BK/DG	OXYGEN SENSOR 1/1 SIGNAL



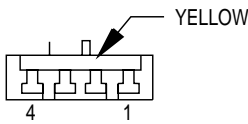
**OXYGEN  
SENSOR 1/2  
DOWNSTREAM**

CAV	CIRCUIT	FUNCTION
1	F142 20DG/WT	FUSED AUTOMATIC SHUT DOWN RELAY OUTPUT
2	Z1 20BK	GROUND
3	K167 18BR/YL	SENSOR GROUND
4	K141 18TN/WT	OXYGEN SENSOR 1/2 SIGNAL



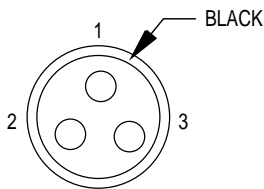
**PARK/NEUTRAL  
POSITION SWITCH  
(2.5L GAS A/T)**

CAV	CIRCUIT	FUNCTION
1	F20 18WT	FUSED IGNITION SWITCH OUTPUT (ST-RUN)
2	T41 18BK/WT	PARK NETURAL POSITION SWITCH SENSE
3	L10 18BR/LG	TRS REVERSE SENSE



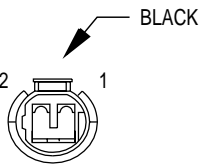
**PASSENGER  
AIRBAG**

CAV	CIRCUIT	FUNCTION
1	-	-
2	-	-
3	R42 18BK/YL	PASSENGER AIRBAG LINE 2
4	R44 18DG/YL	PASSENGER AIRBAG LINE 1



**PASSENGER  
DOOR JAMB  
SWITCH**

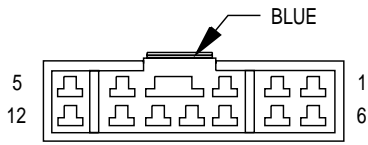
CAV	CIRCUIT	FUNCTION
1	M2 18YL	COURTESY LAMPS DRIVER
2	G16 18BK/LB	LEFT DOOR AJAR SWITCH SENSE
3	Z1 18BK	GROUND



**PASSENGER  
DOOR LOCK  
MOTOR**

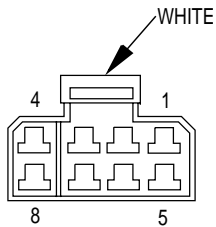
CAV	CIRCUIT	FUNCTION
1	P34 16PK/BK	DOOR UNLOCK DRIVER
2	P33 16OR/BK	DOOR LOCK DRIVER





**PASSENGER  
POWER  
LOCK/WINDOW  
SWITCH - C1  
(FULL OPTIONS)**

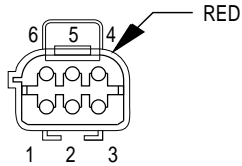
CAV	CIRCUIT	FUNCTION
1	P34 16PK/BK	DOOR UNLOCK DRIVER
2	Q22 14VT	RIGHT FRONT WINDOW DRIVER (DOWN)
3	Q26 14VT/WT	MASTER SWITCH RIGHT FRONT WINDOW MOTOR (DOWN)
4	Q16 14BR/WT	MASTER WINDOW SWITCH RIGHT FRONT DOWN
5	P33 16OR/BK	DOOR LOCK DRIVER
6	-	-
7	-	-
8	-	-
9	Q12 14BR	RIGHT FRONT WINDOW DRIVER (UP)
10	Q1 14YL	POWER WINDOW SWITCH FEED
11	-	-
12	-	-



**PASSENGER  
POWER LOCK/WINDOW  
SWITCH - C2  
(FULL OPTIONS)**

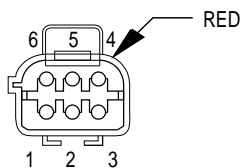
CAV	CIRCUIT	FUNCTION
1	P59 20LB/RD	DOOR LOCK CONTROL
2	P55 20DB/PK ■	DOOR UNLOCK RELAY CONTROL
2	P55 20DB ●●	DOOR UNLOCK RELAY CONTROL
3	P35 20OR/VT ■	LOCK REQUEST
3	P36 18PK/VT ●●	DOOR UNLOCK SWITCH SENSE
4	F81 14TN	FUSED IGNITION SWITCH OUTPUT (RUN-ACC)
5	F35 16RD	FUSED B(+)
6	Z1 14BK	GROUND
7	P36 20PK/VT ■	DOOR UNLOCK SWITCH SENSE
7	P35 18OR/VT ●●	LOCK REQUEST
8	G26 20LB	DOOR LOCK INHIBIT SENSE

■ LHD  
●● RHD



**PASSENGER  
POWER MIRROR  
(LHD)**

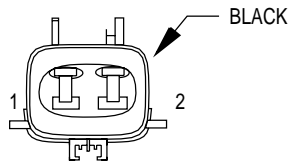
CAV	CIRCUIT	FUNCTION
1	P72 20YL/BK	RIGHT POWER MIRROR UP MOVEMENT
2	P74 20DB ●	RIGHT POWER MIRROR LEFT MOVEMENT
2	P76 20OR/YL ▲	COMMON
3	P91 20WT/BK ●	LEFT/RIGHT POWER MIRROR HORIZONTAL SUPPLY
3	P74 20DB ▲	RIGHT POWER MIRROR LEFT MOVEMENT
4	P76 20OR/YL	COMMON
5	C16 20BK/WT	FUSED REAR WINDOW DEFOGGER RELAY OUTPUT
6	Z1 18BK	GROUND



**PASSENGER  
POWER MIRROR  
(RHD)**

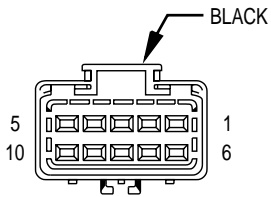
CAV	CIRCUIT	FUNCTION
1	P71 20YL	LEFT POWER MIRROR LEFT MOVEMENT
2	P75 20DB/WT ●	LEFT POWER MIRROR UP MOVEMENT
2	P76 20OR/YL ▲	COMMON
3	P91 20WT/BK ●	LEFT/RIGHT POWER MIRROR HORIZONTAL SUPPLY
3	P75 20DB/RD ▲	LEFT POWER MIRROR UP MOVEMENT
4	P76 20OR/YL	COMMON
5	C16 20BK/WT ●	FUSED REAR WINDOW DEFOGGER RELAY OUTPUT
5	C16 20LB/YL ▲	FUSED REAR WINDOW DEFOGGER RELAY OUTPUT
6	Z1 16BK	GROUND

- POWER MIRRORS
- ▲ FULL OPTIONS



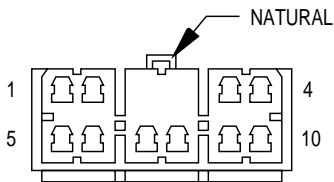
**PASSENGER POWER WINDOW MOTOR**

CAV	CIRCUIT	FUNCTION
1	Q12 14BR	RIGHT FRONT WINDOW DRIVER (UP)
2	Q22 14VT	RIGHT FRONT DRIVER (DOWN)



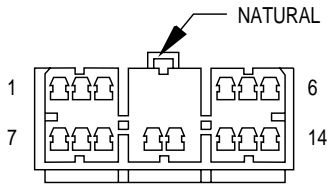
**PEDAL POSITION SENSOR (DIESEL)**

CAV	CIRCUIT	FUNCTION
1	-	-
2	-	-
3	K4 20BK/LB	SENSOR GROUND
4	-	-
5	K151 20WT	LOW IDLE POSITION SENSE
6	-	-
7	K22 20OR/DB	THROTTLE POSITION SENSE SIGNAL
8	K255 20WT/DG	PEDAL POSITION SENSOR
9	-	-
10	K6 20VT/WT	5V OUTPUT



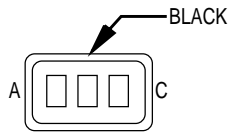
**POWER AMPLIFIER - C1**

CAV	CIRCUIT	FUNCTION
1	X55 18BR/RD	LEFT FRONT SPEAKER (-)
2	X56 18DB/RD	RIGHT FRONT SPEAKER (-)
3	X58 18DB/OR	RIGHT REAR SPEAKER (-)
4	X60 18DG/RD	RADIO 12V OUTPUT
5	X53 18DG	LEFT FRONT SPEAKER (+)
6	X54 18VT	RIGHT FRONT SPEAKER (+)
7	X51 18BR/YL	LEFT REAR SPEAKER (+)
8	X57 18BR/LB	LEFT SOUND SPEAKER (-)
9	X52 18DB/WT	RIGHT SOUND SPEAKER (+)
10	-	



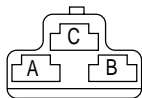
**POWER AMPLIFIER - C2**

CAV	CIRCUIT	FUNCTION
1	F75 16VT	FUSED B(+)
2	F75 16VT	FUSED B(+)
3	-	-
4	X87 18LG/VT	AMPLIFIED LEFT DOOR SPEAKER (+)
5	X94 18TN/RD	RIGHT REAR SPEAKER (+)
6	X93 18WT/RD	LEFT REAR SPEAKER (-)
7	Z5 16BK/LB	GROUND
8	Z5 16BK/LB	GROUND
9	-	-
10	X80 18LB/BK	AMPLIFIED RIGHT DOOR SPEAKER (-)
11	X82 18LB/RD	AMPLIFIED RIGHT DOOR SPEAKER (+)
12	X85 18BR/RD	AMPLIFIED LEFT DOOR SPEAKER (-)
13	X92 18TN/BK	AMPLIFIED RIGHT SOUND BAR SPEAKER (-)
14	X91 18WT/BK	AMPLIFIED LEFT SOUND BAR SPEAKER (-)



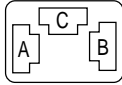
**POWER ANTENNA (BUILT-UP-EXPORT)**

CAV	CIRCUIT	FUNCTION
A	X13 18WT	RADIO CHOKE OUTPUT
B	X17 18GY	POWER ANTENNA UP (-)
C	X14 18DG	POWER ANTENNA B(+) DOWN



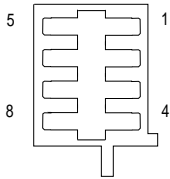
**POWER ANTENNA RELAY - C1 (BUILT-UP-EXPORT)**

CAV	CIRCUIT	FUNCTION
A	Z1 18BK	GROUND
B	F34 18TN/BK	FUSED B(+)
C	X60 18DG/RD	RADIO 12V OUTPUT



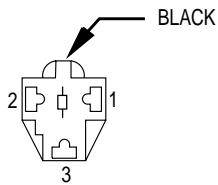
**POWER ANTENNA RELAY - C2 (BUILT-UP-EXPORT)**

CAV	CIRCUIT	FUNCTION
A	X13 18WT	RADIO CHOKE OUTPUT
B	X14 18DG	POWER ANTENNA B(+) DOWN
C	X17 18GY	POWER ANTENNA UP (-)



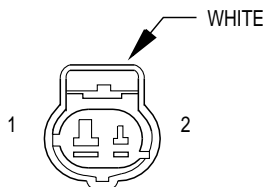
**POWER MIRROR SWITCH**

CAV	CIRCUIT	FUNCTION
1	Z1 20BK ●	GROUND
1	Z1 14BK ▲	GROUND
2	F83 18YL/DG	FUSED IGNITION SWITCH OUTPUT (RUN-ACC)
3	P74 20DB	RIGHT POWER MIRROR LEFT MOVEMENT
4	P72 20YL/BK	RIGHT POWER MIRROR UP MOVEMENT
5	P76 20OR/YL	COMMON
	P76 20OR/YL	COMMON
6	P91 20WT/BK	LEFT/RIGHT POWER MIRROR HORIZONTAL SUPPLY
	P91 20WT/BK	LEFT/RIGHT POWER MIRROR HORIZONTAL SUPPLY
7	P75 20 DB/WT	LEFT MIRROR LEFT DRIVER
8	P71 20YL/LB ●	LEFT MIRROR UP DRIVER
8	P71 20YL ▲	LEFT MIRROR UP DRIVER



**POWER OUTLET**

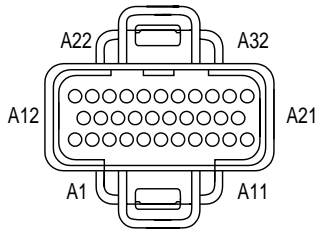
CAV	CIRCUIT	FUNCTION
1	F38 16RD/LB	FUSED B(+)
2	-	-
3	Z1 16BK	GROUND



**POWER STEERING PRESSURE SWITCH (2.5L GAS)**

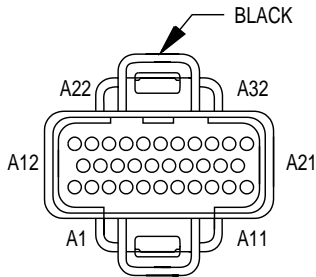
CAV	CIRCUIT	FUNCTION
1	Z1 20BK	GROUND
2	K10 18DB/BR	POWER STEERING PRESSURE SWITCH (PSPS) SIGNAL

● RHD  
▲ LHD



**POWERTRAIN  
CONTROL MODULE - C1  
(DIESEL)**

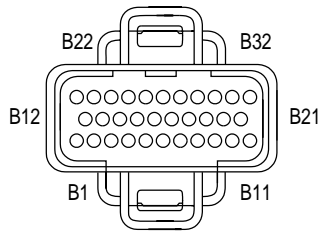
CAV	CIRCUIT	FUNCTION
A1	-	-
A2	A142 16DG/DR	AUTOMATIC SHUT DOWN RELAY OUTPUT
A3	-	-
A4	K167 18BR/YL	SENSOR RETURN
A5	-	-
A6	-	-
A6	-	-
A6	-	-
A7	-	-
A8	K159 18VT/RD	ENGINE SPEED SENSOR SIGNAL
A9	-	-
A10	-	-
A11	-	-
A12	G18 18PK/BK	COOLANT LEVEL SWITCH SENSE
A13	-	-
A14	-	-
A15	-	-
A16	K222 18TN/RD	SECONDARY ENGINE COOLANT TEMP SENSOR
A17	K7 18OR	5 VOLT SUPPLY
A18	G8 18LB/BK	FUEL MONITOR OUTPUT SIGNAL
A19	-	-
A20	-	-
A21	-	-
A22	F16 16RD/LG	FUSED B(+)
A23	-	-
A24	-	-
A25	-	-
A26	-	-
A27	G123 18DG/WT	WATER IN FUEL SENSE
A28	-	-
A29	-	-
A30	-	-
A31	Z12 14BK/TN	GROUND
A32	Z12 14BK/TN	GROUND



**POWERTRAIN  
CONTROL MODULE - C1  
(GAS)**

CAV	CIRCUIT	FUNCTION
A1	-	-
A2	F12 18DB/WT	FUSED IGNITION SWITCH OUTPUT (ST-RUN)
A3	-	-
A4	K167 18BR/YL	SENSOR GROUND
A5	-	-
A6	T41 18BK/WT ●	PARK/NEUTRAL POSITION SWITCH SENSE
A6	Z1 18BK ▲▲	GROUND
A6	T41 18BK/WT ●●	TRANSMISSION RANGE SWITCH SENSE
A7	K19 18GY	IGNITION COIL NO. 1 DRIVER
A8	K24 18GY/BK	CRANKSHAFT POSITION SENSOR SIGNAL
A9	-	-
A10	K60 18YL/BK	IDLE AIR CONTROL NO. 2 DRIVER
A11	K40 18BR/WT	IDLE AIR CONTROL NO. 3 DRIVER
A12	K10 18DB/BR ▲	POWER STEERING PRESURE SENSE
A12	K78 18GY ●●	IDLE ACTUATOR
A13	-	-
A14	-	-
A15	K21 18BK/RD	INTAKE AIR TEMPERATURE SENSOR SIGNAL
A16	K2 18TN/BK	ENGINE COOLANT TEMPERATURE SENSOR SIGNAL
A17	K7 18OR	5 VOLT SUPPLY
A18	K44 18TN/YL	CAMSHAFT POSITION SENSOR SIGNAL
A19	K39 18GY/RD	IDLE AIR CONTROL NO. 1 DRIVER
A20	K59 18VT/BK	IDLE AIR CONTROL NO. 4 DRIVER
A21	-	-
A22	A61 16DG/BK	FUSED B(+)
A23	K22 18OR/DB	THROTTLE POSITION SENSOR SIGNAL
A24	K41 18BK/DG	OXYGEN SENSOR 1/1 SIGNAL
A25	K141 18TN/WT	OXYGEN SENSOR 1/2 SIGNAL
A26	-	-
A27	K1 18DG/RD	MANIFOLD ABSOLUTE PRESSURE SENSOR SIGNAL
A28	-	-
A29	-	-
A30	-	-
A31	Z12 14BK/TN	GROUND
A32	Z12 14BK/TN	GROUND

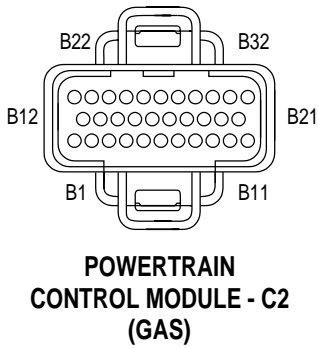
- ▲▲ M/T
- ▲ 2.5L
- 2.5L A/T
- 4.0L A/T



**POWERTRAIN  
CONTROL MODULE - C2  
(DIESEL)**

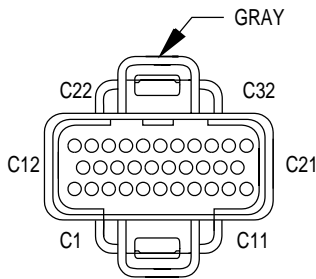
CAV	CIRCUIT	FUNCTION
B1	-	-
B2	-	-
B3	-	-
B4	-	-
B5	-	-
B6	-	-
B7	-	-
B8	-	-
B9	-	-
B10	K20 18DG	GENERATOR FIELD DRIVER (+)
B11	-	-
B12	-	-
B13	-	-
B14	-	-
B15	-	-
B16	-	-
B17	-	-
B18	V66 18RD/LG	WIPER PARK SWITCH SENSE
B19	-	-
B20	-	-
B21	-	-
B22	-	-
B23	G60 18GY/YL	ENGINE OIL PRESSURE SENSOR SIGNAL
B24	-	-
B25	-	-
B26	-	-
B27	G7 18WT/OR	VEHICLE SPEED SENSOR SIGNAL
B28	-	-
B29	-	-
B30	-	-
B31	-	-
B32	-	-





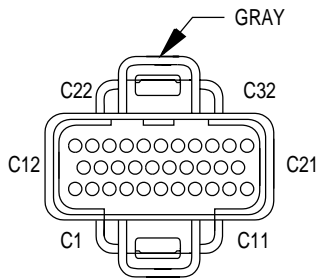
CAV	CIRCUIT	FUNCTION
B1	-	-
B2	-	-
B3	-	-
B4	K11 18WT/DB	FUEL INJECTOR NO.1 DRIVER
B5	K13 18YL/WT	FUEL INJECTOR NO.3 DRIVER
B6	K15 18PK/BK •	FUEL INJECTOR NO.5 DRIVER
B7	-	-
B8	-	-
B9	-	-
B10	K20 18DG	GENERATOR FIELD DRIVER (+)
B11	K54 18OR/BK ••	TORQUE CONVERTER CLUTCH SOLENOID CONTROL
B12	K16 18LG/BK •	FUEL INJECTOR NO.6 DRIVER
B13	-	-
B14	-	-
B15	K12 18TN	FUEL INJECTOR NO. 2 DRIVER
B16	K14 18LB/BR	FUEL INJECTOR NO. 4 DRIVER
B17	-	-
B18	-	-
B19	-	-
B20	-	-
B21	-	-
B22	-	-
B23	G60 18GY/YL	ENGINE OIL PRESSURE SENSOR SIGNAL
B24	-	-
B25	-	-
B26	-	-
B27	G7 18WT/OR	VEHICLE SPEED SENSOR SIGNAL
B28	-	-
B29	-	-
B30	-	-
B31	K6 18VT/OR	5V SUPPLY
B32	-	-

• 4.0L  
•• 2.5L A/T



**POWERTRAIN  
CONTROL MODULE - C3  
(DIESEL)**

CAV	CIRCUIT	FUNCTION
C1	C103 18DG	A/C SWITCH SIGNAL
C2		
C3		
C4		
C5		
C6		
C7		
C8	G154 18VT/LG	LOW COOLANT INDICATOR DRIVER
C9	G86 18TN/OR	WATER-IN-FUEL INDICATOR DRIVER
C10		
C11		
C12	A142 16DG/OR	AUTOMATIC SHUT DOWN RELAY OUTPUT
C13		
C14		
C15	K118 18PK/YL	BATTERY TEMPERATURE SENSOR SIGNAL
C16	G55 18OR/BK	ENGINE DISABLE SIGNAL
C17		
C18		
C19		
C20		
C21		
C22	K48 18OR/RD	FAULT SIGNAL
C23	C90 18LG	A/C SWITCH SENSE
C24		
C25	K72 18DG/OR	GENERATOR DRIVER
C26	K226 18DB/LG	FUEL PUMP RELAY CONTROL
C27	D21 18PK	SCI TRANSMIT/ ISO 9141K
C28	D2 18WT/BK	CCD BUS(-)
C29	D20 18LG/BK	SCI RECIEVE
C30	D1 18VT/BR	CCD BUS(+)
C31		
C32		



**POWERTRAIN  
CONTROL  
MODULE - C3  
(GAS)**

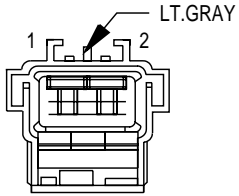
CAV	CIRCUIT	FUNCTION
C1	C13 18DB/OR	A/C COMPRESSOR CLUTCH RELAY CONTROL
C2	C27 18DB/PK	RADIATOR FAN RELAY CONTROL
C3	K51 18DB/YL	AUTOMATIC SHUT DOWN RELAY CONTROL
C4	V36 18TN/RD	SPEED CONTROL VACUUM SOLENOID CONTROL
C5	V35 18LG/RD	SPEED CONTROL VENT SOLENOID CONTROL
C6	-	-
C7	-	-
C8	-	-
C9	-	-
C10	K106 18WT/DG •	LEAK DETECTION PUMP SOLENOID CONTROL
C11	V32 18YL/RD	SPEED CONTROL POWER SUPPLY
C12	A142 18DG/OR	AUTOMATIC SHUT DOWN RELAY OUTPUT
C13	-	-
C14	K105 18OR •	LEAK DETECTION PUMP SWITCH SENSE
C15	K118 18PK/YL	BATTERY TEMPERATURE SENSOR SIGNAL
C16	-	-
C17	-	-
C18	-	-
C19	K31 18BR	FUEL PUMP RELAY CONTROL
C20	K52 18PK/BK	DUTY CYCLE EVAP/PURGE SOLENOID CONTROL
C21	-	-
C22	C22 18DB/WT	A/C SWITCH SENSE
C23	C90 18LG	A/C SELECT INPUT
C24	K29 18WT/PK	BRAKE LAMP SWITCH SENSE
C25	K72 18DG/OR	GENERATOR DRIVER
C26	K226 18DB/LG	FUEL LEVEL SENSOR SIGNAL
C27	D21 18PK	SCI TRANSMIT/ ISO 9141K
C28	D2 18WT/BK	CCD BUS (-)
C29	D20 18LG/BK	SCI RECEIVE
C30	D1 18VT/BR	CCD BUS (+)
C31	-	-
C32	V37 18RD/LG	SPEED CONTROL SWITCH SIGNAL

• 4.0L EXCEPT BUILT-UP-EXPORT



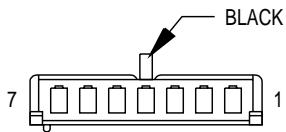
**PRNDL  
ILLUMINATION  
(A/T)**

CAV	CIRCUIT	FUNCTION
1	E2 20OR	FUSED PANEL LAMPS DIMMER SWITCH SIGNAL
2	Z1 20BK	GROUND



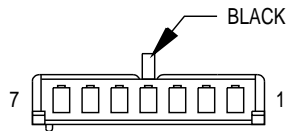
**RADIATOR  
FAN MOTOR**

CAV	CIRCUIT	FUNCTION
1	C25 12LB	RADIATOR FAN RELAY OUTPUT
2	Z1 12BK	GROUND



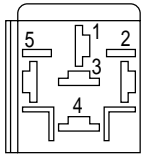
**RADIO - C1**

CAV	CIRCUIT	FUNCTION
1	X60 16DG/RD	RADIO 12V OUTPUT
2	X51 16BR/YL	LEFT REAR SPEAKER (+)
3	X52 16DB/WT	RIGHT REAR SPEAKER (+)
4	X53 16DG	LEFT FRONT SPEAKER (+)
5	X54 16VT	RIGHT FRONT SPEAKER (+)
6	X57 16BR/LB	LEFT REAR SPEAKER (-)
7	X58 16DB/OR	RIGHT REAR SPEAKER (-)



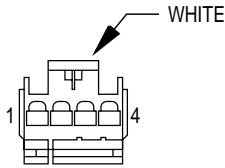
**RADIO - C2**

CAV	CIRCUIT	FUNCTION
1	-	-
2	X55 16BR/RD	LEFT FRONT SPEAKER (-)
3	X56 16DB/RD	RIGHT FRONT SPEAKER (-)
4	L7 18BK/YL	HEADLAMP SWITCH OUTPUT
5	E2 20OR	FUSED PANEL LAMPS DIMMER SWITCH SIGNAL
6	X12 16RD/WT	FUSED IGNITION SWITCH OUTPUT (RUN-ACC)
7	M1 20PK	FUSED B(+)



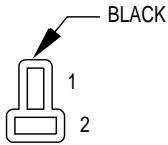
**REAR FOG LAMP RELAY (BUILT-UP-EXPORT)**

CAV	CIRCUIT	FUNCTION
1	F83 18YL/DG	FUSED IGNITION SWITCH OUTPUT (RUN-ACC)
2	L36 18LG/BK	REAR FOG LAMP
3	Z1 18BK	GROUND
4	L38 18BR/WT	REAR FOG LAMP SWITCH OUTPUT
	L38 18BR/WT ●	REAR FOG LAMP SWITCH OUTPUT
5	L25 18BR	FUSED B(+)



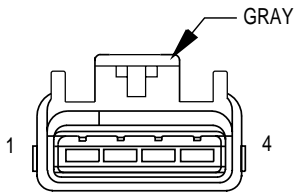
**REAR FOG LAMP SWITCH (BUILT-UP-EXPORT)**

CAV	CIRCUIT	FUNCTION
1	Z15 18BK/GY ▲	GROUND
1	Z15 20BK/GY ●	GROUND
2	L36 18LG/BK	REAR FOG LAMP
3	L38 18BR/WT	REAR FOG LAMP FEED
4	E2 20OR	FUSED PANEL LAMPS DIMMER SWITCH SIGNAL



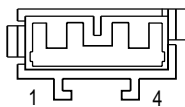
**REAR WASHER PUMP**

CAV	CIRCUIT	FUNCTION
1	V20 18BK/WT	REAR WASHER MOTOR CONTROL
2	Z1 18BK	GROUND
	Z1 18BK ■	GROUND



**REAR WINDOW DEFOGGER SWITCH**

CAV	CIRCUIT	FUNCTION
1	Z1 20BK	GROUND
2	C80 20DB/WT	REAR WINDOW DEFOGGER RELAY CONTROL
3	C16 20LB/YL	FUSED REAR WINDOW DEFOGGER RELAY OUTPUT
4	E2 20OR	FUSED PANEL LAMPS DIMMER SWITCH SIGNAL



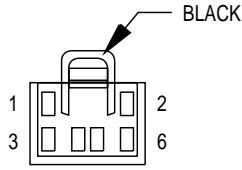
**REAR WIPER MOTOR**

CAV	CIRCUIT	FUNCTION
1	Z1 18BK	GROUND
2	V20 18BK/WT	REAR WASHER MOTOR CONTROL
3	V13 18BR/LG	REAR REAR WIPER MOTOR CONTROL
4	V23 18BR/PK	FUSED IGNITION SWITCH OUTPUT (RUN)

■ GAS

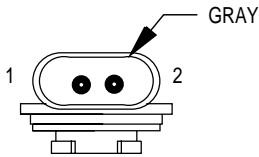
● LHD

▲ RHD



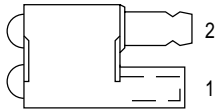
**REAR WIPER/  
WASHER SWITCH**

CAV	CIRCUIT	FUNCTION
1	Z1 20BK	GROUND
2	V20 18BK/WT	REAR WASHER MOTOR CONTROLLER
3	E2 20OR	FUSED PANEL LAMPS DIMMER SWITCH SIGNAL
4	V13 18BR/LG	REAR WIPER MOTOR CONTROL
5	V23 18BR/PK	FUSED IGNITION SWITCH OUTPUT (RUN)
6	V23 18BR/PK	FUSED IGNITION SWITCH OUTPUT (RUN)



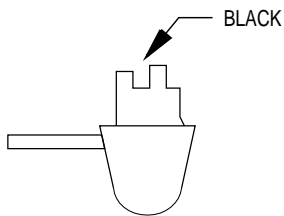
**RIGHT BACK-UP  
LAMP**

CAV	CIRCUIT	FUNCTION
1	Z1 18BK	GROUND
2	L10 18BR/LG	BACK-UP LAMP FEED



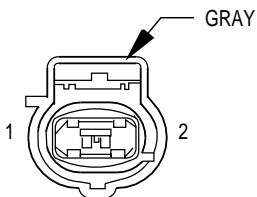
**RIGHT CITY  
LAMP  
(BUILT-UP-EXPORT)**

CAV	CIRCUIT	FUNCTION
1	L78 20DG/YL	FUSED HEADLAMP SWITCH OUTPUT
2	Z1 20BK	GROUND



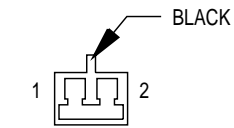
**RIGHT COURTESY  
LAMP**

CAV	CIRCUIT	FUNCTION
1	M1 18PK	FUSED B(+)
2	M2 18BK/WT	COURTESY LAMPS DRIVER



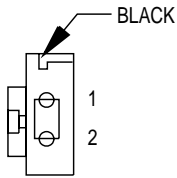
**RIGHT  
FOG LAMP**

CAV	CIRCUIT	FUNCTION
1	Z1 20BK	GROUND
2	L39 20LB	FOG LAMP SWITCH OUTPUT



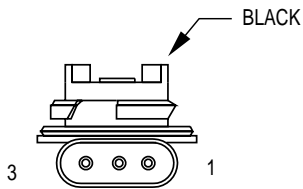
**RIGHT FRONT  
DOOR SPEAKER**

CAV	CIRCUIT	FUNCTION
1	X80 18LB/BR ●	RIGHT FRONT DOOR SPEAKER (-)
1	X56 18DB/RD ●●	RIGHT FRONT DOOR SPEAKER (-)
2	X82 18LB/RD ●	RIGHT FRONT DOOR SPEAKER (+)
2	X54 18VT ●●	RIGHT FRONT DOOR SPEAKER (+)



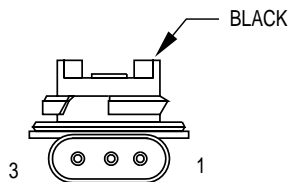
**RIGHT FRONT  
DOOR TWEETER**

CAV	CIRCUIT	FUNCTION
1	X80 18LB/BR	RIGHT DOOR TWEETER (-)
2	X82 18LB/RD	RIGHT DOOR TWEETER (+)



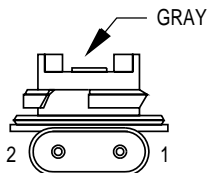
**RIGHT FRONT  
PARK/TURN  
SIGNAL LAMP NO.1  
(EXCEPT BUILT-UP-EXPORT)**

CAV	CIRCUIT	FUNCTION
1	Z1 18BK	GROUND
2	L78 18DG/YL	FUSED HEADLAMP SWITCH OUTPUT
3	L60 18TN	RIGHT TURN SIGNAL



**RIGHT FRONT  
PARK/TURN  
SIGNAL LAMP NO.2  
(EXCEPT BUILT-UP-EXPORT)**

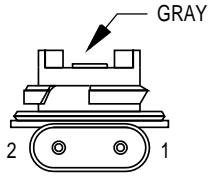
CAV	CIRCUIT	FUNCTION
1	Z1 18BK	GROUND
2	L78 18DG/YL	FUSED HEADLAMP SWITCH OUTPUT
3	L60 18TN	RIGHT TURN SIGNAL



**RIGHT FRONT  
TURN SIGNAL  
LAMP NO.1  
(BUILT-UP-EXPORT)**

CAV	CIRCUIT	FUNCTION
1	Z1 18BK	GROUND
2	L60 18TN	RIGHT TURN SIGNAL

● 6 SPEAKER  
●● 4 SPEAKER



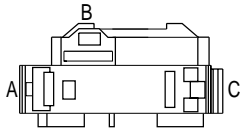
**RIGHT FRONT  
TURN SIGNAL  
LAMP NO.2  
(BUILT-UP-EXPORT)**

CAV	CIRCUIT	FUNCTION
1	Z1 18BK	GROUND
2	L60 18TN	RIGHT TURN SIGNAL



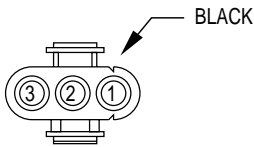
**RIGHT FRONT  
WHEEL SPEED  
SENSOR**

CAV	CIRCUIT	FUNCTION
1	B6 18WT/DB	RIGHT FRONT WHEEL SPEED SENSOR (-)
2	B7 18WT	RIGHT FRONT WHEEL SPEED SENSOR (+)



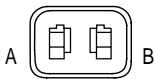
**RIGHT  
HEADLAMP**

CAV	CIRCUIT	FUNCTION
A	L34 18RD/OR	FUSED RIGHT HIGH BEAM OUTPUT
B	L44 18VT/RD	FUSED RIGHT LOW BEAM OUTPUT
C	Z1 18BK	GROUND



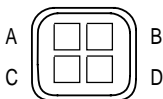
**RIGHT HEADLAMP  
LEVELING MOTOR  
(BUILT-UP-EXPORT)**

CAV	CIRCUIT	FUNCTION
1	L44 18VT/RD	FUSED RIGHT LOW BEAM OUTPUT
2	L13 18BK	HEADLAMP ADJUST SIGNAL
3	Z15 18BK/GY	GROUND



**RIGHT HEATED  
SEAT BACK**

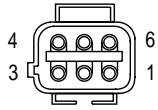
CAV	CIRCUIT	FUNCTION
A	P89 18BR	HEATED SEAT BACK TO CUSHION
B	Z1 18BK	GROUND



**RIGHT HEATED  
SEAT CUSHION**

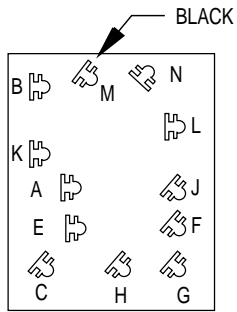
CAV	CIRCUIT	FUNCTION
A	P86 18PK/BK	RIGHT HEAT ELEMENT OUTPUT
B	P89 18BR	HEATED SEAT BACK TO CUSHION
C	P141 18TN/LB	SENSOR FEED
D	P144 18BK/YL	RIGHT SENSE INPUT





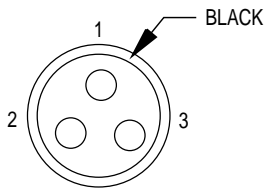
**RIGHT HEATED SEAT SWITCH**

CAV	CIRCUIT	FUNCTION
1	P138 18VT/LG	RIGHT SEAT LOW HEAT LED DRIVER
2	-	-
3	Z1 18BK	GROUND
4	F83 18YL/DG	FUSED IGNITION SWITCH OUTPUT (RUN-ACC)
5	P140 18VT/BK	RIGHT SEAT HIGH HEAT LED DRIVER
6	P134 18TN/RD	RIGHT SEAT HEATER SWITCH MUX



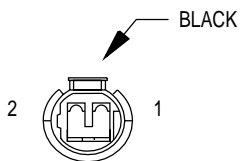
**RIGHT POWER SEAT SWITCH**

CAV	CIRCUIT	FUNCTION
A	Z1 14BK	GROUND
B	F37 14RD	FUSED B(+)
C	-	-
E	P10 14YL/WT	RIGHT POWER SEAT REAR UP
F	-	-
G	-	-
H	-	-
J	P12 14RD/WT	RIGHT POWER SEAT REAR DOWN
K	P14 14YL/LB	RIGHT POWER SEAT HORIZONTAL FORWARD
L	P16 14RD/LB	RIGHT POWER SEAT HORIZONTAL REARWARD
M	P18 14YL/LG	RIGHT POWER SEAT FRONT UP
N	P20 14RD/LG	RIGHT POWER SEAT FRONT DOWN



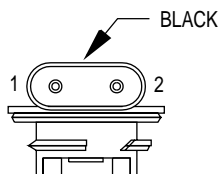
**RIGHT REAR DOOR JAMB SWITCH**

CAV	CIRCUIT	FUNCTION
1	-	-
2	Z1 18BK	GROUND
3	M2 18YL	COURTESY LAMPS DRIVER



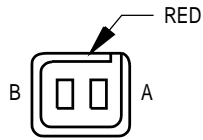
**RIGHT REAR DOOR LOCK MOTOR**

CAV	CIRCUIT	FUNCTION
1	P34 16PK/BK	DOOR UNLOCK DRIVER
2	P33 16OR/BK	DOOR LOCK DRIVER



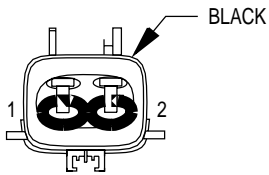
**RIGHT REAR FOG LAMP (BUILT-UP-EXPORT)**

CAV	CIRCUIT	FUNCTION
1	Z1 18BK	GROUND
2	L38 18OR/WT	REAR FOG LAMP FEED



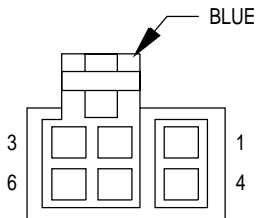
**RIGHT REAR WHEEL SPEED SENSOR**

CAV	CIRCUIT	FUNCTION
A	B1 20YL/DB	REAR WHEEL SENSOR (-)
B	B2 20YL	REAR WHEEL SENSOR (+)



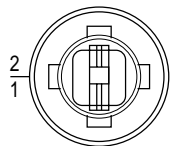
**RIGHT REAR WINDOW MOTOR**

CAV	CIRCUIT	FUNCTION
1	Q14 14GY	POWER WINDOW RIGHT REAR B(+) UP
2	Q24 14DG	POWER WINDOW RIGHT REAR B(+) DOWN



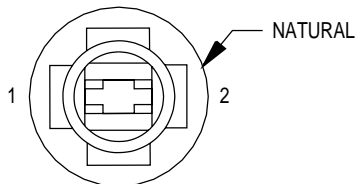
**RIGHT REAR WINDOW SWITCH**

CAV	CIRCUIT	FUNCTION
1	Q14 14GY	POWER WINDOW RIGHT REAR B(+) UP
2	Q28 14DG/WT	MASTER WINDOW SWITCH RIGHT REAR DOWN
3	-	-
4	Q18 14GY/BK	RIGHT REAR WINDOW DRIVER UP
5	Q24 14DG	RIGHT REAR WINDOW DRIVER DOWN
6	Q1 14YL	POWER WINDOW SWITCH FEED



**RIGHT REPEATER LAMP (BUILT-UP-EXPORT)**

CAV	CIRCUIT	FUNCTION
1	L60 18GY	RIGHT TURN SIGNAL
2	Z1 18BK	GROUND

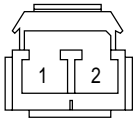


**RIGHT SIDE MARKER LAMP (EXCEPT BUILT-UP-EXPORT)**

CAV	CIRCUIT	FUNCTION
1	L78 20DG/YL	FUSED HEADLAMP SWITCH OUTPUT
2	L60 20TN	RIGHT TURN SIGNAL

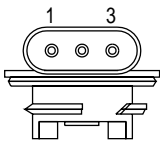
**RIGHT SOUNDBAR SPEAKER**

CAV	CIRCUIT	FUNCTION
A	X58 18DB/OR	RIGHT REAR AMPLIFIED SPEAKER (-)
A	X92 16TN/BK	AMPLIFIED RIGHT REAR SPEAKER (-)
B	X52 18DB/WT	RIGHT REAR AMPLIFIED SPEAKER (+)
B	X94 16TN/RD	AMPLIFIED RIGHT REAR SPEAKER (+)



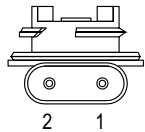
**RIGHT SPEED  
CONTROL SWITCH**

CAV	CIRCUIT	FUNCTION
1	K167 20BR/YL	SENSOR GROUND
2	V37 20RD/LG	SPEED CONTROL SWITCH SIGNAL



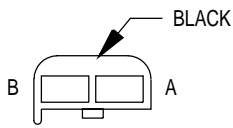
**RIGHT TAIL/  
STOP LAMP**

CAV	CIRCUIT	FUNCTION
1	Z1 18BK	GROUND
2	L78 18DG/YL	FUSED HEADLAMP SWITCH OUTPUT
3	L50 18WT/TN	BRAKE LAMP SWITCH OUTPUT



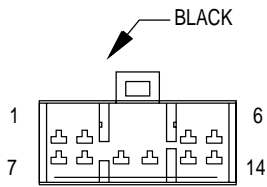
**RIGHT TURN  
SIGNAL LAMP**

CAV	CIRCUIT	FUNCTION
1	Z1 18BK	GROUND
2	L62 18BR/RD	RIGHT TURN SIGNAL



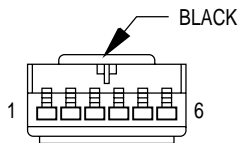
**SEAT BELT  
SWITCH**

CAV	CIRCUIT	FUNCTION
A	G10 20LG/RD	SEAT BELT SWITCH SENSE
B	Z1 20BK	GROUND



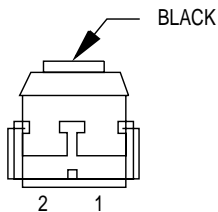
**SEAT HEAT INTERFACE MODULE**

CAV	CIRCUIT	FUNCTION
1	P133 18TN/DG	LEFT SEAT HEATER SWITCH MUX
2	P141 18TN/LB	SENSOR FEED
3	P86 18PK/BK	RIGHT HEAT ELEMENT OUTPUT
4	F235 16RD	B(+) TO HEATED SEAT MODULE FROM RELAY
5	P87 18BK/OR	LEFT HEAT ELEMENT OUTPUT
6	F235 16RD	B(+) TO HEATED SEAT MODULE FROM RELAY
7	P144 18BK/YL	RIGHT HEAT SENSE INPUT
8	P143 18BK/DG	LEFT HEAT SENSE INPUT
9	P134 18TN/RD	RIGHT SEAT HEATER SWITCH MUX
10	P138 18VT/LG	RIGHT SEAT LOW HEAT LED DRIVER
11	P140 18VT/BK	RIGHT SEAT HIGH HEAT LED DRIVER
12	P137 18VT	LEFT SEAT LOW HEAT LED DRIVER
13	Z2 18BK/LG	GROUND
14	P139 18VT/WT	LEFT SEAT HIGH HEAT LED DRIVER



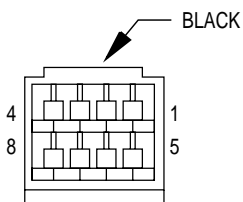
**SENTRY KEY IMMOBILIZER MODULE (EXCEPT POLICE/POSTAL)**

CAV	CIRCUIT	FUNCTION
1	F1 20DB/GY	FUSED B(+)
2	Z2 20BK/LG	GROUND
3	F87 20WT/BK	FUSED IGNITION SWITCH OUTPUT (ST-RUN)
4	Z2 20BK/LG	GROUND
5	D2 20WT/BK	CCD BUS (-)
6	D1 20VT/BR	CCD BUS (+)



**SHIFT LOCK SOLENOID**

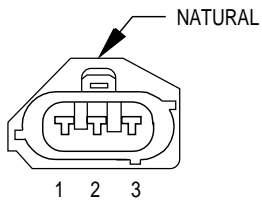
CAV	CIRCUIT	FUNCTION
1	K29 20WT/PK ●	BRAKE SWITCH SENSE
1	K29 18WT/PK ●●	BRAKE SWITCH SENSE
2	F15 20DB/WT	FUSED IGNITION SWITCH OUTPUT (RUN)



**TELL TALE MODULE (DIESEL)**

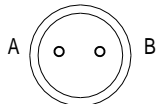
CAV	CIRCUIT	FUNCTION
1	F87 20WT/BK	FUSED IGNITION SWITCH OUTPUT (ST-RUN)
2	-	-
3	-	-
4	K185 20OR/LB	WAIT TO START INDICATOR
5	-	-
6	-	-
7	G86 20TN/OR	WATER IN FUEL INDICATOR DRIVER
8	G154 20VT/LG	LOW COOLANT INDICATOR DRIVER

● LHD  
●● RHD



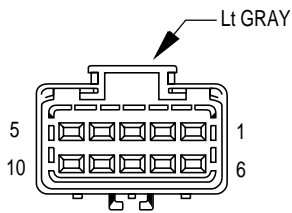
**THROTTLE POSITION SENSOR**

CAV	CIRCUIT	FUNCTION
1	K167 20BR/YL	SENSOR GROUND
2	K22 18OR/DB ▲	THROTTLE POSITION SENSOR SIGNAL
2	K22 20OR/DB ▲▲	THROTTLE POSITION SENSOR SIGNAL
3	K7 20OR	5 VOLT SUPPLY



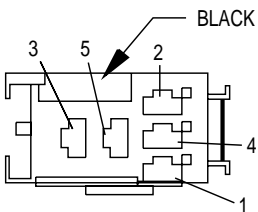
**TORQUE CONVERTER CLUTCH SOLENOID (2.5L GAS A/T)**

CAV	CIRCUIT	FUNCTION
A	F20 18WT	FUSED IGNITION SWITCH OUTPUT (ST-RUN)
B	K54 18OR/BK	TORQUE CONVERTER CLUTCH SOLENOID CONTROL



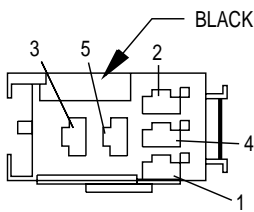
**TRAILER TOW CONNECTOR**

CAV	CIRCUIT	FUNCTION
1	-	-
2	L74 20LG	BRAKE LAMP SWITCH OUTPUT
3	L10 18BR/LG	BACK-UP LAMP FEED
4	A6 20RD/OR	FUSED B(+)
5	L77 20BR/YL	FUSED LEFT INBOARD TAIL LAMP
6	-	-
7	B40 14LB	TRAILER TOW BRAKE B(+)
8	Z1 14BK	GROUND
9	-	-
10	L73 20YL	BRAKE LAMP SWITCH OUTPUT



**TRAILER TOW LEFT TURN RELAY**

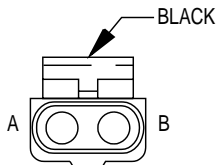
CAV	CIRCUIT	FUNCTION
1	L63 20DG/RD	LEFT TURN SIGNAL
2	L50 20WT/TN	BRAKE LAMP SWITCH OUTPUT
3	A6 20RD/OR	FUSED B(+)
4	-	-
5	L73 20YL	BRAKE LAMP SWITCH OUTPUT



**TRAILER TOW RIGHT TURN RELAY**

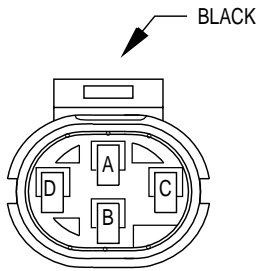
CAV	CIRCUIT	FUNCTION
1	L62 20BK/RD	RIGHT TURN SIGNAL
2	L50 20WT/TN	BRAKE LAMP SWITCH OUTPUT
3	A6 20RD/OR	FUSED B(+)
4	-	-
5	L74 20LG	BRAKE LAMP SWITCH OUTPUT

▲ 2.5L  
▲▲ 4.0L



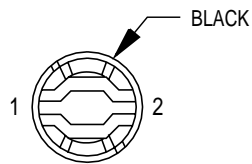
**TRANSFER CASE SWITCH (231 4WD)**

CAV	CIRCUIT	FUNCTION
A	G107 20BK/RD	4WD SWITCH SENSE (PART-TIME)
B	Z1 18BK ●●	GROUND
B	Z1 20BK ●	GROUND



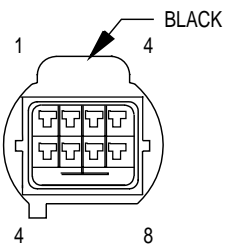
**TRANSFER CASE SWITCH (242 4WD)**

CAV	CIRCUIT	FUNCTION
A	Z1 18BK	GROUND
B	G106 20BK/WT	4WD SWITCH SENSE (FULL-TIME)
C	-	-
D	G107 20BK/RD	4WD SWITCH SENSE (PART-TIME)



**TRANSFER SWITCH ILLUMINATION**

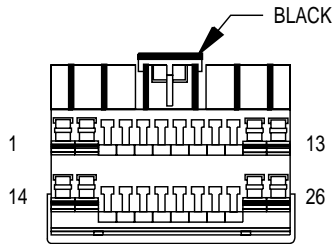
CAV	CIRCUIT	FUNCTION
1	E2 20OR	FUSED PANEL LAMPS DIMMER SWITCH SIGNAL
2	Z1 20BK	GROUND



**TRANSMISSION CONTROL ASSEMBLY**

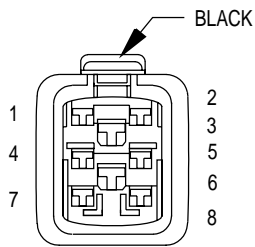
CAV	CIRCUIT	FUNCTION
1	T52 20RD/BK	INPUT SPEED SENSOR SIGNAL
2	T60 20OR/WT	TRANSMISSION SOLENOID A
3	T19 20WT	TRANSMISSION SOLENOID B
4	T22 20DB/WT	TRANSMISSION SOLENOID C (LOCK-UP)
5	T31 20VT/LG	INPUT SPEED SENSOR GROUND
6	T13 20DB/BK	OUTPUT SPEED SENSOR GROUND
7	T14 20LG/WT	OUTPUT SPEED SENSOR SIGNAL
8	-	-

● DIESEL  
●● GAS



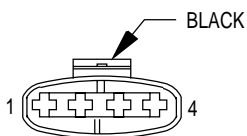
**TRANSMISSION CONTROL MODULE (4.0L)**

CAV	CIRCUIT	FUNCTION
1	T31 20VT/LG	INPUT SPEED SENSOR GROUND
2	T52 20RD/BK	INPUT SPEED SENSOR SIGNAL
3	T13 20DB/BK	OUTPUT SPEED SENSOR GROUND
4	T14 20LG/WT	OUTPUT SPEED SIGNAL
5	-	-
6	D2 20WT/BK	CCD BUS (-)
7	D1 20VT/BR	CCD BUS (+)
8	-	-
9	T3 18VT	TRS T3 SENSE
10	-	-
11	T22 20DB/WT	SOLENOID CONTROL
12	T19 20WT	SOLENOID A CONTROL
13	T60 20OR/WT	SOLENOID B CONTROL
14	D21 20PK	SCI TRANSMIT/ISO 9141K
15	-	-
16	K167 20BR/YL	SENSOR GROUND
17	K22 20OR/DB	THROTTLE POSITION SENSOR SIGNAL
18	L10 18BR/LG	TRS REVERSE SENSE
19	-	-
20	-	-
21	T42 18VT/WT	TRS T42 SENSE
22	T1 18LG/BK	TRS T1 SENSE
23	K29 20WT/PK	BRAKE SWITCH SENSE
24	Z12 18BK/TN	GROUND
25	M1 20PK	FUSED B(+)
26	F12 18DB/WT	FUSED IGNITION SWITCH OUTPUT (ST-RUN)



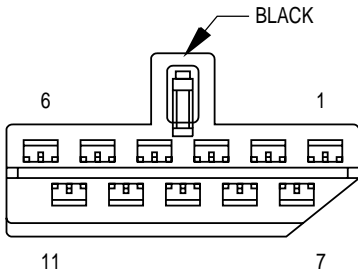
**TRANSMISSION RANGE SENSOR (4.0L A/T)**

CAV	CIRCUIT	FUNCTION
1	T42 18VT/WT	TRS T42 SENSE
2	T3 18VT	TRS T3 SENSE
3	F20 18WT	FUSED IGNITION SWITCH OUTPUT (START-RUN)
4	T1 18LG/BK	TRS T1 SENSE
5	-	-
6	L10 18BR/LG	TRS REVERSE SENSE
7	T41 20BK/WT	TRS T41 SENSE
8	Z1 18BK	GROUND



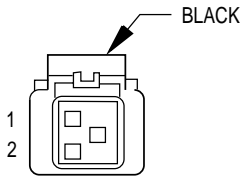
**TURBO BOOST PRESSURE SENSOR (DIESEL)**

CAV	CIRCUIT	FUNCTION
1	K4 20BK/LB	SENSOR GROUND
2	K21 20BK/RD	INTAKE AIR TEMPERATURE SIGNAL
3	K9 20LB	5V SUPPLY
4	K1 20DG/RD	BOOST PRESSURE SIGNAL



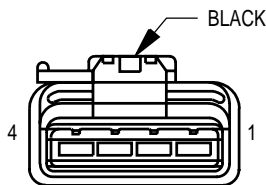
**TURN SIGNAL/  
HAZARD SWITCH**

CAV	CIRCUIT	FUNCTION
1	L60 20TN	RIGHT TURN SIGNAL
2	-	-
3	L62 20BR/RD	RIGHT TURN SIGNAL
4	L55 20RD/WT	COMBINATION FLASHER INPUT
5	L6 20RD/WT	FLASHER OUTPUT
6	L12 20VT/TN	HAZARD FLASHER SELECT SIGNAL
7	-	-
8	-	-
9	L63 20DG/RD	LEFT TURN SIGNAL
10	L61 20LG/WT	LEFT TURN SIGNAL
11	L55 20RD/WT	COMBINATION FLASHER INPUT



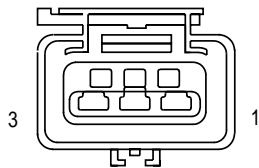
**UNDERHOOD  
LAMP/  
MERCURY  
SWITCH**

CAV	CIRCUIT	FUNCTION
1	M1 20PK	FUSED B(+)
2	Z1 20BK	GROUND



**VEHICLE SPEED  
CONTROL SERVO**

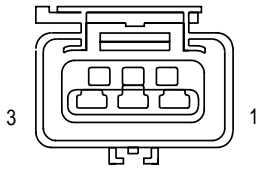
CAV	CIRCUIT	FUNCTION
1	V36 18TN/RD	SPEED CONTROL VACUUM SOLENOID CONTROL
2	V35 18LG/RD	SPEED CONTROL VENT SOLENOID CONTROL
3	V30 20DB/RD	SPEED CONTROL POWER SUPPLY
4	Z1 18BK	GROUND



**VEHICLE SPEED  
SENSOR  
(DIESEL)**

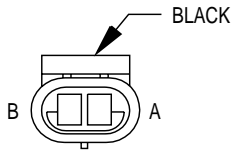
CAV	CIRCUIT	FUNCTION
1	K7 18OR	5V SUPPLY
2	K167 18BR/YL	SENSOR RETURN
3	G7 18WT/OR	VEHICLE SPEED SIGNAL





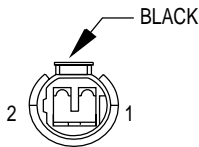
**VEHICLE SPEED  
SENSOR  
(GAS)**

CAV	CIRCUIT	FUNCTION
1	K6 18VT/OR	5V SUPPLY
2	K167 18BR/YL	SENSOR GROUND
3	G7 18WT/OR	VEHICLE SPEED SENSOR SIGNAL



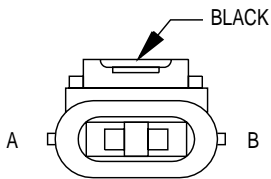
**WASHER  
FLUID LEVEL  
SWITCH**

CAV	CIRCUIT	FUNCTION
A	Z1 20BK	GROUND
B	G29 20BK/LB	WASHER FLUID SWITCH SENSE



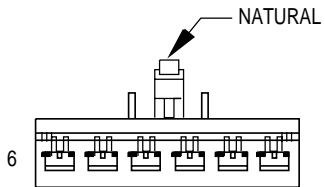
**WATER IN FUEL  
SENSOR (DIESEL)**

CAV	CIRCUIT	FUNCTION
1	G123 18DG/WT	WATER IN FUEL SENSOR
2	K167 20BR/YL	SENSOR GROUND



**WINDSHIELD  
WASHER PUMP**

CAV	CIRCUIT	FUNCTION
A	V10 18BR	WASHER PUMP CONTROL SWITCH OUTPUT
B	Z1 18BK	GROUND



**WIPE/WASH  
SWITCH**

CAV	CIRCUIT	FUNCTION
1	Z1 16BK	GROUND
2	V5 16DG/YL	WIPER PARK SWITCH SENSE
3	V10 18BR	WASHER PUMP CONTROL
4	V3 16BR/WT	LOW SPEED WIPER SWITCH OUTPUT
5	V6 16DB	FUSED IGNITION SWITCH OUTPUT (RUN-ACC)
6	V4 16BR/VT	WIPER SPEED SWITCH OUTPUT



## 8W-90 CONNECTOR LOCATIONS

### DESCRIPTION AND OPERATION

#### INTRODUCTION

This section provides illustrations identifying component and connector locations in the vehicle. A connector index is provided. Use the wiring diagrams in

each section for connector number identification. Refer to the index for the proper figure number.

#### CONNECTOR/GROUND LOCATIONS

For items that are not shown in this section N/S is placed in the Fig. column.

Connector Name/Number	Color	Location	Fig.
A/C Compressor Clutch (Diesel)	BK	Top of Compressor	13, 14, 15, 37
A/C-Heater Control or Heater Control	BK	At Control Unit	19, 20
A/C High Pressure Switch (Diesel)	GY	At Drier Bottle	6, 37
A/C High Pressure Switch (Gas)		At Drier Bottle	3, 6, 9
A/C Low Pressure Switch (Diesel)		At Switch	33, 34
A/C Low Pressure Switch (Gas)		At Switch	N/S
Airbag Control Module	YL	Under Left Seat	21, 22
Ambient Air Temperature Sensor	BK	Lower Radiator Support	4, 5, 10, 11, 34
Back-Up Lamp Switch (Diesel)	BK	On Transmission	31, 39
Back-Up Lamp Switch (Gas)	BK	On Transmission	N/S
Battery Temperature Sensor (4.0L, Gas, Diesel)	BK	At Battery (4.0L, 2.5L Diesel)	16
Blend Door Actuator	NAT	T/O at A/C-Heater Control T/O	N/S
Brake Lamp Switch	GY	Near Brake Pedal	12

Connector Name/Number	Color	Location	Fig.
Brake Warning Pressure Switch	BK	At Master Cylinder	2, 5, 8, 11, 32, 35
C100	BK	Near Junction Block	17, 18, 23
C106	BK	Front End Lighting	32, 33
C107 (2.5L)	BK	Rear of Engine Compartment	13, 14
C107 (4.0L)	BK	Rear of Engine Compartment	11, 15
C108	BK	Near Battery	N/S
C109	BK	ABS Connector	N/S
C111 (Diesel)	LT GY	Near Battery	N/S
C114 (Built-Up-Export)	BK	Left Rear Lamp to Front End Lighting Jumper	N/S
C115 (Built-Up-Export)	BK	Right Repeater lamp to Front Lighting Jumper	N/S
C116 (Diesel)	BK	Right Rear of Engine	N/S
C120 (Diesel)	BK	Near Engine	N/S
C200 (LHD)	GY	Left Kick Panel	17, 23
C201 (LHD)	NAT	At Center Console	17, 23
C202 (RHD)	BK	Lower Instrument Panel	18
C203 (RHD)	BL/BK	Lower Instrument Panel	18
C204 (RHD)	WT/BK	Lower Instrument Panel	18

## DESCRIPTION AND OPERATION (Continued)

Connector Name/Number	Color	Location	Fig.
C205	YL	At Center Console	17, 18, 23
C206	BK	At Center Console	17, 21, 22
C207	BK	Near Right Courtesy Lamp	N/S
C208	BK	Near Left Courtesy Lamp	N/S
C300	NAT	At Right Kick Panel	18, 21
C301	WT	At Right Kick Panel	21
C303	BK (LHD) WT (RHD)	Right Kick Panel	N/S
C304	BK	Right Rear Door	N/S
C305	WT	Left Kick Panel	N/S
C306	WT	Left Kick Panel	N/S
C307	WT	Left Kick Panel	N/S
C309	BK	Left Rear Door	N/S
C310	BK	Top of Liftgate	30
C311	BK	Top of Liftgate	30
C312	GY	Top of Liftgate	30
C313	GN	Top of Liftgate	30
C314		At Soundbar	N/S
C316	BK	At Power Seat	N/S
C317	GY	Near Left Front Door Sill	25
C318	GY	Near Right Front Door Sill	N/S
C319	BK	Base of Right B-Pillar	N/S
C320	BK	Base of Left B-Pillar	25
C321	BK	Near Right Tail Lamp	N/S
C322	BK	Near left Tail Lamp	N/S
C323 (Trailer Tow)	BK	Left Side at Trailer Tow Harness	N/S
C324 (RHD)		Right Kick Panel	N/S

Connector Name/Number	Color	Location	Fig.
C325	BK	T/O Near Liftgate Grommet	N/S
C326	BK	In Liftgate Harness	N/S
C327	BK	In Liftgate Harness	N/S
C329	BK	At Passengers Seat	N/S
C330	BK	Near License Lamp	N/S
C331		Lower Radiator Support Pigtail to Ambient Air Temperature Sensor	N/S
C332	BK	At Drivers Seat	N/S
C362	BK	Near Left Power Seat Switch	N/S
C363	BK	Near Right Power Seat Switch	N/S
Camshaft Position Sensor (GAS)	BK	Near Distributor	13, 14, 15
Cargo Lamp/Switch	BK	At Lamp	N/S
Center High Mounted Stop Lamp	BK	Liftgate	N/S
Cigar Lighter	BK	Instrument Panel	19, 20
Clockspring - C1	NAT	Steering Column	24
Clockspring - C2		Steering Column	N/S
Clockspring - C3	YL	Steering Column	N/S
Clutch Interlock Switch	GN	Lower Steering Column	12
Clutch Interlock Switch Jumper	BK	Lower Steering Column	18
Combination Flasher	BK	Near Headlamp Delay Module	17, 18
Compass	BK	Overhead Console	29

DESCRIPTION AND OPERATION (Continued)

Connector Name/Number	Color	Location	Fig.
Controller Anti-Lock Brake	BK	At Controller Anti-Lock Brake	8, 9, 32, 33
Crankshaft Position Sensor (Diesel)	BK	Rear of Engine	N/S
Crankshaft Position Sensor (Gas)	BK	Near Fuel Rail	16
Data Link Connector	BK	Lower Instrument Panel	17, 18
Daytime Running Lamp Module (Except Built-Up-Export)	BK	Near Blower Motor	6
Diode Module (Built-Up-Export)	BK	Instrument Panel	N/S
Dome Lamp (Base/Police)		At Lamp	N/S
Dome Lamps Switch (Midline)	BK	At Switch	N/S
Driver Door Jamb Switch	BK	At Switch	N/S
Driver Door Lock Motor		In Driver Door	28
Driver Power Lock/Window Switch-C1	BL	In Driver Door	28
Driver Power Door Lock/Window Switch-C2	WT	In Driver Door	28
Driver Power Mirror	RD	At Mirror	28
Driver Power Window Motor	BK	In Driver Door	28
Duty Cycle EVAP/Purge Solenoid (GAS)	BK	Rear of Engine Compartment	3, 4, 9, 10
Electronic Vacuum Modulator (Diesel)		At Modulator	N/S
Engine Control Module - C1 (Diesel)	BK	Rear of Engine Compartment	N/S

Connector Name/Number	Color	Location	Fig.
Engine Control Module - C2 (Diesel)	BK	Rear of Engine Compartment	N/S
Engine Coolant Temperature Sensor (GAS)	BK	Front of Engine (GAS)	13, 14, 15
Engine Coolant Temperature Sensor NO.1 (Diesel)	BK	Near Crankshaft Position Sensor T/O	N/S
Engine Coolant Temperature Sensor NO.2 (Diesel)	BK	Near Generator T/O	36, 37
Engine Oil Pressure Sensor	BK	Right Rear of Engine	13, 15, 38
Engine Starter Motor	BK	At Starter	13, 14, 15, 38
EVAP Leak Detection Pump (Except Built-Up-Export)		Rear of Engine Compartment	N/S
Extended Idle Switch (Police Package)	WT	Instrument Panel Harness Near T/O to Power Outlet	N/S
Front Fog Lamp Switch	BK	Instrument Panel	19, 20
Front Wiper Motor	BK	At Wiper Motor	6, 7
Fuel Heater (Diesel)		Left Rear Engine Compartment	32, 33
Fuel Injector No. 1	BK	At Injector	13, 14, 15
Fuel Injector No. 2	BK	At Injector	13, 14, 15
Fuel Injector No. 3	BK	At Injector	13, 14, 15
Fuel Injector No. 4	BK	At Injector	13, 14, 15
Fuel Injector No. 5	BK	At Injector	15
Fuel Injector No. 6	BK	At Injector	15
Fuel Level Sensor (Diesel)	BK	At Sensor	N/S

## DESCRIPTION AND OPERATION (Continued)

Connector Name/Number	Color	Location	Fig.
Fuel Pump Module (Diesel)	BK	Left Side of Engine	36, 37
Fuel Pump Module (GAS)	BK	At Fuel Pump Module	N/S
G100		Near Battery	16
G101		Near Starter	13, 14, 15, 16
G102		Near Engine Connector C107	34, 35
G103 (4.0L)		Near Ignition Coil	16
G104		Body Ground (VM Diesel) From Negative Battery Cable	N/S
G105		Engine Ground (VM Diesel) From Negative Battery Cable	N/S
G106		Near Powertrain Control Module	2, 3, 8, 9, 32, 33
G107		Near Glove Box Lamp Switch	17, 18
G108		Near Headlamp Switch	17, 18
G200		Near Air Bag Control Module	21, 22
G300		Near Air Bag Control Module	N/S
G301		Near Power Amplifier	25
G302		Near Left Tail Lamp	27
G303		Between Right Tail Lamp and Power Amplifier	N/S
G304		Near Rear Window Defogger Grid	N/S
G305		In Power Seat Harness	N/S
G306 (Heated Seats)		In Power Seat Harness	N/S
G Switch	BK	Under Rear Seat	26

Connector Name/Number	Color	Location	Fig.
Generator	BK	At Generator	13, 14, 16, 36, 37
Glow Plug Relay (Diesel)		Left Rear Engine Compartment	32, 33
Headlamp Beam Select Switch	BK	On Steering Column	24
HeadLamp Delay Module	BK	Near Headlamp Switch	17, 18
Headlamp Leveling Switch (Built-Up-Export)	BK	At Switch	N/S
Headlamp Switch - C1	BK	At Headlamp Switch	17, 18, 19, 20
Headlamp Switch - C2	BK	At Headlamp Switch	17, 18, 19, 20
Heated Seat Relay		At Passengers Seat	N/S
HVAC Unit	BK	On HVAC Tub	21
Idle Air Control Motor	BK	At Throttle Body	13, 14, 16
Ignition Coil	BK	Front of Engine	13, 14, 16
Ignition Switch-C1	BK	Steering Column	24
Ignition Switch-C2	GN	Steering Column	24
Instrument Cluster - C1	BK	At Instrument Cluster	17, 18
Instrument Cluster - C2	BK	At Instrument Cluster	17, 18
Intake Air Temperature Sensor	GY	At Intake Manifold	13, 15, 16
Junction Block - C1	NAT	At Junction Block	12, 29
Junction Block - C2	WT	At Junction Block	12, 29
Junction Block - C3	NAT	At Junction Block	29
Junction Block - C4	NAT	At Junction Block	18, 22, 29
Junction Block - C5	NAT	At Junction Block	29

DESCRIPTION AND OPERATION (Continued)

Connector Name/Number	Color	Location	Fig.
Junction Block - C6	NAT	At Junction Block	29
Junction Block - C7	NAT	At Junction Block	29
Junction Block - C8	NAT	At Junction Block	29
Junction Block - C9	NAT	At Junction Block	29
Left Back-Up Lamp	GY	At Back-Up Lamp	N/S
Left City Lamp (Built-Up-Export)		At Lamp	N/S
Left Courtesy Lamp	BK	At Courtesy Lamp	N/S
Left Fog Lamp	GY	At Fog Lamp	1
Left Front Door Speaker	BK	At Speaker	28
Left Front Door Tweeter	BK	Left Front Door	28
Left Front Park/Turn Signal Lamp NO.1 (Except Built-Up-Export)	GY	At Lamp	1
Left Front Park/Turn Signal Lamp NO.2 (Except Built-Up-Export)	GY	At Lamp	1
Left Front Turn Signal Lamp NO.1 (Built-Up-Export)	GY	At Lamp	N/S
Left Front Turn Signal Lamp NO.2 (Built-Up-Export)	GY	At Lamp	N/S
Left Front Wheel Speed Sensor	GY	Left Engine Compartment	8, 9, 32, 33
Left Headlamp		At Headlamp	1
Left Headlamp Leveling Motor (Built-Up-Export)	BK	At Headlamp	32, 33
Left Heated Seat Back		At Seat	N/S

Connector Name/Number	Color	Location	Fig.
Left Heated Seat Cushion		At Seat	N/S
Left Heated Seat Switch		At Seat	N/S
Left Power Seat Switch	BK	At Switch	N/S
Left Rear Door Jamb Switch	BK	At Switch	N/S
Left Rear Door Lock Motor	BK	In Left Rear Door	28
Left Rear Fog Lamp (Built-Up-Export)		At Lamp	N/S
Left Rear Wheel Speed Sensor	BK	Under Rear Seat	26
Left Rear Window Motor	BK	In Left Rear Door	28
Left Rear Window Switch	BL	In Left Rear Door	28
Left Repeater Lamp (Built-Up-Export)		At Lamp	N/S
Left Side Marker Lamp (Except Built-Up-Export)	NAT	At Lamp	1
Left Soundbar Speaker	BK	At Soundbar	N/S
Left Speed Control Switch		On Steering Wheel	N/S
Left Tail/Stop Lamp	BK	At Lamp	N/S
Left Turn Signal Lamp		At Rear Lamp	N/S
License Lamp	WT	At Lamp	30
Liftgate Lock Motor	BK	Liftgate	30
Liftgate Switch	BK	Liftgate	30
Left Vanity Lamp	BK	At Lamp	29
Low Coolant Switch (Diesel)		Right Rear Engine Compartment	33, 34

## DESCRIPTION AND OPERATION (Continued)

Connector Name/Number	Color	Location	Fig.
Manifold Absolute Pressure Sensor	BK	At Throttle Body	13, 14, 15
Needle Movement sensor (Diesel)		Left Front of Engine	36
Overhead Module		At Overhead Console	29
Oxygen Sensor 1/1 Upstream	GY	Left Side of Engine at Exhaust	13, 14, 15
Oxygen Sensor 1/2 Downstream	BK	T/O Near Vehicle Speed Sensor	31
Park Brake Switch	BK	At Park Brake Lever	21, 22
Park/Neutral Position Switch (2.5L Gas A/T)	BK	On Transmission	N/S
Passenger Airbag	YL	Behind Instrument Panel	17, 18, 19, 20
Passenger Door Jamb Switch	BK	At Switch	N/S
Passenger Door Lock Motor	BK	In Front Passenger Door	28
Passenger Power Lock/Window Switch - C1	BL	In Front Passenger Door	28
Passenger Power Lock/Window Switch - C2	WT	In Front Passenger Door	28
Passenger Power Mirror	RD	At Mirror	28
Passenger Power Window Motor	BK	In Passenger Door	28
Pedal Position Sensor (Diesel)	BK	At Accelerator Pedal	N/S
Power Amplifier - C1	NAT	Under Rear Seat Left Side	N/S
Power Amplifier - C2	NAT	Under Rear Seat Left Side	N/S

Connector Name/Number	Color	Location	Fig.
Power Antenna (Built-Up-Export)	BK	Rear of Engine Compartment	N/S
Power Antenna Relay - C1 (Built-Up-Export)		Rear of Engine Compartment	N/S
Power Antenna Relay - C2 (Built-Up-Export)		Rear of Engine Compartment	N/S
Power Mirror Switch		In Drivers Door	N/S
Power Outlet	BK	Instrument Panel	19, 20
Power Steering Pressure Switch (2.5L)	WT	Front of Engine	13, 14
Powertrain Control Module - C1 (Diesel)		Right Fender Side Shield	N/S
Powertrain Control Module - C1 (GAS)	BK	Left Fender Side Shield	2, 6, 7
Powertrain Control Module - C2 (Diesel)		Right Fender Side Shield	N/S
Powertrain Control Module - C2 (GAS)		Left Fender Side Shield	2, 6, 7
Powertrain Control Module - C3 (Diesel)	GY	Right Fender Side Shield	N/S
Powertrain Control Module C3 (GAS)	GY	Left Fender Side Shield	2, 6, 7
PRNDL Illumination	BK	Steering Column	N/S
Radiator Fan Motor	LT GY	At Radiator	8, 9
Radio - C1	BK	Behind Radio	19, 20
Radio - C2	BK	Behind Radio	19, 20
Rear Fog Lamp Relay (Built-Up-Export)		Instrument Panel	18



DESCRIPTION AND OPERATION (Continued)

Connector Name/Number	Color	Location	Fig.
Rear Fog Lamp Switch (Built-Up-Export)	WT	Instrument Panel	N/S
Rear Washer Pump	BK	At Washer Reservoir	6, 7, 32, 33
Rear Window Defogger Switch	GY	Instrument Panel	19, 20
Rear Wiper Motor		Liftgate	30
Rear Wiper/Washer Switch	BK	Instrument Panel	19, 20
Right Back-Up Lamp	GY	At Lamp	N/S
Right City Lamp (Built-Up-Export)		At Lamp	N/S
Right Courtesy Lamp	BK	At Lamp	N/S
Right Fog Lamp	GY	At Lamp	1
Right Front Door Speaker	BK	At Speaker	28
Right Front Door Tweeter	BK	At Right Front Door	28
Right Front Park/Turn Signal Lamp NO.1 (Except Built-Up-Export)	BK	At Lamp	1
Right Front Park/Turn Signal lamp NO.2 (Except Built-Up-Export)	BK	At Lamp	1
Right Front Turn Signal Lamp NO.1 (Built-Up-Export)	GY	At Lamp	N/S
Right Front Turn Signal Lamp NO.2 (Built-Up-Export)	GY	At Lamp	N/S
Right Front Wheel Speed Sensor		Right Engine Compartment	10, 11, 34, 35
Right Headlamp		At Headlamp	1

Connector Name/Number	Color	Location	Fig.
Right Headlamp Leveling Motor (Built-Up-Export)	BK	At Headlamp	N/S
Right Heated Seat Back		At Seat	N/S
Right Heated Seat Cushion		At Seat	N/S
Right Heated Seat Switch		At Seat	N/S
Right Power Seat Switch	BK	At Power Seat	N/S
Right Rear Door Jamb Switch	BK	At Switch	N/S
Right Rear Door Lock Motor	BK	In Right Rear Door	28
Right Rear Fog Lamp (Built-Up-Export)	BK	At Lamp	N/S
Right Rear Wheel Speed Sensor	RD	Under Rear Seat	26
Right Rear Window Motor	BK	In Right Rear Door	28
Right Rear Window Switch	BL	In Right Rear Door	28
Right Repeater Lamp (Built-Up-Export)		At Lamp	N/S
Right Side Marker Lamp (Except Built-Up-Export)	NAT	At Lamp	1
Right Sound Bar Speaker		At Soundbar	N/S
Right Speed Control Switch		On Steering Wheel	N/S
Right Tail/Stop Lamp		At Lamp	27
Right Turn Signal Lamp		At Rear Lamp	N/S
Rear Window Defogger Grid	BK	Liftgate	30
Right Vanity Lamp	BK	At Lamp	28

## DESCRIPTION AND OPERATION (Continued)

Connector Name/Number	Color	Location	Fig.
Seat Belt Switch	BK	Near Center Console	21, 22
Seat Heat Interface Module	BK	At Passengers Seat	N/S
Sentry Key Immobilizer Module (Except Police/Postal)	BK	Instrument Panel	N/S
Shift Lock Solenoid	BK	Lower Steering Column	24
Tell Tale Module (Diesel)	BK	Near Instrument Panel Connections	N/S
Throttle Position Sensor	NAT	On Throttle Body	13, 14, 15, 16, 36
Torque Converter Clutch Solenoid (2.5L Gas A/T)		Engine Harness Near T/O for Park Neutral Switch	N/S
Trailer Tow Connector	LT GY	Trailer Tow Wiring Harness	N/S
Trailer Tow Left Turn Relay	BK	Trailer Tow Wiring Harness	N/S
Trailer Tow Right Turn Relay	BK	Trailer Tow Wiring Harness	N/S
Transfer Case Switch (231)	BK	On Transfer Case	31, 39
Transfer Case Switch (242)	BK	On Transfer Case (4.0L A/T Only)	31
Transfer Switch Illumination	BK	Near Center Console	N/S

Connector Name/Number	Color	Location	Fig.
Transmission Control Assembly	BK	On Transmission	N/S
Transmission Control Module (4.0L)	BK	Under Center Instrument Panel	12
Transmission Range Sensor (4.0L A/T)	BK	On Transmission	N/S
Turbo Boost Pressure Sensor (Diesel)	BK	Left Side of Engine	N/S
Turn Signal/Hazard Switch	BK	Steering Column	24
Underhood Lamp/Mercury Switch	BK	At Lamp	4, 5, 10, 11, 34, 35
Vehicle Speed Control Servo	BK	At Speed Control Servo	4,7
Vehicle Speed Sensor		On Transmission (2WD) On Transfer Case (4WD)	31, 39
Washer Fluid Level Switch	BK	At Washer Reservoir	6, 7, 32, 33
Water In Fuel Sensor (Diesel)	BK	At Fuel Heater	N/S
Windshield Washer Pump	BK	At Washer Reservoir	6, 7, 32, 33
Wiper/Wash Switch	NAT	Steering Column	24

DESCRIPTION AND OPERATION (Continued)

80b31e29

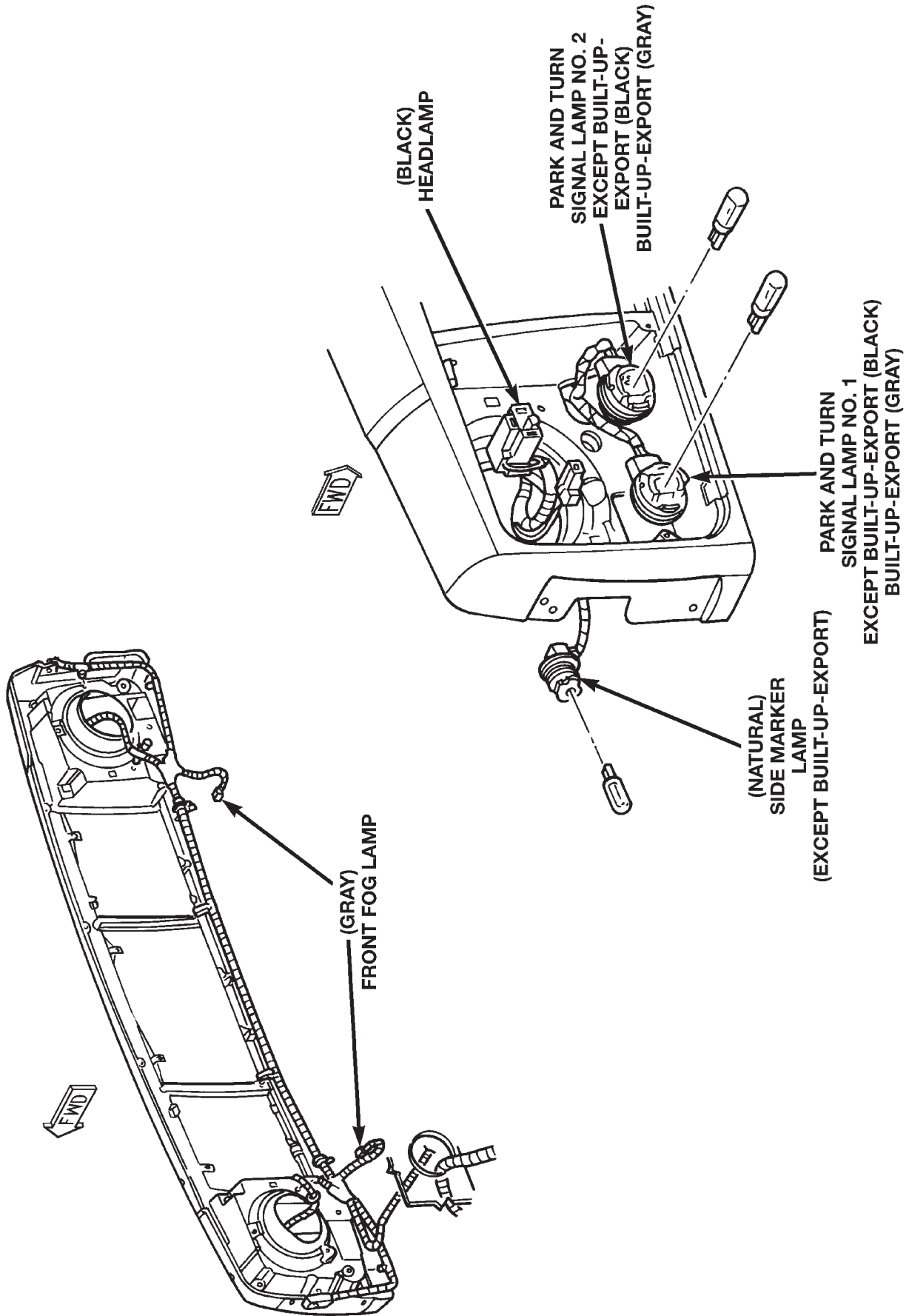


Fig. 1 Front End Lighting (Right Side Shown, Left Side Similar)

DESCRIPTION AND OPERATION (Continued)

80b31e2a

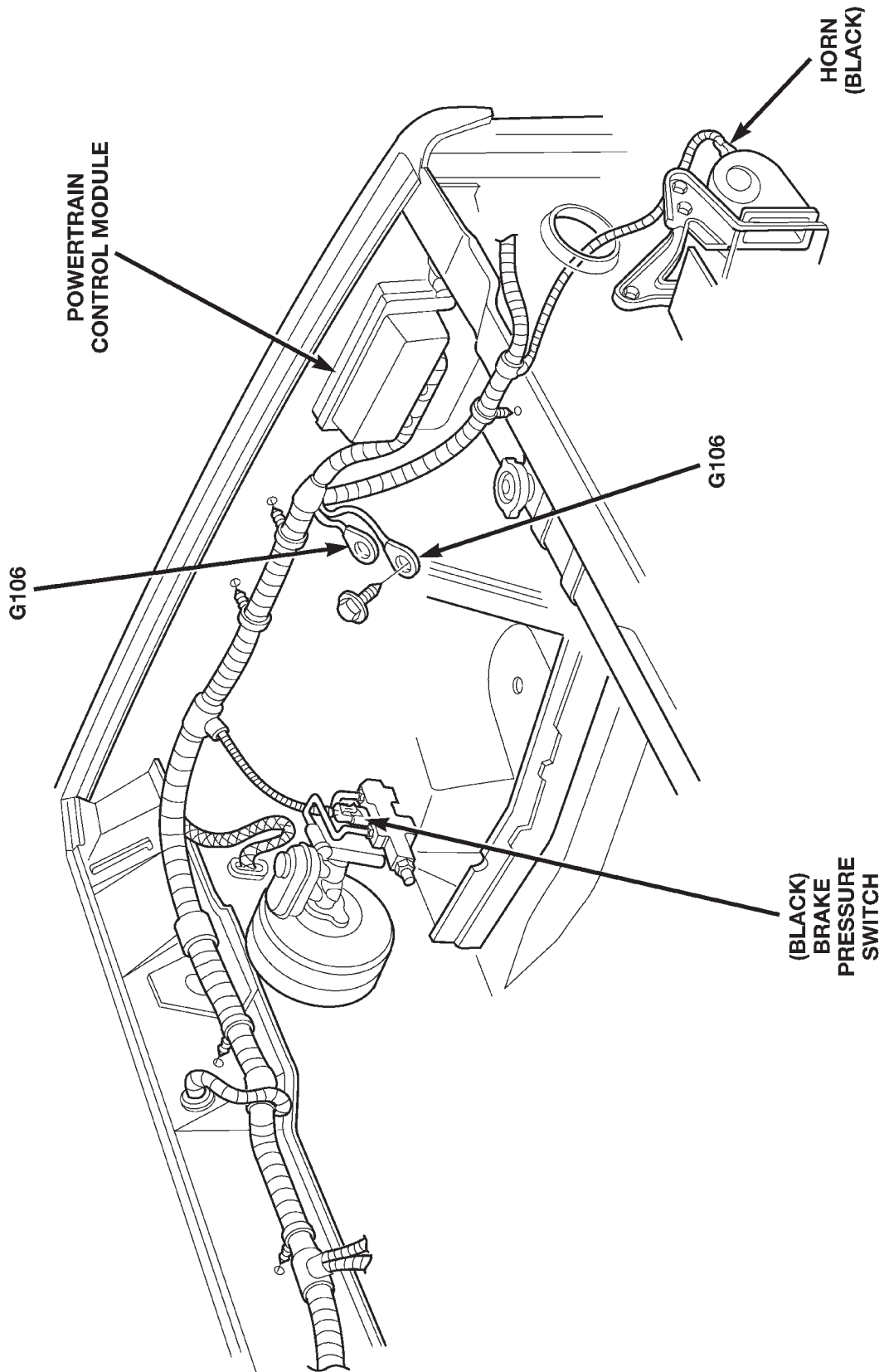
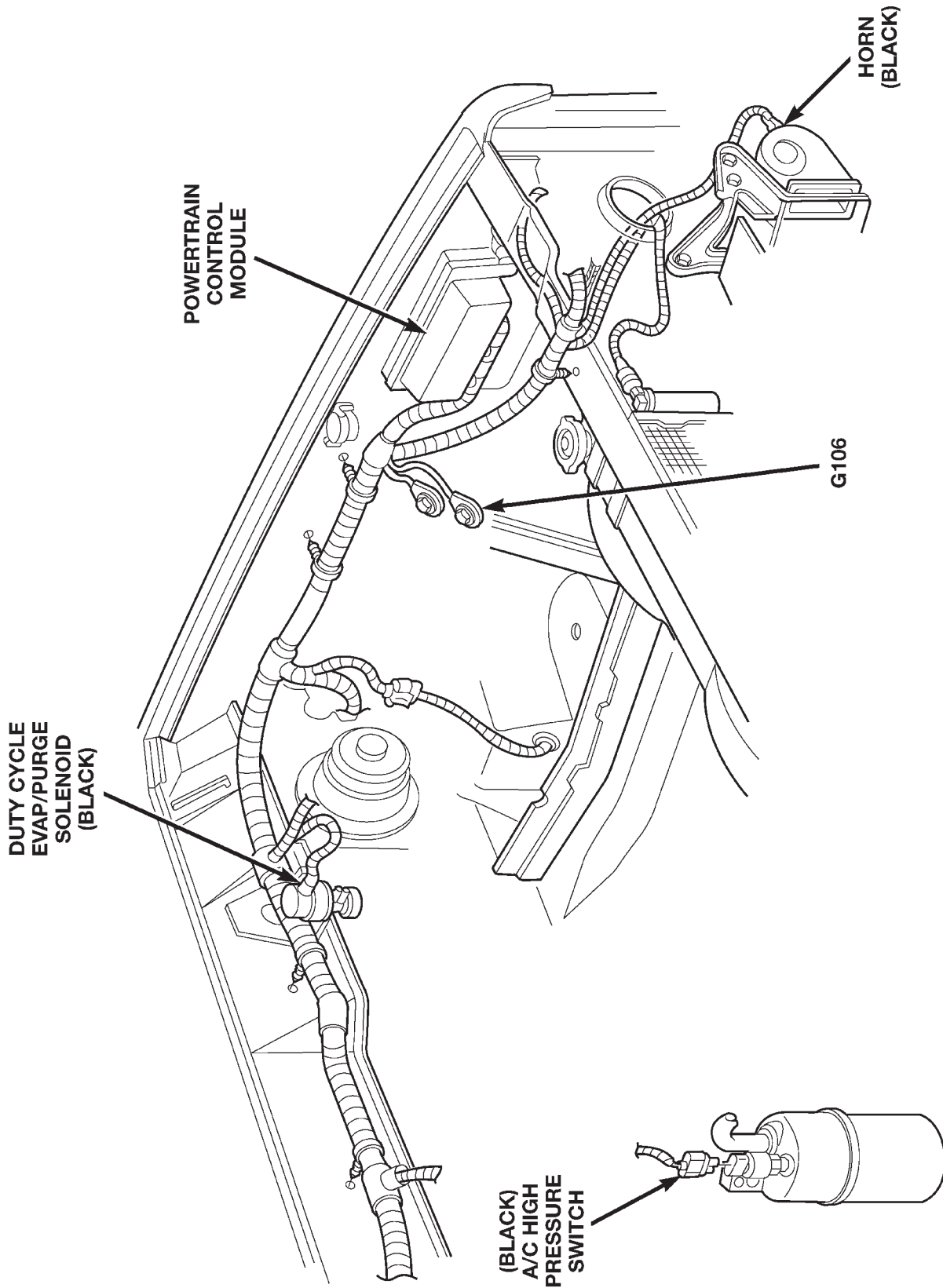


Fig. 2 Left Engine Compartment 2.5L Engine LHD

DESCRIPTION AND OPERATION (Continued)



80b31e2b

Fig. 3 Left Engine Compartment 2.5L Engine RHD

DESCRIPTION AND OPERATION (Continued)

80b31e2c

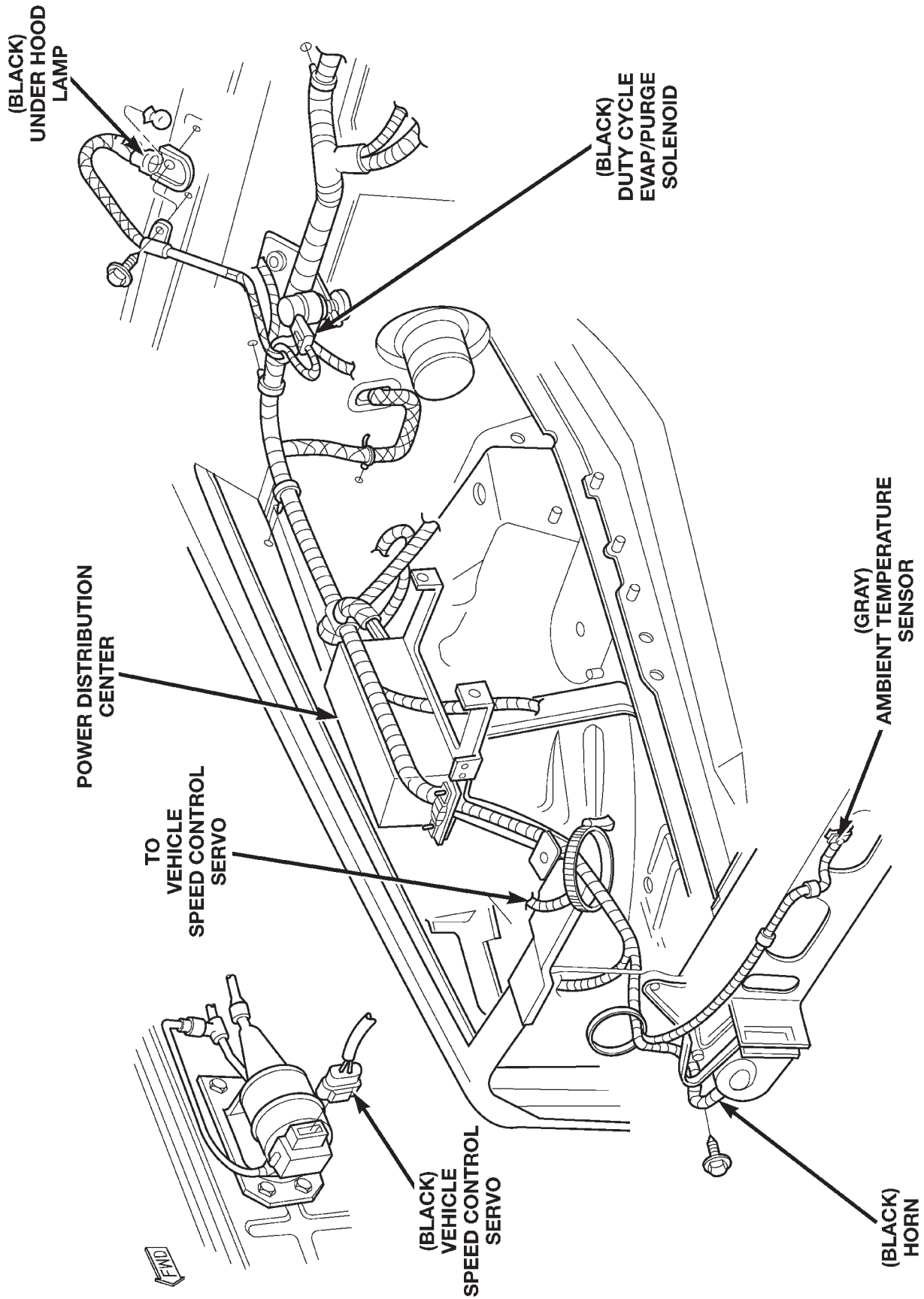


Fig. 4 Right Engine Compartment 2.5L Engine LHD

DESCRIPTION AND OPERATION (Continued)

80b31e2d

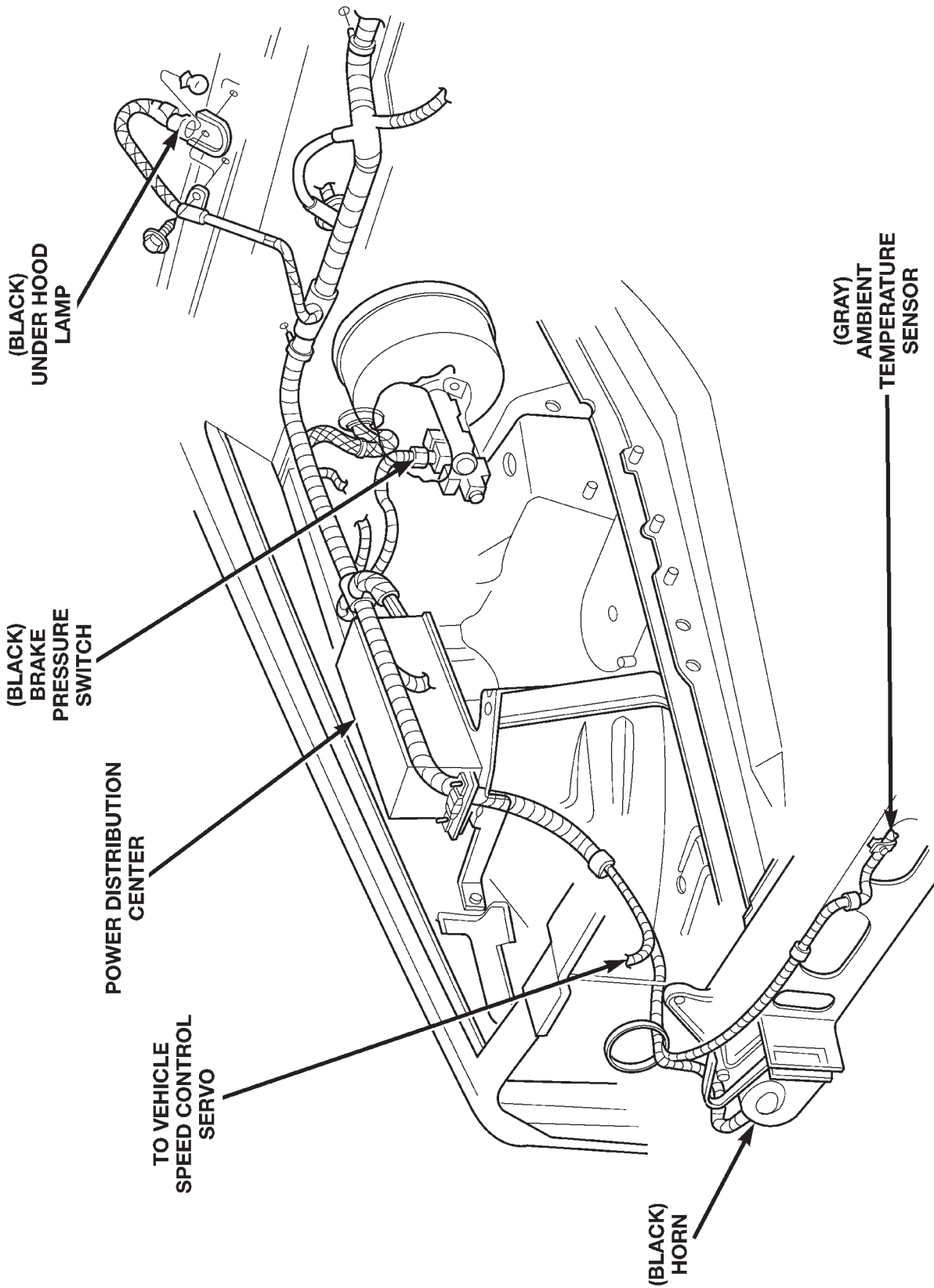


Fig. 5 Right Engine Compartment 2.5L Engine RHD

DESCRIPTION AND OPERATION (Continued)

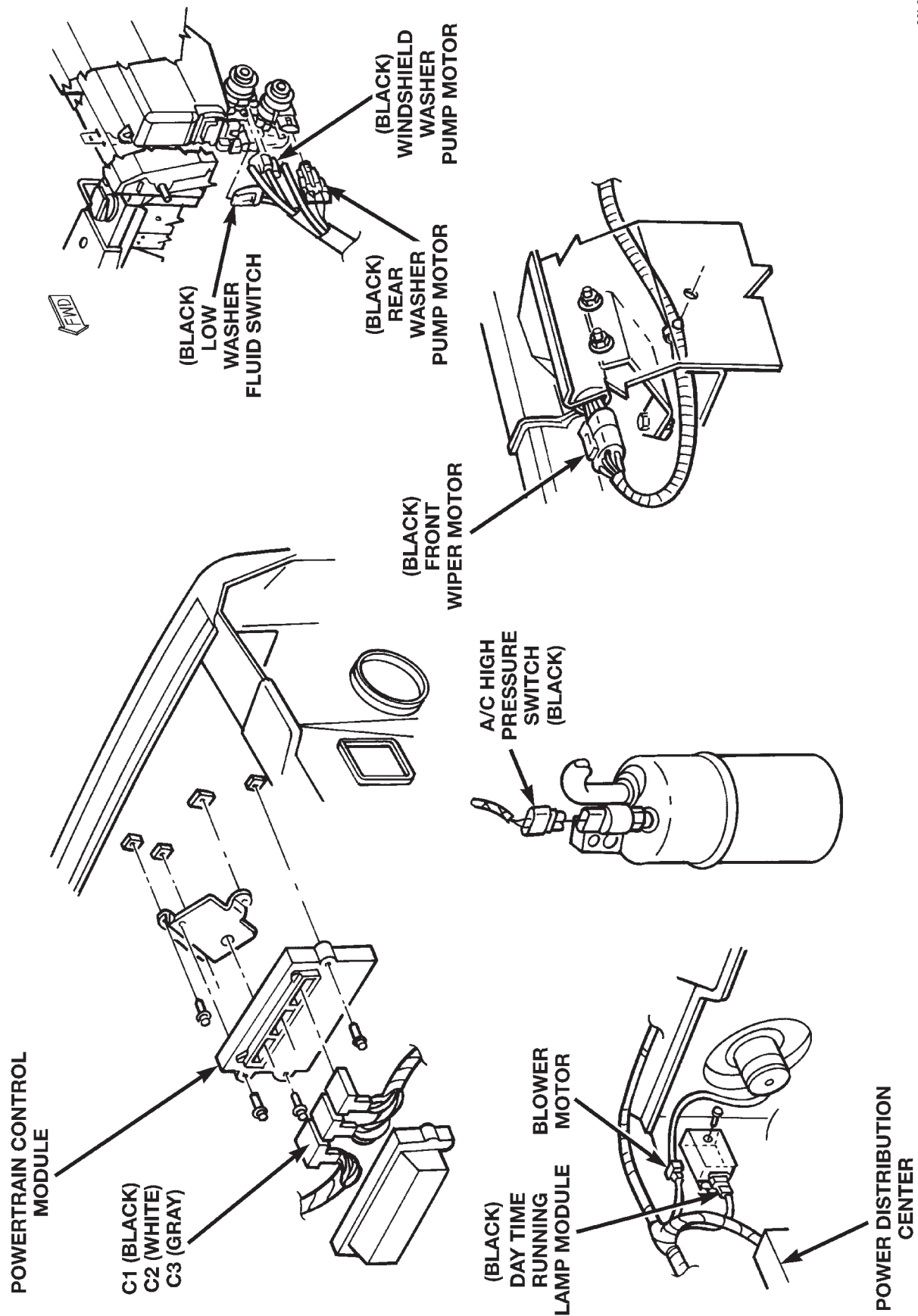


Fig. 6 Engine Compartment Components LHD



DESCRIPTION AND OPERATION (Continued)

80531e2f

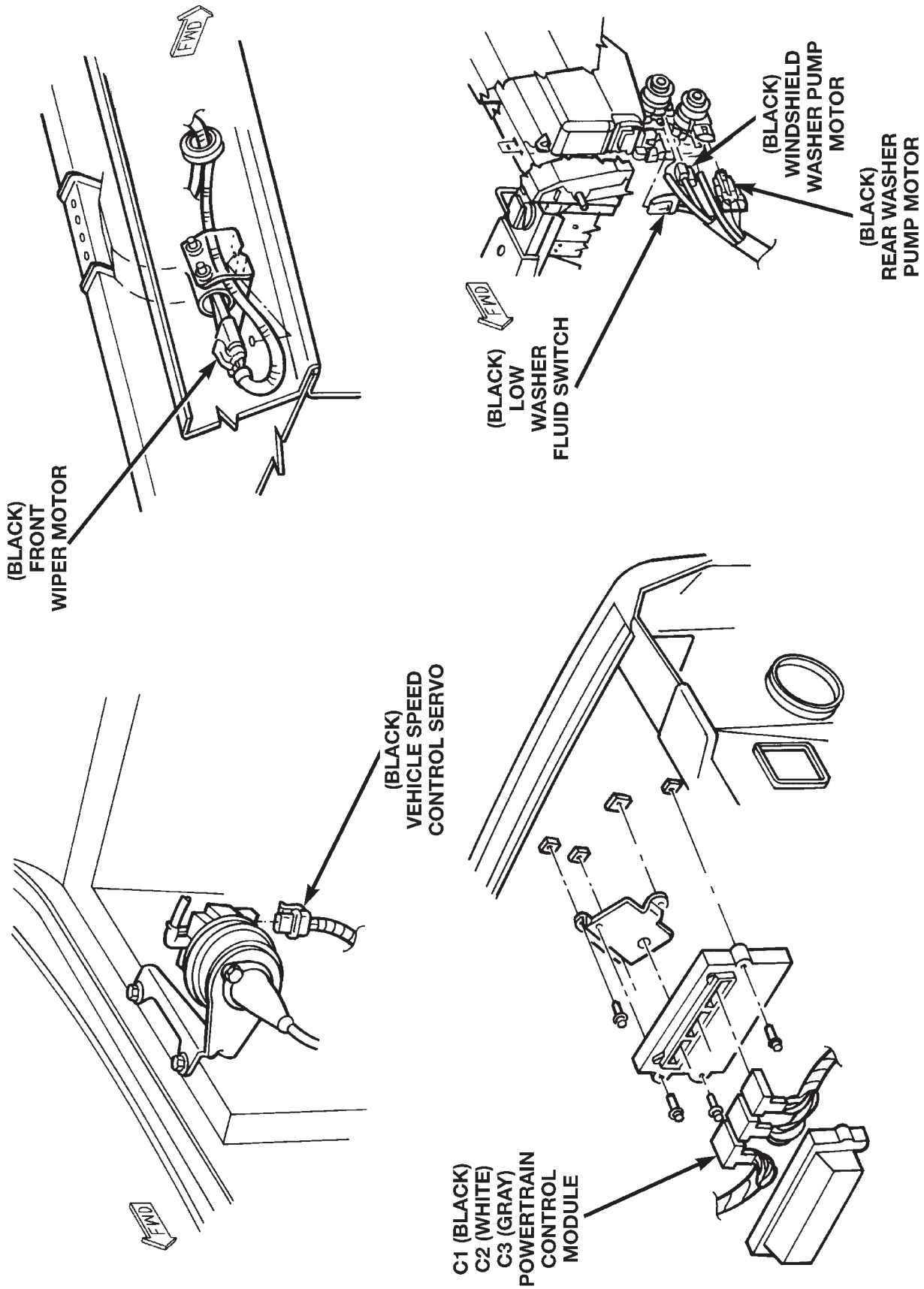


Fig. 7 Engine Compartment Components RHD

DESCRIPTION AND OPERATION (Continued)

80b31e30

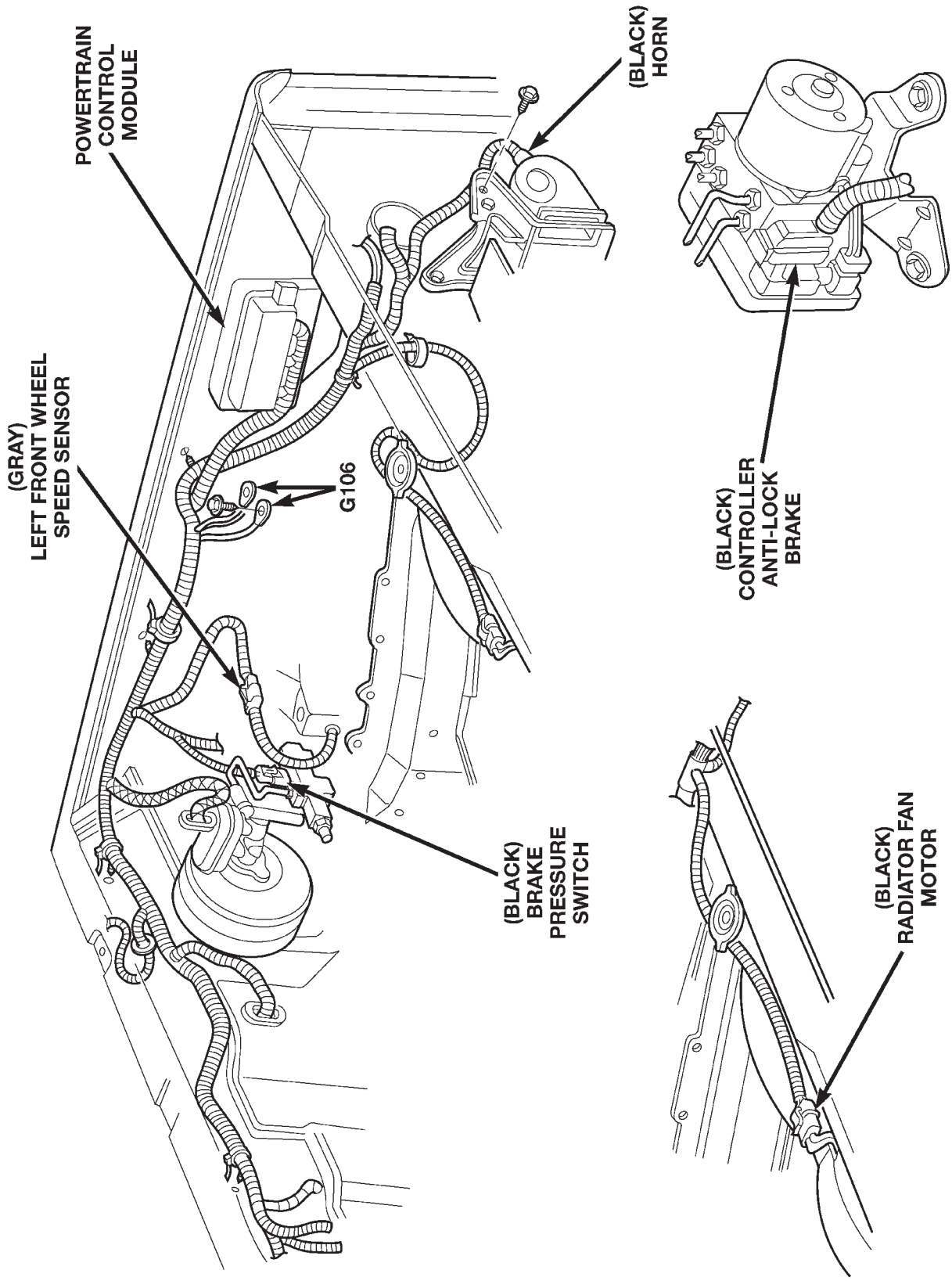


Fig. 8 Left Engine Compartment 4.0L Engine LHD

DESCRIPTION AND OPERATION (Continued)

80b31e31

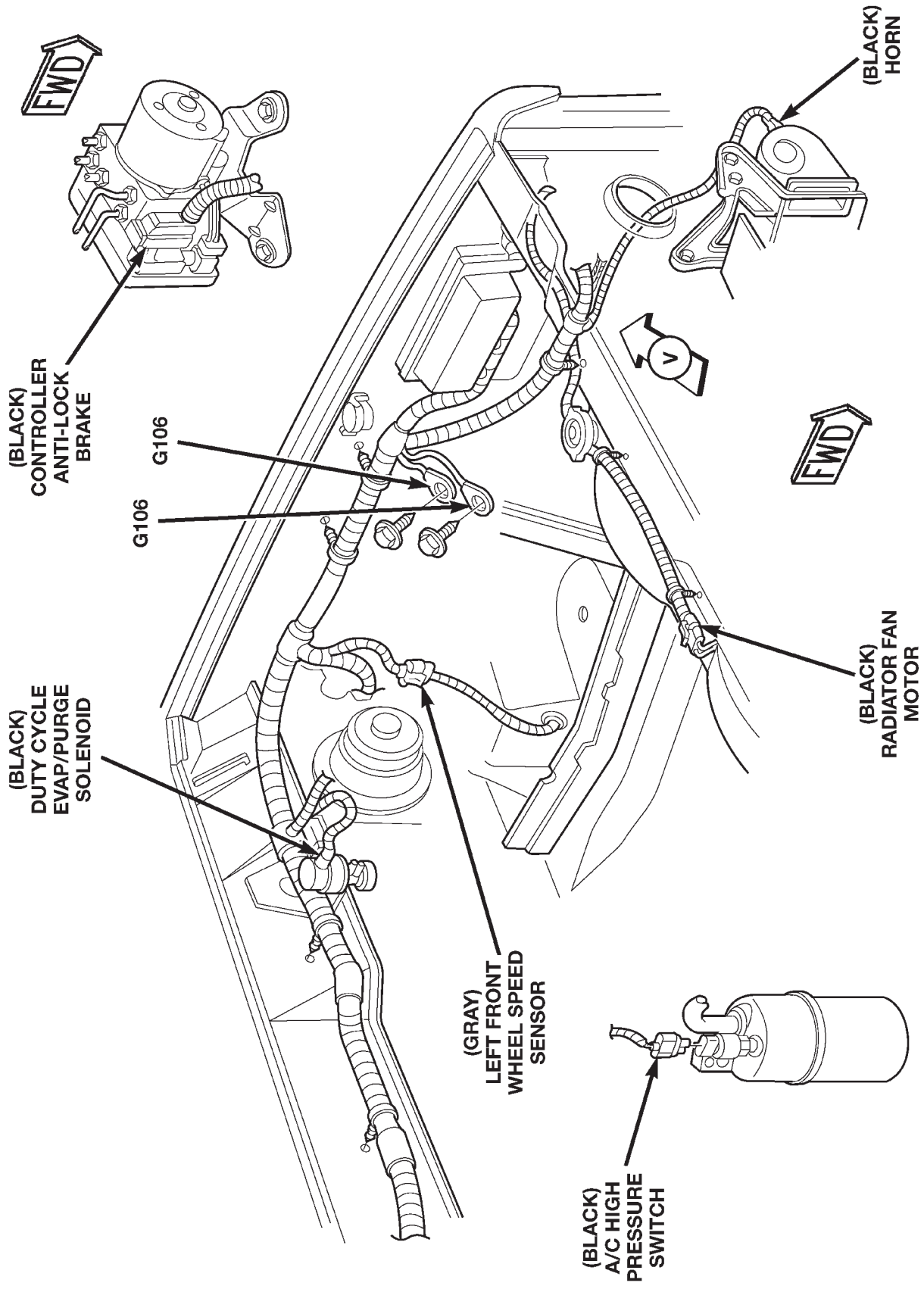


Fig. 9 Left Engine Compartment 4.0L Engine RHD

DESCRIPTION AND OPERATION (Continued)

80631e32

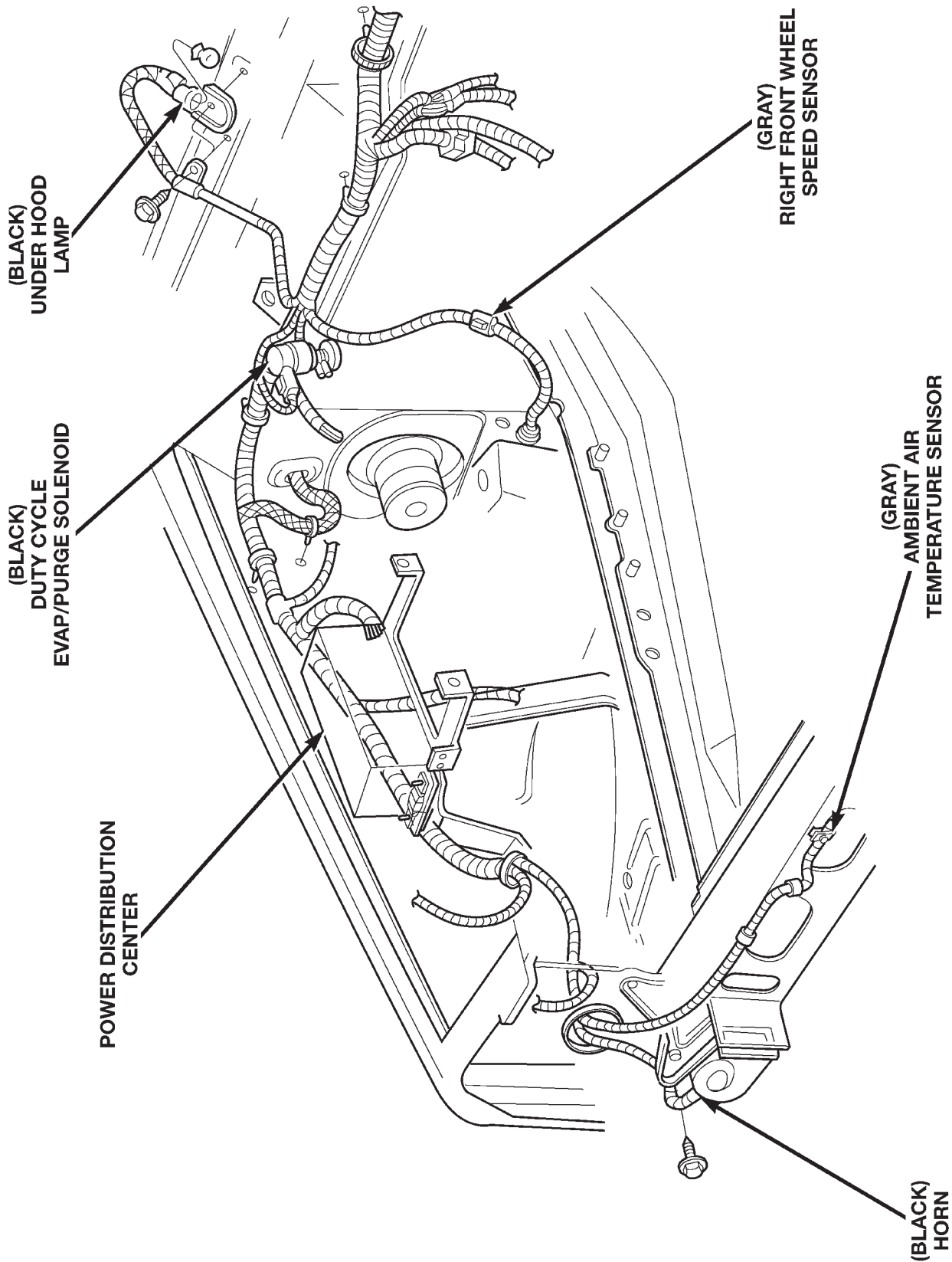


Fig. 10 Right Engine Compartment 4.0L Engine LHD

DESCRIPTION AND OPERATION (Continued)

80b31e33

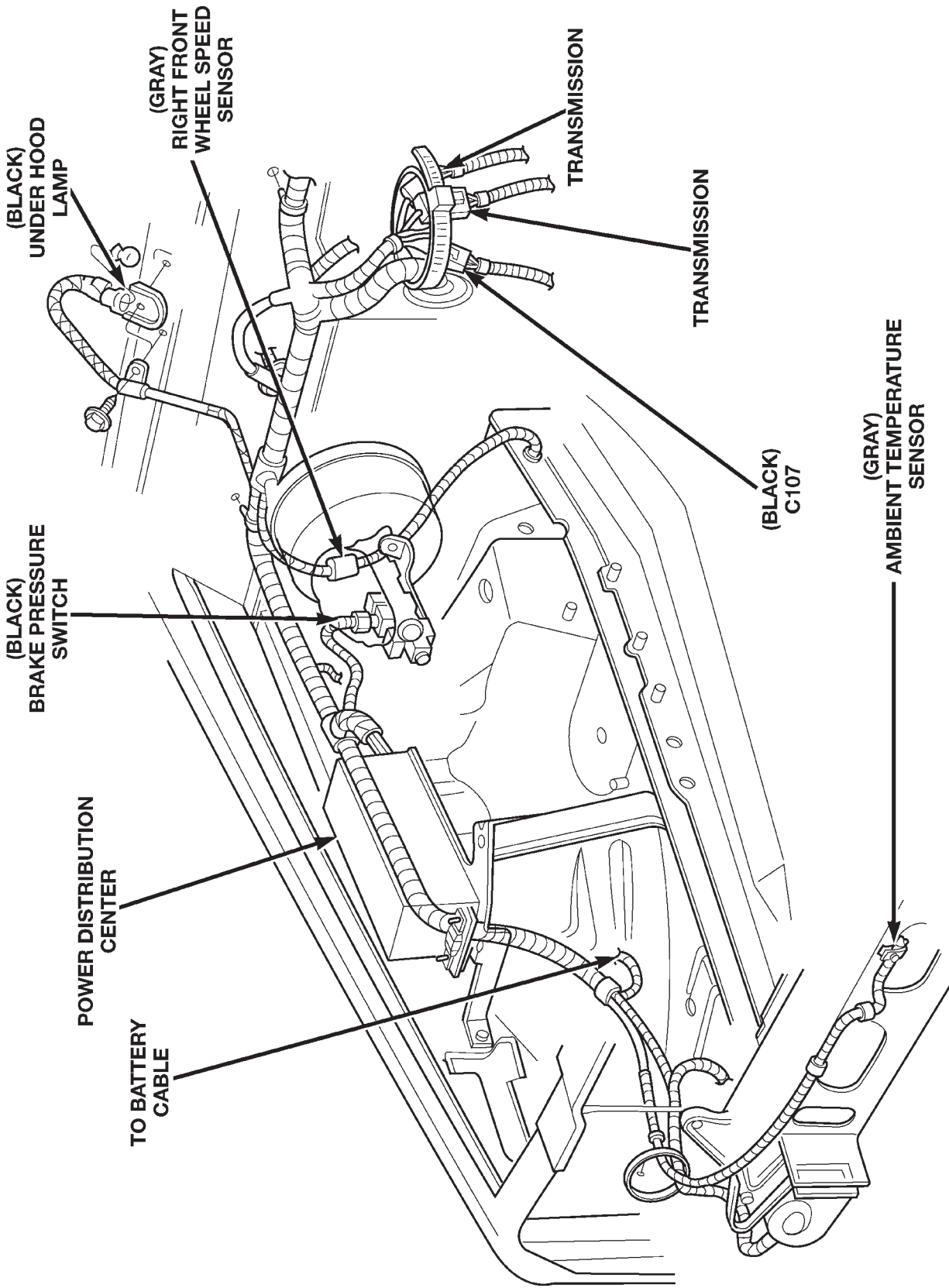
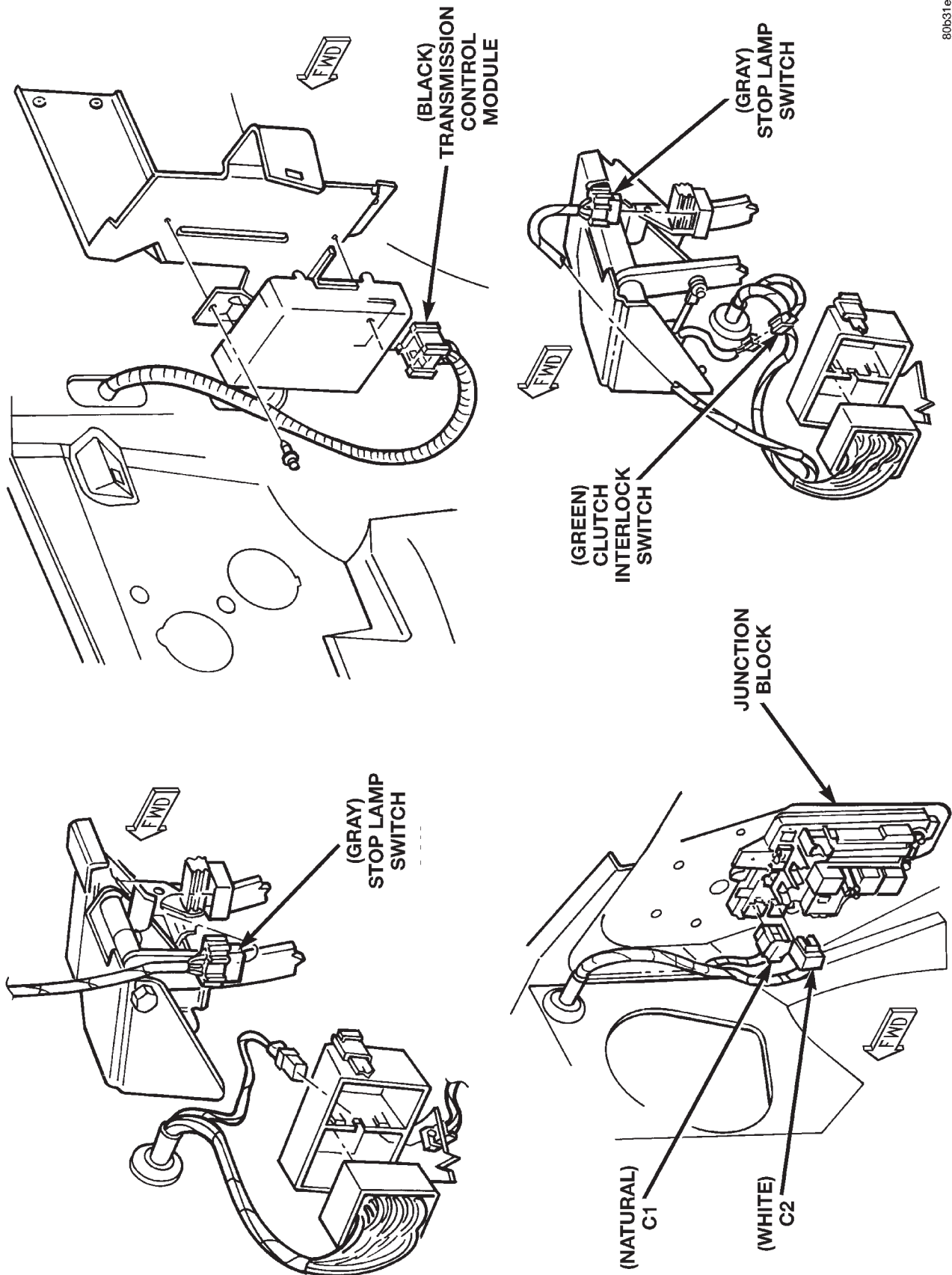


Fig. 11 Right Engine Compartment 4.0L Engine RHD

DESCRIPTION AND OPERATION (Continued)

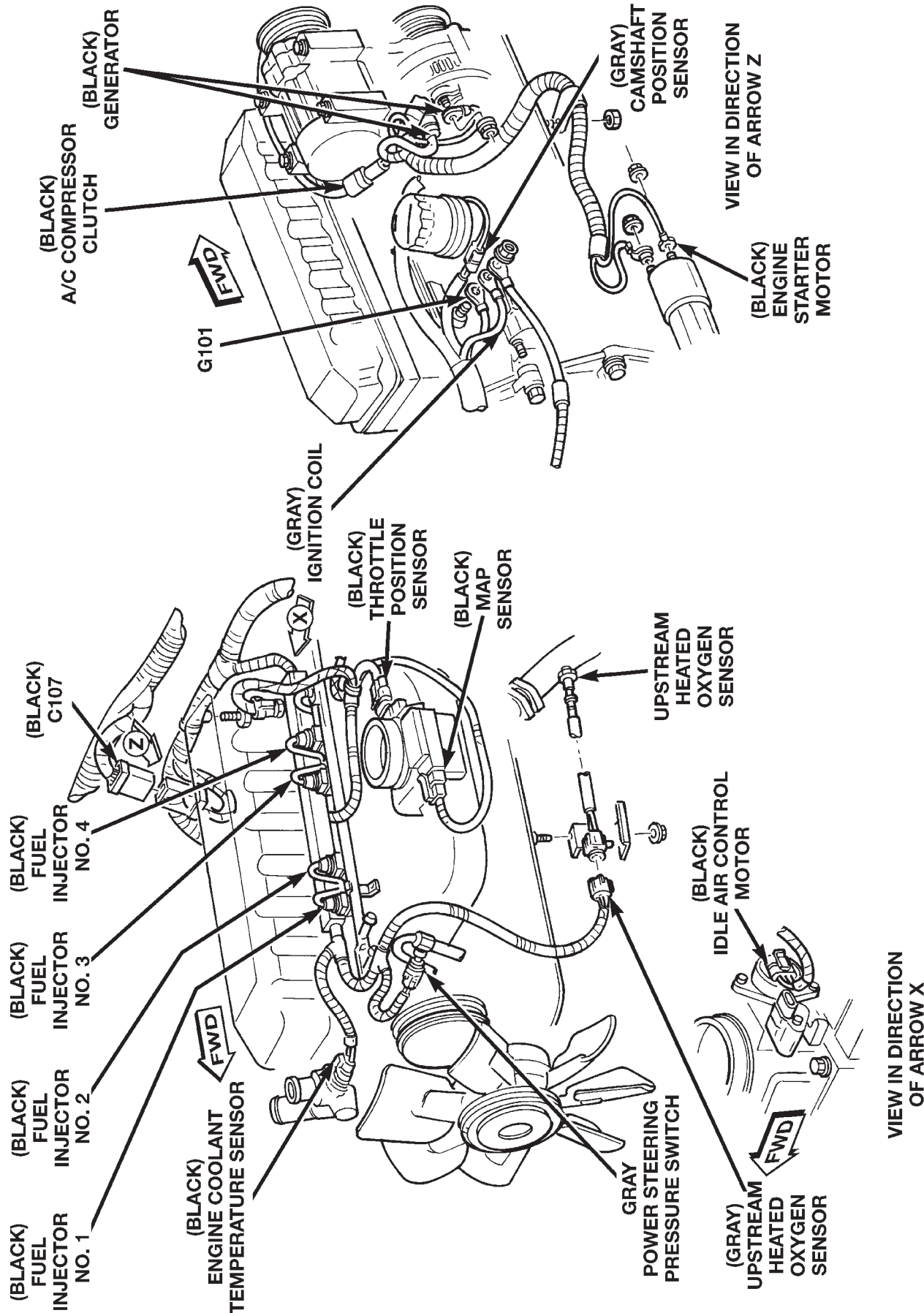


80b31e34

Fig. 12 Under Dash Components



DESCRIPTION AND OPERATION (Continued)

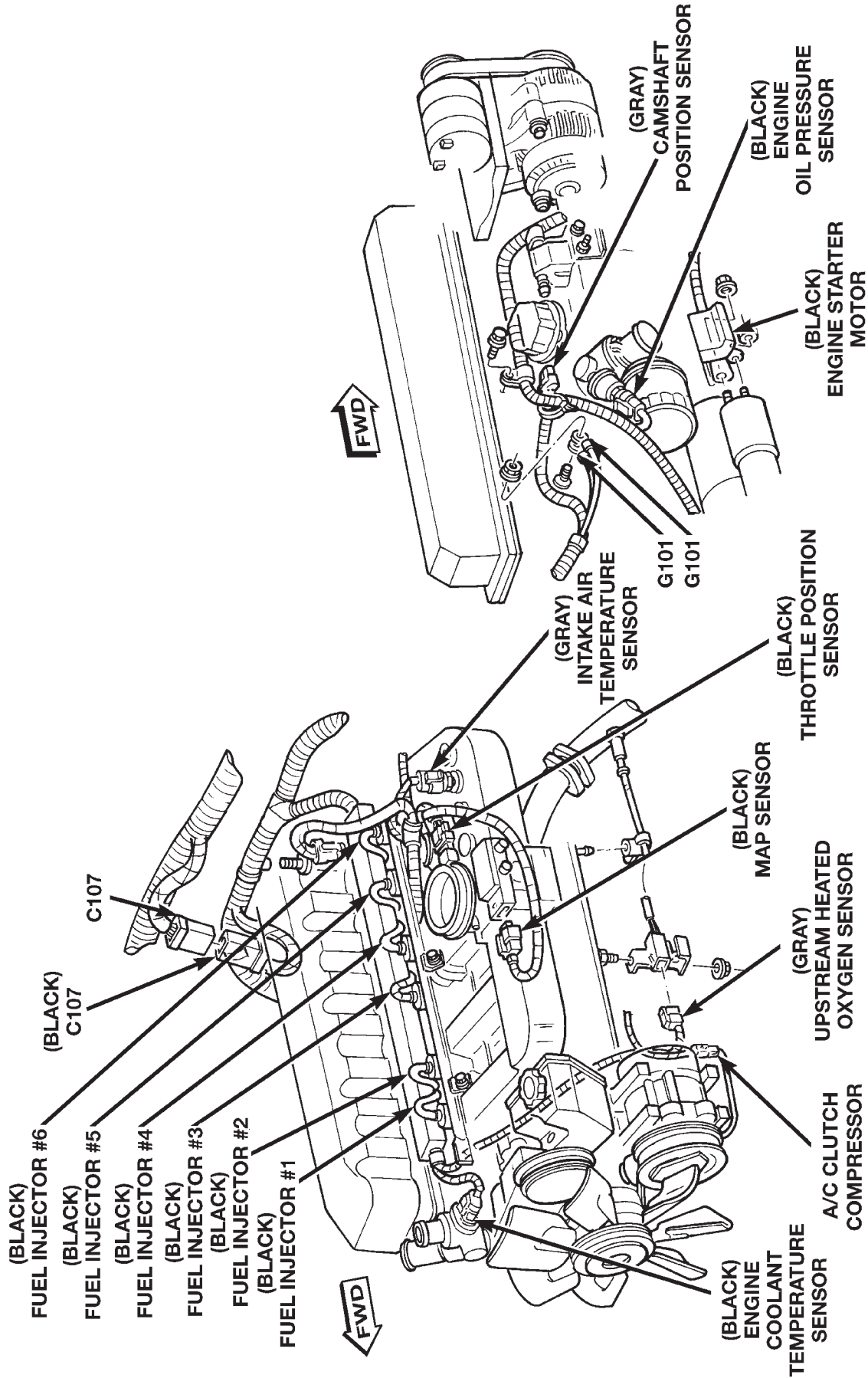


80b31e36

Fig. 14 Engine Connectors 2.5L Engine RHD



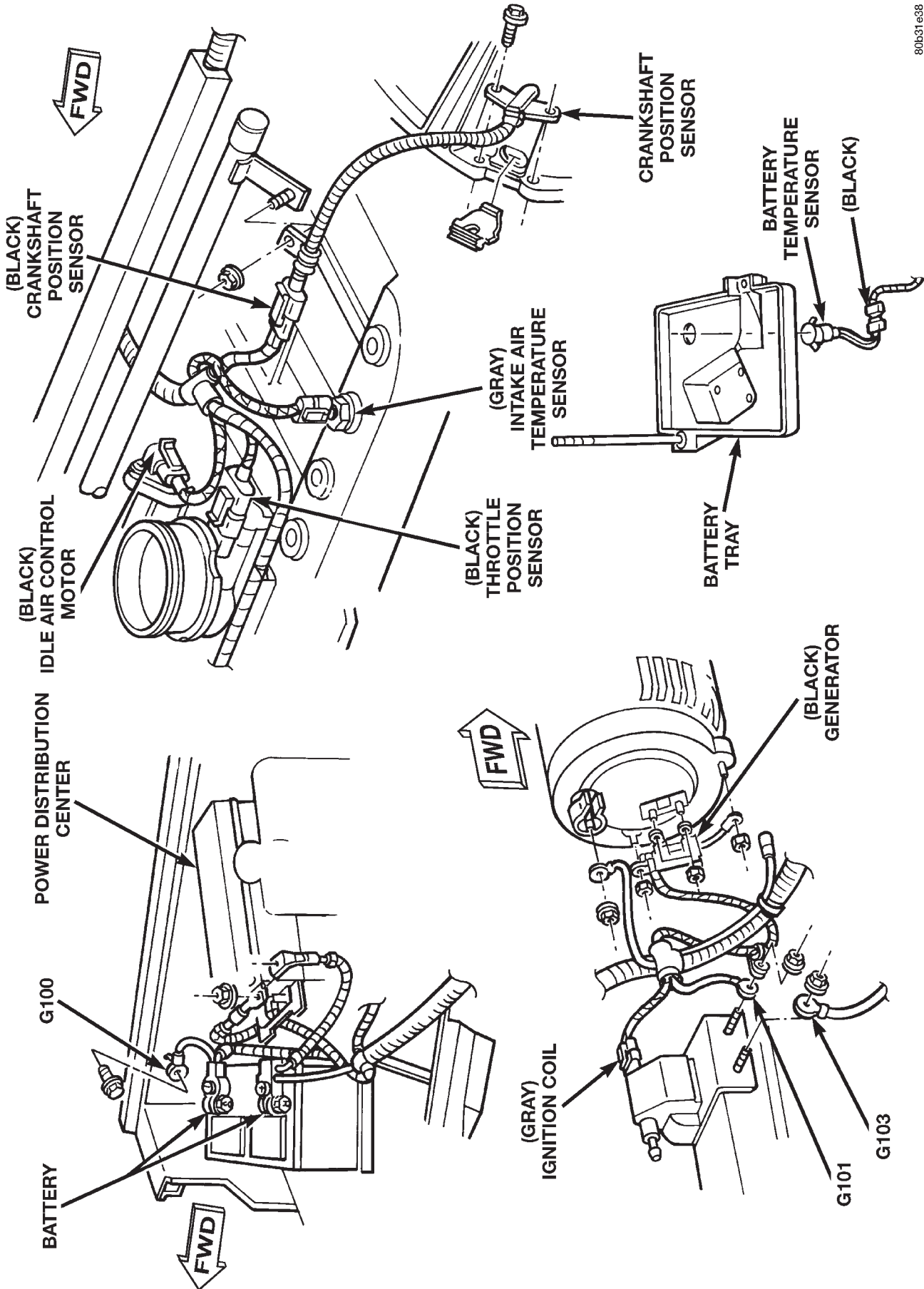
DESCRIPTION AND OPERATION (Continued)



80b31e37

Fig. 15 Engine Connectors 4.0L Engine

DESCRIPTION AND OPERATION (Continued)



80b31e38

Fig. 16 Engine and Battery 4.0L Engine

DESCRIPTION AND OPERATION (Continued)

80b31e39

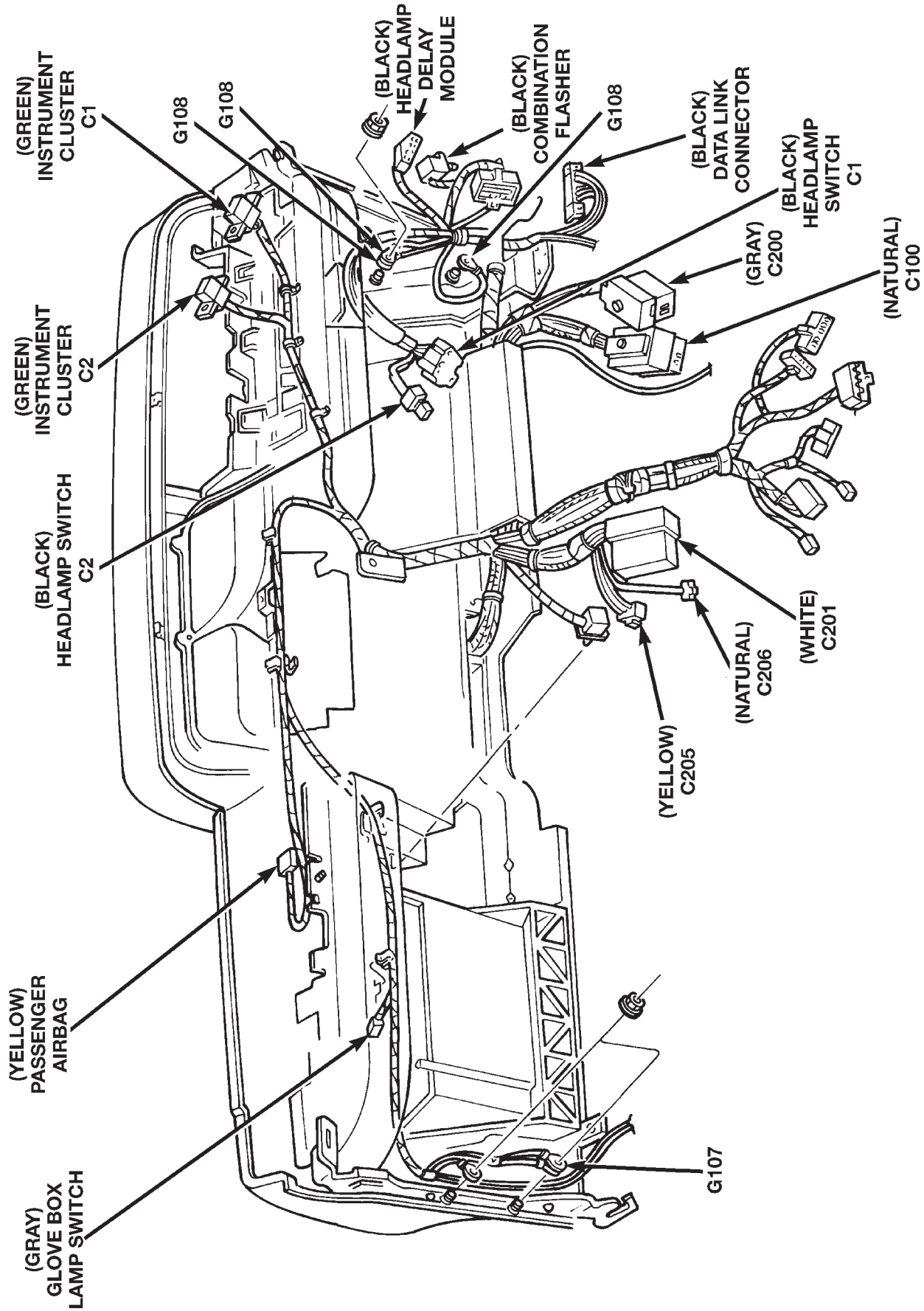


Fig. 17 Instrument Panel Connectors LHD

DESCRIPTION AND OPERATION (Continued)

80b31e3a

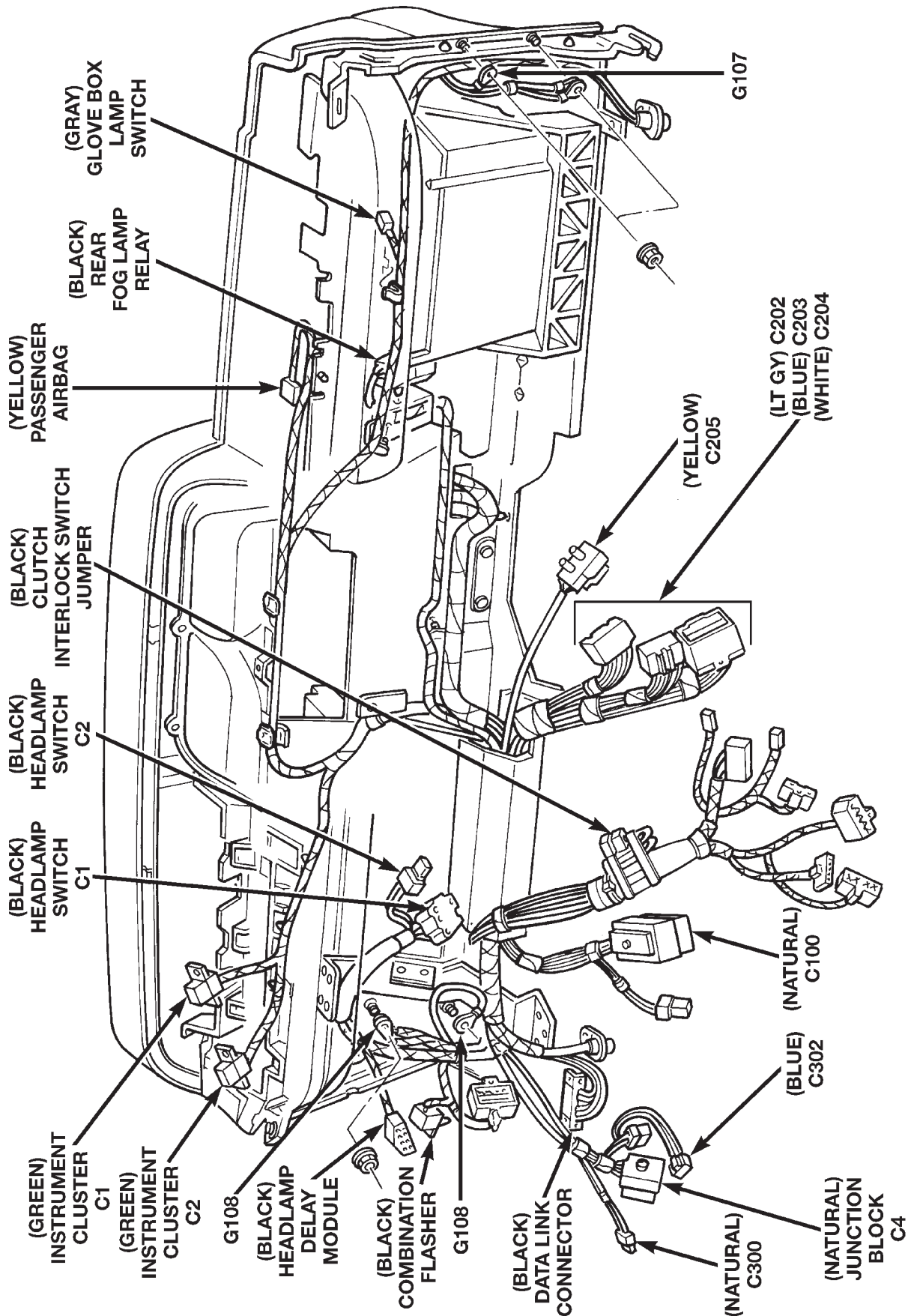
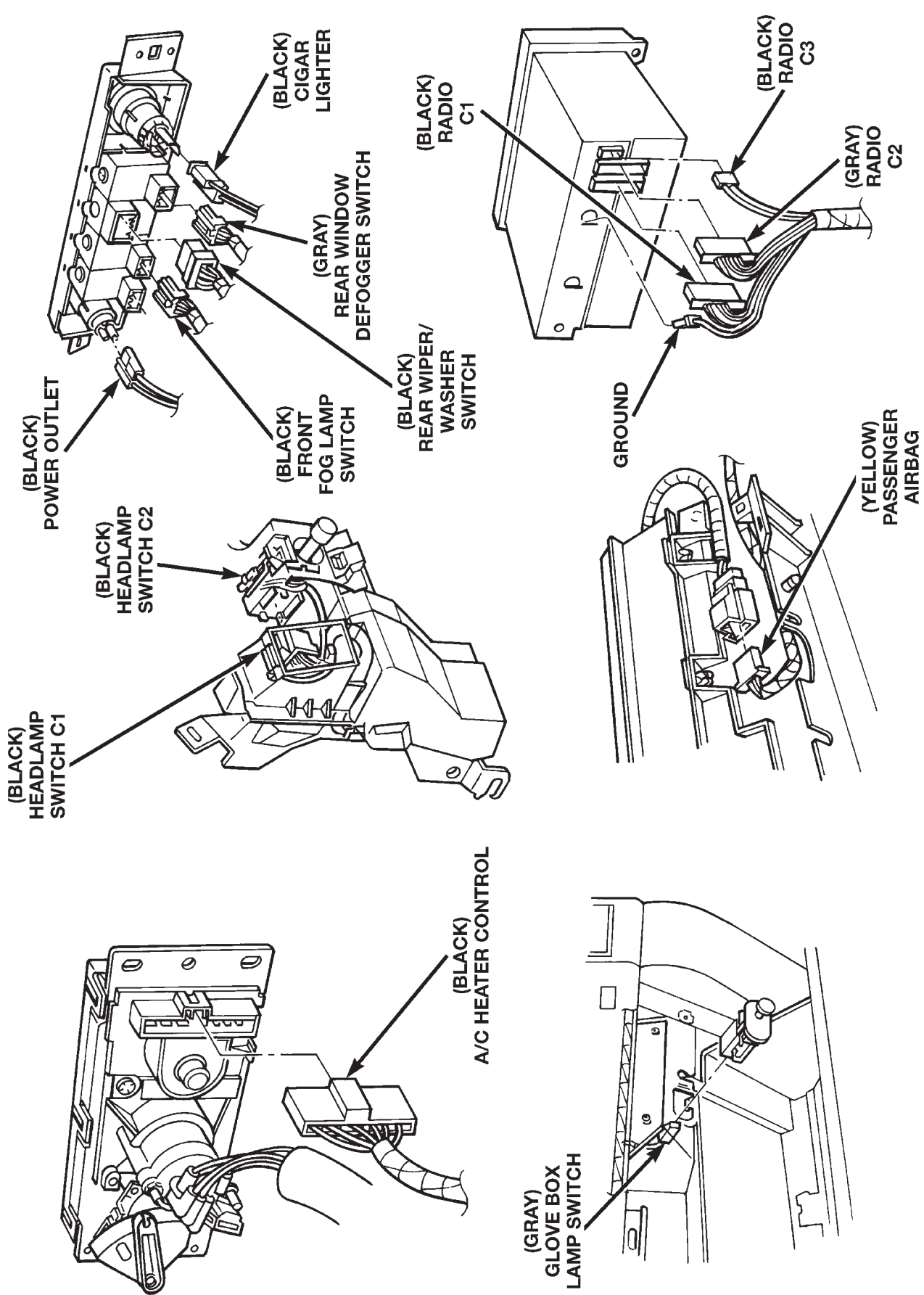


Fig. 18 Instrument Panel Connectors RHD

DESCRIPTION AND OPERATION (Continued)



80b31e3b

Fig. 19 Instrument Panel Components LHD

DESCRIPTION AND OPERATION (Continued)

80b31e3c

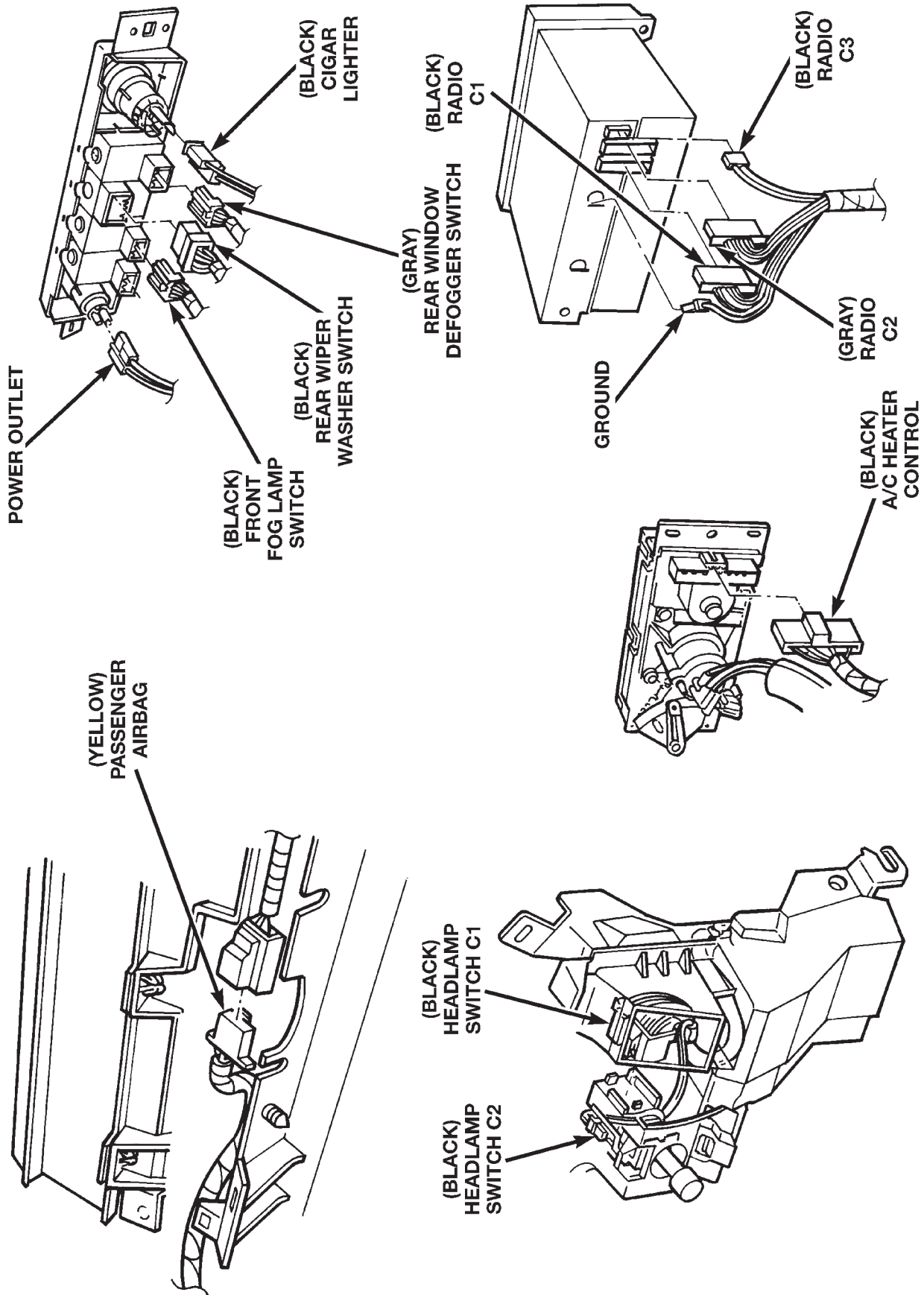


Fig. 20 Instrument Panel Components RHD

DESCRIPTION AND OPERATION (Continued)

80b31e3e

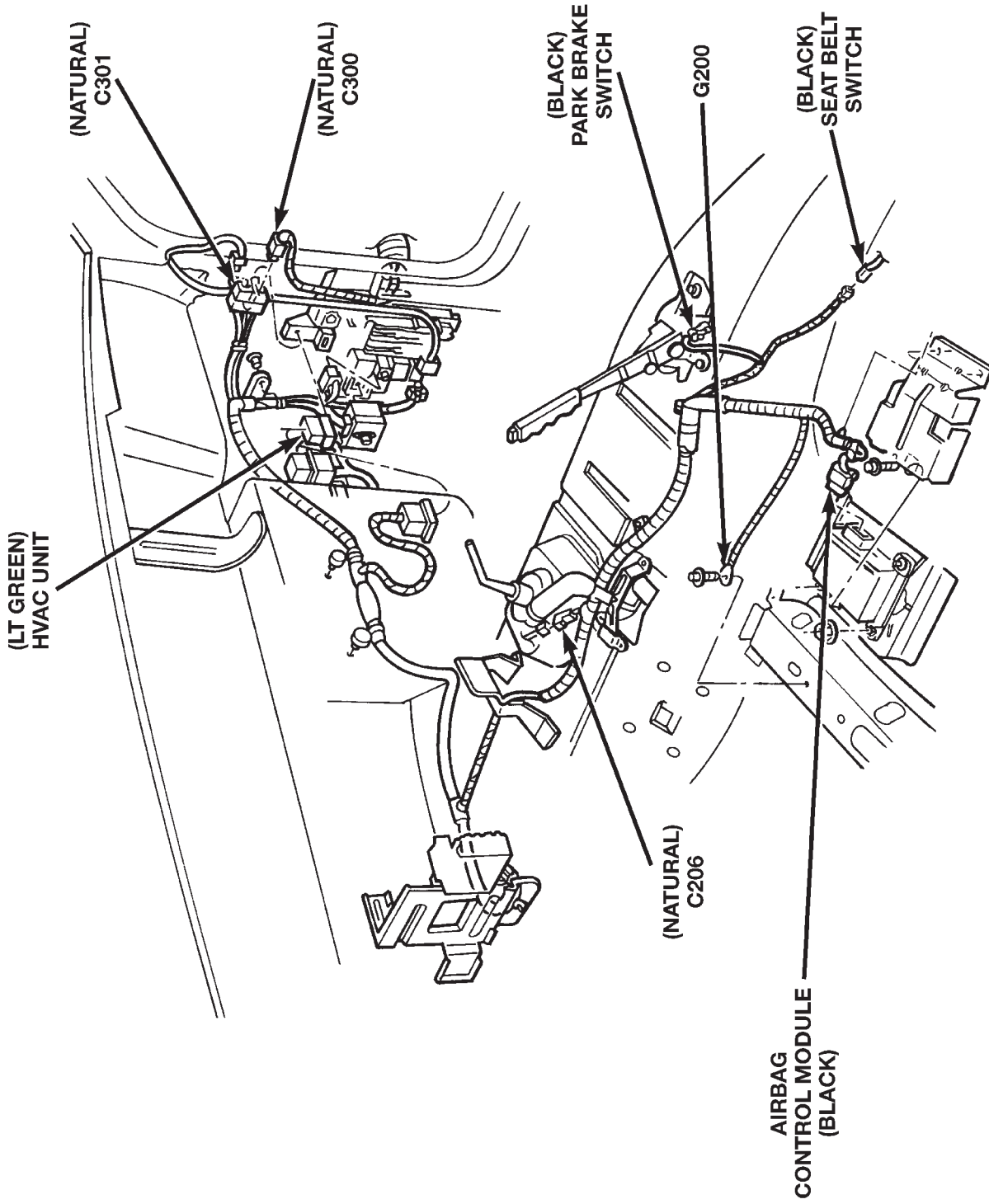


Fig. 21 Center Console LHD

DESCRIPTION AND OPERATION (Continued)

80b31e3f

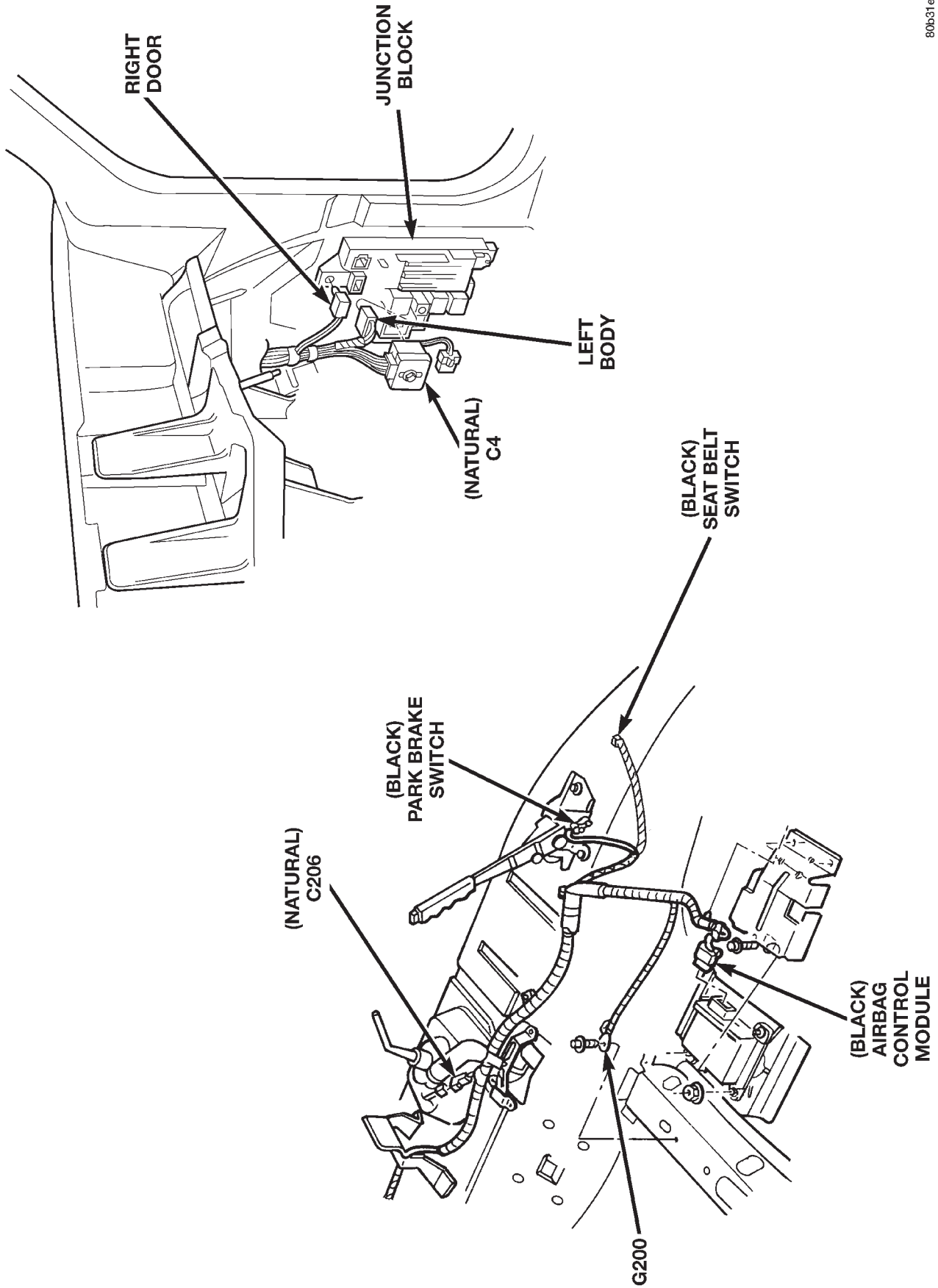
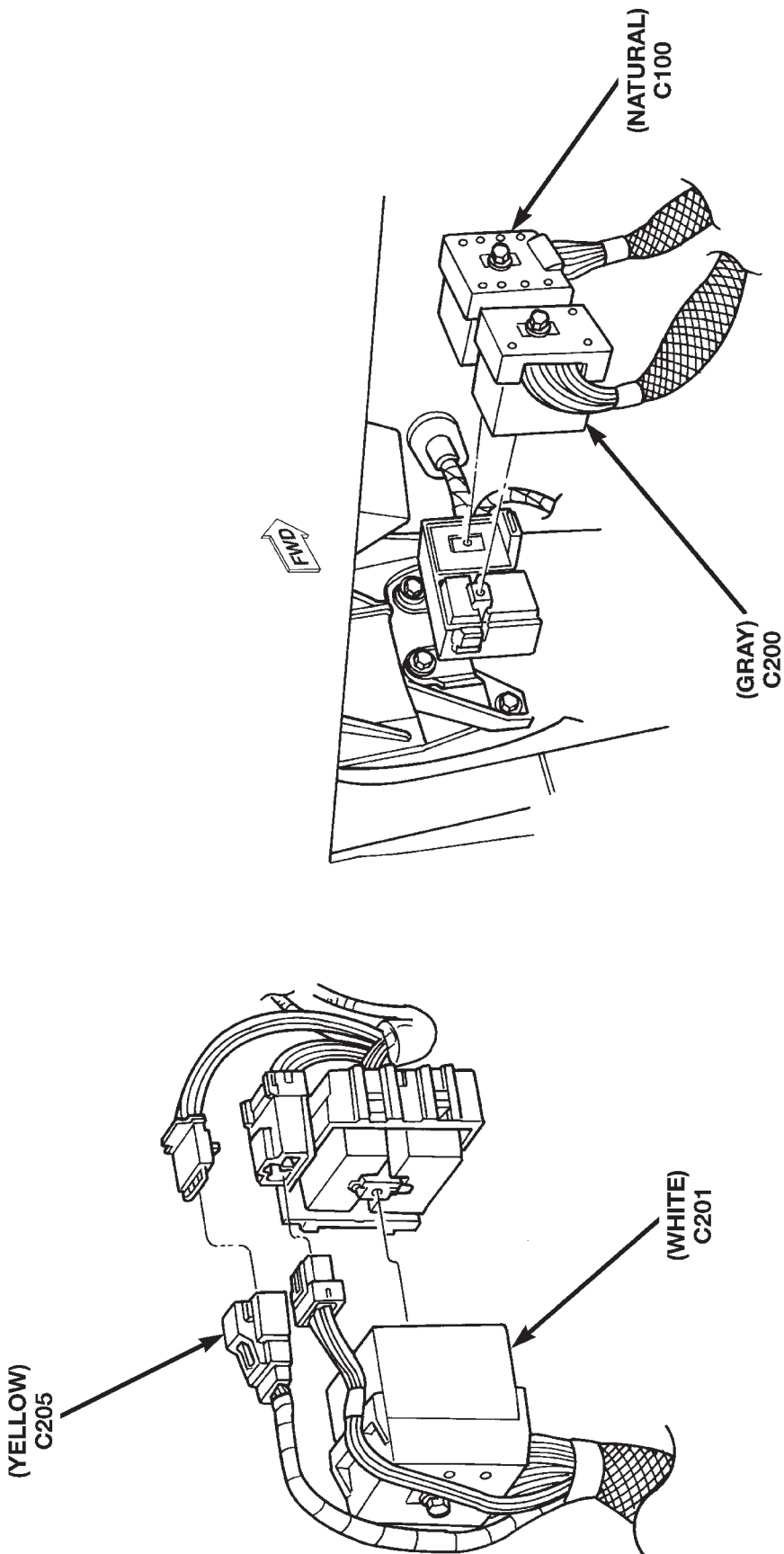


Fig. 22 Center Console RHD



DESCRIPTION AND OPERATION (Continued)



80b31e40

Fig. 23 Instrument Panel to Body Connectors LHD

DESCRIPTION AND OPERATION (Continued)

80b31e41

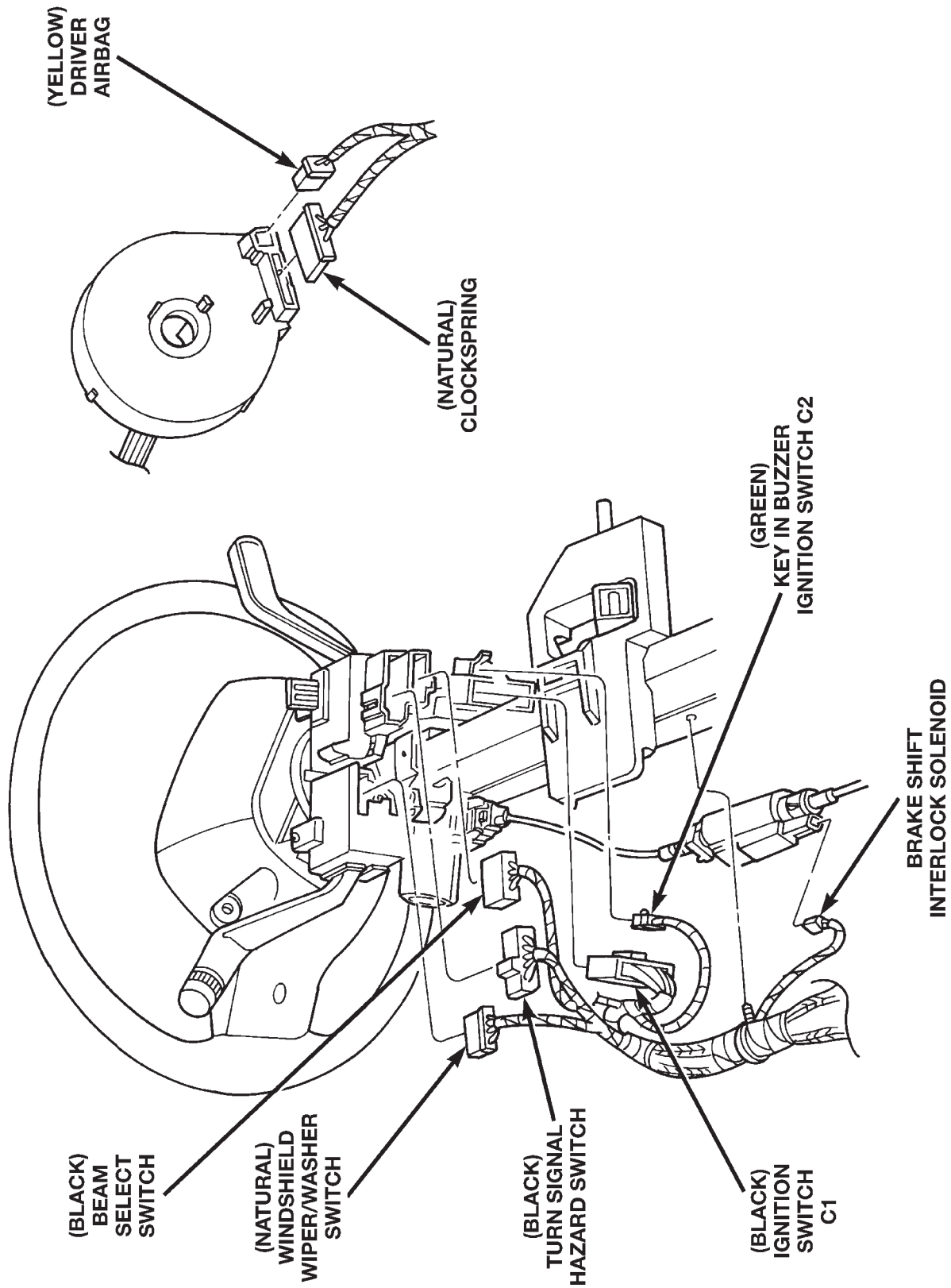


Fig. 24 Steering Column

DESCRIPTION AND OPERATION (Continued)

80b31e42

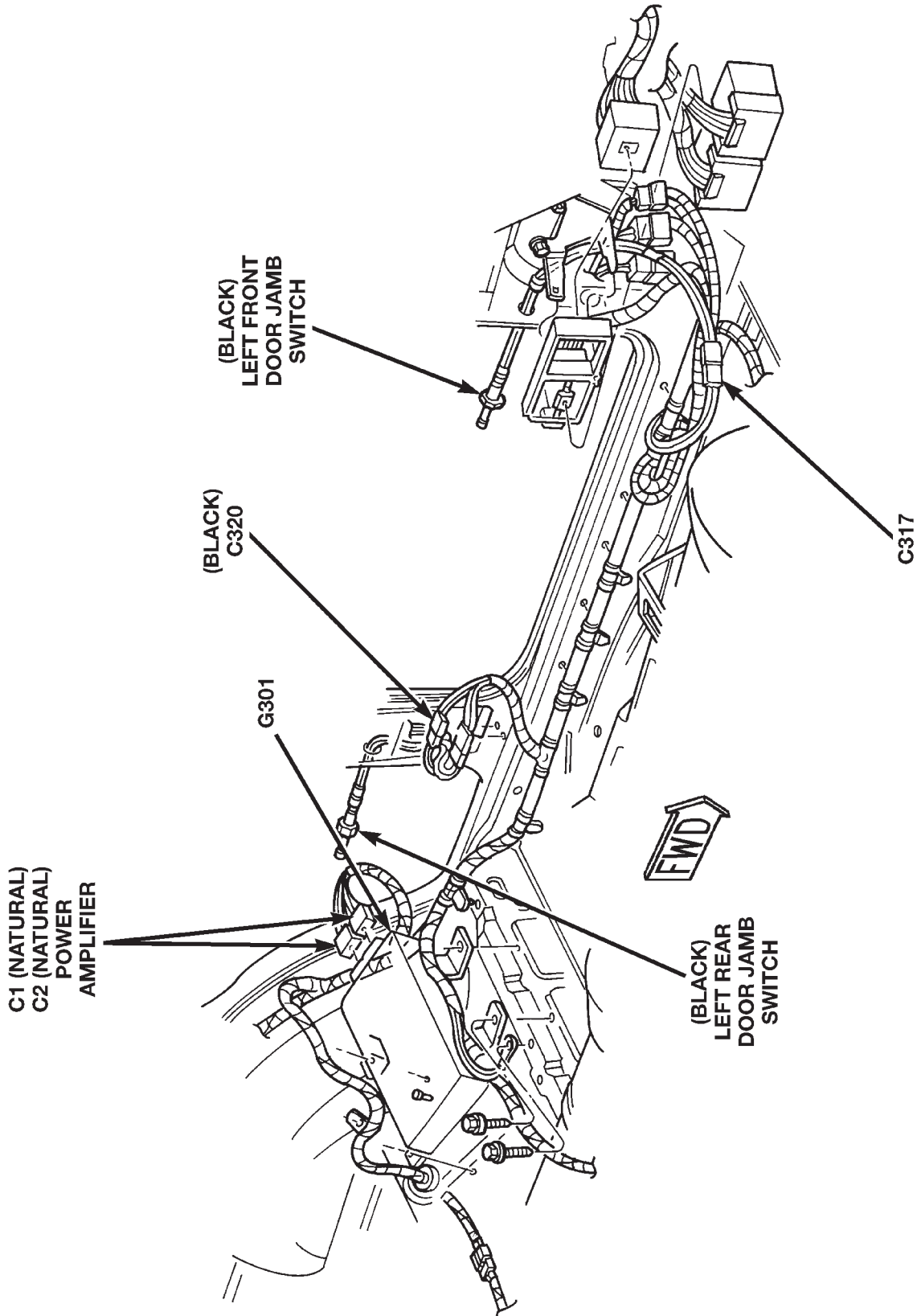
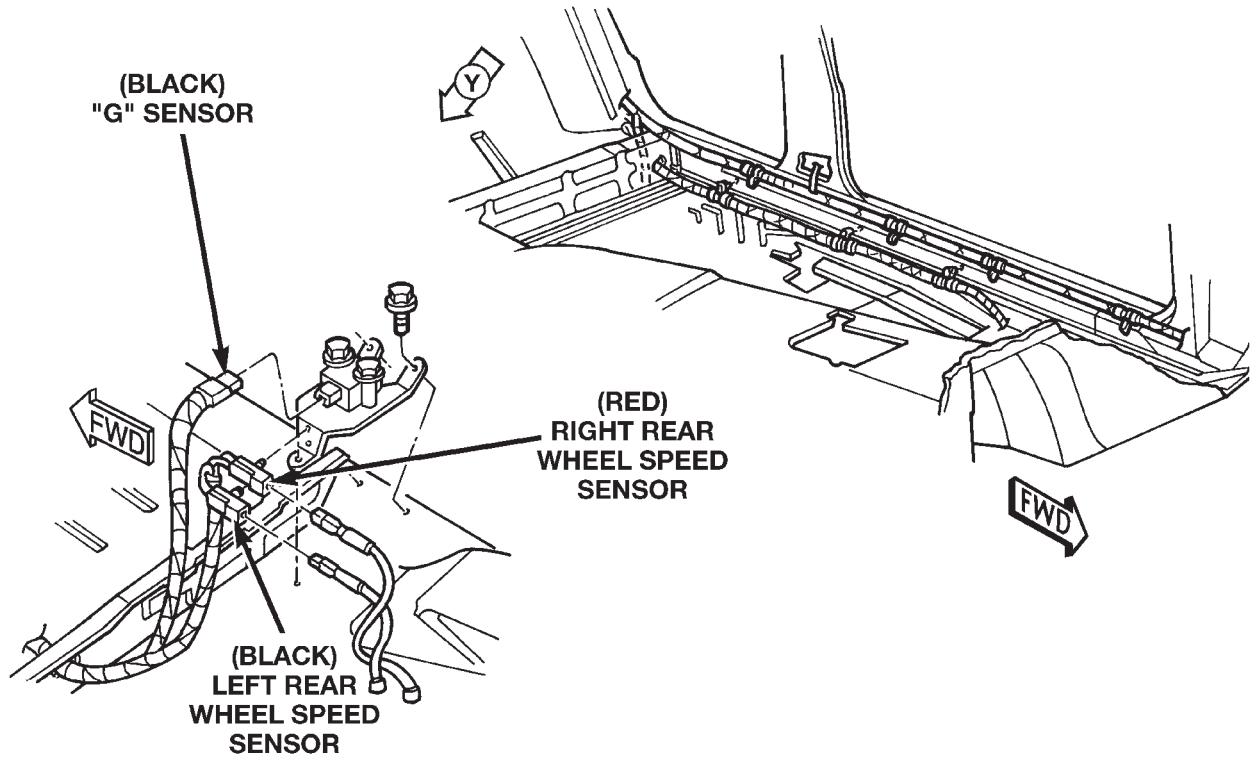


Fig. 25 Left Side Body

DESCRIPTION AND OPERATION (Continued)



VIEW IN DIRECTION  
OF ARROW Y

80b2b6ad

*Fig. 26 ABS G-Sensor*

DESCRIPTION AND OPERATION (Continued)

80b31e44

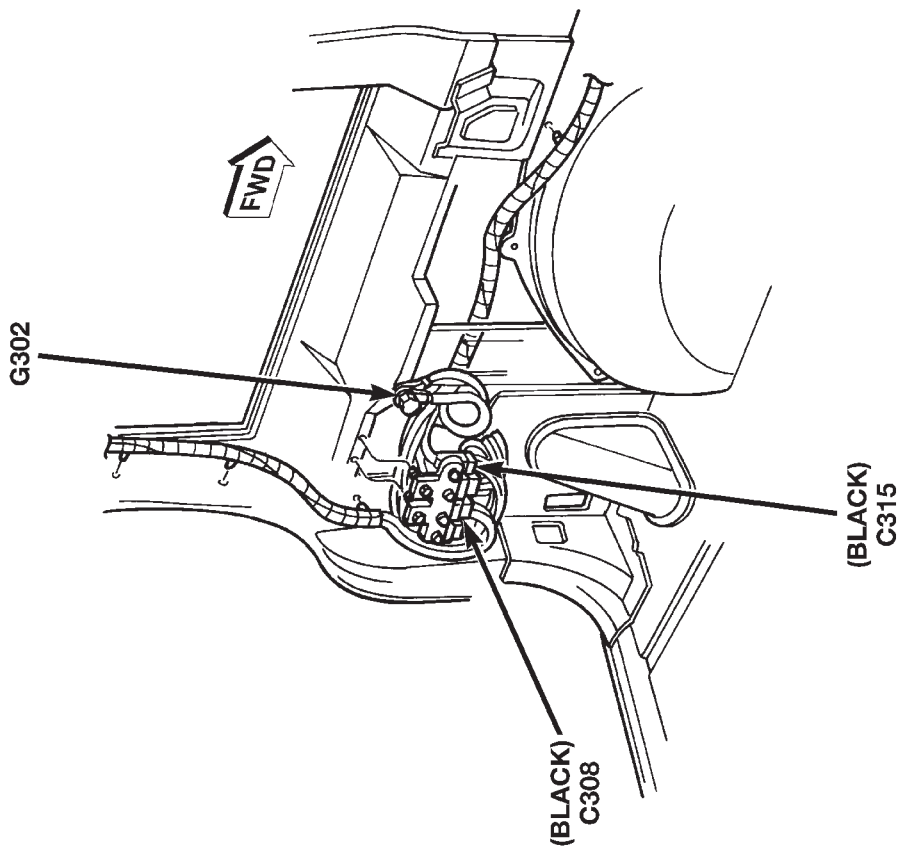
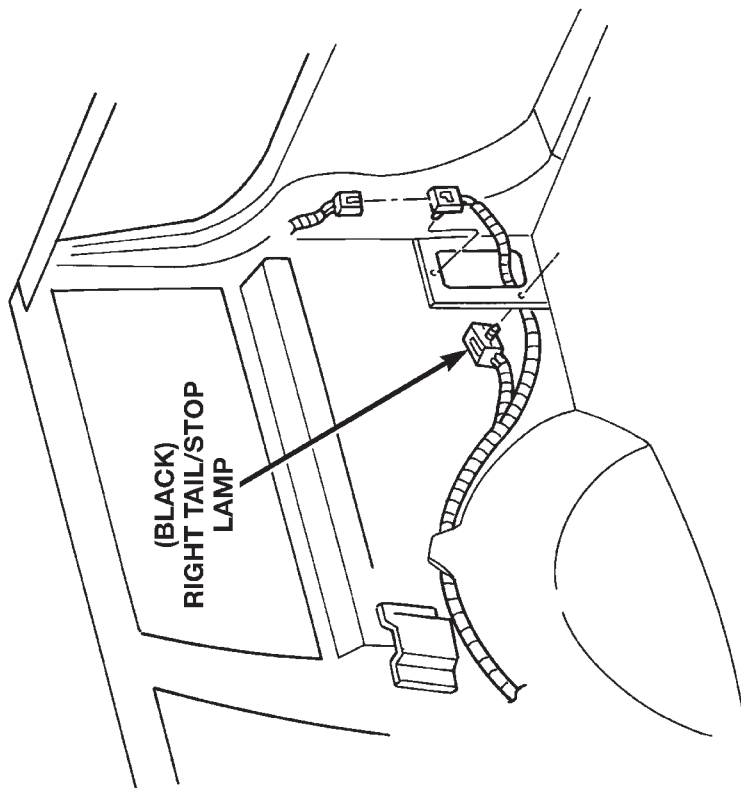


Fig. 27 Rear Lamps

DESCRIPTION AND OPERATION (Continued)

80b31e46

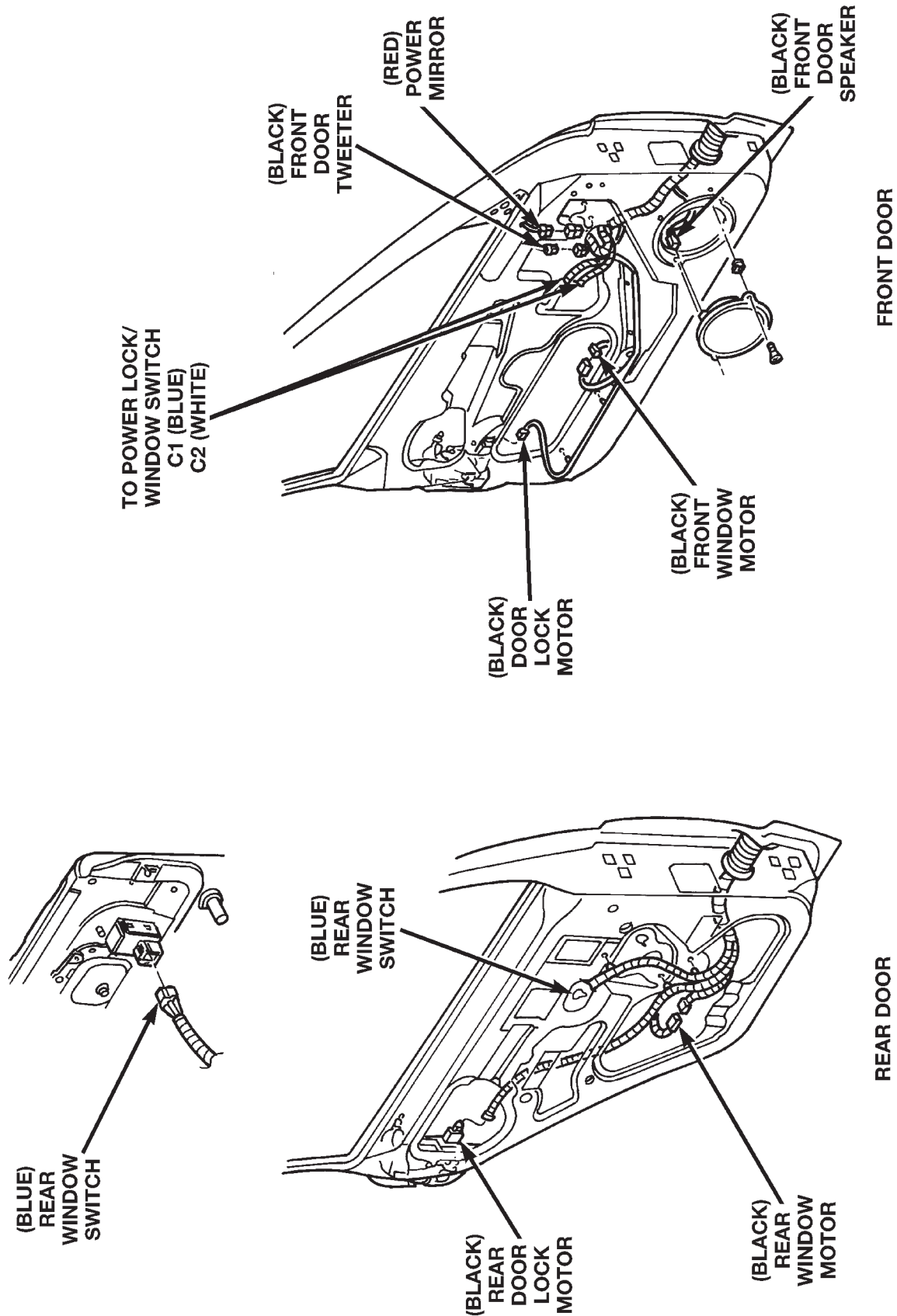


Fig. 28 Front and Rear Doors (Left Side Shown, Right Side Similar)

DESCRIPTION AND OPERATION (Continued)

80631e47

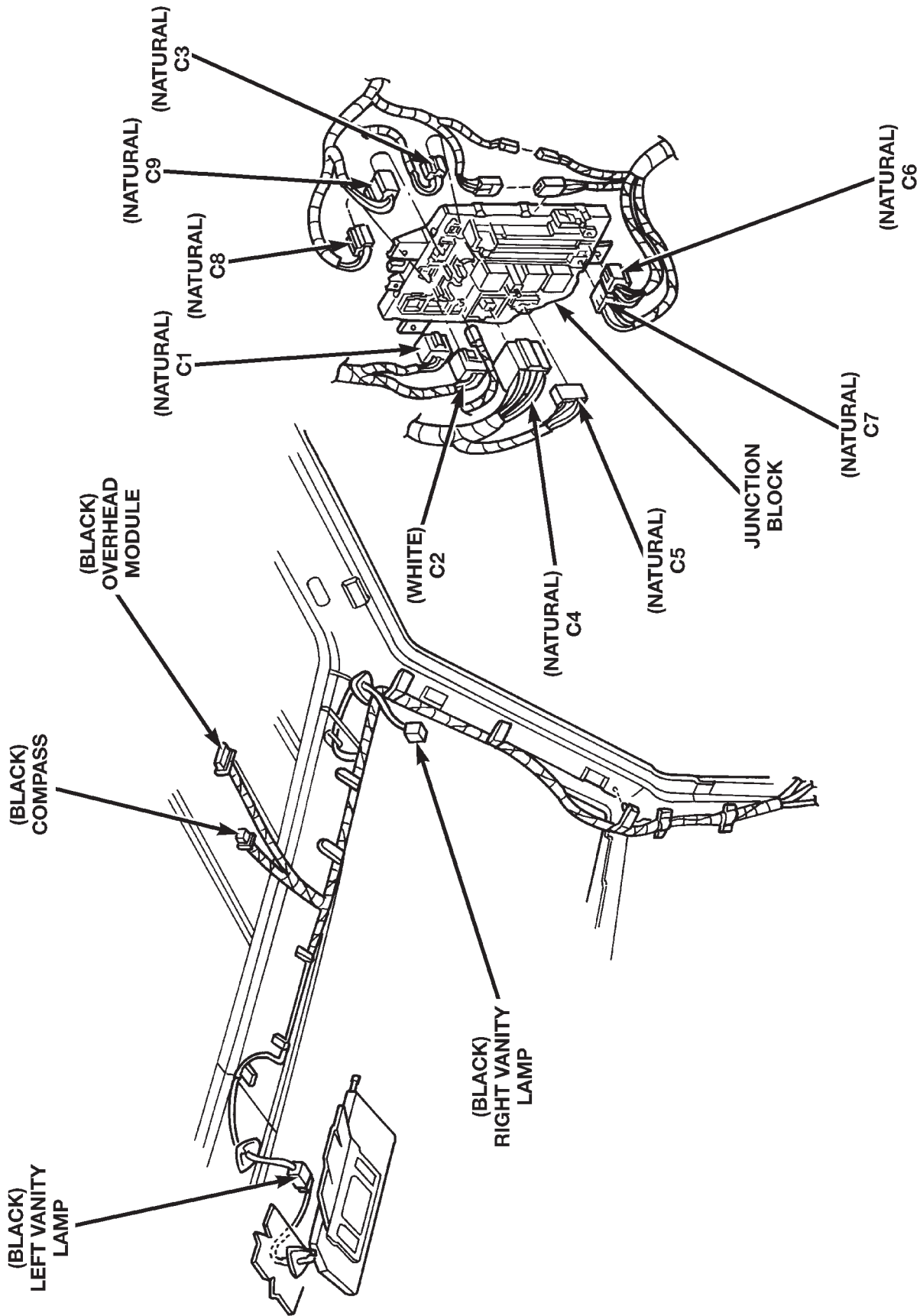
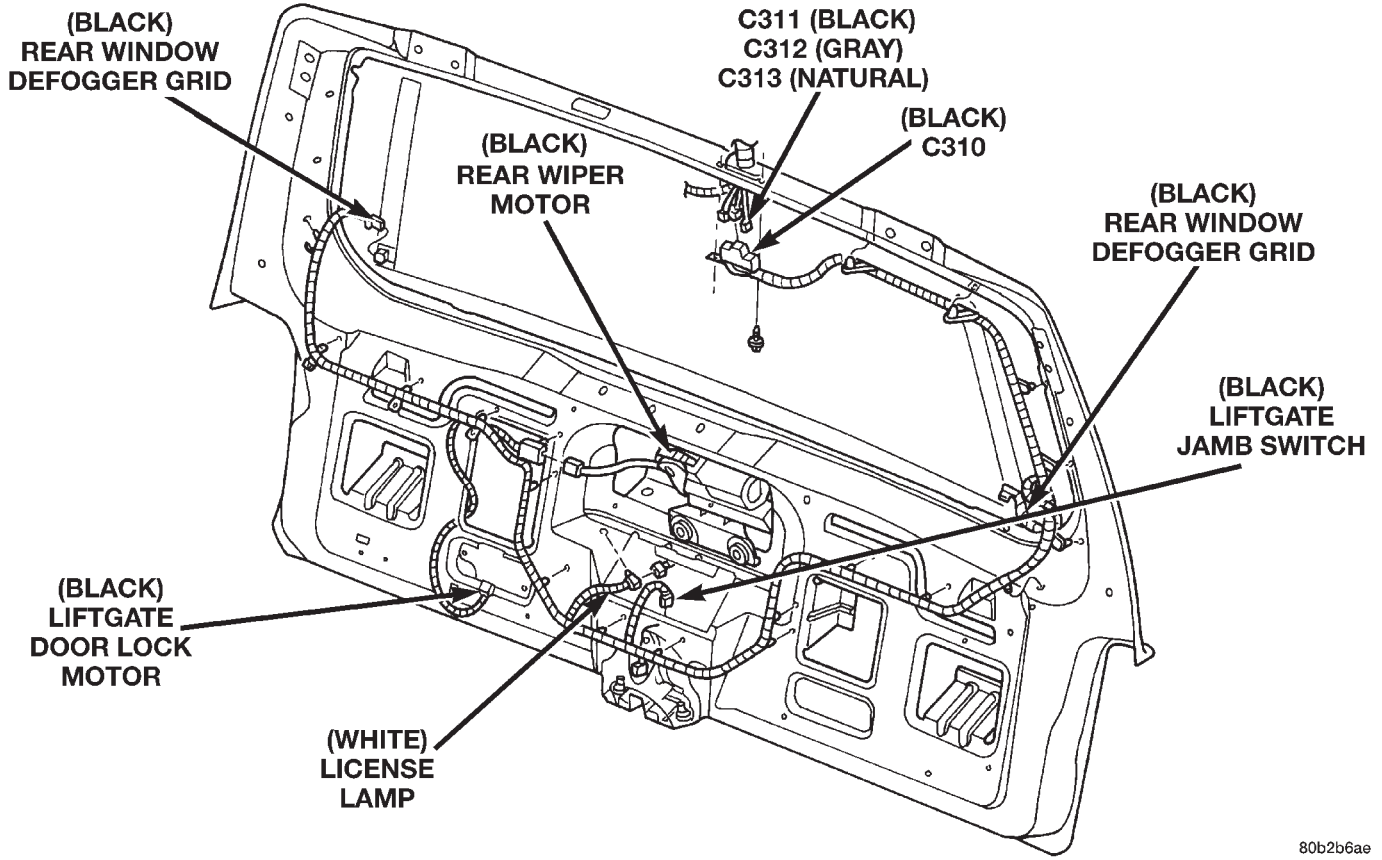


Fig. 29 Overhead and Junction Block

DESCRIPTION AND OPERATION (Continued)

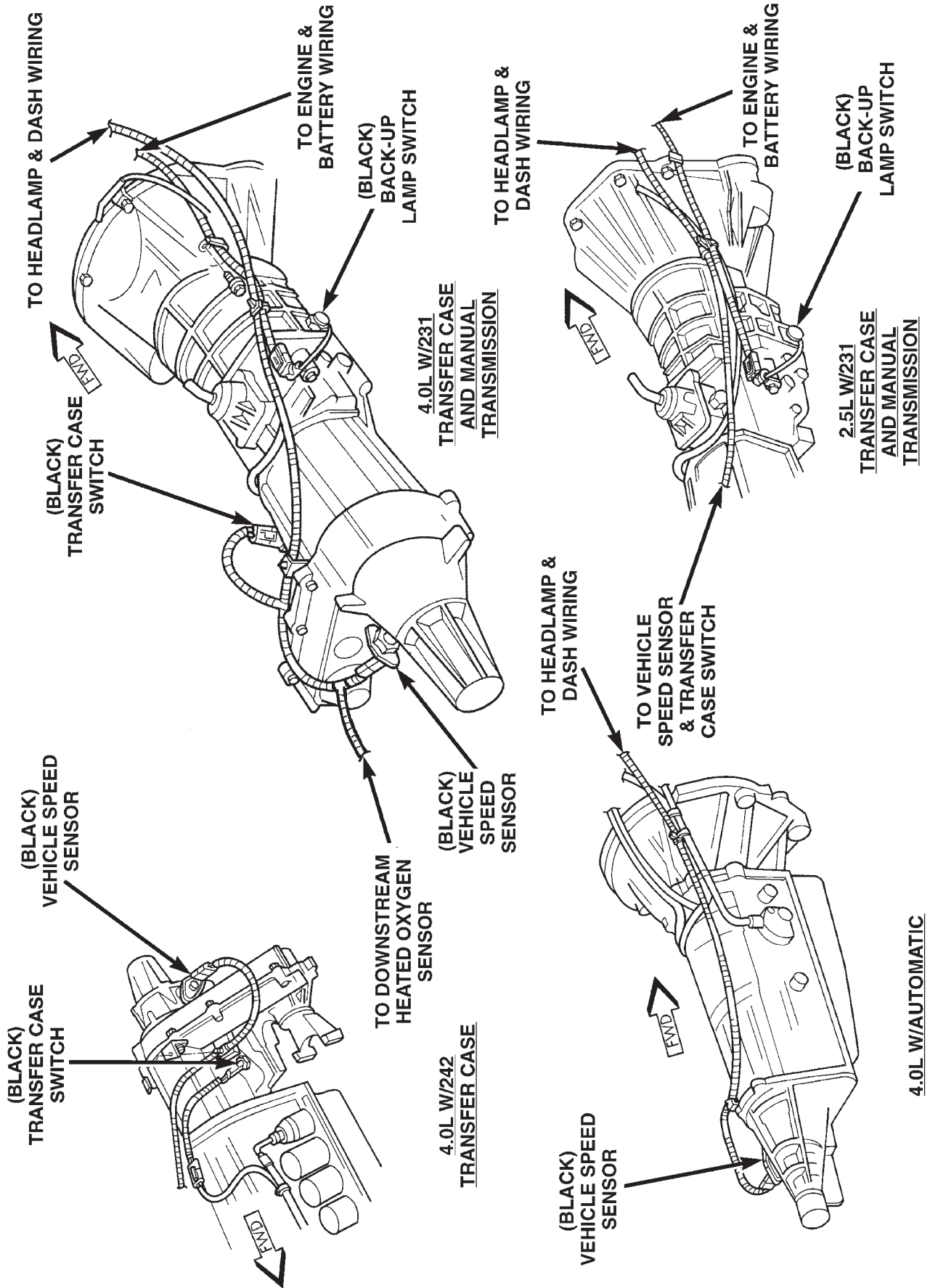


80b2b6ae

Fig. 30 Liftgate



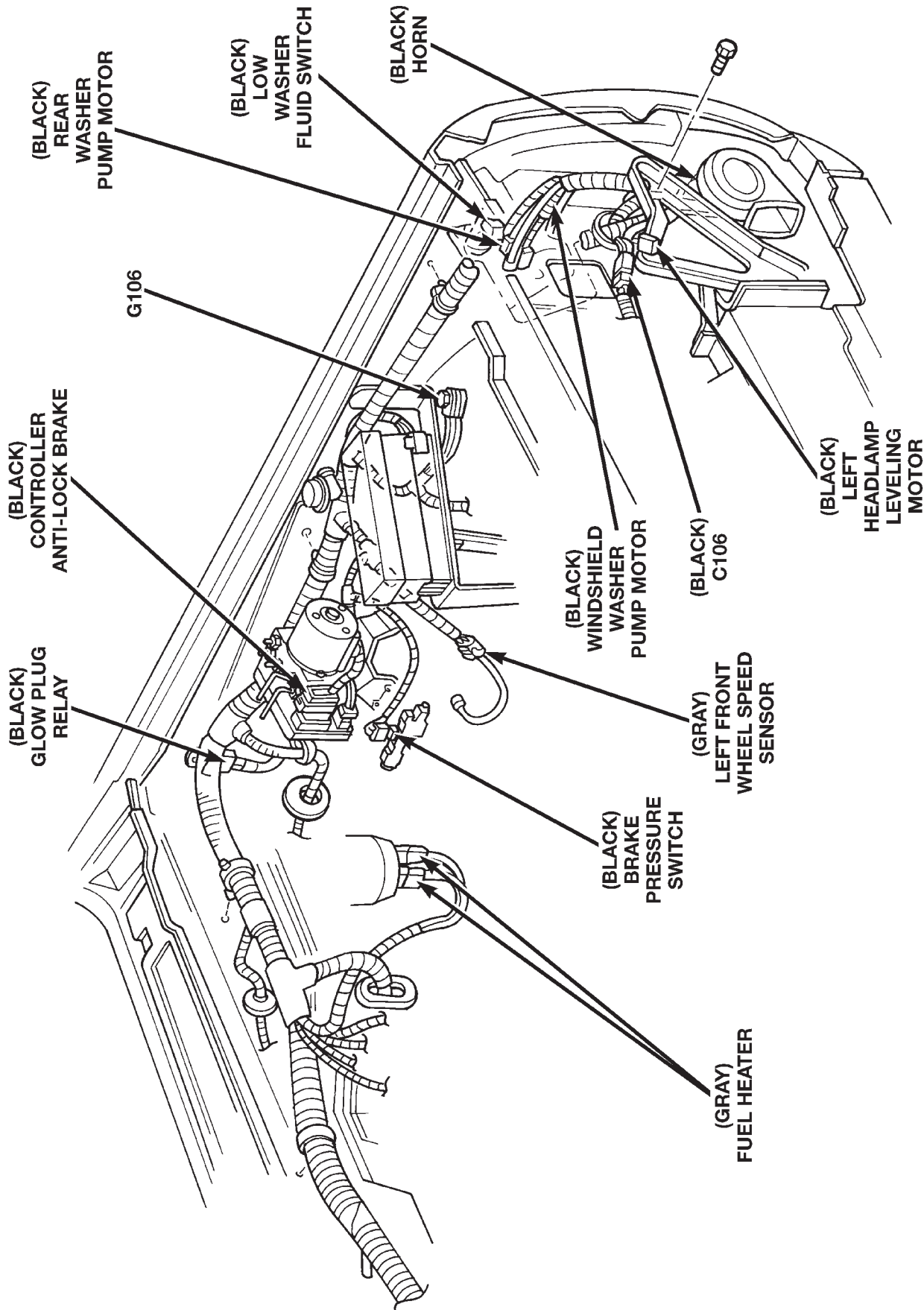
DESCRIPTION AND OPERATION (Continued)



80b31e48

Fig. 31 Transmission Wiring Connectors

DESCRIPTION AND OPERATION (Continued)



80b31e49

Fig. 32 Left Engine Compartment Diesel Engine LHD

DESCRIPTION AND OPERATION (Continued)

80b31e4a

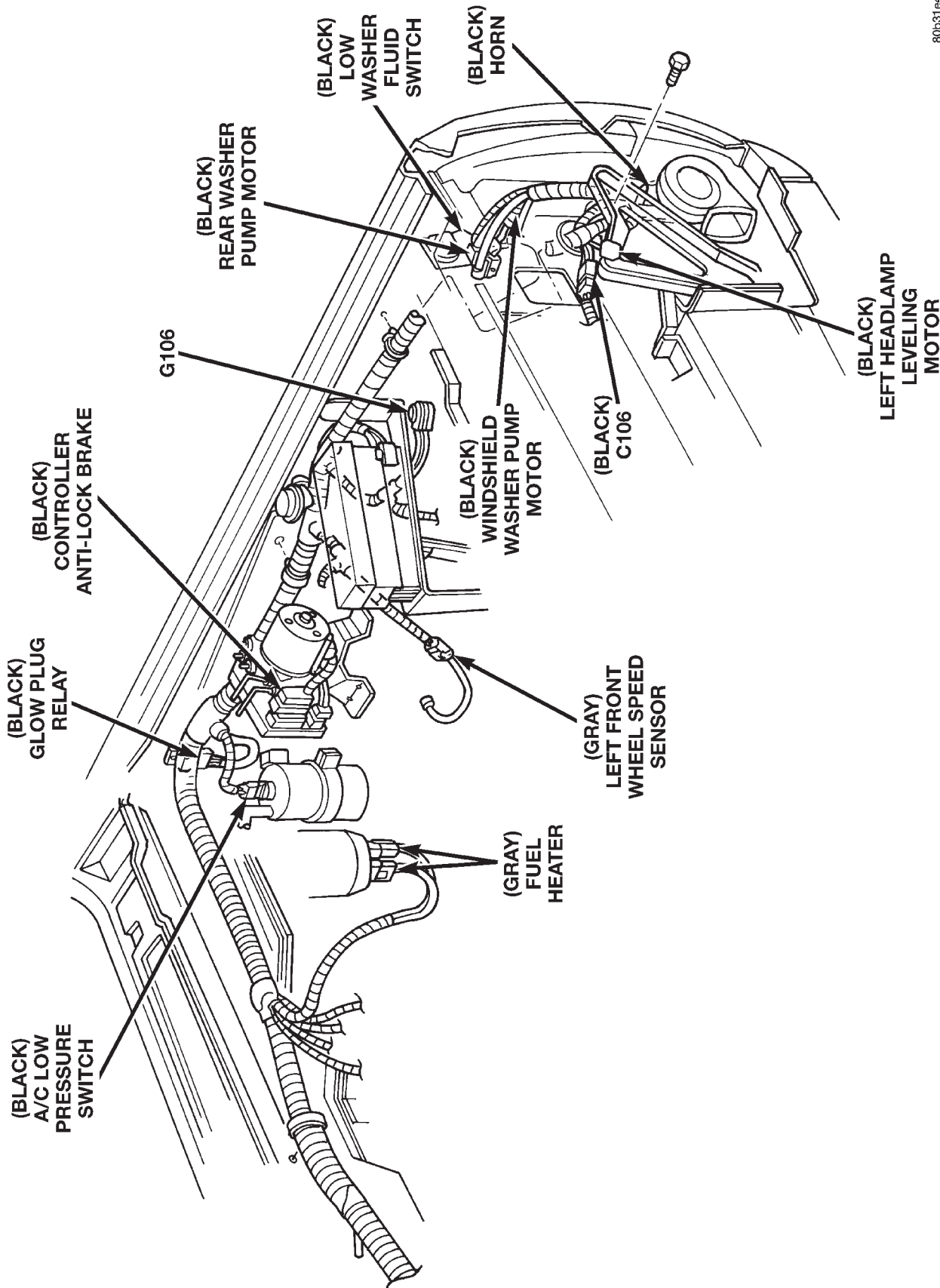


Fig. 33 Left Engine Compartment Diesel Engine RHD

DESCRIPTION AND OPERATION (Continued)

80b31e4b

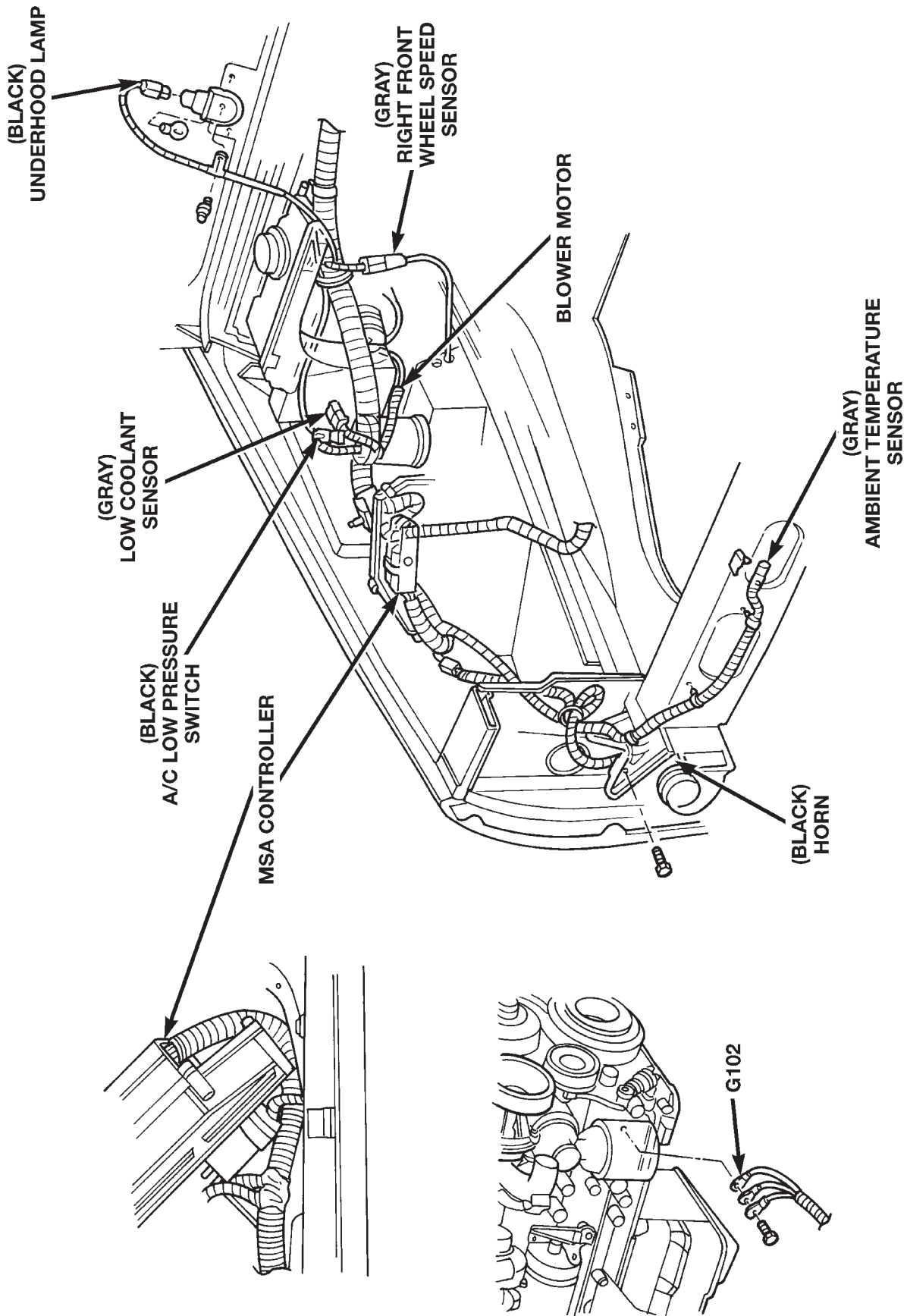


Fig. 34 Right Engine Compartment Diesel Engine LHD

DESCRIPTION AND OPERATION (Continued)

80b31e4c

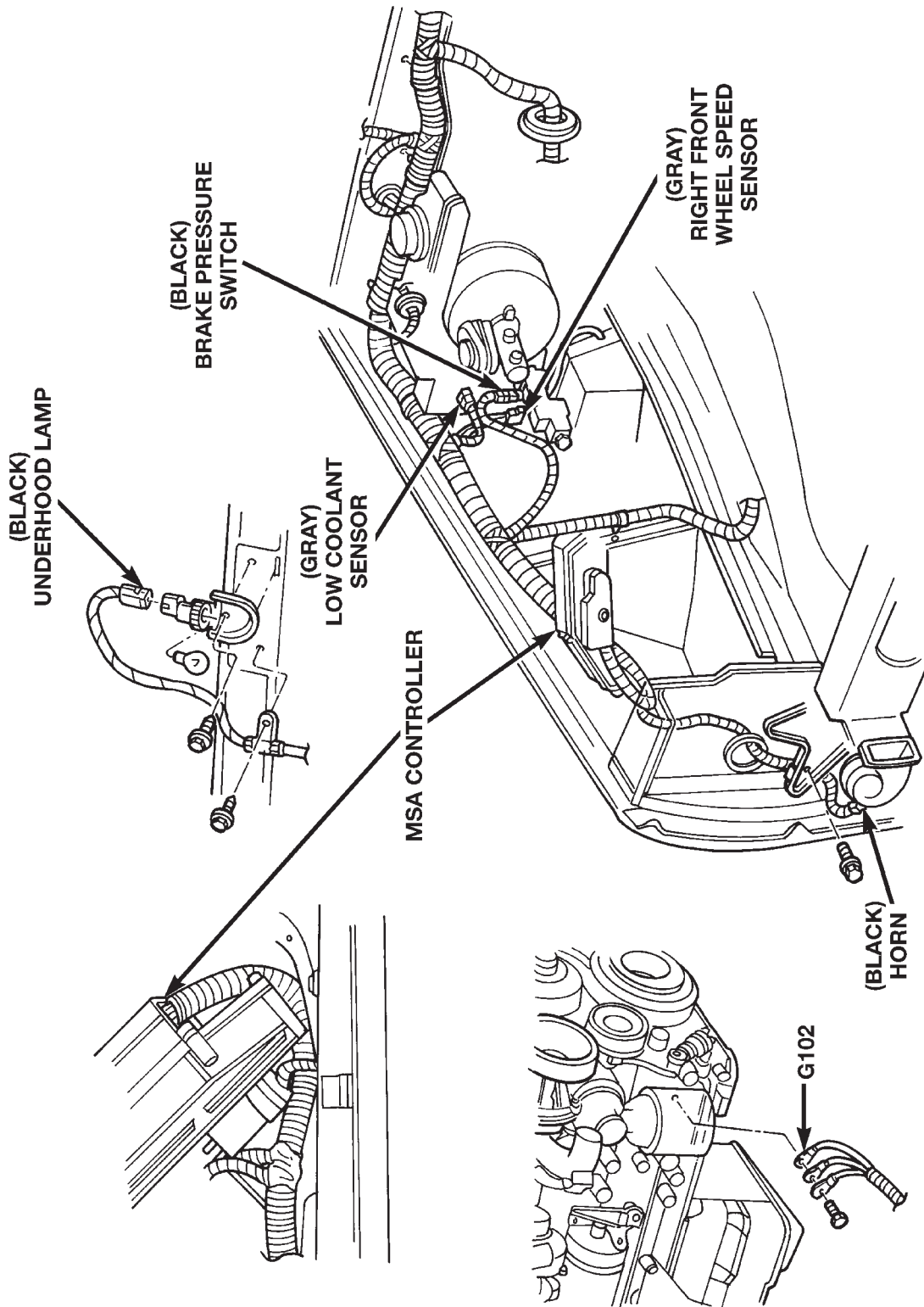
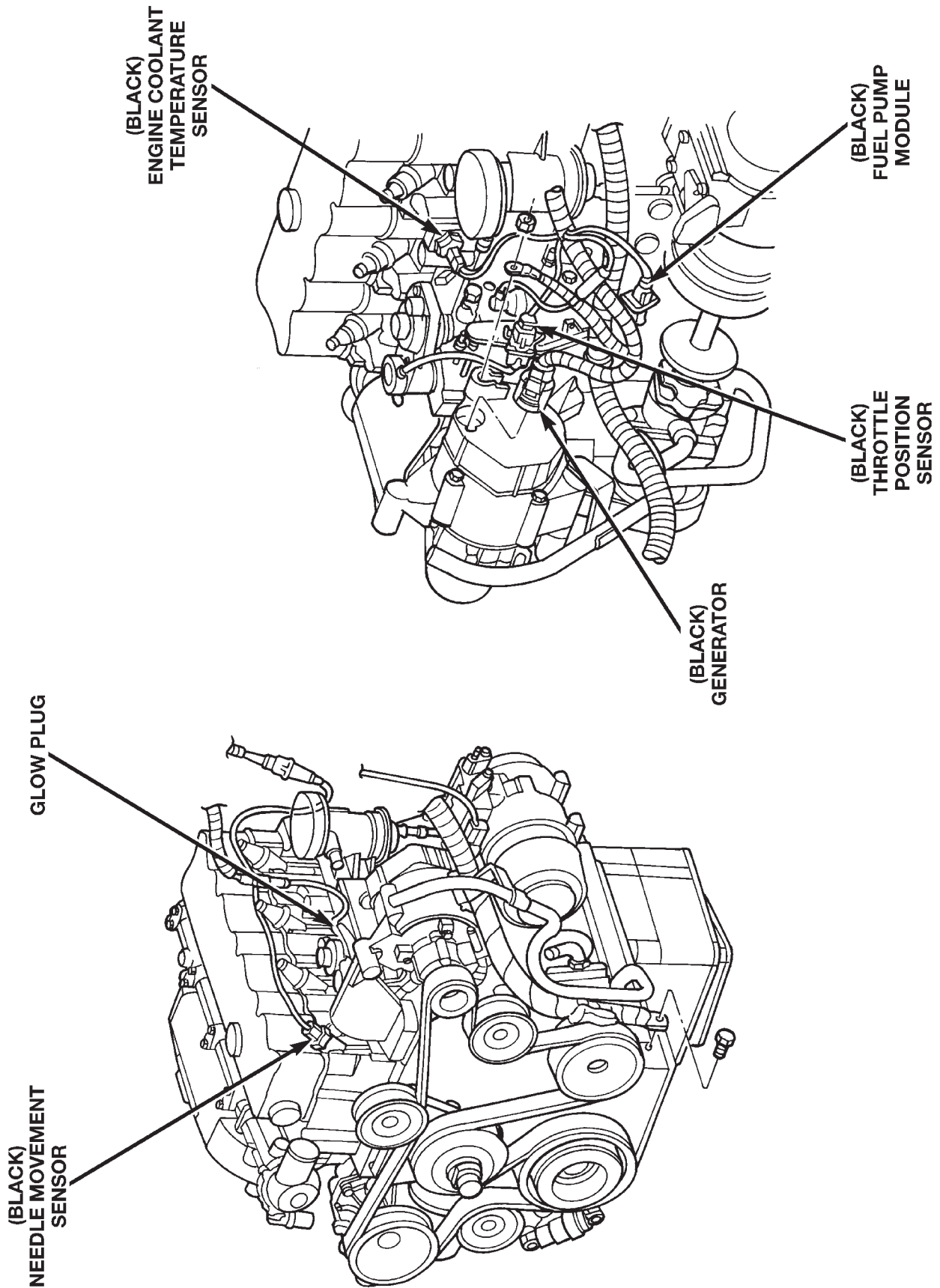


Fig. 35 Right Engine Compartment Diesel Engine RHD

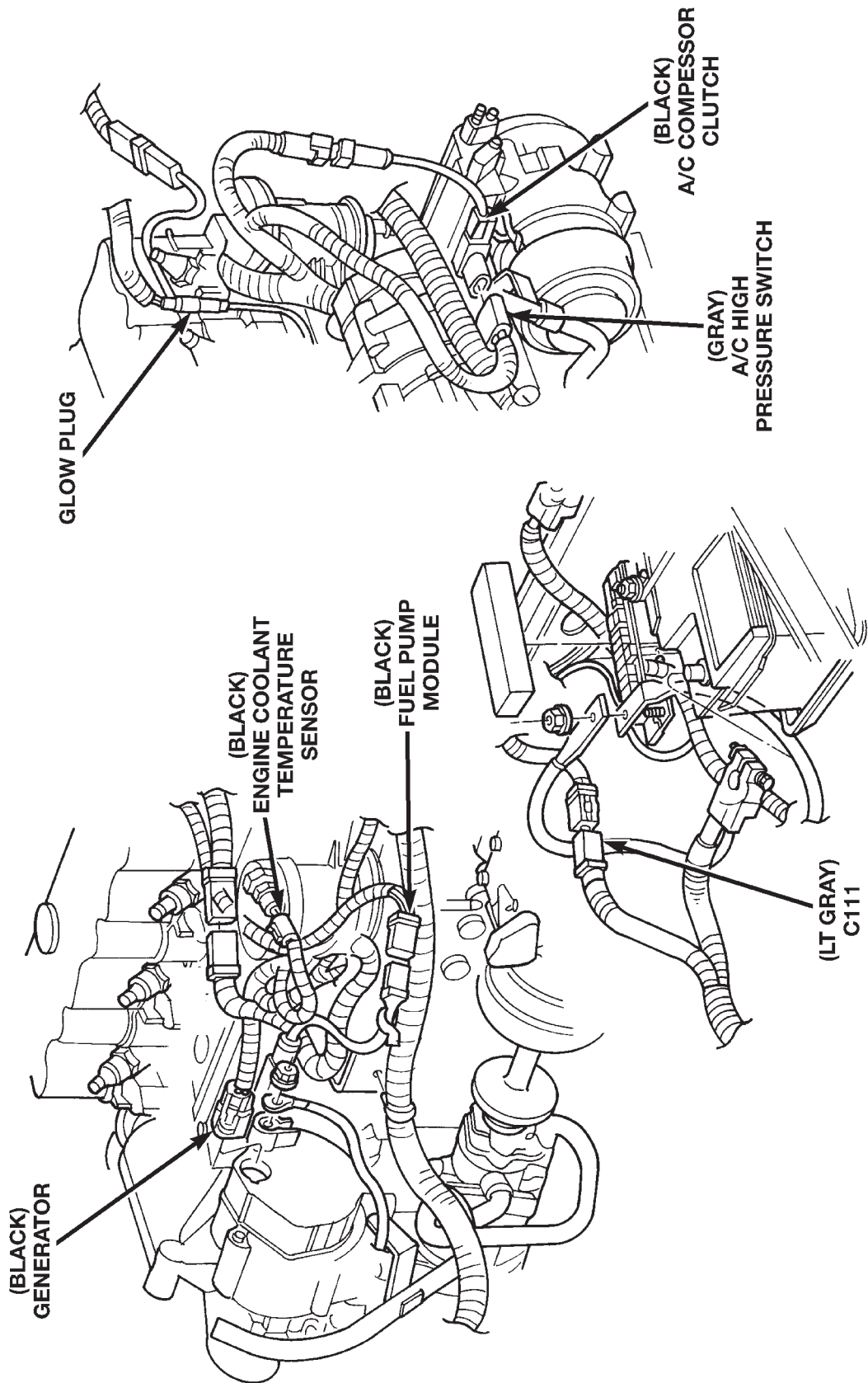
DESCRIPTION AND OPERATION (Continued)



80b31e4d

Fig. 36 Engine Connectors Diesel Engine

DESCRIPTION AND OPERATION (Continued)



80b31e4e

Fig. 37 Engine and Battery Diesel Engine

DESCRIPTION AND OPERATION (Continued)

80b31e4f

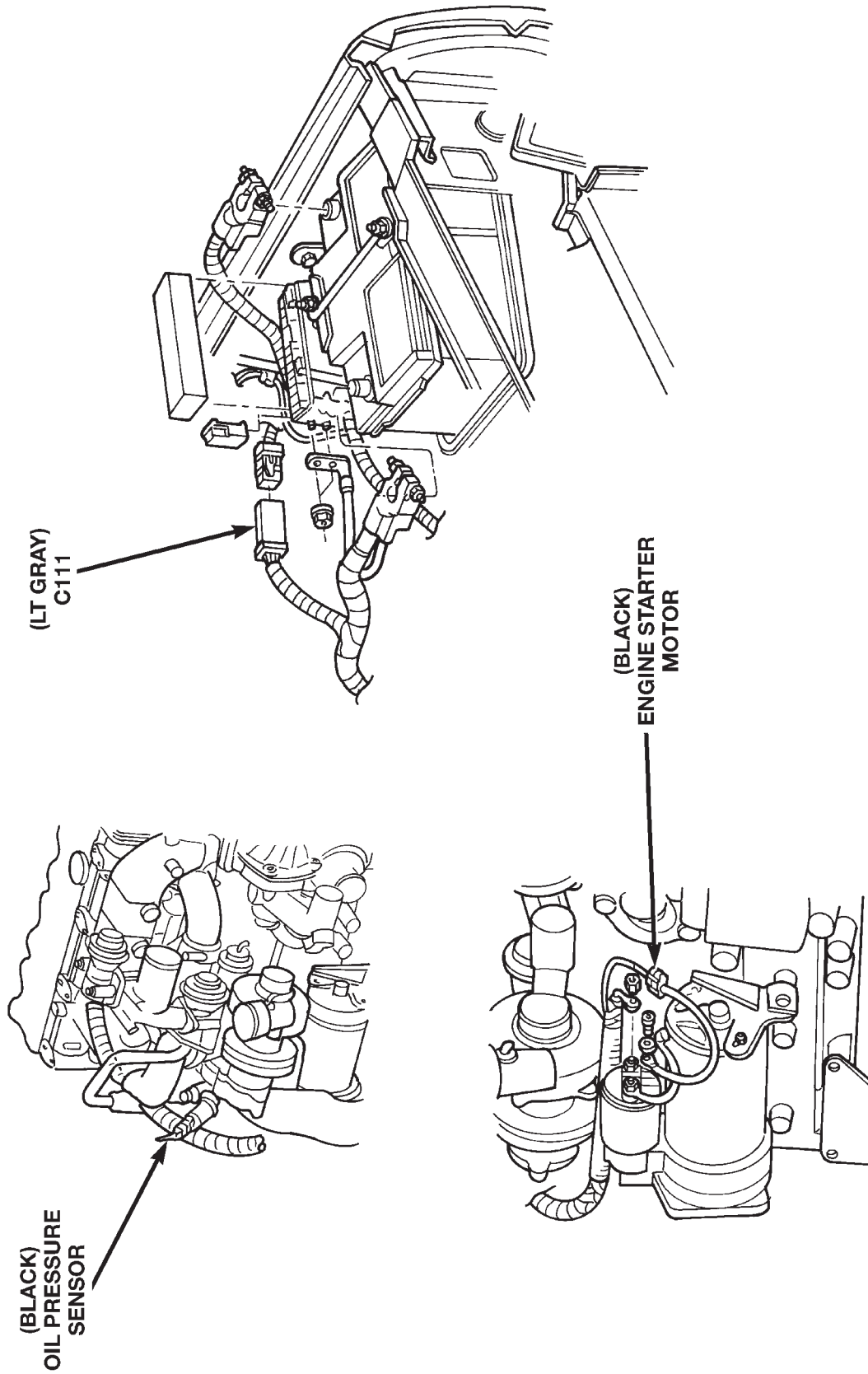


Fig. 38 Starter and Battery Diesel Engine



DESCRIPTION AND OPERATION (Continued)

80b31e50

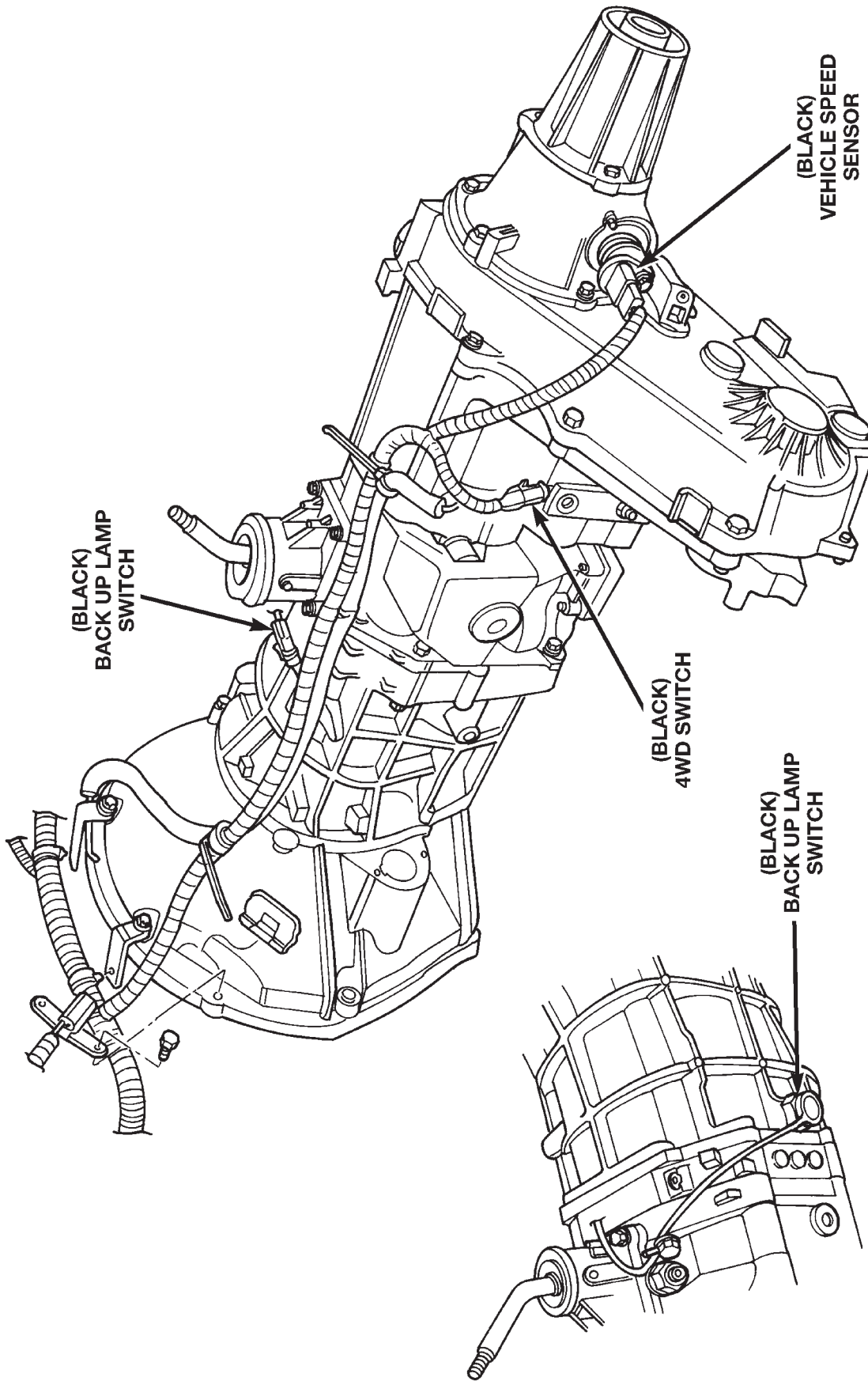


Fig. 39 Transmission Connectors Diesel Engine



## 8W-95 SPLICE LOCATIONS

### DESCRIPTION AND OPERATION

#### INTRODUCTION

This section provides illustrations identifying the general location of the splices in this vehicle. A splice index is provided. Use the wiring diagrams in each

section for splice number identification. Refer to the index for proper splice number.

#### SPLICE LOCATIONS

For splices that are not shown in the figures in this section a N/S is placed in the Fig. column.

Splice Number	Location	Fig.
S100	Near Right Headlamp	9
S101 (Except Built-Up-Export)	Near Right Headlamp	9
S102	Between Headlamps	9
S103	Near Left Headlamp	9
S104 (Except Built-Up-Export)	Near Left Headlamp	9
S105	Near Left Headlamp	9
S106 (W/Fog Lamps)	Near Left Headlamp	9
S107	Rear of Engine	10, 11, 12
S108	Rear of Engine	10, 11, 12
S109	Near Fuel Injector Harness	10, 11, 12
S110	Near Fuel Injector Harness	10, 11, 12
S111	Near Fuel Injector Harness	10, 11, 12
S112	Near Fuel Injector Harness	10
S113	Near Fuel Injector Harness	10, 11, 12
S114	Near Fuel Injector Harness	10, 11, 12
S115	Near MAP Sensor	11, 12, 19, 20
S116 (Built-Up-Export)	Near Back-Up Switch	11, 12
S118	Near Generator	10
S120 (2.5L)	Rear of Engine	11, 12
S130	Near Power Distribution Center	3, 4, 7, 8, 17, 18

Splice Number	Location	Fig.
S131	Near Purge Solenoid	3, 4, 7, 8, 18, 19, 20
S132	Near Purge Solenoid	2, 3, 4, 7, 8, 17, 18
S133	Left Rear of Engine Compartment	1, 2, 3, 5, 6, 7, 17, 18, 20
S134	Left Rear of Engine Compartment	2, 3
S135	Rear of Engine Compartment	2, 3, 4, 7, 8
S136	Rear of Engine Compartment	2, 3, 7
S137	Rear of Engine Compartment	1, 2, 5, 6, 7, 18
S138	Rear of Engine Compartment	1, 2, 5, 6, 7, 17, 18
S139	Left Rear of Engine Compartment	1, 2, 17, 18
S140	Left Rear of Engine Compartment	1, 2
S141	Left Rear of Engine Compartment	1,2, 6, 17
S142	Left Rear of Engine Compartment	1, 4
S143	Left Rear of Engine Compartment	1, 4, 5, 8
S144	Left Rear of Engine Compartment	1, 2
S145	Left Rear of Engine Compartment	1, 2
S146 (4.0L)	Near Cooling Fan Relay #2	N/S
S146 (Diesel)	Near MSA Controller	19,20

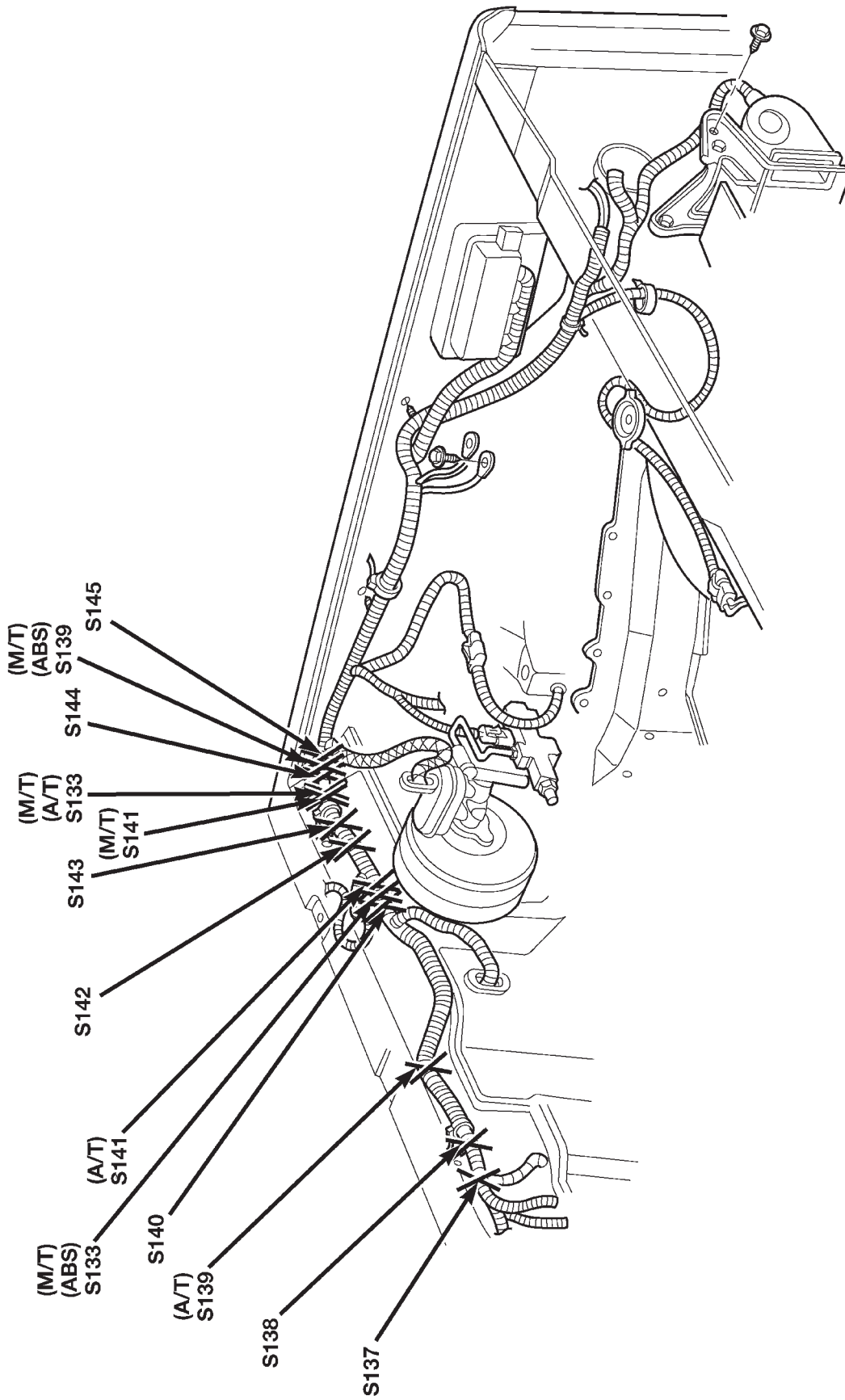
## DESCRIPTION AND OPERATION (Continued)

Splice Number	Location	Fig.	Splice Number	Location	Fig.
S147 (Diesel)	Left Rear of Engine Compartment	17,18	S212 (LHD)	In Lower Instrument Panel Trough	14
S148 (Diesel)	Left Rear of Engine Compartment	17,18	S213	Near Brake Shift Interlock	13, 14
S149 (Diesel)	Left rear of Engine Compartment	17,18	S214	Between Glove Box Lamp and Trough	13, 14
S150 (Diesel)	Left Rear of Engine Compartment	17,18	S215	Near Center Console	13, 14
S151 (Diesel)	Near Power Distribution Center	17, 18	S216	Near Instrument Cluster	13, 14
S152 (Diesel)	Left Fender Side Shield	17, 18	S217	In Lower Instrument Panel Trough	13
S153	In T/O to PDC	17, 18	S218	Lower Instrument Panel	14
S156 (Diesel)	Rear of Engine Compartment	17	S219	Lower Instrument Panel	14
S157 (Diesel)	Left Rear of Engine Compartment	17, 18	S220	Near T/O for Rear Fog Lamp Relay	N/S
S158	Near T/O for Left Headlamp	9	S221	Near Clock Spring	N/S
S159	Near T/O for PDC	3, 4, 7, 8, 17, 18	S222	Near Clock Spring	N/S
S161	Near Vehicle Speed Sensor T/O	N/S	S225	Near Junction Block	N/S
S200	Near Headlamp Switch	13, 14	S226 (Built-Up-Export)	Near Headlamp Switch	N/S
S201	Near Data Link Connector	13, 14	S227 (Built-Up-Export)	Near Headlamp Switch	N/S
S202	Lower Left Instrument Panel	13	S229 (Built-Up-Export)	Lower Instrument Panel	13, 14
S203	Near Brake Switch	13, 14	S230 (Built-Up-Export)	Near Center Console	13, 14
S204 (LHD)	Near Brake Switch	13	S232	Lower Instrument Panel	14
S204 (RHD)	Lower Steering Column	14	S233 (Built-up-Export)	Near Left headlamp (W/Headlamp Leveling)	9
S205	Lower Instrument Panel	13, 14	S234 (Built-Up-Export)	Near Left Headlamp (W/Headlamp Leveling)	9
S206	In Lower Instrument Panel Trough	13, 14	S235 (Built-Up-Export)	Between Headlamps (W/Headlamp Leveling)	9
S207	In Lower Instrument Panel Trough	13, 14	S236 (Built-Up-Export)	Near right Headlamp (w/Headlamp Leveling)	9
S208	In Lower Instrument Panel Trough	13, 14	S237 (Built-Up-Export)	Near Diode Module	13
S209	In Lower Instrument Panel Trough	13, 14	S238	In T/O for Combination Flasher	N/S
S210	In Lower Instrument Panel Trough	13, 14	S239	In T/O for Combination Flasher	N/S
S211	In Lower Instrument Panel Trough	13, 14	S301	Near Power Amplifier	16
S212 (LHD)	Near Brake Shift Interlock	13	S302	Near Power Amplifier	16
			S303	Near Power Amplifier	16
			S304	Near Right Front Door Jamb Switch	N/S

## DESCRIPTION AND OPERATION (Continued)

Splice Number	Location	Fig.	Splice Number	Location	Fig.
S305	Between Right Tail Lamp and Power Seat	N/S	S334	Liftgate	N/S
S306	Between Right Tail Lamp and Power Seat	N/S	S335	Trailer Tow Harness	N/S
S307	Between Right Tail Lamp and Power Seat	N/S	S336	Trailer Tow Harness	N/S
S308	Between Left Tail Lamp and Left Rear Door	N/S	S337	Trailer Tow Harness	N/S
S309	Between Left Tail Lamp and Left Rear Door	N/S	S338	Trailer Tow Harness	N/S
S310	Near Right Rear Door Jamb Switch	N/S	S339	Trailer Tow Harness	N/S
S311	Near Left Tail Lamp	N/S	S340	Trailer Tow Harness	N/S
S312	Near Power Seat	N/S	S341	Left Rear Lighting Harness	N/S
S313	Near Console Illumination	N/S	S342	Overhead Console	N/S
S314	Instrument Panel to Body Harness	15	S344	Overhead Console	N/S
S315	Instrument Panel to Body Harness	15	S345	Overhead Console	N/S
S316 (LHD)	Near Right Power Window Motor	N/S	S346	Overhead Console	N/S
S317 (LHD)	Near Right Power Window Motor	N/S	S347	Dome and Vanity Harness	N/S
S318	Right Front Door Near Tweeter	N/S	S348	Right Rear Lighting Harness	N/S
S319	Right Front Door Near Tweeter	N/S	S349	In T/O for HVAC Unit	N/S
S320	Right Front Door	N/S	S350	In the Power Seat Harness	N/S
S321	Right Front Door	N/S	S351	Near T/O for Left Door Connectors	N/S
S322 (RHD)	Near Left Power Window Motor	N/S	S352	Left Kick Panel	N/S
S323 (RHD)	Near Left Power Window Motor	N/S	S353	Near Right Heated Seat Switch	N/S
S325 (RHD)	Near Left Door Tweeter	N/S	S354	In the Right Heated Seat Harness	N/S
S326 (RHD)	Near Left Front Door Speaker	N/S	S355	In Left and Right Heated Seat Switch Harness	N/S
S327 (RHD)	Near Left Front Door Speaker	N/S	S356	Near the Left and Right Heated Seat Harness Ground	N/S
S328	Near Left Door Tweeter	N/S	S357	Near the Heated Seat Relay	N/S
S329 (LHD)	Near Left Door Tweeter	N/S	S359	Near T/O for HVAC Unit	N/S
S330 (LHD)	Near Left Front Door Speaker	N/S	S360	Near Power Mirror Switch	N/S
S331 (LHD)	Near Left Front Door Speaker	N/S	S361	Near Junction Block in the Dome Harness	N/S

DESCRIPTION AND OPERATION (Continued)



80bbcc9a

Fig. 1 Left Engine Compartment Splices 4.0L Engine LHD

DESCRIPTION AND OPERATION (Continued)

80bbcc9b

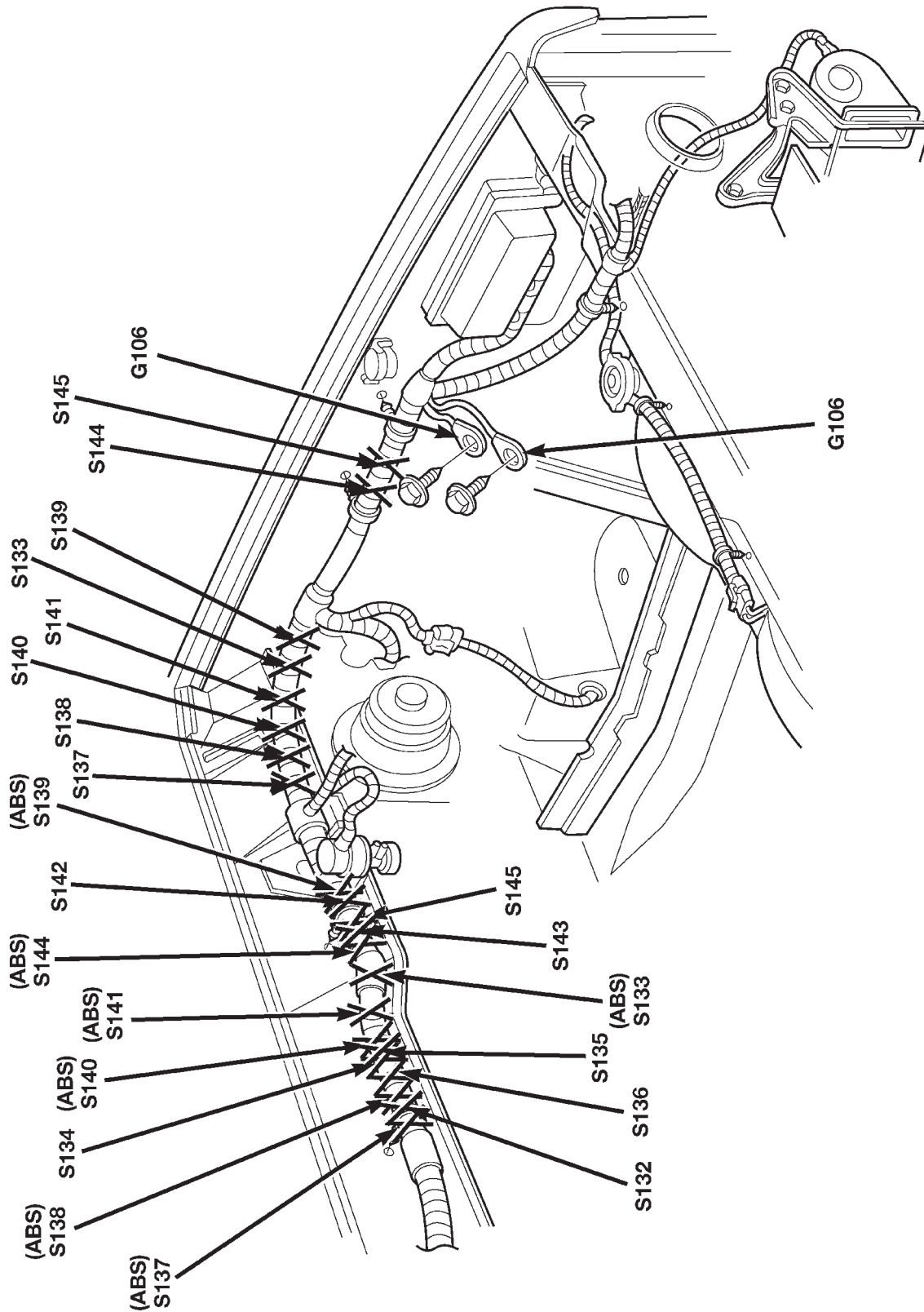


Fig. 2 Left Engine Compartment Splices 4.0L Engine RHD

DESCRIPTION AND OPERATION (Continued)

80bbcc9c

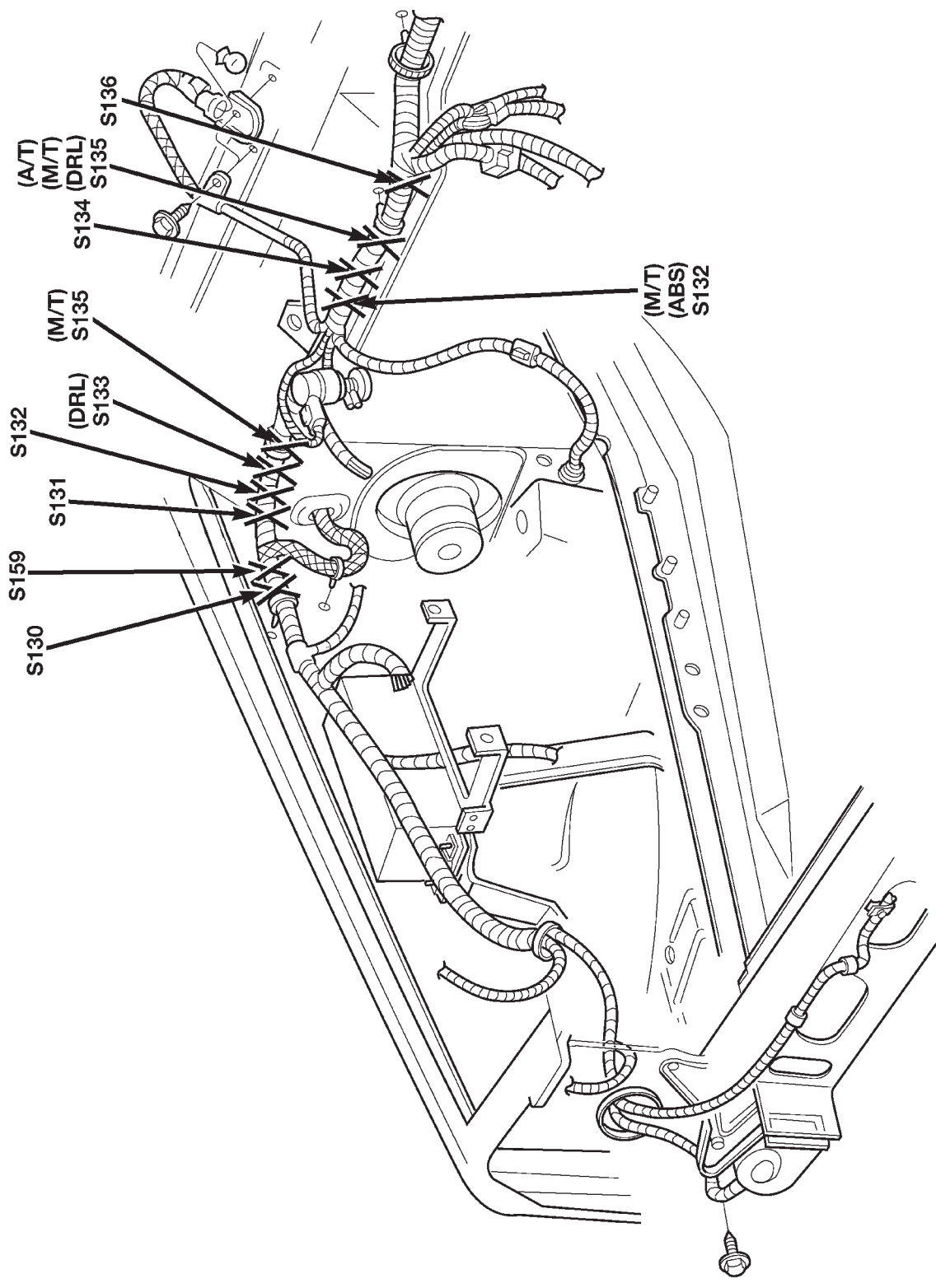
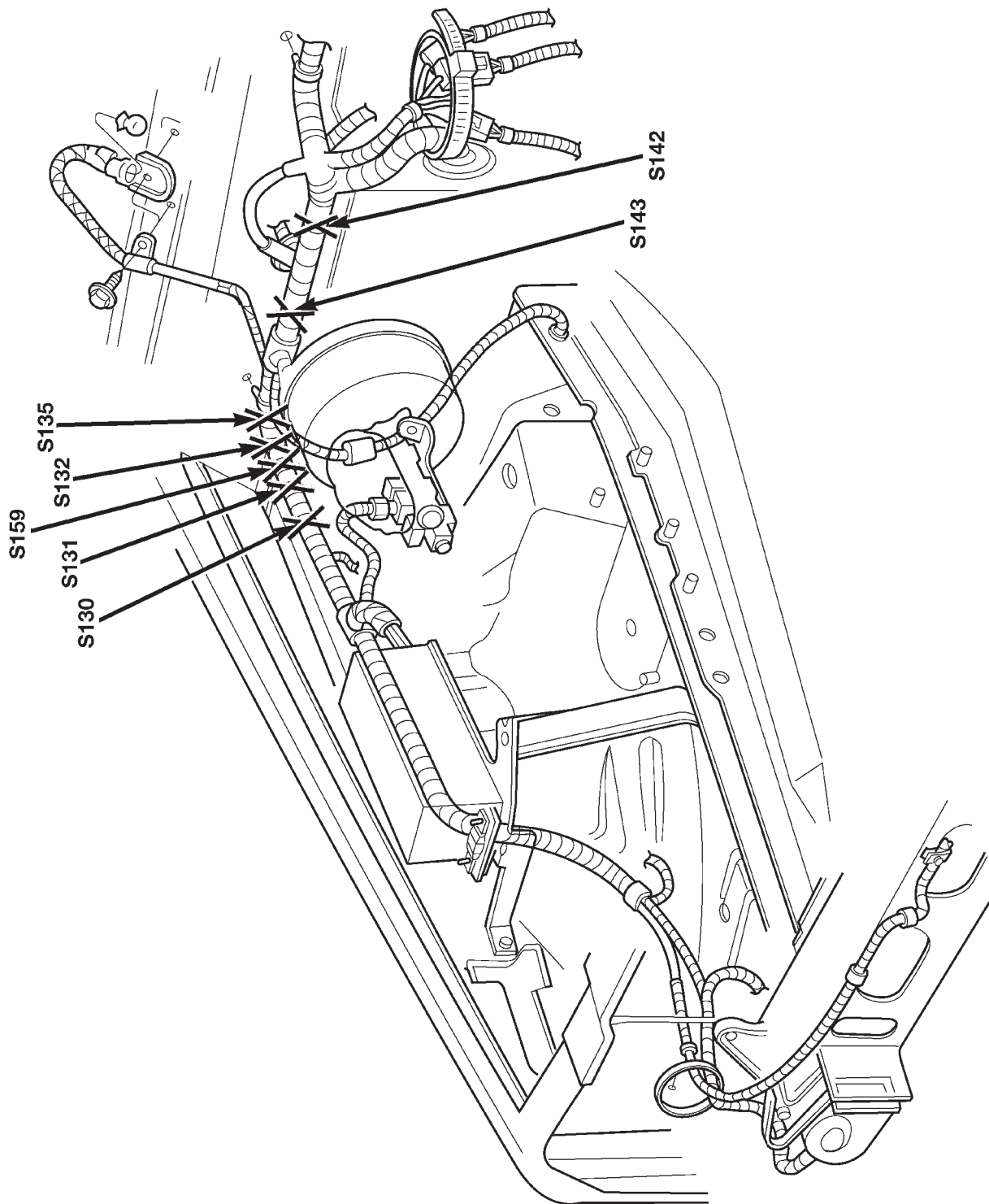


Fig. 3 Right Engine Compartment Splices 4.0L Engine LHD



DESCRIPTION AND OPERATION (Continued)

80bbcc9e



**Fig. 4 Right Engine Compartment Splices 4.0L Engine RHD**

DESCRIPTION AND OPERATION (Continued)

80bbcc9f

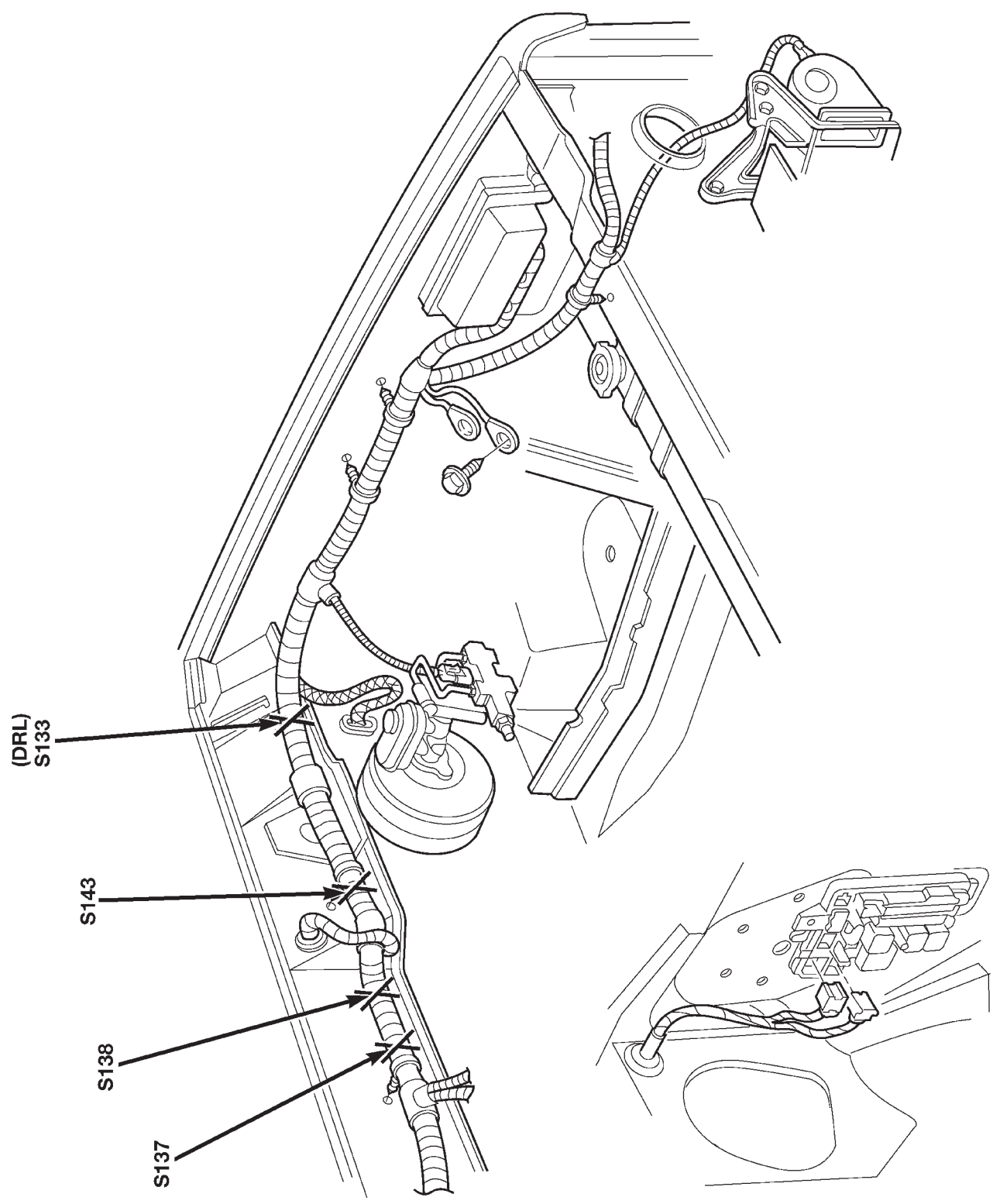


Fig. 5 Left Engine Compartment Splices 2.5L Engine LHD

DESCRIPTION AND OPERATION (Continued)

80bbcca0

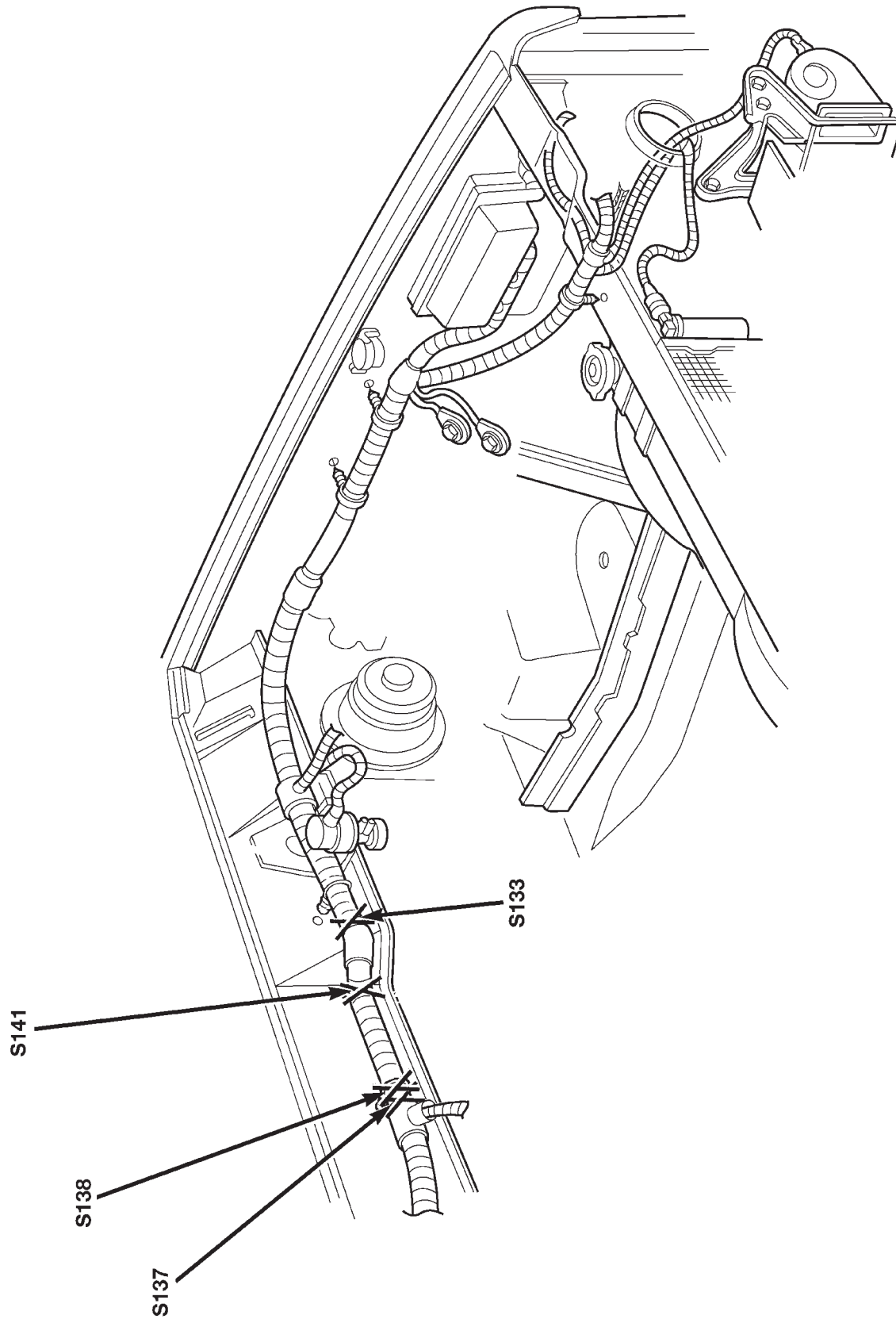
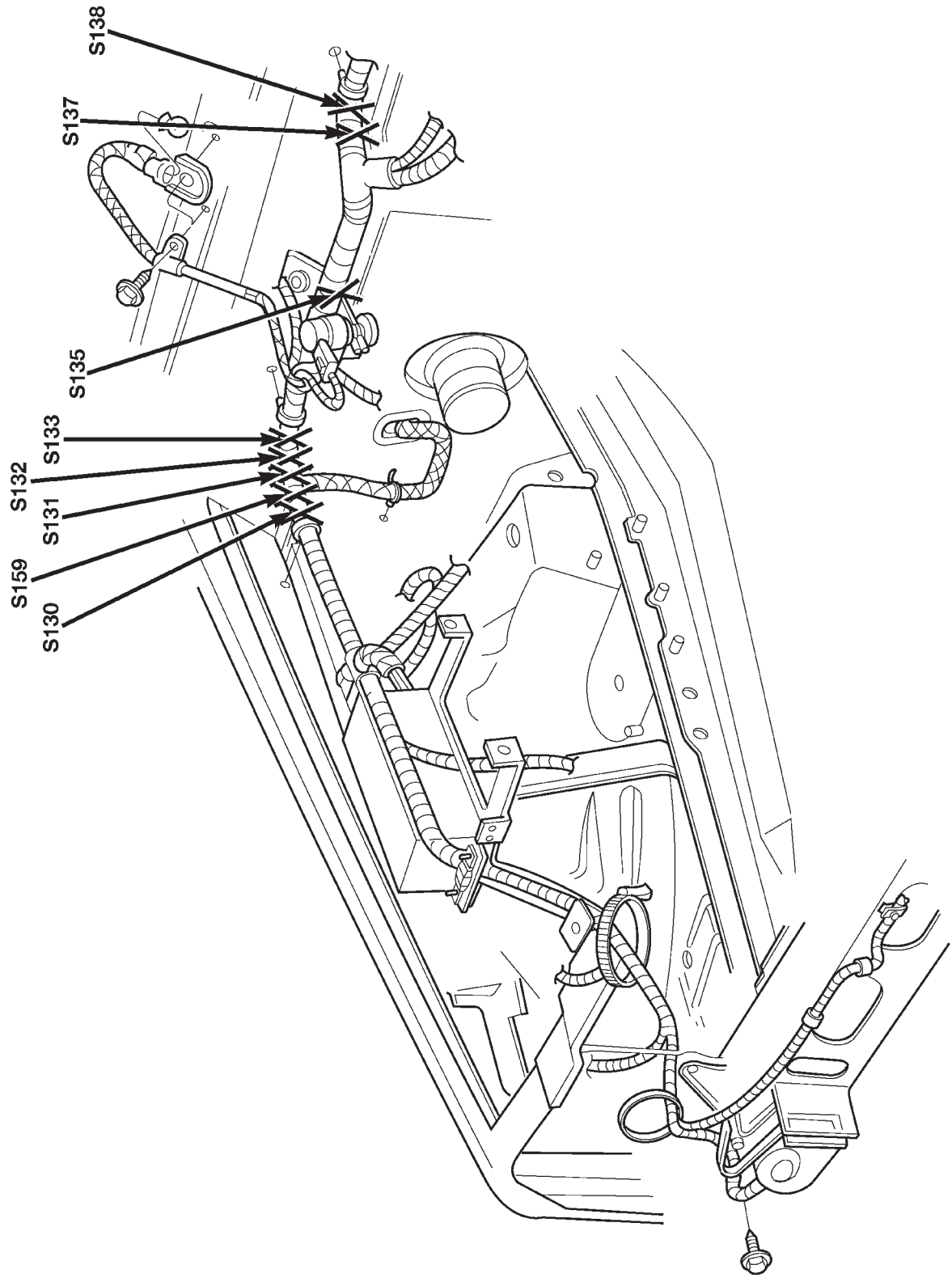


Fig. 6 Left Engine Compartment Splices 2.5L Engine RHD

DESCRIPTION AND OPERATION (Continued)

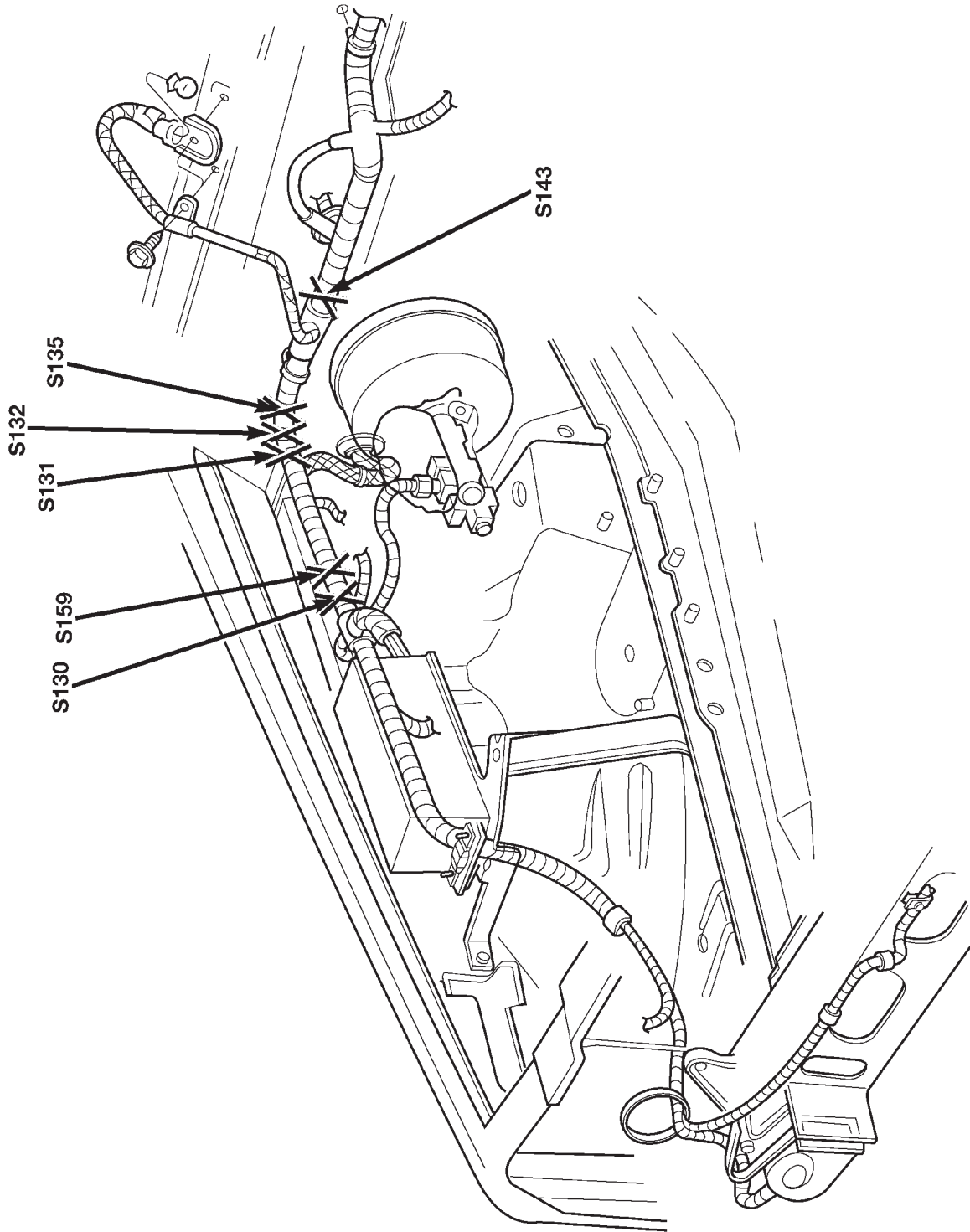


80bbcca1

Fig. 7 Right Engine Compartment Splices 2.5L Engine LHD

DESCRIPTION AND OPERATION (Continued)

80bbcca2



*Fig. 8 Right Engine Compartment Splices 2.5L Engine RHD*

DESCRIPTION AND OPERATION (Continued)

80bbcca3

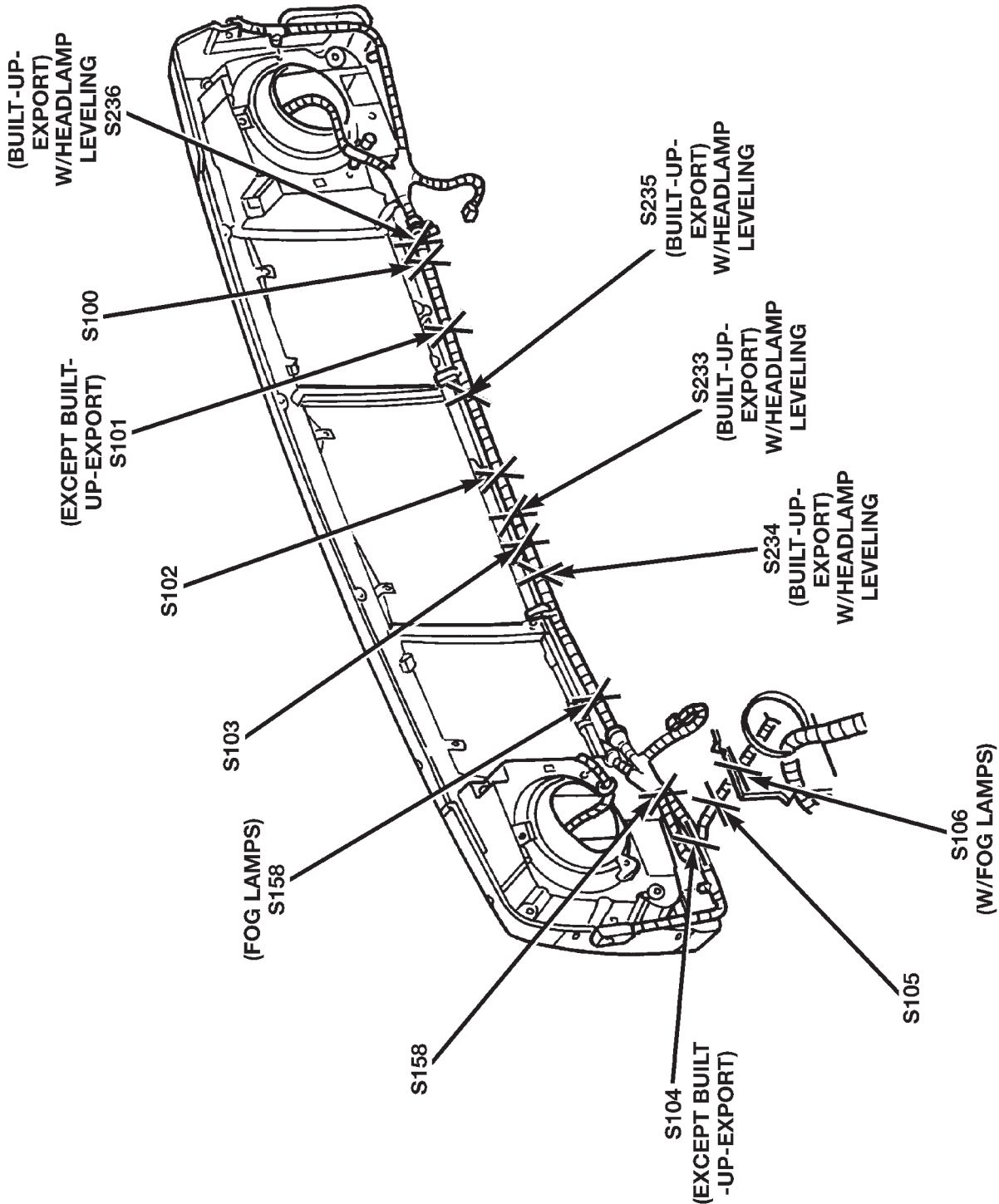


Fig. 9 Front End Lighting Splices

80bbcca4

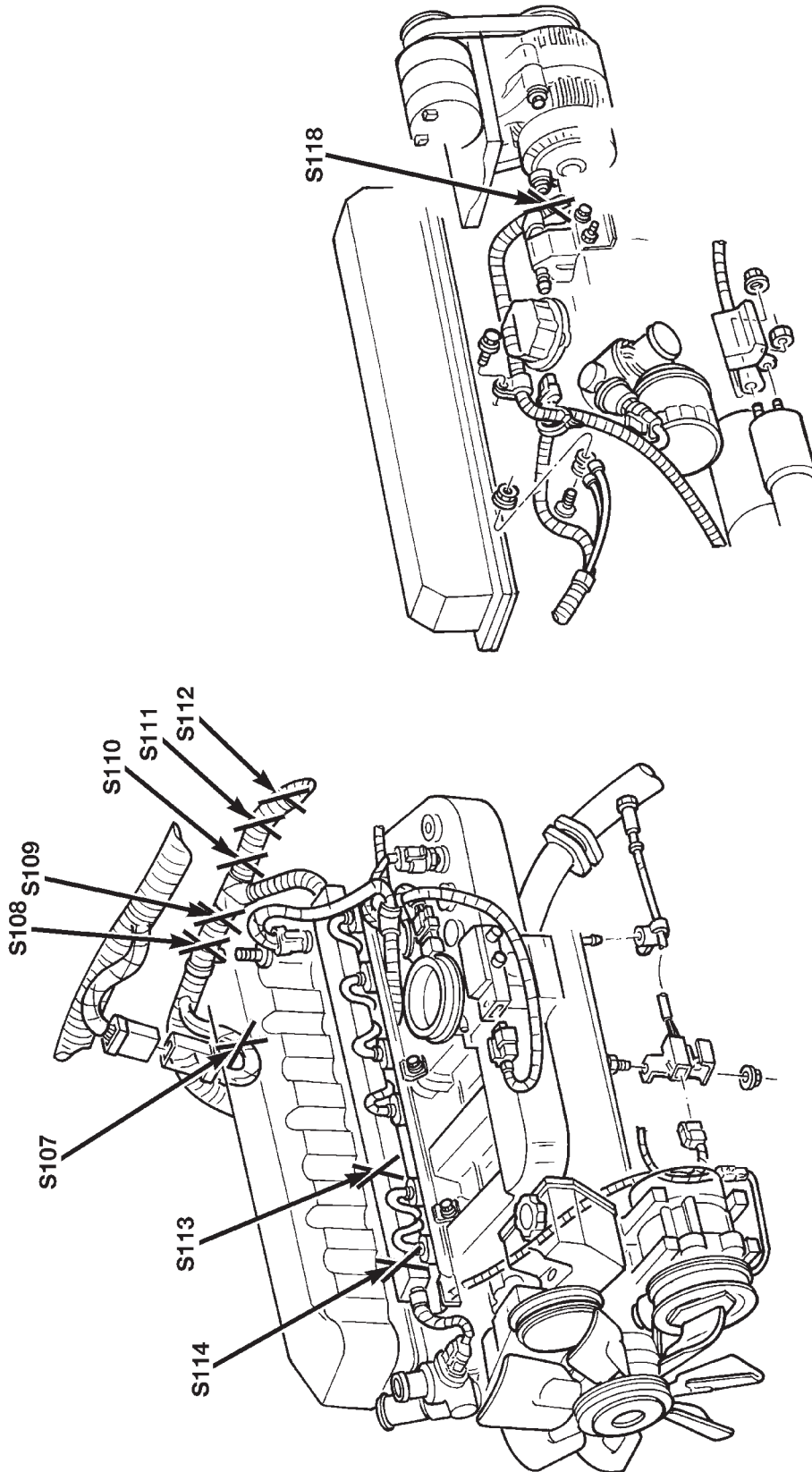


Fig. 10 Engine Wiring Splices 4.0L Engine

DESCRIPTION AND OPERATION (Continued)

80bbcca5

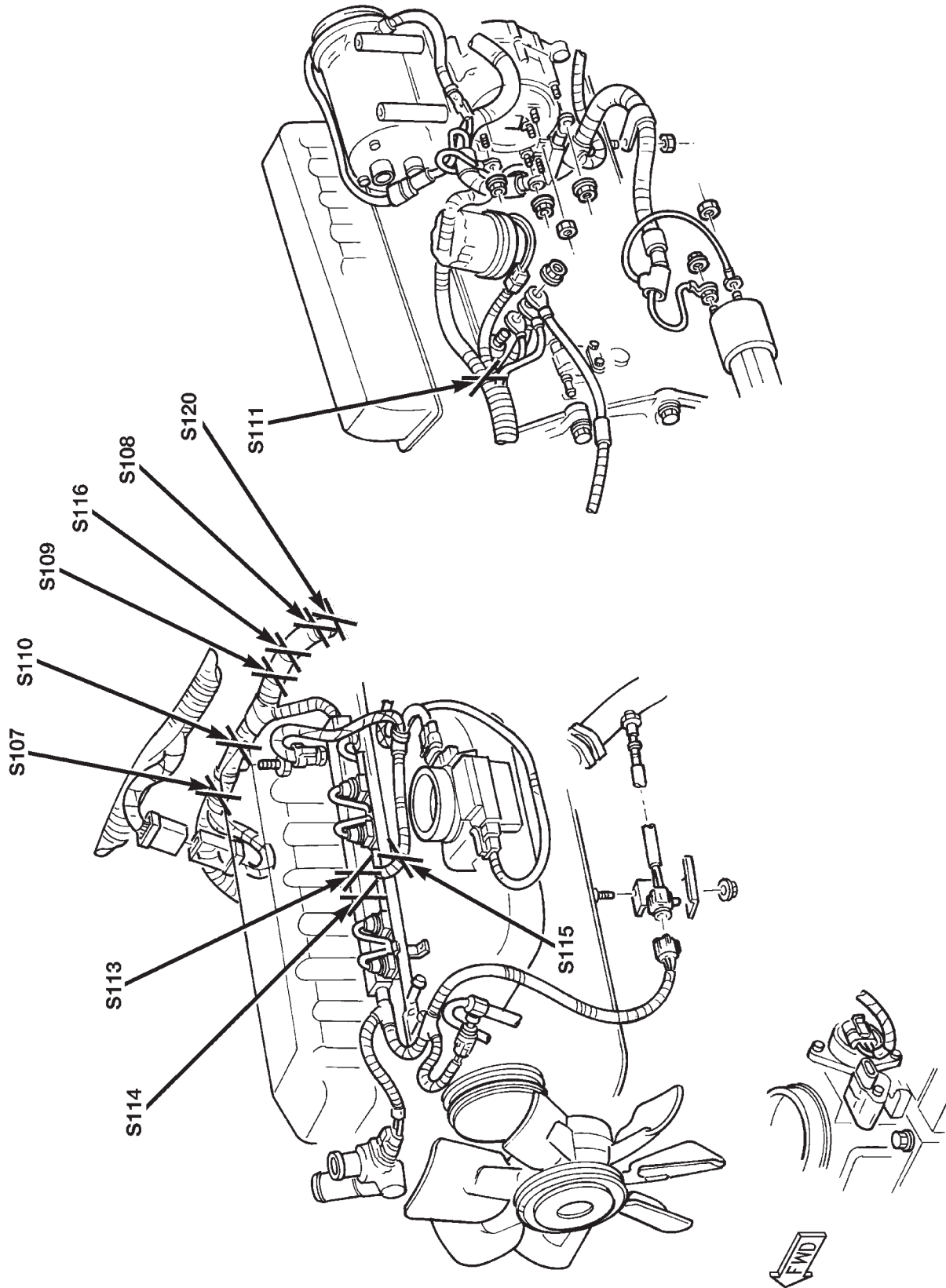
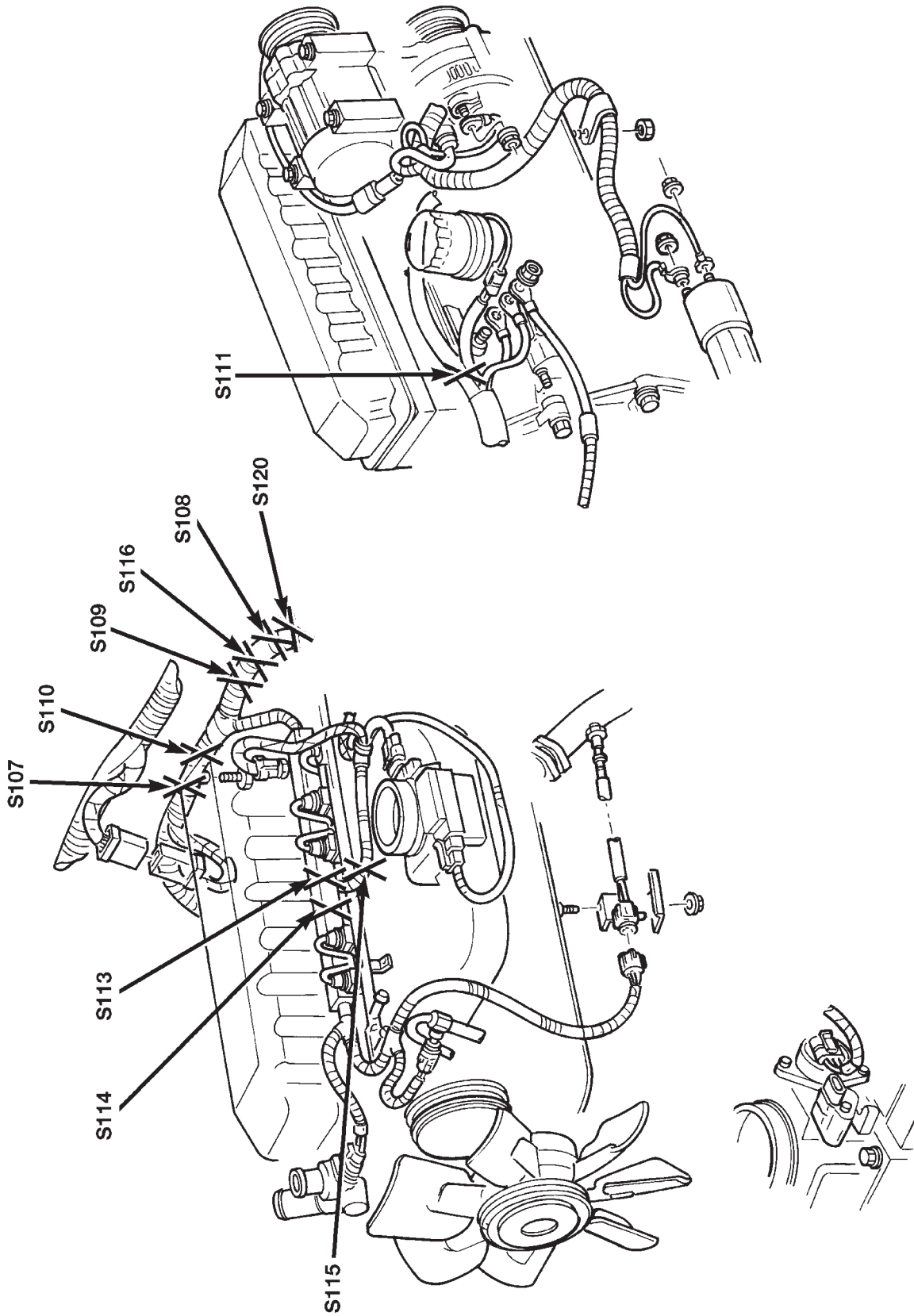


Fig. 11 Engine Wiring Splices 2.5L Engine LHD



DESCRIPTION AND OPERATION (Continued)

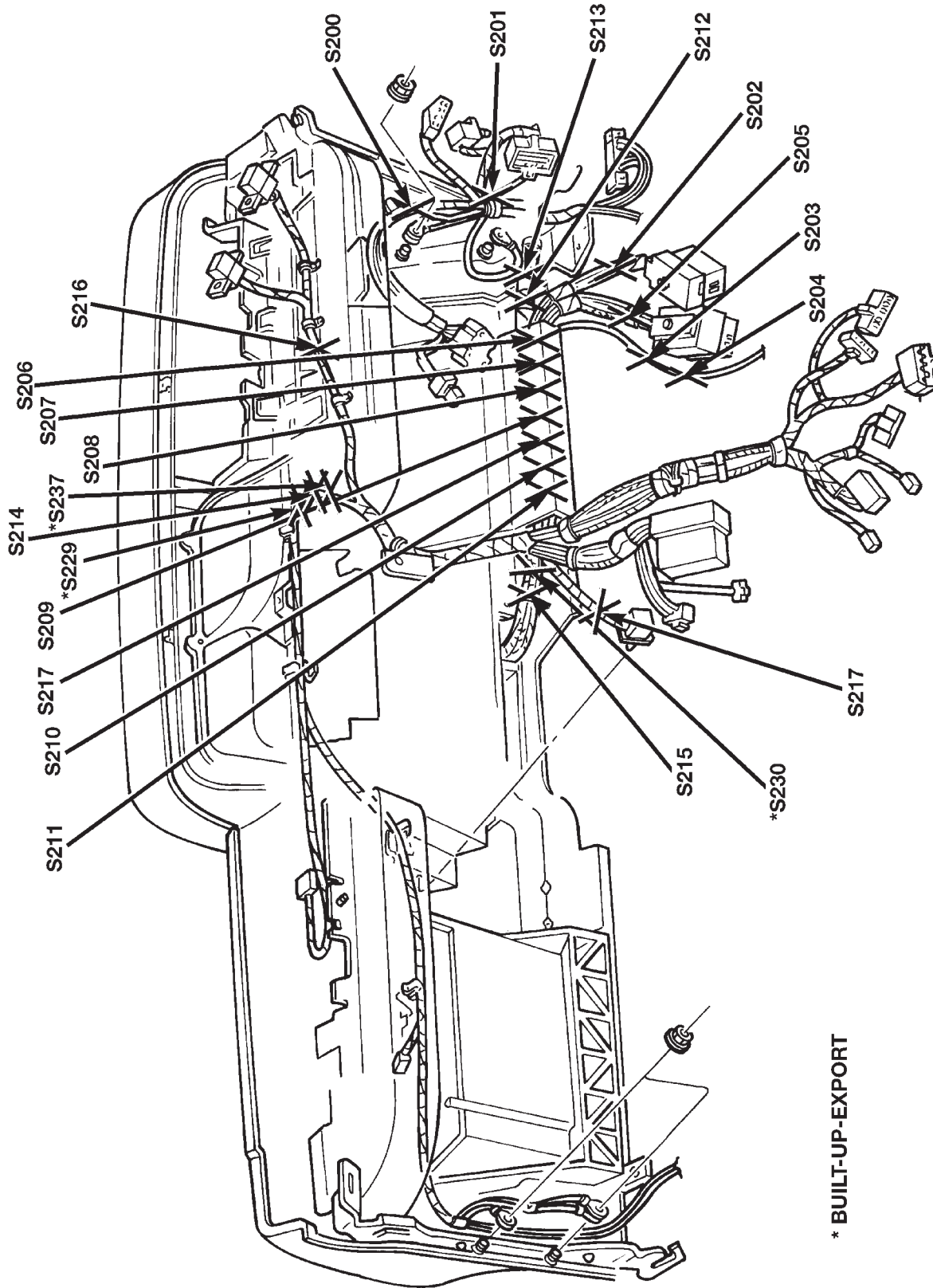


80bbcca6

Fig. 12 Engine Wiring Splices 2.5L Engine RHD

DESCRIPTION AND OPERATION (Continued)

80bbcca7



\* BUILT-UP-EXPORT

Fig. 13 Instrument Panel Wiring Splices LHD

DESCRIPTION AND OPERATION (Continued)

80bbcca8

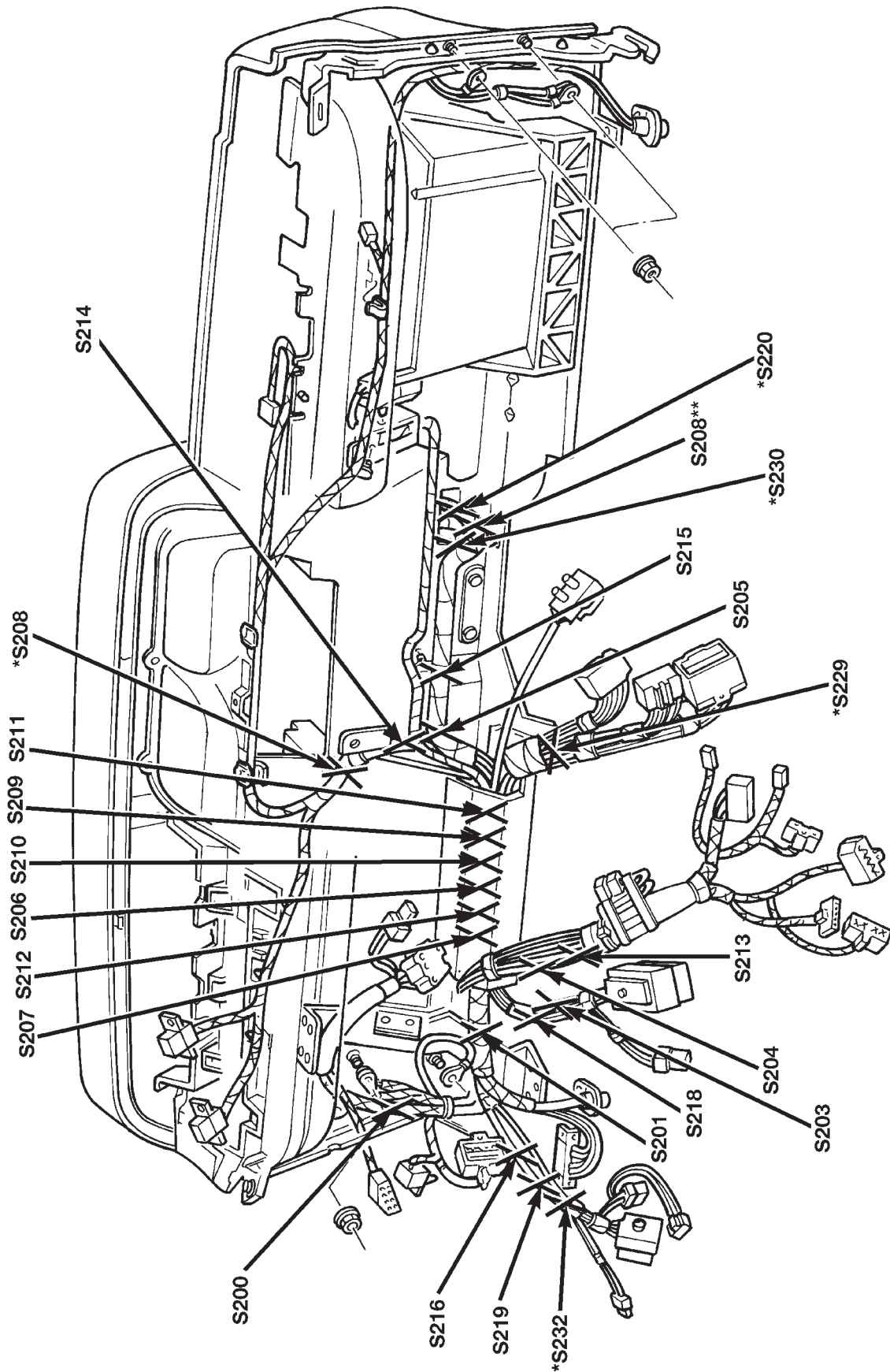


Fig. 14 Instrument Panel Wiring Splices RHD

\* BUILT-UP-EXPORT  
\*\* EXCEPT BUILT-UP EXPORT

DESCRIPTION AND OPERATION (Continued)

80a837bc

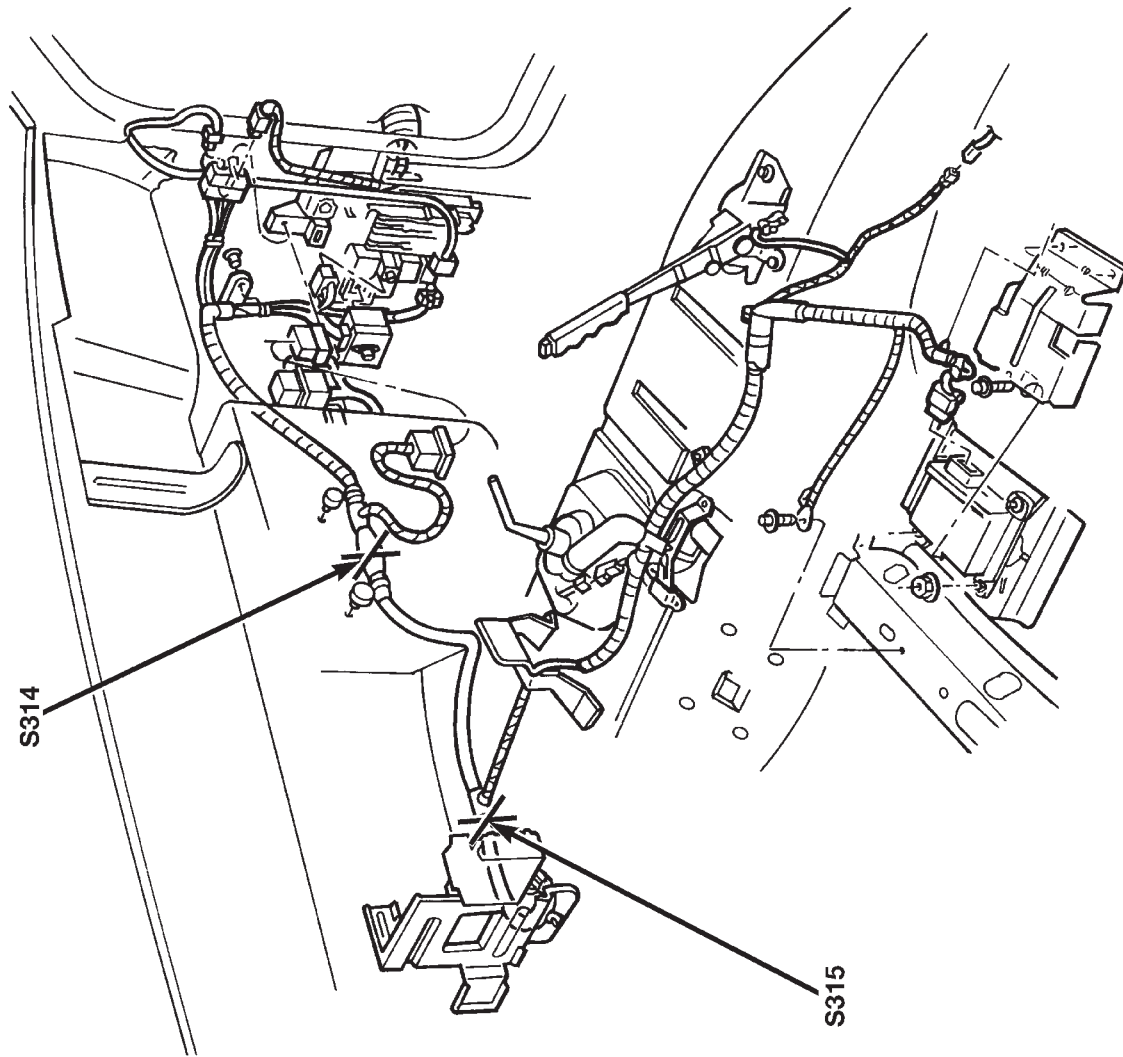
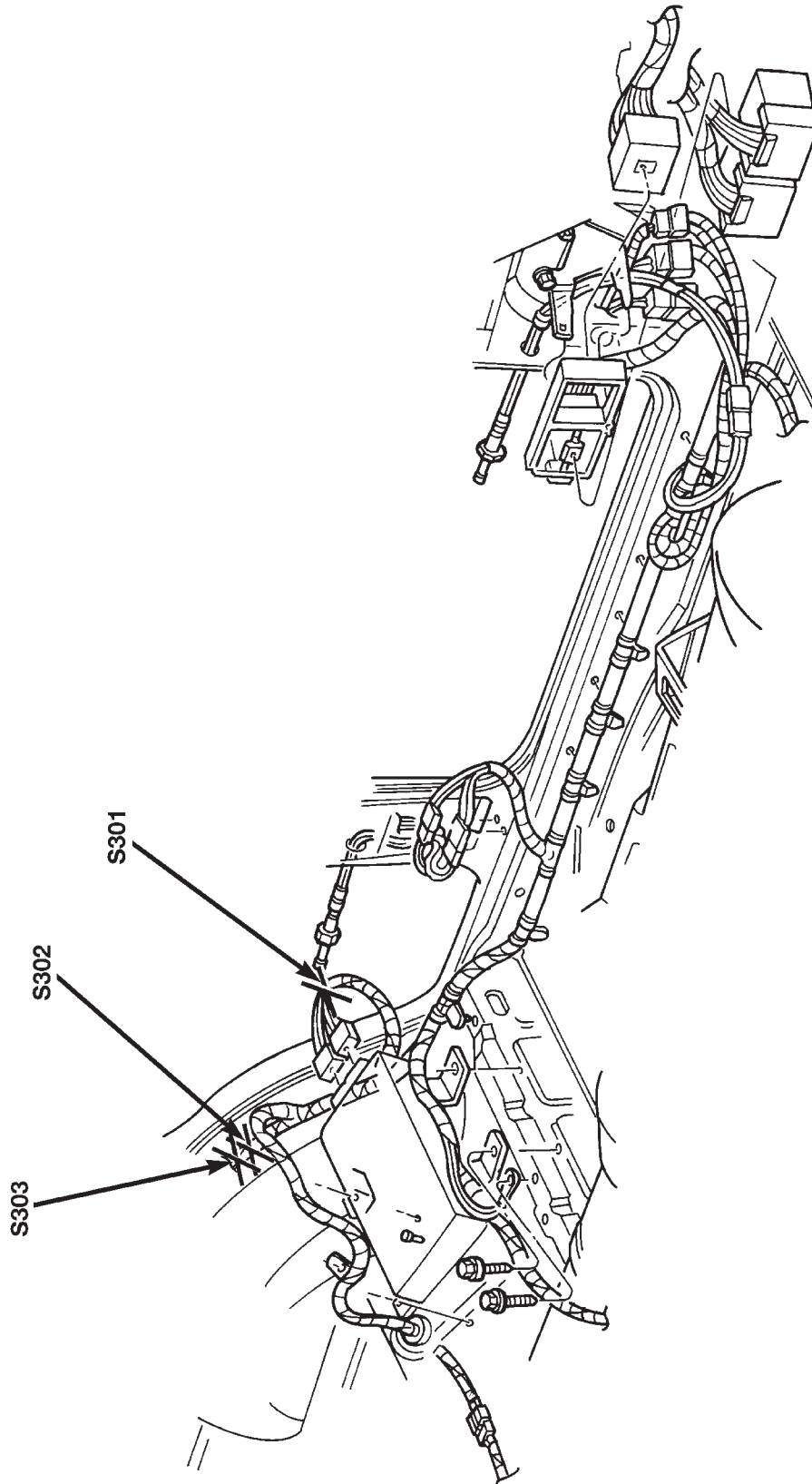


Fig. 15 Instrument Panel to Body Harness Splices

80b31e28



*Fig. 16 Left Side Body Harness Splices*

DESCRIPTION AND OPERATION (Continued)

80bbcca9

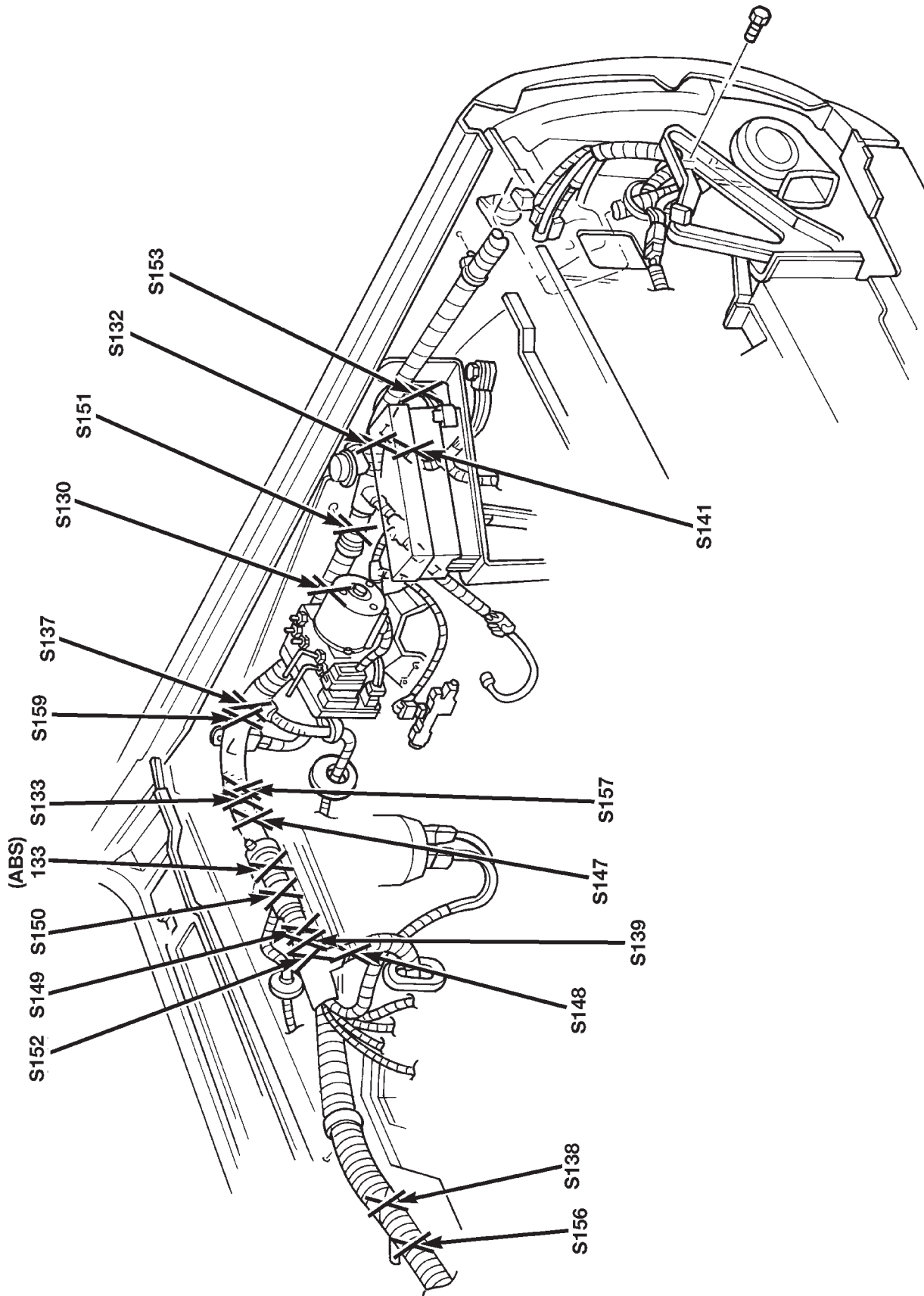


Fig. 17 Left Engine Compartment Splices Diesel LHD

DESCRIPTION AND OPERATION (Continued)

80bbccac

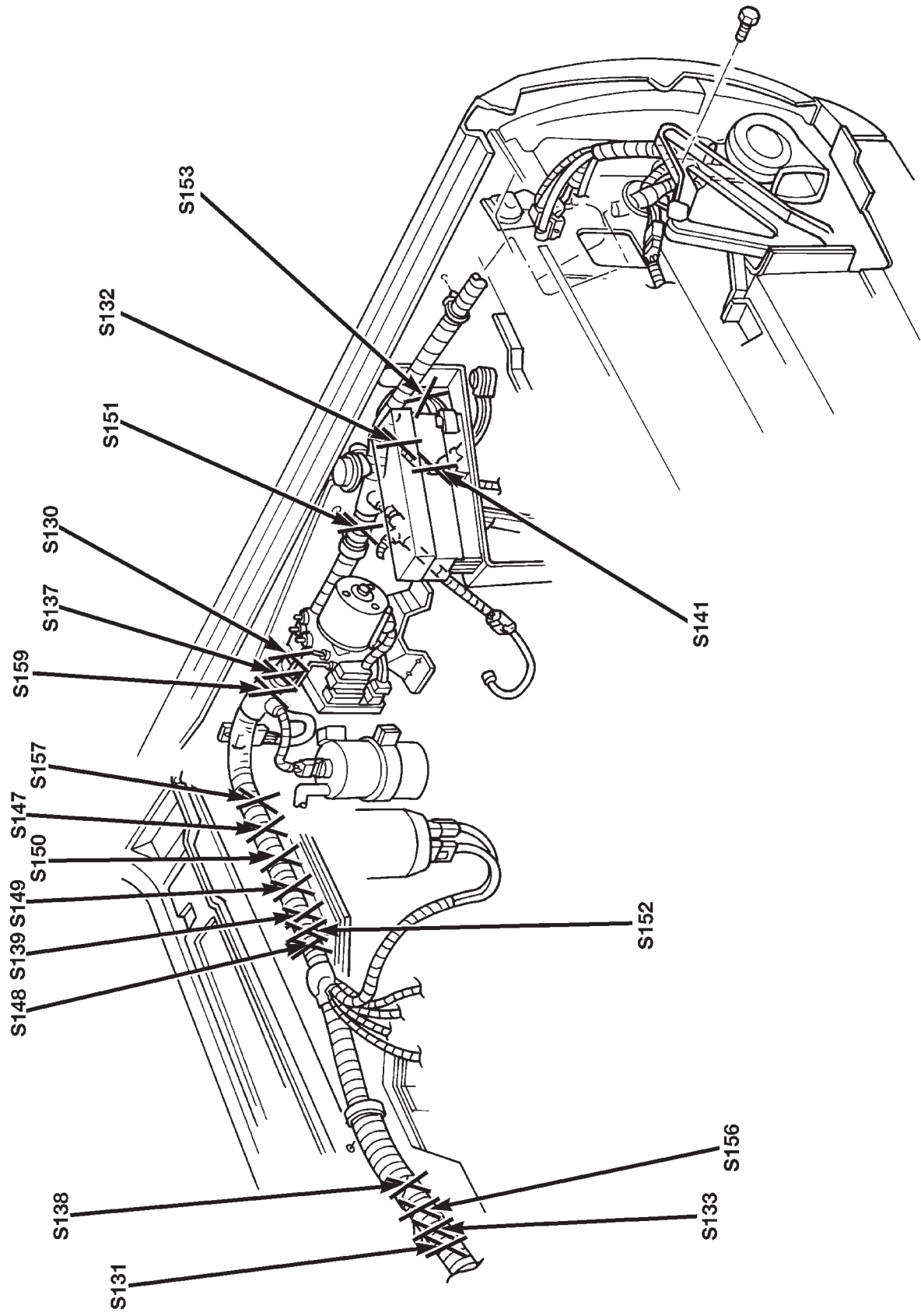


Fig. 18 Left Engine Compartment Splices Diesel RHD

DESCRIPTION AND OPERATION (Continued)

80bbccad

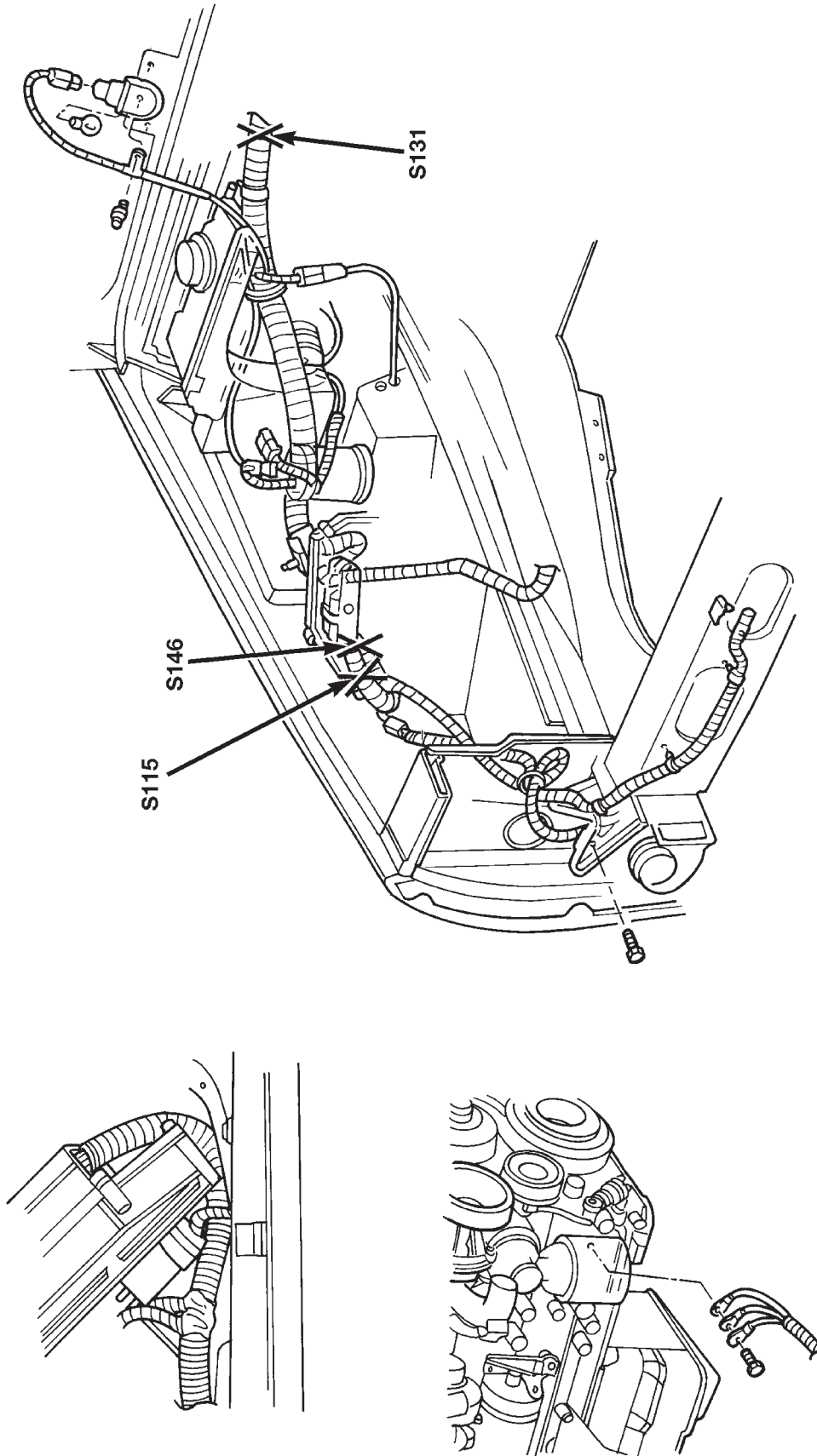


Fig. 19 Right Engine Compartment Splices Diesel LHD



DESCRIPTION AND OPERATION (Continued)

80bbccae

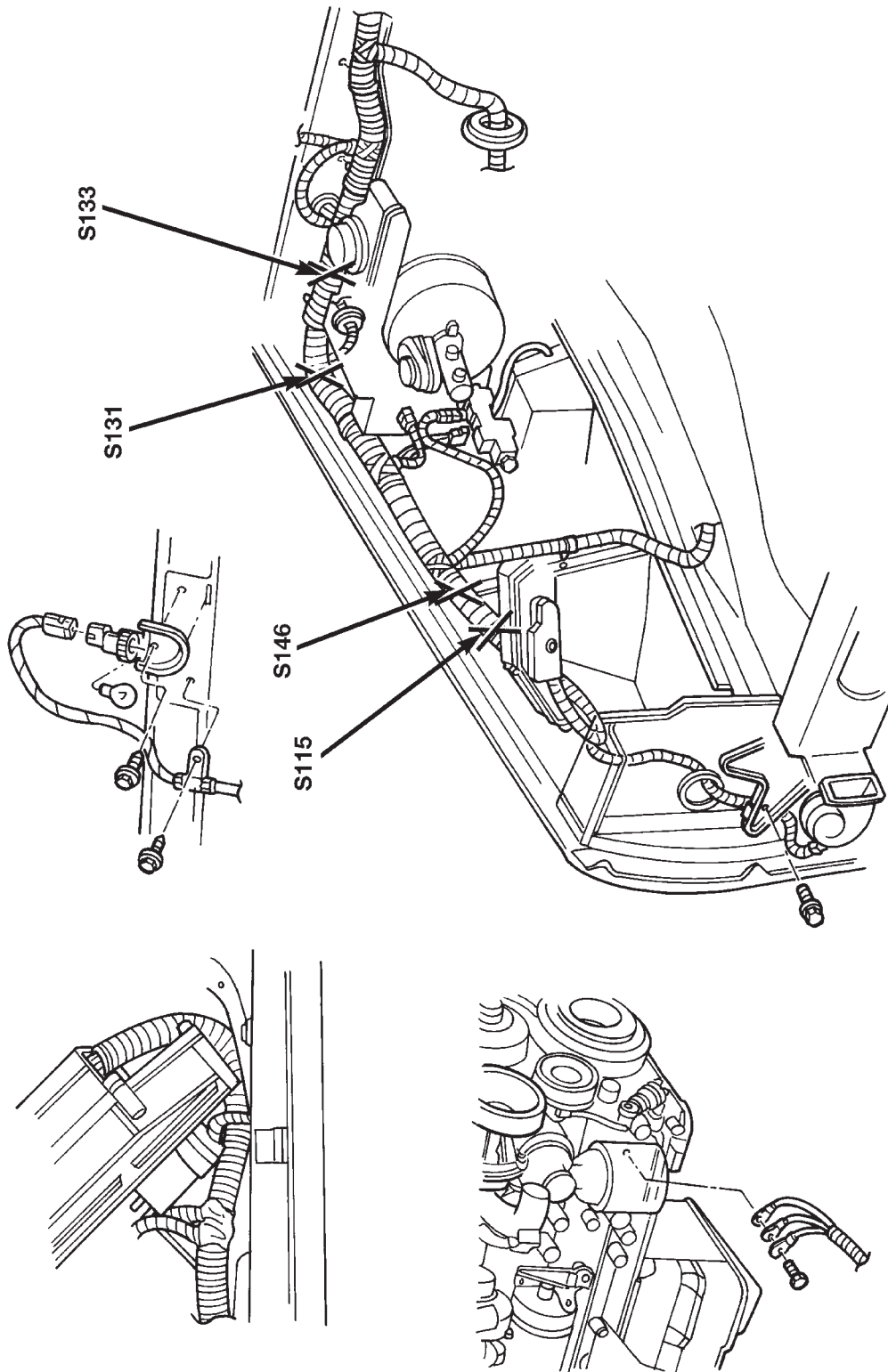


Fig. 20 Right Engine Compartment Splices Diesel RHD

